

1 Location of Main Parts

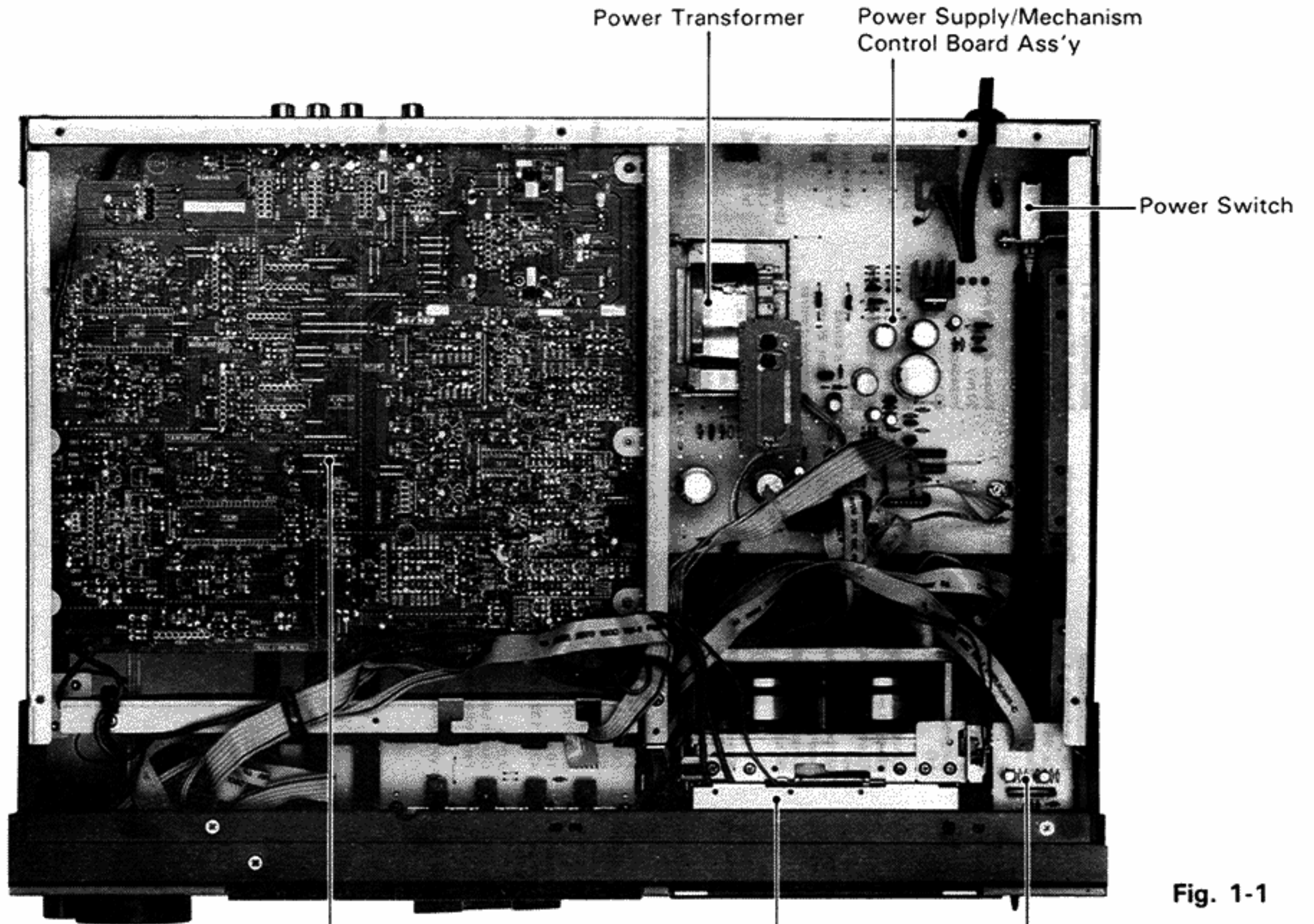


Fig. 1-1

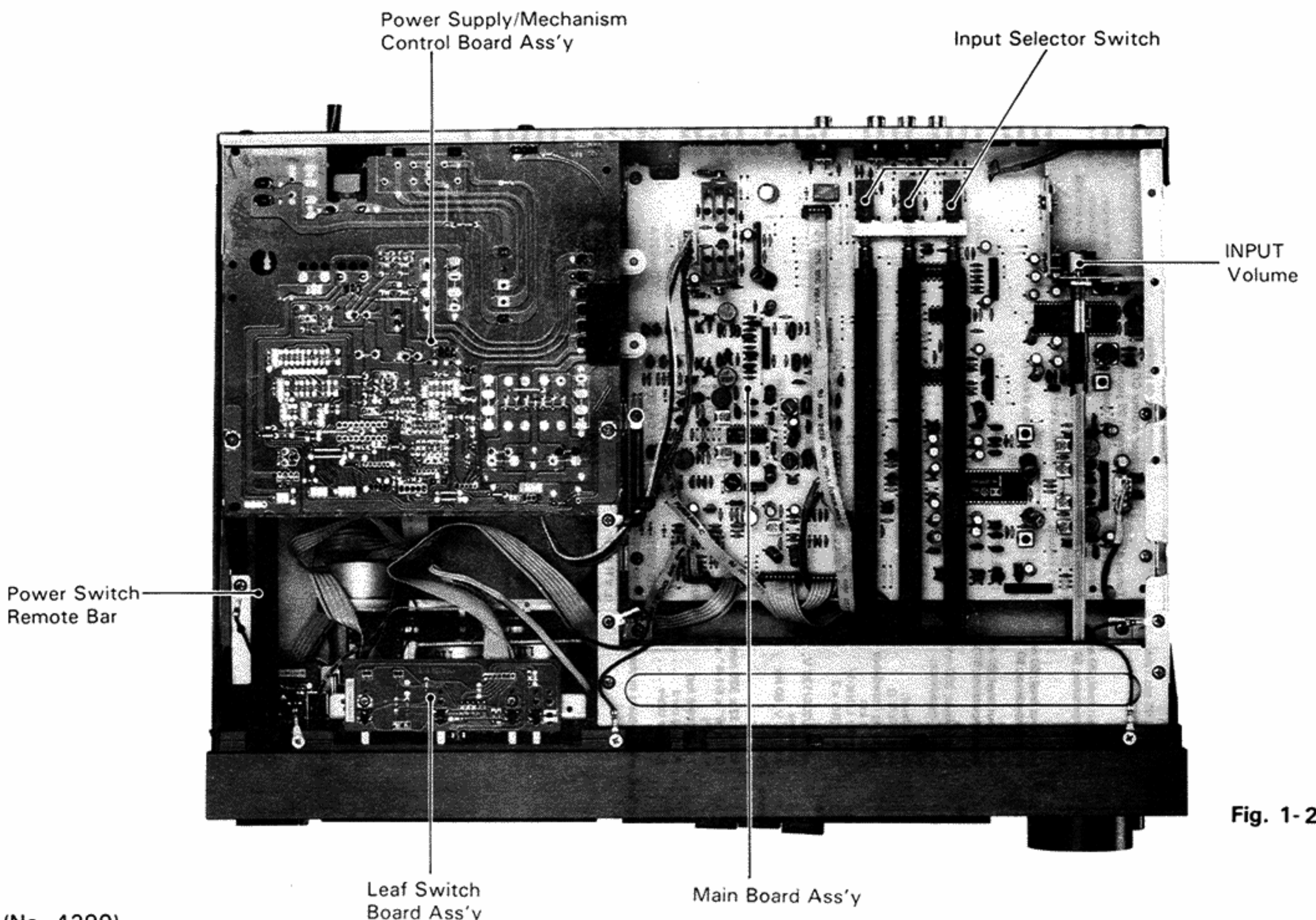


Fig. 1-2

■ Mechanism
 ■ Front Side

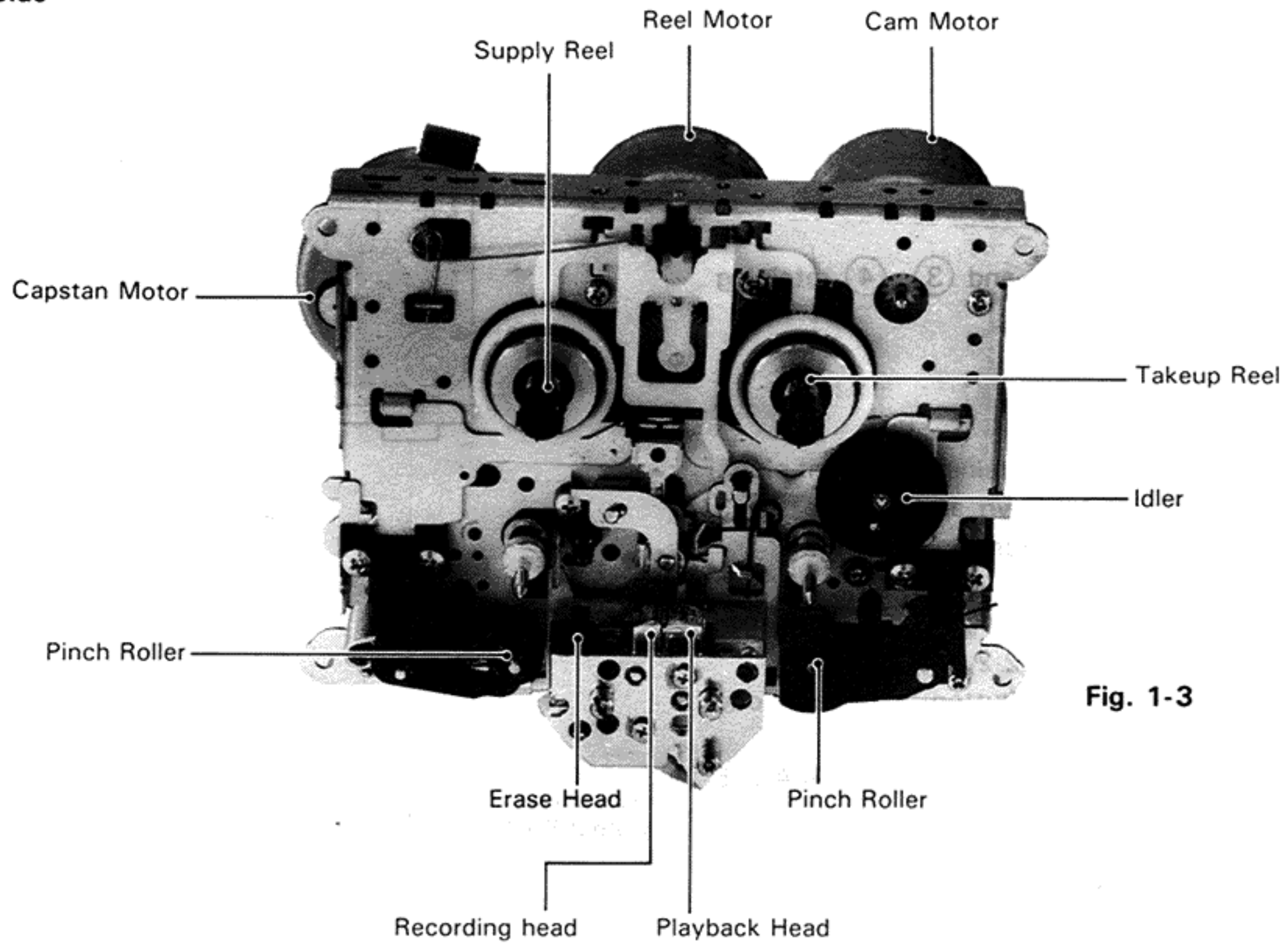


Fig. 1-3

■ Rear Side

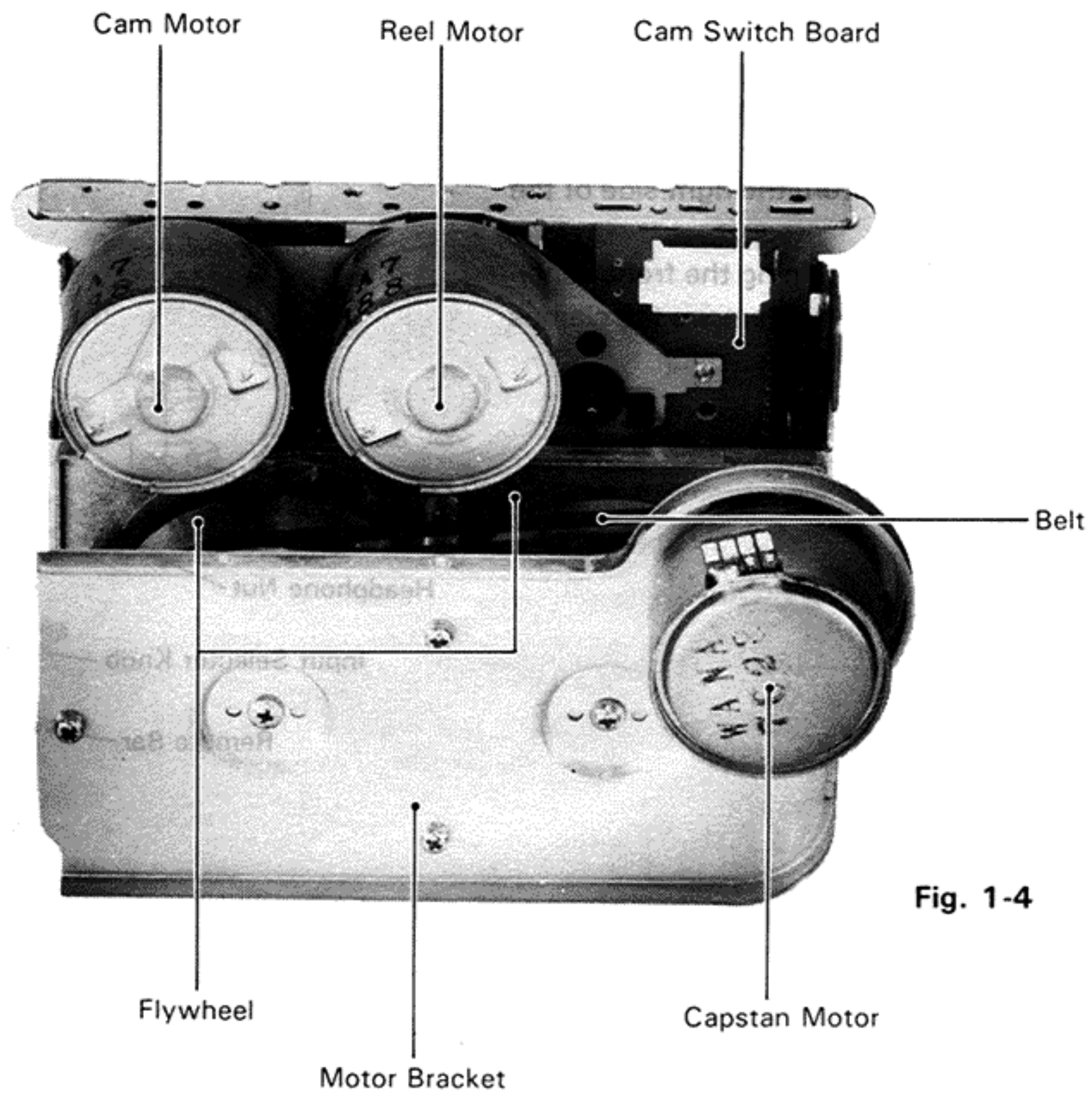


Fig. 1-4

2 Removal of Main Parts

■ Top Cover

Remove the 4 screws on each side and 2 screws on the back retaining the top cover.

■ Bottom Cover

Remove the 6 screws (1), (2) and (3), (4) retaining the bottom cover.

■ Front Plate (see Figure 2-2)

- 1) Remove the 3 screws (5) retaining the front plate.
- 2) Position the set upside down and remove the 3 screws (6) retaining the front.

■ Front Panel Ass'y (see Figures 2-2, 2-3, 2-4)

- 1) Remove the power switch button and headphone output knob.
- 2) Remove the INPUT LEVEL, BIAS and BALANCE knobs.
- 3) Remove the cassette lid.
- 4) Remove the screw (7) retaining the INPUT LEVEL remote bar.
- 5) Remove the 2 screws (9) and (11) retaining the ground lug plate.
- 6) Move the INPUT LEVEL remote bar to the hole in the right side and remove it from the volume shaft.
- 7) Remove the 4 power switch remote bars and 4 input selector remote bars from the switches.
- 8) Next, remove the input selector switches from the remote bars.
- 9) Remove the 2 screws (10) from the right side of the cassette door.
- 10) Remove the 4 screws (8) retaining the front panel.
- 11) With the bottom plate at the top, remove the clamps retaining the wires to the chassis.

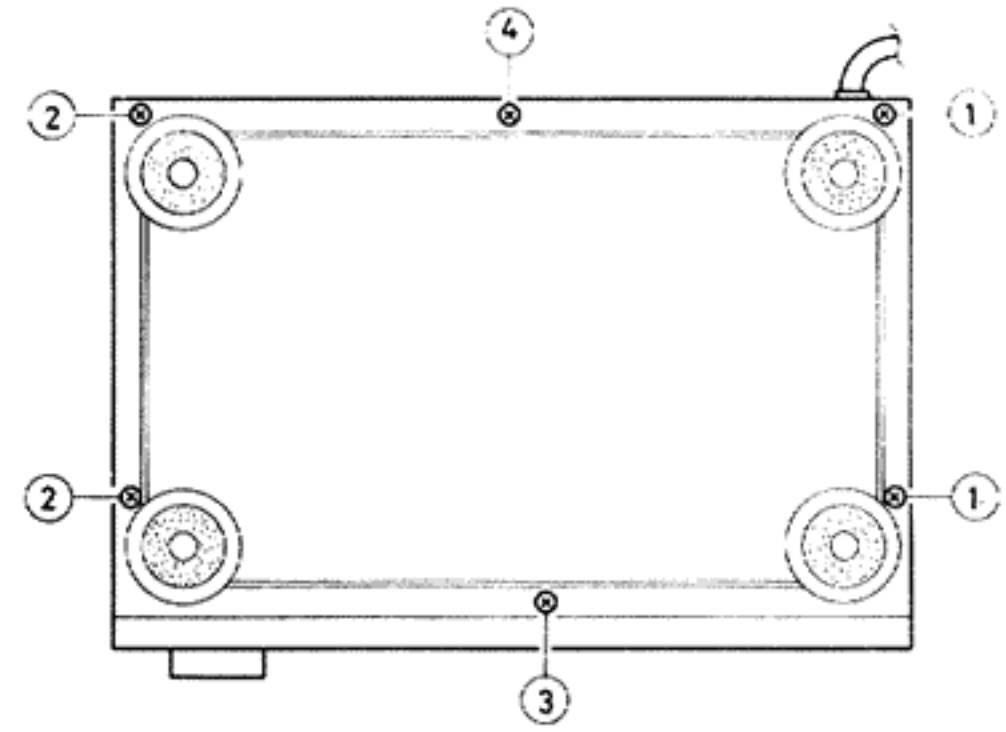


Fig. 2-1

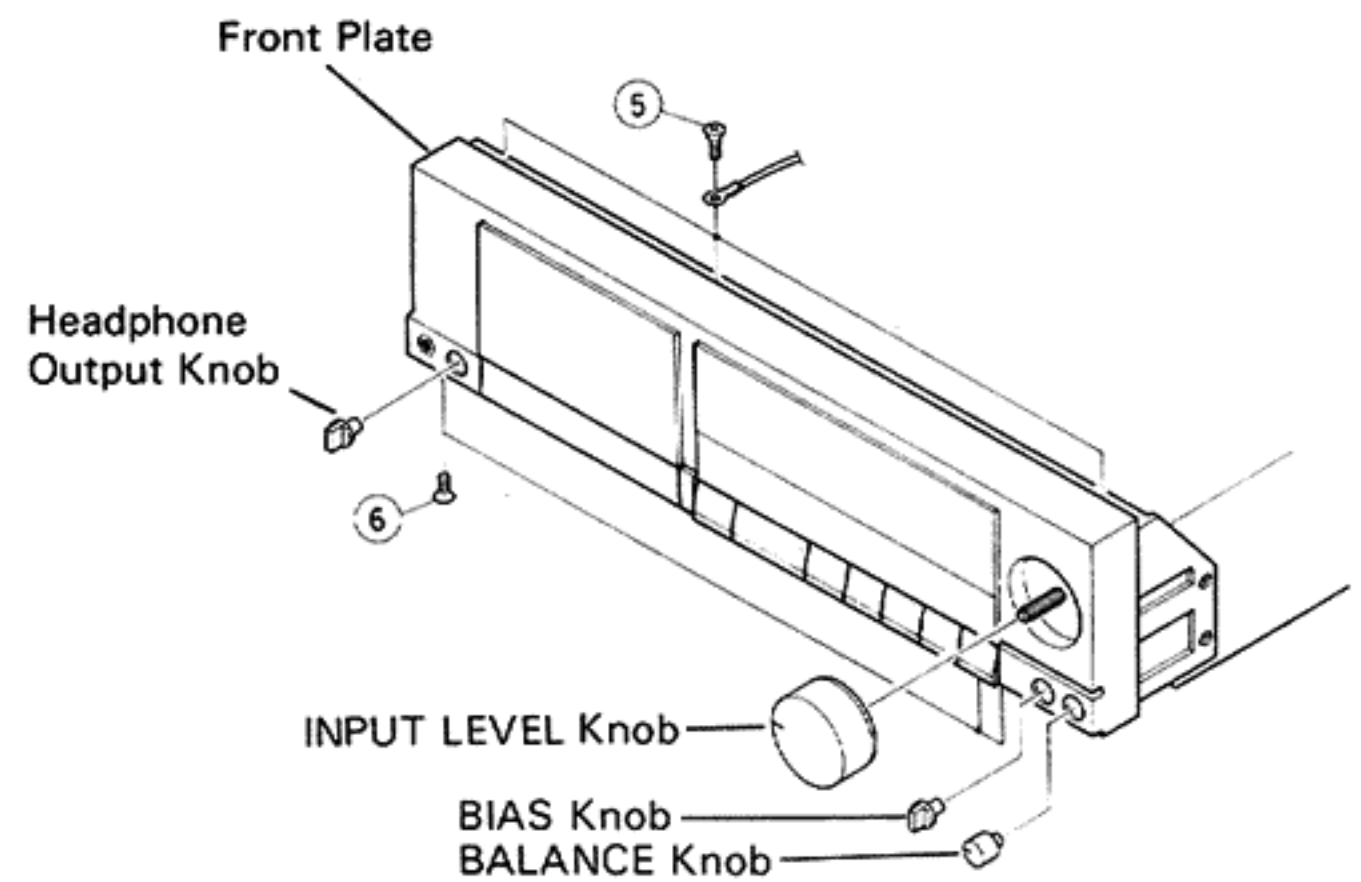


Fig. 2-2

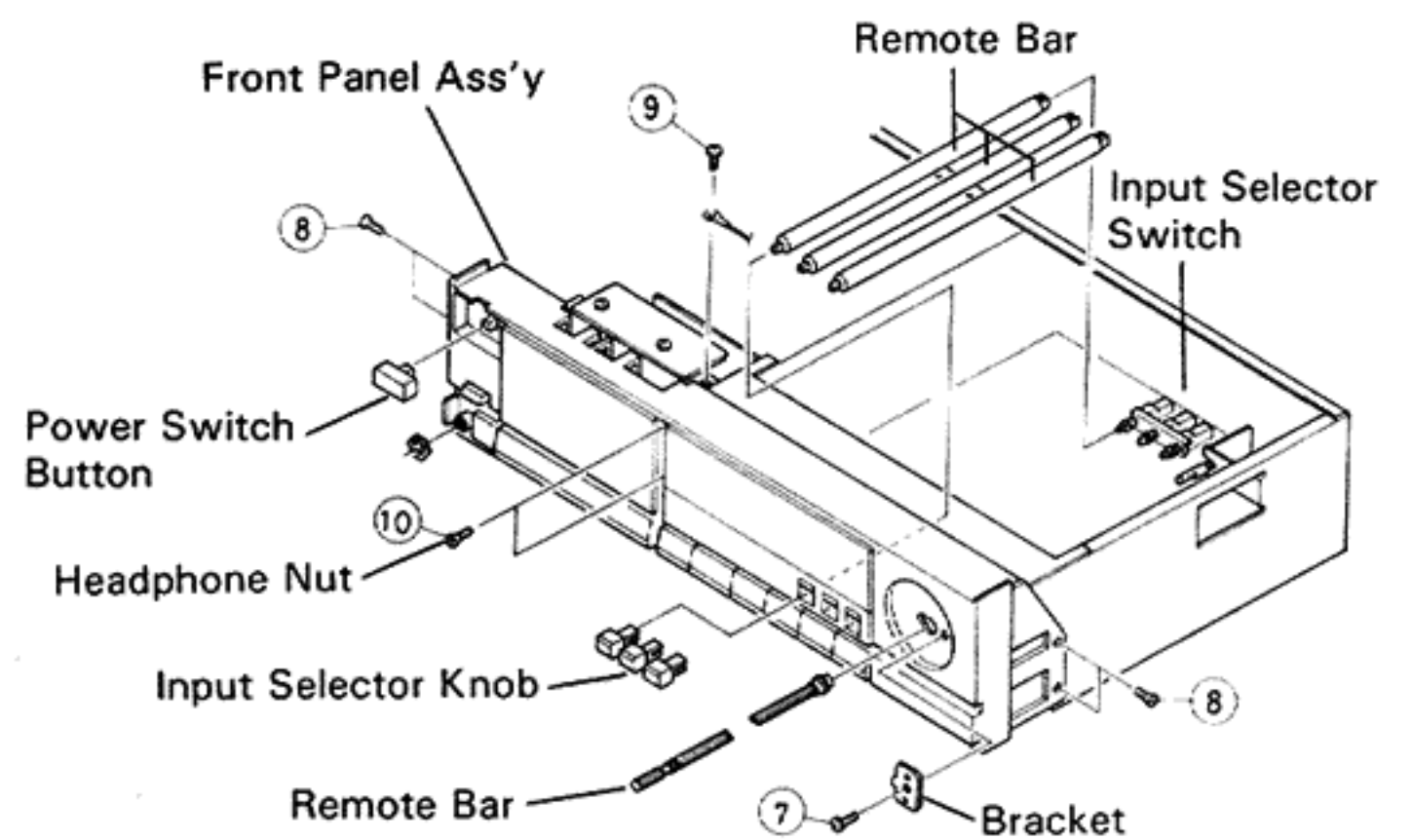


Fig. 2-3

- **Mechanism** (see Figures 2-4, 2-5)
Remove the 4 screws (12) and (13) retaining the mechanism.

- **Other Boards** (see Figure 2-5)
 - **Operation board**
Disengage the 5 claws (B) retaining the operation board.
 - **Timer switch board**
Disengage the 4 claws (C) retaining the timer switch board
 - **Headphone jack board**
Disengage the claw (D) retaining the headphone jack board.

- **Display board** (Figure 2-5)
Remove the 2 screws (15) retaining the display board.

- **Dolby NR board** (Figure 2-5)
Remove the 2 screws (15) retaining the Dolby NR board.

- **BIAS/BALANCE board** (Figure 2-5)
Remove the screw (16) and claw (A) retaining the BIAS/BALANCE board.

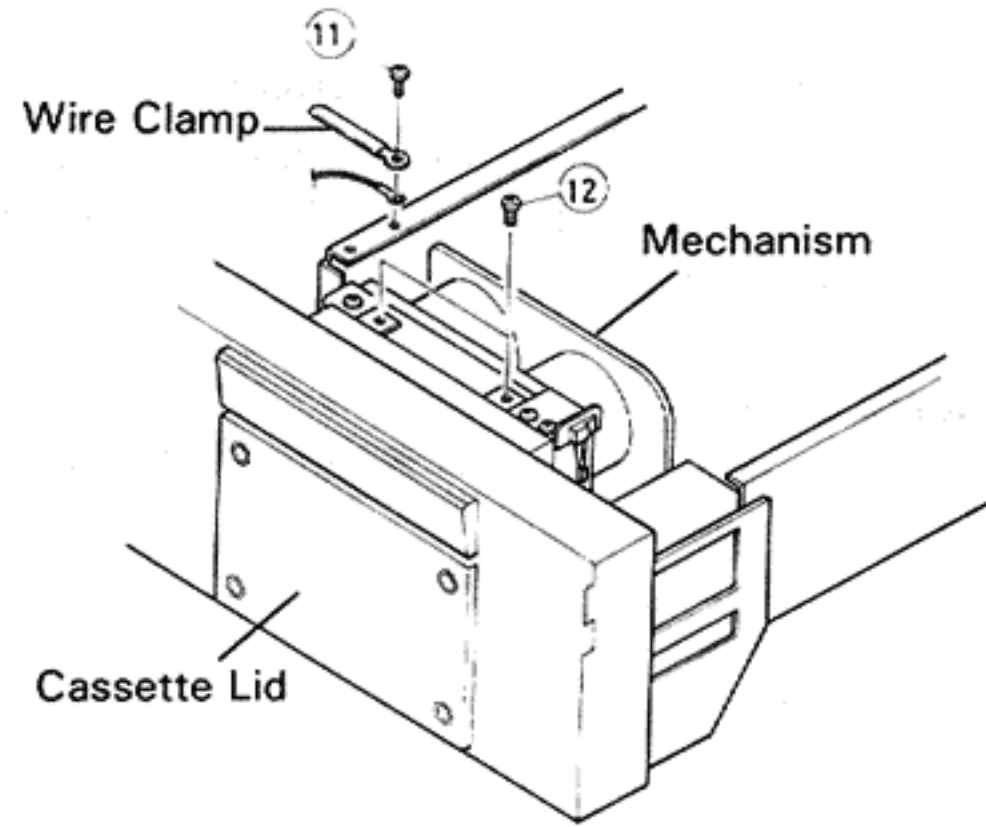


Fig. 2-4

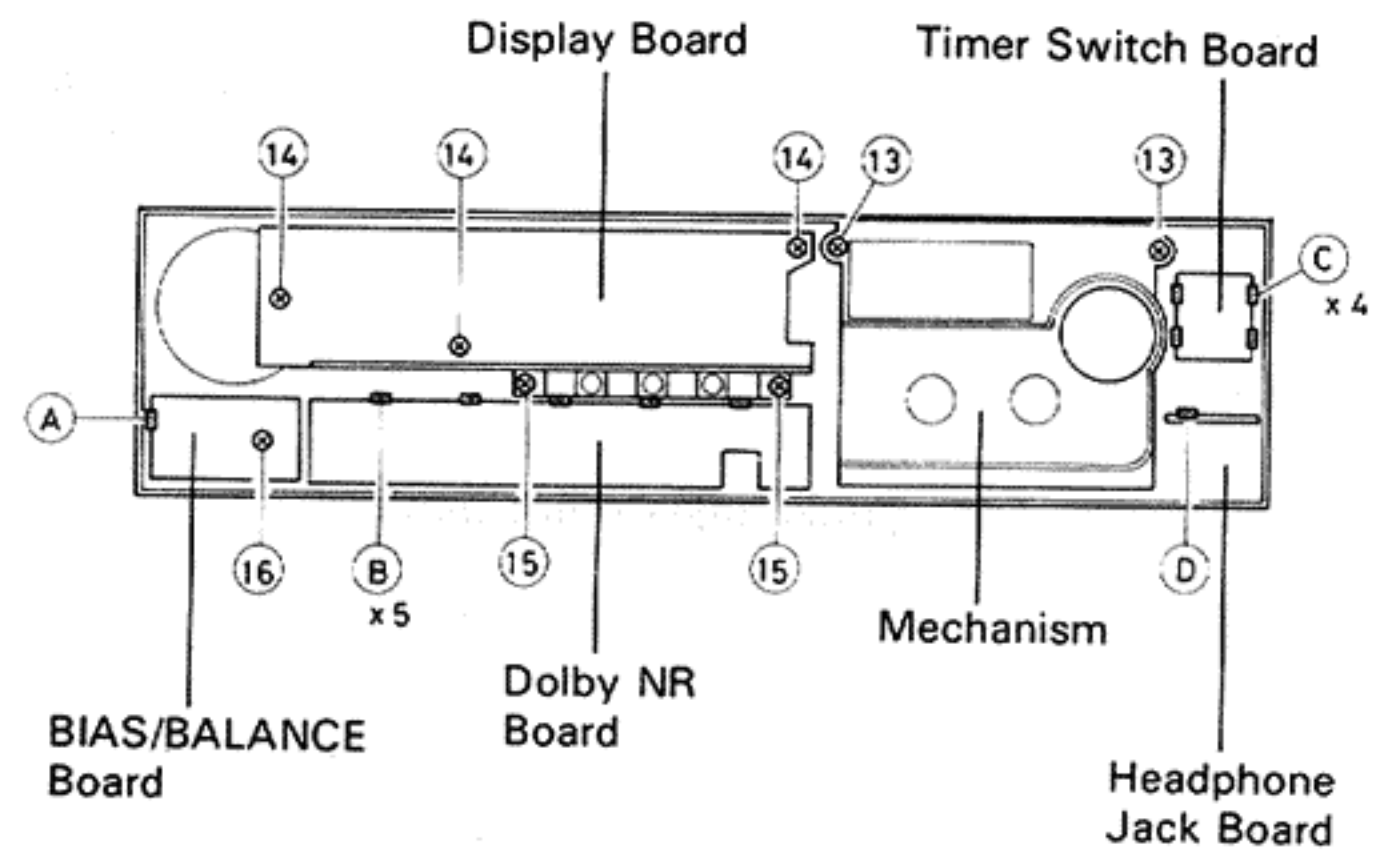


Fig. 2-5

3 Main Adjustments

1. Measuring instruments required for adjustment

- (1) Low-frequency oscillator (oscillation frequency 50~20 kHz, 0 dB output with 600 Ω impedance)
- (2) Attenuator (600 Ω impedance)
- (3) Electronic voltmeter
- (4) Standard tapes
 - VTT712 (tape speed, wow & flutter measurements)
 - VTT724 (reference level)
 - VTT739 (playback frequency)
 - TMT6447 (music scan)
 - TMT6448 (music scan)
 - TMT702 (14 kHz)
- (5) Recording reference tapes
 - TS-9 (UD1), TS-10 (SA), TS-11 (MA) or equivalent (use the standard tapes specified by this department).
- (6) 600 Ω resistors (for attenuator matching)
- (7) Distortion meter (bandpass filter)
- (8) Torque gauge (cassette) for CTG-N mechanism adjustments.
- (9) Wow & flutter gauge
- (10) Frequency counter gauge
- (11) M300 gauge

■ Mechanical Adjustments

After head replacements, use the following method to check after the height, direction and tilt (rough) of each head have been adjusted.

Tape travel adjustment

Use the M300 jig. Be careful not to damage the head.

Tape guide adjustment method

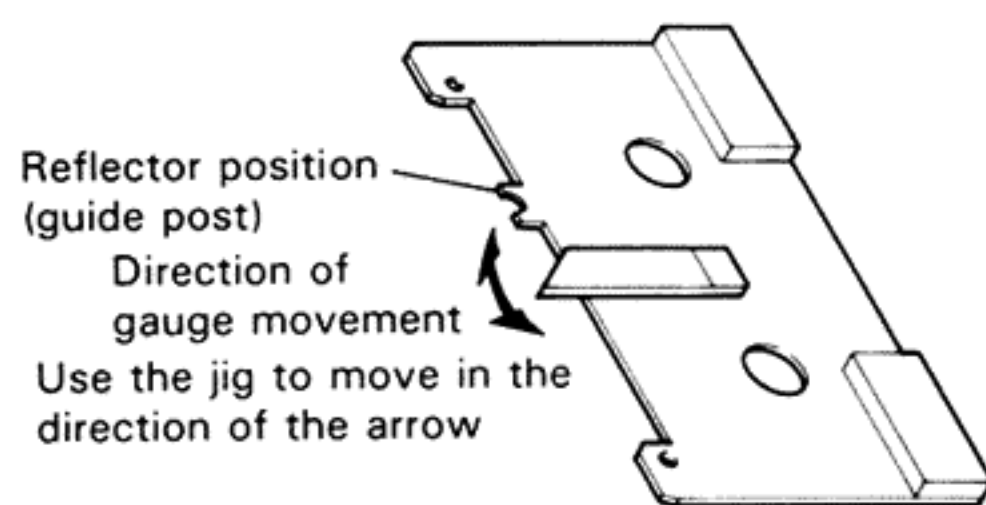


Fig. 3-1

Tilt adjustment method

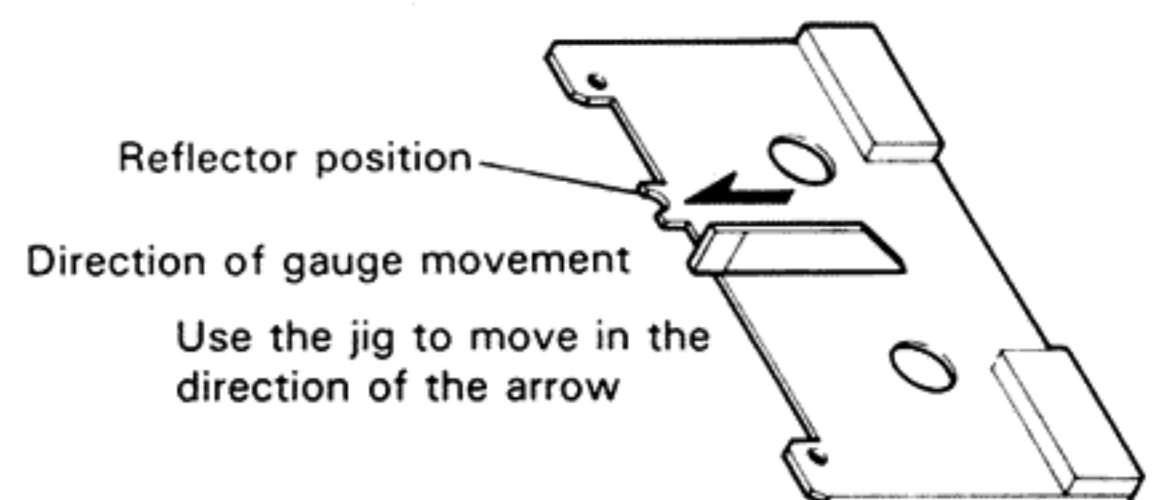


Fig. 3-2

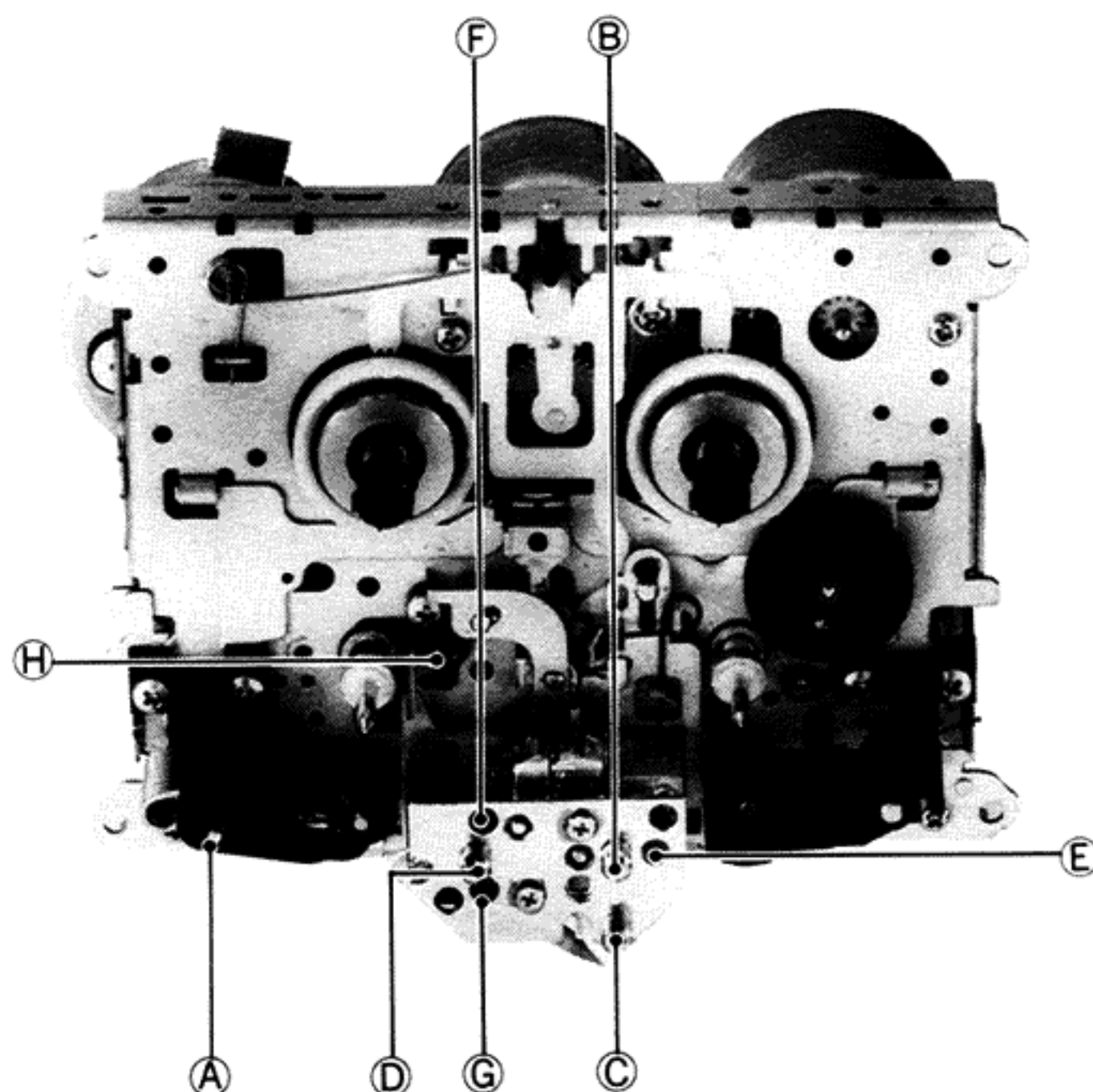


Fig. 3-3

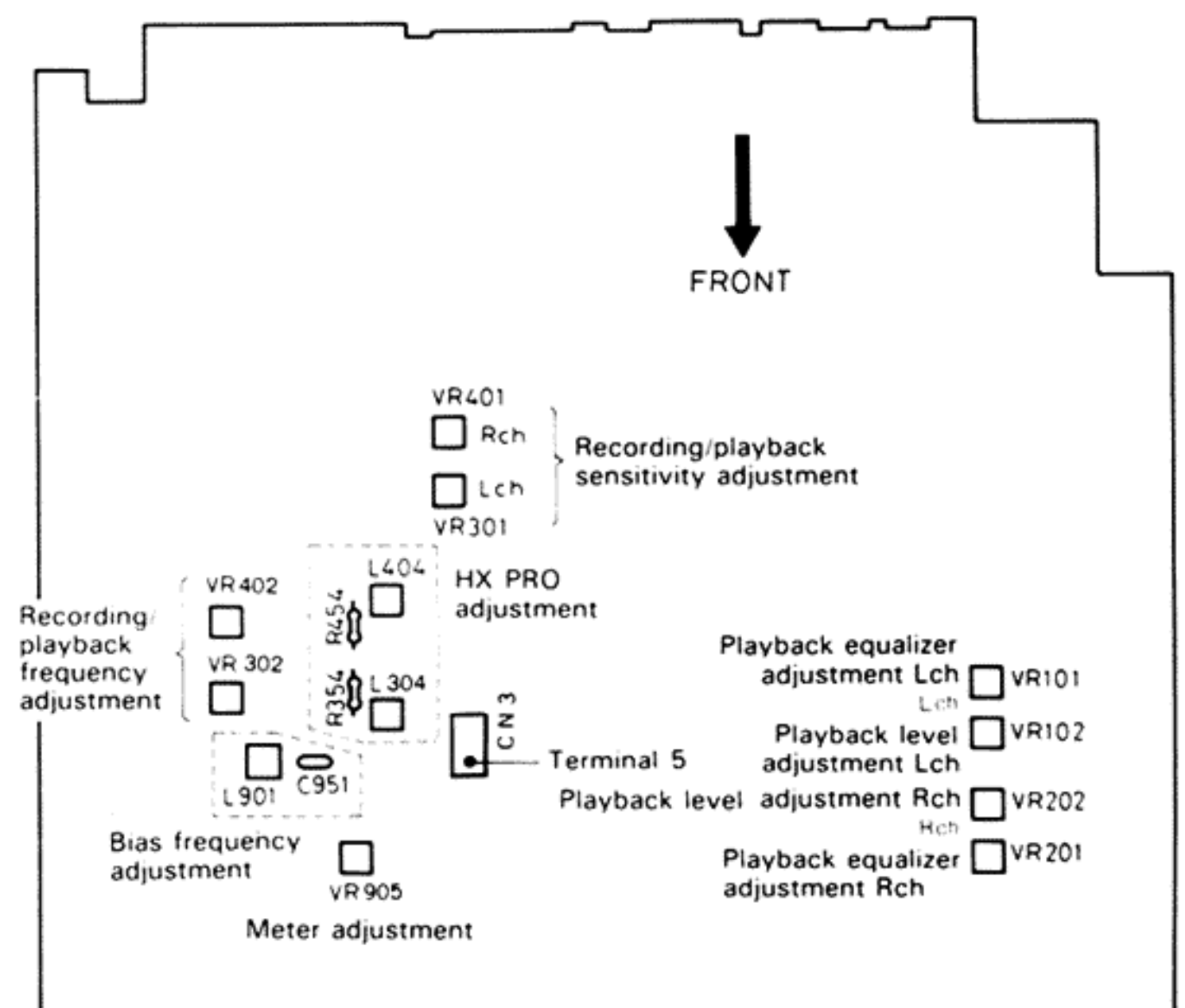
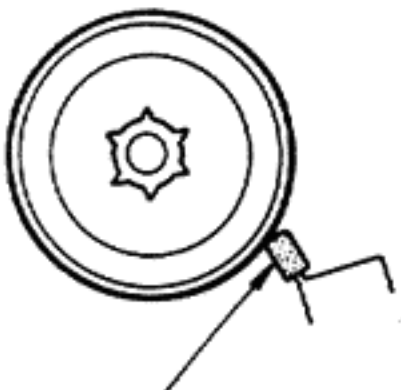
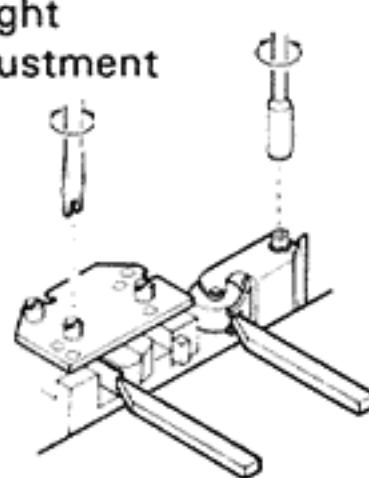
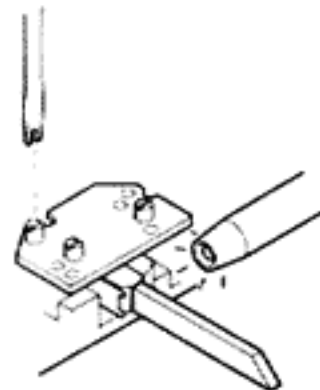
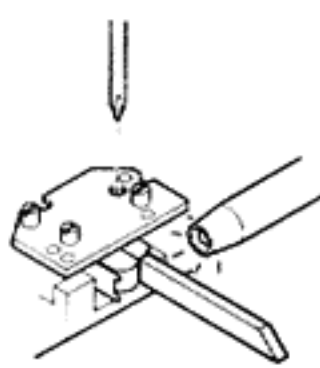
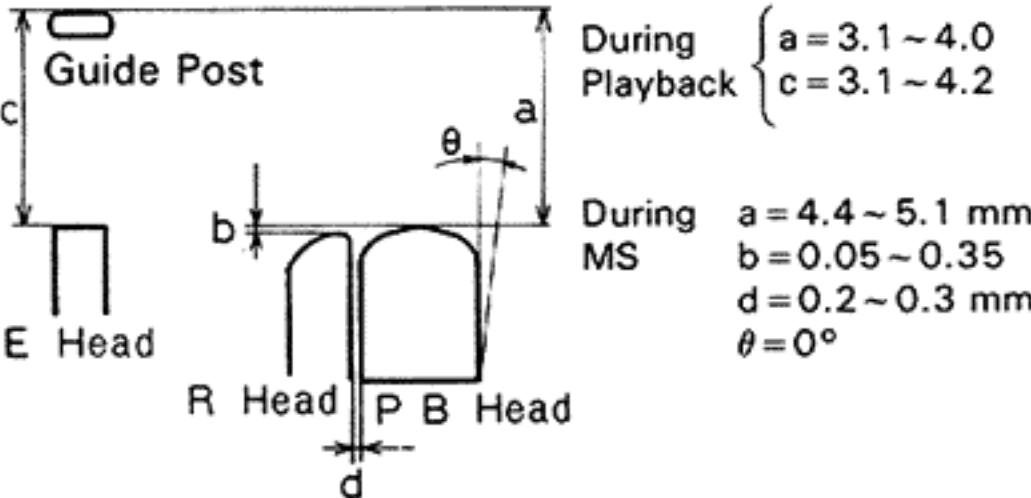
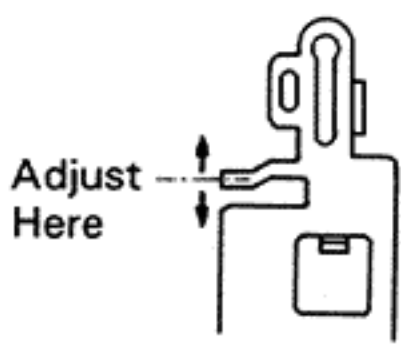
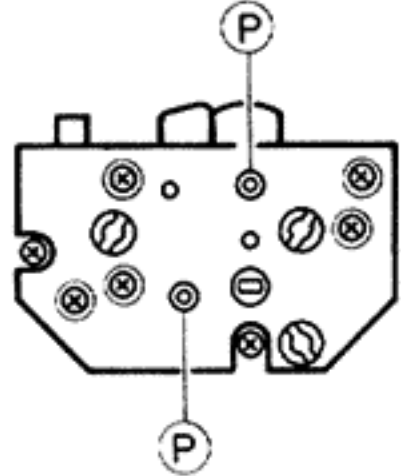
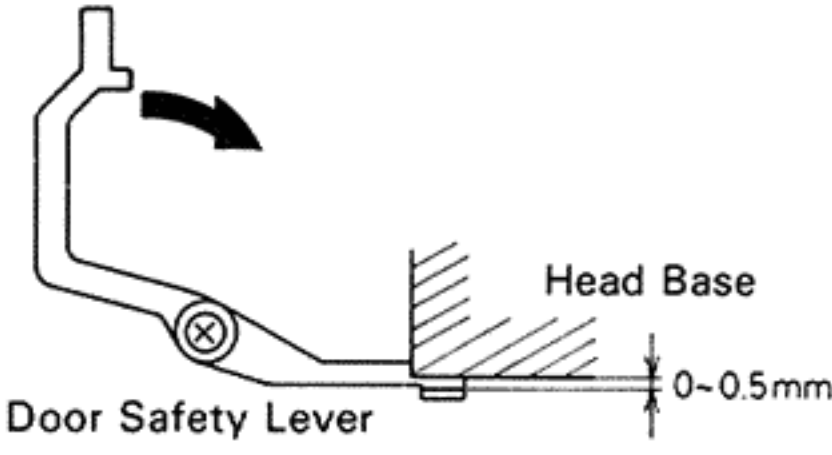


Fig. 3-4

	Adjustment and Check Items	Method	Standard	
1	Flywheel and thrust check	Check by feel.	0.2 ~ 0.5 mm	
2	Back tension rubber position check	The back tension rubber contacts and stops the supply wheel during playback. In the MS-STOP mode, make sure that the back tension rubber is not in contact with the supply wheel.		<p>Supply Disc</p>  <p>Back Tension Rubber</p>
3	Pinch roller contact timing check	The right side pinch roller must contact the capstan shaft before the left side pinch roller.		
4	Pinch roller guide height adjustment	Use the M300 gauge to adjust (A) so that the 3.8 mm gauge passes.		
5	Playback head height and tilt adjustment	<ol style="list-style-type: none"> 1) Use the M300 gauge and adjust screw (B) so that the 3.8 mm gauge passes the playback head tape guide. 2) Adjust screw (C) so that there is no playback head tilt and no gauge gap. 3) Adjust carefully so that the gauge does not touch the gap surface. Hold a flashlight, etc., on the opposite side and check for light leaks. 4) Recheck the guide height and, if there is gauge contact, repeat the adjustments in items 1) and 2) above. 		<p>Pinch roller guide height adjustment</p>  <p>Head guide height adjustment</p>  <p>Playback head tilt adjustment</p>
6	Playback azimuth adjustment	Playback the TMT702 (14 kHz) tape and use screw (D) to adjust the output maximum and phase.		
7	Tape travel check	Use a C-90 padded tape and check for tape curl at the head when the tape starts winding.		Use mirror tape to check the tape travel.
8	Recording head height, tilt and azimuth adjustment	<ol style="list-style-type: none"> 1) Record and playback a 10 kHz signal, and use screw (E) to adjust to maximum output with no phase differential. 2) Record and playback 10 kHz, and use screw (F) to adjust to maximum output with no phase differential. 3) Use the M300 gauge and adjust the recording head front/rear tilt adjustment with screw (G) using the same method as for the playback head tilt adjustment. 4) Record and playback 10 kHz, and readjust the azimuth (E) so that the output is maximum. Adjust the L/R phases. 		 <p>Recording head tilt adjustment</p>

	Adjustment and Check Items	Method	Standard	
9	Head mounting position	<p>Use the M300 gauge to check that the playback head protrudes slightly beyond the recording head.</p> <p>The other ratings are as follows. Dimensions are in relation to guide post (H).</p>  <p>Adjust the bend in the head base as shown below so that "a" moves inward 4.4~5.1 during MS.</p>  <p>Excessive: bend upward Insufficient: bend downward</p> <p>Also check (10) below when adjusting.</p>	0.05~0.35mm	 <p>Head front/back position adjustment It is necessary that the playback head protrude beyond the recording head by the amount of dimension "b". Use screw (P) to make the front/back adjustment. Readjust the playback and recording head azimuth after completing this adjustment.</p>
10	Door safety check	<p>Adjust the head base gap when door safety is moved in the direction of the arrow shown below with the unit stopped.</p> 		

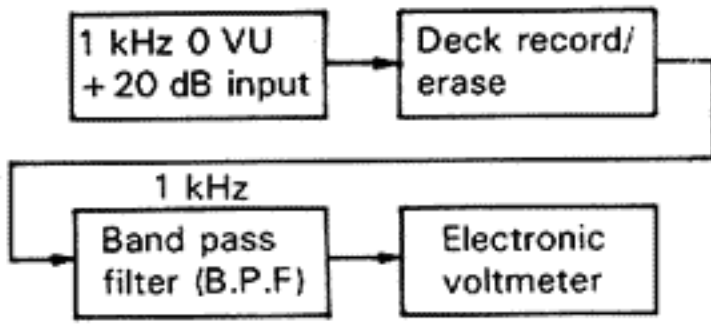
■ Electrical Circuit Adjustment Procedures

Make the following adjustments after the tape travel and head angle adjustments.

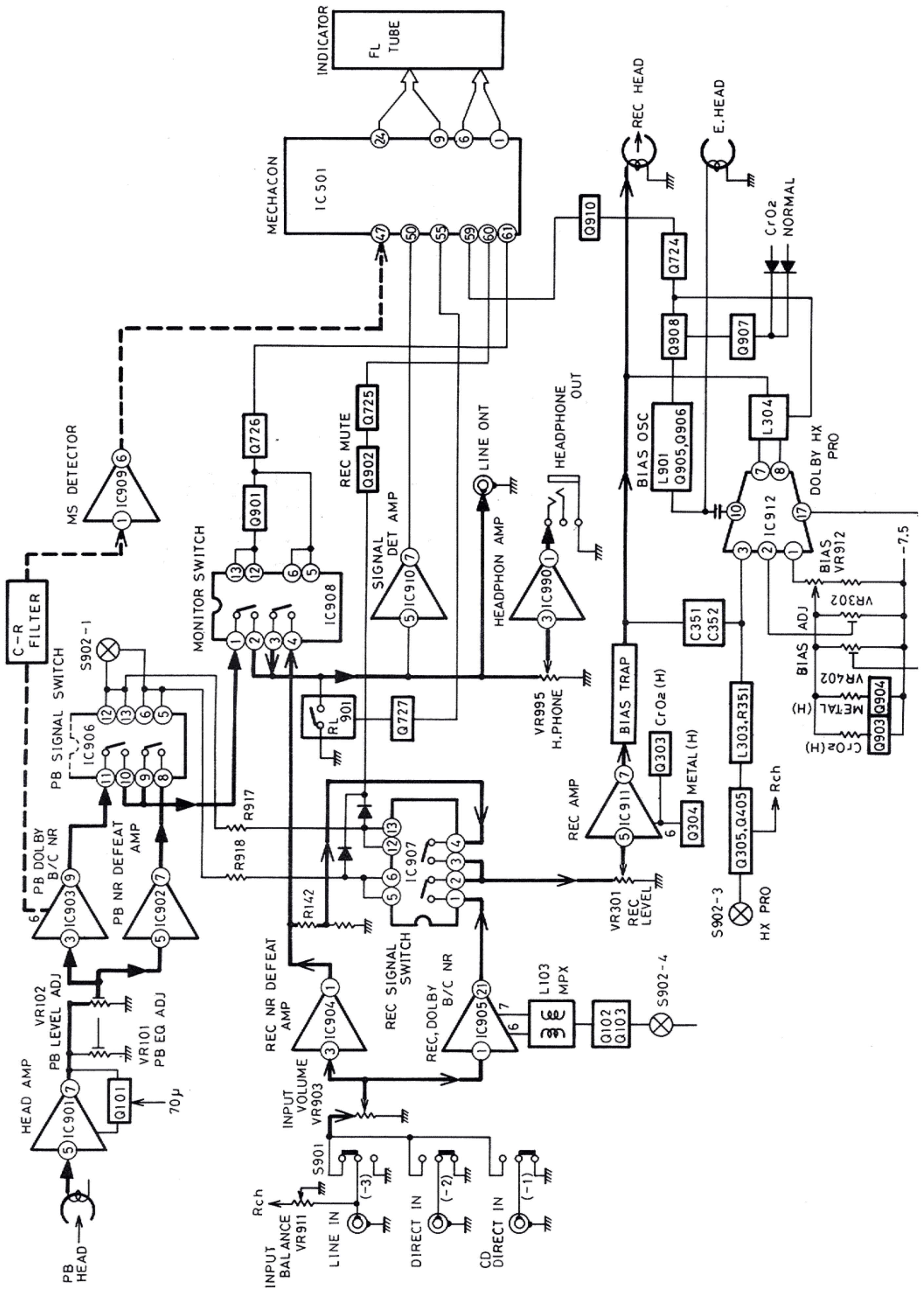
- In principle, the adjustments should be made in the order described.
- Adjustments required after head replacement are marked with an asterisk (*).

Item	Adjustment and check methods	Frequency Level	Output Value and Deviation	
		1	Dolby circuit recording check (record mode)	
	INPUT: LINE IN (-8 dBm) Measurement Point: IC905, pins ⑳ ㉑ Measurement point reference level: 400 Hz, -11 dBm (=Cal. level)	Record, Dolby B	1 kHz Cal - 40 dB	+ 5.7 dB ± 2 dB
			5 kHz Cal - 20 dB	+ 3.5 dB ± 1.5 dB
			1 kHz Cal	0 dB ± 0.5 dB
		Record, Dolby C	1 kHz Cal - 40 dB	+ 16.2 dB ± 3/2 dB
			5 kHz Cal - 20 dB	+ 2.9 dB ± 2.5 dB
			1 kHz Cal	0 dB ± 1 dB

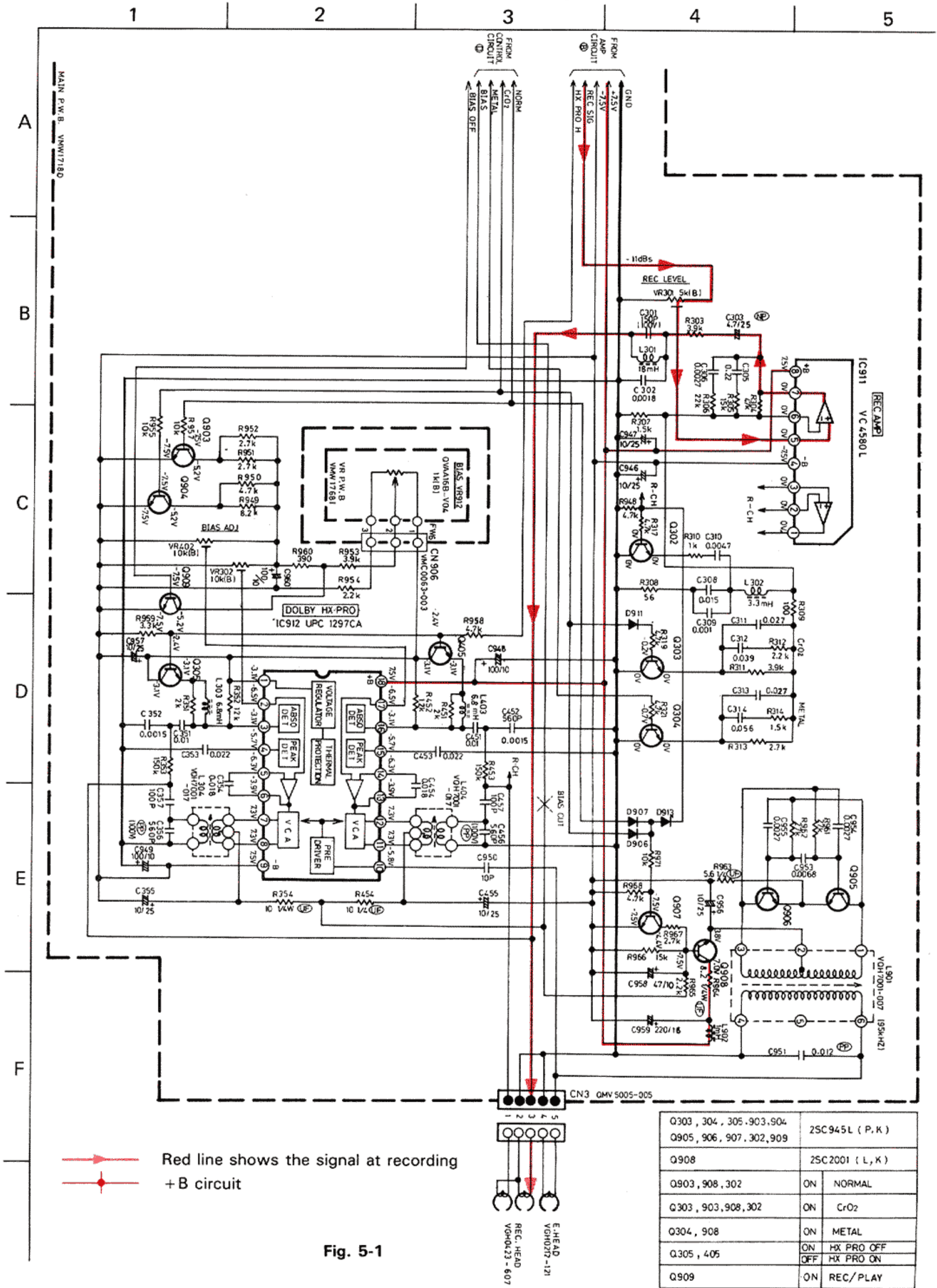
Item	Adjustment Method	Adjustment Location	Standard Value	Remarks
*2	Playback level adjustment 1) Play the VTT724 (1 kHz) test tape and adjust VR102 and VR202 so that the LINE OUT output is -8 dBm (the L-R channel output differential must be 0.5 dBm or less). 2) Headphone output check (headphone VR: max.) - 15 dBm ± 3 dB L-R differential 2 dB or less	VR102, 202	- 8 dBm ± 0.5 dB (0.5 V)	The playback level changes when the head is replaced and must be adjusted. Use an electronic voltmeter with an impedance of 100 kΩ or more.
*3	Playback equalizer adjustment	VR101, 201	With 10 kHz as reference, 0.5 ± 0.5 dB at 1 kHz	NR: OFF 63 kHz: + 2 dB ± 3 dB (check)
4	Bias frequency adjustment	L901	95 kHz	TAPE METAL (Attach a probe to the measuring instrument lead terminal and plug in the connector plug.)
5	HX PRO coil adjustment	L304, 404	Minimum output value	DC voltmeter
*6	Recording/playback frequency adjustment	VR302, VR402	With 1 kHz as reference, 0.5 ± 0.5 dB at 12.5 kHz.	Ref - 20 dB: value - 20 dB below the reference input value ≠ - 28 dB Also adjust for normal tape and the left and right channels. • The bias value is set in accordance with the voltage shift for normal at chrome and metal. • When the bias current is not correctly adjusted, the recording characteristics will become as shown to the left.

	Item	Adjustment Method	Adjustment Location	Standard Value	Remarks
*7	Recording/playback sensitivity adjustment	1) Input to the LINE IN terminal so that the source monitor output is -8 dBm. 2) Adjust VR301 and VR401 so that the recording signal current is -8 dBm during recording and playback.	VR301, 401	Normal -8 dBm±0.5 dB Chrome, metal: -8 dBm±1 dB	The right and left level differential must be 1 dB or less for both normal and metal. Make adjustment by using normal tape, and make sure that the level fluctuation for chrome and metal tapes is within 1.5 dB, and that the left/right level difference is within 1.0 dB.
8	Level indicator adjustment and check	1) Apply a 1 kHz signal so that the line output level at the source monitor is -38 dB and adjust VR905 so that -30 dB on the FL level indicator lights. The indicator shall go out at the -40 dB level. 2) Check that the 0 dB indicator lights at the -8 dBm $\begin{matrix} +0.3 \\ -0.7 \end{matrix}$ dB signal level.	VR905	Lights at -38 dBm input Goes out at -40 dBm input	
9	Recording/playback distortion check	1) Record a 1 kHz signal so that the LINE OUT output is -2 dBm and the level indicator is +6 dB. 2) Use a distortion gauge to check if the output is the standard value during playback.	—	Normal tape: 3.0% or less Chrome tape: 4% or less Metal tape: 3% or less	Check after adjusting the bias current and recording level.
10	Recording/playback S/N ratio check	1) Record 1 kHz, 0 dB input and then remove the input and record without a signal. 2) Playback this recording and measure the difference between the 0 dB recording and no-signal recording. The standard values must be satisfied.	—	Normal: 45 dB or more Chrome: 45 dB or more Metal: 45 dB or more	
11	Erase ratio check	1) Apply a 1 kHz signal from LINE IN and adjust the INPUT LEVEL knob so that the input level is -8 dBm. 2) Increase the signal level to 20 dB and record. 3) Rewind and erase the recorded section of the tape. 4) Measure the output ratio between the signal and no-signal sections of the tape with an electronic voltmeter.	—	65 dB or more	Connect a B.P.F (band pass filter) between the deck and the electronic voltmeter. 

4 Block Diagram



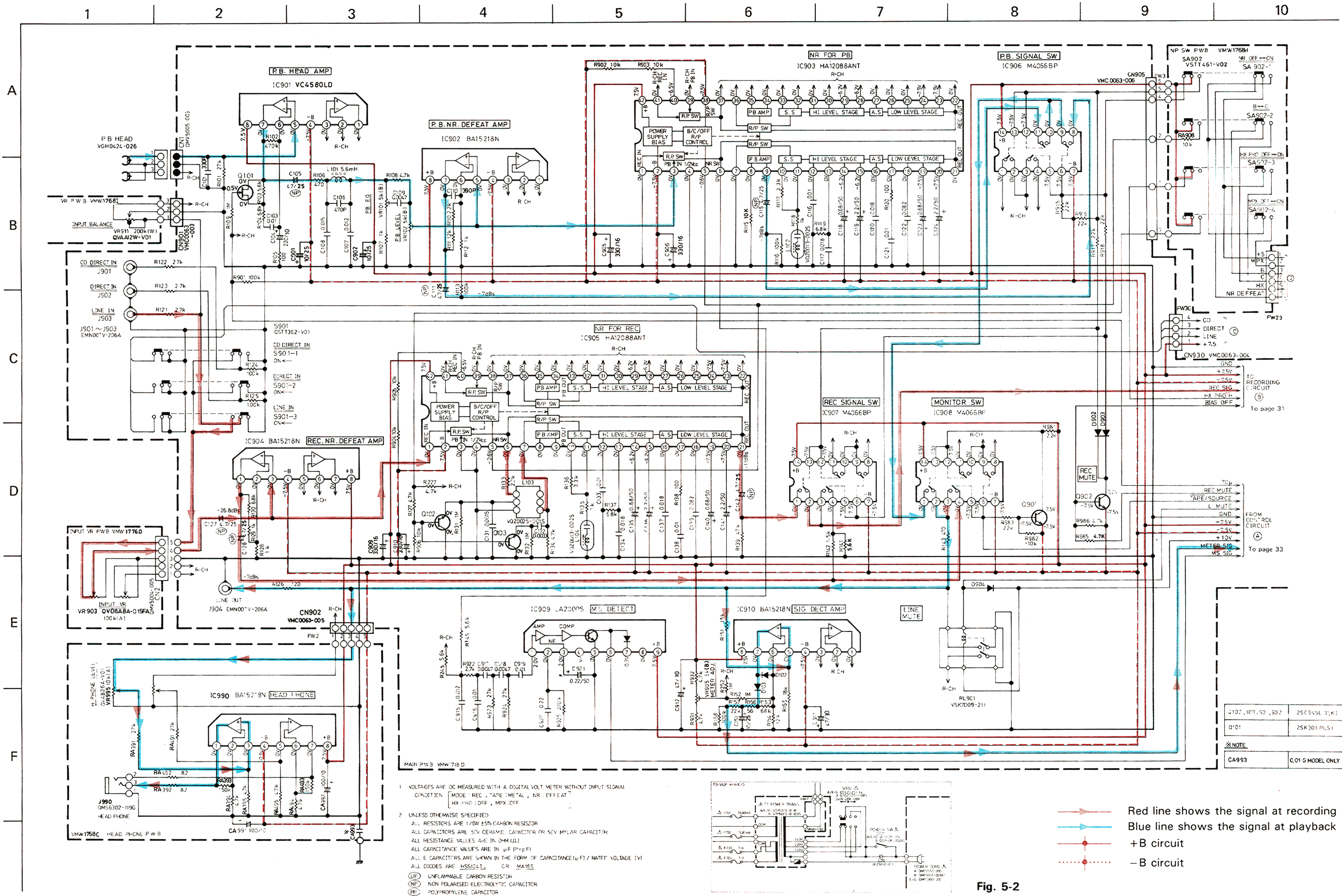
5 Standard Schematic Diagram



Red line shows the signal at recording
 + B circuit

Q303, 304, 305, 903, 904	2SC945L (P, K)	
Q905, 906, 907, 302, 909	2SC2001 (L, K)	
Q908	2SC2001 (L, K)	
Q903, 908, 302	ON	NORMAL
Q303, 903, 908, 302	ON	CrO2
Q304, 908	ON	METAL
Q305, 405	ON	HX PRO OFF
	OFF	HX PRO ON
Q909	ON	REC/PLAY

Fig. 5-1



- 1 VOLTAGES ARE DC MEASURED WITH A DIGITAL VOLT METER WITHOUT INPUT SIGNAL CONDITION. [MODE: REC., TAPE/METAL, NR., DEFEAT] HX PRO: OFF, MPX: OFF
- 2 UNLESS OTHERWISE SPECIFIED:
 ALL RESISTORS ARE 1/8W 5% CARBON RESISTOR
 ALL CAPACITORS ARE 50V CERAMIC CAPACITOR OR 50V MYLAR CAPACITOR
 ALL RESISTANCE VALUES ARE IN OHM (Ω)
 ALL CAPACITANCE VALUES ARE IN μF (P.P.F.)
 ALL CAPACITORS ARE SHOWN IN THE FORM OF CAPACITANCE (μF) / RATED VOLTAGE (V)
 ALL DIODES ARE 1N4148 OR MATES
 (LF) UNFLAMMABLE CARBON RESISTOR
 (NF) NON POLARISED ELECTROLYTIC CAPACITOR
 (PP) POLYPROPYLENE CAPACITOR

Red line shows the signal at recording
 Blue line shows the signal at playback
 + B circuit
 - B circuit

C107, 103, 50, 302	25C945L 10K1
C101	25K301 R4, S1
*NOTE	
CA993	0,01 G MODEL ONLY

Fig. 5-2

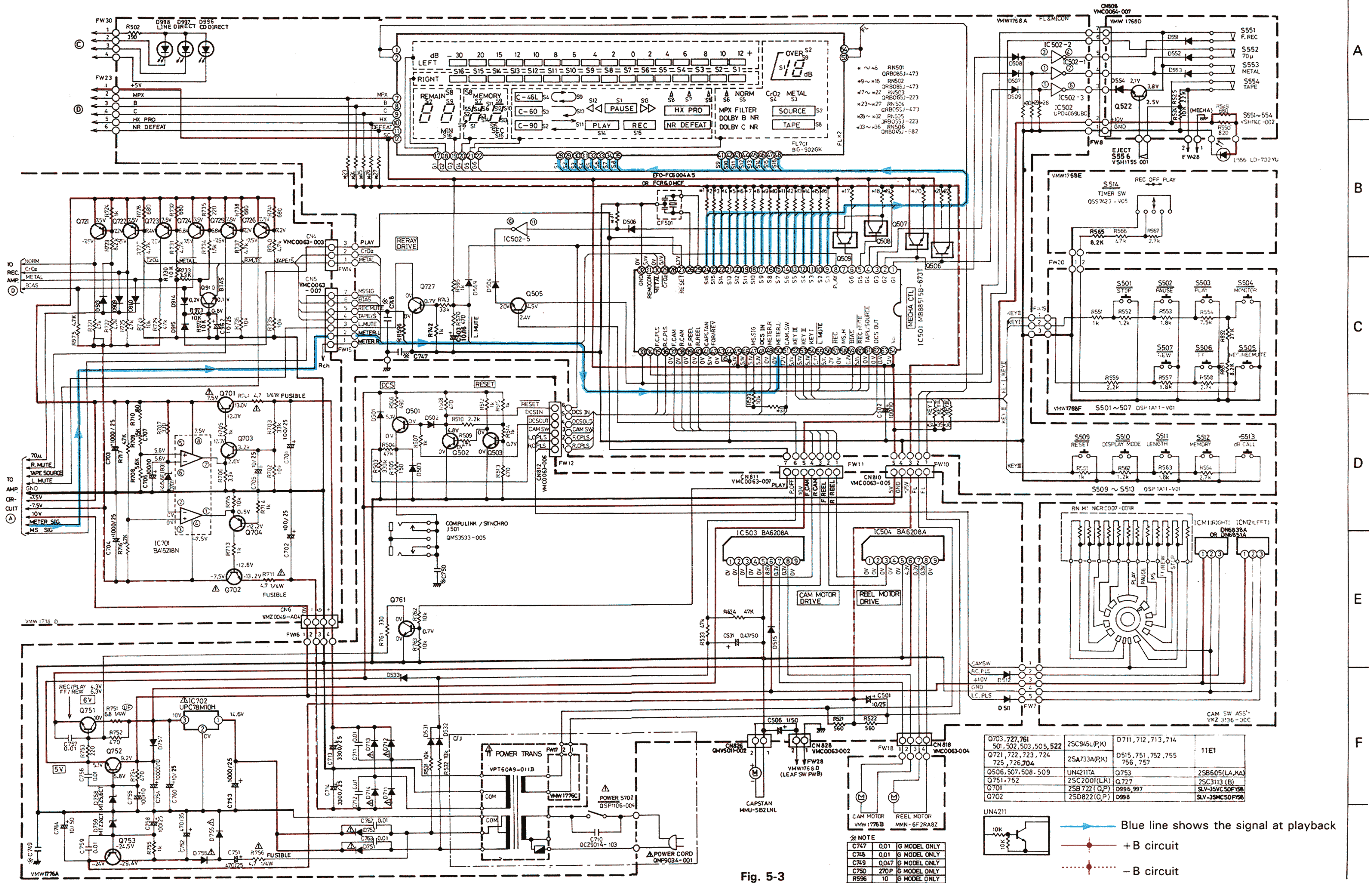
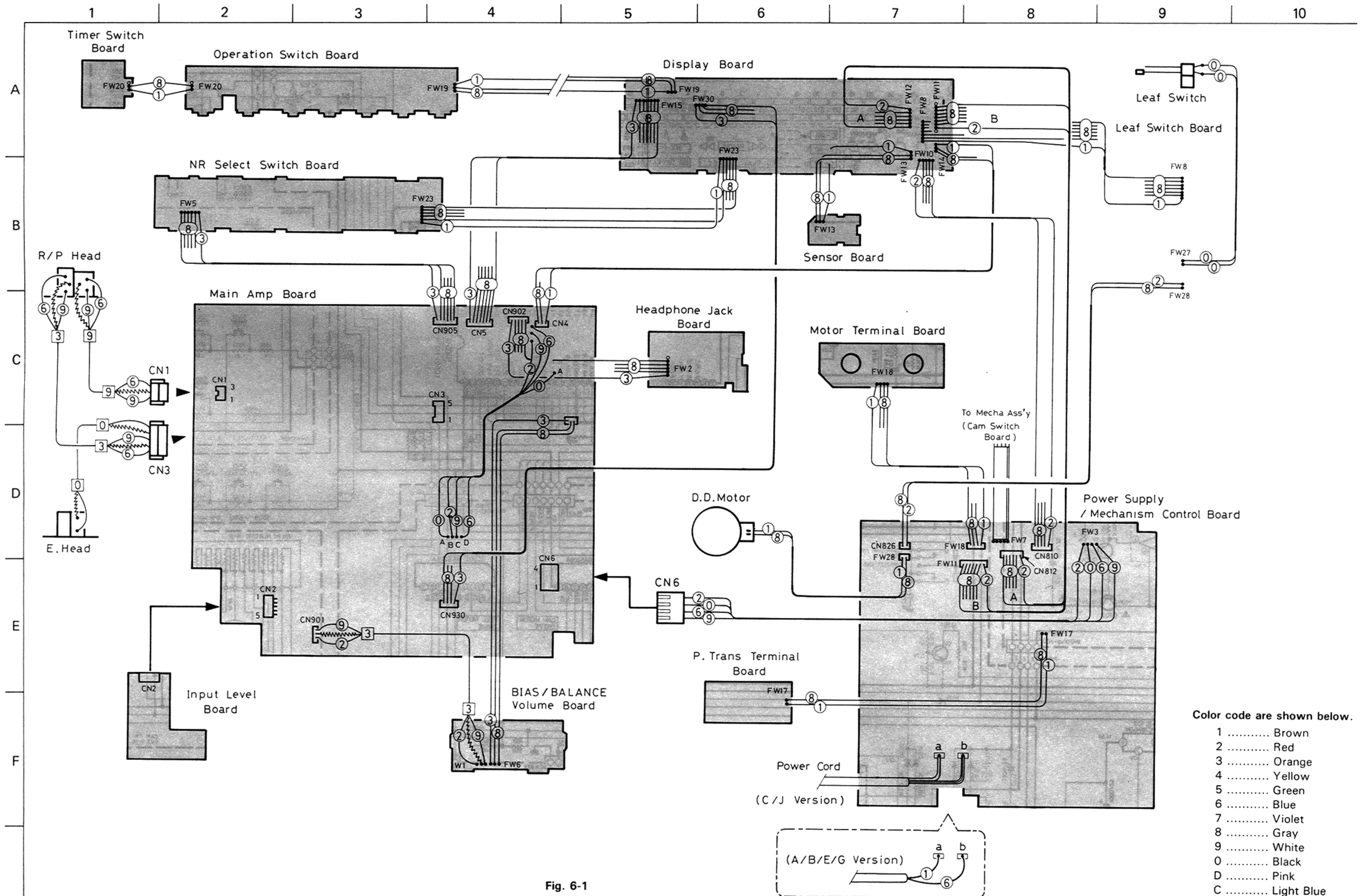


Fig. 5-3

6 Wiring Connections



- Color code are shown below.
- 1 Brown
 - 2 Red
 - 3 Orange
 - 4 Yellow
 - 5 Green
 - 6 Blue
 - 7 Violet
 - 8 Gray
 - 9 White
 - 0 Black
 - D Pink
 - C Light Blue

Fig. 6-1

7 Location of P.C. Board

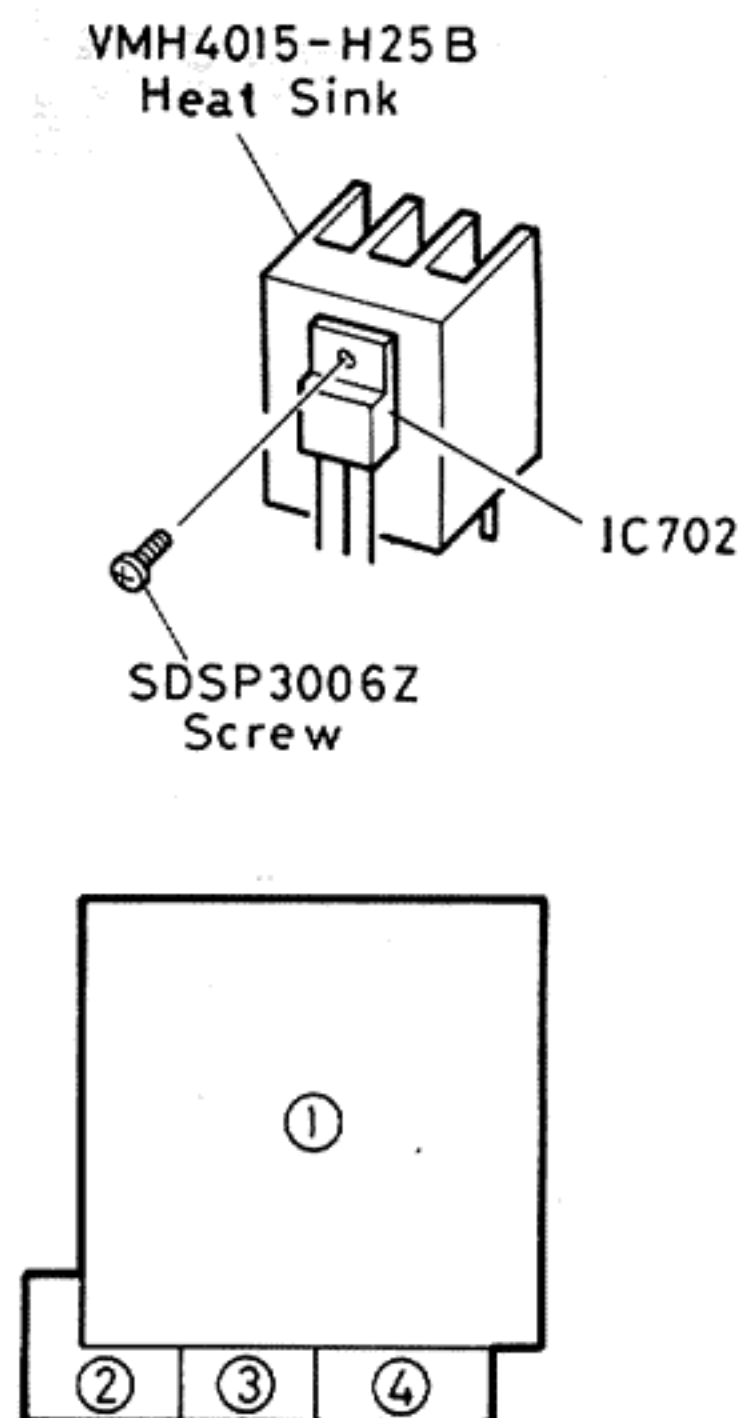
Power/Mechanism Control Board Parts List

△ parts are safety assurance parts.

When replacing those parts, make sure to use the specified one.

△	REF. NO	PARTS NO.	PARTS NAME
	CN2	QMV5004-005	CONNECTOR
	CN810	VMC0063-005	CONNECTOR
	CN811	VMC0063-007	CONNECTOR
	CN812	VMC0063-006	CONNECTOR
	CN826	VMC0063-002	CONNECTOR
	CN828	QMV5011-002	CONNECTOR
	C501	QETC1EM-106ZM	E.CAPACITOR
	C506	QETA1HM-105	E.CAPACITOR
	C531	QETC1HM-474ZM	E.CAPACITOR
△	C710	QFZ9010-103	M.CAPACITOR
	C711	QCF31HP-103Z	C.CAPACITOR
	C712	QCF31HP-103Z	C.CAPACITOR
	C713	QETB1EM-338N	E.CAPACITOR
	C714	QETB1EM-338N	E.CAPACITOR
	C749	QCF31HP-473Z	C.CAPACITOR
	C750	QCS31HJ-271Z	C.CAPACITOR
	C751	QETB1EM-477N	E.CAPACITOR
	C752	QETB1VM-477N	E.CAPACITOR
	C753	QETB1EM-108N	E.CAPACITOR
	C754	QETB1AM-109N	E.CAPACITOR
	C755	QETC1AM-107ZM	E.CAPACITOR
	C756	QCF31HP-103Z	C.CAPACITOR
	C757	QCF31HP-103Z	C.CAPACITOR
	C758	QETC1EM-107ZM	E.CAPACITOR
	C760	QETC1EM-106ZM	E.CAPACITOR
	C762	QCF31HP-103Z	C.CAPACITOR
	C763	QCF31HP-103Z	C.CAPACITOR
	C764	QETC1HM-106ZM	E.CAPACITOR
	D501	HSS104TJ	SI DIODE
	D502	HSS104TJ	SI DIODE
	D503	HSS104TJ	SI DIODE
	D511	HSS104TJ	SI DIODE
	D512	HSS104TJ	SI DIODE
△	D515	11E1-TB2	SI DIODE
	D531	HSS104TJ	SI DIODE
	D532	HSS104TJ	SI DIODE
	D533	HSS104TJ	SI DIODE
△	D711	11E1-TB2	SI DIODE
△	D712	11E1-TB2	SI DIODE
△	D713	11E1-TB2	SI DIODE
△	D714	11E1-TB2	SI DIODE
△	D751	11E1-TB2	SI DIODE
△	D752	11E1-TB2	SI DIODE
△	D755	11E1-TB2	SI DIODE
△	D756	11E1-TB2	SI DIODE
	D757	11E1-TB2	SI DIODE
	D758	MTZ5.6CT-77	Z DIODE
	D759	MTZ24CT-77	ZENER DIODE
	FW18	VMC0063-004	CONNECTOR
	FW7	VWS105-20B24K	EF FLAT
△	IC503	BA6208A	I C
	IC504	BA6208A	I C
	IC702	UPC78M10H	I C
	J501	QMS3533-001	JACK
	Q501	2SC945L(P,K)-T	TRANSISTOR
	Q502	2SC945L(P,K)-T	TRANSISTOR
	Q503	2SC945L(P,K)-T	TRANSISTOR
	Q751	2SC2001(L,K)-T	TRANSISTOR
	Q752	2SC2001(L,K)-T	TRANSISTOR
△	Q753	2SB605(LA,KA)	TRANSISTOR
	Q761	2SC945L(P,K)-T	TRANSISTOR
	R503	QRD161J-334Y	CARBON RESISTOR
	R504	QRD161J-473Y	CARBON RESISTOR
	R505	QRD161J-151Y	CARBON RESISTOR
	R506	QRD161J-471Y	CARBON RESISTOR
	R507	QRD161J-102Y	CARBON RESISTOR
	R508	QRD161J-471Y	CARBON RESISTOR
	R509	QRD161J-473Y	CARBON RESISTOR
	R510	QRD161J-222Y	CARBON RESISTOR
	R512	QRD161J-102Y	CARBON RESISTOR

△	REF. NO	PARTS NO.	PARTS NAME
	R513	QRD161J-471Y	CARBON RESISTOR
	R514	QRD161J-102Y	CARBON RESISTOR
	R515	QRD161J-102Y	CARBON RESISTOR
	R521	QRD161J-561Y	CARBON RESISTOR
	R522	QRD161J-561Y	CARBON RESISTOR
	R531	QRD161J-103Y	CARBON RESISTOR
	R532	QRD161J-103Y	CARBON RESISTOR
	R533	QRD161J-473Y	CARBON RESISTOR
	R534	QRD161J-473Y	CARBON RESISTOR
	R751	QRD149J-6R8S	CARBON RESISTOR
	R752	QRD161J-471Y	CARBON RESISTOR
	R753	QRD161J-221Y	CARBON RESISTOR
	R754	QRD161J-471Y	CARBON RESISTOR
	R755	QRD161J-102Y	CARBON RESISTOR
	R756	QRZ0052-4R7	F.RESISTOR
	R761	QRD161J-331Y	CARBON RESISTOR
	R762	QRD161J-103Y	CARBON RESISTOR
	R763	QRD161J-103Y	CARBON RESISTOR
	S702	QSS2325-114	SLIDE SWITCH
	VR913	QVD8A8A-015FA	V.RESISTOR



1. Power Supply / Mecha. Control Board
2. Input Level Board
3. P.Trans Terminal Board
4. Motor Terminal Board

■ Power/Mechanism Control Board (Pattern Side)

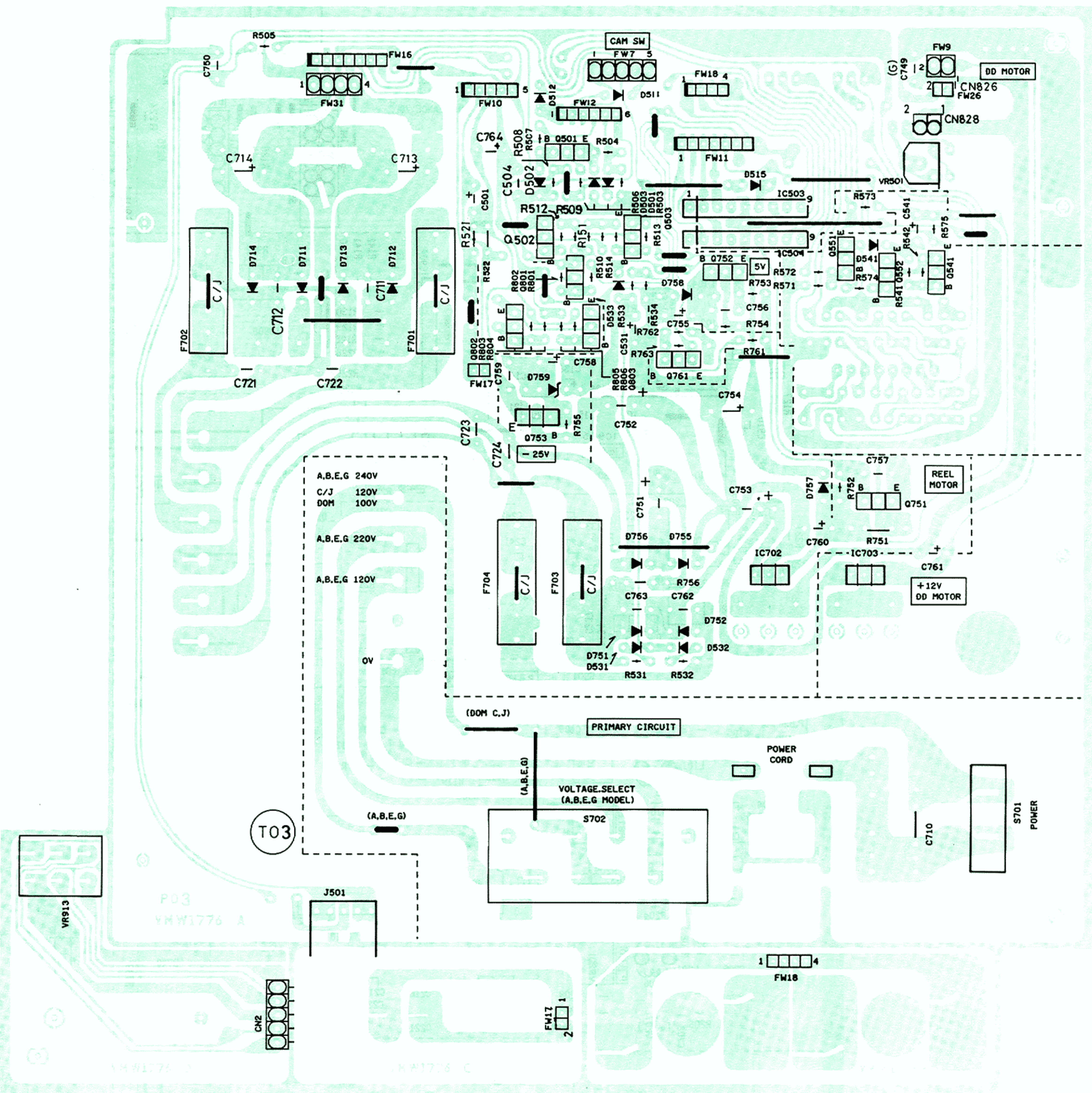


Fig. 7-1

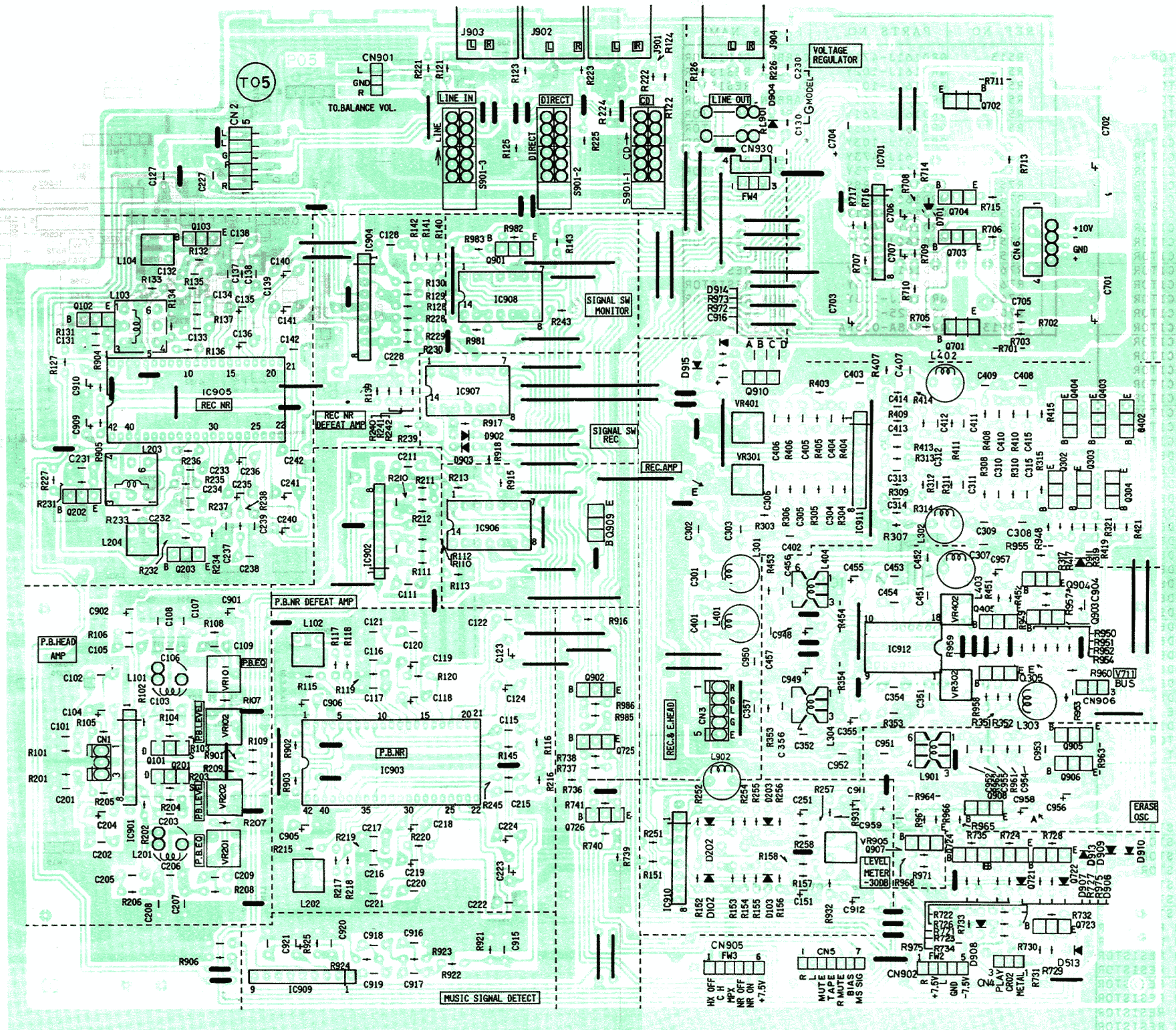


Fig. 7-2

■ Main Board Parts List

△ parts are safety assurance parts.
When replacing those parts, make sure to use the specified one.

△	REF. NO	PARTS NO.	PARTS NAME
	CN1	QMV5005-003	CONNECTOR
	CN3	QMV5005-005	PLUG
	CN4	VMC0063-003	CONNECTOR
	CN5	VMC0063-007	CONNECTOR
	CN6	VMZ0049-A04	CONNECTOR
	CN901	VMC0063-003	CONNECTOR
	CN902	VMC0063-005	CONNECTOR
	CN905	VMC0063-006	CONNECTOR
	CN906	VMC0063-003	CONNECTOR
	CN930	VMC0063-004	CONNECTOR
	C101	QCS31HJ-331Z	C.CAPACITOR
	C103	QFV71HJ-103ZM	TF.CAPACITOR
	C104	QETC1AM-227ZM	E.CAPACITOR
	C105	QEN61ER-475ZN	NP.E.CAPACITOR
	C106	QFP31HJ-471ZM	PP.CAPACITOR
	C107	QFV71HJ-123ZM	TF.CAPACITOR
	C108	QFV71HJ-153ZM	TF.CAPACITOR
	C109	QCY31HK-472Z	C.CAPACITOR
	C110	QCS31HJ-391Z	C.CAPACITOR
	C111	QEN61ER-475ZN	NP.E.CAPACITOR
	C115	QEN61ER-475ZN	NP.E.CAPACITOR
	C116	QFV71HJ-103ZM	TF.CAPACITOR
	C117	QFV71HJ-183ZM	TF.CAPACITOR
	C118	QETC1HM-684ZM	E.CAPACITOR
	C119	QETC1HM-225ZM	E.CAPACITOR
	C120	QFV71HJ-183ZM	TF.CAPACITOR
	C121	QFV71HJ-103ZM	TF.CAPACITOR
	C122	QFV71HJ-823ZM	TF.CAPACITOR
	C123	QETC1HM-684ZM	E.CAPACITOR
	C124	QETC1HM-225ZM	E.CAPACITOR
	C127	QEN61ER-475ZN	NP.E.CAPACITOR
	C128	QEN61ER-475ZN	NP.E.CAPACITOR
	C131	QFN31HJ-152Z	M.CAPACITOR
	C132	QFN31HJ-332Z	M.CAPACITOR
	C133	QFV71HJ-103ZM	TF.CAPACITOR
	C134	QFV71HJ-183ZM	TF.CAPACITOR
	C135	QETC1HM-684ZM	E.CAPACITOR
	C136	QETC1HM-225ZM	E.CAPACITOR
	C137	QFV71HJ-183ZM	TF.CAPACITOR
	C138	QFV71HJ-103ZM	TF.CAPACITOR
	C139	QFV71HJ-823ZM	TF.CAPACITOR
	C140	QETC1HM-684ZM	E.CAPACITOR
	C141	QETC1HM-225ZM	E.CAPACITOR
	C142	QEN61ER-475ZN	NP.E.CAPACITOR
	C151	QETC1EM-106ZM	E.CAPACITOR
	C201	QCS31HJ-331Z	C.CAPACITOR
	C203	QFV71HJ-103ZM	TF.CAPACITOR
	C204	QETC1AM-227ZM	E.CAPACITOR
	C205	QEN61ER-475ZN	NP.E.CAPACITOR
	C206	QFP31HJ-471ZM	PP.CAPACITOR
	C207	QFV71HJ-123ZM	TF.CAPACITOR
	C208	QFV71HJ-153ZM	TF.CAPACITOR
	C209	QCY31HK-472Z	C.CAPACITOR
	C210	QCS31HJ-391Z	C.CAPACITOR
	C211	QEN61ER-475ZN	NP.E.CAPACITOR
	C215	QEN61ER-475ZN	NP.E.CAPACITOR
	C216	QFV71HJ-103ZM	TF.CAPACITOR
	C217	QFV71HJ-183ZM	TF.CAPACITOR
	C218	QETC1HM-684ZM	E.CAPACITOR
	C219	QETC1HM-225ZM	E.CAPACITOR
	C220	QFV71HJ-183ZM	TF.CAPACITOR
	C221	QFV71HJ-103ZM	TF.CAPACITOR
	C222	QFV71HJ-823ZM	TF.CAPACITOR
	C223	QETC1HM-684ZM	E.CAPACITOR
	C224	QETC1HM-225ZM	E.CAPACITOR
	C227	QEN61ER-475ZN	NP.E.CAPACITOR
	C228	QEN61ER-475ZN	NP.E.CAPACITOR
	C231	QFN31HJ-152Z	M.CAPACITOR
	C232	QFN31HJ-332Z	M.CAPACITOR
	C233	QFV71HJ-103ZM	TF.CAPACITOR

△	REF. NO	PARTS NO.	PARTS NAME
	C234	QFV71HJ-183ZM	TF.CAPACITOR
	C235	QETC1HM-684ZM	E.CAPACITOR
	C236	QETC1HM-225ZM	E.CAPACITOR
	C237	QFV71HJ-183ZM	TF.CAPACITOR
	C238	QFV71HJ-103ZM	TF.CAPACITOR
	C239	QFV71HJ-823ZM	TF.CAPACITOR
	C240	QETC1HM-684ZM	E.CAPACITOR
	C241	QETC1HM-225ZM	E.CAPACITOR
	C242	QEN61ER-475ZN	NP.E.CAPACITOR
	C251	QETC1EM-106ZM	E.CAPACITOR
	C301	QCS32HJ-151ZV	C.CAPACITOR
	C302	QFN31HJ-182Z	M.CAPACITOR
	C303	QEN61ER-475ZN	NP.E.CAPACITOR
	C305	QFV71HJ-224ZM	TF.CAPACITOR
	C306	QFN31HJ-272Z	M.CAPACITOR
	C308	QFV71HJ-153ZM	TF.CAPACITOR
	C309	QFN31HJ-102Z	M.CAPACITOR
	C310	QFN31HJ-472Z	M.CAPACITOR
	C311	QFV71HJ-273ZM	TF.CAPACITOR
	C312	QFV71HJ-393ZM	TF.CAPACITOR
	C313	QFV71HJ-273ZM	TF.CAPACITOR
	C314	QFV71HJ-563ZM	TF.CAPACITOR
	C351	QFV71HJ-103ZM	TF.CAPACITOR
	C352	QFN31HJ-152Z	M.CAPACITOR
	C353	QFV71HJ-223ZM	TF.CAPACITOR
	C354	QFV71HJ-183ZM	TF.CAPACITOR
	C355	QETC1EM-106ZM	E.CAPACITOR
	C356	QFP82AJ-561	PP.CAPACITOR
	C357	QCS31HJ-101Z	C.CAPACITOR
	C401	QCS32HJ-151ZV	C.CAPACITOR
	C402	QFN31HJ-182Z	M.CAPACITOR
	C403	QEN61ER-475ZN	NP.E.CAPACITOR
	C405	QFV71HJ-224ZM	TF.CAPACITOR
	C406	QFN31HJ-272Z	M.CAPACITOR
	C408	QFV71HJ-153ZM	TF.CAPACITOR
	C409	QFN31HJ-102Z	M.CAPACITOR
	C410	QFN31HJ-472Z	M.CAPACITOR
	C411	QFV71HJ-273ZM	TF.CAPACITOR
	C412	QFV71HJ-393ZM	TF.CAPACITOR
	C413	QFV71HJ-273ZM	TF.CAPACITOR
	C414	QFV71HJ-563ZM	TF.CAPACITOR
	C451	QFV71HJ-103ZM	TF.CAPACITOR
	C452	QFN31HJ-152Z	M.CAPACITOR
	C453	QFV71HJ-223ZM	TF.CAPACITOR
	C454	QFV71HJ-183ZM	TF.CAPACITOR
	C455	QETC1EM-106ZM	E.CAPACITOR
	C456	QFP82AJ-561	PP.CAPACITOR
	C457	QCS31HJ-101Z	C.CAPACITOR
	C701	QETC1EM-107ZM	E.CAPACITOR
	C702	QETC1EM-107ZM	E.CAPACITOR
	C703	QETB1EM-108M	E.CAPACITOR
	C704	QETB1EM-108M	E.CAPACITOR
	C705	QETC1EM-106ZM	E.CAPACITOR
	C706	QETC1AM-107ZM	E.CAPACITOR
	C901	QETC1EM-106ZM	E.CAPACITOR
	C902	QETC1EM-106ZM	E.CAPACITOR
	C905	QETC1CM-337ZM	E.CAPACITOR
	C906	QETC1CM-337ZM	E.CAPACITOR
	C909	QETC1CM-337ZM	E.CAPACITOR
	C910	QETC1CM-337ZM	E.CAPACITOR
	C911	QETC1AM-476ZN	E.CAPACITOR
	C912	QETC1AM-476ZN	E.CAPACITOR
	C915	QFV71HJ-123ZM	TF.CAPACITOR
	C916	QFV71HJ-103ZM	TF.CAPACITOR
	C917	QFN31HJ-472Z	M.CAPACITOR
	C918	QFN31HJ-472Z	M.CAPACITOR
	C919	QFV71HJ-103ZM	TF.CAPACITOR
	C920	QFV71HJ-224ZM	TF.CAPACITOR
	C921	QETC1HM-224ZM	E.CAPACITOR
	C948	QETC1AM-107ZM	E.CAPACITOR

REF. NO	PARTS NO.	PARTS NAME
C949	QETC1AM-107ZM	E. CAPACITOR
C950	QCS31HJ-100Z	C. CAPACITOR
C951	QFP82AJ-123	PP CAPACITOR
C953	QFN31HJ-682Z	M. CAPACITOR
C954	QFN31HJ-272Z	M. CAPACITOR
C955	QFN31HJ-272Z	M. CAPACITOR
C956	QETC1EM-106ZM	E. CAPACITOR
C957	QETC1EM-106ZM	E. CAPACITOR
C958	QETC1AM-476ZN	E. CAPACITOR
C959	QETC1CM-227ZM	E. CAPACITOR
C960	QETC1AM-107ZM	E. CAPACITOR
C962	QETC1EM-106ZM	E. CAPACITOR
D102	HSS104TJ	SI DIODE
D103	HSS104TJ	SI DIODE
D202	HSS104TJ	SI DIODE
D203	HSS104TJ	SI DIODE
D513	HSS104TJ	SI DIODE
D701	RD5.6E(B3)	ZENER DIODE
D902	HSS104TJ	SI DIODE
D903	HSS104TJ	SI DIODE
D904	HSS104TJ	SI DIODE
D906	HSS104TJ	SI DIODE
D907	HSS104TJ	SI DIODE
D909	HSS104TJ	SI DIODE
D910	HSS104TJ	SI DIODE
D911	HSS104TJ	SI DIODE
D913	HSS104TJ	SI DIODE
D914	HSS104TJ	SI DIODE
D915	HSS104TJ	SI DIODE
IC701	BA15218N	IC
IC901	VC4580LD	IC
IC902	BA15218N	IC
IC903	HA12088ANT	DOLBY NR I.C
IC904	BA15218N	IC
IC905	HA12088ANT	DOLBY NR I.C
IC906	M4066BP	IC
IC907	M4066BP	IC
IC908	M4066BP	IC
IC909	LA2000S	I C
IC910	BA15218N	IC
IC911	BA15218N	IC
IC912	UPC1297CA	I C
J901	EMN00TV-206A	PIN JACK
J902	EMN00TV-206A	PIN JACK
J903	EMN00TV-206A	PIN JACK
J904	EMN00TV-206A	PIN JACK
L101	VQP0001-562S	INDUCTOR
L102	VQZ0013-002S	FILTER
L103	VQZ0025-001S	FILTER
L104	VQZ0013-002S	FILTER
L201	VQP0001-562S	INDUCTOR
L202	VQZ0013-002S	FILTER
L203	VQZ0025-001S	FILTER
L204	VQZ0013-002S	FILTER
L301	VQP0001-183S	INDUCTOR
L302	VQP0001-332S	INDUCTOR
L303	VQP0001-682S	INDUCTOR
L304	VQH7001-017	OSC COIL(BIAS)
L401	VQP0001-183S	INDUCTOR
L402	VQP0001-332S	INDUCTOR
L403	VQP0001-682S	INDUCTOR
L404	VQH7001-017	OSC COIL(BIAS)
L901	VQH7001-007	OSC COIL(BIAS)
L902	VQP0001-102S	INDUCTOR
Q101	2SK301(R,S)TA	TRANSISTOR
Q102	2SC945L(P,K)-T	TRANSISTOR
Q103	2SC945L(P,K)-T	TRANSISTOR
Q201	2SK301(R,S)TA	TRANSISTOR
Q202	2SC945L(P,K)-T	TRANSISTOR
Q203	2SC945L(P,K)-T	TRANSISTOR

REF. NO	PARTS NO.	PARTS NAME
Q302	2SC945L(P,K)-T	TRANSISTOR
Q303	2SC945L(P,K)-T	TRANSISTOR
Q304	2SC945L(P,K)-T	TRANSISTOR
Q305	2SC945L(P,K)-T	TRANSISTOR
Q402	2SC945L(P,K)-T	TRANSISTOR
Q403	2SC945L(P,K)-T	TRANSISTOR
Q404	2SC945L(P,K)-T	TRANSISTOR
Q405	2SC945L(P,K)-T	TRANSISTOR
Q701	2SB772(Q,P)	TRANSISTOR
Q702	2SD882(Q,P)	TRANSISTOR
Q703	2SC945L(P,K)-T	TRANSISTOR
Q704	2SA733A(P,K)-T	TRANSISTOR
Q721	2SA733A(P,K)-T	TRANSISTOR
Q722	2SA733A(P,K)-T	TRANSISTOR
Q723	2SA733A(P,K)-T	TRANSISTOR
Q724	2SA733A(P,K)-T	TRANSISTOR
Q725	2SA733A(P,K)-T	TRANSISTOR
Q726	2SA733A(P,K)-T	TRANSISTOR
Q901	2SC945L(P,K)-T	TRANSISTOR
Q902	2SC945L(P,K)-T	TRANSISTOR
Q903	2SC945L(P,K)-T	TRANSISTOR
Q904	2SC945L(P,K)-T	TRANSISTOR
Q905	2SC945L(P,K)-T	TRANSISTOR
Q906	2SC945L(P,K)-T	TRANSISTOR
Q907	2SC945L(P,K)-T	TRANSISTOR
Q908	2SC2001(L,K)-T	TRANSISTOR
Q909	2SC945L(P,K)-T	TRANSISTOR
Q910	2SC945L(P,K)-T	TRANSISTOR
RL901	VSK7D09-211	RELAY
R101	QRD161J-273Y	CARBON RESISTOR
R102	QRD161J-474Y	CARBON RESISTOR
R103	QRD161J-562Y	CARBON RESISTOR
R104	QRD161J-682Y	CARBON RESISTOR
R105	QRD161J-101Y	CARBON RESISTOR
R106	QRD161J-471Y	CARBON RESISTOR
R107	QRD161J-102Y	CARBON RESISTOR
R108	QRD161J-472Y	CARBON RESISTOR
R109	QRD161J-105Y	CARBON RESISTOR
R110	QRD161J-222Y	CARBON RESISTOR
R111	QRD161J-123Y	CARBON RESISTOR
R112	QRD161J-102Y	CARBON RESISTOR
R113	QRD161J-104Y	CARBON RESISTOR
R115	QRD161J-103Y	CARBON RESISTOR
R116	QRD161J-104Y	CARBON RESISTOR
R117	QRD161J-332Y	CARBON RESISTOR
R118	QRD161J-102Y	CARBON RESISTOR
R119	QRD161J-683Y	CARBON RESISTOR
R120	QRD161J-101Y	CARBON RESISTOR
R121	QRD161J-273Y	CARBON RESISTOR
R122	QRD161J-273Y	CARBON RESISTOR
R123	QRD161J-273Y	CARBON RESISTOR
R124	QRD161J-104Y	CARBON RESISTOR
R125	QRD161J-104Y	CARBON RESISTOR
R126	QRD161J-121Y	CARBON RESISTOR
R127	QRD161J-472Y	CARBON RESISTOR
R128	QRD161J-102Y	CARBON RESISTOR
R129	QRD161J-102Y	CARBON RESISTOR
R130	QRD161J-682Y	CARBON RESISTOR
R131	QRD161J-105Y	CARBON RESISTOR
R132	QRD161J-105Y	CARBON RESISTOR
R133	QRD161J-222Y	CARBON RESISTOR
R134	QRD161J-472Y	CARBON RESISTOR
R135	QRD161J-102Y	CARBON RESISTOR
R136	QRD161J-332Y	CARBON RESISTOR
R137	QRD161J-683Y	CARBON RESISTOR
R138	QRD161J-101Y	CARBON RESISTOR
R139	QRD161J-473Y	CARBON RESISTOR
R141	QRD161J-562Y	CARBON RESISTOR
R142	QRD161J-152Y	CARBON RESISTOR
R143	QRD161J-471Y	CARBON RESISTOR

△	REF. NO	PARTS NO.	PARTS NAME
	R145	QRD161J-562Y	CARBON RESISTOR
	R151	QRD161J-153Y	CARBON RESISTOR
	R152	QRD161J-105Y	CARBON RESISTOR
	R153	QRD161J-683Y	CARBON RESISTOR
	R154	QRD161J-123Y	CARBON RESISTOR
	R155	QRD161J-183Y	CARBON RESISTOR
	R156	QRD161J-560Y	CARBON RESISTOR
	R157	QRD161J-223Y	CARBON RESISTOR
	R158	QRD161J-104Y	CARBON RESISTOR
	R201	QRD161J-273Y	CARBON RESISTOR
	R202	QRD161J-474Y	CARBON RESISTOR
	R203	QRD161J-562Y	CARBON RESISTOR
	R204	QRD161J-682Y	CARBON RESISTOR
	R205	QRD161J-101Y	CARBON RESISTOR
	R206	QRD161J-471Y	CARBON RESISTOR
	R207	QRD161J-102Y	CARBON RESISTOR
	R208	QRD161J-472Y	CARBON RESISTOR
	R209	QRD161J-105Y	CARBON RESISTOR
	R210	QRD161J-222Y	CARBON RESISTOR
	R211	QRD161J-123Y	CARBON RESISTOR
	R212	QRD161J-102Y	CARBON RESISTOR
	R213	QRD161J-104Y	CARBON RESISTOR
	R215	QRD161J-103Y	CARBON RESISTOR
	R216	QRD161J-104Y	CARBON RESISTOR
	R217	QRD161J-332Y	CARBON RESISTOR
	R218	QRD161J-102Y	CARBON RESISTOR
	R219	QRD161J-683Y	CARBON RESISTOR
	R220	QRD161J-101Y	CARBON RESISTOR
	R221	QRD161J-273Y	CARBON RESISTOR
	R222	QRD161J-273Y	CARBON RESISTOR
	R223	QRD161J-273Y	CARBON RESISTOR
	R224	QRD161J-104Y	CARBON RESISTOR
	R225	QRD161J-104Y	CARBON RESISTOR
	R226	QRD161J-121Y	CARBON RESISTOR
	R227	QRD161J-472Y	CARBON RESISTOR
	R228	QRD161J-102Y	CARBON RESISTOR
	R229	QRD161J-102Y	CARBON RESISTOR
	R230	QRD161J-682Y	CARBON RESISTOR
	R231	QRD161J-105Y	CARBON RESISTOR
	R232	QRD161J-105Y	CARBON RESISTOR
	R233	QRD161J-222Y	CARBON RESISTOR
	R234	QRD161J-472Y	CARBON RESISTOR
	R235	QRD161J-102Y	CARBON RESISTOR
	R236	QRD161J-332Y	CARBON RESISTOR
	R237	QRD161J-683Y	CARBON RESISTOR
	R238	QRD161J-101Y	CARBON RESISTOR
	R239	QRD161J-473Y	CARBON RESISTOR
	R241	QRD161J-562Y	CARBON RESISTOR
	R242	QRD161J-152Y	CARBON RESISTOR
	R243	QRD161J-471Y	CARBON RESISTOR
	R245	QRD161J-562Y	CARBON RESISTOR
	R251	QRD161J-153Y	CARBON RESISTOR
	R252	QRD161J-105Y	CARBON RESISTOR
	R253	QRD161J-683Y	CARBON RESISTOR
	R254	QRD161J-123Y	CARBON RESISTOR
	R255	QRD161J-183Y	CARBON RESISTOR
	R256	QRD161J-560Y	CARBON RESISTOR
	R257	QRD161J-223Y	CARBON RESISTOR
	R258	QRD161J-104Y	CARBON RESISTOR
	R303	QRD161J-392Y	CARBON RESISTOR
	R304	QRD161J-473Y	CARBON RESISTOR
	R305	QRD161J-153Y	CARBON RESISTOR
	R306	QRD161J-223Y	CARBON RESISTOR
	R307	QRD161J-152Y	CARBON RESISTOR
	R308	QRD161J-560Y	CARBON RESISTOR
	R309	QRD161J-101Y	CARBON RESISTOR
	R310	QRD161J-102Y	CARBON RESISTOR
	R311	QRD161J-392Y	CARBON RESISTOR
	R312	QRD161J-222Y	CARBON RESISTOR
	R313	QRD161J-272Y	CARBON RESISTOR

△	REF. NO	PARTS NO.	PARTS NAME
	R314	QRD161J-152Y	CARBON RESISTOR
	R317	QRD161J-472Y	CARBON RESISTOR
	R319	QRD161J-472Y	CARBON RESISTOR
	R321	QRD161J-472Y	CARBON RESISTOR
	R351	QRD161J-202Y	CARBON RESISTOR
	R352	QRD161J-123Y	CARBON RESISTOR
	R353	QRD161J-154Y	CARBON RESISTOR
	R354	QRD149J-100S	CARBON RESISTOR
	R403	QRD161J-392Y	CARBON RESISTOR
	R404	QRD161J-473Y	CARBON RESISTOR
	R405	QRD161J-153Y	CARBON RESISTOR
	R406	QRD161J-223Y	CARBON RESISTOR
	R407	QRD161J-152Y	CARBON RESISTOR
	R408	QRD161J-560Y	CARBON RESISTOR
	R409	QRD161J-101Y	CARBON RESISTOR
	R410	QRD161J-102Y	CARBON RESISTOR
	R411	QRD161J-392Y	CARBON RESISTOR
	R412	QRD161J-222Y	CARBON RESISTOR
	R413	QRD161J-272Y	CARBON RESISTOR
	R414	QRD161J-152Y	CARBON RESISTOR
	R417	QRD161J-472Y	CARBON RESISTOR
	R419	QRD161J-472Y	CARBON RESISTOR
	R421	QRD161J-472Y	CARBON RESISTOR
	R451	QRD161J-202Y	CARBON RESISTOR
	R452	QRD161J-123Y	CARBON RESISTOR
	R453	QRD161J-154Y	CARBON RESISTOR
	R454	QRD149J-100S	CARBON RESISTOR
△	R701	QRZ0052-4R7	F. RESISTOR
	R702	QRD161J-103Y	CARBON RESISTOR
	R703	QRD161J-333Y	CARBON RESISTOR
	R705	QRD161J-102Y	CARBON RESISTOR
	R706	QRD161J-332Y	CARBON RESISTOR
	R707	QRD161J-331Y	CARBON RESISTOR
	R708	QRD161J-562Y	CARBON RESISTOR
	R709	QRD161J-152Y	CARBON RESISTOR
△	R710	QRD161J-181Y	CARBON RESISTOR
	R711	QRZ0052-4R7	F. RESISTOR
	R713	QRD161J-102Y	CARBON RESISTOR
	R714	QRD161J-102Y	CARBON RESISTOR
	R715	QRD161J-103Y	CARBON RESISTOR
	R716	QRD161J-472Y	CARBON RESISTOR
	R717	QRD161J-472Y	CARBON RESISTOR
	R721	QRD161J-473Y	CARBON RESISTOR
	R722	QRD161J-472Y	CARBON RESISTOR
	R723	QRD161J-822Y	CARBON RESISTOR
	R724	QRD161J-102Y	CARBON RESISTOR
	R725	QRD161J-473Y	CARBON RESISTOR
	R726	QRD161J-103Y	CARBON RESISTOR
	R727	QRD161J-472Y	CARBON RESISTOR
	R728	QRD161J-681Y	CARBON RESISTOR
	R729	QRD161J-473Y	CARBON RESISTOR
	R730	QRD161J-103Y	CARBON RESISTOR
	R731	QRD161J-472Y	CARBON RESISTOR
	R732	QRD161J-681Y	CARBON RESISTOR
	R733	QRD161J-332Y	CARBON RESISTOR
	R734	QRD161J-152Y	CARBON RESISTOR
	R735	QRD161J-221Y	CARBON RESISTOR
	R736	QRD161J-103Y	CARBON RESISTOR
	R737	QRD161J-472Y	CARBON RESISTOR
	R738	QRD161J-681Y	CARBON RESISTOR
	R739	QRD161J-103Y	CARBON RESISTOR
	R740	QRD161J-472Y	CARBON RESISTOR
	R741	QRD161J-681Y	CARBON RESISTOR
	R901	QRD161J-104Y	CARBON RESISTOR
	R902	QRD161J-103Y	CARBON RESISTOR
	R903	QRD161J-103Y	CARBON RESISTOR
	R904	QRD161J-103Y	CARBON RESISTOR
	R905	QRD161J-103Y	CARBON RESISTOR
	R906	QRD161J-103Y	CARBON RESISTOR
	R915	QRD161J-223Y	CARBON RESISTOR

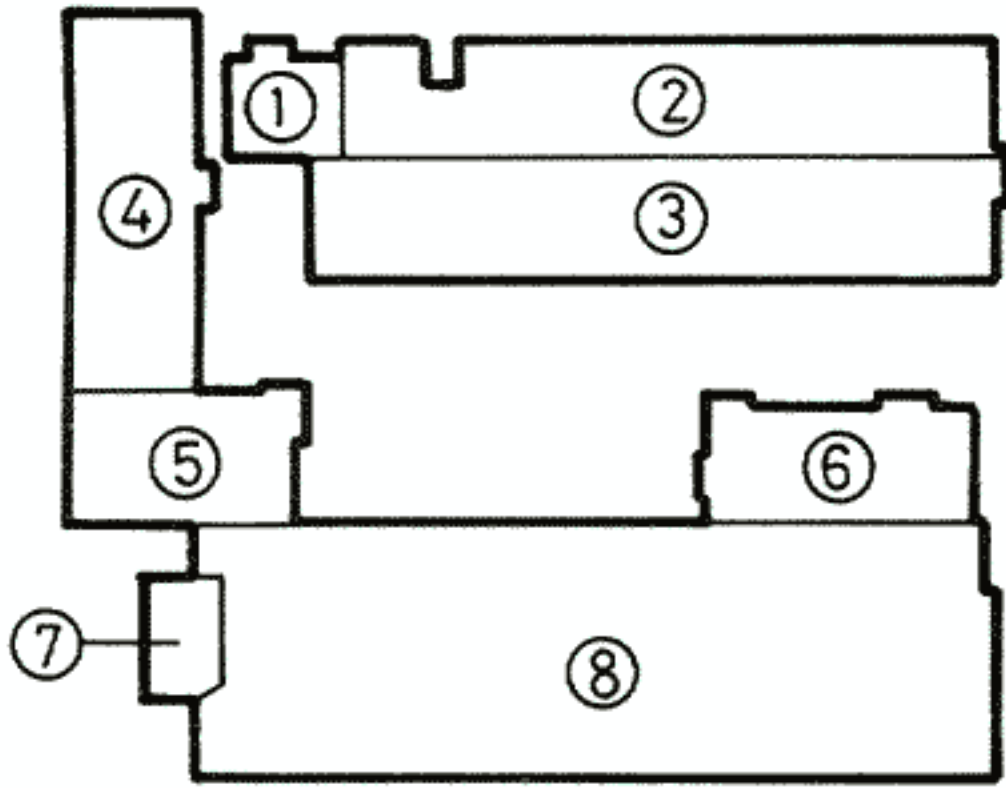
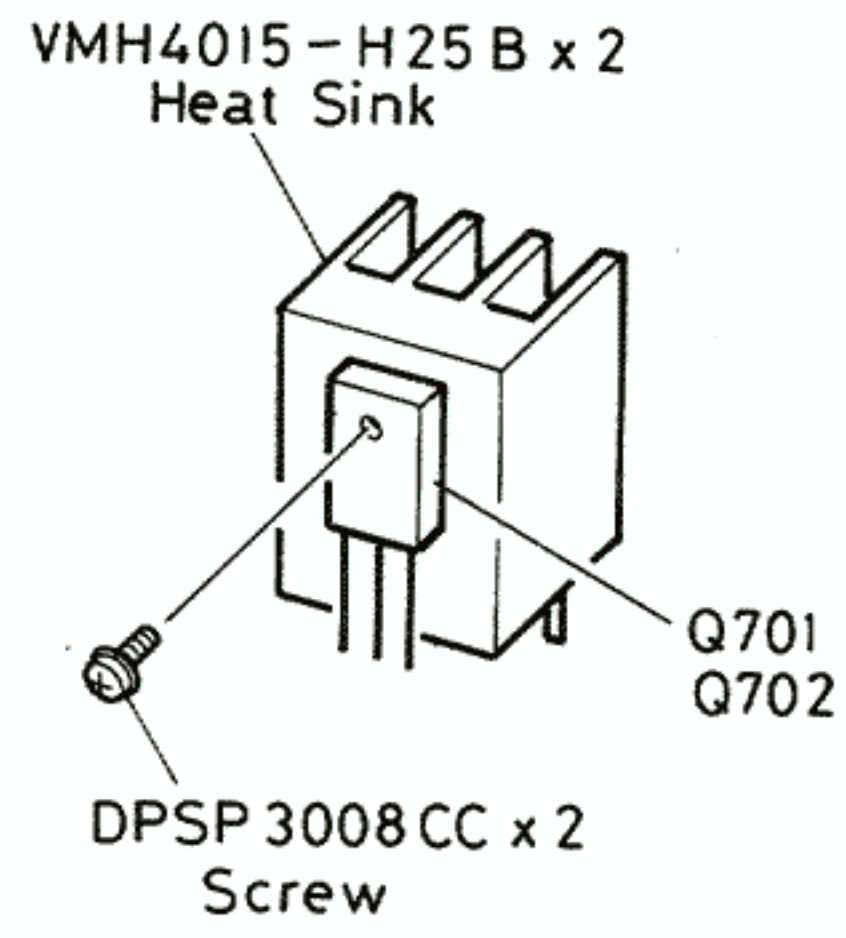
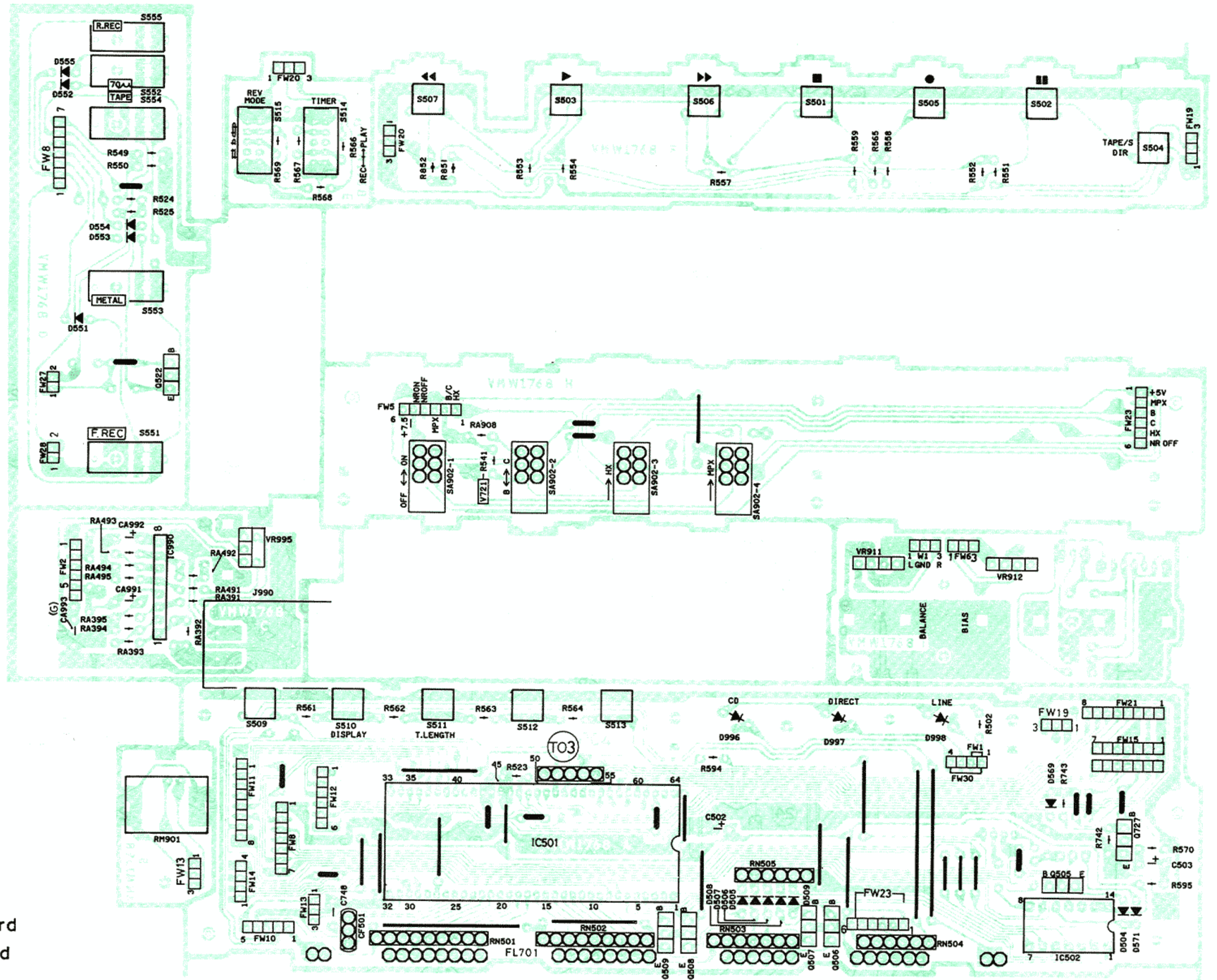
■ Display/Switch Board Parts List

REF. NO	PARTS NO.	PARTS NAME
R916	QRD161J-223Y	CARBON RESISTOR
R917	QRD161J-223Y	CARBON RESISTOR
R918	QRD161J-223Y	CARBON RESISTOR
R922	QRD161J-272Y	CARBON RESISTOR
R923	QRD161J-273Y	CARBON RESISTOR
R924	QRD161J-273Y	CARBON RESISTOR
R925	QRD161J-274Y	CARBON RESISTOR
R931	QRD161J-472Y	CARBON RESISTOR
R932	QRD161J-472Y	CARBON RESISTOR
R948	QRD161J-472Y	CARBON RESISTOR
R949	QRD161J-822Y	CARBON RESISTOR
R950	QRD161J-472Y	CARBON RESISTOR
R951	QRD161J-272Y	CARBON RESISTOR
R952	QRD161J-272Y	CARBON RESISTOR
R953	QRD161J-392Y	CARBON RESISTOR
R954	QRD161J-222Y	CARBON RESISTOR
R955	QRD161J-103Y	CARBON RESISTOR
R957	QRD161J-103Y	CARBON RESISTOR
R958	QRD161J-472Y	CARBON RESISTOR
R959	QRD161J-332Y	CARBON RESISTOR
R960	QRD161J-391Y	CARBON RESISTOR
R961	QRD161J-273Y	CARBON RESISTOR
R962	QRD161J-273Y	CARBON RESISTOR
R963	QRD149J-5R6S	CARBON RESISTOR
R964	QRD149J-8R2S	CARBON RESISTOR
R965	QRD161J-222Y	CARBON RESISTOR
R966	QRD161J-153Y	CARBON RESISTOR
R967	QRD161J-272Y	CARBON RESISTOR
R968	QRD161J-472Y	CARBON RESISTOR
R971	QRD161J-103Y	CARBON RESISTOR
R972	QRD161J-103Y	CARBON RESISTOR
R973	QRD161J-103Y	CARBON RESISTOR
R975	QRD161J-472Y	CARBON RESISTOR
R981	QRD161J-223Y	CARBON RESISTOR
R982	QRD161J-103Y	CARBON RESISTOR
R983	QRD161J-223Y	CARBON RESISTOR
R985	QRD161J-472Y	CARBON RESISTOR
R986	QRD161J-472Y	CARBON RESISTOR
S901	QSTT362-V01	PUSH SW
VR101	QVPA601-502	V.RESISTOR
VR102	QVPA601-502	V.RESISTOR
VR201	QVPA601-502	V.RESISTOR
VR202	QVPA601-502	V.RESISTOR
VR301	QVPA601-502	V.RESISTOR
VR302	QVPA601-103	V.RESISTOR
VR401	QVPA601-502	V.RESISTOR
VR402	QVPA601-103	V.RESISTOR
VR905	QVPA601-502	V.RESISTOR

REF. NO	PARTS NO.	PARTS NAME
CA991	QETC1AM-107ZM	E.CAPACITOR
CA992	QETC1AM-107ZM	E.CAPACITOR
CA993	QCF31HP-103Z	C.CAPACITOR
CF501	FCR6.0MCF	CERA LOCK
C502	QEK61CM-107ZN	E.CAPACITOR
C503	QEK61CM-106ZM	E CAPACITOR
C747	QCVB1CM-103Y	C CAPACITOR
C748	QCVB1CM-103Y	C CAPACITOR
D504	HSS104TJ	SI DIODE
D505	HSS104TJ	SI DIODE
D506	HSS104TJ	SI DIODE
D507	HSS104TJ	SI DIODE
D508	HSS104TJ	SI DIODE
D509	HSS104TJ	SI DIODE
D551	HSS104TJ	SI DIODE
D552	HSS104TJ	SI DIODE
D553	HSS104TJ	SI DIODE
D554	HSS104TJ	SI DIODE
D569	HSS104TJ	SI DIODE
D996	SLV-31VC50F158	L.E.D
D997	SLV-31VC50F158	L.E.D
D998	SLV-31MC50F158	LED (J,K)
FL701	BG-502GK	FL TUBE
FW8	VMC0064-007	CONNECTOR
IC501	MB88515B-673T	IC
IC502	UPD4069UBC	I C
IC990	BA15218N	IC
J990	QMS6302-119G	JACK
Q505	2SC945L(P,K)-T	TRANSISTOR
Q506	UN4211TA	TRANSISTOR
Q507	UN4211TA	TRANSISTOR
Q508	UN4211TA	TRANSISTOR
Q509	UN4211TA	TRANSISTOR
Q522	2SC945L(P,K)-T	TRANSISTOR
Q727	2SC3113(B)E4	TRANSISTOR
RA391	QRD161J-273Y	CARBON RESISTOR
RA392	QRD161J-820Y	CARBON RESISTOR
RA393	QRD161J-154Y	CARBON RESISTOR
RA394	QRD161J-472Y	CARBON RESISTOR
RA395	QRD161J-472Y	CARBON RESISTOR
RA491	QRD161J-273Y	CARBON RESISTOR
RA492	QRD161J-820Y	CARBON RESISTOR
RA493	QRD161J-154Y	CARBON RESISTOR
RA494	QRD161J-472Y	CARBON RESISTOR
RA495	QRD161J-472Y	CARBON RESISTOR
RA908	QRD161J-103Y	CARBON RESISTOR
RN501	QRB085J-473	NETWORK RESIST
RN502	QRB085J-473	NETWORK RESIST
RN503	QRB065J-223	NETWORK RESIST
RN504	QRB055J-473	NETWORK RESIST
RN505	QRB055J-223	NETWORK RESIST
RN506	QRB045J-682	NETWORKRESISTOR
R502	QRD161J-391Y	CARBON RESISTOR
R523	QRD161J-103Y	CARBON RESISTOR
R524	QRD161J-103Y	CARBON RESISTOR
R525	QRD161J-223Y	CARBON RESISTOR
R549	QRD161J-681Y	CARBON RESISTOR
R550	QRD161J-821Y	CARBON RESISTOR
R551	QRD161J-102Y	CARBON RESISTOR
R552	QRD161J-122Y	CARBON RESISTOR
R553	QRD161J-182Y	CARBON RESISTOR
R554	QRD161J-752Y	CARBON RESISTOR
R557	QRD161J-182Y	CARBON RESISTOR
R558	QRD161J-272Y	CARBON RESISTOR
R559	QRD161J-222Y	CARBON RESISTOR
R561	QRD161J-102Y	CARBON RESISTOR
R562	QRD161J-122Y	CARBON RESISTOR
R563	QRD161J-182Y	CARBON RESISTOR
R564	QRD161J-272Y	CARBON RESISTOR
R565	QRD161J-822Y	CARBON RESISTOR

■ Display/Switch Board

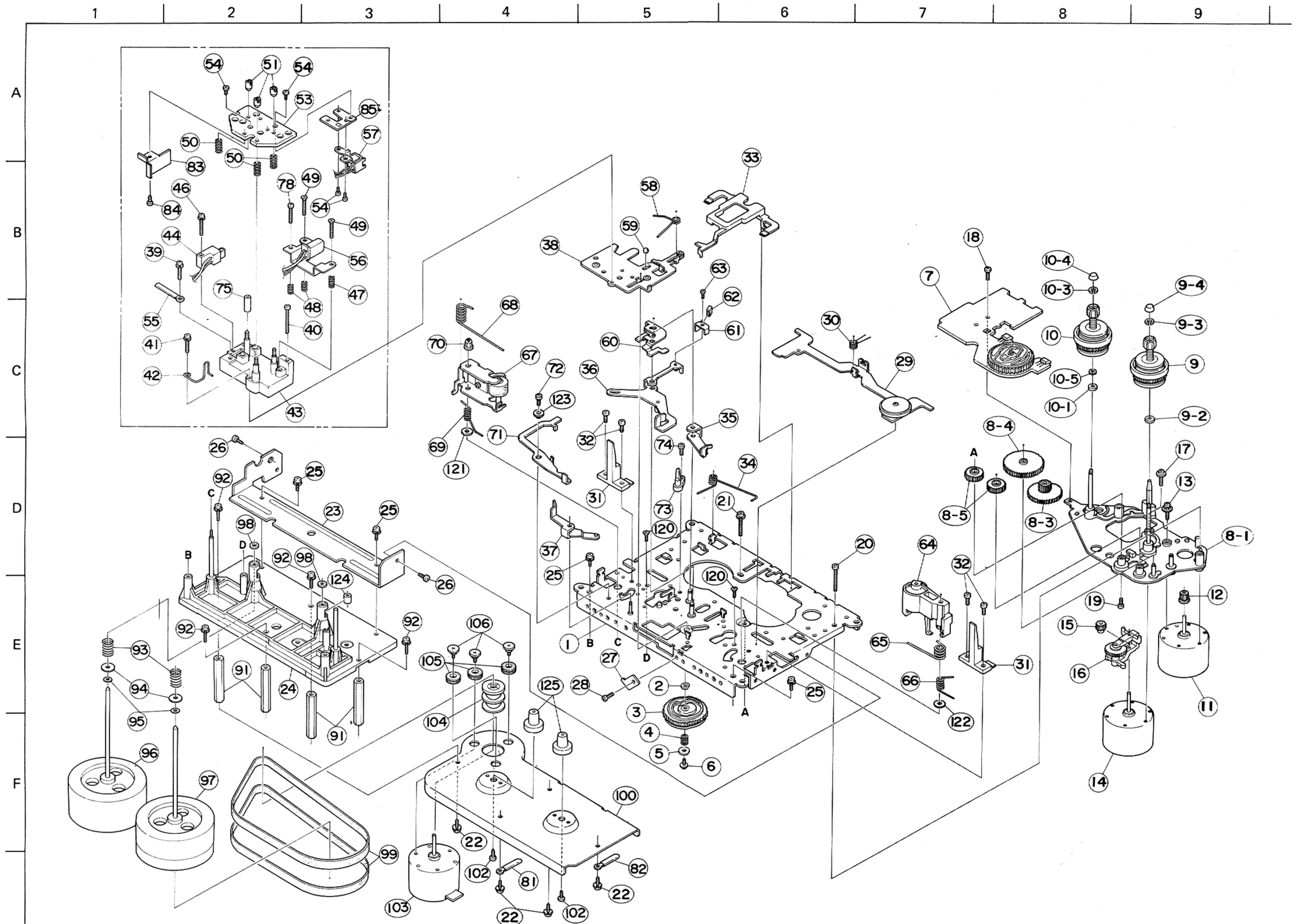
REF. NO	PARTS NO.	PARTS NAME
R566	QRD161J-472Y	CARBON RESISTOR
R567	QRD161J-273Y	CARBON RESISTOR
R570	QRD161J-471Y	CARBON RESISTOR
R595	QRD161J-102Y	CARBON RESISTOR
R596	QRD161J-100Y	CARBON RESISTOR
R742	QRD161J-102Y	CARBON RESISTOR
R743	QRD161J-332Y	CARBON RESISTOR
R851	QRD161J-822Y	CARBON RESISTOR
R852	QRD161J-273Y	CARBON RESISTOR
SA902	QSTT461-V02	PUSH SW
S501	QSP1A11-V01	TACT SWITCH
S502	QSP1A11-V01	TACT SWITCH
S503	QSP1A11-V01	TACT SWITCH
S504	QSP1A11-V01	TACT SWITCH
S505	QSP1A11-V01	TACT SWITCH
S506	QSP1A11-V01	TACT SWITCH
S507	QSP1A11-V01	TACT SWITCH
S509	QSP1A11-V01	TACT SWITCH
S510	QSP1A11-V01	TACT SWITCH
S511	QSP1A11-V01	TACT SWITCH
S512	QSP1A11-V01	TACT SWITCH
S513	QSP1A11-V01	TACT SWITCH
S514	QSS7A23-V05	SLIDE SWITCH
VR911	QVAA12W-V01	V RESISTOR
VR912	QVAA16B-V04	V RESISTOR
VR995	QVAB26A-V01	V.RESISTOR



1. Timer Switch Board
2. Operation Switch Board
3. NR Select Switch Board
4. Leaf Switch Board
5. Headphone Jack Board
6. BIAS/BALANCE Volume Board
7. Sensor Board
8. Display Board

Fig. 7-3

8 Exploded View of Mechanism Assembly



△ parts are safety assurance parts.

■ Mechanism Component Parts List When replacing those parts, make sure to use the specified one.

△	REF.	PARTS NO.	PARTS NAME	REMARKS	QTY
△	1	QSP1106-004	PUSH SWITCH		1
	2	VKZ4345-004	SPECIAL SCREW	MECHA+L.SW PCB	2
	3	VKL6200-00A	EJECT BKT ASS'Y		1
	4	VSH1140-002	LEAF SWITCH		4
	5	VWE350-08NTNT	LUG WIRE		3
	6	SDST2606Z	SCREW	EJECT BRACKET	2
	7	VKL3908-001	EJECT LEVER		1
	8	VKW4688-002	TORSION SPRING		1
	9	REE2500X	E RING		1
	10	VKY4497-003	HOLDER SPRING		1
	11	VKL6345-002	LEAF SW BRACKET		1
	12	SDST2005Z	SCREW	L.SW BKT+LEAF SW	1
	13	VSH1155-001	LEAF SWITCH		1
	14	SDST2604Z	SCREW	MECHA+H.SPRING	2
	15	VKY4279-001	PACK SPRING		1
	16	SDST2604Z	SCREW	MECHA+P.SPRING	2
	17	VKL3883-001	MECHA.BRACKET		1
	18	SSST3006Z	SCREW	MECHA BKT+F.PANEL	2
	19	SDST2604Z	SCREW	MECHA+M.BRACKET	2
	20	SSSF3010Z	SCREW	MECHA+FRONT PANEL	2
	21	VJC1754-010	FRONT PLATE		1
	22	PQ42376-001	JVC MARK		1
	23	E73878-002	P.BUTTON ESCUTC		1
	24	VJC1755-002	FRONT PANEL		1
	25	VKZ4150-001	SPECIAL NUT		1
	26	VJK3445-002	FINDER		1
	27	50242-2	LUG TERMINAL		1
	28	VJD4615-021	FILTER	FL701	1
	29	SDST2606Z	SCREW		1
	30	VYH4638-001	BRACKET		3
	31	SDSP3004Z	SCREW	FL BRACKET	6
	32	E73877-001	PUSH BUTTON	POWER	1
	33	VXP4349-00A	PUSH BUTTON	EJECT	1
	34	VKW3001-063	COMP.SPRING	PUSH BUTTON	1
	35	E74179-001	KNOB	OUTPUT	1
	36	SDSF2608Z	SCREW	M.BUTTON+F.PANEL	5
	37	VXP3274-003	MECHA BUTTON		1
	38	SDST3006Z	SCREW	S.BKT+S.CHASSIS(R)	2
	39	GBST3008Z	TH.TAP.SCREW	INPUT PWB+S.BRACKET	1
	40	VYSS101-024	SPACER	FRONT PANEL	1
	41	VKL6382-001	SHIELD BRACKET	SIDE CHASSIS(R)	1
	48	VKL6628-001	BUTTON HOLDER	PUSH BUTTON	1
	49	SDSF3010Z	SCREW	VOLUME PWB+F.PANEL	1
	50	E74179-001	KNOB	BIAS	1
	52	SDSF3010Z	SCREW	FL PWB+FRONT PANEL	2
	53	VJD5174-001	LED LENS		1
	56	VJD3780-00E	C.PANEL ASS'Y		1
	57	VKY4550-003	EARTH CONTACT	M.BUTTON+C.PANEL	1
	58	VJD5181-002	SIDE PLATE(L)	HEAD PHONE JACK	1
	59	VJD5181-001	SIDE PLATE(R)	F.PANEL LEFT	1
	41	VKZ4231-005	S SCREW		1
	42	VKZ4437-001	WIRE HOLDER		1
	43	VKZ3137-00B	E/R H.BASE ASY.		1
	44	VGH0212-121	E HEAD		1
	46	VKZ4231-004	S SCREW		1
	47	VKW3001-067	SPRING		1
	48	VKW3001-099	SPRING		2
	49	VKZ4463-00B	SPECIAL SCREW		2
	50	VKW3001-223	SPRING		3
	51	VKH5137-001	ADJUST SCREW		3

△	REF.	PARTS NO.	PARTS NAME	REMARKS	QTY
	53	VKL6192-003	P.B. HEAD BASE		1
	54	VKZ4194-001	S.SCREW		4
	55	VKZ4001-013	WIRE HOLDER		1
	56	VGH0423-607	REC HEAD ASS'Y		1
	57	VGH0424-629	P.B. HEAD ASS'Y		1
	58	VKW4467-005	TORSION SPRING		1
	59	T41615-004	STEEL BALL		1
	60	VKY4559-001	SPRING PLATE		1
	61	VKL6222-002	B.T.LEVER		1
	62	VKZ4414-001	B.T.RUBBER		1
	63	SPSK1716M	SCREW		1
	64	VKP4169-00E	P.R.ARM ASSY(R)		1
	65	VKW4726-004	TORSION SPRING		1
	66	VKW3006-057	TORSION SPRING		1
	67	VKP4129-00J	P.R.ARM ASSY(L)		1
	68	VKW4735-003	TORSION SPRING		1
	69	VKW3008-021	TORSION SPRING		1
	70	VKS4513-001	ADJUST SCREW		1
	71	VKL6193-003	EJECT SAFETY		1
	72	SDST2605Z	SCREW		1
	73	VKS4512-002	GUIDE POST		1
	74	SDST2605Z	SCREW		1
	75	QXTS400-010	SHURINK TUBE		1
	78	VKZ4464-00B	SPECIAL SCREW		1
	81	VKZ4001-009	WIRE HOLDER		1
	82	VKZ4001-010	WIRE CLAMP		1
	83	VKL6581-001	SHIELD PLATE		1
	84	SPSK2025M	MINI SCREW		1
	85	VKL6422-001	HEAD BASE		1
	91	VKH3011-006	STUD		4
	92	LPSP2606Z	SCREW		4
	93	VKW3001-244	C.SPRING		2
	94	Q03093-622	WASHER		2
	95	Q03093-834	WASHER		2
	96	VKF3152-00A	FLYWHHEL ASS'Y	FOR LEFT	1
	97	VKF3152-00A	FLYWHHEL ASS'Y	FOR RIGHT	1
	98	Q03093-522	WASHER		2
	99	VKB3001-043	BELT		2
	100	VKM3209-001	FM.BRACKET		1
	102	SDSA2606Z	SCREW		2
	103	MMU-5B2LNL	D.C.MOTOR	FOR CAPSTEN	1
	104	VKR4562-001	MOTOR PULLEY	FOR CAPSTEN	1
	105	18211266T	MOTOR RUBBER	FOR CAPSTEN	3
	106	18511418T	COLLAR SCREW	FOR CAPSTEN MOTOR	3
	120	SSSP2608Z	SCREW		2
	121	WNS3000N	WASHER		1
	122	WNS3000N	WASHER		1
	123	VKH4418-002	F.COLLAR		1
	124	VKR4180-004	ROLLER		1
	125	M40678-3	THRUST		2

9 Exploded View of Enclosure Assembly

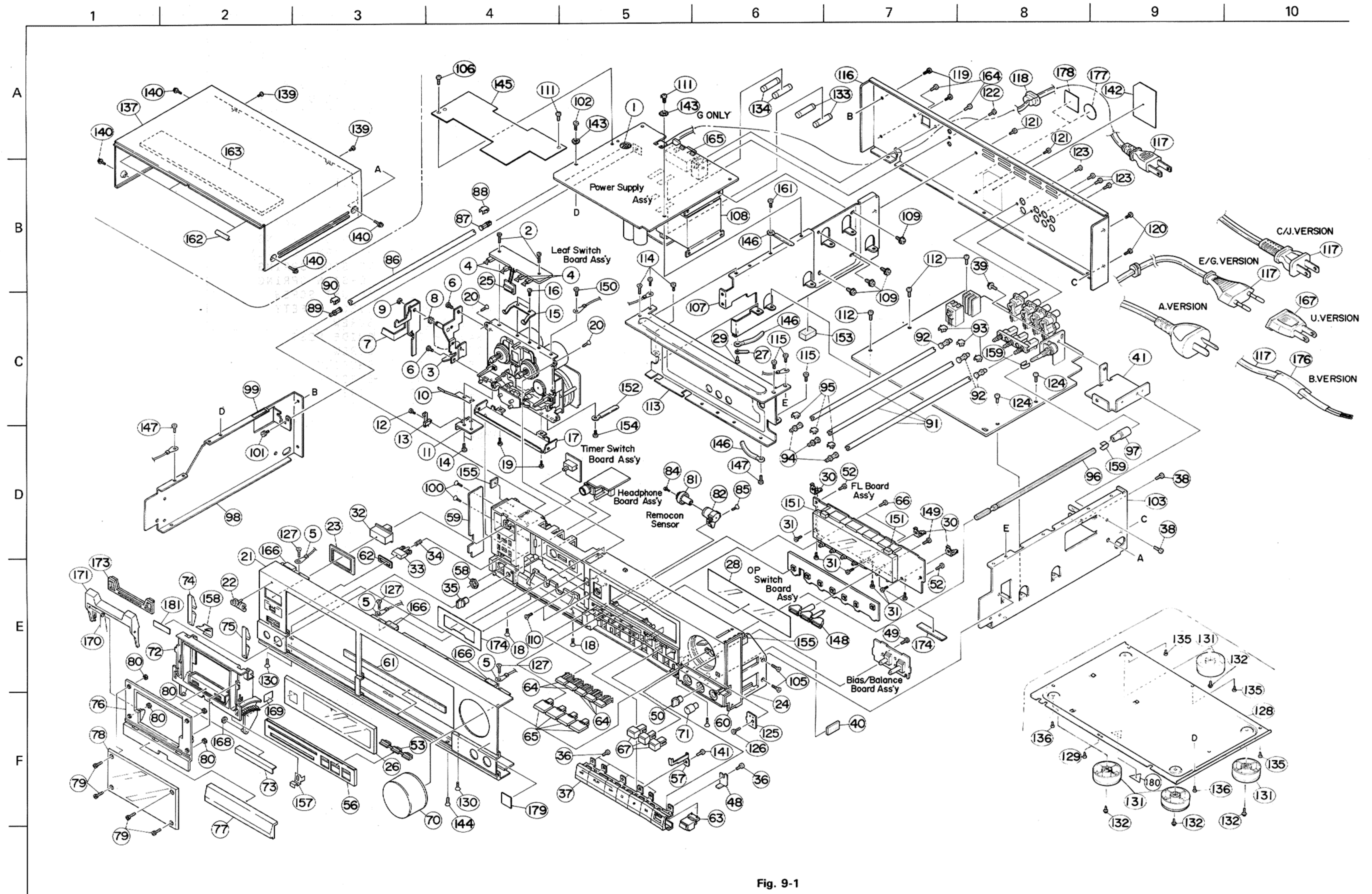


Fig. 9-1

△ Parts are safety assurance parts.
When replacing those parts, make
sure to use the specified one.

■ Enclosure Assembly Parts List

△ REF.	PARTS NO.	PARTS NAME	REMARKS	QTY
△ 1	QSP1106-004	PUSH SWITCH		1
2	VKZ4345-004	SPECIAL SCREW	MECHA+L.SW PCB	2
3	VKL6200-00A	EJECT BKT ASS'Y		1
4	VSH1140-002	LEAF SWITCH		4
5	VWE350-08NTNT	LUG WIRE		3
6	SDST2606Z	SCREW	EJECT BRACKET	2
7	VKL3908-001	EJECT LEVER		1
8	VKW4688-002	TORSION SPRING		1
9	REE2500X	E RING		1
10	VKY4497-003	HOLDER SPRING		1
11	VKL6345-002	LEAF SW BRACKET		1
12	SDST2005Z	SCREW	L.SW BKT+LEAF SW	1
13	VSH1155-001	LEAF SWITCH		1
14	SDST2604Z	SCREW	MECHA+H.SPRING	2
15	VKY4279-001	PACK SPRING		1
16	SDST2604Z	SCREW	MECHA+P.SPRING	2
17	VKL3883-001	MECHA.BRACKET		1
18	SSST3006Z	SCREW	MECHA BKT+F.PANEL	2
19	SDST2604Z	SCREW	MECHA+M.BRACKET	2
20	SSSF3010Z	SCREW	MECHA+FRONT PANEL	2
21	VJC1754-010	FRONT PLATE		1
22	PQ42376-001	JVC MARK		1
23	E73878-002	P.BUTTON ESCUTC		1
24	VJC1755-002	FRONT PANEL		1
25	VKZ4150-001	SPECIAL NUT		1
26	VJK3445-002	FINDER		1
27	50242-2	LUG TERMINAL		1
28	VJD4615-021	FILTER	FL701	1
29	SDST2606Z	SCREW		1
30	VYH4638-001	BRACKET		3
31	SDSP3004Z	SCREW	FL BRACKET	6
32	E73877-001	PUSH BUTTON	POWER	1
33	VXP4349-00A	PUSH BUTTON	EJECT	1
34	VKW3001-063	COMP.SPRING	PUSH BUTTON	1
35	E74179-001	KNOB	OUTPUT	1
36	SDSF2608Z	SCREW	M.BUTTON+F.PANEL	5
37	VXP3274-003	MECHA BUTTON		1
38	SDST3006Z	SCREW	S.BKT+S.CHASSIS(R)	2
39	GBST3008Z	TH.TAP.SCREW	INPUT PWB+S.BRACKET	1
40	VYSS101-024	SPACER	FRONT PANEL	1
41	VKL6382-001	SHIELD BRACKET	SIDE CHASSIS(R)	1
48	VKL6628-001	BUTTON HOLDER	PUSH BUTTON	1
49	SDSF3010Z	SCREW	VOLUME PWB+F.PANEL	1
50	E74179-001	KNOB	BIAS	1
52	SDSF3010Z	SCREW	FL PWB+FRONT PANEL	2
53	VJD5174-001	LED LENS		1
56	VJD3780-00E	C.PANEL ASS'Y		1
57	VKY4550-003	EARTH CONTACT	M.BUTTON+C.PANEL	1
58	VJD5181-002	SIDE PLATE(L)	HEAD PHONE JACK	1
59	VJD5181-001	SIDE PLATE(R)	F.PANEL LEFT	1
60	VYSR101-015	SPACER	F.PANEL RIGHT	2
61	VYSH102-053	SPACER	FRONT PANEL	1
62	VJD5173-001	EJECT ESCUTCHEO		1
63	VXP4812-001	PUSH BUTTON	MONITOR	1
64	VXP4575-001	PUSH BUTTON	RESET	5
65	E71268-002	PUSH KNOB	NR SELECT	4
66	SSSF3010Z	SCREW	F.PANEL+NR PUSH SW	2
67	VXP4307-010	PUSH BUTTON	CD DIRECT&DIRECT&LIN	3
70	E302479-004	VOLUME KNOB	INPUT	1
71	VXL4166-003	KNOB	BALANCE	1
72	VJT2153-003	CASSETTE DOOR		1
73	VJD5081-007	HOLDER PLATE		1
74	VKY4382-007	CASSETTE SPRING	CASSETTE DOOR	1
75	VKY4382-008	CASSETTE SPRING	CASSETTE DOOR	1
76	VJT3265-001	CASSETTE LID		1
77	VJT3270-004	LID PLATE		1
78	VJT3266-001	CASSETTE FINDER		1
79	BYS3006M	S.BOLT	C.FINDER+C.LID	4
80	NTB3000	NUT	C.FINDER+C.LID	4
81	VYH4769-002	GEAR		1
82	VYH5033-002	DAMPER HOLDER		1
84	SBSB2004Z	SCREW	GEAR	1
85	SDSF3008Z	SCREW	DUMP HOLDER+F.PANEL	1
86	VKS4989-002	REMOTE BAR	POWER	1
87	VKS4990-001	SWITCH CONTACT	POWER	1

REF.	PARTS NO.	PARTS NAME	REMARKS	QTY
88	VKL6207-001	STOPPER	SWITCH CONTACT	1
89	VKS4991-001	BUTTON CONTACT	POWER	1
90	VKL6207-001	STOPPER	BUTTON CONTACT	1
91	VKS4989-002	REMOTE BAR	DIRECT&LINE	3
92	VKS4990-001	SWITCH CONTACT	DIRECT&LINE	3
93	VKL6207-001	STOPPER	SWIRCH CONTACT	3
94	VKS4991-001	BUTTON CONTACT	DIRECT&LINE	3
95	VKL6207-001	STOPPER	BUTTON CONTACT	3
96	VKH5027-003	VOLUME SHAFT	INPUT	1
97	VKS4992-003	VOLUME CONTACT	INPUT	1
98	VKL3884-001	SIDE CHASSIS(L)		1
99	VYSA1R4-024	SPACER	SIDE CHASSIS(L)	1
100	SSST3006Z	SCREW		2
101	LPSP3006Z	SCREW		1
102	SDST3006Z	SCREW		1
103	VKL3891-001	SIDE CHASSIS(R)		1
105	SSST3006Z	SCREW	F.P.+S.CHASSIS(R)	2
106	SDST3006Z	SCREW	TD-V621A/B/E/G/J/U	1
107	VKL3892-003	CENTER CHASSIS		1
108	VTP60A9-011B	POWER TRANS	TD-V621C/J	1
109	VTP60C9-011B	POWER TRANS	TD-V621B/A/E/G	1
110	VTP60C9-011BBS	POWER TRANS	TD-V621B	1
111	VTP60G9-011B	POWER TRANS	TD-V621U	1
112	SDSB4010R	SCREW	C.CHASSIS+TRANS	4
113	SSST3006Z	SCREW	C.CHASSIS+F.PANEL	2
114	SDST3006Z	SCREW	C.CHASSIS+M.PWB	2
115	SDST3006Z	SCREW	C.CHASSIS+AMP PWB	3
116	VKL3932-001	SHIELD PLATE		1
117	SDST3006Z	SCREW	C.CHASSIS+S.PLATE	3
118	SDST3006Z	SCREW	S.CHASSIS+S.PLATE	3
119	VJC2301-001	REAR PANEL	TD-V621C/J	1
120	VJC2301-002	REAR PANEL	TD-V621A/B/E/G/U	1
121	QMP1900-200	POWER CORD	TD-V621C/J	1
122	QMP2560-200	POWER CORD	TD-V621A	1
123	QMP3900-200	POWER CORD	TD-V621E/G	1
124	QMP7380-200	POWER CORD	TD-V621U	1
125	QMP9017-008BS	POWER CORD	TD-V621B	1
126	QHS3876-162	S.R.BUSHING	TD-V621A/C/J/E/G/U	1
127	QHS3876-162BS	S.R.BUSHING	TD-V621B	1
128	SDST3006M	SCREW	S.CHASSIS(L)+R.PANEL	2
129	SDST3006M	SCREW	S.CHASSIS(R)+R.PANEL	2
130	SDST3006M	SCREW	C.CHASSIS+R.PANEL	2
131	SDSF3010M	SCREW	DCS+REAR PANEL	1
132	SDSF3010M	SCREW	PIN JACK+REAR PANEL	1
133	SDSF3010M	SCREW	PIN JACK+REAR PANEL	3
134	SDST3006Z	SCREW	S.CHASSIS(R)+AMP	2
135	VYH6841-001	STOPPER	VOLUME SHAFT	1
136	SDSF3008Z	SCREW	STOOER+FRONT PANEL	1
137	SSSF3010Z	SCREW	F.PLATE+F.PANEL	3
138	VJC1547-005	BOTTOM COVER		1
139	SDSF3010Z	SCREW	BOTTOM+F.PANEL	1
140	SSSF3010Z	SCREW	F.PLATE+F.PANEL	2
141	E75088-003	FOOT ASS'Y		4
142	GBST3008Z	TH.TAP.SCREW	FOOT+BOTTOM	4
143	QMF51A2-R63	FUSE	F701.F702 TD-V621 A/E/G	2
144	QMF51E2-R63BS	FUSE	F701.F702 TD-V621B	2
145	QMF51A2-1R0	FUSE	F703.F704 TD-V621 A/E/G	2
146	QMF51E2-1R0BS	FUSE	F703.F704 TD-V621B	2
147	SDST3006Z	SCREW	BOTTOM+REAR PANEL	3
148	SDST3006Z	SCREW	BOTTOM+SIDE CHASSIS	2
149	VJC1622-002	TOP COVER		1
150	SDST3006M	SCREW		2
151	VKZ3001-004	SPECIAL SCREW		2
152	VKZ3001-004	SPECIAL SCREW		2
153	SDSF2608Z	SCREW	M.BUTTON+F.PANEL	1
154	VYN2247-002PA	NAME PLATE	TD-V621B	1
155	VYN2247-003PA	NAME PLATE	TD-V621A	1
156	VYN2247-004PA	NAME PLATE	TD-V621C	1
157	VYN2247-004PK	NAME PLATE	TD-V621C	1
158	VYN2247-005PA	NAME PLATE	TD-V621E	1
159	VYN2247-006PA	NAME PLATE	TD-V621J	1
160	VYN2247-007PA	NAME PLATE	TD-V621U	1
161	VYN2247-008PA	NAME PLATE	TD-V621G	1
162	WBS3000N	WASHER		1
163	SSSF3010Z	SCREW	F.PLATE+M.BUTTON	1
164	VYTS468-001	PROTECTOR	TD-V621A/B/E/G/J/U	1
165	VKZ4001-011	WIRE HOLDER		3

REF.	PARTS NO.	PARTS NAME	REMARKS	QTY
147	SDST3006Z	SCREW		2
148	VKS5179-001	REFLECTOR		1
149	SDSF3008Z	SCREW	REFLECTOR	1
150	SDST2606Z	SCREW	WIRE HOLDER	1
151	VYSH105-034	SPACER	FL TUBE	2
152	VKZ4001-007	WIRE CLAMP	MECHA	1
153	VYSH112-010	SPACER	C.CHASSIS	1
154	SDST3006Z	SCREW	MECHA+WIRE HOLDER	1
155	VJC1755-004	FRONT PANEL	FRONT PANEL	1
157	VKY4535-001	EARTH PLATE	CASSETTS DOOR	1
158	VKY4533-001	CASSETTE SPRING	CASSETTE DOOR	1
159	VYSA1R2-008	SPACER	VOLUME SHAFT	1
	VYSA1R2-008	SPACER	D CUT SHAFT	1
161	SDST3006Z	SCREW	WIRE HOLDER	1
162	VYSA1R8-027	SPACER	TOP COVER	3
163	VYTR435-001	SPACER	TOP COVER	1
164	SDSF3008M	SCREW	R.PANEL+VOL.CONTACT	2
165	VKS5011-001	VOLTAGE CONTACT	TD-V621 A/B/E/G/U VOLTAGE SELECTOR	1
166	VYSH104-022	SPACER	TD-V621 A/B/E/G/U FRONT PANEL	3
167	V04062-001	CONTI.PLUG	U VERSION	1
168	Q03093-819	WASHER	C.HOLDER	1
169	VYSA1R4-058	SPACER	C.DOOR WIRE	1
170	VKW4802-002	TORSION SPRING	C.LID&STABILIZER	1
171	VJT3271-002	CASSETTE STABIL		1
173	VJD5176-002	PAD	C.STABILIZER	1
174	VJD5201-002	PAD	FRAONE PANEL	1
176	QZL1002-003	WARNING LABEL	TD-V621B	1
177	T44362-001	CSA LABEL	TD-V621C	1
178	VND4037-002	F MARK	TD-V621G	1
179	VNC5004-001	MARK STICKER	TD-V621B/E/G	1
180	VND4113-001	G.CAUTION CARD	TD-V621B/J	1
181	TJL000420-01	CAUTION LABEL	TD-V621B	1

10 Accessories

PARTS NO.	PARTS NAME	REMARKS	QTY
BT20025K	WARRANTY CARD	TD-V621C	1
BT20029C	WARRANTY CARD	TD-V621A	1
BT20044F	SAFETY GUIDE	TD-V621J	1
BT20047D	WARRANTY CARD	TD-V621J/U	1
BT20060	WARRANTY CARD	TD-V621B	1
BT20064A	WARRANTY CARD	TD-V621G	1
BT20066A	WARRANTY CARD	TD-V621B/G	1
BT20071A	SVC CENTRE LIST	TD-V621C	1
BT20098	WARRANTY CARD	TD-V621A	1
BT20108	WARRANTY CARD	TD-V621J/C	1
EWP805-001E	REMOTE WIRE		1
E43486-340A	SAFTY INST SHEE	TD-V621B	1
TCP-3304	AUDIO TAPE PAMP		1
VMP0039-00D	PIN CORD		1
VNC2200-019	COPYRIGHT LAW	TD-V621B/A/E/U	1
VNC5311-203	CAUTION CARD	TD-V621U EES	1
VNC5311-204	CAUTION CARD	TD-V621U	1
VNN2247-661	INST BOOK		1

11 Packing

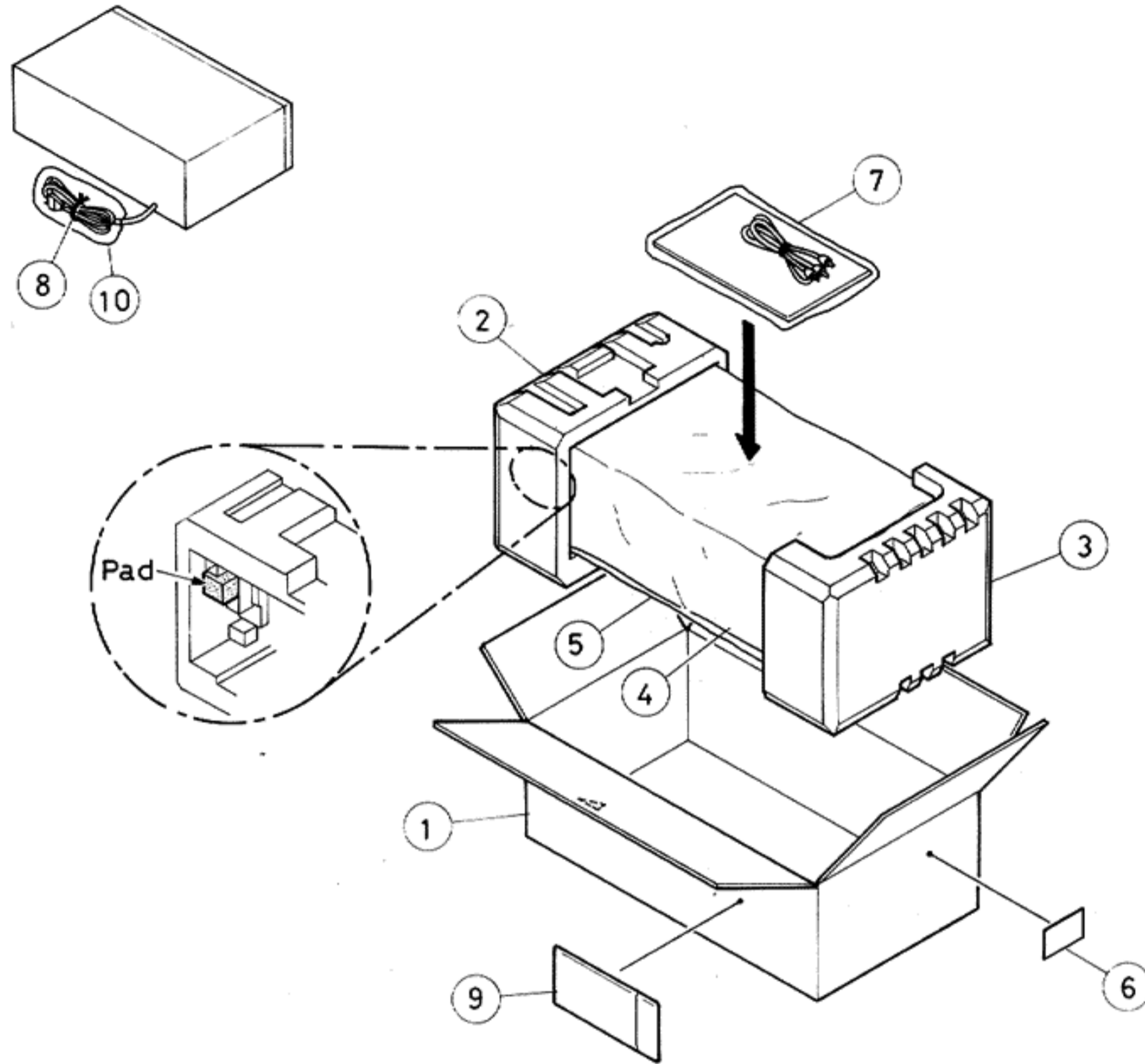


Fig. 11-1

△	REF.	PARTS NO.	PARTS NAME	REMARKS	QTY
	1	VPC2247-002	CARTON		1
	2	VPH2315-001	CUSHION(L)		1
	3	VPH2315-002	CUSHION(R)		1
	4	E34033-015B	ENVELOPE		1
	5	VPK3001-001	SHEET		1
	6-1	VND3044-001	S.TICKET (WT)	TD-V621A/U	1
	6-2	VND3044-002	S.TICKET (OR)	TD-V621J	2
	6-3	VND3044-003	S.TICKET (BU)	TD-V621E	1
	6-4	VND3044-004	S.TICKET (GR)	TD-V621B	1
	6-5	VND3044-005	S.TICKET (RD)	TD-V621G	1
	6-6	VND3044-006	S.TICKET	TD-V621C	2
	7	VPE3005-007	POLY BAG		1
	8	Q04141H	WIRE CLAMP		1
	9	E66416-003	ENVELOPE	TD-V621J/U(PX&EES)	1
	10	QPGA010-03003	POLY.BAG		1

JVC

VICTOR COMPANY OF JAPAN, LIMITED
 AUDIO PRODUCTS DIVISION MAEBASHI PLANT 10-1, 1-chome, Ohwatari-machi, Maebashi-city, Japan