

JVC

SERVICE MANUAL

STEREO CASSETTE DECK

TD-V711 A/B/C/E/G/J/U



Contents

	Page		Page
1 Safety Precautions	2	10 Location of P.C. Board Parts and Parts List	
2 Specifications	3	Main Board	16
3 Location of Main Parts	4	Power Supply/Mechanism Control	20
4 Location of Control	5	11 Exploded View of Mechanism Assembly Parts	
5 Removal of Main Parts	6	and Parts List	22
6 Adjustment	7	12 Exploded View of Enclosure Assembly Parts	
7 Block Diagram	12	and Parts List	24
8 Wiring	13	13 Packing	28
9 Standard Schematic Diagram	14	14 Accessories	29

1 Safety Precautions

1. The design of this product contains special hardware and may circuits and components specially for safety purposes. For continued protection, no changes should be made to the original design unless authorized in writing by the manufacturer. Replacement parts must be identical to those used in the original circuits. Service should be performed by qualified personnel only.
2. Alterations of the design or circuitry of the product should not be made. Any design alterations of the product should not be made. Any design alterations or additions will void the manufacturer's warranty and will further relieve the manufacturer or responsibility for personal injury or property damage resulting therefrom.
3. Many electrical and mechanical parts in the product have special safety-related characteristics. These characteristics are often not evident from visual inspection nor can the protection afforded by them necessarily be obtained by using replacement components rated for higher voltage, wattage, etc. Replacement parts which have these special safety characteristics are identified in the Parts List of Service Manual. Electrical components having such features are identified by (Δ) on the schematic diagram and Parts List in Service Manual. The use of a substitute replacement which does not have the same safety characteristics as the recommended replacement part shown in the Parts List in Service Manual may create shock, fire, or other hazards.
4. The leads in the products are routed and dressed with ties, clamps, tubings, barriers and the like to be separated from live parts, high temperature parts, moving parts and/or sharp edges for the prevention of electric shock and fire hazard.

When service is required, the original lead routing and dress should be observed, and it should be confirmed that they have been returned to normal, after re-assembling.

5. Leakage current check (Electrical shock hazard testing)

After re-assembling the product, always perform an isolation check on the exposed metal parts of the product (antenna terminals, knobs, metal cabinet, screw heads, headphone jack, control shafts, etc.) to be sure the product is safe to operate without danger of electrical shock.

Do not use a line isolation transformer during this check.

- Plug the AC line cord directly into the AC outlet. Using a "Leakage Current Tester", measure the leakage current from each exposed metal part of the cabinet, particularly any exposed metal part having a return path to the chassis, to a known good earth ground. Any leakage current must not exceed 0.5 mA AC (r.m.s.).

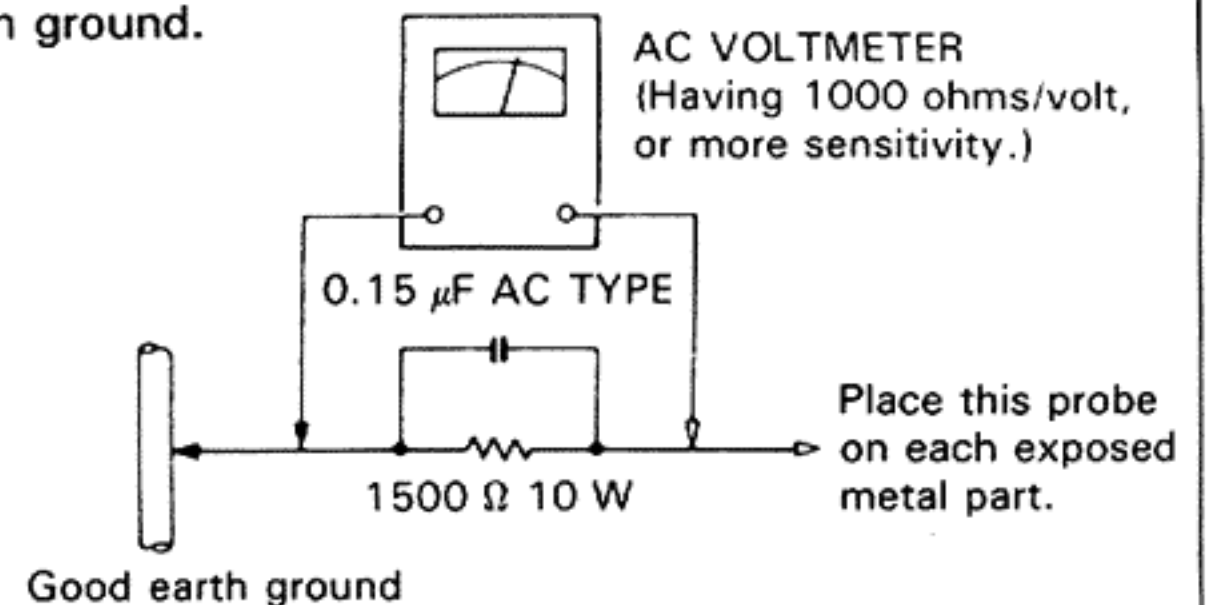
- Alternate check method

Plug the AC line cord directly into the AC outlet. Use an AC voltmeter having 1,000 ohms per volt or more sensitivity in the following manner. Connect a 1,500 Ω 10 W resistor paralleled by a 0.15 μ F AC-type capacitor between an exposed metal part and a known good earth ground.

Measure the AC voltage across the resistor with the AC voltmeter.

Move the resistor connection to each exposed metal part, particularly any exposed metal part having a return path to the chassis, and measure the AC voltage across the resistor. Now, reverse the plug in the AC outlet and repeat each measurement. Any voltage measured must not exceed 0.75 V AC (r.m.s.).

This corresponds to 0.5 mA AC (r.m.s.).



Warning

1. This equipment has been designed and manufactured to meet international safety standards.
2. It is the legal responsibility of the repairer to ensure that these safety standards are maintained.
3. Repairs must be made in accordance with the relevant safety standards.
4. It is essential that safety critical components are replaced by approved parts.
5. If mains voltage selector is provided, check setting for local voltage.

2 Specifications

Type	: Stereo cassette deck	Fast forward/Rewind time	: Approx. 95 sec. with C-60 cassette
Track system	: 4-track, 2-channel	Input terminals	
Tape speed	: 1-7/8 inch/sec (4.8 cm/sec)	CD DIRECT	
Frequency response	: (-20 dB recording)	(× 1 circuit)	: Min. input level; 80 mV Input impedance; 50 kΩ
	Metal tape;	DIRECT	
	10-22,000 Hz	(× 1 circuit)	: Min. input level; 80 mV Input impedance; 50 kΩ
	15-20,000 Hz (±3 dB)	LINE IN	
	Chrome tape;	(× 1 circuit)	: Min. input level; 80 mV Input impedance; 50 kΩ
	10-20,000 Hz	Output terminals	
	15-18,000 Hz (±3 dB)	LINE OUT	
	Normal tape;	(× 1 circuit)	: Output level; 300 mV Output impedance; 600 Ω
	10-20,000 Hz	PHONES × 1	: Output level; 0~1 mW/8 Ω Matching impedance 8 Ω - 1 kΩ
	15-18,000 Hz (±3 dB)	Other terminals	: COMPU LINK-1/SYNCHRO × 2
S/N ratio	: 59 dB (S = 1 kHz, K3 = 3% N = A-weighted, Metal tape) The S/N is improved by about 15 dB at 500 Hz and by max. 20 dB at 1 kHz ~ 10 kHz with Dolby C NR on and improved by 5 dB at 1 kHz and by 10 dB at above 5 kHz with Dolby B NR on.	Power requirement	
Improvement of MOL	: 4 dB at 10 kHz with Dolby C NR on.	TD-V711A/B/E/G	: AC240/220/120 V, 50/60 Hz
Wow and flutter	: 0.022% (WRMS)	TD-V711C/J	: AC 120 V, 60 Hz
Channel separation	: 40 dB (1 kHz)	Power consumption	: 18 W
Crosstalk	: 65 dB (1 kHz)	Dimensions	
Harmonic distortion	: K3; 0.5% THD; 1.0% (metal tape, 1 kHz 0 VU)	(W × H × D)	: 475 × 132 × 336 mm (18-3/4" × 5-1/4" × 13-1/4")
Heads	: Erase (2-Gap Ferrite) × 1, Record (Sen-Alloy) × 1, Playback (Amorphous Ferrite) × 1	Weight	: 8.3 kg (18.4 lbs)
Motors	: Pulse servo direct drive motor for capstan × 1 DC motor for reel × 1 DC motor for mechanism drive × 1	Accessories	: Pin plug cord 2 Remote cable 1

Design and specifications are subject to change without notice.

3 Location of Main Parts

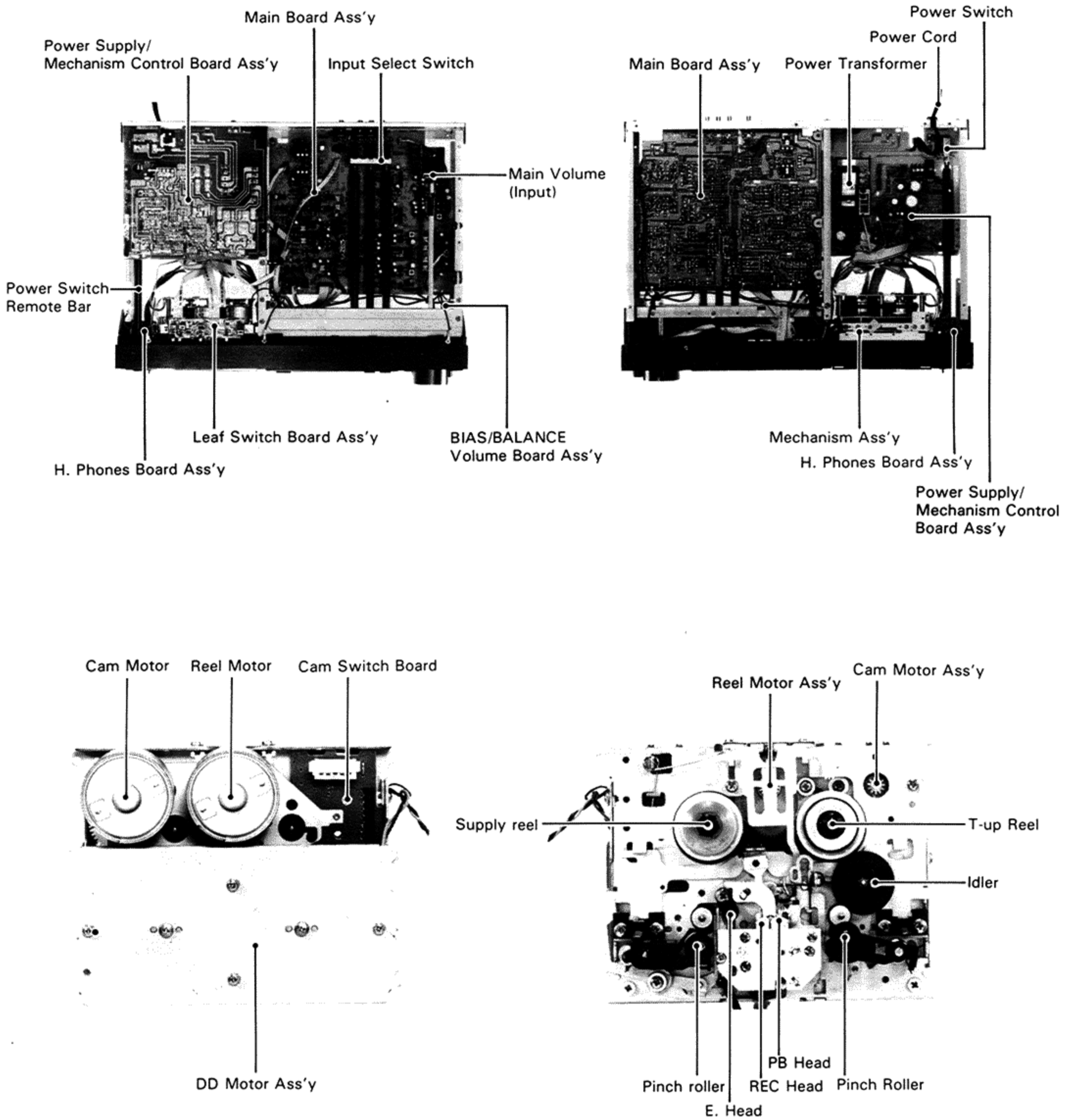


Fig. 3-1

4 Location of Controls

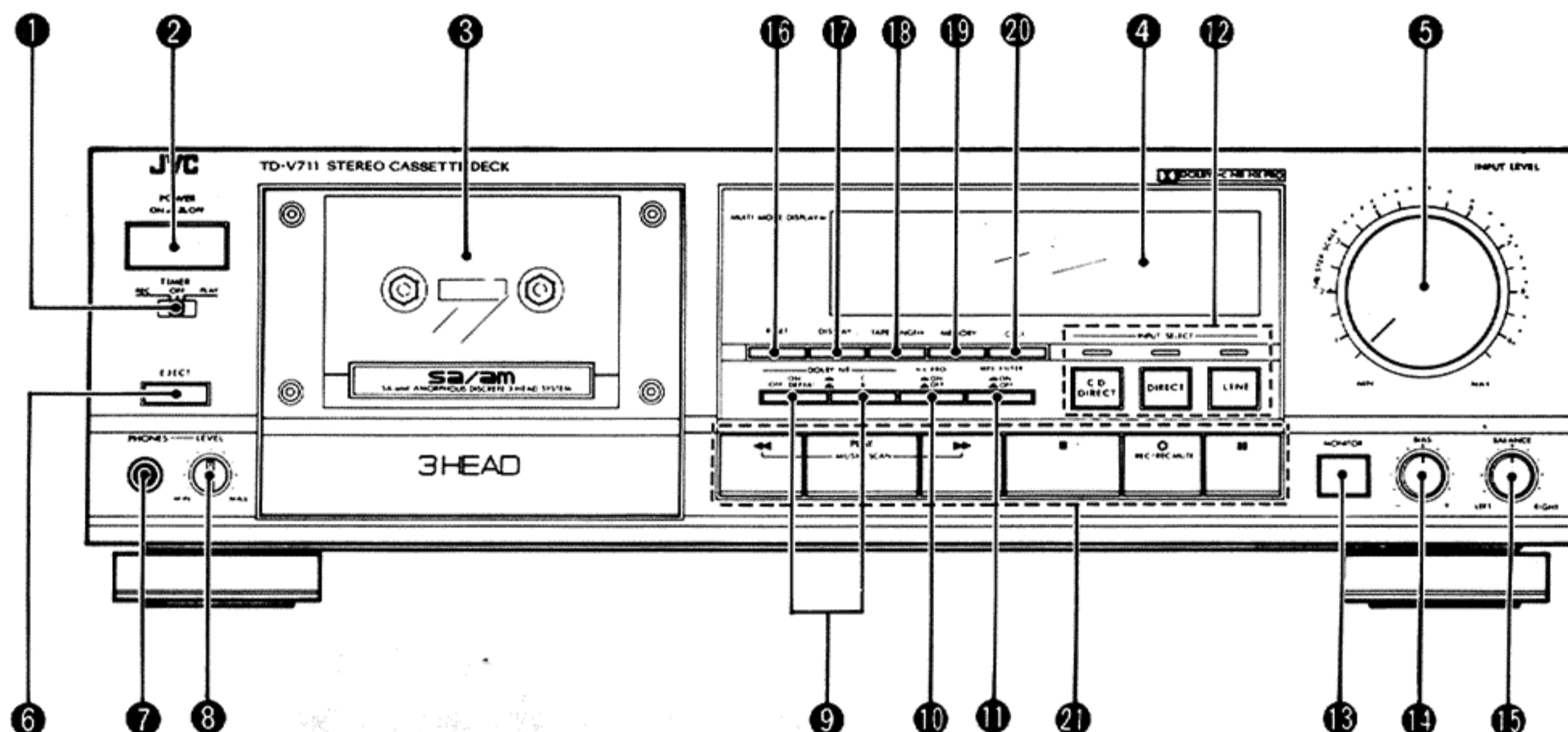


Fig. 4-1

1 TIMER switch

When an optional timer is used, recording and playback can be performed at any desired time.

2 POWER switch

3 Cassette holder

4 MULTI MODE display (See Fig. 4-2)

① Tape remaining time display

② MEMORY indicator

③ PEAK LEVEL METER

④ Recording guide indicator

⑤ Digital peak indicator

⑥ Tape indicator

⑦ Digital counter

⑧ Tape length indicator

⑨ Mechansim mode indicator

⑩ HX PRO indicator

⑪ NR DEFEAT indicator

⑫ MPX Filter indicator

⑬ DOLBY NR mode indicator

⑭ Monitor indicator

5 INPUT LEVEL control

Adjust the recording level with this control.

6 EJECT button

Press to open the cassette holder.

7 PHONES jack

connect headphones (with an impedance of 8 ohms to 1 kohm).

8 PHONES LEVEL control

9 DOLBY NR switches

Set to ON for recording using the Dolby NR SYSTEM or for playback using the Dolby NR system. Set to OFF/DEFEAT when the Dolby NR system is not used.

10 Dolby HX PRO switch

11 MPX FILTER switch

The MPX filter functions when the tape is recorded using the Dolby NR system. Normally, set this switch to OFF. When an FM stereo broadcast is to be recorded using Dolby NR, set this to ON to prevent the Dolby NR circuit from malfunctioning (otherwise the sound quality could deteriorate).

12 INPUT SELECT switches and indicators

Press these to set to the input you want to record. The corresponding indicator will light:

CD DIRECT:

When recording directly from a CD player.

DIRECT:

When recording directly from other equipment.

LINE:

When recording from a stereo amplifier.

13 MONITOR button

When recording, set to SOURCE to monitor the sound just before it is recorded. Set to TAPE to monitor the sound recorded on the tape.

14 BIAS adjust control

Adjust recording bias according to the characteristics of the tape used for recording.

15 BALANCE control

Adjusts the balance between the signals input via the left and right LINE IN jacks.

16 RESET button

Press to reset the tape counter to "0000".

17 DISPLAY button

Select the mode of the digital counter. The tape counter will be indicated when the power is first switched on. Press this button to select the tape remaining time display.

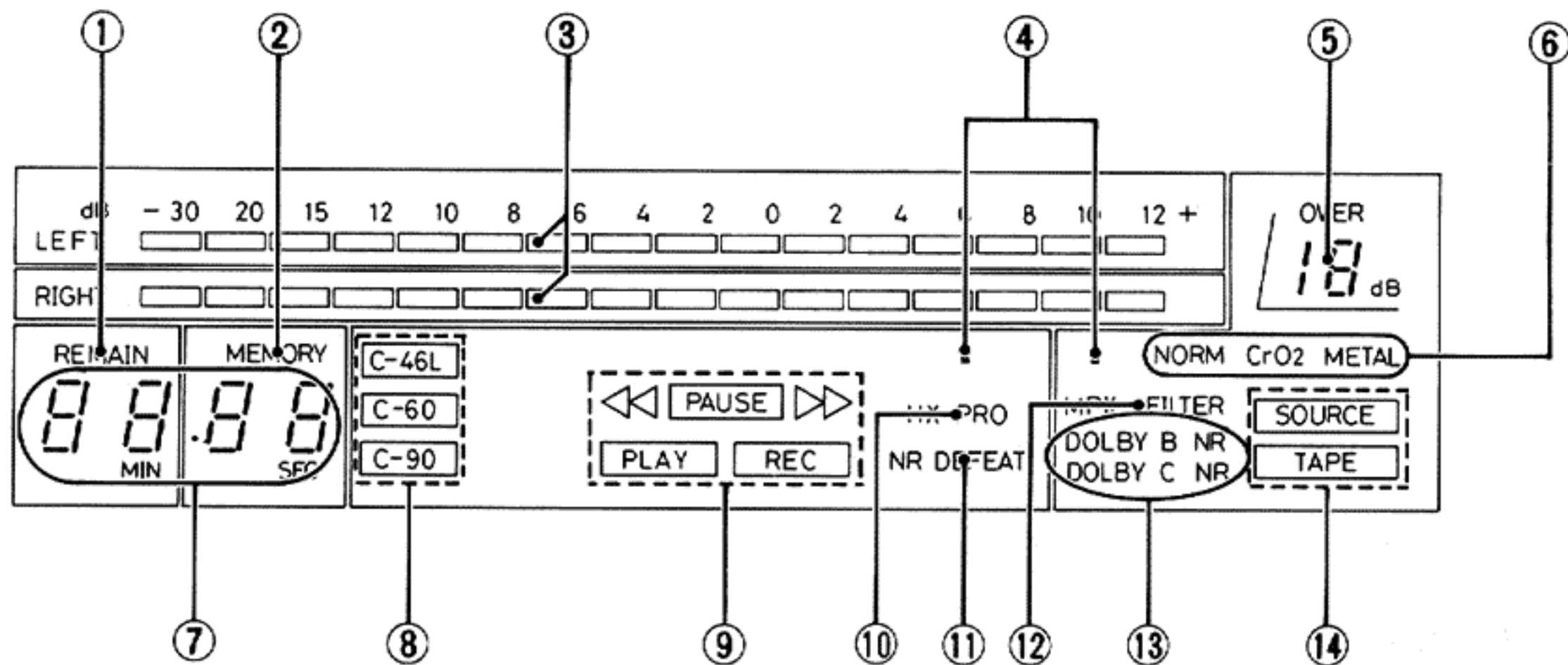


Fig. 4-2

18 TAPE LENGTH button

use this button when you want to check the remaining tape time. The remaining time must be displayed in the digital counter before setting the tape length (e.g., C-60).

19 MEMORY button

Use this button to specify the position at which you want the tape to stop in rewind, etc.

20 CALL button (Digital peak)

Press to call up the stored peak level or reset the memory.

21 Cassette operation buttons

◀◀ (Rewind):

Press to rewind the tape.

PLAY:

Press to start recording/playback. Press this button with either the ◀◀ or ▶▶ button for music scanning.

▶▶ (fast forward):

Press to fast forward the tape.

■ (stop):

Press to stop the tape.

○ REC/REC MUTE:

Press the PLAY button while pressing this button to start recording, and press to leave an appropriate non-recorded section.

▬▬ (pause):

Press to stop the tape temporarily. Press the PLAY button to release the pause mode. Press this together with ○ REC/REC MUTE button before starting recording to enter the record-pause mode.

5 Removal of Main Parts

Cabinet Section

■ Top Cover

- 1) Remove four screws on both sides.
- 2) Remove two screws fixing the back.

■ Bottom Cover

- 1) Remove six screws (1) and (1').
[Main/power source base parts can be replaced in this condition]

■ Front Plate

- 1) Remove INPUT LEVEL volume knob and BIAS/BALANCE knob.
- 2) Remove five screws (2) fixing the front panel.

■ Front Panel Ass'y

- 1) Remove power switch knob.
- 2) Remove switch side of input switch remote bar and remove knob.
- 3) Pull input volume remote bar inside and remove from front panel.
- 4) Remove two screws (3) fixing the center chassis from the front.
- 5) Remove four screws (4) on both sides.
- 6) Remove wires if necessary.

■ Removal from Front Panel

Mechanism Ass'y

- 1) Remove two screws (5) fixing mechanism ass'y top.
- 2) Remove LED lead soldering on leaf switch base.
- 3) Remove two screws (6) fixing mechanism ass'y bottom.
- 4) Open cassette door and remove.

Timer Switch

Remove four pawls (A) fixing the switch base.

Headphone jack Base

- 1) Pull out output volume knob.
- 2) Remove nut fixing the jack.
- 3) Remove volume bracket, push up volume shaft and remove from groove.

Volume Base

- 1) Remove two pawls (B) fixing the BIAS adjustment volume/BALANCE volume base.

Display, DOLBY B/C NR, HX, MPX Switch Base

- 1) Remove two screws (7) fixing the switch.
- 2) Remove six pawls (C) fixing the base.

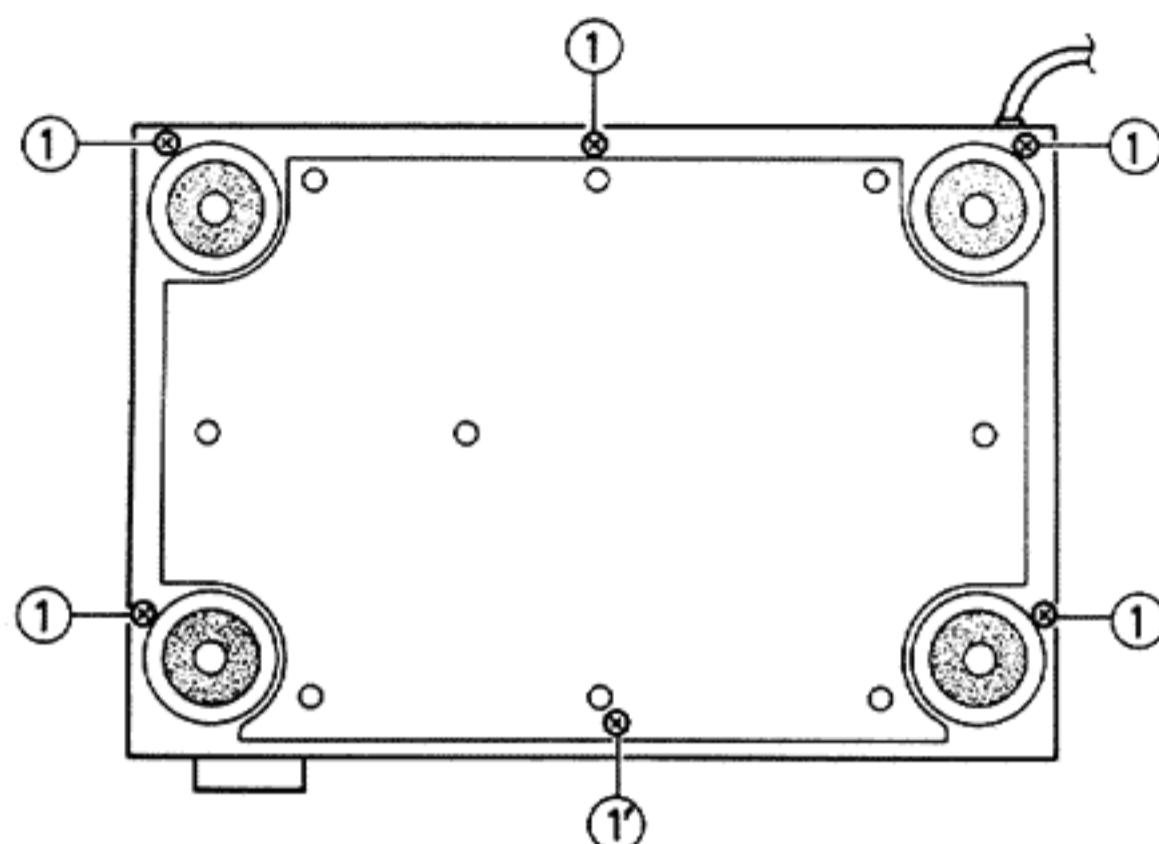


Fig. 5-1

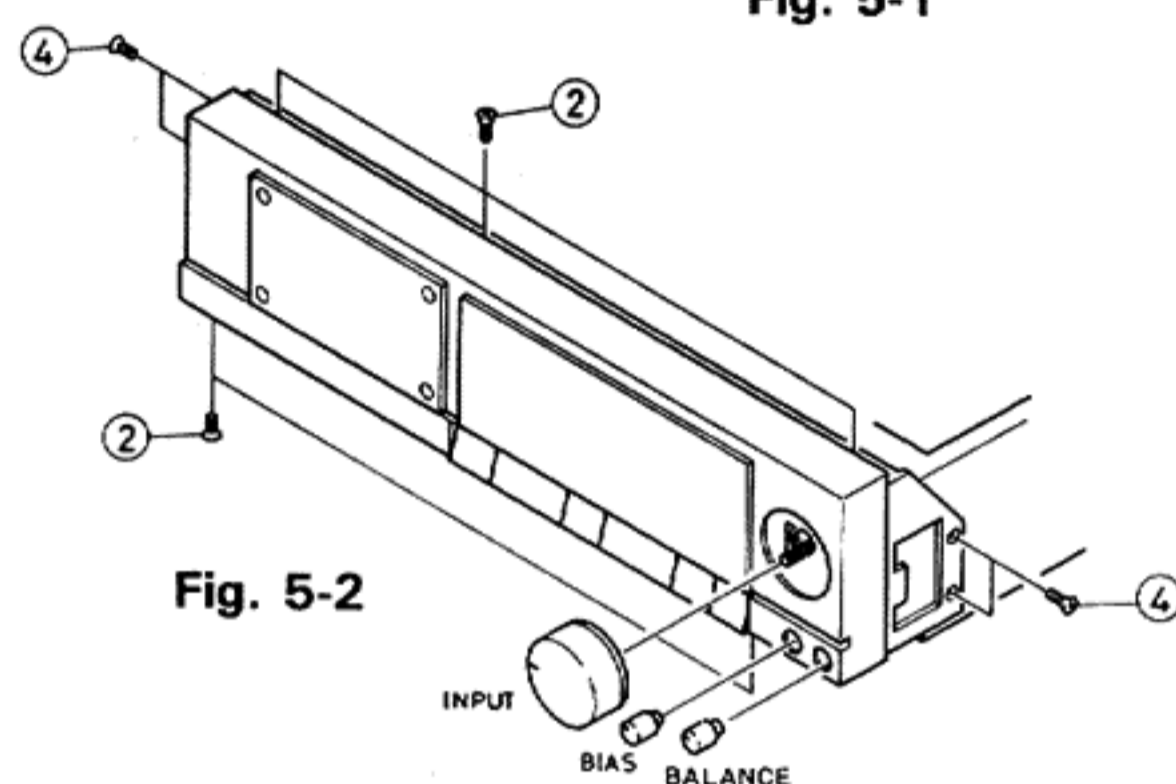


Fig. 5-2

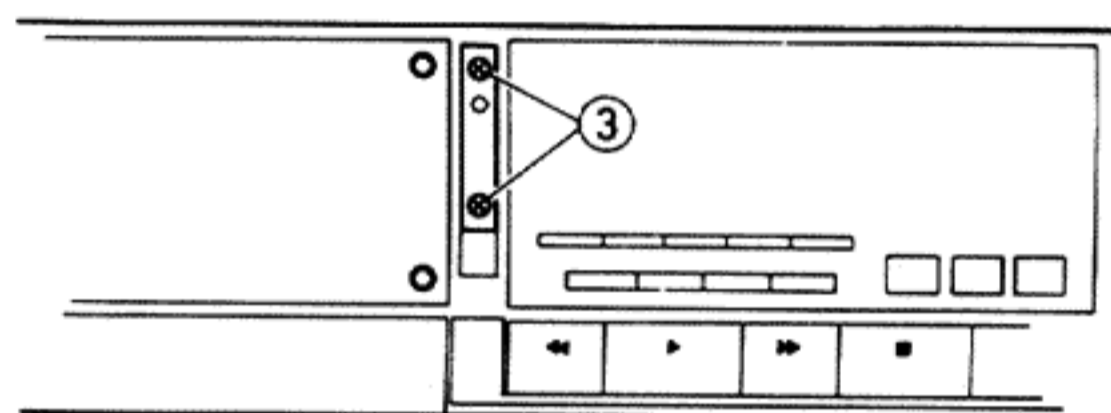
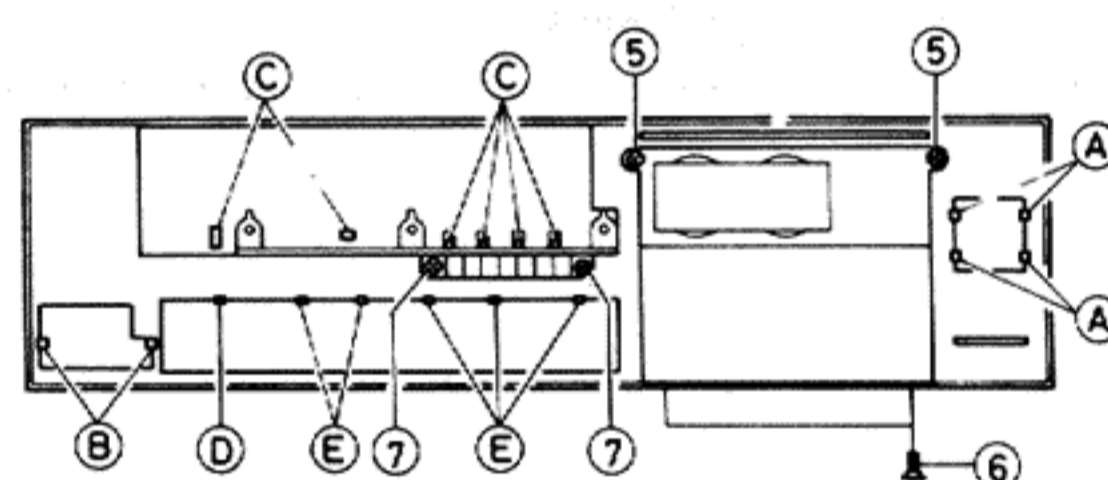


Fig. 5-3



Inside view

Fig. 5-4

Switch Base Ass'y

Remove pawl (D), then remove five pawls (E) pawls from (D) side in order.

Push base from front panel hole for easier removal.

Mechanism Section

Head parts

- 1) To remove head block, remove three screws ① ② ③ .
- 2) To remove erasing head, remove one screw ④ .
- 3) To remove playback head, remove three special nuts ⑤ , then remove playback head base and remove two screws ⑥ .

Caution: A spring will come off when removing playback head.

- 4) To remove record/playback head.
 - (1) Remove playback head.
 - (2) Remove three screws ⑦ ⑧ ⑨ fixing record/playback head.

Caution: Springs ⑦ ⑧ are the same and ⑨ is different.

(Springs ⑨ and ⑤ are the same)

DD Motor Ass'y

- 1) Remove two screws ⑩ .
- 2) Remove two screws ⑪ from both sides of the chassis.
- 3) Slide idler to right and lift chassis to remove.

Cam Motor

Remove two screws ⑫ ⑬ .

Reel Motor

Remove two screws ⑭ ⑮ .

Cam Switch

- 1) Remove one screw ⑯ .
- 2) Slide brake and pull out.

(Cautions for assembling)

- (1) Align car gear and cam switch holes.
- (2) Head base arm stud must match cam switch gear groove.

Pinch Roller

- 1) Remove left hexagon nut ⑰ .
- 2) Remove arm hooked on chassis on right.
(Only push arm as required to remove)

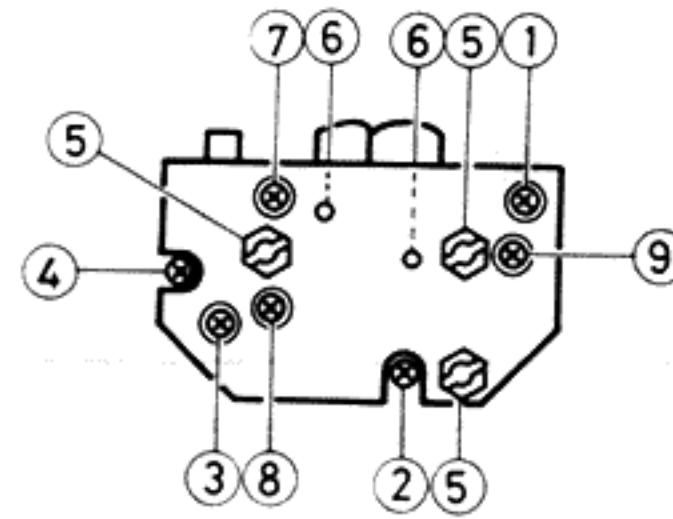


Fig. 5-5

Ⓟ is playback head installing position adjusting screw. (to move playback head back and forth)

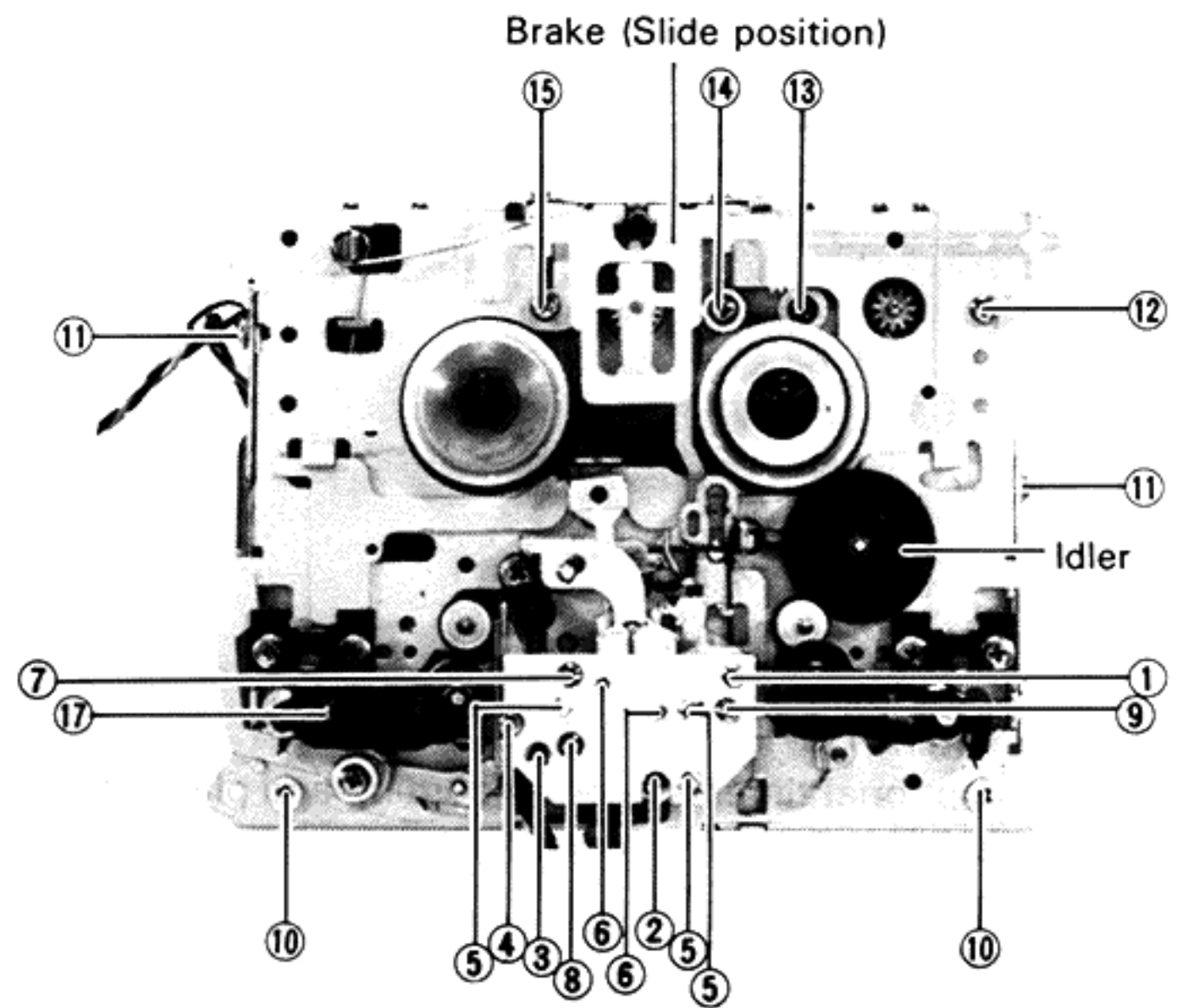


Fig. 5-6

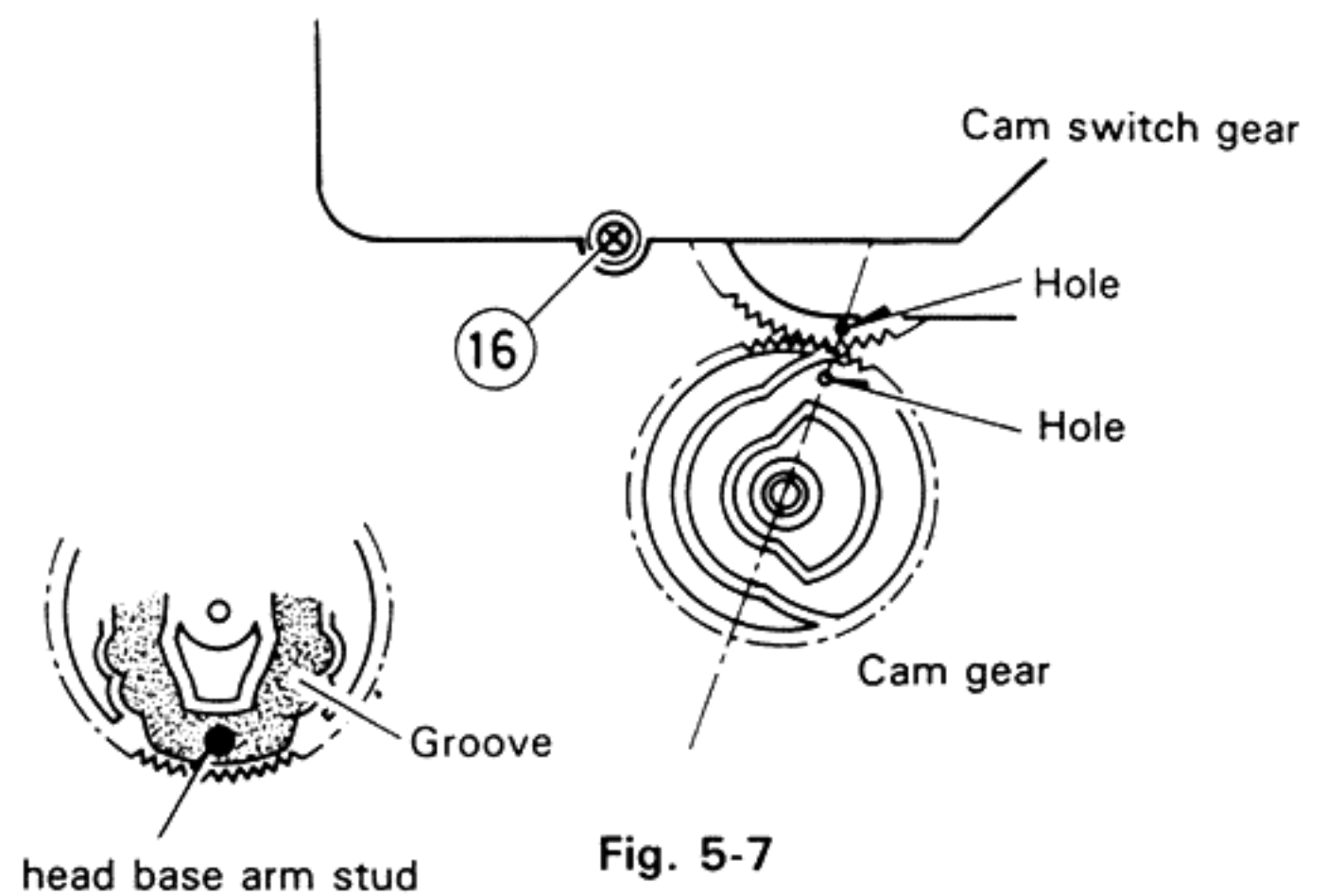


Fig. 5-7

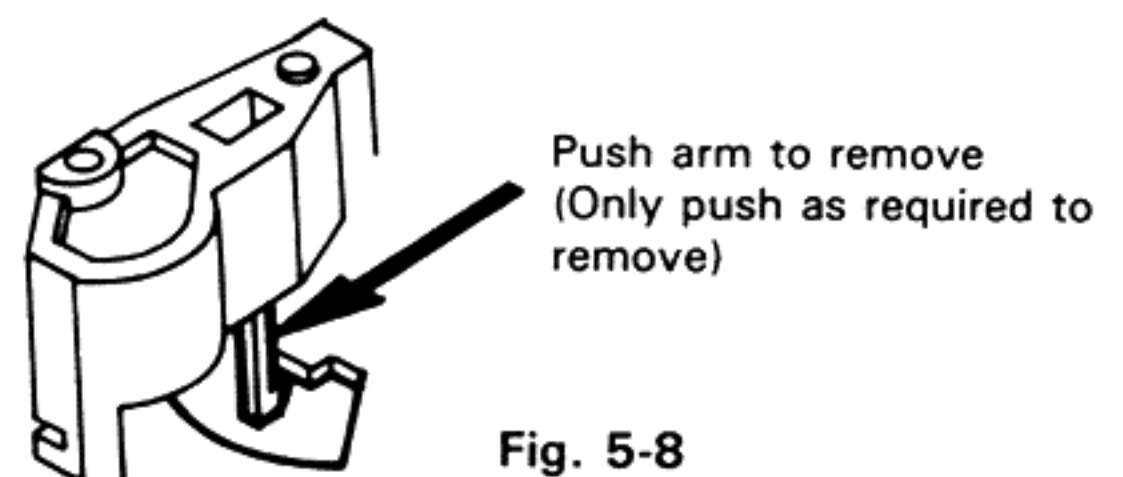


Fig. 5-8

6 Main Adjustment

1. Measuring instruments required for adjustment

- (1) **Audio frequency oscilloator**
(range: 50~20 kHz and output 0 dB with 600 Ω impedance)
- (2) **Attenuator** (impedance 600 Ω)
- (3) **Electronic voltmeter**
- (4) **Standard tape**
VTT712 (Tape speed, wow and flutter check)
VTT724 (reference level)
VTT739 (for playback frequency characteristics)
VMT6447 (music scanning)
TMT6448 (music scanning)
TMT702 (14 kHz)
- (5) **Recording standard tape**
TS-9(UDI), TS-6(SA), TS-7(ME) or the like.
(use standard tape specified by Victor)
- (6) **Resistors 600 Ω** (attenuator matching)
- (7) **Distortion gauge** (band pass filter)
- (8) **Torque gauge** (cassette) CTG-N mechanical adjusting.
- (9) **Wow and flutter gauge**
- (10) **Frequency counter**
- (11) **M300 gauge**

2. Mechanical Adjustment

When replacing head, check the height, direction and tilt (rough adjustment) of each head as follows.

Tape travel adjustment

Use tool M300. Be careful not to damage head.

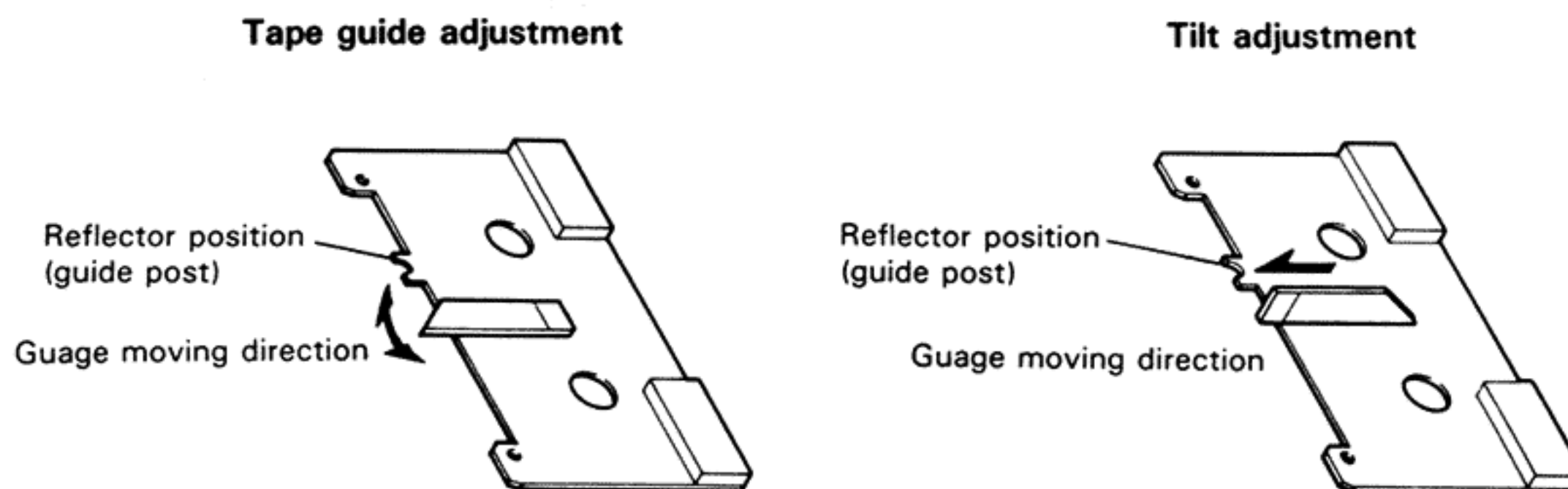


Fig. 6-1

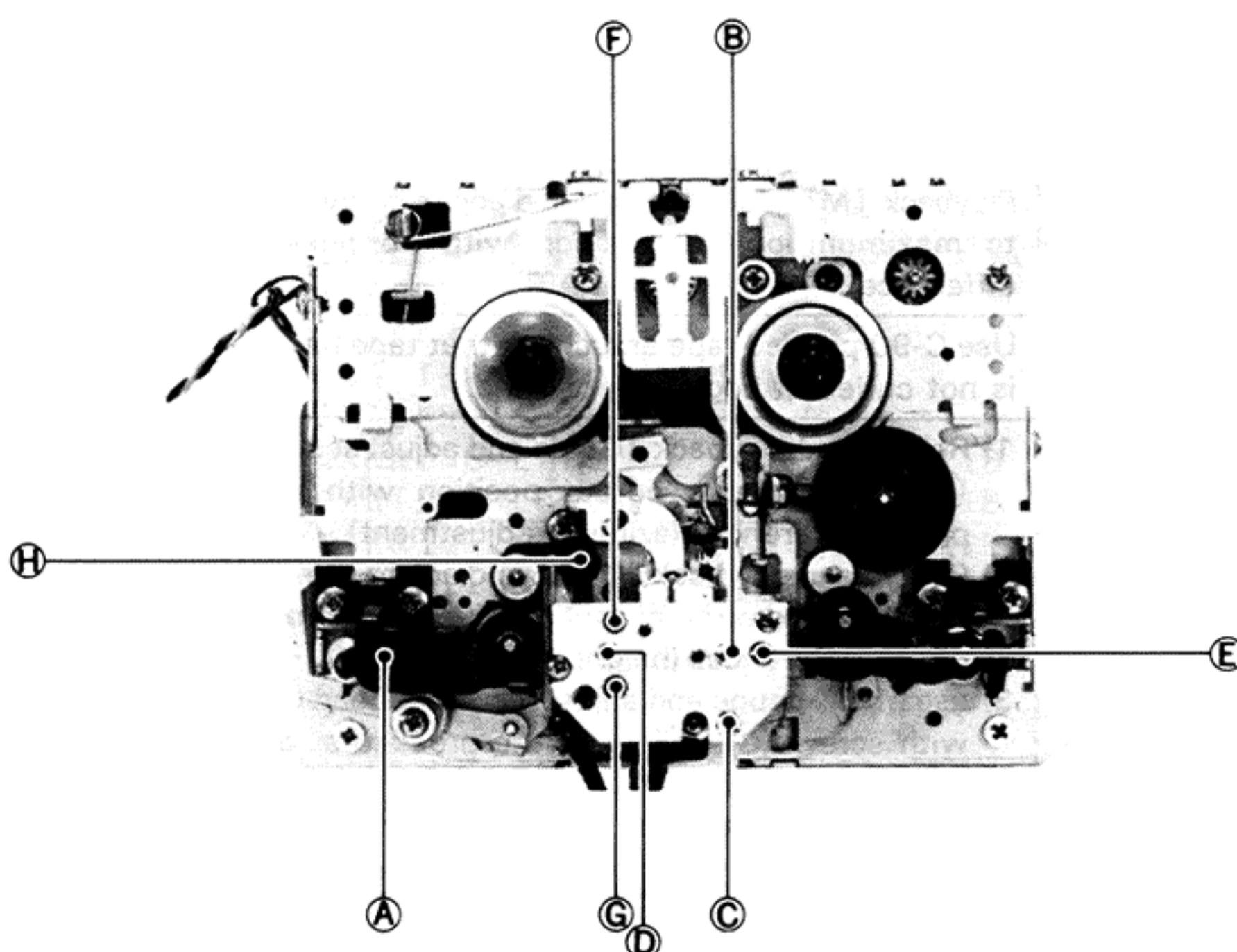
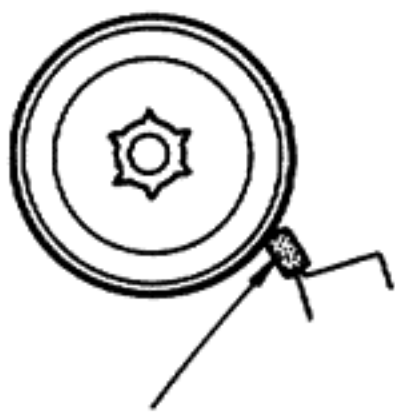
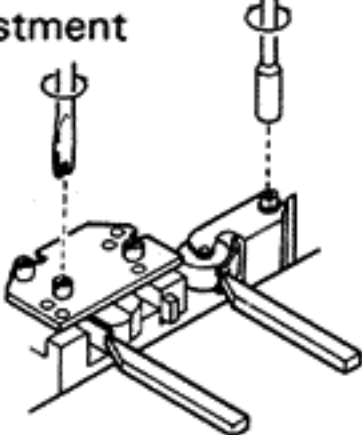
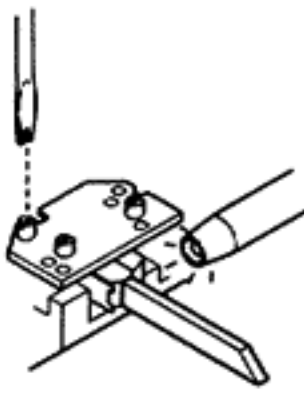
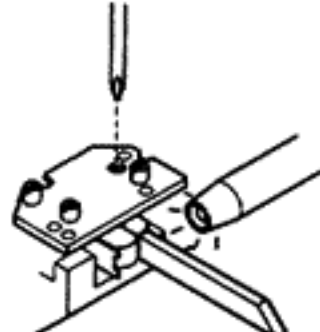
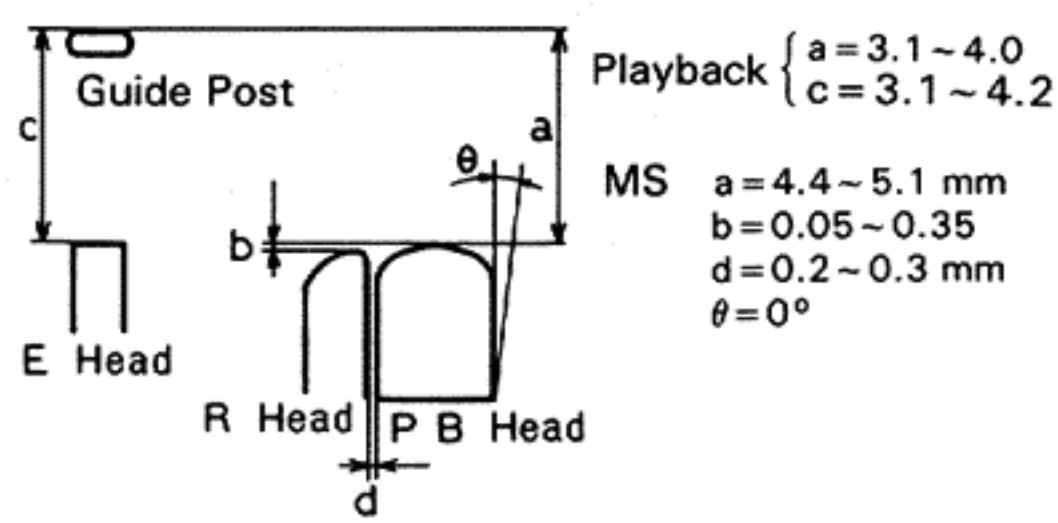
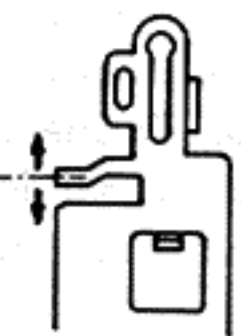
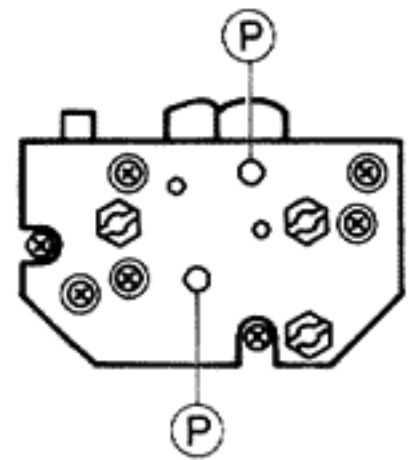
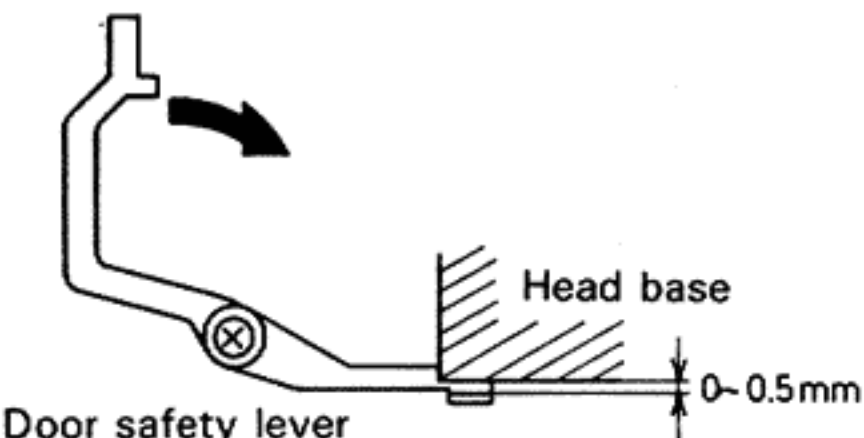


Fig. 6-2

	Item	Method	Standardsng	
1	Fly wheel and thrust check	Check by feeling	0.2 ~ 0.5 mm	
2	Back tension rubber position check	At PLAY, back tension rubber should touch supply wheel to stop wheel. At MS/Stop, back tension rubber should not touch supply wheel.		<p>Supply disk</p>  <p>Back tension rubber</p>
3	Pinch roller fastening order check	Right pinch roller should fasten to capstan shaft before left pinch roller.		
4	Pinch roller guide height adjustment	Use M300 gauge and adjust (A) so that 3.8 mm gauge can pass.		
5	Playback head height and tilt adjustment	<ol style="list-style-type: none"> 1) Use M300 gauge and adjust playback head tape guide with (B) screw so that 3.8 mm gauge can pass. 2) Adjust (C) screw so that playback head is not tilted and that there is no gap between the gauge and head. 3) Gauge will touch gap face, adjust carefully. Hold a flash light from the opposite side and check for light leakage. 4) Re-check guide height. If gauge touches, re-adjust upper 1), 2). 		<p>Pinch roller guide height adjustment</p>  <p>Head guide height adjustment</p>  <p>Playback head tilt adjustment</p>
6	Playback azimuth adjustment	Playback TMT7008 (14 khz) and adjust screw (D) to maximum output position with no phase difference.		
7	Tape travel check	Use C-90 padded tape and check that tape head is not curled at beginning of wind.		Use mirror tape to check tape travel.
8	Recording head height, tilt. Azimuth adjustment	<ol style="list-style-type: none"> 1) Record and playback 10 kHz and adjust screw (E) to maximum output position with no phase difference. (azimuth adjustment) 2) Record and playback 10 kHz and adjust screw (F) to maximum output position with no phase difference. (height adjustment) 3) use M300 gauge and adjust recording head tilt with screw (G) following the procedure for adjusting playback head tilt. 4) Record and playback 10 kHz and re-adjust azimuth adjusting screw (E) to maximum output position. Match L/R phases. 		 <p>Recording head tilt adjustment</p>

Item	Method	Standardsng	
9	<p>Head position</p> <p>Use M300 gauge and adjust so that playback head is in front of recording head. Other standards are as follows. The measurements are as against guide post (H) .</p>  <p>Bend and adjust head base so that a is within 4.4 ~ 5.1 mm at MS.</p>  <p>Excessive = Bend in ↑ direction Insufficient = Bend in ↓ direction</p> <p>After this adjustment, check Item (10) .</p>	<p>0.05 ~ 0.35 mm</p>	 <p>Head position adjustment Adjust screw (P) so that playback head is "b" measurement in front of recording head. [re-adjust playback, recording azimuth after adjusting (P) .]</p>
10	<p>Checkling door safety</p> <p>Controls clearance between head base and door safety when door safety is pulled in the direction of the arrow at STOP.</p> 		

3. Electric Circuit Adjustment Location

Main Amplifier Base (parts side)

Note:

The record a 1 kHz, -20 dB signal is reference level (-8 dBs) level, so -20 dB is low level.



AMP P.C. Board

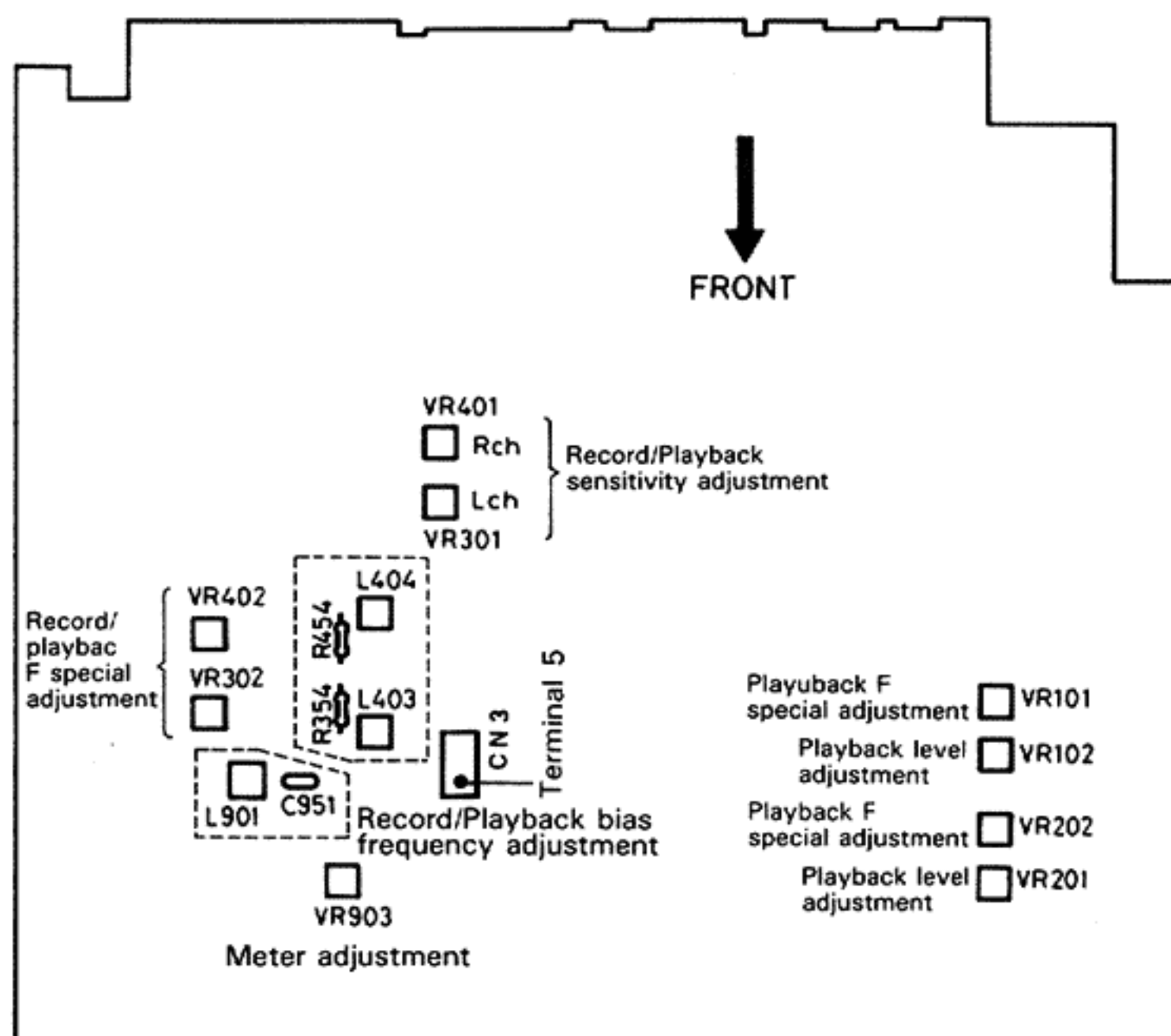


Fig. 6-3

4. Electrical Circuit Adjustment

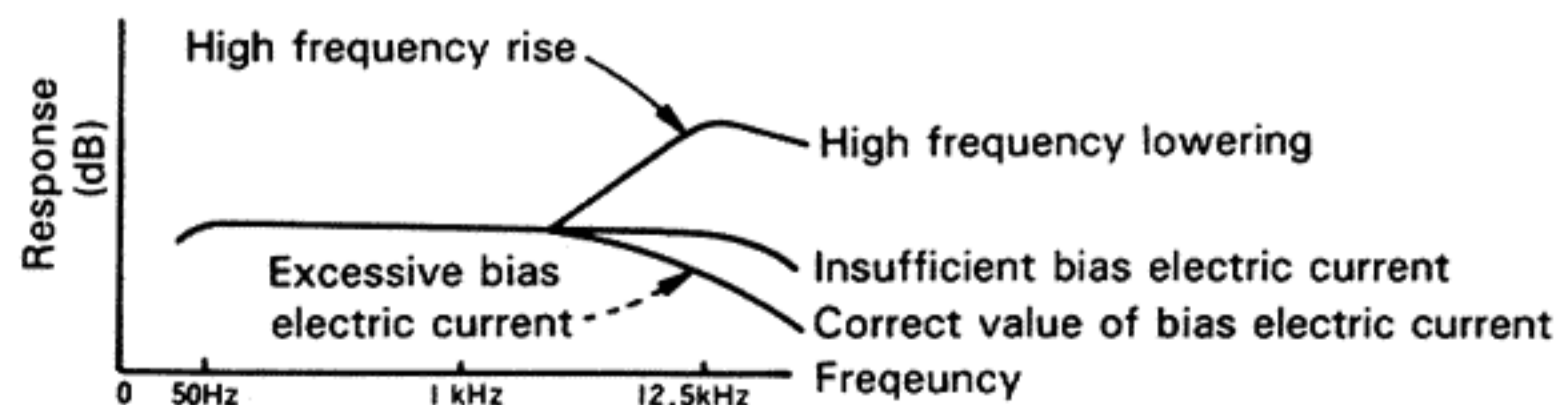
Conduct following adjustments after adjusting tape travel and head angle.

- Adjust in the following order.
- * marks must be adjusted when replacing head.

Notice: 0 dBs = 0.775V

Item	Adjustment and checking methods			
	Recording Dolby B	INPUT; LINE IN (- 8 dBs) Measuring point; IC905 (21) (22)	Output value and deviation	
1	Recording Dolby B	INPUT; LINE IN (- 8 dBs) Measuring point; IC905 (21) (22)	Frequency level	
			1 kHz Cal. - 40 dB	+ 5.7 dB ± 2 dB
			5 kHz, Cal. - 20 dB	+ 3.5 dB ± 1.5 dB
	Recording Dolby C	Measuring reference level 400Hz - 11dBs (= Cal. Level)	1 kHz, Cal.	0 dB ± 0.5 dB
			1 kHz, Cal. - 40 dB	+ 16.2 dB $\pm \frac{3}{2}$ dB
			5 kHz, Cal. - 20 dB	+ 2.9 dB ± 2.5 dB
		1 kHz, Cal.	0 dB ± 1 dB	

Item	Adjustment method	Adjusting point	Standard value	Remarks	
*2	Playback level	1) Playback VTT724 (1 kHz) and adjust VR102, 202 so that LINE OUT output is - 8 dBs. (L-R channel output difference should be within 0.5 dBs) 2) Check headphone output (headphone VR ... maximum) - 15 dBs ± 3 dB, L-R difference within 2 dB.	VR102, 202	- 8 dBs ± 0.5 dB (0.3 V)	Adjust playback level when replacing head. Electronic voltmeter impedance should be over 100 kΩ.
*3	Playback equalizer	Playback test tape VTT739 (1 kHz, 10 kHz) and adjust VR101, 201 so that 1 kHz, 10 kHz output is at standard value.	VR101, 201	With 1 kHz as reference 10 kHz 0.5 ± 0.5 dB	NR : OFF 63 Hz : + 2 dB ± 3 dB (Check)
4	Bias frequency adjustment	Connect 1 MΩ to F. counter and adjust L901 so that CN 3 5 PIN output is 95 kHz.	L901	95 kHz ± 1 kHz	TAPE : METAL (fix needle to gauge lead end and plug to connector socket)
5	HX PRO coil adjustment	At METAL position recording mode, adjust L304, L404 so that R354 and R454 end voltages are minimum.	L304, 404	Output minimum value	DC voltmeter
*6	Record/ Playback frequency characteristics	Record 1 kHz at ref - 20 dBs input and then record 50 Hz, 12.5 kHz. Playback and adjust 302, VR402 so that a deviation of 50 Hz, 12.5 kHz against 1 kHz is at standard value. (Basically, adjust so that 1 kHz and 12.5 kHz output is at standard value)	VR302, 402 bias (VR904) should be at the center. (front volume)	With 1 kHz as reference, at 12.5 kHz 0.5 ± 0.5 dB	Ref - 20 dB: - 20 dB lowered from reference input value = - 28 dB Adjust normal, left, right channels. • Bias value of chrome and metal tape against normal tape is set by voltage shift. • If bias electric current is not adjusted correctly the recording characteristic will be as the left diagram.



	Item	Adjustment method	Adjusting point	Standard value	Remarks
*6	Recording level	Input LINE IN terminal so that source 1) motor output is - 8 dBs. 2) Adjust recording signal electric current at VR301, 401 so that output is - 8 dBs when recorded/played back.	VR301, 401	Normal - 8 dBs ±0.5 dB Chrome Metal - 8 dBs ±1 dB	Left and right level difference should be within 1 dB for both normal and metal. Adjust with normal tape. Check that level difference of chrome and metal is within 1.5 dB and left and right level difference is within 1.0 dB.
8	Level indicator adjustment and check	1) Apply 1 kHz signal so that line output level becomes - 38 dB at monitor (source). Adjust VR903 so that FL level indicator - 30 dB lights. Lights should go out at - 40 dB. 2) Check that 0 dB indicator lights at signal level of - 8 dB +0.3, - 0.7 dB.	VR903	Input - Lights at - 38 dB Lights out at - 40 dB	
9	Record/ Playback distortion check	1) Record 1 kHz signal so that level gauge indicator is + 6 dB and LINE OUT output is - 2 dBs. 2) Playback and measure output with distortion gauge and check that it is at standard value.		Normal tape under 3.0% Chrome tape under 4.0% Metal tape under 3.0%	Check after adjusting bias electric current and recording level.
10	Record/ Playback S/N check	1) Record at 1 kHz, 0 dB input. Stop input during recording and record with no signal. 2) Playback and measure difference of 0 dB recording output and no signal recording output with electronic voltmeter. Check that difference is at standard value.		Normal Over 45 dB Chrome Over 45 dB Metal Over 45 dB	
11	Erasing check	1) Apply 1 kHz signal from LINE IN and adjust recording volume to get - 8 dBs. 2) Raise signal level 20 dB and record. 3) Rewind tape and erase a part of the recording. 4) Measure output ratio of recorded part to erased part with electronic voltmeter.		Over 65 dB	Connect B.P.F. (band pass filter) between electronic voltmeter and deck to measure. Check with metal tape. <pre>graph LR; A[1 kHz 0 Vu + 20 dB input] --> B[Deck, recording, erasing]; B --> C[Band pass filter B.P.F.]; C --> D[Electronic voltmeter]</pre>

7 Block Diagram

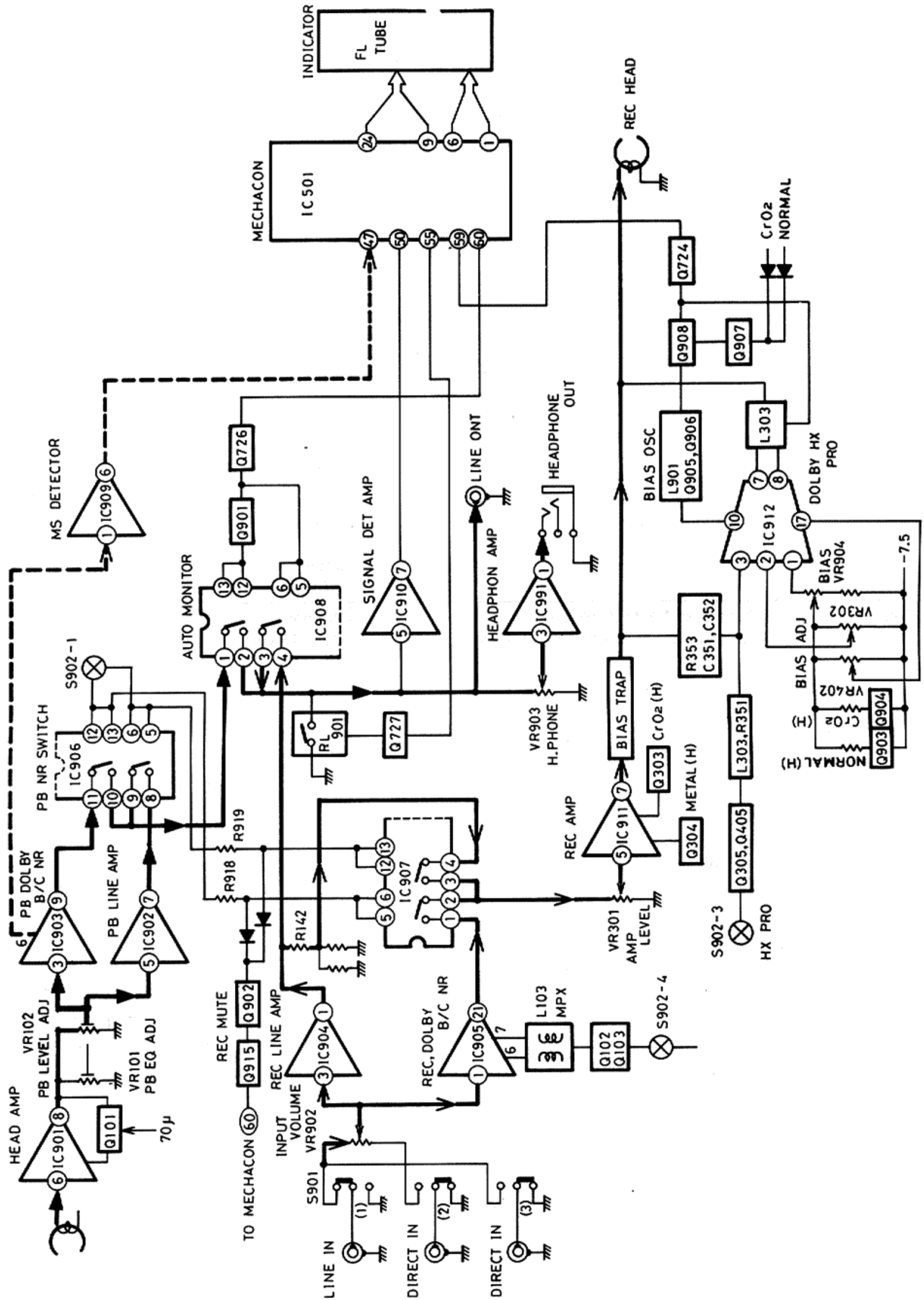
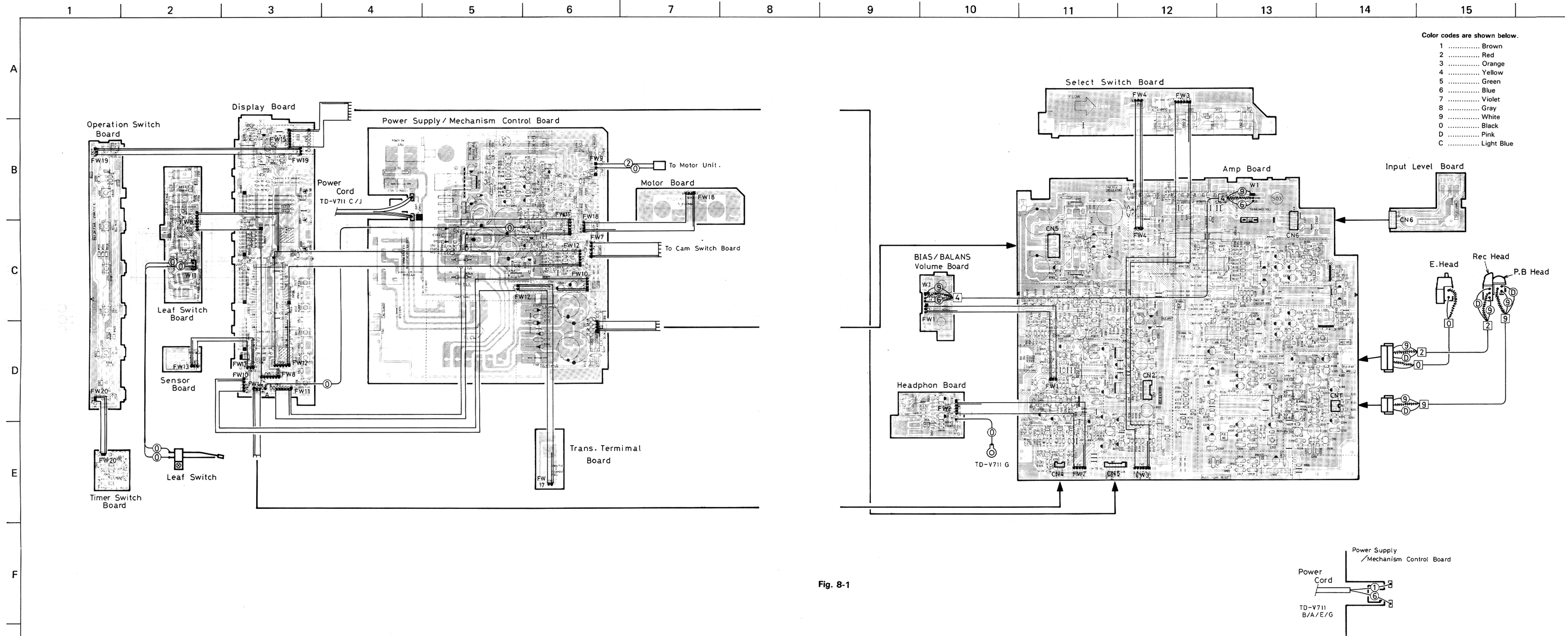


Fig. 7-1

8 Wiring Connections



9 Standard Schematic Diagram

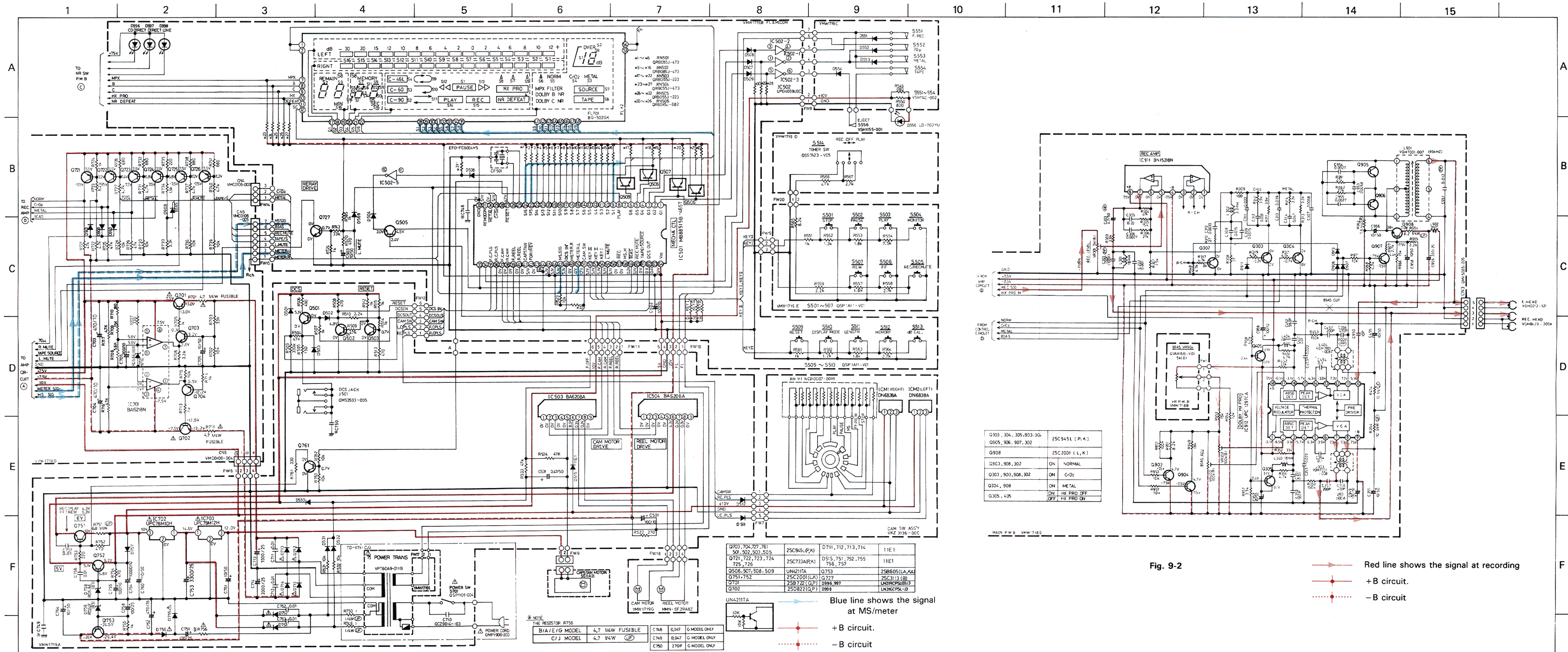
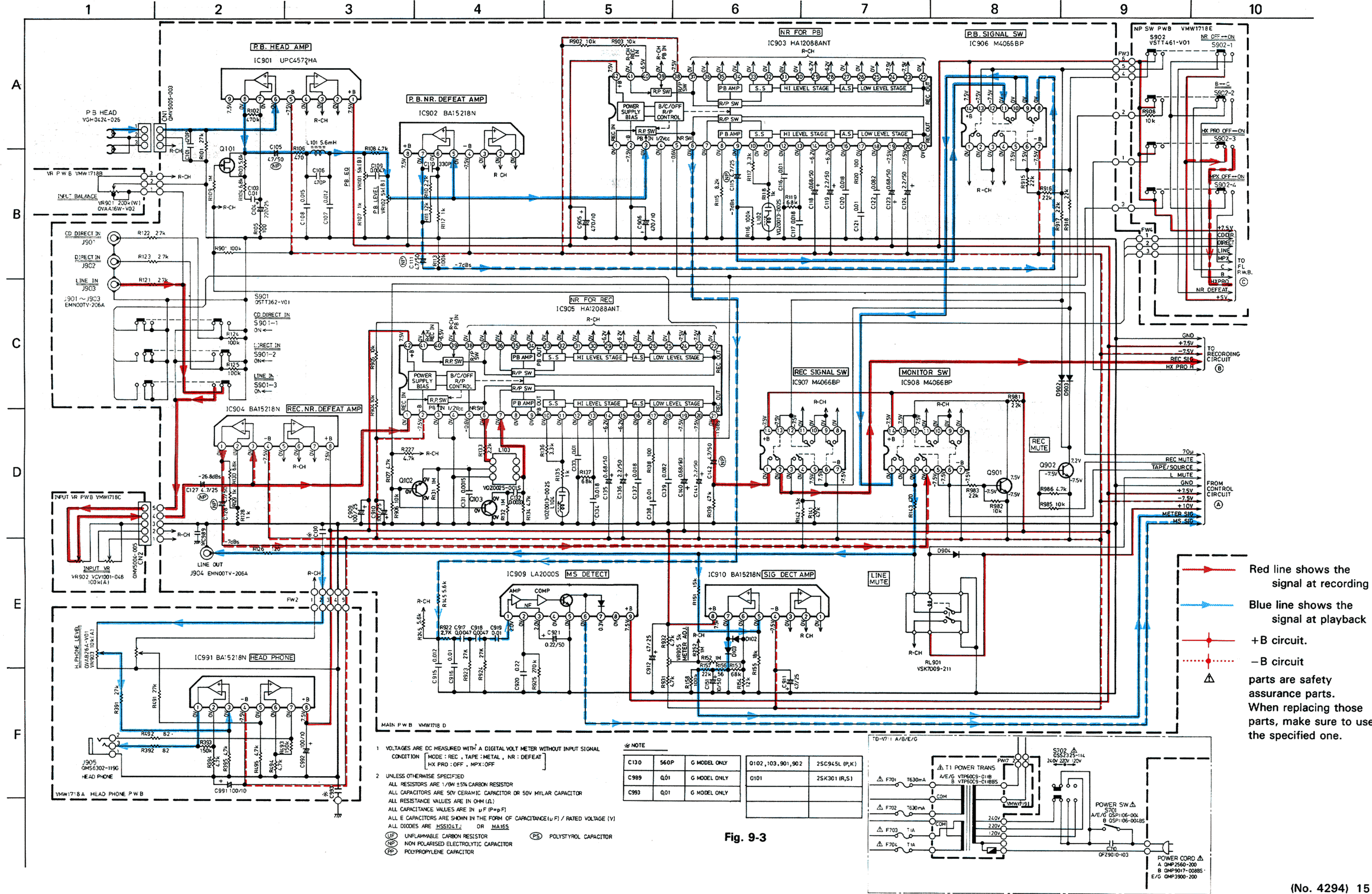


Fig. 9-1

Fig. 9-2

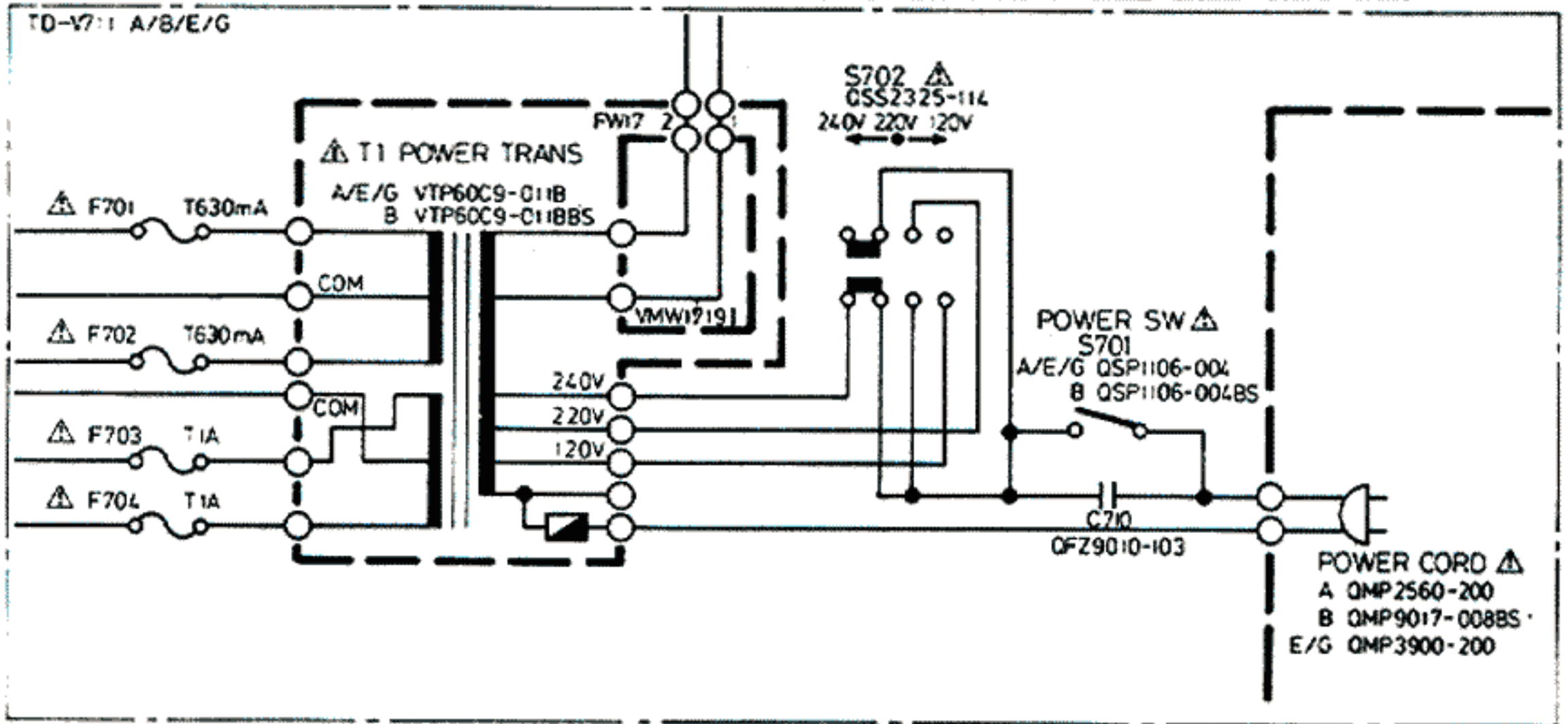




- 1 VOLTAGES ARE DC MEASURED WITH A DIGITAL VOLT METER WITHOUT INPUT SIGNAL
 CONDITION [MODE: REC., TAPE: METAL, NR: DEFEAT]
 HX PRO: OFF, MPX: OFF
- 2 UNLESS OTHERWISE SPECIFIED
 ALL RESISTORS ARE 1/8W ±5% CARBON RESISTOR
 ALL CAPACITORS ARE 50V CERAMIC CAPACITOR OR 50V MYLAR CAPACITOR
 ALL RESISTANCE VALUES ARE IN OHM (Ω)
 ALL CAPACITANCE VALUES ARE IN μF (P=P)
 ALL E CAPACITORS ARE SHOWN IN THE FORM OF CAPACITANCE (μF) / RATED VOLTAGE (V)
 ALL DIODES ARE HSS101L1 OR MA165
- Ⓢ UNFLAMMABLE CARBON RESISTOR Ⓟ POLYSTYROL CAPACITOR
 Ⓢ NON POLARISED ELECTROLYTIC CAPACITOR
 Ⓢ POLYPROPYLENE CAPACITOR

* NOTE

C130	560P	G MODEL ONLY	0102, 103, 901, 902	25C945L (P,K)
C989	0,01	G MODEL ONLY	0101	25K301 (R,S)
C993	0,01	G MODEL ONLY		

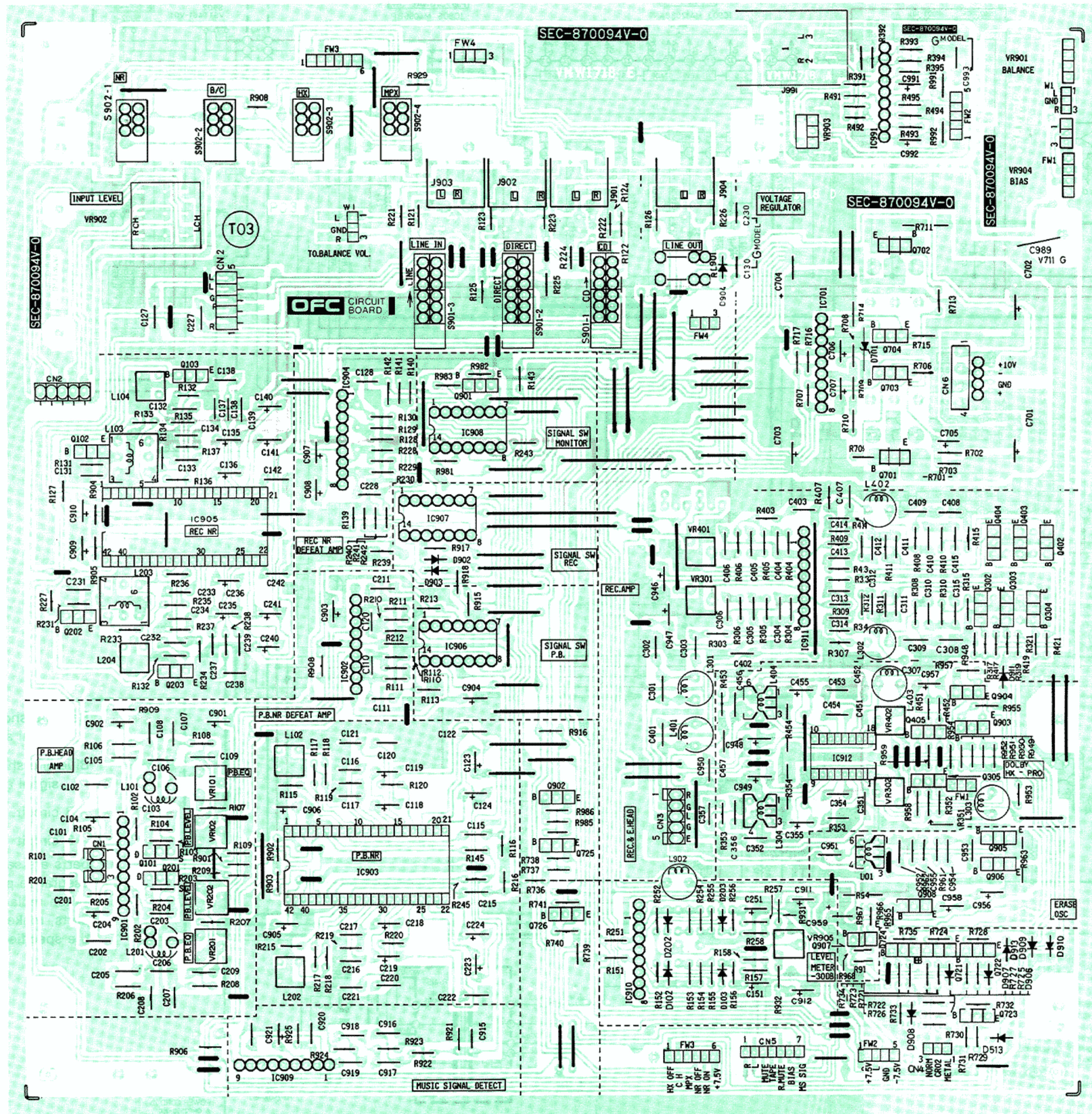


Red line shows the signal at recording
 Blue line shows the signal at playback
 + B circuit.
 - B circuit
 parts are safety assurance parts.
 When replacing those parts, make sure to use the specified one.

Fig. 9-3

10 Location of P.C. Board Parts and Parts List

■ Main P.C. Board



Main Board Parts List

△ Parts are safety assurance parts.
When replacing those parts, make sure to use the specified one.

△ REF. NO	PARTS NO.	PARTS NAME
CN2	QMVS004-005	CONNECTOR
C101	QCS31HJ-471Z	C. CAPACITOR
C103	QFV71HJ-103ZM	TF. CAPACITOR
C104	QETC1AM-227ZM	E. CAPACITOR
C105	QEN61ER-475ZM	NP. E. CAPACITOR
C106	QFP31HJ-471ZM	PP. CAPACITOR
C107	QFV71HJ-123ZM	TF. CAPACITOR
C108	QFV71HJ-153ZM	TF. CAPACITOR
C109	QCY31HK-472Z	C. CAPACITOR
C110	QCS31HJ-331Z	C. CAPACITOR
C111	QEN61ER-475ZM	NP. E. CAPACITOR
C115	QEN61ER-475ZM	NP. E. CAPACITOR
C116	QFV71HJ-103ZM	TF. CAPACITOR
C117	QFV71HJ-183ZM	TF. CAPACITOR
C118	QETC1HM-684ZM	E. CAPACITOR
C119	QETC1HM-225ZM	E. CAPACITOR
C120	QFV71HJ-183ZM	TF. CAPACITOR
C121	QFV71HJ-103ZM	TF. CAPACITOR
C122	QFV71HJ-823ZM	TF. CAPACITOR
C123	QETC1HM-684ZM	E. CAPACITOR
C124	QETC1HM-225ZM	E. CAPACITOR
C127	QEN61ER-475ZM	NP. E. CAPACITOR
C128	QEN61ER-475ZM	NP. E. CAPACITOR
C131	QFN31HJ-152Z	M. CAPACITOR
C132	QFN31HJ-332Z	M. CAPACITOR
C133	QFV71HJ-103ZM	TF. CAPACITOR
C134	QFV71HJ-183ZM	TF. CAPACITOR
C135	QETC1HM-684ZM	E. CAPACITOR
C136	QETC1HM-225ZM	E. CAPACITOR
C137	QFV71HJ-183ZM	TF. CAPACITOR
C138	QFV71HJ-103ZM	TF. CAPACITOR
C139	QFV71HJ-823ZM	TF. CAPACITOR
C140	QETC1HM-684ZM	E. CAPACITOR
C141	QETC1HM-225ZM	E. CAPACITOR
C142	QEN61ER-475ZM	NP. E. CAPACITOR
C151	QETC1HM-106ZM	E. CAPACITOR
C201	QCS31HJ-471Z	C. CAPACITOR
C203	QFV71HJ-103ZM	TF. CAPACITOR
C204	QETC1AM-227ZM	E. CAPACITOR
C205	QEN61ER-475ZM	NP. E. CAPACITOR
C206	QFP31HJ-471ZM	PP. CAPACITOR
C207	QFV71HJ-123ZM	TF. CAPACITOR
C208	QFV71HJ-153ZM	TF. CAPACITOR
C209	QCY31HK-472Z	C. CAPACITOR
C210	QCS31HJ-331Z	C. CAPACITOR
C211	QEN61ER-475ZM	NP. E. CAPACITOR
C215	QEN61ER-475ZM	NP. E. CAPACITOR
C216	QFV71HJ-103ZM	TF. CAPACITOR
C217	QFV71HJ-183ZM	TF. CAPACITOR
C218	QETC1HM-684ZM	E. CAPACITOR
C219	QETC1HM-225ZM	E. CAPACITOR
C220	QFV71HJ-183ZM	TF. CAPACITOR
C221	QFV71HJ-103ZM	TF. CAPACITOR
C222	QFV71HJ-823ZM	TF. CAPACITOR
C223	QETC1HM-684ZM	E. CAPACITOR
C224	QETC1HM-225ZM	E. CAPACITOR
C227	QEN61ER-475ZM	NP. E. CAPACITOR
C228	QEN61ER-475ZM	NP. E. CAPACITOR
C231	QFN31HJ-152Z	M. CAPACITOR
C232	QFN31HJ-332Z	M. CAPACITOR
C233	QFV71HJ-103ZM	TF. CAPACITOR
C234	QFV71HJ-183ZM	TF. CAPACITOR
C235	QETC1HM-684ZM	E. CAPACITOR
C236	QETC1HM-225ZM	E. CAPACITOR
C237	QFV71HJ-183ZM	TF. CAPACITOR
C238	QFV71HJ-103ZM	TF. CAPACITOR
C239	QFV71HJ-823ZM	TF. CAPACITOR
C240	QETC1HM-684ZM	E. CAPACITOR
C241	QETC1HM-225ZM	E. CAPACITOR
C242	QEN61ER-475ZM	NP. E. CAPACITOR

Fig. 10-1

REF. NO	PARTS NO.	PARTS NAME
C251	QETC1HM-106ZM	E.CAPACITOR
C301	QCS32HJ-151ZV	C CAPACITOR
C302	QFN31HJ-102Z	M.CAPACITOR
C303	QEN61ER-475ZN	NP.E.CAPACITOR
C305	QFV71HJ-224ZM	TF.CAPACITOR
C306	QFN31HJ-272Z	M.CAPACITOR
C307	QFN31HJ-682Z	M.CAPACITOR
C308	QFV71HJ-153ZM	TF.CAPACITOR
C309	QFN31HJ-152Z	M.CAPACITOR
C310	QFN31HJ-332Z	M.CAPACITOR
C311	QFV71HJ-333ZM	TF.CAPACITOR
C312	QFV71HJ-333ZM	TF.CAPACITOR
C313	QFV71HJ-393ZM	TF.CAPACITOR
C314	QFV71HJ-473ZM	TF.CAPACITOR
C351	QFV71HJ-103ZM	TF.CAPACITOR
C352	QCS31HJ-561Z	C.CAPACITOR
C353	QFV71HJ-223ZM	TF.CAPACITOR
C354	QFV71HJ-104ZM	TF.CAPACITOR
C355	QETC1HM-106ZM	E.CAPACITOR
C356	QFP32AJ-471ZM	PP.CAPACITOR
C357	QCS31HJ-201Z	C CAPACITOR
C401	QCS32HJ-151ZV	C CAPACITOR
C402	QFN31HJ-102Z	M.CAPACITOR
C403	QEN61ER-475ZN	NP.E.CAPACITOR
C405	QFV71HJ-224ZM	TF.CAPACITOR
C406	QFN31HJ-272Z	M.CAPACITOR
C407	QFN31HJ-682Z	M.CAPACITOR
C408	QFV71HJ-153ZM	TF.CAPACITOR
C409	QFN31HJ-152Z	M.CAPACITOR
C410	QFN31HJ-332Z	M.CAPACITOR
C411	QFV71HJ-333ZM	TF.CAPACITOR
C412	QFV71HJ-333ZM	TF.CAPACITOR
C413	QFV71HJ-393ZM	TF.CAPACITOR
C414	QFV71HJ-473ZM	TF.CAPACITOR
C451	QFV71HJ-103ZM	TF.CAPACITOR
C452	QCS31HJ-561Z	C.CAPACITOR
C453	QFV71HJ-223ZM	TF.CAPACITOR
C454	QFV71HJ-104ZM	TF.CAPACITOR
C455	QETC1HM-106ZM	E.CAPACITOR
C456	QFP32AJ-471ZM	PP.CAPACITOR
C457	QCS31HJ-201Z	C CAPACITOR
C703	QETC1AM-477ZM	E.CAPACITOR
C704	QETC1AM-477ZM	E.CAPACITOR
C705	QETC1HM-106ZM	E.CAPACITOR
C706	QETC1AM-107ZM	E.CAPACITOR
C905	QETC1AM-477ZM	E.CAPACITOR
C906	QETC1AM-477ZM	E.CAPACITOR
C909	QETC1AM-477ZM	E.CAPACITOR
C910	QETC1AM-477ZM	E.CAPACITOR
C911	QETC1EM-476ZM	E CAPACITOR
C912	QETC1EM-476ZM	E CAPACITOR
C915	QFV71HJ-123ZM	TF.CAPACITOR
C916	QFV71HJ-103ZM	TF.CAPACITOR
C917	QFN31HJ-472Z	M.CAPACITOR
C918	QFN31HJ-472Z	M.CAPACITOR
C919	QFV71HJ-103ZM	TF.CAPACITOR
C920	QFV71HJ-224ZM	TF.CAPACITOR
C921	QETC1HM-224ZM	E.CAPACITOR
C948	QETC1AM-107ZM	E.CAPACITOR
C949	QETC1AM-107ZM	E.CAPACITOR
C950	QCS31HJ-100Z	C.CAPACITOR
C951	QFP82AJ-123	PP CAPACITOR
C953	QFN31HJ-682Z	M.CAPACITOR
C954	QFN31HJ-272Z	M.CAPACITOR
C955	QFN31HJ-272Z	M.CAPACITOR
C956	QETC1HM-106ZM	E.CAPACITOR
C957	QETC1HM-106ZM	E.CAPACITOR
C958	QETC1HM-106ZM	E.CAPACITOR
C959	QETC1EM-227ZM	E.CAPACITOR
C989	QCF11HP-103	C.CAPACITOR

REF. NO	PARTS NO.	PARTS NAME
C991	QETC1AM-107ZM	E.CAPACITOR
C992	QETC1AM-107ZM	E.CAPACITOR
C993	QCF31HP-103Z	C.CAPACITOR
D102	HSS104TJ	SI DIODE
D103	HSS104TJ	SI DIODE
D202	HSS104TJ	SI DIODE
D203	HSS104TJ	SI DIODE
D513	HSS104TJ	SI DIODE
D701	RD5.6E(B3)	ZENER DIODE
D902	HSS104TJ	SI DIODE
D903	HSS104TJ	SI DIODE
D904	HSS104TJ	SI DIODE
D906	HSS104TJ	SI DIODE
D907	HSS104TJ	SI DIODE
D908	HSS104TJ	SI DIODE
D909	HSS104TJ	SI DIODE
D910	HSS104TJ	SI DIODE
D911	HSS104TJ	SI DIODE
D913	HSS104TJ	SI DIODE
IC701	BA15218N	I C
IC901	UPC4572HA	IC
IC902	BA15218N	I C
IC903	HA12088ANT	DOLBY NR I.C
IC904	BA15218N	I C
IC905	HA12088ANT	DOLBY NR I.C
IC906	M4066BP	IC
IC907	M4066BP	IC
IC908	M4066BP	IC
IC909	LA2000S	I C
IC910	BA15218N	I C
IC911	BA15218N	I C
IC912	UPC1297CA	I C
IC991	BA15218N	I C
J901	EMN00TV-206A	PIN JACK
J902	EMN00TV-206A	PIN JACK
J903	EMN00TV-206A	PIN JACK
J904	EMN00TV-206A	PIN JACK
J991	QMS6302-119G	JACK
L101	VQP0001-562S	INDUCTOR
L102	VQZ0013-002S	FILTER
L103	VQZ0025-001S	FILTER
L104	VQZ0013-002S	FILTER
L201	VQP0001-562S	INDUCTOR
L202	VQZ0013-002S	FILTER
L203	VQZ0025-001S	FILTER
L204	VQZ0013-002S	FILTER
L301	VQP0001-183S	INDUCTOR
L302	VQP0001-332S	INDUCTOR
L303	VQP0001-183S	INDUCTOR
L304	VQH7001-008	OSC COIL(BIAS)
L401	VQP0001-183S	INDUCTOR
L402	VQP0001-332S	INDUCTOR
L403	VQP0001-183S	INDUCTOR
L404	VQH7001-008	OSC COIL(BIAS)
L901	VQH7001-007	OSC COIL(BIAS)
L902	VQP0001-102S	INDUCTOR
Q101	2SK301(R,S)TA	TRANSISTOR
Q102	2SC945L(P,K)-T	TRANSISTOR
Q103	2SC945L(P,K)-T	TRANSISTOR
Q201	2SK301(R,S)TA	TRANSISTOR
Q202	2SC945L(P,K)-T	TRANSISTOR
Q203	2SC945L(P,K)-T	TRANSISTOR
Q302	2SC945L(P,K)-T	TRANSISTOR
Q303	2SC945L(P,K)-T	TRANSISTOR
Q304	2SC945L(P,K)-T	TRANSISTOR
Q305	2SC945L(P,K)-T	TRANSISTOR
Q402	2SC945L(P,K)-T	TRANSISTOR
Q403	2SC945L(P,K)-T	TRANSISTOR
Q404	2SC945L(P,K)-T	TRANSISTOR
Q405	2SC945L(P,K)-T	TRANSISTOR

REF. NO	PARTS NO.	PARTS NAME
Q701	2SB772(Q,P)	TRANSISTOR
Q702	2SD882(Q,P)	TRANSISTOR
Q703	2SC945L(P,K)-T	TRANSISTOR
Q704	2SA733A(P,K)-T	TRANSISTOR
Q721	2SA733A(P,K)-T	TRANSISTOR
Q722	2SA733A(P,K)-T	TRANSISTOR
Q723	2SA733A(P,K)-T	TRANSISTOR
Q724	2SA733A(P,K)-T	TRANSISTOR
Q725	2SA733A(P,K)-T	TRANSISTOR
Q726	2SA733A(P,K)-T	TRANSISTOR
Q901	2SC945L(P,K)-T	TRANSISTOR
Q902	2SC945L(P,K)-T	TRANSISTOR
Q903	2SC945L(P,K)-T	TRANSISTOR
Q904	2SC945L(P,K)-T	TRANSISTOR
Q905	2SC945L(P,K)-T	TRANSISTOR
Q906	2SC945L(P,K)-T	TRANSISTOR
Q907	2SC945L(P,K)-T	TRANSISTOR
Q908	2SC2001(L,K)-T	TRANSISTOR
RL901	VSK7D09-211	RELAY
R101	QRD161J-273Y	CARBON RESISTOR
R102	QRD161J-474Y	CARBON RESISTOR
R103	QRD161J-562Y	CARBON RESISTOR
R104	QRD161J-682Y	CARBON RESISTOR
R105	QRD161J-101Y	CARBON RESISTOR
R106	QRD161J-471Y	CARBON RESISTOR
R107	QRD161J-102Y	CARBON RESISTOR
R108	QRD161J-472Y	CARBON RESISTOR
R109	QRD161J-105Y	CARBON RESISTOR
R110	QRD161J-222Y	CARBON RESISTOR
R111	QRD161J-123Y	CARBON RESISTOR
R112	QRD161J-102Y	CARBON RESISTOR
R113	QRD161J-104Y	CARBON RESISTOR
R115	QRD161J-822Y	CARBON RESISTOR
R116	QRD161J-104Y	CARBON RESISTOR
R117	QRD161J-332Y	CARBON RESISTOR
R118	QRD161J-102Y	CARBON RESISTOR
R119	QRD161J-683Y	CARBON RESISTOR
R120	QRD161J-101Y	CARBON RESISTOR
R121	QRD161J-273Y	CARBON RESISTOR
R122	QRD161J-273Y	CARBON RESISTOR
R123	QRD161J-273Y	CARBON RESISTOR
R124	QRD161J-104Y	CARBON RESISTOR
R125	QRD161J-104Y	CARBON RESISTOR
R126	QRD161J-121Y	CARBON RESISTOR
R127	QRD161J-472Y	CARBON RESISTOR
R128	QRD161J-102Y	CARBON RESISTOR
R129	QRD161J-102Y	CARBON RESISTOR
R130	QRD161J-682Y	CARBON RESISTOR
R131	QRD161J-105Y	CARBON RESISTOR
R132	QRD161J-105Y	CARBON RESISTOR
R133	QRD161J-222Y	CARBON RESISTOR
R134	QRD161J-472Y	CARBON RESISTOR
R135	QRD161J-102Y	CARBON RESISTOR
R136	QRD161J-332Y	CARBON RESISTOR
R137	QRD161J-683Y	CARBON RESISTOR
R138	QRD161J-101Y	CARBON RESISTOR
R139	QRD161J-473Y	CARBON RESISTOR
R141	QRD161J-472Y	CARBON RESISTOR
R142	QRD161J-152Y	CARBON RESISTOR
R143	QRD161J-471Y	CARBON RESISTOR
R145	QRD161J-562Y	CARBON RESISTOR
R151	QRD161J-153Y	CARBON RESISTOR
R152	QRD161J-105Y	CARBON RESISTOR
R153	QRD161J-683Y	CARBON RESISTOR
R154	QRD161J-123Y	CARBON RESISTOR
R155	QRD161J-183Y	CARBON RESISTOR
R156	QRD161J-560Y	CARBON RESISTOR
R157	QRD161J-223Y	CARBON RESISTOR
R158	QRD161J-104Y	CARBON RESISTOR
R201	QRD161J-273Y	CARBON RESISTOR

REF. NO	PARTS NO.	PARTS NAME
R202	QRD161J-474Y	CARBON RESISTOR
R203	QRD161J-562Y	CARBON RESISTOR
R204	QRD161J-682Y	CARBON RESISTOR
R205	QRD161J-101Y	CARBON RESISTOR
R206	QRD161J-471Y	CARBON RESISTOR
R207	QRD161J-102Y	CARBON RESISTOR
R208	QRD161J-472Y	CARBON RESISTOR
R209	QRD161J-105Y	CARBON RESISTOR
R210	QRD161J-222Y	CARBON RESISTOR
R211	QRD161J-123Y	CARBON RESISTOR
R212	QRD161J-102Y	CARBON RESISTOR
R213	QRD161J-104Y	CARBON RESISTOR
R215	QRD161J-822Y	CARBON RESISTOR
R216	QRD161J-104Y	CARBON RESISTOR
R217	QRD161J-332Y	CARBON RESISTOR
R218	QRD161J-102Y	CARBON RESISTOR
R219	QRD161J-683Y	CARBON RESISTOR
R220	QRD161J-101Y	CARBON RESISTOR
R221	QRD161J-273Y	CARBON RESISTOR
R222	QRD161J-273Y	CARBON RESISTOR
R223	QRD161J-273Y	CARBON RESISTOR
R224	QRD161J-104Y	CARBON RESISTOR
R225	QRD161J-104Y	CARBON RESISTOR
R226	QRD161J-121Y	CARBON RESISTOR
R227	QRD161J-472Y	CARBON RESISTOR
R228	QRD161J-102Y	CARBON RESISTOR
R229	QRD161J-102Y	CARBON RESISTOR
R230	QRD161J-682Y	CARBON RESISTOR
R231	QRD161J-105Y	CARBON RESISTOR
R232	QRD161J-105Y	CARBON RESISTOR
R233	QRD161J-222Y	CARBON RESISTOR
R234	QRD161J-472Y	CARBON RESISTOR
R235	QRD161J-102Y	CARBON RESISTOR
R236	QRD161J-332Y	CARBON RESISTOR
R237	QRD161J-683Y	CARBON RESISTOR
R238	QRD161J-101Y	CARBON RESISTOR
R239	QRD161J-473Y	CARBON RESISTOR
R241	QRD161J-472Y	CARBON RESISTOR
R242	QRD161J-152Y	CARBON RESISTOR
R243	QRD161J-471Y	CARBON RESISTOR
R245	QRD161J-562Y	CARBON RESISTOR
R251	QRD161J-153Y	CARBON RESISTOR
R252	QRD161J-105Y	CARBON RESISTOR
R253	QRD161J-683Y	CARBON RESISTOR
R254	QRD161J-123Y	CARBON RESISTOR
R255	QRD161J-183Y	CARBON RESISTOR
R256	QRD161J-560Y	CARBON RESISTOR
R257	QRD161J-223Y	CARBON RESISTOR
R258	QRD161J-104Y	CARBON RESISTOR
R303	QRD161J-392Y	CARBON RESISTOR
R304	QRD161J-473Y	CARBON RESISTOR
R305	QRD161J-153Y	CARBON RESISTOR
R306	QRD161J-273Y	CARBON RESISTOR
R307	QRD161J-152Y	CARBON RESISTOR
R308	QRD161J-270Y	CARBON RESISTOR
R309	QRD161J-101Y	CARBON RESISTOR
R310	QRD161J-270Y	CARBON RESISTOR
R311	QRD161J-392Y	CARBON RESISTOR
R312	QRD161J-392Y	CARBON RESISTOR
R313	QRD161J-332Y	CARBON RESISTOR
R314	QRD161J-332Y	CARBON RESISTOR
R317	QRD161J-472Y	CARBON RESISTOR
R319	QRD161J-472Y	CARBON RESISTOR
R321	QRD161J-472Y	CARBON RESISTOR
R351	QRD161J-472Y	CARBON RESISTOR
R352	QRD161J-333Y	CARBON RESISTOR
R353	QRD161J-154Y	CARBON RESISTOR
R354	QRD149J-100S	CARBON RESISTOR
R391	QRD161J-273Y	CARBON RESISTOR
R392	QRD161J-820Y	CARBON RESISTOR

REF. NO	PARTS NO.	PARTS NAME
R393	QRD161J-154Y	CARBON RESISTOR
R394	QRD161J-472Y	CARBON RESISTOR
R395	QRD161J-472Y	CARBON RESISTOR
R403	QRD161J-392Y	CARBON RESISTOR
R404	QRD161J-473Y	CARBON RESISTOR
R405	QRD161J-153Y	CARBON RESISTOR
R406	QRD161J-273Y	CARBON RESISTOR
R407	QRD161J-152Y	CARBON RESISTOR
R408	QRD161J-270Y	CARBON RESISTOR
R409	QRD161J-101Y	CARBON RESISTOR
R410	QRD161J-270Y	CARBON RESISTOR
R411	QRD161J-392Y	CARBON RESISTOR
R412	QRD161J-392Y	CARBON RESISTOR
R413	QRD161J-332Y	CARBON RESISTOR
R414	QRD161J-332Y	CARBON RESISTOR
R417	QRD161J-472Y	CARBON RESISTOR
R419	QRD161J-472Y	CARBON RESISTOR
R421	QRD161J-472Y	CARBON RESISTOR
R451	QRD161J-472Y	CARBON RESISTOR
R452	QRD161J-333Y	CARBON RESISTOR
R453	QRD161J-154Y	CARBON RESISTOR
R454	QRD149J-100S	CARBON RESISTOR
R491	QRD161J-273Y	CARBON RESISTOR
R492	QRD161J-820Y	CARBON RESISTOR
R493	QRD161J-154Y	CARBON RESISTOR
R494	QRD161J-472Y	CARBON RESISTOR
R495	QRD161J-472Y	CARBON RESISTOR
R701	QRZ0052-4R7	F.RESISTOR
R702	QRD161J-103Y	CARBON RESISTOR
R703	QRD161J-333Y	CARBON RESISTOR
R705	QRD161J-102Y	CARBON RESISTOR
R706	QRD161J-332Y	CARBON RESISTOR
R707	QRD161J-331Y	CARBON RESISTOR
R708	QRD161J-562Y	CARBON RESISTOR
R709	QRD161J-152Y	CARBON RESISTOR
R710	QRD161J-181Y	CARBON RESISTOR
R711	QRZ0052-4R7	F.RESISTOR
R713	QRD161J-102Y	CARBON RESISTOR
R714	QRD161J-102Y	CARBON RESISTOR
R715	QRD161J-103Y	CARBON RESISTOR
R716	QRD161J-472Y	CARBON RESISTOR
R717	QRD161J-472Y	CARBON RESISTOR
R721	QRD161J-473Y	CARBON RESISTOR
R722	QRD161J-472Y	CARBON RESISTOR
R723	QRD161J-822Y	CARBON RESISTOR
R724	QRD161J-102Y	CARBON RESISTOR
R725	QRD161J-473Y	CARBON RESISTOR
R726	QRD161J-103Y	CARBON RESISTOR
R727	QRD161J-472Y	CARBON RESISTOR
R728	QRD161J-681Y	CARBON RESISTOR
R729	QRD161J-473Y	CARBON RESISTOR
R730	QRD161J-103Y	CARBON RESISTOR
R731	QRD161J-472Y	CARBON RESISTOR
R732	QRD161J-681Y	CARBON RESISTOR
R733	QRD161J-332Y	CARBON RESISTOR
R734	QRD161J-152Y	CARBON RESISTOR
R735	QRD161J-221Y	CARBON RESISTOR
R736	QRD161J-103Y	CARBON RESISTOR
R737	QRD161J-472Y	CARBON RESISTOR
R738	QRD161J-681Y	CARBON RESISTOR
R739	QRD161J-103Y	CARBON RESISTOR
R740	QRD161J-472Y	CARBON RESISTOR
R741	QRD161J-681Y	CARBON RESISTOR
R901	QRD161J-104Y	CARBON RESISTOR
R902	QRD161J-103Y	CARBON RESISTOR
R903	QRD161J-103Y	CARBON RESISTOR
R904	QRD161J-103Y	CARBON RESISTOR
R905	QRD161J-103Y	CARBON RESISTOR
R906	QRD161J-103Y	CARBON RESISTOR
R908	QRD161J-103Y	CARBON RESISTOR

REF. NO	PARTS NO.	PARTS NAME
R915	QRD161J-223Y	CARBON RESISTOR
R916	QRD161J-223Y	CARBON RESISTOR
R917	QRD161J-223Y	CARBON RESISTOR
R918	QRD161J-223Y	CARBON RESISTOR
R922	QRD161J-272Y	CARBON RESISTOR
R923	QRD161J-273Y	CARBON RESISTOR
R924	QRD161J-273Y	CARBON RESISTOR
R925	QRD161J-274Y	CARBON RESISTOR
R929	QRD161J-271Y	CARBON RESISTOR
R931	QRD161J-472Y	CARBON RESISTOR
R932	QRD161J-472Y	CARBON RESISTOR
R948	QRD161J-472Y	CARBON RESISTOR
R949	QRD161J-183Y	CARBON RESISTOR
R951	QRD161J-822Y	CARBON RESISTOR
R952	QRD161J-104Y	CARBON RESISTOR
R953	QRD161J-153Y	CARBON RESISTOR
R954	QRD161J-123Y	CARBON RESISTOR
R955	QRD161J-103Y	CARBON RESISTOR
R957	QRD161J-103Y	CARBON RESISTOR
R958	QRD161J-472Y	CARBON RESISTOR
R959	QRD161J-332Y	CARBON RESISTOR
R961	QRD161J-273Y	CARBON RESISTOR
R962	QRD161J-273Y	CARBON RESISTOR
R963	QRD149J-5R6S	CARBON RESISTOR
R964	QRD149J-8R2S	CARBON RESISTOR
R965	QRD161J-222Y	CARBON RESISTOR
R966	QRD161J-153Y	CARBON RESISTOR
R967	QRD161J-272Y	CARBON RESISTOR
R968	QRD161J-472Y	CARBON RESISTOR
R971	QRD161J-103Y	CARBON RESISTOR
R981	QRD161J-223Y	CARBON RESISTOR
R982	QRD161J-103Y	CARBON RESISTOR
R983	QRD161J-223Y	CARBON RESISTOR
R985	QRD161J-103Y	CARBON RESISTOR
R986	QRD161J-472Y	CARBON RESISTOR
S901	QSTT362-V01	PUSH SW
S902	QSTT461-V01	PUSH SW
VR101	QVPA601-502	V.RESISTOR
VR102	QVPA601-502	V.RESISTOR
VR201	QVPA601-502	V.RESISTOR
VR202	QVPA601-502	V.RESISTOR
VR301	QVPA601-502	V.RESISTOR
VR302	QVPA601-104	V RESISTOR
VR401	QVPA601-502	V.RESISTOR
VR402	QVPA601-104	V RESISTOR
VR901	QVAA16W-V02	V.RESISTOR
VR902	VCV1001-048	V RESISTOR
VR903	QVAB26A-V01	V.RESISTOR
VR904	QVAA16B-V01	V RESISTOR
VR905	QVPA601-502	V.RESISTOR

**Power Supply/Mechanism Control
Board Parts List**

△ parts are safety assurance parts.
When replacing those parts, make sure to use the specified one.

△	REF. NO	PARTS NO.	PARTS NAME
	CF501	EFO-FC6004A5	CERA LOCK
	C478	QCF11HP-473	C.CAPACITOR
	C501	QETC1AM-107ZM	E.CAPACITOR
	C502	QEK61CM-107ZN	E.CAPACITOR
	C503	QETC1HM-106ZM	E.CAPACITOR
△	C531	QETC1HM-474ZM	E.CAPACITOR
	C710	QFZ9010-103	M.CAPACITOR
	C711	QCF31HP-103Z	C.CAPACITOR
	C712	QCF31HP-103Z	C.CAPACITOR
	C713	QETB1EM-338	E.CAPACITOR
	C714	QETB1EM-338	E.CAPACITOR
	C749	QCF31HP-473Z	C.CAPACITOR
	C750	QCS31HJ-271Z	C.CAPACITOR
	C751	QETB1EM-477N	E.CAPACITOR
	C752	QETB1VM-477N	E.CAPACITOR
	C753	QETB1EM-338N	E.CAPACITOR
	C754	QETB1AM-109N	E.CAPACITOR
	C755	QETC1AM-107ZM	E.CAPACITOR
	C756	QCF31HP-103Z	C.CAPACITOR
	C757	QCF31HP-103Z	C.CAPACITOR
	C758	QETC1EM-107ZM	E.CAPACITOR
	C760	QETC1HM-106ZM	E.CAPACITOR
	C761	QETC1HM-106ZM	E.CAPACITOR
	C762	QCF31HP-103Z	C.CAPACITOR
	C763	QCF31HP-103Z	C.CAPACITOR
	C764	QETC1HM-106ZM	E.CAPACITOR
	D501	HSS104TJ	SI DIODE
	D502	HSS104TJ	SI DIODE
	D503	HSS104TJ	SI DIODE
	D504	HSS104TJ	SI DIODE
	D505	HSS104TJ	SI DIODE
	D506	HSS104TJ	SI DIODE
	D507	HSS104TJ	SI DIODE
	D508	HSS104TJ	SI DIODE
	D509	HSS104TJ	SI DIODE
	D511	HSS104TJ	SI DIODE
	D512	HSS104TJ	SI DIODE
△	D515	11E1-TB2	SI DIODE
	D531	HSS104TJ	SI DIODE
	D532	HSS104TJ	SI DIODE
	D533	HSS104TJ	SI DIODE
	D551	HSS104TJ	SI DIODE
	D552	HSS104TJ	SI DIODE
	D553	HSS104TJ	SI DIODE
	D554	HSS104TJ	SI DIODE
△	D569	HSS104TJ	SI DIODE
△	D711	11E1-TB2	SI DIODE
△	D712	11E1-TB2	SI DIODE
△	D713	11E1-TB2	SI DIODE
△	D714	11E1-TB2	SI DIODE
△	D751	11E1-TB2	SI DIODE
△	D752	11E1-TB2	SI DIODE
△	D755	11E1-TB2	SI DIODE
△	D756	11E1-TB2	SI DIODE
	D757	11E1-TB2	SI DIODE
	D758	RD5.6E(B3)	ZENER DIODE
	D759	RD24E(B3)	ZENER DIODE
	D996	LN21RCPSL(O)J3	LED
	D997	LN21RCPSL(O)J3	LED
	D998	LN31GCPSL-J3	LED
	FL701	BG-502GK	FL TUBE
	IC501	MB88515B-549T	I C
	IC502	UPD4069UBC	I C
	IC503	BA6208A	I C
	IC504	BA6208A	I C
△	IC702	UPC78M10H	I C
△	IC703	UPC78M12H	I.C.
	J501	QMS3533-001	JACK
	Q501	2SC945L(P,K)-T	TRANSISTOR
	Q502	2SC945L(P,K)-T	TRANSISTOR

△	REF. NO	PARTS NO.	PARTS NAME
	Q503	2SC945L(P,K)-T	TRANSISTOR
	Q505	2SC945L(P,K)-T	TRANSISTOR
	Q506	UN4211TA	TRANSISTOR
	Q507	UN4211TA	TRANSISTOR
	Q508	UN4211TA	TRANSISTOR
	Q509	UN4211TA	TRANSISTOR
	Q727	2SC3113(B)E4	TRANSISTOR
	Q751	2SC2001(L,K)-T	TRANSISTOR
	Q752	2SC2001(L,K)-T	TRANSISTOR
△	Q753	2SB605(LA,KA)	TRANSISTOR
	Q761	2SC945L(P,K)-T	TRANSISTOR
	RN501	QRB085J-473	NETWORK RESIST
	RN502	QRB085J-473	NETWORK RESIST
	RN503	QRB065J-223	NETWORK RESIST
	RN504	QRB055J-473	NETWORK RESIST
	RN505	QRB055J-223	NETWORK RESIST
	RN506	QRB045J-682	NETWORK RESISTOR
	R503	QRD161J-334Y	CARBON RESISTOR
	R504	QRD161J-473Y	CARBON RESISTOR
	R505	QRD161J-151Y	CARBON RESISTOR
	R506	QRD161J-471Y	CARBON RESISTOR
	R507	QRD161J-102Y	CARBON RESISTOR
	R508	QRD161J-471Y	CARBON RESISTOR
	R509	QRD161J-473Y	CARBON RESISTOR
	R510	QRD161J-222Y	CARBON RESISTOR
	R512	QRD161J-102Y	CARBON RESISTOR
	R513	QRD161J-471Y	CARBON RESISTOR
	R514	QRD161J-102Y	CARBON RESISTOR
	R515	QRD161J-102Y	CARBON RESISTOR
	R522	QRD161J-271Y	CARBON RESISTOR
	R523	QRD161J-103Y	CARBON RESISTOR
	R531	QRD161J-103Y	CARBON RESISTOR
	R532	QRD161J-103Y	CARBON RESISTOR
	R533	QRD161J-473Y	CARBON RESISTOR
	R534	QRD161J-473Y	CARBON RESISTOR
	R549	QRD161J-681Y	CARBON RESISTOR
	R550	QRD161J-821Y	CARBON RESISTOR
	R551	QRD161J-102Y	CARBON RESISTOR
	R552	QRD161J-122Y	CARBON RESISTOR
	R553	QRD161J-182Y	CARBON RESISTOR
	R554	QRD161J-752Y	CARBON RESISTOR
	R557	QRD161J-182Y	CARBON RESISTOR
	R558	QRD161J-272Y	CARBON RESISTOR
	R559	QRD161J-222Y	CARBON RESISTOR
	R561	QRD161J-102Y	CARBON RESISTOR
	R562	QRD161J-122Y	CARBON RESISTOR
	R563	QRD161J-182Y	CARBON RESISTOR
	R564	QRD161J-272Y	CARBON RESISTOR
	R565	QRD161J-822Y	CARBON RESISTOR
	R566	QRD161J-472Y	CARBON RESISTOR
	R567	QRD161J-273Y	CARBON RESISTOR
	R570	QRD161J-471Y	CARBON RESISTOR
	R595	QRD161J-102Y	CARBON RESISTOR
	R742	QRD161J-102Y	CARBON RESISTOR
	R743	QRD161J-332Y	CARBON RESISTOR
△	R749	QRD149J-1R0S	CARBON RESISTOR
△	R750	QRD149J-1R0S	CARBON RESISTOR
	R751	QRD149J-6R8S	CARBON RESISTOR
	R752	QRD161J-471Y	CARBON RESISTOR
	R753	QRD161J-221Y	CARBON RESISTOR
	R754	QRD161J-471Y	CARBON RESISTOR
	R755	QRD161J-102Y	CARBON RESISTOR
	R756	QRD149J-4R7S	CARBON RESISTOR
	R761	QRD161J-331Y	CARBON RESISTOR
	R762	QRD161J-103Y	CARBON RESISTOR
	R763	QRD161J-103Y	CARBON RESISTOR
	S501	QSP1A11-V01	TACT SWITCH
	S502	QSP1A11-V01	TACT SWITCH
	S503	QSP1A11-V01	TACT SWITCH
	S504	QSP1A11-V01	TACT SWITCH

REF. NO	PARTS NO.	PARTS NAME
S505	QSP1A11-V01	TACT SWITCH
S506	QSP1A11-V01	TACT SWITCH
S507	QSP1A11-V01	TACT SWITCH
S509	QSP1A11-V01	TACT SWITCH
S510	QSP1A11-V01	TACT SWITCH
S511	QSP1A11-V01	TACT SWITCH
S512	QSP1A11-V01	TACT SWITCH
S513	QSP1A11-V01	TACT SWITCH
S514	QSS7A23-V05	SLIDE SWITCH
	QSS2325-114	S. SWITCH TD-V711A/E/G
	QSS2325-114BS	S. SWITCH TD-V711B

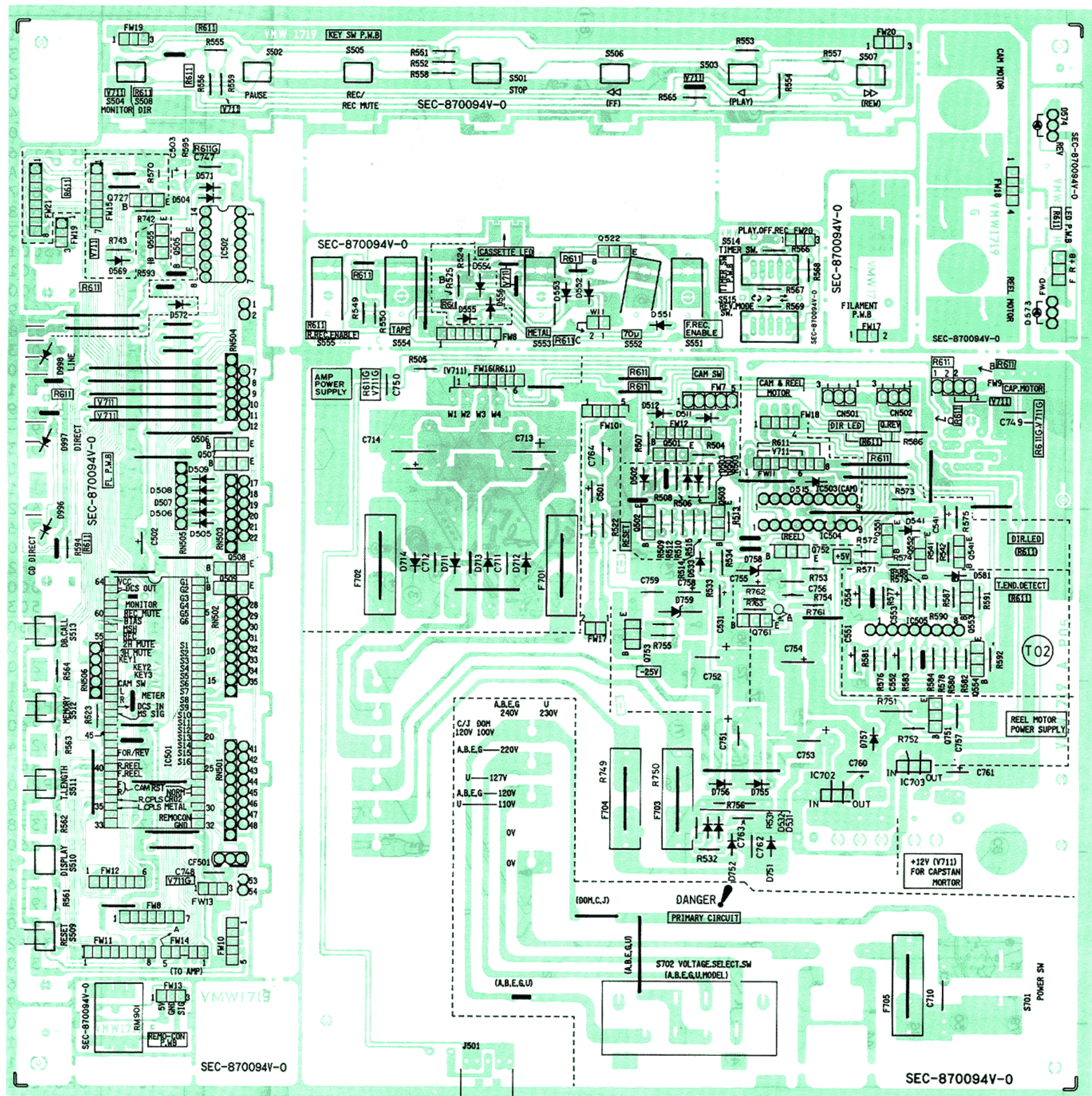


Fig. 10-2

11 Exploded View of Mechanism Assembly and Parts List

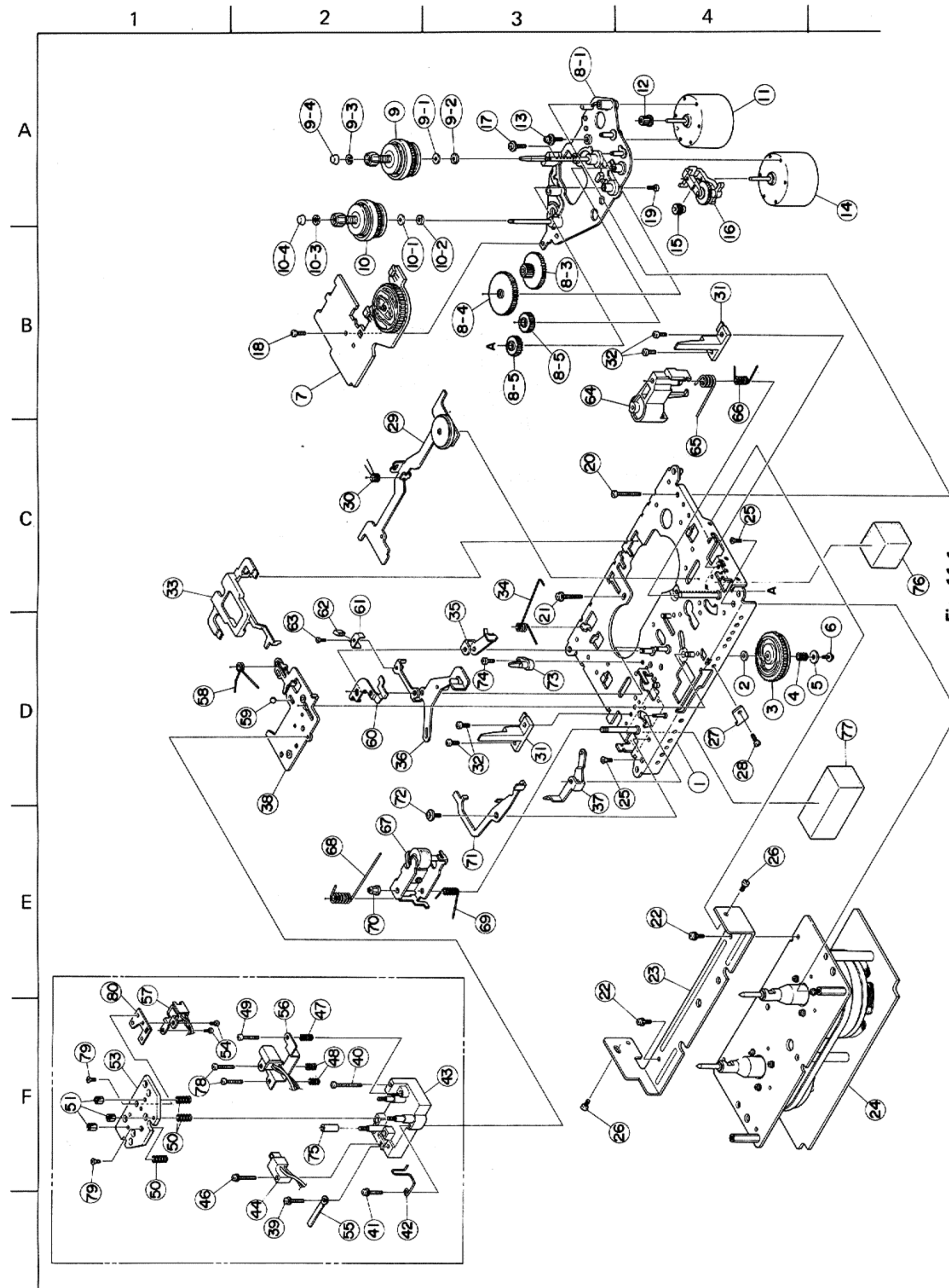


Fig. 11-1

REF.	PARTS NO.	PARTS NAME	REMARKS	QTY
1	VKL2251-00L	CHAS.BASE ASY.		1
2	VKZ4003-010	FELT		1
3	VKS2122-001	P.ROLLER CAM		1
4	VKW4760-001	C.SPRING		1
5	VKZ4284-002	WASHER		1
6	VKZ4340-002	SCREW		1
7	VKZ3136-00C	CAM SWITCH ASSY		1
7-1	DN6838A	HALL I.C		2
7-2	VCR0007-001R	RESIS NETWORK		1
7-3	VKZ4378-001	SPECIAL WASHER		1
8-1	VKL2303-002	DISK BASE	J24	1
8-3	VKR3001-001	GEAR(2)		1
8-4	VKR3001-002	GEAR(2)		1
8-5	VKR3000-001	GEAR(1)		2
9	VKR4449-00A	T-UP REEL ASS'Y		1
9-1	Q03093-834	WASHER		1
9-2	VKZ4003-010	FELT		1
9-3	VKR4170-001	RING		1
9-4	VKS4131-001	REEL STOPPER		1
10	VKR4449-00C	R.DISK ASY.		1
10-1	Q03093-834	WASHER		1
10-2	VKZ4003-010	FELT		1
10-3	VKR4170-001	RING		1
10-4	VKS4131-001	REEL STOPPER		1
11	MMN-6F2RA8Z	DC MOTOR	CAM MOTER	1
12	VKR4326-001	MOTOR GEAR		1
13	DPSP2608Z	SCREW		1
14	MMN-6F2RA8Z	DC MOTOR	REEL	1
15	VKR3000-003	GEAR(1)		1
16	VKS4503-00D	F.R ASS'Y		1
17	SWSP2608Z	SCREW		1
18	SDST2604Z	SCREW	DISK BASE UNIT	1
19	SDST2608Z	SCREW	DISK BASE UNIT	1
20	SPSP2615Z	SCREW	CAM MOTOR	1
21	LPSP2614Z	SCREW	REEL MOTOR	1
22	LPSP2606Z	SCREW		2
23	VKL6224-001	MOTOR BRACKET		1
24	SS11AB	D.D.MOTOR		1
25	SSSP2608Z	SCREW		2
26	SDST2605Z	SCREW		2
27	VKL5398-001	BRACKET		1
28	SSST2604Z	SCREW		1
29	VKL3411-00C	T-UP IDLER ASSY		1
30	VKW3006-099	TORSION SPRING		1
31	VKS4901-001	CASSETTE GUIDE	J24	2
32	SDST2605Z	SCREW		4
33	VKS3162-004	BRAKE BAR	J24	1
34	VKW4380-001	TORSION SPRING		1
35	VKL5316-00E	H.BASE ARM ASSY		1
36	VKL3879-00A	P.R.LEVER(1)ASY		1
37	VKL6190-00C	P.R.LEVER(2)ASY		1
38	VKL3881-002	HEAD BASE		1
39	LPSP2010N	SCREW		1
40	SPSP2016N	SCREW		1
41	LPSP2012Z	SCREW		1

REF.	PARTS NO.	PARTS NAME	REMARKS	QTY
42	VKZ4437-001	WIRE HOLDER		1
43	VKZ3137-00B	E/R H.BASE ASY.		1
44	VGH0212-121	E HEAD		1
46	LPSP2012N	SCREW		1
47	VKW3001-067	SPRING		1
48	VKW3001-099	SPRING		2
49	VKZ4463-001	SPECIAL SCREW		2
50	VKW3001-223	SPRING		3
51	VKH5137-001	ADJUST SCREW		3
53	VKL6192-002	P.B. HEAD BASE		1
54	SDSP2606Z	SCREW		2
55	VKZ4001-013	WIRE HOLDER		1
56	VGH0423-306	REC HEAD ASS'Y		1
57	VGH0424-026	P B HEAD ASS'Y		1
58	VKW4467-004	TORSION SPRING		1
59	T41615-004	STEEL BALL		1
60	VKY4278-002	SPRING PLATE		1
61	VKL6222-002	B.T.LEVER		1
62	VKZ4414-001	B.T.RUBBER		1
63	SPSK1716M	SCREW		1
64	VKP4169-00F	P.R.ARM ASY.(R)		1
65	VKW4726-002	TORSION SPRING		1
66	VKW3006-057	TORSION SPRING		1
67	VKP4129-00J	P.R.ARM ASY(L)		1
68	VKW4735-002	TORSION SPRING		1
69	VKW3008-021	TORSION SPRING		1
70	VKS4513-001	ADJUST SCREW		1
71	VKL6193-002	EJECT SAFETY		1
73	VKS4512-002	GUIDE POST		1
74	SDST2605Z	SCREW		1
75	QXTS400-010	SHURINK TUBE		1
76	VYSH115-008	SPACER		1
77	VYSH115-009	SPACER		1
78	VKZ4464-001	SPECIAL SCREW		1
79	VKZ4194-001	S.SCREW		4
80	VKL6422-001	HEAD BASE		1

12 Exploded View of Enclosure Assembly

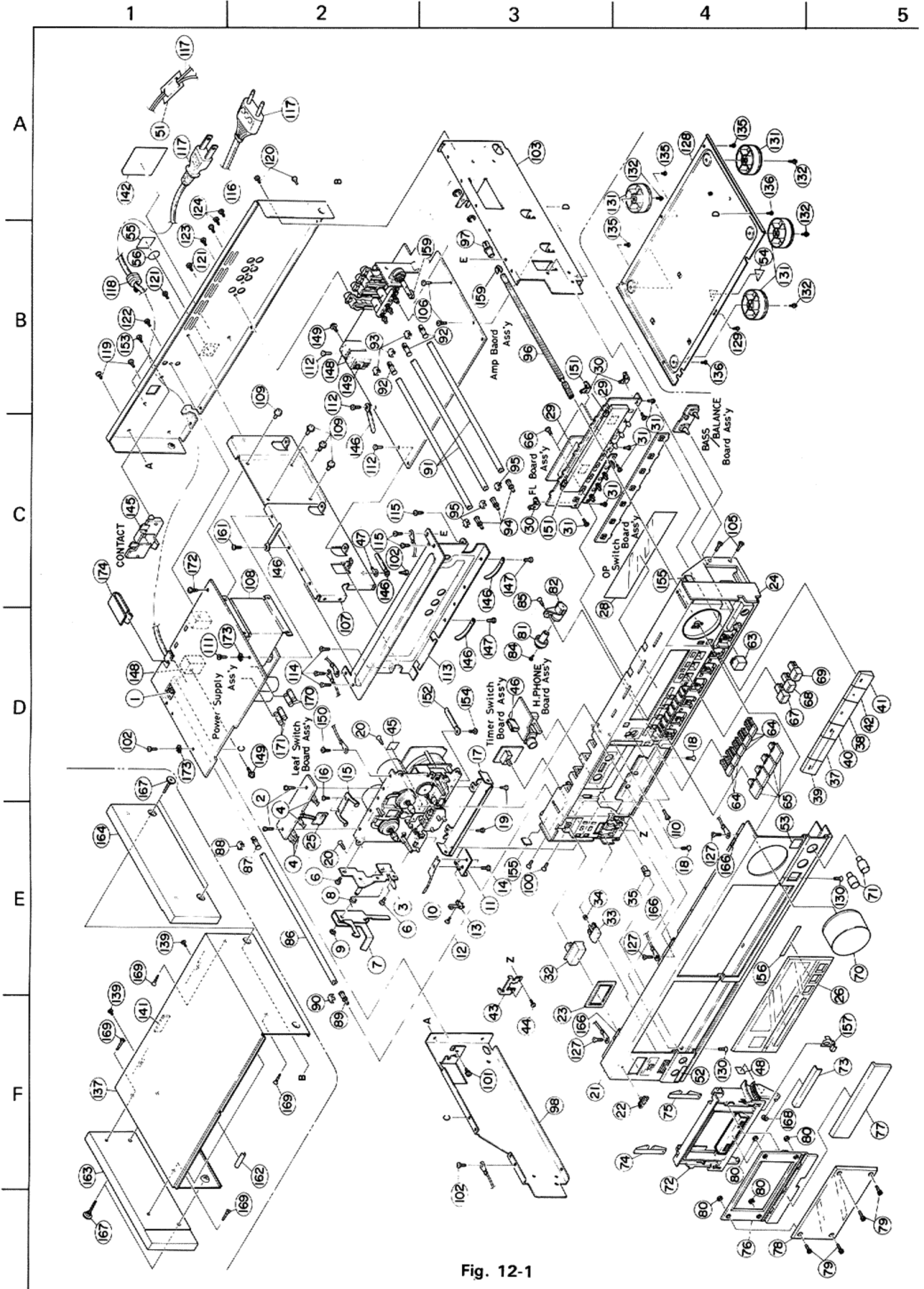


Fig. 12-1

Enclosure Component Parts List

△ parts are safety assurance parts.

When replacing those parts, make sure to use the specified one.

△ REF.	PARTS NO.	PARTS NAME	REMARKS	QTY
△ 1	QSP1106-004	PUSH SWITCH		1
△ 2	QSP1106-004BS	PUSH SW.	TD-V711B ONLY	1
	SDST2608Z	SCREW		1
	SDST2608Z	SCREW		1
3	VKL6200-00A	EJECT BKT ASS'Y		1
4	VSH1140-002	LEAF SWITCH		4
6	SDST2606Z	SCREW		2
7	VKL3908-001	EJECT LEVER		1
8	VKW4688-002	TORSION SPRING		1
9	REE2500X	E RING		1
10	VKY4497-003	HOLDER SPRING		1
11	VKL6345-002	LEAF SW BRACKET		1
12	SDST2005Z	SCREW		1
13	VSH1155-001	LEAF SWITCH		1
14	SDST2604Z	SCREW	MECHA/H.SPRING	2
15	VKY4279-001	PACK SPRING		1
16	SDST2604Z	SCREW	MECHA/P.SPRING	2
17	VKL3883-001	MECHA.BRACKET		1
18	SSST3006Z	SCREW	MECHA BKT/F.PANEL	2
19	SDST2604Z	SCREW	MECHA/MECHA BKT	2
20	SSSF3010Z	SCREW	MECHA/FRONT PANEL	2
21	VJC1618-003	FRONT PLATE		1
22	PQ42376-001	JVC MARK		1
23	E73878-002	P.BUTTON ESCUTC		1
24	VJC1619-003	FRONT PANEL		1
	VJC1619-004UL	FRONT PANEL	TD-V711J ONLY	1
25	LD-702YU	L.E.D		1
26	VJK3397-005	FINDER		1
28	VJD4615-021	FILTER		1
29	VYSR111-001	SPACER		2
30	VYH4638-001	BRACKET		3
31	SDST3004Z	SCREW	FL PWB/NR PWB	6
32	E73877-001	PUSH BUTTON		1
33	VXP4349-00A	PUSH BUTTON		1
34	VKW3001-063	COMP.SPRING		1
35	E72431-005	KNOB	OUT PUT	1
37	VXP3221-001	MECHA BUTTON	PLAY	1
38	VXP3221-002	MECHA BUTTON	STOP	1
39	VXP3221-003	MECHA BUTTON	REW	1
40	VXP3221-004	MECHA BUTTON	FF	1
41	VXP3221-005	MECHA BUTTON	PAUSE	1
42	VXP3221-006	MECHA BUTTON	REC/REC MUTE	1
43	VKL6350-002	KNOB BRACKET		1
44	SDSF2606Z	SCREW	KNOB BKT/F.PANEL	2
45	VYSA1R4-059	SPACER		1
46	VYSR105-004	SPACER		1
47	50242-2	LUG TERMINAL		1
48	VYSA1R4-058	SPACER		1
51	QZL1002-003	WARNING LABEL	TD-V711B	1
52	TJL000420-01	CAUTION LABEL	TD-V711B	1
53	VNC5004-001	MARK STICKER	TD-V711B/E	1
54	VND4113-001	G.CAUTION CARD	TD-V711B/J	1
55	T44362-001	CSA LABEL	TD-V711C	1
56	VND4037-002	F MARK	TD-V711G	1
63	VXP4686-001	PUSH BUTTON	MONITOR	1
64	VXP4575-001	PUSH BUTTON	RESET	5
65	E71268-002	PUSH KNOB	NR SELECT	4
66	SDSF2608Z	SCREW	F.PANEL/NR PUSH SW	2
67	VXP4307-007	PUSH BUTTON	CD DIRECT	1
68	VXP4307-008	PUSH BUTTON	DIRECT	1

△	REF.	PARTS NO.	PARTS NAME	REMARKS	QTY
	69	VXP4307-009	PUSH BUTTON	LINE	1
	70	E302479-004	VOLUME KNOB	INPUT	1
	71	VXL4166-003	KNOB	BIAS & BALANCE	2
	72	VJT2153-001	CASSETTE DOOR		1
	73	VJD5081-003	HOLDER PLATE		1
	74	VKY4382-007	CASSETTE SPRING		1
	75	VKY4382-008	CASSETTE SPRING		1
	76	VJT3221-001	CASSETTE LID		1
	77	VJT3222-001	LID PLATE		1
	78	VJT3223-003	CASSETTE FINDER		1
	79	BYS3006M	S.BOLT		4
	80	NTB3000	NUT		4
	81	VYH4769-002	GEAR		1
	82	VYH5033-002	DAMPER HOLDER		1
	84	SBSB2004Z	SCREW		1
	85	SDSF3008Z	SCREW	DUNP HOLDER/F.PANEL	1
	86	VKS4989-002	REMOTE BAR	POWER	1
	87	VKS4990-001	SWITCH CONTACT		1
	88	VKL6207-001	STOPPER		1
	89	VKS4991-001	BUTTON CONTACT		1
	90	VKL6207-001	STOPPER		1
	91	VKS4989-002	REMOTE BAR	DIRECT & LINE	3
	92	VKS4990-001	SWITCH CONTACT		3
	93	VKL6207-001	STOPPER		3
	94	VKS4991-001	BUTTON CONTACT		3
	95	VKL6207-001	STOPPER		3
	96	VKH5027-002	VOLUME SHAFT		1
	97	VKS4992-002	VOLUME CONTACT		1
	98	VKL3884-001	SIDE CHASSIS(L)		1
	100	SSST3006Z	SCREW	F.P./S.CHASSIS(L)	2
	101	LPSP3006Z	SCREW	P.SW/S.CHASSIS(L)	1
	102	SDST3006Z	SCREW		2
		SDST3006Z	SCREW	S.CHASSIS(L)/M.P.	1
	103	VKL3891-002	SIDE CHASSIS(R)		1
	105	SSST3006Z	SCREW	F.P./S.CHASSIS(R)	2
	106	SDST3006Z	SCREW	S/CHASSIS(R)/AMP	2
	107	VKL3892-001	CENTER CHASSIS		1
△	108	VTP60A9-011B	POWER TRANS	T1 TD-V711C/J	1
△		VTP60C9-011B	POWER TRANS	T1 TD-V711A/E/G	1
△		VTP60C9-011BBS	POWER TRANS	T1 TD-V711B	1
	109	SDSB4008M	SCREW	C.CHASSIS/TRANS	4
	110	SSST3008Z	SCREW	C.CHASSIS/F.PANEL	2
	111	SDST3006Z	SCREW	C.CHASSIS	1
	112	SDST3006Z	SCREW	C.CHASSIS/AMP.PWB	3
	113	VKL3932-001	SHIELD PLATE		1
	114	SDST3006Z	SCREW	C.CHASSIS/S/PLATE	3
	115	SDST3006Z	SCREW	S.CHASSIS/S.PLATE	3
	116	VJC2301-001	REAR PANEL	TD-V711C/J	1
		VJC2301-002	REAR PANEL	TD-V711A/B/E/G/U	1
△	117	QMP1900-200	POWER CORD	TD-V711C/J	1
△		QMP2560-200	POWER CORD	TD-V711A	1
△		QMP3900-200	POWER CORD	TD-V711E/G	1
△		QMP9017-008BS	POWER CORD	TD-V711B	1
△	118	QHS3876-162	S.R.BUSHING		1
△		QHS3876-162BS	S.R.BUSHING	TD-V711B ONLY	1
	119	SDST3006M	SCREW	S.CHASSIS(L)/R.PANEL	2
	120	SDST3006M	SCREW	S.CHASSIS(R)/R.PANEL	2
	121	SDST3006M	SCREW	C.CHASSIS/R.PANEL	2
	122	SDSF3010M	SCREW	DCS/REAR PANEL	1

REF.	PARTS NO.	PARTS NAME	REMARKS	QTY
123	SDSF3010M	SCREW	PIN JACK/REAR PANEL	1
124	SDSF3010M	SCREW	PIN JACK/REAR PANEL	3
127	SSSF3010Z	SCREW	F.PLATE/F.PANEL	3
128	VJC1547-005	BOTTOM COVER		1
129	SDSF3010Z	SCREW	BOTTOM/F.PANEL	1
130	SDSF3010Z	SCREW	F.PLATE/F.PANEL	2
131	E74205-002	FOOT ASS'Y		4
132	GBST3008Z	TH.TAP.SCREW	FOOR/BOTTOM	4
135	SDST3006Z	SCREW	BOTTOM/REAR PANEL	3
136	SDST3006Z	SCREW	BOTTOM/S.CHASSIS	2
137	VJC1622-003	TOP COVER		1
139	SDST3006M	SCREW	TOP COVER/REAR PANEL	2
141	VYSR110-011	SPACER	TOP COVER	1
142	VYN2205-002PA	NAME PLATE	TD-V711B/A/G	1
142	VYN2205-004PA	NAME PLATE	TD-V711C	1
142	VYN2205-004PV	NAME PLATE	TD-V711C	1
142	VYN2205-005PA	NAME PLATE	TD-V711E	1
142	VYN2205-006PA	NAME PLATE	TD-V711J	1
145	VKS5011-001	VOLTAGE CONTACT	TD-V711A/B/E/G/U	1
146	VKZ4001-011	WIRE HOLDER		5
147	SDST2606Z	SCREW		2
148	VMH4015-H25B	HEAT SINK	FOR Q701	1
148	VMH4015-H25B	HEAT SINK	FOR Q702	1
148	VMH4015-H25B	HEAT SINK	FOR IC702	1
149	LPSP3006Z	SCREW	FOR Q701	1
150	LPSP3006Z	SCREW	FOR Q702	1
150	SDSP3006Z	SCREW	FOR IC702	1
150	SDST2605Z	SCREW		1
151	VYSH105-034	SPACER		2
152	VKZ4001-007	WIRE CLAMP		1
153	SDSF3008M	SCREW	TD-V711A/B/E/G/U	2
154	SDST3005Z	SCREW	MECHA/WIRE HOLDER	1
155	VYSR101-015	SPACER	FRONT PANEL	2
156	VYTT488-002	L.D.S.SHEET		1
157	VKY4535-001	EARTH PLATE		1
159	VYSA1R2-008	SPACER	VOLUME SHAFT	1
159	VYSA1R2-008	SPACER	D CUT SHAFT	1
161	SDST3006Z	SCREW	WIRE HOLDER	1
162	VYSA1R8-027	SPACER	TOP COVER	3
163	VJC3180-001	SIDE BOARD(L)		1
164	VJC3180-002	SIDE BOARD(R)		1
166	VYSH104-022	SPACER	FRONT PLATE	3
167	ED44071-001	SCREW		2
167	ED44071-001	SCREW		2
168	Q03093-819	WASHER	C.HOLDER	1
169	SSSA3016Z	SCREW		2
169	SSSA3016Z	SCREW		2
170	QMF51A2-R63	FUSE	F701/702(A/E/G/U)	2
170	QMF51A2-1R0	FUSE	F703/704(A/E/G/U)	2
171	QMF51E2-R63BS	FUSE	F701/702(TD-V711B)	2
171	QMF51A2-1R0	FUSE	F703/704(E/G/U)	2
171	QMF51E2-1R0BS	FUSE	F703/704(TD-V711B)	2
172	SDST3006Z	SCREW		2
173	WBS3000N	WASHER		2
174	VMH4019-001	HEAT SINK	FOR IC703	1
21,22,23	ZCTDV711J-FBK	FRONT PANEL ASS'Y	TD-V711J ONLY	1
21,22,23	ZCTDV711K-FBK	FRONT PANEL ASS'Y		1
72-75	ZCTDV711K-CH	CASSETTE HOLDER ASS'Y		1
76-80	ZCTDV711K-CLBK	CASSETTE LID ASS'Y		1

13 Packing

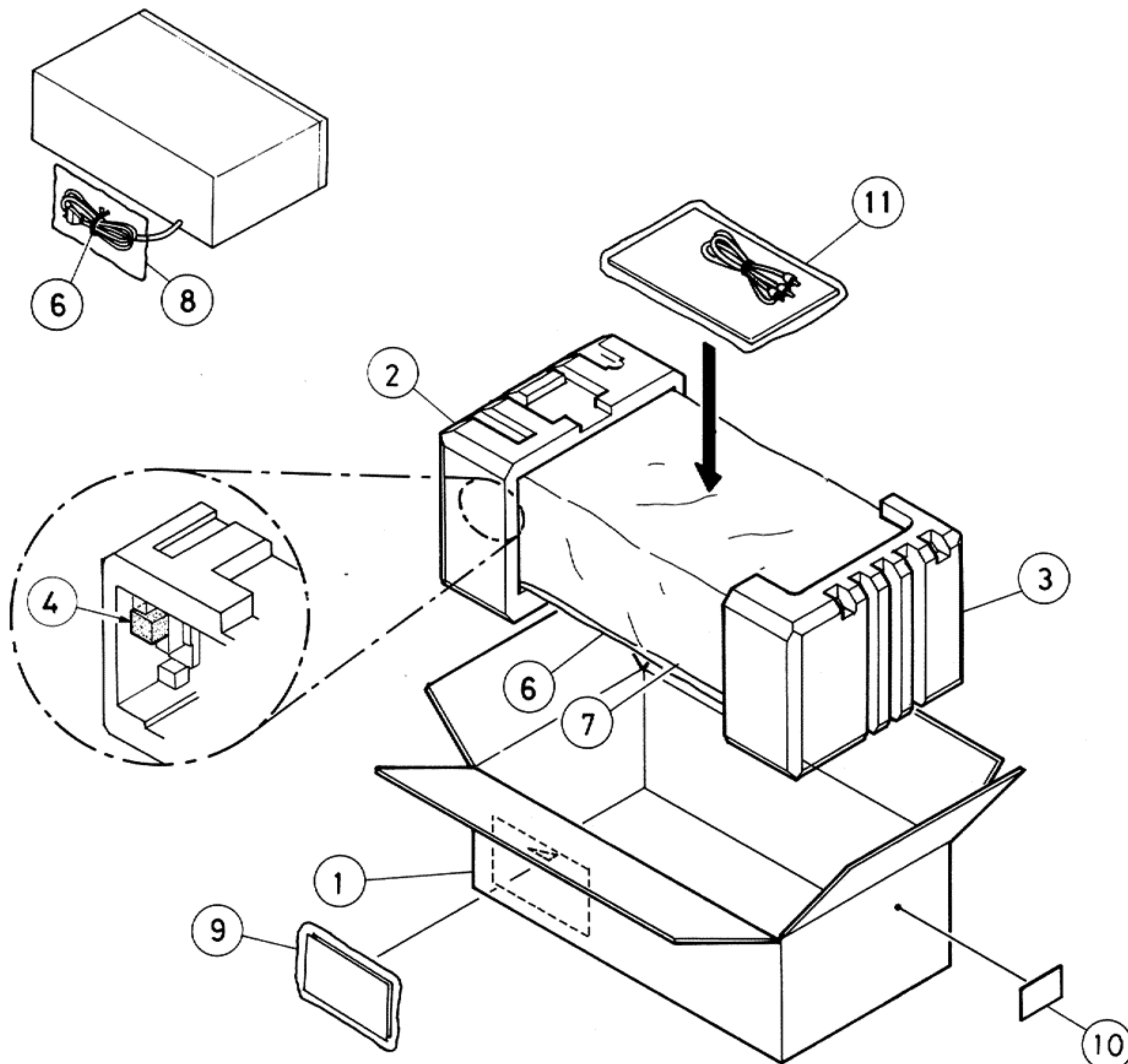


Fig. 13-1

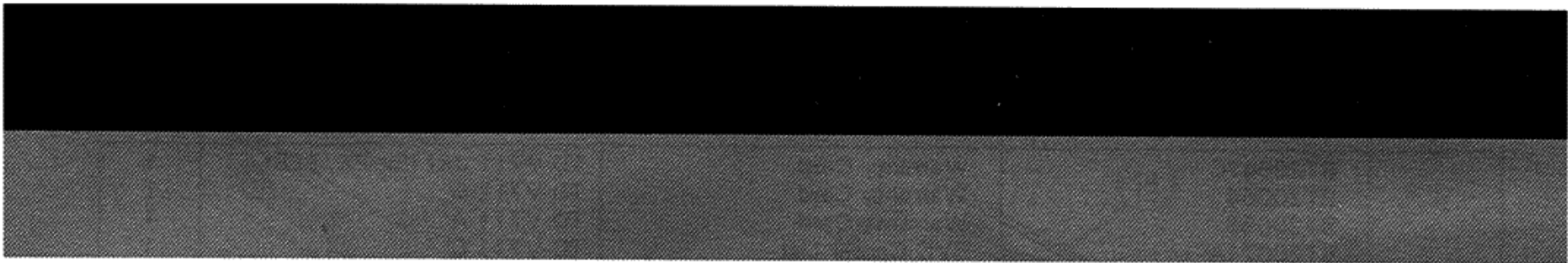
⚠ parts are safety assurance parts.
When replacing those parts, make sure to use the specified one.

Packing Parts List

⚠	Ref. No.	Parts No.	Parts Name	Remarks	Q'ty
	1	VPC2205-002	Carton		1
	2	VPH2315-001	Cushion	Left Side	1
	3	VPH2315-002	Cushion	Right Side	1
	4	VPH4116-003	Pad	for L. Cushion	1
	5	VPK3001-001	Sheet		1
	6	Q04141H	Wire Clamp	for Power Cord	1
	7	E34033-015B	Envelope	for Unit	1
	8	QPGA010-03003	Poly Bag	for Power Cord	1
	9	E66416-003	Envelope	TD-V711 J/U (for PX, EES)	1
	10	VND3044-004	Serial Ticket	TD-V711 B	1
		VND3044-001	Serial Ticket	TD-V711 A/C/U	1
		VND3044-003	Serial Ticket	TD-V711 E	1
		VND3044-002	Serial Ticket	TD-V711 J	2
		VND3044-005	Serial Ticket	TD-V711 G	1
	11	VPE3005-007	Poly Bag	for Instruction Book	1

14 Accessories

Ref. No.	Parts No.	Parts Name	Remarks	Q'ty
	VNN2205-661	Instruction Book		1
	BT20066	Warranty Card	TD-V711 B/G (for JED)	1
	BT20060	Warranty Card	TD-V711 B	1
	BT20029C	Warranty Card	TD-V711 A	1
	BT20025C	Warranty Card	TD-V711 C	1
	BT20047C	Warranty Card	TD-V711 J/U (for PX, EES)	1
	BT20064	Warranty Card	TD-V711 G	1
	BT20098	Warranty Card	TD-V711 A	1
	BT20071A	SVC Center List	TD-V711 C	1
	BT20046C	Special Reply Card	TD-V711 J/U (for PX, EES)	1
	BT20044E	Safety Guide	TD-V711 J	1
	VNC2200-019	Copyright Low Warning		1
	VNC5311-203	Caution Card	TD-V711 U (for EES)	1
	VNC5311-204	Caution Card	TD-V711 U (for PX)	1
	TCP-3304	Audio Tape Pamphlet		1
	EWP805-001	Remote Wire		1
	VMP0039-00C	Pin Cord		1



JVC

VICTOR COMPANY OF JAPAN, LIMITED
AUDIO PRODUCTS DIVISION MAEBASHI PLANT 10-1, 1-chome, Ohwatari-machi, Maebashi-city, Japan