

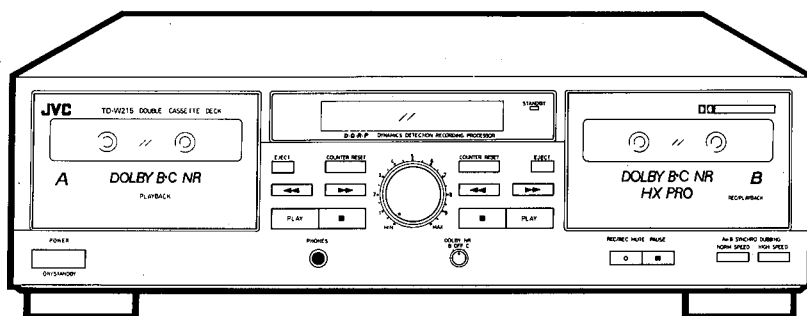
JVC

SERVICE MANUAL

DOUBLE CASSETTE DECK

TD-W215TN TD-W216BK

A/B/C/E/EN/G/J/U/UT



COMPU LINK
 Component

Area Suffix

A	Australia
B	U.K.
C	Canada
E	Continental Europe
EN	North Europe
G	Germany
J	U.S.A.
U	Other Areas
UT	Taiwan

Contents

■ .Safety Precautions	Page2	6.Standard Schematic Diagram	23
■ .Features/Specifications	4	7.Location of P.C.Board parts	
■ .Instructions(Extract)	5	and Parts List	26
1.Location of Main Parts	10	8.Exploded View of Enclosure Component Parts	
2.Removal of Main Parts	11	and Parts List	34
3.Main Adjustment	16	9.Exploded View of Mechanism Component Parts	
4.Wiring Connections	21	and Parts List	38
5.Block Diagram	22	10.Packing Illustration and Parts List · Back Cover	

Safety Precautions

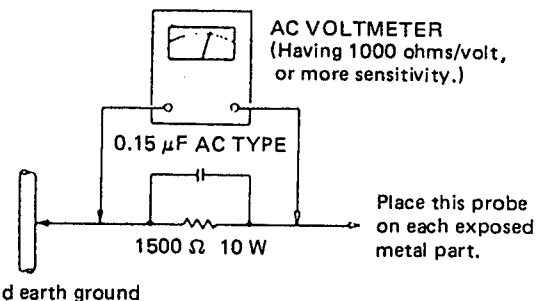
1. The design this product contains special hardware and many circuits and components specially for safety purposes. For continued protection, no changes should be made to the original design unless authorized in writing by the manufacturer. Replacement parts must be identical to those used in the original circuits. Service should be performed by qualified personnel only.
2. Alterations of the design or circuitry of the product should not be made. Any design alterations of the product should not be made. Any design alterations or additions will void the manufacture's warranty and will further relieve the manufacture of responsibility for personal injury or property damage resulting therefrom.
3. Many electrical and mechanical parts in the product have special safety — related characteristics. These characteristics are often not evident from visual inspection nor can the protection afforded by them necessarily be obtained by using replacement components rated for higher voltage, wattage, etc. Replacement parts which have these special safety characteristics are identified in the parts list of service manual. Electrical components having such features are identified by shading and (Δ) on the schematic diagram and by (Δ) on the parts list in the service manual. The use of a substitute replacement which does not have the same safety characteristics as the recommended replacement part shown in the parts list of service manual may create shock, fire, or other hazards.
4. The leads in the products are routed and dressed with ties, clamps, tubings, barriers and the like to be separated from live parts, high temperature parts, moving parts and or sharp edges for the prevention of electric shock and fire hazard. When service is required, the original lead routing and dress should be observed, and it should be confirmed that they have been returned to normal, after reassembling.
5. Leakage current check (Electrical shock hazard testing)

After re — assembling the product, always perform an isolation check on the exposed metal parts of the product (antenna terminals, knobs, metal cabinet, screw heads, headphone jack, control shafts, etc.) to be sure the product is safe to operate without danger of electrical shock. Do not use a line isolation transformer during this check.

- Plug the AC line cord directly into the AC outlet. using a "Leakage current tester", measure the leakage current from each exposed metal part of the cabinet, particularly any exposed metal part having a return path to the chassis, to a known good earth ground. Any leakage current must not exceed 0.5mA AC(r.m.s.)

- Alternate check method

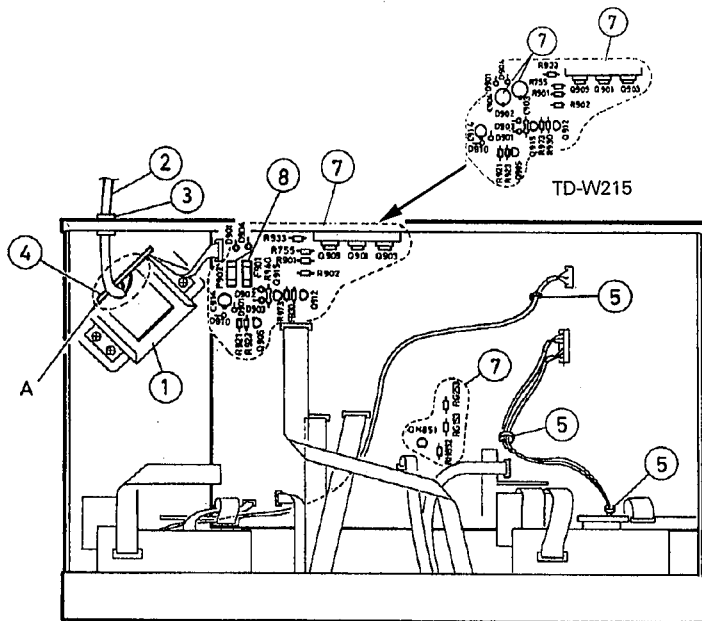
Plug the AC line cord directly into the AC outlet. Use an AC voltmeter having 1,000 ohms per volt or more sensitivity in the following manner. Connect a 1,500 ohms 10W resistor paralleled by a 0.15 μ F AC type capacitor between an exposed metal part and a known good earth ground. Measure the AC voltage across the resistor with the AC voltmeter. Move the resistor connection to each exposed metal part, particularly any exposed metal part having a return path to the chassis, and measure the AC voltage across the resistor. Now, reverse the plug in the AC outlet and repeat each measurement. Any voltage measured must not exceed 0.75V AC(r.m.s.). This corresponds to 0.5mA AC(r.m.s.).



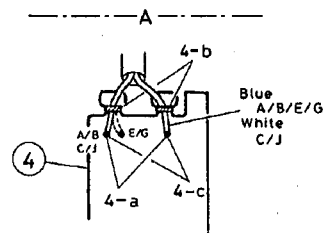
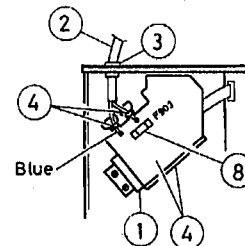
Warning

1. This equipment has been designed and manufactured to meet international safety standards.
2. It is the legal responsibility of the repairer to ensure that these safety standards are maintained.
3. Repairs must be made in accordance with the relevant safety standards.
4. It is essential that safety critical components are replaced by approved parts.
5. If mains voltage selector is provided, check setting for local voltage.

Important Management Points Regarding Safety (Items Demanding Special Safety Precautions)



---U/UT Version---



1. Securely fix the power transformer while confirming its marking specified in the following.

Suffix	Marking	Description
J	5216507	UL approved No.
C	VTP52A5-011F	
A/B/E/EN/G	VTP52Z5-011F	
U/UT	VTP54G5-011F	

2. Power cord : Make sure of the following markings and inspect exterior scratch and damage.

	Power cord	Attachment plug
J	SPT-1	KP-10W or SU-1P
C	SPT-1	KP-10 or SU-1
E/EN/G	◁VDE▷	KP-419C or SE-1
B	BASEC BS6500	KP-610 3A
U/UT	◁VDE▷	KP-8H
A	LTSA-2F	KP-560

3. Install the cord bushing by the specified tool while confirming the marking. Bushing : NIFCO2271

4. Wiring terminal

- When installing the power cord, wind it around the terminal by the end before soldering.
- Arrange the wires while binding them nearby the terminal.
- The end of respective power cords is soldered in the air and the space from others must be 3.2 mm or more in the distance.

5. When arranging every wire and cable, avoid the active power parts, mobiles, heat generating parts, sharp-edged parts, etc.

7. Since the following parts are heat generation ones, they must not contact with electrolytic capacitors, wires, etc.

● Parts in parentheses () are inflammables. Make sure of their lift-up condition for the purpose.

● Parts in box are out of JVC's control.

D901 D902 D903 D904 D909 D910 Q901 Q903 Q905
 Q909 Q912 Q915 QH851 R901 R902 R921 R923
 R933 R937 R938 R940 R755 RH852 RG153 RG253
 C914

Other parts

C903 C904 2200μF/25V, C914 330μF/25V C/J version (VEND TYPE)

8. All fuses must securely be connected. In A/B/E/EN/G/U/UT version, F901 and F902 must be specified by the rating of 800 mA shown on the surface as well as by the marking of ⊕ or in U/UT version, F903 must be specified by the rating of 315 mA shown on the surface as well as by the marking ⊕ or ⊕.

■ Features

1. **Double cassette mechanism for recording/playback and playback**
2. **Full logic mechanism**
3. **Dolby* HX PRO headroom extension**
4. **Dolby B & C noise reduction system**
5. **DDRP (Dynamics Detection Recording Processor) compatibility**
 The DDRP function is possible only when used with a suitable JVC CD player.
6. **2-color FL peak level indicator**
7. **Digital tape counter respectively for deck A and deck B**
8. **Synchro start (normal-/high-speed) dubbing**
9. **Auto tape select mechanism (decks A and B)**
10. **Continuous playback with auto rewind**
11. **COMPU LINK-3 compatible**

* Dolby noise reduction and HX Pro headroom extension manufactured under license from Dolby Laboratories Licensing Corporation. HX Pro originated by Bang & Olufsen. "Dolby", the double-D symbol $\square\square$ and "HX PRO" are trademarks of Dolby Laboratories Licensing Corporation.

COMPU LINK Control System

COMPU LINK control system is the convenient system using COMPU LINK-3/SYNCHRO terminals on the rear panel. (See pages 4 and 8.)

■ Specifications

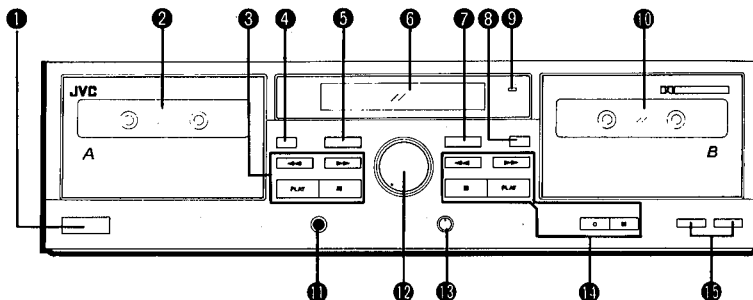
Type	: Double cassette deck
Track system	: 4-track, 2-channel
Tape speed	: 4.8 cm/sec (1-7/8 inch/sec) (Normal) 9.5 cm/sec (3-3/4 inch/sec) (High)
Frequency response	: (-20 dB recording) Type IV tape ; 20 - 17,000 Hz 30 - 16,000 Hz (± 3 dB) Type II tape; 20 - 16,000 Hz 30 - 15,000 Hz (± 3 dB) Type I tape ; 20 - 16,000 Hz 30 - 15,000 Hz (± 3 dB)
S/N ratio	: 58 dB (S = 315 Hz, k3 = 3 %, N = A-weighted, Type IV tape) The S/N is improved by about 15 dB at 500 Hz and by max. 20 dB at 1 kHz ~ 10 kHz with Dolby C NR on and improved by 5 dB at 1 kHz and by 10 dB at above 5 kHz with DOLBY B NR on.
Improvement of MOL	: 4 dB at 10 kHz with Dolby C NR on.
Wow and flutter	: 0.08% (WRMS), $\pm 0.2\%$ (DIN/IEC)
Channel separation	: 40 dB (1 kHz)
Crosstalk	: 60 dB (1 kHz)
Harmonic distortion	: k3; 0.8% (Type IV tape, 315Hz, 0 VU)
Heads	: Deck A; METAPERM head for playback $\times 1$ Deck B; METAPERM head for recording/playback $\times 1$ 2-gap ferrite head for erasure $\times 1$

Motors	: Electric governed DC motor for capstan $\times 1$ DC motor for reel $\times 1$ DC motor for mechanism drive $\times 1$ (For both decks A and B)
Fast forward/ Rewind time	: Approx. 110 sec. with C-60 cassette
Input terminals	: LINE IN : Input sensitivity; 80 mV (0 VU) ($\times 1$ circuit) Input impedance; 50 k Ω
Output terminals	: LINE OUT : Output level; 300 mV (0 VU) ($\times 1$ circuit) Output impedance; 5 k Ω PHONES $\times 1$: Output level; 0.3 mW/8 Ω (0 VU) Matching impedance 8 Ω - 1 k Ω
Other terminals	: COMPU LINK-3/SYNCHRO $\times 2$
Power requirement	: AC 240 V, 50/60 Hz (Australia/U.K.) AC 120 V, 60 Hz (U.S.A.)
Power consumption	: With power switch on 17 W With power switch standby 4.3 W
Dimensions (W \times H \times D)	: 435 \times 134 \times 328 mm (17-3/16 \times 5-5/16 \times 12-15/16")
Weight	: 4.9 kg (10.9 lbs.)
Accessories	: Pin plug cord2 Remote cable1

Design and specifications are subject to change without notice.

Instructions(Extraction)

Control Name of Their Function



1 POWER switch (ON/STANDBY)

2 Cassette holder (deck A)

3 Cassette operation buttons (deck A)

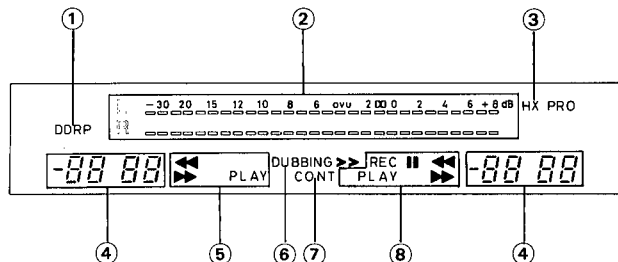
- ◀◀ (rewind) : Press to rewind the tape.
- PLAY : Press to play the tape.
- ▶▶ (fast forward) : Press to fast forward the tape.
- (stop) : Press to stop the tape.
(The tape automatically stops when it reaches the end.)

4 EJECT button (deck A)

5 COUNTER RESET button (deck A)

Press this button to set the digital counter to "0000".
Even if the POWER switch is set to STANDBY, the counter value at that time is stored in memory.

6 Indicators



1 DDRP indicator

2 Peak level indicator

These indicators light according to the level of the signal being recorded or the level of the signal recorded on the tape.

Note:

0 dB: IEC (DIN) STANDARD LEVEL (250 nWb/m)

0 VU: Signal level at 160 nWb/m

□ : DOLBY NR STANDARD LEVEL

3 HX PRO indicator

4 Digital counter

The counter reading increases while the tape is running forward and decreases when it is running in reverse.

5 Mechanism mode indicators (Deck A)

▶▶ : This lights when in the fast-forward.

◀◀ : This lights when in the rewind.

PLAY : This lights when in the playback.

6 DUBBING ▶▶: "▶" lights when in the normal-speed dubbing mode.

"▶▶" lights when in the high-speed dubbing mode.

7 CONT : Lights when the unit is continuous play mode.

8 Mechanism mode indicators (Deck B)

PLAY : Lights when the unit is in the playback and record modes.

REC : Lights when the unit is in the record and record-pause modes; blinks during record muting.

■ : Pause indicator

▶▶ : This lights when in the fast forward.

◀◀ : This lights when in the rewind.

7 COUNTER RESET button (deck B)

8 EJECT button (deck B)

9 STANDBY indicator

Lights when in the power standby mode.

10 Cassette holder (deck B)

11 PHONES jack

Connect headphones (with an impedance of 8 Ω to 1 kΩ).

12 INPUT LEVEL control

13 DOLBY NR switch

Set to B or C for recording using the Dolby NR system or for playing back a tape that was recorded using the Dolby NR system.

Set to OFF when the Dolby NR system is not used.

14 Cassette operation buttons (deck B)

◀◀ (rewind) : Press to rewind the tape.

▶▶ (fast forward) : Press to fast forward the tape.

■ (stop) : Press to stop the tape.

Also press to stop both decks simultaneously during dubbing.

PLAY : Press to start playback/recording:

○ REC/REC MUTE: Press the PLAY button while pressing this button to start recording, and press to leave an appropriate non-recorded section. (See page 8)

■ PAUSE : Press to stop the tape temporarily during recording and playback. Press the PLAY button to release the pause mode.

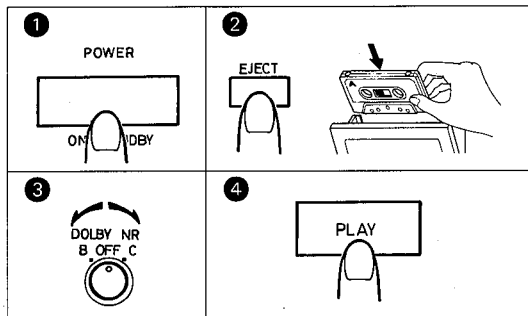
15 A ▶ B SYNCHRO DUBBING buttons

Press to dub from deck A to deck B.

•NORM SPEED: Press to perform normal-speed dubbing.

•HIGH SPEED : Press to perform high-speed dubbing.

■ Playback



Playback of deck A

Operate in the order of the numbers in the illustration.

- ① Press the POWER switch to set to ON.
 - ② Insert a prerecorded tape into deck A, with the side to be played back facing you.
 - ③ Set the DOLBY NR switch to the same position as when the tape was recorded.
 - ④ Press the PLAY button of deck A to start playback.
- When the deck contains a tape, the deck is turned on automatically and the tape is played back by only pressing the PLAY button.

Playback of deck B

Perform steps ② to ④ of the above procedure for deck B.

And press the PLAY button of deck B.

Continuous play

Load cassette tapes in both decks and press the PLAY button of the deck to be played first for continuous play of both decks.

- At this time, the CONT indicator lights in the multi-mode display.
- During playback, when deck A reaches the end of the tape, the deck enters the auto rewind mode. When the tape has been rewound, the deck enters stop mode. Meanwhile, as soon as deck A enters the auto rewind mode, deck B starts playback simultaneously.
- When deck B reaches the end of its tape, deck B enters rewind mode, and deck A starts playback simultaneously.

Note:

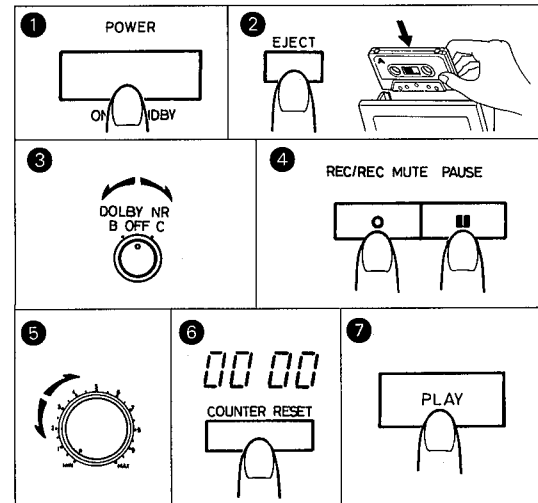
- Use tapes recorded using the same NR mode in decks A and B.

■ Recording

Deck B only

Operate in the order of the numbers in the illustration.

- Make sure the safety tab of the cassette has not been broken off.



Manual recording

- ① Press the POWER switch to set to ON.
- ② Load a cassette for recording with the side to be recorded facing you.
- ③ Set the DOLBY NR switch as required.
- ④ Press the ■ PAUSE button and ○ REC/REC MUTE button (record-pause mode). REC and ■ indicators light.
- ⑤ Adjust the recording level. (See page 8.)
- ⑥ Press to "0000".
- ⑦ Press the PLAY button to start recording.

It should be noted that it may be unlawful to re-record pre-recorded tapes, records, or discs without the consent of the owner of copyright in the sound or video recording, broadcast or cable programme and in any literary, dramatic, musical, or artistic work embodied therein.

DDRP (Dynamics Detection Recording Processor) recording

DDRP recording is performed with suitable JVC CD players and the recording level adjustment is performed automatically.

Since recording level adjustment is performed automatically for different types of tape (normal, CrO₂ and metal), the adjustment of INPUT LEVEL control is not required.

Read the instruction book of your CD player carefully.

Erasing

When recording on a prerecorded tape, the previous recording is automatically erased and only the new program is recorded on the tape.

To erase a tape without making a new recording...

Follow the section "RECORDING" but in step ⑤, set the INPUT LEVEL control to MIN.

DOLBY NR and DOLBY HX PRO

Dolby NR System

To reduce the hiss inherent in tape recording, use the Dolby NR System when making recordings. When listening to a tape recorded with the Dolby NR System, set the DOLBY NR switch to B or C according to the system selected in the recording mode.

Note:

The sound quality will change if the positions of the DOLBY NR switch are different in recording and playback.

Dolby HX PRO headroom extension

When a source which contains many high-frequency components is recorded, these high-frequency signals have the same function as bias and therefore, the effective bias current changes.

This will result in phenomena such as changes in the level of low-frequency signal and subsequent distortion and reduction of the high-frequency saturation level.

Dolby HX PRO headroom extension system controls the bias current so that the effective bias is constant even when there are fluctuations in the high-frequency components of the input signal.

This greatly improves the high-frequency saturation level while reducing the low-frequency signal level variations and distortion.

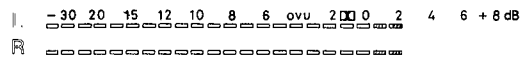
- The dynamic sound recorded with this system sounds the same even when the tape is played back in a deck that does not have Dolby HX PRO.
- This system automatically works when in recording; however, Dolby HX PRO is not a noise reduction system.

RECORDING LEVEL ADJUSTMENT

Adjust the recording level while observing the peak level indicator indication.

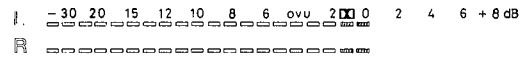
For example:

With metal tape



Because of metal tape's higher saturation level, it is OK that "+ 2" lights occasionally.

With normal or chrome tape



It is OK that "+ 0" lights occasionally.

- If "+4" lights too often because the recording level is too high, the recorded sound may be distorted and seem to be breaking up. If only "0" lights infrequently, the level is too low and the recording may contain tape hiss.

It is best to adjust so that the maximum sound level of the source to be recorded reaches the very limit of the saturation level of the tape to be used.

The best level varies depending on the type of music and type of tape so it is better to make test recording, using FM music, records, etc.

AUTOMATIC RECORD MUTING (DECK B)

This facility is used to eliminate undesired sections and leave an appropriate non-recorded section.

A. To leave non-recorded sections of about 4-5 seconds automatically

1. When the undesired section comes during recording, press the **O** REC/REC MUTE button and release it.
2. The REC indicator flashes and a non-recorded section is made during record muting operation.
About 4-5 seconds later, the tape automatically stops, and the unit enters the record-pause mode.
3. Press the **PLAY** button to start recording again.

B. To leave non-recorded sections of more than 4-5 seconds

1. Keep the **O** REC/REC MUTE button pressed continuously as long as you want to make a non-recorded section. By releasing the finger from the button after the above operation, the unit enters the record-pause mode.
2. Press the **PLAY** button to start recording again.

C. To leave non-recorded section of less than 4 seconds

When the undesired section comes during recording... After the **O** REC/REC MUTE button is pressed, press the **PLAY** button before the unit enters the pause mode to start recording again, or press the **|||** PAUSE button to enter the record-pause mode.

- The peak level indicator lights even during record muting according to the input level which can be heard from the speakers or headphones so that recording can be resumed at the exact point on the tape.

■ Compu link control system

COMPU LINK Control System

The Compu Link Control System controls relative operations between components automatically and facilitates various operations.

This is a system originated and developed by JVC for facilitating various system operations. There are two versions of this system; version 1 and 3. (For version 1 components, "COMPU LINK-1/SYNCHRO" is marked on the rear panel. For version 3 components, "COMPU LINK-3/SYNCHRO" is marked on the rear panel. This unit belongs to version 3.)

The version 3 system controls relative functions between this unit and an amplifier or receiver, in addition to all of the functions of version 1.

Automatic Power On/Off Function (COMPU LINK-3)

This function is available when an amplifier or receiver having a COMPU LINK-3/SYNCHRO terminal is connected. For example, if a deck contains a tape, the deck is turned on automatically and the tape is played back by only pressing the PLAY button. When the amplifier or receiver is switched STANDBY, the source unit is automatically switched STANDBY.

Automatic Source Selection (COMPU LINK-1, 3)

When the provided remote cables are used for connecting this unit to other components which have COMPU LINK-1 or 3/SYNCHRO terminals, the switch-over of all system components is possible with simple one-touch of the source selector button of JVC's amplifier or receiver.

By doing this, the corresponding component will start playing automatically.

The source select button of the remote control unit or the activation button of the desired component can be also used for this purpose. When the components have been switched over, the previous component will stop playing within five seconds.

Synchronized Recording (COMPU LINK-1, 3)

Synchronized recording refers to the process in which the deck starts recording in synchronism with the CD player. Perform the synchronized recording as follows:

1. Set the cassette deck to the record-pause mode in accordance with the recording procedures on page 8.
2. If you want the programmed recording, program the desired tunes in any order you wish to hear.
3. Press the PLAY/PAUSE button of the CD player. By so doing, the cassette deck is placed in the record mode and synchronized with the CD player for recording. Synchronized recording thus can be made possible.

DDRP (Dynamics Detection Recording Processor) recording

The DDRP function makes possible fully automatic recording when used with a suitable JVC CD player. When the DDRP button of a suitable JVC CD player is pressed, the recording level is first adjusted automatically, then recording starts; it is not necessary to start recording by the normal procedure.

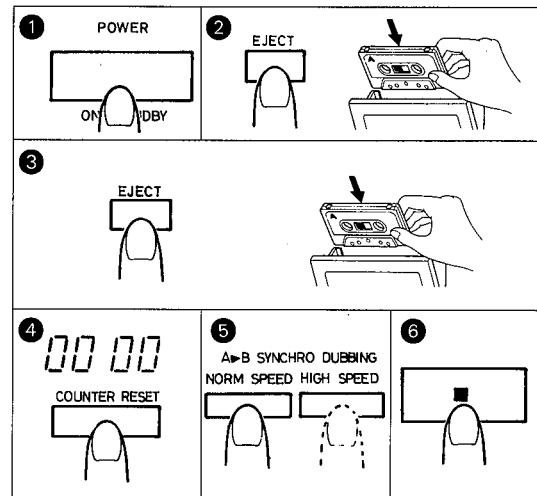
Notes:

- Synchronized recording or DDRP recording stops automatically when the CD player stops playing.
- To cancel synchronized recording or DDRP recording, press the STOP button of the CD player or cassette deck.
- Synchronized recording does not start except when the record-pause mode is set by simultaneously pressing the O REC/REC MUTE and ■ PAUSE buttons in the stop mode.
- The source is locked to the CD position during synchronized recording or DDRP recording to avoid accidental stops or switch-over to another component. To switch over the components, cancel synchronized recording or DDRP recording first.
- The INPUT LEVEL control does not function during DDRP recording.

■ Dubbing

• Synchro dubbing

Operate in the order of the numbers in the illustration.



- 1 Press the POWER switch to set to ON.
- 2 Insert a prerecorded tape into the deck A, with the side to be played back facing you.
- 3 Insert a blank tape into deck B, with the side to be recorded facing you.
- 4 Press to "0000".
- 5 Press the SYNCHRO DUBBING (NORM or HIGH SPEED) button to start dubbing.
- 6 Press the ■ (stop) button of deck B to stop dubbing.

When deck B stops, the dubbing mode is automatically released.

• Synchro record muting

When deck A stops or enters any mode other than the playback mode during dubbing, deck B enters the record mute operation automatically and then enters the record-pause mode.

• Before pressing the SYNCHRO DUBBING button

Confirm that decks A and B are in the stop modes before starting dubbing.

Dubbing and DOLBY NR switch

During dubbing, the same NR mode selected for the playback cassette is applied to the recording cassette, regardless of the position of the NR switch.

Input level

Recording is performed at the same level as the playback tape during dubbing regardless of the position of the INPUT LEVEL control.

■ Connections

- Do not switch the power on until all the connections are completed.
- Insert the plugs firmly, or poor contact will result, causing noise.
- When the pin-plug cords are employed, always connect the white plug to the left channel terminal. This helps to avoid reversed connections.
- When using the Compu Link Control System version 3, do not connect the power cord to the SWITCHED AC OUTLET of an amplifier or receiver. Otherwise, the automatic power on/off(STANDBY) function cannot be carried out.

1. Connection to a stereo amplifier

Note:

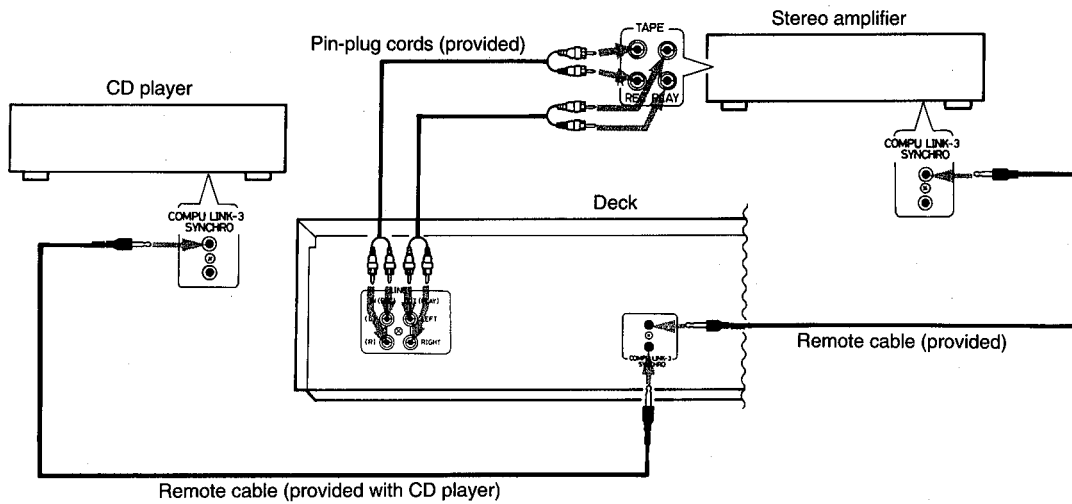
When installing the deck, be sure to install at a distance from your amplifier. If they are stacked, noise (hum) may occur.

2. Remote cable connection for COMPU LINK

- By connecting a remote cable, COMPU LINK functions (automatic power on/off(STANDBY), automatic source selection, synchronized recording and DDRP recording) can be performed.
- When making synchronized recording with a CD player, connect the remote cable to the COMPU LINK-3/SYNCHRO jacks.

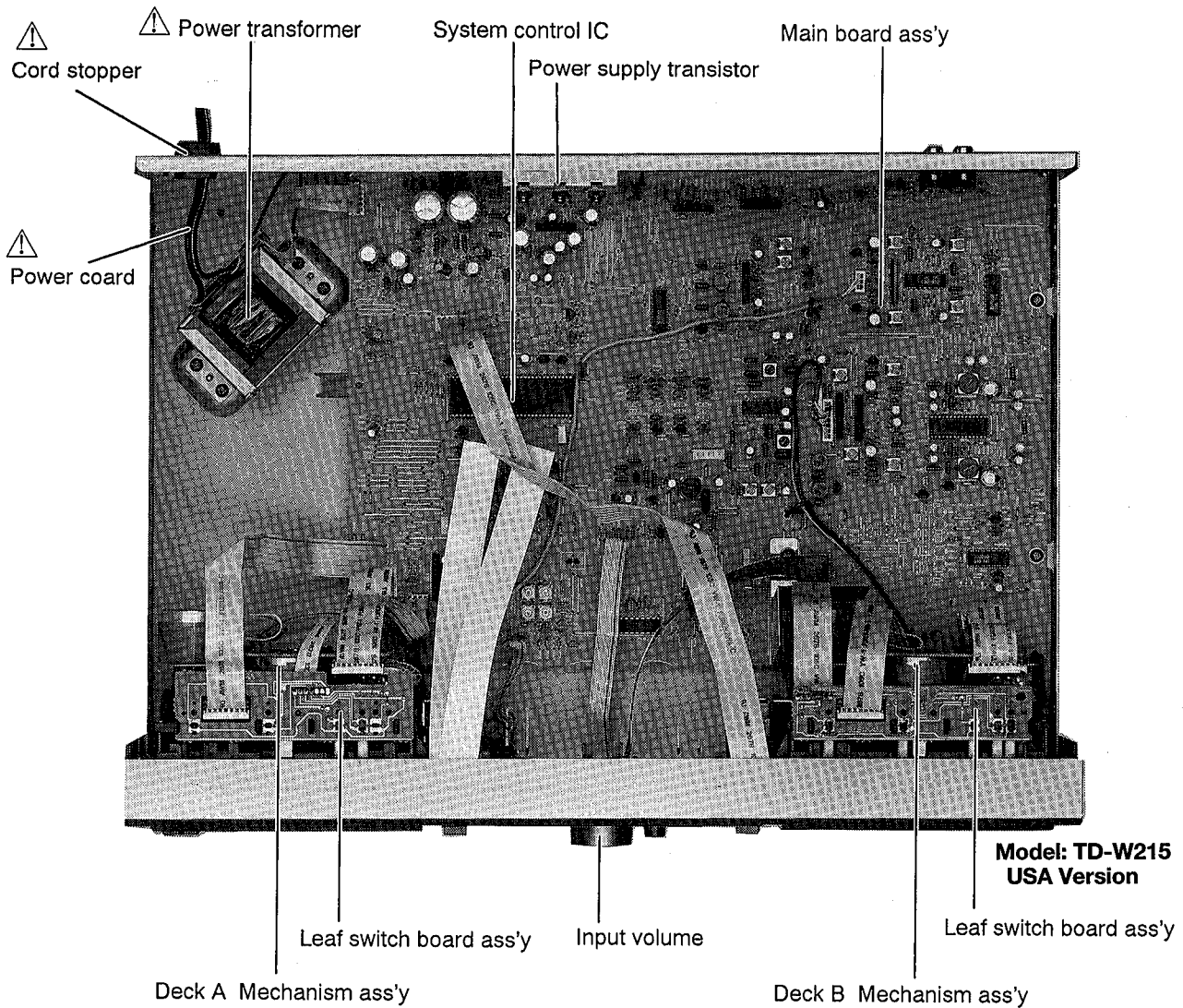
Notes:

1. When making synchronized recordings, only a single deck should be connected to the amplifier.
2. If a component is not a JVC COMPU LINK component, bypass it when making the remote cable connections.
3. This deck can be connected with an amplifier and a CD player which have the COMPU LINK-1/SYNCHRO jacks for COMPU LINK performance. (see page 8 for details)



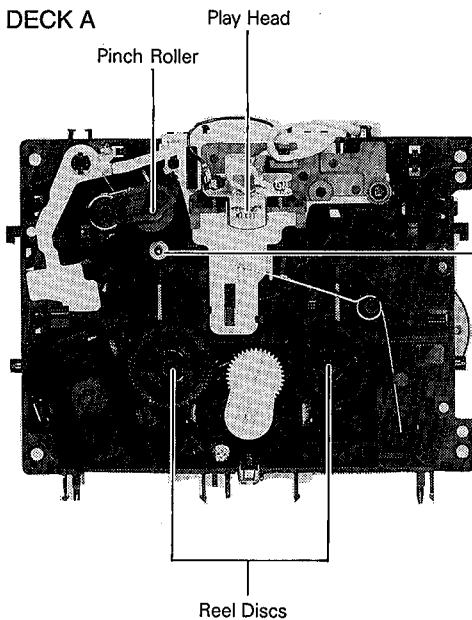
1 Location of Main Parts

■ Assembly Section

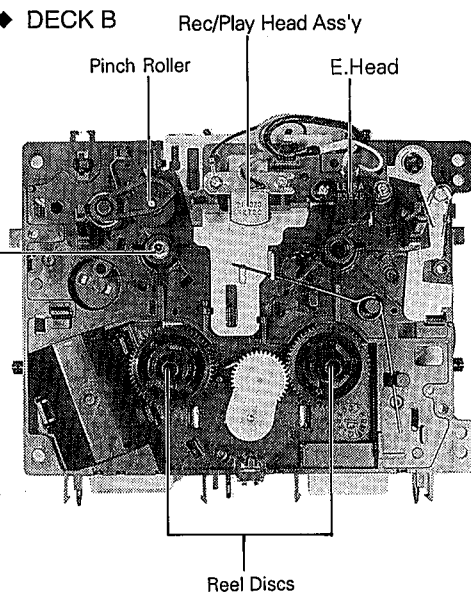


■ Mechanism section

◆ DECK A



◆ DECK B



2 Removal of main parts

■ Enclosure Section

◆ Top cover(see Fig 2 - 1)

1. Remove four screws ① retaining the top cover from both side.
2. Remove two screws ② retaining the top cover from the back side.
3. To remove the top cover ,slide in direction of allow and lift away(refer to Fig 2 - 1)

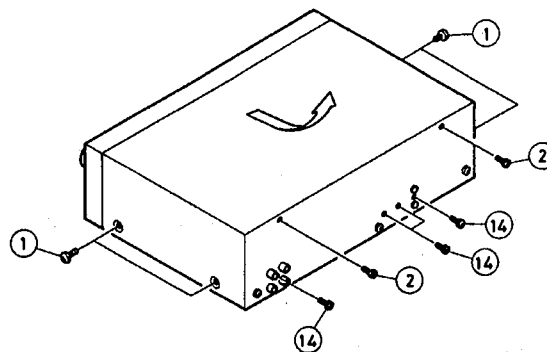


Fig 2 - 1

◆ Front panel assembly (see Fig. 2-2)

1. Remove the top cover as described in above.
2. Remove three screws ④ retaining the front panel ass'y from bottom side.
3. Release the front panel ass'y from two pawls in the front and bottom sides and draw it to the front side.

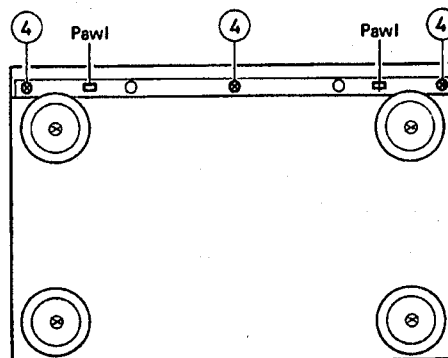


Fig 2 - 2

◆ Mechanism assembly

★ Although the mechanism assembly can be removed without detaching the front panel ass'y, it is recommended to detach the front panel ass'y to do the work with ease.

1. Remove one screw ③ retaining the shield plate to DECK B side on main board. (see Fig. 2-3)
2. Remove two screws ⑤ or two screws ⑥ from the corners of the mechanism.(see Fig 2 - 5)
3. Open the door and remove the mechanism ass'y.
 (At this time, door lock arm spring and door lock arm are removed together with.)
4. For moving the mechanism ass'y only ,disconnect the following wirings.

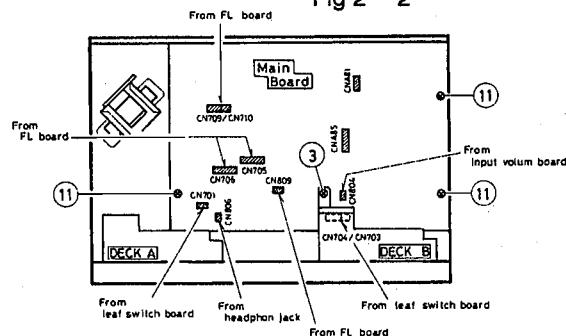


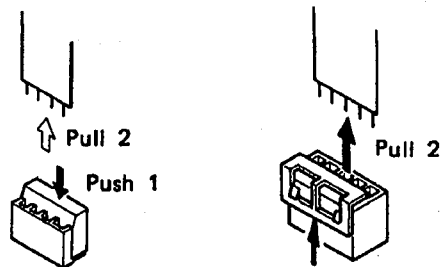
Fig 2 - 3

a) Mechanism ass'y side(Refer to Fig 2 - 4)

- Top side connector of the cam switch board(CN2).
- Connector of the motor board(CN1).

b) Main board ass'y side(Refer Fig2 - 3)

- Disconnect wire coming from the leaf switch from CN703/CN704 at deckB and CN701 at deckA.
- Disconnect wire coming from the head relay board CNA81 at deckA and CNA85 at deckB.



Push up with a screwdriver, etc. 1

Fig2 - 4

◆ Eject arm ass'y

1. Remove two screws ⑦ retaining the eject arm ass'y and pull it out. (see Fig. 2-5)

◆ Mechanism holder and door ass'y

1. Remove four screws ⑧ retaining the mechanism holder. (see Fig. 2-8)
2. Remove the damper ass'y(for easy reassembling work). Insert an originary(-)screwdriver or the like in to the gap between the damper and the front panel to disengage the pawl , and draw the damper ass'y outwards.(see Fig 2 - 6)
3. Remove the arm shaft of the cassette holder (door ass'y)from the mechanism holder.(The door spring is engaged with the door side by the bent side.)

◆ FL board/Volume board ass'y

1. After removing the mechanism holder, proceed to the following steps.
2. Pull out the INPUT volume knob.
3. Remove seven screws ⑨ retaining the P.C. board. (see Fig. 2-8)
4. Lift the board right upwards to remove it since it is connected to the mechanism control key board with connector pins(CN712/CN713). (see Fig. 2-9)

◆ Headphone jack ass'y

1. Remove the FL/Volume board ass'y.
2. Pull the jack ass'y outwards while pushing it down toward the bottom side to remove it.

◆ Mechanism keyboard ass'y

1. Remove two screws ⑩ retaining the board ass'y. (see Fig. 2-8)
2. Do the same for the other side.

◆ Main board ass'y (see Fig2 - 3, Fig 2 - 1)

1. Remove three screws ⑪ retaining the board.
2. Remove four screws ⑭ retaining the board to the rear panel.

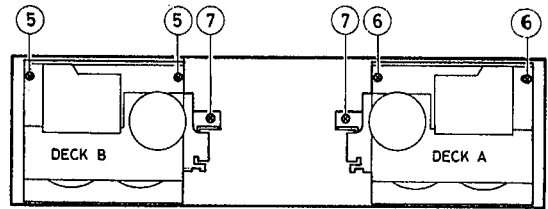


Fig 2 - 5

How to remove damper

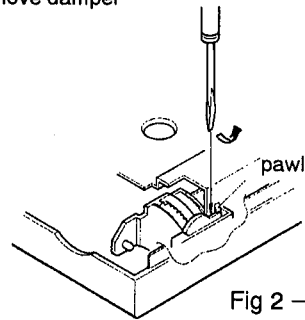


Fig 2 - 6

How to engage the door and eject spring

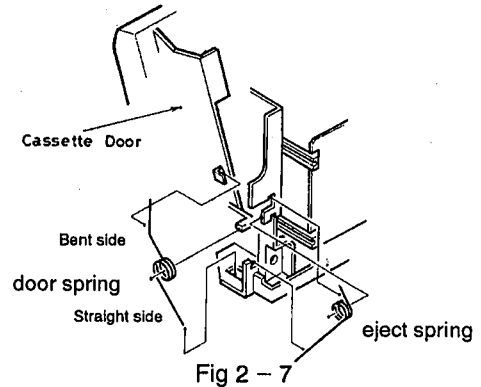


Fig 2 - 7

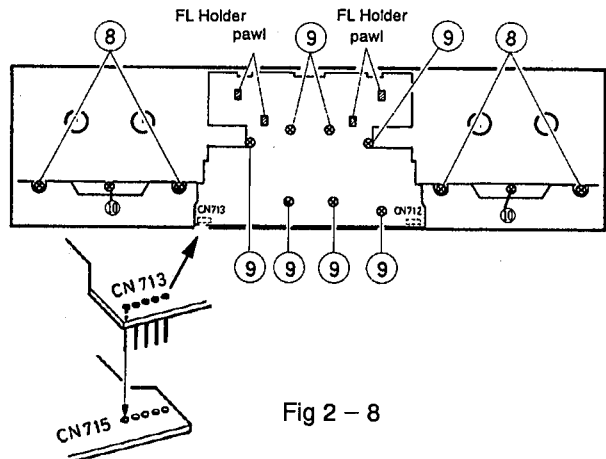


Fig 2 - 8

● Reassembling procedure of the front panel ass'y

1. Attach the mechanism control switch board to the panel with one screw.
2. Install the FL board .
3. Put the door ass'y and the mechanism holder together with on the front panel.
4. Attach the mechanism holder to the front panel ass'y with two screws.
5. Engage the door spring properly.
6. Install the damper .(Push the pawl side last to engage it.)
7. Install the eject arm ass'y.
8. Install the mechanism ass'y
9. Engage the eject spring.

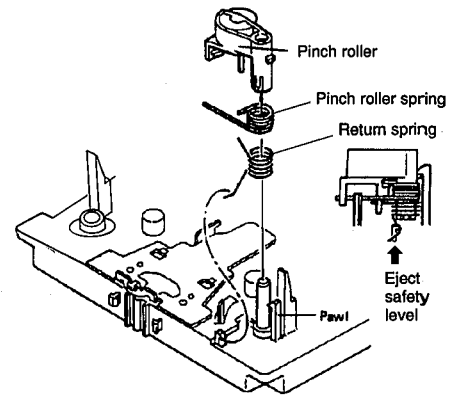


Fig 2 - 9

■ Cassette mechanism section

◆ Pinch roller assembly (Fig. 2-9)

1. Remove return spring by disengaging the pawlhooking it.
2. Remove the pinch roller spring.
3. For reengaging the spring.

◆ FM bracket/Capstan motor assembly (Fig. 2-10, 2-11)

1. Remove soldering to separate the drive motor and the motor ass'y. (Mechanism A or B)
2. Remove one screw ② retaining the FM bracket to-gether.
3. Remove two screws ③ and disengage three pawls, and then the FM bracket and the capstan belt (mechanism A and B) can be removed.
4. Remove two screws ④ retaining the capstan motor from the FM bracket .
5. For reengaging the capstan belt, refer to Fig. 2-12.

◆ Actuator motor assembly (Fig. 2-13)

1. Release the actuator motor ass'y from three pawls.

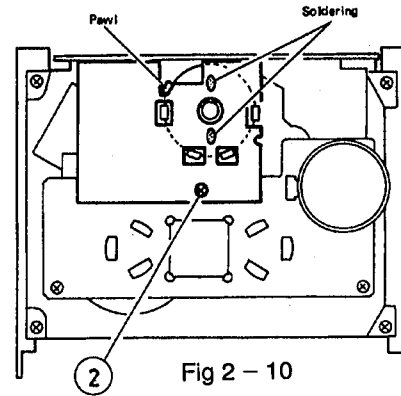


Fig 2 - 10

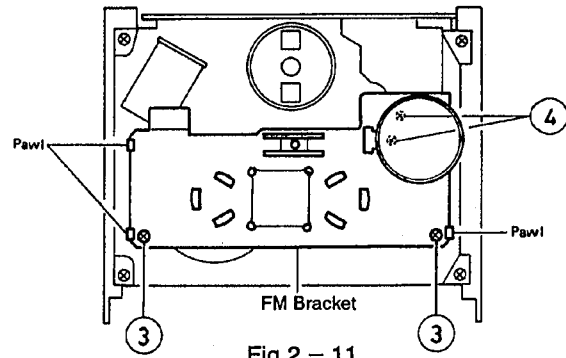


Fig 2 - 11

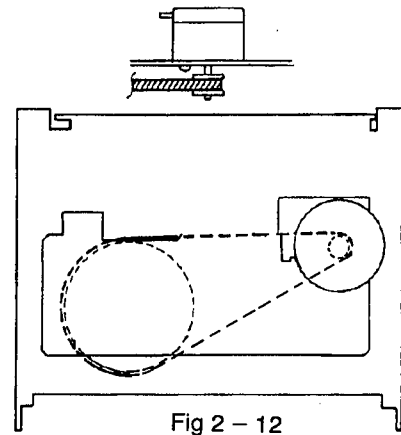


Fig 2 - 12

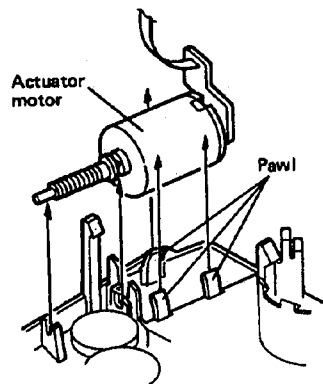


Fig 2 - 13

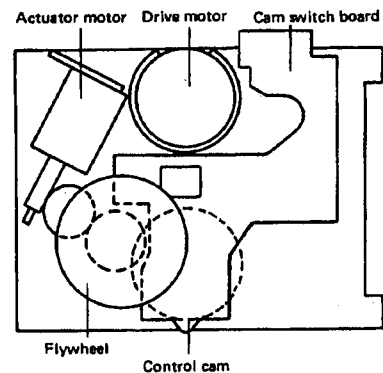


Fig 2 - 14

◆ Flywheel assembly (Fig. 2-14, Fig. 2-15)

1. Remove the capstan shaft and draw them out.

◆ Drive motor (Fig. 2-13, Fig. 2-16)

1. Pull out the gear and arm assembly from the drivemotor shaft.
2. Remove screw ⑤ retaining the drive motor.
3. Disengage four pawls the release the drive motor.

◆ Cam switch board (Fig. 2-15, Fig. 2-17)

1. Release the cam switch board from six pawls.
2. For gearing between the cam switch board and controlcam, see the magnified illustration in a circle.

◆ Actuator gear (large) (Fig. 2-14, Fig. 2-18)

1. Release the actuator gear (large) from three pawls.

◆ Control cam (Fig. 2-14, Fig. 2-18)

1. Release the control cam from two pawls.
2. For assembling the control cam, see the magnified illustration in a circle.

◆ Actuator gear (small) (Fig. 2-14, Fig. 2-18)

1. Release the actuator gear (small) from two pawls.

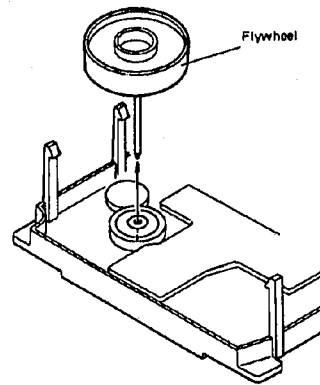


Fig 2 - 15

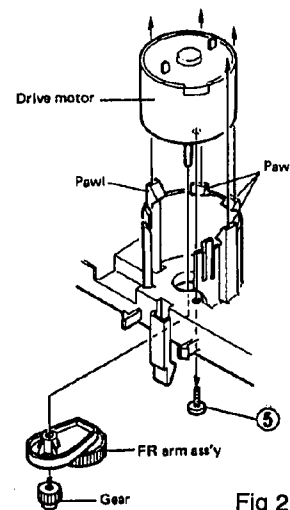


Fig 2 - 16

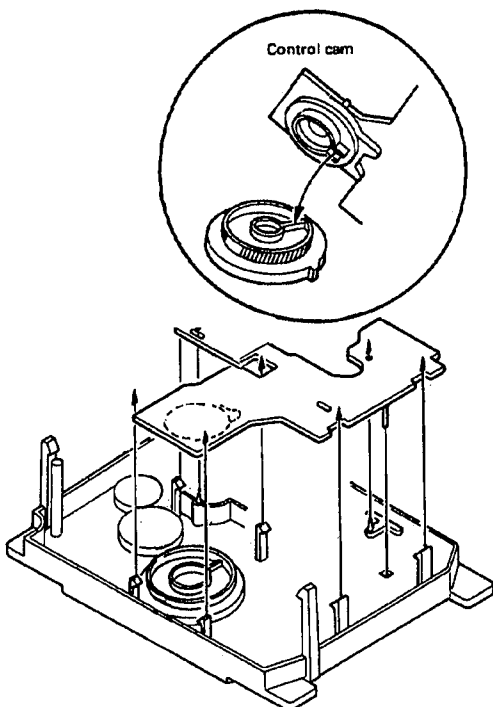


Fig 2 - 17

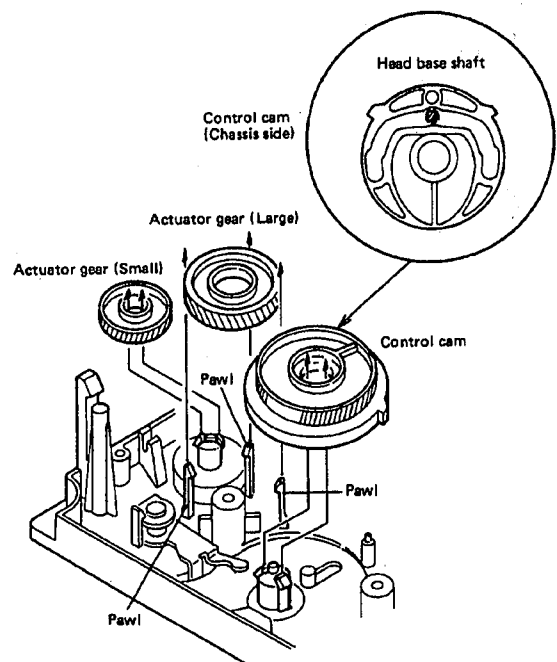


Fig 2 - 18

3 Main Adjustment

■ Measuring instruments required for adjustment

- (1) Low – frequency oscillator(oscillation frequency 50Hz – 20kHz, 0dB output with 600 Ω impedance)
- (2) Attenuator(600 Ω impedance)
- (3) Electronic voltmeter
- (4) Standard tapes
VTT712(tape speed, wow and flutter measurement)
VTT724(reference level)
TMT7063, TMT7064 (playback frequency)
TMT7063 (12.5 kHz) (azimuth)
- (5) Recording reference tapes
TS – 12(UD1), TS – 10(AC – 513)(SA),
TS – 11(AC – 712)(MA)or equivalent
- (6) 600 Ω resistors(for attenuator matching)
- (7) Distortion meter(bandpass filter)
- (8) Torque gauge(cassette)for CTG – N, TW2111,
TW2121 and TW2231 mechanism adjustments

- (9) Wow & flutter gauge
- (10) Frequency counter gauge
- (11) M300 gauge
- (12) Band pass filter

◆ Power supply voltage

Set the line voltage selector switch to 240V/ 230V/ 220V/ 127V/ 120V/ 110V according to ⇄ your local voltage.

AC240V, 50/60Hz :A/B version

AC240V, 50/60Hz :E/EN/G version

AC120V, 60Hz :C/J version

AC230/127/110V, 50/60Hz:U/UT version

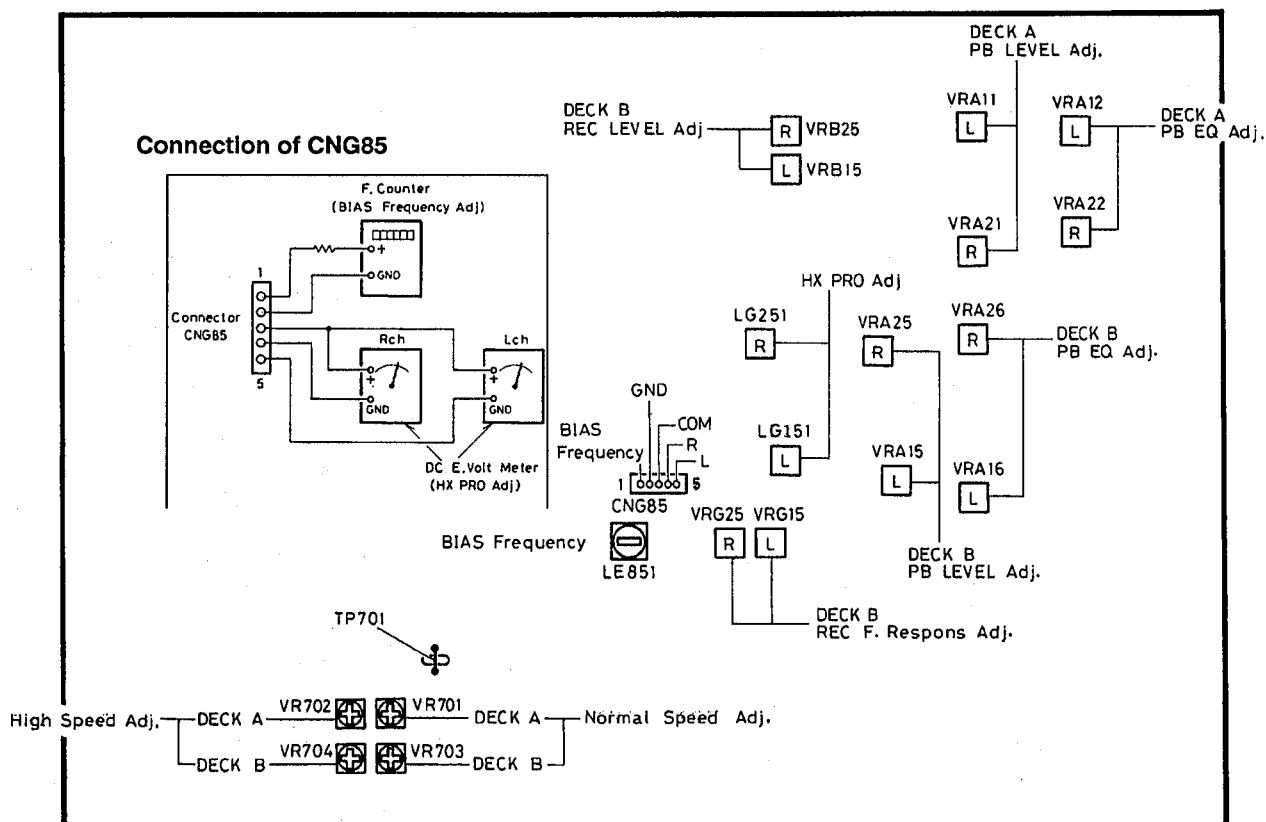
- (13) Standard position of the switch and volume knob

Switches and volume knobs Setting position

INPUT LEVEL : MAXIMUM

DOLBY NR : OFF

■ Location of Adjustment



■ Mechanism Adjustment

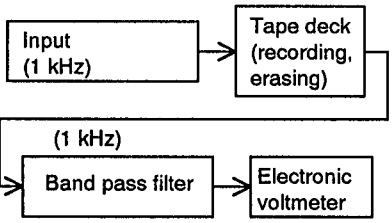
Item	Conditions	Adjustment and Confirmation	Standad value	Adjust point
Adjusting Head azimuth	Test tape : TMT7063 (12.5kHz)	<ol style="list-style-type: none"> 1. Connect an electronic voltmeter to the LINE OUT terminals. 2. Play back the TMT7063 (12.5 kHz) test tape. 3. Adjust the head angle with the screw (FWD and REV) until the reading of the electronic voltmeter becomes maximum for both channels (phase difference must be "0".) 4. Repeat the adjustment in FWD and REV modes as well as for the decks A and B. 	Maximum	Screws (FWD, REV)
Adjusting motor speed	<ol style="list-style-type: none"> 1. For high speed adjustment, set the deck for play mode and shortcircuit between TP701 and GND. 2. Do not do anything while TP701 and GND are shortcircuited. 	<ol style="list-style-type: none"> 1. Connect a frequency counter to the LINEOUT terminals. 2. Perform normal speed adjustment first, and then do high speed adjustment. 3. Play back the VTT712 test tape. 4. Adjust for deck A : Adjust VR701 for normal speed at 3000 Hz, and VR702 for high speed at 6000 Hz. Adjust for deck B : Adjust VR703 for normal speed at 3000Hz, and VR704 for high speed at 6000Hz. 	Normal speed: Deck A , B : $3000 \pm 15\text{Hz}$ High speed: Deck A , B : $6000 \pm 30\text{Hz}$	Deck A : Normal; VR701 High ; VR702 Deck B : Normal; VR703 High; VR704
Checking wow and flutter		Connect a wow and flutter meter to LINE OUT terminals. Play back the VTT712 test tape. Check to see if the reading of the meter is within 0.18% (WRMS).	0.18% (WRMS)	
Checking play back torque		Employ a torque testing cassette tape (TW2111) for the checking, or remove the cassette cover and use a torque gauge.	27 – 60 gr – cm	
Checking fast forward – rewind torque		Measure the torque in the fast forward mode in the same manner as in the above. Test cassette : TW2231	90 – 200gr – cm	

■ Electrical Adjustment Procedure

Item	Check and Adjustment			
1 Cheking DOLBY circuit (Rec.mode) (BIAS-CUT)			Input signal (Frequency, level)	Output raise value, deviation value
	Signal input: LINE IN Cal.level: 400Hz, - 8dBs Output terminal: ICD85 [Ⓐ] & [Ⓑ]	DOLBY B (Rec)	1kHz, cal. - 40dB	+5.7 dB ± 2 dB
			5kHz, Cal. - 20dB	+3.5dB ± 1.5 dB
		1kHz, Cal. 0dB	0 dB ± ^{0.5} 1.0 dB	
	DOLBY C (Rec)	1kHz, Cal. -40dB	+16.2 dB ± ³ 2 dB	
		5kHz, Cal. -20dB	+2.9 dB ± 2.5 dB	
1kHz, Cal. 0dB		0 dB ± 1 dB		

Item	Conditions	Adjustment and Confirmation	Standard	Adjusting
*2 Play back level adjust- ment	Test tape VTT724: 1kHz	Play back VTT724, then confirm that the level at LINE OUT is - 7.5 dBs ± 0.5 dB. Adjust VRA15 VRA25 and VRA11 VRA21 so that LINE OUT level becomes -7.5 dBs.	LINE OUT -8 Bs ± 0.5 dB Hohone Out -24dBs ⁺² -1 dB	Deck [Ⓑ] L : VRA15 R : VRA25 Deck [Ⓐ] L : VRA11 R : VRA21
*3 Playback frequency response adjustment	Test tape: TMT7063	Play back TMT7063 test tape, and adjust VRA16, VRA26 (deck [Ⓑ]) and VRA12, VRA22 (deck [Ⓐ]) so that deviation of 12.5 kHz to that of 1 kHz is 0.5 ± 0.5 dB. Then, play back TMT7063 test tape to confirm that deviation of 63 Hz to 1 kHz is +2 ± 3 dB.	with 12.5kHz as reference, 0.5 ± 0.5 dB at 1kHz 63Hz(check): +2 ± 3dB	Deck [Ⓑ] L: VRA16 R: VRA26 Deck [Ⓐ] L: VRA12 R: VRA22
*4 Bias frequency adjustment	Frequency counter	Connect a frequency counter to the CNG85 (PIN1-2) and adjust LE851 so that the counter reads 95 kHz.	95 kHz ± 1 kHz	Deck [Ⓑ] LE851
*5 Slave oscillation (HX PRO) adjustment	DC.Voltmeter TP:CNG85	This step must be performed after the bias frequency adjustment. Load a metal tape and set the deck to the recording mode. Adjust LG151 and LG251 to minimize respective voltages of CNG85 (PIN3 - 5), Rch and (PIN 3-4), Lch.		Deck [Ⓑ] L: LG151 R: VRA22

Item	Conditions	Adjustment and Confirmation	Standard	Adjusting
*6 REC/PB frequency response adjustment	NR switch : OFF TAPE switch : Normal	This step must be performed after the slave oscillation adjustment. Record the 1 kHz and 12.5 kHz signals at the level of -20 dB (20 dB lower than the reference level). Playing back the recorded signals, adjust VRG15 and VRG25 so that the level of the 12.5 kHz signal is 0 ± 0.5 dB to the level of the 1 kHz signal.	12.5 kHz level: 0 ± 0.5 dB higher than the 1kHz level.	Deck <input type="checkbox"/> L : VRG15 R : VRG25
*7 Recording level adjustment	NR switch : OFF TAPE switch : Normal	1) Apply 1 kHz signal to the LINE IN terminals, record 1 kHz signal at -20 dB input for both (L and R) channels on a normal tape. 2) Play back the recorded part, and adjust the recording level control so that LINE OUT terminal level becomes -8 dB. Then adjust VRB15 and VRB25 so that LINE OUT terminal level becomes -8 dB.	Normal: -8 ± 0.5 dB CrO2/Metal: -8^{+2}_{-1} dB	Deck <input type="checkbox"/> L : VRB15 R : VRB25
8 Maximum out put check		Supply 1 kHz signal to the LINE IN terminal in the Rec. monitoring mode, and read non-clipped signal level at the LINE IN terminal	LINE OUT: more than 8 dBs PHONES OUT: more than -16dBs	
9 DDRP check	Mode: Stop	With the DDRP switch set to ON , supply 1 kHz, -10.8 dBs input signal in the rec pause mode and check the signal level at the LINE OUT terminal. With the DDRP switch set to OFF , perform the same check as in the above step.	Normal: -8 dBs ± 2 dB Metal: -8 dBs ± 2 dB Normal: -1.2 dBs ± 2 dB Metal: -1.2 dBs ± 2 dB	

Item	Conditions	Adjustment and Confirmation	Standard	Adjusting
10 Checking record/ playback distortion		1) Record a 1 kHz, - 20 dBs signal to LINE IN terminals. 2) Play back the recorded part, Check the output with a distortion meter to see if the value conforms to the standard value.	Normal: Less than 2% CrO ₂ /Metal: Less than 3% Metal tape:	
11 Checking signal to noise ration recording playback		1) Record a 1 kHz, -20 dBs signal, Stop the input by disconnecting from the terminal to perform non-signal recording. 2) Play back the recorded part. Measure the -8 dBs recording output and the non-signal recording output for comparison using an electronic voltmeter. Check to see if the value conforms to the standard value.	Normal: More than 40 dB Metal/CrO ₂ : More than 41 dB	
12 Checking erasing coefficient		1) Apply a 1 kHz, - 20 dBs signal to the LINE IN terminals. 2) Perform recording with the signal enhanced by 20 dB 3) Erase a part of the recording. 4) Measure the output difference between the erased part and non- erased part to compare with an electronic voltmeter. For the measurement using a metal tape, connect a band pass filter between the deck and the electronic voltmeter. <div style="text-align: center; margin-top: 20px;">  <pre> graph LR Input["Input (1 kHz)"] --> TapeDeck["Tape deck (recording, erasing)"] TapeDeck --> BPF["Band pass filter"] BPF --> Voltmeter["Electronic voltmeter"] Input -.-> BPF </pre> </div>	More than 55 dB	

4 Wiring Connections

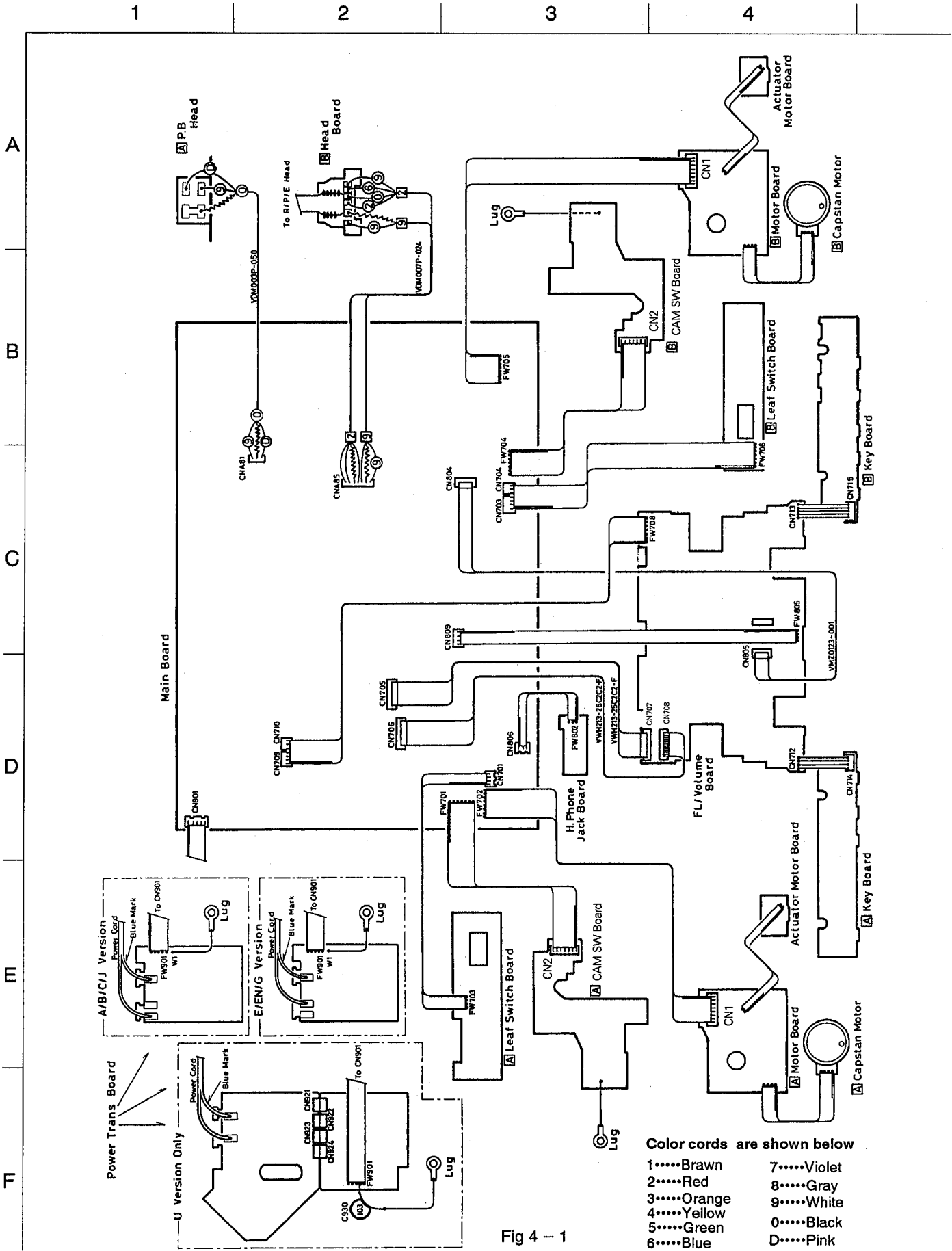


Fig 4 - 1

5 Block Diagram

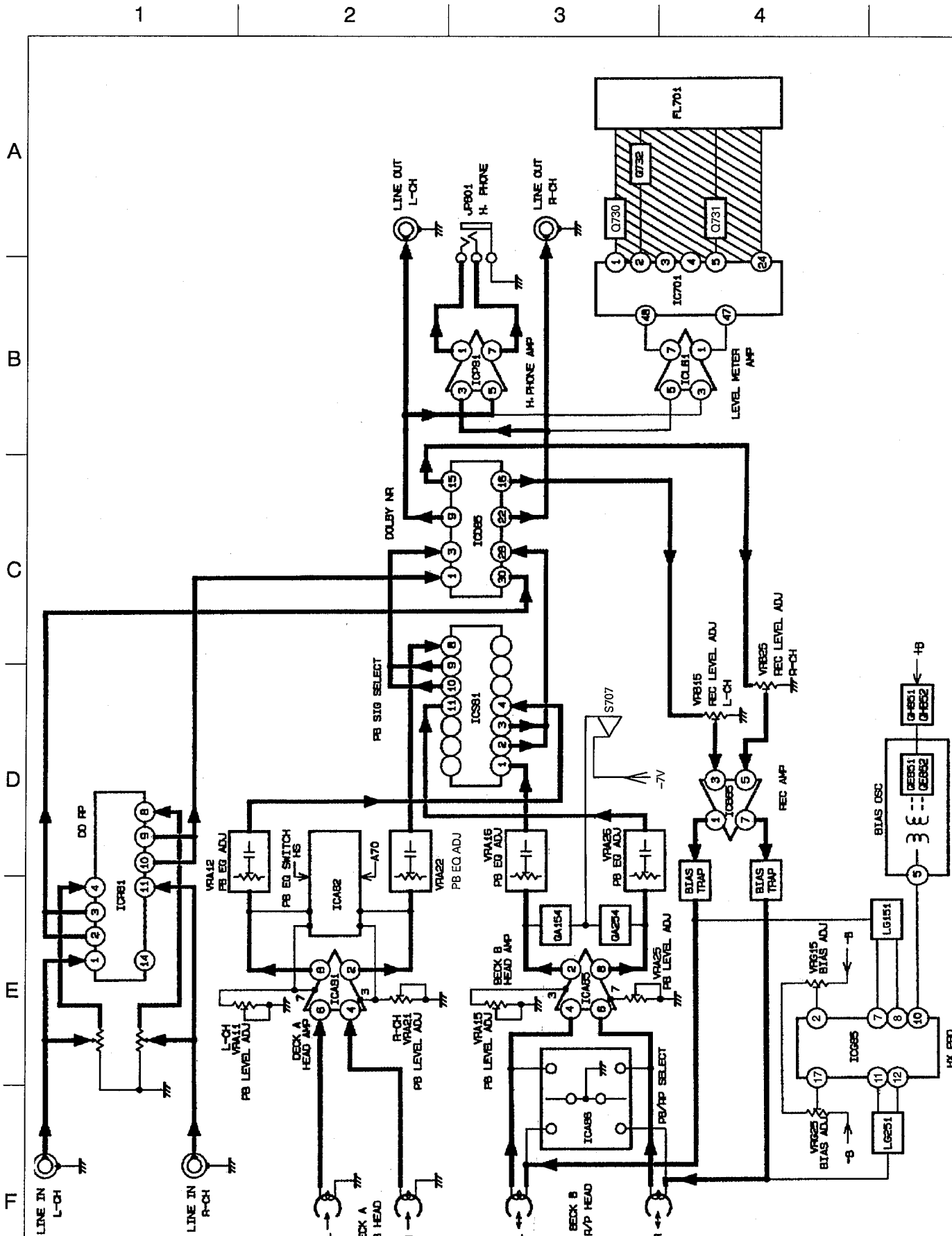


Fig 5 - 1

6 Standard Schematic Diagram

Head amp./Bias Circuit

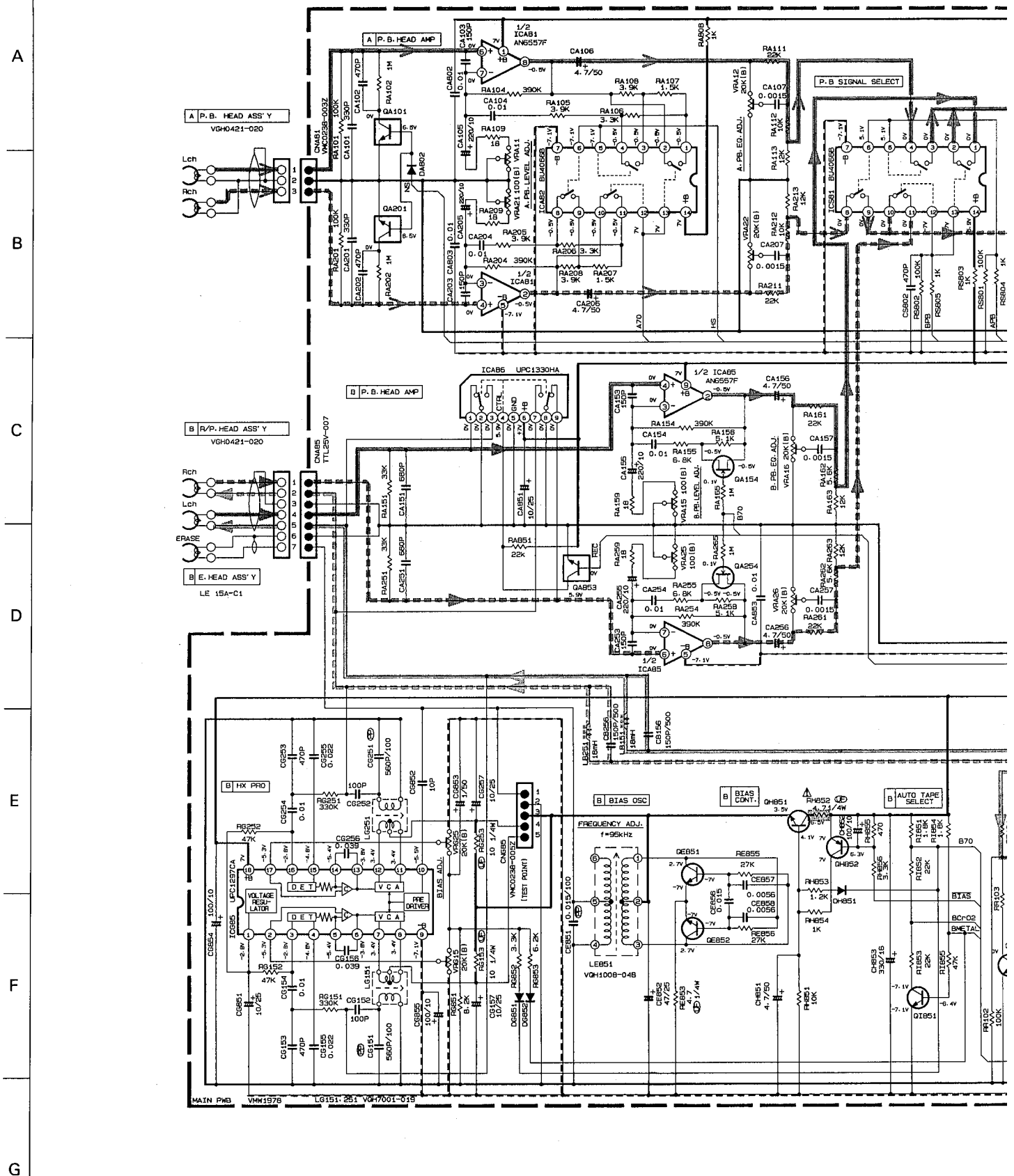


Fig 6 - 1

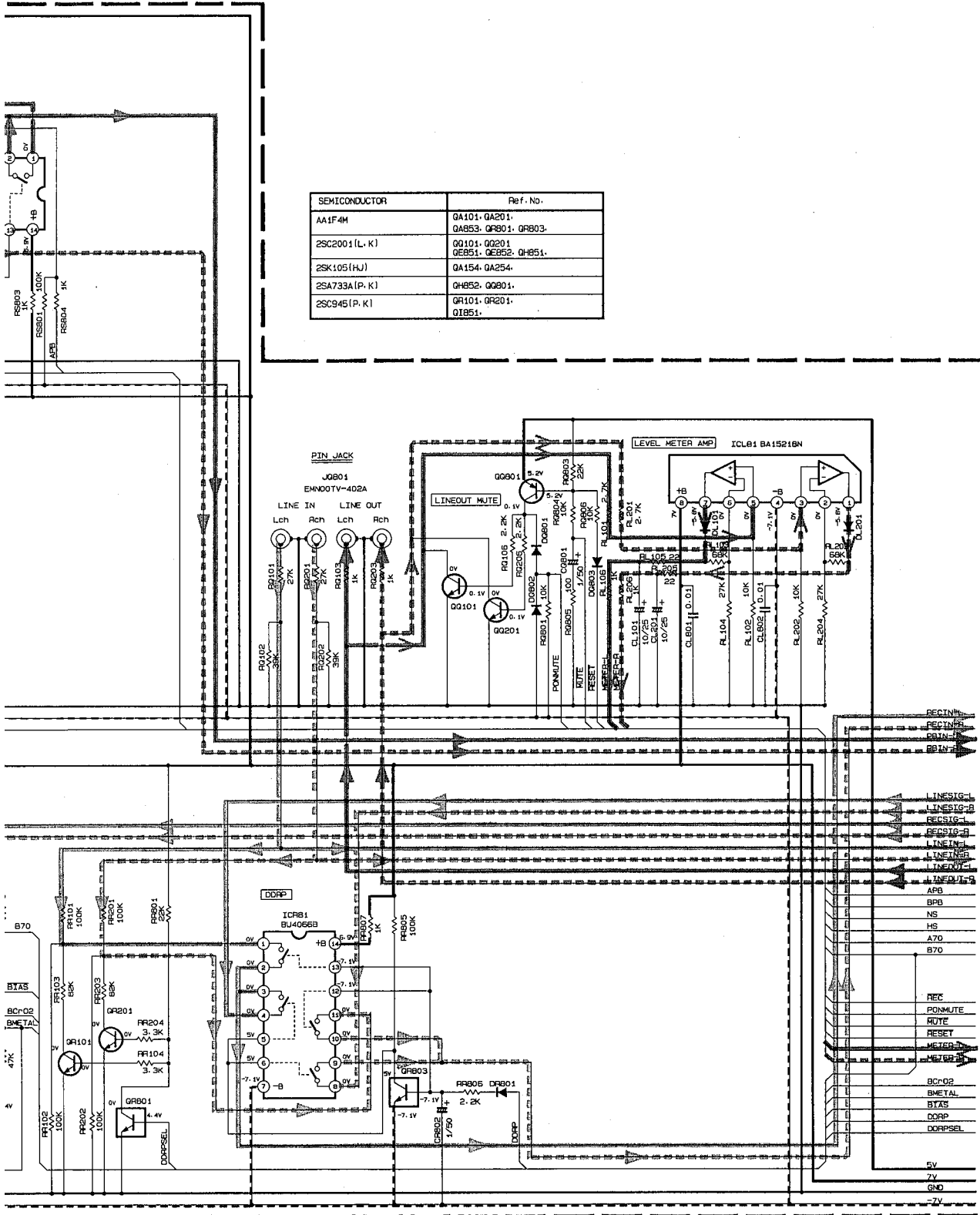
6

7

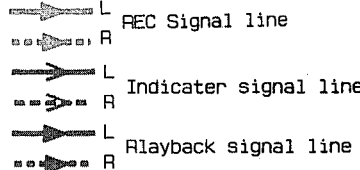
8

9

10



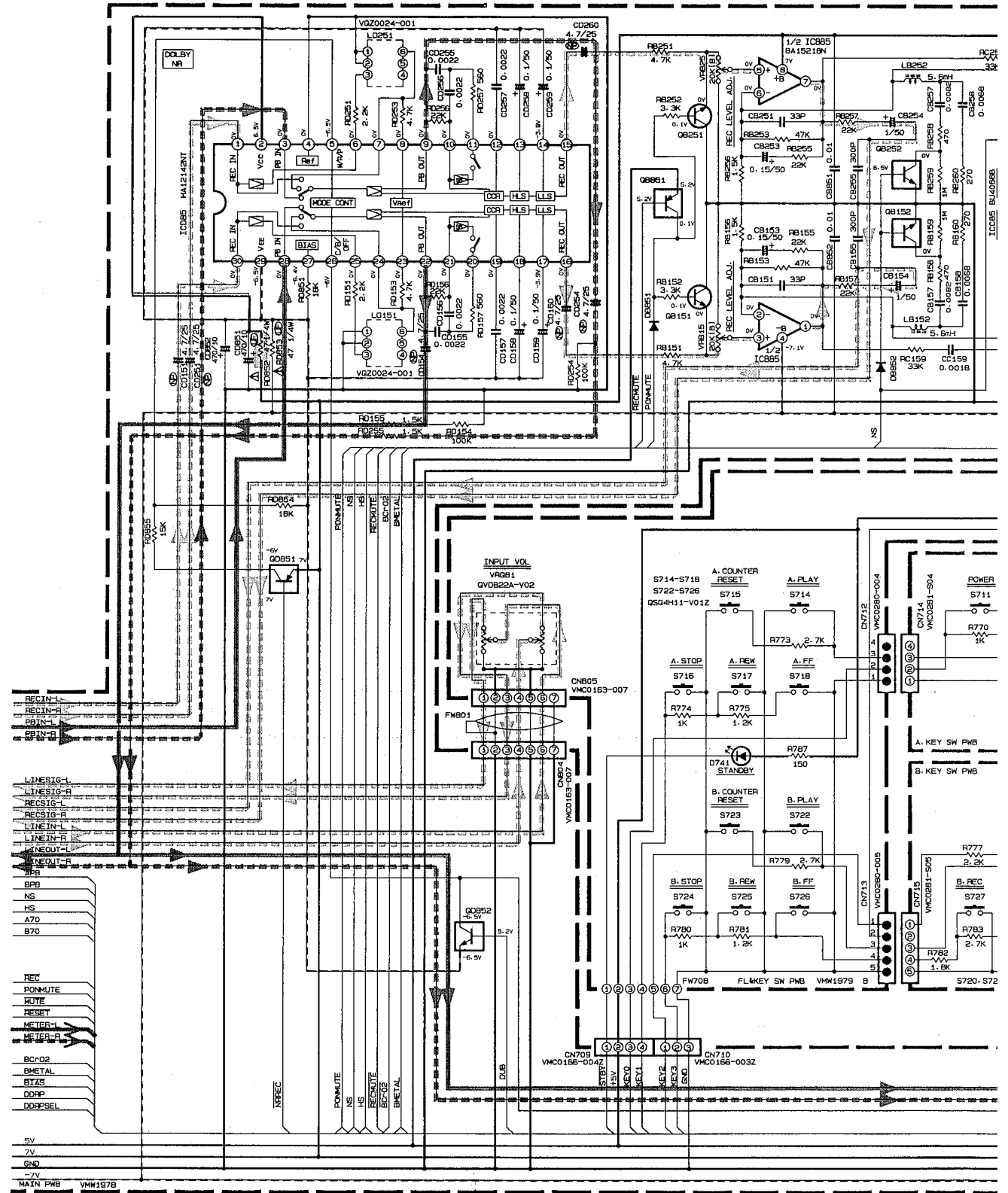
SEMICONDUCTOR	Ref. No.
AA1F4M	QA101, QA201, QA853, QR801, QR803.
2SC2001(L, K)	QO101, QO201, QEB51, QEB52, QH851.
2SK105(H, J)	QA154, QA254.
2SA733A(P, K)	QH852, QO801.
2SC945(P, K)	QR101, QR201, QI851.



▲ Parts are safety assurance parts. When replacing those parts make sure to use the specified one.

⊕ +B LINE ⊖ -B LINE

■ DOLBY NR /Key-FL Circuit



SEMICONDUCTOR	Ref. No.
2SC2001(L, K)	QB151, QB251
AN1F4M	QB851, QB851
AA1F4M	QB152, QB252, QC152, QC252, QC852
2SC945(P, K)	QC151, QC251

- L Indicator signal
- R Relay signal
- RL Playback signal

A
B
C
D
E
F
G

5V
7V
GND
-7V
MAIN PWB VM197B

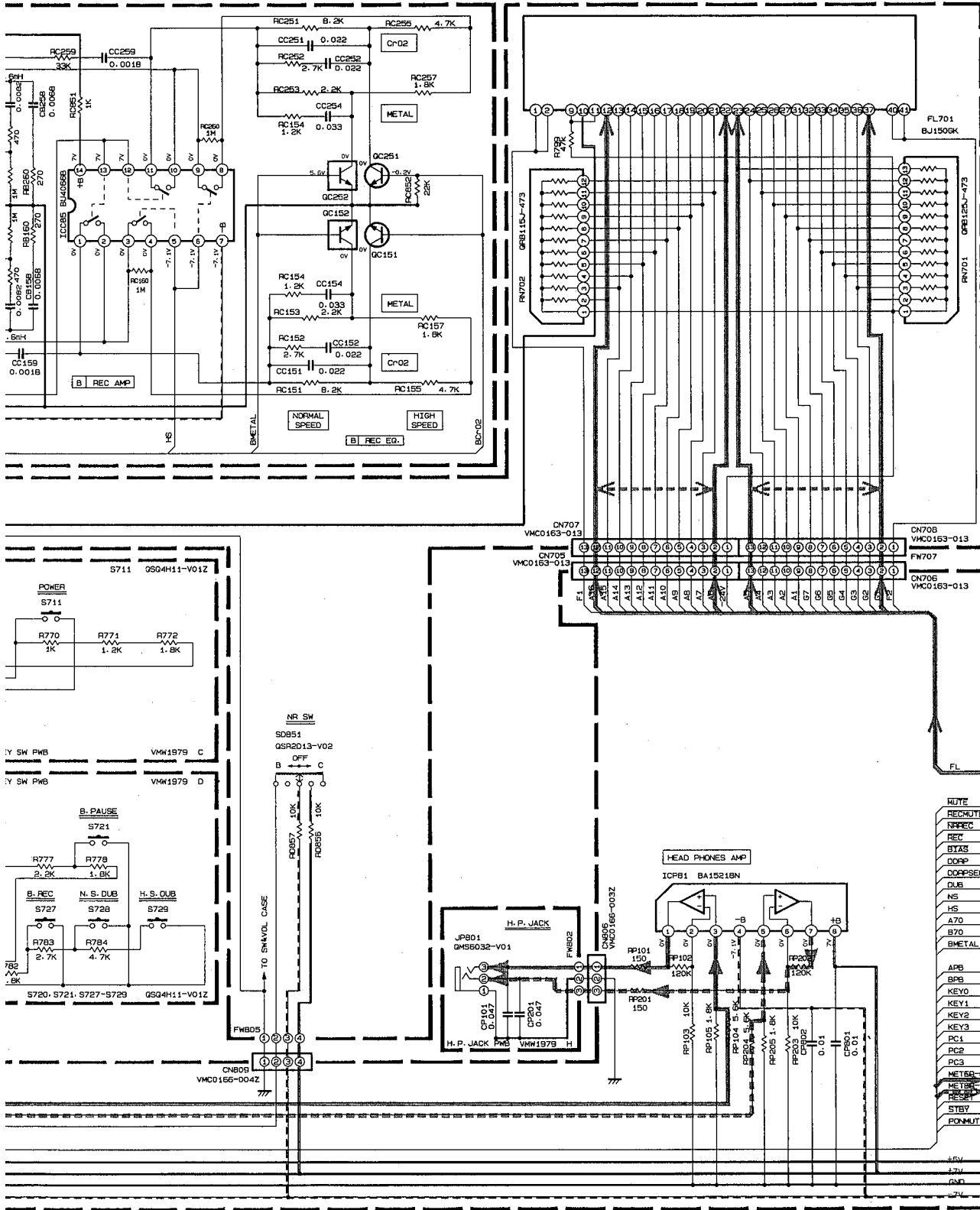
6

7

8

9

10

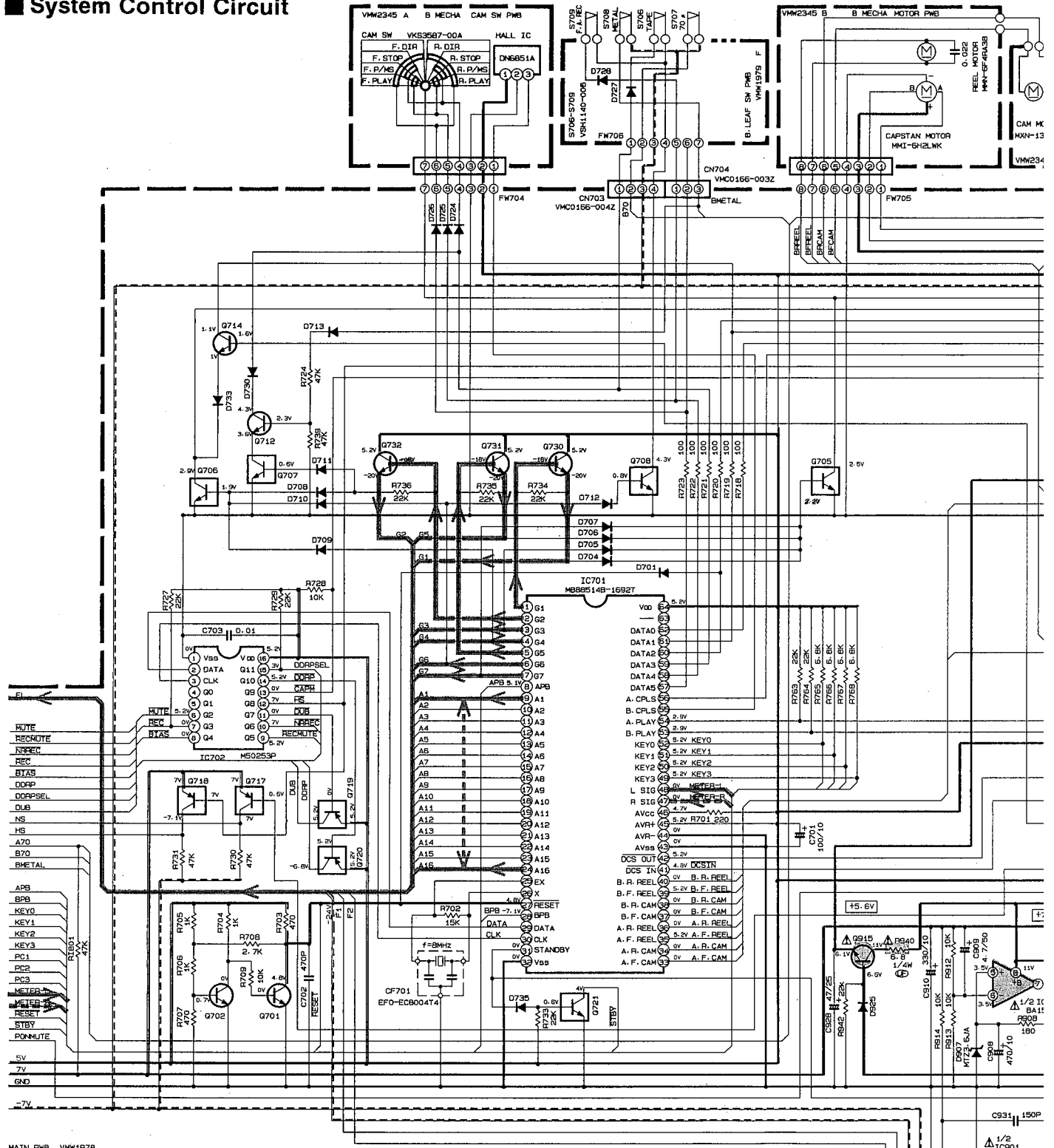


signal line Parts are safety assurance parts. When replacing those parts make sure to use the specified one.

+B LINE -B LINE

signal line L REC Signal line R

System Control Circuit



MAIN PWB VMW197B

NOTES

- VOLTAGES ARE DC-MEASURED WITH A DIGITAL VOLT METER WITHOUT INPUT SIGNAL.
CONDITION: MODE = NORMAL SPEED DUBBING
NR SW = OFF
TAPE = A-B-METAL
- UNLESS OTHERWISE SPECIFIED:
ALL RESISTORS ARE 1/8W ±5% CARBON RESISTOR.
ALL CAPACITORS ARE 50V CERAMIC CAPACITOR OR 50V MYLAR CAPACITOR.
ALL RESISTANCE VALUES ARE IN OHM (Ω).
ALL CAPACITANCE VALUES ARE IN PICO (pF).
ALL E-CAPACITORS ARE SHOWN IN THE FORM OF CAPACITANCE (μF) RATED VOLTAGE (V).
ALL DIODES ARE 1S133 OR H5104 OR M4165.

- Ⓜ INFLAMMABLE CARBON RESISTOR
 - Ⓝ NON-POLARISED ELECTROLYTIC CAPACITOR
 - Ⓟ POLYPROPYLENE CAPACITOR
3. THE RESISTORS LISTED BELOW ARE FUSIBLE RESISTOR IN THE MODEL A/B/E/EN/G/V/UT R901-R902-R921-R937-R940-RH852

SEMICONDUCTOR	Ref. No.
AA1F4H	Q705-Q706-Q707-Q708-Q721-Q722-Q723-Q744-Q745
25C945(P.K)	Q701-Q702-Q704-Q712-Q714-Q730-Q731-Q732
AN1F4H	Q717-Q718-Q719-Q720-Q703
25A733A(P.K)	Q740-Q741-Q742-Q743-Q913
258772(G.P)	Q903
250982(G.P)	Q901-Q909
250468(B.C)	Q912-Q915
258647(DD)	Q905
25D2144S1(W)	Q907-Q908

Fig 6

6 7 8 9 10

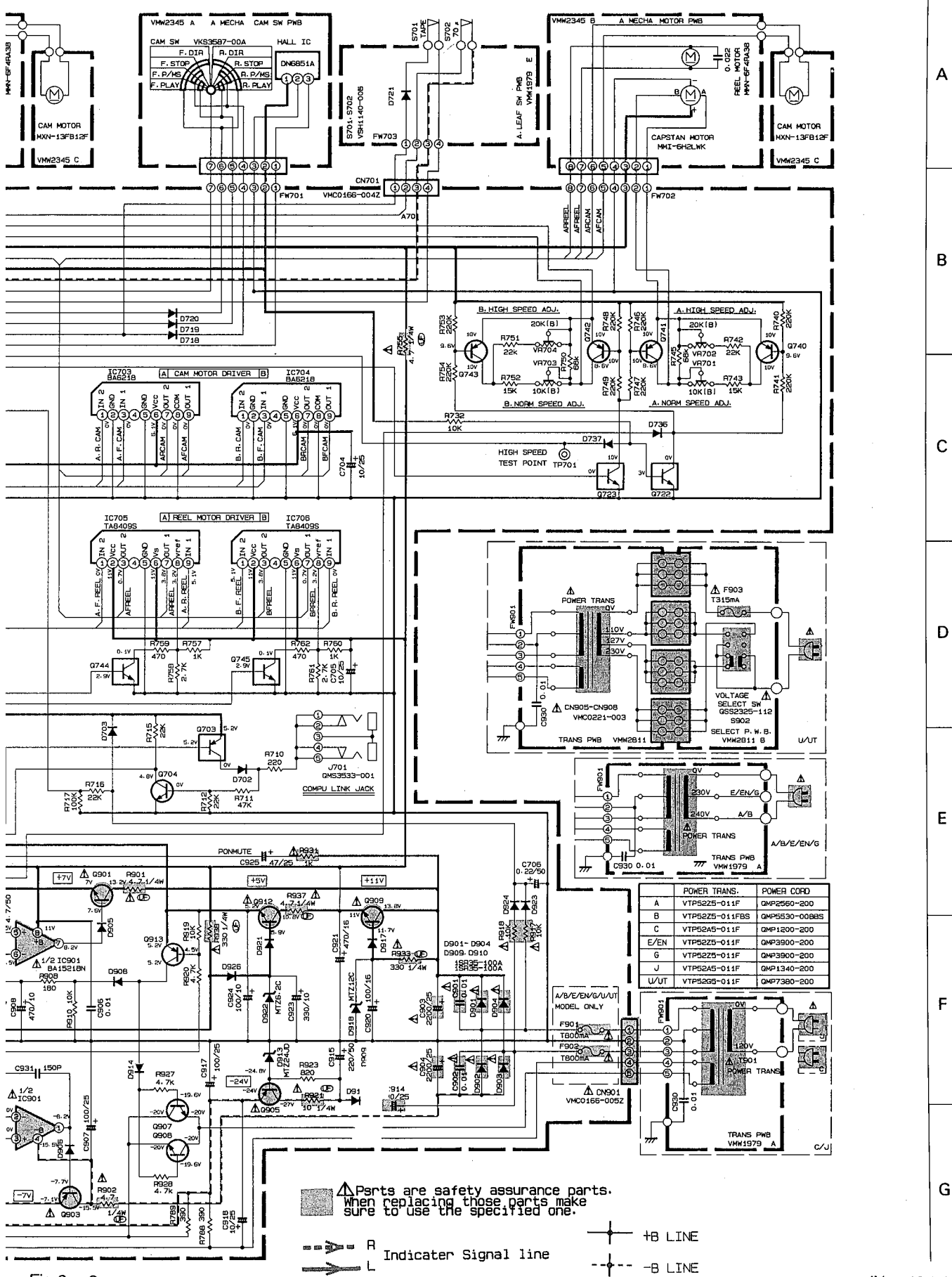


Fig 6 - 3

7 Location of P.C.Board Parts and Parts List

■ Main Board

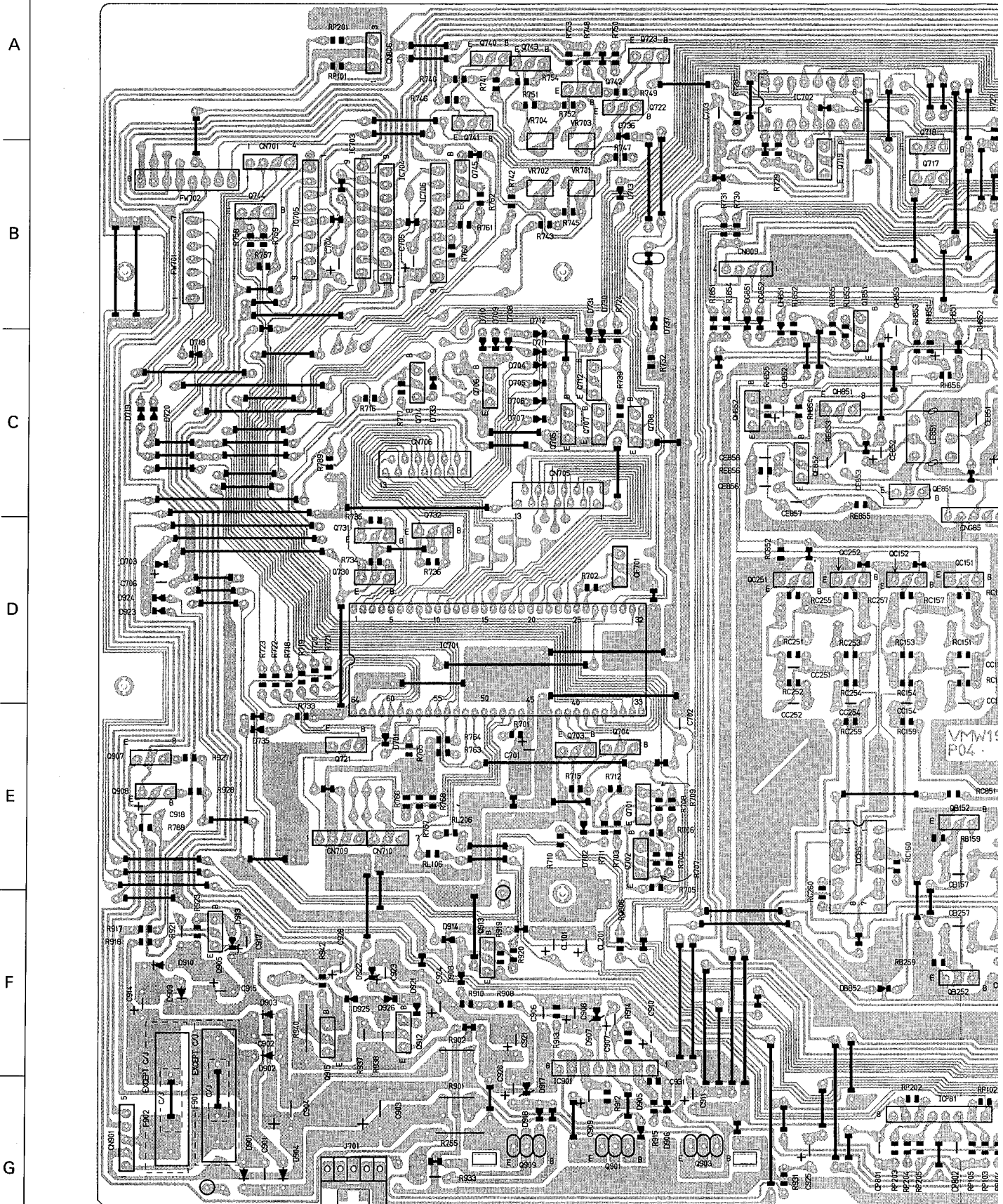


Fig 7 - 1

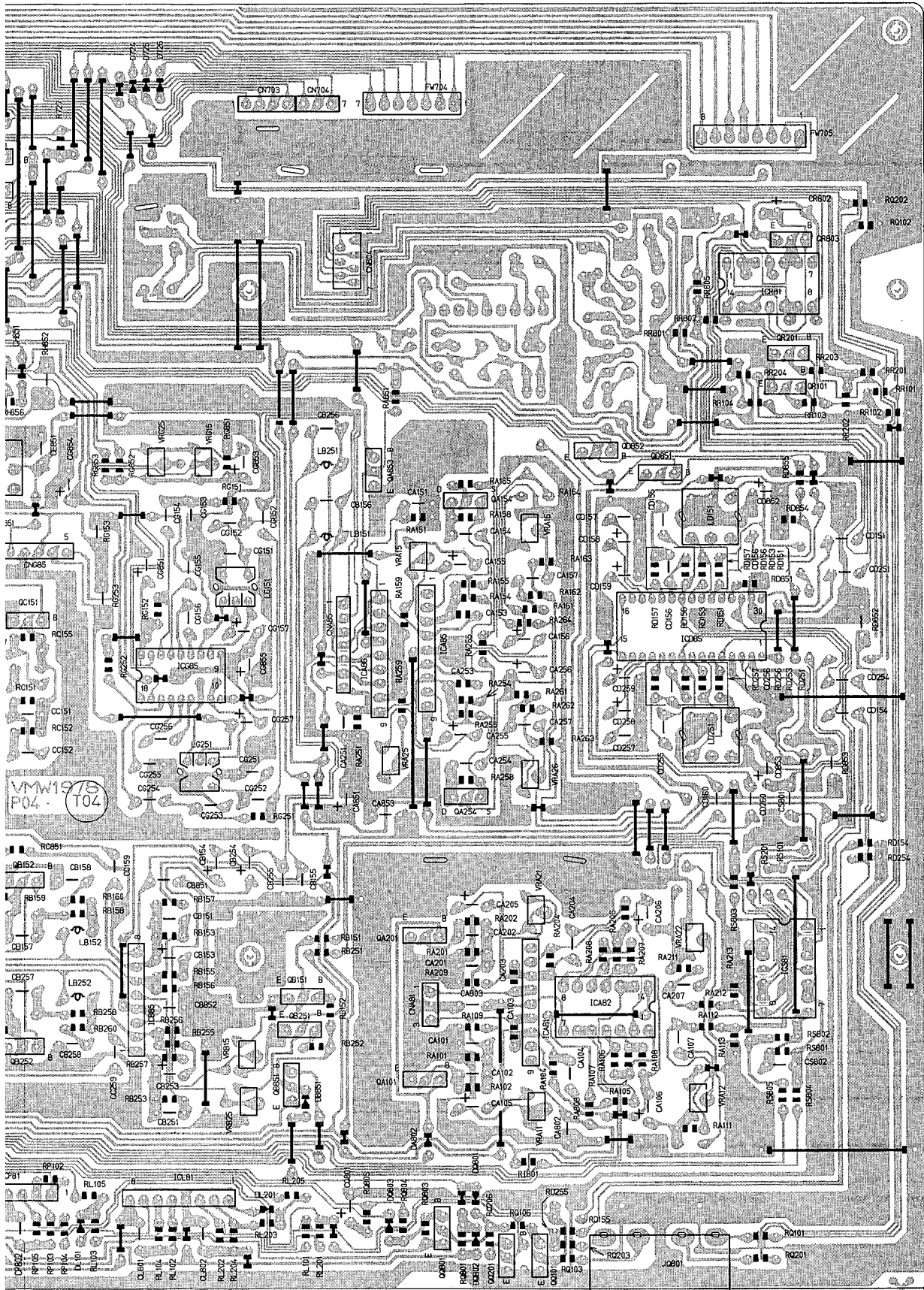
6

7

8

9

10



● Main Board Parts List

● Main Board parts List

BLOCK NO. 01111111		BLOCK NO. 01111111		
A REF.	PARTS NO.	PARTS NAME	REMARKS	SUFFIX
C 701	QETCIAM-107ZN	E. CAPACITOR	100MF 20% 10V	
C 702	QCS11HJ-471	C. CAPACITOR	470PF 5% 50V	
C 703	QCF11HP-103	C. CAPACITOR	.010MF +100:-0%	
C 704	QETCIEM-106ZN	E. CAPACITOR	10MF 20% 25V	
C 705	QETCIEM-106ZN	E. CAPACITOR	10MF 20% 25V	
C 706	QETCIHM-324ZN	E. CAPACITOR	.22MF 20% 50V	
C 901	QCF11HP-103	C. CAPACITOR	.010MF +100:-0%	
C 902	QCF11HP-103	C. CAPACITOR	.010MF +100:-0%	
C 903	QETBIEM-228N	E. CAPACITOR	2200NF 20% 25V	
C 904	QETBIEM-228N	E. CAPACITOR	2200NF 20% 25V	
C 906	QCF11HP-103	C. CAPACITOR	.010MF +100:-0%	
C 907	QETCIEM-107ZN	E. CAPACITOR	100MF 20% 25V	
C 908	QETCIAM-477ZN	E. CAPACITOR	470MF 20% 10V	
C 909	QETCIHM-475ZN	E. CAPACITOR	4.7MF 20% 50V	
C 910	QETCIAM-337ZN	E. CAPACITOR	330MF 20% 10V	
C 911	QETCIAM-337ZN	E. CAPACITOR	330MF 20% 10V	
C 914	QETCIHM-337ZN	E. CAPACITOR	330MF 20% 25V	
C 915	QETCIHM-227ZN	E. CAPACITOR	220MF 20% 50V	
C 917	QETCIEM-107ZN	E. CAPACITOR	100MF 20% 25V	
C 918	QETCIEM-106ZN	E. CAPACITOR	10MF 20% 25V	
C 920	QETCIEM-107ZN	E. CAPACITOR	100MF 20% 16V	
C 921	QETCIEM-477ZN	E. CAPACITOR	470MF 20% 10V	
C 923	QETCIAM-337ZN	E. CAPACITOR	330MF 20% 10V	
C 924	QETCIAM-107ZN	E. CAPACITOR	100MF 20% 10V	
C 925	QETCIEM-476ZN	E. CAPACITOR	47MF 20% 25V	
C 928	QETCIEM-476ZN	E. CAPACITOR	47MF 20% 25V	
C 930	QCF11HP-103	C. CAPACITOR	.010MF +100:-0%	
C 931	QCF11HP-103	C. CAPACITOR	150PF 10% 50V	
C 931	QCF11HP-103	C. CAPACITOR	150PF 10% 50V	
CA101	QCS11HJ-331	C. CAPACITOR	330PF 5% 50V	
CA102	QCS11HJ-471	C. CAPACITOR	470PF 5% 50V	
CA103	QCF11HP-151Y	C. CAPACITOR	150PF 10% 50V	
CA104	QCF11HP-103ZM	M. CAPACITOR	.010MF 5% 50V	
CA105	QETCIAM-227ZN	E. CAPACITOR	220MF 20% 10V	
CA106	QETCIHM-475ZN	E. CAPACITOR	4.7MF 20% 50V	
CA107	QETCIHJ-152ZM	M. CAPACITOR	1500PF 5% 50V	
CA151	QCF31HK-681Z	C. CAPACITOR	680PF 10% 50V	
CA153	QCF31HK-151Y	C. CAPACITOR	150PF 10% 50V	
CA154	QCF11HP-103ZM	M. CAPACITOR	.010MF 5% 50V	
CA155	QETCIAM-227ZN	E. CAPACITOR	220MF 20% 10V	
CA156	QETCIHM-475ZN	E. CAPACITOR	4.7MF 20% 50V	
CA157	QETCIHJ-152ZM	M. CAPACITOR	1500PF 5% 50V	
CA201	QCS11HJ-331	C. CAPACITOR	330PF 5% 50V	
CA202	QCS11HJ-471	C. CAPACITOR	470PF 5% 50V	
CA203	QCF31HK-151Y	C. CAPACITOR	150PF 10% 50V	
CA204	QETCIHJ-103ZM	M. CAPACITOR	.010MF 5% 50V	
CA205	QETCIAM-227ZN	E. CAPACITOR	220MF 20% 10V	
CA206	QETCIHM-475ZN	E. CAPACITOR	4.7MF 20% 50V	
CA207	QETCIHJ-152ZM	M. CAPACITOR	1500PF 5% 50V	
CA251	QCF31HK-681Z	C. CAPACITOR	680PF 10% 50V	
CA252	QCF31HK-151Y	C. CAPACITOR	150PF 10% 50V	
CA254	QETCIHJ-103ZM	M. CAPACITOR	.010MF 5% 50V	
CA255	QETCIAM-227ZN	E. CAPACITOR	220MF 20% 10V	
CA256	QETCIHM-475ZN	E. CAPACITOR	4.7MF 20% 50V	
CA257	QETCIHJ-152ZM	M. CAPACITOR	1500PF 5% 50V	
CA802	QCF11HP-103	C. CAPACITOR	.010MF +100:-0%	
CA803	QCF11HP-103	C. CAPACITOR	.010MF +100:-0%	
CA851	QETCIEM-106ZN	E. CAPACITOR	10MF 20% 25V	
CA853	QCF11HP-103	C. CAPACITOR	.010MF +100:-0%	
CB151	QCS11HJ-330	C. CAPACITOR	33PF 5% 50V	
CB153	QETCIHM-154Z	E. CAPACITOR	.15MF 20% 50V	
CB154	QETCIHM-105ZN	E. CAPACITOR	1.0MF 20% 50V	
CB155	QCS11HJ-301	C. CAPACITOR	300PF 5% 50V	
CB156	QCS2HJ-151ZV	C. CAPACITOR	150PF 5% 500V	
CB157	QFLCIHJ-822ZM	M. CAPACITOR	8200PF 5% 50V	
CB158	QFLCIHJ-682ZM	M. CAPACITOR	6800PF 5% 50V	
CB251	QCS11HJ-330	C. CAPACITOR	33PF 5% 50V	
CB253	QETCIHM-154Z	E. CAPACITOR	.15MF 20% 50V	
CB254	QETCIHM-105ZN	E. CAPACITOR	1.0MF 20% 50V	
CB255	QCS11HJ-301	C. CAPACITOR	300PF 5% 50V	
CB256	QCS2HJ-151ZV	C. CAPACITOR	150PF 5% 500V	
CB257	QFLCIHJ-822ZM	M. CAPACITOR	8200PF 5% 50V	
CB258	QFLCIHJ-682ZM	M. CAPACITOR	6800PF 5% 50V	
CB851	QCF11HP-103	C. CAPACITOR	.010MF +100:-0%	
CB852	QCF11HP-103	C. CAPACITOR	.010MF +100:-0%	
CC151	QCC11EM-223V	C. CAPACITOR	.022MF 20% 25V	
CC152	QCC11EM-223V	C. CAPACITOR	.022MF 20% 25V	
CC154	QCC31EM-333ZV	C. CAPACITOR	.033MF 20% 25V	
CC159	QFLCIHJ-182ZM	M. CAPACITOR	1800PF 5% 50V	
CC251	QCC11EM-223V	C. CAPACITOR	.022MF 20% 25V	
CC252	QCC11EM-223V	C. CAPACITOR	.022MF 20% 25V	
CC254	QCC31EM-333ZV	C. CAPACITOR	.033MF 20% 25V	
CC259	QFLCIHJ-182ZM	M. CAPACITOR	1800PF 5% 50V	
CD151	GEN41EM-475	NP. E. CAPACITOR	4.7MF 20% 25V	
CD154	GEN41EM-475	NP. E. CAPACITOR	4.7MF 20% 25V	
CD155	QFLCIHJ-222ZM	M. CAPACITOR	2200PF 5% 50V	
CD156	QFLCIHJ-222ZM	M. CAPACITOR	2200PF 5% 50V	
CD157	QFLCIHJ-222ZM	M. CAPACITOR	2200PF 5% 50V	
CD158	QETCIHM-104ZN	E. CAPACITOR	.10MF 20% 50V	
CD159	QETCIHM-104ZN	E. CAPACITOR	.10MF 20% 50V	
CD160	GEN41EM-475	NP. E. CAPACITOR	4.7MF 20% 25V	
CD251	GEN41EM-475	NP. E. CAPACITOR	4.7MF 20% 25V	
CD254	GEN41EM-475	NP. E. CAPACITOR	4.7MF 20% 25V	
CD255	QFLCIHJ-222ZM	M. CAPACITOR	2200PF 5% 50V	
CD256	QFLCIHJ-222ZM	M. CAPACITOR	2200PF 5% 50V	
CD257	QFLCIHJ-222ZM	M. CAPACITOR	2200PF 5% 50V	
CD258	QETCIHM-104ZN	E. CAPACITOR	.10MF 20% 50V	
CD259	QETCIHM-104ZN	E. CAPACITOR	.10MF 20% 50V	
CD260	GEN41EM-475	NP. E. CAPACITOR	4.7MF 20% 25V	
CD851	QETCIAM-477ZN	E. CAPACITOR	470MF 20% 10V	
CD852	QETCIAM-477ZN	E. CAPACITOR	470MF 20% 10V	
CE851	QFP32AJ-353ZM	PP. CAPACITOR	.015MF 5% 100V	
CE852	QETCIEM-476ZN	E. CAPACITOR	47MF 20% 25V	
CE856	QFLCIHJ-153ZM	M. CAPACITOR	.015MF 5% 50V	
CE857	QFLCIHJ-562ZM	M. CAPACITOR	5600PF 5% 50V	
CE858	QFLCIHJ-562ZM	M. CAPACITOR	5600PF 5% 50V	
CF701	EFQ-GC800XT4	CERAMIC RESONATOR	(F=8MHz)	
CG151	QFP32AJ-561ZM	PP. CAPACITOR	560PF 5% 100V	
CG152	QCS11HJ-101	C. CAPACITOR	100PF 5% 50V	
CG153	QCS11HJ-471	C. CAPACITOR	470PF 5% 50V	
CG154	QFLCIHJ-103ZM	M. CAPACITOR	.010MF 5% 50V	

BLOCK NO. 0011111111

REF.	PARTS NO.	PARTS NAME	REMARKS	SUFFIX
D 711	1SS133	SI DIODE		
D 712	1SS133	SI DIODE		
D 713	1SS133	SI DIODE		
D 718	1SS133	SI DIODE		
D 719	1SS133	SI DIODE		
D 720	1SS133	SI DIODE		
D 724	1SS133	SI DIODE		
D 725	1SS133	SI DIODE		
D 726	1SS133	SI DIODE		
D 730	1SS133	SI DIODE		
D 733	1SS133	SI DIODE		
D 735	1SS133	SI DIODE		
D 736	1SS133	SI DIODE		
D 737	1SS133	SI DIODE		
D 901	1SR35-100A	SI DIODE		
D 902	1SR35-100A	SI DIODE		
D 903	1SR35-100A	SI DIODE		
D 904	1SR35-100A	SI DIODE		
D 905	1SS133	SI DIODE		
D 906	1SS133	SI DIODE		
D 907	MT73-61A	ZENER DIODE		
D 908	1SS133	SI DIODE		
D 909	1SR35-100A	SI DIODE		
D 910	1SR35-100A	SI DIODE		
D 913	MT724JD	ZENER DIODE		
D 914	1SS133	SI DIODE		
D 917	1SS133	SI DIODE		
D 918	MT712C	ZENER DIODE		
D 921	1SS133	SI DIODE		
D 922	MT76-2CT-77	ZENER DIODE		
D 923	1SS133	SI DIODE		
D 924	1SS133	SI DIODE		
D 925	1SS133	SI DIODE		
D 926	1SS133	SI DIODE		
DA802	1SS133	SI DIODE		
DB851	1SS133	SI DIODE		
DB852	1SS133	SI DIODE		
DG851	1SS133	SI DIODE		
DG852	1SS133	SI DIODE		
DH851	1SS133	SI DIODE		
DL101	1SS133	SI DIODE		
DQ801	1SS133	SI DIODE		
DQ802	1SS133	SI DIODE		
DQ803	1SS133	SI DIODE		
DR801	1SS133	SI DIODE		
ICAB1	AN6557F	IC	HEAD AMP. DECK A	
ICAB2	BU4066B	IC	PB EQ DECK A	
ICAB5	AN6557F	IC	HEAD AMP. DECK B	
ICAB6	UPC1330HA	IC	HEAD R/P SW	
ICB85	BA15218N	IC	REC AMP. SWITCH	
ICCB5	BU4066B	IC	REC EQ. SWITCH	
ICD85	HA12142NT	IC	DOLBY NR	
ICG85	UPC1297CA	IC	HX PRO	
ICL81	BA15218N	IC	LEVEL METER AMP	

BLOCK NO. 0011111111

REF.	PARTS NO.	PARTS NAME	REMARKS	SUFFIX
CG155	QFLC1HJ-223ZM	M.CAPACITOR	.022MF 5% 50V	
CG156	QFLC1HJ-393ZM	M.CAPACITOR	.039MF 5% 50V	
CG157	QETC1EM-106ZN	E.CAPACITOR	10MF 20% 25V	
CG251	QFS32AJ-561ZM	PP.CAPACITOR	560PF 5% 100V	
CG252	QCS11HJ-101	C.CAPACITOR	100PF 5% 50V	
CG253	QCS11HJ-471	C.CAPACITOR	470PF 5% 50V	
CG254	QFLC1HJ-103ZM	M.CAPACITOR	.010MF 5% 50V	
CG255	QFLC1HJ-223ZM	M.CAPACITOR	.022MF 5% 50V	
CG256	QFLC1HJ-393ZM	M.CAPACITOR	.039MF 5% 50V	
CG257	QETC1EM-106ZN	E.CAPACITOR	10MF 20% 25V	
CG851	QETC1EM-106ZN	E.CAPACITOR	10MF 20% 25V	
CG852	QCS11HJ-100	C.CAPACITOR	10PF 5% 50V	
CG853	QETC1HM-105ZN	E.CAPACITOR	1.0MF 20% 50V	
CG854	QETC1AM-107ZN	E.CAPACITOR	100MF 20% 10V	
CG855	QETC1AM-107ZN	E.CAPACITOR	100MF 20% 10V	
CH851	QETC1HM-475ZN	E.CAPACITOR	4.7MF 20% 50V	
CH852	QETC1AM-107ZN	E.CAPACITOR	100MF 20% 10V	
CH853	QETC1CM-337ZN	E.CAPACITOR	330MF 20% 16V	
CL101	QETC1EM-106ZN	E.CAPACITOR	10MF 20% 25V	
CL201	QETC1EM-106ZN	E.CAPACITOR	10MF 20% 25V	
CL801	QCF11HP-103	C.CAPACITOR	.010MF +100:-0%	
CL802	QCF11HP-103	C.CAPACITOR	.010MF +100:-0%	
CNAB1	TL25V-003	CONNECTOR		
CNAB5	QWV5011-007	CONNECTOR		
CNAB8	VMC0238-005Z	CONNECTOR		
CN701	VMC0166-004Z	CONNECTOR	A LEAF SWITCH	
CN703	VMC0166-004Z	CONNECTOR	B LEAF SWITCH	
CN704	VMC0166-003Z	CONNECTOR	B LEAF SWITCH	
CN705	VMC0163-013	CONNECTOR	FL SIG	
CN706	VMC0163-013	CONNECTOR	FL SIG	
CN709	VMC0166-004Z	CONNECTOR	KEY SWITCH A	
CN710	VMC0166-003Z	CONNECTOR	KEY SWITCH A	
CN804	VMC0163-007	CONNECTOR	INPUT&KEY	
CN806	VMC0166-003Z	CONNECTOR	HP AMP	
CN809	VMC0166-004Z	CONNECTOR	DOLBY SWITCH	
CN901	VMC0166-005Z	CONNECTOR	POWER SUPPLY	
CN905	VMC0221-003	CONNECTOR		
CN906	VMC0221-003	CONNECTOR		
CN907	VMC0221-003	CONNECTOR		
CN908	VMC0221-003	CONNECTOR		
CP801	QCF11HP-103	C.CAPACITOR	.010MF +100:-0%	
CP802	QCF11HP-103	C.CAPACITOR	.010MF +100:-0%	
CR801	QETC1HM-105ZN	E.CAPACITOR	1.0MF 20% 50V	
CR802	QETC1HM-105ZN	E.CAPACITOR	1.0MF 20% 50V	
CS802	QCS11HJ-471	C.CAPACITOR	470PF 5% 50V	
D 701	1SS133	SI DIODE		
D 702	1SS133	SI DIODE		
D 703	1SS133	SI DIODE		
D 704	1SS133	SI DIODE		
D 705	1SS133	SI DIODE		
D 706	1SS133	SI DIODE		
D 707	1SS133	SI DIODE		
D 708	1SS133	SI DIODE		
D 709	1SS133	SI DIODE		
D 710	1SS133	SI DIODE		

BLOCK NO. 04111111

REF.	PARTS NO.	PARTS NAME	REMARKS	SUFFIX
Q 915	2SD488(B,C)	TRANSISTOR		
QA101	UN4212	TRANSISTOR		
QA154	2SK105(HJ)	TRANSISTOR(FET)		
QA201	UN4212	TRANSISTOR		
QA254	2SK105(HJ)	TRANSISTOR(FET)		
QB53	UN4212	TRANSISTOR		
QB151	2SC2001(L,K)	TRANSISTOR		
QB152	UN4212	TRANSISTOR		
QB251	2SC2001(L,K)	TRANSISTOR		
QB252	UN4212	TRANSISTOR		
QB51	AN1F4M	TRANSISTOR		
QC151	2SC945	TRANSISTOR		
QC152	UN4212	TRANSISTOR		
QC251	2SC945	TRANSISTOR		
QC252	UN4212	TRANSISTOR		
QD851	AN1F4M	TRANSISTOR		
QD852	UN4212	TRANSISTOR		
QE851	2SC2001(L,K)	TRANSISTOR		
QE852	2SC2001(L,K)	TRANSISTOR		
QH851	2SC2001(L,K)	TRANSISTOR		
QH852	2SA733A(P,K)	TRANSISTOR		
QI851	2SC945	TRANSISTOR		
QI852	UN4212	TRANSISTOR		
QQ101	2SC2001(L,K)	TRANSISTOR		
QQ201	2SC2001(L,K)	TRANSISTOR		
QQ801	2SA733A(P,K)	TRANSISTOR		
QR101	2SC945	TRANSISTOR		
QR201	2SC945	TRANSISTOR		
QR801	UN4212	TRANSISTOR		
QR803	UN4212	TRANSISTOR		
R 701	GRD161J-221	CARBON RESISTOR	220 5% 1/6W	
R 702	GRD161J-153	CARBON RESISTOR	15K 5% 1/6W	
R 703	GRD161J-471	CARBON RESISTOR	470 5% 1/6W	
R 704	GRD161J-102	CARBON RESISTOR	1.0K 5% 1/6W	
R 705	GRD161J-102	CARBON RESISTOR	1.0K 5% 1/6W	
R 706	GRD161J-102	CARBON RESISTOR	1.0K 5% 1/6W	
R 707	GRD161J-471	CARBON RESISTOR	470 5% 1/6W	
R 708	GRD161J-272	CARBON RESISTOR	2.7K 5% 1/6W	
R 709	GRD161J-103	CARBON RESISTOR	10K 5% 1/6W	
R 710	GRD161J-221	CARBON RESISTOR	220 5% 1/6W	
R 711	GRD161J-473	CARBON RESISTOR	47K 5% 1/6W	
R 712	GRD161J-223	CARBON RESISTOR	22K 5% 1/6W	
R 715	GRD161J-223	CARBON RESISTOR	22K 5% 1/6W	
R 716	GRD161J-223	CARBON RESISTOR	22K 5% 1/6W	
R 717	GRD161J-104	CARBON RESISTOR	100K 5% 1/6W	
R 718	GRD161J-101	CARBON RESISTOR	100 5% 1/6W	
R 719	GRD161J-101	CARBON RESISTOR	100 5% 1/6W	
R 720	GRD161J-101	CARBON RESISTOR	100 5% 1/6W	
R 721	GRD161J-101	CARBON RESISTOR	100 5% 1/6W	
R 722	GRD161J-101	CARBON RESISTOR	100 5% 1/6W	
R 723	GRD161J-101	CARBON RESISTOR	100 5% 1/6W	
R 724	GRD161J-473	CARBON RESISTOR	47K 5% 1/6W	
R 727	GRD161J-223	CARBON RESISTOR	22K 5% 1/6W	
R 728	GRD161J-103	CARBON RESISTOR	10K 5% 1/6W	
R 729	GRD161J-223	CARBON RESISTOR	22K 5% 1/6W	
R 730	GRD161J-473	CARBON RESISTOR	47K 5% 1/6W	

BLOCK NO. 04111111

REF.	PARTS NO.	PARTS NAME	REMARKS	SUFFIX
ICR81	BA15218N	IC	HEADPHONE AMP.	
ICR81	BU4066B	IC	DDRP	
ICR81	BU4066B	IC	PB SIG. SELECT	
IC701	MB88514B-1692T	IC	CONTROL MICOM	
IC702	M50253P	IC	PORT EXPANDER	
IC703	BA6218	IC	A CAM M.DRIVE	
IC704	BA6218	IC	B CAM M.DRIVE	
IC705	TA8409S	IC	A REEL M.DRIVE	
IC706	TA8409S	IC	B REEL M.DRIVE	
IC901	BA15218N	IC	REGURATER	
J 701	QMS3535-001	JACK	COMPU LINK JACK	
J801	EMN00TV-402A	PIN JACK		
LB151	VGP0001-183	INDUCTOR		
LB152	VGP0001-562ZS	INDUCTOR		
LB251	VGP0001-183	INDUCTOR		
LB252	VGP0001-562ZS	INDUCTOR		
LD151	VQZ0024-001	FILTER		
LD251	VQZ0024-001	FILTER		
LE851	VQH1008-048	OSC COIL(BIAS)		
LG151	VGH7001-019	OSC COIL(BIAS)		
LG251	VGH7001-019	OSC COIL(BIAS)		
Q 701	2SC945	TRANSISTOR		
Q 702	2SC945	TRANSISTOR		
Q 703	AN1F4M	TRANSISTOR		
Q 704	2SC945	TRANSISTOR		
Q 705	UN4212	TRANSISTOR		
Q 706	UN4212	TRANSISTOR		
Q 707	UN4212	TRANSISTOR		
Q 708	UN4212	TRANSISTOR		
Q 712	2SC945	TRANSISTOR		
Q 714	2SC945	TRANSISTOR		
Q 717	AN1F4M	TRANSISTOR		
Q 718	AN1F4M	TRANSISTOR		
Q 719	AN1F4M	TRANSISTOR		
Q 720	AN1F4M	TRANSISTOR		
Q 721	UN4212	TRANSISTOR		
Q 722	UN4212	TRANSISTOR		
Q 723	UN4212	TRANSISTOR		
Q 730	2SC945	TRANSISTOR		
Q 731	2SC945	TRANSISTOR		
Q 732	2SC945	TRANSISTOR		
Q 740	2SA733A(P,K)	TRANSISTOR		
Q 741	2SA733A(P,K)	TRANSISTOR		
Q 742	2SA733A(P,K)	TRANSISTOR		
Q 743	2SA733A(P,K)	TRANSISTOR		
Q 744	UN4212	TRANSISTOR		
Q 745	UN4212	TRANSISTOR		
Q 901	2SD882(P,Q)	TRANSISTOR		
Q 903	2SB772(Q,P)	TRANSISTOR		
Q 905	2SB647(CD)	TRANSISTOR		
Q 907	2SD2144S(KW)	TRANSISTOR		
Q 908	2SD2144S(KW)	TRANSISTOR		
Q 909	2SD882(P,Q)	TRANSISTOR		
Q 912	2SD468(B,C)	TRANSISTOR		
Q 913	2SA733A(P,K)	TRANSISTOR		

BLOCK NO. 0111111

A	REF.	PARTS NO.	PARTS NAME	REMARKS	SUFFIX
A	R 938	GRD14CJ-331SX	CARBON RESISTOR	330 5% 1/4W	
A	R 940	GRD14CJ-GR8SX	CARBON RESISTOR	6.8 5% 1/4W	
A	R 942	GRD161J-223	CARBON RESISTOR	22K 5% 1/6W	
A	RA101	GRD161J-104	CARBON RESISTOR	100K 5% 1/6W	
A	RA102	GRD161J-105	CARBON RESISTOR	10K 5% 1/6W	
A	RA104	GRD161J-394	CARBON RESISTOR	390K 5% 1/6W	
A	RA105	GRD161J-392	CARBON RESISTOR	3.9K 5% 1/6W	
A	RA106	GRD161J-332	CARBON RESISTOR	3.3K 5% 1/6W	
A	RA107	GRD161J-152	CARBON RESISTOR	1.5K 5% 1/6W	
A	RA108	GRD161J-392	CARBON RESISTOR	3.9K 5% 1/6W	
A	RA109	GRD161J-180	CARBON RESISTOR	18 5% 1/6W	
A	RA111	GRD161J-223	CARBON RESISTOR	22K 5% 1/6W	
A	RA112	GRD161J-103	CARBON RESISTOR	10K 5% 1/6W	
A	RA113	GRD161J-123	CARBON RESISTOR	12K 5% 1/6W	
A	RA151	GRD161J-333	CARBON RESISTOR	33K 5% 1/6W	
A	RA154	GRD161J-394	CARBON RESISTOR	390K 5% 1/6W	
A	RA155	GRD161J-682	CARBON RESISTOR	6.8K 5% 1/6W	
A	RA158	GRD161J-512	CARBON RESISTOR	5.1K 5% 1/6W	
A	RA159	GRD161J-180	CARBON RESISTOR	18 5% 1/6W	
A	RA161	GRD161J-223	CARBON RESISTOR	22K 5% 1/6W	
A	RA162	GRD161J-362	CARBON RESISTOR	5.6K 5% 1/6W	
A	RA163	GRD161J-123	CARBON RESISTOR	12K 5% 1/6W	
A	RA165	GRD161J-105	CARBON RESISTOR	1.0M 5% 1/6W	
A	RA201	GRD161J-104	CARBON RESISTOR	100K 5% 1/6W	
A	RA202	GRD161J-105	CARBON RESISTOR	1.0M 5% 1/6W	
A	RA204	GRD161J-394	CARBON RESISTOR	390K 5% 1/6W	
A	RA205	GRD161J-392	CARBON RESISTOR	3.9K 5% 1/6W	
A	RA206	GRD161J-332	CARBON RESISTOR	3.3K 5% 1/6W	
A	RA207	GRD161J-152	CARBON RESISTOR	1.5K 5% 1/6W	
A	RA208	GRD161J-392	CARBON RESISTOR	3.9K 5% 1/6W	
A	RA211	GRD161J-223	CARBON RESISTOR	22K 5% 1/6W	
A	RA212	GRD161J-103	CARBON RESISTOR	10K 5% 1/6W	
A	RA213	GRD161J-123	CARBON RESISTOR	12K 5% 1/6W	
A	RA251	GRD161J-333	CARBON RESISTOR	33K 5% 1/6W	
A	RA254	GRD161J-394	CARBON RESISTOR	390K 5% 1/6W	
A	RA255	GRD161J-682	CARBON RESISTOR	6.8K 5% 1/6W	
A	RA258	GRD161J-512	CARBON RESISTOR	5.1K 5% 1/6W	
A	RA259	GRD161J-180	CARBON RESISTOR	18 5% 1/6W	
A	RA261	GRD161J-223	CARBON RESISTOR	22K 5% 1/6W	
A	RA262	GRD161J-362	CARBON RESISTOR	5.6K 5% 1/6W	
A	RA263	GRD161J-123	CARBON RESISTOR	12K 5% 1/6W	
A	RA265	GRD161J-105	CARBON RESISTOR	1.0M 5% 1/6W	
A	RA808	GRD161J-102	CARBON RESISTOR	1.0K 5% 1/6W	
A	RA851	GRD161J-223	CARBON RESISTOR	22K 5% 1/6W	
A	RB151	GRD161J-472	CARBON RESISTOR	4.7K 5% 1/6W	
A	RB152	GRD161J-332	CARBON RESISTOR	3.3K 5% 1/6W	
A	RB153	GRD161J-473	CARBON RESISTOR	4.7K 5% 1/6W	
A	RB155	GRD161J-223	CARBON RESISTOR	22K 5% 1/6W	
A	RB156	GRD161J-152	CARBON RESISTOR	1.5K 5% 1/6W	
A	RB157	GRD161J-223	CARBON RESISTOR	22K 5% 1/6W	
A	RB158	GRD161J-471	CARBON RESISTOR	4.7K 5% 1/6W	
A	RB159	GRD161J-105	CARBON RESISTOR	1.0M 5% 1/6W	
A	RB160	GRD161J-271	CARBON RESISTOR	270 5% 1/6W	
A	RB251	GRD161J-472	CARBON RESISTOR	4.7K 5% 1/6W	

BLOCK NO. 0111111

A	REF.	PARTS NO.	PARTS NAME	REMARKS	SUFFIX
A	R 732	GRD161J-473	CARBON RESISTOR	47K 5% 1/6W	
A	R 733	GRD161J-103	CARBON RESISTOR	10K 5% 1/6W	
A	R 734	GRD161J-223	CARBON RESISTOR	22K 5% 1/6W	
A	R 735	GRD161J-223	CARBON RESISTOR	22K 5% 1/6W	
A	R 736	GRD161J-223	CARBON RESISTOR	22K 5% 1/6W	
A	R 739	GRD161J-473	CARBON RESISTOR	47K 5% 1/6W	
A	R 740	GRD161J-224	CARBON RESISTOR	22K 5% 1/6W	
A	R 741	GRD161J-224	CARBON RESISTOR	22K 5% 1/6W	
A	R 742	GRD161J-224	CARBON RESISTOR	22K 5% 1/6W	
A	R 743	GRD161J-153	CARBON RESISTOR	15K 5% 1/6W	
A	R 745	GRD161J-683	CARBON RESISTOR	68K 5% 1/6W	
A	R 746	GRD161J-224	CARBON RESISTOR	22K 5% 1/6W	
A	R 747	GRD161J-224	CARBON RESISTOR	22K 5% 1/6W	
A	R 748	GRD161J-224	CARBON RESISTOR	22K 5% 1/6W	
A	R 749	GRD161J-224	CARBON RESISTOR	22K 5% 1/6W	
A	R 750	GRD161J-683	CARBON RESISTOR	68K 5% 1/6W	
A	R 751	GRD161J-223	CARBON RESISTOR	22K 5% 1/6W	
A	R 752	GRD161J-153	CARBON RESISTOR	15K 5% 1/6W	
A	R 753	GRD161J-224	CARBON RESISTOR	22K 5% 1/6W	
A	R 754	GRD161J-224	CARBON RESISTOR	22K 5% 1/6W	
A	R 755	GRD14CJ-4R7SX	CARBON RESISTOR	4.7 5% 1/4W	
A	R 757	GRD161J-102	CARBON RESISTOR	1.0K 5% 1/6W	
A	R 758	GRD161J-272	CARBON RESISTOR	2.7K 5% 1/6W	
A	R 759	GRD161J-471	CARBON RESISTOR	4.7 5% 1/6W	
A	R 760	GRD161J-102	CARBON RESISTOR	1.0K 5% 1/6W	
A	R 761	GRD161J-272	CARBON RESISTOR	2.7K 5% 1/6W	
A	R 762	GRD161J-471	CARBON RESISTOR	4.7 5% 1/6W	
A	R 763	GRD161J-223	CARBON RESISTOR	22K 5% 1/6W	
A	R 764	GRD161J-223	CARBON RESISTOR	22K 5% 1/6W	
A	R 765	GRD161J-682	CARBON RESISTOR	6.8K 5% 1/6W	
A	R 766	GRD161J-682	CARBON RESISTOR	6.8K 5% 1/6W	
A	R 767	GRD161J-682	CARBON RESISTOR	6.8K 5% 1/6W	
A	R 768	GRD161J-682	CARBON RESISTOR	6.8K 5% 1/6W	
A	R 788	GRD161J-391	CARBON RESISTOR	390 5% 1/6W	
A	R 789	GRD161J-391	CARBON RESISTOR	390 5% 1/6W	
A	R 901	GRD14CJ-4R7SX	CARBON RESISTOR	4.7 5% 1/4W	
A	R 902	GRD14CJ-4R7SX	CARBON RESISTOR	4.7 5% 1/4W	
A	R 908	GRD161J-181	CARBON RESISTOR	180 5% 1/6W	
A	R 910	GRD161J-103	CARBON RESISTOR	10K 5% 1/6W	
A	R 912	GRD161J-103	CARBON RESISTOR	10K 5% 1/6W	
A	R 913	GRD161J-103	CARBON RESISTOR	10K 5% 1/6W	
A	R 914	GRD161J-103	CARBON RESISTOR	10K 5% 1/6W	
A	R 915	GRD161J-103	CARBON RESISTOR	10K 5% 1/6W	
A	R 917	GRD161J-103	CARBON RESISTOR	10K 5% 1/6W	
A	R 918	GRD161J-103	CARBON RESISTOR	10K 5% 1/6W	
A	R 919	GRD161J-472	CARBON RESISTOR	4.7K 5% 1/6W	
A	R 920	GRD161J-472	CARBON RESISTOR	4.7K 5% 1/6W	
A	R 921	GRD14CJ-100SX	CARBON RESISTOR	10 5% 1/4W	
A	R 923	GRD161J-821	CARBON RESISTOR	820 5% 1/6W	
A	R 927	GRD161J-472	CARBON RESISTOR	4.7K 5% 1/6W	
A	R 928	GRD161J-472	CARBON RESISTOR	4.7K 5% 1/6W	
A	R 931	GRD161J-102	CARBON RESISTOR	1.0K 5% 1/6W	
A	R 933	GRD14CJ-331SX	CARBON RESISTOR	330 5% 1/4W	
A	R 937	GRD14CJ-4R7SX	CARBON RESISTOR	4.7 5% 1/4W	

BLOCK NO. 01111111

A	REF.	PARTS NO.	PARTS NAME	REMARKS	SUFFIX
	RH851	QRD161J-103	CARBON RESISTOR	10K 5% 1/6W	
A	RH852	QRD14CJ-4R7SX	CARBON RESISTOR	4.7 5% 1/4W	
	RH853	QRD161J-122	CARBON RESISTOR	1.2K 5% 1/6W	
	RH854	QRD161J-102	CARBON RESISTOR	1.0K 5% 1/6W	
	RH855	QRD161J-471	CARBON RESISTOR	470 5% 1/6W	
	RH856	QRD161J-332	CARBON RESISTOR	3.3K 5% 1/6W	
	RI801	QRD161J-473	CARBON RESISTOR	47K 5% 1/6W	
	RI851	QRD161J-182	CARBON RESISTOR	1.8K 5% 1/6W	
	RI852	QRD161J-223	CARBON RESISTOR	22K 5% 1/6W	
	RI853	QRD161J-223	CARBON RESISTOR	22K 5% 1/6W	
	RI854	QRD161J-182	CARBON RESISTOR	1.8K 5% 1/6W	
	RI855	QRD161J-473	CARBON RESISTOR	47K 5% 1/6W	
	RL101	QRD161J-272	CARBON RESISTOR	2.7K 5% 1/6W	
	RL102	QRD161J-103	CARBON RESISTOR	10K 5% 1/6W	
	RL103	QRD161J-683	CARBON RESISTOR	68K 5% 1/6W	
	RL104	QRD161J-273	CARBON RESISTOR	27K 5% 1/6W	
	RL105	QRD161J-220	CARBON RESISTOR	22 5% 1/6W	
	RL106	QRD161J-102	CARBON RESISTOR	10K 5% 1/6W	
	RL201	QRD161J-272	CARBON RESISTOR	2.7K 5% 1/6W	
	RL202	QRD161J-103	CARBON RESISTOR	10K 5% 1/6W	
	RL203	QRD161J-683	CARBON RESISTOR	68K 5% 1/6W	
	RL204	QRD161J-273	CARBON RESISTOR	27K 5% 1/6W	
	RL205	QRD161J-220	CARBON RESISTOR	22 5% 1/6W	
	RL206	QRD161J-102	CARBON RESISTOR	10K 5% 1/6W	
	RP101	QRD161J-151	CARBON RESISTOR	150 5% 1/6W	
	RP102	QRD161J-124	CARBON RESISTOR	120K 5% 1/6W	
	RP103	QRD161J-103	CARBON RESISTOR	10K 5% 1/6W	
	RP104	QRD167J-562	CARBON RESISTOR	5.6K 5% 1/6W	
	RP105	QRD161J-182	CARBON RESISTOR	1.8K 5% 1/6W	
	RP201	QRD161J-151	CARBON RESISTOR	150 5% 1/6W	
	RP202	QRD161J-124	CARBON RESISTOR	120K 5% 1/6W	
	RP203	QRD161J-103	CARBON RESISTOR	10K 5% 1/6W	
	RP204	QRD167J-562	CARBON RESISTOR	5.6K 5% 1/6W	
	RP205	QRD161J-182	CARBON RESISTOR	1.8K 5% 1/6W	
	RQ101	QRD161J-273	CARBON RESISTOR	27K 5% 1/6W	
	RQ102	QRD161J-393	CARBON RESISTOR	39K 5% 1/6W	
	RQ103	QRD161J-102	CARBON RESISTOR	10K 5% 1/6W	
	RQ106	QRD161J-222	CARBON RESISTOR	2.2K 5% 1/6W	
	RQ201	QRD161J-273	CARBON RESISTOR	27K 5% 1/6W	
	RQ202	QRD161J-393	CARBON RESISTOR	39K 5% 1/6W	
	RQ203	QRD161J-102	CARBON RESISTOR	10K 5% 1/6W	
	RQ206	QRD161J-222	CARBON RESISTOR	2.2K 5% 1/6W	
	RQ801	QRD161J-103	CARBON RESISTOR	10K 5% 1/6W	
	RQ803	QRD161J-223	CARBON RESISTOR	22K 5% 1/6W	
	RQ804	QRD161J-103	CARBON RESISTOR	10K 5% 1/6W	
	RQ805	QRD161J-101	CARBON RESISTOR	100 5% 1/6W	
	RQ806	QRD161J-103	CARBON RESISTOR	10K 5% 1/6W	
	RR101	QRD161J-104	CARBON RESISTOR	100K 5% 1/6W	
	RR102	QRD161J-104	CARBON RESISTOR	100K 5% 1/6W	
	RR103	QRD161J-823	CARBON RESISTOR	82K 5% 1/6W	
	RR104	QRD167J-532	CARBON RESISTOR	3.3K 5% 1/6W	
	RR201	QRD161J-104	CARBON RESISTOR	100K 5% 1/6W	
	RR202	QRD161J-104	CARBON RESISTOR	100K 5% 1/6W	
	RR203	QRD161J-823	CARBON RESISTOR	82K 5% 1/6W	
	RR204	QRD167J-532	CARBON RESISTOR	3.3K 5% 1/6W	

BLOCK NO. 01111111

A	REF.	PARTS NO.	PARTS NAME	REMARKS	SUFFIX
	RD252	QRD167J-332	CARBON RESISTOR	3.3K 5% 1/6W	
	RD253	QRD161J-473	CARBON RESISTOR	47K 5% 1/6W	
	RD255	QRD161J-223	CARBON RESISTOR	22K 5% 1/6W	
	RD256	QRD161J-152	CARBON RESISTOR	1.5K 5% 1/6W	
	RD257	QRD161J-223	CARBON RESISTOR	22K 5% 1/6W	
	RD258	QRD161J-471	CARBON RESISTOR	470 5% 1/6W	
	RD259	QRD161J-105	CARBON RESISTOR	1.0M 5% 1/6W	
	RD260	QRD161J-271	CARBON RESISTOR	270 5% 1/6W	
	RC151	QRD161J-822	CARBON RESISTOR	8.2K 5% 1/6W	
	RC152	QRD161J-272	CARBON RESISTOR	2.7K 5% 1/6W	
	RC153	QRD161J-222	CARBON RESISTOR	2.2K 5% 1/6W	
	RC154	QRD161J-122	CARBON RESISTOR	1.2K 5% 1/6W	
	RC155	QRD161J-472	CARBON RESISTOR	4.7K 5% 1/6W	
	RC157	QRD161J-182	CARBON RESISTOR	1.8K 5% 1/6W	
	RC159	QRD161J-333	CARBON RESISTOR	33K 5% 1/6W	
	RC160	QRD161J-105	CARBON RESISTOR	1.0M 5% 1/6W	
	RC251	QRD161J-822	CARBON RESISTOR	8.2K 5% 1/6W	
	RC252	QRD161J-272	CARBON RESISTOR	2.7K 5% 1/6W	
	RC253	QRD161J-222	CARBON RESISTOR	2.2K 5% 1/6W	
	RC254	QRD161J-122	CARBON RESISTOR	1.2K 5% 1/6W	
	RC255	QRD161J-472	CARBON RESISTOR	4.7K 5% 1/6W	
	RC257	QRD161J-182	CARBON RESISTOR	1.8K 5% 1/6W	
	RC259	QRD161J-333	CARBON RESISTOR	33K 5% 1/6W	
	RC260	QRD161J-105	CARBON RESISTOR	1.0M 5% 1/6W	
	RC851	QRD161J-102	CARBON RESISTOR	1.0K 5% 1/6W	
	RC852	QRD161J-223	CARBON RESISTOR	22K 5% 1/6W	
	RD151	QRD161J-222	CARBON RESISTOR	2.2K 5% 1/6W	
	RD153	QRD161J-472	CARBON RESISTOR	4.7K 5% 1/6W	
	RD154	QRD161J-104	CARBON RESISTOR	100K 5% 1/6W	
	RD155	QRD161J-152	CARBON RESISTOR	1.5K 5% 1/6W	
	RD156	QRD161J-223	CARBON RESISTOR	22K 5% 1/6W	
	RD157	QRD161J-561	CARBON RESISTOR	560 5% 1/6W	
	RD251	QRD161J-222	CARBON RESISTOR	2.2K 5% 1/6W	
	RD253	QRD161J-472	CARBON RESISTOR	4.7K 5% 1/6W	
	RD254	QRD161J-104	CARBON RESISTOR	100K 5% 1/6W	
	RD255	QRD161J-152	CARBON RESISTOR	1.5K 5% 1/6W	
	RD256	QRD161J-223	CARBON RESISTOR	22K 5% 1/6W	
	RD257	QRD161J-561	CARBON RESISTOR	560 5% 1/6W	
	RD851	QRD161J-183	CARBON RESISTOR	18K 5% 1/6W	
	RD852	QRD14CJ-4R7SX	CARBON RESISTOR	4.7 5% 1/4W	
A	RD853	QRD14CJ-470SX	CARBON RESISTOR	47 5% 1/4W	
A	RD854	QRD161J-183	CARBON RESISTOR	18K 5% 1/6W	
	RD855	QRD161J-153	CARBON RESISTOR	15K 5% 1/6W	
A	RD856	QRD14CJ-4R7SX	CARBON RESISTOR	4.7 5% 1/4W	
	RD857	QRD161J-273	CARBON RESISTOR	27K 5% 1/6W	
	RD858	QRD161J-273	CARBON RESISTOR	27K 5% 1/6W	
	RD859	QRD161J-334	CARBON RESISTOR	330K 5% 1/6W	
	RD860	QRD161J-473	CARBON RESISTOR	47K 5% 1/6W	
A	RG153	QRD14CJ-100SX	CARBON RESISTOR	10 5% 1/4W	
	RG251	QRD161J-334	CARBON RESISTOR	330K 5% 1/6W	
	RG252	QRD161J-473	CARBON RESISTOR	47K 5% 1/6W	
A	RG253	QRD14CJ-100SX	CARBON RESISTOR	10 5% 1/4W	
	RG851	QRD161J-822	CARBON RESISTOR	8.2K 5% 1/6W	
	RG852	QRD167J-532	CARBON RESISTOR	3.3K 5% 1/6W	
	RG853	QRD161J-622	CARBON RESISTOR	6.2K 5% 1/6W	

● Main/Power Supply Board Parts List

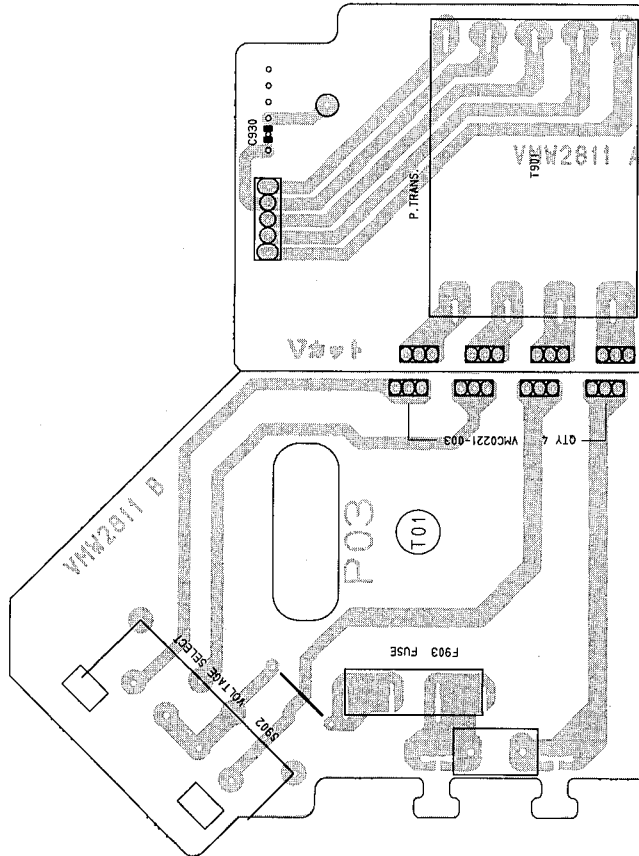
● Main board parts List

REF.	PARTS NO.	PARTS NAME	REMARKS	SUFFIX
RR801	QRD161J-223	CARBON RESISTOR	22K 5% 1/6W	
RR805	QRD161J-104	CARBON RESISTOR	100K 5% 1/6W	
RR806	QRD161J-222	CARBON RESISTOR	2.2K 5% 1/6W	
RR807	QRD161J-102	CARBON RESISTOR	1.0K 5% 1/6W	
RS801	QRD161J-104	CARBON RESISTOR	100K 5% 1/6W	
RS802	QRD161J-104	CARBON RESISTOR	100K 5% 1/6W	
RS803	QRD161J-102	CARBON RESISTOR	1.0K 5% 1/6W	
RS804	QRD161J-102	CARBON RESISTOR	1.0K 5% 1/6W	
RS805	QRD161J-102	CARBON RESISTOR	1.0K 5% 1/6W	
VRA11	QVZ5523-101	V-RESISTOR	A PB LEVEL ADJ	
VRA12	QVZ5523-203AZ	V-RESISTOR	A PB EQ ADJ	
VRA15	QVZ5523-101	V-RESISTOR	B PB LEVEL ADJ	
VRA16	QVZ5523-203AZ	V-RESISTOR	B PB EQ ADJ	
VRA21	QVZ5523-101	V-RESISTOR	A PB LEVEL ADJ	
VRA22	QVZ5523-203AZ	V-RESISTOR	A PB EQ ADJ	
VRA25	QVZ5523-101	V-RESISTOR	B PB LEVEL ADJ	
VRA26	QVZ5523-203AZ	V-RESISTOR	B PB EQ ADJ	
VRB15	QVZ5523-203AZ	V-RESISTOR	B REC LEVEL ADJ	
VRB25	QVZ5523-203AZ	V-RESISTOR	B REC LEVEL ADJ	
VRG15	QVZ5523-203AZ	V-RESISTOR	B BIAS ADJ	
VRG25	QVZ5523-203AZ	V-RESISTOR	B BIAS ADJ	
VR701	QVPE612-103ZM	SEMI.V.RESISTOR	A N.SPEED ADJ	
VR702	QVPE612-203ZM	SEMI.V.RESISTOR	A H.SPEED ADJ	
VR703	QVPE612-103ZM	SEMI.V.RESISTOR	B N.SPEED ADJ	
VR704	QVPE612-203ZM	SEMI.V.RESISTOR	B H.SPEED ADJ	

● Power Supply Board Parts List

REF.	PARTS NO.	PARTS NAME	REMARKS	SUFFIX
C 930	QCF11HP-103	C.CAPACITOR	.010MF +100V-0X	
CN905	VMC0221-003	CONNECTOR		
CN906	VMC0221-003	CONNECTOR		
CN907	VMC0221-003	CONNECTOR		
CN908	VMC0221-003	CONNECTOR		
F 903	QMF51A2-R315	FUSE	315MA	U/UT
S 902	QSS2325-112	SLIDE SWITCH	V.SELECT	U/UT
T 901	VTP5225-011F	POWER TRANS.	A,B,E,EN,G	
T 901	VTP52A5-011F	POWER TRANS.	C,J	
T 901	VTP52B5-011F	POWER TRANS.	U/UT	

● U/UT Version



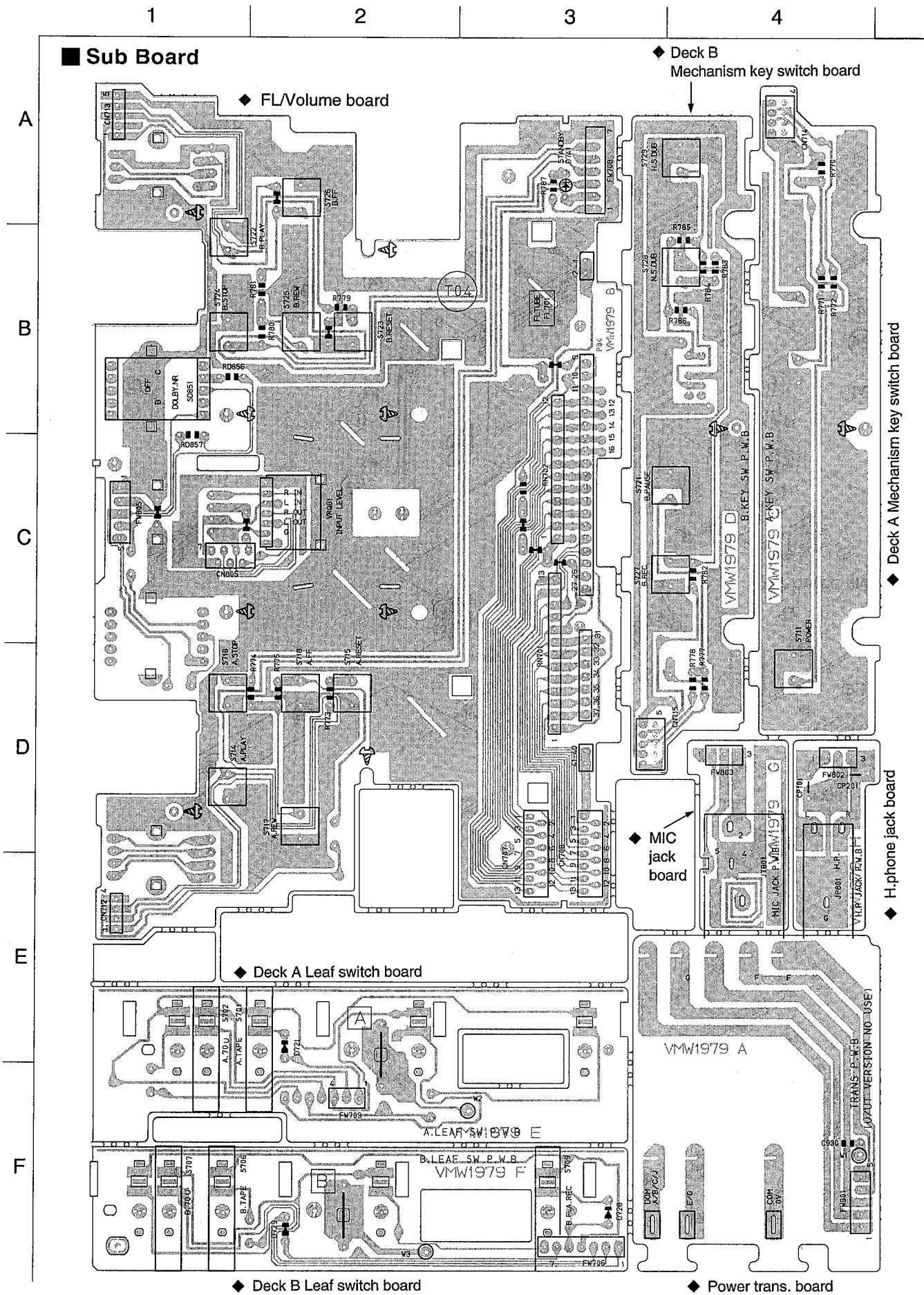


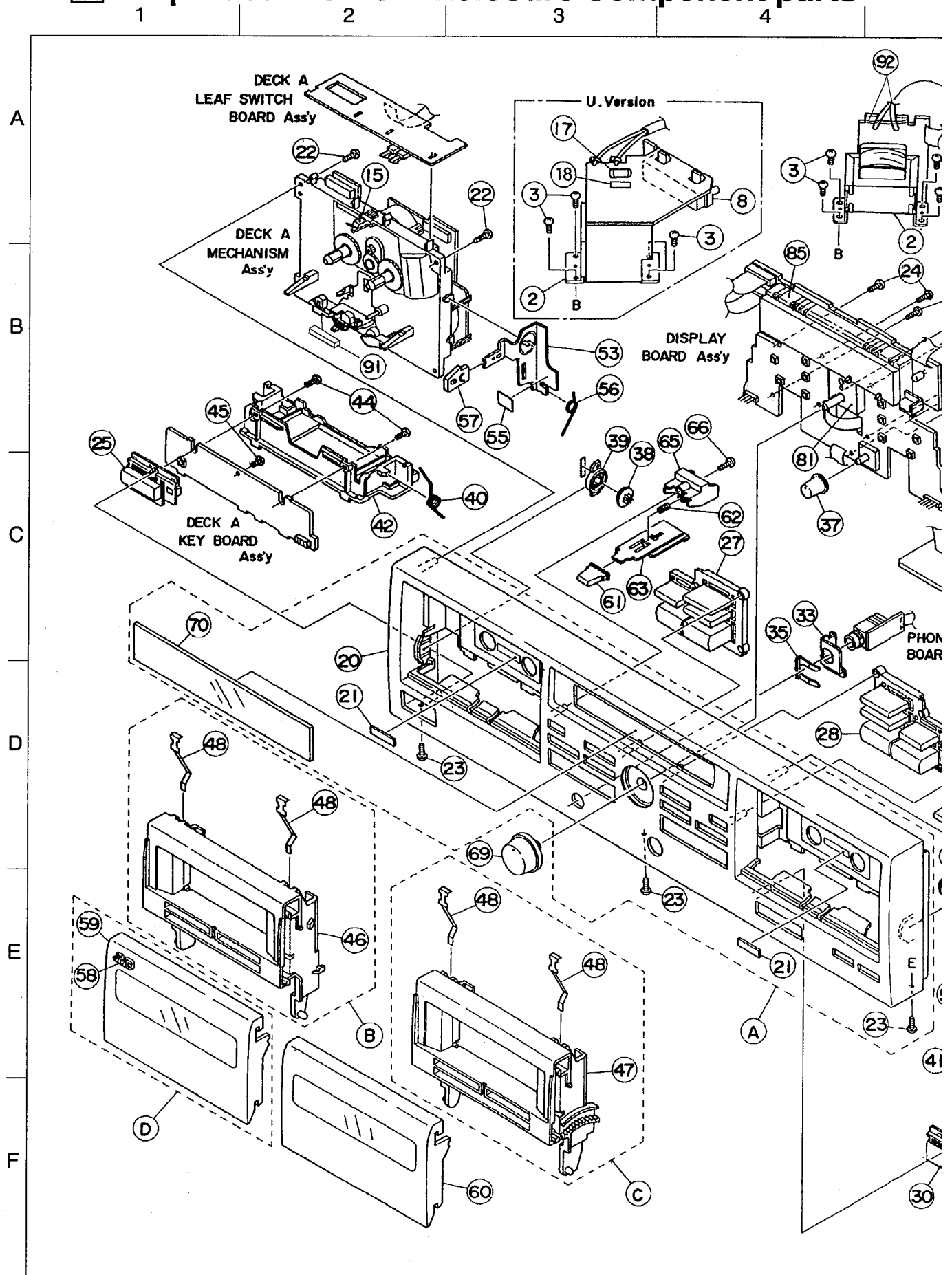
Fig 7 - 2

● Sub Board parts List

● Sub Board Parts List

BLOCK NO. 02		BLOCK NO. 02		BLOCK NO. 02		BLOCK NO. 02					
A	REF.	PARTS NO.	PARTS NAME	REMARKS	SUFFIX	A	REF.	PARTS NO.	PARTS NAME	REMARKS	SUFFIX
	C 930	QCVB1CM-103Y	C.CAPACITOR	.010MF 20% 16V			S 728	QSQ4H11-V01	TACT SWITCH	N.S.DUB	
	CN707	VMCO163-013	CONNECTOR	FL SIG			S 729	QSQ4H11-V01	TACT SWITCH	H.S.DUB	
	CN708	VMCO163-013	CONNECTOR	FL SIG			SD851	QSR2D13-V02	ROTARY SWITCH	(DOLBY SW)	
	CN712	VMCO280-004	CONNECTOR	POWER SWITCH			VRQ81	QVDB22A-V02	V.RESISTOR	INPUT LEVEL	
	CN713	VMCO280-005	CONNECTOR	KEY SWITCH B							
	CN714	VMCO281-504	CONNECTOR	POWER SWITCH							
	CN715	VMCO281-505	CONNECTOR	KEY SWITCH B							
	CN805	VMCO163-007	CONNECTOR	INPUT&KEY							
	CP101	GFLC1HJ-473ZM	M.CAPACITOR	.047MF 5% 50V							
	CP201	GFLC1HJ-473ZM	M.CAPACITOR	.047MF 5% 50V							
	D 721	1SS133	SI DIODE								
	D 727	1SS133	SI DIODE								
	D 728	1SS133	SI DIODE								
	D 741	SLR-55VCF08	LED								
	FL701	BJ1506K	FL TUBE								
	JP801	GMS6032-V01	JACK	H.P. JACK							
	R 770	GRD161J-102	CARBON RESISTOR	1.0K 5% 1/6W							
	R 771	GRD161J-122	CARBON RESISTOR	1.2K 5% 1/6W							
	R 772	GRD161J-182	CARBON RESISTOR	1.8K 5% 1/6W							
	R 773	GRD161J-272	CARBON RESISTOR	2.7K 5% 1/6W							
	R 774	GRD161J-102	CARBON RESISTOR	1.0K 5% 1/6W							
	R 775	GRD161J-122	CARBON RESISTOR	1.2K 5% 1/6W							
	R 777	GRD161J-222	CARBON RESISTOR	2.2K 5% 1/6W							
	R 778	GRD161J-182	CARBON RESISTOR	1.8K 5% 1/6W							
	R 779	GRD161J-272	CARBON RESISTOR	2.7K 5% 1/6W							
	R 780	GRD161J-102	CARBON RESISTOR	1.0K 5% 1/6W							
	R 781	GRD161J-122	CARBON RESISTOR	1.2K 5% 1/6W							
	R 782	GRD161J-182	CARBON RESISTOR	1.8K 5% 1/6W							
	R 783	GRD161J-272	CARBON RESISTOR	2.7K 5% 1/6W							
	R 784	GRD161J-472	CARBON RESISTOR	4.7K 5% 1/6W							
	R 787	GRD161J-151	CARBON RESISTOR	150 5% 1/6W							
	R 799	GRD161J-473	CARBON RESISTOR	47K 5% 1/6W							
	RD856	GRD161J-103	CARBON RESISTOR	10K 5% 1/6W							
	RD857	GRD161J-103	CARBON RESISTOR	10K 5% 1/6W							
	RN701	GRB125J-473	R.NETWORK	47K 5% 1/2W							
	RN702	GRB115J-473	R.NETWORK	47K 5% 1/1W							
	S 701	VSH1140-006	LEAF SWITCH	TAPE							
	S 702	VSH1140-006	LEAF SWITCH	70EQ							
	S 706	VSH1140-006	LEAF SWITCH	TAPE							
	S 707	VSH1140-006	LEAF SWITCH	70EQ							
	S 708	VSH1140-006	LEAF SWITCH	METAL							
	S 709	VSH1140-006	LEAF SWITCH	F.A.REC							
	S 711	GSQ4H11-V01	TACT SWITCH	POWER							
	S 714	GSQ4H11-V01	TACT SWITCH	A.PLAY							
	S 715	GSQ4H11-V01	TACT SWITCH	A.COUNTER.RESET							
	S 716	GSQ4H11-V01	TACT SWITCH	A.STOP							
	S 717	GSQ4H11-V01	TACT SWITCH	A.REW							
	S 718	GSQ4H11-V01	TACT SWITCH	A.FF							
	S 721	GSQ4H11-V01	TACT SWITCH	B.PAUSE							
	S 722	GSQ4H11-V01	TACT SWITCH	B.PLAY							
	S 723	GSQ4H11-V01	TACT SWITCH	B.COUNTER.RESET							
	S 724	GSQ4H11-V01	TACT SWITCH	B.STOP							
	S 725	GSQ4H11-V01	TACT SWITCH	B.REW							
	S 726	GSQ4H11-V01	TACT SWITCH	B.FF							
	S 727	GSQ4H11-V01	TACT SWITCH	B.REC							

8 Exploded View of Enclosure Component parts



5

6

7

8

9

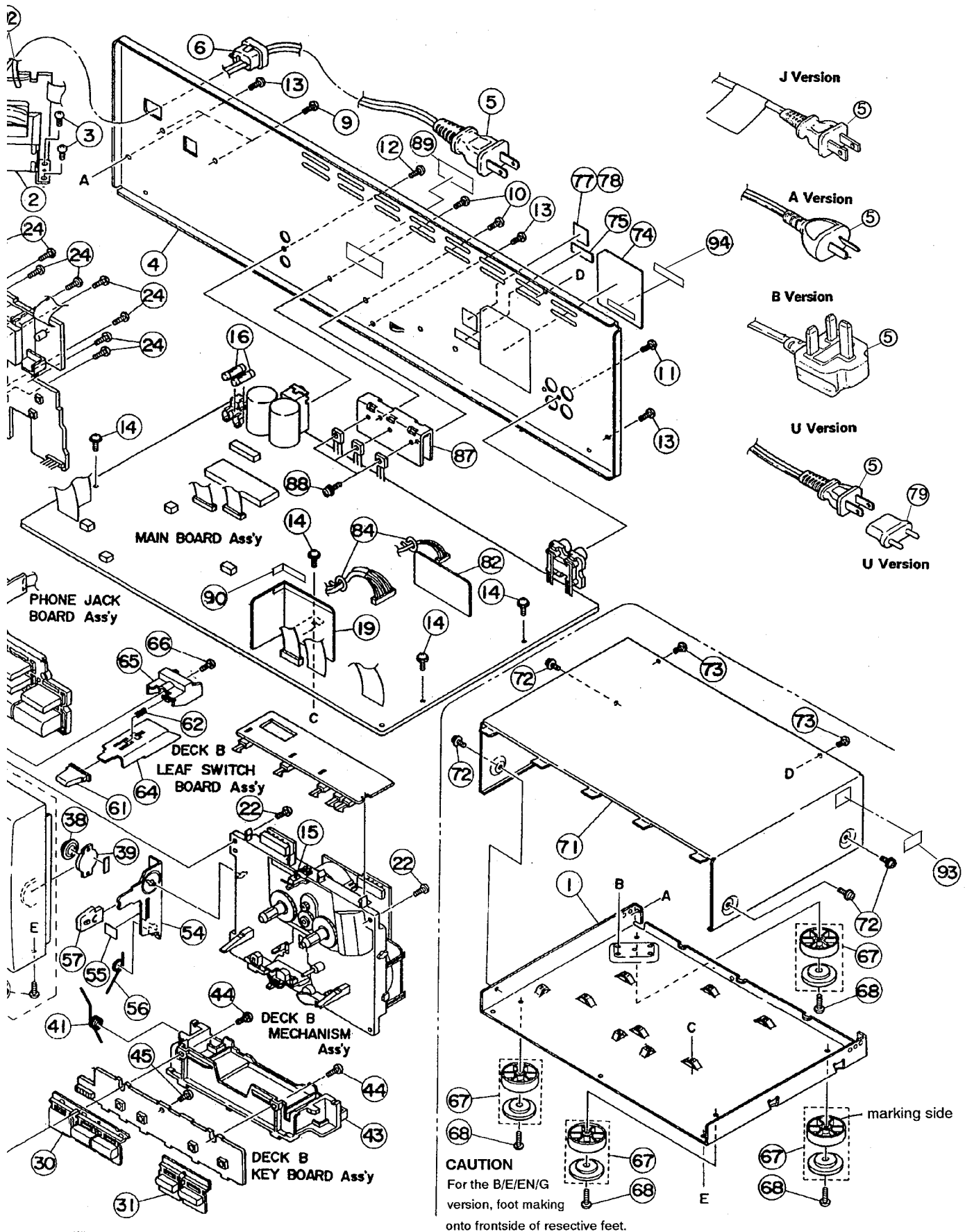


Fig 8 - 1

CAUTION
For the B/E/EN/G/
version, foot making
onto frontside of reseptive feet.

● Enclosure Component parts List

BLOCK NO. M2MM

REF.	PARTS NO.	PARTS NAME	REMARKS	QTY	SUFFIX	CLR
A	ZCTDW216K-FB	FRONT PANEL	20-21,70	1		BK
	ZCTDW215J-FTN	FRONT PANEL	20-21,70	1		TN
B	ZCTDW216K-CH-A	CASSETTE HOLDER	SAME AS TD-W215	1		
C	ZCTDW216K-CH-B	CASSETTE HOLDER	SAME AS TD-W215	1		
D	ZCTDW216K-CL	CASSETTE LID	58-59	1		BK
	ZCTDW215K-CL	CASSETTE LID	58-59	1		TN
1	VKL1333-009	CHASSIS BASE		1		
2	VTP5225-011F	POWER TRANS.		1	A,B,E,EN,G	
	VTP52A5-011F	POWER TRANS.		1	C,J	
	VTP52G5-011F	POWER TRANS.		1	U,UT	
3	SBST3006Z	SCREW	FOR POWER TRANS	4		
4	VJC2410-036	REAR PANEL		1	A,B,C,E	TN
	VJC2410-036	REAR PANEL		1	EN,G,J	TN
	VJC2410-037	REAR PANEL		1	U,UT	TN
	VJC2410-038	REAR PANEL		1	A,B,C,E	BK
	VJC2410-038	REAR PANEL		1	EN,G,J	BK
5	VJC2410-039	REAR PANEL		1	U,UT	BK
	QMP2560-200	POWER CORD		1	A	
	QMP5530-008	POWER CORD		1	B	
	QMP1200-200	POWER CORD		1	C	
	QMP3900-200	POWER CORD		1	E,EN,G	
	QMP1340-200	POWER CORD		1	J	
	QMP7380-200	POWER CORD		1	U,UT	
6	QHS3771-108	CORD STOPPER	FOR POWER CORD	1		
8	VKS5011-001	VOLTAGE CONTACT		1	U,UT	
9	SBSF3008M	SCREW	FOR V.SELECTOR	2	U,UT	
10	SBSF3008M	SCREW	FOR HEAT SINK	2		
11	SBSF3008M	SCREW	FOR PIN JACK	1		
12	SBSF3008M	SCREW	FOR DCS JACK	1		
13	SBST3006M	SCREW	FOR REAR+CHASSI	3		
14	GBST3006Z	SCREW	FOR MAIN P.C.BO	4		
15	VKY4628-002	PACK SPRING		2		
16	QMF51E2-R80SBS	FUSE	FOR F901/F902	2	A,E,EN	
	QMF51E2-R80SBS	FUSE	FOR F901/F902	2	G,U,UT	
	QMF51E2-R80SBS	FUSE	FOR F901,F902	2	B	
17	QMF51A2-R315	FUSE	FOR F903	1	U,UT	
18	VND4003-074	FUSE LABEL	FOR F903	1	U,UT	
19	VMA4596-001	SHIELD CASE		1		
20	VJG1205-018	FRONT PANEL		1	A,B,E,EN	TN
	VJG1205-018	FRONT PANEL		1	G,U,UT	TN
	VJG1205-019UL	FRONT PANEL		1	C,J	TN
	VJG1205-020	FRONT PANEL		1	A,B,E,EN	BK
	VJG1205-020	FRONT PANEL		1	G,U,UT	BK
	VJG1205-021UL	FRONT PANEL		1	C,J	BK
21	VJD4024-001	REFLECTION PLAT		2		
22	SBSF3014Z	SCREW	FOR MECHANISM	4		
23	SBST3006M	SCREW	FOR FRONT PANEL	3		
24	SBSF2608Z	SCREW	FOR SLIDE SWITC	8		
25	VXP5178-003	PUSH BUTTON	FOR POWER	1		TN
	VXP5178-004	PUSH BUTTON		1		BK
27	VXP3559-003	MECHA BUTTON	A PLAY/STOP	1		TN
	VXP3559-004	MECHA BUTTON		1		BK
28	VXP3560-003	MECHA BUTTON	B PLAY/STOP	1		TN
	VXP3560-004	MECHA BUTTON		1		BK
30	VXP3562-004	MECHA BUTTON	B REC/PAUSE	1		TN

BLOCK NO. M1MM

REF.	PARTS NO.	PARTS NAME	REMARKS	QTY	SUFFIX	CLR
31	VXP3562-005	MECHA BUTTON		1		BK
	VXP3563-001	MECHA BUTTON	DUBBING	1		TN
	VXP3563-002	MECHA BUTTON		1		BK
33	VKL7265-003	JACK BRACKET	FOR H.P.JACK	1		
35	VKL6752-001	SNAP PLATE		1		
37	VXL4425-001	KNOB	DOLBY NR	1		TN
	VXL4425-002	KNOB		1		BK
38	VYH5601-201	GEAR		2		
39	VYH7778-002	GEAR HOLDER		2		
40	VKW3006-228	TORSION SPRING	A-HOLDER	1		
41	VKW3006-229	TORSION SPRING	B-HOLDER	1		
42	VYH2275-001	MECHA HOLDER	FOR Aカ	1		
43	VYH2275-101	MECHA HOLDER	FOR Bカ	1		
44	SBSF2608Z	SCREW	FOR MECHANISM B	4		
45	SBSF2608Z	SCREW	FOR A B PWB	2		
46	VJT2317-003	CASSETTE HOLDER	FOR A-MECHA	1		
47	VJT2317-004	CASSETTE HOLDER	FOR B-MECHA	1		
48	VKY4180-001	CASSETTE SPRING		4		
53	VKM3476-001	LOCK LEVER (R)	A-MECHA	1		
54	VKM3475-002	LOCK LEVER (L)	B-MECHA	1		
55	VYSS1R2-042	SPACER	L.LEVER	2		
56	VKW3006-217	TORSHION SPRING		2		
57	VYH7424-002	LOCK PLATE		2		
58	VJD5429-001	JVC MARK	FOR C.LID	1		
59	VJT2318-015	CASSETTE LID	FOR A MECHA	1		TN
60	VJT2318-017	CASSETTE LID		1		BK
	VJT2318-016	CASSETTE LID	FOR B MECHA	1		TN
	VJT2318-018	CASSETTE LID		1		BK
61	VXP5179-001	PUSH BUTTON	FOR EJECT	2		TN
	VXP5179-002	PUSH BUTTON		1		BK
62	VKW3001-077	C.SPRING		2		
63	VKL7262-002	REMOTE ARM	FOR A-MECHA	1		
64	VKL7263-002	REMOTE ARM	FOR B-MECHA	1		
65	VYH7773-001	BUTTON HOLDER		2		
66	SBSF2608Z	SCREW	FOR B.H.+F.P.	2		
67	VJF4039-00E	FOOT ASS'Y		4		TN
	E406379-008SS	FOOT ASS'Y		4		BK
68	SBST3008Z	SCREW	FOR FOOT	4		
69	VXL3023-001	KNOB	INPUT VOLUME	1		TN
	VXL3023-002	OPERATION KNOB		1		BK
70	VJK3607-001	FINDER		1		TN
	VJK3607-002	FINDER		1		BK
71	VJC1964-001	TOP COVER		1		TN
	VJC1964-202	TOP COVER		1		BK
72	VKZ4614-001	SPECIAL SCREW		4		
73	SBST3006M	SCREW	FOR TOP COVER	2		
74	VYN2336-003PA	NAME PLATE		1	A	TN
	VYN2336-002PA	NAME PLATE		1	B	TN
	VYN2336-004PA	NAME PLATE		1	C	TN
	VYN2336-005PA	NAME PLATE		1	E,EN	TN
	VYN2336-008PA	NAME PLATE		1	G	TN
	VYN2336-006PA	NAME PLATE		1	J	TN
	VYN2336-007PA	NAME PLATE		1	U,UT	TN
	VYN2337-003PA	NAME PLATE		1	A	BK

BLOCK NO. M1MM

REF.	PARTS NO.	PARTS NAME	REMARKS	QTY	SUFFIX	CLR
	VYN2337-002PA	NAME PLATE		1	B	BK
	VYN2337-004PA	NAME PLATE		1	C	BK
	VYN2337-005PA	NAME PLATE		1	E,EN	BK
	VYN2337-008PA	NAME PLATE		1	G	BK
	VYN2337-006PA	NAME PLATE		1	J	BK
75	VYN2337-007PA	NAME PLATE		1	U,UT	BK
	VND4205-004	CAUTION LABEL	C.R.L.CAUTI	1	B	
77	T44362-001	CSA LABEL		1	C	
78	E407097-001	HYATT L.LABEL		1	J	
79	V04062-001	CONTI.PLUG		1	U,UT	
81	VMA4587-001	SHIELD PLATE	FOR INPUT VOL	1		
82	VMA4142-001	SHIELD PLATE(B)		1		
84	VMZ0015-005	POST PIN	FOR HEAD WIRE	2		
85	VYH3671-003	FL HOLDER	SW	1		
87	VMH4011-201	HEAT SINK		1		
88	DPSP3008Z	SCREW	FOR Q901,903,90	3		
89	QSS2325-112	SLIDE SWITCH	S902	1	U,UT	
	VND4999-001	FCC LABEL (3)		1	C,J	
90	VMZ0043-001S	FUSE CLAMP	FOR F903	2	U,UT	
	VYSA1R4-050	SPACER		1		
91	VYSA1R4-056	SPACER		1		
92	QHX5080-001	WIRE CLAMP		2		
94	VND4992-001	ORIGN LABEL		1	UT	

9 Exploded View of Mechanism Component parts

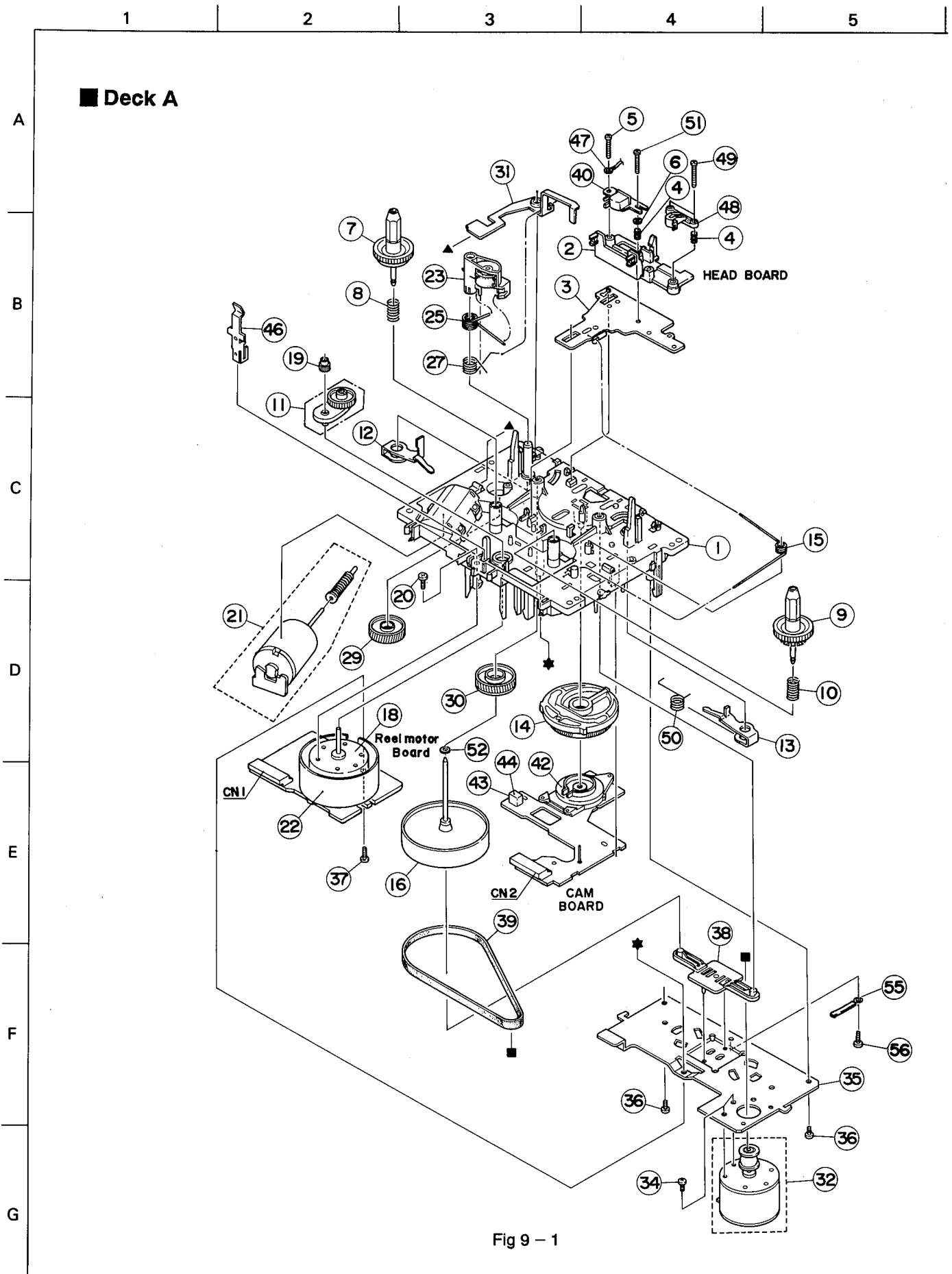


Fig 9 - 1

BLOCK NO. M2MM 1111

REF.	PARTS NO.	PARTS NAME	REMARKS	QTY	SUFFIX	CLR
1	VKS1121-80A	CHASSIS B ASS'Y		1		
2	VKS2221-002	HEAD MOUNT BASE		1		
3	VKL7021-00A	HEAD BASE ASS'Y		1		
4	VKW3001-080	SPRING	R/P HEAD	1		
	VKW3001-080	SPRING	DUMMY HWAD	1		
5	SPSX2011N	SCREW	R/P HEAD	1		
6	WNS2000N	WASHER	R/P HEAD ADJ.SI	1		
7	VKS5321-00D	T-UP REEL ASS'Y		1		
8	VKW4928-003	B.T. SPRING	T-UP REEL	1		
9	VKS3480-004	REEL DISK	SUPPLY	1		
10	VKW4928-003	B.T. SPRING	SUPPLY	1		
11	VKS5325-00F	FR ARM ASS'Y	REEL MOTOR	1		
12	VKL6939-002	PINCH LEVER (R)		1		
13	VKL6940-003	PINCH LEVER (L)		1		
14	VKS2209-006	CONTROL CAM		1		
15	VKW4930-004	RETURN SPRING	FOR HEAD BASE	1		
16	VKF3184-00B	FLYWHEEL(R)ASSY		1		
18	MMN-6F4RA38	D.C.MOTOR	FOR REEL	1		
19	VKS5328-002	GEAR	REEL MOTOR	1		
20	SDSP2605Z	SCREW	REEL MOTOR	1		
21	MXN13FB12F-SA2	DC MOTOR ASS'Y	FOR ACT.	1		
22	FE-ZMS514	SHIELD CORE	FOR REEL MOTOR	1		
23	VKP4219-00C	PINCH R.(R)ASSY		1		
25	VKW4981-002	P.R.SPRING(R)	FOR PINCH(R)	1		
27	VKW4932-005	P.R. ARM SPRING	FOR P.ARM(R)	1		
29	VKS5330-004	ACT. GEAR (5)		1		
30	VKS5331-003	ACT GEAR(6)	FIYWHEEL	1		
31	VKL6954-007	EJECT SAFETY(R)		1		
32	MMI6H2LWK-SA5	MOTOR ASS'Y	FOR CAPSTAN	1		
34	SPSP2603Z	SCREW	C.MOTOR	2		
35	VKM3416-004	FM BRACKET		1		
36	SDSF2605Z	SCREW	FOR FM BKT	2		
37	SDSF2608Z	SCREW	REEL MOTOR PCB	1		
38	VKS5327-004	THRUST PLATE		1		
39	VKB3001-051	BELT	MAIN	1		
40	VGH0421-021	R/P HEAD		1		
42	VKS3587-00A	CAM SWITCH UNIT		1		
43	VKS3487-002	IC HOLDER		1		
44	DN6851A	HALL IC		1		
46	VKY4628-002	SPRING	FOR CASSETTE	1		
47	VWE290-07A1WS	UL V. WIRE	R/P HEAD EARTH	1		
48	VKS4710-001	DUMMY HEAD		1		
49	SPSX2012Z	SCREW	DUMMY HEAD	2		
50	VKW4954-001	P.L SPRING	PINCH LEVER L	1		
51	VKZ4692-001	S.SCREW	R/P HEAD ADJ.SI	1		
52	WFL256525	WASHER	FIYWHEEL ASS'Y	1		
55	VKZ4001-009	WIRE HOLDER		1		
56	SDST2604Z	SCREW	WIRE HOLDER	1		
C 2	QCF11HP-223	C.CAPACITOR	FOR REEL	1		
CN 1	VMC0249-R08N	CONNECTOR	FOR MOTOR	1		
CN 2	VMC0249-R07N	SOCKET	FOR CAM/HALL IC	1		

1

2

3

4

5

■ Deck B

A

B

C

D

E

F

G

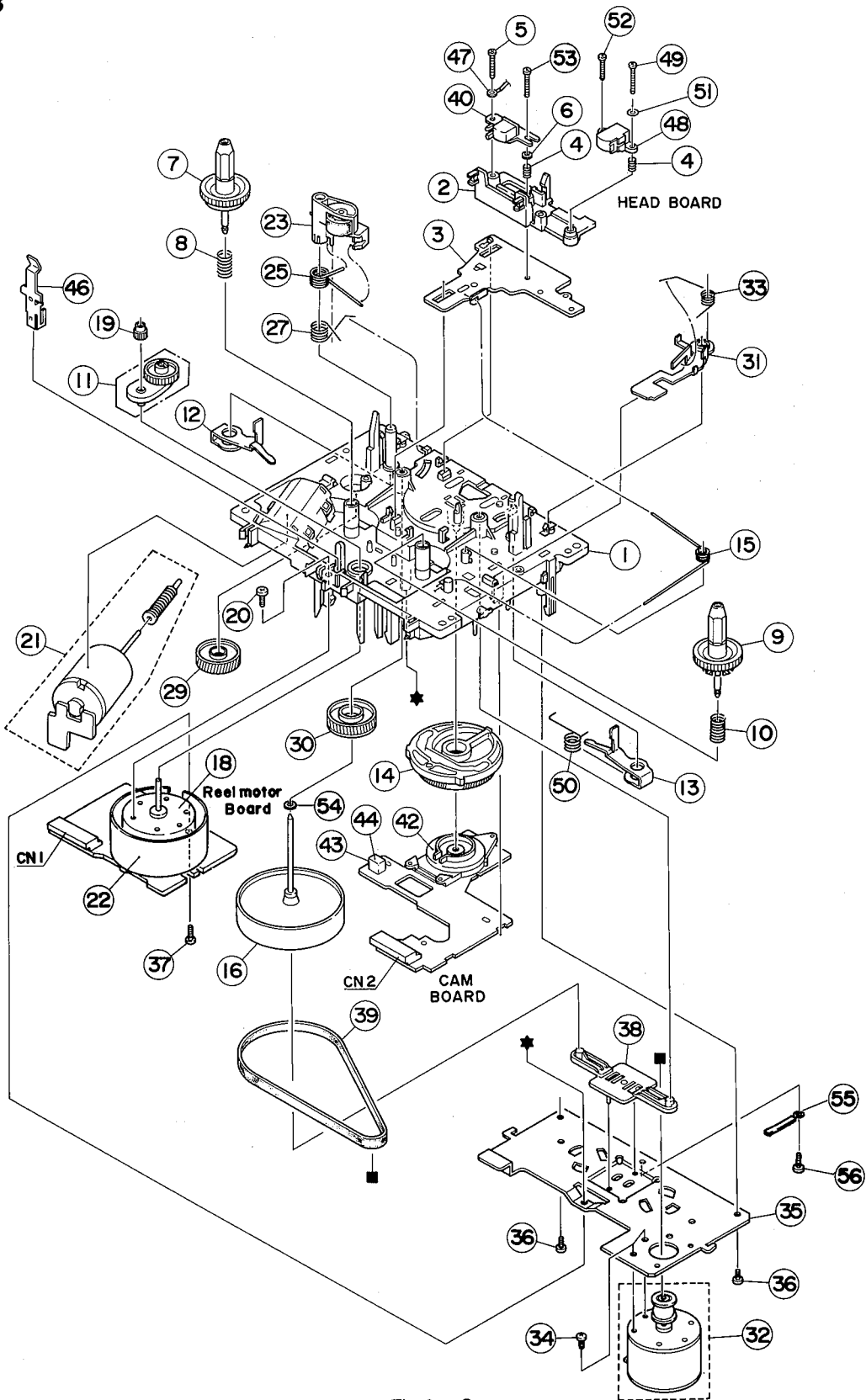


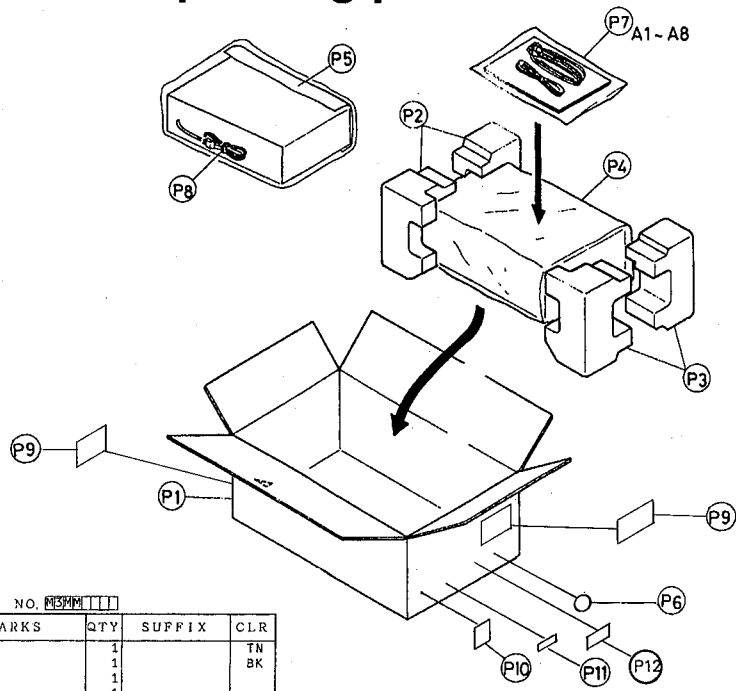
Fig 9 - 2

● DECK:B Mechanism Component Parts List

BLOCK NO. M4MM

△	REF.	PARTS NO.	PARTS NAME	REMARKS	QTY	SUFFIX	CLR
	1	VKS1121-80A	CHASSIS B ASS'Y		1		
	2	VKS2221-002	HEAD MOUNT BASE		1		
	3	VKL7021-00A	HEAD BASE ASS'Y		1		
	4	VKW3001-080	SPRING	R/P HEAD	1		
		VKW3001-080	SPRING	E.HEAD	1		
	5	SPSX2011N	SCREW	R/P HEAD	1		
	6	WNS2000N	WASHER	R/P HEAD	1		
	7	VKS5321-00D	T-UP REEL ASS'Y		1		
	8	VKW4928-003	B.T. SPRING	T-UP REEL	1		
	9	VKS3480-004	REEL DISK	SUPPLY	1		
	10	VKW4928-003	B.T. SPRING	SUPPLY REEL	1		
	11	VKS5325-00F	FR ARM ASS'Y	REEL MOTOR	1		
	12	VKL6939-002	PINCH LEVER (R)		1		
	13	VKL6940-003	PINCH LEVER (L)		1		
	14	VKS2209-006	CONTROL CAM		1		
	15	VKW4930-004	RETURN SPRING	HEAD BASE	1		
	16	VKF3184-00B	FLYWHEEL(R)ASSY		1		
	18	MMN-6F4RA38	D.C.MOTOR	FOR REEL	1		
	19	VKS5328-002	GEAR	REEL MOTOR	1		
	20	SDSP2605Z	SCREW	REEL MOTOR	1		
	21	MXN13FB12F-SA2	DC MOTOR ASS'Y	FOR ACTUATOR	1		
	22	FE-ZMS514	SHIELD CORE	REEL MOTOR	1		
	23	VKP4219-00C	PINCH R.(R)ASSY		1		
	25	VKW4981-002	P.R.SPRING(R)	FOR PINCH (R)	1		
	27	VKW4932-005	P.R. ARM SPRING	FOR P. ARM (R)	1		
	29	VKS5330-004	ACT. GEAR (5)		1		
	30	VKS5331-003	ACT GEAR(6)	FOR FLYWHEEL	1		
	31	VKL7060-002	EJECT SAFETY(L)		1		
	32	MMI6H2LWK-SA5	MOTOR ASS'Y	CAPSAN	1		
	33	VKW4955-001	T. SPRING	EJECT SAFETY	1		
	34	SPSP2603Z	SCREW	C.MOTOR	2		
	35	VKM3416-004	FM BRACKET		1		
	36	SDSF2605Z	SCREW	FM BRACKET	2		
	37	SDSF2608Z	SCREW	REEL MOTOR PCB	1		
	38	VKS5327-004	THRUST PLATE		1		
	39	VKB3001-051	BELT	MAIN	1		
	40	VGH0421-021	R/P HEAD		1		
	42	VKS3587-00A	CAM SWITCH UNIT		1		
	43	VKS3487-002	IC HOLDER		1		
	44	DN6851A	HALL IC		1		
	46	VKY4628-002	SPRING	FOR CASSETTE	1		
	47	VWE290-07A1WS	UL V. WIRE	R/P HEAD EARTH	1		
	48	LE15A-C1	E.HEAD		1		
	49	SPSX2012Z	SCREW	E.HEAD	1		
	50	VKW4954-001	P.L SPRING	PINCH LEVER L	1		
	51	WNS2000N	WASHER	E.HEAD	1		
	52	SPSX2011N	SCREW	E.HEAD	1		
	53	VKZ4692-001	S.SCREW	R/P HEAD ADJ SI	1		
	54	WFL256525	WASHER	FLYWHEEL	1		
	55	VKZ4001-009	WIRE HOLDER		1		
	56	SDST2604Z	SCREW	WIRE HOLDER	1		
C	2	QCF11HP-223	C.CAPACITOR	FOR REEL MOTOR	1		
CN	1	VMC0249-R08N	CONNECTOR	FOR MOTOR	1		
CN	2	VMC0249-R07N	SOCKET	FOR CAM/HALL IC	1		

10 Packing Illustration and packing parts list



● Packing parts list

BLOCK NO. <u>MEMM</u>							
A	REF.	PARTS NO.	PARTS NAME	REMARKS	QTY	SUFFIX	CLR
P	1	VPC2336-M002	CARTON		1		TN
P	2	VPH2456-201	CUSHION (L)		1		BK
P	3	VPH2457-201	CUSHION (R)		1		
P	4	E300196-031B	ENVELOPE	FOR SET	1		
P	5	VPK3001-012	SHEET	FOR SET	1		
P	6	QZLA001-011	MARK	GRFEN POINT	1	E,EN,G	
P	7	VPE3005-007	POLY BAG	FOR INSTRUCTION	1		
P	8	Q04141H	WIRE CLAMP	FOR POWER CORD	1		
P	9	TDW215TNA-LAB	SERIAL TICKET		1	A	
		TDW215TNB-LAB	SERIAL TICKET		1	B	
		TDW215TNC-LAB	SERIAL TICKET		2	C	
		TDW215TNE-LAB	SERIAL TICKET		1	E	
		TDW215TNE-LAB	SERIAL TICKET		1	EN	
		TDW215TNG-LAB	SERIAL TICKET		1	G	
		TDW215TNJ-LAB	SERIAL TICKET		2	J	
		TDW215TNU-LAB	SERIAL TICKET		1	U	
		TDW215TNU-LAB	SERIAL TICKET		1	UT	
		TDW216BKA-LAB	SERIAL TICKET		1	A	
		TDW216BKB-LAB	SERIAL TICKET		1	B	
		TDW216BKC-LAB	SERIAL TICKET		2	C	
		TDW216BKE-LAB	SERIAL TICKET		1	E	
		TDW216BKE-LAB	SERIAL TICKET		1	EN	
		TDW216BKG-LAB	SERIAL TICKET		1	G	
		TDW216BKG-LAB	SERIAL TICKET		1	G	
		TDW216BKJ-LAB	SERIAL TICKET		2	J	
		TDW216BKU-LAB	SERIAL TICKET		1	U	
		TDW216BKUT-LAB	SERIAL TICKET		1	UT	
P	10	VYN2336-010	NAME PLATE		1	UT	TN
P	11	VYN2337-M010	NAME PLATE		1	UT	BK
P	12	VND4992-001	ORIGN LABEL		1	UT	
		VND3069-060	EAN CORD LABEL		1	A,B,E,EN	TN
		VND3069-060	EAN CORD LABEL		1	G,U,UT	TN
		VND3069-061	EAN CORD LABEL		1	A,B,E,EN	BK
		VND3069-061	EAN CORD LABEL		1	G,U,UT	BK
		VND3065-065	UPC CORD LABEL		1	C,J	TN
		VND3065-066	UPC CORD LABEL		1	C,J	BK

● Accessories

BLOCK NO. <u>MEMM</u>							
A	REF.	PARTS NO.	PARTS NAME	REMARKS	QTY	SUFFIX	CLR
A	1	VMPO039-00D	RCA CORD		1		
A	2	VNN2336-671M	INST BOOK		1	A,B,J	
		VNN2336-661M	INST BOOK		1	C,E,EN	
		VNN2336-661M	INST BOOK		1	G,U,UT	
		VNN2336-121M	INSTRUCTIONS		1	UT	
A	3	VNN2336-271M	INSTRUCTIONS		1	EN	
		BT20040	WARRANTY CARD		1	B	
		BT-56001-1	WARRANTY CARD		1	A	
		BT-20025L	WARRANTY CARD		1	C	
		BT-20047F	WARRANTY CARD		1	J	
		BT-20134	WARRANTY CARD	FOR JED	1	G	
A	4	BT-20066A	WARRANTY CARD		1	B	
A	5	BT-20071B	SVC CENTRE LIST		1	C	
		BT-20137	SERVICE NETWORK		1	J	
A	6	BT-20044G	SAFETY INSTRUCT		1	J	
A	7	E43486-340A	SAFETY I.SHEET		1	B	
A	8	EWPB05-001E	SIGNAL CORD	FOR REMOTE	1		
P	12	VND3065-065	UPC CORD LABEL		1	C,J	TN
		VND3065-066	UPC CODE LABEL		1	C,J	BK



VICTOR COMPANY OF JAPAN, LIMITED.
 PERSONAL AUDIO PRODUCTS DIVISION

10-1, 1-chome, Ohwatari-cho, Maebashi-city 371, Japan