

# JVC

## SERVICE MANUAL

### DOUBLE CASSETTE DECK

# TD-W218BK C/J

**Area Suffix**

C .....	Canada
J .....	U.S.A.

Under the circumstances that the model TD-W218BK has had additional versions for Canada and USA, this service manual is issued for service of these versions (TD-W218BK C/J).

On servicing the TD-W218BK C/J, refer to the previously issued service manual for the TD-W217TNC/J/TD-W218BKA/B/E/EN/G/U/UT (No. 4357) together with this service manual, please.

## ● Enclosure Component Parts List

BLOCK NO. MIMMIIII

REF.	PARTS NO.	PARTS NAME	REMARKS	QTY	SUFFIX	CLR
A	ZCTDW218J-FB	FRONT PANEL ASS	NO.18-20,79	1		
B	ZCTDW217K-CH-A	CASSTTE HOLDER	NO.46,48	1		
C	ZCTDW217K-CH-B	CASSETTE HOLDER	NO.47-48	1		
1	VKL1333-009	CHASSIS BASE		1		
2	VTP52A5-011F	POWER TRANS.		1		
3	SBST3006Z	SCREW	FOR POWER TRANS	4		
4	VJC2410-053	REAR PANEL		1		
5	VND4999-001	FCC LABEL (3)		1		
6	QMP1340-200	POWER CORD		1		
7	QHS3771-108	CORD STOPPER		1		
10	SBSF3008M	SCREW	FOR HEAT SINK	2		
11	SBSF3008M	SCREW	FOR PIN JACK	1		
12	SBSF3008M	SCREW	FOR DCS JACK	1		
13	SBST3006M	SCREW	FOR REAR+CHASSI	3		
14	GBST3006Z	SCREW	FOR MAIN P.C.BO	4		
16	VYH7979-001	CAP		1		
17	SBSF2610Z	SCREW	FOR CAP	1		
18	VJG1320-012UL	FRONT PANEL		1		
19	VJD4024-002	REFLECTION PLAT		2		
20	VJD5429-001	JVC MARK		1		
21	VYH7943-002	RING		1		
22	SBSF3010Z	SCREW	FOR MECHANISM	4		
23	SBST3006M	SCREW	FOR FRONT PANEL	3		
24	SBSF2610Z	SCREW	FOR FRONT PWB	4		
25	SDST2604Z	SCREW	FOR FL.PWB+MECH	2		
26	SBSF2610Z	SCREW		2		
27	VXP5288-002	PUSH BUTTON	POWER	1		
30	VXP2098-012	MECHA BUTTON	AB PLAY/STOP	1		
31	VXP3688-004	MECHA BUTTON	A DELECTION	1		
32	VXP3689-004	MECHA BUTTON	B REC/PAUSE/DOL	1		
33	VXS4398-001	SLIDE KNOB	REV.MODE	2		
35	VKL7264-003	MIC BRACKET	FPR P.H. JACK	1		
36	VKL6752-001	SNAP PLATE		1		
38	VYH7779-00B	DUMPER ASS'Y		2		
41	VKW3006-236	TORSION SPRING	A-HOLDER	1		
42	VKW3006-237	TORSION SPRING	B-HOLDER	1		
43	VYH2300-002	MECHA HOLDER	FOR A B MECHA	2		
44	SBSF2610Z	SCREW	FOR MECHANISM B	4		
45	SBSF2610Z	SCREW	FOR A B PWB	2		
46	VJT2317-007	CASSETTE HOLDER	FOR A-MECHA	1		
47	VJT2317-008	CASSETTE HOLDER	FOR B-MECHA	1		
48	VKY4180-001	CASSETTE SPRING		4		
53	VYH7941-005	LOCK LEVER(L)	FOR A MECHA	1		
54	VYH7941-006	LOCK LEVER(R)	FOR B MECHA	1		
55	VMA4643-001	SHIELD	FOR MECHA	2		
56	SDST2603Z	SCREW	FOR MECHA+SHIEL	4		
57	VKW5199-001	TENSION SPRING		2		
58	VKZ4749-001	SPECIAL SCREW	FOR LOCK L+MECH	2		
59	VKL7293-001	EJECT SAFTY(R)	EGC	1		
60	SBSF3010Z	SCREW	FOR E.SAFTY(R)	1		
61	VKW5069-002	TORSION SPRING	FOR E.SAFTY(R)	1		
62	VKL7663-001	EJECT 'SAFTY(L)	EGC	1		
63	SBSF3010Z	SCREW	FOR E.SAFTY(L)	1		
64	VKW5104-003	TORSION SPRING	FOR E.SAFTY(L)	1		
65	VJT2349-009	CASSETTE LID	FOR A MECHA	1		
66	VJT2349-010	CASSETTE LID	FOR B MECHA	1		
67	VXP5289-003	PUSH BUTTON	FOR EJECT	1		
68	VXP5289-004	PUSH BUTTON	FOR EJECT	1		
69	VKW3001-077	C.SPRING		2		
70	VKL7262-002	REMOTE ARM	FOR A-MECHA	1		
71	VKL7263-002	REMOTE ARM	FOR B-MECHA	1		
72	VYH7773-001	BUTTON HOLDER		2		
73	SBSF2610Z	SCREW	FOR B.H.+F.P.	2		
74	VJF4039-00M	FOOT ASS'Y		2		
75	E47227-036	FOOT ASS'Y		2		
77	SBST3008Z	SCREW	FOR FOOT	4		
78	VXL3025-002	KNOB	INPUT VOLUME	1		
79	VJK3652-003	FINDER		1		
80	VJC1964-202	TOP COVER		1		
82	VKZ4614-001	SPECIAL SCREW		4		
83	SBST3006M	SCREW	FOR TOP COVER	2		
84	VYN2345-M006PA	NAME PLATE		1	J	
	VYN2345-M104PA	NAME PLATE		1	C	
88	DPSP3008Z	SCREW	Q901,Q903,Q909	3		
90	E407097-001	HYATT L.LABEL		1	J	
HS901	VMH4011-201	HEAT SINK		1		





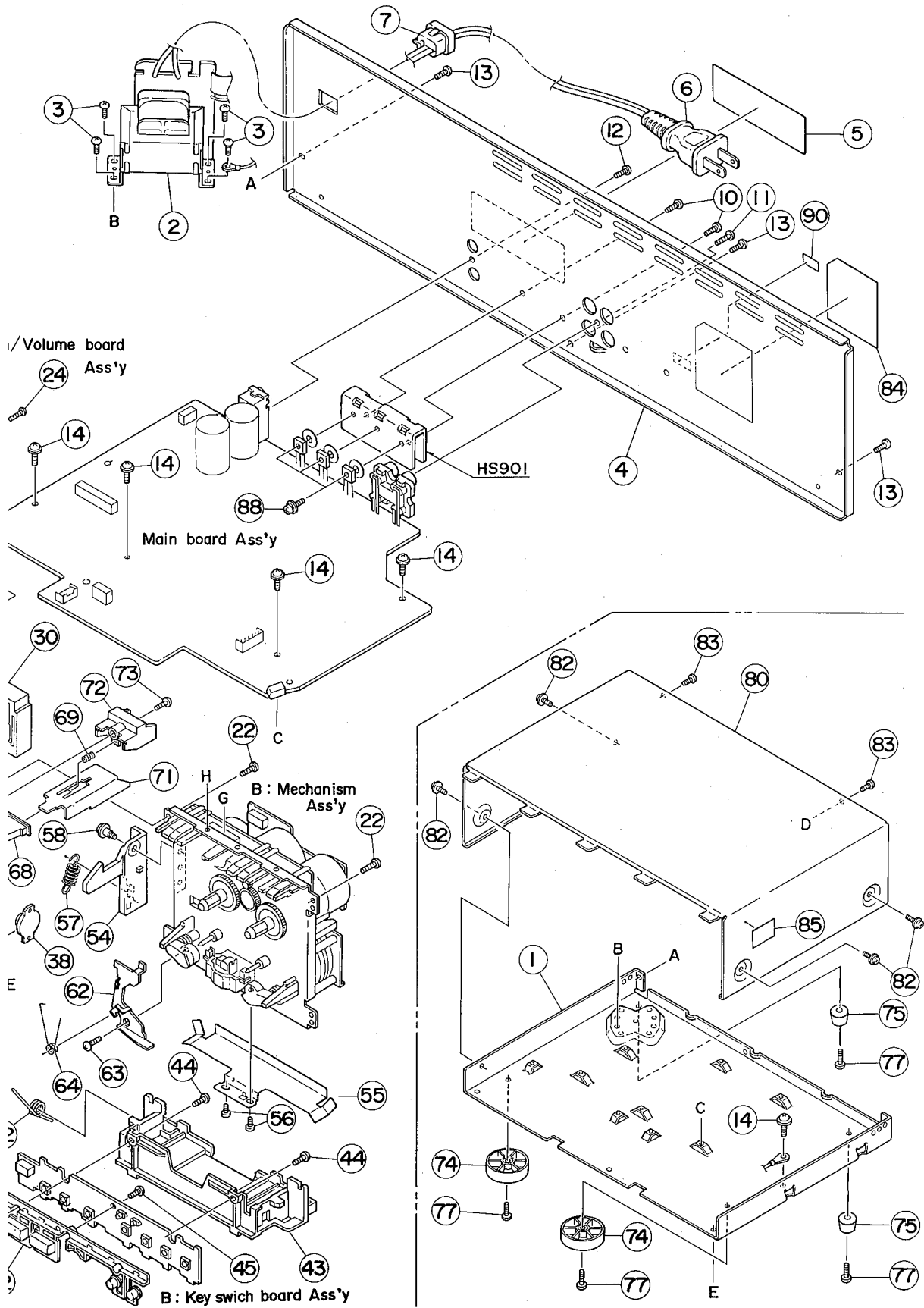
6

7

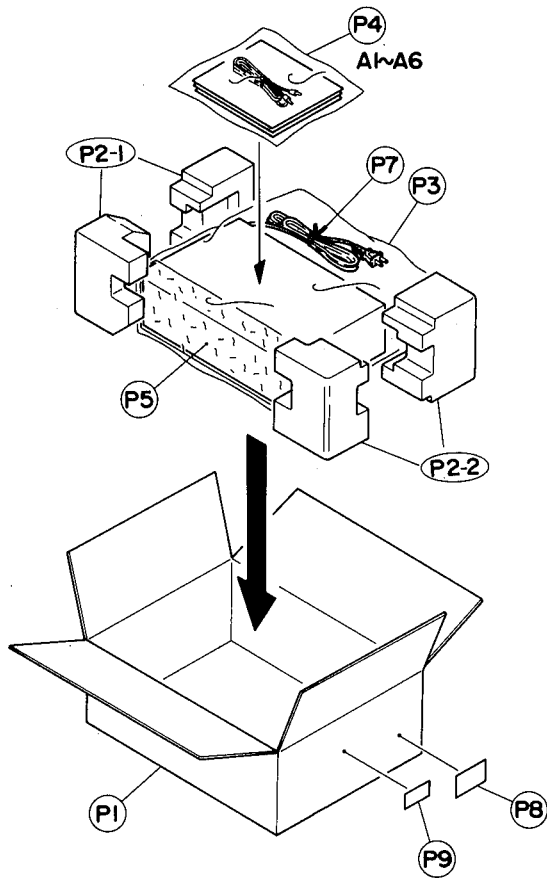
8

9

10



# Packing Illustration and packing parts list



## ● Packing Parts List

BLOCK NO. M3MM

△	REF.	PARTS NO.	PARTS NAME	REMARKS	QTY.	SUFFIX	CLR
	P 1	VPC2345-M002	CARTON		1		
	P 2-1	VPH2472-001	CUSHION (L)	10% OFF	1		
	P 2-2	VPH2472-002	CUSHION (R)	10% OFF	1		
	P 3	E300196-031B	ENVELOPE	FOR SET	1		
	P 4	VPE3005-007	POLY BAG	FOR INSTRUCTION	1		
	P 5	VPK3001-012	SHEET	FOR SET	1		
	P 7	Q04141H	WIRE CLAMP	FOR POWER CORD	1		
	P 8	-----	SERIAL TICKET		2		
	P 9	-----	UPC CORD LABEL		1		



● Accessories

BLOCK NO. M3MM

△	REF.	PARTS NO.	PARTS NAME	REMARKS	QTY	SUFFIX	CLR.
A	1	VMP0039-00D	PIN CORD		1		
A	2	VNN2344-671M	INSTRUCTIONS		1	J	
		VNN2344-662	INSTRUCTIONS		1	C	
A	3	BT-52002-1	WARRANTY CARD		1	C	
		BT-20047F	WARRANTY CARD		1	J	
A	4	BT-20137	SERVICE NETWORK		1	J	
		BT-20071B	SVC CENTER LIST		1	C	
A	5	BT-20044G	SAFETY INST.		1	J	
A	6	EWP805-012	REMOTE WIRE		1		

**JVC**

VICTOR COMPANY OF JAPAN, LIMITED

AUDIO PRODUCTS DIVISION 10-1, 1-chome, ohwatari-machi, maebashi-city, Japan

