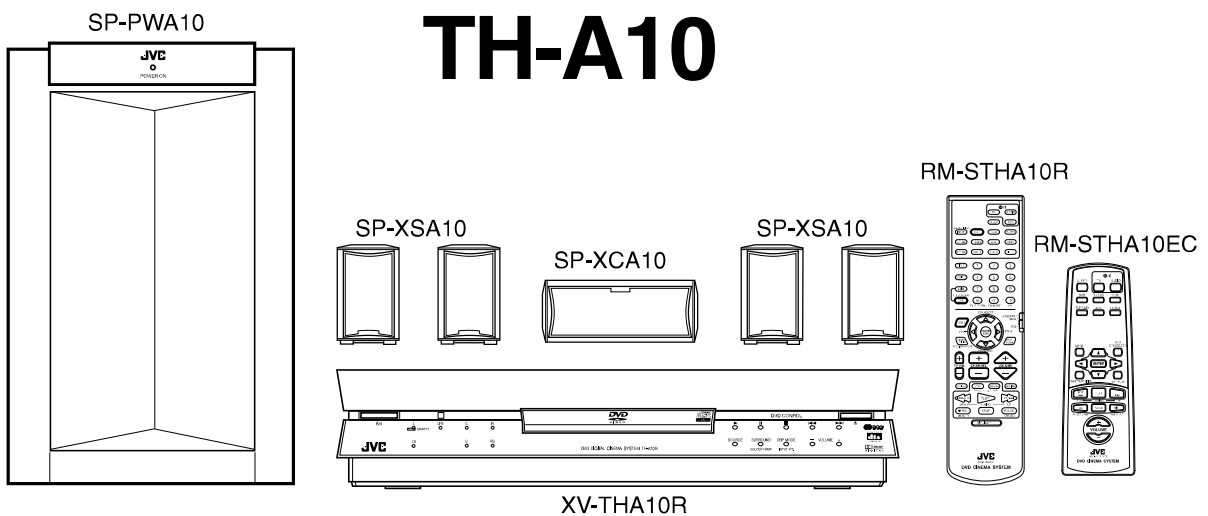


JVC

SERVICE MANUAL

DVD DIGITAL THEATER SYSTEM

TH-A10R TH-A10



Area Suffix TH-A10R
B U.K.
EN Northern Europe
EE Russia

Area Suffix TH-A10
E Continental Europe

TH-A10R TH-A10	XV-THA10R (DVD player)/XV-TH-A10	
	SP-THA10 (Speaker section)	SP-PWA10 (Powered subwoofer)
		SP-XCA10 (Center speaker)
		SP-XSA10 (Satellite speaker) x 4

Contents

Safety Precautions	1-2	Flow of functional operation	
Important for laser products	1-3	until TOC read	1-24
Preventing static electricity	1-4	Maintenance of laser pickup	1-25
Disassembly method	1-5	Replacement of laser pickup	1-25
Adjustment method	1-21	Description of major ICs	1-26

Main Adjustment

Adjustment and confirmation matter

(1) Auto adjustment method

If microprocessor (IC401, IC402, IC714, IC716) or DVD Prek-up is replaced, initialize the DVD player in the following matter:

1. Initialize the DVD player in the following matter:

- 1) Make sure that no disc is on the tray.
- 2) Insert the power pulag to the outlet while pressing "PLAY" and "OPEN/CLOSE" button at the same time.
FL Display indicate ¥ ; Region cord.
- 3) Press Enter button, And EEPROM initialize start.
- 4) When indicate "96kHz EEPROM" on the display , initialize finished.

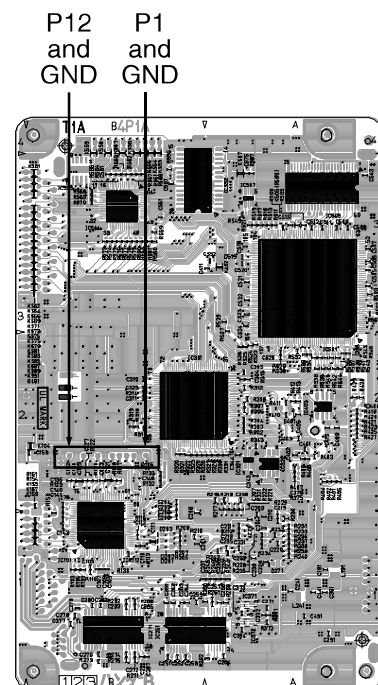
Note : During the EEPROM initialization the keys may not be operated.
Press the "POWER" key to initiate the STAND-BY mode and the test mode will then be cancelled.

(2) Confirmation of DVD RF level

- 1.The oscilloscope is connected between "1"(RFOP) of CN104 and "2"(GND).
- 2.Reproduction of the test disc (VT-501) made by JVC.
- 3.It is confirmed that RF LEVEL is $350\text{mVp-p} \pm 150\text{mVp-p}$.
- 4.When there is disorder in the waveform road cuts etc, test disk is exchanged and measured.

(3) Confirmation of CD jitter level and RF level

1. The CD jitter meter is connected between "11"(GND) of CN104 and "12"(FLTOUT).
The RF level is observed at the same time.
- 2.The first test disk(CTS-1000) made of JVC is reproduced.
- 3.It is confirmed that RF LEVEL is $360 \pm 100\text{mVp-p}$.
5. When there is disorder in the waveform road cuts etc, test disk is exchanged and measured.



DVD SERVO CONTROL PWB

↑
FRONT SIDE

(4) Flap adjustment of the Pick-up guide shaft

- 1) Make sure that there is no disc on the tray.
- 2) Press both the "PLAY" and "OPEN/CLOSE" keys of the main unit to activate the primary power and **¥(** ; Version3, ¥; Region cord) will be displayed on the FL indicator.

Note: If the FL indicator display stops and remains at "TEST 0", unplug the power cord from the outlet and after waiting at least 1 second, plug it in again. After the tray open/close procedure has completed, unplug it again and then perform the initialization procedure again.

- 3) Press the "OPEN/CLOSE" key of the main unit to draw the tray out.
*Place the test disk (VT-501) on the tray and then press the "OPEN/CLOSE" key.
(Note: Pushing the tray to close it is not possible.)
- 4) Press the "PLAY" key of the main unit.
- 5) The "JIT 0000" is displayed on the FL indicator.
Set the FL indicator figure value to its minimum by adjusting the pickup guide shaft flap.
* The test mode is cancelled when the power is turned off.

Measurement	Adjustment point	Mode	Disc
—	Refer to Fig.2	Reproduction part	VT-501
Measurement machine	connections	Extension cord No.	
No need	Refer to Fig.1	QUQ110-3740AM	
General tool : Hex-head wrench (1.27 mm)			

"Flap adjustment" of the Pick-up guide shaft adjusts "Tangential adjustment machine screw" A and "Tilt adjustment machine screw" B from the DVD Mechanism A'ssy bottom.

1. The part at the center on the DVD test disc is reproduced.
2. The flap adjustment screws is turned alternately and adjusted like clearly seeing the waveform of CN104"1" to the way.

Note

1. The tangential adjustment is done finish and, then, tilt is adjusted.
2. The repeat the adjustment 2-3 times, for best result.
3. The final adjustment should be tilt adjustment.

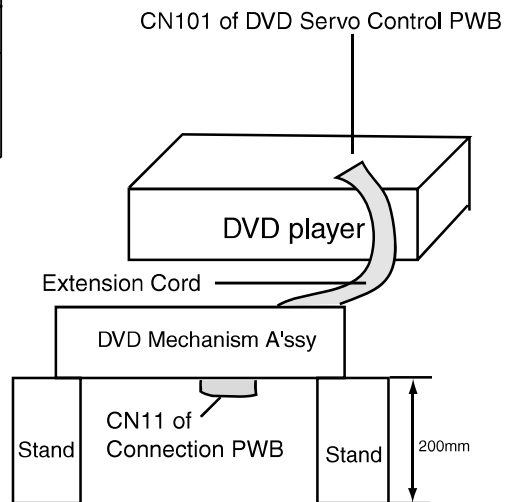
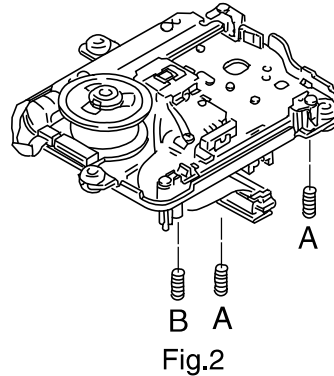


Fig.1



Confirmation after adjustment.

Confirm to reproduce video CD and CD after the DVD test disc is adjusted and to find abnormality.

(5) About keeping the disc

As for the DVD test disc, plane accuracy is demanded. Please note the keeping place on the disc.

1. Please do not put the disc directly on the work desk etc. after uses .
2. To keep the planarity of the disc, politely handle ,and please put in a special case and keep the disc vertically after uses .
Please keep keeping the disc in a cool place where direct sunshine and the air-conditioning wind do not drive.
3. When the disc curves,an accurate adjustment cannot be done.
Please exchange for a new test disc and adjust optics.
4. Other discs might not be able to be reproduced when adjusting on a curved disc.

Point of adjustment

- * Please execute the static electricity protection measures before starting the adjustment.
- * When the following parts are exchanged,optical adjustment "Adjust the flap of the disc motor" is necessary.
 - 1.The disc motor was exchanged.
 - 2.The laser pick up was exchanged.
 - 3.The traverse motor unit was exchanged.

Note

Additionally, please adjust the flap of the disc motor when the picture quality deterioration is seen .The basic adjustment though, is unnecessary for part exchange in the traverse.

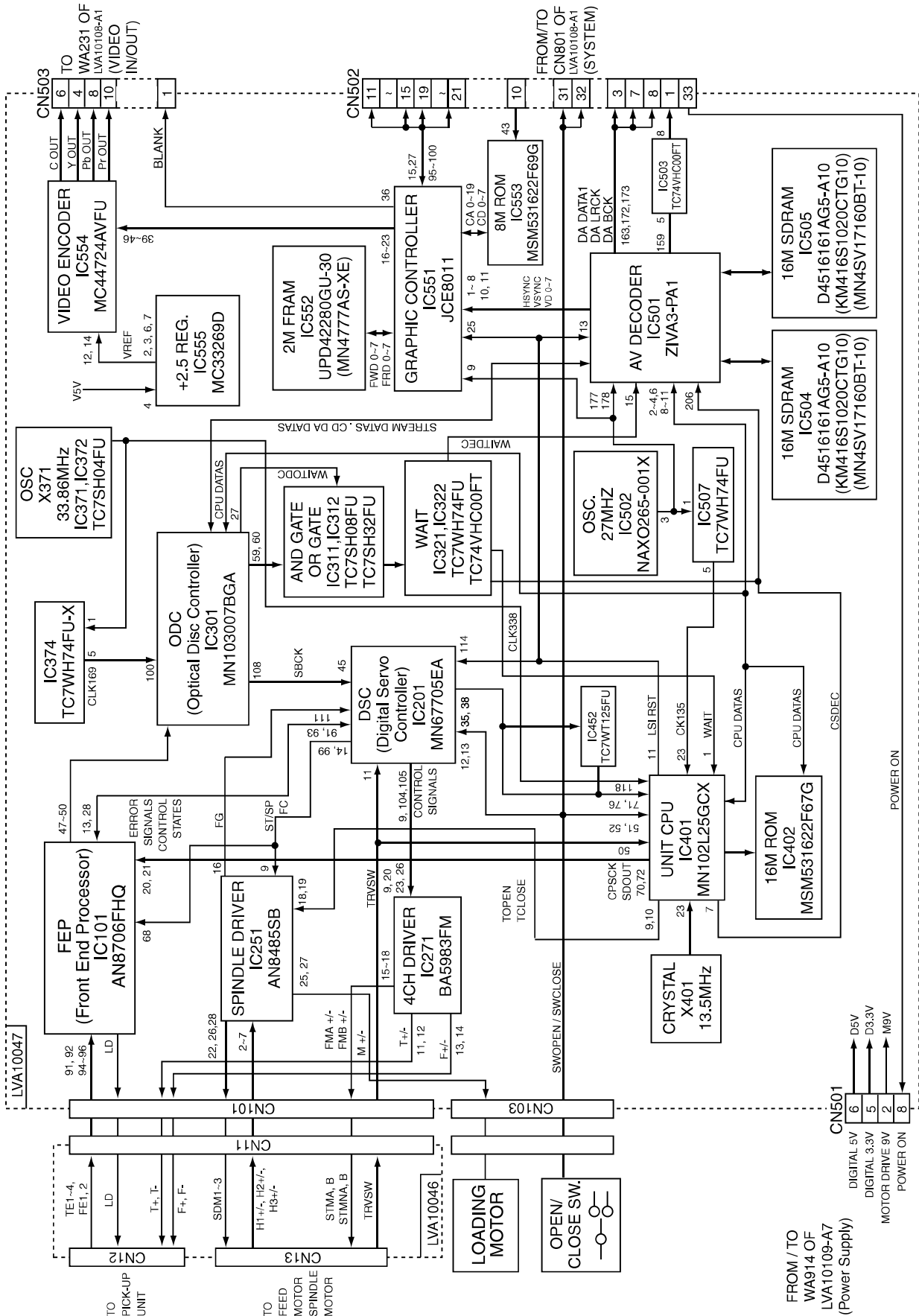
An optical adjustment in the laser pick up cannot be done.

Please adjust the flap of the disc motor after exchanging the laser pick up.

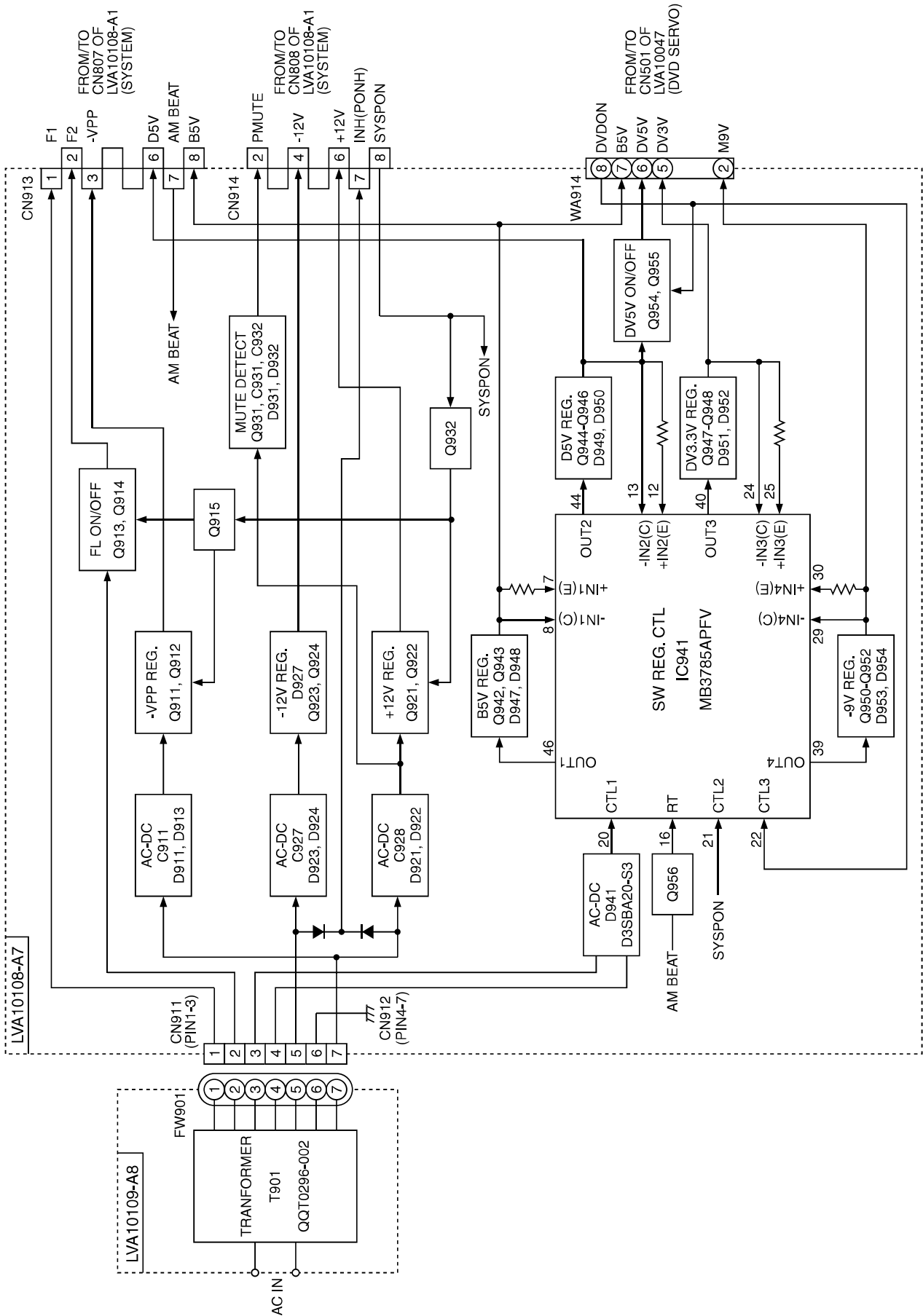
- * When the traverse unit is exchanged, the adjustment is basically unnecessary.

Block diagrams

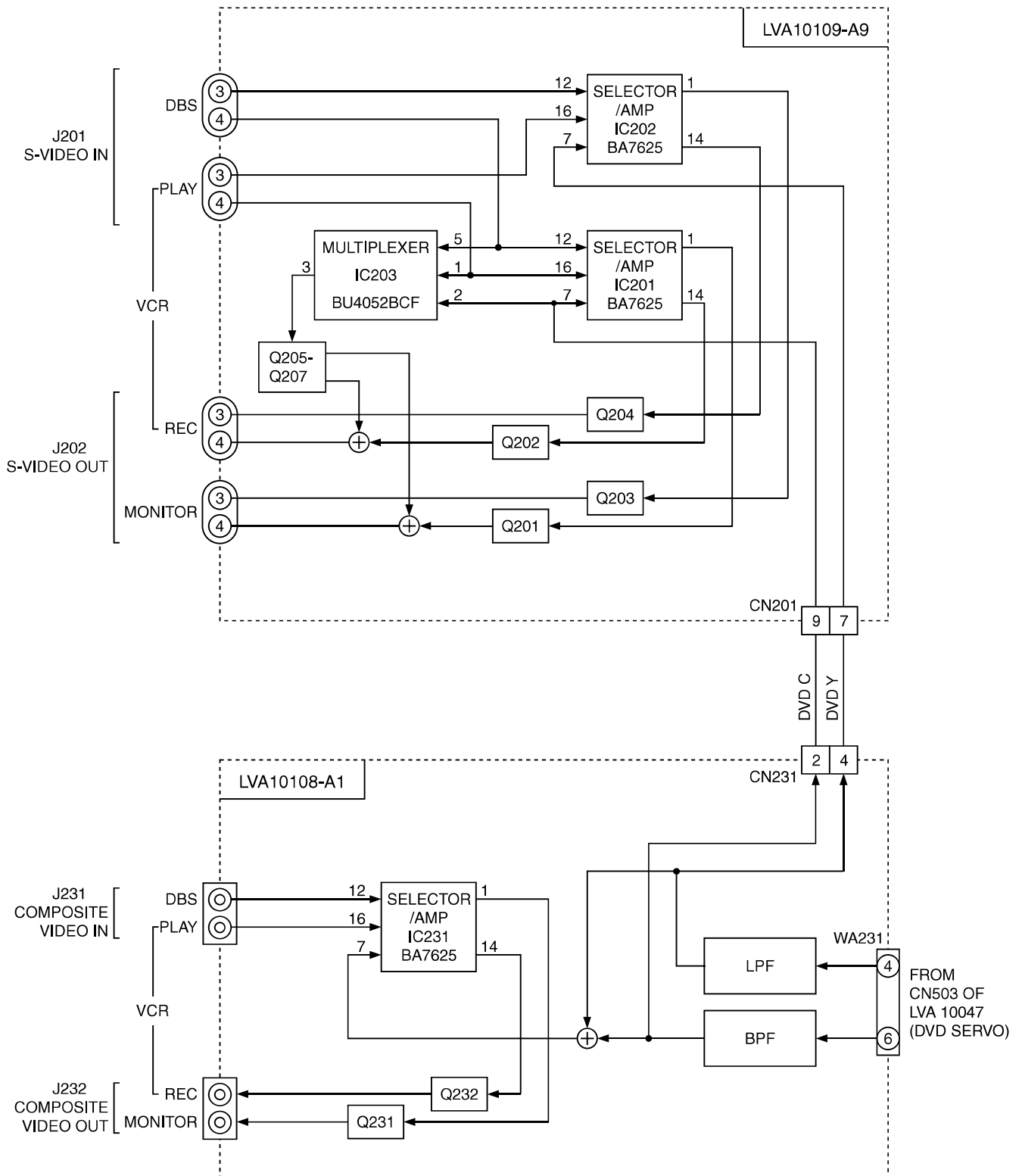
■ Block diagrams (DVD servo control Section)



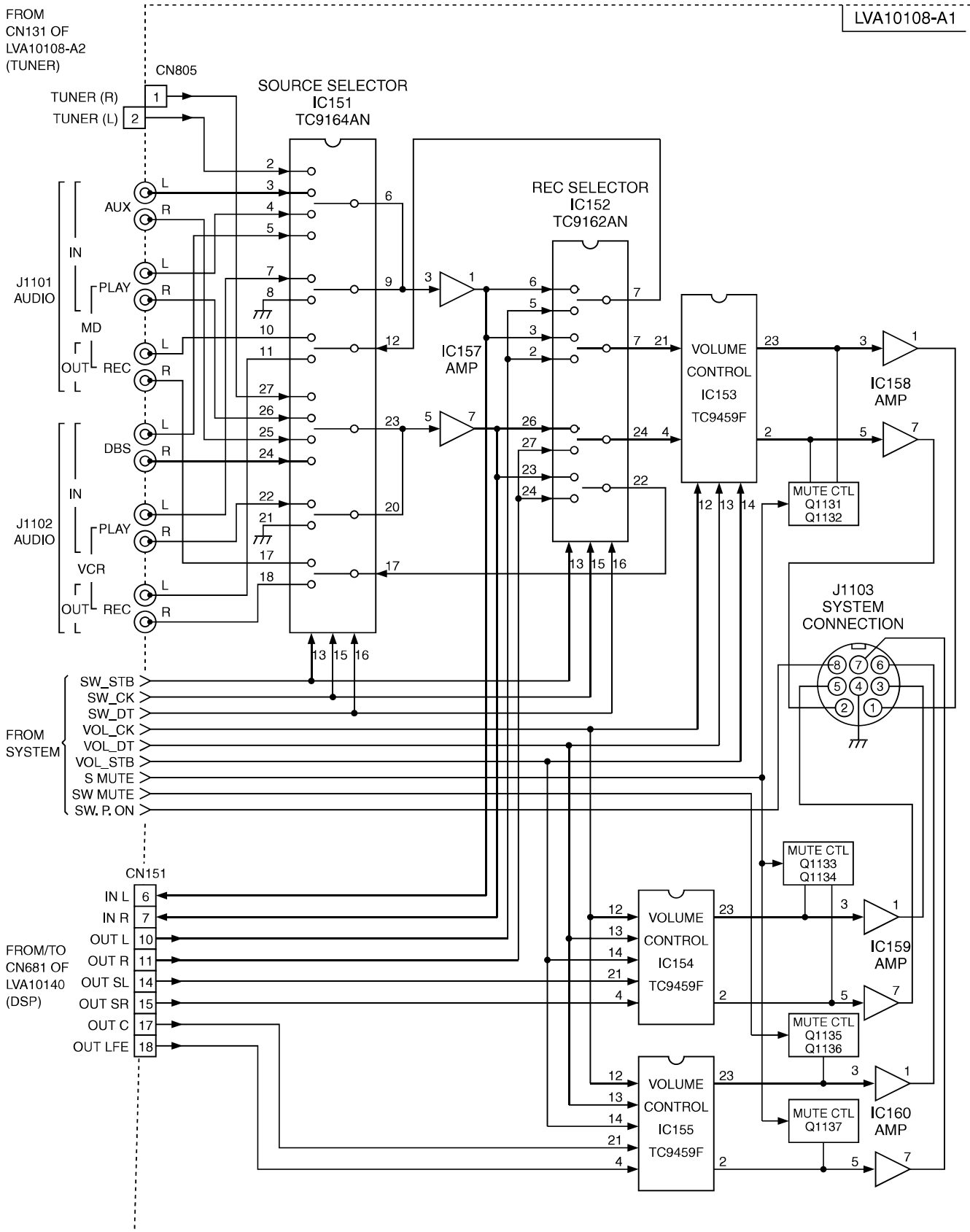
■ Block diagrams (Power supply Section)



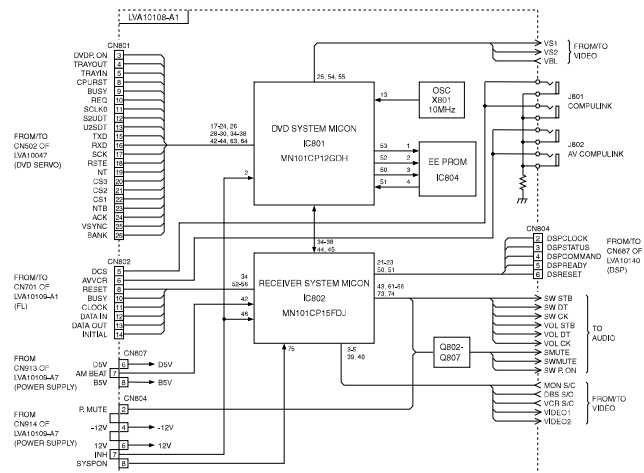
■ Block diagrams (Video out Section)



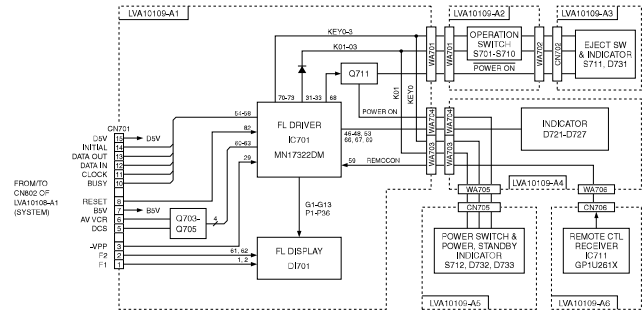
■ Block diagrams (Audio out section)



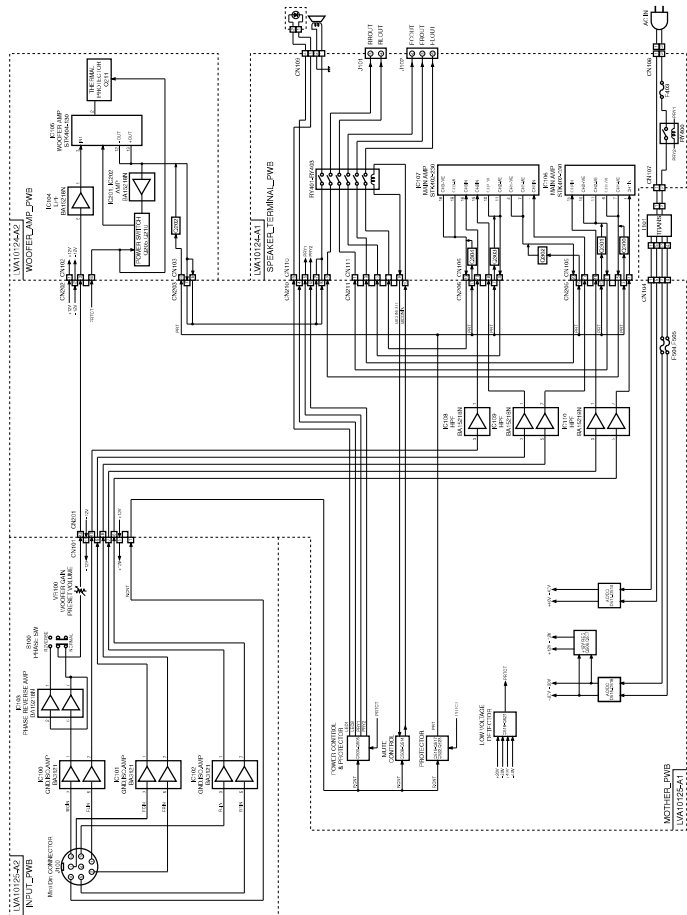
■ Block diagrams (System section)



■ Block diagrams (FL section)

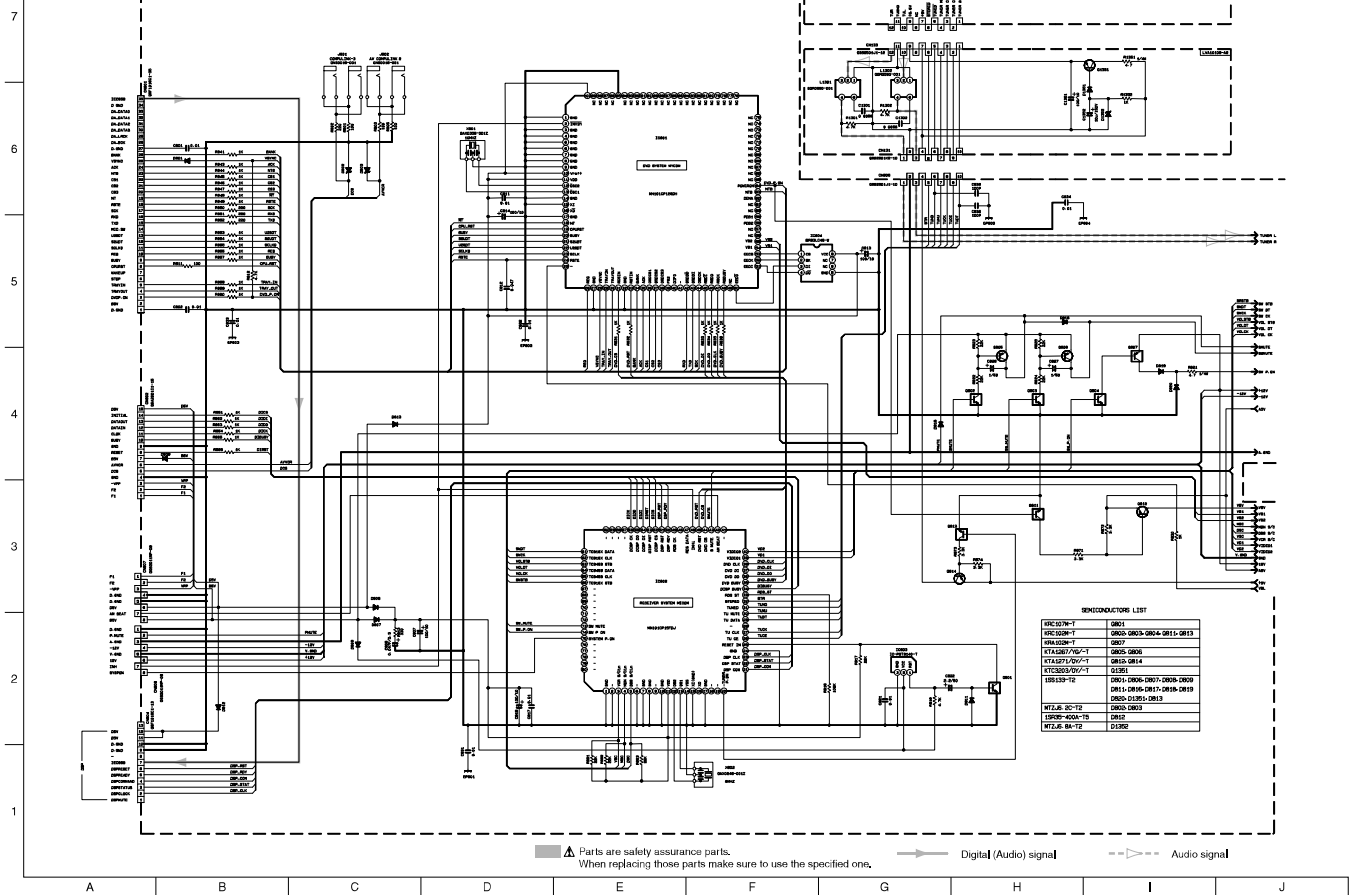


■ Block diagrams (SP-PW10 Powered subwoofer section)



Standard schematic diagrams

■ System control section



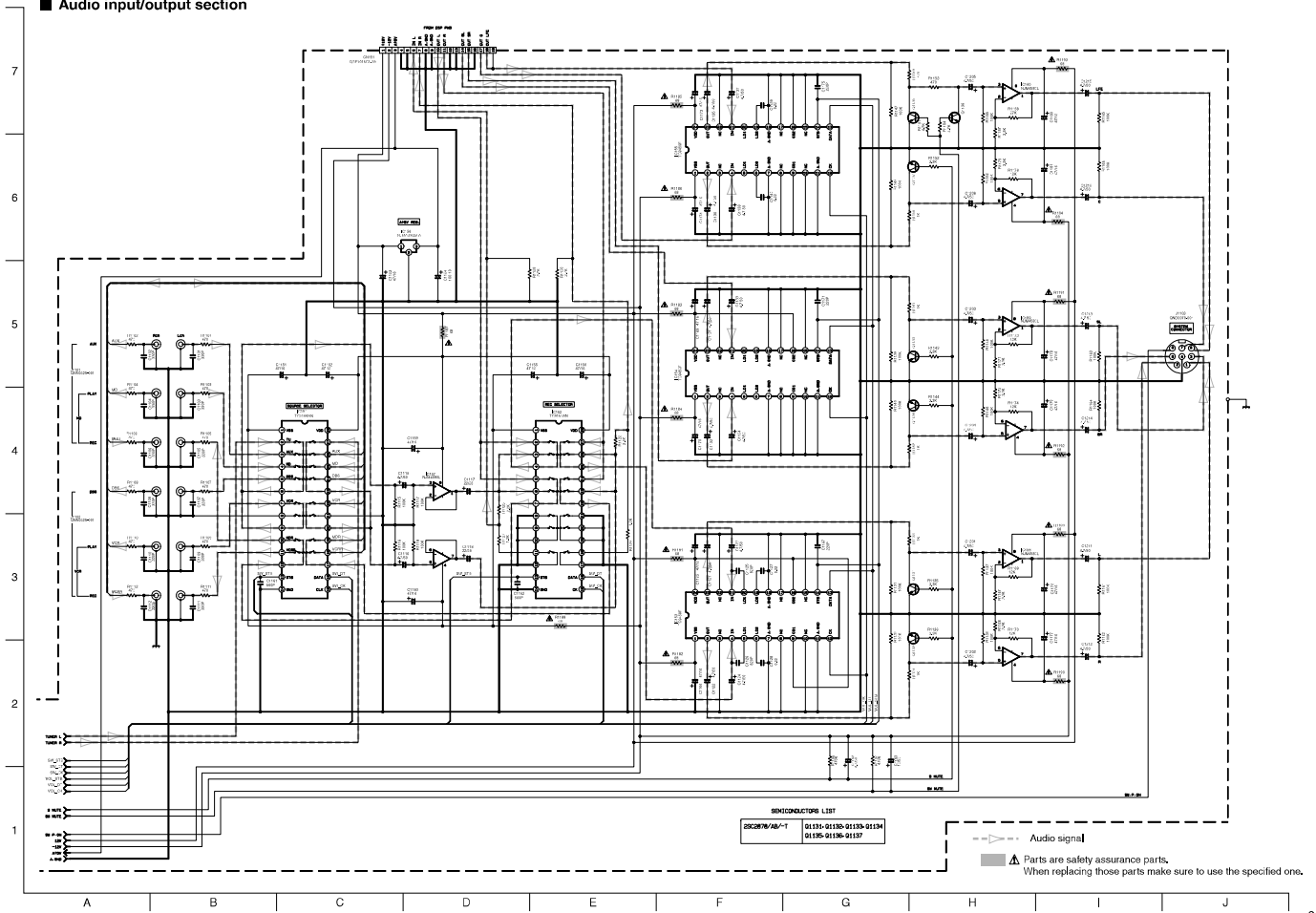
SEMICONDUCTOR LIST

M5168A-T	0801
M5168B-T	0802
M5168C-T	0803
M5168D-T	0804
M5168E-T	0805
M5168F-T	0806
M5168G-T	0807
M5168H-T	0808
M5168I-T	0809
M5168J-T	0810
M5168K-T	0811
M5168L-T	0812
M5168M-T	0813
M5168N-T	0814
M5168O-T	0815
M5168P-T	0816
M5168Q-T	0817
M5168R-T	0818
M5168S-T	0819
M5168T-T	0820
M5168U-T	0821
M5168V-T	0822
M5168W-T	0823
M5168X-T	0824
M5168Y-T	0825
M5168Z-T	0826

▲ Parts are safety assurance parts. When replacing those parts make sure to use the specified one.

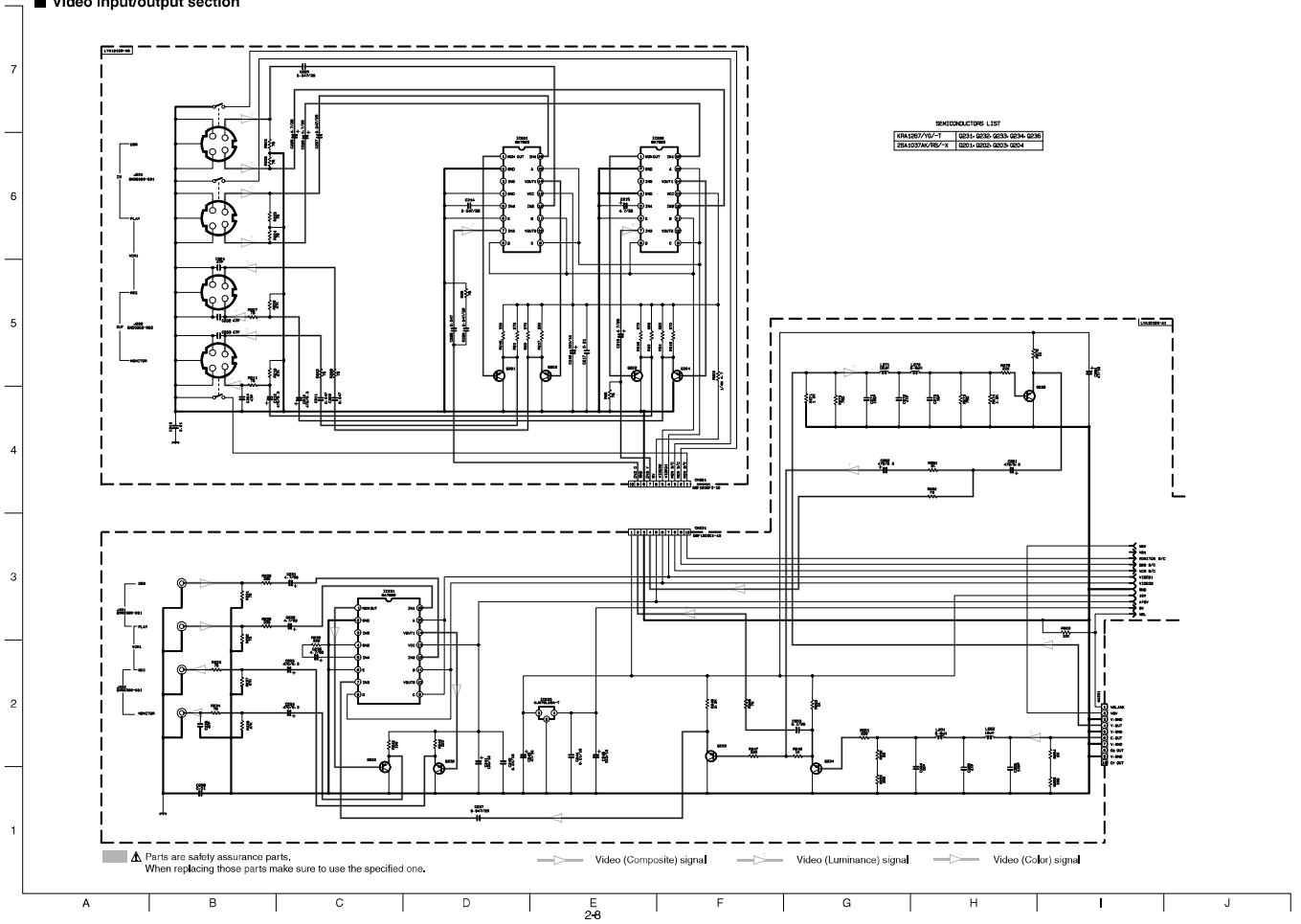
— Digital (Audio) signal - - - Audio signal

■ Audio input/output section

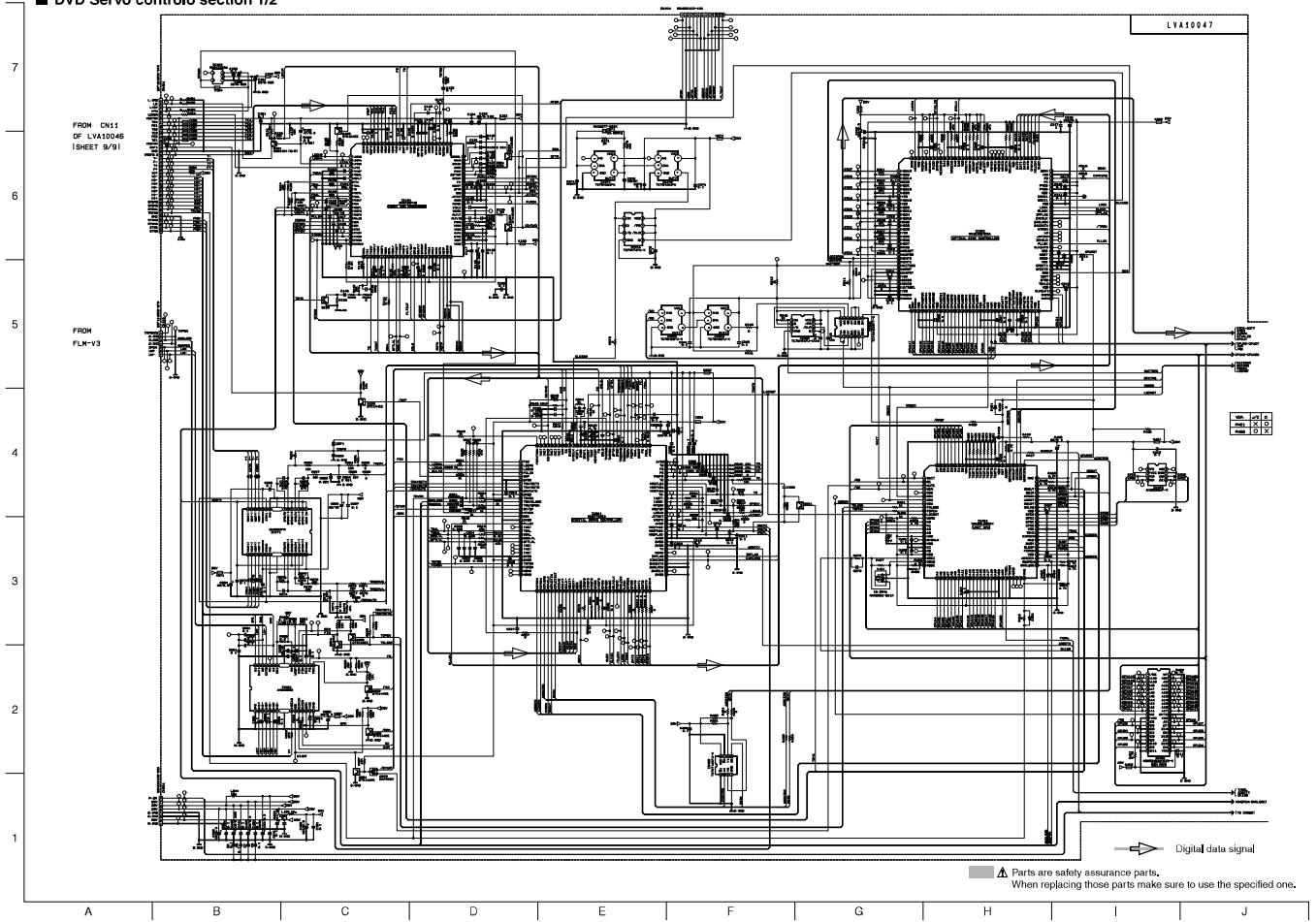


TH-A10R/TH-A10

■ Video input/output section

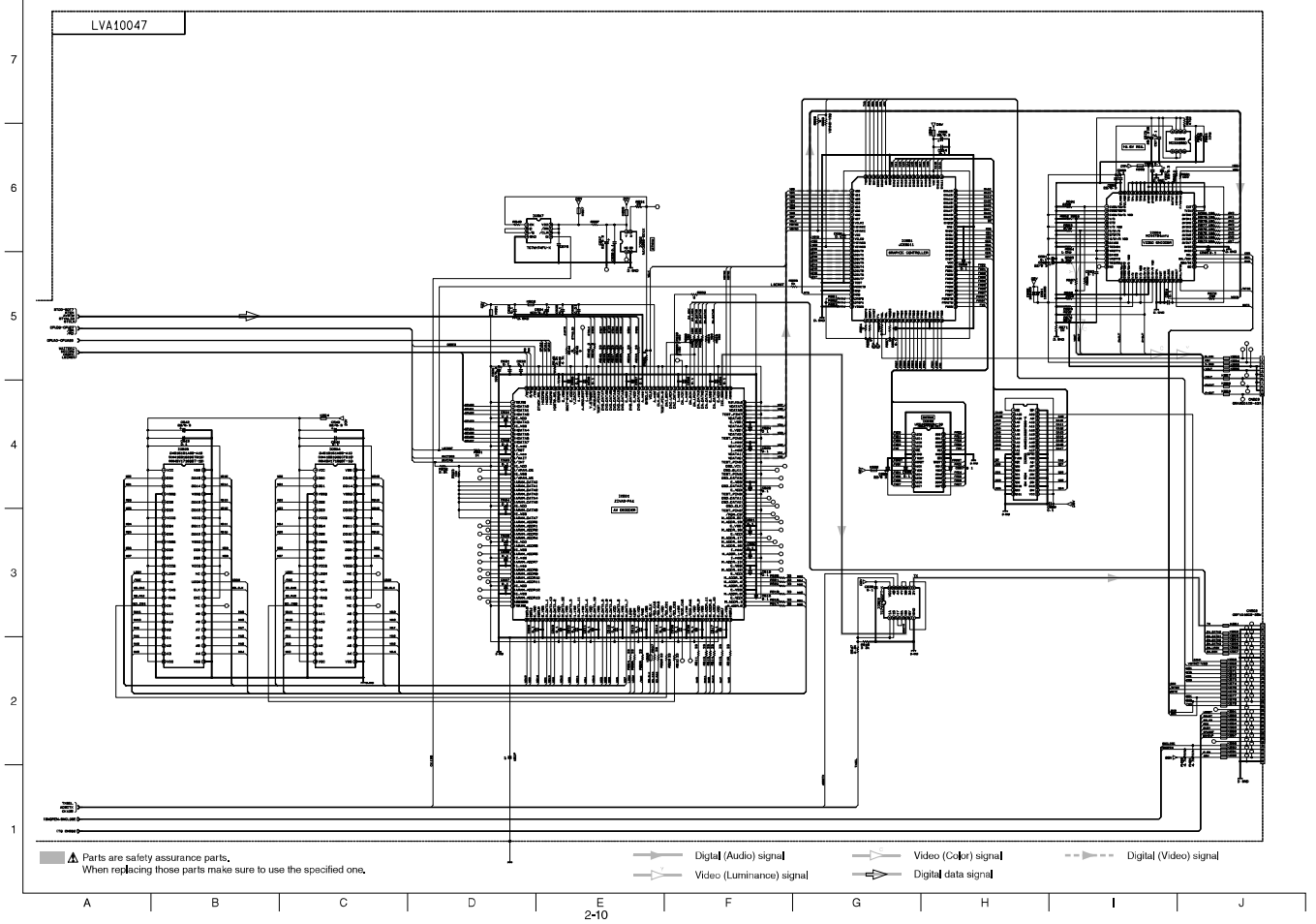


■ DVD Servo control section 1/2

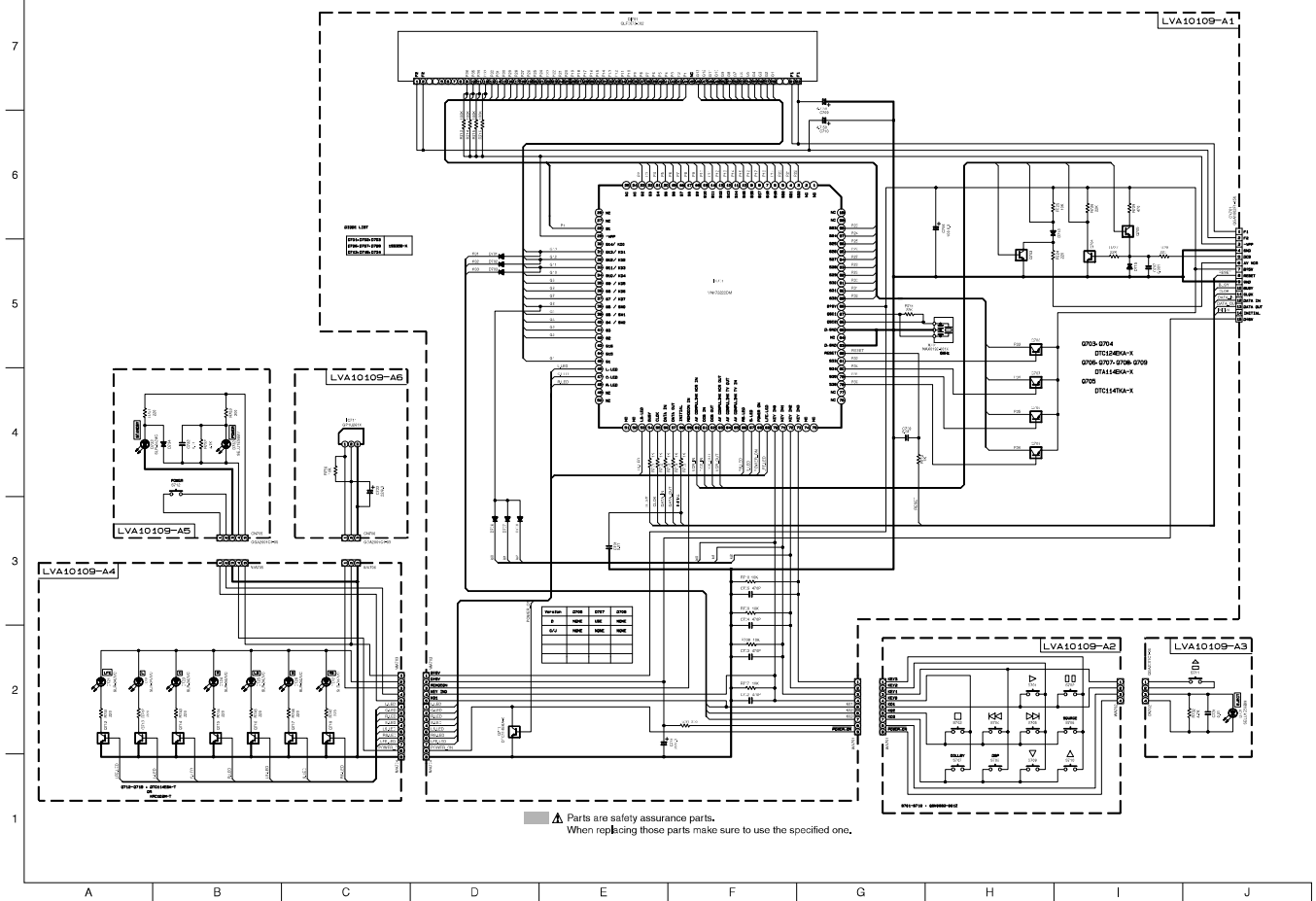


TH-A10R/TH-A10

■ DVD Servo control section 2/2



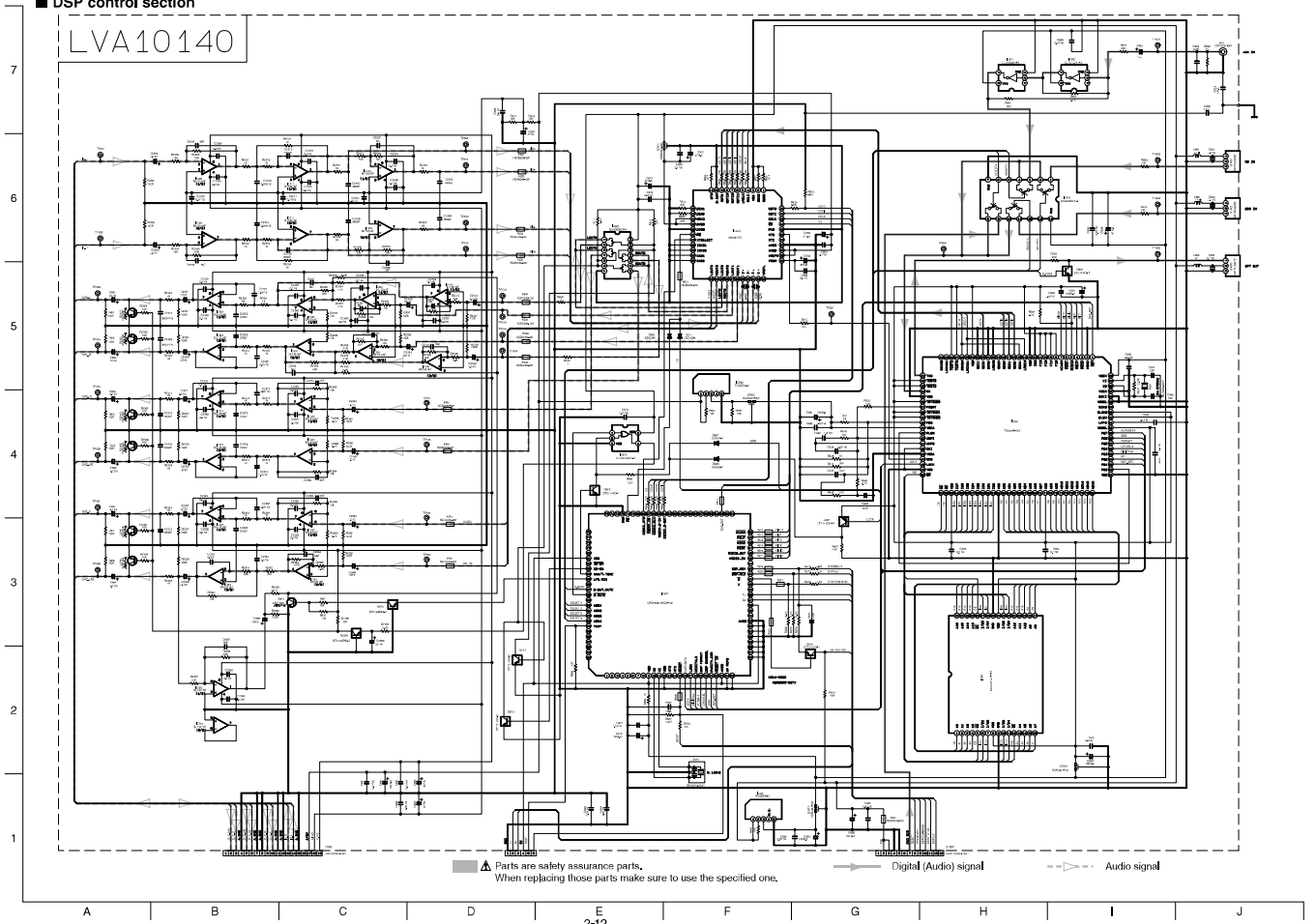
■ Front circuit section



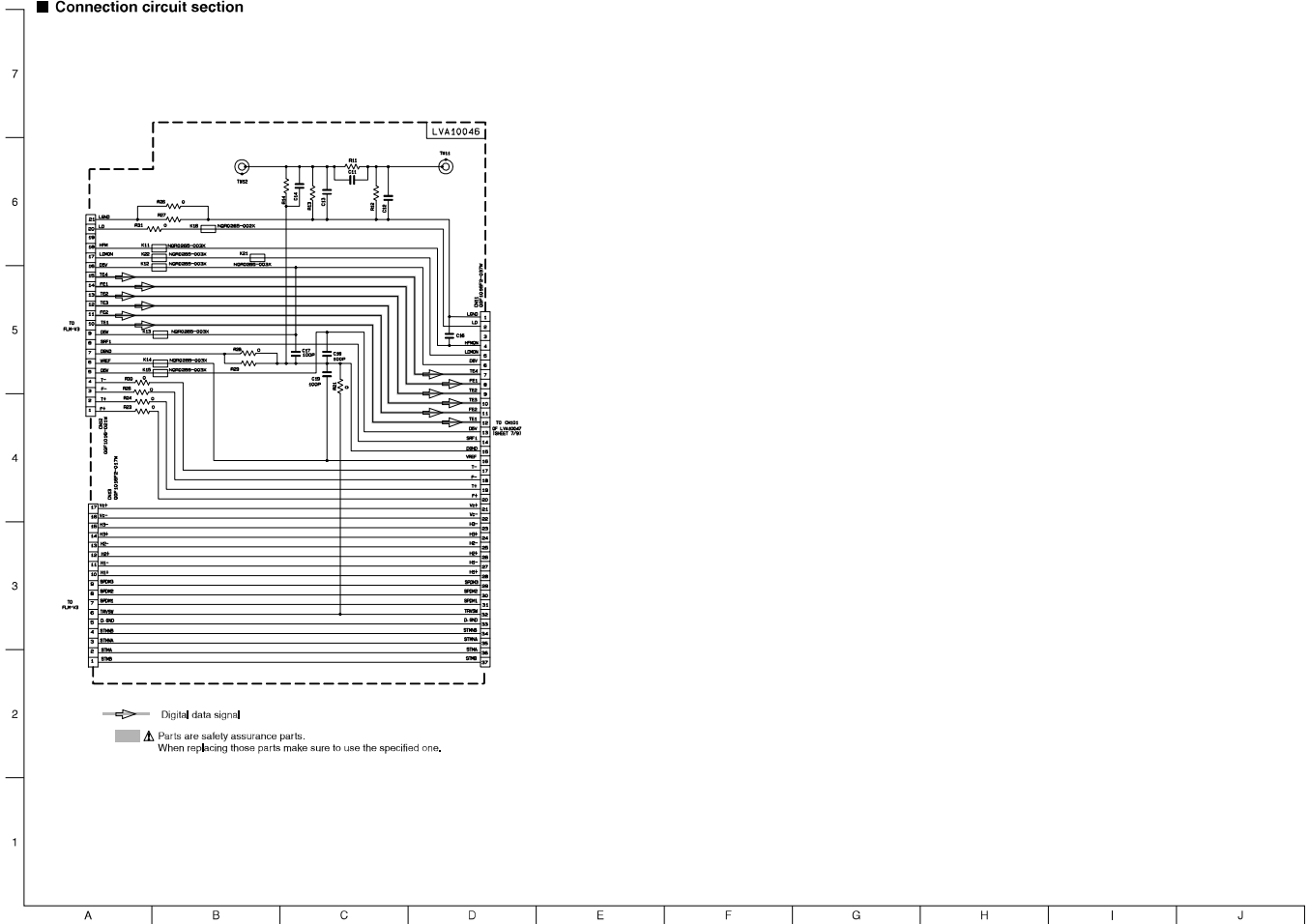
TH-A10R/TH-A10

■ DSP control section

LVA10140

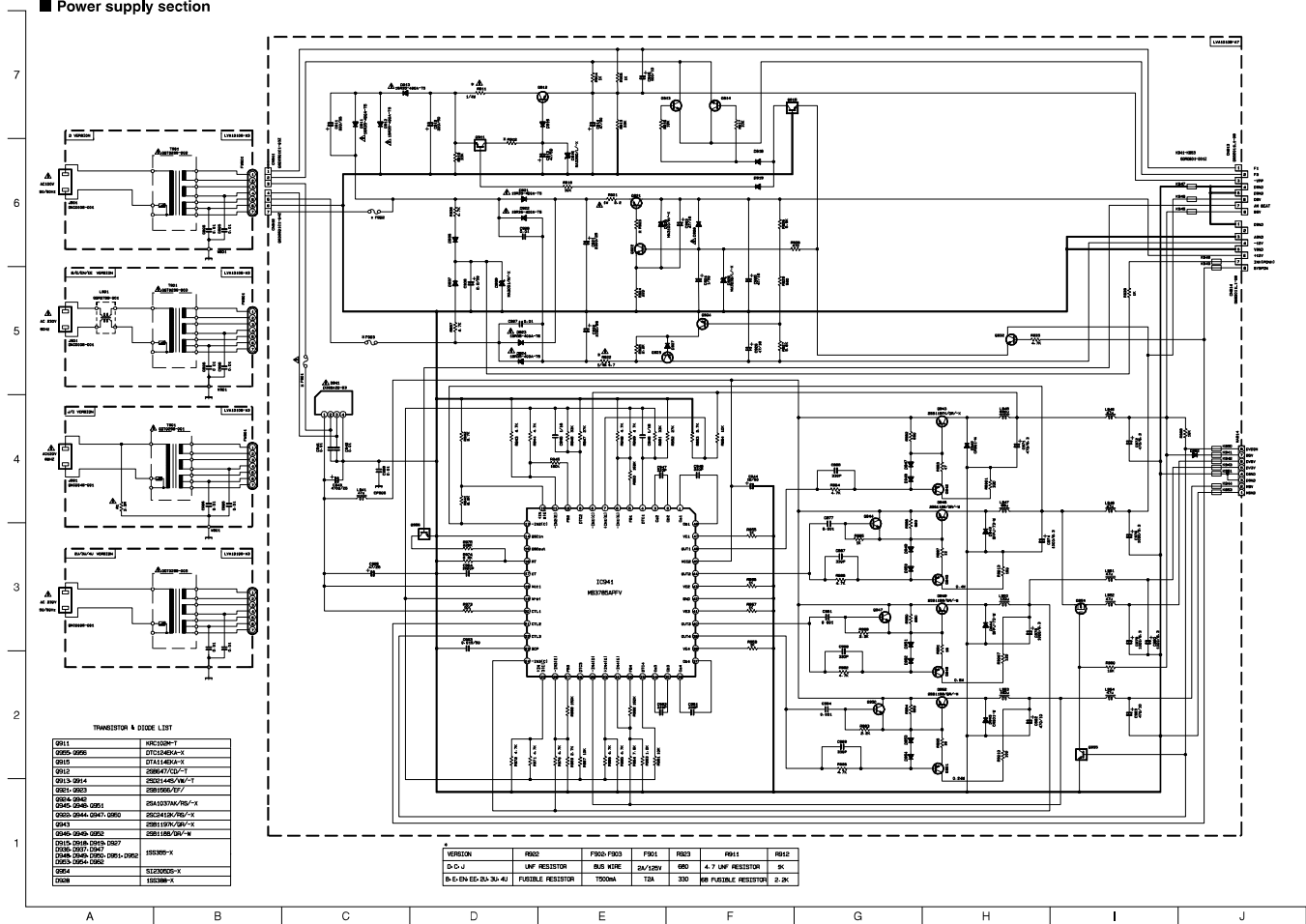


■ Connection circuit section



TH-A10R/TH-A10

■ Power supply section



TRANSISTOR & DIODE LIST

Q011	4PC120P-T
Q005, Q006	2T1142CA-X
Q010	2B96477GZ-T
Q013, Q014	2S11457V-T
Q021, Q023	2B1555Z7
Q044, Q047	2SA1307AN/RS-X
Q045, Q046, Q051	2SA1307AN/RS-X
Q040, Q041, Q042, Q050	2SA1307AN/RS-X
Q043	2SA1307AN/RS-X
Q049, Q052, Q053	2SA1307AN/RS-X
Q054, Q055, Q056, Q057	2SA1307AN/RS-X
Q058, Q059, Q060, Q061, Q062	15C180-X
Q063, Q064, Q065, Q066, Q067, Q068	15C180-X
Q069	15C180-X
Q074	15C180-X
Q078	15C180-X

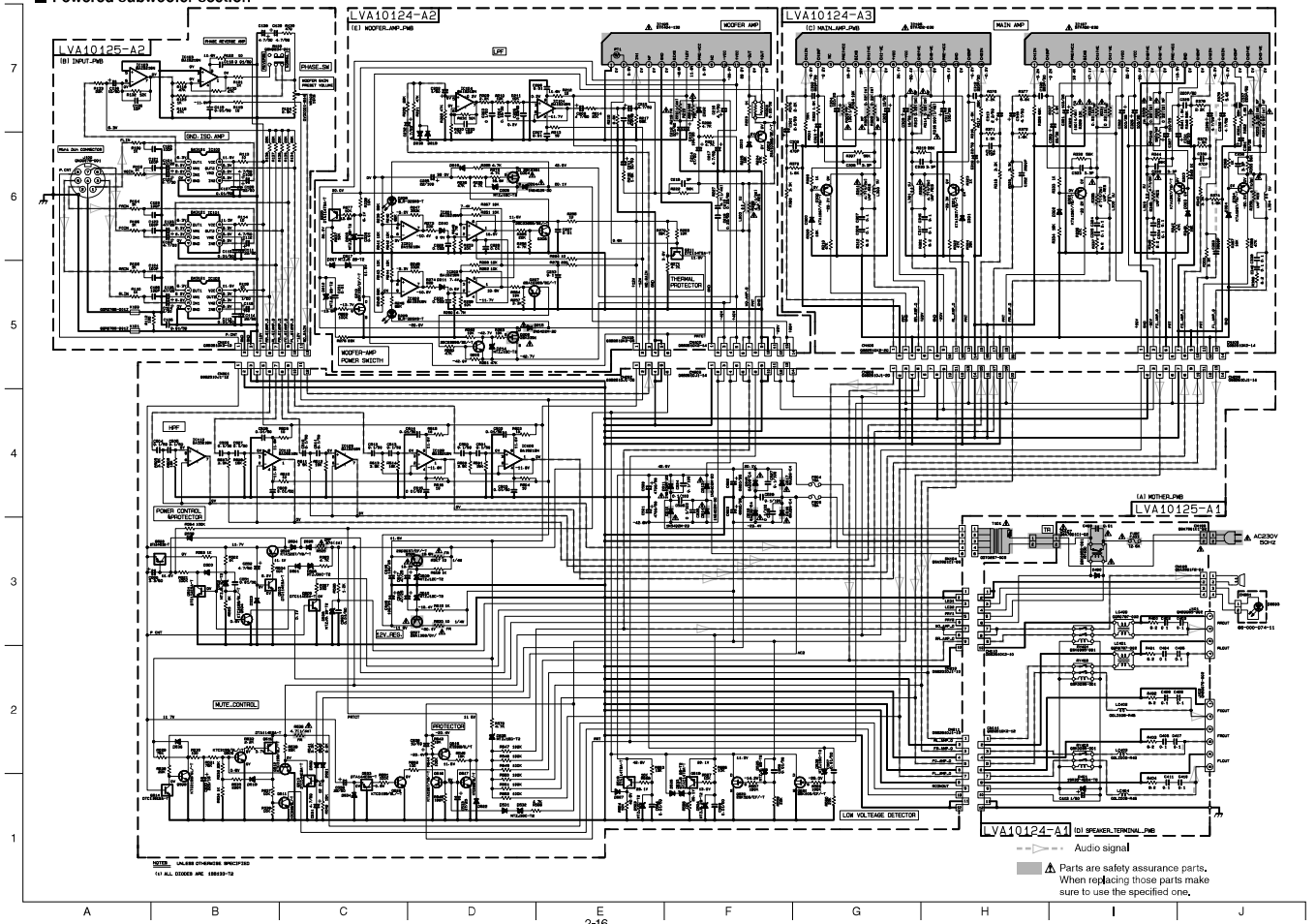
VERSION	R000	F000, F003	F001	R003	R011	R012
D-C-J	1W RESISTOR	0.5 W 1/4W	2W/12W	0.5W	4.7 W RESISTOR	5W
B-E-DV-EE-BU-3U-4U	FUSIBLE RESISTOR	7000m	T2A	300	FUSIBLE RESISTOR	2.2K

■ Voltage value section

	Voltage value section															
7	2000		2001		2002		2003		2004		2005		2006		2007	
	1.10V	1.10V	1.10V	1.10V	1.10V	1.10V	1.10V	1.10V	1.10V	1.10V	1.10V	1.10V	1.10V	1.10V	1.10V	
6	1.10V	1.10V	1.10V	1.10V	1.10V	1.10V	1.10V	1.10V	1.10V	1.10V	1.10V	1.10V	1.10V	1.10V	1.10V	
5	1.10V	1.10V	1.10V	1.10V	1.10V	1.10V	1.10V	1.10V	1.10V	1.10V	1.10V	1.10V	1.10V	1.10V	1.10V	
4	1.10V	1.10V	1.10V	1.10V	1.10V	1.10V	1.10V	1.10V	1.10V	1.10V	1.10V	1.10V	1.10V	1.10V	1.10V	
3	1.10V	1.10V	1.10V	1.10V	1.10V	1.10V	1.10V	1.10V	1.10V	1.10V	1.10V	1.10V	1.10V	1.10V	1.10V	
2	1.10V	1.10V	1.10V	1.10V	1.10V	1.10V	1.10V	1.10V	1.10V	1.10V	1.10V	1.10V	1.10V	1.10V	1.10V	
1	1.10V	1.10V	1.10V	1.10V	1.10V	1.10V	1.10V	1.10V	1.10V	1.10V	1.10V	1.10V	1.10V	1.10V	1.10V	

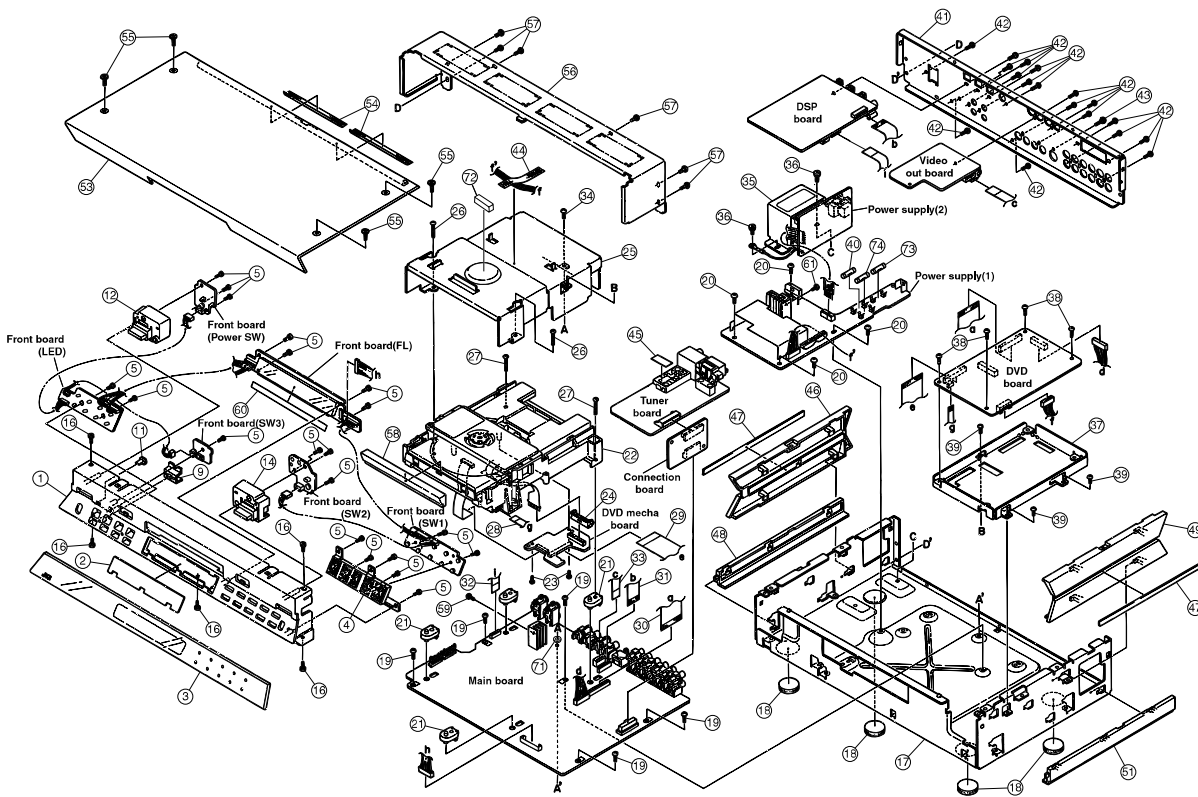
TH-A10R/TH-A10

■ Powered subwoofer section



Exploded view of general assembly and parts list

Block No. **M** **T** **M** **M**



TH-A10R/TH-A10

■ Parts list (General assembly)

Block No. M1MM

Item	Parts number	Parts name	Q'ty	Description	Area
1	LV10334-005A	FRONT BASE	1		
2	LV41540-001A	FL SCREEN	1	FRONT BASE	
3	LV20644-003A	LENS	1		
4	LV20646-001A	PUSH BUTTON	1		
5	QYSDF2606Z	SCREW	20		
9	LV41541-001A	REMOTE LENS	1		
11	FSJD4001-002	INDICATOR	1		
12	LV31711-001A	P.BUTTON ASSY	1		
14	LV31714-001A	EJECT B.ASSY	1		
16	QYSDSG3008M	SCREW	5	FRONT+CHASSIS	
17	LV10336-001A	CHASSIS BASE	1		
18	LV41539-001A	SPACER	4	FOOT	
19	QYSBSG3008E	T.SCREW	5	MAIN PWB+CHASSI	
20	QYSBSG3008E	T.SCREW	4	POW.PWB+CHASSIS	
21	LV31717-001A	STAND	4		
22	-----	DVD DRIVE MECHA	1		
23	QYSBSF2006Z	SCREW	2	FOR MECHA+PWB	
24	LV31435-001A	CONNECTOR HOLDER	1		
25	LV20640-001A	SHIELD PLATE	1		
26	QYSBST3018E	T.SCREW	2	MECHA+SHIELD+CA	
27	QYSBST3016Z	T.SCREW	2	MECHA+CHASSIS	
28	QUQ810-0715AJ	FFC WIRE	1	MECHA FP2602-CN	
29	QUQ810-3717AM	FFC WIRE	1	MECHA CN11-DVD	
30	QUQ810-3512AM	FFC WIRE	1	MAIN CN801-DVD	
31	QUQ810-1916AJ	FFC WIRE	1	MAIN CN151-DSP	
32	QUQ810-1318AJ	FFC WIRE	1	MAIN CN804-DSP	
33	QUQ812-1012AJ	FFC WIRE	1	MAIN CN231-SV C	
34	QYSBSG3008E	T.SCREW	1	MECHA+SHIELD+CA	
35	QQT0296-003	POWER TRANS	1	T901	
36	QYSDSTL4008E	SPECIAL SCREW	2	TRANS+CHASSIS	
37	LV31718-001A	SHIELD CASE	1		
38	QYSBSG3006E	T.SCREW	4	DVD PWB+S.CASE	
39	QYSBST3004Z	T.SCREW	3	S.CASE+CHASSIS	
40	QMF51E2-R50-J1	FUSE	1	F901	
41	LV20642-012A	REAR PANEL	1		B.E EN
	LV20642-013A	REAR PANEL	1		EE
42	QYSBSGY3008E	SPECIAL SCREW	18		
43	E73562-003	SPECIAL SCREW	1	SUB WOOFER+REAR	
44	LV30225-079A	SPACER	1	SHIELD PLATE	
45	LV30225-081A	SPACER	1	TUNER PWB	
46	LV20645-002A	SIDE PANEL(L)	1		
47	LV41542-001A	SIDE PLATE	2		
48	LV31719-002A	SIDE COVER(L)	1		
49	LV20646-002A	SIDE PANEL(R)	1		
51	LV31720-002A	SIDE COVER(R)	1		
53	LV10335-001A	TOP PANEL	1		
54	LV30225-062A	SPACER	2	TOP PANEL	
55	LV41834-001A	SPECIAL SCREW	4	TOP PANEL+CHASS	

■ Parts list (General assembly)

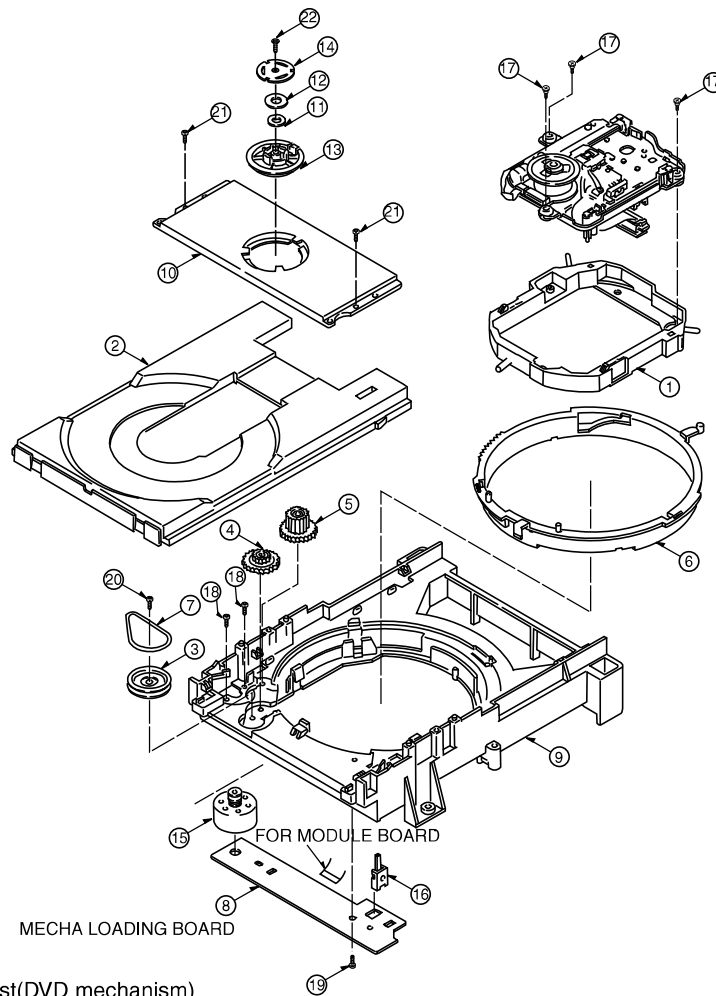
Block No. M1MM

Item	Parts number	Parts name	Q'ty	Description	Area
56	LV20643-001A	REAR COVER	1		
57	QYSBSGY3008E	SPECIAL SCREW	6	R.COVER+CHASSI	
58	LV20647-001A	TRAY FITTING	1		
59	QYSBSG3008Z	T.SCREW	1	IC156 + HS156	
60	LV30225-070A	SPACER	1	FOR D1701+BK701	
61	QYSBSG3008Z	T.SCREW	1	Q921+HS921	
71	E73967-006	SPACER	1		
72	LV41956-001A	SHIELD GASKET	1		
73	QMF51E2-R50-J1	FUSE	1	F902	
74	QMF51E2-R50-J1	FUSE	1	F903	

DVD mechanism assembly and parts list

Block No. M 2 M M

1/2
FLM-V3



■ Parts list(DVD mechanism)

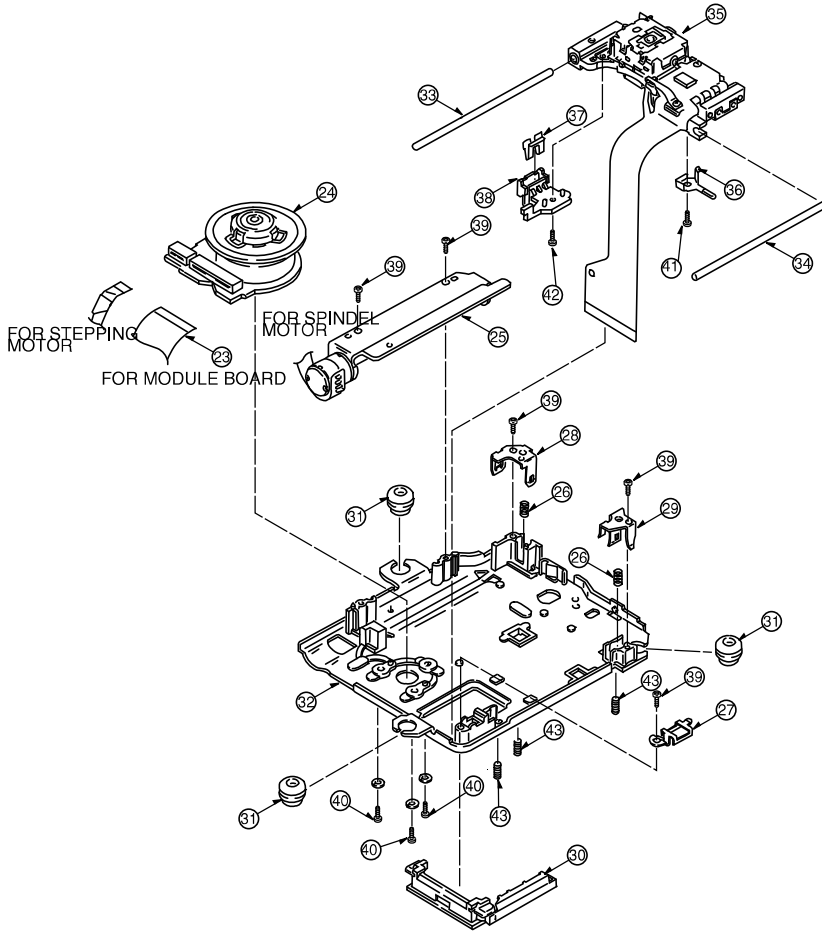
REF.	PARTS NO.	PARTS NAME	QTY	SUFFIX
1	GMVMD3270	Chassis	1	
2	GMVMD3265	Tray	1	
3	GMVDG1308	Pulley gear	1	
4	GMVDG1309	Drive gear 1	1	
5	GMVDG1310	Drive gear 2	1	
6	GMVDK0156	UP DOWN cam	1	
7	GMVDV0373	Belt	1	
8	-----	Mecha loading p.c.Board	1	
9	GMVMD3266	Reading Base	1	
10	GMVMD3263	Clamper base	1	
11	GMJSM0048	Magnet	1	
12	GMVMA9535	Clamp back yoke	1	
13	GMVMD3264	Clamper	1	
14	GMVMA0B93	Clamper weight	1	
15	GMVEM0664	Reading motor unit	1	
16	GMVSH0170	Twin switch	1	
17	GMVHD1223	Screw 1	3	
18	GMXQNQC17+3	Screw 2	2	
19	GMXTV3+10G	Screw 3	1	
20	GMXTW2+12T	Screw 4	1	
21	GMXTV3+10G	Screw 5	2	
22	GMXTS3+6J	Screw 6	1	

DVD mechanism assembly and parts list


Block No. M 2 M M

2/2

FML-V3



■ Parts list(DVD mechanism)

	REF.	PARTS NO.	PARTS NAME	QTY	SUFFIX
	23	GMVWJ1277	Spindle FFC	1	
	24	GMVEM0665	Spindle motor unit	1	
	25	GMVEM0666	Stepping motor unit	1	
	26	GMVMB3278	Tilt spring 1	2	
	27	GMVMC1487	Tilt spring 2	1	
	28	GMVMC1488	Spring suppresses 1	1	
	29	GMVMC1489	Spring suppresses 2	1	
	30	GMVMD3261	FPC holder	1	
	31	GMVVG1166	Floating rubber	3	
	32	GMVMK0474	Traverse chassis	1	
	33	GMVMS6471	Guide shaft 1	1	
	34	GMVMS6472	Guide shaft 2	1	
	35	GMVED0402	Optical pick up	1	
	36	GMVMC1491	Spring	1	
	37	GMVMC1490	Nut spring	1	
	38	GMVMD3260	Nut	1	
	39	GMVHD1224	Screw 1	5	
	40	GMVHD1225	Screw 2	3	
	41	GMVHD1057	Screw 3	1	
	42	GMXQNC17+3	Screw 4	1	
	43	GMXXE26C6FN	Screw 5	3	

Electrical parts list

■ Electrical parts list (Main board)

Block No. 01

△	Item	Parts number	Parts name	Remarks	Area	△	Item	Parts number	Parts name	Remarks	Area
	C 231	QETN1HM-475Z	E CAPACITOR	4.7MF 20% 50V			C1103	QCBB1HK-331Y	C CAPACITOR	330PF 10% 50V	
	C 232	QETN1HM-475Z	E CAPACITOR	4.7MF 20% 50V			C1104	QCBB1HK-331Y	C CAPACITOR	330PF 10% 50V	
	C 233	QETN0JM-477Z	E CAPACITOR	470MF 20% 6.3V			C1105	QCBB1HK-331Y	C CAPACITOR	330PF 10% 50V	
	C 234	QETN0JM-477Z	E CAPACITOR	470MF 20% 6.3V			C1106	QCBB1HK-331Y	C CAPACITOR	330PF 10% 50V	
	C 235	QCS11HJ-470	C CAPACITOR	47PF 5% 50V			C1107	QCBB1HK-331Y	C CAPACITOR	330PF 10% 50V	
	C 236	QETN1HM-475Z	E CAPACITOR	4.7MF 20% 50V			C1108	QCBB1HK-331Y	C CAPACITOR	330PF 10% 50V	
	C 237	QDX31EM-473Z	C.CAPACITOR				C1109	QCBB1HK-331Y	C CAPACITOR	330PF 10% 50V	
	C 241	QETN1AM-107Z	E CAPACITOR	100MF 20% 10V			C1110	QCBB1HK-331Y	C CAPACITOR	330PF 10% 50V	
	C 242	QDYB1CM-103Y	C.CAPACITOR				C1111	QCBB1HK-331Y	C CAPACITOR	330PF 10% 50V	
	C 243	QETN1CM-476Z	E CAPACITOR	47MF 20% 16V			C1112	QCBB1HK-331Y	C CAPACITOR	330PF 10% 50V	
	C 244	QDYB1CM-103Y	C.CAPACITOR				C1115	QETN1HM-475Z	E CAPACITOR	4.7MF 20% 50V	
	C 245	QETN1AM-107Z	E CAPACITOR	100MF 20% 10V			C1116	QETN1HM-475Z	E CAPACITOR	4.7MF 20% 50V	
	C 253	QDX31EM-104Z	C.CAPACITOR				C1117	QETN1EM-226Z	E CAPACITOR	22MF 20% 25V	
	C 254	QCS11HJ-100	C CAPACITOR	10PF 5% 50V			C1118	QETN1EM-226Z	E CAPACITOR	22MF 20% 25V	
	C 255	QCS11HJ-470	C CAPACITOR	47PF 5% 50V			C1121	QETN1HM-475Z	E CAPACITOR	4.7MF 20% 50V	
	C 256	QCS11HJ-121	C CAPACITOR	120PF 5% 50V			C1122	QETN1HM-475Z	E CAPACITOR	4.7MF 20% 50V	
	C 258	QDYB1CM-103Y	C.CAPACITOR				C1123	QETN1HM-475Z	E CAPACITOR	4.7MF 20% 50V	
	C 261	QETN0JM-477Z	E CAPACITOR	470MF 20% 6.3V			C1124	QETN1HM-475Z	E CAPACITOR	4.7MF 20% 50V	
	C 262	QETN0JM-477Z	E CAPACITOR	470MF 20% 6.3V			C1125	QFLC1HJ-821Z	M.CAPA.I.M	820PF 5% 50V	
	C 271	QCS11HJ-121	C CAPACITOR	120PF 5% 50V			C1126	QFLC1HJ-821Z	M.CAPA.I.M	820PF 5% 50V	
	C 272	QCS11HJ-470	C CAPACITOR	47PF 5% 50V			C1127	QFVJ1HJ-224Z	CAPACITOR	.22MF 5% 50V	
	C 273	QCS11HJ-100	C CAPACITOR	10PF 5% 50V			C1128	QFVJ1HJ-224Z	CAPACITOR	.22MF 5% 50V	
	C 291	QETN1CM-476Z	E CAPACITOR	47MF 20% 16V			C1131	QETN1HM-475Z	E CAPACITOR	4.7MF 20% 50V	
	C 298	QDGB1HK-102Y	C CAPACITOR				C1132	QETN1HM-475Z	E CAPACITOR	4.7MF 20% 50V	
	C 299	QCF11HZ-103	C CAPACITOR	.010MF +80%-20%			C1133	QETN1HM-475Z	E CAPACITOR	4.7MF 20% 50V	
	C 801	QCF11HZ-103	C CAPACITOR	.010MF +80%-20%			C1134	QETN1HM-475Z	E CAPACITOR	4.7MF 20% 50V	
	C 802	QCF11HZ-103	C CAPACITOR	.010MF +80%-20%			C1135	QETN1HM-475Z	E CAPACITOR	4.7MF 20% 50V	
	C 806	QEZO229-479Z	EDL.CAPACITOR	47000MF			C1136	QETN1HM-475Z	E CAPACITOR	4.7MF 20% 50V	
	C 807	QETN0JM-477Z	E CAPACITOR	470MF 20% 6.3V			C1137	QETN1HM-475Z	E CAPACITOR	4.7MF 20% 50V	
	C 811	QCF11HZ-103	C CAPACITOR	.010MF +80%-20%			C1138	QETN1HM-475Z	E CAPACITOR	4.7MF 20% 50V	
	C 812	QCBB1HK-473Y	C CAPACITOR	.047MF 10% 50V			C1139	QFVJ1HJ-224Z	CAPACITOR	.22MF 5% 50V	
	C 813	QEKCIAM-107Z	E.CAPACITOR	100MF 20% 10V			C1140	QFVJ1HJ-224Z	CAPACITOR	.22MF 5% 50V	
	C 814	QEZO229-479Z	EDL.CAPACITOR	47000MF			C1151	QETN1CM-476Z	E CAPACITOR	47MF 20% 16V	
	C 816	QEKCOJM-227Z	E.CAPACITOR	220MF 20% 6.3V			C1152	QETN1CM-476Z	E CAPACITOR	47MF 20% 16V	
	C 817	QCF11HZ-103	C CAPACITOR	.010MF +80%-20%			C1155	QETN1CM-476Z	E CAPACITOR	47MF 20% 16V	
	C 821	QDYB1CM-103Y	C.CAPACITOR				C1156	QETN1CM-476Z	E CAPACITOR	47MF 20% 16V	
	C 822	QEKCIHM-225Z	E.CAPACITOR	2.2MF 20% 50V			C1159	QETN1CM-476Z	E CAPACITOR	47MF 20% 16V	
	C 823	QDGB1HK-102Y	C CAPACITOR				C1160	QETN1CM-476Z	E CAPACITOR	47MF 20% 16V	
	C 824	QDVB1EZ-223Y	C CAPACITOR				C1161	QCBB1HK-561Y	C CAPACITOR	560PF 10% 50V	
	C 826	QETN1HM-224Z	E CAPACITOR	.22MF 20% 50V			C1162	QCBB1HK-561Y	C CAPACITOR	560PF 10% 50V	
	C 827	QETN1HM-105Z	E CAPACITOR	1.0MF 20% 50V			C1163	QETN1CM-476Z	E CAPACITOR	47MF 20% 16V	
	C 831	QCF11HZ-103	C CAPACITOR	.010MF +80%-20%			C1164	QETN1AM-107Z	E CAPACITOR	100MF 20% 10V	
	C 832	QCF11HZ-103	C CAPACITOR	.010MF +80%-20%			C1165	QETN1CM-476Z	E CAPACITOR	47MF 20% 16V	
	C 835	QCBB1HK-101Y	C CAPACITOR	100PF 10% 50V			C1166	QETN1CM-476Z	E CAPACITOR	47MF 20% 16V	
	C 836	QCBB1HK-101Y	C CAPACITOR	100PF 10% 50V			C1167	QCBB1HK-221Y	C CAPACITOR	220PF 10% 50V	
	C 871	QCZO205-155Z	ML C CAPACITOR	1.5MF			C1169	QETN1CM-476Z	E CAPACITOR	47MF 20% 16V	
	C 905	QCF11HZ-103	C CAPACITOR	.010MF +80%-20%			C1170	QETN1CM-476Z	E CAPACITOR	47MF 20% 16V	
	C 906	QCF11HZ-103	C CAPACITOR	.010MF +80%-20%			C1171	QCBB1HK-221Y	C CAPACITOR	220PF 10% 50V	
	CN131	QGB2501K2-10	B TO B CONNE				C1173	QETN1CM-476Z	E CAPACITOR	47MF 20% 16V	
	CN132	QGB2501K1-04	CONNECTOR				C1174	QETN1CM-476Z	E CAPACITOR	47MF 20% 16V	
	CN133	QGB2501J1-12	CONNECTOR				C1175	QCBB1HK-221Y	C CAPACITOR	220PF 10% 50V	
	CN134	QGB2501J1-04	CONNECTOR				C1176	QETN1CM-476Z	E CAPACITOR	47MF 20% 16V	
	CN151	QGF1016C1-19	CONNECTOR				C1177	QETN1CM-476Z	E CAPACITOR	47MF 20% 16V	
	CN231	QGF1205C1-10	CONNECTOR				C1178	QETN1CM-476Z	E CAPACITOR	47MF 20% 16V	
	CN801	QGF1016C1-35	FFC/FPC CONNE	DVD-MAIN			C1179	QETN1CM-476Z	E CAPACITOR	47MF 20% 16V	
	CN802	QGA2001C1-15	15P PLUG ASSY	MAIN-FL			C1180	QETN1CM-476Z	E CAPACITOR	47MF 20% 16V	
	CN804	QGF1016C1-13	CONNECTOR	DSP-MAIN			C1181	QETN1CM-476Z	E CAPACITOR	47MF 20% 16V	
	CN805	QGB2501J1-10	B TO B CONNE				C1182	QETN1HM-475Z	E CAPACITOR	4.7MF 20% 50V	
	CN806	QGB2501J1-04	CONNECTOR				C1183	QETN1HM-106Z	E CAPACITOR	10MF 20% 50V	
	CN807	QGB2011MP-08	B TO B CONNE				C1201	QTE1H06-475Z	E CAPACITOR		
	CN808	QGB2011MP-08	B TO B CONNE				C1202	QTE1H06-475Z	E CAPACITOR		
	C1101	QCBB1HK-331Y	C CAPACITOR	330PF 10% 50V			C1203	QETN1HM-475Z	E CAPACITOR	4.7MF 20% 50V	
	C1102	QCBB1HK-331Y	C CAPACITOR	330PF 10% 50V			C1204	QETN1HM-475Z	E CAPACITOR	4.7MF 20% 50V	

■ Electrical parts list (Main board)

Block No. 01

△	Item	Parts number	Parts name	Remarks	Area
	C1205	QETN1HM-475Z	E CAPACITOR	4.7MF 20% 50V	
	C1206	QTE1H06-475Z	E CAPACITOR		
	C1211	QTE1H06-475Z	E CAPACITOR		
	C1212	QTE1H06-475Z	E CAPACITOR		
	C1213	QETN1HM-475Z	E CAPACITOR	4.7MF 20% 50V	
	C1214	QETN1HM-475Z	E CAPACITOR	4.7MF 20% 50V	
	C1215	QETN1HM-475Z	E CAPACITOR	4.7MF 20% 50V	
	C1216	QTE1H06-475Z	E CAPACITOR		
	C1301	QFLC1HJ-562Z	M CAPACITOR	5600PF 5% 50V	
	C1302	QFLC1HJ-562Z	M CAPACITOR	5600PF 5% 50V	
	C1351	QETN1AM-107Z	E CAPACITOR	100MF 20% 10V	
	C1352	QETN1HM-106Z	E CAPACITOR	10MF 20% 50V	
	D 801	1SS133-T2	SI DIODE		
	D 802	MTZJ6.2C-T2	Z DIODE I/M		
	D 803	MTZJ6.2C-T2	Z DIODE I/M		
	D 807	1SS133-T2	SI DIODE		
	D 809	1SS133-T2	SI DIODE		
	D 811	1SS133-T2	SI DIODE		
	D 813	1SS133-T2	SI DIODE		
	D 814	1SS133-T2	SI DIODE		
	D 818	1SS133-T2	SI DIODE		
	D 820	1SS133-T2	SI DIODE		
	D1351	1SS133-T2	SI DIODE		
	D1352	MTZJ6.8A-T2	ZENER DIODE		
	EP801	QNZ0136-001Z	EARTH PLATE		
	EP802	QNZ0136-001Z	EARTH PLATE		
	EP803	QNZ0136-001Z	EARTH PLATE		
	EP805	QNZ0136-001Z	EARTH PLATE		
	FW901	QUM157-08DGZ4	PARA RIBON WIRE	TO CN911/912	
	HS156	E70945-H40B	HEAT SINK	FOR IC156	
	IC151	TC9164AN	IC	INPUT SOURCE	
	IC152	TC9162AN	IC	REC SOURCE	
	IC153	TC9459F	IC		
	IC154	TC9459F	IC		
	IC155	TC9459F	IC		
	IC156	NJM78M05FA	IC	5V REG	
	IC157	NJM4580L	IC		
	IC158	NJM4580L	IC		
	IC159	NJM4580L	IC		
	IC160	NJM4580L	IC		
	IC231	BA7625	IC		
	IC233	M5278L09-T	IC I/M		
	IC801	MN101C12GHE	IC	DVD SYSTEM MICO	
	IC802	MN101C15FHF	MPU	RECIEVER MICOM	
	IC803	IC-PST9140-T	IC		
	IC804	BR93LC46-W	IC		
	J 231	QNN0063-001	PIN JACK		
	J 232	QNN0063-001	PIN JACK		
	J 801	QNS0016-001	3.5 JACK	COMPULINK	
	J 802	QNS0016-001	3.5 JACK	AV COMPULINK	
△	J 901	QNC0006-001	AC SOCKET		
	J1101	QNN0325-001	PIN JACK		
	J1102	QNN0325-001	PIN JACK		
	J1103	QND0079-001	DIN CONNECTOR		
	K 801	QQR0779-001Z	INDUCTOR		
	K 802	QQR0779-001Z	INDUCTOR		
	K 803	QQR0779-001Z	INDUCTOR		
	L 251	QQL071J-5R6Y	INDUCTOR		
	L 252	QQL071J-120Y	INDUCTOR		
	L 271	QQL071J-120Y	INDUCTOR		
	L 272	QQL071J-5R6Y	INDUCTOR		
	L 901	QQR1145-001	INDUCTOR		
	L1301	QQR0590-001	FILTER		

△	Item	Parts number	Parts name	Remarks	Area
	L1302	QQR0590-001	FILTER		
	Q 231	KTA1267/YG/-T	TRANSISTOR		
	Q 232	KTA1267/YG/-T	TRANSISTOR		
	Q 233	KTA1267/YG/-T	TRANSISTOR		
	Q 234	KTA1267/YG/-T	TRANSISTOR		
	Q 236	KTA1267/YG/-T	TRANSISTOR		
	Q 801	KRC102M-T	D.TRANSISTOR		
	Q 802	KRC102M-T	D.TRANSISTOR		
	Q 803	KRC102M-T	D.TRANSISTOR		
	Q 804	KRC102M-T	D.TRANSISTOR		
	Q 805	KTA1267/YG/-T	TRANSISTOR		
	Q 806	KTA1267/YG/-T	TRANSISTOR		
	Q 807	KRA102M-T	D.TRANSISTOR		
	Q 811	KRC102M-T	D.TRANSISTOR		
	Q 812	KTA1271/OY/-T	TRANSISTOR		
	Q 813	DTC144ESA-T	D.TRANSISTOR		
	Q 814	KTA1271/OY/-T	TRANSISTOR		
	Q 815	KTC3199/GL/-T	TRANSISTOR		
	Q 816	KRA102M-T	D.TRANSISTOR		
	Q1131	2SC2878/AB/-T	TRANSISTOR		
	Q1132	2SC2878/AB/-T	TRANSISTOR		
	Q1133	2SC2878/AB/-T	TRANSISTOR		
	Q1134	2SC2878/AB/-T	TRANSISTOR		
	Q1135	2SC2878/AB/-T	TRANSISTOR		
	Q1136	2SC2878/AB/-T	TRANSISTOR		
	Q1137	2SC2878/AB/-T	TRANSISTOR		
	Q1351	KTC3203/OY/-T	TRANSISTOR		
	R 231	QRE141J-750Y	C RESISTOR	75 5% 1/4W	
	R 232	QRE141J-750Y	C RESISTOR	75 5% 1/4W	
	R 233	QRE141J-750Y	C RESISTOR	75 5% 1/4W	
	R 234	QRE141J-750Y	C RESISTOR	75 5% 1/4W	
	R 235	QRE141J-331Y	C RESISTOR	330 5% 1/4W	
	R 236	QRE141J-331Y	C RESISTOR	330 5% 1/4W	
	R 237	QRE141J-473Y	C RESISTOR	47K 5% 1/4W	
	R 238	QRE141J-473Y	C RESISTOR	47K 5% 1/4W	
	R 239	QRE141J-331Y	C RESISTOR	330 5% 1/4W	
	R 241	QRE141J-151Y	C RESISTOR	150 5% 1/4W	
	R 242	QRE141J-151Y	C RESISTOR	150 5% 1/4W	
△	R 243	QRZ9006-4R7X	F RESISTOR	4.7 1/4W	
	R 246	QRE141J-222Y	C RESISTOR	2.2K 5% 1/4W	
	R 247	QRE141J-221Y	C RESISTOR	220 5% 1/4W	
	R 248	QRE141J-750Y	C RESISTOR	75 5% 1/4W	
	R 249	QRE141J-102Y	C RESISTOR	1.0K 5% 1/4W	
	R 250	QRE141J-102Y	C RESISTOR	1.0K 5% 1/4W	
	R 251	QRE141J-221Y	C RESISTOR	220 5% 1/4W	
	R 252	QRE141J-680Y	C RESISTOR	68 5% 1/4W	
	R 253	QRE141J-391Y	C RESISTOR	390 5% 1/4W	
	R 254	QRE141J-680Y	C RESISTOR	68 5% 1/4W	
	R 255	QRE141J-391Y	C RESISTOR	390 5% 1/4W	
	R 261	QRE141J-102Y	C RESISTOR	1.0K 5% 1/4W	
	R 262	QRE141J-750Y	C RESISTOR	75 5% 1/4W	
	R 271	QRE141J-122Y	C RESISTOR	1.2K 5% 1/4W	
	R 272	QRE141J-751Y	C RESISTOR	750 5% 1/4W	
	R 273	QRE141J-751Y	C RESISTOR	750 5% 1/4W	
	R 274	QRE141J-122Y	C RESISTOR	1.2K 5% 1/4W	
	R 275	QRE141J-221Y	C RESISTOR	220 5% 1/4W	
	R 276	QRE141J-102Y	C RESISTOR	1.0K 5% 1/4W	
	R 801	QRE141J-101Y	C RESISTOR	100 5% 1/4W	
	R 802	QRE141J-221Y	C RESISTOR	220 5% 1/4W	
	R 803	QRE141J-101Y	C RESISTOR	100 5% 1/4W	
	R 805	QRE141J-101Y	C RESISTOR	100 5% 1/4W	
	R 806	QRE141J-103Y	C RESISTOR	10K 5% 1/4W	
	R 811	QRE141J-101Y	C RESISTOR	100 5% 1/4W	

■ Electrical parts list (Main board)

Block No. 01

△	Item	Parts number	Parts name	Remarks	Area	△	Item	Parts number	Parts name	Remarks	Area
	R 812	QRE141J-472Y	C RESISTOR	4.7K 5% 1/4W			R1105	QRE141J-471Y	C RESISTOR	470 5% 1/4W	
	R 813	QRE141J-101Y	C RESISTOR	100 5% 1/4W			R1106	QRE141J-471Y	C RESISTOR	470 5% 1/4W	
	R 817	QRE141J-223Y	C RESISTOR	22K 5% 1/4W			R1107	QRE141J-471Y	C RESISTOR	470 5% 1/4W	
	R 818	QRE141J-472Y	C RESISTOR	4.7K 5% 1/4W			R1108	QRE141J-471Y	C RESISTOR	470 5% 1/4W	
△	R 821	QRZ9006-4R7X	F RESISTOR	4.7 1/4W			R1109	QRE141J-471Y	C RESISTOR	470 5% 1/4W	
	R 822	QRE141J-223Y	C RESISTOR	22K 5% 1/4W			R1110	QRE141J-471Y	C RESISTOR	470 5% 1/4W	
	R 823	QRE141J-223Y	C RESISTOR	22K 5% 1/4W			R1111	QRE141J-471Y	C RESISTOR	470 5% 1/4W	
	R 824	QRE141J-223Y	C RESISTOR	22K 5% 1/4W			R1112	QRE141J-471Y	C RESISTOR	470 5% 1/4W	
	R 825	QRE141J-223Y	C RESISTOR	22K 5% 1/4W			R1115	QRE141J-104Y	C RESISTOR	100K 5% 1/4W	
	R 829	QRE141J-103Y	C RESISTOR	10K 5% 1/4W			R1116	QRE141J-104Y	C RESISTOR	100K 5% 1/4W	
	R 831	QRE141J-102Y	C RESISTOR	1.0K 5% 1/4W			R1117	QRE141J-104Y	C RESISTOR	100K 5% 1/4W	
	R 832	QRE141J-102Y	C RESISTOR	1.0K 5% 1/4W			R1118	QRE141J-104Y	C RESISTOR	100K 5% 1/4W	
	R 833	QRE141J-102Y	C RESISTOR	1.0K 5% 1/4W			R1125	QRE141J-222Y	C RESISTOR	2.2K 5% 1/4W	
	R 834	QRE141J-102Y	C RESISTOR	1.0K 5% 1/4W			R1126	QRE141J-222Y	C RESISTOR	2.2K 5% 1/4W	
	R 835	QRE141J-102Y	C RESISTOR	1.0K 5% 1/4W			R1127	QRE141J-122Y	C RESISTOR	1.2K 5% 1/4W	
	R 836	QRE141J-102Y	C RESISTOR	1.0K 5% 1/4W			R1128	QRE141J-122Y	C RESISTOR	1.2K 5% 1/4W	
	R 841	QRE141J-102Y	C RESISTOR	1.0K 5% 1/4W			R1129	QRE141J-272Y	C RESISTOR	2.7K 5% 1/4W	
	R 843	QRE141J-102Y	C RESISTOR	1.0K 5% 1/4W			R1130	QRE141J-272Y	C RESISTOR	2.7K 5% 1/4W	
	R 844	QRE141J-102Y	C RESISTOR	1.0K 5% 1/4W			R1131	QRE141J-104Y	C RESISTOR	100K 5% 1/4W	
	R 845	QRE141J-102Y	C RESISTOR	1.0K 5% 1/4W			R1132	QRE141J-104Y	C RESISTOR	100K 5% 1/4W	
	R 846	QRE141J-102Y	C RESISTOR	1.0K 5% 1/4W			R1133	QRE141J-102Y	C RESISTOR	1.0K 5% 1/4W	
	R 847	QRE141J-102Y	C RESISTOR	1.0K 5% 1/4W			R1134	QRE141J-102Y	C RESISTOR	1.0K 5% 1/4W	
	R 848	QRE141J-102Y	C RESISTOR	1.0K 5% 1/4W			R1135	QRE141J-332Y	C RESISTOR	3.3K 5% 1/4W	
	R 849	QRE141J-102Y	C RESISTOR	1.0K 5% 1/4W			R1136	QRE141J-332Y	C RESISTOR	3.3K 5% 1/4W	
	R 850	QRE141J-221Y	C RESISTOR	220 5% 1/4W			R1137	QRE141J-104Y	C RESISTOR	100K 5% 1/4W	
	R 851	QRE141J-221Y	C RESISTOR	220 5% 1/4W			R1138	QRE141J-104Y	C RESISTOR	100K 5% 1/4W	
	R 852	QRE141J-221Y	C RESISTOR	220 5% 1/4W			R1139	QRE141J-104Y	C RESISTOR	100K 5% 1/4W	
	R 853	QRE141J-102Y	C RESISTOR	1.0K 5% 1/4W			R1140	QRE141J-104Y	C RESISTOR	100K 5% 1/4W	
	R 854	QRE141J-102Y	C RESISTOR	1.0K 5% 1/4W			R1141	QRE141J-102Y	C RESISTOR	1.0K 5% 1/4W	
	R 855	QRE141J-102Y	C RESISTOR	1.0K 5% 1/4W			R1142	QRE141J-102Y	C RESISTOR	1.0K 5% 1/4W	
	R 856	QRE141J-102Y	C RESISTOR	1.0K 5% 1/4W			R1143	QRE141J-332Y	C RESISTOR	3.3K 5% 1/4W	
	R 857	QRE141J-102Y	C RESISTOR	1.0K 5% 1/4W			R1144	QRE141J-332Y	C RESISTOR	3.3K 5% 1/4W	
	R 858	QRE141J-102Y	C RESISTOR	1.0K 5% 1/4W			R1145	QRE141J-104Y	C RESISTOR	100K 5% 1/4W	
	R 859	QRE141J-102Y	C RESISTOR	1.0K 5% 1/4W			R1146	QRE141J-104Y	C RESISTOR	100K 5% 1/4W	
	R 860	QRE141J-102Y	C RESISTOR	1.0K 5% 1/4W			R1147	QRE141J-104Y	C RESISTOR	100K 5% 1/4W	
	R 861	QRE141J-102Y	C RESISTOR	1.0K 5% 1/4W			R1148	QRE141J-104Y	C RESISTOR	100K 5% 1/4W	
	R 862	QRE141J-102Y	C RESISTOR	1.0K 5% 1/4W			R1149	QRE141J-471Y	C RESISTOR	470 5% 1/4W	
	R 863	QRE141J-102Y	C RESISTOR	1.0K 5% 1/4W			R1150	QRE141J-102Y	C RESISTOR	1.0K 5% 1/4W	
	R 864	QRE141J-102Y	C RESISTOR	1.0K 5% 1/4W			R1151	QRE141J-472Y	C RESISTOR	4.7K 5% 1/4W	
	R 865	QRE141J-102Y	C RESISTOR	1.0K 5% 1/4W			R1152	QRE141J-332Y	C RESISTOR	3.3K 5% 1/4W	
	R 866	QRE141J-102Y	C RESISTOR	1.0K 5% 1/4W			R1153	QRE141J-471Y	C RESISTOR	470 5% 1/4W	
	R 867	QRE141J-221Y	C RESISTOR	220 5% 1/4W			R1154	QRE141J-472Y	C RESISTOR	4.7K 5% 1/4W	
	R 868	QRE141J-221Y	C RESISTOR	220 5% 1/4W			R1155	QRE141J-104Y	C RESISTOR	100K 5% 1/4W	
	R 869	QRE141J-221Y	C RESISTOR	220 5% 1/4W			R1156	QRE141J-104Y	C RESISTOR	100K 5% 1/4W	
	R 871	QRE141J-681Y	C RESISTOR	680 5% 1/4W			R1157	QRE141J-332Y	C RESISTOR	3.3K 5% 1/4W	
	R 872	QRE141J-332Y	C RESISTOR	3.3K 5% 1/4W			R1158	QRE141J-273Y	C RESISTOR	27K 5% 1/4W	
	R 873	QRE141J-332Y	C RESISTOR	3.3K 5% 1/4W			R1161	QRE141J-104Y	C RESISTOR	100K 5% 1/4W	
	R 874	QRE141J-332Y	C RESISTOR	3.3K 5% 1/4W			R1162	QRE141J-104Y	C RESISTOR	100K 5% 1/4W	
	R 877	QRE141J-223Y	C RESISTOR	22K 5% 1/4W			R1163	QRE141J-104Y	C RESISTOR	100K 5% 1/4W	
	R 881	QRE141J-223Y	C RESISTOR	22K 5% 1/4W			R1164	QRE141J-104Y	C RESISTOR	100K 5% 1/4W	
	R 882	QRE141J-223Y	C RESISTOR	22K 5% 1/4W			R1165	QRE141J-104Y	C RESISTOR	100K 5% 1/4W	
	R 883	QRE141J-223Y	C RESISTOR	22K 5% 1/4W			R1166	QRE141J-104Y	C RESISTOR	100K 5% 1/4W	
	R 888	QRE141J-104Y	C RESISTOR	100K 5% 1/4W			R1167	QRE141J-332Y	C RESISTOR	3.3K 5% 1/4W	
	R 889	QRE141J-223Y	C RESISTOR	22K 5% 1/4W			R1168	QRE141J-332Y	C RESISTOR	3.3K 5% 1/4W	
	R 890	QRE141J-103Y	C RESISTOR	10K 5% 1/4W			R1169	QRE141J-123Y	C RESISTOR	12K 5% 1/4W	
	R 891	QRE141J-102Y	C RESISTOR	1.0K 5% 1/4W			R1170	QRE141J-123Y	C RESISTOR	12K 5% 1/4W	
	R 892	QRE141J-105Y	C RESISTOR	1.0M 5% 1/4W			R1171	QRE141J-332Y	C RESISTOR	3.3K 5% 1/4W	
	R 893	QRE141J-332Y	C RESISTOR	3.3K 5% 1/4W			R1172	QRE141J-332Y	C RESISTOR	3.3K 5% 1/4W	
	R 894	QRE141J-103Y	C RESISTOR	10K 5% 1/4W			R1173	QRE141J-123Y	C RESISTOR	12K 5% 1/4W	
	R1101	QRE141J-471Y	C RESISTOR	470 5% 1/4W			R1174	QRE141J-123Y	C RESISTOR	12K 5% 1/4W	
	R1102	QRE141J-471Y	C RESISTOR	470 5% 1/4W			R1175	QRE141J-332Y	C RESISTOR	3.3K 5% 1/4W	
	R1103	QRE141J-471Y	C RESISTOR	470 5% 1/4W			R1176	QRE141J-123Y	C RESISTOR	12K 5% 1/4W	
	R1104	QRE141J-471Y	C RESISTOR	470 5% 1/4W		△	R1181	QRZ9005-470X	F.RES I/M	47 1/4W	

■ Electrical parts list (Main board)

Block No. 01

△	Item	Parts number	Parts name	Remarks	Area
△	R1182	QRZ9005-470X	F.RES I/M	47 1/4W	
△	R1183	QRZ9005-470X	F.RES I/M	47 1/4W	
△	R1184	QRZ9005-470X	F.RES I/M	47 1/4W	
△	R1185	QRZ9005-470X	F.RES I/M	47 1/4W	
△	R1186	QRZ9005-470X	F.RES I/M	47 1/4W	
△	R1187	QRZ9005-470X	F.RES I/M	47 1/4W	
△	R1188	QRZ9005-470X	F.RES I/M	47 1/4W	
△	R1189	QRZ9005-470X	F.RES I/M	47 1/4W	
△	R1190	QRZ9005-470X	F.RES I/M	47 1/4W	
△	R1191	QRZ9005-470X	F.RES I/M	47 1/4W	
△	R1192	QRZ9005-470X	F.RES I/M	47 1/4W	
△	R1193	QRZ9005-470X	F.RES I/M	47 1/4W	
△	R1194	QRZ9005-470X	F.RES I/M	47 1/4W	
	R1196	QRE141J-474Y	C RESISTOR	470K 5% 1/4W	
	R1197	QRE141J-474Y	C RESISTOR	470K 5% 1/4W	
	R1301	QRE141J-472Y	C RESISTOR	4.7K 5% 1/4W	
	R1302	QRE141J-472Y	C RESISTOR	4.7K 5% 1/4W	
△	R1351	QRZ9006-4R7X	F RESISTOR	4.7 1/4W	
	R1352	QRE141J-102Y	C RESISTOR	1.0K 5% 1/4W	
	SP153	VYH7653-002	IC HOLDER	FOR IC1153	
	SP154	VYH7653-002	IC HOLDER	FOR IC1154	
	SP155	VYH7653-002	IC HOLDER	FOR IC1154	
	SP801	VYH7237-005	IC HOLDER	FOR IC801	
	SP802	VYH7237-003SC	IC HOLDER	FOR IC802	
	WA231	WJP0017-001A	E-SH C WIRE C-B	JSC:WJP0017-001	
	X 801	QAX0356-001Z	RESONATOR		
	X 802	QAX0246-001Z	RESONATOR		

■ Electrical parts list (Front & Power board) Block No. 02

Item	Parts number	Parts name	Remarks	Area	Item	Parts number	Parts name	Remarks	Area
C 201	NCS21HJ-470X	C CAPACITOR			C 974	QETN0JM-108Z	E CAPACITOR	1000MF 20% 6.3V	
C 202	NCS21HJ-470X	C CAPACITOR			C 975	QETN0JM-108Z	E CAPACITOR	1000MF 20% 6.3V	
C 203	NCS21HJ-470X	C CAPACITOR			C 977	NCB21HK-102X	C CAPACITOR		
C 204	NCS21HJ-470X	C CAPACITOR			C 978	QETN0JM-108Z	E CAPACITOR	1000MF 20% 6.3V	
C 205	NCB21EK-473X	C CAPACITOR			C 979	QETN0JM-108Z	E CAPACITOR	1000MF 20% 6.3V	
C 206	QERF1EM-475Z	E CAPACITOR	4.7MF 20% 25V		C 980	QETN0JM-108Z	E CAPACITOR	1000MF 20% 6.3V	
C 207	NCB21EK-473X	C CAPACITOR			C 981	NCB21HK-102X	C CAPACITOR		
C 208	QERF1EM-475Z	E CAPACITOR	4.7MF 20% 25V		C 982	QETN1AM-477Z	E CAPACITOR	470MF 20% 10V	
C 209	NCB21EK-473X	C CAPACITOR			C 983	QETN1AM-477Z	E CAPACITOR	470MF 20% 10V	
C 210	QETN0JM-477Z	E CAPACITOR	470MF 20% 6.3V		C 984	NCB21HK-102X	C CAPACITOR		
C 211	NCB21EK-473X	C CAPACITOR			C 986	NCB21HK-331X	C.CAPACITOR		
C 212	QETN0JM-477Z	E CAPACITOR	470MF 20% 6.3V		C 987	NCB21HK-331X	C.CAPACITOR		
C 213	NCB21HK-103X	C CAPACITOR			C 988	NCB21HK-331X	C.CAPACITOR		
C 214	NCB21EK-473X	C CAPACITOR			C 989	NCB21HK-331X	C.CAPACITOR		
C 215	QERF1EM-475Z	E CAPACITOR	4.7MF 20% 25V		C 999	QCF11HZ-103	C CAPACITOR	.010MF +80:-20%	
C 216	QER41AM-107	E CAPACITOR	100MF 20% 10V		CN201	QGF1205F1-10	CONNECTOR		
C 217	NCB21HK-103X	C CAPACITOR			CN701	QGA1002F1-15X	CONNECTOR	1MM PITCH	
C 218	QERF1EM-475Z	E CAPACITOR	4.7MF 20% 25V		CN702	QGA2001C1-04	4P PLUG ASSY		
C 226	NCB21EK-473X	C CAPACITOR			CN705	QGA2001C1-05	5P PLUG ASSY		
C 228	NCB21EK-473X	C CAPACITOR			CN706	QGA2001C1-03	3P PLUG ASSY		
C 701	NCB21HK-103X	C CAPACITOR			△ CN911	QGD2501C1-03Z	SOCKET		
C 702	NCB21HK-471X	C CAPACITOR			△ CN912	QGD2501C1-04Z	SOCKET		
C 703	NCB21HK-471X	C CAPACITOR			CN913	QGB2011L1-08	B TO B CONNECTO		
C 704	NCB21HK-471X	C CAPACITOR			CN914	QGB2011L1-08	B TO B CONNECTO		
C 705	NCB21HK-471X	C CAPACITOR			D 701	1SS355-X	DIODE		
C 706	QERF0JM-107Z	E CAPACITOR	100MF 20% 6.3V		D 702	1SS355-X	DIODE		
C 707	NCB21HK-102X	C CAPACITOR			D 703	1SS355-X	DIODE		
C 708	NCB21HK-103X	C CAPACITOR			D 706	1SS355-X	DIODE	BAND 0	
C 709	QERF1HM-475Z	E CAPACITOR	4.7MF 20% 50V		D 713	1SS355-X	DIODE		
C 710	QERF1HM-475Z	E CAPACITOR	4.7MF 20% 50V		D 715	1SS355-X	DIODE		
C 711	QERF0JM-226Z	E CAPACITOR	22MF 20% 6.3V		D 721	SLR-342VC-T	LED	LFE	
C 731	NCB21HK-103X	C CAPACITOR			D 722	SLR-342VC-T	LED	L	
C 732	NCB21HK-103X	C CAPACITOR			D 723	SLR-342VC-T	LED	C	
C 733	QERF0JM-226Z	E CAPACITOR	22MF 20% 6.3V		D 724	SLR-342VC-T	LED	R	
C 911	QETN1VM-227Z	E CAPACITOR I/M	220MF 20% 35V		D 725	SLR-342VC-T	LED	LS	
C 912	QETN1HM-227Z	E CAPACITOR	220MF 20% 50V		D 726	SLR-342VC-T	LED	S	
C 913	QETN1HM-476Z	E CAPACITOR	47MF 20% 50V		D 727	SLR-342VC-T	LED	RS	
C 914	QETN1HM-476Z	E CAPACITOR	47MF 20% 50V		D 731	SELU1E56BM	LED	EJECT LED(BLUE)	
C 915	QETN1AM-107Z	E CAPACITOR	100MF 20% 10V		D 732	SELU1E56BM	LED	POWER LED(BLUE)	
C 921	QETM1EM-228	E CAPACITOR	2200MF 20% 25V		D 733	SLR-342VC-T	LED	STANDBY LED	
C 922	QETN1EM-108Z	E CAPACITOR	1000MF 20% 25V		D 734	1SS355-X	DIODE		
C 923	QETN1CM-476Z	E CAPACITOR	47MF 20% 16V		△ D 911	1SR35-400A-T5	DIODE I/M		
C 924	QETN1HM-105Z	E CAPACITOR	1.0MF 20% 50V		△ D 912	1SR35-400A-T5	DIODE I/M		
C 925	QETN1CM-476Z	E CAPACITOR	47MF 20% 16V		△ D 913	1SR35-400A-T5	DIODE I/M		
C 926	QETN1CM-476Z	E CAPACITOR	47MF 20% 16V		D 915	1SS355-X	DIODE		
C 927	QCF11HZ-103	C CAPACITOR	.010MF +80:-20%		D 916	MA3360/L-X	Z.DIODE C.M		
C 928	QCF11HZ-103	C CAPACITOR	.010MF +80:-20%		D 918	1SS355-X	DIODE		
C 936	QETN1HM-225Z	E CAPACITOR	2.2MF 20% 50V		D 919	1SS355-X	DIODE		
C 941	QCF11HZ-103	C CAPACITOR	.010MF +80:-20%		△ D 921	1SR35-400A-T5	DIODE I/M		
C 942	QCF11HZ-103	C CAPACITOR	.010MF +80:-20%		△ D 922	1SR35-400A-T5	DIODE I/M		
C 943	QETM1EM-478	E CAPACITOR	4700MF 20% 25V		△ D 923	1SR35-400A-T5	DIODE I/M		
C 944	QETN1HM-106Z	E CAPACITOR	10MF 20% 50V		△ D 924	1SR35-400A-T5	DIODE I/M		
C 945	NCB11CK-105X	C CAPACITOR			D 925	MA3100/M-X	ZENER DIODE		
C 946	NCB11CK-105X	C CAPACITOR			D 926	MA3030/L-X	Z.DIODE I.M		
C 947	NCB21HK-221X	C CAPACITOR			D 927	1SS355-X	DIODE		
C 948	NCB21HK-221X	C CAPACITOR			△ D 928	1SS388-X	SB DIODE		
C 961	NCB21HK-221X	C CAPACITOR			D 936	1SS355-X	DIODE		
C 962	NCB21HK-221X	C CAPACITOR			D 937	1SS355-X	DIODE		
C 963	NCB21HK-153X	C CAPACITOR			D 939	MA3051/M-X	ZENER DIODE		
C 964	NCS21HJ-152X	C CAPACITOR			△ D 941	D3SBA20-S3	DIODE		
C 965	QEK01EM-476Z	E.CAPACITOR	47MF 20% 25V		D 942	CRS01-W	SB DIODE		
C 971	QETN0JM-477Z	E CAPACITOR	470MF 20% 6.3V		D 943	SFPJ-73-W	SB.DIODE C.M		
C 972	QETN0JM-477Z	E CAPACITOR	470MF 20% 6.3V		D 944	SFPJ-73-W	SB.DIODE C.M		

■ Electrical parts list (Front & Power board) Block No. 02

△	Item	Parts number	Parts name	Remarks	Area
	D 945	CRS01-W	SB DIODE		
	D 947	1SS355-X	DIODE		
	D 948	1SS355-X	DIODE		
	D 949	1SS355-X	DIODE		
	D 950	1SS355-X	DIODE		
	D 951	1SS355-X	DIODE		
	D 952	1SS355-X	DIODE		
	D 953	1SS355-X	DIODE		
	D 954	1SS355-X	DIODE		
	D 962	1SS355-X	DIODE		
	DI701	QLF0073-002	FL TUBE		
	EP901	E409182-001SM	GRAND TERMINAL		
	HS921	E70945-H40B	HEAT SINK	FOR Q921	
	HS923	LE40505-001A	HEAT SINK	FOR Q923	
	IC201	BA7625	IC		
	IC202	BA7625	IC		
	IC701	MN173222DM	IC	DISPLAY MICOM	
	IC711	GP1U261X	IR DETECT UNIT		
△	IC941	MB3785APFV	IC		
	J 201	QND0002-001	S-CONNECTOR		
	J 202	QND0002-002	S-CONNECTOR		
	K 941	QQR0601-001Z	FERRITE BEADS		
	K 942	QQR0601-001Z	FERRITE BEADS		
	K 943	QQR0601-001Z	FERRITE BEADS		
	K 944	QQR0601-001Z	FERRITE BEADS		
	K 945	QQR0601-001Z	FERRITE BEADS		
	K 946	QQR0601-001Z	FERRITE BEADS		
	K 947	QQR0601-001Z	FERRITE BEADS		
	K 948	QQR0601-001Z	FERRITE BEADS		
	K 949	QQR0601-001Z	FERRITE BEADS		
	K 950	QQR0601-001Z	FERRITE BEADS		
	K 951	QQR0601-001Z	FERRITE BEADS		
	K 953	QQR0601-001Z	FERRITE BEADS		
	L 941	QQL31AK-470Z	INDUCTOR		
	L 945	QQL44BK-681Z	INDUCTOR		
	L 946	QQL49AK-470Z	INDUCTOR		
	L 947	QQL58AK-680	INDUCTOR		
	L 948	QQL49AK-470Z	INDUCTOR		
	L 950	QQL44BK-121Z	INDUCTOR I/M		
	L 951	QQL49AK-470Z	INDUCTOR		
	L 952	QQL49AK-470Z	INDUCTOR		
	L 953	QQL44BK-181Z	INDUCTOR I/M		
	L 954	QQL49AK-470Z	INDUCTOR		
	Q 201	2SA1037AK/RS/-X	TRANSISTOR		
	Q 202	2SA1037AK/RS/-X	TRANSISTOR		
	Q 203	2SA1037AK/RS/-X	TRANSISTOR		
	Q 204	2SA1037AK/RS/-X	TRANSISTOR		
	Q 703	DTC124EKA-X	TRANSISTOR		
	Q 704	DTC124EKA-X	TRANSISTOR		
	Q 705	DTC114TKA-X	TRANSISTOR		
	Q 706	DTA114EKA-X	DIGITAL.TRANSIS		
	Q 707	DTA114EKA-X	DIGITAL.TRANSIS		
	Q 708	DTA114EKA-X	DIGITAL.TRANSIS		
	Q 709	DTA114EKA-X	DIGITAL.TRANSIS		
	Q 711	DTC114EKA-X	TRANSISTOR		
	Q 712	DTC114EKA-X	TRANSISTOR		
	Q 713	DTC114EKA-X	TRANSISTOR		
	Q 714	DTC114EKA-X	TRANSISTOR		
	Q 715	DTC114EKA-X	TRANSISTOR		
	Q 716	DTC114EKA-X	TRANSISTOR		
	Q 717	DTC114EKA-X	TRANSISTOR		
	Q 718	DTC114EKA-X	TRANSISTOR		
	Q 911	KRC102M-T	D.TRANSISTOR		

△	Item	Parts number	Parts name	Remarks	Area
	Q 912	2SB647/CD/-T	TRANSISTOR		
	Q 913	2SD2144S/VW/-T	TRANSISTOR		
	Q 914	2SD2144S/VW/-T	TRANSISTOR		
	Q 915	DTA114EKA-X	DIGITAL.TRANSIS		
	Q 921	2SB1566/EF/	TRANSISTOR		
	Q 922	2SC2412K/RS/-X	CHIP TRANSISTOR		
	Q 923	2SB1566/EF/	TRANSISTOR		
	Q 924	2SA1037AK/RS/-X	TRANSISTOR		
	Q 932	2SC2412K/RS/-X	CHIP TRANSISTOR		
	Q 942	2SA1037AK/RS/-X	TRANSISTOR		
	Q 943	2SB1197K/QR/-X	TRANSISTOR		
	Q 944	2SC2412K/RS/-X	CHIP TRANSISTOR		
	Q 945	2SA1037AK/RS/-X	TRANSISTOR		
	Q 946	2SB1188/QR/-W	CHIP TRANSISTOR		
	Q 947	2SC2412K/RS/-X	CHIP TRANSISTOR		
	Q 948	2SA1037AK/RS/-X	TRANSISTOR		
	Q 949	2SB1188/QR/-W	CHIP TRANSISTOR		
	Q 950	2SC2412K/RS/-X	CHIP TRANSISTOR		
	Q 951	2SA1037AK/RS/-X	TRANSISTOR		
	Q 952	2SB1188/QR/-W	CHIP TRANSISTOR		
	Q 954	SI2305DS-X	TRANSISTOR		
	Q 955	DTC124EKA-X	TRANSISTOR		
	Q 956	DTC124EKA-X	TRANSISTOR		
	R 21	NRSA02J-271X	MG RESISTOR		
	R 22	NRSA02J-271X	MG RESISTOR		
	R 23	NRSA02J-221X	MG RESISTOR		
	R 24	NRSA02J-221X	MG RESISTOR		
	R 25	NRSA02J-750X	MG RESISTOR		
	R 26	NRSA02J-750X	MG RESISTOR		
	R 201	NRSA02J-750X	MG RESISTOR		
	R 202	NRSA02J-750X	MG RESISTOR		
	R 203	NRSA02J-750X	MG RESISTOR		
	R 204	NRSA02J-750X	MG RESISTOR		
	R 206	NRSA02J-473X	MG RESISTOR		
	R 207	NRSA02J-750X	MG RESISTOR		
	R 208	NRSA02J-750X	MG RESISTOR		
	R 210	NRSA02J-473X	MG RESISTOR		
	R 211	NRSA02J-750X	MG RESISTOR		
	R 212	NRSA02J-750X	MG RESISTOR		
	R 216	NRSA02J-331X	MG RESISTOR		
	R 217	NRSA02J-331X	MG RESISTOR		
	R 218	NRSA02J-271X	MG RESISTOR		
	R 219	NRSA02J-271X	MG RESISTOR		
	R 220	QRZ9006-4R7X	F RESISTOR	4.7 1/4W	
	R 701	NRSA02J-102X	MG RESISTOR		
	R 702	NRSA02J-102X	MG RESISTOR		
	R 703	NRSA02J-102X	MG RESISTOR		
	R 704	NRSA02J-102X	MG RESISTOR		
	R 705	NRSA02J-102X	MG RESISTOR		
	R 707	NRSA02J-103X	MG RESISTOR		
	R 708	NRSA02J-103X	MG RESISTOR		
	R 709	NRSA02J-103X	MG RESISTOR		
	R 710	NRSA02J-103X	MG RESISTOR		
	R 711	NRSA02J-223X	MG RESISTOR		
	R 712	NRSA02J-102X	MG RESISTOR		
	R 713	NRSA02J-104X	MG RESISTOR		
	R 714	NRSA02J-104X	MG RESISTOR		
	R 715	NRSA02J-104X	MG RESISTOR		
	R 716	NRSA02J-104X	MG RESISTOR		
	R 724	NRSA02J-221X	MG RESISTOR		
	R 725	NRSA02J-103X	MG RESISTOR		
	R 726	NRSA02J-223X	MG RESISTOR		
	R 727	NRSA02J-223X	MG RESISTOR		

■ Electrical parts list (Front & Power board) Block No. 02

▲	Item	Parts number	Parts name	Remarks	Area	▲	Item	Parts number	Parts name	Remarks	Area
	R 728	NRSA02J-221X	MG RESISTOR				R 969	NRSA02J-272X	MG RESISTOR		
	R 729	NRSA02J-471X	MG RESISTOR				R 970	NRSA02J-472X	MG RESISTOR		
	R 731	NRSA02J-301X	MG RESISTOR				R 971	NRSA02J-472X	MG RESISTOR		
	R 732	NRSA02J-472X	MG RESISTOR				R 972	NRSA02J-472X	MG RESISTOR		
	R 741	NRSA02J-221X	MG RESISTOR				R 973	NRSA02J-103X	MG RESISTOR		
	R 742	NRSA02J-221X	MG RESISTOR				R 974	NRSA02J-682X	MG RESISTOR		
	R 743	NRSA02J-221X	MG RESISTOR				R 975	NRSA02J-224X	MG RESISTOR		
	R 744	NRSA02J-221X	MG RESISTOR				R 980	NRSA02J-103X	MG RESISTOR		
	R 745	NRSA02J-221X	MG RESISTOR				R 982	NRSA02J-681X	MG RESISTOR		
	R 746	NRSA02J-221X	MG RESISTOR				R 983	NRSA02J-470X	MG RESISTOR		
	R 747	NRSA02J-221X	MG RESISTOR				R 984	NRSA02J-472X	MG RESISTOR		
	R 751	NRSA02J-221X	MG RESISTOR				R 985	NRSA02J-102X	MG RESISTOR		
	R 752	NRSA02J-472X	MG RESISTOR				R 986	NRSA02J-681X	MG RESISTOR		
	R 753	NRSA02J-301X	MG RESISTOR				R 987	NRSA02J-120X	MG RESISTOR		
	R 756	NRSA02J-103X	MG RESISTOR				R 988	NRSA02J-472X	MG RESISTOR		
▲	R 911	QRZ9005-680X	F.RESISTOR	68 1/4W			R 989	NRSA02J-222X	MG RESISTOR		
	R 912	NRSA02J-222X	MG RESISTOR				R 990	NRSA02J-681X	MG RESISTOR		
	R 913	NRSA02J-333X	MG RESISTOR				R 991	NRSA02J-180X	MG RESISTOR		
	R 914	NRSA02J-102X	MG RESISTOR				R 992	NRSA02J-472X	MG RESISTOR		
	R 915	NRSA02J-102X	MG RESISTOR				R 993	NRSA02J-222X	MG RESISTOR		
	R 916	NRSA02J-103X	MG RESISTOR				R 994	NRSA02J-681X	MG RESISTOR		
	R 917	NRSA02J-103X	MG RESISTOR				R 995	NRSA02J-150X	MG RESISTOR		
	R 918	NRSA02J-103X	MG RESISTOR				R 996	NRSA02J-472X	MG RESISTOR		
	R 919	NRSA02J-333X	MG RESISTOR				R 998	NRSA02J-103X	MG RESISTOR		
▲	R 921	QRT012J-2R2	UNF.MF.RES.	2.2 5% 1/1W			R9001	NRSA02J-331X	MG RESISTOR		
▲	R 922	QRZ9006-4R7X	F RESISTOR	4.7 1/4W			R9007	NRSA02J-121X	MG RESISTOR		
	R 923	NRSA02J-331X	MG RESISTOR				R9010	NRSA02J-101X	MG RESISTOR		
	R 924	NRSA02J-221X	MG RESISTOR				R9013	NRSA02J-151X	MG RESISTOR		
	R 925	NRSA02J-222X	MG RESISTOR				S 701	QSW0683-001Z	PUSH SW I.M		
	R 926	NRSA02J-562X	MG RESISTOR				S 702	QSW0683-001Z	PUSH SW I.M		
	R 927	NRSA02J-562X	MG RESISTOR				S 703	QSW0683-001Z	PUSH SW I.M		
	R 928	NRSA02J-471X	MG RESISTOR				S 704	QSW0683-001Z	PUSH SW I.M		
	R 929	NRSA02J-561X	MG RESISTOR				S 705	QSW0683-001Z	PUSH SW I.M		
	R 935	NRSA02J-472X	MG RESISTOR				S 706	QSW0683-001Z	PUSH SW I.M		
	R 936	NRSA02J-472X	MG RESISTOR				S 707	QSW0683-001Z	PUSH SW I.M		
	R 937	NRSA02J-472X	MG RESISTOR				S 708	QSW0683-001Z	PUSH SW I.M		
	R 938	NRSA02J-102X	MG RESISTOR				S 709	QSW0683-001Z	PUSH SW I.M		
	R 941	NRSA02J-822X	MG RESISTOR				S 710	QSW0683-001Z	PUSH SW I.M		
	R 942	NRSA02J-272X	MG RESISTOR				S 711	QSW0683-001Z	PUSH SW I.M	EJECT	
	R 943	NRSA02J-472X	MG RESISTOR				S 712	QSW0683-001Z	PUSH SW I.M	POWER	
	R 944	NRSA02J-472X	MG RESISTOR				SH901	LV32044-001A	SHIELD CASE		
	R 945	NRSA02J-154X	MG RESISTOR				WA701	QJC002-090804	E-S ID WIRE	JSC:QJC002-0908	
	R 946	NRSA02J-333X	MG RESISTOR				WA702	QJK021-040804	C-B WIRE	JSC:QJK021-0408	
	R 947	NRSA02J-273X	MG RESISTOR				WA703	QJC002-050800	E-S ID WIRE	JSC:QJC002-0508	
	R 948	NRSA02J-472X	MG RESISTOR				WA704	QJC002-090804	E-S ID WIRE	JSC:QJC002-0908	
	R 949	NRSA02J-472X	MG RESISTOR				WA705	QJK021-050800	SIN CR C-B WIRE	JSC:QJK021-0508	
	R 950	NRSA02J-154X	MG RESISTOR				WA706	QJB001-030803	E-S ID WIRE	JSC:QJB001-0308	
	R 951	NRSA02J-333X	MG RESISTOR				WA914	WJK0099-001A	E-SI C WIER C-B	JSC:WJK0099-001	
	R 952	NRSA02J-273X	MG RESISTOR				X 701	NAX0192-001X	C.OSCILLATOR	6MHZ	
	R 953	NRSA02J-272X	MG RESISTOR				Z 901	QNG0020-001Z	FUSE CLIP	FOR F901	
	R 954	NRSA02J-103X	MG RESISTOR				Z 902	QNG0020-001Z	FUSE CLIP	FOR F901	
	R 955	NRSA02J-102X	MG RESISTOR				Z 903	QNG0020-001Z	FUSE CLIP	FOR F902	
	R 956	NRSA02J-102X	MG RESISTOR				Z 904	QNG0020-001Z	FUSE CLIP	FOR F902	
	R 957	NRSA02J-102X	MG RESISTOR				Z 905	QNG0020-001Z	FUSE CLIP	FOR F903	
	R 958	NRSA02J-102X	MG RESISTOR				Z 906	QNG0020-001Z	FUSE CLIP	FOR F903	
	R 961	NRSA02J-103X	MG RESISTOR								
	R 962	NRSA02J-154X	MG RESISTOR								
	R 963	NRSA02J-122X	MG RESISTOR								
	R 964	NRSA02J-752X	MG RESISTOR								
	R 965	NRSA02J-472X	MG RESISTOR								
	R 966	NRSA02J-472X	MG RESISTOR								
	R 967	NRSA02J-103X	MG RESISTOR								
	R 968	NRSA02J-154X	MG RESISTOR								

■ Electrical parts list (DSP board)

Block No. 03

△	Item	Parts number	Parts name	Remarks	Area
	C 601	NCB31HK-102X	C CAPACITOR		
	C 602	NCB31HK-102X	C CAPACITOR		
	C 603	NEA70JM-476X	E.CAPACITOR		
	C 604	NEA70JM-476X	E.CAPACITOR		
	C 605	NCB31CK-104X	C CAPACITOR		
	C 606	NCB31CK-104X	C CAPACITOR		
	C 607	NEA71CM-476X	E CAPACITOR		
	C 608	NCF31CZ-104X	C CAPACITOR		
	C 609	NCB31CK-104X	C CAPACITOR		
	C 610	NEA70JM-476X	E.CAPACITOR		
	C 611	NEA70JM-476X	E.CAPACITOR		
	C 612	NCB31CK-103X	C CAPACITOR		
	C 621	NEA71HM-105X	E.CAPACITOR		
	C 622	NCB31HK-101X	C CAPACITOR		
	C 623	NCB30JK-105X	C CAPACITOR		
	C 624	NCB31CK-104X	C CAPACITOR		
	C 625	NCB31CK-104X	C CAPACITOR		
	C 628	NCB31CK-103X	C CAPACITOR		
	C 631	NEA70JM-107X	E.CAPACITOR		
	C 632	NCB31CK-103X	C CAPACITOR		
	C 633	NCB31CK-104X	C CAPACITOR		
	C 634	NCB31CK-104X	C CAPACITOR		
	C 635	NCB31CK-104X	C CAPACITOR		
	C 636	NCB31CK-104X	C CAPACITOR		
	C 637	NCB31CK-104X	C CAPACITOR		
	C 638	NEA70JM-476X	E.CAPACITOR		
	C 639	NCB31CK-103X	C CAPACITOR		
	C 641	NEA70JM-107X	E.CAPACITOR		
	C 642	NCB31CK-103X	C CAPACITOR		
	C 643	NCB31AK-474X	C CAPACITOR		
	C 644	NCB31CK-103X	C CAPACITOR		
	C 645	NCS31HJ-101X	C.CAPACITOR		
	C 646	NCB31CK-103X	C CAPACITOR		
	C 647	NCS31HJ-220X	C CAPACITOR		
	C 648	NCS31HJ-180X	C CAPACITOR		
	C 649	NCS31HJ-121X	C CAPACITOR		
	C 653	NCB31CK-104X	C CAPACITOR		
	C 654	NEA70JM-107X	E.CAPACITOR		
	C 671	NCB31CK-103X	C CAPACITOR		
	C 672	NEA70JM-107X	E.CAPACITOR		
	C 673	NCB31CK-103X	C CAPACITOR		
	C 675	NRSA63J-103X	MG RESISTOR		
	C 677	NCB30JK-105X	C CAPACITOR		
	C 679	NCB31HK-101X	C CAPACITOR		
	C 680	NCB30JK-105X	C CAPACITOR		
	C 681	NCB31CK-103X	C CAPACITOR		
	C 682	NCB31CK-103X	C CAPACITOR		
	C 683	NCB31CK-103X	C CAPACITOR		
	C 684	NEA70JM-107X	E.CAPACITOR		
	C 685	NEA71CM-476X	E CAPACITOR		
	C 686	NEA71CM-476X	E CAPACITOR		
	C 687	NCB31CK-103X	C CAPACITOR		
	C 688	NEA70JM-107X	E.CAPACITOR		
	C 689	NCB31CK-103X	C CAPACITOR		
	C 690	NEA70JM-107X	E.CAPACITOR		
	C 691	NEA71CM-226X	E.CAPACITOR		
	C 692	NEA71CM-226X	E.CAPACITOR		
	C 693	NCB31CK-103X	C CAPACITOR		
	C 694	NCB31CK-103X	C CAPACITOR		
	C 695	NEA71EM-475X	E.CAPACITOR.		
	C 696	NEA71EM-475X	E.CAPACITOR.		
	C 697	NEA71EM-475X	E.CAPACITOR.		
	C 698	NEA71EM-475X	E.CAPACITOR.		

△	Item	Parts number	Parts name	Remarks	Area
	CN681	QGF1016F2-19W	CONNECTOR		
	CN687	QGF1016F2-13W	CONNECTOR C.M		
	C2500	NEA71CM-226X	E.CAPACITOR		
	C2501	NCB31AK-474X	C CAPACITOR		
	C2503	NEA71EM-475X	E.CAPACITOR.		
	C2504	NEA71EM-475X	E.CAPACITOR.		
	C2505	NCS31HJ-560X	C CAPACITOR		
	C2506	NCS31HJ-560X	C CAPACITOR		
	C2507	NCS31HJ-560X	C CAPACITOR		
	C2508	NCS31HJ-560X	C CAPACITOR		
	C2509	NCF31CZ-104X	C CAPACITOR		
	C2510	NCF31CZ-104X	C CAPACITOR		
	C2511	NCB31AK-474X	C CAPACITOR		
	C2512	NCB31AK-474X	C CAPACITOR		
	C2513	NCB31CK-183X	C CAPACITOR		
	C2514	NCB31CK-183X	C CAPACITOR		
	C2515	NCB31HK-182X	C CAPACITOR		
	C2516	NCB31HK-182X	C CAPACITOR		
	C2517	NCB31HK-562X	C CAPACITOR		
	C2518	NCB31HK-562X	C CAPACITOR		
	C2519	NCF31CZ-104X	C CAPACITOR		
	C2520	NCF31CZ-104X	C CAPACITOR		
	C2521	NFV41CJ-103X	M CAPACITOR		
	C2522	NFV41CJ-103X	M CAPACITOR		
	C2523	NFV41HJ-272X	M CAPACITOR		
	C2524	NFV41HJ-272X	M CAPACITOR		
	C2525	NFV41CJ-392X	M CAPACITOR		
	C2526	NFV41CJ-392X	M CAPACITOR		
	C2527	NEA71CM-226X	E.CAPACITOR		
	C2528	NEA71CM-226X	E.CAPACITOR		
	C2529	NCF31CZ-104X	C CAPACITOR		
	C2530	NCF31CZ-104X	C CAPACITOR		
	C2531	NCS31HJ-560X	C CAPACITOR		
	C2532	NCS31HJ-560X	C CAPACITOR		
	C2533	NEA71CM-226X	E.CAPACITOR		
	C2534	NEA71CM-226X	E.CAPACITOR		
	C2539	NCF31CZ-104X	C CAPACITOR		
	C2540	NCF31CZ-104X	C CAPACITOR		
	C2541	NCS31HJ-560X	C CAPACITOR		
	C2542	NCS31HJ-560X	C CAPACITOR		
	C2543	NEA71EM-475X	E.CAPACITOR.		
	C2544	NEA71EM-475X	E.CAPACITOR.		
	C2549	NCF31CZ-104X	C CAPACITOR		
	C2550	NCF31CZ-104X	C CAPACITOR		
	C2551	NCS31HJ-560X	C CAPACITOR		
	C2552	NCS31HJ-560X	C CAPACITOR		
	C2553	NCB31HK-562X	C CAPACITOR		
	C2554	NCB31HK-562X	C CAPACITOR		
	C2555	NCF31CZ-104X	C CAPACITOR		
	C2556	NCF31CZ-104X	C CAPACITOR		
	C2559	NCF31CZ-104X	C CAPACITOR		
	C2560	NCF31CZ-104X	C CAPACITOR		
	C2561	NEA71HM-105X	E.CAPACITOR		
	C2562	NEA71HM-105X	E.CAPACITOR		
	C2563	NCS31HJ-220X	C CAPACITOR		
	C2564	NCS31HJ-220X	C CAPACITOR		
	C2569	NCF31CZ-104X	C CAPACITOR		
	C2570	NCF31CZ-104X	C CAPACITOR		
	C2571	NCB31CK-103X	C CAPACITOR		
	C2572	NCB31CK-103X	C CAPACITOR		
	C2573	NCB31HK-272X	C CAPACITOR		
	C2574	NCB31HK-272X	C CAPACITOR		
	C2575	NCB31HK-392X	C CAPACITOR		

■ Electrical parts list (DSP board)

Block No. 03

▲	Item	Parts number	Parts name	Remarks	Area	▲	Item	Parts number	Parts name	Remarks	Area
	C2576	NCB31HK-392X	C CAPACITOR				K 614	NQR0269-007X	FERRITE BEADS		
	C2577	NEA71EM-475X	E.CAPACITOR.				K 615	NQR0269-007X	FERRITE BEADS		
	C2578	NEA71EM-475X	E.CAPACITOR.				K 616	NQR0269-007X	FERRITE BEADS		
	C2579	NCF31CZ-104X	C CAPACITOR				K 617	NQR0269-007X	FERRITE BEADS		
	C2580	NCF31CZ-104X	C CAPACITOR				K 618	NQR0269-007X	FERRITE BEADS		
	C2581	NEA71HM-105X	E.CAPACITOR				K 619	NQR0269-007X	FERRITE BEADS		
	C2582	NEA71CM-106X	E.CAPACITOR				K 620	NQR0269-007X	FERRITE BEADS		
	C2583	NCS31HJ-220X	C CAPACITOR				K 621	NQR0269-007X	FERRITE BEADS		
	C2584	NCS31HJ-560X	C CAPACITOR				K 622	NQR0269-007X	FERRITE BEADS		
	C2589	NCF31CZ-104X	C CAPACITOR				K 687	NQR0319-001X	F.BEADS C.M		
	C2590	NCF31CZ-104X	C CAPACITOR				L 661	NQL024J-470X	INDUCTOR CM		
	C2591	NCB31CK-103X	C CAPACITOR				L 662	NQL024J-470X	INDUCTOR CM		
	C2592	NCB31HK-223X	C CAPACITOR				L 663	NQL024J-470X	INDUCTOR CM		
	C2593	NCB31HK-272X	C CAPACITOR				LC601	NQR0321-001X	EMI FILTER C.M		
	C2594	NCB31CK-104X	C CAPACITOR				LC632	NQR0321-001X	EMI FILTER C.M		
	C2595	NCB31HK-392X	C CAPACITOR				LC641	NQR0321-001X	EMI FILTER C.M		
	C2597	NEA71EM-475X	E.CAPACITOR.				LC671	NQR0321-001X	EMI FILTER C.M		
	C2598	NEA71EM-475X	E.CAPACITOR.				Q 601	DTC114YE-X	TRANSISTOR		
	C2599	NCF31CZ-104X	C CAPACITOR				Q 607	DTA144EKA-X	TRANSISTOR		
	C2600	NCF31CZ-104X	C CAPACITOR				Q 670	DTC114YE-X	TRANSISTOR		
	D 601	1SS355-X	DIODE				Q 672	DTC114YE-X	TRANSISTOR		
	D 602	1SS355-X	DIODE				Q 674	DTC114YE-X	TRANSISTOR		
	D 607	1SS355-X	DIODE				Q 675	DTC114YE-X	TRANSISTOR		
	D 608	1SS355-X	DIODE				Q2501	DTA144EKA-X	TRANSISTOR		
	IC501	BA15218F-XE	IC				Q2521	2SD1328/ST-X	TRANSISTOR		
	IC510	BA15218F-XE	IC				Q2522	2SD1328/ST-X	TRANSISTOR		
	IC511	BA15218F-XE	IC				Q2561	2SD1328/ST-X	TRANSISTOR		
	IC521	BA15218F-XE	IC				Q2562	2SD1328/ST-X	TRANSISTOR		
	IC531	BA15218F-XE	IC				Q2581	2SD1328/ST-X	TRANSISTOR		
	IC541	BA15218F-XE	IC				Q2582	2SD1328/ST-X	TRANSISTOR		
	IC551	BA15218F-XE	IC				R 601	NRSA63J-473X	MG RESISTOR		
	IC561	BA15218F-XE	IC				R 602	NRSA63J-473X	MG RESISTOR		
	IC571	BA15218F-XE	IC				R 603	NRSA63J-473X	MG RESISTOR		
	IC581	BA15218F-XE	IC				R 604	NRSA63J-473X	MG RESISTOR		
	IC591	BA15218F-XE	IC				R 605	NRSA63J-473X	MG RESISTOR		
	IC601	AK4527VQ	IC				R 606	NRSA63J-221X	MG RESISTOR		
	IC602	BU4066BCF-X	IC				R 607	NRSA63J-221X	MG RESISTOR		
	IC611	BU4066BCF-X	IC				R 608	NRSA63J-221X	MG RESISTOR		
	IC621	TC7SU04FU-X	IC				R 609	NRSA63J-221X	MG RESISTOR		
	IC622	TC7SU04FU-X	IC				R 610	NRSA63J-221X	MG RESISTOR		
	IC631	TC9446F-014	IC				R 611	NRSA63J-332X	MG RESISTOR		
	IC641	W24L011AJ-15-X	IC				R 612	NRSA63J-223X	MG RESISTOR		
	IC671	UPD784215AGC103	1C				R 613	NRSA63J-822X	MG RESISTOR		
	IC672	TC7SET32FU-X	IC				R 615	NRSA63J-432X	MG RESISTOR		
	IC681	PQ3DZ53-X	IC				R 617	NRSA63J-103X	MG RESISTOR		
	IC683	PQ3DZ53-X	IC				R 618	NRSA63J-103X	MG RESISTOR		
	J 601	QNN0347-001	PIN JACK				R 619	NRSA63J-221X	MG RESISTOR		
	K 501	NQR0269-007X	FERRITE BEADS				R 620	NRSA63J-221X	MG RESISTOR		
	K 502	NQR0269-007X	FERRITE BEADS				R 621	NRSA63J-221X	MG RESISTOR		
	K 503	NQR0269-007X	FERRITE BEADS				R 622	NRSA63J-750X	MG RESISTOR		
	K 504	NQR0269-007X	FERRITE BEADS				R 623	NRSA63J-101X	MG RESISTOR		
	K 531	NQR0269-007X	FERRITE BEADS				R 625	NRSA63J-101X	MG RESISTOR		
	K 532	NQR0269-007X	FERRITE BEADS				R 627	NRSA63J-472X	MG RESISTOR		
	K 541	NQR0269-007X	FERRITE BEADS				R 628	NRSA63J-183X	MG RESISTOR		
	K 542	NQR0269-007X	FERRITE BEADS				R 633	NRSA63J-221X	MG RESISTOR		
	K 561	NQR0269-007X	FERRITE BEADS				R 636	NRSA63J-0R0X	MG RESISTOR		
	K 562	NQR0269-007X	FERRITE BEADS				R 637	NRSA63J-0R0X	MG RESISTOR		
	K 581	NQR0269-007X	FERRITE BEADS				R 639	NRSA63J-472X	MG RESISTOR		
	K 582	NQR0269-007X	FERRITE BEADS				R 641	NRSA63J-102X	MG RESISTOR		
	K 601	NQR0269-007X	FERRITE BEADS				R 642	NRSA63J-103X	MG RESISTOR		
	K 611	NQR0269-007X	FERRITE BEADS				R 643	NRSA63J-101X	MG RESISTOR		
	K 612	NQR0269-007X	FERRITE BEADS				R 644	NRSA63J-563X	MG RESISTOR		
	K 613	NQR0269-007X	FERRITE BEADS				R 645	NRSA63J-102X	MG RESISTOR		

■ Electrical parts list (DSP board)

Block No. 03

△	Item	Parts number	Parts name	Remarks	Area
	R 646	NRSA63J-103X	MG RESISTOR		
	R 647	NRSA63J-225X	MG RESISTOR		
	R 648	NRSA63J-472X	MG RESISTOR		
	R 649	NRSA63J-1R0X	MG RESISTOR		
	R 650	NRSA63J-1R0X	MG RESISTOR		
	R 657	NRSA63J-103X	MG RESISTOR		
	R 661	NRSA63J-221X	MG RESISTOR		
	R 662	NRSA63J-221X	MG RESISTOR		
	R 663	NRSA63J-221X	MG RESISTOR		
	R 664	NRSA63J-221X	MG RESISTOR		
	R 669	NRSA63J-103X	MG RESISTOR		
	R 670	NRSA63J-103X	MG RESISTOR		
	R 673	NRSA63J-563X	MG RESISTOR		
	R 674	NRSA63J-432X	MG RESISTOR		
	R 675	NRSA63J-432X	MG RESISTOR		
	R 676	NRSA63J-432X	MG RESISTOR		
	R 677	NRSA63J-104X	MG RESISTOR		
	R 678	NRSA63J-822X	MG RESISTOR		
	R 679	NRSA63J-822X	MG RESISTOR		
	R 680	NRSA63J-822X	MG RESISTOR		
	R 681	NRSA63J-103X	MG RESISTOR		
	R 682	NRSA63J-103X	MG RESISTOR		
	R 683	NRSA63J-0R0X	MG RESISTOR		
	R 685	NRSA63J-103X	MG RESISTOR		
	R 687	NRSA63J-102X	MG RESISTOR		
	R 691	NRSA63J-104X	MG RESISTOR		
	R 692	NRSA63J-104X	MG RESISTOR		
	R 695	NRSA63J-104X	MG RESISTOR		
	R 696	NRSA63J-104X	MG RESISTOR		
	R 697	NRSA63J-104X	MG RESISTOR		
	R 698	NRSA63J-104X	MG RESISTOR		
	R2500	NRSA63J-222X	MG RESISTOR		
	R2501	NRSA63J-104X	MG RESISTOR		
	R2502	NRSA63J-104X	MG RESISTOR		
	R2503	NRSA63J-183X	MG RESISTOR		
	R2504	NRSA63J-183X	MG RESISTOR		
	R2505	NRSA63J-103X	MG RESISTOR		
	R2506	NRSA63J-103X	MG RESISTOR		
	R2507	NRSA63J-103X	MG RESISTOR		
	R2508	NRSA63J-103X	MG RESISTOR		
	R2509	NRSA63J-103X	MG RESISTOR		
	R2510	NRSA63J-103X	MG RESISTOR		
	R2511	NRSA63J-102X	MG RESISTOR		
	R2512	NRSA63J-102X	MG RESISTOR		
	R2513	NRSA63J-102X	MG RESISTOR		
	R2514	NRSA63J-102X	MG RESISTOR		
	R2515	NRSA63J-102X	MG RESISTOR		
	R2516	NRSA63J-102X	MG RESISTOR		
	R2517	NRSA63J-102X	MG RESISTOR		
	R2518	NRSA63J-102X	MG RESISTOR		
	R2519	NRSA63J-102X	MG RESISTOR		
	R2520	NRSA63J-102X	MG RESISTOR		
	R2521	NRSA63J-102X	MG RESISTOR		
	R2522	NRSA63J-102X	MG RESISTOR		
	R2523	NRSA63J-102X	MG RESISTOR		
	R2524	NRSA63J-102X	MG RESISTOR		
	R2525	NRSA63J-102X	MG RESISTOR		
	R2526	NRSA63J-102X	MG RESISTOR		
	R2527	NRSA63J-104X	MG RESISTOR		
	R2528	NRSA63J-104X	MG RESISTOR		
	R2529	NRSA63J-103X	MG RESISTOR		
	R2530	NRSA63J-103X	MG RESISTOR		
	R2531	NRSA63J-113X	MG RESISTOR		

△	Item	Parts number	Parts name	Remarks	Area
	R2532	NRSA63J-113X	MG RESISTOR		
	R2533	NRSA63J-103X	MG RESISTOR		
	R2534	NRSA63J-103X	MG RESISTOR		
	R2535	NRSA63J-103X	MG RESISTOR		
	R2536	NRSA63J-103X	MG RESISTOR		
	R2537	NRSA63J-104X	MG RESISTOR		
	R2538	NRSA63J-104X	MG RESISTOR		
	R2541	NRSA63J-113X	MG RESISTOR		
	R2542	NRSA63J-113X	MG RESISTOR		
	R2543	NRSA63J-103X	MG RESISTOR		
	R2544	NRSA63J-103X	MG RESISTOR		
	R2545	NRSA63J-562X	MG RESISTOR		
	R2546	NRSA63J-562X	MG RESISTOR		
	R2547	NRSA63J-104X	MG RESISTOR		
	R2548	NRSA63J-104X	MG RESISTOR		
	R2551	NRSA63J-103X	MG RESISTOR		
	R2552	NRSA63J-103X	MG RESISTOR		
	R2553	NRSA63J-333X	MG RESISTOR		
	R2554	NRSA63J-333X	MG RESISTOR		
	R2560	NRSA63J-105X	MG RESISTOR		
	R2561	NRSA63J-104X	MG RESISTOR		
	R2562	NRSA63J-104X	MG RESISTOR		
	R2563	NRSA63J-103X	MG RESISTOR		
	R2564	NRSA63J-103X	MG RESISTOR		
	R2565	NRSA63J-122X	MG RESISTOR		
	R2566	NRSA63J-122X	MG RESISTOR		
	R2567	NRSA63J-103X	MG RESISTOR		
	R2568	NRSA63J-103X	MG RESISTOR		
	R2571	NRSA63J-102X	MG RESISTOR		
	R2572	NRSA63J-102X	MG RESISTOR		
	R2573	NRSA63J-102X	MG RESISTOR		
	R2574	NRSA63J-102X	MG RESISTOR		
	R2575	NRSA63J-102X	MG RESISTOR		
	R2576	NRSA63J-102X	MG RESISTOR		
	R2577	NRSA63J-104X	MG RESISTOR		
	R2578	NRSA63J-104X	MG RESISTOR		
	R2581	NRSA63J-104X	MG RESISTOR		
	R2582	NRSA63J-104X	MG RESISTOR		
	R2583	NRSA63J-103X	MG RESISTOR		
	R2584	NRSA63J-124X	MG RESISTOR		
	R2585	NRSA63J-122X	MG RESISTOR		
	R2586	NRSA63J-392X	MG RESISTOR		
	R2587	NRSA63J-103X	MG RESISTOR		
	R2588	NRSA63J-103X	MG RESISTOR		
	R2590	NRSA63J-333X	MG RESISTOR		
	R2591	NRSA63J-102X	MG RESISTOR		
	R2592	NRSA63J-333X	MG RESISTOR		
	R2593	NRSA63J-102X	MG RESISTOR		
	R2594	NRSA63J-333X	MG RESISTOR		
	R2595	NRSA63J-102X	MG RESISTOR		
	R2596	NRSA63J-102X	MG RESISTOR		
	R2597	NRSA63J-104X	MG RESISTOR		
	R2598	NRSA63J-104X	MG RESISTOR		
	UN661	GP1FA550RZ	OPT RECEIVER		
	UN662	GP1FA550RZ	OPT RECEIVER		
	UN663	GP1FA550TZ	OPT TRANSMITTER		
	X 631	NAX0385-001X	CRYSTAL	22.5792MHZ	
	X 671	NAX0275-001X	C OSCILLATOR	6.14MHZ	

■ Electrical parts list (DVD mecha board)

Block No. 04

△	Item	Parts number	Parts name	Remarks	Area
	C 17	NCS31HJ-101X	C.CAPACITOR		
	C 18	NCS31HJ-101X	C.CAPACITOR		
	C 19	NCS31HJ-101X	C.CAPACITOR		
	CN 11	QGF1016F2-37W	CONNECTOR	TO MAIN	
	CN 12	QGF1016C2-21W	CONNECTOR	TO MECHA	
	CN 13	QGF1016F2-17W	CONNECTOR	TO MECHA	
	K 11	NQR0265-003X	FERRITE BEADS		
	K 12	NQR0265-003X	FERRITE BEADS		
	K 13	NQR0265-003X	FERRITE BEADS		
	K 14	NQR0265-003X	FERRITE BEADS		
	K 15	NQR0265-003X	FERRITE BEADS		
	K 16	NQR0265-002X	FERRITE BEADS		
	K 21	NQR0265-003X	FERRITE BEADS		
	K 22	NQR0265-003X	FERRITE BEADS		
	R 21	NRSA63J-0R0X	MG RESISTOR		
	R 23	NRSA63J-0R0X	MG RESISTOR		
	R 24	NRSA63J-0R0X	MG RESISTOR		
	R 25	NRSA63J-0R0X	MG RESISTOR		
	R 26	NRSA63J-0R0X	MG RESISTOR		
	R 28	NRSA63J-0R0X	MG RESISTOR		
	R 30	NRSA63J-0R0X	MG RESISTOR		
	R 31	NRSA63J-0R0X	MG RESISTOR		

■ Electrical parts list (DVD board)

Block No. 05

△	Item	Parts number	Parts name	Remarks	Area
	C 1	QCS31HJ-331Z	C CAPACITOR	330PF 5% 50V	
	C 5	NCB21CK-104X	C.CAPACITOR		
	C 6	NCB21CK-104X	C.CAPACITOR		
	C 7	NCS21HJ-151X	C CAPACITOR		
	C 8	NCB21CK-104X	C.CAPACITOR		
	C 101	NCB31CK-104X	C CAPACITOR		
	C 102	NEA70JM-476X	E.CAPACITOR		
	C 103	NCB31CK-104X	C CAPACITOR		
	C 104	NCS31HJ-560X	C CAPACITOR		
	C 105	NCS31HJ-101X	C.CAPACITOR		
	C 106	NEA71CM-106X	E.CAPACITOR		
	C 107	NCB31CK-104X	C CAPACITOR		
	C 108	NCB31CK-104X	C CAPACITOR		
	C 109	NCB31CK-104X	C CAPACITOR		
	C 110	NCS31HJ-101X	C.CAPACITOR		
	C 111	NCB21CK-184X	C CAPACITOR		
	C 112	NCB31CK-104X	C CAPACITOR		
	C 113	NCB31CK-104X	C CAPACITOR		
	C 114	NCB31CK-104X	C CAPACITOR		
	C 115	NCB31HK-392X	C CAPACITOR		
	C 116	NCB31CK-104X	C CAPACITOR		
	C 117	NCB11CK-105X	C CAPACITOR		
	C 118	NEX40JM-336X	E CAPACITOR		
	C 119	NCB31CK-104X	C CAPACITOR		
	C 120	NCB31CK-104X	C CAPACITOR		
	C 121	NCB21CK-334X	C CAPACITOR		
	C 122	NCS31HJ-121X	C CAPACITOR		
	C 123	NCB31CK-104X	C CAPACITOR		
	C 124	NCB31CK-104X	C CAPACITOR		
	C 125	NCB31CK-104X	C CAPACITOR		
	C 126	NCS31HJ-221X	C CAPACITOR		
	C 127	NCS31HJ-221X	C CAPACITOR		
	C 128	NCB31CK-104X	C CAPACITOR		
	C 129	NCB21CK-224X	C CAPACITOR		
	C 130	NCB31HK-102X	C CAPACITOR		
	C 131	NCB31HK-681X	C CAPACITOR		
	C 132	NCB31CK-104X	C CAPACITOR		
	C 133	NEX40JM-566X	E CAPACITOR		
	C 134	NCB11CK-105X	C CAPACITOR		
	C 135	NCS31HJ-221X	C CAPACITOR		
	C 136	NCB31CK-104X	C CAPACITOR		
	C 137	NCB31CK-104X	C CAPACITOR		
	C 138	NCB31CK-104X	C CAPACITOR		
	C 139	NCB31CK-104X	C CAPACITOR		
	C 140	NCB31CK-104X	C CAPACITOR		
	C 141	NCS31HJ-820X	C CAPACITOR		
	C 142	NCB31HK-222X	C CAPACITOR		
	C 143	NCB21CK-224X	C CAPACITOR		
	C 144	NCB31CK-104X	C CAPACITOR		
	C 145	NCB11CK-105X	C CAPACITOR		
	C 151	NEX40JM-156X	E.CAPACITOR		
	C 152	NEX40JM-156X	E.CAPACITOR		
	C 153	NCB31CK-104X	C CAPACITOR		
	C 154	NCB31CK-104X	C CAPACITOR		
	C 191	NCB31CK-104X	C CAPACITOR		
	C 192	NEA70JM-107X	E.CAPACITOR		
	C 201	NCB31CK-104X	C CAPACITOR		
	C 202	NCB31CK-393X	C CAPACITOR		
	C 203	NCB31CK-393X	C CAPACITOR		
	C 204	NCB31CK-393X	C CAPACITOR		
	C 205	NCB31CK-393X	C CAPACITOR		
	C 206	NCB31CK-104X	C CAPACITOR		
	C 208	NCB31CK-104X	C CAPACITOR		

△	Item	Parts number	Parts name	Remarks	Area
	C 209	NCB31CK-104X	C CAPACITOR		
	C 210	NCB31CK-104X	C CAPACITOR		
	C 211	NCB31CK-104X	C CAPACITOR		
	C 212	NCB31CK-104X	C CAPACITOR		
	C 213	NCB31CK-104X	C CAPACITOR		
	C 214	NCB31CK-104X	C CAPACITOR		
	C 215	NCB31HK-392X	C CAPACITOR		
	C 217	NCB31HK-821X	C CAPACITOR		
	C 218	NCB31HK-331X	C CAPACITOR		
	C 219	NCB31HK-471X	C CAPACITOR		
	C 221	NCB31HK-271X	C CAPACITOR		
	C 222	NCB31HK-821X	C CAPACITOR		
	C 223	NCB31HK-821X	C CAPACITOR		
	C 224	NEA70JM-226X	E CAPACITOR		
	C 225	NCB11CK-105X	C CAPACITOR		
	C 226	NCB31CK-104X	C CAPACITOR		
	C 227	NCB31CK-104X	C CAPACITOR		
	C 228	NEA70JM-107X	E.CAPACITOR		
	C 229	NCB11CK-105X	C CAPACITOR		
	C 230	NCB31CK-104X	C CAPACITOR		
	C 231	NCB31CK-104X	C CAPACITOR		
	C 232	NCB31CK-104X	C CAPACITOR		
	C 233	NCS31HJ-330X	C CAPACITOR		
	C 234	NCB31HK-331X	C CAPACITOR		
	C 235	NCB31CK-104X	C CAPACITOR		
	C 236	NCB31CK-823X	C CAPACITOR		
	C 237	NCB31CK-823X	C CAPACITOR		
	C 241	NCB31CK-104X	C CAPACITOR		
	C 242	NEA70JM-107X	E.CAPACITOR		
	C 251	NCB31CK-104X	C CAPACITOR		
	C 252	NCB31CK-104X	C CAPACITOR		
	C 253	NCB31CK-104X	C CAPACITOR		
	C 254	NCB31CK-104X	C CAPACITOR		
	C 255	NEA70JM-226X	E CAPACITOR		
	C 256	NCB31CK-104X	C CAPACITOR		
	C 257	NCB31CK-104X	C CAPACITOR		
	C 258	NEA71CM-226X	E.CAPACITOR		
	C 259	NCB31CK-104X	C CAPACITOR		
	C 261	NCB31CK-104X	C CAPACITOR		
	C 262	NCB31CK-104X	C CAPACITOR		
	C 263	NCB31CK-104X	C CAPACITOR		
	C 264	NCB31CK-104X	C CAPACITOR		
	C 271	NCB31CK-104X	C CAPACITOR		
	C 273	NCB31HK-102X	C CAPACITOR		
	C 275	NCB31HK-102X	C CAPACITOR		
	C 276	NCB31CK-104X	C CAPACITOR		
	C 281	NEA70JM-226X	E CAPACITOR		
	C 282	NCB31CK-104X	C CAPACITOR		
	C 284	NCB31HK-102X	C CAPACITOR		
	C 286	NCB31HK-102X	C CAPACITOR		
	C 287	NCB31CK-104X	C CAPACITOR		
	C 288	NEA71CM-226X	E.CAPACITOR		
	C 291	NCB31CK-104X	C CAPACITOR		
	C 292	NEA71CM-476X	E CAPACITOR		
	C 301	NCB31CK-104X	C CAPACITOR		
	C 302	NCB31CK-104X	C CAPACITOR		
	C 303	NCB31CK-104X	C CAPACITOR		
	C 304	NCB31CK-104X	C CAPACITOR		
	C 305	NCB31CK-104X	C CAPACITOR		
	C 306	NCB31CK-104X	C CAPACITOR		
	C 307	NCB31CK-104X	C CAPACITOR		
	C 308	NCB31CK-103X	C CAPACITOR		
	C 309	NCB31CK-104X	C CAPACITOR		

■ Electrical parts list (DVD board)

Block No. 05

▲	Item	Parts number	Parts name	Remarks	Area	▲	Item	Parts number	Parts name	Remarks	Area
	C 310	NCB31CK-104X	C CAPACITOR				C 526	NCB31CK-104X	C CAPACITOR		
	C 311	NCB31CK-104X	C CAPACITOR				C 527	NCB31CK-104X	C CAPACITOR		
	C 314	NCB31CK-104X	C CAPACITOR				C 528	NCB31CK-104X	C CAPACITOR		
	C 315	NCB31CK-104X	C CAPACITOR				C 529	NCB31CK-104X	C CAPACITOR		
	C 316	NEA70JM-107X	E.CAPACITOR				C 530	NEA70JM-107X	E.CAPACITOR		
	C 317	NCB11CK-105X	C CAPACITOR				C 531	NCB31CK-104X	C CAPACITOR		
	C 318	NCB31CK-104X	C CAPACITOR				C 532	NCB31CK-104X	C CAPACITOR		
	C 319	NCB31CK-104X	C CAPACITOR				C 533	NCB31CK-104X	C CAPACITOR		
	C 320	NCB31CK-104X	C CAPACITOR				C 534	NEA70JM-107X	E.CAPACITOR		
	C 321	NCB31CK-104X	C CAPACITOR				C 535	NCB31CK-104X	C CAPACITOR		
	C 322	NEA70JM-107X	E.CAPACITOR				C 536	NCB31CK-103X	C CAPACITOR		
	C 323	NCB11CK-105X	C CAPACITOR				C 537	NEA70JM-226X	E CAPACITOR		
	C 324	NCB31CK-104X	C CAPACITOR				C 538	NCB31CK-104X	C CAPACITOR		
	C 341	NCB31CK-104X	C CAPACITOR				C 539	NCB31CK-104X	C CAPACITOR		
	C 342	NCB31CK-104X	C CAPACITOR				C 540	NEA70JM-226X	E CAPACITOR		
	C 343	NCB31CK-104X	C CAPACITOR				C 541	NCB31CK-104X	C CAPACITOR		
	C 344	NCB31CK-104X	C CAPACITOR				C 542	NEA70JM-226X	E CAPACITOR		
	C 371	NCS31HJ-100X	C CAPACITOR				C 543	NCB31CK-104X	C CAPACITOR		
	C 372	NCS31HJ-100X	C CAPACITOR				C 551	NCB31CK-104X	C CAPACITOR		
	C 373	NCB31CK-104X	C CAPACITOR				C 552	NCB31CK-104X	C CAPACITOR		
	C 374	NCB31CK-104X	C CAPACITOR				C 553	NCB31CK-104X	C CAPACITOR		
	C 376	NCB31CK-104X	C CAPACITOR				C 554	NCB31CK-104X	C CAPACITOR		
	C 391	NCB31CK-104X	C CAPACITOR				C 555	NEA70JM-226X	E CAPACITOR		
	C 392	NEA70JM-226X	E CAPACITOR				C 556	NCB31CK-104X	C CAPACITOR		
	C 401	NCB31CK-104X	C CAPACITOR				C 557	NCB31CK-104X	C CAPACITOR		
	C 402	NCB31CK-104X	C CAPACITOR				C 558	NEA70JM-226X	E CAPACITOR		
	C 405	NCB31CK-104X	C CAPACITOR				C 559	NCB31CK-104X	C CAPACITOR		
	C 406	NCB31CK-104X	C CAPACITOR				C 561	NCB31CK-104X	C CAPACITOR		
	C 407	NCB31CK-104X	C CAPACITOR				C 562	NEA70JM-226X	E CAPACITOR		
	C 408	NEA70JM-226X	E CAPACITOR				C 563	NCB31CK-104X	C CAPACITOR		
	C 409	NCB31CK-104X	C CAPACITOR				C 564	NCB31CK-104X	C CAPACITOR		
	C 411	NCB31CK-104X	C CAPACITOR				C 565	NCB31CK-104X	C CAPACITOR		
	C 412	NCB31CK-104X	C CAPACITOR				C 566	NCB31CK-104X	C CAPACITOR		
	C 441	NCB31CK-104X	C CAPACITOR				C 567	NEA70JM-226X	E CAPACITOR		
	C 442	NEX40JM-156X	E.CAPACITOR				C 568	NCB31CK-104X	C CAPACITOR		
	C 452	NCB31CK-104X	C CAPACITOR				C 569	NEA70JM-226X	E CAPACITOR		
	C 491	NCB31CK-104X	C CAPACITOR				C 571	NCB31CK-104X	C CAPACITOR		
	C 492	NEA70JM-226X	E CAPACITOR				C 572	NEX40JM-156X	E.CAPACITOR		
	C 501	NCB31CK-104X	C CAPACITOR				CN101	QGF1016C2-37W	CONNECTOR	MECHA	
	C 502	NCB31CK-104X	C CAPACITOR				CN103	QGF1016C2-07W	CONNECTOR	LOADING	
	C 503	NCB31CK-104X	C CAPACITOR				CN104	QGA2001C2-12X	W TO B CONNE		
	C 504	NCB31CK-104X	C CAPACITOR				CN501	QGA2001C2-08X	W TO B CONNE	POWER	
	C 505	NCB31CK-104X	C CAPACITOR				CN502	QGF1016C2-35W	CONNECTOR	SYSTEM	
	C 506	NCB31CK-104X	C CAPACITOR				CN503	QGA2001C2-10X	W TO B CONNE	VIDEO	
	C 507	NCB31CK-104X	C CAPACITOR				D 201	1SS355-X	DIODE		
	C 508	NCB31CK-104X	C CAPACITOR				D 202	1SS355-X	DIODE		
	C 509	NCB31CK-104X	C CAPACITOR				D 203	1SS355-X	DIODE		
	C 510	NCB31CK-104X	C CAPACITOR				D 272	DAP202K-X	D.TRANSISTOR		
	C 511	NCB31CK-104X	C CAPACITOR				D 402	1SS355-X	DIODE		
	C 512	NCB31CK-104X	C CAPACITOR				D 403	1SS355-X	DIODE		
	C 513	NCB31CK-104X	C CAPACITOR				D 551	1SS355-X	DIODE		
	C 514	NCB31CK-104X	C CAPACITOR				D 552	1SS355-X	DIODE		
	C 515	NCB31CK-104X	C CAPACITOR				IC101	AN8706FHQ	IC		
	C 516	NCB31CK-104X	C CAPACITOR				IC102	RN5RZ20BA-X	IC		
	C 517	NCB31CK-104X	C CAPACITOR				IC201	MN67705EA	IC		
	C 518	NCB31CK-104X	C CAPACITOR				IC251	AN8485SB-W	IC		
	C 519	NCB31CK-104X	C CAPACITOR				IC271	BA5983FM-X	IC		
	C 520	NCB31CK-104X	C CAPACITOR				IC301	MN103007BGA	IC		
	C 521	NCB31CK-104X	C CAPACITOR				IC311	TC7SH08FU-X	IC		
	C 522	NCB31CK-104X	C CAPACITOR				IC312	TC7SH32FU-X	IC		
	C 523	NCB31CK-104X	C CAPACITOR				IC321	TC7WH74FU-X	IC		
	C 524	NCB31CK-104X	C CAPACITOR				IC322	TC74VHC00FT-X	IC		
	C 525	NCB31CK-104X	C CAPACITOR				IC371	TC7SHU04FU-X	IC(DIGITAL)		

■ Electrical parts list (DVD board)

Block No. 05

△	Item	Parts number	Parts name	Remarks	Area
	IC372	TC7SHU04FU-X	IC(DIGITAL)		
	IC374	TC7WH74FU-X	IC		
	IC401	MN102L25GHJ	IC C.M.		
	IC402	MSM531622F78G-X	IC		
	IC403	AK93C65AF-X	IC		
	IC452	TC7WT125FU-X	IC(DIGITAL)		
	IC501	ZIVA-3-PD0	IC		
	IC502	NAX0265-001X	IC	27MHZ	
	IC503	TC74VHC00FT-X	IC		
	IC504	HY57V161610DTC8	IC	HYUNDAI	
	IC505	HY57V161610DTC8	IC	HYUNDAI	
	IC551	JCE8011	IC(DIGITAL)		
	IC552	MN4777AS-XE	IC C.M		
	IC553	MSM531622F82G-X	IC		
	IC554	MC44724AVFU	IC		
	IC555	MC33269D-X	IC C.M		
	K 101	NQR0007-002X	FERRITE BEADS		
	K 102	NQR0007-002X	FERRITE BEADS		
	K 103	NQR0007-002X	FERRITE BEADS		
	K 155	NQR0007-002X	FERRITE BEADS		
	K 156	NQR0007-002X	FERRITE BEADS		
	K 157	NQR0007-002X	FERRITE BEADS		
	K 158	NQR0007-002X	FERRITE BEADS		
	K 159	NQR0007-002X	FERRITE BEADS		
	K 160	NQR0007-002X	FERRITE BEADS		
	K 201	NQR0007-002X	FERRITE BEADS		
	K 202	NQR0007-002X	FERRITE BEADS		
	K 251	NQR0007-002X	FERRITE BEADS		
	K 271	NQR0007-002X	FERRITE BEADS		
	K 301	NQR0007-002X	FERRITE BEADS		
	K 302	NQR0007-002X	FERRITE BEADS		
	K 371	NQR0007-002X	FERRITE BEADS		
	K 401	NQR0007-002X	FERRITE BEADS		
	K 402	NQR0007-002X	FERRITE BEADS		
	K 501	NQR0007-002X	FERRITE BEADS		
	K 502	NQR0007-002X	FERRITE BEADS		
	K 503	NQR0007-002X	FERRITE BEADS		
	K 504	NQR0201-001X	FERRITE BEADS		
	K 505	NQR0269-001X	FERRITE BEADS		
	K 550	NQR0007-002X	FERRITE BEADS		
	K 551	NQR0007-002X	FERRITE BEADS		
	K 552	NQR0007-002X	FERRITE BEADS		
	K 553	NQR0007-002X	FERRITE BEADS		
	K 554	NQR0007-002X	FERRITE BEADS		
	K 555	NQR0007-002X	FERRITE BEADS		
	K 556	NQR0007-002X	FERRITE BEADS		
	K 557	NQR0007-002X	FERRITE BEADS		
	K 558	NQR0007-002X	FERRITE BEADS		
	K 559	NQR0007-002X	FERRITE BEADS		
	K 561	NQR0007-002X	FERRITE BEADS		
	K 562	NQR0007-002X	FERRITE BEADS		
	K 563	NQR0007-002X	FERRITE BEADS		
	K 564	NQR0007-002X	FERRITE BEADS		
	K 565	NQR0007-002X	FERRITE BEADS		
	K 566	NQR0007-002X	FERRITE BEADS		
	K 567	NQR0007-002X	FERRITE BEADS		
	K 568	NQR0007-002X	FERRITE BEADS		
	K 569	NQR0007-002X	FERRITE BEADS		
	K 570	NQR0007-002X	FERRITE BEADS		
	K 571	NQR0007-002X	FERRITE BEADS		
	K 572	NQR0007-002X	FERRITE BEADS		
	K 573	NQR0007-002X	FERRITE BEADS		
	K 574	NQR0007-002X	FERRITE BEADS		

△	Item	Parts number	Parts name	Remarks	Area
	K 575	NQR0007-002X	FERRITE BEADS		
	K 576	NQR0007-002X	FERRITE BEADS		
	K 577	NQR0007-002X	FERRITE BEADS		
	K 578	NQR0007-002X	FERRITE BEADS		
	K 579	NQR0007-002X	FERRITE BEADS		
	K 581	NQR0007-002X	FERRITE BEADS		
	K 582	NQR0007-002X	FERRITE BEADS		
	K 583	NQR0007-002X	FERRITE BEADS		
	K 584	NQR0007-002X	FERRITE BEADS		
	K 585	NQR0007-002X	FERRITE BEADS		
	K 586	NQR0007-002X	FERRITE BEADS		
	K 587	NQR0007-002X	FERRITE BEADS		
	K 589	NQR0007-002X	FERRITE BEADS		
	K 590	NQR0007-002X	FERRITE BEADS		
	K 591	NQR0007-002X	FERRITE BEADS		
	K 592	NQR0007-002X	FERRITE BEADS		
	L 191	NQL044K-100X	INDUCTOR		
	L 241	NQL044K-100X	INDUCTOR		
	Q 101	2SB1424/QR/-X	TRANSISTOR		
	Q 102	DTC124EE-X	DIGI TRANSISTOR		
	Q 103	DTA124EE-X	DIGI TRANSISTOR		
	Q 104	DTC124EE-X	DIGI TRANSISTOR		
	Q 105	DTC144EE-X	TRANSISTOR		
	Q 251	DTC144EE-X	TRANSISTOR		
	Q 252	DTC144EE-X	TRANSISTOR		
	Q 253	DTC144EE-X	TRANSISTOR		
	Q 254	DTC144EE-X	TRANSISTOR		
	Q 255	DTC144EE-X	TRANSISTOR		
	R 101	NRS125J-270X	MG RESISTOR		
	R 102	NRS125J-2R2X	MG RESISTOR		
	R 103	NRSA63J-123X	MG RESISTOR		
	R 104	NRSA63J-103X	MG RESISTOR		
	R 106	NRSA63J-223X	MG RESISTOR		
	R 108	NRSA63J-103X	MG RESISTOR		
	R 109	NRSA63J-823X	MG RESISTOR		
	R 110	NRSA63J-393X	MG RESISTOR		
	R 112	NRVA63D-123X	MG RESISTOR		
	R 113	NRSA63J-393X	MG RESISTOR		
	R 114	NRSA63J-272X	MG RESISTOR		
	R 115	NRSA63J-223X	MG RESISTOR		
	R 116	NRSA63J-103X	MG RESISTOR		
	R 117	NRSA63J-223X	MG RESISTOR		
	R 118	NRSA63J-153X	MG RESISTOR		
	R 119	NRSA63J-155X	MG RESISTOR		
	R 120	NRVA63D-332X	MF RESISTOR		
	R 121	NRSA63J-474X	MG RESISTOR		
	R 122	NRSA63J-474X	MG RESISTOR		
	R 123	NRSA63J-822X	MG RESISTOR		
	R 124	NRSA63J-183X	MG RESISTOR		
	R 125	NRSA63J-154X	MG RESISTOR		
	R 126	NRSA63J-564X	MG RESISTOR		
	R 127	NRSA63J-123X	MG RESISTOR		
	R 128	NRSA63J-223X	MG RESISTOR		
	R 129	NRSA63J-103X	MG RESISTOR		
	R 130	NRSA63J-822X	MG RESISTOR		
	R 131	NRSA63J-0R0X	MG RESISTOR		
	R 151	NRSA63J-0R0X	MG RESISTOR		
	R 152	NRSA63J-0R0X	MG RESISTOR		
	R 153	NRSA63J-0R0X	MG RESISTOR		
	R 154	NRSA63J-0R0X	MG RESISTOR		
	R 201	NRSA63J-102X	MG RESISTOR		
	R 202	NRSA63J-102X	MG RESISTOR		
	R 203	NRSA63J-102X	MG RESISTOR		

■ Electrical parts list (DVD board)

Block No. 05

▲	Item	Parts number	Parts name	Remarks	Area	▲	Item	Parts number	Parts name	Remarks	Area
	R 204	NRSA63J-102X	MG RESISTOR				R 272	NRSA63J-103X	MG RESISTOR		
	R 205	NRSA63J-473X	MG RESISTOR				R 273	NRSA63J-103X	MG RESISTOR		
	R 206	NRSA63J-102X	MG RESISTOR				R 274	NRSA63J-0R0X	MG RESISTOR		
	R 207	NRSA63J-473X	MG RESISTOR				R 275	NRSA63J-243X	MG RESISTOR		
	R 208	NRSA63J-102X	MG RESISTOR				R 276	NRSA63J-103X	MG RESISTOR		
	R 209	NRSA63J-473X	MG RESISTOR				R 277	NRSA63J-103X	MG RESISTOR		
	R 210	NRSA63J-473X	MG RESISTOR				R 278	NRSA63J-0R0X	MG RESISTOR		
	R 211	NRSA63J-102X	MG RESISTOR				R 279	NRSA63J-473X	MG RESISTOR		
	R 212	NRSA63J-102X	MG RESISTOR				R 280	NRSA63J-0R0X	MG RESISTOR		
	R 213	NRSA63J-183X	MG RESISTOR				R 282	NRSA63J-273X	MG RESISTOR		
	R 214	NRSA63J-822X	MG RESISTOR				R 283	NRSA63J-103X	MG RESISTOR		
	R 215	NRSA63J-473X	MG RESISTOR				R 284	NRSA63J-103X	MG RESISTOR		
	R 216	NRSA63J-473X	MG RESISTOR				R 285	NRSA63J-0R0X	MG RESISTOR		
	R 217	NRSA63J-0R0X	MG RESISTOR				R 286	NRSA63J-273X	MG RESISTOR		
	R 218	NRSA63J-0R0X	MG RESISTOR				R 287	NRSA63J-103X	MG RESISTOR		
	R 219	NRSA63J-0R0X	MG RESISTOR				R 288	NRSA63J-103X	MG RESISTOR		
	R 220	NRSA63J-472X	MG RESISTOR				R 289	NRSA63J-0R0X	MG RESISTOR		
	R 221	NRSA63J-0R0X	MG RESISTOR				R 290	NRSA63J-0R0X	MG RESISTOR		
	R 222	NRSA63J-0R0X	MG RESISTOR				R 301	NRSA63J-473X	MG RESISTOR		
	R 223	NRSA63J-0R0X	MG RESISTOR				R 302	NRSA63J-473X	MG RESISTOR		
	R 224	NRSA63J-0R0X	MG RESISTOR				R 303	NRSA63J-473X	MG RESISTOR		
	R 225	NRSA63J-0R0X	MG RESISTOR				R 304	NRSA63J-473X	MG RESISTOR		
	R 226	NRSA63J-0R0X	MG RESISTOR				R 305	NRSA63J-473X	MG RESISTOR		
	R 227	NRSA63J-0R0X	MG RESISTOR				R 306	NRSA63J-473X	MG RESISTOR		
	R 228	NRSA63J-103X	MG RESISTOR				R 307	NRSA63J-473X	MG RESISTOR		
	R 229	NRSA63J-0R0X	MG RESISTOR				R 308	NRSA63J-473X	MG RESISTOR		
	R 230	NRSA63J-103X	MG RESISTOR				R 310	NRSA63J-102X	MG RESISTOR		
	R 231	NRVA63D-683X	MF RESISTOR				R 311	NRSA63J-102X	MG RESISTOR		
	R 232	NRVA63D-683X	MF RESISTOR				R 312	NRSA63J-102X	MG RESISTOR		
	R 233	NRSA63J-103X	MG RESISTOR				R 313	NRSA63J-0R0X	MG RESISTOR		
	R 234	NRSA63J-103X	MG RESISTOR				R 314	NRSA63J-0R0X	MG RESISTOR		
	R 235	NRSA63J-473X	MG RESISTOR				R 317	NRSA63J-473X	MG RESISTOR		
	R 236	NRSA63J-123X	MG RESISTOR				R 318	NRSA63J-0R0X	MG RESISTOR		
	R 237	NRSA63J-0R0X	MG RESISTOR				R 319	NRSA63J-0R0X	MG RESISTOR		
	R 238	NRSA63J-223X	MG RESISTOR				R 322	NRSA63J-473X	MG RESISTOR		
	R 239	NRSA63J-333X	MG RESISTOR				R 324	NRSA63J-473X	MG RESISTOR		
	R 240	NRSA63J-333X	MG RESISTOR				R 328	NRSA63J-473X	MG RESISTOR		
	R 241	NRVA63D-362X	MG RESISTOR				R 342	NRSA63J-0R0X	MG RESISTOR		
	R 242	NRSA63J-102X	MG RESISTOR				R 343	NRSA63J-102X	MG RESISTOR		
	R 243	NRSA63J-472X	MG RESISTOR				R 371	NRSA63J-105X	MG RESISTOR		
	R 244	NRSA63J-102X	MG RESISTOR				R 372	NRSA63J-101X	MG RESISTOR		
	R 245	NRVA63D-103X	MF RESISTER				R 373	NRSA63J-0R0X	MG RESISTOR		
	R 246	NRVA63D-183X	MG RESISTOR				R 401	NRSA63J-102X	MG RESISTOR		
	R 247	NRVA63D-103X	MF RESISTER				R 402	NRSA63J-102X	MG RESISTOR		
	R 248	NRVA63D-183X	MG RESISTOR				R 403	NRSA63J-472X	MG RESISTOR		
	R 249	NRSA63J-102X	MG RESISTOR				R 405	NRSA63J-472X	MG RESISTOR		
	R 251	NRSA63J-271X	MG RESISTOR				R 408	NRSA63J-472X	MG RESISTOR		
	R 252	NRSA63J-271X	MG RESISTOR				R 410	NRSA63J-0R0X	MG RESISTOR		
	R 253	NRSA63J-0R0X	MG RESISTOR				R 411	NRSA63J-472X	MG RESISTOR		
	R 254	NRSA63J-0R0X	MG RESISTOR				R 412	NRSA63J-472X	MG RESISTOR		
	R 255	NRSA63J-103X	MG RESISTOR				R 413	NRSA63J-472X	MG RESISTOR		
	R 256	NRSA63J-103X	MG RESISTOR				R 414	NRSA63J-472X	MG RESISTOR		
	R 257	NRSA63J-103X	MG RESISTOR				R 415	NRSA63J-472X	MG RESISTOR		
	R 258	NRSA63J-103X	MG RESISTOR				R 416	NRSA63J-472X	MG RESISTOR		
	R 259	NRSA63J-103X	MG RESISTOR				R 418	NRSA63J-472X	MG RESISTOR		
	R 260	NRSA63J-562X	MG RESISTOR				R 420	NRSA63J-0R0X	MG RESISTOR		
	R 261	NRSA63J-563X	MG RESISTOR				R 421	NRSA63J-0R0X	M.G.RESISTOR		EE
	R 262	NRS125J-R47X	MG RESISTOR				R 422	NRSA63J-0R0X	M.G.RESISTOR		EE
	R 263	NRSA63J-103X	MG RESISTOR				R 423	NRSA63J-0R0X	MG RESISTOR		B,E,EN
	R 264	NRSA63J-103X	MG RESISTOR				R 424	NRSA63J-0R0X	MG RESISTOR		
	R 267	NRSA63J-103X	MG RESISTOR				R 431	NRSA63J-472X	MG RESISTOR		
	R 268	NRS181J-2R2X	MG RESISTOR				R 432	NRSA63J-472X	MG RESISTOR		
	R 271	NRSA63J-243X	MG RESISTOR				R 461	NRSA63J-0R0X	MG RESISTOR		

■ Electrical parts list (DVD board)

Block No. 05

△	Item	Parts number	Parts name	Remarks	Area
	R 462	NRSA63J-0R0X	MG RESISTOR		
	R 491	NRSA63J-472X	MG RESISTOR		
	R 492	NRSA63J-472X	MG RESISTOR		
	R 501	NRSA63J-102X	MG RESISTOR		
	R 502	NRSA63J-222X	MG RESISTOR		
	R 503	NRSA63J-103X	MG RESISTOR		
	R 504	NRSA63J-330X	MG RESISTOR		
	R 505	NRSA63J-330X	MG RESISTOR		
	R 506	NRSA63J-330X	MG RESISTOR		
	R 507	NRSA63J-330X	MG RESISTOR		
	R 508	NRSA63J-330X	MG RESISTOR		
	R 509	NRSA63J-330X	MG RESISTOR		
	R 510	NRSA63J-330X	MG RESISTOR		
	R 511	NRSA63J-330X	MG RESISTOR		
	R 512	NRSA63J-330X	MG RESISTOR		
	R 513	NRSA63J-330X	MG RESISTOR		
	R 514	NRSA63J-330X	MG RESISTOR		
	R 515	NRSA63J-330X	MG RESISTOR		
	R 516	NRSA63J-330X	MG RESISTOR		
	R 517	NRSA63J-330X	MG RESISTOR		
	R 518	NRSA63J-330X	MG RESISTOR		
	R 519	NRSA63J-330X	MG RESISTOR		
	R 520	NRSA63J-330X	MG RESISTOR		
	R 521	NRSA63J-330X	MG RESISTOR		
	R 522	NRSA63J-330X	MG RESISTOR		
	R 523	NRSA63J-181X	MG RESISTOR		
	R 524	NRSA63J-181X	MG RESISTOR		
	R 525	NRSA63J-181X	MG RESISTOR		
	R 526	NRSA63J-181X	MG RESISTOR		
	R 527	NRSA63J-181X	MG RESISTOR		
	R 528	NRSA63J-181X	MG RESISTOR		
	R 529	NRSA63J-181X	MG RESISTOR		
	R 530	NRSA63J-181X	MG RESISTOR		
	R 531	NRSA63J-330X	MG RESISTOR		
	R 532	NRSA63J-0R0X	MG RESISTOR		
	R 533	NRSA63J-330X	MG RESISTOR		
	R 534	NRSA63J-330X	MG RESISTOR		
	R 535	NRSA63J-330X	MG RESISTOR		
	R 536	NRSA63J-330X	MG RESISTOR		
	R 537	NRSA63J-330X	MG RESISTOR		
	R 538	NRSA63J-330X	MG RESISTOR		
	R 539	NRSA63J-330X	MG RESISTOR		
	R 540	NRSA63J-330X	MG RESISTOR		
	R 541	NRSA63J-0R0X	MG RESISTOR		
	R 542	NRSA63J-0R0X	MG RESISTOR		
	R 543	NRSA63J-0R0X	MG RESISTOR		
	R 544	NRSA63J-0R0X	MG RESISTOR		
	R 545	NRSA63J-472X	MG RESISTOR		
	R 546	NRSA63J-332X	MG RESISTOR		
	R 547	NRSA63J-222X	MG RESISTOR		
	R 548	NRSA63J-332X	MG RESISTOR		
	R 550	NRSA63J-0R0X	MG RESISTOR		
	R 554	NRSA63J-0R0X	MG RESISTOR		
	R 555	NRSA63J-0R0X	MG RESISTOR		
	R 557	NRSA63J-0R0X	MG RESISTOR		
	R 558	NRSA63J-102X	MG RESISTOR		
	R 559	NRSA63J-0R0X	MG RESISTOR		
	R 561	NRVA63D-221X	MMF RESISTOR		
	R 564	NRVA63D-152X	MG RESISTOR		
	R 565	NRVA63D-332X	MF RESISTOR		
	R 567	NRSA63J-0R0X	MG RESISTOR		
	R 568	NRVA63D-221X	MMF RESISTOR	CB OUT	
	R 569	NRVA63D-221X	MMF RESISTOR	CR OUT	

△	Item	Parts number	Parts name	Remarks	Area
	R 570	NRVA63D-221X	MMF RESISTOR		
	R 571	NRSA63J-100X	MG RESISTOR		
	R 572	NRSA63J-181X	MG RESISTOR		
	R 573	NRSA63J-181X	MG RESISTOR		
	R 574	NRSA63J-181X	MG RESISTOR		
	R 575	NRSA63J-181X	MG RESISTOR		
	R 576	NRSA63J-181X	MG RESISTOR		
	R 577	NRSA63J-181X	MG RESISTOR		
	R 578	NRSA63J-181X	MG RESISTOR		
	R 579	NRSA63J-181X	MG RESISTOR		
	R 580	NRSA63J-181X	MG RESISTOR		
	R 581	NRSA63J-101X	MG RESISTOR		
	R 582	NRSA63J-0R0X	MG RESISTOR		
	R 583	NRVA63D-471X	CMF RESISTOR		
	R 584	NRVA63D-103X	MF RESISTOR		
	R 585	NRVA63D-471X	CMF RESISTOR		
	SP 1	PU59915-105	SPACER		
	X 371	NAX0277-002X	CRYSTAL		
	X 401	NAX0331-001X	C RESONATOR		

■ Electrical parts list (Tuner board)

Block No. 06

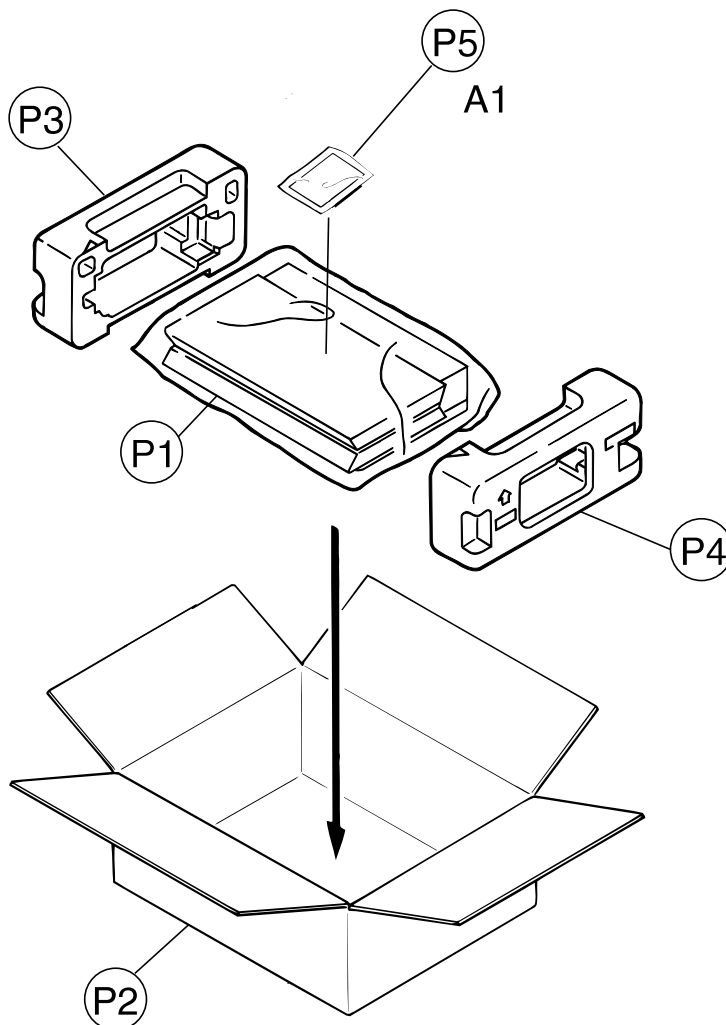
Item	Parts number	Parts name	Remarks	Area
AT101	QNB0014-001	ANT TERMINAL		
C 101	NCB21HK-103X	C CAPACITOR		
C 103	NCB21HK-223X	C CAPACITOR		
C 105	NCB21HK-223X	C CAPACITOR		
C 107	QEKC1CM-226Z	E CAPACITOR	22MF 20% 16V	
C 111	NCB21HK-473X	C CAPACITOR		
C 112	NDC21HJ-120X	C CAPACITOR		
C 113	QCSB1HJ-120Y	C CAPACITOR	12PF 5% 50V	
C 121	NDC21HJ-120X	C CAPACITOR		
C 122	NDC21HJ-120X	C CAPACITOR		
C 123	NCB21HK-473X	C CAPACITOR		
C 126	NCS21HJ-101X	C CAPACITOR		
C 128	QENC1HM-474Z	NP E.CAPACITOR	.47MF 20% 50V	
C 129	NCB21HK-102X	C CAPACITOR		
C 130	QEKC1AM-107Z	E.CAPACITOR	100MF 20% 10V	
C 133	QEKC1CM-226Z	E CAPACITOR	22MF 20% 16V	
C 134	NCB21HK-222X	C CAPACITOR		
C 135	NCB21HK-223X	C CAPACITOR		
C 136	QEKC1HM-105Z	E.CAPACITOR	1.0MF 20% 50V	
C 137	NCS21HJ-680X	C CAPACITOR		
C 139	NCB21HK-393X	C CAPACITOR		
C 140	NCB21HK-393X	C CAPACITOR		
C 141	NCB21HK-473X	C CAPACITOR		
C 143	NCB21HK-223X	C CAPACITOR		
C 144	NCB21HK-473X	C CAPACITOR		
C 146	QEKC1HM-105Z	E.CAPACITOR	1.0MF 20% 50V	
C 147	QEKC1HM-105Z	E.CAPACITOR	1.0MF 20% 50V	
C 148	QEKC1HM-224Z	E.CAPACITOR	.22MF 20% 50V	
C 149	QEKC1HM-105Z	E.CAPACITOR	1.0MF 20% 50V	
C 150	QEKC1CM-226Z	E CAPACITOR	22MF 20% 16V	
C 156	QDGB1HK-102Y	C CAPACITOR		
C 157	NCB21HK-473X	C CAPACITOR		
C 158	QEKC1CM-226Z	E CAPACITOR	22MF 20% 16V	
C 161	QEK41CM-106	E.CAPACITOR	10MF 20% 16V	
C 162	QEK41CM-106	E.CAPACITOR	10MF 20% 16V	
C 163	NCB21HK-223X	C CAPACITOR		
C 164	NCB21HK-473X	C CAPACITOR		
C 168	QEKC1HM-105Z	E.CAPACITOR	1.0MF 20% 50V	
C 184	QEKC1CM-107Z	E.CAPACITOR	100MF 20% 16V	
C 185	QEK41CM-106	E.CAPACITOR	10MF 20% 16V	
C 186	QEK41CM-106	E.CAPACITOR	10MF 20% 16V	
C 191	NCS21HJ-820X	C CAPACITOR		
C 192	NCS21HJ-470X	C CAPACITOR		
C 193	NCB21HK-561X	C CAPACITOR		
C 194	NCB21HK-104X	C CAPACITOR		
C 195	NCB21HK-331X	C.CAPA. C.M		
C 196	QEKC1HM-225Z	E.CAPACITOR	2.2MF 20% 50V	
C 197	NCB21HK-473X	C CAPACITOR		
C 199	QEK41CM-106	E.CAPACITOR	10MF 20% 16V	
CF101	QAX0285-001Z	C.FILTER		
CF102	QAX0285-001Z	C.FILTER		
CF103	QAX0519-001Z	C FILTER		
CN111	QGB2501K2-12	CONNECTOR		
CN112	QGB2501K1-04	CONNECTOR		
D 121	1SS133-T2	SI DIODE		
D 123	1SS133-T2	SI DIODE		
D 129	1SS133-T2	SI DIODE		
D 131	1SS133-T2	SI DIODE		
IC102	LA1838	IC		
IC121	LC72136N	IC		
IC191	SAA6588	IC(RDS)		
L 112	QQL231K-2R7Y	INDUCTOR		
Q 102	2SC535/BC-T	TRANSISTOR		

Item	Parts number	Parts name	Remarks	Area
Q 103	2SC461/BC-T	TRANSISTOR		
Q 111	KTC3199/GL-T	TRANSISTOR		
Q 112	KTC3199/GL-T	TRANSISTOR		
Q 113	DTA114YKA-X	TRANSISTOR		
Q 121	KRA103M-T	TRANSISTOR		
R 103	NRSA02J-101X	MG RESISTOR		
R 104	NRSA02J-272X	MG RESISTOR		
R 105	NRSA02J-391X	MG RESISTOR		
R 106	NRSA02J-102X	MG RESISTOR		
R 107	NRSA02J-561X	MG RESISTOR		
R 108	NRSA02J-332X	MG RESISTOR		
R 109	NRSA02J-221X	MG RESISTOR		
R 111	NRSA02J-472X	MG RESISTOR		
R 112	QRE141J-472Y	C RESISTOR	4.7K 5% 1/4W	
R 114	NRSA02J-122X	MG RESISTOR		
R 115	NRSA02J-104X	MG RESISTOR		
R 119	NRSA02J-103X	MG RESISTOR		
R 122	NRSA02J-472X	MG RESISTOR		
R 124	NRSA02J-222X	MG RESISTOR		
R 126	NRSA02J-562X	MG RESISTOR		
R 127	NRSA02J-822X	MG RESISTOR		
R 128	NRSA02J-472X	MG RESISTOR		
R 129	NRSA02J-222X	MG RESISTOR		
R 130	QRZ9005-680X	F.RESISTOR	68 1/4W	
R 132	NRSA02J-393X	MG RESISTOR		
R 133	NRSA02J-392X	MG RESISTOR		
R 134	NRSA02J-102X	MG RESISTOR		
R 140	NRSA02J-563X	MG RESISTOR		
R 141	NRSA02J-102X	MG RESISTOR		
R 142	NRSA02J-470X	MG RESISTOR		
R 143	NRSA02J-562X	MG RESISTOR		
R 144	NRSA02J-332X	MG RESISTOR		
R 145	NRSA02J-103X	MG RESISTOR		
R 146	NRSA02J-472X	MG RESISTOR		
R 147	NRSA02J-332X	MG RESISTOR		
R 150	NRSA02J-331X	MG RESISTOR		
R 157	NRSA02J-272X	MG RESISTOR		
R 158	NRSA02J-272X	MG RESISTOR		
R 161	NRSA02J-102X	MG RESISTOR		
R 162	NRSA02J-102X	MG RESISTOR		
R 182	NRSA02J-103X	MG RESISTOR		
R 183	NRSA02J-103X	MG RESISTOR		
R 184	NRSA02J-103X	MG RESISTOR		
R 191	NRSA02J-102X	MG RESISTOR		
R 192	NRSA02J-474X	MG RESISTOR		
R 193	NRSA02J-103X	MG RESISTOR		
R 194	NRSA02J-103X	MG RESISTOR		
RF101	QAU0119-001	FRONT END	FOR FTZ	
T 111	QQR0871-001	COIL BLOCK		
T 142	QQR0973-001	IFT		
X 121	QAX0402-001	CRYSTAL		
X 191	QAX0263-001Z	CRYSTAL		

Packing materials and accessories parts list

Block No. M 3 M M

Block No. M 4 M M



■ Parts list (Packing)

Block No. M3MM

⚠	Item	Parts number	Parts name	Q'ty	Description	Area
	P 1	QPC06005515P	POLY BAG	1	FOR SET	
	P 2	LV30580-029A	PACKING CASE	1		EE
		LV30580-028A	PACKING CASE	1		B,E,EN
	P 3	LV20651-001A	PACKING PAD(L)	1		
	P 4	LV20652-001A	PACKING PAD(R)	1		
	P 5	QPA01702503P	POLY BAG	1	FOR W.CARD	

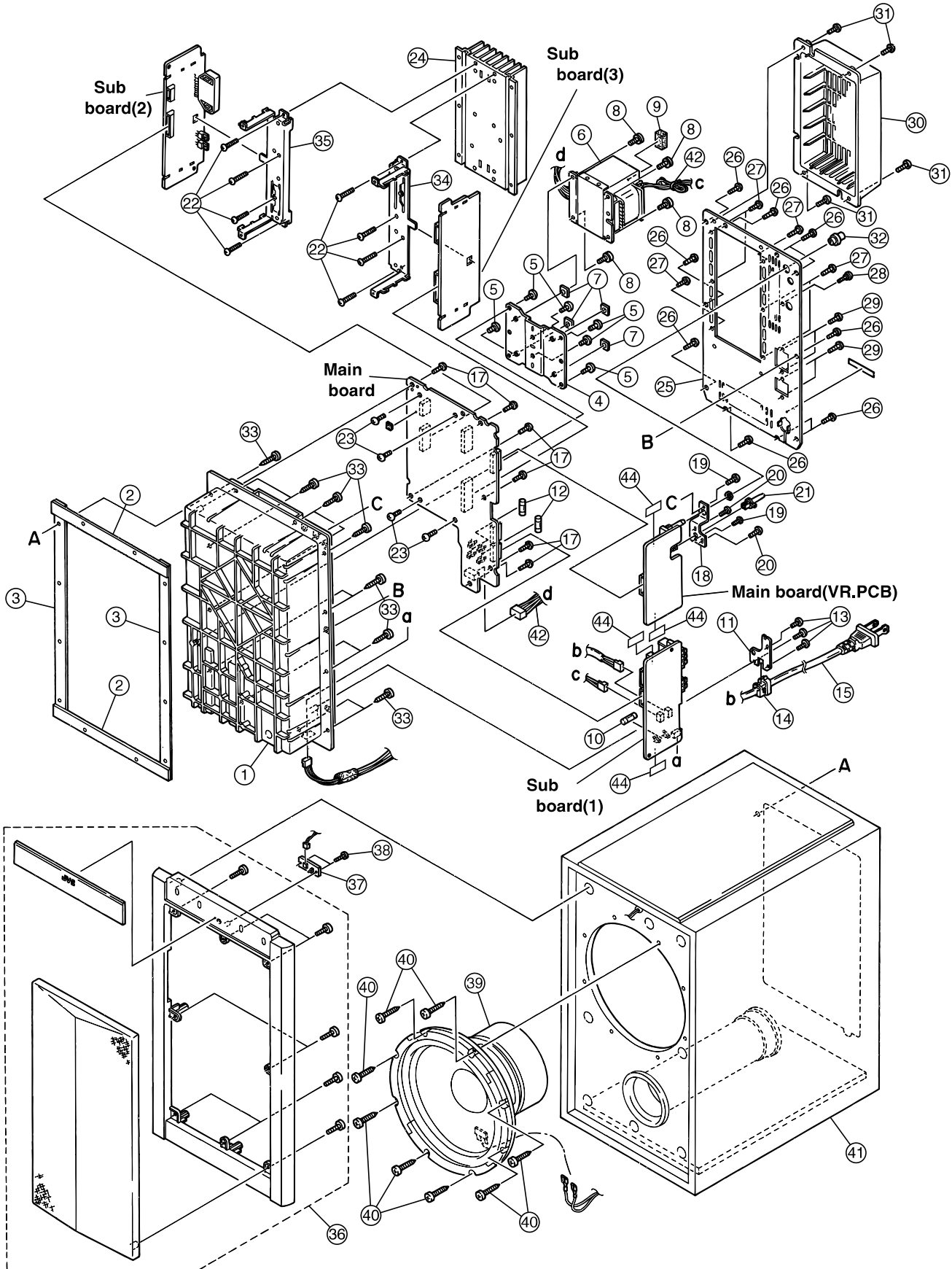
■ Parts list (Accessories)

Block No. M4MM

⚠	Item	Parts number	Parts name	Q'ty	Description	Area
	A 1	BT-54008-2	WARRANTY CARD	1		B,E,EN
		BT-54012-1	WARRANTY CARD	1		EE

Exploded view of general assembly and parts list (SP-THA10)

Block No. M 5 M M



Parts list (Speaker assembly)

Block No. M5MM

△	Item	Parts number	Parts name	Q'ty	Description	Area
	1	LV10337-001A	MOLD BASE	1		
	2	LV30225-066A	SPACER	2		
	3	LV30225-067A	SPACER	2		
	4	LV31723-001A	TRANS BRACKET	1		
	5	QYSBSF4008Z	SCREW	6	FOR TRANS BKT	
△	6	QQT0297-003	P.TRANS	1		
	7	E406309-002	SPACER	4		
	8	QYSDSTL4010E	SPECIAL SCREW	4		
	9	LV30225-078A	SPACER	1		
△	10	QMF51E2-2R5-J1	FUSE	1	F403	
	11	LV41686-001A	AC BRACKET	1		
△	12	QMF51A2-8R0J1	FUSE	2	F504,F505	
	13	QYSBSF3008Z	SCREW	3		
△	14	QHS3771-108	CORD STOPPER	1		
△	15	QMPN160-200-JD	POWER CORD	1	MOTHER TO H.BKT	B
△		QMPK190-200-JC	POWER CORD	1	MOTHER TO H.BKT	E,EE,EN
	17	QYSBSF3008Z	SCREW	6		
	18	LV31756-001A	VOLUME BRACKET	1		
	19	QYSBSF3008Z	SCREW	2	FOR BOLUME BKT	
	20	QYSBST3006Z	T.SCREW	2	FOR PUSH SW	
	21	E407321-002SM	PUSH BUTTON	1		
	22	QYSBSG3016Z	T.SCREW	8	FOR TRTO H/S	
	23	QYSBSG3008E	T.SCREW	4	MOTHER TO H/SBK	
△	24	LV20656-001A	HEAT SINK	1		
	25	LV20654-005A	REAR PANEL	1		B,E,EN
		LV20654-006A	REAR PANEL	1		EE
	26	QYSDSF3008M	SCREW	10	TO MOLD BASE	
	27	QYSBSGY3008E	SPECIAL SCREW	6	FOR H/S	
	28	E73562-003	SPECIAL SCREW	1	DIN.REAR	
	29	QYSBSGY3008E	SPECIAL SCREW	4	FOR SPK	
	30	LV20655-001A	H.S.COVER	1		
	31	QYSBSG3008M	T.SCREW	4		
	32	LV30734-002A	KNOB	1		
	33	QYSDSA4020M	TAP SCREW	12		
	34	LV31722-003A	P.TR HOLDER	1		
	35	LV31722-002A	P.TR HOLDER	1		
	36	AA000017-01	SPEAKER NET	1		
	37	6600007411	CIR BOARD ASSY	1		
	38	7004690801	TAPPING SCREW	2		
	39	CR25000501	SPEAKER	1		
	40	7005942502	SCREW	8		
	41	AA000016-02	SPEAKER CABINET	1		
	42	QZW0004-001	WIRE CLAMP	2	FOR TRANS BKT	
	43	LV30225-093A	SPACER	2		
	44	LV30225-094A	SPACER	4		

Electrical parts list

■ Electrical parts list (Main board)

Block No. 07

△	Item	Parts number	Parts name	Remarks	Area	△	Item	Parts number	Parts name	Remarks	Area
	C 100	QTE1H06-475Z	E CAPACITOR				C 551	QFVF1HJ-103Z	F CAPACITOR	.010MF 5% 50V	
	C 101	QETN1EM-476Z	E CAPACITOR	47MF 20% 25V			C 552	QETN1HM-475Z	E CAPACITOR	4.7MF 20% 50V	
	C 102	QTE1H06-475Z	E CAPACITOR				C 553	QFVF1HJ-103Z	F CAPACITOR	.010MF 5% 50V	
	C 103	QETN1EM-476Z	E CAPACITOR	47MF 20% 25V			C 554	QFVJ1HJ-103Z	TF CAPACITOR	.010MF 5% 50V	
	C 104	QETN1HM-105Z	E CAPACITOR	1.0MF 20% 50V			C 555	QFVJ1HJ-103Z	TF CAPACITOR	.010MF 5% 50V	
	C 105	QETN1EM-476Z	E CAPACITOR	47MF 20% 25V			C 556	QFVJ1HJ-103Z	TF CAPACITOR	.010MF 5% 50V	
	C 106	QFVF1HJ-103Z	F CAPACITOR	.010MF 5% 50V			C 557	QFVJ1HJ-103Z	TF CAPACITOR	.010MF 5% 50V	
	C 107	QFVF1HJ-103Z	F CAPACITOR	.010MF 5% 50V			C 558	QETN1HM-226Z	E CAPACITOR	22MF 20% 50V	
	C 108	QETN1EM-226Z	E CAPACITOR	22MF 20% 25V			CN101	QGB2510K2-12	CONNECTOR		
	C 109	QTE1H06-475Z	E CAPACITOR				CN104	QGA3901C1-05	5P CONNECTOR		
	C 110	QFVF1HJ-103Z	F CAPACITOR	.010MF 5% 50V			CN201	QGB2510J1-12	CONNECTOR		
	C 111	QETN1EM-226Z	E CAPACITOR	22MF 20% 25V			CN202	QGB2510J1-06	CONNECTOR		
	C 112	QTE1H06-475Z	E CAPACITOR				CN203	QGB2510J1-14	CONNECTOR		
	C 113	QFVF1HJ-103Z	F CAPACITOR	.010MF 5% 50V			CN205	EMV7163-020	CONNECTOR		
	C 114	QETN1EM-226Z	E CAPACITOR	22MF 20% 25V			CN206	QGB2510J1-14	CONNECTOR		
	C 115	QETN1HM-105Z	E CAPACITOR	1.0MF 20% 50V			CN210	QGB2510J1-10	CONNECTOR		
	C 116	QETN1EM-106Z	E CAPACITOR	10MF 20% 25V			CN211	QGB2510J1-12	CONNECTOR		
	C 118	QFVF1HJ-103Z	F CAPACITOR	.010MF 5% 50V			D 500	1SS133-T2	SI DIODE		
	C 119	QFVF1HJ-103Z	F CAPACITOR	.010MF 5% 50V			D 501	1SS133-T2	SI DIODE		
	C 120	QCBB1HK-101Y	C CAPACITOR	100PF 10% 50V			D 502	MTZJ5.1C-T2	ZENER DIODE		
	C 121	QCBB1HK-101Y	C CAPACITOR	100PF 10% 50V			D 503	1SS133-T2	SI DIODE		
	C 122	QCBB1HK-101Y	C CAPACITOR	100PF 10% 50V			D 504	1SS133-T2	SI DIODE		
	C 123	QCBB1HK-101Y	C CAPACITOR	100PF 10% 50V			D 505	1SS133-T2	SI DIODE		
	C 124	QCBB1HK-101Y	C CAPACITOR	100PF 10% 50V			D 506	MTZJ30C-T2	ZENER DIODE		
	C 125	QCBB1HK-101Y	C CAPACITOR	100PF 10% 50V			D 508	MTZJ5.1B-T2	ZENER DIODE		
	C 126	QCS11HJ-100	C CAPACITOR	10PF 5% 50V			D 509	MTZJ12C-T2	ZENER DIODE		
	C 128	QETN1HM-475Z	E CAPACITOR	4.7MF 20% 50V			D 510	MTZJ12C-T2	ZENER DIODE		
	C 129	QETN1HM-475Z	E CAPACITOR	4.7MF 20% 50V			△ D 511	1N5402M-20	DIODE		
	C 500	QFVF1HJ-104Z	TF CAPACITOR	.10MF 5% 50V		△	D 512	1N5402M-20	DIODE		
	C 501	QFVF1HJ-104Z	TF CAPACITOR	.10MF 5% 50V		△	D 513	1N5402M-20	DIODE		
	C 502	QFVF1HJ-103Z	F CAPACITOR	.010MF 5% 50V		△	D 514	1N5402M-20	DIODE		
	C 503	QFVF1HJ-103Z	F CAPACITOR	.010MF 5% 50V		△	D 515	6A20G-E4	DIODE		
	C 504	QFVF1HJ-104Z	TF CAPACITOR	.10MF 5% 50V		△	D 516	6A20G-E4	DIODE		
	C 505	QFVF1HJ-104Z	TF CAPACITOR	.10MF 5% 50V		△	D 517	6A20G-E4	DIODE		
	C 506	QFVF1HJ-104Z	TF CAPACITOR	.10MF 5% 50V		△	D 518	6A20G-E4	DIODE		
	C 507	QFVF1HJ-104Z	TF CAPACITOR	.10MF 5% 50V			D 519	1SS133-T2	SI DIODE		
	C 508	QFVF1HJ-103Z	F CAPACITOR	.010MF 5% 50V			D 520	1SS133-T2	SI DIODE		
	C 509	QFVF1HJ-103Z	F CAPACITOR	.010MF 5% 50V			D 521	1SS133-T2	SI DIODE		
	C 510	QFVF1HJ-104Z	TF CAPACITOR	.10MF 5% 50V			D 522	1SS133-T2	SI DIODE		
	C 511	QFVF1HJ-104Z	TF CAPACITOR	.10MF 5% 50V			D 523	MTZJ15C-T2	Z DIODE		
	C 512	QFVF1HJ-104Z	TF CAPACITOR	.10MF 5% 50V			D 524	MTZJ6.2B-T2	ZENER DIODE		
	C 513	QFVF1HJ-104Z	TF CAPACITOR	.10MF 5% 50V			D 525	MTZJ6.2B-T2	ZENER DIODE		
	C 514	QFVF1HJ-103Z	F CAPACITOR	.010MF 5% 50V			D 526	MTZJ15C-T2	Z DIODE		
	C 515	QFVF1HJ-103Z	F CAPACITOR	.010MF 5% 50V			D 527	1SS133-T2	SI DIODE		
	C 516	QETN1EM-107Z	E CAPACITOR	100MF 20% 25V			D 528	1SS133-T2	SI DIODE		
	C 517	QETN1EM-476Z	E CAPACITOR	47MF 20% 25V			D 530	1SS133-T2	SI DIODE		
	C 518	QETN1EM-107Z	E CAPACITOR	100MF 20% 25V			D 531	1SS133-T2	SI DIODE		
	C 519	QETN1EM-476Z	E CAPACITOR	47MF 20% 25V			D 532	MTZJ30C-T2	ZENER DIODE		
	C 520	QE20223-478	E CAPACITER	4700MF			D 533	MTZJ6.2B-T2	ZENER DIODE		
	C 521	QE20223-478	E CAPACITER	4700MF			D 534	1SS133-T2	SI DIODE		
	C 522	QETM1EM-688	E CAPACITOR	6800MF 20% 25V			D 535	MTZJ15C-T2	Z DIODE		
	C 523	QETM1EM-688	E CAPACITOR	6800MF 20% 25V			D 536	1SS133-T2	SI DIODE		
	C 524	QFLC2AJ-104Z	M CAPACITOR	.10MF 5% 100V			IC100	BA3121	IC		
	C 525	QFLC2AJ-104Z	M CAPACITOR	.10MF 5% 100V			IC101	BA3121	IC		
	C 526	QFLC2AJ-104Z	M CAPACITOR	.10MF 5% 100V			IC102	BA3121	IC		
	C 527	QFLC2AJ-104Z	M CAPACITOR	.10MF 5% 100V			IC103	BA15218N	IC		
	C 528	QFLC2AJ-104Z	M CAPACITOR	.10MF 5% 100V			IC108	BA15218N	IC		
	C 529	QFLC2AJ-104Z	M CAPACITOR	.10MF 5% 100V			IC109	BA15218N	IC		
	C 530	QETN1CM-227Z	E CAPACITOR	220MF 20% 16V			IC110	BA15218N	IC		
	C 531	QETN1HM-475Z	E CAPACITOR	4.7MF 20% 50V			J 100	QND0079-001	DIN CONNECTOR		
	C 532	QETN1EM-106Z	E CAPACITOR	10MF 20% 25V			K 100	QQR0786-001Z	INDUCTOR		
	C 533	QETN1CM-476Z	E CAPACITOR	47MF 20% 16V			K 101	QQR0786-001Z	INDUCTOR		
	C 550	QETN1HM-335Z	E CAPACITOR	3.3MF 20% 50V			Q 500	DTA144ESA-T	DIGITAL,TR TAPE		

■ Electrical parts list (Main board)

Block No. 07

△	Item	Parts number	Parts name	Remarks	Area
	Q 501	DTC114ESA-T	DIGITAL.TR TAPE		
	Q 502	KTA1267/YG/-T	TRANSISTOR		
	Q 503	DTC114ESA-T	DIGITAL.TR TAPE		
	Q 504	KTC3199/GL/-T	TRANSISTOR		
	Q 505	DTC114ESA-T	DIGITAL.TR TAPE		
△	Q 506	2SD2037/EF/-T	TRANSISTOR		
△	Q 507	2SA1359/OY/	TRANSISTOR		
	Q 508	KTC3199/GL/-T	TRANSISTOR		
	Q 509	KTC3199/GL/-T	TRANSISTOR		
	Q 510	DTA114ESA-T	DIGITAL.TR TAPE		
	Q 511	KTC3199/GL/-T	TRANSISTOR		
	Q 512	KTC3199/GL/-T	TRANSISTOR		
	Q 513	DTC144ESA-T	D.TRANSISTOR		
	Q 514	DTC115ESA-T	D.TRANSISTOR		
	Q 515	KTC3199/GL/-T	TRANSISTOR		
	Q 516	KTA1267/YG/-T	TRANSISTOR		
	Q 517	KTC3199/GL/-T	TRANSISTOR		
	Q 518	DTA114TSA-T	D.TRANSISTOR		
	Q 519	DTA114TSA-T	D.TRANSISTOR		
	Q 520	2SK105/EF/-T	TRANSISTOR(FET)		
	Q 521	2SK105/EF/-T	TRANSISTOR(FET)		
	Q 522	KTC3199/GL/-T	TRANSISTOR		
	Q 523	DTA144ESA-T	DIGITAL.TR TAPE		
	R 100	QRE141J-102Y	C RESISTOR	1.0K 5% 1/4W	
	R 102	QRE141J-102Y	C RESISTOR	1.0K 5% 1/4W	
	R 104	QRE141J-102Y	C RESISTOR	1.0K 5% 1/4W	
	R 106	QRE141J-102Y	C RESISTOR	1.0K 5% 1/4W	
	R 108	QRE141J-102Y	C RESISTOR	1.0K 5% 1/4W	
	R 110	QRE141J-102Y	C RESISTOR	1.0K 5% 1/4W	
	R 112	QRE141J-101Y	C RESISTOR	100 5% 1/4W	
	R 113	QRE141J-100Y	C RESISTOR	10 5% 1/4W	
	R 114	QRE141J-100Y	C RESISTOR	10 5% 1/4W	
	R 115	QRE141J-100Y	C RESISTOR	10 5% 1/4W	
	R 116	QRE141J-473Y	C RESISTOR	47K 5% 1/4W	
	R 118	QRE141J-473Y	C RESISTOR	47K 5% 1/4W	
	R 119	QRE141J-100Y	C RESISTOR	10 5% 1/4W	
	R 121	QRE141J-102Y	C RESISTOR	1.0K 5% 1/4W	
	R 122	QRE141J-100Y	C RESISTOR	10 5% 1/4W	
	R 123	QRE141J-102Y	C RESISTOR	1.0K 5% 1/4W	
	R 124	QRE141J-222Y	C RESISTOR	2.2K 5% 1/4W	
	R 130	QRE141J-473Y	C RESISTOR	47K 5% 1/4W	
	R 132	QRE141J-123Y	C RESISTOR	12K 5% 1/4W	
	R 133	QRE141J-223Y	C RESISTOR	22K 5% 1/4W	
	R 134	QRE141J-223Y	C RESISTOR	22K 5% 1/4W	
	R 135	QRE141J-223Y	C RESISTOR	22K 5% 1/4W	
	R 136	QRE141J-223Y	C RESISTOR	22K 5% 1/4W	
	R 137	QRE141J-223Y	C RESISTOR	22K 5% 1/4W	
	R 138	QRE141J-223Y	C RESISTOR	22K 5% 1/4W	
	R 139	QRE141J-471Y	C RESISTOR	470 5% 1/4W	
	R 500	QRE141J-392Y	C RESISTOR	3.9K 5% 1/4W	
	R 501	QRE141J-183Y	C RESISTOR	18K 5% 1/4W	
	R 502	QRE141J-100Y	C RESISTOR	10 5% 1/4W	
	R 504	QRE141J-100Y	C RESISTOR	10 5% 1/4W	
	R 505	QRE141J-392Y	C RESISTOR	3.9K 5% 1/4W	
	R 506	QRE141J-183Y	C RESISTOR	18K 5% 1/4W	
	R 507	QRE141J-392Y	C RESISTOR	3.9K 5% 1/4W	
	R 508	QRE141J-183Y	C RESISTOR	18K 5% 1/4W	
	R 509	QRE141J-100Y	C RESISTOR	10 5% 1/4W	
	R 510	QRE141J-100Y	C RESISTOR	10 5% 1/4W	
	R 511	QRE141J-392Y	C RESISTOR	3.9K 5% 1/4W	
	R 512	QRE141J-183Y	C RESISTOR	18K 5% 1/4W	
	R 513	QRE141J-392Y	C RESISTOR	3.9K 5% 1/4W	
	R 514	QRE141J-183Y	C RESISTOR	18K 5% 1/4W	

△	Item	Parts number	Parts name	Remarks	Area
	R 515	QRE141J-100Y	C RESISTOR	10 5% 1/4W	
	R 516	QRE141J-100Y	C RESISTOR	10 5% 1/4W	
△	R 517	QRZ9005-100X	F.RESISTOR	10 1/4W	
	R 518	QRE141J-102Y	C RESISTOR	1.0K 5% 1/4W	
	R 519	QRE141J-102Y	C RESISTOR	1.0K 5% 1/4W	
△	R 520	QRZ9005-100X	F.RESISTOR	10 1/4W	
	R 521	QRE141J-104Y	C RESISTOR	100K 5% 1/4W	
	R 522	QRE141J-102Y	C RESISTOR	1.0K 5% 1/4W	
	R 523	QRE141J-102Y	C RESISTOR	1.0K 5% 1/4W	
	R 524	QRE141J-103Y	C RESISTOR	10K 5% 1/4W	
	R 525	QRL012J-271	UNF OMF.RES	270 5% 1/1W	
	R 526	QRE141J-122Y	C RESISTOR	1.2K 5% 1/4W	
	R 527	QRE141J-331Y	C RESISTOR	330 5% 1/4W	
	R 528	QRE141J-223Y	C RESISTOR	22K 5% 1/4W	
	R 529	QRE141J-753Y	C RESISTOR	75K 5% 1/4W	
	R 530	QRE141J-101Y	C RESISTOR	100 5% 1/4W	
	R 531	QRE141J-753Y	C RESISTOR	75K 5% 1/4W	
	R 532	QRE141J-222Y	C RESISTOR	2.2K 5% 1/4W	
	R 533	QRE141J-223Y	C RESISTOR	22K 5% 1/4W	
	R 534	QRE141J-102Y	C RESISTOR	1.0K 5% 1/4W	
	R 535	QRE141J-224Y	C RESISTOR	220K 5% 1/4W	
△	R 536	QRZ9006-4R7X	F RESISTOR	4.7 1/4W	
	R 537	QRE141J-103Y	C RESISTOR	10K 5% 1/4W	
	R 538	QRE141J-103Y	C RESISTOR	10K 5% 1/4W	
	R 539	QRE141J-223Y	C RESISTOR	22K 5% 1/4W	
	R 540	QRE141J-103Y	C RESISTOR	10K 5% 1/4W	
	R 541	QRE141J-222Y	C RESISTOR	2.2K 5% 1/4W	
	R 542	QRE141J-222Y	C RESISTOR	2.2K 5% 1/4W	
	R 543	QRE141J-103Y	C RESISTOR	10K 5% 1/4W	
	R 544	QRE141J-104Y	C RESISTOR	100K 5% 1/4W	
	R 545	QRE141J-104Y	C RESISTOR	100K 5% 1/4W	
	R 546	QRE141J-103Y	C RESISTOR	10K 5% 1/4W	
	R 547	QRE141J-104Y	C RESISTOR	100K 5% 1/4W	
	R 548	QRE141J-104Y	C RESISTOR	100K 5% 1/4W	
	R 549	QRE141J-104Y	C RESISTOR	100K 5% 1/4W	
	R 550	QRE141J-104Y	C RESISTOR	100K 5% 1/4W	
	R 551	QRE141J-104Y	C RESISTOR	100K 5% 1/4W	
	R 552	QRE141J-104Y	C RESISTOR	100K 5% 1/4W	
	R 553	QRE141J-103Y	C RESISTOR	10K 5% 1/4W	
	R 554	QRE141J-103Y	C RESISTOR	10K 5% 1/4W	
	R 555	QRE141J-103Y	C RESISTOR	10K 5% 1/4W	
	R 556	QRE141J-103Y	C RESISTOR	10K 5% 1/4W	
	R 557	QRE141J-104Y	C RESISTOR	100K 5% 1/4W	
	R 558	QRE141J-223Y	C RESISTOR	22K 5% 1/4W	
	R 559	QRE141J-104Y	C RESISTOR	100K 5% 1/4W	
	R 560	QRE141J-223Y	C RESISTOR	22K 5% 1/4W	
	R 561	QRE141J-104Y	C RESISTOR	100K 5% 1/4W	
	R 562	QRE141J-101Y	C RESISTOR	100 5% 1/4W	
	R 563	QRE141J-102Y	C RESISTOR	1.0K 5% 1/4W	
	R 564	QRE141J-104Y	C RESISTOR	100K 5% 1/4W	
	R 565	QRE141J-472Y	C RESISTOR	4.7K 5% 1/4W	
	R 566	QRE141J-472Y	C RESISTOR	4.7K 5% 1/4W	
	R 567	QRE141J-103Y	C RESISTOR	10K 5% 1/4W	
	R 568	QRE141J-103Y	C RESISTOR	10K 5% 1/4W	
	R 570	QRE141J-472Y	C RESISTOR	4.7K 5% 1/4W	
	S 100	QSW0834-001	PUSH SW		
	VR100	QVQ0021-B14	V.RES		
	Z 500	QNG0020-001Z	FUSE CLIP		
	Z 501	QNG0020-001Z	FUSE CLIP		
	Z 502	QNG0020-001Z	FUSE CLIP		
	Z 503	QNG0020-001Z	FUSE CLIP		

■ Electrical parts list (Sub board)

Block No. 08

△	Item	Parts number	Parts name	Remarks	Area
	C 202	QETN1HM-105Z	E CAPACITOR	1.0MF 20% 50V	
	C 203	QFVF1HJ-104Z	TF CAPACITOR	.10MF 5% 50V	
	C 204	QFVF1HJ-184Z	TF CAPACITOR	.18MF 5% 50V	
	C 205	QFN31HJ-393Z	M CAPACITOR	.039MF 5% 50V	
	C 206	QFVF1HJ-103Z	F CAPACITOR	.010MF 5% 50V	
	C 207	QFVF1HJ-103Z	F CAPACITOR	.010MF 5% 50V	
	C 208	QETN1HM-475Z	E CAPACITOR	4.7MF 20% 50V	
	C 209	QFN31HJ-471Z	M.CAPACITOR	470PF 5% 50V	
	C 210	QTE1H06-475Z	E CAPACITOR		
	C 211	QETN1HM-106Z	E CAPACITOR	10MF 20% 50V	
	C 212	QETN1HM-107Z	E CAPACITOR	100MF 20% 50V	
	C 213	QETN1EM-107Z	E CAPACITOR	100MF 20% 25V	
	C 214	QETN1HM-476Z	E CAPACITOR	47MF 20% 50V	
	C 215	QCS31HJ-3R0Z	C CAPACITOR	3.0PF 5% 50V	
	C 216	QETN1HM-475Z	E CAPACITOR	4.7MF 20% 50V	
	C 217	QETN1HM-475Z	E CAPACITOR	4.7MF 20% 50V	
	C 218	QFVF1HJ-224Z	TF CAPACITOR	.22MF 5% 50V	
	C 219	QFVF1HJ-224Z	TF CAPACITOR	.22MF 5% 50V	
	C 223	QCS11HJ-100	C CAPACITOR	10PF 5% 50V	
	C 225	QETN2AM-226Z	E CAPACITOR	22MF 20% 100V	
	C 226	QFN31HJ-103Z	M CAPACITOR	.010MF 5% 50V	
	C 227	QFVJ1HJ-103Z	TF CAPACITOR	.010MF 5% 50V	
	C 228	QFVJ1HJ-103Z	TF CAPACITOR	.010MF 5% 50V	
	C 229	QFVJ1HJ-223Z	TF CAPACITOR	.022MF 5% 50V	
	C 230	QFVJ1HJ-223Z	TF CAPACITOR	.022MF 5% 50V	
	C 231	QFN31HJ-103Z	M CAPACITOR	.010MF 5% 50V	
	C 232	QETN1HM-475Z	E CAPACITOR	4.7MF 20% 50V	
	C 233	QFV61HJ-104Z	TF CAPACITOR	.10MF 5% 50V	
	C 300	QFN31HJ-471Z	M.CAPACITOR	470PF 5% 50V	
	C 301	QETN1HM-225Z	E CAPACITOR	2.2MF 20% 50V	
	C 302	QCBB1HK-221Y	C CAPACITOR	220PF 10% 50V	
	C 303	QETN1EM-226Z	E CAPACITOR	22MF 20% 25V	
	C 304	QETN1EM-107Z	E CAPACITOR	100MF 20% 25V	
	C 305	QETN1HM-106Z	E CAPACITOR	10MF 20% 50V	
	C 306	QCSB1HK-3R3Y	C CAPACITOR	3.3PF 10% 50V	
	C 307	QFLM1HJ-104Z	M CAPACITOR	.10MF 5% 50V	
	C 308	QFLM1HJ-104Z	M CAPACITOR	.10MF 5% 50V	
	C 309	QETN1HM-106Z	E CAPACITOR	10MF 20% 50V	
	C 310	QETN1EM-226Z	E CAPACITOR	22MF 20% 25V	
	C 311	QETN1EM-107Z	E CAPACITOR	100MF 20% 25V	
	C 312	QCBB1HK-221Y	C CAPACITOR	220PF 10% 50V	
	C 313	QETN1HM-225Z	E CAPACITOR	2.2MF 20% 50V	
	C 314	QFN31HJ-471Z	M.CAPACITOR	470PF 5% 50V	
	C 315	QCSB1HK-3R3Y	C CAPACITOR	3.3PF 10% 50V	
	C 316	QFLM1HJ-104Z	M CAPACITOR	.10MF 5% 50V	
	C 317	QFLM1HJ-104Z	M CAPACITOR	.10MF 5% 50V	
	C 319	QTE1H06-475Z	E CAPACITOR		
	C 320	QCBB1HK-221Y	C CAPACITOR	220PF 10% 50V	
	C 321	QETN1EM-107Z	E CAPACITOR	100MF 20% 25V	
	C 322	QETN1EM-107Z	E CAPACITOR	100MF 20% 25V	
	C 323	QCSB1HK-3R3Y	C CAPACITOR	3.3PF 10% 50V	
	C 324	QFLM1HJ-104Z	M CAPACITOR	.10MF 5% 50V	
	C 325	QFLM1HJ-104Z	M CAPACITOR	.10MF 5% 50V	
	C 326	QETN1EM-107Z	E CAPACITOR	100MF 20% 25V	
	C 327	QETN1EM-107Z	E CAPACITOR	100MF 20% 25V	
	C 328	QCBB1HK-221Y	C CAPACITOR	220PF 10% 50V	
	C 329	QTE1H06-475Z	E CAPACITOR		
	C 330	QFN31HJ-471Z	M.CAPACITOR	470PF 5% 50V	
	C 331	QETN1EM-226Z	E CAPACITOR	22MF 20% 25V	
	C 332	QCSB1HK-3R3Y	C CAPACITOR	3.3PF 10% 50V	
	C 333	QFLM1HJ-104Z	M CAPACITOR	.10MF 5% 50V	
	C 334	QFLM1HJ-104Z	M CAPACITOR	.10MF 5% 50V	
	C 336	QTE1H06-475Z	E CAPACITOR		

△	Item	Parts number	Parts name	Remarks	Area
	C 337	QCBB1HK-221Y	C CAPACITOR	220PF 10% 50V	
	C 338	QCSB1HK-3R3Y	C CAPACITOR	3.3PF 10% 50V	
	C 339	QFLM1HJ-104Z	M CAPACITOR	.10MF 5% 50V	
	C 340	QFLM1HJ-104Z	M CAPACITOR	.10MF 5% 50V	
	C 350	QETN1EM-226Z	E CAPACITOR	22MF 20% 25V	
	C 351	QETN1EM-226Z	E CAPACITOR	22MF 20% 25V	
	C 352	QFN31HJ-392Z	M.CAPACITOR	3900PF 5% 50V	
	C 353	QFN31HJ-392Z	M.CAPACITOR	3900PF 5% 50V	
△	C 400	QFZ9051-103	MM CAPACITOR	.010MF	
	C 402	QFLM1HJ-104Z	M CAPACITOR	.10MF 5% 50V	
	C 403	QFLM1HJ-104Z	M CAPACITOR	.10MF 5% 50V	
	C 404	QFLM1HJ-104Z	M CAPACITOR	.10MF 5% 50V	
	C 405	QFLM1HJ-104Z	M CAPACITOR	.10MF 5% 50V	
	C 406	QFLM1HJ-104Z	M CAPACITOR	.10MF 5% 50V	
	C 407	QFLM1HJ-104Z	M CAPACITOR	.10MF 5% 50V	
	C 408	QFLM1HJ-104Z	M CAPACITOR	.10MF 5% 50V	
	C 409	QFLM1HJ-104Z	M CAPACITOR	.10MF 5% 50V	
	C 410	QFLM1HJ-104Z	M CAPACITOR	.10MF 5% 50V	
	C 411	QFLM1HJ-104Z	M CAPACITOR	.10MF 5% 50V	
	C 412	QETN1HM-105Z	E CAPACITOR	1.0MF 20% 50V	
	CN102	QGB2510K2-06	CONNECTOR		
	CN103	QGB2510K2-14	CONNECTOR		
	CN105	EMV5163-020R	SOCKET		
	CN106	QGB2510K2-14	CONNECTOR		
	CN107	QGA7901C1-02	CONNECTOR		
	CN108	QGA7901C1-02	CONNECTOR		
	CN109	QGA3901F2-04	CONNECTOR		
	CN110	QGB2510K2-10	CONNECTOR		
	CN111	QGB2510K2-12	CONNECTOR		
	D 202	1SS133-T2	SI DIODE		
	D 203	1SS133-T2	SI DIODE		
△	D 204	1N5402M-20	DIODE		
	D 205	MTZJ15C-T2	Z DIODE		
	D 206	MTZJ6.2B-T2	ZENER DIODE		
	D 207	1SS133-T2	SI DIODE		
	D 208	SLR-325MG-T	LED I M		
	D 209	SLR-325MG-T	LED I M		
	D 210	1SS133-T2	SI DIODE		
	D 211	1SS133-T2	SI DIODE		
	D 212	MTZJ6.2B-T2	ZENER DIODE		
	D 214	MTZJ15C-T2	Z DIODE		
△	D 215	1N5402M-20	DIODE		
	D 216	1SS133-T2	SI DIODE		
	D 217	MTZJ6.2B-T2	ZENER DIODE		
	D 218	1SS133-T2	SI DIODE		
	D 219	1SS133-T2	SI DIODE		
	D 300	1SS133-T2	SI DIODE		
	D 301	1SS133-T2	SI DIODE		
	D 302	1SS133-T2	SI DIODE		
	D 303	1SS133-T2	SI DIODE		
	D 304	1SS133-T2	SI DIODE		
	D 400	1SS133-T2	SI DIODE		
	D 401	1SR35-400A-T5	DIODE I/M		
	IC104	BA15218N	IC		
△	IC105	STK404-130	IC		
△	IC106	STK402-030	IC		
△	IC107	STK402-230	IC		
	IC201	BA15218N	IC		
	IC202	BA15218N	IC		
	J 101	QNB0065-002	SPK TERMINAL		
	J 102	QNB0070-002	SPK TERMINAL		
	L 200	QQLZ003-1R0	INDUCTOR		
	L 300	QQLZ003-1R0	INDUCTOR		

■ Electrical parts list (Sub board)

Block No. 08

△	Item	Parts number	Parts name	Remarks	Area	△	Item	Parts number	Parts name	Remarks	Area
	L 301	QQLZ003-1R0	INDUCTOR				R 250	QRE141J-475Y	C RESISTOR	4.7M 5% 1/4W	
	L 302	QQLZ003-1R0	INDUCTOR				R 251	QRE141J-103Y	C RESISTOR	10K 5% 1/4W	
	L 303	QQLZ003-1R0	INDUCTOR				R 252	QRE141J-103Y	C RESISTOR	10K 5% 1/4W	
	L 304	QQLZ003-1R0	INDUCTOR				R 253	QRE141J-103Y	C RESISTOR	10K 5% 1/4W	
	LC400	QQR0797-002	INDUCTOR				R 254	QRE141J-100Y	C RESISTOR	10 5% 1/4W	
	LC401	QQR0797-002	INDUCTOR				R 255	QRE141J-100Y	C RESISTOR	10 5% 1/4W	
	LC402	QQLZ005-R45	INDUCTOR				R 256	QRE141J-472Y	C RESISTOR	4.7K 5% 1/4W	
	LC403	QQLZ005-R45	INDUCTOR				R 257	QRE141J-332Y	C RESISTOR	3.3K 5% 1/4W	
	LC404	QQLZ005-R45	INDUCTOR				R 258	QRE141J-103Y	C RESISTOR	10K 5% 1/4W	
	MR200	QRZ0197-R22	EMIT.RESISTOR	1/1W			R 259	QRE141J-104Y	C RESISTOR	100K 5% 1/4W	
	Q 202	2SA1038S/SE/-T	TRANSISTOR				R 260	QRE141J-473Y	C RESISTOR	47K 5% 1/4W	
	Q 204	2SK2391	POW.MOS-FET				R 261	QRE141J-473Y	C RESISTOR	47K 5% 1/4W	
	Q 205	DTA114TSA-T	D.TRANSISTOR				R 262	QRE141J-103Y	C RESISTOR	10K 5% 1/4W	
	Q 206	2SC2389S/SE/-T	TRANSISTOR				R 263	QRE141J-103Y	C RESISTOR	10K 5% 1/4W	
	Q 207	2SA1038S/SE/-T	TRANSISTOR				R 264	QRE141J-103Y	C RESISTOR	10K 5% 1/4W	
	Q 208	2SK2391	POW.MOS-FET				R 265	QRE141J-223Y	C RESISTOR	22K 5% 1/4W	
	Q 209	2SC2389S/SE/-T	TRANSISTOR				R 266	QRE141J-472Y	C RESISTOR	4.7K 5% 1/4W	
	Q 210	2SK105/EF/-T	TRANSISTOR(FET)				R 267	QRE141J-103Y	C RESISTOR	10K 5% 1/4W	
	Q 211	DTC114TSA-T	D.TRANSISTOR				R 268	QRE141J-103Y	C RESISTOR	10K 5% 1/4W	
	Q 300	KTA1267/YG/-T	TRANSISTOR				R 269	QRE141J-103Y	C RESISTOR	10K 5% 1/4W	
	Q 301	KTA1267/YG/-T	TRANSISTOR				R 270	QRE141J-103Y	C RESISTOR	10K 5% 1/4W	
	Q 302	KTA1267/YG/-T	TRANSISTOR				R 271	QRE141J-472Y	C RESISTOR	4.7K 5% 1/4W	
	Q 303	KTA1267/YG/-T	TRANSISTOR				R 272	QRE141J-472Y	C RESISTOR	4.7K 5% 1/4W	
	Q 304	KTA1267/YG/-T	TRANSISTOR				R 273	QRE141J-221Y	C RESISTOR	220 5% 1/4W	
	R 200	QRE141J-223Y	C RESISTOR	22K 5% 1/4W			R 274	QRE141J-221Y	C RESISTOR	220 5% 1/4W	
	R 201	QRE141J-473Y	C RESISTOR	47K 5% 1/4W			R 275	QRE141J-221Y	C RESISTOR	220 5% 1/4W	
	R 208	QRE141J-473Y	C RESISTOR	47K 5% 1/4W			R 276	QRE141J-223Y	C RESISTOR	22K 5% 1/4W	
	R 209	QRE141J-222Y	C RESISTOR	2.2K 5% 1/4W			R 277	QRE141J-103Y	C RESISTOR	10K 5% 1/4W	
	R 210	QRE141J-103Y	C RESISTOR	10K 5% 1/4W			R 300	QRE141J-332Y	C RESISTOR	3.3K 5% 1/4W	
	R 211	QRE141J-103Y	C RESISTOR	10K 5% 1/4W			R 301	QRE141J-563Y	C RESISTOR	56K 5% 1/4W	
	R 212	QRE141J-100Y	C RESISTOR	10 5% 1/4W			R 302	QRE141J-182Y	C RESISTOR	1.8K 5% 1/4W	
	R 213	QRE141J-100Y	C RESISTOR	10 5% 1/4W			△ R 303	QRZ9015-101X	F.RESISTOR	100 1/0W	
	R 214	QRE141J-103Y	C RESISTOR	10K 5% 1/4W			R 304	QRE141J-103Y	C RESISTOR	10K 5% 1/4W	
	R 215	QRE141J-222Y	C RESISTOR	2.2K 5% 1/4W			R 305	QRT012J-R22	UNF.MF.RESISTOR	5% 1/1W	
	R 216	QRE141J-182Y	C RESISTOR	1.8K 5% 1/4W			R 306	QRT012J-R22	UNF.MF.RESISTOR	5% 1/1W	
	R 217	QRE141J-563Y	C RESISTOR	56K 5% 1/4W			R 307	QRE141J-563Y	C RESISTOR	56K 5% 1/4W	
△	R 218	QRZ9015-221X	F.RESISTOR	220 1/0W			R 308	QRE141J-102Y	C RESISTOR	1.0K 5% 1/4W	
△	R 219	QRZ9015-221X	F.RESISTOR	220 1/0W			R 309	QRE141J-183Y	C RESISTOR	18K 5% 1/4W	
	R 220	QRE141J-472Y	C RESISTOR	4.7K 5% 1/4W			R 310	QRE141J-473Y	C RESISTOR	47K 5% 1/4W	
	R 221	QRE141J-472Y	C RESISTOR	4.7K 5% 1/4W			R 311	QRK126J-4R7X	C RESISTOR	4.7 5% 1/2W	
	R 222	QRE141J-563Y	C RESISTOR	56K 5% 1/4W			R 312	QRE141J-8R2Y	C RESISTOR	8.2 5% 1/4W	
	R 223	QRE141J-102Y	C RESISTOR	1.0K 5% 1/4W			R 313	QRT012J-R22	UNF.MF.RESISTOR	5% 1/1W	
	R 224	QRE141J-473Y	C RESISTOR	47K 5% 1/4W			R 314	QRT012J-R22	UNF.MF.RESISTOR	5% 1/1W	
	R 225	QRE141J-183Y	C RESISTOR	18K 5% 1/4W			△ R 315	QRZ9015-101X	F.RESISTOR	100 1/0W	
	R 226	QRK126J-4R7X	C RESISTOR	4.7 5% 1/2W			R 316	QRE141J-182Y	C RESISTOR	1.8K 5% 1/4W	
	R 227	QRE141J-4R7Y	C RESISTOR	4.7 5% 1/4W			R 317	QRE141J-563Y	C RESISTOR	56K 5% 1/4W	
	R 230	QRE141J-471Y	C RESISTOR	470 5% 1/4W			R 318	QRE141J-332Y	C RESISTOR	3.3K 5% 1/4W	
	R 231	QRE141J-103Y	C RESISTOR	10K 5% 1/4W			R 319	QRE141J-563Y	C RESISTOR	56K 5% 1/4W	
	R 235	QRE141J-472Y	C RESISTOR	4.7K 5% 1/4W			R 320	QRK126J-4R7X	C RESISTOR	4.7 5% 1/2W	
	R 236	QRE141J-473Y	C RESISTOR	47K 5% 1/4W			R 321	QRE141J-8R2Y	C RESISTOR	8.2 5% 1/4W	
	R 237	QRE141J-103Y	C RESISTOR	10K 5% 1/4W			R 322	QRE141J-473Y	C RESISTOR	47K 5% 1/4W	
	R 238	QRE141J-103Y	C RESISTOR	10K 5% 1/4W			R 323	QRE141J-102Y	C RESISTOR	1.0K 5% 1/4W	
	R 239	QRE141J-563Y	C RESISTOR	56K 5% 1/4W			R 324	QRE141J-183Y	C RESISTOR	18K 5% 1/4W	
	R 240	QRE141J-823Y	C RESISTOR	82K 5% 1/4W			R 325	QRE141J-332Y	C RESISTOR	3.3K 5% 1/4W	
	R 241	QRE141J-103Y	C RESISTOR	10K 5% 1/4W			R 326	QRE141J-563Y	C RESISTOR	56K 5% 1/4W	
	R 242	QRE141J-103Y	C RESISTOR	10K 5% 1/4W			R 327	QRE141J-182Y	C RESISTOR	1.8K 5% 1/4W	
	R 243	QRE141J-103Y	C RESISTOR	10K 5% 1/4W			△ R 328	QRZ9015-101X	F.RESISTOR	100 1/0W	
	R 244	QRE141J-103Y	C RESISTOR	10K 5% 1/4W			R 329	QRE141J-103Y	C RESISTOR	10K 5% 1/4W	
	R 245	QRE141J-563Y	C RESISTOR	56K 5% 1/4W			R 330	QRT012J-R22	UNF.MF.RESISTOR	5% 1/1W	
	R 246	QRE141J-823Y	C RESISTOR	82K 5% 1/4W			R 331	QRT012J-R22	UNF.MF.RESISTOR	5% 1/1W	
	R 247	QRE141J-394Y	C RESISTOR	390K 5% 1/4W			R 332	QRE141J-563Y	C RESISTOR	56K 5% 1/4W	
	R 248	QRE141J-334Y	C RESISTOR	330K 5% 1/4W			R 333	QRE141J-102Y	C RESISTOR	1.0K 5% 1/4W	
	R 249	QRE141J-475Y	C RESISTOR	4.7M 5% 1/4W			R 334	QRE141J-183Y	C RESISTOR	18K 5% 1/4W	

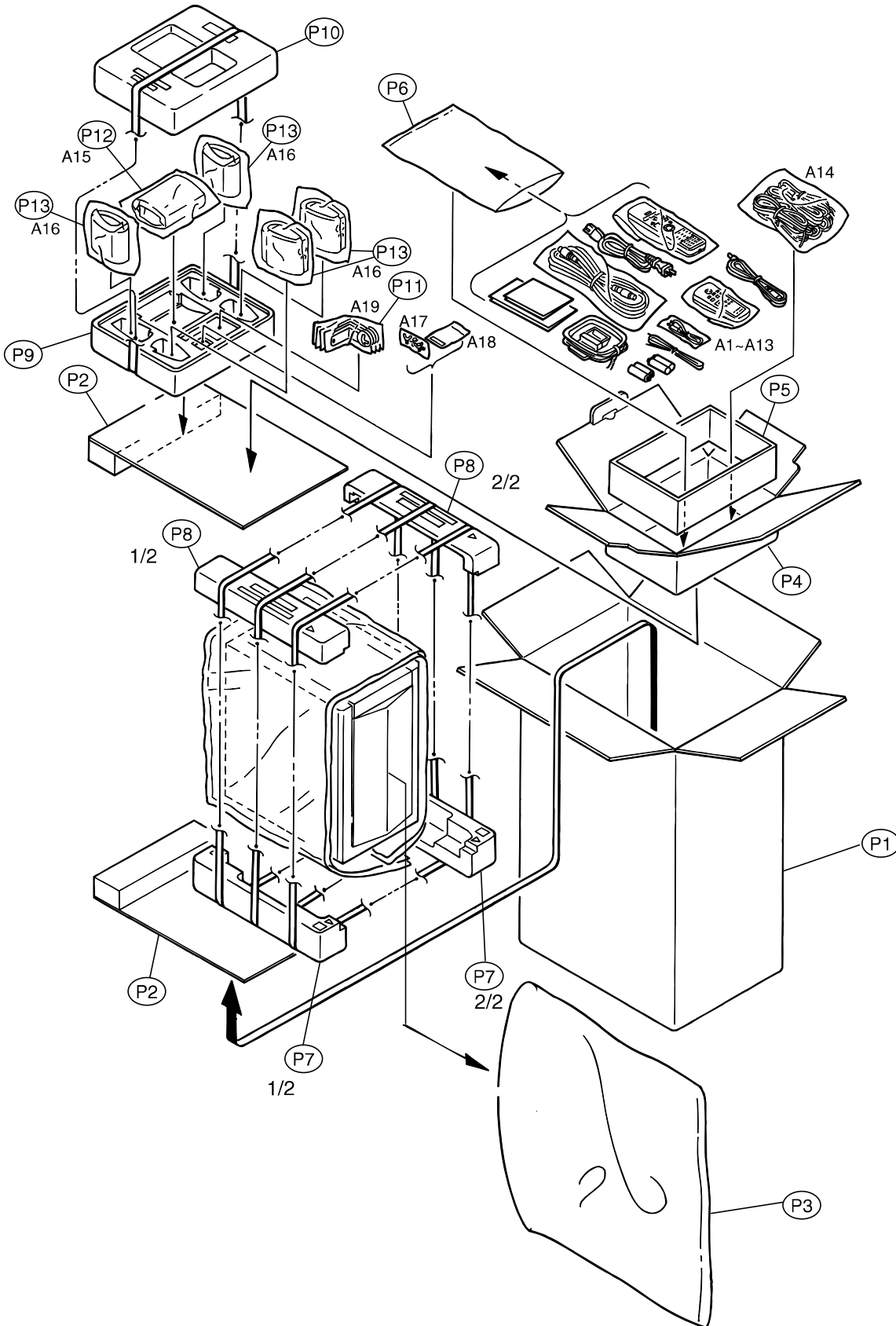
■ Electrical parts list (Sub board) Block No. 08

△	Item	Parts number	Parts name	Remarks	Area
	R 335	QRE141J-473Y	C RESISTOR	47K 5% 1/4W	
	R 336	QRK126J-4R7X	C RESISTOR	4.7 5% 1/2W	
	R 337	QRE141J-8R2Y	C RESISTOR	8.2 5% 1/4W	
	R 338	QRT012J-R22	UNF.MF.RESISTOR	5% 1/1W	
	R 339	QRT012J-R22	UNF.MF.RESISTOR	5% 1/1W	
△	R 340	QRZ9015-101X	F.RESISTOR	100 1/0W	
	R 341	QRE141J-182Y	C RESISTOR	1.8K 5% 1/4W	
	R 342	QRE141J-563Y	C RESISTOR	56K 5% 1/4W	
	R 343	QRE141J-332Y	C RESISTOR	3.3K 5% 1/4W	
	R 344	QRE141J-563Y	C RESISTOR	56K 5% 1/4W	
	R 345	QRK126J-4R7X	C RESISTOR	4.7 5% 1/2W	
	R 346	QRE141J-8R2Y	C RESISTOR	8.2 5% 1/4W	
	R 347	QRE141J-473Y	C RESISTOR	47K 5% 1/4W	
	R 348	QRE141J-183Y	C RESISTOR	18K 5% 1/4W	
	R 349	QRE141J-102Y	C RESISTOR	1.0K 5% 1/4W	
	R 350	QRE141J-332Y	C RESISTOR	3.3K 5% 1/4W	
	R 351	QRE141J-563Y	C RESISTOR	56K 5% 1/4W	
	R 352	QRE141J-182Y	C RESISTOR	1.8K 5% 1/4W	
	R 353	QRT012J-R22	UNF.MF.RESISTOR	5% 1/1W	
	R 354	QRT012J-R22	UNF.MF.RESISTOR	5% 1/1W	
	R 355	QRE141J-563Y	C RESISTOR	56K 5% 1/4W	
	R 356	QRE141J-102Y	C RESISTOR	1.0K 5% 1/4W	
	R 357	QRE141J-183Y	C RESISTOR	18K 5% 1/4W	
	R 358	QRE141J-473Y	C RESISTOR	47K 5% 1/4W	
	R 359	QRK126J-4R7X	C RESISTOR	4.7 5% 1/2W	
	R 360	QRE141J-8R2Y	C RESISTOR	8.2 5% 1/4W	
	R 370	QRE141J-152Y	C RESISTOR	1.5K 5% 1/4W	
	R 371	QRE141J-152Y	C RESISTOR	1.5K 5% 1/4W	
	R 372	QRE141J-162Y	C RESISTOR	1.6K 5% 1/4W	
	R 373	QRE141J-152Y	C RESISTOR	1.5K 5% 1/4W	
	R 374	QRE141J-162Y	C RESISTOR	1.6K 5% 1/4W	
	R 375	QRE141J-222Y	C RESISTOR	2.2K 5% 1/4W	
	R 376	QRE141J-222Y	C RESISTOR	2.2K 5% 1/4W	
	R 377	QRE141J-562Y	C RESISTOR	5.6K 5% 1/4W	
	R 378	QRE141J-222Y	C RESISTOR	2.2K 5% 1/4W	
	R 379	QRE141J-562Y	C RESISTOR	5.6K 5% 1/4W	
	R 400	QRE141J-8R2Y	C RESISTOR	8.2 5% 1/4W	
	R 401	QRE141J-8R2Y	C RESISTOR	8.2 5% 1/4W	
	R 402	QRE141J-8R2Y	C RESISTOR	8.2 5% 1/4W	
	R 403	QRE141J-8R2Y	C RESISTOR	8.2 5% 1/4W	
	R 404	QRE141J-8R2Y	C RESISTOR	8.2 5% 1/4W	
△	RY400	QSK0055-001	RELAY		
	RY401	QSK0095-001	RELAY		
	RY402	QSK0095-001	RELAY		
	RY403	QSK0095-001	RELAY		
	Z 400	QNG0020-001Z	FUSE CLIP		
	Z 401	QNG0020-001Z	FUSE CLIP		

Packing materials and accessories parts list

Block No. M 6 M M

Block No. M 7 M M



■ Parts list (Packing)

Block No. M6MM

△	Item	Parts number	Parts name	Q'ty	Description	Area
	P 1	LV32243-001A	CARTON	1		
	P 2	LV41665-001A	PROTECTOR	2		
	P 3	QPA10010005P	POLY BAG	1	FOR SPK	
	P 4	LV31968-001A	ACC.BOX	1		
	P 5	LV31983-001A	CARTON SHEET	1		
	P 6	QPA02504507P	POLY BAG	1	FOR ACC	EE
		QPA03004507P	POLY BAG	1	FOR ACC	B,E,EN
	P 7	8000042211	BOTTOM CUSHION	1		
	P 8	8000042201	TOP CUSHION	1		
	P 9	8000042111	BOTTOM CUSHION	1		
	P 10	8000042101	TOP CUSHION	1		
	P 11	8500035701	POLY BAG	4	FOR BKT	
	P 12	8500032771	POLY BAG	1	FOR SPK BOX	
	P 13	8500032761	POLY BAG	4	FOR SPK BOX	

■ Parts list (Accessories)

Block No. M7MM

△	Item	Parts number	Parts name	Q'ty	Description	Area
	A 1	LVT0516-003A	INST.BOOK	1	DAN	EN
		LVT0516-001A	INST.BOOK	1	ENG	B
		LVT0517-001A	INST.BOOK-2	1	ENG	B
		LVT0517-002A	INST.BOOK-2	1	SPA	E
		LVT0517-004A	INST.BOOK-2	1	RUS	EE
		LVT0516-002A	INST.BOOK	1	ENG,GER,FRE,DUT	E
		LVT0517-003A	INST.BOOK-2	1	SWE	EN
		LVT0516-002A	INST.BOOK	1	SPA,ITA	E
		LVT0516-003A	INST.BOOK	1	GER,FRE,SWE,FIN	EN
		LVT0517-007A	INST.BOOK-2	1	ITA	E
		LVT0517-008A	INST.BOOK-2	1	FIN	EN
		LVT0517-012A	INST.BOOK-2	1	DUT	E,EN
		LVT0517-011A	INST.BOOK-2	1	FRE	E,EN
		LVT0517-009A	INST.BOOK-2	1	DEN	EN
		LVT0517-010A	INST.BOOK-2	1	GER	E,EN
		LVT0516-004A	INST.BOOK	1	RUS	EE
	A 3	E43486-340A	SAFETY SHEET	1		B
	A 4	VNA3000-202	REGISTER CARD	1		B
△	A 5	QMP39F0-183E	POWER CORD	1		E,EE,EN
△		QMPP060-183-JD	POWER CORD	1		B
	A 6	QAM0239-002	SYSTEM CABLE	1		
	A 7	RM-STHA10R	W.LESS REMOCON	1		
	A 8	RM-STHA10EC	W.LESS REMOCON	1		
	A 9	-----	BATTERY	2		
	A 10	QAM0236-001	VIDEO CABLE	1		
	A 11	EWP805-001W	PLUG CORD ASSY	1		
	A 12	QAL0014-001	LOOP ANTENNA	1		
	A 13	EWP503-001C	ANTENNA WIRE	1		
	A 14	LV41663-002A	SPK CORD ASSY	1		
	A 15	SP-XCA10J	SPEAKER BOX	1		
	A 16	SP-XSA10J	SPEAKER BOX	4		
	A 17	7200035901	BOLT	4		
	A 18	8600005001	FOOT	1		
	A 19	6400017301	SUB BRACKET	4		

JVC

VICTOR COMPANY OF JAPAN, LIMITED

OPTICAL DISC BUSINESS DIV. PERSONAL & MOBILE NETWORK BUSINESS UNIT

AV & MULTIMEDIA COMPANY 1644, Shimotsuruma, Yamato, Kanagawa 242-8514, Japan