

# PARTS LIST

[ TH-A30 ]

\* All printed circuit boards and its assemblies are not available as service parts.

## Area suffix

US ----- Singapore  
 UB ----- Hong Kong  
 UW ----- Brazil, Mexico, Peru  
 UG - Turkey, South Africa, Egypt  
 A ----- Australia

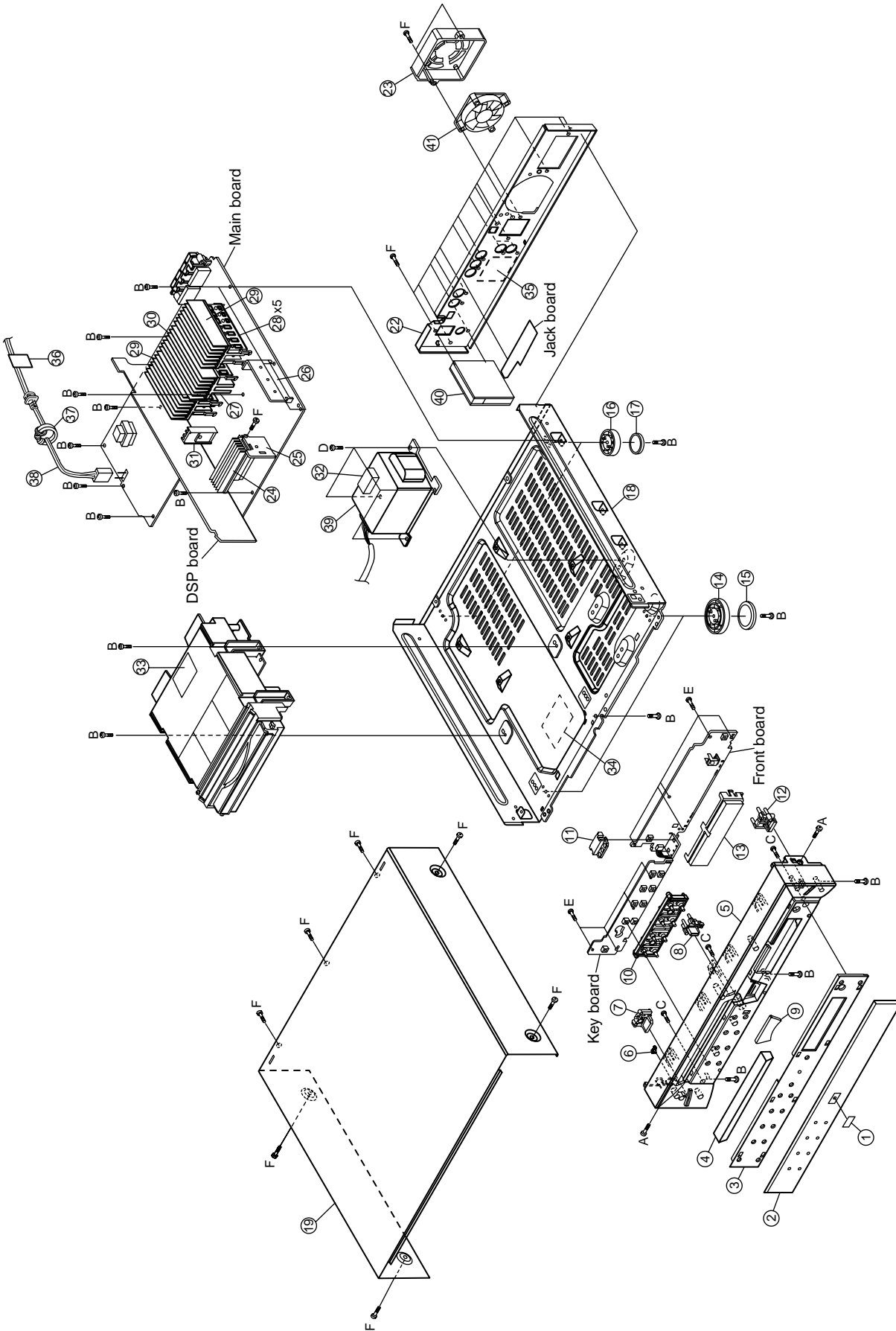
## - Contents -

Exploded view of general assembly and parts list (Block No.M1) .....	3- 2
DVD mechanism assembly and parts list (Block No.MJ).....	3- 4
Electrical parts list (Block No.01~05).....	3- 6
Packing materials and accessories parts list (Block No.M3,M5) .....	3-22

# Exploded view of general assembly and parts list

Block No. 

M	1	M	M
---	---	---	---



**Parts list (General assembly)**

Block No. M1MM

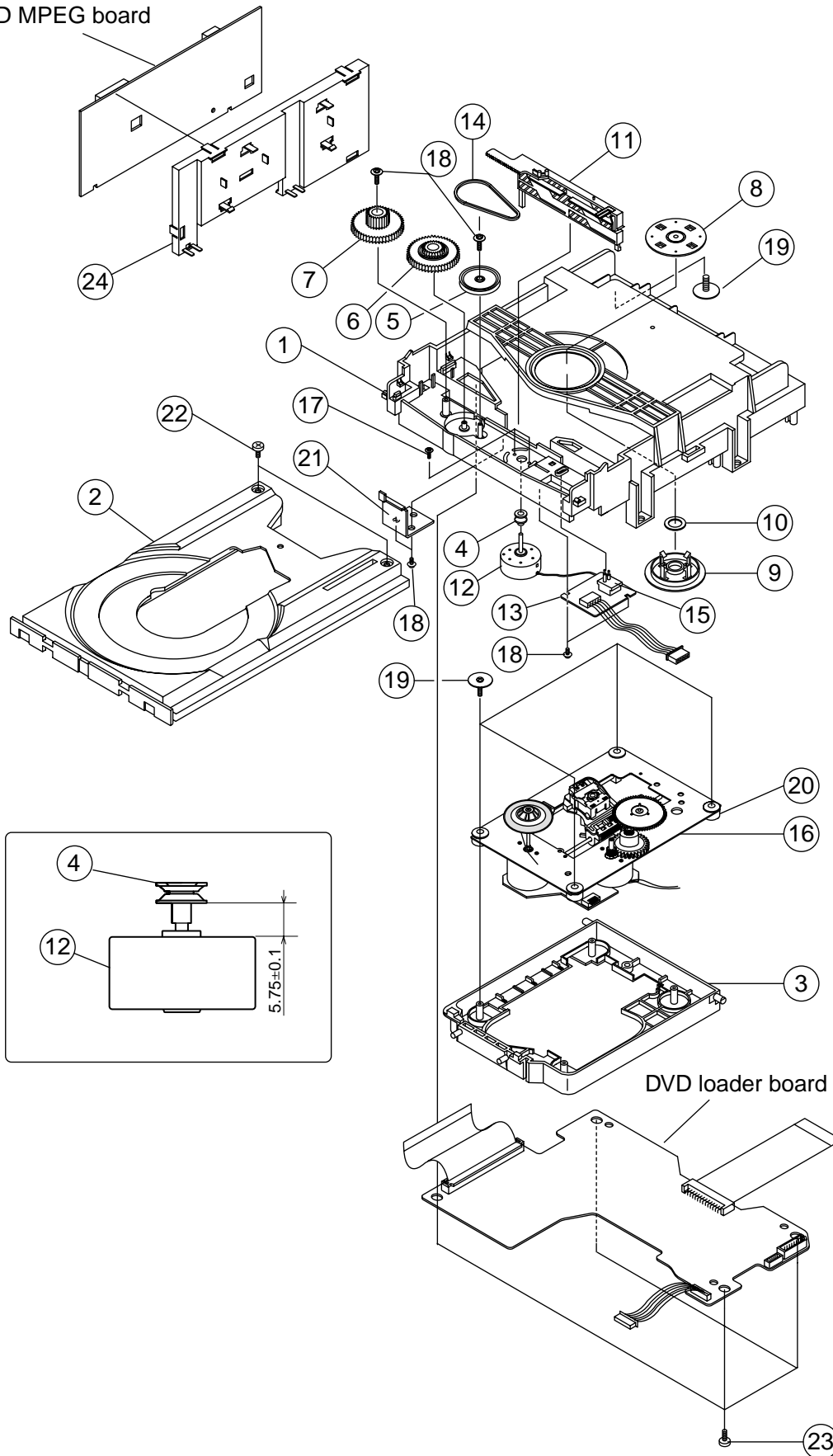
△	Item	Parts number	Parts name	Q'ty	Description	Area
	A	6002-000126	SCREW	2	FH 3X10 BLK	
	B	6003-000398	SCREW	20	BH 2S 3X6 YEL	
	C	6003-000276	SCREW	3	BH M3X10 YEL	
	D	AH60-10107A	SCREW	4	M4X6 YEL	
	E	AH60-10020D	SCREW	9	RH 2.6X8 YEL	
	F	AH60-00025A	SCREW	25	BH 3X10 SILVER	
	1	AH64-01539A	DVD BADGE	1		
	2	AH64-02066C	WINDOW FRONT	1		
	3	AH61-00834A	FRONT CAP	1		
	4	AH64-01453B	TRAY DOOR	1		
	5	AH64-01452A	FRONT CABINET	1		
	6	AH67-00129A	POWER LENS	1		
	7	AH64-01454A	KNOB POWER	1		
	8	AH64-01455A	KNOB OPEN	1		
	9	AH67-00128A	LENS FRONT	1		
	10	AH64-01457A	KNOB FUNCTION	1		
	11	AH61-00836A	HOLDER LED	1		
	12	AH64-01456A	KNOB PLAY	1		
	13	AH61-00835A	VFD HOLDER	1		
	14	AH61-00766A	FOOT HOLDER	2	FRONT	
	15	AH69-00503A	CUSHION FOOT	2	FRONT	
	16	AH61-00777A	FOOT HOLDER	2	REAR	
	17	AH69-00503B	CUSHION FOOT	2	REAR	
	18	AH64-01586A	CABINET BOTTOM	1		
	19	AH64-01587A	CABINET TOP	1		
	22	AH64-01813H	CABINET REAR	1		
	23	AH63-00303A	COVER FAN	1		
	24	AH62-00051C	HEAT SINK D	1		
	25	AH62-00051D	HEAT SINK B	1		
	26	AH62-00052B	HEAT SINK	1		
	27	AH61-00855A	IC HOLDER	1		
	28	AH61-00779A	IC HOLDER	5		
	29	AH62-00050A	HEAT SINK	2		
	30	AH62-00050B	HEAT SINK M	1		
	31	AH62-00062A	HEAT SINK	1	TRANSISTOR	
	32	AH69-00188B	POWER CUSHION	1		
	33	AH68-50275D	STICKER CD	1		
	34	AH68-00967A	LABEL DTS	1		
	35	AH68-01158F	LABEL RATING	1		A
	36	AH68-50282D	LABEL CAUTION	1		US,UB,UG,UW
	37	3301-001525	AC CORD RING	1		
△	38	AH39-00257K	POWER CORD	1		A
△		AH39-00258P	POWER CORD	1		UB
△		AH39-00257F	POWER CORD	1		US,UG,UW
△	39	AH26-00200A	TRANS POWER	1		US,UB,UG,UW
△		AH26-00202D	TRANS POWER	1	240V	A
	40	AH40-00016A	TUNER PACK	1	KST-MV011MA0-0	
	41	AH31-00029A	MOTOR FAN	1		

# DVD mechanism assembly and parts list

CMSD100

Block No. M J M M

DVD MPEG board



**■ Parts list (DVD mechanism)**

Block No. MJMM

⚠	Item	Parts number	Parts name	Q'ty	Description	Area
	1	AH61-00746A	BASE-MAIN	1	BLK	
	2	AH63-00294A	TRAY-DISC	1	D/GRAY	
	3	AH66-00159A	LEVER-LIFT	1	BLK	
	4	AH66-00160A	PULLEY-MOTOR	1		
	5	AH66-00161A	GEAR-PULLEY	1		
	6	AH66-00162A	GEAR-MIDDLE	1		
	7	AH66-00163A	GEAR-TRAY	1		
	8	AH66-00164A	CLAMPER-UPPER	1	UPPER	
	9	AH66-00165A	CLAMPER-LOWER	1	LOWER	
	10	AH61-00747A	BRACKET-CHUCK	1	T1.0	
	11	AH66-00166A	SLIDE-CAM	1		
	12	AH31-00030A	MOTOR-DC	1	RF-300CA-11440	
	13	-----	PCB-SWITCH	1	26.5 X 21.6	
	14	AH66-00167A	BELT-PULLEY	1	CR 1.5	
	15	3409-001119	SWITCH-DETECTOR	1	JDS2200	
	16	AH59-00130A	DVD DECK	1	CMS-S21MG6	
	17	6001-001257	SCREW-MACHINE	2	1.7 X 3(W4.5)	
	18	AJ60-10001A	SCREW-TAP	6	2 X 5(W7)	
	19	6003-001210	SCREW-TAP	5	2.6 X 6(W12)	
	20	AH73-00025B	RUBBER-CD	4	BUTYL 15	
	21	AH61-00958A	BRACKET-GUIDE	1	SECC 1.0T	
	22	6003-000283	SCREW-TAP	2	3 X 8	
	23	6003-000276	SCREW-TAP	4	3 X 10	
	24	AH61-00828A	HOLDER-PCB	1	ABS BLK	

## ■ Electrical parts list (Main&amp;jack board)

Block No. 01

△	Item	Parts number	Parts name	Remarks	Area	△	Item	Parts number	Parts name	Remarks	Area
	ABD1	0402-001408	DIODE	KBP005G 50V 1.5A			AR8	2001-000435	CARBON RESISTOR	1M 5% 1/8W	
	ABD2	0402-001258	BRIDGE DIODE	GBU606 600V 6A			AR9	2001-000890	CARBON RESISTOR	6.8K 5% 1/8W	
	ABD4	0402-001258	BRIDGE DIODE	GBU606 600V 6A			AUX1	3722-001727	PIN JACK	2P 8.3PI	
	ABD5	0402-001258	BRIDGE DIODE	GBU606 600V 6A			△ AVS1	3408-000177	SLIDE SWITCH	250V 5A DPDT	USLBUGJW
△	ACW1	3711-000190	CONNECTOR	2P 1R 7.92MM			AZD1	0403-000354	ZENER DIODE	UZ5.1B 5.1V	
	ACW2	3711-004849	CONNECTOR	6P 1R 7.92MM			AZD2	0403-000352	ZENER DIODE	UZ4.7BM 4.7V	
	ACW3	3711-001098	CONNECTOR	7P 1R 2.5MM			AZD3	0403-000379	ZENER DIODE	UZP12B 12V	
	ACW4	3711-003111	CONNECTOR	6P 1R 2.5MM			CE4C	2203-000979	CHIP CAPACITOR	47NF 10% 50V	
	ACW5	3711-000963	CONNECTOR	4P 1R 2.5MM			CE4FL	2203-000979	CHIP CAPACITOR	47NF 10% 50V	
△	AC1	2201-000546	C.CAPACITOR	4.7NF 20% 400V			CE4FR	2201-000565	C.CAPASITOR	47NF +80-20% 50V	
	AC10	2401-001912	E.CAPACITOR	1UF 20% 50V			CE4RL	2203-000979	CHIP CAPACITOR	47NF 10% 50V	
	AC11	2401-000830	E.CAPACITOR	220UF 20% 25V			CE4RR	2203-000979	CHIP CAPACITOR	47NF 10% 50V	
	AC12	2401-001954	E.CAPACITOR	4.7UF 20% 50V			CE4W	2203-000979	CHIP CAPACITOR	47NF 10% 50V	
	AC13	2401-001954	E.CAPACITOR	4.7UF 20% 50V			CE5C	2203-000495	CHIP CAPACITOR	2.2NF 10% 50V	
	AC14	2201-000161	C.CAPASITOR	10NF +80-20% 500V			CE5FL	2203-000495	CHIP CAPACITOR	2.2NF 10% 50V	
	AC15	2201-000161	C.CAPASITOR	10NF +80-20% 500V			CE5FR	2203-000495	CHIP CAPACITOR	2.2NF 10% 50V	
	AC16	2201-000161	C.CAPASITOR	10NF +80-20% 500V			CE5RL	2203-000495	CHIP CAPACITOR	2.2NF 10% 50V	
	AC17	2201-000161	C.CAPASITOR	10NF +80-20% 500V			CE5RR	2203-000495	CHIP CAPACITOR	2.2NF 10% 50V	
	AC18	2401-003772	E.CAPACITOR	2200UF 20% 63V			CE5W	2203-000495	CHIP CAPACITOR	2.2NF 10% 50V	
	AC19	2401-003116	E.CAPACITOR	4700UF 20% 35V			CE6C	2203-000892	CHIP CAPACITOR	4.7NF 10% 50V	
△	AC2	2201-000546	C.CAPACITOR	4.7NF 20% 400V			CE6FL	2203-000892	CHIP CAPACITOR	4.7NF 10% 50V	
	AC20	2401-003116	E.CAPACITOR	4700UF 20% 35V			CE6FR	2203-000892	CHIP CAPACITOR	4.7NF 10% 50V	
	AC21	2401-003772	E.CAPACITOR	2200UF 20% 63V			CE6RL	2203-000892	CHIP CAPACITOR	4.7NF 10% 50V	
	AC22	2401-001959	E.CAPACITOR	4700UF 20% 25V			CE6RR	2203-000892	CHIP CAPACITOR	4.7NF 10% 50V	
	AC23	2401-001959	E.CAPACITOR	4700UF 20% 25V			CE6W	2203-000892	CHIP CAPACITOR	4.7NF 10% 50V	
△	AC3	2201-000546	C.CAPACITOR	4.7NF 20% 400V			CW5	3711-004110	CONNECTOR	12P 1R 2MM	
△	AC4	2201-000546	C.CAPACITOR	4.7NF 20% 400V	USLBUGJW		CW6	3711-004110	CONNECTOR	12P 1R 2MM	
△	AC5	2201-000546	C.CAPACITOR	4.7NF 20% 400V			CW7	3711-004110	CONNECTOR	12P 1R 2MM	
△	AC6	2201-000546	C.CAPACITOR	4.7NF 20% 400V	USLBUGJW		CW8	3708-001094	CONNECTOR	13P 1.25MM	
	AC8	2401-000475	E.CAPACITOR	10UF 20% 50V			C202L	2203-000787	CHIP CAPACITOR	0.33NF 5% 50V	
	AC9	2401-001413	E.CAPACITOR	470UF 20% 35V			C202R	2203-000787	CHIP CAPACITOR	0.33NF 5% 50V	
△	AD1	0402-000127	DIODE	1N4002 100V 1A			C26	2401-000325	E.CAPACITOR	100UF 20% 35V	
△	AD11	0402-000127	DIODE	1N4002 100V 1A			C27	2401-000325	E.CAPACITOR	100UF 20% 35V	
△	AD2	0402-000127	DIODE	1N4002 100V 1A			C28	2401-000475	E.CAPACITOR	10UF 20% 50V	
	AD3	0402-000127	DIODE	1N4002 100V 1A			C29	2401-000475	E.CAPACITOR	10UF 20% 50V	
	AD4	0401-000101	DIODE	1N4148 100V			C30	2401-001364	E.CAPACITOR	470UF 20% 16V	
△	AD6	0402-000127	DIODE	1N4002 100V 1A			C31	2401-001364	E.CAPACITOR	470UF 20% 16V	
	AD8	0402-000127	DIODE	1N4002 100V 1A			C33C	2201-000282	C.CAPACITOR	1NF +80-20% 50V	
△	AFU1	3601-000263	FUSE	250V 3.15A	USLBUGJW		C33FL	2201-000282	C.CAPACITOR	1NF +80-20% 50V	
△	AFU2	3601-000263	FUSE	250V 3.15A			C33FR	2201-000282	C.CAPACITOR	1NF +80-20% 50V	
△	AFU3	3601-000319	FUSE	80MA 15.5MM			C33RL	2201-000282	C.CAPACITOR	1NF +80-20% 50V	
△	AFU4	3601-000319	FUSE	80MA 15.5MM	USLBUGJW		C33RR	2201-000282	C.CAPACITOR	1NF +80-20% 50V	
	AIC1	1203-000276	IC	7805 TO-220 3P			C33W	2201-000282	C.CAPACITOR	1NF +80-20% 50V	
	AIC2	1201-000163	IC	BA4560 8P			C34	2401-000385	E.CAPACITOR	10UF 20% 100V	
△	AL1	AH27-10001F	CHOKE COIL	27UH			C35	2401-001361	E.CAPACITOR	470UF 20% 16V	
△	AL2	AH27-10001F	CHOKE COIL	27UH			C36	2401-001912	E.CAPACITOR	1UF 20% 50V	
	AL3C	AH27-90001A	SPRING COIL	2.2UH			C37	2401-001975	E.CAPACITOR	47UF 20% 16V	
	AL3FL	AH27-90001A	SPRING COIL	2.2UH			C38	2401-001912	E.CAPACITOR	1UF 20% 50V	
	AL3FR	AH27-90001A	SPRING COIL	2.2UH			C39	2401-001538	E.CAPACITOR	47UF 20% 25V	
	AL3RL	AH27-90001A	SPRING COIL	2.2UH			C40C	2401-000438	E.CAPACITOR	10UF 20% 25V	
	AL3RR	AH27-90001A	SPRING COIL	2.2UH			C40FL	2401-001912	E.CAPACITOR	1UF 20% 50V	
	AL3W	AH27-90001A	SPRING COIL	2.2UH			C40FR	2401-001912	E.CAPACITOR	1UF 20% 50V	
	AQ2	0501-000010	TRANSISTOR	KSC1008			C40RL	2401-000438	E.CAPACITOR	10UF 20% 25V	
	AQ3	0501-000010	TRANSISTOR	KSC1008			C40RR	2401-000438	E.CAPACITOR	10UF 20% 25V	
	AR11	2001-000786	CARBON RESISTOR	47K 5% 1/8W			C40W	2401-000407	E.CAPACITOR	10UF 20% 16V	
	AR12	2001-000591	CARBON RESISTOR	3.3K 5% 1/8W			C41C	2203-001036	CHIP CAPACITOR	5.6NF 10% 50V	
	AR15	2001-000702	CARBON RESISTOR	39K 5% 1/8W			C41FL	2203-001036	CHIP CAPACITOR	5.6NF 10% 50V	
	AR2	2001-000890	CARBON RESISTOR	6.8K 5% 1/8W			C41FR	2203-001036	CHIP CAPACITOR	5.6NF 10% 50V	
	AR3	2001-000449	CARBON RESISTOR	2.2K 5% 1/8W			C41RL	2203-001036	CHIP CAPACITOR	5.6NF 10% 50V	
	AR4	2001-000052	CARBON RESISTOR	3.3K 5% 1/2W			C41RR	2203-001036	CHIP CAPACITOR	5.6NF 10% 50V	
	AR5	2007-000300	CHIP RESISTOR	10K 5% 1/10W			C41W	2203-001036	CHIP CAPACITOR	5.6NF 10% 50V	
	AR6	2007-000941	CHIP RESISTOR	47K 5% 1/10W			C43C	2401-000759	E.CAPACITOR	220NF 20% 50V	
	AR7	2001-001045	CARBON RESISTOR	1.2K 5% 1/2W			C43FL	2401-001645	E.CAPACITOR	0.68UF 20% 50V	

## ■ Electrical parts list (Main&amp;jack board)

Block No. 01

△	Item	Parts number	Parts name	Remarks	Area	△	Item	Parts number	Parts name	Remarks	Area
	C43FR	2401-001645	E.CAPACITOR	0.68UF 20% 50V			D35RL	0401-001090	DIODE	1SS355 80V	
	C43RL	2401-000759	E.CAPACITOR	220NF 20% 50V			D35RR	0401-001090	DIODE	1SS355 80V	
	C43RR	2401-000759	E.CAPACITOR	220NF 20% 50V			D35W	0401-001090	DIODE	1SS355 80V	
	C43W	2401-001625	E.CAPACITOR	6.8UF 20% 50V			D36W	0401-001090	DIODE	1SS355 80V	
	C44C	2203-000710	CHIP CAPACITOR	2PF 0.25PF 50V			D37W	0401-001090	DIODE	1SS355 80V	
	C44FL	2203-000710	CHIP CAPACITOR	2PF 0.25PF 50V			D38C	0401-001090	DIODE	1SS355 80V	
	C44FR	2203-000710	CHIP CAPACITOR	2PF 0.25PF 50V			D38FL	0401-001090	DIODE	1SS355 80V	
	C44RL	2203-000710	CHIP CAPACITOR	2PF 0.25PF 50V			D38FR	0401-001090	DIODE	1SS355 80V	
	C44RR	2203-000710	CHIP CAPACITOR	2PF 0.25PF 50V			D38RL	0401-001090	DIODE	1SS355 80V	
	C44W	2203-000295	CHIP CAPACITOR	0.01NF 5% 50V			D38RR	0401-001090	DIODE	1SS355 80V	
	C46W	2203-001611	CHIP CAPACITOR	0.022NF 5% 50V			D38W	0401-001090	DIODE	1SS355 80V	
	C47C	2301-000375	M.CAPACITOR	100NF 10% 50V			D39W	0402-001484	DIODE	S2B 100V 1.5A	
	C47FL	2301-000375	M.CAPACITOR	100NF 10% 50V			D40C	0402-000309	DIODE	1SR154-400 400V	
	C47FR	2301-000375	M.CAPACITOR	100NF 10% 50V			D40FL	0402-000309	DIODE	1SR154-400 400V	
	C47RL	2301-000375	M.CAPACITOR	100NF 10% 50V			D40FR	0402-000309	DIODE	1SR154-400 400V	
	C47RR	2301-000375	M.CAPACITOR	100NF 10% 50V			D40RL	0402-000309	DIODE	1SR154-400 400V	
	C47W	2301-000375	M.CAPACITOR	100NF 10% 50V			D40RR	0402-000309	DIODE	1SR154-400 400V	
	C49W	2203-001525	CHIP CAPACITOR	56PF 5% 50V			D40W	0402-001484	DIODE	S2B 100V 1.5A	
	C52	2401-001975	E.CAPACITOR	47UF 20% 16V			D41C	0402-000309	DIODE	1SR154-400 400V	
	C53	2401-000475	E.CAPACITOR	10UF 20% 50V			D41FL	0402-000309	DIODE	1SR154-400 400V	
	C54RL	2401-001975	E.CAPACITOR	47UF 20% 16V			D41FR	0402-000309	DIODE	1SR154-400 400V	
	C54RR	2401-001975	E.CAPACITOR	47UF 20% 16V			D41RL	0402-000309	DIODE	1SR154-400 400V	
	C54W	2401-001975	E.CAPACITOR	47UF 20% 16V			D41RR	0402-000309	DIODE	1SR154-400 400V	
	C55	2401-001975	E.CAPACITOR	47UF 20% 16V			D41W	0402-001484	DIODE	S2B 100V 1.5A	
	D01FL	0401-001090	DIODE	1SS355 80V			D42W	0402-001484	DIODE	S2B 100V 1.5A	
	D01FR	0401-001090	DIODE	1SS355 80V		△	D5	2003-000603	OMF RESISTOR	270 1W	A
	D01RL	0401-001090	DIODE	1SS355 80V		△	D5	0402-000127	DIODE	1N4002 100V 1A	USUBJGJW
	D01RR	0401-001090	DIODE	1SS355 80V		△	D7	0402-000127	DIODE	1N4002 100V 1A	USUBJGJW
	D010C	0401-001090	DIODE	1SS355 80V		△	D7	2003-000603	OMF RESISTOR	270 1W	A
	D010W	0401-001090	DIODE	1SS355 80V			FCW11	3708-001033	CONNECTOR	22P 1.25MM	
	D02FL	0401-001090	DIODE	1SS355 80V			HAFU1	3602-000147	FUSE CLIP		USUBJGJW
	D02FR	0401-001090	DIODE	1SS355 80V			HAFU2	3602-000147	FUSE CLIP		
	D02RL	0401-001090	DIODE	1SS355 80V			HAFU3	3602-000147	FUSE CLIP		
	D02RR	0401-001090	DIODE	1SS355 80V			HAFU4	3602-000147	FUSE CLIP		USUBJGJW
	D020C	0401-001090	DIODE	1SS355 80V			HR3	2007-000282	CHIP RESISTOR	100K 5% 1/10W	
	D020W	0401-001090	DIODE	1SS355 80V			IC3	1203-000242	IC	7812 TO-220 3P	
	D03FL	0401-001090	DIODE	1SS355 80V			IC4	1203-000110	IC	7912 TO-220 3P	
	D03FR	0401-001090	DIODE	1SS355 80V			IC5	1201-000163	IC	BA4560 8P	
	D03RL	0401-001090	DIODE	1SS355 80V			IC6	1201-000163	IC	BA4560 8P	
	D03RR	0401-001090	DIODE	1SS355 80V			IC7	1201-000163	IC	BA4560 8P	
	D030C	0401-001090	DIODE	1SS355 80V			JVC8	2401-001102	E.CAPACITOR	330UF 20% 16V	
	D030W	0401-001090	DIODE	1SS355 80V			JVR25	2001-000869	CARBON RESISTOR	56 5% 1/8W	
	D12	0401-001090	DIODE	1SS355 80V			JW001	2007-000029	CHIP RESISTOR	0 5% 1/10W	
	D13	0401-001090	DIODE	1SS355 80V			JW002	2007-000029	CHIP RESISTOR	0 5% 1/10W	
	D14	0401-001090	DIODE	1SS355 80V			JW003	2007-000029	CHIP RESISTOR	0 5% 1/10W	
	D15	0401-001090	DIODE	1SS355 80V			JW004	2007-000029	CHIP RESISTOR	0 5% 1/10W	
	D16	0401-001090	DIODE	1SS355 80V			JW005	2007-000029	CHIP RESISTOR	0 5% 1/10W	
	D17	0401-001090	DIODE	1SS355 80V			JW006	2007-000029	CHIP RESISTOR	0 5% 1/10W	
	D20	0401-001090	DIODE	1SS355 80V			JW007	2007-000029	CHIP RESISTOR	0 5% 1/10W	
	D21	0401-001090	DIODE	1SS355 80V			JW008	2007-000029	CHIP RESISTOR	0 5% 1/10W	
	D22	0402-000127	DIODE	1N4002 100V 1A			JW009	2007-000029	CHIP RESISTOR	0 5% 1/10W	
	D23	0402-000127	DIODE	1N4002 100V 1A			JW010	2007-000029	CHIP RESISTOR	0 5% 1/10W	
	D24	0402-000127	DIODE	1N4002 100V 1A			JW011	2007-000029	CHIP RESISTOR	0 5% 1/10W	
	D28	0401-001090	DIODE	1SS355 80V			JW014	2007-000029	CHIP RESISTOR	0 5% 1/10W	
	D29	0401-000101	DIODE	1N4148 100V			JW017	2007-000029	CHIP RESISTOR	0 5% 1/10W	
	D30	0401-001090	DIODE	1SS355 80V			JW018	2007-000029	CHIP RESISTOR	0 5% 1/10W	
	D31	0401-001090	DIODE	1SS355 80V			JW019	2007-000029	CHIP RESISTOR	0 5% 1/10W	
	D32	0401-001090	DIODE	1SS355 80V			JW020	2007-000029	CHIP RESISTOR	0 5% 1/10W	
	D33	0401-001090	DIODE	1SS355 80V			JW021	2007-000029	CHIP RESISTOR	0 5% 1/10W	
	D34	0401-001090	DIODE	1SS355 80V			JW023	2007-000029	CHIP RESISTOR	0 5% 1/10W	
	D35C	0401-001090	DIODE	1SS355 80V			JW024	2007-000029	CHIP RESISTOR	0 5% 1/10W	
	D35FL	0401-001090	DIODE	1SS355 80V			JW025	2007-000029	CHIP RESISTOR	0 5% 1/10W	
	D35FR	0401-001090	DIODE	1SS355 80V			JW030	2007-000029	CHIP RESISTOR	0 5% 1/10W	

## ■ Electrical parts list (Main&amp;jack board)

Block No. 01

△	Item	Parts number	Parts name	Remarks	Area	△	Item	Parts number	Parts name	Remarks	Area
	JW055	2007-000029	CHIP RESISTOR	0 5% 1/10W			Q13	0501-000303	TRANSISTOR	KSA733	
	JW122	2007-000029	CHIP RESISTOR	0 5% 1/10W			Q14	0501-000398	TRANSISTOR	KSC945	
	J10-1	AH39-20008M	LEAD CONNECTOR	2P 150MM			Q15	0501-000398	TRANSISTOR	KSC945	
	MJW88	2701-000298	INDUCTOR	470UH 10%			Q16	0501-000303	TRANSISTOR	KSA733	
	MW1	AH38-00008A	MONO WIRE	BLK 120MM			Q17C	0501-000341	TRANSISTOR	KSC1623-L	
	MW3	AH38-00008A	MONO WIRE	BLK 120MM			Q17FL	0501-000341	TRANSISTOR	KSC1623-L	
	PBD1	0402-001258	BRIDGE DIODE	GBU606 600V 6A			Q17FR	0501-000341	TRANSISTOR	KSC1623-L	
△	PBD2	0402-001077	BRIDGE DIODE	KBP202G 200V 2A			Q17RL	0501-000341	TRANSISTOR	KSC1623-L	
	PC1	2401-000357	E.CAPACITOR	100UF 0.2 50V			Q17RR	0501-000341	TRANSISTOR	KSC1623-L	
	PC1-1	2401-000357	E.CAPACITOR	100UF 0.2 50V			Q17W	0501-000341	TRANSISTOR	KSC1623-L	
	PC13	2401-000475	E.CAPACITOR	10UF 20% 50V			Q19C	0501-000398	TRANSISTOR	KSC945	
	PC14	2401-001893	E.CAPACITOR	100UF 20% 16V			Q19FL	0501-000398	TRANSISTOR	KSC945	
	PC15	2401-001893	E.CAPACITOR	100UF 20% 16V			Q19FR	0501-000398	TRANSISTOR	KSC945	
	PC16	2401-000475	E.CAPACITOR	10UF 20% 50V			Q19RL	0501-000398	TRANSISTOR	KSC945	
	PC17	2401-001893	E.CAPACITOR	100UF 20% 16V			Q19RR	0501-000398	TRANSISTOR	KSC945	
	PC18	2401-000475	E.CAPACITOR	10UF 20% 50V			Q19W	0501-000354	TRANSISTOR	KSC1845-F	
	PC19	2201-000161	C.CAPASITOR	10NF +80-20% 500V			Q20C	0501-000303	TRANSISTOR	KSA733	
	PC2	2401-001572	E.CAPACITOR	47UF 20% 50V			Q20FL	0501-000303	TRANSISTOR	KSA733	
	PC20	2201-000161	C.CAPASITOR	10NF +80-20% 500V			Q20FR	0501-000303	TRANSISTOR	KSA733	
	PC3	2401-001879	E.CAPACITOR	10000UF 20% 16V			Q20RL	0501-000303	TRANSISTOR	KSA733	
	PC4	2401-001879	E.CAPACITOR	10000UF 20% 16V			Q20RR	0501-000303	TRANSISTOR	KSA733	
	PC5	2401-001052	E.CAPACITOR	3300UF 20% 25V			Q20W	0501-002188	TRANSISTOR	KSA992	
	PC50	2401-003681	E.CAPACITOR	6800UF 16V			Q21C	0501-000294	TRANSISTOR	KSA708-Y	
	PC6	2401-000475	E.CAPACITOR	10UF 20% 50V			Q21FL	0501-000294	TRANSISTOR	KSA708-Y	
	PC7	2401-001893	E.CAPACITOR	100UF 20% 16V			Q21FR	0501-000294	TRANSISTOR	KSA708-Y	
	PC9	2401-001893	E.CAPACITOR	100UF 20% 16V			Q21RL	0501-000294	TRANSISTOR	KSA708-Y	
	PD1	0402-000127	DIODE	1N4002 100V 1A			Q21RR	0501-000294	TRANSISTOR	KSA708-Y	
	PD2	0401-000101	DIODE	1N4148 100V			Q21W	0501-002332	TRANSISTOR	KSA910	
	PD3	0401-000101	DIODE	1N4148 100V			Q22C	0501-000010	TRANSISTOR	KSC1008	
	PQ1	1203-001589	IC	278R05 4P			Q22FL	0501-000010	TRANSISTOR	KSC1008	
	PQ2	1203-001006	IC	78R05 4P			Q22FR	0501-000010	TRANSISTOR	KSC1008	
	PQ3	0502-000303	POWER TRANSISTO	KSD882			Q22RL	0501-000010	TRANSISTOR	KSC1008	
	PQ4	1203-001586	IC	278R33 4P			Q22RR	0501-000010	TRANSISTOR	KSC1008	
	PQ5	1203-001697	IC	78R08 4P			Q22W	0501-000359	TRANSISTOR	KSC2310-Y	
	PQ6	1203-000276	IC	7805 TO-220 3P			Q23C	0501-000010	TRANSISTOR	KSC1008	
	PR002	2001-001153	CARBON RESISTOR	47 5% 1/2W			Q23FL	0501-000010	TRANSISTOR	KSC1008	
	PR003	2001-001153	CARBON RESISTOR	47 5% 1/2W			Q23FR	0501-000010	TRANSISTOR	KSC1008	
	PR004	2001-000019	CARBON RESISTOR	10 5% 1/2W			Q23RL	0501-000010	TRANSISTOR	KSC1008	
	PR005	2003-000689	OMF RESISTOR	4.7 5% 1W			Q23RR	0501-000010	TRANSISTOR	KSC1008	
	PR006	2003-000689	OMF RESISTOR	4.7 5% 1W			Q25C	0501-000010	TRANSISTOR	KSC1008	
	PR007	2007-000300	CHIP RESISTOR	10K 5% 1/10W			Q25FL	0501-000010	TRANSISTOR	KSC1008	
	PR008	2001-000019	CARBON RESISTOR	10 5% 1/2W			Q25FR	0501-000010	TRANSISTOR	KSC1008	
	PR010	2001-000019	CARBON RESISTOR	10 5% 1/2W			Q25RL	0501-000010	TRANSISTOR	KSC1008	
	PR011	2001-001140	CARBON RESISTOR	39 5% 1/2W			Q25RR	0501-000010	TRANSISTOR	KSC1008	
	PR012	2003-000708	OMF RESISTOR	47 5% 1W			Q26C	0501-000294	TRANSISTOR	KSA708-Y	
	PR013	2003-000689	OMF RESISTOR	4.7 5% 1W			Q26FL	0501-000294	TRANSISTOR	KSA708-Y	
	PR1	2003-000603	OMF RESISTOR	270 5% 1W			Q26FR	0501-000294	TRANSISTOR	KSA708-Y	
	PR21	2007-000355	CHIP RESISTOR	12K 5% 1/10W			Q26RL	0501-000294	TRANSISTOR	KSA708-Y	
	PR6	2007-000586	CHIP RESISTOR	22K 5% 1/10W			Q26RR	0501-000294	TRANSISTOR	KSA708-Y	
	PR7	2007-000653	CHIP RESISTOR	27K 5% 1/10W			Q28C	0501-000294	TRANSISTOR	KSA708-Y	
	PR8	2007-000409	CHIP RESISTOR	15K 5% 1/10W			Q28FL	0501-000294	TRANSISTOR	KSA708-Y	
	PR9	2007-000586	CHIP RESISTOR	22K 5% 1/10W			Q28FR	0501-000294	TRANSISTOR	KSA708-Y	
△	PT1	AH26-00143G	POWER TRANS	HT-DL100 6 138V	A		Q28RL	0501-000294	TRANSISTOR	KSA708-Y	
△	PT1	AH26-00143B	POWER TRANS	HT-DL100 6 138V	USBUGJW		Q28RR	0501-000294	TRANSISTOR	KSA708-Y	
	PW3	3711-004110	CONNECTOR	12P 1R 2MM			Q29C	0502-001048	POWER TRANSISTOR	KSD1691	
	PW4	AH39-00291A	LEAD CONNECTOR	RCA300 6P			Q29FL	0502-001048	POWER TRANSISTOR	KSD1691	
	PZD1	0403-000564	ZENER DIODE	TZP16A 16V			Q29FR	0502-001048	POWER TRANSISTOR	KSD1691	
	PZD2	0403-000564	ZENER DIODE	TZP16A 16V			Q29RL	0502-001048	POWER TRANSISTOR	KSD1691	
	PZD5	0403-000398	ZENER DIODE	UZP8.2B 8.2V			Q29RR	0502-001048	POWER TRANSISTOR	KSD1691	
	Q1	0504-000118	DEGI TRANSISTOR	KSR1003			Q29W	0503-001014	DRT TRANSISTOR	2SD2495-P	
	Q10	0501-000398	TRANSISTOR	KSC945			Q30W	0503-001014	DRT TRANSISTOR	2SD2495-P	
	Q11	0501-000398	TRANSISTOR	KSC945			Q31C	0502-001048	POWER TRANSISTOR	KSD1691	
	Q12	0504-001003	DIGI TRANSISTOR	KSR2003			Q31FL	0502-001048	POWER TRANSISTOR	KSD1691	



## ■ Electrical parts list (Main&amp;jack board)

Block No. 01

△	Item	Parts number	Parts name	Remarks	Area	△	Item	Parts number	Parts name	Remarks	Area
	Q31FR	0502-001048	POWER TRANSISTOR	KSD1691			R127	2007-000572	CHIP RESISTOR	220 5% 1/10W	
	Q31RL	0502-001048	POWER TRANSISTOR	KSD1691			R13	2007-000282	CHIP RESISTOR	100K 5% 1/10W	
	Q31RR	0502-001048	POWER TRANSISTOR	KSD1691			R131	2007-000572	CHIP RESISTOR	220 5% 1/10W	
	Q31W	0503-001014	DRT TRANSISTOR	2SD2495-P			R134	2007-000572	CHIP RESISTOR	220 5% 1/10W	
	Q32C	0502-001210	POWER TRANSISTOR	KSB1151			R135	2007-000941	CHIP RESISTOR	47K 5% 1/10W	
	Q32FL	0502-001210	POWER TRANSISTOR	KSB1151			R139C	2007-000468	CHIP RESISTOR	1K 5% 1/10W	
	Q32FR	0502-001210	POWER TRANSISTOR	KSB1151			R139W	2007-000468	CHIP RESISTOR	1K 5% 1/10W	
	Q32RL	0502-001210	POWER TRANSISTOR	KSB1151			R14	2007-000830	CHIP RESISTOR	39K 5% 1/10W	
	Q32RR	0502-001210	POWER TRANSISTOR	KSB1151			R142	2007-000586	CHIP RESISTOR	22K 5% 1/10W	
	Q32W	0503-001016	DRT TRANSISTOR	2SB1626-P			R143	2007-000586	CHIP RESISTOR	22K 5% 1/10W	
	Q33W	0503-001016	DRT TRANSISTOR	2SB1626-P			R15	2007-000941	CHIP RESISTOR	47K 5% 1/10W	
	Q34C	0502-001210	POWER TRANSISTOR	KSB1151			R16	2007-000518	CHIP RESISTOR	2.7K 5% 1/10W	
	Q34FL	0502-001210	POWER TRANSISTOR	KSB1151			R17	2007-000941	CHIP RESISTOR	47K 5% 1/10W	
	Q34FR	0502-001210	POWER TRANSISTOR	KSB1151			R19	2007-000774	CHIP RESISTOR	33K 5% 1/10W	
	Q34RL	0502-001210	POWER TRANSISTOR	KSB1151			R20	2007-000774	CHIP RESISTOR	33K 5% 1/10W	
	Q34RR	0502-001210	POWER TRANSISTOR	KSB1151			R200L	2007-000686	CHIP RESISTOR	3.3K 5% 1/10W	
	Q34W	0503-001016	DRT TRANSISTOR	2SB1626-P			R200R	2007-000686	CHIP RESISTOR	3.3K 5% 1/10W	
	Q35C	0501-000398	TRANSISTOR	KSC945			R201L	2007-000774	CHIP RESISTOR	33K 5% 1/10W	
	Q35FL	0501-000398	TRANSISTOR	KSC945			R201R	2007-000774	CHIP RESISTOR	33K 5% 1/10W	
	Q35FR	0501-000398	TRANSISTOR	KSC945			R21	2007-000586	CHIP RESISTOR	22K 5% 1/10W	
	Q35RL	0501-000398	TRANSISTOR	KSC945			R22	2007-000586	CHIP RESISTOR	22K 5% 1/10W	
	Q35RR	0501-000398	TRANSISTOR	KSC945			R30W	2007-000941	CHIP RESISTOR	47K 5% 1/10W	
	Q35W	0501-000331	TRANSISTOR	KSC1009-Y			R31W	2007-000686	CHIP RESISTOR	3.3K 5% 1/10W	
	Q36C	0502-001048	POWER TRANSISTOR	KSD1691			R32C	2007-000493	CHIP RESISTOR	2.2K 5% 1/10W	
	Q36FL	0502-001048	POWER TRANSISTOR	KSD1691			R32FL	2007-000493	CHIP RESISTOR	2.2K 5% 1/10W	
	Q36FR	0502-001048	POWER TRANSISTOR	KSD1691			R32FR	2007-000493	CHIP RESISTOR	2.2K 5% 1/10W	
	Q36RL	0502-001048	POWER TRANSISTOR	KSD1691			R32RL	2007-000493	CHIP RESISTOR	2.2K 5% 1/10W	
	Q36RR	0502-001048	POWER TRANSISTOR	KSD1691			R32RR	2007-000493	CHIP RESISTOR	2.2K 5% 1/10W	
	Q36W	0502-001048	POWER TRANSISTOR	KSD1691			R32W	2007-000241	CHIP RESISTOR	1.5K 5% 1/10W	
	Q37	0504-000156	DIGI TRANSISTOR	KSR2103			R33C	2007-000586	CHIP RESISTOR	22K 5% 1/10W	
	Q38RL	0504-000156	DIGI TRANSISTOR	KSR2103			R33FL	2007-000586	CHIP RESISTOR	22K 5% 1/10W	
	Q38RR	0504-000156	DIGI TRANSISTOR	KSR2103			R33FR	2007-000586	CHIP RESISTOR	22K 5% 1/10W	
	Q38W	0504-000156	DIGI TRANSISTOR	KSR2103			R33RL	2007-000586	CHIP RESISTOR	22K 5% 1/10W	
	Q39	0504-000156	DIGI TRANSISTOR	KSR2103			R33RR	2007-000586	CHIP RESISTOR	22K 5% 1/10W	
	Q4	0501-000294	TRANSISTOR	KSA708-Y			R33W	2007-000653	CHIP RESISTOR	27K 5% 1/10W	
	Q40	0502-000299	POWER TRANSISTOR	KSD73			R34C	2007-000401	CHIP RESISTOR	150 5% 1/10W	
	Q5	0501-000398	TRANSISTOR	KSC945			R34FL	2007-000401	CHIP RESISTOR	150 5% 1/10W	
	Q6	0501-000610	TRANSISTOR	KSA928A-Y			R34FR	2007-000401	CHIP RESISTOR	150 5% 1/10W	
	Q7	0501-000314	TRANSISTOR	KSA812			R34RL	2007-000401	CHIP RESISTOR	150 5% 1/10W	
	Q8	0501-000341	TRANSISTOR	KSC1623-L			R34RR	2007-000401	CHIP RESISTOR	150 5% 1/10W	
	Q9	0501-000010	TRANSISTOR	KSC1008			R34W	2007-000290	CHIP RESISTOR	100 5% 1/10W	
△	RE1	3501-001214	REALY	12V 0.45W			R35C	2007-000493	CHIP RESISTOR	2.2K 5% 1/10W	
△	RE2	3501-001214	REALY	12V 0.45W	USUBUGUW		R35FL	2007-000493	CHIP RESISTOR	2.2K 5% 1/10W	
△	RE3	3501-001008	REALY	12VDC 530MW 10A			R35FR	2007-000493	CHIP RESISTOR	2.2K 5% 1/10W	
△	RE4	3501-001008	REALY	12VDC 530MW 10A	USUBUGUW		R35RL	2007-000493	CHIP RESISTOR	2.2K 5% 1/10W	
	RE5	3501-001197	RELAY	12VDC 0.54W			R35RR	2007-000493	CHIP RESISTOR	2.2K 5% 1/10W	
	RE6	3501-001197	RELAY	12VDC 0.54W			R35W	2007-000241	CHIP RESISTOR	1.5K 5% 1/10W	
	RE7	3501-001197	RELAY	12VDC 0.54W			R36C	2001-000522	CARBON RESISTOR	22K 5% 1/8W	
	RS01W	2007-000300	CHIP RESISTOR	10K 5% 1/10W			R36FL	2007-000586	CHIP RESISTOR	22K 5% 1/10W	
	RS02W	2007-000300	CHIP RESISTOR	10K 5% 1/10W			R36FR	2001-000522	CARBON RESISTOR	22K 5% 1/8W	
	R10	2007-000282	CHIP RESISTOR	100K 5% 1/10W			R36RL	2007-000586	CHIP RESISTOR	22K 5% 1/10W	
	R105	2007-000572	CHIP RESISTOR	220 5% 1/10W			R36RR	2001-000522	CARBON RESISTOR	22K 5% 1/8W	
	R108	2007-000941	CHIP RESISTOR	47K 5% 1/10W			R36W	2007-000653	CHIP RESISTOR	27K 5% 1/10W	
	R113	2007-000941	CHIP RESISTOR	47K 5% 1/10W			R37C	2007-000401	CHIP RESISTOR	150 5% 1/10W	
	R114C	2001-000515	CARBON RESISTOR	220 5% 1/8W			R37FL	2007-000401	CHIP RESISTOR	150 5% 1/10W	
	R114W	2001-000515	CARBON RESISTOR	220 5% 1/8W			R37FR	2007-000401	CHIP RESISTOR	150 5% 1/10W	
	R116W	2007-000572	CHIP RESISTOR	220 5% 1/10W			R37RL	2007-000401	CHIP RESISTOR	150 5% 1/10W	
	R117C	2007-000468	CHIP RESISTOR	1K 5% 1/10W			R37RR	2007-000401	CHIP RESISTOR	150 5% 1/10W	
	R117W	2007-000493	CHIP RESISTOR	2.2K 5% 1/10W			R37W	2007-000290	CHIP RESISTOR	100 5% 1/10W	
	R118C	2007-000300	CHIP RESISTOR	10K 5% 1/10W			R38	2003-000710	OMF RESISTOR	47 5% 2W	
	R118W	2007-000300	CHIP RESISTOR	10K 5% 1/10W			R38C	2007-001039	CHIP RESISTOR	56K 5% 1/10W	
	R119W	2007-000941	CHIP RESISTOR	47K 5% 1/10W			R38FL	2007-001039	CHIP RESISTOR	56K 5% 1/10W	
	R12	2007-000586	CHIP RESISTOR	22K 5% 1/10W			R38FR	2007-001039	CHIP RESISTOR	56K 5% 1/10W	

## ■ Electrical parts list (Main&amp;jack board)

Block No. 01

△	Item	Parts number	Parts name	Remarks	Area	△	Item	Parts number	Parts name	Remarks	Area
	R38RL	2007-001039	CHIP RESISTOR	56K 5% 1/10W			R80FR	2007-001039	CHIP RESISTOR	56K 5% 1/10W	
	R38RR	2007-001039	CHIP RESISTOR	56K 5% 1/10W			R80RL	2007-001039	CHIP RESISTOR	56K 5% 1/10W	
	R38W	2007-001039	CHIP RESISTOR	56K 5% 1/10W			R80RR	2007-001039	CHIP RESISTOR	56K 5% 1/10W	
	R39	2003-000578	OMF RESISTOR	220 5% 2W			R80W	2007-001039	CHIP RESISTOR	56K 5% 1/10W	
	R39FL	2007-000941	CHIP RESISTOR	47K 5% 1/10W			R81C	2007-000872	CHIP RESISTOR	4.7K 5% 1/10W	
	R39FR	2007-000941	CHIP RESISTOR	47K 5% 1/10W			R81FL	2007-000872	CHIP RESISTOR	4.7K 5% 1/10W	
	R40	2007-000586	CHIP RESISTOR	22K 5% 1/10W			R81FR	2007-000872	CHIP RESISTOR	4.7K 5% 1/10W	
	R41	2001-000052	CARBON RESISTOR	3.3K 5% 1/2W			R81RL	2007-000872	CHIP RESISTOR	4.7K 5% 1/10W	
	R43	2007-000774	CHIP RESISTOR	33K 5% 1/10W			R81RR	2007-000872	CHIP RESISTOR	4.7K 5% 1/10W	
	R44	2003-000674	OMF RESISTOR	39 5% 1W			R81W	2007-000300	CHIP RESISTOR	10K 5% 1/10W	
	R45	2003-000807	OMF RESISTOR	82 5% 2W			R82C	2007-000686	CHIP RESISTOR	3.3K 5% 1/10W	
	R47	2007-000872	CHIP RESISTOR	4.7K 5% 1/10W			R82FL	2007-000686	CHIP RESISTOR	3.3K 5% 1/10W	
	R48	2007-000941	CHIP RESISTOR	47K 5% 1/10W			R82FR	2007-000686	CHIP RESISTOR	3.3K 5% 1/10W	
	R49	2007-000941	CHIP RESISTOR	47K 5% 1/10W			R82RL	2007-000686	CHIP RESISTOR	3.3K 5% 1/10W	
	R50	2007-000300	CHIP RESISTOR	10K 5% 1/10W			R82RR	2007-000686	CHIP RESISTOR	3.3K 5% 1/10W	
	R51	2007-000300	CHIP RESISTOR	10K 5% 1/10W			R82W	2007-000686	CHIP RESISTOR	3.3K 5% 1/10W	
	R52	2007-000766	CHIP RESISTOR	330 5% 1/10W			R83C	2007-000686	CHIP RESISTOR	3.3K 5% 1/10W	
	R53	2007-000023	CHIP RESISTOR	120 5% 1/10W			R83FL	2007-000686	CHIP RESISTOR	3.3K 5% 1/10W	
	R54	2007-000300	CHIP RESISTOR	10K 5% 1/10W			R83FR	2007-000686	CHIP RESISTOR	3.3K 5% 1/10W	
	R55	2007-000586	CHIP RESISTOR	22K 5% 1/10W			R83RL	2007-000686	CHIP RESISTOR	3.3K 5% 1/10W	
	R56	2007-000300	CHIP RESISTOR	10K 5% 1/10W			R83RR	2007-000686	CHIP RESISTOR	3.3K 5% 1/10W	
	R57	2007-000586	CHIP RESISTOR	22K 5% 1/10W			R84C	2007-000300	CHIP RESISTOR	10K 5% 1/10W	
	R58	2007-000300	CHIP RESISTOR	10K 5% 1/10W			R84FL	2007-000300	CHIP RESISTOR	10K 5% 1/10W	
	R59	2007-000586	CHIP RESISTOR	22K 5% 1/10W			R84FR	2007-000300	CHIP RESISTOR	10K 5% 1/10W	
	R60	2007-001118	CHIP RESISTOR	680 5% 1/10W			R84RL	2007-000300	CHIP RESISTOR	10K 5% 1/10W	
	R61	2007-000774	CHIP RESISTOR	33K 5% 1/10W			R84RR	2007-000300	CHIP RESISTOR	10K 5% 1/10W	
	R62	2007-000586	CHIP RESISTOR	22K 5% 1/10W			R85W	2001-000515	CARBON RESISTOR	220 5% 1/8W	
	R63	2007-000300	CHIP RESISTOR	10K 5% 1/10W			R86C	2007-000931	CHIP RESISTOR	470 5% 1/10W	
	R64	2007-000355	CHIP RESISTOR	12K 5% 1/10W			R86FL	2007-000931	CHIP RESISTOR	470 5% 1/10W	
	R65	2007-000300	CHIP RESISTOR	10K 5% 1/10W			R86FR	2007-000931	CHIP RESISTOR	470 5% 1/10W	
	R66	2007-000872	CHIP RESISTOR	4.7K 5% 1/10W			R86RL	2007-000931	CHIP RESISTOR	470 5% 1/10W	
	R67	2007-000586	CHIP RESISTOR	22K 5% 1/10W			R86RR	2007-000931	CHIP RESISTOR	470 5% 1/10W	
	R68	2007-000872	CHIP RESISTOR	4.7K 5% 1/10W			R86W	2001-000780	CARBON RESISTOR	470 5% 1/8W	
	R69	2007-000774	CHIP RESISTOR	33K 5% 1/10W			R87C	2007-000981	CHIP RESISTOR	5.6K 5% 1/10W	
	R70	2007-000774	CHIP RESISTOR	33K 5% 1/10W			R87FL	2007-000981	CHIP RESISTOR	5.6K 5% 1/10W	
	R71	2007-000300	CHIP RESISTOR	10K 5% 1/10W			R87FR	2007-000981	CHIP RESISTOR	5.6K 5% 1/10W	
	R72	2007-001177	CHIP RESISTOR	8.2K 5% 1/10W			R87RL	2007-000981	CHIP RESISTOR	5.6K 5% 1/10W	
	R73	2007-000710	CHIP RESISTOR	3.9K 5% 1/10W			R87RR	2007-000981	CHIP RESISTOR	5.6K 5% 1/10W	
	R74	2001-000290	CARBON RESISTOR	10K 5% 1/8W			R87W	2007-000981	CHIP RESISTOR	5.6K 5% 1/10W	
	R75C	2007-000941	CHIP RESISTOR	47K 5% 1/10W			R88C	2007-000493	CHIP RESISTOR	2.2K 5% 1/10W	
	R75FL	2007-000941	CHIP RESISTOR	47K 5% 1/10W			R88FL	2007-000493	CHIP RESISTOR	2.2K 5% 1/10W	
	R75FR	2007-000941	CHIP RESISTOR	47K 5% 1/10W			R88FR	2007-000493	CHIP RESISTOR	2.2K 5% 1/10W	
	R75RL	2007-000941	CHIP RESISTOR	47K 5% 1/10W			R88RL	2007-000493	CHIP RESISTOR	2.2K 5% 1/10W	
	R75RR	2007-000941	CHIP RESISTOR	47K 5% 1/10W			R88RR	2007-000493	CHIP RESISTOR	2.2K 5% 1/10W	
	R75W	2007-000941	CHIP RESISTOR	47K 5% 1/10W			R88W	2007-000493	CHIP RESISTOR	2.2K 5% 1/10W	
	R76C	2007-000468	CHIP RESISTOR	1K 5% 1/10W			R89C	2007-000931	CHIP RESISTOR	470 5% 1/10W	
	R76FL	2007-000468	CHIP RESISTOR	1K 5% 1/10W			R89FL	2007-000931	CHIP RESISTOR	470 5% 1/10W	
	R76FR	2007-000468	CHIP RESISTOR	1K 5% 1/10W			R89FR	2007-000931	CHIP RESISTOR	470 5% 1/10W	
	R76RL	2007-000468	CHIP RESISTOR	1K 5% 1/10W			R89RL	2007-000931	CHIP RESISTOR	470 5% 1/10W	
	R76RR	2007-000468	CHIP RESISTOR	1K 5% 1/10W			R89RR	2007-000931	CHIP RESISTOR	470 5% 1/10W	
	R78C	2007-001039	CHIP RESISTOR	56K 5% 1/10W			R89W	2001-000780	CARBON RESISTOR	470 5% 1/8W	
	R78FL	2007-001039	CHIP RESISTOR	56K 5% 1/10W			R90W	2001-000515	CARBON RESISTOR	220 5% 1/8W	
	R78FR	2007-001039	CHIP RESISTOR	56K 5% 1/10W			R91C	2007-000766	CHIP RESISTOR	330 5% 1/10W	
	R78RL	2007-001039	CHIP RESISTOR	56K 5% 1/10W			R91FL	2007-000766	CHIP RESISTOR	330 5% 1/10W	
	R78RR	2007-001039	CHIP RESISTOR	56K 5% 1/10W			R91FR	2007-000766	CHIP RESISTOR	330 5% 1/10W	
	R78W	2007-001039	CHIP RESISTOR	56K 5% 1/10W			R91RL	2007-000766	CHIP RESISTOR	330 5% 1/10W	
	R79FL	2007-000267	CHIP RESISTOR	1.8K 5% 1/10W			R91RR	2007-000766	CHIP RESISTOR	330 5% 1/10W	
	R79FR	2007-000267	CHIP RESISTOR	1.8K 5% 1/10W			R93C	2007-000766	CHIP RESISTOR	330 5% 1/10W	
	R79RL	2007-000078	CHIP RESISTOR	1K 5% 1/16W			R93FL	2007-000766	CHIP RESISTOR	330 5% 1/10W	
	R79RR	2007-000078	CHIP RESISTOR	1K 5% 1/16W			R93FR	2007-000766	CHIP RESISTOR	330 5% 1/10W	
	R79W	2007-000267	CHIP RESISTOR	1.8K 5% 1/10W			R93RL	2007-000766	CHIP RESISTOR	330 5% 1/10W	
	R80C	2007-001039	CHIP RESISTOR	56K 5% 1/10W			R93RR	2007-000766	CHIP RESISTOR	330 5% 1/10W	
	R80FL	2007-001039	CHIP RESISTOR	56K 5% 1/10W			R94C	2007-000766	CHIP RESISTOR	330 5% 1/10W	

## ■ Electrical parts list (Main&amp;jack board)

Block No. 01

△	Item	Parts number	Parts name	Remarks	Area	△	Item	Parts number	Parts name	Remarks	Area
	R94FL	2007-000766	CHIP RESISTOR	330 5% 1/10W			ZD6C	0403-001079	ZENER DIODE	UDZ3.9B	
	R94FR	2007-000766	CHIP RESISTOR	330 5% 1/10W			ZD6FL	0403-001079	ZENER DIODE	UDZ3.9B	
	R94RL	2007-000766	CHIP RESISTOR	330 5% 1/10W			ZD6FR	0403-001079	ZENER DIODE	UDZ3.9B	
	R94RR	2007-000766	CHIP RESISTOR	330 5% 1/10W			ZD6RL	0403-001079	ZENER DIODE	UDZ3.9B	
	R96C	2007-000766	CHIP RESISTOR	330 5% 1/10W			ZD6RR	0403-001079	ZENER DIODE	UDZ3.9B	
	R96FL	2007-000766	CHIP RESISTOR	330 5% 1/10W			ZD6W	0403-001079	ZENER DIODE	UDZ3.9B	
	R96FR	2007-000766	CHIP RESISTOR	330 5% 1/10W			ZD7C	0403-001376	ZENER DIODE	UDZ3.6B	
	R96RL	2007-000766	CHIP RESISTOR	330 5% 1/10W			ZD7FL	0403-001376	ZENER DIODE	UDZ3.6B	
	R96RR	2007-000766	CHIP RESISTOR	330 5% 1/10W			ZD7FR	0403-001376	ZENER DIODE	UDZ3.6B	
	R97C	2007-008317	CHIP RESISTOR	0.15 5% 1W			ZD7RL	0403-001376	ZENER DIODE	UDZ3.6B	
	R97FL	2007-008317	CHIP RESISTOR	0.15 5% 1W			ZD7RR	0403-001376	ZENER DIODE	UDZ3.6B	
	R97FR	2007-008317	CHIP RESISTOR	0.15 5% 1W			ZD7W	0403-001062	ZENER DIODE	UDZ4.7B	
	R97RL	2007-008317	CHIP RESISTOR	0.15 5% 1W			ZD8C	0403-001376	ZENER DIODE	UDZ3.6B	
	R97RR	2007-008317	CHIP RESISTOR	0.15 5% 1W			ZD8FL	0403-001376	ZENER DIODE	UDZ3.6B	
	R97W	2009-001117	PLATE RESISTOR	0.1 5% 5W			ZD8FR	0403-001376	ZENER DIODE	UDZ3.6B	
	R98C	2007-008317	CHIP RESISTOR	0.15 5% 1W			ZD8RL	0403-001376	ZENER DIODE	UDZ3.6B	
	R98FL	2007-008317	CHIP RESISTOR	0.15 5% 1W			ZD8RR	0403-001376	ZENER DIODE	UDZ3.6B	
	R98FR	2007-008317	CHIP RESISTOR	0.15 5% 1W			114FR	2007-000572	CHIP RESISTOR	220 5% 1/10W	
	R98RL	2007-008317	CHIP RESISTOR	0.15 5% 1W			114RL	2001-000515	CARBON RESISTOR	220 5% 1/8W	
	R98RR	2007-008317	CHIP RESISTOR	0.15 5% 1W			116RL	2001-000515	CARBON RESISTOR	220 5% 1/8W	
	R98W	2009-001117	PLATE RESISTOR	0.1 5% 5W			116RR	2007-000572	CHIP RESISTOR	220 5% 1/10W	
	R98W0	2007-008317	CHIP RESISTOR	0.15 5% 1W			117FL	2007-000468	CHIP RESISTOR	1K 5% 1/10W	
	R99C	2001-000019	CARBON RESISTOR	10 5% 1/2W			117FR	2007-000468	CHIP RESISTOR	1K 5% 1/10W	
	R99FL	2001-000019	CARBON RESISTOR	10 5% 1/2W			117RL	2007-000468	CHIP RESISTOR	1K 5% 1/10W	
	R99FR	2001-000019	CARBON RESISTOR	10 5% 1/2W			117RR	2007-000468	CHIP RESISTOR	1K 5% 1/10W	
	R99RL	2001-000019	CARBON RESISTOR	10 5% 1/2W			118FL	2007-000300	CHIP RESISTOR	10K 5% 1/10W	
	R99RR	2001-000019	CARBON RESISTOR	10 5% 1/2W			118FR	2007-000300	CHIP RESISTOR	10K 5% 1/10W	
	R99W	2003-000471	OMF RESISTOR	10 5% 2W			118RL	2007-000300	CHIP RESISTOR	10K 5% 1/10W	
	SPK1	3716-001132	BLOCK TERMINA	SOLDER 4P			118RR	2007-000300	CHIP RESISTOR	10K 5% 1/10W	
	SPK2	3716-001173	BLOCK TERMINA	SOLDER 8P			119RL	2007-000941	CHIP RESISTOR	47K 5% 1/10W	
	STD1	0404-000156	SCHOTTKY DIODE	RB441Q 10V			119RR	2007-000941	CHIP RESISTOR	47K 5% 1/10W	
	STR1	2007-000686	CHIP RESISTOR	3.3K 5% 1/10W			139FL	2007-000468	CHIP RESISTOR	1K 5% 1/10W	
	VC1	2401-001538	E.CAPACITOR	47UF 20% 25V			139FR	2007-000468	CHIP RESISTOR	1K 5% 1/10W	
	VC11	2201-000783	C.CAPASITOR	100NF +80-20% 50V			139RL	2007-000468	CHIP RESISTOR	1K 5% 1/10W	
	VC18	2401-001102	E.CAPACITOR	330UF 20% 16V			139RR	2007-000468	CHIP RESISTOR	1K 5% 1/10W	
	VC19	2401-001102	E.CAPACITOR	330UF 20% 16V							
	VC2	2401-001102	E.CAPACITOR	330UF 20% 16V							
	VC20	2401-001102	E.CAPACITOR	330UF 20% 16V							
	VC3	2401-001538	E.CAPACITOR	47UF 20% 25V							
	VC7	2401-001538	E.CAPACITOR	47UF 20% 25V							
	VD1	0401-000101	DIODE	1N4148 100V							
	VD2	0401-000101	DIODE	1N4148 100V							
	VIC3	1001-001173	IC	BA7612F 8P							
	VJ2	3722-001693	PIN JACK	3P 8.3PI							
	VJ4	AH37-00005A	RCA JACK	1P S-440B							
	VJ5	3722-001502	DIN JACK	4P SN BLK							
	VR10	2001-000969	CARBON RESISTOR	75 5% 1/8W							
	VR12	3301-001495	BEAD	AB 120 OHM							
	VR14	2001-000969	CARBON RESISTOR	75 5% 1/8W							
	VR24	2001-000645	CARBON RESISTOR	330K 5% 1/8W							
	VR25	2001-000969	CARBON RESISTOR	75 5% 1/8W							
	VR26	2001-000969	CARBON RESISTOR	75 5% 1/8W							
	VR3	2001-000969	CARBON RESISTOR	75 5% 1/8W							
	VR8	2001-000449	CARBON RESISTOR	2.2K 5% 1/8W							
	VR9	2001-000780	CARBON RESISTOR	470 5% 1/8W							
	VW2	3708-000347	CONNECTOR	10P 1MM	USLBUGLW						
	ZD13	0403-000004	ZENER DIODE	UZ12BM 12V							
	ZD5C	0403-001079	ZENER DIODE	UDZ3.9B							
	ZD5FL	0403-001079	ZENER DIODE	UDZ3.9B							
	ZD5FR	0403-001079	ZENER DIODE	UDZ3.9B							
	ZD5RL	0403-001079	ZENER DIODE	UDZ3.9B							
	ZD5RR	0403-001079	ZENER DIODE	UDZ3.9B							
	ZD5W	0403-001079	ZENER DIODE	UDZ3.9B							

## ■ Electrical parts list (Front board)

Block No. 02

△	Item	Parts number	Parts name	Remarks	Area
	FCW1	3708-000454	CONNECTOR	22P 1.25MM	
	FCW2	3708-000452	CONNECTOR	19P 1.25MM	
	FW2	3711-000906	CONNECTOR	3P 1R 2MM	
	FW3	AH39-00176A	LEAD CONNECTOR		
	JW001	2007-000029	CHIP RESISTOR	0 5% 1/10W	
	JW005	2007-000029	CHIP RESISTOR	0 5% 1/10W	
	JW008	2007-000029	CHIP RESISTOR	0 5% 1/10W	
	R22	2007-000290	CHIP RESISTOR	100 5% 1/10W	
	SW1	3404-001182	TACT SWITCH	DC12V 50MA	
	SW10	3404-001182	TACT SWITCH	DC12V 50MA	
	SW11	3404-001182	TACT SWITCH	DC12V 50MA	
	SW2	3404-001182	TACT SWITCH	DC12V 50MA	
	SW3	3404-001182	TACT SWITCH	DC12V 50MA	
	SW4	3404-001182	TACT SWITCH	DC12V 50MA	
	SW5	3404-001182	TACT SWITCH	DC12V 50MA	
	SW6	3404-001182	TACT SWITCH	DC12V 50MA	
	SW7	3404-001182	TACT SWITCH	DC12V 50MA	
	SW8	3404-001182	TACT SWITCH	DC12V 50MA	
	SW9	3404-001182	TACT SWITCH	DC12V 50MA	
	UC1	2201-000783	C.CAPASITOR	100NF +80-20% 50V	
	UC10	2401-001934	E.CAPACITOR	220UF 20% 6.3V	
	UC101	2401-001934	E.CAPACITOR	220UF 20% 6.3V	
	UC11	2203-000979	CHIP CAPACITOR	47NF 10% 50V	
	UC12	2401-001952	E.CAPACITOR	4.7UF 20% 50V	
	UC15	2201-000163	C.CAPASITOR	10NF +80-20% 50V	
	UC2	2201-000783	C.CAPASITOR	100NF +80-20% 50V	
	UC6	2203-000979	CHIP CAPACITOR	47NF 10% 50V	
	UC7	2401-000243	E.CAPACITOR	100UF 20% 10V	
	UC8	2201-000565	C.CAPASITOR	47NF +80%-20% 50V	
	UD11	0401-001090	DIODE	1SS355 80V	
	UD17	0401-001090	DIODE	1SS355 80V	
	UD18	0401-001090	DIODE	1SS355 80V	
	UD19	0401-001090	DIODE	1SS355 80V	
	UD20	0401-001090	DIODE	1SS355 80V	
	UD21	0401-001090	DIODE	1SS355 80V	
	UD22	0401-001090	DIODE	1SS355 80V	
	UD3	0401-001090	DIODE	1SS355 80V	
	UD7	0401-001090	DIODE	1SS355 80V	
	UEYE	AC59-60060A	REMOCON EYE	GP1U281R 38KHZ	
	UIC1	0903-001015	IC	86P6548 8BIT 100P	
	ULD1	0601-001238	LED	ROUND RED	
	ULD2	0601-001490	LED	INVERTER BLUE	
	UQ2	0501-000341	TRANSISTOR	KSC1623-L	
	UQ3	0504-001003	DIGI TRANSISTOR	KSR2003	
	UQ5	0504-000118	DEGI TRANSISTOR	KSR1003	
	UQ6	0504-000118	DEGI TRANSISTOR	KSR1003	
	UR002	2007-001654	CHIP RESISTOR	10M 1% 1/10W	
	UR006	2001-000613	CARBON RESISTOR	3.9K 5% 1/8W	
	UR007	2001-000802	CARBON RESISTOR	5.6K 5% 1/8W	
	UR008	2001-000290	CARBON RESISTOR	10K 5% 1/8W	
	UR016	2007-000290	CHIP RESISTOR	100 5% 1/10W	
	UR017	2007-001039	CHIP RESISTOR	56K 5% 1/10W	
	UR050	2007-000300	CHIP RESISTOR	10K 5% 1/10W	
	UR051	2007-000300	CHIP RESISTOR	10K 5% 1/10W	
	UR1	2007-000941	CHIP RESISTOR	47K 5% 1/10W	
	UR10	2007-000941	CHIP RESISTOR	47K 5% 1/10W	
	UR11	2007-000941	CHIP RESISTOR	47K 5% 1/10W	
	UR12	2007-000941	CHIP RESISTOR	47K 5% 1/10W	
	UR13	2007-000941	CHIP RESISTOR	47K 5% 1/10W	
	UR180	2007-000029	CHIP RESISTOR	0 5% 1/10W	
	UR2	2007-000941	CHIP RESISTOR	47K 5% 1/10W	
	UR23	2007-000290	CHIP RESISTOR	100 5% 1/10W	
	UR28	2007-000290	CHIP RESISTOR	100 5% 1/10W	

△	Item	Parts number	Parts name	Remarks	Area
	UR3	2007-000941	CHIP RESISTOR	47K 5% 1/10W	
	UR30	2007-000290	CHIP RESISTOR	100 5% 1/10W	
	UR34	2007-000290	CHIP RESISTOR	100 5% 1/10W	
	UR36	2007-000290	CHIP RESISTOR	100 5% 1/10W	
	UR37	2007-000290	CHIP RESISTOR	100 5% 1/10W	
	UR38	2007-000290	CHIP RESISTOR	100 5% 1/10W	
	UR39	2007-000290	CHIP RESISTOR	100 5% 1/10W	
	UR4	2007-000941	CHIP RESISTOR	47K 5% 1/10W	
	UR40	2007-000290	CHIP RESISTOR	100 5% 1/10W	
	UR41	2007-000290	CHIP RESISTOR	100 5% 1/10W	
	UR42	2007-000290	CHIP RESISTOR	100 5% 1/10W	
	UR44	2007-000290	CHIP RESISTOR	100 5% 1/10W	
	UR45	2001-000429	CARBON RESISTOR	1K 5% 1/8W	
	UR5	2007-000941	CHIP RESISTOR	47K 5% 1/10W	
	UR50	2007-000290	CHIP RESISTOR	100 5% 1/10W	
	UR53	2001-000221	CARBON RESISTOR	1.2K 5% 1/8W	
	UR54	2007-000290	CHIP RESISTOR	100 5% 1/10W	
	UR551	2007-000290	CHIP RESISTOR	100 5% 1/10W	
	UR56	2007-000290	CHIP RESISTOR	100 5% 1/10W	
	UR57	2007-000290	CHIP RESISTOR	100 5% 1/10W	
	UR58	2007-000290	CHIP RESISTOR	100 5% 1/10W	
	UR59	2007-000290	CHIP RESISTOR	100 5% 1/10W	
	UR6	2007-000941	CHIP RESISTOR	47K 5% 1/10W	
	UR65	2007-000290	CHIP RESISTOR	100 5% 1/10W	
	UR67	2007-000290	CHIP RESISTOR	100 5% 1/10W	
	UR68	2001-000258	CARBON RESISTOR	1.8K 5% 1/8W	
	UR69	2007-000300	CHIP RESISTOR	10K 5% 1/10W	
	UR71	2001-000241	CARBON RESISTOR	1.5K 5% 1/8W	
	UR79	2007-000565	CHIP RESISTOR	220K 5% 1/10W	
	UR80	2001-000472	CARBON RESISTOR	2.7K 5% 1/8W	
	UR81	2007-000872	CHIP RESISTOR	4.7K 5% 1/10W	
	UR82	2007-000401	CHIP RESISTOR	150 5% 1/10W	
	UR83	2007-000872	CHIP RESISTOR	4.7K 5% 1/10W	
	UR84	2007-000493	CHIP RESISTOR	2.2K 5% 1/10W	
	UR9	2007-000941	CHIP RESISTOR	47K 5% 1/10W	
	UR91	2001-000411	CARBON RESISTOR	18K 5% 1/8W	
	UR92	2001-000864	CARBON RESISTOR	56K 5% 1/8W	
	UR93	2001-000554	CARBON RESISTOR	270 5% 1/8W	
	UR94	2001-000290	CARBON RESISTOR	10K 5% 1/8W	
	UR95	2001-000111	CARBON RESISTOR	150 5% 1/4W	
	UX1	2802-001157	RESONATOR	6MHZ	
	VFD	AH07-00081A	VFD	HNV-11SS34T	

## ■ Electrical parts list (DSP board)

Block No. 03

▲	Item	Parts number	Parts name	Remarks	Area	▲	Item	Parts number	Parts name	Remarks	Area
	BBC1	2401-001975	E.CAPACITOR	47UF 20% 16V			BC195	2203-000840	CHIP CAPACITOR	0.39NF 5% 50V	
	BC01	2203-000979	CHIP CAPACITOR	47NF 10% 50V			BC196	2203-000840	CHIP CAPACITOR	0.39NF 5% 50V	
	BC02	2203-000979	CHIP CAPACITOR	47NF 10% 50V			BC197	2203-000840	CHIP CAPACITOR	0.39NF 5% 50V	
	BC021	2203-000761	CHIP CAPACITOR	330NF 10% 16V			BC198	2203-000840	CHIP CAPACITOR	0.39NF 5% 50V	
	BC03	2401-000438	E.CAPACITOR	10UF 20% 25V			BC199	2203-000840	CHIP CAPACITOR	0.39NF 5% 50V	
	BC04	2203-000979	CHIP CAPACITOR	47NF 10% 50V			BC20	2203-000661	CHIP CAPACITOR	0.27NF 5% 50V	
	BC080	2401-001975	E.CAPACITOR	47UF 20% 16V			BC210	2203-000840	CHIP CAPACITOR	0.39NF 5% 50V	
	BC081	2401-002180	E.CAPACITOR	2.2UF 20% 50V			BC211	2203-000840	CHIP CAPACITOR	0.39NF 5% 50V	
	BC082	2401-002180	E.CAPACITOR	2.2UF 20% 50V			BC213	2203-000840	CHIP CAPACITOR	0.39NF 5% 50V	
	BC085	2203-000295	CHIP CAPACITOR	0.1NF 5% 50V			BC214	2203-000840	CHIP CAPACITOR	0.39NF 5% 50V	
	BC090	2203-000361	CHIP CAPACITOR	0.15NF 5% 50V			BC216	2203-000840	CHIP CAPACITOR	0.39NF 5% 50V	
	BC1	2203-001036	CHIP CAPACITOR	5.6NF 10% 50V			BC217	2203-000840	CHIP CAPACITOR	0.39NF 5% 50V	
	BC10	2301-000430	M.CAPACITOR	33NF 10% 50V			BC23	2401-001975	E.CAPACITOR	47UF 20% 16V	
	BC100	2203-000716	CHIP CAPACITOR	3.3NF 10% 50V			BC25	2203-000203	CHIP CAPACITOR	100NF 10% 16V	
	BC101	2401-000438	E.CAPACITOR	10UF 20% 25V			BC26	2203-000716	CHIP CAPACITOR	3.3NF 10% 50V	
	BC102	2203-001537	CHIP CAPACITOR	1NF 10% 50V			BC27	2203-001518	CHIP CAPACITOR	1.8NF 10% 50V	
	BC103	2203-000203	CHIP CAPACITOR	100NF 10% 16V			BC28	2401-000438	E.CAPACITOR	10UF 20% 25V	
	BC104	2203-000892	CHIP CAPACITOR	4.7NF 10% 50V			BC29	2301-000430	M.CAPACITOR	33NF 10% 50V	
	BC105	2401-001975	E.CAPACITOR	47UF 20% 16V			BC3	2203-000203	CHIP CAPACITOR	100NF 10% 16V	
	BC106	2203-000661	CHIP CAPACITOR	0.27NF 5% 50V			BC33	2203-000661	CHIP CAPACITOR	0.27NF 5% 50V	
	BC107	2203-000239	CHIP CAPACITOR	0.1NF 5% 50V			BC34	2203-001036	CHIP CAPACITOR	5.6NF 10% 50V	
	BC108	2401-001912	E.CAPACITOR	1UF 20% 50V			BC36	2203-001518	CHIP CAPACITOR	1.8NF 10% 50V	
	BC109	2203-000203	CHIP CAPACITOR	100NF 10% 16V			BC37	2203-000661	CHIP CAPACITOR	0.27NF 5% 50V	
	BC11	2401-002180	E.CAPACITOR	2.2UF 20% 50V			BC38	2203-000203	CHIP CAPACITOR	100NF 10% 16V	
	BC110	2203-000575	CHIP CAPACITOR	220NF 10% 25V			BC39	2203-000203	CHIP CAPACITOR	100NF 10% 16V	
	BC111	2401-002180	E.CAPACITOR	2.2UF 20% 50V			BC4	2201-000783	C.CAPASITOR	100NF +80-20% 50V	
	BC112	2203-000203	CHIP CAPACITOR	100NF 10% 16V			BC40	2401-001975	E.CAPACITOR	47UF 20% 16V	
	BC113	2203-000575	CHIP CAPACITOR	220NF 10% 25V			BC43	2203-000716	CHIP CAPACITOR	3.3NF 10% 50V	
	BC114	2401-002180	E.CAPACITOR	2.2UF 20% 50V			BC44	2401-001975	E.CAPACITOR	47UF 20% 16V	
	BC115	2401-000438	E.CAPACITOR	10UF 20% 25V			BC45	2203-000661	CHIP CAPACITOR	0.27NF 5% 50V	
	BC116	2401-002180	E.CAPACITOR	2.2UF 20% 50V			BC46	2401-000438	E.CAPACITOR	10UF 20% 25V	
	BC117	2401-000438	E.CAPACITOR	10UF 20% 25V			BC49	2401-000438	E.CAPACITOR	10UF 20% 25V	
	BC118	2203-000203	CHIP CAPACITOR	100NF 10% 16V			BC50	2401-002180	E.CAPACITOR	2.2UF 20% 50V	
	BC119	2203-001537	CHIP CAPACITOR	1NF 10% 50V			BC501	2401-002180	E.CAPACITOR	2.2UF 20% 50V	
	BC120	2203-000661	CHIP CAPACITOR	0.27NF 5% 50V			BC502	2401-001919	E.CAPACITOR	2.2UF 20% 50V	
	BC121	2203-001518	CHIP CAPACITOR	1.8NF 10% 50V			BC503	2401-002180	E.CAPACITOR	2.2UF 20% 50V	
	BC122	2203-000787	CHIP CAPACITOR	0.33NF 5% 50V			BC51	2203-000661	CHIP CAPACITOR	0.27NF 5% 50V	
	BC123	2203-000892	CHIP CAPACITOR	4.7NF 10% 50V			BC52	2401-002180	E.CAPACITOR	2.2UF 20% 50V	
	BC124	2203-000203	CHIP CAPACITOR	100NF 10% 16V			BC53	2401-000438	E.CAPACITOR	10UF 20% 25V	
	BC125	2401-000830	E.CAPACITOR	220UF 20% 25V			BC54	2203-001518	CHIP CAPACITOR	1.8NF 10% 50V	
	BC126	2203-000477	CHIP CAPACITOR	1NF +80-20% 16V			BC55	2203-001518	CHIP CAPACITOR	1.8NF 10% 50V	
	BC127	2401-001887	E.CAPACITOR	100NF 20% 50V			BC57	2203-000979	CHIP CAPACITOR	47NF 10% 50V	
	BC128	2401-000438	E.CAPACITOR	10UF 20% 25V			BC58	2401-000438	E.CAPACITOR	10UF 20% 25V	
	BC129	2203-000716	CHIP CAPACITOR	3.3NF 10% 50V			BC60	2203-000716	CHIP CAPACITOR	3.3NF 10% 50V	
	BC13	2401-002180	E.CAPACITOR	2.2UF 20% 50V			BC61	2401-001975	E.CAPACITOR	47UF 20% 16V	
	BC131	2203-000661	CHIP CAPACITOR	0.27NF 5% 50V			BC62	2203-000661	CHIP CAPACITOR	0.27NF 5% 50V	
	BC132	2203-001036	CHIP CAPACITOR	5.6NF 10% 50V			BC63	2401-001975	E.CAPACITOR	47UF 20% 16V	
	BC133	2401-001975	E.CAPACITOR	47UF 20% 16V			BC67	2203-000661	CHIP CAPACITOR	0.27NF 5% 50V	
	BC134	2401-000438	E.CAPACITOR	10UF 20% 25V			BC68	2203-000417	CHIP CAPACITOR	18NF 10% 50V	
	BC135	2401-000438	E.CAPACITOR	10UF 20% 25V			BC69	2401-001238	E.CAPACITOR	4.7UF 20% 25V	
	BC136	2203-000203	CHIP CAPACITOR	100NF 10% 16V			BC7	2401-002180	E.CAPACITOR	2.2UF 20% 50V	
	BC137	2401-000830	E.CAPACITOR	220UF 20% 25V			BC70	2401-001238	E.CAPACITOR	4.7UF 20% 25V	
	BC139	2401-001975	E.CAPACITOR	47UF 20% 16V			BC71	2203-000761	CHIP CAPACITOR	330NF 10% 16V	
	BC140	2203-000239	CHIP CAPACITOR	0.1NF 5% 50V			BC72	2203-000716	CHIP CAPACITOR	3.3NF 10% 50V	
	BC141	2203-000239	CHIP CAPACITOR	0.1NF 5% 50V			BC73	2203-001137	CHIP CAPACITOR	68NF +80-20% 50V	
	BC142	2203-000239	CHIP CAPACITOR	0.1NF 5% 50V			BC74	2401-001975	E.CAPACITOR	47UF 20% 16V	
	BC143	2201-000783	C.CAPASITOR	100NF +80-20% 50V			BC75	2203-000239	CHIP CAPACITOR	0.1NF 5% 50V	
	BC15	2401-002180	E.CAPACITOR	2.2UF 20% 50V			BC76	2203-000609	CHIP CAPACITOR	22NF 10% 50V	
	BC16	2401-001975	E.CAPACITOR	47UF 20% 16V			BC77	2203-000661	CHIP CAPACITOR	0.27NF 5% 50V	
	BC17	2401-001975	E.CAPACITOR	47UF 20% 16V			BC78	2203-000203	CHIP CAPACITOR	100NF 10% 16V	
	BC18	2203-001518	CHIP CAPACITOR	1.8NF 10% 50V			BC79	2203-000609	CHIP CAPACITOR	22NF 10% 50V	
	BC19	2401-002180	E.CAPACITOR	2.2UF 20% 50V			BC8	2401-002180	E.CAPACITOR	2.2UF 20% 50V	
	BC194	2203-000840	CHIP CAPACITOR	0.39NF 5% 50V			BC80	2203-000203	CHIP CAPACITOR	100NF 10% 16V	

## ■ Electrical parts list (DSP board)

Block No. 03

△	Item	Parts number	Parts name	Remarks	Area	△	Item	Parts number	Parts name	Remarks	Area
	BC81	2203-000203	CHIP CAPACITOR	100NF 10% 16V			BR3	2007-000468	CHIP RESISTOR	1K 5% 1/10W	
	BC82	2203-000979	CHIP CAPACITOR	47NF 10% 50V			BR30	2007-000290	CHIP RESISTOR	100 5% 1/10W	
	BC83	2203-000979	CHIP CAPACITOR	47NF 10% 50V			BR34	2007-000290	CHIP RESISTOR	100 5% 1/10W	
	BC84	2203-000203	CHIP CAPACITOR	100NF 10% 16V			BR35	2007-001177	CHIP RESISTOR	8.2K 5% 1/10W	
	BC85	2203-000575	CHIP CAPACITOR	220NF 10% 25V			BR36	2007-000449	CHIP RESISTOR	180 5% 1/10W	
	BC86	2203-000575	CHIP CAPACITOR	220NF 10% 25V			BR37	2007-000290	CHIP RESISTOR	100 5% 1/10W	
	BC87	2203-000575	CHIP CAPACITOR	220NF 10% 25V			BR4	2007-000586	CHIP RESISTOR	22K 5% 1/10W	
	BC88	2203-000575	CHIP CAPACITOR	220NF 10% 25V			BR40	2007-000290	CHIP RESISTOR	100 5% 1/10W	
	BC89	2203-000979	CHIP CAPACITOR	47NF 10% 50V			BR41	2007-001177	CHIP RESISTOR	8.2K 5% 1/10W	
	BC9	2203-001518	CHIP CAPACITOR	1.8NF 10% 50V			BR42	2007-000290	CHIP RESISTOR	100 5% 1/10W	
	BC90	2203-001036	CHIP CAPACITOR	5.6NF 10% 50V			BR43	2007-000290	CHIP RESISTOR	100 5% 1/10W	
	BC91	2203-001132	CHIP CAPACITOR	0.68NF 5% 50V			BR44	2007-000290	CHIP RESISTOR	100 5% 1/10W	
	BC92	2401-001912	E.CAPACITOR	1UF 20% 50V			BR45	2007-000290	CHIP RESISTOR	100 5% 1/10W	
	BC93	2203-000787	CHIP CAPACITOR	0.33NF 5% 50V			BR46	2007-001177	CHIP RESISTOR	8.2K 5% 1/10W	
	BC94	2203-000661	CHIP CAPACITOR	0.27NF 5% 50V			BR47	2007-000468	CHIP RESISTOR	1K 5% 1/10W	
	BC95	2203-000495	CHIP CAPACITOR	2.2NF 10% 50V			BR48	2007-000468	CHIP RESISTOR	1K 5% 1/10W	
	BC96	2203-000203	CHIP CAPACITOR	100NF 10% 16V			BR49	2007-001177	CHIP RESISTOR	8.2K 5% 1/10W	
	BC97	2401-001975	E.CAPACITOR	47UF 20% 16V			BR50	2007-000449	CHIP RESISTOR	180 5% 1/10W	
	BC98	2203-001132	CHIP CAPACITOR	0.68NF 5% 50V			BR501	2007-000444	CHIP RESISTOR	180K 5% 1/10W	
	BC99	2401-001912	E.CAPACITOR	1UF 20% 50V			BR502	2007-000444	CHIP RESISTOR	180K 5% 1/10W	
	BD090	0401-000101	DIODE	1N4148 100V			BR503	2007-000444	CHIP RESISTOR	180K 5% 1/10W	
	BD091	0401-000101	DIODE	1N4148 100V			BR51	2007-001177	CHIP RESISTOR	8.2K 5% 1/10W	
	BD1	0403-000399	ZENER DIODE	UZP9.1B 1W			BR52	2007-000449	CHIP RESISTOR	180 5% 1/10W	
	BD2	0403-000399	ZENER DIODE	UZP9.1B 1W			BR55	2007-001177	CHIP RESISTOR	8.2K 5% 1/10W	
	BD5	0403-001284	ZENER DIODE	RLZ3.3A			BR58	2007-000774	CHIP RESISTOR	33K 5% 1/10W	
	BD6	0403-001284	ZENER DIODE	RLZ3.3A			BR59	2007-000457	CHIP RESISTOR	18K 5% 1/10W	
	BD7	0403-001284	ZENER DIODE	RLZ3.3A			BR60	2007-001177	CHIP RESISTOR	8.2K 5% 1/10W	
	BD8	0403-001284	ZENER DIODE	RLZ3.3A			BR61	2007-001039	CHIP RESISTOR	56K 5% 1/10W	
	BQ080	0504-000156	DIGI TRANSISTOR	KSR2103			BR62	2007-001177	CHIP RESISTOR	8.2K 5% 1/10W	
	BQ081	0501-000341	TRANSISTOR	KSC1623-L			BR63	2007-000449	CHIP RESISTOR	180 5% 1/10W	
	BQ082	0501-000341	TRANSISTOR	KSC1623-L			BR64	2007-000778	CHIP RESISTOR	330K 5% 1/10W	
	BR01	2007-000468	CHIP RESISTOR	1K 5% 1/10W			BR65	2007-001039	CHIP RESISTOR	56K 5% 1/10W	
	BR02	2007-000468	CHIP RESISTOR	1K 5% 1/10W			BR66	2007-000653	CHIP RESISTOR	27K 5% 1/10W	
	BR03	2007-000468	CHIP RESISTOR	1K 5% 1/10W			BR68	2007-000449	CHIP RESISTOR	180 5% 1/10W	
	BR04	2001-001004	CARBON RESISTOR	82 5% 1/4W			BR69	2007-001177	CHIP RESISTOR	8.2K 5% 1/10W	
	BR080	2007-000395	CHIP RESISTOR	150K 5% 1/10W			BR70	2001-000028	CARBON RESISTOR	100 5% 1/2W	
	BR081	2007-000565	CHIP RESISTOR	220K 5% 1/10W			BR71	2007-000468	CHIP RESISTOR	1K 5% 1/10W	
	BR082	2007-000774	CHIP RESISTOR	33K 5% 1/10W			BR72	2007-000872	CHIP RESISTOR	4.7K 5% 1/10W	
	BR083	2007-000774	CHIP RESISTOR	33K 5% 1/10W			BR73	2007-000409	CHIP RESISTOR	15K 5% 1/10W	
	BR086	2007-000572	CHIP RESISTOR	220 5% 1/10W			BR74	2007-000941	CHIP RESISTOR	47K 5% 1/10W	
	BR087	2007-000941	CHIP RESISTOR	47K 5% 1/10W			BR75	2007-001177	CHIP RESISTOR	8.2K 5% 1/10W	
	BR090	2007-000931	CHIP RESISTOR	470 5% 1/10W			BR76	2007-000355	CHIP RESISTOR	12K 5% 1/10W	
	BR10	2007-000586	CHIP RESISTOR	22K 5% 1/10W			BR77	2007-000300	CHIP RESISTOR	10K 5% 1/10W	
	BR100	2007-001177	CHIP RESISTOR	8.2K 5% 1/10W			BR78	2007-000001	CHIP RESISTOR	68K 5% 1/10W	
	BR109	2007-000029	CHIP RESISTOR	0 5% 1/10W			BR79	2007-001177	CHIP RESISTOR	8.2K 5% 1/10W	
	BR11	2007-001177	CHIP RESISTOR	8.2K 5% 1/10W			BR80	2007-000449	CHIP RESISTOR	180 5% 1/10W	
	BR110	2007-000029	CHIP RESISTOR	0 5% 1/10W			BR81	2007-000409	CHIP RESISTOR	15K 5% 1/10W	
	BR111	2007-000941	CHIP RESISTOR	47K 5% 1/10W			BR82	2007-000941	CHIP RESISTOR	47K 5% 1/10W	
	BR112	2007-000941	CHIP RESISTOR	47K 5% 1/10W			BR83	2007-000001	CHIP RESISTOR	68K 5% 1/10W	
	BR12	2007-001177	CHIP RESISTOR	8.2K 5% 1/10W			BR84	2007-001177	CHIP RESISTOR	8.2K 5% 1/10W	
	BR13	2007-000449	CHIP RESISTOR	180 5% 1/10W			BR85	2007-000449	CHIP RESISTOR	180 5% 1/10W	
	BR14	2007-001177	CHIP RESISTOR	8.2K 5% 1/10W			BR86	2007-001177	CHIP RESISTOR	8.2K 5% 1/10W	
	BR15	2007-000468	CHIP RESISTOR	1K 5% 1/10W			BR87	2007-000572	CHIP RESISTOR	220 5% 1/10W	
	BR16	2007-000586	CHIP RESISTOR	22K 5% 1/10W			BR88	2007-000572	CHIP RESISTOR	220 5% 1/10W	
	BR2	2007-001177	CHIP RESISTOR	8.2K 5% 1/10W			BR89	2007-000468	CHIP RESISTOR	1K 5% 1/10W	
	BR22	2007-001177	CHIP RESISTOR	8.2K 5% 1/10W			BR9	2007-000468	CHIP RESISTOR	1K 5% 1/10W	
	BR23	2007-000449	CHIP RESISTOR	180 5% 1/10W			BR90	2007-000872	CHIP RESISTOR	4.7K 5% 1/10W	
	BR24	2007-000468	CHIP RESISTOR	1K 5% 1/10W			BR91	2007-001177	CHIP RESISTOR	8.2K 5% 1/10W	
	BR25	2007-001177	CHIP RESISTOR	8.2K 5% 1/10W			BR92	2007-000355	CHIP RESISTOR	12K 5% 1/10W	
	BR26	2007-000586	CHIP RESISTOR	22K 5% 1/10W			BR93	2007-000642	CHIP RESISTOR	270 5% 1/10W	
	BR27	2007-001177	CHIP RESISTOR	8.2K 5% 1/10W			BR94	2007-001177	CHIP RESISTOR	8.2K 5% 1/10W	
	BR28	2007-001177	CHIP RESISTOR	8.2K 5% 1/10W			BR95	2007-000449	CHIP RESISTOR	180 5% 1/10W	
	BR29	2007-000449	CHIP RESISTOR	180 5% 1/10W			BR96	2007-000282	CHIP RESISTOR	100K 5% 1/10W	

## ■ Electrical parts list (DSP board)

Block No. 03

△	Item	Parts number	Parts name	Remarks	Area
	BR97	2007-000282	CHIP RESISTOR	100K 5% 1/10W	
	BR98	2007-001177	CHIP RESISTOR	8.2K 5% 1/10W	
	BR99	2007-000449	CHIP RESISTOR	180 5% 1/10W	
	J1	3708-001601	CONNECTOR	19P 1.25MM	
	J10	3711-000820	CONNECTOR	2P 1R 2.5MM	
	J2	3710-001422	CONNECTOR	12P 1R 2MM	
	J3	3708-001464	CONNECTOR	24P 1MM	
	J5	3710-001422	CONNECTOR	12P 1R 2MM	
	J6	3710-001422	CONNECTOR	12P 1R 2MM	
	J7	3710-001422	CONNECTOR	12P 1R 2MM	
	J9	3711-000820	CONNECTOR	2P 1R 2.5MM	
	R67	2007-001177	CHIP RESISTOR	8.2K 5% 1/10W	
	UR032	2007-000070	CHIP RESISTOR	0 5% 1/16W	
	U1	1201-000163	IC	BA4560 SOP 8P	
	U11	1204-001472	IC	M62463FP 64P	
	U12	1204-001454	IC	TDA7449L 20P	
	U13	1201-000163	IC	BA4560 SOP 8P	
	U2	1204-001465	IC	TDA7440D	
	U3	1201-000163	IC	BA4560 SOP 8P	
	U5	1201-000163	IC	BA4560 SOP 8P	
	U6	1002-001285	IC	AK4355VF 28P	
	U7	1204-001454	IC	TDA7449L 20P	
	U9	1201-000163	IC	BA4560 SOP 8P	

## ■ Electrical parts list (DVD loader board)

Block No. 04

△	Item	Parts number	Parts name	Remarks	Area	△	Item	Parts number	Parts name	Remarks	Area
	CPUR6	2007-000113	CHIP RESISTOR	33 5% 1/16W			DR101	2007-000113	CHIP RESISTOR	33 5% 1/16W	
	CPUR7	2007-000113	CHIP RESISTOR	33 5% 1/16W			DR102	2007-000072	CHIP RESISTOR	47 5% 1/16W	
	CPUR8	2007-000113	CHIP RESISTOR	33 5% 1/16W			DR103	2007-000113	CHIP RESISTOR	33 5% 1/16W	
	CPUR9	2007-000113	CHIP RESISTOR	33 5% 1/16W			DR107	2007-000090	CHIP RESISTOR	10K 5% 1/16W	
	CPU11	2007-000113	CHIP RESISTOR	33 5% 1/16W			DR108	2007-000090	CHIP RESISTOR	10K 5% 1/16W	
	CPU13	2007-000113	CHIP RESISTOR	33 5% 1/16W			DR109	2007-000090	CHIP RESISTOR	10K 5% 1/16W	
	CPU17	2007-000113	CHIP RESISTOR	33 5% 1/16W			DR110	2007-000090	CHIP RESISTOR	10K 5% 1/16W	
	CPU18	2007-000113	CHIP RESISTOR	33 5% 1/16W			DR111	2007-000090	CHIP RESISTOR	10K 5% 1/16W	
	DC32	2203-000178	CHIP CAPACITOR	100NF +80-20% 25V			DR112	2007-000090	CHIP RESISTOR	10K 5% 1/16W	
	DC33	2203-000972	CHIP CAPACITOR	47NF 10% 16V			DR113	2007-000090	CHIP RESISTOR	10K 5% 1/16W	
	DC34	2203-001052	CHIP CAPACITOR	0.56NF 10% 50V			DR114	2007-000090	CHIP RESISTOR	10K 5% 1/16W	
	DC35	2203-000178	CHIP CAPACITOR	100NF +80-20% 25V			DR115	2007-000090	CHIP RESISTOR	10K 5% 1/16W	
	DC36	2203-000178	CHIP CAPACITOR	100NF +80-20% 25V			DR116	2007-000090	CHIP RESISTOR	10K 5% 1/16W	
	DC37	2203-000998	CHIP CAPACITOR	0.047NF 5% 50V			DR117	2007-000090	CHIP RESISTOR	10K 5% 1/16W	
	DC38	2203-000178	CHIP CAPACITOR	100NF +80-20% 25V			DR118	2007-000090	CHIP RESISTOR	10K 5% 1/16W	
	DC39	2203-000178	CHIP CAPACITOR	100NF +80-20% 25V			DR119	2007-000090	CHIP RESISTOR	10K 5% 1/16W	
	DC40	2203-000440	CHIP CAPACITOR	1NF 10% 50V			DR120	2007-000090	CHIP RESISTOR	10K 5% 1/16W	
	DC42	2203-001103	CHIP CAPACITOR	6.8NF 10% 50V			DR121	2007-000090	CHIP RESISTOR	10K 5% 1/16W	
	DC43	2203-002494	CHIP CAPACITOR	470NF 10% 16V			DR122	2007-000074	CHIP RESISTOR	100 5% 1/16W	
	DC44	2203-000972	CHIP CAPACITOR	47NF 10% 16V			DR123	2007-000074	CHIP RESISTOR	100 5% 1/16W	
	DC45	2203-001656	CHIP CAPACITOR	0.47NF 5% 50V			DR124	2007-000074	CHIP RESISTOR	100 5% 1/16W	
	DC46	2203-001656	CHIP CAPACITOR	0.47NF 5% 50V			DR125	2007-000074	CHIP RESISTOR	100 5% 1/16W	
	DC48	2203-000178	CHIP CAPACITOR	100NF +80-20% 25V			DR126	2007-000074	CHIP RESISTOR	100 5% 1/16W	
	DC49	2203-000178	CHIP CAPACITOR	100NF +80-20% 25V			DR127	2007-000074	CHIP RESISTOR	100 5% 1/16W	
	DC50	2203-000440	CHIP CAPACITOR	1NF 10% 50V			DR128	2007-000074	CHIP RESISTOR	100 5% 1/16W	
	DC51	2203-000440	CHIP CAPACITOR	1NF 10% 50V			DR129	2007-000074	CHIP RESISTOR	100 5% 1/16W	
	DC52	2203-000178	CHIP CAPACITOR	100NF +80-20% 25V			DR130	2007-000074	CHIP RESISTOR	100 5% 1/16W	
	DC54	2203-001573	CHIP CAPACITOR	0.012NF 5% 50V			DR131	2007-000074	CHIP RESISTOR	100 5% 1/16W	
	DC56	2203-001573	CHIP CAPACITOR	0.012NF 5% 50V			DR132	2007-000074	CHIP RESISTOR	100 5% 1/16W	
	DC62	2203-005261	CHIP CAPACITOR	1000NF 10% 25V			DR133	2007-000074	CHIP RESISTOR	100 5% 1/16W	
	DC66	2203-000280	CHIP CAPACITOR	0.01NF 0.5PF 50V			DR134	2007-000074	CHIP RESISTOR	100 5% 1/16W	
	DC67	2203-000280	CHIP CAPACITOR	0.01NF 0.5PF 50V			DR135	2007-000074	CHIP RESISTOR	100 5% 1/16W	
	DC68	2203-000280	CHIP CAPACITOR	0.01NF 0.5PF 50V			DR136	2007-000074	CHIP RESISTOR	100 5% 1/16W	
	DC69	2203-000280	CHIP CAPACITOR	0.01NF 0.5PF 50V			DR137	2007-000074	CHIP RESISTOR	100 5% 1/16W	
	DC70	2203-000280	CHIP CAPACITOR	0.01NF 0.5PF 50V			DR138	2007-000124	CHIP RESISTOR	2.2K 5% 1/16W	
	DC71	2203-000280	CHIP CAPACITOR	0.01NF 0.5PF 50V			DR139	2007-000124	CHIP RESISTOR	2.2K 5% 1/16W	
	DC72	2203-000178	CHIP CAPACITOR	100NF +80-20% 25V			DR146	2007-000308	CHIP RESISTOR	10 5% 1/10W	
	DC73	2203-000178	CHIP CAPACITOR	100NF +80-20% 25V			DR183	2007-000078	CHIP RESISTOR	1K 5% 1/16W	
	DC74	2203-000178	CHIP CAPACITOR	100NF +80-20% 25V			DR184	2007-000078	CHIP RESISTOR	1K 5% 1/16W	
	DC75	2203-000178	CHIP CAPACITOR	100NF +80-20% 25V			DR188	2007-000070	CHIP RESISTOR	0 5% 1/16W	
	DC76	2203-000178	CHIP CAPACITOR	100NF +80-20% 25V			DR190	2007-000090	CHIP RESISTOR	10K 5% 1/16W	
	DC77	2203-000178	CHIP CAPACITOR	100NF +80-20% 25V			DR191	2007-000090	CHIP RESISTOR	10K 5% 1/16W	
	DC78	2203-000178	CHIP CAPACITOR	100NF +80-20% 25V			DR28	2007-001243	CHIP RESISTOR	91K 5% 1/10W	
	DC79	2203-000178	CHIP CAPACITOR	100NF +80-20% 25V			DR29	2007-000070	CHIP RESISTOR	0 5% 1/16W	
	DC80	2203-000178	CHIP CAPACITOR	100NF +80-20% 25V			DR30	2007-001243	CHIP RESISTOR	91K 5% 1/10W	
	DC81	2203-000178	CHIP CAPACITOR	100NF +80-20% 25V			DR31	2007-000122	CHIP RESISTOR	1.2K 5% 1/16W	
	DC82	2203-000178	CHIP CAPACITOR	100NF +80-20% 25V			DR32	2007-000113	CHIP RESISTOR	33 5% 1/16W	
	DC83	2203-000178	CHIP CAPACITOR	100NF +80-20% 25V			DR33	2007-000113	CHIP RESISTOR	33 5% 1/16W	
	DC84	2203-000178	CHIP CAPACITOR	100NF +80-20% 25V			DR34	2007-000113	CHIP RESISTOR	33 5% 1/16W	
	DC85	2203-000178	CHIP CAPACITOR	100NF +80-20% 25V			DR35	2007-000962	CHIP RESISTOR	5.1K 1% 1/16W	
	DC86	2203-000178	CHIP CAPACITOR	100NF +80-20% 25V			DR36	2007-000113	CHIP RESISTOR	33 5% 1/16W	
	DC87	2203-000178	CHIP CAPACITOR	100NF +80-20% 25V			DR37	2007-000090	CHIP RESISTOR	10K 5% 1/16W	
	DC88	2203-000178	CHIP CAPACITOR	100NF +80-20% 25V			DR38	2007-000084	CHIP RESISTOR	4.7K 5% 1/16W	
	DC89	2203-000257	CHIP CAPACITOR	10NF 10% 50V			DR39	2007-000093	CHIP RESISTOR	20K 5% 1/16W	
	DC90	2203-000257	CHIP CAPACITOR	10NF 10% 50V			DR40	2007-001010	CHIP RESISTOR	51K 5% 1/16W	
	DC91	2203-000178	CHIP CAPACITOR	100NF +80-20% 25V			DR42	2007-000082	CHIP RESISTOR	3.3K 5% 1/16W	
	DJ3	3708-001645	CONNECTOR	40P 1MM			DR43	2007-000082	CHIP RESISTOR	3.3K 5% 1/16W	
	DJ6	3711-003111	CONNECTOR	6P 1R 2.5MM			DR44	2007-000082	CHIP RESISTOR	3.3K 5% 1/16W	
	DL4	3301-001495	BEAD	AB 120OHM 2012			DR45	2007-000084	CHIP RESISTOR	4.7K 5% 1/16W	
	DL5	3301-001495	BEAD	AB 120OHM 2012			DR46	2007-000097	CHIP RESISTOR	47K 5% 1/16W	
	DL6	3301-001495	BEAD	AB 120OHM 2012			DR47	2007-000113	CHIP RESISTOR	33 5% 1/16W	
	DL7	3301-001495	BEAD	AB 120OHM 2012			DR49	2007-000082	CHIP RESISTOR	3.3K 5% 1/16W	
	DR100	2007-000072	CHIP RESISTOR	47 5% 1/16W			DR50	2007-000084	CHIP RESISTOR	4.7K 5% 1/16W	



## ■ Electrical parts list (DVD loader board)

Block No. 04

△	Item	Parts number	Parts name	Remarks	Area	△	Item	Parts number	Parts name	Remarks	Area
	DR51	2007-000962	CHIP RESISTOR	5.1K 1% 1/16W			MR173	2007-000102	CHIP RESISTOR	100K 5% 1/16W	
	DR52	2007-000113	CHIP RESISTOR	33 5% 1/16W			MR174	2007-000102	CHIP RESISTOR	100K 5% 1/16W	
	DR53	2007-000113	CHIP RESISTOR	33 5% 1/16W			MR175	2007-000102	CHIP RESISTOR	100K 5% 1/16W	
	DR54	2007-000113	CHIP RESISTOR	33 5% 1/16W			MR177	2007-000078	CHIP RESISTOR	1K 5% 1/16W	
	DR55	2007-000070	CHIP RESISTOR	0 5% 1/16W			MR180	2007-000078	CHIP RESISTOR	1K 5% 1/16W	
	DR57	2007-000309	CHIP RESISTOR	10 5% 1/16W			MR182	2007-000078	CHIP RESISTOR	1K 5% 1/16W	
	DR60	2007-000097	CHIP RESISTOR	47K 5% 1/16W			MU10	1003-001418	IC	FAN8082 8P	
	DR80	2007-000094	CHIP RESISTOR	22K 5% 1/16W			MU9	1003-001450	IC	BA5954FM 28P	
	DR81	2007-000084	CHIP RESISTOR	4.7K 5% 1/16W			MZD1	0403-000357	DIODE	UZ5.6BM 5.6V	
	DR84	2007-000090	CHIP RESISTOR	10K 5% 1/16W			RC1	2203-000178	CHIP CAPACITOR	100NF +80-20% 25V	
	DR85	2007-000090	CHIP RESISTOR	10K 5% 1/16W			RC10	2203-001636	CHIP CAPACITOR	0.033NF 5% 50V	
	DR86	2007-000090	CHIP RESISTOR	10K 5% 1/16W			RC11	2203-001636	CHIP CAPACITOR	0.033NF 5% 50V	
	DR87	2007-000090	CHIP RESISTOR	10K 5% 1/16W			RC12	2203-000178	CHIP CAPACITOR	100NF +80-20% 25V	
	DR88	2007-000090	CHIP RESISTOR	10K 5% 1/16W			RC13	2203-001636	CHIP CAPACITOR	0.033NF 5% 50V	
	DR89	2007-000090	CHIP RESISTOR	10K 5% 1/16W			RC14	2203-001126	CHIP CAPACITOR	0.68NF 10% 50V	
	DR90	2007-000090	CHIP RESISTOR	10K 5% 1/16W			RC15	2203-001126	CHIP CAPACITOR	0.68NF 10% 50V	
	DR91	2007-000090	CHIP RESISTOR	10K 5% 1/16W			RC16	2203-000972	CHIP CAPACITOR	47NF 10% 16V	
	DR92	2007-000113	CHIP RESISTOR	33 5% 1/16W			RC17	2203-001126	CHIP CAPACITOR	0.68NF 10% 50V	
	DR93	2007-000113	CHIP RESISTOR	33 5% 1/16W			RC18	2203-001126	CHIP CAPACITOR	0.68NF 10% 50V	
	DR94	2007-000113	CHIP RESISTOR	33 5% 1/16W			RC19	2203-000236	CHIP CAPACITOR	0.1NF 5% 50V	
	DR95	2007-000113	CHIP RESISTOR	33 5% 1/16W			RC2	2203-000178	CHIP CAPACITOR	100NF +80-20% 25V	
	DR96	2007-000113	CHIP RESISTOR	33 5% 1/16W			RC20	2203-000440	CHIP CAPACITOR	1NF 10% 50V	
	DR97	2007-000113	CHIP RESISTOR	33 5% 1/16W			RC21	2203-000178	CHIP CAPACITOR	100NF +80-20% 25V	
	DR98	2007-000072	CHIP RESISTOR	47 5% 1/16W			RC26	2203-000178	CHIP CAPACITOR	100NF +80-20% 25V	
	DR99	2007-000072	CHIP RESISTOR	47 5% 1/16W			RC27	2203-000178	CHIP CAPACITOR	100NF +80-20% 25V	
	DTC10	2401-000795	E.CAPACITOR	220UF 20% 16V			RC28	2203-000178	CHIP CAPACITOR	100NF +80-20% 25V	
	DTC11	2401-001893	E.CAPACITOR	100UF 20% 10V			RC29	2203-000178	CHIP CAPACITOR	100NF +80-20% 25V	
	DTC12	2401-001893	E.CAPACITOR	100UF 20% 10V			RC3	2203-000178	CHIP CAPACITOR	100NF +80-20% 25V	
	DTC13	2401-001893	E.CAPACITOR	100UF 20% 10V			RC31	2203-000178	CHIP CAPACITOR	100NF +80-20% 25V	
	DTC6	2401-000243	E.CAPACITOR	100UF 20% 10V			RC32	2203-000178	CHIP CAPACITOR	100NF +80-20% 25V	
	DTC7	2401-001975	E.CAPACITOR	47UF 20% 16V			RC34	2203-000178	CHIP CAPACITOR	100NF +80-20% 25V	
	DTC9	2401-000795	E.CAPACITOR	220UF 20% 16V			RC35	2203-001636	CHIP CAPACITOR	0.033NF 5% 50V	
	DU3	1204-001936	IC	M5705 176P			RC36	2203-002494	CHIP CAPACITOR	470NF 10% 16V	
	DU5	1107-001203	IC	W29EE512P 32P			RC4	2203-000178	CHIP CAPACITOR	100NF +80-20% 25V	
	DU6	1203-001369	IC	61AN1902 3P			RC6	2203-000440	CHIP CAPACITOR	1NF 10% 50V	
	DU7	1105-001372	IC	K4E151512D			RC7	2203-000178	CHIP CAPACITOR	100NF +80-20% 25V	
	DU8	1203-001293	IC	033 T0-252 3P			RC8	2203-000440	CHIP CAPACITOR	1NF 10% 50V	
	DXT1	2801-000261	CRYSTAL	33.8688MHZ 50PPM			RC9	2203-001126	CHIP CAPACITOR	0.68NF 10% 50V	
	MCE1	2401-001975	E.CAPACITOR	47UF 20% 16V			RD1	0407-000116	DIODE	DAP202K 80V	
	MC81	2203-000178	CHIP CAPACITOR	100NF +80-20% 25V			RL1	2703-000001	INDUCTOR	10UH 10%	
	MC82	2203-000592	CHIP CAPACITOR	0.22NF 5% 50V			RL2	2703-000001	INDUCTOR	10UH 10%	
	MC83	2203-001408	CHIP CAPACITOR	0.27NF 5% 50V			RQ1	0501-000632	TRANSISTOR	2SB1197K	
	MC84	2203-000888	CHIP CAPACITOR	4.7NF 10% 50V			RQ2	0501-000632	TRANSISTOR	2SB1197K	
	MC87	2203-000178	CHIP CAPACITOR	100NF +80-20% 25V			RR1	2007-000309	CHIP RESISTOR	10 5% 1/16W	
	MD1	0407-000116	DIODE	DAP202K 80V			RR13	2007-000122	CHIP RESISTOR	1.2K 5% 1/16W	
	MJ4	AH39-00368A	LEAD CONNECTOR	6P 50MM			RR16	2007-000122	CHIP RESISTOR	1.2K 5% 1/16W	
	MJ5	3711-001018	CONNECTOR	5P 1R 2MM			RR17	2007-000090	CHIP RESISTOR	10K 5% 1/16W	
	MR148	2007-000134	CHIP RESISTOR	33K 5% 1/16W			RR18	2007-000090	CHIP RESISTOR	10K 5% 1/16W	
	MR149	2007-000090	CHIP RESISTOR	10K 5% 1/16W			RR2	2007-000309	CHIP RESISTOR	10 5% 1/16W	
	MR150	2007-000090	CHIP RESISTOR	10K 5% 1/16W			RR20	2007-000075	CHIP RESISTOR	220 5% 1/16W	
	MR151	2007-000097	CHIP RESISTOR	47K 5% 1/16W			RR21	2007-000119	CHIP RESISTOR	560 5% 1/16W	
	MR152	2007-000134	CHIP RESISTOR	33K 5% 1/16W			RR23	2007-000070	CHIP RESISTOR	0 5% 1/16W	
	MR153	2007-000113	CHIP RESISTOR	33 5% 1/16W			RR25	2007-001179	CHIP RESISTOR	8.2K 5% 1/16W	
	MR154	2007-000091	CHIP RESISTOR	12K 5% 1/16W			RR28	2007-000098	CHIP RESISTOR	56K 5% 1/16W	
	MR155	2007-000125	CHIP RESISTOR	3.9K 5% 1/16W			RR29	2007-000088	CHIP RESISTOR	7.5K 5% 1/16W	
	MR156	2007-000082	CHIP RESISTOR	3.3K 5% 1/16W			RR3	2007-000078	CHIP RESISTOR	1K 5% 1/16W	
	MR157	2007-000090	CHIP RESISTOR	10K 5% 1/16W			RR30	2007-000070	CHIP RESISTOR	0 5% 1/16W	
	MR158	2007-000070	CHIP RESISTOR	0 5% 1/16W			RR31	2007-000107	CHIP RESISTOR	470K 5% 1/16W	
	MR164	2007-000483	CHIP RESISTOR	1 5% 1/10W			RR4	2007-000078	CHIP RESISTOR	1K 5% 1/16W	
	MR165	2007-000483	CHIP RESISTOR	1 5% 1/10W			RR5	2007-000070	CHIP RESISTOR	0 5% 1/16W	
	MR167	2007-000483	CHIP RESISTOR	1 5% 1/10W			RR6	2007-001179	CHIP RESISTOR	8.2K 5% 1/16W	
	MR168	2007-000483	CHIP RESISTOR	1 5% 1/10W			RR7	2007-000070	CHIP RESISTOR	0 5% 1/16W	
	MR172	2007-000070	CHIP RESISTOR	0 5% 1/16W			RTC1	2401-000795	E.CAPACITOR	220UF 20% 16V	

## ■ Electrical parts list (DVD loader board)

Block No. 04

△	Item	Parts number	Parts name	Remarks	Area
	RTC2	2401-001893	E.CAPACITOR	100UF 20% 16V	
	RTC4	2401-001893	E.CAPACITOR	100UF 20% 16V	
	RTC5	2401-001893	E.CAPACITOR	100UF 20% 16V	
	RU1	1201-001790	IC	SP3721A 64P	
	RU2	1201-001842	IC	TL3472CD 8P	

## ■ Electrical parts list (DVD MPEG board)

Block No. 05

△	Item	Parts number	Parts name	Remarks	Area	△	Item	Parts number	Parts name	Remarks	Area
	AC1	2203-000178	CHIP CAPACITOR	100NF +80-20% 25V			DR8	2007-000074	CHIP RESISTOR	100 5% 1/16W	
	AC2	2203-000178	CHIP CAPACITOR	100NF +80-20% 25V			DR9	2007-000074	CHIP RESISTOR	100 5% 1/16W	
	AC3	2203-000178	CHIP CAPACITOR	100NF +80-20% 25V			J14	3708-001615	CONNECTOR	24P 1MM	
	AC4	2203-000178	CHIP CAPACITOR	100NF +80-20% 25V			J21	3708-001646	CONNECTOR	10P 1MM	
	AC5	2203-000178	CHIP CAPACITOR	100NF +80-20% 25V			J6	3708-001645	CONNECTOR	40P 1MM	
	AC9	2203-000998	CHIP CAPACITOR	0.047NF 5% 50V			L1	3301-001495	BEAD	AB 120OHM 2012	
	AR1	2007-001134	CHIP RESISTOR	68 5% 1/16W			L30	3301-000353	BEAD	AB 120OHM	
	AU13	1105-001369	IC	4MX16BIT 54P			L32	3301-000353	BEAD	AB 120OHM	
	AU14	1105-001369	IC	4MX16BIT 54P			L38	3301-001495	BEAD	AB 120OHM 2012	
	C101	2203-000178	CHIP CAPACITOR	100NF +80-20% 25V			L39	3301-001495	BEAD	AB 120OHM 2012	
	C102	2203-000257	CHIP CAPACITOR	10NF 10% 50V			L40	3301-000353	BEAD	AB 120OHM	
	C103	2203-000178	CHIP CAPACITOR	100NF +80-20% 25V			L41	3301-000353	BEAD	AB 120OHM	
	C104	2203-000178	CHIP CAPACITOR	100NF +80-20% 25V			L42	3301-000353	BEAD	AB 120OHM	
	C105	2203-000178	CHIP CAPACITOR	100NF +80-20% 25V			L43	3301-000353	BEAD	AB 120OHM	
	C106	2203-000178	CHIP CAPACITOR	100NF +80-20% 25V			L44	3301-000353	BEAD	AB 120OHM	
	C107	2203-000178	CHIP CAPACITOR	100NF +80-20% 25V			L47	3301-000353	BEAD	AB 120OHM	
	C28	2402-001059	E.CAPACITOR	220UF 20% 6.3V			L48	3301-000353	BEAD	AB 120OHM	
	C29	2203-000178	CHIP CAPACITOR	100NF +80-20% 25V			L49	3301-000353	BEAD	AB 120OHM	
	C30	2402-001059	E.CAPACITOR	220UF 20% 6.3V			L50	3301-001495	BEAD	AB 120OHM 2012	
	C32	2203-000178	CHIP CAPACITOR	100NF +80-20% 25V			L52	3301-000353	BEAD	AB 120OHM	
	C33	2402-000009	E.CAPACITOR	47UF 20% 6.3V			L53	3301-000353	BEAD	AB 120OHM	
	C36	2203-000178	CHIP CAPACITOR	100NF +80-20% 25V			L54	3301-000353	BEAD	AB 120OHM	
	C37	2203-000178	CHIP CAPACITOR	100NF +80-20% 25V			L55	3301-001495	BEAD	AB 120OHM 2012	
	C38	2402-000009	E.CAPACITOR	47UF 20% 6.3V			L56	3301-001495	BEAD	AB 120OHM 2012	
	C46	2203-000178	CHIP CAPACITOR	100NF +80-20% 25V			OL1	3301-000353	BEAD	AB 120OHM	
	C48	2402-000009	E.CAPACITOR	47UF 20% 6.3V			OL2	3301-000353	BEAD	AB 120OHM	
	C50	2203-000178	CHIP CAPACITOR	100NF +80-20% 25V			PL1	3301-000353	BEAD	AB 120OHM	
	C51	2203-000178	CHIP CAPACITOR	100NF +80-20% 25V			PL3	3301-000325	BEAD		
	C54	2203-000178	CHIP CAPACITOR	100NF +80-20% 25V			Q3	0501-000314	TRANSISTOR	KSA812	
	C55	2203-000178	CHIP CAPACITOR	100NF +80-20% 25V			Q4	0501-000314	TRANSISTOR	KSA812	
	C59	2203-000178	CHIP CAPACITOR	100NF +80-20% 25V			Q5	0501-000314	TRANSISTOR	KSA812	
	C61	2203-000178	CHIP CAPACITOR	100NF +80-20% 25V			Q6	0501-000314	TRANSISTOR	KSA812	
	C62	2203-000178	CHIP CAPACITOR	100NF +80-20% 25V			Q7	0501-000314	TRANSISTOR	KSA812	
	C64	2203-000178	CHIP CAPACITOR	100NF +80-20% 25V			Q8	0501-000314	TRANSISTOR	KSA812	
	C66	2203-000178	CHIP CAPACITOR	100NF +80-20% 25V			RCN1	3708-001574	CONNECTOR	24P 1MM	
	C67	2203-000178	CHIP CAPACITOR	100NF +80-20% 25V			RTC3	2401-001893	E.CAPACITOR	100UF 20% 16V	
	C68	2402-000009	E.CAPACITOR	47UF 20% 6.3V			R10	2007-000070	CHIP RESISTOR	0 5% 1/16W	
	C71	2203-000178	CHIP CAPACITOR	100NF +80-20% 25V			R107	2007-000086	CHIP RESISTOR	5.6K 5% 1/16W	
	C73	2402-001059	E.CAPACITOR	220UF 20% 6.3V			R108	2007-000084	CHIP RESISTOR	4.7K 5% 1/16W	
	C75	2203-000178	CHIP CAPACITOR	100NF +80-20% 25V			R109	2007-000084	CHIP RESISTOR	4.7K 5% 1/16W	
	C76	2203-000178	CHIP CAPACITOR	100NF +80-20% 25V			R110	2007-000084	CHIP RESISTOR	4.7K 5% 1/16W	
	C77	2203-000178	CHIP CAPACITOR	100NF +80-20% 25V			R111	2007-000084	CHIP RESISTOR	4.7K 5% 1/16W	
	C79	2203-000178	CHIP CAPACITOR	100NF +80-20% 25V			R112	2007-000084	CHIP RESISTOR	4.7K 5% 1/16W	
	C80	2203-000178	CHIP CAPACITOR	100NF +80-20% 25V			R114	2007-000070	CHIP RESISTOR	0 5% 1/16W	
	C82	2402-000009	E.CAPACITOR	47UF 20% 6.3V			R31	2007-000084	CHIP RESISTOR	4.7K 5% 1/16W	
	C84	2402-000176	E.CAPACITOR	10UF 20% 16V			R32	2007-000084	CHIP RESISTOR	4.7K 5% 1/16W	
	C85	2402-001059	E.CAPACITOR	220UF 20% 6.3V			R34	2007-000070	CHIP RESISTOR	0 5% 1/16W	
	C86	2203-000178	CHIP CAPACITOR	100NF +80-20% 25V			R5V	2007-000070	CHIP RESISTOR	0 5% 1/16W	
	C87	2203-000178	CHIP CAPACITOR	100NF +80-20% 25V			R55	2007-000122	CHIP RESISTOR	1.2K 5% 1/16W	
	C88	2203-000178	CHIP CAPACITOR	100NF +80-20% 25V			R56	2007-000084	CHIP RESISTOR	4.7K 5% 1/16W	
	C89	2203-000178	CHIP CAPACITOR	100NF +80-20% 25V			R57	2007-000113	CHIP RESISTOR	33 5% 1/16W	
	C90	2203-000178	CHIP CAPACITOR	100NF +80-20% 25V			R58	2007-000113	CHIP RESISTOR	33 5% 1/16W	
	C96	2203-000384	CHIP CAPACITOR	0.015NF 5% 50V			R59	2007-000113	CHIP RESISTOR	33 5% 1/16W	
	C97	2203-000552	CHIP CAPACITOR	0.02NF 5% 50V			R6	2007-000113	CHIP RESISTOR	33 5% 1/16W	
	C98	2203-000178	CHIP CAPACITOR	100NF +80-20% 25V			R60	2007-000075	CHIP RESISTOR	220 5% 1/16W	
	C99	2203-000178	CHIP CAPACITOR	100NF +80-20% 25V			R61	2007-000116	CHIP RESISTOR	120 5% 1/16W	
	DR1	2007-000074	CHIP RESISTOR	100 5% 1/16W			R63	2007-000113	CHIP RESISTOR	33 5% 1/16W	
	DR2	2007-000074	CHIP RESISTOR	100 5% 1/16W			R64	2007-000113	CHIP RESISTOR	33 5% 1/16W	
	DR3	2007-000074	CHIP RESISTOR	100 5% 1/16W			R66	2007-000113	CHIP RESISTOR	33 5% 1/16W	
	DR4	2007-000074	CHIP RESISTOR	100 5% 1/16W			R68	2007-000113	CHIP RESISTOR	33 5% 1/16W	
	DR5	2007-000074	CHIP RESISTOR	100 5% 1/16W			R69	2007-000113	CHIP RESISTOR	33 5% 1/16W	
	DR6	2007-000074	CHIP RESISTOR	100 5% 1/16W			R71	2007-000113	CHIP RESISTOR	33 5% 1/16W	
	DR7	2007-000074	CHIP RESISTOR	100 5% 1/16W			R73	2007-000113	CHIP RESISTOR	33 5% 1/16W	

## ■ Electrical parts list (DVD MPEG board)

Block No. 05

△	Item	Parts number	Parts name	Remarks	Area
	R75	2007-000113	CHIP RESISTOR	33 5% 1/16W	
	R78	2007-000113	CHIP RESISTOR	33 5% 1/16W	
	R79	2007-000113	CHIP RESISTOR	33 5% 1/16W	
	R8	2007-000113	CHIP RESISTOR	33 5% 1/16W	
	R80	2007-000113	CHIP RESISTOR	33 5% 1/16W	
	R81	2007-000113	CHIP RESISTOR	33 5% 1/16W	
	R82	2007-000113	CHIP RESISTOR	33 5% 1/16W	
	R83	2007-000113	CHIP RESISTOR	33 5% 1/16W	
	R84	2007-000113	CHIP RESISTOR	33 5% 1/16W	
	R85	2007-000113	CHIP RESISTOR	33 5% 1/16W	
	R86	2007-000113	CHIP RESISTOR	33 5% 1/16W	
	R88	2007-000113	CHIP RESISTOR	33 5% 1/16W	
	R9	2007-000070	CHIP RESISTOR	0 5% 1/16W	
	R90	2007-000113	CHIP RESISTOR	33 5% 1/16W	
	R98	2007-000084	CHIP RESISTOR	4.7K 5% 1/16W	
	R99	2007-000078	CHIP RESISTOR	1K 5% 1/16W	
	U10	0802-001109	IC	74LVT573	
	U11	0802-001109	IC	74LVT573	
	U12	0802-001109	IC	74LVT573	
	U15	0801-002683	IC	74HCT245	
	U6	1107-001318	IC	SST39VF800A	
	U8	1204-001981	IC	ZIVA-5P 208P	
	U9	1203-002369	REGULATOR	AMS317 3P	
	VC10	2203-000178	CHIP CAPACITOR	100NF +80-20% 25V	
	VJL1	2007-000029	CHIP RESISTOR	0 5% 1/10W	
	VL1	3301-000353	BEAD	AB 120OHM	
	VR1	2007-000402	CHIP RESISTOR	150 5% 1/16W	
	VR10	2007-000402	CHIP RESISTOR	150 5% 1/16W	
	VR11	2007-000070	CHIP RESISTOR	0 5% 1/16W	
	VR12	2007-000115	CHIP RESISTOR	82 5% 1/16W	
	VR13	2007-000402	CHIP RESISTOR	150 5% 1/16W	
	VR14	2007-000070	CHIP RESISTOR	0 5% 1/16W	
	VR15	2007-001043	CHIP RESISTOR	56 5% 1/10W	
	VR16	2007-000402	CHIP RESISTOR	150 5% 1/16W	
	VR17	2007-000070	CHIP RESISTOR	0 5% 1/16W	
	VR2	2007-000115	CHIP RESISTOR	82 5% 1/16W	
	VR3	2007-000070	CHIP RESISTOR	0 5% 1/16W	
	VR4	2007-000115	CHIP RESISTOR	82 5% 1/16W	
	VR5	2007-000402	CHIP RESISTOR	150 5% 1/16W	
	VR6	2007-000070	CHIP RESISTOR	0 5% 1/16W	
	VR7	2007-000402	CHIP RESISTOR	150 5% 1/16W	
	VR8	2007-000070	CHIP RESISTOR	0 5% 1/16W	
	VR9	2007-000115	CHIP RESISTOR	82 5% 1/16W	
	X1	2801-004132	CRYSTAL	13.5MHZ 10PPM	

< MEMO >

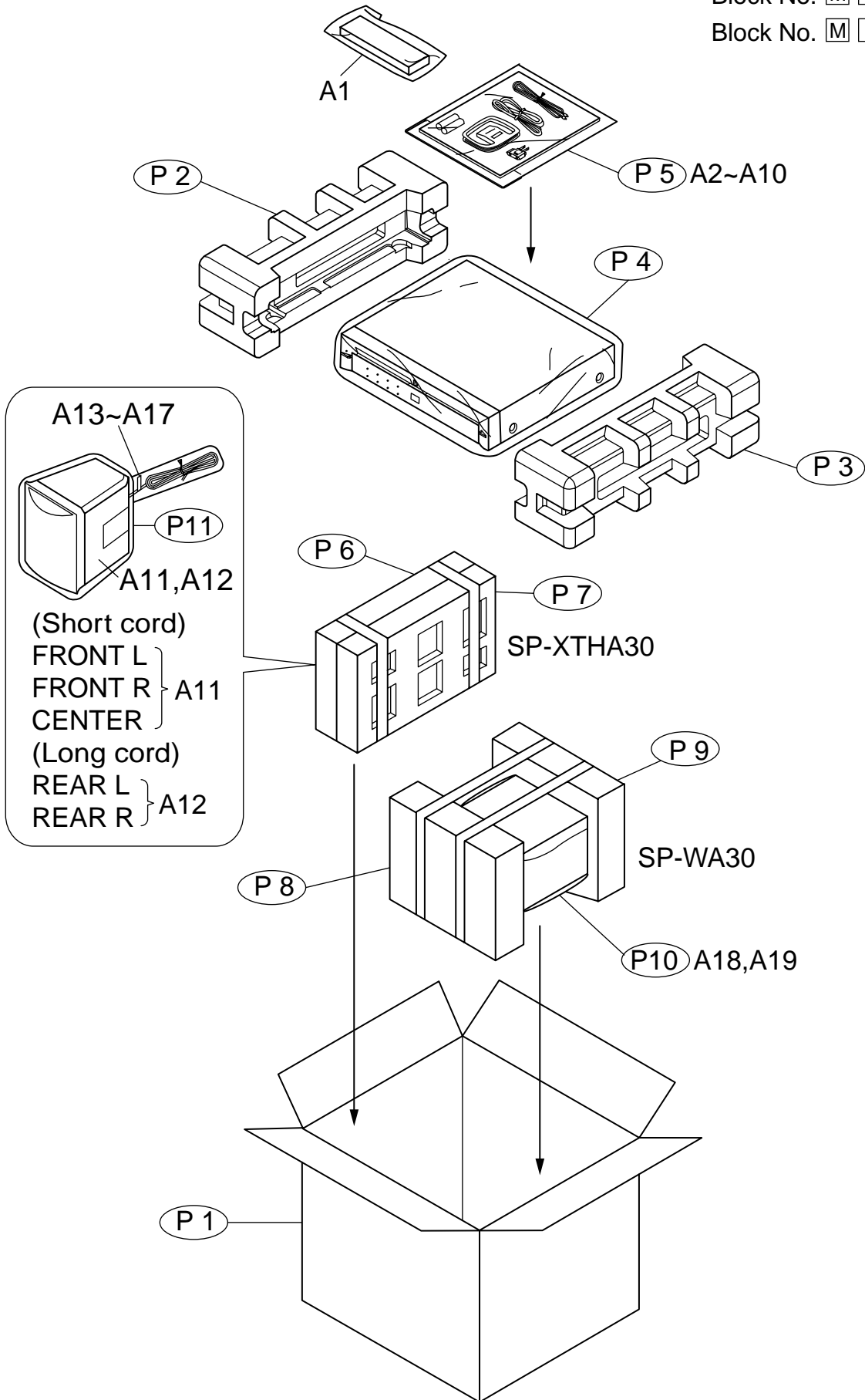
# Packing materials and accessories parts list

Block No. 

M	3	M	M
---	---	---	---

Block No. 

M	5	M	M
---	---	---	---



### ■ Parts list (Packing)

Block No. M3MM

△	Item	Parts number	Parts name	Q'ty	Description	Area
	P 1	AH69-00761C	PACKING CASE	1		
	P 2	AH69-00740A	CUSHION L	1	SET	
	P 3	AH69-00741A	CUSHION R	1	SET	
	P 4	AH69-10081J	POLY BAG	1	SET	
	P 5	AH69-00525B	POLY BAG	1		
	P 6	AH81-00841H	CUSHION TOP	1	SPEAKER BOX	
	P 7	AH81-00841J	CUSHION BOTTOM	1	SPEAKER BOX	
	P 8	AH81-00843G	CUSHION TOP	1	SPEAKER BOX	
	P 9	AH81-00843H	CUSHION BOTTOM	1	SPEAKER BOX	
	P10	AH81-00843F	POLY BAG	1	SPEAKER BOX	
	P11	AH81-00841G	POLY BAG	5	SPEAKER BOX	

### ■ Parts list (Accessories)

Block No. M5MM

△	Item	Parts number	Parts name	Q'ty	Description	Area
	A 1	AH59-01096D	REMOCON ASSY	1		
	A 2	AH68-01150R	INSTRUCTIONS	1	ENG SPA POR	UW
		AH68-01150P	INSTRUCTIONS	1	ENG ARA	UG
		AH68-01150J	INSTRUCTIONS	1	ENG	A
		AH68-01150B	INSTRUCTIONS	1	ENG CHI	US,UB
	A 3	AH68-00415E	WARANTY CARD	1		A
	A 4	6801-001059	IMPORTANT CARD	1		UB
	A 5	AH38-10001A	FM ANT	1		
	A 6	AH42-20001P	AM ANT	1		
	A 7	AH39-40001V	RCA CABLE	1		
	A 8	-----	BATTERY	2		
△	A 9	3721-000117	CONVERSION PLUG	1		US,UG,UW,A
	A10	AH68-00416E	SVC NETWORK	1		A
	A11	AH81-00825P	SPEAKER BOX	3	FRONT/CENTER	
	A12	AH81-00825Q	SPEAKER BOX	2	REAR	
	A13	AH81-00842K	SPK CORD LABEL	1	FRONT L	
	A14	AH81-00842L	SPK CORD LABEL	1	FRONT R	
	A15	AH81-00842M	SPK CORD LABEL	1	CENTER	
	A16	AH81-00842N	SPK CORD LABEL	1	REAR L	
	A17	AH81-00842P	SPK CORD LABEL	1	REAR R	
	A18	AH81-00825R	SPEAKER BOX	1	SUBWOOFER	
	A19	AH81-00842Q	SPK CORD LABEL	1	SUBWOOFER	