

JVC

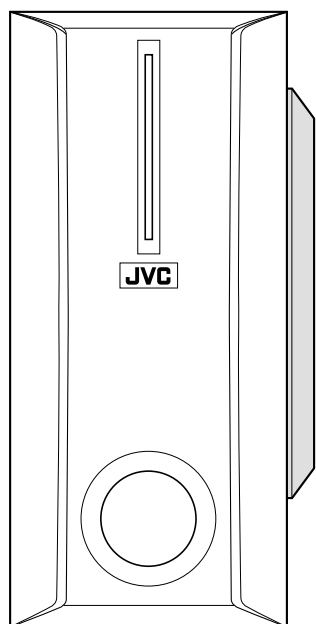
SCHEMATIC DIAGRAMS

DVD DIGITAL CINEMA SYSTEM

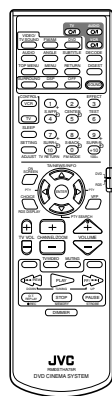
TH-A75R

CD-ROM No.SML200302

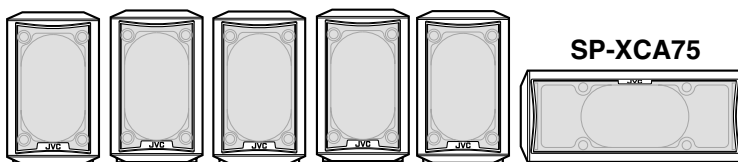
Area suffix	
B	U.K.
E	Continental Europe
EN	Northern Europe
EV	Eastern Europe



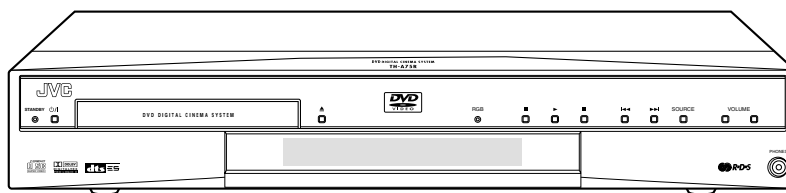
SP-WA75



SP-XSA75



SP-XCA75



XV-THA75R



Contents

Block diagrams	2-1
Standard schematic diagrams	2-4
Printed circuit boards	2-15~21

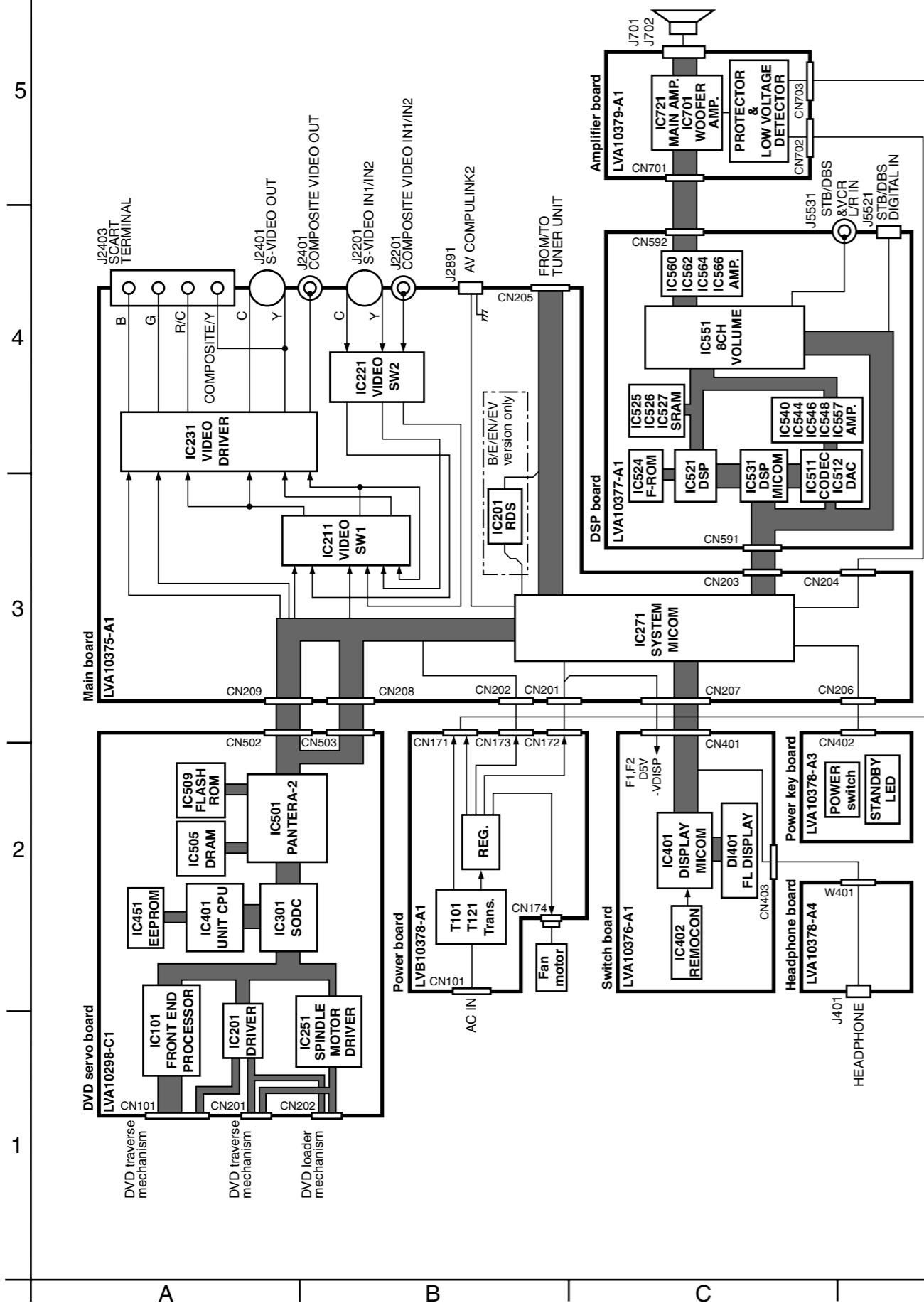
TH-A75R

In regard with component parts appearing on the silk-screen printed side (parts side) of the PWB diagrams, the parts that are printed over with black such as the resistor (■), diode (⬤) and ICP (●) or identified by the "⚠" mark nearby are critical for safety.

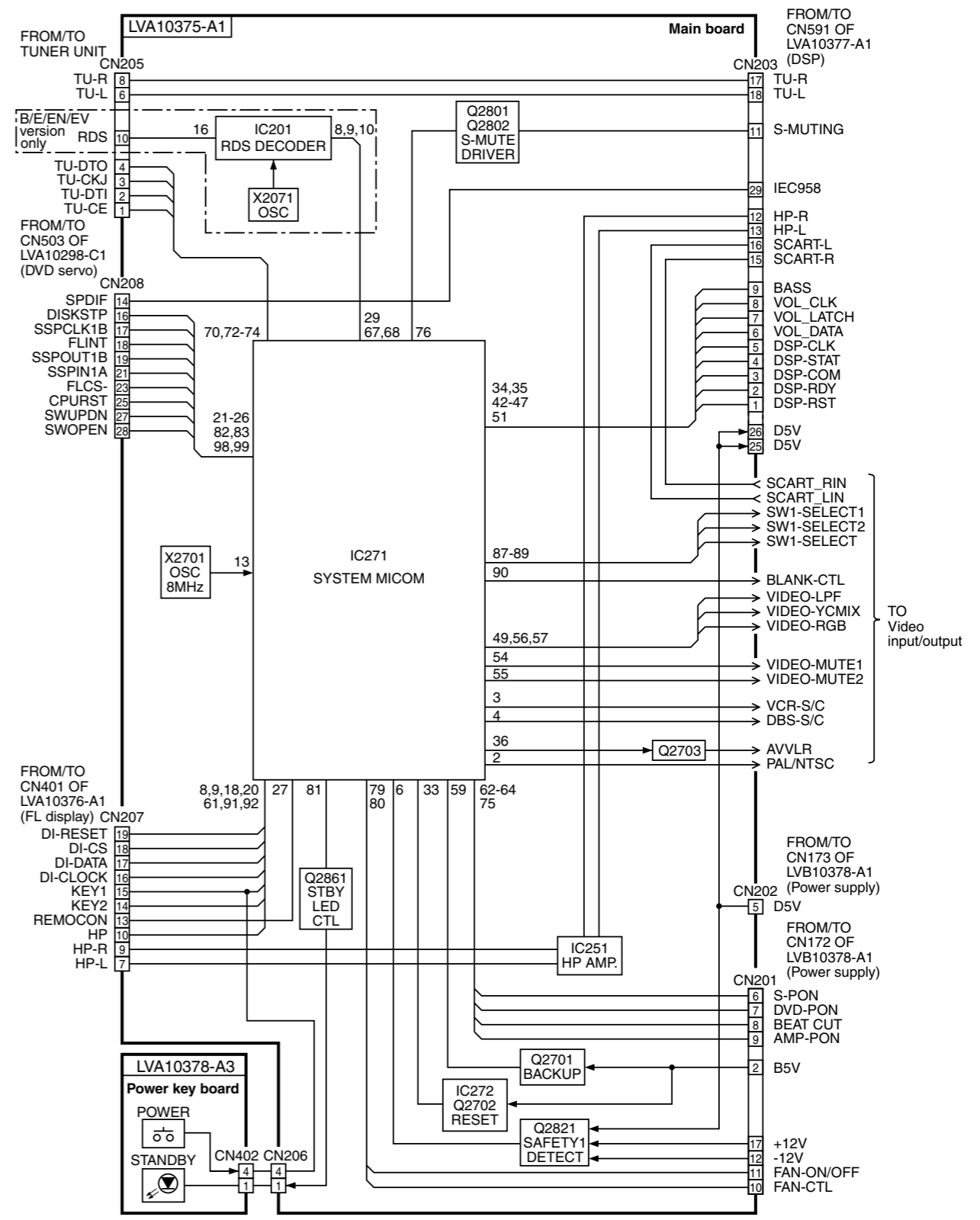
(This regulation does not correspond to J and C version.)

Block diagrams

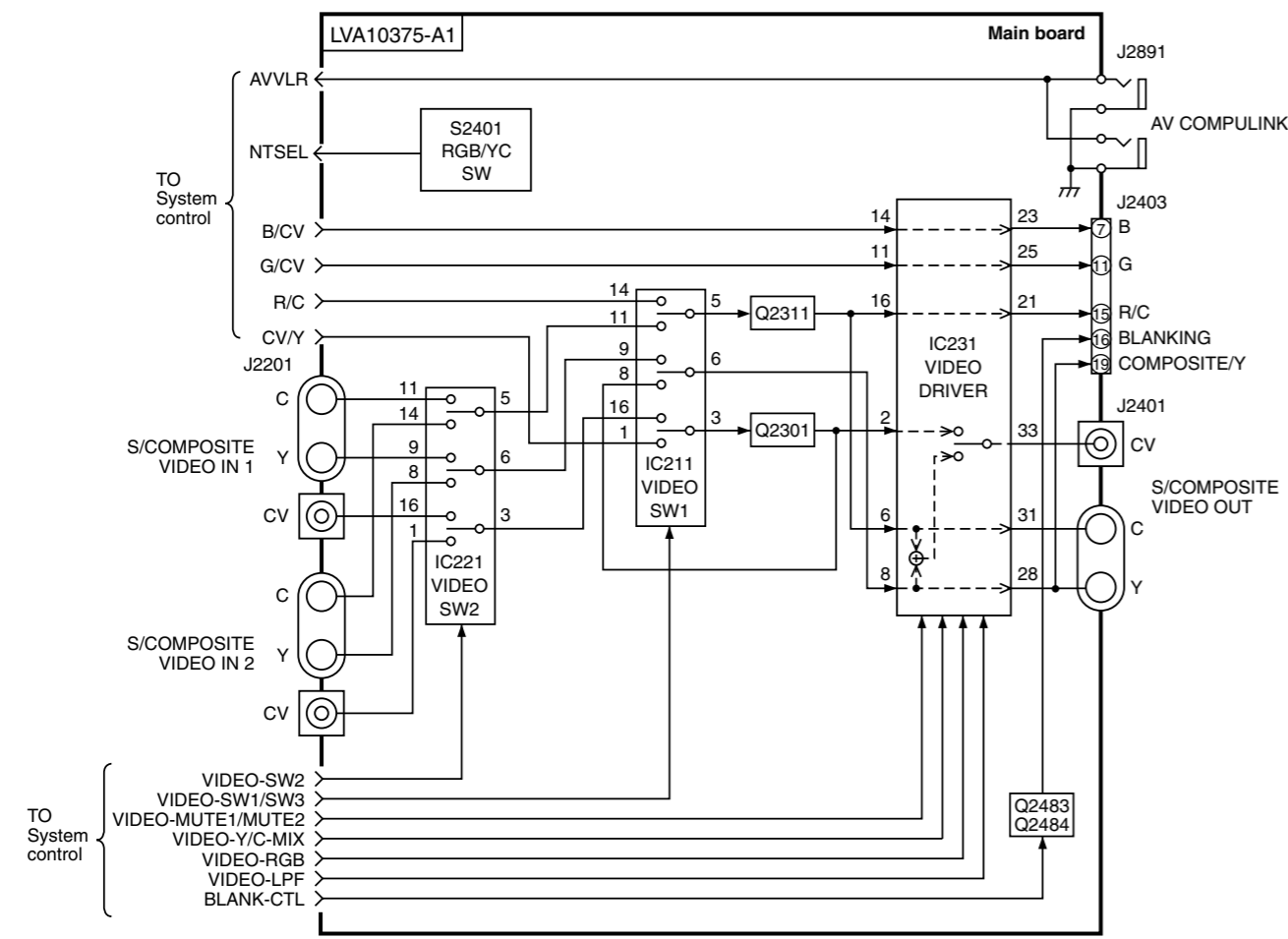
Overall block diagram



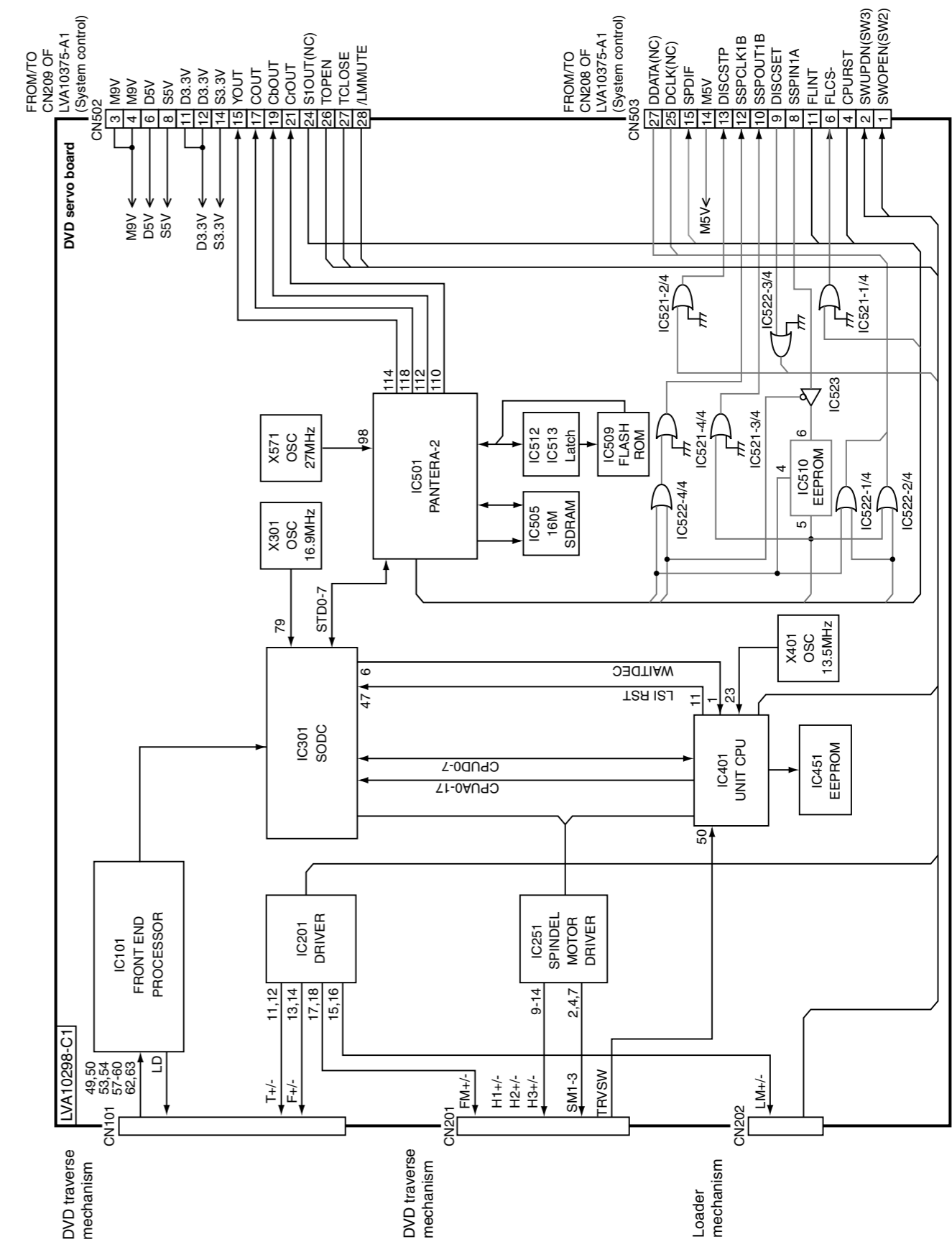
System control section



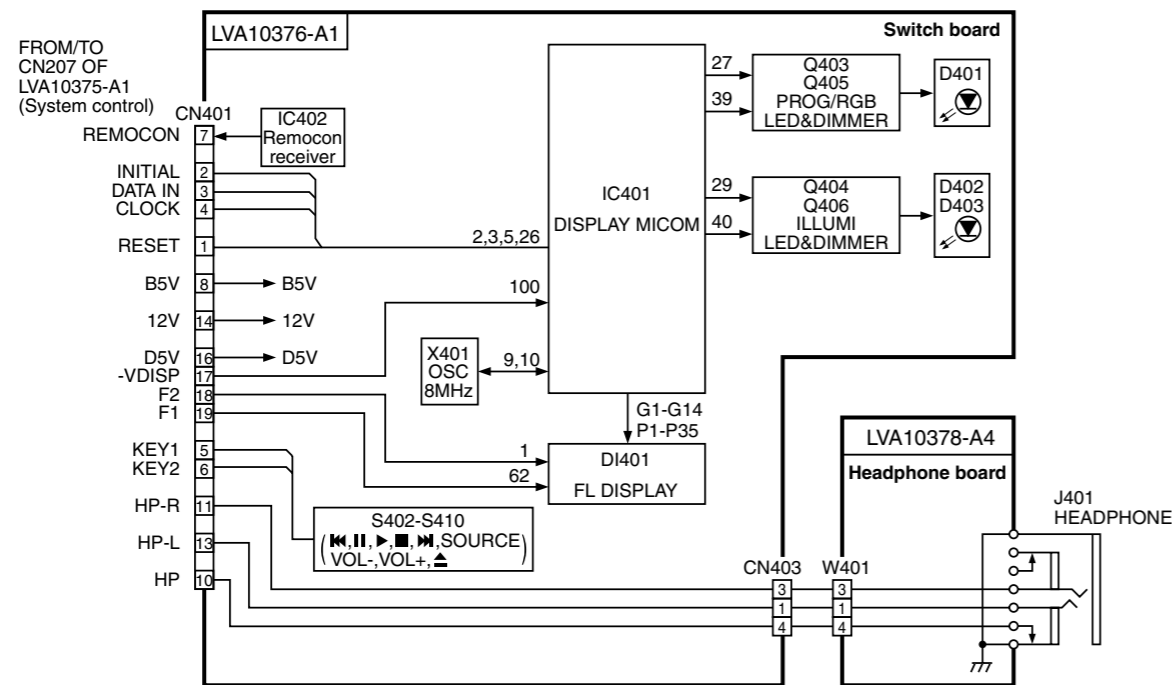
Video input/output section



DVD servo section



FL display section



5

4

3

2

1

A

B

C

2-2

D

E

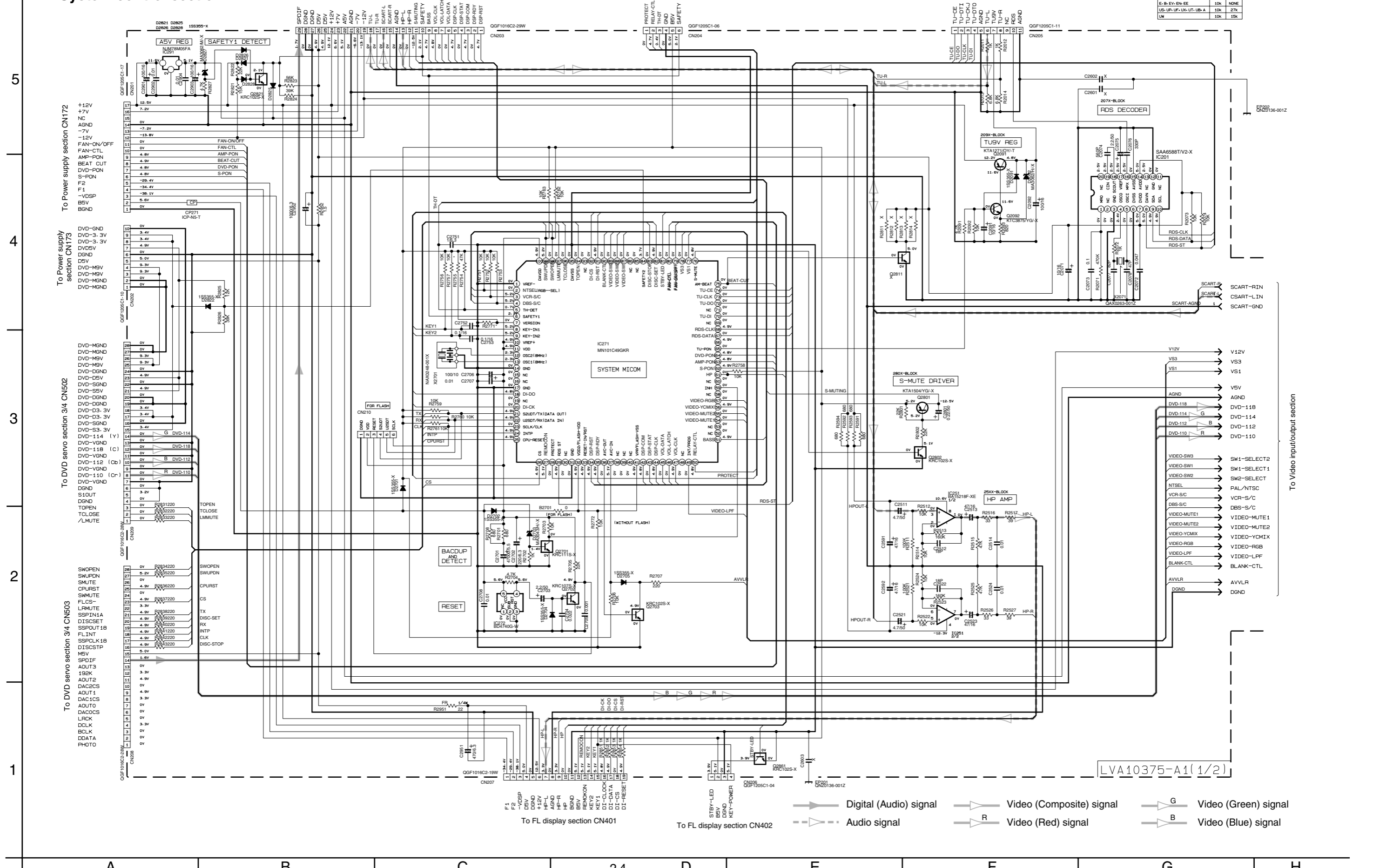
F

G

H

Standard schematic diagrams

System control section



VERSION	R2771	R2755
E: B, EV, EN, EE	10K	NONE
US: UP, LP, LX, UT, UB, A	10K	27K
UN	10K	15K

LVA10375-A1(1/2)

- ➡ Digital (Audio) signal
- ➡ Video (Composite) signal
- ➡ Video (Green) signal
- ➡ Video (Red) signal
- ➡ Audio signal

DSP section

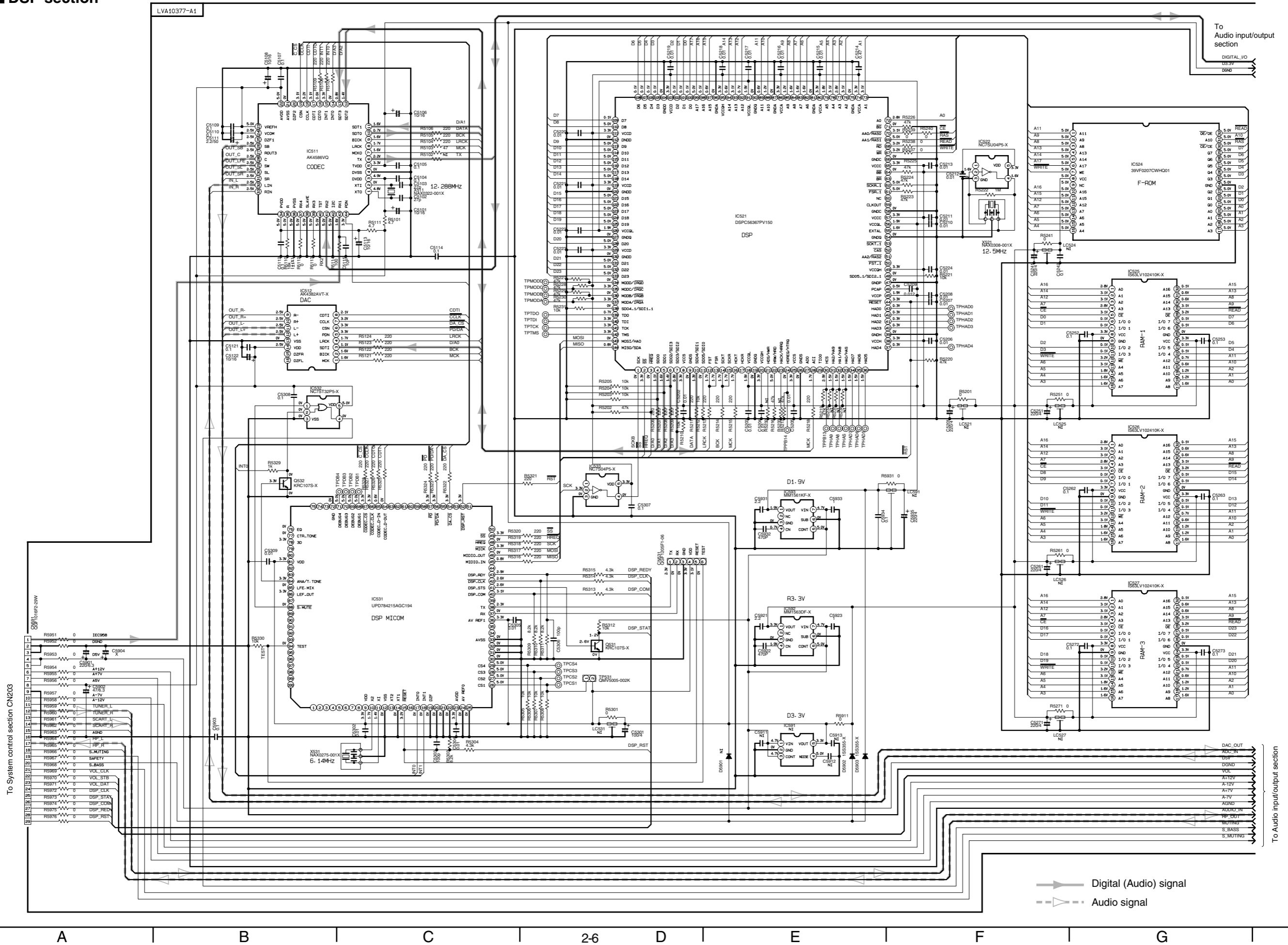
5

4

3

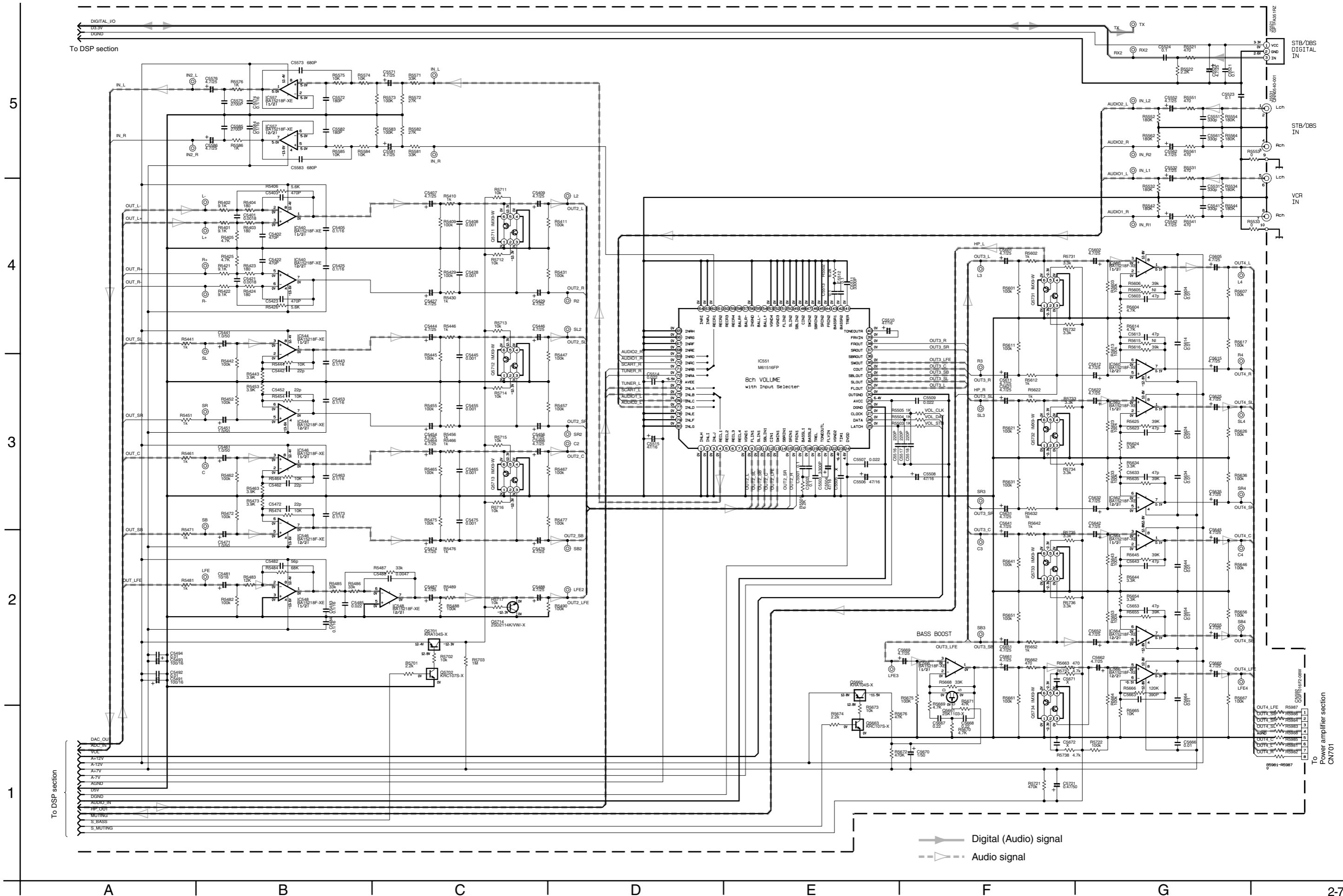
2



1



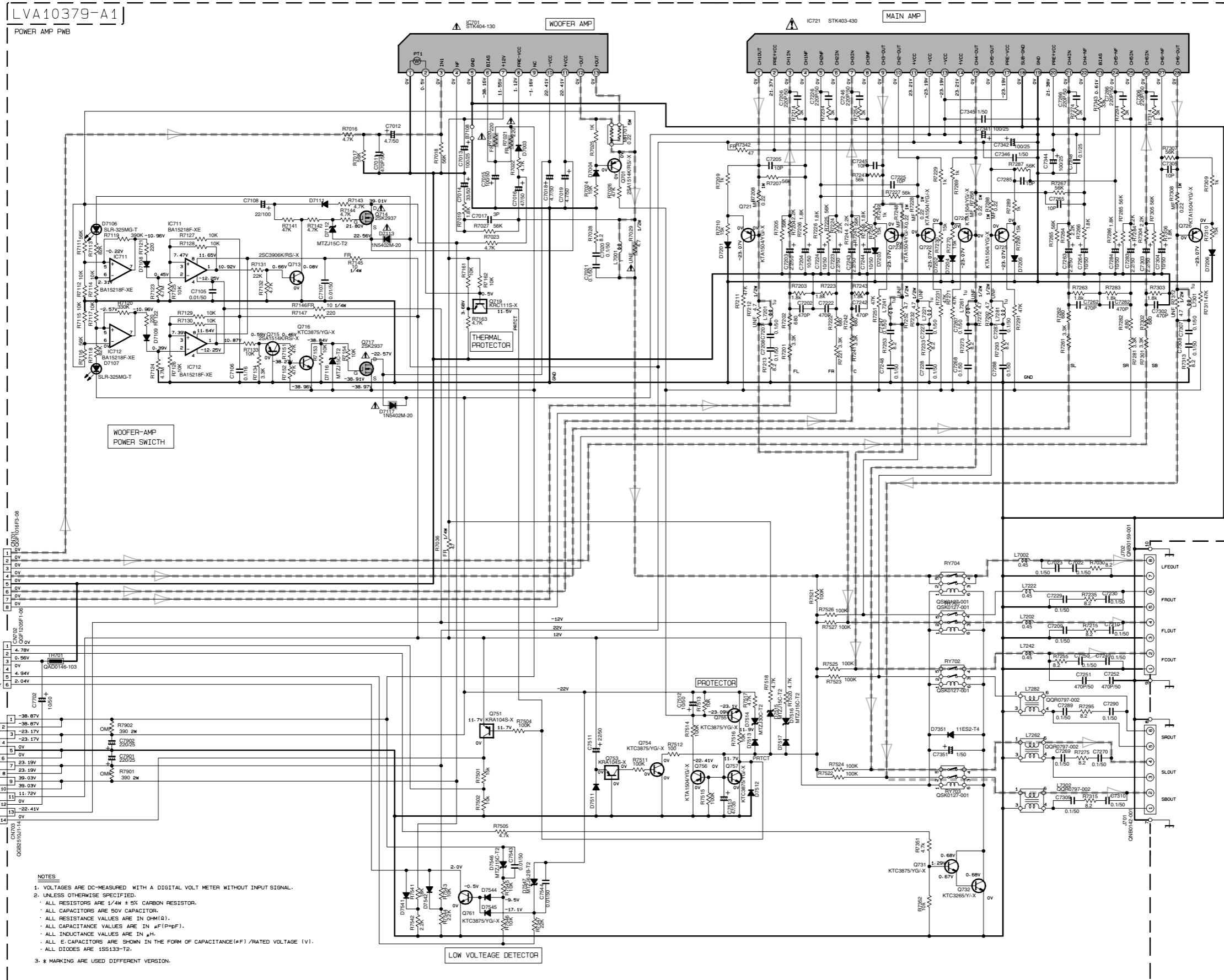
➔ Digital (Audio) signal
 - - - Audio signal

Audio input/output section



 Digital (Audio) signal
 Audio signal

Power amplifier section



- NOTES**
- VOLTAGES ARE DC-MEASURED WITH A DIGITAL VOLT METER WITHOUT INPUT SIGNAL.
 - UNLESS OTHERWISE SPECIFIED:
 - ALL RESISTORS ARE 1/4W ± 5% CARBON RESISTOR.
 - ALL CAPACITORS ARE 50V CAPACITOR.
 - ALL RESISTANCE VALUES ARE IN Ω(M)(k).
 - ALL CAPACITANCE VALUES ARE IN μF(p)(n)(F).
 - ALL INDUCTANCE VALUES ARE IN μH.
 - ALL E-CAPACITORS ARE SHOWN IN THE FORM OF CAPACITANCE(μF)/RATED VOLTAGE (V).
 - ALL DIODES ARE 1S133-T2.
 - * MARKING ARE USED DIFFERENT VERSION.

---> Audio signal

▲ Parts are safety assurance parts. When replacing those parts make sure to use the specified one.

5
4
3
2
1

To Audio input/output section CN582

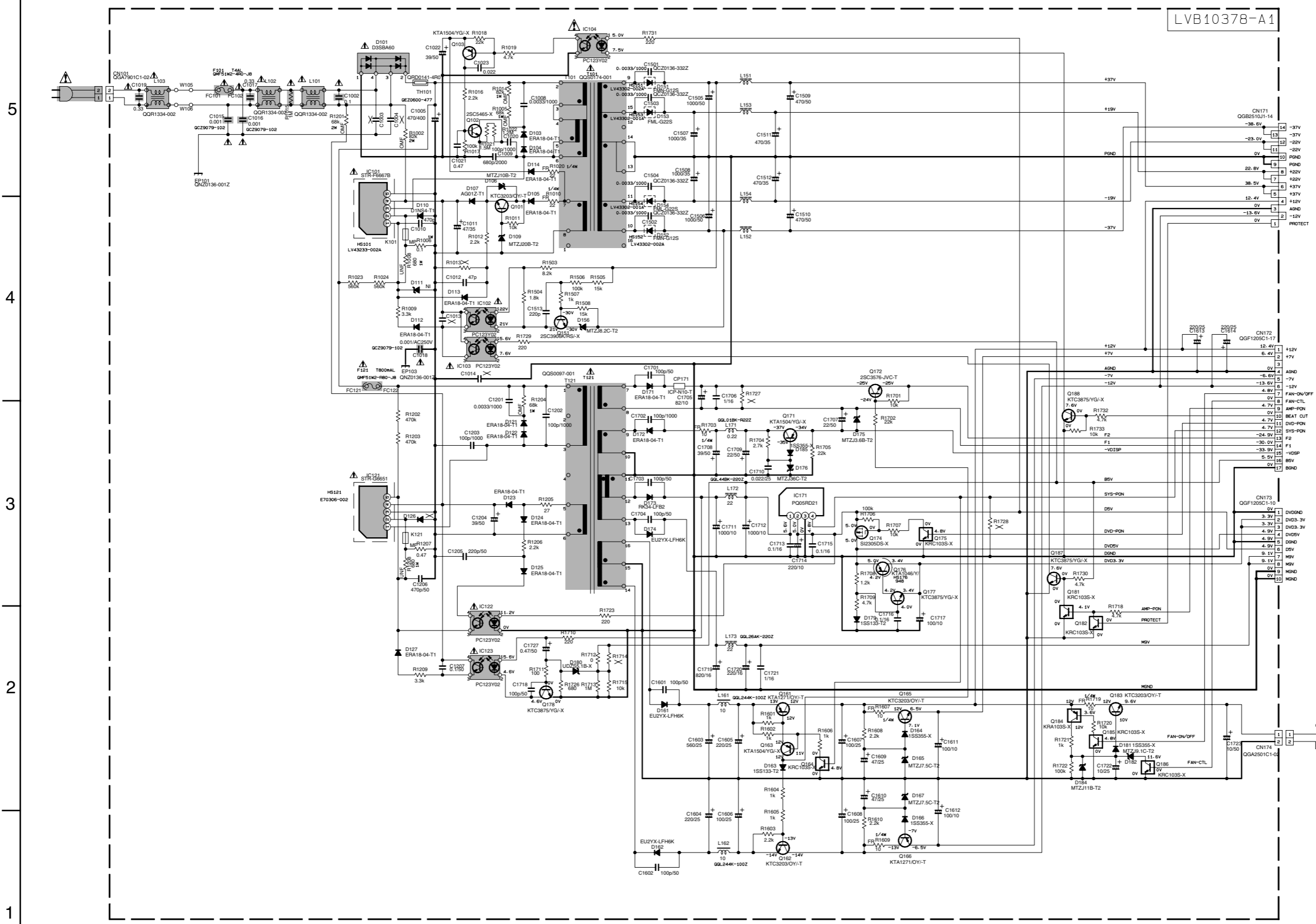
To System control section CN204

To Power supply section CN171

A B C 2-8 D E F G H

Power supply section

LVB10378-A1



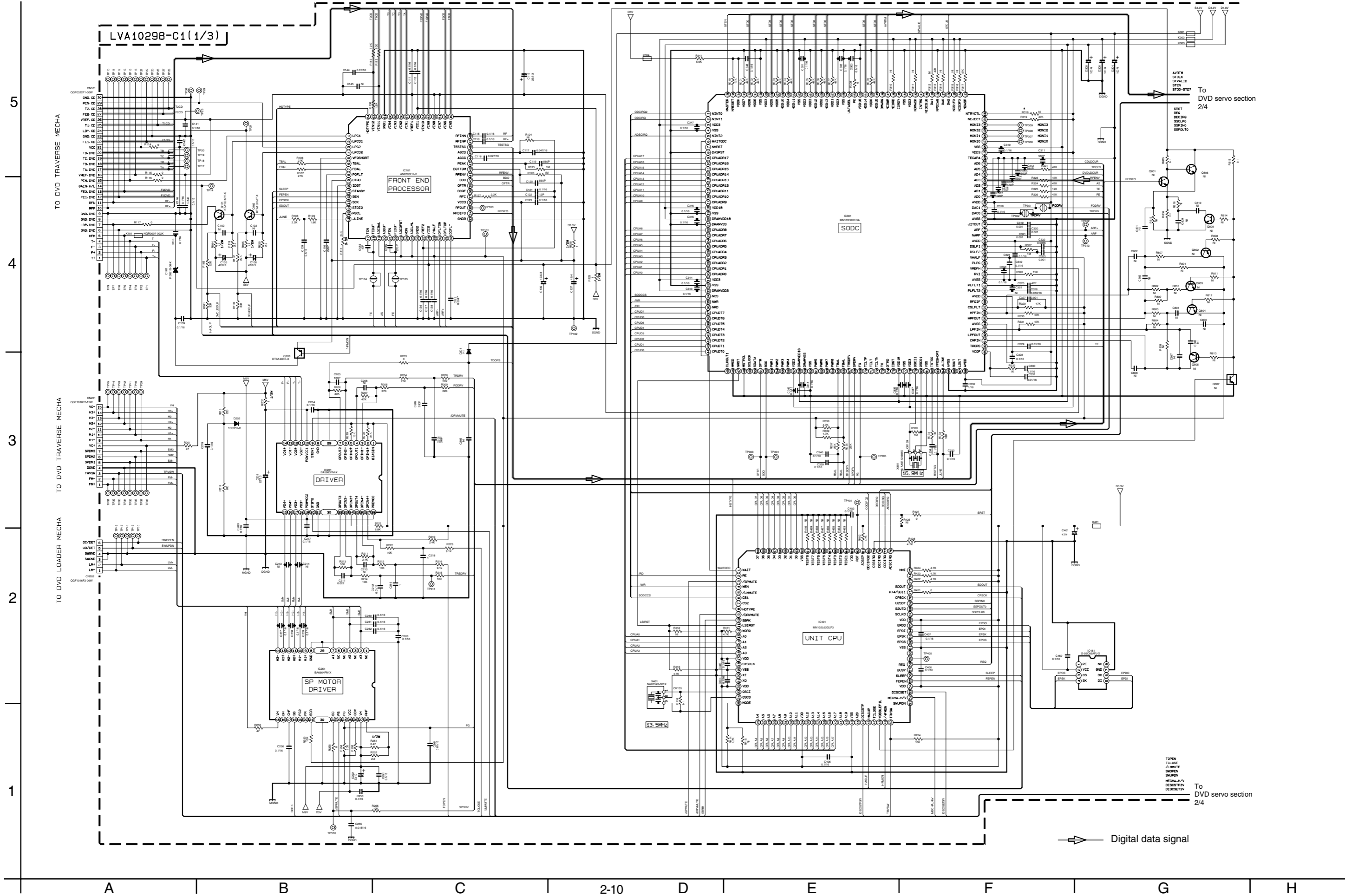
To Power amplifier section
CN703

To System control section
CN201

To System control section
CN202

▲ Parts are safety assurance parts.
When replacing those parts make
sure to use the specified one.

DVD servo section 1/4



DVD servo section 3/4

LVS10298-C1(3/3)

5

4

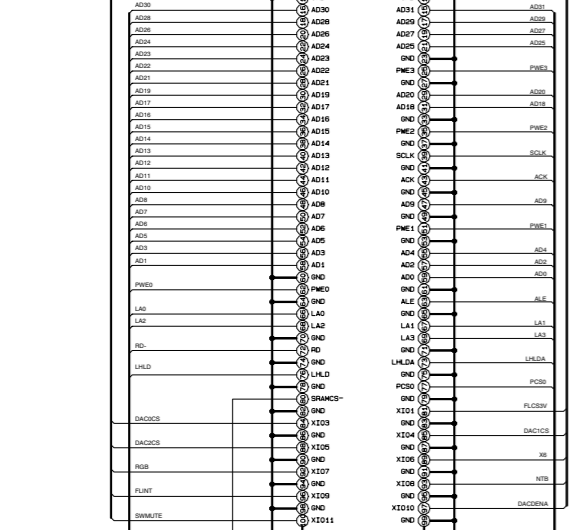
3

2

1

To DVD servo section 2/4

FLO3V
RCK
DACIC5
DACIC6
DACIC8
X6
R5B
NTB
DAC2ENA
CPUREST
SRST
FLINT
SMUTE
BUSY



To DVD servo section 2/4

PC90
LHLD
LHLD.A
LHLD.A3
ALE
RCP
ACK
SCLK
PWE0-PWE3
AD0-AD31

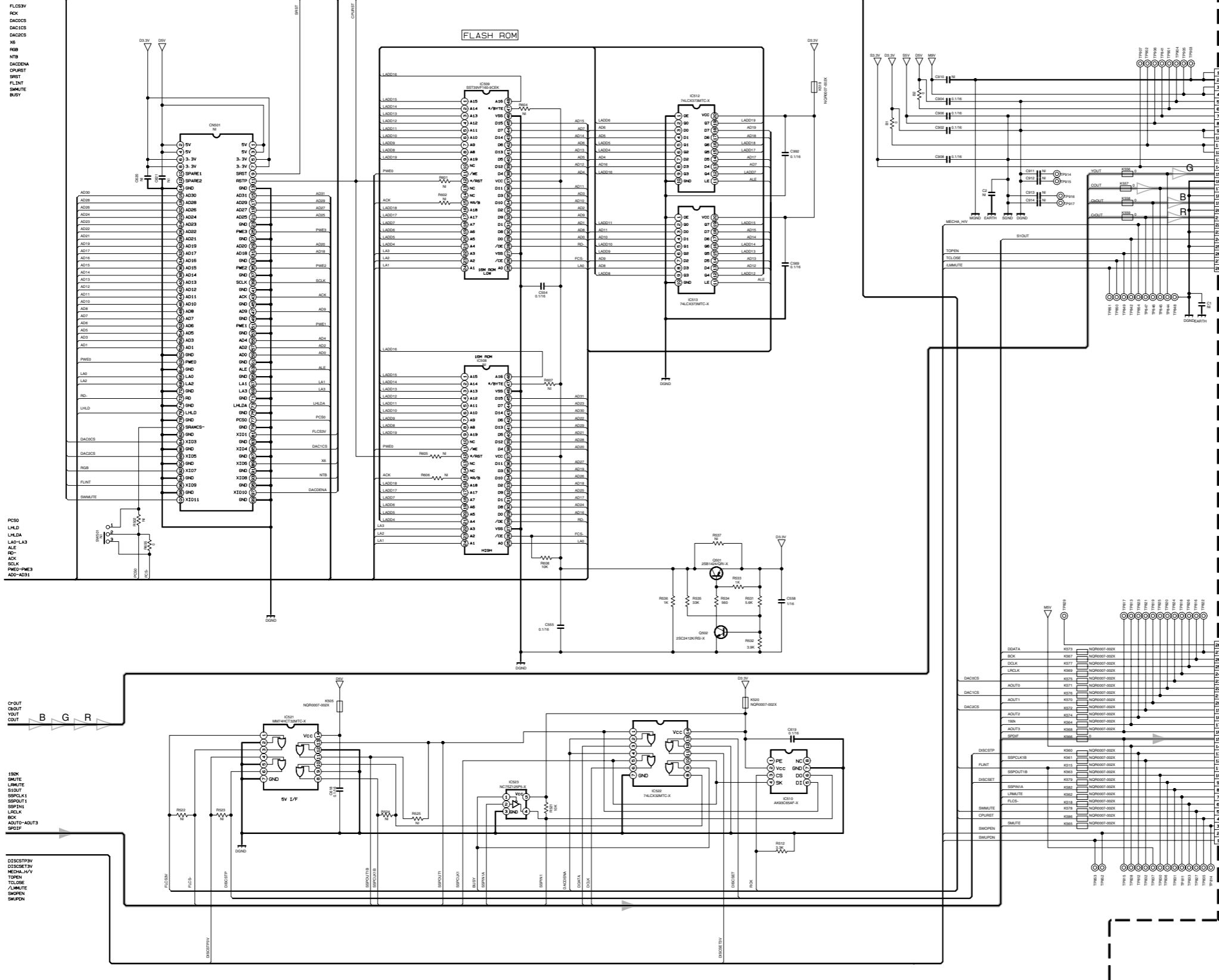
To DVD servo section 2/4

CP-OUT
COUT
YOUT
G
R

19K
SMUTE
LMMUTE
S1OUT
SPCLK1
SPCLK1
SPCLK
LACK
SCK
ADUT0-ADUT3
SPDF

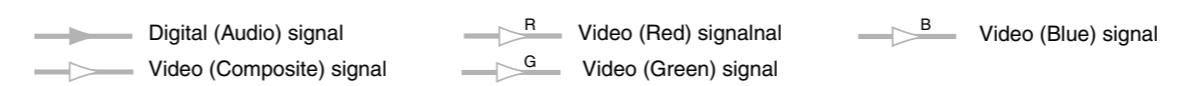
To DVD servo section 2/4

DISCSTP9V
DISCSTP3V
MECH.HV
TOPEN
TLCLOSE
LMMUTE
SWUPEN



To System control section CN209

To System control section CN208



A B C 2-12 D E F G H

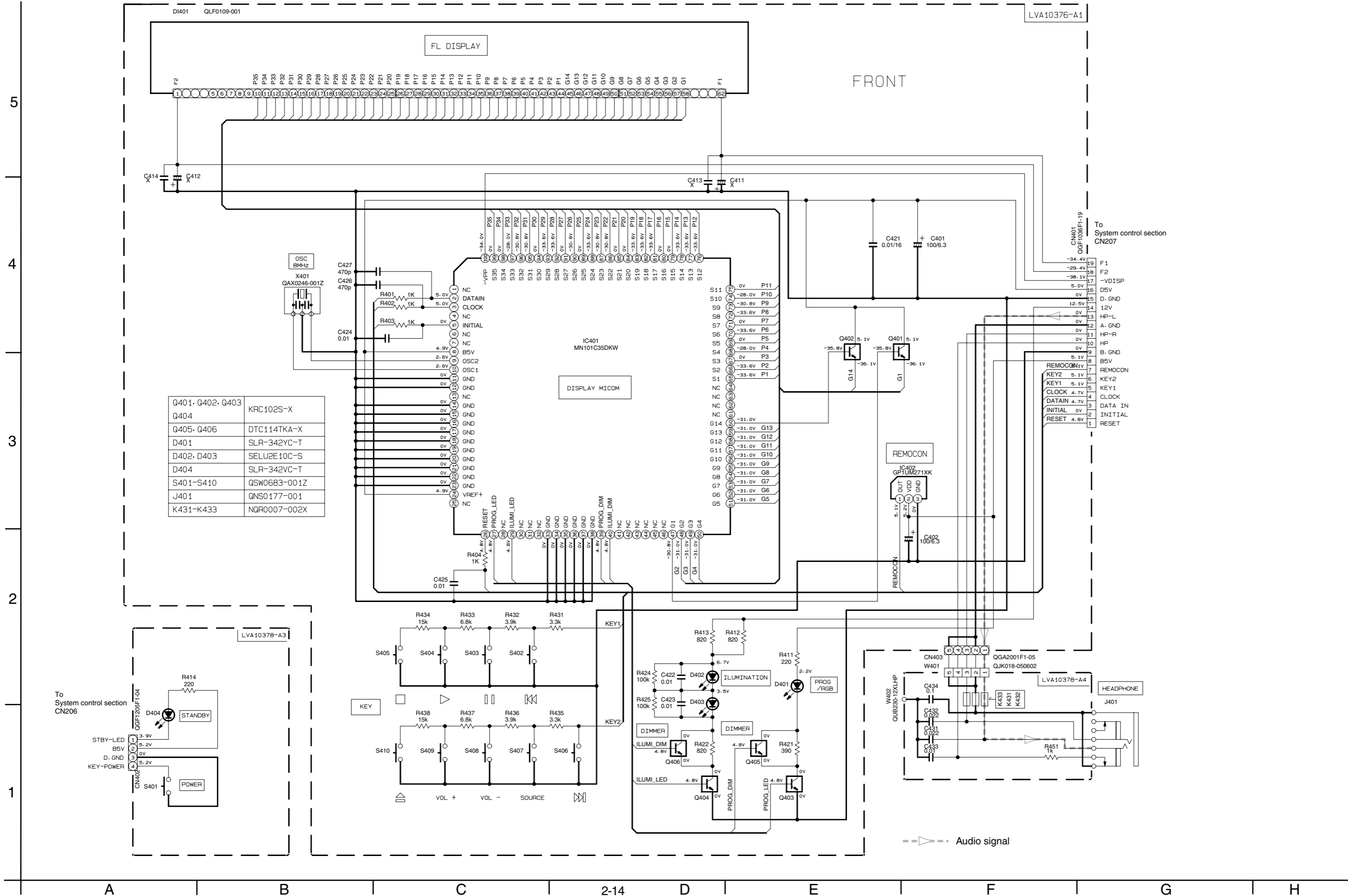
■ DVD servo section 4/4 (Voltage value)

5	IC101	IC201	IC251	IC301	IC401	IC451	IC501	IC502	IC505	IC509
	NO DC(V) NO DC(V)	NO DC(V) NO DC(V)	NO DC(V) NO DC(V)	NO DC(V) NO DC(V) NO DC(V) NO DC(V)	NO DC(V) NO DC(V)	NO DC(V)	NO DC(V) NO DC(V) NO DC(V) NO DC(V) NO DC(V) NO DC(V)	NO DC(V)	NO DC(V) NO DC(V) NO DC(V)	NO DC(V)
	1 0V 51 2.1V	1 1.7V	1 0.8V	1 0V 51 3.3V 101 0.7V 151 0V	1 3.3V 51 ---	1 0V	1 3.2V 53 3.2V 105 0V 157 0V 209 0V	1 1.5V	1 3.2V 51 0.5V	1 0V
	2 4.4V 52 2.1V	2 1.7V	2 0.8V	2 2.9V 52 3.3V 102 0V 152 1.7V	2 3.3V 52 0V	2 3.2V	2 0.5V 54 0.4V 106 0V 158 0V 210 3.2V	2 3.3V	2 0.8V 52 0V	2 0V
	3 3.7V 53 2.1V	3 1.7V	3 0.8V	3 3.3V 53 --- 103 1.4V 153 0V	3 0V 53 3.3V	3 0V	3 0.4V 55 0.4V 107 3.2V 159 1.7V 211 0V	3 1.7V	3 3.2V 53 0.5V	3 0V
4 4.4V 54 2.1V	4 1.7V	4 0.8V	4 0V 54 --- 104 2.1V 154 1.7V	4 3.3V 54 3.3V	4 0V	4 1.8V 56 0.4V 108 1.7V 160 1.7V 212 1.7V	4 0V	4 0.8V 54 0.7V	4 0V	
5 0V 55 4.9V	5 1.7V	5 0V	5 3.3V 55 --- 105 --- 155 0V	5 --- 55 3.3V	5 0V	5 0.4V 57 0V 109 0V 161 3.2V 213 3.2V	5 1.7V	5 0.8V 55 3.2V	5 0V	
6 1.7V 56 2.1V	6 1.7V	6 0V	6 3.3V 56 --- 106 1.7V 156 3.3V	6 3.3V 56 3.3V	6 0V	6 0V 58 0.4V 110 0V 162 0V 214 3.2V	6 1.7V	6 0V 56 0.7V	6 0V	
7 1.7V 57 2.1V	7 1.7V	7 0.8V	7 --- 57 3.3V 107 0.7V 157 0V	7 --- 57 ---	7 0V	7 0.4V 59 0.4V 111 1.0V 163 0V 215 0V	7 1.7V	7 0.6V 57 0.6V	7 0V	
8 1.9V 58 2.1V	8 0V	8 0V	8 0V 58 1.7V 108 0.7V 158 0V	8 0V 58 3.3V	8 0V	8 0.4V 60 0.4V 112 1.0V 164 0V 216 0V	8 0V	8 0.6V 58 0V	8 0V	
9 3.3V 59 2.1V	9 3.2V	9 5.0V	9 0V 59 0V 109 3.3V 159 0V	9 3.3V 59 0V	9 3.3V	9 0V 61 0.5V 113 3.1V 165 0V 217 3.2V	9 3.2V	9 3.2V 59 0V	9 0V	
10 0V 60 2.1V	10 5.0V	10 5.0V	10 0V 60 0V 110 1.7V 160 0V	10 0V 60 ---	10 0V	10 3.2V 62 3.2V 114 0.4V 166 0V 218 0V	10 5.0V	10 0.8V 60 1.7V	10 ---	
11 3.3V 61 0V	11 2.5V	11 5.0V	11 3.3V 61 --- 111 1.7V 161 0V	11 3.3V 61 0V	11 3.3V	11 0V 63 0.5V 115 0.4V 167 0V 219 3.2V	11 2.5V	11 1.0V 61 1.4V	11 3.2V	
12 3.3V 62 2.1V	12 2.5V	12 5.0V	12 3.3V 62 --- 112 0V 162 3.3V	12 3.3V 62 0V	12 3.3V	12 0V 64 3.2V 116 --- 168 0V 220 3.2V	12 2.5V	12 0V 62 0.4V	12 0V	
13 3.3V 63 2.1V	13 2.5V	13 5.0V	13 3.3V 63 --- 113 0V 163 0V	13 1.5V 63 0V	13 1.5V	13 0V 65 1.0V 117 3.1V 169 3.2V 221 0V	13 2.5V	13 0.4V 63 1.3V	13 ---	
14 3.3V 64 0V	14 2.5V	14 5.0V	14 0V 64 --- 114 1.7V 164 0V	14 1.5V 64 0V	14 0V	14 0V 66 --- 118 0.8V 170 3.2V 222 3.2V	14 2.5V	14 --- 64 1.3V	14 ---	
15 0V	15 4.3V	15 0V	15 1.4V 65 1.7V 115 1.7V 165 0V	15 1.5V 65 0V	15 2.0V	15 2.0V 67 0V 119 1.3V 171 0V 223 3.2V	15 4.3V	15 3.2V 65 2.0V	15 0V	
16 1.7V	16 4.3V	16 0V	16 0.3V 66 1.7V 116 3.3V 166 0V	16 1.5V 66 3.3V	16 1.3V	16 1.3V 68 1.7V 120 1.8V 172 0V 224 3.2V	16 1.7V	16 0V 66 0V	16 0V	
17 1.5V	17 4.3V	17 0V	17 1.4V 67 1.7V 117 1.7V 167 0V	17 3.3V 67 3.3V	17 0V	17 0V 69 0V 121 0V 173 0V 225 0V	17 4.3V	17 3.2V 67 3.2V	17 0V	
18 1.7V	18 4.3V	18 0V	18 1.7V 68 1.7V 118 1.7V 168 0V	18 --- 68 0V	18 0.4V	18 0.4V 70 3.2V 122 0V 174 0V 226 0V	18 1.7V	18 0V 68 1.7V	18 0V	
19 1.7V	19 9.2V	19 5.0V	19 0V 69 3.3V 119 1.7V 169 3.3V	19 0V 69 3.3V	19 3.2V	19 3.2V 71 0V 123 0V 175 0V 227 0.8V	19 9.2V	19 3.2V 69 ---	19 0V	
20 0V	20 0V	20 5.0V	20 1.7V 70 --- 120 1.7V 170 0V	20 0V 70 ---	20 1.4V	20 1.4V 72 0V 124 0V 176 0V 228 0V	20 0V	20 2.2V 70 ---	20 0V	
21 1.7V	21 0V	21 1.67V	21 0V 71 --- 121 2.1V 171 0V	21 --- 71 0V	21 1.7V	21 1.7V 73 0V 125 3.2V 177 0V 229 0.8V	21 0V	21 --- 71 0V	21 0V	
22 0V	22 1.7V	22 1.67V	22 2.2V 72 --- 122 1.7V 172 3.3V	22 3.3V 72 3.3V	22 1.7V	22 1.7V 74 0V 126 0V 178 0V 230 0V	22 0V	22 2.0V 72 0V	22 0V	
23 1.7V	23 1.7V	23 0V	23 2.2V 73 --- 123 2.1V 173 0V	23 1.7V 73 3.3V	23 0V	23 0V 75 3.2V 127 0V 179 0V 231 0.8V	23 1.7V	23 1.3V 73 ---	23 0V	
24 0.9V	24 1.7V	24 3.3V	24 1.7V 74 --- 124 --- 174 4.9V	24 1.7V 74 3.3V	24 3.2V	24 3.2V 76 --- 128 0V 180 0V 232 0.6V	24 0V	24 0V 74 0V	24 3.2V	
25 1.7V	25 0V	25 5.0V	25 1.5V 75 --- 125 3.3V 175 4.9V	25 5.0V 75 3.3V	25 0.5V	25 0.5V 77 1.7V 129 0V 181 3.2V 233 3.2V	25 1.7V	25 1.2V 75 3.2V	25 0V	
26 0V	26 0V	26 0V	26 1.5V 76 1.7V 126 0V 176 3.3V	26 3.3V 76 3.3V	26 2.5V	26 2.5V 78 1.7V 130 0V 182 3.2V 234 0.6V	26 0V	26 2.5V 76 0.4V	26 3.2V	
27 0V	27 1.7V	27 9.2V	27 1.5V 77 0V 127 0V	27 0V 77 0V	27 3.2V	27 3.2V 79 1.7V 131 0V 183 0V 235 0.8V	27 0V	27 0.5V 77 0.4V	27 0V	
28 4.9V	28 9.2V	28 9.2V	28 1.5V 78 3.3V 128 0V	28 3.3V 78 0V	28 1.2V	28 1.2V 80 0V 132 0V 184 0V 236 1.0V	28 9.2V	28 1.0V 78 0V	28 3.2V	
29 1.7V	29 1.7V	29 0V	29 1.5V 79 1.7V 129 0V	29 3.3V 79 0V	29 0V	29 0V 81 0V 133 0V 185 3.2V 237 0V	29 1.7V	29 3.2V 79 0V	29 0V	
30 0V	30 0V	30 0V	30 0.5V 80 --- 130 0V	30 3.3V 80 0V	30 0V	30 0V 82 0V 134 0V 186 0V 238 0.4V	30 0V	30 --- 80 0.4V	30 0V	
31 0V	31 0V	31 0V	31 3.3V 81 0V 131 3.3V	31 3.3V 81 3.3V	31 0V	31 0V 83 3.2V 135 1.8V 187 0V 239 0.8V	31 0V	31 0.4V 81 3.2V	31 0V	
32 0V	32 0V	32 0V	32 0V 82 0.8V 132 0V	32 0V 82 3.3V	32 2.0V	32 2.0V 84 0.4V 136 0V 188 0V 240 0.8V	32 0V	32 0V 82 0.5V	32 0V	
33 0V	33 0V	33 0V	33 3.3V 83 2.1V 133 0V	33 3.3V 83 3.3V	33 1.3V	33 1.3V 85 0V 137 0V 189 3.2V	33 0V	33 0.4V 83 0.8V	33 0V	
34 0V	34 0V	34 0V	34 3.3V 84 1.7V 134 0V	34 3.3V 84 3.3V	34 1.7V	34 1.7V 86 3.2V 138 0V 190 0V	34 0V	34 0.4V 84 0V	34 0V	
35 0.9V	35 0V	35 0V	35 3.3V 85 0V 135 0V	35 0V 85 3.3V	35 2.2V	35 2.2V 87 0V 139 0V 191 0V	35 0.9V	35 3.2V 85 0.8V	35 0V	
36 3.3V	36 1.3V	36 0V	36 3.3V 86 --- 136 1.7V	36 3.3V 86 3.3V	36 3.1V	36 3.1V 88 1.7V 140 3.2V 192 1.7V	36 3.3V	36 0.4V 86 0V	36 0V	
37 1.3V	37 0.9V	37 0V	37 0V 87 --- 137 3.3V	37 3.3V 87 3.3V	37 3.2V	37 3.2V 89 0V 141 0V 193 3.2V	37 1.3V	37 0.4V 87 ---	37 3.2V	
38 0.9V	38 3.3V	38 0V	38 0V 88 3.3V 138 0V	38 3.3V 88 3.3V	38 0V	38 0V 90 0V 142 0V 194 3.2V	38 0.9V	38 0V 88 ---	38 0V	
39 3.3V	39 3.3V	39 0V	39 0V 89 0V 139 3.3V	39 0V 89 3.3V	39 3.2V	39 3.2V 91 1.2V 143 0V 195 0V	39 3.3V	39 0.5V 89 ---	39 0V	
40 3.3V	40 1.7V	40 0V	40 0V 90 1.7V 140 0V	40 0V 90 3.3V	40 0V	40 0V 92 0V 144 0V 196 3.2V	40 3.3V	40 0.5V 90 ---	40 0V	
41 1.7V	41 1.7V	41 0V	41 0V 91 --- 141 0V	41 --- 91 3.3V	41 0V	41 0V 93 0V 145 3.2V 197 3.2V	41 1.7V	41 3.2V 91 ---	41 0V	
42 1.7V	42 1.7V	42 0V	42 0V 92 --- 142 0V	42 --- 92 0V	42 0V	42 0V 94 0.6V 146 0V 198 3.2V	42 1.7V	42 3.2V 92 ---	42 0V	
43 1.7V	43 1.0V	43 3.3V	43 1.0V 93 1.7V 143 3.3V	43 0V 93 0V	43 0.7V	43 0.7V 95 0V 147 0V 199 3.2V	43 1.7V	43 3.2V 93 ---	43 0V	
44 1.0V	44 0V	44 0V	44 0V 94 0V 144 0V	44 --- 94 0V	44 3.2V	44 3.2V 96 0V 148 0V 200 3.2V	44 1.0V	44 0V 94 ---	44 0V	
45 1.7V	45 0V	45 0V	45 --- 95 --- 145 ---	45 3.3V 95 0V	45 0.7V	45 0.7V 97 0V 149 0V 201 0V	45 1.7V	45 0.4V 95 ---	45 0V	
46 2.1V	46 0V	46 0V	46 0V 96 1.7V 146 1.7V	46 0V 96 0V	46 0.5V	46 0.5V 98 1.7V 150 0V 202 3.2V	46 2.1V	46 0V 96 ---	46 0V	
47 2.1V	47 0V	47 0V	47 3.3V 97 1.7V 147 3.3V	47 0V 97 0V	47 0V	47 0V 99 --- 151 0V 203 3.2V	47 2.1V	47 0.4V 97 ---	47 0V	
48 2.1V	48 0V	48 0V	48 0V 98 --- 148 ---	48 3.3V 98 0V	48 0.5V	48 0.5V 100 --- 152 0V 204 0V	48 2.1V	48 0.4V 98 ---	48 0V	
49 2.1V	49 0V	49 0V	49 --- 99 3.3V 149 0V	49 3.3V 99 0V	49 0V	49 0V 101 1.7V 153 0V 205 4.9V	49 2.1V	49 3.2V 99 ---	49 0V	
50 2.1V	50 0V	50 0V	50 --- 100 0.7V 150 0V	50 3.3V 100 0V	50 0.4V	50 0.4V 102 3.2V 154 3.2V 206 3.2V	50 2.1V	50 0.4V 100 ---	50 0V	
						51 0.4V 103 0V 155 0V 207 0V				
						52 0.4V 104 0V 156 3.2V 208 3.2V				

2	IC510	IC512	IC513	IC521	IC522
	NO DC(V)	NO DC(V)	NO DC(V)	NO DC(V)	NO DC(V)
	1 0V	1 0V	1 0V	1 3.2V	1 3.2V
	2 3.2V	2 0V	2 0V	2 0V	2 3.2V
	3 0V	3 0V	3 0V	3 5.0V	3 3.2V
1	IC511				
	NO DC(V)				
	1 0V				
	2 1.8V				
	3 3.2V				

NOTES
 1. VOLTAGES ARE DC-MEASURED WITH A DIGITAL VOLT METER WITHOUT INPUT SIGNAL.
 CONDITION --- POWER ON DVD STOP

FL display section



Q401, Q402, Q403	KRC102S-X
Q404	KRC102S-X
Q405, Q406	DTC114TKA-X
D401	SLR-342YC-T
D402, D403	SELU2E10C-S
D404	SLR-342VC-T
S401-S410	QSW06B3-001Z
J401	QNS0177-001
K431-K433	NGR0007-002X

LVA10376-A1

FRONT

To System control section
CN207

- 19 F1
- 18 F2
- 17 -VDISP
- 16 D5V
- 15 D. GND
- 14 12V
- 13 HP-L
- 12 A. GND
- 11 HP-R
- 10 HP
- 9 B. GND
- 8 B5V
- 7 REMOCON
- 6 KEY2
- 5 KEY1
- 4 CLOCK
- 3 DATA IN
- 2 INITIAL
- 1 RESET

LVA1037B-A3

To System control section
CN206

HEADPHONE

Audio signal

5

4

3

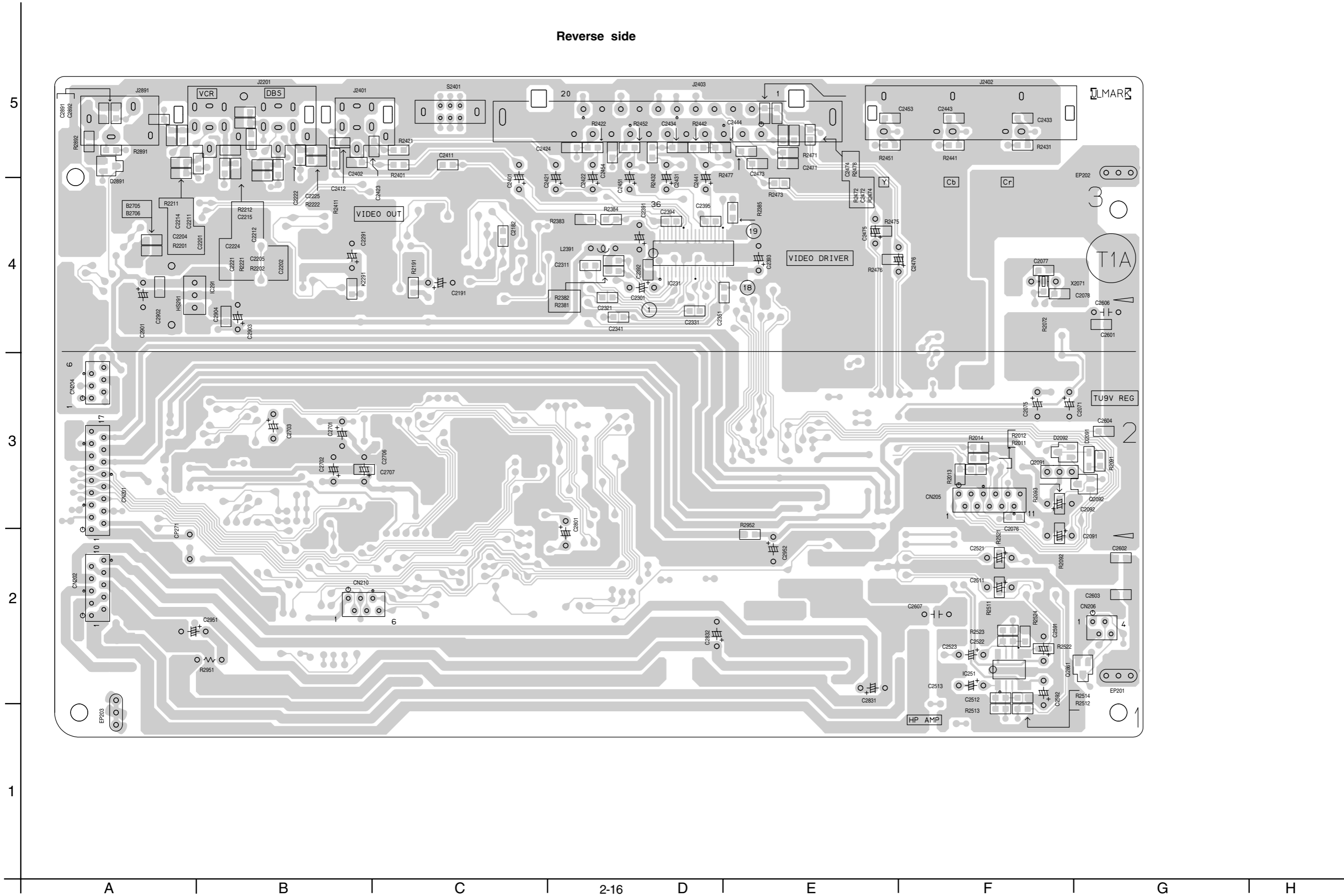
2

1

A B C 2-14 D E F G H

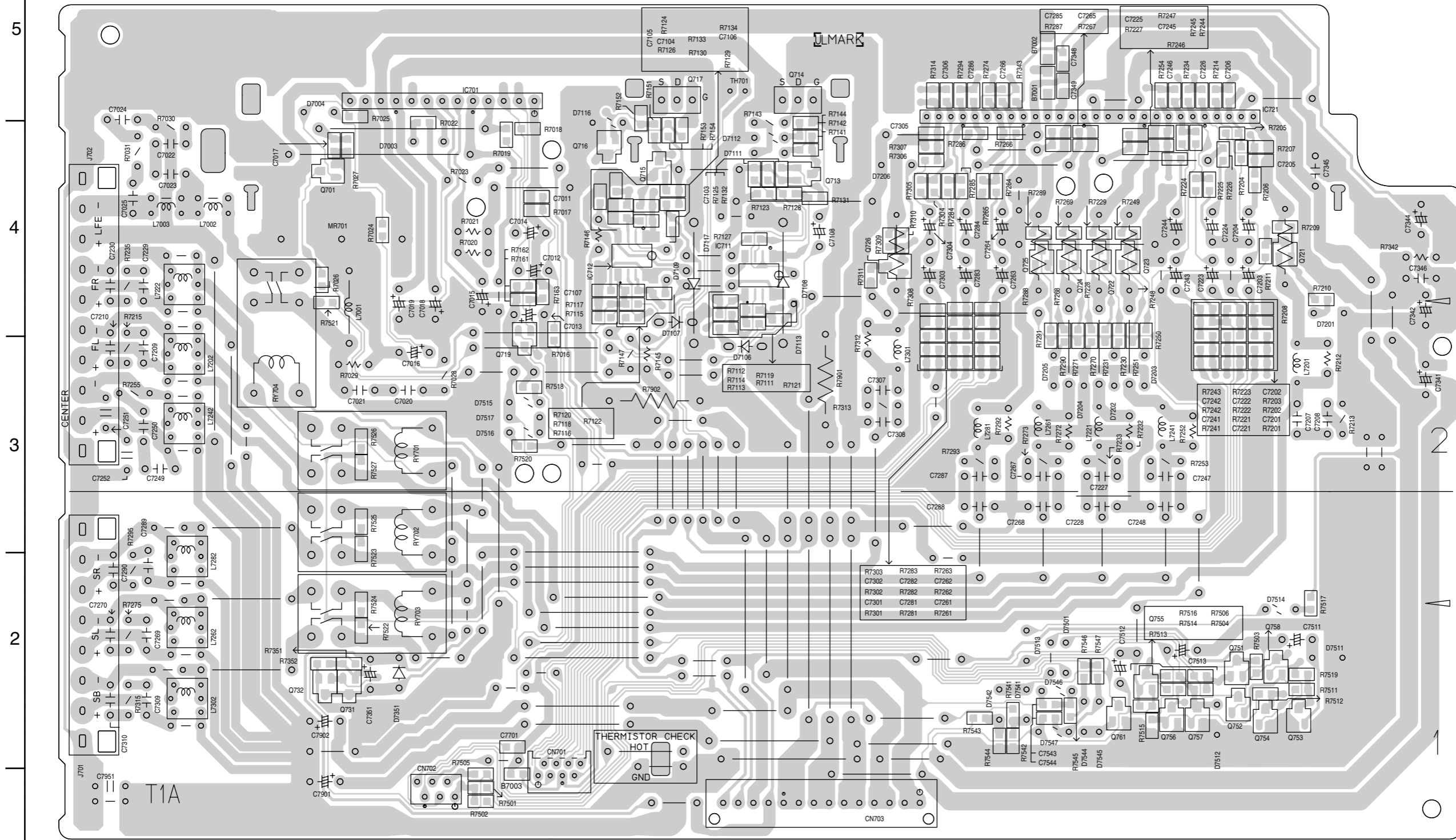
■ Main board

Reverse side



Amplifier board

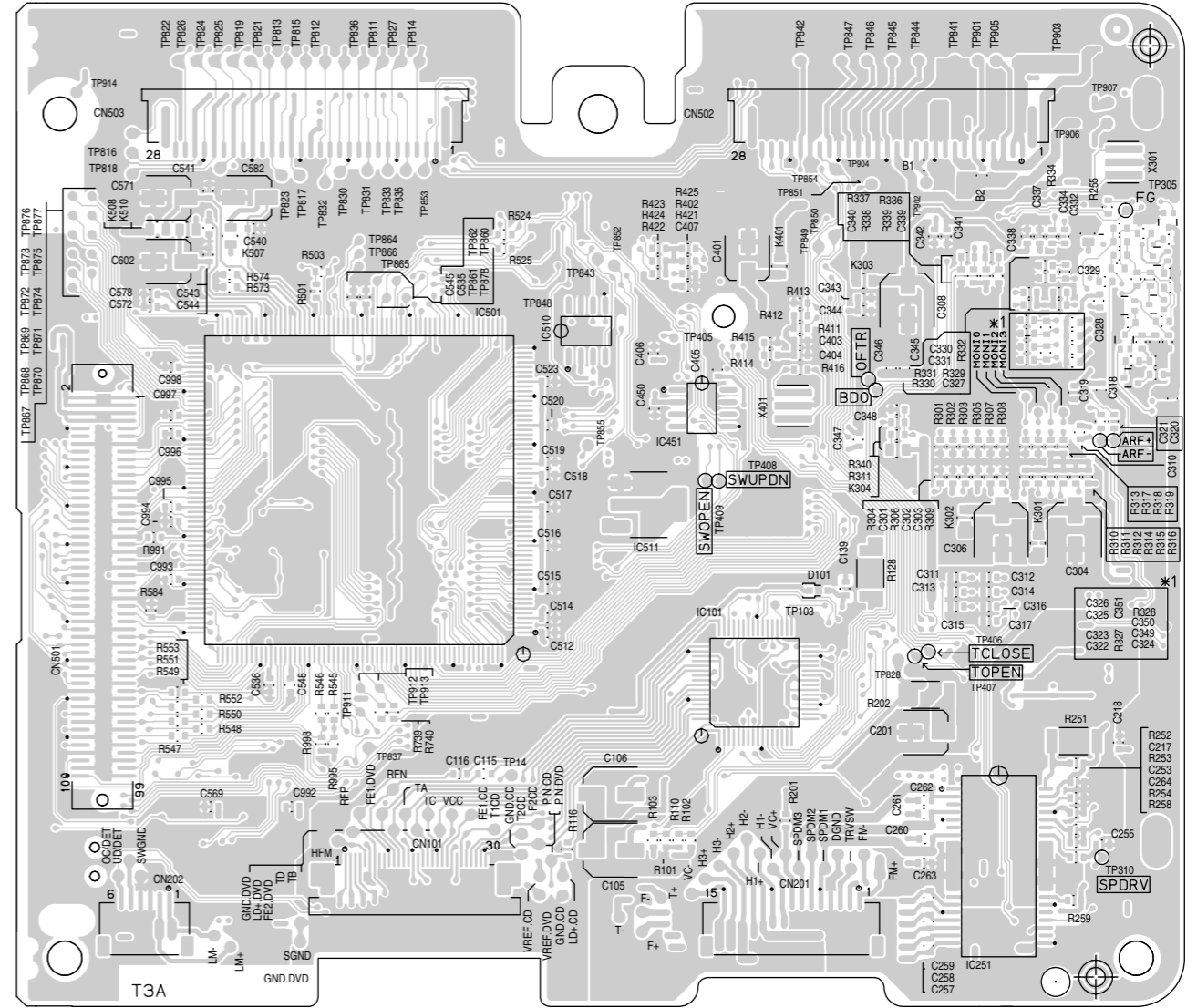
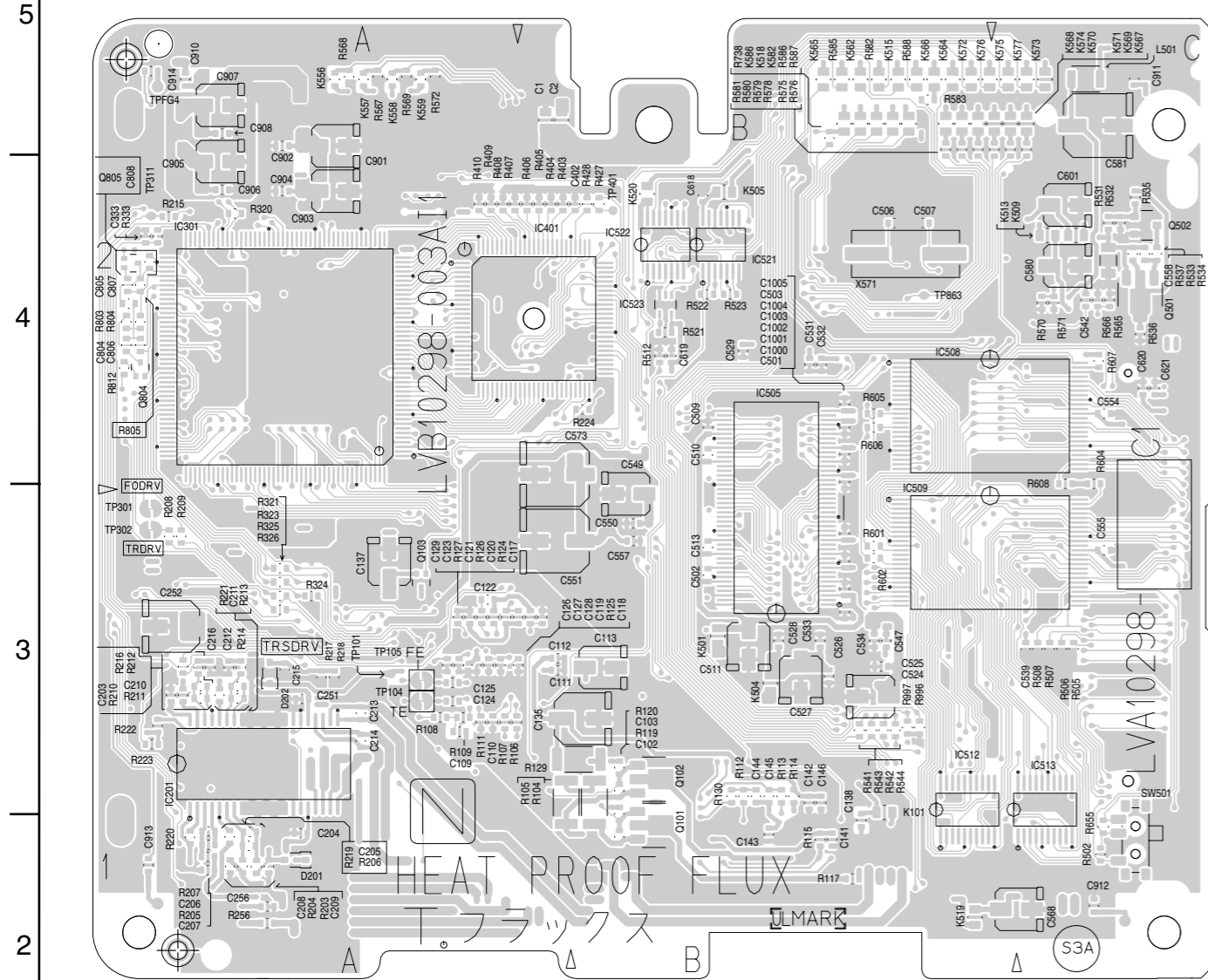
Reverse side



DVD servo board

Forward side

Reverse side



5
4
3
2
1

A B C 2-20 D E F G H

TH-A75R

JVC

VICTOR COMPANY OF JAPAN, LIMITED

AV & MULTIMEDIA COMPANY 10-1, 1Chome, Ohwatari-machi, Maebashi-city, 371-8543, Japan

(No.21189SCH)



Printed in Japan
2003/02