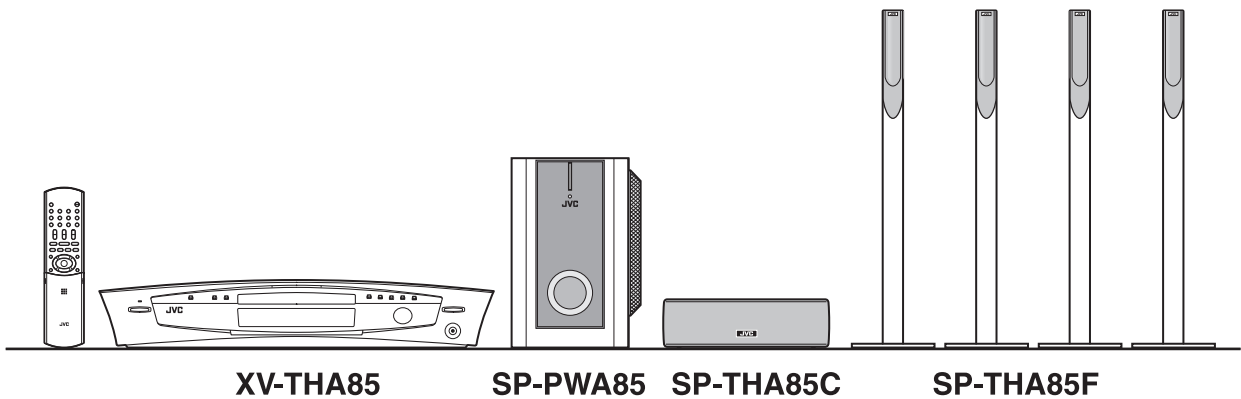


JVC

SERVICE MANUAL

DVD DIGITAL CINEMA SYSTEM

TH-A85



Area Suffix
UF ----- China

TABLE OF CONTENTS

1	PRECAUTION.....	1-3
2	SPECIFIC SERVICE INSTRUCTIONS.....	1-3
3	DISASSEMBLY.....	1-3
4	ADJUSTMENT.....	1-3
5	TROUBLESHOOTING.....	1-3

SPECIFICATION

Center Unit (XV-THA85)			
Audio	Audio Input Sensitivity/Impedance (1 kHz), Total Harmonic Distortion 0.01%		
	NOTE: This value is measured at System cord CONNECTOR for reference.		
	Analog input	AUDIO IN VCR	360 mV/47 k Ω
	Digital input*	DIGITALIN (DBS):Optical	-21 dBm to -15 dBm (660 nm \pm 30 nm)
	* Corresponding to Linear PCM, Dolby Digital, and DTS Digital Surround (with sampling frequency - 32 kHz, 44.1 kHz, 48 kHz).		
Video	Color System		NTSC/PAL selectable
	Horizontal Resolution		500 lines
	Signal-to-Noise Ratio		64 dB
	Video Output Level	Composite video	1 V(p-p)/75 Ω
		S-video-Y	1 V(p-p)/75 Ω
		S-video-C	0.286 V(p-p)/75 Ω
		Component-Y	1 V(p-p)/75 Ω
		Component-PB/PR	0.7V(p-p)/75 Ω
	Video input sensitivity/ Impedance (VCR IN)	Composite video	1 V(p-p)/75 Ω
S-video-Y		1 V(p-p)/75 Ω	
S-video-C		0.286 V(p-p)/75 Ω	
Tuner	Tuning Range	FM	87.5 MHz to 108.0 MHz
		AM	531 kHz to 1 620 kHz(at 9 kHz intervals)
			530 kHz to 1 600 kHz(at 10 kHz intervals)
General	Power Requirements	AC 220 V , 50 Hz	
	Power Consumption	20 W (at operation) 2.5 W (in standby mode)	
	Dimensions (W \times H \times D)	398 mm \times 70 mm \times 265 mm	
	Mass	2.7 kg	
Subwoofer (SP-PWA85)			
Amplifier	Front/Center/Surround	80 W per channel, RMS at 6 Ω at 1kHz, with 10% total harmonic distortion.	
	Subwoofer	120 W, RMS at 4 Ω at 100Hz, with 10% total harmonic distortion.	
Speaker	Speaker unit	20 cm Bass-reflex, Magnetically Shielded	
	Frequency Range	25 Hz to 200 Hz	
General	Power Requirements	AC 110 V/127 V/220 - 230 V selectable with the voltage selector, 50 Hz/60 Hz (except for Hong Kong) AC 220 V , 50 Hz (for Hong Kong only)	
	Power Consumption	150 W (at operation) 0 W (in standby mode)	
	Dimensions (W \times H \times D)	235 mm \times 335 mm \times 492 mm	
	Mass	13.0 kg	
Satellite Speakers (SP-THA85F)			
Speakers		5.5 cm \times 2 Bass-reflex, Magnetically Shielded	
Power Handling Capacity		80W	
Impedance		6 Ω	
Frequency Range		90 Hz to 20 kHz	
Dimensions (W \times H \times D)		250 mm \times 1103 mm \times 250 mm	
Mass		3.77 kg	
Center Speaker (SP-THA85C)			
Speakers		5.5 cm \times 2 Bass-reflex, Magnetically Shielded	
Power Handling Capacity		80W	
Impedance		6 Ω	
Frequency Range		90 Hz to 20 kHz	
Dimensions (W \times H \times D)		258 mm \times 75 mm \times 81 mm	
Mass		0.95 kg	

Designs & Specifications are subject to change without notice.

**SECTION 1
PRECAUTION**

Please refer to "TH-A85 No.MB106" about this section.

**SECTION 2
SPECIFIC SERVICE INSTRUCTIONS**

Please refer to "TH-A85 No.MB106" about this section.

**SECTION 3
DISASSEMBLY**

Please refer to "TH-A85 No.MB106" about this section.

**SECTION 4
ADJUSTMENT**

Please refer to "TH-A85 No.MB106" about this section.

**SECTION 5
TROUBLESHOOTING**

Please refer to "TH-A85 No.MB106" about this section.



JVC

VICTOR COMPANY OF JAPAN, LIMITED

AV & MULTIMEDIA COMPANY AUDIO/VIDEO SYSTEMS CATEGORY 10-1,1chome,Ohwatari-machi,Maebashi-city,371-8543,Japan

(No.MB135)



Printed in Japan
WPC

JVC

SCHEMATIC DIAGRAMS

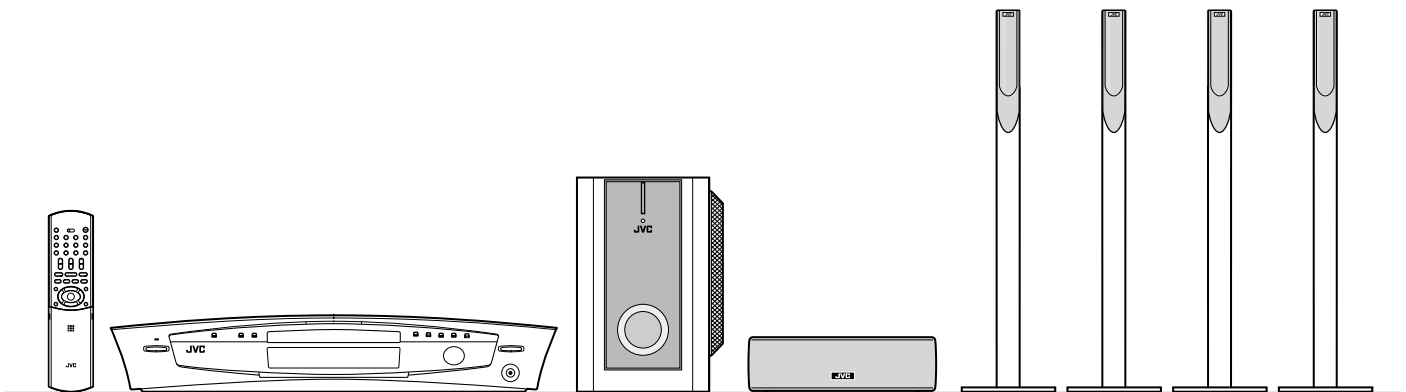
DVD DIGITAL CINEMA SYSTEM

TH-A85

CD-ROM No.SML200311

Area suffix

B ----- U.K.
E ----- Continental Europe
EN ----- Northern Europe



Contents

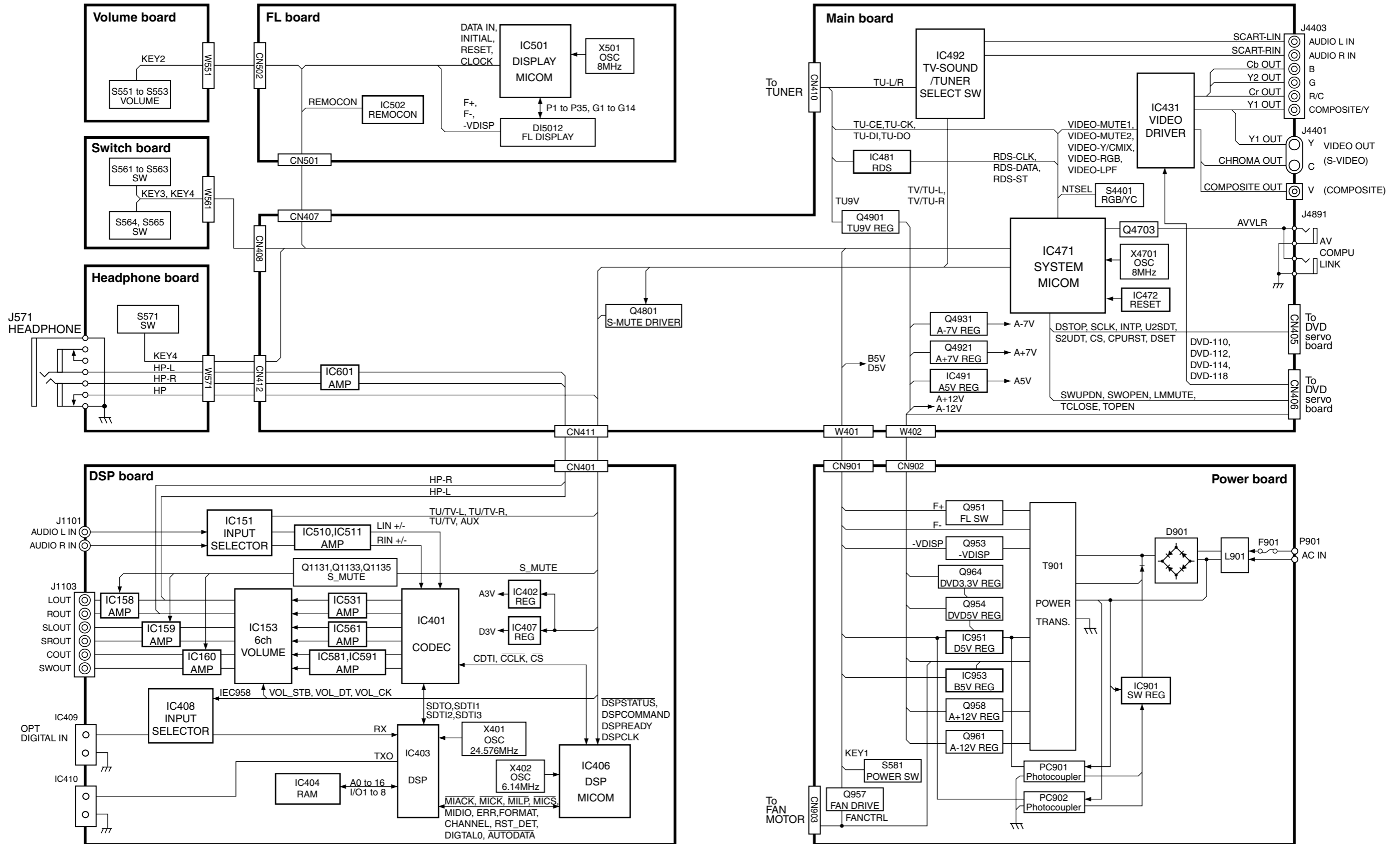
Block diagrams-----	2-1
Standard schematic diagrams -----	2-3
Printed circuit boards -----	2-14 to 19

In regard with component parts appearing on the silk-screen printed side (parts side) of the PWB diagrams, the parts that are printed over with black such as the resistor (■), diode (⬤) and ICP (●) or identified by the "▲" mark nearby are critical for safety.

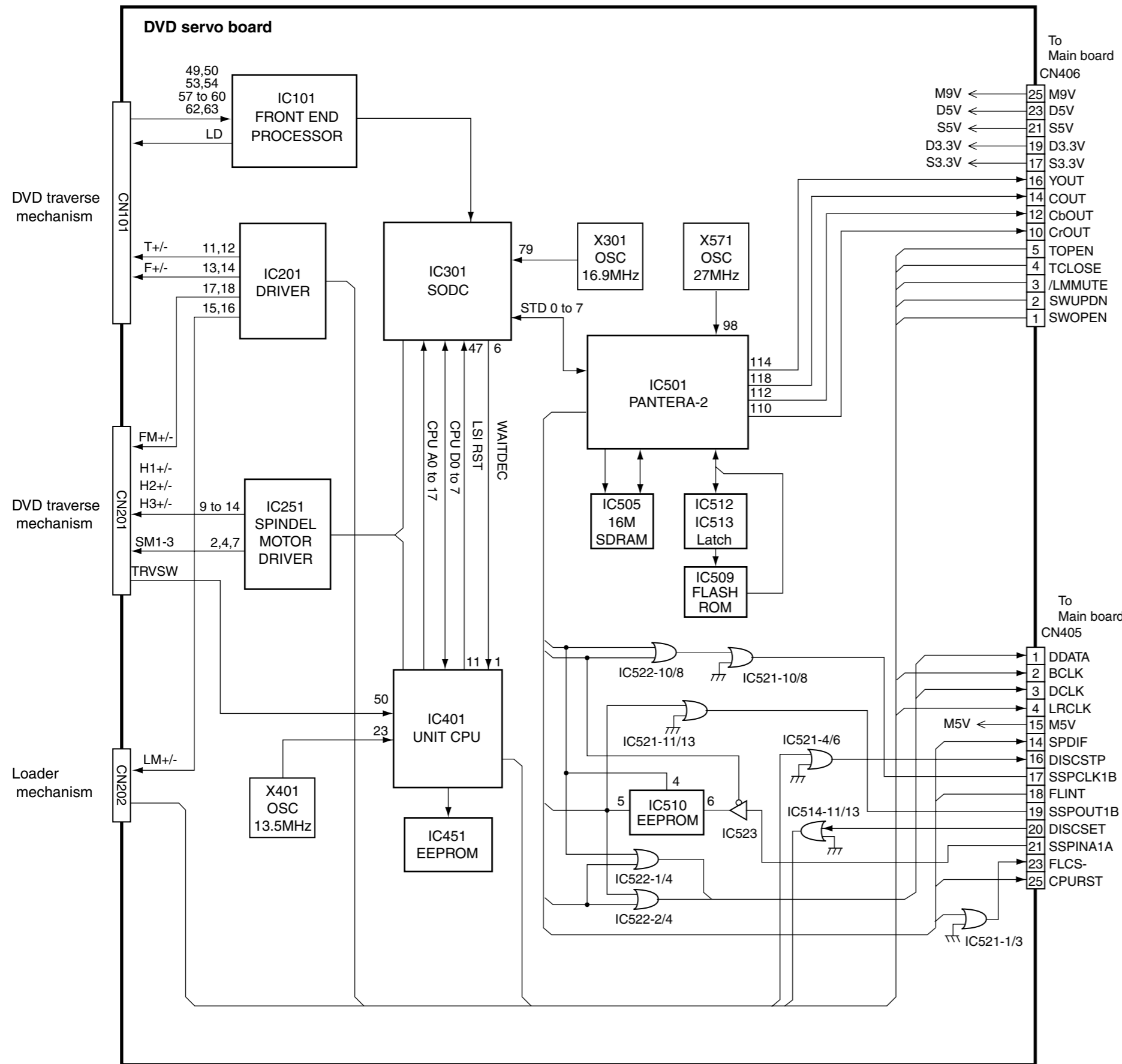
(This regulation does not correspond to J and C version.)

Block diagrams

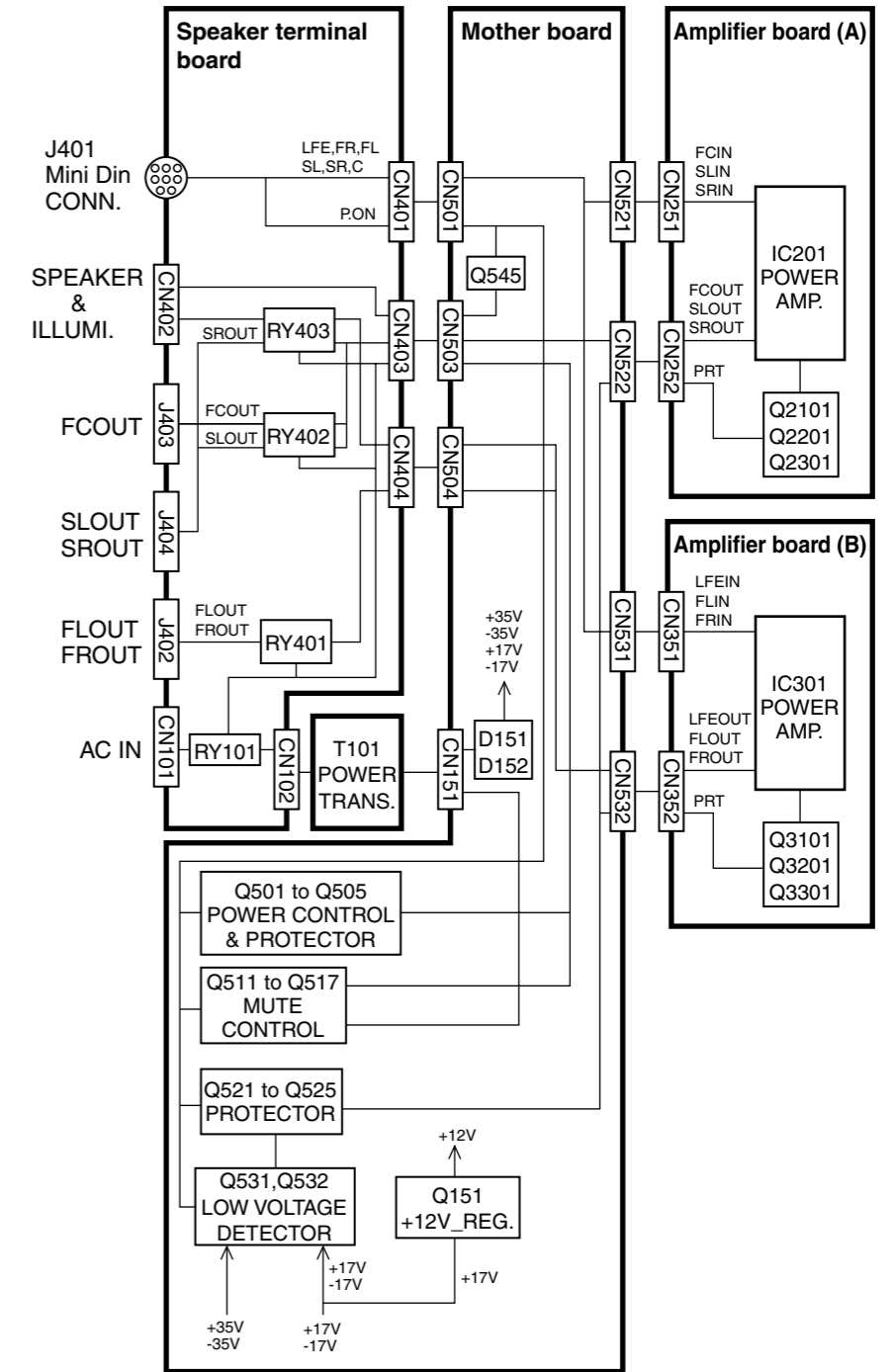
<Main body section>



<DVD servo section>



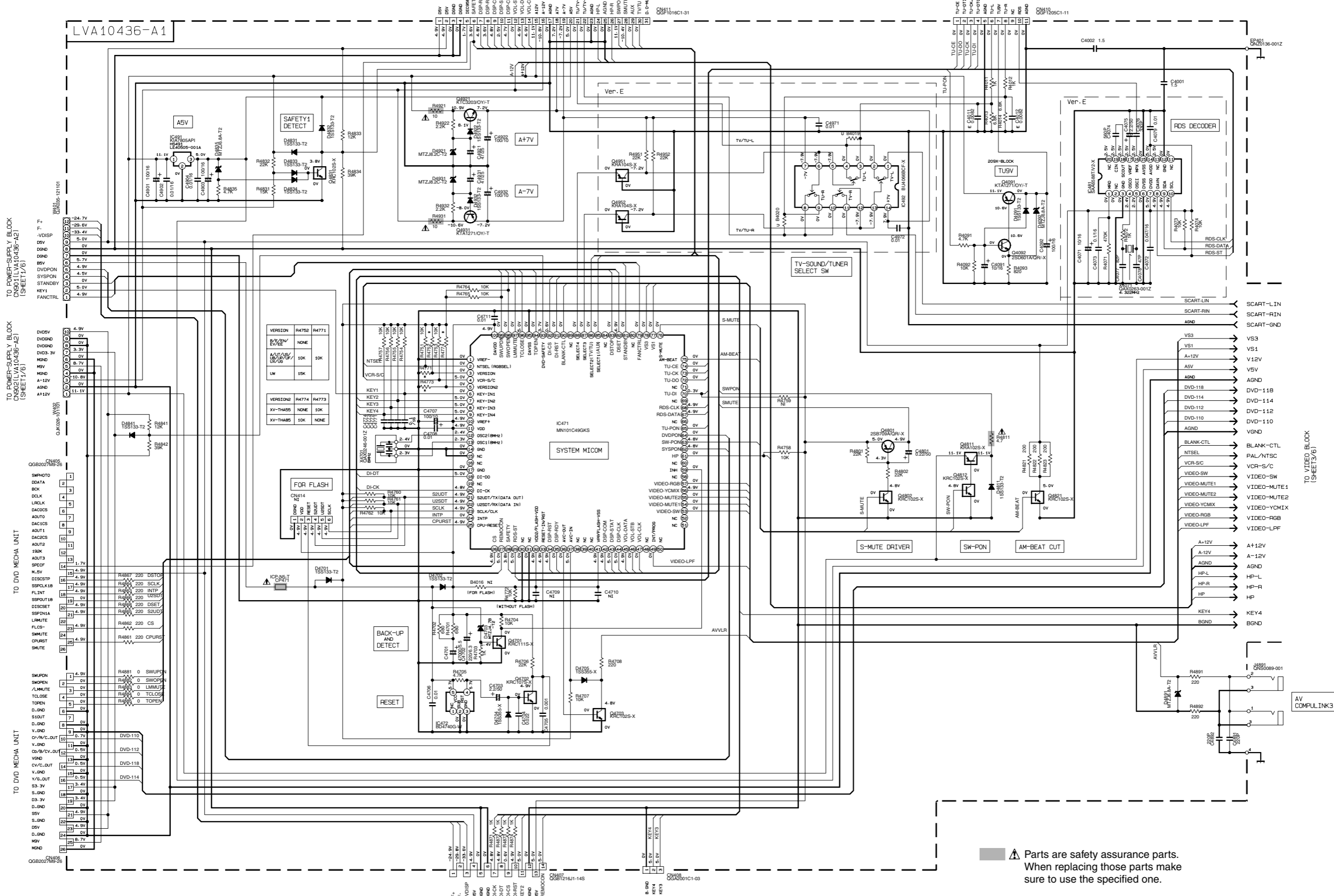
<SP-PWA85 subwoofer section>



System control section

TO DSP BLOCK
CN401(LVA10309-A1)
(SHEET5/6)

TO TUNER UNIT



TO POWER-SUPPLY BLOCK
CN901(LVA10436-A2)
(SHEET1/6)

TO POWER-SUPPLY BLOCK
CN902(LVA10436-A2)
(SHEET1/6)

TO DVD MECHA UNIT
CN405(MN101C49GKS)
OGB2027(M26)

TO DVD MECHA UNIT
CN405(MN101C49GKS)
OGB2027(M26)

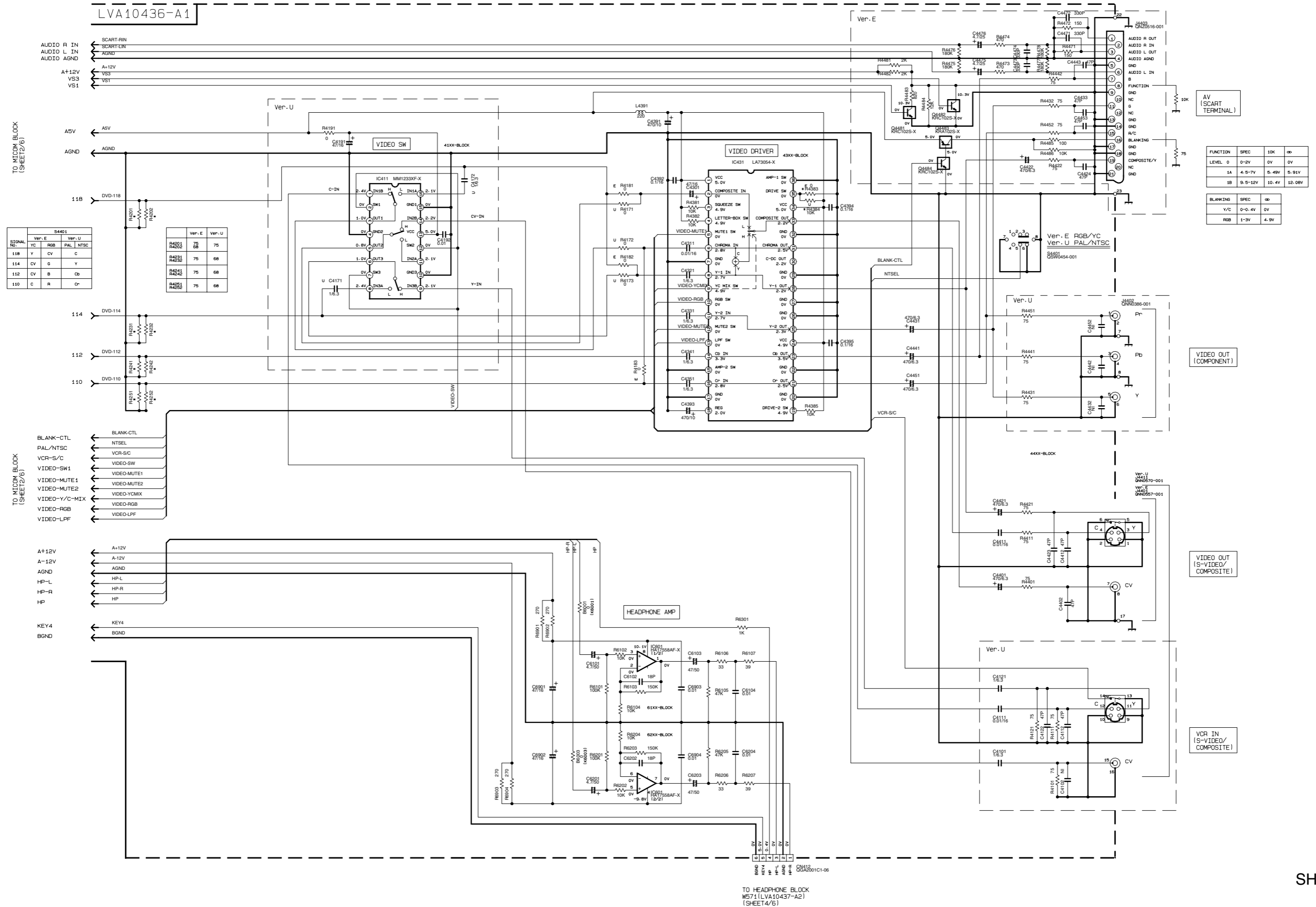
TO FRONT BLOCK
CN501(LVA10437-A1)
(SHEET4/6)

TO KEY3 BLOCK
CN501(LVA10437-A1)
(SHEET4/6)

TO VIDEO BLOCK
(SHEET3/6)

Parts are safety assurance parts.
When replacing those parts make
sure to use the specified one.

Video output section



TO MICOM BLOCK (SHEET2/6)

TO MICOM BLOCK (SHEET2/6)

TO MICOM BLOCK (SHEET2/6)

TO MICOM BLOCK (SHEET2/6)

TO MICOM BLOCK (SHEET2/6)

TO MICOM BLOCK (SHEET2/6)

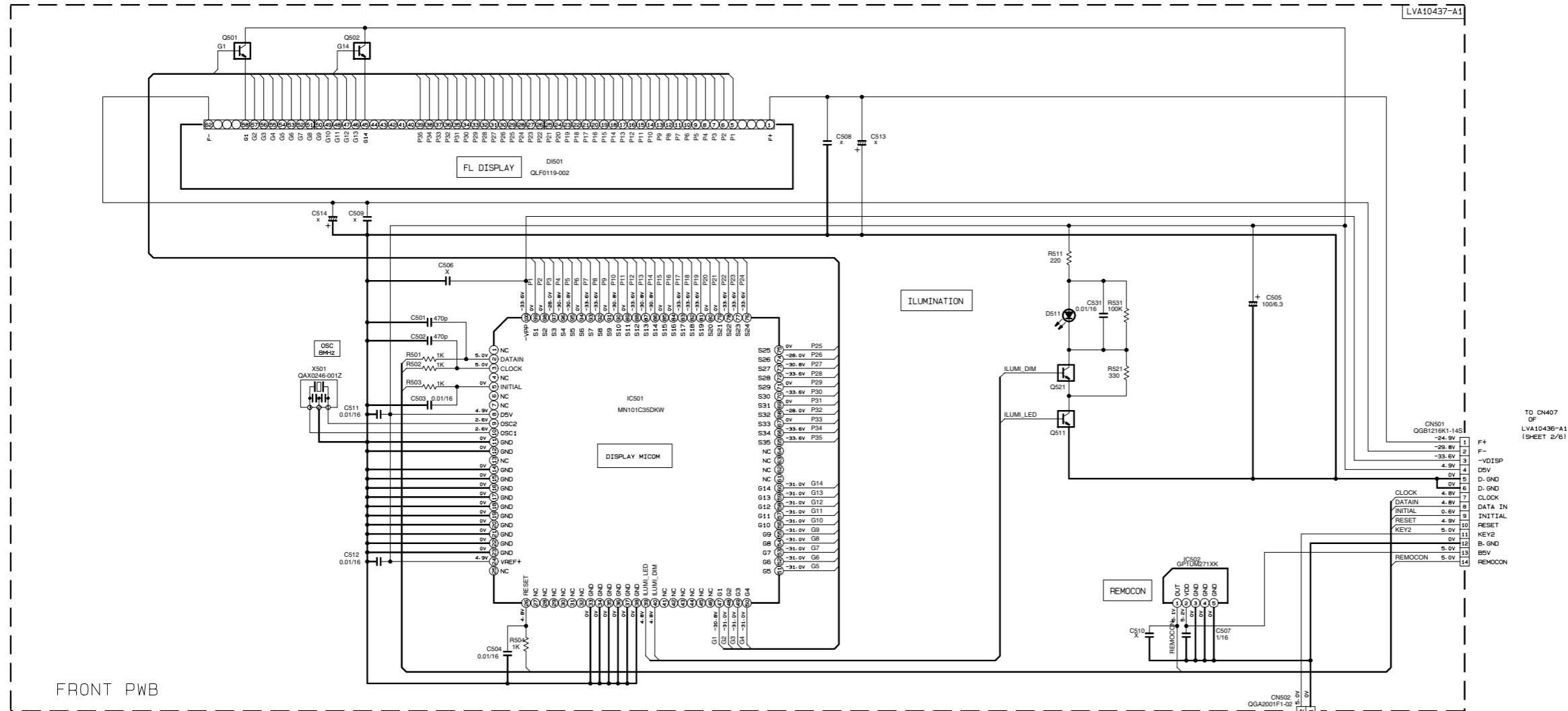
TO MICOM BLOCK (SHEET2/6)

TO MICOM BLOCK (SHEET2/6)

FUNCTION	SPEC	10K	∞
LEVEL 0	0-2V	0V	0V
1A	4.5-7V	5-49V	5-91V
1B	9.5-12V	10-4V	12-08V

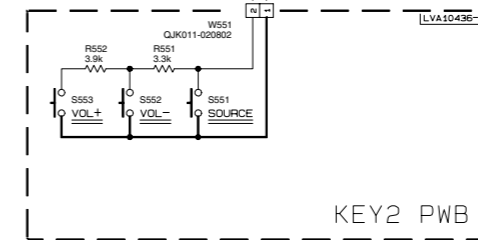
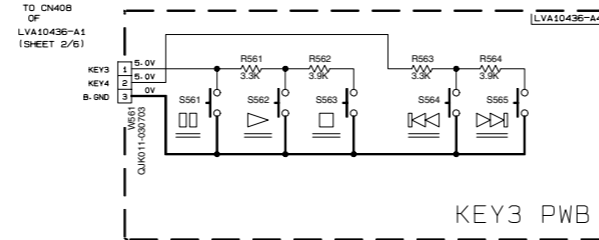
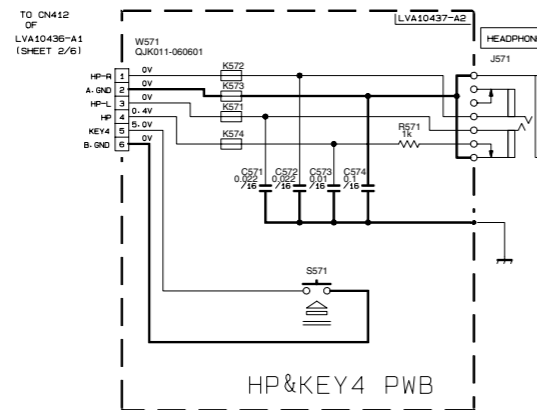
BLANKING	SPEC	∞
Y/C	0-0.4V	0V
RGB	1-3V	4.9V

FL display section



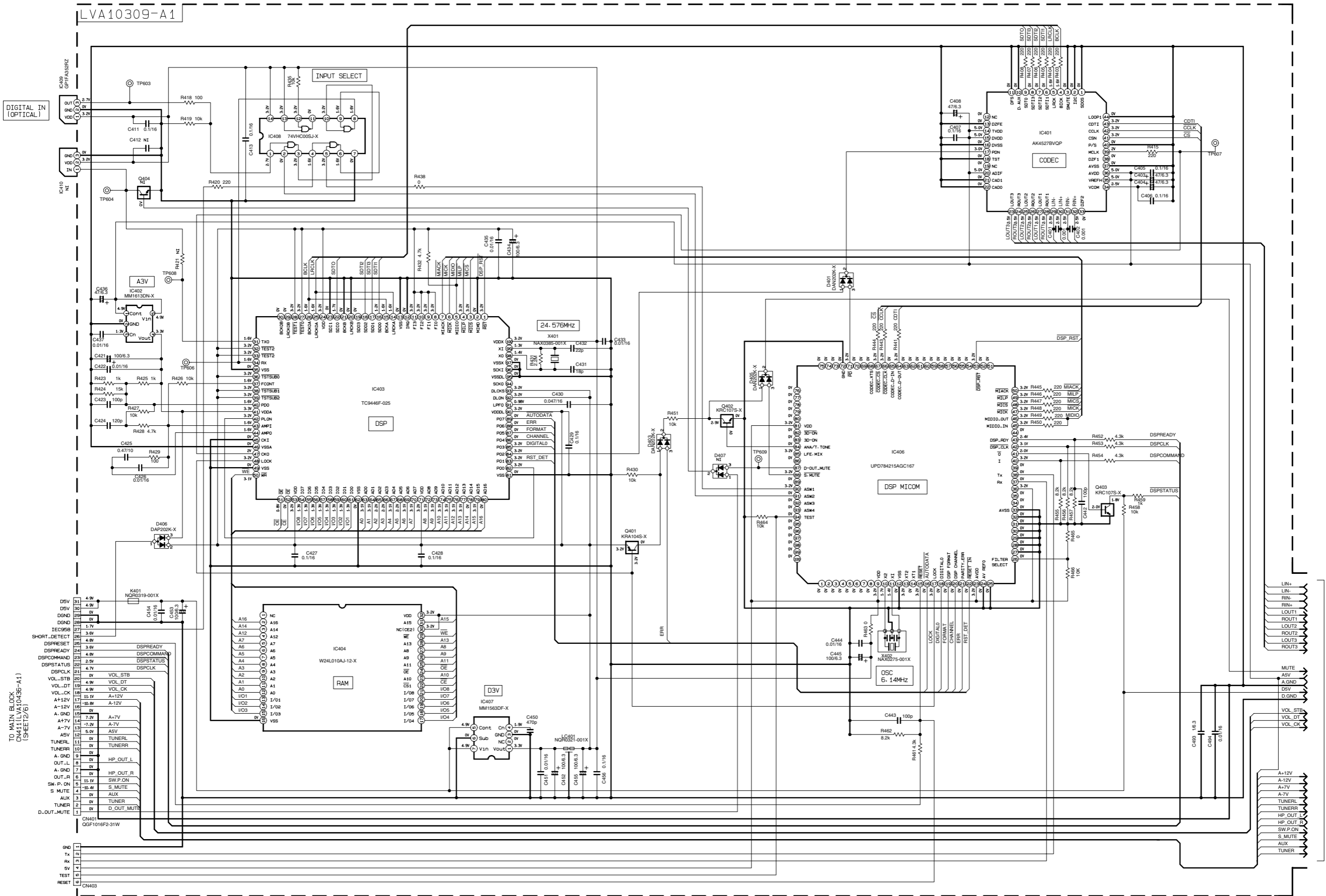
PARTS LIST

Q501, Q502	KRC102S-X
Q511	KRC102M-T
Q521	KRC111M-T
D511	SELU2E10C-P
S551-S553	GSW06B3-001Z
S561-S565	GSW06B3-001Z
S571	QNS0177-001
K571-K573	NQR0007-002X
K574	NRS63J-DR0X
D581	SLR-342VC-T



TO CN407
OF
LVA10436-A1
(SHEET 2/6)

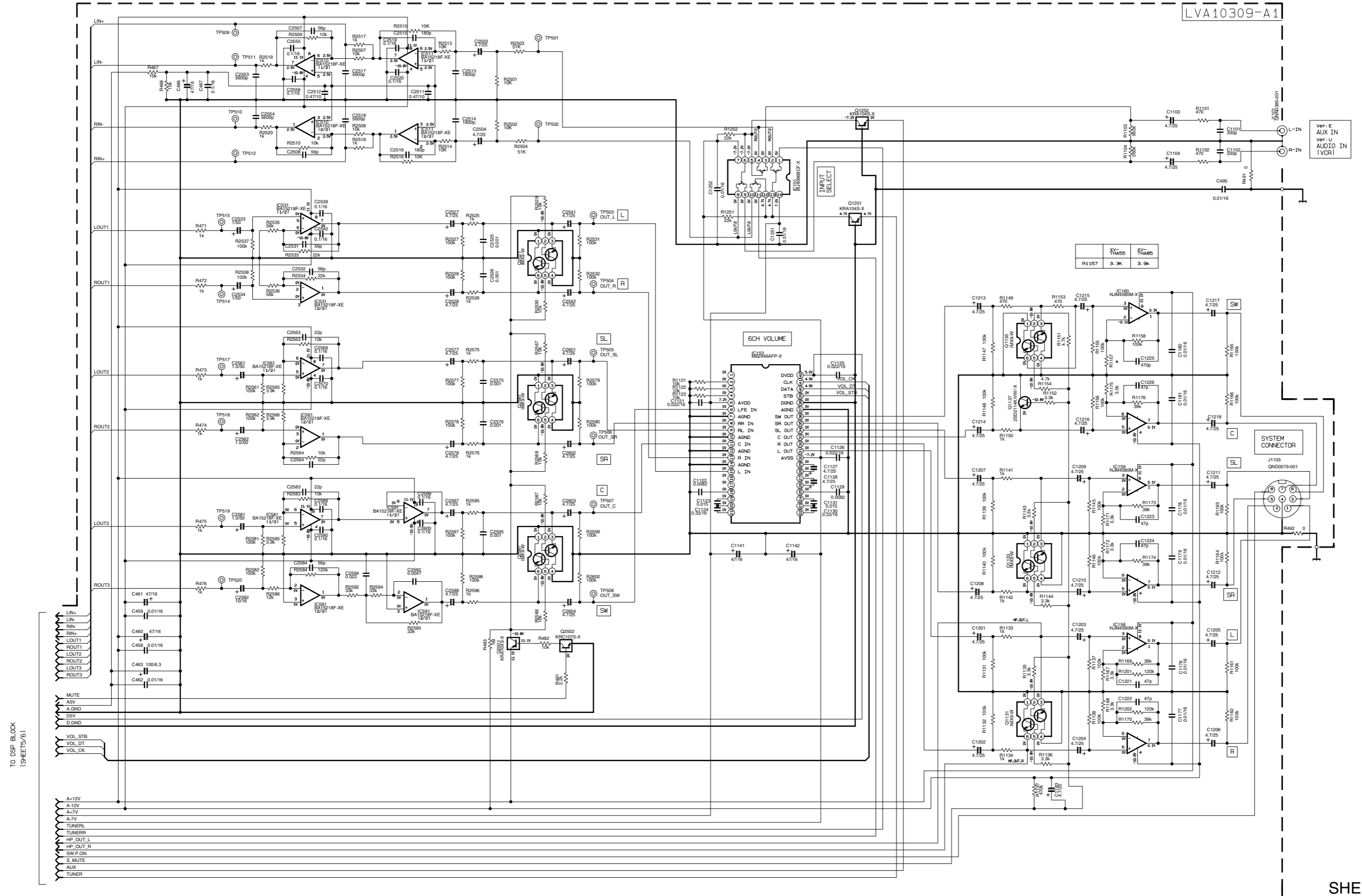
■ DSP section



TO MAIN BLOCK
CN411(LVA10435-A1)
(SHEET2/6)

TO AUDIO BLOCK
(SHEET6/6)

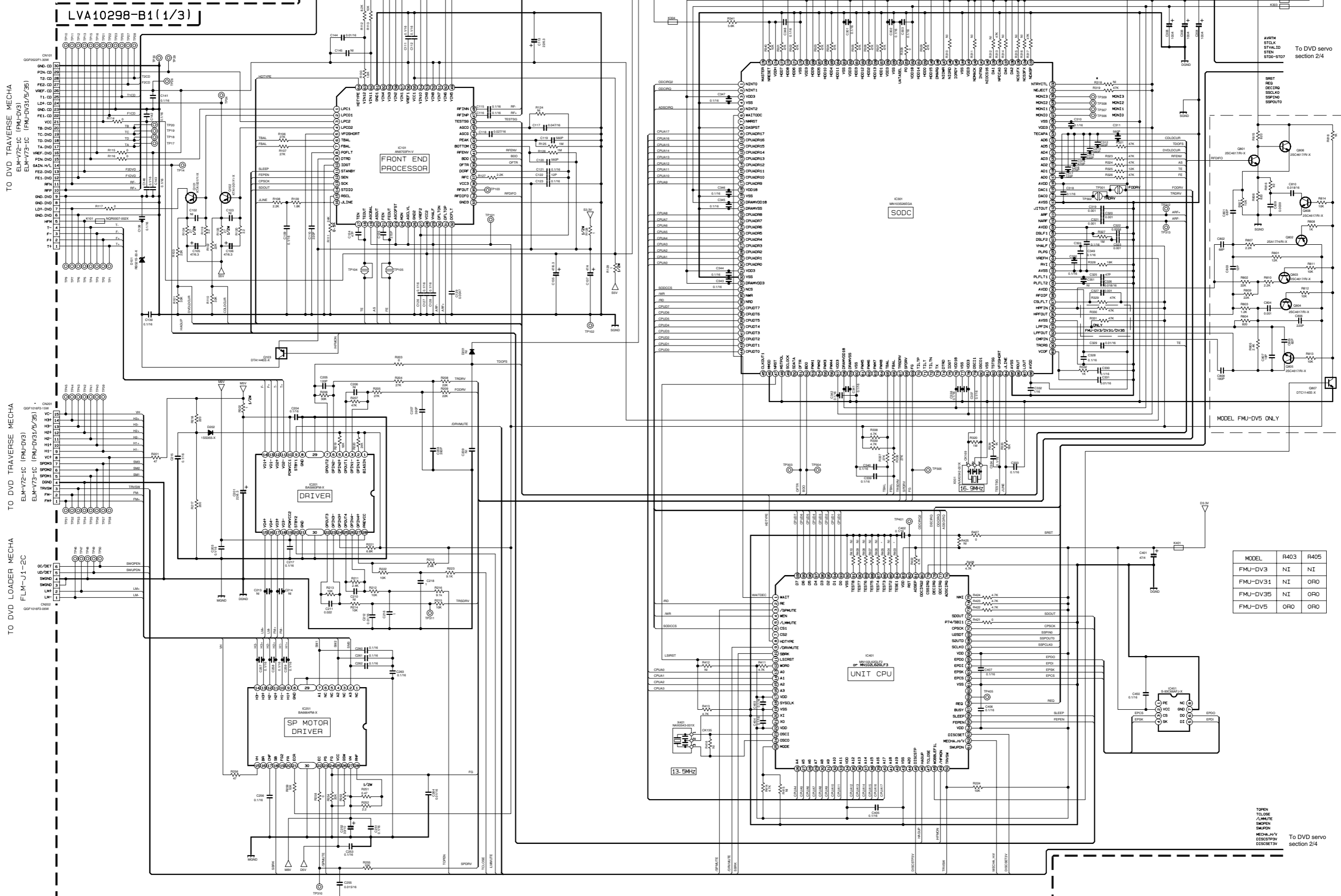
■ Audio input / output section



TO DSP BLOCK
(SHEETS/6)

<DVD servo section>

■ DVD servo section 1/4



MODEL	R403	R405
FMU-DV3	NI	NI
FMU-DV31	NI	OR0
FMU-DV35	NI	OR0
FMU-DV5	OR0	OR0

To DVD servo section 2/4

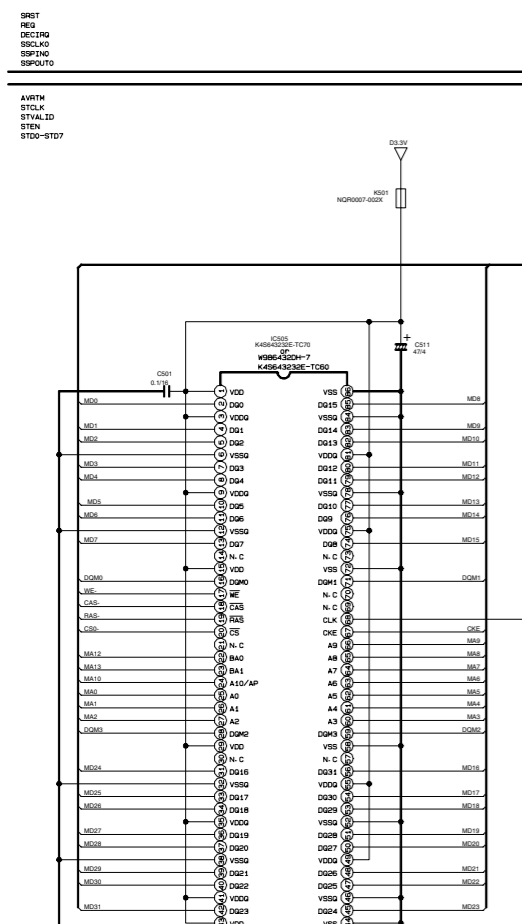
MODEL FMU-DV5 ONLY

To DVD servo section 2/4

DVD servo section 2/4

LVA10298-B1(2/3)

To DVD servo section 1/4



DVD servo section 4/4 (Voltage value)

IC101

NO	DC(V)	NO	DC(V)
1	0V	51	2.1V
2	4.4V	52	2.1V
3	3.7V	53	2.1V
4	4.4V	54	2.1V
5	0V	55	4.9V
6	1.7V	56	2.1V
7	1.7V	57	2.1V
8	1.9V	58	2.1V
9	3.3V	59	2.1V
10	0V	60	2.1V
11	3.3V	61	0V
12	3.3V	62	2.1V
13	3.3V	63	2.1V
14	3.3V	64	0V
15	0V		
16	1.7V		
17	1.5V		
18	1.7V		
19	1.7V		
20	0V		
21	1.7V		
22	0V		
23	1.7V		
24	0.9V		
25	1.7V		
26	0V		
27	0V		
28	4.9V		
29	1.7V		
30	0V		
31	0V		
32	0V		
33	0V		
34	0V		
35	0.9V		
36	3.3V		
37	1.3V		
38	0.9V		
39	3.3V		
40	3.3V		
41	1.7V		
42	1.7V		
43	1.7V		
44	1.0V		
45	1.7V		
46	2.1V		
47	2.1V		
48	2.1V		
49	2.1V		
50	2.1V		

IC201

NO	DC(V)
1	1.7V
2	1.7V
3	1.7V
4	1.7V
5	1.7V
6	1.7V
7	1.7V
8	0V
9	3.2V
10	5.0V
11	2.5V
12	2.5V
13	2.5V
14	2.5V
15	4.3V
16	4.3V
17	4.3V
18	4.3V
19	9.2V
20	0V
21	0V
22	1.7V
23	1.7V
24	1.7V
25	0V
26	0V
27	1.7V
28	9.2V
29	1.7V
30	9.2V

IC251

NO	DC(V)
1	0.8V
2	0.8V
3	0.8V
4	0.8V
5	0V
6	0V
7	0.8V
8	0V
9	5.0V
10	5.0V
11	5.0V
12	5.0V
13	5.0V
14	5.0V
15	0V
16	0V
17	0V
18	0V
19	5.0V
20	5.0V
21	1.67V
22	1.67V
23	0V
24	3.3V
25	5.0V
26	0V
27	9.2V
28	9.2V
29	0V
30	0V

IC301

NO	DC(V)	NO	DC(V)	NO	DC(V)	NO	DC(V)
1	0V	51	3.3V	101	0.7V	151	0V
2	2.9V	52	3.3V	102	0V	152	1.7V
3	3.3V	53	---	103	1.4V	153	0V
4	0V	54	---	104	2.1V	154	1.7V
5	3.3V	55	---	105	---	155	0V
6	3.3V	56	---	106	1.7V	156	3.3V
7	---	57	3.3V	107	0.7V	157	0V
8	0V	58	1.7V	108	0.7V	158	0V
9	0V	59	0V	109	3.3V	159	0V
10	0V	60	0V	110	1.7V	160	0V
11	3.3V	61	---	111	1.7V	161	0V
12	3.3V	62	---	112	0V	162	3.3V
13	3.3V	63	---	113	0V	163	0V
14	0V	64	---	114	1.7V	164	0V
15	1.4V	65	1.7V	115	1.7V	165	0V
16	0.3V	66	1.7V	116	3.3V	166	0V
17	1.4V	67	1.7V	117	1.7V	167	0V
18	1.7V	68	1.7V	118	1.7V	168	0V
19	0V	69	3.3V	119	1.7V	169	3.3V
20	1.7V	70	---	120	1.7V	170	0V
21	0V	71	---	121	2.1V	171	0V
22	2.2V	72	---	122	1.7V	172	3.3V
23	2.2V	73	---	123	2.1V	173	0V
24	1.7V	74	---	124	---	174	4.9V
25	1.5V	75	---	125	3.3V	175	4.9V
26	1.5V	76	1.7V	126	0V	176	3.3V
27	1.5V	77	0V	127	0V		
28	1.5V	78	3.3V	128	0V		
29	1.5V	79	1.7V	129	0V		
30	0.5V	80	---	130	0V		
31	3.3V	81	0V	131	3.3V		
32	0V	82	0.8V	132	0V		
33	3.3V	83	2.1V	133	0V		
34	3.3V	84	1.7V	134	0V		
35	3.3V	85	0V	135	0V		
36	3.3V	86	---	136	1.7V		
37	0V	87	---	137	3.3V		
38	0V	88	3.3V	138	0V		
39	0V	89	0V	139	3.3V		
40	0V	90	1.7V	140	0V		
41	0V	91	---	141	0V		
42	0V	92	---	142	0V		
43	1.0V	93	1.7V	143	3.3V		
44	0V	94	0V	144	0V		
45	---	95	---	145	---		
46	0V	96	1.7V	146	1.7V		
47	3.3V	97	1.7V	147	3.3V		
48	0V	98	---	148	---		
49	---	99	3.3V	149	0V		
50	---	100	0.7V	150	0V		

IC401

NO	DC(V)	NO	DC(V)
1	3.3V	51	---
2	3.3V	52	0V
3	0V	53	3.3V
4	3.3V	54	3.3V
5	---	55	3.3V
6	3.3V	56	3.3V
7	---	57	---
8	0V	58	3.3V
9	3.3V	59	0V
10	0V	60	---
11	3.3V	61	0V
12	3.3V	62	0V
13	1.5V	63	0V
14	1.5V	64	0V
15	1.5V	65	0V
16	1.5V	66	3.3V
17	3.3V	67	3.3V
18	---	68	0V
19	0V	69	3.3V
20	0V	70	3.3V
21	---	71	0V
22	3.3V	72	3.3V
23	1.7V	73	3.3V
24	1.7V	74	3.3V
25	5.0V	75	3.3V
26	3.3V	76	3.3V
27	0V	77	0V
28	3.3V	78	0V
29	3.3V	79	0V
30	3.3V	80	0V
31	3.3V	81	3.3V
32	0V	82	3.3V
33	3.3V	83	3.3V
34	3.3V	84	3.3V
35	0V	85	3.3V
36	3.3V	86	3.3V
37	3.3V	87	3.3V
38	3.3V	88	3.3V
39	0V	89	3.3V
40	0V	90	3.3V
41	---	91	3.3V
42	---	92	0V
43	0V	93	0V
44	---	94	0V
45	3.3V	95	0V
46	0V	96	0V
47	0V	97	0V
48	3.3V	98	0V
49	3.3V	99	0V
50	3.3V	100	0V

IC451

NO	DC(V)
1	0V
2	3.2V
3	0V
4	0V
5	0V
6	0V
7	0V
8	0V

IC501

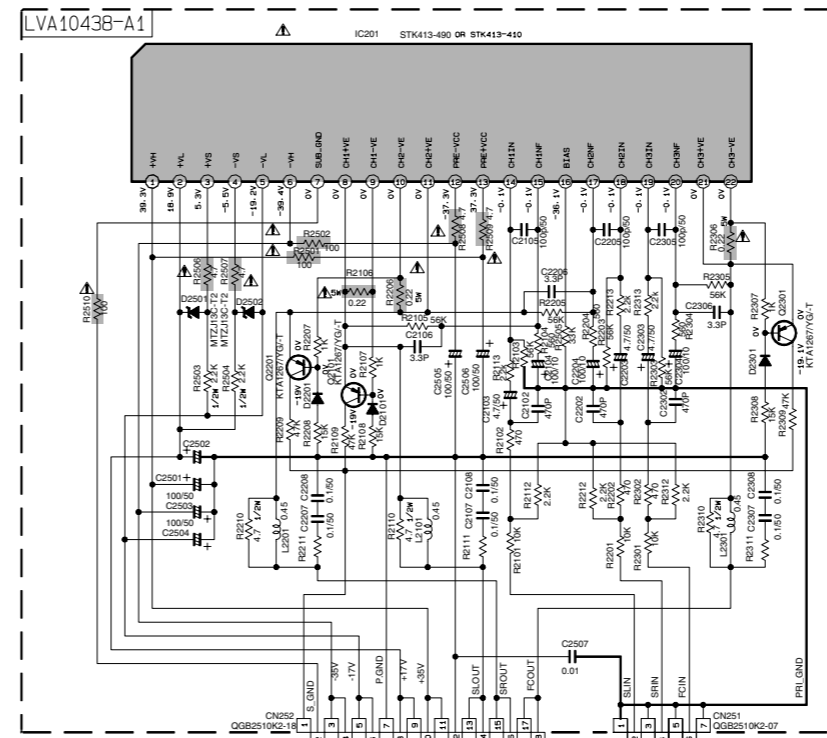
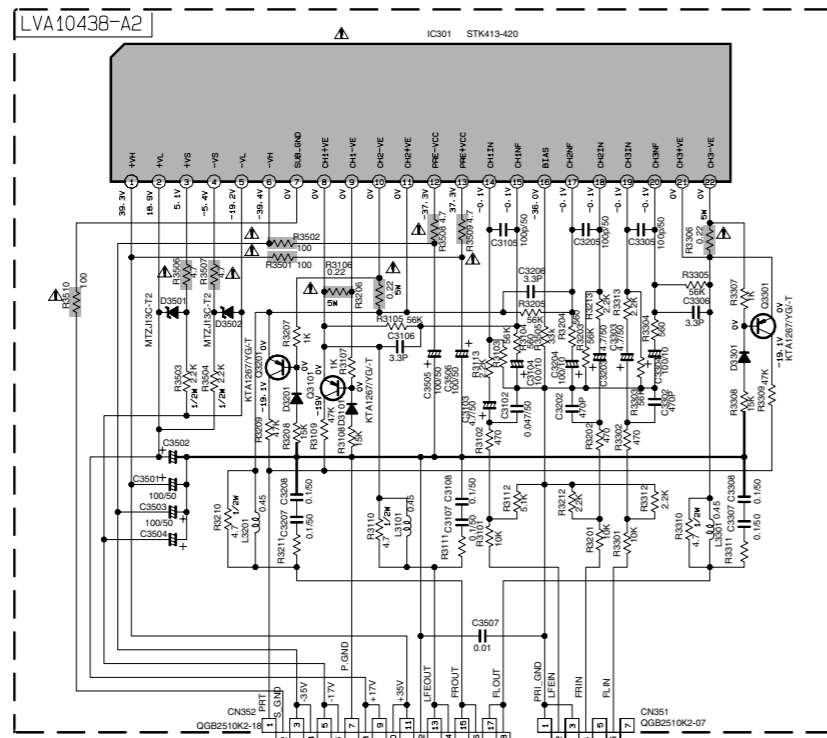
NO	DC(V)	NO	DC(V)	NO	DC(V)	NO	DC(V)
1	3.2V	53	3.2V	105	0V	157	0V
2	0.5V	54	0.4V	106	0V	158	0V
3	0.4V	55	0.4V	107	3.2V	159	1.7V
4	1.8V	56	0.4V	108	1.7V	160	1.7V
5	0.4V	57	0V	109	0V	161	3.2V
6	0V	58	0.4V	110	0V	162	0V
7	0.4V	59	0.4V	111	1.0V	163	0V
8	0.4V	60	0.4V	112	1.0V	164	0V
9	0V	61	0.5V	113	3.1V	165	0V
10	3.2V	62	3.2V	114	0.4V	166	0V
11	0V	63	0.5V	115	0.4V	167	0V
12	0V	64	3.2V	116	---	168	0V
13	0V	65	1.0V	117	3.1V	169	3.2V
14	0V	66	---	118	0.8V	170	3.2V
15	2.0V	67	0V	119	1.3V	171	0V
16	1.3V	68	1.7V	120	1.8V	172	0V
17	0V	69	0V	121	0V	173	0V
18	0.4V	70	3.2V	122	0V	174	0V
19	3.2V	71	0V	123	0V	175	0V
20	1.4V	72	0V	124	0V	176	0V
21	1.7V	73	0V	125	3.2V	177	0V
22	1.7V	74	0V	126	0V	178	0V
23	0V	75	3.2V	127	0V	179	0V
24	3.2V	76	---	128	0V	180	0V
25	0.5V	77	1.7V	129	0V	181	3.2V
26	2.5V	78	1.7V	130	0V	182	3.2V
27	3.2V	79	1.7V	131	0V	183	0V
28	1.2V	80	0V	132	0V	184	0V
29	0V	81	0V	133	0V	185	3.2V
30	0V	82	0V	134	0V	186	0V
31	0V	83	3.2V	135	1.8V	187	0V
32	2.0V	84	0.4V	136	0V	188	0V
33	1.3V	85	0V	137	0V	189	3.2V
34	1.7V	86	3.2V	138	0V	190	0V
35	2.2V	87	0V	139	0V	191	0V
36	3.1V	88	1.7V	140	3.2V	192	1.7V
37	3.2V	89	0V	141	0V	193	3.2V
38	0V	90	0V	142	0V	194	3.2V
39	3.2V	91	1.2V	143	0V	195	0V
40	0V	92	0V	144	0V	196	3.2V
41	0V	93	0V	145	3.2V	197	3.2V
42	0V	94	0.6V	146	0V	198	3.2V
43	0.7V	95	0V	147	0V	199	3.2V
44	3.2V	96	0V	148	0V	200	3.2V
45	0.7V	97	0V	149	0V	201	0V
46	0.5V	98	1.7V	150	0V	202	3.2V
47	0V	99	---	151	0V	203	3.2V
48	0.5V	100	---	152	0V	204	0V
49	0V	101	1.7V	153	0V	205	4.9V
50	0.4V	102	3.2V	154	3.2V	206	3.2V
51	0.4V	103	0V	155	0V	207	0V
52	0.4V	104	0V	156	3.2V	208	3.2V

IC502

NO	DC(V)
1	1.8V
2	3.3V
3	1.7V
4	0V
5	1.7V
6	1.7V

<SP-PWA85 subwoofer section>

Subwoofer section

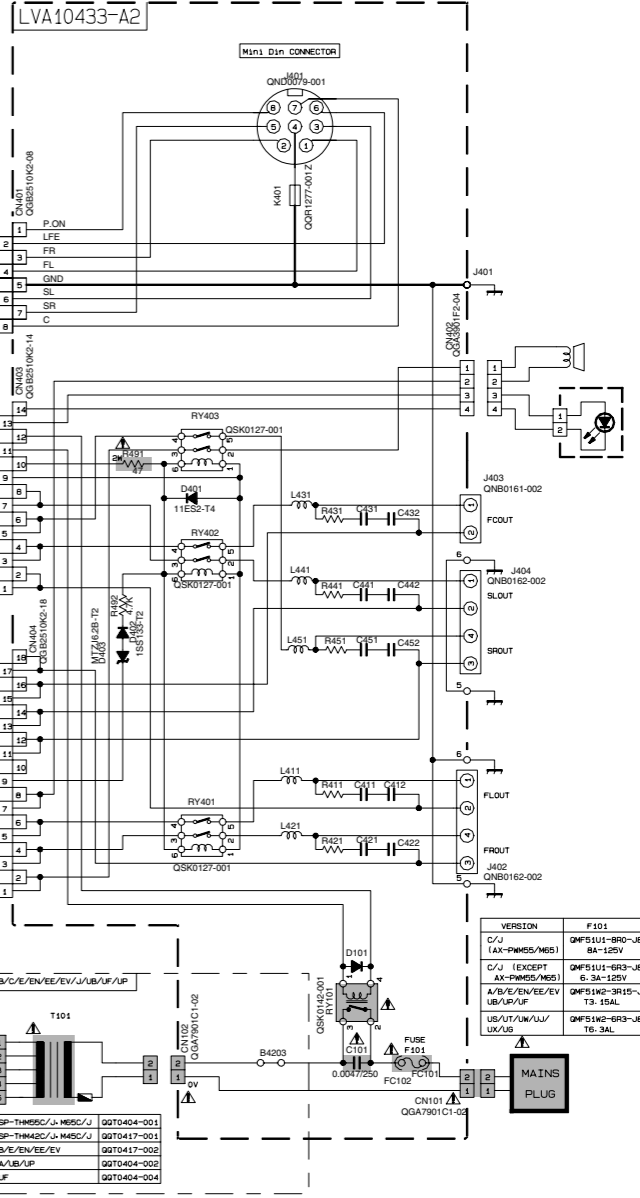
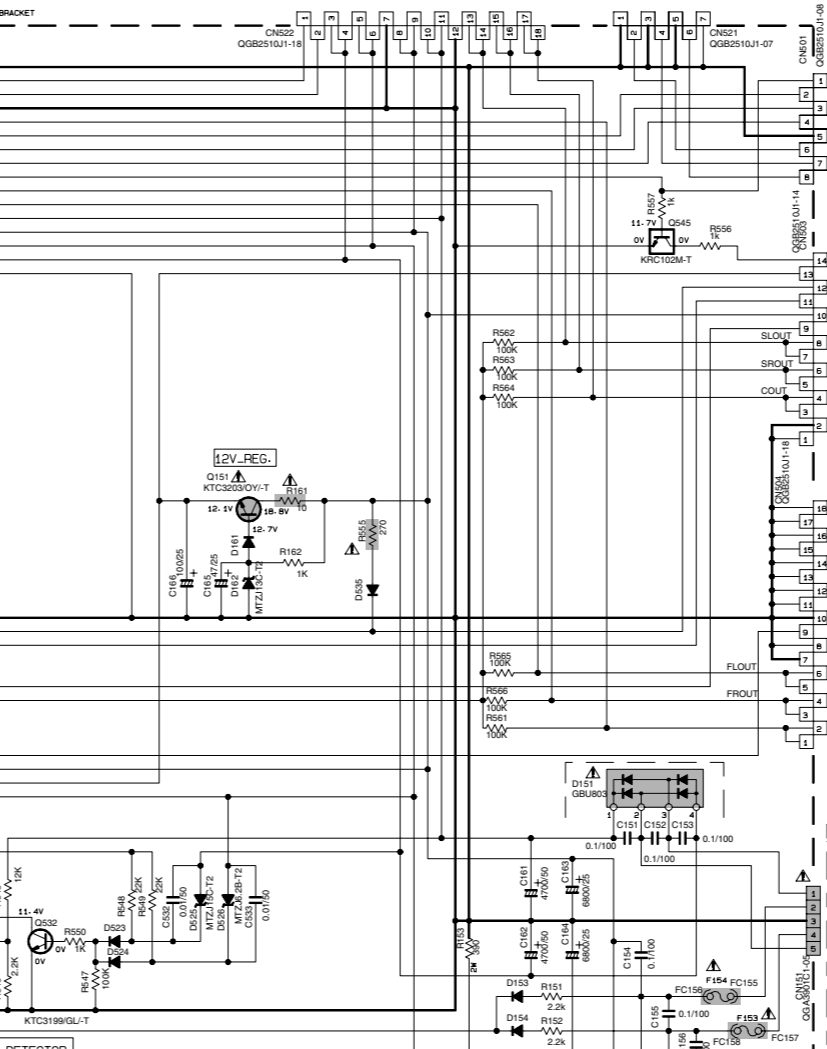
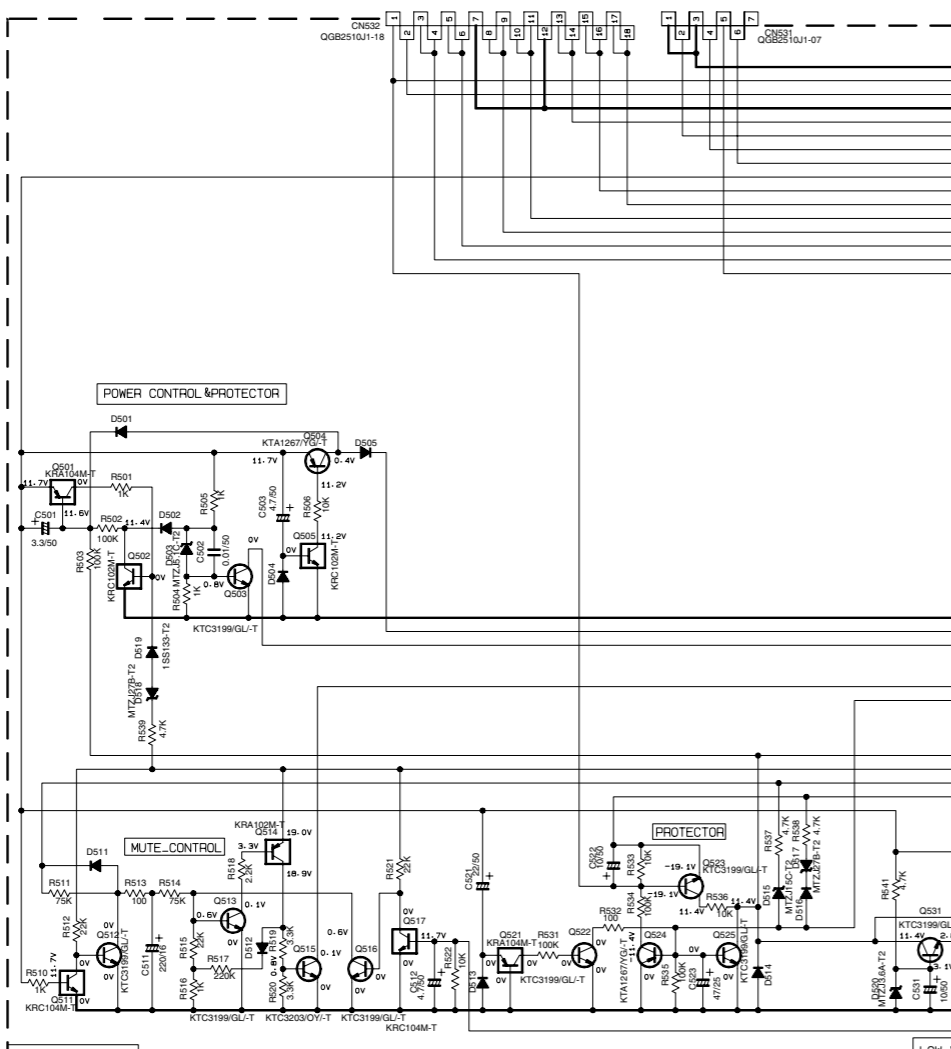
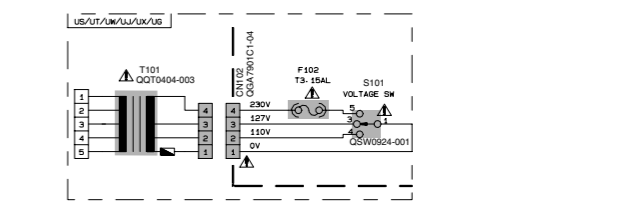


MODEL	VERSION	IC201
AX-PM95	C/J	STK413-410
OTHER		STK413-490

VERSION	R211/R211/2311/R321/3311	C107/2007/2307/C108/2008/2308/C307/3307/C308/3308	L411/421/431/L441/451	R411/421/431/R441/451	C411/421/431/C441/452/432/C445/452	C2602/2604/C3602/3504
B/E/EN/EE/EV	10	0.1/50	0.45	10	0.1/700	47/25
OTHER	4.7	0.1/50	BUS WIRE	--	--	100/25

VERSION CODES

A: AUSTRALIA	UF: CHINA
B: GREAT BRITAIN	US: TURKEY/ESP/TH/SOUTH AFRICA
C: CANADA	LI: USA MILITARY BASE
D: JAPAN	UP: KOREA
E: GERMANY/France/HOLLAND	US: SINGAPORE
EE: RUSSIA	UT: TAIWAN
EN: SWEDEN/NORWAY/FINLAND/DENMARK	UN: BRAZIL/MEXICO/PERU
EV: EAST EUROPE	UK: SAUDI ARABIA
J: U.S.A.	UY: ARGENTINA
UB: HONG KONG	



- NOTES
1. VOLTAGES ARE DC-MEASURED WITH A DIGITAL VOLT METER WITHOUT INPUT SIGNAL.
 2. UNLESS OTHERWISE SPECIFIED, ALL RESISTORS ARE 1/4W ±5% CARBON RESISTOR.
 3. ALL CAPACITORS ARE 50V CAPACITOR.
 4. ALL RESISTANCE VALUES ARE IN OHM(Ω).
 5. ALL CAPACITANCE VALUES ARE IN μF(μF).
 6. ALL E-CAPACITORS ARE SHOWN IN THE FORM OF CAPACITANCE(μF)/RATED VOLTAGE (V).
 7. ALL DIODES ARE 1SS133-T2.
 8. * MARKING ARE USED DIFFERENT VERSION.

VERSION	F153/F154
C/J	GMF511-BR0-JB BA-125V
A/B/E/EN/EE/EV	GMF511-BR3-JB E-3A-125V
UB/JP/UP	GMF512-3R15-JB T3-15AL
US/AT/AN/AL/UK/US	GMF512-6R3-JB T6-3AL

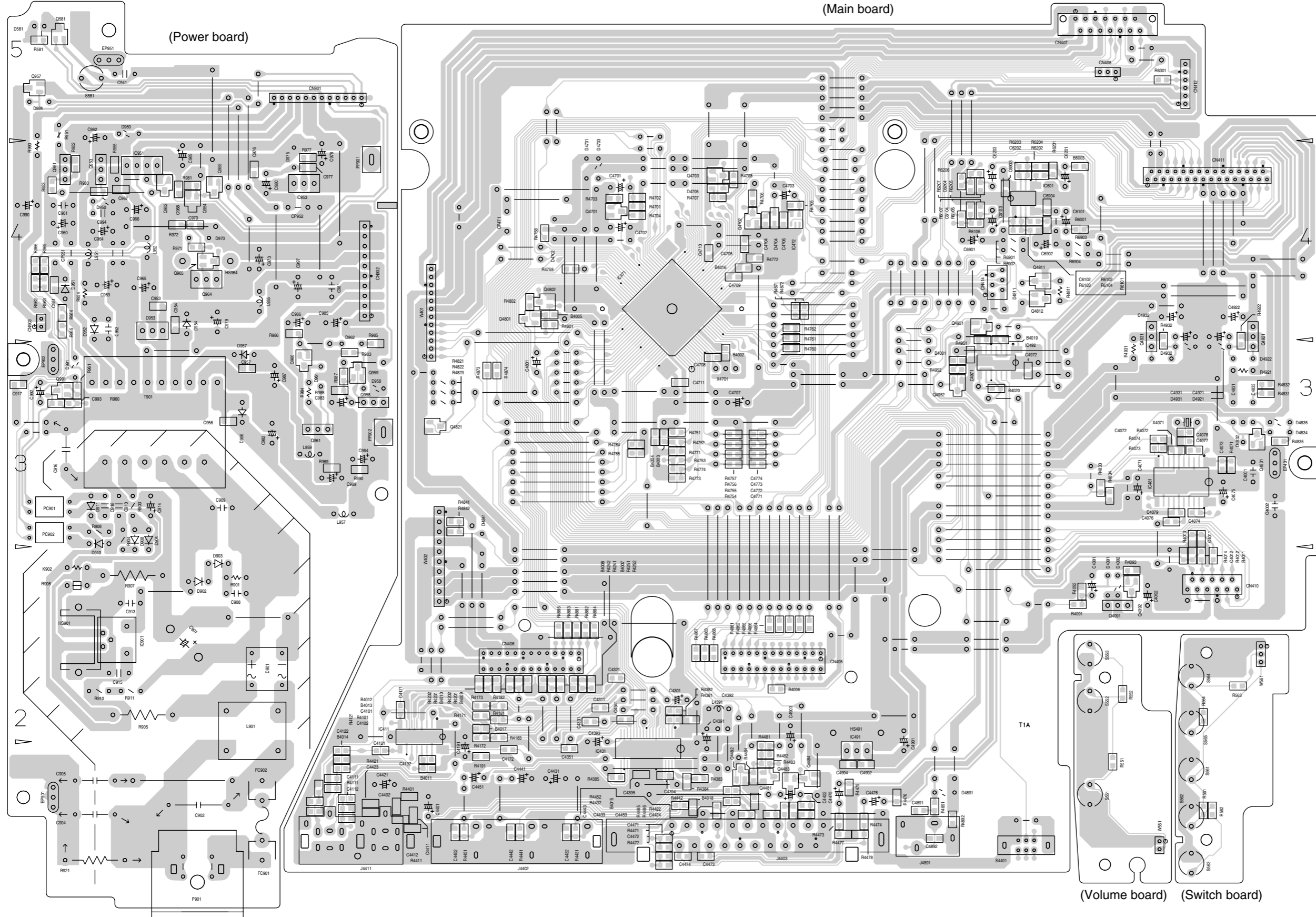
VERSION	F101
C/J	GMF511-BR0-JB BA-125V
C/J	GMF511-BR3-JB E-3A-125V
A/B/E/EN/EE/EV	GMF512-3R15-JB T3-15AL
UB/JP/UP	GMF512-6R3-JB T6-3AL

▲ Parts are safety assurance parts. When replacing those parts make sure to use the specified one.

Printed circuit boards

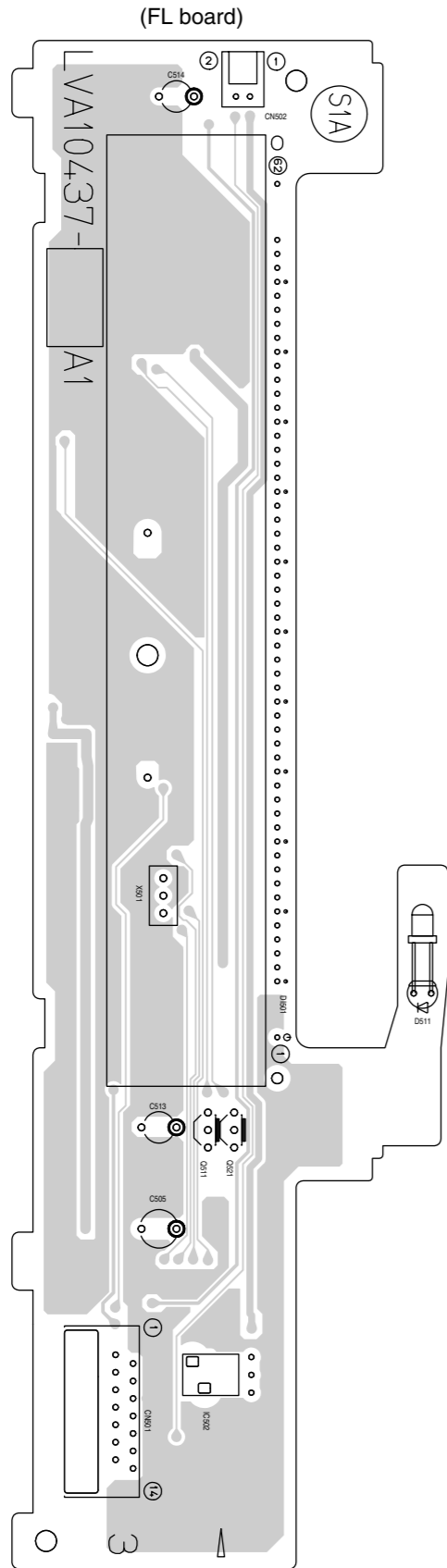
<Main body section>

■ Main board

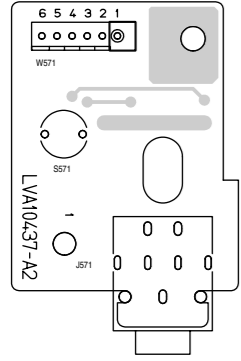


■ Front board

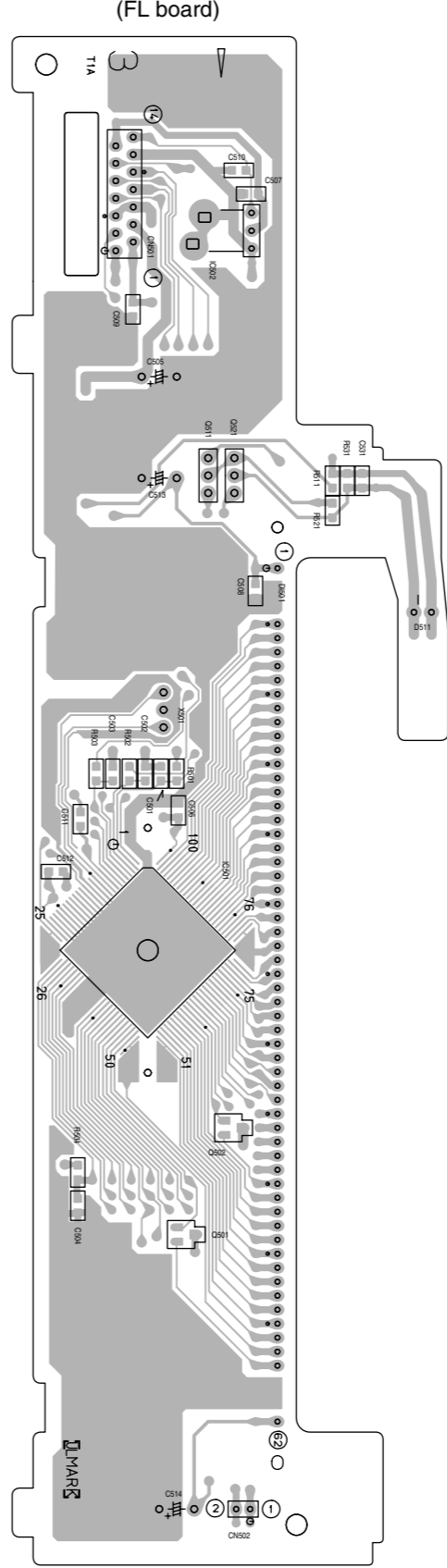
Forward side



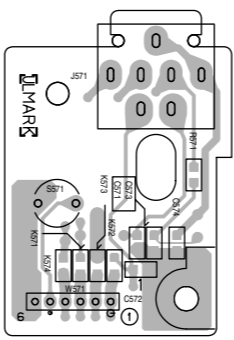
(Head phone board)



Reverse side



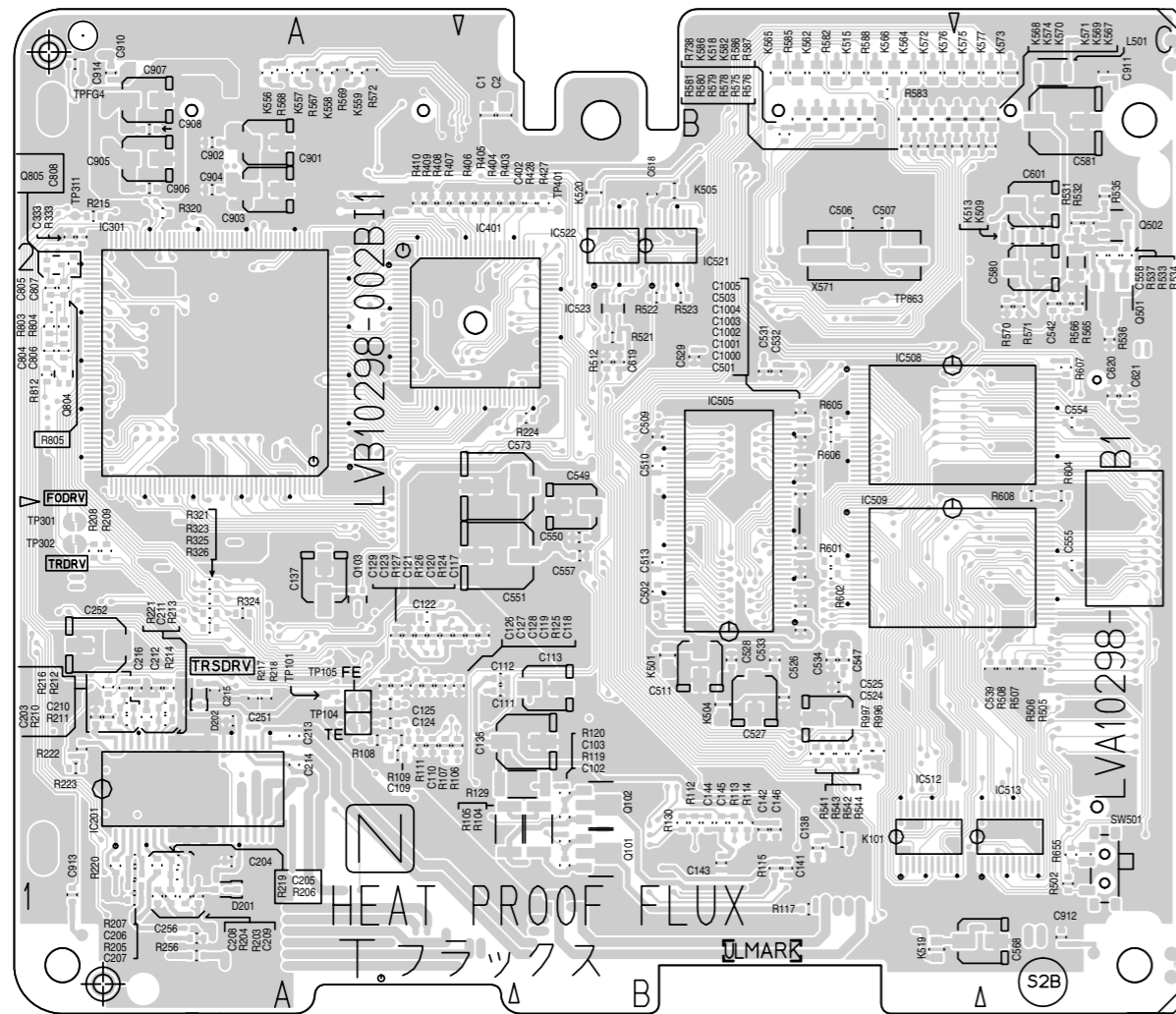
(Head phone board)



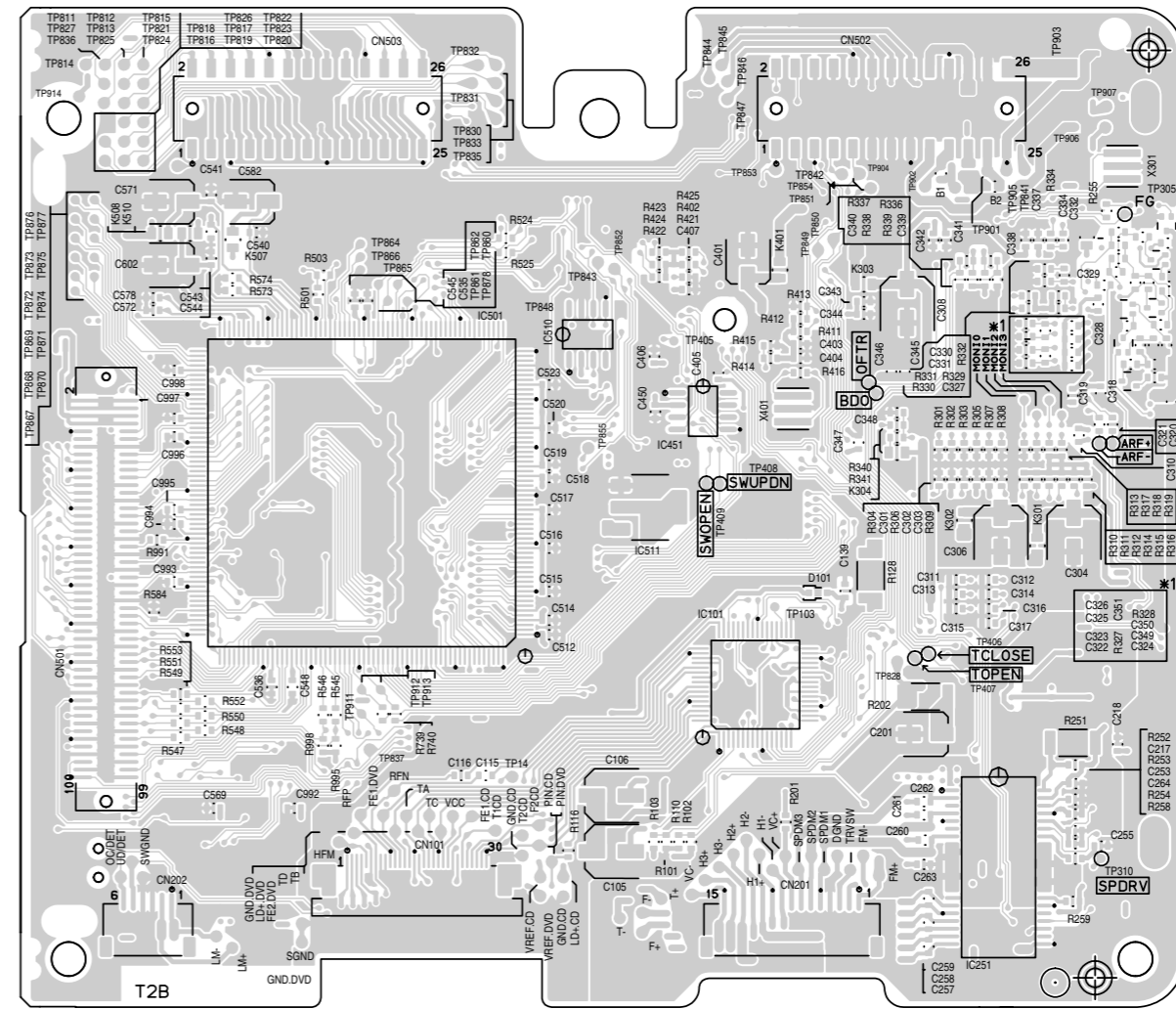
<DVD servo section>

■ DVD servo board

Forward side

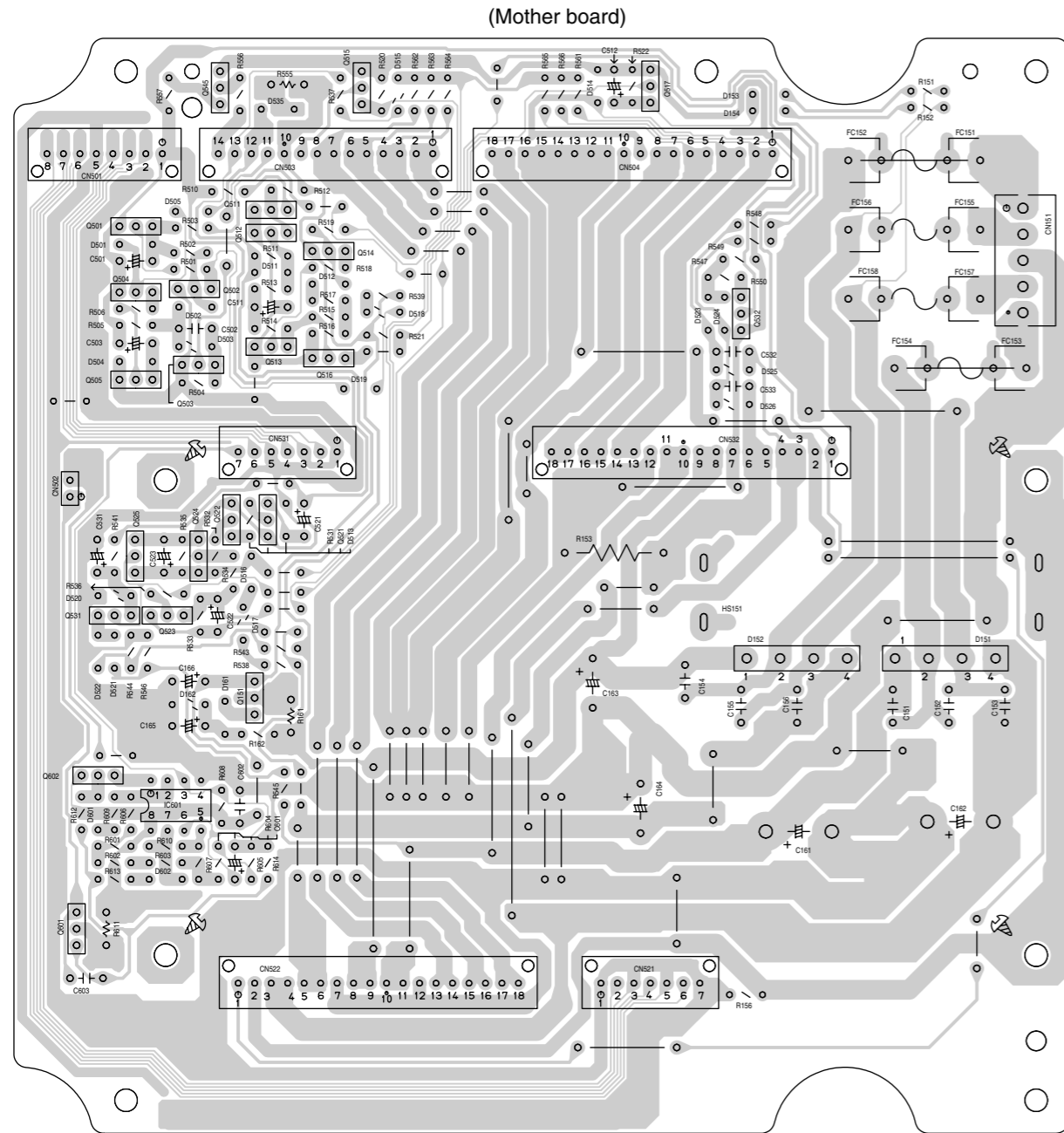


Reverse side

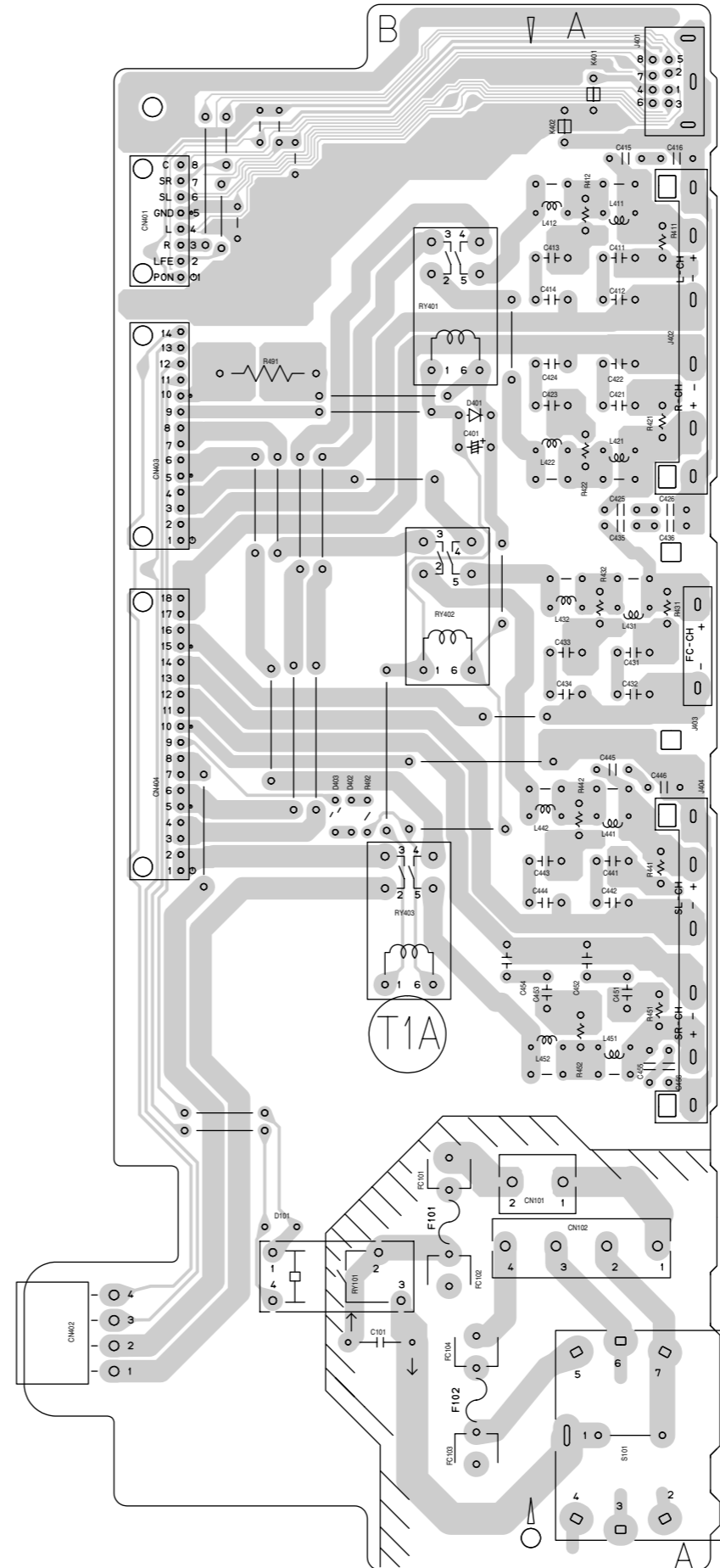


<SP-PWA subwoofer section>

■ Mother board



(Speaker terminal board)



JVC

VICTOR COMPANY OF JAPAN, LIMITED

AV & MULTIMEDIA COMPANY AUDIO/VIDEO SYSTEMS CATEGORY 10-1, 1chome, Ohwatari-machi, Maebashi-city, 371-8543, Japan

(No.MB040SCH)



Printed in Japan
WPC

PARTS LIST

[TH-A85]

* All printed circuit boards and its assemblies are not available as service parts.

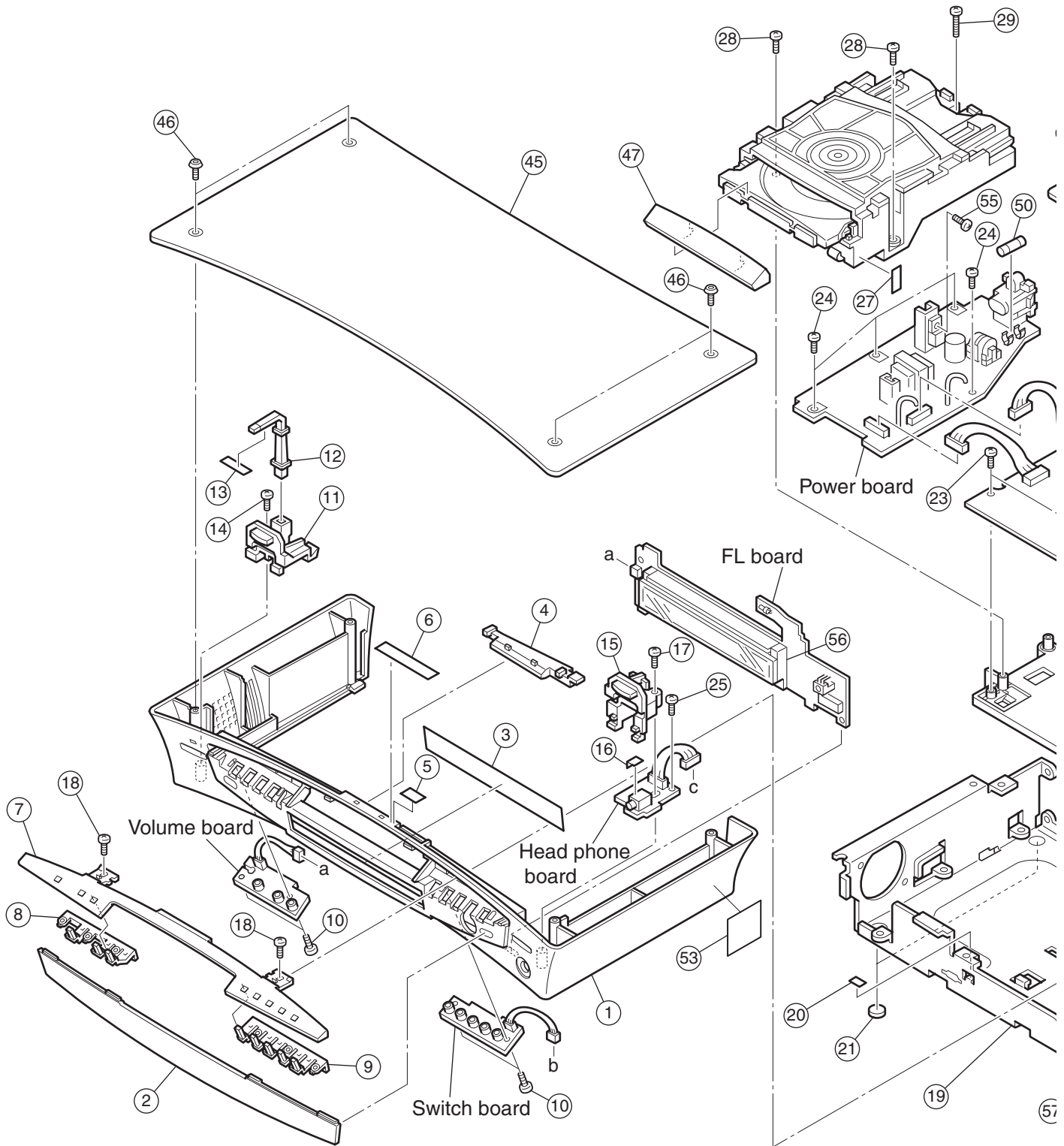
Area suffix
UF ----- China

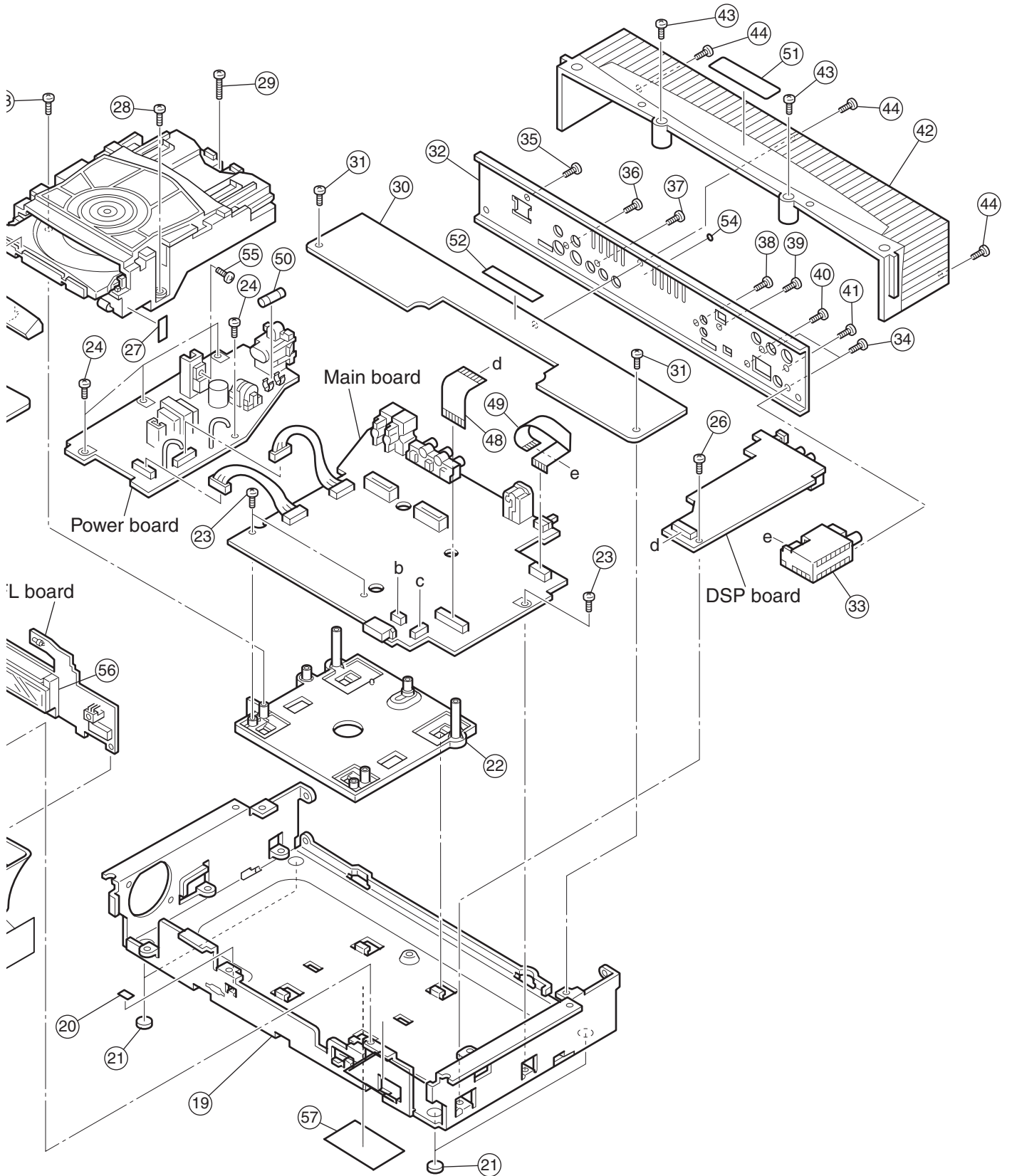
- Contents -

Exploded view of general assembly and parts list (Block No.M1)	3- 2
Speaker assembly and parts list (Subwoofer) (Block No.M2)	3- 5
Speaker assembly and parts list (Front speaker) (Block No.M6)	3- 7
Speaker assembly and parts list (Center speaker) (Block No.M7)	3- 8
DVD mechanism assembly and parts list (Block No.MJ)	3- 9
DVD loading base assembly and parts list (Block No.MN)	3-10
Electrical parts list (Block No.01~08)	3-12
Packing materials and accessories parts list (Block No.M3)	3-26

Exploded view of general assembly and parts list

Block No. **M** **1** **M** **M**





General assembly

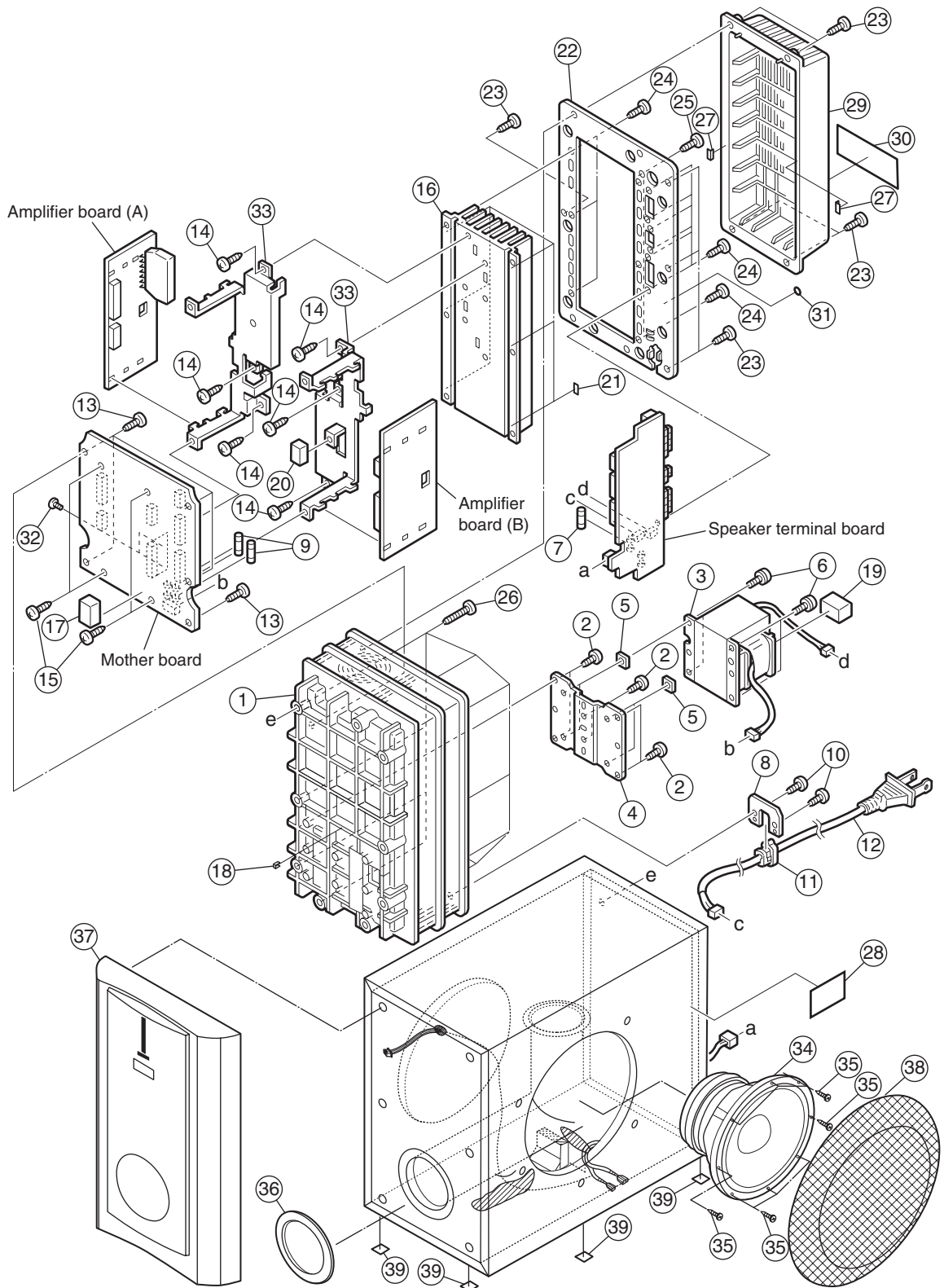
Block No. [M][1][M][M]

Symbol No.	Part No.	Part Name	Description	Local
1	LV10787-003A	FRAME		
2	LV34217-004A	LENS		
3	LV42851-006A	FL SCREEN		
4	LV34219-003A	LIGHT LENS		
5	LV30225-0F4A	SPACER		
6	LV43610-001A	SPACER		
7	LV21485-003A	FRONT ORNAMENT		
8	LV34213-002A	PUSH BUTTON(L)		
9	LV34214-002A	PUSH BUTTON(R)		
10	QYSBSF2610Z	SCREW	2.6mm x 10mm(x4)	
11	LV34215-002A	P BUTTON(POWER)		
12	LV34220-003A	INDICATOR LENS		
13	VYSA1R4-110	SPACER		
14	QYSBSF2610Z	SCREW	2.6mm x 10mm	
15	LV34216-002A	P BUTTON(EJECT)		
16	LV30225-0Q7A	SPACER		
17	QYSBSF2610Z	SCREW	2.6mm x 10mm	
18	QYSSST3006Z	SCREW	3mm x 6mm(x2)	
19	LV10788-002A	CHASSIS BASE		
20	LV30225-0G9A	SPACER		
21	LV40240-002A	FOOT	(x4)	
22	LV21487-001A	MECHA HOLDER		
23	QYSBSG3008Z	TAPPING SCREW	3mm x 8mm(x3)	
24	QYSBSG3008Z	TAPPING SCREW	3mm x 8mm(x4)	
25	QYSBSG3008Z	TAPPING SCREW	3mm x 8mm	
26	QYSBSG3008Z	TAPPING SCREW	3mm x 8mm	
27	LV30225-0K8A	SPACER		
28	QYSBSF3012Z	TAP SCREW	3.0mm x 12mm(x2)	
29	QYSBST3020Z	TAP SCREW	M3 x 20mm	
30	LV34221-001A	SHIELD		
31	QYSBSG3006E	TAPPING SCREW	3mm x 6mm(x2)	
32	LV21489-021A	REAR PANEL		
33	QAU0307-002	TUNER		
34	QYSBSGY3008E	SPECIAL SCREW	3mm x 8mm(x2)	
35	QYSBSGY3008E	SPECIAL SCREW	3mm x 8mm	
36	QYSBSGY3008E	SPECIAL SCREW	3mm x 8mm	
37	QYSBSGY3008E	SPECIAL SCREW	3mm x 8mm	
38	QYSBSGY3008E	SPECIAL SCREW	3mm x 8mm	
39	QYSBSGY3008E	SPECIAL SCREW	3mm x 8mm	
40	QYSBSGY3008E	SPECIAL SCREW	3mm x 8mm	
41	QYSBSP3006M	SCREW	M3 x 6mm	
42	LV10795-001A	REAR COVER		
43	QYSBSF3010Z	TAP SCREW	3mm x 10mm(x2)	
44	QYSBSGY3008M	SPECIAL SCREW	3mm x 8mm(x3)	
45	LV10789-003A	TOP PANEL		
46	LV42860-002A	SPECIAL SCREW	(x4)	
47	LV21486-002A	TRAY FITTING		
48	QUQ410-3106CJ	FFC WIRE		
49	QUQ412-1110CJ	FFC WIRE		
△ 50	QMF51W2-1R6-J8	FUSE	1.6A AC250V	
51	VND4118-004	CAUTION LABEL		
52	LV41843-002A	LASER CAUTION		
53	LV34399-002A	UF LABEL		
54	LV43268-001A	CCC LABEL		
55	QYSBSE3008Z	SCREW	3mm x 8mm	
56	LV34218-001A	FL HOLDER		
57	LV43243-002A	LABEL		

Speaker assembly and parts list

(Subwoofer)

Block No. **M** **2** **M** **M**



Speaker (Subwoofer)

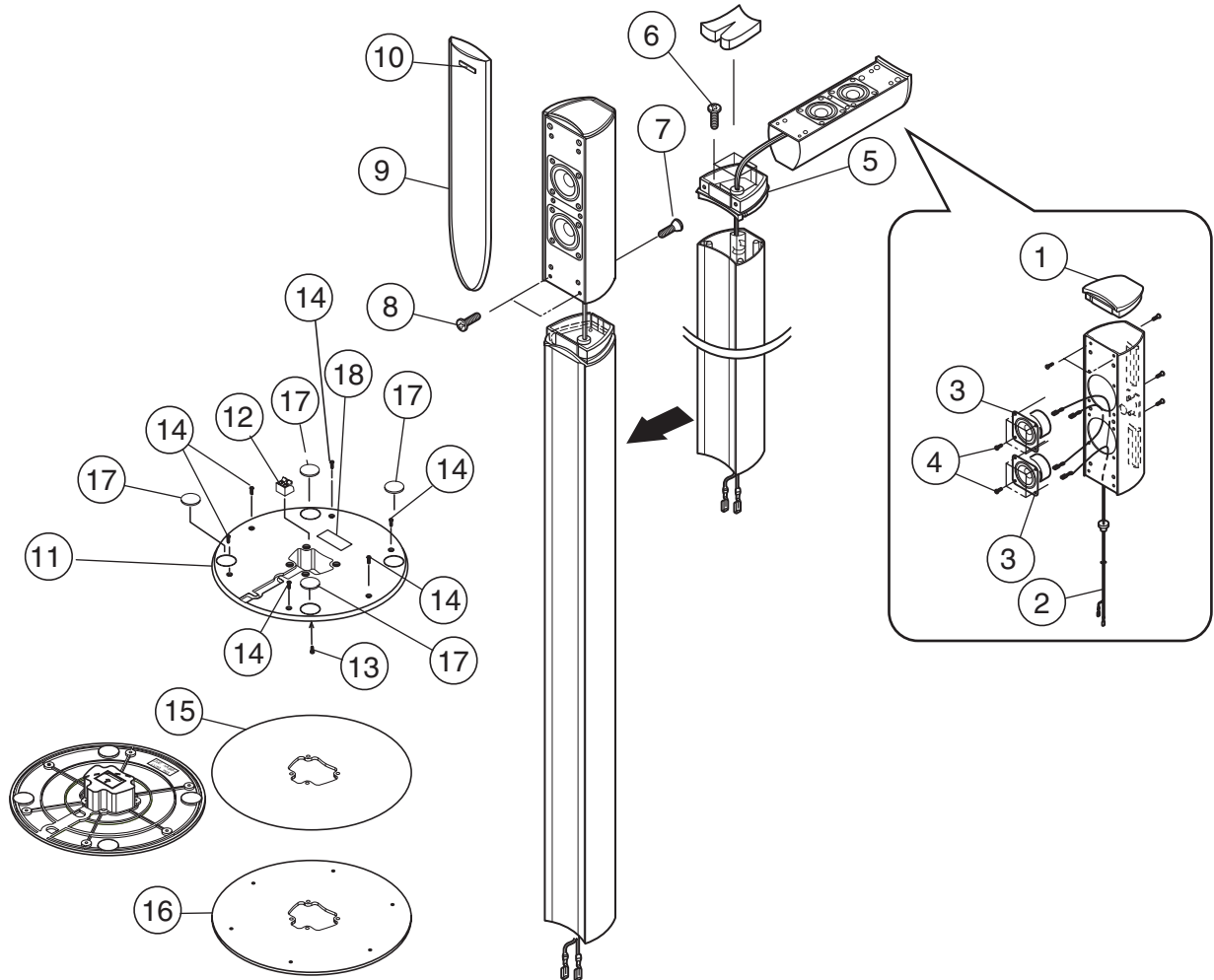
Block No. [M][2][M][M]

Symbol No.	Part No.	Part Name	Description	Local
1	LV10784-010A	REAR CHASSIS		
2	QYSBSF4010Z	TAP SCREW	M4 x 10mm(x6)	
△ 3	QQT0404-004	POWER TRANSF		
4	LV31723-001A	TRANS BRACKET		
5	E406309-002	SPACER	(x4)	
6	QYSDSTL4010E	TAP SCREW	M4 x 10mm(x4)	
△ 7	QMF51W2-3R15-J8	FUSE	3.15A AC250V	
8	LV42032-001A	AC BRACKET		
△ 9	QMFZ051-8R0-J8	FUSE	F153 F154 8A(x2)	
10	QYSBSF3010Z	TAP SCREW	3mm x 10mm(x2)	
△ 11	QHS3771-108	CORD STOPPER		
△ 12	QMPR480-200-JC	POWER CORD	2m BLACK	
13	QYSBSF3010Z	TAP SCREW	3mm x 10mm(x5)	
14	QYSBSG3008E	TAPPING SCREW	3mm x 8mm(x6)	
15	QYSBSG3008E	TAPPING SCREW	3mm x 8mm(x4)	
△ 16	LV21474-001A	HEAT SINK		
17	LV30225-078A	SPACER		
18	LV30225-0N4A	SPACER		
19	LV30225-0N5A	SPACER		
20	LV30225-0N6A	SPACER		
21	LV30225-0N7A	SPACER	(x6)	
22	LV21475-006A	REAR PANEL		
23	QYSDSF3012M	TAP SCREW	M3 x 12mm(x8)	
24	QYSBSGY3008E	SPECIAL SCREW	3mm x 8mm(x12)	
25	QYSBSP3006M	SCREW	M3 x 6mm	
26	QYSDSA4025M	TAP SCREW	M4 x 25mm(x9)	
27	LV30225-0N7A	SPACER	(x2)	
28	LV30092-0D6A	UF LABEL		
29	LV10785-002A	H.S.COVER		
30	LV34268-013A	RATING LABEL		
31	LV43268-001A	CCC LABEL		
32	QYSPSPD3008Z	SCREW	3mm x 8mm(x2)	
33	LV34197-003A	IC BRACKET	(x2)	
34	CR200027-01	SPEAKER		
35	7005942502	SCREW	(x8)	
36	2910008601	PACKING		
37	9920002411	BAFFLE ASSY		
38	9920002111	NET ASSY		
39	5600006901	RUBBER FOOT	(x4)	

Speaker assembly and parts list

(Front speaker)

Block No. M 6 M M



Speaker (Front speaker)

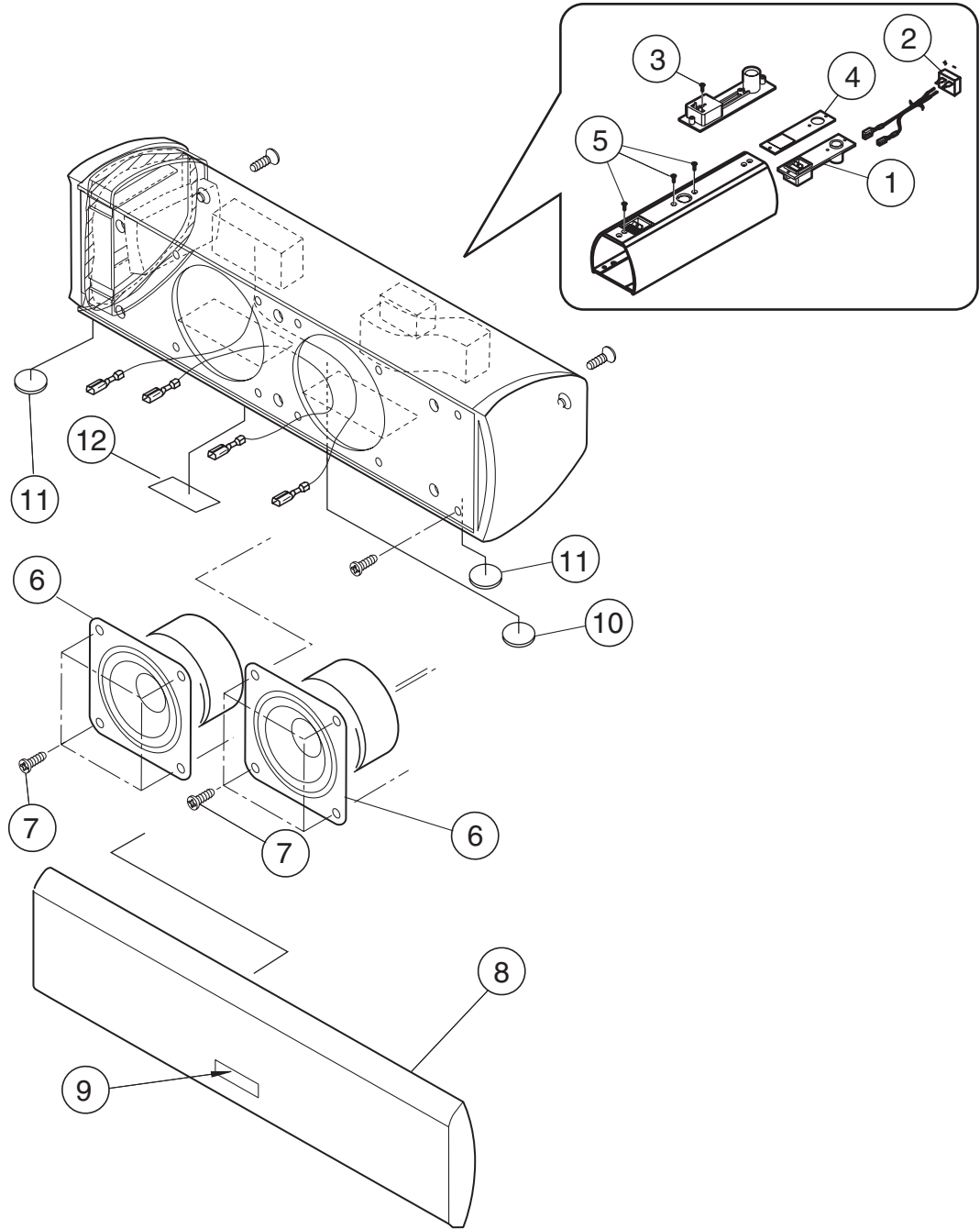
Block No. M[6]M]M

△ Symbol No.	Part No.	Part Name	Description	Local	△ Symbol No.	Part No.	Part Name	Description	Local
1	5700066201	TOP COVER	(x4)		17	9000009001	FOOT	LV43426-001A(x16)	
2	6100070611	CORD(WITH BUSH)	(x4)		18	6000197381	RATING LABEL	(x4)	
3	CR050005-01	SPEAKER	(x8)						
4	7007840606	SCREW	(x32)						
5	5700065901	JOINT	LV21494-001A(x4)						
6	7007841001	SCREW	(x16)						
7	7005730806	SCREW	(x4)						
8	7007830606	SCREW	(x8)						
9	9905000601	NET ASSY	LV10792-001A(x4)						
10	5900020901	BADGE(FRONT/SURROUND)	LV43427-001A(x4)						
11	5700066101	SQ RING	(x4)						
12	1030004001	TERMINAL	(x4)						
13	7006930801	SCREW	(x4)						
14	7008730801	SCREW	(x24)						
15	2810006901	SPACER	(x4)						
16	9000009101	STAND BASE	LV21495-001A(x4)						

Speaker assembly and parts list

(Center speaker)

Block No. M 7 M M



Speaker (Center speaker)

Block No. M7MM

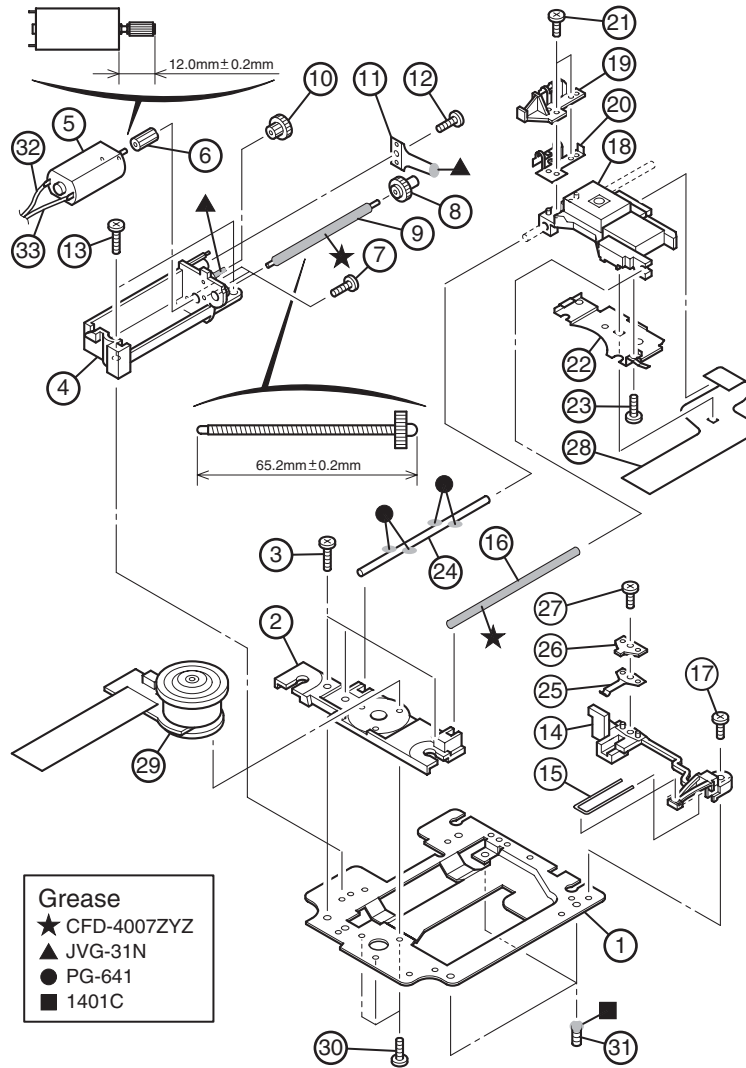
△ Symbol No.	Part No.	Part Name	Description	Local
1	3110006801	DUCT		
2	1030004001	TERMINAL		
3	7006930801	SCREW		
4	2810006501	SPACER		
5	7005731206	SCREW	(x3)	
6	CR050005-01	SPEAKER	(x2)	

△ Symbol No.	Part No.	Part Name	Description	Local
7	7007840606	SCREW	(x8)	
8	9905000701	NET ASSY	LV21497-001A	
9	5900020901	BADGE(FRONT/ SURROUND)	LV43427-001A	
10	9000005371	FOOT		
11	9000005361	FOOT	(x2)	
12	6000197391	RATING LABEL		

DVD mechanism assembly and parts list

Block No. M J M M

EXL-V73-1C



DVD mechanism

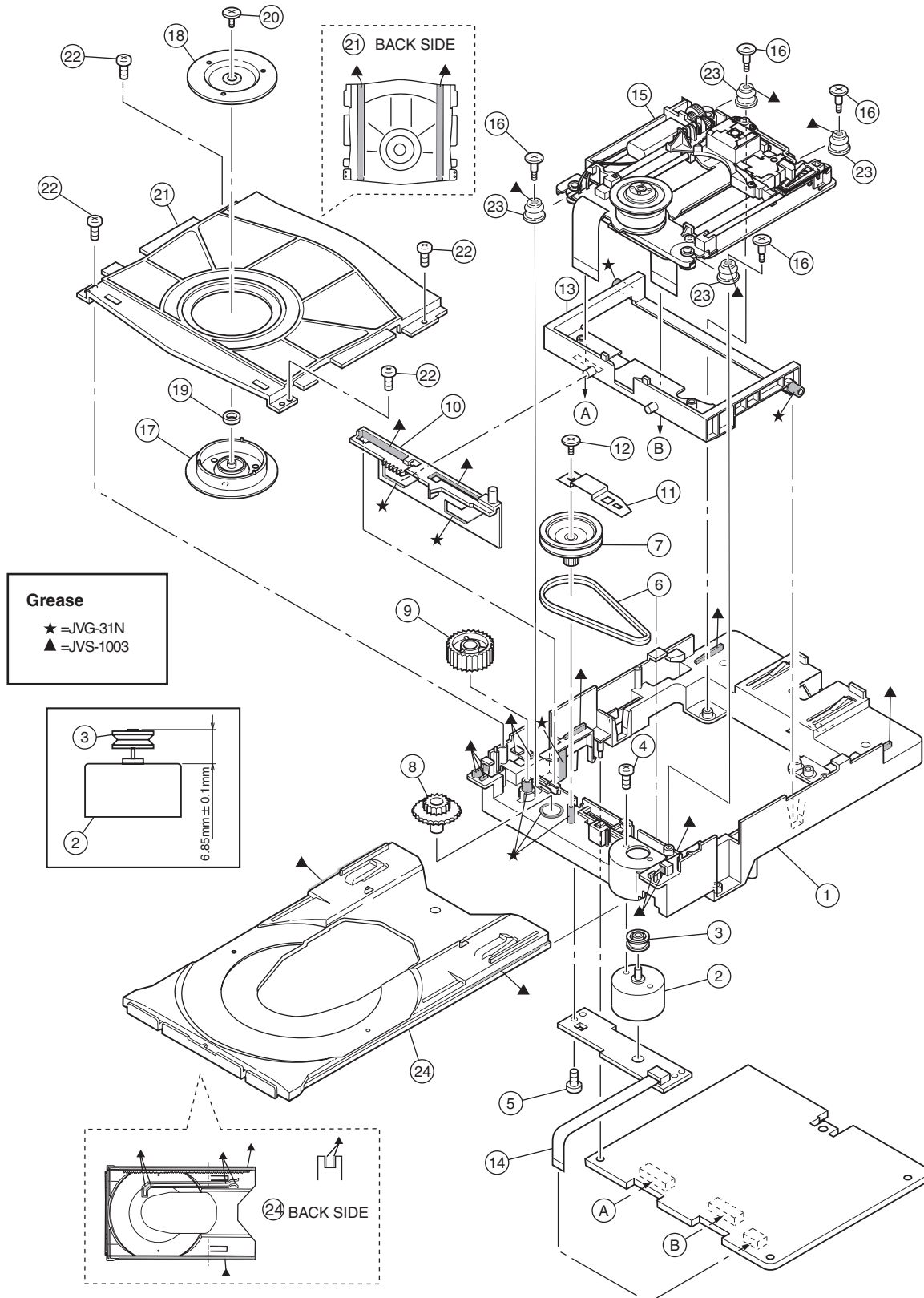
Block No. M J M M

△ Symbol No.	Part No.	Part Name	Description	Local	△ Symbol No.	Part No.	Part Name	Description	Local
1	LE20520-002A	MECHA BASE			17	QYSDST2605M	TAP SCREW	M2.6 x 5mm	
2	LE20516-002A	SPINDLE BASE			18	QAL0452-001	PICK UP		
3	QYSDST2605M	TAP SCREW	M2.6 x 5mm(x3)		19	LE20519-001A	SW ACTUATOR		
4	LE30909-001A	FEED HOLDER ASSY			20	LE30886-001A	LEAD SPRING		
5	QAR0165-001	FEED MOTOR			21	QYSPSFU1740Z	TAP SCREW	M1.7 x 4mm(x2)	
6	LV41510-001A	FEED GEAR T			22	LE30888-003A	P.U.SPRING		
7	QYSPSPU2040M	SCREW	M2 x 4mm(x2)		23	QYSPSGU1430Z	TAP SCREW	M1.4 x 3mm	
8	LV41512-002A	FEED GEAR E			24	LV41121-002A	SHAFT		
9	LV41517-003A	LEAD SCREW			25	LE40743-001A	T.SPRING(S)		
10	LV41511-003A	FEED GEAR M			26	LE40774-001A	PLATE		
11	LE40742-001A	THRUST SPRING			27	QYSDST2606Z	SCREW	2.6mm x 6mm	
12	QYSDSF2005Z	SCREW	2mm x 5mm		28	QAL0284-001	FPC		
13	QYSDST2605M	TAP SCREW	M2.6 x 5mm(x2)		29	QAR0268-001	SPINDLE MOTOR		
14	LE20517-001A	SHAFT HOLDER			30	QYSPSPU1760Z	SCREW	M1.7 x 6mm(x3)	
15	LE40744-001A	BAR SPRING(1)			31	QYASPF2608N	HEX SCREW	M2.6 x 8mm(x3)	
16	LV41121-002A	SHAFT			32	QUB549-05A1A1	SIN TWIST WIRE		
					33	QUB544-05A1A1	SIN TWIST WIRE		

DVD loading base assembly and parts list

Block No. M N M M

FMU-DV31-1M



DVD loading base

Block No. [M][N][M][M]

△ Symbol No.	Part No.	Part Name	Description	Local
1	LV10454-007A-CK	LOADING BASE		
2	QAR0164-001	MOTOR		
3	LV42087-002A	MOTOR PULLEY		
4	QYSPSPU1730Z	SCREW	M1.7 x 3mm	
5	VKZ4777-003	MINI SCREW		
6	LV42209-001A	BELT		
7	LV42084-002A	PULLEY GEAR		
8	LV42085-002A	MIDDLE GEAR		
9	LV42086-001A	IDLE GEAR		
10	LV32514-002A	SLIDE CAM		
11	LV42348-001A	P GEAR BRACKET		
12	VKZ4777-003	MINI SCREW		
13	LV20912-002A	ELEVATOR		
14	QUQ410-0610CJ	FFC WIRE		
15	-----	TRAVERSE MECHANISM		
16	LV43245-001A	SPECIAL SCREW	(x4)	
17	LV32417-001A	CLAMPER		
18	LV42089-002A	YOKE		
19	LV42930-003A	P.C.MAGNET		
20	LV41741-001A	SPECIAL SCREW		
21	LV20913-002A	CLAMPER BASE		
22	QYSBSF2005Z	SCREW	2mm x 5mm(x4)	
23	LV41659-001A	INSULATOR	(x4)	
24	LV10455-002A-CK	TRAY		

Electrical parts list

Main board

Block No. [0][1][0][0]

Symbol No.	Part No.	Part Name	Description	Local	Symbol No.	Part No.	Part Name	Description	Local
IC411	MM1233XF-X	IC			D4834	1SS133-T2	DIODE		
IC431	LA73054-X	IC			D4835	MTZJ6.8A-T2	Z DIODE		
IC471	MN101C49GKS1	IC(MCU)			D4841	1SS133-T2	DIODE		
IC472	BD4740G-W	IC			D4891	MTZJ6.8A-T2	Z DIODE		
IC491	KIA7805API	IC			D4921	MTZJ8.2C-T2	Z DIODE		
IC601	HA17558AF-X	IC			D4922	1SS133-T2	DIODE		
△ IC901	STR-G6651	IC			D4931	MTZJ8.2C-T2	Z DIODE		
IC951	PQ05RD21	IC			D4932	1SS133-T2	DIODE		
IC953	KIA7805API	IC			△ PC901	PC123Y22FZ	PHOTO COUPLER		
					△ PC902	PC123Y22FZ	PHOTO COUPLER		
Q581	KRC102S-X	DIGI TRANSISTOR			△ C902	QFZ9075-683	MPP CAPACITOR	0.068uF AC275V M	
Q951	2SC3576-JVC-T	TRANSISTOR			△ C904	QCZ9079-102	C CAPACITOR	1000pF AC250V M	
Q952	KRA104S-X	DIGI TRANSISTOR			△ C905	QCZ9079-102	C CAPACITOR	1000pF AC250V M	
Q953	KTA1267/YG/-T	TRANSISTOR			△ C907	QEZ0577-826	E CAPACITOR	82uF	
Q954	SI2305DS-X	TRANSISTOR			C908	QCZ0136-332Z	C CAPACITOR	3300pF 1kV K	
Q955	KRC103S-X	DIGITAL TR			C909	QCZ0136-101Z	C CAPACITOR	100pF 1kV K	
Q958	KTA1271/OY/-T	TRANSISTOR			C910	QCB1HK-221Y	C CAPACITOR	220pF 50V K	
Q959	2SD601A/QR/-X	TRANSISTOR			C913	QCZ0136-101Z	C CAPACITOR	100pF 1kV K	
Q960	2SB709A/QR/-X	TRANSISTOR			C914	QEZ0532-396Z	E CAPACITOR	39uF 25V M	
Q961	KTA1271/OY/-T	TRANSISTOR			C915	QCB1HK-471Y	C CAPACITOR	470pF 50V K	
Q964	KTA1046/Y/	TRANSISTOR			△ C916	QCZ9079-222	C CAPACITOR	2200pF AC250V M	
Q965	2SD601A/QR/-X	TRANSISTOR			C917	NCB31HK-103X	C CAPACITOR	0.01uF 50V K	
Q991	2SD601A/QR/-X	TRANSISTOR			C918	QCFB1HZ-104Y	C CAPACITOR	0.1uF 50V Z	
Q4091	KTA1271/OY/-T	TRANSISTOR			C951	NCS31HJ-101X	C CAPACITOR	100pF 50V J	
Q4092	2SD601A/QR/-X	TRANSISTOR			C952	QCZ0136-101Z	C CAPACITOR	100pF 1kV K	
Q4701	KRC111S-X	TRANSISTOR			C953	NCS31HJ-101X	C CAPACITOR	100pF 50V J	
Q4702	KRC107S-X	DIGI TRANSISTOR			C954	NCS31HJ-101X	C CAPACITOR	100pF 50V J	
Q4703	KRC102S-X	DIGI TRANSISTOR			C956	NCS31HJ-101X	C CAPACITOR	100pF 50V J	
Q4801	2SB709A/QR/-X	TRANSISTOR			C957	NCS31HJ-101X	C CAPACITOR	100pF 50V J	
Q4802	KRC102S-X	DIGI TRANSISTOR			C960	QEZ0529-826Z	E CAPACITOR	82uF 10V M	
Q4811	KRA102S-X	DIGI TRANSISTOR			C961	QCZ0202-155Z	C CAPACITOR	1.5uF 25V Z	
Q4812	KRC102S-X	DIGI TRANSISTOR			C962	QETN1HM-226Z	E CAPACITOR	22uF 50V M	
Q4821	KRC102S-X	DIGI TRANSISTOR			C963	QEZ0533-396Z	E CAPACITOR	39uF 50V M	
Q4831	KRC102S-X	DIGI TRANSISTOR			C964	QETN1HM-226Z	E CAPACITOR	22uF 50V M	
Q4921	KTC3203/OY/-T	TRANSISTOR			C965	QTMN1AM-108Z	E CAPACITOR	1000uF 10V M	
Q4931	KTA1271/OY/-T	TRANSISTOR			C966	QETN1AM-477Z	E CAPACITOR	470uF 10V M	
					C967	NCB31CK-104X	C CAPACITOR	0.1uF 16V K	
D581	SLR-342VC-T	LED I.M			C968	NCB31CK-104X	C CAPACITOR	0.1uF 16V K	
△ D901	S1WB/A/60-4101	BRIDGE DIODE			C969	QETN1AM-227Z	E CAPACITOR	220uF 10V M	
D902	ERA18-04-T1	FR DIODE			C970	NCB31CK-104X	C CAPACITOR	0.1uF 16V K	
D903	ERA18-04-T1	FR DIODE			C973	QETN1CM-107Z	E CAPACITOR	100uF 16V M	
D904	ERA18-04-T1	FR DIODE			C976	NCB31CK-104X	C CAPACITOR	0.1uF 16V K	
D908	ERA18-04-T1	FR DIODE			C977	NCB31CK-104X	C CAPACITOR	0.1uF 16V K	
D910	ERA18-04-T1	FR DIODE			C978	QETN1CM-107Z	E CAPACITOR	100uF 16V M	
D911	ERA18-04-T1	FR DIODE			C979	QEZ0530-827	E CAPACITOR	820uF 16V M	
D950	MTZJ36C-T2	Z DIODE			C980	QETN1HM-106Z	E CAPACITOR	10uF 50V M	
D951	ERA18-04-T1	FR DIODE			C981	QCZ0202-155Z	C CAPACITOR	1.5uF 25V Z	
D951 or AU02-T1	AU02-T1	FR DIODE			C982	QEZ0531-567	E CAPACITOR	560uF 25V M	
D952	ERA18-04-T1	FR DIODE			C983	QETN1HM-106Z	E CAPACITOR	10uF 50V M	
D952 or AU02-T1	AU02-T1	FR DIODE			C984	QETN1CM-227Z	E CAPACITOR	220uF 16V M	
△ D953	FMB-24	FUSEIODE			C985	QETN1EM-107Z	E CAPACITOR	100uF 25V M	
△ D954	EU2YX-LFH6K	FR DIODE			C986	QETN1EM-107Z	E CAPACITOR	100uF 25V M	
△ D956	EU2YX-LFH6K	FR DIODE			C987	QEZ0532-187Z	E CAPACITOR	180uF 25V M	
△ D957	EU2YX-LFH6K	FR DIODE			C989	QETN1CM-107Z	E CAPACITOR	100uF 16V M	
D958	MTZJ9.1A-T2	Z DIODE			C992	QETN1HM-474Z	E CAPACITOR	0.47uF 50V M	
D960	MTZJ3.6B-T2	Z DIODE			C993	NCS31HJ-101X	C CAPACITOR	100pF 50V J	
D961	1SS133-T2	DIODE			C994	QCB1HK-223Y	C CAPACITOR	0.022uF 50V K	
D962	1SS133-T2	DIODE			C997	QETN1CM-227Z	E CAPACITOR	220uF 16V M	
D970	1SS133-T2	DIODE			C4001	QCZ0202-155Z	C CAPACITOR	1.5uF 25V Z	
D975	1SS133-T2	DIODE			C4002	QCZ0202-155Z	C CAPACITOR	1.5uF 25V Z	
D991	MTZJ5.1B-T2	Z DIODE			C4091	QETN1HM-106Z	E CAPACITOR	10uF 50V M	
D4091	1SS133-T2	DIODE			C4092	QETN1CM-107Z	E CAPACITOR	100uF 16V M	
D4092	MTZJ6.8A-T2	Z DIODE			C4101	NCB30JK-105X	C CAPACITOR	1uF 6.3V K	
D4701	1SS133-T2	DIODE			C4102	NCS31HJ-470X	C CAPACITOR	47pF 50V J	
D4702	1SS133-T2	DIODE			C4111	NCB31CK-103X	C CAPACITOR	0.01uF 16V K	
D4703	MTZJ4.7B-T2	Z DIODE			C4112	NCS31HJ-470X	C CAPACITOR	47pF 50V J	
D4704	1SS355-X	SI DIODE			C4121	NCB30JK-105X	C CAPACITOR	1uF 6.3V K	
D4705	1SS355-X	SI DIODE			C4122	NCS31HJ-470X	C CAPACITOR	47pF 50V J	
D4811	1SS133-T2	DIODE			C4171	NCB30JK-105X	C CAPACITOR	1uF 6.3V K	
D4831	1SS133-T2	DIODE			C4172	NCB30JK-105X	C CAPACITOR	1uF 6.3V K	
D4832	1SS133-T2	DIODE			C4191	QETN1VM-476Z	E CAPACITOR	47uF 35V M	
D4833	1SS133-T2	DIODE			C4192	NCB31HK-103X	C CAPACITOR	0.01uF 50V K	

△ Symbol No.	Part No.	Part Name	Description	Local	△ Symbol No.	Part No.	Part Name	Description	Local
C4301	QEKC1CM-476Z	E CAPACITOR	47uF 16V M		R962	NRSA63J-0R0X	MG RESISTOR	0Ω 1/16W J	
C4311	NCB31CK-103X	C CAPACITOR	0.01uF 16V K		R964	NRSA63J-105X	MG RESISTOR	1MΩ 1/16W J	
C4321	NCB30JK-105X	C CAPACITOR	1uF 6.3V K		R965	NRSA63J-103X	MG RESISTOR	10kΩ 1/16W J	
C4331	NCB30JK-105X	C CAPACITOR	1uF 6.3V K		R966	NRSA63J-221X	MG RESISTOR	220Ω 1/16W J	
C4341	NCB30JK-105X	C CAPACITOR	1uF 6.3V K		R969	NRSA63J-221X	MG RESISTOR	220Ω 1/16W J	
C4351	NCB30JK-105X	C CAPACITOR	1uF 6.3V K		R971	NRSA63J-472X	MG RESISTOR	4.7kΩ 1/16W J	
C4391	QETN1AM-477Z	E CAPACITOR	470uF 10V M		R972	NRSA63J-122X	MG RESISTOR	1.2kΩ 1/16W J	
C4392	NCB31CK-104X	C CAPACITOR	0.1uF 16V K		R977	NRSA63J-102X	MG RESISTOR	1kΩ 1/16W J	
C4393	QETN1AM-477Z	E CAPACITOR	470uF 10V M		R980	NRSA63J-272X	MG RESISTOR	2.7kΩ 1/16W J	
C4394	NCB31CK-104X	C CAPACITOR	0.1uF 16V K		R981	NRSA63J-223X	MG RESISTOR	22kΩ 1/16W J	
C4395	NCB31CK-104X	C CAPACITOR	0.1uF 16V K		R983	NRSA63J-271X	MG RESISTOR	270Ω 1/16W J	
C4401	QETNOJM-477Z	E CAPACITOR	470uF 6.3V M		R984	QRZ9005-471X	FUSI RESISTOR	470Ω	
C4402	NCS31HJ-470X	C CAPACITOR	47pF 50V J		R985	NRSA63J-512X	MG RESISTOR	5.1kΩ 1/16W J	
C4411	NCB31CK-103X	C CAPACITOR	0.01uF 16V K		R986	NRSA63J-472X	MG RESISTOR	4.7kΩ 1/16W J	
C4412	NCS31HJ-470X	C CAPACITOR	47pF 50V J		R987	NRSA63J-472X	MG RESISTOR	4.7kΩ 1/16W J	
C4421	QETNOJM-477Z	E CAPACITOR	470uF 6.3V M		R988	NRSA63J-103X	MG RESISTOR	10kΩ 1/16W J	
C4423	NCS31HJ-470X	C CAPACITOR	47pF 50V J		R989	NRSA63J-333X	MG RESISTOR	33kΩ 1/16W J	
C4431	QETNOJM-477Z	E CAPACITOR	470uF 6.3V M		R990	NRSA63J-333X	MG RESISTOR	33kΩ 1/16W J	
C4432	NCS31HJ-470X	C CAPACITOR	47pF 50V J		R4011	NRSA63J-102X	MG RESISTOR	1kΩ 1/16W J	
C4441	QETNOJM-477Z	E CAPACITOR	470uF 6.3V M		R4013	NRSA63J-682X	MG RESISTOR	6.8kΩ 1/16W J	
C4442	NCS31HJ-470X	C CAPACITOR	47pF 50V J		R4091	NRSA63J-472X	MG RESISTOR	4.7kΩ 1/16W J	
C4451	QETNOJM-477Z	E CAPACITOR	470uF 6.3V M		R4092	NRSA63J-103X	MG RESISTOR	10kΩ 1/16W J	
C4452	NCS31HJ-470X	C CAPACITOR	47pF 50V J		R4093	NRSA63J-821X	MG RESISTOR	820Ω 1/16W J	
C4701	QEZ0554-479	EDL.CAPACITOR	0.047F		R4101	NRSA63J-750X	MG RESISTOR	75Ω 1/16W J	
C4702	QEKC0JM-227Z	E CAPACITOR	220uF 6.3V M		R4111	NRSA63J-750X	MG RESISTOR	75Ω 1/16W J	
C4703	QEKC1HM-225Z	E CAPACITOR	2.2uF 50V M		R4121	NRSA63J-750X	MG RESISTOR	75Ω 1/16W J	
C4704	NCB31HK-223X	C CAPACITOR	0.022uF 50V K		R4171	NRSA63J-0R0X	MG RESISTOR	0Ω 1/16W J	
C4705	NCB31HK-102X	C CAPACITOR	1000pF 50V K		R4172	NRSA63J-0R0X	MG RESISTOR	0Ω 1/16W J	
C4706	NCB31HK-103X	C CAPACITOR	0.01uF 50V K		R4173	NRSA63J-0R0X	MG RESISTOR	0Ω 1/16W J	
C4707	QEKC1AM-107Z	E CAPACITOR	100uF 10V M		R4191	NRSA63J-0R0X	MG RESISTOR	0Ω 1/16W J	
C4708	NCB31HK-103X	C CAPACITOR	0.01uF 50V K		R4201	NRSA63J-750X	MG RESISTOR	75Ω 1/16W J	
C4711	NCB31HK-103X	C CAPACITOR	0.01uF 50V K		R4202	NRSA63J-750X	MG RESISTOR	75Ω 1/16W J	
C4771	NCB31CK-104X	C CAPACITOR	0.1uF 16V K		R4231	NRSA63J-680X	MG RESISTOR	68Ω 1/16W J	
C4772	NCB31CK-104X	C CAPACITOR	0.1uF 16V K		R4232	NRSA63J-680X	MG RESISTOR	68Ω 1/16W J	
C4773	NCB31CK-104X	C CAPACITOR	0.1uF 16V K		R4241	NRSA63J-680X	MG RESISTOR	68Ω 1/16W J	
C4774	NCB31CK-104X	C CAPACITOR	0.1uF 16V K		R4242	NRSA63J-680X	MG RESISTOR	68Ω 1/16W J	
C4801	QEKC1HM-224Z	E CAPACITOR	0.22uF 50V M		R4251	NRSA63J-680X	MG RESISTOR	68Ω 1/16W J	
C4891	NCB31HK-221X	C CAPACITOR	220pF 50V K		R4252	NRSA63J-680X	MG RESISTOR	68Ω 1/16W J	
C4892	NCB31HK-221X	C CAPACITOR	220pF 50V K		R4381	NRSA63J-103X	MG RESISTOR	10kΩ 1/16W J	
C4901	QETN1CM-107Z	E CAPACITOR	100uF 16V M		R4382	NRSA63J-103X	MG RESISTOR	10kΩ 1/16W J	
C4902	NCB31CK-103X	C CAPACITOR	0.01uF 16V K		R4384	NRSA63J-103X	MG RESISTOR	10kΩ 1/16W J	
C4903	QETN1CM-107Z	E CAPACITOR	100uF 16V M		R4385	NRSA63J-103X	MG RESISTOR	10kΩ 1/16W J	
C4904	NCB31CK-103X	C CAPACITOR	0.01uF 16V K		R4401	NRSA63J-750X	MG RESISTOR	75Ω 1/16W J	
C4921	QETN1VM-476Z	E CAPACITOR	47uF 35V M		R4411	NRSA63J-750X	MG RESISTOR	75Ω 1/16W J	
C4922	QETN1CM-107Z	E CAPACITOR	100uF 16V M		R4421	NRSA63J-750X	MG RESISTOR	75Ω 1/16W J	
C4931	QETN1VM-476Z	E CAPACITOR	47uF 35V M		R4431	NRSA63J-750X	MG RESISTOR	75Ω 1/16W J	
C4932	QETN1CM-107Z	E CAPACITOR	100uF 16V M		R4441	NRSA63J-750X	MG RESISTOR	75Ω 1/16W J	
C6101	QETN1HM-475Z	E CAPACITOR	4.7uF 50V M		R4451	NRSA63J-750X	MG RESISTOR	75Ω 1/16W J	
C6102	NCS31HJ-180X	C CAPACITOR	18pF 50V J		R4701	NRSA02J-681X	MG RESISTOR	680Ω 1/10W J	
C6103	QETN1HM-476Z	E CAPACITOR	47uF 50V M		R4702	NRSA02J-681X	MG RESISTOR	680Ω 1/10W J	
C6104	NCB31HK-103X	C CAPACITOR	0.01uF 50V K		R4703	NRSA63J-102X	MG RESISTOR	1kΩ 1/16W J	
C6901	QETN1VM-476Z	E CAPACITOR	47uF 35V M		R4704	NRSA63J-103X	MG RESISTOR	10kΩ 1/16W J	
C6902	QETN1VM-476Z	E CAPACITOR	47uF 35V M		R4705	NRSA63J-472X	MG RESISTOR	4.7kΩ 1/16W J	
C6903	NCB31HK-103X	C CAPACITOR	0.01uF 50V K		R4706	NRSA63J-223X	MG RESISTOR	22kΩ 1/16W J	
C6904	NCB31HK-103X	C CAPACITOR	0.01uF 50V K		R4707	NRSA63J-103X	MG RESISTOR	10kΩ 1/16W J	
					R4708	NRSA63J-221X	MG RESISTOR	220Ω 1/16W J	
R551	NRSA63J-332X	MG RESISTOR	3.3kΩ 1/16W J		R4751	NRSA63J-103X	MG RESISTOR	10kΩ 1/16W J	
R552	NRSA63J-392X	MG RESISTOR	3.9kΩ 1/16W J		R4752	NRSA63J-273X	MG RESISTOR	27kΩ 1/16W J	
R561	NRSA63J-332X	MG RESISTOR	3.3kΩ 1/16W J		R4753	NRSA63J-103X	MG RESISTOR	10kΩ 1/16W J	
R562	NRSA63J-392X	MG RESISTOR	3.9kΩ 1/16W J		R4754	NRSA63J-103X	MG RESISTOR	10kΩ 1/16W J	
R563	NRSA63J-332X	MG RESISTOR	3.3kΩ 1/16W J		R4755	NRSA63J-103X	MG RESISTOR	10kΩ 1/16W J	
R564	NRSA63J-392X	MG RESISTOR	3.9kΩ 1/16W J		R4756	NRSA63J-103X	MG RESISTOR	10kΩ 1/16W J	
R581	NRSA63J-221X	MG RESISTOR	220Ω 1/16W J		R4757	NRSA63J-103X	MG RESISTOR	10kΩ 1/16W J	
R901	QRL01DJ-683X	OMF RESISTOR	68kΩ 1W J		R4758	NRSA63J-103X	MG RESISTOR	10kΩ 1/16W J	
R903	QRE141J-270Y	C RESISTOR	27Ω 1/4W J		R4760	NRSA63J-103X	MG RESISTOR	10kΩ 1/16W J	
R904	QRE141J-222Y	C RESISTOR	2.2kΩ 1/4W J		R4761	NRSA63J-103X	MG RESISTOR	10kΩ 1/16W J	
R905	QRL027J-683	OMF RESISTOR	68kΩ 2W J		R4762	NRSA63J-103X	MG RESISTOR	10kΩ 1/16W J	
R906	QRJ146J-681X	UNF C RESISTOR	680Ω 1/4W J		R4764	NRSA63J-103X	MG RESISTOR	10kΩ 1/16W J	
R907	QRT027J-R47	MF RESISTOR	0.47Ω 2W J		R4765	NRSA63J-103X	MG RESISTOR	10kΩ 1/16W J	
R908	QRE141J-332Y	C RESISTOR	3.3kΩ 1/4W J		R4771	NRSA63J-103X	MG RESISTOR	10kΩ 1/16W J	
R910	QRE141J-474Y	C RESISTOR	470kΩ 1/4W J		R4772	NRSA63J-103X	MG RESISTOR	10kΩ 1/16W J	
R911	QRE141J-474Y	C RESISTOR	470kΩ 1/4W J		R4774	NRSA63J-103X	MG RESISTOR	10kΩ 1/16W J	
R952	NRSA63J-103X	MG RESISTOR	10kΩ 1/16W J		R4801	NRSA63J-223X	MG RESISTOR	22kΩ 1/16W J	
R953	NRSA63J-223X	MG RESISTOR	22kΩ 1/16W J		R4802	NRSA63J-223X	MG RESISTOR	22kΩ 1/16W J	
△ R954	QRZ9005-100X	F RES I/M	10Ω		△ R4811	QRZ9006-4R7X	FUSI RESISTOR	4.7Ω 1/4W J	
R955	NRSA63J-223X	MG RESISTOR	22kΩ 1/16W J		R4821	QRE141J-201Y	C RESISTOR	200Ω 1/4W J	
R960	NRSA63J-101X	MG RESISTOR	100Ω 1/16W J		R4822	QRE141J-201Y	C RESISTOR	200Ω 1/4W J	
R961	NRSA63J-681X	MG RESISTOR	680Ω 1/16W J		R4823	QRE141J-201Y	C RESISTOR	200Ω 1/4W J	

Symbol No.	Part No.	Part Name	Description	Local
R4831	NRSA63J-153X	MG RESISTOR	15kΩ 1/16W J	
R4832	NRSA63J-223X	MG RESISTOR	22kΩ 1/16W J	
R4833	NRSA63J-123X	MG RESISTOR	12kΩ 1/16W J	
R4834	NRSA63J-393X	MG RESISTOR	39kΩ 1/16W J	
R4835	NRSA63J-472X	MG RESISTOR	4.7kΩ 1/16W J	
R4841	NRSA63J-123X	MG RESISTOR	12kΩ 1/16W J	
R4842	NRSA63J-393X	MG RESISTOR	39kΩ 1/16W J	
R4861	NRSA63J-221X	MG RESISTOR	220Ω 1/16W J	
R4862	NRSA63J-221X	MG RESISTOR	220Ω 1/16W J	
R4863	NRSA63J-221X	MG RESISTOR	220Ω 1/16W J	
R4864	NRSA63J-221X	MG RESISTOR	220Ω 1/16W J	
R4865	NRSA63J-221X	MG RESISTOR	220Ω 1/16W J	
R4866	NRSA63J-221X	MG RESISTOR	220Ω 1/16W J	
R4867	NRSA63J-221X	MG RESISTOR	220Ω 1/16W J	
R4868	NRSA63J-221X	MG RESISTOR	220Ω 1/16W J	
R4871	NRSA63J-102X	MG RESISTOR	1kΩ 1/16W J	
R4872	NRSA63J-102X	MG RESISTOR	1kΩ 1/16W J	
R4873	NRSA63J-102X	MG RESISTOR	1kΩ 1/16W J	
R4874	NRSA63J-102X	MG RESISTOR	1kΩ 1/16W J	
R4881	NRSA63J-0R0X	MG RESISTOR	0Ω 1/16W J	
R4882	NRSA63J-0R0X	MG RESISTOR	0Ω 1/16W J	
R4883	NRSA63J-0R0X	MG RESISTOR	0Ω 1/16W J	
R4884	NRSA63J-0R0X	MG RESISTOR	0Ω 1/16W J	
R4885	NRSA63J-0R0X	MG RESISTOR	0Ω 1/16W J	
R4891	NRSA63J-221X	MG RESISTOR	220Ω 1/16W J	
R4892	NRSA63J-221X	MG RESISTOR	220Ω 1/16W J	
△ R4921	QRZ9005-100X	F RES I/M	10Ω	
R4922	NRSA63J-222X	MG RESISTOR	2.2kΩ 1/16W J	
△ R4931	QRZ9005-100X	F RES I/M	10Ω	
R4932	NRSA63J-222X	MG RESISTOR	2.2kΩ 1/16W J	
R6101	NRSA63J-104X	MG RESISTOR	100kΩ 1/16W J	
R6102	NRSA63J-103X	MG RESISTOR	10kΩ 1/16W J	
R6103	NRSA63J-154X	MG RESISTOR	150kΩ 1/16W J	
R6104	NRSA63J-103X	MG RESISTOR	10kΩ 1/16W J	
R6105	NRSA63J-473X	MG RESISTOR	47kΩ 1/16W J	
R6106	NRSA63J-330X	MG RESISTOR	33Ω 1/16W J	
R6107	NRSA63J-390X	MG RESISTOR	39Ω 1/16W J	
R6301	NRSA63J-102X	MG RESISTOR	1kΩ 1/16W J	
R6901	QRE141J-271Y	C RESISTOR	270Ω 1/4W J	
R6902	QRE141J-271Y	C RESISTOR	270Ω 1/4W J	
R6903	QRE141J-271Y	C RESISTOR	270Ω 1/4W J	
R6904	QRE141J-271Y	C RESISTOR	270Ω 1/4W J	
△ L901	QQR1105-001	LINE FILTER		
L951	QQL244K-R22Z	COIL	0.22uH K	
L952	QQL44BK-220Z	COIL	22uH K	
L955	QQL26AK-220Z	COIL	22uH K	
L957	QQL244K-100Z	COIL	10uH K	
L959	QQL244K-100Z	COIL	10uH K	
L4391	QQL25CK-221Z	COIL	220uH K	
△ T901	QQS0097-001	SW TRANSF		
CN405	QGB2027M9-26	CONNECTOR	B-B (1-26)	
CN406	QGB2027M9-26	CONNECTOR	B-B (1-26)	
CN407	QGB1216J1-14S	CONNECTOR	B-B (1-14)	
CN408	QGA2001C1-03	CONNECTOR	W-B (1-3)	
CN410	QGF1205C1-11	CONNECTOR	FFC/FPC (1-11)	
CN411	QGF1016C1-31	CONNECTOR	FFC/FPC (1-31)	
CN412	QGA2001C1-06	CONNECTOR	W-B (1-6)	
CN901	QGA2001C1-12	CONNECTOR	W-B (1-12)	
CN902	QGA2501C1-10	CONNECTOR	W-B (1-10)	
△ CP471	ICP-N5-T	IC PROTECTOR	250mA	
△ CP951	ICP-N10-T	IC PROTECTOR	400mA	
△ CP952	ICP-N5-T	IC PROTECTOR	250mA	
EP401	QNZ0136-001Z	EARTH PLATE		
EP901	QNZ0136-001Z	EARTH PLATE		
EP902	QNZ0136-001Z	EARTH PLATE		
FC901	QNG0003-001Z	FUSE CLIP		
FC902	QNG0003-001Z	FUSE CLIP		
HS491	LE40505-001A	HEAT SINK		
HS901	E70306-002	HEAT SINK		
HS964	LE40505-001A	HEAT SINK		
J4402	QNN0572-001	PIN JACK		
J4411	QNN0570-001	PIN JACK		
J4891	QNS0089-001	3.5 JACK		
△ P901	QNC0081-001	AC INLET		
PP901	QZW0038-001	WIRE CLAMP		
PP902	QZW0038-001	WIRE CLAMP		

Symbol No.	Part No.	Part Name	Description	Local
S551	QSW0683-001Z	PUSH SW		
S552	QSW0683-001Z	PUSH SW		
S553	QSW0683-001Z	PUSH SW		
S561	QSW0683-001Z	PUSH SW		
S562	QSW0683-001Z	PUSH SW		
S563	QSW0683-001Z	PUSH SW		
S564	QSW0683-001Z	PUSH SW		
S565	QSW0683-001Z	PUSH SW		
S581	QSW0683-001Z	PUSH SW		
S4401	QSW0454-001	SW		
X4701	QAX0246-001Z	C RESONATOR	8.00MHz	

Front board

Block No. [0][2][0][0]

Symbol No.	Part No.	Part Name	Description	Local
IC501	MN101C35DKW	IC(MPU)		
IC502	GP1UM271XK	IR DETECT UNIT	38kHz	
Q501	KRC102S-X	DIGI TRANSISTOR		
Q502	KRC102S-X	DIGI TRANSISTOR		
Q511	KRC102M-T	DIGI TRANSISTOR		
Q521	KRC111M-T	TRANSISTOR		
D511	SELU2E10C-P	LED		
C501	NCB31HK-471X	C CAPACITOR	470pF 50V K	
C502	NCB31HK-471X	C CAPACITOR	470pF 50V K	
C503	NCB31CK-103X	C CAPACITOR	0.01uF 16V K	
C504	NCB31CK-103X	C CAPACITOR	0.01uF 16V K	
C505	QEKCOJM-107Z	E CAPACITOR	100uF 6.3V M	
C507	NCB21CK-105X	C CAPACITOR	1uF 16V K	
C511	NCB31CK-103X	C CAPACITOR	0.01uF 16V K	
C512	NCB31CK-103X	C CAPACITOR	0.01uF 16V K	
C571	NCB31CK-223X	C CAPACITOR	0.022uF 16V K	
C572	NCB31CK-223X	C CAPACITOR	0.022uF 16V K	
C573	NCB31CK-103X	C CAPACITOR	0.01uF 16V K	
C574	NCB31CK-104X	C CAPACITOR	0.1uF 16V K	
R501	NRSA63J-102X	MG RESISTOR	1kΩ 1/16W J	
R502	NRSA63J-102X	MG RESISTOR	1kΩ 1/16W J	
R503	NRSA63J-102X	MG RESISTOR	1kΩ 1/16W J	
R504	NRSA63J-102X	MG RESISTOR	1kΩ 1/16W J	
R511	NRSA63J-221X	MG RESISTOR	220Ω 1/16W J	
R521	NRSA63J-331X	MG RESISTOR	330Ω 1/16W J	
R571	NRSA63J-102X	MG RESISTOR	1kΩ 1/16W J	
CN501	QGB1216K1-14S	CONNECTOR	B-B (1-14)	
CN502	QGA2001F1-02	CONNECTOR	W-B (1-2)	
DI501	QLF0119-002	FL TUBE		
J571	QNS0170-001	HEADPHONE JACK		
K571	NQR0007-002X	FERRITE BEADS		
K572	NQR0007-002X	FERRITE BEADS		
K573	NQR0007-002X	FERRITE BEADS		
K574	NRSA63J-0R0X	MG RESISTOR	0Ω 1/16W J	
S571	QSW0683-001Z	PUSH SW		
X501	QAX0246-001Z	C RESONATOR	8.00MHz	

DSP board

Block No. [0][3][0][0]

Symbol No.	Part No.	Part Name	Description	Local
IC151	BU4066BCF-X	IC		
IC153	M62446AFP-X	IC		
IC158	NJM4565M-WE	IC		
IC159	NJM4565M-WE	IC		
IC160	NJM4565M-WE	IC		
IC401	AK4527BVQP	IC		

△ Symbol No.	Part No.	Part Name	Description	Local	△ Symbol No.	Part No.	Part Name	Description	Local
IC402	MM1613DN-X	IC			C466	NEA71CM-476X	E CAPACITOR	47uF 16V M	
IC403	TC9446F-025	IC			C467	NCF31CZ-104X	C CAPACITOR	0.1uF 16V Z	
IC404	LP61L1024S-12-X	IC			C493	NCB30JK-105X	C CAPACITOR	1uF 6.3V K	
IC406	UPD784215AGC167	IC(MICRO C ROM)			C494	NCB31CK-103X	C CAPACITOR	0.01uF 16V K	
IC407	MM1563DF-X	IC	3.3V Regulator		C495	NCB31CK-103X	C CAPACITOR	0.01uF 16V K	
IC408	74VHC00SJ-X	IC			C1101	NCB31HK-331X	C CAPACITOR	330pF 50V K	
IC409	GP1FA352RZ	OPT RECEIVER			C1103	NEA71EM-475X	E CAPACITOR	4.7uF 25V M	
IC510	BA15218F-XE	IC			C1121	NCB31CK-223X	C CAPACITOR	0.022uF 16V K	
IC511	BA15218F-XE	IC			C1122	NCB31HK-822X	C CAPACITOR	8200pF 50V K	
IC531	BA15218F-XE	IC			C1123	NCB31HK-103X	C CAPACITOR	0.01uF 50V K	
IC561	BA15218F-XE	IC			C1124	NCB21CK-224X	C CAPACITOR	0.22uF 16V K	
IC581	BA15218F-XE	IC			C1125	NCB31CK-223X	C CAPACITOR	0.022uF 16V K	
IC591	BA15218F-XE	IC			C1126	NCB31CK-223X	C CAPACITOR	0.022uF 16V K	
Q401	KRA104S-X	DIGI TRANSISTOR			C1127	NEA71EM-475X	E CAPACITOR	4.7uF 25V M	
Q402	KRC107S-X	DIGI TRANSISTOR			C1128	NEA71EM-475X	E CAPACITOR	4.7uF 25V M	
Q403	KRC107S-X	DIGI TRANSISTOR			C1129	NCB31HK-822X	C CAPACITOR	8200pF 50V K	
Q1131	IMX9-W	TRANSISTOR			C1130	NCB21CK-224X	C CAPACITOR	0.22uF 16V K	
Q1133	IMX9-W	TRANSISTOR			C1131	NCB31HK-103X	C CAPACITOR	0.01uF 50V K	
Q1135	IMX9-W	TRANSISTOR			C1141	NEA71CM-476X	E CAPACITOR	47uF 16V M	
Q1137	2SC3661-X	TRANSISTOR			C1142	NEA71CM-476X	E CAPACITOR	47uF 16V M	
Q1251	KRA104S-X	DIGI TRANSISTOR			C1176	NCB31CK-103X	C CAPACITOR	0.01uF 16V K	
Q1252	KRA104S-X	DIGI TRANSISTOR			C1177	NCB31CK-103X	C CAPACITOR	0.01uF 16V K	
Q2501	KRA104S-X	DIGI TRANSISTOR			C1178	NCB31CK-103X	C CAPACITOR	0.01uF 16V K	
Q2502	KRC107S-X	DIGI TRANSISTOR			C1179	NCB31CK-103X	C CAPACITOR	0.01uF 16V K	
Q2521	IMX9-W	TRANSISTOR			C1180	NCB31CK-103X	C CAPACITOR	0.01uF 16V K	
Q2561	IMX9-W	TRANSISTOR			C1181	NCB31CK-103X	C CAPACITOR	0.01uF 16V K	
Q2581	IMX9-W	TRANSISTOR			C1183	NEA71EM-475X	E CAPACITOR	4.7uF 25V M	
D401	DAN202K-X	D.TR. C.M			C1201	NEA71EM-475X	E CAPACITOR	4.7uF 25V M	
D403	DAN202K-X	D.TR. C.M			C1202	NEA71EM-475X	E CAPACITOR	4.7uF 25V M	
D405	DAN202K-X	D.TR. C.M			C1203	NEA71EM-475X	E CAPACITOR	4.7uF 25V M	
D406	DAP202K-X	D.TRANSISTOR			C1204	NEA71EM-475X	E CAPACITOR	4.7uF 25V M	
C401	NCB31HK-102X	C CAPACITOR	1000pF 50V K		C1205	NEA71EM-475X	E CAPACITOR	4.7uF 25V M	
C402	NCB31HK-102X	C CAPACITOR	1000pF 50V K		C1206	NEA71EM-475X	E CAPACITOR	4.7uF 25V M	
C403	NEA70JM-476X	E CAPACITOR	47uF 6.3V M		C1207	NEA71EM-475X	E CAPACITOR	4.7uF 25V M	
C404	NEA70JM-476X	E CAPACITOR	47uF 6.3V M		C1208	NEA71EM-475X	E CAPACITOR	4.7uF 25V M	
C405	NCB31CK-104X	C CAPACITOR	0.1uF 16V K		C1209	NEA71EM-475X	E CAPACITOR	4.7uF 25V M	
C406	NCB31CK-104X	C CAPACITOR	0.1uF 16V K		C1210	NEA71EM-475X	E CAPACITOR	4.7uF 25V M	
C407	NCB31CK-104X	C CAPACITOR	0.1uF 16V K		C1211	NEA71EM-475X	E CAPACITOR	4.7uF 25V M	
C408	NEA70JM-476X	E CAPACITOR	47uF 6.3V M		C1212	NEA71EM-475X	E CAPACITOR	4.7uF 25V M	
C411	NCB31CK-104X	C CAPACITOR	0.1uF 16V K		C1213	NEA71EM-475X	E CAPACITOR	4.7uF 25V M	
C413	NCB31CK-104X	C CAPACITOR	0.1uF 16V K		C1214	NEA71EM-475X	E CAPACITOR	4.7uF 25V M	
C421	NEA70JM-107X	E CAPACITOR	100uF 6.3V M		C1215	NEA71EM-475X	E CAPACITOR	4.7uF 25V M	
C422	NCB31CK-103X	C CAPACITOR	0.01uF 16V K		C1216	NEA71EM-475X	E CAPACITOR	4.7uF 25V M	
C423	NCS31HJ-101X	C CAPACITOR	100pF 50V J		C1217	NEA71EM-475X	E CAPACITOR	4.7uF 25V M	
C424	NCS31HJ-121X	C CAPACITOR	120pF 50V J		C1218	NEA71EM-475X	E CAPACITOR	4.7uF 25V M	
C425	NCB31AK-474X	C CAPACITOR	0.47uF 10V K		C1221	NCS31HJ-470X	C CAPACITOR	47pF 50V J	
C426	NCB31CK-103X	C CAPACITOR	0.01uF 16V K		C1222	NCS31HJ-470X	C CAPACITOR	47pF 50V J	
C427	NCB31CK-104X	C CAPACITOR	0.1uF 16V K		C1223	NCS31HJ-470X	C CAPACITOR	47pF 50V J	
C428	NCB31CK-104X	C CAPACITOR	0.1uF 16V K		C1224	NCS31HJ-470X	C CAPACITOR	47pF 50V J	
C429	NCB31CK-104X	C CAPACITOR	0.1uF 16V K		C1225	NCS31HJ-471X	C CAPACITOR	470pF 50V J	
C430	NCB31CK-473X	C CAPACITOR	0.047uF 16V K		C1226	NCS31HJ-470X	C CAPACITOR	47pF 50V J	
C431	NCS31HJ-180X	C CAPACITOR	18pF 50V J		C1251	NCB31CK-103X	C CAPACITOR	0.01uF 16V K	
C432	NCS31HJ-220X	C CAPACITOR	22pF 50V J		C1252	NCB31CK-103X	C CAPACITOR	0.01uF 16V K	
C433	NCB31CK-103X	C CAPACITOR	0.01uF 16V K		C2503	NEA71EM-475X	E CAPACITOR	4.7uF 25V M	
C434	NEA70JM-107X	E CAPACITOR	100uF 6.3V M		C2507	NCS31HJ-560X	C CAPACITOR	56pF 50V J	
C435	NCB31CK-103X	C CAPACITOR	0.01uF 16V K		C2511	NCB31AK-474X	C CAPACITOR	0.47uF 10V K	
C436	NEA70JM-476X	E CAPACITOR	47uF 6.3V M		C2513	NCB31HK-182X	C CAPACITOR	1800pF 50V K	
C437	NCB31CK-103X	C CAPACITOR	0.01uF 16V K		C2515	NCS31HJ-181X	C CAPACITOR	180pF 50V J	
C442	NCS31HJ-101X	C CAPACITOR	100pF 50V J		C2517	NCB31HK-562X	C CAPACITOR	5600pF 50V K	
C443	NCS31HJ-101X	C CAPACITOR	100pF 50V J		C2519	NCF31CZ-104X	C CAPACITOR	0.1uF 16V Z	
C444	NCB31CK-103X	C CAPACITOR	0.01uF 16V K		C2525	NCB21HK-102X	C CAPACITOR	1000pF 50V K	
C445	NEA70JM-107X	E CAPACITOR	100uF 6.3V M		C2527	NEA71EM-475X	E CAPACITOR	4.7uF 25V M	
C450	NCS31HJ-471X	C CAPACITOR	470pF 50V J		C2531	NCS31HJ-560X	C CAPACITOR	56pF 50V J	
C451	NCB31CK-103X	C CAPACITOR	0.01uF 16V K		C2533	NEA71HM-105X	E CAPACITOR	1uF 50V M	
C452	NEA70JM-107X	E CAPACITOR	100uF 6.3V M		C2539	NCF31CZ-104X	C CAPACITOR	0.1uF 16V Z	
C453	NEA70JM-107X	E CAPACITOR	100uF 6.3V M		C2541	NEA71EM-475X	E CAPACITOR	4.7uF 25V M	
C454	NCB31CK-103X	C CAPACITOR	0.01uF 16V K		C2553	NCB31HK-562X	C CAPACITOR	5600pF 50V K	
C455	NEA70JM-107X	E CAPACITOR	100uF 6.3V M		C2555	NCF31CZ-104X	C CAPACITOR	0.1uF 16V Z	
C456	NCB31CK-104X	C CAPACITOR	0.1uF 16V K		C2561	NEA71HM-105X	E CAPACITOR	1uF 50V M	
C458	NCB31CK-103X	C CAPACITOR	0.01uF 16V K		C2563	NCS31HJ-220X	C CAPACITOR	22pF 50V J	
C459	NCB31CK-103X	C CAPACITOR	0.01uF 16V K		C2569	NCF31CZ-104X	C CAPACITOR	0.1uF 16V Z	
C460	NEA71CM-476X	E CAPACITOR	47uF 16V M		C2575	NCB31HK-102X	C CAPACITOR	1000pF 50V K	
C461	NEA71CM-476X	E CAPACITOR	47uF 16V M		C2577	NEA71EM-475X	E CAPACITOR	4.7uF 25V M	
C462	NCB31CK-103X	C CAPACITOR	0.01uF 16V K		C2581	NEA71HM-105X	E CAPACITOR	1uF 50V M	
C463	NEA70JM-107X	E CAPACITOR	100uF 6.3V M		C2582	NEA71CM-106X	E CAPACITOR	10uF 16V M	
					C2583	NCS31HJ-220X	C CAPACITOR	22pF 50V J	
					C2584	NCS31HJ-560X	C CAPACITOR	56pF 50V J	
					C2589	NCF31CZ-104X	C CAPACITOR	0.1uF 16V Z	

△ Symbol No.	Part No.	Part Name	Description	Local	△ Symbol No.	Part No.	Part Name	Description	Local
C2592	NCB31HK-472X	C CAPACITOR	4700pF 50V K		R1140	NRSA63J-104X	MG RESISTOR	100kΩ 1/16W J	
C2594	NCB31HK-223X	C CAPACITOR	0.022uF 50V K		R1141	NRSA63J-102X	MG RESISTOR	1kΩ 1/16W J	
C2595	NCB31HK-102X	C CAPACITOR	1000pF 50V K		R1142	NRSA63J-102X	MG RESISTOR	1kΩ 1/16W J	
C2597	NEA71EM-475X	E CAPACITOR	4.7uF 25V M		R1143	NRSA63J-332X	MG RESISTOR	3.3kΩ 1/16W J	
C2598	NEA71EM-475X	E CAPACITOR	4.7uF 25V M		R1145	NRSA63J-104X	MG RESISTOR	100kΩ 1/16W J	
C2599	NCF31CZ-104X	C CAPACITOR	0.1uF 16V Z		R1147	NRSA63J-104X	MG RESISTOR	100kΩ 1/16W J	
C2601	NEA71EM-475X	E CAPACITOR	4.7uF 25V M		R1149	NRSA63J-471X	MG RESISTOR	470Ω 1/16W J	
C2603	NEA71EM-475X	E CAPACITOR	4.7uF 25V M		R1150	NRSA63J-102X	MG RESISTOR	1kΩ 1/16W J	
R403	NRSA63J-221X	MG RESISTOR	220Ω 1/16W J		R1151	NRSA63J-472X	MG RESISTOR	4.7kΩ 1/16W J	
R404	NRSA63J-221X	MG RESISTOR	220Ω 1/16W J		R1152	NRSA63J-332X	MG RESISTOR	3.3kΩ 1/16W J	
R405	NRSA63J-221X	MG RESISTOR	220Ω 1/16W J		R1153	NRSA63J-471X	MG RESISTOR	470Ω 1/16W J	
R406	NRSA63J-221X	MG RESISTOR	220Ω 1/16W J		R1154	NRSA63J-472X	MG RESISTOR	4.7kΩ 1/16W J	
R407	NRSA63J-221X	MG RESISTOR	220Ω 1/16W J		R1155	NRSA63J-104X	MG RESISTOR	100kΩ 1/16W J	
R408	NRSA63J-221X	MG RESISTOR	220Ω 1/16W J		R1157	NRSA63J-392X	MG RESISTOR	3.9kΩ 1/16W J	
R415	NRSA63J-221X	MG RESISTOR	220Ω 1/16W J		R1158	NRSA63J-104X	MG RESISTOR	100kΩ 1/16W J	
R418	NRSA63J-101X	MG RESISTOR	100Ω 1/16W J		R1161	NRSA63J-104X	MG RESISTOR	100kΩ 1/16W J	
R419	NRSA63J-103X	MG RESISTOR	10kΩ 1/16W J		R1163	NRSA63J-104X	MG RESISTOR	100kΩ 1/16W J	
R420	NRSA63J-221X	MG RESISTOR	220Ω 1/16W J		R1165	NRSA63J-104X	MG RESISTOR	100kΩ 1/16W J	
R423	NRSA63F-102X	MG RESISTOR	1kΩ 1/16W F		R1167	NRSA63J-332X	MG RESISTOR	3.3kΩ 1/16W J	
R424	NRSA63J-153X	MG RESISTOR	15kΩ 1/16W J		R1169	NRSA63J-393X	MG RESISTOR	39kΩ 1/16W J	
R425	NRSA63F-102X	MG RESISTOR	1kΩ 1/16W F		R1171	NRSA63J-332X	MG RESISTOR	3.3kΩ 1/16W J	
R426	NRSA63J-103X	MG RESISTOR	10kΩ 1/16W J		R1173	NRSA63J-393X	MG RESISTOR	39kΩ 1/16W J	
R427	NRSA63J-103X	MG RESISTOR	10kΩ 1/16W J		R1175	NRSA63J-302X	MG RESISTOR	3kΩ 1/16W J	
R428	NRSA63J-472X	MG RESISTOR	4.7kΩ 1/16W J		R1176	NRSA63J-393X	MG RESISTOR	39kΩ 1/16W J	
R429	NRSA63J-101X	MG RESISTOR	100Ω 1/16W J		R1197	NRSA63J-474X	MG RESISTOR	470kΩ 1/16W J	
R430	NRSA63J-103X	MG RESISTOR	10kΩ 1/16W J		R1201	NRSA63J-124X	MG RESISTOR	120kΩ 1/16W J	
R431	NRSA63J-225X	MG RESISTOR	2.2MΩ 1/16W J		R1251	NRSA63J-223X	MG RESISTOR	22kΩ 1/16W J	
R432	NRSA63J-472X	MG RESISTOR	4.7kΩ 1/16W J		R1252	NRSA63J-223X	MG RESISTOR	22kΩ 1/16W J	
R435	NRSA63J-103X	MG RESISTOR	10kΩ 1/16W J		R2501	NRSA63J-103X	MG RESISTOR	10kΩ 1/16W J	
R438	NRSA63J-0R0X	MG RESISTOR	0Ω 1/16W J		R2503	NRSA63J-513X	MG RESISTOR	51kΩ 1/16W J	
R441	NRSA63J-221X	MG RESISTOR	220Ω 1/16W J		R2507	NRSA63J-103X	MG RESISTOR	10kΩ 1/16W J	
R443	NRSA63J-221X	MG RESISTOR	220Ω 1/16W J		R2509	NRSA63J-103X	MG RESISTOR	10kΩ 1/16W J	
R444	NRSA63J-221X	MG RESISTOR	220Ω 1/16W J		R2513	NRSA63J-103X	MG RESISTOR	10kΩ 1/16W J	
R445	NRSA63J-221X	MG RESISTOR	220Ω 1/16W J		R2515	NRSA63J-103X	MG RESISTOR	10kΩ 1/16W J	
R446	NRSA63J-221X	MG RESISTOR	220Ω 1/16W J		R2517	NRSA63J-102X	MG RESISTOR	1kΩ 1/16W J	
R447	NRSA63J-221X	MG RESISTOR	220Ω 1/16W J		R2519	NRSA63J-102X	MG RESISTOR	1kΩ 1/16W J	
R448	NRSA63J-221X	MG RESISTOR	220Ω 1/16W J		R2525	NRSA63J-102X	MG RESISTOR	1kΩ 1/16W J	
R449	NRSA63J-221X	MG RESISTOR	220Ω 1/16W J		R2527	NRSA63J-104X	MG RESISTOR	100kΩ 1/16W J	
R450	NRSA63J-221X	MG RESISTOR	220Ω 1/16W J		R2529	NRSA63J-103X	MG RESISTOR	10kΩ 1/16W J	
R451	NRSA63J-103X	MG RESISTOR	10kΩ 1/16W J		R2531	NRSA63J-104X	MG RESISTOR	100kΩ 1/16W J	
R452	NRSA63J-432X	MG RESISTOR	4.3kΩ 1/16W J		R2533	NRSA63J-223X	MG RESISTOR	22kΩ 1/16W J	
R453	NRSA63J-432X	MG RESISTOR	4.3kΩ 1/16W J		R2535	NRSA63J-563X	MG RESISTOR	56kΩ 1/16W J	
R454	NRSA63J-432X	MG RESISTOR	4.3kΩ 1/16W J		R2537	NRSA63J-104X	MG RESISTOR	100kΩ 1/16W J	
R455	NRSA63J-822X	MG RESISTOR	8.2kΩ 1/16W J		R2561	NRSA63J-104X	MG RESISTOR	100kΩ 1/16W J	
R456	NRSA63J-822X	MG RESISTOR	8.2kΩ 1/16W J		R2563	NRSA63J-103X	MG RESISTOR	10kΩ 1/16W J	
R457	NRSA63J-822X	MG RESISTOR	8.2kΩ 1/16W J		R2565	NRSA63J-392X	MG RESISTOR	3.9kΩ 1/16W J	
R458	NRSA63J-103X	MG RESISTOR	10kΩ 1/16W J		R2567	NRSA63J-103X	MG RESISTOR	10kΩ 1/16W J	
R459	NRSA63J-102X	MG RESISTOR	1kΩ 1/16W J		R2575	NRSA63J-102X	MG RESISTOR	1kΩ 1/16W J	
R461	NRSA63J-432X	MG RESISTOR	4.3kΩ 1/16W J		R2577	NRSA63J-104X	MG RESISTOR	100kΩ 1/16W J	
R462	NRSA63J-822X	MG RESISTOR	8.2kΩ 1/16W J		R2579	NRSA63J-104X	MG RESISTOR	100kΩ 1/16W J	
R463	NRSA63J-0R0X	MG RESISTOR	0Ω 1/16W J		R2581	NRSA63J-104X	MG RESISTOR	100kΩ 1/16W J	
R464	NRSA63J-103X	MG RESISTOR	10kΩ 1/16W J		R2583	NRSA63J-103X	MG RESISTOR	10kΩ 1/16W J	
R465	NRSA63J-0R0X	MG RESISTOR	0Ω 1/16W J		R2584	NRSA63J-124X	MG RESISTOR	120kΩ 1/16W J	
R466	NRSA63J-103X	MG RESISTOR	10kΩ 1/16W J		R2585	NRSA63J-392X	MG RESISTOR	3.9kΩ 1/16W J	
R467	NRSA63J-103X	MG RESISTOR	10kΩ 1/16W J		R2586	NRSA63J-123X	MG RESISTOR	12kΩ 1/16W J	
R471	NRSA63J-102X	MG RESISTOR	1kΩ 1/16W J		R2587	NRSA63J-103X	MG RESISTOR	10kΩ 1/16W J	
R473	NRSA63J-102X	MG RESISTOR	1kΩ 1/16W J		R2590	NRSA63J-333X	MG RESISTOR	33kΩ 1/16W J	
R475	NRSA63J-102X	MG RESISTOR	1kΩ 1/16W J		R2592	NRSA63J-333X	MG RESISTOR	33kΩ 1/16W J	
R481	NRSA63J-222X	MG RESISTOR	2.2kΩ 1/16W J		R2594	NRSA63J-333X	MG RESISTOR	33kΩ 1/16W J	
R482	NRSA63J-103X	MG RESISTOR	10kΩ 1/16W J		R2595	NRSA63J-102X	MG RESISTOR	1kΩ 1/16W J	
R483	NRSA63J-105X	MG RESISTOR	1MΩ 1/16W J		R2596	NRSA63J-102X	MG RESISTOR	1kΩ 1/16W J	
R491	NRSA63J-0R0X	MG RESISTOR	0Ω 1/16W J		R2597	NRSA63J-104X	MG RESISTOR	100kΩ 1/16W J	
R492	NRSA63J-0R0X	MG RESISTOR	0Ω 1/16W J		R2599	NRSA63J-104X	MG RESISTOR	100kΩ 1/16W J	
R1101	NRSA63J-471X	MG RESISTOR	470Ω 1/16W J		CN401	QGF1016F2-31W	CONNECTOR	FFC/FPC (1-31)	
R1103	NRSA63J-564X	MG RESISTOR	560kΩ 1/16W J		J1101	QNN0598-001	PIN JACK		
R1121	NRSA63J-103X	MG RESISTOR	10kΩ 1/16W J		J1103	QND0118-001	DIN CONNECTOR		
R1122	NRSA63J-103X	MG RESISTOR	10kΩ 1/16W J		K401	NQR0319-001X	FERRITE BEADS		
R1123	NRSA63J-103X	MG RESISTOR	10kΩ 1/16W J		LC401	NQR0321-001X	EMI FILTER		
R1131	NRSA63J-104X	MG RESISTOR	100kΩ 1/16W J		X401	NAX0385-001X	CRYSTAL	24.576MHz	
R1132	NRSA63J-104X	MG RESISTOR	100kΩ 1/16W J		X402	NAX0275-001X	C OSCILLATOR	6.144MHz	
R1133	NRSA63J-102X	MG RESISTOR	1kΩ 1/16W J						
R1134	NRSA63J-102X	MG RESISTOR	1kΩ 1/16W J						
R1135	NRSA63J-332X	MG RESISTOR	3.3kΩ 1/16W J						
R1136	NRSA63J-332X	MG RESISTOR	3.3kΩ 1/16W J						
R1137	NRSA63J-104X	MG RESISTOR	100kΩ 1/16W J						
R1138	NRSA63J-104X	MG RESISTOR	100kΩ 1/16W J						
R1139	NRSA63J-104X	MG RESISTOR	100kΩ 1/16W J						

Mother board

Block No. [0][4][0][0]

Symbol No.	Part No.	Part Name	Description	Local	Symbol No.	Part No.	Part Name	Description	Local
					C531	QETN1HM-106Z	E CAPACITOR	10uF 50V M	
					C532	QCF31HZ-103Z	C CAPACITOR	0.01uF 50V Z	
					C533	QCF31HZ-103Z	C CAPACITOR	0.01uF 50V Z	
△ Q151	KTC3203/OY/-T	TRANSISTOR			R151	QRE141J-222Y	C RESISTOR	2.2kΩ 1/4W J	
Q501	KRA104M-T	DIGI TRANSISTOR			R152	QRE141J-222Y	C RESISTOR	2.2kΩ 1/4W J	
Q502	KRC102M-T	DIGI TRANSISTOR			R153	QRL027J-391	OMF RESISTOR	390Ω 2W J	
Q503	KTC3199/GL/-T	TRANSISTOR			△ R161	QRZ9005-100X	F RES I/M	10Ω	
Q504	KTA1267/YG/-T	TRANSISTOR			R162	QRE141J-102Y	C RESISTOR	1kΩ 1/4W J	
Q505	KRC102M-T	DIGI TRANSISTOR			△ R491	QRL027J-470	OMF RESISTOR	47Ω 2W J	
Q511	KRC104M-T	TRANSISTOR			R492	QRE141J-472Y	C RESISTOR	4.7kΩ 1/4W J	
Q512	KTC3199/GL/-T	TRANSISTOR			R501	QRE141J-102Y	C RESISTOR	1kΩ 1/4W J	
Q513	KTC3199/GL/-T	TRANSISTOR			R502	QRE141J-104Y	C RESISTOR	100kΩ 1/4W J	
Q514	KRA102M-T	DIGI TRANSISTOR			R503	QRE141J-104Y	C RESISTOR	100kΩ 1/4W J	
Q515	KTC3203/OY/-T	TRANSISTOR			R504	QRE141J-102Y	C RESISTOR	1kΩ 1/4W J	
Q516	KTC3199/GL/-T	TRANSISTOR			R505	QRE141J-102Y	C RESISTOR	1kΩ 1/4W J	
Q517	KRC104M-T	TRANSISTOR			R506	QRE141J-103Y	C RESISTOR	10kΩ 1/4W J	
Q521	KRA104M-T	DIGI TRANSISTOR			R510	QRE141J-102Y	C RESISTOR	1kΩ 1/4W J	
Q522	KTC3199/GL/-T	TRANSISTOR			R511	QRE141J-753Y	C RESISTOR	75kΩ 1/4W J	
Q523	KTC3199/GL/-T	TRANSISTOR			R512	QRE141J-223Y	C RESISTOR	22kΩ 1/4W J	
Q524	KTA1267/YG/-T	TRANSISTOR			R513	QRE141J-101Y	C RESISTOR	100Ω 1/4W J	
Q525	KTC3199/GL/-T	TRANSISTOR			R514	QRE141J-753Y	C RESISTOR	75kΩ 1/4W J	
Q531	KTC3199/GL/-T	TRANSISTOR			R515	QRE141J-223Y	C RESISTOR	22kΩ 1/4W J	
Q532	KTC3199/GL/-T	TRANSISTOR			R516	QRE141J-102Y	C RESISTOR	1kΩ 1/4W J	
Q545	KRC102M-T	DIGI TRANSISTOR			R517	QRE141J-224Y	C RESISTOR	220kΩ 1/4W J	
D101	1SS133-T2	DIODE			R518	QRE141J-222Y	C RESISTOR	2.2kΩ 1/4W J	
△ D151	GBU803	BRIDGE DIODE			R519	QRE141J-332Y	C RESISTOR	3.3kΩ 1/4W J	
△ D152	GBU803	BRIDGE DIODE			R520	QRE141J-332Y	C RESISTOR	3.3kΩ 1/4W J	
D153	1SS133-T2	DIODE			R521	QRE141J-223Y	C RESISTOR	22kΩ 1/4W J	
D154	1SS133-T2	DIODE			R522	QRE141J-103Y	C RESISTOR	10kΩ 1/4W J	
D161	1SS133-T2	DIODE			R531	QRE141J-104Y	C RESISTOR	100kΩ 1/4W J	
D162	MTZJ13C-T2	Z DIODE			R532	QRE141J-101Y	C RESISTOR	100Ω 1/4W J	
D401	11ES2-T4	DIODE			R533	QRE141J-103Y	C RESISTOR	10kΩ 1/4W J	
D402	1SS133-T2	DIODE			R534	QRE141J-104Y	C RESISTOR	100kΩ 1/4W J	
D403	MTZJ6.2B-T2	Z DIODE			R535	QRE141J-104Y	C RESISTOR	100kΩ 1/4W J	
D501	1SS133-T2	DIODE			R536	QRE141J-103Y	C RESISTOR	10kΩ 1/4W J	
D502	1SS133-T2	DIODE			R537	QRE141J-472Y	C RESISTOR	4.7kΩ 1/4W J	
D503	MTZJ5.1C-T2	Z DIODE			R538	QRE141J-472Y	C RESISTOR	4.7kΩ 1/4W J	
D504	1SS133-T2	DIODE			R539	QRE141J-472Y	C RESISTOR	4.7kΩ 1/4W J	
D505	1SS133-T2	DIODE			R541	QRE141J-472Y	C RESISTOR	4.7kΩ 1/4W J	
D511	1SS133-T2	DIODE			R543	QRE141J-472Y	C RESISTOR	4.7kΩ 1/4W J	
D512	1SS133-T2	DIODE			R544	QRE141J-222Y	C RESISTOR	2.2kΩ 1/4W J	
D513	1SS133-T2	DIODE			R545	QRE141J-123Y	C RESISTOR	12kΩ 1/4W J	
D514	1SS133-T2	DIODE			R546	QRE141J-222Y	C RESISTOR	2.2kΩ 1/4W J	
D515	MTZJ15C-T2	Z DIODE			R547	QRE141J-104Y	C RESISTOR	100kΩ 1/4W J	
D516	1SS133-T2	DIODE			R548	QRE141J-223Y	C RESISTOR	22kΩ 1/4W J	
D517	MTZJ27B-T2	Z DIODE			R549	QRE141J-223Y	C RESISTOR	22kΩ 1/4W J	
D518	MTZJ27B-T2	Z DIODE			R550	QRE141J-102Y	C RESISTOR	1kΩ 1/4W J	
D519	1SS133-T2	DIODE			△ R555	QRZ9005-271X	FUSI RESISTOR	270Ω	
D520	MTZJ3.6A-T2	ZENER DIODE			R556	QRE141J-102Y	C RESISTOR	1kΩ 1/4W J	
D521	1SS133-T2	DIODE			R557	QRE141J-102Y	C RESISTOR	1kΩ 1/4W J	
D522	1SS133-T2	DIODE			R561	QRE141J-104Y	C RESISTOR	100kΩ 1/4W J	
D523	1SS133-T2	DIODE			R562	QRE141J-104Y	C RESISTOR	100kΩ 1/4W J	
D524	1SS133-T2	DIODE			R563	QRE141J-104Y	C RESISTOR	100kΩ 1/4W J	
D525	MTZJ15C-T2	Z DIODE			R564	QRE141J-104Y	C RESISTOR	100kΩ 1/4W J	
D526	MTZJ6.2B-T2	Z DIODE			R565	QRE141J-104Y	C RESISTOR	100kΩ 1/4W J	
D535	1SS133-T2	DIODE			R566	QRE141J-104Y	C RESISTOR	100kΩ 1/4W J	
C101	QCZ9105-472	C CAPACITOR	4700pF 250V M		△ CN101	QGA7901C1-02	CONNECTOR	W-B (1-2)	
C151	QFLC2AJ-104Z	M CAPACITOR	0.1uF 100V J		△ CN102	QGA7901C1-02	CONNECTOR	W-B (1-2)	
C152	QFLC2AJ-104Z	M CAPACITOR	0.1uF 100V J		△ CN151	QGA3901C1-05	CONNECTOR	W-B (1-5)	
C153	QFLC2AJ-104Z	M CAPACITOR	0.1uF 100V J		CN401	QGB2510K2-08	CONNECTOR	B-B (1-8)	
C154	QFLC2AJ-104Z	M CAPACITOR	0.1uF 100V J		CN402	QGA3901F2-04	CONNECTOR	W-B (1-4)	
C155	QFLC2AJ-104Z	M CAPACITOR	0.1uF 100V J		CN403	QGB2510K2-14	CONNECTOR	B-B (1-14)	
C156	QFLC2AJ-104Z	M CAPACITOR	0.1uF 100V J		CN404	QGB2510K2-18	CONNECTOR	B-B (1-18)	
C161	QEZO223-478	E CAPACITER	4700uF		CN501	QGB2510J1-08	CONNECTOR	B-B (1-8)	
C162	QEZO223-478	E CAPACITER	4700uF		CN503	QGB2510J1-14	CONNECTOR	B-B (1-14)	
C163	QETM1EM-688	E CAPACITOR	6800uF 25V M		CN504	QGB2510J1-18	CONNECTOR	B-B (1-18)	
C164	QETM1EM-688	E CAPACITOR	6800uF 25V M		CN521	QGB2510J1-07	CONNECTOR	B-B (1-7)	
C165	QETN1EM-476Z	E CAPACITOR	47uF 25V M		CN522	QGB2510J1-18	CONNECTOR	B-B (1-18)	
C166	QETN1EM-107Z	E CAPACITOR	100uF 25V M		CN531	QGB2510J1-07	CONNECTOR	B-B (1-7)	
C501	QETN1HM-335Z	E CAPACITOR	3.3uF 50V M		CN532	QGB2510J1-18	CONNECTOR	B-B (1-18)	
C502	QFN31HJ-103Z	M CAPACITOR	0.01uF 50V J		FC101	QNG0003-001Z	FUSE CLIP		
C503	QETN1HM-475Z	E CAPACITOR	4.7uF 50V M		FC155	QNG0003-001Z	FUSE CLIP		
C511	QETN1CM-227Z	E CAPACITOR	220uF 16V M		FC157	QNG0003-001Z	FUSE CLIP		
C512	QETN1HM-475Z	E CAPACITOR	4.7uF 50V M		HS151	QZW0115-001	HEATSINK		
C521	QETN1HM-226Z	E CAPACITOR	22uF 50V M		J401	QND0118-001	DIN CONNECTOR		
C522	QETN1HM-106Z	E CAPACITOR	10uF 50V M		J402	QNB0162-002	SPK TERMINAL		
C523	QETN1EM-476Z	E CAPACITOR	47uF 25V M						

Symbol No.	Part No.	Part Name	Description	Local
J403	QNB0161-002	SPK TERMINAL		
J404	QNB0162-002	SPK TERMINAL		
K401	QQR1277-001Z	COIL		
RY101	QSK0142-001	RELAY		
RY401	QSK0127-001	RELAY		
RY402	QSK0127-001	RELAY		
RY403	QSK0127-001	RELAY		

Module board

Block No. [0][5][0][0]

Symbol No.	Part No.	Part Name	Description	Local
IC101	AN8703FH-V	IC		
IC201	BA5983FM-X	IC		
IC251	BA6679FM-X	LSI		
IC301	MN103S26EGA	IC		
IC401	MN102L62GLF3	IC		
IC451	S-93C66AFJ-X	IC		
IC501	NDV8601VWA-BE	IC		
IC505	or K4S643232F-TC70	IC		
IC505	K4S643232F-TC60	IC		
IC505	or HY57643220CT7	IC		
IC505	or HY57643220CT55	IC		
IC509	SST39VF160-7CEK	IC (FLASH)		
IC509	or SST39VF160-9DD	IC		
IC510	AK93C65AF-X	IC		
IC511	LM1117MP1.8-X	IC		
IC512	74LCX373MTC-X	IC(DIGITAL)		
IC513	74LCX373MTC-X	IC(DIGITAL)		
IC521	MM74HCT32MTC-X	IC		
IC522	74LCX32MTC-X	IC(DIGITAL)		
IC523	NC7SZ125P5-X	IC(DIGITAL)		
Q101	KTA1001/Y/-X	TRANSISTOR		
Q102	KTA1001/Y/-X	TRANSISTOR		
Q103	DTA144EE-X	DIGI TRANSISTOR		
Q501	2SB1424/QR/-W	TRANSISTOR		
Q502	2SC2412K/RS/-X	TRANSISTOR		
D101	RB521S-30-X	SB DIODE		
D202	1SS355-X	SI DIODE		
C105	NEA70JM-476X	E CAPACITOR	47uF 6.3V M	
C106	NEA70JM-476X	E CAPACITOR	47uF 6.3V M	
C109	NCB31CK-104X	C CAPACITOR	0.1uF 16V K	
C110	NCS31HJ-221X	C CAPACITOR	220pF 50V J	
C111	NCB31CK-104X	C CAPACITOR	0.1uF 16V K	
C112	NCB31CK-104X	C CAPACITOR	0.1uF 16V K	
C113	NEA70JM-226X	E CAPACITOR	22uF 6.3V M	
C115	NCB31CK-104X	C CAPACITOR	0.1uF 16V K	
C116	NCB31CK-104X	C CAPACITOR	0.1uF 16V K	
C117	NCB31CK-473X	C CAPACITOR	0.047uF 16V K	
C118	NCB31CK-273X	C CAPACITOR	0.027uF 16V K	
C119	NCB31HK-561X	C CAPACITOR	560pF 50V K	
C120	NCB31HK-561X	C CAPACITOR	560pF 50V K	
C121	NCB31CK-104X	C CAPACITOR	0.1uF 16V K	
C122	NCS31HJ-120X	C CAPACITOR	12pF 50V J	
C123	NCB31CK-104X	C CAPACITOR	0.1uF 16V K	
C124	NCS31HJ-470X	C CAPACITOR	47pF 50V J	
C125	NCB31HK-271X	C CAPACITOR	270pF 50V K	
C126	NCB31CK-104X	C CAPACITOR	0.1uF 16V K	
C127	NCB31CK-104X	C CAPACITOR	0.1uF 16V K	
C128	NCB31CK-104X	C CAPACITOR	0.1uF 16V K	
C129	NCB31HK-472X	C CAPACITOR	4700pF 50V K	
C135	NEA70JM-476X	E CAPACITOR	47uF 6.3V M	
C137	NEA70GM-476X	E CAPACITOR	47uF 4V M	
C138	NCB31CK-104X	C CAPACITOR	0.1uF 16V K	
C139	NCB31CK-104X	C CAPACITOR	0.1uF 16V K	
C141	NCB31CK-104X	C CAPACITOR	0.1uF 16V K	
C142	NCB31CK-104X	C CAPACITOR	0.1uF 16V K	
C143	NCB31CK-104X	C CAPACITOR	0.1uF 16V K	
C144	NCB31CK-103X	C CAPACITOR	0.01uF 16V K	
C146	NCB31CK-104X	C CAPACITOR	0.1uF 16V K	

Symbol No.	Part No.	Part Name	Description	Local
C201	NEA70JM-226X	E CAPACITOR	22uF 6.3V M	
C203	NCB31CK-104X	C CAPACITOR	0.1uF 16V K	
C204	NCB31CK-104X	C CAPACITOR	0.1uF 16V K	
C205	NCS31HJ-121X	C CAPACITOR	120pF 50V J	
C207	NCB31HK-391X	C CAPACITOR	390pF 50V K	
C208	NCB31HK-391X	C CAPACITOR	390pF 50V K	
C211	NCB31HK-223X	C CAPACITOR	0.022uF 50V K	
C212	NCB31CK-103X	C CAPACITOR	0.01uF 16V K	
C215	NCB31CK-104X	C CAPACITOR	0.1uF 16V K	
C216	NCB30JK-105X	C CAPACITOR	1uF 6.3V K	
C217	NCB31CK-104X	C CAPACITOR	0.1uF 16V K	
C218	NCB30JK-105X	C CAPACITOR	1uF 6.3V K	
C251	NCB31CK-104X	C CAPACITOR	0.1uF 16V K	
C252	NEA71AM-336X	E CAPACITOR	33uF 10V M	
C253	NCB31CK-104X	C CAPACITOR	0.1uF 16V K	
C255	NCB31CK-153X	C CAPACITOR	0.015uF 16V K	
C256	NCB31CK-104X	C CAPACITOR	0.1uF 16V K	
C257	NCB31CK-104X	C CAPACITOR	0.1uF 16V K	
C258	NCB31CK-104X	C CAPACITOR	0.1uF 16V K	
C259	NCB31CK-104X	C CAPACITOR	0.1uF 16V K	
C260	NCB31CK-104X	C CAPACITOR	0.1uF 16V K	
C261	NCB31CK-104X	C CAPACITOR	0.1uF 16V K	
C262	NCB31CK-104X	C CAPACITOR	0.1uF 16V K	
C263	NCB31CK-104X	C CAPACITOR	0.1uF 16V K	
C264	NCB31CK-103X	C CAPACITOR	0.01uF 16V K	
C301	NCB31CK-104X	C CAPACITOR	0.1uF 16V K	
C302	NCB31CK-104X	C CAPACITOR	0.1uF 16V K	
C303	NCB31CK-104X	C CAPACITOR	0.1uF 16V K	
C304	NEA70GM-107X	E CAPACITOR	100uF 4V M	
C306	NEA70GM-107X	E CAPACITOR	100uF 4V M	
C308	NEA70GM-107X	E CAPACITOR	100uF 4V M	
C310	NCB31CK-104X	C CAPACITOR	0.1uF 16V K	
C311	NCB31HK-561X	C CAPACITOR	560pF 50V K	
C312	NCB31HK-561X	C CAPACITOR	560pF 50V K	
C313	NCB31HK-561X	C CAPACITOR	560pF 50V K	
C314	NCB31HK-331X	C CAPACITOR	330pF 50V K	
C315	NCB31HK-471X	C CAPACITOR	470pF 50V K	
C316	NCB31HK-271X	C CAPACITOR	270pF 50V K	
C317	NCS31HJ-121X	C CAPACITOR	120pF 50V J	
C318	NCB31CK-104X	C CAPACITOR	0.1uF 16V K	
C319	NCB31HK-102X	C CAPACITOR	1000pF 50V K	
C320	NCB31HK-102X	C CAPACITOR	1000pF 50V K	
C321	NCB31HK-102X	C CAPACITOR	1000pF 50V K	
C322	NCB31HK-562X	C CAPACITOR	5600pF 50V K	
C323	NCB31HK-102X	C CAPACITOR	1000pF 50V K	
C324	NCB31CK-104X	C CAPACITOR	0.1uF 16V K	
C325	NCS31HJ-470X	C CAPACITOR	47pF 50V J	
C326	NCB31CK-183X	C CAPACITOR	0.018uF 16V K	
C327	NCB31HK-102X	C CAPACITOR	1000pF 50V K	
C328	NCB31CK-104X	C CAPACITOR	0.1uF 16V K	
C329	NCB31CK-103X	C CAPACITOR	0.01uF 16V K	
C330	NCB31CK-104X	C CAPACITOR	0.1uF 16V K	
C331	NCB31CK-103X	C CAPACITOR	0.01uF 16V K	
C332	NCB21CK-105X	C CAPACITOR	1uF 16V K	
C333	NCB31CK-104X	C CAPACITOR	0.1uF 16V K	
C334	NCB31CK-104X	C CAPACITOR	0.1uF 16V K	
C337	NCB31CK-104X	C CAPACITOR	0.1uF 16V K	
C338	NCB31CK-104X	C CAPACITOR	0.1uF 16V K	
C339	NCB31CK-104X	C CAPACITOR	0.1uF 16V K	
C340	NCB31CK-104X	C CAPACITOR	0.1uF 16V K	
C341	NCB31CK-104X	C CAPACITOR	0.1uF 16V K	
C342	NCB31CK-104X	C CAPACITOR	0.1uF 16V K	
C343	NCB31CK-104X	C CAPACITOR	0.1uF 16V K	
C344	NCB31CK-104X	C CAPACITOR	0.1uF 16V K	
C345	NCB31CK-104X	C CAPACITOR	0.1uF 16V K	
C346	NCB31CK-104X	C CAPACITOR	0.1uF 16V K	
C347	NCB31CK-104X	C CAPACITOR	0.1uF 16V K	
C348	NCB31CK-104X	C CAPACITOR	0.1uF 16V K	
C349	NCB31CK-104X	C CAPACITOR	0.1uF 16V K	
C350	NCB31CK-104X	C CAPACITOR	0.1uF 16V K	
C401	NEA70GM-476X	E CAPACITOR	47uF 4V M	
C402	NCB31CK-104X	C CAPACITOR	0.1uF 16V K	
C403	NCB31CK-104X	C CAPACITOR	0.1uF 16V K	
C404	NCB31CK-104X	C CAPACITOR	0.1uF 16V K	
C405	NCB31CK-104X	C CAPACITOR	0.1uF 16V K	
C406	NCB31CK-104X	C CAPACITOR	0.1uF 16V K	
C407	NCB31CK-104X	C CAPACITOR	0.1uF 16V K	
C450	NCB31CK-104X	C CAPACITOR	0.1uF 16V K	

△ Symbol No.	Part No.	Part Name	Description	Local	△ Symbol No.	Part No.	Part Name	Description	Local
C501	NCB31CK-104X	C CAPACITOR	0.1uF 16V K		R117	NRSA63J-0R0X	MG RESISTOR	0Ω 1/16W J	
C506	NCS31HJ-150X	C CAPACITOR	15pF 50V J		R119	NRSA63J-2R2X	MG RESISTOR	2.2Ω 1/16W J	
C507	NCS31HJ-180X	C CAPACITOR	18pF 50V J		R120	NRSA63J-2R2X	MG RESISTOR	2.2Ω 1/16W J	
C511	NEA70GM-476X	E CAPACITOR	47uF 4V M		R125	NRSA63J-105X	MG RESISTOR	1MΩ 1/16W J	
C512	NCB31CK-104X	C CAPACITOR	0.1uF 16V K		R126	NRSA63J-105X	MG RESISTOR	1MΩ 1/16W J	
C514	NCB31CK-104X	C CAPACITOR	0.1uF 16V K		R127	NRSA63J-222X	MG RESISTOR	2.2kΩ 1/16W J	
C515	NCB31CK-104X	C CAPACITOR	0.1uF 16V K		R128	NRS125J-1R0X	MG RESISTOR	1Ω 1/2W J	
C516	NCB31CK-104X	C CAPACITOR	0.1uF 16V K		R129	NRS125J-1R0X	MG RESISTOR	1Ω 1/2W J	
C517	NCB31CK-104X	C CAPACITOR	0.1uF 16V K		R130	NRSA63J-182X	MG RESISTOR	1.8kΩ 1/16W J	
C518	NCB31CK-104X	C CAPACITOR	0.1uF 16V K		R201	NRSA63J-470X	MG RESISTOR	47Ω 1/16W J	
C519	NCB31CK-104X	C CAPACITOR	0.1uF 16V K		R202	NRS125J-1R0X	MG RESISTOR	1Ω 1/2W J	
C520	NCB31CK-104X	C CAPACITOR	0.1uF 16V K		R203	NRSA63J-0R0X	MG RESISTOR	0Ω 1/16W J	
C523	NCB31CK-104X	C CAPACITOR	0.1uF 16V K		R204	NRSA63J-273X	MG RESISTOR	27kΩ 1/16W J	
C524	NEA70GM-476X	E CAPACITOR	47uF 4V M		R205	NRSA63J-273X	MG RESISTOR	27kΩ 1/16W J	
C527	NEA70GM-476X	E CAPACITOR	47uF 4V M		R206	NRSA63J-303X	MG RESISTOR	30kΩ 1/16W J	
C528	NCB31CK-104X	C CAPACITOR	0.1uF 16V K		R207	NRSA63J-473X	MG RESISTOR	47kΩ 1/16W J	
C529	NCB31CK-104X	C CAPACITOR	0.1uF 16V K		R208	NRSA63J-223X	MG RESISTOR	22kΩ 1/16W J	
C531	NCB31CK-104X	C CAPACITOR	0.1uF 16V K		R209	NRSA63J-223X	MG RESISTOR	22kΩ 1/16W J	
C532	NCB31CK-104X	C CAPACITOR	0.1uF 16V K		R210	NRSA63J-242X	MG RESISTOR	2.4kΩ 1/16W J	
C533	NCB31CK-104X	C CAPACITOR	0.1uF 16V K		R211	NRSA63J-242X	MG RESISTOR	2.4kΩ 1/16W J	
C534	NCB31CK-104X	C CAPACITOR	0.1uF 16V K		R212	NRSA63J-103X	MG RESISTOR	10kΩ 1/16W J	
C535	NCB31CK-104X	C CAPACITOR	0.1uF 16V K		R213	NRSA63J-103X	MG RESISTOR	10kΩ 1/16W J	
C536	NCB31CK-104X	C CAPACITOR	0.1uF 16V K		R214	NRSA63J-103X	MG RESISTOR	10kΩ 1/16W J	
C539	NCB31CK-104X	C CAPACITOR	0.1uF 16V K		R215	NRSA63J-103X	MG RESISTOR	10kΩ 1/16W J	
C540	NCB31CK-104X	C CAPACITOR	0.1uF 16V K		R216	NRSA63J-912X	MG RESISTOR	9.1kΩ 1/16W J	
C541	NCB31CK-104X	C CAPACITOR	0.1uF 16V K		R217	NRSA63J-201X	MG RESISTOR	200Ω 1/16W J	
C542	NCB31CK-104X	C CAPACITOR	0.1uF 16V K		R218	NRSA63J-221X	MG RESISTOR	220Ω 1/16W J	
C543	NCB31CK-104X	C CAPACITOR	0.1uF 16V K		R219	NRSA63J-183X	MG RESISTOR	18kΩ 1/16W J	
C544	NCB31CK-104X	C CAPACITOR	0.1uF 16V K		R220	NRSA63J-243X	MG RESISTOR	24kΩ 1/16W J	
C545	NCB31CK-104X	C CAPACITOR	0.1uF 16V K		R221	NRSA63J-682X	MG RESISTOR	6.8kΩ 1/16W J	
C547	NCB31CK-104X	C CAPACITOR	0.1uF 16V K		R222	NRSA63J-103X	MG RESISTOR	10kΩ 1/16W J	
C548	NCB31CK-104X	C CAPACITOR	0.1uF 16V K		R223	NRSA63J-912X	MG RESISTOR	9.1kΩ 1/16W J	
C549	NEA70GM-476X	E CAPACITOR	47uF 4V M		R224	NRSA63J-103X	MG RESISTOR	10kΩ 1/16W J	
C550	NCB31CK-104X	C CAPACITOR	0.1uF 16V K		R251	NRS125J-R47X	MG RESISTOR	0.47Ω 1/2W J	
C554	NCB31CK-104X	C CAPACITOR	0.1uF 16V K		R252	NRSA63J-2R2X	MG RESISTOR	2.2Ω 1/16W J	
C555	NCB31CK-104X	C CAPACITOR	0.1uF 16V K		R253	NRSA63J-0R0X	MG RESISTOR	0Ω 1/16W J	
C557	NCB31CK-104X	C CAPACITOR	0.1uF 16V K		R254	NRSA63J-203X	MG RESISTOR	20kΩ 1/16W J	
C558	NCB11CK-105X	C CAPACITOR	1uF 16V K		R255	NRSA63J-103X	MG RESISTOR	10kΩ 1/16W J	
C569	NCB31CK-104X	C CAPACITOR	0.1uF 16V K		R256	NRSA63J-470X	MG RESISTOR	47Ω 1/16W J	
C571	NEA70GM-476X	E CAPACITOR	47uF 4V M		R258	NRSA63J-0R0X	MG RESISTOR	0Ω 1/16W J	
C572	NCB31CK-104X	C CAPACITOR	0.1uF 16V K		R259	NRSA63J-103X	MG RESISTOR	10kΩ 1/16W J	
C573	NEA70GM-227X	E CAPACITOR	220uF 4V M		R301	NRSA63J-473X	MG RESISTOR	47kΩ 1/16W J	
C578	NCB31CK-104X	C CAPACITOR	0.1uF 16V K		R302	NRSA63J-473X	MG RESISTOR	47kΩ 1/16W J	
C580	NEA70GM-476X	E CAPACITOR	47uF 4V M		R303	NRSA63J-473X	MG RESISTOR	47kΩ 1/16W J	
C581	NEA70GM-227X	E CAPACITOR	220uF 4V M		R304	NRSA63J-473X	MG RESISTOR	47kΩ 1/16W J	
C582	NEA70GM-476X	E CAPACITOR	47uF 4V M		R305	NRSA63J-473X	MG RESISTOR	47kΩ 1/16W J	
C601	NEA70GM-476X	E CAPACITOR	47uF 4V M		R306	NRSA63J-473X	MG RESISTOR	47kΩ 1/16W J	
C602	NEA70GM-476X	E CAPACITOR	47uF 4V M		R307	NRSA63J-473X	MG RESISTOR	47kΩ 1/16W J	
C618	NCB31CK-104X	C CAPACITOR	0.1uF 16V K		R308	NRSA63J-0R0X	MG RESISTOR	0Ω 1/16W J	
C619	NCB31CK-104X	C CAPACITOR	0.1uF 16V K		R309	NRSA63J-473X	MG RESISTOR	47kΩ 1/16W J	
C902	NCB31CK-104X	C CAPACITOR	0.1uF 16V K		R313	NRSA63J-473X	MG RESISTOR	47kΩ 1/16W J	
C904	NCB31CK-104X	C CAPACITOR	0.1uF 16V K		R317	NRSA63J-473X	MG RESISTOR	47kΩ 1/16W J	
C906	NCB31CK-104X	C CAPACITOR	0.1uF 16V K		R319	NRSA63J-473X	MG RESISTOR	47kΩ 1/16W J	
C908	NCB31CK-104X	C CAPACITOR	0.1uF 16V K		R320	NRSA63J-105X	MG RESISTOR	1MΩ 1/16W J	
C992	NCB31CK-104X	C CAPACITOR	0.1uF 16V K		R321	NRSA63J-473X	MG RESISTOR	47kΩ 1/16W J	
C993	NCB31CK-104X	C CAPACITOR	0.1uF 16V K		R323	NRSA63J-473X	MG RESISTOR	47kΩ 1/16W J	
C994	NCB31CK-104X	C CAPACITOR	0.1uF 16V K		R324	NRSA63J-473X	MG RESISTOR	47kΩ 1/16W J	
C995	NCB31CK-104X	C CAPACITOR	0.1uF 16V K		R325	NRSA63J-123X	MG RESISTOR	12kΩ 1/16W J	
C996	NCB31CK-104X	C CAPACITOR	0.1uF 16V K		R326	NRSA63J-473X	MG RESISTOR	47kΩ 1/16W J	
C997	NCB31CK-104X	C CAPACITOR	0.1uF 16V K		R327	NRSA63J-105X	MG RESISTOR	1MΩ 1/16W J	
C998	NCB31CK-104X	C CAPACITOR	0.1uF 16V K		R328	NRSA63J-183X	MG RESISTOR	18kΩ 1/16W J	
R101	NRSA63J-333X	MG RESISTOR	33kΩ 1/16W J		R329	NRSA63J-473X	MG RESISTOR	47kΩ 1/16W J	
R102	NRSA63J-223X	MG RESISTOR	22kΩ 1/16W J		R330	NRSA63J-473X	MG RESISTOR	47kΩ 1/16W J	
R103	NRSA63J-223X	MG RESISTOR	22kΩ 1/16W J		R331	NRSA63J-473X	MG RESISTOR	47kΩ 1/16W J	
R104	NRS125J-270X	MG RESISTOR	27Ω 1/2W J		R332	NRSA63J-102X	MG RESISTOR	1kΩ 1/16W J	
R105	NRS125J-270X	MG RESISTOR	27Ω 1/2W J		R333	NRSA63J-183X	MG RESISTOR	18kΩ 1/16W J	
R106	NRSA63J-273X	MG RESISTOR	27kΩ 1/16W J		R334	NRSA63J-102X	MG RESISTOR	1kΩ 1/16W J	
R107	NRSA63J-273X	MG RESISTOR	27kΩ 1/16W J		R336	NRSA63J-273X	MG RESISTOR	27kΩ 1/16W J	
R108	NRSA63J-222X	MG RESISTOR	2.2kΩ 1/16W J		R337	NRSA63J-273X	MG RESISTOR	27kΩ 1/16W J	
R109	NRSA63J-182X	MG RESISTOR	1.8kΩ 1/16W J		R338	NRSA63J-472X	MG RESISTOR	4.7kΩ 1/16W J	
R110	NRSA63J-333X	MG RESISTOR	33kΩ 1/16W J		R339	NRSA63J-472X	MG RESISTOR	4.7kΩ 1/16W J	
R111	NRVA63D-243X	CMF RESISTOR	24kΩ 1/16W D		R340	NRSA63J-103X	MG RESISTOR	10kΩ 1/16W J	
R112	NRSA63J-822X	MG RESISTOR	8.2kΩ 1/16W J		R341	NRSA63J-562X	MG RESISTOR	5.6kΩ 1/16W J	
R113	NRSA63J-103X	MG RESISTOR	10kΩ 1/16W J		R402	NRSA63J-472X	MG RESISTOR	4.7kΩ 1/16W J	
R114	NRSA63J-0R0X	MG RESISTOR	0Ω 1/16W J		R405	NRSA63J-0R0X	MG RESISTOR	0Ω 1/16W J	
R115	NRSA63J-0R0X	MG RESISTOR	0Ω 1/16W J		R411	NRSA63J-472X	MG RESISTOR	4.7kΩ 1/16W J	
R116	NRSA63J-0R0X	MG RESISTOR	0Ω 1/16W J		R413	NRSA63J-472X	MG RESISTOR	4.7kΩ 1/16W J	
					R414	NRSA63J-472X	MG RESISTOR	4.7kΩ 1/16W J	

△ Symbol No.	Part No.	Part Name	Description	Local
R421	NRSA63J-0R0X	MG RESISTOR	0Ω 1/16W J	
R422	NRSA63J-472X	MG RESISTOR	4.7kΩ 1/16W J	
R423	NRSA63J-472X	MG RESISTOR	4.7kΩ 1/16W J	
R424	NRSA63J-472X	MG RESISTOR	4.7kΩ 1/16W J	
R427	NRSA63J-0R0X	MG RESISTOR	0Ω 1/16W J	
R428	NRSA63J-472X	MG RESISTOR	4.7kΩ 1/16W J	
R501	NRSA63J-470X	MG RESISTOR	47Ω 1/16W J	
R512	NRSA63J-332X	MG RESISTOR	3.3kΩ 1/16W J	
R521	NRSA63J-103X	MG RESISTOR	10kΩ 1/16W J	
R531	NRSA63J-562X	MG RESISTOR	5.6kΩ 1/16W J	
R532	NRSA63J-392X	MG RESISTOR	3.9kΩ 1/16W J	
R533	NRSA63J-102X	MG RESISTOR	1kΩ 1/16W J	
R534	NRSA63J-561X	MG RESISTOR	560Ω 1/16W J	
R535	NRSA63J-333X	MG RESISTOR	33kΩ 1/16W J	
R536	NRSA63J-102X	MG RESISTOR	1kΩ 1/16W J	
R541	NRSA63J-0R0X	MG RESISTOR	0Ω 1/16W J	
R543	NRSA63J-0R0X	MG RESISTOR	0Ω 1/16W J	
R544	NRSA63J-471X	MG RESISTOR	470Ω 1/16W J	
R547	NRSA63J-0R0X	MG RESISTOR	0Ω 1/16W J	
R548	NRSA63J-471X	MG RESISTOR	470Ω 1/16W J	
R549	NRSA63J-471X	MG RESISTOR	470Ω 1/16W J	
R550	NRSA63J-471X	MG RESISTOR	470Ω 1/16W J	
R551	NRSA63J-0R0X	MG RESISTOR	0Ω 1/16W J	
R552	NRSA63J-0R0X	MG RESISTOR	0Ω 1/16W J	
R553	NRSA63J-0R0X	MG RESISTOR	0Ω 1/16W J	
R565	NRVA63D-622X	CMF RESISTOR	6.2kΩ 1/16W D	
R566	NRVA63D-132X	CMF RESISTOR	1.3kΩ 1/16W D	
R570	NRSA63J-100X	MG RESISTOR	10Ω 1/16W J	
R573	NRSA63J-162X	MG RESISTOR	1.6kΩ 1/16W J	
R574	NRSA63J-162X	MG RESISTOR	1.6kΩ 1/16W J	
R575	NRSA63J-471X	MG RESISTOR	470Ω 1/16W J	
R576	NRSA63J-471X	MG RESISTOR	470Ω 1/16W J	
R578	NRSA63J-471X	MG RESISTOR	470Ω 1/16W J	
R579	NRSA63J-471X	MG RESISTOR	470Ω 1/16W J	
R580	NRSA63J-471X	MG RESISTOR	470Ω 1/16W J	
R583	NRSA63J-471X	MG RESISTOR	470Ω 1/16W J	
R584	NRSA63J-332X	MG RESISTOR	3.3kΩ 1/16W J	
R608	NRSA63J-103X	MG RESISTOR	10kΩ 1/16W J	
R655	NRSA63J-0R0X	MG RESISTOR	0Ω 1/16W J	
R738	NRSA63J-152X	MG RESISTOR	1.5kΩ 1/16W J	
R739	NRSA63J-0R0X	MG RESISTOR	0Ω 1/16W J	
R740	NRSA63J-0R0X	MG RESISTOR	0Ω 1/16W J	
R991	NRSA63J-220X	MG RESISTOR	22Ω 1/16W J	
L501	NQL044K-100X	COIL	10uH K	
CN101	QGF0522F1-30W	CONNECTOR	FFC/FPC (1-30)	
CN201	QGF1016F2-15W	CONNECTOR	FFC/FPC (1-15)	
CN202	QGF1016F2-06W	CONNECTOR	FFC/FPC (1-6)	
CN502	QGB2027L1-26X	CONNECTOR	B-B (1-26)	
CN503	QGB2027L1-26X	CONNECTOR	B-B (1-26)	
K101	NQR0007-002X	FERRITE BEADS		
K301	NQR0007-002X	FERRITE BEADS		
K302	NQR0007-002X	FERRITE BEADS		
K303	NQR0007-002X	FERRITE BEADS		
K304	NQR0007-002X	FERRITE BEADS		
K401	NQR0007-002X	FERRITE BEADS		
K501	NQR0007-002X	FERRITE BEADS		
K504	NQR0007-002X	FERRITE BEADS		
K505	NQR0007-002X	FERRITE BEADS		
K507	NQR0007-002X	FERRITE BEADS		
K508	NQR0007-002X	FERRITE BEADS		
K509	NQR0007-002X	FERRITE BEADS		
K510	NQR0007-002X	FERRITE BEADS		
K513	NQR0007-002X	FERRITE BEADS		
K515	NRSA02J-0R0X	MG RESISTOR	0Ω 1/10W J	
K518	NRSA02J-0R0X	MG RESISTOR	0Ω 1/10W J	
K519	NQR0007-002X	FERRITE BEADS		
K520	NQR0007-002X	FERRITE BEADS		
K556	NQR0129-002X	FERRITE BEADS		
K557	NQR0129-002X	FERRITE BEADS		
K558	NQR0129-002X	FERRITE BEADS		
K559	NQR0129-002X	FERRITE BEADS		
K560	NRSA02J-0R0X	MG RESISTOR	0Ω 1/10W J	
K561	NRSA02J-0R0X	MG RESISTOR	0Ω 1/10W J	
K562	NRSA02J-0R0X	MG RESISTOR	0Ω 1/10W J	
K563	NRSA02J-0R0X	MG RESISTOR	0Ω 1/10W J	
K564	NRSA02J-0R0X	MG RESISTOR	0Ω 1/10W J	

△ Symbol No.	Part No.	Part Name	Description	Local
K565	NRSA02J-0R0X	MG RESISTOR	0Ω 1/10W J	
K566	NRSA02J-0R0X	MG RESISTOR	0Ω 1/10W J	
K567	NQR0007-002X	FERRITE BEADS		
K568	NRSA02J-0R0X	MG RESISTOR	0Ω 1/10W J	
K569	NQR0007-002X	FERRITE BEADS		
K570	NRSA02J-0R0X	MG RESISTOR	0Ω 1/10W J	
K571	NQR0007-002X	FERRITE BEADS		
K572	NRSA02J-0R0X	MG RESISTOR	0Ω 1/10W J	
K573	NQR0007-002X	FERRITE BEADS		
K574	NRSA02J-0R0X	MG RESISTOR	0Ω 1/10W J	
K575	NRSA02J-0R0X	MG RESISTOR	0Ω 1/10W J	
K576	NRSA02J-0R0X	MG RESISTOR	0Ω 1/10W J	
K577	NQR0007-002X	FERRITE BEADS		
K578	NRSA02J-0R0X	MG RESISTOR	0Ω 1/10W J	
K579	NRSA02J-0R0X	MG RESISTOR	0Ω 1/10W J	
K582	NRSA02J-0R0X	MG RESISTOR	0Ω 1/10W J	
K586	NRSA02J-0R0X	MG RESISTOR	0Ω 1/10W J	
X301	NAX0542-001X	C RESONATOR	16.93MHz	
X401	NAX0543-001X	C RESONATOR	13.50MHz	
X571	NAX0513-001X	CRYSTAL	27.000MHz	

Amplifier board

Block No. [0][6][0][0]

△ Symbol No.	Part No.	Part Name	Description	Local
△ IC201	STK413-490	IC(HYBRID)		
△ IC301	STK413-420	IC(HYBRID)		
Q2101	KTA1267/YG/-T	TRANSISTOR		
Q2201	KTA1267/YG/-T	TRANSISTOR		
Q2301	KTA1267/YG/-T	TRANSISTOR		
Q3101	KTA1267/YG/-T	TRANSISTOR		
Q3201	KTA1267/YG/-T	TRANSISTOR		
Q3301	KTA1267/YG/-T	TRANSISTOR		
D2101	1SS133-T2	DIODE		
D2201	1SS133-T2	DIODE		
D2301	1SS133-T2	DIODE		
D2501	MTZJ13C-T2	Z DIODE		
D2502	MTZJ13C-T2	Z DIODE		
D3101	1SS133-T2	DIODE		
D3201	1SS133-T2	DIODE		
D3301	1SS133-T2	DIODE		
D3501	MTZJ13C-T2	Z DIODE		
D3502	MTZJ13C-T2	Z DIODE		
C2102	QCBB1HK-471Y	C CAPACITOR	470pF 50V K	
C2103	QETN1HM-475Z	E CAPACITOR	4.7uF 50V M	
C2104	QETN1AM-107Z	E CAPACITOR	100uF 10V M	
C2105	QCBB1HK-101Y	C CAPACITOR	100pF 50V K	
C2106	QCSB1HK-3R3Y	C CAPACITOR	3.3pF 50V K	
C2107	QFVF1HJ-104Z	MF CAPACITOR	0.1uF 50V J	
C2108	QFVF1HJ-104Z	MF CAPACITOR	0.1uF 50V J	
C2202	QCBB1HK-471Y	C CAPACITOR	470pF 50V K	
C2203	QETN1HM-475Z	E CAPACITOR	4.7uF 50V M	
C2204	QETN1AM-107Z	E CAPACITOR	100uF 10V M	
C2205	QCBB1HK-101Y	C CAPACITOR	100pF 50V K	
C2206	QCSB1HK-3R3Y	C CAPACITOR	3.3pF 50V K	
C2207	QFVF1HJ-104Z	MF CAPACITOR	0.1uF 50V J	
C2208	QFVF1HJ-104Z	MF CAPACITOR	0.1uF 50V J	
C2302	QCBB1HK-471Y	C CAPACITOR	470pF 50V K	
C2303	QETN1HM-475Z	E CAPACITOR	4.7uF 50V M	
C2304	QETN1AM-107Z	E CAPACITOR	100uF 10V M	
C2305	QCBB1HK-101Y	C CAPACITOR	100pF 50V K	
C2306	QCSB1HK-3R3Y	C CAPACITOR	3.3pF 50V K	
C2307	QFVF1HJ-104Z	MF CAPACITOR	0.1uF 50V J	
C2308	QFVF1HJ-104Z	MF CAPACITOR	0.1uF 50V J	
C2501	QETN1HM-107Z	E CAPACITOR	100uF 50V M	
C2502	QETN1EM-107Z	E CAPACITOR	100uF 25V M	
C2503	QETN1HM-107Z	E CAPACITOR	100uF 50V M	
C2504	QETN1EM-107Z	E CAPACITOR	100uF 25V M	
C2505	QETN1HM-107Z	E CAPACITOR	100uF 50V M	
C2506	QETN1HM-107Z	E CAPACITOR	100uF 50V M	

△ Symbol No.	Part No.	Part Name	Description	Local	△ Symbol No.	Part No.	Part Name	Description	Local
IC451	S-93C66AFJ-X	IC	Serial EEPROM		C301	NCB31CK-104X	C CAPACITOR	0.1uF 16V K	
IC501	NDV8601VWA-BE	IC	AV Decoder		C302	NCB31CK-104X	C CAPACITOR	0.1uF 16V K	
IC505	K4S643232F-TC70	IC			C303	NCB31CK-104X	C CAPACITOR	0.1uF 16V K	
IC510	AK93C65AF-X	IC	EEPROM		C304	NEA70GM-107X	E CAPACITOR	100uF 4V M	
IC511	LM1117MP1.8-X	IC	Regulator		C306	NEA70GM-107X	E CAPACITOR	100uF 4V M	
IC512	74LCX373MTC-X	IC(DIGITAL)	Octal D-type latch		C308	NEA70GM-107X	E CAPACITOR	100uF 4V M	
IC513	74LCX373MTC-X	IC(DIGITAL)	Octal D-type latch		C310	NCB31CK-104X	C CAPACITOR	0.1uF 16V K	
IC521	MM74HCT32MTC-X	IC	Quad 2 input OR gate		C311	NCB31HK-561X	C CAPACITOR	560pF 50V K	
IC522	74LCX32MTC-X	IC(DIGITAL)	OR gate		C312	NCB31HK-561X	C CAPACITOR	560pF 50V K	
IC523	NC7SZ125P5-X	IC(DIGITAL)	Bus buffer gate with 3-state output		C313	NCB31HK-561X	C CAPACITOR	560pF 50V K	
					C314	NCB31HK-331X	C CAPACITOR	330pF 50V K	
					C315	NCB31HK-471X	C CAPACITOR	470pF 50V K	
					C316	NCB31HK-271X	C CAPACITOR	270pF 50V K	
Q101	KTA1001Y/-X	TRANSISTOR			C317	NCS31HJ-121X	C CAPACITOR	120pF 50V J	
Q102	KTA1001Y/-X	TRANSISTOR			C318	NCB31CK-104X	C CAPACITOR	0.1uF 16V K	
Q103	DTA144EE-X	DIGI TRANSISTOR			C319	NCB31HK-102X	C CAPACITOR	1000pF 50V K	
Q501	2SB1424/QR/-W	TRANSISTOR			C320	NCB31HK-102X	C CAPACITOR	1000pF 50V K	
Q502	2SC2412K/RS/-X	TRANSISTOR			C321	NCB31HK-102X	C CAPACITOR	1000pF 50V K	
					C322	NCB31HK-562X	C CAPACITOR	5600pF 50V K	
D101	RB521S-30-X	SB DIODE			C323	NCB31HK-102X	C CAPACITOR	1000pF 50V K	
D202	1SS355-X	SI DIODE			C324	NCB31CK-104X	C CAPACITOR	0.1uF 16V K	
					C325	NCS31HJ-470X	C CAPACITOR	47pF 50V J	
C105	NEA70JM-476X	E CAPACITOR	47uF 6.3V M		C326	NCB31CK-183X	C CAPACITOR	0.018uF 16V K	
C106	NEA70JM-476X	E CAPACITOR	47uF 6.3V M		C327	NCB31HK-102X	C CAPACITOR	1000pF 50V K	
C109	NCB31CK-104X	C CAPACITOR	0.1uF 16V K		C328	NCB31CK-104X	C CAPACITOR	0.1uF 16V K	
C110	NCS31HJ-221X	C CAPACITOR	220pF 50V J		C329	NCB31CK-103X	C CAPACITOR	0.01uF 16V K	
C111	NCB31CK-104X	C CAPACITOR	0.1uF 16V K		C330	NCB31CK-104X	C CAPACITOR	0.1uF 16V K	
C112	NCB31CK-104X	C CAPACITOR	0.1uF 16V K		C331	NCB31CK-103X	C CAPACITOR	0.01uF 16V K	
C113	NEA70JM-226X	E CAPACITOR	22uF 6.3V M		C332	NCB21CK-105X	C CAPACITOR	1uF 16V K	
C115	NCB31CK-104X	C CAPACITOR	0.1uF 16V K		C333	NCB31CK-104X	C CAPACITOR	0.1uF 16V K	
C116	NCB31CK-104X	C CAPACITOR	0.1uF 16V K		C334	NCB31CK-104X	C CAPACITOR	0.1uF 16V K	
C117	NCB31CK-473X	C CAPACITOR	0.047uF 16V K		C337	NCB31CK-104X	C CAPACITOR	0.1uF 16V K	
C118	NCB31CK-273X	C CAPACITOR	0.027uF 16V K		C338	NCB31CK-104X	C CAPACITOR	0.1uF 16V K	
C119	NCB31HK-561X	C CAPACITOR	560pF 50V K		C339	NCB31CK-104X	C CAPACITOR	0.1uF 16V K	
C120	NCB31HK-561X	C CAPACITOR	560pF 50V K		C340	NCB31CK-104X	C CAPACITOR	0.1uF 16V K	
C121	NCB31CK-104X	C CAPACITOR	0.1uF 16V K		C341	NCB31CK-104X	C CAPACITOR	0.1uF 16V K	
C122	NCS31HJ-120X	C CAPACITOR	12pF 50V J		C342	NCB31CK-104X	C CAPACITOR	0.1uF 16V K	
C123	NCB31CK-104X	C CAPACITOR	0.1uF 16V K		C343	NCB31CK-104X	C CAPACITOR	0.1uF 16V K	
C124	NCS31HJ-470X	C CAPACITOR	47pF 50V J		C344	NCB31CK-104X	C CAPACITOR	0.1uF 16V K	
C125	NCB31HK-271X	C CAPACITOR	270pF 50V K		C345	NCB31CK-104X	C CAPACITOR	0.1uF 16V K	
C126	NCB31CK-104X	C CAPACITOR	0.1uF 16V K		C346	NCB31CK-104X	C CAPACITOR	0.1uF 16V K	
C127	NCB31CK-104X	C CAPACITOR	0.1uF 16V K		C347	NCB31CK-104X	C CAPACITOR	0.1uF 16V K	
C128	NCB31CK-104X	C CAPACITOR	0.1uF 16V K		C348	NCB31CK-104X	C CAPACITOR	0.1uF 16V K	
C129	NCB31HK-472X	C CAPACITOR	4700pF 50V K		C349	NCB31CK-104X	C CAPACITOR	0.1uF 16V K	
C135	NEA70JM-476X	E CAPACITOR	47uF 6.3V M		C350	NCB31CK-104X	C CAPACITOR	0.1uF 16V K	
C137	NEA70GM-476X	E CAPACITOR	47uF 4V M		C401	NEA70GM-476X	E CAPACITOR	47uF 4V M	
C138	NCB31CK-104X	C CAPACITOR	0.1uF 16V K		C402	NCB31CK-104X	C CAPACITOR	0.1uF 16V K	
C139	NCB31CK-104X	C CAPACITOR	0.1uF 16V K		C403	NCB31CK-104X	C CAPACITOR	0.1uF 16V K	
C141	NCB31CK-104X	C CAPACITOR	0.1uF 16V K		C404	NCB31CK-104X	C CAPACITOR	0.1uF 16V K	
C142	NCB31CK-104X	C CAPACITOR	0.1uF 16V K		C405	NCB31CK-104X	C CAPACITOR	0.1uF 16V K	
C143	NCB31CK-104X	C CAPACITOR	0.1uF 16V K		C406	NCB31CK-104X	C CAPACITOR	0.1uF 16V K	
C144	NCB31CK-103X	C CAPACITOR	0.01uF 16V K		C407	NCB31CK-104X	C CAPACITOR	0.1uF 16V K	
C146	NCB31CK-104X	C CAPACITOR	0.1uF 16V K		C450	NCB31CK-104X	C CAPACITOR	0.1uF 16V K	
C201	NEA70JM-226X	E CAPACITOR	22uF 6.3V M		C501	NCB31CK-104X	C CAPACITOR	0.1uF 16V K	
C203	NCB31CK-104X	C CAPACITOR	0.1uF 16V K		C506	NCS31HJ-150X	C CAPACITOR	15pF 50V J	
C204	NCB31CK-104X	C CAPACITOR	0.1uF 16V K		C507	NCS31HJ-180X	C CAPACITOR	18pF 50V J	
C205	NCS31HJ-121X	C CAPACITOR	120pF 50V J		C511	NEA70GM-476X	E CAPACITOR	47uF 4V M	
C207	NCB31HK-391X	C CAPACITOR	390pF 50V K		C512	NCB31CK-104X	C CAPACITOR	0.1uF 16V K	
C208	NCB31HK-391X	C CAPACITOR	390pF 50V K		C514	NCB31CK-104X	C CAPACITOR	0.1uF 16V K	
C211	NCB31HK-223X	C CAPACITOR	0.022uF 50V K		C515	NCB31CK-104X	C CAPACITOR	0.1uF 16V K	
C212	NCB31CK-103X	C CAPACITOR	0.01uF 16V K		C516	NCB31CK-104X	C CAPACITOR	0.1uF 16V K	
C215	NCB31CK-104X	C CAPACITOR	0.1uF 16V K		C517	NCB31CK-104X	C CAPACITOR	0.1uF 16V K	
C216	NCB30JK-105X	C CAPACITOR	1uF 6.3V K		C518	NCB31CK-104X	C CAPACITOR	0.1uF 16V K	
C217	NCB31CK-104X	C CAPACITOR	0.1uF 16V K		C519	NCB31CK-104X	C CAPACITOR	0.1uF 16V K	
C218	NCB30JK-105X	C CAPACITOR	1uF 6.3V K		C520	NCB31CK-104X	C CAPACITOR	0.1uF 16V K	
C251	NCB31CK-104X	C CAPACITOR	0.1uF 16V K		C523	NCB31CK-104X	C CAPACITOR	0.1uF 16V K	
C252	NEA71AM-336X	E CAPACITOR	33uF 10V M		C524	NEA70GM-476X	E CAPACITOR	47uF 4V M	
C253	NCB31CK-104X	C CAPACITOR	0.1uF 16V K		C527	NEA70GM-476X	E CAPACITOR	47uF 4V M	
C255	NCB31CK-153X	C CAPACITOR	0.015uF 16V K		C528	NCB31CK-104X	C CAPACITOR	0.1uF 16V K	
C256	NCB31CK-104X	C CAPACITOR	0.1uF 16V K		C529	NCB31CK-104X	C CAPACITOR	0.1uF 16V K	
C257	NCB31CK-104X	C CAPACITOR	0.1uF 16V K		C531	NCB31CK-104X	C CAPACITOR	0.1uF 16V K	
C258	NCB31CK-104X	C CAPACITOR	0.1uF 16V K		C532	NCB31CK-104X	C CAPACITOR	0.1uF 16V K	
C259	NCB31CK-104X	C CAPACITOR	0.1uF 16V K		C533	NCB31CK-104X	C CAPACITOR	0.1uF 16V K	
C260	NCB31CK-104X	C CAPACITOR	0.1uF 16V K		C534	NCB31CK-104X	C CAPACITOR	0.1uF 16V K	
C261	NCB31CK-104X	C CAPACITOR	0.1uF 16V K		C535	NCB31CK-104X	C CAPACITOR	0.1uF 16V K	
C262	NCB31CK-104X	C CAPACITOR	0.1uF 16V K		C536	NCB31CK-104X	C CAPACITOR	0.1uF 16V K	
C263	NCB31CK-104X	C CAPACITOR	0.1uF 16V K		C539	NCB31CK-104X	C CAPACITOR	0.1uF 16V K	
C264	NCB31CK-103X	C CAPACITOR	0.01uF 16V K		C540	NCB31CK-104X	C CAPACITOR	0.1uF 16V K	

△ Symbol No.	Part No.	Part Name	Description	Local	△ Symbol No.	Part No.	Part Name	Description	Local
C541	NCB31CK-104X	C CAPACITOR	0.1uF 16V K		R217	NRSA63J-201X	MG RESISTOR	200Ω 1/16W J	
C542	NCB31CK-104X	C CAPACITOR	0.1uF 16V K		R218	NRSA63J-221X	MG RESISTOR	220Ω 1/16W J	
C543	NCB31CK-104X	C CAPACITOR	0.1uF 16V K		R219	NRSA63J-183X	MG RESISTOR	18kΩ 1/16W J	
C544	NCB31CK-104X	C CAPACITOR	0.1uF 16V K		R220	NRSA63J-243X	MG RESISTOR	24kΩ 1/16W J	
C545	NCB31CK-104X	C CAPACITOR	0.1uF 16V K		R221	NRSA63J-682X	MG RESISTOR	6.8kΩ 1/16W J	
C547	NCB31CK-104X	C CAPACITOR	0.1uF 16V K		R222	NRSA63J-103X	MG RESISTOR	10kΩ 1/16W J	
C548	NCB31CK-104X	C CAPACITOR	0.1uF 16V K		R223	NRSA63J-912X	MG RESISTOR	9.1kΩ 1/16W J	
C549	NEA70GM-476X	E CAPACITOR	47uF 4V M		R224	NRSA63J-103X	MG RESISTOR	10kΩ 1/16W J	
C550	NCB31CK-104X	C CAPACITOR	0.1uF 16V K		R251	NRS125J-R47X	MG RESISTOR	0.47Ω 1/2W J	
C554	NCB31CK-104X	C CAPACITOR	0.1uF 16V K		R252	NRSA63J-2R2X	MG RESISTOR	2.2Ω 1/16W J	
C555	NCB31CK-104X	C CAPACITOR	0.1uF 16V K		R253	NRSA63J-0R0X	MG RESISTOR	0Ω 1/16W J	
C557	NCB31CK-104X	C CAPACITOR	0.1uF 16V K		R254	NRSA63J-203X	MG RESISTOR	20kΩ 1/16W J	
C558	NCB11CK-105X	C CAPACITOR	1uF 16V K		R255	NRSA63J-103X	MG RESISTOR	10kΩ 1/16W J	
C569	NCB31CK-104X	C CAPACITOR	0.1uF 16V K		R256	NRSA63J-470X	MG RESISTOR	47Ω 1/16W J	
C571	NEA70GM-476X	E CAPACITOR	47uF 4V M		R258	NRSA63J-0R0X	MG RESISTOR	0Ω 1/16W J	
C572	NCB31CK-104X	C CAPACITOR	0.1uF 16V K		R259	NRSA63J-103X	MG RESISTOR	10kΩ 1/16W J	
C573	NEA70GM-227X	E CAPACITOR	220uF 4V M		R301	NRSA63J-473X	MG RESISTOR	47kΩ 1/16W J	
C578	NCB31CK-104X	C CAPACITOR	0.1uF 16V K		R302	NRSA63J-473X	MG RESISTOR	47kΩ 1/16W J	
C580	NEA70GM-476X	E CAPACITOR	47uF 4V M		R303	NRSA63J-473X	MG RESISTOR	47kΩ 1/16W J	
C581	NEA70GM-227X	E CAPACITOR	220uF 4V M		R304	NRSA63J-473X	MG RESISTOR	47kΩ 1/16W J	
C582	NEA70GM-476X	E CAPACITOR	47uF 4V M		R305	NRSA63J-473X	MG RESISTOR	47kΩ 1/16W J	
C601	NEA70GM-476X	E CAPACITOR	47uF 4V M		R306	NRSA63J-473X	MG RESISTOR	47kΩ 1/16W J	
C602	NEA70GM-476X	E CAPACITOR	47uF 4V M		R307	NRSA63J-473X	MG RESISTOR	47kΩ 1/16W J	
C618	NCB31CK-104X	C CAPACITOR	0.1uF 16V K		R308	NRSA63J-0R0X	MG RESISTOR	0Ω 1/16W J	
C619	NCB31CK-104X	C CAPACITOR	0.1uF 16V K		R309	NRSA63J-473X	MG RESISTOR	47kΩ 1/16W J	
C902	NCB31CK-104X	C CAPACITOR	0.1uF 16V K		R313	NRSA63J-473X	MG RESISTOR	47kΩ 1/16W J	
C904	NCB31CK-104X	C CAPACITOR	0.1uF 16V K		R317	NRSA63J-473X	MG RESISTOR	47kΩ 1/16W J	
C906	NCB31CK-104X	C CAPACITOR	0.1uF 16V K		R319	NRSA63J-473X	MG RESISTOR	47kΩ 1/16W J	
C908	NCB31CK-104X	C CAPACITOR	0.1uF 16V K		R320	NRSA63J-105X	MG RESISTOR	1MΩ 1/16W J	
C992	NCB31CK-104X	C CAPACITOR	0.1uF 16V K		R321	NRSA63J-473X	MG RESISTOR	47kΩ 1/16W J	
C993	NCB31CK-104X	C CAPACITOR	0.1uF 16V K		R323	NRSA63J-473X	MG RESISTOR	47kΩ 1/16W J	
C994	NCB31CK-104X	C CAPACITOR	0.1uF 16V K		R324	NRSA63J-473X	MG RESISTOR	47kΩ 1/16W J	
C995	NCB31CK-104X	C CAPACITOR	0.1uF 16V K		R325	NRSA63J-123X	MG RESISTOR	12kΩ 1/16W J	
C996	NCB31CK-104X	C CAPACITOR	0.1uF 16V K		R326	NRSA63J-473X	MG RESISTOR	47kΩ 1/16W J	
C997	NCB31CK-104X	C CAPACITOR	0.1uF 16V K		R327	NRSA63J-105X	MG RESISTOR	1MΩ 1/16W J	
C998	NCB31CK-104X	C CAPACITOR	0.1uF 16V K		R328	NRSA63J-183X	MG RESISTOR	18kΩ 1/16W J	
R101	NRSA63J-333X	MG RESISTOR	33kΩ 1/16W J		R329	NRSA63J-473X	MG RESISTOR	47kΩ 1/16W J	
R102	NRSA63J-223X	MG RESISTOR	22kΩ 1/16W J		R330	NRSA63J-473X	MG RESISTOR	47kΩ 1/16W J	
R103	NRSA63J-223X	MG RESISTOR	22kΩ 1/16W J		R331	NRSA63J-473X	MG RESISTOR	47kΩ 1/16W J	
R104	NRS125J-270X	MG RESISTOR	27Ω 1/2W J		R332	NRSA63J-102X	MG RESISTOR	1kΩ 1/16W J	
R105	NRS125J-270X	MG RESISTOR	27Ω 1/2W J		R333	NRSA63J-183X	MG RESISTOR	18kΩ 1/16W J	
R106	NRSA63J-273X	MG RESISTOR	27kΩ 1/16W J		R334	NRSA63J-102X	MG RESISTOR	1kΩ 1/16W J	
R107	NRSA63J-273X	MG RESISTOR	27kΩ 1/16W J		R336	NRSA63J-273X	MG RESISTOR	27kΩ 1/16W J	
R108	NRSA63J-222X	MG RESISTOR	2.2kΩ 1/16W J		R337	NRSA63J-273X	MG RESISTOR	27kΩ 1/16W J	
R109	NRSA63J-182X	MG RESISTOR	1.8kΩ 1/16W J		R338	NRSA63J-472X	MG RESISTOR	4.7kΩ 1/16W J	
R110	NRSA63J-333X	MG RESISTOR	33kΩ 1/16W J		R339	NRSA63J-472X	MG RESISTOR	4.7kΩ 1/16W J	
R111	NRVA63D-243X	CMF RESISTOR	24kΩ 1/16W D		R340	NRSA63J-103X	MG RESISTOR	10kΩ 1/16W J	
R112	NRSA63J-822X	MG RESISTOR	8.2kΩ 1/16W J		R341	NRSA63J-562X	MG RESISTOR	5.6kΩ 1/16W J	
R113	NRSA63J-103X	MG RESISTOR	10kΩ 1/16W J		R402	NRSA63J-472X	MG RESISTOR	4.7kΩ 1/16W J	
R114	NRSA63J-0R0X	MG RESISTOR	0Ω 1/16W J		R405	NRSA63J-0R0X	MG RESISTOR	0Ω 1/16W J	
R115	NRSA63J-0R0X	MG RESISTOR	0Ω 1/16W J		R411	NRSA63J-472X	MG RESISTOR	4.7kΩ 1/16W J	
R116	NRSA63J-0R0X	MG RESISTOR	0Ω 1/16W J		R413	NRSA63J-472X	MG RESISTOR	4.7kΩ 1/16W J	
R117	NRSA63J-0R0X	MG RESISTOR	0Ω 1/16W J		R414	NRSA63J-472X	MG RESISTOR	4.7kΩ 1/16W J	
R119	NRSA63J-2R2X	MG RESISTOR	2.2Ω 1/16W J		R421	NRSA63J-0R0X	MG RESISTOR	0Ω 1/16W J	
R120	NRSA63J-2R2X	MG RESISTOR	2.2Ω 1/16W J		R422	NRSA63J-472X	MG RESISTOR	4.7kΩ 1/16W J	
R125	NRSA63J-105X	MG RESISTOR	1MΩ 1/16W J		R423	NRSA63J-472X	MG RESISTOR	4.7kΩ 1/16W J	
R126	NRSA63J-105X	MG RESISTOR	1MΩ 1/16W J		R424	NRSA63J-472X	MG RESISTOR	4.7kΩ 1/16W J	
R127	NRSA63J-222X	MG RESISTOR	2.2kΩ 1/16W J		R427	NRSA63J-0R0X	MG RESISTOR	0Ω 1/16W J	
R128	NRS125J-1R0X	MG RESISTOR	1Ω 1/2W J		R428	NRSA63J-472X	MG RESISTOR	4.7kΩ 1/16W J	
R129	NRS125J-1R0X	MG RESISTOR	1Ω 1/2W J		R501	NRSA63J-470X	MG RESISTOR	47Ω 1/16W J	
R130	NRSA63J-182X	MG RESISTOR	1.8kΩ 1/16W J		R512	NRSA63J-332X	MG RESISTOR	3.3kΩ 1/16W J	
R201	NRSA63J-470X	MG RESISTOR	47Ω 1/16W J		R521	NRSA63J-103X	MG RESISTOR	10kΩ 1/16W J	
R202	NRS125J-1R0X	MG RESISTOR	1Ω 1/2W J		R531	NRSA63J-562X	MG RESISTOR	5.6kΩ 1/16W J	
R203	NRSA63J-0R0X	MG RESISTOR	0Ω 1/16W J		R532	NRSA63J-392X	MG RESISTOR	3.9kΩ 1/16W J	
R204	NRSA63J-273X	MG RESISTOR	27kΩ 1/16W J		R533	NRSA63J-102X	MG RESISTOR	1kΩ 1/16W J	
R205	NRSA63J-273X	MG RESISTOR	27kΩ 1/16W J		R534	NRSA63J-561X	MG RESISTOR	560Ω 1/16W J	
R206	NRSA63J-303X	MG RESISTOR	30kΩ 1/16W J		R535	NRSA63J-333X	MG RESISTOR	33kΩ 1/16W J	
R207	NRSA63J-473X	MG RESISTOR	47kΩ 1/16W J		R536	NRSA63J-102X	MG RESISTOR	1kΩ 1/16W J	
R208	NRSA63J-223X	MG RESISTOR	22kΩ 1/16W J		R541	NRSA63J-0R0X	MG RESISTOR	0Ω 1/16W J	
R209	NRSA63J-223X	MG RESISTOR	22kΩ 1/16W J		R543	NRSA63J-0R0X	MG RESISTOR	0Ω 1/16W J	
R210	NRSA63J-242X	MG RESISTOR	2.4kΩ 1/16W J		R544	NRSA63J-471X	MG RESISTOR	470Ω 1/16W J	
R211	NRSA63J-242X	MG RESISTOR	2.4kΩ 1/16W J		R547	NRSA63J-0R0X	MG RESISTOR	0Ω 1/16W J	
R212	NRSA63J-103X	MG RESISTOR	10kΩ 1/16W J		R548	NRSA63J-471X	MG RESISTOR	470Ω 1/16W J	
R213	NRSA63J-103X	MG RESISTOR	10kΩ 1/16W J		R549	NRSA63J-471X	MG RESISTOR	470Ω 1/16W J	
R214	NRSA63J-103X	MG RESISTOR	10kΩ 1/16W J		R550	NRSA63J-471X	MG RESISTOR	470Ω 1/16W J	
R215	NRSA63J-103X	MG RESISTOR	10kΩ 1/16W J		R551	NRSA63J-0R0X	MG RESISTOR	0Ω 1/16W J	
R216	NRSA63J-912X	MG RESISTOR	9.1kΩ 1/16W J		R552	NRSA63J-0R0X	MG RESISTOR	0Ω 1/16W J	
					R553	NRSA63J-0R0X	MG RESISTOR	0Ω 1/16W J	

△ Symbol No. Part No. Part Name Description Local

Block No. [0][8][0][0]

△ Symbol No.	Part No.	Part Name	Description	Local
R565	NRVA63D-622X	CMF RESISTOR	6.2kΩ 1/16W D	
R566	NRVA63D-132X	CMF RESISTOR	1.3kΩ 1/16W D	
R570	NRSA63J-100X	MG RESISTOR	10Ω 1/16W J	
R573	NRSA63J-162X	MG RESISTOR	1.6kΩ 1/16W J	
R574	NRSA63J-162X	MG RESISTOR	1.6kΩ 1/16W J	
R575	NRSA63J-471X	MG RESISTOR	470Ω 1/16W J	
R576	NRSA63J-471X	MG RESISTOR	470Ω 1/16W J	
R578	NRSA63J-471X	MG RESISTOR	470Ω 1/16W J	
R579	NRSA63J-471X	MG RESISTOR	470Ω 1/16W J	
R580	NRSA63J-471X	MG RESISTOR	470Ω 1/16W J	
R583	NRSA63J-471X	MG RESISTOR	470Ω 1/16W J	
R584	NRSA63J-332X	MG RESISTOR	3.3kΩ 1/16W J	
R608	NRSA63J-103X	MG RESISTOR	10kΩ 1/16W J	
R655	NRSA63J-0R0X	MG RESISTOR	0Ω 1/16W J	
R738	NRSA63J-152X	MG RESISTOR	1.5kΩ 1/16W J	
R739	NRSA63J-0R0X	MG RESISTOR	0Ω 1/16W J	
R740	NRSA63J-0R0X	MG RESISTOR	0Ω 1/16W J	
R991	NRSA63J-220X	MG RESISTOR	22Ω 1/16W J	
L501	NQL044K-100X	COIL	10uH K	
CN101	QGF0522F1-30W	CONNECTOR	FFC/FPC (1-30)	
CN201	QGF1016F2-15W	CONNECTOR	FFC/FPC (1-15)	
CN202	QGF1016F2-06W	CONNECTOR	FFC/FPC (1-6)	
CN502	QGB2027L1-26X	CONNECTOR	B-B (1-26)	
CN503	QGB2027L1-26X	CONNECTOR	B-B (1-26)	
IC509	SST39VF160-9DD	IC		
K101	NQR0007-002X	FERRITE BEADS		
K301	NQR0007-002X	FERRITE BEADS		
K302	NQR0007-002X	FERRITE BEADS		
K303	NQR0007-002X	FERRITE BEADS		
K304	NQR0007-002X	FERRITE BEADS		
K401	NQR0007-002X	FERRITE BEADS		
K501	NQR0007-002X	FERRITE BEADS		
K504	NQR0007-002X	FERRITE BEADS		
K505	NQR0007-002X	FERRITE BEADS		
K507	NQR0007-002X	FERRITE BEADS		
K508	NQR0007-002X	FERRITE BEADS		
K509	NQR0007-002X	FERRITE BEADS		
K510	NQR0007-002X	FERRITE BEADS		
K513	NQR0007-002X	FERRITE BEADS		
K515	NRSA02J-0R0X	MG RESISTOR	0Ω 1/10W J	
K518	NRSA02J-0R0X	MG RESISTOR	0Ω 1/10W J	
K519	NQR0007-002X	FERRITE BEADS		
K520	NQR0007-002X	FERRITE BEADS		
K556	NQR0129-002X	FERRITE BEADS		
K557	NQR0129-002X	FERRITE BEADS		
K558	NQR0129-002X	FERRITE BEADS		
K559	NQR0129-002X	FERRITE BEADS		
K560	NRSA02J-0R0X	MG RESISTOR	0Ω 1/10W J	
K561	NRSA02J-0R0X	MG RESISTOR	0Ω 1/10W J	
K562	NRSA02J-0R0X	MG RESISTOR	0Ω 1/10W J	
K563	NRSA02J-0R0X	MG RESISTOR	0Ω 1/10W J	
K564	NRSA02J-0R0X	MG RESISTOR	0Ω 1/10W J	
K565	NRSA02J-0R0X	MG RESISTOR	0Ω 1/10W J	
K566	NRSA02J-0R0X	MG RESISTOR	0Ω 1/10W J	
K567	NQR0007-002X	FERRITE BEADS		
K568	NRSA02J-0R0X	MG RESISTOR	0Ω 1/10W J	
K569	NQR0007-002X	FERRITE BEADS		
K570	NRSA02J-0R0X	MG RESISTOR	0Ω 1/10W J	
K571	NQR0007-002X	FERRITE BEADS		
K572	NRSA02J-0R0X	MG RESISTOR	0Ω 1/10W J	
K573	NQR0007-002X	FERRITE BEADS		
K574	NRSA02J-0R0X	MG RESISTOR	0Ω 1/10W J	
K575	NRSA02J-0R0X	MG RESISTOR	0Ω 1/10W J	
K576	NRSA02J-0R0X	MG RESISTOR	0Ω 1/10W J	
K577	NQR0007-002X	FERRITE BEADS		
K578	NRSA02J-0R0X	MG RESISTOR	0Ω 1/10W J	
K579	NRSA02J-0R0X	MG RESISTOR	0Ω 1/10W J	
K582	NRSA02J-0R0X	MG RESISTOR	0Ω 1/10W J	
K586	NRSA02J-0R0X	MG RESISTOR	0Ω 1/10W J	
X301	NAX0542-001X	C RESONATOR	16.93MHz	
X401	NAX0543-001X	C RESONATOR	13.50MHz	
X571	NAX0513-001X	CRYSTAL	27.000MHz	

△ Symbol No. Part No. Part Name Description Local

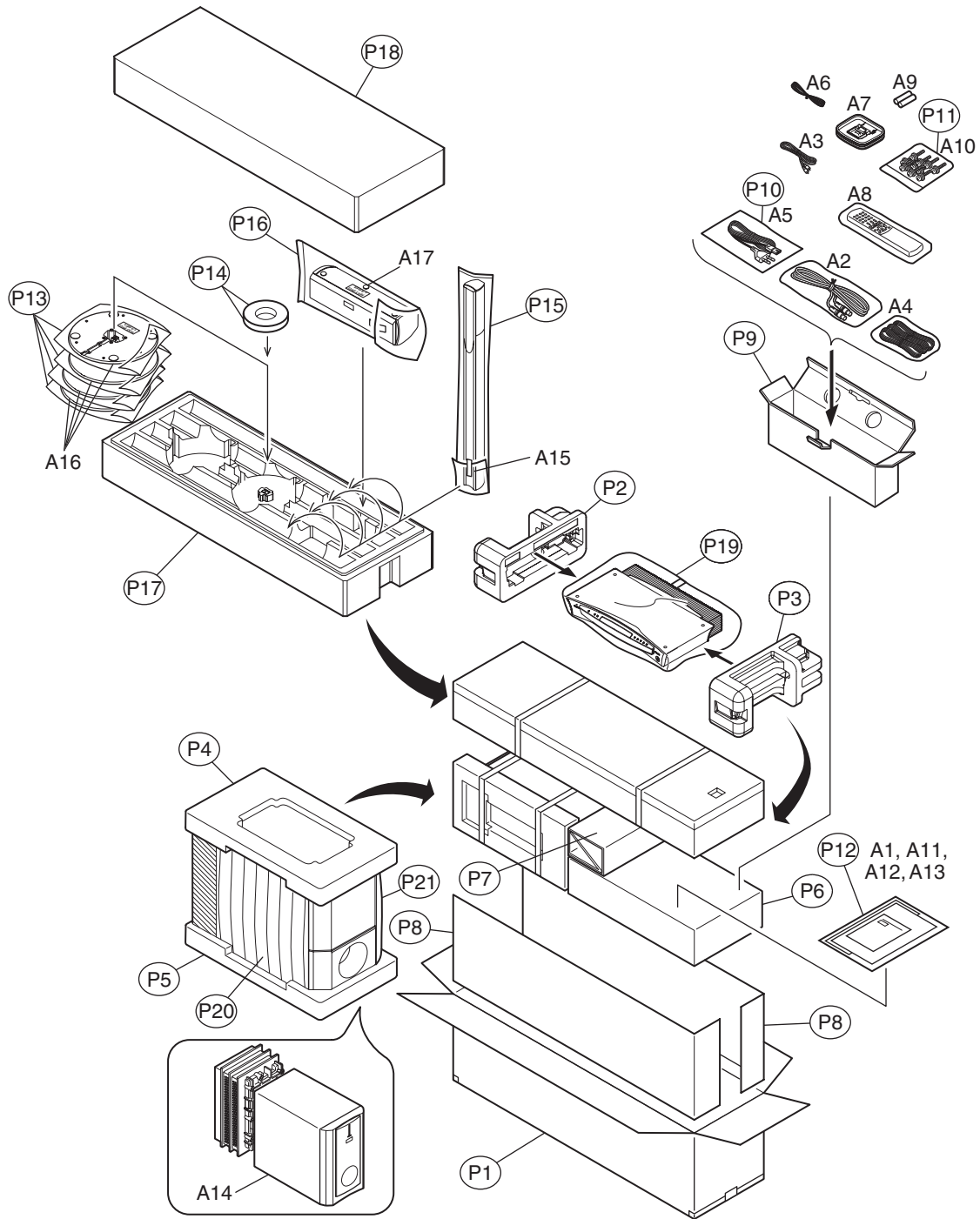
△ Symbol No.	Part No.	Part Name	Description	Local
CN1	QGF1016F3-06	CONNECTOR	FFC/FPC (1-6)	
S1	QSW0910-002	SWITCH		
S2	QSW0910-002	SWITCH		

DVD loading switch board

< MEMO >

Packing materials and accessories parts list

Block No. M 3 M M



Packing and accessories

Block No. [M][3][M][M]

△ Symbol No.	Part No.	Part Name	Description	Local
A 1	LVT1025-012A	INST BOOK	CHI(PEKIN)	
A 2	QAM0381-001	SYSTEM CABLE		
A 3	QAM0236-001	VIDEO CABLE		
A 4	LV43454-001A	SPK CORD ASSY		
△ A 5	QMPS230-183-JC	POWER CORD	1.83m BLACK	
A 6	QAL0457-001	ANT.WIRE		
A 7	QAL0014-001	AM LOOP ANT		
A 8	RM-STHA55U	REMOCON UNIT		
A 9	-----	BATTERY	(x2)	
A 10	QYSPSPH4025Z	SCREW	M4 x 25mm(x16)	
A 11	BT-59019-1	WARRANTY CARD		
A 12	BT-59021-1	SVC CENTER LIST		
A 13	GN30020-003A	SURVEY CARD		
A 14	SPPWA55E-SPBOX	SPEAKER BOX		
A 15	XTHA85SEE-SPBOX	SPEAKER BOX	(x4)	
A 16	SP85U-STAND	STAND BASE	(x4)	
A 17	XTHA85CEE-SPBOX	SPEAKER BOX		
P 1	LV34288-002A	MASTER CARTON		
P 2	LV10790-201A	CUSHION(L)		
P 3	LV10791-201A	CUSHION(R)		
P 4	LV10797-001A	PACKING PAD		
P 5	LV10797-002A	PACKING PAD		
P 6	LV21548-003A	CARTON SPACER		
P 7	LV21548-004A	CARTON SPACER		
P 8	LV34711-001A	CARTON SPACER	(x2)	
P 9	LV34289-001A	ACCESSORY BOX		
P 10	QPA01202505	POLY BAG	12cm x 25cm	
P 11	QPA00701005	POLY BAG	7cm x 10cm	
P 12	QPA02503505P	POLY BAG	25cm x 35cm	
P 13	8500045491	MIRROR MAT BAG	FOR STAND ASSY(x4)	
P 14	8000051901	CUSHION	LV34230-001A(x2)	
P 15	8500045471	MIRROR MAT BAG	(x4)	
P 16	8500045481	MIRROR MAT BAG	FOR CENTRE	
P 17	8000051811	CUSHION (BTM)	LV21505-001A	
P 18	8000051801	CUSHION (TOP)	LV21504-001A	
P 19	QPC05005015P	POLY BAG	50cm x 50cm	
P 20	8500051801	MIRROR MAT		
P 21	8500051901	POLY BAG		