

PARTS LIST

[TH-A9]

* All printed circuit boards and its assemblies are not available as service parts.

Area suffix	
J	U.S.A.
C	Canada

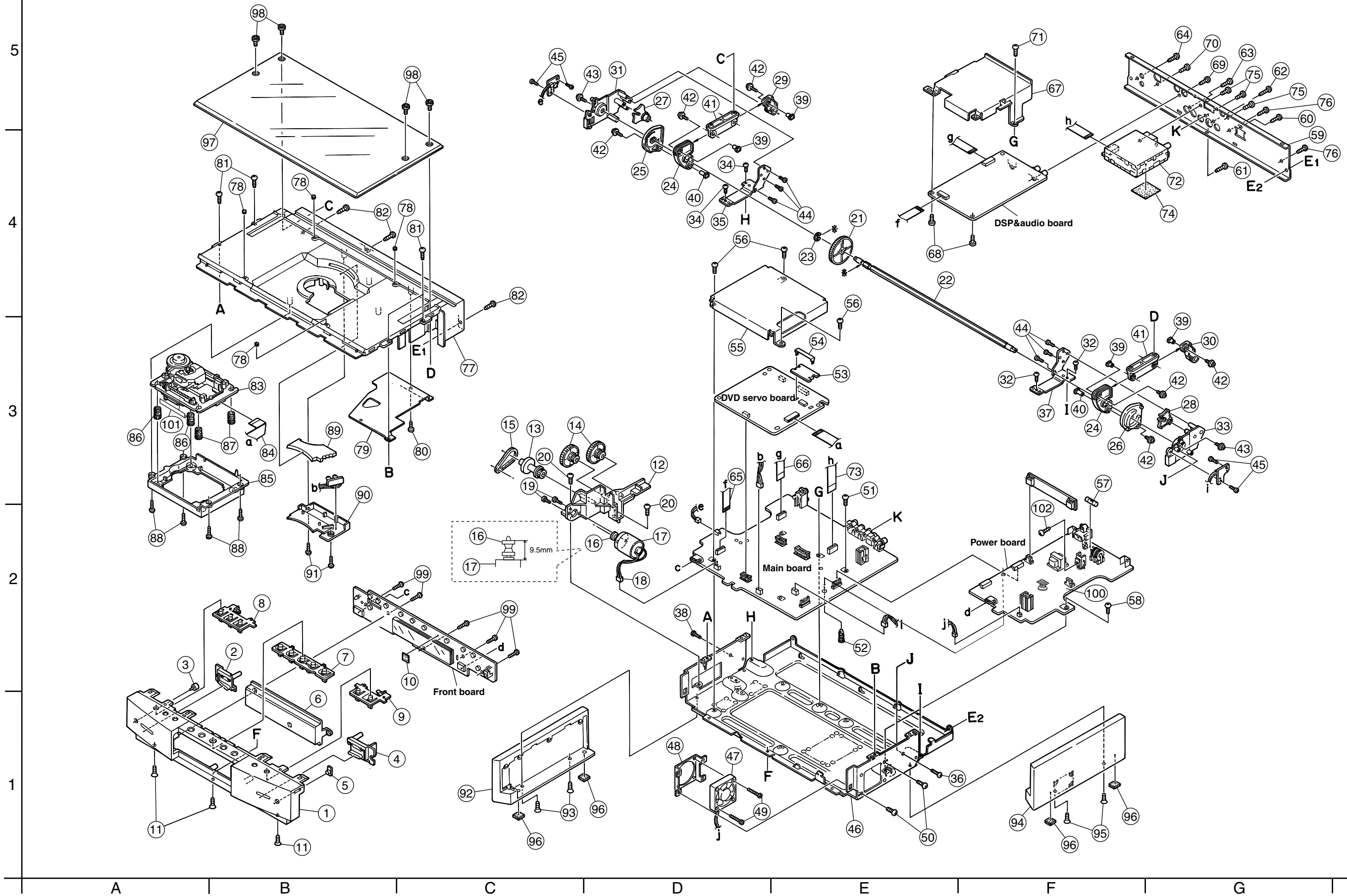
- Contents -

Exploded view of general assembly and parts list	3- 3
DVD mechanism assembly and parts list	3- 5
Exploded view of general assembly and parts list (SP-THA9)	3- 7
Electrical parts list	3- 9
Packing materials and accessories parts list	3-28

< MEMO >

Exploded view of general assembly and parts list

Block No. M 1 M M



■ Parts list (General assembly)

Block No. M1MM

△	Item	Parts number	Parts name	Q'ty	Description	Area
	1	LV10441-002A	FRONT PANEL	1		
	2	LV32329-001A	PUSH BUTTON	1	POWER	
	3	VJK4493-001SC	LENS(STANDBY)	1	STANDBY LED	
	4	LV32330-001A	PUSH BUTTON	1	OPEN	
	5	E408131-001	REMOTE LENS	1	REMOTE	
	6	LV20891-001A	LENS	1	AS	
	7	LV20890-001A	PUSH BUTTON	1	PS/PLAY	
	8	LV32332-001A	PUSH BUTTON	1	PS/LEFT	
	9	LV32333-001A	PUSH BUTTON	1	PS/RIGHT	
	10	LE30001-011A	SPACER	1		
	11	QYSSST3006Z	SCREW	3	F.P+B.CHASSIS	
	12	LV20892-001A	MOTOR BASE	1	ABS	
	13	LV42027-001A	GEAR 1	1		
	14	LV42028-001A	GEAR 2	2		
	15	LV41598-001A	BELT	1		
	16	LV41536-001A	PULLEY	1		
	17	QAR0100-001	DC MOTOR	1		
	18	WJM0133-002A	E-SI C WIRE	1		
	19	QYSPSP3004Z	SCREW	2	DC MOTOR+M.BASE	
	20	QYSBST3008Z	T.SCREW	2	MOTER.B+BOTTOM.	
	21	LV42029-001A	MAIN GEAR	1		
	22	LV32341-001A	SHAFT 1	1		
	23	QYREE6000X	E RING	1	MAIN GEAR	
	24	LV31690-001A	ARM	2	ABS	
	25	LV31691-001A	G.WHEEL(L)	1		
	26	LV31692-001A	G.WHEEL(R)	1		
	27	LV31693-001A	G.GEAR(L)	1	PBT	
	28	LV31694-001A	G.GEAR(R)	1	PBT	
	29	LV31695-001A	ARM GEAR(L)	1	PBT	
	30	LV31696-001A	ARM GEAR(R)	1	PBT	
	31	LV31697-002A	GEAR BASE(L)	1	PBT	
	32	QYSBST3006Z	T.SCREW	2	GEAR.B+BOTTOM	
	33	LV31698-002A	GEAR BASE(R)	1	PBT	
	34	QYSBST3006Z	T.SCREW	2	GEAR.B+BOTTOM	
	35	LV32127-001A	GEAR BKT(L)	1	EGC T1	
	36	QYSBSF2606Z	SCREW	1		
	37	LV32128-001A	GEAR BKT(R)	1	EGC T1	
	38	QYSBSF2606Z	SCREW	1		
	39	LV41929-001A	SHAFT 4	4	PBT	
	40	LV41930-001A	SHAFT 5	2	PBT	
	41	LV32334-001A	DOOR BASE	2		
	42	QYSPSFG2605N	SCREW	6	DOOR BASE+ARM	
	43	QYSPSPG3006Z	SCREW	2	SAFT 1+G.BASE	
	44	QYSDSF2606Z	SCREW	6	G.BKT+G.BASE	
	45	QYSDSF2606Z	SCREW	4	SW.PWB+G.BASE	
	46	LV10443-001A	BOTTOM CHASSIS	1	EGC T1.0	
	47	QAR0148-001	FAN MOTOR	1		
	48	LV41799-001A	FAN BRACKET	1		
	49	QYSPST3012Z	T.SCREW	2	FAN + FAN BKT	
	50	QYSBST3006Z	T.SCREW	2	FAN BKT + B CHA	
	51	QYSBST3006Z	T.SCREW	1	BOTTOM+MAIN PWB	

■ Parts list (General assembly)

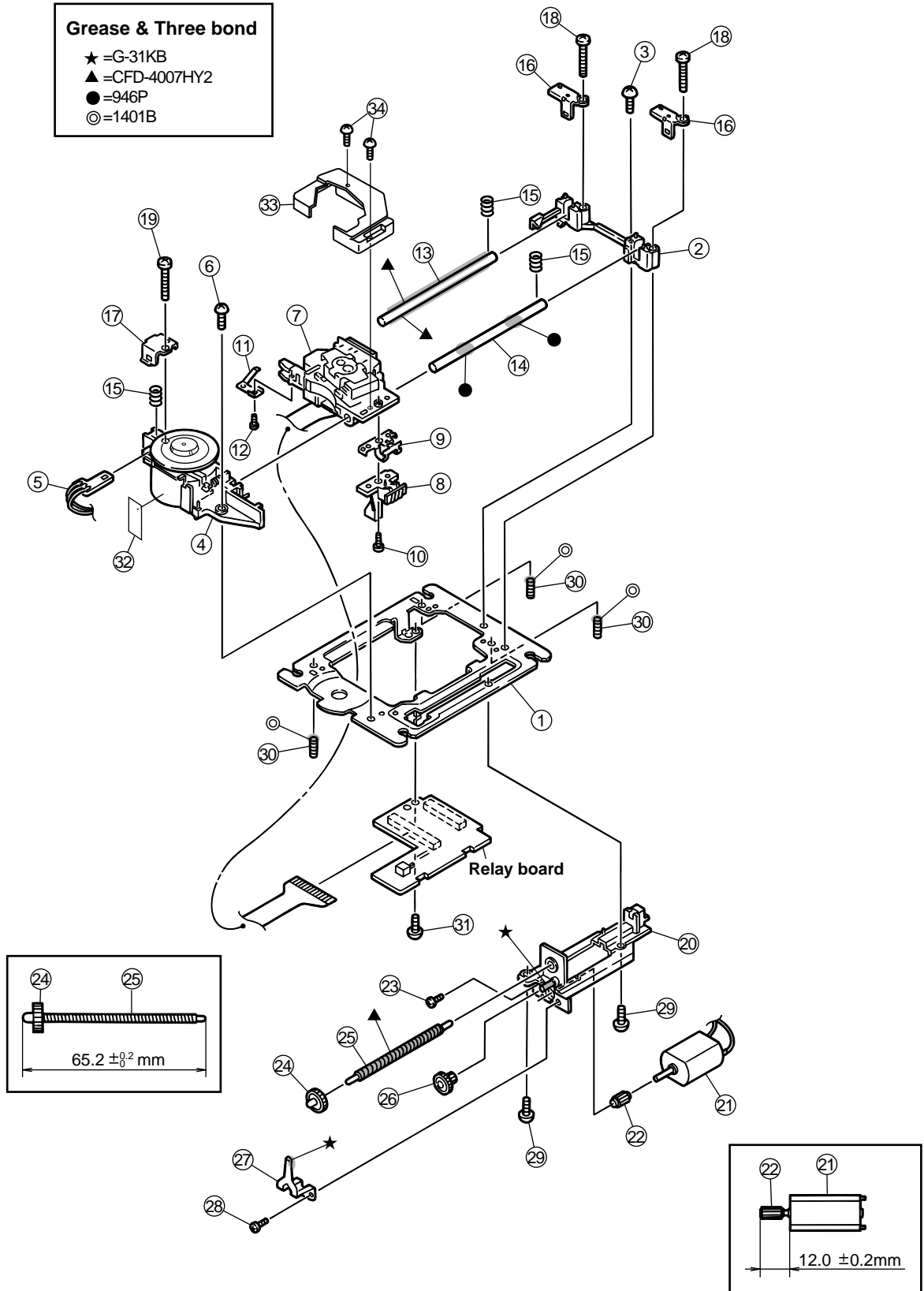
Block No. M1MM

△	Item	Parts number	Parts name	Q'ty	Description	Area
	52	LV42282-001A	FASTENER	1	MAIN + POWER	
	53	LV41362-201A	HEAT SINK	1	FOR DVD DRIVER	
	54	LV41363-202A	HOLDER	1	FOR HEAT SINK	
	55	LV32335-001A	SHIELD CASE	1	DVD PWB	
	56	QYSBST3006Z	T.SCREW	3	DVD SHIELD	
△	57	QMF51U1-1R6-J8	FUSE	1		
	58	QYSBST3006Z	T.SCREW	1	SUPPLY PWB	
	59	LV20928-002A	REAR PANEL	1	SECC T0.8	
	60	QYSBSGY3008M	SPECIAL SCREW	1	AC IN	
	61	QYSBSGY3008M	SPECIAL SCREW	1	COMPOSITE	
	62	QYSBSGY3008M	SPECIAL SCREW	1	S VIDEO	
	63	QYSBSGY3008M	SPECIAL SCREW	1	COMPONENT	
	64	QYSBSGY3008M	SPECIAL SCREW	1	AV COMPULINK	
	65	QUQ810-1509AJ	FFC WIRE	1	FROM CN402 TO C	
	66	QUQ810-1710AJ	FFC WIRE	1	FROM CN401 TO C	
	67	LV32336-001A	SHIELD CASE	1	EGC T0.8 DTS	
	68	QYSDSG3006N	T.SCREW	2	DTS+SHIELD	
	69	QYSBSGY3008M	SPECIAL SCREW	1	AUX IN	
	70	QYSDST3006M	SCREW	1	SYSTEM	
	71	QYSBST3006Z	T.SCREW	1	DTS+CHASSIS	
	72	QAU0233-001	TUNER	1	FM/AM TUNER PAC	
	73	QUQB12-1510AJ	FFC WIRE	1	FROM TUNER TO C	
	74	LV30225-081A	SPACER	1		
	75	QYSDST3006M	SCREW	3	TUNER	
	76	QYSBSGY3008M	SPECIAL SCREW	2	EARTH PLATE	
	77	LV10442-004A	TOP PANEL	1	PS/PAINT	
	78	LV41821-001A	FELT	4	TOP(CD DOOR)	
	79	LV32538-001A	SHIELD CASE	1		
	80	QYSDSF2606Z	SCREW	1	TOP + SHIELD CA	
	81	QYSBST3006Z	T.SCREW	4	BOTTOM.C+TOP	
	82	QYSBSGY3008M	SPECIAL SCREW	3	TOP+REAR	
	83	-----	DVD TRAVERSE ME	1	CD MECHA	
	84	QUQ605-4020AJ	FFC WIRE	1	DVD MECHA TO DVD CB	
	85	LV20927-001A	MECHA HOLDER	1	PS	
	86	LV41120-003A	INSULATOR	2	HARD(T.TABLE)	
	87	LV41120-004A	INSULATOR	2	SOFT	
	88	QYSBSF2608Z	T.SCREW	4	M.HOLDER+TOP	
	89	LV32340-001A	INDICATOR	1	AS	
	90	LV32338-001A	LED COVER	1	AS	
	91	QYSBSF2608Z	T.SCREW	2	AS	
	92	LV10445-002A	SIDE PANEL(L)	1	PS/PAINT	
	93	QYSSST3006Z	SCREW	2	S.PANEL+BOTTOM	
	94	LV10446-002A	SIDE PANEL(R)	1	PS/PAINT	
	95	QYSSST3006Z	SCREW	2	S.PANEL+BOTTOM	
	96	E75896-002	FELT SPACER	4	FOOT	
	97	LV10444-001A	DOOR	1	PMMA	
	98	LV41587-001A	SPECIAL SCREW	4	DOOR+D.BASE	
	99	QYSDSF2608Z	SCREW	5	FRONT C.B	
	100	LV30225-0B3A	SPACER	1		
	101	VYSA1R4-050	SPACER	1	L952	
	102	QYSBSE3008Z	SCREW	1	FOR IC901+HS901	

DVD mechanism assembly and parts list

Block No. M 2 M M

FXL-V6T-2C



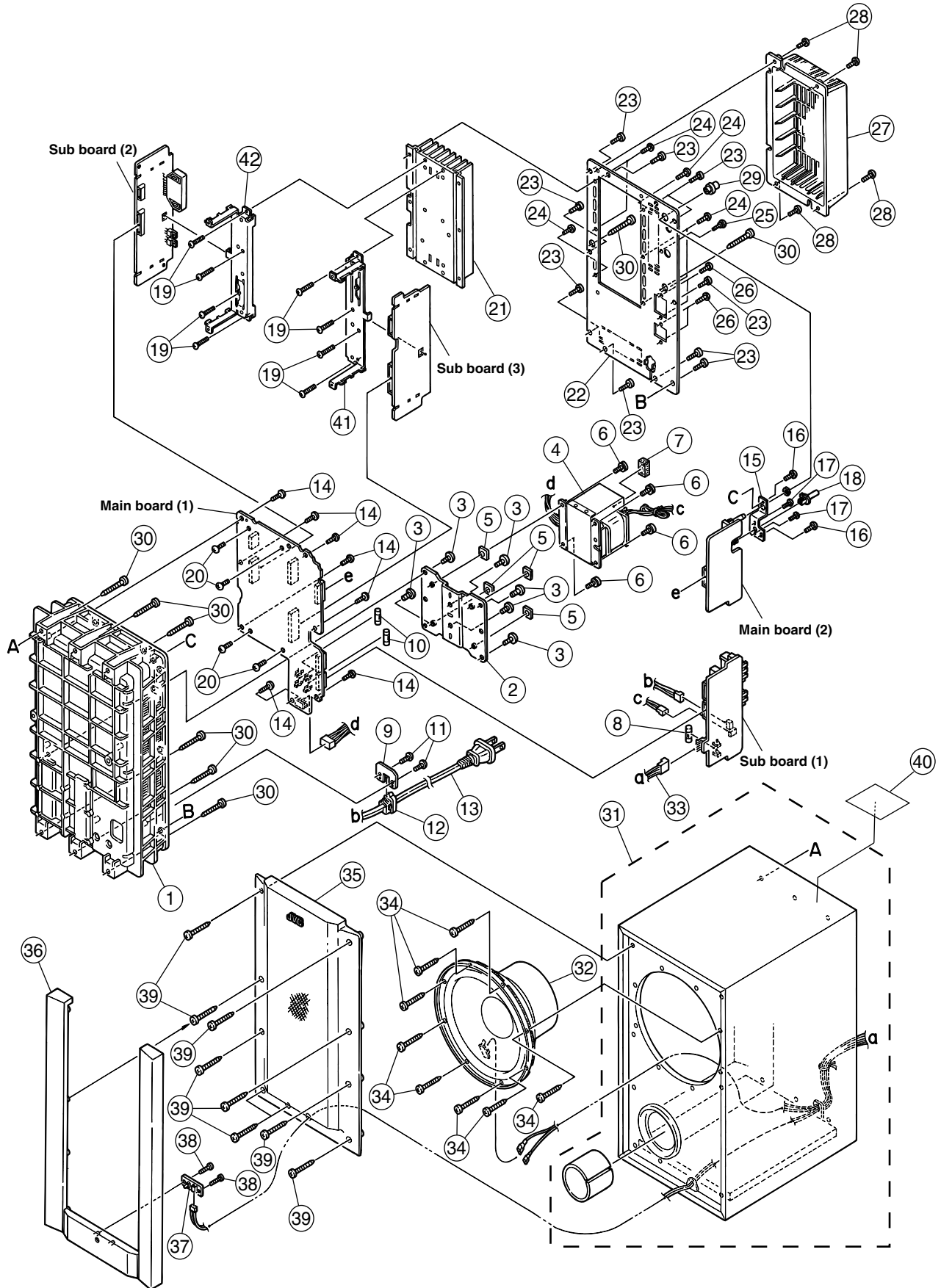
■ Parts list (DVD mechanism)

Block No. M2MM

△	Item	Parts number	Parts name	Q'ty	Description	Area
	1	LV20638-001A	MECHA BASE	1		
	2	LV20635-001A	SHAFT HOLDER	1		
	3	QYSBST2606M	T.SCREW	1		
	4	FXL-V6TSPSV-1C	SP.MOTOR ASSY	1		
	5	QUM193-08B2B2	PARA RIBON WIRE	1		
	6	QYSBST2606M	T.SCREW	1	FOR S.BASE&M.BASE	
	7	OPTIMA-2010A3	DVD PICK UP	1		
	8	LV31670-001A	SWITCH ACTUATOR	1		
	9	LV31666-002A	LEAD SPRING	1		
	10	QYSPSGT2040M	SCREW	1		
	11	LV31743-002A	P.U. SPRING	1		
	12	QYSPSGT1416M	MINI SCREW	1	FOR PU.SPRING	
	13	LV41121-002A	SHAFT	1	MAIN SHAFT	
	14	LV41121-002A	SHAFT	1	SUB SHAFT	
	15	LV41732-001A	SKEW SPRING	3		
	16	LV31669-001A	SHAFT STOPPER R	2		
	17	LV31668-001A	SHAFT STOPPER F	1		
	18	QYSPST2614M	SCREW	2	FOR SSTOPER R	
	19	QYSPST2614M	SCREW	1	FOR SSTOPER F	
	20	LV31746-003A	FEED HOLDER ASY	1		
	21	QAR0127-001	FEED MOTOR	1		
	22	LV41510-001A	FEED GEAR T	1		
	23	QYSPSPU2040M	SCREW	1		
	24	LV41512-001A	FEED GEAR E	1		
	25	LV41517-001A	LEAD SCREW	1		
	26	LV41511-002A	FEED GEAR M	1		
	27	LV31667-001A	THRUST SPRING	1		
	28	QYSPSPU2040M	SCREW	1		
	29	QYSBST2606M	T.SCREW	2	FOR F.HOLDER	
	30	QYYASPF2608N	HEX SCREW	3	FOR TILT ADJUST	
	31	QYSBST2606M	T.SCREW	1	FOR PW BOARD	
	32	LV30225-0A4A	SPACER	1		
	33	LV32320-003A	PICK COVER	1		
	34	QYSPSGT1740M	TAP SCREW	2	FOR P.U. COVER	

Exploded view of general assembly and parts list (SP-THA9)

Block No. **M 3 M M**



■ Parts list (SP-THA9 General assembly)

Block No. M3MM

△	Item	Parts number	Parts name	Q'ty	Description	Area
	1	LV10447-001A	MOLD BASE	1		
	2	LV31723-001A	TRANS BRACKET	1		
	3	QYSBSF4008Z	SCREW	6	FOR TRANS BKT	
△	4	QQT0297-002	P.TRANS	1		
	5	E406309-002	SPACER	4		
	6	QYSDSTL4010E	SPECIAL SCREW	4		
	7	LV30225-078A	SPACER	1		
△	8	QMF51N1-4R0-J1	FUSE	1		
	9	LV42032-001A	AC BRACKET	1		
△	10	QMF51U1-8R0-J8	FUSE	2		
	11	QYSBSF3008Z	SCREW	2		
△	12	QHS3771-108	CORD STOPPER	1		
△	13	QMPD280-200-JC	POWER CORD	1	MOTHER TO H.BKT	
	14	QYSBSF3008Z	SCREW	7		
	15	LV31756-001A	VOLUME BRACKET	1		
	16	QYSBSF3008Z	SCREW	2	FOR BOLUME BKT	
	17	QYSBST3006Z	T.SCREW	2	FOR PUSH SW	
	18	E407321-002SM	PUSH BUTTON	1		
	19	QYSBSG3016Z	T.SCREW	8	FOR TRTO H/S	
	20	QYSBSG3008E	T.SCREW	4	MOTHER TO H/SBK	
△	21	LV20656-002A	HEAT SINK	1		
	22	LV20895-002A	REAR PANEL	1		
	23	QYSDSF3008M	SCREW	10	TO MOLD BASE	
	24	QYSBSGY3008E	SPECIAL SCREW	6	FOR H/S	
	25	E73562-003	SPECIAL SCREW	1	DIN.REAR	
	26	QYSBSGY3008E	SPECIAL SCREW	4	FOR SPK	
	27	LV20655-001A	H.S.COVER	1		
	28	QYSBSG3008M	T.SCREW	4		
	29	LV30734-002A	KNOB	1		
	30	QYSDSA4025M	T.SCREW	8		
	31	AA000020-02	CABI/SPK ASSY	1	JVC BRAND	
	32	CR200002-01	CONE SPEAKER	1		
	33	6100058411	CONN.WIRE ASSY	1		
	34	7005942502	SCREW	8		
	35	9925001311	SARAN BOARD	1	JVC MARK	
	36	5300014001	BAFFLE BOARD	1		
	37	6600007421	L.E.D.INDICATOR	1		
	38	7004690801	TAPPING SCREW	2		
	39	7005942502	SCREW	9		
	40	6000167301	CAUTION LABEL	1		
	41	LV31722-003A	P.TR HOLDER	1		
	42	LV31722-002A	P.TR HOLDER	1		

■ Electrical parts list (Main board)

Block No. 01

△	Item	Parts number	Parts name	Remarks	Area	△	Item	Parts number	Parts name	Remarks	Area
	C 601	QCBB1HK-181Y	C CAPACITOR	180PF 10% 50V			C1187	QETN1AM-107Z	E CAPACITOR	100MF 20% 10V	
	C 603	QCSB1HJ-680Y	C CAPACITOR	68PF 5% 50V			C1351	QETN1AM-107Z	E CAPACITOR	100MF 20% 10V	
	C 604	QCSB1HJ-150Y	C CAPACITOR	15PF 5% 50V			C1352	QETN1HM-106Z	E CAPACITOR	10MF 20% 50V	
	C 609	QETN0JM-477Z	E CAPACITOR	470MF 20% 6.3V			C1353	QETN1CM-107Z	E CAPACITOR	100MF 20% 16V	
	C 611	QCBB1HK-181Y	C CAPACITOR	180PF 10% 50V			C1801	QEKC1CM-106Z	E CAPACITOR	10MF 20% 16V	
	C 613	QCSB1HJ-680Y	C CAPACITOR	68PF 5% 50V			C1802	QEKC1CM-107Z	E.CAPACITOR	100MF 20% 16V	
	C 614	QCSB1HJ-150Y	C CAPACITOR	15PF 5% 50V			C1803	QCZ0205-155Z	ML C CAPACITOR	1.5MF	
	C 619	QETN0JM-477Z	E CAPACITOR	470MF 20% 6.3V			C1805	QCZ0205-155Z	ML C CAPACITOR	1.5MF	
	C 621	QCBB1HK-121Y	C CAPACITOR	120PF 10% 50V			D 609	1SS133-T2	SI DIODE		
	C 623	QCSB1HJ-470Y	C CAPACITOR	47PF 5% 50V			D 619	1SS133-T2	SI DIODE		
	C 624	QCSB1HJ-100Y	C CAPACITOR	10PF 5% 50V			D 629	1SS133-T2	SI DIODE		
	C 629	QETN0JM-477Z	E CAPACITOR	470MF 20% 6.3V			D 639	1SS133-T2	SI DIODE		
	C 631	QCBB1HK-121Y	C CAPACITOR	120PF 10% 50V			D 649	1SS133-T2	SI DIODE		
	C 633	QCSB1HJ-470Y	C CAPACITOR	47PF 5% 50V			D 659	1SS133-T2	SI DIODE		
	C 634	QCSB1HJ-100Y	C CAPACITOR	10PF 5% 50V			D 721	SELU1E56BM	LED	DISC LIGHT	
	C 639	QCFB1HZ-104Y	C CAPACITOR	.10MF +80:-20%			D 722	SELU1E56BM	LED	DISC LIGHT	
	C 641	QCBB1HK-121Y	C CAPACITOR	120PF 10% 50V			D 803	MTZJ6.2C-T2	Z DIODE I/M		
	C 643	QCSB1HJ-470Y	C CAPACITOR	47PF 5% 50V			D 807	1SS133-T2	SI DIODE		
	C 644	QCSB1HJ-100Y	C CAPACITOR	10PF 5% 50V			D 808	1SS133-T2	SI DIODE		
	C 649	QETN0JM-477Z	E CAPACITOR	470MF 20% 6.3V			D 809	1SS133-T2	SI DIODE		
	C 659	QETN0JM-477Z	E CAPACITOR	470MF 20% 6.3V			D 811	1SS133-T2	SI DIODE		
	C 661	QDGB1HK-102Y	C CAPACITOR				D 812	MTZJ4.7B-T2	Z DIODE I M		
	C 662	QCBB1HK-103Y	C CAPACITOR	.010MF 10% 50V			D 820	1SS133-T2	SI DIODE		
	C 721	QCBB1HK-103Y	C CAPACITOR	.010MF 10% 50V			D 871	1SS133-T2	SI DIODE		
	C 722	QCBB1HK-103Y	C CAPACITOR	.010MF 10% 50V			D1184	MTZJ7.5C-T2	ZENER DIODE		
	C 801	QCF31HZ-103Z	C CAPACITOR	.010MF +80:-20%			D1185	MTZJ7.5C-T2	ZENER DIODE		
	C 802	QCF31HZ-103Z	C CAPACITOR	.010MF +80:-20%			D1351	1SS133-T2	SI DIODE		
	C 804	QCBB1HK-221Y	C CAPACITOR	220PF 10% 50V			D1352	MTZJ6.8A-T2	ZENER DIODE		
	C 806	QEZ0229-479Z	EDL.CAPACITOR	47000MF			D1353	1SS133-T2	SI DIODE		
	C 807	QEKC0JM-227Z	E CAPACITOR	220MF 20% 6.3V			EP803	QNZ0136-001Z	EARTH PLATE		
	C 811	QCF31HZ-103Z	C CAPACITOR	.010MF +80:-20%			EP805	QNZ0136-001Z	EARTH PLATE		
	C 812	QCBB1HK-473Y	C CAPACITOR	.047MF 10% 50V			EP806	QNZ0136-001Z	EARTH PLATE		
	C 813	QEKC1AM-107Z	E.CAPACITOR	100MF 20% 10V			HS805	LE40505-001A	HEAT SINK	FOR IC805	
	C 814	QEKC1AM-107Z	E.CAPACITOR	100MF 20% 10V			IC108	TA8409S	IC	MOTOR DRIVER	
	C 815	QETN1CM-107Z	E CAPACITOR	100MF 20% 16V			IC801	MN101C49GHT1	IC	SYSTEM MICOM	
	C 816	QETN1AM-107Z	E CAPACITOR	100MF 20% 10V			IC803	IC-PST9140-T	IC	RESET	
	C 821	QDYB1CM-103Y	C.CAPACITOR				IC804	BR93LC46-W	IC	EEPROM	
	C 822	QETN1HM-225Z	E CAPACITOR	2.2MF 20% 50V			IC805	NJM78M05FA	IC	ASV	
	C 823	QDGB1HK-102Y	C CAPACITOR				J 601	QNN0017-002	PIN JACK	COMPOSITE	
	C 824	QDVB1EZ-223Y	C CAPACITOR				J 602	QND0019-001	S-CONNECTOR		
	C 826	QEKC1HM-224Z	E CAPACITOR	.22MF 20% 50V			J 603	QNN0386-001	PIN JACK	COMPONENT	
	C 828	QETN1AM-107Z	E CAPACITOR	100MF 20% 10V			J 802	QNS0083-001	3.5 JACK	AV COMPULINK 2	
	C 829	QETN1CM-107Z	E CAPACITOR	100MF 20% 16V			K 603	QQR0601-001Z	FERRITE BEADS		
	C 833	QDGB1HK-102Y	C CAPACITOR				K 605	QQR0601-001Z	FERRITE BEADS		
	C 835	QCBB1HK-101Y	C CAPACITOR	100PF 10% 50V			L 601	QQL071J-120Y	INDUCTOR		
	C 836	QCBB1HK-101Y	C CAPACITOR	100PF 10% 50V			L 602	QQL071J-5R6Y	INDUCTOR		
	C 837	QCF31HZ-103Z	C CAPACITOR	.010MF +80:-20%			L 611	QQL071J-120Y	INDUCTOR		
	CN106	QGA2501C1-02	2P CONNECTOR				L 612	QQL071J-5R6Y	INDUCTOR		
	CN601	QGB2027M3-10S	CONNECTOR	TO DVD MODULE			L 621	QQL071J-120Y	INDUCTOR		
	CN801	QGB2027M4-22S	CONNECTOR	TO DVD MODULE			L 622	QQL071J-5R6Y	INDUCTOR		
	CN802	QGB1216J1-08S	CONNECTOR	TO FRONT			L 631	QQL071J-120Y	INDUCTOR		
	CN803	QGB2027M3-10S	CONNECTOR	TO DVD MODULE			L 632	QQL071J-5R6Y	INDUCTOR		
	CN804	QGF1016C1-15	FFC CONNECTOR	TO AUDIO			L 641	QQL071J-120Y	INDUCTOR		
	CN805	QGF1205C1-15	CONNECTOR	TO TUNER			L 642	QQL071J-5R6Y	INDUCTOR		
	CN806	QGF1016C1-17	CONNECTOR	TO AUDIO			Q 601	KTA1267/YG/-T	TRANSISTOR		
	CN807	QGB2011MP-08	B TO B CONNE	TO POWER			Q 611	KTA1267/YG/-T	TRANSISTOR		
	CN808	QGB2011MP-08	B TO B CONNE	TO POWER			Q 621	KTA1267/YG/-T	TRANSISTOR		
	CN810	QGA2001C1-03	3P PLUG ASSY				Q 631	KTA1267/YG/-T	TRANSISTOR		
	CN811	QGA2001F1-02	2P CONNECTOR				Q 641	KTA1267/YG/-T	TRANSISTOR		
	CN812	QGA2001C1-03	3P PLUG ASSY				Q 712	KRC102M-T	D.TRANSISTOR		
	C1184	QETN1EM-476Z	E CAPACITOR	47MF 20% 25V			Q 801	KRC107M-T	D.TR.I.M		
	C1185	QETN1EM-476Z	E CAPACITOR	47MF 20% 25V			Q 802	KRC102M-T	D.TRANSISTOR		
	C1186	QETN1AM-107Z	E CAPACITOR	100MF 20% 10V			Q 804	KRC102M-T	D.TRANSISTOR		

■ Electrical parts list (Main board)

Block No. 01

△	Item	Parts number	Parts name	Remarks	Area
	Q 805	KTA1267/YG/-T	TRANSISTOR		
	Q 807	KRA102M-T	D.TRANSISTOR		
	Q 811	KRC102M-T	D.TRANSISTOR		
	Q 812	KTA1271/OY/-T	TRANSISTOR		
	Q 813	KRC104M-T	D.TR.I.M		
	Q 814	KTA1271/OY/-T	TRANSISTOR		
	Q 815	KRC102M-T	D.TRANSISTOR		
	Q 817	KTA1271/OY/-T	TRANSISTOR		
	Q 818	KRC111M-T	TR I/M		
	Q1181	KTC3203/OY/-T	TRANSISTOR	E.VOL +7V	
	Q1182	KTA1271/OY/-T	TRANSISTOR	E.VOL -7V	
	Q1351	KTC3203/OY/-T	TRANSISTOR	TUNER 5V	
	Q1801	KRC103M-T	TR I/M		
	R 601	QRE141J-0R0Y	C RESISTOR	5% 1/4W	
	R 602	QRE141J-391Y	C RESISTOR	390 5% 1/4W	
	R 603	QRE141J-0R0Y	C RESISTOR	5% 1/4W	
	R 604	QRE141J-391Y	C RESISTOR	390 5% 1/4W	
	R 605	QRE141J-221Y	C RESISTOR	220 5% 1/4W	
	R 606	QRE141J-102Y	C RESISTOR	1.0K 5% 1/4W	
	R 609	QRE141J-680Y	C RESISTOR	68 5% 1/4W	
	R 611	QRE141J-0R0Y	C RESISTOR	5% 1/4W	
	R 612	QRE141J-391Y	C RESISTOR	390 5% 1/4W	
	R 613	QRE141J-0R0Y	C RESISTOR	5% 1/4W	
	R 614	QRE141J-391Y	C RESISTOR	390 5% 1/4W	
	R 615	QRE141J-221Y	C RESISTOR	220 5% 1/4W	
	R 616	QRE141J-102Y	C RESISTOR	1.0K 5% 1/4W	
	R 619	QRE141J-680Y	C RESISTOR	68 5% 1/4W	
	R 621	QRE141J-751Y	C RESISTOR	750 5% 1/4W	
	R 622	QRE141J-751Y	C RESISTOR	750 5% 1/4W	
	R 623	QRE141J-751Y	C RESISTOR	750 5% 1/4W	
	R 624	QRE141J-751Y	C RESISTOR	750 5% 1/4W	
	R 625	QRE141J-221Y	C RESISTOR	220 5% 1/4W	
	R 626	QRE141J-561Y	C RESISTOR	560 5% 1/4W	
	R 629	QRE141J-680Y	C RESISTOR	68 5% 1/4W	
	R 631	QRE141J-0R0Y	C RESISTOR	5% 1/4W	
	R 632	QRE141J-361Y	C RESISTOR	360 5% 1/4W	
	R 633	QRE141J-0R0Y	C RESISTOR	5% 1/4W	
	R 634	QRE141J-361Y	C RESISTOR	360 5% 1/4W	
	R 635	QRE141J-221Y	C RESISTOR	220 5% 1/4W	
	R 636	QRE141J-102Y	C RESISTOR	1.0K 5% 1/4W	
	R 639	QRE141J-680Y	C RESISTOR	68 5% 1/4W	
	R 641	QRE141J-751Y	C RESISTOR	750 5% 1/4W	
	R 642	QRE141J-751Y	C RESISTOR	750 5% 1/4W	
	R 643	QRE141J-751Y	C RESISTOR	750 5% 1/4W	
	R 644	QRE141J-751Y	C RESISTOR	750 5% 1/4W	
	R 645	QRE141J-221Y	C RESISTOR	220 5% 1/4W	
	R 646	QRE141J-561Y	C RESISTOR	560 5% 1/4W	
	R 649	QRE141J-680Y	C RESISTOR	68 5% 1/4W	
	R 659	QRE141J-680Y	C RESISTOR	68 5% 1/4W	
	R 741	QRE141J-331Y	C RESISTOR	330 5% 1/4W	
	R 742	QRE141J-331Y	C RESISTOR	330 5% 1/4W	
	R 803	QRE141J-101Y	C RESISTOR	100 5% 1/4W	
	R 805	QRE141J-101Y	C RESISTOR	100 5% 1/4W	
	R 806	QRE141J-103Y	C RESISTOR	10K 5% 1/4W	
	R 811	QRE141J-101Y	C RESISTOR	100 5% 1/4W	
	R 813	QRE141J-331Y	C RESISTOR	330 5% 1/4W	
	R 816	QRE141J-104Y	C RESISTOR	100K 5% 1/4W	
	R 817	QRE141J-223Y	C RESISTOR	22K 5% 1/4W	
	R 818	QRE141J-472Y	C RESISTOR	4.7K 5% 1/4W	
	R 819	QRE141J-474Y	C RESISTOR	470K 5% 1/4W	
	R 821	QRZ9006-4R7X	F RESISTOR	4.7 1/0W	
	R 822	QRE141J-223Y	C RESISTOR	22K 5% 1/4W	
	R 823	QRE141J-223Y	C RESISTOR	22K 5% 1/4W	

△	Item	Parts number	Parts name	Remarks	Area
	R 831	QRE141J-103Y	C RESISTOR	10K 5% 1/4W	
	R 832	QRE141J-103Y	C RESISTOR	10K 5% 1/4W	
	R 833	QRE141J-103Y	C RESISTOR	10K 5% 1/4W	
	R 834	QRE141J-104Y	C RESISTOR	100K 5% 1/4W	
	R 835	QRE141J-104Y	C RESISTOR	100K 5% 1/4W	
	R 847	QRE141J-102Y	C RESISTOR	1.0K 5% 1/4W	
	R 848	QRE141J-102Y	C RESISTOR	1.0K 5% 1/4W	
	R 849	QRE141J-102Y	C RESISTOR	1.0K 5% 1/4W	
	R 850	QRE141J-221Y	C RESISTOR	220 5% 1/4W	
	R 851	QRE141J-221Y	C RESISTOR	220 5% 1/4W	
	R 861	QRE141J-102Y	C RESISTOR	1.0K 5% 1/4W	
	R 862	QRE141J-102Y	C RESISTOR	1.0K 5% 1/4W	
	R 863	QRE141J-102Y	C RESISTOR	1.0K 5% 1/4W	
	R 864	QRE141J-102Y	C RESISTOR	1.0K 5% 1/4W	
	R 865	QRE141J-102Y	C RESISTOR	1.0K 5% 1/4W	
	R 866	QRE141J-102Y	C RESISTOR	1.0K 5% 1/4W	
	R 871	QRE141J-332Y	C RESISTOR	3.3K 5% 1/4W	
	R 872	QRE141J-332Y	C RESISTOR	3.3K 5% 1/4W	
	R 873	QRE141J-332Y	C RESISTOR	3.3K 5% 1/4W	
	R 874	QRE141J-332Y	C RESISTOR	3.3K 5% 1/4W	
	R 875	QRE141J-332Y	C RESISTOR	3.3K 5% 1/4W	
	R 876	QRE141J-332Y	C RESISTOR	3.3K 5% 1/4W	
	R 891	QRE141J-181Y	C RESISTOR	180 5% 1/4W	
	R 892	QRE141J-151Y	C RESISTOR	150 5% 1/4W	
	R 895	QRE141J-102Y	C RESISTOR	1.0K 5% 1/4W	
	R 896	QRE141J-103Y	C RESISTOR	10K 5% 1/4W	
	R1181	QRZ9005-100X	F.RES I/M	10 1/0W	
	R1182	QRE141J-222Y	C RESISTOR	2.2K 5% 1/4W	
	R1183	QRE141J-222Y	C RESISTOR	2.2K 5% 1/4W	
	R1184	QRZ9005-100X	F.RES I/M	10 1/0W	
	R1301	QRE141J-682Y	C RESISTOR	6.8K 5% 1/4W	
	R1302	QRE141J-682Y	C RESISTOR	6.8K 5% 1/4W	
	R1303	QRE141J-102Y	C RESISTOR	1.0K 5% 1/4W	
	R1304	QRE141J-102Y	C RESISTOR	1.0K 5% 1/4W	
	R1305	QRE141J-103Y	C RESISTOR	10K 5% 1/4W	
	R1306	QRE141J-103Y	C RESISTOR	10K 5% 1/4W	
	R1351	QRZ9006-4R7X	F RESISTOR	4.7 1/0W	
	R1352	QRE141J-102Y	C RESISTOR	1.0K 5% 1/4W	
	R1802	QRE141J-153Y	C RESISTOR	15K 5% 1/4W	
	R1803	QRE141J-473Y	C RESISTOR	47K 5% 1/4W	
	R1804	QRE141J-6R2Y	C RESISTOR	6.2 5% 1/4W	
	R1806	QRE141J-183Y	C RESISTOR	18K 5% 1/4W	
	R1807	QRE141J-151Y	C RESISTOR	150 5% 1/4W	
	SP801	VYH7237-002SC	IC HOLDER	FOR IC801	
	S8021	QSW0851-001	DETECT SWITCH	DOOR SW(DOOR1/2)	
	S8022	QSW0851-001	DETECT SWITCH	DOOR SW(DOOR3)	
	W 810	QJK018-032102	SIN CR C-B WIRE	TO CN810	
	W 811	QJK018-020602	SIN CR C-B WIRE	TO CN811	
	W 812	QJK018-032602	SIN CR C-B WIRE	TO CN812	
	X 801	QAX0246-001Z	RESONATOR I.M	8MHZ	

■ Electrical parts list (Front&sply board)

Block No. 02

△	Item	Parts number	Parts name	Remarks	Area
	BK701	LV32331-001A	FL HOLDER		
	BK901	E409182-001SM	GRAND TERMINAL		
	BK902	E409182-001SM	GRAND TERMINAL		
	C 701	QDYB1CM-103Y	C.CAPACITOR		
	C 702	QCBB1HK-471Y	C CAPACITOR	470PF 10% 50V	
	C 703	QCBB1HK-471Y	C CAPACITOR	470PF 10% 50V	
	C 704	QCBB1HK-471Y	C CAPACITOR	470PF 10% 50V	
	C 705	QCBB1HK-471Y	C CAPACITOR	470PF 10% 50V	
	C 706	QERF0JM-107Z	E CAPACITOR	100MF 20% 6.3V	
	C 707	QDYB1CM-103Y	C.CAPACITOR		
	C 708	QDYB1CM-103Y	C.CAPACITOR		
	C 709	QERF1HM-475Z	E CAPACITOR	4.7MF 20% 50V	
	C 710	QERF1HM-475Z	E CAPACITOR	4.7MF 20% 50V	
	C 733	QERF0JM-226Z	E CAPACITOR	22MF 20% 6.3V	
△	C 902	QFZ9075-683	M CAPACITOR	.068MF	
	C 904	QCZ9079-102	C CAPACITOR	1000PF	
	C 905	QCZ9079-102	C CAPACITOR	1000PF	
△	C 907	QETM2DM-157	E CAPACITOR	150MF 20%	
	C 908	QCZ0136-332Z	C CAPACITOR	3300PF	
	C 909	QCZ0136-101Z	C CAPACITOR	100PF	
	C 910	QCBB1HK-221Y	C CAPACITOR	220PF 10% 50V	
	C 913	QCZ0136-101Z	C CAPACITOR	100PF	
	C 914	QEMX1EM-396Z	E CAPACITOR	39MF 20% 25V	
	C 915	QCBB1HK-471Y	C CAPACITOR	470PF 10% 50V	
△	C 916	QCZ9079-332	C CAPACITOR	3300PF	
	C 918	QCFB1HZ-104Y	C CAPACITOR	.10MF +80:-20%	
	C 951	QCBB1HK-101Y	C CAPACITOR	100PF 10% 50V	
	C 952	QCZ0136-101Z	C CAPACITOR	100PF	
	C 953	QCBB1HK-101Y	C CAPACITOR	100PF 10% 50V	
	C 954	QCBB1HK-101Y	C CAPACITOR	100PF 10% 50V	
	C 956	QCBB1HK-101Y	C CAPACITOR	100PF 10% 50V	
	C 957	QCBB1HK-101Y	C CAPACITOR	100PF 10% 50V	
	C 960	QEMX1AM-826Z	E CAPACITOR	82MF 20% 10V	
	C 961	QCZ0205-155Z	ML C CAPACITOR	1.5MF	
	C 962	QETN1HM-226Z	E CAPACITOR	22MF 20% 50V	
	C 963	QEMX1HM-396Z	E CAPACITOR	39MF 20% 50V	
	C 964	QETN1HM-226Z	E CAPACITOR	22MF 20% 50V	
	C 965	QEMV1AM-108	E CAPACITOR	1000MF 20% 10V	
	C 966	QETN1AM-477Z	E CAPACITOR	470MF 20% 10V	
	C 967	QFVC1HJ-104Z	M.M.CAPACITOR	.10MF 5% 50V	
	C 968	QFVC1HJ-104Z	M.M.CAPACITOR	.10MF 5% 50V	
	C 969	QETN1AM-227Z	E CAPACITOR	220MF 20% 10V	
	C 970	QFVC1HJ-104Z	M.M.CAPACITOR	.10MF 5% 50V	
	C 973	QETN1AM-107Z	E CAPACITOR	100MF 20% 10V	
	C 976	QFVC1HJ-104Z	M.M.CAPACITOR	.10MF 5% 50V	
	C 977	QFVC1HJ-104Z	M.M.CAPACITOR	.10MF 5% 50V	
	C 978	QETN1AM-107Z	E CAPACITOR	100MF 20% 10V	
	C 979	QEMV1CM-827	E CAPACITOR	820MF 20% 16V	
	C 980	QETN1HM-106Z	E CAPACITOR	10MF 20% 50V	
	C 981	QCZ0205-155Z	ML C CAPACITOR	1.5MF	
	C 982	QEMV1EM-567	E CAPACITOR	560MF 20% 25V	
	C 984	QETN1EM-227Z	E CAPACITOR	220MF 20% 25V	
	C 985	QETN1EM-107Z	E CAPACITOR	100MF 20% 25V	
	C 986	QETN1EM-107Z	E CAPACITOR	100MF 20% 25V	
	C 987	QEMX1EM-187Z	E CAPACITOR	180MF 20% 25V	
	C 989	QETN1EM-107Z	E CAPACITOR	100MF 20% 25V	
	C 990	QETN1HM-106Z	E CAPACITOR	10MF 20% 50V	
	C 992	QETN1HM-474Z	E CAPACITOR	.47MF 20% 50V	
	C 993	QCBB1HK-101Y	C CAPACITOR	100PF 10% 50V	
	C 994	QDVB1EZ-223Y	C CAPACITOR		
	C 997	QETN1CM-227Z	E CAPACITOR	220MF 20% 16V	
	CN701	QGB1216K1-06S	CONNECTOR	FRONT TO POWER	
	CN702	QGB1216K1-08S	CONNECTOR	FRONT TO MAIN	
△	CN951	QGB2011L1-08	B TO B CONNECTO		TO CN705(SYS)
	CN961	QGB2011L1-08	B TO B CONNECTO		TO CN704(SYS)
	CN971	QGB1216J1-06S	CONNECTOR		TO CN832(FL)
	CN972	QGA2001C1-02	2P PLUG ASSY		FOR DC FAN
	CN981	QGB2510J1-04	CONNECTOR		
	CN982	QGB2510J1-04	CONNECTOR		
	CN983	QGB2510K2-04	CONNECTOR		
	CN984	QGB2510K2-04	CONNECTOR		
△	CP951	ICP-N10-T	ICP		
△	CP952	ICP-N5-T	ICP		
△	CP953	QAD0109-R90Z	POG I.M		
△	CP954	QAD0109-R90Z	POG I.M		
	D 701	1SS133-T2	SI DIODE		
	D 702	1SS133-T2	SI DIODE		
	D 703	1SS133-T2	SI DIODE		
	D 713	1SS133-T2	SI DIODE		
	D 733	SLR-342VC-T12	LED		H=11.9
△	D 901	S1WB/A/60-4101	BRIDGE DIODE		
	D 902	ERA18-04-T1	FR DIODE		
	D 903	ERA18-04-T1	FR DIODE		
	D 904	ERA18-04-T1	FR DIODE		
	D 908	ERA18-04-T1	FR DIODE		
	D 910	ERA18-04-T1	FR DIODE		
	D 911	ERA18-04-T1	FR DIODE		
	D 950	MTZJ36C-T2	Z.DIODE I.M		
	D 951	ERA18-04-T1	FR DIODE		
	D 952	ERA18-04-T1	FR DIODE		
△	D 953	FMB-24	FUSEIODE		
△	D 954	ERA18-04-T1	FR DIODE		
△	D 956	ERA18-04-T1	FR DIODE		
△	D 957	ERA18-04-T1	FR DIODE		
	D 958	1SS133-T2	SI DIODE		
	D 960	MTZJ3.6B-T2	S.B.DIODE		
	D 970	1SS133-T2	SI DIODE		
	D 975	1SS133-T2	SI DIODE		
	D 976	1SS133-T2	SI DIODE		
	D 982	1SS133-T2	SI DIODE		
	D 983	1SS133-T2	SI DIODE		
	D 991	MTZJ5.1C-T2	ZENER DIODE		
	DI701	QLF0080-001	FL TUBE		
	FC901	QNG0003-001Z	FUSE CLIP		
	FC902	QNG0003-001Z	FUSE CLIP		
	HS901	E70306-002	HEAT SINK		FOR IC901
	HS964	LE40505-001A	HEAT SINK		
	IC701	MN173222DG	IC		DISPLAY MICOM
	IC711	GP1U271X	RM RECIVER		REMOCON
	IC901	STR-G6651	IC		
	IC951	PQ05RD21	IC		
	IC953	NJM78M05FA	IC		
	K 902	QQR0779-001Z	INDUCTOR		
△	L 901	QQR1105-001	LINE FILTER		
	L 951	QQL01BK-R22Z	I0COIL		
	L 952	QQR1098-001	INDUCTOR		
	L 955	QQR1098-001	INDUCTOR		
	L 957	QQR1098-001	INDUCTOR		
	L 959	QQR1098-001	INDUCTOR		
△	P 901	QNC0046-001	AC INLET		
△	PC901	PC123Y02	IC(PHOTO COUPLE		
△	PC902	PC123Y02	IC(PHOTO COUPLE		
	PP903	QZW0038-001	WIRE CLAMP		
	PP904	QZW0038-001	WIRE CLAMP		
	Q 703	KRC103M-T	TR I/M		
	Q 706	KRA102M-T	D.TRANSISTOR		

■ Electrical parts list (Front&sply board)

Block No. 02

△	Item	Parts number	Parts name	Remarks	Area
	Q 707	KRA102M-T	D.TRANSISTOR		
	Q 708	KRA102M-T	D.TRANSISTOR		
	Q 709	KRA102M-T	D.TRANSISTOR		
	Q 710	KRC102M-T	D.TRANSISTOR		
	Q 711	KRC102M-T	D.TRANSISTOR		
	Q 951	2SC3576-JVC-T	TRANSISTOR I/M		
	Q 953	KTA1267/YG/-T	TRANSISTOR		
	Q 954	2SJ537-T	MOS FET I/M		
	Q 955	KRA103M-T	TRANSISTOR *		
	Q 956	2SJ537-T	MOS FET I/M		
	Q 957	KRC103M-T	TR I/M		
	Q 958	KTA1271/OY/-T	TRANSISTOR		
	Q 959	KRC103M-T	TR I/M		
	Q 960	KTA1267/YG/-T	TRANSISTOR		
	Q 961	KTC3203/OY/-T	TRANSISTOR		
	Q 964	KTA1046/Y/	TRANSISTOR		
	Q 965	KTC3199/GL/-T	TRANSISTOR		
	Q 991	KTC3199/GL/-T	TRANSISTOR		
	R 701	QRE141J-102Y	C RESISTOR	1.0K 5% 1/4W	
	R 702	QRE141J-102Y	C RESISTOR	1.0K 5% 1/4W	
	R 703	QRE141J-102Y	C RESISTOR	1.0K 5% 1/4W	
	R 704	QRE141J-102Y	C RESISTOR	1.0K 5% 1/4W	
	R 705	QRE141J-102Y	C RESISTOR	1.0K 5% 1/4W	
	R 707	QRE141J-103Y	C RESISTOR	10K 5% 1/4W	
	R 708	QRE141J-103Y	C RESISTOR	10K 5% 1/4W	
	R 709	QRE141J-103Y	C RESISTOR	10K 5% 1/4W	
	R 710	QRE141J-103Y	C RESISTOR	10K 5% 1/4W	
	R 711	QRE141J-223Y	C RESISTOR	22K 5% 1/4W	
	R 712	QRE141J-102Y	C RESISTOR	1.0K 5% 1/4W	
	R 713	QRE141J-104Y	C RESISTOR	100K 5% 1/4W	
	R 714	QRE141J-104Y	C RESISTOR	100K 5% 1/4W	
	R 715	QRE141J-104Y	C RESISTOR	100K 5% 1/4W	
	R 716	QRE141J-104Y	C RESISTOR	100K 5% 1/4W	
	R 724	QRE141J-221Y	C RESISTOR	220 5% 1/4W	
	R 725	QRE141J-103Y	C RESISTOR	10K 5% 1/4W	
	R 751	QRE141J-221Y	C RESISTOR	220 5% 1/4W	
	R 756	QRE141J-103Y	C RESISTOR	10K 5% 1/4W	
	R 901	QRL01DJ-683X	OMF RESISTOR	68K 5% 1/1W	
	R 903	QRE141J-270Y	C RESISTOR	27 5% 1/4W	
	R 904	QRE141J-222Y	C RESISTOR	2.2K 5% 1/4W	
	R 905	QRL027J-683	OMF RESISTOR	68K 5% 1/2W	
	R 906	QRJ146J-681X	UNF C.RES I/M	680 5% 1/4W	
	R 907	QRT022J-R47	OMF RESISTOR	5% 1/2W	
	R 908	QRE141J-332Y	C RESISTOR	3.3K 5% 1/4W	
	R 910	QRE141J-754Y	C RESISTOR	750K 5% 1/4W	
	R 911	QRE141J-754Y	C RESISTOR	750K 5% 1/4W	
	R 921	QRZ9044-335	COMP.RESISTOR	FOR C/J ONLY	
	R 952	QRE141J-103Y	C RESISTOR	10K 5% 1/4W	
	R 953	QRE141J-223Y	C RESISTOR	22K 5% 1/4W	
△	R 954	QRZ9005-100X	F.RES I/M	10 1/0W	
	R 955	QRE141J-223Y	C RESISTOR	22K 5% 1/4W	
	R 960	QRE141J-101Y	C RESISTOR	100 5% 1/4W	
	R 961	QRE141J-681Y	C RESISTOR	680 5% 1/4W	
	R 962	QRE141J-105Y	C RESISTOR	1.0M 5% 1/4W	
	R 963	QRE141J-101Y	C RESISTOR	100 5% 1/4W	
	R 964	QRE141J-105Y	C RESISTOR	1.0M 5% 1/4W	
	R 965	QRE141J-103Y	C RESISTOR	10K 5% 1/4W	
	R 966	QRE141J-221Y	C RESISTOR	220 5% 1/4W	
	R 969	QRE141J-221Y	C RESISTOR	220 5% 1/4W	
	R 971	QRE141J-472Y	C RESISTOR	4.7K 5% 1/4W	
	R 972	QRE141J-122Y	C RESISTOR	1.2K 5% 1/4W	
	R 977	QRE141J-102Y	C RESISTOR	1.0K 5% 1/4W	
	R 980	QRE141J-272Y	C RESISTOR	2.7K 5% 1/4W	

△	Item	Parts number	Parts name	Remarks	Area
	R 981	QRE141J-223Y	C RESISTOR	22K 5% 1/4W	
	R 982	QRE141J-332Y	C RESISTOR	3.3K 5% 1/4W	
	R 983	QRE141J-102Y	C RESISTOR	1.0K 5% 1/4W	
	R 984	QRE141J-102Y	C RESISTOR	1.0K 5% 1/4W	
	R 985	QRE141J-102Y	C RESISTOR	1.0K 5% 1/4W	
	R 986	QRE141J-102Y	C RESISTOR	1.0K 5% 1/4W	
	R 987	QRE141J-102Y	C RESISTOR	1.0K 5% 1/4W	
	R 988	QRE141J-222Y	C RESISTOR	2.2K 5% 1/4W	
	R 989	QRE141J-333Y	C RESISTOR	33K 5% 1/4W	
	R 990	QRE141J-333Y	C RESISTOR	33K 5% 1/4W	
	R 991	QRE141J-103Y	C RESISTOR	10K 5% 1/4W	
	R 992	QRE141J-332Y	C RESISTOR	3.3K 5% 1/4W	
	S 701	QSW0683-001Z	PUSH SWITCH	PLAY	
	S 702	QSW0683-001Z	PUSH SWITCH	PAUSE	
	S 703	QSW0683-001Z	PUSH SWITCH	STOP	
	S 704	QSW0683-001Z	PUSH SWITCH	B.SKIP	
	S 705	QSW0683-001Z	PUSH SWITCH	F.SKIP	
	S 706	QSW0683-001Z	PUSH SWITCH	SOURCE	
	S 707	QSW0683-001Z	PUSH SWITCH	DOLBY	
	S 708	QSW0683-001Z	PUSH SWITCH	DSP	
	S 709	QSW0683-001Z	PUSH SWITCH	VOL.DOWN	
	S 710	QSW0683-001Z	PUSH SWITCH	VOL.UP	
	S 711	QSW0683-001Z	PUSH SWITCH	EJECT	
	S 712	QSW0683-001Z	PUSH SWITCH	POWER	
	SP701	VYH7237-005	IC HOLDER	FOR IC701	
△	T 901	QQS0097-001	SW TRANSF	DELTA ELECTRONI	
	X 701	QAX0247-001Z	RESONATOR I.M	6MHZ	

■ Electrical parts list (DSP&audio board)

Block No. 03

△	Item	Parts number	Parts name	Remarks	Area
	C 401	NCB31HK-102X	C CAPACITOR		
	C 402	NCB31HK-102X	C CAPACITOR		
	C 403	NEA70JM-476X	E.CAPACITOR		
	C 404	NEA70JM-476X	E.CAPACITOR		
	C 405	NCB31CK-104X	C CAPACITOR		
	C 406	NCB31CK-104X	C CAPACITOR		
	C 407	NCB31CK-104X	C CAPACITOR		
	C 408	NEA70JM-476X	E.CAPACITOR		
	C 421	NEA70JM-107X	E.CAPACITOR		
	C 422	NCB31CK-103X	C CAPACITOR		
	C 423	NCS31HJ-101X	C.CAPACITOR		
	C 424	NCS31HJ-121X	C CAPACITOR		
	C 425	NCB31AK-474X	C CAPACITOR		
	C 426	NCB31CK-103X	C CAPACITOR		
	C 427	NCB31CK-104X	C CAPACITOR		
	C 428	NCB31CK-104X	C CAPACITOR		
	C 429	NCB31CK-104X	C CAPACITOR		
	C 430	NCB31CK-473X	C CAPACITOR		
	C 431	NCS31HJ-180X	C CAPACITOR		
	C 432	NCS31HJ-220X	C CAPACITOR		
	C 433	NCB31CK-103X	C CAPACITOR		
	C 434	NEA70JM-107X	E.CAPACITOR		
	C 435	NCB31CK-103X	C CAPACITOR		
	C 436	NEA70JM-476X	E.CAPACITOR		
	C 442	NCB31HK-101X	C CAPACITOR		
	C 443	NCB31HK-101X	C CAPACITOR		
	C 444	NCB31CK-103X	C CAPACITOR		
	C 445	NEA70JM-107X	E.CAPACITOR		
	C 451	NCB31CK-103X	C CAPACITOR		
	C 452	NEA70JM-107X	E.CAPACITOR		
	C 453	NEA70JM-107X	E.CAPACITOR		
	C 454	NCB31CK-103X	C CAPACITOR		
	C 455	NEA70JM-107X	E.CAPACITOR		
	C 456	NCB31CK-104X	C CAPACITOR		
	C 458	NCB31CK-103X	C CAPACITOR		
	C 459	NCB31CK-103X	C CAPACITOR		
	C 460	NEA71CM-476X	E CAPACITOR		
	C 461	NEA71CM-476X	E CAPACITOR		
	C 462	NCB31CK-103X	C CAPACITOR		
	C 463	NEA70JM-107X	E.CAPACITOR		
	C 466	NEA71CM-476X	E CAPACITOR		
	C 467	NCF31CZ-104X	C CAPACITOR		
	C 493	NCB30JK-105X	C CAPACITOR		
	C 494	NCB31CK-103X	C CAPACITOR		
	C 495	NCB31CK-103X	C CAPACITOR		
	CN401	QGF1016F2-17W	CONNECTOR		
	CN402	QGF1016F2-15W	CONNECTOR C.M		
	C1101	NCB31HK-331X	C CAPACITOR		
	C1102	NCB31HK-331X	C CAPACITOR		
	C1103	NEA71EM-475X	E.CAPACITOR.		
	C1104	NEA71EM-475X	E.CAPACITOR.		
	C1121	NCB31CK-223X	C CAPACITOR		
	C1122	NCB31HK-822X	C CAPACITOR		
	C1123	NCB31HK-153X	C CAPACITOR		
	C1124	NCB21CK-334X	C CAPACITOR		
	C1125	NCB31CK-223X	C CAPACITOR		
	C1126	NCB31CK-223X	C CAPACITOR		
	C1127	NEA71EM-475X	E.CAPACITOR.		
	C1128	NEA71EM-475X	E.CAPACITOR.		
	C1129	NCB31HK-822X	C CAPACITOR		
	C1130	NCB31HK-153X	C CAPACITOR		
	C1131	NCB21CK-334X	C CAPACITOR		
	C1141	NEA71CM-476X	E CAPACITOR		

△	Item	Parts number	Parts name	Remarks	Area
	C1142	NEA71CM-476X	E CAPACITOR		
	C1176	NCB31CK-103X	C CAPACITOR		
	C1177	NCB31CK-103X	C CAPACITOR		
	C1178	NCB31CK-103X	C CAPACITOR		
	C1179	NCB31CK-103X	C CAPACITOR		
	C1180	NCB31CK-103X	C CAPACITOR		
	C1181	NCB31CK-103X	C CAPACITOR		
	C1183	NEA71EM-475X	E.CAPACITOR.		
	C1201	NEA71EM-475X	E.CAPACITOR.		
	C1202	NEA71EM-475X	E.CAPACITOR.		
	C1203	NEA71EM-475X	E.CAPACITOR.		
	C1204	NEA71EM-475X	E.CAPACITOR.		
	C1205	NEA71EM-475X	E.CAPACITOR.		
	C1206	NEA71EM-475X	E.CAPACITOR.		
	C1207	NEA71EM-475X	E.CAPACITOR.		
	C1208	NEA71EM-475X	E.CAPACITOR.		
	C1209	NEA71EM-475X	E.CAPACITOR.		
	C1210	NEA71EM-475X	E.CAPACITOR.		
	C1211	NEA71EM-475X	E.CAPACITOR.		
	C1212	NEA71EM-475X	E.CAPACITOR.		
	C1213	NEA71EM-475X	E.CAPACITOR.		
	C1214	NEA71EM-475X	E.CAPACITOR.		
	C1215	NEA71EM-475X	E.CAPACITOR.		
	C1216	NEA71EM-475X	E.CAPACITOR.		
	C1217	NEA71EM-475X	E.CAPACITOR.		
	C1218	NEA71EM-475X	E.CAPACITOR.		
	C1221	NCS31HJ-470X	C CAPACITOR		
	C1222	NCS31HJ-470X	C CAPACITOR		
	C1223	NCS31HJ-470X	C CAPACITOR		
	C1224	NCS31HJ-470X	C CAPACITOR		
	C1225	NCS31HJ-471X	C CAPACITOR		
	C1226	NCS31HJ-470X	C CAPACITOR		
	C1251	NCB31CK-103X	C CAPACITOR		
	C1252	NCB31CK-103X	C CAPACITOR		
	C2501	NCB31AK-474X	C CAPACITOR		
	C2503	NEA71EM-475X	E.CAPACITOR.		
	C2504	NEA71EM-475X	E.CAPACITOR.		
	C2505	NCS31HJ-560X	C CAPACITOR		
	C2506	NCS31HJ-560X	C CAPACITOR		
	C2507	NCS31HJ-560X	C CAPACITOR		
	C2508	NCS31HJ-560X	C CAPACITOR		
	C2509	NCF31CZ-104X	C CAPACITOR		
	C2510	NCF31CZ-104X	C CAPACITOR		
	C2511	NCB31AK-474X	C CAPACITOR		
	C2512	NCB31AK-474X	C CAPACITOR		
	C2513	NCB31CK-183X	C CAPACITOR		
	C2514	NCB31CK-183X	C CAPACITOR		
	C2515	NCB31HK-182X	C CAPACITOR		
	C2516	NCB31HK-182X	C CAPACITOR		
	C2517	NCB31HK-562X	C CAPACITOR		
	C2518	NCB31HK-562X	C CAPACITOR		
	C2519	NCF31CZ-104X	C CAPACITOR		
	C2520	NCF31CZ-104X	C CAPACITOR		
	C2521	NFV41CJ-103X	M CAPACITOR		
	C2522	NFV41CJ-103X	M CAPACITOR		
	C2523	NFV41HJ-272X	M CAPA C.M		
	C2524	NFV41HJ-272X	M CAPA C.M		
	C2525	NFV41CJ-392X	M CAPA C.M		
	C2526	NFV41CJ-392X	M CAPA C.M		
	C2527	NEA71EM-475X	E.CAPACITOR.		
	C2528	NEA71EM-475X	E.CAPACITOR.		
	C2529	NCF31CZ-104X	C CAPACITOR		
	C2530	NCF31CZ-104X	C CAPACITOR		

■ Electrical parts list (DSP&audio board)

Block No. 03

△	Item	Parts number	Parts name	Remarks	Area	△	Item	Parts number	Parts name	Remarks	Area
	C2531	NCS31HJ-560X	C CAPACITOR				IC511	BA15218F-XE	IC	AUX IN	
	C2532	NCS31HJ-560X	C CAPACITOR				IC521	BA15218F-XE	IC	L/R OUT	
	C2533	NEA71HM-105X	E.CAPA. C.M.				IC531	BA15218F-XE	IC	L/R OUT	
	C2534	NEA71HM-105X	E.CAPA. C.M.				IC561	BA15218F-XE	IC	SL/SR OUT	
	C2539	NCF31CZ-104X	C CAPACITOR				IC571	BA15218F-XE	IC	SL/SR OUT	
	C2540	NCF31CZ-104X	C CAPACITOR				IC581	BA15218F-XE	IC	C/LFE OUT	
	C2541	NEA71EM-475X	E.CAPACITOR.				IC591	BA15218F-XE	IC	C/LFE OUT	
	C2542	NEA71EM-475X	E.CAPACITOR.				J1101	QNN0385-001	PIN JACK ASSY	AUX IN	
	C2553	NCB31HK-562X	C CAPACITOR				J1103	QND0079-001	DIN CONNECTOR	SYSTEM CONECT	
	C2554	NCB31HK-562X	C CAPACITOR				K 401	NQR0319-001X	F.BEADS C.M		
	C2555	NCF31CZ-104X	C CAPACITOR				LC401	NQR0321-001X	EMI FILTER C.M		
	C2556	NCF31CZ-104X	C CAPACITOR				Q 401	DTA144EKA-X	TRANSISTOR		
	C2561	NEA71HM-105X	E.CAPA. C.M.				Q 402	DTC114YE-X	TRANSISTOR		
	C2562	NEA71HM-105X	E.CAPA. C.M.				Q 403	DTC114YE-X	TRANSISTOR		
	C2563	NCS31HJ-220X	C CAPACITOR				Q1131	IMX9-W	TRANSISTOR		
	C2564	NCS31HJ-220X	C CAPACITOR				Q1133	IMX9-W	TRANSISTOR		
	C2569	NCF31CZ-104X	C CAPACITOR				Q1135	IMX9-W	TRANSISTOR		
	C2570	NCF31CZ-104X	C CAPACITOR				Q1137	2SD2114K/VW-X	CHIP TRANSISTOR		
	C2571	NCB31CK-103X	C CAPACITOR				Q1251	DTA144EKA-X	TRANSISTOR		
	C2572	NCB31CK-103X	C CAPACITOR				Q1252	DTA144EKA-X	TRANSISTOR		
	C2573	NCB31HK-272X	C CAPACITOR				Q2501	DTA144EKA-X	TRANSISTOR		
	C2574	NCB31HK-272X	C CAPACITOR				Q2502	DTC144EKA-X	TRANSISTOR		
	C2575	NCB31HK-392X	C CAPACITOR				Q2521	IMX9-W	TRANSISTOR		
	C2576	NCB31HK-392X	C CAPACITOR				Q2561	IMX9-W	TRANSISTOR		
	C2577	NEA71EM-475X	E.CAPACITOR.				Q2581	IMX9-W	TRANSISTOR		
	C2578	NEA71EM-475X	E.CAPACITOR.				R 401	NRSA63J-473X	MG RESISTOR		
	C2579	NCF31CZ-104X	C CAPACITOR				R 402	NRSA63J-473X	MG RESISTOR		
	C2580	NCF31CZ-104X	C CAPACITOR				R 403	NRSA63J-221X	MG RESISTOR		
	C2581	NEA71HM-105X	E.CAPA. C.M.				R 404	NRSA63J-221X	MG RESISTOR		
	C2582	NEA71CM-106X	E.CAPACITOR				R 405	NRSA63J-221X	MG RESISTOR		
	C2583	NCS31HJ-220X	C CAPACITOR				R 406	NRSA63J-221X	MG RESISTOR		
	C2584	NCS31HJ-560X	C CAPACITOR				R 407	NRSA63J-221X	MG RESISTOR		
	C2589	NCF31CZ-104X	C CAPACITOR				R 408	NRSA63J-221X	MG RESISTOR		
	C2590	NCF31CZ-104X	C CAPACITOR				R 409	NRSA63J-473X	MG RESISTOR		
	C2591	NCB31CK-103X	C CAPACITOR				R 411	NRSA63J-473X	MG RESISTOR		
	C2592	NCB31HK-223X	C CAPACITOR				R 412	NRSA63J-473X	MG RESISTOR		
	C2593	NCB31HK-272X	C CAPACITOR				R 413	NRSA63J-822X	MG RESISTOR		
	C2594	NCB31CK-104X	C CAPACITOR				R 414	NRSA63J-432X	MG RESISTOR		
	C2595	NCB31HK-392X	C CAPACITOR				R 415	NRSA63J-221X	MG RESISTOR		
	C2597	NEA71EM-475X	E.CAPACITOR.				R 423	NRSA63J-102X	MG RESISTOR		
	C2598	NEA71EM-475X	E.CAPACITOR.				R 424	NRSA63J-563X	MG RESISTOR		
	C2599	NCF31CZ-104X	C CAPACITOR				R 425	NRSA63J-102X	MG RESISTOR		
	C2600	NCF31CZ-104X	C CAPACITOR				R 426	NRSA63J-103X	MG RESISTOR		
	C2601	NEA71EM-475X	E.CAPACITOR.				R 427	NRSA63J-103X	MG RESISTOR		
	C2602	NEA71EM-475X	E.CAPACITOR.				R 428	NRSA63J-472X	MG RESISTOR		
	C2603	NEA71EM-475X	E.CAPACITOR.				R 429	NRSA63J-101X	MG RESISTOR		
	C2604	NEA71EM-475X	E.CAPACITOR.				R 430	NRSA63J-103X	MG RESISTOR		
	D 401	DAN202K-X	D.TRANSISTOR				R 431	NRSA63J-225X	MG RESISTOR		
	D 403	DAN202K-X	D.TRANSISTOR				R 432	NRSA63J-472X	MG RESISTOR		
	D 405	DAN202K-X	D.TRANSISTOR				R 441	NRSA63J-221X	MG RESISTOR		
	IC151	BU4066BCF-X	IC	INPUT SELECT			R 442	NRSA63J-221X	MG RESISTOR		
	IC153	M62446FP-X	IC	E.VOLUME			R 443	NRSA63J-221X	MG RESISTOR		
	IC158	NJM4580M-X	IC	L/R OUT			R 444	NRSA63J-221X	MG RESISTOR		
	IC159	NJM4580M-X	IC	SL/SR OUT			R 445	NRSA63J-221X	MG RESISTOR		
	IC160	NJM4580M-X	IC	C/LFE OUT			R 446	NRSA63J-221X	MG RESISTOR		
	IC401	AK4527VQ	IC	CODEC			R 447	NRSA63J-221X	MG RESISTOR		
	IC402	RN5R233BA-X	IC				R 448	NRSA63J-221X	MG RESISTOR		
	IC403	TC9446F-014	IC	DSP			R 449	NRSA63J-221X	MG RESISTOR		
	IC404	AS7C31025-15TJX	IC	SRAM			R 450	NRSA63J-221X	MG RESISTOR		
	IC406	UPD784215AGC103	IC	DSP MICOM			R 451	NRSA63J-103X	MG RESISTOR		
	IC407	PQ3D253-X	IC	D3.3V REG			R 452	NRSA63J-432X	MG RESISTOR		
	IC501	BA15218F-XE	IC	AUX IN			R 453	NRSA63J-432X	MG RESISTOR		
	IC510	BA15218F-XE	IC	AUX IN			R 454	NRSA63J-432X	MG RESISTOR		

■ Electrical parts list (DSP&audio board)

Block No. 03

△	Item	Parts number	Parts name	Remarks	Area	△	Item	Parts number	Parts name	Remarks	Area
	R 455	NRSA63J-822X	MG RESISTOR				R1168	NRSA63J-332X	MG RESISTOR		
	R 456	NRSA63J-822X	MG RESISTOR				R1169	NRSA63J-393X	MG RESISTOR		
	R 457	NRSA63J-822X	MG RESISTOR				R1170	NRSA63J-393X	MG RESISTOR		
	R 458	NRSA63J-103X	MG RESISTOR				R1171	NRSA63J-332X	MG RESISTOR		
	R 459	NRSA63J-102X	MG RESISTOR				R1172	NRSA63J-332X	MG RESISTOR		
	R 461	NRSA63J-432X	MG RESISTOR				R1173	NRSA63J-393X	MG RESISTOR		
	R 462	NRSA63J-822X	MG RESISTOR				R1174	NRSA63J-393X	MG RESISTOR		
	R 463	NRSA63J-0R0X	MG RESISTOR				R1175	NRSA63J-332X	MG RESISTOR		
	R 464	NRSA63J-103X	MG RESISTOR				R1176	NRSA63J-393X	MG RESISTOR		
	R 465	NRSA63J-103X	MG RESISTOR				R1181	NRSA63J-124X	MG RESISTOR		
	R 467	NRSA63J-103X	MG RESISTOR				R1182	NRSA63J-124X	MG RESISTOR		
	R 468	NRSA63J-103X	MG RESISTOR				R1197	NRSA63J-474X	MG RESISTOR		
	R 471	NRSA63J-102X	MG RESISTOR				R1251	NRSA63J-223X	MG RESISTOR		
	R 472	NRSA63J-102X	MG RESISTOR				R1252	NRSA63J-223X	MG RESISTOR		
	R 473	NRSA63J-102X	MG RESISTOR				R2501	NRSA63J-104X	MG RESISTOR		
	R 474	NRSA63J-102X	MG RESISTOR				R2502	NRSA63J-104X	MG RESISTOR		
	R 475	NRSA63J-102X	MG RESISTOR				R2503	NRSA63J-563X	MG RESISTOR		
	R 476	NRSA63J-102X	MG RESISTOR				R2504	NRSA63J-563X	MG RESISTOR		
	R 481	NRSA63J-222X	MG RESISTOR				R2505	NRSA63J-113X	MG RESISTOR		
	R 482	NRSA63J-103X	MG RESISTOR				R2506	NRSA63J-113X	MG RESISTOR		
	R 483	NRSA63J-105X	MG RESISTOR				R2507	NRSA63J-103X	MG RESISTOR		
	R1101	NRSA63J-471X	MG RESISTOR				R2508	NRSA63J-103X	MG RESISTOR		
	R1102	NRSA63J-471X	MG RESISTOR				R2509	NRSA63J-103X	MG RESISTOR		
	R1103	NRSA63J-104X	MG RESISTOR				R2510	NRSA63J-103X	MG RESISTOR		
	R1104	NRSA63J-104X	MG RESISTOR				R2511	NRSA63J-102X	MG RESISTOR		
	R1121	NRSA63J-103X	MG RESISTOR				R2512	NRSA63J-102X	MG RESISTOR		
	R1122	NRSA63J-103X	MG RESISTOR				R2513	NRSA63J-102X	MG RESISTOR		
	R1123	NRSA63J-103X	MG RESISTOR				R2514	NRSA63J-102X	MG RESISTOR		
	R1131	NRSA63J-104X	MG RESISTOR				R2515	NRSA63J-102X	MG RESISTOR		
	R1132	NRSA63J-104X	MG RESISTOR				R2516	NRSA63J-102X	MG RESISTOR		
	R1133	NRSA63J-102X	MG RESISTOR				R2517	NRSA63J-102X	MG RESISTOR		
	R1134	NRSA63J-102X	MG RESISTOR				R2518	NRSA63J-102X	MG RESISTOR		
	R1135	NRSA63J-332X	MG RESISTOR				R2519	NRSA63J-102X	MG RESISTOR		
	R1136	NRSA63J-332X	MG RESISTOR				R2520	NRSA63J-102X	MG RESISTOR		
	R1137	NRSA63J-104X	MG RESISTOR				R2521	NRSA63J-102X	MG RESISTOR		
	R1138	NRSA63J-104X	MG RESISTOR				R2522	NRSA63J-102X	MG RESISTOR		
	R1139	NRSA63J-104X	MG RESISTOR				R2523	NRSA63J-102X	MG RESISTOR		
	R1140	NRSA63J-104X	MG RESISTOR				R2524	NRSA63J-102X	MG RESISTOR		
	R1141	NRSA63J-102X	MG RESISTOR				R2525	NRSA63J-102X	MG RESISTOR		
	R1142	NRSA63J-102X	MG RESISTOR				R2526	NRSA63J-102X	MG RESISTOR		
	R1143	NRSA63J-332X	MG RESISTOR				R2527	NRSA63J-104X	MG RESISTOR		
	R1144	NRSA63J-332X	MG RESISTOR				R2528	NRSA63J-104X	MG RESISTOR		
	R1145	NRSA63J-104X	MG RESISTOR				R2529	NRSA63J-103X	MG RESISTOR		
	R1146	NRSA63J-104X	MG RESISTOR				R2530	NRSA63J-103X	MG RESISTOR		
	R1147	NRSA63J-104X	MG RESISTOR				R2531	NRSA63J-104X	MG RESISTOR		
	R1148	NRSA63J-104X	MG RESISTOR				R2532	NRSA63J-104X	MG RESISTOR		
	R1149	NRSA63J-471X	MG RESISTOR				R2533	NRSA63J-223X	MG RESISTOR		
	R1150	NRSA63J-102X	MG RESISTOR				R2534	NRSA63J-223X	MG RESISTOR		
	R1151	NRSA63J-472X	MG RESISTOR				R2535	NRSA63J-563X	MG RESISTOR		
	R1152	NRSA63J-332X	MG RESISTOR				R2536	NRSA63J-563X	MG RESISTOR		
	R1153	NRSA63J-471X	MG RESISTOR				R2537	NRSA63J-104X	MG RESISTOR		
	R1154	NRSA63J-472X	MG RESISTOR				R2538	NRSA63J-104X	MG RESISTOR		
	R1155	NRSA63J-104X	MG RESISTOR				R2561	NRSA63J-104X	MG RESISTOR		
	R1156	NRSA63J-104X	MG RESISTOR				R2562	NRSA63J-104X	MG RESISTOR		
	R1157	NRSA63J-332X	MG RESISTOR				R2563	NRSA63J-103X	MG RESISTOR		
	R1158	NRSA63J-104X	MG RESISTOR				R2564	NRSA63J-103X	MG RESISTOR		
	R1161	NRSA63J-104X	MG RESISTOR				R2565	NRSA63J-392X	MG RESISTOR		
	R1162	NRSA63J-104X	MG RESISTOR				R2566	NRSA63J-392X	MG RESISTOR		
	R1163	NRSA63J-104X	MG RESISTOR				R2567	NRSA63J-103X	MG RESISTOR		
	R1164	NRSA63J-104X	MG RESISTOR				R2568	NRSA63J-103X	MG RESISTOR		
	R1165	NRSA63J-104X	MG RESISTOR				R2571	NRSA63J-102X	MG RESISTOR		
	R1166	NRSA63J-104X	MG RESISTOR				R2572	NRSA63J-102X	MG RESISTOR		
	R1167	NRSA63J-332X	MG RESISTOR				R2573	NRSA63J-102X	MG RESISTOR		

■ Electrical parts list (DSP&audio board)

Block No. 03

△	Item	Parts number	Parts name	Remarks	Area
	R2574	NRSA63J-102X	MG RESISTOR		
	R2575	NRSA63J-102X	MG RESISTOR		
	R2576	NRSA63J-102X	MG RESISTOR		
	R2577	NRSA63J-104X	MG RESISTOR		
	R2578	NRSA63J-104X	MG RESISTOR		
	R2579	NRSA63J-104X	MG RESISTOR		
	R2580	NRSA63J-104X	MG RESISTOR		
	R2581	NRSA63J-104X	MG RESISTOR		
	R2582	NRSA63J-104X	MG RESISTOR		
	R2583	NRSA63J-103X	MG RESISTOR		
	R2584	NRSA63J-124X	MG RESISTOR		
	R2585	NRSA63J-392X	MG RESISTOR		
	R2586	NRSA63J-123X	MG RESISTOR		
	R2587	NRSA63J-103X	MG RESISTOR		
	R2588	NRSA63J-103X	MG RESISTOR		
	R2590	NRSA63J-333X	MG RESISTOR		
	R2591	NRSA63J-102X	MG RESISTOR		
	R2592	NRSA63J-333X	MG RESISTOR		
	R2593	NRSA63J-102X	MG RESISTOR		
	R2594	NRSA63J-333X	MG RESISTOR		
	R2595	NRSA63J-102X	MG RESISTOR		
	R2596	NRSA63J-102X	MG RESISTOR		
	R2597	NRSA63J-104X	MG RESISTOR		
	R2598	NRSA63J-104X	MG RESISTOR		
	R2599	NRSA63J-104X	MG RESISTOR		
	R2600	NRSA63J-104X	MG RESISTOR		
	X 401	NAX0385-001X	CRYSTAL	22.5792MHZ	
	X 402	NAX0275-001X	1COSCILLATOR	6.14MHZ	

■ Electrical parts list (DVD servo board)

Block No. 04

△	Item	Parts number	Parts name	Remarks	Area	△	Item	Parts number	Parts name	Remarks	Area
	C 1	NCB31CK-104X	C CAPACITOR				C 227	NCB31HK-102X	C CAPACITOR		
	C 2	NEA70JM-226X	E CAPACITOR				C 228	NCB31HK-102X	C CAPACITOR		
	C 3	NEA70JM-226X	E CAPACITOR				C 237	NCB31CK-104X	C CAPACITOR		
	C 4	NCB31CK-104X	C CAPACITOR				C 238	NCB31CK-104X	C CAPACITOR		
	C 5	NEX40JM-156X	E.CAPACITOR				C 239	NCB31CK-183X	C CAPACITOR		
	C 6	NCB31CK-104X	C CAPACITOR				C 240	NCS31HJ-470X	C CAPACITOR		
	C 11	NEA70JM-107X	E.CAPACITOR				C 241	NCB31CK-103X	C CAPACITOR		
	C 12	NCB31CK-104X	C CAPACITOR				C 242	NCB11CK-105X	C CAPACITOR		
	C 15	NCB31CK-104X	C CAPACITOR				C 244	NCB31CK-104X	C CAPACITOR		
	C 16	NBE20JM-106X	TS E CAP SVB20J				C 245	NCB31CK-103X	C CAPACITOR		
	C 17	NCB31CK-104X	C CAPACITOR				C 246	NCB31CK-104X	C CAPACITOR		
	C 101	NCB31HK-561X	C CAPACITOR				C 247	NCB31CK-104X	C CAPACITOR		
	C 102	NCB31CK-104X	C CAPACITOR				C 248	NCB21CK-154X	C.CAPACITOR		
	C 103	NCB31CK-104X	C CAPACITOR				C 249	NCB31CK-104X	C CAPACITOR		
	C 104	NCB31CK-104X	C CAPACITOR				C 250	NCB31CK-104X	C CAPACITOR		
	C 105	NCB31CK-104X	C CAPACITOR				C 251	NCB31CK-104X	C CAPACITOR		
	C 109	NEA70JM-476X	E.CAPACITOR				C 252	NCB31CK-104X	C CAPACITOR		
	C 112	NEA70JM-476X	E.CAPACITOR				C 253	NCB31CK-104X	C CAPACITOR		
	C 118	NCB21CK-154X	C.CAPACITOR				C 254	NEA70GM-336X	E CAPACITOR		
	C 119	NCS31HJ-221X	C CAPACITOR				C 255	NCB31CK-104X	C CAPACITOR		
	C 120	NCS31HJ-820X	C CAPACITOR				C 256	NEA70GM-107X	E CAPACITOR		
	C 121	NCS31HJ-220X	C CAPACITOR				C 257	NCB11CK-105X	C CAPACITOR		
	C 122	NCB31HK-271X	C CAPACITOR				C 258	NEA70GM-107X	E CAPACITOR		
	C 123	NCB31CK-104X	C CAPACITOR				C 259	NCB11CK-105X	C CAPACITOR		
	C 124	NCB31CK-104X	C CAPACITOR				C 260	NCB31HK-561X	C CAPACITOR		
	C 125	NCB31CK-104X	C CAPACITOR				C 261	NCB31CK-104X	C CAPACITOR		
	C 126	NEX40JM-566X	E CAPACITOR				C 262	NCB31CK-104X	C CAPACITOR		
	C 127	NCB31HK-102X	C CAPACITOR				C 263	NCB31CK-104X	C CAPACITOR		
	C 128	NCB31CK-104X	C CAPACITOR				C 264	NCB21CK-474X	C CAPACITOR		
	C 130	NCB31CK-104X	C CAPACITOR				C 271	NCB31EK-332X	C CAPACITOR		
	C 131	NCS31HJ-120X	C CAPACITOR				C 272	NCB31HK-331X	C CAPACITOR		
	C 132	NCB31CK-104X	C CAPACITOR				C 276	NCB31CK-104X	C CAPACITOR		
	C 133	NCB31HK-561X	C CAPACITOR				C 277	NCB31CK-104X	C CAPACITOR		
	C 134	NCB31HK-561X	C CAPACITOR				C 278	NCB31HK-102X	C CAPACITOR		
	C 135	NCB31CK-273X	C CAPACITOR				C 279	NCB31HK-272X	C CAPACITOR		
	C 136	NCB31CK-473X	C CAPACITOR				C 281	NCB31CK-103X	C CAPACITOR		
	C 138	NCB31CK-104X	C CAPACITOR				C 283	NCB31CK-223X	C CAPACITOR		
	C 139	NCB31CK-104X	C CAPACITOR				C 284	NCB31CK-473X	C CAPACITOR		
	C 140	NEA70JM-226X	E CAPACITOR				C 288	NCB31CK-223X	C CAPACITOR		
	C 141	NCB31CK-104X	C CAPACITOR				C 289	NCB31CK-104X	C CAPACITOR		
	C 143	NCB31CK-104X	C CAPACITOR				C 291	NCB31CK-104X	C CAPACITOR		
	C 144	NCB31CK-104X	C CAPACITOR				C 292	NEA70JM-226X	E CAPACITOR		
	C 145	NCB31CK-103X	C CAPACITOR				C 293	NEA71CM-226X	E.CAPAP. C.M		
	C 151	NEX40JM-156X	E.CAPACITOR				C 301	NCB31CK-104X	C CAPACITOR		
	C 152	NEX40JM-156X	E.CAPACITOR				C 302	NCB31CK-104X	C CAPACITOR		
	C 153	NCB31CK-104X	C CAPACITOR				C 303	NCB31CK-104X	C CAPACITOR		
	C 159	NCB31CK-104X	C CAPACITOR				C 304	NCB31CK-104X	C CAPACITOR		
	C 160	NCB31CK-104X	C CAPACITOR				C 305	NCB31CK-104X	C CAPACITOR		
	C 161	NEA70GM-336X	E CAPACITOR				C 306	NCB31CK-104X	C CAPACITOR		
	C 199	NCB31CK-103X	C CAPACITOR				C 307	NCB31CK-104X	C CAPACITOR		
	C 202	NCB31HK-561X	C CAPACITOR				C 309	NCB31CK-104X	C CAPACITOR		
	C 203	NCB31HK-561X	C CAPACITOR				C 310	NCB31CK-104X	C CAPACITOR		
	C 204	NCB31HK-331X	C CAPACITOR				C 311	NCB31CK-104X	C CAPACITOR		
	C 205	NCS31HJ-121X	C CAPACITOR				C 312	NCS31HJ-180X	C CAPACITOR		
	C 206	NCS31HJ-271X	C CAPACITOR				C 313	NCS31HJ-180X	C CAPACITOR		
	C 207	NCB31HK-471X	C CAPACITOR				C 314	NCB31CK-104X	C CAPACITOR		
	C 208	NCB31CK-104X	C CAPACITOR				C 315	NCB31CK-104X	C CAPACITOR		
	C 209	NCB31HK-102X	C CAPACITOR				C 316	NEA70GM-107X	E CAPACITOR		
	C 210	NCB31HK-102X	C CAPACITOR				C 317	NCB11CK-105X	C CAPACITOR		
	C 222	NCB31HK-562X	C CAPACITOR				C 318	NCB31CK-104X	C CAPACITOR		
	C 223	NCB31HK-102X	C CAPACITOR				C 319	NCB31CK-104X	C CAPACITOR		
	C 224	NCB31CK-104X	C CAPACITOR				C 320	NCB31CK-104X	C CAPACITOR		
	C 225	NBE91CM-105X	E CAPACITOR				C 321	NCB31CK-104X	C CAPACITOR		

■ Electrical parts list (DVD&servo board)

Block No. 04

△	Item	Parts number	Parts name	Remarks	Area	△	Item	Parts number	Parts name	Remarks	Area
	C 324	NCB31CK-104X	C CAPACITOR				C 557	NCB31CK-104X	C CAPACITOR		
	C 326	NCB31CK-104X	C CAPACITOR				C 561	NCB31CK-104X	C CAPACITOR		
	C 327	NEA70JM-107X	E CAPACITOR				C 562	NEA70JM-226X	E CAPACITOR		
	C 341	NCB31CK-104X	C CAPACITOR				C 563	NCB31CK-104X	C CAPACITOR		
	C 342	NCB31CK-104X	C CAPACITOR				C 564	NCB31CK-104X	C CAPACITOR		
	C 343	NCB31CK-104X	C CAPACITOR				C 565	NCB31CK-104X	C CAPACITOR		
	C 344	NCB31CK-104X	C CAPACITOR				C 566	NCB31CK-104X	C CAPACITOR		
	C 345	NEA70JM-107X	E.CAPACITOR				C 567	NEA70JM-226X	E CAPACITOR		
	C 346	NCB11CK-105X	C CAPACITOR				C 568	NCB31CK-104X	C CAPACITOR		
	C 401	NCB31CK-104X	C CAPACITOR				C 569	NEA70JM-226X	E CAPACITOR		
	C 402	NCB31CK-104X	C CAPACITOR				C 570	NCB31CK-104X	C CAPACITOR		
	C 405	NCB31CK-104X	C CAPACITOR				C 579	NCB31CK-103X	C CAPACITOR		
	C 406	NCB31CK-104X	C CAPACITOR				CN101	QGF0501F3-40X	FFC/FPC CONNE	PU	
	C 407	NCB31CK-104X	C CAPACITOR				CN501	QGB2027L1-10X	W TO B CONNE	POWER	
	C 408	NEA70JM-226X	E CAPACITOR				CN502	QGB2027L1-22X	CONNECTOR	SYSTEM	
	C 409	NCB31CK-104X	C CAPACITOR				CN503	QGB2027L1-10X	W TO B CONNE	VIDEO	
	C 410	NCB31CK-103X	C CAPACITOR				D 199	MA3051/M/-X	ZENER DIODE		
	C 411	NCB31CK-104X	C CAPACITOR				D 501	1SR154-400-X	DIODE		
	C 412	NCB31CK-104X	C CAPACITOR				D 551	1SS355-X	DIODE		
	C 501	NCB31CK-104X	C CAPACITOR				D 552	1SS355-X	DIODE		
	C 502	NCB31CK-104X	C CAPACITOR				IC 1	RN5RZ33BA-X	IC		
	C 503	NCB31CK-104X	C CAPACITOR				IC101	AN8702FH	IC		
	C 504	NCB31CK-104X	C CAPACITOR				IC102	RN5RZ33BA-X	IC		
	C 505	NCB31CK-104X	C CAPACITOR				IC201	MN67706ZY	IC		
	C 506	NCB31CK-104X	C CAPACITOR				IC202	TC7WT125FU-X	IC(DIGITAL)		
	C 507	NCB31CK-104X	C CAPACITOR				IC271	M56788FP-W	IC		
	C 508	NCB31CK-104X	C CAPACITOR				IC301	MN103S13BDA	IC		
	C 509	NCB31CK-104X	C CAPACITOR				IC311	TC7SH08FU-X	IC		
	C 510	NCB31CK-104X	C CAPACITOR				IC312	TC7SH32FU-X	IC		
	C 511	NCB31CK-104X	C CAPACITOR				IC321	TC7WH74FU-X	IC		
	C 512	NCB31CK-104X	C CAPACITOR				IC322	TC74VHC00FT-X	IC		
	C 513	NCB31CK-104X	C CAPACITOR				IC401	MN102L25GHW1	IC		
	C 514	NCB31CK-104X	C CAPACITOR				IC402	K3N5C1000D-J007	IC C.M		
	C 515	NCB31CK-104X	C CAPACITOR				IC403	AK93C65AF-X	IC		
	C 516	NCB31CK-104X	C CAPACITOR				IC501	ZIVA3-PE0	IC		
	C 517	NCB31CK-104X	C CAPACITOR				IC502	NAX0393-001X	CXO C.M	27MHZ	
	C 518	NCB31CK-104X	C CAPACITOR				IC503	TC74VHC00FT-X	IC		
	C 519	NCB31CK-104X	C CAPACITOR				IC504	W981616AH-7	IC		
	C 520	NCB31CK-104X	C CAPACITOR				IC505	W981616AH-7	IC		
	C 521	NCB31CK-104X	C CAPACITOR				IC554	MC44724AVFU	IC		
	C 522	NCB31CK-104X	C CAPACITOR				K 102	NQR0007-002X	FERRITE BEADS		
	C 523	NCB31CK-104X	C CAPACITOR				K 103	NQR0007-002X	FERRITE BEADS		
	C 524	NCB31CK-104X	C CAPACITOR				K 201	NQR0007-002X	FERRITE BEADS		
	C 525	NCB31CK-104X	C CAPACITOR				K 202	NQR0007-002X	FERRITE BEADS		
	C 526	NCB31CK-104X	C CAPACITOR				K 203	NQR0007-002X	FERRITE BEADS		
	C 527	NCB31CK-104X	C CAPACITOR				K 301	NQR0007-002X	FERRITE BEADS		
	C 528	NCB31CK-104X	C CAPACITOR				K 302	NQR0007-002X	FERRITE BEADS		
	C 529	NCB31CK-104X	C CAPACITOR				K 303	NQR0007-002X	FERRITE BEADS		
	C 530	NEA70JM-107X	E.CAPACITOR				K 401	NQR0007-002X	FERRITE BEADS		
	C 531	NCB31CK-104X	C CAPACITOR				K 402	NQR0007-002X	FERRITE BEADS		
	C 532	NCB31CK-104X	C CAPACITOR				K 501	NQR0007-002X	FERRITE BEADS		
	C 533	NCB31CK-104X	C CAPACITOR				K 502	NQR0007-002X	FERRITE BEADS		
	C 534	NEA70JM-107X	E.CAPACITOR				K 503	NQR0007-002X	FERRITE BEADS		
	C 535	NCB31CK-104X	C CAPACITOR				K 504	NQR0201-001X	FERRITE BEADS		
	C 536	NCB31CK-103X	C CAPACITOR				K 505	NQR0269-001X	FERRITE BEADS		
	C 537	NEA70JM-226X	E CAPACITOR				K 506	NQR0007-002X	FERRITE BEADS		
	C 538	NCB31CK-104X	C CAPACITOR				K 507	NQR0007-002X	FERRITE BEADS		
	C 539	NCB31CK-104X	C CAPACITOR				K 550	NQR0007-002X	FERRITE BEADS		
	C 540	NEA70JM-226X	E CAPACITOR				K 551	NQR0007-002X	FERRITE BEADS		
	C 541	NCB31CK-104X	C CAPACITOR				K 553	NQR0007-002X	FERRITE BEADS		
	C 542	NEA70JM-226X	E CAPACITOR				K 554	NQR0007-002X	FERRITE BEADS		
	C 543	NCB31CK-104X	C CAPACITOR				K 555	NQR0007-002X	FERRITE BEADS		
	C 556	NEA70JM-107X	E.CAPACITOR				K 556	NQR0007-002X	FERRITE BEADS		

■ Electrical parts list (DVD&servo board)

Block No. 04

△	Item	Parts number	Parts name	Remarks	Area
	K 557	NQR0007-002X	FERRITE BEADS		
	K 558	NQR0007-002X	FERRITE BEADS		
	K 561	NQR0007-002X	FERRITE BEADS		
	K 562	NQR0007-002X	FERRITE BEADS		
	K 563	NQR0007-002X	FERRITE BEADS		
	K 564	NQR0007-002X	FERRITE BEADS		
	K 565	NQR0007-002X	FERRITE BEADS		
	K 566	NQR0007-002X	FERRITE BEADS		
	K 567	NQR0007-002X	FERRITE BEADS		
	K 568	NQR0007-002X	FERRITE BEADS		
	K 569	NQR0007-002X	FERRITE BEADS		
	K 570	NQR0007-002X	FERRITE BEADS		
	K 571	NQR0007-002X	FERRITE BEADS		
	K 572	NQR0007-002X	FERRITE BEADS		
	K 574	NQR0007-002X	FERRITE BEADS		
	K 575	NQR0007-002X	FERRITE BEADS		
	K 576	NQR0007-002X	FERRITE BEADS		
	K 577	NQR0007-002X	FERRITE BEADS		
	K 578	NQR0007-002X	FERRITE BEADS		
	K 579	NQR0007-002X	FERRITE BEADS		
	L 1	NQL044K-100X	INDUCTOR		
	Q 1	2SD2150/RS/-W	POW TRANSISTOR		
	Q 101	2SB1424/QR/-X	TRANSISTOR		
	Q 102	2SB1424/QR/-X	TRANSISTOR		
	Q 275	DTC144EE-X	TRANSISTOR		
	R 1	NRSA63J-100X	MG RESISTOR		
	R 103	NRS125J-270X	MG RESISTOR		
	R 104	NRS125J-270X	MG RESISTOR		
	R 107	NRSA63J-0R0X	MG RESISTOR		
	R 108	NRSA63J-183X	MG RESISTOR		
	R 109	NRSA63J-0R0X	MG RESISTOR		
	R 110	NRSA63J-273X	MG RESISTOR		
	R 111	NRSA63J-0R0X	MG RESISTOR		
	R 112	NRSA63J-273X	MG RESISTOR		
	R 113	NRSA63J-682X	MG RESISTOR		
	R 114	NRSA63J-102X	MG RESISTOR		
	R 115	NRVA63D-243X	MG RESISTOR		
	R 116	NRSA63J-393X	MG RESISTOR		
	R 117	NRSA63J-123X	MG RESISTOR		
	R 118	NRSA63J-223X	MG RESISTOR		
	R 121	NRSA63J-0R0X	MG RESISTOR		
	R 122	NRSA63J-0R0X	MG RESISTOR		
	R 123	NRSA63J-0R0X	MG RESISTOR		
	R 124	NRSA63J-0R0X	MG RESISTOR		
	R 125	NRSA63J-0R0X	MG RESISTOR		
	R 126	NRSA63J-0R0X	MG RESISTOR		
	R 127	NRSA63J-222X	MG RESISTOR		
	R 128	NRSA63J-105X	MG RESISTOR		
	R 129	NRSA63J-105X	MG RESISTOR		
	R 131	NRSA63J-822X	MG RESISTOR		
	R 132	NRSA63J-103X	MG RESISTOR		
	R 144	NRSA63J-333X	MG RESISTOR		
	R 145	NRSA63J-103X	MG RESISTOR		
	R 152	NRS125J-1R0X	MG RESISTOR		
	R 153	NRS125J-4R7X	MG RESISTOR		
	R 155	NRSA63J-0R0X	MG RESISTOR		
	R 156	NRSA63J-333X	MG RESISTOR		
	R 160	NRSA63J-0R0X	MG RESISTOR		
	R 161	NRSA63J-0R0X	MG RESISTOR		
	R 162	NRSA63J-0R0X	MG RESISTOR		
	R 163	NRSA63J-0R0X	MG RESISTOR		
	R 166	NRSA63J-182X	MG RESISTOR		
	R 202	NRSA63J-473X	MG RESISTOR		

△	Item	Parts number	Parts name	Remarks	Area
	R 203	NRSA63J-473X	MG RESISTOR		
	R 204	NRSA63J-473X	MG RESISTOR		
	R 205	NRSA63J-473X	MG RESISTOR		
	R 208	NRSA63J-473X	MG RESISTOR		
	R 209	NRSA63J-123X	MG RESISTOR		
	R 210	NRSA63J-473X	MG RESISTOR		
	R 211	NRSA63J-273X	MG RESISTOR		
	R 212	NRSA63J-273X	MG RESISTOR		
	R 213	NRSA63J-562X	MG RESISTOR		
	R 214	NRSA63J-123X	MG RESISTOR		
	R 215	NRSA63J-105X	MG RESISTOR		
	R 218	NRSA63J-153X	MG RESISTOR		
	R 219	NRSA63J-473X	MG RESISTOR		
	R 220	NRSA63J-473X	MG RESISTOR		
	R 223	NRSA63J-473X	MG RESISTOR		
	R 224	NRSA63J-0R0X	MG RESISTOR		
	R 225	NRSA63J-682X	MG RESISTOR		
	R 227	NRSA63J-102X	MG RESISTOR		
	R 228	NRSA63J-183X	MG RESISTOR		
	R 229	NRSA63J-273X	MG RESISTOR		
	R 230	NRSA63J-273X	MG RESISTOR		
	R 232	NRSA63J-472X	MG RESISTOR		
	R 233	NRSA63J-472X	MG RESISTOR		
	R 234	NRSA63J-472X	MG RESISTOR		
	R 235	NRSA63J-0R0X	MG RESISTOR		
	R 237	NRSA63J-221X	MG RESISTOR		
	R 238	NRSA63J-221X	MG RESISTOR		
	R 239	NRSA63J-221X	MG RESISTOR		
	R 240	NRSA63J-221X	MG RESISTOR		
	R 241	NRSA63J-221X	MG RESISTOR		
	R 242	NRSA63J-102X	MG RESISTOR		
	R 243	NRSA63J-102X	MG RESISTOR		
	R 244	NRSA63J-102X	MG RESISTOR		
	R 245	NRSA63J-102X	MG RESISTOR		
	R 246	NRSA63J-102X	MG RESISTOR		
	R 248	NRSA63J-473X	MG RESISTOR		
	R 249	NRSA63J-473X	MG RESISTOR		
	R 250	NRSA63J-473X	MG RESISTOR		
	R 253	NRS125J-4R7X	MG RESISTOR		
	R 255	NRSA63J-123X	MG RESISTOR		
	R 256	NRSA63J-0R0X	MG RESISTOR		
	R 257	NRSA63J-0R0X	MG RESISTOR		
	R 271	NRSA63J-563X	MG RESISTOR		
	R 272	NRSA63J-103X	MG RESISTOR		
	R 273	NRS125J-1R0X	MG RESISTOR		
	R 274	NRSA63J-0R0X	MG RESISTOR		
	R 275	NRSA63J-103X	MG RESISTOR		
	R 276	NRSA63J-103X	MG RESISTOR		
	R 277	NRSA63J-103X	MG RESISTOR		
	R 278	NRSA63J-103X	MG RESISTOR		
	R 279	NRSA63J-103X	MG RESISTOR		
	R 280	NRSA63J-103X	MG RESISTOR		
	R 282	NRSA63J-183X	MG RESISTOR		
	R 283	NRSA63J-103X	MG RESISTOR		
	R 284	NRSA63J-472X	MG RESISTOR		
	R 285	NRSA63J-103X	MG RESISTOR		
	R 286	NRSA63J-103X	MG RESISTOR		
	R 287	NRSA63J-103X	MG RESISTOR		
	R 288	NRSA63J-103X	MG RESISTOR		
	R 289	NRSA63J-103X	MG RESISTOR		
	R 290	NRSA63J-103X	MG RESISTOR		
	R 292	NRSA63J-223X	MG RESISTOR		
	R 295	NRSA63J-103X	MG RESISTOR		

■ Electrical parts list (DVD servo board)

Block No. 04

△	Item	Parts number	Parts name	Remarks	Area
	R 296	NRSA63J-103X	MG RESISTOR		
	R 297	NRS125J-1R0X	MG RESISTOR		
	R 301	NRSA63J-473X	MG RESISTOR		
	R 302	NRSA63J-473X	MG RESISTOR		
	R 303	NRSA63J-473X	MG RESISTOR		
	R 304	NRSA63J-473X	MG RESISTOR		
	R 305	NRSA63J-473X	MG RESISTOR		
	R 306	NRSA63J-473X	MG RESISTOR		
	R 307	NRSA63J-473X	MG RESISTOR		
	R 308	NRSA63J-473X	MG RESISTOR		
	R 309	NRSA63J-103X	MG RESISTOR		
	R 310	NRSA63J-102X	MG RESISTOR		
	R 311	NRSA63J-102X	MG RESISTOR		
	R 312	NRSA63J-102X	MG RESISTOR		
	R 316	NRSA63J-105X	MG RESISTOR		
	R 317	NRSA63J-0R0X	MG RESISTOR		
	R 318	NRSA63J-0R0X	MG RESISTOR		
	R 322	NRSA63J-473X	MG RESISTOR		
	R 324	NRSA63J-473X	MG RESISTOR		
	R 328	NRSA63J-473X	MG RESISTOR		
	R 342	NRSA63J-0R0X	MG RESISTOR		
	R 343	NRSA63J-102X	MG RESISTOR		
	R 345	NRSA63J-562X	MG RESISTOR		
	R 346	NRSA63J-472X	MG RESISTOR		
	R 347	NRSA63J-102X	MG RESISTOR		
	R 348	NRSA63J-102X	MG RESISTOR		
	R 349	NRSA63J-102X	MG RESISTOR		
	R 350	NRSA63J-102X	MG RESISTOR		
	R 364	NRSA63J-0R0X	MG RESISTOR		
	R 403	NRSA63J-472X	MG RESISTOR		
	R 405	NRSA63J-472X	MG RESISTOR		
	R 408	NRSA63J-472X	MG RESISTOR		
	R 410	NRSA63J-0R0X	MG RESISTOR		
	R 411	NRSA63J-472X	MG RESISTOR		
	R 412	NRSA63J-103X	MG RESISTOR		
	R 413	NRSA63J-472X	MG RESISTOR		
	R 414	NRSA63J-472X	MG RESISTOR		
	R 415	NRSA63J-472X	MG RESISTOR		
	R 416	NRSA63J-472X	MG RESISTOR		
	R 417	NRSA63J-472X	MG RESISTOR		
	R 418	NRSA63J-472X	MG RESISTOR		
	R 422	NRSA63J-0R0X	MG RESISTOR		
	R 423	NRSA63J-0R0X	MG RESISTOR		
	R 424	NRSA63J-0R0X	MG RESISTOR		
	R 431	NRSA63J-472X	MG RESISTOR		
	R 432	NRSA63J-472X	MG RESISTOR		
	R 501	NRSA63J-102X	MG RESISTOR		
	R 502	NRSA63J-222X	MG RESISTOR		
	R 504	NRSA63J-330X	MG RESISTOR		
	R 505	NRSA63J-330X	MG RESISTOR		
	R 506	NRSA63J-330X	MG RESISTOR		
	R 507	NRSA63J-330X	MG RESISTOR		
	R 508	NRSA63J-330X	MG RESISTOR		
	R 509	NRSA63J-330X	MG RESISTOR		
	R 510	NRSA63J-330X	MG RESISTOR		
	R 511	NRSA63J-330X	MG RESISTOR		
	R 512	NRSA63J-330X	MG RESISTOR		
	R 513	NRSA63J-330X	MG RESISTOR		
	R 514	NRSA63J-330X	MG RESISTOR		
	R 515	NRSA63J-330X	MG RESISTOR		
	R 516	NRSA63J-330X	MG RESISTOR		
	R 517	NRSA63J-330X	MG RESISTOR		
	R 518	NRSA63J-330X	MG RESISTOR		

△	Item	Parts number	Parts name	Remarks	Area
	R 519	NRSA63J-330X	MG RESISTOR		
	R 520	NRSA63J-330X	MG RESISTOR		
	R 521	NRSA63J-330X	MG RESISTOR		
	R 522	NRSA63J-330X	MG RESISTOR		
	R 523	NRSA63J-181X	MG RESISTOR		
	R 524	NRSA63J-181X	MG RESISTOR		
	R 525	NRSA63J-181X	MG RESISTOR		
	R 526	NRSA63J-181X	MG RESISTOR		
	R 527	NRSA63J-181X	MG RESISTOR		
	R 528	NRSA63J-181X	MG RESISTOR		
	R 529	NRSA63J-181X	MG RESISTOR		
	R 530	NRSA63J-181X	MG RESISTOR		
	R 531	NRSA63J-330X	MG RESISTOR		
	R 532	NRSA63J-0R0X	MG RESISTOR		
	R 533	NRSA63J-330X	MG RESISTOR		
	R 534	NRSA63J-330X	MG RESISTOR		
	R 535	NRSA63J-330X	MG RESISTOR		
	R 536	NRSA63J-330X	MG RESISTOR		
	R 537	NRSA63J-330X	MG RESISTOR		
	R 538	NRSA63J-330X	MG RESISTOR		
	R 539	NRSA63J-330X	MG RESISTOR		
	R 540	NRSA63J-330X	MG RESISTOR		
	R 541	NRSA63J-0R0X	MG RESISTOR		
	R 542	NRSA63J-0R0X	MG RESISTOR		
	R 543	NRSA63J-0R0X	MG RESISTOR		
	R 544	NRSA63J-0R0X	MG RESISTOR		
	R 545	NRSA63J-472X	MG RESISTOR		
	R 547	NRSA63J-222X	MG RESISTOR		
	R 548	NRSA63J-332X	MG RESISTOR		
	R 550	NRSA63J-0R0X	MG RESISTOR		
	R 564	NRVA63D-152X	MG RESISTOR		
	R 565	NRVA63D-332X	MF RESISTOR		
	R 571	NRSA63J-100X	MG RESISTOR		
	R 572	NRSA63J-181X	MG RESISTOR		
	R 573	NRSA63J-181X	MG RESISTOR		
	R 574	NRSA63J-181X	MG RESISTOR		
	R 575	NRSA63J-181X	MG RESISTOR		
	R 576	NRSA63J-181X	MG RESISTOR		
	R 577	NRSA63J-181X	MG RESISTOR		
	R 578	NRSA63J-181X	MG RESISTOR		
	R 579	NRSA63J-181X	MG RESISTOR		
	R 580	NRSA63J-181X	MG RESISTOR		
	R 581	NRSA63J-101X	MG RESISTOR		
	R 582	NRSA63J-181X	MG RESISTOR		
	R 586	NRVA63D-122X	MG RESISTOR		
	R 587	NRVA63D-122X	MG RESISTOR		
	R 588	NRVA63D-102X	CMF RESISTOR		
	R 589	NRVA63D-102X	CMF RESISTOR		
	X 301	NAX0375-001X	CRYSTAL	16.9344MHZ	
	X 401	NAX0331-001X	C RESONATOR		

■ Electrical parts list (Connection board)

Block No. 05

△	Item	Parts number	Parts name	Remarks	Area
	C 13	NCS31HJ-101X	C.CAPACITOR		
	CN 10	QGF0501F4-40X	FFC/FPC CONNE	FOR MAIN	
	CN 12	QGF1012F1-30X	FPC CONNE	FOR P.U	
	IC 1	GP2S60B-X	IC(PHOTO COUPLE		
	K 10	NQR0265-003X	FERRITE BEADS		
	K 11	NQR0265-003X	FERRITE BEADS		
	K 12	NQR0265-003X	FERRITE BEADS		
	K 13	NQR0265-003X	FERRITE BEADS		
	K 14	NQR0265-003X	FERRITE BEADS		
	K 15	NQR0265-003X	FERRITE BEADS		
	K 16	NQR0265-003X	FERRITE BEADS		
	K 17	NQR0265-003X	FERRITE BEADS		
	K 18	NQR0265-003X	FERRITE BEADS		
	R 10	NRSA63J-391X	MG RESISTOR		
	R 11	NRSA63J-910X	MG RESISTOR		
	R 12	NRSA63J-911X	MG RESISTOR		
	S 10	QSW0620-001	DETECT SWITCH	REST SW	
	S 11	NSW0127-001X	SLIDE SWITCH	SHORT SW	

■ Electrical parts list (SP-THA9 Main board) Block No. 06

△	Item	Parts number	Parts name	Remarks	Area	△	Item	Parts number	Parts name	Remarks	Area
	C 100	QTE1H06-475Z	E CAPACITOR				C 551	QFN31HJ-103Z	M CAPACITOR	.010MF 5% 50V	
	C 101	QETN1EM-476Z	E CAPACITOR	47MF 20% 25V			C 552	QETN1HM-475Z	E CAPACITOR	4.7MF 20% 50V	
	C 102	QTE1H06-475Z	E CAPACITOR				C 553	QFN31HJ-103Z	M CAPACITOR	.010MF 5% 50V	
	C 103	QETN1EM-476Z	E CAPACITOR	47MF 20% 25V			C 554	QFN31HJ-103Z	M CAPACITOR	.010MF 5% 50V	
	C 104	QETN1HM-105Z	E CAPACITOR	1.0MF 20% 50V			C 555	QFN31HJ-103Z	M CAPACITOR	.010MF 5% 50V	
	C 105	QETN1EM-476Z	E CAPACITOR	47MF 20% 25V			C 556	QFN31HJ-103Z	M CAPACITOR	.010MF 5% 50V	
	C 106	QFN31HJ-103Z	M CAPACITOR	.010MF 5% 50V			C 557	QFN31HJ-103Z	M CAPACITOR	.010MF 5% 50V	
	C 107	QFN31HJ-103Z	M CAPACITOR	.010MF 5% 50V			C 558	QETN1HM-226Z	E CAPACITOR	22MF 20% 50V	
	C 108	QETN1HM-226Z	E CAPACITOR	22MF 20% 50V			CN101	QGB2510K2-12	CONNECTOR		
	C 109	QTE1H06-475Z	E CAPACITOR				CN104	QGA3901C1-05	5P CONNECTOR		
	C 110	QFN31HJ-103Z	M CAPACITOR	.010MF 5% 50V			CN201	QGB2510J1-12	CONNECTOR		
	C 111	QETN1HM-226Z	E CAPACITOR	22MF 20% 50V			CN202	QGB2510J1-06	CONNECTOR		
	C 112	QTE1H06-475Z	E CAPACITOR				CN203	QGB2510J1-14	CONNECTOR		
	C 113	QFN31HJ-103Z	M CAPACITOR	.010MF 5% 50V			CN205	QGB2510J1-20	CONNECTOR		
	C 114	QETN1HM-226Z	E CAPACITOR	22MF 20% 50V			CN206	QGB2510J1-14	CONNECTOR		
	C 115	QETN1HM-105Z	E CAPACITOR	1.0MF 20% 50V			CN210	QGB2510J1-10	CONNECTOR		
	C 116	QETN1HM-106Z	E CAPACITOR	10MF 20% 50V			CN211	QGB2510J1-12	CONNECTOR		
	C 118	QFN31HJ-103Z	M CAPACITOR	.010MF 5% 50V			D 500	1SS133-T2	SI DIODE		
	C 119	QFN31HJ-103Z	M CAPACITOR	.010MF 5% 50V			D 501	1SS133-T2	SI DIODE		
	C 120	QCB1HK-101Y	C CAPACITOR	100PF 10% 50V			D 502	MTZJ5.1C-T2	ZENER DIODE		
	C 121	QCB1HK-101Y	C CAPACITOR	100PF 10% 50V			D 503	1SS133-T2	SI DIODE		
	C 122	QCB1HK-101Y	C CAPACITOR	100PF 10% 50V			D 504	1SS133-T2	SI DIODE		
	C 123	QCB1HK-101Y	C CAPACITOR	100PF 10% 50V			D 505	1SS133-T2	SI DIODE		
	C 124	QCB1HK-101Y	C CAPACITOR	100PF 10% 50V			D 506	MTZJ30C-T2	ZENER DIODE		
	C 125	QCB1HK-101Y	C CAPACITOR	100PF 10% 50V			D 508	MTZJ5.1B-T2	ZENER DIODE		
	C 126	QCSB1HJ-100Y	C CAPACITOR	10PF 5% 50V			D 509	MTZJ12C-T2	ZENER DIODE		
	C 128	QETN1HM-475Z	E CAPACITOR	4.7MF 20% 50V			D 510	MTZJ12C-T2	ZENER DIODE		
	C 129	QETN1HM-475Z	E CAPACITOR	4.7MF 20% 50V		△	D 511	1N5402M-20	DIODE		
	C 500	QFVF1HJ-104Z	MF CAPACITOR	.10MF 5% 50V		△	D 512	1N5402M-20	DIODE		
	C 501	QFVF1HJ-104Z	MF CAPACITOR	.10MF 5% 50V		△	D 513	1N5402M-20	DIODE		
	C 502	QFN31HJ-103Z	M CAPACITOR	.010MF 5% 50V		△	D 514	1N5402M-20	DIODE		
	C 503	QFN31HJ-103Z	M CAPACITOR	.010MF 5% 50V		△	D 515	6A20G-E4	DIODE		
	C 504	QFVF1HJ-104Z	MF CAPACITOR	.10MF 5% 50V		△	D 516	6A20G-E4	DIODE		
	C 505	QFVF1HJ-104Z	MF CAPACITOR	.10MF 5% 50V		△	D 517	6A20G-E4	DIODE		
	C 506	QFVF1HJ-104Z	MF CAPACITOR	.10MF 5% 50V		△	D 518	6A20G-E4	DIODE		
	C 507	QFVF1HJ-104Z	MF CAPACITOR	.10MF 5% 50V			D 519	1SS133-T2	SI DIODE		
	C 508	QFN31HJ-103Z	M CAPACITOR	.010MF 5% 50V			D 520	1SS133-T2	SI DIODE		
	C 509	QFN31HJ-103Z	M CAPACITOR	.010MF 5% 50V			D 521	1SS133-T2	SI DIODE		
	C 510	QFVF1HJ-104Z	MF CAPACITOR	.10MF 5% 50V			D 522	1SS133-T2	SI DIODE		
	C 511	QFVF1HJ-104Z	MF CAPACITOR	.10MF 5% 50V			D 523	MTZJ15C-T2	Z DIODE		
	C 512	QFVF1HJ-104Z	MF CAPACITOR	.10MF 5% 50V			D 524	MTZJ6.2B-T2	ZENER DIODE		
	C 513	QFVF1HJ-104Z	MF CAPACITOR	.10MF 5% 50V			D 525	MTZJ6.2B-T2	ZENER DIODE		
	C 514	QFN31HJ-103Z	M CAPACITOR	.010MF 5% 50V			D 526	MTZJ15C-T2	Z DIODE		
	C 515	QFN31HJ-103Z	M CAPACITOR	.010MF 5% 50V			D 527	1SS133-T2	SI DIODE		
	C 516	QETN1EM-107Z	E CAPACITOR	100MF 20% 25V			D 528	1SS133-T2	SI DIODE		
	C 517	QETN1EM-476Z	E CAPACITOR	47MF 20% 25V			D 530	1SS133-T2	SI DIODE		
	C 518	QETN1EM-107Z	E CAPACITOR	100MF 20% 25V			D 531	1SS133-T2	SI DIODE		
	C 519	QETN1EM-476Z	E CAPACITOR	47MF 20% 25V			D 532	MTZJ30C-T2	ZENER DIODE		
	C 520	QE20223-478	E CAPACITER	4700MF			D 533	MTZJ6.2B-T2	ZENER DIODE		
	C 521	QE20223-478	E CAPACITER	4700MF			D 534	1SS133-T2	SI DIODE		
	C 522	QETM1EM-688	E CAPACITOR	6800MF 20% 25V			D 535	MTZJ15C-T2	Z DIODE		
	C 523	QETM1EM-688	E CAPACITOR	6800MF 20% 25V			D 536	1SS133-T2	SI DIODE		
	C 524	QFLC2AJ-104Z	M CAPACITOR	.10MF 5% 100V			IC100	BA3121	IC		
	C 525	QFLC2AJ-104Z	M CAPACITOR	.10MF 5% 100V			IC101	BA3121	IC		
	C 526	QFLC2AJ-104Z	M CAPACITOR	.10MF 5% 100V			IC102	BA3121	IC		
	C 527	QFLC2AJ-104Z	M CAPACITOR	.10MF 5% 100V			IC103	BA15218N	IC		
	C 528	QFLC2AJ-104Z	M CAPACITOR	.10MF 5% 100V			IC108	BA15218N	IC		
	C 529	QFLC2AJ-104Z	M CAPACITOR	.10MF 5% 100V			IC109	BA15218N	IC		
	C 530	QETN1CM-227Z	E CAPACITOR	220MF 20% 16V			IC110	BA15218N	IC		
	C 531	QETN1HM-475Z	E CAPACITOR	4.7MF 20% 50V			J 100	QND0079-001	DIN CONNECTOR		
	C 532	QETN1HM-106Z	E CAPACITOR	10MF 20% 50V			K 100	QQR0621-001Z	FERRITE BEADS		
	C 533	QETN1EM-476Z	E CAPACITOR	47MF 20% 25V			K 101	QQR0621-001Z	FERRITE BEADS		
	C 550	QETN1HM-335Z	E CAPACITOR	3.3MF 20% 50V			Q 500	KRA104M-T	D.TR.I.M		

■ Electrical parts list (SP-THA9 Main board) Block No. 06

△	Item	Parts number	Parts name	Remarks	Area
	Q 501	KRC102M-T	D.TRANSISTOR		
	Q 502	KTA1267/YG/-T	TRANSISTOR		
	Q 503	KRC102M-T	D.TRANSISTOR		
	Q 504	KTC3199/GL/-T	TRANSISTOR		
	Q 505	KRC102M-T	D.TRANSISTOR		
△	Q 506	2SD2037/EF/-T	TRANSISTOR		
△	Q 507	2SA1359/OY/	TRANSISTOR		
	Q 508	KTC3199/GL/-T	TRANSISTOR		
	Q 509	KTC3199/GL/-T	TRANSISTOR		
	Q 510	KRA102M-T	D.TRANSISTOR		
	Q 511	KTC3199/GL/-T	TRANSISTOR		
	Q 512	KTC3199/GL/-T	TRANSISTOR		
	Q 513	KRC104M-T	D.TR.I.M		
	Q 514	DTC115ESA-T	D.TR.I.M		
	Q 515	KTC3199/GL/-T	TRANSISTOR		
	Q 516	KTA1267/YG/-T	TRANSISTOR		
	Q 517	KTC3199/GL/-T	TRANSISTOR		
	Q 518	KRA111M-T	D.TR.I.M		
	Q 519	KRA111M-T	D.TR.I.M		
	Q 520	2SK105/EF/-T	TRANSISTOR(FET)		
	Q 521	2SK105/EF/-T	TRANSISTOR(FET)		
	Q 522	KTC3199/GL/-T	TRANSISTOR		
	Q 523	KRA104M-T	D.TR.I.M		
	R 100	QRE141J-102Y	C RESISTOR	1.0K 5% 1/4W	
	R 102	QRE141J-102Y	C RESISTOR	1.0K 5% 1/4W	
	R 104	QRE141J-102Y	C RESISTOR	1.0K 5% 1/4W	
	R 106	QRE141J-102Y	C RESISTOR	1.0K 5% 1/4W	
	R 108	QRE141J-102Y	C RESISTOR	1.0K 5% 1/4W	
	R 110	QRE141J-102Y	C RESISTOR	1.0K 5% 1/4W	
	R 112	QRE141J-101Y	C RESISTOR	100 5% 1/4W	
	R 113	QRE141J-100Y	C RESISTOR	10 5% 1/4W	
	R 114	QRE141J-100Y	C RESISTOR	10 5% 1/4W	
	R 115	QRE141J-100Y	C RESISTOR	10 5% 1/4W	
	R 116	QRE141J-473Y	C RESISTOR	47K 5% 1/4W	
	R 118	QRE141J-473Y	C RESISTOR	47K 5% 1/4W	
	R 119	QRE141J-100Y	C RESISTOR	10 5% 1/4W	
	R 121	QRE141J-102Y	C RESISTOR	1.0K 5% 1/4W	
	R 122	QRE141J-100Y	C RESISTOR	10 5% 1/4W	
	R 123	QRE141J-102Y	C RESISTOR	1.0K 5% 1/4W	
	R 124	QRE141J-222Y	C RESISTOR	2.2K 5% 1/4W	
	R 130	QRE141J-473Y	C RESISTOR	47K 5% 1/4W	
	R 132	QRE141J-123Y	C RESISTOR	12K 5% 1/4W	
	R 133	QRE141J-223Y	C RESISTOR	22K 5% 1/4W	
	R 134	QRE141J-223Y	C RESISTOR	22K 5% 1/4W	
	R 135	QRE141J-223Y	C RESISTOR	22K 5% 1/4W	
	R 136	QRE141J-223Y	C RESISTOR	22K 5% 1/4W	
	R 137	QRE141J-223Y	C RESISTOR	22K 5% 1/4W	
	R 138	QRE141J-223Y	C RESISTOR	22K 5% 1/4W	
	R 139	QRE141J-471Y	C RESISTOR	470 5% 1/4W	
	R 500	QRE141J-392Y	C RESISTOR	3.9K 5% 1/4W	
	R 501	QRE141J-183Y	C RESISTOR	18K 5% 1/4W	
	R 502	QRE141J-100Y	C RESISTOR	10 5% 1/4W	
	R 504	QRE141J-100Y	C RESISTOR	10 5% 1/4W	
	R 505	QRE141J-392Y	C RESISTOR	3.9K 5% 1/4W	
	R 506	QRE141J-183Y	C RESISTOR	18K 5% 1/4W	
	R 507	QRE141J-392Y	C RESISTOR	3.9K 5% 1/4W	
	R 508	QRE141J-183Y	C RESISTOR	18K 5% 1/4W	
	R 509	QRE141J-100Y	C RESISTOR	10 5% 1/4W	
	R 510	QRE141J-100Y	C RESISTOR	10 5% 1/4W	
	R 511	QRE141J-392Y	C RESISTOR	3.9K 5% 1/4W	
	R 512	QRE141J-183Y	C RESISTOR	18K 5% 1/4W	
	R 513	QRE141J-392Y	C RESISTOR	3.9K 5% 1/4W	
	R 514	QRE141J-183Y	C RESISTOR	18K 5% 1/4W	

△	Item	Parts number	Parts name	Remarks	Area
	R 515	QRE141J-100Y	C RESISTOR	10 5% 1/4W	
	R 516	QRE141J-100Y	C RESISTOR	10 5% 1/4W	
△	R 517	QRZ9005-100X	F.RES 1/M	10 1/0W	
	R 518	QRE141J-102Y	C RESISTOR	1.0K 5% 1/4W	
	R 519	QRE141J-102Y	C RESISTOR	1.0K 5% 1/4W	
△	R 520	QRZ9005-100X	F.RES 1/M	10 1/0W	
	R 521	QRE141J-104Y	C RESISTOR	100K 5% 1/4W	
	R 522	QRE141J-102Y	C RESISTOR	1.0K 5% 1/4W	
	R 523	QRE141J-102Y	C RESISTOR	1.0K 5% 1/4W	
	R 524	QRE141J-103Y	C RESISTOR	10K 5% 1/4W	
	R 525	QRL012J-271	UNF OMF.RES	270 5% 1/1W	
	R 526	QRE141J-122Y	C RESISTOR	1.2K 5% 1/4W	
	R 527	QRE141J-331Y	C RESISTOR	330 5% 1/4W	
	R 528	QRE141J-223Y	C RESISTOR	22K 5% 1/4W	
	R 529	QRE141J-753Y	C RESISTOR	75K 5% 1/4W	
	R 530	QRE141J-101Y	C RESISTOR	100 5% 1/4W	
	R 531	QRE141J-753Y	C RESISTOR	75K 5% 1/4W	
	R 532	QRE141J-222Y	C RESISTOR	2.2K 5% 1/4W	
	R 533	QRE141J-223Y	C RESISTOR	22K 5% 1/4W	
	R 534	QRE141J-102Y	C RESISTOR	1.0K 5% 1/4W	
	R 535	QRE141J-224Y	C RESISTOR	220K 5% 1/4W	
△	R 536	QRZ9006-4R7X	F RESISTOR	4.7 1/0W	
	R 537	QRE141J-103Y	C RESISTOR	10K 5% 1/4W	
	R 538	QRE141J-103Y	C RESISTOR	10K 5% 1/4W	
	R 539	QRE141J-223Y	C RESISTOR	22K 5% 1/4W	
	R 540	QRE141J-103Y	C RESISTOR	10K 5% 1/4W	
	R 541	QRE141J-222Y	C RESISTOR	2.2K 5% 1/4W	
	R 542	QRE141J-222Y	C RESISTOR	2.2K 5% 1/4W	
	R 543	QRE141J-103Y	C RESISTOR	10K 5% 1/4W	
	R 544	QRE141J-104Y	C RESISTOR	100K 5% 1/4W	
	R 545	QRE141J-104Y	C RESISTOR	100K 5% 1/4W	
	R 546	QRE141J-103Y	C RESISTOR	10K 5% 1/4W	
	R 547	QRE141J-104Y	C RESISTOR	100K 5% 1/4W	
	R 548	QRE141J-104Y	C RESISTOR	100K 5% 1/4W	
	R 549	QRE141J-104Y	C RESISTOR	100K 5% 1/4W	
	R 550	QRE141J-104Y	C RESISTOR	100K 5% 1/4W	
	R 551	QRE141J-104Y	C RESISTOR	100K 5% 1/4W	
	R 552	QRE141J-104Y	C RESISTOR	100K 5% 1/4W	
	R 553	QRE141J-103Y	C RESISTOR	10K 5% 1/4W	
	R 554	QRE141J-103Y	C RESISTOR	10K 5% 1/4W	
	R 555	QRE141J-103Y	C RESISTOR	10K 5% 1/4W	
	R 556	QRE141J-103Y	C RESISTOR	10K 5% 1/4W	
	R 557	QRE141J-104Y	C RESISTOR	100K 5% 1/4W	
	R 558	QRE141J-223Y	C RESISTOR	22K 5% 1/4W	
	R 559	QRE141J-104Y	C RESISTOR	100K 5% 1/4W	
	R 560	QRE141J-223Y	C RESISTOR	22K 5% 1/4W	
	R 561	QRE141J-104Y	C RESISTOR	100K 5% 1/4W	
	R 562	QRE141J-101Y	C RESISTOR	100 5% 1/4W	
	R 563	QRE141J-102Y	C RESISTOR	1.0K 5% 1/4W	
	R 564	QRE141J-104Y	C RESISTOR	100K 5% 1/4W	
	R 565	QRE141J-472Y	C RESISTOR	4.7K 5% 1/4W	
	R 566	QRE141J-472Y	C RESISTOR	4.7K 5% 1/4W	
	R 567	QRE141J-103Y	C RESISTOR	10K 5% 1/4W	
	R 568	QRE141J-103Y	C RESISTOR	10K 5% 1/4W	
	R 570	QRE141J-472Y	C RESISTOR	4.7K 5% 1/4W	
	S 100	QSW0834-001	PUSH SW		
	VR100	QVQ0021-B14	V.RES		
	Z 500	QNG0020-001Z	FUSE CLIP		
	Z 501	QNG0020-001Z	FUSE CLIP		
	Z 502	QNG0020-001Z	FUSE CLIP		
	Z 503	QNG0020-001Z	FUSE CLIP		

Electrical parts list (SP-THA9 Sub board) Block No. 07

Item	Parts number	Parts name	Remarks	Area	Item	Parts number	Parts name	Remarks	Area
C 202	QETN1HM-105Z	E CAPACITOR	1.0MF 20% 50V		C 335	QFN31HJ-471Z	M.CAPA. I.M	470PF 5% 50V	
C 203	QFVF1HJ-104Z	MF CAPACITOR	.10MF 5% 50V		C 336	QTE1H06-475Z	E CAPACITOR		
C 204	QFVF1HJ-184Z	MF CAPACITOR	.18MF 5% 50V		C 337	QCB1HK-221Y	C CAPACITOR	220PF 10% 50V	
C 205	QFN31HJ-393Z	M CAPACITOR	.039MF 5% 50V		C 338	QCSB1HK-3R3Y	C CAPACITOR	3.3PF 10% 50V	
C 206	QFN31HJ-103Z	M CAPACITOR	.010MF 5% 50V		C 339	QFVF1HJ-224Z	MF CAPACITOR	.22MF 5% 50V	
C 207	QFN31HJ-103Z	M CAPACITOR	.010MF 5% 50V		C 340	QFVF1HJ-224Z	MF CAPACITOR	.22MF 5% 50V	
C 208	QETN1HM-475Z	E CAPACITOR	4.7MF 20% 50V		C 350	QETN1HM-226Z	E CAPACITOR	22MF 20% 50V	
C 209	QFN31HJ-471Z	M.CAPA. I.M	470PF 5% 50V		C 351	QETN1HM-226Z	E CAPACITOR	22MF 20% 50V	
C 210	QTE1H06-475Z	E CAPACITOR			C 352	QFN31HJ-392Z	M.CAPA. I.M	3900PF 5% 50V	
C 211	QETN1HM-106Z	E CAPACITOR	10MF 20% 50V		C 353	QFN31HJ-392Z	M.CAPA. I.M	3900PF 5% 50V	
C 212	QETN1HM-107Z	E CAPACITOR	100MF 20% 50V		△ C 400	QCZ9105-472	C.CAPACITOR	4700PF	
C 213	QETN1EM-107Z	E CAPACITOR	100MF 20% 25V		C 412	QETN1HM-105Z	E CAPACITOR	1.0MF 20% 50V	
C 214	QETN1HM-476Z	E CAPACITOR	47MF 20% 50V		CN102	QGB2510K2-06	CONNECTOR		
C 215	QCS31HJ-3R0Z	C CAPACITOR	3.0PF 5% 50V		CN103	QGB2510K2-14	CONNECTOR		
C 216	QETN1HM-475Z	E CAPACITOR	4.7MF 20% 50V		CN105	QGB2510K2-20	SOCKET		
C 217	QETN1HM-475Z	E CAPACITOR	4.7MF 20% 50V		CN106	QGB2510K2-14	CONNECTOR		
C 218	QFVF1HJ-224Z	MF CAPACITOR	.22MF 5% 50V		CN107	QGA7901C1-02	CONNECTOR		
C 219	QFVF1HJ-224Z	MF CAPACITOR	.22MF 5% 50V		CN108	QGA7901C1-02	CONNECTOR		
C 223	QCSB1HJ-100Y	C CAPACITOR	10PF 5% 50V		CN109	QGA3901F2-04	CONNECTOR		
C 225	QETN2AM-226Z	E CAPA I/M	22MF 20% 100V		CN110	QGB2510K2-10	CONNECTOR		
C 226	QFN31HJ-103Z	M CAPACITOR	.010MF 5% 50V		CN111	QGB2510K2-12	CONNECTOR		
C 227	QFN31HJ-103Z	M CAPACITOR	.010MF 5% 50V		D 202	1SS133-T2	SI DIODE		
C 228	QFN31HJ-103Z	M CAPACITOR	.010MF 5% 50V		D 203	1SS133-T2	SI DIODE		
C 229	QFN31HJ-223Z	M CAPACITOR	.022MF 5% 50V		D 204	1N5402M-20	DIODE		
C 230	QFN31HJ-223Z	M CAPACITOR	.022MF 5% 50V		D 205	MTZJ15C-T2	Z DIODE		
C 231	QFN31HJ-103Z	M CAPACITOR	.010MF 5% 50V		D 206	MTZJ6.2B-T2	ZENER DIODE		
C 232	QETN1HM-475Z	E CAPACITOR	4.7MF 20% 50V		D 207	1SS133-T2	SI DIODE		
C 233	QFV61HJ-104Z	MF CAPACITOR	.10MF 5% 50V		D 208	SLR-325MG-T	LED I M		
C 300	QFN31HJ-471Z	M.CAPA. I.M	470PF 5% 50V		D 209	SLR-325MG-T	LED I M		
C 301	QETN1HM-225Z	E CAPACITOR	2.2MF 20% 50V		D 210	1SS133-T2	SI DIODE		
C 302	QCB1HK-221Y	C CAPACITOR	220PF 10% 50V		D 211	1SS133-T2	SI DIODE		
C 303	QETN1HM-226Z	E CAPACITOR	22MF 20% 50V		D 212	MTZJ6.2B-T2	ZENER DIODE		
C 304	QETN1EM-107Z	E CAPACITOR	100MF 20% 25V		D 214	MTZJ15C-T2	Z DIODE		
C 305	QETN1HM-106Z	E CAPACITOR	10MF 20% 50V		D 215	1N5402M-20	DIODE		
C 306	QCSB1HK-3R3Y	C CAPACITOR	3.3PF 10% 50V		D 216	1SS133-T2	SI DIODE		
C 307	QFVF1HJ-224Z	MF CAPACITOR	.22MF 5% 50V		D 217	MTZJ6.2B-T2	ZENER DIODE		
C 308	QFVF1HJ-224Z	MF CAPACITOR	.22MF 5% 50V		D 218	1SS133-T2	SI DIODE		
C 309	QETN1HM-106Z	E CAPACITOR	10MF 20% 50V		D 219	1SS133-T2	SI DIODE		
C 310	QETN1HM-226Z	E CAPACITOR	22MF 20% 50V		D 300	1SS133-T2	SI DIODE		
C 311	QETN1EM-107Z	E CAPACITOR	100MF 20% 25V		D 301	1SS133-T2	SI DIODE		
C 312	QCB1HK-221Y	C CAPACITOR	220PF 10% 50V		D 302	1SS133-T2	SI DIODE		
C 313	QETN1HM-225Z	E CAPACITOR	2.2MF 20% 50V		D 303	1SS133-T2	SI DIODE		
C 314	QFN31HJ-471Z	M.CAPA. I.M	470PF 5% 50V		D 304	1SS133-T2	SI DIODE		
C 315	QCSB1HK-3R3Y	C CAPACITOR	3.3PF 10% 50V		D 400	1SS133-T2	SI DIODE		
C 316	QFVF1HJ-224Z	MF CAPACITOR	.22MF 5% 50V		D 401	1SR35-400A-T5	DIODE		
C 317	QFVF1HJ-224Z	MF CAPACITOR	.22MF 5% 50V		IC104	BA15218N	IC		
C 318	QFN31HJ-471Z	M.CAPA. I.M	470PF 5% 50V		△ IC105	STK404-130	IC		
C 319	QTE1H06-475Z	E CAPACITOR			△ IC106	STK402-030	IC		
C 320	QCB1HK-221Y	C CAPACITOR	220PF 10% 50V		△ IC107	STK402-230	IC		
C 321	QETN1EM-107Z	E CAPACITOR	100MF 20% 25V		IC201	BA15218N	IC		
C 322	QETN1EM-107Z	E CAPACITOR	100MF 20% 25V		IC202	BA15218N	IC		
C 323	QCSB1HK-3R3Y	C CAPACITOR	3.3PF 10% 50V		J 101	QNB0065-002	SPK TERMINAL		
C 324	QFVF1HJ-224Z	MF CAPACITOR	.22MF 5% 50V		J 102	QNB0070-002	SPK TERMINAL		
C 325	QFVF1HJ-224Z	MF CAPACITOR	.22MF 5% 50V		L 200	QQLZ003-1R0	INDUCTOR		
C 326	QETN1EM-107Z	E CAPACITOR	100MF 20% 25V		L 300	QQLZ003-1R0	INDUCTOR		
C 327	QETN1EM-107Z	E CAPACITOR	100MF 20% 25V		L 301	QQLZ003-1R0	INDUCTOR		
C 328	QCB1HK-221Y	C CAPACITOR	220PF 10% 50V		L 302	QQLZ003-1R0	INDUCTOR		
C 329	QTE1H06-475Z	E CAPACITOR			L 303	QQLZ003-1R0	INDUCTOR		
C 330	QFN31HJ-471Z	M.CAPA. I.M	470PF 5% 50V		L 304	QQLZ003-1R0	INDUCTOR		
C 331	QETN1HM-226Z	E CAPACITOR	22MF 20% 50V		MR200	QRZ0197-R22	EMIT.RESISTOR	1/1W	
C 332	QCSB1HK-3R3Y	C CAPACITOR	3.3PF 10% 50V		Q 202	2SA1038S/SE-T	TRANSISTOR		
C 333	QFVF1HJ-224Z	MF CAPACITOR	.22MF 5% 50V		Q 204	2SK2937	FET		
C 334	QFVF1HJ-224Z	MF CAPACITOR	.22MF 5% 50V		Q 205	KRA111M-T	D.TR.I.M		

■ Electrical parts list (SP-THA9 Sub board) Block No. 07

Item	Parts number	Parts name	Remarks	Area
Q 206	2SC2389S/SE/-T	TRANSISTOR		
Q 207	2SA1038S/SE/-T	TRANSISTOR		
Q 208	2SK2937	FET		
Q 209	2SC2389S/SE/-T	TRANSISTOR		
Q 210	2SK105/EF/-T	TRANSISTOR(FET)		
Q 211	KRC111M-T	TR I/M		
Q 300	KTA1267/YG/-T	TRANSISTOR		
Q 301	KTA1267/YG/-T	TRANSISTOR		
Q 302	KTA1267/YG/-T	TRANSISTOR		
Q 303	KTA1267/YG/-T	TRANSISTOR		
Q 304	KTA1267/YG/-T	TRANSISTOR		
R 200	QRE141J-223Y	C RESISTOR	22K 5% 1/4W	
R 201	QRE141J-473Y	C RESISTOR	47K 5% 1/4W	
R 208	QRE141J-473Y	C RESISTOR	47K 5% 1/4W	
R 209	QRE141J-222Y	C RESISTOR	2.2K 5% 1/4W	
R 210	QRE141J-103Y	C RESISTOR	10K 5% 1/4W	
R 211	QRE141J-103Y	C RESISTOR	10K 5% 1/4W	
R 212	QRE141J-100Y	C RESISTOR	10 5% 1/4W	
R 213	QRE141J-100Y	C RESISTOR	10 5% 1/4W	
R 214	QRE141J-103Y	C RESISTOR	10K 5% 1/4W	
R 215	QRE141J-392Y	C RESISTOR	3.9K 5% 1/4W	
R 216	QRE141J-182Y	C RESISTOR	1.8K 5% 1/4W	
R 217	QRE141J-563Y	C RESISTOR	56K 5% 1/4W	
R 218	QRZ9015-221X	F.RES I/M	220 1/0W	
R 219	QRZ9015-221X	F.RES I/M	220 1/0W	
R 220	QRE141J-472Y	C RESISTOR	4.7K 5% 1/4W	
R 221	QRE141J-472Y	C RESISTOR	4.7K 5% 1/4W	
R 222	QRE141J-563Y	C RESISTOR	56K 5% 1/4W	
R 223	QRE141J-102Y	C RESISTOR	1.0K 5% 1/4W	
R 224	QRE141J-473Y	C RESISTOR	47K 5% 1/4W	
R 225	QRE141J-153Y	C RESISTOR	15K 5% 1/4W	
R 226	QRK126J-4R7X	C RESISTOR	4.7 5% 1/2W	
R 227	QRE141J-4R7Y	C RESISTOR	4.7 5% 1/4W	
R 230	QRE141J-471Y	C RESISTOR	470 5% 1/4W	
R 231	QRE141J-103Y	C RESISTOR	10K 5% 1/4W	
R 235	QRE141J-472Y	C RESISTOR	4.7K 5% 1/4W	
R 236	QRE141J-473Y	C RESISTOR	47K 5% 1/4W	
R 237	QRE141J-103Y	C RESISTOR	10K 5% 1/4W	
R 238	QRE141J-103Y	C RESISTOR	10K 5% 1/4W	
R 239	QRE141J-563Y	C RESISTOR	56K 5% 1/4W	
R 240	QRE141J-823Y	C RESISTOR	82K 5% 1/4W	
R 241	QRE141J-103Y	C RESISTOR	10K 5% 1/4W	
R 242	QRE141J-103Y	C RESISTOR	10K 5% 1/4W	
R 243	QRE141J-103Y	C RESISTOR	10K 5% 1/4W	
R 244	QRE141J-103Y	C RESISTOR	10K 5% 1/4W	
R 245	QRE141J-563Y	C RESISTOR	56K 5% 1/4W	
R 246	QRE141J-823Y	C RESISTOR	82K 5% 1/4W	
R 247	QRE141J-394Y	C RESISTOR	390K 5% 1/4W	
R 248	QRE141J-334Y	C RESISTOR	330K 5% 1/4W	
R 249	QRE141J-475Y	C RESISTOR	4.7M 5% 1/4W	
R 250	QRE141J-475Y	C RESISTOR	4.7M 5% 1/4W	
R 251	QRE141J-103Y	C RESISTOR	10K 5% 1/4W	
R 252	QRE141J-103Y	C RESISTOR	10K 5% 1/4W	
R 253	QRE141J-103Y	C RESISTOR	10K 5% 1/4W	
R 254	QRE141J-100Y	C RESISTOR	10 5% 1/4W	
R 255	QRE141J-100Y	C RESISTOR	10 5% 1/4W	
R 256	QRE141J-472Y	C RESISTOR	4.7K 5% 1/4W	
R 257	QRE141J-332Y	C RESISTOR	3.3K 5% 1/4W	
R 258	QRE141J-103Y	C RESISTOR	10K 5% 1/4W	
R 259	QRE141J-104Y	C RESISTOR	100K 5% 1/4W	
R 260	QRE141J-473Y	C RESISTOR	47K 5% 1/4W	
R 261	QRE141J-473Y	C RESISTOR	47K 5% 1/4W	
R 262	QRE141J-103Y	C RESISTOR	10K 5% 1/4W	

Item	Parts number	Parts name	Remarks	Area
R 263	QRE141J-103Y	C RESISTOR	10K 5% 1/4W	
R 264	QRE141J-103Y	C RESISTOR	10K 5% 1/4W	
R 265	QRE141J-223Y	C RESISTOR	22K 5% 1/4W	
R 266	QRE141J-472Y	C RESISTOR	4.7K 5% 1/4W	
R 267	QRE141J-103Y	C RESISTOR	10K 5% 1/4W	
R 268	QRE141J-103Y	C RESISTOR	10K 5% 1/4W	
R 269	QRE141J-103Y	C RESISTOR	10K 5% 1/4W	
R 270	QRE141J-103Y	C RESISTOR	10K 5% 1/4W	
R 271	QRE141J-472Y	C RESISTOR	4.7K 5% 1/4W	
R 272	QRE141J-472Y	C RESISTOR	4.7K 5% 1/4W	
R 273	QRE141J-221Y	C RESISTOR	220 5% 1/4W	
R 274	QRE141J-221Y	C RESISTOR	220 5% 1/4W	
R 275	QRE141J-221Y	C RESISTOR	220 5% 1/4W	
R 276	QRE141J-223Y	C RESISTOR	22K 5% 1/4W	
R 277	QRE141J-103Y	C RESISTOR	10K 5% 1/4W	
R 300	QRE141J-332Y	C RESISTOR	3.3K 5% 1/4W	
R 301	QRE141J-563Y	C RESISTOR	56K 5% 1/4W	
R 302	QRE141J-182Y	C RESISTOR	1.8K 5% 1/4W	
R 303	QRZ9015-101X	F.RES I/M	100 1/0W	
R 304	QRE141J-103Y	C RESISTOR	10K 5% 1/4W	
R 305	QRT012J-R22	UNF.MF.RES.	5% 1/1W	
R 306	QRT012J-R22	UNF.MF.RES.	5% 1/1W	
R 307	QRE141J-563Y	C RESISTOR	56K 5% 1/4W	
R 308	QRE141J-102Y	C RESISTOR	1.0K 5% 1/4W	
R 309	QRE141J-153Y	C RESISTOR	15K 5% 1/4W	
R 310	QRE141J-473Y	C RESISTOR	47K 5% 1/4W	
R 311	QRK126J-4R7X	C RESISTOR	4.7 5% 1/2W	
R 312	QRE141J-4R7Y	C RESISTOR	4.7 5% 1/4W	
R 313	QRT012J-R22	UNF.MF.RES.	5% 1/1W	
R 314	QRT012J-R22	UNF.MF.RES.	5% 1/1W	
R 315	QRZ9015-101X	F.RES I/M	100 1/0W	
R 316	QRE141J-182Y	C RESISTOR	1.8K 5% 1/4W	
R 317	QRE141J-563Y	C RESISTOR	56K 5% 1/4W	
R 318	QRE141J-332Y	C RESISTOR	3.3K 5% 1/4W	
R 319	QRE141J-563Y	C RESISTOR	56K 5% 1/4W	
R 320	QRK126J-4R7X	C RESISTOR	4.7 5% 1/2W	
R 321	QRE141J-4R7Y	C RESISTOR	4.7 5% 1/4W	
R 322	QRE141J-473Y	C RESISTOR	47K 5% 1/4W	
R 323	QRE141J-102Y	C RESISTOR	1.0K 5% 1/4W	
R 324	QRE141J-153Y	C RESISTOR	15K 5% 1/4W	
R 325	QRE141J-332Y	C RESISTOR	3.3K 5% 1/4W	
R 326	QRE141J-563Y	C RESISTOR	56K 5% 1/4W	
R 327	QRE141J-182Y	C RESISTOR	1.8K 5% 1/4W	
R 328	QRZ9015-101X	F.RES I/M	100 1/0W	
R 329	QRE141J-103Y	C RESISTOR	10K 5% 1/4W	
R 330	QRT012J-R22	UNF.MF.RES.	5% 1/1W	
R 331	QRT012J-R22	UNF.MF.RES.	5% 1/1W	
R 332	QRE141J-563Y	C RESISTOR	56K 5% 1/4W	
R 333	QRE141J-102Y	C RESISTOR	1.0K 5% 1/4W	
R 334	QRE141J-153Y	C RESISTOR	15K 5% 1/4W	
R 335	QRE141J-473Y	C RESISTOR	47K 5% 1/4W	
R 336	QRK126J-4R7X	C RESISTOR	4.7 5% 1/2W	
R 337	QRE141J-4R7Y	C RESISTOR	4.7 5% 1/4W	
R 338	QRT012J-R22	UNF.MF.RES.	5% 1/1W	
R 339	QRT012J-R22	UNF.MF.RES.	5% 1/1W	
R 340	QRZ9015-101X	F.RES I/M	100 1/0W	
R 341	QRE141J-182Y	C RESISTOR	1.8K 5% 1/4W	
R 342	QRE141J-563Y	C RESISTOR	56K 5% 1/4W	
R 343	QRE141J-332Y	C RESISTOR	3.3K 5% 1/4W	
R 344	QRE141J-563Y	C RESISTOR	56K 5% 1/4W	
R 345	QRK126J-4R7X	C RESISTOR	4.7 5% 1/2W	
R 346	QRE141J-4R7Y	C RESISTOR	4.7 5% 1/4W	
R 347	QRE141J-473Y	C RESISTOR	47K 5% 1/4W	

■ Electrical parts list (SP-THA9 Sub board) Block No. 07

△	Item	Parts number	Parts name	Remarks	Area
	R 348	QRE141J-153Y	C RESISTOR	15K 5% 1/4W	
	R 349	QRE141J-102Y	C RESISTOR	1.0K 5% 1/4W	
	R 350	QRE141J-332Y	C RESISTOR	3.3K 5% 1/4W	
	R 351	QRE141J-563Y	C RESISTOR	56K 5% 1/4W	
	R 352	QRE141J-182Y	C RESISTOR	1.8K 5% 1/4W	
	R 353	QRT012J-R22	UNF.MF.RES.	5% 1/1W	
	R 354	QRT012J-R22	UNF.MF.RES.	5% 1/1W	
	R 355	QRE141J-563Y	C RESISTOR	56K 5% 1/4W	
	R 356	QRE141J-102Y	C RESISTOR	1.0K 5% 1/4W	
	R 357	QRE141J-153Y	C RESISTOR	15K 5% 1/4W	
	R 358	QRE141J-473Y	C RESISTOR	47K 5% 1/4W	
	R 359	QRK126J-4R7X	C RESISTOR	4.7 5% 1/2W	
	R 360	QRE141J-4R7Y	C RESISTOR	4.7 5% 1/4W	
	R 370	QRE141J-152Y	C RESISTOR	1.5K 5% 1/4W	
	R 371	QRE141J-152Y	C RESISTOR	1.5K 5% 1/4W	
	R 372	QRE141J-152Y	C RESISTOR	1.5K 5% 1/4W	
	R 373	QRE141J-152Y	C RESISTOR	1.5K 5% 1/4W	
	R 374	QRE141J-152Y	C RESISTOR	1.5K 5% 1/4W	
	R 375	QRE141J-222Y	C RESISTOR	2.2K 5% 1/4W	
	R 376	QRE141J-222Y	C RESISTOR	2.2K 5% 1/4W	
	R 377	QRE141J-222Y	C RESISTOR	2.2K 5% 1/4W	
	R 378	QRE141J-222Y	C RESISTOR	2.2K 5% 1/4W	
	R 379	QRE141J-222Y	C RESISTOR	2.2K 5% 1/4W	
△	RY400	QSK0055-001	RELAY		
	RY401	QSK0109-001	RELAY		
	RY402	QSK0109-001	RELAY		
	RY403	QSK0109-001	RELAY		
△	Z 400	QNG0020-001Z	FUSE CLIP		
△	Z 401	QNG0020-001Z	FUSE CLIP		

< MEMO >

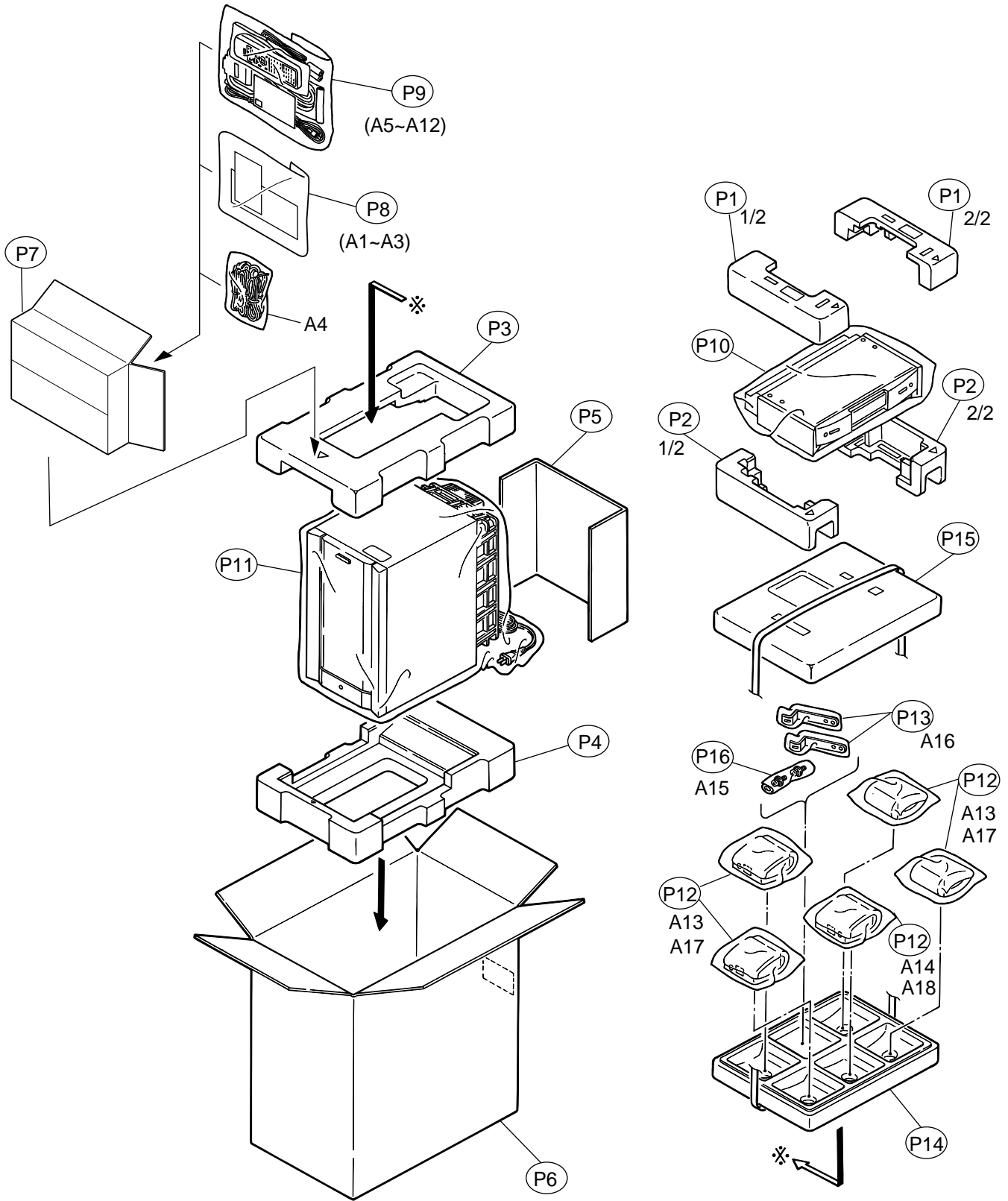
Packing materials and accessories parts list

Block No.

M	4	M	M
---	---	---	---

Block No.

M	5	M	M
---	---	---	---



Parts list (Packing)

Block No. M4MM

△	Item	Parts number	Parts name	Q'ty	Description	Area
	P 1	LV20893-001A	CUSHION(TOP)	1		
	P 2	LV20894-001A	CUSHION(BOTTOM)	1		
	P 3	LV20900-001A	PACKING PAD	1		
	P 4	LV20900-002A	PACKING PAD	1		
	P 5	LV42058-001A	CARTON SHEET	1		
	P 6	LV30580-030A	PACKING CASE	1		
	P 7	LV32624-001A	ACCESSORY BOX	1		
	P 8	QPA02503505P	POLY BAG	1		
	P 9	QPA02503505P	POLY BAG	1		
	P 10	QPC05005015P	POLY BAG	1		
	P 11	QPA08009005P	POLY BAG	1		
	P 12	8500032771	PLY BAG	5	CENTER1,SATELLITE4	
	P 13	8500035701	POLY BAG	2		
	P 14	8000044311	PACKING CUSHION	1	BOTTOM	
	P 15	8000044301	PACKING CUSHION	1	TOP	
	P 16	8500035721	POLY BAG	1		

Parts list (Accessories)

Block No. M5MM

△	Item	Parts number	Parts name	Q'ty	Description	Area
	A 1	LVT0562-002A	INST BOOK	1	ENG	
	A 2	BT-51020-2	J=REGIST CARD	1		
	A 3	YU20333	SAFETY INST.	1		
	A 4	LV42296-002A	SPK CORD ASSY	1		
	A 5	EWP805-001W	REMOTE WIRE	1		
△	A 6	QMPE090-183-JD	POWER CORD	1		
	A 7	QAM0239-003	MINI DIN CABLE	1		
	A 8	QAM0236-001	VIDEO CABLE	1		
	A 9	EWP503-001C	ANT.WIRE	1		
	A 10	QAL0014-001	AM LOOP ANT	1		
	A 11	RM-STHA9J	REMOCON UNIT	1		
	A 12	-----	BATTERY	2		
	A 13	SP-XSA9E	SPEAKER BOX	4	SATELLITE	
	A 14	SP-XCA9E	SPEAKER BOX	1	CENTER	
	A 15	7200035911	BOLT	2		
	A 16	6400020001	BRACKET	2		
	A 17	6000181201	RATING LABEL	4		
	A 18	6000181301	RATING LABEL	1		