

JVC

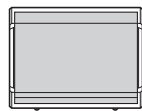
SERVICE MANUAL

DVD DIGITAL THEATER SYSTEM

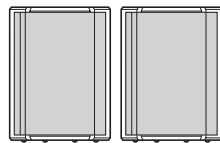
TH-C4

Area suffix

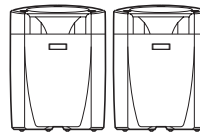
J ----- U.S.A.
C ----- Canada



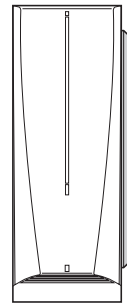
(SP-THC4C)



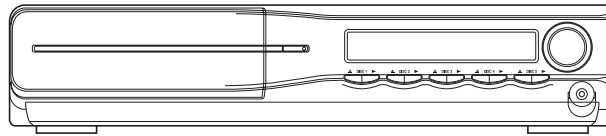
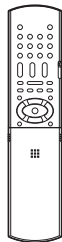
(SP-THC4F)



(SP-THC4S)



(SP-PWC4)



(XV-THC4)



Digital Direct Progressive Scan
AV COMPU LINK

Lead free solder used in the board (material : Sn-Ag-Cu, melting point : 219 Centigrade)

TABLE OF CONTENTS

1	PRECAUTION.....	1-3
2	SPECIFIC SERVICE INSTRUCTIONS.....	1-3
3	DISASSEMBLY.....	1-3
4	ADJUSTMENT.....	1-3
5	TROUBLESHOOTING.....	1-3

SPECIFICATION

Center unit (XV-THC4)

Audio section	Total Harmonic Distortion*1	0.02%
	Digital input*2	DIGITAL IN (DBS)(OPTICAL): -21 dBm to -15 dBm(660 nm ± 30 nm)
Video section	Video System	NTSC
	Horizontal Resolution	500 lines
	Signal-to-Noise Ratio	64 dB
	Video output level	Composite: 1.0 V(p-p)/75 Ω S-video-Y: 1.0 V(p-p)/75 Ω S-video-C: 0.286 V(p-p)/75 Ω Component-Y: 1.0 V(p-p)/75 Ω Component-PB/PR: 0.7 V(p-p)/75 Ω
	Video input sensitivity/Impedance (VCR IN)	Composite: 1.0 V(p-p)/75 Ω S-video-Y: 1.0 V(p-p)/75 Ω S-video-C: 0.286 V(p-p)/75 Ω
Tuner section	Tuning Range	FM: 87.5 MHz to 108.0 MHz AM: 530 kHz to 1 710 kHz
General	Power Requirements	AC 120 V , 60 Hz
	Power Consumption	16 W (at operation) 1.3 W (in standby mode)
	Dimensions (W × H × D)	400 mm × 85 mm × 399 mm (15-3/4 inches × 3-3/8 inches × 15-3/4 inches)
	Mass	4.2 kg (9.3 lbs)

*1: This value is measured at System cord CONNECTOR for reference.

*2: Corresponding to Linear PCM, Dolby Digital, and DTS Digital Surround (with sampling frequency - 32 kHz, 44.1 kHz, 48 kHz)

Subwoofer (SP-PWC4)

Amplifier section	Front/Center/Surround	167W per channel, RMS at 3 Ω at 1 kHz, with 10 % total harmonic distortion.
	Subwoofer	167 W, RMS at 3 Ω at 100 Hz, with 10 % total harmonic distortion.
Speaker section	Speaker unit	16 cm (6-5/16 inches) Bass-reflex
	Power Handling Capacity	170 W
	Impedance	3 Ω
	Frequency Range	25 Hz to 200 Hz
General	Power Requirements	AC 120 V , 60 Hz
	Power Consumption	160 W (at operation) 0 W (in standby mode)
	Dimensions (W × H × D)	169 mm × 411 mm × 451 mm (6-11/16 inches × 16-3/16 inches × 17-13/16 inches)
	Mass	11.5 kg (25.4 lbs)

Satellite Speakers (SP-XTHC4)

Front speakers (SP-THC4F)	Speaker unit	8.0 cm (3-3/16 inches) 1.5 cm (5/8 inches) Bass-reflex, Magnetically Shielded
	Power Handling Capacity	170 W
	Impedance	3 Ω
	Frequency Range	80 Hz to 20 kHz
	Dimensions (W × H × D)	104.5 mm × 139 mm × 101 mm (4-1/8 inches × 5-1/2 inches × 4 inches)
	Mass	0.56 kg (1.3 lbs) each
Center speaker (SP-THC4C)	Speaker unit	8.0 cm (3-3/16 inches) 1.5 cm (5/8 inches) Bass-reflex, Magnetically Shielded
	Power Handling Capacity	170 W
	Impedance	3 Ω
	Frequency Range	80 Hz to 20 kHz
	Dimensions (W × H × D)	137 mm × 105 mm × 104.5 mm (5-7/16 inches × 4-3/16 inches × 4-1/8 inches)
	Mass	0.57 kg (1.3 lbs)
Surround speakers (SP-THC4S)	Speaker unit	8.0 cm (3-3/16 inches) Bass-reflex
	Power Handling Capacity	170 W
	Impedance	3 Ω
	Frequency Range	80 Hz to 20 kHz
	Dimensions (W × H × D)	111.5 mm × 148 mm × 106.5 mm (4-7/16 inches × 5-7/8 inches × 4-1/4 inches)
	Mass	0.56 kg (1.3 lbs) each

Designs & specifications are subject to change without notice.

**SECTION 1
PRECAUTION**

Please refer to "TH-C3 (No.MB358)" about this section.

**SECTION 2
SPECIFIC SERVICE INSTRUCTIONS**

Please refer to "TH-C3 (No.MB358)" about this section.

**SECTION 3
DISASSEMBLY**

Please refer to "TH-C3 (No.MB358)" about this section.

**SECTION 4
ADJUSTMENT**

Please refer to "TH-C3 (No.MB358)" about this section.

**SECTION 5
TROUBLESHOOTING**

Please refer to "TH-C3 (No.MB358)" about this section.



JVC

Victor Company of Japan, Limited

AV & MULTIMEDIA COMPANY AUDIO/VIDEO SYSTEMS CATEGORY 10-1,1chome,Ohwatari-machi,Maebashi-city,371-8543,Japan

(No.MB380)



Printed in Japan
VPT

JVC

SCHEMATIC DIAGRAMS

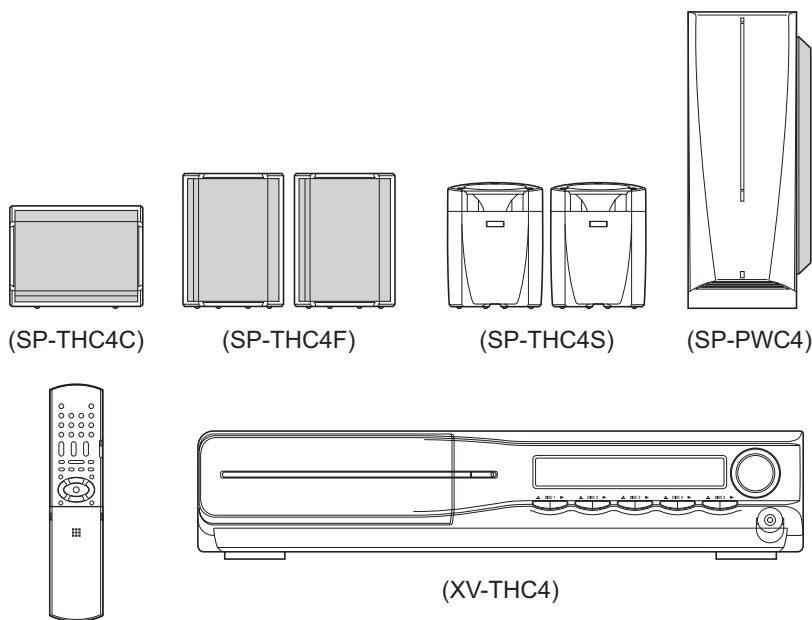
DVD DIGITAL THEATER SYSTEM

TH-C4

CD-ROM No.SML200505

Area suffix

J ----- U.S.A.
C ----- Canada



Lead free solder used in the board (material : Sn-Ag-Cu, melting point : 219 Centigrade)

Contents

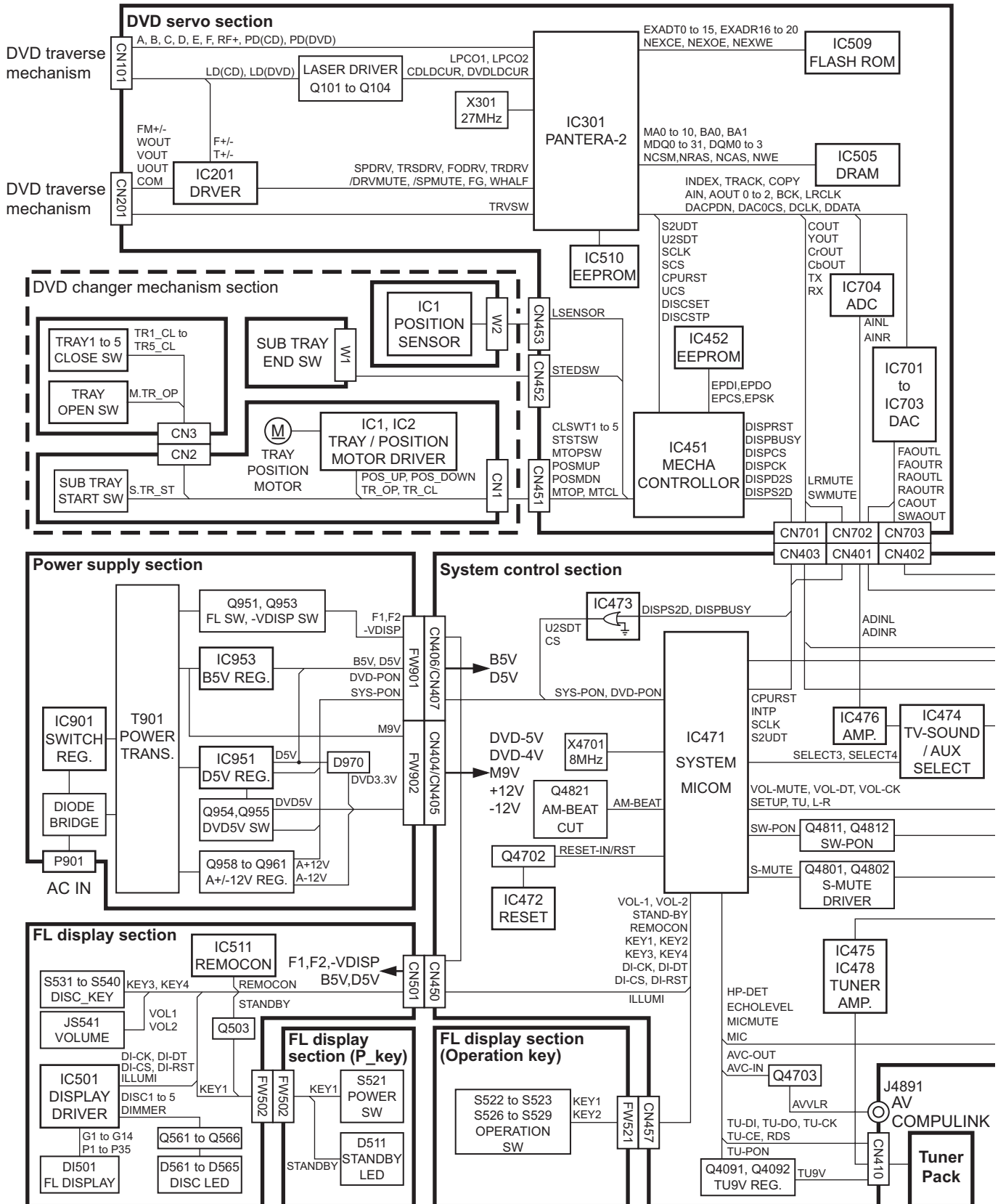
Block diagram	2-1
Standard schematic diagrams	2-3
Printed circuit boards	2-23 to 32

In regard with component parts appearing on the silk-screen printed side (parts side) of the PWB diagrams, the parts that are printed over with black such as the resistor (■), diode (⊣) and ICP (●) or identified by the "⚠" mark nearby are critical for safety.

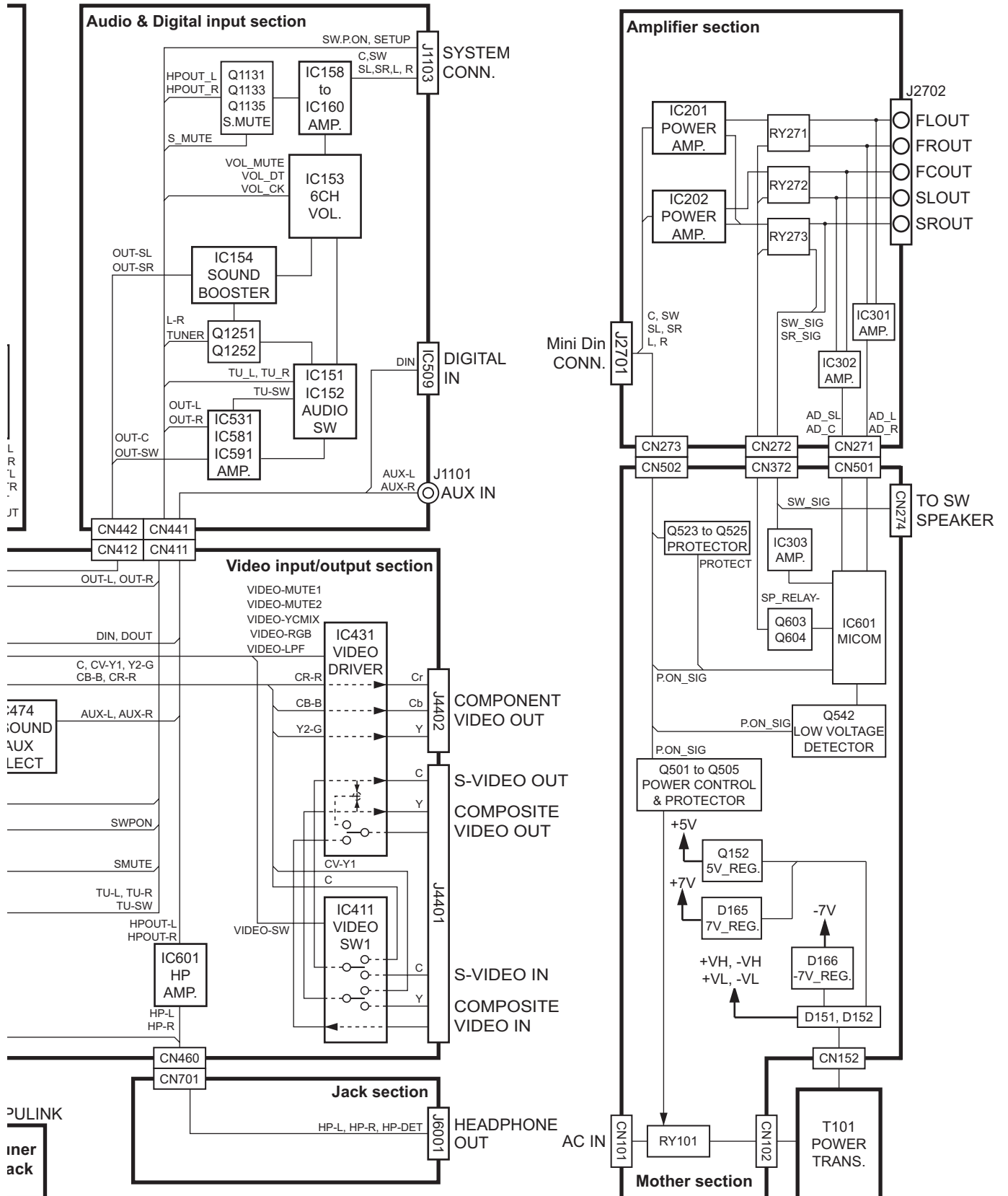
< MEMO >

Block diagram

<Main body section>



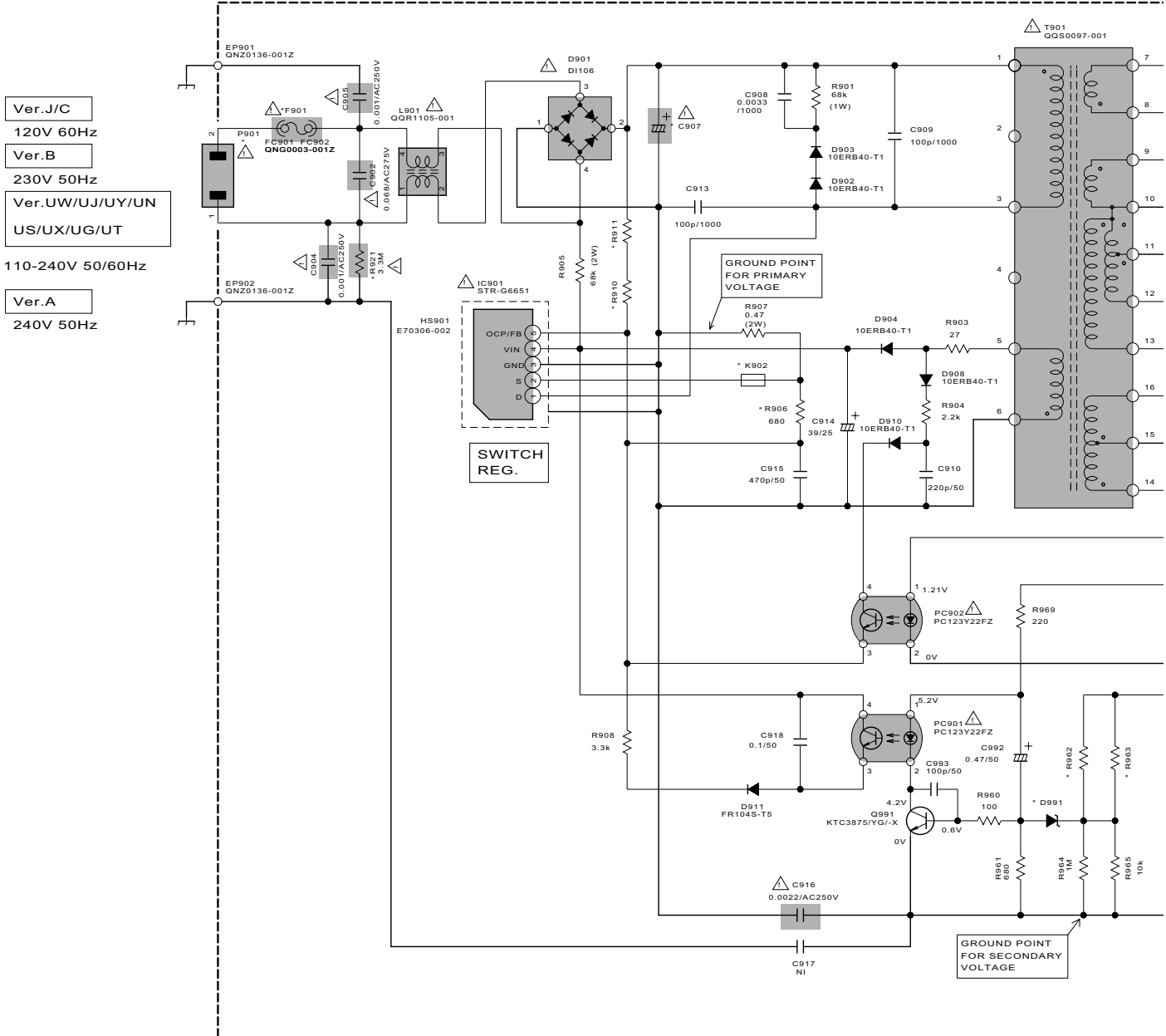
<Subwoofer section>



Standard schematic diagrams

<Main body section>

■ Power supply section



- Ver.J/C
120V 60Hz
- Ver.B
230V 50Hz
- Ver.UW/UJ/UY/UN
US/UX/UG/UT
110-240V 50/60Hz
- Ver.A
240V 50Hz

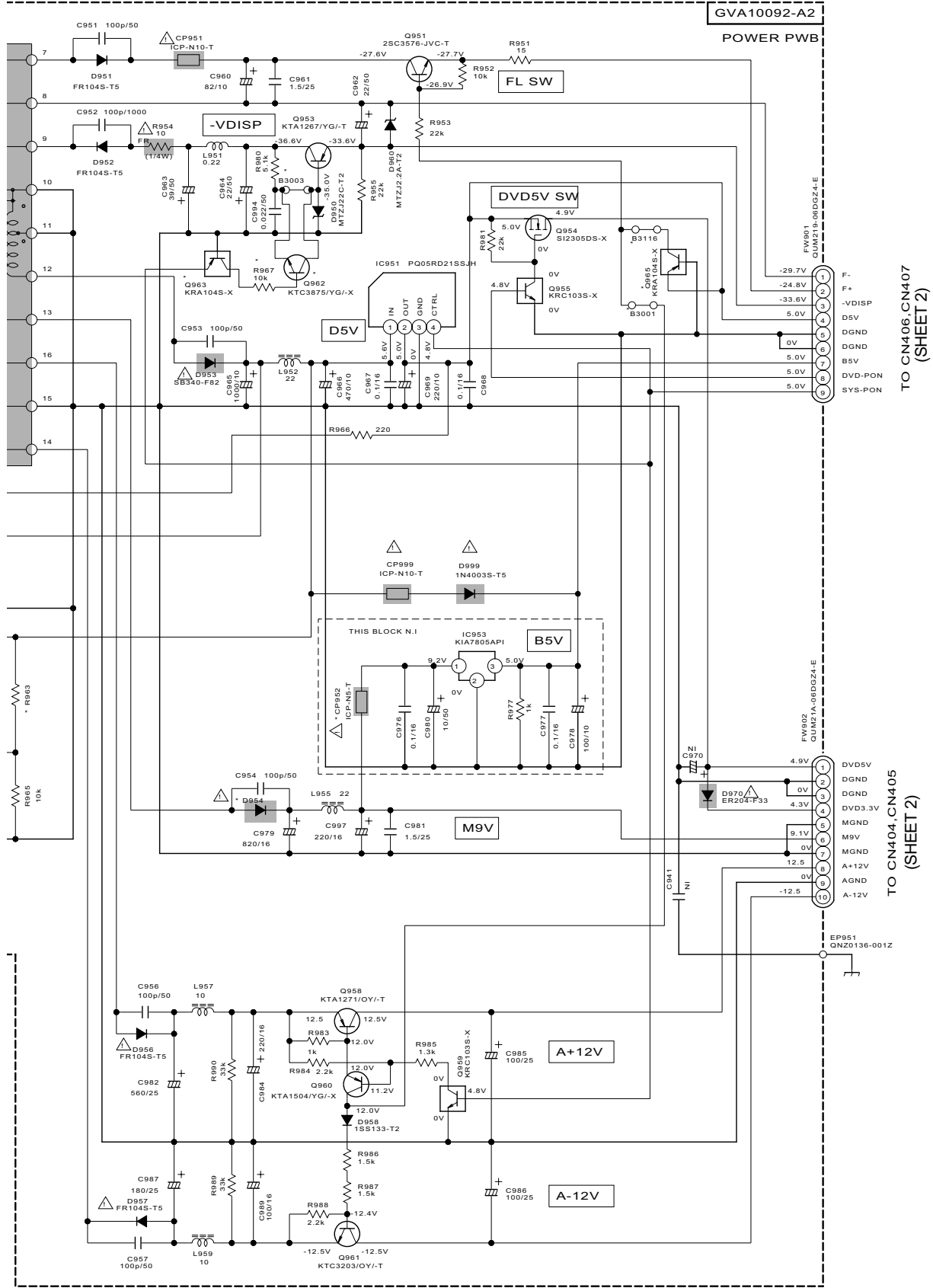
Ver.	ADDRESS	D	J/C	B	UY/UW/UJ/UA US/UN/UX/UG/UT
*F901	(A-3)	QMF51U1-1R6-J8 (1.6A/125V)	QMF51U1-1R6-J8 (1.6A/125V)	QMF51W2-1R6-J8 (T1.6AL)	QMF51W2-1R6-J8 (T1.6AL)
*R962	(E-7)	1M	1M	NONE	NONE
*R963	(E-8)	100	100	180	180
*D991	(F-7)	MTZJ5.1C-T2	MTZJ5.1C-T2	MTZJ5.1B-T2	MTZJ5.1B-T2
*K902	(C-5)	QQR0778-001Z	QQR0779-001Z	0 (B3199)	0 (B3199)
*R921	(B-3)	NONE	3.3M	NONE	NONE
*P901	(B-2)	QNC0081-001	QNC0082-001	QNC0081-001	QNC0081-001
*R910 *R911	(B-5)	750k	750k	470k	470k
*CP952	(F-10)	0 (B3198)	ICP-N5-T	ICP-N5-T	ICP-N5-T

Ver.	ADDRESS	D	J/C	B	UY/UW/UJ/UA US/UN/UX/UG/UT
*C907	(B-5)	QETM2DM-157 (150/200)	QETM2DM-157 (150/200)	QETM2GM-686 (68/400)	QETM2GM-107 (100/400)
*D954	(F-9)	FR104S-T6	10ERB40-T1	FR104S-T5	FR104S-T5
*B3003	(B-10)		SHORT	OPEN	SHORT

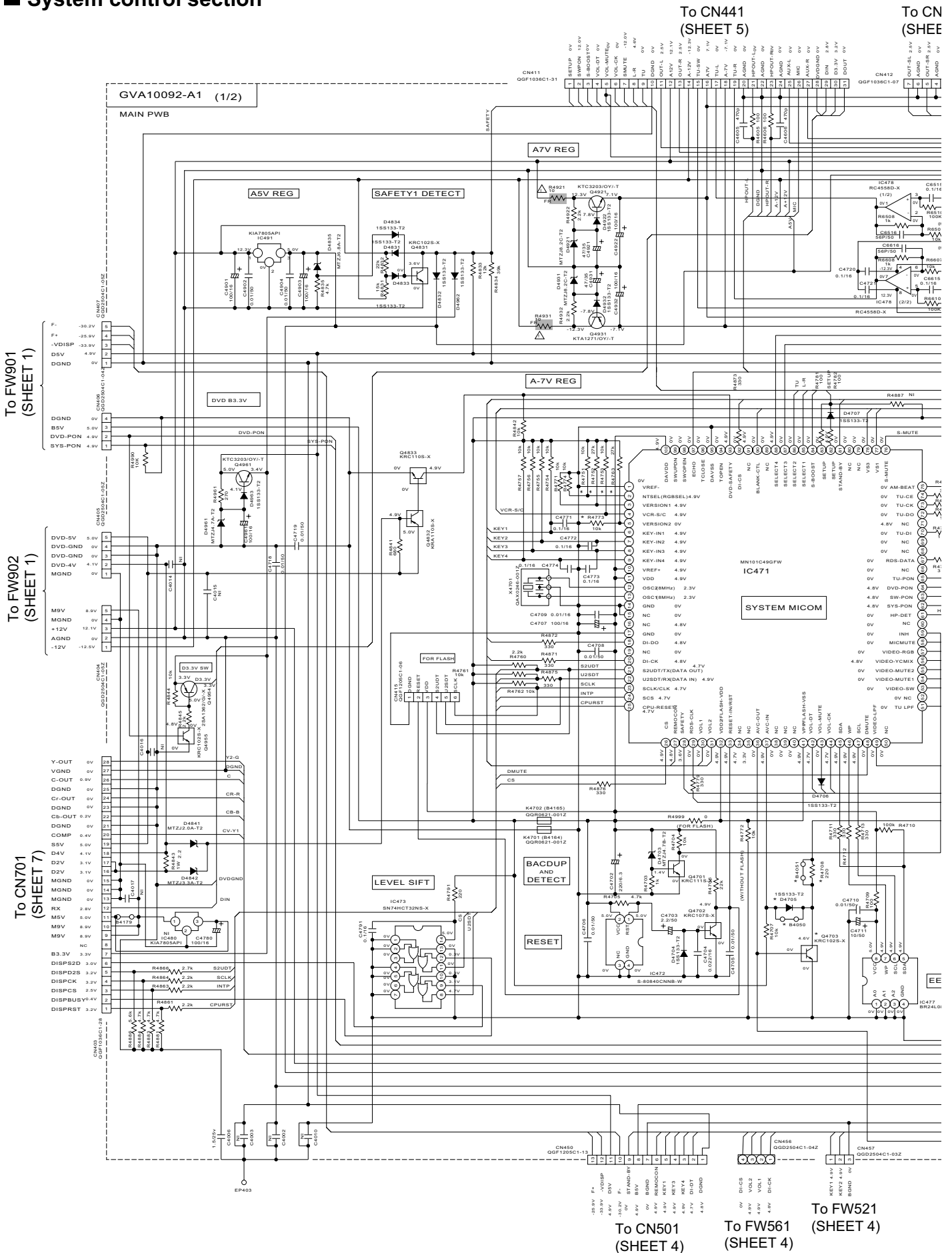
VERSION CODES
J : U.S.A.
C : CANADA
B : GREAT BRITAIN
UW : BRAZIL/MEXICO/PERU
UY : ARGENTINE
UJ : USA MILITARY BASE
A : AUSTRALIA
US : SINGAPORE
UG : TURKEY/EGYPT/SOUTH AFRICA
UN : INDONESIA
UX : SAUDI ARABIA
UT : TAIWAN

*
FOR POWER CONSUMPTION C/M:
Q962, Q963, R967 USED FOR B VERSION ONLY
OTHERS USE B3003
Q965 & B3116 USED FOR B VERSION ONLY
OTHERS USE B3001

▲ Parts are safety assurance parts.
When replacing those parts make
sure to use the specified one.



System control section

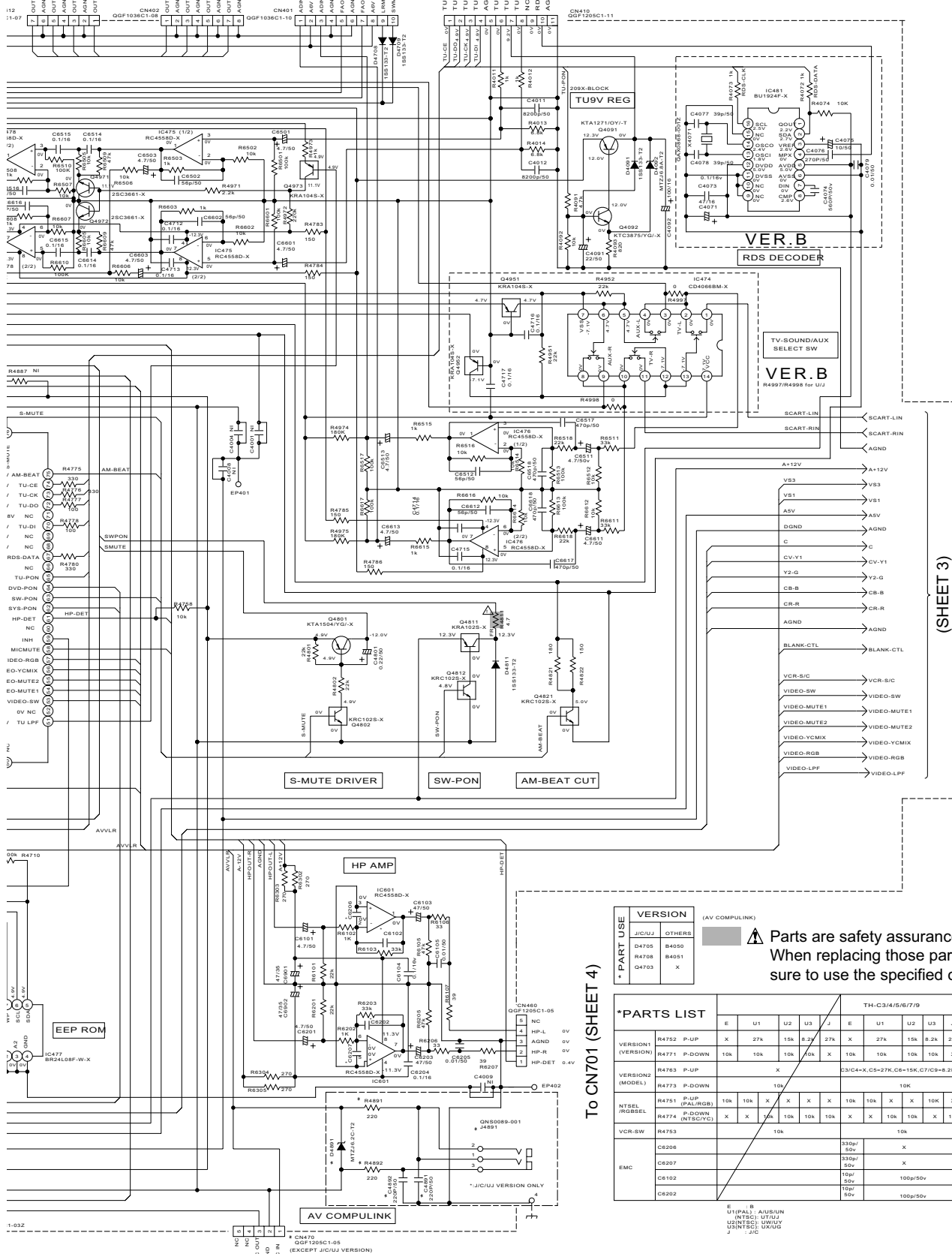


To CN442
(SHEET 5)

To CN703
(SHEET 7)

To CN702
(SHEET 7)

To TUNER



(SHEET 3)

To CN701 (SHEET 4)

PART USE	VERSION	
	J/C/U/J	OTHERS
D4705	B4500	
R4706	B4051	
G4703	X	

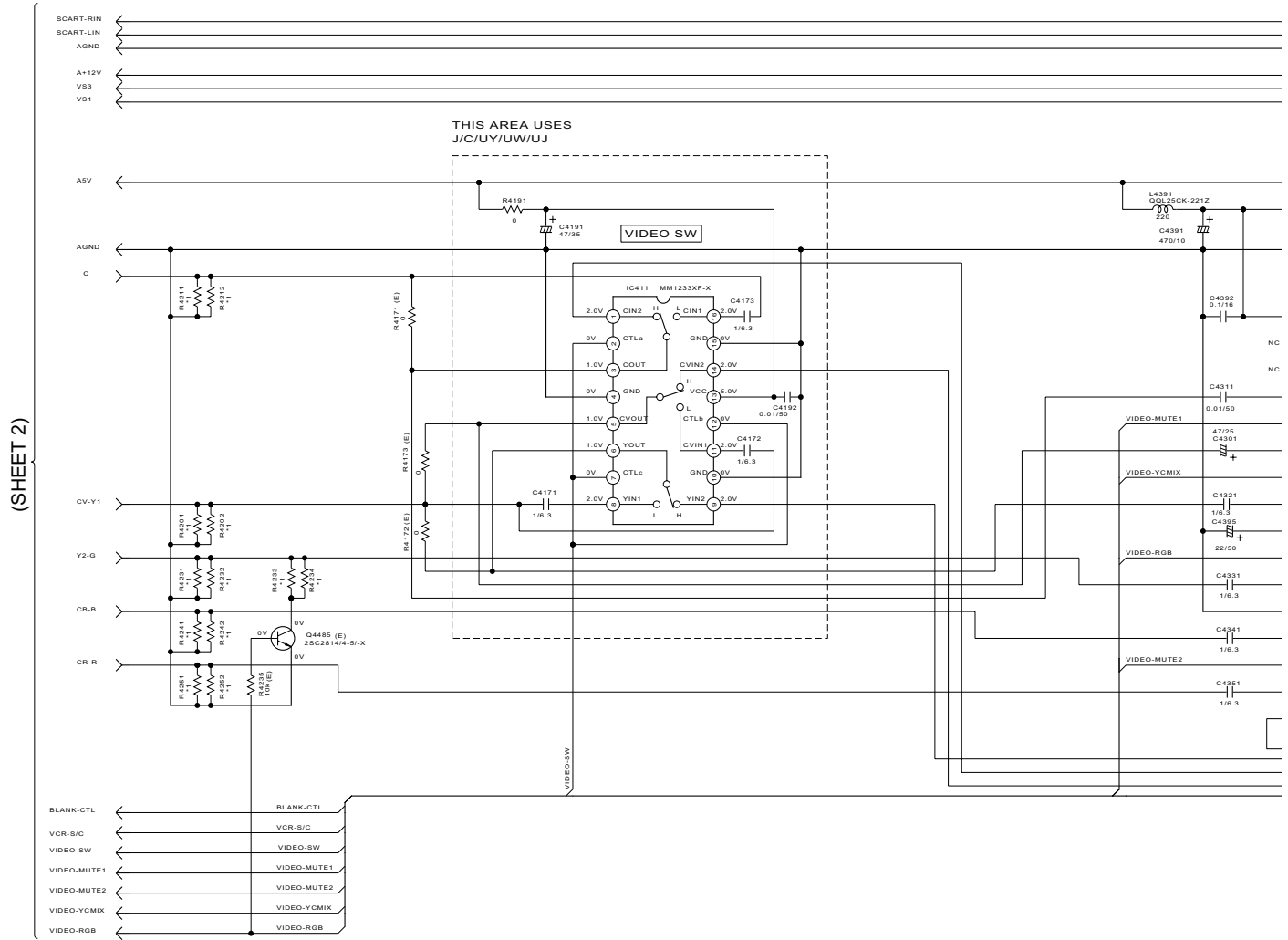
⚠ Parts are safety assurance parts. When replacing those parts make sure to use the specified one.

VERSION1 (MODEL)	VERSION2 (MODEL)	TH-C3/4/5/6/7/9													
		E	U1	U2	U3	E	U1	U2	U3	J	J	J			
R4752 P-UP		X	27k	15k	8.2k	27k	X	27k	15k	8.2k	27k				
R4771 P-DOWN		10k	10k	10k	10k	X	10k	10k	10k	10k	10k	X			
R4763 P-UP					X										
R4773 P-DOWN					10k										
R4751 P-UP (PAL/RGB)		10k	10k	X	X	X	X	10k	10k	X	X	10k	X		
R4774 P-DOWN (NTSC/VC)		X	X	10k	10k	10k	10k	X	X	10k	10k	X	10k	X	
VCR-SW	R4753				10k										
EMC	C6206									330p		X			
	C6207									330p		X			
	C6102									10p			100p/50v		
	C6202									10p			100p/50v		

E: B
U1(PAL) A/U/S/U
U2(NTSC) U1/U/J
U3(NTSC) U1/U/J
J: J/C

Video input / output section

GVA10092-A1

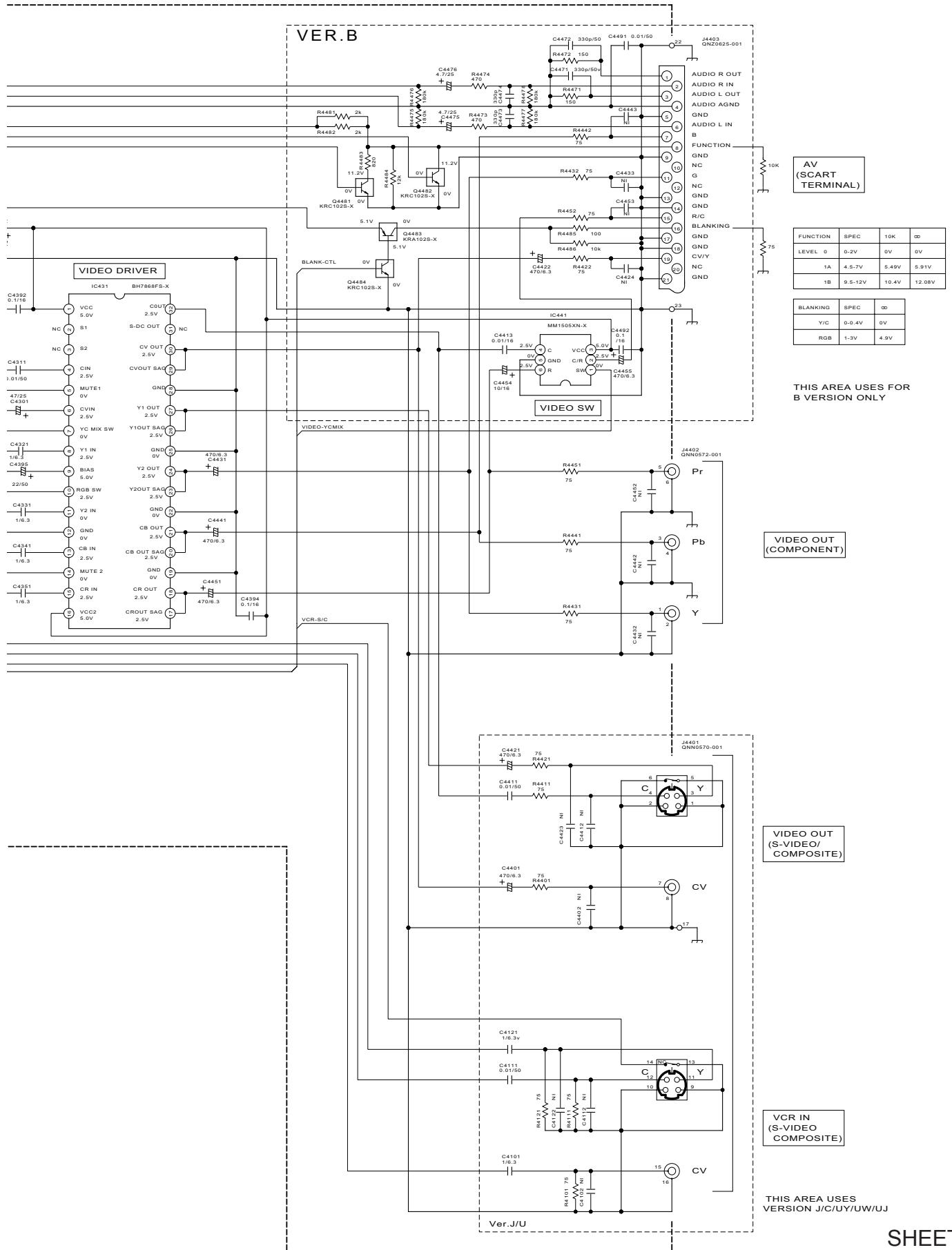


***1 PARTS LIST**

		B	U/J
CV-Y1	R4201	560	510
	R4202	330	330
C	R4211	240	560
	R4212	X	560
Y2-G	R4231	560	510
	R4232	330	330
	R4233	820	X
	R4234	220	X
Cb-B	R4241	470	560
	R4242	120	120
Cr-R	R4251	470	560
	R4252	120	120

U : U/J/UW/UY/US/UN/UX/UG/UT/UA

J : J/C



AV
(SCART
TERMINAL)

FUNCTION	SPEC	10K	∞
LEVEL 0	0-2V	0V	0V
1A	4.5-7V	5.49V	5.91V
1B	9.5-12V	10.4V	12.08V

BLANKING	SPEC	∞
Y/C	0-0.4V	0V
RGB	1-3V	4.0V

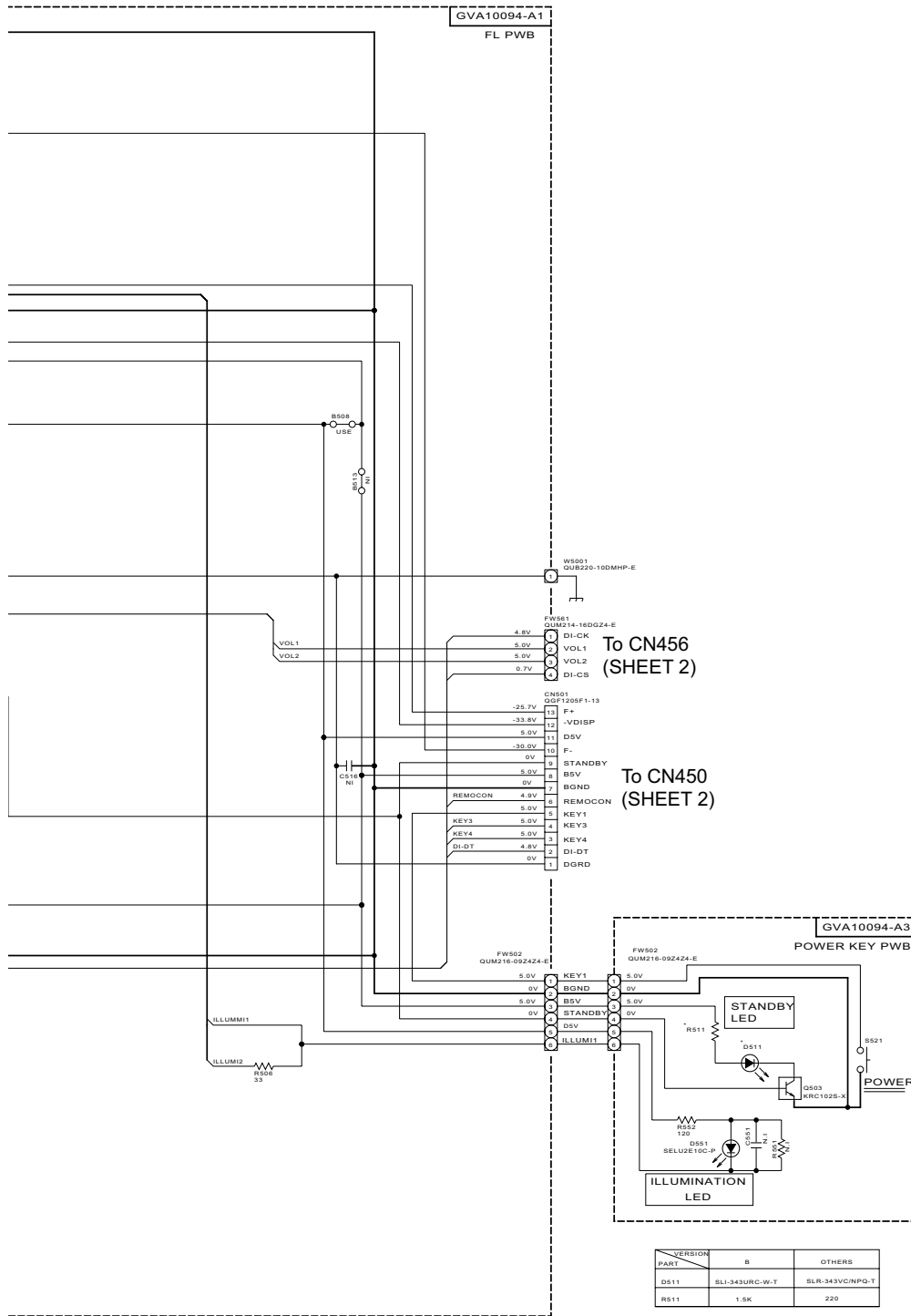
THIS AREA USES FOR
B VERSION ONLY

VIDEO OUT
(COMPONENT)

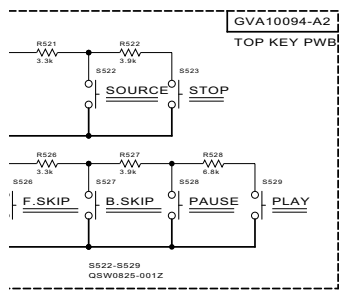
VIDEO OUT
(S-VIDEO/
COMPOSITE)

VCR IN
(S-VIDEO
COMPOSITE)

THIS AREA USES
VERSION J/C/U/Y/UW/UJ



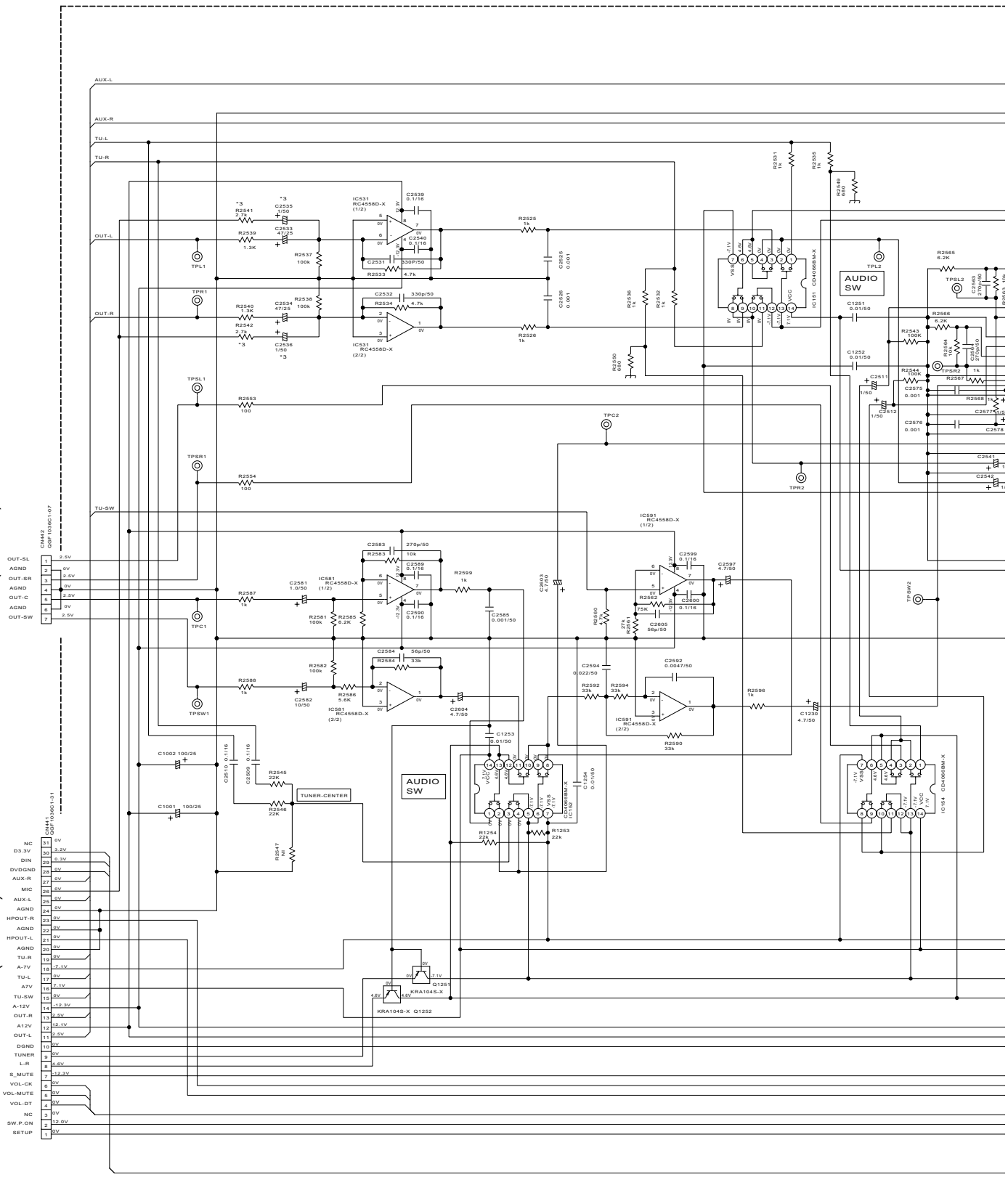
VERSION	B	OTHERS
PART	SLI-343URC-W-T	SLR-343VC/NPD-T
R511	1.5K	220



Audio & Digital input section

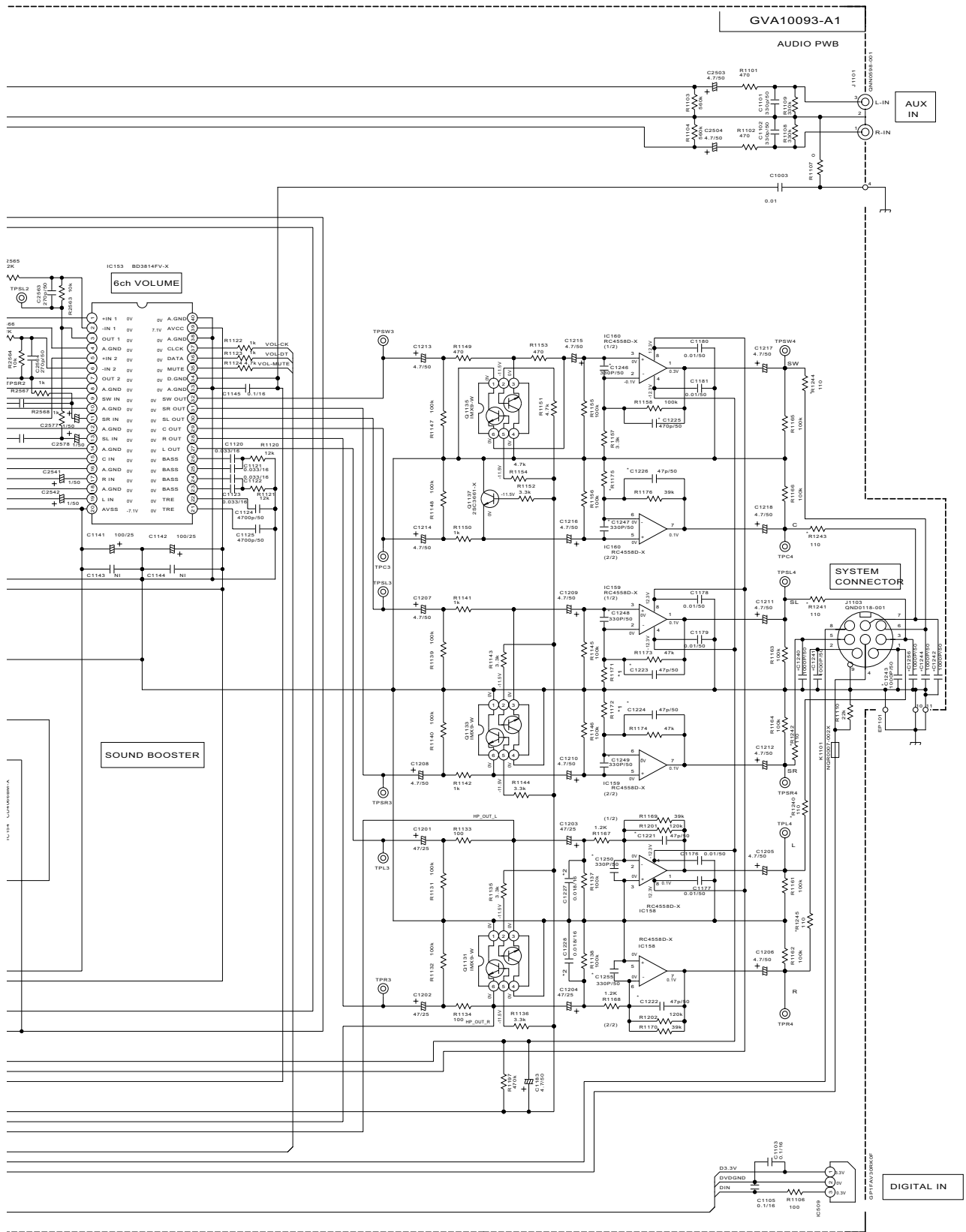
To CN412 (SHEET 2)

To CN411 (SHEET 2)



*1 VERSION	
XV-THC3/4	
XV-THC5	
XV-THC6	
XV-THC7/9	

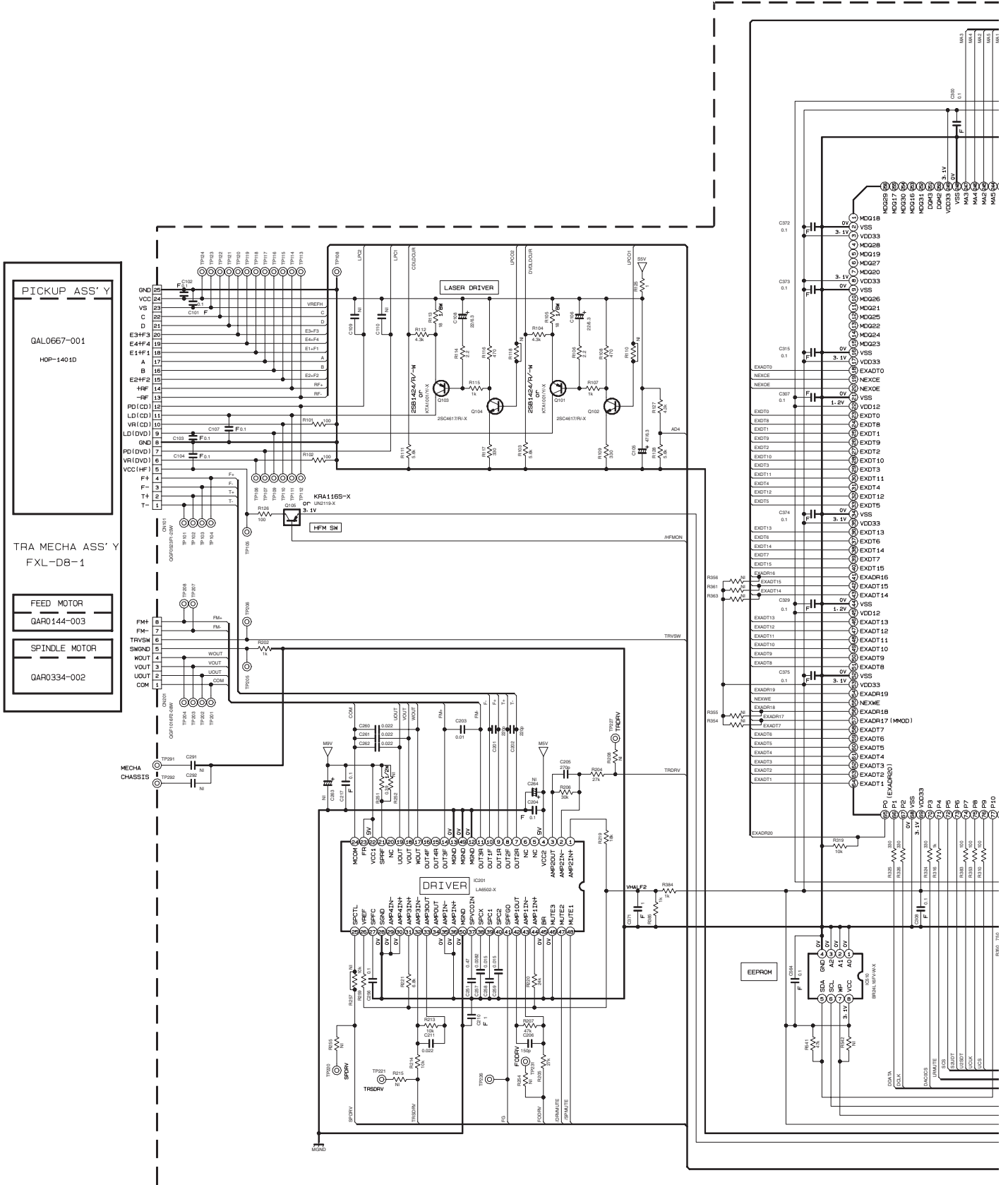
*3 USE U seri. With MIC.

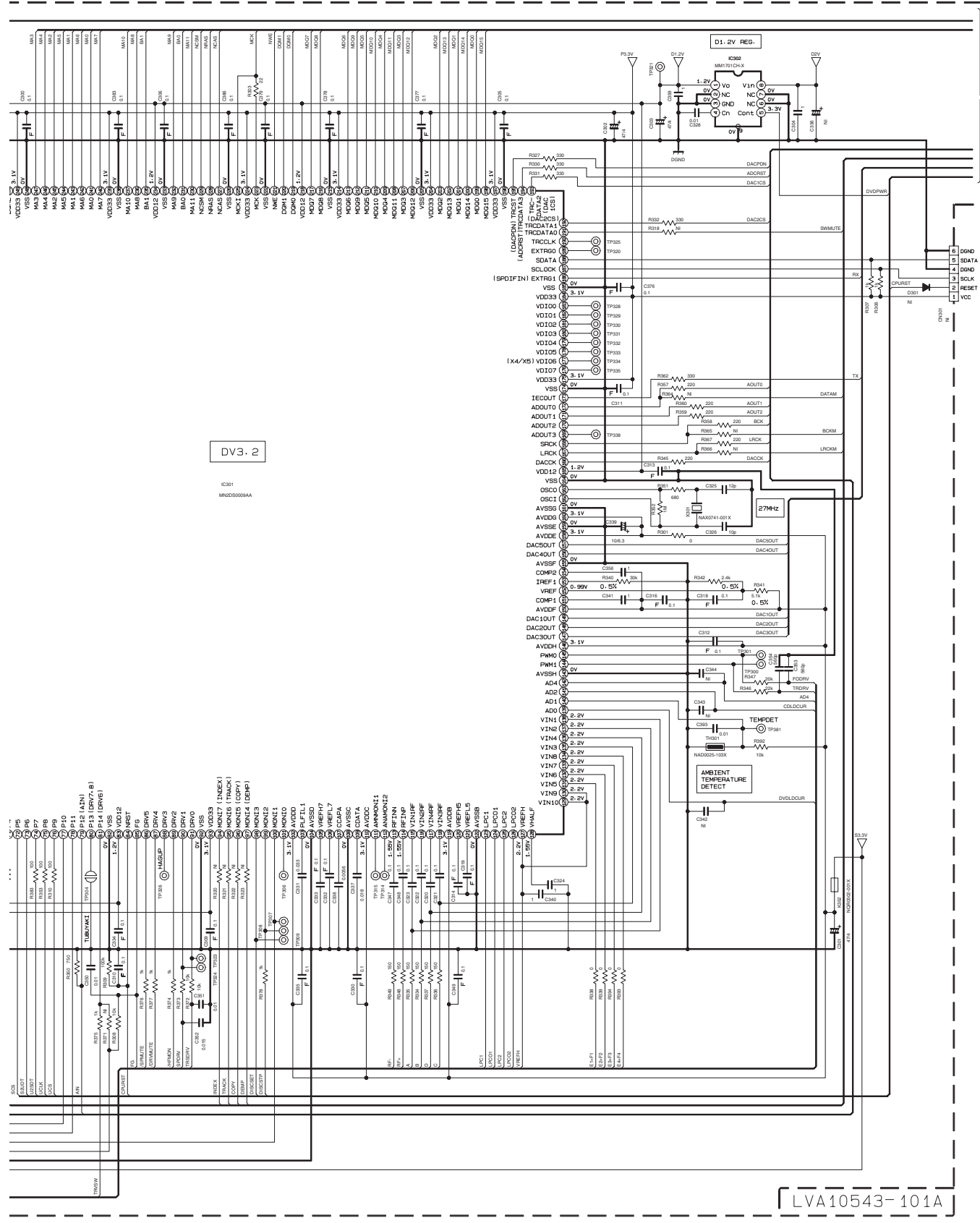


ION	R1171 R1172	R1175
/4	1.5k	2K
	2K	1.8k
	2K	2K
/9	1.8K	2K

* EMC C/M		
PART	B	OTHERS
C1246, C1248, C1247	330p	NONE
C1249, C1250, C1255		
R1240, R1241, R1242	100 ohm	0 ohm
R1243, R1244, R1245		
C1240, C1241, C1242	1000p	NONE
C1243, C1244, C1256		
C1221, C1222, C1223		NONE
C1224, C1225, C1226		USE

■ DVD servo section (1/2)

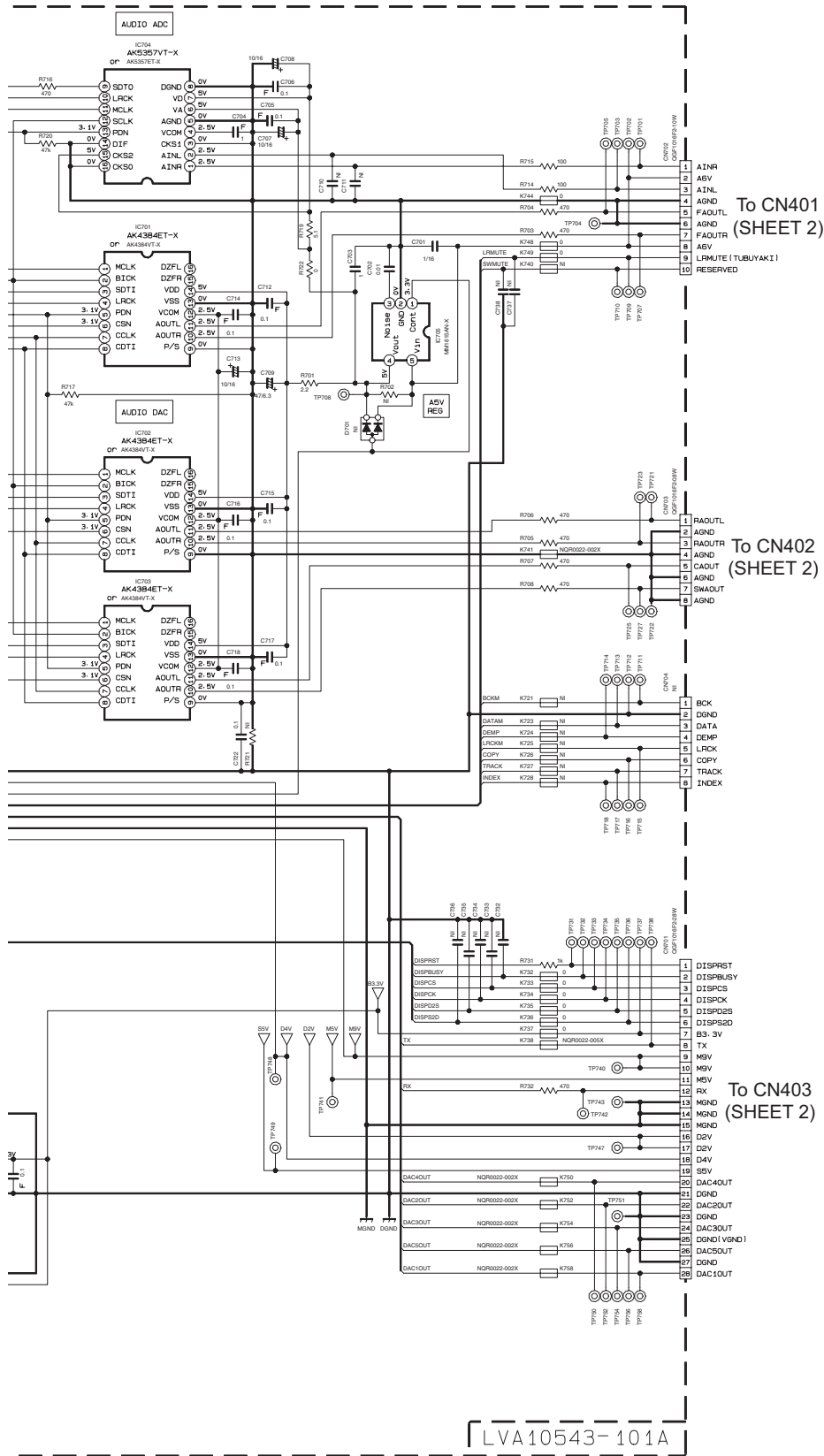




DV3.2

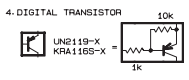
IC901
MMS500003AA

LVA10543-101A



NOTES

1. VOLTAGES ARE DC-MEASURED WITH A DIGITAL VOLT METER WITHOUT INPUT SIGNAL. CONDITION — A DVD disc in the Tray 1 and STOP mode.
2. UNLESS OTHERWISE SPECIFIED:
 ALL RESISTORS ARE 1/16W ±5% METAL GLAZE RESISTOR, OR 0.5% METAL GLAZE RESISTOR.
 ALL CAPACITORS ARE 50V, 25V, 16V, 10V or 6.3V CERAMIC CAPACITOR.
 ALL RESISTANCE VALUES ARE IN OHM(Ω).
 ALL CAPACITANCE VALUES ARE IN pF(pF).
 ALL E-CAPACITORS ARE SHOWN IN THE FORM OF CAPACITANCE(μF) / RATED VOLTAGE (V).
 ALL INDUCTANCE VALUES ARE IN μH(mH).
3. NI STANDS FOR NOT INSERTED PARTS.

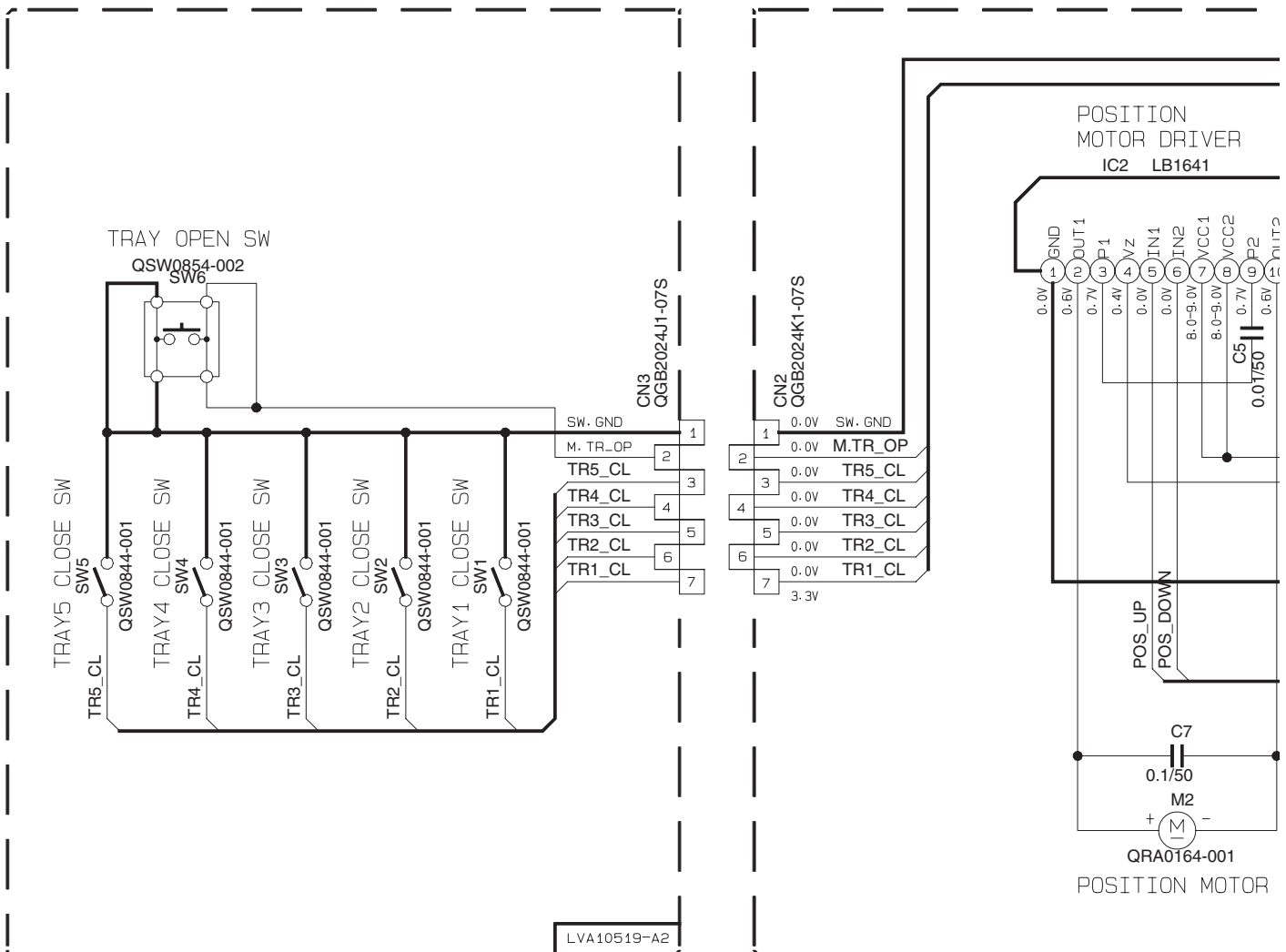


To CN401
(SHEET 2)

To CN402
(SHEET 2)

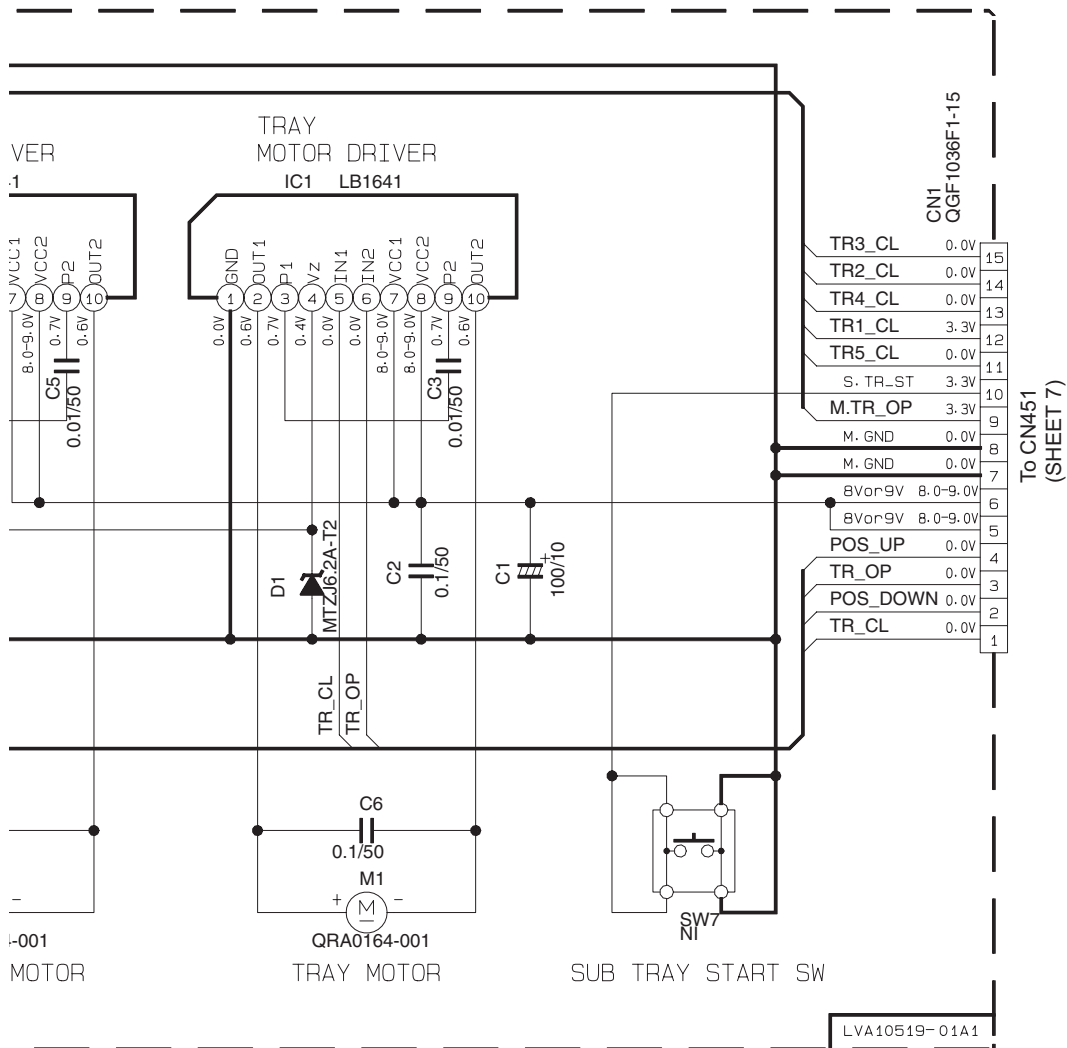
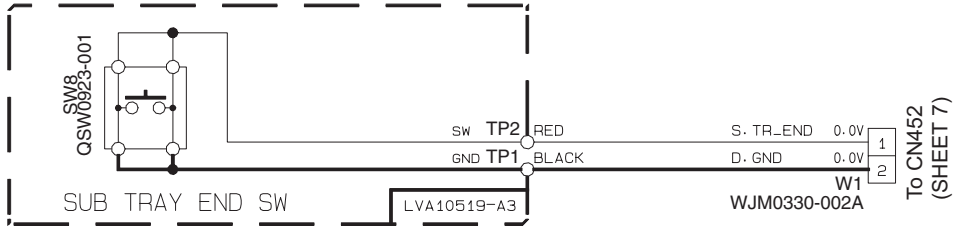
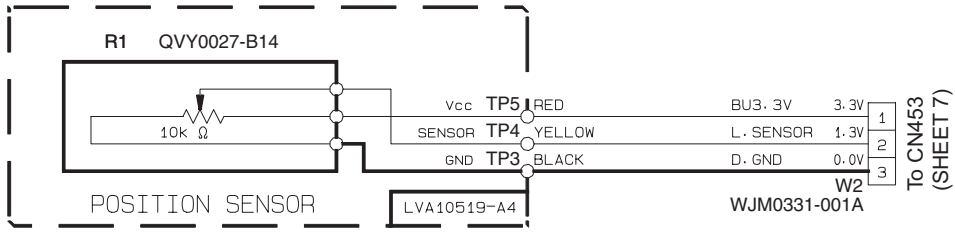
To CN403
(SHEET 2)

DVD changer mechanism section



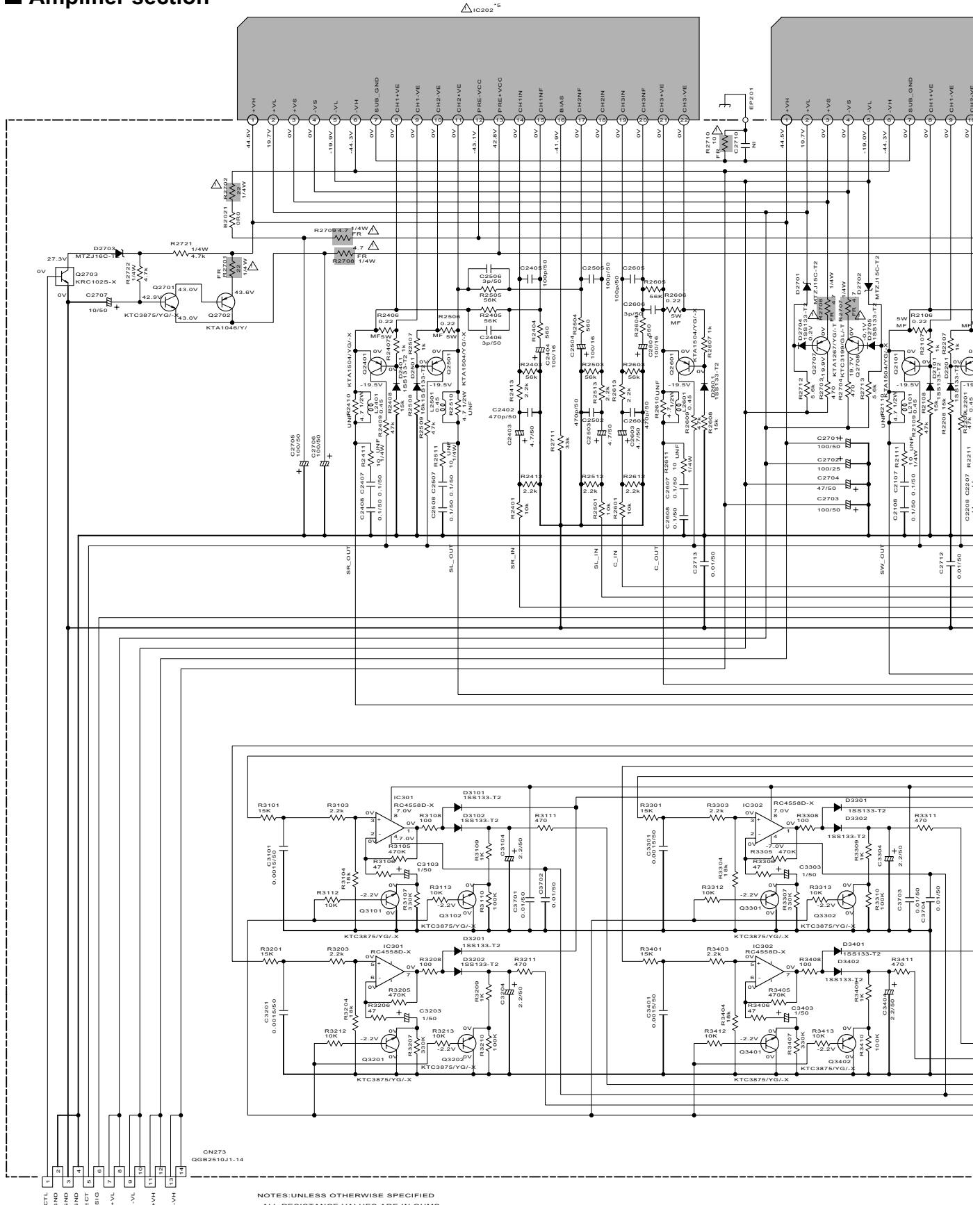
NOTES

1. VOLTAGES ARE DC-MEASURED WITH A DIGITAL VOLT METER.
CONDITION: DISC1 STOP
2. UNLESS OTHERWISE SPECIFIED.
ALL CAPACITORS ARE SHOWN IN THE FORM OF CAPACITANCE (μ F)/RATED VOLTAGE (V).
3. NI STANDS FOR NOT INSERTED PARTS.



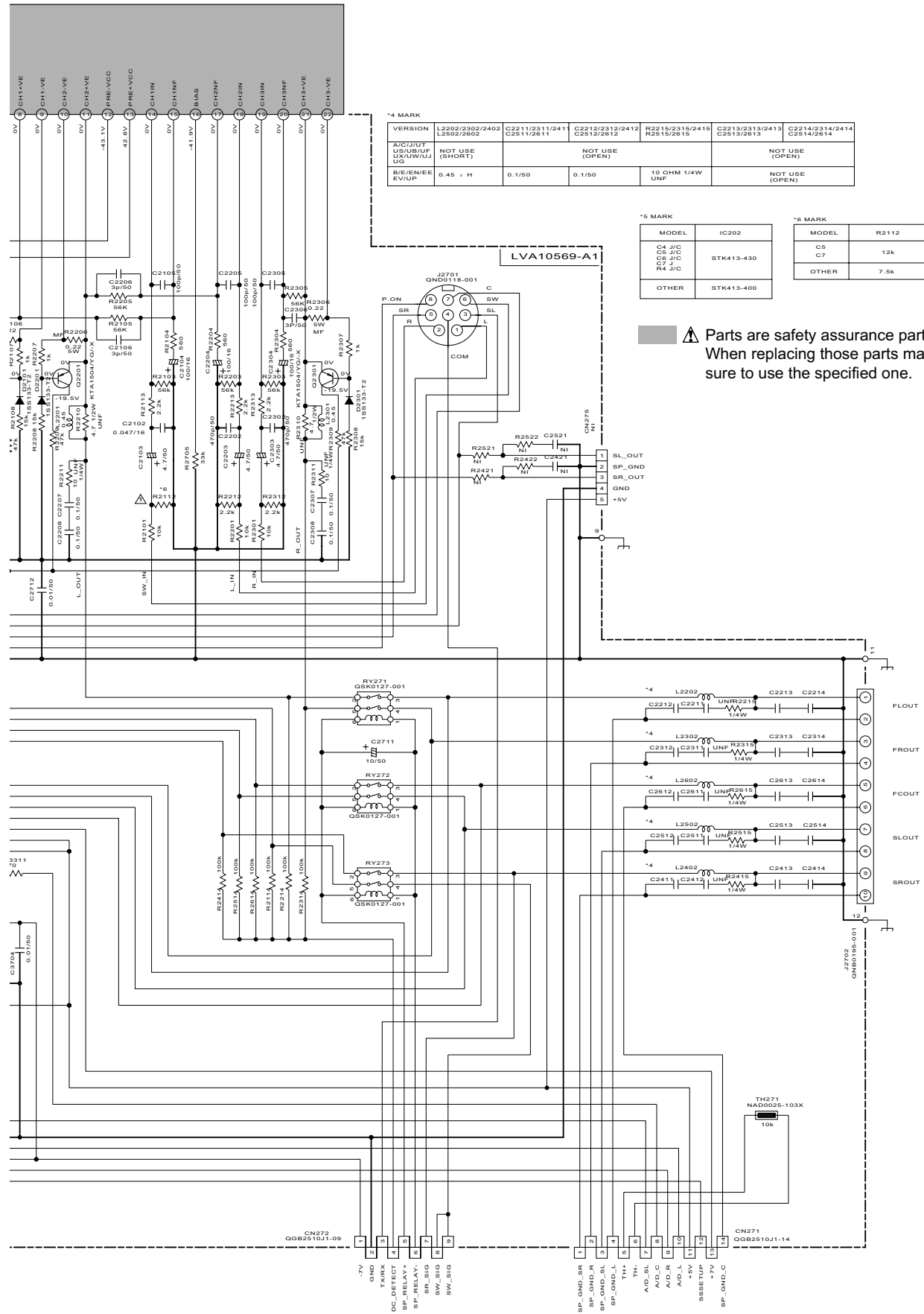
<subwoofer section>

■ Amplifier section



NOTES: UNLESS OTHERWISE SPECIFIED
 ALL RESISTANCE VALUES ARE IN OHMS.
 ALL INDUCTANCE VALUES ARE IN H.
 ALL CAPACITANCE VALUES ARE IN μ F. (p=pF)
 ALL CAPACITORS ARE SHOWN IN THE FORM OF CAPACITANCE(μ F)/RATED VOLTAGE(V).
 VOLTAGES ARE DC-MEASURED WITH A DIGITAL VOLT METER WITHOUT INPUT SIGNAL.

TO CN502
 (SHEET 10)



*4 MARK

VERSION	L2302/2302/2402 L2502/2502	C2211/2311/2411 C2511/2511	C2312/2312/2412 C2512/2512	R2315/2315/2415 R2515/2515	C2313/2313/2413 C2513/2513	C2314/2314/2414 C2514/2514
A/C/D/E/F/T U/V/W/X/Y/Z	NOT USE (SHORT)	NOT USE (OPEN)	NOT USE (OPEN)	NOT USE (OPEN)	NOT USE (OPEN)	NOT USE (OPEN)
B/E/EN/EE EV/UP	0.45 x H	0.1/50	0.1/50	10 OHM 1/4W UNF	NOT USE (OPEN)	NOT USE (OPEN)

*5 MARK

MODEL	IC202
C4 J/C	STK413-430
C5 J/C	
R4 J/C	
R4 J/C	
OTHER	STK413-400

*6 MARK

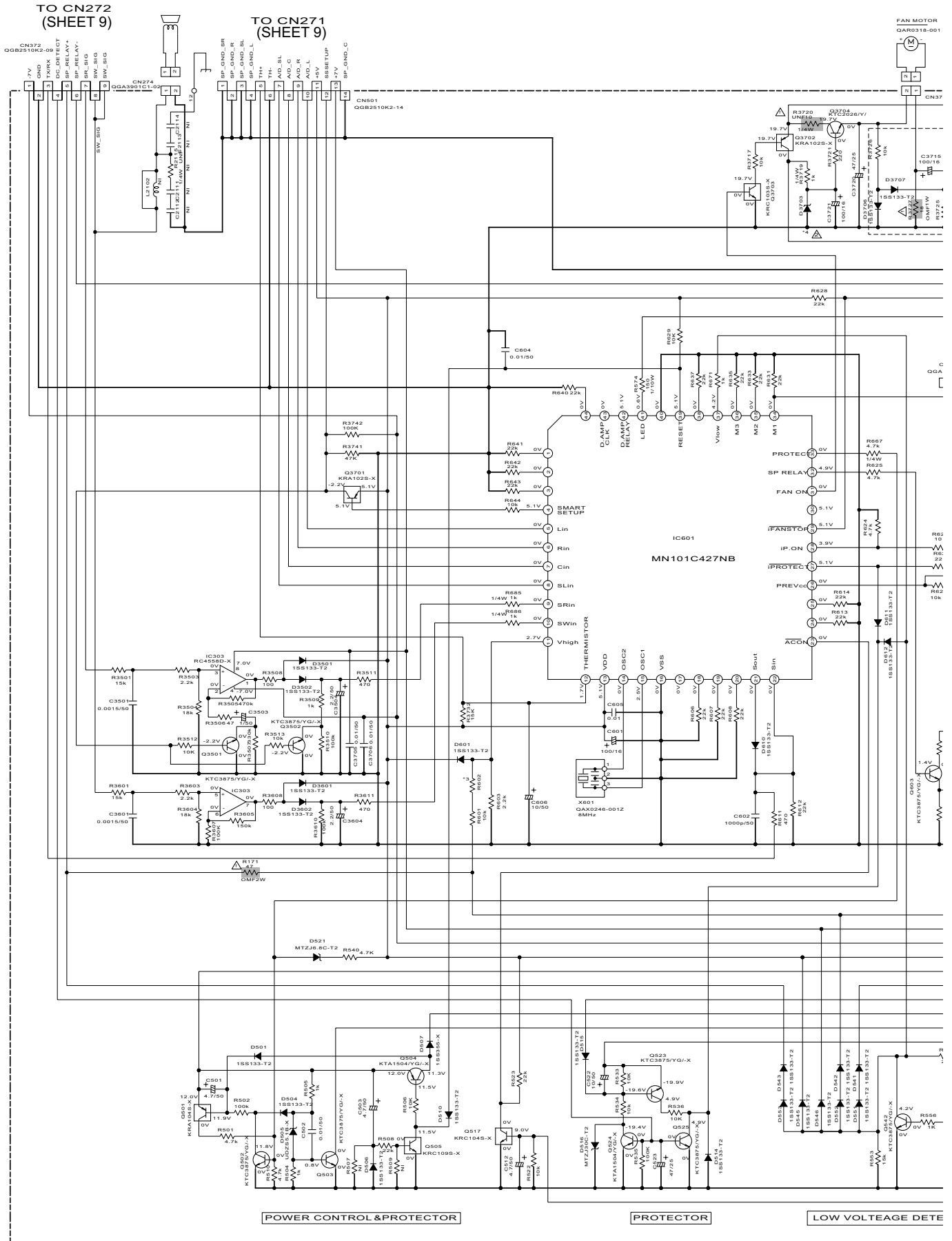
MODEL	R2112
C5	12k
C7	
OTHER	7.5k

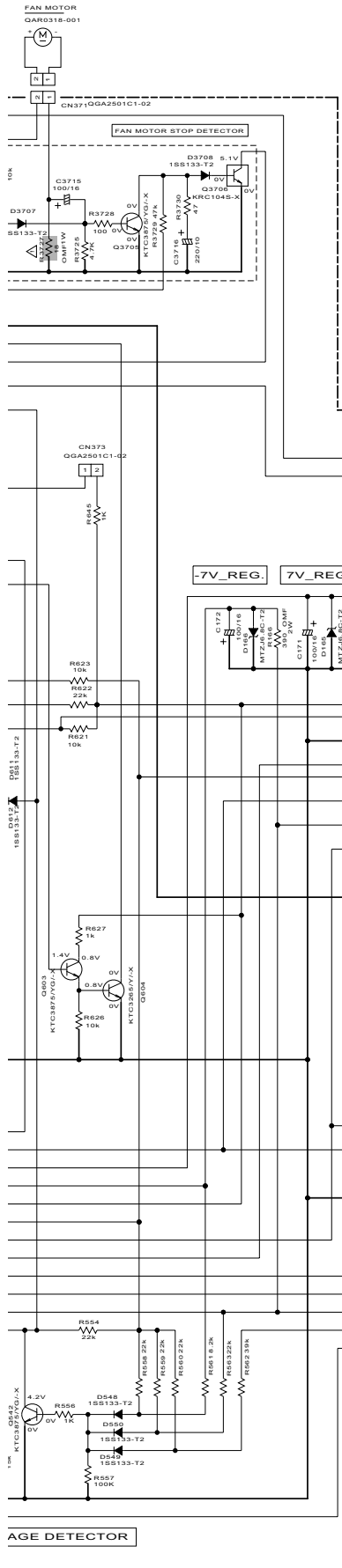
△ Parts are safety assurance parts.
When replacing those parts make
sure to use the specified one.

TO CN372
(SHEET 10)

TO CN501
(SHEET 10)

Mother section





VERSION
 A : AUSTRALIA
 B : GREAT BRITAIN
 C : CANADA
 E : GERMANY/France/HOLLAND
 EN : SWEDEN/NORWAY/FINLAND/DENMARK
 EE : RUSSIA
 EV : EAST EUROPE
 J : U.S.A
 UT : TAIWAN

US : SINGAPOLE
 UB : HONG KONG
 UP : KOREA
 UF : CHINA
 UX : SAUDI ARABIA
 UW : BRAZIL/MEXICO/PERU
 UJ : USA MILITARY BASE
 UG : TURKEY/EGYPT/SOUTH AFRICA

NOTES: UNLESS OTHERWISE SPECIFIED
 ALL RESISTANCE VALUES ARE IN OHMS.
 ALL INDUCTANCE VALUES ARE IN H.
 ALL CAPACITANCE VALUES ARE IN #F. (p=pF)
 ALL CAPACITORS ARE SHOWN IN THE FORM OF CAPACITANCE(μF)/RATED VOLTAGE(V).
 VOLTAGES ARE DC-MEASURED WITH A DIGITAL VOLT METER WITHOUT INPUT SIGNAL.

*2 MARK

MODEL	D561	D562
C5 J/C	NO USE	SLR-342MC-T12
C7 J/C	NO USE	SLR-342MC-T12
R4 J/C	NO USE	NO USE
OTHER	SLR-342MC-T12	NO USE

*3 MARK

MODEL	C161/C162	R602	D164
C4 J/C			
C5 J/C	4700/50	3.3k	MTZJ6.2B-T2
C7 J/C			
R4 J/C			
UT/US/UX	3300/50	3.9k	MTZJ6.2B-T2
UW/UJ/UG/UY			
OTHER	3300/50	2.7k	MTZJ6.2A-T2

*4 MARK

MODEL	D3703
UT/US/UX	MTZJ12C-T2
UW/UJ/UG/UY	MTZJ12C-T2
OTHER	MTZJ11C-T2

LVA10569-A2

5V_REG.

-7V_REG.

7V_REG.

LVA10569-A3

*1 MARK

VERSION	T01	F101	F102	F153/F154
J/C	GGT0482-001	RA-125V	---	10A-125V
E/E/EE/EEV	GGT0482-002	T3.15AL	---	T8AL
UT/US/UX	GGT0482-003	T6.3AL	T3.15AL	T8AL
UW/UJ/UG				

TO CN273 (SHEET 9)

MAINS PLUG

▲ Parts are safety assurance parts.
 When replacing those parts make sure to use the specified one.

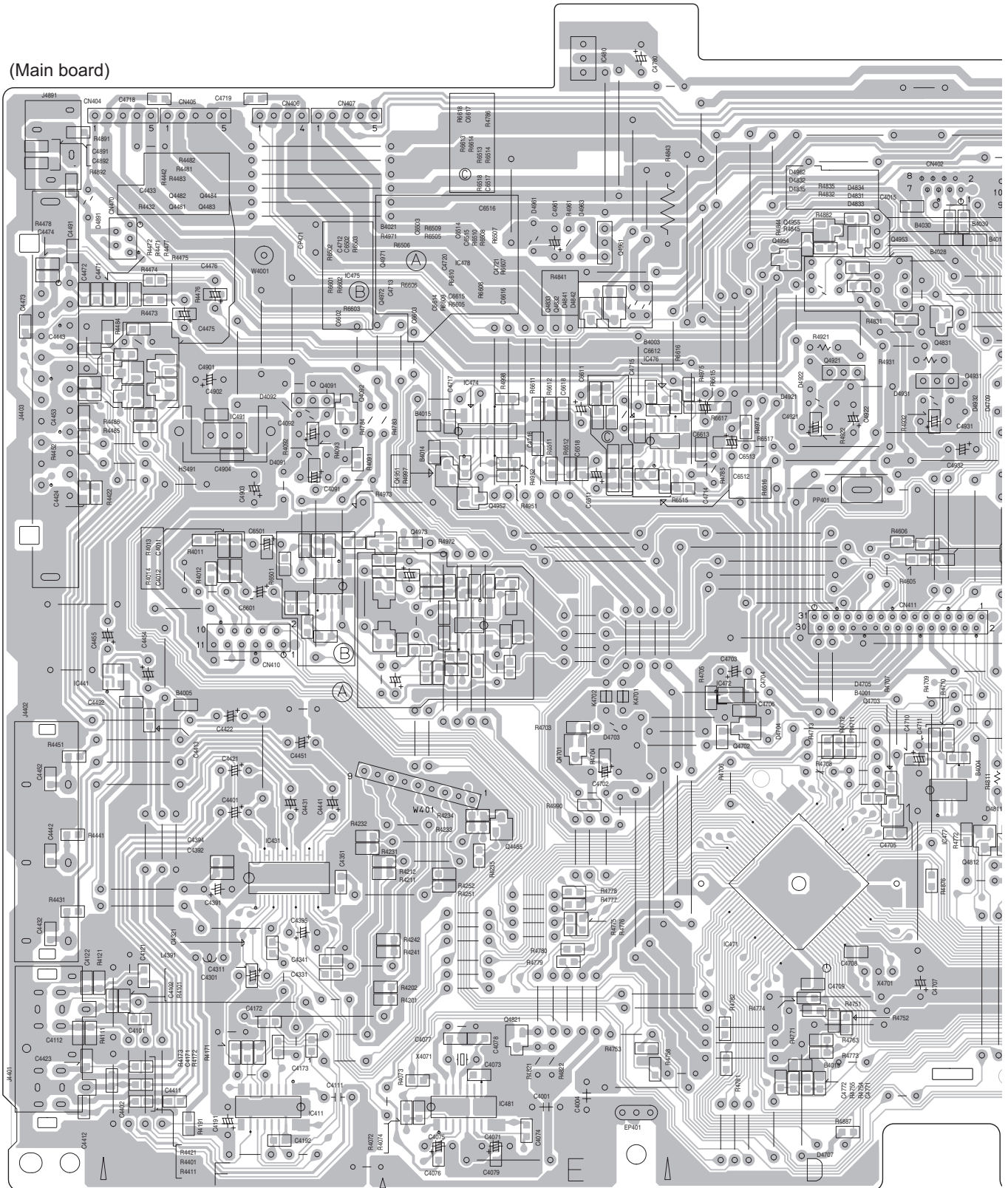
Printed circuit boards

<Main body section>

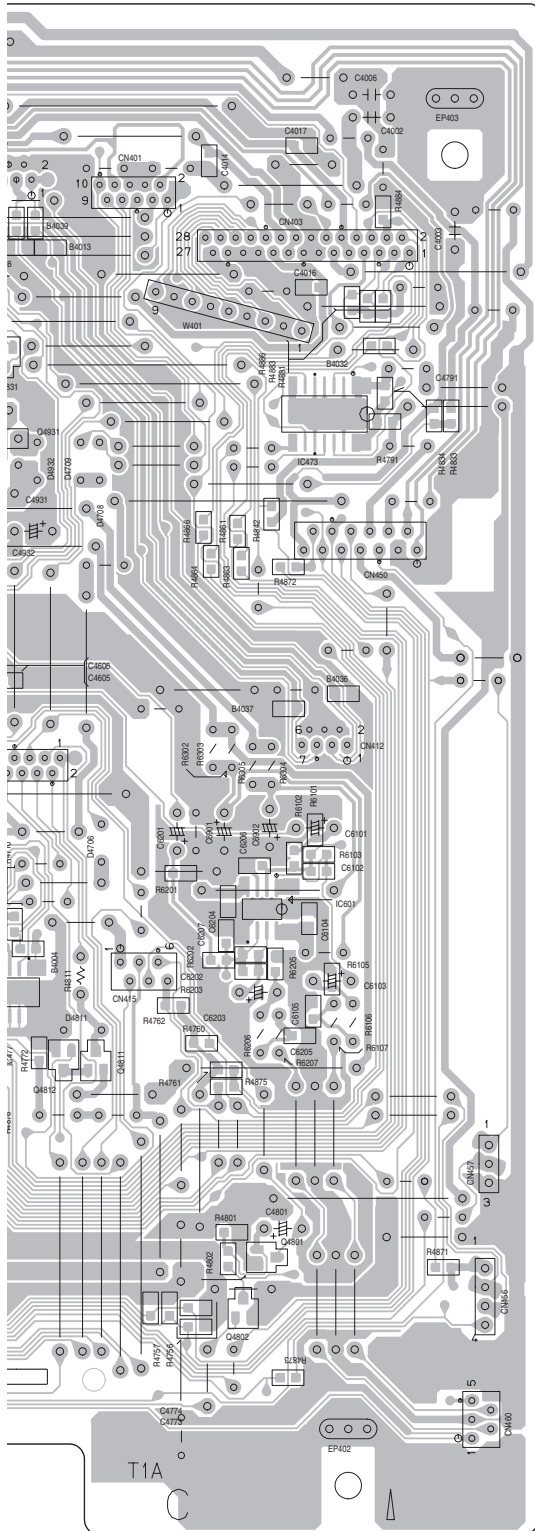
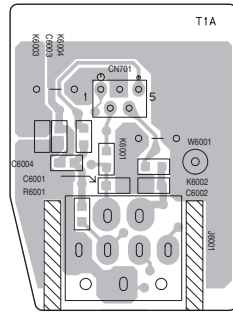
■ Main board

Lead free solder used in the board (material : Sn-Ag-Cu, melting point : 219 Centigrade)

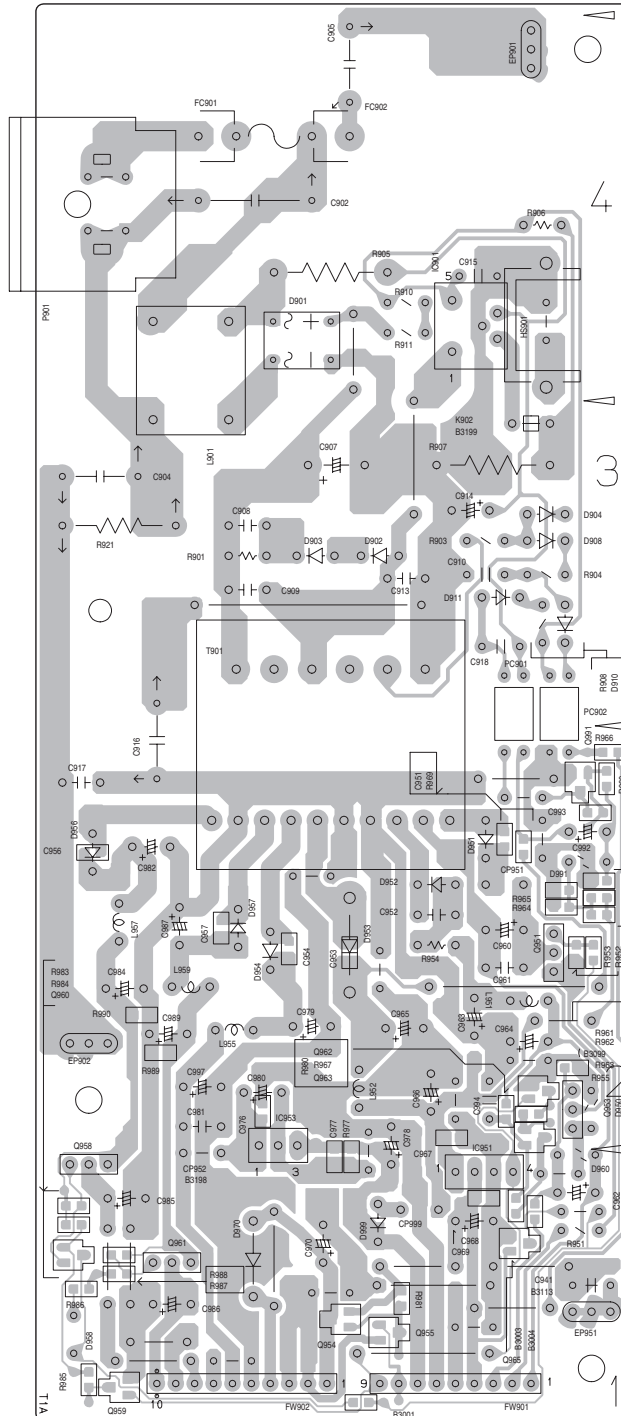
(Main board)



(Phone jack board)



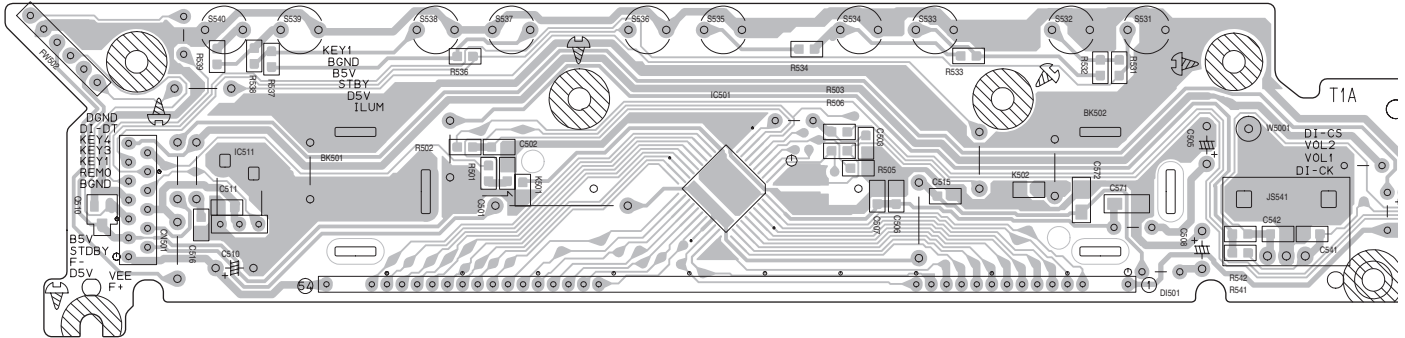
(Power supply board)



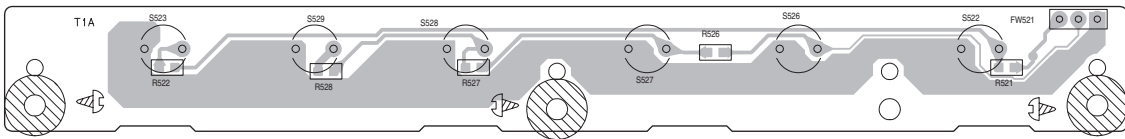
■ Front board

Lead free solder used in the board (material : Sn-Ag-Cu, melting point : 219 Centigrade)

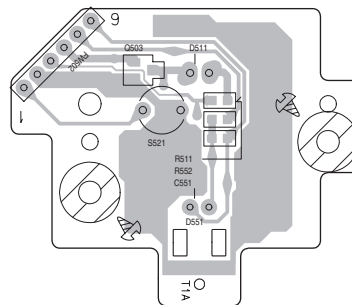
(Front board)



(Operation board)



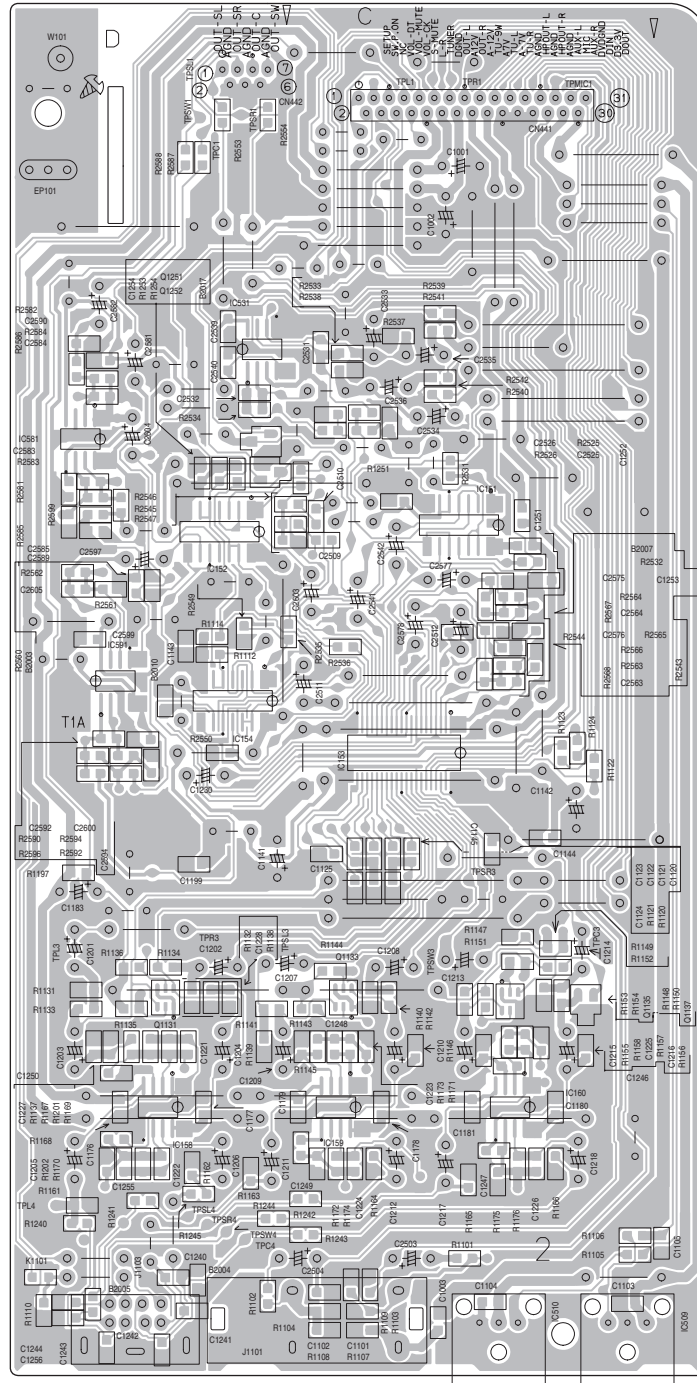
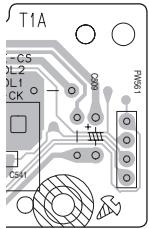
(Power key board)



■ Audio board

Lead free solder used in the board (material : Sn-Ag-Cu, melting point : 219 Centigrade)

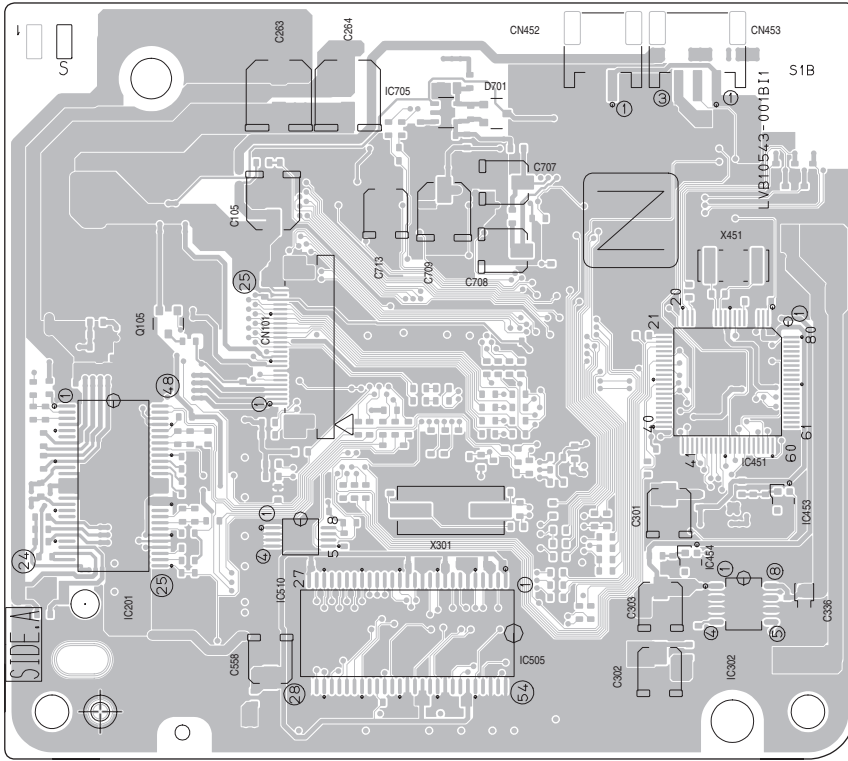
(Audio & Digital input board)



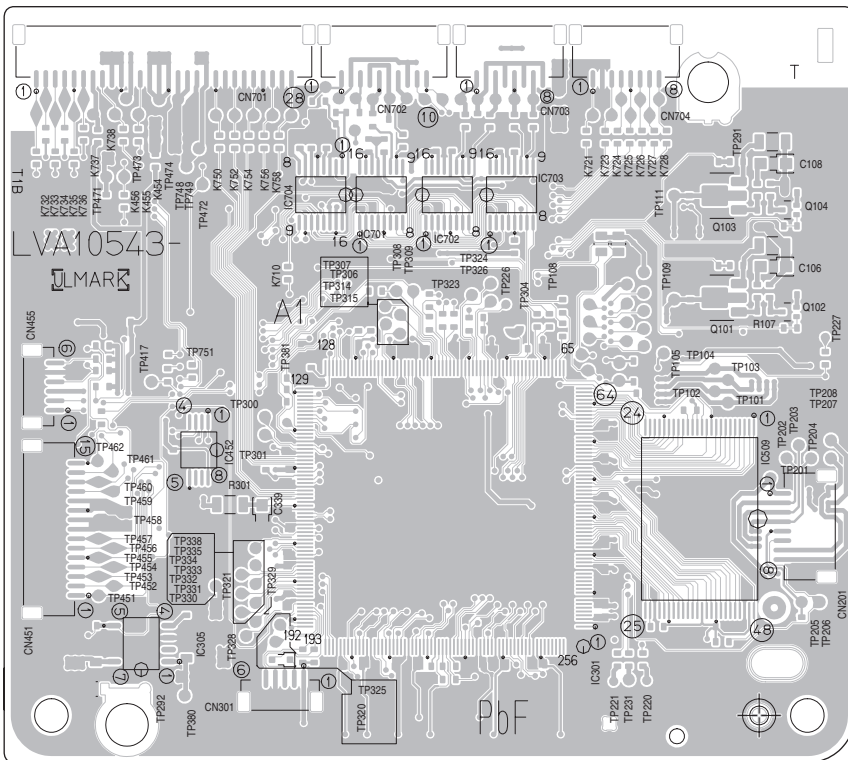
■ DVD servo board

Lead free solder used in the board (material : Sn-Ag-Cu, melting point : 219 Centigrade)

Forward side



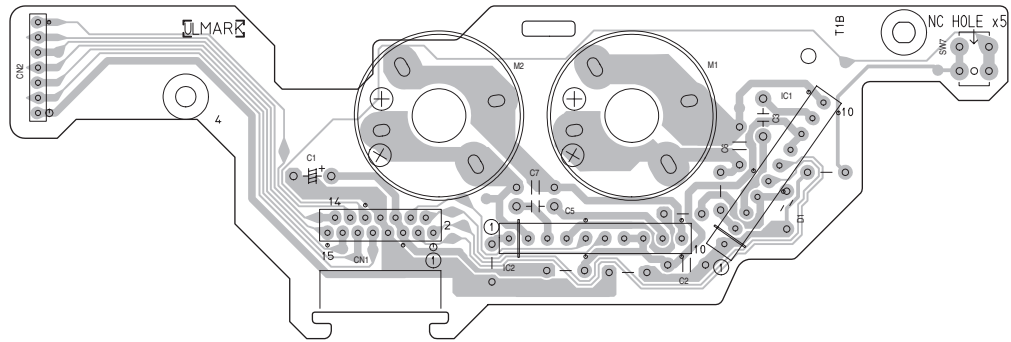
Reverse side



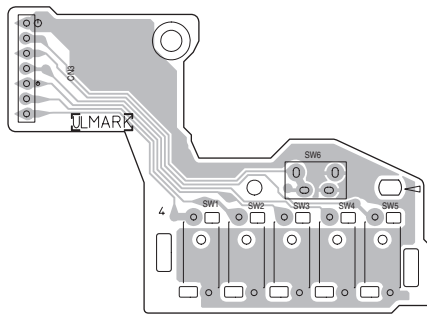
■ Loading board

Lead free solder used in the board (material : Sn-Ag-Cu, melting point : 219 Centigrade)

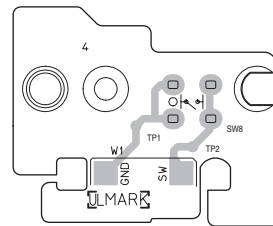
(Motor board)



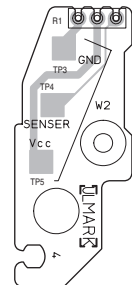
(Tray switch board)



(Switch board)



(Sensor board)

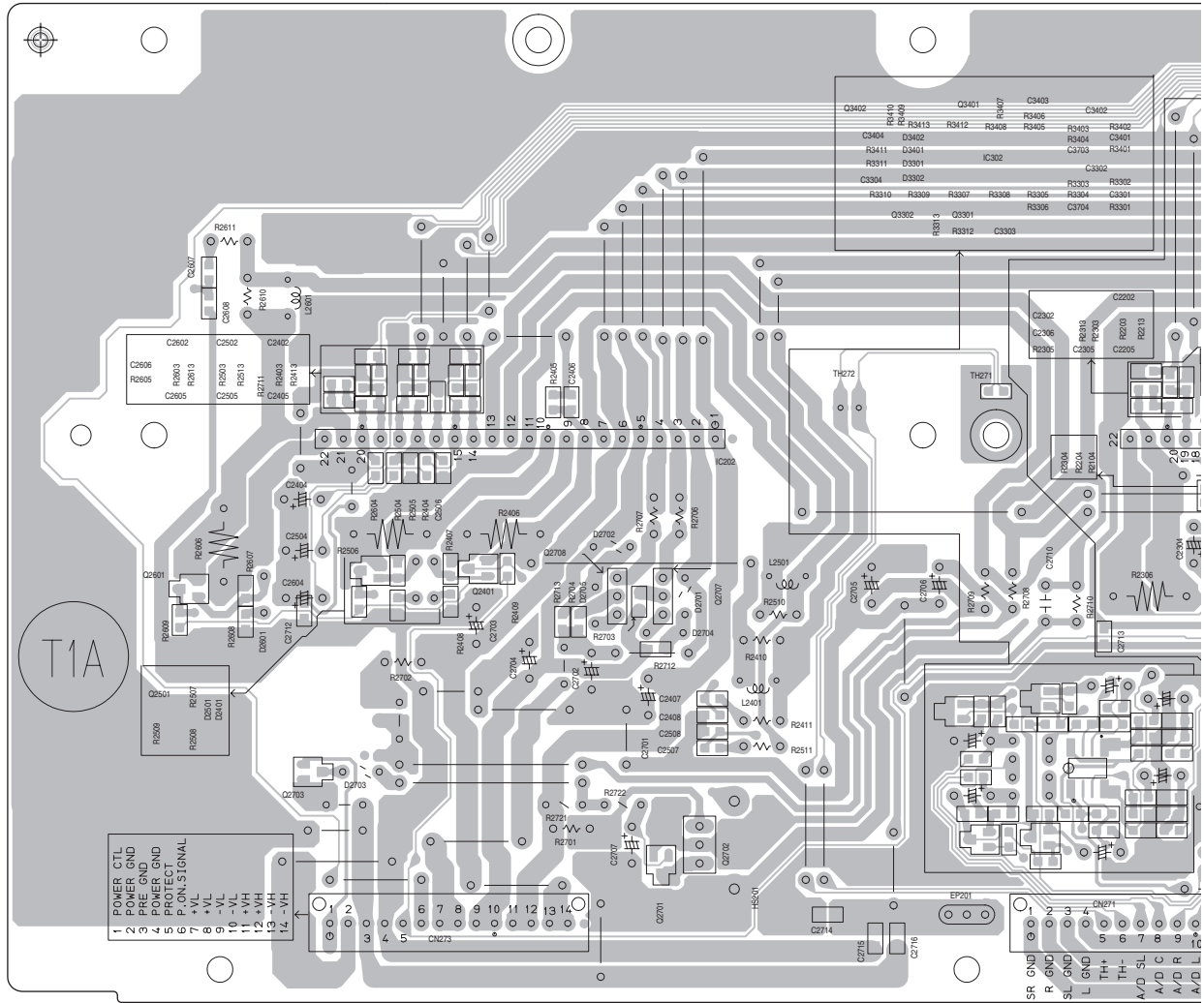


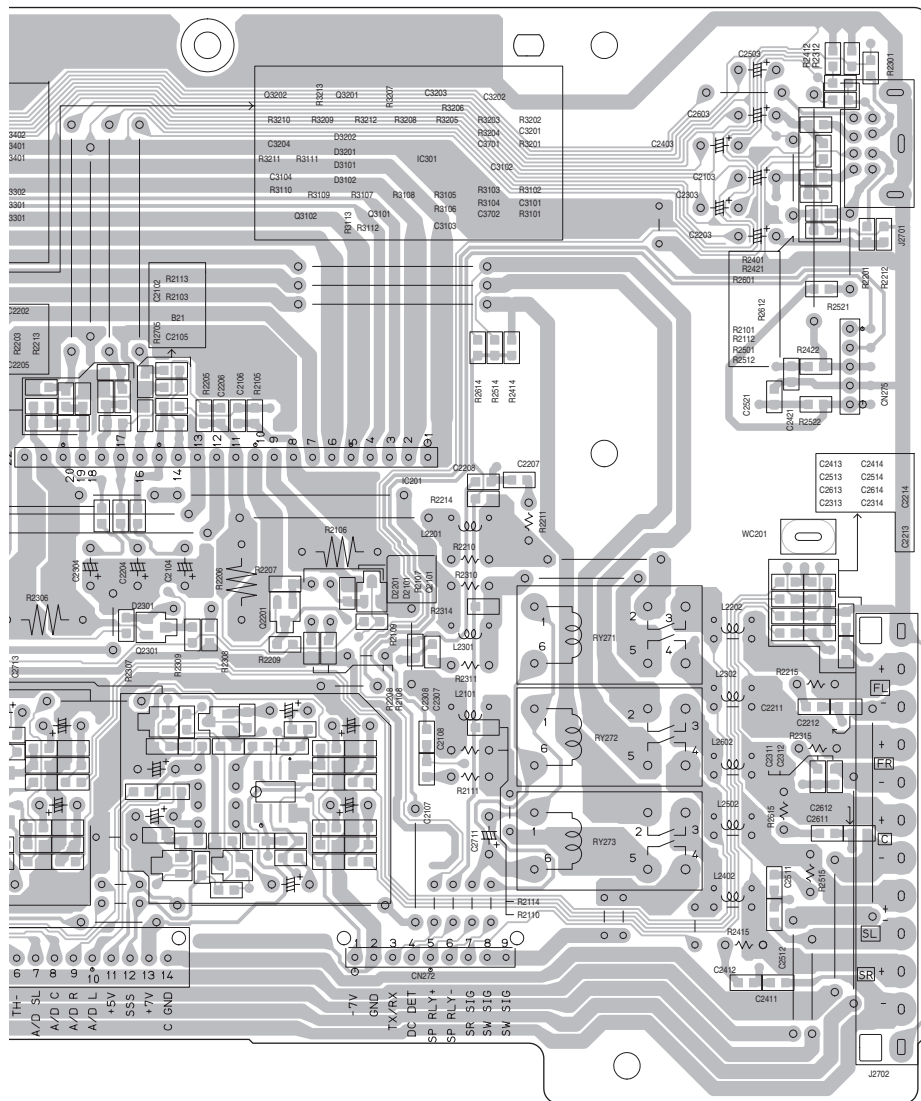
<Subwoofer section>

■ Amp board

Lead free solder used in the board (material : Sn-Ag-Cu, melting point : 219 Centigrade)

(Amp board)

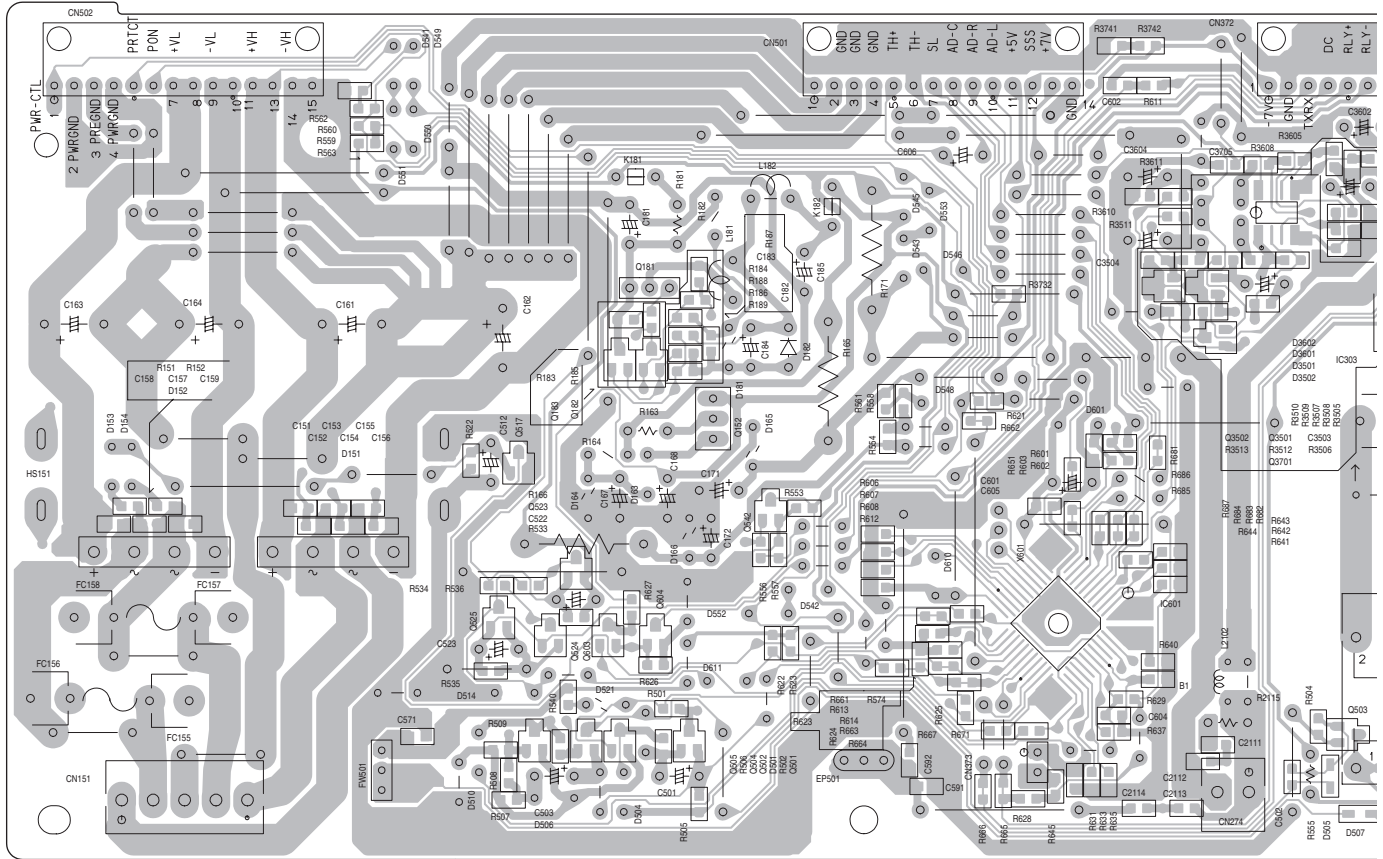




■ Mother board

Lead free solder used in the board (material : Sn-Ag-Cu, melting point : 219 Centigrade)

(Mother board)



JVC

Victor Company of Japan, Limited

AV & MULTIMEDIA COMPANY AUDIO/VIDEO SYSTEMS CATEGORY 10-1, 1chome, Ohwatari-machi, Maebashi-city, 371-8543, Japan

(No.MB380SCH)



Printed in Japan
VPT

PARTS LIST

[TH-C4]

* All printed circuit boards and its assemblies are not available as service parts.

Area suffix

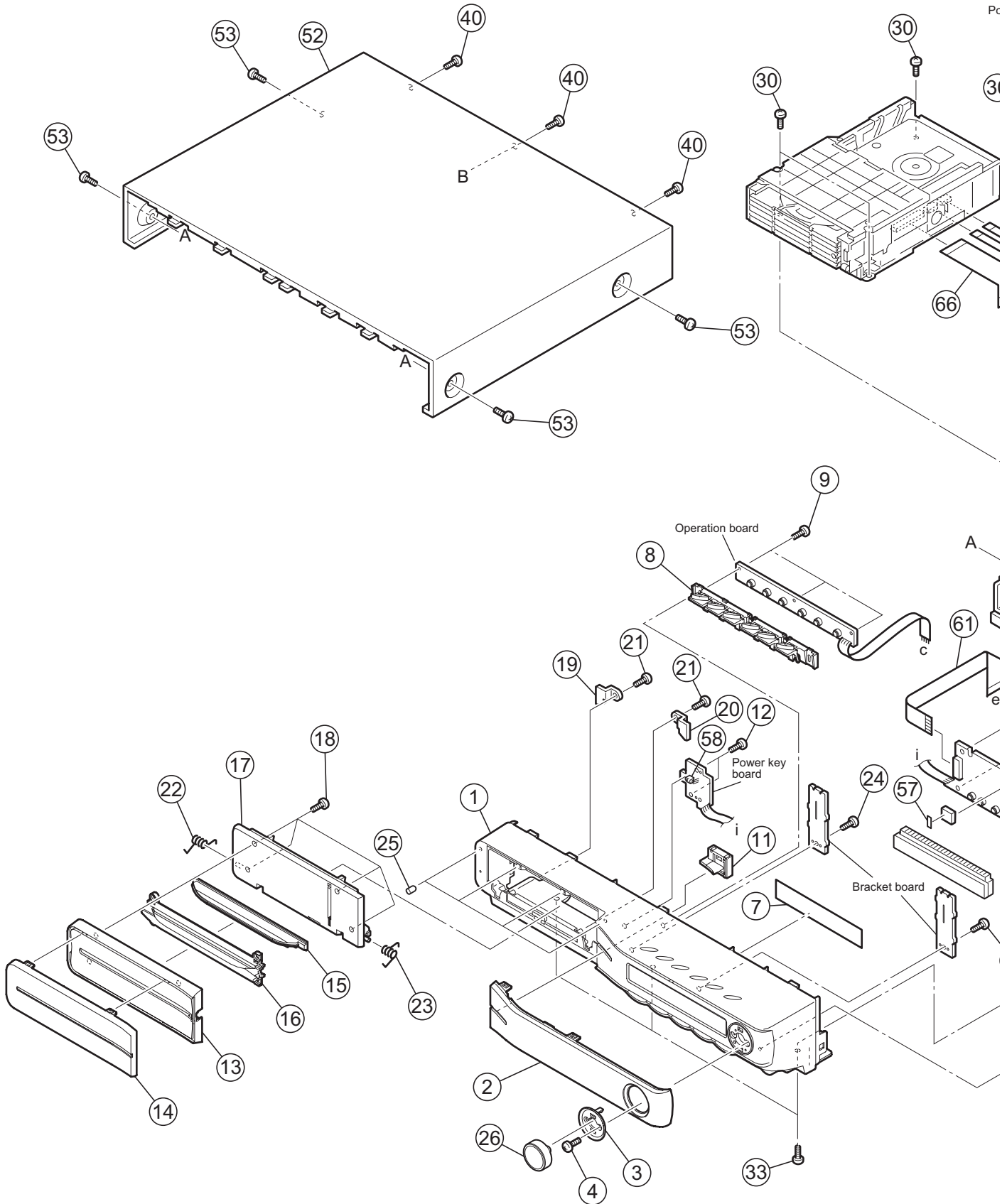
J ----- U.S.A.
C ----- Canada

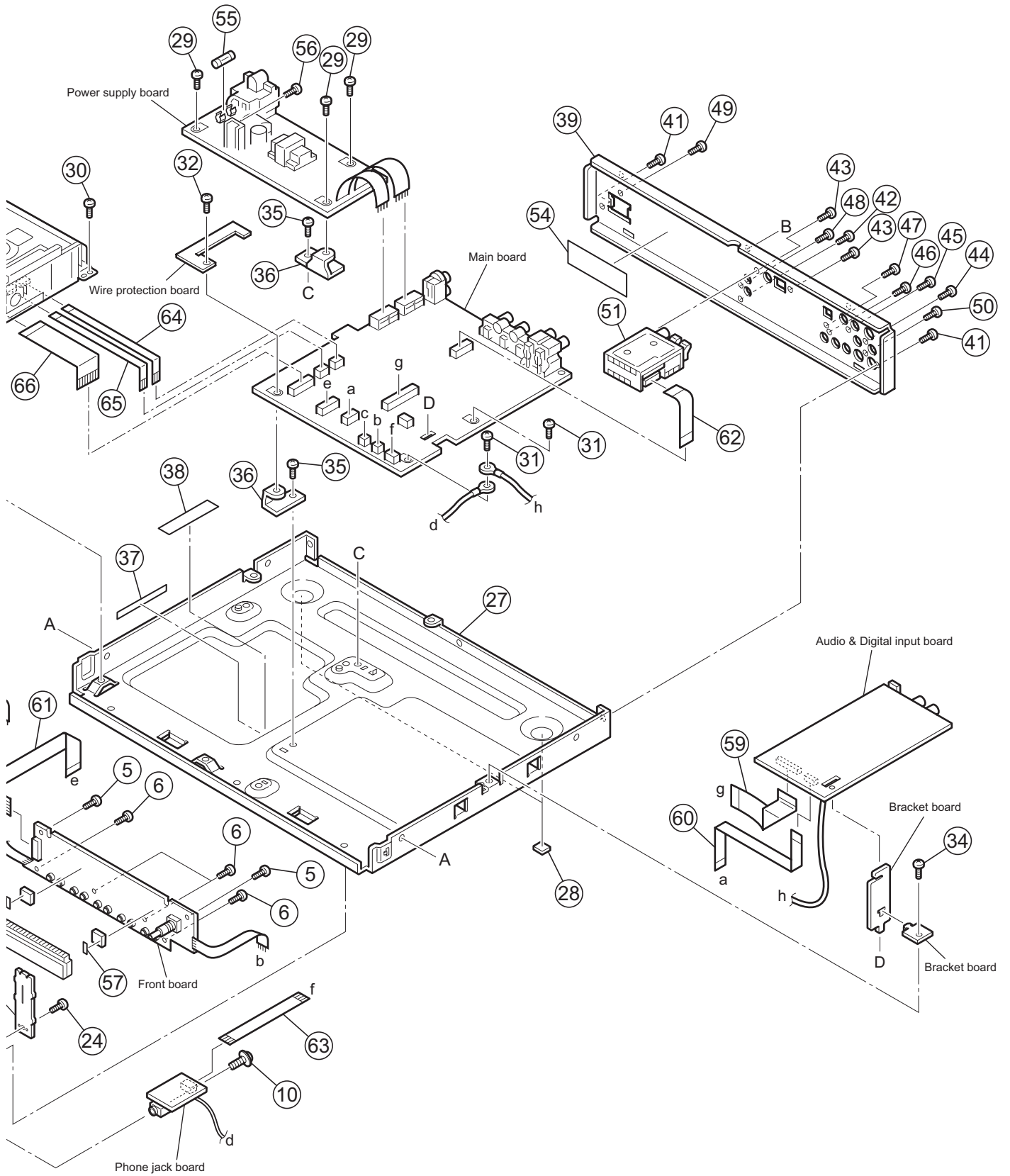
- Contents -

Exploded view of general assembly and parts list (Block No.M1)	3- 2
Speaker assembly and parts list(Subwoofer) (Block No.M2)	3- 5
DVD mechanism assembly and parts list (Block No.MJ)	3- 7
DVD changer mechanism assembly and parts list (Block No.MK)	3- 9
Electrical parts list (Block No.01~06)	3-11
Packing materials and accessories parts list (Block No.M3)	3-22

Exploded view of general assembly and parts list

Block No. M 1 M M





General Assembly

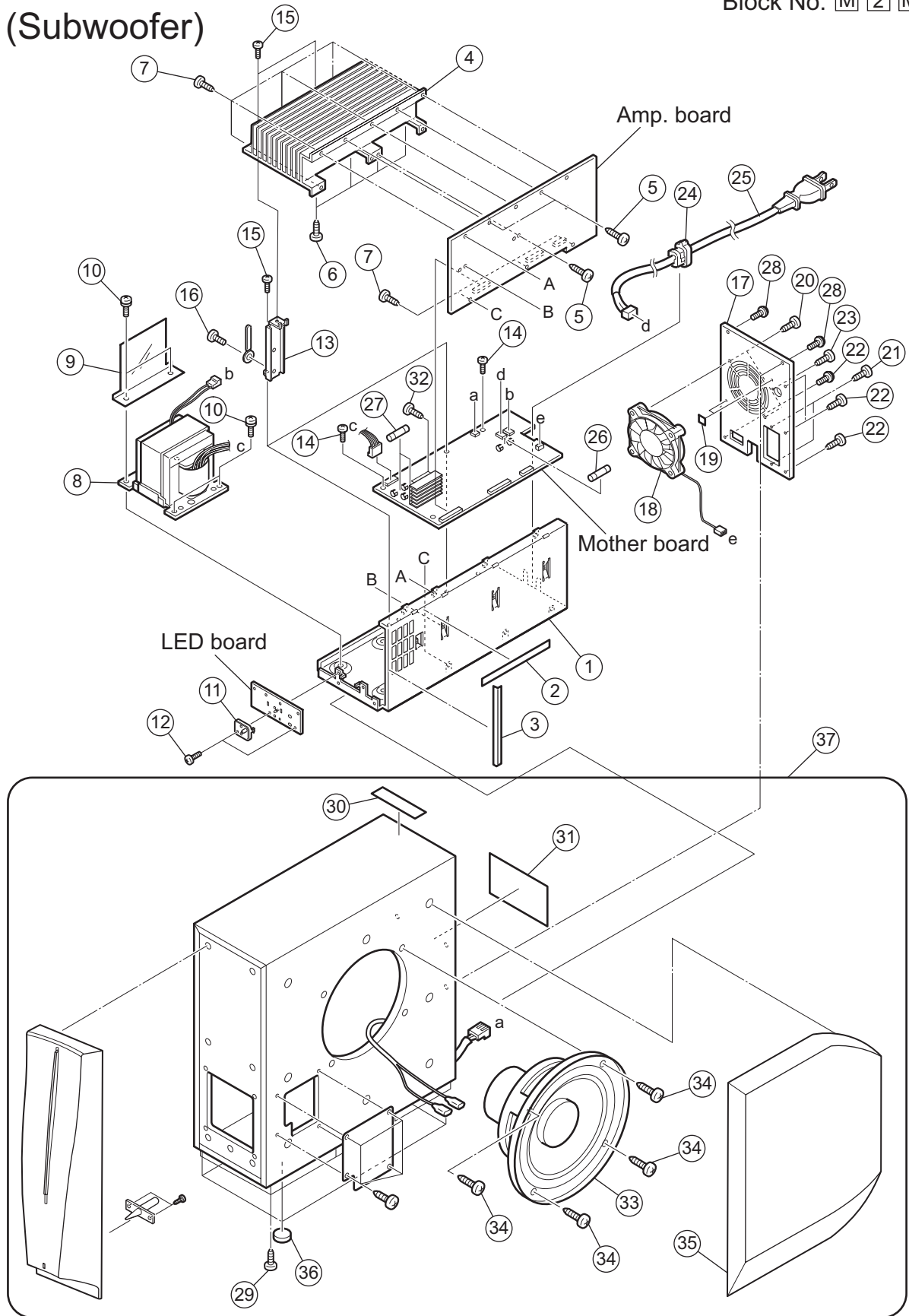
Block No. [M][1][M][M]

△	Symbol No.	Part No.	Part Name	Description	Local
	1	GV10233-001A	FRONT PANEL ASSY		
	2	GV20310-001A	FRONT LENS		
	3	GV30641-003A	VOLUME RING		
	4	QYSDSF2608ZA	TAP SCREW	M2.6 x 8mm	
	5	QYSDSF2608ZA	TAP SCREW	M2.6 x 8mm(x2)	
	6	QYSDSF2608ZA	TAP SCREW	M2.6 x 8mm(x4)	
	7	LV42851-006A	FL SCREEN		
	8	GV20312-001A	BUTTON(TOP)		
	9	QYSDSF2612ZA	TAP SCREW	M2.6 x 12mm(x3)	
	10	GV40035-002A	SCREW		
	11	GV30643-003A	BTN(POWER)ASSY		
	12	QYSDSF2608ZA	TAP SCREW	M2.6 x 8mm(x2)	
	13	GV20313-001A	DVD DOOR		
	14	GV20314-010A	DOOR LENS		
	15	GV30646-001A	ILLUMI.LENS		
	16	GV30647-003A	ORNAMENT(DOOR)		
	17	GV20315-001A	DOOR HOLDER		
	18	QYSDSF2608ZA	TAP SCREW	M2.6 x 8mm(x4)	
	19	LV41694-001A	DOOR BKT(L)		
	20	LV41695-001A	DOOR BKT(R)		
	21	QYSDSF2608ZA	TAP SCREW	M2.6 x 8mm(x2)	
	22	GV40558-001A	DOOR SPRING(L)		
	23	GV40605-001A	DOOR SPRING(R)		
	24	QYSDSF2608ZA	TAP SCREW	M2.6 x 8mm(x2)	
	25	E69897-002	CUSHION	(x4)	
	26	GV30736-003A	VOL.KNOB ASSY		
	27	LV10770-004A	BOTTOM CHASSIS		
	28	LV40301-002A	FELT SPACER	(x2)	
	29	QYSDST3006ZA	TAP SCREW	M3 x 6mm(x3)	
	30	QYSDST3006ZA	TAP SCREW	M3 x 6mm(x4)	
	31	QYSBST3008ZA	TAP SCREW	M3 x 8mm(x2)	
	32	QYSBST3008ZA	TAP SCREW	M3 x 8mm	
	33	QYSDST3006ZA	TAP SCREW	M3 x 6mm(x3)	
	34	QYSDST3006ZA	TAP SCREW	M3 x 6mm	
	35	QYSDST3006ZA	TAP SCREW	M3 x 6mm(x2)	
	36	LV41548-001A-NK	C.B BKT	(x2)	
	37	LV30225-0T7A	SPACER		
	38	LV30225-0T8A	SPACER		
	39	GV20316-017A	REAR PANEL		
	40	QYSBSGY3008MA	TAP SCREW	M3 x 8mm(x3)	
	41	QYSBSGY3008MA	TAP SCREW	M3 x 8mm(x2)	
	42	QYSBSGY3008MA	TAP SCREW	M3 x 8mm	
	43	QYSBSGY3008MA	TAP SCREW	M3 x 8mm(x2)	
	44	QYSBST3006MA	TAP SCREW	M3 x 6mm	
	45	QYSBSGY3008MA	TAP SCREW	M3 x 8mm	
	46	QYSBSGY3008MA	TAP SCREW	M3 x 8mm	
	47	QYSBSGY3008MA	TAP SCREW	M3 x 8mm	
	48	QYSBSGY3008MA	TAP SCREW	M3 x 8mm	
	49	QYSBSGY3008MA	TAP SCREW	M3 x 8mm	
	50	QYSBSGY3008MA	TAP SCREW	M3 x 8mm	
	51	QAU0307-003	TUNER		
	52	GV10235-001A/S/	METAL COVER		
	53	QYSDSG3006NA	TAP SCREW	M3 x 6mm(x4)	
	54	LV41843-002A	LASER CAUTION		
△	55	QMF51U1-1R6-J8	FUSE	1.6A AC125V	
	56	QYSBSE3008ZA	TAP SCREW	M3 x 8mm	
	57	LV30225-0M9A	SPACER	(x2)	
	58	GV40557-001A	LED HOLDER		
	59	QUQH10-3112AJ-E	FFC WIRE	31pin 12cm	
	60	QUQH10-0714AJ-E	FFC WIRE	7pin 14cm	
	61	QUQH12-1320BJ-E	FFC WIRE	13pin 20cm	
	62	QUQH12-1107AJ-E	FFC WIRE	11pin 7cm	
	63	QUQH12-0512AJ-E	FFC WIRE	5pin 12cm	
	64	QUQH10-0817AJ-E	FFC WIRE	8pin 17cm	
	65	QUQH10-1017AJ-E	FFC WIRE	10pin 17cm	
	66	QUQH10-2817AJ-E	FFC WIRE	28pin 17cm	

Speaker assembly and parts list

Block No. **M 2 M M**

(Subwoofer)



The parts without symbol number are not service.

Speaker(Subwoofer)

Block No. [M][2][M][M]

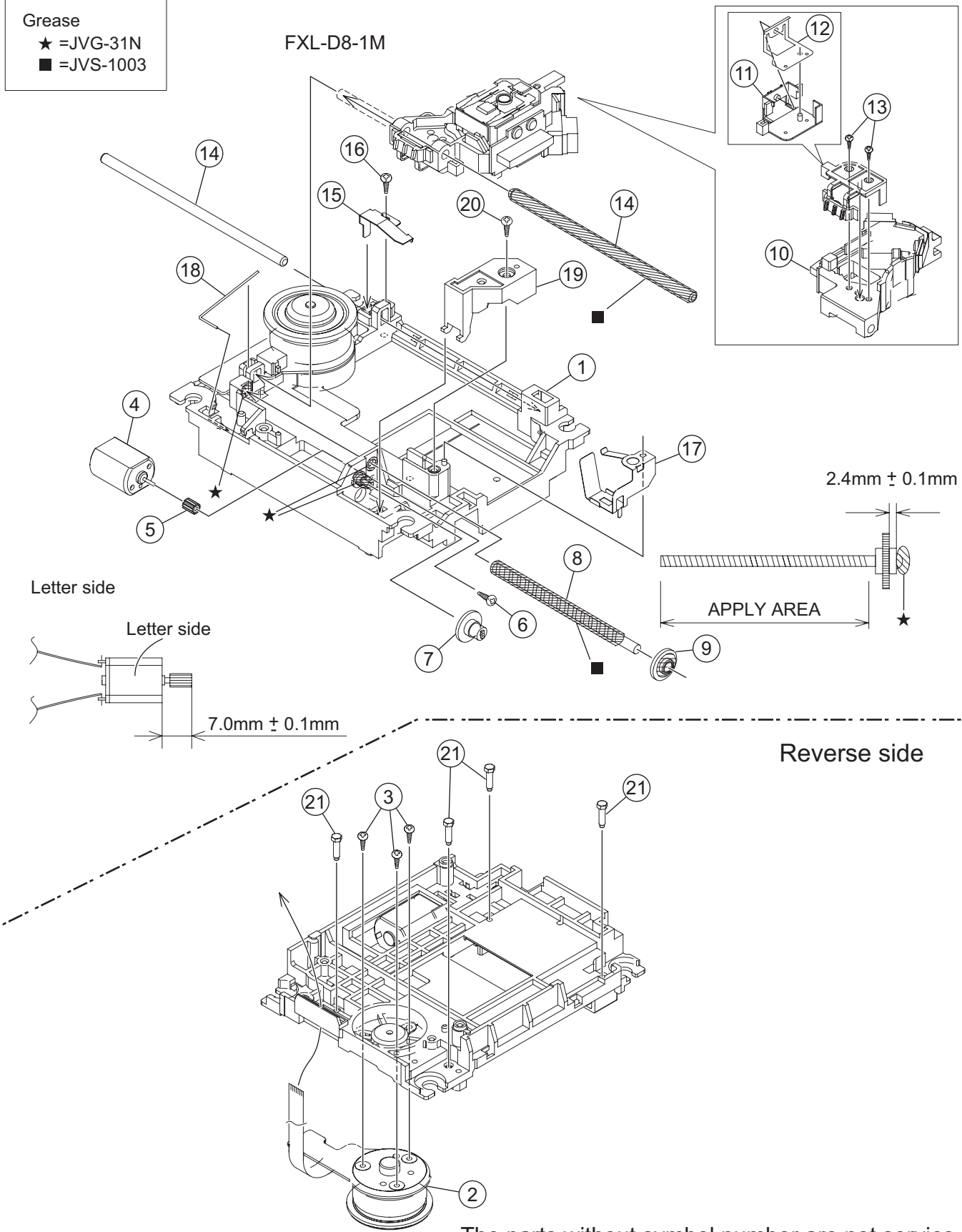
△	Symbol No.	Part No.	Part Name	Description	Local
	1	LV10875-002A	CHASSIS BASE		
	2	LV30225-0T5A	SPACER		
	3	LV30225-0T6A	SPACER		
	4	LV10951-001A	HEAT SINK		
	5	QYSBSG3010EA	TAP SCREW	M3 x 10mm(x3)	
	6	QYSBSG3016EA	TAP SCREW	M3 x 16mm(x4)	
	7	QYSBSG3010EA	TAP SCREW	M3 x 10mm(x9)	
△	8	QQT0482-001	POWER TRANSF		
	9	LV44309-001A	BARRIER		
	10	QYSBSTL4008EA	TAP SCREW	M4 x 8mm(x4)	
	11	LV43692-002A	LED HOLDER		
	12	QYSBSG3010EA	TAP SCREW	M3 x 10mm(x2)	
	13	LV34712-001A	HEAT SINK BKT	(x2)	
	14	QYSBSG3010EA	TAP SCREW	M3 x 10mm(x2)	
	15	QYSBSG3010EA	TAP SCREW	M3 x 10mm(x4)	
	16	QYSBSG3006ZA	TAP SCREW	M3 x 6mm(x2)	
	17	LV21652-020A	REAR PANEL		
	18	QAR0318-001	FAN MOTOR		
	19	LV30225-0D5A	SPACER	(x2)	
	20	QYSBSGY3008MA	TAP SCREW	M3 x 8mm(x2)	
	21	QYSBSGY3008MA	TAP SCREW	M3 x 8mm(x2)	
	22	QYSBSGY3008MA	TAP SCREW	M3 x 8mm(x4)	
	23	QYSBST3006MA	TAP SCREW	M3 x 6mm	
△	24	QZW0033-001	STRAIN RELIEF		
△	25	QMPD380-200-JN	POWER CORD(US/CA)	2m BLACK	
△	26	QMF51U1-8R0-J8	FUSE	F101 8A AC125V	
△	27	QMF51U1-100-J8	FUSE	F153 F154 10A AC125V(x2)	
	28	QYSDSA4016MA	TAP SCREW	M4 x 16mm(x2)	
	29	QYS DST4014MA	TAP SCREW	M4 x 14mm(x8)	
	30	LV43835-001A	EMC LABEL		
	31	LV35763-003A	RATING LABEL		
	32	QYSPSPD3008ZA	SCREW	M3 x 8mm(x2)	
	33	LE10016-063A	CONE SPK		
	34	7001541606	TAPPING SCREW	(x4)	
	35	9916013201	NET ASSY		
	36	9000007961	FOOT	(x4)	
	37	QAS0301-001	SPEAKER BOX		

DVD mechanism assembly and parts list

Block No. M J M M

Grease
 ★ = JVG-31N
 ■ = JVS-1003

FXL-D8-1M



The parts without symbol number are not service.

DVD mechanism

Block No. [M][J][M][M]

△	Symbol No.	Part No.	Part Name	Description	Local
	1	LV10985-001A	C.TM CHASSIS		
	2	QAR0334-002	S.MOTOR		
	3	QYSPSPU1740ZA	SCREW	M1.7 x 4mm(x3)	
	4	QAR0144-003	MOTOR		
	5	VKS5557-001	F.M. GEAR		
	6	QYSPSPT2025ZA	SCREW	M2 x 2.5mm	
	7	LV35461-002A	MIDDLE GEAR		
	8	LV44040-001A	SCREW SHAFT		
	9	LV35462-001A	SCREW SHAFT GEA		
	10	QAL0667-001	DVD PICK		
	11	LV21869-001A	RACK ARM		
	12	LV35463-001A	RACK ARM SPRING		
	13	QYSPSFU1740ZA	TAP SCREW	M1.7 x 4mm(x2)	
	14	LV44041-001A	GUIDE SHAFT	(x2)	
	15	LV35464-001A	G.SHAFT ADJ.SP		
	16	QYSDSF2005ZA	TAP SCREW	M2 x 5mm	
	17	LV35465-001A	THRUST SPRING		
	18	LV44042-001A	ROD SPRING		
	19	LV35467-001A	FEED BRACKET		
	20	QYSDSF2005ZA	TAP SCREW	M2 x 5mm	
	21	LV44046-001A	ADJUST SCREW	(x4)	

DVD changer mechanism assembly and parts list

FMU-SM1-1M

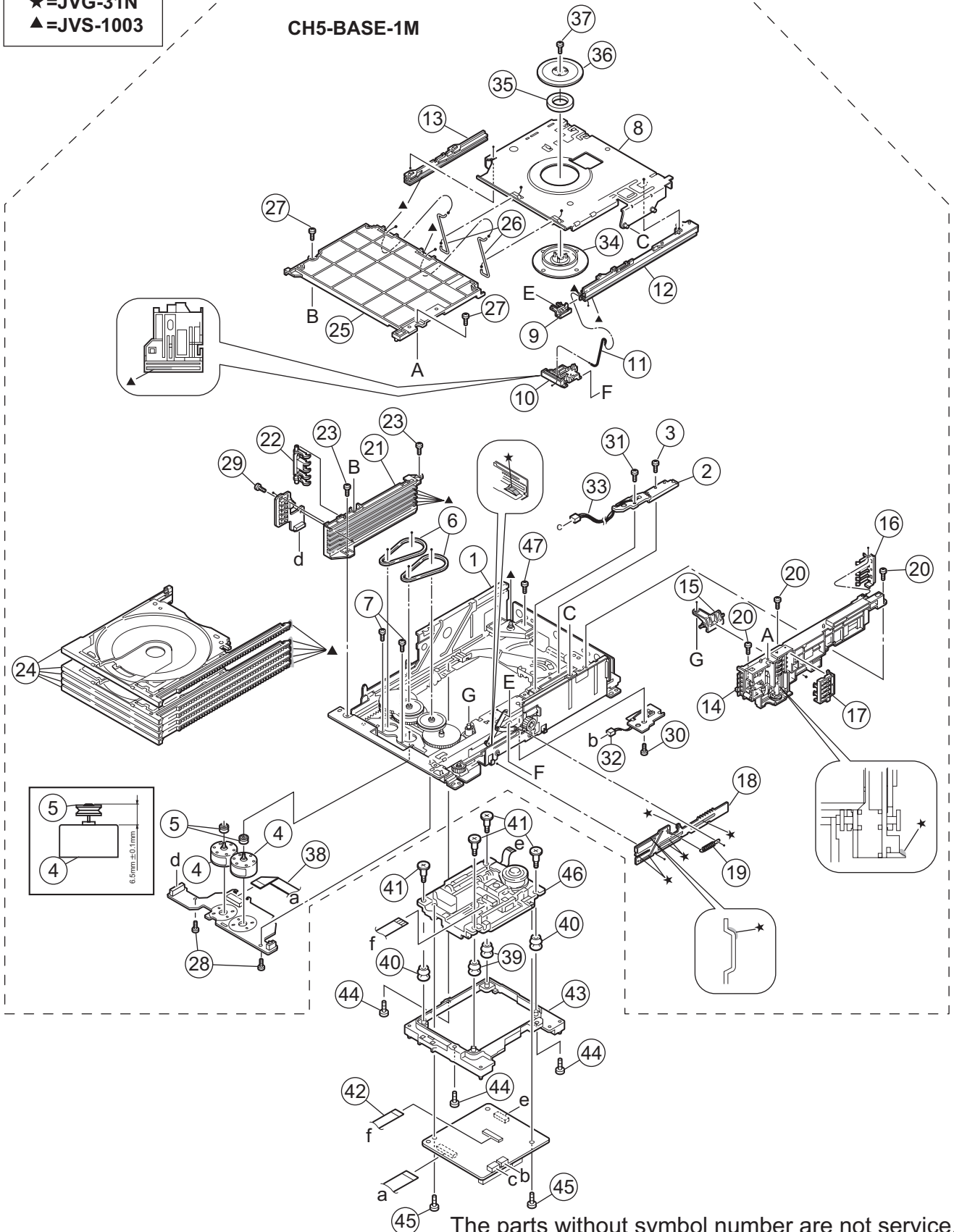
Block No. M K M M

Grease

★=JVG-31N

▲=JVS-1003

CH5-BASE-1M



The parts without symbol number are not service.

DVD changer mechanism

Block No. [M][K][M][M]

△	Symbol No.	Part No.	Part Name	Description	Local
	1	LV10913-004A	LOADER ASSY		
	2	QVY0027-B14	S V RESISTOR		
	3	QYSDST2004ZA	TAP SCREW	M2 x 4mm	
	4	QAR0164-001	MOTOR	(x2)	
	5	LV42340-001A	MOTOR PULLEY	(x2)	
	6	LV41431-002A	BELT	(x2)	
	7	QYSPSPU1725NA	SCREW	M1.7 x 2.5mm(x2)	
	8	LV33965-004A	LIFTER ASSY		
	9	LV33963-001A	HOOK		
	10	LV33964-002A	HOOK STOPPER		
	11	LV43285-001A	ROD (L)		
	12	LV21408-002A	RAIL(R)		
	13	LV21409-002A	RAIL(L)		
	14	LV21520-004A	SIDE(R) ASSY		
	15	LV33974-002A	SELECT LEVER		
	16	LV33977-002A	CLICK SPRING		
	17	LV33975-001A	GEAR COVER		
	18	LV33976-002A	ELEVATOR CAM		
	19	LV43287-001A	ELEVATOR SPRING		
	20	QYSDST2605ZA	TAP SCREW	M2.6 x 5mm(x3)	
	21	LV10749-002A	SIDE(L)		
	22	LV33980-002A	OPEN DET.LEVER		
	23	QYSDST2605ZA	TAP SCREW	M2.6 x 5mm(x2)	
	24	LV10746-006A	TRAY ASSY	(x5)	
	25	LV10750-003A	TOP COVER		
	26	LV43289-003A	ROD	(x2)	
	27	QYSDSF2608ZA	TAP SCREW	M2.6 x 8mm(x2)	
	28	QYSDST2605ZA	TAP SCREW	M2.6 x 5mm(x2)	
	29	QYSDSF2608ZA	TAP SCREW	M2.6 x 8mm	
	30	QYSDST2605ZA	TAP SCREW	M2.6 x 5mm	
	31	QYSDST2004ZA	TAP SCREW	M2 x 4mm	
	32	WJM0330-002A-E	E-SI C WIRE C-F		
	33	WJM0331-001A-E	E-SI C WIRE C-F		
	34	LV32417-001A	CLAMPER		
	35	LV42930-003A	P.C.MAGNET		
	36	LV33992-001A	DVD YOKE		
	37	LV41741-003A	SPECIAL SCREW		
	38	QUQ110-1508BJ	FFC WIRE	15pin 8cm	
	39	LV44043-002A	INSULATOR	(x2)	
	40	LV44043-003A	INSULATOR	(x2)	
	41	LV44045-001A	SPECIAL SCREW	(x4)	
	42	LV44092-002A	PICK FFC		
	43	LV10986-001A	TRAMECHA HOLDER		
	44	QYSDST2605ZA	TAP SCREW	M2.6 x 5mm(x3)	
	45	LV44209-001A	WASHER SCREW	(x2)	
	46	-----	DVD TRAMECHA		
	47	QYSDST2605ZA	SCREW	M2.6 x 5 mm	

Electrical parts list

Main board

Block No. [0][1]

△ Symbol No.	Part No.	Part Name	Description	Local	△ Symbol No.	Part No.	Part Name	Description	Local
	IC411	MM1233XF-X	IC		D4709	1SS133-T2	SI DIODE		
	IC431	BH7868FS-X	IC		D4811	1SS133-T2	SI DIODE		
	IC471	MN101C49GFW	IC		D4831	1SS133-T2	SI DIODE		
	IC472	S-80840CNNB-G-W	IC		D4832	1SS133-T2	SI DIODE		
	IC473	SN74HCT32NS-X	IC(DIGITAL)		D4833	1SS133-T2	SI DIODE		
	IC475	RC4558D-X	IC		D4834	1SS133-T2	SI DIODE		
	IC476	RC4558D-X	IC		D4835	MTZJ6.8A-T2	Z DIODE		
	IC477	BR24L08F-W-X	IC(DIGITAL)		D4841	MTZJ2.0A-T2	Z DIODE		
	IC478	RC4558D-X	IC		D4842	MTZJ3.3A-T2	Z DIODE		
	IC491	KIA7805API	IC		D4891	MTZJ6.2C-T2	Z DIODE		
	IC601	RC4558D-X	IC		D4921	MTZJ8.2C-T2	Z DIODE		
△	IC901	STR-G6651	IC		D4922	1SS133-T2	SI DIODE		
	IC951	PQ05RD21SSJH	IC		D4931	MTZJ8.2C-T2	Z DIODE		
					D4932	1SS133-T2	SI DIODE		
					D4961	MTZJ4.7A-T2	Z DIODE		
					D4962	1SS133-T2	SI DIODE		
					D4963	1SS133-T2	SI DIODE		
	Q951	2SC3576-JVC-T	TRANSISTOR		△ PC901	PC123Y22FZ	PHOTO COUPLER		
	Q953	KTA1267/YG/-T	TRANSISTOR		△ PC902	PC123Y22FZ	PHOTO COUPLER		
	Q954	SI2305DS-X	TRANSISTOR						
	Q955	KRC103S-X	DIGITAL TR		△ C902	QFZ9075-683	MPP CAPACITOR	0.068uF AC275V M	
	Q958	KTA1271/OY/-T	TRANSISTOR		△ C904	QCZ9079-102	C CAPACITOR	1000pF AC250V M	
	Q959	KRC103S-X	DIGITAL TR		△ C905	QCZ9079-102	C CAPACITOR	1000pF AC250V M	
	Q960	KTA1504/YG/-X	SI TRANSISTOR		△ C907	QETM2DM-157	E CAPACITOR	150uF 200V M	
	Q961	KTC3203/OY/-T	TRANSISTOR		C908	QCZ0136-332Z	C CAPACITOR	3300pF 1kV K	
	Q991	KTC3875/YG/-X	SI TRANSISTOR		C909	QCZ0136-101Z	C CAPACITOR	100pF 1kV K	
	Q4091	KTA1271/OY/-T	TRANSISTOR		C910	QCB1HK-221Y	C CAPACITOR	220pF 50V K	
	Q4092	KTC3875/YG/-X	SI TRANSISTOR		C913	QCZ0136-101Z	C CAPACITOR	100pF 1kV K	
	Q4701	KRC111S-X	TRANSISTOR		C914	QEZO532-396Z	E CAPACITOR	39uF 25V M	
	Q4702	KRC107S-X	DIGI TRANSISTOR		C915	QCB1HK-471Y	C CAPACITOR	470pF 50V K	
	Q4703	KRC102S-X	DIGI TRANSISTOR		△ C916	QCZ9079-222	C CAPACITOR	2200pF AC250V M	
	Q4801	KTA1504/YG/-X	SI TRANSISTOR		C918	QCFB1HZ-104Y	C CAPACITOR	0.1uF 50V Z	
	Q4802	KRC102S-X	DIGI TRANSISTOR		C951	NDC31HJ-101X	C CAPACITOR	100pF 50V J	
	Q4811	KRA102S-X	DIGI TRANSISTOR		C952	QCZ0136-101Z	C CAPACITOR	100pF 1kV K	
	Q4812	KRC102S-X	DIGI TRANSISTOR		C953	NDC31HJ-101X	C CAPACITOR	100pF 50V J	
	Q4821	KRC102S-X	DIGI TRANSISTOR		C954	NDC31HJ-101X	C CAPACITOR	100pF 50V J	
	Q4831	KRC102S-X	DIGI TRANSISTOR		C956	NDC31HJ-101X	C CAPACITOR	100pF 50V J	
	Q4832	KRA110S-X	TRANSISTOR		C957	NDC31HJ-101X	C CAPACITOR	100pF 50V J	
	Q4833	KRC110S-X	DIGI TRANSISTOR		C960	QEZO529-826Z	E CAPACITOR	82uF 10V M	
	Q4921	KTC3203/OY/-T	TRANSISTOR		C961	QCZ0202-155Z	C CAPACITOR	1.5uF 25V Z	
	Q4931	KTA1271/OY/-T	TRANSISTOR		C962	QEKC1HM-226Z	E CAPACITOR	22uF 50V M	
	Q4954	2SA1362/G/-X	TRANSISTOR		C963	QEZO533-396Z	E CAPACITOR	39uF 50V M	
	Q4955	KRC102S-X	DIGI TRANSISTOR		C964	QETN1HM-226Z	E CAPACITOR	22uF 50V M	
	Q4961	KTC3203/OY/-T	TRANSISTOR		C965	QEZO528-108	E CAPACITOR	100uF 10V M	
	Q4971	2SC3661-X	TRANSISTOR		C966	QETN1AM-477Z	E CAPACITOR	470uF 10V M	
	Q4972	2SC3661-X	TRANSISTOR		C967	NCB31CK-104X	C CAPACITOR	0.1uF 16V K	
	Q4973	KRA104S-X	DIGI TRANSISTOR		C968	NCB31CK-104X	C CAPACITOR	0.1uF 16V K	
					C969	QETN1AM-227Z	E CAPACITOR	220uF 10V M	
△	D901	DI106	BRIDGE DIODE		C979	QEZO530-827	E CAPACITOR	820uF 16V M	
	D902	10ERB40-T1	FR DIODE		C981	QCZ0202-155Z	C CAPACITOR	1.5uF 25V Z	
	D903	10ERB40-T1	FR DIODE		C982	QEZO531-567	E CAPACITOR	560uF 25V M	
	D904	10ERB40-T1	FR DIODE		C984	QEKC1CM-227Z	E CAPACITOR	220uF 16V M	
	D908	10ERB40-T1	FR DIODE		C985	QETN1EM-107Z	E CAPACITOR	100uF 25V M	
	D910	10ERB40-T1	FR DIODE		C986	QETN1EM-107Z	E CAPACITOR	100uF 25V M	
	D911	FR104S-T5	FR DIODE		C987	QEZO532-187Z	E CAPACITOR	180uF 25V M	
	D950	MTZJ22C-T2	Z DIODE		C989	QEKC1CM-107Z	E CAPACITOR	100uF 16V M	
	D951	FR104S-T5	FR DIODE		C992	QETN1HM-474Z	E CAPACITOR	0.47uF 50V M	
	D952	FR104S-T5	FR DIODE		C993	NDC31HJ-101X	C CAPACITOR	100pF 50V J	
△	D953	SB340-F82	FUSEIODE		C994	QCB1HK-223Y	C CAPACITOR	0.022uF 50V K	
△	D954	10ERB40-T1	FR DIODE		C997	QETN1CM-227Z	E CAPACITOR	220uF 16V M	
△	D956	FR104S-T5	FR DIODE		C4006	QCZ0202-155Z	C CAPACITOR	1.5uF 25V Z	
△	D957	FR104S-T5	FR DIODE		C4011	NCB31HK-822X	C CAPACITOR	8200pF 50V K	
	D958	1SS133-T2	SI DIODE		C4012	NCB31HK-822X	C CAPACITOR	8200pF 50V K	
	D960	MTZJ2.2A-T2	S.B.DIODE		C4091	QETN1HM-226Z	E CAPACITOR	22uF 50V M	
△	D970	ER204-F33	FR DIODE		C4092	QETN1CM-107Z	E CAPACITOR	100uF 16V M	
	D991	MTZJ5.1C-T2	Z DIODE		C4101	NCB30JK-105X	C CAPACITOR	1uF 6.3V K	
△	D999	1N4003S-T5	SI DIODE		C4111	QFLC1HJ-103Z	M CAPACITOR	0.01uF 50V J	
	D4091	1SS133-T2	SI DIODE		C4121	NCB30JK-105X	C CAPACITOR	1uF 6.3V K	
	D4092	MTZJ6.8A-T2	Z DIODE		C4171	NCB30JK-105X	C CAPACITOR	1uF 6.3V K	
	D4703	MTZJ4.7B-T2	Z DIODE		C4172	NCB30JK-105X	C CAPACITOR	1uF 6.3V K	
	D4704	1SS133-T2	SI DIODE		C4173	NCB30JK-105X	C CAPACITOR	1uF 6.3V K	
	D4705	1SS133-T2	SI DIODE		C4191	QETN1VM-476Z	E CAPACITOR	47uF 35V M	
	D4706	1SS133-T2	SI DIODE		C4192	NCB31HK-103X	C CAPACITOR	0.01uF 50V K	
	D4707	1SS133-T2	SI DIODE		C4301	QETN1EM-476Z	E CAPACITOR	47uF 25V M	
	D4708	1SS133-T2	SI DIODE		C4311	NCB31HK-103X	C CAPACITOR	0.01uF 50V K	

△ Symbol No.	Part No.	Part Name	Description	Local	△ Symbol No.	Part No.	Part Name	Description	Local
C4321	NCB30JK-105X	C CAPACITOR	1uF 6.3V K		C6603	QETN1HM-475Z	E CAPACITOR	4.7uF 50V M	
C4331	NCB30JK-105X	C CAPACITOR	1uF 6.3V K		C6611	QETN1HM-475Z	E CAPACITOR	4.7uF 50V M	
C4341	NCB30JK-105X	C CAPACITOR	1uF 6.3V K		C6612	NDC31HJ-560X	C CAPACITOR	56pF 50V J	
C4351	NCB30JK-105X	C CAPACITOR	1uF 6.3V K		C6613	QETN1HM-475Z	E CAPACITOR	4.7uF 50V M	
C4391	QETN1AM-477Z	E CAPACITOR	470uF 10V M		C6614	NCB31CK-104X	C CAPACITOR	0.1uF 16V K	
C4392	NCB31CK-104X	C CAPACITOR	0.1uF 16V K		C6615	NCB31CK-104X	C CAPACITOR	0.1uF 16V K	
C4394	NCB31CK-104X	C CAPACITOR	0.1uF 16V K		C6616	NDC31HJ-560X	C CAPACITOR	56pF 50V J	
C4395	QETN1HM-226Z	E CAPACITOR	22uF 50V M		C6617	NCB31HK-471X	C CAPACITOR	470pF 50V K	
C4401	QETN0JM-477Z	E CAPACITOR	470uF 6.3V M		C6618	NCB31HK-471X	C CAPACITOR	470pF 50V K	
C4411	NCB31HK-103X	C CAPACITOR	0.01uF 50V K		C6901	QETN1VM-476Z	E CAPACITOR	47uF 35V M	
C4421	QETN0JM-477Z	E CAPACITOR	470uF 6.3V M		C6902	QETN1VM-476Z	E CAPACITOR	47uF 35V M	
C4431	QETN0JM-477Z	E CAPACITOR	470uF 6.3V M						
C4441	QETN0JM-477Z	E CAPACITOR	470uF 6.3V M		R901	QRL01DJ-683X	OMF RESISTOR	68kΩ 1W J	
C4451	QETN0JM-477Z	E CAPACITOR	470uF 6.3V M		R903	QRE141J-270Y	C RESISTOR	27Ω 1/4W J	
C4605	NCB31HK-471X	C CAPACITOR	470pF 50V K		R904	QRE141J-222Y	C RESISTOR	2.2kΩ 1/4W J	
C4606	NCB31HK-471X	C CAPACITOR	470pF 50V K		R905	QRL027J-683	OMF RESISTOR	68kΩ 2W J	
C4702	QETN0JM-227Z	E CAPACITOR	220uF 6.3V M		R906	QRJ146J-681X	UNF C RESISTOR	680Ω 1/4W J	
C4703	QETN1HM-225Z	E CAPACITOR	2.2uF 50V M		R907	QRT027J-R47	MF RESISTOR	0.47Ω 2W J	
C4704	NCB31CK-223X	C CAPACITOR	0.022uF 16V K		R908	QRE141J-332Y	C RESISTOR	3.3kΩ 1/4W J	
C4705	NCB31HK-103X	C CAPACITOR	0.01uF 50V K		R910	QRE141J-754Y	C RESISTOR	750kΩ 1/4W J	
C4706	NCB31HK-103X	C CAPACITOR	0.01uF 50V K		R911	QRE141J-754Y	C RESISTOR	750kΩ 1/4W J	
C4707	QETN1CM-107Z	E CAPACITOR	100uF 16V M		△ R921	QRZ9037-335	COMP RESISTOR	3.3MΩ 1/2W K	
C4708	NCB31HK-103X	C CAPACITOR	0.01uF 50V K		R951	QRE141J-150Y	C RESISTOR	15Ω 1/4W J	
C4709	NCB31HK-103X	C CAPACITOR	0.01uF 50V K		R952	NRSA63J-103X	MG RESISTOR	10kΩ 1/16W J	
C4710	NCB31HK-103X	C CAPACITOR	0.01uF 50V K		R953	NRSA02J-223X	MG RESISTOR	22kΩ 1/10W J	
C4711	QETN1HM-106Z	E CAPACITOR	10uF 50V M		△ R954	QRZ9005-100X	FUSI RESISTOR	120Ω	
C4712	NCB31CK-104X	C CAPACITOR	0.1uF 16V K		R955	NRSA63J-223X	MG RESISTOR	22kΩ 1/16W J	
C4713	NCB31CK-104X	C CAPACITOR	0.1uF 16V K		R960	NRSA63J-101X	MG RESISTOR	100Ω 1/16W J	
C4714	NCB31CK-104X	C CAPACITOR	0.1uF 16V K		R961	NRSA63J-681X	MG RESISTOR	680Ω 1/16W J	
C4715	NCB31CK-104X	C CAPACITOR	0.1uF 16V K		R963	NRSA63J-101X	MG RESISTOR	100Ω 1/16W J	
C4718	NCB31HK-103X	C CAPACITOR	0.01uF 50V K		R964	NRSA63J-105X	MG RESISTOR	1MΩ 1/16W J	
C4719	NCB31HK-103X	C CAPACITOR	0.01uF 50V K		R965	NRSA63J-103X	MG RESISTOR	10kΩ 1/16W J	
C4720	NCB31CK-104X	C CAPACITOR	0.1uF 16V K		R966	NRSA02J-221X	MG RESISTOR	220Ω 1/10W J	
C4721	NCB31CK-104X	C CAPACITOR	0.1uF 16V K		R969	NRSA63J-221X	MG RESISTOR	220Ω 1/16W J	
C4771	NCB31CK-104X	C CAPACITOR	0.1uF 16V K		R980	NRSA63J-512X	MG RESISTOR	5.1kΩ 1/16W J	
C4772	NCB31CK-104X	C CAPACITOR	0.1uF 16V K		R981	NRSA63J-223X	MG RESISTOR	22kΩ 1/16W J	
C4773	NCB31CK-104X	C CAPACITOR	0.1uF 16V K		R983	NRSA63J-102X	MG RESISTOR	1kΩ 1/16W J	
C4774	NCB31CK-104X	C CAPACITOR	0.1uF 16V K		R984	NRSA63J-222X	MG RESISTOR	2.2kΩ 1/16W J	
C4791	NCB31CK-104X	C CAPACITOR	0.1uF 16V K		R985	NRSA02J-132X	MG RESISTOR	1.3kΩ 1/10W J	
C4801	QETN1HM-224Z	E CAPACITOR	0.22uF 50V M		R986	NRSA02J-152X	MG RESISTOR	1.5kΩ 1/10W J	
C4891	NCB31HK-221X	C CAPACITOR	220pF 50V K		R987	NRSA02J-152X	MG RESISTOR	1.5kΩ 1/10W J	
C4892	NCB31HK-221X	C CAPACITOR	220pF 50V K		R988	NRSA63J-222X	MG RESISTOR	2.2kΩ 1/16W J	
C4901	QETN1CM-107Z	E CAPACITOR	100uF 16V M		R989	NRSA63J-333X	MG RESISTOR	33kΩ 1/16W J	
C4902	NCB31HK-103X	C CAPACITOR	0.01uF 50V K		R990	NRSA63J-333X	MG RESISTOR	33kΩ 1/16W J	
C4903	QETN1CM-107Z	E CAPACITOR	100uF 16V M		R4011	NRSA63J-102X	MG RESISTOR	1kΩ 1/16W J	
C4904	NCB31HK-103X	C CAPACITOR	0.01uF 50V K		R4012	NRSA63J-102X	MG RESISTOR	1kΩ 1/16W J	
C4921	QETN1VM-476Z	E CAPACITOR	47uF 35V M		R4013	NRSA63J-682X	MG RESISTOR	6.8kΩ 1/16W J	
C4922	QETN1CM-107Z	E CAPACITOR	100uF 16V M		R4014	NRSA63J-682X	MG RESISTOR	6.8kΩ 1/16W J	
C4931	QETN1VM-476Z	E CAPACITOR	47uF 35V M		R4091	NRSA63J-472X	MG RESISTOR	4.7kΩ 1/16W J	
C4932	QETN1CM-107Z	E CAPACITOR	100uF 16V M		R4092	NRSA63J-103X	MG RESISTOR	10kΩ 1/16W J	
C4961	QETN1CM-107Z	E CAPACITOR	100uF 16V M		R4093	NRSA63J-821X	MG RESISTOR	820Ω 1/16W J	
C6001	NCB31CK-223X	C CAPACITOR	0.022uF 16V K		R4101	NRSA63J-750X	MG RESISTOR	75Ω 1/16W J	
C6002	NCB31CK-223X	C CAPACITOR	0.022uF 16V K		R4111	NRSA63J-750X	MG RESISTOR	75Ω 1/16W J	
C6003	NCB31CK-104X	C CAPACITOR	0.1uF 16V K		R4121	NRSA63J-750X	MG RESISTOR	75Ω 1/16W J	
C6004	NCB31HK-103X	C CAPACITOR	0.01uF 50V K		R4191	NRSA63J-0R0X	MG RESISTOR	0Ω 1/16W J	
C6101	QETN1HM-475Z	E CAPACITOR	4.7uF 50V M		R4201	NRSA63J-511X	MG RESISTOR	510Ω 1/16W J	
C6102	NDC31HJ-101X	C CAPACITOR	100pF 50V J		R4202	NRSA63J-331X	MG RESISTOR	330Ω 1/16W J	
C6103	QETN1HM-476Z	E CAPACITOR	47uF 50V M		R4211	NRSA63J-561X	MG RESISTOR	560Ω 1/16W J	
C6104	NCB31CK-104X	C CAPACITOR	0.1uF 16V K		R4212	NRSA63J-561X	MG RESISTOR	560Ω 1/16W J	
C6105	NCB31HK-103X	C CAPACITOR	0.01uF 50V K		R4231	NRSA63J-511X	MG RESISTOR	510Ω 1/16W J	
C6201	QETN1HM-475Z	E CAPACITOR	4.7uF 50V M		R4232	NRSA63J-331X	MG RESISTOR	330Ω 1/16W J	
C6202	NDC31HJ-101X	C CAPACITOR	100pF 50V J		R4241	NRSA63J-561X	MG RESISTOR	560Ω 1/16W J	
C6203	QETN1HM-476Z	E CAPACITOR	47uF 50V M		R4242	NRSA63J-121X	MG RESISTOR	120Ω 1/16W J	
C6204	NCB31CK-104X	C CAPACITOR	0.1uF 16V K		R4251	NRSA63J-561X	MG RESISTOR	560Ω 1/16W J	
C6205	NCB31HK-103X	C CAPACITOR	0.01uF 50V K		R4252	NRSA63J-121X	MG RESISTOR	120Ω 1/16W J	
C6501	QETN1HM-475Z	E CAPACITOR	4.7uF 50V M		R4401	NRSA63J-750X	MG RESISTOR	75Ω 1/16W J	
C6502	NCS31HJ-560X	C CAPACITOR	56pF 50V J		R4411	NRSA63J-750X	MG RESISTOR	75Ω 1/16W J	
C6503	QETN1HM-475Z	E CAPACITOR	4.7uF 50V M		R4421	NRSA63J-750X	MG RESISTOR	75Ω 1/16W J	
C6511	QETN1HM-475Z	E CAPACITOR	4.7uF 50V M		R4431	NRSA63J-750X	MG RESISTOR	75Ω 1/16W J	
C6512	NDC31HJ-560X	C CAPACITOR	56pF 50V J		R4441	NRSA63J-750X	MG RESISTOR	75Ω 1/16W J	
C6513	QETN1HM-475Z	E CAPACITOR	4.7uF 50V M		R4451	NRSA63J-750X	MG RESISTOR	75Ω 1/16W J	
C6514	NCB31CK-104X	C CAPACITOR	0.1uF 16V K		R4605	NRSA63J-101X	MG RESISTOR	100Ω 1/16W J	
C6515	NCB31CK-104X	C CAPACITOR	0.1uF 16V K		R4606	NRSA63J-101X	MG RESISTOR	100Ω 1/16W J	
C6516	NDC31HJ-560X	C CAPACITOR	56pF 50V J		R4703	NRSA63J-102X	MG RESISTOR	1kΩ 1/16W J	
C6517	NCB31HK-471X	C CAPACITOR	470pF 50V K		R4704	NRSA63J-103X	MG RESISTOR	10kΩ 1/16W J	
C6518	NCB31HK-471X	C CAPACITOR	470pF 50V K		R4705	NRSA63J-472X	MG RESISTOR	4.7kΩ 1/16W J	
C6601	QETN1HM-475Z	E CAPACITOR	4.7uF 50V M		R4706	NRSA63J-223X	MG RESISTOR	22kΩ 1/16W J	
C6602	NDC31HJ-560X	C CAPACITOR	56pF 50V J		R4707	NRSA63J-103X	MG RESISTOR	10kΩ 1/16W J	

△ Symbol No.	Part No.	Part Name	Description	Local	△ Symbol No.	Part No.	Part Name	Description	Local
R4708	QRE141J-221Y	C RESISTOR	220Ω 1/4W J		R6106	QRE141J-330Y	C RESISTOR	33Ω 1/4W J	
R4709	NRSA63J-101X	MG RESISTOR	100kΩ 1/16W J		R6107	QRE141J-390Y	C RESISTOR	39Ω 1/4W J	
R4710	NRSA63J-104X	MG RESISTOR	100kΩ 1/16W J		R6201	NRSA63J-223X	MG RESISTOR	22kΩ 1/16W J	
R4711	NRSA63J-331X	MG RESISTOR	330Ω 1/16W J		R6202	NRSA63J-102X	MG RESISTOR	1kΩ 1/16W J	
R4712	NRSA63J-331X	MG RESISTOR	330Ω 1/16W J		R6203	NRSA63J-333X	MG RESISTOR	33kΩ 1/16W J	
R4713	NRSA63J-331X	MG RESISTOR	330Ω 1/16W J		R6205	NRSA63J-473X	MG RESISTOR	47kΩ 1/16W J	
R4752	NRSA63J-273X	MG RESISTOR	27kΩ 1/16W J		R6206	QRE141J-330Y	C RESISTOR	33Ω 1/4W J	
R4753	NRSA63J-103X	MG RESISTOR	10kΩ 1/16W J		R6207	QRE141J-390Y	C RESISTOR	39Ω 1/4W J	
R4754	NRSA63J-103X	MG RESISTOR	10kΩ 1/16W J		R6302	QRE141J-271Y	C RESISTOR	270Ω 1/4W J	
R4755	NRSA63J-103X	MG RESISTOR	10kΩ 1/16W J		R6303	QRE141J-271Y	C RESISTOR	270Ω 1/4W J	
R4756	NRSA63J-103X	MG RESISTOR	10kΩ 1/16W J		R6304	QRE141J-271Y	C RESISTOR	270Ω 1/4W J	
R4757	NRSA63J-103X	MG RESISTOR	10kΩ 1/16W J		R6305	QRE141J-271Y	C RESISTOR	270Ω 1/4W J	
R4758	NRSA63J-103X	MG RESISTOR	10kΩ 1/16W J		R6501	NRSA63J-104X	MG RESISTOR	100kΩ 1/16W J	
R4760	NRSA63J-222X	MG RESISTOR	2.2kΩ 1/16W J		R6502	NRSA63J-103X	MG RESISTOR	10kΩ 1/16W J	
R4761	NRSA63J-103X	MG RESISTOR	10kΩ 1/16W J		R6503	NRSA63J-102X	MG RESISTOR	1kΩ 1/16W J	
R4762	NRSA63J-103X	MG RESISTOR	10kΩ 1/16W J		R6505	NRSA63J-103X	MG RESISTOR	10kΩ 1/16W J	
R4772	NRSA63J-103X	MG RESISTOR	10kΩ 1/16W J		R6506	NRSA63J-103X	MG RESISTOR	10kΩ 1/16W J	
R4773	NRSA63J-103X	MG RESISTOR	10kΩ 1/16W J		R6507	NRSA63J-103X	MG RESISTOR	10kΩ 1/16W J	
R4774	NRSA63J-103X	MG RESISTOR	10kΩ 1/16W J		R6508	NRSA63J-102X	MG RESISTOR	1kΩ 1/16W J	
R4775	NRSA63J-331X	MG RESISTOR	330Ω 1/16W J		R6509	NRSA63J-473X	MG RESISTOR	47kΩ 1/16W J	
R4776	NRSA63J-331X	MG RESISTOR	330Ω 1/16W J		R6510	NRSA63J-104X	MG RESISTOR	100kΩ 1/16W J	
R4777	NRSA63J-101X	MG RESISTOR	100Ω 1/16W J		R6511	NRSA63J-333X	MG RESISTOR	33kΩ 1/16W J	
R4778	NRSA63J-101X	MG RESISTOR	100Ω 1/16W J		R6512	NRSA63J-103X	MG RESISTOR	10kΩ 1/16W J	
R4781	NRSA63J-101X	MG RESISTOR	100Ω 1/16W J		R6513	NRSA63J-104X	MG RESISTOR	100kΩ 1/16W J	
R4782	NRSA63J-101X	MG RESISTOR	100Ω 1/16W J		R6514	NRSA63J-103X	MG RESISTOR	10kΩ 1/16W J	
R4783	QRE141J-151Y	C RESISTOR	150Ω 1/4W J		R6515	NRSA63J-102X	MG RESISTOR	1kΩ 1/16W J	
R4784	QRE141J-151Y	C RESISTOR	150Ω 1/4W J		R6516	NRSA63J-103X	MG RESISTOR	10kΩ 1/16W J	
R4785	QRE141J-151Y	C RESISTOR	150Ω 1/4W J		R6517	NRSA63J-104X	MG RESISTOR	100kΩ 1/16W J	
R4786	QRE141J-151Y	C RESISTOR	150Ω 1/4W J		R6518	NRSA63J-223X	MG RESISTOR	22kΩ 1/16W J	
R4791	NRSA02J-221X	MG RESISTOR	220Ω 1/10W J		R6601	NRSA63J-104X	MG RESISTOR	100kΩ 1/16W J	
R4801	NRSA63J-223X	MG RESISTOR	22kΩ 1/16W J		R6602	NRSA63J-103X	MG RESISTOR	10kΩ 1/16W J	
R4802	NRSA63J-223X	MG RESISTOR	22kΩ 1/16W J		R6603	NRSA63J-102X	MG RESISTOR	1kΩ 1/16W J	
△ R4811	QRZ9006-4R7X	F.RESISTOR	4.7Ω 1/4W J		R6605	NRSA63J-103X	MG RESISTOR	10kΩ 1/16W J	
R4821	QRE141J-181Y	C RESISTOR	180Ω 1/4W J		R6606	NRSA63J-103X	MG RESISTOR	10kΩ 1/16W J	
R4822	QRE141J-151Y	C RESISTOR	150Ω 1/4W J		R6607	NRSA63J-103X	MG RESISTOR	10kΩ 1/16W J	
R4831	NRSA63J-153X	MG RESISTOR	15kΩ 1/16W J		R6608	NRSA63J-102X	MG RESISTOR	1kΩ 1/16W J	
R4832	NRSA63J-223X	MG RESISTOR	22kΩ 1/16W J		R6609	NRSA63J-473X	MG RESISTOR	47kΩ 1/16W J	
R4833	NRSA63J-123X	MG RESISTOR	12kΩ 1/16W J		R6610	NRSA63J-104X	MG RESISTOR	100kΩ 1/16W J	
R4834	NRSA63J-393X	MG RESISTOR	39kΩ 1/16W J		R6611	NRSA63J-333X	MG RESISTOR	33kΩ 1/16W J	
R4835	NRSA63J-472X	MG RESISTOR	4.7kΩ 1/16W J		R6612	NRSA63J-103X	MG RESISTOR	10kΩ 1/16W J	
R4841	NRSA63J-681X	MG RESISTOR	680Ω 1/16W J		R6613	NRSA63J-104X	MG RESISTOR	100kΩ 1/16W J	
R4842	NRSA63J-103X	MG RESISTOR	10kΩ 1/16W J		R6614	NRSA63J-103X	MG RESISTOR	10kΩ 1/16W J	
R4843	QRT017J-2R2	MF RESISTOR	2.2Ω 1W J		R6615	NRSA63J-102X	MG RESISTOR	1kΩ 1/16W J	
R4844	NRSA63J-103X	MG RESISTOR	10kΩ 1/16W J		R6616	NRSA63J-103X	MG RESISTOR	10kΩ 1/16W J	
R4845	NRSA63J-222X	MG RESISTOR	2.2kΩ 1/16W J		R6617	NRSA63J-104X	MG RESISTOR	100kΩ 1/16W J	
R4861	NRSA63J-222X	MG RESISTOR	2.2kΩ 1/16W J		R6618	NRSA63J-223X	MG RESISTOR	22kΩ 1/16W J	
R4863	NRSA63J-222X	MG RESISTOR	2.2kΩ 1/16W J		△ L901	QQR1105-001	LINE FILTER		
R4864	NRSA63J-222X	MG RESISTOR	2.2kΩ 1/16W J		L951	QLL244K-R22Z	COIL	0.22uH K	
R4866	NRSA63J-272X	MG RESISTOR	2.7kΩ 1/16W J		L952	QLL44BK-220Z	COIL	22uH K	
R4871	NRSA63J-331X	MG RESISTOR	330Ω 1/16W J		L955	QLL26AK-220Z	COIL	22uH K	
R4872	NRSA63J-331X	MG RESISTOR	330Ω 1/16W J		L957	QLL244K-100Z	COIL	10uH K	
R4873	NRSA63J-331X	MG RESISTOR	330Ω 1/16W J		L959	QLL244K-100Z	COIL	10uH K	
R4875	NRSA63J-331X	MG RESISTOR	330Ω 1/16W J		L4391	QLL25CK-221Z	COIL	220uH K	
R4876	NRSA63J-331X	MG RESISTOR	330Ω 1/16W J		△ T901	QQS0097-001	SW TRANSF		
R4881	NRSA63J-472X	MG RESISTOR	4.7kΩ 1/16W J		CN401	QGF1036C1-10	CONNECTOR	FFC/FPC (1-10)	
R4883	NRSA63J-472X	MG RESISTOR	4.7kΩ 1/16W J		CN402	QGF1036C1-08	CONNECTOR	FFC/FPC (1-8)	
R4884	NRSA63J-472X	MG RESISTOR	4.7kΩ 1/16W J		CN403	QGF1036C1-28	CONNECTOR	FFC/FPC (1-28)	
R4886	NRSA63J-562X	MG RESISTOR	5.6kΩ 1/16W J		CN404	QGD2504C1-05Z	CONNECTOR	(1-5)	
R4891	NRSA63J-221X	MG RESISTOR	220Ω 1/16W J		CN405	QGD2504C1-05Z	CONNECTOR	(1-5)	
R4892	NRSA63J-221X	MG RESISTOR	220Ω 1/16W J		CN406	QGD2504C1-04Z	CONNECTOR	(1-4)	
△ R4921	QRZ9005-100X	FUSI RESISTOR	10Ω		CN407	QGD2504C1-05Z	CONNECTOR	(1-5)	
R4922	NRSA63J-222X	MG RESISTOR	2.2kΩ 1/16W J		CN410	QGF1205C1-11	CONNECTOR	FFC/FPC (1-11)	
△ R4931	QRZ9005-100X	FUSI RESISTOR	10Ω		CN411	QGF1036C1-31	CONNECTOR	FFC/FPC (1-31)	
R4932	NRSA63J-222X	MG RESISTOR	2.2kΩ 1/16W J		CN412	QGF1036C1-07	CONNECTOR	FFC/FPC (1-7)	
R4961	QRE141J-271Y	C RESISTOR	270Ω 1/4W J		CN450	QGF1205C1-13	CONNECTOR	FFC/FPC (1-13)	
R4971	NRSA63J-222X	MG RESISTOR	2.2kΩ 1/16W J		CN456	QGD2504C1-04Z	CONNECTOR	(1-4)	
R4972	NRSA63J-224X	MG RESISTOR	220kΩ 1/16W J		CN457	QGD2504C1-03Z	CONNECTOR	(1-3)	
R4973	NRSA63J-102X	MG RESISTOR	1kΩ 1/16W J		CN460	QGF1205C1-05	CONNECTOR	FFC/FPC (1-5)	
R4974	NRSA63J-184X	MG RESISTOR	180kΩ 1/16W J		CN701	QGF1205F1-05	CONNECTOR	FFC/FPC (1-5)	
R4975	NRSA63J-184X	MG RESISTOR	180kΩ 1/16W J		△ CP951	ICP-N10-T	IC PROTECTOR	400mA	
R4990	NRSA63J-103X	MG RESISTOR	10kΩ 1/16W J		△ CP999	ICP-N10-T	IC PROTECTOR	400mA	
R4997	NRSA63J-0R0X	MG RESISTOR	0Ω 1/16W J		EP401	QNZ0136-001Z	EARTH PLATE		
R4998	NRSA63J-0R0X	MG RESISTOR	0Ω 1/16W J		EP402	QNZ0136-001Z	EARTH PLATE		
R6001	NRSA63J-102X	MG RESISTOR	1kΩ 1/16W J		EP403	QNZ0136-001Z	EARTH PLATE		
R6101	NRSA63J-223X	MG RESISTOR	22kΩ 1/16W J		EP901	QNZ0136-001Z	EARTH PLATE		
R6102	NRSA63J-102X	MG RESISTOR	1kΩ 1/16W J		EP902	QNZ0136-001Z	EARTH PLATE		
R6103	NRSA63J-333X	MG RESISTOR	33kΩ 1/16W J						
R6105	NRSA63J-473X	MG RESISTOR	47kΩ 1/16W J						

Symbol No.	Part No.	Part Name	Description	Local
FC901	QNG0003-001Z	FUSE CLIP		
FC902	QNG0003-001Z	FUSE CLIP		
FW901	QUM219-06DGZ4-E	PARA RIBON WIR		
FW902	QUM21A-06DGZ4-E	PARA RIBON WIR		
HS901	GV40606-002A	HEAT SINK		
J4401	QNN0570-001	PIN JACK		
J4402	QNN0572-001	PIN JACK		
J4891	QNS0089-001	3.5 JACK		
J6001	QNS0170-001	HEADPHONE JACK		
K902	QQR0621-001Z	FERRATE BEADS		
K4702	QQR0621-001Z	FERRATE BEADS		
K6001	NQR0007-002X	FERRITE BEADS		
K6002	NQR0007-002X	FERRITE BEADS		
K6003	NQR0007-002X	FERRITE BEADS		
K6004	NQR0007-002X	FERRITE BEADS		
P901	QNC0082-001	AC INLET		
X4701	QAX0246-001Z	C RESONATOR	8.00MHZ	

Symbol No.	Part No.	Part Name	Description	Local
S526	QSW0825-001Z	TACT SW		
S527	QSW0825-001Z	TACT SW		
S528	QSW0825-001Z	TACT SW		
S529	QSW0825-001Z	TACT SW		
S531	QSW0825-001Z	TACT SW		
S532	QSW0825-001Z	TACT SW		
S533	QSW0825-001Z	TACT SW		
S534	QSW0825-001Z	TACT SW		
S535	QSW0825-001Z	TACT SW		
S536	QSW0825-001Z	TACT SW		
S537	QSW0825-001Z	TACT SW		
S538	QSW0825-001Z	TACT SW		
S539	QSW0825-001Z	TACT SW		
S540	QSW0825-001Z	TACT SW		

Audio board

Block No. [0][3]

Front board

Block No. [0][2]

Symbol No.	Part No.	Part Name	Description	Local
IC501	PT6315	IC		
IC511	GP1UM271XKVF	IR DETECT UNIT		
Q503	KRC102S-X	DIGI TRANSISTOR		
D511	SLR-343VC/NPQ-T	LED		
D551	SELU2E10C-P	LED		
C506	NCB30JK-105X	C CAPACITOR	1uF 6.3V K	
C507	NCB31HK-103X	C CAPACITOR	0.01uF 50V K	
C511	NCB21CK-105X	C CAPACITOR	1uF 16V K	
C515	NCB31HK-103X	C CAPACITOR	0.01uF 50V K	
C541	NCB31HK-103X	C CAPACITOR	0.01uF 50V K	
C542	NCB31HK-103X	C CAPACITOR	0.01uF 50V K	
R501	NRSA63J-102X	MG RESISTOR	1kΩ 1/16W J	
R502	NRSA63J-102X	MG RESISTOR	1kΩ 1/16W J	
R503	NRSA63J-102X	MG RESISTOR	1kΩ 1/16W J	
R505	NRSA63J-823X	MG RESISTOR	82kΩ 1/16W J	
R506	NRSA63J-330X	MG RESISTOR	33Ω 1/16W J	
R511	NRSA63J-221X	MG RESISTOR	220Ω 1/16W J	
R521	NRSA63J-332X	MG RESISTOR	3.3kΩ 1/16W J	
R522	NRSA63J-392X	MG RESISTOR	3.9kΩ 1/16W J	
R526	NRSA63J-332X	MG RESISTOR	3.3kΩ 1/16W J	
R527	NRSA63J-392X	MG RESISTOR	3.9kΩ 1/16W J	
R528	NRSA63J-682X	MG RESISTOR	6.8kΩ 1/16W J	
R531	NRSA63J-332X	MG RESISTOR	3.3kΩ 1/16W J	
R532	NRSA63J-392X	MG RESISTOR	3.9kΩ 1/16W J	
R533	NRSA63J-682X	MG RESISTOR	6.8kΩ 1/16W J	
R534	NRSA63J-153X	MG RESISTOR	15kΩ 1/16W J	
R536	NRSA63J-332X	MG RESISTOR	3.3kΩ 1/16W J	
R537	NRSA63J-392X	MG RESISTOR	3.9kΩ 1/16W J	
R538	NRSA63J-682X	MG RESISTOR	6.8kΩ 1/16W J	
R539	NRSA63J-153X	MG RESISTOR	15kΩ 1/16W J	
R541	NRSA63J-103X	MG RESISTOR	10kΩ 1/16W J	
R542	NRSA63J-103X	MG RESISTOR	10kΩ 1/16W J	
R552	NRSA63J-121X	MG RESISTOR	120Ω 1/16W J	
BK501	LV43659-001A	FL HOLDER		
BK502	LV43659-001A	FL HOLDER		
CN501	QGF1205F1-13	CONNECTOR	FFC/FPC (1-13)	
DI501	QLF0154-001	FL TUBE		
FW502	QUM216-09Z4Z4-E	PARA RIBON WIR		
FW521	QUM213-15DGZ4-E	PARA RIBON WIRE		
FW561	QUM214-16DGZ4-E	PARA RIBON WIRE		
JS541	QSW1122-001	JOG VOLUME		
K501	NRSA02J-0R0X	MG RESISTOR	0Ω 1/10W J	
K502	NRSA02J-0R0X	MG RESISTOR	0Ω 1/10W J	
S521	QSW0825-001Z	TACT SW		
S522	QSW0825-001Z	TACT SW		
S523	QSW0825-001Z	TACT SW		

Symbol No.	Part No.	Part Name	Description	Local
IC151	CD4066BM-X	IC		
IC152	CD4066BM-X	IC		
IC153	BD3814FV-X	IC		
IC154	CD4066BM-X	IC		
IC158	RC4558D-X	IC		
IC159	RC4558D-X	IC		
IC160	RC4558D-X	IC		
IC509	GP1FAV30RK0F	OPT RECEIVER		
IC531	RC4558D-X	IC		
IC581	RC4558D-X	IC		
IC591	RC4558D-X	IC		
Q1131	IMX9-W	TRANSISTOR		
Q1133	IMX9-W	TRANSISTOR		
Q1135	IMX9-W	TRANSISTOR		
Q1137	2SC3661-X	TRANSISTOR		
Q1251	KRA104S-X	DIGI TRANSISTOR		
Q1252	KRA104S-X	DIGI TRANSISTOR		
C1001	QETN1EM-107Z	E CAPACITOR	100uF 25V M	
C1002	QETN1EM-107Z	E CAPACITOR	100uF 25V M	
C1003	NCB31HK-103X	C CAPACITOR	0.01uF 50V K	
C1101	NCB31HK-331X	C CAPACITOR	330pF 50V K	
C1102	NCB31HK-331X	C CAPACITOR	330pF 50V K	
C1103	NCB31CK-104X	C CAPACITOR	0.1uF 16V K	
C1120	NCB31CK-333X	C CAPACITOR	0.033uF 16V K	
C1121	NCB31CK-333X	C CAPACITOR	0.033uF 16V K	
C1122	NCB31CK-333X	C CAPACITOR	0.033uF 16V K	
C1123	NCB31CK-333X	C CAPACITOR	0.033uF 16V K	
C1124	NCB31HK-472X	C CAPACITOR	4700pF 50V K	
C1125	NCB31HK-472X	C CAPACITOR	4700pF 50V K	
C1141	QETN1EM-107Z	E CAPACITOR	100uF 25V M	
C1142	QETN1EM-107Z	E CAPACITOR	100uF 25V M	
C1145	NCB31CK-104X	C CAPACITOR	0.1uF 16V K	
C1176	NCB31HK-103X	C CAPACITOR	0.01uF 50V K	
C1177	NCB31HK-103X	C CAPACITOR	0.01uF 50V K	
C1178	NCB31HK-103X	C CAPACITOR	0.01uF 50V K	
C1179	NCB31HK-103X	C CAPACITOR	0.01uF 50V K	
C1180	NCB31HK-103X	C CAPACITOR	0.01uF 50V K	
C1181	NCB31HK-103X	C CAPACITOR	0.01uF 50V K	
C1183	QETN1HM-475Z	E CAPACITOR	4.7uF 50V M	
C1201	QETN1EM-476Z	E CAPACITOR	47uF 25V M	
C1202	QETN1EM-476Z	E CAPACITOR	47uF 25V M	
C1203	QETN1EM-476Z	E CAPACITOR	47uF 25V M	
C1204	QETN1EM-476Z	E CAPACITOR	47uF 25V M	
C1205	QETN1HM-475Z	E CAPACITOR	4.7uF 50V M	
C1206	QETN1HM-475Z	E CAPACITOR	4.7uF 50V M	
C1207	QETN1HM-475Z	E CAPACITOR	4.7uF 50V M	
C1208	QETN1HM-475Z	E CAPACITOR	4.7uF 50V M	
C1209	QETN1HM-475Z	E CAPACITOR	4.7uF 50V M	
C1210	QETN1HM-475Z	E CAPACITOR	4.7uF 50V M	
C1211	QETN1HM-475Z	E CAPACITOR	4.7uF 50V M	
C1212	QETN1HM-475Z	E CAPACITOR	4.7uF 50V M	
C1213	QETN1HM-475Z	E CAPACITOR	4.7uF 50V M	

△ Symbol No.	Part No.	Part Name	Description	Local	△ Symbol No.	Part No.	Part Name	Description	Local
C1214	QETN1HM-475Z	E CAPACITOR	4.7uF 50V M		R1139	NRSA63J-104X	MG RESISTOR	100kΩ 1/16W J	
C1215	QETN1HM-475Z	E CAPACITOR	4.7uF 50V M		R1140	NRSA63J-104X	MG RESISTOR	100kΩ 1/16W J	
C1216	QETN1HM-475Z	E CAPACITOR	4.7uF 50V M		R1141	NRSA63J-102X	MG RESISTOR	1kΩ 1/16W J	
C1217	QETN1HM-475Z	E CAPACITOR	4.7uF 50V M		R1142	NRSA63J-102X	MG RESISTOR	1kΩ 1/16W J	
C1218	QETN1HM-475Z	E CAPACITOR	4.7uF 50V M		R1143	NRSA63J-332X	MG RESISTOR	3.3kΩ 1/16W J	
C1221	NDC31HJ-470X	C CAPACITOR	47pF 50V J		R1144	NRSA63J-332X	MG RESISTOR	3.3kΩ 1/16W J	
C1222	NDC31HJ-470X	C CAPACITOR	47pF 50V J		R1145	NRSA63J-104X	MG RESISTOR	100kΩ 1/16W J	
C1223	NDC31HJ-470X	C CAPACITOR	47pF 50V J		R1146	NRSA63J-104X	MG RESISTOR	100kΩ 1/16W J	
C1224	NDC31HJ-470X	C CAPACITOR	47pF 50V J		R1147	NRSA63J-104X	MG RESISTOR	100kΩ 1/16W J	
C1225	NDC31HJ-471X	C CAPACITOR	470pF 50V J		R1148	NRSA63J-104X	MG RESISTOR	100kΩ 1/16W J	
C1226	NDC31HJ-470X	C CAPACITOR	47pF 50V J		R1149	NRSA63J-471X	MG RESISTOR	470Ω 1/16W J	
C1227	NCB31CK-183X	C CAPACITOR	0.018uF 16V K		R1150	NRSA63J-102X	MG RESISTOR	1kΩ 1/16W J	
C1228	NCB31CK-183X	C CAPACITOR	0.018uF 16V K		R1151	NRSA63J-472X	MG RESISTOR	4.7kΩ 1/16W J	
C1230	QETN1HM-475Z	E CAPACITOR	4.7uF 50V M		R1152	NRSA63J-332X	MG RESISTOR	3.3kΩ 1/16W J	
C1251	NCB31HK-103X	C CAPACITOR	0.01uF 50V K		R1153	NRSA63J-471X	MG RESISTOR	470Ω 1/16W J	
C1252	NCB31HK-103X	C CAPACITOR	0.01uF 50V K		R1154	NRSA63J-472X	MG RESISTOR	4.7kΩ 1/16W J	
C1253	NCB31HK-103X	C CAPACITOR	0.01uF 50V K		R1155	NRSA63J-104X	MG RESISTOR	100kΩ 1/16W J	
C1254	NCB31HK-103X	C CAPACITOR	0.01uF 50V K		R1156	NRSA63J-104X	MG RESISTOR	100kΩ 1/16W J	
C2503	QETN1HM-475Z	E CAPACITOR	4.7uF 50V M		R1157	NRSA63J-332X	MG RESISTOR	3.3kΩ 1/16W J	
C2504	QETN1HM-475Z	E CAPACITOR	4.7uF 50V M		R1158	NRSA63J-104X	MG RESISTOR	100kΩ 1/16W J	
C2509	NCB31CK-104X	C CAPACITOR	0.1uF 16V K		R1161	NRSA63J-104X	MG RESISTOR	100kΩ 1/16W J	
C2510	NCB31CK-104X	C CAPACITOR	0.1uF 16V K		R1162	NRSA63J-104X	MG RESISTOR	100kΩ 1/16W J	
C2511	QETN1HM-105Z	E CAPACITOR	1uF 50V M		R1163	NRSA63J-104X	MG RESISTOR	100kΩ 1/16W J	
C2512	QETN1HM-105Z	E CAPACITOR	1uF 50V M		R1164	NRSA63J-104X	MG RESISTOR	100kΩ 1/16W J	
C2525	NCB31HK-102X	C CAPACITOR	1000pF 50V K		R1165	NRSA63J-104X	MG RESISTOR	100kΩ 1/16W J	
C2526	NCB31HK-102X	C CAPACITOR	1000pF 50V K		R1166	NRSA63J-104X	MG RESISTOR	100kΩ 1/16W J	
C2531	NCB31HK-331X	C CAPACITOR	330pF 50V K		R1167	NRSA63J-122X	MG RESISTOR	1.2kΩ 1/16W J	
C2532	NCB31HK-331X	C CAPACITOR	330pF 50V K		R1168	NRSA63J-122X	MG RESISTOR	1.2kΩ 1/16W J	
C2533	QETN1EM-476Z	E CAPACITOR	47uF 25V M		R1169	NRSA63J-393X	MG RESISTOR	39kΩ 1/16W J	
C2534	QETN1EM-476Z	E CAPACITOR	47uF 25V M		R1170	NRSA63J-393X	MG RESISTOR	39kΩ 1/16W J	
C2539	NCB31CK-104X	C CAPACITOR	0.1uF 16V K		R1171	NRSA63J-152X	MG RESISTOR	1.5kΩ 1/16W J	
C2540	NCB31CK-104X	C CAPACITOR	0.1uF 16V K		R1172	NRSA63J-152X	MG RESISTOR	1.5kΩ 1/16W J	
C2541	QETN1HM-105Z	E CAPACITOR	1uF 50V M		R1173	NRSA63J-473X	MG RESISTOR	47kΩ 1/16W J	
C2542	QETN1HM-105Z	E CAPACITOR	1uF 50V M		R1174	NRSA63J-473X	MG RESISTOR	47kΩ 1/16W J	
C2563	NCB31HK-271X	C CAPACITOR	270pF 50V K		R1175	NRSA63J-202X	MG RESISTOR	2kΩ 1/16W J	
C2564	NCB31HK-271X	C CAPACITOR	270pF 50V K		R1176	NRSA63J-393X	MG RESISTOR	39kΩ 1/16W J	
C2575	NCB31HK-102X	C CAPACITOR	1000pF 50V K		R1197	NRSA63J-225X	MG RESISTOR	2.2MΩ 1/16W J	
C2576	NCB31HK-102X	C CAPACITOR	1000pF 50V K		R1201	NRSA63J-124X	MG RESISTOR	120kΩ 1/16W J	
C2577	QETN1HM-105Z	E CAPACITOR	1uF 50V M		R1202	NRSA63J-124X	MG RESISTOR	120kΩ 1/16W J	
C2578	QETN1HM-105Z	E CAPACITOR	1uF 50V M		R1240	NRSA63J-0R0X	MG RESISTOR	0Ω 1/16W J	
C2581	QETN1HM-105Z	E CAPACITOR	1uF 50V M		R1241	NRSA63J-0R0X	MG RESISTOR	0Ω 1/16W J	
C2582	QETN1HM-106Z	E CAPACITOR	10uF 50V M		R1242	NRSA63J-0R0X	MG RESISTOR	0Ω 1/16W J	
C2583	NCB31HK-271X	C CAPACITOR	270pF 50V K		R1243	NRSA63J-0R0X	MG RESISTOR	0Ω 1/16W J	
C2584	NDC31HJ-560X	C CAPACITOR	56pF 50V J		R1244	NRSA63J-0R0X	MG RESISTOR	0Ω 1/16W J	
C2585	NCB31HK-102X	C CAPACITOR	1000pF 50V K		R1245	NRSA63J-0R0X	MG RESISTOR	0Ω 1/16W J	
C2589	NCB31CK-104X	C CAPACITOR	0.1uF 16V K		R1253	NRSA63J-223X	MG RESISTOR	22kΩ 1/16W J	
C2590	NCB31CK-104X	C CAPACITOR	0.1uF 16V K		R1254	NRSA63J-223X	MG RESISTOR	22kΩ 1/16W J	
C2592	NCB31HK-472X	C CAPACITOR	4700pF 50V K		R2525	NRSA63J-102X	MG RESISTOR	1kΩ 1/16W J	
C2594	NCB31HK-223X	C CAPACITOR	0.022uF 50V K		R2526	NRSA63J-102X	MG RESISTOR	1kΩ 1/16W J	
C2597	QETN1HM-475Z	E CAPACITOR	4.7uF 50V M		R2531	NRSA63J-102X	MG RESISTOR	1kΩ 1/16W J	
C2599	NCB31CK-104X	C CAPACITOR	0.1uF 16V K		R2532	NRSA63J-102X	MG RESISTOR	1kΩ 1/16W J	
C2600	NCB31CK-104X	C CAPACITOR	0.1uF 16V K		R2533	NRSA63J-472X	MG RESISTOR	4.7kΩ 1/16W J	
C2603	QETN1HM-475Z	E CAPACITOR	4.7uF 50V M		R2534	NRSA63J-472X	MG RESISTOR	4.7kΩ 1/16W J	
C2604	QETN1HM-475Z	E CAPACITOR	4.7uF 50V M		R2535	NRSA63J-102X	MG RESISTOR	1kΩ 1/16W J	
C2605	NDC31HJ-560X	C CAPACITOR	56pF 50V J		R2536	NRSA63J-102X	MG RESISTOR	1kΩ 1/16W J	
					R2537	NRSA63J-104X	MG RESISTOR	100kΩ 1/16W J	
R1101	NRSA63J-471X	MG RESISTOR	470Ω 1/16W J		R2538	NRSA63J-104X	MG RESISTOR	100kΩ 1/16W J	
R1102	NRSA63J-471X	MG RESISTOR	470Ω 1/16W J		R2539	NRSA63J-132X	MG RESISTOR	1.3kΩ 1/16W J	
R1103	NRSA63J-564X	MG RESISTOR	560kΩ 1/16W J		R2540	NRSA63J-132X	MG RESISTOR	1.3kΩ 1/16W J	
R1104	NRSA63J-564X	MG RESISTOR	560kΩ 1/16W J		R2543	NRSA63J-104X	MG RESISTOR	100kΩ 1/16W J	
R1106	NRSA63J-101X	MG RESISTOR	100Ω 1/16W J		R2544	NRSA63J-104X	MG RESISTOR	100kΩ 1/16W J	
R1107	NRSA63J-0R0X	MG RESISTOR	0Ω 1/16W J		R2545	NRSA63J-223X	MG RESISTOR	22kΩ 1/16W J	
R1108	NRSA63J-334X	MG RESISTOR	330kΩ 1/16W J		R2546	NRSA63J-223X	MG RESISTOR	22kΩ 1/16W J	
R1109	NRSA63J-334X	MG RESISTOR	330kΩ 1/16W J		R2549	NRSA63J-681X	MG RESISTOR	680Ω 1/16W J	
R1110	NRSA63J-223X	MG RESISTOR	22kΩ 1/16W J		R2550	NRSA63J-681X	MG RESISTOR	680Ω 1/16W J	
R1120	NRSA63J-123X	MG RESISTOR	12kΩ 1/16W J		R2553	NRSA63J-101X	MG RESISTOR	100Ω 1/16W J	
R1121	NRSA63J-123X	MG RESISTOR	12kΩ 1/16W J		R2554	NRSA63J-101X	MG RESISTOR	100Ω 1/16W J	
R1122	NRSA63J-102X	MG RESISTOR	1kΩ 1/16W J		R2560	NRSA63J-472X	MG RESISTOR	4.7kΩ 1/16W J	
R1123	NRSA63J-102X	MG RESISTOR	1kΩ 1/16W J		R2561	NRSA63J-273X	MG RESISTOR	27kΩ 1/16W J	
R1124	NRSA63J-472X	MG RESISTOR	4.7kΩ 1/16W J		R2562	NRSA63J-753X	MG RESISTOR	75kΩ 1/16W J	
R1131	NRSA63J-104X	MG RESISTOR	100kΩ 1/16W J		R2563	NRSA63J-103X	MG RESISTOR	10kΩ 1/16W J	
R1132	NRSA63J-104X	MG RESISTOR	100kΩ 1/16W J		R2564	NRSA63J-103X	MG RESISTOR	10kΩ 1/16W J	
R1133	NRSA63J-101X	MG RESISTOR	100Ω 1/16W J		R2565	NRSA63J-622X	MG RESISTOR	6.2kΩ 1/16W J	
R1134	NRSA63J-101X	MG RESISTOR	100Ω 1/16W J		R2566	NRSA63J-622X	MG RESISTOR	6.2kΩ 1/16W J	
R1135	NRSA63J-332X	MG RESISTOR	3.3kΩ 1/16W J		R2567	NRSA63J-102X	MG RESISTOR	1kΩ 1/16W J	
R1136	NRSA63J-332X	MG RESISTOR	3.3kΩ 1/16W J		R2568	NRSA63J-102X	MG RESISTOR	1kΩ 1/16W J	
R1137	NRSA63J-104X	MG RESISTOR	100kΩ 1/16W J		R2581	NRSA63J-104X	MG RESISTOR	100kΩ 1/16W J	
R1138	NRSA63J-104X	MG RESISTOR	100kΩ 1/16W J		R2582	NRSA63J-104X	MG RESISTOR	100kΩ 1/16W J	

Symbol No.	Part No.	Part Name	Description	Local	Symbol No.	Part No.	Part Name	Description	Local
R2583	NRSA63J-103X	MG RESISTOR	10kΩ 1/16W J		D154	1SS133-T2	SI DIODE		
R2584	NRSA63J-333X	MG RESISTOR	33kΩ 1/16W J		D163	1SS133-T2	SI DIODE		
R2585	NRSA63J-622X	MG RESISTOR	6.2kΩ 1/16W J		D164	MTZJ6.2B-T2	Z DIODE		
R2586	NRSA63J-562X	MG RESISTOR	5.6kΩ 1/16W J		D165	MTZJ6.8C-T2	Z DIODE		
R2587	NRSA63J-102X	MG RESISTOR	1kΩ 1/16W J		D166	MTZJ6.8C-T2	Z DIODE		
R2588	NRSA63J-102X	MG RESISTOR	1kΩ 1/16W J		D501	1SS133-T2	SI DIODE		
R2590	NRSA63J-333X	MG RESISTOR	33kΩ 1/16W J		D504	1SS133-T2	SI DIODE		
R2592	NRSA63J-333X	MG RESISTOR	33kΩ 1/16W J		D505	UDZS5.1B-X	Z DIODE		
R2594	NRSA63J-333X	MG RESISTOR	33kΩ 1/16W J		D506	1SS133-T2	SI DIODE		
R2596	NRSA63J-102X	MG RESISTOR	1kΩ 1/16W J		D507	1SS355-X	SI DIODE		
R2599	NRSA63J-102X	MG RESISTOR	1kΩ 1/16W J		D510	1SS133-T2	SI DIODE		
					D514	1SS133-T2	SI DIODE		
CN441	QGF1036C1-31	CONNECTOR	FFC/FPC (1-31)		D515	1SS133-T2	SI DIODE		
CN442	QGF1036C1-07	CONNECTOR	FFC/FPC (1-7)		D516	MTZJ30C-T2	Z DIODE		
J1101	QNN0598-001	PIN JACK			D521	MTZJ6.8C-T2	Z DIODE		
J1103	QND0118-001	DIN CONNECTOR			D535	1SS355-X	SI DIODE		
K1101	NQR0007-002X	FERRITE BEADS			D541	1SS133-T2	SI DIODE		

Mother board

Block No. [0][4]

Symbol No.	Part No.	Part Name	Description	Local	Symbol No.	Part No.	Part Name	Description	Local
△ IC201	STK413-430	IC			D551	1SS133-T2	SI DIODE		
△ IC202	STK413-430	IC			D552	1SS133-T2	SI DIODE		
IC301	RC4558D-X	IC			D553	1SS133-T2	SI DIODE		
IC302	RC4558D-X	IC			D561	SLR-342MC-T12	LED		
IC303	RC4558D-X	IC			D601	1SS133-T2	SI DIODE		
IC601	MN101C427NB	IC			D610	1SS133-T2	SI DIODE		
					D611	1SS133-T2	SI DIODE		
					D612	1SS133-T2	SI DIODE		
					D2101	1SS133-T2	SI DIODE		
					D2201	1SS133-T2	SI DIODE		
					D2301	1SS133-T2	SI DIODE		
					D2401	1SS133-T2	SI DIODE		
					D2501	1SS133-T2	SI DIODE		
					D2601	1SS133-T2	SI DIODE		
					D2701	MTZJ15C-T2	Z DIODE		
					D2702	MTZJ15C-T2	Z DIODE		
					D2703	MTZJ16C-T2	Z DIODE		
					D2704	1SS133-T2	SI DIODE		
					D2705	1SS133-T2	SI DIODE		
					D3101	1SS133-T2	SI DIODE		
					D3102	1SS133-T2	SI DIODE		
					D3201	1SS133-T2	SI DIODE		
					D3202	1SS133-T2	SI DIODE		
					D3301	1SS133-T2	SI DIODE		
					D3302	1SS133-T2	SI DIODE		
					D3401	1SS133-T2	SI DIODE		
					D3402	1SS133-T2	SI DIODE		
					D3501	1SS133-T2	SI DIODE		
					D3502	1SS133-T2	SI DIODE		
					D3601	1SS133-T2	SI DIODE		
					D3602	1SS133-T2	SI DIODE		
					D3703	MTZJ11C-T2	Z DIODE		
					D3706	1SS133-T2	SI DIODE		
					D3707	1SS133-T2	SI DIODE		
					D3708	1SS133-T2	SI DIODE		
					△ C101	QCZ9105-472	C CAPACITOR	4700pF 250V M	
					C153	NCF21HZ-473X	C CAPACITOR	0.047uF 50V Z	
					C154	NCF21HZ-473X	C CAPACITOR	0.047uF 50V Z	
					C155	NCF21HZ-473X	C CAPACITOR	0.047uF 50V Z	
					C156	NCF21HZ-473X	C CAPACITOR	0.047uF 50V Z	
					C157	NCF21HZ-223X	C CAPACITOR	0.022uF 50V Z	
					C159	NCF21HZ-223X	C CAPACITOR	0.022uF 50V Z	
					C161	QEZ0736-478	E CAPACITER	4700uF	
					C162	QEZ0736-478	E CAPACITER	4700uF	
					C163	QETM1EM-478	E CAPACITOR	4700uF 25V M	
					C164	QETM1EM-478	E CAPACITOR	4700uF 25V M	
					C167	QETN1EM-476Z	E CAPACITOR	47uF 25V M	
					C168	QETN1CM-107Z	E CAPACITOR	100uF 16V M	
					C171	QETN1CM-107Z	E CAPACITOR	100uF 16V M	
					C172	QETN1CM-107Z	E CAPACITOR	100uF 16V M	
					C501	QETN1HM-475Z	E CAPACITOR	4.7uF 50V M	
					C502	NCF31HZ-103X	C CAPACITOR	0.01uF 50V Z	
					C503	QETN1HM-475Z	E CAPACITOR	4.7uF 50V M	
D101	1SS355-X	SI DIODE							
△ D151	GBU803	BRIDGE DIODE							
△ D152	GBU803	BRIDGE DIODE							

△ Symbol No.	Part No.	Part Name	Description	Local	△ Symbol No.	Part No.	Part Name	Description	Local
C512	QETN1HM-475Z	E CAPACITOR	4.7uF 50V M		C3601	NCB31HK-152X	C CAPACITOR	1500pF 50V K	
C522	QETN1HM-106Z	E CAPACITOR	10uF 50V M		C3604	QETN1HM-225Z	E CAPACITOR	2.2uF 50V M	
C523	QETN1EM-476Z	E CAPACITOR	47uF 25V M		C3701	NCF31HZ-103X	C CAPACITOR	0.01uF 50V Z	
C571	NCF31HZ-103X	C CAPACITOR	0.01uF 50V Z		C3702	NCF31HZ-103X	C CAPACITOR	0.01uF 50V Z	
C591	NCF31HZ-103X	C CAPACITOR	0.01uF 50V Z		C3703	NCF31HZ-103X	C CAPACITOR	0.01uF 50V Z	
C592	NCF31HZ-103X	C CAPACITOR	0.01uF 50V Z		C3704	NCF31HZ-103X	C CAPACITOR	0.01uF 50V Z	
C601	QETN1CM-107Z	E CAPACITOR	100uF 16V M		C3705	NCF31HZ-103X	C CAPACITOR	0.01uF 50V Z	
C602	NCB31HK-102X	C CAPACITOR	1000pF 50V K		C3706	NCF31HZ-103X	C CAPACITOR	0.01uF 50V Z	
C604	NCF31HZ-103X	C CAPACITOR	0.01uF 50V Z		C3715	QETN1CM-107Z	E CAPACITOR	100uF 16V M	
C605	NCF31HZ-103X	C CAPACITOR	0.01uF 50V Z		C3716	QETN1AM-227Z	E CAPACITOR	220uF 10V M	
C606	QETN1HM-106Z	E CAPACITOR	10uF 50V M		C3720	QETN1EM-476Z	E CAPACITOR	47uF 25V M	
C2102	NCB31CK-473X	C CAPACITOR	0.047uF 16V K		C3721	QETN1EM-476Z	E CAPACITOR	100uF 16V M	
C2103	QETN1HM-475Z	E CAPACITOR	4.7uF 50V M						
C2104	QETN1CM-107Z	E CAPACITOR	100uF 16V M		R152	NRSA63J-222X	MG RESISTOR	2.2kΩ 1/16W J	
C2105	NDC31HJ-101X	C CAPACITOR	100pF 50V J		△ R163	QRJ146J-221X	UNF C RESISTOR	220Ω 1/4W J	
C2106	NDC31HJ-3R0X	C CAPACITOR	3pF 50V J		R164	QRE141J-332Y	C RESISTOR	3.3kΩ 1/4W J	
C2107	NCB21HK-104X	C CAPACITOR	0.1uF 50V K		R165	QRL027J-391	OMF RESISTOR	390Ω 2W J	
C2108	NCB21HK-104X	C CAPACITOR	0.1uF 50V K		R166	QRL027J-391	OMF RESISTOR	390Ω 2W J	
C2202	NCB31HK-471X	C CAPACITOR	470pF 50V K		△ R171	QRL027J-470	OMF RESISTOR	47Ω 2W J	
C2203	QETN1HM-475Z	E CAPACITOR	4.7uF 50V M		R501	NRSA63J-472X	MG RESISTOR	4.7kΩ 1/16W J	
C2204	QETN1CM-107Z	E CAPACITOR	100uF 16V M		R502	NRSA63J-104X	MG RESISTOR	100kΩ 1/16W J	
C2205	NDC31HJ-101X	C CAPACITOR	100pF 50V J		R504	NRSA63J-102X	MG RESISTOR	1kΩ 1/16W J	
C2206	NDC31HJ-3R0X	C CAPACITOR	3pF 50V J		R505	NRSA63J-102X	MG RESISTOR	1kΩ 1/16W J	
C2207	NCB21HK-104X	C CAPACITOR	0.1uF 50V K		R506	NRSA63J-103X	MG RESISTOR	10kΩ 1/16W J	
C2208	NCB21HK-104X	C CAPACITOR	0.1uF 50V K		R508	NRSA63J-223X	MG RESISTOR	22kΩ 1/16W J	
C2302	NCB31HK-471X	C CAPACITOR	470pF 50V K		R510	NRSA63J-472X	MG RESISTOR	4.7kΩ 1/16W J	
C2303	QETN1HM-475Z	E CAPACITOR	4.7uF 50V M		R522	NRSA63J-103X	MG RESISTOR	10kΩ 1/16W J	
C2304	QETN1CM-107Z	E CAPACITOR	100uF 16V M		R523	NRSA63J-223X	MG RESISTOR	22kΩ 1/16W J	
C2305	NDC31HJ-101X	C CAPACITOR	100pF 50V J		R533	NRSA63J-103X	MG RESISTOR	10kΩ 1/16W J	
C2306	NDC31HJ-3R0X	C CAPACITOR	3pF 50V J		R534	NRSA63J-103X	MG RESISTOR	10kΩ 1/16W J	
C2307	NCB21HK-104X	C CAPACITOR	0.1uF 50V K		R535	NRSA63J-104X	MG RESISTOR	100kΩ 1/16W J	
C2308	NCB21HK-104X	C CAPACITOR	0.1uF 50V K		R536	NRSA63J-103X	MG RESISTOR	10kΩ 1/16W J	
C2402	NCB31HK-471X	C CAPACITOR	470pF 50V K		R540	NRSA63J-472X	MG RESISTOR	4.7kΩ 1/16W J	
C2403	QETN1HM-475Z	E CAPACITOR	4.7uF 50V M		R553	NRSA63J-153X	MG RESISTOR	15kΩ 1/16W J	
C2404	QETN1CM-107Z	E CAPACITOR	100uF 16V M		R554	NRSA63J-223X	MG RESISTOR	22kΩ 1/16W J	
C2405	NDC31HJ-101X	C CAPACITOR	100pF 50V J		R555	QRJ146J-271X	UNF C RESISTOR	270Ω 1/4W J	
C2406	NDC31HJ-3R0X	C CAPACITOR	3pF 50V J		R556	NRSA63J-102X	MG RESISTOR	1kΩ 1/16W J	
C2407	NCB21HK-104X	C CAPACITOR	0.1uF 50V K		R557	NRSA63J-104X	MG RESISTOR	100kΩ 1/16W J	
C2408	NCB21HK-104X	C CAPACITOR	0.1uF 50V K		R558	NRSA63J-223X	MG RESISTOR	22kΩ 1/16W J	
C2502	NCB31HK-471X	C CAPACITOR	470pF 50V K		R559	NRSA63J-223X	MG RESISTOR	22kΩ 1/16W J	
C2503	QETN1HM-475Z	E CAPACITOR	4.7uF 50V M		R560	NRSA63J-223X	MG RESISTOR	22kΩ 1/16W J	
C2504	QETN1CM-107Z	E CAPACITOR	100uF 16V M		R561	NRSA63J-822X	MG RESISTOR	8.2kΩ 1/16W J	
C2505	NDC31HJ-101X	C CAPACITOR	100pF 50V J		R562	NRSA63J-393X	MG RESISTOR	39kΩ 1/16W J	
C2506	NDC31HJ-3R0X	C CAPACITOR	3pF 50V J		R563	NRSA63J-223X	MG RESISTOR	22kΩ 1/16W J	
C2507	NCB21HK-104X	C CAPACITOR	0.1uF 50V K		R574	NRSA02J-151X	MG RESISTOR	150Ω 1/10W J	
C2508	NCB21HK-104X	C CAPACITOR	0.1uF 50V K		R601	NRSA63J-103X	MG RESISTOR	10kΩ 1/16W J	
C2602	NCB31HK-471X	C CAPACITOR	470pF 50V K		R602	NRSA63J-332X	MG RESISTOR	3.3kΩ 1/16W J	
C2603	QETN1HM-475Z	E CAPACITOR	4.7uF 50V M		R603	NRSA63J-222X	MG RESISTOR	2.2kΩ 1/16W J	
C2604	QETN1CM-107Z	E CAPACITOR	100uF 16V M		R606	NRSA63J-223X	MG RESISTOR	22kΩ 1/16W J	
C2605	NDC31HJ-101X	C CAPACITOR	100pF 50V J		R607	NRSA63J-223X	MG RESISTOR	22kΩ 1/16W J	
C2606	NDC31HJ-3R0X	C CAPACITOR	3pF 50V J		R608	NRSA63J-223X	MG RESISTOR	22kΩ 1/16W J	
C2607	NCB21HK-104X	C CAPACITOR	0.1uF 50V K		R611	NRSA63J-471X	MG RESISTOR	470Ω 1/16W J	
C2608	NCB21HK-104X	C CAPACITOR	0.1uF 50V K		R612	NRSA63J-223X	MG RESISTOR	22kΩ 1/16W J	
C2701	QETN1HM-107Z	E CAPACITOR	100uF 50V M		R613	NRSA63J-223X	MG RESISTOR	22kΩ 1/16W J	
C2702	QETN1EM-107Z	E CAPACITOR	100uF 25V M		R614	NRSA63J-223X	MG RESISTOR	22kΩ 1/16W J	
C2703	QETN1HM-107Z	E CAPACITOR	100uF 50V M		R621	NRSA63J-103X	MG RESISTOR	10kΩ 1/16W J	
C2704	QETN1HM-476Z	E CAPACITOR	47uF 50V M		R622	NRSA63J-223X	MG RESISTOR	22kΩ 1/16W J	
C2705	QETN1HM-107Z	E CAPACITOR	100uF 50V M		R623	NRSA63J-103X	MG RESISTOR	10kΩ 1/16W J	
C2706	QETN1HM-107Z	E CAPACITOR	100uF 50V M		R624	NRSA63J-472X	MG RESISTOR	4.7kΩ 1/16W J	
C2707	QETN1HM-106Z	E CAPACITOR	10uF 50V M		R625	NRSA63J-472X	MG RESISTOR	4.7kΩ 1/16W J	
C2711	QETN1HM-106Z	E CAPACITOR	10uF 50V M		R626	NRSA63J-103X	MG RESISTOR	10kΩ 1/16W J	
C2712	NCF31HZ-103X	C CAPACITOR	0.01uF 50V Z		R627	NRSA63J-102X	MG RESISTOR	1kΩ 1/16W J	
C2713	NCF31HZ-103X	C CAPACITOR	0.01uF 50V Z		R628	NRSA63J-223X	MG RESISTOR	22kΩ 1/16W J	
C3101	NCB31HK-152X	C CAPACITOR	1500pF 50V K		R629	NRSA63J-103X	MG RESISTOR	10kΩ 1/16W J	
C3103	QETN1HM-105Z	E CAPACITOR	1uF 50V M		R631	NRSA63J-223X	MG RESISTOR	22kΩ 1/16W J	
C3104	QETN1HM-225Z	E CAPACITOR	2.2uF 50V M		R633	NRSA63J-223X	MG RESISTOR	22kΩ 1/16W J	
C3201	NCB31HK-152X	C CAPACITOR	1500pF 50V K		R635	NRSA63J-223X	MG RESISTOR	22kΩ 1/16W J	
C3203	QETN1HM-105Z	E CAPACITOR	1uF 50V M		R637	NRSA63J-223X	MG RESISTOR	22kΩ 1/16W J	
C3204	QETN1HM-225Z	E CAPACITOR	2.2uF 50V M		R640	NRSA63J-223X	MG RESISTOR	22kΩ 1/16W J	
C3301	NCB31HK-152X	C CAPACITOR	1500pF 50V K		R641	NRSA63J-223X	MG RESISTOR	22kΩ 1/16W J	
C3303	QETN1HM-105Z	E CAPACITOR	1uF 50V M		R642	NRSA63J-223X	MG RESISTOR	22kΩ 1/16W J	
C3304	QETN1HM-225Z	E CAPACITOR	2.2uF 50V M		R643	NRSA63J-223X	MG RESISTOR	22kΩ 1/16W J	
C3401	NCB31HK-152X	C CAPACITOR	1500pF 50V K		R644	NRSA63J-103X	MG RESISTOR	10kΩ 1/16W J	
C3403	QETN1HM-105Z	E CAPACITOR	1uF 50V M		R645	NRSA63J-102X	MG RESISTOR	1kΩ 1/16W J	
C3404	QETN1HM-225Z	E CAPACITOR	2.2uF 50V M		R667	NRSA63J-472X	MG RESISTOR	4.7kΩ 1/16W J	
C3501	NCB31HK-152X	C CAPACITOR	1500pF 50V K		R671	NRSA63J-102X	MG RESISTOR	1kΩ 1/16W J	
C3503	QETN1HM-105Z	E CAPACITOR	1uF 50V M		R685	QRE141J-102Y	C RESISTOR	1kΩ 1/4W J	
C3504	QETN1HM-225Z	E CAPACITOR	2.2uF 50V M		R686	QRE141J-102Y	C RESISTOR	1kΩ 1/4W J	

△ Symbol No.	Part No.	Part Name	Description	Local	△ Symbol No.	Part No.	Part Name	Description	Local
R2101	NRSA63J-103X	MG RESISTOR	10kΩ 1/16W J		△ R2701	QRZ9005-220X	FUSI RESISTOR	22Ω	
R2103	NRSA63J-563X	MG RESISTOR	56kΩ 1/16W J		△ R2702	QRJ146J-220X	UNF C RESISTOR	22Ω 1/4W J	
R2104	NRSA63J-561X	MG RESISTOR	560Ω 1/16W J		R2703	NRSA63J-471X	MG RESISTOR	470Ω 1/16W J	
R2105	NRSA63J-563X	MG RESISTOR	56kΩ 1/16W J		R2704	NRSA63J-471X	MG RESISTOR	470Ω 1/16W J	
R2106	QRZ0224-R22	EMIT RESISTOR	0.22Ω		R2705	NRSA63J-333X	MG RESISTOR	33kΩ 1/16W J	
R2107	NRSA63J-102X	MG RESISTOR	1kΩ 1/16W J		△ R2706	QRZ9006-4R7X	F.RESISTOR	4.7Ω 1/4W J	
R2108	NRSA63J-153X	MG RESISTOR	15kΩ 1/16W J		△ R2707	QRZ9006-4R7X	F.RESISTOR	4.7Ω 1/4W J	
R2109	NRSA63J-473X	MG RESISTOR	47kΩ 1/16W J		△ R2708	QRZ9006-4R7X	F.RESISTOR	4.7Ω 1/4W J	
R2110	QRK126J-4R7X	UNF C RESISTOR	4.7Ω 1/2W J		△ R2709	QRZ9006-4R7X	F.RESISTOR	4.7Ω 1/4W J	
R2111	QRJ146J-100X	UNF C RESISTOR	10Ω 1/4W J		△ R2710	QRZ9005-100X	FUSI RESISTOR	10Ω	
R2112	NRSA63J-752X	MG RESISTOR	7.5kΩ 1/16W J		R2711	NRSA63J-333X	MG RESISTOR	33kΩ 1/16W J	
R2113	NRSA63J-222X	MG RESISTOR	2.2kΩ 1/16W J		R2712	NRSA63J-562X	MG RESISTOR	5.6kΩ 1/16W J	
R2114	NRSA63J-104X	MG RESISTOR	100kΩ 1/16W J		R2713	NRSA63J-562X	MG RESISTOR	5.6kΩ 1/16W J	
R2201	NRSA63J-103X	MG RESISTOR	10kΩ 1/16W J		R2721	QRE141J-472Y	C RESISTOR	4.7kΩ 1/4W J	
R2203	NRSA63J-563X	MG RESISTOR	56kΩ 1/16W J		R2722	QRE141J-472Y	C RESISTOR	4.7kΩ 1/4W J	
R2204	NRSA63J-561X	MG RESISTOR	560Ω 1/16W J		R3101	NRSA63J-153X	MG RESISTOR	15kΩ 1/16W J	
R2205	NRSA63J-563X	MG RESISTOR	56kΩ 1/16W J		R3103	NRSA63J-222X	MG RESISTOR	2.2kΩ 1/16W J	
R2206	QRZ0224-R22	EMIT RESISTOR	0.22Ω		R3104	NRSA63J-183X	MG RESISTOR	18kΩ 1/16W J	
R2207	NRSA63J-102X	MG RESISTOR	1kΩ 1/16W J		R3105	NRSA63J-474X	MG RESISTOR	470kΩ 1/16W J	
R2208	NRSA63J-153X	MG RESISTOR	15kΩ 1/16W J		R3106	NRSA63J-470X	MG RESISTOR	47Ω 1/16W J	
R2209	NRSA63J-473X	MG RESISTOR	47kΩ 1/16W J		R3107	NRSA63J-334X	MG RESISTOR	330kΩ 1/16W J	
R2210	QRK126J-4R7X	UNF C RESISTOR	4.7Ω 1/2W J		R3108	NRSA63J-101X	MG RESISTOR	100Ω 1/16W J	
R2211	QRJ146J-100X	UNF C RESISTOR	10Ω 1/4W J		R3109	NRSA63J-102X	MG RESISTOR	1kΩ 1/16W J	
R2212	NRSA63J-222X	MG RESISTOR	2.2kΩ 1/16W J		R3110	NRSA63J-104X	MG RESISTOR	100kΩ 1/16W J	
R2213	NRSA63J-222X	MG RESISTOR	2.2kΩ 1/16W J		R3111	NRSA63J-471X	MG RESISTOR	470Ω 1/16W J	
R2214	NRSA63J-104X	MG RESISTOR	100kΩ 1/16W J		R3112	NRSA63J-103X	MG RESISTOR	10kΩ 1/16W J	
R2301	NRSA63J-103X	MG RESISTOR	10kΩ 1/16W J		R3113	NRSA63J-103X	MG RESISTOR	10kΩ 1/16W J	
R2303	NRSA63J-563X	MG RESISTOR	56kΩ 1/16W J		R3201	NRSA63J-153X	MG RESISTOR	15kΩ 1/16W J	
R2304	NRSA63J-561X	MG RESISTOR	560Ω 1/16W J		R3203	NRSA63J-222X	MG RESISTOR	2.2kΩ 1/16W J	
R2305	NRSA63J-563X	MG RESISTOR	56kΩ 1/16W J		R3204	NRSA63J-183X	MG RESISTOR	18kΩ 1/16W J	
R2306	QRZ0224-R22	EMIT RESISTOR	0.22Ω		R3205	NRSA63J-474X	MG RESISTOR	470kΩ 1/16W J	
R2307	NRSA63J-102X	MG RESISTOR	1kΩ 1/16W J		R3206	NRSA63J-470X	MG RESISTOR	47Ω 1/16W J	
R2308	NRSA63J-153X	MG RESISTOR	15kΩ 1/16W J		R3207	NRSA63J-334X	MG RESISTOR	330kΩ 1/16W J	
R2309	NRSA63J-473X	MG RESISTOR	47kΩ 1/16W J		R3208	NRSA63J-101X	MG RESISTOR	100Ω 1/16W J	
R2310	QRK126J-4R7X	UNF C RESISTOR	4.7Ω 1/2W J		R3209	NRSA63J-102X	MG RESISTOR	1kΩ 1/16W J	
R2311	QRJ146J-100X	UNF C RESISTOR	10Ω 1/4W J		R3210	NRSA63J-104X	MG RESISTOR	100kΩ 1/16W J	
R2312	NRSA63J-222X	MG RESISTOR	2.2kΩ 1/16W J		R3211	NRSA63J-471X	MG RESISTOR	470Ω 1/16W J	
R2313	NRSA63J-222X	MG RESISTOR	2.2kΩ 1/16W J		R3212	NRSA63J-103X	MG RESISTOR	10kΩ 1/16W J	
R2314	NRSA63J-104X	MG RESISTOR	100kΩ 1/16W J		R3213	NRSA63J-103X	MG RESISTOR	10kΩ 1/16W J	
R2401	NRSA63J-103X	MG RESISTOR	10kΩ 1/16W J		R3301	NRSA63J-153X	MG RESISTOR	15kΩ 1/16W J	
R2403	NRSA63J-563X	MG RESISTOR	56kΩ 1/16W J		R3303	NRSA63J-222X	MG RESISTOR	2.2kΩ 1/16W J	
R2404	NRSA63J-561X	MG RESISTOR	560Ω 1/16W J		R3304	NRSA63J-183X	MG RESISTOR	18kΩ 1/16W J	
R2405	NRSA63J-563X	MG RESISTOR	56kΩ 1/16W J		R3305	NRSA63J-474X	MG RESISTOR	470kΩ 1/16W J	
R2406	QRZ0224-R22	EMIT RESISTOR	0.22Ω		R3306	NRSA63J-470X	MG RESISTOR	47Ω 1/16W J	
R2407	NRSA63J-102X	MG RESISTOR	1kΩ 1/16W J		R3307	NRSA63J-334X	MG RESISTOR	330kΩ 1/16W J	
R2408	NRSA63J-153X	MG RESISTOR	15kΩ 1/16W J		R3308	NRSA63J-101X	MG RESISTOR	100Ω 1/16W J	
R2409	NRSA63J-473X	MG RESISTOR	47kΩ 1/16W J		R3309	NRSA63J-102X	MG RESISTOR	1kΩ 1/16W J	
R2410	QRK126J-4R7X	UNF C RESISTOR	4.7Ω 1/2W J		R3310	NRSA63J-104X	MG RESISTOR	100kΩ 1/16W J	
R2411	QRJ146J-100X	UNF C RESISTOR	10Ω 1/4W J		R3311	NRSA63J-471X	MG RESISTOR	470Ω 1/16W J	
R2412	NRSA63J-222X	MG RESISTOR	2.2kΩ 1/16W J		R3312	NRSA63J-103X	MG RESISTOR	10kΩ 1/16W J	
R2413	NRSA63J-222X	MG RESISTOR	2.2kΩ 1/16W J		R3313	NRSA63J-103X	MG RESISTOR	10kΩ 1/16W J	
R2414	NRSA63J-104X	MG RESISTOR	100kΩ 1/16W J		R3401	NRSA63J-153X	MG RESISTOR	15kΩ 1/16W J	
R2501	NRSA63J-103X	MG RESISTOR	10kΩ 1/16W J		R3403	NRSA63J-222X	MG RESISTOR	2.2kΩ 1/16W J	
R2503	NRSA63J-563X	MG RESISTOR	56kΩ 1/16W J		R3404	NRSA63J-183X	MG RESISTOR	18kΩ 1/16W J	
R2504	NRSA63J-561X	MG RESISTOR	560Ω 1/16W J		R3405	NRSA63J-474X	MG RESISTOR	470kΩ 1/16W J	
R2505	NRSA63J-563X	MG RESISTOR	56kΩ 1/16W J		R3406	NRSA63J-470X	MG RESISTOR	47Ω 1/16W J	
R2506	QRZ0224-R22	EMIT RESISTOR	0.22Ω		R3407	NRSA63J-334X	MG RESISTOR	330kΩ 1/16W J	
R2507	NRSA63J-102X	MG RESISTOR	1kΩ 1/16W J		R3408	NRSA63J-101X	MG RESISTOR	100Ω 1/16W J	
R2508	NRSA63J-153X	MG RESISTOR	15kΩ 1/16W J		R3409	NRSA63J-102X	MG RESISTOR	1kΩ 1/16W J	
R2509	NRSA63J-473X	MG RESISTOR	47kΩ 1/16W J		R3410	NRSA63J-104X	MG RESISTOR	100kΩ 1/16W J	
R2510	QRK126J-4R7X	UNF C RESISTOR	4.7Ω 1/2W J		R3411	NRSA63J-471X	MG RESISTOR	470Ω 1/16W J	
R2511	QRJ146J-100X	UNF C RESISTOR	10Ω 1/4W J		R3412	NRSA63J-103X	MG RESISTOR	10kΩ 1/16W J	
R2512	NRSA63J-222X	MG RESISTOR	2.2kΩ 1/16W J		R3413	NRSA63J-103X	MG RESISTOR	10kΩ 1/16W J	
R2513	NRSA63J-222X	MG RESISTOR	2.2kΩ 1/16W J		R3501	NRSA63J-153X	MG RESISTOR	15kΩ 1/16W J	
R2514	NRSA63J-104X	MG RESISTOR	100kΩ 1/16W J		R3503	NRSA63J-222X	MG RESISTOR	2.2kΩ 1/16W J	
R2601	NRSA63J-103X	MG RESISTOR	10kΩ 1/16W J		R3504	NRSA63J-183X	MG RESISTOR	18kΩ 1/16W J	
R2603	NRSA63J-563X	MG RESISTOR	56kΩ 1/16W J		R3505	NRSA63J-474X	MG RESISTOR	470kΩ 1/16W J	
R2604	NRSA63J-561X	MG RESISTOR	560Ω 1/16W J		R3506	NRSA63J-470X	MG RESISTOR	47Ω 1/16W J	
R2605	NRSA63J-563X	MG RESISTOR	56kΩ 1/16W J		R3507	NRSA63J-334X	MG RESISTOR	330kΩ 1/16W J	
R2606	QRZ0224-R22	EMIT RESISTOR	0.22Ω		R3508	NRSA63J-101X	MG RESISTOR	100Ω 1/16W J	
R2607	NRSA63J-102X	MG RESISTOR	1kΩ 1/16W J		R3509	NRSA63J-102X	MG RESISTOR	1kΩ 1/16W J	
R2608	NRSA63J-153X	MG RESISTOR	15kΩ 1/16W J		R3510	NRSA63J-104X	MG RESISTOR	100kΩ 1/16W J	
R2609	NRSA63J-473X	MG RESISTOR	47kΩ 1/16W J		R3511	NRSA63J-471X	MG RESISTOR	470Ω 1/16W J	
R2610	QRK126J-4R7X	UNF C RESISTOR	4.7Ω 1/2W J		R3512	NRSA63J-103X	MG RESISTOR	10kΩ 1/16W J	
R2611	QRJ146J-100X	UNF C RESISTOR	10Ω 1/4W J		R3513	NRSA63J-103X	MG RESISTOR	10kΩ 1/16W J	
R2612	NRSA63J-222X	MG RESISTOR	2.2kΩ 1/16W J		R3601	NRSA63J-153X	MG RESISTOR	15kΩ 1/16W J	
R2613	NRSA63J-222X	MG RESISTOR	2.2kΩ 1/16W J		R3603	NRSA63J-222X	MG RESISTOR	2.2kΩ 1/16W J	
R2614	NRSA63J-104X	MG RESISTOR	100kΩ 1/16W J		R3604	NRSA63J-183X	MG RESISTOR	18kΩ 1/16W J	

△ Symbol No.	Part No.	Part Name	Description	Local	△ Symbol No.	Part No.	Part Name	Description	Local
R3605	NRSA63J-154X	MG RESISTOR	150kΩ 1/16W J		IC701	AK4384VT-X	IC		
R3607	NRSA63J-104X	MG RESISTOR	100kΩ 1/16W J		IC701	or AK4384ET-X	IC		
R3608	NRSA63J-101X	MG RESISTOR	100Ω 1/16W J		IC702	AK4384VT-X	IC		
R3610	NRSA63J-104X	MG RESISTOR	100kΩ 1/16W J		IC702	or AK4384ET-X	IC		
R3611	NRSA63J-471X	MG RESISTOR	470Ω 1/16W J		IC703	AK4384VT-X	IC		
R3717	NRSA63J-103X	MG RESISTOR	10kΩ 1/16W J		IC703	or AK4384ET-X	IC		
R3719	QRE141J-102Y	C RESISTOR	1kΩ 1/4W J		IC704	AK5357VT-X	IC		
△ R3720	QRJ146J-100X	UNF C RESISTOR	10Ω 1/4W J		IC704	or AK5357ET-X	IC		
R3721	NRSA63J-221X	MG RESISTOR	220Ω 1/16W J		IC705	MM1615AN-X	IC		
R3725	NRSA63J-472X	MG RESISTOR	4.7kΩ 1/16W J		Q101	KTA1001/Y/-X	TRANSISTOR		
R3726	NRSA63J-103X	MG RESISTOR	10kΩ 1/16W J		Q101	or 2SB1424/R/-W	TRANSISTOR		
△ R3727	QRL01DJ-180X	OMF RESISTOR	18Ω 1W J		Q102	2SC4617/R/-X	TRANSISTOR		
R3728	NRSA63J-101X	MG RESISTOR	100Ω 1/16W J		Q103	KTA1001/Y/-X	TRANSISTOR		
R3729	NRSA63J-473X	MG RESISTOR	47kΩ 1/16W J		Q103	or 2SB1424/R/-W	TRANSISTOR		
R3730	NRSA63J-470X	MG RESISTOR	47Ω 1/16W J		Q104	2SC4617/R/-X	TRANSISTOR		
R3732	NRSA63J-153X	MG RESISTOR	15kΩ 1/16W J		Q105	UN2119-X	TRANSISTOR		
R3741	NRSA63J-473X	MG RESISTOR	47kΩ 1/16W J		Q105	or KRA116S-X	TRANSISTOR		
R3742	NRSA63J-104X	MG RESISTOR	100kΩ 1/16W J						
L2101	QQLZ005-R45	COIL	0.45uH		C101	NCF31EZ-104X	C CAPACITOR	0.1uF 25V Z	
L2201	QQLZ005-R45	COIL	0.45uH		C102	NCF31EZ-104X	C CAPACITOR	0.1uF 25V Z	
L2301	QQLZ005-R45	COIL	0.45uH		C103	NCF31EZ-104X	C CAPACITOR	0.1uF 25V Z	
L2401	QQLZ005-R45	COIL	0.45uH		C104	NCF31EZ-104X	C CAPACITOR	0.1uF 25V Z	
L2501	QQLZ005-R45	COIL	0.45uH		C105	NEAFOJM-476X	E CAPACITOR	47uF 6.3V M	
L2601	QQLZ005-R45	COIL	0.45uH		C106	NBE20JM-226X	TA E CAPACITOR	22uF 6.3V M	
△ CN101	QGA7901C1-02	CONNECTOR	W-B (1-2)		C107	NCF31EZ-104X	C CAPACITOR	0.1uF 25V Z	
△ CN102	QGA7901C1-02	CONNECTOR	W-B (1-2)		C108	NBE20JM-226X	TA E CAPACITOR	22uF 6.3V M	
CN151	QGA3901C1-05	CONNECTOR	W-B (1-5)		C201	NDC31HJ-221X	C CAPACITOR	220pF 50V J	
CN271	QGB2510J1-14	CONNECTOR	B-B (1-14)		C202	NDC31HJ-221X	C CAPACITOR	220pF 50V J	
CN272	QGB2510J1-09	CONNECTOR	B-B (1-9)		C203	NCB31HK-103X	C CAPACITOR	0.01uF 50V K	
CN273	QGB2510J1-14	CONNECTOR	B-B (1-14)		C204	NCF31EZ-104X	C CAPACITOR	0.1uF 25V Z	
CN274	QGA3901C1-02	CONNECTOR	W-B (1-2)		C205	NCB31HK-271X	C CAPACITOR	270pF 50V K	
CN371	QGA2501C1-02	CONNECTOR	W-B (1-2)		C206	NDC31HJ-151X	C CAPACITOR	150pF 50V J	
CN372	QGB2510K2-09	CONNECTOR	B-B (1-9)		C210	NCF31AZ-105X	C CAPACITOR	1uF 10V Z	
CN373	QGA2501C1-02	CONNECTOR	W-B (1-2)		C211	NCB31EK-223X	C CAPACITOR	0.022uF 25V K	
CN501	QGB2510K2-14	CONNECTOR	B-B (1-14)		C217	NCF31EZ-104X	C CAPACITOR	0.1uF 25V Z	
CN502	QGB2510K2-14	CONNECTOR	B-B (1-14)		C251	NCB31AK-474X	C CAPACITOR	0.47uF 10V K	
EP201	QNZ0136-001Z	EARTH PLATE			C256	NCB31CK-104X	C CAPACITOR	0.1uF 16V K	
EP501	QNZ0136-001Z	EARTH PLATE			C257	NCB31HK-822X	C CAPACITOR	8200pF 50V K	
FC101	QNG0019-001Z	FUSE CLIP			C258	NCB31CK-153X	C CAPACITOR	0.015uF 16V K	
FC102	QNG0019-001Z	FUSE CLIP			C259	NCB31CK-153X	C CAPACITOR	0.015uF 16V K	
FC155	QNG0019-001Z	FUSE CLIP			C260	NCB31HK-223X	C CAPACITOR	0.022uF 50V K	
FC156	QNG0019-001Z	FUSE CLIP			C261	NCB31HK-223X	C CAPACITOR	0.022uF 50V K	
FC157	QNG0019-001Z	FUSE CLIP			C262	NCB31HK-223X	C CAPACITOR	0.022uF 50V K	
FC158	QNG0019-001Z	FUSE CLIP			C300	NCF31EZ-104X	C CAPACITOR	0.1uF 25V Z	
FW501	QUM213-28Z4Z4-E	RIBBON WIRE			C301	NEAFOGM-476X	E CAPACITOR	47uF 4V M	
HS151	QZW0138-001	HEAT SINK			C302	NEAFOGM-476X	E CAPACITOR	47uF 4V M	
J2701	QND0118-001	DIN CONNECTOR			C303	NEAFOGM-476X	E CAPACITOR	47uF 4V M	
J2702	QNB0195-001	SPEAKER TERMINA			C304	NCB30JK-105X	C CAPACITOR	1uF 6.3V K	
△ RY101	QSK0142-001	RELAY			C305	NCF31EZ-104X	C CAPACITOR	0.1uF 25V Z	
RY271	QSK0127-001	RELAY			C306	NCF31EZ-104X	C CAPACITOR	0.1uF 25V Z	
RY272	QSK0127-001	RELAY			C307	NCF31EZ-104X	C CAPACITOR	0.1uF 25V Z	
RY273	QSK0127-001	RELAY			C308	NCF31EZ-104X	C CAPACITOR	0.1uF 25V Z	
TH271	NAD0025-103X	N THERMISTOR	10kΩ		C309	NCF31EZ-104X	C CAPACITOR	0.1uF 25V Z	
WC201	QZW0112-001	WIRE CLAMP			C310	NCB31CK-104X	C CAPACITOR	0.1uF 16V K	
X601	QAX0246-001Z	C RESONATOR	8.00MHz		C311	NCF31EZ-104X	C CAPACITOR	0.1uF 25V Z	
					C312	NCF31EZ-104X	C CAPACITOR	0.1uF 25V Z	
					C313	NCF31EZ-104X	C CAPACITOR	0.1uF 25V Z	
					C314	NCF31EZ-104X	C CAPACITOR	0.1uF 25V Z	
					C315	NCF31EZ-104X	C CAPACITOR	0.1uF 25V Z	
					C316	NCF31EZ-104X	C CAPACITOR	0.1uF 25V Z	
					C318	NCF31EZ-104X	C CAPACITOR	0.1uF 25V Z	
					C319	NCF31EZ-104X	C CAPACITOR	0.1uF 25V Z	
					C320	NCB31CK-104X	C CAPACITOR	0.1uF 16V K	
					C321	NCB31CK-104X	C CAPACITOR	0.1uF 16V K	
					C322	NCB31CK-104X	C CAPACITOR	0.1uF 16V K	
					C323	NCB31CK-104X	C CAPACITOR	0.1uF 16V K	
					C324	NCB30JK-105X	C CAPACITOR	1uF 6.3V K	
					C325	NDC31HJ-120X	C CAPACITOR	12pF 50V J	
					C326	NDC31HJ-100X	C CAPACITOR	10pF 50V J	
					C328	NCB31HK-103X	C CAPACITOR	0.01uF 50V K	
					C329	NCF31EZ-104X	C CAPACITOR	0.1uF 25V Z	
					C330	NCF31EZ-104X	C CAPACITOR	0.1uF 25V Z	
					C331	NCB31CK-333X	C CAPACITOR	0.033uF 16V K	
					C332	NCF31EZ-104X	C CAPACITOR	0.1uF 25V Z	
					C333	NCF31EZ-104X	C CAPACITOR	0.1uF 25V Z	
					C334	NCF31EZ-104X	C CAPACITOR	0.1uF 25V Z	
					C335	NCF31EZ-104X	C CAPACITOR	0.1uF 25V Z	

DVD servo board

Block No. [0][5]

△ Symbol No.	Part No.	Part Name	Description	Local
IC201	LA6502-X	IC		
IC301	MN2DS0009AA	IC		
IC302	MM1701CH-X	IC		
IC305	MM1563BF-X	IC	3.1V Regulator	
IC451	MN101C61GNW	IC		
IC452	BR93L56RFV-W-X	IC		
IC453	S-80827CNNB-G-W	IC		
IC505	K4S641632H-UC75	IC		
IC505	or HY57V641620ETP7	IC(DIGITAL)		
IC509	-----	IC(MICRO C ROM)		
IC510	BR24L16FV-W-X	IC		

△ Symbol No.	Part No.	Part Name	Description	Local	△ Symbol No.	Part No.	Part Name	Description	Local
C337	NCB31CK-183X	C CAPACITOR	0.018uF 16V K		R117	NRSA63J-331X	MG RESISTOR	330Ω 1/16W J	
C338	NCB31HK-562X	C CAPACITOR	5600pF 50V K		R125	NRSA63J-1R0X	MG RESISTOR	1Ω 1/16W J	
C339	NBE20JM-106X	TA E CAPACITOR	10uF 6.3V M		R126	NRSA63J-101X	MG RESISTOR	100Ω 1/16W J	
C340	NCB30JK-105X	C CAPACITOR	1uF 6.3V K		R127	NRSA63J-432X	MG RESISTOR	4.3kΩ 1/16W J	
C341	NCB30JK-105X	C CAPACITOR	1uF 6.3V K		R128	NRSA63J-562X	MG RESISTOR	5.6kΩ 1/16W J	
C347	NCB31CK-104X	C CAPACITOR	0.1uF 16V K		R202	NRSA63J-102X	MG RESISTOR	1kΩ 1/16W J	
C348	NCB31CK-104X	C CAPACITOR	0.1uF 16V K		R204	NRSA63J-273X	MG RESISTOR	27kΩ 1/16W J	
C349	NCF31EZ-104X	C CAPACITOR	0.1uF 25V Z		R205	NRSA63J-273X	MG RESISTOR	27kΩ 1/16W J	
C350	NCB31HK-103X	C CAPACITOR	0.01uF 50V K		R206	NRSA63J-303X	MG RESISTOR	30kΩ 1/16W J	
C351	NCB31HK-103X	C CAPACITOR	0.01uF 50V K		R207	NRSA63J-473X	MG RESISTOR	47kΩ 1/16W J	
C352	NCB31CK-153X	C CAPACITOR	0.015uF 16V K		R213	NRSA63J-103X	MG RESISTOR	10kΩ 1/16W J	
C353	NCB31HK-561X	C CAPACITOR	560pF 50V K		R214	NRSA63J-103X	MG RESISTOR	10kΩ 1/16W J	
C354	NCB31HK-561X	C CAPACITOR	560pF 50V K		R219	NRSA63J-183X	MG RESISTOR	18kΩ 1/16W J	
C356	NCB30JK-105X	C CAPACITOR	1uF 6.3V K		R220	NRSA63J-243X	MG RESISTOR	24kΩ 1/16W J	
C359	NCB30JK-105X	C CAPACITOR	1uF 6.3V K		R221	NRSA63J-682X	MG RESISTOR	6.8kΩ 1/16W J	
C371	NCF31AZ-105X	C CAPACITOR	1uF 10V Z		R251	NRS125J-R39X	MG RESISTOR	0.39Ω 1/2W J	
C372	NCF31EZ-104X	C CAPACITOR	0.1uF 25V Z		R259	NRSA63J-103X	MG RESISTOR	10kΩ 1/16W J	
C373	NCF31EZ-104X	C CAPACITOR	0.1uF 25V Z		R301	NRS181J-0R0X	MG RESISTOR	0Ω 1/8W J	
C374	NCF31EZ-104X	C CAPACITOR	0.1uF 25V Z		R303	NRSA63J-220X	MG RESISTOR	22Ω 1/16W J	
C375	NCF31EZ-104X	C CAPACITOR	0.1uF 25V Z		R306	NRSA63J-102X	MG RESISTOR	1kΩ 1/16W J	
C376	NCF31EZ-104X	C CAPACITOR	0.1uF 25V Z		R307	NRSA63J-102X	MG RESISTOR	1kΩ 1/16W J	
C377	NCF31EZ-104X	C CAPACITOR	0.1uF 25V Z		R308	NRSA63J-103X	MG RESISTOR	10kΩ 1/16W J	
C378	NCF31EZ-104X	C CAPACITOR	0.1uF 25V Z		R309	NRSA63J-104X	MG RESISTOR	100kΩ 1/16W J	
C379	NCF31EZ-104X	C CAPACITOR	0.1uF 25V Z		R310	NRSA63J-101X	MG RESISTOR	100Ω 1/16W J	
C380	NCB21CK-105X	C CAPACITOR	1uF 16V K		R316	NRSA63J-102X	MG RESISTOR	1kΩ 1/16W J	
C381	NCB21AK-225X	C CAPACITOR	2.2uF 10V K		R319	NRSA63J-103X	MG RESISTOR	10kΩ 1/16W J	
C382	NCB31HK-471X	C CAPACITOR	470pF 50V K		R324	NRSA63J-331X	MG RESISTOR	330Ω 1/16W J	
C383	NCF31EZ-104X	C CAPACITOR	0.1uF 25V Z		R325	NRSA63J-331X	MG RESISTOR	330Ω 1/16W J	
C386	NCF31EZ-104X	C CAPACITOR	0.1uF 25V Z		R326	NRSA63J-331X	MG RESISTOR	330Ω 1/16W J	
C393	NCB31HK-103X	C CAPACITOR	0.01uF 50V K		R327	NRSA63J-331X	MG RESISTOR	330Ω 1/16W J	
C451	NCF31EZ-104X	C CAPACITOR	0.1uF 25V Z		R330	NRSA63J-331X	MG RESISTOR	330Ω 1/16W J	
C452	NCB31CK-104X	C CAPACITOR	0.1uF 16V K		R331	NRSA63J-331X	MG RESISTOR	330Ω 1/16W J	
C453	NCF31EZ-104X	C CAPACITOR	0.1uF 25V Z		R332	NRSA63J-331X	MG RESISTOR	330Ω 1/16W J	
C454	NCB31HK-103X	C CAPACITOR	0.01uF 50V K		R334	NRSA63J-151X	MG RESISTOR	150Ω 1/16W J	
C455	NCB31HK-103X	C CAPACITOR	0.01uF 50V K		R335	NRSA63J-151X	MG RESISTOR	150Ω 1/16W J	
C551	NCF31EZ-104X	C CAPACITOR	0.1uF 25V Z		R336	NRSA63J-151X	MG RESISTOR	150Ω 1/16W J	
C554	NCF31EZ-104X	C CAPACITOR	0.1uF 25V Z		R337	NRSA63J-151X	MG RESISTOR	150Ω 1/16W J	
C555	NCF31EZ-104X	C CAPACITOR	0.1uF 25V Z		R338	NRSA63J-0R0X	MG RESISTOR	0Ω 1/16W J	
C556	NCF31AZ-105X	C CAPACITOR	1uF 10V Z		R339	NRSA63J-0R0X	MG RESISTOR	0Ω 1/16W J	
C557	NCB31HK-102X	C CAPACITOR	1000pF 50V K		R340	NRSA63D-303X	MG RESISTOR	30kΩ 1/16W D	
C558	NEAF0GM-476X	E CAPACITOR	47uF 4V M		R341	NRSA63D-512X	MG RESISTOR	5.1kΩ 1/16W D	
C559	NCF31EZ-104X	C CAPACITOR	0.1uF 25V Z		R342	NRSA63D-242X	MG RESISTOR	2.4kΩ 1/16W D	
C560	NCF31EZ-104X	C CAPACITOR	0.1uF 25V Z		R345	NRSA63J-221X	MG RESISTOR	220Ω 1/16W J	
C563	NCF31EZ-104X	C CAPACITOR	0.1uF 25V Z		R346	NRSA63J-223X	MG RESISTOR	22kΩ 1/16W J	
C564	NCF31EZ-104X	C CAPACITOR	0.1uF 25V Z		R347	NRSA63J-203X	MG RESISTOR	20kΩ 1/16W J	
C701	NCB21CK-105X	C CAPACITOR	1uF 16V K		R348	NRSA63J-151X	MG RESISTOR	150Ω 1/16W J	
C702	NCB31HK-103X	C CAPACITOR	0.01uF 50V K		R349	NRSA63J-151X	MG RESISTOR	150Ω 1/16W J	
C703	NCB30JK-105X	C CAPACITOR	1uF 6.3V K		R350	NRSA63J-751X	MG RESISTOR	750Ω 1/16W J	
C704	NCF31AZ-105X	C CAPACITOR	1uF 10V Z		R351	NRSA63J-681X	MG RESISTOR	680Ω 1/16W J	
C705	NCF31EZ-104X	C CAPACITOR	0.1uF 25V Z		R352	NRSA63J-105X	MG RESISTOR	1MΩ 1/16W J	
C706	NCF31EZ-104X	C CAPACITOR	0.1uF 25V Z		R353	NRSA63J-101X	MG RESISTOR	100Ω 1/16W J	
C707	NEAF1CM-106X	E CAPACITOR	10uF 16V M		R357	NRSA63J-221X	MG RESISTOR	220Ω 1/16W J	
C708	NEAF1CM-106X	E CAPACITOR	10uF 16V M		R358	NRSA63J-221X	MG RESISTOR	220Ω 1/16W J	
C709	NEAF0JM-476X	E CAPACITOR	47uF 6.3V M		R359	NRSA63J-221X	MG RESISTOR	220Ω 1/16W J	
C712	NCF31EZ-104X	C CAPACITOR	0.1uF 25V Z		R360	NRSA63J-221X	MG RESISTOR	220Ω 1/16W J	
C713	NEAF1CM-106X	E CAPACITOR	10uF 16V M		R362	NRSA63J-331X	MG RESISTOR	330Ω 1/16W J	
C714	NCF31EZ-104X	C CAPACITOR	0.1uF 25V Z		R367	NRSA63J-221X	MG RESISTOR	220Ω 1/16W J	
C715	NCF31EZ-104X	C CAPACITOR	0.1uF 25V Z		R372	NRSA63J-103X	MG RESISTOR	10kΩ 1/16W J	
C716	NCF31EZ-104X	C CAPACITOR	0.1uF 25V Z		R373	NRSA63J-103X	MG RESISTOR	10kΩ 1/16W J	
C717	NCF31EZ-104X	C CAPACITOR	0.1uF 25V Z		R374	NRSA63J-102X	MG RESISTOR	1kΩ 1/16W J	
C718	NCF31EZ-104X	C CAPACITOR	0.1uF 25V Z		R375	NRSA63J-102X	MG RESISTOR	1kΩ 1/16W J	
C722	NCF31EZ-104X	C CAPACITOR	0.1uF 25V Z		R376	NRSA63J-102X	MG RESISTOR	1kΩ 1/16W J	
					R377	NRSA63J-102X	MG RESISTOR	1kΩ 1/16W J	
R101	NRSA63J-101X	MG RESISTOR	100Ω 1/16W J		R378	NRSA63J-102X	MG RESISTOR	1kΩ 1/16W J	
R102	NRSA63J-101X	MG RESISTOR	100Ω 1/16W J		R383	NRSA63J-101X	MG RESISTOR	100Ω 1/16W J	
R103	NRSA63J-562X	MG RESISTOR	5.6kΩ 1/16W J		R384	NRSA63J-102X	MG RESISTOR	1kΩ 1/16W J	
R104	NRSA63J-432X	MG RESISTOR	4.3kΩ 1/16W J		R385	NRSA63J-102X	MG RESISTOR	1kΩ 1/16W J	
R105	NRS181J-180X	MG RESISTOR	18Ω 1/8W J		R392	NRSA63J-103X	MG RESISTOR	10kΩ 1/16W J	
R106	NRSA63J-2R2X	MG RESISTOR	2.2Ω 1/16W J		R393	NRSA63J-0R0X	MG RESISTOR	0Ω 1/16W J	
R107	NRSA63J-102X	MG RESISTOR	1kΩ 1/16W J		R394	NRSA63J-0R0X	MG RESISTOR	0Ω 1/16W J	
R108	NRSA63J-471X	MG RESISTOR	470Ω 1/16W J		R452	NRSA63J-222X	MG RESISTOR	2.2kΩ 1/16W J	
R109	NRSA63J-331X	MG RESISTOR	330Ω 1/16W J		R453	NRSA63J-103X	MG RESISTOR	10kΩ 1/16W J	
R111	NRSA63J-562X	MG RESISTOR	5.6kΩ 1/16W J		R454	NRSA63J-103X	MG RESISTOR	10kΩ 1/16W J	
R112	NRSA63J-432X	MG RESISTOR	4.3kΩ 1/16W J		R455	NRSA63J-103X	MG RESISTOR	10kΩ 1/16W J	
R113	NRS181J-180X	MG RESISTOR	18Ω 1/8W J		R456	NRSA63J-103X	MG RESISTOR	10kΩ 1/16W J	
R114	NRSA63J-2R2X	MG RESISTOR	2.2Ω 1/16W J		R457	NRSA63J-101X	MG RESISTOR	100Ω 1/16W J	
R115	NRSA63J-102X	MG RESISTOR	1kΩ 1/16W J		R458	NRSA63J-102X	MG RESISTOR	1kΩ 1/16W J	
R116	NRSA63J-471X	MG RESISTOR	470Ω 1/16W J		R461	NRSA63J-101X	MG RESISTOR	100Ω 1/16W J	

△ Symbol No.	Part No.	Part Name	Description	Local	△ Symbol No.	Part No.	Part Name	Description	Local
R463	NRSA63J-101X	MG RESISTOR	100Ω 1/16W J		CN1	QGF1036F1-15	CONNECTOR	FFC/FPC (1-15)	
R464	NRSA63J-101X	MG RESISTOR	100Ω 1/16W J		CN2	QGB2024K1-07S	CONNECTOR	B-B (1-7)	
R465	NRSA63J-102X	MG RESISTOR	1kΩ 1/16W J		CN3	QGB2024J1-07S	CONNECTOR	B-B (1-7)	
R535	NRSA63J-473X	MG RESISTOR	47kΩ 1/16W J		SW1	QSW0844-001	PUSH SWITCH		
R541	NRSA63J-473X	MG RESISTOR	47kΩ 1/16W J		SW2	QSW0844-001	PUSH SWITCH		
R701	NRSA63J-2R2X	MG RESISTOR	2.2Ω 1/16W J		SW3	QSW0844-001	PUSH SWITCH		
R703	NRSA63J-471X	MG RESISTOR	470Ω 1/16W J		SW4	QSW0844-001	PUSH SWITCH		
R704	NRSA63J-471X	MG RESISTOR	470Ω 1/16W J		SW5	QSW0844-001	PUSH SWITCH		
R705	NRSA63J-471X	MG RESISTOR	470Ω 1/16W J		SW6	QSW0854-002	PUSH SW		
R706	NRSA63J-471X	MG RESISTOR	470Ω 1/16W J		SW8	QSW0923-001	DETECT SWITCH		
R707	NRSA63J-471X	MG RESISTOR	470Ω 1/16W J						
R708	NRSA63J-471X	MG RESISTOR	470Ω 1/16W J						
R714	NRSA63J-101X	MG RESISTOR	100Ω 1/16W J						
R715	NRSA63J-101X	MG RESISTOR	100Ω 1/16W J						
R716	NRSA63J-471X	MG RESISTOR	470Ω 1/16W J						
R717	NRSA63J-473X	MG RESISTOR	47kΩ 1/16W J						
R719	NRSA63J-5R1X	MG RESISTOR	5.1Ω 1/16W J						
R720	NRSA63J-473X	MG RESISTOR	47kΩ 1/16W J						
R722	NRSA63J-0R0X	MG RESISTOR	0Ω 1/16W J						
R731	NRSA63J-102X	MG RESISTOR	1kΩ 1/16W J						
R732	NRSA63J-471X	MG RESISTOR	470Ω 1/16W J						
CN101	QGF0523F1-25W	CONNECTOR	FFC/FPC (1-25)						
CN201	QGF1016F2-08W	CONNECTOR	FFC/FPC (1-8)						
CN451	QGF1016F2-15W	CONNECTOR	FFC/FPC (1-15)						
CN452	QGA2001F2-02X	CONNECTOR	W-B (1-2)						
CN453	QGA2001F2-03X	CONNECTOR	W-B (1-3)						
CN701	QGF1016F2-28W	CONNECTOR	FFC/FPC (1-28)						
CN702	QGF1016F2-10W	CONNECTOR	FFC/FPC (1-10)						
CN703	QGF1016F2-08W	CONNECTOR	FFC/FPC (1-8)						
K351	NQR0502-001X	FERRITE BEADS							
K352	NQR0502-001X	FERRITE BEADS							
K454	NRSA63J-0R0X	MG RESISTOR	0Ω 1/16W J						
K455	NRSA63J-0R0X	MG RESISTOR	0Ω 1/16W J						
K456	NRSA63J-0R0X	MG RESISTOR	0Ω 1/16W J						
K501	NQR0502-001X	FERRITE BEADS							
K710	NQR0022-002X	FERRITE BEADS							
K732	NRSA63J-0R0X	MG RESISTOR	0Ω 1/16W J						
K733	NRSA63J-0R0X	MG RESISTOR	0Ω 1/16W J						
K734	NRSA63J-0R0X	MG RESISTOR	0Ω 1/16W J						
K735	NRSA63J-0R0X	MG RESISTOR	0Ω 1/16W J						
K736	NRSA63J-0R0X	MG RESISTOR	0Ω 1/16W J						
K737	NRSA63J-0R0X	MG RESISTOR	0Ω 1/16W J						
K738	NQR0022-005X	FERRITE BEADS							
K741	NQR0022-002X	FERRITE BEADS							
K744	NRSA63J-0R0X	MG RESISTOR	0Ω 1/16W J						
K748	NRSA63J-0R0X	MG RESISTOR	0Ω 1/16W J						
K749	NRSA63J-0R0X	MG RESISTOR	0Ω 1/16W J						
K750	NQR0022-002X	FERRITE BEADS							
K752	NQR0022-002X	FERRITE BEADS							
K754	NQR0022-002X	FERRITE BEADS							
K756	NQR0022-002X	FERRITE BEADS							
K758	NQR0022-002X	FERRITE BEADS							
TH301	NAD0025-103X	N THERMISTOR	10kΩ						
X301	NAX0741-001X	CRYSTAL							
X451	NAX0248-001X	C OSCILLATOR	8.000MHz						

Loading board

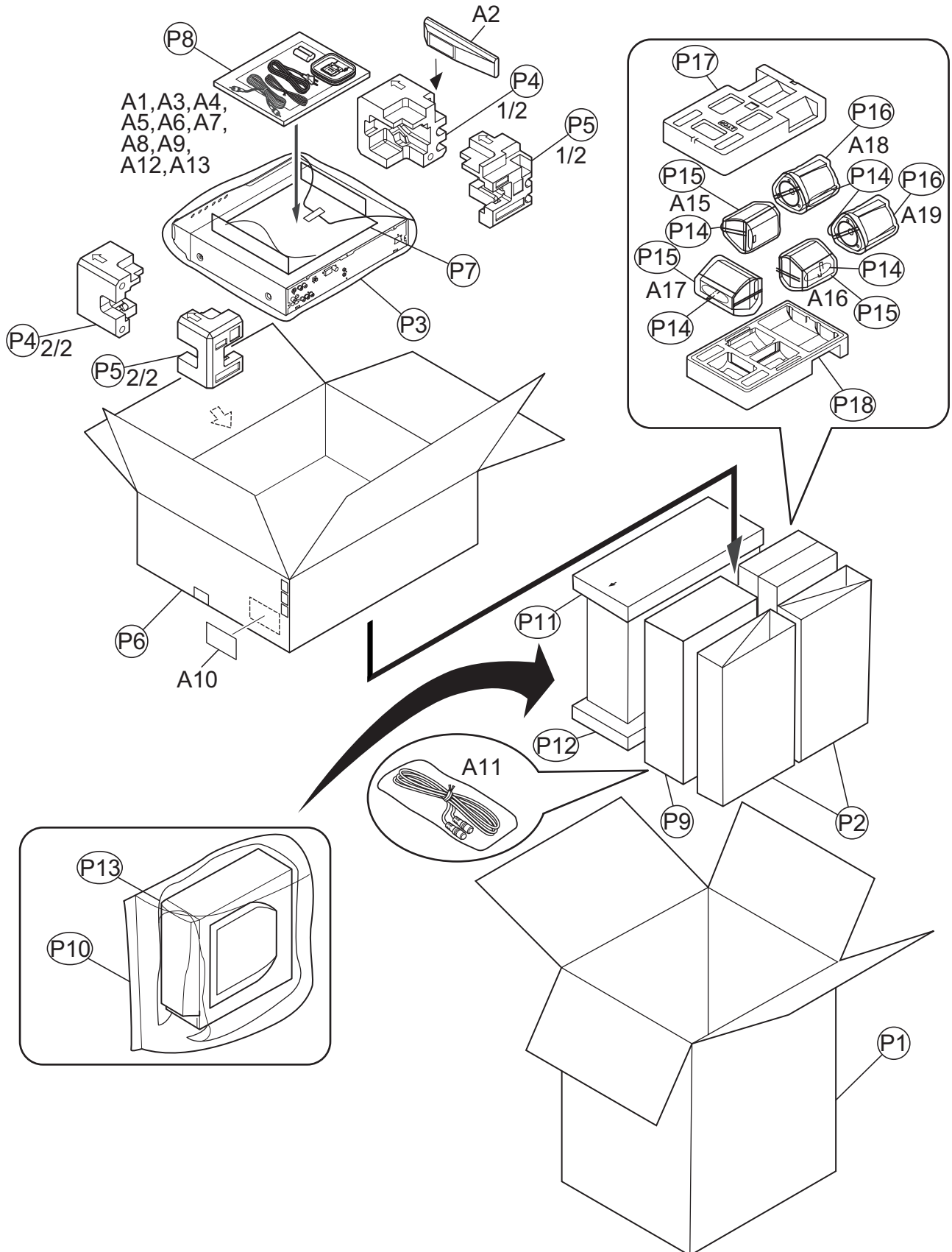
Block No. [0][6]

△ Symbol No.	Part No.	Part Name	Description	Local
IC1	LB1641	IC		
IC2	LB1641	IC		
D1	MTZJ6.2A-T2	Z DIODE		
C1	QKCC1AM-107Z	E CAPACITOR	100uF 10V M	
C2	QCBB1HK-104Y	C CAPACITOR	0.1uF 50V K	
C3	QFLC1HJ-103Z	M CAPACITOR	0.01uF 50V J	
C5	QFLC1HJ-103Z	M CAPACITOR	0.01uF 50V J	
C6	QCBB1HK-104Y	C CAPACITOR	0.1uF 50V K	
C7	QCBB1HK-104Y	C CAPACITOR	0.1uF 50V K	

Packing materials and accessories parts list

Block No. **M 3 M M**

No additional / supplemental order of WARRANTY CARDS are available



Packing and Accessories

Block No. [M][3][M][M]

△	Symbol No.	Part No.	Part Name	Description	Local
	A 1	GVT0150-001C	INSTRUC.BOOK	ENG	
	A 2	RM-STHC8J	REMOTE CON.		
△	A 3	QMPE180-183-JN	POWER CORD(US/CA)	1.83m BLACK	
	A 4	-----	BATTERY	(x2)	
	A 5	BT-51034-2	REGISTRATION CARD		J
	A 6	YU20333	SAFETY INST.		
	A 7	QAM0216-001	SIGNAL CORD		
	A 8	QAL0014-001	AM LOOP ANT		
	A 9	QAL0457-001	ANT.WIRE		
	A 10	CL0020-001	COMPUTER LABEL		
	A 11	QAM0588-001	DIN CABLE		
	A 12	GVT0150-002B	INSTRUC.BOOK	FRE	C
	A 13	-----	WARRANTY CARD	BT-52006-2	C
	A 15	AB080073-01	SPEAKER BOX	FRONT RIGHT	
	A 16	AB080073-02	SPEAKER BOX	FRONT LEFT	
	A 17	AB080074-01	SPEAKER BOX	CENTER	
	A 18	AB080072-01	SPEAKER BOX	SURROUND RIGHT	
	A 19	AB080072-02	SPEAKER BOX	SURROUND LEFT	
	P 1	GV20373-001A	CARTON BOX		
	P 2	GV30654-001A	CARTON SPACER	(x2)	
	P 3	QPC05006515P	POLY BAG	50cm x 65cm	
	P 4	GV20317-001A	CUSHION(FRONT)		
	P 5	GV20318-001A	CUSHION(REAR)		
	P 6	GV30767-004A	CARTON ASSY		
	P 7	GV30779-001A	CARTON SPACER		
	P 8	QPA02503505P	POLY BAG	25cm x 35cm	
	P 9	GV30652-003A	ACCESSORY BOX		
	P 10	LV34907-001A	POLY BAG		
	P 11	LV21990-001A	CUSHION(TOP)		
	P 12	LV21990-002A	CUSHION(BOTTOM)		
	P 13	8500051881	MIRROR MAT		
	P 14	8500052241	POLY BAG	(x5)	
	P 15	8500051961	POLY BAG	(x3)	
	P 16	8500043421	POLY BAG	(x2)	
	P 17	LV11086-001A	TOP CUSHION		
	P 18	LV11086-002A	BOTTOM CUSHION		