

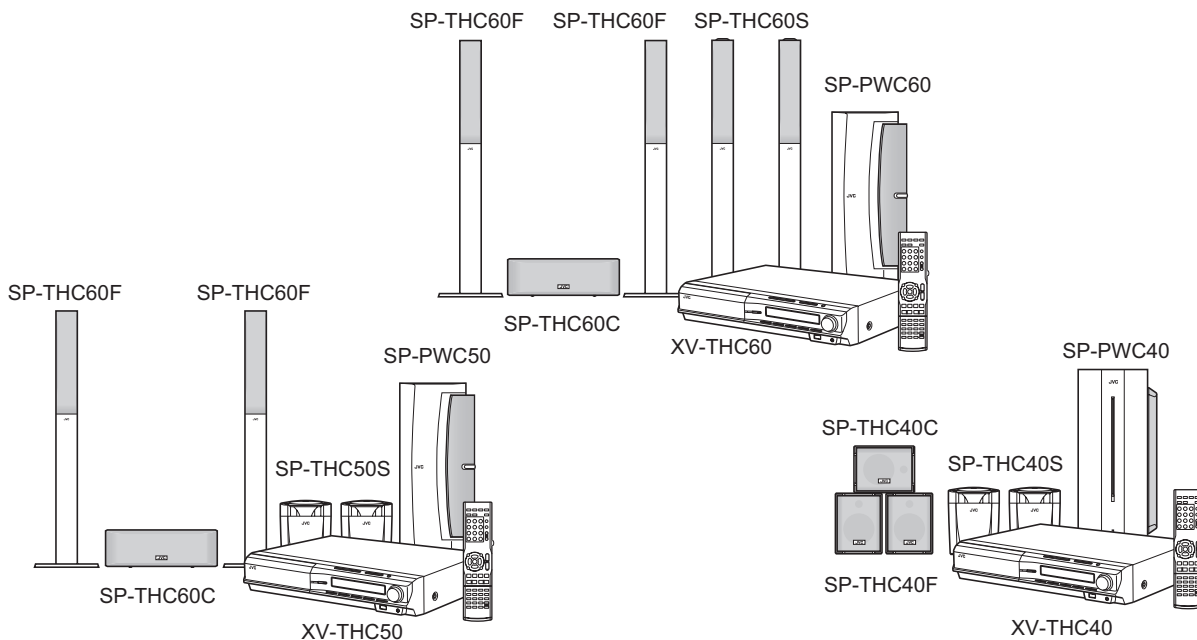
JVC

SCHEMATIC DIAGRAMS

DVD DIGITAL THEATER SYSTEM

TH-C60J, TH-C60C TH-C50J, TH-C50C TH-C40J, TH-C40C

CD-ROM No.SML200605



AV COMPU LINK

Digital Direct Progressive Scan

Lead free solder used in the board (material : Sn-Ag-Cu, melting point : 219 Centigrade)

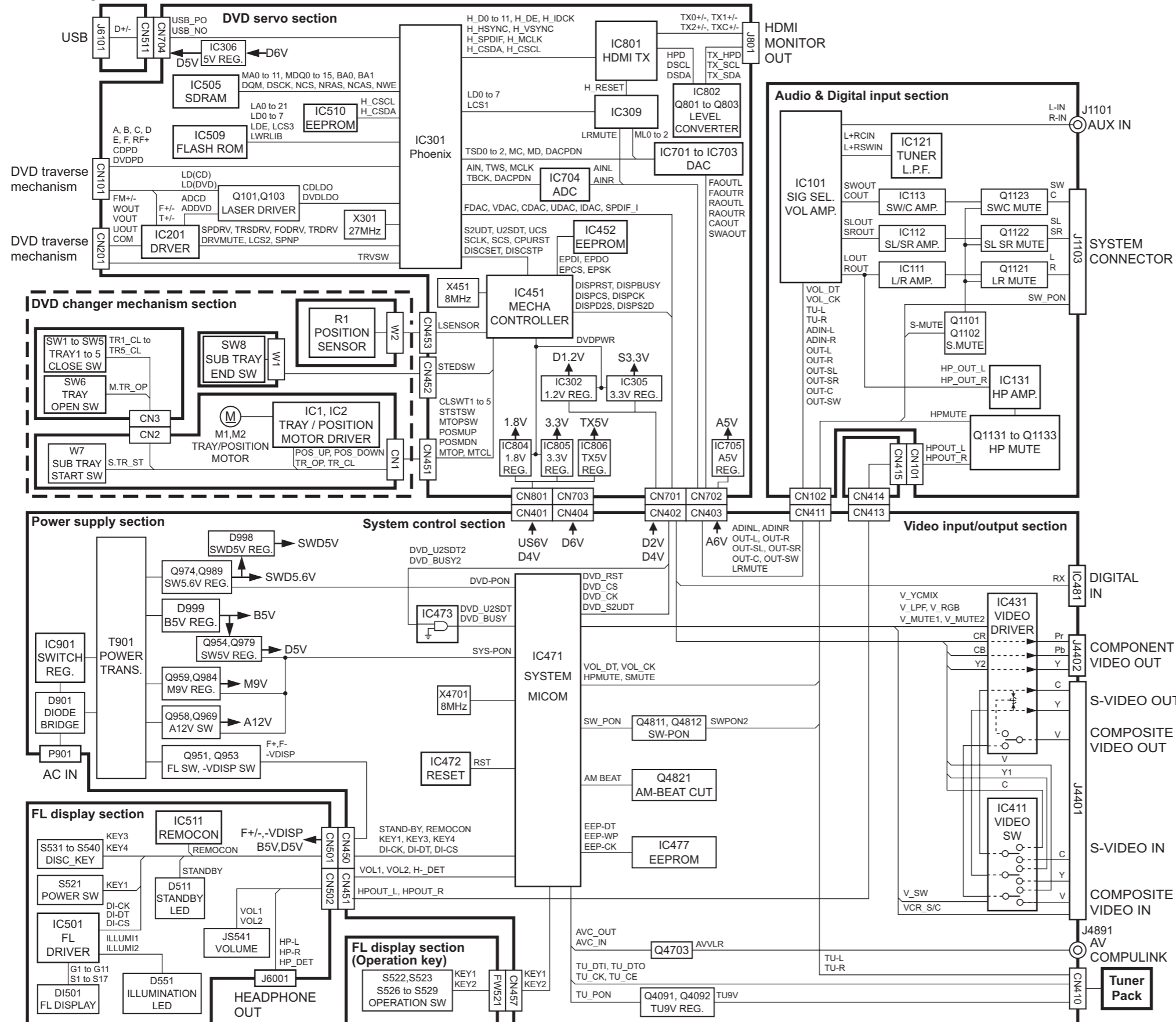
Contents

Block diagrams	2-1
Standard schematic diagrams	2-2
Printed circuit boards	2-13 to 16

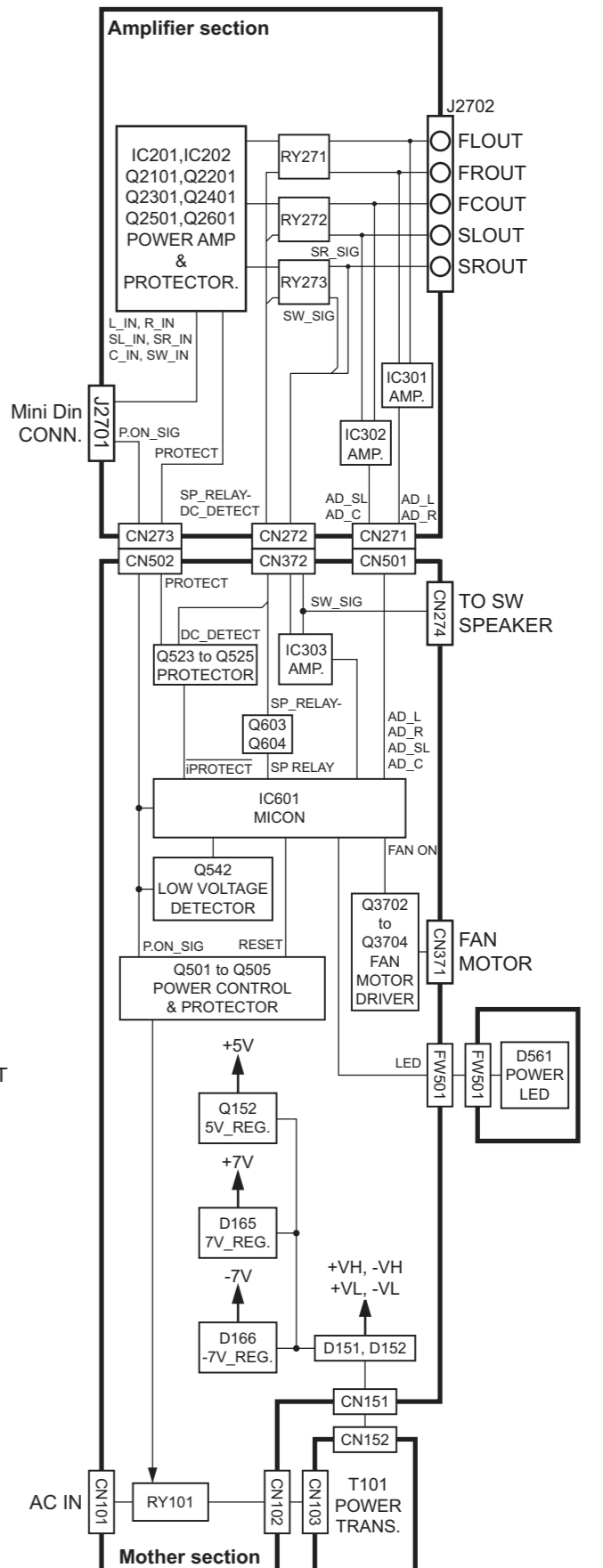
In regard with component parts appearing on the silk-screen printed side (parts side) of the PWB diagrams, the parts that are printed over with black such as the resistor (■), diode (▣) and ICP (●) or identified by the "▲" mark nearby are critical for safety.

Block diagram

<Main body section>

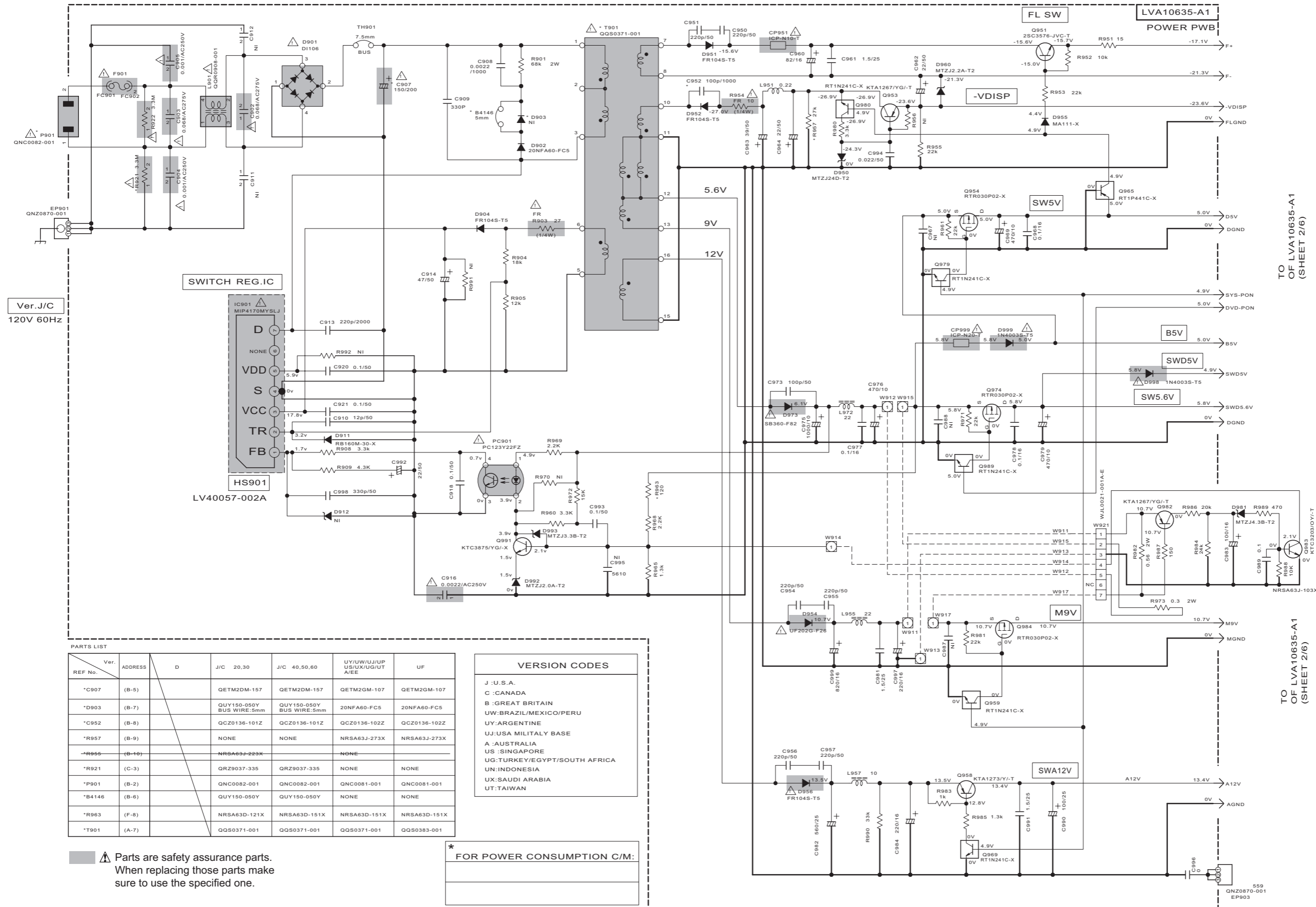


<Subwoofer section>



Standard schematic diagrams

Power section



TO OF LVA10635-A1
(SHEET 2/6)

TO OF LVA10635-A1
(SHEET 2/6)

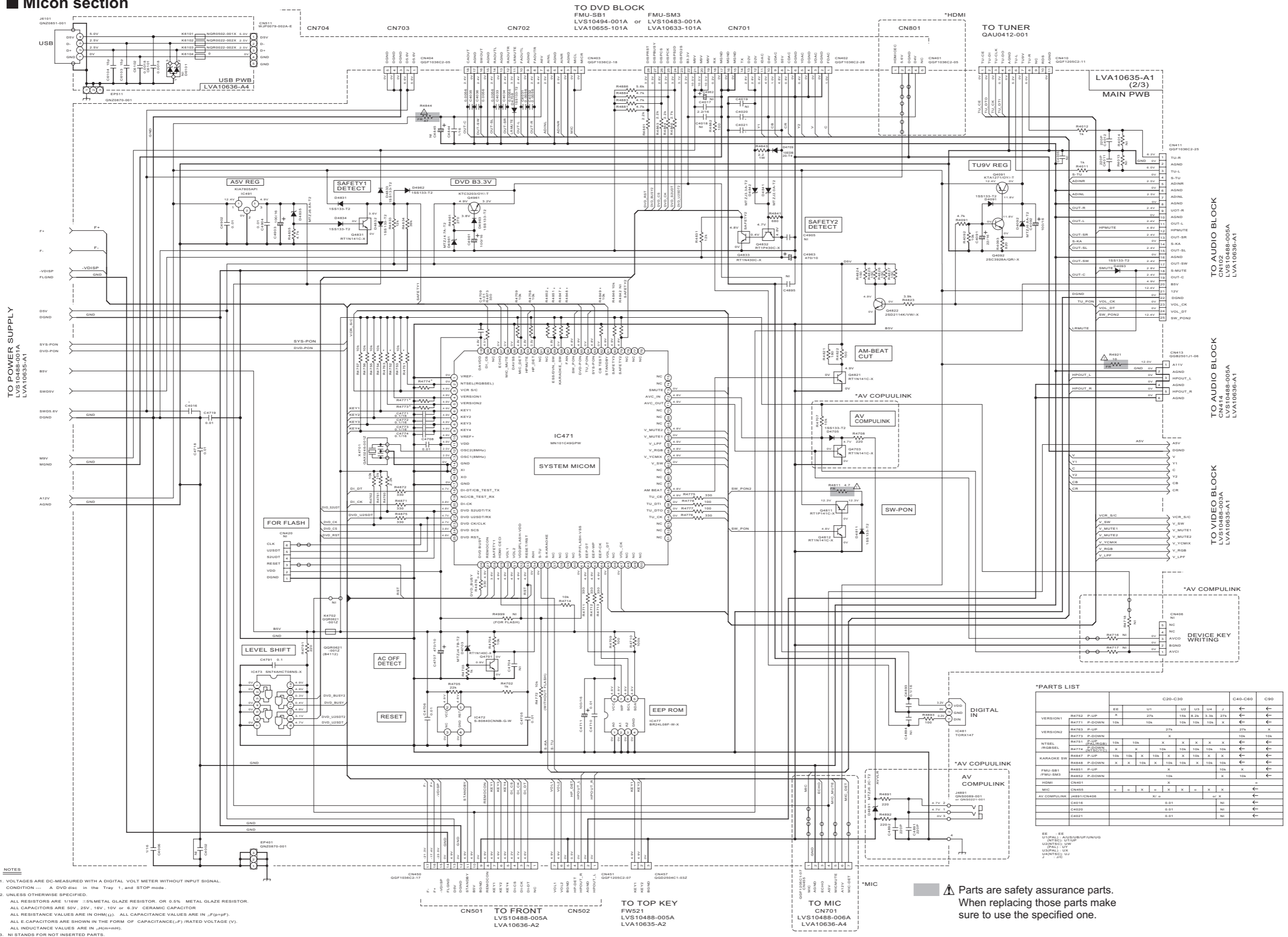
Ver.	ADDRESS	D	J/C 20,30	J/C 40,50,60	UY/UW/UJ/UP US/UX/UG/UT A/EE	UF
*C907	(B-5)		QETM2DM-157	QETM2DM-157	QETM2GM-107	QETM2GM-107
*D903	(B-7)		QUY150-050Y BUS WIRE:5mm	QUY150-050Y BUS WIRE:5mm	20NFA60-FC5	20NFA60-FC5
*C952	(B-8)		QCZ0136-101Z	QCZ0136-101Z	QCZ0136-102Z	QCZ0136-102Z
*R957	(B-9)		NONE	NONE	NRSA63J-273X	NRSA63J-273X
*R955	(B-10)		NRSA63J-223X		NONE	
*R921	(C-3)		QRZ9037-335	QRZ9037-335	NONE	NONE
*P901	(B-2)		QNC0082-001	QNC0082-001	QNC0081-001	QNC0081-001
*B4146	(B-6)		QUY150-050Y	QUY150-050Y	NONE	NONE
*R963	(F-8)		NRSA63D-121X	NRSA63D-151X	NRSA63D-151X	NRSA63D-151X
*T901	(A-7)		QQS0371-001	QQS0371-001	QQS0371-001	QQS0383-001

VERSION CODES	
J	: U.S.A.
C	: CANADA
B	: GREAT BRITAIN
UW	: BRAZIL/MEXICO/PERU
UY	: ARGENTINE
UJ	: USA MILITARY BASE
A	: AUSTRALIA
US	: SINGAPORE
UG	: TURKEY/EGYPT/SOUTH AFRICA
UN	: INDONESIA
UX	: SAUDI ARABIA
UT	: TAIWAN

⚠ Parts are safety assurance parts.
When replacing those parts make
sure to use the specified one.

* FOR POWER CONSUMPTION C/M:

Micon section



***PARTS LIST**

	EE	U1	U2	U3	U4	J	C40-C60	C90
VERSION1	R4750 P-UP	X	27k	10k	10k	3.3k	27k	←
	R4771 P-DOWN	10k	10k	10k	10k	10k	X	←
VERSION2	R4773 P-DOWN		27k				27k	X
	R4773 P-DOWN			X			10k	10k
NTSEL	R4791 P-UP	10k	10k	X	X	X	X	←
IRGBSEL	R4791 P-UP	10k	10k	X	X	X	X	←
KARAOKE SW	R4847 P-UP	10k	10k	X	10k	X	X	←
	R4848 P-DOWN	X	X	10k	X	10k	10k	←
FMU-SB1	R4851 P-UP			X			10k	X
FMU-SM3	R4852 P-DOWN			10k			X	10k
HDMI	CN401			X				
MIC	CN405	X	X	X	X	X	X	←
AV COMPLINK	J4811CN406	X	X	X	X	X	X	←
	C4016		0.01				NI	←
	C4020		0.01				NI	←
	C4021		0.01				NI	←

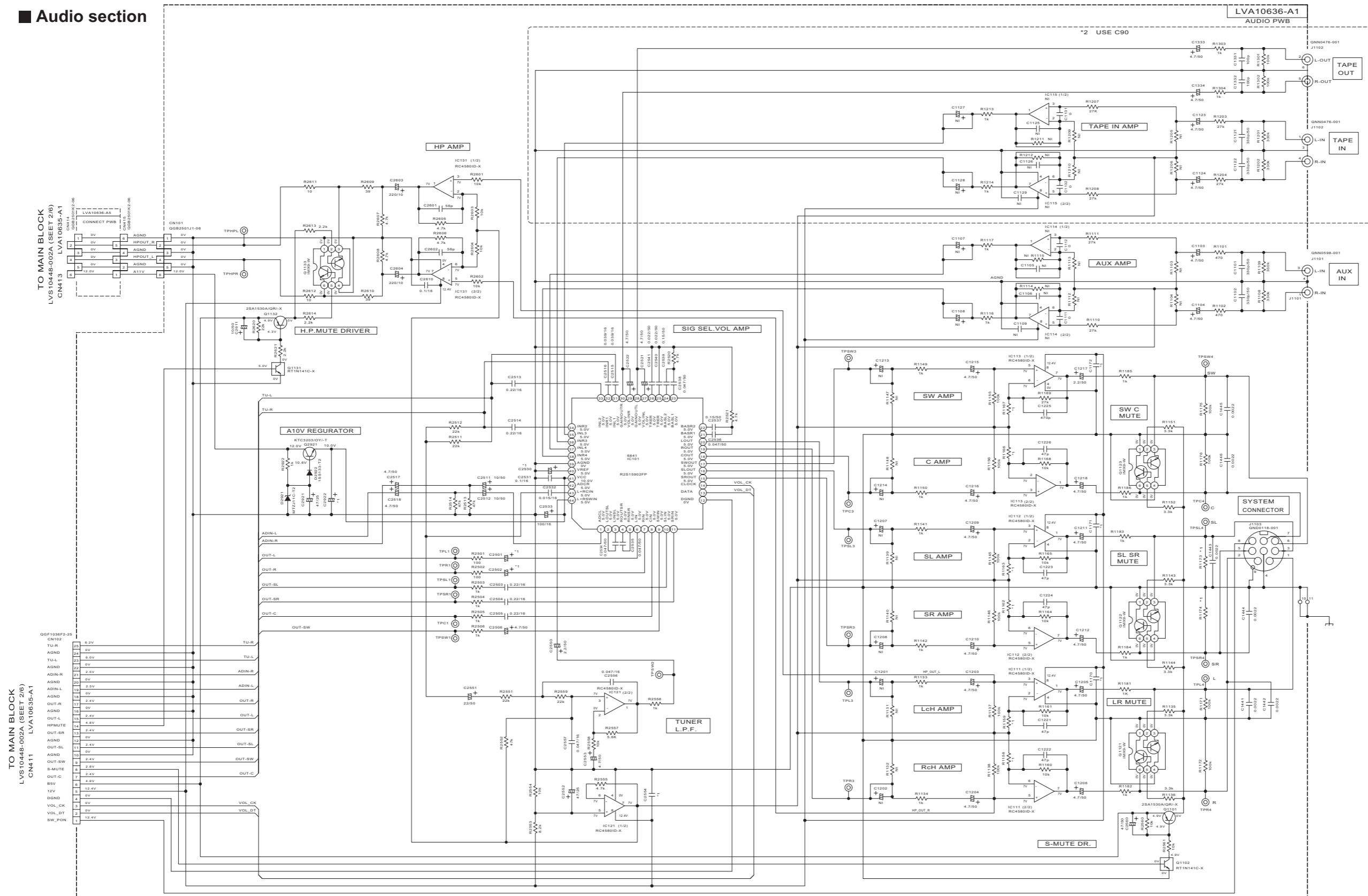
EE: EE
 MIPAL: MIPAL
 UZINTSC: UZINTSC
 UZINTSC: UZINTSC
 UZINTSC: UZINTSC
 UZINTSC: UZINTSC
 UZINTSC: UZINTSC

NOTES

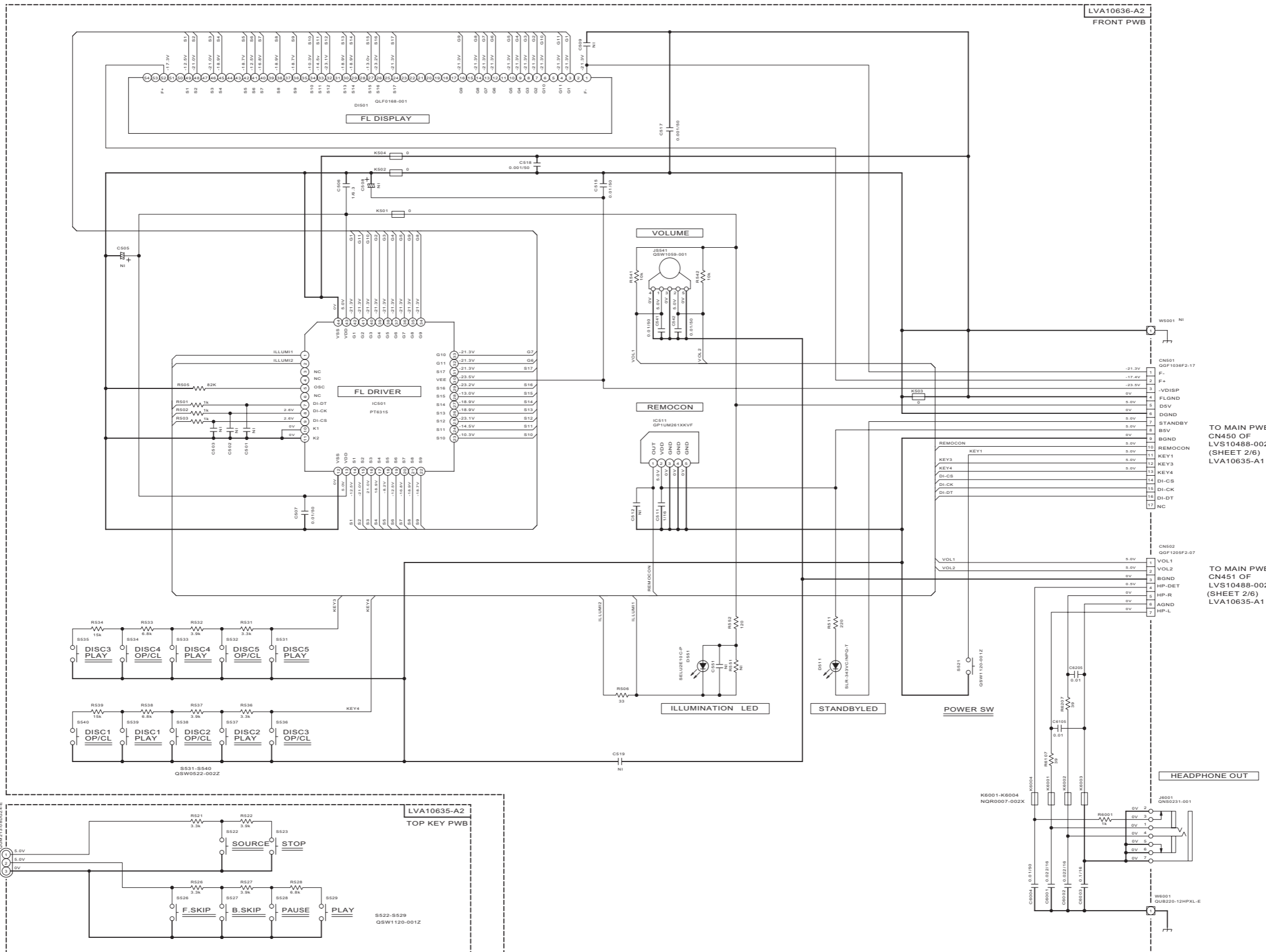
- VOLTAGES ARE DC-MEASURED WITH A DIGITAL VOLT METER WITHOUT INPUT SIGNAL. CONDITION: A DVD disc in the Tray 1, and STOP mode.
- UNLESS OTHERWISE SPECIFIED, ALL RESISTORS ARE 1/16W ±5% METAL GLAZE RESISTOR, OR 0.5% METAL GLAZE RESISTOR. ALL CAPACITORS ARE 50V, 25V, 16V, 10V or 6.3V CERAMIC CAPACITOR. ALL RESISTANCE VALUES ARE IN OHM(Ω). ALL CAPACITANCE VALUES ARE IN μF(μF) OR pF(pF). ALL CAPACITORS ARE SHOWN IN THE FORM OF CAPACITANCE(μF)/RATED VOLTAGE (V). ALL INDUCTANCE VALUES ARE IN μH(mH).
- NI STANDS FOR NOT INSERTED PARTS.

⚠ Parts are safety assurance parts. When replacing those parts make sure to use the specified one.

Audio section



■ Front section



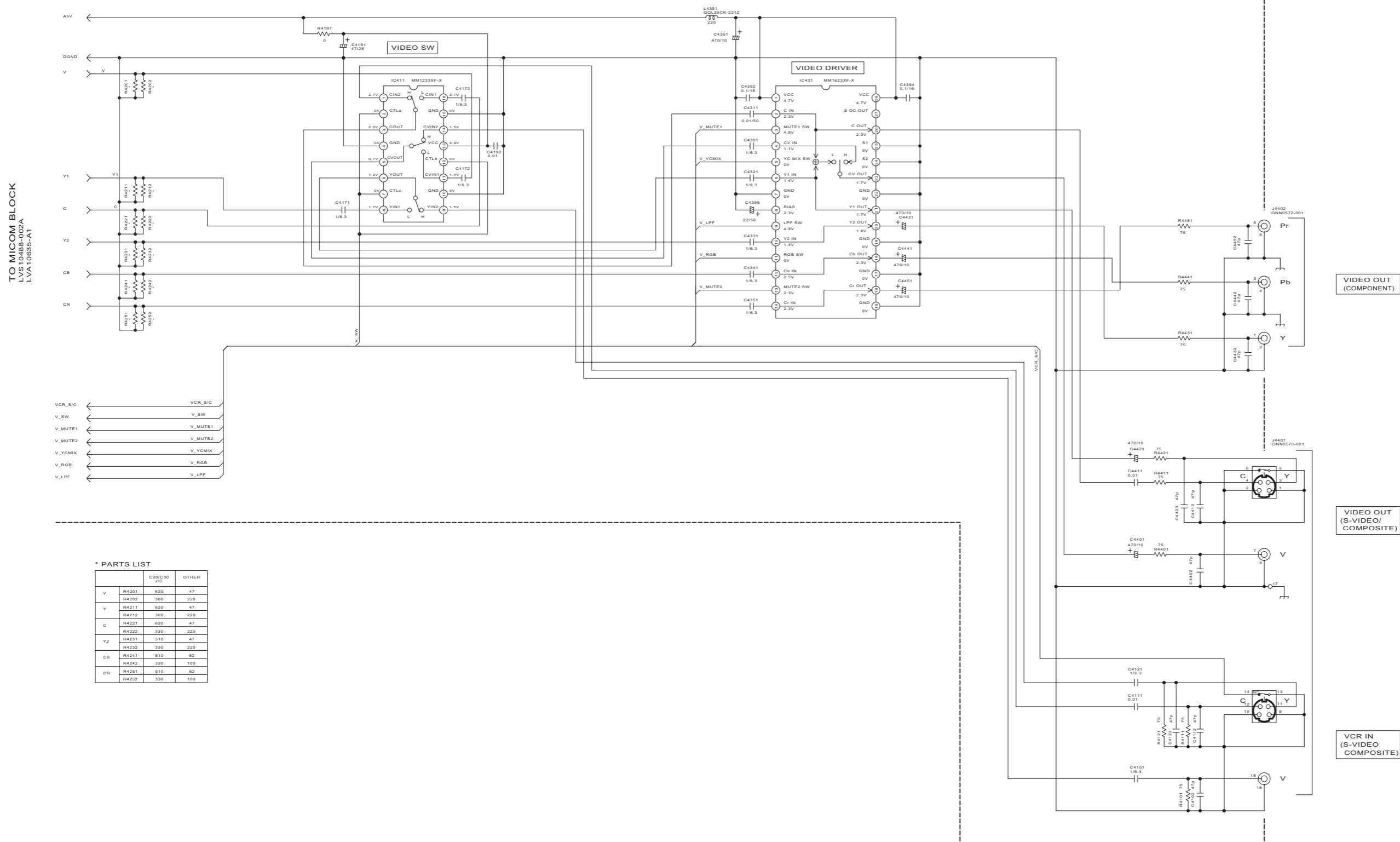
NOTES

- VOLTAGES ARE DC-MEASURED WITH A DIGITAL VOLT METER WITHOUT INPUT SIGNAL.
CONDITION --- A CD disc in the Tray 1, and PLAY mode.
- UNLESS OTHERWISE SPECIFIED,
ALL RESISTORS ARE 1/16W ±5% METAL GLAZE RESISTOR, OR 0.5% METAL GLAZE RESISTOR.
ALL CAPACITORS ARE 50V, 25V, 16V, 10V or 6.3V CERAMIC CAPACITOR
ALL RESISTANCE VALUES ARE IN OHM(Ω).
ALL CAPACITANCE VALUES ARE IN μF(p=pF).
ALL E-CAPACITORS ARE SHOWN IN THE FORM OF CAPACITANCE(μF)/RATED VOLTAGE (V).
ALL INDUCTANCE VALUES ARE IN μH(m=mH).
- NI STANDS FOR NOT INSERTED PARTS.

TO MAIN PWB
CN457 OF
LVS10488-002A
(SHEET 2/6)
LVA10635-A1

Video section

LVA10635-A1 (3/3)
MAIN PWB



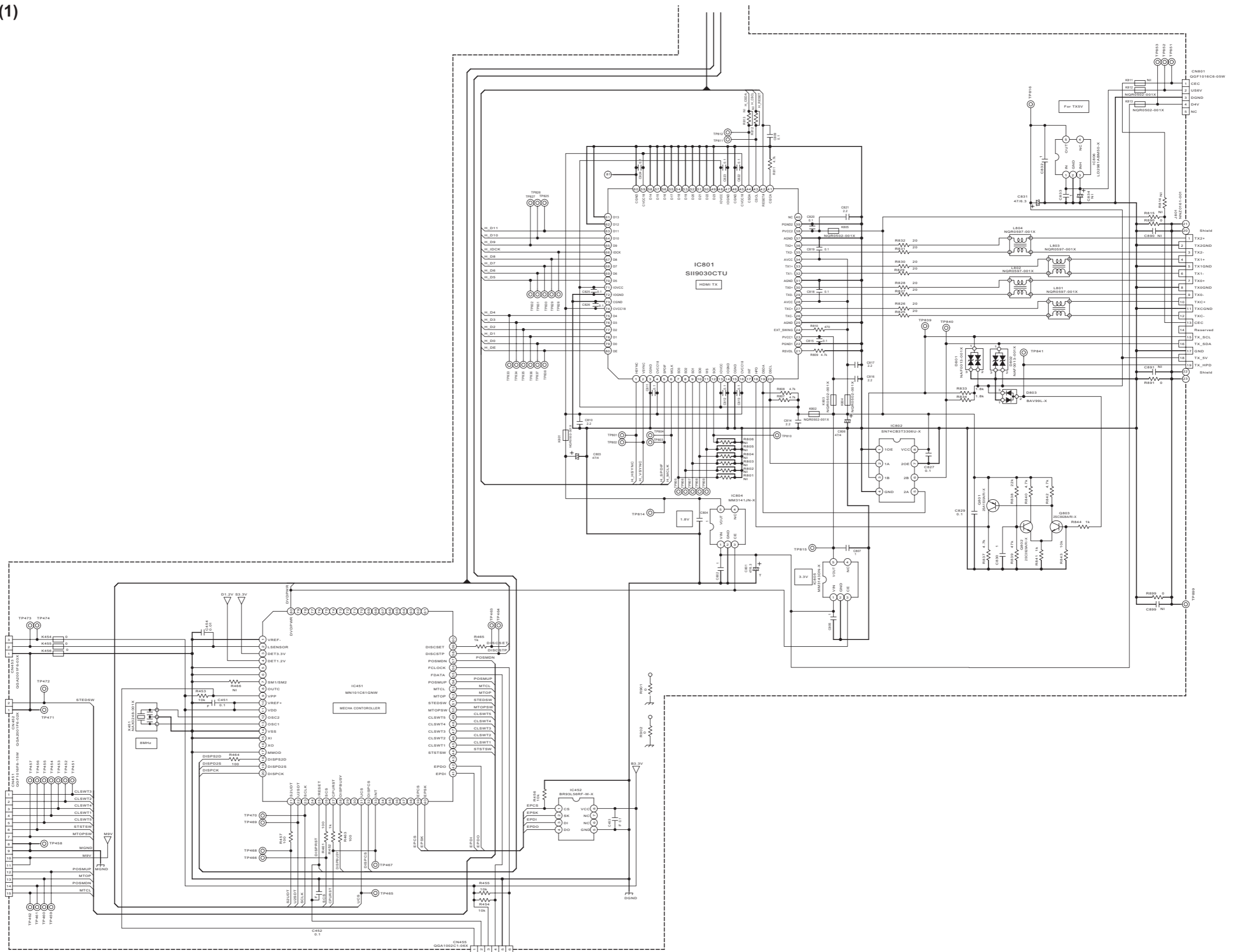
* PARTS LIST

		C20/C30 SIC	OTHER
V	R4201	620	47
	R4202	300	220
Y	R4211	620	47
	R4212	300	220
C	R4221	620	47
	R4222	330	220
Y2	R4231	510	47
	R4232	330	220
CB	R4241	510	62
	R4242	330	100
CR	R4251	510	62
	R4252	330	100

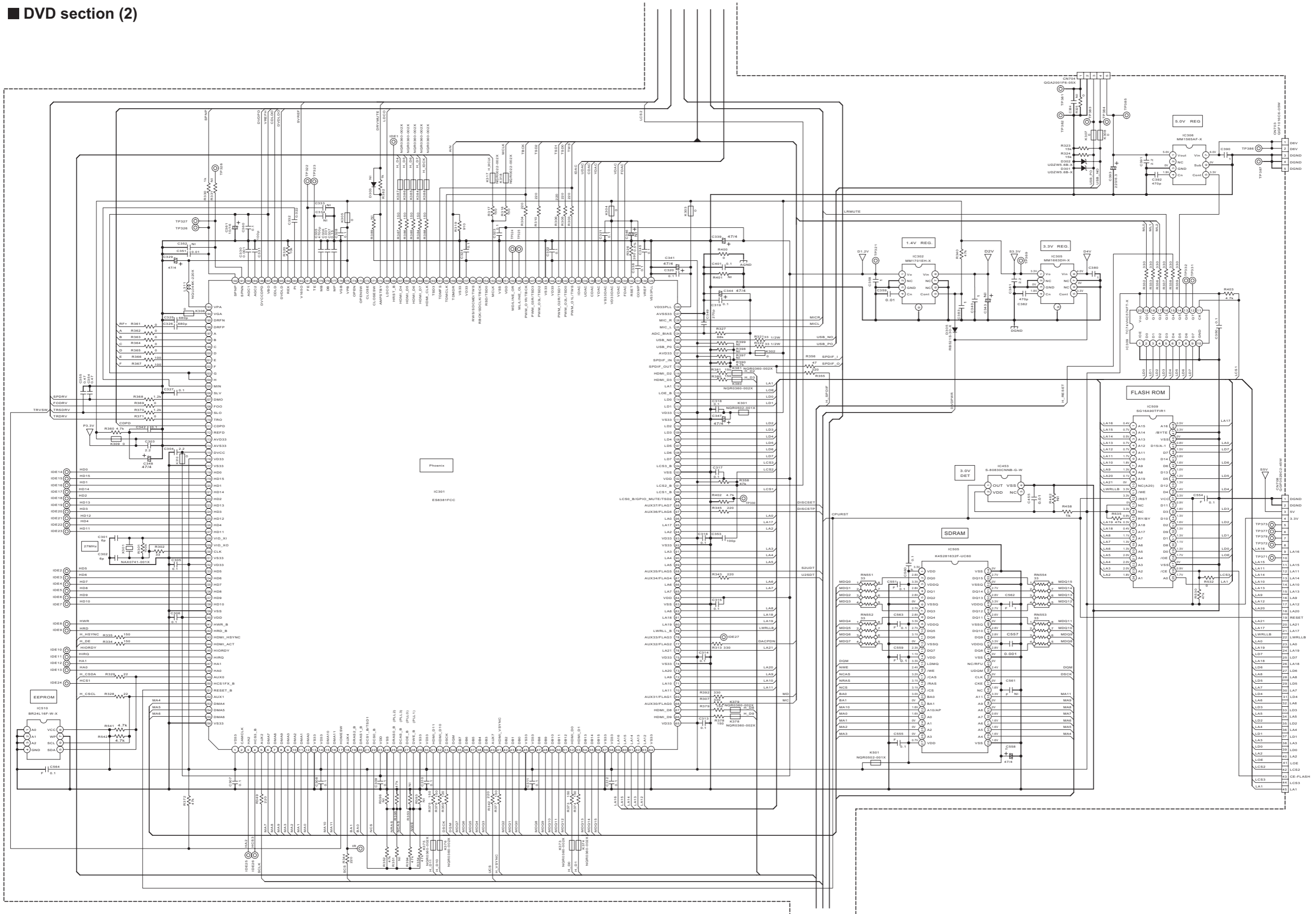
■ DVD section (1)

LOADER ASS'Y
CH6-BASE-1

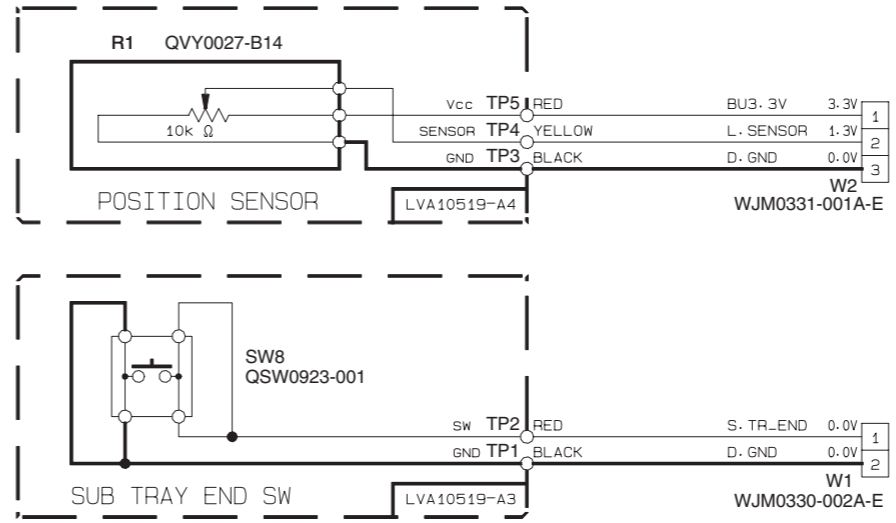
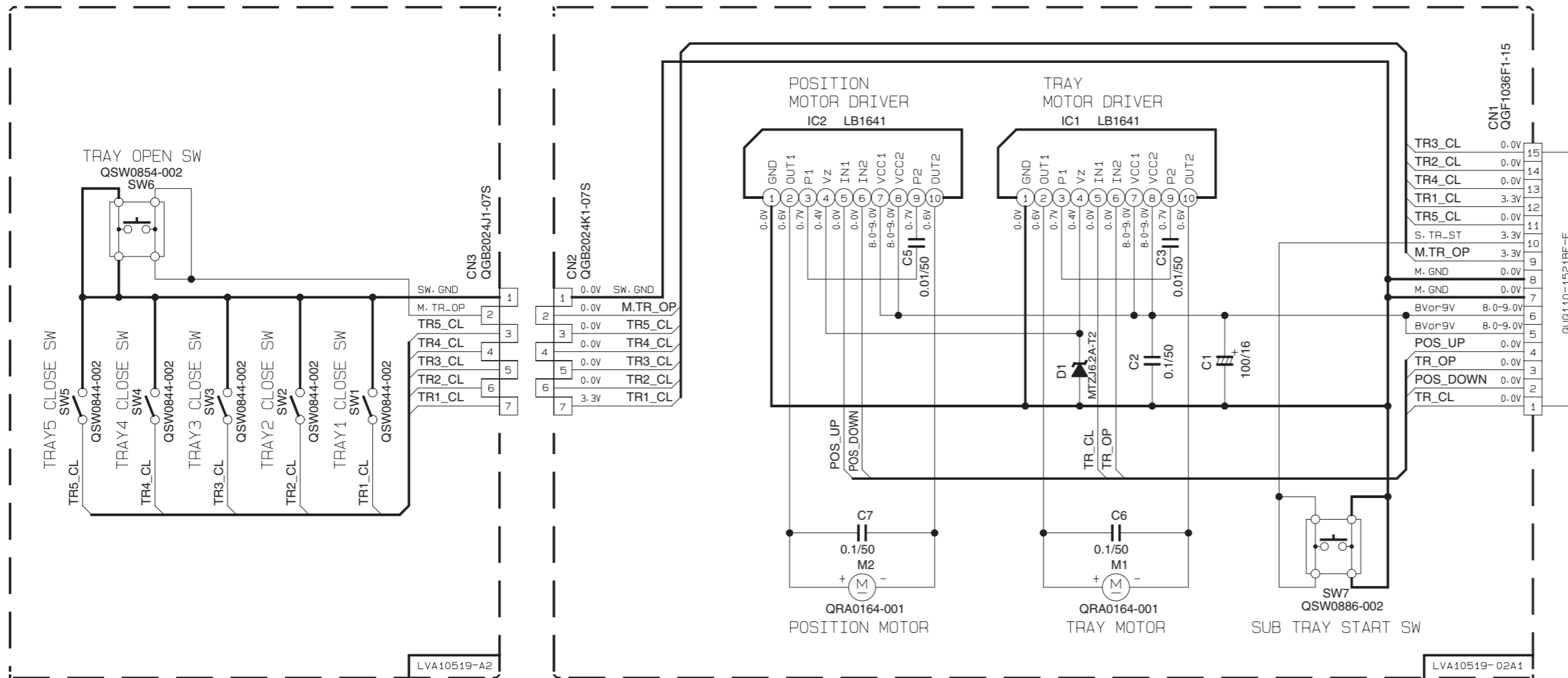
See
LVS20135-002A



DVD section (2)



■ Loader section

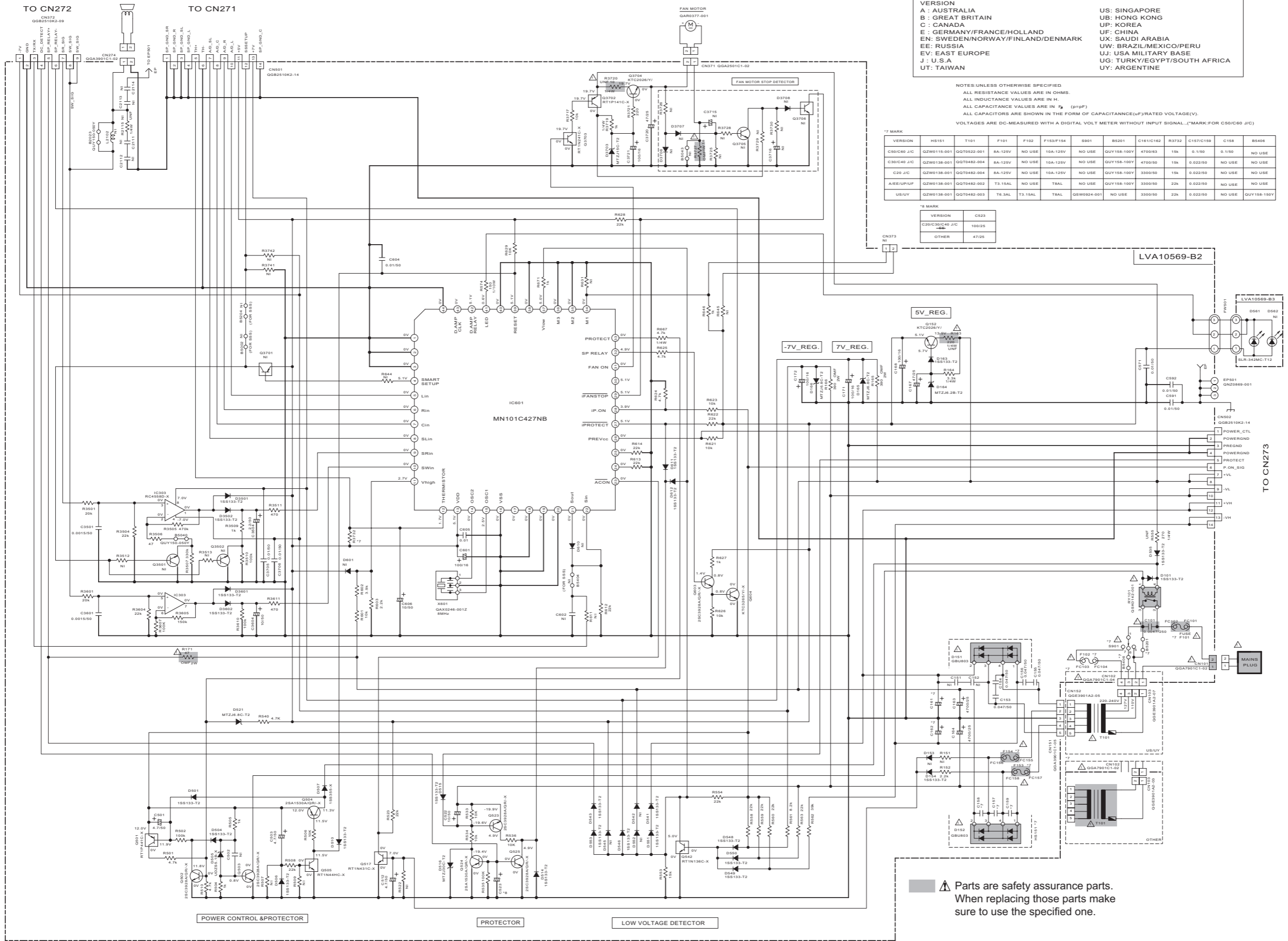


TO POWER AND MECHA CONTROL MICOM

NOTES

1. VOLTAGES ARE DC-MEASURED WITH A DIGITAL VOLT METER. CONDITION: DISC1 STOP
2. UNLESS OTHERWISE SPECIFIED. ALL CAPACITORS ARE SHOWN IN THE FORM OF CAPACITANCE (μF)/RATED VOLTAGE (V).
3. NI STANDS FOR NOT INSERTED PARTS.

Sub woofer power supply section



VERSION

A : AUSTRALIA	US : SINGAPORE
B : GREAT BRITAIN	UB : HONG KONG
C : CANADA	UP : KOREA
E : GERMANY/FRANCE/HOLLAND	UF : CHINA
EE : SWEDEN/NORWAY/FINLAND/DENMARK	UX : SAUDI ARABIA
EE : RUSSIA	UW : BRAZIL/MEXICO/PERU
EJ : EAST EUROPE	UJ : USA MILITARY BASE
J : U.S.A	UG : TURKEY/EGYPT/SOUTH AFRICA
UT : TAIWAN	UY : ARGENTINE

NOTES: UNLESS OTHERWISE SPECIFIED
 ALL RESISTANCE VALUES ARE IN OHMS.
 ALL INDUCTANCE VALUES ARE IN H.
 ALL CAPACITANCE VALUES ARE IN F (pF)
 ALL CAPACITORS ARE SHOWN IN THE FORM OF CAPACITANCE(UF)/RATED VOLTAGE(V).
 VOLTAGES ARE DC-MEASURED WITH A DIGITAL VOLT METER WITHOUT INPUT SIGNAL. (*MARK FOR C50/C60 J/C)

***7 MARK**

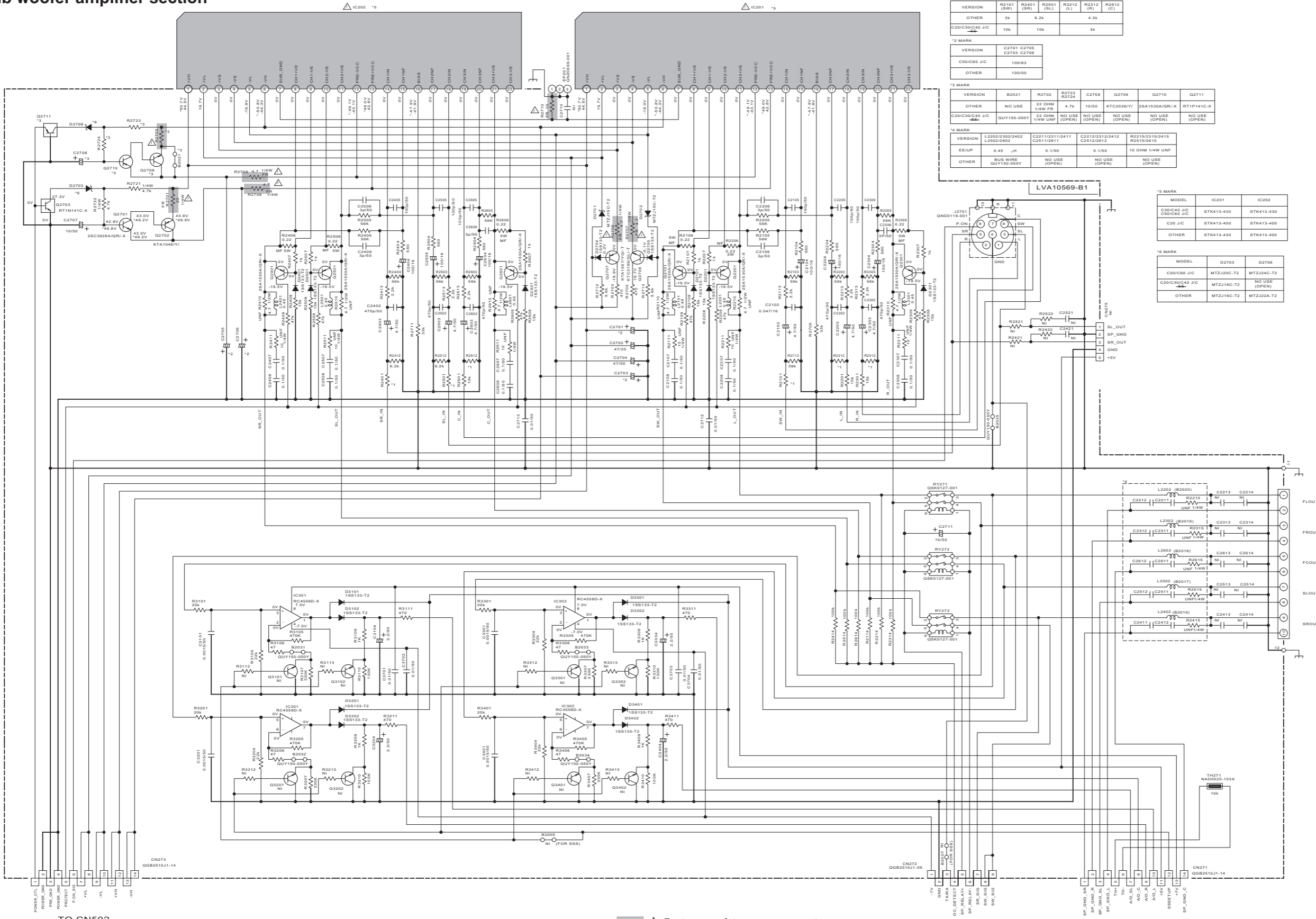
VERSION	H8151	T101	F101	F102	F153/F154	B901	B201	C161/C162	R3732	C157/C159	C158	B5408
C50/C60 J/C	Q2W0115-001	QGT0522-001	8A-125V	NO USE	10A-125V	NO USE	QUY158-100Y	4700/63	15k	0.1/50	0.1/50	NO USE
C30/C49 J/C	Q2W0138-001	QGT0482-004	8A-125V	NO USE	10A-125V	NO USE	QUY158-100Y	4700/50	15k	0.022/50	NO USE	NO USE
C20 J/C	Q2W0138-001	QGT0482-004	8A-125V	NO USE	10A-125V	NO USE	QUY158-100Y	3300/50	15k	0.022/50	NO USE	NO USE
A/E/E/UP/UF	Q2W0138-001	QGT0482-002	T3-15AL	NO USE	T8AL	NO USE	QUY158-100Y	3300/50	22k	0.022/50	NO USE	NO USE
US/UY	Q2W0138-001	QGT0482-003	T6-3AL	T3-15AL	T8AL	Q5W0924-001	NO USE	3300/50	22k	0.022/50	NO USE	QUY158-100Y

***8 MARK**

VERSION	C523
C20/C30/C49 J/C	100/25
OTHER	47/25

⚠ Parts are safety assurance parts.
 When replacing those parts make sure to use the specified one.

Sub woofer amplifier section



*1 MARK

VERSION	R2101	R2401	R2501	R2112	R2312	R2612
OTHER	3k	6.2k		4.3k		
C200/C30/C40 J/C	10k	10k		3k		

*2 MARK

VERSION	C2701	C2705	C2703	C2706
C50/C60 J/C	100n3			
OTHER	100/50			

*3 MARK

VERSION	R2021	R2702	R2723	R2724	C2708	Q2709	Q2710	Q2711
OTHER	NO USE	22 OHM 1/4W FR	4.7k	10/50	KTC2028/Y	2SA1530A/GRU-X	RT1P141C-X	
C200/C30/C40 J/C	QUY150-050Y	22 OHM 1/4W UNF	NO USE (OPEN)	NO USE (OPEN)	NO USE (OPEN)	NO USE (OPEN)	NO USE (OPEN)	

*4 MARK

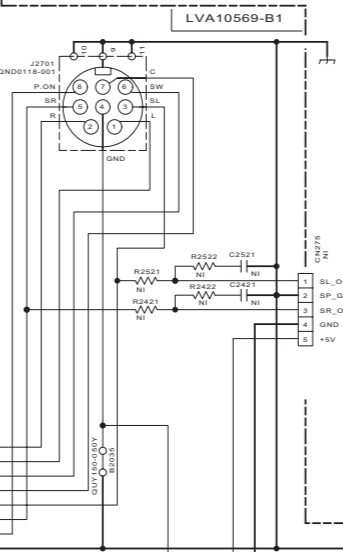
VERSION	L2202/2302/2402	L2602/2602	C2211/2311/2411	C2611/2611	C2212/2312/2412	C2612/2612	R2215/2315/2415	R2615/2615
EE/UP	0.45	1H	0.1/50	0.1/50	10 OHM 1/4W UNF			
OTHER	BUS WIRE	QUY150-050Y	NO USE (OPEN)	NO USE (OPEN)	NO USE (OPEN)	NO USE (OPEN)	NO USE (OPEN)	NO USE (OPEN)

*5 MARK

MODEL	IC201	IC202
C50/C60 J/C	STK413-430	STK413-430
C20 J/C	STK413-400	STK413-400
OTHER	STK413-430	STK413-400

*6 MARK

MODEL	D2703	D2706
C50/C60 J/C	MTZJ20C-T2	MTZJ24C-T2
C20/C30/C40 J/C	MTZJ16C-T2	NO USE (OPEN)
OTHER	MTZJ16C-T2	MTZJ22A-T2



TO CN502

NOTES: UNLESS OTHERWISE SPECIFIED,
 ALL RESISTANCE VALUES ARE IN OHMS.
 ALL INDUCTANCE VALUES ARE IN H.
 ALL CAPACITANCE VALUES ARE IN nF. (p=ppF)
 ALL CAPACITORS ARE SHOWN IN THE FORM OF CAPACITANCE (uF)/RATED VOLTAGE (V).
 VOLTAGES ARE DC-MEASURED WITH A DIGITAL VOLT METER WITHOUT INPUT SIGNAL. (*MARK: FOR C50/C60 J/C)

Parts are safety assurance parts.
 When replacing those parts make
 sure to use the specified one.

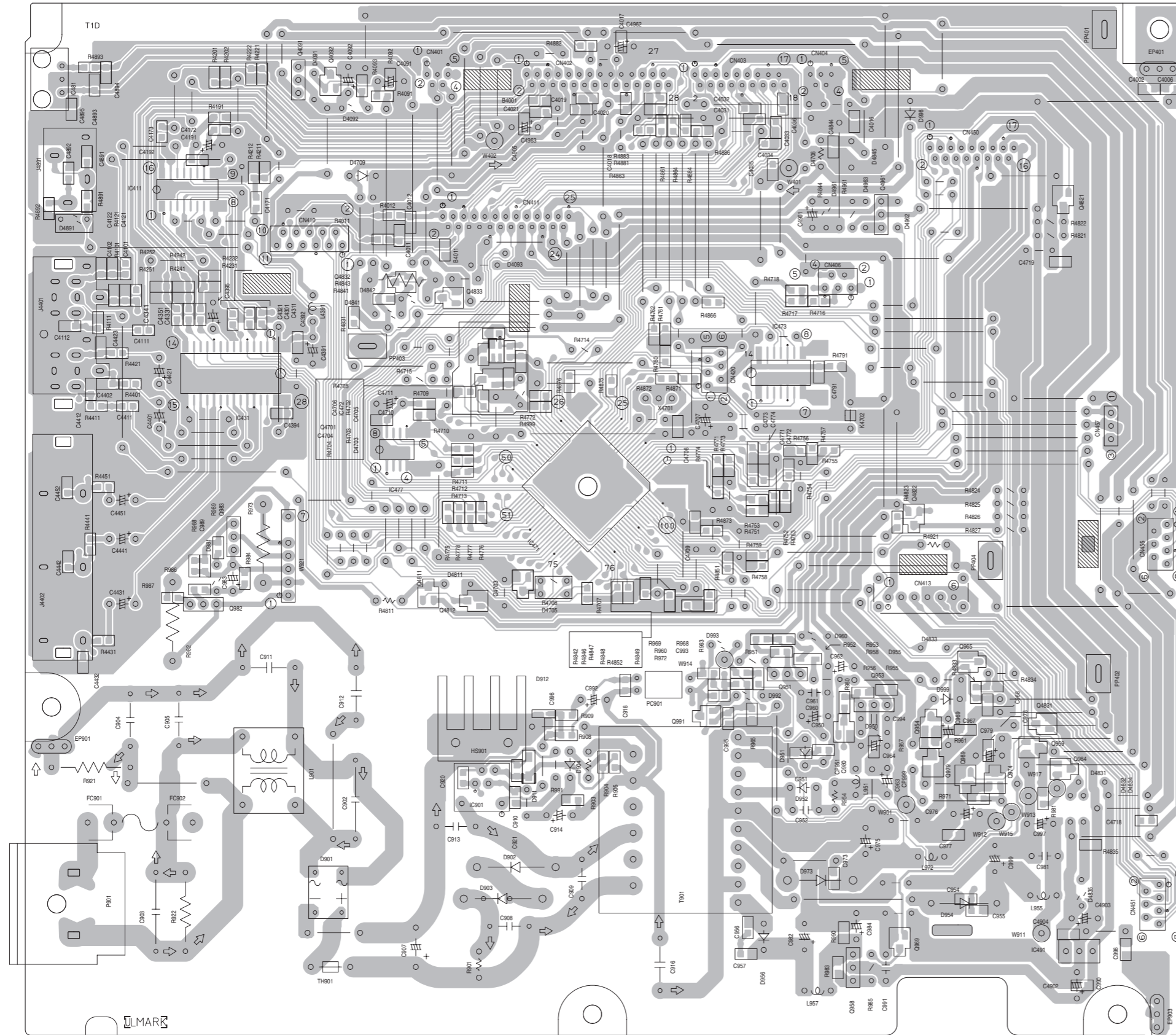
TO CN372

TO CN501

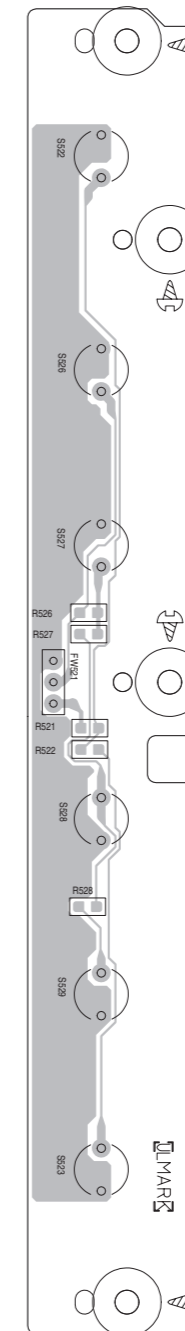
Printed circuit boards

■ Main board Lead free solder used in the board (material : Sn-Ag-Cu, melting point : 219 Centigrade)

(Main board)

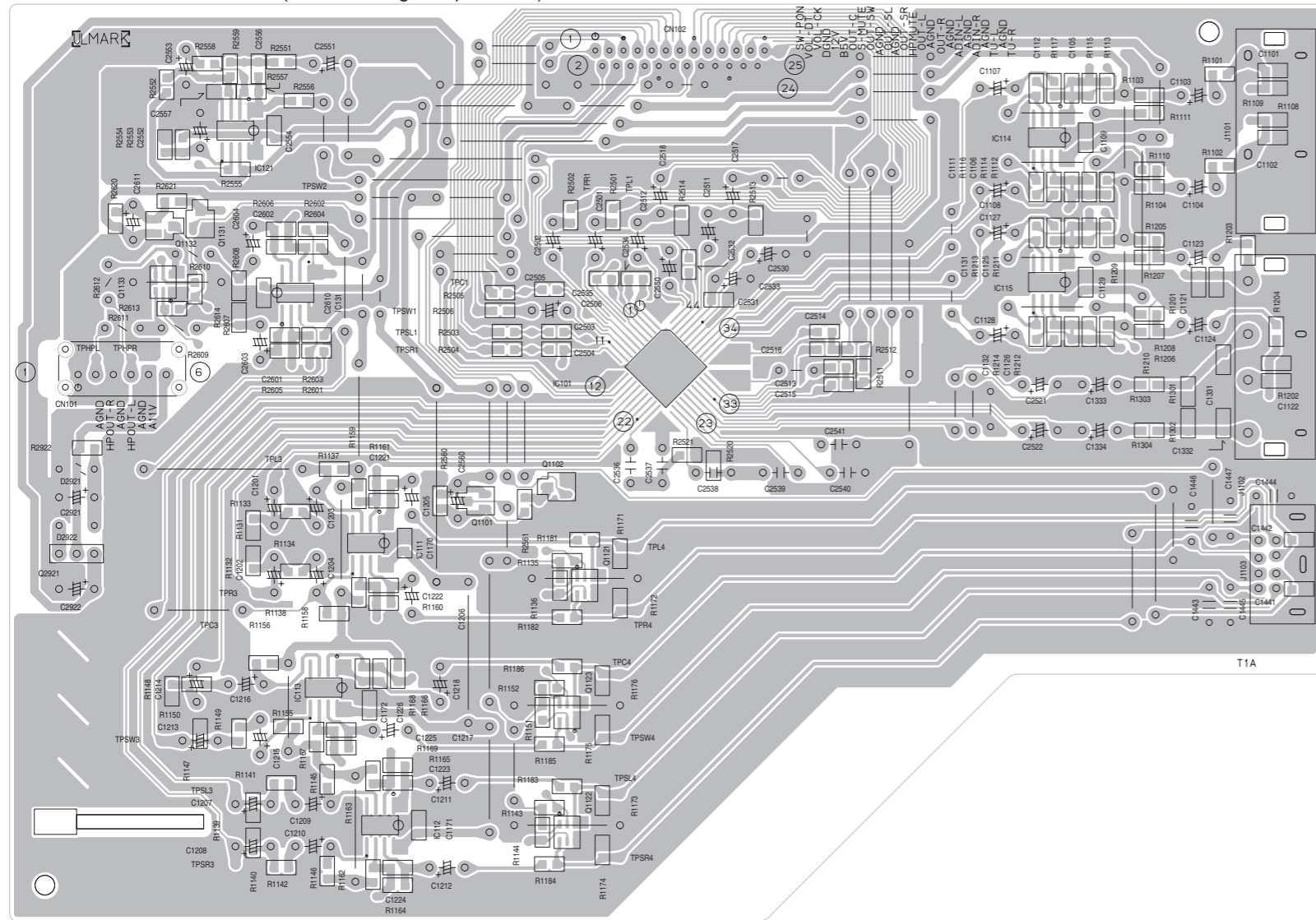


(Operation board)

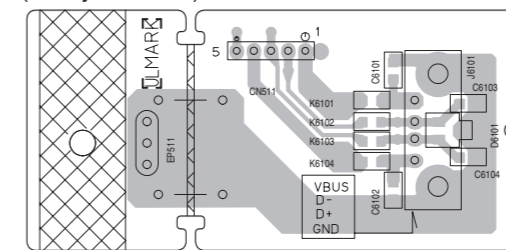


■ Audio board Lead free solder used in the board (material : Sn-Ag-Cu, melting point : 219 Centigrade)

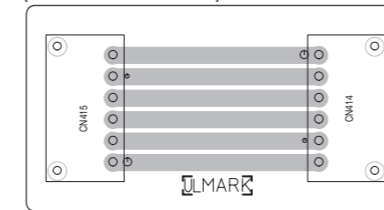
(Audio and Digital input board)



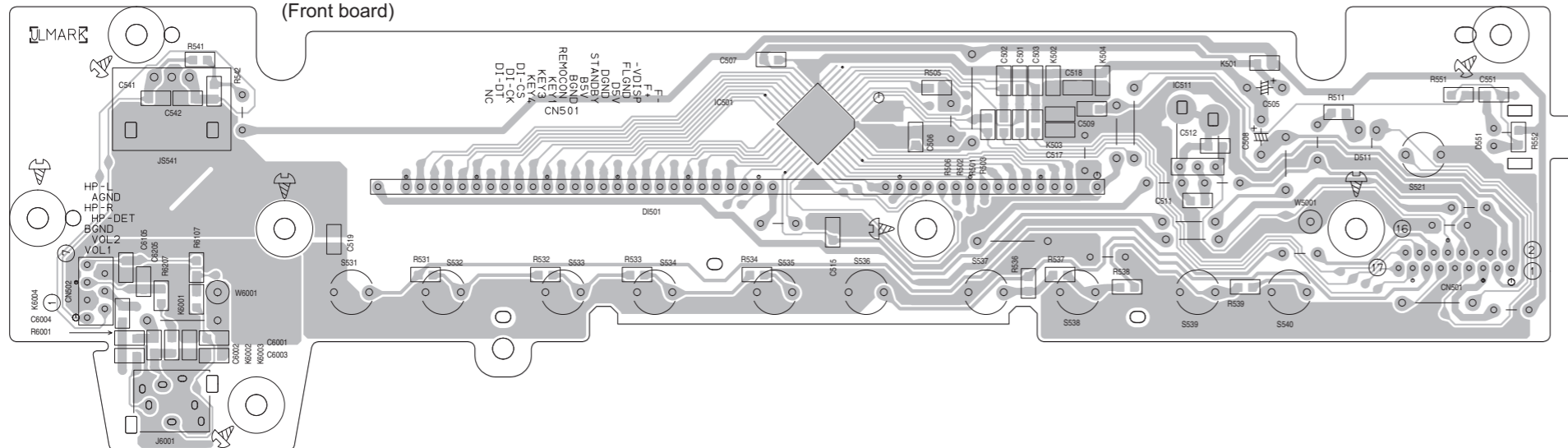
(USB jack board)



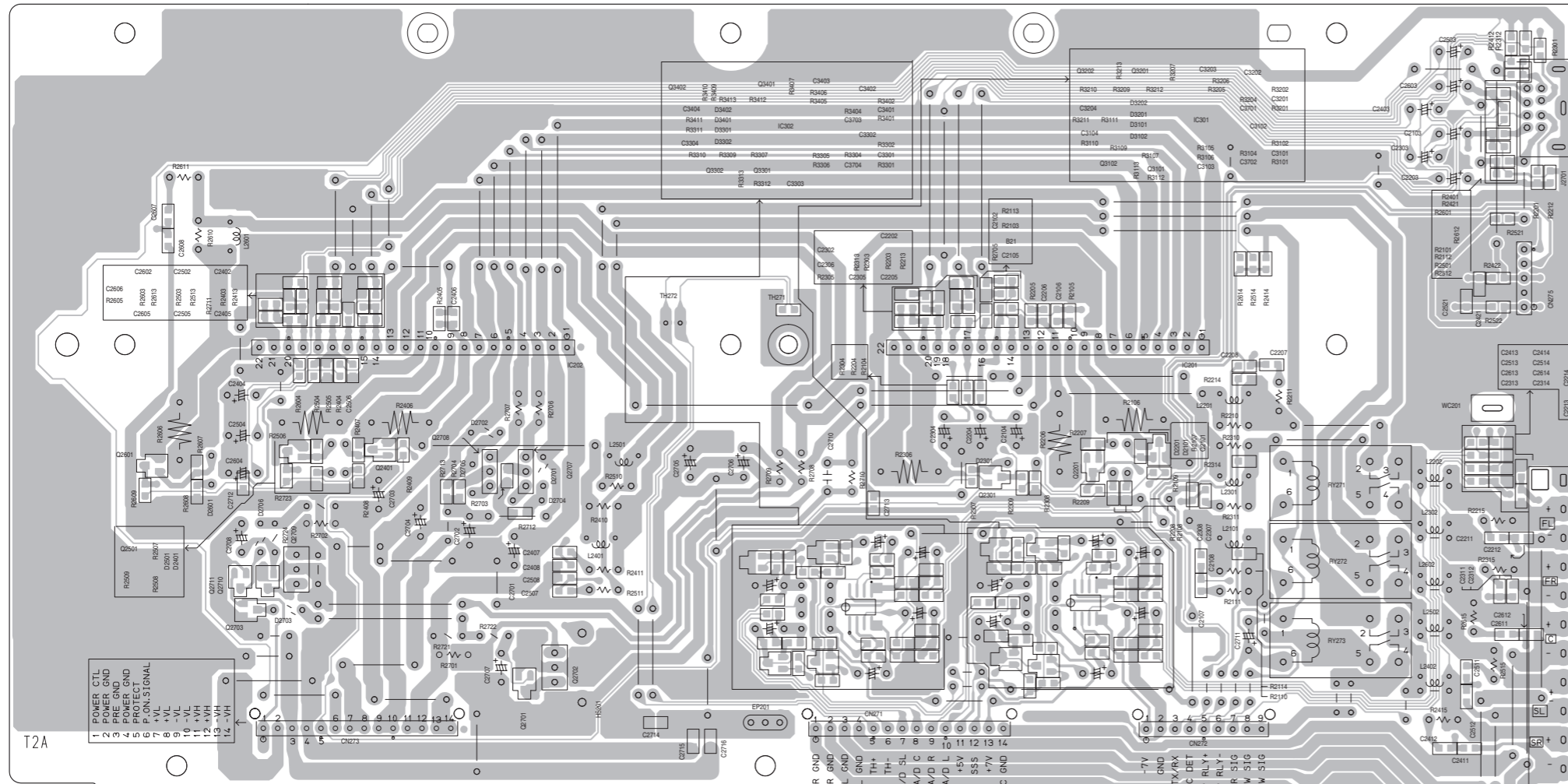
(Connection board)



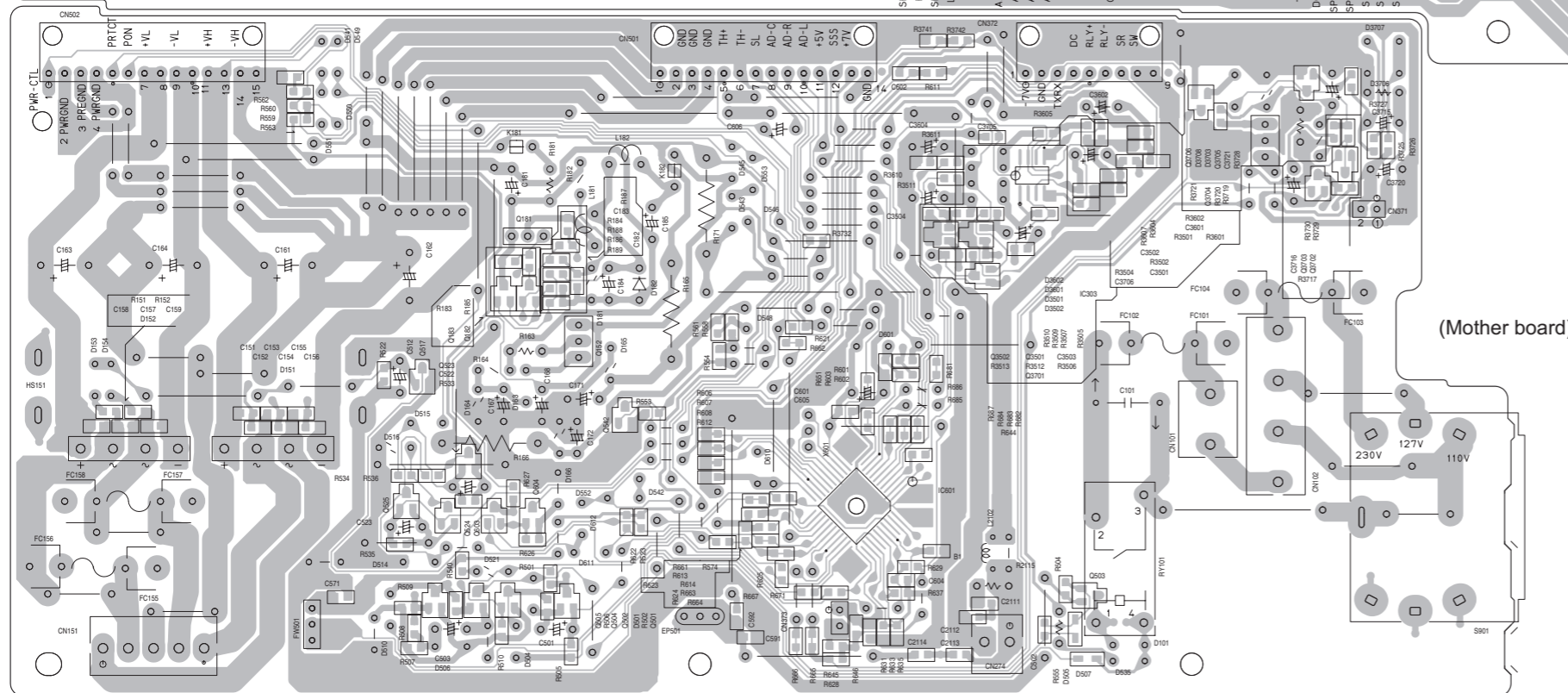
(Front board)



■ Sub woofer board Lead free solder used in the board (material : Sn-Ag-Cu, melting point : 219 Centigrade)

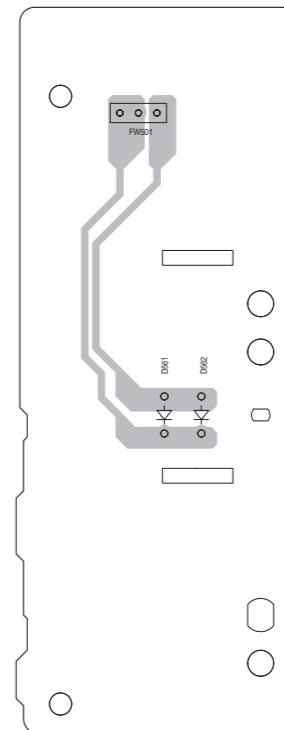


(Amp board)



(Mother board)

(LED board)



< MEMO >

JVC

Victor Company of Japan, Limited

Audio/Video Systems Category 10-1,1chome,Ohwatari-machi,Maebashi-city,371-8543,Japan

(No.MB511SCH)



Printed in Japan
VPT