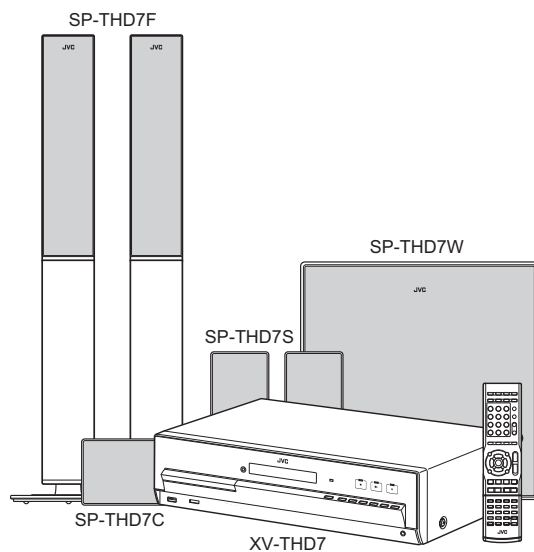


JVC

SERVICE MANUAL

DVD DIGITAL CINEMA SYSTEM

TH-D7B, TH-D7E, TH-D7EN, TH-D7EV, TH-D7A, TH-D7US, TH-D7UX, TH-D7UG



Lead free solder used in the board (material : Sn-Ag-Cu, melting point : 219 Centigrade)
Lead free solder used in the board (material : Sn-Cu, melting point : 230 Centigrade)

TABLE OF CONTENTS

1	PRECAUTION.....	1-8
2	SPECIFIC SERVICE INSTRUCTIONS.....	1-12
3	DISASSEMBLY.....	1-12
4	ADJUSTMENT.....	1-25
5	TROUBLESHOOTING.....	1-29

SPECIFICATION

B,E,EN,EV Center unit

Output power	Front		140 W per channel RMS at 4 Ω at 1 kHz with 10 % total harmonic distortion.		
	Center		130 W RMS at 4 Ω at 1 kHz with 10 % total harmonic distortion.		
	Surround		130 W per channel RMS at 4 Ω at 1 kHz with 10 % total harmonic distortion.		
	Subwoofer		140 W RMS at 4 Ω at 100 Hz with 10 % total harmonic distortion.		
Audio section	Digital Input*1 DIGITAL IN	OPTICAL	-21 dBm to -15 dBm (660 nm ±30 nm)		
		COAXIAL	0.5V(p-p)/75Ω		
Video section	Video System		PAL		
	Horizontal Resolution		500 lines		
	Signal-to-Noise Ratio (Composite signal when "RGB" is selected)		54 dB		
	Video Output Level	(AV-Scart)	Composite video	1.0 V(p-p)/75 Ω	
			Y	1.0 V(p-p)/75 Ω	
			C	0.3 V(p-p)/75 Ω	
			RGB	0.7 V(p-p)/75 Ω	
Video Input Sensitivity/Impedance	(VIDEO OUT)	Component	(Y): 1.0 V(p-p)/75 Ω (PB/PR): 0.7V(p-p)/75Ω		
		S-video	(Y): 1.0 V(p-p)/75 Ω (C): 0.3 V(p-p)/75 Ω		
HDMI	HDMI Input (VIDEO 1 IN)		PASS THROUGH (up to 225 MHz)		
	HDMI Output (MONITOR OUT)		576p/720p/1080i		
USB storage	USB Specification		Compatible with USB 2.0 Full Speed		
	Compatible Device		Mass Storage Class		
	Compatible File System		FAT16, FAT32		
	Bus Power Supply		Max. 500 mA		
Tuner section	Tuner Range	FM	87.50 MHz to 108.00 MHz		
		AM (MW)	522 kHz to 1 629 kHz		
General	Power Requirements		AC 230 V , 50 Hz		
	Power Consumption		160 W (during operation) 1.0 W (in standby mode)		
	Dimensions (W × H × D)		435 mm × 115 mm × 270 mm		
	Mass		6.8 kg		

*1 Corresponding to Linear PCM Dolby Digital and DTS Digital Surround (with sampling frequency - 32 kHz 44.1 kHz 48 kHz)

Subwoofer (SP-THD7W)

Type	Bass-Reflex Type
Speaker	20 cm cone × 1
Power Handling Capacity	140 W
Impedance	4 Ω
Frequency Range	28 Hz to 200 Hz
Sound Pressure Level	75 dB/W•m
Dimensions (W × H × D)	353.5 mm × 351 mm × 248 mm
Mass	8.5 kg

Front speakers (SP-THD7F)

Type	2-Way 3-Speaker Bass-Reflex Type (Magnetically Shielded Type)
Speaker	8 cm cone x 2 3 cm dome x 1
Power Handling Capacity	140 W
Impedance	4 Ω
Frequency Range	75 Hz to 20 000 Hz
Sound Pressure Level	83 dB/W•m
Dimensions (W x H x D)	280 mm x 1 100 mm x 280 mm (with stand) 280 mm x 594 mm x 280 mm (without stand)
Mass	8.9 kg each (with stand) 6.5 kg each (without stand)

Center speaker (SP-THD7C)

Type	1-Way 2-Speaker Bass-Reflex Type (Magnetically Shielded Type)
Speaker	8 cm cone × 2
Power Handling Capacity	140 W
Impedance	4 Ω
Frequency Range	75 Hz to 20 000 Hz
Sound Pressure Level	84 dB/W•m
Dimensions (W × H × D)	435 mm × 100 mm × 118 mm
Mass	2.2 kg

Surround speakers (SP-THD7S)

Type	1-Way Bass-Reflex Type (Magnetically Shielded Type)
Speaker	8 cm cone × 1
Power Handling Capacity	140 W
Impedance	4 Ω
Frequency Range	75 Hz to 20 000 Hz
Sound Pressure Level	77 dB/W•m
Dimensions (W × H × D)	98.5 mm × 215 mm × 118 mm
Mass	1.0 kg each

A
Center unit

Output power	Front	140 W per channel RMS at 4 Ω at 1 kHz with 10 % total harmonic distortion.		
	Center	130 W RMS at 4 Ω at 1 kHz with 10 % total harmonic distortion.		
	Surround	130 W per channel RMS at 4 Ω at 1 kHz with 10 % total harmonic distortion.		
	Subwoofer	140 W RMS at 4 Ω at 100 Hz with 10 % total harmonic distortion.		
Audio section	Digital Input* DIGITAL IN	OPTICAL	-21 dBm to -15 dBm (660 nm ±30 nm)	
		COAXIAL	0.5 V(p-p)/75 Ω	
	Analog input	VIDEO 2 AUDIO IN		
Video section	Video System	PAL/NTSC		
	Horizontal Resolution	500 lines		
	Signal-to-Noise Ratio	64 dB		
	Video Output Level	Composite	1.0 V(p-p)/75 Ω	
		S-video-Y	1.0 V(p-p)/75 Ω	
		S-video-C	For PAL: 0.3 V(p-p)/75 Ω For NTSC: 0.286 V(p-p)/75 Ω	
		Component-Y	1.0 V(p-p)/75 Ω	
		Component-PB/PR	0.7 V(p-p)/75 Ω	
	Video Input Sensitivity/Impedance	Composite	1.0 V(p-p)/75 Ω	
		S-video-Y	1.0 V(p-p)/75 Ω	
S-video-C		For PAL: 0.3 V(p-p)/75 Ω For NTSC: 0.286 V(p-p)/75 Ω		
HDMI	HDMI Input (VIDEO 1 IN)	PASS THROUGH (up to 225 MHz)		
	HDMI Output (MONITOR OUT)	For PAL	576p/720p/1080i	
		For NTSC	480p/720p/1080i	
USB storage	USB Specification	Compatible with USB 2.0 Full Speed		
	Compatible Device	Mass Storage Class		
	Compatible File System	FAT16, FAT32		
	Bus Power Supply	Max. 500 mA		
Tuner section	Tuner Range	FM	87.50 MHz to 108.00 MHz	
		AM	At 10 kHz intervals: 530 kHz to 1 710 kHz At 9 kHz intervals: 531 kHz to 1 710 kHz	
General	Power Requirements	AC 240 V , 50 Hz		
	Power Consumption	160 W (during operation) 4.0 W (in standby mode)		
	Dimensions (W × H × D)	435 mm × 115 mm × 270 mm		
	Mass	6.8 kg		

* Corresponding to Linear PCM Dolby Digital and DTS Digital Surround (with sampling frequency - 32 kHz 44.1 kHz 48 kHz)

Subwoofer

Type	Bass-Reflex Type
Speaker	20 cm cone × 1
Power Handling Capacity	140 W
Impedance	4 Ω
Frequency Range	28 Hz to 200 Hz
Sound Pressure Level	75 dB/W•m
Dimensions (W × H × D)	353.5 mm × 351 mm × 248 mm
Mass	8.5 kg

Front speakers (SP-THD7F)

Type	2-Way 3-Speaker Bass-Reflex Type (Magnetically Shielded Type)
Speaker	8 cm cone × 2 3 cm dome × 1
Power Handling Capacity	140 W
Impedance	4 Ω
Frequency Range	75 Hz to 20 000 Hz
Sound Pressure Level	83 dB/W•m
Dimensions (W × H × D)	280 mm x 1 100 mm x 280 mm (with stand) 280 mm x 594 mm x 280 mm (without stand)
Mass	8.9 kg each (with stand) 6.5 kg each (without stand)

Center speaker (SP-THD7C)

Type	1-Way 2-Speaker Bass-Reflex Type (Magnetically Shielded Type)
Speaker	8 cm cone × 2
Power Handling Capacity	140 W
Impedance	4 Ω
Frequency Range	75 Hz to 20 000 Hz
Sound Pressure Level	84 dB/W•m
Dimensions (W × H × D)	435 mm × 100 mm × 118 mm
Mass	2.2 kg

Surround speakers (SP-THD7S)

Type	1-Way Bass-Reflex Type (Magnetically Shielded Type)
Speaker	8 cm cone × 1
Power Handling Capacity	140 W
Impedance	4 Ω
Frequency Range	75 Hz to 20 000 Hz
Sound Pressure Level	77 dB/W•m
Dimensions (W × H × D)	98.5 mm × 215 mm × 118 mm
Mass	1.0 kg each

US,UX,UG
Center unit

Output power	Front	140 W per channel RMS at 4 Ω at 1 kHz with 10 % total harmonic distortion.		
	Center	130 W RMS at 4 Ω at 1 kHz with 10 % total harmonic distortion.		
	Surround	130 W per channel RMS at 4 Ω at 1 kHz with 10 % total harmonic distortion.		
	Subwoofer	140 W RMS at 4 Ω at 100 Hz with 10 % total harmonic distortion.		
Audio section	Digital Input*1 DIGITAL IN	OPTICAL	-21 dBm to -15 dBm (660 nm ±30 nm)	
		COAXIAL	0.5V(p-p)/75Ω	
	Analog input	VIDEO 2 AUDIO IN		
	Analog output	AUDIO OUT		
Video section	Video System	PAL/NTSC		
	Horizontal Resolution	500 lines		
	Signal-to-Noise Ratio	64 dB		
	Video Output Level	Composite	1.0 V(p-p)/75 Ω	
		S-video-Y	1.0 V(p-p)/75 Ω	
		S-video-C	For PAL: 0.3 V(p-p)/75 Ω For NTSC: 0.286 V(p-p)/75 Ω	
		Component-Y	1.0 V(p-p)/75 Ω	
		Component-PB/PR	0.7 V(p-p)/75 Ω	
Video Input Sensitivity/Impedance (VIDEO 2 IN)	Composite	1.0 V(p-p)/75 Ω		
	S-video-Y	1.0 V(p-p)/75 Ω		
	S-video-C	For PAL: 0.3 V(p-p)/75 Ω For NTSC: 0.286 V(p-p)/75 Ω		
HDMI	HDMI Input (VIDEO 1 IN)	PASS THROUGH (up to 225 MHz)		
	HDMI Output (MONITOR OUT)	For PAL	576p/720p/1080i	
		For NTSC	480p/720p/1080i	
USB storage	USB Specification	Compatible with USB 2.0 Full Speed		
	Compatible Device	Mass Storage Class		
	Compatible File System	FAT16, FAT32		
	Bus Power Supply	Max. 500 mA		
Tuner section	Tuner Range	FM	87.50 MHz to 108.00 MHz	
		AM (At 10 kHz intervals)	For Saudi Arabia: 530 kHz to 1 600 kHz For the other countries: 530 kHz to 1 710 kHz	
		AM (At 9 kHz intervals)	For Saudi Arabia: 531 kHz to 1 602 kHz For the other countries: 531 kHz to 1 710 kHz	
General	Power Requirements	AC 110 V/127 V/220 V - 240 V 50/60 Hz (selectable with the voltage selector)		
	Power Consumption	160 W (during operation) 4.0 W (in standby mode)		
	Dimensions (W × H × D)	435 mm × 115 mm × 270 mm		
	Mass	6.8 kg		

*1 Corresponding to Linear PCM Dolby Digital and DTS Digital Surround (with sampling frequency - 32 kHz 44.1 kHz 48 kHz)

Subwoofer (SP-THD7W)

Type	Bass-Reflex Type
Speaker	20 cm cone × 1
Power Handling Capacity	140 W
Impedance	4 Ω
Frequency Range	28 Hz to 200 Hz
Sound Pressure Level	75 dB/W•m
Dimensions (W × H × D)	353.5 mm × 351 mm × 248 mm
Mass	8.5 kg

Front speakers (SP-THD7F)

Type	2-Way 3-Speaker Bass-Reflex Type (Magnetically Shielded Type)
Speaker	8 cm cone × 2 3 cm dome × 1
Power Handling Capacity	140 W
Impedance	4 Ω
Frequency Range	75 Hz to 20 000 Hz
Sound Pressure Level	83 dB/W•m
Dimensions (W × H × D)	280 mm x 1 100 mm x 280 mm (with stand) 280 mm x 594 mm x 280 mm (without stand)
Mass	8.9 kg each (with stand) 6.5 kg each (without stand)

Center speaker (SP-THD7C)

Type	1-Way 2-Speaker Bass-Reflex Type (Magnetically Shielded Type)
Speaker	8 cm cone × 2
Power Handling Capacity	140 W
Impedance	4 Ω
Frequency Range	75 Hz to 20 000 Hz
Sound Pressure Level	84 dB/W•m
Dimensions (W × H × D)	435 mm × 100 mm × 118 mm
Mass	2.2 kg

Surround speakers (SP-THD7S)

Type	1-Way Bass-Reflex Type (Magnetically Shielded Type)
Speaker	8 cm cone × 1
Power Handling Capacity	140 W
Impedance	4 Ω
Frequency Range	75 Hz to 20 000 Hz
Sound Pressure Level	77 dB/W•m
Dimensions (W × H × D)	98.5 mm × 215 mm × 118 mm
Mass	1.0 kg each

SECTION 1 PRECAUTION

1.1 Safety Precautions

- (1) This design of this product contains special hardware and many circuits and components specially for safety purposes. For continued protection, no changes should be made to the original design unless authorized in writing by the manufacturer. Replacement parts must be identical to those used in the original circuits. Services should be performed by qualified personnel only.
- (2) Alterations of the design or circuitry of the product should not be made. Any design alterations of the product should not be made. Any design alterations or additions will void the manufacturer's warranty and will further relieve the manufacturer of responsibility for personal injury or property damage resulting therefrom.
- (3) Many electrical and mechanical parts in the products have special safety-related characteristics. These characteristics are often not evident from visual inspection nor can the protection afforded by them necessarily be obtained by using replacement components rated for higher voltage, wattage, etc. Replacement parts which have these special safety characteristics are identified in the Parts List of Service Manual. Electrical components having such features are identified by shading on the schematics and by (Δ) on the Parts List in the Service Manual. The use of a substitute replacement which does not have the same safety characteristics as the recommended replacement parts shown in the Parts List of Service Manual may create shock, fire, or other hazards.
- (4) The leads in the products are routed and dressed with ties, clamps, tubings, barriers and the like to be separated from live parts, high temperature parts, moving parts and/or sharp edges for the prevention of electric shock and fire hazard. When service is required, the original lead routing and dress should be observed, and it should be confirmed that they have been returned to normal, after reassembling.

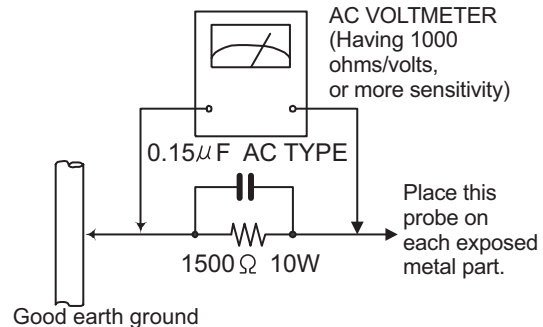
(5) Leakage shock hazard testing

After reassembling the product, always perform an isolation check on the exposed metal parts of the product (antenna terminals, knobs, metal cabinet, screw heads, headphone jack, control shafts, etc.) to be sure the product is safe to operate without danger of electrical shock. Do not use a line isolation transformer during this check.

- Plug the AC line cord directly into the AC outlet. Using a "Leakage Current Tester", measure the leakage current from each exposed metal part of the cabinet, particularly any exposed metal part having a return path to the chassis, to a known good earth ground. Any leakage current must not exceed 0.5mA AC (r.m.s.).
- Alternate check method
Plug the AC line cord directly into the AC outlet. Use an AC voltmeter having, 1,000 Ω per volt or more sensitivity in the following manner. Connect a 1,500 Ω 10W resistor paralleled by a 0.15 μ F AC-type capacitor between an exposed metal part and a known good earth ground. Measure the AC voltage across the resistor with the AC

voltmeter.

Move the resistor connection to each exposed metal part, particularly any exposed metal part having a return path to the chassis, and measure the AC voltage across the resistor. Now, reverse the plug in the AC outlet and repeat each measurement. Voltage measured any must not exceed 0.75 V AC (r.m.s.). This corresponds to 0.5 mA AC (r.m.s.).



1.2 Warning

- (1) This equipment has been designed and manufactured to meet international safety standards.
- (2) It is the legal responsibility of the repairer to ensure that these safety standards are maintained.
- (3) Repairs must be made in accordance with the relevant safety standards.
- (4) It is essential that safety critical components are replaced by approved parts.
- (5) If mains voltage selector is provided, check setting for local voltage.

1.3 Caution


Burrs formed during molding may be left over on some parts of the chassis.

Therefore, pay attention to such burrs in the case of pre-forming repair of this system.

1.4 Critical parts for safety

In regard with component parts appearing on the silk-screen printed side (parts side) of the PWB diagrams, the parts that are printed over with black such as the resistor (■), diode (■) and ICP (●) or identified by the " Δ " mark nearby are critical for safety. When replacing them, be sure to use the parts of the same type and rating as specified by the manufacturer. (This regulation does not Except the J and C version)

1.5 Safety Precautions (U.K only)

- (1) This design of this product contains special hardware and many circuits and components specially for safety purposes. For continued protection, no changes should be made to the original design unless authorized in writing by the manufacturer. Replacement parts must be identical to those used in the original circuits.
- (2) Any unauthorised design alterations or additions will void the manufacturer's guarantee; furthermore the manufacturer cannot accept responsibility for personal injury or property damage resulting therefrom.
- (3) Essential safety critical components are identified by () on the Parts List and by shading on the schematics, and must never be replaced by parts other than those listed in the manual. Please note however that many electrical and mechanical parts in the product have special safety related characteristics. These characteristics are often not evident from visual inspection. Parts other than specified by the manufacturer may not have the same safety characteristics as the recommended replacement parts shown in the Parts List of the Service Manual and may create shock, fire, or other hazards.
- (4) The leads in the products are routed and dressed with ties, clamps, tubings, barriers and the like to be separated from live parts, high temperature parts, moving parts and/or sharp edges for the prevention of electric shock and fire hazard. When service is required, the original lead routing and dress should be observed, and it should be confirmed that they have been returned to normal, after re-assembling.

1.5.1 Warning

- (1) Service should be performed by qualified personnel only.
- (2) This equipment has been designed and manufactured to meet international safety standards.
- (3) It is the legal responsibility of the repairer to ensure that these safety standards are maintained.
- (4) Repairs must be made in accordance with the relevant safety standards.
- (5) It is essential that safety critical components are replaced by approved parts.
- (6) If mains voltage selector is provided, check setting for local voltage.



CAUTION Burrs formed during molding may be left over on some parts of the chassis. Therefore, pay attention to such burrs in the case of performing repair of this system.

1.6 Preventing static electricity

Electrostatic discharge (ESD), which occurs when static electricity stored in the body, fabric, etc. is discharged, can destroy the laser diode in the traverse unit (optical pickup). Take care to prevent this when performing repairs.

1.6.1 Grounding to prevent damage by static electricity

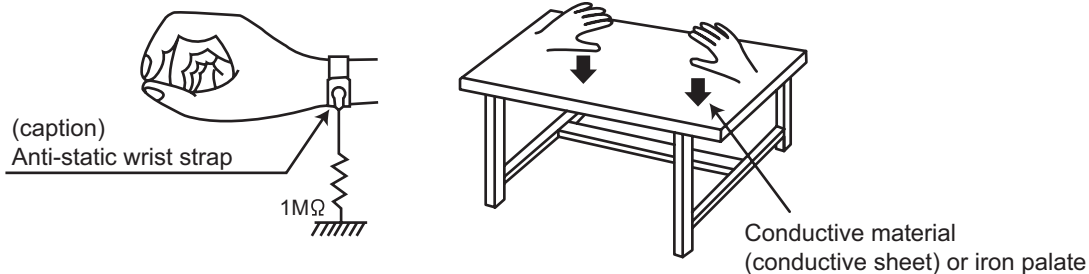
Static electricity in the work area can destroy the optical pickup (laser diode) in devices such as laser products. Be careful to use proper grounding in the area where repairs are being performed.

(1) Ground the workbench

Ground the workbench by laying conductive material (such as a conductive sheet) or an iron plate over it before placing the traverse unit (optical pickup) on it.

(2) Ground yourself

Use an anti-static wrist strap to release any static electricity built up in your body.



(3) Handling the optical pickup

- In order to maintain quality during transport and before installation, both sides of the laser diode on the replacement optical pickup are shorted. After replacement, return the shorted parts to their original condition. (Refer to the text.)
- Do not use a tester to check the condition of the laser diode in the optical pickup. The tester's internal power source can easily destroy the laser diode.

1.7 Handling the traverse unit (optical pickup)

(1) Do not subject the traverse unit (optical pickup) to strong shocks, as it is a sensitive, complex unit.

(2) Cut off the shorted part of the flexible cable using nippers, etc. after replacing the optical pickup. For specific details, refer to the replacement procedure in the text. Remove the anti-static pin when replacing the traverse unit. Be careful not to take too long a time when attaching it to the connector.

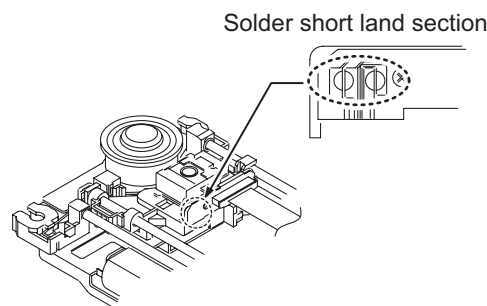
(3) Handle the flexible cable carefully as it may break when subjected to strong force.

(4) It is not possible to adjust the semi-fixed resistor that adjusts the laser power. Do not turn it.

1.8 Attention when traverse unit is decomposed

***Please refer to "Disassembly method" in the text for the pickup unit.**

- Apply solder to the short land sections before the card wire is disconnected from the connector on the servo board. (If the card wire is disconnected without applying solder, the pickup may be destroyed by static electricity.)
- In the assembly, be sure to remove solder from the short land sections after connecting the card wire.



1.9 Important for laser products

1.CLASS 1 LASER PRODUCT

2.CAUTION :

(For U.S.A.) Visible and/or invisible class II laser radiation when open. Do not stare into beam.
(Others) Visible and/or invisible class 1M laser radiation when open. Do not view directly with optical instruments.

3.CAUTION : Visible and/or invisible laser radiation when open and inter lock failed or defeated. Avoid direct exposure to beam.

4.CAUTION : This laser product uses visible and/or invisible laser radiation and is equipped with safety switches which prevent emission of radiation when the drawer is open and the safety interlocks have failed or are defeated. It is dangerous to defeat the safety switches.

(For U.S.A.)

CAUTION : Visible and/or invisible class II laser radiation when open. Do not stare into beam.

(Others)

CAUTION : Visible and/or invisible class 1M laser radiation when open. Do not view directly with optical instruments

ACHTUNG: Sichtbare und/oder unsichtbare Laserstrahlung der Klasse 1M bei offenen Abdeckungen. Nicht direkt mit optischen Instrumenten betrachten.

ATTENTION: Rayonnement laser visible et/ou invisible de classe 1M une fois ouvert. Ne pas regarder directement avec des instruments optiques.

VOORZICHTIG: Zichtbare en/of onzichtbare klasse 1M laserstralen indien geopend. Bekijk niet direct met optische instrumenten.

ATTENZIONE: Radiazione laser in classe 1M visibile e/o invisibile quando aperto. Non osservare direttamente con strumenti ottici.

WARNING: Synlig och/eller osynlig laserstrålning, klass 1M, när denna del är öppnad. Betrakta ej strålen med optiska instrument.

VARO! Avattaessa olet alttiina näkyvälle ja/tai näkymättömälle luokan 1M lasersäteilylle. Älä tarkastele sitä optisen laitteen läpi.

ADVARSEL: Synlig og/eller usynlig klasse 1M-laserstråling ved åbning. Se ikke direkte med optiske instrumenter.

AVISO: Radiación láser de clase 1M visible y/o invisible cuando está abierto. No mirar directamente con instrumental óptico.

PRECAUÇÃO: Radiação laser de classe 1M visível e/ou invisível quando aberto. Não olhe diretamente com instrumentos ópticos.

5.CAUTION : If safety switches malfunction, the laser is able to function.

6.CAUTION : Use of controls, adjustments or performance of procedures other than those specified here in may result in hazardous radiation exposure.



CAUTION Please use enough caution not to see the beam directly or touch it in case of an adjustment or operation check.

PRECAUÇÃO: Radiação laser de classe 1M visível e/ou invisível quando aberto. Não olhe diretamente com instrumentos ópticos.

ПРЕДУПРЕЖДЕНИЕ: В открытом состоянии происходит видимое и/или невидимое излучение лазера класса 1M. Не смотрите непосредственно в оптические инструменты.

UWAGA: Otwarcie spowoduje narażenie na widzialne i/lub niewidzialne promieniowanie lasera klasy 1M. Nie patrzeć bezpośrednio w przyrządy optyczne.

UPOZORNĚNÍ: Při otevření vydává viditelné popř. neviditelné laserové ozáření třídy 1M. Nedívejte se do otvoru přímo s optickými nástroji.

FIGYELMEZTETÉS: Látható és/vagy láthatatlan 1M osztályú sugárzás nyitott állapotban. Ne nézze közvetlenül optikai műszerekkel.

注意：打開蓋板可能會產生可見或不可見的 1M 級鐳射。不要使用光學儀器直接進行窺視。

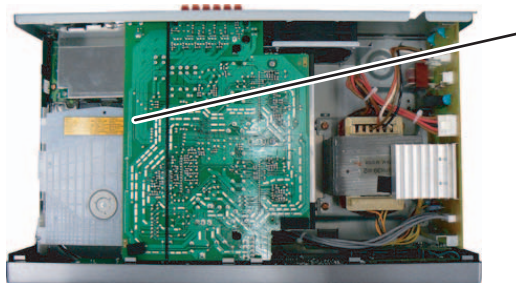
注意：打开盖板可能会产生可见或不可见的 1M 级鐳射。不要使用光学仪器直接进行窺視。

تنبيه: يوجد إشعاع ليزري مرئي و/أو غير مرئي من الفئة 1M عندما يكون الجهاز مفتوحاً. تجنب النظر مباشرة داخل الجهاز باستخدام أدوات بصرية.

احتياط: هنگامی که باز گردد، تشعشع مرئی و یا نامرئی کلاس 1M لیزر وجود دارد. با لوازم چشمی مستقیماً به آن نگاه نکنید.

주의: 개방하면 가지 및/또는 비가시 클래스 1M 레이저 방사선이 나옵니다. 광학 기구로 직접 들여다보지 마십시오.

REPRODUCTION AND POSITION OF LABELS and PRINT WARNING LABEL and PRINT



CAUTION VISIBLE AND/OR INVISIBLE CLASS 1M LASER RADIATION WHEN OPEN. DO NOT VIEW DIRECTLY WITH OPTICAL INSTRUMENTS. IEC60825-1:2001 (ENG)	ATTENTION RAYONNEMENT LASER VISIBLE ET/OU INVISIBLE DE CLASSE 1M UNE FOIS OUVERT. NE PAS REGARDER DIRECTEMENT AVEC DES INSTRUMENTS OPTIQUES. (FRA)	AVISO RADIACIÓN LÁSER DE CLASE 1M VISIBLE Y/O INVISIBLE CUANDO ESTA ABIERTO. NO MIRAR DIRECTAMENTE CON INSTRUMENTAL ÓPTICO. (ESP)	WARNING SYNLIG OCH/ELLER OSYNLIG LASERSTRÅLNING, KLASS 1M, NÄR DENNA DEL ÄR ÖPPNAD. BETRAKTA EJ STRÅLEN MED OPTISKA INSTRUMENT. (SWE)	注意 ここを覗くと可視 及び/または不可視 のクラス 1M レーザー放射が 出ます。 光学顕微鏡で直接 覗かないでください。 LIPN	CAUTION VISIBLE AND/OR INVISIBLE CLASS I LASER RADIATION WHEN OPEN. DO NOT STARE INTO BEAM. FDA 21 CFR (ENG) LV44803-003A
--	--	---	---	--	--

SECTION 2 SPECIFIC SERVICE INSTRUCTIONS

This service manual does not describe SPECIFIC SERVICE INSTRUCTIONS.

SECTION 3 DISASSEMBLY

3.1 Main body (Used figure are TH-D7E and TH-D7US)

3.1.1 Removing the METAL COVER (See Fig.1, 2)

- (1) Remove the four screws **A** attaching the METAL COVER. (See Fig.1)
- (2) Remove the one screw **B** attaching the METAL COVER. (See Fig.1)
When remove the screw **B** use a screwdriver shown as follows.
TORX Driver: size T10
Parts number: DR-L70
- (3) Remove the two screws **C** attaching the both side of METAL COVER. (See Fig.2)

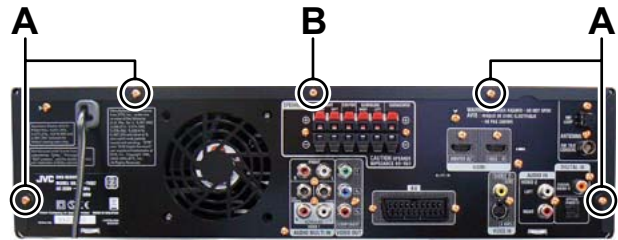


Fig.1

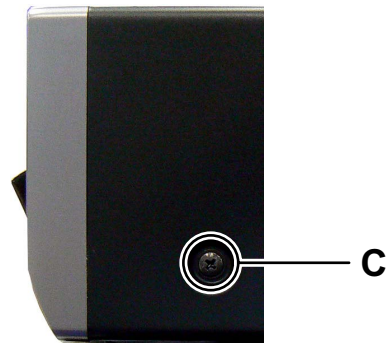


Fig.2

3.1.2 Removing the TUNER PACK (See Fig.3, 4)

- (1) Disconnect the card wire from the MAIN BOARD assembly connected to TUNER PACK. (See Fig.3)
- (2) Remove the two screws **D** attaching the TUNER PACK. (See Fig.4)

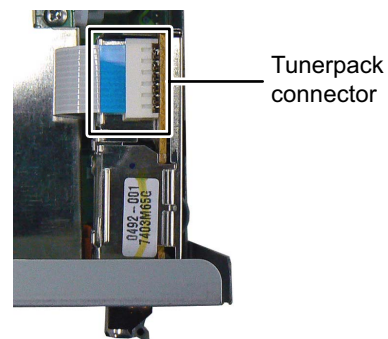


Fig.3

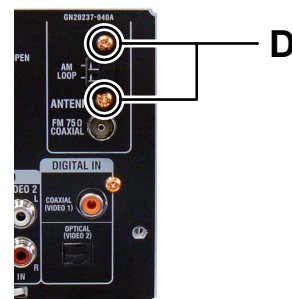


Fig.4

3.1.3 Removing the REAR PANEL (for European version) (See Fig.5 to 7)

- (1) Disconnect the POWER CORD from connector [CN101](#) of the POWER BOARD assembly. (See Fig.5)
- (2) Remove the three screws **E** attaching the HDMI BOARD assembly. (See Fig.6)
- (3) Remove the 13 screws **F** attaching the REAR PANEL. (When remove the most right side screw, DIGITAL IN JACK BOARD assembly come off, disconnect the connector wire from [CN302](#) of the MAIN BOARD assembly.) (See Fig.6, 7)

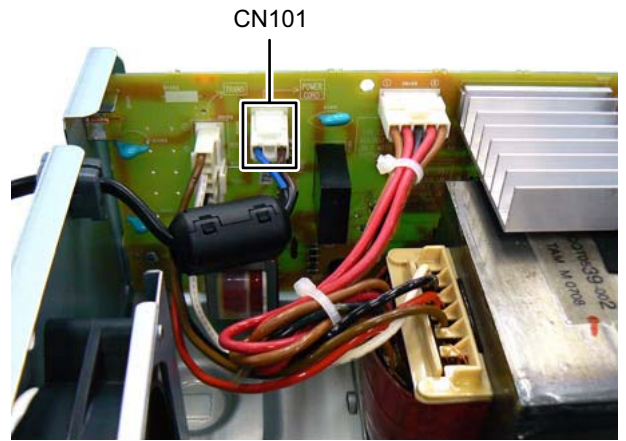


Fig.5

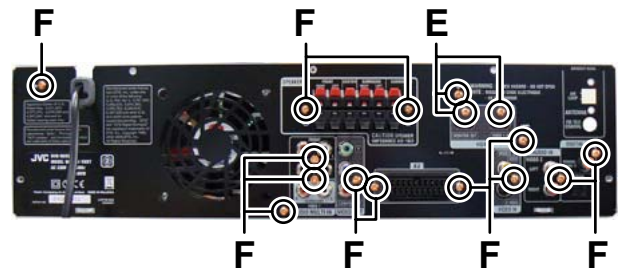


Fig.6

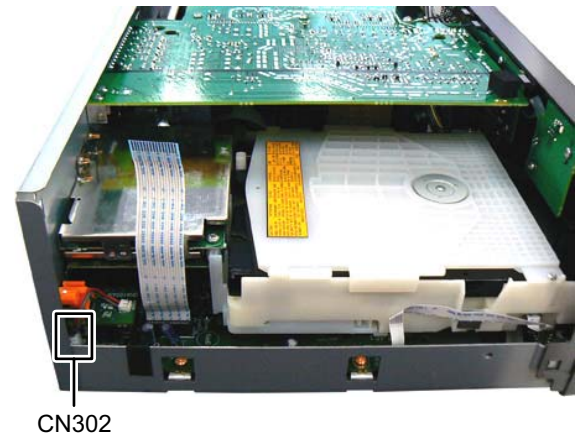
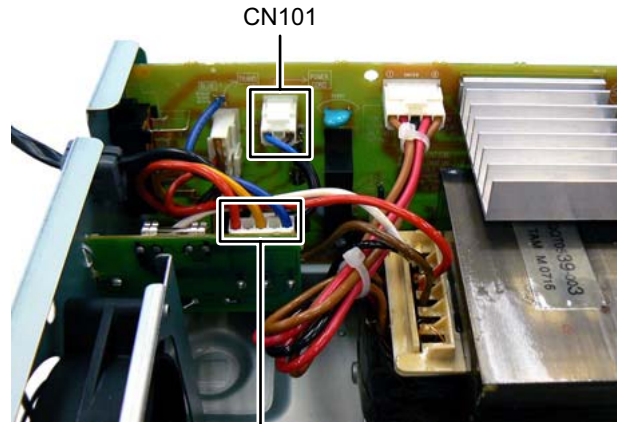


Fig.7

3.1.4 Removing the REAR PANEL (for Asian version) (See Fig.8 to 10)

- (1) Disconnect the POWER CORD from connector [CN101](#) of the POWER BOARD assembly. (See Fig.8)
- (2) Disconnect the connector wire from POWER BOARD assembly connected to connector [CN111](#) of the FUSE BOARD assembly. (See Fig.8)
- (3) Remove the three screws **G** attaching the HDMI BOARD assembly. (See Fig.9)
- (4) Remove the 13 screws **H** attaching the REAR PANEL. (When remove the most right side screw, DIGITAL IN JACK BOARD assembly come off, disconnect the connector wire from [CN302](#) of the MAIN BOARD assembly.) (See Fig.9, 10)



CN111
Fig.8

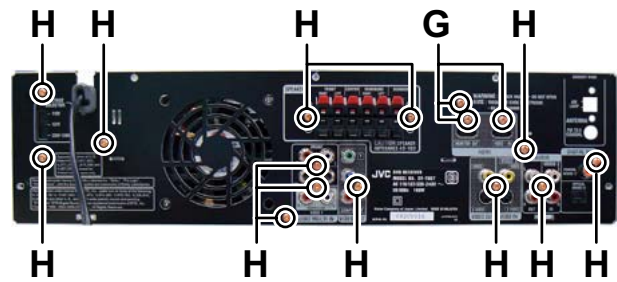
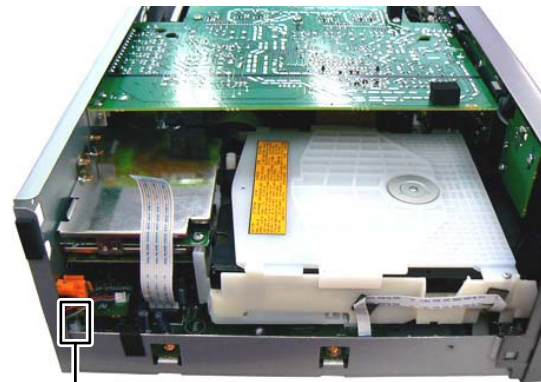


Fig.9



CN302
Fig.10

3.1.5 Removing the AMP BOARD assembly (See Fig.11)

- (1) Disconnect the connector wire from POWER BOARD assembly connected to connector [CN501](#) of the AMP BOARD assembly.
- (2) Remove the one screw **J** attaching the EARTH WIRE from FL BOARD assembly. (only European version)
- (3) Remove the two screws **K** attaching the HEAT SINK BRACKET.
- (4) Remove the three screws **L** attaching the BRACKET.
- (5) Disconnect the connector [CN504](#) of the AMP BOARD assembly connected to connector [CN514](#) of the CONNECTION BOARD assembly.
- (6) Remove the CONNECTION BOARD assembly from MAIN BOARD assembly.

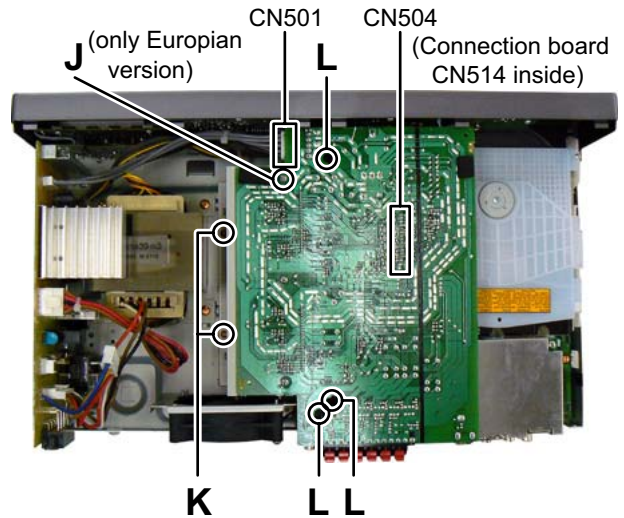


Fig.11

3.1.6 Removing the HDMI BOARD assembly (See Fig.12)

- (1) Disconnect the card wire from HDMI BOARD assembly connected to connector [CN203](#) of the MAIN BOARD assembly.
- (2) Remove the one screw **M** attaching the HDMI BOARD assembly.
- (3) Disconnect the connector [CN2](#) of the HDMI BOARD assembly connected to the DVD FRONT END BOARD assembly.

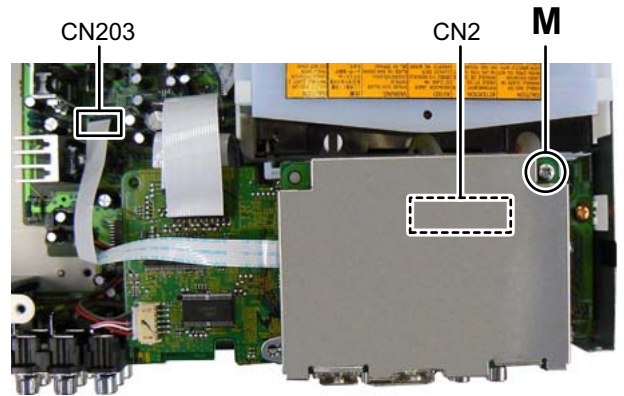


Fig.12

3.1.7 Removing the DVD MECHANISM assembly (See Fig.13)

- (1) Disconnect the card wire from USB BOARD assembly connected to connector [CN811](#) of the FRONT END BOARD assembly.
- (2) Disconnect the card wire from MAIN BOARD assembly connected to connector [CN701](#), [CN712](#) and [CN801](#) of the FRONT END BOARD assembly.
- (3) Disconnect the card wire from LOADING BASE assembly connected to connector [CN212](#) of the MAIN BOARD assembly.
- (4) Remove the one screw **N** attaching the DVD MECHANISM assembly.

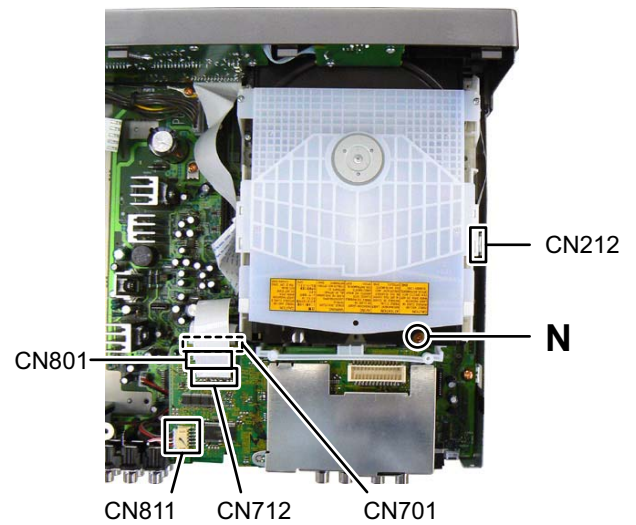


Fig.13

3.1.8 Removing the iPod BOARD assembly (See Fig.14)

- (1) Disconnect the card wire from iPod BOARD assembly connected to connector [CN210](#) of the MAIN BOARD assembly.
- (2) Remove the one screw **P** attaching the iPod BOARD assembly.

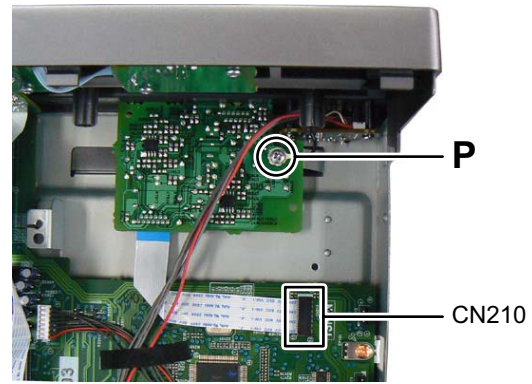


Fig.14

3.1.9 Removing the FRONT PANEL assembly (See Fig.15 to 17)

- (1) Disconnect the card wire from FRONT PANEL assembly connected to connector [CN211](#) of the MAIN BOARD assembly. (See Fig.15)
- (2) Remove the one screw **Q** attaching the EARTH WIRE. (See Fig.15)
- (3) Remove the three screws **R** attaching the bottom side of FRONT PANEL assembly. (See Fig.16)
- (4) Disengage hook **a** of the bottom side of FRONT PANEL assembly and hook **b** of the both side of FRONT PANEL assembly. (See Fig.16, 17)

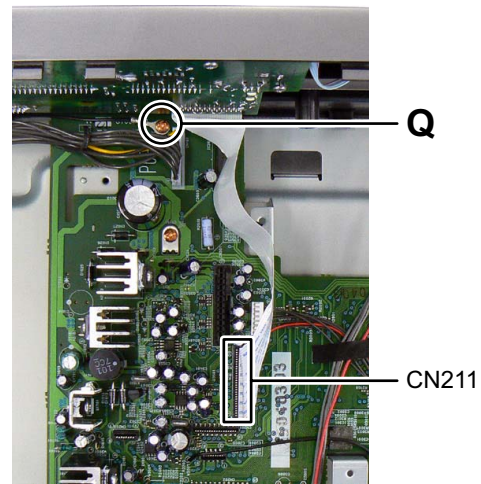


Fig.15

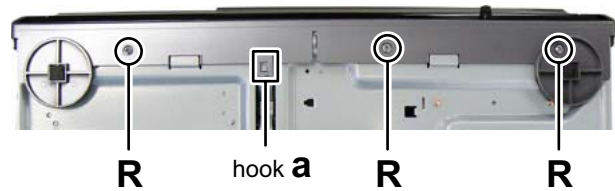


Fig.16

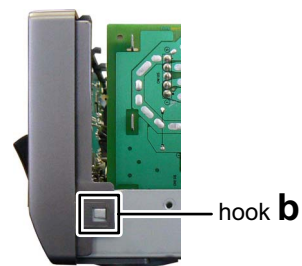


Fig.17

3.1.10 Removing the POWER BOARD assembly (See Fig.18, 19)

- (1) Remove the one screw **S** attaching the POWER BOARD assembly. (See Fig.18)
- (2) Remove the two screws **T** attaching the BRACKET. (See Fig.19)
- (3) Disconnect the connector wire from POWER BOARD assembly connected to connector [CN151](#) of the MAIN BOARD assembly. (See Fig.19)
- (4) Disconnect the connector wires from POWER TRANSFORMER connected to connector [CN102](#), [CN103](#) and [CN104](#) of the POWER BOARD assembly. (See Fig.19)

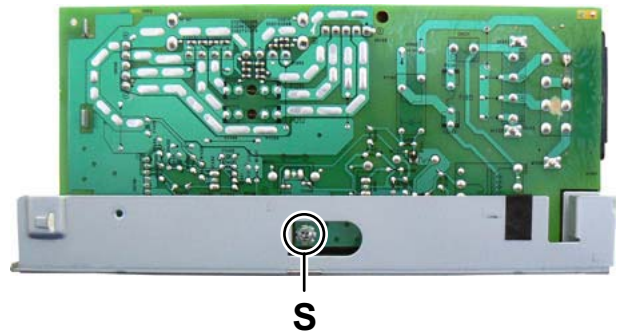


Fig.18

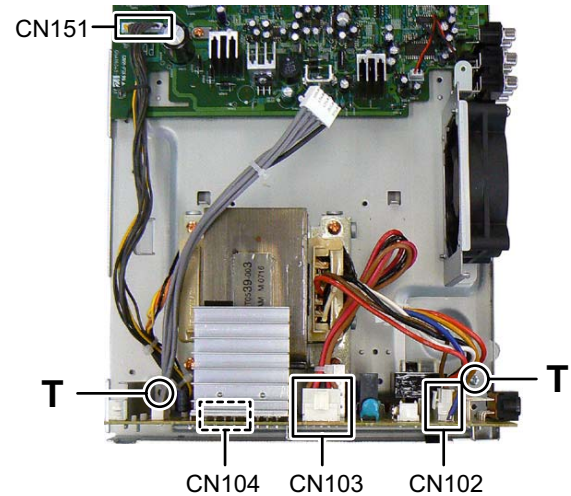


Fig.19

3.1.11 Removing the FAN (See Fig.20)

- (1) Disconnect the connector wire from the FAN connected to connector [CN152](#) of the MAIN BOARD assembly.
- (2) Remove the two screws **U** attaching the FAN.



Fig.20

3.1.12 Removing the MAIN BOARD assembly (See Fig.21)

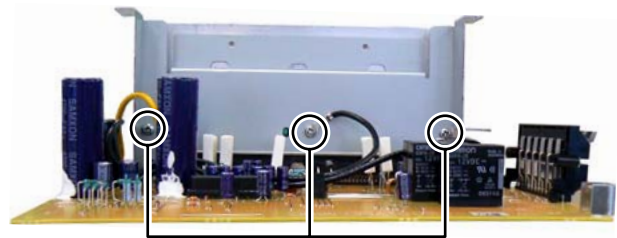
- (1) Remove the four screws **V** attaching the MAIN BOARD assembly.



Fig.21

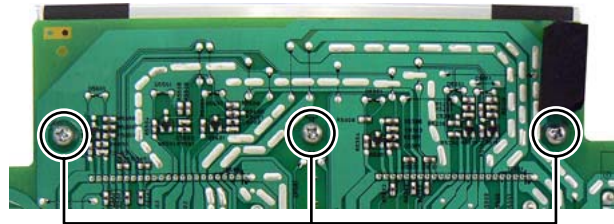
3.1.13 Removing the HEAT SINK (See Fig.22, 23)

- (1) Remove the three screws **W** attaching the HEAT SINK. (See Fig.22)
- (2) Remove the three screws **X** attaching the HEAT SINK. (See Fig.23)



W

Fig.22

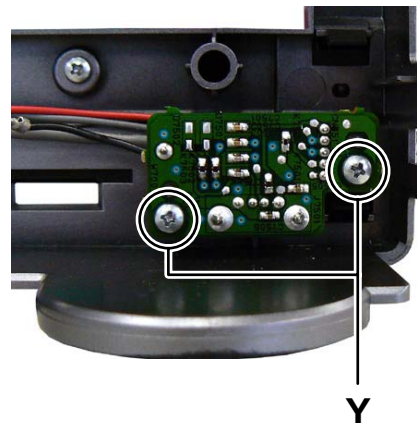


X

Fig.23

3.1.14 Removing the USB BOARD assembly (See Fig.24)

- (1) Remove the two screws **Y** attaching the USB BOARD assembly.

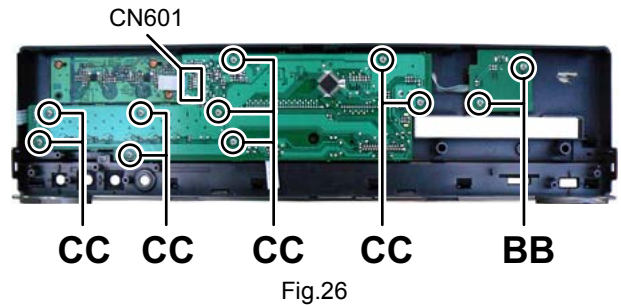
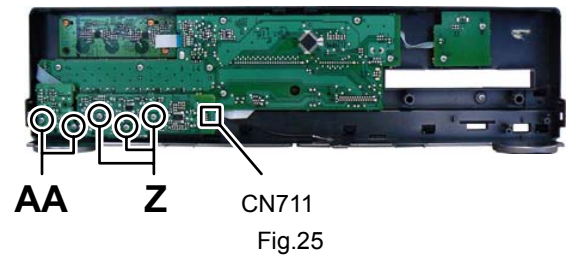


Y

Fig.24

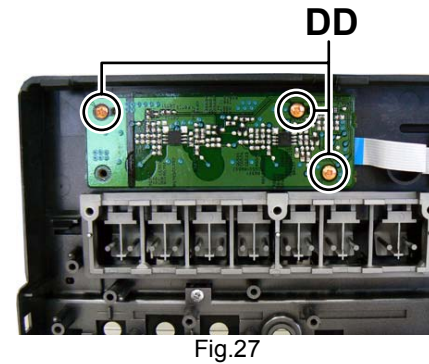
3.1.15 Removing the FL BOARD assembly (See Fig.25, 26)

- (1) Remove the MIC volume knob. (for Asian version).
- (2) Remove the three screws **Z** attaching the MIC BOARD assembly. (for Asian version is MIC BOARD assembly, for European version is BRACKET BOARD) (See Fig.25)
- (3) Disconnect the card wire from FL BOARD assembly connected to connector [CN711](#) of the MIC BOARD assembly. (for Asian version) (See Fig.25)
- (4) Remove the two screws **AA** attaching the PHONE JACK BOARD assembly. (See Fig.25)
- (5) Disconnect the card wire from TOUCH BOARD assembly connected to connector [CN601](#) of the FL BOARD assembly. (See Fig.26)
- (6) Remove the two screws **BB** attaching the LED BOARD assembly. (See Fig.26)
- (7) Remove the nine screws **CC** attaching the FL BOARD assembly. (See Fig.26)



3.1.16 Removing the TOUCH BOARD assembly (See Fig.27)

- (1) Remove the three screws **DD** attaching the TOUCH BOARD assembly.



3.2 DVD mechanism

3.2.1 Removing the traverse mechanism

(See Fig.1 to 6)

- (1) Remove the two screws **A** attaching the tramecha holder from top side of DVD mechanism assembly. (See Fig.1)
- (2) Remove the two screws **B** attaching the DVD module board. (See Fig.2)
- (3) Remove the four screws **C** attaching the CB holder and take out it. (See Fig.3)
- (4) Remove the four screws **D** attaching the traverse mechanism. (See Fig.4)
- (5) Solder the solder part of DVD pickup. (See Fig.5)
- (6) Disconnect the card wire from [CN101](#) and [CN201](#) on the DVD module board. (See Fig. 6)

Caution:

- Solder the short land section on the DVD pickup before disconnecting the card wire from the connector on the DVD pickup. If the card wire is disconnected without attaching solders, the pickup may be destroyed by static electricity.
- When attaching the DVD pickup, be sure to remove solders from the short land section after connecting the card wire to the connector on the DVD pickup.

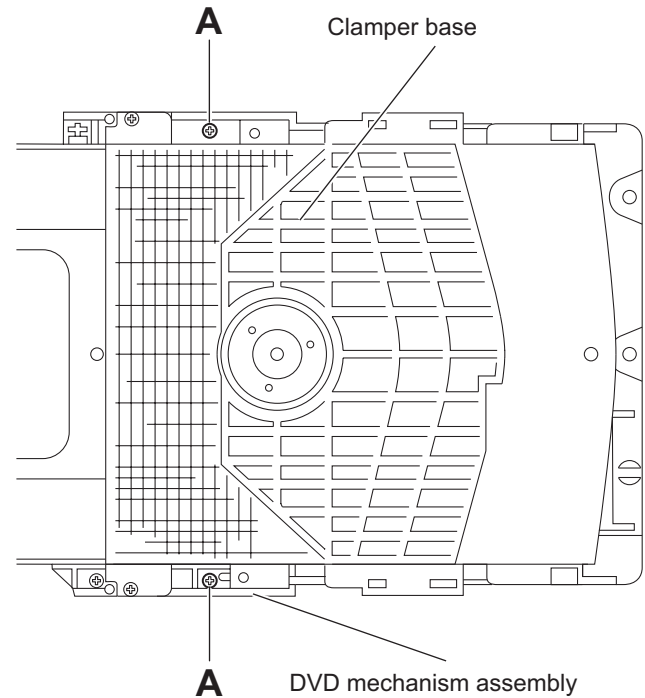


Fig.1

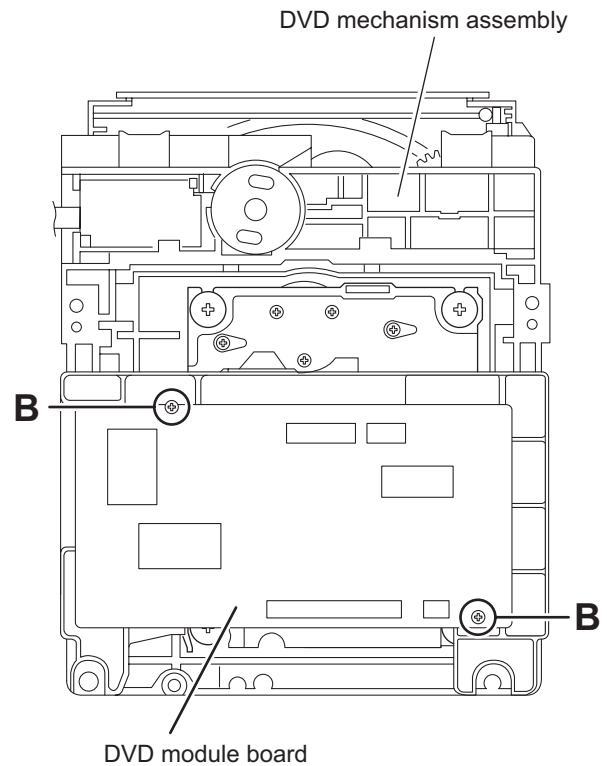


Fig.2

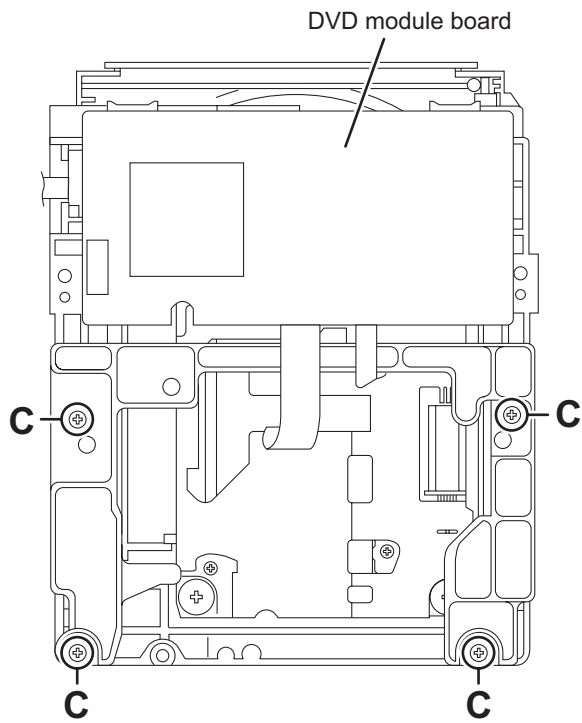


Fig.3

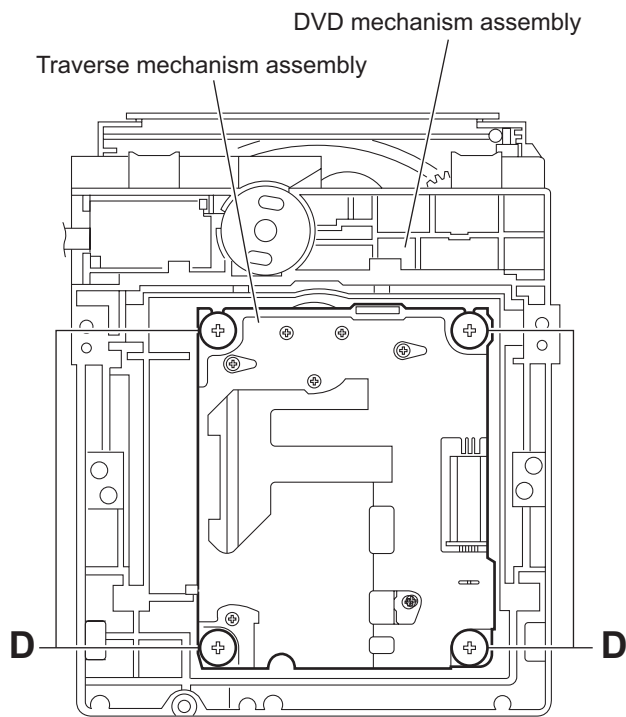


Fig.4

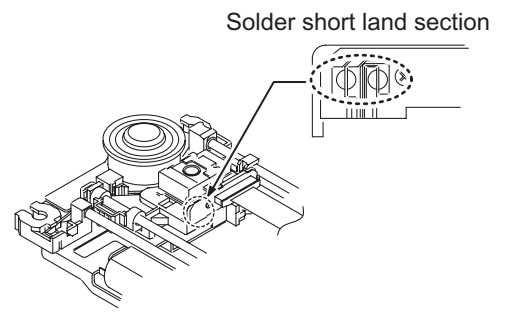


Fig.5

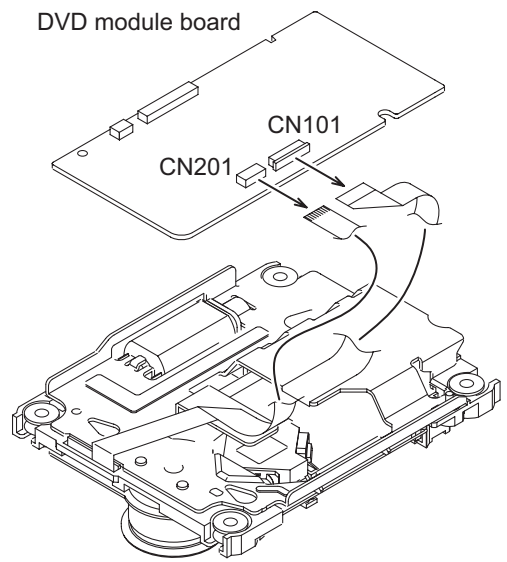


Fig.6

**3.2.2 Removing the pickup assembly
(See Fig.7 to 11)**

- (1) Remove the two rod springs pressing the guide shaft. (See Fig.7)
- (2) Remove the screw **E** and **F** attaching the spring holder. (See Fig.8)
- (3) Remove the read screw from traverse mechanism assembly. (See Fig.9)

Caution:

When remove the lead screw, do not loss the middle gear. (See Fig.10 and 11)

- (4) Remove the bar spring pressing the shaft. (See Fig.10)
- (5) Take out the pickup assembly from traverse mechanism chassis by order. (See Fig.11)

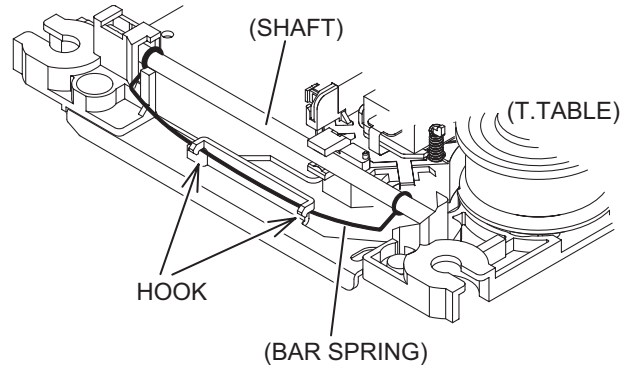


Fig.10

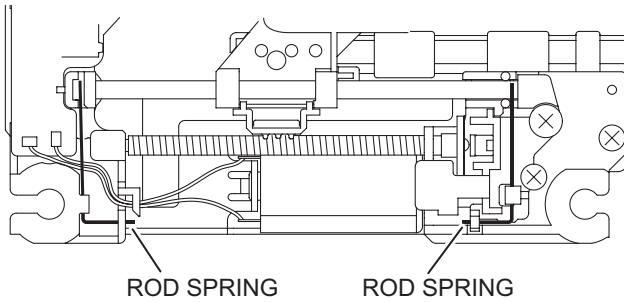


Fig.7

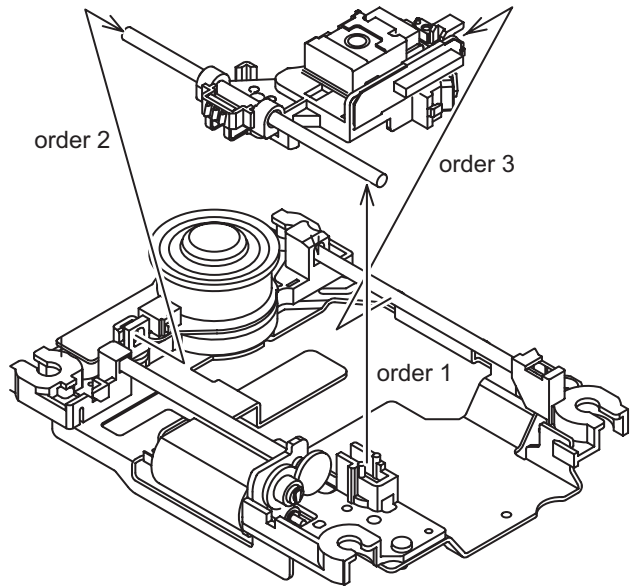


Fig.11

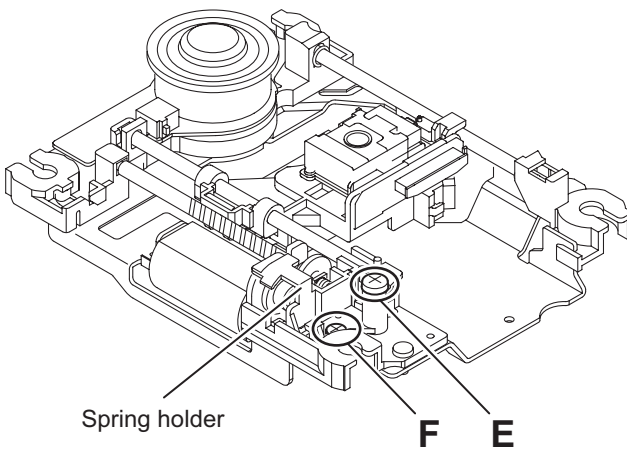


Fig.8

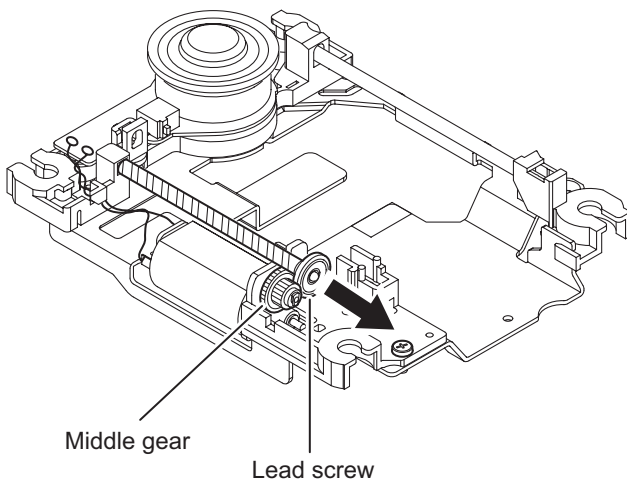


Fig.9

3.2.3 Removing the feed motor assembly (See Fig.12)

- (1) Remove the one screw **G** attaching the feed motor assembly.
- (2) Remove the feed motor wires from solder part of spindle motor board.

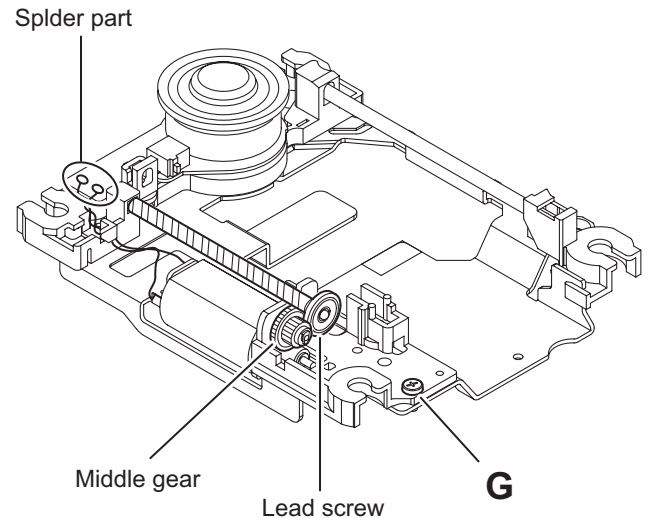


Fig.12

3.2.4 Removing the spindle motor assembly (See Fig.13)

- (1) Remove the three screws **H** attaching the spindle motor from spindle motor board.

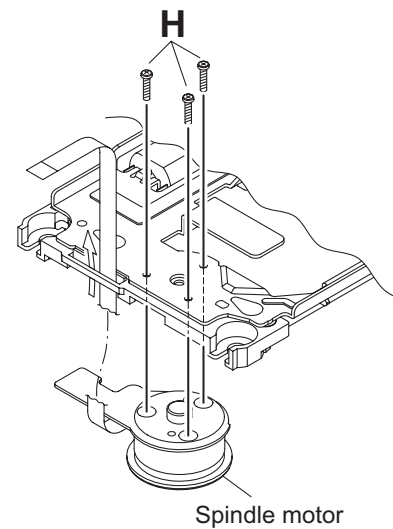


Fig.13

3.2.5 Removing the tray assembly (See Fig.14 & 15)

- (1) Remove the two screws **J** attaching the clamper base.
(See Fig.14)
- (2) Remove the one screw **K** attaching the shaft guide from bottom side. (See Fig.14)
- (3) Remove the two screws **L** attaching the shaft guide from top side. (See Fig.15)

Caution:

When attach the tray assembly, boss of loading sub assembly should attach to guide of bottom side at tray assembly. (See Fig.15)

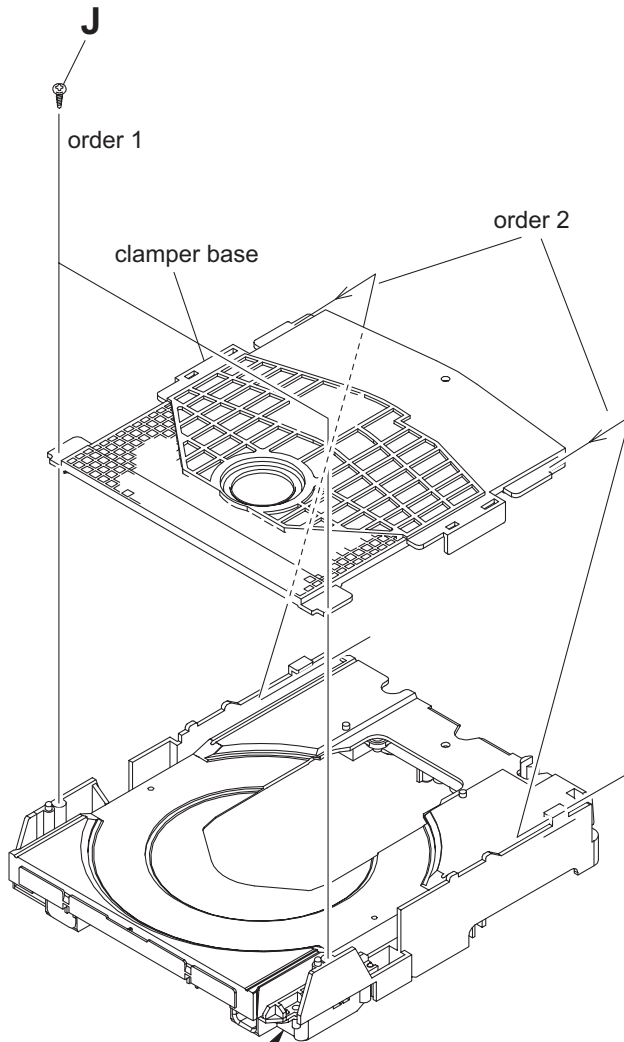


Fig.14

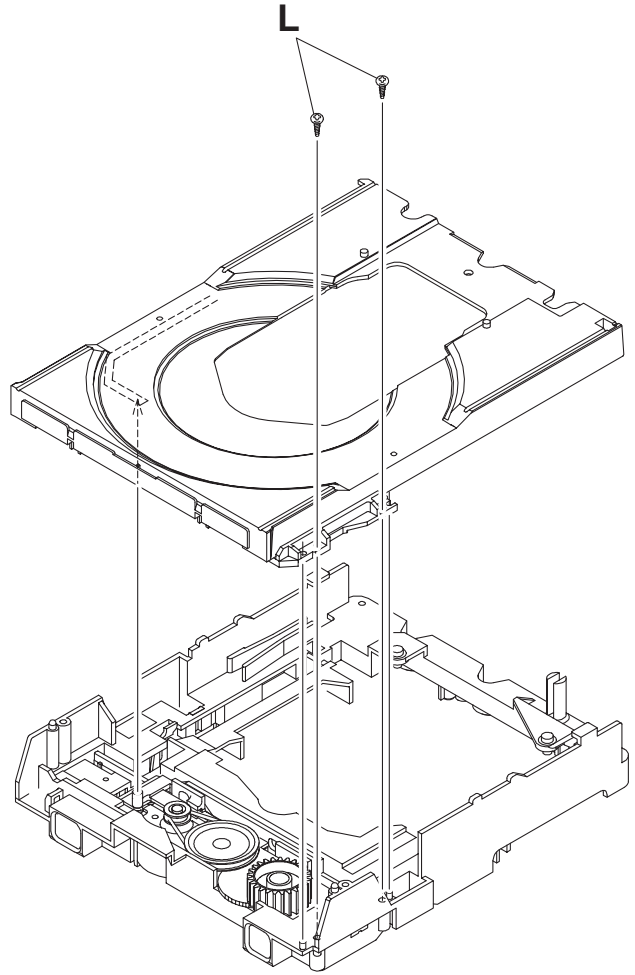


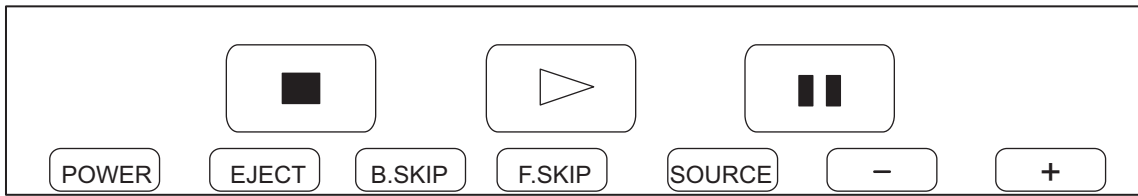
Fig.15

4.3 KEY special mode

MODE NAME	STATUS	OPERATION	FUNCTION
TUNER 9K/10kHz select (U ver)	P.OFF	Change to 9kHz step by press and hold [+] key, then press [<<] key.	TUNER AM 9kHz/10kHz step select. Indicate "9k STEP", "10k STEP".
	P.OFF	Change to 10kHz step by press and hold [+] key, then press [>>] key.	
TRAY LOCK	P.OFF	Press and hold [+] key, then press [EJECT] key	Do the TRAY LOCK mode select. Done the temporary P.ON process, select the "LOCKED" and "UNLOCKED" (Do not done the P.ON process). Ended the transitory display (2 seconds) return to P.OFF mode. When press the [EJECT] key at LOCK mode, at P.OFF status do temporary P.ON process then the transitory display (2 seconds) the "LOCKED", at P.ON status do the transitory display (2 seconds) the "LOCKED".
DVD TEST mode	AC off	Press and hold [SOURCE] and [POWER] key, and connect to AC.	DVD backend started by TEST mode. Internal TEST mode process is refer the spec.
XM Diagnostic mode	P.OFF at XM	Press and hold [-] key, and press [POWER] key	Into the XM Diagnostic mode.

4.4 REMOCON KEY special mode

MODE NAME	CODE	OPERATION	FUNCTION
COLD START	[STOP] + [POWER] + [0]	2 times input at P.OFF	When Fix by 2 times input, do the temporary P.ON process then indicate "COLD SET" by transitory (2 seconds). Ended the indication, change to P.OFF mode.
FL all ON Write the preset frequency	[STOP] + [POWER] + [1]	Input at P.ON	Write the preset frequency, LED all on check (each 300ms), FL all on LED on order : STANDBY -> ILLUMI -> Volume control by [VOL+] and [VOL-] key of the remote controller, it should high speed mode until next POWER OFF.
Version indication	[STOP] + [POWER] + [10]	Input at P.ON	Syscon version indication -> Unit version indication -> destination -> Chip select transitory indication (5 seconds). Syscon version: "SC ## \$\$" (## : Syscon version, \$: Syscon romcollection) Unit version: "BE %%%%" (%%%% : Unit version) Destination, Chip select: "\$\$ %% KX" (\$\$: Syscon destination, %% : "D4" or "D5" or "D6" or "D7" or "D8", K : KARAOKE, X : XM READY)
XM TEST MODE	[STOP] + [POWER] + [5]	Input at XM SOURCE	XM ready test mode TEST TONE (L/R 1 kHz) output



MODE	SET STATUS	KEY1	KEY2	OPERATION
DVD TEST MODE	AC OFF	SOURCE	POWER	AC IN
TRAY LOCK	STANDBY	Press and keep [+] key	EJECT	
TUNE 9K	STANDBY	Press and keep [+] key	B.SKIP	
TUNE 10K	STANDBY	Press and keep [+] key	F.SKIP	
NORMAL INITIALIZE	TEST MODE	SOURCE		Press
FULL INITIALIZE	TEST MODE	F.SKIP		Press 4 seconds.

SECTION 5 TROUBLESHOOTING

This service manual does not describe TROUBLESHOOTING.



JVC

Victor company of Japan, Limited
Audio/Video Systems category 10-1,1chome,Ohwatari-machi,Maebashi-city,371-8543,Japan

(No.MB638)



Printed in Japan
VPT

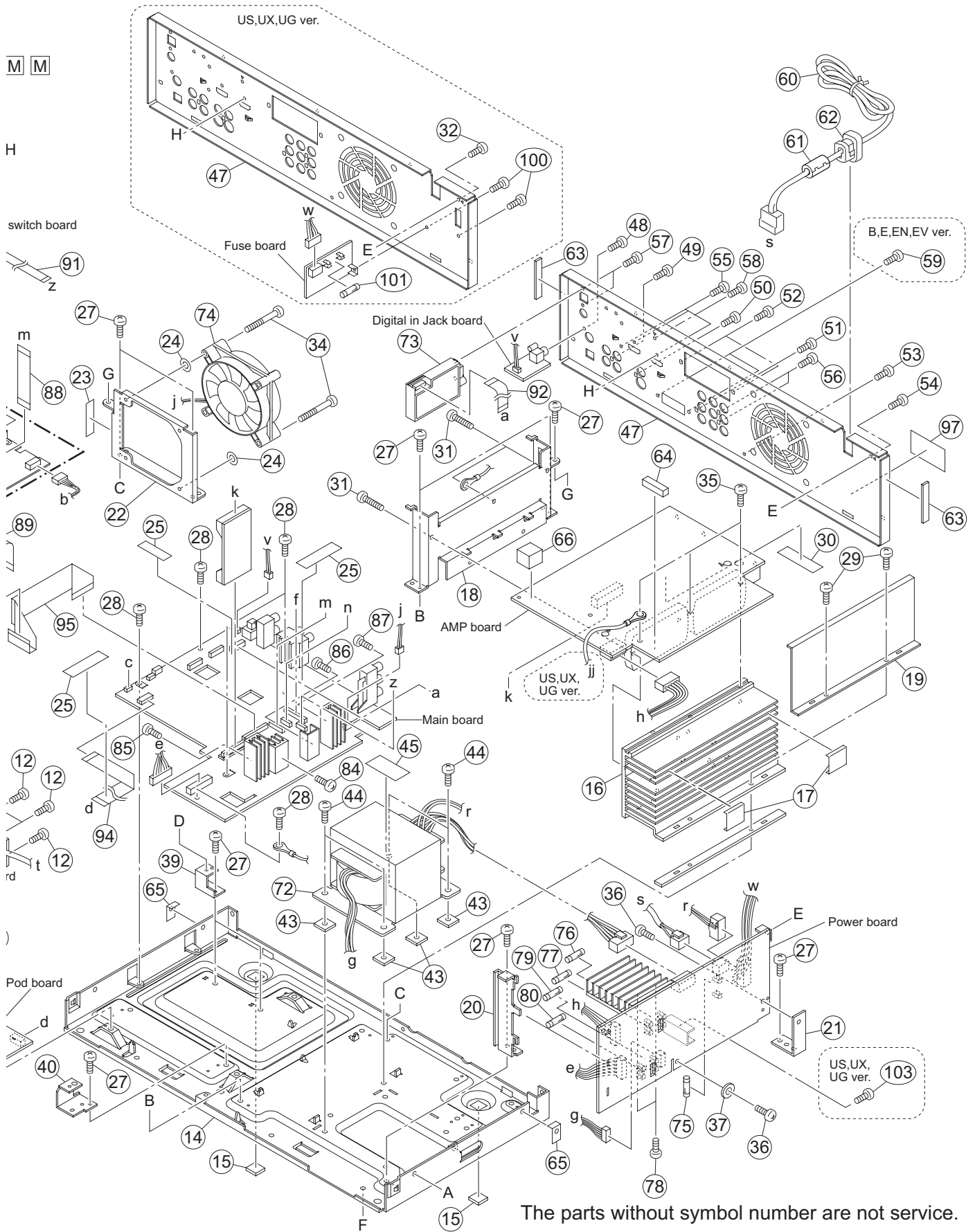
PARTS LIST

TH-D7B, TH-D7E, TH-D7EN
TH-D7EV, TH-D7A, TH-D7US
TH-D7UX, TH-D7UG

* All printed circuit boards and its assemblies are not available as service parts.

- Contents -

Exploded view of general assembly and parts list (Block No.M1)	3- 2
DVD mechanism assembly and parts list (Block No.MJ)	3- 6
DVD loading base assembly and parts list (Block No.MN)	3- 8
Electrical parts list (Block No.01~07)	3-10
Packing materials and accessories parts list (Block No.M3)	3-24



General Assembly

Block No. [M][1][M][M]

△	Symbol No.	Part No.	Part Name	Description	Local
	1	GN10122-003A	FRONT PANEL		
	2	GN10123-026A	ORNAMENT		B,E,EN,EV
	2	GN10123-028A	ORNAMENT		A
	2	GN10123-027A	ORNAMENT		US,UX,UG
	3	GN20231-001A	PUSH BUTTON		
	4	GN20233-005A	WINDOW SCREEN		
	5	LV42851-012A	FL SCREEN		
	6	GN30223-003A	LENS		
	7	LV30227-0A7A	SPACER		
	8	QYSDSF2608ZA	TAP SCREW	M2.6 x 8mm(x2)	B,E,EN,EV,A
	8	QYSDSF2608ZA	TAP SCREW	M2.6 x 8mm(x3)	US,UX,UG
	9	GN40140-001A	LENS(DVD)		
	10	GN40152-001A	SENSOR SPACER		
	11	QYSDSF2608ZA	TAP SCREW	M2.6 x 8mm(x4)	
	12	QYSDSF2608ZA	TAP SCREW	M2.6 x 8mm(x15)	
	13	QYSDSG2606EA	TAP SCREW	M2.6 x 6mm(x3)	
	14	GN10124-003A	BOTTOM CHASSIS		
	15	LV40301-002A	FELT SPACER	(x4)	
	16	GN20234-201A	HEAT SINK		
	17	LV30227-0A1A	SPACER	(x2)	
	18	GN20235-002A	BRACKET(IC)		
	19	GN20236-001A	BRACKET(H,SINK)		
	20	GN30224-001A	BRACKET(POWER)		
	21	GN30228-002A	POWER BRACKET		
	22	GN30225-201A	BRACKET(FAN)		
	23	GV30349-025A	SPACER		
	24	LV30226-037A	SPACER	(x2)	
	25	GV30349-025A	SPACER	(x3)	
	26	QYSDSG3008ZA	TAP SCREW	M3 x 8mm(x3)	
	27	LV43451-002A	SPECIAL SCREW	(x10)	
	28	QYSDSG3006EA	TAP SCREW	M3 x 6mm(x5)	
	29	QYSBSG3010EA	TAP SCREW	M3 x 10mm(x2)	
	30	GV30349-025A	SPACER		
	31	QYSBSG3020ZA	TAP SCREW	M3 x 20mm(x3)	
	32	QYSBSG3008EA	TAP SCREW	M3 x 8mm	US,UX,UG
	33	QYSDSG3008ZA	TAP SCREW	M3 x 8mm	
	34	QYSBSG3030ZA	TAP SCREW	M3 x 30mm(x2)	
	35	QYSBSG3010ZA	TAP SCREW	M3 x 10mm(x3)	
	36	QYSDSG3008ZA	TAP SCREW	M3 x 8mm(x2)	
	37	QYWBS326505ZA	WASHER	6.5mm/3.2mm x 0.5mm	
	38	GN30227-001A	HDMI BRACKET B		
	39	GN40145-001A	BRACKET	(x2)	
	40	GN40146-001A	BRACKET		
	41	QYSDSG3008ZA	TAP SCREW	M3 x 8mm	
	42	QYSBSG3016EA	TAP SCREW	M3 x 16mm	
	43	LV44937-001A	SPACER	(x4)	
	44	QYSDSTL4008EA	TAP SCREW	M4 x 8mm(x4)	
	45	LV30227-092A	SPACER		
	46	VYSH101-009	SPACER	(x3)	
	47	GN20237-034A	REAR PANEL		B,E,EN,EV
	47	GN20237-032A	REAR PANEL		A
	47	GN20237-040A	REAR PANEL		US,UX,UG
	48	QYSBSGY3008EA	TAP SCREW	M3 x 8mm	
	49	QYSBSGY3008EA	TAP SCREW	M3 x 8mm	
	50	QYSBSGY3008EA	TAP SCREW	M3 x 8mm	
	51	QYSBSGY3008EA	TAP SCREW	M3 x 8mm	
	52	QYSBSGY3008EA	TAP SCREW	M3 x 8mm(x2)	
	53	QYSBSGY3008EA	TAP SCREW	M3 x 8mm	
	54	QYSBSGY3008EA	TAP SCREW	M3 x 8mm	B,E,EN,EV,A
	55	QYSBST3006EA	TAP SCREW	M3 x 6mm(x3)	
	56	QYSBSGY3008EA	TAP SCREW	M3 x 8mm(x2)	
	57	QYSBSGY3008EA	TAP SCREW	M3 x 8mm(x2)	
	58	QYSBSGY3008EA	TAP SCREW	M3 x 8mm	
	59	QYSBSGY3008EA	TAP SCREW	M3 x 8mm(x2)	B,E,EN,EV
△	60	QMPN410-200-JD	POWER CORD	2m BLACK	B
△	60	QMPK200-200-JD	POWER CORD	2m BLACK	E,EN,EV,US,UX,UG
△	60	QMPG150-244-JC	POWER CORD(AST)	2.44m BLACK	A
△	61	QQR0491-002	FERRITE CORE	TDK (BLACK)	B,E,EN,EV
△	62	QZW0033-001	STRAIN RELIEF		
	63	LV30227-093A	SPACER	(x2)	
	64	LV30227-0A2A	SPACER		
	65	LV30225-011A	SPACER	(x2)	
	66	LV30227-0A4A	SPACER		
	67	GN30220-001A	FITTING		

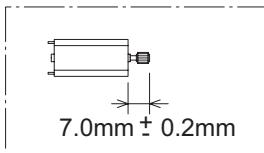
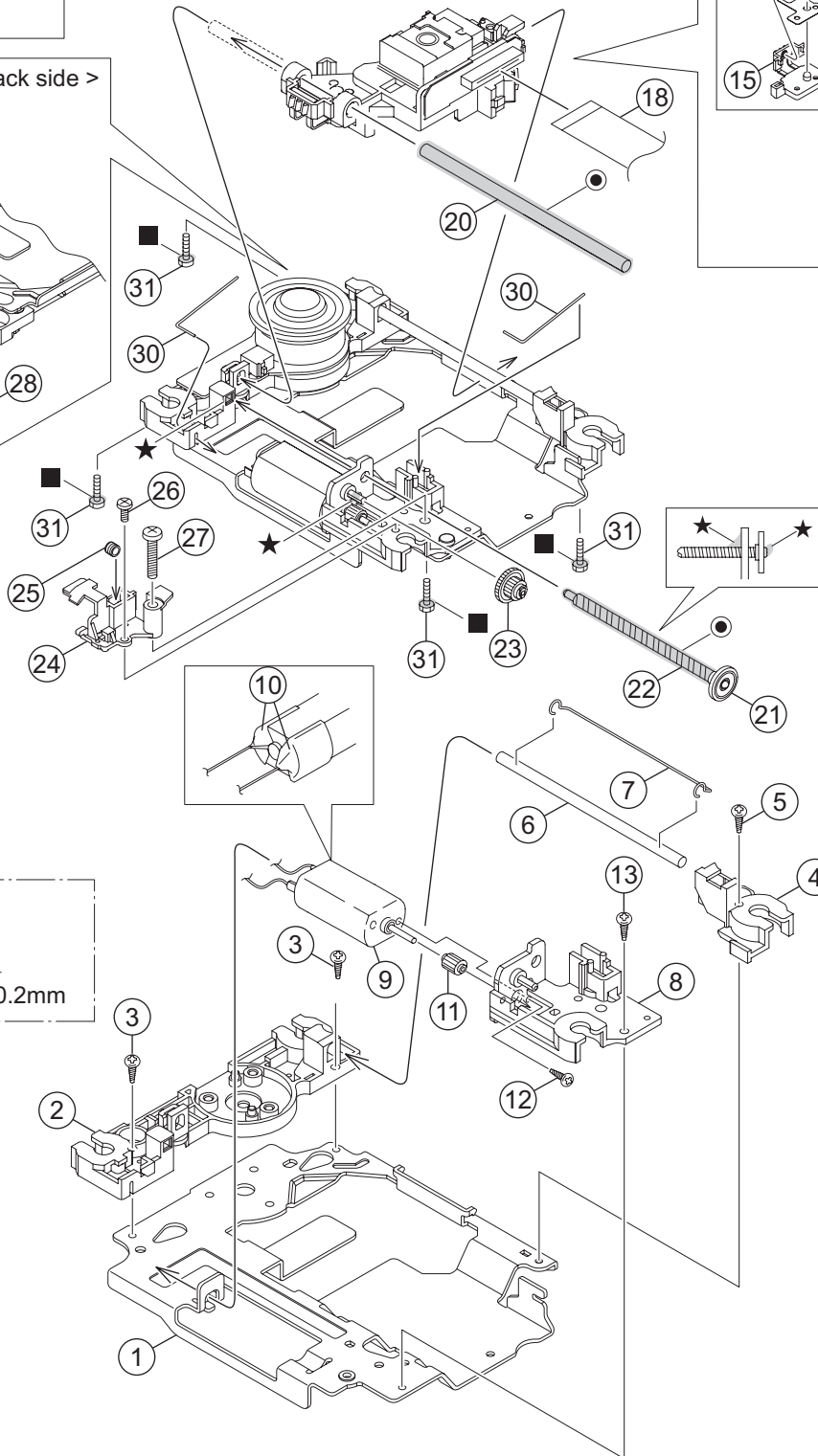
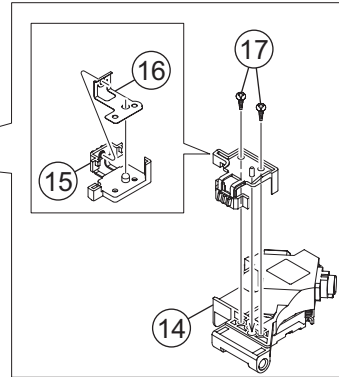
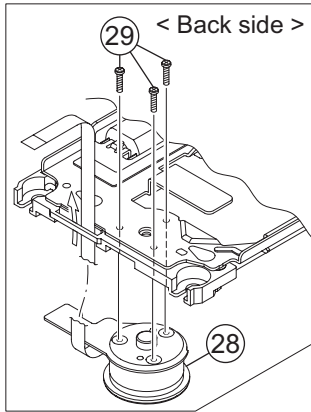
△	Symbol No.	Part No.	Part Name	Description	Local
	68	GN10125-003A/S/	METAL COVER		
	69	QYSBSGY3008EA	TAP SCREW	M3 x 8mm(x4)	
	70	LV44339-001A	SPECIAL SCREW		
	71	E406308-006	SPECIAL SCREW	(x2)	
△	72	QQT0539-002	POWER TRANSF		B,E,EN,EV,A
△	72	QQT0539-003	POWER TRANSF		US,UX,UG
	73	QAU0473-001	TUNER		B,E,EN,EV
	73	QAU0492-001	TUNER		A,US,UX,UG
△	74	QAR0377-001	COOLING FAN		
△	75	QMF51W2-2R5-J8	FUSE	2.5A AC250V	B,E,EN,EV,A
△	75	QMF51W2-6R3-J8	FUSE	6.3A AC250V	US,UX,UG
△	76	QMF51W2-6R3-J8	FUSE	6.3A AC250V	
△	77	QMF51W2-6R3-J8	FUSE	6.3A AC250V	
	78	QYSDSG3008ZA	TAP SCREW	M3 x 8mm(x2)	
△	79	QMF51W2-2R0-J8	FUSE	2A AC250V	
△	80	QMF51W2-2R0-J8	FUSE	2A AC250V	
	81	LV30227-0A5A	SPACER		
	82	GN40141-001A	LED HOLDER		
	83	GN40141-001A	LED HOLDER		
	84	QYSBST3008ZA	TAP SCREW	M3 x 8mm	
	85	QYSBST3008ZA	TAP SCREW	M3 x 8mm	
	86	QYSDSG3008ZA	TAP SCREW	M3 x 8mm	
	87	QYSBST3008ZA	TAP SCREW	M3 x 8mm	
	88	QUR110-1809AE-E	FFC WIRE		
	89	QUR110-2606AE-E	FFC WIRE		
	90	QUR110-0907AE-E	FFC WIRE		
	91	QUR310-0815AE-E	FFC WIRE		
	92	QUQU12-1510AJ-E	FFC WIRE	15pin 10cm	B,E,EN,EV
	92	QUQU12-1110AJ-E	FFC WIRE	11pin 10cm	A,US,UX,UG
	93	QUR110-0512AE-E	FFC WIRE		
	94	QUR110-1310AE-E	FFC WIRE		
	95	QUR110-2918AE-E	FFC WIRE		
	96	QUR110-0906AE-E	FFC WIRE		
	97	LV37706-020A	RATING LABEL		B,E,EN,EV
	97	LV37706-021A	RATING LABEL		A
	97	LV37706-012A	RATING LABEL		US
	97	LV37706-014A	RATING LABEL		UX
	97	LV37706-013A	RATING LABEL		UG
	98	GN30054-003A	VOLUME KNOB		US,UX,UG
	99	LV30226-041A	SPACER	(x3)	US,UX,UG
	100	QYSBSGY3008EA	TAP SCREW	M3 x 8mm(x2)	US,UX,UG
△	101	QMF51W2-2R5-J8	FUSE	2.5A AC250V	US,UX,UG
	102	QUR110-0710AE-E	FFC WIRE		US,UX,UG
	103	QYSBST3008ZA	TAP SCREW	M3 x 8mm	US,UX,UG

DVD mechanism assembly and parts list

Block No. M J M M

Grease
 ★ =JVG-31N
 ● =JVS-1003
 ■ =1401C

FXL-D10-11M



The parts without symbol number are not service.

DVD mechanism

Block No. [M][J][M][M]

△	Symbol No.	Part No.	Part Name	Description	Local
	1	LV22234-003A	T.M.CHASSIS		
	2	LV22235-001A	SPINDLE BASE		
	3	QYSDST2005ZA	TAP SCREW	M2 x 5mm(x2)	
	4	LV36555-001A	G.S.HOLDER		
	5	QYSDST2005ZA	TAP SCREW	M2 x 5mm	
	6	LV44041-002A	GUIDE SHAFT		
	7	LV44479-001A	BAR SPRING		
	8	LV22236-001A	FEED HOLDER		
	9	QAR0165-001	FEED MOTOR	5.0V DC	
	10	LV30225-0X5A	SPACER	(x2)	
	11	LV36557-001A	F.M.GEAR		
	12	QYSPSPT2030MA	SCREW	M2 x 3mm	
	13	QYSDST2005ZA	TAP SCREW	M2 x 5mm	
	14	QAL0786-004	P.UP		
	15	LV22237-001A	RACK ARM		
	16	LV36560-001A	RACK ARM SPRING		
	17	QYSPSFU1740ZA	TAP SCREW	M1.7 x 4mm(x2)	
	18	QUQK05-2420AC-E	FFC WIRE	24pin 20cm	
	20	LV44041-002A	GUIDE SHAFT		
	21	LV36559-001A	L.S.GEAR		
	22	LV41517-003A	LEAD SCREW		
	23	LV36558-001A	MIDDLE GEAR		
	24	LV36556-001A	SPRING HOLDER		
	25	LV44623-001A	COMP.SPRING		
	26	QYSDST2005ZA	TAP SCREW	M2 x 5mm	
	27	QYSDST2616MA	TAP SCREW	M2.6 x 16mm	
	28	QAR0387-001	S.MOTOR		
	29	QYSPSPU1775ZA	SCREW	M1.7 x 7.5mm(x3)	
	30	LV44042-001A	ROD SPRING	(x2)	
	31	LV44046-001A	ADJUST SCREW	(x4)	

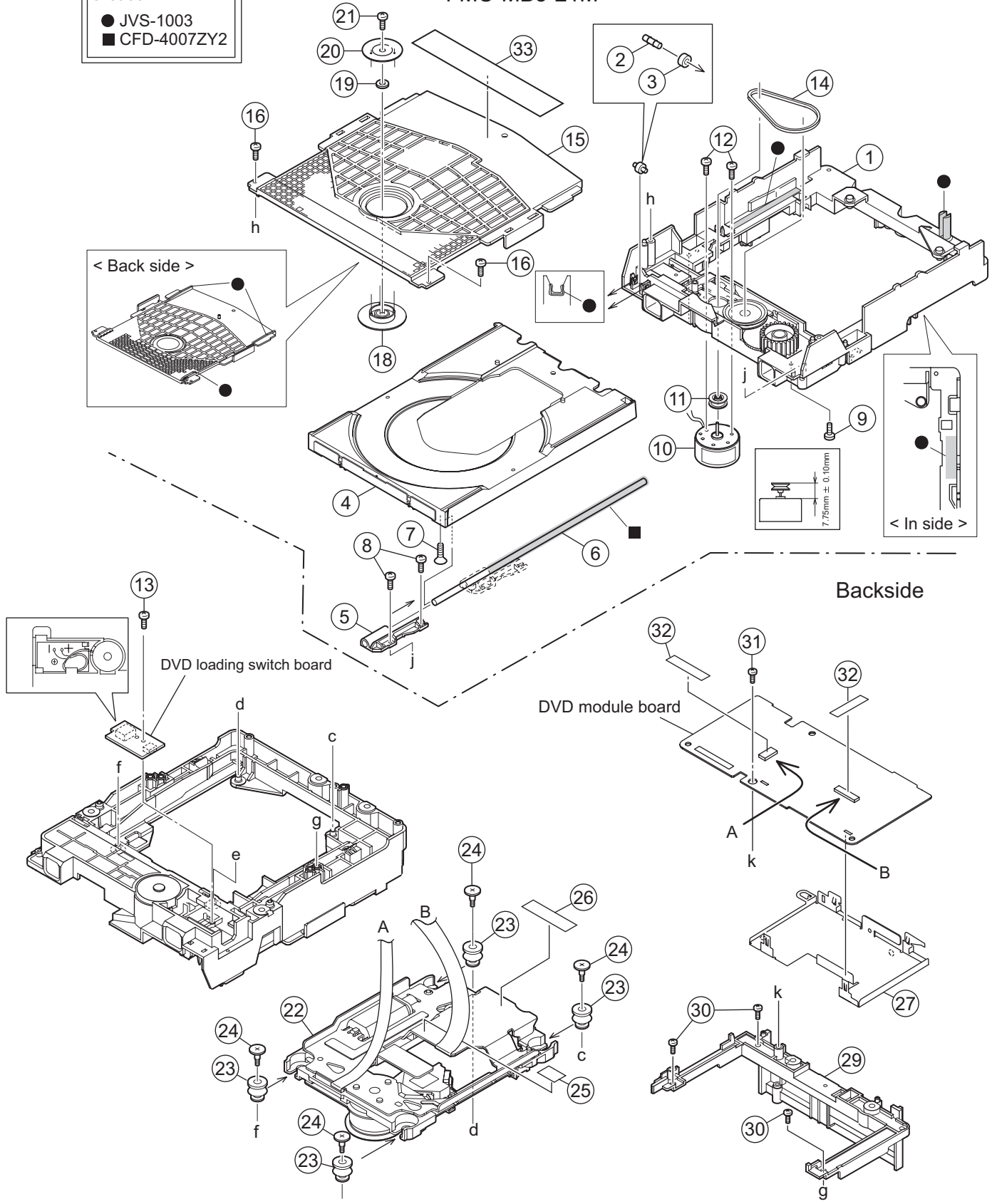
DVD loading base assembly and parts list

FMU-MB5-21M

Block No. M N M M

Grease

- JVS-1003
- CFD-4007ZY2



The parts without symbol number are not service.

DVD loading base

Block No. [M][N][M][M]

△	Symbol No.	Part No.	Part Name	Description	Local
	1	LV11065-010A	LOADER SUB ASSY		
	2	E407140-001SS	C.D ROLLER		
	3	E407149-001SS	RUBBER TUBE		
	4	LV10979-003A	TRAY		
	5	LV35499-003A	SHAFT GUIDE		
	6	LV44022-001A	SHAFT		
	7	QYSSSF2008ZA	TAP SCREW	M2 x 8mm	
	8	QYSDSF2008ZA	TAP SCREW	M2 x 8mm(x2)	
	9	LV41741-004A	SPECIAL SCREW		
	10	QAR0197-001	MOTOR	2.0V DC	
	10	or QAR0450-001	MOTOR		
	11	LV43844-002A	MOTOR PULLEY		
	12	QYSPSPU1730ZA	SCREW	M1.7 x 3mm(x2)	
	13	QYSDSF2008ZA	TAP SCREW	M2 x 8mm	
	14	LV43974-001A	BELT		
	15	LV21852-003A	CLAMPER BASE		
	16	QYSDSF2008ZA	TAP SCREW	M2 x 8mm(x2)	
	18	LV35056-002A	DVD CLAMPER		
	19	LV42930-003A	P.C.MAGNET		
	19	or LV41118-003A	MAGNET		
	20	LV43848-001A	YOKE		
	21	LE40906-002A	SPECIAL SCREW		
	22	FXL-D10-11M	SINGLE DVD TRAM		
	23	LV44043-001A	INSULATOR	(x4)	
	24	LV44044-001A	SPECIAL SCREW	(x4)	
	25	LV44007-001A	TAPE		
	26	LV44007-003A	TAPE		
	27	GN30226-002A	HDMI BRAKET A		
	29	GN20232-002A	FITTING		
	30	QYSBSF2608ZA	TAP SCREW	M2.6 x 8mm(x3)	
	31	QYSBSFG2606ZA	TAP SCREW	M2.6 x 6mm	
	32	GV30349-025A	SPACER	(x2)	
	33	LV44603-003A	LASER CAUTION		

Electrical parts list

Main board

Block No. [0][1]

△ Symbol No.	Part No.	Part Name	Description	Local
△ IC161	PQ1CG21H2FZ	IC	Regulator	
△ IC162	KIA7806API	IC		
△ IC181	KIA7810API	IC		
IC211	MN101C49KAG1	IC(MCU)		
IC212	TC74VHCT08AFT-X	IC(DIGITAL)		
IC241	BR24L08F-W-X	IC(DIGITAL)		
△ IC261	LB1641	IC		
IC291	MM1565AF-X	IC		
IC301	NJM4565M-WE	IC		
IC321	R2S15902FP	IC		
IC331	NJM4565M-WE	IC		
IC351	NJM4565M-WE	IC		
IC361	TC74VHCU04FT-X	IC(DIGITAL)		
IC362	TC74VHC00FT-X	IC		
IC381	TC4053BFT-X	IC		
IC382	TC4053BFT-X	IC		
IC411	MM1233XF-X	IC		
IC412	MM1233XF-X	IC		
IC421	MM1623XF-X	IC		
IC461	TC4066BFT-X	IC(DIGITAL)		B, E, EN, EV
IC641	NJM4565M-WE	IC		
IC642	NJM4565M-WE	IC		
Q1611	RT1P141C-X	DIGI TRANSISTOR		
△ Q1701	KTB772/Y/	TRANSISTOR		
Q1702	2SC3928A/QR/-X	TRANSISTOR		
Q1901	RT1N241C-X	DIGI TRANSISTOR		
Q1902	RT1P141C-X	DIGI TRANSISTOR		
Q1903	KTC3203/OY/-T	TRANSISTOR		
Q1904	RT1N141C-X	DIGI TRANSISTOR		
Q1905	RT1N141C-X	DIGI TRANSISTOR		
Q2001	RT1N141C-X	DIGI TRANSISTOR		
Q2002	RT1N141C-X	DIGI TRANSISTOR		
Q2101	RT1N140C-X	DIGI TRANSISTOR		
Q2201	RT1N140C-X	DIGI TRANSISTOR		
Q2301	RT1N430C-X	TRANSISTOR		
Q2701	KTA1271/OY/-T	TRANSISTOR		
Q2702	2SC3928A/QR/-X	TRANSISTOR		
Q3001	IMX9-W	TRANSISTOR		
Q3002	RT1P431C-X	DIGI TRANSISTOR		
Q3401	RT1P141C-X	DIGI TRANSISTOR		
Q3501	IMX9-W	TRANSISTOR		
Q3502	IMX9-W	TRANSISTOR		
Q3503	IMX9-W	TRANSISTOR		
Q3531	2SC3928A/QR/-X	TRANSISTOR		
Q3532	RT1N141C-X	DIGI TRANSISTOR		
Q3541	2SC3928A/QR/-X	TRANSISTOR		
Q4521	RT1P141C-X	DIGI TRANSISTOR		B, E, EN, EV
Q4522	RT1N141C-X	DIGI TRANSISTOR		B, E, EN, EV
Q4523	RT1P141C-X	DIGI TRANSISTOR		B, E, EN, EV
Q4524	RT1P141C-X	DIGI TRANSISTOR		B, E, EN, EV
Q4525	RT1N141C-X	DIGI TRANSISTOR		B, E, EN, EV
Q4601	RT1N441C-X	TRANSISTOR		B, E, EN, EV
Q6401	RT1N431C-X	TRANSISTOR		
Q6402	RT3CLLM/EF/-X	PAIR TRANSISTOR		
Q6501	RT1N140C-X	DIGI TRANSISTOR		
Q6601	RT1N140C-X	DIGI TRANSISTOR		
Q6701	RT1N140C-X	DIGI TRANSISTOR		
Q6801	RT1N144C-X	DIGI TRANSISTOR		
Q6802	RT1N144C-X	DIGI TRANSISTOR		
Q6803	RT1N144C-X	DIGI TRANSISTOR		
D1611	EC30HA04-X	SB DIODE		
△ D1612	MTZJ6.2B-T2	Z DIODE		
D1613	2A02-M	DIODE		
D1614	2A02-M	DIODE		

△ Symbol No.	Part No.	Part Name	Description	Local
D1615	1N4003S-T5	SI DIODE		
D1621	1N4003S-T5	SI DIODE		B, E, EN, EV, A
D1622	1N4003S-T5	SI DIODE		B, E, EN, EV, A
D1624	1N4003S-T5	SI DIODE		B, E, EN, EV, A
D1625	2A02-M	DIODE		US, UX, UG
D1626	2A02-M	DIODE		US, UX, UG
D1627	2A02-M	DIODE		US, UX, UG
D1628	1N4003S-T5	SI DIODE		US, UX, UG
D1701	UDZW7.5B-X	Z DIODE		
△ D1801	MTZJ12B-T2	Z DIODE		B, E, EN, EV
△ D1801	MTZJ12C-T2	Z DIODE		A, US, UX, UG
D1901	UDZW12B-X	Z DIODE		B, E, EN, EV
D1901	UDZW13B-X	Z DIODE		A, US, UX, UG
D1902	UDZW6.8B-X	Z DIODE		
D2001	1N4003S-T5	SI DIODE		
D2002	UDZW7.5B-X	Z DIODE		
D2003	MA152WA-X	DIODE		
D2004	1SS355W-X	DIODE		
D2005	MA152WA-X	DIODE		
D2006	UDZW3.9B-X	Z DIODE		
D2007	1SS355W-X	DIODE		
D2101	1SS355W-X	DIODE		
D2102	1SS355W-X	DIODE		
D2103	1SS355W-X	DIODE		
D2104	1SS355W-X	DIODE		
D2201	UDZW3.9B-X	Z DIODE		
D2301	1SS355W-X	DIODE		
D2601	UDZW4.7B-X	Z DIODE		
D2701	1SS355W-X	DIODE		
D2702	UDZW6.8B-X	Z DIODE		
D2703	UDZW5.1B-X	SB DIODE		B, E, EN, EV
D3531	1SS355W-X	DIODE		
D3541	1SS355W-X	DIODE		
D6801	HL-PC3216B-X	LED		
D6802	HL-PC3216B-X	LED		
D6803	HL-PC3216B-X	LED		
△ C1501	QETM1EM-828	E CAPACITOR	8200uF 25V M	
C1612	NCB31CK-104X	C CAPACITOR	0.1uF 16V K	
C1613	QEZ0654-477Z	E CAPACITOR	470uF 10V M	
C1614	NCB31CK-104X	C CAPACITOR	0.1uF 16V K	
C1621	NCB31CK-104X	C CAPACITOR	0.1uF 16V K	
C1622	QETN1CM-107Z	E CAPACITOR	100uF 16V M	
C1623	NCB31CK-104X	C CAPACITOR	0.1uF 16V K	
C1624	QETN1AM-477Z	E CAPACITOR	470uF 10V M	
C1701	QETN1HM-106Z	E CAPACITOR	10uF 50V M	
C1702	QETN1CM-107Z	E CAPACITOR	100uF 16V M	
C1801	NCB31CK-104X	C CAPACITOR	0.1uF 16V K	
C1802	QETN1CM-107Z	E CAPACITOR	100uF 16V M	
C1803	NCB31CK-104X	C CAPACITOR	0.1uF 16V K	
C1804	QETN1EM-107Z	E CAPACITOR	100uF 25V M	
C1901	QETN1CM-107Z	E CAPACITOR	100uF 16V M	
C1902	QETN1EM-476Z	E CAPACITOR	47uF 25V M	
C2101	NDC31HJ-220X	C CAPACITOR	22pF 50V J	
C2102	NDC31HJ-220X	C CAPACITOR	22pF 50V J	
C2103	NCB31CK-104X	C CAPACITOR	0.1uF 16V K	
C2104	NCB31CK-104X	C CAPACITOR	0.1uF 16V K	
C2105	NCB31CK-104X	C CAPACITOR	0.1uF 16V K	
C2201	QETN1AM-108Z	E CAPACITOR	1000uF 10V M	
C2301	QETN1HM-106Z	E CAPACITOR	10uF 50V M	
C2302	QETN1HM-226Z	E CAPACITOR	22uF 50V M	
C2303	NCB31HK-102X	C CAPACITOR	1000pF 50V K	
C2401	QETN1CM-107Z	E CAPACITOR	100uF 16V M	
C2402	NCF31HZ-103X	C CAPACITOR	0.01uF 50V Z	
C2601	NCB31CK-104X	C CAPACITOR	0.1uF 16V K	

△ Symbol No.	Part No.	Part Name	Description	Local	△ Symbol No.	Part No.	Part Name	Description	Local
C2602	NCB31CK-104X	C CAPACITOR	0.1uF 16V K		C3531	QETN1HM-475Z	E CAPACITOR	4.7uF 50V M	
C2603	QETN1EM-107Z	E CAPACITOR	100uF 25V M		C3532	QETN1HM-475Z	E CAPACITOR	4.7uF 50V M	
C2701	QETN1HM-226Z	E CAPACITOR	22uF 50V M		C3535	QETN1HM-475Z	E CAPACITOR	4.7uF 50V M	
C2702	QETN1CM-107Z	E CAPACITOR	100uF 16V M		C3536	QETN1CM-107Z	E CAPACITOR	100uF 16V M	
C2703	QETN1EM-476Z	E CAPACITOR	47uF 25V M	B,E,EN, EV	C3541	QETN1HM-475Z	E CAPACITOR	4.7uF 50V M	
C2801	NCB31HK-272X	C CAPACITOR	2700pF 50V K		C3544	QETN1HM-475Z	E CAPACITOR	4.7uF 50V M	
C2802	NCB31HK-272X	C CAPACITOR	2700pF 50V K		C3545	QETN1CM-107Z	E CAPACITOR	100uF 16V M	
C2803	NCB31HK-272X	C CAPACITOR	2700pF 50V K		C3551	QETN1EM-476Z	E CAPACITOR	47uF 25V M	
C2804	NCB31HK-272X	C CAPACITOR	2700pF 50V K		C3552	NCB31CK-104X	C CAPACITOR	0.1uF 16V K	
C2805	NCB31HK-272X	C CAPACITOR	2700pF 50V K		C3601	NCB31HK-103X	C CAPACITOR	0.01uF 50V K	
C2901	QETN1AM-227Z	E CAPACITOR	220uF 10V M		C3602	NDC31HJ-101X	C CAPACITOR	100pF 50V J	
C2902	NCF31AZ-105X	C CAPACITOR	1uF 10V Z		C3603	NCF31CZ-104X	C CAPACITOR	0.1uF 16V Z	
C2903	NDC31HJ-471X	C CAPACITOR	470pF 50V J		C3701	QETN1HM-475Z	E CAPACITOR	4.7uF 50V M	US,UX, UG
C2904	NCF31AZ-105X	C CAPACITOR	1uF 10V Z		C3702	QETN1HM-475Z	E CAPACITOR	4.7uF 50V M	US,UX, UG
C3001	QETN1HM-106Z	E CAPACITOR	10uF 50V M		C3703	NDC31HJ-101X	C CAPACITOR	100pF 50V J	US,UX, UG
C3002	QETN1AM-227Z	E CAPACITOR	220uF 10V M		C3704	NDC31HJ-101X	C CAPACITOR	100pF 50V J	US,UX, UG
C3003	QETN1AM-227Z	E CAPACITOR	220uF 10V M		C3901	QETN1HM-475Z	E CAPACITOR	4.7uF 50V M	
C3004	NDC31HJ-560X	C CAPACITOR	56pF 50V J		C3902	QETN1HM-475Z	E CAPACITOR	4.7uF 50V M	
C3005	NDC31HJ-560X	C CAPACITOR	56pF 50V J		C3903	QETN1HM-475Z	E CAPACITOR	4.7uF 50V M	
C3006	NCB31CK-104X	C CAPACITOR	0.1uF 16V K		C3904	QETN1HM-475Z	E CAPACITOR	4.7uF 50V M	
C3007	QETN1HM-475Z	E CAPACITOR	4.7uF 50V M		C3905	QETN1HM-475Z	E CAPACITOR	4.7uF 50V M	
C3008	QETN1HM-475Z	E CAPACITOR	4.7uF 50V M		C3906	QETN1HM-475Z	E CAPACITOR	4.7uF 50V M	
C3201	NCB31CK-393X	C CAPACITOR	0.039uF 16V K		C3907	NDC31HJ-331X	C CAPACITOR	330pF 50V J	
C3202	NCB31CK-393X	C CAPACITOR	0.039uF 16V K		C3908	NDC31HJ-331X	C CAPACITOR	330pF 50V J	
C3203	NCF31CZ-224X	C CAPACITOR	0.22uF 16V Z		C3909	NDC31HJ-331X	C CAPACITOR	330pF 50V J	
C3204	NCF31CZ-224X	C CAPACITOR	0.22uF 16V Z		C3910	NDC31HJ-331X	C CAPACITOR	330pF 50V J	
C3205	QETN1HM-475Z	E CAPACITOR	4.7uF 50V M		C3911	NDC31HJ-331X	C CAPACITOR	330pF 50V J	
C3206	QETN1HM-475Z	E CAPACITOR	4.7uF 50V M		C3912	NDC31HJ-331X	C CAPACITOR	330pF 50V J	
C3207	QETN1HM-475Z	E CAPACITOR	4.7uF 50V M		C4001	NCB30JK-105X	C CAPACITOR	1uF 6.3V K	
C3208	QETN1HM-475Z	E CAPACITOR	4.7uF 50V M		C4002	NCB30JK-105X	C CAPACITOR	1uF 6.3V K	
C3209	QETN1EM-476Z	E CAPACITOR	47uF 25V M		C4101	QETN1EM-476Z	E CAPACITOR	47uF 25V M	
C3210	NCB31CK-104X	C CAPACITOR	0.1uF 16V K		C4102	NCB31HK-103X	C CAPACITOR	0.01uF 50V K	
C3211	QETN1HM-475Z	E CAPACITOR	4.7uF 50V M		C4103	NCB31HK-103X	C CAPACITOR	0.01uF 50V K	
C3212	QETN1HM-475Z	E CAPACITOR	4.7uF 50V M		C4105	NCB30JK-105X	C CAPACITOR	1uF 6.3V K	
C3213	QETN1HM-106Z	E CAPACITOR	10uF 50V M		C4106	NCB30JK-105X	C CAPACITOR	1uF 6.3V K	
C3214	QETN1HM-106Z	E CAPACITOR	10uF 50V M		C4107	NCB31HK-103X	C CAPACITOR	0.01uF 50V K	
C3215	NCB31EK-153X	C CAPACITOR	0.015uF 25V K		C4108	NDC31HJ-390X	C CAPACITOR	39pF 50V J	B,E,EN, EV
C3216	QETN1CM-107Z	E CAPACITOR	100uF 16V M		C4109	NDC31HJ-390X	C CAPACITOR	39pF 50V J	B,E,EN, EV
C3217	QETN1HM-475Z	E CAPACITOR	4.7uF 50V M	US,UX, UG	C4110	NDC31HJ-390X	C CAPACITOR	39pF 50V J	B,E,EN, EV
C3218	QETN1HM-475Z	E CAPACITOR	4.7uF 50V M	US,UX, UG	C4111	NDC31HJ-390X	C CAPACITOR	39pF 50V J	B,E,EN, EV
C3219	QTE1H46-475Z	E CAPACITOR	4.7uF 50V		C4112	NDC31HJ-390X	C CAPACITOR	39pF 50V J	B,E,EN, EV
C3220	QTE1H46-475Z	E CAPACITOR	4.7uF 50V		C4113	NDC31HJ-390X	C CAPACITOR	39pF 50V J	B,E,EN, EV
C3221	NCF31CZ-224X	C CAPACITOR	0.22uF 16V Z		C4114	NDC31HJ-390X	C CAPACITOR	39pF 50V J	B,E,EN, EV
C3222	NCF31CZ-224X	C CAPACITOR	0.22uF 16V Z		C4115	NDC31HJ-390X	C CAPACITOR	39pF 50V J	B,E,EN, EV
C3223	NCF31CZ-224X	C CAPACITOR	0.22uF 16V Z		C4201	QETN1AM-477Z	E CAPACITOR	470uF 10V M	
C3224	QTE1H46-475Z	E CAPACITOR	4.7uF 50V		C4202	NCB31CK-104X	C CAPACITOR	0.1uF 16V K	
C3225	NCF31HZ-473X	C CAPACITOR	0.047uF 50V Z		C4203	NCB31HK-103X	C CAPACITOR	0.01uF 50V K	
C3226	NCF31HZ-473X	C CAPACITOR	0.047uF 50V Z		C4204	NCB30JK-105X	C CAPACITOR	1uF 6.3V K	
C3227	QFV61HJ-473Z	MF CAPACITOR	0.047uF 50V J		C4205	NCB30JK-105X	C CAPACITOR	1uF 6.3V K	
C3227 or	QFV91HJ-473Z	MF CAPACITOR	0.047uF 50V J		C4206	QETN1HM-226Z	E CAPACITOR	22uF 50V M	
C3228	QFV61HJ-154Z	MF CAPACITOR	0.15uF 50V J		C4207	NCB30JK-105X	C CAPACITOR	1uF 6.3V K	
C3228 or	QFV91HJ-154Z	MF CAPACITOR	0.15uF 50V J		C4208	NCB30JK-105X	C CAPACITOR	1uF 6.3V K	
C3229	QFV61HJ-473Z	MF CAPACITOR	0.047uF 50V J		C4209	NCB30JK-105X	C CAPACITOR	1uF 6.3V K	
C3229 or	QFV91HJ-473Z	MF CAPACITOR	0.047uF 50V J		C4210	QETN1AM-477Z	E CAPACITOR	470uF 10V M	
C3230	QFV61HJ-154Z	MF CAPACITOR	0.15uF 50V J		C4211	QETN1AM-477Z	E CAPACITOR	470uF 10V M	
C3230 or	QFV91HJ-154Z	MF CAPACITOR	0.15uF 50V J		C4212	QETN1AM-108Z	E CAPACITOR	1000uF 10V M	B,E,EN, EV
C3231	QFV61HJ-223Z	MF CAPACITOR	0.022uF 50V J		C4212	QETN1AM-477Z	E CAPACITOR	470uF 10V M	A,US, UX,UG
C3231 or	QFV91HJ-223Z	MF CAPACITOR	0.022uF 50V J		C4213	NCB31CK-104X	C CAPACITOR	0.1uF 16V K	
C3232	QFV61HJ-223Z	MF CAPACITOR	0.022uF 50V J		C4301	NDC31HJ-470X	C CAPACITOR	47pF 50V J	
C3232 or	QFV91HJ-223Z	MF CAPACITOR	0.022uF 50V J		C4302	NDC31HJ-470X	C CAPACITOR	47pF 50V J	
C3233	QETN1HM-475Z	E CAPACITOR	4.7uF 50V M		C4303	NDC31HJ-470X	C CAPACITOR	47pF 50V J	
C3234	QETN1HM-475Z	E CAPACITOR	4.7uF 50V M		C4304	QETN1AM-477Z	E CAPACITOR	470uF 10V M	A,US, UX,UG
C3301	QETN1HM-225Z	E CAPACITOR	2.2uF 50V M		C4305	NCB31HK-103X	C CAPACITOR	0.01uF 50V K	A,US, UX,UG
C3302	NCB31CK-473X	C CAPACITOR	0.047uF 16V K						
C3303	QETN1HM-226Z	E CAPACITOR	22uF 50V M						
C3304	NCB31CK-473X	C CAPACITOR	0.047uF 16V K						
C3305	QETN1HM-475Z	E CAPACITOR	4.7uF 50V M						
C3306	QTE1E46-476Z	E CAPACITOR	47uF 25V						
C3307	NCB31CK-105X	C CAPACITOR	1uF 16V K						
C3401	QETN1EM-476Z	E CAPACITOR	47uF 25V M						
C3501	QETN1HM-475Z	E CAPACITOR	4.7uF 50V M						
C3502	QETN1HM-475Z	E CAPACITOR	4.7uF 50V M						
C3503	QETN1HM-475Z	E CAPACITOR	4.7uF 50V M						
C3504	QETN1HM-475Z	E CAPACITOR	4.7uF 50V M						
C3505	QETN1HM-475Z	E CAPACITOR	4.7uF 50V M						
C3506	QETN1HM-475Z	E CAPACITOR	4.7uF 50V M						

△ Symbol No.	Part No.	Part Name	Description	Local	△ Symbol No.	Part No.	Part Name	Description	Local
C4306	NDC31HJ-470X	C CAPACITOR	47pF 50V J	A,US, UX,UG	R2001	NRSA63J-472X	MG RESISTOR	4.7kΩ 1/16W J	
C4307	NDC31HJ-470X	C CAPACITOR	47pF 50V J	A,US, UX,UG	R2002	NRSA63J-472X	MG RESISTOR	4.7kΩ 1/16W J	
C4308	QETN1AM-477Z	E CAPACITOR	470uF 10V M		R2003	NRSA63J-472X	MG RESISTOR	4.7kΩ 1/16W J	
C4309	NDC31HJ-470X	C CAPACITOR	47pF 50V J	A,US, UX,UG	R2004	NRSA63J-123X	MG RESISTOR	12kΩ 1/16W J	
C4310	NCB30JK-105X	C CAPACITOR	1uF 6.3V K		△ R2010	QRT027J-3R3	MF RESISTOR	3.3Ω 2W J	
C4311	NCB31HK-103X	C CAPACITOR	0.01uF 50V K		R2101	NRSA63J-153X	MG RESISTOR	15kΩ 1/16W J	US,UX, UG
C4312	NDC31HJ-470X	C CAPACITOR	47pF 50V J		R2102	NRSA63J-103X	MG RESISTOR	10kΩ 1/16W J	
C4313	NDC31HJ-470X	C CAPACITOR	47pF 50V J		R2103	NRSA63J-103X	MG RESISTOR	10kΩ 1/16W J	
C4314	NCB30JK-105X	C CAPACITOR	1uF 6.3V K		R2104	NRSA63J-332X	MG RESISTOR	3.3kΩ 1/16W J	
C4315	NDC31HJ-470X	C CAPACITOR	47pF 50V J		R2105	NRSA63J-273X	MG RESISTOR	27kΩ 1/16W J	A,US, UG UX
C4401	QETN1HM-475Z	E CAPACITOR	4.7uF 50V M	B,E,EN, EV	R2106	NRSA63J-822X	MG RESISTOR	8.2kΩ 1/16W J	
C4402	NCB31HK-331X	C CAPACITOR	330pF 50V K		R2107	NRSA63J-332X	MG RESISTOR	3.3kΩ 1/16W J	
C4411	QETN1HM-475Z	E CAPACITOR	4.7uF 50V M	B,E,EN, EV	R2108	NRSA63J-102X	MG RESISTOR	1kΩ 1/16W J	
C4412	NCB31HK-331X	C CAPACITOR	330pF 50V K		R2109	NRSA63J-0R0X	MG RESISTOR	0Ω 1/16W J	
C4501	QETN1HM-475Z	E CAPACITOR	4.7uF 50V M	B,E,EN, EV	R2110	NRSA63J-103X	MG RESISTOR	10kΩ 1/16W J	
C4502	NDC31HJ-331X	C CAPACITOR	330pF 50V J	B,E,EN, EV	R2111	NRSA63J-103X	MG RESISTOR	10kΩ 1/16W J	
C4511	QETN1HM-475Z	E CAPACITOR	4.7uF 50V M	B,E,EN, EV	R2112	NRSA63J-222X	MG RESISTOR	2.2kΩ 1/16W J	
C4512	NDC31HJ-331X	C CAPACITOR	330pF 50V J	B,E,EN, EV	R2113	NRSA63J-222X	MG RESISTOR	2.2kΩ 1/16W J	
C4531	NDC31HJ-470X	C CAPACITOR	47pF 50V J	B,E,EN, EV	R2114	NRSA63J-103X	MG RESISTOR	10kΩ 1/16W J	
C4532	NDC31HJ-470X	C CAPACITOR	47pF 50V J	B,E,EN, EV	R2115	NRSA63J-222X	MG RESISTOR	2.2kΩ 1/16W J	
C4533	NDC31HJ-470X	C CAPACITOR	47pF 50V J	B,E,EN, EV	R2117	NRSA63J-222X	MG RESISTOR	2.2kΩ 1/16W J	
C4534	NDC31HJ-470X	C CAPACITOR	47pF 50V J	B,E,EN, EV	R2119	NRSA63J-0R0X	MG RESISTOR	0Ω 1/16W J	
C4602	QETN1EM-476Z	E CAPACITOR	47uF 25V M	B,E,EN, EV	R2120	NRSA63J-222X	MG RESISTOR	2.2kΩ 1/16W J	
C6401	NBE21CM-106X	TA E CAPACITOR	10uF 16V M		R2121	NRSA63J-222X	MG RESISTOR	2.2kΩ 1/16W J	
C6402	NDC31HJ-681X	C CAPACITOR	680pF 50V J		R2122	NRSA63J-222X	MG RESISTOR	2.2kΩ 1/16W J	
C6403	NBE21CM-106X	TA E CAPACITOR	10uF 16V M		R2123	NRSA63J-222X	MG RESISTOR	2.2kΩ 1/16W J	
C6404	NDC31HJ-680X	C CAPACITOR	68pF 50V J		R2124	NRSA63J-222X	MG RESISTOR	2.2kΩ 1/16W J	
C6405	NBE21CM-106X	TA E CAPACITOR	10uF 16V M		R2125	NRSA63J-153X	MG RESISTOR	15kΩ 1/16W J	
C6501	NDC31HJ-270X	C CAPACITOR	27pF 50V J		R2126	NRSA63J-222X	MG RESISTOR	2.2kΩ 1/16W J	
C6502	NDC31HJ-2R0X	C CAPACITOR	2pF 50V J		R2127	NRSA63J-222X	MG RESISTOR	2.2kΩ 1/16W J	
C6503	NDC31HJ-270X	C CAPACITOR	27pF 50V J		R2128	NRSA63J-222X	MG RESISTOR	2.2kΩ 1/16W J	
C6601	NDC31HJ-270X	C CAPACITOR	27pF 50V J		R2129	NRSA63J-0R0X	MG RESISTOR	0Ω 1/16W J	
C6602	NDC31HJ-2R0X	C CAPACITOR	2pF 50V J		R2130	NRSA63J-222X	MG RESISTOR	2.2kΩ 1/16W J	
C6603	NDC31HJ-270X	C CAPACITOR	27pF 50V J		R2131	NRSA63J-222X	MG RESISTOR	2.2kΩ 1/16W J	
C6701	NDC31HJ-270X	C CAPACITOR	27pF 50V J		R2132	NRSA63J-222X	MG RESISTOR	2.2kΩ 1/16W J	B,E,EN, EV
C6702	NDC31HJ-2R0X	C CAPACITOR	2pF 50V J		R2133	NRSA63J-222X	MG RESISTOR	2.2kΩ 1/16W J	
C6703	NDC31HJ-270X	C CAPACITOR	27pF 50V J		R2134	NRSA63J-222X	MG RESISTOR	2.2kΩ 1/16W J	
C7501	NCB31HK-182X	C CAPACITOR	1800pF 50V K	A,US, UX,UG	R2135	NRSA63J-222X	MG RESISTOR	2.2kΩ 1/16W J	
C7502	NCB31HK-182X	C CAPACITOR	1800pF 50V K	A,US, UX,UG	R2136	NRSA63J-222X	MG RESISTOR	2.2kΩ 1/16W J	
C7503	NDC31HJ-150X	C CAPACITOR	15pF 50V J	A,US, UX,UG	R2137	NRSA63J-222X	MG RESISTOR	2.2kΩ 1/16W J	
C7504	NDC31HJ-150X	C CAPACITOR	15pF 50V J	A,US, UX,UG	R2138	NRSA63J-222X	MG RESISTOR	2.2kΩ 1/16W J	
C7505	NCB31CK-105X	C CAPACITOR	1uF 16V K	A,US, UX,UG	R2139	NRSA63J-222X	MG RESISTOR	2.2kΩ 1/16W J	
C7506	NCB31CK-105X	C CAPACITOR	1uF 16V K	A,US, UX,UG	R2142	NRSA63J-222X	MG RESISTOR	2.2kΩ 1/16W J	B,E,EN, EV
R1501	NRSA63J-333X	MG RESISTOR	33kΩ 1/16W J		R2143	NRSA63J-222X	MG RESISTOR	2.2kΩ 1/16W J	
R1611	NRSA63J-103X	MG RESISTOR	10kΩ 1/16W J		R2144	NRSA63J-103X	MG RESISTOR	10kΩ 1/16W J	
R1612	NRSA63J-302X	MG RESISTOR	3kΩ 1/16W J		R2145	NRSA63J-221X	MG RESISTOR	220Ω 1/16W J	
R1613	NRSA63J-102X	MG RESISTOR	1kΩ 1/16W J		R2146	NRSA63J-222X	MG RESISTOR	2.2kΩ 1/16W J	
R1614	NRSA63J-103X	MG RESISTOR	10kΩ 1/16W J		R2147	NRSA63J-222X	MG RESISTOR	2.2kΩ 1/16W J	
△ R1701	QRL01DJ-100X	OMF RESISTOR	10Ω 1W J		R2148	NRSA63J-222X	MG RESISTOR	2.2kΩ 1/16W J	
R1702	NRSA63J-103X	MG RESISTOR	10kΩ 1/16W J		R2149	NRSA63J-222X	MG RESISTOR	2.2kΩ 1/16W J	
R1703	NRSA63J-752X	MG RESISTOR	7.5kΩ 1/16W J		R2150	NRSA63J-222X	MG RESISTOR	2.2kΩ 1/16W J	
R1704	NRS181J-561X	MG RESISTOR	560Ω 1/8W J		R2151	NRSA63J-222X	MG RESISTOR	2.2kΩ 1/16W J	
R1705	NRS181J-561X	MG RESISTOR	560Ω 1/8W J		R2152	NRSA63J-222X	MG RESISTOR	2.2kΩ 1/16W J	
△ R1706	QRL01DJ-100X	OMF RESISTOR	10Ω 1W J		R2153	NRSA63J-222X	MG RESISTOR	2.2kΩ 1/16W J	
△ R1801	QRJ146J-100X	UNF C RESISTOR	10Ω 1/4W J		R2154	NRSA63J-222X	MG RESISTOR	2.2kΩ 1/16W J	
R1901	NRSA63J-103X	MG RESISTOR	10kΩ 1/16W J		R2155	NRSA63J-222X	MG RESISTOR	2.2kΩ 1/16W J	
R1902	NRS181J-821X	MG RESISTOR	820Ω 1/8W J		R2156	NRSA63J-222X	MG RESISTOR	2.2kΩ 1/16W J	
△ R1903	QRJ146J-100X	UNF C RESISTOR	10Ω 1/4W J		R2157	NRSA63J-222X	MG RESISTOR	2.2kΩ 1/16W J	US,UX, UG
R1904	NRSA63J-221X	MG RESISTOR	220Ω 1/16W J		R2158	NRSA63J-222X	MG RESISTOR	2.2kΩ 1/16W J	US,UX, UG
R1905	NRSA63J-103X	MG RESISTOR	10kΩ 1/16W J		R2159	NRSA63J-222X	MG RESISTOR	2.2kΩ 1/16W J	
					R2160	NRSA63J-221X	MG RESISTOR	220Ω 1/16W J	
					R2161	NRSA63J-222X	MG RESISTOR	2.2kΩ 1/16W J	
					R2162	NRSA63J-222X	MG RESISTOR	2.2kΩ 1/16W J	
					R2163	NRSA63J-272X	MG RESISTOR	2.7kΩ 1/16W J	
					R2165	NRSA63J-562X	MG RESISTOR	5.6kΩ 1/16W J	
					R2166	NRSA63J-472X	MG RESISTOR	4.7kΩ 1/16W J	
					R2167	NRSA63J-472X	MG RESISTOR	4.7kΩ 1/16W J	
					R2168	NRSA63J-103X	MG RESISTOR	10kΩ 1/16W J	
					R2169	NRSA63J-103X	MG RESISTOR	10kΩ 1/16W J	
					R2170	NRSA63J-103X	MG RESISTOR	10kΩ 1/16W J	
					R2171	NRSA63J-103X	MG RESISTOR	10kΩ 1/16W J	
					R2172	NRSA63J-222X	MG RESISTOR	2.2kΩ 1/16W J	
					R2173	NRSA63J-392X	MG RESISTOR	3.9kΩ 1/16W J	

△ Symbol No.	Part No.	Part Name	Description	Local	△ Symbol No.	Part No.	Part Name	Description	Local
R2174	NRSA63J-392X	MG RESISTOR	3.9kΩ 1/16W J		R3306	NRSA63J-103X	MG RESISTOR	10kΩ 1/16W J	
R2175	NRSA63J-392X	MG RESISTOR	3.9kΩ 1/16W J		R3307	NRSA63J-103X	MG RESISTOR	10kΩ 1/16W J	
R2176	NRSA63J-392X	MG RESISTOR	3.9kΩ 1/16W J		R3308	NRSA63J-822X	MG RESISTOR	8.2kΩ 1/16W J	
R2179	NRSA63J-103X	MG RESISTOR	10kΩ 1/16W J		R3309	NRSA63J-472X	MG RESISTOR	4.7kΩ 1/16W J	
R2180	NRSA63J-222X	MG RESISTOR	2.2kΩ 1/16W J		R3401	NRSA63J-102X	MG RESISTOR	1kΩ 1/16W J	
R2181	NRSA63J-104X	MG RESISTOR	100kΩ 1/16W J		R3501	NRSA63J-104X	MG RESISTOR	100kΩ 1/16W J	
R2182	NRSA63J-222X	MG RESISTOR	2.2kΩ 1/16W J		R3502	NRSA63J-104X	MG RESISTOR	100kΩ 1/16W J	
R2183	NRSA63J-222X	MG RESISTOR	2.2kΩ 1/16W J		R3503	NRSA63J-104X	MG RESISTOR	100kΩ 1/16W J	
R2184	NRSA63J-222X	MG RESISTOR	2.2kΩ 1/16W J		R3504	NRSA63J-104X	MG RESISTOR	100kΩ 1/16W J	
R2185	NRSA63J-222X	MG RESISTOR	2.2kΩ 1/16W J		R3505	NRSA63J-104X	MG RESISTOR	100kΩ 1/16W J	
R2186	NRSA63J-103X	MG RESISTOR	10kΩ 1/16W J	A,US, UX,UG	R3506	NRSA63J-104X	MG RESISTOR	100kΩ 1/16W J	
R2187	NRSA63J-103X	MG RESISTOR	10kΩ 1/16W J	A,US, UX,UG	R3507	NRSA63J-102X	MG RESISTOR	1kΩ 1/16W J	
R2188	NRSA63J-222X	MG RESISTOR	2.2kΩ 1/16W J		R3508	NRSA63J-102X	MG RESISTOR	1kΩ 1/16W J	
R2189	NRSA63J-104X	MG RESISTOR	100kΩ 1/16W J		R3509	NRSA63J-102X	MG RESISTOR	1kΩ 1/16W J	
R2190	NRSA63J-182X	MG RESISTOR	1.8kΩ 1/16W J		R3510	NRSA63J-102X	MG RESISTOR	1kΩ 1/16W J	
R2191	NRSA63J-103X	MG RESISTOR	10kΩ 1/16W J		R3511	NRSA63J-102X	MG RESISTOR	1kΩ 1/16W J	
R2192	NRSA63J-103X	MG RESISTOR	10kΩ 1/16W J		R3512	NRSA63J-102X	MG RESISTOR	1kΩ 1/16W J	
R2202	NRSA63J-103X	MG RESISTOR	10kΩ 1/16W J		R3513	NRSA63J-332X	MG RESISTOR	3.3kΩ 1/16W J	
R2203	NRSA63J-102X	MG RESISTOR	1kΩ 1/16W J		R3514	NRSA63J-332X	MG RESISTOR	3.3kΩ 1/16W J	
R2205	NRSA63J-0R0X	MG RESISTOR	0Ω 1/16W J		R3515	NRSA63J-332X	MG RESISTOR	3.3kΩ 1/16W J	
R2301	NRSA63J-103X	MG RESISTOR	10kΩ 1/16W J		R3516	NRSA63J-332X	MG RESISTOR	3.3kΩ 1/16W J	
R2302	NRSA63J-103X	MG RESISTOR	10kΩ 1/16W J		R3517	NRSA63J-332X	MG RESISTOR	3.3kΩ 1/16W J	
R2401	NRSA63J-101X	MG RESISTOR	100Ω 1/16W J		R3518	NRSA63J-332X	MG RESISTOR	3.3kΩ 1/16W J	
R2402	NRSA63J-104X	MG RESISTOR	100kΩ 1/16W J		R3531	NRSA63J-563X	MG RESISTOR	56kΩ 1/16W J	
R2701	NRSA63J-472X	MG RESISTOR	4.7kΩ 1/16W J		R3532	NRSA63J-563X	MG RESISTOR	56kΩ 1/16W J	
R2702	NRSA63J-103X	MG RESISTOR	10kΩ 1/16W J		R3533	NRSA63J-274X	MG RESISTOR	270kΩ 1/16W J	
R2703	NRSA63J-471X	MG RESISTOR	470Ω 1/16W J		R3534	NRSA63J-104X	MG RESISTOR	100kΩ 1/16W J	
R2704	NRSA02J-181X	MG RESISTOR	180Ω 1/10W J	B,E,EN, EV	R3535	NRSA63J-103X	MG RESISTOR	10kΩ 1/16W J	
R2801	NRSA63J-103X	MG RESISTOR	10kΩ 1/16W J		R3536	NRSA63J-103X	MG RESISTOR	10kΩ 1/16W J	
R2802	NRSA63J-221X	MG RESISTOR	220Ω 1/16W J		R3537	NRSA63J-103X	MG RESISTOR	10kΩ 1/16W J	
R2803	NRSA63J-221X	MG RESISTOR	220Ω 1/16W J		R3538	NRSA63J-103X	MG RESISTOR	10kΩ 1/16W J	
R2903	NRSA63J-0R0X	MG RESISTOR	0Ω 1/16W J		R3539	NRSA63J-103X	MG RESISTOR	10kΩ 1/16W J	
R2904	NRSA63J-0R0X	MG RESISTOR	0Ω 1/16W J		R3540	NRSA63J-223X	MG RESISTOR	22kΩ 1/16W J	
R2916	NRSA63J-0R0X	MG RESISTOR	0Ω 1/16W J		R3541	NRSA63J-472X	MG RESISTOR	4.7kΩ 1/16W J	
R3003	NRSA63J-102X	MG RESISTOR	1kΩ 1/16W J		R3542	NRSA63J-105X	MG RESISTOR	1MΩ 1/16W J	
R3004	NRSA63J-102X	MG RESISTOR	1kΩ 1/16W J		R3543	NRSA63J-104X	MG RESISTOR	100kΩ 1/16W J	
R3005	NRSA63J-100X	MG RESISTOR	10Ω 1/16W J		R3544	NRSA63J-220X	MG RESISTOR	22Ω 1/16W J	
R3006	NRSA63J-100X	MG RESISTOR	10Ω 1/16W J		R3545	NRSA63J-103X	MG RESISTOR	10kΩ 1/16W J	
R3007	NRSA63J-390X	MG RESISTOR	39Ω 1/16W J		R3546	NRSA63J-101X	MG RESISTOR	100Ω 1/16W J	
R3008	NRSA63J-390X	MG RESISTOR	39Ω 1/16W J		R3547	NRSA63J-223X	MG RESISTOR	22kΩ 1/16W J	
R3009	NRSA63J-472X	MG RESISTOR	4.7kΩ 1/16W J		R3551	NRSA63J-103X	MG RESISTOR	10kΩ 1/16W J	
R3010	NRSA63J-472X	MG RESISTOR	4.7kΩ 1/16W J		R3552	NRSA63J-103X	MG RESISTOR	10kΩ 1/16W J	
R3011	NRSA63J-472X	MG RESISTOR	4.7kΩ 1/16W J		R3601	NRSA63J-103X	MG RESISTOR	10kΩ 1/16W J	
R3012	NRSA63J-472X	MG RESISTOR	4.7kΩ 1/16W J		R3602	NRSA63J-273X	MG RESISTOR	27kΩ 1/16W J	
R3013	NRSA63J-821X	MG RESISTOR	820Ω 1/16W J		R3603	NRSA63J-750X	MG RESISTOR	75Ω 1/16W J	
R3014	NRSA63J-821X	MG RESISTOR	820Ω 1/16W J		R3604	NRSA63J-472X	MG RESISTOR	4.7kΩ 1/16W J	
R3015	NRSA63J-103X	MG RESISTOR	10kΩ 1/16W J		R3605	NRSA63J-472X	MG RESISTOR	4.7kΩ 1/16W J	
R3016	NRSA63J-103X	MG RESISTOR	10kΩ 1/16W J		R3608	NRSA63J-0R0X	MG RESISTOR	0Ω 1/16W J	
R3017	NRSA63J-104X	MG RESISTOR	100kΩ 1/16W J		R3701	NRSA63J-102X	MG RESISTOR	1kΩ 1/16W J	US,UX, UG
R3018	NRSA63J-104X	MG RESISTOR	100kΩ 1/16W J		R3702	NRSA63J-102X	MG RESISTOR	1kΩ 1/16W J	US,UX, UG
R3101	QRJ146J-100X	UNF C RESISTOR	10Ω 1/4W J		R3703	NRSA63J-104X	MG RESISTOR	100kΩ 1/16W J	US,UX, UG
R3201	NRSA63J-223X	MG RESISTOR	22kΩ 1/16W J		R3704	NRSA63J-104X	MG RESISTOR	100kΩ 1/16W J	US,UX, UG
R3202	NRSA63J-223X	MG RESISTOR	22kΩ 1/16W J		R3901	NRSA63J-114X	MG RESISTOR	110kΩ 1/16W J	
R3203	NRSA63J-102X	MG RESISTOR	1kΩ 1/16W J		R3902	NRSA63J-114X	MG RESISTOR	110kΩ 1/16W J	
R3204	NRSA63J-102X	MG RESISTOR	1kΩ 1/16W J		R3903	NRSA63J-114X	MG RESISTOR	110kΩ 1/16W J	
R3205	NRSA63J-102X	MG RESISTOR	1kΩ 1/16W J		R3904	NRSA63J-114X	MG RESISTOR	110kΩ 1/16W J	
R3206	NRSA63J-102X	MG RESISTOR	1kΩ 1/16W J		R3905	NRSA63J-114X	MG RESISTOR	110kΩ 1/16W J	
R3207	NRSA63J-473X	MG RESISTOR	47kΩ 1/16W J		R3906	NRSA63J-114X	MG RESISTOR	110kΩ 1/16W J	
R3208	NRSA63J-473X	MG RESISTOR	47kΩ 1/16W J		R3907	NRSA63J-184X	MG RESISTOR	180kΩ 1/16W J	
R3209	NRSA63J-222X	MG RESISTOR	2.2kΩ 1/16W J	US,UX, UG	R3908	NRSA63J-184X	MG RESISTOR	180kΩ 1/16W J	
R3210	NRSA63J-222X	MG RESISTOR	2.2kΩ 1/16W J	US,UX, UG	R3909	NRSA63J-184X	MG RESISTOR	180kΩ 1/16W J	
R3211	NRSA63J-101X	MG RESISTOR	100Ω 1/16W J		R3910	NRSA63J-184X	MG RESISTOR	180kΩ 1/16W J	
R3212	NRSA63J-101X	MG RESISTOR	100Ω 1/16W J		R3911	NRSA63J-184X	MG RESISTOR	180kΩ 1/16W J	
R3213	NRSA63J-101X	MG RESISTOR	100Ω 1/16W J		R3912	NRSA63J-184X	MG RESISTOR	180kΩ 1/16W J	
R3214	NRSA63J-101X	MG RESISTOR	100Ω 1/16W J		R4011	NRSA63J-201X	MG RESISTOR	200Ω 1/16W J	
R3215	NRSA63J-101X	MG RESISTOR	100Ω 1/16W J		R4021	NRSA63J-221X	MG RESISTOR	220Ω 1/16W J	
R3216	NRSA63J-101X	MG RESISTOR	100Ω 1/16W J		R4022	NRSA63J-472X	MG RESISTOR	4.7kΩ 1/16W J	
R3217	NRSA63J-472X	MG RESISTOR	4.7kΩ 1/16W J		R4031	NRSA63J-201X	MG RESISTOR	200Ω 1/16W J	
R3218	NRSA63J-472X	MG RESISTOR	4.7kΩ 1/16W J		R4041	NRSA63J-201X	MG RESISTOR	200Ω 1/16W J	
R3301	NRSA63J-223X	MG RESISTOR	22kΩ 1/16W J		R4051	NRSA63J-201X	MG RESISTOR	200Ω 1/16W J	
R3302	NRSA63J-223X	MG RESISTOR	22kΩ 1/16W J		R4301	NRSA63J-750X	MG RESISTOR	75Ω 1/16W J	
R3303	NRSA63J-102X	MG RESISTOR	1kΩ 1/16W J		R4302	NRSA63J-750X	MG RESISTOR	75Ω 1/16W J	
R3304	NRSA63J-562X	MG RESISTOR	5.6kΩ 1/16W J		R4303	NRSA63J-750X	MG RESISTOR	75Ω 1/16W J	
R3305	NRSA63J-473X	MG RESISTOR	47kΩ 1/16W J		R4304	NRSA63J-750X	MG RESISTOR	75Ω 1/16W J	A,US, UX,UG

△ Symbol No.	Part No.	Part Name	Description	Local	△ Symbol No.	Part No.	Part Name	Description	Local
R4305	NRSA63J-750X	MG RESISTOR	75Ω 1/16W J	A,US, UX,UG	R6414	NRSA63J-223X	MG RESISTOR	22kΩ 1/16W J	
R4306	NRSA63J-750X	MG RESISTOR	75Ω 1/16W J	A,US, UX,UG	R6501	NRSA63J-105X	MG RESISTOR	1MΩ 1/16W J	
R4307	NRSA63J-750X	MG RESISTOR	75Ω 1/16W J		R6502	NRSA63J-473X	MG RESISTOR	47kΩ 1/16W J	
R4308	NRSA63J-750X	MG RESISTOR	75Ω 1/16W J		R6503	NRSA63J-223X	MG RESISTOR	22kΩ 1/16W J	
R4309	NRSA63J-820X	MG RESISTOR	82Ω 1/16W J		R6504	NRSA63J-105X	MG RESISTOR	1MΩ 1/16W J	
R4401	NRSA63J-183X	MG RESISTOR	18kΩ 1/16W J	B,E,EN, EV	R6505	NRSA63J-562X	MG RESISTOR	5.6kΩ 1/16W J	
R4401	NRSA63J-273X	MG RESISTOR	27kΩ 1/16W J	A,US, UX,UG	R6601	NRSA63J-105X	MG RESISTOR	1MΩ 1/16W J	
R4402	NRSA63J-184X	MG RESISTOR	180kΩ 1/16W J		R6602	NRSA63J-473X	MG RESISTOR	47kΩ 1/16W J	
R4403	NRSA63J-0R0X	MG RESISTOR	0Ω 1/16W J	A,US, UX,UG	R6603	NRSA63J-223X	MG RESISTOR	22kΩ 1/16W J	
R4411	NRSA63J-183X	MG RESISTOR	18kΩ 1/16W J	B,E,EN, EV	R6604	NRSA63J-105X	MG RESISTOR	1MΩ 1/16W J	
R4411	NRSA63J-273X	MG RESISTOR	27kΩ 1/16W J	A,US, UX,UG	R6605	NRSA63J-562X	MG RESISTOR	5.6kΩ 1/16W J	
R4412	NRSA63J-184X	MG RESISTOR	180kΩ 1/16W J		R6701	NRSA63J-105X	MG RESISTOR	1MΩ 1/16W J	
R4413	NRSA63J-0R0X	MG RESISTOR	0Ω 1/16W J	A,US, UX,UG	R6702	NRSA63J-473X	MG RESISTOR	47kΩ 1/16W J	
R4501	NRSA63J-183X	MG RESISTOR	18kΩ 1/16W J	B,E,EN, EV	R6703	NRSA63J-223X	MG RESISTOR	22kΩ 1/16W J	
R4502	NRSA63J-184X	MG RESISTOR	180kΩ 1/16W J	B,E,EN, EV	R6704	NRSA63J-105X	MG RESISTOR	1MΩ 1/16W J	
R4511	NRSA63J-183X	MG RESISTOR	18kΩ 1/16W J	B,E,EN, EV	R6705	NRSA63J-562X	MG RESISTOR	5.6kΩ 1/16W J	
R4512	NRSA63J-184X	MG RESISTOR	180kΩ 1/16W J	B,E,EN, EV	R6801	NRSA63J-102X	MG RESISTOR	1kΩ 1/16W J	
R4521	NRSA63J-471X	MG RESISTOR	470Ω 1/16W J	B,E,EN, EV	R6802	NRSA63J-102X	MG RESISTOR	1kΩ 1/16W J	
R4522	NRSA63J-750X	MG RESISTOR	75Ω 1/16W J	B,E,EN, EV	R6803	NRSA63J-102X	MG RESISTOR	1kΩ 1/16W J	
R4523	NRSA63J-103X	MG RESISTOR	10kΩ 1/16W J	B,E,EN, EV	RA212	NRZ0034-222W	NET RESISTOR	2.2kΩ 1/32W J x4	
R4524	NRSA63J-430X	MG RESISTOR	43Ω 1/16W J	B,E,EN, EV	RA213	NRZ0034-222W	NET RESISTOR	2.2kΩ 1/32W J x4	
R4525	NRSA63J-104X	MG RESISTOR	100kΩ 1/16W J	B,E,EN, EV	RA214	NRZ0034-222W	NET RESISTOR	2.2kΩ 1/32W J x4	
R4531	NRSA63J-750X	MG RESISTOR	75Ω 1/16W J	B,E,EN, EV	RA215	NRZ0034-222W	NET RESISTOR	2.2kΩ 1/32W J x4	
R4532	NRSA63J-750X	MG RESISTOR	75Ω 1/16W J	B,E,EN, EV	RA216	NRZ0034-222W	NET RESISTOR	2.2kΩ 1/32W J x4	
R4533	NRSA63J-750X	MG RESISTOR	75Ω 1/16W J	B,E,EN, EV	RA217	NRZ0034-222W	NET RESISTOR	2.2kΩ 1/32W J x4	
R4534	NRSA63J-750X	MG RESISTOR	75Ω 1/16W J	B,E,EN, EV	RA218	NRZ0034-222W	NET RESISTOR	2.2kΩ 1/32W J x4	
R4601	NRSA63J-103X	MG RESISTOR	10kΩ 1/16W J	B,E,EN, EV	L1611	QQL82AK-101	COIL	100uH K	
R4602	NRSA63J-0R0X	MG RESISTOR	0Ω 1/16W J	A,US,U X,UG	L4201	QQL25CK-221Z	COIL	220uH K	
R4603	NRSA63J-0R0X	MG RESISTOR	0Ω 1/16W J	A,US,U X,UG	CN151	QGA2536C1-09	CONNECTOR	W-B (1-9)	
R4604	NRSA63J-104X	MG RESISTOR	100kΩ 1/16W J	B,E,EN, EV	CN152	QGA2536C1-02	CONNECTOR	W-B (1-2)	
R4605	NRSA63J-104X	MG RESISTOR	100kΩ 1/16W J	B,E,EN, EV	CN201	QGF1016C6-18W	CONNECTOR	FFC/FPC (1-18)	
R4606	NRSA63J-104X	MG RESISTOR	100kΩ 1/16W J	B,E,EN, EV	CN202	QGF1016C6-26W	CONNECTOR	FFC/FPC (1-26)	
R4607	NRSA63J-104X	MG RESISTOR	100kΩ 1/16W J	B,E,EN, EV	CN203	QGF1036C2-08	CONNECTOR	FFC/FPC (1-8)	
R4608	NRSA63J-104X	MG RESISTOR	100kΩ 1/16W J	B,E,EN, EV	CN204	QGF1016C6-09W	CONNECTOR	FFC/FPC (1-9)	
R4609	NRSA63J-104X	MG RESISTOR	100kΩ 1/16W J	B,E,EN, EV	CN205	QGF1205C2-15	CONNECTOR	FFC/FPC (1-15)	B,E,EN, EV
R4610	NRSA63J-104X	MG RESISTOR	100kΩ 1/16W J	B,E,EN, EV	CN205	QGF1208C1-11	CONNECTOR	FFC/FPC (1-11)	A,US, UX,UG
R4611	NRSA63J-104X	MG RESISTOR	100kΩ 1/16W J	B,E,EN, EV	CN207	QGF1205C2-05	CONNECTOR	FFC/FPC (1-5)	B,E,EN, EV
R6401	NRSA63J-104X	MG RESISTOR	100kΩ 1/16W J		CN207	QGF1208C1-05	CONNECTOR	FFC/FPC (1-5)	A,US, UX,UG
R6402	NRSA63J-104X	MG RESISTOR	100kΩ 1/16W J		CN210	QGF1036F2-13	CONNECTOR	FFC/FPC (1-13)	
R6403	NRSA63J-273X	MG RESISTOR	27kΩ 1/16W J		CN211	QGF1036C2-29	CONNECTOR	FFC/FPC (1-29)	
R6404	NRSA63J-333X	MG RESISTOR	33kΩ 1/16W J		CN212	QGF1036C2-05	CONNECTOR	FFC/FPC (1-5)	
R6405	NRSA63J-105X	MG RESISTOR	1MΩ 1/16W J		CN301	QGB2510J1-13	CONNECTOR	B-B (1-13)	
R6406	NRSA63J-223X	MG RESISTOR	22kΩ 1/16W J		CN302	QGA2536C1-02	CONNECTOR	W-B (1-2)	
R6407	NRSA63J-224X	MG RESISTOR	220kΩ 1/16W J		CN303	QJK046-020602-E	SIN CR C-B WIRE		
R6408	NRSA63J-153X	MG RESISTOR	15kΩ 1/16W J		CN304	QJL010-071002-E	SIN CR B-B WIRE		
R6409	NRSA63J-104X	MG RESISTOR	100kΩ 1/16W J		CN641	QGF1016F8-09W	CONNECTOR	FFC/FPC (1-9)	
R6410	NRSA63J-104X	MG RESISTOR	100kΩ 1/16W J		CN751	WJP0093-005A-E	E-SH C WIRE C-B		
R6411	NRSA63J-184X	MG RESISTOR	180kΩ 1/16W J		△ CP161	ICP-N38-T	IC PROTECTOR	1.5A	
R6412	NRSA63J-473X	MG RESISTOR	47kΩ 1/16W J		EP151	QNZ0136-001Z	EARTH PLATE		
R6413	NRSA63J-114X	MG RESISTOR	110kΩ 1/16W J		EP161	QNZ0136-001Z	EARTH PLATE		
					△ HS161	GV40614-001A	HEAT SINK		
					△ HS162	E70945-H40B	HEAT SINK		
					△ HS171	E70306-013	HEAT SINK		
					△ HS181	E70945-H40B	HEAT SINK		
					J3001	GP1FMV31RK0F	OPTICAL JACK		
					J3002	QNN0822-001	PIN JACK		
					J3003	QNN0573-001	JACK		
					J4001	QNN0692-001	PIN JACK		
					J4002	QNN0557-002	PIN JACK		B,E,EN, EV
					J4002	QNN0570-001	PIN JACK		A,US, UX,UG
					J4003	QNN0575-001	PIN JACK		B,E,EN, EV,A
					J4003	QNN0821-001	PIN JACK		US,UX, UG
					J4004	QNZ0775-001	RGB CONNECTOR		B,E,EN, EV
					J7501	QNZ0906-001	USB JACK		
					K1611	QQR0621-001Z	FERRITE BEADS		
					K2201	QQR0621-001Z	FERRITE BEADS		
					K3601	NQR0022-005X	FERRITE BEADS		
					K7501	NQR0502-001X	FERRITE BEADS		

△ Symbol No.	Part No.	Part Name	Description	Local	△ Symbol No.	Part No.	Part Name	Description	Local
K7502	NQR0022-002X	FERRITE BEADS			C1405	QETN1JM-107Z	E CAPACITOR	100uF 63V M	
K7503	NQR0022-002X	FERRITE BEADS			C2501	QEKC1CM-227Z	E CAPACITOR	220uF 16V M	
K7504	NRSA63J-0R0X	MG RESISTOR	0Ω 1/16W J		C2502	NCF31AZ-105X	C CAPACITOR	1uF 10V Z	
PP151	QZW0112-001	WIRE CLAMP			C2511	QEKC1CM-227Z	E CAPACITOR	220uF 16V M	
PP152	QZW0112-002	WIRE CLAMP			C2512	NCF31AZ-105X	C CAPACITOR	1uF 10V Z	
X2101	QAX0902-001	CRYSTAL			C2521	QEKC1CM-227Z	E CAPACITOR	220uF 16V M	

Power board (Except US,UX,UG)

Block No. [0][2]

△ Symbol No.	Part No.	Part Name	Description	Local	△ Symbol No.	Part No.	Part Name	Description	Local
△ IC111	KIA7806API	IC			C7601	QER61CM-476Z	E CAPACITOR	47uF 16V M	
IC601	PT6315	IC			C7602	NDC31HJ-470X	C CAPACITOR	47pF 50V J	
IC611	NJL23H380A-E	IC			C7603	QER61CM-476Z	E CAPACITOR	47uF 16V M	
IC761	NJM4565M-WE	IC			C7604	NDC31HJ-470X	C CAPACITOR	47pF 50V J	
IC762	NJM2717M-X	IC			C7605	NCB31HK-103X	C CAPACITOR	0.01uF 50V K	
Q1001	RT1N141C-X	DIGI TRANSISTOR			C7606	NDC31HJ-470X	C CAPACITOR	47pF 50V J	
Q1401	KTC3203/OY/-T	TRANSISTOR			C7607	NDC31HJ-221X	C CAPACITOR	220pF 50V J	
△ Q1402	KTA1046/Y/	TRANSISTOR			C7608	NDC31HJ-221X	C CAPACITOR	220pF 50V J	
Q2501	RT3WLMM/EF/-X	PAIR TRANSISTOR			C7610	NCF21CZ-105X	C CAPACITOR	1uF 16V Z	
Q2511	RT3WLMM/EF/-X	PAIR TRANSISTOR			C7611	NCF21CZ-105X	C CAPACITOR	1uF 16V Z	
Q2521	RT3WLMM/EF/-X	PAIR TRANSISTOR			C7612	NCF21CZ-105X	C CAPACITOR	1uF 16V Z	
Q6101	RT1N141C-X	DIGI TRANSISTOR			C7613	NCF21CZ-105X	C CAPACITOR	1uF 16V Z	
Q6102	RT1N141C-X	DIGI TRANSISTOR			C7614	NDC31HJ-101X	C CAPACITOR	100pF 50V J	
D1001	1SS133-T2	SI DIODE			C7615	NDC31HJ-101X	C CAPACITOR	100pF 50V J	
△ D1101	1A3G-T1	SI DIODE			C7616	NDC31HJ-101X	C CAPACITOR	100pF 50V J	
△ D1102	1A3G-T1	SI DIODE			C7617	NDC31HJ-101X	C CAPACITOR	100pF 50V J	
△ D1103	1A3G-T1	SI DIODE			C7618	NCF21CZ-105X	C CAPACITOR	1uF 16V Z	
△ D1104	1A3G-T1	SI DIODE			C7619	NCF21CZ-105X	C CAPACITOR	1uF 16V Z	
D1105	1SS133-T2	SI DIODE			C7620	NCF31HZ-473X	C CAPACITOR	0.047uF 50V Z	
D1108	MTZJ6.8B-T2	Z DIODE			C7621	NDC31HJ-100X	C CAPACITOR	10pF 50V J	
△ D1201	GBU803	BRIDGE DIODE			C7622	NDC31HJ-100X	C CAPACITOR	10pF 50V J	
△ D1202	GBU803	BRIDGE DIODE			C7627	QER61CM-476Z	E CAPACITOR	47uF 16V M	
△ D1301	2A02-M	DIODE			C7628	QER61CM-476Z	E CAPACITOR	47uF 16V M	
△ D1302	2A02-M	DIODE			C7629	NDC31HJ-100X	C CAPACITOR	10pF 50V J	
D1401	MTZJ6.2B-T2	Z DIODE			C7630	NDC31HJ-100X	C CAPACITOR	10pF 50V J	
D1402	MTZJ30C-T2	Z DIODE			C7631	NDC31HJ-100X	C CAPACITOR	10pF 50V J	
D6101	SLI-343URC3F	LED		B,E,EN, EV A	C7632	NDC31HJ-100X	C CAPACITOR	10pF 50V J	
D6101	SLR-343VC-T	LED			C7633	QER61CM-476Z	E CAPACITOR	47uF 16V M	
D6102	SDPB50A0/GH/	LED			C7634	NCF21CZ-105X	C CAPACITOR	1uF 16V Z	
D6301	SDPB50A0/GH/	LED			C7635	NDC31HJ-100X	C CAPACITOR	10pF 50V J	
△ C1001	QCZ9132-472	C CAPACITOR	4700pF		C7636	NDC31HJ-100X	C CAPACITOR	10pF 50V J	
△ C1002	QCZ9079-102	C CAPACITOR	1000pF AC250V M	B,E,EN, EV	C7639	NCF21CZ-105X	C CAPACITOR	1uF 16V Z	
△ C1003	QCZ9079-102	C CAPACITOR	1000pF AC250V M		C7640	NCF21CZ-105X	C CAPACITOR	1uF 16V Z	
C1101	QFLC2AJ-472Z	M CAPACITOR	4700pF 100V J		R1001	QRJ146J-100X	UNF C RESISTOR	10Ω 1/4W J	
C1101 or	QFNC2AJ-472Z	M CAPACITOR	4700pF 100V J		R1101	QRJ146J-100X	UNF C RESISTOR	10Ω 1/4W J	
C1102	QETM1EM-108	E CAPACITOR	1000uF 25V M		R1401	QRE141J-104Y	C RESISTOR	100kΩ 1/4W J	
C1103	NCF31EZ-104X	C CAPACITOR	0.1uF 25V Z		△ R1402	QRJ146J-100X	UNF C RESISTOR	10Ω 1/4W J	
C1104	NCB31CK-104X	C CAPACITOR	0.1uF 16V K		△ R1403	QRJ146J-470X	UNF C RESISTOR	47Ω 1/4W J	
C1201	NCB31HK-104X	C CAPACITOR	0.1uF 50V K		R1404	QRJ146J-682X	UNF C RESISTOR	6.8kΩ 1/4W J	
C1202	NCB31HK-104X	C CAPACITOR	0.1uF 50V K		R1405	QRT02DJ-4R7X	MF RESISTOR	4.7Ω 2W J	
C1203	NCB31HK-104X	C CAPACITOR	0.1uF 50V K		R1407	NRSA63J-0R0X	MG RESISTOR	0Ω 1/16W J	
C1204	NCB31HK-104X	C CAPACITOR	0.1uF 50V K		R1408	NRSA63J-0R0X	MG RESISTOR	0Ω 1/16W J	
C1205	NCB31HK-104X	C CAPACITOR	0.1uF 50V K		R2501	NRSA63J-104X	MG RESISTOR	100kΩ 1/16W J	
C1206	NCB31HK-104X	C CAPACITOR	0.1uF 50V K		R2502	NRSA63J-471X	MG RESISTOR	470Ω 1/16W J	
C1207	NCB31HK-104X	C CAPACITOR	0.1uF 50V K		R2503	NRSA63J-225X	MG RESISTOR	2.2MΩ 1/16W J	
C1208	NCB31HK-104X	C CAPACITOR	0.1uF 50V K		R2505	NRSA63J-105X	MG RESISTOR	1MΩ 1/16W J	
C1209	NCB31HK-104X	C CAPACITOR	0.1uF 50V K		R2506	NRSA63J-124X	MG RESISTOR	120kΩ 1/16W J	
C1210	NCB31HK-104X	C CAPACITOR	0.1uF 50V K		R2511	NRSA63J-104X	MG RESISTOR	100kΩ 1/16W J	
C1211	NCB31HK-104X	C CAPACITOR	0.1uF 50V K		R2512	NRSA63J-471X	MG RESISTOR	470Ω 1/16W J	
C1212	NCB31HK-104X	C CAPACITOR	0.1uF 50V K		R2513	NRSA63J-225X	MG RESISTOR	2.2MΩ 1/16W J	
C1301	NCB31HK-104X	C CAPACITOR	0.1uF 50V K		R2515	NRSA63J-105X	MG RESISTOR	1MΩ 1/16W J	
C1302	NCB31HK-104X	C CAPACITOR	0.1uF 50V K		R2516	NRSA63J-124X	MG RESISTOR	120kΩ 1/16W J	
C1401	QFNC2AJ-473Z	M CAPACITOR	0.047uF 100V J		R2521	NRSA63J-104X	MG RESISTOR	100kΩ 1/16W J	
C1401 or	QFN31HJ-473Z	M CAPACITOR	0.047uF 50V J		R2522	NRSA63J-471X	MG RESISTOR	470Ω 1/16W J	
C1402	QEKC1HM-105Z	E CAPACITOR	1uF 50V M		R2523	NRSA63J-225X	MG RESISTOR	2.2MΩ 1/16W J	
C1403	QETN1HM-476Z	E CAPACITOR	47uF 50V M		R2525	NRSA63J-105X	MG RESISTOR	1MΩ 1/16W J	
C1404	QFNC2AJ-473Z	M CAPACITOR	0.047uF 100V J		R2526	NRSA63J-124X	MG RESISTOR	120kΩ 1/16W J	
C1404 or	QFN31HJ-473Z	M CAPACITOR	0.047uF 50V J		R6001	NRSA63J-823X	MG RESISTOR	82kΩ 1/16W J	
					R6002	NRSA63J-102X	MG RESISTOR	1kΩ 1/16W J	
					R6003	NRSA63J-102X	MG RESISTOR	1kΩ 1/16W J	
					R6004	NRSA63J-102X	MG RESISTOR	1kΩ 1/16W J	

△ Symbol No.	Part No.	Part Name	Description	Local
R6101	NRSA63J-152X	MG RESISTOR	1.5kΩ 1/16W J	B,E,EN, EV A
R6101	NRSA63J-201X	MG RESISTOR	200Ω 1/16W J	
R6102	NRSA63J-121X	MG RESISTOR	120Ω 1/16W J	
R6103	NRSA63J-241X	MG RESISTOR	240Ω 1/16W J	
R6104	NRSA63J-121X	MG RESISTOR	120Ω 1/16W J	
R6105	NRSA63J-241X	MG RESISTOR	240Ω 1/16W J	
R6106	NRSA63J-103X	MG RESISTOR	10kΩ 1/16W J	
R6201	NRSA63J-332X	MG RESISTOR	3.3kΩ 1/16W J	
R6202	NRSA63J-392X	MG RESISTOR	3.9kΩ 1/16W J	
R6203	NRSA63J-332X	MG RESISTOR	3.3kΩ 1/16W J	
R6204	NRSA63J-392X	MG RESISTOR	3.9kΩ 1/16W J	
R6205	NRSA63J-682X	MG RESISTOR	6.8kΩ 1/16W J	
R7001	NRSA63J-102X	MG RESISTOR	1kΩ 1/16W J	
R7002	NRSA63J-390X	MG RESISTOR	39Ω 1/16W J	
R7003	NRSA63J-390X	MG RESISTOR	39Ω 1/16W J	
R7603	NRSA63J-750X	MG RESISTOR	75Ω 1/16W J	
R7605	NRSA63J-563X	MG RESISTOR	56kΩ 1/16W J	
R7606	NRSA63J-563X	MG RESISTOR	56kΩ 1/16W J	
R7608	NRSA63J-104X	MG RESISTOR	100kΩ 1/16W J	
R7609	NRSA63J-133X	MG RESISTOR	13kΩ 1/16W J	
R7610	NRSA63J-0R0X	MG RESISTOR	0Ω 1/16W J	
R7611	NRSA63J-472X	MG RESISTOR	4.7kΩ 1/16W J	
R7613	NRSA63J-0R0X	MG RESISTOR	0Ω 1/16W J	
R7614	NRSA63J-393X	MG RESISTOR	39kΩ 1/16W J	
R7615	NRSA63J-393X	MG RESISTOR	39kΩ 1/16W J	
R7616	NRSA63J-393X	MG RESISTOR	39kΩ 1/16W J	
R7617	NRSA63J-393X	MG RESISTOR	39kΩ 1/16W J	
R7618	NRSA63J-303X	MG RESISTOR	30kΩ 1/16W J	
R7619	NRSA63J-303X	MG RESISTOR	30kΩ 1/16W J	
R7620	NRSA63J-303X	MG RESISTOR	30kΩ 1/16W J	
R7621	NRSA63J-303X	MG RESISTOR	30kΩ 1/16W J	
R7624	NRSA63J-103X	MG RESISTOR	10kΩ 1/16W J	
R7625	NRSA63J-103X	MG RESISTOR	10kΩ 1/16W J	
R7626	NRSA63J-0R0X	MG RESISTOR	0Ω 1/16W J	
R7627	NRSA63J-0R0X	MG RESISTOR	0Ω 1/16W J	
R7628	NRSA63J-471X	MG RESISTOR	470Ω 1/16W J	
R7629	NRSA63J-0R0X	MG RESISTOR	0Ω 1/16W J	
R7630	NRSA63J-102X	MG RESISTOR	1kΩ 1/16W J	
R7631	NRSA63J-102X	MG RESISTOR	1kΩ 1/16W J	
R7632	NRSA63J-102X	MG RESISTOR	1kΩ 1/16W J	
R7633	NRSA63J-102X	MG RESISTOR	1kΩ 1/16W J	
R7634	NRSA63J-511X	MG RESISTOR	510Ω 1/16W J	
R7635	NRSA63J-511X	MG RESISTOR	510Ω 1/16W J	
R7636	NRSA63J-511X	MG RESISTOR	510Ω 1/16W J	
R7637	NRSA63J-511X	MG RESISTOR	510Ω 1/16W J	
R7638	NRSA63J-103X	MG RESISTOR	10kΩ 1/16W J	
R7639	NRSA63J-103X	MG RESISTOR	10kΩ 1/16W J	
R7640	NRSA63J-0R0X	MG RESISTOR	0Ω 1/16W J	

△ Symbol No.	Part No.	Part Name	Description	Local
△ T1101	QQT0545-002	POWER TRANSF		
CN101	QGA7901C1-02	CONNECTOR	W-B (1-2)	
CN102	QGA7901C1-04	CONNECTOR	W-B (1-4)	
CN103	QGA3901C1-05	CONNECTOR	W-B (1-5)	
CN104	QGA2502C1-05	CONNECTOR	W-B (1-5)	
CN105	QJK012-052000-E	SIN CR C-B WIRE		
CN106	QJK050-092804-E	SIN CR C-B WIRE		
CN514	QGB2510K2-13	CONNECTOR	B-B (1-13)	
CN524	QGB2510K2-13	CONNECTOR	B-B (1-13)	
CN601	QGF1036F2-09	CONNECTOR	FFC/FPC (1-9)	
CN602	QGF1036F2-29	CONNECTOR	FFC/FPC (1-29)	
CN761	QGF1036F2-13	CONNECTOR	FFC/FPC (1-13)	
DI601	QLF0189-001	FL TUBE		
EP101	E409182-001SM	GRAND TERMINAL		
FC101	QNG0003-001Z	FUSE CLIP		
FC102	QNG0003-001Z	FUSE CLIP		
FC121	QNG0003-001Z	FUSE CLIP		
FC122	QNG0003-001Z	FUSE CLIP		
FC123	QNG0003-001Z	FUSE CLIP		
FC124	QNG0003-001Z	FUSE CLIP		
FC131	QNG0003-001Z	FUSE CLIP		
FC132	QNG0003-001Z	FUSE CLIP		
FC133	QNG0003-001Z	FUSE CLIP		
FC134	QNG0003-001Z	FUSE CLIP		
FW603	QUM024-07Z4Z4-E	1.25 CONNECTOR		
FW605	QUM022-08Z4Z4-E	PARA RIBON WIRE		
△ HS121	GN30233-201A	HEATSINK		

△ Symbol No.	Part No.	Part Name	Description	Local
J7001	QNS0276-001	JACK		
J7601	QNZ0915-002	SEMENS CONNECT		
K7001	NQR0007-002X	FERRITE BEADS		
K7002	NQR0007-002X	FERRITE BEADS		
K7003	NQR0007-002X	FERRITE BEADS		
K7004	NQR0007-002X	FERRITE BEADS		
K7604	NQR0022-002X	FERRITE BEADS		
K7605	NQR0022-002X	FERRITE BEADS		
K7606	NQR0502-001X	FERRITE BEADS		
△ RY101	QSK0163-001	RELAY		
S6201	QSW0683-001Z	PUSH SW		
S6202	QSW0683-001Z	PUSH SW		
S6203	QSW0683-001Z	PUSH SW		
S6204	QSW0683-001Z	PUSH SW		
S6205	QSW0683-001Z	PUSH SW		
S6206	QSW0683-001Z	PUSH SW		
S6207	QSW0683-001Z	PUSH SW		
W601	QUB220-09DMHP-E	SIN TWIST WIRE		B,E,EN, EV

Power board (Only US,UX,UG)

Block No. [0][3]

△ Symbol No.	Part No.	Part Name	Description	Local
△ IC111	KIA7806API	IC		
IC601	PT6315	IC		
IC611	NJL23H380A-E	IC		
IC701	KIA4558F-X	IC		
IC702	BU9253FS-X	IC		
IC703	MM1615AN-X	IC		
IC761	NJM4565M-WE	IC		
IC762	NJM2717M-X	IC		
Q1001	RT1N141C-X	DIGI TRANSISTOR		
△ Q1101	KTC2026/Y/	TRANSISTOR		
Q1401	KTC3203/OY/-T	TRANSISTOR		
△ Q1402	KTA1046/Y/	TRANSISTOR		
Q2501	RT3WLMM/EF/-X	PAIR TRANSISTOR		
Q2511	RT3WLMM/EF/-X	PAIR TRANSISTOR		
Q2521	RT3WLMM/EF/-X	PAIR TRANSISTOR		
Q6101	RT1N141C-X	DIGI TRANSISTOR		
Q6102	RT1N141C-X	DIGI TRANSISTOR		
Q7101	RT1N141C-X	DIGI TRANSISTOR		
Q7102	2SC2412K/R/-X	TRANSISTOR		
Q7103	2SC2412K/R/-X	TRANSISTOR		
Q7104	2SA1037AK/RS/-X	TRANSISTOR		
D1001	1SS133-T2	SI DIODE		
△ D1101	1A3G-T1	SI DIODE		
△ D1102	1A3G-T1	SI DIODE		
△ D1103	1A3G-T1	SI DIODE		
△ D1104	1A3G-T1	SI DIODE		
D1105	1SS133-T2	SI DIODE		
D1106	1SS133-T2	SI DIODE		
D1107	MTZJ12B-T2	Z DIODE		
D1108	MTZJ6.8B-T2	Z DIODE		
△ D1201	GBU803	BRIDGE DIODE		
△ D1202	GBU803	BRIDGE DIODE		
△ D1301	2A02-M	DIODE		
△ D1302	2A02-M	DIODE		
D1401	MTZJ6.2B-T2	Z DIODE		
D1402	MTZJ30C-T2	Z DIODE		
D6101	SLR-343VC-T	LED		
D6102	SDPB50A0/GH/	LED		
D6301	SDPB50A0/GH/	LED		
D7101	1SS133-T2	SI DIODE		
D7102	1SS133-T2	SI DIODE		
D7103	1SS133-T2	SI DIODE		
△ C1001	QCZ9132-472	C CAPACITOR	4700pF	
△ C1011	QCZ9079-102	C CAPACITOR	1000pF AC250V M	
C1101	QFLC2AJ-472Z	M CAPACITOR	4700pF 100V J	
C1101	or QFNC2AJ-472Z	M CAPACITOR	4700pF 100V J	

△ Symbol No.	Part No.	Part Name	Description	Local	△ Symbol No.	Part No.	Part Name	Description	Local
C1102	QETM1HM-477	E CAPACITOR	470uF 50V M		C7615	NDC31HJ-101X	C CAPACITOR	100pF 50V J	
C1103	NCF31EZ-104X	C CAPACITOR	0.1uF 25V Z		C7616	NDC31HJ-101X	C CAPACITOR	100pF 50V J	
C1104	NCB31CK-104X	C CAPACITOR	0.1uF 16V K		C7617	NDC31HJ-101X	C CAPACITOR	100pF 50V J	
C1105	QETN1EM-107Z	E CAPACITOR	100uF 25V M		C7618	NCF21CZ-105X	C CAPACITOR	1uF 16V Z	
C1201	NCB31HK-104X	C CAPACITOR	0.1uF 50V K		C7619	NCF21CZ-105X	C CAPACITOR	1uF 16V Z	
C1202	NCB31HK-104X	C CAPACITOR	0.1uF 50V K		C7620	NCF31HZ-473X	C CAPACITOR	0.047uF 50V Z	
C1203	NCB31HK-104X	C CAPACITOR	0.1uF 50V K		C7621	NDC31HJ-100X	C CAPACITOR	10pF 50V J	
C1204	NCB31HK-104X	C CAPACITOR	0.1uF 50V K		C7622	NDC31HJ-100X	C CAPACITOR	10pF 50V J	
C1205	NCB31HK-104X	C CAPACITOR	0.1uF 50V K		C7627	QER61CM-476Z	E CAPACITOR	47uF 16V M	
C1206	NCB31HK-104X	C CAPACITOR	0.1uF 50V K		C7628	QER61CM-476Z	E CAPACITOR	47uF 16V M	
C1207	NCB31HK-104X	C CAPACITOR	0.1uF 50V K		C7629	NDC31HJ-100X	C CAPACITOR	10pF 50V J	
C1208	NCB31HK-104X	C CAPACITOR	0.1uF 50V K		C7630	NDC31HJ-100X	C CAPACITOR	10pF 50V J	
C1209	NCB31HK-104X	C CAPACITOR	0.1uF 50V K		C7631	NDC31HJ-100X	C CAPACITOR	10pF 50V J	
C1210	NCB31HK-104X	C CAPACITOR	0.1uF 50V K		C7632	NDC31HJ-100X	C CAPACITOR	10pF 50V J	
C1211	NCB31HK-104X	C CAPACITOR	0.1uF 50V K		C7633	QER61CM-476Z	E CAPACITOR	47uF 16V M	
C1212	NCB31HK-104X	C CAPACITOR	0.1uF 50V K		C7634	NCF21CZ-105X	C CAPACITOR	1uF 16V Z	
C1301	NCB31HK-104X	C CAPACITOR	0.1uF 50V K		C7635	NDC31HJ-100X	C CAPACITOR	10pF 50V J	
C1302	NCB31HK-104X	C CAPACITOR	0.1uF 50V K		C7636	NDC31HJ-100X	C CAPACITOR	10pF 50V J	
C1401	QFNC2AJ-473Z	M CAPACITOR	0.047uF 100V J		C7639	NCF21CZ-105X	C CAPACITOR	1uF 16V Z	
C1401	or QFN31HJ-473Z	M CAPACITOR	0.047uF 50V J		C7640	NCF21CZ-105X	C CAPACITOR	1uF 16V Z	
C1402	QEK1HM-105Z	E CAPACITOR	1uF 50V M		R1001	QRJ146J-100X	UNF C RESISTOR	10Ω 1/4W J	
C1403	QETN1HM-476Z	E CAPACITOR	47uF 50V M		R1102	QRL027J-821	OMF RESISTOR	820Ω 2W J	
C1404	QFNC2AJ-473Z	M CAPACITOR	0.047uF 100V J		R1401	QRE141J-104Y	C RESISTOR	100kΩ 1/4W J	
C1404	or QFN31HJ-473Z	M CAPACITOR	0.047uF 50V J		△ R1402	QRJ146J-100X	UNF C RESISTOR	10Ω 1/4W J	
C1405	QETN1JM-107Z	E CAPACITOR	100uF 63V M		△ R1403	QRJ146J-470X	UNF C RESISTOR	47Ω 1/4W J	
C2501	QEK1CM-227Z	E CAPACITOR	220uF 16V M		R1404	QRJ146J-682X	UNF C RESISTOR	6.8kΩ 1/4W J	
C2502	NCF31AZ-105X	C CAPACITOR	1uF 10V Z		R1405	QRT02DJ-4R7X	MF RESISTOR	4.7Ω 2W J	
C2511	QEK1CM-227Z	E CAPACITOR	220uF 16V M		R1407	NRSA63J-0R0X	MG RESISTOR	0Ω 1/16W J	
C2512	NCF31AZ-105X	C CAPACITOR	1uF 10V Z		R1408	NRSA63J-0R0X	MG RESISTOR	0Ω 1/16W J	
C2521	QEK1CM-227Z	E CAPACITOR	220uF 16V M		R2501	NRSA63J-104X	MG RESISTOR	100kΩ 1/16W J	
C2522	NCF31AZ-105X	C CAPACITOR	1uF 10V Z		R2502	NRSA63J-471X	MG RESISTOR	470Ω 1/16W J	
C6001	NCB31HK-102X	C CAPACITOR	1000pF 50V K		R2503	NRSA63J-225X	MG RESISTOR	2.2MΩ 1/16W J	
C6003	NCB30JK-105X	C CAPACITOR	1uF 6.3V K		R2505	NRSA63J-105X	MG RESISTOR	1MΩ 1/16W J	
C6101	NCF31AZ-105X	C CAPACITOR	1uF 10V Z		R2506	NRSA63J-124X	MG RESISTOR	120kΩ 1/16W J	
C7002	NCB31EK-223X	C CAPACITOR	0.022uF 25V K		R2511	NRSA63J-104X	MG RESISTOR	100kΩ 1/16W J	
C7003	NCB31EK-223X	C CAPACITOR	0.022uF 25V K		R2512	NRSA63J-471X	MG RESISTOR	470Ω 1/16W J	
C7004	NCF31HZ-103X	C CAPACITOR	0.01uF 50V Z		R2513	NRSA63J-225X	MG RESISTOR	2.2MΩ 1/16W J	
C7005	NCF31HZ-103X	C CAPACITOR	0.01uF 50V Z		R2515	NRSA63J-105X	MG RESISTOR	1MΩ 1/16W J	
C7006	NCF31HZ-103X	C CAPACITOR	0.01uF 50V Z		R2516	NRSA63J-124X	MG RESISTOR	120kΩ 1/16W J	
C7101	NCB31AK-474X	C CAPACITOR	0.47uF 10V K		R2521	NRSA63J-104X	MG RESISTOR	100kΩ 1/16W J	
C7102	NDC31HJ-820X	C CAPACITOR	82pF 50V J		R2522	NRSA63J-471X	MG RESISTOR	470Ω 1/16W J	
C7103	QER61HM-474Z	E CAPACITOR	0.47uF 50V M		R2523	NRSA63J-225X	MG RESISTOR	2.2MΩ 1/16W J	
C7104	QER61HM-105Z	E CAPACITOR	1uF 50V M		R2525	NRSA63J-105X	MG RESISTOR	1MΩ 1/16W J	
C7105	NCB31HK-103X	C CAPACITOR	0.01uF 50V K		R2526	NRSA63J-124X	MG RESISTOR	120kΩ 1/16W J	
C7106	QER61CM-226Z	E CAPACITOR	22uF 16V M		R6001	NRSA63J-823X	MG RESISTOR	82kΩ 1/16W J	
C7107	QER61CM-476Z	E CAPACITOR	47uF 16V M		R6002	NRSA63J-102X	MG RESISTOR	1kΩ 1/16W J	
C7108	QER61HM-335Z	E CAPACITOR	3.3uF 50V M		R6003	NRSA63J-102X	MG RESISTOR	1kΩ 1/16W J	
C7109	QER61AM-336Z	E CAPACITOR	33uF 10V M		R6004	NRSA63J-102X	MG RESISTOR	1kΩ 1/16W J	
C7110	NCB31CK-224X	C CAPACITOR	0.22uF 16V K		R6005	NRSA63J-0R0X	MG RESISTOR	0Ω 1/16W J	
C7111	NCB31AK-105X	C CAPACITOR	1uF 10V K		R6101	NRSA63J-201X	MG RESISTOR	200Ω 1/16W J	
C7112	NCB31HK-123X	C CAPACITOR	0.012uF 50V K		R6102	NRSA63J-121X	MG RESISTOR	120Ω 1/16W J	
C7113	NCB31CK-104X	C CAPACITOR	0.1uF 16V K		R6103	NRSA63J-241X	MG RESISTOR	240Ω 1/16W J	
C7114	NCS31HJ-121X	C CAPACITOR	120pF 50V J		R6104	NRSA63J-121X	MG RESISTOR	120Ω 1/16W J	
C7115	QER61AM-107Z	E CAPACITOR	100uF 10V M		R6105	NRSA63J-241X	MG RESISTOR	240Ω 1/16W J	
C7116	NCB31HK-103X	C CAPACITOR	0.01uF 50V K		R6106	NRSA63J-103X	MG RESISTOR	10kΩ 1/16W J	
C7117	NCB31HK-472X	C CAPACITOR	4700pF 50V K		R6201	NRSA63J-332X	MG RESISTOR	3.3kΩ 1/16W J	
C7118	NCB31AK-105X	C CAPACITOR	1uF 10V K		R6202	NRSA63J-392X	MG RESISTOR	3.9kΩ 1/16W J	
C7119	NCB31HK-822X	C CAPACITOR	8200pF 50V K		R6203	NRSA63J-332X	MG RESISTOR	3.3kΩ 1/16W J	
C7120	NCB31HK-333X	C CAPACITOR	0.033uF 50V K		R6204	NRSA63J-392X	MG RESISTOR	3.9kΩ 1/16W J	
C7121	QER61CM-226Z	E CAPACITOR	22uF 16V M		R6205	NRSA63J-682X	MG RESISTOR	6.8kΩ 1/16W J	
C7122	NCB31AK-474X	C CAPACITOR	0.47uF 10V K		R7001	NRSA63J-102X	MG RESISTOR	1kΩ 1/16W J	
C7123	NCB31HK-103X	C CAPACITOR	0.01uF 50V K		R7002	NRSA63J-390X	MG RESISTOR	39Ω 1/16W J	
C7124	NCB31CK-105X	C CAPACITOR	1uF 16V K		R7003	NRSA63J-390X	MG RESISTOR	39Ω 1/16W J	
C7125	NCB31AK-105X	C CAPACITOR	1uF 10V K		R7101	NRSA63J-472X	MG RESISTOR	4.7kΩ 1/16W J	
C7126	NCB31HK-103X	C CAPACITOR	0.01uF 50V K		R7102	NRSA63J-472X	MG RESISTOR	4.7kΩ 1/16W J	
C7601	QER61CM-476Z	E CAPACITOR	47uF 16V M		R7103	NRSA63J-102X	MG RESISTOR	1kΩ 1/16W J	
C7602	NDC31HJ-470X	C CAPACITOR	47pF 50V J		R7104	NRSA63J-103X	MG RESISTOR	10kΩ 1/16W J	
C7603	QER61CM-476Z	E CAPACITOR	47uF 16V M		R7105	NRSA63J-564X	MG RESISTOR	560kΩ 1/16W J	
C7604	NDC31HJ-470X	C CAPACITOR	47pF 50V J		R7106	NRSA63J-272X	MG RESISTOR	2.7kΩ 1/16W J	
C7605	NCB31HK-103X	C CAPACITOR	0.01uF 50V K		R7107	NRSA63J-272X	MG RESISTOR	2.7kΩ 1/16W J	
C7606	NDC31HJ-470X	C CAPACITOR	47pF 50V J		R7108	NRSA63J-471X	MG RESISTOR	470Ω 1/16W J	
C7607	NDC31HJ-221X	C CAPACITOR	220pF 50V J		R7109	NRSA63J-471X	MG RESISTOR	470Ω 1/16W J	
C7608	NDC31HJ-221X	C CAPACITOR	220pF 50V J		R7110	NRSA63J-154X	MG RESISTOR	150kΩ 1/16W J	
C7610	NCF21CZ-105X	C CAPACITOR	1uF 16V Z		R7111	NRSA63J-154X	MG RESISTOR	150kΩ 1/16W J	
C7611	NCF21CZ-105X	C CAPACITOR	1uF 16V Z		R7112	NRSA63J-102X	MG RESISTOR	1kΩ 1/16W J	
C7612	NCF21CZ-105X	C CAPACITOR	1uF 16V Z		R7113	NRSA63J-103X	MG RESISTOR	10kΩ 1/16W J	
C7613	NCF21CZ-105X	C CAPACITOR	1uF 16V Z		R7114	NRSA63J-103X	MG RESISTOR	10kΩ 1/16W J	
C7614	NDC31HJ-101X	C CAPACITOR	100pF 50V J						

△ Symbol No.	Part No.	Part Name	Description	Local
R7115	NRSA63J-224X	MG RESISTOR	220kΩ 1/16W J	
R7116	NRSA63J-103X	MG RESISTOR	10kΩ 1/16W J	
R7117	NRSA63J-102X	MG RESISTOR	1kΩ 1/16W J	
R7118	NRSA63J-473X	MG RESISTOR	47kΩ 1/16W J	
R7119	NRSA63J-473X	MG RESISTOR	47kΩ 1/16W J	
R7120	NRSA63J-153X	MG RESISTOR	15kΩ 1/16W J	
R7121	NRSA63J-103X	MG RESISTOR	10kΩ 1/16W J	
R7122	NRSA63J-433X	MG RESISTOR	43kΩ 1/16W J	
R7123	NRSA63J-822X	MG RESISTOR	8.2kΩ 1/16W J	
R7124	NRSA63J-183X	MG RESISTOR	18kΩ 1/16W J	
R7125	NRSA63J-153X	MG RESISTOR	15kΩ 1/16W J	
R7126	NRSA63J-103X	MG RESISTOR	10kΩ 1/16W J	
R7127	NRSA63J-102X	MG RESISTOR	1kΩ 1/16W J	
R7603	NRSA63J-750X	MG RESISTOR	75Ω 1/16W J	
R7605	NRSA63J-563X	MG RESISTOR	56kΩ 1/16W J	
R7606	NRSA63J-563X	MG RESISTOR	56kΩ 1/16W J	
R7608	NRSA63J-104X	MG RESISTOR	100kΩ 1/16W J	
R7609	NRSA63J-133X	MG RESISTOR	13kΩ 1/16W J	
R7610	NRSA63J-0R0X	MG RESISTOR	0Ω 1/16W J	
R7611	NRSA63J-472X	MG RESISTOR	4.7kΩ 1/16W J	
R7613	NRSA63J-0R0X	MG RESISTOR	0Ω 1/16W J	
R7614	NRSA63J-393X	MG RESISTOR	39kΩ 1/16W J	
R7615	NRSA63J-393X	MG RESISTOR	39kΩ 1/16W J	
R7616	NRSA63J-393X	MG RESISTOR	39kΩ 1/16W J	
R7617	NRSA63J-393X	MG RESISTOR	39kΩ 1/16W J	
R7618	NRSA63J-303X	MG RESISTOR	30kΩ 1/16W J	
R7619	NRSA63J-303X	MG RESISTOR	30kΩ 1/16W J	
R7620	NRSA63J-303X	MG RESISTOR	30kΩ 1/16W J	
R7621	NRSA63J-303X	MG RESISTOR	30kΩ 1/16W J	
R7624	NRSA63J-103X	MG RESISTOR	10kΩ 1/16W J	
R7625	NRSA63J-103X	MG RESISTOR	10kΩ 1/16W J	
R7626	NRSA63J-0R0X	MG RESISTOR	0Ω 1/16W J	
R7627	NRSA63J-0R0X	MG RESISTOR	0Ω 1/16W J	
R7628	NRSA63J-471X	MG RESISTOR	470Ω 1/16W J	
R7629	NRSA63J-0R0X	MG RESISTOR	0Ω 1/16W J	
R7630	NRSA63J-102X	MG RESISTOR	1kΩ 1/16W J	
R7631	NRSA63J-102X	MG RESISTOR	1kΩ 1/16W J	
R7632	NRSA63J-102X	MG RESISTOR	1kΩ 1/16W J	
R7633	NRSA63J-102X	MG RESISTOR	1kΩ 1/16W J	
R7634	NRSA63J-511X	MG RESISTOR	510Ω 1/16W J	
R7635	NRSA63J-511X	MG RESISTOR	510Ω 1/16W J	
R7636	NRSA63J-511X	MG RESISTOR	510Ω 1/16W J	
R7637	NRSA63J-511X	MG RESISTOR	510Ω 1/16W J	
R7638	NRSA63J-103X	MG RESISTOR	10kΩ 1/16W J	
R7639	NRSA63J-103X	MG RESISTOR	10kΩ 1/16W J	
R7640	NRSA63J-0R0X	MG RESISTOR	0Ω 1/16W J	
△ T1101	QQT0545-003	POWER TRANSF		
CN101	QGA7901C1-02	CONNECTOR	W-B (1-2)	
CN102	QGA7901C1-04	CONNECTOR	W-B (1-4)	
CN103	QGA3901C1-05	CONNECTOR	W-B (1-5)	
CN104	QGA2502C1-05	CONNECTOR	W-B (1-5)	
CN105	QJK012-052000-E	SIN CR C-B WIRE		
CN106	QJK050-092804-E	SIN CR C-B WIRE		
△ CN111	QGA7901F1-03	CONNECTOR	W-B (1-3)	
CN514	QGB2510K2-13	CONNECTOR	B-B (1-13)	
CN524	QGB2510K2-13	CONNECTOR	B-B (1-13)	
CN601	QGF1036F2-09	CONNECTOR	FFC/FPC (1-9)	
CN602	QGF1036F2-29	CONNECTOR	FFC/FPC (1-29)	
CN604	QGF1036C2-07	CONNECTOR	FFC/FPC (1-7)	
CN711	QGF1036F2-07	CONNECTOR	FFC/FPC (1-7)	
CN761	QGF1036F2-13	CONNECTOR	FFC/FPC (1-13)	
D1601	QLF0189-001	FL TUBE		
EP111	E409182-001SM	GRAND TERMINAL		
FC101	QNG0003-001Z	FUSE CLIP		
FC102	QNG0003-001Z	FUSE CLIP		
FC111	QNG0003-001Z	FUSE CLIP		
FC112	QNG0003-001Z	FUSE CLIP		
FC121	QNG0003-001Z	FUSE CLIP		
FC122	QNG0003-001Z	FUSE CLIP		
FC123	QNG0003-001Z	FUSE CLIP		
FC124	QNG0003-001Z	FUSE CLIP		
FC131	QNG0003-001Z	FUSE CLIP		
FC132	QNG0003-001Z	FUSE CLIP		
FC133	QNG0003-001Z	FUSE CLIP		
FC134	QNG0003-001Z	FUSE CLIP		
FW603	QUM024-07Z4Z4-E	1.25 CONNECTOR		

△ Symbol No.	Part No.	Part Name	Description	Local
FW605	QUM022-08Z4Z4-E	PARA RIBON WIRE		
△ HS101	E70306-001	HEAT SINK		
△ HS121	GN30233-201A	HEATSINK		
J7001	QNS0276-001	JACK		
J7101	QNS0184-001	MIC JACK		
J7102	QNS0184-001	MIC JACK		
J7601	QNZ0915-002	SEMENS CONNECT		
K7001	NQR0007-002X	FERRITE BEADS		
K7002	NQR0007-002X	FERRITE BEADS		
K7003	NQR0007-002X	FERRITE BEADS		
K7004	NQR0007-002X	FERRITE BEADS		
K7101	NQR0007-002X	FERRITE BEADS		
K7604	NQR0022-002X	FERRITE BEADS		
K7605	NQR0022-002X	FERRITE BEADS		
K7606	NQR0502-001X	FERRITE BEADS		
△ RY101	QSK0163-001	RELAY		
△ S1001	QSW0838-001	VOLTAGE SWITCH		
S6201	QSW0683-001Z	PUSH SW		
S6202	QSW0683-001Z	PUSH SW		
S6203	QSW0683-001Z	PUSH SW		
S6204	QSW0683-001Z	PUSH SW		
S6205	QSW0683-001Z	PUSH SW		
S6206	QSW0683-001Z	PUSH SW		
S6207	QSW0683-001Z	PUSH SW		
VA701	QVQ0321-B54	V RESISTOR		

AMP board

Block No. [0][4]

△ Symbol No.	Part No.	Part Name	Description	Local
△ IC501	STK416-130-E	IC		
△ IC502	STK416-130-E	IC		
Q5101	ISA1530AC1/QR/X	TRANSISTOR		
Q5201	ISA1530AC1/QR/X	TRANSISTOR		
Q5301	ISA1530AC1/QR/X	TRANSISTOR		
Q5401	ISA1530AC1/QR/X	TRANSISTOR		
Q5501	ISA1530AC1/QR/X	TRANSISTOR		
Q5601	ISA1530AC1/QR/X	TRANSISTOR		
Q5801	2SC3928A/QR/-X	TRANSISTOR		
Q5802	ISA1530AC1/QR/X	TRANSISTOR		
Q5803	2SC3928A/QR/-X	TRANSISTOR		
Q5804	RT1N141C-X	DIGI TRANSISTOR		
Q5901	2SC3928A/QR/-X	TRANSISTOR		
Q5902	KTC3265/Y/-X	TRANSISTOR		
△ D5001	MTZJ15C-T2	Z DIODE		
△ D5002	MTZJ15C-T2	Z DIODE		
△ D5003	SB360-F82	SB DIODE		
△ D5004	SB360-F82	SB DIODE		
△ D5005	SB360-F82	SB DIODE		
△ D5006	SB360-F82	SB DIODE		
△ D5007	MTZJ15C-T2	Z DIODE		
△ D5008	MTZJ15C-T2	Z DIODE		
D5101	1SS133-T2	SI DIODE		
D5201	1SS133-T2	SI DIODE		
D5301	1SS133-T2	SI DIODE		
D5401	1SS133-T2	SI DIODE		
D5501	1SS133-T2	SI DIODE		
D5601	1SS133-T2	SI DIODE		
D5701	1SS133-T2	SI DIODE		
D5702	1SS133-T2	SI DIODE		
D5801	1SS133-T2	SI DIODE		
D5802	MTZJ30C-T2	Z DIODE		
D5803	1SS133-T2	SI DIODE		
D5804	1SS133-T2	SI DIODE		
D5805	1SS133-T2	SI DIODE		
△ C5001	QEZ0799-478	E CAPACITOR	4700uF	
△ C5002	QEZ0799-478	E CAPACITOR	4700uF	
△ C5003	QETM1EM-478	E CAPACITOR	4700uF 25V M	
△ C5004	QETM1EM-478	E CAPACITOR	4700uF 25V M	
C5005	QETN1JM-107Z	E CAPACITOR	100uF 63V M	

△ Symbol No.	Part No.	Part Name	Description	Local	△ Symbol No.	Part No.	Part Name	Description	Local
C5006	QETN1JM-107Z	E CAPACITOR	100uF 63V M		△ R5001	QRZ9005-101X	F RESISTOR	100Ω	
C5101	NDC31HJ-681X	C CAPACITOR	680pF 50V J	B,E,EN, EV	△ R5002	QRZ9005-101X	F RESISTOR	100Ω	
C5101	NDC31HJ-101X	C CAPACITOR	100pF 50V J	A,US,U X,UG	△ R5003	QRL01DJ-152X	OMF RESISTOR	1.5kΩ 1W J	
C5102	NDC31HJ-220X	C CAPACITOR	22pF 50V J	B,E,EN, EV	△ R5004	QRL01DJ-152X	OMF RESISTOR	1.5kΩ 1W J	
C5102	NDC31HJ-3R0X	C CAPACITOR	3pF 50V J	A,US,U X,UG	△ R5005	QRL01DJ-152X	OMF RESISTOR	1.5kΩ 1W J	
C5103	QETN1CM-107Z	E CAPACITOR	100uF 16V M		△ R5006	QRL01DJ-152X	OMF RESISTOR	1.5kΩ 1W J	
C5104	NCF31EZ-104X	C CAPACITOR	0.1uF 25V Z		△ R5007	QRJ146J-2R2X	UNF C RESISTOR	2.2Ω 1/4W J	B,E,EN, EV,A US,UX, UG
C5105	NCF31EZ-104X	C CAPACITOR	0.1uF 25V Z		△ R5008	QRJ146J-2R2X	UNF C RESISTOR	2.2Ω 1/4W J	B,E,EN, EV,A US,UX, UG
C5106	NCB31HK-104X	C CAPACITOR	0.1uF 50V K		△ R5008	QRJ146J-101X	UNF C RESISTOR	100Ω 1/4W J	US,UX, UG
C5107	QETN1HM-225Z	E CAPACITOR	2.2uF 50V M		△ R5009	QRJ146J-2R2X	UNF C RESISTOR	2.2Ω 1/4W J	
C5201	NDC31HJ-101X	C CAPACITOR	100pF 50V J		△ R5010	QRJ146J-2R2X	UNF C RESISTOR	2.2Ω 1/4W J	
C5202	NDC31HJ-3R0X	C CAPACITOR	3pF 50V J		△ R5011	QRJ146J-2R2X	UNF C RESISTOR	2.2Ω 1/4W J	B,E,EN, EV,A US,UX, UG
C5203	QETN1CM-107Z	E CAPACITOR	100uF 16V M		△ R5011	QRJ146J-101X	UNF C RESISTOR	100Ω 1/4W J	US,UX, UG
C5204	NCF31EZ-104X	C CAPACITOR	0.1uF 25V Z		△ R5012	QRJ146J-2R2X	UNF C RESISTOR	2.2Ω 1/4W J	B,E,EN, EV,A US,UX, UG
C5205	NCF31EZ-104X	C CAPACITOR	0.1uF 25V Z		△ R5012	QRJ146J-101X	UNF C RESISTOR	100Ω 1/4W J	US,UX, UG
C5206	NDC31HJ-471X	C CAPACITOR	470pF 50V J		△ R5012	QRJ146J-2R2X	UNF C RESISTOR	2.2Ω 1/4W J	B,E,EN, EV,A US,UX, UG
C5207	QETN1HM-225Z	E CAPACITOR	2.2uF 50V M		△ R5012	QRJ146J-101X	UNF C RESISTOR	100Ω 1/4W J	US,UX, UG
C5301	NDC31HJ-101X	C CAPACITOR	100pF 50V J		△ R5013	QRJ146J-2R2X	UNF C RESISTOR	2.2Ω 1/4W J	
C5302	NDC31HJ-3R0X	C CAPACITOR	3pF 50V J		△ R5014	QRJ146J-2R2X	UNF C RESISTOR	2.2Ω 1/4W J	
C5303	QETN1CM-107Z	E CAPACITOR	100uF 16V M		R5021	QRE141J-104Y	C RESISTOR	100kΩ 1/4W J	
C5304	NCF31EZ-104X	C CAPACITOR	0.1uF 25V Z		R5022	QRE141J-104Y	C RESISTOR	100kΩ 1/4W J	
C5305	NCF31EZ-104X	C CAPACITOR	0.1uF 25V Z		R5023	QRE141J-104Y	C RESISTOR	100kΩ 1/4W J	
C5306	NDC31HJ-471X	C CAPACITOR	470pF 50V J		R5024	QRE141J-104Y	C RESISTOR	100kΩ 1/4W J	
C5307	QETN1HM-225Z	E CAPACITOR	2.2uF 50V M		R5101	NRSA63J-683X	MG RESISTOR	68kΩ 1/16W J	
C5401	NDC31HJ-101X	C CAPACITOR	100pF 50V J		R5102	NRSA63J-331X	MG RESISTOR	330Ω 1/16W J	
C5402	NDC31HJ-3R0X	C CAPACITOR	3pF 50V J		△ R5103	QRZ0224-R22	EMIT RESISTOR	0.22Ω	
C5403	QETN1CM-107Z	E CAPACITOR	100uF 16V M		R5104	NRSA63J-102X	MG RESISTOR	1kΩ 1/16W J	
C5404	NCF31EZ-104X	C CAPACITOR	0.1uF 25V Z		R5105	QRK126J-4R7X	UNF C RESISTOR	4.7Ω 1/2W J	
C5405	NCF31EZ-104X	C CAPACITOR	0.1uF 25V Z		R5106	NRSA63J-473X	MG RESISTOR	47kΩ 1/16W J	
C5406	NDC31HJ-471X	C CAPACITOR	470pF 50V J		R5107	QRJ146J-100X	UNF C RESISTOR	10Ω 1/4W J	
C5407	QETN1HM-225Z	E CAPACITOR	2.2uF 50V M		R5108	NRSA63J-153X	MG RESISTOR	15kΩ 1/16W J	
C5501	NDC31HJ-101X	C CAPACITOR	100pF 50V J		R5109	NRSA63J-102X	MG RESISTOR	1kΩ 1/16W J	
C5502	NDC31HJ-3R0X	C CAPACITOR	3pF 50V J		R5110	NRSA63J-104X	MG RESISTOR	100kΩ 1/16W J	
C5503	QETN1CM-107Z	E CAPACITOR	100uF 16V M		R5201	NRSA63J-563X	MG RESISTOR	56kΩ 1/16W J	
C5504	NCF31EZ-104X	C CAPACITOR	0.1uF 25V Z		R5202	NRSA63J-112X	MG RESISTOR	1.1kΩ 1/16W J	
C5505	NCF31EZ-104X	C CAPACITOR	0.1uF 25V Z		△ R5203	QRZ0224-R22	EMIT RESISTOR	0.22Ω	
C5506	NDC31HJ-471X	C CAPACITOR	470pF 50V J		R5204	NRSA63J-102X	MG RESISTOR	1kΩ 1/16W J	
C5507	QETN1HM-225Z	E CAPACITOR	2.2uF 50V M		R5205	QRK126J-4R7X	UNF C RESISTOR	4.7Ω 1/2W J	
C5601	NDC31HJ-101X	C CAPACITOR	100pF 50V J		R5206	NRSA63J-473X	MG RESISTOR	47kΩ 1/16W J	
C5602	NDC31HJ-3R0X	C CAPACITOR	3pF 50V J		R5207	QRJ146J-100X	UNF C RESISTOR	10Ω 1/4W J	
C5603	QETN1CM-107Z	E CAPACITOR	100uF 16V M		R5208	NRSA63J-153X	MG RESISTOR	15kΩ 1/16W J	
C5604	NCF31EZ-104X	C CAPACITOR	0.1uF 25V Z		R5209	NRSA63J-102X	MG RESISTOR	1kΩ 1/16W J	
C5605	NCF31EZ-104X	C CAPACITOR	0.1uF 25V Z		R5210	NRSA63J-563X	MG RESISTOR	56kΩ 1/16W J	
C5606	NDC31HJ-471X	C CAPACITOR	470pF 50V J		R5301	NRSA63J-563X	MG RESISTOR	56kΩ 1/16W J	
C5607	QETN1HM-225Z	E CAPACITOR	2.2uF 50V M		R5302	NRSA63J-112X	MG RESISTOR	1.1kΩ 1/16W J	
C5801	QETN1HM-106Z	E CAPACITOR	10uF 50V M		△ R5303	QRZ0224-R22	EMIT RESISTOR	0.22Ω	
C5802	QETN1CM-107Z	E CAPACITOR	100uF 16V M		R5304	NRSA63J-102X	MG RESISTOR	1kΩ 1/16W J	
C5803	NCF31HZ-223X	C CAPACITOR	0.022uF 50V Z	B,E,EN, EV	R5305	QRK126J-4R7X	UNF C RESISTOR	4.7Ω 1/2W J	
C5901	QETN1HM-106Z	E CAPACITOR	10uF 50V M		R5306	NRSA63J-473X	MG RESISTOR	47kΩ 1/16W J	
C5911	NCB31HK-104X	C CAPACITOR	0.1uF 50V K		R5307	QRJ146J-100X	UNF C RESISTOR	10Ω 1/4W J	
C5912	NCB31HK-104X	C CAPACITOR	0.1uF 50V K		R5308	NRSA63J-153X	MG RESISTOR	15kΩ 1/16W J	
C5913	NCB31HK-471X	C CAPACITOR	470pF 50V K		R5309	NRSA63J-102X	MG RESISTOR	1kΩ 1/16W J	
C5914	NCB31HK-471X	C CAPACITOR	470pF 50V K		R5310	NRSA63J-563X	MG RESISTOR	56kΩ 1/16W J	
C5921	NCB31HK-104X	C CAPACITOR	0.1uF 50V K		R5401	NRSA63J-563X	MG RESISTOR	56kΩ 1/16W J	
C5922	NCB31HK-104X	C CAPACITOR	0.1uF 50V K		R5402	NRSA63J-112X	MG RESISTOR	1.1kΩ 1/16W J	
C5923	NCB31HK-471X	C CAPACITOR	470pF 50V K		△ R5403	QRZ0224-R22	EMIT RESISTOR	0.22Ω	
C5924	NCB31HK-471X	C CAPACITOR	470pF 50V K		R5404	NRSA63J-102X	MG RESISTOR	1kΩ 1/16W J	
C5931	NCB31HK-104X	C CAPACITOR	0.1uF 50V K		R5405	QRK126J-4R7X	UNF C RESISTOR	4.7Ω 1/2W J	
C5932	NCB31HK-104X	C CAPACITOR	0.1uF 50V K		R5406	NRSA63J-473X	MG RESISTOR	47kΩ 1/16W J	
C5933	NCB31HK-471X	C CAPACITOR	470pF 50V K		R5407	QRJ146J-100X	UNF C RESISTOR	10Ω 1/4W J	
C5934	NCB31HK-471X	C CAPACITOR	470pF 50V K		R5408	NRSA63J-153X	MG RESISTOR	15kΩ 1/16W J	
C5941	NCB31HK-104X	C CAPACITOR	0.1uF 50V K		R5409	NRSA63J-102X	MG RESISTOR	1kΩ 1/16W J	
C5942	NCB31HK-104X	C CAPACITOR	0.1uF 50V K		R5410	NRSA63J-563X	MG RESISTOR	56kΩ 1/16W J	
C5943	NCB31HK-471X	C CAPACITOR	470pF 50V K		R5501	NRSA63J-563X	MG RESISTOR	56kΩ 1/16W J	
C5944	NCB31HK-471X	C CAPACITOR	470pF 50V K		R5502	NRSA63J-112X	MG RESISTOR	1.1kΩ 1/16W J	
C5951	NCB31HK-104X	C CAPACITOR	0.1uF 50V K		△ R5503	QRZ0224-R22	EMIT RESISTOR	0.22Ω	
C5952	NCB31HK-104X	C CAPACITOR	0.1uF 50V K		R5504	NRSA63J-102X	MG RESISTOR	1kΩ 1/16W J	
C5953	NCB31HK-471X	C CAPACITOR	470pF 50V K		R5505	QRK126J-4R7X	UNF C RESISTOR	4.7Ω 1/2W J	
C5954	NCB31HK-471X	C CAPACITOR	470pF 50V K		R5506	NRSA63J-473X	MG RESISTOR	47kΩ 1/16W J	
C5961	NCB31HK-104X	C CAPACITOR	0.1uF 50V K		R5507	QRJ146J-100X	UNF C RESISTOR	10Ω 1/4W J	
C5962	NCB31HK-104X	C CAPACITOR	0.1uF 50V K		R5508	NRSA63J-153X	MG RESISTOR	15kΩ 1/16W J	
C5963	NCB31HK-471X	C CAPACITOR	470pF 50V K		R5509	NRSA63J-102X	MG RESISTOR	1kΩ 1/16W J	
C5964	NCB31HK-471X	C CAPACITOR	470pF 50V K						

Symbol No.	Part No.	Part Name	Description	Local
R5510	NRSA63J-563X	MG RESISTOR	56kΩ 1/16W J	
R5601	NRSA63J-563X	MG RESISTOR	56kΩ 1/16W J	
R5602	NRSA63J-112X	MG RESISTOR	1.1kΩ 1/16W J	
△ R5603	QRZ0224-R22	EMIT RESISTOR	0.22Ω	
R5604	NRSA63J-102X	MG RESISTOR	1kΩ 1/16W J	
R5605	QRK126J-4R7X	UNF C RESISTOR	4.7Ω 1/2W J	
R5606	NRSA63J-473X	MG RESISTOR	47kΩ 1/16W J	
R5607	QRJ146J-100X	UNF C RESISTOR	10Ω 1/4W J	
R5608	NRSA63J-153X	MG RESISTOR	15kΩ 1/16W J	
R5609	NRSA63J-102X	MG RESISTOR	1kΩ 1/16W J	
R5610	NRSA63J-563X	MG RESISTOR	56kΩ 1/16W J	
R5701	NRSA63J-102X	MG RESISTOR	1kΩ 1/16W J	
R5801	NRSA63J-103X	MG RESISTOR	10kΩ 1/16W J	
R5802	NRSA63J-104X	MG RESISTOR	100kΩ 1/16W J	
R5803	NRSA63J-104X	MG RESISTOR	100kΩ 1/16W J	
R5804	NRSA63J-103X	MG RESISTOR	10kΩ 1/16W J	
R5805	NRSA63J-104X	MG RESISTOR	100kΩ 1/16W J	
R5806	NRSA63J-104X	MG RESISTOR	100kΩ 1/16W J	
R5807	NRSA63J-104X	MG RESISTOR	100kΩ 1/16W J	
R5808	NRSA63J-104X	MG RESISTOR	100kΩ 1/16W J	
R5809	NRSA63J-104X	MG RESISTOR	100kΩ 1/16W J	
R5810	NRSA63J-104X	MG RESISTOR	100kΩ 1/16W J	
R5811	NRSA63J-223X	MG RESISTOR	22kΩ 1/16W J	
R5812	NRSA63J-104X	MG RESISTOR	100kΩ 1/16W J	
R5813	NRSA63J-223X	MG RESISTOR	22kΩ 1/16W J	
R5814	NRSA63J-103X	MG RESISTOR	10kΩ 1/16W J	
R5901	NRSA63J-222X	MG RESISTOR	2.2kΩ 1/16W J	
R5902	NRSA63J-473X	MG RESISTOR	47kΩ 1/16W J	
R5903	QRL027J-470	OMF RESISTOR	47Ω 2W J	
R5904	NRSA63J-472X	MG RESISTOR	4.7kΩ 1/16W J	
R5905	NRSA63J-103X	MG RESISTOR	10kΩ 1/16W J	
R5911	QRJ146J-3R9X	UNF C RESISTOR	3.9Ω 1/4W J	
R5921	QRJ146J-3R9X	UNF C RESISTOR	3.9Ω 1/4W J	
R5931	QRJ146J-3R9X	UNF C RESISTOR	3.9Ω 1/4W J	
R5941	QRJ146J-3R9X	UNF C RESISTOR	3.9Ω 1/4W J	
R5951	QRJ146J-3R9X	UNF C RESISTOR	3.9Ω 1/4W J	
R5961	QRJ146J-3R9X	UNF C RESISTOR	3.9Ω 1/4W J	
L5101	QQLZ038-R45	COIL	0.45uH	
L5101	or QQLZ042-R45	COIL	0.45uH	
L5201	QQLZ038-R45	COIL	0.45uH	
L5201	or QQLZ042-R45	COIL	0.45uH	
L5301	QQLZ038-R45	COIL	0.45uH	
L5301	or QQLZ042-R45	COIL	0.45uH	
L5401	QQLZ038-R45	COIL	0.45uH	
L5401	or QQLZ042-R45	COIL	0.45uH	
L5501	QQLZ038-R45	COIL	0.45uH	
L5501	or QQLZ042-R45	COIL	0.45uH	
L5601	QQLZ038-R45	COIL	0.45uH	
L5601	or QQLZ042-R45	COIL	0.45uH	
L5911	QQLZ038-R45	COIL	0.45uH	
L5911	or QQLZ042-R45	COIL	0.45uH	
L5921	QQLZ038-R45	COIL	0.45uH	
L5921	or QQLZ042-R45	COIL	0.45uH	
L5931	QQLZ038-R45	COIL	0.45uH	
L5931	or QQLZ042-R45	COIL	0.45uH	
L5941	QQLZ038-R45	COIL	0.45uH	
L5941	or QQLZ042-R45	COIL	0.45uH	
L5951	QQLZ038-R45	COIL	0.45uH	
L5951	or QQLZ042-R45	COIL	0.45uH	
L5961	QQLZ038-R45	COIL	0.45uH	
L5961	or QQLZ042-R45	COIL	0.45uH	
CN501	QGA3901F2-05	CONNECTOR	W-B (1-5)	
CN504	QGB2510J1-13	CONNECTOR	B-B (1-13)	
EP501	E409182-001SM	GRAND TERMINAL		
EP581	GN40151-001A	BRACKET		
J5001	QNB0319-001	SPK TERMINAL		
RY591	QSK0127-001	RELAY		
RY592	QSK0127-001	RELAY		
RY593	QSK0127-001	RELAY		
△ TH581	QAD0015-103Z	N THERMISTOR	10kΩ	

HDMI board

Symbol No.	Part No.	Part Name	Description	Local
IC1	MN864700	IC		
IC2	TC7WB125FK-X	IC		
IC3	CXB1442AR	IC		
IC4	MM1563DF-X	IC		
IC5	MM1563DF-X	IC		
IC6	LD2981ABM50-X	IC		
IC7	TC7WB125FK-X	IC		
IC8	TC7WBD125AFK-X	IC		
Q1001	ISA1530AC1/QR/X	TRANSISTOR		
Q1002	2SC3928A/QR/-X	TRANSISTOR		
Q1003	2SC3928A/QR/-X	TRANSISTOR		
Q1004	RT1N141C-X	DIGI TRANSISTOR		
Q1005	RT1N141C-X	DIGI TRANSISTOR		
Q1006	RT1N141C-X	DIGI TRANSISTOR		
Q1007	RT1N141C-X	DIGI TRANSISTOR		
Q1008	RT1N141C-X	DIGI TRANSISTOR		
Q1009	RT1N141C-X	DIGI TRANSISTOR		
Q1010	RT1N141C-X	DIGI TRANSISTOR		
C1001	NCB30JK-105X	C CAPACITOR	1uF 6.3V K	
C1002	NCB30JK-105X	C CAPACITOR	1uF 6.3V K	
C1003	NCB31HK-471X	C CAPACITOR	470pF 50V K	
C1004	NCB31HK-471X	C CAPACITOR	470pF 50V K	
C1005	NCB21AK-225X	C CAPACITOR	2.2uF 10V K	
C1006	NCB21AK-225X	C CAPACITOR	2.2uF 10V K	
C1007	NEAF0GM-476X	E CAPACITOR	47uF 4V M	
C1008	NEAF0GM-476X	E CAPACITOR	47uF 4V M	
C1009	NCF21CZ-225X	C CAPACITOR	2.2uF 16V Z	
C1010	NCF21CZ-225X	C CAPACITOR	2.2uF 16V Z	
C1011	NCF21CZ-225X	C CAPACITOR	2.2uF 16V Z	
C1012	NCF21CZ-225X	C CAPACITOR	2.2uF 16V Z	
C1013	NCB31CK-104X	C CAPACITOR	0.1uF 16V K	
C1014	NCB30JK-105X	C CAPACITOR	1uF 6.3V K	
C1015	NCB31CK-104X	C CAPACITOR	0.1uF 16V K	
C1016	NCB30JK-105X	C CAPACITOR	1uF 6.3V K	
C1017	NEAF0JM-476X	E CAPACITOR	47uF 6.3V M	
C1018	NCB30JK-105X	C CAPACITOR	1uF 6.3V K	
C1019	NCB30JK-105X	C CAPACITOR	1uF 6.3V K	
C1021	NCB31CK-104X	C CAPACITOR	0.1uF 16V K	
C1022	NCB31CK-104X	C CAPACITOR	0.1uF 16V K	
C1023	NCB31CK-104X	C CAPACITOR	0.1uF 16V K	
C1024	NCB31CK-104X	C CAPACITOR	0.1uF 16V K	
C1025	NCB31CK-104X	C CAPACITOR	0.1uF 16V K	
C1026	NCB31CK-104X	C CAPACITOR	0.1uF 16V K	
C1027	NCB31CK-104X	C CAPACITOR	0.1uF 16V K	
C1028	NCB31CK-104X	C CAPACITOR	0.1uF 16V K	
C1029	NCB31CK-104X	C CAPACITOR	0.1uF 16V K	
C1030	NCB31CK-104X	C CAPACITOR	0.1uF 16V K	
C1031	NCB31CK-104X	C CAPACITOR	0.1uF 16V K	
C1032	NCB31CK-104X	C CAPACITOR	0.1uF 16V K	
C1033	NCB31CK-104X	C CAPACITOR	0.1uF 16V K	
C1034	NCB31CK-104X	C CAPACITOR	0.1uF 16V K	
C1035	NCB31CK-104X	C CAPACITOR	0.1uF 16V K	
C1036	NCB31CK-104X	C CAPACITOR	0.1uF 16V K	
C1039	NCB31CK-104X	C CAPACITOR	0.1uF 16V K	
C1040	NCB31CK-104X	C CAPACITOR	0.1uF 16V K	
C1042	NCB31CK-104X	C CAPACITOR	0.1uF 16V K	
C1043	NCB31CK-104X	C CAPACITOR	0.1uF 16V K	
C1044	NCB31CK-104X	C CAPACITOR	0.1uF 16V K	
C1045	NCB31CK-104X	C CAPACITOR	0.1uF 16V K	
C1046	NCB31CK-104X	C CAPACITOR	0.1uF 16V K	
C1047	NCB31CK-104X	C CAPACITOR	0.1uF 16V K	
C1048	NCB31CK-104X	C CAPACITOR	0.1uF 16V K	
C1049	NCB31CK-104X	C CAPACITOR	0.1uF 16V K	
C1051	NCB31CK-104X	C CAPACITOR	0.1uF 16V K	
C1052	NCB31CK-104X	C CAPACITOR	0.1uF 16V K	
C1053	NCB31CK-104X	C CAPACITOR	0.1uF 16V K	
C1056	NCB31CK-104X	C CAPACITOR	0.1uF 16V K	
C1057	NCB31CK-104X	C CAPACITOR	0.1uF 16V K	
C1058	NCB31CK-104X	C CAPACITOR	0.1uF 16V K	
C1059	NDC31HJ-1R0X	C CAPACITOR	1pF 50V J	
C1060	NDC31HJ-1R0X	C CAPACITOR	1pF 50V J	
C1061	NCB31CK-104X	C CAPACITOR	0.1uF 16V K	

Block No. [0][5]

△ Symbol No.	Part No.	Part Name	Description	Local	△ Symbol No.	Part No.	Part Name	Description	Local
C1062	NCB31CK-104X	C CAPACITOR	0.1uF 16V K		VA8	NAF0024-001X	ESD SUPPRESSOR	V	
C1070	NCB31CK-104X	C CAPACITOR	0.1uF 16V K		VA9	NAF0018-800X	VARIATOR	80V	
C1071	NCB31CK-104X	C CAPACITOR	0.1uF 16V K		VA10	NAF0018-800X	VARIATOR	80V	
R1001	NRSA63F-433X	MG RESISTOR	43kΩ 1/16W F		VA11	NAF0018-800X	VARIATOR	80V	
R1002	NRSA63F-472X	MG RESISTOR	4.7kΩ 1/16W F		VA23	NAF0024-001X	ESD SUPPRESSOR	V	
R1004	NRSA63F-511X	MG RESISTOR	510Ω 1/16W F		VA24	NAF0024-001X	ESD SUPPRESSOR	V	
R1021	NRSA63J-472X	MG RESISTOR	4.7kΩ 1/16W J		VA25	NAF0024-001X	ESD SUPPRESSOR	V	
R1022	NRSA63J-472X	MG RESISTOR	4.7kΩ 1/16W J		VA26	NAF0024-001X	ESD SUPPRESSOR	V	
R1025	NRSA63J-0R0X	MG RESISTOR	0Ω 1/16W J		VA27	NAF0024-001X	ESD SUPPRESSOR	V	
R1026	NRSA63J-0R0X	MG RESISTOR	0Ω 1/16W J		VA28	NAF0024-001X	ESD SUPPRESSOR	V	
R1027	NRSA63J-0R0X	MG RESISTOR	0Ω 1/16W J		VA29	NAF0024-001X	ESD SUPPRESSOR	V	
R1044	NRSA63J-152X	MG RESISTOR	1.5kΩ 1/16W J		VA30	NAF0024-001X	ESD SUPPRESSOR	V	
R1045	NRSA63J-152X	MG RESISTOR	1.5kΩ 1/16W J		VA31	NAF0018-800X	VARIATOR	80V	
R1046	NRSA63J-472X	MG RESISTOR	4.7kΩ 1/16W J		VA32	NAF0018-800X	VARIATOR	80V	
R1047	NRSA63J-473X	MG RESISTOR	47kΩ 1/16W J		VA33	NAF0018-800X	VARIATOR	80V	
R1048	NRSA63J-183X	MG RESISTOR	18kΩ 1/16W J						
R1049	NRSA63J-0R0X	MG RESISTOR	0Ω 1/16W J						
R1050	NRSA63J-102X	MG RESISTOR	1kΩ 1/16W J						
R1051	NRSA63J-472X	MG RESISTOR	4.7kΩ 1/16W J						
R1052	NRSA63J-103X	MG RESISTOR	10kΩ 1/16W J						
R1053	NRSA63J-102X	MG RESISTOR	1kΩ 1/16W J						
R1054	NRSA63J-103X	MG RESISTOR	10kΩ 1/16W J						
R1055	NRSA63J-103X	MG RESISTOR	10kΩ 1/16W J						
R1056	NRSA63J-102X	MG RESISTOR	1kΩ 1/16W J						
R1058	NRSA63J-103X	MG RESISTOR	10kΩ 1/16W J						
R1060	NRSA63J-103X	MG RESISTOR	10kΩ 1/16W J						
R1061	NRSA63J-103X	MG RESISTOR	10kΩ 1/16W J						
R1063	NRSA63J-0R0X	MG RESISTOR	0Ω 1/16W J						
R1065	NRSA63J-0R0X	MG RESISTOR	0Ω 1/16W J						
R1066	NRSA63J-0R0X	MG RESISTOR	0Ω 1/16W J						
R1068	NRSA63J-103X	MG RESISTOR	10kΩ 1/16W J						
R1069	NRSA63J-103X	MG RESISTOR	10kΩ 1/16W J						
R1070	NRSA63J-103X	MG RESISTOR	10kΩ 1/16W J						
R1071	NRSA63J-103X	MG RESISTOR	10kΩ 1/16W J						
R1073	NRSA63J-103X	MG RESISTOR	10kΩ 1/16W J						
R1074	NRSA63J-103X	MG RESISTOR	10kΩ 1/16W J						
R1075	NRSA63J-103X	MG RESISTOR	10kΩ 1/16W J						
R1077	NRSA63J-103X	MG RESISTOR	10kΩ 1/16W J						
R1078	NRSA63J-103X	MG RESISTOR	10kΩ 1/16W J						
R1080	NRSA63J-472X	MG RESISTOR	4.7kΩ 1/16W J						
R1081	NRSA63J-103X	MG RESISTOR	10kΩ 1/16W J						
R1082	NRSA63J-101X	MG RESISTOR	100Ω 1/16W J						
R1083	NRSA63J-0R0X	MG RESISTOR	0Ω 1/16W J						
R1084	NRSA63J-0R0X	MG RESISTOR	0Ω 1/16W J						
R1086	NRSA63J-0R0X	MG RESISTOR	0Ω 1/16W J						
R1087	NRSA63J-0R0X	MG RESISTOR	0Ω 1/16W J						
R1089	NRSA63J-0R0X	MG RESISTOR	0Ω 1/16W J						
R1091	NRSA63J-102X	MG RESISTOR	1kΩ 1/16W J						
R1092	NRSA63J-102X	MG RESISTOR	1kΩ 1/16W J						
L1001	NQR0597-001X	EMI FILTER			IC201	LA6502-X	IC		
L1002	NQR0597-001X	EMI FILTER			IC301	MN2DS0018MA	IC		
L1003	NQR0597-001X	EMI FILTER			IC302	MM1701CH-X	IC		
L1004	NQR0597-001X	EMI FILTER			IC303	XC2164A51FM-X	IC		
CN1	QGF1016F8-08W	CONNECTOR	FFC/FPC (1-8)		IC305	MM1563DF-X	IC		
CN2	QGB2027L1-26X	CONNECTOR	B-B (1-26)		IC453	S-80830CNNB-G-W	IC		
J1001	NNZ0161-002	CONNECTOR			IC505	K4S641632K-UC75	IC		
J1002	NNZ0161-002	CONNECTOR			IC505	or K4S641632H-UC75	IC		
K1001	NQR0502-001X	FERRITE BEADS			IC509	-----	IC(MICRO C ROM)		
K1002	NQR0502-001X	FERRITE BEADS			IC510	BR24L32F-W-X	IC(DIGITAL)		
K1003	NQR0502-001X	FERRITE BEADS			IC512	TC74LCX373FT-X	IC(DIGITAL)		
K1004	NQR0502-001X	FERRITE BEADS			IC513	TC74LCX373FT-X	IC(DIGITAL)		
K1005	NQR0502-001X	FERRITE BEADS			IC701	AK4387ET-X	IC		
K1006	NQR0502-001X	FERRITE BEADS			IC702	AK4387ET-X	IC		
K1007	NQR0502-001X	FERRITE BEADS			IC703	AK4387ET-X	IC		
K1008	NQR0502-001X	FERRITE BEADS			IC704	AK5358ET-X	IC		
K1009	NRSA63J-0R0X	MG RESISTOR	0Ω 1/16W J		IC704	or AK5358AET-X	IC		
K1010	NRSA63J-0R0X	MG RESISTOR	0Ω 1/16W J		IC705	MM1615AN-X	IC		
K1011	NRSA63J-0R0X	MG RESISTOR	0Ω 1/16W J		IC801	MM1565AF-X	IC		
VA1	NAF0024-001X	ESD SUPPRESSOR	V		Q101	KTA1001/Y/-X	TRANSISTOR		
VA2	NAF0024-001X	ESD SUPPRESSOR	V		Q101	or 2SB1424/R/-W	TRANSISTOR		
VA3	NAF0024-001X	ESD SUPPRESSOR	V		Q102	2SC4617/R/-X	TRANSISTOR		
VA4	NAF0024-001X	ESD SUPPRESSOR	V		Q103	KTA1001/Y/-X	TRANSISTOR		
VA5	NAF0024-001X	ESD SUPPRESSOR	V		Q103	or 2SB1424/R/-W	TRANSISTOR		
VA6	NAF0024-001X	ESD SUPPRESSOR	V		Q104	2SC4617/R/-X	TRANSISTOR		
VA7	NAF0024-001X	ESD SUPPRESSOR	V		Q801	KRA104S-X	DIGI TRANSISTOR		
					Q801	or UN2113-X	TRANSISTOR		
					C101	NCB31CK-104X	C CAPACITOR	0.1uF 16V K	
					C102	NCB31CK-104X	C CAPACITOR	0.1uF 16V K	
					C103	NCB31CK-104X	C CAPACITOR	0.1uF 16V K	
					C104	NCB31CK-104X	C CAPACITOR	0.1uF 16V K	
					C105	NEAF0JM-476X	E CAPACITOR	47uF 6.3V M	
					C106	NBE20JM-226X	TA E CAPACITOR	22uF 6.3V M	
					C107	NCB31CK-104X	C CAPACITOR	0.1uF 16V K	
					C108	NBE20JM-226X	TA E CAPACITOR	22uF 6.3V M	
					C201	NDC31HJ-221X	C CAPACITOR	220pF 50V J	
					C202	NDC31HJ-221X	C CAPACITOR	220pF 50V J	
					C203	NCB31HK-103X	C CAPACITOR	0.01uF 50V K	
					C204	NCB31CK-104X	C CAPACITOR	0.1uF 16V K	
					C205	NCB31HK-271X	C CAPACITOR	270pF 50V K	
					C206	NDC31HJ-151X	C CAPACITOR	150pF 50V J	
					C210	NCF31AZ-105X	C CAPACITOR	1uF 10V Z	
					C211	NCB31HK-223X	C CAPACITOR	0.022uF 50V K	
					C217	NCB31CK-104X	C CAPACITOR	0.1uF 16V K	
					C251	NCB31AK-474X	C CAPACITOR	0.47uF 10V K	
					C256	NCB31CK-104X	C CAPACITOR	0.1uF 16V K	
					C257	NCB31HK-822X	C CAPACITOR	8200pF 50V K	
					C258	NCB31CK-153X	C CAPACITOR	0.015uF 16V K	
					C259	NCB31CK-153X	C CAPACITOR	0.015uF 16V K	
					C260	NCB31HK-223X	C CAPACITOR	0.022uF 50V K	
					C261	NCB31HK-223X	C CAPACITOR	0.022uF 50V K	

DVD module board

Block No. [0][6]

△ Symbol No.	Part No.	Part Name	Description	Local
IC201	LA6502-X	IC		
IC301	MN2DS0018MA	IC		
IC302	MM1701CH-X	IC		
IC303	XC2164A51FM-X	IC		
IC305	MM1563DF-X	IC		
IC453	S-80830CNNB-G-W	IC		
IC505	K4S641632K-UC75	IC		
IC505	or K4S641632H-UC75	IC		
IC509	-----	IC(MICRO C ROM)		
IC510	BR24L32F-W-X	IC(DIGITAL)		
IC512	TC74LCX373FT-X	IC(DIGITAL)		
IC513	TC74LCX373FT-X	IC(DIGITAL)		
IC701	AK4387ET-X	IC		
IC702	AK4387ET-X	IC		
IC703	AK4387ET-X	IC		
IC704	AK5358ET-X	IC		
IC704	or AK5358AET-X	IC		
IC705	MM1615AN-X	IC		
IC801	MM1565AF-X	IC		
Q101	KTA1001/Y/-X	TRANSISTOR		
Q101	or 2SB1424/R/-W	TRANSISTOR		
Q102	2SC4617/R/-X	TRANSISTOR		
Q103	KTA1001/Y/-X	TRANSISTOR		
Q103	or 2SB1424/R/-W	TRANSISTOR		
Q104	2SC4617/R/-X	TRANSISTOR		
Q801	KRA104S-X	DIGI TRANSISTOR		
Q801	or UN2113-X	TRANSISTOR		

△ Symbol No.	Part No.	Part Name	Description	Local	△ Symbol No.	Part No.	Part Name	Description	Local
C262	NCB31HK-223X	C CAPACITOR	0.022uF 50V K		C703	NCB31CK-104X	C CAPACITOR	0.1uF 16V K	
C263	NEAF1CM-107X	E CAPACITOR	100uF 16V M		C704	NEAF0JM-476X	E CAPACITOR	47uF 6.3V M	
C301	NEAF0JM-227X	E CAPACITOR	220uF 6.3V M		C706	NEAF1CM-106X	E CAPACITOR	10uF 16V M	
C302	NEAF0GM-476X	E CAPACITOR	47uF 4V M		C707	NCB31CK-104X	C CAPACITOR	0.1uF 16V K	
C303	NEAF0GM-476X	E CAPACITOR	47uF 4V M		C708	NCB31CK-104X	C CAPACITOR	0.1uF 16V K	
C304	NCB30JK-105X	C CAPACITOR	1uF 6.3V K		C709	NCB31CK-104X	C CAPACITOR	0.1uF 16V K	
C305	NCB31CK-104X	C CAPACITOR	0.1uF 16V K		C711	NCB21CK-105X	C CAPACITOR	1uF 16V K	
C306	NCB31CK-104X	C CAPACITOR	0.1uF 16V K		C712	NCB31HK-103X	C CAPACITOR	0.01uF 50V K	
C307	NCB31CK-104X	C CAPACITOR	0.1uF 16V K		C713	NCB21CK-105X	C CAPACITOR	1uF 16V K	
C309	NCB31CK-104X	C CAPACITOR	0.1uF 16V K		C740	NCB31CK-104X	C CAPACITOR	0.1uF 16V K	
C310	NCB31CK-104X	C CAPACITOR	0.1uF 16V K		C741	NCF31AZ-105X	C CAPACITOR	1uF 10V Z	
C312	NCB31CK-104X	C CAPACITOR	0.1uF 16V K		C742	NCB31CK-104X	C CAPACITOR	0.1uF 16V K	
C313	NCB31CK-104X	C CAPACITOR	0.1uF 16V K		C743	NCB31CK-104X	C CAPACITOR	0.1uF 16V K	
C314	NCB31CK-104X	C CAPACITOR	0.1uF 16V K		C744	NEAF1CM-106X	E CAPACITOR	10uF 16V M	
C315	NCB31CK-104X	C CAPACITOR	0.1uF 16V K		C745	NEAF1CM-106X	E CAPACITOR	10uF 16V M	
C316	NCB31CK-104X	C CAPACITOR	0.1uF 16V K		C801	NCB21CK-105X	C CAPACITOR	1uF 16V K	
C318	NCB31CK-104X	C CAPACITOR	0.1uF 16V K		C802	NCB21AK-225X	C CAPACITOR	2.2uF 10V K	
C319	NCB31CK-104X	C CAPACITOR	0.1uF 16V K		C803	NEAF0JM-227X	E CAPACITOR	220uF 6.3V M	
C320	NCB31CK-104X	C CAPACITOR	0.1uF 16V K		C804	NCB31HK-471X	C CAPACITOR	470pF 50V K	
C321	NCB31CK-104X	C CAPACITOR	0.1uF 16V K						
C322	NCB31CK-104X	C CAPACITOR	0.1uF 16V K		R101	NRSA63J-101X	MG RESISTOR	100Ω 1/16W J	
C323	NCB31CK-104X	C CAPACITOR	0.1uF 16V K		R102	NRSA63J-101X	MG RESISTOR	100Ω 1/16W J	
C324	NCB30JK-105X	C CAPACITOR	1uF 6.3V K		R103	NRSA63J-562X	MG RESISTOR	5.6kΩ 1/16W J	
C325	NDC31HJ-120X	C CAPACITOR	12pF 50V J		R104	NRSA63J-432X	MG RESISTOR	4.3kΩ 1/16W J	
C326	NDC31HJ-100X	C CAPACITOR	10pF 50V J		R105	NRS181J-180X	MG RESISTOR	18Ω 1/8W J	
C328	NCB31HK-103X	C CAPACITOR	0.01uF 50V K		R106	NRSA63J-2R2X	MG RESISTOR	2.2Ω 1/16W J	
C330	NCB31CK-104X	C CAPACITOR	0.1uF 16V K		R107	NRSA63J-102X	MG RESISTOR	1kΩ 1/16W J	
C331	NCB31CK-333X	C CAPACITOR	0.033uF 16V K		R108	NRSA63J-471X	MG RESISTOR	470Ω 1/16W J	
C332	NCB31CK-104X	C CAPACITOR	0.1uF 16V K		R109	NRSA63J-331X	MG RESISTOR	330Ω 1/16W J	
C333	NCB31CK-104X	C CAPACITOR	0.1uF 16V K		R111	NRSA63J-562X	MG RESISTOR	5.6kΩ 1/16W J	
C334	NCB31CK-104X	C CAPACITOR	0.1uF 16V K		R112	NRSA63J-432X	MG RESISTOR	4.3kΩ 1/16W J	
C335	NCB31CK-104X	C CAPACITOR	0.1uF 16V K		R113	NRS181J-180X	MG RESISTOR	18Ω 1/8W J	
C337	NCB31CK-183X	C CAPACITOR	0.018uF 16V K		R114	NRSA63J-2R2X	MG RESISTOR	2.2Ω 1/16W J	
C338	NCB31HK-562X	C CAPACITOR	5600pF 50V K		R115	NRSA63J-102X	MG RESISTOR	1kΩ 1/16W J	
C339	NBE20JM-106X	TA E CAPACITOR	10uF 6.3V M		R116	NRSA63J-471X	MG RESISTOR	470Ω 1/16W J	
C340	NCB30JK-105X	C CAPACITOR	1uF 6.3V K		R117	NRSA63J-331X	MG RESISTOR	330Ω 1/16W J	
C341	NCB30JK-105X	C CAPACITOR	1uF 6.3V K		R125	NRSA63J-1R0X	MG RESISTOR	1Ω 1/16W J	
C345	NCB31CK-104X	C CAPACITOR	0.1uF 16V K		R127	NRSA63J-432X	MG RESISTOR	4.3kΩ 1/16W J	
C347	NCB31CK-104X	C CAPACITOR	0.1uF 16V K		R128	NRSA63J-562X	MG RESISTOR	5.6kΩ 1/16W J	
C348	NCB31CK-104X	C CAPACITOR	0.1uF 16V K		R201	NRSA63J-471X	MG RESISTOR	470Ω 1/16W J	
C349	NCB31CK-104X	C CAPACITOR	0.1uF 16V K		R202	NRSA63J-102X	MG RESISTOR	1kΩ 1/16W J	
C350	NCB31HK-103X	C CAPACITOR	0.01uF 50V K		R204	NRSA63J-273X	MG RESISTOR	27kΩ 1/16W J	
C351	NCB31HK-103X	C CAPACITOR	0.01uF 50V K		R205	NRSA63J-273X	MG RESISTOR	27kΩ 1/16W J	
C352	NCB31CK-153X	C CAPACITOR	0.015uF 16V K		R206	NRSA63J-303X	MG RESISTOR	30kΩ 1/16W J	
C353	NCB31HK-561X	C CAPACITOR	560pF 50V K		R207	NRSA63J-473X	MG RESISTOR	47kΩ 1/16W J	
C354	NCB31HK-561X	C CAPACITOR	560pF 50V K		R213	NRSA63J-103X	MG RESISTOR	10kΩ 1/16W J	
C356	NCB30JK-105X	C CAPACITOR	1uF 6.3V K		R214	NRSA63J-103X	MG RESISTOR	10kΩ 1/16W J	
C359	NCB30JK-105X	C CAPACITOR	1uF 6.3V K		R219	NRSA63J-183X	MG RESISTOR	18kΩ 1/16W J	
C370	NCB31CK-104X	C CAPACITOR	0.1uF 16V K		R220	NRSA63J-243X	MG RESISTOR	24kΩ 1/16W J	
C371	NCF31AZ-105X	C CAPACITOR	1uF 10V Z		R221	NRSA63J-682X	MG RESISTOR	6.8kΩ 1/16W J	
C372	NCB31CK-104X	C CAPACITOR	0.1uF 16V K		R251	NRS125J-R39X	MG RESISTOR	0.39Ω 1/2W J	
C373	NCB31CK-104X	C CAPACITOR	0.1uF 16V K		R259	NRSA63J-103X	MG RESISTOR	10kΩ 1/16W J	
C374	NCB31CK-104X	C CAPACITOR	0.1uF 16V K		R300	NRSA63J-0R0X	MG RESISTOR	0Ω 1/16W J	
C375	NCB31CK-104X	C CAPACITOR	0.1uF 16V K		R301	NRSA63J-0R0X	MG RESISTOR	0Ω 1/16W J	
C378	NCB31CK-104X	C CAPACITOR	0.1uF 16V K		R302	NRSA63J-0R0X	MG RESISTOR	0Ω 1/16W J	
C379	NCB31CK-104X	C CAPACITOR	0.1uF 16V K		R303	NRSA63J-220X	MG RESISTOR	22Ω 1/16W J	
C380	NCB21CK-105X	C CAPACITOR	1uF 16V K		R304	NRSA63J-432X	MG RESISTOR	4.3kΩ 1/16W J	
C381	NCB21AK-225X	C CAPACITOR	2.2uF 10V K		R305	NRSA63J-101X	MG RESISTOR	100Ω 1/16W J	
C382	NCB31HK-471X	C CAPACITOR	470pF 50V K		R306	NRSA63J-102X	MG RESISTOR	1kΩ 1/16W J	
C383	NCB31CK-104X	C CAPACITOR	0.1uF 16V K		R307	NRSA63J-102X	MG RESISTOR	1kΩ 1/16W J	
C391	NEAF0JM-227X	E CAPACITOR	220uF 6.3V M		R309	NRSA63J-104X	MG RESISTOR	100kΩ 1/16W J	
C392	NCB31CK-104X	C CAPACITOR	0.1uF 16V K		R310	NRSA63J-101X	MG RESISTOR	100Ω 1/16W J	
C393	NCB31HK-103X	C CAPACITOR	0.01uF 50V K		R311	NRSA63J-331X	MG RESISTOR	330Ω 1/16W J	
C455	NCB31HK-103X	C CAPACITOR	0.01uF 50V K		R312	NRSA63J-331X	MG RESISTOR	330Ω 1/16W J	
C551	NCB31CK-104X	C CAPACITOR	0.1uF 16V K		R314	NRSA63J-0R0X	MG RESISTOR	0Ω 1/16W J	
C552	NCB31CK-104X	C CAPACITOR	0.1uF 16V K		R316	NRSA63J-102X	MG RESISTOR	1kΩ 1/16W J	
C553	NCB31CK-104X	C CAPACITOR	0.1uF 16V K		R318	NRSA63J-220X	MG RESISTOR	22Ω 1/16W J	
C554	NCB31CK-104X	C CAPACITOR	0.1uF 16V K		R322	NRSA63J-331X	MG RESISTOR	330Ω 1/16W J	
C555	NCB31CK-104X	C CAPACITOR	0.1uF 16V K		R323	NRSA63J-331X	MG RESISTOR	330Ω 1/16W J	
C557	NCB31HK-102X	C CAPACITOR	1000pF 50V K		R324	NRSA63J-331X	MG RESISTOR	330Ω 1/16W J	
C558	NBE20JM-226X	TA E CAPACITOR	22uF 6.3V M		R325	NRSA63J-331X	MG RESISTOR	330Ω 1/16W J	
C559	NCB31CK-104X	C CAPACITOR	0.1uF 16V K		R326	NRSA63J-103X	MG RESISTOR	10kΩ 1/16W J	
C560	NCB31CK-104X	C CAPACITOR	0.1uF 16V K		R327	NRSA63J-101X	MG RESISTOR	100Ω 1/16W J	
C562	NCF31AZ-105X	C CAPACITOR	1uF 10V Z		R332	NRSA63J-331X	MG RESISTOR	330Ω 1/16W J	
C563	NCB31CK-104X	C CAPACITOR	0.1uF 16V K		R333	NRSA63J-331X	MG RESISTOR	330Ω 1/16W J	
C564	NCB31CK-104X	C CAPACITOR	0.1uF 16V K		R334	NRSA63J-0R0X	MG RESISTOR	0Ω 1/16W J	
C701	NCB31CK-104X	C CAPACITOR	0.1uF 16V K		R335	NRSA63J-0R0X	MG RESISTOR	0Ω 1/16W J	
C702	NCB31CK-104X	C CAPACITOR	0.1uF 16V K		R336	NRSA63J-0R0X	MG RESISTOR	0Ω 1/16W J	

△ Symbol No.	Part No.	Part Name	Description	Local	△ Symbol No.	Part No.	Part Name	Description	Local
R337	NRSA63J-0R0X	MG RESISTOR	0Ω 1/16W J		R921	NRSA63J-472X	MG RESISTOR	4.7kΩ 1/16W J	
R338	NRSA63J-0R0X	MG RESISTOR	0Ω 1/16W J		R922	NRSA63J-472X	MG RESISTOR	4.7kΩ 1/16W J	
R339	NRSA63J-0R0X	MG RESISTOR	0Ω 1/16W J		CN101	QGF0523F3-24W	CONNECTOR	FFC/FPC (1-24)	
R340	NRSA63D-303X	MG RESISTOR	30kΩ 1/16W D		CN201	QGF1037F3-08W	CONNECTOR	FFC/FPC (1-8)	
R341	NRSA63D-512X	MG RESISTOR	5.1kΩ 1/16W D		CN701	QGF1016F8-26W	CONNECTOR	FFC/FPC (1-26)	
R342	NRSA63D-222X	MG RESISTOR	2.2kΩ 1/16W D		CN702	QGF1016C6-18W	CONNECTOR	FFC/FPC (1-18)	
R345	NRSA63J-221X	MG RESISTOR	220Ω 1/16W J		CN801	QGF1016C6-09W	CONNECTOR	FFC/FPC (1-9)	
R346	NRSA63J-223X	MG RESISTOR	22kΩ 1/16W J		CN811	QGA2001F6-05X	CONNECTOR	W-B (1-5)	
R347	NRSA63J-203X	MG RESISTOR	20kΩ 1/16W J		CN901	QGB2027MC-26X	CONNECTOR	B-B (1-26)	
R348	NRSA63J-0R0X	MG RESISTOR	0Ω 1/16W J		K101	NQR0502-001X	FERRITE BEADS		
R351	NRSA63J-331X	MG RESISTOR	330Ω 1/16W J		K351	NQR0502-001X	FERRITE BEADS		
R352	NRSA63J-105X	MG RESISTOR	1MΩ 1/16W J		K352	NQR0502-001X	FERRITE BEADS		
R353	NRSA63J-101X	MG RESISTOR	100Ω 1/16W J		K353	NQR0502-001X	FERRITE BEADS		
R354	NRSA63J-221X	MG RESISTOR	220Ω 1/16W J		K354	NQR0022-002X	FERRITE BEADS		
R355	NRSA63J-221X	MG RESISTOR	220Ω 1/16W J		K355	NQR0022-002X	FERRITE BEADS		
R356	NRSA63J-221X	MG RESISTOR	220Ω 1/16W J		K360	NQR0360-002X	COIL		
R357	NRSA63J-221X	MG RESISTOR	220Ω 1/16W J		K361	NQR0360-002X	COIL		
R358	NRSA63J-221X	MG RESISTOR	220Ω 1/16W J		K362	NQR0360-002X	COIL		
R359	NRSA63J-221X	MG RESISTOR	220Ω 1/16W J		K363	NQR0360-002X	COIL		
R360	NRSA63J-221X	MG RESISTOR	220Ω 1/16W J		K364	NQR0360-002X	COIL		
R361	NRSA63J-103X	MG RESISTOR	10kΩ 1/16W J		K365	NQR0360-002X	COIL		
R362	NRSA63J-470X	MG RESISTOR	47Ω 1/16W J		K366	NQR0360-002X	COIL		
R364	NRSA63J-221X	MG RESISTOR	220Ω 1/16W J		K367	NQR0360-002X	COIL		
R365	NRSA63J-221X	MG RESISTOR	220Ω 1/16W J		K370	NQR0360-002X	COIL		
R367	NRSA63J-221X	MG RESISTOR	220Ω 1/16W J		K501	NQR0502-001X	FERRITE BEADS		
R369	NRSA63J-103X	MG RESISTOR	10kΩ 1/16W J		K701	NQR0022-002X	FERRITE BEADS		
R370	NRSA63J-221X	MG RESISTOR	220Ω 1/16W J		K702	NQR0022-002X	FERRITE BEADS		
R371	NRSA63J-103X	MG RESISTOR	10kΩ 1/16W J		K703	NQR0022-002X	FERRITE BEADS		
R372	NRSA63J-103X	MG RESISTOR	10kΩ 1/16W J		K704	NQR0022-002X	FERRITE BEADS		
R373	NRSA63J-103X	MG RESISTOR	10kΩ 1/16W J		K705	NQR0022-002X	FERRITE BEADS		
R374	NRSA63J-221X	MG RESISTOR	220Ω 1/16W J		K706	NQR0022-005X	FERRITE BEADS		
R375	NRSA63J-471X	MG RESISTOR	470Ω 1/16W J		K707	NQR0022-002X	FERRITE BEADS		
R376	NRSA63J-102X	MG RESISTOR	1kΩ 1/16W J		K708	NQR0022-002X	FERRITE BEADS		
R377	NRSA63J-101X	MG RESISTOR	100Ω 1/16W J		K709	NQR0022-002X	FERRITE BEADS		
R380	NRSA63J-151X	MG RESISTOR	150Ω 1/16W J		K710	NQR0022-002X	FERRITE BEADS		
R381	NRSA63J-151X	MG RESISTOR	150Ω 1/16W J		K711	NQR0022-002X	FERRITE BEADS		
R382	NRSA63J-151X	MG RESISTOR	150Ω 1/16W J		K720	NQR0022-002X	FERRITE BEADS		
R383	NRSA63J-101X	MG RESISTOR	100Ω 1/16W J		K721	NRSA63J-0R0X	MG RESISTOR	0Ω 1/16W J	
R384	NRSA63J-102X	MG RESISTOR	1kΩ 1/16W J		K722	NRSA63J-0R0X	MG RESISTOR	0Ω 1/16W J	
R385	NRSA63J-102X	MG RESISTOR	1kΩ 1/16W J		K726	NRSA63J-0R0X	MG RESISTOR	0Ω 1/16W J	
R386	NRSA63J-151X	MG RESISTOR	150Ω 1/16W J		K811	NRSA63J-0R0X	MG RESISTOR	0Ω 1/16W J	
R387	NRSA63J-151X	MG RESISTOR	150Ω 1/16W J		K812	NRSA63J-0R0X	MG RESISTOR	0Ω 1/16W J	
R388	NRSA63J-151X	MG RESISTOR	150Ω 1/16W J		K912	NQR0502-001X	FERRITE BEADS		
R389	NRSA63J-151X	MG RESISTOR	150Ω 1/16W J		TH301	NAD0025-103X	N THERMISTOR	10kΩ	
R390	NRSA63J-151X	MG RESISTOR	150Ω 1/16W J		X301	NAX0741-001X	CRYSTAL	27.000MHz	
R392	NRSA63J-103X	MG RESISTOR	10kΩ 1/16W J		X302	NAX0376-002X	CRYSTAL		
R458	NRSA63J-102X	MG RESISTOR	1kΩ 1/16W J						
R531	NRSA63J-103X	MG RESISTOR	10kΩ 1/16W J						
R535	NRSA63J-473X	MG RESISTOR	47kΩ 1/16W J						
R541	NRSA63J-472X	MG RESISTOR	4.7kΩ 1/16W J						
R542	NRSA63J-472X	MG RESISTOR	4.7kΩ 1/16W J						
R701	NRSA63J-2R2X	MG RESISTOR	2.2Ω 1/16W J						
R714	NRSA63J-101X	MG RESISTOR	100Ω 1/16W J						
R715	NRSA63J-101X	MG RESISTOR	100Ω 1/16W J						
R716	NRSA63J-222X	MG RESISTOR	2.2kΩ 1/16W J						
R718	NRSA63J-473X	MG RESISTOR	47kΩ 1/16W J						
R719	NRSA63J-473X	MG RESISTOR	47kΩ 1/16W J						
R721	NRSA63J-471X	MG RESISTOR	470Ω 1/16W J						
R722	NRSA63J-0R0X	MG RESISTOR	0Ω 1/16W J						
R723	NRSA63J-471X	MG RESISTOR	470Ω 1/16W J						
R724	NRSA63J-471X	MG RESISTOR	470Ω 1/16W J						
R725	NRSA63J-471X	MG RESISTOR	470Ω 1/16W J						
R726	NRSA63J-0R0X	MG RESISTOR	0Ω 1/16W J						
R727	NRSA63J-471X	MG RESISTOR	470Ω 1/16W J						
R728	NRSA63J-471X	MG RESISTOR	470Ω 1/16W J						
R730	NRSA63J-331X	MG RESISTOR	330Ω 1/16W J						
R731	NRSA63J-102X	MG RESISTOR	1kΩ 1/16W J						
R732	NRSA63J-102X	MG RESISTOR	1kΩ 1/16W J						
R741	NRSA63J-0R0X	MG RESISTOR	0Ω 1/16W J						
R742	NRSA63J-5R1X	MG RESISTOR	5.1Ω 1/16W J						
R811	NRS181J-330X	MG RESISTOR	33Ω 1/8W J						
R812	NRS181J-330X	MG RESISTOR	33Ω 1/8W J						
R813	NRSA63J-153X	MG RESISTOR	15kΩ 1/16W J						
R814	NRSA63J-153X	MG RESISTOR	15kΩ 1/16W J						
R819	NRSA63J-0R0X	MG RESISTOR	0Ω 1/16W J						
R859	NRSA63J-102X	MG RESISTOR	1kΩ 1/16W J						
R860	NRSA63J-102X	MG RESISTOR	1kΩ 1/16W J						
R861	NRSA63J-473X	MG RESISTOR	47kΩ 1/16W J						

DVD loading switch board

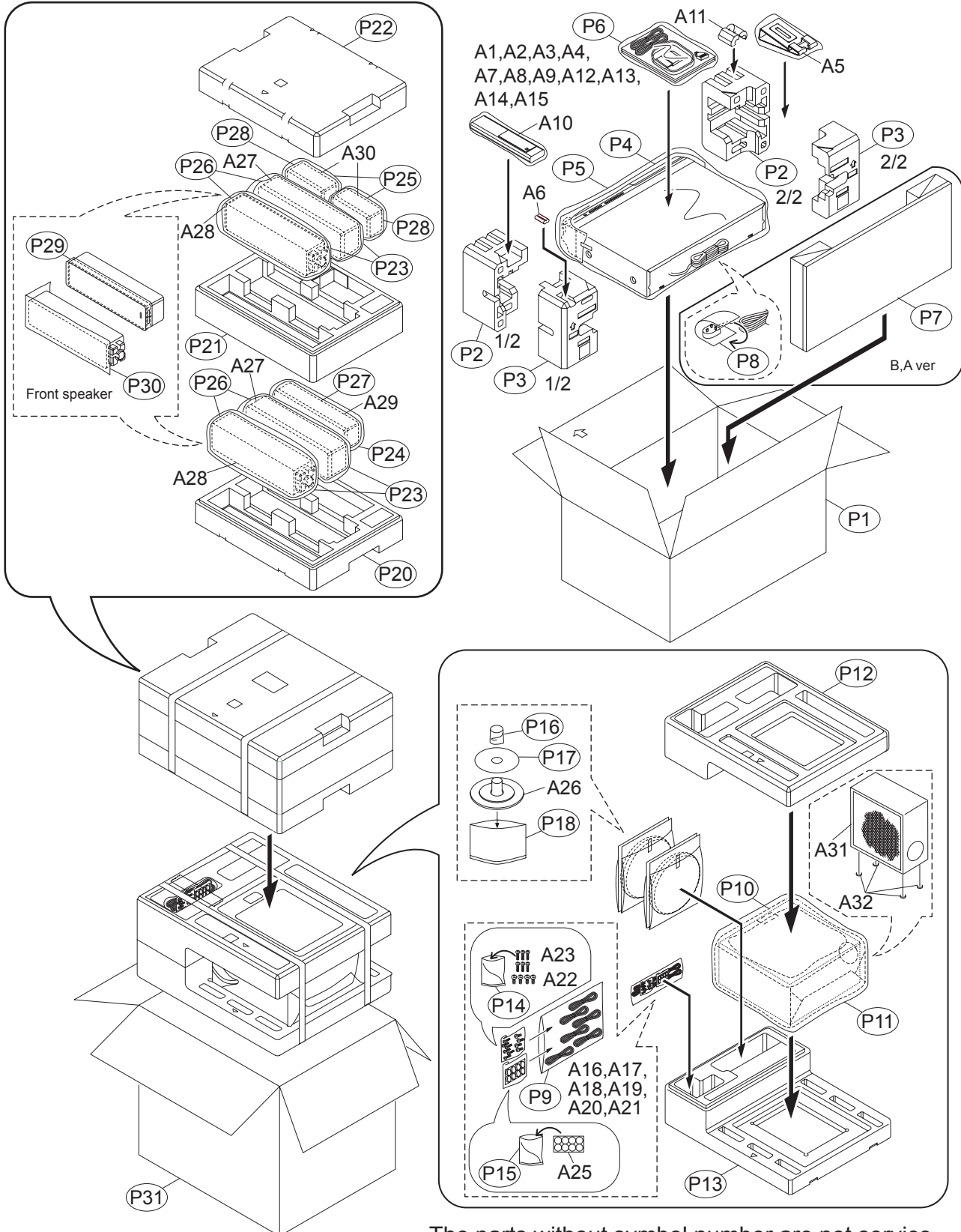
Block No. [0][7]

△ Symbol No.	Part No.	Part Name	Description	Local
CN1	QGF1016F9-05	CONNECTOR	FFC/FPC (1-5)	
S1	QSW1074-001	DETECT SWITCH		

Packing materials and accessories parts list

Block No. **M 3 M M**

No additional / supplemental order of WARRANTY CARDS are available.



The parts without symbol number are not service.

Packing and Accessories

Block No. [M][3][M][M]

△	Symbol No.	Part No.	Part Name	Description	Local
	A 1	LVT1704-003B	INST BOOK	ENG	B
	A 1	LVT1704-004A	INST BOOK	GER FRE	E
	A 1	LVT1704-006A	INST BOOK	DAN FIN SWE	EN
	A 1	LVT1704-008A	INST BOOK	HUN CZE POL	EV
	A 1	LVT1704-019A	INST BOOK	ENG	A
	A 1	LVT1704-011A	INST BOOK	ENG	US,UX,UG
	A 2	LVT1704-005A	INST BOOK	ITA DAN	E
	A 2	LVT1704-007A	INST BOOK	SPA POR	EN
	A 2	LVT1704-012A	INST BOOK	CHI(PEKIN)	US
	A 2	LVT1704-013A	INST BOOK	ARA PER	UX,UG
	A 3	-----	WARRANTY CARD	BT-54032-1	B,E,EN,EV
	A 3	-----	WARRANTY CARD	BT-56016-1	A
	A 4	LVT1755-001A	SHEET		B,E,EN
	A 4	LVT1755-002A	SHEET		EV
	A 4	LVT1721-002A	SHEET		A,US,UX,UG
	A 5	LV37205-003A	STAND ASSY		B,E,EN,EV
	A 5	LV37205-002A	STAND ASSY		A,US,UX,UG
	A 6	-----	BATTERY	(x2)	
	A 7	QAL0457-001	ANT.WIRE		
	A 8	QAL0014-003	AM LOOP ANT		
	A 9	QAM0955-002	iPod CABLE		B,E,EN,EV
	A 9	QAM0955-001	iPod CABLE		A,US,UX,UG
	A 10	RM-STHD7R	REMCON UNIT		B,E,EN,EV
	A 10	RM-STHD7A	REMCON UNIT		A
	A 10	RM-STHD7U	REMCON UNIT		US,UX,UG
△	A 11	QQR0491-002	FERRITE CORE	TDK (BLACK)	
	A 12	VNA3000-204	REGIST CARD		B
△	A 13	QAM0112-002	CONVERSION PLUG		US
	A 14	QAM0944-001	PIN CABLE		US,UX,UG
	A 15	-----	WARRANTY CARD	BT-56017-1	A
	A 16	6200045901	SPK CORD-C		
	A 17	6200045911	SPK CORD-FR		
	A 18	6200045921	SPK CORD-FL		
	A 19	6200045931	SPK CORD-SR		
	A 20	6200045941	SPK CORD-SL		
	A 21	6200047501	SPEAKER CORD-SW		
	A 22	7010942504	SCREW	(x4)	
	A 23	7015011501	SCREW	(x6)	
	A 25	9000009301	FOOT		
	A 26	9900027201	FOOT STAND ASSY	(x2)	
	A 27	AB077030-01B	SPK WITH BOX-F	(x2)	
	A 28	AB077030-01SS	STAND ASSY	(x2)	
	A 29	AB077028-01	SPK WITH BOX-C		
	A 30	AB077029-01	SPK WITH BOX-S	(x2)	
	A 31	QAS0516-001	SPK WITH BOX-WO		
	A 32	9000006301	FOOT	(x4)	
	P 1	LV37599-019A	CARTON BOX		B
	P 1	LV37599-010A	CARTON BOX		E,EN,EV
	P 1	LV37599-012A	CARTON BOX		A
	P 1	LV37599-011A	CARTON BOX		US,UX,UG
	P 2	GN10127-204A	PACKING PAD(F)		
	P 3	GN10128-203A	PACKING PAD (R)		
	P 4	QPH01404905H	POLY SHEET	14cm x 49cm	
	P 5	QPC06506515PB	POLY BAG	65cm x 65cm	
	P 6	QPA02503503PB	POLY BAG	25cm x 35cm	
	P 7	LV34107-008A	PACKING SHEET		B,A
	P 8	QPJ01203040	POLY SHEET	12cm x 30cm	B,A
	P 9	8500032771	POLY BAG		
	P 10	8500066161	MIRROR MAT SHEET		
	P 11	8500066951	POLY BAG		
	P 12	LV11433-001A	TOP CUSHION		
	P 13	LV11433-002A	BOTTOM CUSHION		
	P 14	8500047151	POLY BAG		
	P 15	8500047111	POLY BAG		
	P 16	8500067561	MIRROR MAT SHEET	(x2)	
	P 17	8500068001	MIRROR MAT SHEET	(x2)	
	P 18	8500067931	POLY BAG	(x2)	
	P 20	LV11432-001A	CUSHION-A		
	P 21	LV11432-002A	CUSHION-B		
	P 22	LV11432-003A	CUSHION-C		
	P 23	8500067901	POLY BAG	(x4)	
	P 24	8500067911	POLY BAG		
	P 25	8500067921	POLY BAG	(x2)	
	P 26	8500067801	MIRROR SHEET	(x4)	

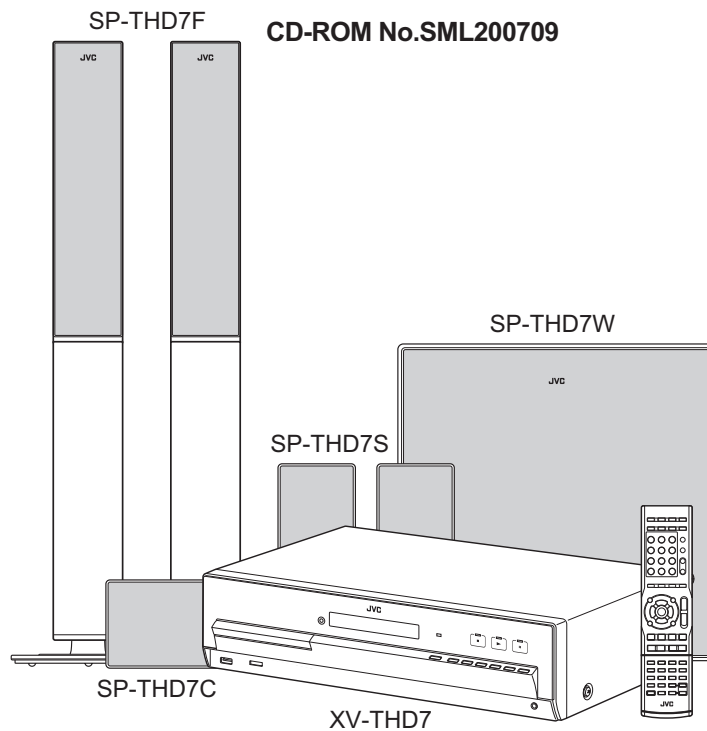
Symbol No.	Part No.	Part Name	Description	Local
P 27	8500067811	MIRROR SHEET		
P 28	8500067821	MIRROR SHEET	(x2)	
P 29	8500067551	NYLON SHEET	(x2)	
P 30	8500067571	NYLON SHEET	(x2)	
P 31	LV35831-0C7A	PACKING CASE		B,E,EN,EV
P 31	LV35831-0C8A	PACKING CASE		A,US,UX,UG

JVC

SCHEMATIC DIAGRAMS

DVD DIGITAL CINEMA SYSTEM

TH-D7B, TH-D7E, TH-D7EN, TH-D7EV TH-D7A, TH-D7US, TH-D7UX, TH-D7UG



HDMI



MPEG-4
ASF PLAYBACK

Radio Data System
B, E, EN, EV only

Digital Direct Progressive Scan

Lead free solder used in the board (material : Sn-Ag-Cu, melting point : 219 Centigrade)

Lead free solder used in the board (material : Sn-Cu, melting point : 230 Centigrade)

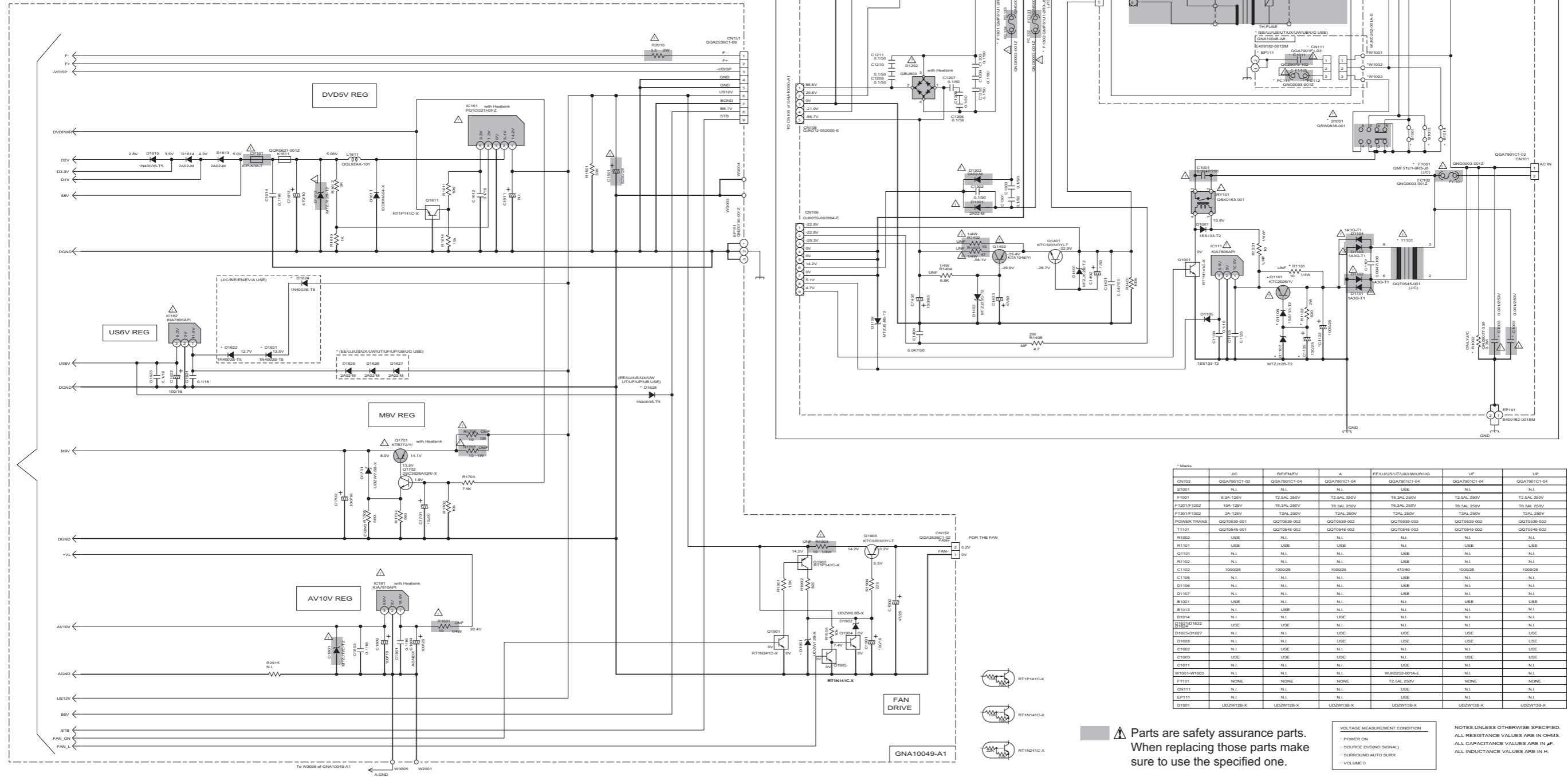
Contents

Block diagrams	2-1
Standard schematic diagrams	2-2
Printed circuit boards	2-15 to 20

In regard with component parts appearing on the silk-screen printed side (parts side) of the PWB diagrams, the parts that are printed over with black such as the resistor (■), diode (▣) and ICP (●) or identified by the "▲" mark nearby are critical for safety.

Standard schematic diagrams

Primary/Regulator section



* Marks

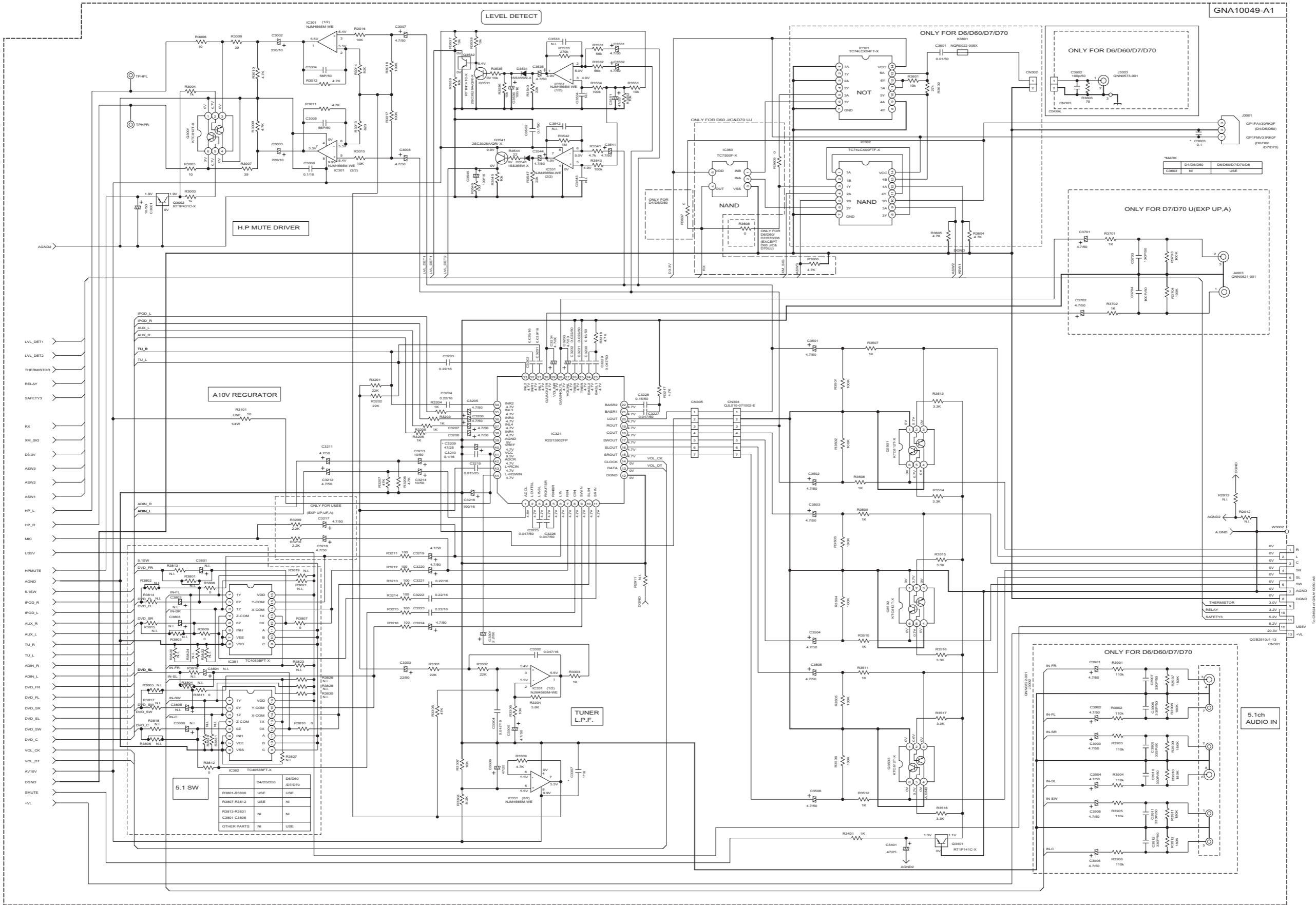
	JIC	BE/E/NE/V	A	EE/AA/UB/UT/AX/UX/W/UB/UG	UF	UP
CN102	GGA7901C1-02	GGA7901C1-04	GGA7901C1-04	GGA7901C1-04	GGA7901C1-04	GGA7901C1-04
S1001	N.L.	N.L.	N.L.	USE	N.L.	N.L.
S1002	8.3A-125V	T2.5AL-250V	T2.5AL-250V	T6.3AL-250V	T2.5AL-250V	T2.5AL-250V
F1201F1202	15A-125V	T6.3AL-250V	T6.3AL-250V	T6.3AL-250V	T6.3AL-250V	T6.3AL-250V
F1301F1302	2A-125V	T2AL-250V	T2AL-250V	T2AL-250V	T2AL-250V	T2AL-250V
POWER TRANS	GQT0539-001	GQT0539-002	GQT0539-002	GQT0539-002	GQT0539-002	GQT0539-002
T1101	GQT0545-001	GQT0545-002	GQT0545-002	GQT0545-002	GQT0545-002	GQT0545-002
R1002	USE	N.L.	N.L.	N.L.	N.L.	N.L.
R1101	USE	USE	USE	N.L.	USE	USE
Q1101	N.L.	N.L.	N.L.	USE	N.L.	N.L.
R1102	N.L.	N.L.	N.L.	USE	N.L.	N.L.
C1102	1000025	1000025	1000025	47000	1000025	1000025
C1105	N.L.	N.L.	N.L.	USE	N.L.	N.L.
D1106	N.L.	N.L.	N.L.	USE	N.L.	N.L.
D1107	N.L.	N.L.	N.L.	USE	N.L.	N.L.
S1001	USE	N.L.	N.L.	USE	USE	USE
S1013	N.L.	USE	N.L.	N.L.	N.L.	N.L.
S1014	N.L.	N.L.	USE	N.L.	N.L.	N.L.
D1102-D11022	USE	USE	N.L.	N.L.	N.L.	N.L.
D1625-D1627	N.L.	N.L.	USE	USE	USE	USE
D1628	N.L.	N.L.	USE	USE	USE	USE
C1002	N.L.	USE	N.L.	N.L.	N.L.	USE
C1003	USE	USE	USE	N.L.	USE	USE
C1011	N.L.	N.L.	USE	N.L.	N.L.	N.L.
W1001-W1003	N.L.	N.L.	N.L.	WJ00232-01A1.E	N.L.	N.L.
F1101	NONE	NONE	NONE	T2.5AL-250V	NONE	NONE
CN111	N.L.	N.L.	N.L.	USE	N.L.	N.L.
EP111	N.L.	N.L.	N.L.	USE	N.L.	N.L.
D1901	UDZV12B-X	UDZV12B-X	UDZV13B-X	UDZV13B-X	UDZV13B-X	UDZV13B-X

⚠ Parts are safety assurance parts. When replacing those parts make sure to use the specified one.

VOLTAGE MEASUREMENT CONDITION
 - POWER ON
 - SOURCE DIVING SIGNAL
 - SURROUND/AUTO SURR
 - VOLUME 0

NOTES: UNLESS OTHERWISE SPECIFIED, ALL RESISTANCE VALUES ARE IN OHMS. ALL CAPACITANCE VALUES ARE IN μF. ALL INDUCTANCE VALUES ARE IN H.

■ Master volume IC section



H.P. MUTE DRIVER

LEVEL DETECT

A10V REGULATOR

TUNER L.P.F.

5.1 SW

	D4/D5/D60	D6/D60	D7/D70
R3001-R3008	USE	USE	
R3007-R3012	USE	NI	
R3013-R3031	NI	NI	
C3007-C3008	NI	USE	
OTHER PARTS	NI	USE	

GNA10049-A1

ONLY FOR D6/D60/D7/D70

ONLY FOR D6/D60/D7/D70

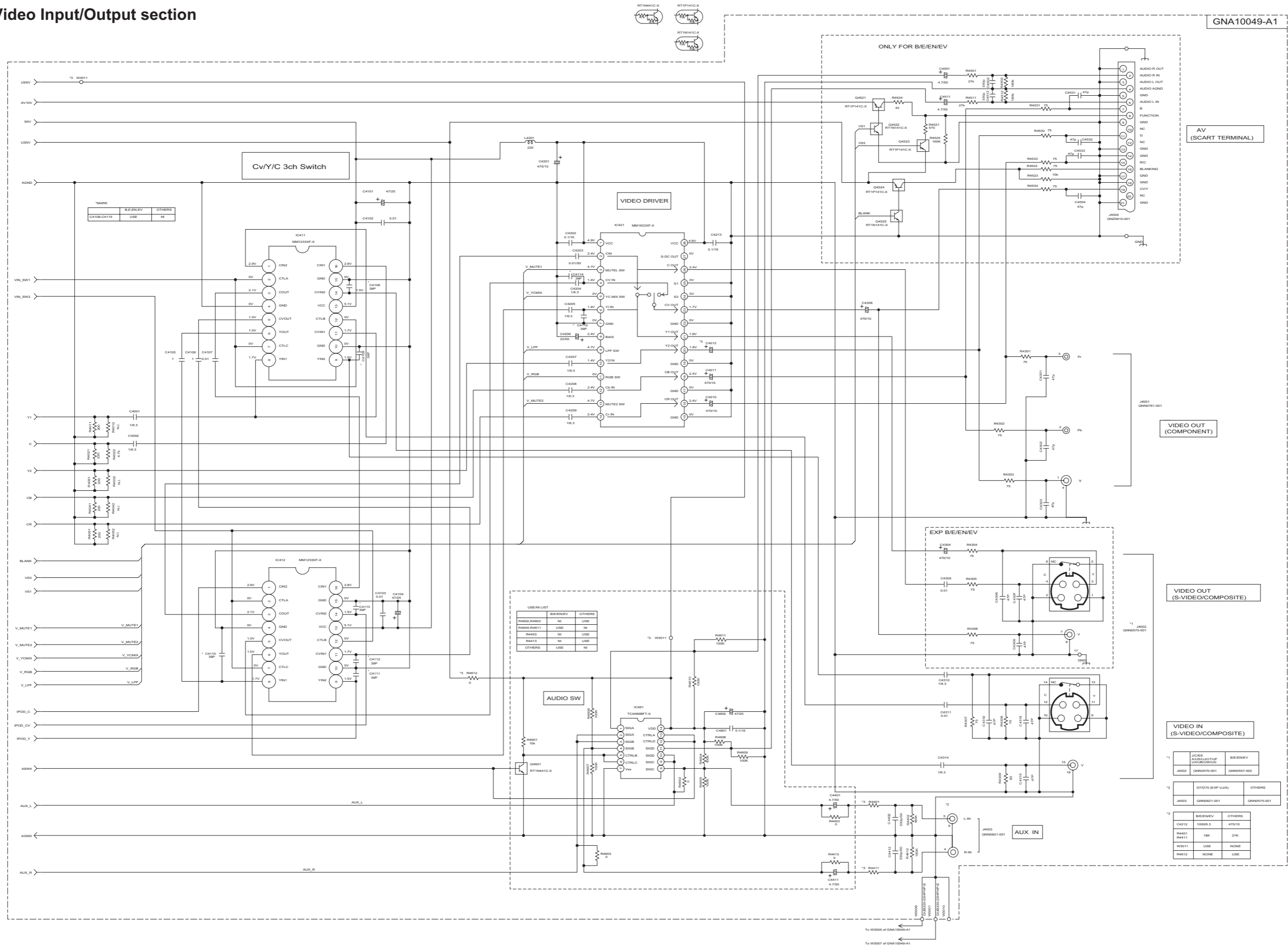
ONLY FOR D7/D70 U(EXP UP.A)

ONLY FOR D6/D60/D7/D70

5.1ch AUDIO IN

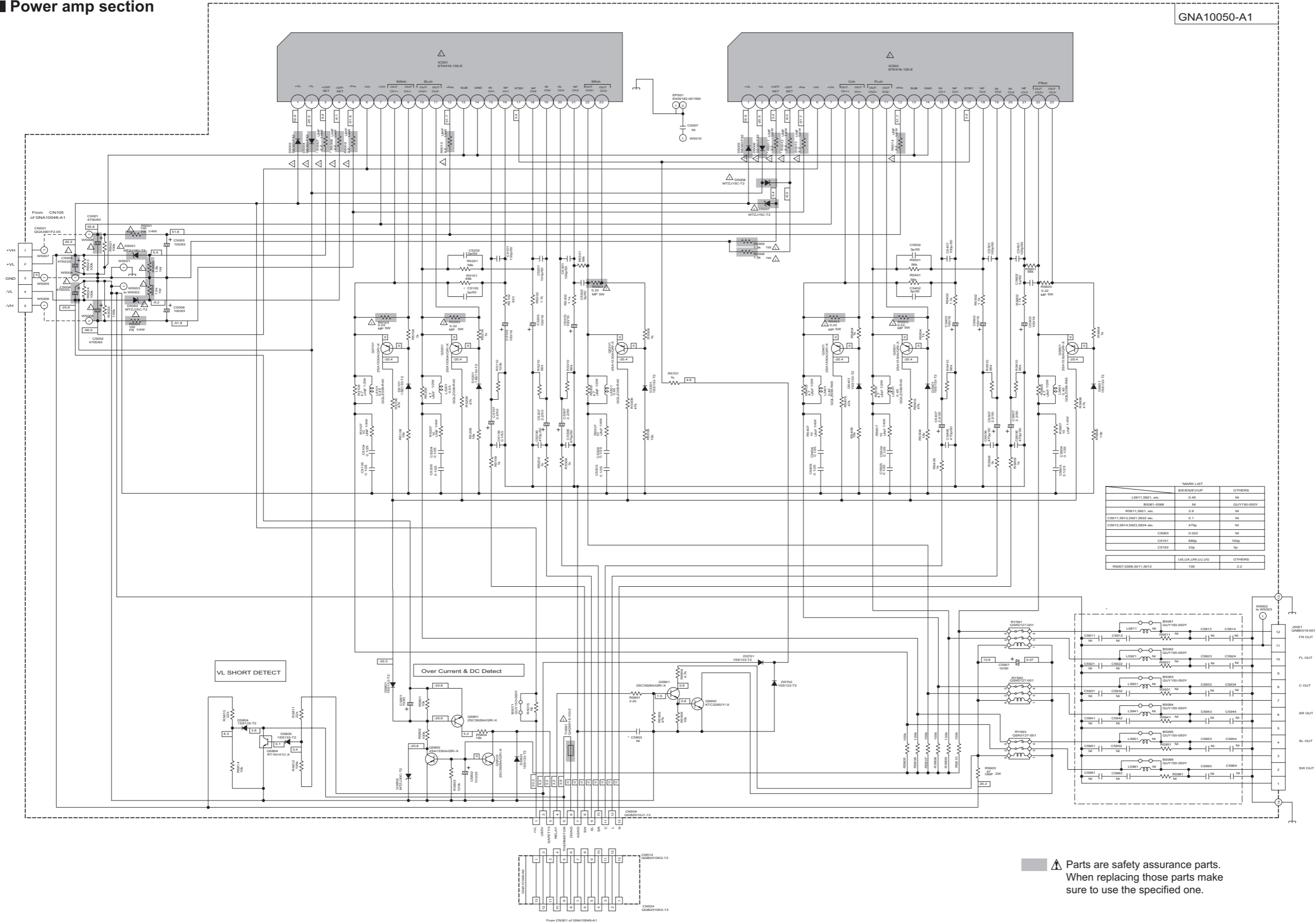


Video Input/Output section



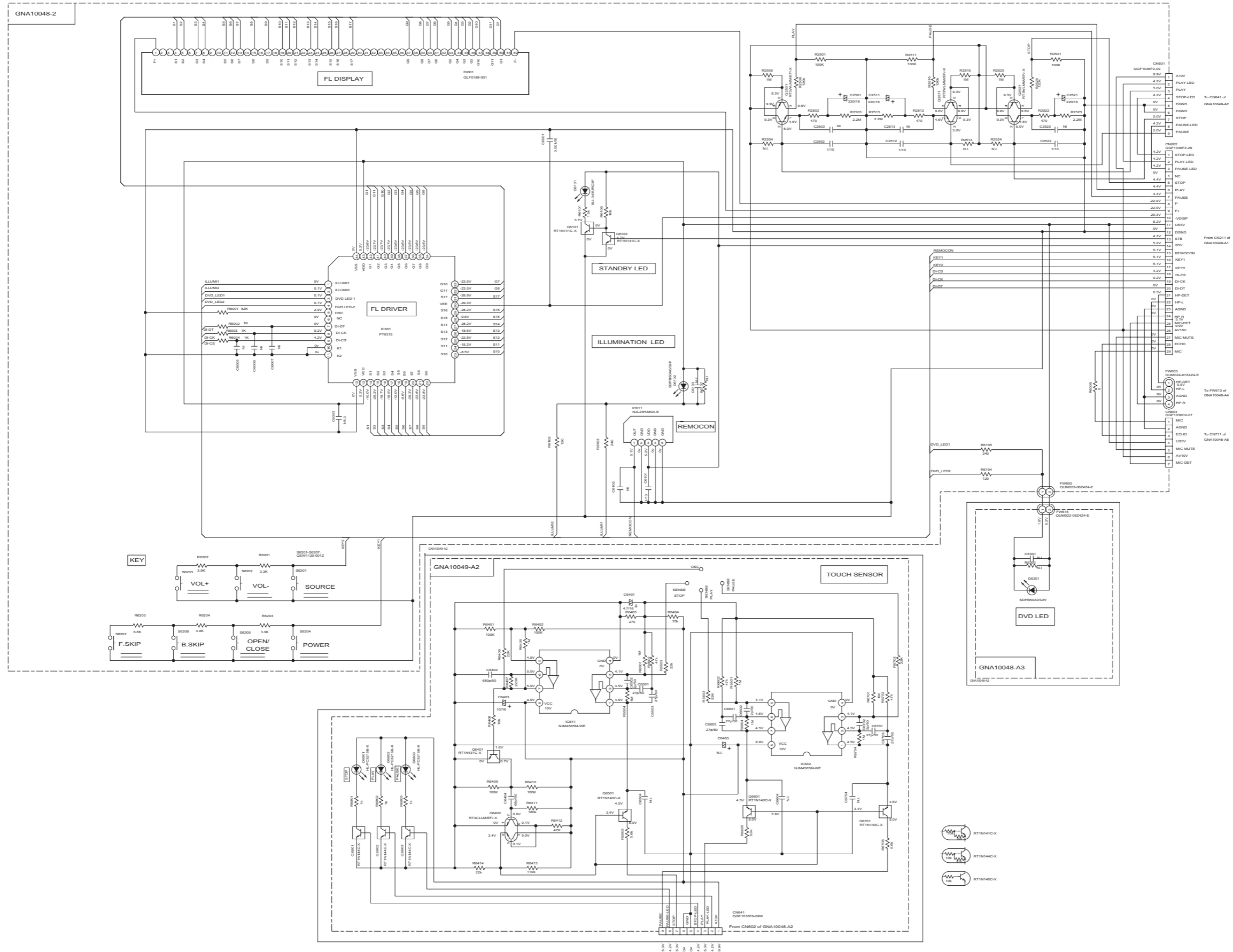
Power amp section

GNA10050-A1

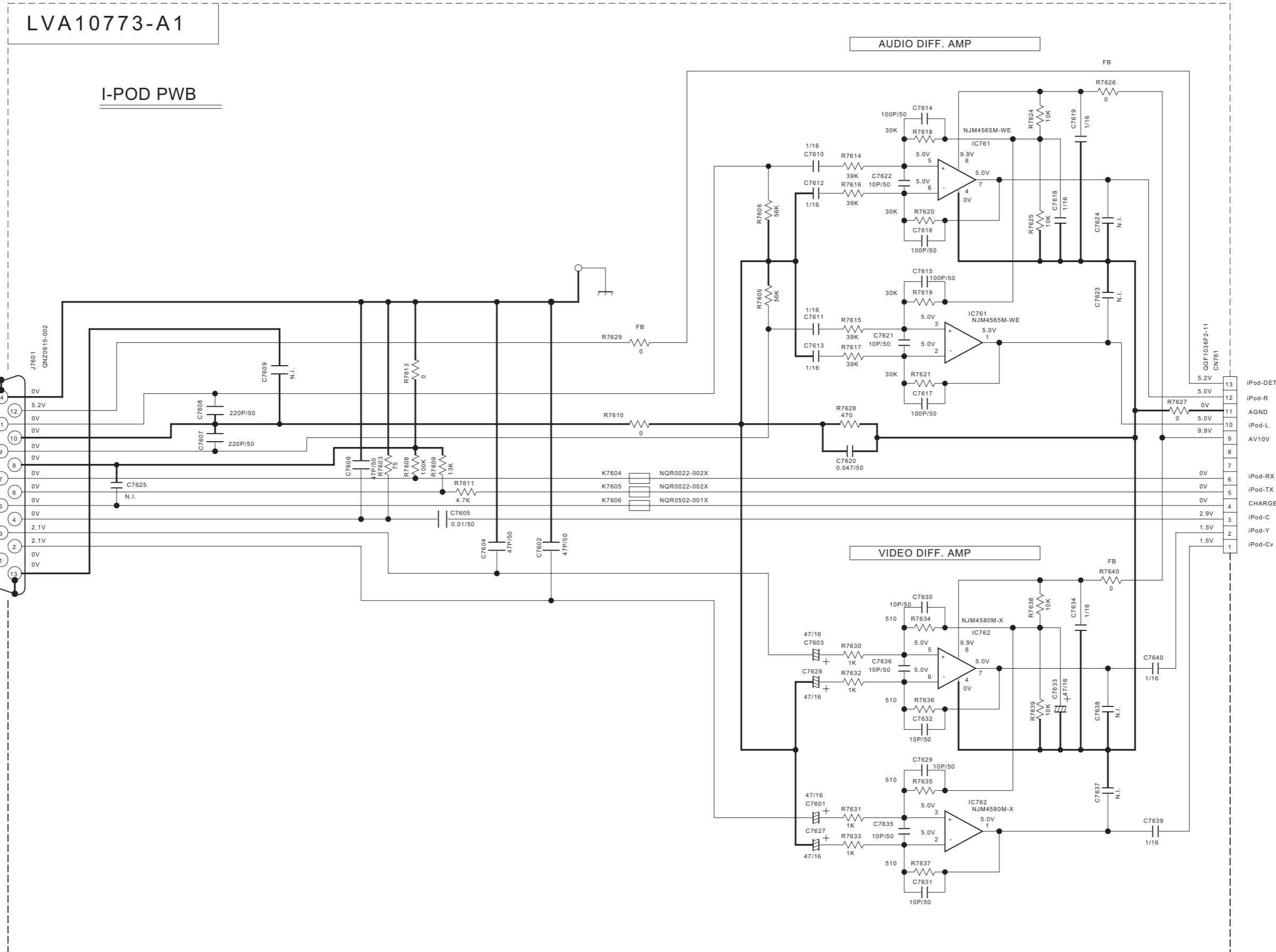


Parts are safety assurance parts. When replacing those parts make sure to use the specified one.

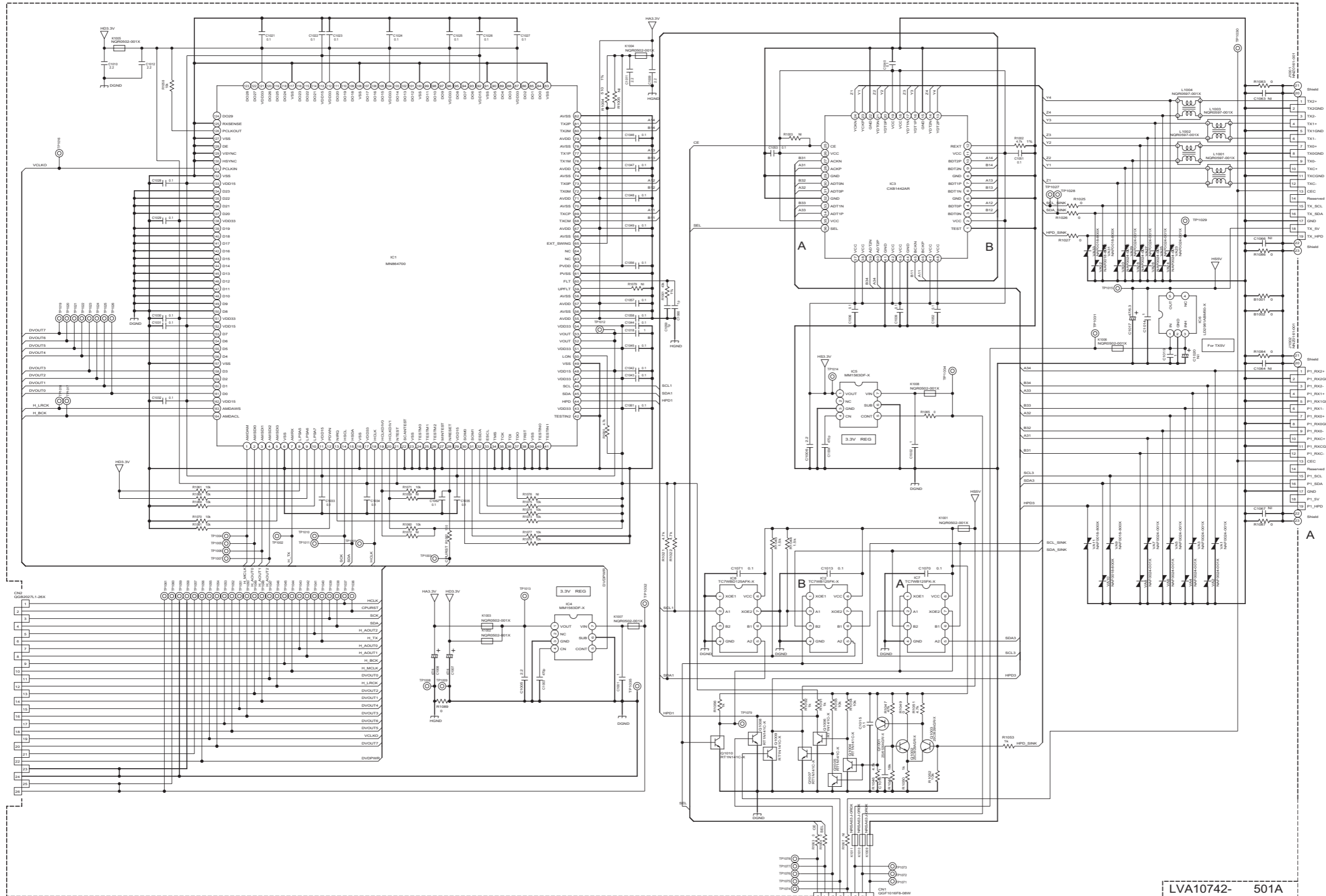
Control keys/Touch sensor section



■ iPod section



■ HDMI section

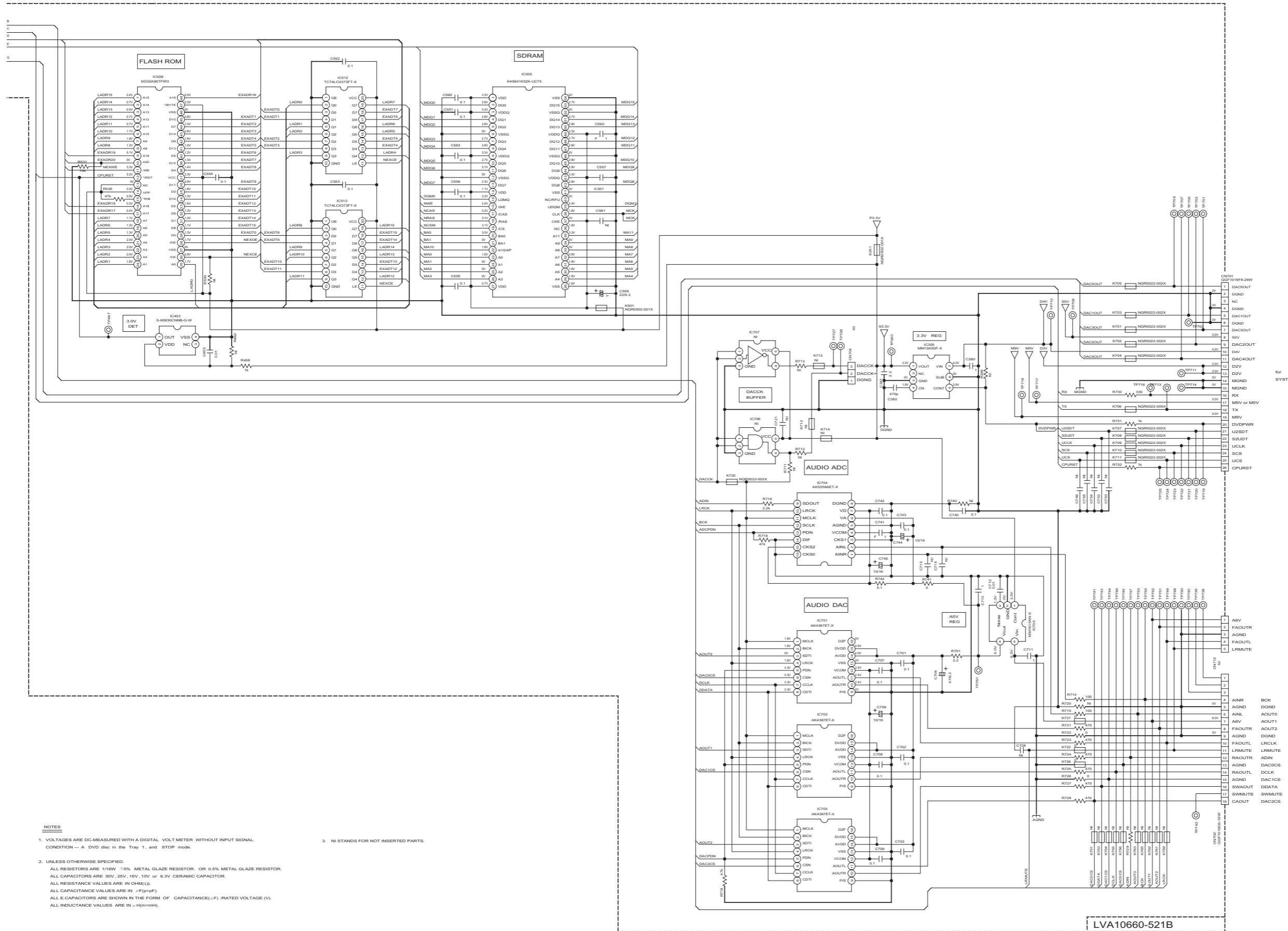


LVA10742- 501A

- NOTES**
- VOLTAGES ARE DC-MEASURED WITH A DIGITAL VOLT METER WITHOUT INPUT SIGNAL. CONDITION — A DVD disc in the Tray 1, and STOP mode.
 - UNLESS OTHERWISE SPECIFIED. ALL RESISTORS ARE 1/16W ±5% METAL GLAZE RESISTOR OR 0.5% METAL GLAZE RESISTOR. ALL CAPACITORS ARE 50V, ±5% 25V, 16V, 10V or 6.3V CERAMIC CAPACITOR. ALL RESISTANCE VALUES ARE IN OHM (Ω). ALL CAPACITANCE VALUES ARE IN μF (μF). ALL CAPACITORS ARE SHOWN IN THE FORM OF CAPACITANCE (C) / RATED VOLTAGE (V). ALL INDUCTANCE VALUES ARE IN μH (μH).

3. NI STANDS FOR NOT INSERTED PARTS.

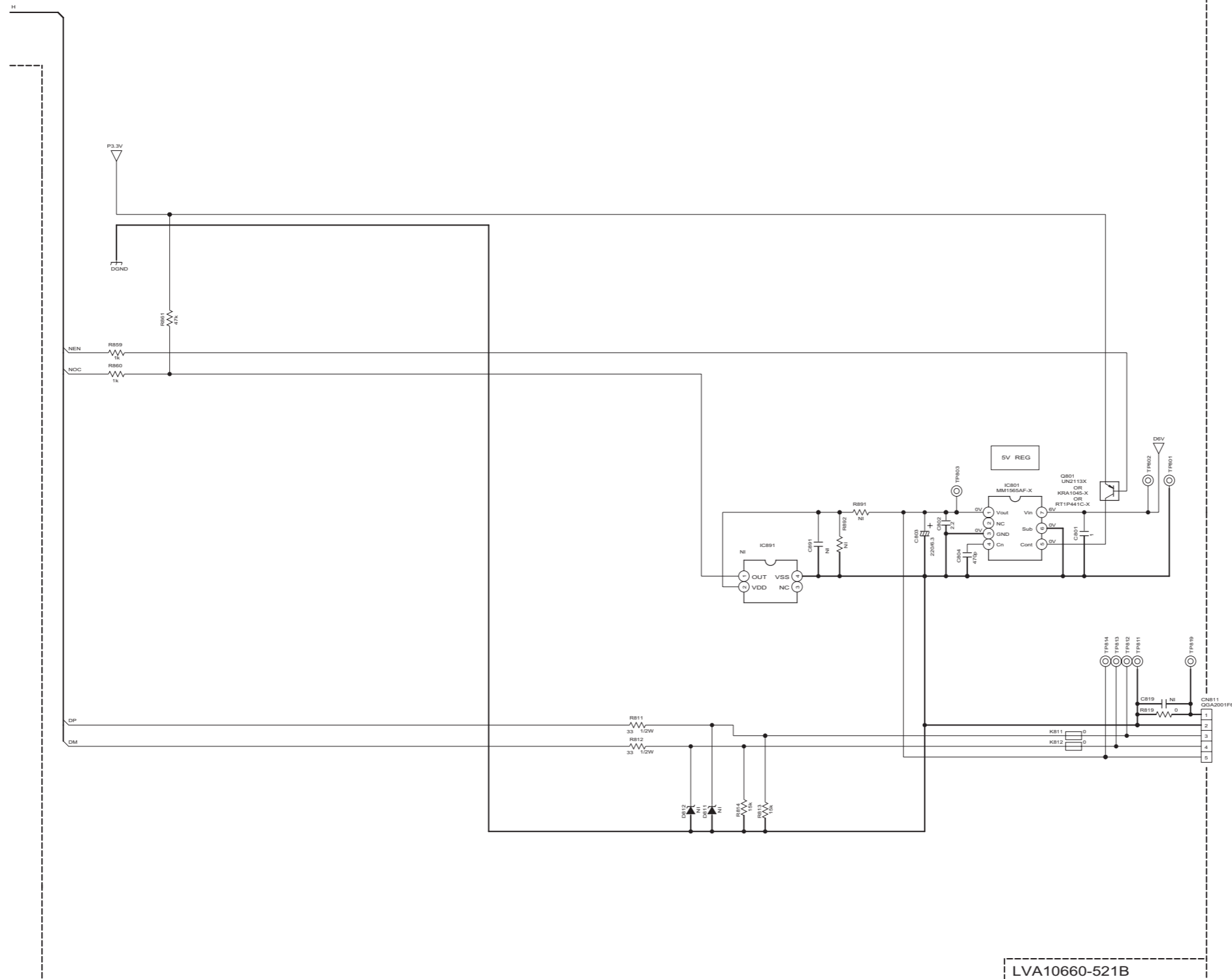
■ DVD section (2/4)



NOTES

- VOLTAGES ARE DC-MEASURED WITH A DIGITAL VOLT METER WITHOUT INPUT SIGNAL. CONDITION — A DVD disc in the Tray 1, and STOP mode.
- UNLESS OTHERWISE SPECIFIED, ALL RESISTORS ARE 1/16W ±5% METAL GLAZE RESISTOR. OR 0.5% METAL GLAZE RESISTOR. ALL CAPACITORS ARE 50V, 25V, 10V or 6.3V CERAMIC CAPACITOR. ALL RESISTANCE VALUES ARE IN OHMS (Ω). ALL CAPACITANCE VALUES ARE IN PICOFARADS (pF). ALL CAPACITORS ARE SHOWN IN THE FORM OF CAPACITANCE (pF) RATED VOLTAGE (V). ALL INDUCTANCE VALUES ARE IN MILLIHENRYS (mH).
- NI STANDS FOR NOT INSERTED PARTS.

LVA10660-521B



NOTES

1. VOLTAGES ARE DC-MEASURED WITH A DIGITAL VOLT METER WITHOUT INPUT SIGNAL.
CONDITION — A DVD disc in the Tray 1, and STOP mode.

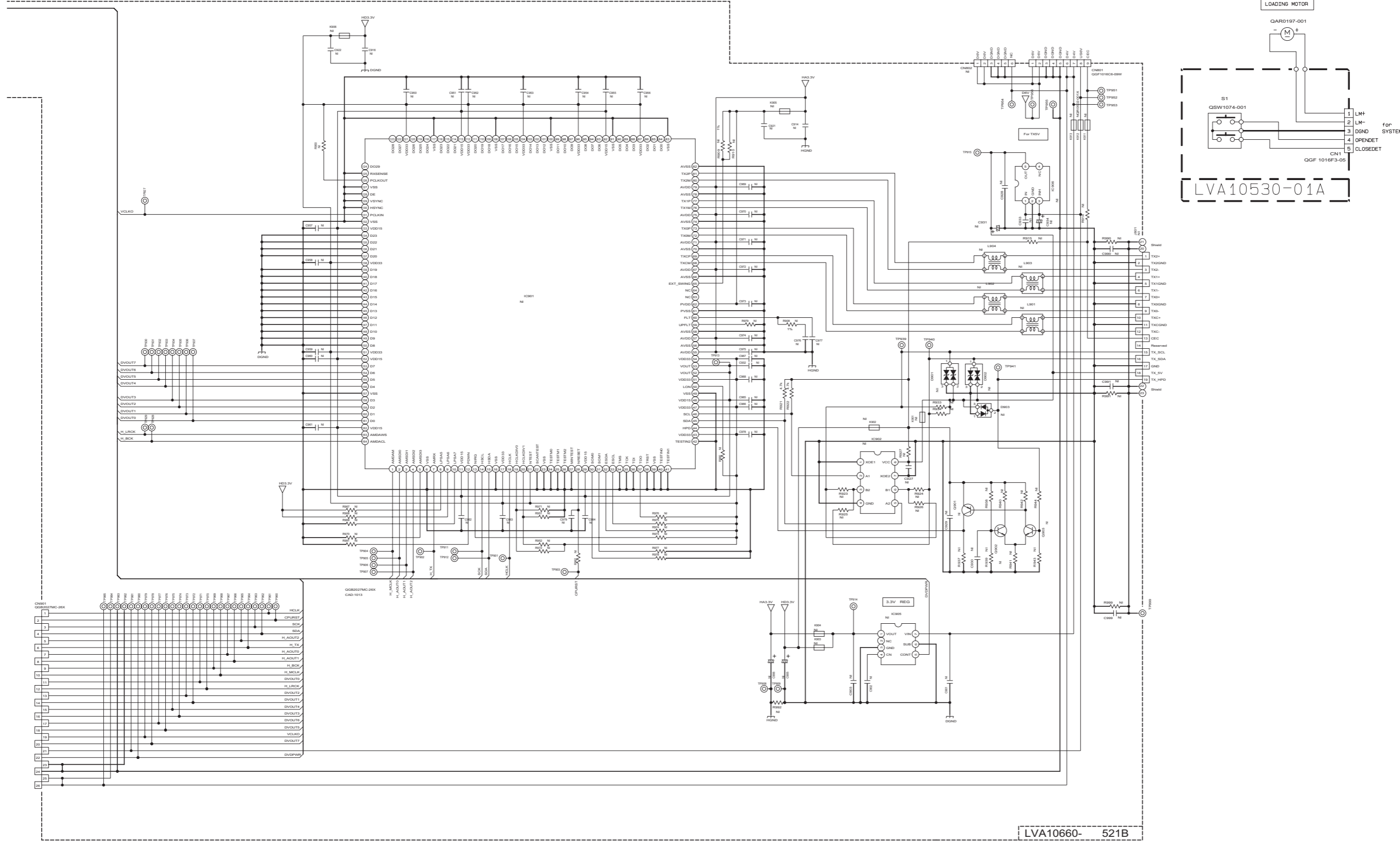
2. UNLESS OTHERWISE SPECIFIED.
ALL RESISTORS ARE 1/16W ±5% METAL GLAZE RESISTOR, OR 0.5% METAL GLAZE RESISTOR.
ALL CAPACITORS ARE 50V, 25V, 16V, 10V or 6.3V CERAMIC CAPACITOR.
ALL RESISTANCE VALUES ARE IN OHM(Ω).
ALL CAPACITANCE VALUES ARE IN μF(μF).
ALL E. CAPACITORS ARE SHOWN IN THE FORM OF CAPACITANCE(μF) / RATED VOLTAGE (V).
ALL INDUCTANCE VALUES ARE IN μH(mmh).

3. NI STANDS FOR NOT INSERTED PARTS.



■ DVD section (4/4)

■ Loader section

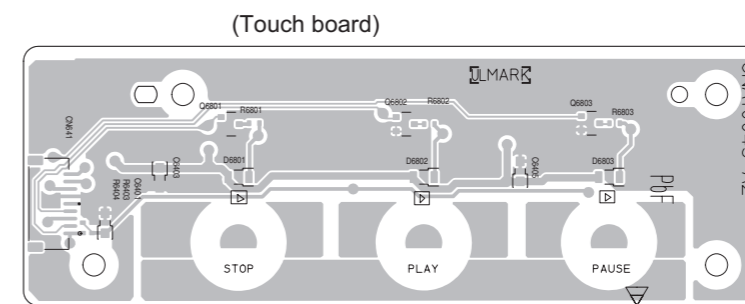
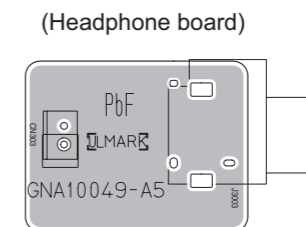
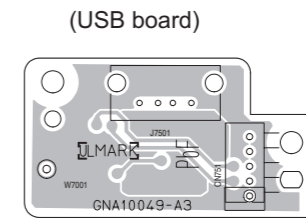
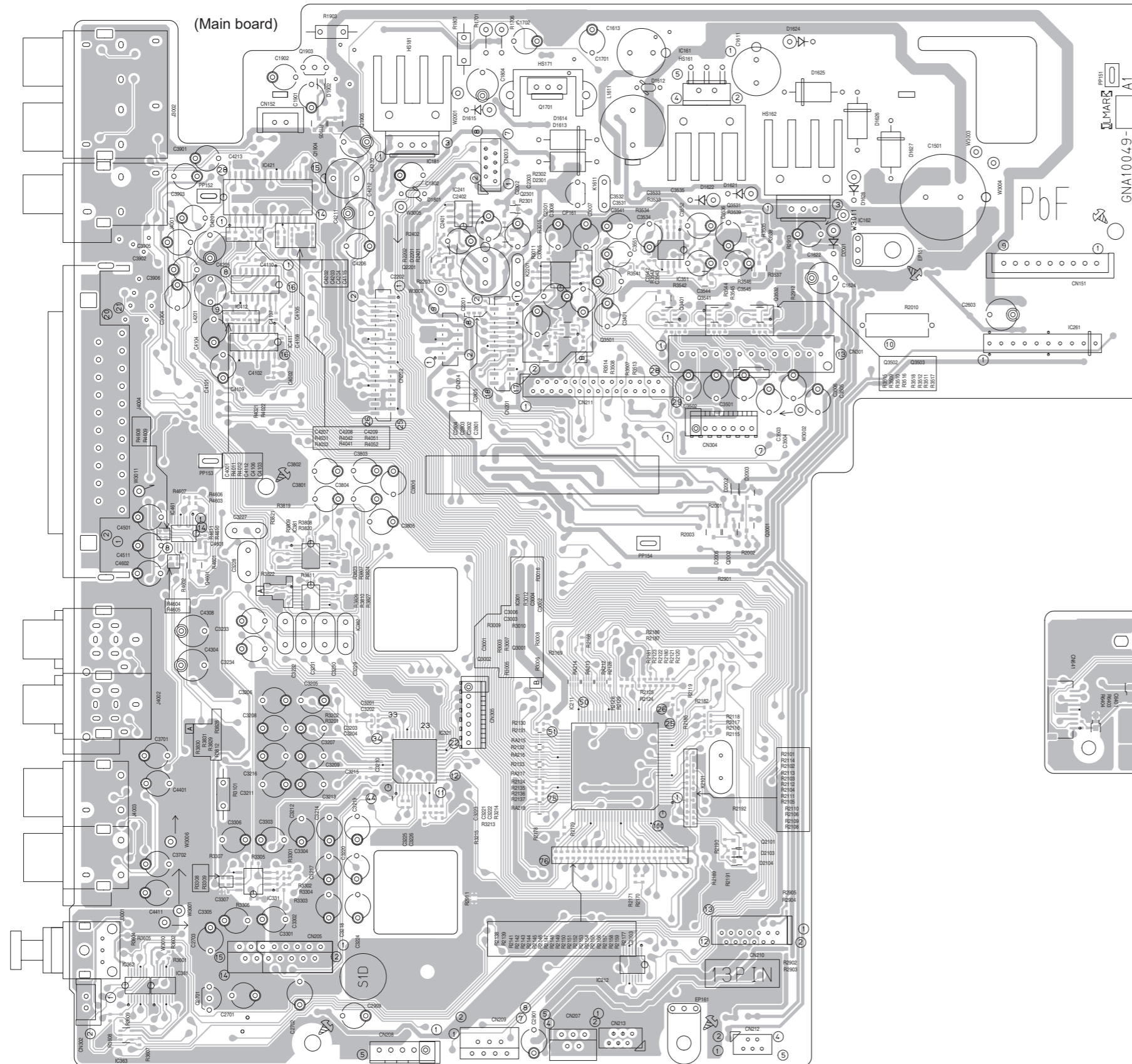


- NOTES**
- VOLTAGES ARE DC-MEASURED WITH A DIGITAL VOLT METER WITHOUT INPUT SIGNAL.
CONDITION — A DVD disc in the Tray 1, and STOP mode.
 - UNLESS OTHERWISE SPECIFIED.
ALL RESISTORS ARE 1/16W ±5% METAL GLAZE RESISTOR, OR 0.5% METAL GLAZE RESISTOR.
ALL CAPACITORS ARE 50V, 25V, 16V, 10V, 10V or 6.3V CERAMIC CAPACITOR.
ALL RESISTANCE VALUES ARE IN OHM(Ω).
ALL CAPACITANCE VALUES ARE IN pF(pF).
ALL E-CAPACITORS ARE SHOWN IN THE FORM OF CAPACITANCE(F) / RATED VOLTAGE (V).
ALL INDUCTANCE VALUES ARE IN μH(μH).
 - NI STANDS FOR NOT INSERTED PARTS.

Printed circuit boards

- Main board**

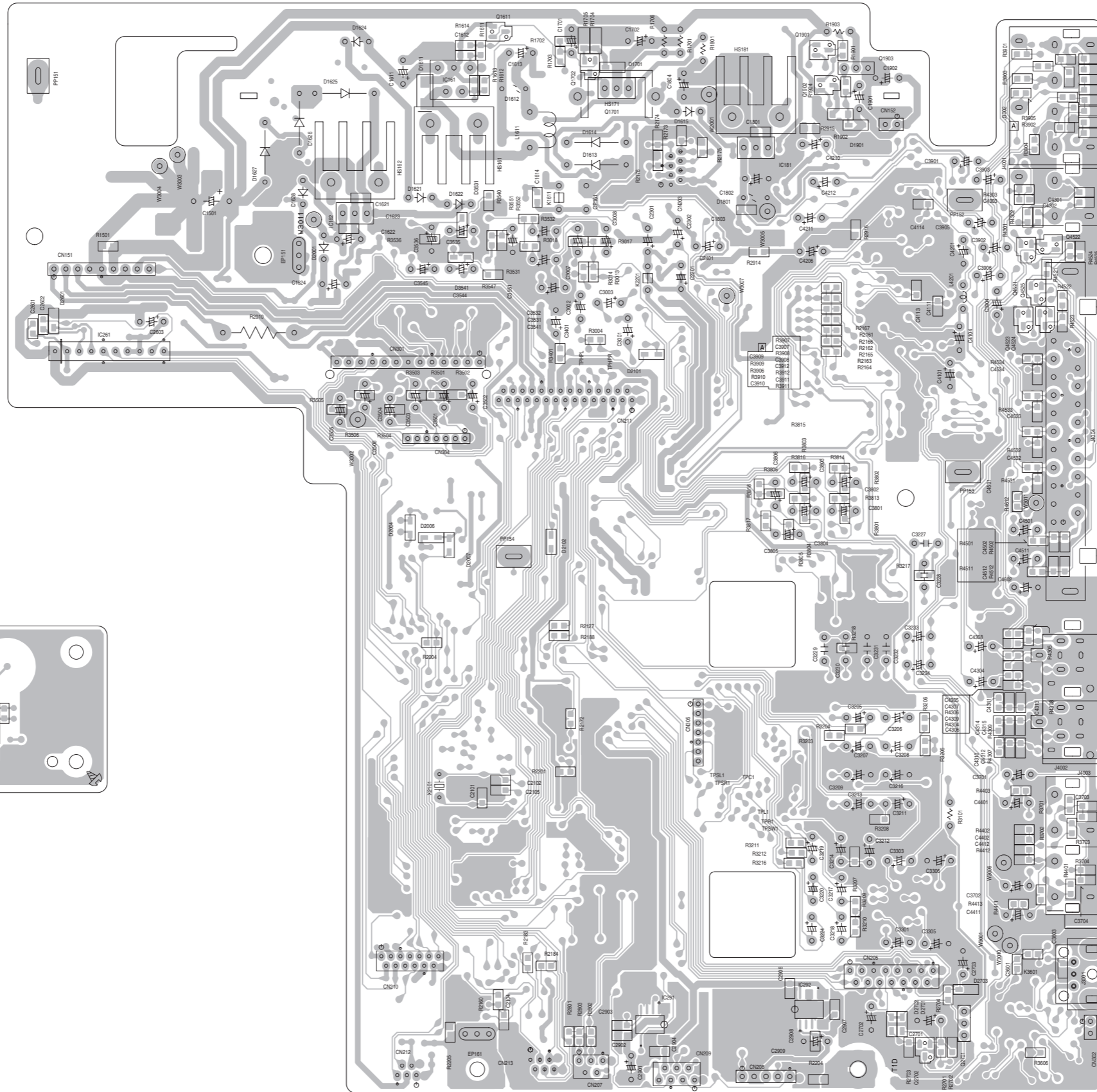
Lead free solder used in the board (material : Sn-Ag-Cu, melting point : 219 Centigrade)
forward side
Lead free solder used in the board (material : Sn-Cu, melting point : 230 Centigrade)



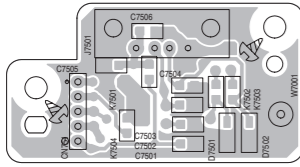
■ Main board Lead free solder used in the board (material : Sn-Ag-Cu, melting point : 219 Centigrade)

reverse side Lead free solder used in the board (material : Sn-Cu, melting point : 230 Centigrade)

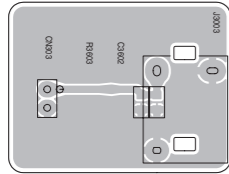
(Main board)



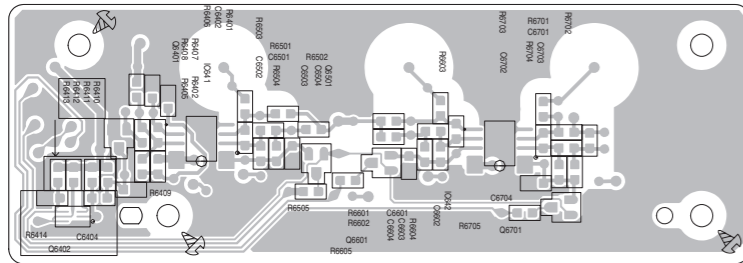
(USB board)



(Headphone board)



(Touch board)



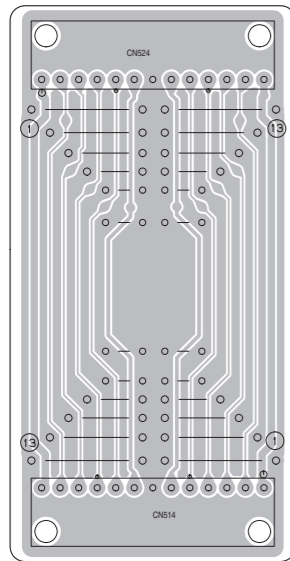
Power board

(except Asia version)

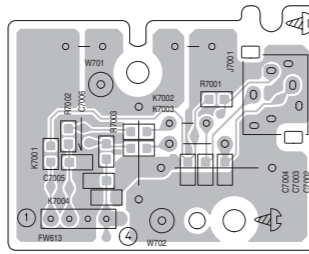
Lead free solder used in the board (material : Sn-Ag-Cu, melting point : 219 Centigrade)

Lead free solder used in the board (material : Sn-Cu, melting point : 230 Centigrade)

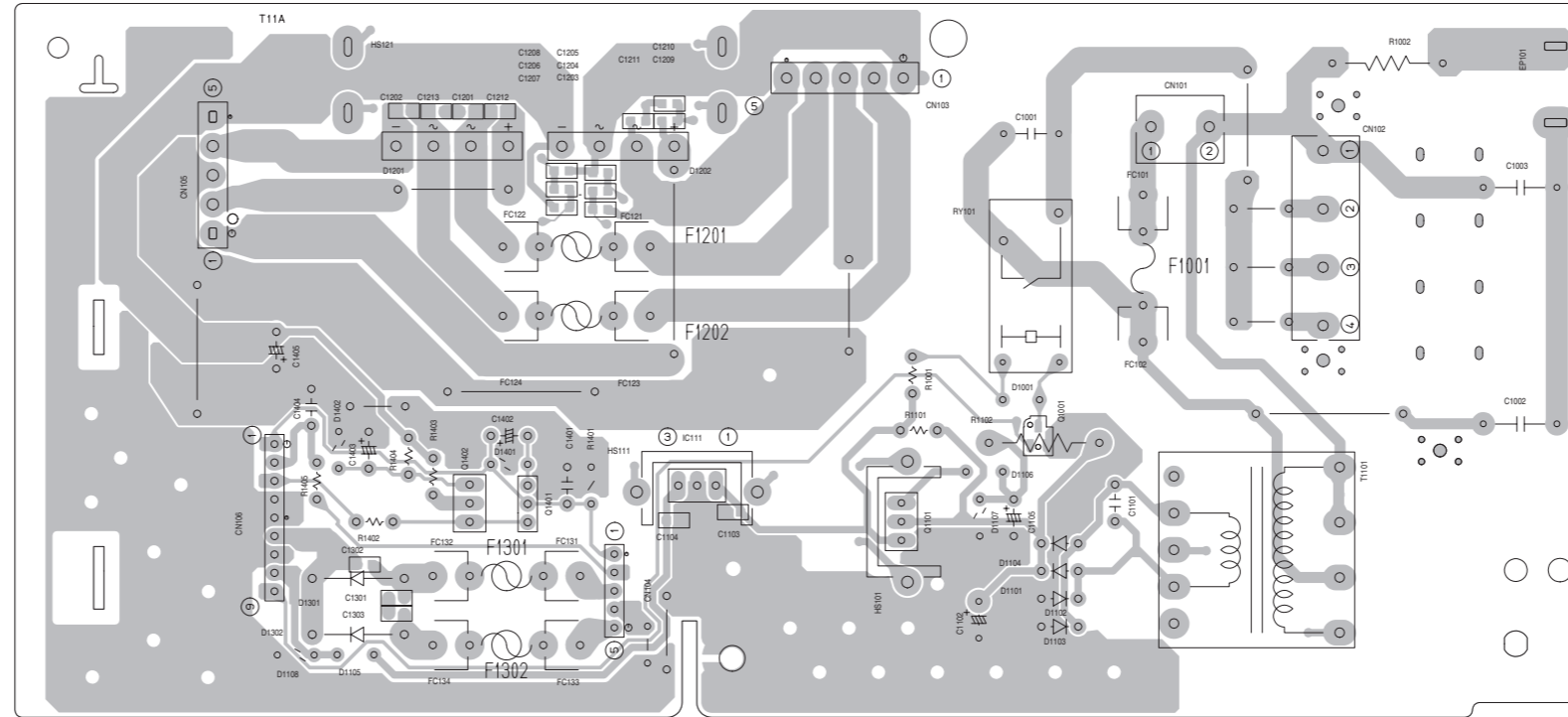
(Connection board)



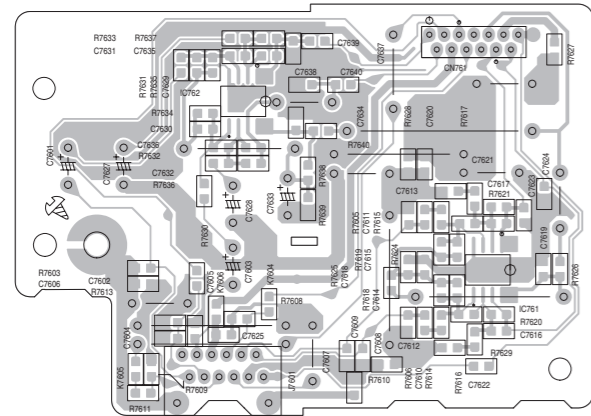
(Headphone board)



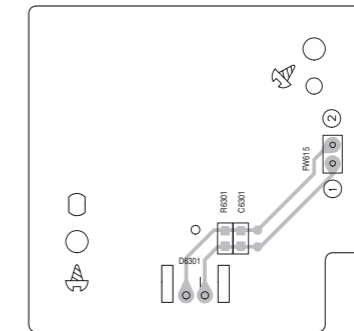
(Power board)



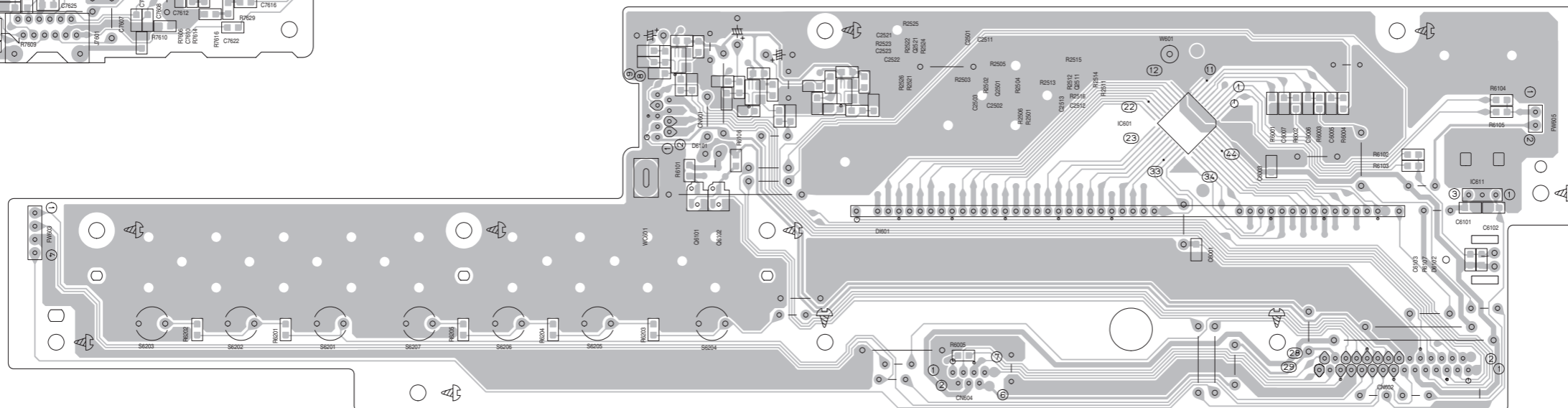
(iPod board)



(LED board)



(VFD board)



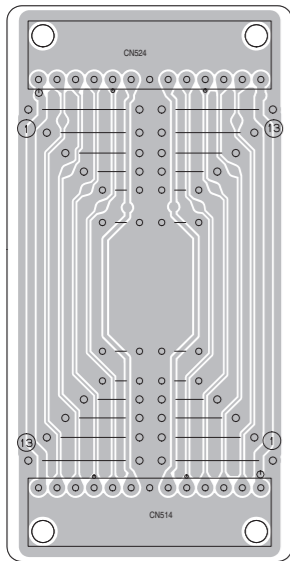
■ **Power board**
(for Asia version)

Lead free solder used in the board (material : Sn-Ag-Cu, melting point : 219 Centigrade)

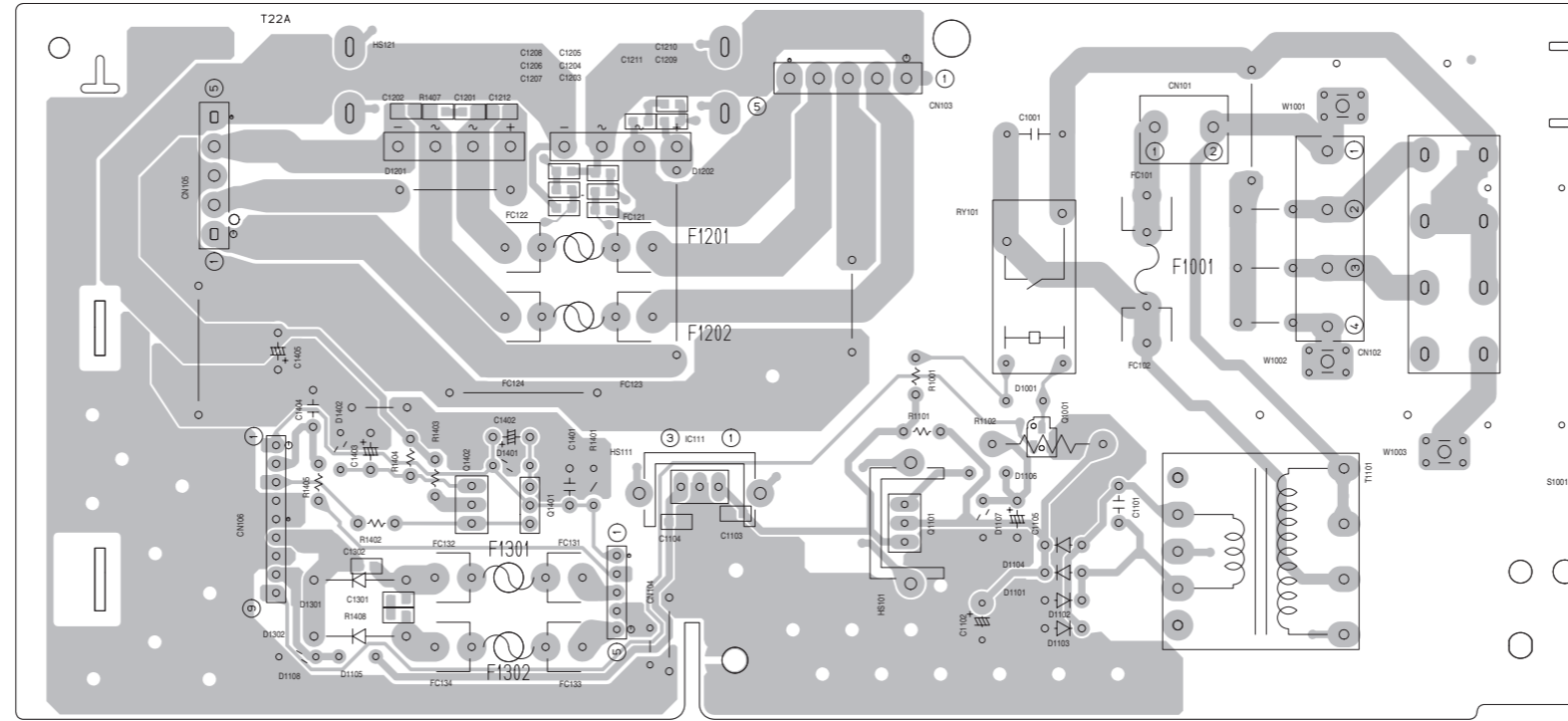
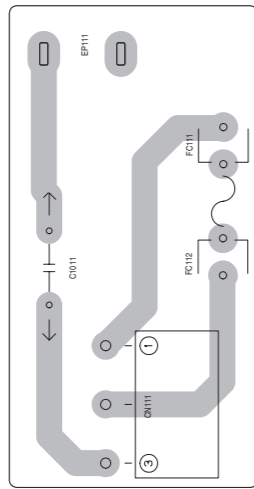
Lead free solder used in the board (material : Sn-Cu, melting point : 230 Centigrade)

(Power board)

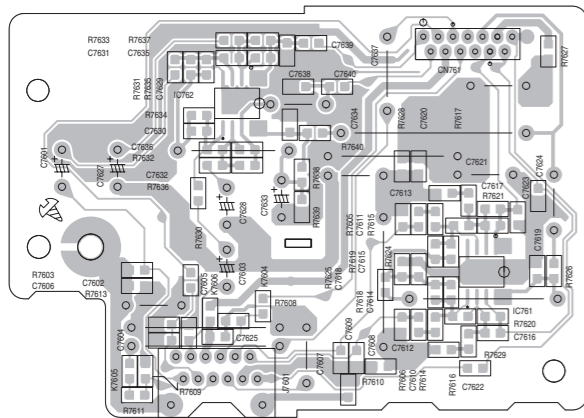
(Connection board)



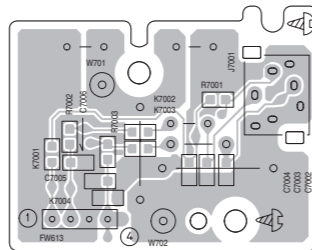
(Fuse board)



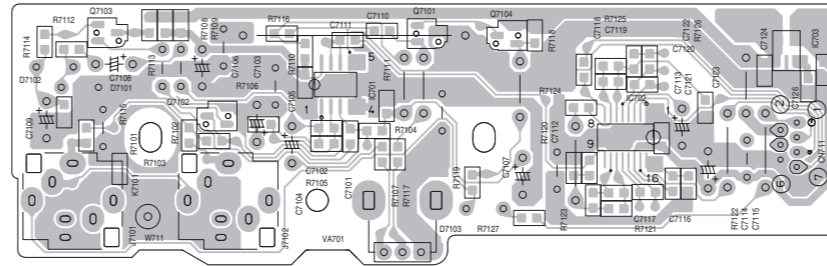
(iPod board)



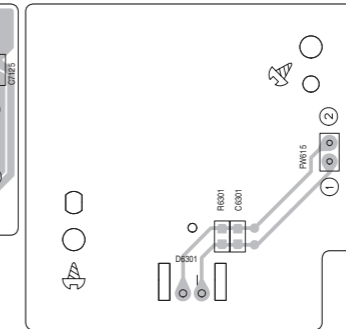
(Headphone board)



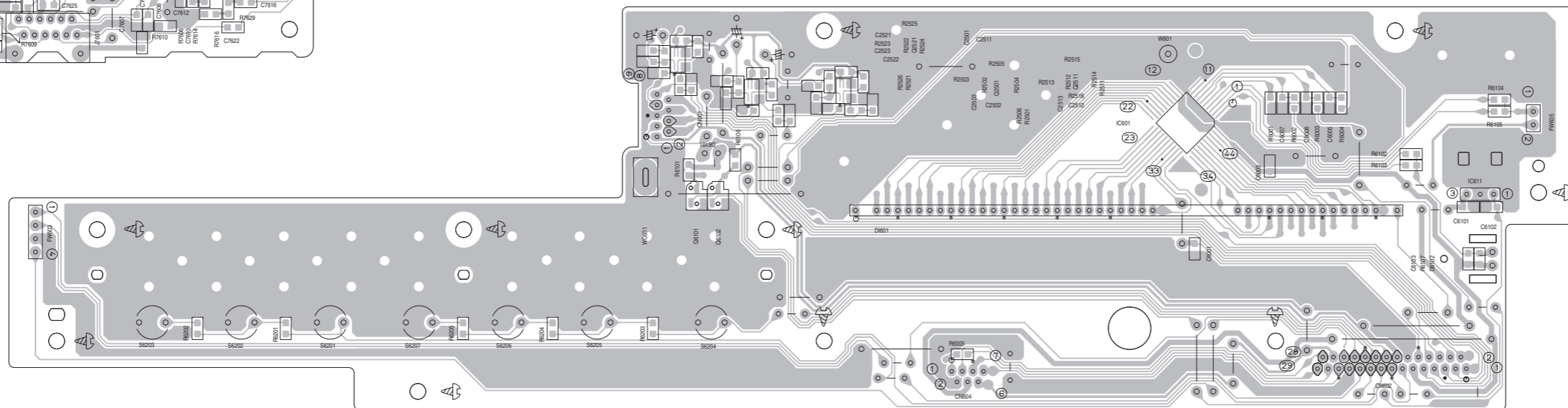
(Mic board)



(LED board)



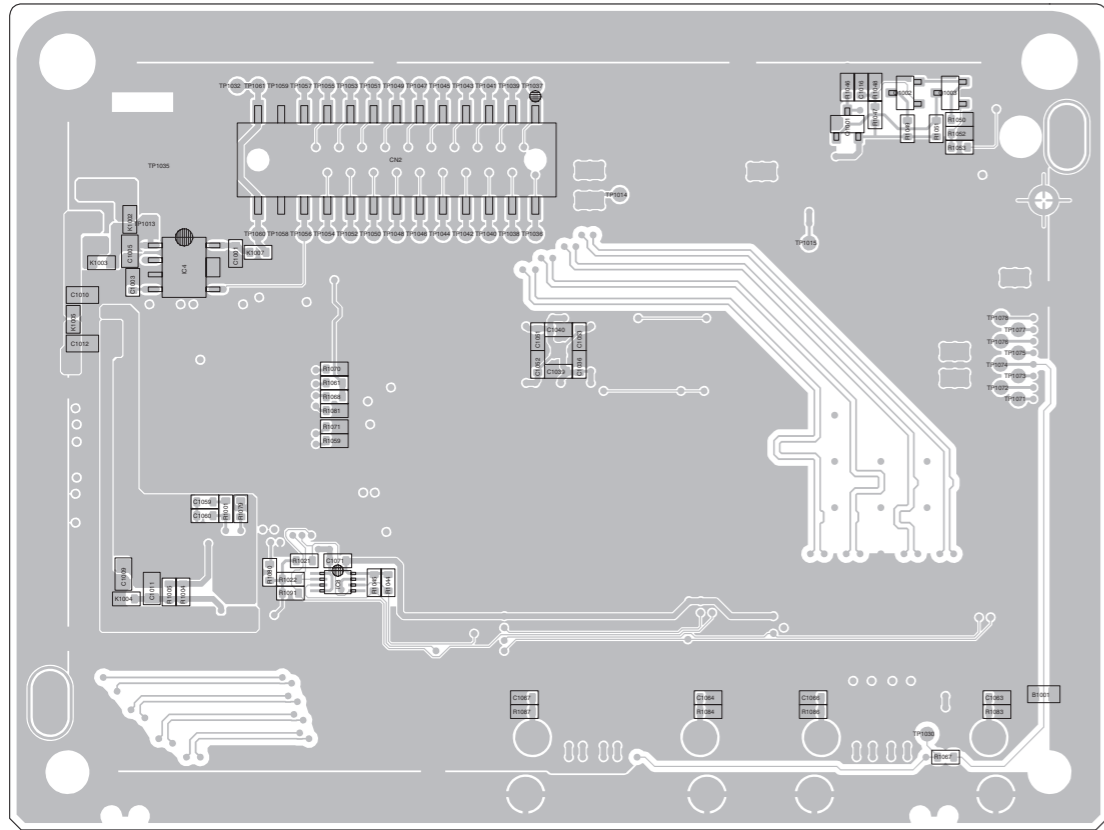
(VFD board)



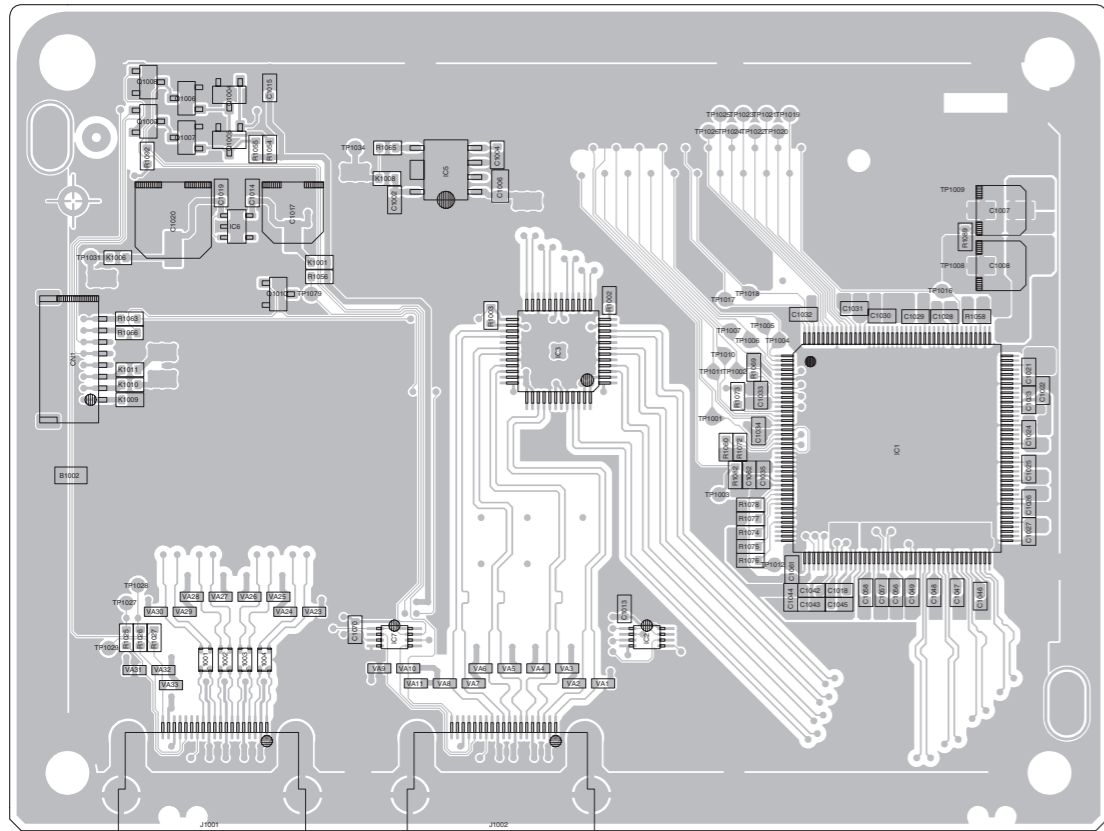
■ **HDMI board** Lead free solder used in the board (material : Sn-Ag-Cu, melting point : 219 Centigrade)

Lead free solder used in the board (material : Sn-Cu, melting point : 230 Centigrade)

forward side



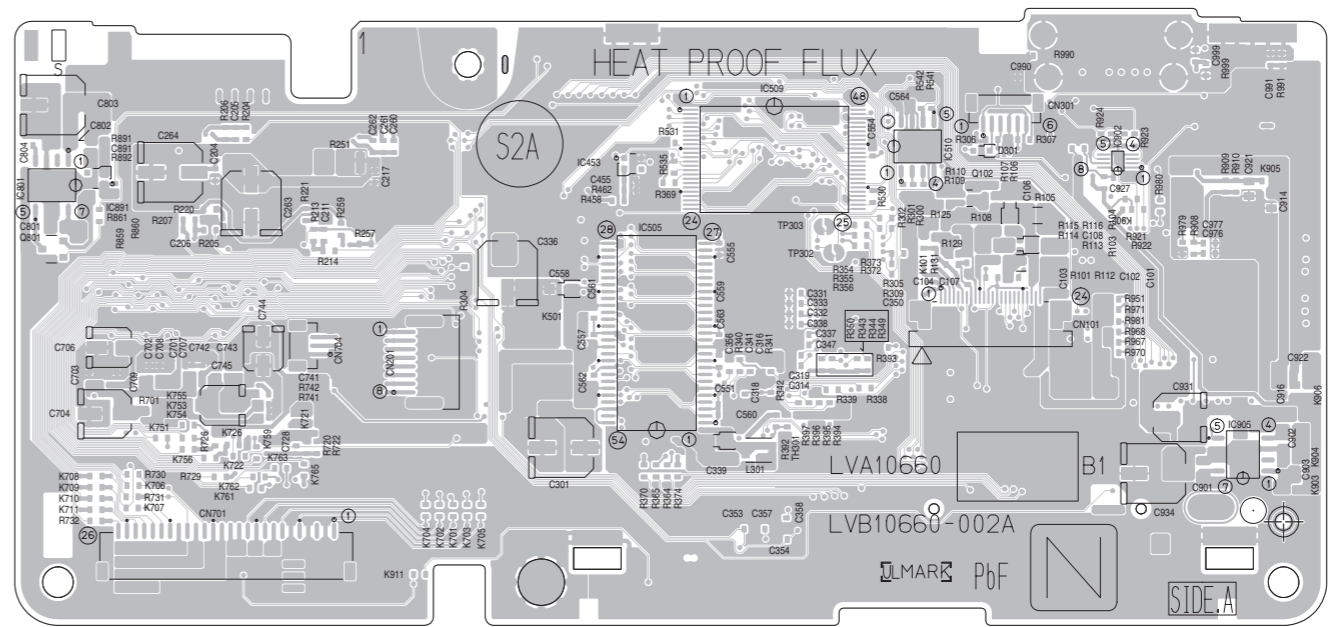
reverse side



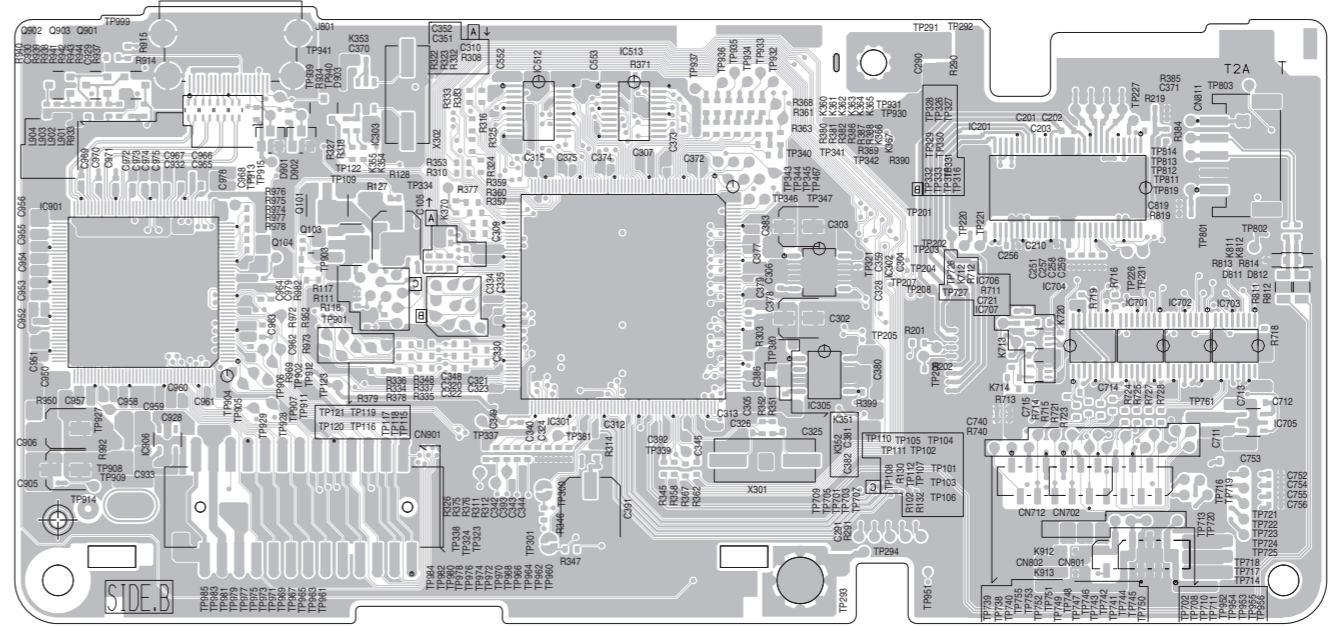
■ **DVD board** Lead free solder used in the board (material : Sn-Ag-Cu, melting point : 219 Centigrade)

Lead free solder used in the board (material : Sn-Cu, melting point : 230 Centigrade)

forward side

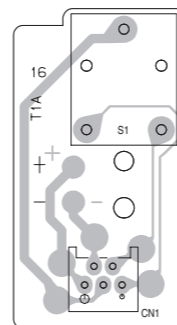


reverse side



■ **Loader board** Lead free solder used in the board (material : Sn-Ag-Cu, melting point : 219 Centigrade)

Lead free solder used in the board (material : Sn-Cu, melting point : 230 Centigrade)



< MEMO >

JVC

Victor Company of Japan, Limited

Audio/Video Systems Category 10-1, 1chome, Ohwatari-machi, Maebashi-city, 371-8543, Japan

(No.MB638SCH)



Printed in Japan
VPT