

# JVC

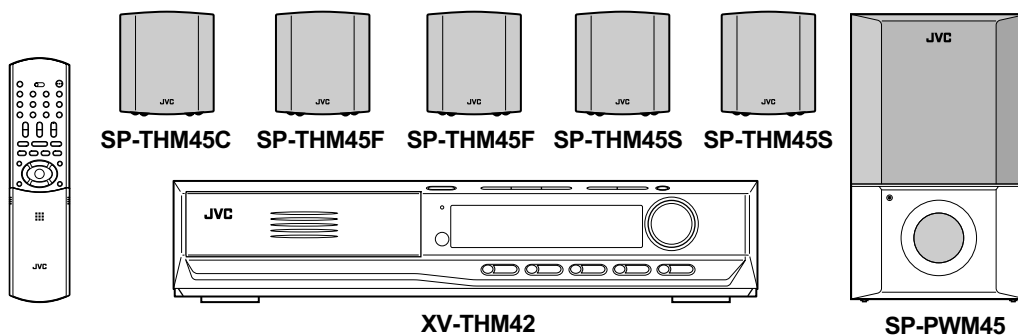
## SERVICE MANUAL

DVD DIGITAL THEATER SYSTEM

### TH-M42

Area suffix

J ..... U.S.A.  
C ..... Canada



### TABLE OF CONTENTS

1	PRECAUTION.....	1-3
2	SPECIFIC SERVICE INSTRUCTIONS.....	1-7
3	DISASSEMBLY .....	1-8
4	ADJUSTMENT .....	1-34
5	TROUBLESHOOTING .....	1-39

# SPECIFICATION

<b>Center unit (XV-THM42)</b>			
<b>Audio section</b>			
Total Harmonic Distortion	0.02% NOTE: This value is measured at System cord CONNECTOR for reference.		
Audio input sensitivity/ Impedance (at 1 kHz)	Analog input	AUDIO IN (VCR)	290 mV/47 k $\Omega$
	Digital input*	DIGITAL IN (DBS) (OPTICAL)	-21 dBm to -15 dBm (660 nm $\pm$ 30 nm)
	* Corresponding to Linear PCM, Dolby Digital, and DTS Digital Surround (with sampling frequency - 32 kHz, 44.1 kHz, 48 kHz)		
<b>Video section</b>			
Color System	NTSC		
Horizontal Resolution	500 lines		
Signal-to-Noise Ratio	64 dB		
Video output level	Composite	1.0 V(p-p)/75 $\Omega$	
	S-video-Y	1.0 V(p-p)/75 $\Omega$	
	S-video-C	0.286 V(p-p)/75 $\Omega$	
	Component-Y	1.0 V(p-p)/75 $\Omega$	
	Component-PB/PR	0.7 V(p-p)/75 $\Omega$	
Video input sensitivity/ Impedance (VCR IN)	Composite	1.0 V(p-p)/75 $\Omega$	
	S-video-Y	1.0 V(p-p)/75 $\Omega$	
	S-video-C	0.286 V(p-p)/75 $\Omega$	
<b>Tuner section</b>			
Tuning Range	FM	87.5 MHz to 108.0 MHz	
	AM	530 kHz to 1710 kHz	
<b>General</b>			
Power Requirements	AC 120 V, 60 Hz		
Power Consumption	20 W (at operation), 1.0 W (in standby mode)		
Dimensions (W $\times$ H $\times$ D)	400 mm $\times$ 85 mm $\times$ 386 mm (15-3/4 inches $\times$ 3-3/8 inches $\times$ 15-1/14 inches)		
Mass	4.6 kg (10.2 lbs)		
<b>Subwoofer (SP-PWM45)</b>			
<b>Amplifier section</b>			
Front/Center/Surround	80 W per channel, RMS at 6 $\Omega$ (Center/Surround)/80 W per channel, RMS at 4 $\Omega$ (Front) at 1 kHz, with 10 % total harmonic distortion.		
Subwoofer	120 W, RMS at 4 $\Omega$ at 100 Hz, with 10 % total harmonic distortion.		
<b>Speaker section</b>			
Speaker unit	16 cm (6-5/16 inches) Bass-reflex, Magnetically Shielded		
Frequency Range	30 Hz to 200 Hz		
<b>General</b>			
Power Requirements	AC 120 V, 60 Hz		
Power Consumption	140 W (at operation), 0 W (in standby mode)		
Dimensions (W $\times$ H $\times$ D)	216 mm $\times$ 353 mm $\times$ 485 mm (8-9/16 inches $\times$ 13-15/16 inches $\times$ 19-1/8 inches)		
Mass	12.0 kg (26.5 lbs)		
<b>Satellite Speakers</b>			
<b>Front speakers (SP-THM45F)</b>			
Speakers	8.0 cm (3-3/16 inches), Bass-reflex, Magnetically Shielded		
Power Handling Capacity	120 W		
Impedance	4 $\Omega$		
Frequency Range	90 Hz to 20 kHz		
Dimensions (W $\times$ H $\times$ D)	103 mm $\times$ 115 mm $\times$ 100 mm (4-1/16 inches $\times$ 4-9/16 inches $\times$ 3-15/16 inches)		
Mass	0.64 kg (1.5 lbs)		
<b>Surround speakers (SP-THM45S)</b>			
Speakers	8.0 cm (3-3/16 inches), Bass-reflex, Magnetically Shielded		
Power Handling Capacity	80 W		
Impedance	6 $\Omega$		
Frequency Range	90 Hz to 20 kHz		
Dimensions (W $\times$ H $\times$ D)	103 mm $\times$ 115 mm $\times$ 100 mm (4-1/16 inches $\times$ 4-9/16 inches $\times$ 3-15/16 inches)		
Mass	0.52 kg (1.2 lbs)		
<b>Center Speaker (SP-THM45C)</b>			
Speakers	8.0 cm (3-3/16 inches), Bass-reflex, Magnetically Shielded		
Power Handling Capacity	80 W		
Impedance	6 $\Omega$		
Frequency Range	90 Hz to 20 kHz		
Dimensions (W $\times$ H $\times$ D)	103 mm $\times$ 115 mm $\times$ 100 mm (4-1/16 inches $\times$ 4-9/16 inches $\times$ 3-15/16 inches)		
Mass	0.64 kg (1.5 lbs)		
<b>Accessories</b>			
Remote control (1), Batteries (2), FM antenna (1), AM loop antenna (1), Power cord (1), System cord (1), Composite video cord (1)			
<b>Speaker codes</b>			
5 m (16 ft)	For satellite (front left/right) and center speakers (3)		
10 m (32 ft)	For satellite speakers (surround left/right) (2) (The length of the above speaker cords are approximate.)		

# SECTION 1 PRECAUTION

## 1.1 Safety Precautions

- (1) This design of this product contains special hardware and many circuits and components specially for safety purposes. For continued protection, no changes should be made to the original design unless authorized in writing by the manufacturer. Replacement parts must be identical to those used in the original circuits. Services should be performed by qualified personnel only.
- (2) Alterations of the design or circuitry of the product should not be made. Any design alterations of the product should not be made. Any design alterations or additions will void the manufacturer's warranty and will further relieve the manufacturer of responsibility for personal injury or property damage resulting therefrom.
- (3) Many electrical and mechanical parts in the products have special safety-related characteristics. These characteristics are often not evident from visual inspection nor can the protection afforded by them necessarily be obtained by using replacement components rated for higher voltage, wattage, etc. Replacement parts which have these special safety characteristics are identified in the Parts List of Service Manual. Electrical components having such features are identified by shading on the schematics and by ( $\Delta$ ) on the Parts List in the Service Manual. The use of a substitute replacement which does not have the same safety characteristics as the recommended replacement parts shown in the Parts List of Service Manual may create shock, fire, or other hazards.
- (4) The leads in the products are routed and dressed with ties, clamps, tubings, barriers and the like to be separated from live parts, high temperature parts, moving parts and/or sharp edges for the prevention of electric shock and fire hazard. When service is required, the original lead routing and dress should be observed, and it should be confirmed that they have been returned to normal, after reassembling.

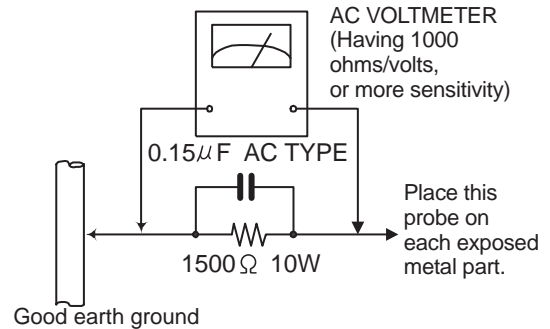
### (5) Leakage shock hazard testing

After reassembling the product, always perform an isolation check on the exposed metal parts of the product (antenna terminals, knobs, metal cabinet, screw heads, headphone jack, control shafts, etc.) to be sure the product is safe to operate without danger of electrical shock. Do not use a line isolation transformer during this check.

- Plug the AC line cord directly into the AC outlet. Using a "Leakage Current Tester", measure the leakage current from each exposed metal part of the cabinet, particularly any exposed metal part having a return path to the chassis, to a known good earth ground. Any leakage current must not exceed 0.5mA AC (r.m.s.).
- Alternate check method  
Plug the AC line cord directly into the AC outlet. Use an AC voltmeter having, 1,000 $\Omega$  per volt or more sensitivity in the following manner. Connect a 1,500 $\Omega$  10W resistor paralleled by a 0.15 $\mu$ F AC-type capacitor between an exposed metal part and a known good earth ground. Measure the AC voltage across the resistor with the AC

voltmeter.

Move the resistor connection to each exposed metal part, particularly any exposed metal part having a return path to the chassis, and measure the AC voltage across the resistor. Now, reverse the plug in the AC outlet and repeat each measurement. Voltage measured any must not exceed 0.75 V AC (r.m.s.). This corresponds to 0.5 mA AC (r.m.s.).



## 1.2 Warning

- (1) This equipment has been designed and manufactured to meet international safety standards.
- (2) It is the legal responsibility of the repairer to ensure that these safety standards are maintained.
- (3) Repairs must be made in accordance with the relevant safety standards.
- (4) It is essential that safety critical components are replaced by approved parts.
- (5) If mains voltage selector is provided, check setting for local voltage.

## 1.3 Caution

**Burrs formed during molding may be left over on some parts of the chassis.**

**Therefore, pay attention to such burrs in the case of pre-forming repair of this system.**

## 1.4 Critical parts for safety

In regard with component parts appearing on the silk-screen printed side (parts side) of the PWB diagrams, the parts that are printed over with black such as the resistor (  $\blacksquare$  ), diode (  $\blacksquare$  ) and ICP (  $\bullet$  ) or identified by the " $\Delta$ " mark nearby are critical for safety. When replacing them, be sure to use the parts of the same type and rating as specified by the manufacturer. (This regulation does not Except the J and C version)

## 1.5 Preventing static electricity

### 1.5.1 Grounding to prevent damage by static electricity

Electrostatic discharge (ESD), which occurs when static electricity stored in the body, fabric, etc. is discharged, can destroy the laser diode in the traverse unit (optical pickup). Take care to prevent this when performing repairs.

### 1.5.2 About the earth processing for the destruction prevention by static electricity

Static electricity in the work area can destroy the optical pickup (laser diode) in devices such as DVD players.

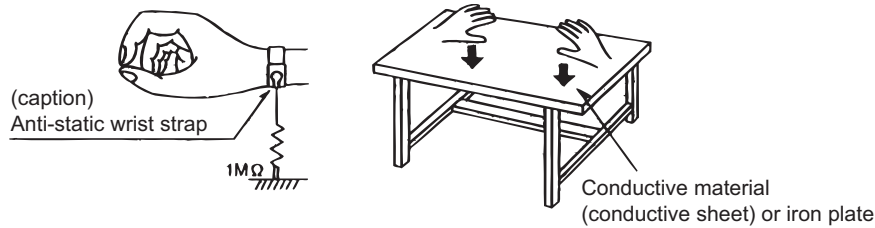
Be careful to use proper grounding in the area where repairs are being performed.

(1) Ground the workbench

Ground the workbench by laying conductive material (such as a conductive sheet) or an iron plate over it before placing the traverse unit (optical pickup) on it.

(2) Ground yourself

Use an anti-static wrist strap to release any static electricity built up in your body.



### 1.5.3 Handling the optical pickup

(1) In order to maintain quality during transport and before installation, both sides of the laser diode on the replacement optical pickup are shorted. After replacement, return the shorted parts to their original condition. (Refer to the text.)

(2) Do not use a tester to check the condition of the laser diode in the optical pickup. The tester's internal power source can easily destroy the laser diode.

### 1.5.4 Handling the traverse unit (optical pickup)

(1) Do not subject the traverse unit (optical pickup) to strong shocks, as it is a sensitive, complex unit.

(2) Remove solder of the short lands on the flexible wire after replacing the optical pickup. For specific details, refer to the replacement procedure in the text. Remove the anti-static pin when replacing the traverse unit.

Be careful not to take too long a time when attaching it to the connector.

(3) Handle the flexible wire carefully as it may break when subjected to strong force.

(4) It is not possible to adjust the semi-fixed resistor that adjusts the laser power. Do not turn it.

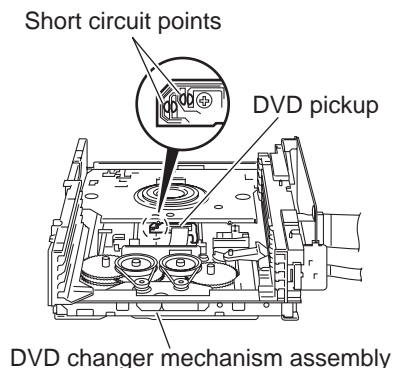
### 1.5.5 Attention when traverse unit is decomposed

\*Please refer to "Disassembly method" in the text for the DVD pickup.

• Apply solder to the short circuit points before the flexible wire is disconnected from the connector on the DVD pickup.

(If the flexible wire is disconnected without applying solder, the DVD pickup may be destroyed by static electricity.)

• In the assembly, be sure to remove solder from the short circuit points after connecting the flexible wire.



## 1.6 Important for laser products

### 1. CLASS 1 LASER PRODUCT

2. **DANGER** : Invisible laser radiation when open and inter lock failed or defeated. Avoid direct exposure to beam.
3. **CAUTION** : There are no serviceable parts inside the Laser Unit. Do not disassemble the Laser Unit. Replace the complete Laser Unit if it malfunctions.
4. **CAUTION** : The compact disc player uses invisible laserradiation and is equipped with safety switches which prevent emission of radiation when the drawer is open and the safety interlocks have failed or are defeated. It is dangerous to defeat the safety switches.

5. **CAUTION** : If safety switches malfunction, the laser is able to function.

6. **CAUTION** : Use of controls, adjustments or performance of procedures other than those specified herein may result in hazardous radiation exposure.



**CAUTION** Please use enough caution not to see the beam directly or touch it in case of an adjustment or operation check.

**VARNING** : Osynlig laserstrålning när denna del är öppnad och spårren är urkopplad. Betrakta ej strålen.

**VARO** : Avattaessa ja suojalukitus ohitettaessa olet alttiina näkymättömälle lasersäteilylle. Älä katso säteeseen.

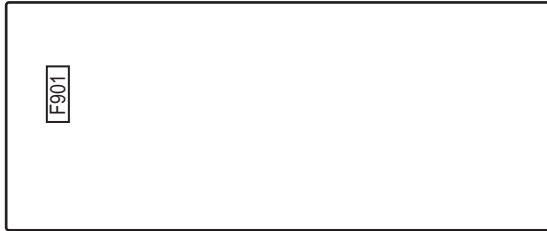
**ADVARSEL** : Usynlig laserstråling ved åbning , når sikkerhedsafbrydere er ude af funktion. Undgåudsættelse for stråling.

**ADVARSEL** : Usynlig laserstråling ved åbning, når sikkerhedsbryteren er avslott. unngå utsettelse for stråling.

## 1.7 Importance administering point on the safety

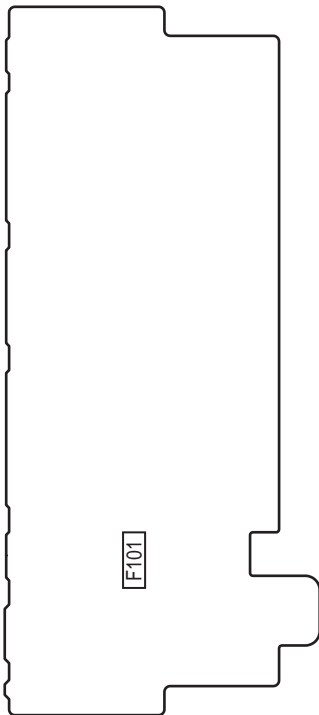
### <Main body section>

Power supply board (Forward side)

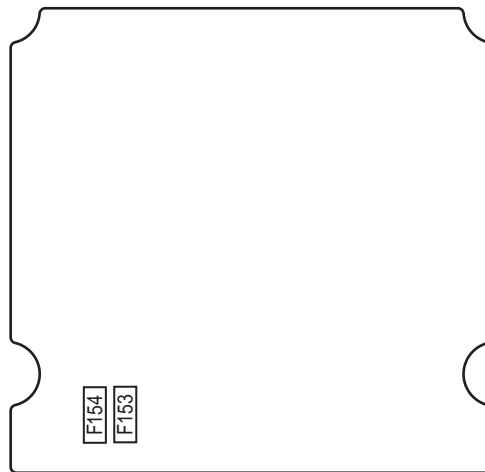


### <SP-PWM45 subwoofer section>

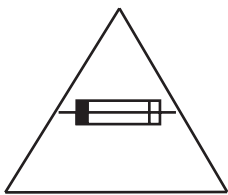
Speaker terminal board (Forward side)



Mother board (Forward side)



For USA and Canada / pour États - Unis d' Amérique et Canada



Caution: For continued protection against risk of fire, replace only with same type 1.6A/125V for F901, 6.3A/125V for F101, 8A/125V for F153 and F154.

This symbol specifies type of fast operating fuse.

Précaution: Pour éviter risques de feux, remplacez le fusible de sûreté de F901 comme le même type que 1.6A/125V, et 6.3A/125V pour F101, et 8A/125V pour F153 et F154.

Ce sont des fusibles sûretés qui fonctionnent rapide.

**SECTION 2**  
**SPECIFIC SERVICE INSTRUCTIONS**

This service manual does not describe SPECIFIC SERVICE INSTRUCTIONS.

## SECTION 3 DISASSEMBLY

### 3.1 Main body section

#### 3.1.1 Removing the metal cover (See Figs.1 to 4)

- (1) From the right and left sides of the main body, remove the four screws **A** attaching the metal cover. (See Figs.1 and 2.)
- (2) From the back side of the main body, remove the three screws **B** attaching the metal cover. (See Fig.3.)
- (3) Lift the rear section of the metal cover in the direction of the arrow while extending the lower sections of the metal cover, release the claws **a** using a longer screwdriver from the inside as required. (See Fig.4.)

**Note:**

Do not damage any parts and boards inside the main body when releasing the joints **a** using a longer screwdriver.

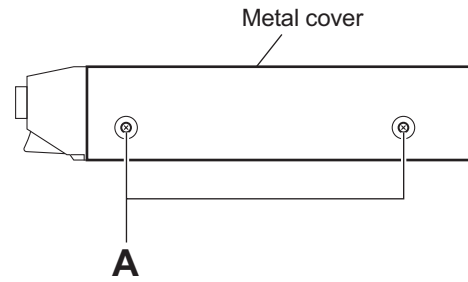


Fig.1

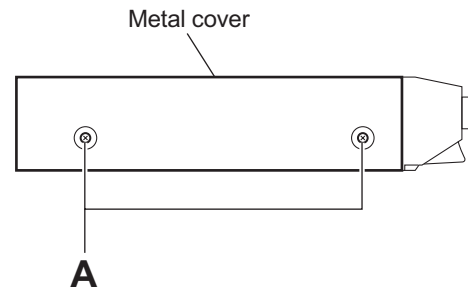


Fig.2

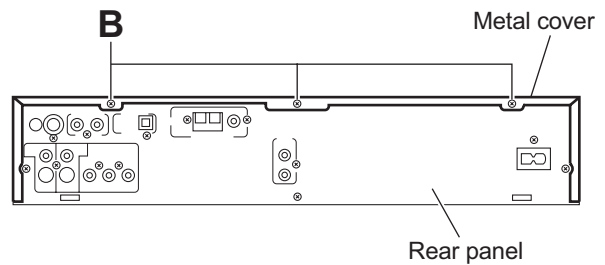


Fig.3

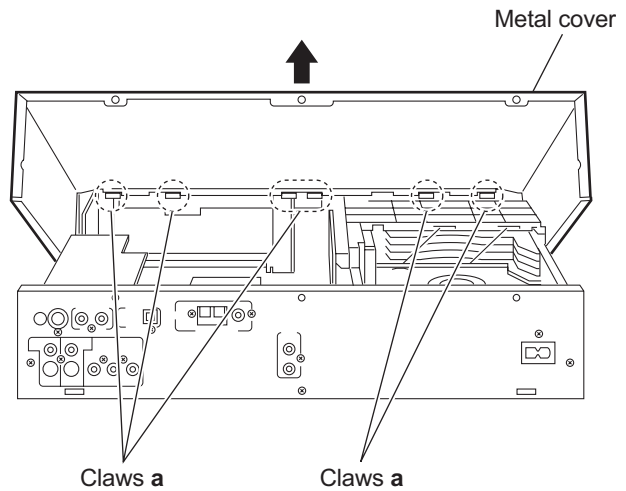
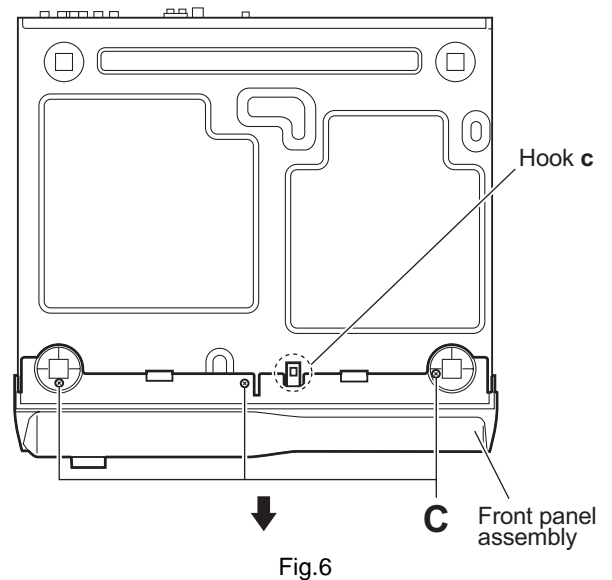
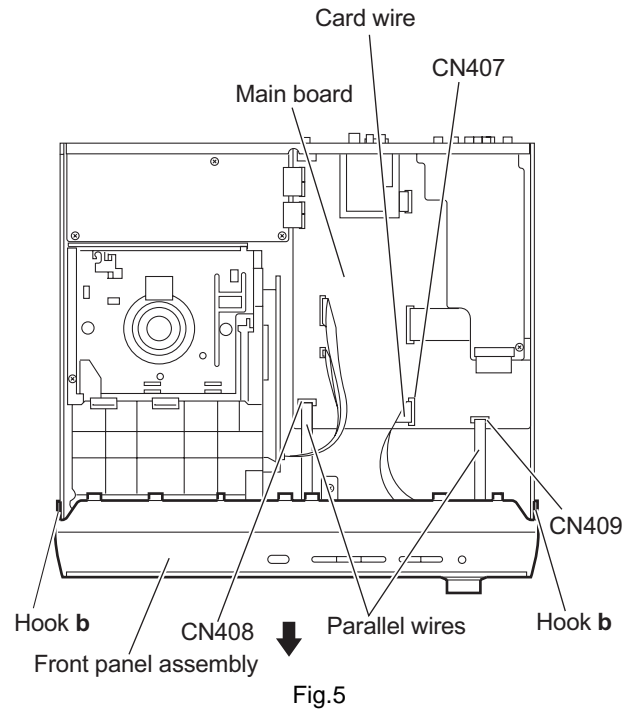


Fig.4



### 3.1.2 Removing the front panel assembly (See Figs.5 and 6)

- Remove the metal cover.
  - From the top side of the main body, disconnect the parallel wires from the connectors (CN408, CN409) on the main board. (See Fig.5.)
  - Disconnect the card wire from the connector CN407 on the main board. (See Fig.5.)
  - From the bottom side of the main body, remove the three screws **C** attaching the front panel assembly. (See Fig.6.)
  - Release the two hooks **b** and hook **c** from the both and bottom sides of the main body, and remove the front panel assembly in the direction of the arrow. (See Figs.5 and 6.)



### 3.1.3 Removing the DVD changer mechanism assembly (See Fig.7)

- Remove the metal cover.
- Remove the front panel assembly.
  - (1) From the top side of the main body, disconnect the card wires from the connectors (CN405, CN415) on the main board.
  - (2) Remove the four screws **D** attaching the DVD changer mechanism assembly to the bottom chassis.
  - (3) Take out the DVD changer mechanism assembly in an upward direction.

#### Note:

When attaching the screw **D**, fit the hole of the DVD changer mechanism assembly to the bosses **d** on the bottom chassis.

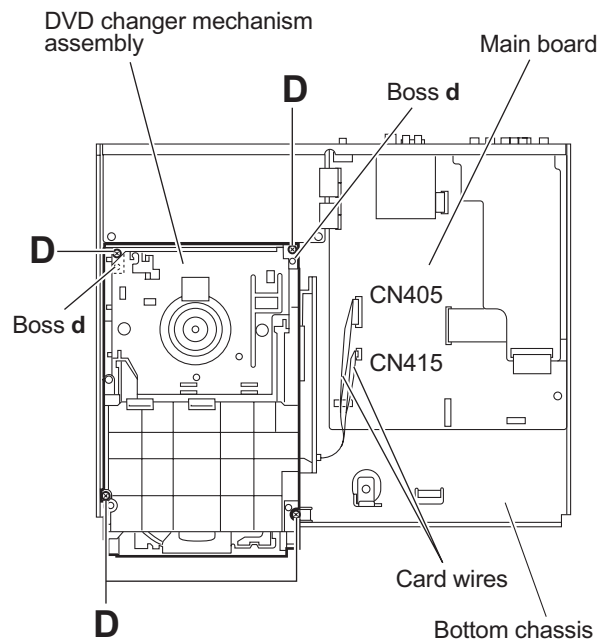


Fig.7

### 3.1.4 Removing the rear panel (See Fig.8)

- Remove the metal cover.
  - (1) From the back side of the main body, remove the screw **E**, nine screws **F** and three screws **G** attaching the rear panel.

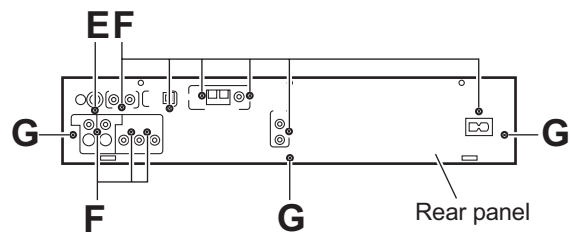


Fig.8

### 3.1.5 Removing the audio & digital input board (See Figs.9 and 10)

- Remove the metal cover.
  - (1) From the top side of the main body, disconnect the card wire from the connector [CN401](#) on the audio & digital input board. (See Fig.9.)
  - (2) Remove the screw **H** attaching the audio & digital input board. (See Fig.9.)
  - (3) From the back side of the main body, remove the screw **J** and two screws **K** attaching the audio & digital input board to the rear panel. (See Fig.10.)
  - (4) Take out the audio & digital input board from the main body.

### 3.1.6 Removing the tuner (See Figs.9 and 10)

- Remove the metal cover.
  - (1) From the top side of the main body, disconnect the card wire from the connector [CN1](#) on the tuner. (See Fig.9.)
  - (2) From the back side of the main body, remove the two screws **L** attaching the tuner to the rear panel. (See Fig.10.)
  - (3) Take out the tuner from the main body.

### 3.1.7 Removing the power supply board (See Figs.9 and 10)

- Remove the metal cover.
  - (1) From the top side of the main body, disconnect the parallel wires from the connectors ([CN416](#), [CN402](#) to [CN404](#)) on the main board. (See Fig.9.)
  - (2) Remove the three screws **M** attaching the power supply board. (See Fig.9.)
  - (3) From the back side of the main body, remove the screw **N** attaching the power supply board to the rear panel. (See Fig.10.)
  - (4) Take out the power supply board from the main body.

#### Reference:

Remove the rear panel as required. (See Fig.8.)

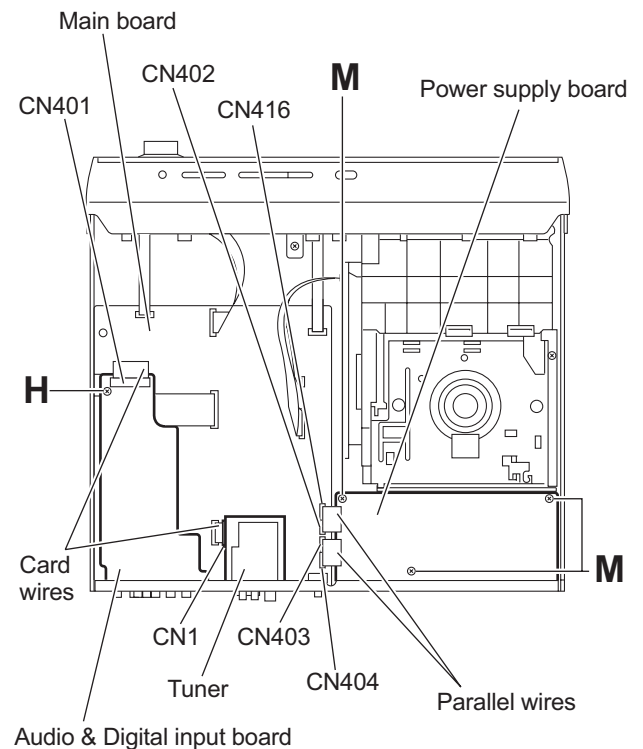


Fig.9

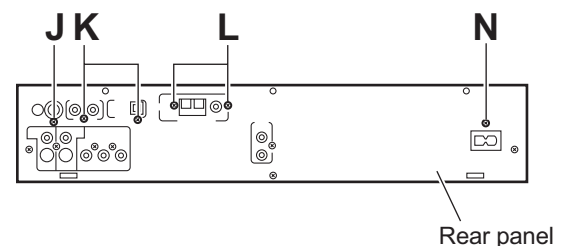


Fig.10

### 3.1.8 Removing the main board (See Figs.11 to 13)

- Remove the metal cover.
  - (1) From the top side of the main body, disconnect the card wires from the connectors (CN405, CN407, CN410, CN411, CN415) on the main board. (See Fig.11.)
  - (2) Disconnect the parallel wires from the connectors (CN416, CN402 to CN404, CN408, CN409) on the main board. (See Fig.11.)
  - (3) Remove the screw **P** attaching the audio & digital input board. (See Fig.11.)
  - (4) From the back side of the main body, remove the five screws **Q** and three screws **R** attaching the rear panel. (See Fig.12.)
  - (5) Take out the rear panel together the audio & digital input board and tuner. (See Fig.12.)
  - (6) From the top side of the main body, remove the three screws **S** attaching the main board to the bottom chassis. (See Fig.13.)

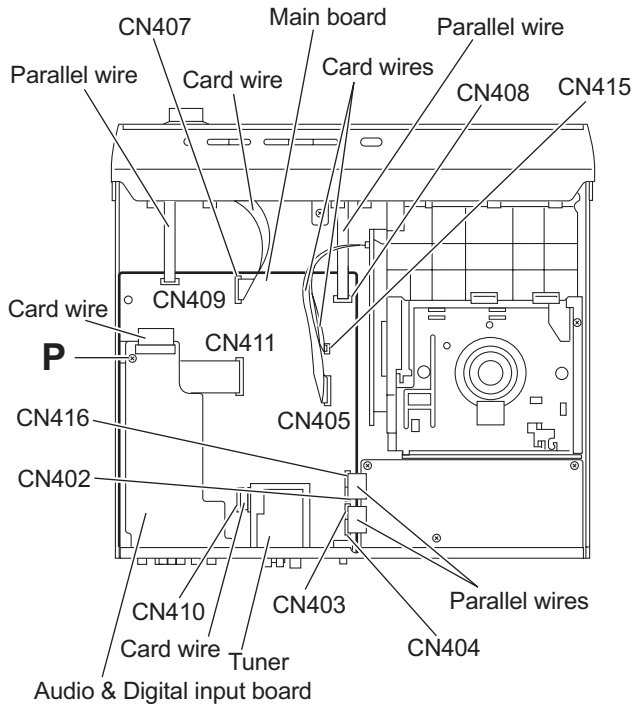


Fig.11

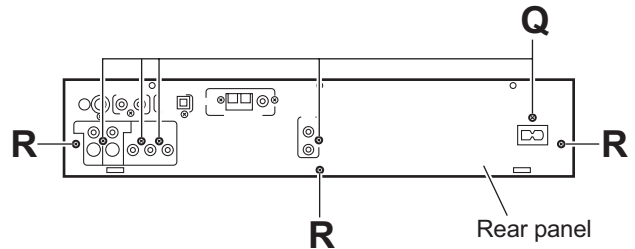


Fig.12

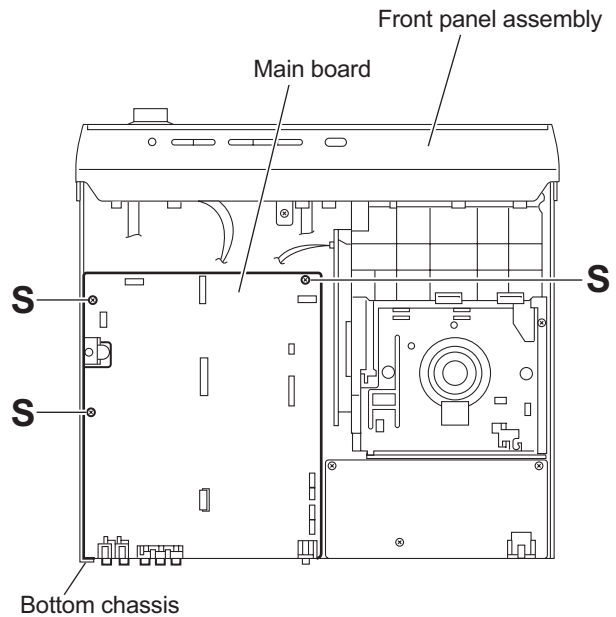
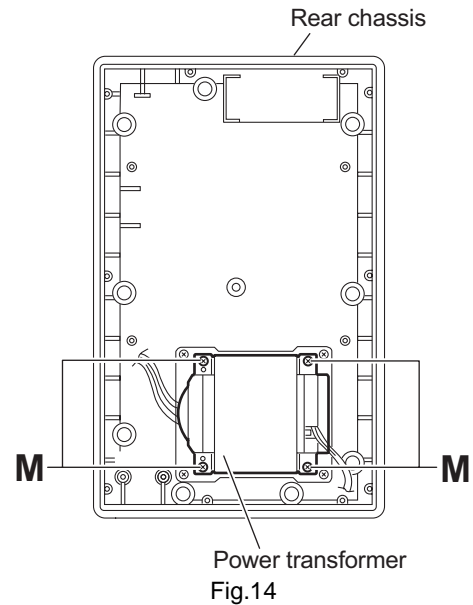


Fig.13

### 3.1.9 Removing the connect board (See Fig.14)

- Remove the metal cover.
- Remove the front panel assembly.
  - (1) From the inside of the front panel assembly, disconnect the card wire from the connector [CN561](#) on the connect board.
  - (2) Remove the screw **T** attaching the support board.
  - (3) Take out the connect board.

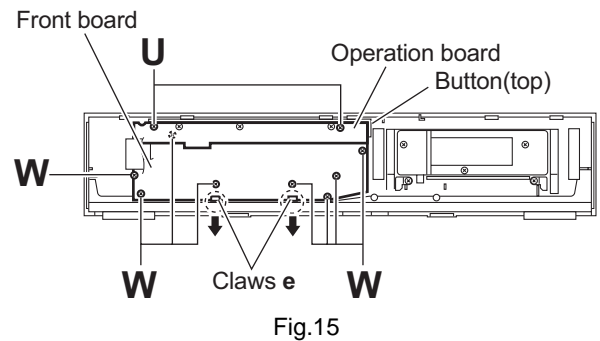


### 3.1.10 Removing the operation board (See Fig.15)

- Remove the metal cover.
- Remove the front panel assembly.
- Remove the support board.
  - (1) Remove the two screws **U** attaching the operation board.
  - (2) Take out the operation board together the button(top).

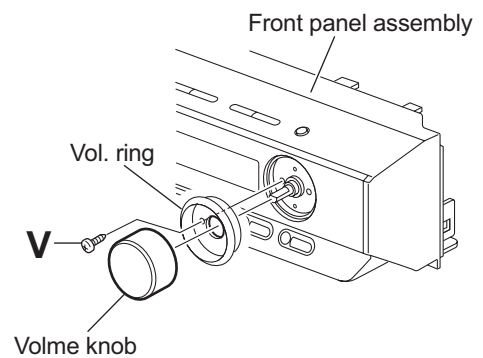
#### Reference:

Remove the button(top) from the front board as required.



### 3.1.11 Removing the front board (See Figs.15 and 16)

- Remove the metal cover.
- Remove the front panel assembly.
- Remove the connect board.
- Remove the operation board.
  - (1) From the front side of the front panel assembly, pull out the volume knob. (See Fig.16.)
  - (2) Remove the screw **V** attaching the vol. ring to the front panel assembly. (See Fig.16.)
  - (3) From the inside of the front panel assembly, remove the eight screws **W** attaching the front board. (See Fig.15.)
  - (4) Take out the front board while releasing the claws **e** in the direction of the arrow. (See Fig.15.)



### 3.1.12 Removing the illumination board (See Figs.17 and 18)

- (1) Open the door assembly of the front panel assembly and remove the three screws **X** attaching the door cover to the door assembly. (See Fig.17.)
- (2) Disconnect the card wire from the connector **CN551** on the illumination board. (See Fig.18.)
- (3) Take out the illumination board from the door assembly.

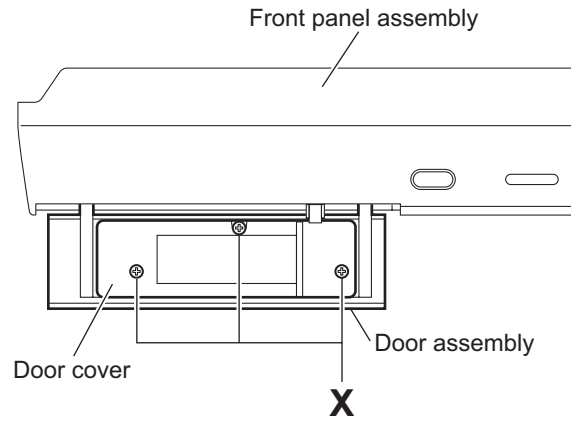


Fig.17

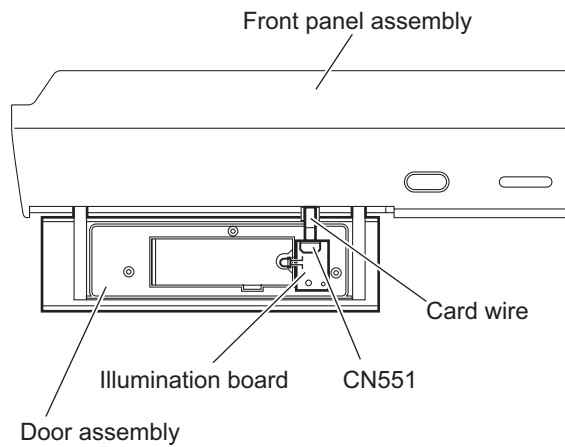


Fig.18

### 3.2 DVD changer mechanism assembly section

#### 3.2.1 Removing the tray assemblies

(See Figs.1 to 5)

- (1) Remove the two screws **A** from the top cover and release the two joints **a** on the both sides of the DVD changer mechanism assembly. (See Figs.1 and 2.)
- (2) Remove the two rods from the top cover and remove the top cover from the lifter assembly. (See Figs.1 and 2.)
- (3) Remove the open det lever on the left side of the DVD changer mechanism assembly. (See Fig.3.)
- (4) From the right side of the DVD changer mechanism assembly, draw out the tray assemblies toward the front while pushing the part **b** of the side (R) assembly. (See Fig.4.)

**Attention:**

The tray can be locked if all tray assemblies are attached.

- (5) From the topside of the DVD changer mechanism assembly, move the stopper tabs **c** in the direction of the arrow and release them. Pull out the tray assemblies from the DVD changer mechanism assembly. (See Figs.4 and 5.)

**Caution:**

Remove the tray assembly from top tray 5 in order.

**Attention:**

When reattaching the tray assembly, or when removing the disc remaining inside, refer to another section "3.2.15 Taking out the disc in the play mode (See Fig.39 to 42)".

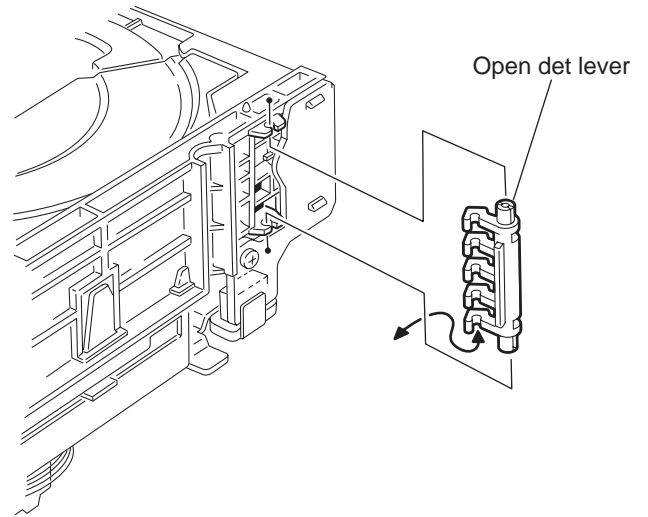


Fig.3

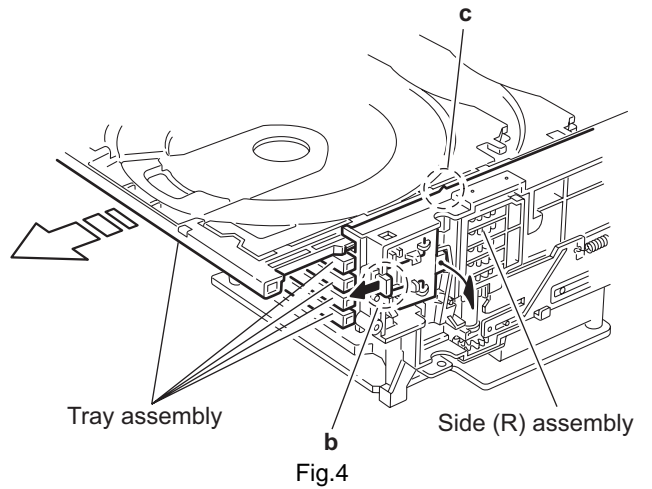


Fig.4

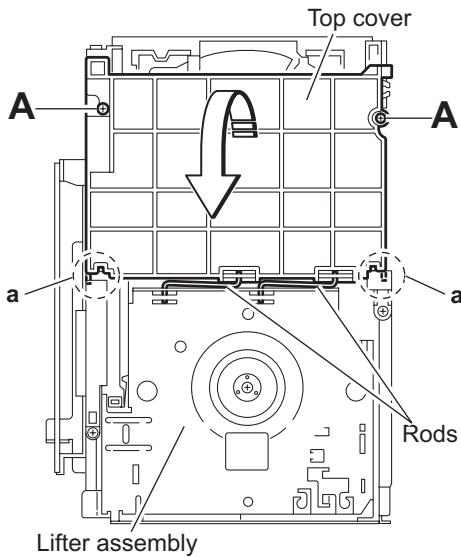


Fig.1

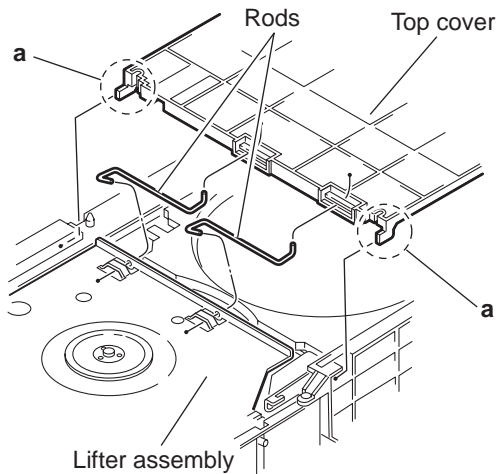


Fig.2

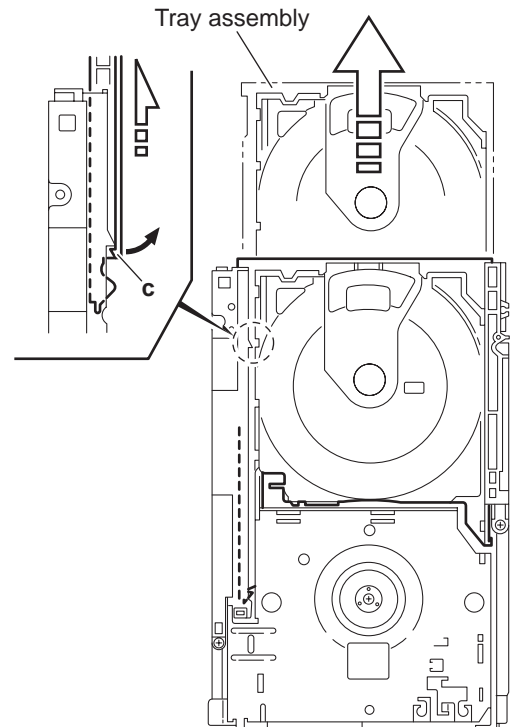


Fig.5

### 3.2.2 Removing the DVD servo board (See Figs.6 and 7)

- Prior to performing the following procedures, remove the tray assemblies.

(1) From the topside of the DVD changer mechanism assembly, solder the short-circuit points **d** on the DVD pickup. (See Fig.6.)

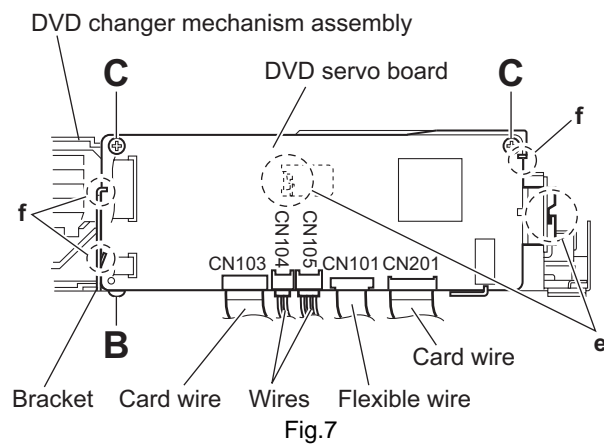
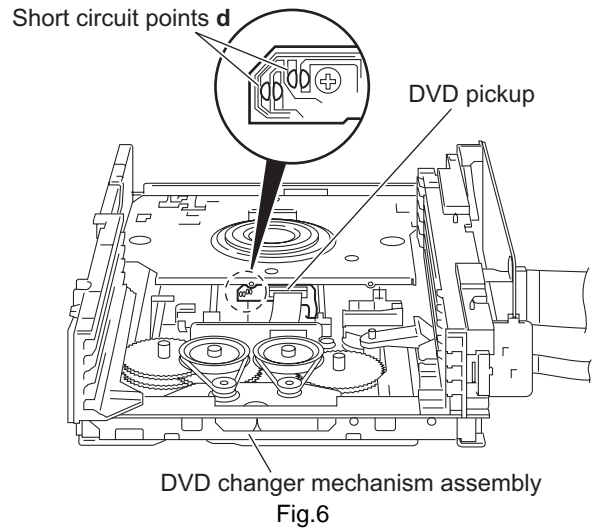
**Caution:**

Solder the short-circuit points **d** on the DVD pickup before disconnecting the flexible wire extending from the DVD pickup. If you do not follow this instruction, the DVD pickup may be damaged.

- (2) From the right side of the DVD changer mechanism assembly, disconnect the card wires from the connectors (CN103, CN201) and the wires from the connectors (CN104, CN205) and the flexible wire from the connector CN101 on the DVD servo board. (See Fig.7.)
- (3) Remove the screw **B** attaching the bracket to the DVD changer mechanism assembly. (See Fig.7.)
- (4) Release the two sections **e** of the bracket from the DVD changer mechanism assembly and remove the DVD servo board with the bracket. (See Fig.7.)
- (5) Remove the two screws **C** attaching the DVD servo board to the bracket. (See Fig.7.)
- (6) Release the three sections **f** of the bracket and remove the DVD servo board. (See Fig.7.)

**Caution:**

Unsolder the solders from the short-circuit points **d** after reassembling.



### 3.2.3 Removing the switch board (See Fig.8)

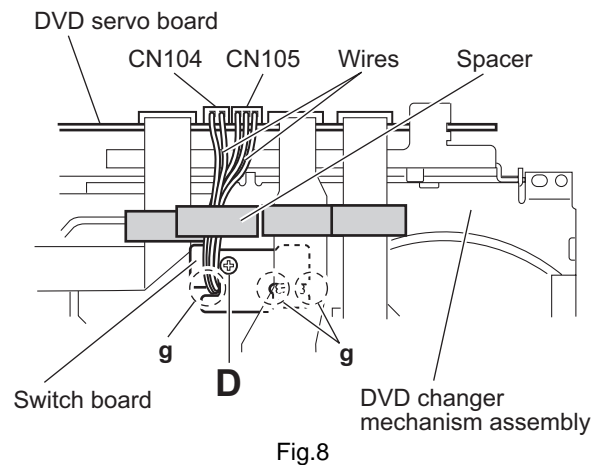
- (1) From the bottom side of the DVD changer mechanism assembly, disconnect the wires from connectors CN104 and CN105 on the DVD servo board.
- (2) Remove the screw **D** attaching the switch board to the DVD changer mechanism assembly.
- (3) Release the wires from the slots **g** of the switch board.

**Caution:**

When reassembling, let the wires through the slots **g** of the switch board.

**Reference:**

When connecting the wires to the connectors on the DVD servo board, fix the wires with spacer.





### 3.2.4 Removing the motor board (See Figs.9 and 10)

- (1) From the top side of the DVD changer mechanism assembly, remove the two belts from the motor pulleys. (See Fig.9.)

**Caution:**

Take care not to attach grease on the belt.

- (2) Remove the four screws **E** attaching the motors to the chassis assembly. (See Fig.9.)
- (3) From the bottom side of the DVD changer mechanism assembly, remove the two screws **F**. (See Fig.10.)
- (4) Disconnect the connector **CN2** on the motor board from the tray switch board and remove the motor board. (See Fig.10.)
- (5) Disconnect the card wire from the connector **CN1** on the motor board. (See Fig.10.)

**Caution:**

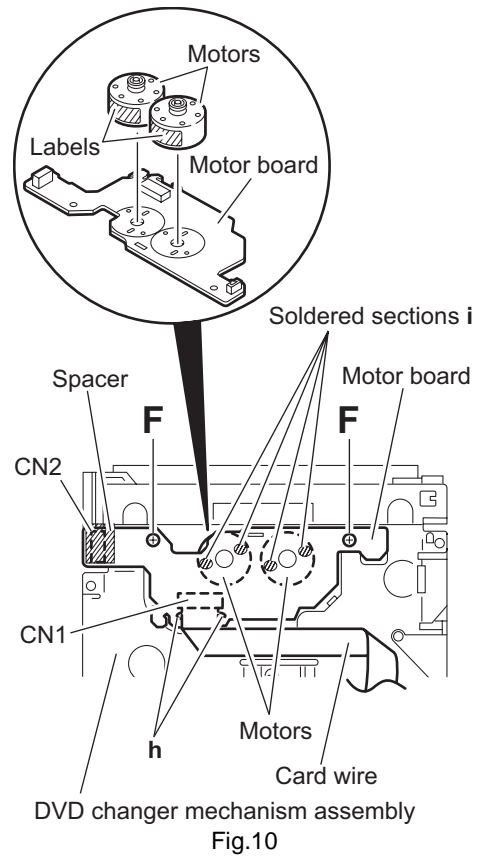
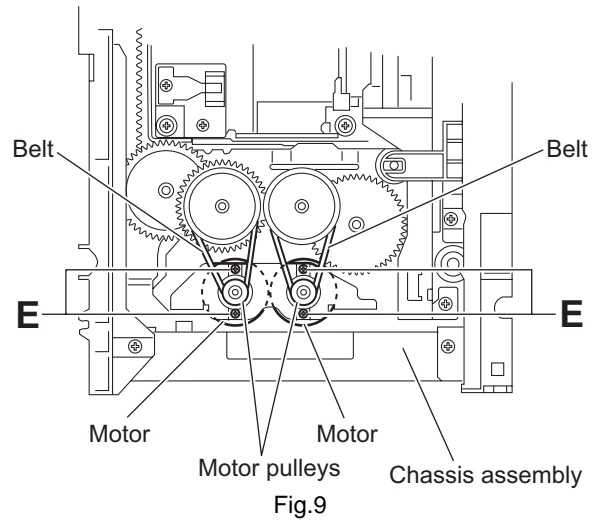
- When connecting the card wire, let the card wire through the slots **h** of the motor board. (See Fig.10.)
- When reattaching the motor, turn the side where the label should be put to the front side. (See Fig.10.)

**Reference:**

- You need not to remove the tray assemblies, and in such case, move it.
- After connecting the motor board, attach the spacer on the motor board. (See Fig.10.)

### 3.2.5 Removing the motor (See Fig. 10)

- Prior to performing the following procedures, remove the motor board.
  - (1) From the reverse side of the motor board, unsolder the four soldered sections **i** on the motor board.
  - (2) From the forward side of the motor board, remove the motors.



### 3.2.6 Removing the DVD traverse mechanism assembly (See Figs.6 and 11)

- Prior to performing the following procedures, remove the tray assemblies.

(1) From the topside of the DVD changer mechanism assembly, solder the short-circuit points **d** on the DVD pickup. (See Fig.6.)

**Caution:**

Solder the short-circuit points **d** on the DVD pickup before disconnecting the flexible wire extending from the DVD pickup. If you do not follow this instruction, the DVD pickup may be damaged.

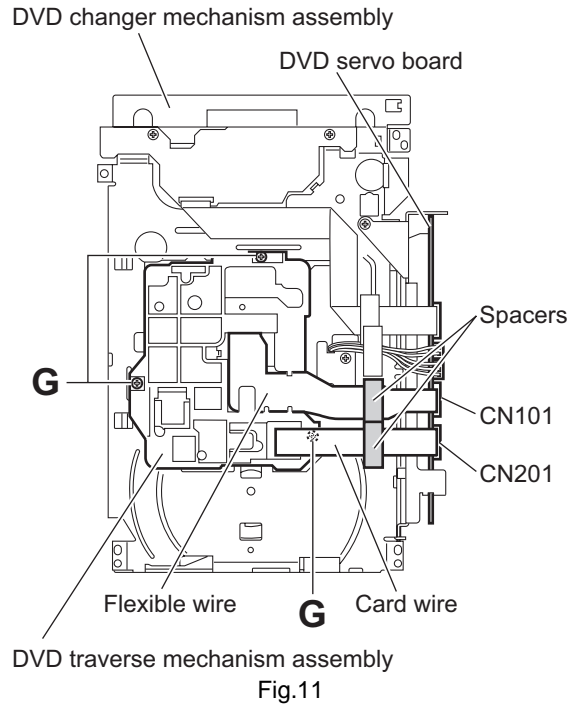
- (2) From the bottom side of the DVD changer mechanism assembly, disconnect the flexible wire from the connector **CN101** on the DVD servo board. (See Fig.11.)
- (3) Disconnect the card wire from the connector **CN201** on the DVD servo board. (See Fig.11.)
- (4) Remove the three screws **G** attaching the DVD traverse mechanism assembly. (See Fig.11.)
- (5) Take out the DVD traverse mechanism assembly from the DVD changer mechanism assembly.

**Caution:**

Unsolder the solders from the short-circuit points **d** after reassembling.

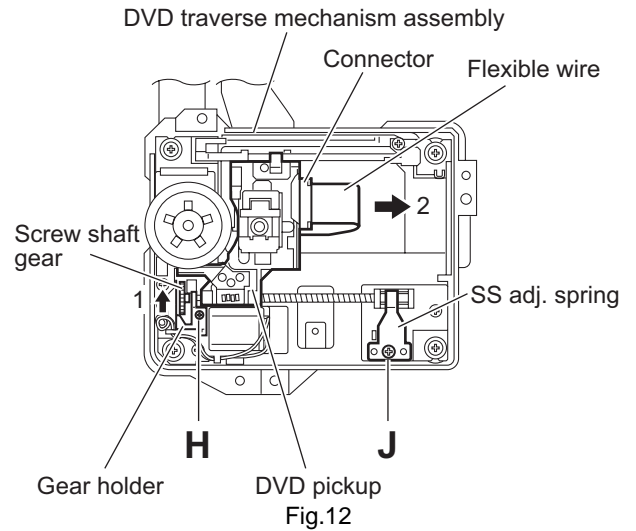
**Reference:**

When connecting the each wire to the connectors on the DVD servo board, fix the each wire with spacers.



### 3.2.7 Removing the DVD pickup (See Figs.12 to 14)

- Prior to performing the following procedures, remove the tray assemblies and DVD traverse mechanism assembly.
  - (1) From topside of the DVD traverse mechanism assembly, disconnect the flexible wire from the connector on the DVD pickup. (See Fig.12.)
  - (2) Turn the screw shaft gear in the direction of the arrow 1 to move the DVD pickup in the direction of the arrow 2. (See Fig.12.)
  - (3) Remove the screw **H** attaching the gear holder. (See Fig.12.)
  - (4) Remove the screw **J** attaching the SS adj. spring. (See Fig.12.)
  - (5) Move the DVD pickup in the direction of the arrow and remove the screw shaft from the section **j** on the screw shaft holder. (See Fig.13.)
  - (6) Remove the section **k** of the DVD pickup from the guide shaft. (See Fig.13.)
  - (7) Remove the two screws **K** attaching the rack arm to the DVD pickup. (See Fig.14.)
  - (8) Pull the screw shaft from the DVD pickup in the direction of the arrow. (See Fig.14.)

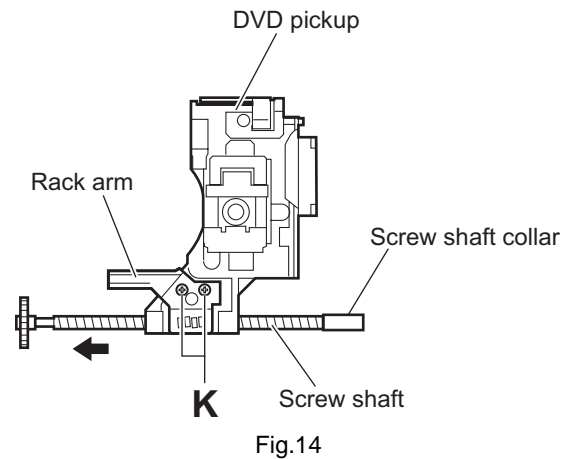
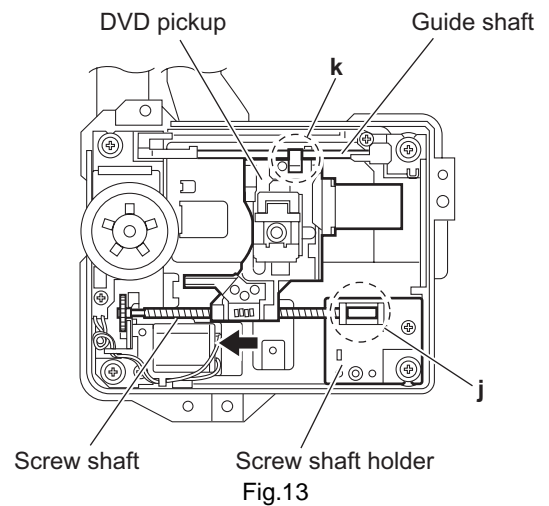


### 3.2.8 Attaching the DVD pickup (See Figs.12 to 14)

- (1) Attach the screw shaft to the DVD pickup and attach the rack arm with the screws **K**. (See Fig.14.)

**Reference:**

- After attaching the screw shaft to the DVD pickup, attach the screw shaft collar to the screw shaft. (See Fig.14.)
- (2) Attach the section **k** of the DVD pickup to the guide shaft first and attach the screw shaft to the section **j** on the screw shaft holder. (See Fig.14.)
- (3) Attach the SS adj. spring and gear holder with the screws **H** and **J**. (See Fig.12.)
- (4) Turn the screw shaft gear to move the DVD pickup toward the left. (See Fig.12.)
- (5) Connect the flexible wire to the connector on the DVD pickup. (See Fig.12.)



### 3.2.9 Removing the spindle motor board (See Figs.15 and 16)

- Prior to performing the following procedures, remove the tray assemblies and DVD traverse mechanism assembly.
  - (1) From the topside of the DVD traverse mechanism assembly, remove the four screws **L** attaching the DVD traverse mechanism assembly to the DVD traverse mechanism base. (See Fig.15.)
  - (2) Remove the wires from the soldered section **m** on the spindle motor board. (See Fig.15.)
  - (3) Remove the screw **M** attaching the spindle motor board. (See Fig.15.)
  - (4) From the bottom side of the DVD traverse mechanism assembly, remove the three screws **N** attaching the spindle motor board. (See Fig.16.)

#### Reference:

When attaching the spindle motor board, let the card wire through the hole **n** on the motor base. (See Fig.15.)

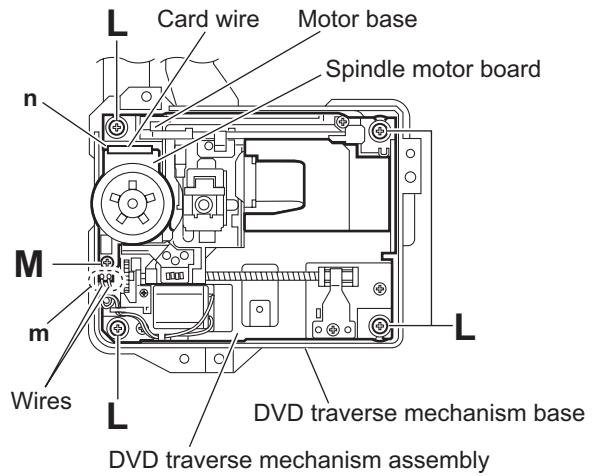


Fig.15

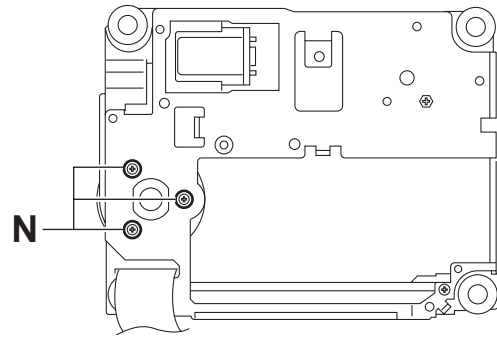


Fig.16

### 3.2.10 Removing the feed motor (See Figs.17 and 18)

- Prior to performing the following procedures, remove the tray assemblies, DVD traverse mechanism assembly, DVD pickup board and spindle motor board.
- Remove the wires of the feed motor as required.
  - (1) Remove the middle gear in the direction of the arrow. (See Fig.17.)
  - (2) Remove the screw **P** and screw **Q** attaching the motor base.
  - (3) Remove the screw **R** attaching the feed motor to the motor base. (See Fig.18.)
  - (4) Take out the feed motor from the motor base.

#### Reference:

After attaching the feed motor, let the wires through the sections **p** and **q** on the motor base. (See Fig.17.)

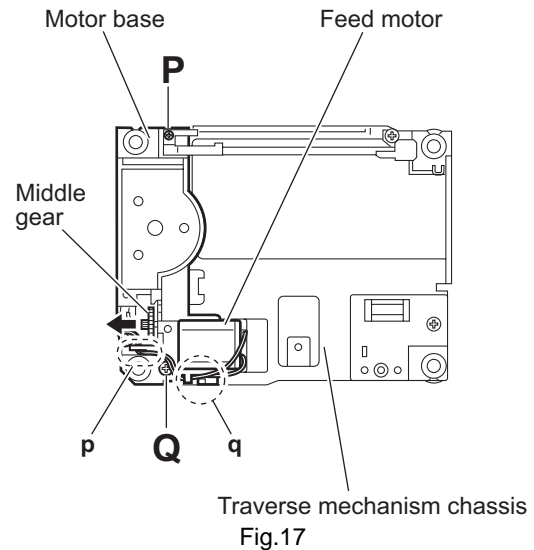


Fig.17

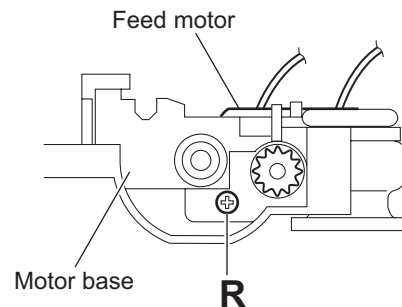


Fig.18

### 3.2.11 Removing the side (L) assembly and tray switch board (See Figs.19 to 21)

- Prior to performing the following procedures, remove the tray assemblies.
  - (1) From the topside of the DVD changer mechanism assembly, remove the two screws **S** attaching the side (L) assembly. (See Fig.19.)
  - (2) From the left side of the DVD changer mechanism assembly, removing the spacer fixing the tray switch board and motor board. (See Fig.20.)
  - (3) Disconnect the connector **CN3** on the tray switch board from the motor board and detach the side (L) assembly in an upward direction. (See Fig.20.)
  - (4) Remove the screw **T** attaching the tray switch board to the side (L) assembly. (See Fig.21.)
  - (5) Release the joint tab **r** of the side (L) assembly in the direction of the arrow 1 and release the joint tab **s** while removing the tray switch board in the direction of the arrow 2. (See Fig.21.)

#### Reference:

After attaching the tray switch board to the motor board, fix them with spacers.

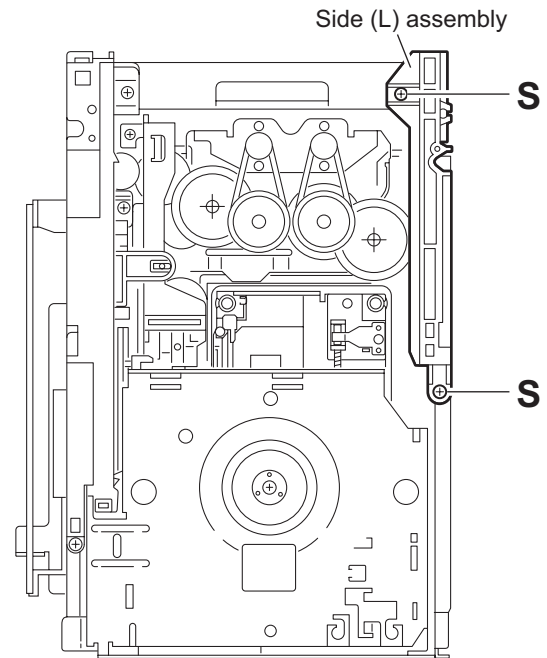


Fig.19

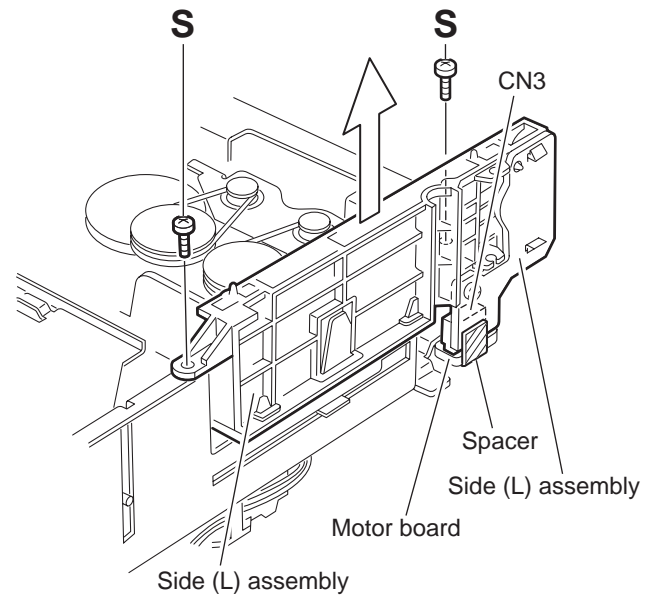


Fig.20

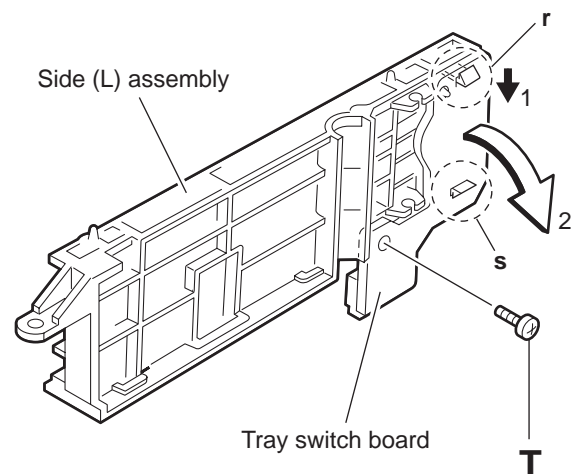


Fig.21

### 3.2.12 Removing the side (R) assembly (See Fig.22 to 26)

- Prior to performing the following procedures, remove the tray assemblies and DVD servo board.
- When removing the DVD servo board, it is not necessary to remove the DVD servo board from the bracket.
  - (1) From the inside of the side (R) assembly, release the two tabs **t** of the gear cover and remove the gear cover outward. (See Figs.22 and 23.)
  - (2) From the right side of the DVD changer mechanism assembly, remove the elevator spring attached to the hook **u** of the chassis assembly. (See Figs.23 and 24.)
  - (3) From the topside of the DVD changer mechanism assembly, turn the gear 1 clockwise to move the elevator cam rearward. (See Fig.24.)
  - (4) Move the two slots **v** and joint **w** of the elevator cam and remove the elevator cam outward. (See Fig.24.)
  - (5) Remove the three screws **U** and detach the side (R) assembly upward. (See Figs.25 and 26.)

#### Caution:

When reattaching the side (R) assembly, make sure to fit the shaft (part **x**) into the slot of the select lever. (See Fig.25.)

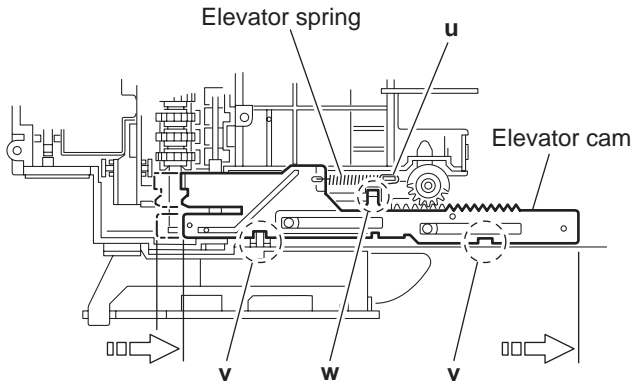


Fig.24

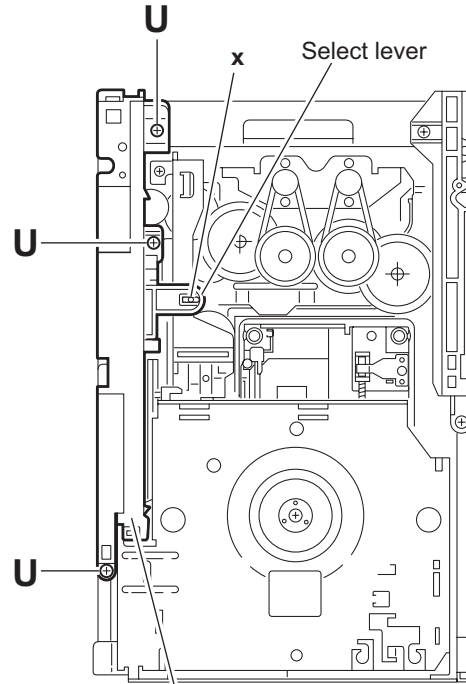


Fig.25

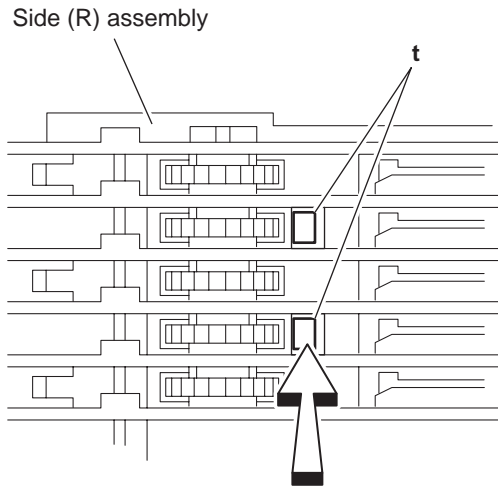


Fig.22

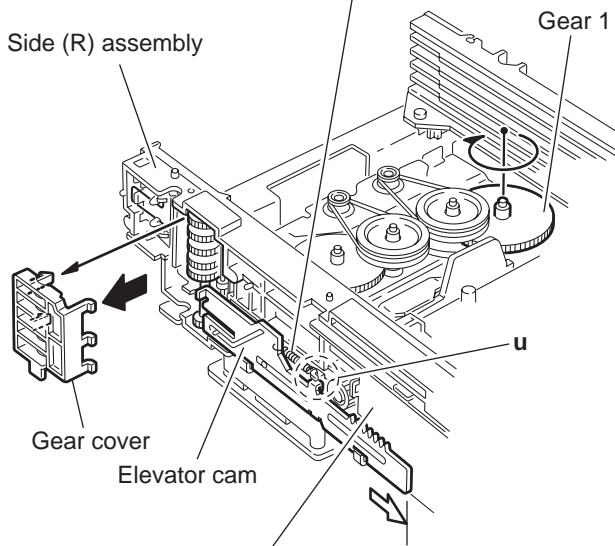


Fig.23

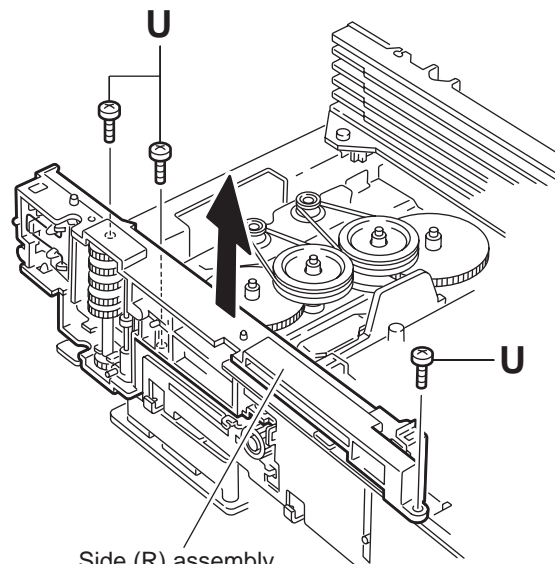


Fig.26

### 3.2.13 Removing the lifter assembly (See Figs.27 to 31)

- Prior to performing the following procedures, remove the tray assemblies, DVD servo board, side (L) assembly and side (R) assembly.

- When removing the DVD servo board, it is not necessary to remove the DVD servo board from the bracket.

- (1) From the topside of the DVD changer mechanism assembly, turn the gear 1 clockwise to move the lifter assembly upward. (See Figs.27 and 28.)
- (2) Turn the gear 2 clockwise to move the hook toward the front until it stops. (See Figs.27 and 28.)
- (3) Move the hook stopper in the direction of the arrow 2 while pushing the tab y of the hook stopper to unlock it in the direction of the arrow 1 and release four joints z to detach from the rack holder. (See Fig.29.)
- (4) Release the rod from part aa. (See Fig.29.)
- (5) Turn the gear 1 clockwise again to move the lifter assembly upward. (See Fig.30.)
- (6) Remove the lifter assembly from the DVD changer mechanism assembly upward at the positions ab where the four pins on the both sides of the lifter assembly fit to the notches of the chassis assembly. (See Fig.30.)
- (7) Move the lifter assembly in the direction of the arrow and release it from the hook. (See Fig.31.)

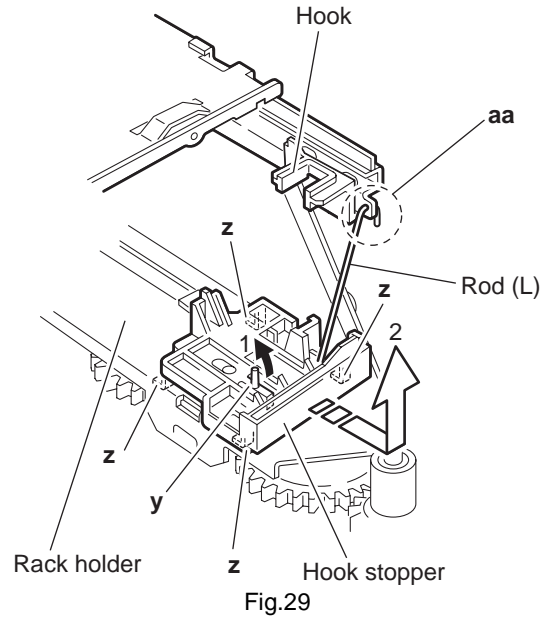


Fig.29

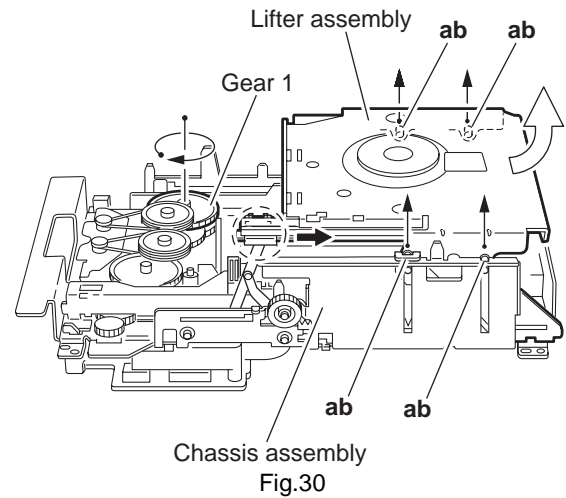
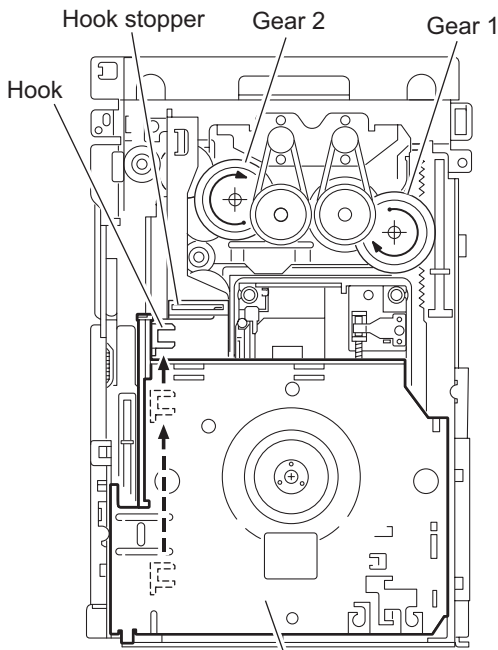


Fig.30



Lifter assembly  
Fig.27

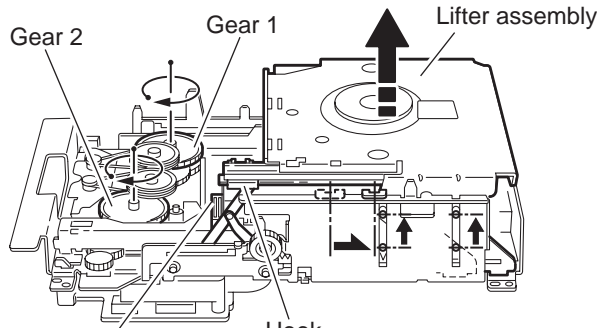
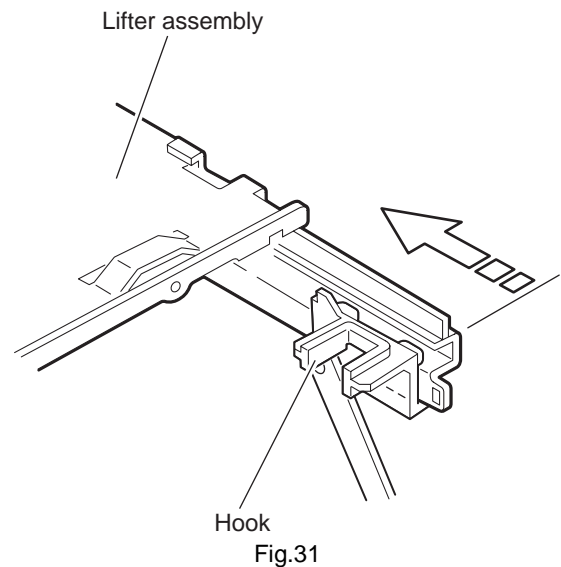


Fig.28



### 3.2.14 Removing the rack holder assembly and sensor assembly (See Figs.32 to 38)

- Prior to performing the following procedures, remove the tray assemblies, side (L) assembly, side (R) assembly and lifter assembly.

#### Reference:

If the slide gear of the DVD changer mechanism assembly places at joint **ac** of the rack holder assembly, turn the gear 1 counterclockwise to move the slide gear in the direction of the arrow. Then Remove the rack holder assembly. (See Figs.32 and 33.)

- (1) Remove the three screws **V** attaching the rack holder assembly and release joint **ac** from the notch **ad**. (See Figs.32 and 34.)

#### Caution:

When reattaching the rack holder assembly, do not nip the wires extending from the sensor assembly. (See Fig.32.)

- (2) Remove the two screws **W** attaching the sensor assembly. (See Figs.35 and 38.)
- (3) Move the sensor assembly in the direction of the arrow to release from the joint section **ae**. (See Figs.35 and 38.)
- (4) Remove the sensor spring attached to the bottom of the sensor assembly from the boss **af** on the sensor slider. (See Figs.35 and 36.)
- (5) Remove the screw **X** and **Y** attaching the sensor board and SV. resister respectively. (See Fig.37.)

#### Reference:

Remove the soldered section **ai** on the sensor board as required. (See Fig.37.)

#### Caution:

- When reattaching the SV. resister, attach the sensor slider to the sensor bracket and fit the lever on the bottom of the SV. resister into slot **aj** of the sensor slider. (See Figs.36 and 37.)
- When reattaching the rack holder assembly, turn the gear 1 clockwise to move the slide gear and slide lever inside the body in the direction of the arrow. (See Figs.32 and 38.)
- Let the wire extending from the sensor assembly through notch **ag** to the bottom of the DVD changer mechanism assembly. (See Figs.35 and 38.)
- Fit pin **ak** of the slide lever into hole **ah** of the sensor slider on the bottom of the sensor assembly while attaching the sensor spring to the boss **af** of the sensor slider. (See Figs.36 and 38.)
- Joint section **ae** of the sensor assembly to the notch **am** of the DVD changer mechanism assembly. (See Figs.35 and 38.)

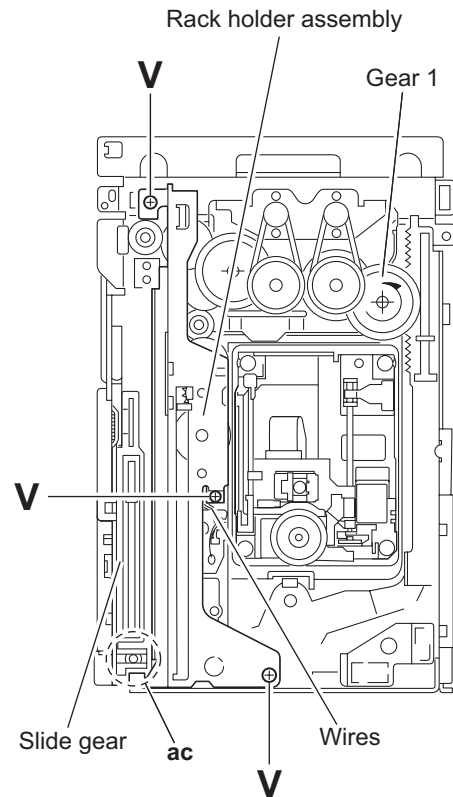


Fig.32

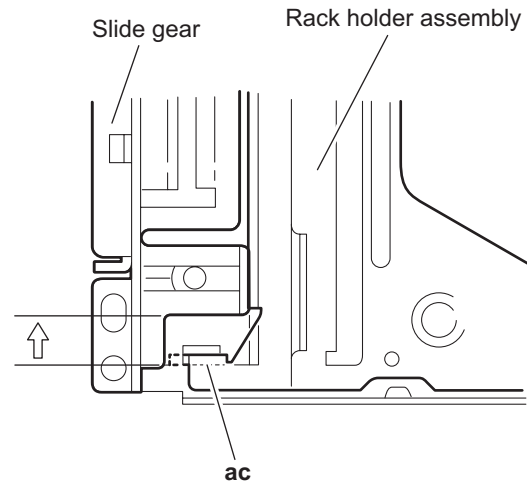


Fig.33



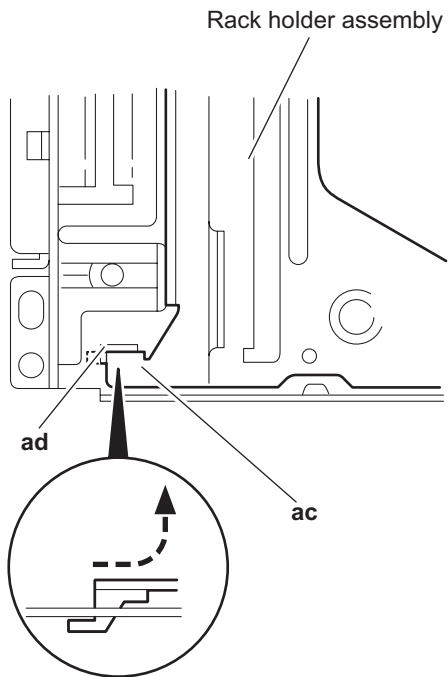


Fig.34

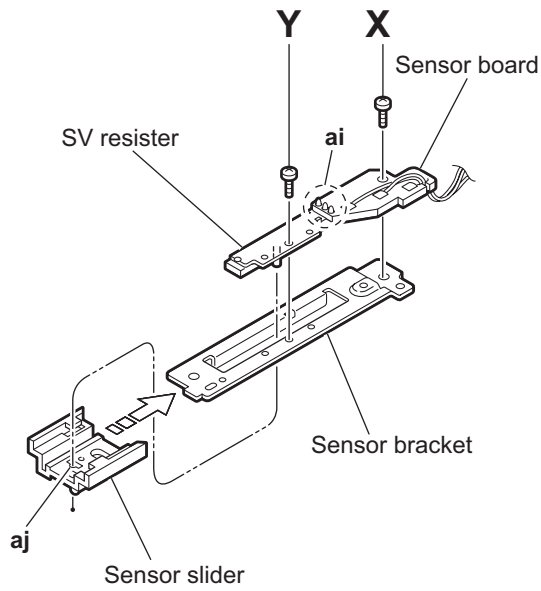


Fig.37

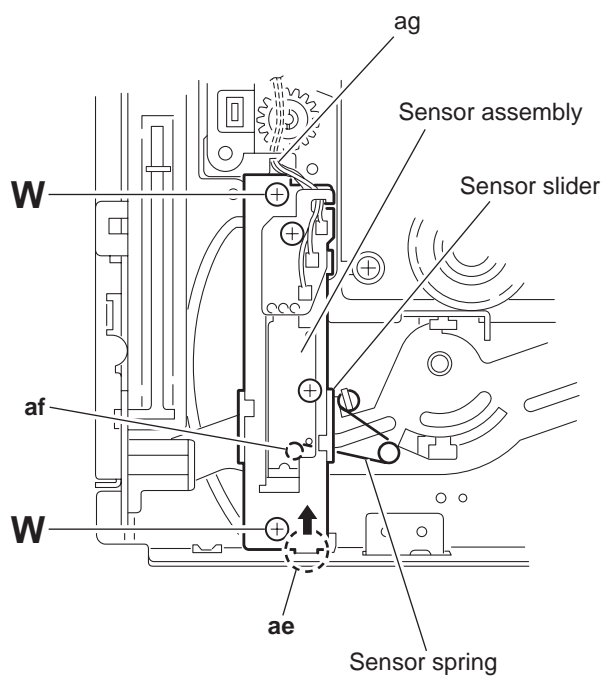


Fig.35

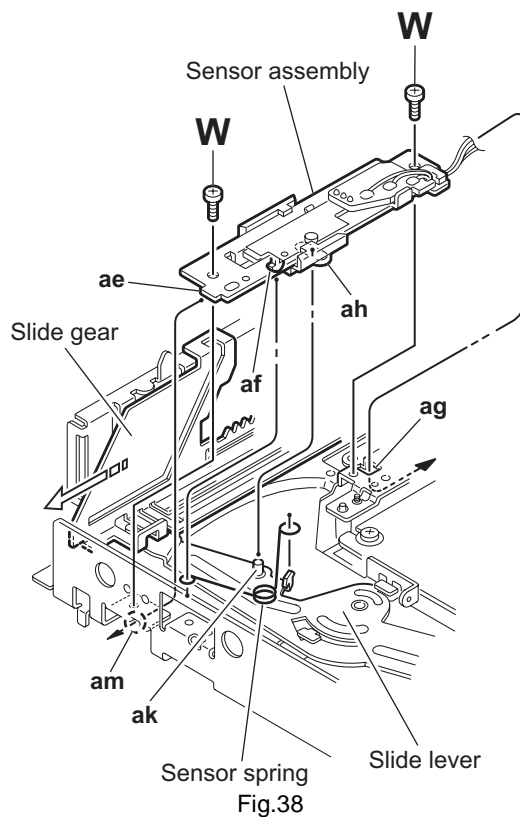


Fig.38

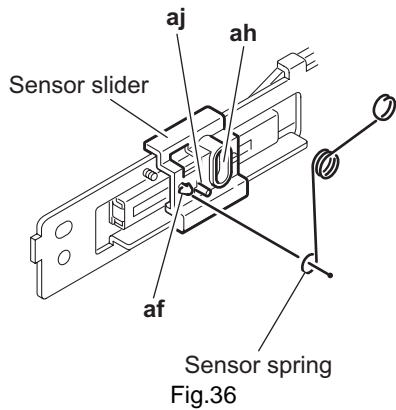


Fig.36

**3.2.15 Taking out the disc in the play mode**  
(See Fig.39 to 42)

**Reference:**

Refer to "Removing the tray assemblies".

- (1) From the topside of the DVD mechanism assembly, remove the top cover.
- (2) Unlock the tray assemblies and draw out the tray assemblies toward the front.
- (3) From the top side of the DVD mechanism assembly, turn the gear 1 clockwise to move the lifter assembly upward. (See Fig.39.)
- (4) Turn the gear 2 clockwise to move the sub tray remaining inside the lifter assembly toward the front, then pull out.
- (5) Take out the disc on the sub tray. (See Fig.40.)
- (6) After clearing away the disc, insert the sub tray into the main tray. (See Fig.41.)
- (7) Push the tray assembly toward the body and reattach.

**Caution:**

When reattaching the sub tray, move the tray stopper on the bottom of the main tray in the direction of the arrow to lock the sub tray certainly. (See Figs.41 and 42.)

- (7) Push the tray assembly toward the body and reattach.

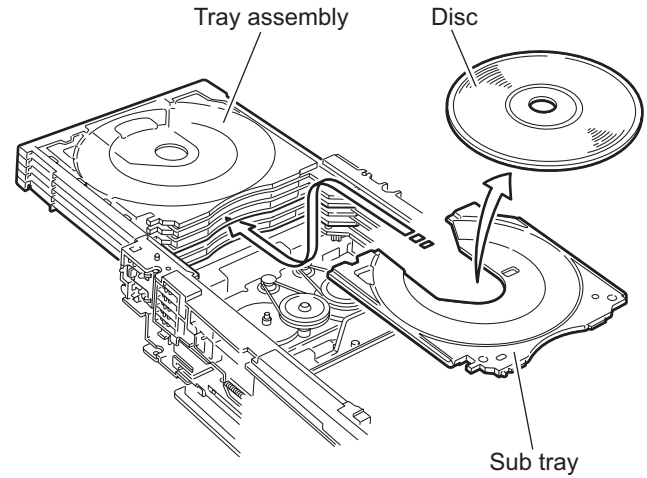


Fig.40

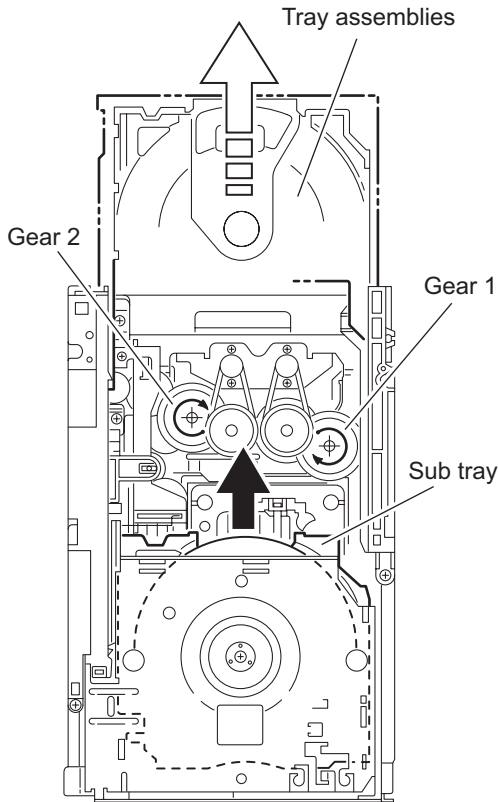
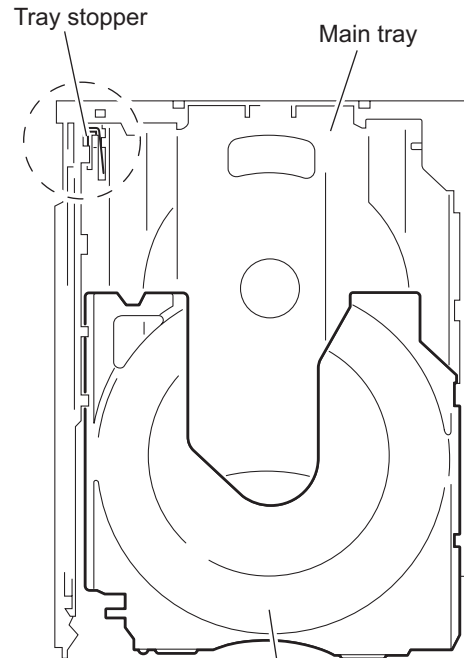


Fig.39



Sub tray  
Fig.41

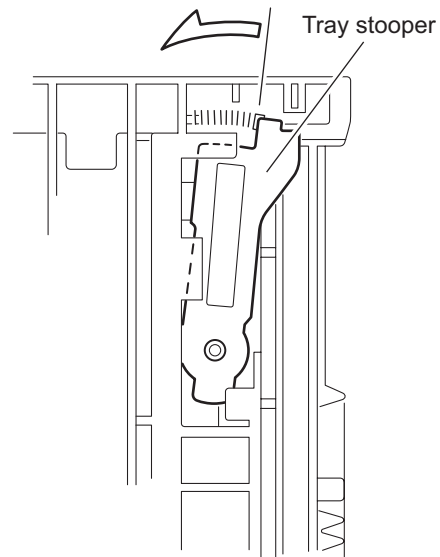


Fig.42

### 3.3 Subwoofer section

#### 3.3.1 Removing the amplifier assembly (See Figs.1 to 3)

- (1) From the back side of the speaker main body, remove the four screws **A** attaching the heat sink cover and then remove the heat sink cover. (See Fig.1.)
- (2) Remove the nine screws **B** attaching the amplifier assembly. (See Fig.2.)
- (3) Move the amplifier assembly backward and disconnect the wire from the connector **CN402** on the speaker terminal board. (See Fig.3.)

#### 3.3.2 Removing the rear panel (See Figs.1 and 4)

- (1) From the back side of the speaker main body, remove the four screws **A** attaching the heat sink cover and then remove the heat sink cover. (See Fig.1.)

##### Reference:

- If the amplifier assembly was removed from the main body, this step (1) is unnecessary.
- (2) Remove the four screws **C**, twelve screws **D** and screw **E** attaching the rear panel. (See Fig.4.)

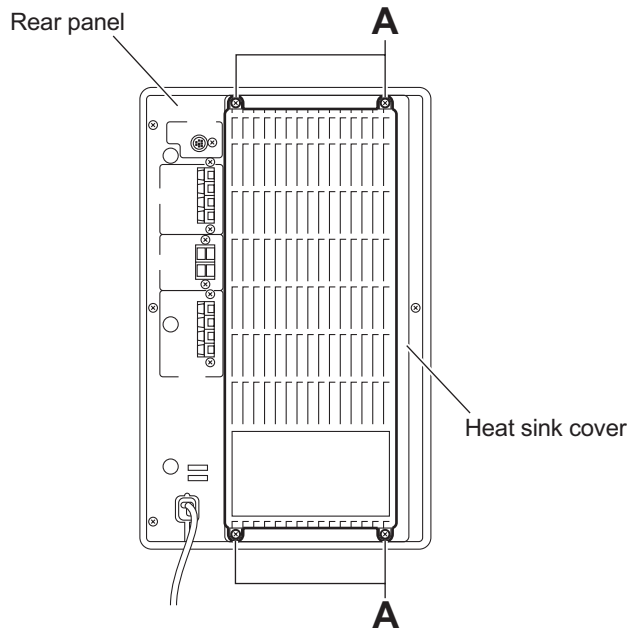


Fig.1

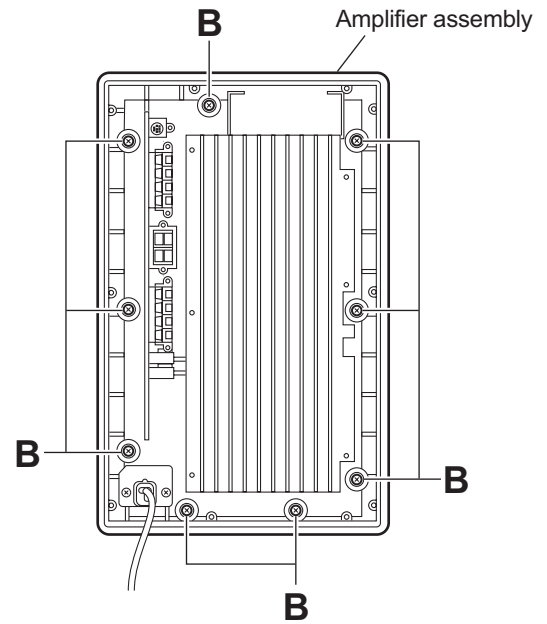


Fig.2

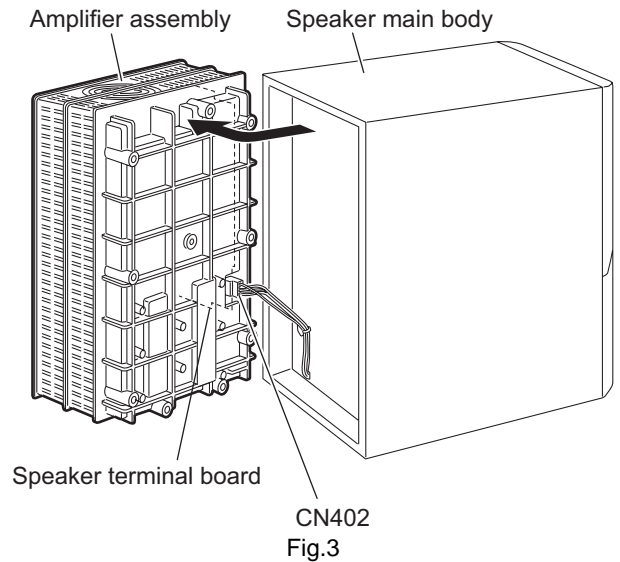


Fig.3

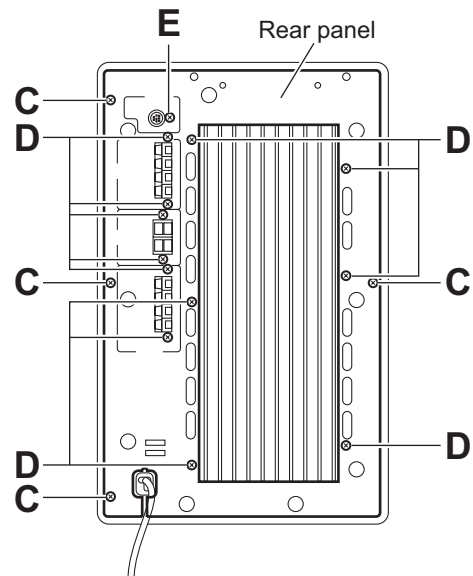


Fig.4

### 3.3.3 Removing the speaker terminal board (See Figs.5 and 6)

- Remove the amplifier assembly.
- Remove the rear panel.
  - (1) From the back side of the amplifier assembly, remove the two screws **F** attaching the AC bracket. (See Fig.5.)
  - (2) Disconnect the wires from the connectors **CN101** and **CN102** on the speaker terminal board. (See Figs.5 and 6.)
  - (3) Disconnect the speaker terminal board from the connectors (**CN501**, **CN503**, **CN504**) on the mother board. (See Fig.6.)

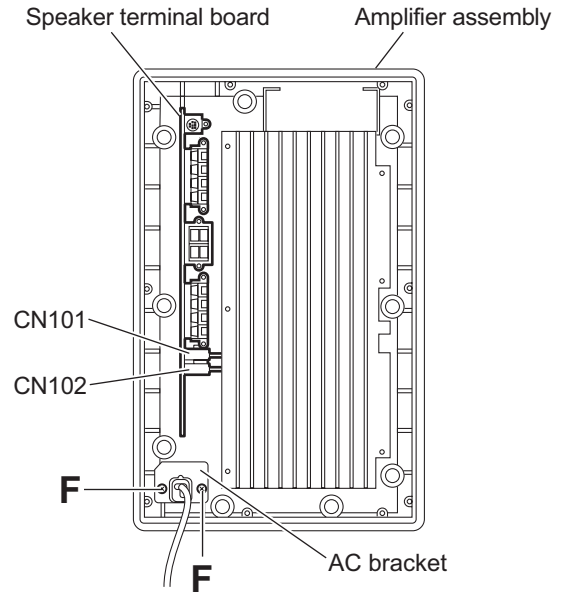


Fig.5

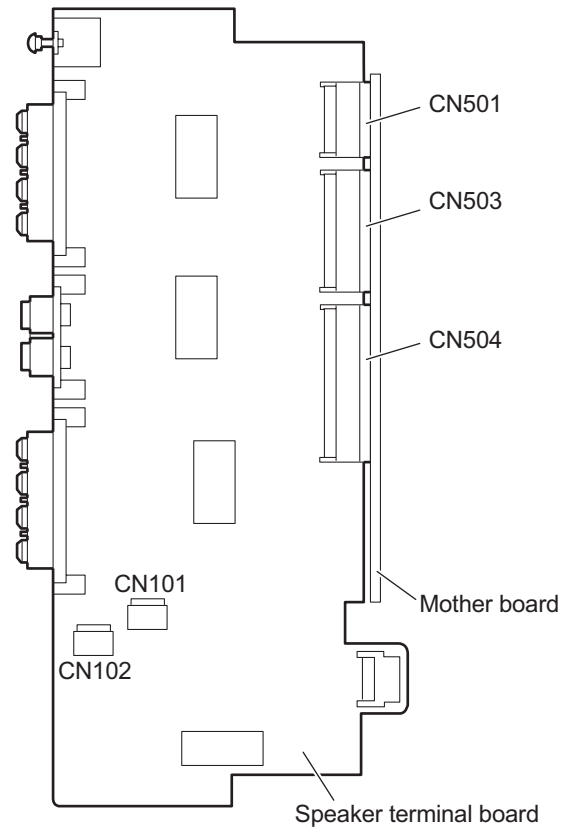


Fig.6

### 3.3.4 Removing the mother board (See Figs.7 to 9)

- Remove the rear panel.
- Remove the amplifier assembly.
- Remove the speaker terminal board.
  - (1) From the inside of the amplifier assembly, disconnect the wire from the connector [CN151](#) on the mother board. (See Fig.7.)
  - (2) Remove the five screws **G** attaching the mother board. (See Fig.7.)
  - (3) Take out the mother board together the amplifier boards (A,B) and heat sink.
  - (4) Remove the four screws **H** attaching the mother board. (See Fig.8.)
  - (5) Release the claws **a** and **b** of the connectors ([CN521](#), [CN522](#), [CN531](#), [CN532](#)) on the mother board using the flat-bladed screwdriver or a similar tool, disconnect the mother board from the connectors ([CN251](#), [CN252](#), [CN351](#), [CN352](#)) on the amplifier boards (A, B). (See Fig.9.)

**Note:**

When releasing the claws **a** and **b** of the connectors ([CN521](#), [CN522](#), [CN531](#), [CN532](#)) on the mother board, be careful not to break the claws of the connectors.

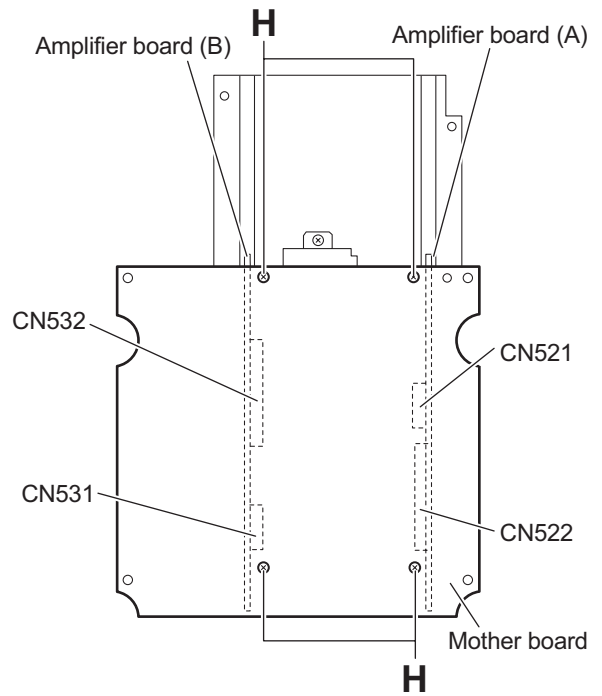


Fig.8

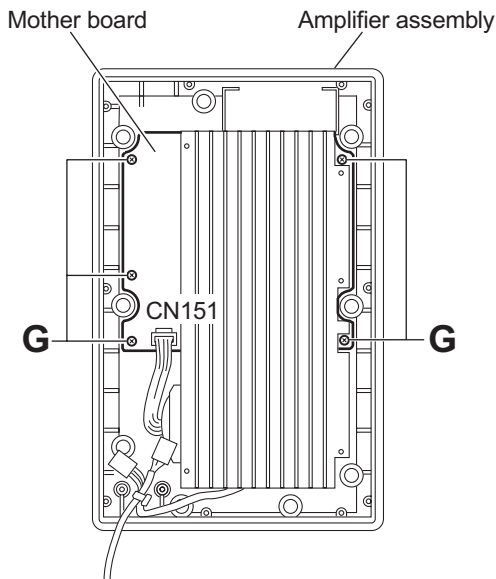


Fig.7

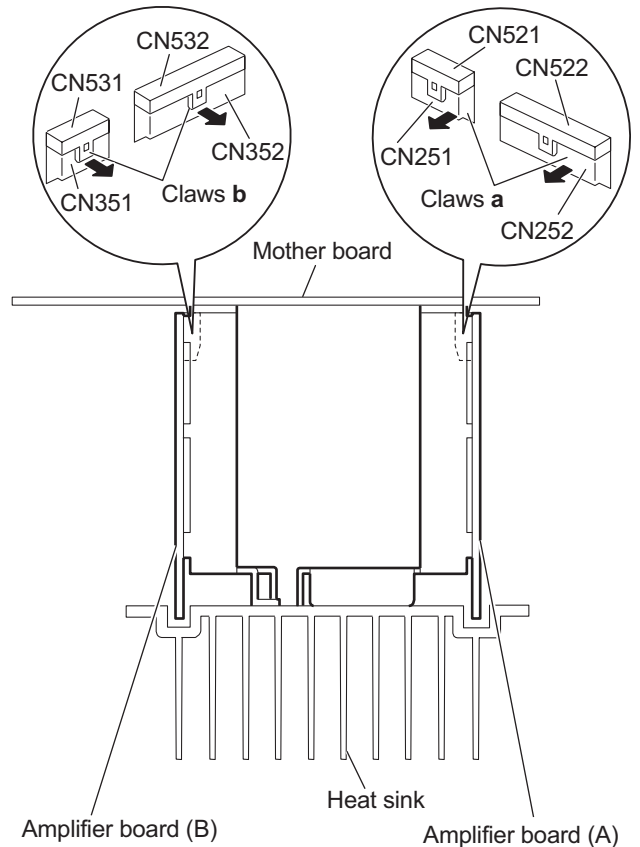


Fig.9

**3.3.5 Removing the amplifier board (A)**  
(See Figs.10 and 11)

- Remove the rear panel.
- Remove the amplifier assembly.
- Remove the speaker terminal board.
- Remove the mother board.
  - (1) Remove the three screws **J** attaching the IC bracket. (See Fig.10.)
  - (2) Remove the amplifier board (A) from the heat sink together the IC bracket.
  - (3) Disengage the engagement sections c. (See Fig.11.)
  - (4) Slide the amplifier board (A) in the direction of the arrow and then disengage the amplifier board (A) from the engagement sections d and e of the IC bracket. (See Fig.11.)

**Reference:**

After attaching the IC bracket to the amplifier board (A), apply the bond to the engagement sections c and d. (See Fig.11.)

**3.3.6 Removing the amplifier board (B)**  
(See Figs.10 and 12)

- Remove the mother board.
  - (1) Remove the three screws **K** attaching the IC bracket. (See Fig.10.)
  - (2) Remove the amplifier board (B) from the heat sink together the IC bracket.
  - (3) Disengage the engagement sections f. (See Fig.11.)
  - (4) Slide the amplifier board (B) in the direction of the arrow and then disengage the amplifier board (B) from the engagement sections g and h of the IC bracket. (See Fig.12.)

**Reference:**

After attaching the IC bracket to the amplifier board (B), apply the bond to the engagement sections f and g. (See Fig.12.)

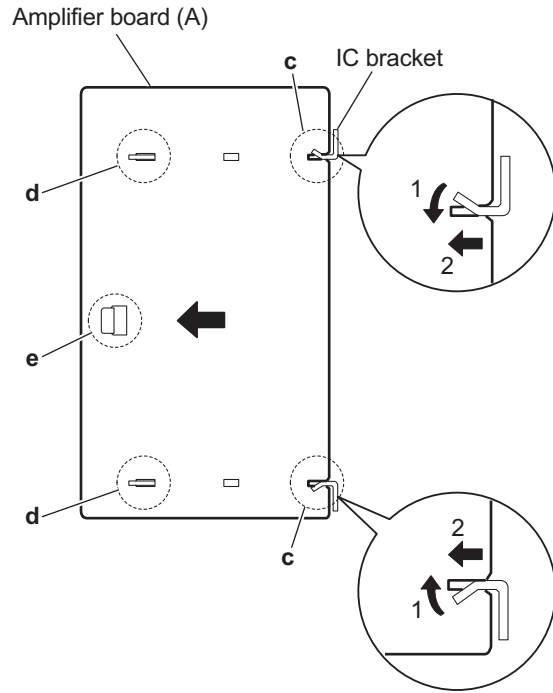


Fig.11

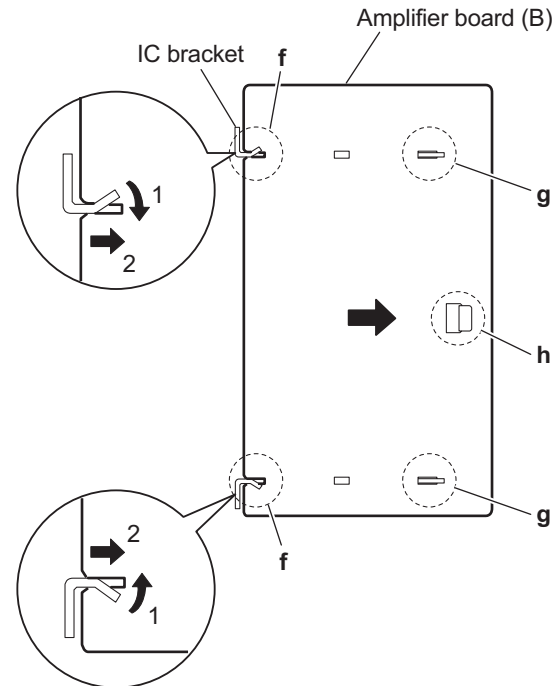


Fig.12

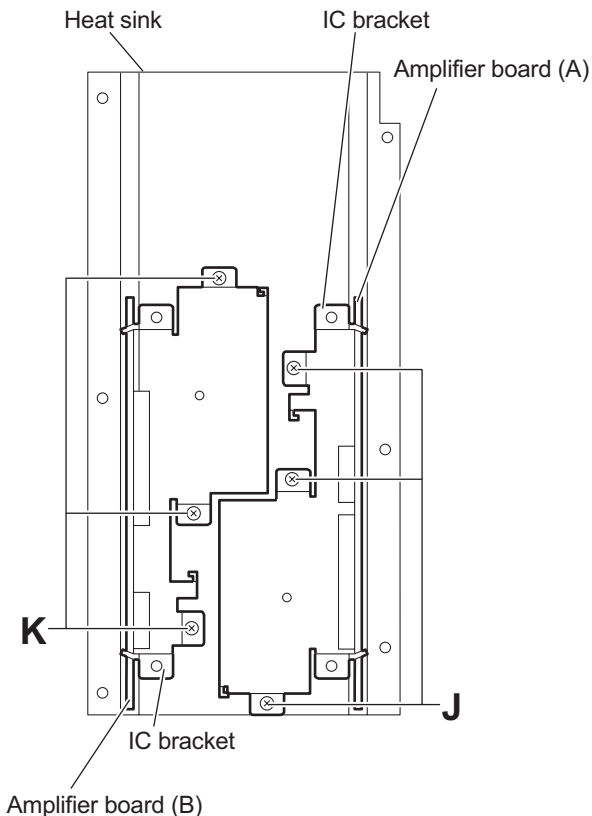


Fig.10

### 3.3.7 Removing the power transformer (See Figs.13 and 14)

- Remove the rear panel.
- Remove the amplifier assembly.
- Remove the speaker terminal board.
  - (1) Remove the tie band bundling the power cord and power transformer wire. (See Fig.13.)
  - (2) Disconnect the wire from the connector **CN151** on the mother board. (See Fig.13.)
  - (3) Remove the five screws **L** attaching the mother board. (See Fig.13.)
  - (4) Take out the mother board together the heat sink.
  - (5) Remove the four screws **M** attaching the power transformer. (See Fig.14.)
  - (6) Take out the power transformer from the rear chassis.

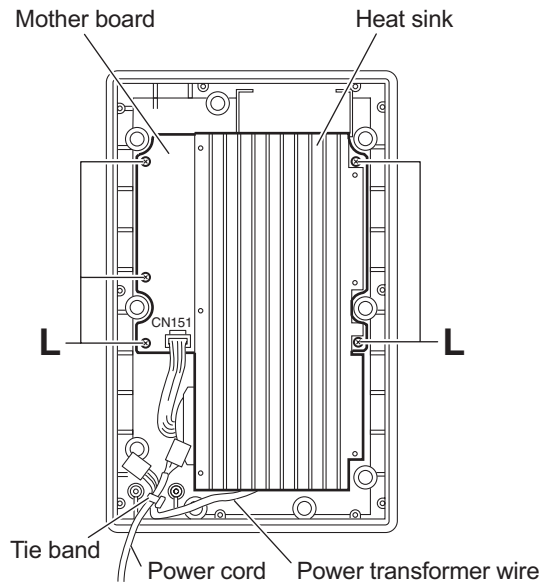


Fig.13

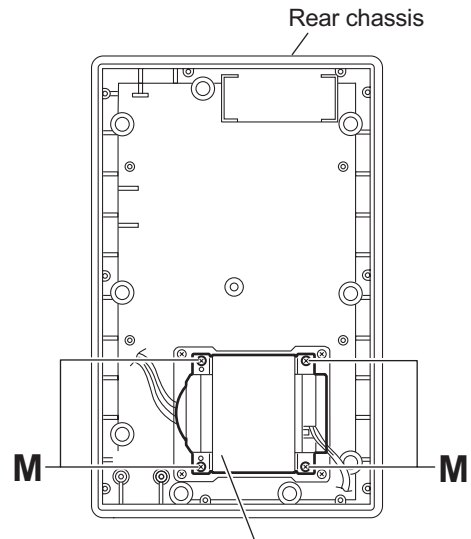


Fig.14

### 3.3.8 Removing the indicator board (See Fig.15 to 17)

- (1) Insert the tip of a flat-bladed screwdriver or a similar tool into the space between the speaker main body and baffle assembly (the section indicated by the arrows), and lift the baffle assembly little by little to move. (See Fig.15.)

**Note:**

To prevent damaging the baffle assembly and speaker main body, insert cushioning plates etc. above and below the tip of the flat-bladed screwdriver or a similar tool. (See Fig.16.)

- (2) From the inside of the baffle assembly, remove the two screws **N** attaching the indicator board. (See Fig.17.)
- (3) Disconnect the wire from the connector [CN109](#) on the indicator board. (See Fig.17.)

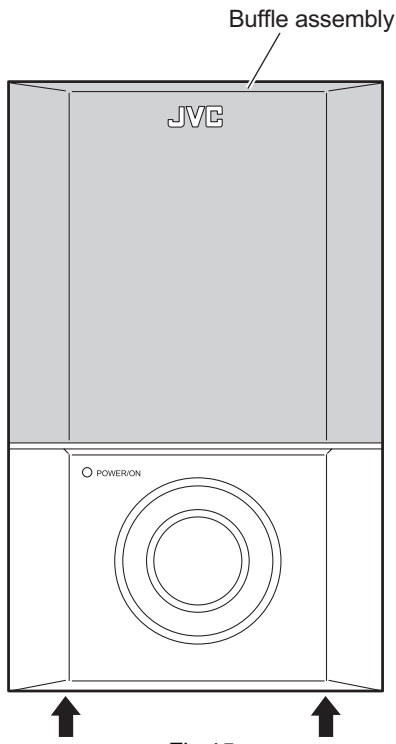


Fig.15

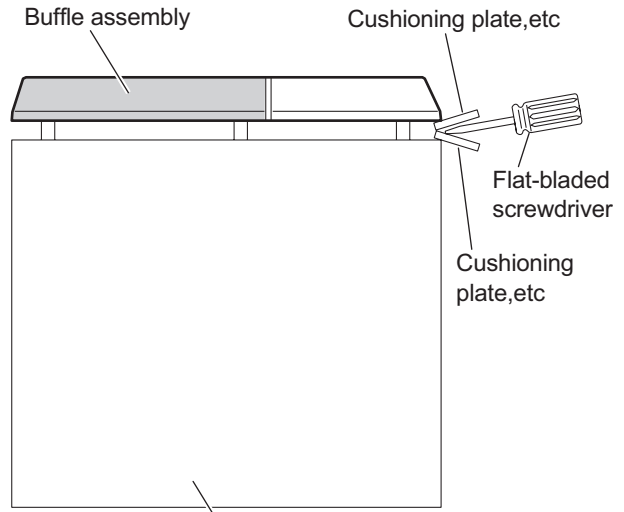


Fig.16

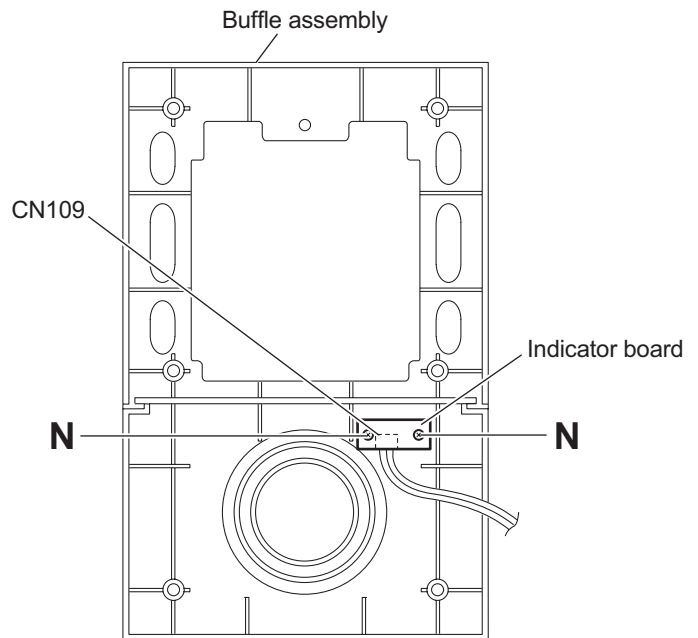


Fig.17



### 3.3.9 Removing the speaker (See Figs.18 and 19)

- (1) Remove the four screws **P** attaching the speaker. (See Fig.18.)
- (2) Take out the speaker.
- (3) Disconnect the wires from the terminal of the speaker. (See Fig.19.)

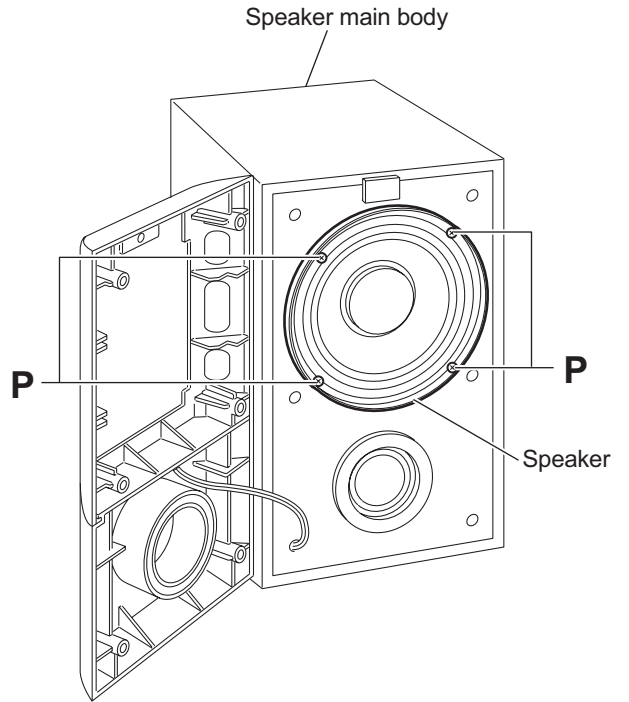


Fig.18

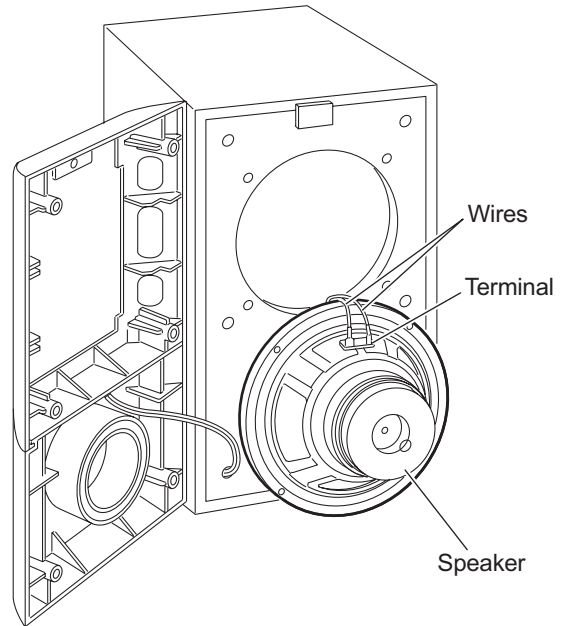


Fig.19

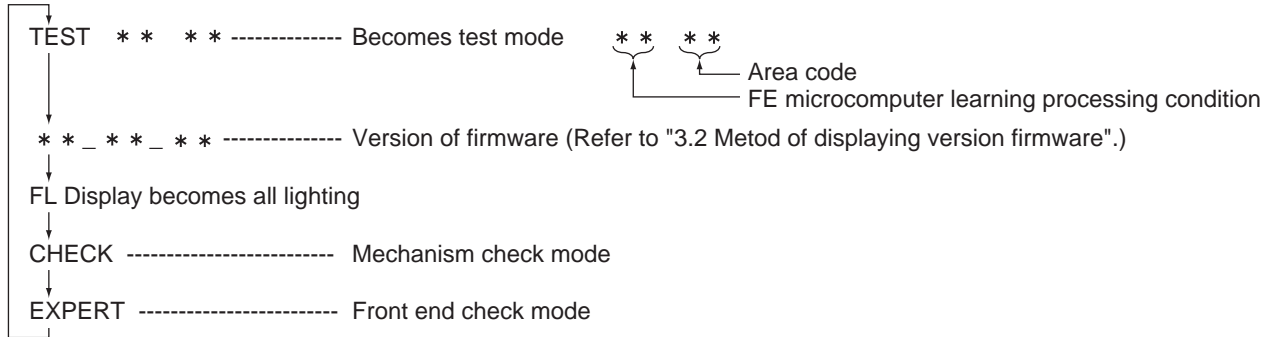
# SECTION 4 ADJUSTMENT

## 4.1 Test mode setting method

- (1) Unplug the power plug.
- (2) Insert power plug into outlet while pressing both "STOP" key and "OPEN/CLOSE" key (for DISC 1) of the main body.
- (3) "Area code" is indicated at the upper left of display.
- (4) To release test mode, press "STANDBY/ON" key of the main body.

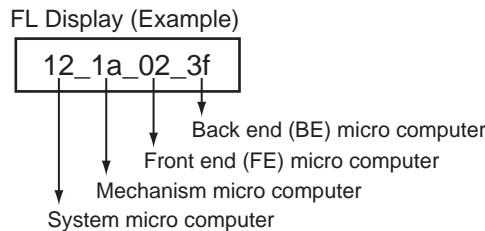
**NOTE:**

Each pressing of "CHOICE" key of the remote controller in test mode changes the mode as follows.



## 4.2 Method of displaying version of firmware

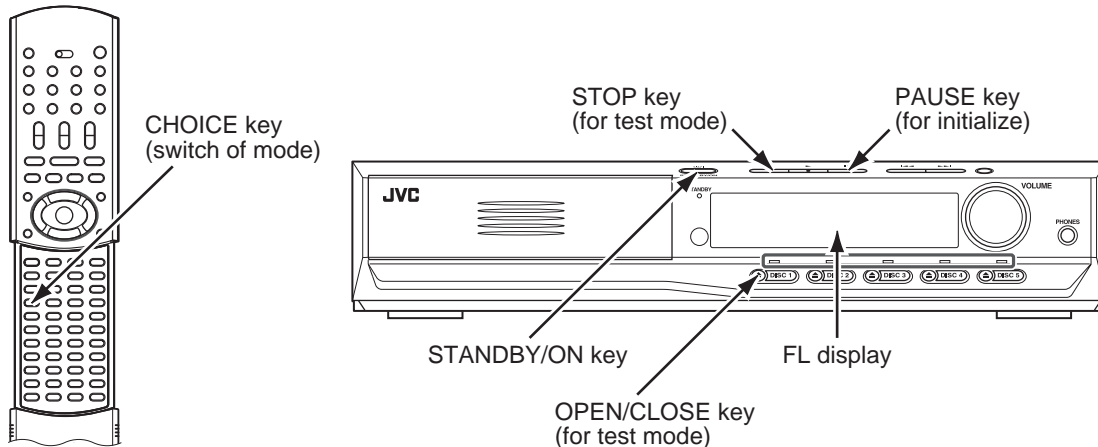
- (1) Set the main body at test mode.
- (2) Press "CHOICE" key of the remote controller once. Then, version number and alphabetical letter of the system controller and the back end are displayed in the FL display as follows.



## 4.3 Initialization method

Please initialize according to the following procedures in the following case:

- Just after you upgrade the firmware.
  - After you confirm the symptoms that a customer points out. First Initialize, and then confirm whether the symptoms are improved or not.
  - After servicing, before returning the main body to a customer. (Initialized main body should be returned to a customer.)
- (1) Set the main body at test mode.
  - (2) Press "PAUSE" key of the main body.
  - (3) When initialization is completed, "00" and "RDS" is displayed in the FL display



#### 4.4 All-initialization method

Please perform all-initialization according to the following procedures in the following case:

- Just after you exchange the pick-up.
- Just after you exchange the spindle motor.
- Just after you exchange the traverse mechanism base.

**NOTE:**

Please perform all-initialization when you exchange the parts above and also when you remove the parts above.

- Just after the flap adjustment of the pick-up guide shaft.
  - (1) Set the main body at test mode.
  - (2) Press and hold "REVERSE SKIP" key of the main body for more than 1.5 seconds.
  - (3) When all-initialization is completed, "33" and "RDS" is displayed in the FL display.
  - (4) To release test mode, press "STANDBY/ON" key of the main body

**NOTE:**

After all-initialization, be sure to perform optimization adjustment of Front End parameter.

#### 4.5 Optimization adjustment of Front End parameter

Adjustment to optimize Front End parameter must be performed in each mechanism assembly of this model for high-speed starting. Please perform optimization according to the following procedures just after all-initialization is completed and when FL display shows anything except "0" (For example when FL display shows "1", "2", and "3") at test mode

- (1) Press "STANDBY/ON" key of the main body to turn the main body on (not to set the main body at test mode).
- (2) Insert the test disc VT-501 or commercial dual-layer DVD software.
- (3) Remove the disc when the FL display changes from "READING" to disc information.
- (4) Perform the same procedures as in (2) and (3) above by using the test disc CTS-1000 or commercial CD-DA software.
- (5) Set the main body at test mode, and check that the FL display shows "0".

**NOTE:**

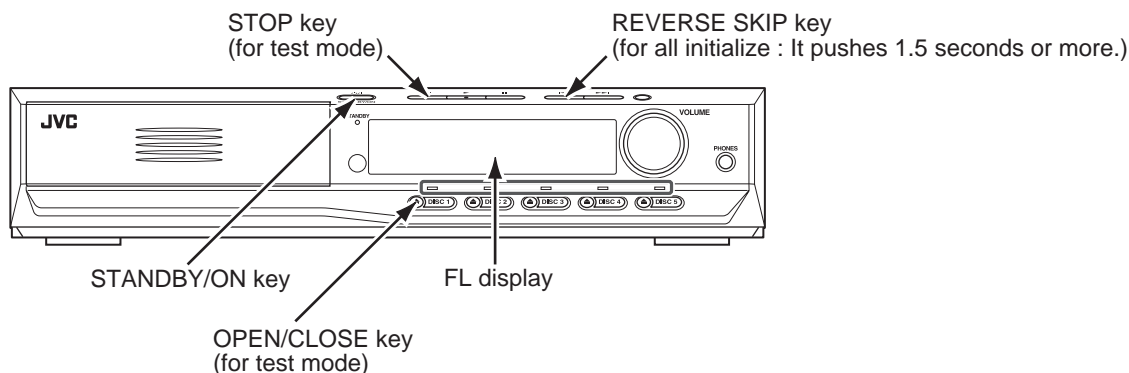
Status of this adjustment can be judged by the number displayed at test mode as follows:

DVD adjustment	CD adjustment	FL display at test mode
Adjusted	Adjusted	0
Not adjusted	Adjusted	1
Adjusted	Not adjusted	2
Not adjusted	Not adjusted	3

**NOTE:**

As for a disc used for adjustment,

- Disc should be mounted. ("Mounting" means to display "READING" after the disc is inserted and then display the disc information.) Disc need not be played.
- If you do not have test disc either VT-501 (DVD) or CTS-1000 (CD-DA), use a commercial disc (for DVD, dual-layer software) after seeing and checking that the disc is neither curved nor foreseen that it may shake at the time of playback. If you use a disc with bad features, starting time may be slow or disc may not be read.



#### 4.6 Display of current value of laser

- (1) Set the main body at test mode.
- (2) Press "CHOICE" key of the remote controller three times. Then, FL display is displayed "CHECK".
- (3) The laser current value can be switched between the value of CD and that of DVD by pressing the following key of the remote controller.

FL Display (Example)

1419 0000	Remote controller "4" key --- Laser of CD Remote controller "5" key --- Laser of DVD
-----------	---

- The number shown in the FL display shows mA of current value of laser.
- The first two numbers ("14" in "1419") shows current value of laser at the time of adjustment after the latest all-initialization, 14mA in this example.
- The last two numbers ("19" in "1419") shows the present current value of laser, 19mA in this example.
- The first two numbers ("14" in "1419") usually shows current value of laser at the time of shipment, so you can see how the product has been deteriorated by comparing the first two numbers ("14" in "1419") and the last two numbers ("19" in "1419").

#### CD and DVD:

The laser current value of 80mA or less in normal. The laser current value of over 81mA is not normal. Laser diode of the pickup has been deteriorated.

- To return to test mode, press "STOP" key of the main body.

#### 4.7 Flap adjustment of the pick-up guide shaft

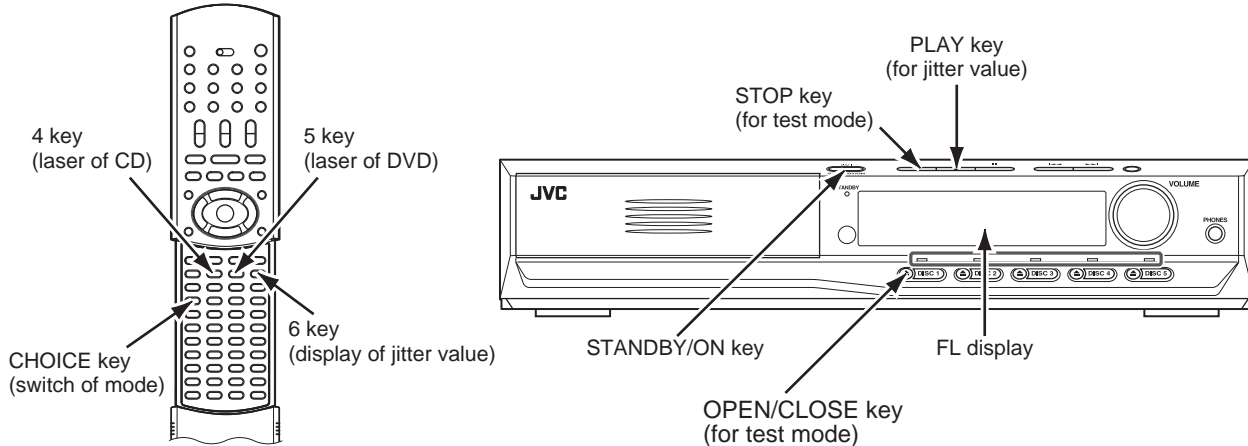
Please perform flap adjustment of the pick-up guide shaft in the following case:

- Just after you exchange the pick-up.
- Just after you exchange the spindle motor.
- Just after you exchange the traverse mechanism base.

#### NOTE:

Please perform flap adjustment of the pick-up guide shaft when you exchange the parts above and also when you remove the parts above.

- When the reading accuracy of the signal is bad (There is a block noise in the screen, Screen stops in the outer circumference of a disc, etc.)



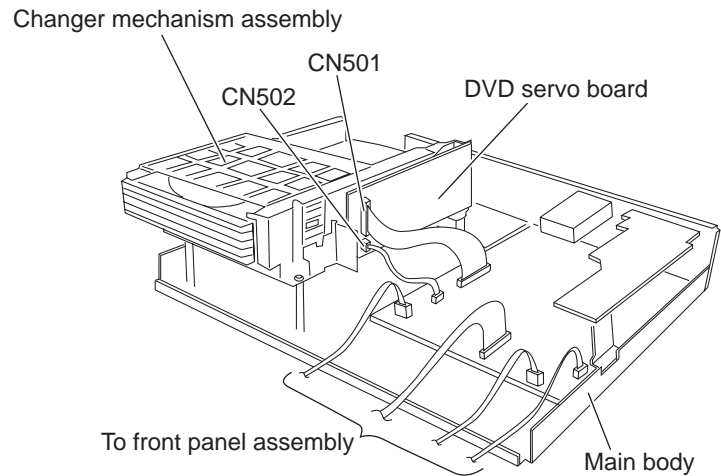
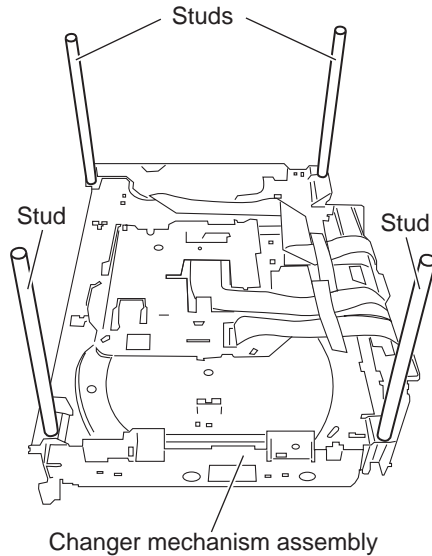
#### 4.7.1 Tool for adjustment

\*Stud: One set (four studs), Part number: JIGXVS40



#### 4.7.2 Preparation for adjustment

- (1) Set the disassembly procedure, and remove the changer mechanism assembly from the main body.
- (2) Disconnect the card wires from the connectors [CN501](#) and [CN502](#) on the DVD servo board.
- (3) Attach the four studs to the changer mechanism assembly.
- (4) Put the changer mechanism assembly in the main body, and connect the card wires to the connector [CN501](#) and [CN502](#) on the DVD servo board.

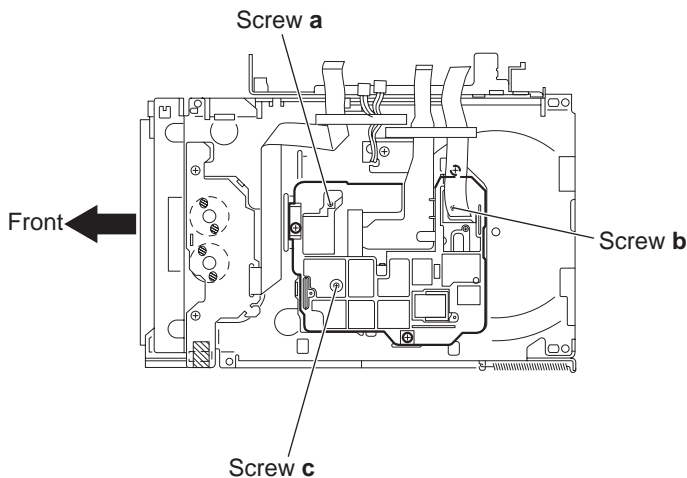


#### 4.7.3 Adjustment

- (1) Set the unit to test mode.
- (2) Press the "CHOICE" key of the remote controller three times, and the FL display is displayed "CHECK".
- (3) A "PLAY" key is pushed after insert a test disc (VT-501), and press the numeric key "1" of the remote controller for automatic adjustment.
- (4) After a few seconds, press the numeric key "6" of the remote controller. Then, the FL display displays a jitter value.
- (5) Turn the adjustment screws on the underside of the traverse mechanism with Phillips screw driver until the maximum jitter value is displayed on the FL display. (In this model, a bigger jitter value means a better result.)

#### NOTE:

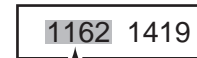
Reference values to judge whether the jitter is allowable or not are displayed, instead of actual jitter values.



#### POINT:

Turn the adjustment screws **a** and **b** to the same angle in the right direction. And turn the adjustment screws **a** and **b** to the same angle in the left direction. Then, turn the screws **a** and **b** in either the right or the left direction to increase the number of jitter. Don't turn the adjustment screw **c**.

FL Display (Example)



Jitter

#### 4.8 Confirmation of region

- (1) Unplug the power plug.
- (2) Insert power plug into outlet while pressing both "PAUSE" key and "FORWARD SKIP" key of the main body.  
About 3 seconds later, FL display indicates "REGION \*".
- (3) Push the "OPEN/CLOSE" key (for DISC 1) and confirm the tray of DISC 1 is ejected.
- (4) To release test mode, press "STANDBY/ON" key of the main body.

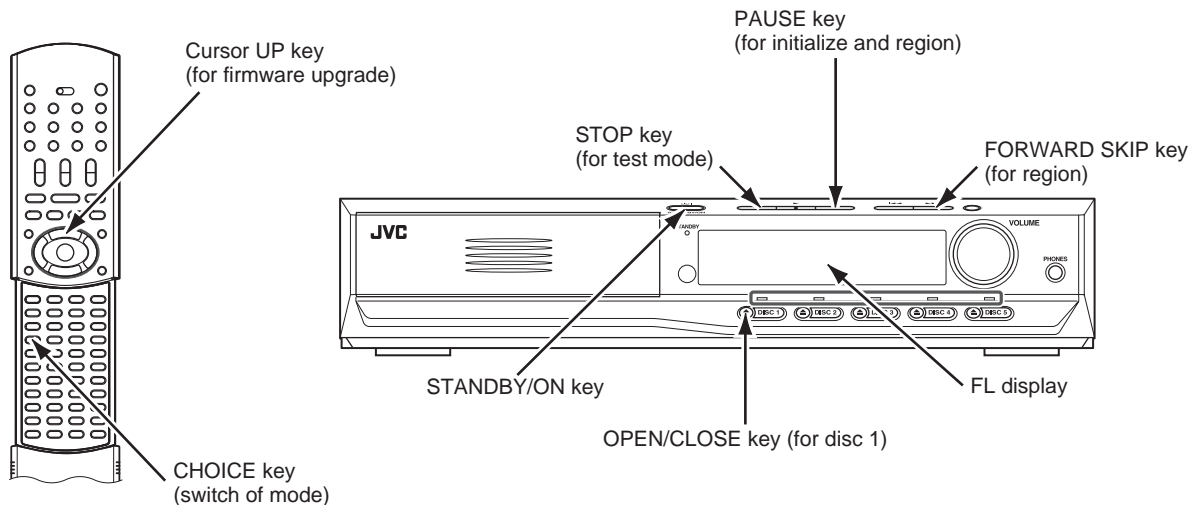
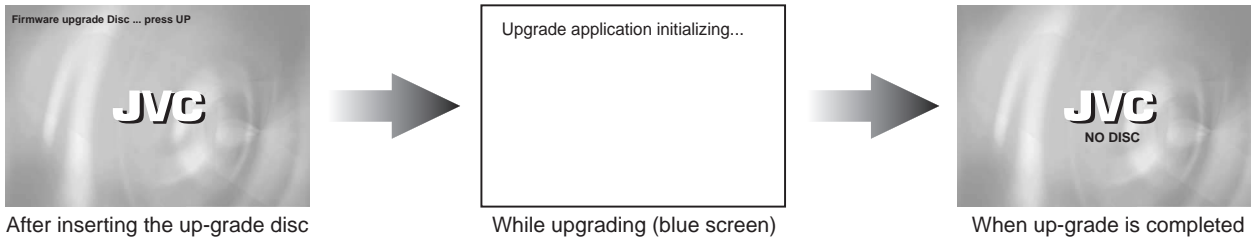
**NOTE:**

Until the tray is completely close up and the sound of mechanism movement disappears, do not pull the power plug from the outlet.

#### 4.9 Upgrading of firmware

The latest firmware for upgrading is updated in "Optical disc CSG" page in JS-net. At the time of service, compare the version of the product and the latest version, and upgrade the old version into the latest version.

- (1) Press the "STANDBY/ON" key of the main body to turn the main body on.
- (2) A disc button is pushed after inserting an upgrade disc in a tray 1.
- (3) When FL display of the main body changes from "READING" to "UPGRADE", press "cursor UP" key (▲) of the remote controller.
- (4) The entire screen becomes blue, and upgrading starts.
- (5) The tray opens automatically. Remove the upgrade disc.
- (6) The screen returns to the normal screen. Then, press the "STANDBY/ON" key of the main body. When the stand-by indicator is lighted, upgrading is completed.
- (7) Set the main body at test mode, and perform initialization. Then, confirm the version of the firmware.



## **SECTION 5 TROUBLESHOOTING**

This service manual does not describe TROUBLESHOOTING.



**JVC**

VICTOR COMPANY OF JAPAN, LIMITED

AV & MULTIMEDIA COMPANY AUDIO/VIDEO SYSTEMS CATEGORY 10-1,1chome,Ohwatari-machi,Maebashi-city,371-8543,Japan

(No.MB067)



Printed in Japan  
WPC



# JVC

## SCHEMATIC DIAGRAMS

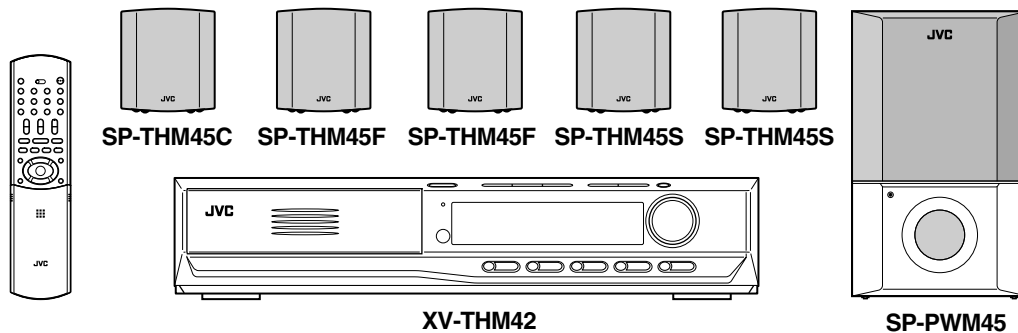
### DVD DIGITAL THEATER SYSTEM

# TH-M42

CD-ROM No.SML200311

Area suffix

J ----- U.S.A.  
C ----- Canada



### Contents

Block diagrams .....	2-1
Standard schematic diagrams .....	2-3
Printed circuit boards .....	2-27 to 37

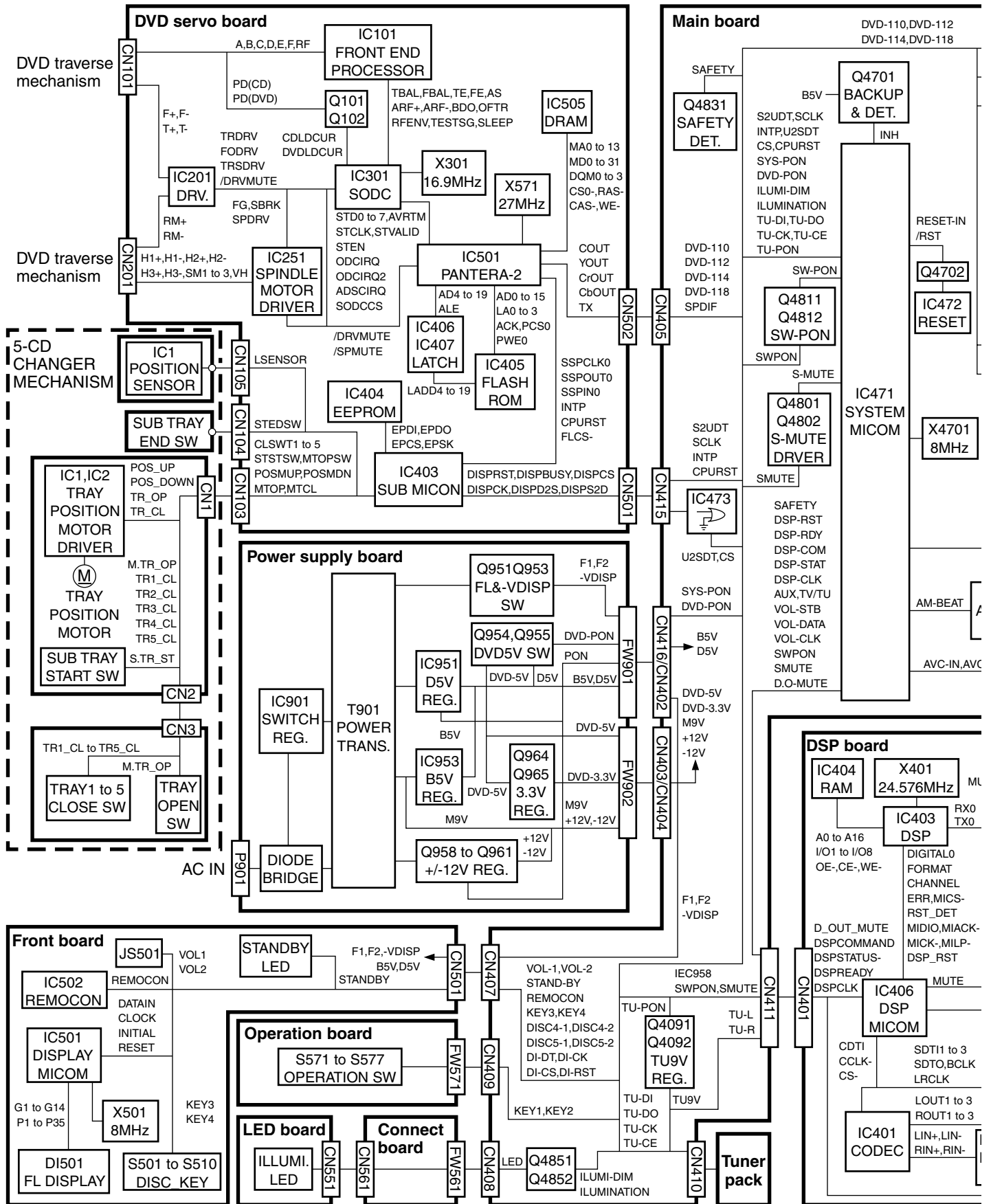
In regard with component parts appearing on the silk-screen printed side (parts side) of the PWB diagrams, the parts that are printed over with black such as the resistor (■), diode (⬤) and ICP (●) or identified by the "⚠" mark nearby are critical for safety.

(This regulation does not correspond to J and C version.)

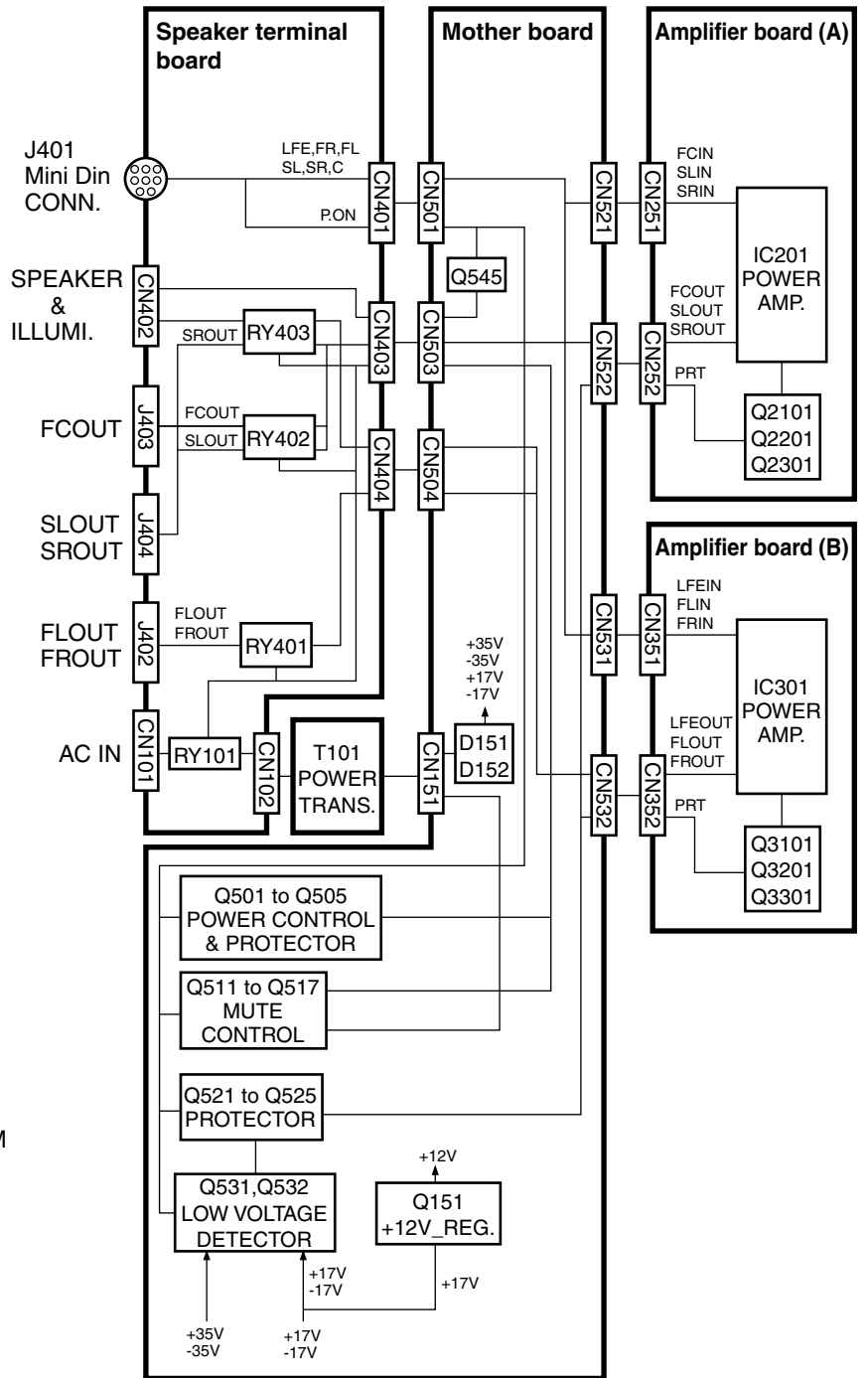
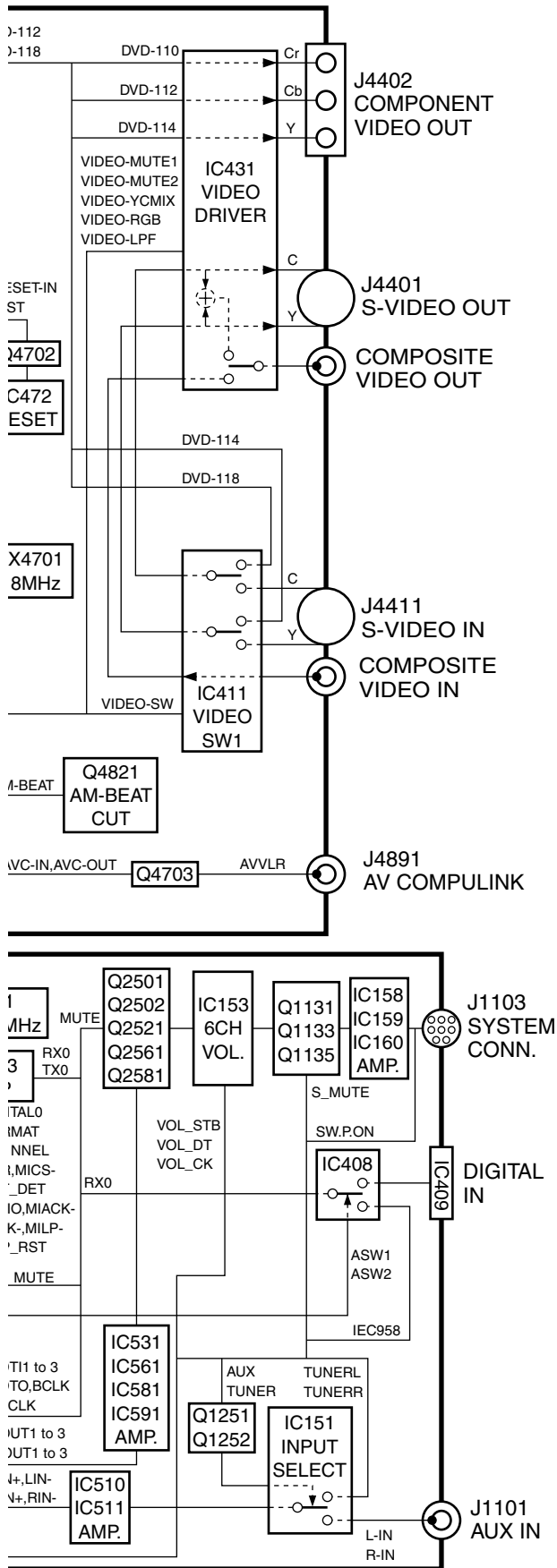
< MEMO >

# Block diagrams

## <Main body section>



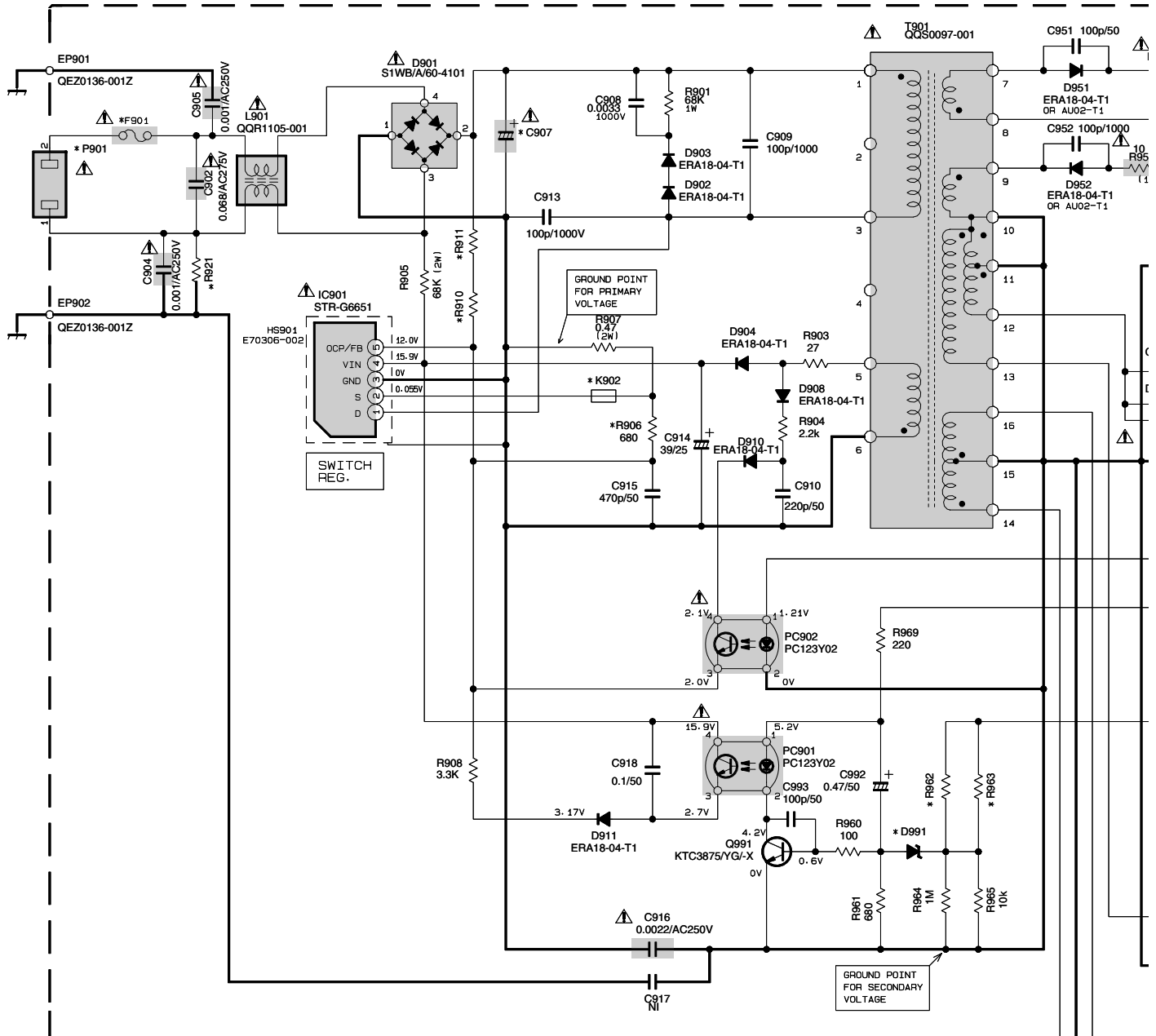
## <Subwoofer section>



# Standard schematic diagrams

## <Main body section>

### ■ Power supply section



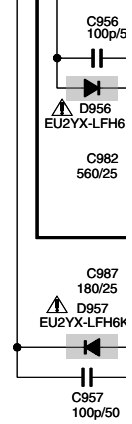
REF NO	Ver	ADDRESS	D	J/C	B/E/EN/EE/EV	US/US/UW/UJ/UP/LF/A/UB/UY/UX/UT
*F901	(A-3)	QMF51U1-1R6-JB (1.6A/125V)	QMF51U1-1R6-JB (1.6A/125V)	QMF51W2-1R6-JB (1.6A)	QMF51W2-1R6-JB (1.6A)	QMF51W2-1R6-JB (1.6A)
*R962	(E-7)	1M	1M	0 (B3099)	0 (B3099)	0 (B3099)
*R963	(E-8)	100	100	NONE	NONE	NONE
*D991	(F-7)	MTZJ5. 1C-T2	MTZJ5. 1C-T2	MTZJ5. 1B-T2	MTZJ5. 1B-T2	MTZJ5. 1B-T2
*K902	(C-5)	QGR0779-001Z	QGR0779-001Z	0 (B3199)	0 (B3199)	0 (B3199)
*R921	(B-3)	NONE	3.3M	NONE	NONE	NONE
*P901	(B-2)	QNC00B1-001	QNC00B2-001	QNC00B1-001	QNC00B1-001	QNC00B1-001
*R910 *R911	(B-5)	750k	750k	470k	470k	470k
*CP952	(F-10)	0 (B3198)	0 (B3198)	ICP-N5-T	ICP-N5-T	ICP-N5-T

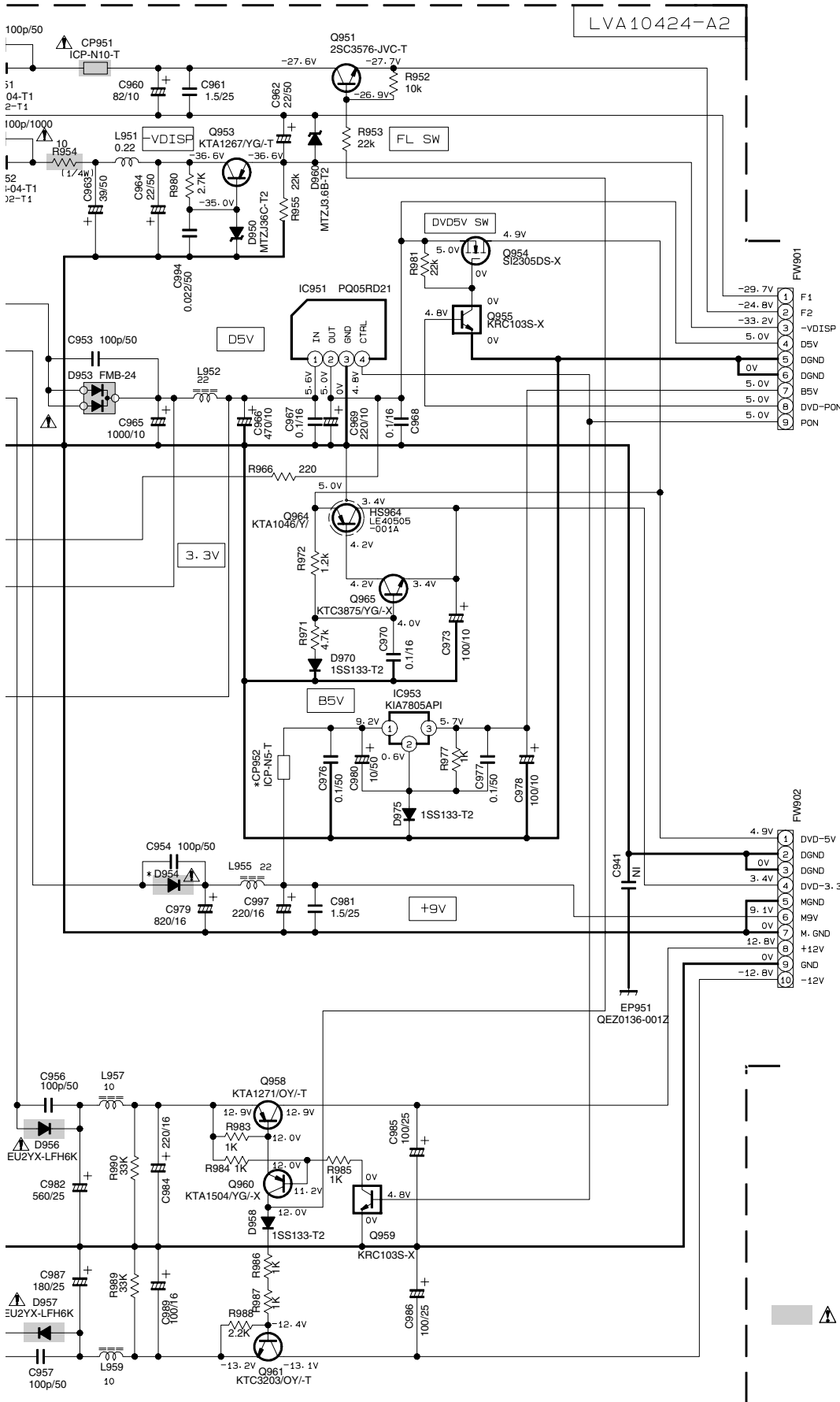
REF NO	Ver	ADDRESS	D	J/C	B/E/EN/EE/EV/A/UB/UP/UF/UY	US/UW/UJ/UG/UX/UT
*C907	(B-5)	GETM2DM-157 (150/200)	GETM2DM-157 (150/200)	QE70522-826 QE20374-826 (82/400)	QE70522-127 QE20445-127 (120/400)	QE70522-127 QE20445-127 (120/400)
*D954	(F-9)	EU2YX-LFH6K	ERA18-04-T1	EU2YX-LFH6K	EU2YX-LFH6K	EU2YX-LFH6K

**VERSION CODES**

J: U. S. A.  
 C: CANADA  
 E: GERMANY/FRANCE/HOLLAND  
 B: GREAT BRITAIN  
 EE: RUSSIA  
 EN: SWEDEN/NORWAY/FINLAND/DENMARK  
 EV: EAST EUROPE  
 A: AUSTRALIA  
 UW: BRAZIL/MEXICO/PERU  
 US: SINGAPOLE  
 UJ: USA MILITARY BASE  
 UG: TURKEY/EGYPT/SOUTHAFRICA

- Ver. J/C  
120V 60Hz
- Ver. B/E/EN/EE/EV  
230V 50Hz
- Ver. US/UW/UJ/UG  
110-230V 50/60Hz
- Ver. A  
240V 50Hz





LVA10424-A2

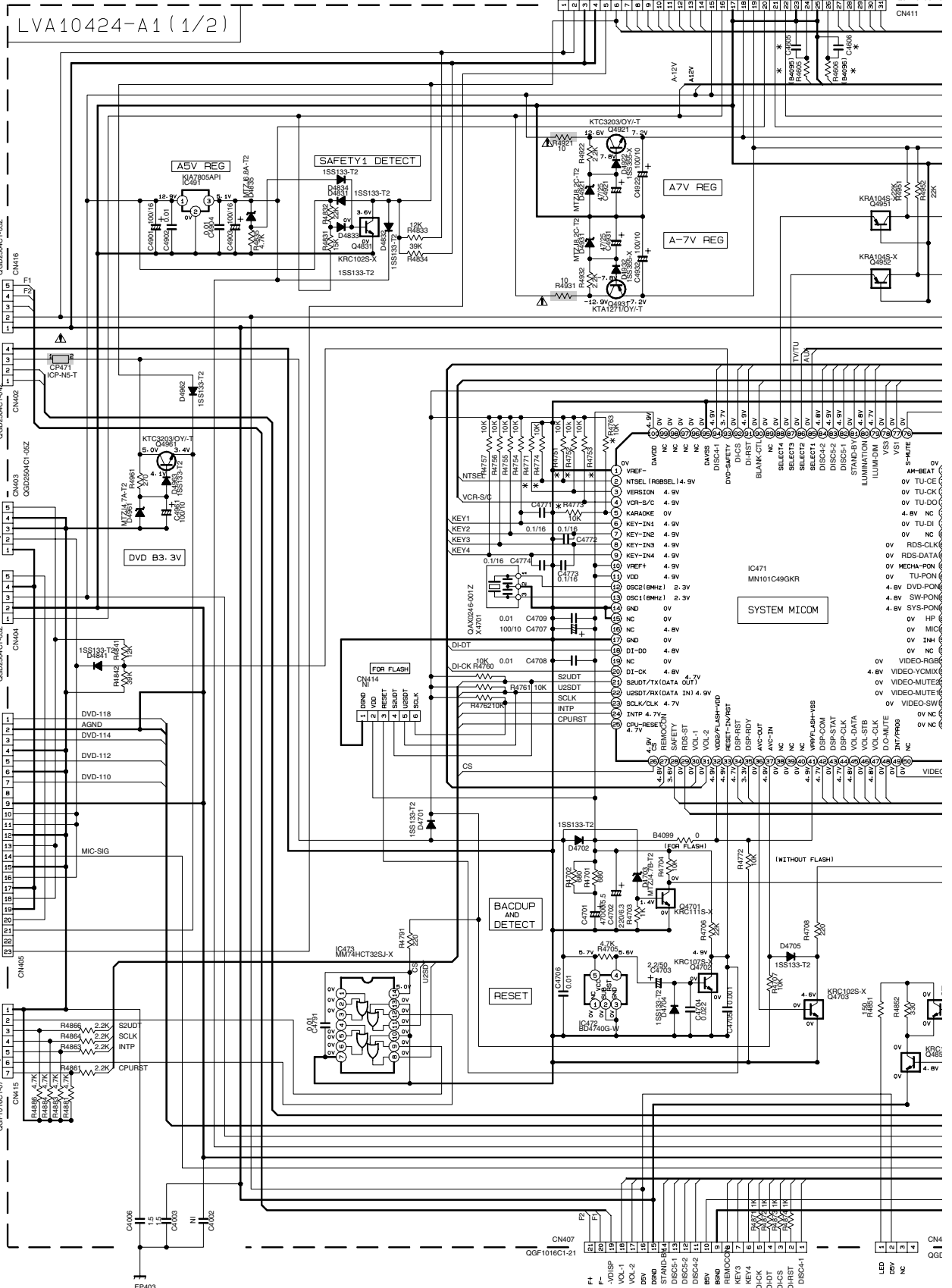
TO CN401, CN402  
OF LVA10424-A1  
(SHEET 2/10)

TO CN403, CN404  
OF LVA10424-A1  
(SHEET 2/10)

▲ Parts are safety assurance parts.  
When replacing those parts make  
sure to use the specified one.

System control section

TO CN401 OF LVA10309-A1  
(SHEET 5/10)



TO FW501 OF LVA10424-A2  
(SHEET 1/10)

TO FW502 OF LVA10424-A2  
(SHEET 1/10)

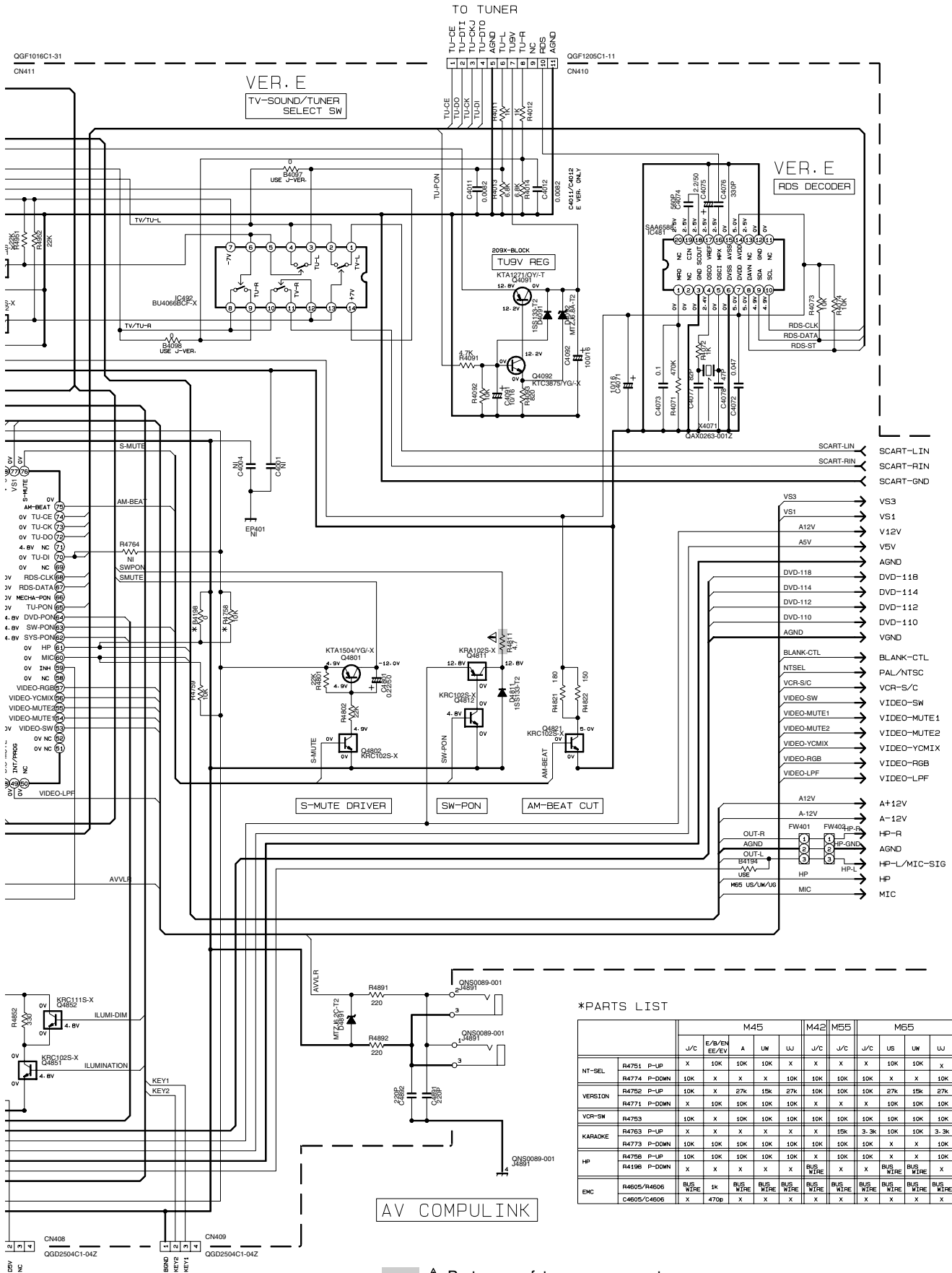
TO CN502 OF LEA10077  
(SHEET 9/10)

TO CN501 OF LEA10077  
(SHEET 9/10)

TO CN501 OF LVA10425-A1  
(SHEET 4/10)

TO FW561 0  
LVA10425-  
(SHEET 4/1)





TO VIDEO BLOCK (SHEET 3/10)

W561 OF  
A10425-A3  
ET 4/10)

TO FW571 OF  
LVA10425-A5  
(SHEET 4/10)

# Video input / output section

TO MICOM BLOCK (SHEET 2/10)

AUDIO R IN  
AUDIO L IN  
AUDIO AGND

A12V  
VS3  
VS1

A5V  
AGND

C CV/Y 118

\*1 PARTS LIST

	A/C	U/S/U/S	E/B/EN
	US/US	EE/EV	
R4201	75	36	
R4202	75	*	
R4231	36	75	
R4232	*	75	
R4241	75	75	
R4242	68	75	
R4251	36	75	
R4252	*	75	

Y G/CV 114

Cb B/CV 112

Cf R/C 110

VGND

BLANK-CTL

PAL/NTSC

VCR-S/C

VIDEO-SW

VIDEO-MUTE1

VIDEO-MUTE2

VIDEO-Y/C-MIX

VIDEO-RGB

VIDEO-LPF

MIC-SIG

A+12V

A-12V

HP-R

AGND

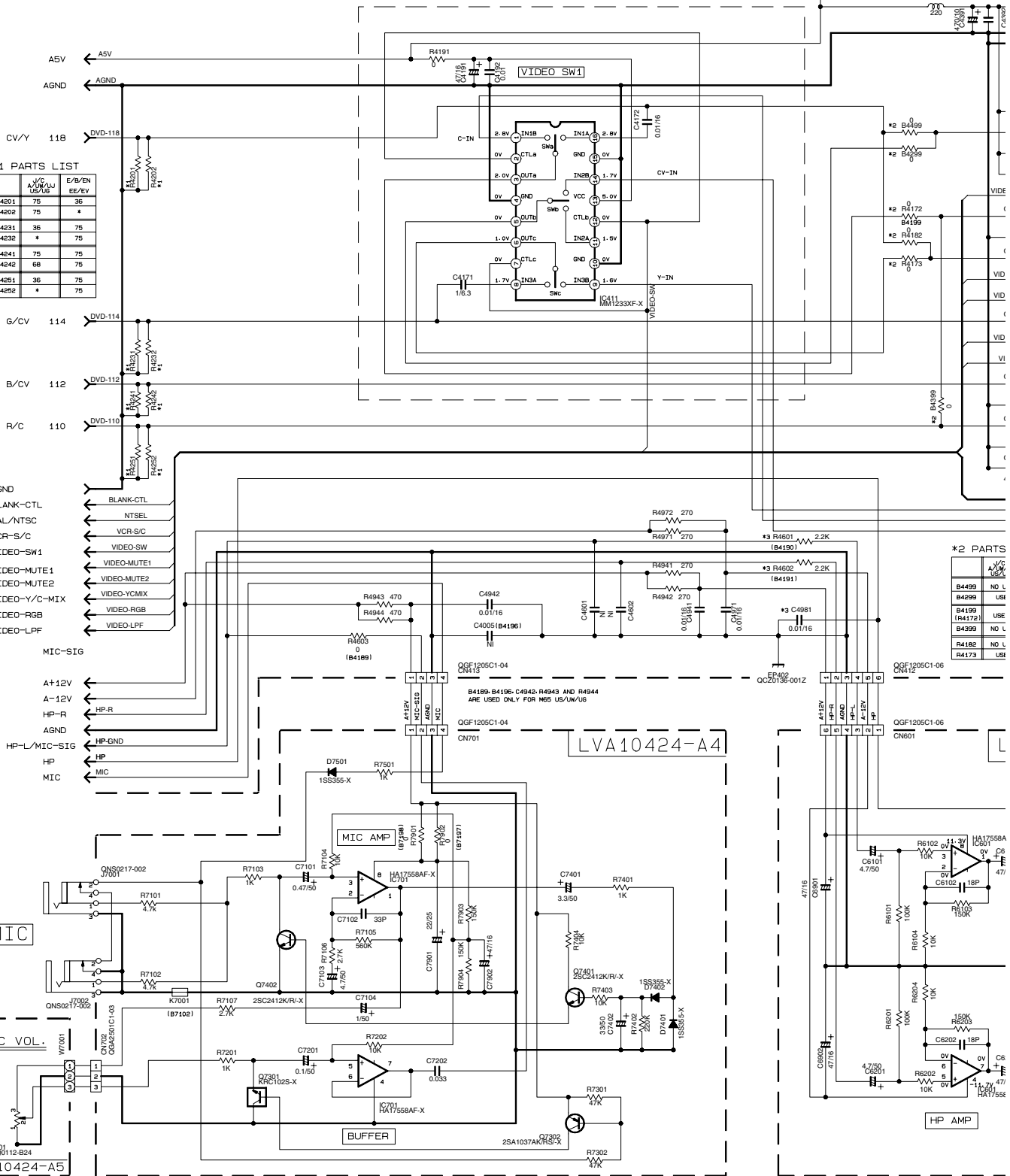
HP-GND

HP-L/MIC-SIG

HP

MIC

THIS AREA USES  
M45-J/C/A/UW/UJ M42/M55/M65

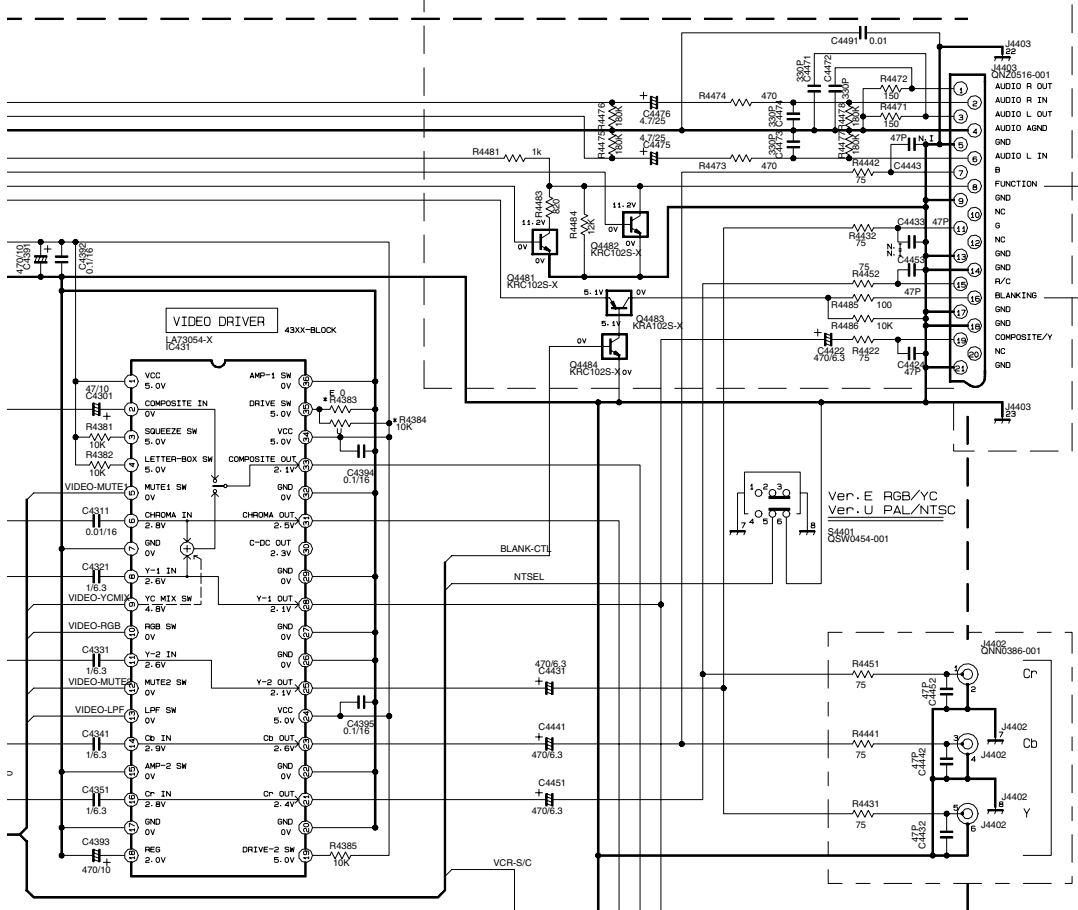


\*2 PARTS LIST

	A/C	U/S/U/S
B4499	NO L	
B4999	USE	
B4199	(R4172)	USE
B4399	NO L	
R4182	NO L	
R4173	USE	

MIC ASSY USES  
M65-US/UW/UG

HP ASSY USES  
M45/M55/M65-J/C/UJ



SCART TERMINAL  
Ver. E

LEVEL	0	SPEC	10K	∞
1A	0-2V	Y/C	0V	0V
1B	4.5-7V	Y/C	5-49V	5-91V
1B	9.5-12V	RGB	10.4V	12.06V

BLANKING SPEC ∞

Y/C	0-0.4V	0V
RGB	1-3V	4.5V

THIS AREA USES  
M45-E/B/EN/EE/EV

COMPONENT  
VIDEO OUT

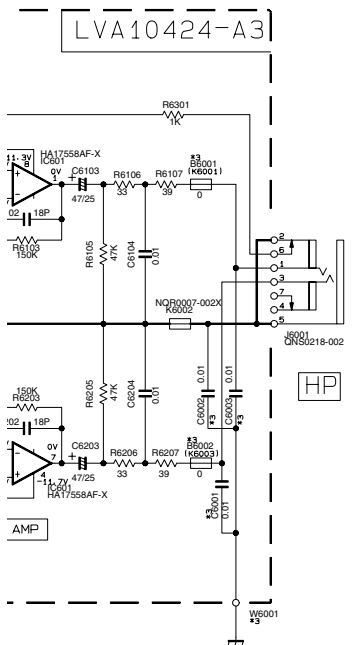
THIS AREA USES  
M45-J/C/A/UW/UJ  
M42/M55/M65

\*2 PARTS LIST

	J/C	A/UW/UJ	E/B/EN	EE/EV
B4499	NO USE	USE	NO USE	NO USE
B4299	USE	NO USE	NO USE	NO USE
B4199 (R4172)	USE	NO USE	NO USE	NO USE
B4399	NO USE	USE	NO USE	NO USE
R4182	NO USE	USE	NO USE	NO USE
R4173	USE	NO USE	NO USE	NO USE

\*3 PARTS LIST

	E/B/EN	J/C	A/UW/UJ
M5001	USE	X	X
K5001	USE	B6001	B6001
M6003	USE	B6002	B6002
C5001	0.047	X	X
C5002	0.047	X	X
R4601	B4190	USE	B4190
R4602	B4191	USE	B4191
C4981	X	USE	X



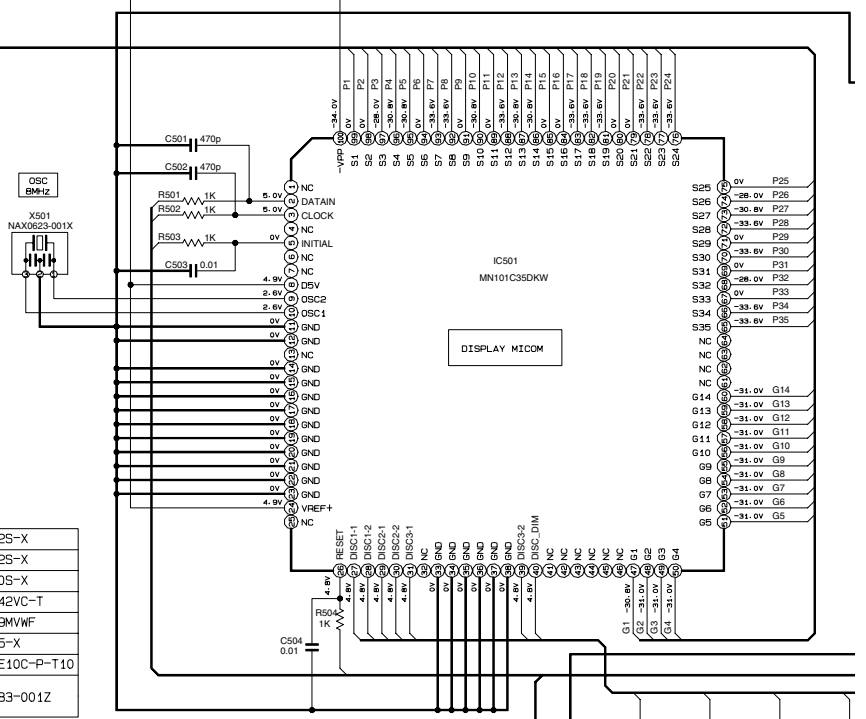
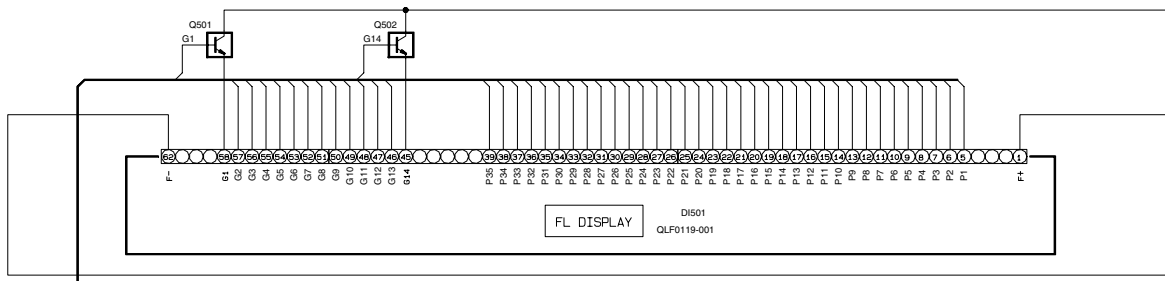
S/COMPOSITE  
VIDEO OUT

S/COMPOSITE  
VIDEO IN

THIS AREA USES  
M45-J/C/A/UW/UJ  
M42/M55/M65

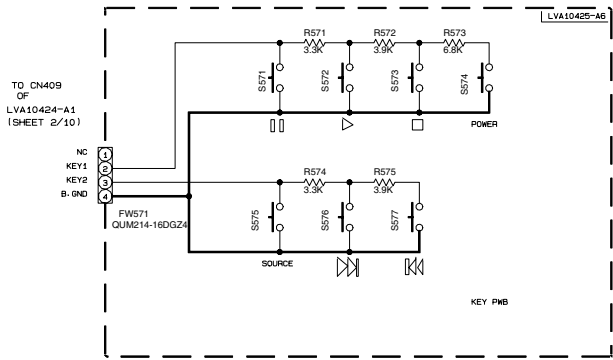
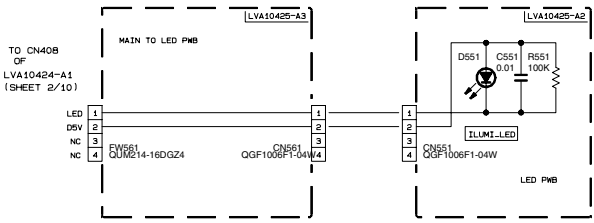
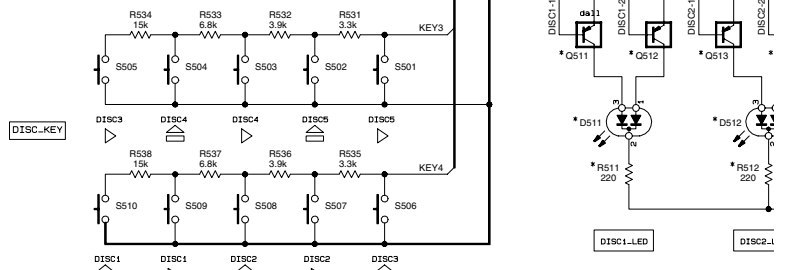
J/C/UJ

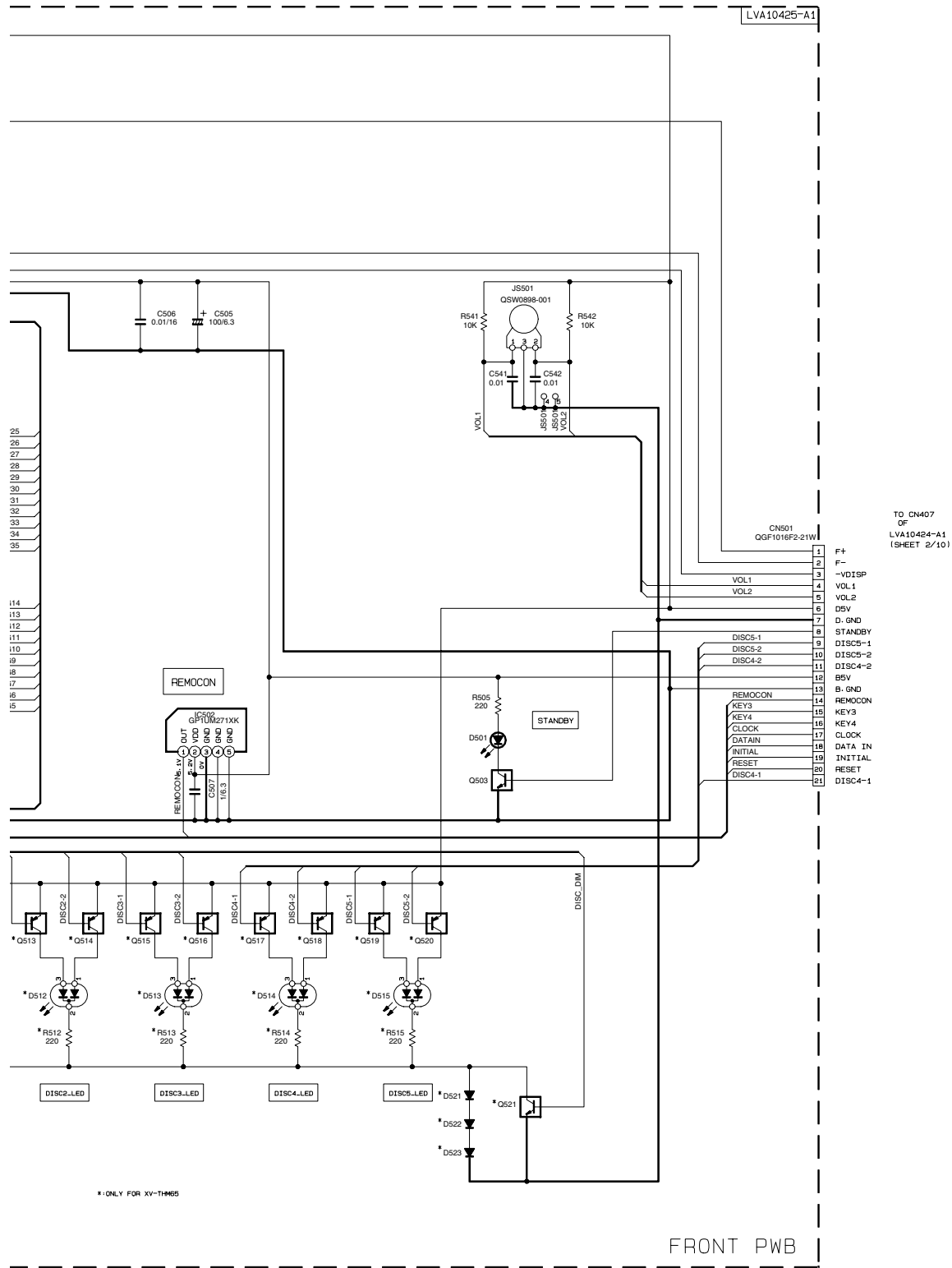
# FL display section



### PARTS LIST

Q501-Q503	KRC102S-X
Q511-Q520	KRA102S-X
Q521	KRC110S-X
D501	SLR-342VC-T
D511-D515	SPR-39MVWF
D521-D523	1SS355-X
D551	SELU2E10C-P-T10
S501-S510	GSW0683-001Z

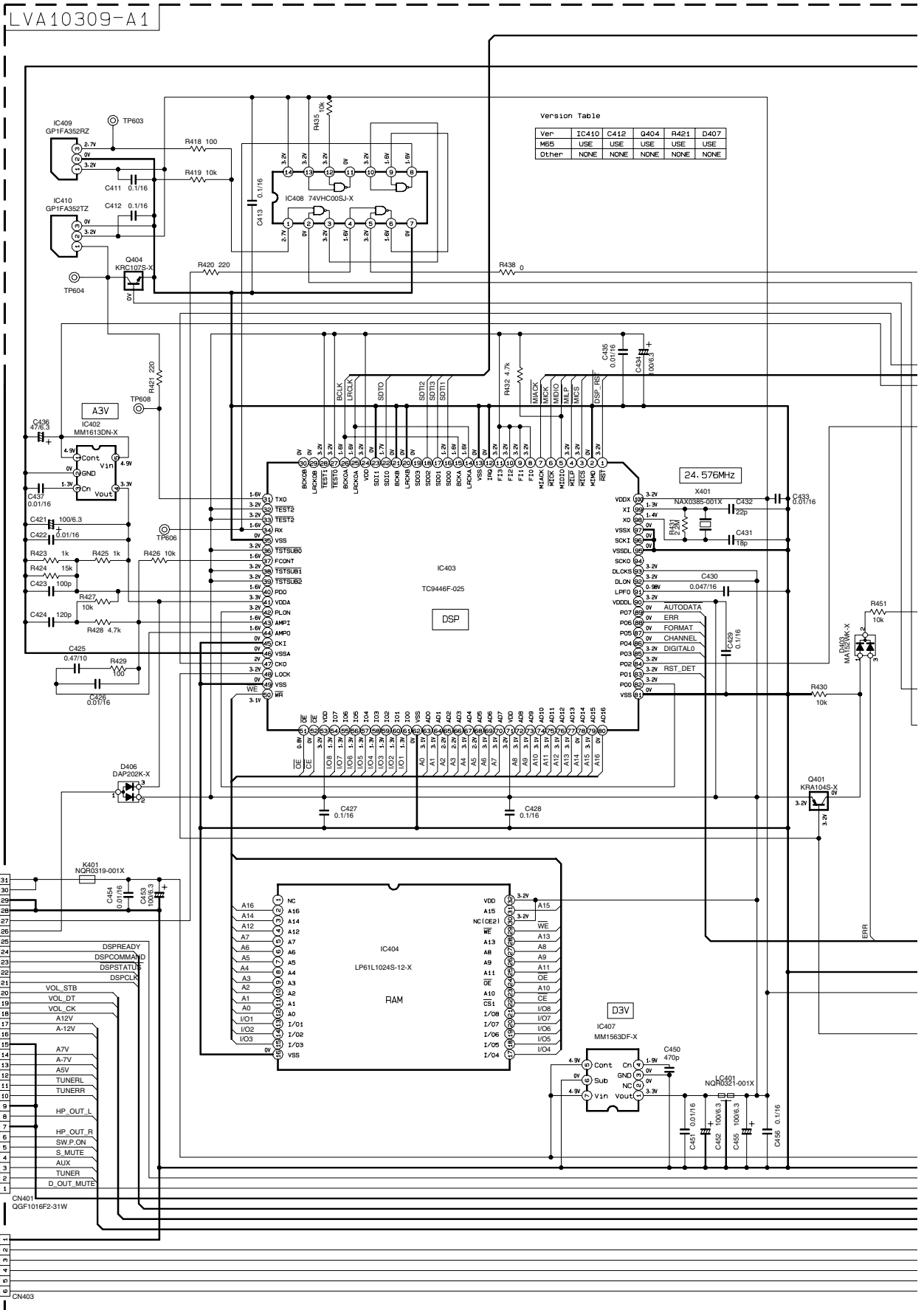


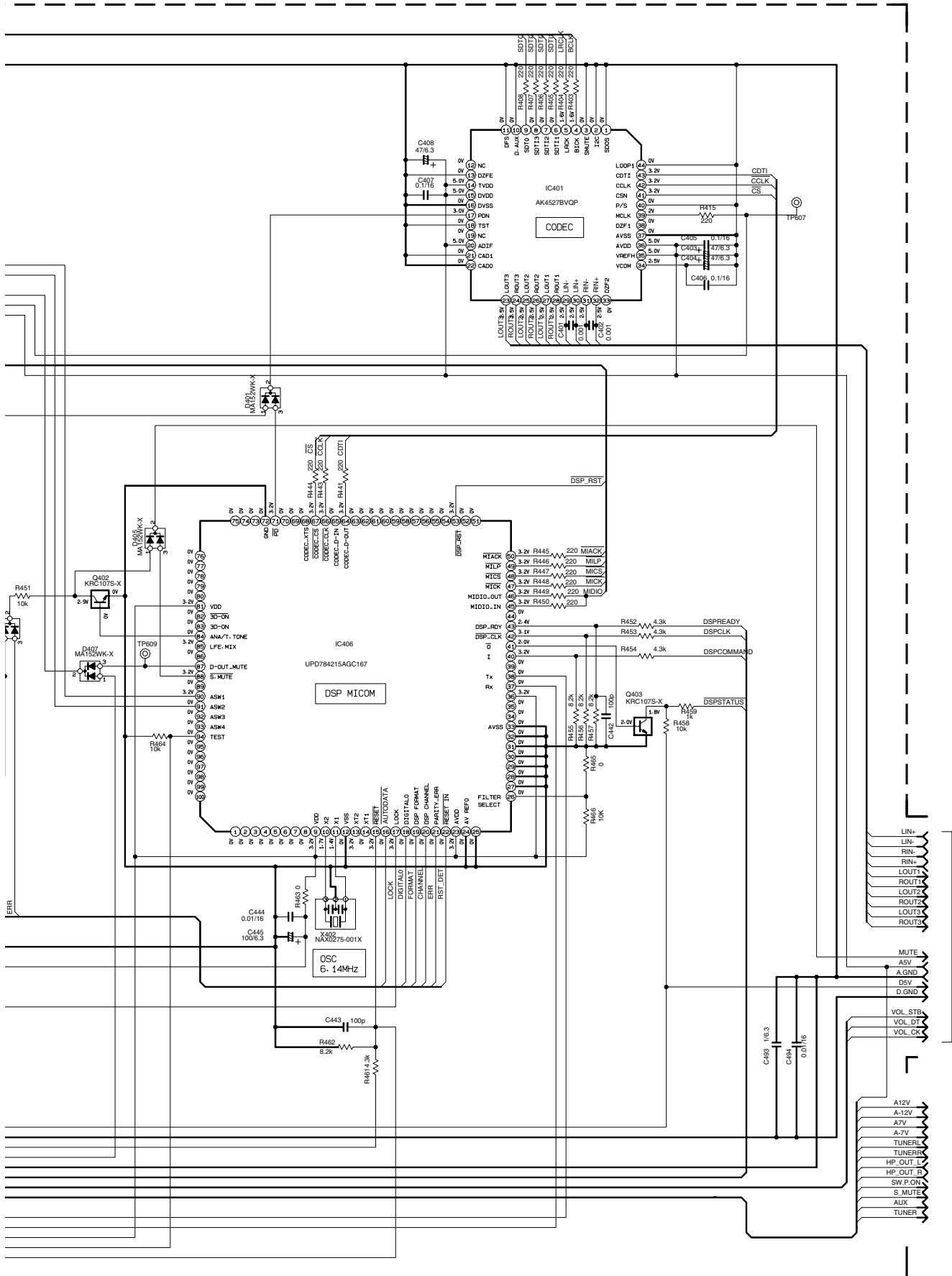


\*1 ONLY FOR XV-TH965

FRONT PWB

# DSP section

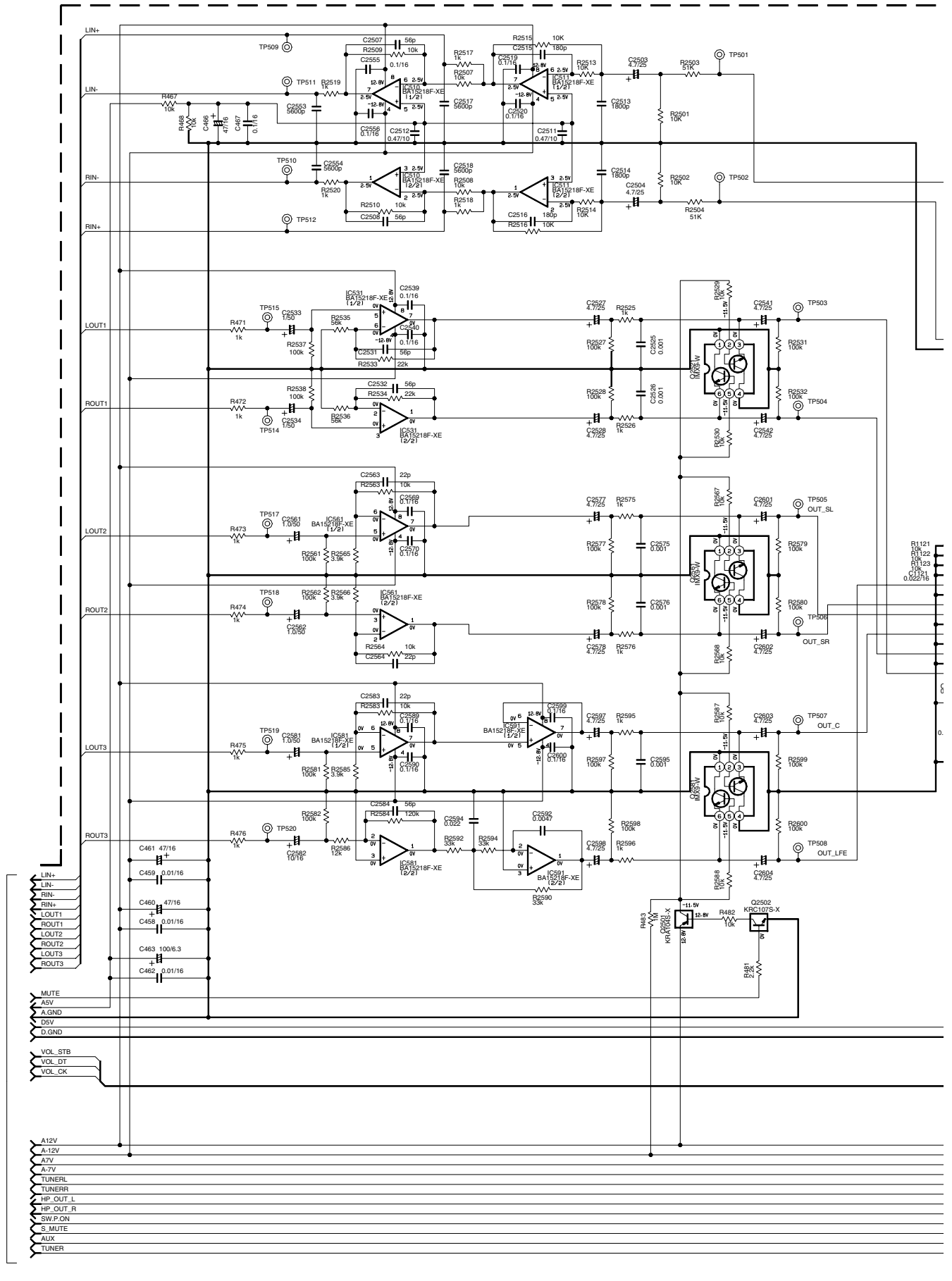




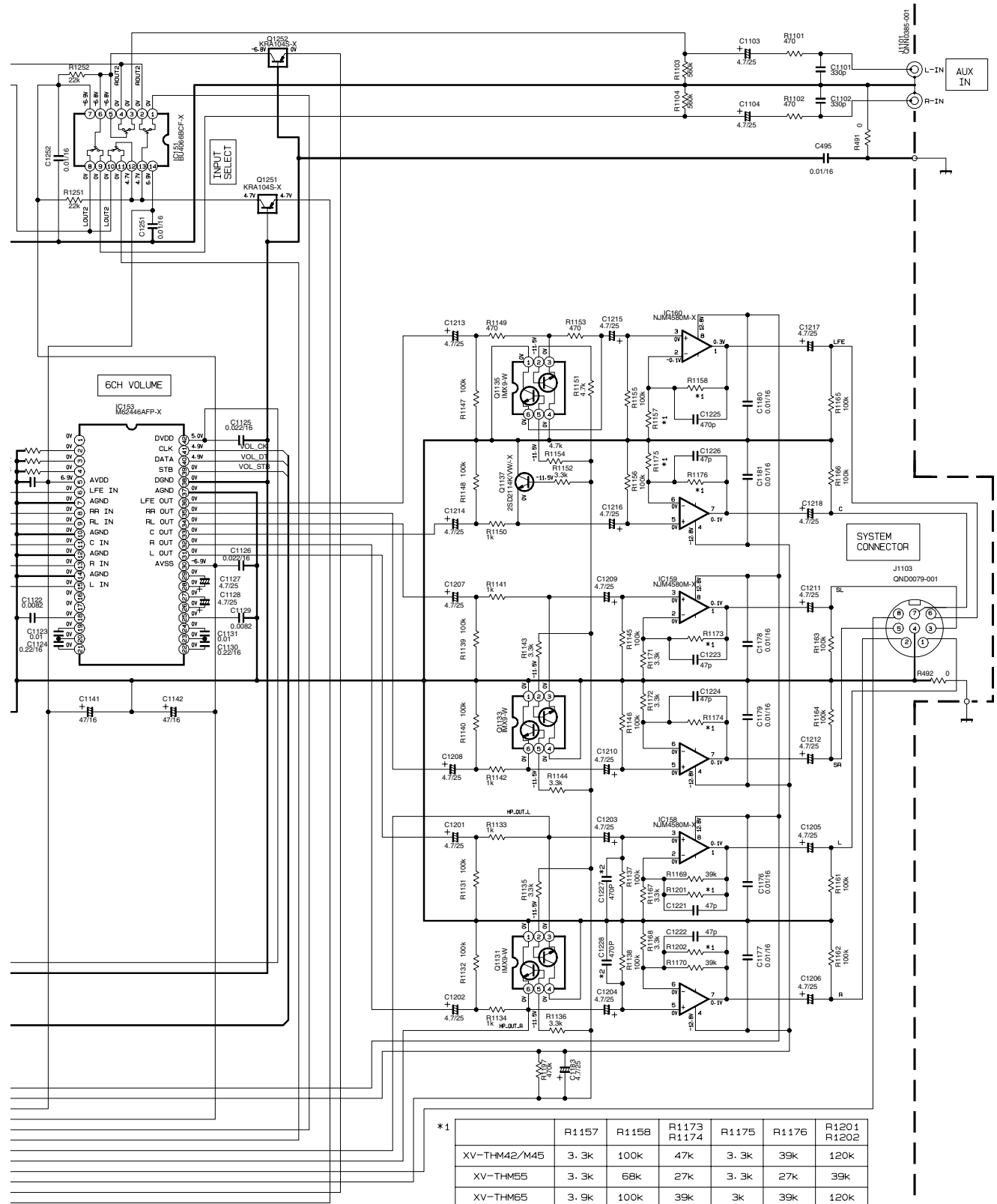
TO SHEET 6/10

# ■ Audio input / output section

TO SHEET 5/10





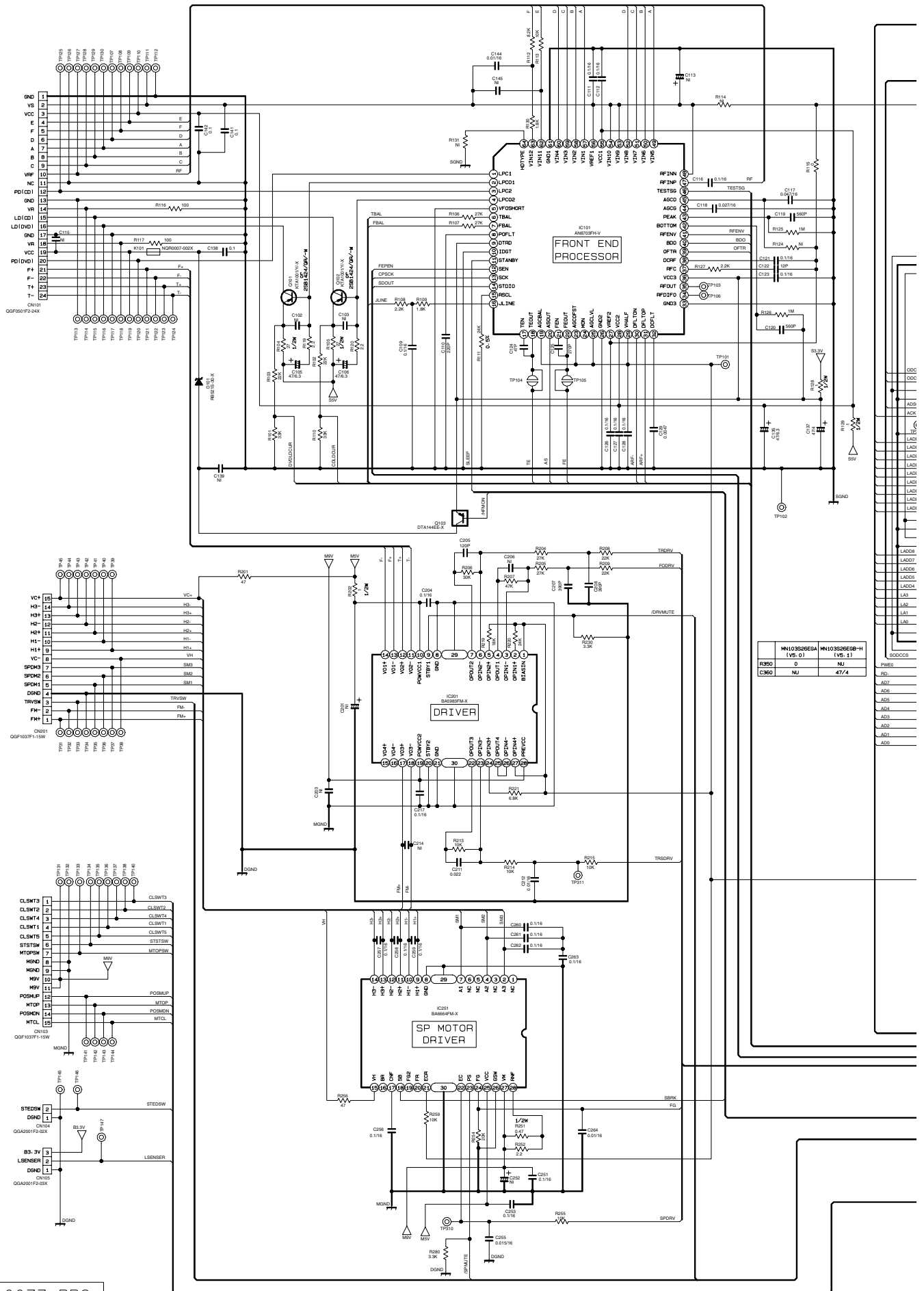


\*1

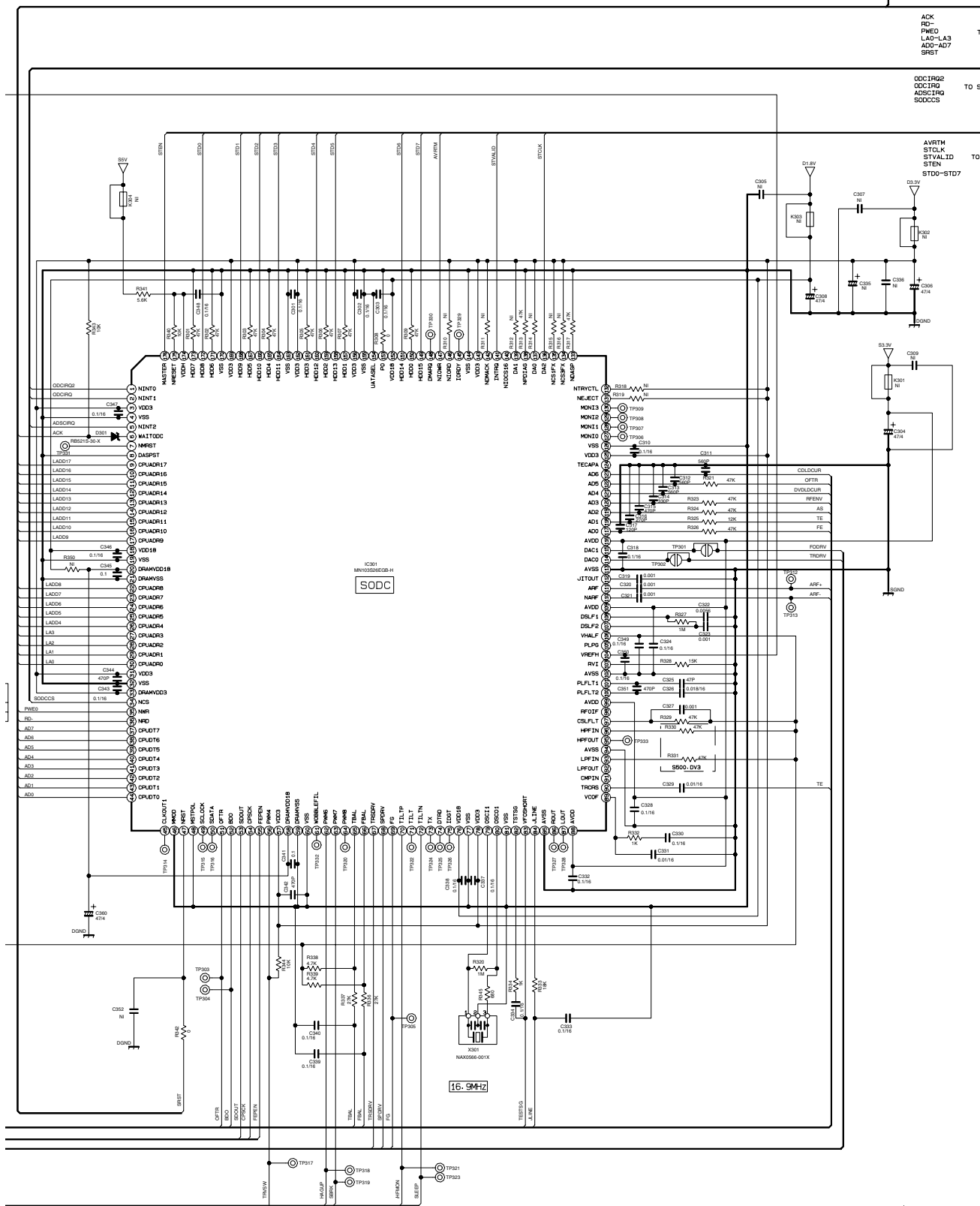
	R1157	R1158	R1173 R1174	R1175	R1176	R1201 R1202
XV-THM2/M45	3.3k	100k	47k	3.3k	39k	120k
XV-THM55	3.3k	68k	27k	3.3k	27k	39k
XV-THM65	3.9k	100k	39k	3k	39k	120k

\*2 USE M45-E/B/EN/EE/EV

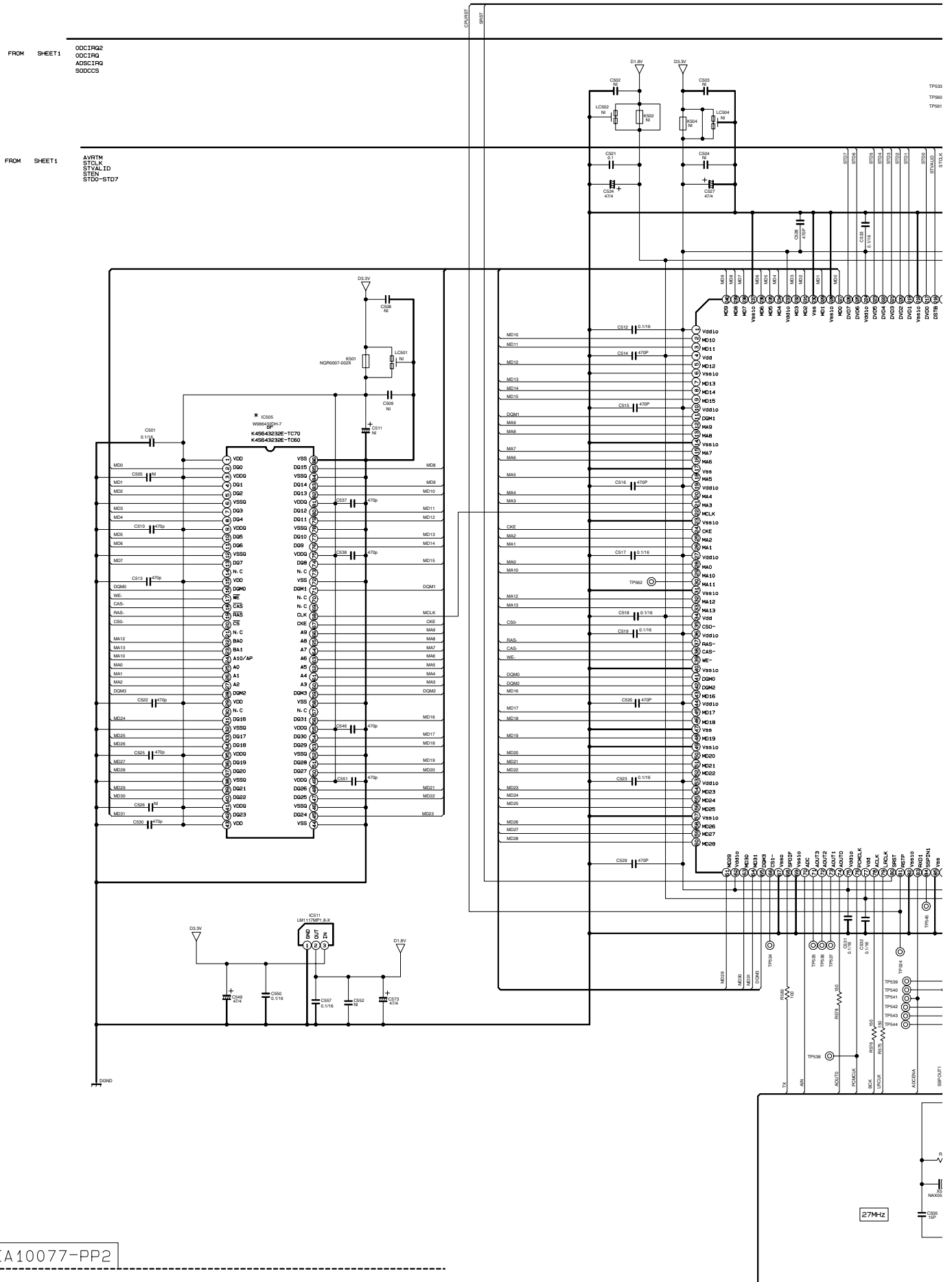
■ DVD servo section 1/4



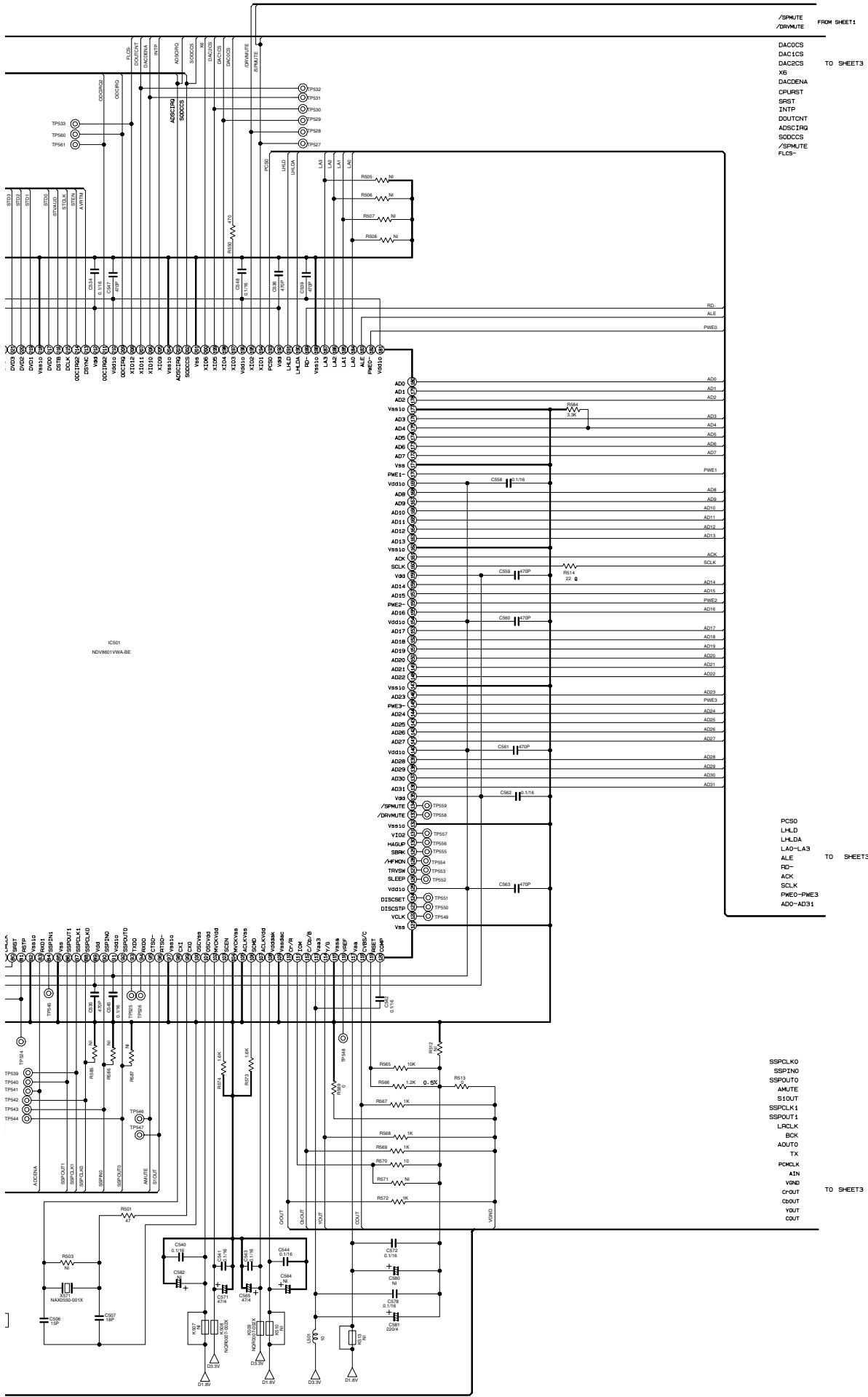
LEA10077-PP2



# DVD servo section 2/4



LEA10077-PP2



FROM SHEET1  
 /SPMUTE  
 /DRMUTE  
 DACCS  
 DAC1CS  
 DAC2CS  
 XE  
 DACCENA  
 CPURST  
 SRST  
 INTP  
 DOUTCNT  
 ADSCIRG  
 SODCCS  
 /SPMUTE  
 FLCS-

AD0  
 AD1  
 AD2  
 AD3  
 AD4  
 AD5  
 AD6  
 AD7  
 AD8  
 AD9  
 AD10  
 AD11  
 AD12  
 AD13  
 AD14  
 AD15  
 AD16  
 AD17  
 AD18  
 AD19  
 AD20  
 AD21  
 AD22  
 AD23  
 AD24  
 AD25  
 AD26  
 AD27  
 AD28  
 AD29  
 AD30  
 AD31  
 PWE0  
 PWE1  
 PWE2  
 PWE3  
 SCLK  
 ALE  
 RD-  
 ACK  
 SCLK  
 PWE0-PWE3  
 AD0-AD31

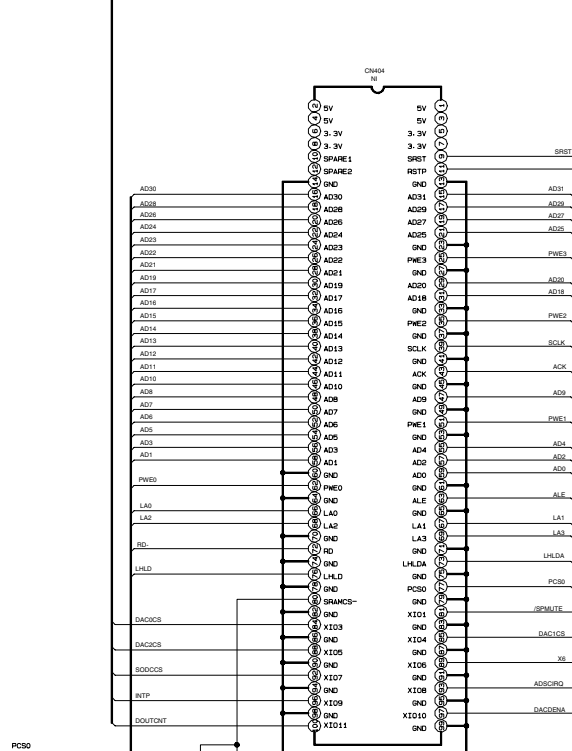
SSPCLK0  
 SSPIN0  
 SSPOUT0  
 AMUTE  
 S1OUT  
 SSPCLK1  
 SSPOUT1  
 LRCLK  
 BCK  
 ADJTO  
 TX  
 FMCLK  
 AIN  
 VIND  
 CP/OUT  
 CS/OUT  
 YOUT  
 COUT

DVD servo section 3/4

- FROM SHEET 2
- FLCS-
- DAC1CS
- DAC2CS
- XB
- DACDENA
- CPURST
- SRSRT
- INTP
- DOUTINT
- ADSCIR9
- ISSOCOS
- /SPMUTE

FROM SHEET 1

LADD4-LADD7



FROM SHEET 2

PC00

LHLA

LHLDA

ALE

RD-

ADK

SCLK

PWE0-PWE3

ADD-AD31

FROM SHEET 1

PWE0

ADK

RD-

LA0-LA3

ADD-AD7

SRSRT

FROM SHEET 2

SSPOLK0

SSPOLK1

S10UT

AMUTE

SSP2ND

SSPOLF1

TX

CDOUT

SSPOLT0

LRCLK

VND

YOUT

PCMKLK

BACK

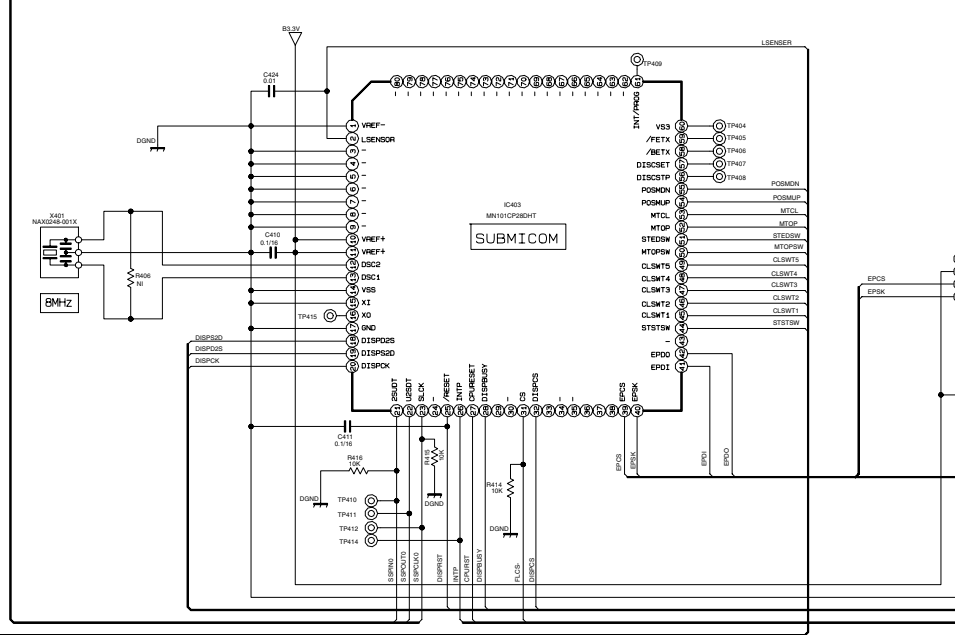
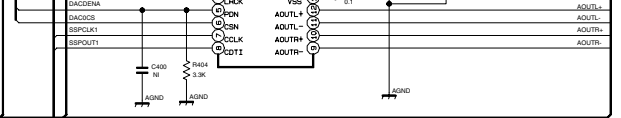
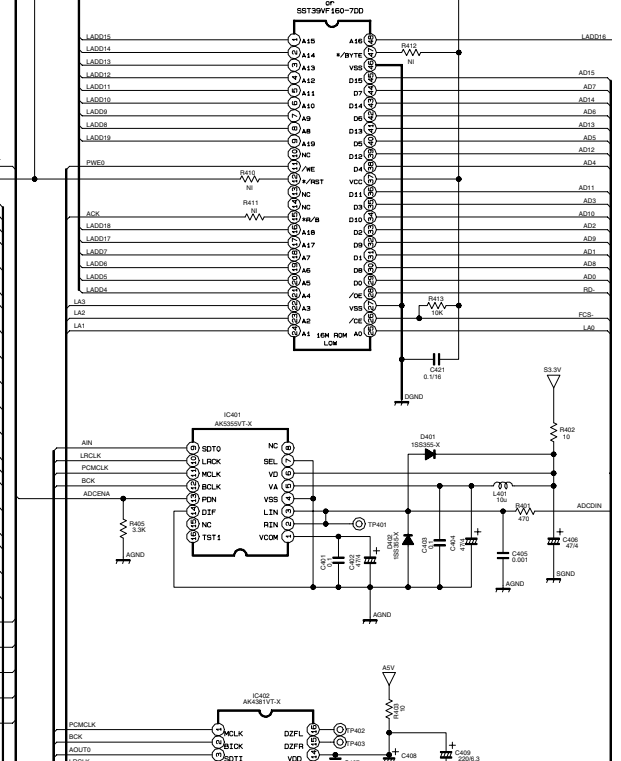
AIN

ADU0

Q-OUT

Q-OUT

FLASH ROM



TO SHEET 1

CLSMT3

CLSMT5

HTOP

CLSMT2

STSTSW

POSMDN

CLSMT4

HTOPSW

MTCL

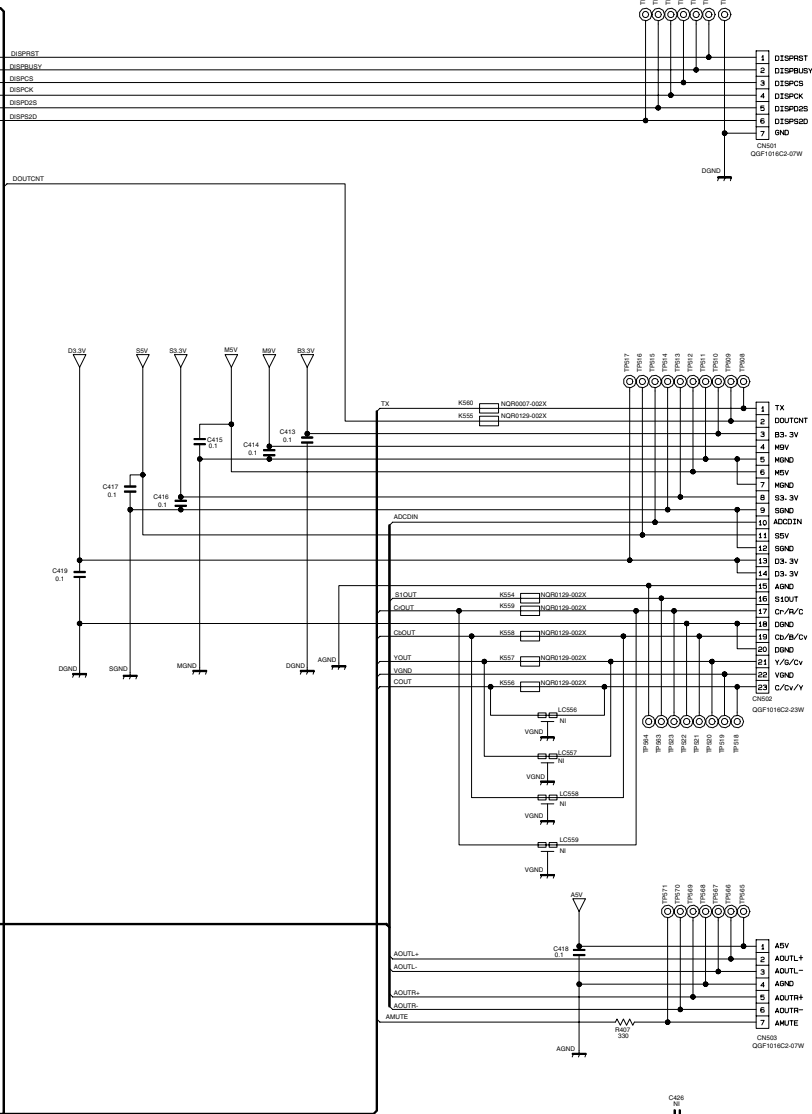
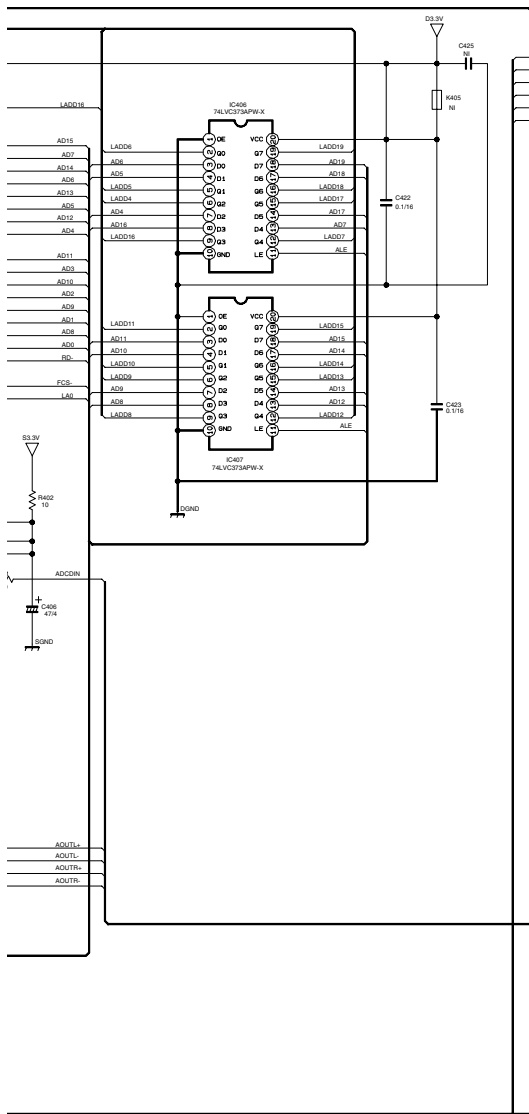
CLSMT1

POSMDP

STDSW

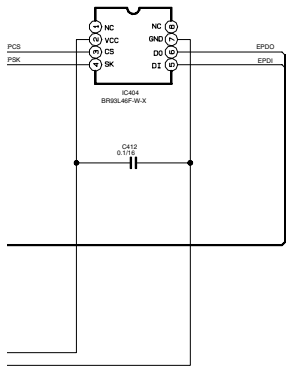
LSENSOR

LEA10077-PP2

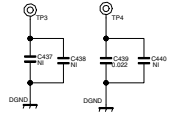
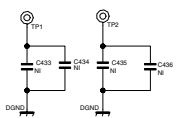
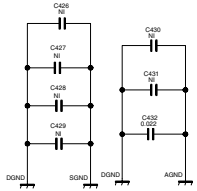


TO CN415 OF  
LVA10424-A1  
(SHEET 2/10)

TO CN406 OF LVA10424-A1  
(SHEET 2/10)



	EMU-SD1-1	EMU-SD1-11	EMU-SD2-1	EMU-SD2-11
IC402	NO INSERT	NO INSERT	INSERT	INSERT
C400	NO INSERT	NO INSERT	INSERT	INSERT
C407	NO INSERT	NO INSERT	INSERT	INSERT
C408	NO INSERT	NO INSERT	INSERT	INSERT
C409	NO INSERT	NO INSERT	INSERT	INSERT
R403	NO INSERT	NO INSERT	INSERT	INSERT
R404	NO INSERT	NO INSERT	INSERT	INSERT
R407	NO INSERT	NO INSERT	INSERT	INSERT
C418	NO INSERT	NO INSERT	INSERT	INSERT
CN503	NO INSERT	INSERT	NO INSERT	INSERT
IC401	NO INSERT	INSERT	NO INSERT	INSERT
C401	NO INSERT	INSERT	NO INSERT	INSERT
C402	NO INSERT	INSERT	NO INSERT	INSERT
C403	NO INSERT	INSERT	NO INSERT	INSERT
C404	NO INSERT	INSERT	NO INSERT	INSERT
C405	NO INSERT	INSERT	NO INSERT	INSERT
C406	NO INSERT	INSERT	NO INSERT	INSERT
R401	NO INSERT	INSERT	NO INSERT	INSERT
R402	NO INSERT	INSERT	NO INSERT	INSERT
R405	NO INSERT	INSERT	NO INSERT	INSERT
D401	NO INSERT	INSERT	NO INSERT	INSERT
D402	NO INSERT	INSERT	NO INSERT	INSERT
L401	NO INSERT	INSERT	NO INSERT	INSERT
K554	NO INSERT	NO INSERT	INSERT	INSERT
K555	NO INSERT	NO INSERT	INSERT	INSERT







## IC451

NO	DC(V)
1	0V
2	3.2V
3	0V
4	0V
5	0V
6	0V
7	0V
8	0V

## IC501

NO	DC(V)	NO	DC(V)	NO	DC(V)	NO	DC(V)	NO	DC(V)
1	3.2V	53	3.2V	105	0V	157	0V	209	0V
2	0.5V	54	0.4V	106	0V	158	0V	210	3.2V
3	0.4V	55	0.4V	107	3.2V	159	1.7V	211	0V
4	1.8V	56	0.4V	108	1.7V	160	1.7V	212	1.7V
5	0.4V	57	0V	109	0V	161	3.2V	213	3.2V
6	0V	58	0.4V	110	0V	162	0V	214	3.2V
7	0.4V	59	0.4V	111	1.0V	163	0V	215	0V
8	0.4V	60	0.4V	112	1.0V	164	0V	216	0V
9	0V	61	0.5V	113	3.1V	165	0V	217	3.2V
10	3.2V	62	3.2V	114	0.4V	166	0V	218	0V
11	0V	63	0.5V	115	0.4V	167	0V	219	3.2V
12	0V	64	3.2V	116	---	168	0V	220	3.2V
13	0V	65	1.0V	117	3.1V	169	3.2V	221	0V
14	0V	66	---	118	0.8V	170	3.2V	222	3.2V
15	2.0V	67	0V	119	1.3V	171	0V	223	3.2V
16	1.3V	68	1.7V	120	1.8V	172	0V	224	3.2V
17	0V	69	0V	121	0V	173	0V	225	0V
18	0.4V	70	3.2V	122	0V	174	0V	226	0V
19	3.2V	71	0V	123	0V	175	0V	227	0.8V
20	1.4V	72	0V	124	0V	176	0V	228	0V
21	1.7V	73	0V	125	3.2V	177	0V	229	0.8V
22	1.7V	74	0V	126	0V	178	0V	230	0V
23	0V	75	3.2V	127	0V	179	0V	231	0.8V
24	3.2V	76	---	128	0V	180	0V	232	0.6V
25	0.5V	77	1.7V	129	0V	181	3.2V	233	3.2V
26	2.5V	78	1.7V	130	0V	182	3.2V	234	0.6V
27	3.2V	79	1.7V	131	0V	183	0V	235	0.8V
28	1.2V	80	0V	132	0V	184	0V	236	1.0V
29	0V	81	0V	133	0V	185	3.2V	237	0V
30	0V	82	0V	134	0V	186	0V	238	0.4V
31	0V	83	3.2V	135	1.8V	187	0V	239	0.8V
32	2.0V	84	0.4V	136	0V	188	0V	240	0.8V
33	1.3V	85	0V	137	0V	189	3.2V		
34	1.7V	86	3.2V	138	0V	190	0V		
35	2.2V	87	0V	139	0V	191	0V		
36	3.1V	88	1.7V	140	3.2V	192	1.7V		
37	3.2V	89	0V	141	0V	193	3.2V		
38	0V	90	0V	142	0V	194	3.2V		
39	3.2V	91	1.2V	143	0V	195	0V		
40	0V	92	0V	144	0V	196	3.2V		
41	0V	93	0V	145	3.2V	197	3.2V		
42	0V	94	0.6V	146	0V	198	3.2V		
43	0.7V	95	0V	147	0V	199	3.2V		
44	3.2V	96	0V	148	0V	200	3.2V		
45	0.7V	97	0V	149	0V	201	0V		
46	0.5V	98	1.7V	150	0V	202	3.2V		
47	0V	99	---	151	0V	203	3.2V		
48	0.5V	100	---	152	0V	204	0V		
49	0V	101	1.7V	153	0V	205	4.9V		
50	0.4V	102	3.2V	154	3.2V	206	3.2V		
51	0.4V	103	0V	155	0V	207	0V		
52	0.4V	104	0V	156	3.2V	208	3.2V		

## IC502

NO	DC(V)
1	1.5V
2	3.3V
3	1.7V
4	0V
5	1.7V
6	1.7V
7	1.7V
8	1.7V

## IC505

NO	DC(V)	NO	DC(V)
1	3.2V	51	0.5V
2	0.8V	52	0V
3	3.2V	53	0.5V
4	0.8V	54	0.7V
5	0.8V	55	3.2V
6	0V	56	0.7V
7	0.6V	57	0.6V
8	0.6V	58	0V
9	3.2V	59	0V
10	0.8V	60	1.7V
11	1.0V	61	1.4V
12	0V	62	0.4V
13	0.4V	63	1.3V
14	---	64	1.3V
15	3.2V	65	2.0V
16	0V	66	0V
17	3.2V	67	3.2V
18	0V	68	1.7V
19	3.2V	69	---
20	2.2V	70	---
21	---	71	0V
22	2.0V	72	0V
23	1.3V	73	---
24	0V	74	0V
25	1.2V	75	3.2V
26	2.5V	76	0.4V
27	0.5V	77	0.4V
28	1.0V	78	0V
29	3.2V	79	0V
30	---	80	0.4V
31	0.4V	81	3.2V
32	0V	82	0.5V
33	0.4V	83	0.8V
34	0.4V	84	0V
35	3.2V	85	0.8V
36	0.4V	86	0V
37	0.4V	87	
38	0V	88	
39	0.5V	89	
40	0.5V	90	
41	3.2V	91	
42	3.2V	92	
43	3.2V	93	
44	0V	94	
45	0.4V	95	
46	0V	96	
47	0.4V	97	
48	0.4V	98	
49	3.2V	99	
50	0.4V	100	

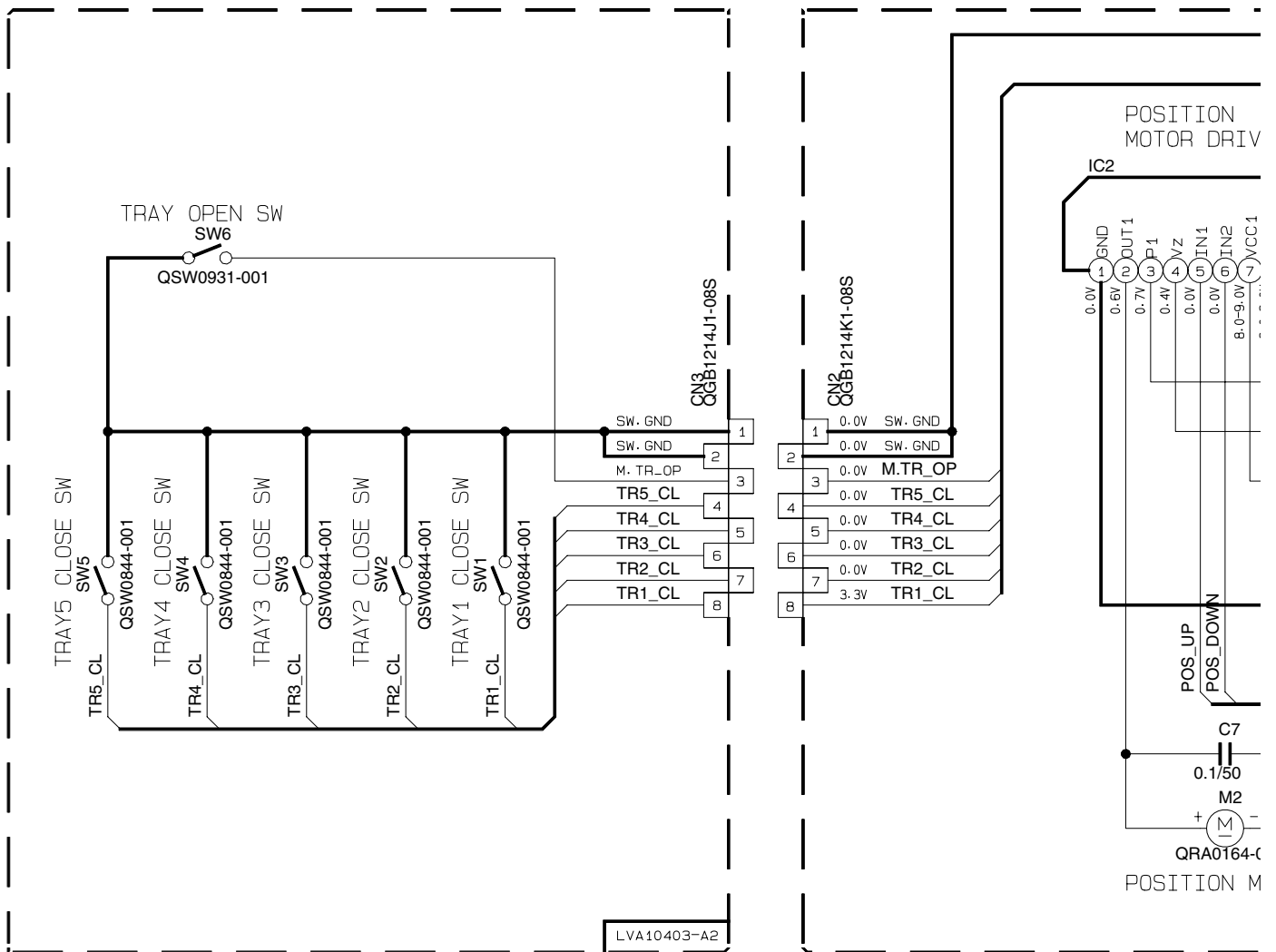
## IC509

NO	DC(V)
1	0V
2	0V
3	0V
4	0V
5	0V
6	0V
7	0V
8	0V
9	0V
10	---
11	3.2V
12	0V
13	---
14	---
15	0V
16	0V
17	0V
18	0V
19	0V
20	0V
21	0V
22	0V
23	0V
24	3.2V
25	0V
26	3.2V
27	0V
28	3.2V
29	0V
30	0V
31	0V
32	0V
33	0V
34	0V
35	0V
36	0V
37	3.2V
38	0V
39	0V
40	0V
41	0V
42	0V
43	0V
44	0V
45	0V
46	0V
47	0V
48	0V

## NOTES

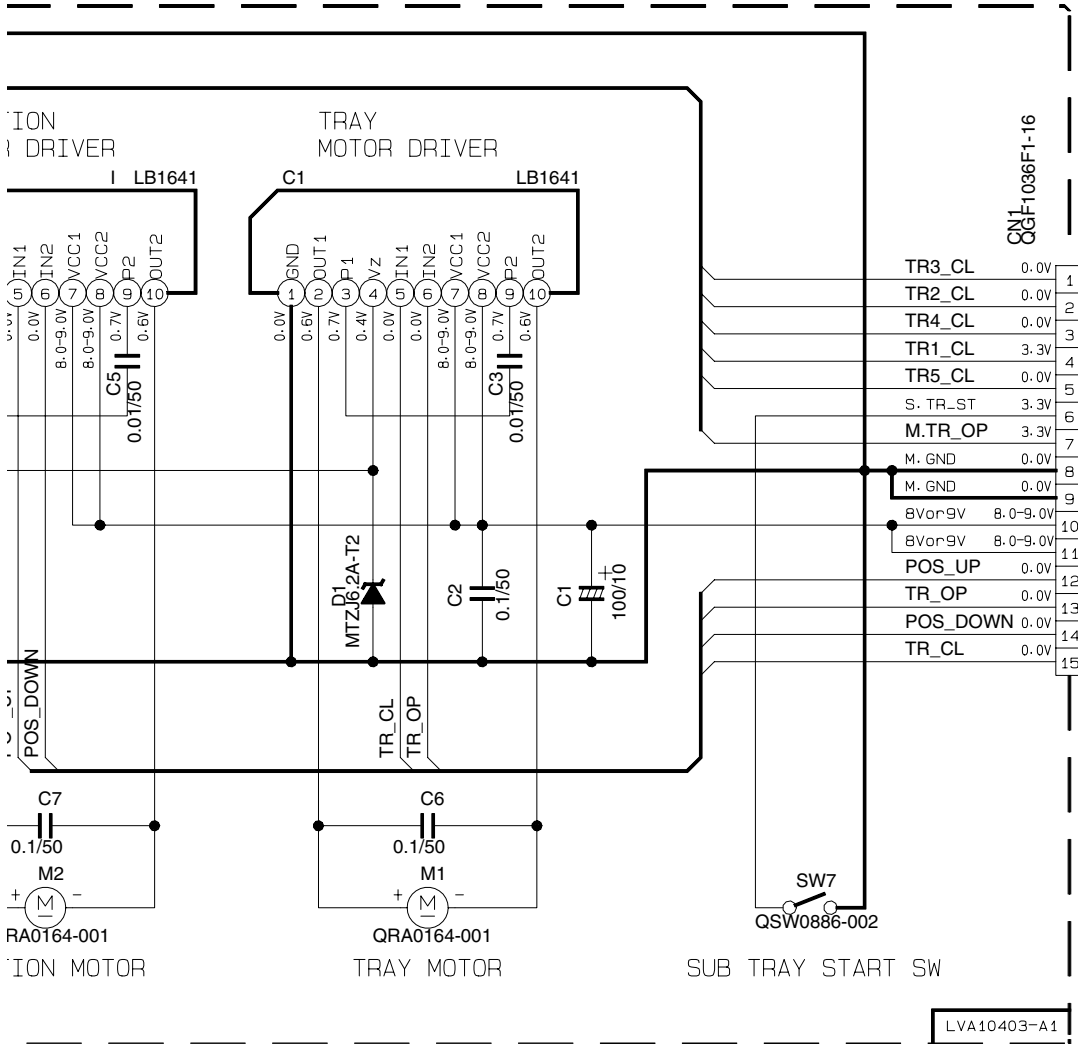
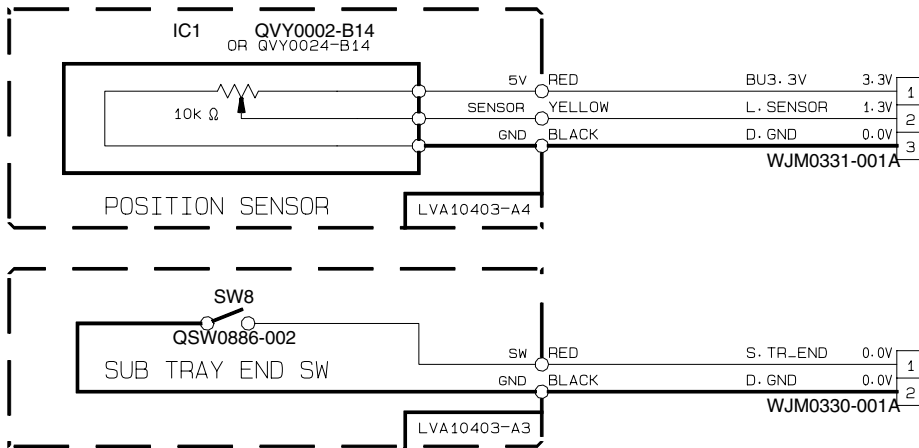
1. VOLTAGES ARE DC-MEASURED WITH A DIGITAL VOLT METER WITHOUT INPUT SIGNAL-  
CONDITION --- POWER ON DVD STOP

## ■ DVD mechanism control section



### NOTES

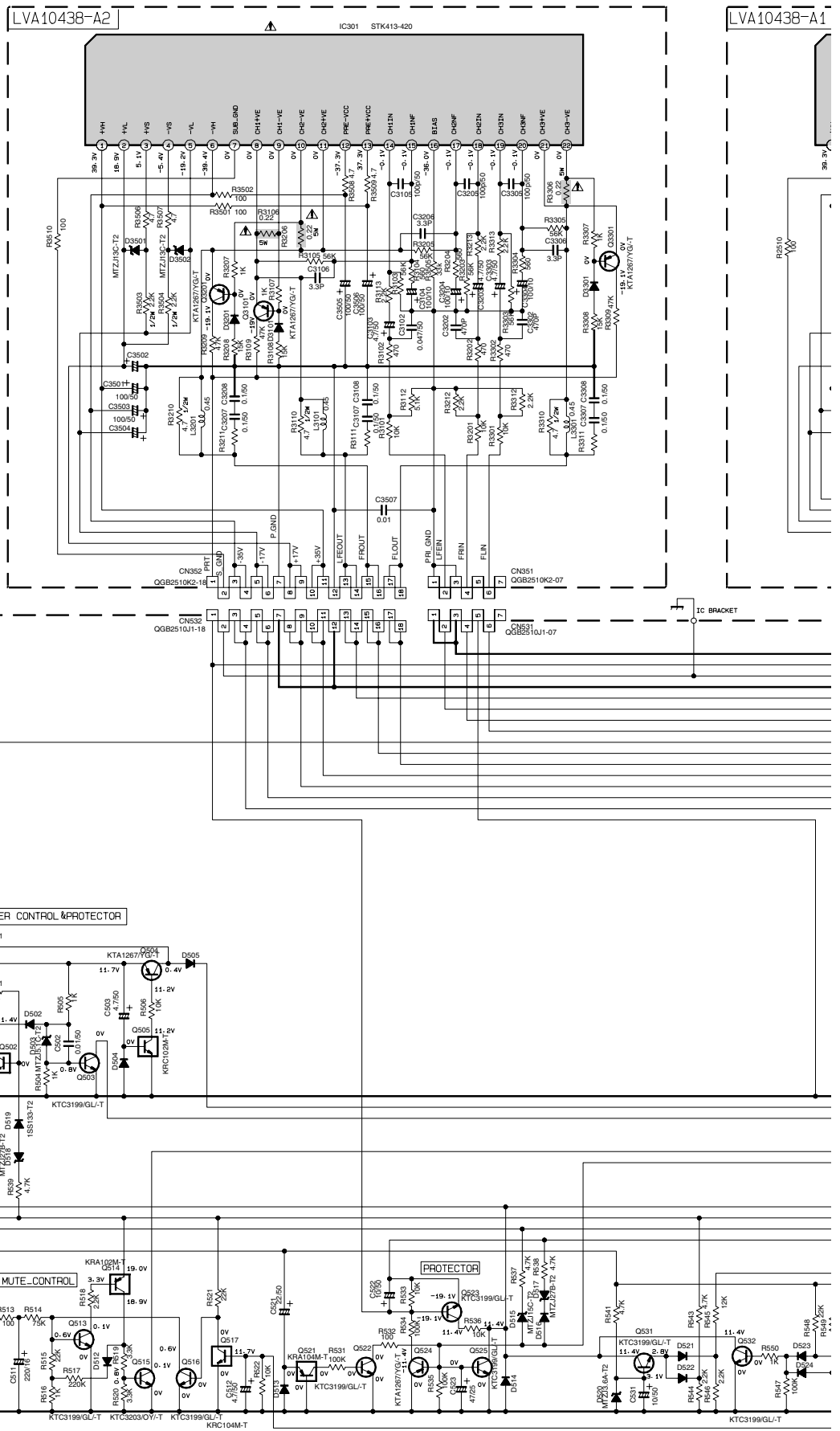
1. VOLTAGES ARE DC-MEASURED WITH A DIGITAL VOLT METER.  
CONDITION: DISC1 STOP
2. UNLESS OTHERWISE SPECIFIED.  
ALL CAPACITORS ARE SHOWN IN THE FORM OF CAPACITANCE ( $\mu$ F)/RATED VOLTAGE (V).



TO POWER AND MECHA CONTROL MICOM

# <Subwoofer section>

## ■ Main amplifier section



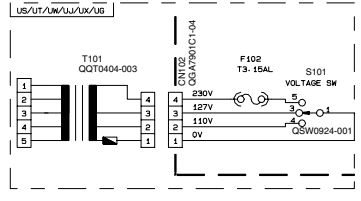
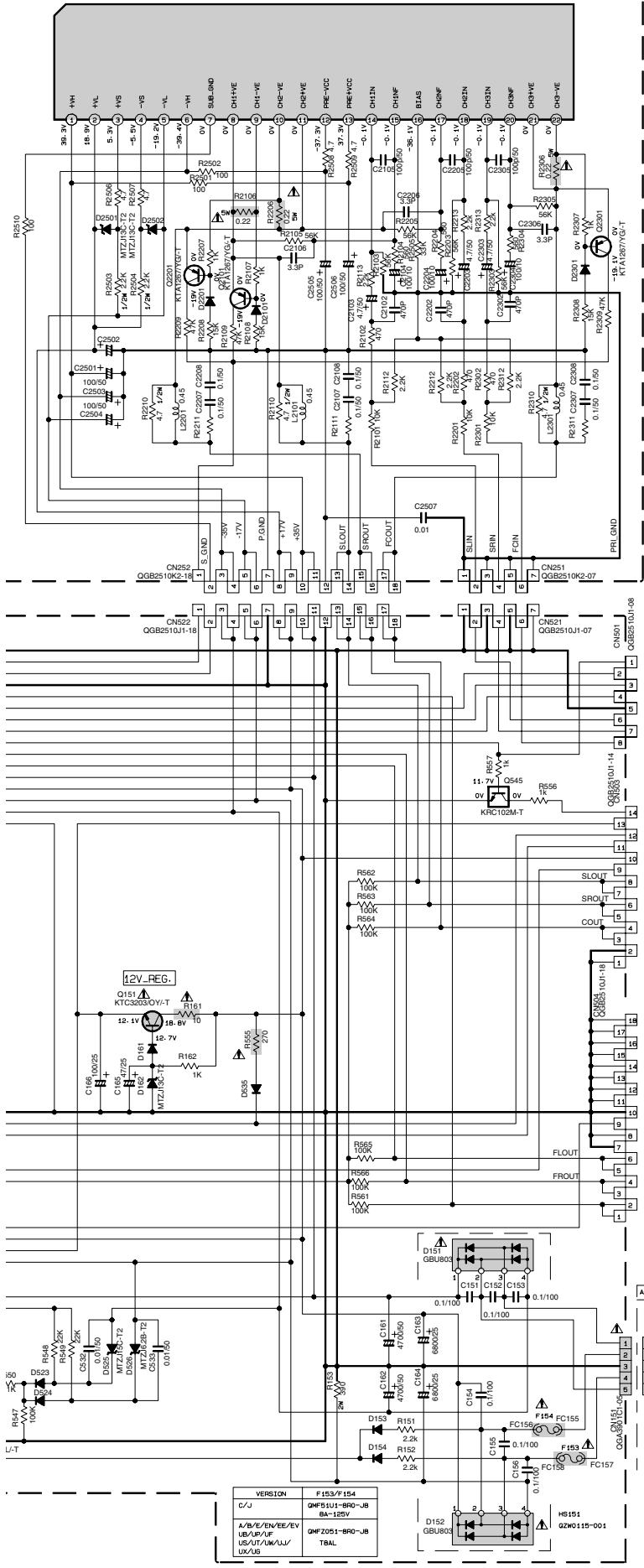
### NOTES

1. VOLTAGES ARE DC-MEASURED WITH A DIGITAL VOLT METER WITHOUT INPUT SIGNAL.
2. UNLESS OTHERWISE SPECIFIED.
  - ALL RESISTORS ARE 1/4W ±5% CARBON RESISTOR.
  - ALL CAPACITORS ARE 50V CAPACITOR.
  - ALL RESISTANCE VALUES ARE IN OHM(Ω).
  - ALL CAPACITANCE VALUES ARE IN #F(P=PF).
  - ALL E-CAPACITORS ARE SHOWN IN THE FORM OF CAPACITANCE(#F) /RATED VOLTAGE (V).
  - ALL DIODES ARE 1S5133-T2.
3. \* MARKING ARE USED DIFFERENT VERSION.

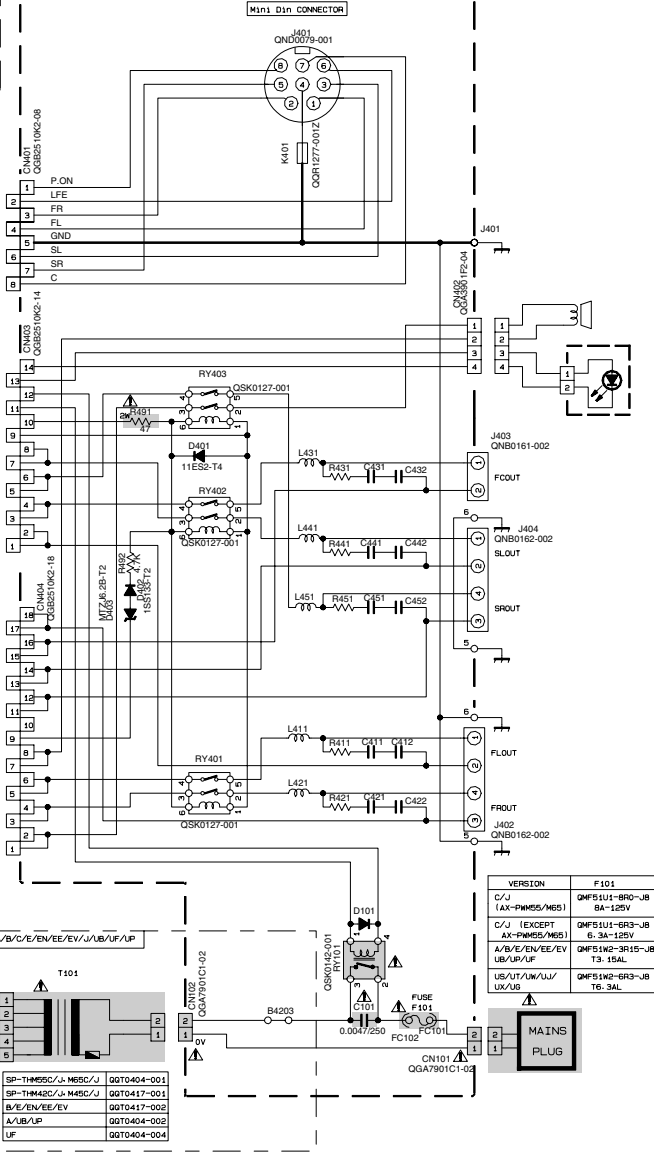
MODEL	VERSION	IC201
AX-PHMS5	C/J	STK413-410
OTHER		STK413-490

VERSION	R211/2211/2311 R311/3311	C2107/2207/2307 C2108/2208/2308 C3207/3307 C3208/3308	L411/421/431 L441/451	R411/421/431 R441/451	C411/421/431 C441/451 C412/422/432 C442/452	C3202/2204 C3205/2304
B/E/EN/EE/EV	10	0.1/50	0.45	10	0.1/50	47/25
OTHER	4.7	0.1/50	BUS WIRE	-	-	100/25

VERSION CODES	
A-AUSTRALIA	UF-CHINA
B-GREAT BRITAIN	UG-TURKEY/EGIPT/SOUTH AFRICA
C-CANADA	UJ-USA MILITARY BASE
D-JAPAN	UP-KOREA
E-GERMANY/FRANCE/HOLLAND	US-SINGAPORE
EE-RUSSIA	UT-TAIWAN
EN-SWEDEN/NORWAY/FINLAND/DENMARK	UM-BRAZIL/MEXICO/PERU
EV-EAST EUROPE	UX-SAUDI ARABIA
J-U.S.A	UY-ARGENTINA
UB-HONG KONG	



LVA10433-A2



VERSION	F101
C/J	GMF511-BR0-JB 8A-125V
A/B/EN/EE/EV	GMF511-6R3-JB 6.3A-125V
AX-PHMS5/M651	GMF512-3R15-JB T3-15AL
UB/UP/UF	GMF512-6R3-JB T5-2A

SP-THM55C/L M65C/J	QGT0404-001
SP-THM42C/L M45C/J	QGT0417-001
B/E/EN/EE/EV	QGT0417-002
A/UB/UP	QGT0404-002
UF	QGT0404-004

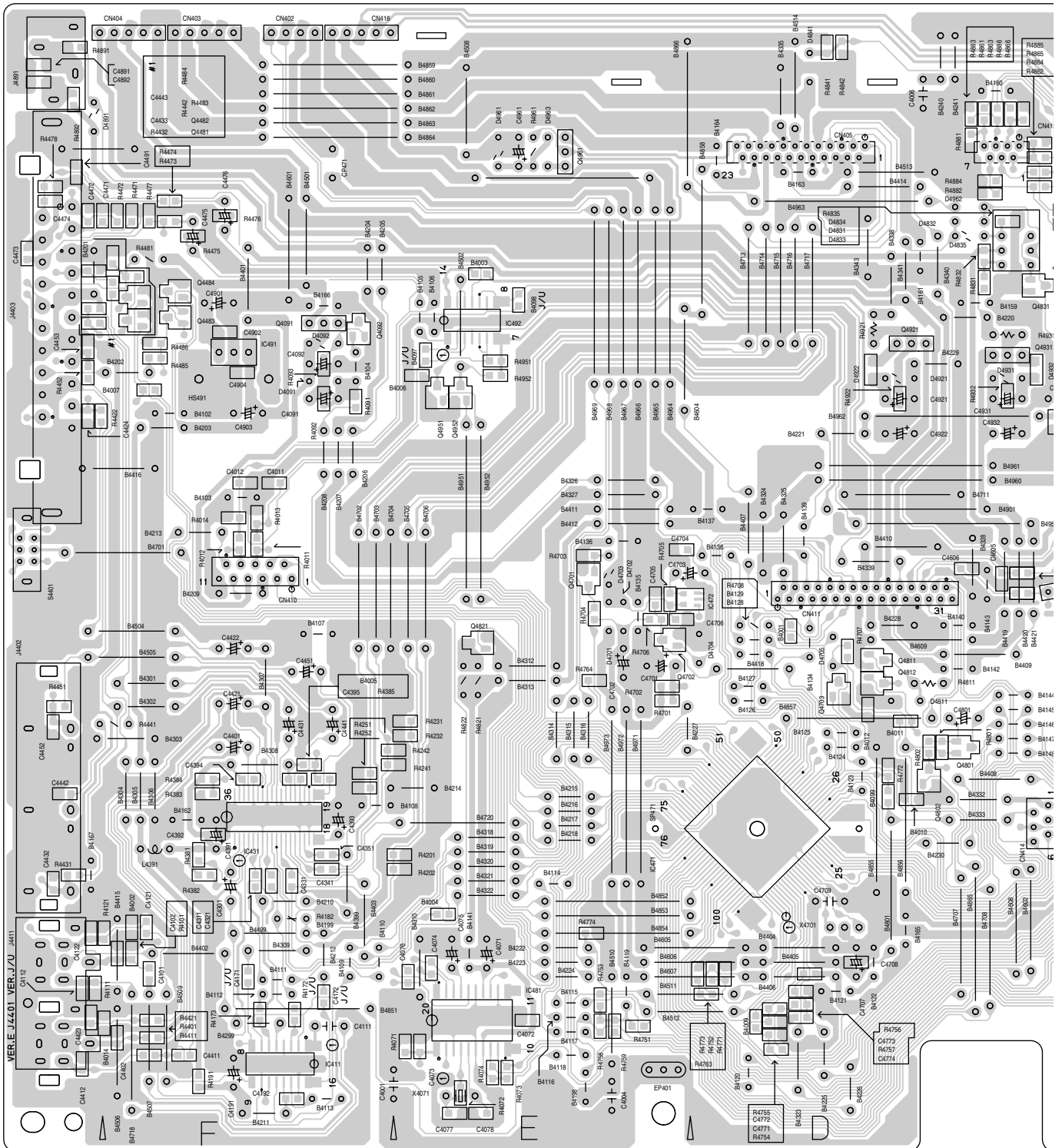
⚠ Parts are safety assurance parts. When replacing those parts make sure to use the specified one.

# Printed circuit boards

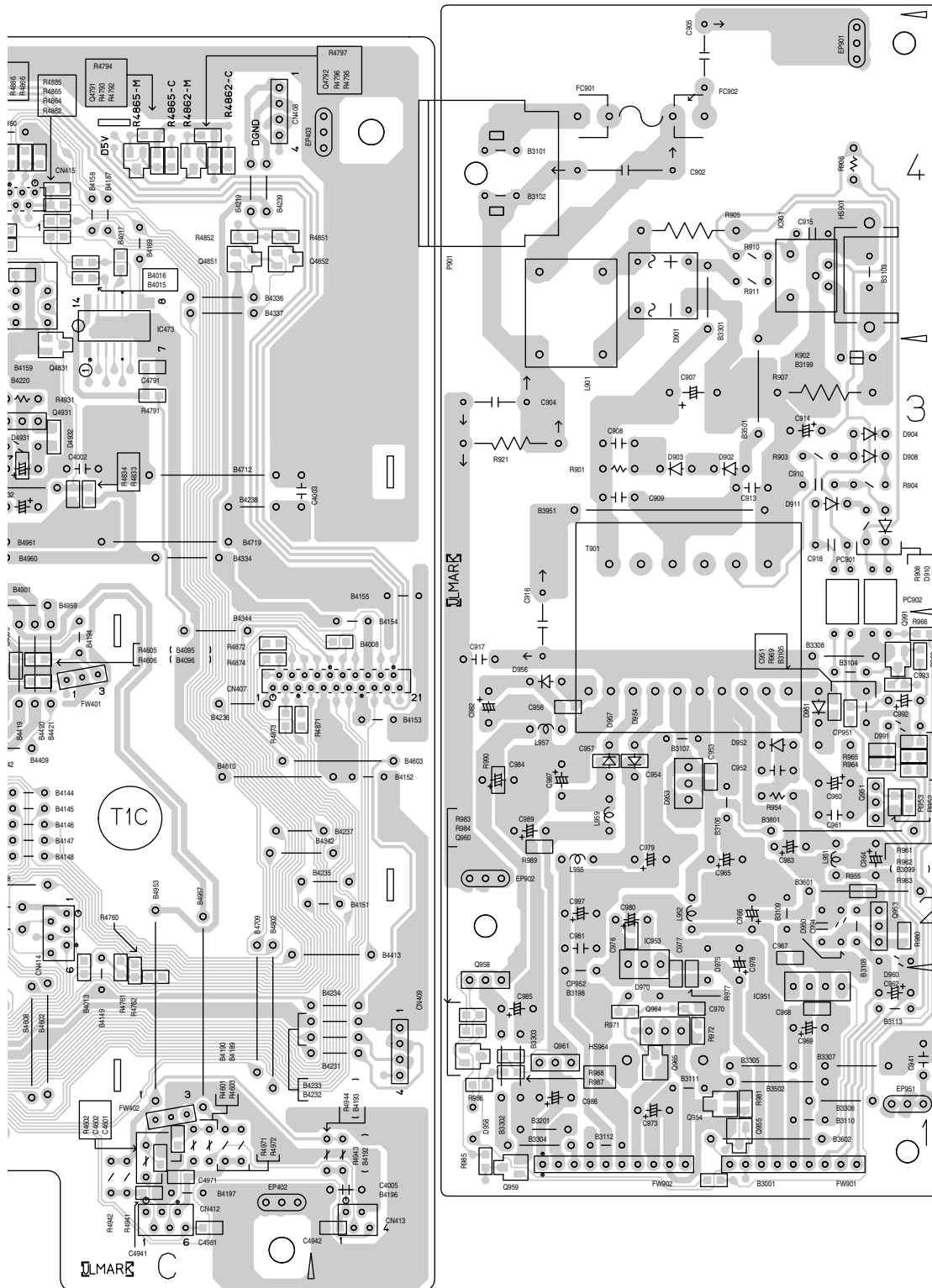
## <Main body section>

### ■ Main board

(Main board)

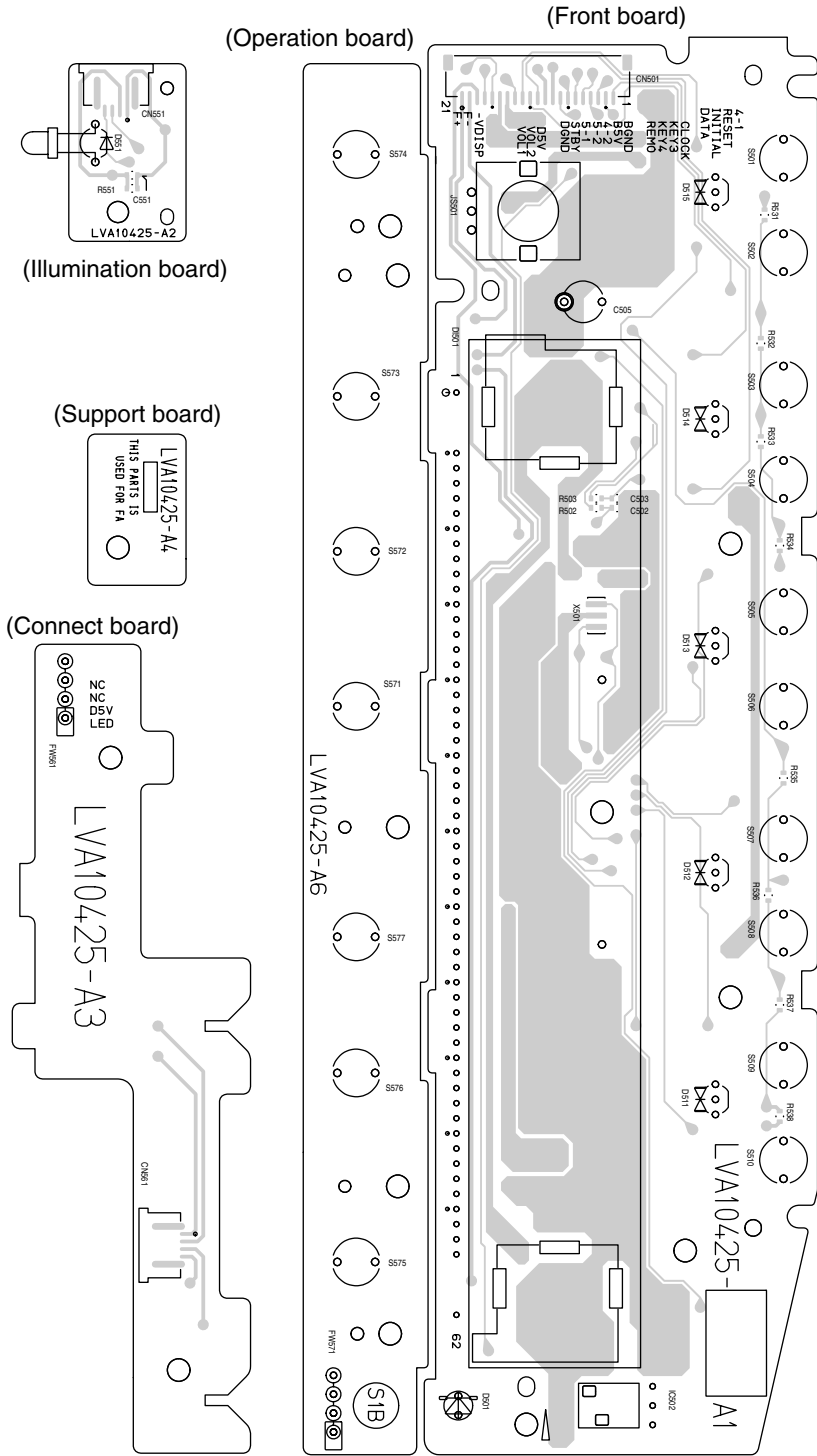


(Power supply board)



# ■ Front board

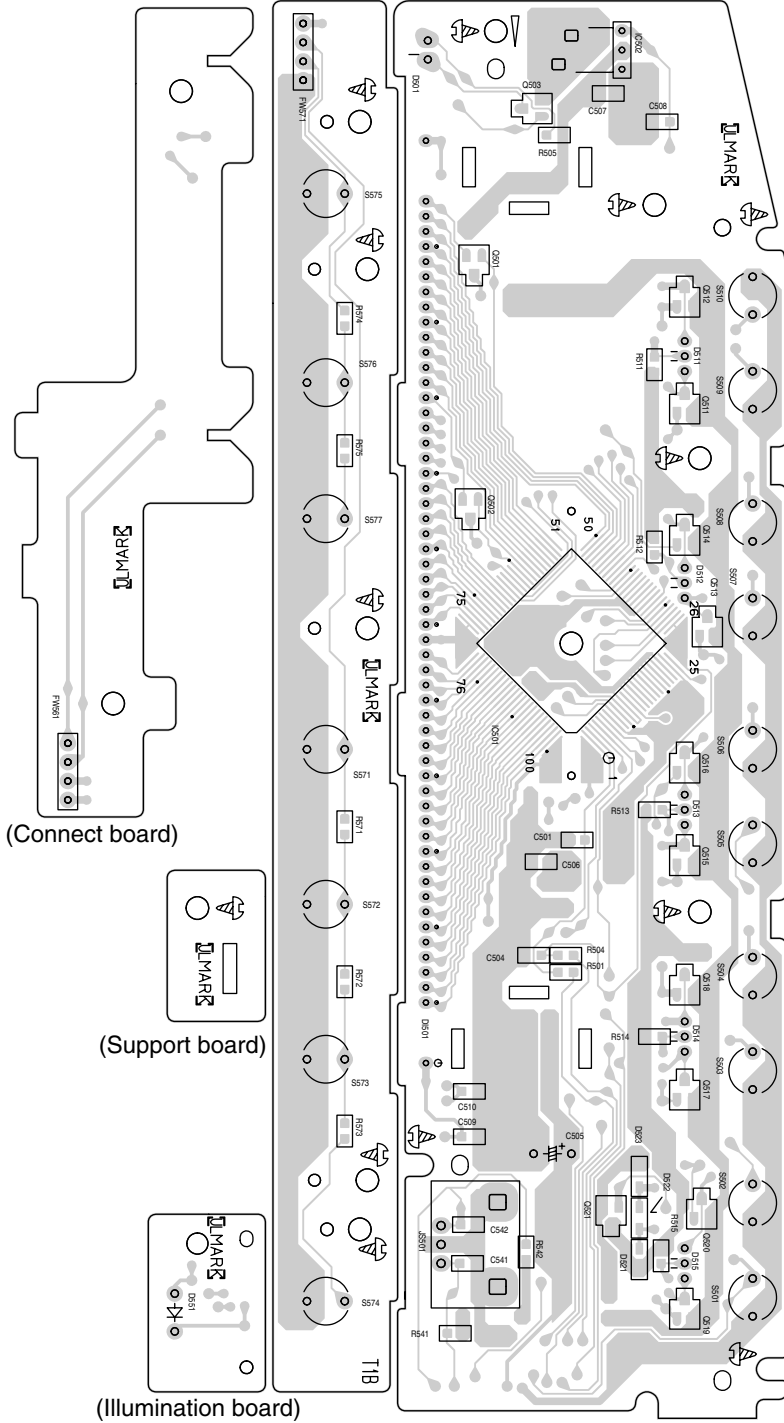
Forward side





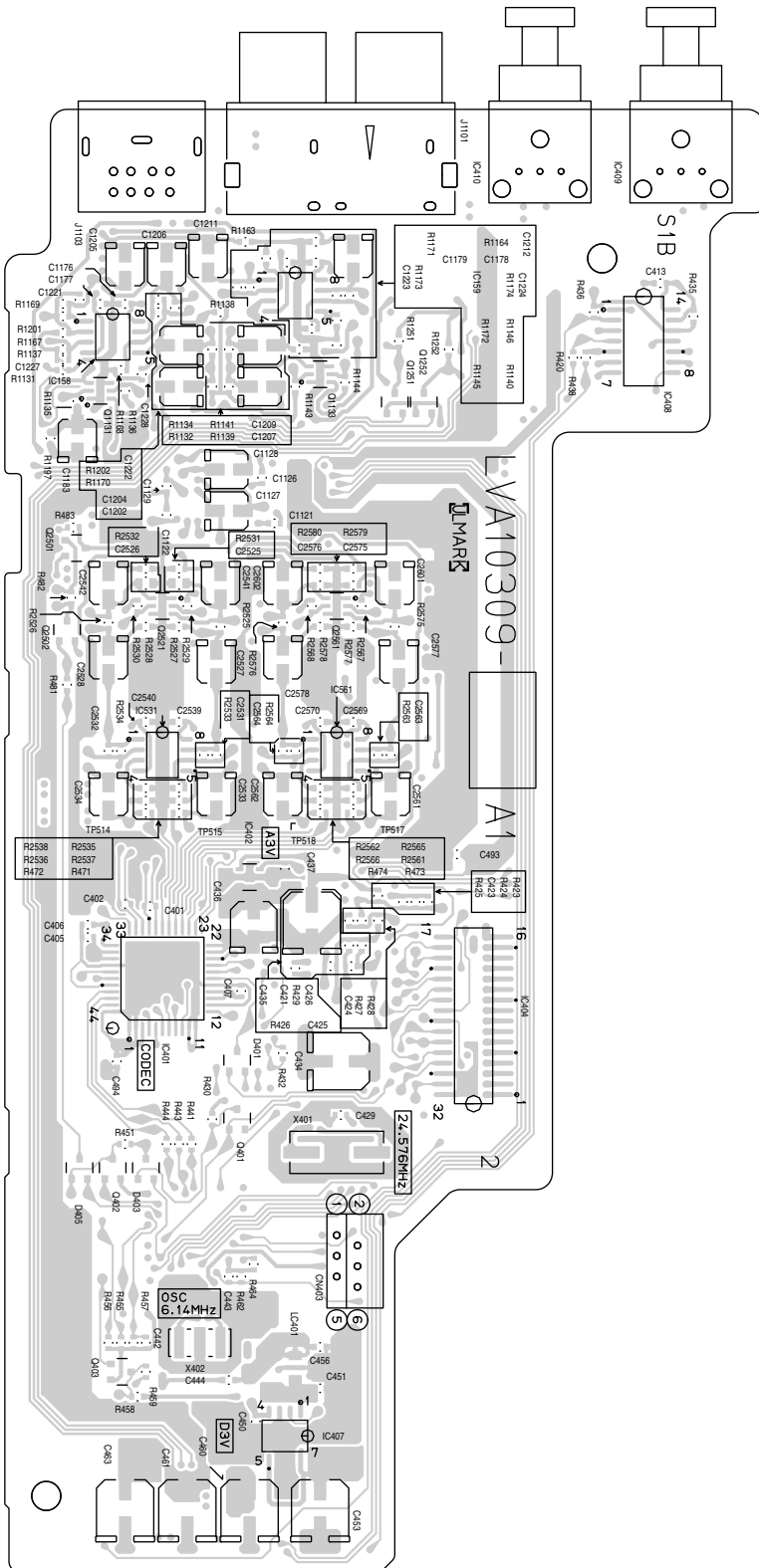
Reverse side

(Operation board) (Front board)

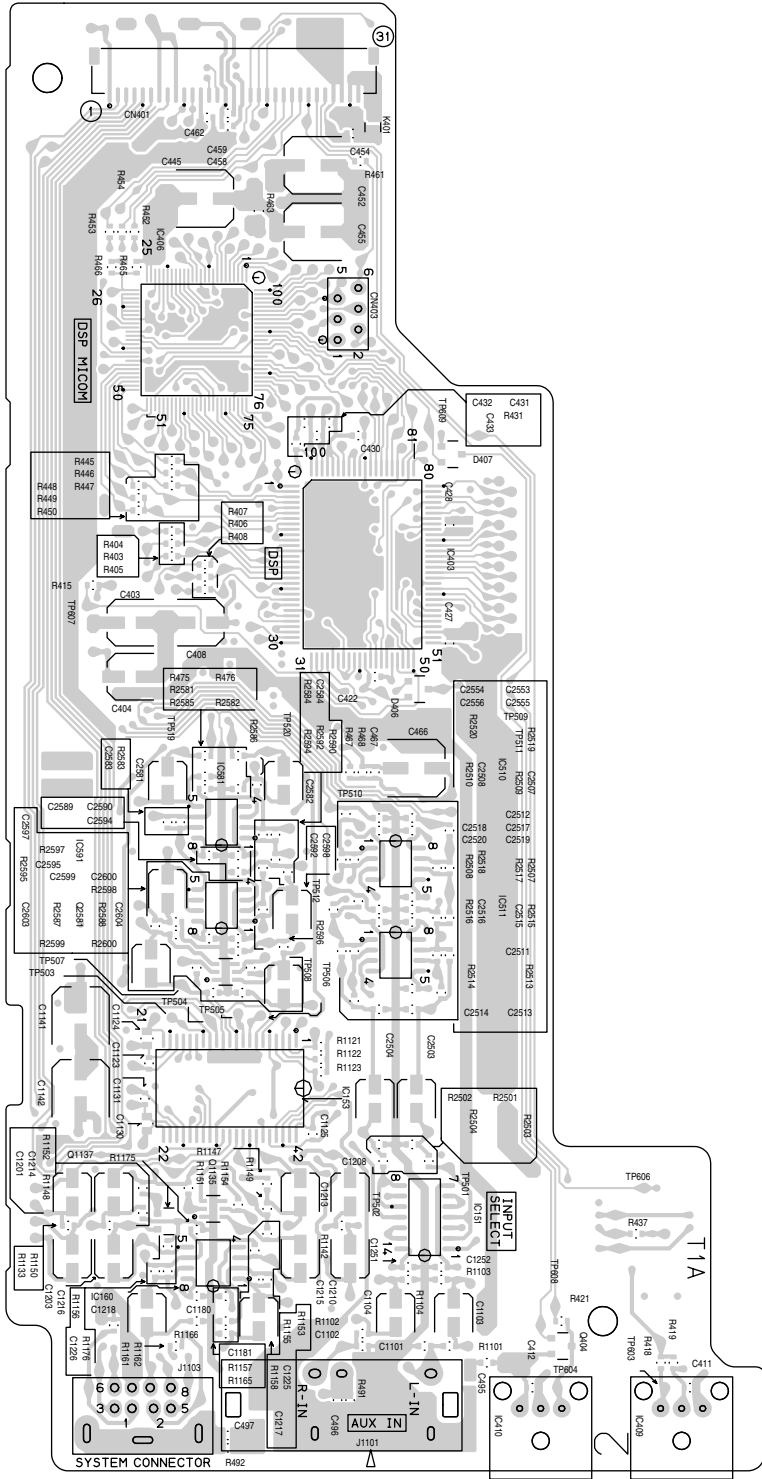


■ DSP board

Forward side

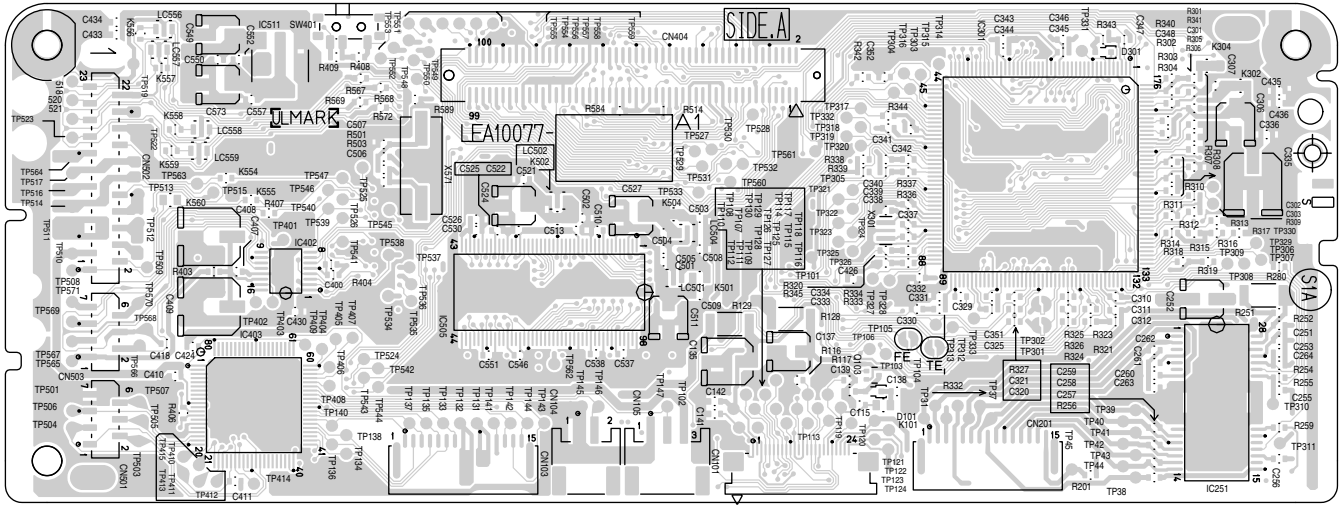


Reverse side

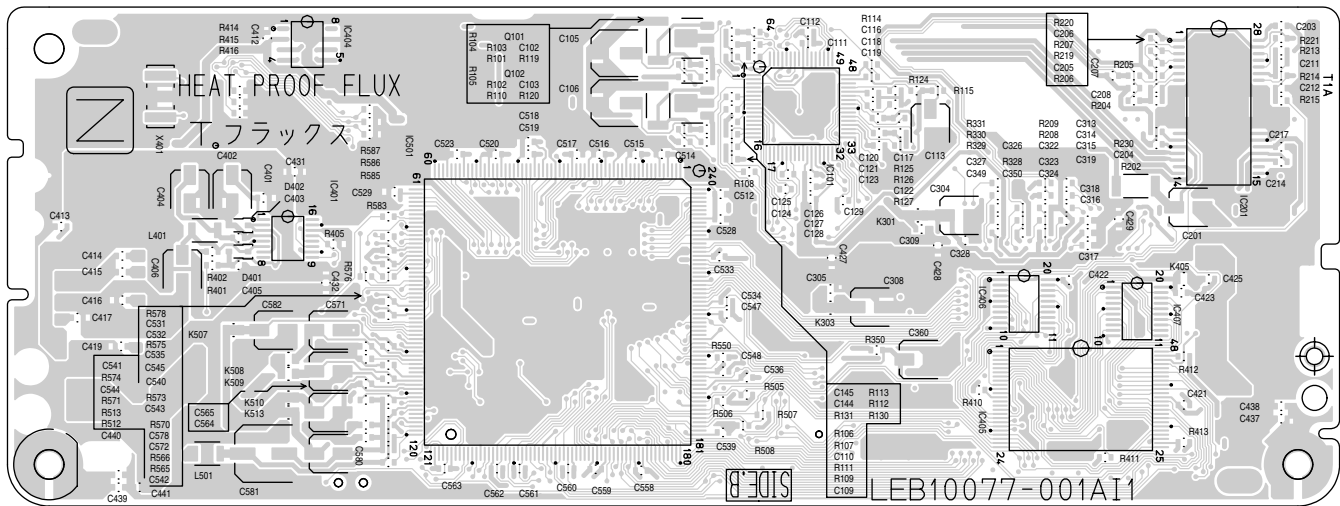


# DVD servo board

## Forward side

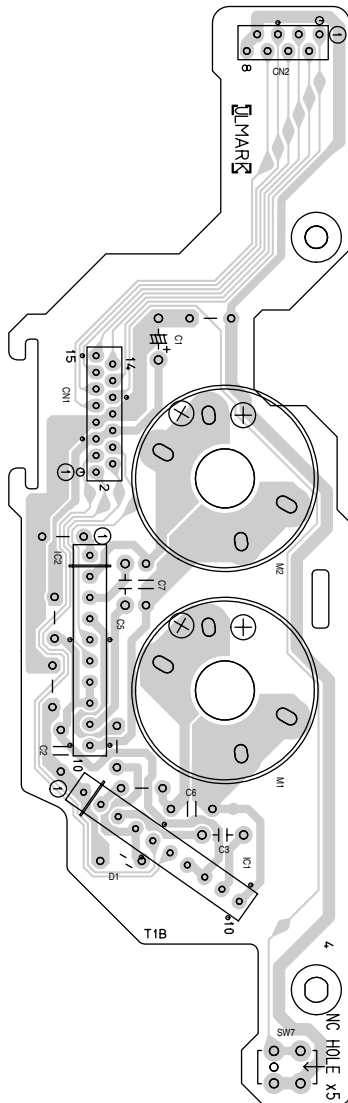


## Reverse side

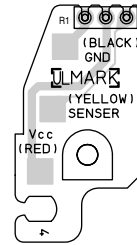


## ■ DVD loading board

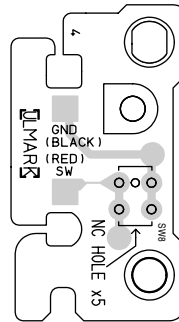
(Motor board)



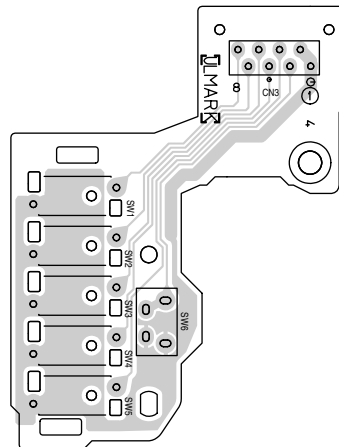
(Sensor board)



(Switch board)



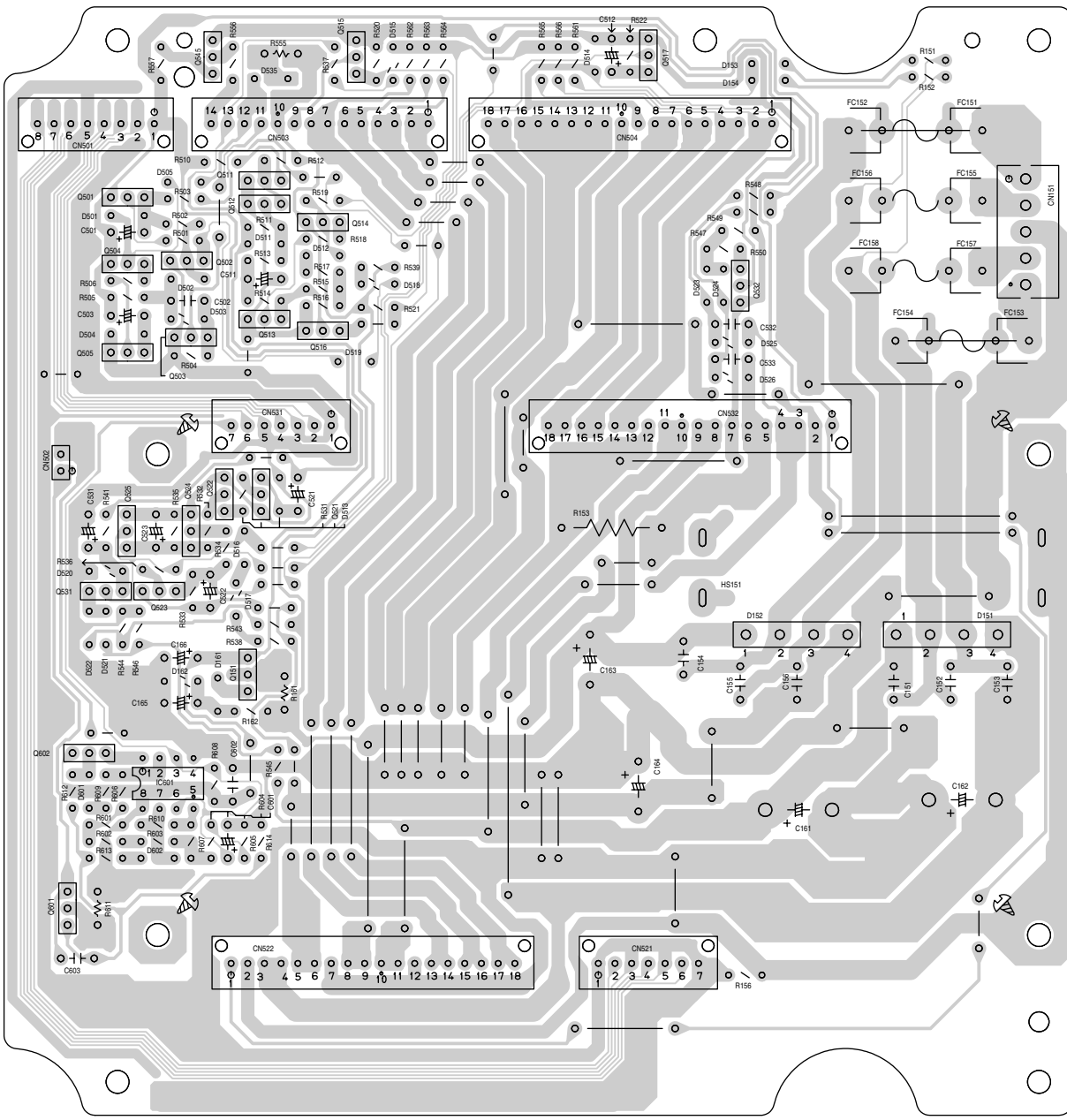
(Tray switch board)



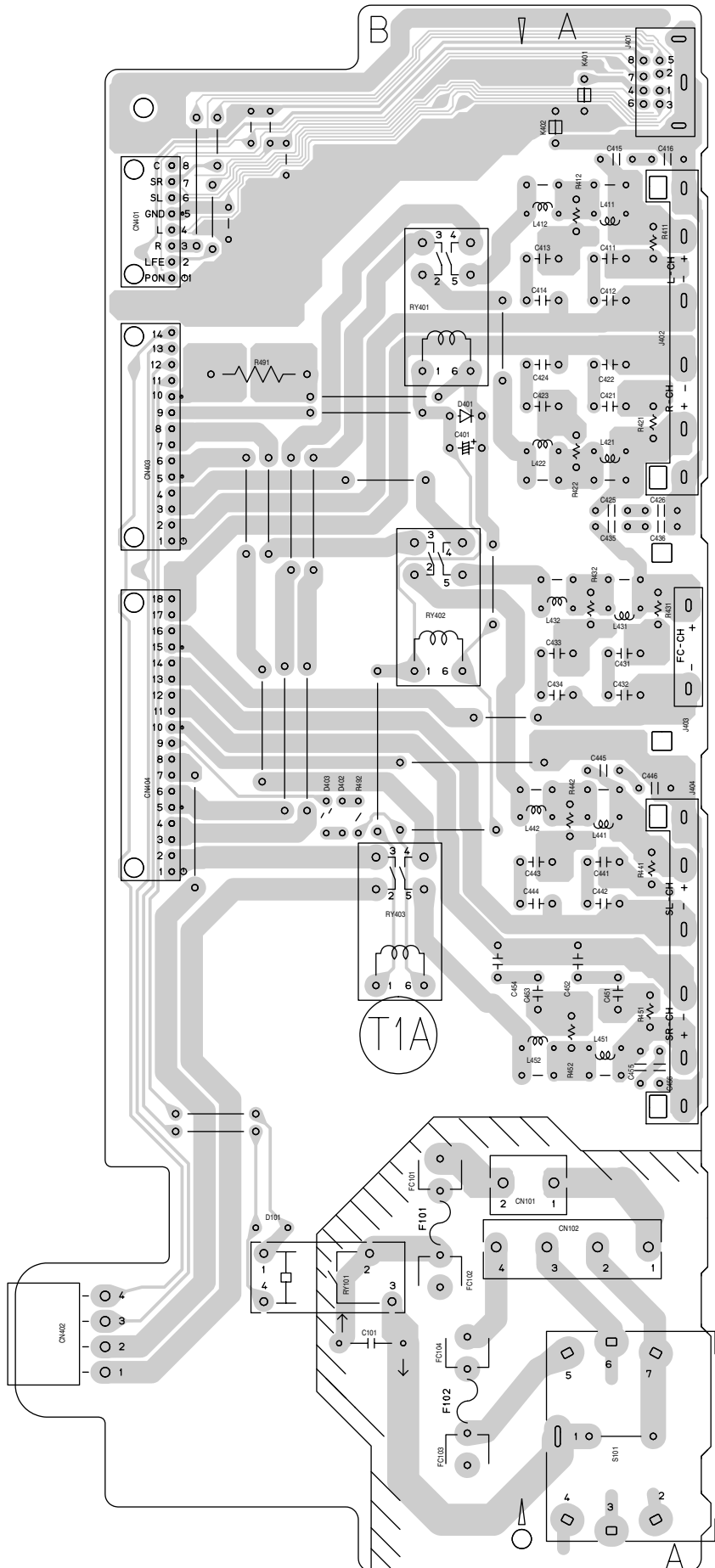
# <Subwoofer section>

## ■ Mother board

(Mother board)

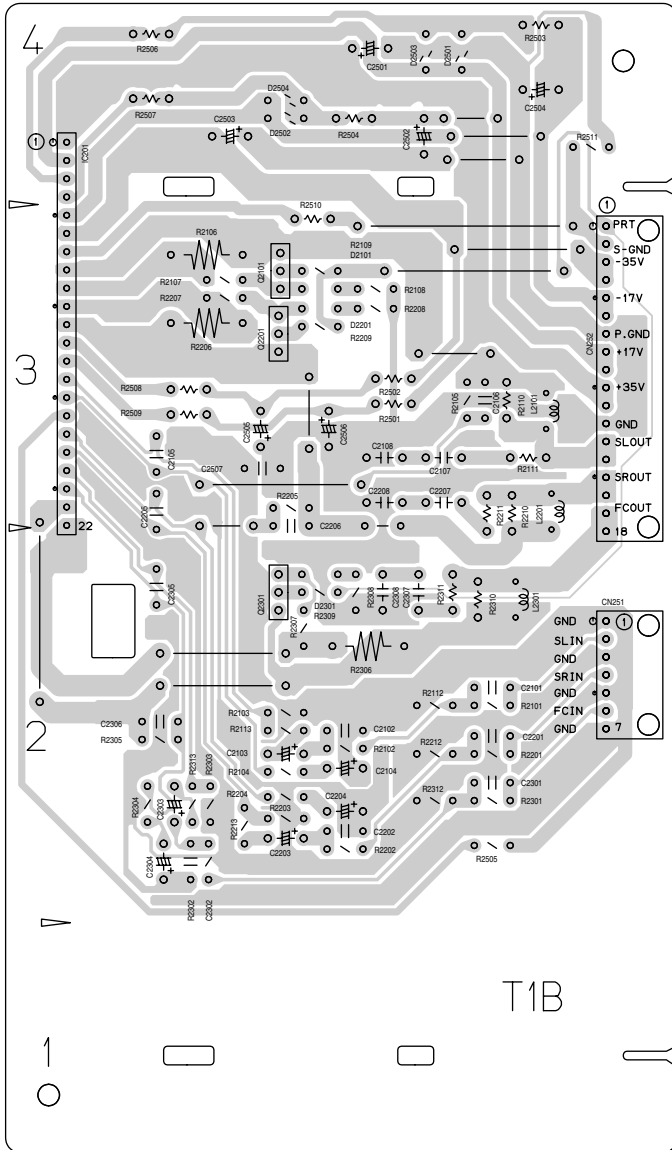


(Speaker terminal board)

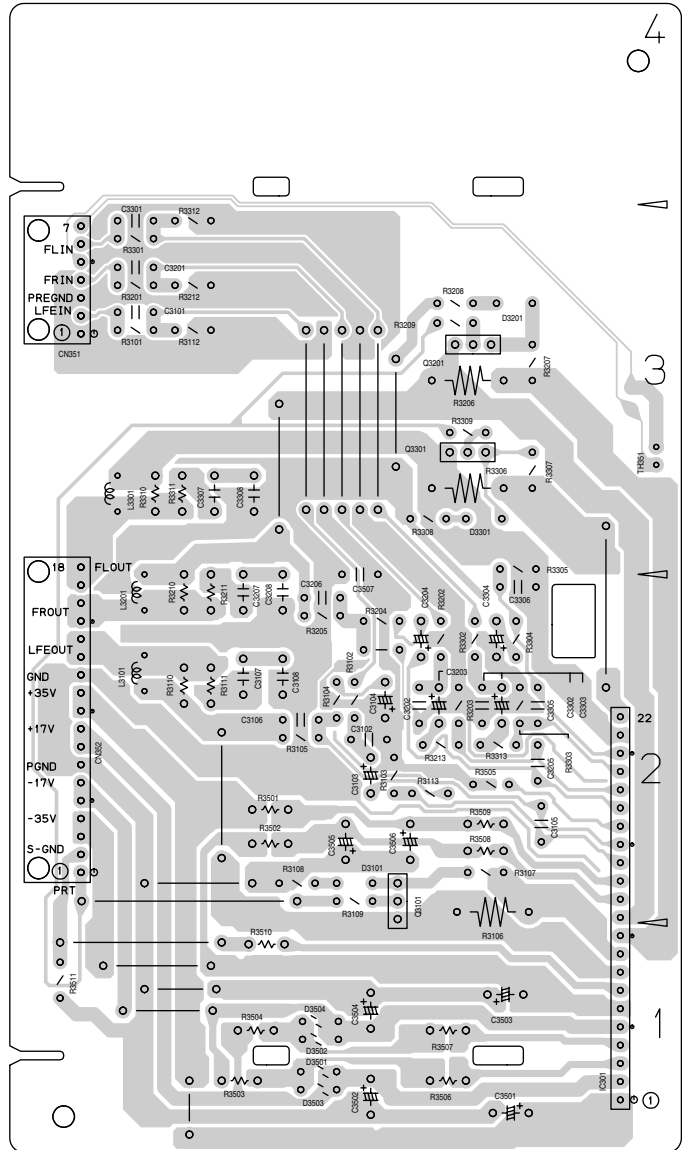


# Amplifier board

( Amplifier board (A) )



( Amplifier board (B) )





< MEMO >

**JVC**

**VICTOR COMPANY OF JAPAN, LIMITED**

AV & MULTIMEDIA COMPANY AUDIO/VIDEO SYSTEMS CATEGORY 10-1, 1chome, Ohwatari-machi, Maebashi-city, 371-8543, Japan

(No.MB067SCH)



Printed in Japan  
WPC

# PARTS LIST

[ TH-M42 ]

\* All printed circuit boards and its assemblies are not available as service parts.

Area suffix	
J	U.S.A.
C	Canada

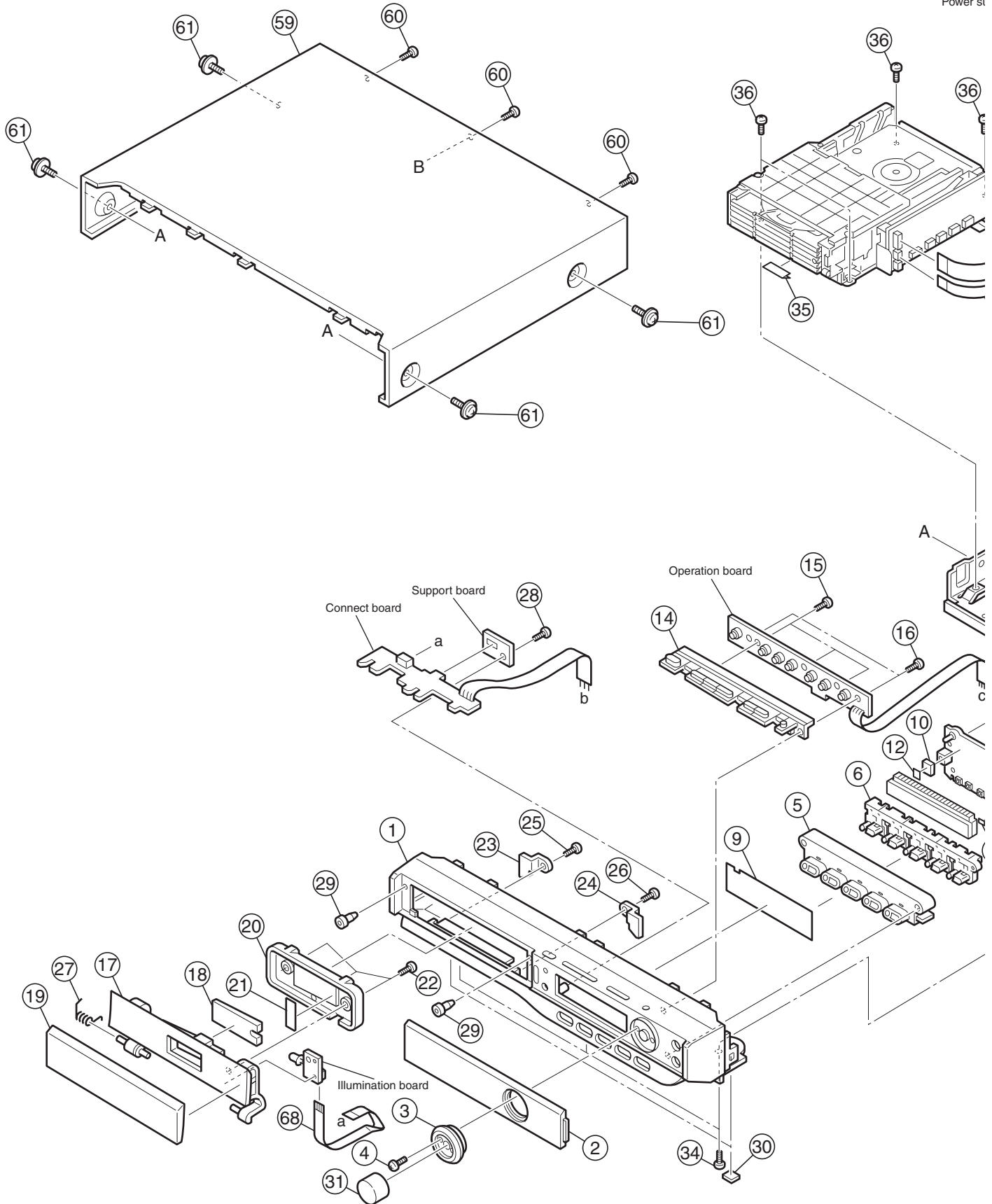
## - Contents -

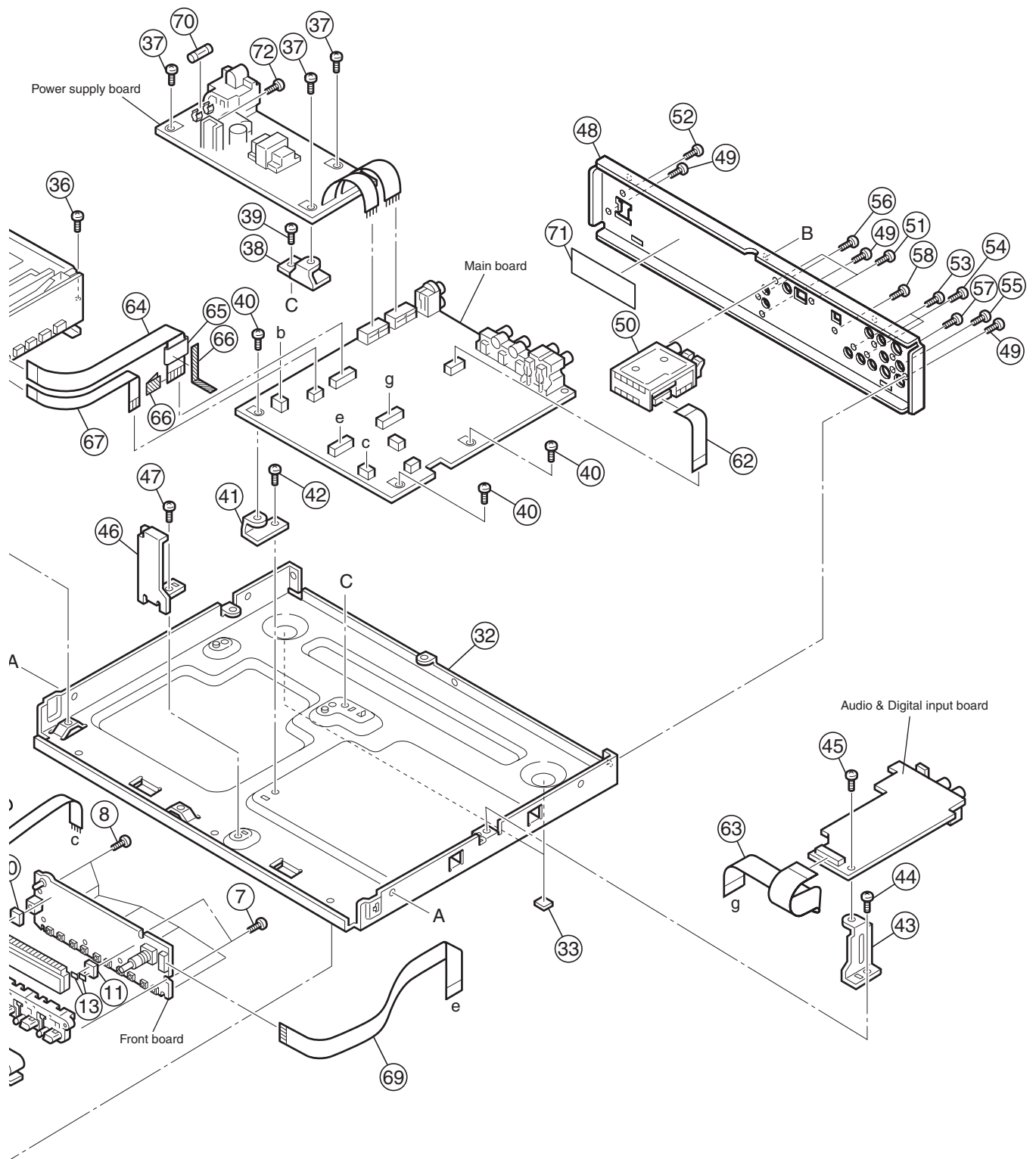
Exploded view of general assembly and parts list (Block No.M1) .....	3- 2
Speaker assembly and parts list (Subwoofer) (Block No.M2) .....	3- 5
Speaker assembly and parts list (Front speaker,Center speaker,Surround speaker) (Block No.M6) .....	3- 7
DVD changer mechanism assembly and parts list (Block No.MK) .....	3- 8
Electrical parts list (Block No.01~07) .....	3-10
Packing materials and accessories parts list (Block No.M3) .....	3-22

# Exploded view of general assembly and parts list

Block No. **M 1 M M**

Power st





# General assembly

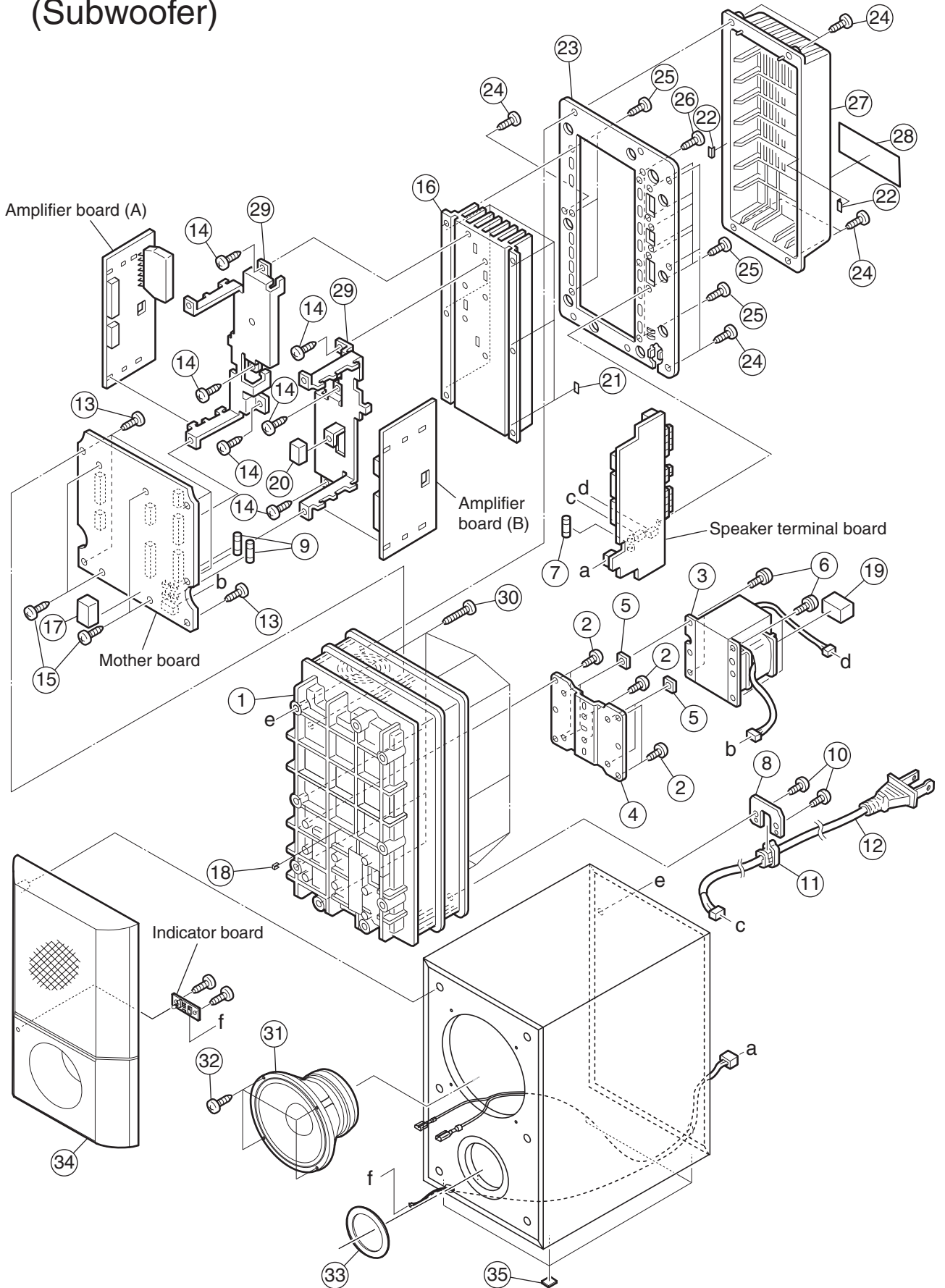
Block No. [M][1][M][M]

Symbol No.	Part No.	Part Name	Description	Local
1	LV10769-004A	FRONT PANEL		
2	LV34038-003A	FL LENS		
3	LV43327-002A	VOL RING		
4	QYSDSF2608Z	SCREW	2.6mm x 8mm	
5	LV21451-002A	BUTTON ORNAMENT		
6	LV21448-001A	BUTTON(DISC)		
7	QYSDSF2608Z	SCREW	2.6mm x 8mm(x2)	
8	QYSDSF2608Z	SCREW	2.6mm x 8mm(x6)	
9	LV43329-001A	FL SCREEN		
10	LV43330-001A	FL HOLDER(L)		
11	LV43331-001A	FL HOLDER(R)		
12	VYSH101-009	SPACER		
13	LV30225-0M9A	SPACER	(x2)	
14	LV21460-001A	BUTTON(TOP)		
15	QYSDSF2608Z	SCREW	2.6mm x 8mm(x3)	
16	QYSDSF2612Z	TAP SCREW	M2.6 x 12mm(x2)	
17	LV21447-002A	DOOR		
18	LV43326-001A	LED LENS		
19	LV34036-006A	DOOR LENS		
20	LV34037-001A	DOOR COVER		
21	LV30225-011A	SPACER		
22	QYSDSF2608Z	SCREW	2.6mm x 8mm(x3)	
23	LV41694-001A	DOOR BKT(L)		
24	LV41695-001A	DOOR BKT(R)		
25	QYSDSF2608Z	SCREW	2.6mm x 8mm	
26	QYSDSF2608Z	SCREW	2.6mm x 8mm	
27	LV43334-001A	DOOR SPRING		
28	QYSDSF2608Z	SCREW	2.6mm x 8mm	
29	E69897-002	CUSHION	(x2)	
30	LV40301-001A	FELT SPACER	(x2)	
31	LV34039-001A	VOLUME KNOB		
32	LV10770-002A	BOTTOM CHASSIS		
33	LV40301-002A	FELT SPACER	(x2)	
34	QYSBSG3006Z	TAPPING SCREW	3mm x 6mm(x3)	
35	LV30225-0Q2A	SPACER		
36	QYSBSG3006Z	TAPPING SCREW	3mm x 6mm(x4)	
37	QYSBSG3006Z	TAPPING SCREW	3mm x 6mm(x3)	
38	LV41548-001A-NK	C.B BKT		
39	QYSBSG3006Z	TAPPING SCREW	3mm x 6mm	
40	QYSBSG3006Z	TAPPING SCREW	3mm x 6mm(x3)	
41	LV41548-001A-NK	C.B BKT		
42	QYSBSG3006Z	TAPPING SCREW	3mm x 6mm	
43	LV43333-001A	BKT(DSP)		
44	QYSBSG3006Z	TAPPING SCREW	3mm x 6mm	
45	QYSBSG3006Z	TAPPING SCREW	3mm x 6mm	
46	LV43429-001A	STAY BKT		
47	QYSBSG3006Z	TAPPING SCREW	3mm x 6mm	
48	LV21450-014A	REAR PANEL		
49	QYSBSGY3008M	SPECIAL SCREW	3mm x 8mm(x3)	
50	QAU0307-002	TUNER		
51	QYSBSGY3008M	SPECIAL SCREW	3mm x 8mm(x2)	
52	QYSBSGY3008M	SPECIAL SCREW	3mm x 8mm	
53	QYSBSGY3008M	SPECIAL SCREW	3mm x 8mm(x2)	
54	QYSBSGY3008M	SPECIAL SCREW	3mm x 8mm	
55	QYSBSGY3008M	SPECIAL SCREW	3mm x 8mm	
56	QYSBSGY3008M	SPECIAL SCREW	3mm x 8mm	
57	QYSBST3006M	TAPPING SCREW	3mm x 6mm	
58	QYSBSGY3008M	SPECIAL SCREW	3mm x 8mm	
59	LV21449-002A/S/	METAL COVER		
60	QYSBSGY3008M	SPECIAL SCREW	3mm x 8mm(x3)	
61	E406308-004	SPECIAL SCREW	(x4)	
62	QUQ412-1107CJ	FFC WIRE		
63	QUQ410-3115CJ	FFC WIRE		
64	QUQ410-2317CJ	FFC WIRE		
65	QQR1415-001	FERRITE CORE		
66	LV30225-0M6A	SPACER	(x2)	
67	QUQ410-0712CJ	FFC WIRE		
68	QUQ610-0407BJ	FFC WIRE		
69	QUQM10-2124AJ	FFC WIRE		
△ 70	QMF51U1-1R6-J8	FUSE	F 901 1.6A AC125V	
71	LV41843-002A	LASER CAUTION		
72	QYSBSE3008Z	SCREW	3mm x 8mm	

# Speaker assembly and parts list

(Subwoofer)

Block No. M 2 M M



## Speaker (Subwoofer)

Block No. [M][2][M][M]

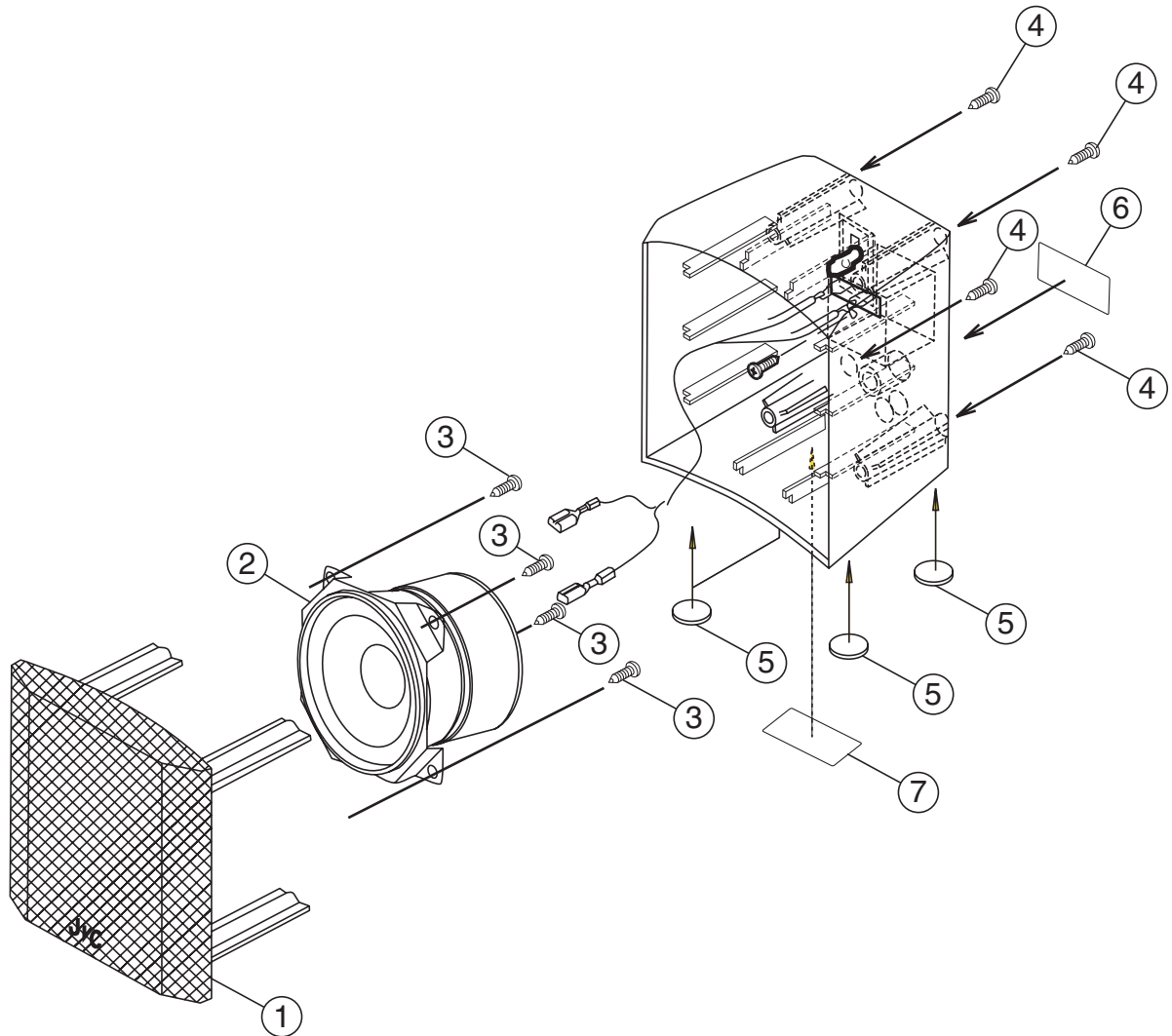
Symbol No.	Part No.	Part Name	Description	Local
1	LV10784-009A	REAR CHASSIS		
2	QYSBSF4010Z	TAP SCREW	M4 x 10mm(x6)	
△ 3	QQT0417-001	POWER TRANS		
4	LV31723-001A	TRANS BRACKET		
5	E406309-002	SPACER	(x4)	
6	QYSDSTL4010E	TAP SCREW	M4 x 10mm(x4)	
△ 7	QMF51U1-6R3-J8	FUSE	F 101 6.3A AC125V	
8	LV42032-001A	AC BRACKET		
△ 9	QMF51U1-8R0-J8	FUSE	F 153 8A AC125V(x2)	
10	QYSBSF3010Z	TAP SCREW	3mm x 10mm(x2)	
△ 11	QHS3771-108	CORD STOPPER		
△ 12	QMPD380-200-JN	POWER CORD(US/ CA)	2m BLACK	
13	QYSBSF3010Z	TAP SCREW	3mm x 10mm(x5)	
14	QYSBSG3008E	TAPPING SCREW	3mm x 8mm(x6)	
15	QYSBSG3008E	TAPPING SCREW	3mm x 8mm(x4)	
△ 16	LV21474-001A	HEAT SINK		
17	LV30225-078A	SPACER		
18	LV30225-0N4A	SPACER		
19	LV30225-0N5A	SPACER		
20	LV30225-0N6A	SPACER		
21	LV30225-0N7A	SPACER	(x6)	
22	LV30225-0N7A	SPACER	(x2)	
23	LV21475-001A	REAR PANEL		
24	QYSDSF3012M	TAP SCREW	M3 x 12mm(x8)	
25	QYSBSGY3008E	SPECIAL SCREW	3mm x 8mm(x12)	
26	QYSBSP3006M	SCREW	M3 x 6mm	
27	LV10785-002A	H.S.COVER		
28	LV34201-015A	RATING LABEL		
29	LV34197-003A	IC BRACKET	(x2)	
30	7001542506	SCREW	(x9)	
31	CR160066-01	SPEAKER		
32	70-059-420-02	SCREW	(x4)	
33	29-100-086-01	PACKING		
34	99-160-111-01	BAFFLE ASSY		
35	56-000-069-01	RUBBER FOOT	(x4)	



# Speaker assembly and parts list

Block No. M 6 M M

(Front speaker, Center speaker, Surround speaker)



## Speaker (Front speaker, Center speaker, Surround speaker)

Block No. M[6][M][M]

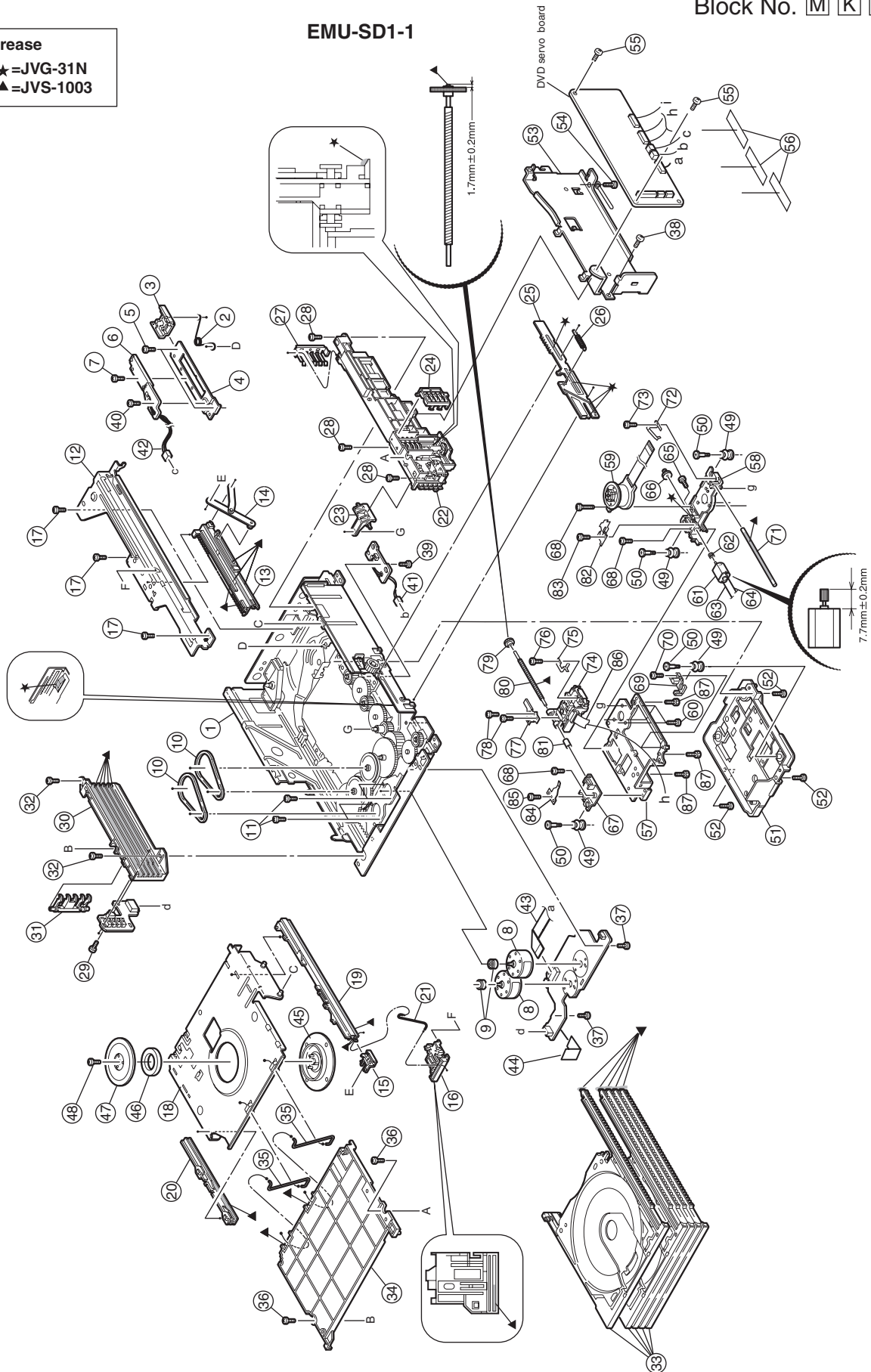
△ Symbol No.	Part No.	Part Name	Description	Local
1	99-077-010-01	NET ASSY	(x5)	
2	KK077010-01	SPEAKER	FRONT/CENTER(x3)	
2	KK077011-01	SPEAKER	SURROUND(x2)	
3	70-010-408-01	SCREW	(x20)	
4	70-017-412-01	SCREW	(x20)	
5	90-000-053-61	FOOT	(x20)	
6	60-001-977-01	LABEL(BLUE)	FRONT(x2)	
6	60-001-975-01	LABEL(YELLOW)	CENTER	
6	60-001-976-01	LABEL(WHITE)	SURROUND(x2)	
7	60-001-978-01	RATING LABEL	CENTER	
7	60-001-979-01	RATING LABEL	SURROUND(x2)	
7	60-001-983-01	RATING LABEL	FRONT(x2)	

# DVD changer mechanism assembly and parts list

Block No. M K M M

**Grease**  
 ★ = JVG-31N  
 ▲ = JVS-1003

EMU-SD1-1



# DVD changer mechanism

## Block No. [M][K][M][M]

△ Symbol No.	Part No.	Part Name	Description	Local
1	LV10743-003A	CHASSIS ASSY		
2	LV43278-001A	SENSOR SPRING		
3	LV33961-001A	SENSOR SLIDER		
4	LV33962-001A	SENSOR BRACKET		
5	QYSDST2605Z	SCREW	2.6mm x 5mm(x2)	
6	QVY0027-B14	S V RESISTOR		
7	QYSDST2004Z	SCREW	2mm x 4mm	
8	QAR0164-001	MOTOR	(x2)	
9	LV42340-001A	MOTOR PULLEY	(x2)	
10	LV41431-001A	BELT	(x2)	
11	QYSPSPU1725N	SCREW	1.7mm x 2.5mm(x4)	
12	LV10744-002A	RACK HOLDER		
13	LV21406-002A	LOADING RACK		
14	LV43279-001A	LIFT ARM ASSY		
15	LV33963-001A	HOOK		
16	LV33964-001A	HOOK STOPPER		
17	QYSDST2605Z	SCREW	2.6mm x 5mm(x3)	
18	LV33965-005A	LIFTER ASSY		
19	LV21408-002A	RAIL(R)		
20	LV21409-002A	RAIL(L)		
21	LV43285-001A	ROD (L)		
22	LV21520-002A	SIDE(R) ASSY		
23	LV33974-001A	SELECT LEVER		
24	LV33975-001A	GEAR COVER		
25	LV33976-001A	ELEVATOR CAM		
26	LV43287-001A	ELEVATOR SPRING		
27	LV33977-002A	CLICK SPRING		
28	QYSDST2605Z	SCREW	2.6mm x 5mm(x3)	
29	QYSDSF2608Z	SCREW	2.6mm x 8mm	
30	LV10749-001A	SIDE(L)		
31	LV33980-001A	OPEN DET.LEVER		
32	QYSDST2605Z	SCREW	2.6mm x 5mm(x2)	
33	LV10746-002A	TRAY ASSY	(x5)	
34	LV10750-002A	TOP COVER		
35	LV43289-001A	ROD	(x2)	
36	QYSDSF2608Z	SCREW	2.6mm x 8mm(x2)	
37	QYSDST2605Z	SCREW	2.6mm x 5mm(x2)	
38	QYSDSF2608Z	SCREW	2.6mm x 8mm	
39	QYSDST2605Z	SCREW	2.6mm x 5mm	
40	QYSDST2004Z	SCREW	2mm x 4mm	
41	WJM0330-001A	E-SI C WIRE C-F		
42	WJM0331-001A	E-SI C WIRE C-F		
43	QUQ110-1521BF	FFC WIRE		
44	VYSA1R4-056	SPACER		
45	LV32417-001A	CLAMPER		
46	LV42930-003A	P.C.MAGNET		
47	LV33992-001A	DVD YOKE		
48	LV41741-001A	SPECIAL SCREW		
49	LV41659-002A	INSULATOR	(x4)	
50	LV43245-001A	SPECIAL SCREW	(x4)	
51	LV10753-001A	DVD TM BASE		
52	QYSDST2605Z	SCREW	2.6mm x 5mm(x3)	
53	LV21414-001A	DVD MOD BKT.		
54	QYSDST2605Z	SCREW	2.6mm x 5mm	
55	QYSDST2605Z	SCREW	2.6mm x 5mm(x2)	
56	VYSA1R4-057	SPACER	(x3)	
57	LV10751-001A	TM CHASSIS		
58	LV10752-001A	SF MOTOR BASE		
59	QAR0270-001	SPINDLE MOTOR		
60	LV43461-001A	SPECIAL SCREW	(x3)	
61	QAR0251-002	MOTOR		
62	VKS5557-001	F.M. GEAR		
63	QUB549-08A1A1	SIN TWIST WIRE		
64	QUB544-08A1A1	SIN TWIST WIRE		
65	QYSPSPT2030M	SCREW	M2 x 3mm	
66	LV33985-001A	MIDDLE GEAR		
67	LV33989-001A	S.SHAFT HOLDER		
68	QYSDST2008Z	TAP SCREW	M2 x 8mm(x3)	
69	LV33990-001A	G.SHAFT HOLDER		
70	QYSDST2008Z	TAP SCREW	M2 x 8mm	
71	LV43291-002A	GUIDE SHAFT		
72	LV33991-001A	ADJUST SPRING		
73	QYSPST2008Z	TAP SCREW	M2 x 8mm	
74	QAL0478-001	PICK UP		

△ Symbol No.	Part No.	Part Name	Description	Local
75	LV33983-001A	PS SPRING		
76	QYSPSFT1730Z	TAP SCREW	M1.7 x 3mm	
77	LV33984-001A	RACK ARM		
78	QYSPSFT1730Z	TAP SCREW	M1.7 x 3mm(x2)	
79	LV33986-001A	S.SHAFT GEAR		
80	LV43293-001A	SCREW SHAFT		
81	LV43290-001A	S.SHAFT COLLOR		
82	LV33987-001A	GEAR HOLDER		
83	QYSPSFT2040Z	TAP SCREW	M2 x 4mm	
84	LV33988-001A	SS ADJ SPRING		
85	QYSDST2008Z	TAP SCREW	M2 x 8mm	
86	LVB30013-001A	FPC		
87	LV43292-002A	ADJUST SCREW	(x3)	

# Electrical parts list

## Main board

Block No. [0][1][0][0]

△ Symbol No.	Part No.	Part Name	Description	Local	△ Symbol No.	Part No.	Part Name	Description	Local
						D4835	MTZJ6.8A-T2	Z DIODE	
						D4841	1SS133-T2	DIODE	
						D4891	MTZJ6.2C-T2	Z DIODE	
						D4921	MTZJ8.2C-T2	Z DIODE	
						D4922	1SS355-X	SI DIODE	
						D4931	MTZJ8.2C-T2	Z DIODE	
						D4932	1SS355-X	SI DIODE	
						D4961	MTZJ4.7A-T2	Z DIODE	
						D4962	1SS133-T2	DIODE	
						D4963	1SS133-T2	DIODE	
					△ PC901	PC123Y22FZ	PHOTO COUPLER	Photo coupler	
					△ PC902	PC123Y22FZ	PHOTO COUPLER	Photo coupler	
IC411	MM1233XF-X	IC	2-input 1-output 3-circuit video switch		△ C902	QFZ9075-683	MPP CAPACITOR	0.068uF AC275V M	
IC431	LA73054-X	IC	Video driver		△ C904	QCZ9079-102	C CAPACITOR	1000pF AC250V M	
IC471	MN101C49GMN1	IC	System control		△ C905	QCZ9079-102	C CAPACITOR	1000pF AC250V M	
IC472	BD4740G-W	IC	Reset		△ C907	QETM2DM-157	E CAPACITOR	150uF 200V M	
IC473	SN74HCT32NS-X	IC(DIGITAL)	2-INPUT OR gate		C908	QCZ0136-332Z	C CAPACITOR	3300pF 1kV K	
IC491	KIA7805API	IC	Regulator		C909	QCZ0136-101Z	C CAPACITOR	100pF 1kV K	
△ IC901	STR-G6651	IC	Switching regulator		C910	QCB1HK-221Y	C CAPACITOR	220pF 50V K	
IC951	PQ05RD21	IC	Regulator		C913	QCZ0136-101Z	C CAPACITOR	100pF 1kV K	
IC953	KIA7805API	IC	Regulator		C914	QE20532-396Z	E CAPACITOR	39uF 25V M	
					C915	QCB1HK-471Y	C CAPACITOR	470pF 50V K	
					△ C916	QCZ9079-332	C CAPACITOR	3300pF AC250V M	
Q951	2SC3576-JVC-T	TRANSISTOR			C918	QCFB1HZ-104Y	C CAPACITOR	0.1uF 50V Z	
Q953	KTA1267/YG/-T	TRANSISTOR			C951	NDC31HJ-101X	C CAPACITOR	100pF 50V J	
Q954	SI2305DS-X	TRANSISTOR			C952	QCZ0136-101Z	C CAPACITOR	100pF 1kV K	
Q955	KRC103S-X	DIGITAL TR			C953	NDC31HJ-101X	C CAPACITOR	100pF 50V J	
Q958	KTA1271/OY/-T	TRANSISTOR			C954	NDC31HJ-101X	C CAPACITOR	100pF 50V J	
Q959	KRC103S-X	DIGITAL TR			C956	NDC31HJ-101X	C CAPACITOR	100pF 50V J	
Q960	KTA1504/YG/-X	SI.TRANSISTOR			C957	NDC31HJ-101X	C CAPACITOR	100pF 50V J	
Q961	KTC3203/OY/-T	TRANSISTOR			C959	QE20529-826Z	E CAPACITOR	82uF 10V M	
Q964	KTA1046/Y/	TRANSISTOR			C961	QCZ0202-155Z	C CAPACITOR	1.5uF 25V Z	
Q965	KTC3875/YG/-X	SI.TRANSISTOR			C962	QEK1HM-226Z	E CAPACITOR	22uF 50V M	
Q991	KTC3875/YG/-X	SI.TRANSISTOR			C963	QE20533-396Z	E CAPACITOR	39uF 50V M	
Q4091	KTA1271/OY/-T	TRANSISTOR			C964	QETN1HM-226Z	E CAPACITOR	22uF 50V M	
Q4092	KTC3875/YG/-X	SI.TRANSISTOR			C965	QTMN1AM-108Z	E CAPACITOR	1000uF 10V M	
Q4701	KRC111S-X	TRANSISTOR			C966	QETN1AM-477Z	E CAPACITOR	470uF 10V M	
Q4702	KRC107S-X	DIGI TRANSISTOR			C967	NCB31CK-104X	C CAPACITOR	0.1uF 16V K	
Q4703	KRC102S-X	DIGI TRANSISTOR			C968	NCB31CK-104X	C CAPACITOR	0.1uF 16V K	
Q4801	KTA1504/YG/-X	SI.TRANSISTOR			C969	QETN1AM-227Z	E CAPACITOR	220uF 10V M	
Q4802	KRC102S-X	DIGI TRANSISTOR			C970	NCB31CK-104X	C CAPACITOR	0.1uF 16V K	
Q4811	KRA102S-X	DIGI TRANSISTOR			C973	QETN1CM-107Z	E CAPACITOR	100uF 16V M	
Q4812	KRC102S-X	DIGI TRANSISTOR			C976	NCB31CK-104X	C CAPACITOR	0.1uF 16V K	
Q4821	KRC102S-X	DIGI TRANSISTOR			C977	NCB31CK-104X	C CAPACITOR	0.1uF 16V K	
Q4831	KRC102S-X	DIGI TRANSISTOR			C978	QEK1AM-107Z	E CAPACITOR	100uF 10V M	
Q4851	KRC102S-X	DIGI TRANSISTOR			C979	QE20530-827	E CAPACITOR	820uF 16V M	
Q4852	KRC111S-X	TRANSISTOR			C980	QEK1HM-106Z	E CAPACITOR	10uF 50V M	
Q4921	KTC3203/OY/-T	TRANSISTOR			C981	QCZ0202-155Z	C CAPACITOR	1.5uF 25V Z	
Q4931	KTA1271/OY/-T	TRANSISTOR			C982	QE20531-567	E CAPACITOR	560uF 25V M	
Q4961	KTC3203/OY/-T	TRANSISTOR			C984	QEK1CM-227Z	E CAPACITOR	220uF 16V M	
△ D901	S1WB/A/60-4101	BRIDGE DIODE			C985	QETN1EM-107Z	E CAPACITOR	100uF 25V M	
D902	ERA18-04-T1	FR DIODE			C986	QETN1EM-107Z	E CAPACITOR	100uF 25V M	
D903	ERA18-04-T1	FR DIODE			C987	QE20532-187Z	E CAPACITOR	180uF 25V M	
D904	ERA18-04-T1	FR DIODE			C989	QEK1CM-107Z	E CAPACITOR	100uF 16V M	
D908	ERA18-04-T1	FR DIODE			C992	QETN1HM-474Z	E CAPACITOR	0.47uF 50V M	
D910	ERA18-04-T1	FR DIODE			C993	NDC31HJ-101X	C CAPACITOR	100pF 50V J	
D911	ERA18-04-T1	FR DIODE			C994	QCB1HK-223Y	C CAPACITOR	0.22uF 50V K	
D950	MTZJ36C-T2	Z DIODE			C997	QETN1CM-227Z	E CAPACITOR	220uF 16V M	
D951	ERA18-04-T1	FR DIODE			C4003	QCZ0202-155Z	C CAPACITOR	1.5uF 25V Z	
D951	or AU02-T1	FR DIODE			C4006	QCZ0202-155Z	C CAPACITOR	1.5uF 25V Z	
D952	ERA18-04-T1	FR DIODE			C4091	QETN1HM-106Z	E CAPACITOR	10uF 50V M	
D952	or AU02-T1	FR DIODE			C4092	QETN1CM-107Z	E CAPACITOR	100uF 16V M	
△ D953	FMB-24	FUSEIODE			C4101	NCB30JK-105X	C CAPACITOR	1uF 6.3V K	
△ D954	ERA18-04-T1	FR DIODE			C4102	NDC31HJ-470X	C CAPACITOR	47pF 50V J	
△ D956	EU2YX-LFH6K	FR DIODE			C4111	QFN31HJ-103Z	M CAPACITOR	0.01uF 50V J	
△ D957	EU2YX-LFH6K	FR DIODE			C4112	NDC31HJ-470X	C CAPACITOR	47pF 50V J	
D958	1SS133-T2	DIODE			C4121	NCB30JK-105X	C CAPACITOR	1uF 6.3V K	
D960	MTZJ3.6B-T2	Z DIODE			C4122	NDC31HJ-470X	C CAPACITOR	47pF 50V J	
D970	1SS133-T2	DIODE			C4171	NCB30JK-105X	C CAPACITOR	1uF 6.3V K	
D975	1SS133-T2	DIODE			C4172	NCB31CK-103X	C CAPACITOR	0.01uF 16V K	
D991	MTZJ5.1C-T2	Z DIODE			C4191	QETN1VM-476Z	E CAPACITOR	47uF 35V M	
D4091	1SS133-T2	DIODE			C4192	NCB31HK-103X	C CAPACITOR	0.01uF 50V K	
D4092	MTZJ6.8A-T2	Z DIODE							
D4701	1SS133-T2	DIODE							
D4702	1SS133-T2	DIODE							
D4703	MTZJ4.7B-T2	Z DIODE							
D4704	1SS133-T2	DIODE							
D4705	1SS133-T2	DIODE							
D4811	1SS133-T2	DIODE							
D4831	1SS133-T2	DIODE							
D4832	1SS133-T2	DIODE							
D4833	1SS133-T2	DIODE							
D4834	1SS133-T2	DIODE							

△ Symbol No.	Part No.	Part Name	Description	Local	△ Symbol No.	Part No.	Part Name	Description	Local
C4301	QETN1VM-476Z	E CAPACITOR	47uF 35V M		R981	NRSA63J-223X	MG RESISTOR	22kΩ 1/16W J	
C4311	NCB31CK-103X	C CAPACITOR	0.01uF 16V K		R983	NRSA63J-102X	MG RESISTOR	1kΩ 1/16W J	
C4321	NCB30JK-105X	C CAPACITOR	1uF 6.3V K		R984	NRSA63J-222X	MG RESISTOR	2.2kΩ 1/16W J	
C4331	NCB30JK-105X	C CAPACITOR	1uF 6.3V K		R985	NRSA02J-132X	MG RESISTOR	1.3kΩ 1/10W J	
C4341	NCB30JK-105X	C CAPACITOR	1uF 6.3V K		R986	NRSA02J-152X	MG RESISTOR	1.5kΩ 1/10W J	
C4351	NCB30JK-105X	C CAPACITOR	1uF 6.3V K		R987	NRSA02J-152X	MG RESISTOR	1.5kΩ 1/10W J	
C4391	QETN1AM-477Z	E CAPACITOR	470uF 10V M		R988	NRSA63J-222X	MG RESISTOR	2.2kΩ 1/16W J	
C4392	NCB31CK-104X	C CAPACITOR	0.1uF 16V K		R989	NRSA63J-333X	MG RESISTOR	33kΩ 1/16W J	
C4393	QETN1AM-477Z	E CAPACITOR	470uF 10V M		R990	NRSA63J-333X	MG RESISTOR	33kΩ 1/16W J	
C4394	NCB31CK-104X	C CAPACITOR	0.1uF 16V K		R4011	NRSA63J-102X	MG RESISTOR	1kΩ 1/16W J	
C4395	NCB31CK-104X	C CAPACITOR	0.1uF 16V K		R4012	NRSA63J-102X	MG RESISTOR	1kΩ 1/16W J	
C4401	QETN0JM-477Z	E CAPACITOR	470uF 6.3V M		R4013	NRSA63J-682X	MG RESISTOR	6.8kΩ 1/16W J	
C4402	NDC31HJ-470X	C CAPACITOR	47pF 50V J		R4014	NRSA63J-682X	MG RESISTOR	6.8kΩ 1/16W J	
C4411	NCB31CK-103X	C CAPACITOR	0.01uF 16V K		R4091	NRSA63J-472X	MG RESISTOR	4.7kΩ 1/16W J	
C4412	NDC31HJ-470X	C CAPACITOR	47pF 50V J		R4092	NRSA63J-103X	MG RESISTOR	10kΩ 1/16W J	
C4421	QETN0JM-477Z	E CAPACITOR	470uF 6.3V M		R4093	NRSA63J-821X	MG RESISTOR	820Ω 1/16W J	
C4423	NDC31HJ-470X	C CAPACITOR	47pF 50V J		R4101	NRSA63J-750X	MG RESISTOR	75Ω 1/16W J	
C4431	QETN0JM-477Z	E CAPACITOR	470uF 6.3V M		R4111	NRSA63J-750X	MG RESISTOR	75Ω 1/16W J	
C4432	NCS31HJ-470X	C CAPACITOR	47pF 50V J		R4121	NRSA63J-750X	MG RESISTOR	75Ω 1/16W J	
C4441	QETN0JM-477Z	E CAPACITOR	470uF 6.3V M		R4172	NRSA63J-0R0X	MG RESISTOR	0Ω 1/16W J	
C4442	NDC31HJ-470X	C CAPACITOR	47pF 50V J		R4173	NRSA63J-0R0X	MG RESISTOR	0Ω 1/16W J	
C4451	QETN0JM-477Z	E CAPACITOR	470uF 6.3V M		R4191	NRSA63J-0R0X	MG RESISTOR	0Ω 1/16W J	
C4452	NDC31HJ-470X	C CAPACITOR	47pF 50V J		R4201	NRSA63J-750X	MG RESISTOR	75Ω 1/16W J	
C4701	QEZ0554-479	EDL CAPACITOR	0.047F		R4202	NRSA63J-750X	MG RESISTOR	75Ω 1/16W J	
C4702	QETN0JM-227Z	E CAPACITOR	220uF 6.3V M		R4231	NRSA63J-360X	MG RESISTOR	36Ω 1/16W J	
C4703	QETN1HM-225Z	E CAPACITOR	2.2uF 50V M		R4241	NRSA63J-750X	MG RESISTOR	75Ω 1/16W J	
C4704	NCB31HK-223X	C CAPACITOR	0.022uF 50V K		R4242	NRSA63J-680X	MG RESISTOR	68Ω 1/16W J	
C4705	NCB31HK-102X	C CAPACITOR	1000pF 50V K		R4251	NRSA63J-360X	MG RESISTOR	36Ω 1/16W J	
C4706	NCB31HK-103X	C CAPACITOR	0.01uF 50V K		R4252	NRSA63J-750X	MG RESISTOR	75Ω 1/16W J	
C4707	QETN1CM-107Z	E CAPACITOR	100uF 16V M		R4381	NRSA63J-103X	MG RESISTOR	10kΩ 1/16W J	
C4708	NCB31HK-103X	C CAPACITOR	0.01uF 50V K		R4382	NRSA63J-103X	MG RESISTOR	10kΩ 1/16W J	
C4709	QCF31HZ-103Z	C CAPACITOR	0.01uF 50V Z		R4384	NRSA63J-103X	MG RESISTOR	10kΩ 1/16W J	
C4771	NCB31CK-104X	C CAPACITOR	0.1uF 16V K		R4385	NRSA63J-103X	MG RESISTOR	10kΩ 1/16W J	
C4772	NCB31CK-104X	C CAPACITOR	0.1uF 16V K		R4401	NRSA63J-750X	MG RESISTOR	75Ω 1/16W J	
C4773	NCB31CK-104X	C CAPACITOR	0.1uF 16V K		R4411	NRSA63J-750X	MG RESISTOR	75Ω 1/16W J	
C4774	NCB31CK-104X	C CAPACITOR	0.1uF 16V K		R4421	NRSA63J-750X	MG RESISTOR	75Ω 1/16W J	
C4791	NCB31CK-104X	C CAPACITOR	0.1uF 16V K		R4431	NRSA63J-750X	MG RESISTOR	75Ω 1/16W J	
C4801	QETN1HM-224Z	E CAPACITOR	0.22uF 50V M		R4441	QRE141J-750Y	C RESISTOR	75Ω 1/4W J	
C4891	NCB31HK-221X	C CAPACITOR	220pF 50V K		R4451	NRSA63J-750X	MG RESISTOR	75Ω 1/16W J	
C4892	NCB31HK-221X	C CAPACITOR	220pF 50V K		R4701	NRSA02J-681X	MG RESISTOR	680Ω 1/10W J	
C4901	QETN1CM-107Z	E CAPACITOR	100uF 16V M		R4702	NRSA02J-681X	MG RESISTOR	680Ω 1/10W J	
C4902	NCB31CK-103X	C CAPACITOR	0.01uF 16V K		R4703	NRSA63J-102X	MG RESISTOR	1kΩ 1/16W J	
C4903	QETN1CM-107Z	E CAPACITOR	100uF 16V M		R4704	NRSA63J-103X	MG RESISTOR	10kΩ 1/16W J	
C4904	NCB31CK-103X	C CAPACITOR	0.01uF 16V K		R4705	NRSA63J-472X	MG RESISTOR	4.7kΩ 1/16W J	
C4921	QETN1VM-476Z	E CAPACITOR	47uF 35V M		R4706	NRSA63J-223X	MG RESISTOR	22kΩ 1/16W J	
C4922	QETN1CM-107Z	E CAPACITOR	100uF 16V M		R4707	NRSA63J-103X	MG RESISTOR	10kΩ 1/16W J	
C4931	QETN1VM-476Z	E CAPACITOR	47uF 35V M		R4708	QRE141J-221Y	C RESISTOR	220Ω 1/4W J	
C4932	QETN1CM-107Z	E CAPACITOR	100uF 16V M		R4752	NRSA63J-103X	MG RESISTOR	10kΩ 1/16W J	
C4941	NCB31CK-103X	C CAPACITOR	0.01uF 16V K		R4753	NRSA63J-103X	MG RESISTOR	10kΩ 1/16W J	
C4961	QETN1CM-107Z	E CAPACITOR	100uF 16V M		R4754	NRSA63J-103X	MG RESISTOR	10kΩ 1/16W J	
C4971	NCB31CK-103X	C CAPACITOR	0.01uF 16V K		R4755	NRSA63J-103X	MG RESISTOR	10kΩ 1/16W J	
					R4756	NRSA63J-103X	MG RESISTOR	10kΩ 1/16W J	
R901	QRL01DJ-683X	OMF RESISTOR	68kΩ 1W J		R4757	NRSA63J-103X	MG RESISTOR	10kΩ 1/16W J	
R903	QRE141J-270Y	C RESISTOR	27Ω 1/4W J		R4759	NRSA63J-103X	MG RESISTOR	10kΩ 1/16W J	
R904	QRE141J-222Y	C RESISTOR	2.2kΩ 1/4W J		R4760	NRSA63J-103X	MG RESISTOR	10kΩ 1/16W J	
R905	QRL027J-683	OMF RESISTOR	68kΩ 2W J		R4761	NRSA63J-103X	MG RESISTOR	10kΩ 1/16W J	
R906	QRJ146J-681X	UNF C RESISTOR	680Ω 1/4W J		R4762	NRSA63J-103X	MG RESISTOR	10kΩ 1/16W J	
R907	QRT027J-R47	MF RESISTOR	0.47Ω 2W J		R4772	NRSA63J-103X	MG RESISTOR	10kΩ 1/16W J	
R908	QRE141J-332Y	C RESISTOR	3.3kΩ 1/4W J		R4773	NRSA63J-103X	MG RESISTOR	10kΩ 1/16W J	
R910	QRE141J-754Y	C RESISTOR	750kΩ 1/4W J		R4774	NRSA63J-103X	MG RESISTOR	10kΩ 1/16W J	
R911	QRE141J-754Y	C RESISTOR	750kΩ 1/4W J		R4791	NRSA02J-221X	MG RESISTOR	220Ω 1/10W J	
R921	QRZ9037-335	COMP RESISTOR	3.3MΩ 1/2W K		R4801	NRSA63J-223X	MG RESISTOR	22kΩ 1/16W J	
R952	NRSA63J-103X	MG RESISTOR	10kΩ 1/16W J		R4802	NRSA63J-223X	MG RESISTOR	22kΩ 1/16W J	
R953	NRSA02J-223X	MG RESISTOR	22kΩ 1/10W J		△ R4811	QRZ9006-4R7X	F.RESISTOR	4.7Ω 1/4W J	
△ R954	QRZ9005-100X	FUSI RESISTOR	10Ω		R4821	QRE141J-181Y	C RESISTOR	180Ω 1/4W J	
R955	NRSA63J-223X	MG RESISTOR	22kΩ 1/16W J		R4822	QRE141J-151Y	C RESISTOR	150Ω 1/4W J	
R960	NRSA63J-101X	MG RESISTOR	100Ω 1/16W J		R4831	NRSA63J-153X	MG RESISTOR	15kΩ 1/16W J	
R961	NRSA63J-681X	MG RESISTOR	680Ω 1/16W J		R4832	NRSA63J-223X	MG RESISTOR	22kΩ 1/16W J	
R962	NRSA63J-105X	MG RESISTOR	1MΩ 1/16W J		R4833	NRSA63J-123X	MG RESISTOR	12kΩ 1/16W J	
R963	NRSA63J-101X	MG RESISTOR	100Ω 1/16W J		R4834	NRSA63J-393X	MG RESISTOR	39kΩ 1/16W J	
R964	NRSA63J-105X	MG RESISTOR	1MΩ 1/16W J		R4835	NRSA63J-472X	MG RESISTOR	4.7kΩ 1/16W J	
R965	NRSA63J-103X	MG RESISTOR	10kΩ 1/16W J		R4841	NRSA63J-123X	MG RESISTOR	12kΩ 1/16W J	
R966	NRSA63J-221X	MG RESISTOR	220Ω 1/16W J		R4842	NRSA63J-393X	MG RESISTOR	39kΩ 1/16W J	
R969	NRSA63J-221X	MG RESISTOR	220Ω 1/16W J		R4851	NRSA63J-151X	MG RESISTOR	150Ω 1/16W J	
R971	NRSA63J-472X	MG RESISTOR	4.7kΩ 1/16W J		R4852	NRSA63J-331X	MG RESISTOR	330Ω 1/16W J	
R972	NRSA63J-122X	MG RESISTOR	1.2kΩ 1/16W J		R4861	NRSA63J-222X	MG RESISTOR	2.2kΩ 1/16W J	
R977	NRSA63J-102X	MG RESISTOR	1kΩ 1/16W J		R4863	NRSA63J-222X	MG RESISTOR	2.2kΩ 1/16W J	
R980	NRSA63J-272X	MG RESISTOR	2.7kΩ 1/16W J		R4864	NRSA63J-222X	MG RESISTOR	2.2kΩ 1/16W J	

Symbol No.	Part No.	Part Name	Description	Local
R4866	NRSA63J-222X	MG RESISTOR	2.2kΩ	1/16W J
R4871	NRSA63J-102X	MG RESISTOR	1kΩ	1/16W J
R4872	NRSA63J-102X	MG RESISTOR	1kΩ	1/16W J
R4873	NRSA63J-102X	MG RESISTOR	1kΩ	1/16W J
R4874	NRSA63J-102X	MG RESISTOR	1kΩ	1/16W J
R4881	NRSA63J-472X	MG RESISTOR	4.7kΩ	1/16W J
R4883	NRSA63J-472X	MG RESISTOR	4.7kΩ	1/16W J
R4884	NRSA63J-472X	MG RESISTOR	4.7kΩ	1/16W J
R4886	NRSA63J-472X	MG RESISTOR	4.7kΩ	1/16W J
R4891	NRSA63J-221X	MG RESISTOR	220Ω	1/16W J
R4892	NRSA63J-221X	MG RESISTOR	220Ω	1/16W J
△ R4921	QRZ9005-100X	FUSI RESISTOR	10Ω	
R4922	NRSA63J-222X	MG RESISTOR	2.2kΩ	1/16W J
△ R4931	QRZ9005-100X	FUSI RESISTOR	10Ω	
R4932	NRSA63J-222X	MG RESISTOR	2.2kΩ	1/16W J
R4941	QRE141J-271Y	C RESISTOR	270Ω	1/4W J
R4942	QRE141J-271Y	C RESISTOR	270Ω	1/4W J
R4961	QRE141J-271Y	C RESISTOR	270Ω	1/4W J
R4971	QRE141J-271Y	C RESISTOR	270Ω	1/4W J
R4972	QRE141J-271Y	C RESISTOR	270Ω	1/4W J
△ L901	QQR1105-001	LINE FILTER		
L951	QQL244K-R22Z	COIL	0.22uH	K
L952	QQL44BK-220Z	COIL	22uH	K
L955	QQL26AK-220Z	COIL	22uH	K
L957	QQL244K-100Z	COIL	10uH	K
L959	QQL244K-100Z	COIL	10uH	K
L4391	QQL25CK-221Z	COIL	220uH	K
△ T901	QQS0097-001	SW TRANSF		
CN402	QGD2504C1-04Z	CONNECTOR	(1-4)	
CN403	QGD2504C1-05Z	CONNECTOR	(1-5)	
CN404	QGD2504C1-05Z	CONNECTOR	(1-5)	
CN405	QGF1016C1-23	CONNECTOR	FFC/FPC (1-23)	
CN407	QGF1016C1-21	CONNECTOR	FFC/FPC (1-21)	
CN408	QGD2504C1-04Z	CONNECTOR	(1-4)	
CN409	QGD2504C1-04Z	CONNECTOR	(1-4)	
CN410	QGF1205C1-11	CONNECTOR	FFC/FPC (1-11)	
CN411	QGF1016C1-31	CONNECTOR	FFC/FPC (1-31)	
CN412	QGF1205C1-06	CONNECTOR	FFC/FPC (1-6)	
CN414	QGF1205C1-06	CONNECTOR	FFC/FPC (1-6)	
CN415	QGF1016C1-07	CONNECTOR	FFC/FPC (1-7)	
CN416	QGD2504C1-05Z	CONNECTOR	(1-5)	
△ CP471	ICP-N5-T	IC PROTECTOR	250mA	
△ CP951	ICP-N10-T	IC PROTECTOR	400mA	
EP401	QNZ0136-001Z	EARTH PLATE		
EP402	QNZ0136-001Z	EARTH PLATE		
EP403	QNZ0136-001Z	EARTH PLATE		
EP901	QNZ0136-001Z	EARTH PLATE		
EP902	QNZ0136-001Z	EARTH PLATE		
EP951	QNZ0136-001Z	EARTH PLATE		
FC901	QNG0003-001Z	FUSE CLIP		
FC902	QNG0003-001Z	FUSE CLIP		
FW401	QUM213-11Z4Z4	PARA RIBON WIR		
FW901	QUM219-06DGZ4	PARA RIBON WIR		
FW902	QUM21A-06DGZ4	PARA RIBON WIR		
HS491	LE40505-001A	HEAT SINK		
HS901	E70306-002	HEAT SINK		
HS964	LE40505-001A	HEAT SINK		
J4402	QNN0572-001	PIN JACK		
J4411	QNN0570-001	PIN JACK		
J4891	QNS0089-001	3.5 JACK		
K902	QQR0621-001Z	COIL		
△ P901	QNC0082-001	AC INLET		
SP471	VYH7653-001	IC HOLDER		
X4701	QAX0246-001Z	C RESONATOR	8.00MHz	

## Front board

Symbol No.	Part No.	Part Name	Description	Local
IC501	MN101C35DKW	IC(MPU)	FL driver microcomputer	
IC502	GP1UM271XK	IR DETECT UNIT	Receiver for remote	
Q501	KRC102S-X	DIGI TRANSISTOR		
Q502	KRC102S-X	DIGI TRANSISTOR		
Q503	KRC102S-X	DIGI TRANSISTOR		
D501	SLR-342VC-T	LED		
D551	SELU2E10C-P-T10	LED		
C501	NCB31HK-471X	C CAPACITOR	470pF	50V K
C502	NCB31HK-471X	C CAPACITOR	470pF	50V K
C503	NCB31CK-103X	C CAPACITOR	0.01uF	16V K
C504	NCB31CK-103X	C CAPACITOR	0.01uF	16V K
C505	QEKCOJM-107Z	E CAPACITOR	100uF	6.3V M
C506	NCB31CK-103X	C CAPACITOR	0.01uF	16V K
C507	NCB30JK-105X	C CAPACITOR	1uF	6.3V K
C541	NCB31CK-103X	C CAPACITOR	0.01uF	16V K
C542	NCB31CK-103X	C CAPACITOR	0.01uF	16V K
C551	NCB31CK-103X	C CAPACITOR	0.01uF	16V K
R501	NRSA63J-102X	MG RESISTOR	1kΩ	1/16W J
R502	NRSA63J-102X	MG RESISTOR	1kΩ	1/16W J
R503	NRSA63J-102X	MG RESISTOR	1kΩ	1/16W J
R504	NRSA63J-102X	MG RESISTOR	1kΩ	1/16W J
R505	NRSA63J-221X	MG RESISTOR	220Ω	1/16W J
R531	NRSA63J-332X	MG RESISTOR	3.3kΩ	1/16W J
R532	NRSA63J-392X	MG RESISTOR	3.9kΩ	1/16W J
R533	NRSA63J-682X	MG RESISTOR	6.8kΩ	1/16W J
R534	NRSA63J-153X	MG RESISTOR	15kΩ	1/16W J
R535	NRSA63J-332X	MG RESISTOR	3.3kΩ	1/16W J
R536	NRSA63J-392X	MG RESISTOR	3.9kΩ	1/16W J
R537	NRSA63J-682X	MG RESISTOR	6.8kΩ	1/16W J
R538	NRSA63J-153X	MG RESISTOR	15kΩ	1/16W J
R541	NRSA63J-103X	MG RESISTOR	10kΩ	1/16W J
R542	NRSA63J-103X	MG RESISTOR	10kΩ	1/16W J
R551	NRSA63J-104X	MG RESISTOR	100kΩ	1/16W J
R571	NRSA63J-332X	MG RESISTOR	3.3kΩ	1/16W J
R572	NRSA63J-392X	MG RESISTOR	3.9kΩ	1/16W J
R573	NRSA63J-682X	MG RESISTOR	6.8kΩ	1/16W J
R574	NRSA63J-332X	MG RESISTOR	3.3kΩ	1/16W J
R575	NRSA63J-392X	MG RESISTOR	3.9kΩ	1/16W J
CN501	QGF1016F2-21W	CONNECTOR	FFC/FPC (1-21)	
CN551	QGF1006F1-04W	CONNECTOR	FFC/FPC (1-4)	
CN561	QGF1006F1-04W	CONNECTOR	FFC/FPC (1-4)	
DI501	QLF0119-001	FL TUBE		
FW561	QUM214-16DGZ4	PARA RIBON WIRE		
FW571	QUM214-16DGZ4	PARA RIBON WIRE		
JS501	QSW0898-001	JOG VOLUME		
S501	QSW0683-001Z	PUSH SW		
S502	QSW0683-001Z	PUSH SW		
S503	QSW0683-001Z	PUSH SW		
S504	QSW0683-001Z	PUSH SW		
S505	QSW0683-001Z	PUSH SW		
S506	QSW0683-001Z	PUSH SW		
S507	QSW0683-001Z	PUSH SW		
S508	QSW0683-001Z	PUSH SW		
S509	QSW0683-001Z	PUSH SW		
S510	QSW0683-001Z	PUSH SW		
S571	QSW0683-001Z	PUSH SW		
S572	QSW0683-001Z	PUSH SW		
S573	QSW0683-001Z	PUSH SW		
S574	QSW0683-001Z	PUSH SW		
S575	QSW0683-001Z	PUSH SW		
S576	QSW0683-001Z	PUSH SW		
S577	QSW0683-001Z	PUSH SW		
X501	NAX0623-001X	C RESONATOR		

Block No. [0][2][0][0]

# DSP board

Block No. [0][3][0][0]

Symbol No.	Part No.	Part Name	Description	Local
IC151	BU4066BCF-X	IC	Source selector	
IC153	M62446AFP-X	IC	6 channel electronic volume	
IC158	NJM4565M-WE	IC	Dual ope amp	
IC159	NJM4565M-WE	IC	Dual ope amp	
IC160	NJM4565M-WE	IC	Dual ope amp	
IC401	AK4527BVQP	IC	A/D D/A converter	
IC402	MM1613DN-X	IC	Regulator	
IC403	TC9446F-025	IC	Audio digital processor	
IC404	LP61L1024S-12-X	IC	SRAM	
IC406	UPD784215AGC167	IC(MICRO C ROM)	Digital signal controller	
IC407	MM1563DF-X	IC	Regulator	
IC408	74VHC00SJ-X	IC	Quad 2-input NAND gate	
IC409	GP1FA352RZ	OPT RECEIVER	Optical fiber data kink receive unit	
IC510	BA15218F-XE	IC	Dual operational amplifier	
IC511	BA15218F-XE	IC	Dual operational amplifier	
IC531	BA15218F-XE	IC	Dual operational amplifier	
IC561	BA15218F-XE	IC	Dual operational amplifier	
IC581	BA15218F-XE	IC	Dual operational amplifier	
IC591	BA15218F-XE	IC	Dual operational amplifier	
Q401	KRA104S-X	DIGI TRANSISTOR		
Q402	KRC107S-X	DIGI TRANSISTOR		
Q403	KRC107S-X	DIGI TRANSISTOR		
Q1131	IMX9-W	TRANSISTOR	Driver	
Q1133	IMX9-W	TRANSISTOR	Driver	
Q1135	IMX9-W	TRANSISTOR	Driver	
Q1137	2SC3661-X	TRANSISTOR		
Q1251	KRA104S-X	DIGI TRANSISTOR		
Q1252	KRA104S-X	DIGI TRANSISTOR		
Q2501	KRA104S-X	DIGI TRANSISTOR		
Q2502	KRC107S-X	DIGI TRANSISTOR		
Q2521	IMX9-W	TRANSISTOR	Driver	
Q2561	IMX9-W	TRANSISTOR	Driver	
Q2581	IMX9-W	TRANSISTOR	Driver	
D401	MA152WK-X	SI DIODE		
D403	MA152WK-X	SI DIODE		
D405	MA152WK-X	SI DIODE		
D406	DAP202K-X	D.TRANSISTOR		
C401	NCB31HK-102X	C CAPACITOR	1000pF 50V K	
C402	NCB31HK-102X	C CAPACITOR	1000pF 50V K	
C403	NEA70JM-476X	E CAPACITOR	47uF 6.3V M	
C404	NEA70JM-476X	E CAPACITOR	47uF 6.3V M	
C405	NCB31CK-104X	C CAPACITOR	0.1uF 16V K	
C406	NCB31CK-104X	C CAPACITOR	0.1uF 16V K	
C407	NCB31CK-104X	C CAPACITOR	0.1uF 16V K	
C408	NEA70JM-476X	E CAPACITOR	47uF 6.3V M	
C411	NCB31CK-104X	C CAPACITOR	0.1uF 16V K	
C413	NCB31CK-104X	C CAPACITOR	0.1uF 16V K	
C421	NEA70JM-107X	E CAPACITOR	100uF 6.3V M	
C422	NCB31CK-103X	C CAPACITOR	0.01uF 16V K	
C423	NDC31HJ-101X	C CAPACITOR	100pF 50V J	
C424	NCS31HJ-121X	C CAPACITOR	120pF 50V J	
C425	NCB31AK-474X	C CAPACITOR	0.47uF 10V K	
C426	NCB31CK-103X	C CAPACITOR	0.01uF 16V K	
C427	NCB31CK-104X	C CAPACITOR	0.1uF 16V K	
C428	NCB31CK-104X	C CAPACITOR	0.1uF 16V K	
C429	NCB31CK-104X	C CAPACITOR	0.1uF 16V K	
C430	NCB31CK-473X	C CAPACITOR	0.047uF 16V K	
C431	NDC31HJ-180X	C CAPACITOR	18pF 50V J	
C432	NDC31HJ-220X	C CAPACITOR	22pF 50V J	
C433	NCB31CK-103X	C CAPACITOR	0.01uF 16V K	
C434	NEA70JM-107X	E CAPACITOR	100uF 6.3V M	

Symbol No.	Part No.	Part Name	Description	Local
C435	NCB31CK-103X	C CAPACITOR	0.01uF 16V K	
C436	NEA70JM-476X	E CAPACITOR	47uF 6.3V M	
C437	NCB31CK-103X	C CAPACITOR	0.01uF 16V K	
C442	NDC31HJ-101X	C CAPACITOR	100pF 50V J	
C443	NDC31HJ-101X	C CAPACITOR	100pF 50V J	
C444	NCB31CK-103X	C CAPACITOR	0.01uF 16V K	
C445	NEA70JM-107X	E CAPACITOR	100uF 6.3V M	
C450	NCS31HJ-471X	C CAPACITOR	470pF 50V J	
C451	NCB31CK-103X	C CAPACITOR	0.01uF 16V K	
C452	NEA70JM-107X	E CAPACITOR	100uF 6.3V M	
C453	NEA70JM-107X	E CAPACITOR	100uF 6.3V M	
C454	NCB31CK-103X	C CAPACITOR	0.01uF 16V K	
C455	NEA70JM-107X	E CAPACITOR	100uF 6.3V M	
C456	NCB31CK-104X	C CAPACITOR	0.1uF 16V K	
C458	NCB31CK-103X	C CAPACITOR	0.01uF 16V K	
C459	NCB31CK-103X	C CAPACITOR	0.01uF 16V K	
C460	NEA71CM-476X	E CAPACITOR	47uF 16V M	
C461	NEA71CM-476X	E CAPACITOR	47uF 16V M	
C462	NCB31CK-103X	C CAPACITOR	0.01uF 16V K	
C463	NEA70JM-107X	E CAPACITOR	100uF 6.3V M	
C466	NEA71CM-476X	E CAPACITOR	47uF 16V M	
C467	NCF31CZ-104X	C CAPACITOR	0.1uF 16V Z	
C493	NCB30JK-105X	C CAPACITOR	1uF 6.3V K	
C494	NCB31CK-103X	C CAPACITOR	0.01uF 16V K	
C495	NCB31CK-103X	C CAPACITOR	0.01uF 16V K	
C1101	NCB31HK-331X	C CAPACITOR	330pF 50V K	
C1102	NCB31HK-331X	C CAPACITOR	330pF 50V K	
C1103	NEA71EM-475X	E CAPACITOR	4.7uF 25V M	
C1104	NEA71EM-475X	E CAPACITOR	4.7uF 25V M	
C1121	NCB31CK-223X	C CAPACITOR	0.022uF 16V K	
C1122	NCB31HK-822X	C CAPACITOR	8200pF 50V K	
C1123	NCB31HK-103X	C CAPACITOR	0.01uF 50V K	
C1124	NCB21CK-224X	C CAPACITOR	0.22uF 16V K	
C1125	NCB31CK-223X	C CAPACITOR	0.022uF 16V K	
C1126	NCB31CK-223X	C CAPACITOR	0.022uF 16V K	
C1127	NEA71EM-475X	E CAPACITOR	4.7uF 25V M	
C1128	NEA71EM-475X	E CAPACITOR	4.7uF 25V M	
C1129	NCB31HK-822X	C CAPACITOR	8200pF 50V K	
C1130	NCB21CK-224X	C CAPACITOR	0.22uF 16V K	
C1131	NCB31HK-103X	C CAPACITOR	0.01uF 50V K	
C1141	NEA71CM-476X	E CAPACITOR	47uF 16V M	
C1142	NEA71CM-476X	E CAPACITOR	47uF 16V M	
C1176	NCB31CK-103X	C CAPACITOR	0.01uF 16V K	
C1177	NCB31CK-103X	C CAPACITOR	0.01uF 16V K	
C1178	NCB31CK-103X	C CAPACITOR	0.01uF 16V K	
C1179	NCB31CK-103X	C CAPACITOR	0.01uF 16V K	
C1180	NCB31CK-103X	C CAPACITOR	0.01uF 16V K	
C1181	NCB31CK-103X	C CAPACITOR	0.01uF 16V K	
C1183	NEA71EM-475X	E CAPACITOR	4.7uF 25V M	
C1201	NEA71EM-475X	E CAPACITOR	4.7uF 25V M	
C1202	NEA71EM-475X	E CAPACITOR	4.7uF 25V M	
C1203	NEA71EM-475X	E CAPACITOR	4.7uF 25V M	
C1204	NEA71EM-475X	E CAPACITOR	4.7uF 25V M	
C1205	NEA71EM-475X	E CAPACITOR	4.7uF 25V M	
C1206	NEA71EM-475X	E CAPACITOR	4.7uF 25V M	
C1207	NEA71EM-475X	E CAPACITOR	4.7uF 25V M	
C1208	NEA71EM-475X	E CAPACITOR	4.7uF 25V M	
C1209	NEA71EM-475X	E CAPACITOR	4.7uF 25V M	
C1210	NEA71EM-475X	E CAPACITOR	4.7uF 25V M	
C1211	NEA71EM-475X	E CAPACITOR	4.7uF 25V M	
C1212	NEA71EM-475X	E CAPACITOR	4.7uF 25V M	
C1213	NEA71EM-475X	E CAPACITOR	4.7uF 25V M	
C1214	NEA71EM-475X	E CAPACITOR	4.7uF 25V M	
C1215	NEA71EM-475X	E CAPACITOR	4.7uF 25V M	
C1216	NEA71EM-475X	E CAPACITOR	4.7uF 25V M	
C1217	NEA71EM-475X	E CAPACITOR	4.7uF 25V M	
C1218	NEA71EM-475X	E CAPACITOR	4.7uF 25V M	
C1221	NDC31HJ-470X	C CAPACITOR	47pF 50V J	
C1222	NDC31HJ-470X	C CAPACITOR	47pF 50V J	
C1223	NDC31HJ-470X	C CAPACITOR	47pF 50V J	
C1224	NDC31HJ-470X	C CAPACITOR	47pF 50V J	
C1225	NCS31HJ-471X	C CAPACITOR	470pF 50V J	
C1226	NDC31HJ-470X	C CAPACITOR	47pF 50V J	
C1227	NCB31HK-471X	C CAPACITOR	470pF 50V K	
C1228	NCB31HK-471X	C CAPACITOR	470pF 50V K	
C1251	NCB31CK-103X	C CAPACITOR	0.01uF 16V K	
C1252	NCB31CK-103X	C CAPACITOR	0.01uF 16V K	
C2503	NEA71EM-475X	E CAPACITOR	4.7uF 25V M	

△ Symbol No.	Part No.	Part Name	Description	Local	△ Symbol No.	Part No.	Part Name	Description	Local
C2504	NEA71EM-475X	E CAPACITOR	4.7uF 25V M		R438	NRSA63J-0R0X	MG RESISTOR	0Ω 1/16W J	
C2507	NDC31HJ-560X	C CAPACITOR	56pF 50V J		R441	NRSA63J-221X	MG RESISTOR	220Ω 1/16W J	
C2508	NDC31HJ-560X	C CAPACITOR	56pF 50V J		R443	NRSA63J-221X	MG RESISTOR	220Ω 1/16W J	
C2511	NCB31AK-474X	C CAPACITOR	0.47uF 10V K		R444	NRSA63J-221X	MG RESISTOR	220Ω 1/16W J	
C2512	NCB31AK-474X	C CAPACITOR	0.47uF 10V K		R445	NRSA63J-221X	MG RESISTOR	220Ω 1/16W J	
C2513	NCB31HK-182X	C CAPACITOR	1800pF 50V K		R446	NRSA63J-221X	MG RESISTOR	220Ω 1/16W J	
C2514	NCB31HK-182X	C CAPACITOR	1800pF 50V K		R447	NRSA63J-221X	MG RESISTOR	220Ω 1/16W J	
C2515	NDC31HJ-181X	C CAPACITOR	180pF 50V J		R448	NRSA63J-221X	MG RESISTOR	220Ω 1/16W J	
C2516	NDC31HJ-181X	C CAPACITOR	180pF 50V J		R449	NRSA63J-221X	MG RESISTOR	220Ω 1/16W J	
C2517	NCB31HK-562X	C CAPACITOR	5600pF 50V K		R450	NRSA63J-221X	MG RESISTOR	220Ω 1/16W J	
C2518	NCB31HK-562X	C CAPACITOR	5600pF 50V K		R451	NRSA63J-103X	MG RESISTOR	10kΩ 1/16W J	
C2519	NCF31CZ-104X	C CAPACITOR	0.1uF 16V Z		R452	NRSA63J-432X	MG RESISTOR	4.3kΩ 1/16W J	
C2520	NCF31CZ-104X	C CAPACITOR	0.1uF 16V Z		R453	NRSA63J-432X	MG RESISTOR	4.3kΩ 1/16W J	
C2525	NCB31HK-102X	C CAPACITOR	1000pF 50V K		R454	NRSA63J-432X	MG RESISTOR	4.3kΩ 1/16W J	
C2526	NCB31HK-102X	C CAPACITOR	1000pF 50V K		R455	NRSA63J-822X	MG RESISTOR	8.2kΩ 1/16W J	
C2527	NEA71EM-475X	E CAPACITOR	4.7uF 25V M		R456	NRSA63J-822X	MG RESISTOR	8.2kΩ 1/16W J	
C2528	NEA71EM-475X	E CAPACITOR	4.7uF 25V M		R457	NRSA63J-822X	MG RESISTOR	8.2kΩ 1/16W J	
C2531	NDC31HJ-560X	C CAPACITOR	56pF 50V J		R458	NRSA63J-103X	MG RESISTOR	10kΩ 1/16W J	
C2532	NDC31HJ-560X	C CAPACITOR	56pF 50V J		R459	NRSA63J-102X	MG RESISTOR	1kΩ 1/16W J	
C2533	NEA71HM-105X	E CAPACITOR	1uF 50V M		R461	NRSA63J-432X	MG RESISTOR	4.3kΩ 1/16W J	
C2534	NEA71HM-105X	E CAPACITOR	1uF 50V M		R462	NRSA63J-822X	MG RESISTOR	8.2kΩ 1/16W J	
C2539	NCF31CZ-104X	C CAPACITOR	0.1uF 16V Z		R463	NRSA63J-0R0X	MG RESISTOR	0Ω 1/16W J	
C2540	NCF31CZ-104X	C CAPACITOR	0.1uF 16V Z		R464	NRSA63J-103X	MG RESISTOR	10kΩ 1/16W J	
C2541	NEA71EM-475X	E CAPACITOR	4.7uF 25V M		R465	NRSA63J-0R0X	MG RESISTOR	0Ω 1/16W J	
C2542	NEA71EM-475X	E CAPACITOR	4.7uF 25V M		R466	NRSA63J-103X	MG RESISTOR	10kΩ 1/16W J	
C2553	NCB31HK-562X	C CAPACITOR	5600pF 50V K		R467	NRSA63J-103X	MG RESISTOR	10kΩ 1/16W J	
C2554	NCB31HK-562X	C CAPACITOR	5600pF 50V K		R468	NRSA63J-103X	MG RESISTOR	10kΩ 1/16W J	
C2555	NCF31CZ-104X	C CAPACITOR	0.1uF 16V Z		R471	NRSA63J-102X	MG RESISTOR	1kΩ 1/16W J	
C2556	NCF31CZ-104X	C CAPACITOR	0.1uF 16V Z		R472	NRSA63J-102X	MG RESISTOR	1kΩ 1/16W J	
C2561	NEA71HM-105X	E CAPACITOR	1uF 50V M		R473	NRSA63J-102X	MG RESISTOR	1kΩ 1/16W J	
C2562	NEA71HM-105X	E CAPACITOR	1uF 50V M		R474	NRSA63J-102X	MG RESISTOR	1kΩ 1/16W J	
C2563	NDC31HJ-220X	C CAPACITOR	22pF 50V J		R475	NRSA63J-102X	MG RESISTOR	1kΩ 1/16W J	
C2564	NDC31HJ-220X	C CAPACITOR	22pF 50V J		R476	NRSA63J-102X	MG RESISTOR	1kΩ 1/16W J	
C2569	NCF31CZ-104X	C CAPACITOR	0.1uF 16V Z		R481	NRSA63J-222X	MG RESISTOR	2.2kΩ 1/16W J	
C2570	NCF31CZ-104X	C CAPACITOR	0.1uF 16V Z		R482	NRSA63J-103X	MG RESISTOR	10kΩ 1/16W J	
C2575	NCB31HK-102X	C CAPACITOR	1000pF 50V K		R483	NRSA63J-105X	MG RESISTOR	1MΩ 1/16W J	
C2576	NCB31HK-102X	C CAPACITOR	1000pF 50V K		R491	NRSA63J-0R0X	MG RESISTOR	0Ω 1/16W J	
C2577	NEA71EM-475X	E CAPACITOR	4.7uF 25V M		R492	NRSA63J-0R0X	MG RESISTOR	0Ω 1/16W J	
C2578	NEA71EM-475X	E CAPACITOR	4.7uF 25V M		R1101	NRSA63J-471X	MG RESISTOR	470Ω 1/16W J	
C2581	NEA71HM-105X	E CAPACITOR	1uF 50V M		R1102	NRSA63J-471X	MG RESISTOR	470Ω 1/16W J	
C2582	NEA71CM-106X	E CAPACITOR	10uF 16V M		R1103	NRSA63J-564X	MG RESISTOR	560kΩ 1/16W J	
C2583	NDC31HJ-220X	C CAPACITOR	22pF 50V J		R1104	NRSA63J-564X	MG RESISTOR	560kΩ 1/16W J	
C2584	NDC31HJ-560X	C CAPACITOR	56pF 50V J		R1121	NRSA63J-103X	MG RESISTOR	10kΩ 1/16W J	
C2589	NCF31CZ-104X	C CAPACITOR	0.1uF 16V Z		R1122	NRSA63J-103X	MG RESISTOR	10kΩ 1/16W J	
C2590	NCF31CZ-104X	C CAPACITOR	0.1uF 16V Z		R1123	NRSA63J-103X	MG RESISTOR	10kΩ 1/16W J	
C2592	NCB31HK-472X	C CAPACITOR	4700pF 50V K		R1131	NRSA63J-104X	MG RESISTOR	100kΩ 1/16W J	
C2594	NCB31HK-223X	C CAPACITOR	0.022uF 50V K		R1132	NRSA63J-104X	MG RESISTOR	100kΩ 1/16W J	
C2595	NCB31HK-102X	C CAPACITOR	1000pF 50V K		R1133	NRSA63J-102X	MG RESISTOR	1kΩ 1/16W J	
C2597	NEA71EM-475X	E CAPACITOR	4.7uF 25V M		R1134	NRSA63J-102X	MG RESISTOR	1kΩ 1/16W J	
C2598	NEA71EM-475X	E CAPACITOR	4.7uF 25V M		R1135	NRSA63J-332X	MG RESISTOR	3.3kΩ 1/16W J	
C2599	NCF31CZ-104X	C CAPACITOR	0.1uF 16V Z		R1136	NRSA63J-332X	MG RESISTOR	3.3kΩ 1/16W J	
C2600	NCF31CZ-104X	C CAPACITOR	0.1uF 16V Z		R1137	NRSA63J-104X	MG RESISTOR	100kΩ 1/16W J	
C2601	NEA71EM-475X	E CAPACITOR	4.7uF 25V M		R1138	NRSA63J-104X	MG RESISTOR	100kΩ 1/16W J	
C2602	NEA71EM-475X	E CAPACITOR	4.7uF 25V M		R1139	NRSA63J-104X	MG RESISTOR	100kΩ 1/16W J	
C2603	NEA71EM-475X	E CAPACITOR	4.7uF 25V M		R1140	NRSA63J-104X	MG RESISTOR	100kΩ 1/16W J	
C2604	NEA71EM-475X	E CAPACITOR	4.7uF 25V M		R1141	NRSA63J-102X	MG RESISTOR	1kΩ 1/16W J	
					R1142	NRSA63J-102X	MG RESISTOR	1kΩ 1/16W J	
R403	NRSA63J-221X	MG RESISTOR	220Ω 1/16W J		R1143	NRSA63J-332X	MG RESISTOR	3.3kΩ 1/16W J	
R404	NRSA63J-221X	MG RESISTOR	220Ω 1/16W J		R1144	NRSA63J-332X	MG RESISTOR	3.3kΩ 1/16W J	
R405	NRSA63J-221X	MG RESISTOR	220Ω 1/16W J		R1145	NRSA63J-104X	MG RESISTOR	100kΩ 1/16W J	
R406	NRSA63J-221X	MG RESISTOR	220Ω 1/16W J		R1146	NRSA63J-104X	MG RESISTOR	100kΩ 1/16W J	
R407	NRSA63J-221X	MG RESISTOR	220Ω 1/16W J		R1147	NRSA63J-104X	MG RESISTOR	100kΩ 1/16W J	
R408	NRSA63J-221X	MG RESISTOR	220Ω 1/16W J		R1148	NRSA63J-104X	MG RESISTOR	100kΩ 1/16W J	
R415	NRSA63J-221X	MG RESISTOR	220Ω 1/16W J		R1149	NRSA63J-471X	MG RESISTOR	470Ω 1/16W J	
R418	NRSA63J-101X	MG RESISTOR	100Ω 1/16W J		R1150	NRSA63J-102X	MG RESISTOR	1kΩ 1/16W J	
R419	NRSA63J-103X	MG RESISTOR	10kΩ 1/16W J		R1151	NRSA63J-472X	MG RESISTOR	4.7kΩ 1/16W J	
R420	NRSA63J-221X	MG RESISTOR	220Ω 1/16W J		R1152	NRSA63J-332X	MG RESISTOR	3.3kΩ 1/16W J	
R423	NRSA63F-102X	MG RESISTOR	1kΩ 1/16W F		R1153	NRSA63J-471X	MG RESISTOR	470Ω 1/16W J	
R424	NRSA63J-153X	MG RESISTOR	15kΩ 1/16W J		R1154	NRSA63J-472X	MG RESISTOR	4.7kΩ 1/16W J	
R425	NRSA63F-102X	MG RESISTOR	1kΩ 1/16W F		R1155	NRSA63J-104X	MG RESISTOR	100kΩ 1/16W J	
R426	NRSA63J-103X	MG RESISTOR	10kΩ 1/16W J		R1156	NRSA63J-104X	MG RESISTOR	100kΩ 1/16W J	
R427	NRSA63J-103X	MG RESISTOR	10kΩ 1/16W J		R1157	NRSA63J-332X	MG RESISTOR	3.3kΩ 1/16W J	
R428	NRSA63J-472X	MG RESISTOR	4.7kΩ 1/16W J		R1158	NRSA63J-104X	MG RESISTOR	100kΩ 1/16W J	
R429	NRSA63J-101X	MG RESISTOR	100Ω 1/16W J		R1161	NRSA63J-104X	MG RESISTOR	100kΩ 1/16W J	
R430	NRSA63J-103X	MG RESISTOR	10kΩ 1/16W J		R1162	NRSA63J-104X	MG RESISTOR	100kΩ 1/16W J	
R431	NRSA63J-225X	MG RESISTOR	2.2MΩ 1/16W J		R1163	NRSA63J-104X	MG RESISTOR	100kΩ 1/16W J	
R432	NRSA63J-472X	MG RESISTOR	4.7kΩ 1/16W J		R1164	NRSA63J-104X	MG RESISTOR	100kΩ 1/16W J	
R435	NRSA63J-103X	MG RESISTOR	10kΩ 1/16W J		R1165	NRSA63J-104X	MG RESISTOR	100kΩ 1/16W J	



△ Symbol No.	Part No.	Part Name	Description	Local
R1166	NRSA63J-104X	MG RESISTOR	100kΩ 1/16W J	
R1167	NRSA63J-332X	MG RESISTOR	3.3kΩ 1/16W J	
R1168	NRSA63J-332X	MG RESISTOR	3.3kΩ 1/16W J	
R1169	NRSA63J-393X	MG RESISTOR	39kΩ 1/16W J	
R1170	NRSA63J-393X	MG RESISTOR	39kΩ 1/16W J	
R1171	NRSA63J-332X	MG RESISTOR	3.3kΩ 1/16W J	
R1172	NRSA63J-332X	MG RESISTOR	3.3kΩ 1/16W J	
R1173	NRSA63J-473X	MG RESISTOR	47kΩ 1/16W J	
R1174	NRSA63J-473X	MG RESISTOR	47kΩ 1/16W J	
R1175	NRSA63J-332X	MG RESISTOR	3.3kΩ 1/16W J	
R1176	NRSA63J-393X	MG RESISTOR	39kΩ 1/16W J	
R1197	NRSA63J-474X	MG RESISTOR	470kΩ 1/16W J	
R1201	NRSA63J-124X	MG RESISTOR	120kΩ 1/16W J	
R1202	NRSA63J-124X	MG RESISTOR	120kΩ 1/16W J	
R1251	NRSA63J-223X	MG RESISTOR	22kΩ 1/16W J	
R1252	NRSA63J-223X	MG RESISTOR	22kΩ 1/16W J	
R2501	NRSA63J-103X	MG RESISTOR	10kΩ 1/16W J	
R2502	NRSA63J-103X	MG RESISTOR	10kΩ 1/16W J	
R2503	NRSA63J-513X	MG RESISTOR	51kΩ 1/16W J	
R2504	NRSA63J-513X	MG RESISTOR	51kΩ 1/16W J	
R2507	NRSA63J-103X	MG RESISTOR	10kΩ 1/16W J	
R2508	NRSA63J-103X	MG RESISTOR	10kΩ 1/16W J	
R2509	NRSA63J-103X	MG RESISTOR	10kΩ 1/16W J	
R2510	NRSA63J-103X	MG RESISTOR	10kΩ 1/16W J	
R2513	NRSA63J-103X	MG RESISTOR	10kΩ 1/16W J	
R2514	NRSA63J-103X	MG RESISTOR	10kΩ 1/16W J	
R2515	NRSA63J-103X	MG RESISTOR	10kΩ 1/16W J	
R2516	NRSA63J-103X	MG RESISTOR	10kΩ 1/16W J	
R2517	NRSA63J-102X	MG RESISTOR	1kΩ 1/16W J	
R2518	NRSA63J-102X	MG RESISTOR	1kΩ 1/16W J	
R2519	NRSA63J-102X	MG RESISTOR	1kΩ 1/16W J	
R2520	NRSA63J-102X	MG RESISTOR	1kΩ 1/16W J	
R2525	NRSA63J-102X	MG RESISTOR	1kΩ 1/16W J	
R2526	NRSA63J-102X	MG RESISTOR	1kΩ 1/16W J	
R2527	NRSA63J-104X	MG RESISTOR	100kΩ 1/16W J	
R2528	NRSA63J-104X	MG RESISTOR	100kΩ 1/16W J	
R2529	NRSA63J-103X	MG RESISTOR	10kΩ 1/16W J	
R2530	NRSA63J-103X	MG RESISTOR	10kΩ 1/16W J	
R2531	NRSA63J-104X	MG RESISTOR	100kΩ 1/16W J	
R2532	NRSA63J-104X	MG RESISTOR	100kΩ 1/16W J	
R2533	NRSA63J-223X	MG RESISTOR	22kΩ 1/16W J	
R2534	NRSA63J-223X	MG RESISTOR	22kΩ 1/16W J	
R2535	NRSA63J-563X	MG RESISTOR	56kΩ 1/16W J	
R2536	NRSA63J-563X	MG RESISTOR	56kΩ 1/16W J	
R2537	NRSA63J-104X	MG RESISTOR	100kΩ 1/16W J	
R2538	NRSA63J-104X	MG RESISTOR	100kΩ 1/16W J	
R2561	NRSA63J-104X	MG RESISTOR	100kΩ 1/16W J	
R2562	NRSA63J-104X	MG RESISTOR	100kΩ 1/16W J	
R2563	NRSA63J-103X	MG RESISTOR	10kΩ 1/16W J	
R2564	NRSA63J-103X	MG RESISTOR	10kΩ 1/16W J	
R2565	NRSA63J-392X	MG RESISTOR	3.9kΩ 1/16W J	
R2566	NRSA63J-392X	MG RESISTOR	3.9kΩ 1/16W J	
R2567	NRSA63J-103X	MG RESISTOR	10kΩ 1/16W J	
R2568	NRSA63J-103X	MG RESISTOR	10kΩ 1/16W J	
R2575	NRSA63J-102X	MG RESISTOR	1kΩ 1/16W J	
R2576	NRSA63J-102X	MG RESISTOR	1kΩ 1/16W J	
R2577	NRSA63J-104X	MG RESISTOR	100kΩ 1/16W J	
R2578	NRSA63J-104X	MG RESISTOR	100kΩ 1/16W J	
R2579	NRSA63J-104X	MG RESISTOR	100kΩ 1/16W J	
R2580	NRSA63J-104X	MG RESISTOR	100kΩ 1/16W J	
R2581	NRSA63J-104X	MG RESISTOR	100kΩ 1/16W J	
R2582	NRSA63J-104X	MG RESISTOR	100kΩ 1/16W J	
R2583	NRSA63J-103X	MG RESISTOR	10kΩ 1/16W J	
R2584	NRSA63J-124X	MG RESISTOR	120kΩ 1/16W J	
R2585	NRSA63J-392X	MG RESISTOR	3.9kΩ 1/16W J	
R2586	NRSA63J-123X	MG RESISTOR	12kΩ 1/16W J	
R2587	NRSA63J-103X	MG RESISTOR	10kΩ 1/16W J	
R2588	NRSA63J-103X	MG RESISTOR	10kΩ 1/16W J	
R2590	NRSA63J-333X	MG RESISTOR	33kΩ 1/16W J	
R2592	NRSA63J-333X	MG RESISTOR	33kΩ 1/16W J	
R2594	NRSA63J-333X	MG RESISTOR	33kΩ 1/16W J	
R2595	NRSA63J-102X	MG RESISTOR	1kΩ 1/16W J	
R2596	NRSA63J-102X	MG RESISTOR	1kΩ 1/16W J	
R2597	NRSA63J-104X	MG RESISTOR	100kΩ 1/16W J	
R2598	NRSA63J-104X	MG RESISTOR	100kΩ 1/16W J	
R2599	NRSA63J-104X	MG RESISTOR	100kΩ 1/16W J	
R2600	NRSA63J-104X	MG RESISTOR	100kΩ 1/16W J	

△ Symbol No.	Part No.	Part Name	Description	Local
CN401	QGF1016F2-31W	CONNECTOR	FFC/FPC (1-31)	
J1101	QNN0598-001	PIN JACK		
J1103	QND0118-001	DIN CONNECTOR		
K401	NQR0319-001X	FERRITE BEADS		
LC401	NQR0321-001X	EMI FILTER		
X401	NAX0385-001X	CRYSTAL	24.576MHz	
X402	NAX0275-001X	C OSCILLATOR	6.144MHz	

## Mother board

Block No. [0][4][0][0]

△ Symbol No.	Part No.	Part Name	Description	Local
△ Q151	KTC3203/OY/-T	TRANSISTOR		
Q501	KRA104M-T	DIGI TRANSISTOR		
Q502	KRC102M-T	DIGI TRANSISTOR		
Q503	KTC3199/GL/-T	TRANSISTOR		
Q504	KTA1267/YG/-T	TRANSISTOR		
Q505	KRC102M-T	DIGI TRANSISTOR		
Q511	KRC104M-T	TRANSISTOR		
Q512	KTC3199/GL/-T	TRANSISTOR		
Q513	KTC3199/GL/-T	TRANSISTOR		
Q514	KRA102M-T	DIGI TRANSISTOR		
Q515	KTC3203/OY/-T	TRANSISTOR		
Q516	KTC3199/GL/-T	TRANSISTOR		
Q517	KRC104M-T	TRANSISTOR		
Q521	KRA104M-T	DIGI TRANSISTOR		
Q522	KTC3199/GL/-T	TRANSISTOR		
Q523	KTC3199/GL/-T	TRANSISTOR		
Q524	KTA1267/YG/-T	TRANSISTOR		
Q525	KTC3199/GL/-T	TRANSISTOR		
Q531	KTC3199/GL/-T	TRANSISTOR		
Q532	KTC3199/GL/-T	TRANSISTOR		
Q545	KRC102M-T	DIGI TRANSISTOR		
D101	1SS133-T2	DIODE		
△ D151	GBU803	BRIDGE DIODE		
△ D152	GBU803	BRIDGE DIODE		
D153	1SS133-T2	DIODE		
D154	1SS133-T2	DIODE		
D161	1SS133-T2	DIODE		
D162	MTZJ13C-T2	Z DIODE		
D401	11ES2-T4	DIODE		
D402	1SS133-T2	DIODE		
D403	MTZJ6.2B-T2	Z DIODE		
D501	1SS133-T2	DIODE		
D502	1SS133-T2	DIODE		
D503	MTZJ5.1C-T2	Z DIODE		
D504	1SS133-T2	DIODE		
D505	1SS133-T2	DIODE		
D511	1SS133-T2	DIODE		
D512	1SS133-T2	DIODE		
D513	1SS133-T2	DIODE		
D514	1SS133-T2	DIODE		
D515	MTZJ15C-T2	Z DIODE		
D516	1SS133-T2	DIODE		
D517	MTZJ27B-T2	Z DIODE		
D518	MTZJ27B-T2	Z DIODE		
D519	1SS133-T2	DIODE		
D520	MTZJ3.6A-T2	ZENER DIODE		
D521	1SS133-T2	DIODE		
D522	1SS133-T2	DIODE		
D523	1SS133-T2	DIODE		
D524	1SS133-T2	DIODE		
D525	MTZJ15C-T2	Z DIODE		
D526	MTZJ6.2B-T2	Z DIODE		
D535	1SS133-T2	DIODE		
△ C101	QCZ9105-472	C CAPACITOR	4700pF 250V M	
C151	QFLC2AJ-104Z	M CAPACITOR	0.1uF 100V J	
C152	QFLC2AJ-104Z	M CAPACITOR	0.1uF 100V J	
C153	QFLC2AJ-104Z	M CAPACITOR	0.1uF 100V J	
C154	QFLC2AJ-104Z	M CAPACITOR	0.1uF 100V J	
C155	QFLC2AJ-104Z	M CAPACITOR	0.1uF 100V J	

△ Symbol No.	Part No.	Part Name	Description	Local
C156	QFLC2AJ-104Z	M CAPACITOR	0.1uF 100V J	
C161	QEZO223-478	E CAPACITER	4700uF	
C162	QEZO223-478	E CAPACITER	4700uF	
C163	QETM1EM-688	E CAPACITOR	6800uF 25V M	
C164	QETM1EM-688	E CAPACITOR	6800uF 25V M	
C165	QETN1EM-476Z	E CAPACITOR	47uF 25V M	
C166	QETN1EM-107Z	E CAPACITOR	100uF 25V M	
C501	QETN1HM-335Z	E CAPACITOR	3.3uF 50V M	
C502	QFN31HJ-103Z	M CAPACITOR	0.01uF 50V J	
C503	QETN1HM-475Z	E CAPACITOR	4.7uF 50V M	
C511	QETN1CM-227Z	E CAPACITOR	220uF 16V M	
C512	QETN1HM-475Z	E CAPACITOR	4.7uF 50V M	
C521	QETN1HM-226Z	E CAPACITOR	22uF 50V M	
C522	QETN1HM-106Z	E CAPACITOR	10uF 50V M	
C523	QETN1EM-476Z	E CAPACITOR	47uF 25V M	
C531	QETN1HM-106Z	E CAPACITOR	10uF 50V M	
C532	QCF31HZ-103Z	C CAPACITOR	0.01uF 50V Z	
C533	QCF31HZ-103Z	C CAPACITOR	0.01uF 50V Z	
R151	QRE141J-222Y	C RESISTOR	2.2kΩ 1/4W J	
R152	QRE141J-222Y	C RESISTOR	2.2kΩ 1/4W J	
R153	QRL027J-391	OMF RESISTOR	390Ω 2W J	
△ R161	QRZ9005-100X	FUSI RESISTOR	10Ω	
R162	QRE141J-102Y	C RESISTOR	1kΩ 1/4W J	
△ R491	QRL027J-470	OMF RESISTOR	47Ω 2W J	
R492	QRE141J-472Y	C RESISTOR	4.7kΩ 1/4W J	
R501	QRE141J-102Y	C RESISTOR	1kΩ 1/4W J	
R502	QRE141J-104Y	C RESISTOR	100kΩ 1/4W J	
R503	QRE141J-104Y	C RESISTOR	100kΩ 1/4W J	
R504	QRE141J-102Y	C RESISTOR	1kΩ 1/4W J	
R505	QRE141J-102Y	C RESISTOR	1kΩ 1/4W J	
R506	QRE141J-103Y	C RESISTOR	10kΩ 1/4W J	
R510	QRE141J-102Y	C RESISTOR	1kΩ 1/4W J	
R511	QRE141J-753Y	C RESISTOR	75kΩ 1/4W J	
R512	QRE141J-223Y	C RESISTOR	22kΩ 1/4W J	
R513	QRE141J-101Y	C RESISTOR	100Ω 1/4W J	
R514	QRE141J-753Y	C RESISTOR	75kΩ 1/4W J	
R515	QRE141J-223Y	C RESISTOR	22kΩ 1/4W J	
R516	QRE141J-102Y	C RESISTOR	1kΩ 1/4W J	
R517	QRE141J-224Y	C RESISTOR	220kΩ 1/4W J	
R518	QRE141J-222Y	C RESISTOR	2.2kΩ 1/4W J	
R519	QRE141J-332Y	C RESISTOR	3.3kΩ 1/4W J	
R520	QRE141J-332Y	C RESISTOR	3.3kΩ 1/4W J	
R521	QRE141J-223Y	C RESISTOR	22kΩ 1/4W J	
R522	QRE141J-103Y	C RESISTOR	10kΩ 1/4W J	
R531	QRE141J-104Y	C RESISTOR	100kΩ 1/4W J	
R532	QRE141J-101Y	C RESISTOR	100Ω 1/4W J	
R533	QRE141J-103Y	C RESISTOR	10kΩ 1/4W J	
R534	QRE141J-104Y	C RESISTOR	100kΩ 1/4W J	
R535	QRE141J-104Y	C RESISTOR	100kΩ 1/4W J	
R536	QRE141J-103Y	C RESISTOR	10kΩ 1/4W J	
R537	QRE141J-472Y	C RESISTOR	4.7kΩ 1/4W J	
R538	QRE141J-472Y	C RESISTOR	4.7kΩ 1/4W J	
R539	QRE141J-472Y	C RESISTOR	4.7kΩ 1/4W J	
R541	QRE141J-472Y	C RESISTOR	4.7kΩ 1/4W J	
R543	QRE141J-472Y	C RESISTOR	4.7kΩ 1/4W J	
R544	QRE141J-222Y	C RESISTOR	2.2kΩ 1/4W J	
R545	QRE141J-123Y	C RESISTOR	12kΩ 1/4W J	
R546	QRE141J-222Y	C RESISTOR	2.2kΩ 1/4W J	
R547	QRE141J-104Y	C RESISTOR	100kΩ 1/4W J	
R548	QRE141J-223Y	C RESISTOR	22kΩ 1/4W J	
R549	QRE141J-223Y	C RESISTOR	22kΩ 1/4W J	
R550	QRE141J-102Y	C RESISTOR	1kΩ 1/4W J	
△ R555	QRZ9005-271X	FUSI RESISTOR	270Ω	
R556	QRE141J-102Y	C RESISTOR	1kΩ 1/4W J	
R557	QRE141J-102Y	C RESISTOR	1kΩ 1/4W J	
R561	QRE141J-104Y	C RESISTOR	100kΩ 1/4W J	
R562	QRE141J-104Y	C RESISTOR	100kΩ 1/4W J	
R563	QRE141J-104Y	C RESISTOR	100kΩ 1/4W J	
R564	QRE141J-104Y	C RESISTOR	100kΩ 1/4W J	
R565	QRE141J-104Y	C RESISTOR	100kΩ 1/4W J	
R566	QRE141J-104Y	C RESISTOR	100kΩ 1/4W J	
△ CN101	QGA7901C1-02	CONNECTOR	W-B (1-2)	
△ CN102	QGA7901C1-02	CONNECTOR	W-B (1-2)	
△ CN151	QGA3901C1-05	CONNECTOR	W-B (1-5)	
CN401	QGB2510K2-08	CONNECTOR	B-B (1-8)	
CN402	QGA3901F2-04	CONNECTOR	W-B (1-4)	

△ Symbol No.	Part No.	Part Name	Description	Local
CN403	QGB2510K2-14	CONNECTOR	B-B (1-14)	
CN404	QGB2510K2-18	CONNECTOR	B-B (1-18)	
CN501	QGB2510J1-08	CONNECTOR	B-B (1-8)	
CN503	QGB2510J1-14	CONNECTOR	B-B (1-14)	
CN504	QGB2510J1-18	CONNECTOR	B-B (1-18)	
CN521	QGB2510J1-07	CONNECTOR	B-B (1-7)	
CN522	QGB2510J1-18	CONNECTOR	B-B (1-18)	
CN531	QGB2510J1-07	CONNECTOR	B-B (1-7)	
CN532	QGB2510J1-18	CONNECTOR	B-B (1-18)	
FC101	QNG0003-001Z	FUSE CLIP		
FC102	QNG0003-001Z	FUSE CLIP		
FC155	QNG0003-001Z	FUSE CLIP		
FC156	QNG0003-001Z	FUSE CLIP		
FC157	QNG0003-001Z	FUSE CLIP		
FC158	QNG0003-001Z	FUSE CLIP		
HS151	QZW0115-001	HEATSINK		
J401	QND0118-001	DIN CONNECTOR		
J402	QNB0162-002	SPK TERMINAL		
J403	QNB0161-002	SPK TERMINAL		
J404	QNB0162-002	SPK TERMINAL		
K401	QQR1277-001Z	COIL		
K402	QQR1277-001Z	COIL		
△ RY101	QSK0142-001	RELAY		
RY401	QSK0127-001	RELAY		
RY402	QSK0127-001	RELAY		
RY403	QSK0127-001	RELAY		

## Amplifier board

Block No. [0][5][0][0]

△ Symbol No.	Part No.	Part Name	Description	Local
△ IC201	STK413-490	IC(HYBRID)	3 channel AF power amplifier	
△ IC301	STK413-420	IC(HYBRID)	3 channel AF power amplifier	
Q2101	KTA1267/YG/-T	TRANSISTOR		
Q2201	KTA1267/YG/-T	TRANSISTOR		
Q2301	KTA1267/YG/-T	TRANSISTOR		
Q3101	KTA1267/YG/-T	TRANSISTOR		
Q3201	KTA1267/YG/-T	TRANSISTOR		
Q3301	KTA1267/YG/-T	TRANSISTOR		
D2101	1SS133-T2	DIODE		
D2201	1SS133-T2	DIODE		
D2301	1SS133-T2	DIODE		
D2501	MTZJ13C-T2	Z DIODE		
D2502	MTZJ13C-T2	Z DIODE		
D3101	1SS133-T2	DIODE		
D3201	1SS133-T2	DIODE		
D3301	1SS133-T2	DIODE		
D3501	MTZJ13C-T2	Z DIODE		
D3502	MTZJ13C-T2	Z DIODE		
C2102	QCBB1HK-471Y	C CAPACITOR	470pF 50V K	
C2103	QETN1HM-475Z	E CAPACITOR	4.7uF 50V M	
C2104	QETN1AM-107Z	E CAPACITOR	100uF 10V M	
C2105	QCBB1HK-101Y	C CAPACITOR	100pF 50V K	
C2106	QCSB1HK-3R3Y	C CAPACITOR	3.3pF 50V K	
C2107	QFVF1HJ-104Z	MF CAPACITOR	0.1uF 50V J	
C2108	QFVF1HJ-104Z	MF CAPACITOR	0.1uF 50V J	
C2202	QCBB1HK-471Y	C CAPACITOR	470pF 50V K	
C2203	QETN1HM-475Z	E CAPACITOR	4.7uF 50V M	
C2204	QETN1AM-107Z	E CAPACITOR	100uF 10V M	
C2205	QCBB1HK-101Y	C CAPACITOR	100pF 50V K	
C2206	QCSB1HK-3R3Y	C CAPACITOR	3.3pF 50V K	
C2207	QFVF1HJ-104Z	MF CAPACITOR	0.1uF 50V J	
C2208	QFVF1HJ-104Z	MF CAPACITOR	0.1uF 50V J	
C2302	QCBB1HK-471Y	C CAPACITOR	470pF 50V K	
C2303	QETN1HM-475Z	E CAPACITOR	4.7uF 50V M	
C2304	QETN1AM-107Z	E CAPACITOR	100uF 10V M	
C2305	QCBB1HK-101Y	C CAPACITOR	100pF 50V K	
C2306	QCSB1HK-3R3Y	C CAPACITOR	3.3pF 50V K	
C2307	QFVF1HJ-104Z	MF CAPACITOR	0.1uF 50V J	

△ Symbol No.	Part No.	Part Name	Description	Local	△ Symbol No.	Part No.	Part Name	Description	Local
C2308	QFVF1HJ-104Z	MF CAPACITOR	0.1uF 50V J		R2503	QRK126J-222X	UNF C RESISTOR	2.2kΩ 1/2W J	
C2501	QETN1HM-107Z	E CAPACITOR	100uF 50V M		R2504	QRK126J-222X	UNF C RESISTOR	2.2kΩ 1/2W J	
C2502	QETN1EM-107Z	E CAPACITOR	100uF 25V M		R2505	QRE141J-333Y	C RESISTOR	33kΩ 1/4W J	
C2503	QETN1HM-107Z	E CAPACITOR	100uF 50V M		△ R2506	QRZ9006-4R7X	F.RESISTOR	4.7Ω 1/4W J	
C2504	QETN1EM-107Z	E CAPACITOR	100uF 25V M		△ R2507	QRZ9006-4R7X	F.RESISTOR	4.7Ω 1/4W J	
C2505	QETN1HM-107Z	E CAPACITOR	100uF 50V M		△ R2508	QRZ9006-4R7X	F.RESISTOR	4.7Ω 1/4W J	
C2506	QETN1HM-107Z	E CAPACITOR	100uF 50V M		△ R2509	QRZ9006-4R7X	F.RESISTOR	4.7Ω 1/4W J	
C2507	QCBB1HK-103Y	C CAPACITOR	0.01uF 50V K		△ R2510	QRZ9005-101X	F.RES. I.M	100Ω	
C3102	QFVJ1HJ-473Z	MF CAPACITOR	0.047uF 50V J		R3101	QRE141J-103Y	C RESISTOR	10kΩ 1/4W J	
C3103	QETN1HM-475Z	E CAPACITOR	4.7uF 50V M		R3102	QRE141J-471Y	C RESISTOR	470Ω 1/4W J	
C3104	QETN1AM-107Z	E CAPACITOR	100uF 10V M		R3103	QRE141J-563Y	C RESISTOR	56kΩ 1/4W J	
C3105	QCBB1HK-101Y	C CAPACITOR	100pF 50V K		R3104	QRE141J-561Y	C RESISTOR	560Ω 1/4W J	
C3106	QCSB1HK-3R3Y	C CAPACITOR	3.3pF 50V K		R3105	QRE141J-563Y	C RESISTOR	56kΩ 1/4W J	
C3107	QFVF1HJ-104Z	MF CAPACITOR	0.1uF 50V J		△ R3106	QRZ0224-R22	EMIT RESISTOR	0.22Ω	
C3108	QFVF1HJ-104Z	MF CAPACITOR	0.1uF 50V J		R3107	QRE141J-102Y	C RESISTOR	1kΩ 1/4W J	
C3202	QCBB1HK-471Y	C CAPACITOR	470pF 50V K		R3108	QRE141J-153Y	C RESISTOR	15kΩ 1/4W J	
C3203	QETN1HM-475Z	E CAPACITOR	4.7uF 50V M		R3109	QRE141J-473Y	C RESISTOR	47kΩ 1/4W J	
C3204	QETN1AM-107Z	E CAPACITOR	100uF 10V M		R3110	QRK126J-4R7X	UNF C RESISTOR	4.7Ω 1/2W J	
C3205	QCBB1HK-101Y	C CAPACITOR	100pF 50V K		R3111	QRJ146J-4R7X	UNF C RESISTOR	4.7Ω 1/4W J	
C3206	QCSB1HK-3R3Y	C CAPACITOR	3.3pF 50V K		R3112	QRE141J-512Y	C RESISTOR	5.1kΩ 1/4W J	
C3207	QFVF1HJ-104Z	MF CAPACITOR	0.1uF 50V J		R3113	QRE141J-222Y	C RESISTOR	2.2kΩ 1/4W J	
C3208	QFVF1HJ-104Z	MF CAPACITOR	0.1uF 50V J		R3201	QRE141J-103Y	C RESISTOR	10kΩ 1/4W J	
C3302	QCBB1HK-471Y	C CAPACITOR	470pF 50V K		R3202	QRE141J-471Y	C RESISTOR	470Ω 1/4W J	
C3303	QETN1HM-475Z	E CAPACITOR	4.7uF 50V M		R3203	QRE141J-563Y	C RESISTOR	56kΩ 1/4W J	
C3304	QETN1AM-107Z	E CAPACITOR	100uF 10V M		R3204	QRE141J-561Y	C RESISTOR	560Ω 1/4W J	
C3305	QCBB1HK-101Y	C CAPACITOR	100pF 50V K		R3205	QRE141J-563Y	C RESISTOR	56kΩ 1/4W J	
C3306	QCSB1HK-3R3Y	C CAPACITOR	3.3pF 50V K		△ R3206	QRZ0224-R22	EMIT RESISTOR	0.22Ω	
C3307	QFVF1HJ-104Z	MF CAPACITOR	0.1uF 50V J		R3207	QRE141J-102Y	C RESISTOR	1kΩ 1/4W J	
C3308	QFVF1HJ-104Z	MF CAPACITOR	0.1uF 50V J		R3208	QRE141J-153Y	C RESISTOR	15kΩ 1/4W J	
C3501	QETN1HM-107Z	E CAPACITOR	100uF 50V M		R3209	QRE141J-473Y	C RESISTOR	47kΩ 1/4W J	
C3502	QETN1EM-107Z	E CAPACITOR	100uF 25V M		R3210	QRK126J-4R7X	UNF C RESISTOR	4.7Ω 1/2W J	
C3503	QETN1HM-107Z	E CAPACITOR	100uF 50V M		R3211	QRJ146J-4R7X	UNF C RESISTOR	4.7Ω 1/4W J	
C3504	QETN1EM-107Z	E CAPACITOR	100uF 25V M		R3212	QRE141J-222Y	C RESISTOR	2.2kΩ 1/4W J	
C3505	QETN1HM-107Z	E CAPACITOR	100uF 50V M		R3213	QRE141J-222Y	C RESISTOR	2.2kΩ 1/4W J	
C3506	QETN1HM-107Z	E CAPACITOR	100uF 50V M		R3301	QRE141J-103Y	C RESISTOR	10kΩ 1/4W J	
C3507	QCBB1HK-103Y	C CAPACITOR	0.01uF 50V K		R3302	QRE141J-471Y	C RESISTOR	470Ω 1/4W J	
					R3303	QRE141J-563Y	C RESISTOR	56kΩ 1/4W J	
R2101	QRE141J-103Y	C RESISTOR	10kΩ 1/4W J		R3304	QRE141J-561Y	C RESISTOR	560Ω 1/4W J	
R2102	QRE141J-471Y	C RESISTOR	470Ω 1/4W J		R3305	QRE141J-563Y	C RESISTOR	56kΩ 1/4W J	
R2103	QRE141J-563Y	C RESISTOR	56kΩ 1/4W J		△ R3306	QRZ0224-R22	EMIT RESISTOR	0.22Ω	
R2104	QRE141J-561Y	C RESISTOR	560Ω 1/4W J		R3307	QRE141J-102Y	C RESISTOR	1kΩ 1/4W J	
R2105	QRE141J-563Y	C RESISTOR	56kΩ 1/4W J		R3308	QRE141J-153Y	C RESISTOR	15kΩ 1/4W J	
△ R2106	QRZ0224-R22	EMIT RESISTOR	0.22Ω		R3309	QRE141J-473Y	C RESISTOR	47kΩ 1/4W J	
R2107	QRE141J-102Y	C RESISTOR	1kΩ 1/4W J		R3310	QRK126J-4R7X	UNF C RESISTOR	4.7Ω 1/2W J	
R2108	QRE141J-153Y	C RESISTOR	15kΩ 1/4W J		R3311	QRJ146J-4R7X	UNF C RESISTOR	4.7Ω 1/4W J	
R2109	QRE141J-473Y	C RESISTOR	47kΩ 1/4W J		R3312	QRE141J-222Y	C RESISTOR	2.2kΩ 1/4W J	
R2110	QRK126J-4R7X	UNF C RESISTOR	4.7Ω 1/2W J		R3313	QRE141J-222Y	C RESISTOR	2.2kΩ 1/4W J	
R2111	QRJ146J-4R7X	UNF C RESISTOR	4.7Ω 1/4W J		△ R3501	QRZ9005-101X	F.RES. I.M	100Ω	
R2112	QRE141J-222Y	C RESISTOR	2.2kΩ 1/4W J		△ R3502	QRZ9005-101X	F.RES. I.M	100Ω	
R2113	QRE141J-222Y	C RESISTOR	2.2kΩ 1/4W J		R3503	QRK126J-222X	UNF C RESISTOR	2.2kΩ 1/2W J	
R2201	QRE141J-103Y	C RESISTOR	10kΩ 1/4W J		R3504	QRK126J-222X	UNF C RESISTOR	2.2kΩ 1/2W J	
R2202	QRE141J-471Y	C RESISTOR	470Ω 1/4W J		R3505	QRE141J-333Y	C RESISTOR	33kΩ 1/4W J	
R2203	QRE141J-563Y	C RESISTOR	56kΩ 1/4W J		△ R3506	QRZ9006-4R7X	F.RESISTOR	4.7Ω 1/4W J	
R2204	QRE141J-561Y	C RESISTOR	560Ω 1/4W J		△ R3507	QRZ9006-4R7X	F.RESISTOR	4.7Ω 1/4W J	
R2205	QRE141J-563Y	C RESISTOR	56kΩ 1/4W J		△ R3508	QRZ9006-4R7X	F.RESISTOR	4.7Ω 1/4W J	
△ R2206	QRZ0224-R22	EMIT RESISTOR	0.22Ω		△ R3509	QRZ9006-4R7X	F.RESISTOR	4.7Ω 1/4W J	
R2207	QRE141J-102Y	C RESISTOR	1kΩ 1/4W J		△ R3510	QRZ9005-101X	F.RES. I.M	100Ω	
R2208	QRE141J-153Y	C RESISTOR	15kΩ 1/4W J						
R2209	QRE141J-473Y	C RESISTOR	47kΩ 1/4W J		L2101	QQLZ038-R45	COIL	0.45uH	
R2210	QRK126J-4R7X	UNF C RESISTOR	4.7Ω 1/2W J		L2201	QQLZ038-R45	COIL	0.45uH	
R2211	QRJ146J-4R7X	UNF C RESISTOR	4.7Ω 1/4W J		L2301	QQLZ038-R45	COIL	0.45uH	
R2212	QRE141J-222Y	C RESISTOR	2.2kΩ 1/4W J		L3101	QQLZ038-R45	COIL	0.45uH	
R2213	QRE141J-222Y	C RESISTOR	2.2kΩ 1/4W J		L3201	QQLZ038-R45	COIL	0.45uH	
R2301	QRE141J-103Y	C RESISTOR	10kΩ 1/4W J		L3301	QQLZ038-R45	COIL	0.45uH	
R2302	QRE141J-471Y	C RESISTOR	470Ω 1/4W J						
R2303	QRE141J-563Y	C RESISTOR	56kΩ 1/4W J		CN251	QGB2510K2-07	CONNECTOR	B-B (1-7)	
R2304	QRE141J-561Y	C RESISTOR	560Ω 1/4W J		CN252	QGB2510K2-18	CONNECTOR	B-B (1-18)	
R2305	QRE141J-563Y	C RESISTOR	56kΩ 1/4W J		CN351	QGB2510K2-07	CONNECTOR	B-B (1-7)	
△ R2306	QRZ0224-R22	EMIT RESISTOR	0.22Ω		CN352	QGB2510K2-18	CONNECTOR	B-B (1-18)	
R2307	QRE141J-102Y	C RESISTOR	1kΩ 1/4W J						
R2308	QRE141J-153Y	C RESISTOR	15kΩ 1/4W J						
R2309	QRE141J-473Y	C RESISTOR	47kΩ 1/4W J						
R2310	QRK126J-4R7X	UNF C RESISTOR	4.7Ω 1/2W J						
R2311	QRJ146J-4R7X	UNF C RESISTOR	4.7Ω 1/4W J						
R2312	QRE141J-222Y	C RESISTOR	2.2kΩ 1/4W J						
R2313	QRE141J-222Y	C RESISTOR	2.2kΩ 1/4W J						
△ R2501	QRZ9005-101X	F.RES. I.M	100Ω						
△ R2502	QRZ9005-101X	F.RES. I.M	100Ω						

## DVD loading board

Block No. [0][6][0][0]

△ Symbol No.	Part No.	Part Name	Description	Local
IC1	LB1641	IC	DC Motor driver	
IC2	LB1641	IC	DC Motor driver	
D1	MTZJ6.2A-T2	Z DIODE		
C1	QEKC1AM-107Z	E CAPACITOR	100uF 10V M	
C2	QCFB1HZ-104Y	C CAPACITOR	0.1uF 50V Z	
C3	QFLC1HJ-103Z	M CAPACITOR	0.01uF 50V J	
C5	QFLC1HJ-103Z	M CAPACITOR	0.01uF 50V J	
C6	QCFB1HZ-104Y	C CAPACITOR	0.1uF 50V Z	
C7	QCFB1HZ-104Y	C CAPACITOR	0.1uF 50V Z	
CN1	QGF1036F1-15	CONNECTOR	FFC/FPC (1-15)	
CN2	QGB1214J1-08S	CONNECTOR	B-B (1-8)	
CN3	QGB1214K1-08S	CONNECTOR	B-B (1-8)	
SW1	QSW0844-001	PUSH SWITCH		
SW2	QSW0844-001	PUSH SWITCH		
SW3	QSW0844-001	PUSH SWITCH		
SW4	QSW0844-001	PUSH SWITCH		
SW5	QSW0844-001	PUSH SWITCH		
SW6	QSW0854-002	PUSH SW		
SW7	QSW0886-002	DETECT SWITCH		
SW8	QSW0886-002	DETECT SWITCH		

## DVD servo board

Block No. [0][7][0][0]

△ Symbol No.	Part No.	Part Name	Description	Local
IC101	AN8703FH-V	IC	Frontend processor for DVD	
IC201	BA5983FM-X	IC	4-channel driver	
IC251	BA6664FM-X	IC	Motor driver	
IC301	MN103S26EDC-H	IC		
IC301	or MN103S26EGB-H	IC	Super optical disc controller	
IC403	MN101C28DMJ	IC		
IC404	BR93L46F-W-X	IC		
IC405	SST39VF160-M45	IC		
IC406	74LXC373MTC-X	IC(DIGITAL)	Octal D-type latch	
IC406	or 74LVC373APW-X	IC(DIGITAL)	Octal D-type transparent latch	
IC407	74LXC373MTC-X	IC(DIGITAL)	Octal D-type latch	
IC407	or 74LVC373APW-X	IC(DIGITAL)	Octal D-type transparent latch	
IC501	JCE8045	IC		
IC501	or NDV8601VWA-BE	IC	DVD on a chip processor	
IC505	K4S643232F-TC60	IC		
IC505	or HY57643220CT7	IC		
IC505	or HY57643220CT55	IC		
IC505	or K4S643232F-TC70	IC		
IC505	or W986432DH-7	IC	Bits SDRAM	
IC511	LM1117MP1.8-X	IC	Regulator	
Q101	KTA1001/Y/-X	TRANSISTOR		
Q101	or 2SB1424/R/-W	TRANSISTOR		
Q102	KTA1001/Y/-X	TRANSISTOR		
Q102	or 2SB1424/R/-W	TRANSISTOR		
Q103	DTA144EE-X	DIGI TRANSISTOR		
D101	RB521S-30-X	SB DIODE		
D301	RB521S-30-X	SB DIODE		
C105	NEA70JM-476X	E CAPACITOR	47uF 6.3V M	
C106	NEA70JM-476X	E CAPACITOR	47uF 6.3V M	
C109	NCB31CK-104X	C CAPACITOR	0.1uF 16V K	
C110	NCS31HJ-221X	C CAPACITOR	220pF 50V J	
C111	NCF31CZ-104X	C CAPACITOR	0.1uF 16V Z	
C112	NCF31CZ-104X	C CAPACITOR	0.1uF 16V Z	
C116	NCB31CK-104X	C CAPACITOR	0.1uF 16V K	

△ Symbol No.	Part No.	Part Name	Description	Local
C117	NCB31CK-473X	C CAPACITOR	0.047uF 16V K	
C118	NCB31CK-273X	C CAPACITOR	0.027uF 16V K	
C119	NCB31HK-561X	C CAPACITOR	560pF 50V K	
C120	NCB31HK-561X	C CAPACITOR	560pF 50V K	
C121	NCB31CK-104X	C CAPACITOR	0.1uF 16V K	
C122	NCS31HJ-120X	C CAPACITOR	12pF 50V J	
C123	NCF31CZ-104X	C CAPACITOR	0.1uF 16V Z	
C124	NCS31HJ-470X	C CAPACITOR	47pF 50V J	
C125	NCB31HK-271X	C CAPACITOR	270pF 50V K	
C126	NCF31CZ-104X	C CAPACITOR	0.1uF 16V Z	
C127	NCF31CZ-104X	C CAPACITOR	0.1uF 16V Z	
C128	NCF31CZ-104X	C CAPACITOR	0.1uF 16V Z	
C129	NCB31HK-472X	C CAPACITOR	4700pF 50V K	
C135	NEA70JM-476X	E CAPACITOR	47uF 6.3V M	
C137	NEA70GM-476X	E CAPACITOR	47uF 4V M	
C138	NCF31CZ-104X	C CAPACITOR	0.1uF 16V Z	
C141	NCF31CZ-104X	C CAPACITOR	0.1uF 16V Z	
C142	NCF31CZ-104X	C CAPACITOR	0.1uF 16V Z	
C144	NCB31CK-103X	C CAPACITOR	0.01uF 16V K	
C204	NCF31CZ-104X	C CAPACITOR	0.1uF 16V Z	
C205	NCS31HJ-121X	C CAPACITOR	120pF 50V J	
C207	NCB31HK-391X	C CAPACITOR	390pF 50V K	
C208	NCB31HK-391X	C CAPACITOR	390pF 50V K	
C211	NCB31HK-223X	C CAPACITOR	0.022uF 50V K	
C212	NCB31CK-103X	C CAPACITOR	0.01uF 16V K	
C217	NCF31CZ-104X	C CAPACITOR	0.1uF 16V Z	
C251	NCF31CZ-104X	C CAPACITOR	0.1uF 16V Z	
C253	NCF31CZ-104X	C CAPACITOR	0.1uF 16V Z	
C255	NCB31CK-153X	C CAPACITOR	0.015uF 16V K	
C256	NCB31CK-104X	C CAPACITOR	0.1uF 16V K	
C257	NCF31CZ-104X	C CAPACITOR	0.1uF 16V Z	
C258	NCF31CZ-104X	C CAPACITOR	0.1uF 16V Z	
C259	NCF31CZ-104X	C CAPACITOR	0.1uF 16V Z	
C260	NCF31CZ-104X	C CAPACITOR	0.1uF 16V Z	
C261	NCF31CZ-104X	C CAPACITOR	0.1uF 16V Z	
C262	NCF31CZ-104X	C CAPACITOR	0.1uF 16V Z	
C263	NCF31CZ-104X	C CAPACITOR	0.1uF 16V Z	
C264	NCB31CK-103X	C CAPACITOR	0.01uF 16V K	
C301	NCF31CZ-104X	C CAPACITOR	0.1uF 16V Z	
C302	NCF31CZ-104X	C CAPACITOR	0.1uF 16V Z	
C303	NCF31CZ-104X	C CAPACITOR	0.1uF 16V Z	
C304	NEA70GM-476X	E CAPACITOR	47uF 4V M	
C306	NEA70GM-476X	E CAPACITOR	47uF 4V M	
C308	NEA70GM-476X	E CAPACITOR	47uF 4V M	
C310	NCF31CZ-104X	C CAPACITOR	0.1uF 16V Z	
C311	NCB31HK-561X	C CAPACITOR	560pF 50V K	
C312	NCB31HK-561X	C CAPACITOR	560pF 50V K	
C313	NCB31HK-561X	C CAPACITOR	560pF 50V K	
C314	NCB31HK-331X	C CAPACITOR	330pF 50V K	
C315	NCB31HK-471X	C CAPACITOR	470pF 50V K	
C316	NCB31HK-271X	C CAPACITOR	270pF 50V K	
C317	NCS31HJ-121X	C CAPACITOR	120pF 50V J	
C318	NCF31CZ-104X	C CAPACITOR	0.1uF 16V Z	
C319	NCB31HK-102X	C CAPACITOR	1000pF 50V K	
C320	NCB31HK-102X	C CAPACITOR	1000pF 50V K	
C321	NCB31HK-102X	C CAPACITOR	1000pF 50V K	
C322	NCB31HK-562X	C CAPACITOR	5600pF 50V K	
C323	NCB31HK-102X	C CAPACITOR	1000pF 50V K	
C324	NCF31CZ-104X	C CAPACITOR	0.1uF 16V Z	
C325	NCS31HJ-470X	C CAPACITOR	47pF 50V J	
C326	NCB31CK-183X	C CAPACITOR	0.018uF 16V K	
C327	NCB31HK-102X	C CAPACITOR	1000pF 50V K	
C328	NCF31CZ-104X	C CAPACITOR	0.1uF 16V Z	
C329	NCB31CK-103X	C CAPACITOR	0.01uF 16V K	
C330	NCB31CK-104X	C CAPACITOR	0.1uF 16V K	
C331	NCB31CK-103X	C CAPACITOR	0.01uF 16V K	
C332	NCF31CZ-104X	C CAPACITOR	0.1uF 16V Z	
C333	NCB31CK-104X	C CAPACITOR	0.1uF 16V K	
C334	NCB31CK-104X	C CAPACITOR	0.1uF 16V K	
C337	NCF31CZ-104X	C CAPACITOR	0.1uF 16V Z	
C338	NCF31CZ-104X	C CAPACITOR	0.1uF 16V Z	
C339	NCB31CK-104X	C CAPACITOR	0.1uF 16V K	
C340	NCB31CK-104X	C CAPACITOR	0.1uF 16V K	
C341	NCF31CZ-104X	C CAPACITOR	0.1uF 16V Z	
C342	NCB31HK-471X	C CAPACITOR	470pF 50V K	
C343	NCF31CZ-104X	C CAPACITOR	0.1uF 16V Z	
C344	NCB31HK-471X	C CAPACITOR	470pF 50V K	
C345	NCF31CZ-104X	C CAPACITOR	0.1uF 16V Z	

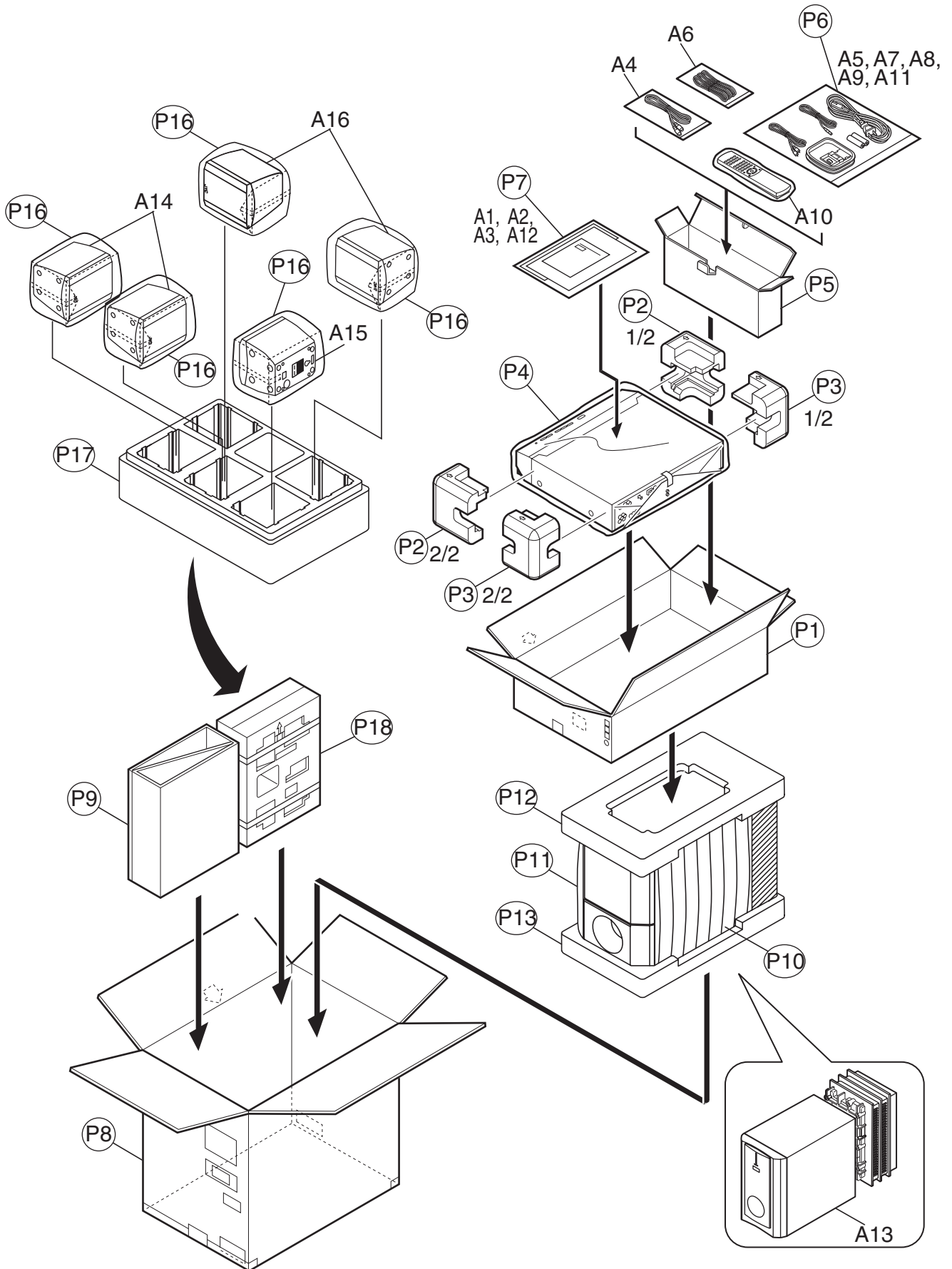
△ Symbol No.	Part No.	Part Name	Description	Local	△ Symbol No.	Part No.	Part Name	Description	Local
C346	NCF31CZ-104X	C CAPACITOR	0.1uF 16V Z						
C347	NCF31CZ-104X	C CAPACITOR	0.1uF 16V Z		R101	NRSA63J-333X	MG RESISTOR	33kΩ 1/16W J	
C348	NCB31CK-104X	C CAPACITOR	0.1uF 16V K		R102	NRSA63J-223X	MG RESISTOR	22kΩ 1/16W J	
C349	NCF31CZ-104X	C CAPACITOR	0.1uF 16V Z		R103	NRSA63J-223X	MG RESISTOR	22kΩ 1/16W J	
C350	NCF31CZ-104X	C CAPACITOR	0.1uF 16V Z		R104	NRS125J-270X	MG RESISTOR	27Ω 1/2W J	
C351	NCB31HK-471X	C CAPACITOR	470pF 50V K		R105	NRS125J-270X	MG RESISTOR	27Ω 1/2W J	
C360	NEA70GM-476X	E CAPACITOR	47uF 4V M		R106	NRSA63J-273X	MG RESISTOR	27kΩ 1/16W J	
C410	NCF31CZ-104X	C CAPACITOR	0.1uF 16V Z		R107	NRSA63J-273X	MG RESISTOR	27kΩ 1/16W J	
C411	NCB31CK-104X	C CAPACITOR	0.1uF 16V K		R108	NRSA63J-222X	MG RESISTOR	2.2kΩ 1/16W J	
C412	NCF31CZ-104X	C CAPACITOR	0.1uF 16V Z		R109	NRSA63J-182X	MG RESISTOR	1.8kΩ 1/16W J	
C413	NCF31CZ-104X	C CAPACITOR	0.1uF 16V Z		R110	NRSA63J-333X	MG RESISTOR	33kΩ 1/16W J	
C414	NCF31CZ-104X	C CAPACITOR	0.1uF 16V Z		R111	NRVA63D-243X	CMF RESISTOR	24kΩ 1/16W D	
C415	NCF31CZ-104X	C CAPACITOR	0.1uF 16V Z		R112	NRSA63J-822X	MG RESISTOR	8.2kΩ 1/16W J	
C416	NCF31CZ-104X	C CAPACITOR	0.1uF 16V Z		R113	NRSA63J-103X	MG RESISTOR	10kΩ 1/16W J	
C417	NCF31CZ-104X	C CAPACITOR	0.1uF 16V Z		R115	NRSA63J-0R0X	MG RESISTOR	0Ω 1/16W J	
C419	NCF31CZ-104X	C CAPACITOR	0.1uF 16V Z		R116	NRSA63J-101X	MG RESISTOR	100Ω 1/16W J	
C421	NCF31CZ-104X	C CAPACITOR	0.1uF 16V Z		R117	NRSA63J-101X	MG RESISTOR	100Ω 1/16W J	
C422	NCF31CZ-104X	C CAPACITOR	0.1uF 16V Z		R119	NRSA63J-2R2X	MG RESISTOR	2.2Ω 1/16W J	
C423	NCF31CZ-104X	C CAPACITOR	0.1uF 16V Z		R120	NRSA63J-2R2X	MG RESISTOR	2.2Ω 1/16W J	
C424	NCB31CK-103X	C CAPACITOR	0.01uF 16V K		R125	NRSA63J-105X	MG RESISTOR	1MΩ 1/16W J	
C432	NCB31CK-223X	C CAPACITOR	0.022uF 16V K		R126	NRSA63J-105X	MG RESISTOR	1MΩ 1/16W J	
C440	NCB31CK-223X	C CAPACITOR	0.022uF 16V K		R127	NRSA63J-222X	MG RESISTOR	2.2kΩ 1/16W J	
C501	NCF31CZ-104X	C CAPACITOR	0.1uF 16V Z		R128	NRS125J-1R0X	MG RESISTOR	1Ω 1/2W J	
C506	NDC31HJ-150X	C CAPACITOR	15pF 50V J		R129	NRS125J-1R0X	MG RESISTOR	1Ω 1/2W J	
C507	NDC31HJ-180X	C CAPACITOR	18pF 50V J		R130	NRSA63J-182X	MG RESISTOR	1.8kΩ 1/16W J	
C510	NCB31HK-471X	C CAPACITOR	470pF 50V K		R201	NRSA63J-470X	MG RESISTOR	47Ω 1/16W J	
C512	NCF31CZ-104X	C CAPACITOR	0.1uF 16V Z		R202	NRS125J-1R0X	MG RESISTOR	1Ω 1/2W J	
C513	NCB31HK-471X	C CAPACITOR	470pF 50V K		R204	NRSA63J-273X	MG RESISTOR	27kΩ 1/16W J	
C514	NCB31HK-471X	C CAPACITOR	470pF 50V K		R205	NRSA63J-273X	MG RESISTOR	27kΩ 1/16W J	
C515	NCB31HK-471X	C CAPACITOR	470pF 50V K		R206	NRSA63J-303X	MG RESISTOR	30kΩ 1/16W J	
C516	NCB31HK-471X	C CAPACITOR	470pF 50V K		R207	NRSA63J-473X	MG RESISTOR	47kΩ 1/16W J	
C517	NCF31CZ-104X	C CAPACITOR	0.1uF 16V Z		R208	NRSA63J-223X	MG RESISTOR	22kΩ 1/16W J	
C518	NCF31CZ-104X	C CAPACITOR	0.1uF 16V Z		R209	NRSA63J-223X	MG RESISTOR	22kΩ 1/16W J	
C519	NCF31CZ-104X	C CAPACITOR	0.1uF 16V Z		R213	NRSA63J-103X	MG RESISTOR	10kΩ 1/16W J	
C520	NCB31HK-471X	C CAPACITOR	470pF 50V K		R214	NRSA63J-103X	MG RESISTOR	10kΩ 1/16W J	
C521	NCF31CZ-104X	C CAPACITOR	0.1uF 16V Z		R215	NRSA63J-103X	MG RESISTOR	10kΩ 1/16W J	
C522	NCB31HK-471X	C CAPACITOR	470pF 50V K		R219	NRSA63J-183X	MG RESISTOR	18kΩ 1/16W J	
C523	NCF31CZ-104X	C CAPACITOR	0.1uF 16V Z		R220	NRSA63J-243X	MG RESISTOR	24kΩ 1/16W J	
C524	NEA70GM-476X	E CAPACITOR	47uF 4V M		R221	NRSA63J-682X	MG RESISTOR	6.8kΩ 1/16W J	
C525	NCB31HK-471X	C CAPACITOR	470pF 50V K		R230	NRSA63J-332X	MG RESISTOR	3.3kΩ 1/16W J	
C527	NEA70GM-476X	E CAPACITOR	47uF 4V M		R251	NRS125J-R47X	MG RESISTOR	0.47Ω 1/2W J	
C528	NCB31HK-471X	C CAPACITOR	470pF 50V K		R252	NRSA63J-2R2X	MG RESISTOR	2.2Ω 1/16W J	
C529	NCB31HK-471X	C CAPACITOR	470pF 50V K		R254	NRSA63J-203X	MG RESISTOR	20kΩ 1/16W J	
C530	NCB31HK-471X	C CAPACITOR	470pF 50V K		R255	NRSA63J-103X	MG RESISTOR	10kΩ 1/16W J	
C531	NCF31CZ-104X	C CAPACITOR	0.1uF 16V Z		R256	NRSA63J-470X	MG RESISTOR	47Ω 1/16W J	
C532	NCF31CZ-104X	C CAPACITOR	0.1uF 16V Z		R259	NRSA63J-103X	MG RESISTOR	10kΩ 1/16W J	
C533	NCF31CZ-104X	C CAPACITOR	0.1uF 16V Z		R280	NRSA63J-332X	MG RESISTOR	3.3kΩ 1/16W J	
C534	NCF31CZ-104X	C CAPACITOR	0.1uF 16V Z		R301	NRSA63J-473X	MG RESISTOR	47kΩ 1/16W J	
C535	NCB31HK-471X	C CAPACITOR	470pF 50V K		R302	NRSA63J-473X	MG RESISTOR	47kΩ 1/16W J	
C536	NCB31HK-471X	C CAPACITOR	470pF 50V K		R303	NRSA63J-473X	MG RESISTOR	47kΩ 1/16W J	
C537	NCB31HK-471X	C CAPACITOR	470pF 50V K		R304	NRSA63J-473X	MG RESISTOR	47kΩ 1/16W J	
C538	NCB31HK-471X	C CAPACITOR	470pF 50V K		R305	NRSA63J-473X	MG RESISTOR	47kΩ 1/16W J	
C539	NCB31HK-471X	C CAPACITOR	470pF 50V K		R306	NRSA63J-473X	MG RESISTOR	47kΩ 1/16W J	
C540	NCF31CZ-104X	C CAPACITOR	0.1uF 16V Z		R307	NRSA63J-473X	MG RESISTOR	47kΩ 1/16W J	
C541	NCF31CZ-104X	C CAPACITOR	0.1uF 16V Z		R308	NRSA63J-0R0X	MG RESISTOR	0Ω 1/16W J	
C542	NCB31CK-104X	C CAPACITOR	0.1uF 16V K		R309	NRSA63J-473X	MG RESISTOR	47kΩ 1/16W J	
C543	NCF31CZ-104X	C CAPACITOR	0.1uF 16V Z		R313	NRSA63J-473X	MG RESISTOR	47kΩ 1/16W J	
C544	NCF31CZ-104X	C CAPACITOR	0.1uF 16V Z		R317	NRSA63J-473X	MG RESISTOR	47kΩ 1/16W J	
C545	NCF31CZ-104X	C CAPACITOR	0.1uF 16V Z		R320	NRSA63J-105X	MG RESISTOR	1MΩ 1/16W J	
C546	NCB31HK-471X	C CAPACITOR	470pF 50V K		R321	NRSA63J-473X	MG RESISTOR	47kΩ 1/16W J	
C547	NCB31HK-471X	C CAPACITOR	470pF 50V K		R323	NRSA63J-473X	MG RESISTOR	47kΩ 1/16W J	
C548	NCF31CZ-104X	C CAPACITOR	0.1uF 16V Z		R324	NRSA63J-473X	MG RESISTOR	47kΩ 1/16W J	
C549	NEA70GM-476X	E CAPACITOR	47uF 4V M		R325	NRSA63J-123X	MG RESISTOR	12kΩ 1/16W J	
C550	NCF31CZ-104X	C CAPACITOR	0.1uF 16V Z		R326	NRSA63J-473X	MG RESISTOR	47kΩ 1/16W J	
C551	NCB31HK-471X	C CAPACITOR	470pF 50V K		R327	NRSA63J-105X	MG RESISTOR	1MΩ 1/16W J	
C557	NCF31CZ-104X	C CAPACITOR	0.1uF 16V Z		R328	NRSA63J-153X	MG RESISTOR	15kΩ 1/16W J	
C558	NCF31CZ-104X	C CAPACITOR	0.1uF 16V Z		R329	NRSA63J-473X	MG RESISTOR	47kΩ 1/16W J	
C559	NCB31HK-471X	C CAPACITOR	470pF 50V K		R330	NRSA63J-473X	MG RESISTOR	47kΩ 1/16W J	
C560	NCB31HK-471X	C CAPACITOR	470pF 50V K		R331	NRSA63J-473X	MG RESISTOR	47kΩ 1/16W J	
C561	NCB31HK-471X	C CAPACITOR	470pF 50V K		R332	NRSA63J-102X	MG RESISTOR	1kΩ 1/16W J	
C562	NCF31CZ-104X	C CAPACITOR	0.1uF 16V Z		R333	NRSA63J-183X	MG RESISTOR	18kΩ 1/16W J	
C563	NCB31HK-471X	C CAPACITOR	470pF 50V K		R334	NRSA63J-102X	MG RESISTOR	1kΩ 1/16W J	
C565	NEA70GM-476X	E CAPACITOR	47uF 4V M		R336	NRSA63J-273X	MG RESISTOR	27kΩ 1/16W J	
C571	NEA70GM-476X	E CAPACITOR	47uF 4V M		R337	NRSA63J-273X	MG RESISTOR	27kΩ 1/16W J	
C572	NCF31CZ-104X	C CAPACITOR	0.1uF 16V Z		R338	NRSA63J-472X	MG RESISTOR	4.7kΩ 1/16W J	
C573	NEA70GM-476X	E CAPACITOR	47uF 4V M		R339	NRSA63J-472X	MG RESISTOR	4.7kΩ 1/16W J	
C578	NCF31CZ-104X	C CAPACITOR	0.1uF 16V Z		R340	NRSA63J-103X	MG RESISTOR	10kΩ 1/16W J	
C581	NEA70GM-227X	E CAPACITOR	220uF 4V M		R341	NRSA63J-562X	MG RESISTOR	5.6kΩ 1/16W J	

Symbol No.	Part No.	Part Name	Description	Local
R342	NRSA63J-0R0X	MG RESISTOR	0Ω 1/16W J	
R343	NRSA63J-103X	MG RESISTOR	10kΩ 1/16W J	
R344	NRSA63J-103X	MG RESISTOR	10kΩ 1/16W J	
R345	NRSA63J-681X	MG RESISTOR	680Ω 1/16W J	
R409	NRSA63J-0R0X	MG RESISTOR	0Ω 1/16W J	
R413	NRSA63J-103X	MG RESISTOR	10kΩ 1/16W J	
R414	NRSA63J-103X	MG RESISTOR	10kΩ 1/16W J	
R415	NRSA63J-103X	MG RESISTOR	10kΩ 1/16W J	
R416	NRSA63J-103X	MG RESISTOR	10kΩ 1/16W J	
R501	NRSA63J-470X	MG RESISTOR	47Ω 1/16W J	
R513	NRSA63J-0R0X	MG RESISTOR	0Ω 1/16W J	
R514	NRSA63J-220X	MG RESISTOR	22Ω 1/16W J	
R550	NRSA63J-471X	MG RESISTOR	470Ω 1/16W J	
R565	NRSA63J-103X	MG RESISTOR	10kΩ 1/16W J	
R566	NRVA63D-122X	CMF RESISTOR	1.2kΩ 1/16W D	
R567	NRSA63J-102X	MG RESISTOR	1kΩ 1/16W J	
R568	NRSA63J-102X	MG RESISTOR	1kΩ 1/16W J	
R569	NRSA63J-102X	MG RESISTOR	1kΩ 1/16W J	
R570	NRSA63J-100X	MG RESISTOR	10Ω 1/16W J	
R572	NRSA63J-102X	MG RESISTOR	1kΩ 1/16W J	
R573	NRSA63J-162X	MG RESISTOR	1.6kΩ 1/16W J	
R574	NRSA63J-162X	MG RESISTOR	1.6kΩ 1/16W J	
R575	NRSA63J-151X	MG RESISTOR	150Ω 1/16W J	
R576	NRSA63J-151X	MG RESISTOR	150Ω 1/16W J	
R578	NRSA63J-151X	MG RESISTOR	150Ω 1/16W J	
R583	NRSA63J-101X	MG RESISTOR	100Ω 1/16W J	
R584	NRSA63J-332X	MG RESISTOR	3.3kΩ 1/16W J	
R589	NRSA63J-0R0X	MG RESISTOR	0Ω 1/16W J	
L501	NQL044K-100X	COIL	10uH K	
CN101	QGF0501F2-24X	CONNECTOR	FFC/FPC (1-24)	
CN103	QGF1037F1-15W	CONNECTOR	FFC/FPC (1-15)	
CN104	QGA2001F2-02X	CONNECTOR	W-B (1-2)	
CN105	QGA2001F2-03X	CONNECTOR	W-B (1-3)	
CN201	QGF1037F1-15W	CONNECTOR	FFC/FPC (1-15)	
CN501	QGF1016C2-07W	CONNECTOR	FFC/FPC (1-7)	
CN502	QGF1016C2-23W	CONNECTOR	FFC/FPC (1-23)	
K101	NQR0007-002X	FERRITE BEADS		
K501	NQR0007-002X	FERRITE BEADS		
K508	NQR0007-002X	FERRITE BEADS		
K509	NQR0007-002X	FERRITE BEADS		
K556	NQR0129-002X	FERRITE BEADS		
K557	NQR0129-002X	FERRITE BEADS		
K558	NQR0129-002X	FERRITE BEADS		
K559	NQR0129-002X	FERRITE BEADS		
K560	NQR0007-002X	FERRITE BEADS		
X301	NAX0566-001X	C RESONATOR	16.934MHz	
X401	NAX0248-001X	C OSCILLATOR		
X571	NAX0550-001X	CRYSTAL	27.000MHz	

< MEMO >

# Packing materials and accessories parts list

Block No. M 3 M M





# Packing and accessories

Block No. [M][3][M][M]

△ Symbol No.	Part No.	Part Name	Description	Local
A 1	LVT1024-018A	INST BOOK	ENG,FRE	THM42C
A 1	LVT1024-017A	INST BOOK	ENG	THM42J
A 2	YU20333	SAFETY INST.		
A 3	BT-51034-1	J=REGIST CARD		THM42J
A 4	QAM0381-001	SYSTEM CABLE		
A 5	QAM0236-001	VIDEO CABLE		
A 6	LV43454-001A	SPK CORD ASSY		
A 7	QMPE090-183-JD	POWER CORD(US/CA)	1.83m BLACK	
A 8	QAL0457-001	ANT.WIRE		
A 9	QAL0014-001	AM LOOP ANT		
A 10	RM-STHM45J	REMOCON UNIT		
A 11	-----	BATTERY	(x2)	
A 12	BT-52006-2	WARRANTY CARD		THM42C
A 13	SPPWM45E-SPBOX	SPEAKER BOX		
A 14	SPTHM45FJ-SPBOX	SPEAKER BOX	(x2)	
A 15	SPTHM45CJ-SPBOX	SPEAKER BOX		
A 16	SPTHM45SJ-SPBOX	SPEAKER BOX	(x2)	
P 1	LV21542-001A	CARTON BOX		
P 2	LV21452-001A	CUSHION FRONT		
P 3	LV21453-001A	CUSHION REAR		
P 4	QPC06006015P	ENVELOPE	60cm x 60cm	
P 5	LV34231-002A	ACCESSORY BOX		
P 6	QPA02503503P	POLY BAG	25cm x 35cm	
P 7	QPA02503505P	POLY BAG	25cm x 35cm	
P 8	8300048701	MASTER CATON		
P 9	LV34232-001A	CARTON SPACER		
P 10	85-000-518-01	MIRROR MAT		
P 11	85-000-519-01	POLY BAG		
P 12	80-000-525-01	CUSHION(TOP)		
P 13	80-000-525-11	CUSHION(BTM)		
P 16	85-000-481-51	POLY BAG	(x5)	
P 17	80-000-514-01	CUSHION		
P 18	80-000-515-01	CUSHION		