

JVC

SCHEMATIC DIAGRAMS

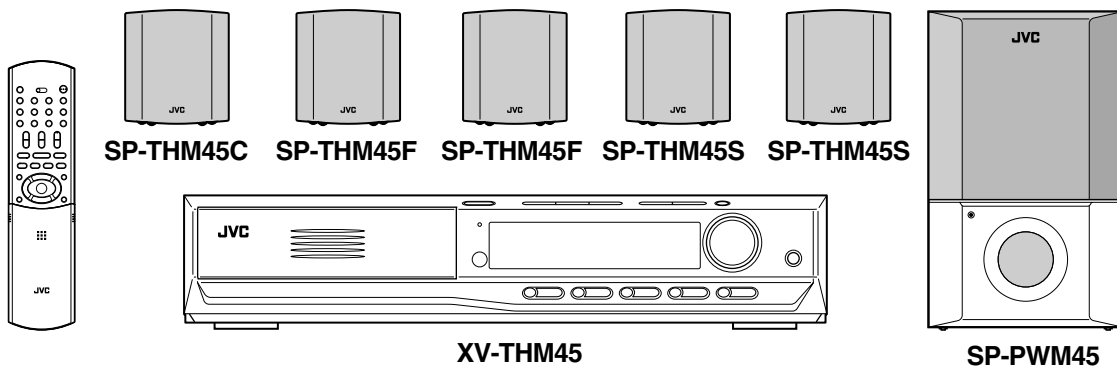
DVD DIGITAL CINEMA SYSTEM

TH-M45

CD-ROM No.SML200311

Area suffix

B ----- U.K.
E ----- Continental Europe
EN ----- Northern Europe



Contents

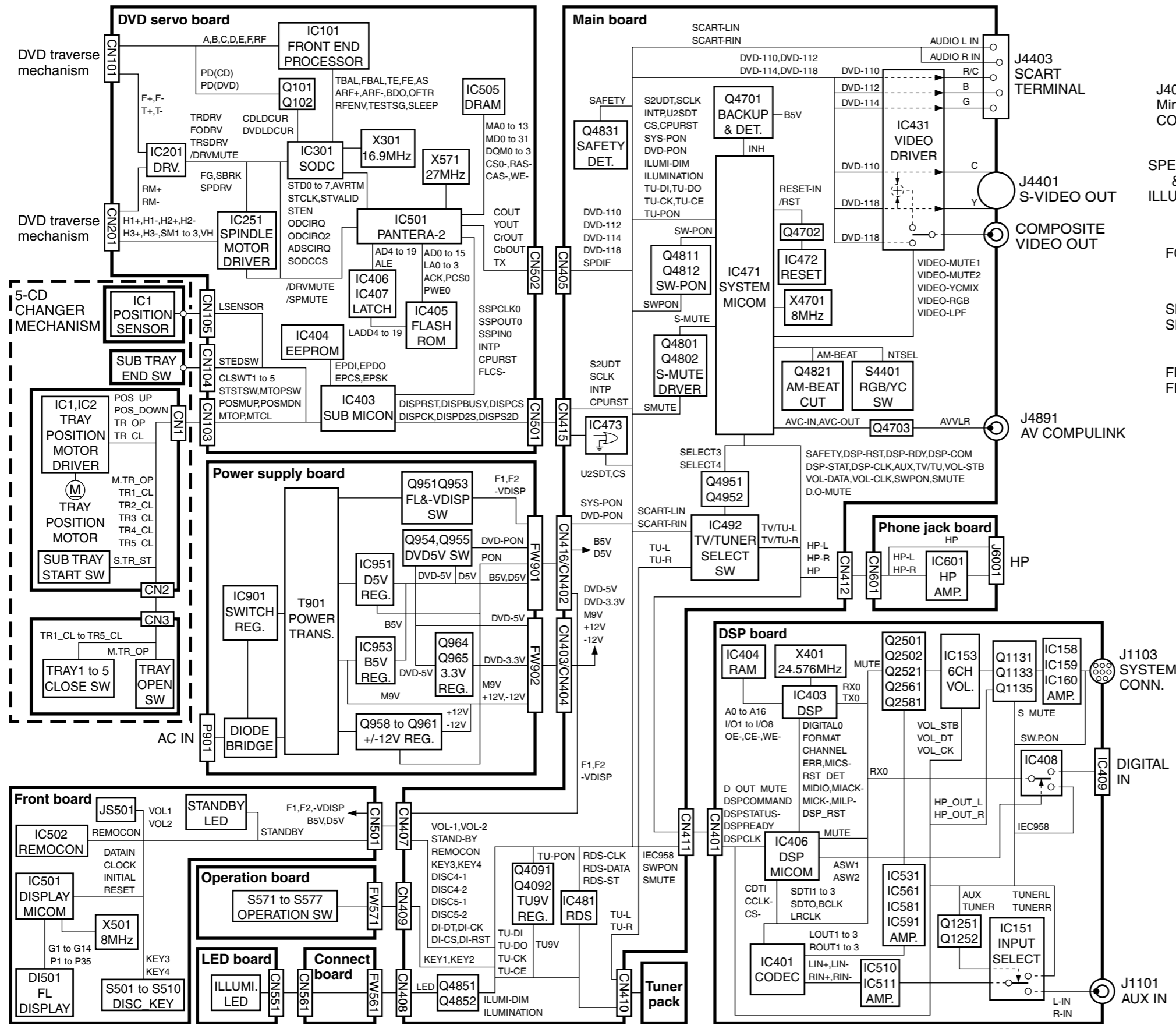
Block diagrams	2-1
Standard schematic diagrams	2-2
Printed circuit boards	2-14 to 19

In regard with component parts appearing on the silk-screen printed side (parts side) of the PWB diagrams, the parts that are printed over with black such as the resistor (■), diode (⬤) and ICP (●) or identified by the "△" mark nearby are critical for safety.

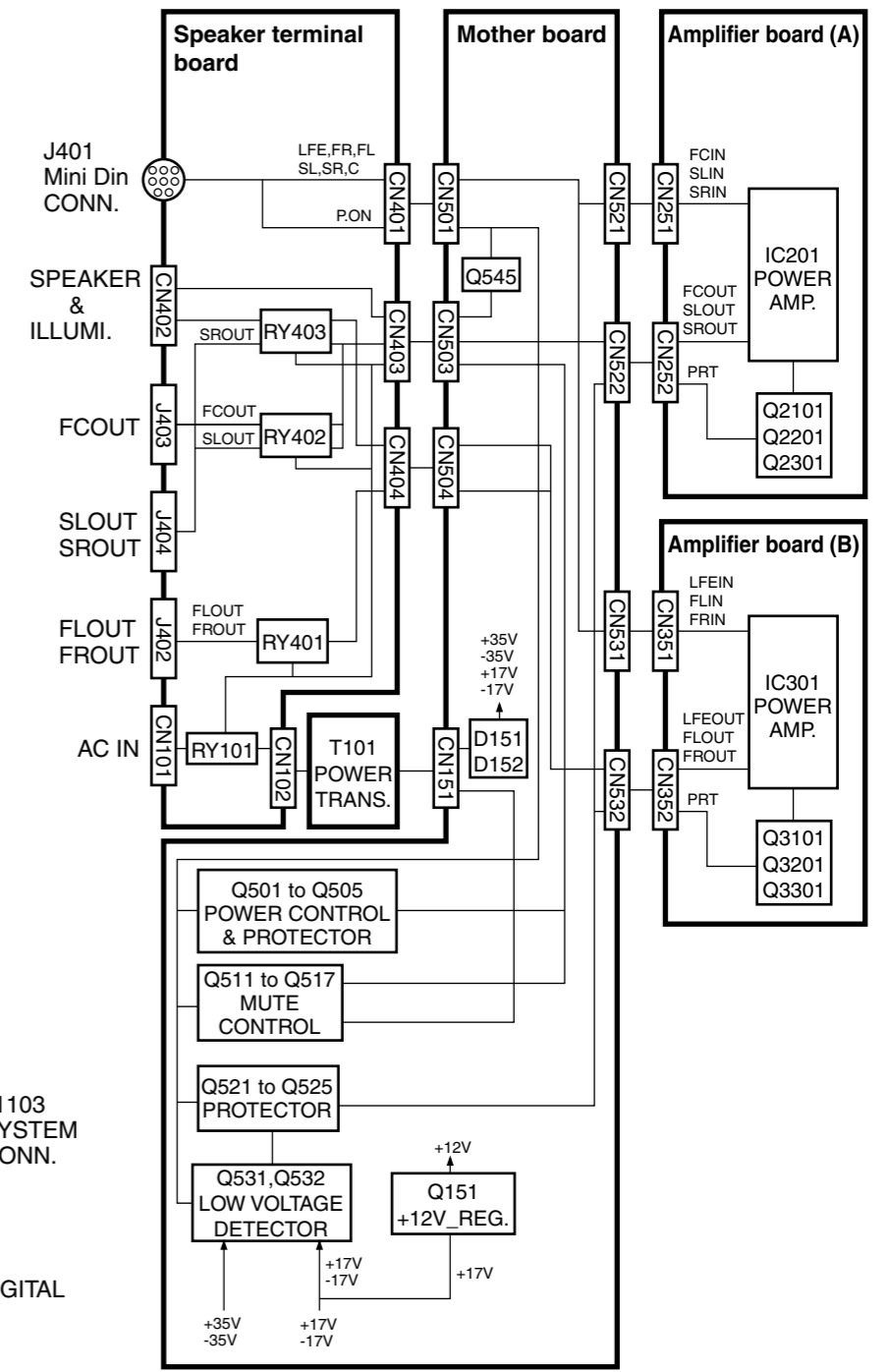
(This regulation does not correspond to J and C version.)

Block diagrams

<Main body section>



<Subwoofer section>



System control section

TO CN401 OF LVA10309-A1
(SHEET 5/10)

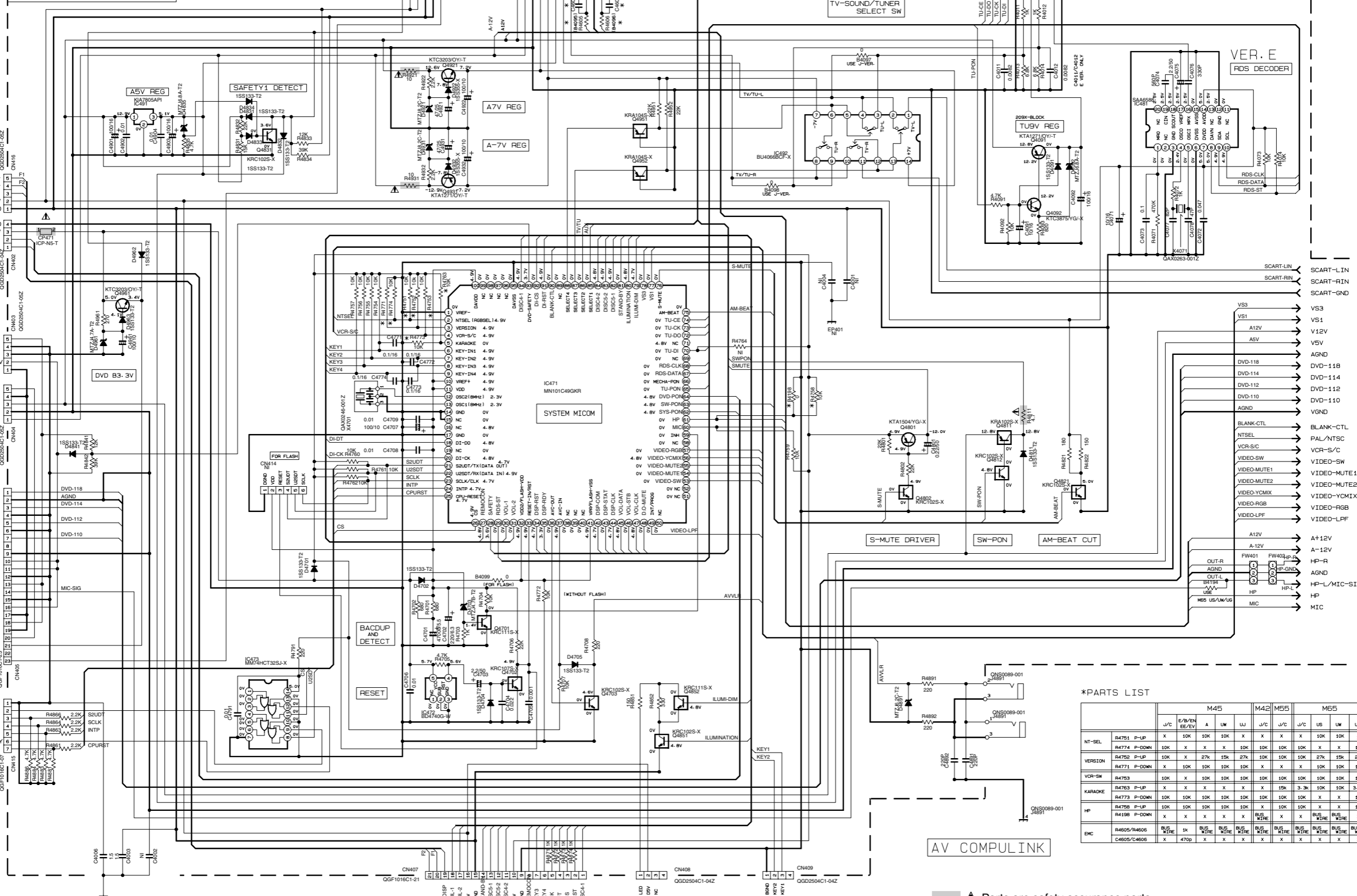
TO FW901 OF LVA10424-A2
(SHEET 1/10)

TO FW902 OF LVA10424-A2
(SHEET 1/10)

TO CN502 OF LEA10077
(SHEET 9/10)

TO CN501 OF LEA10077
(SHEET 9/10)

LVA10424-A1 (1/2)



*PARTS LIST

	QTY	M45				M42		M55		M65			
		J/C	E/B/EN	EE/EN	A	UW	UJ	J/C	J/C	J/C	US	UW	UJ
NT-SEL	R4751 P-UP	X	10K	10K	10K	X	X	X	X	10K	10K	X	10K
	R4774 P-DOWN	10K	X	X	X	10K	10K	10K	10K	X	X	10K	X
VERSION	R4752 P-UP	10K	X	27K	15K	27K	10K	10K	10K	27K	15K	27K	27K
	R4771 P-DOWN	X	10K	10K	10K	10K	X	X	X	10K	10K	X	10K
VCR-SW	R4753	10K	X	10K	10K	10K	10K	10K	10K	10K	10K	10K	10K
KARAOKE	R4763 P-UP	X	X	X	X	X	X	15K	3.3K	10K	10K	3.3K	10K
	R4773 P-DOWN	10K	10K	10K	10K	10K	10K	10K	10K	X	X	10K	X
HP	R4756 P-UP	10K	10K	10K	10K	10K	X	10K	10K	X	X	10K	X
	R4198 P-DOWN	X	X	X	X	X	X	X	X	BUS WIRE	BUS WIRE	BUS WIRE	BUS WIRE
EMC	R4605/R4606	BUS WIRE	1K	BUS WIRE	BUS WIRE	BUS WIRE	BUS WIRE	BUS WIRE	BUS WIRE	BUS WIRE	BUS WIRE	BUS WIRE	BUS WIRE
	C4605/C4606	X	470p	X	X	X	X	X	X	X	X	X	X

Parts are safety assurance parts. When replacing those parts make sure to use the specified one.

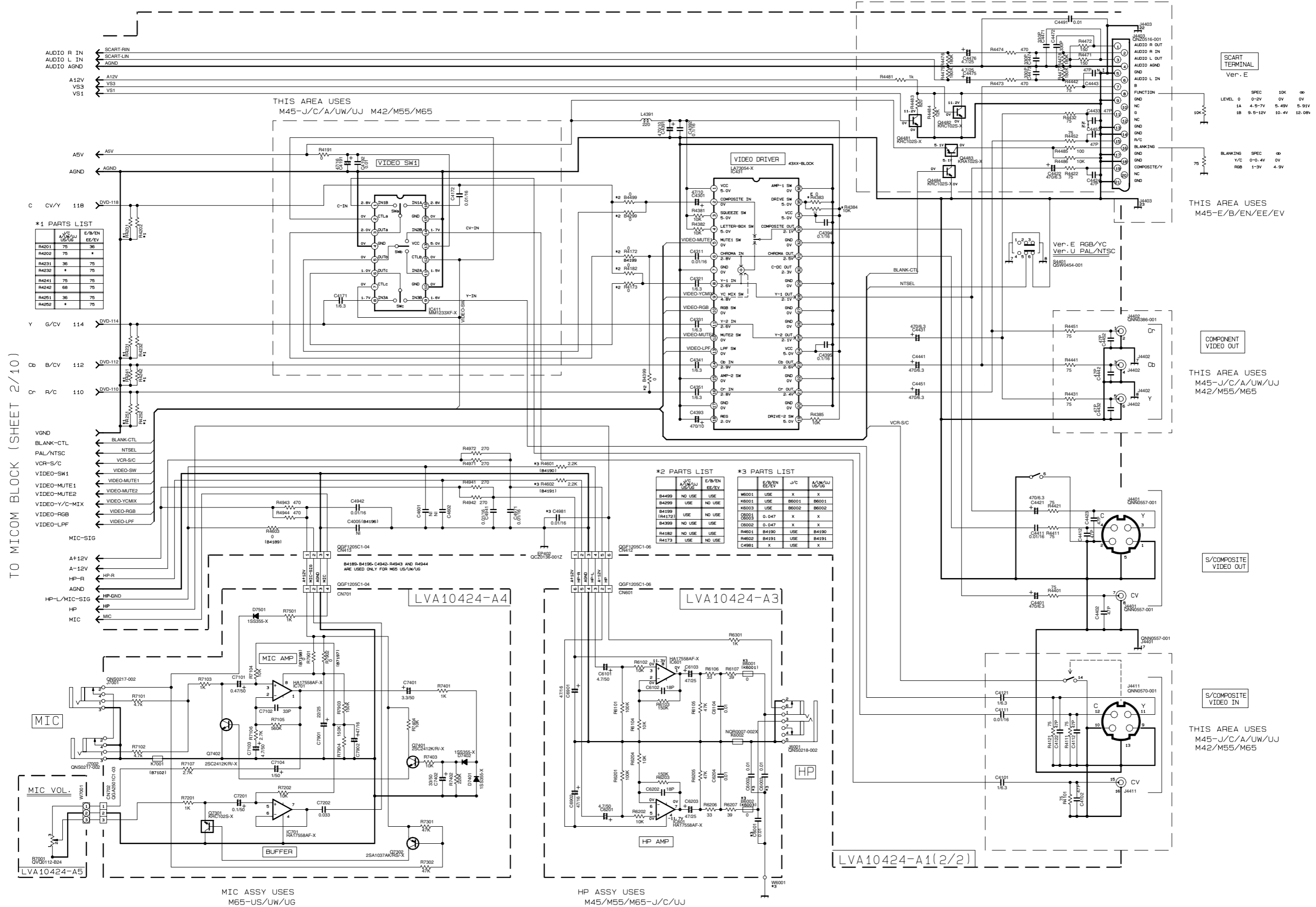
TO CN501 OF LVA10425-A1
(SHEET 4/10)

TO FW561 OF LVA10425-A3
(SHEET 4/10)

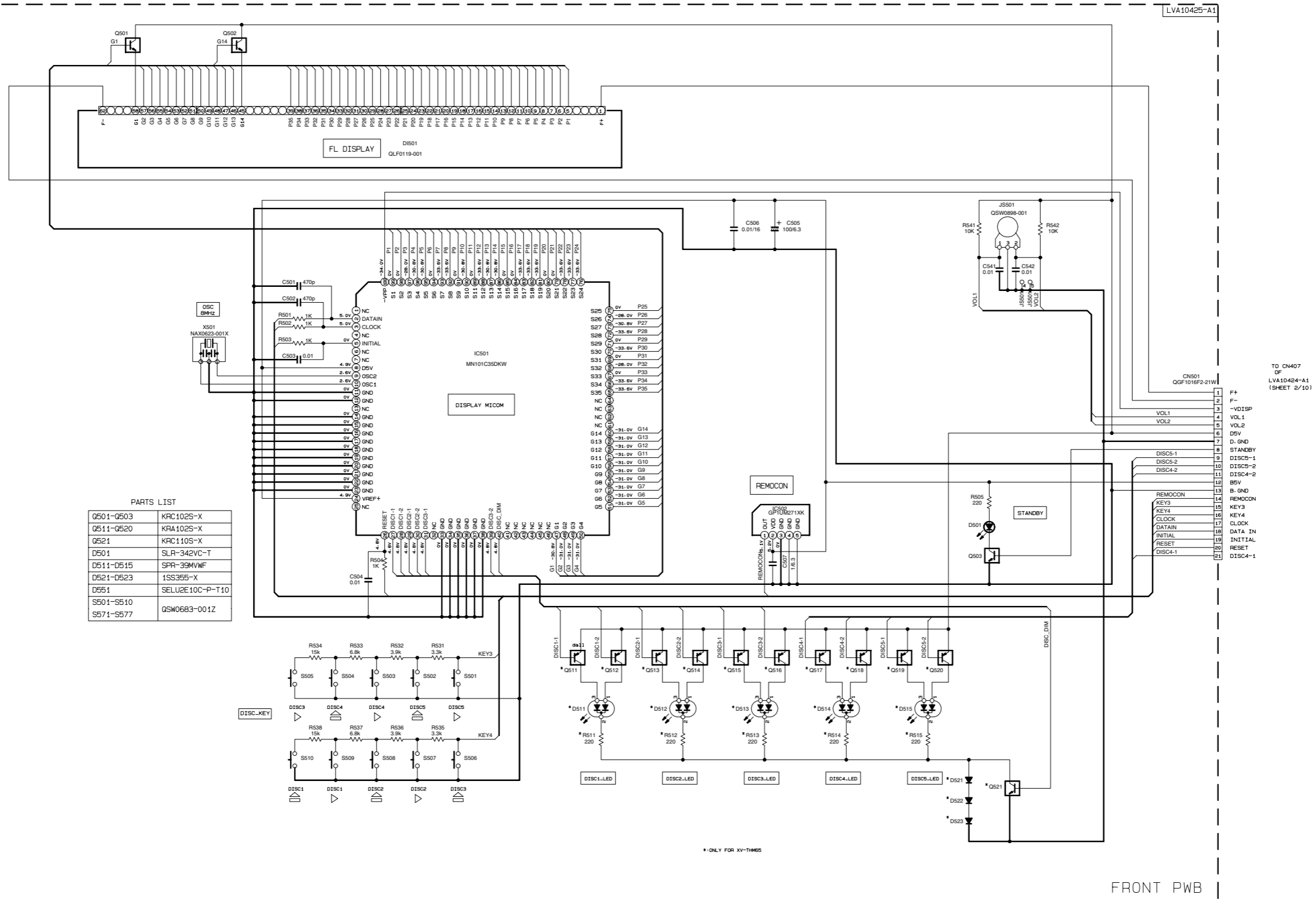
TO FW571 OF LVA10425-A5
(SHEET 4/10)

TO VIDEO BLOCK (SHEET 3/10)

Video input / output section



FL display section

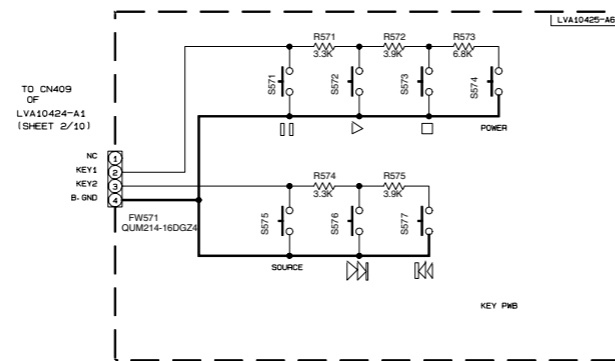
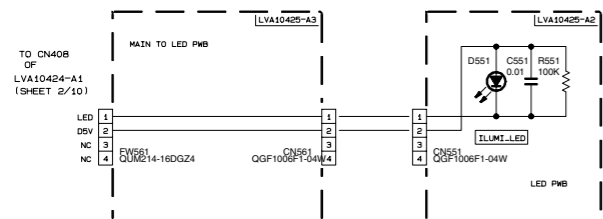


PARTS LIST

Q501-Q503	KRC102S-X
Q511-Q520	KRA102S-X
Q521	KRC110S-X
D501	SLR-342VC-T
D511-D515	SPR-39MWWF
D521-D523	1SS355-X
D551	SELU2E10C-P-T10
S501-S510	
S571-S577	QSW06B3-001Z

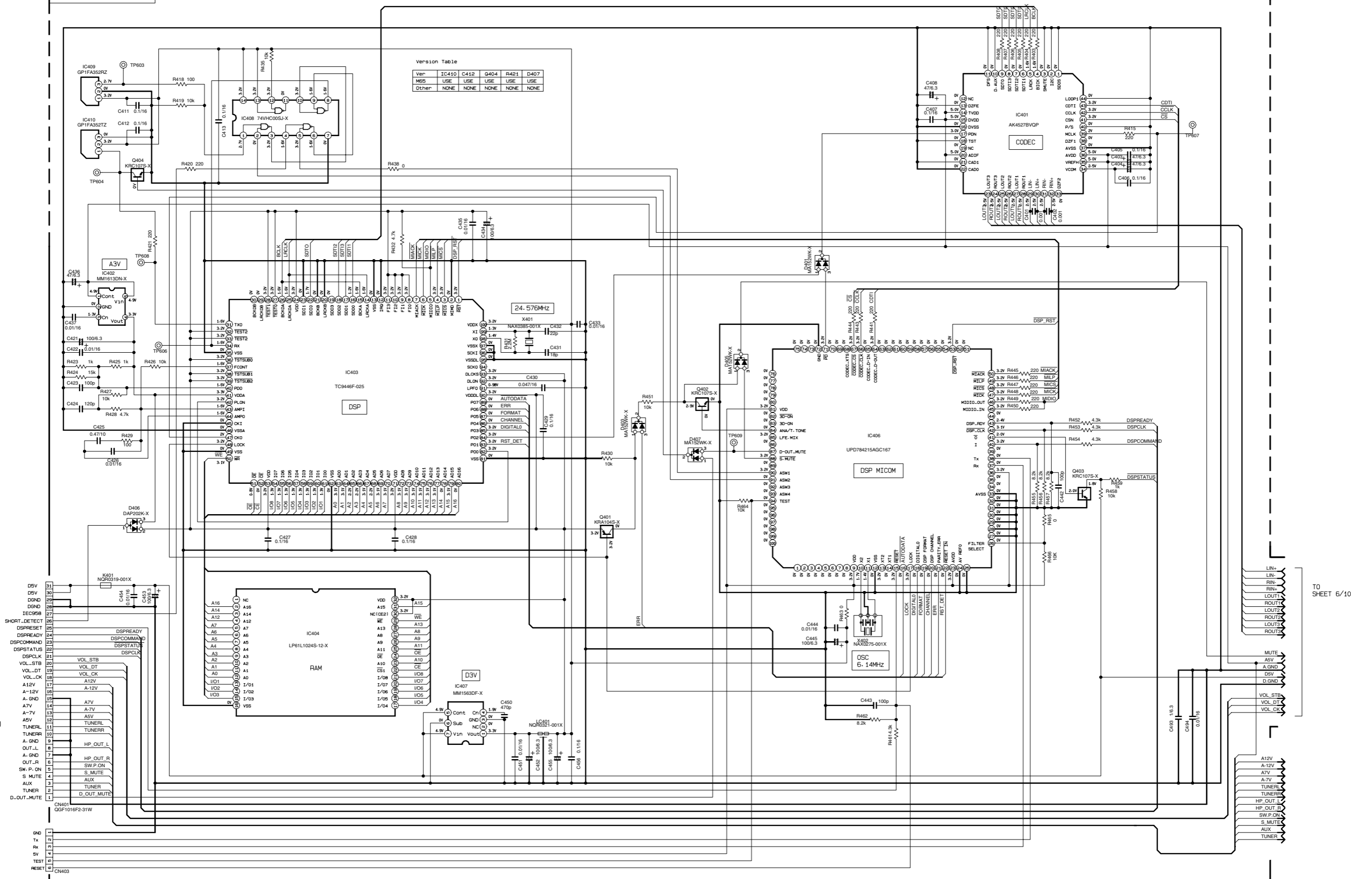
TO CN407 OF LVA10424-A1 (SHEET 2/10)

FRONT PWB



■ DSP section

LVA10309-A1



Version Table

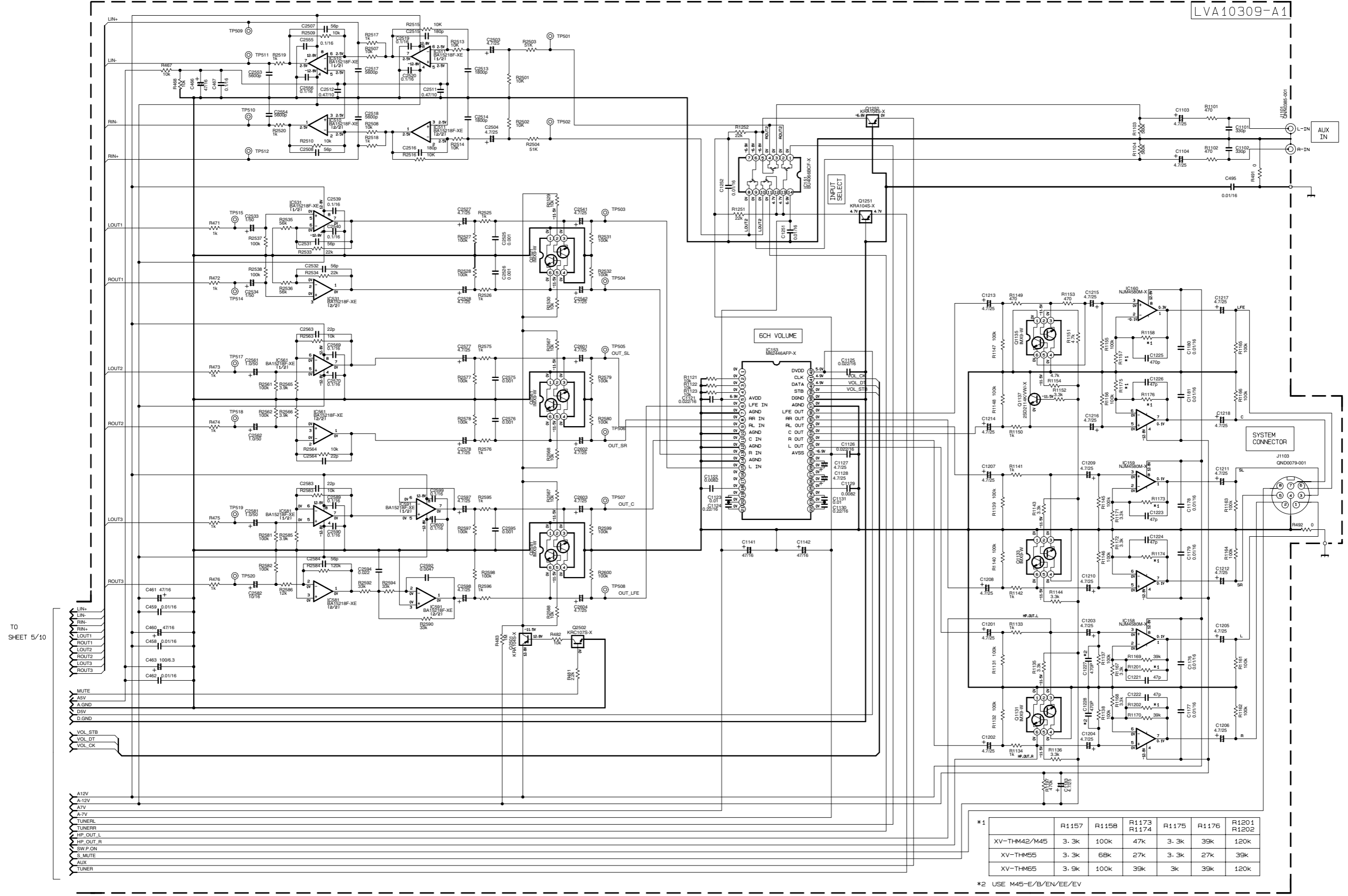
Ver	IC410	C412	Q404	R421	D407
M05	USE	USE	USE	USE	USE
Other	NONE	NONE	NONE	NONE	NONE

TO CN411 OF LVA10424-A1 (SHEET 2/10)

TO SHEET 6/10

■ Audio input / output section

LVA10309-A1



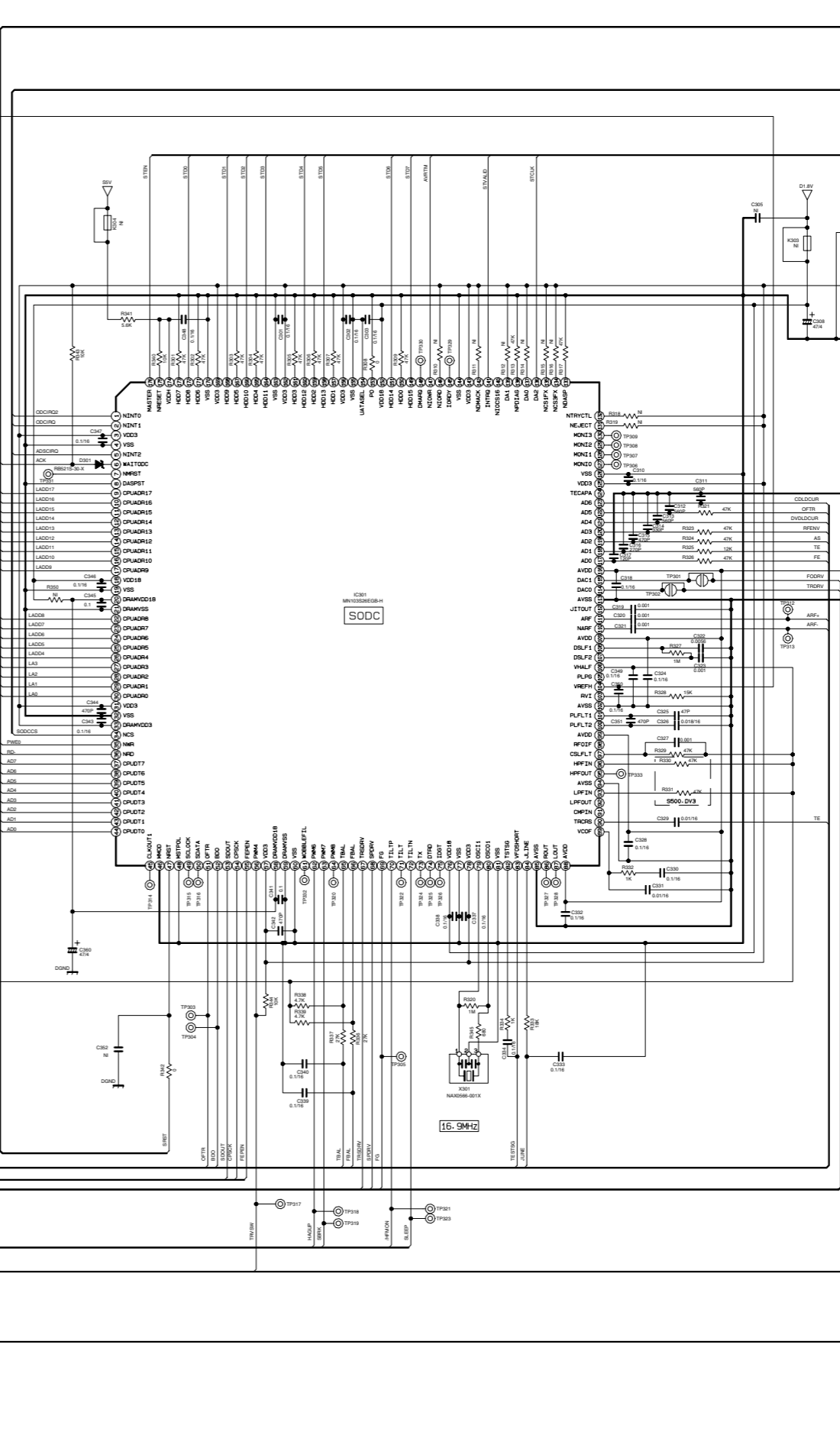
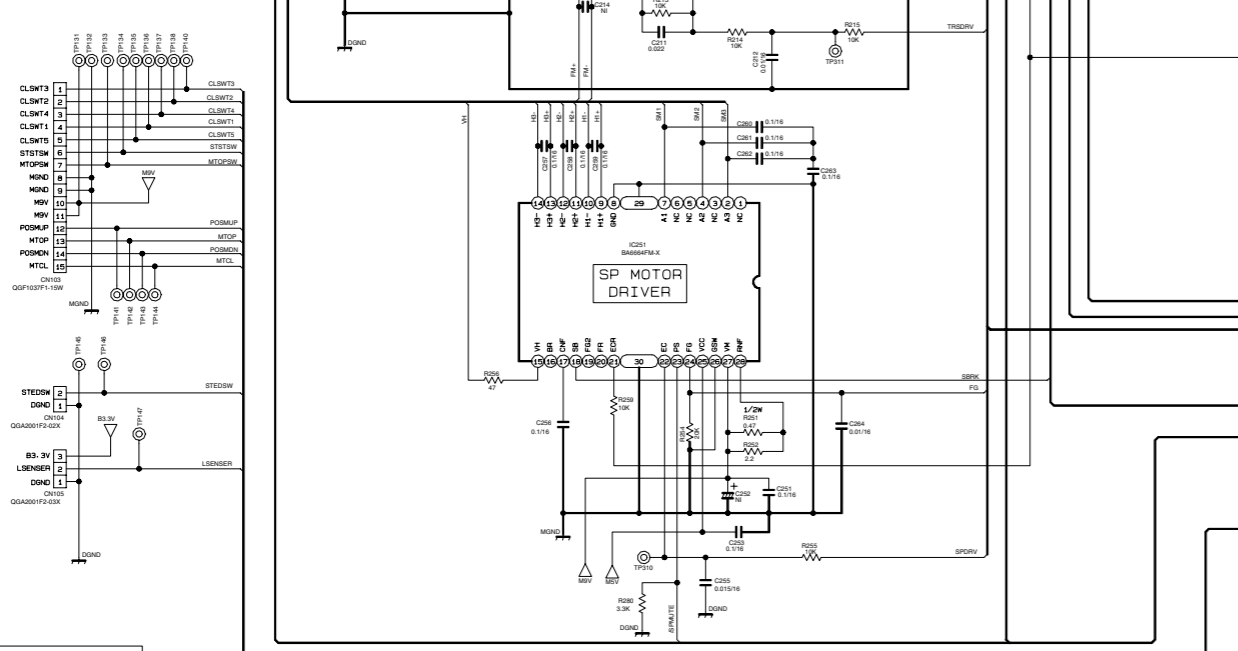
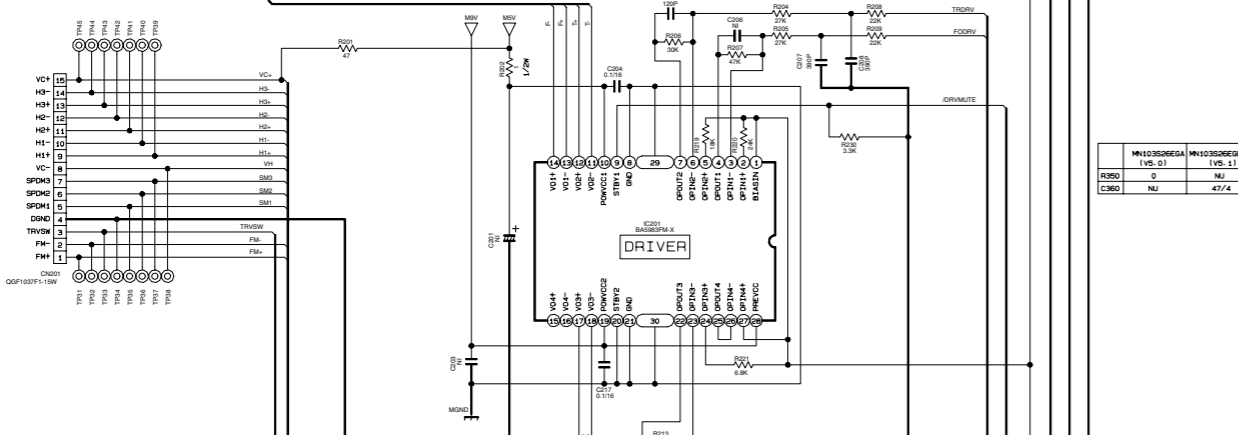
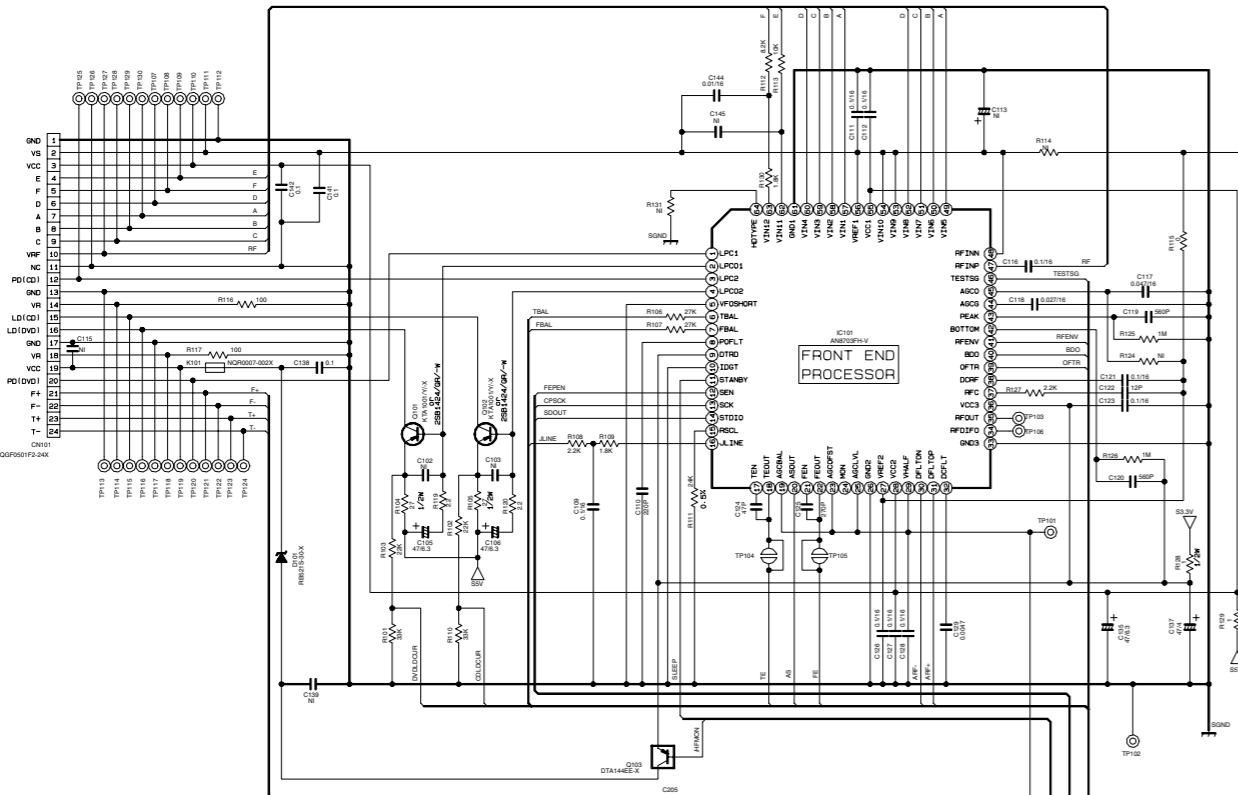
TO SHEET 5/10

LADD4-LADD17 TO SHEET 3

ACK
RD-
PWE-
LAD-LA3
ADD-AD7
SPRST TO SHEET 3

OCC1RQ2
OCC1RQ
ASRC1RQ
SDDCCS TO SHEET 2

AVRTH
STCLK
STVALLD
STEN
STDO-STD7 TO SHEET 2



/SPMUTE
/DRMUTE TO SHEET 2

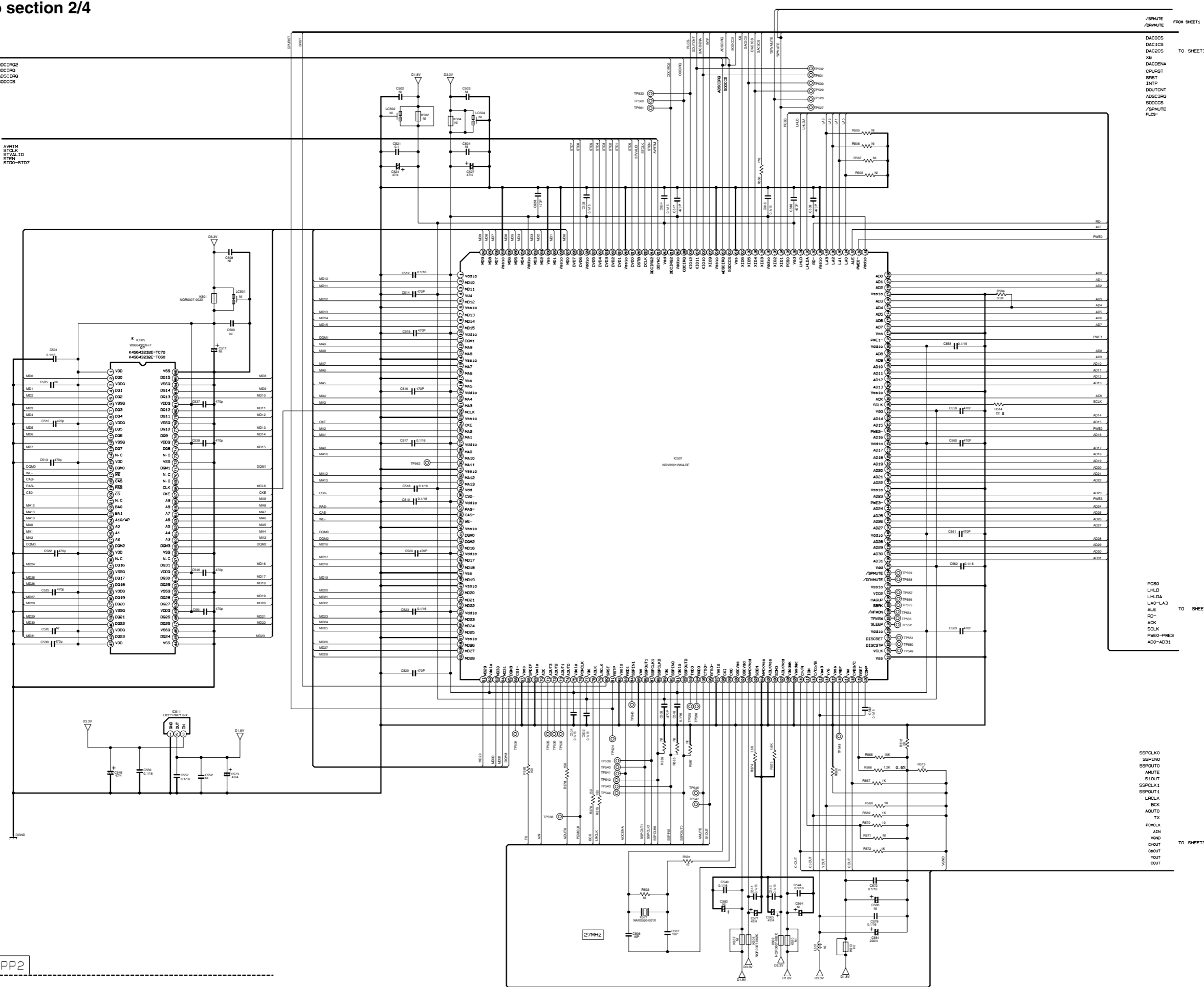
CLSW3
CLSW2
CLSW1
CLSW1
CLSW3
STSTW
MTOPM
MND
MND
MSV
H1
POSMUP
MTOP
POSMCH
MTL
MTL
MND
MND
MSV
H1
H2
H3
H4
H5
H6
H7
H8
H9
H10
H11
H12
H13
H14
H15
H16
H17
H18
H19
H20
H21
H22
H23
H24
H25
H26
H27
H28
H29
H30
H31
H32
H33
H34
H35
H36
H37
H38
H39
H40
H41
H42
H43
H44
H45
H46
H47
H48
H49
H50
H51
H52
H53
H54
H55
H56
H57
H58
H59
H60
H61
H62
H63
H64
H65
H66
H67
H68
H69
H70
H71
H72
H73
H74
H75
H76
H77
H78
H79
H80
H81
H82
H83
H84
H85
H86
H87
H88
H89
H90
H91
H92
H93
H94
H95
H96
H97
H98
H99
H100 TO SHEET 3

DVD servo section 2/4

FROM SHEET1
OCC1PQ2
OCC1PQ
ADSC1PQ
SOCCCS

FROM SHEET1
AVSTM
STCLK
STVALD
STEN
STD0-STD7

FROM SHEET1
/SPMUTE
/DRMUTE
DAC0CS
DAC1CS
DAC2CS
X6
DAC2ENA
CLMST
SPST
INTP
DOUTCNT
ADSC1PQ
SOCCCS
/SPMUTE
FLCS-



LEA10077-PP2

DVD servo section 3/4

FLCS- DAC1CS SRET
 DAC0CS INTPT
 FROM X6 DOUTONT
 SHEET 2 DAC2CS ADSC1NG
 DAC3CS S0CCCS
 CPURST /SPKTE

FROM LADD4-LADD17
 SHEET 1

FROM SHEET 2

FROM SHEET 1

FROM SHEET 2

FROM SHEET 1

FROM SHEET 2

FROM SHEET 1

FROM SHEET 2

FROM SHEET 1

FROM SHEET 2

FROM SHEET 1

FROM SHEET 2

FROM SHEET 1

FROM SHEET 2

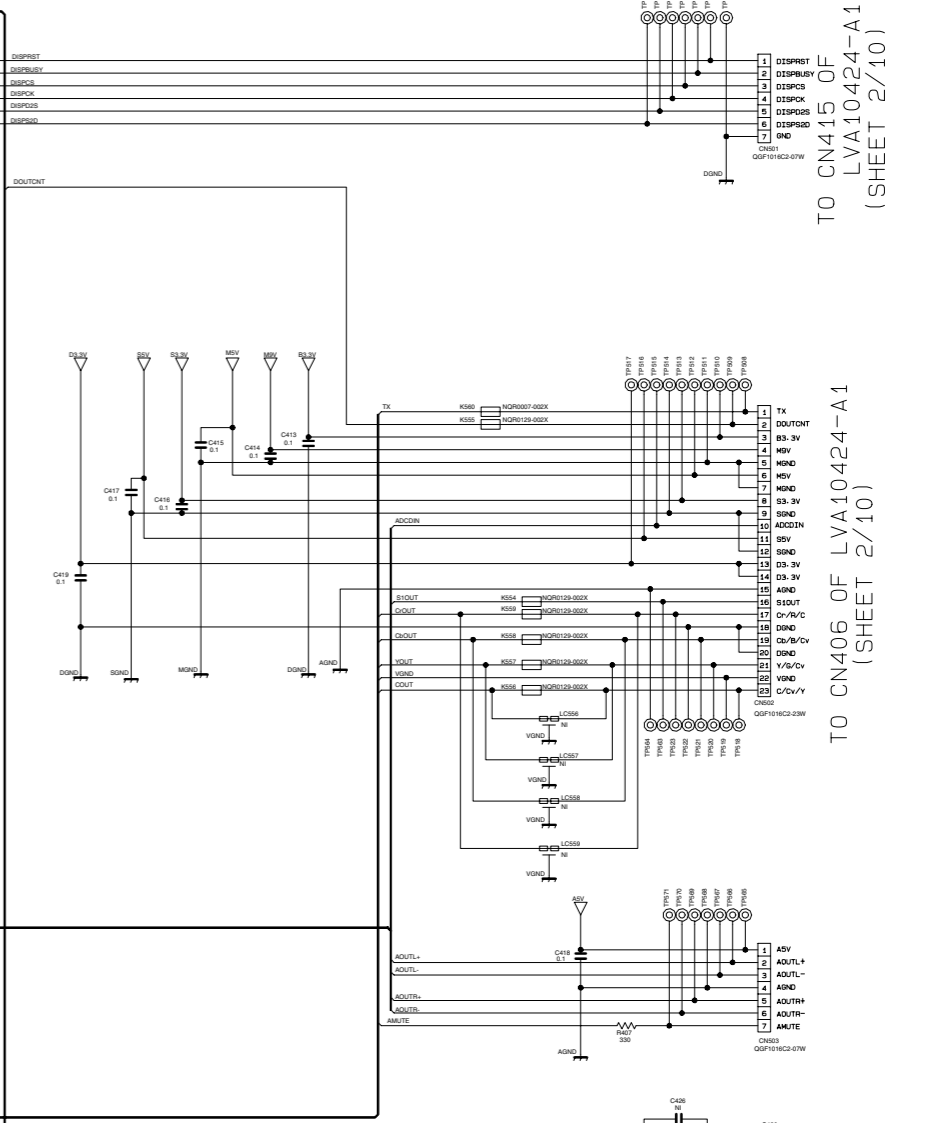
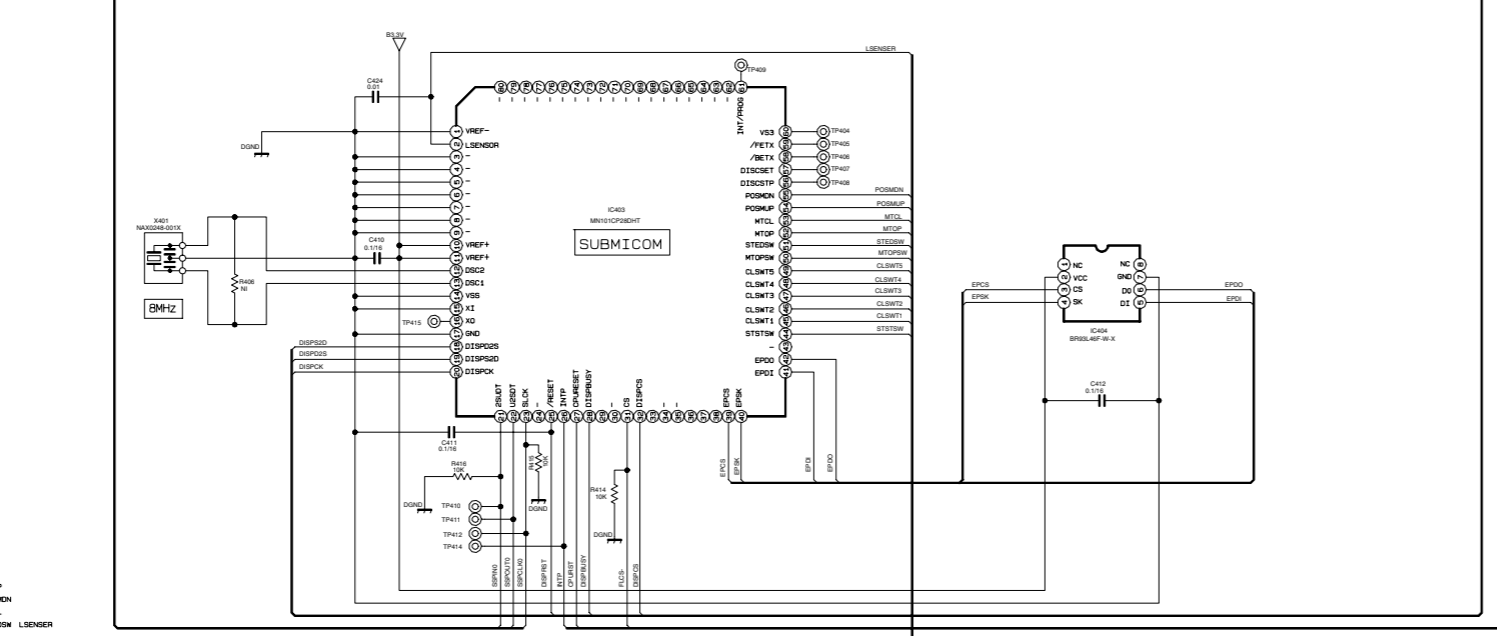
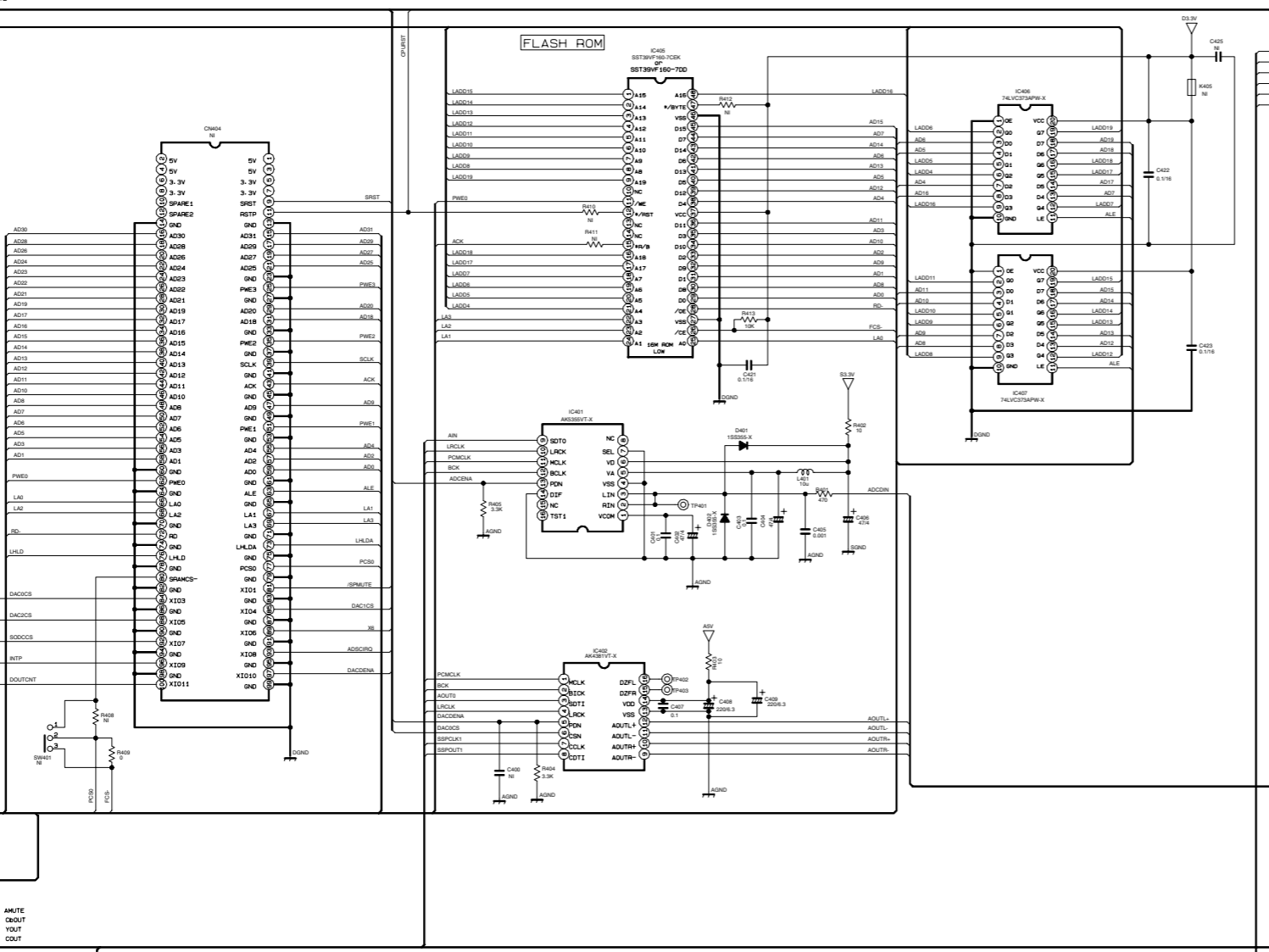
FROM SHEET 1

FROM SHEET 2

FROM SHEET 1

FROM SHEET 2

FROM SHEET 1

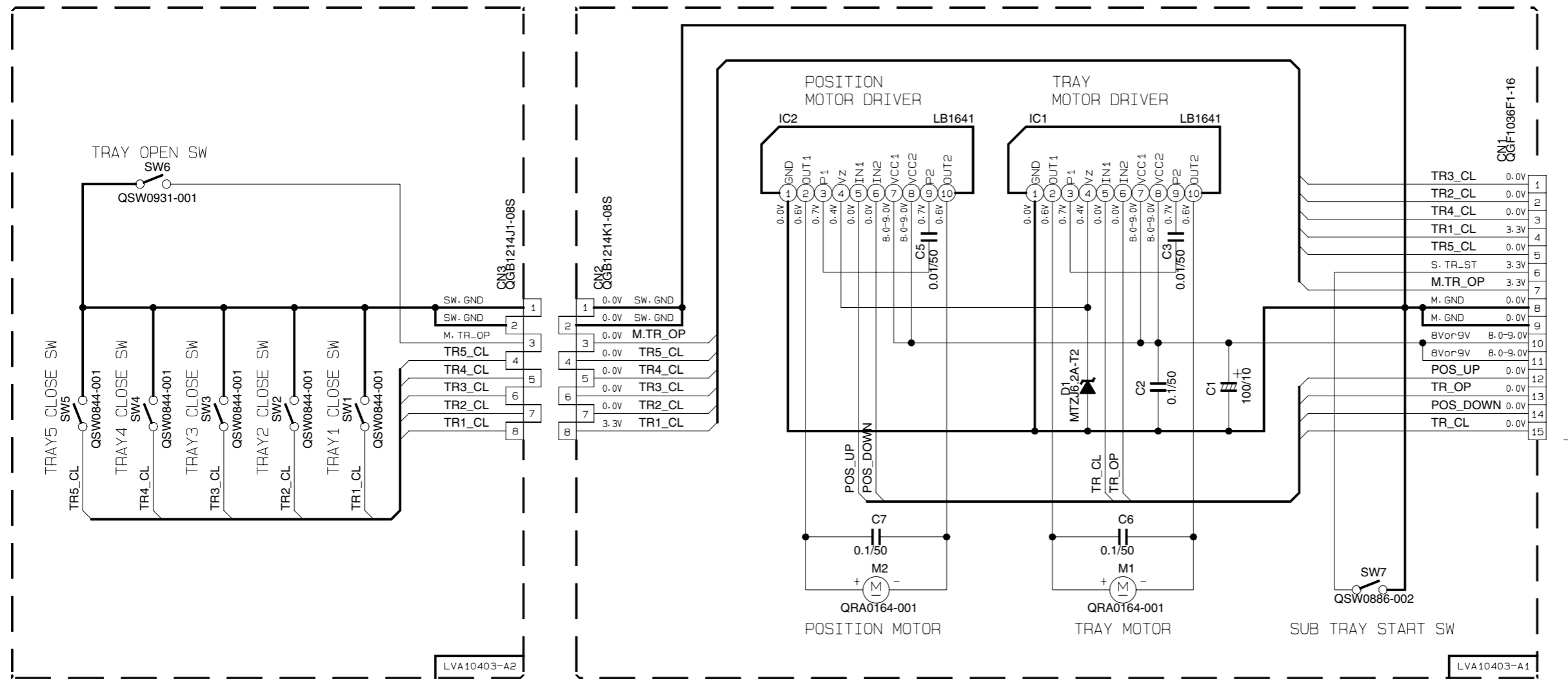


	EMU-SD1-1	EMU-SD1-11	EMU-SD2-1	EMU-SD2-11
IC402	NO INSERT	NO INSERT	INSERT	INSERT
C400	NO INSERT	NO INSERT	INSERT	INSERT
C407	NO INSERT	NO INSERT	INSERT	INSERT
C408	NO INSERT	NO INSERT	INSERT	INSERT
C409	NO INSERT	NO INSERT	INSERT	INSERT
R403	NO INSERT	NO INSERT	INSERT	INSERT
R404	NO INSERT	NO INSERT	INSERT	INSERT
R407	NO INSERT	NO INSERT	INSERT	INSERT
C418	NO INSERT	NO INSERT	INSERT	INSERT
CN503	NO INSERT	INSERT	NO INSERT	INSERT
IC401	NO INSERT	INSERT	NO INSERT	INSERT
C401	NO INSERT	INSERT	NO INSERT	INSERT
C402	NO INSERT	INSERT	NO INSERT	INSERT
C403	NO INSERT	INSERT	NO INSERT	INSERT
C404	NO INSERT	INSERT	NO INSERT	INSERT
C405	NO INSERT	INSERT	NO INSERT	INSERT
C406	NO INSERT	INSERT	NO INSERT	INSERT
R401	NO INSERT	INSERT	NO INSERT	INSERT
R402	NO INSERT	INSERT	NO INSERT	INSERT
R405	NO INSERT	INSERT	NO INSERT	INSERT
D401	NO INSERT	INSERT	NO INSERT	INSERT
D402	NO INSERT	INSERT	NO INSERT	INSERT
L401	NO INSERT	INSERT	NO INSERT	INSERT
K554	NO INSERT	NO INSERT	INSERT	INSERT
K555	NO INSERT	NO INSERT	INSERT	INSERT

TO CN415 OF LVA10424-A1 (SHEET 2/10)

TO CN406 OF LVA10424-A1 (SHEET 2/10)

■ DVD mechanism control section

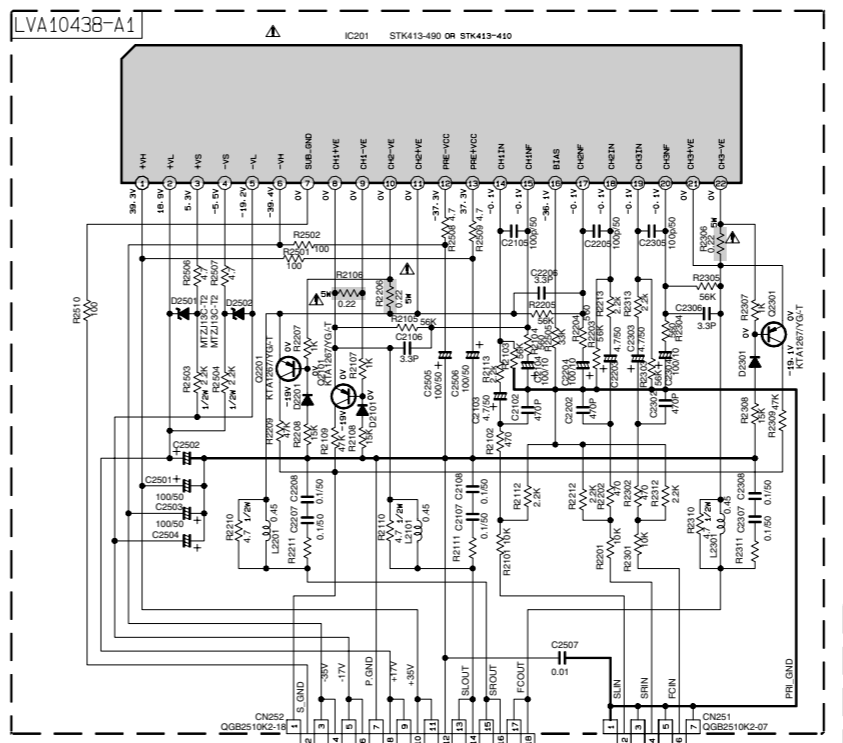
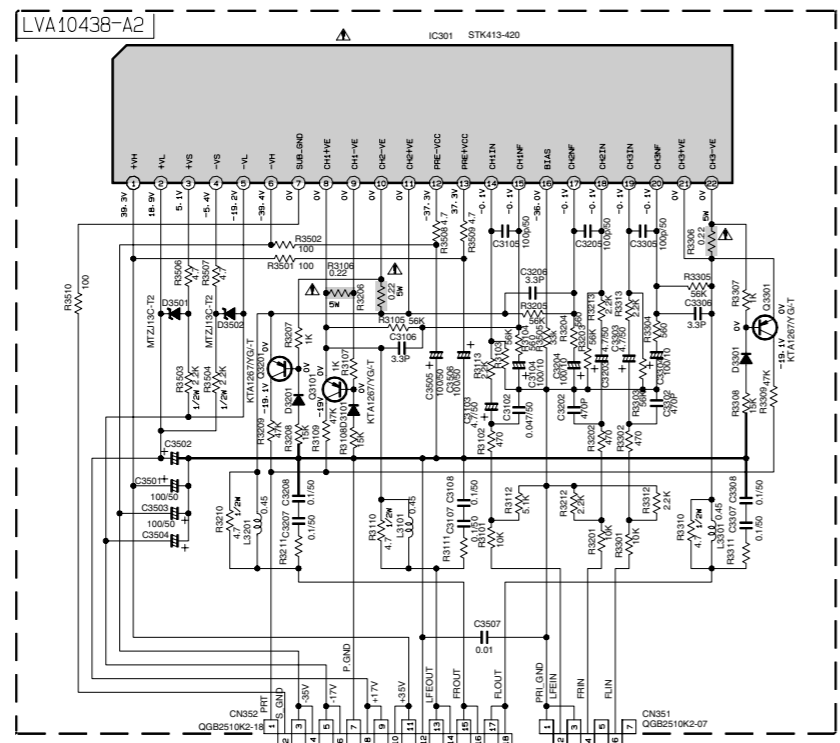


TO POWER AND MECHA CONTROL MICOM

- NOTES
- VOLTAGES ARE DC-MEASURED WITH A DIGITAL VOLT METER. CONDITION: DISC1 STOP
 - UNLESS OTHERWISE SPECIFIED. ALL CAPACITORS ARE SHOWN IN THE FORM OF CAPACITANCE (μF)/RATED VOLTAGE (V).

<Subwoofer section>

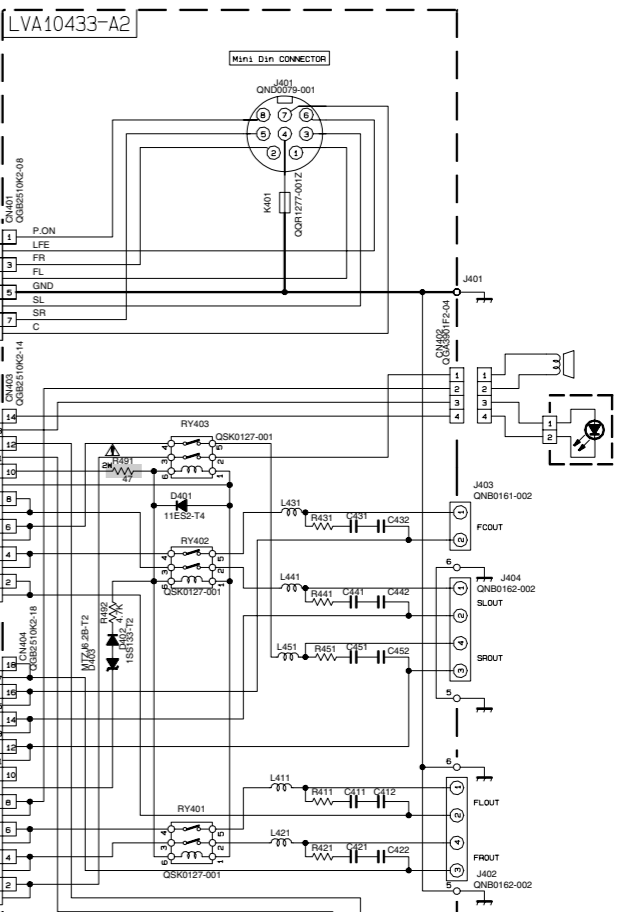
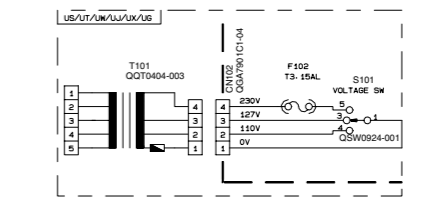
■ Main amplifier section



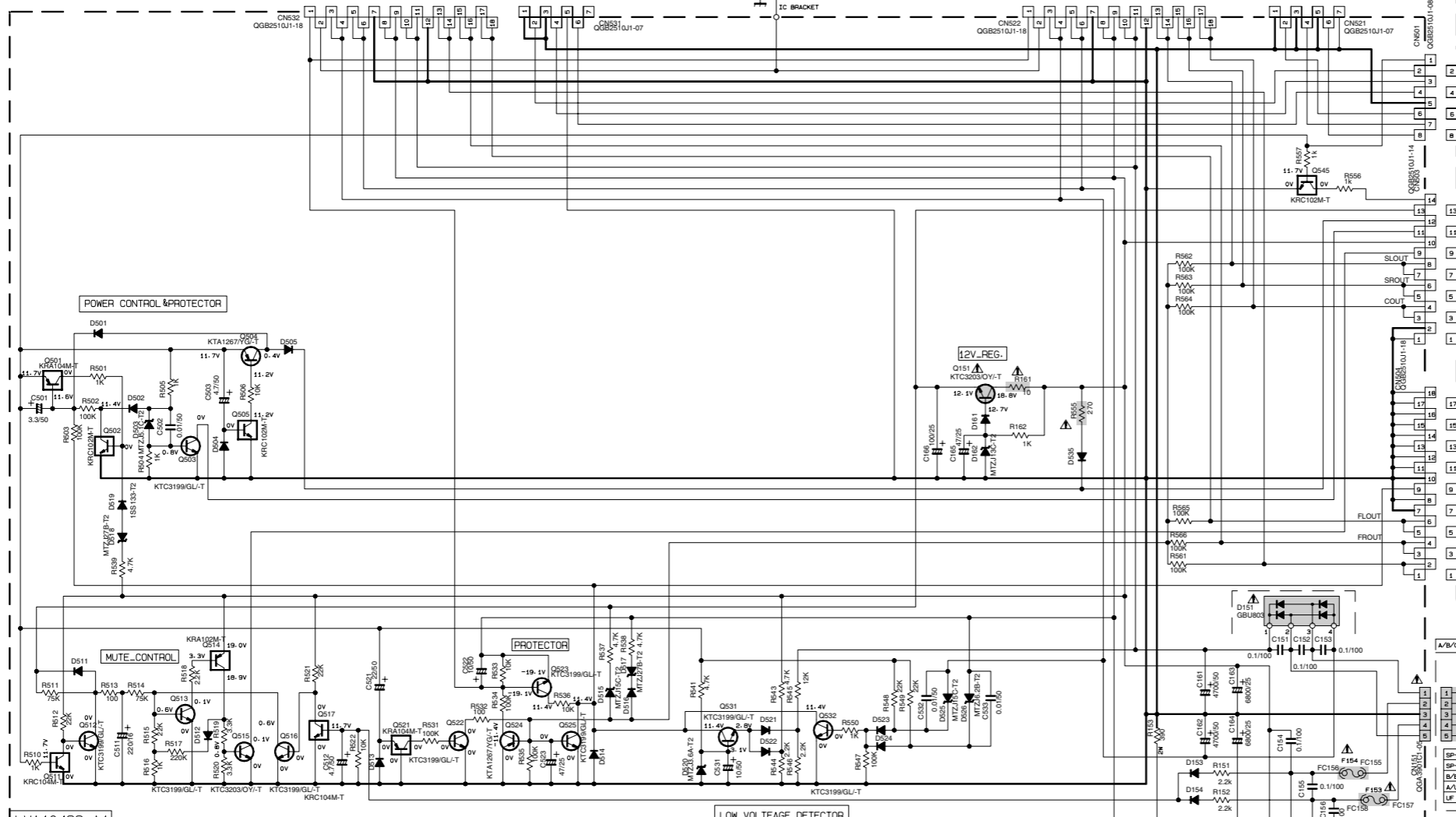
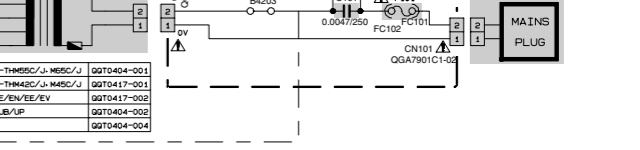
MODEL	VERSION	IC201
AX-PHMS5	C/J	STK413-410
OTHER		STK413-490

VERSION	R211/2211/2311 R311/3311	C2107/2207/2307 C3108/2308/2308 C3206/3306	L411/421/431 L441/451	R411/421/431 R441/451	C411/421/431 C441/451	C2502/2504 C3502/3504
B/E/EN/EE/EV	10	0.1/50	0.45	10	0.1/50	47/25
OTHER	4.7	0.1/50	BUS WIRE	—	—	100/25

VERSION CODES	
A-AUSTRALIA	UF-CHINA
B-GREAT BRITAIN	UG-TURKEY/EGYPT/SOUTH AFRICA
C-CANADA	UJ-USA MILITARY BASE
D-JAPAN	UK-KOREA
E-GERMANY/FRANCE/HOLLAND	US-SINGAPORE
EE-RUSSIA	UT-TAIWAN
EN-SWEDEN/NORWAY/FINLAND/DENMARK	UM-BRAZIL/MEXICO/PERU
EV-EAST EUROPE	UX-SAUDI ARABIA
J-U.S.A	UY-ARGENTINA
LB-HONG KONG	



VERSION	F101
C/J	QPS111-890-JB BA-125V
C/J (EXCEPT AX-PHMS5/M55)	QPS111-693-JB 6.3A-125V
A/B/E/EN/EE/EV UB/UP/UF	QPS192-3815-JB T3.15A
UK/US	QPS192-693-JB T6.3A



- NOTES
1. VOLTAGES ARE DC-MEASURED WITH A DIGITAL VOLT METER WITHOUT INPUT SIGNAL.
 2. UNLESS OTHERWISE SPECIFIED, ALL RESISTORS ARE 1/4W ±5% CARBON RESISTOR.
 3. ALL CAPACITORS ARE 50V CAPACITOR.
 4. ALL RESISTANCE VALUES ARE IN OHM(Ω).
 5. ALL CAPACITANCE VALUES ARE IN μF(PμF).
 6. ALL E-CAPACITORS ARE SHOWN IN THE FORM OF CAPACITANCE(μF)/RATED VOLTAGE (V).
 7. ALL DIODES ARE 1SS133-T2.
 8. * MARKING ARE USED DIFFERENT VERSION.

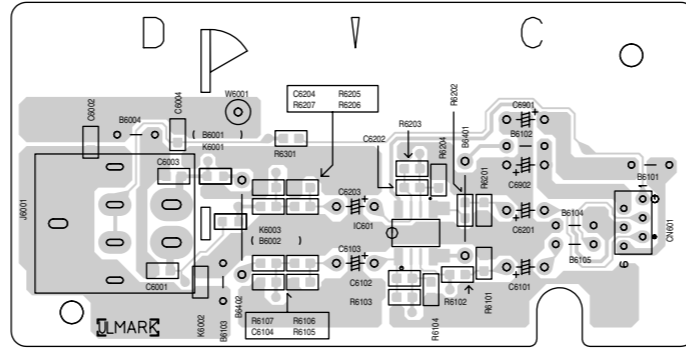
⚠ Parts are safety assurance parts. When replacing those parts make sure to use the specified one.

Printed circuit boards

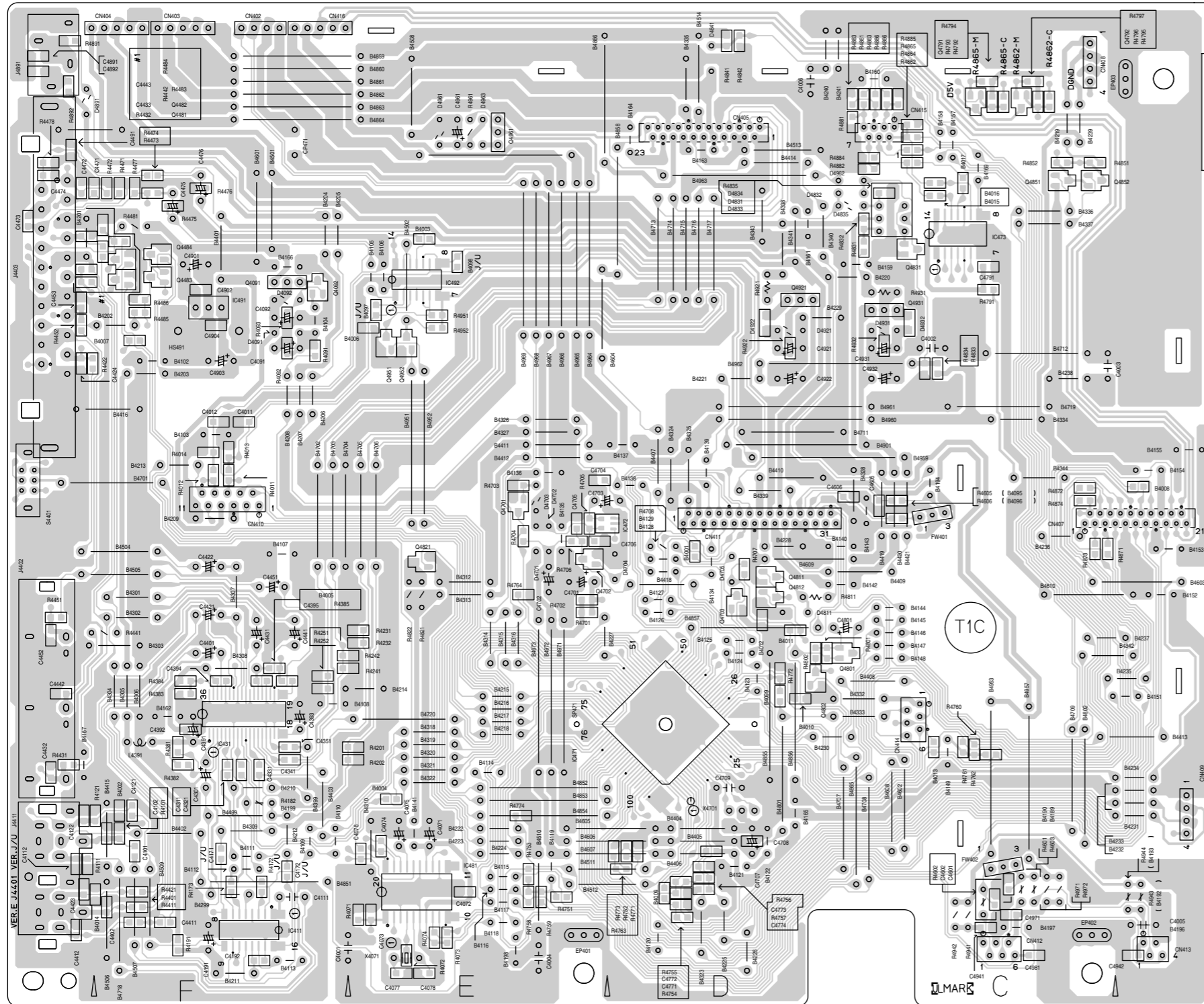
<Main body section>

■ Main board

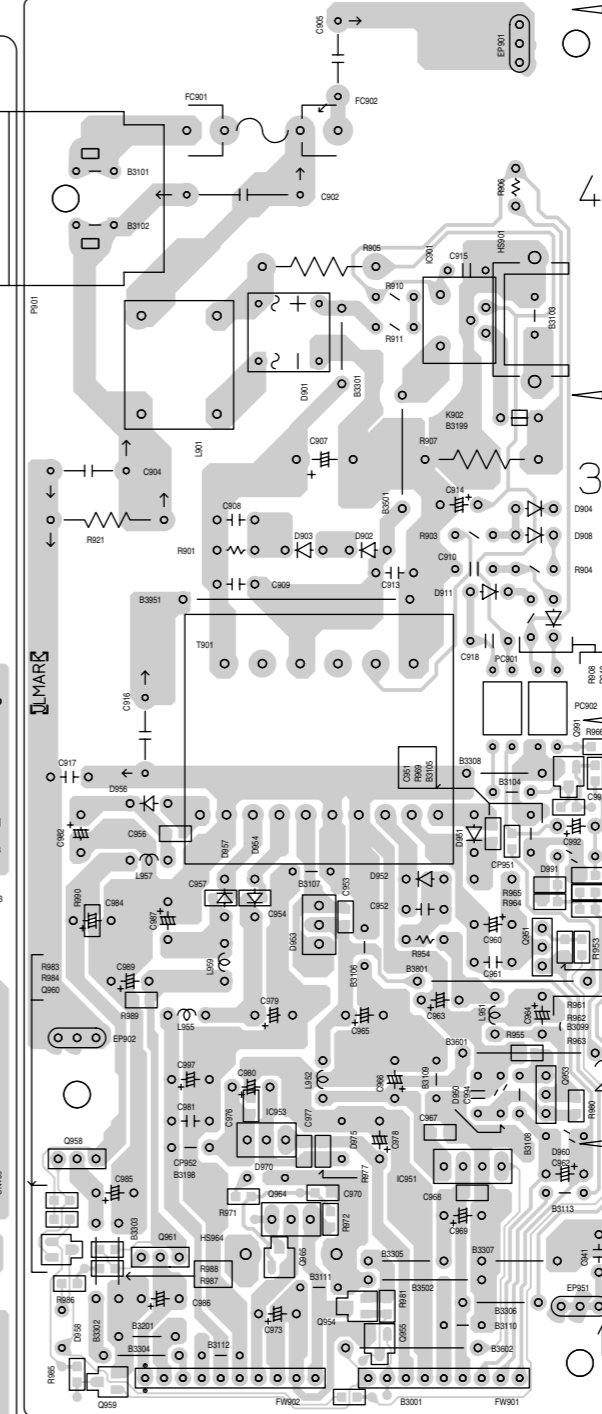
(Phone jack board)



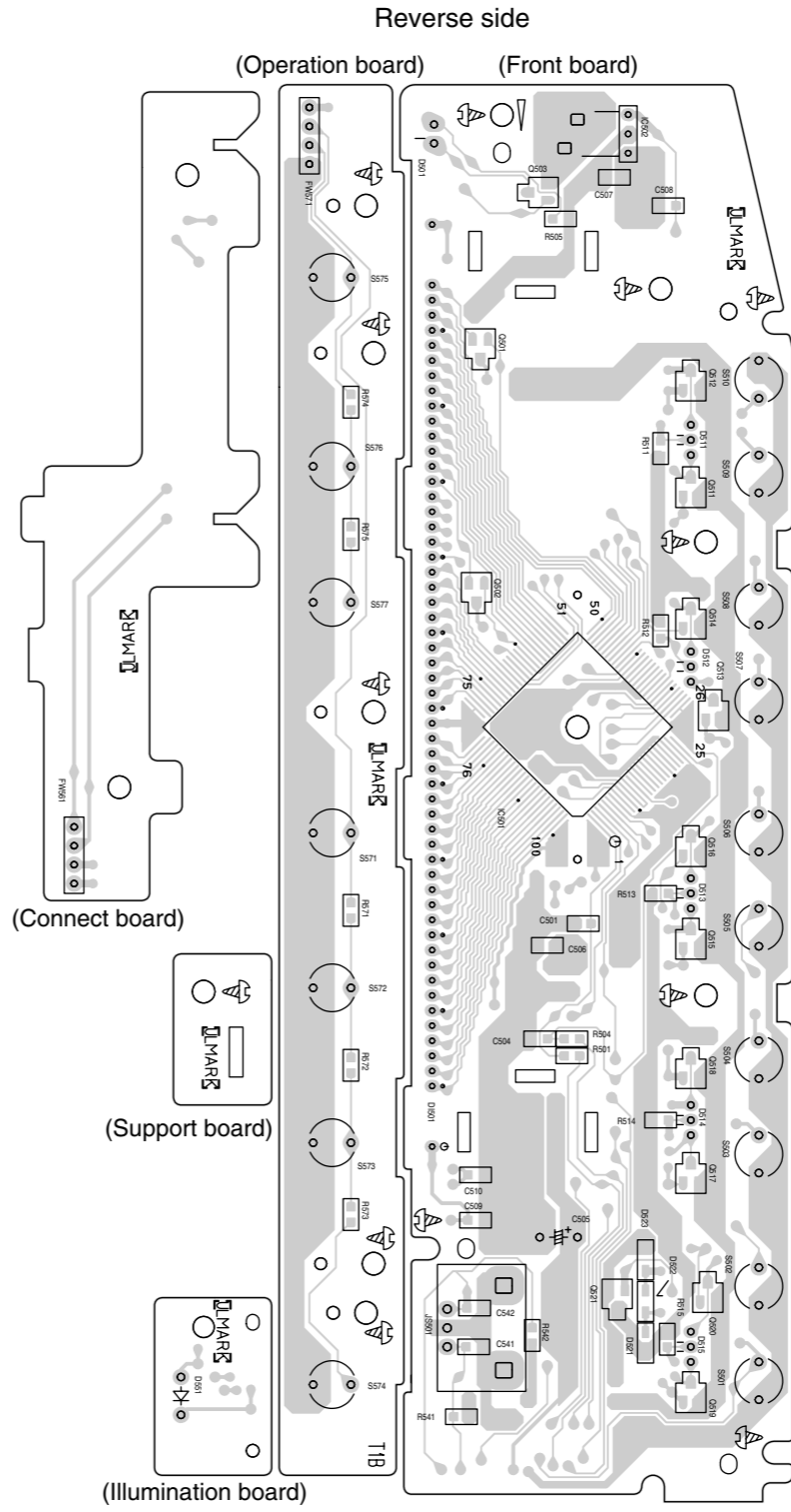
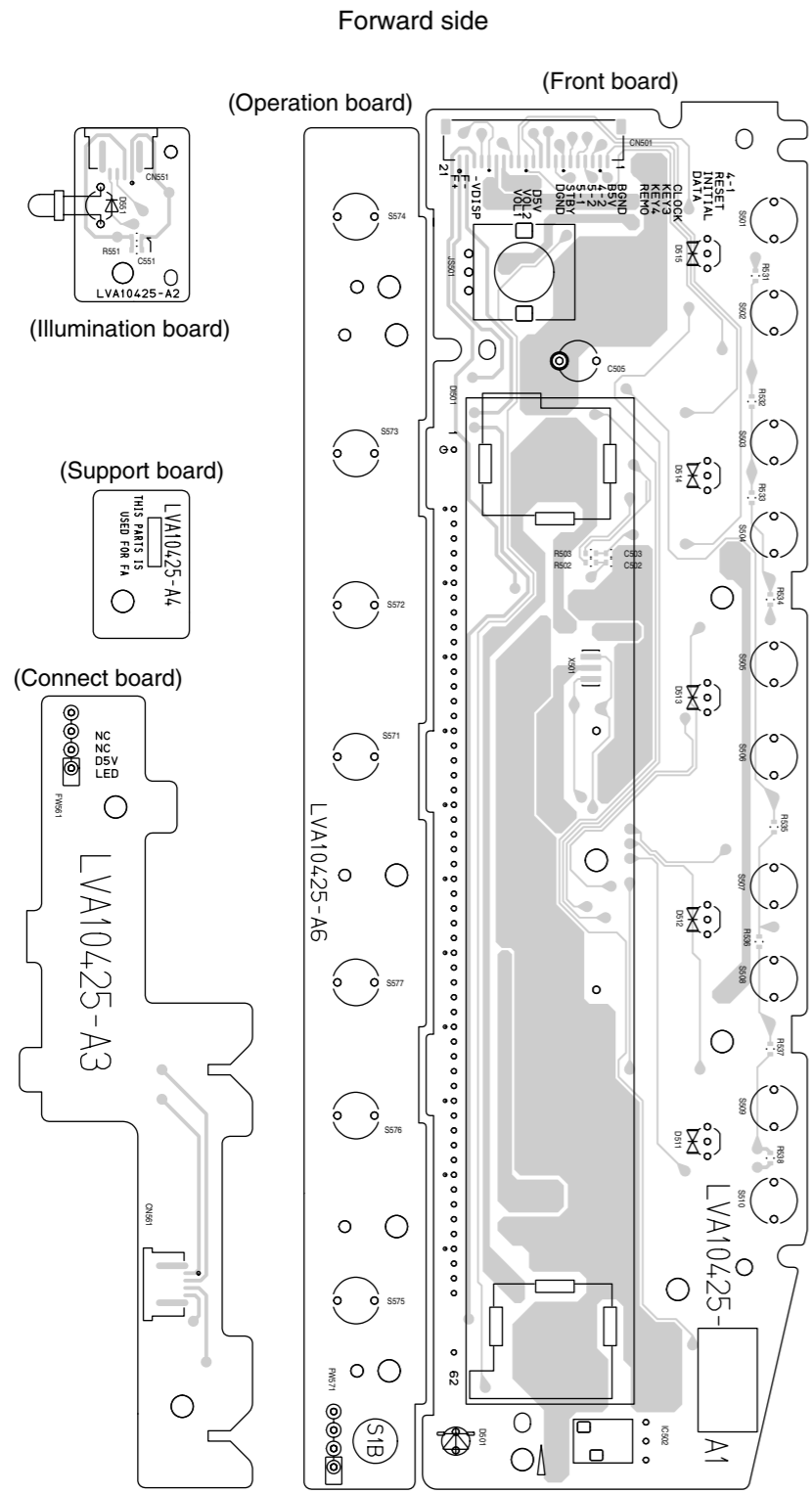
(Main board)



(Power supply board)

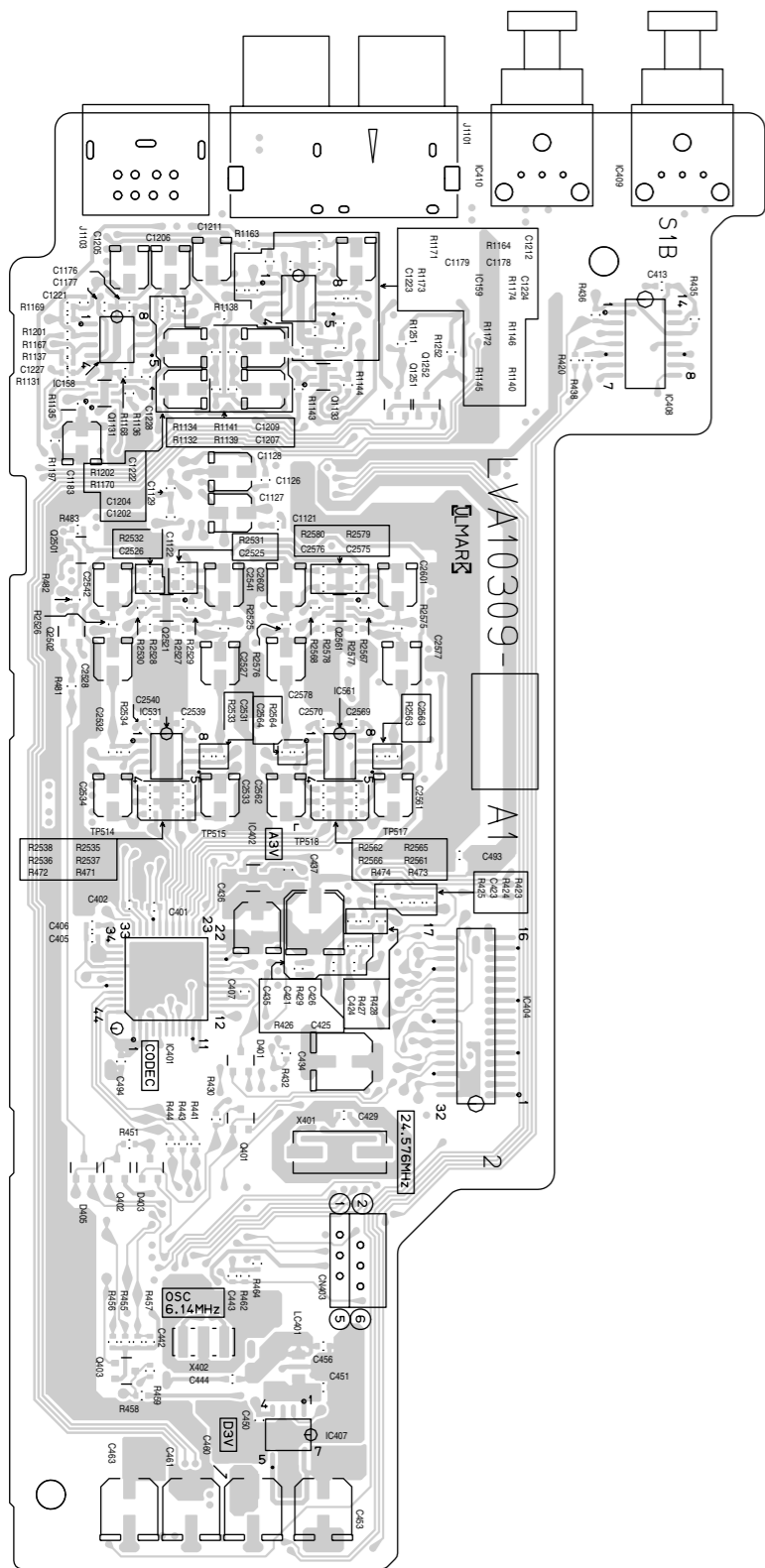


■ Front board

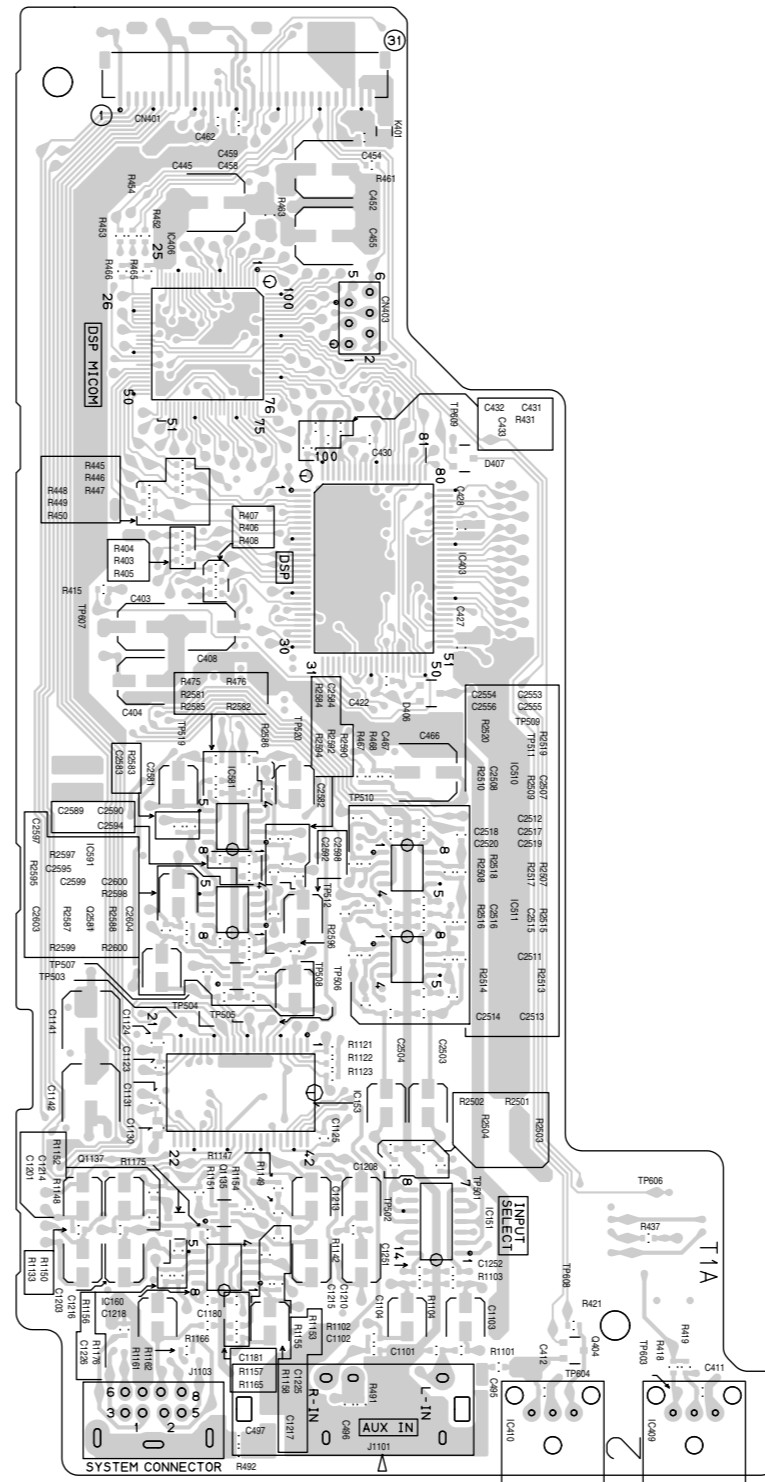


■ DSP board

Forward side

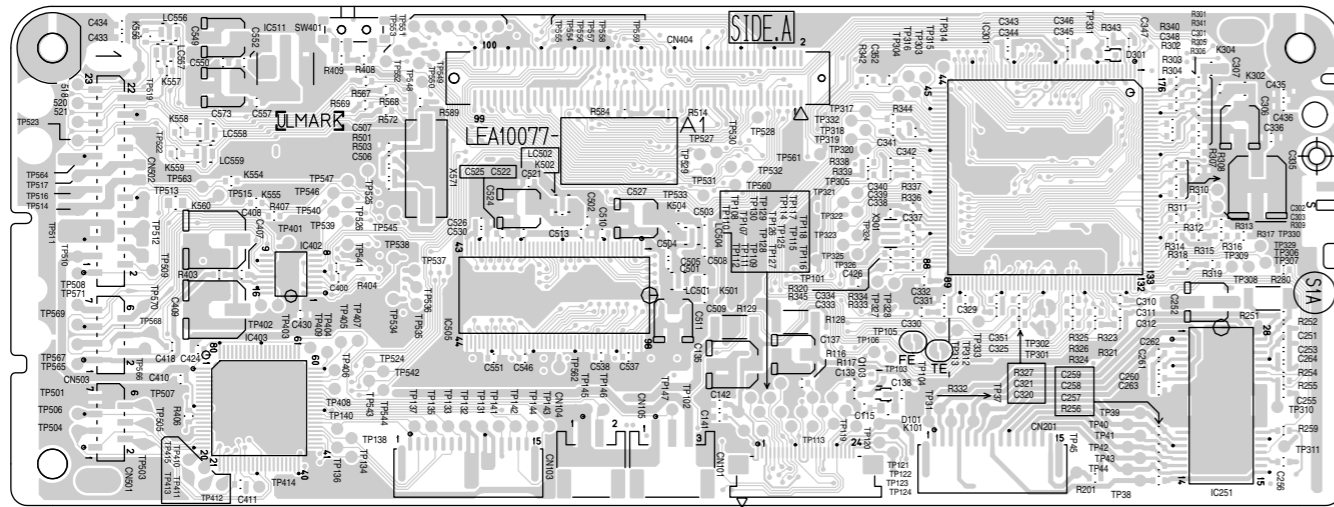


Reverse side

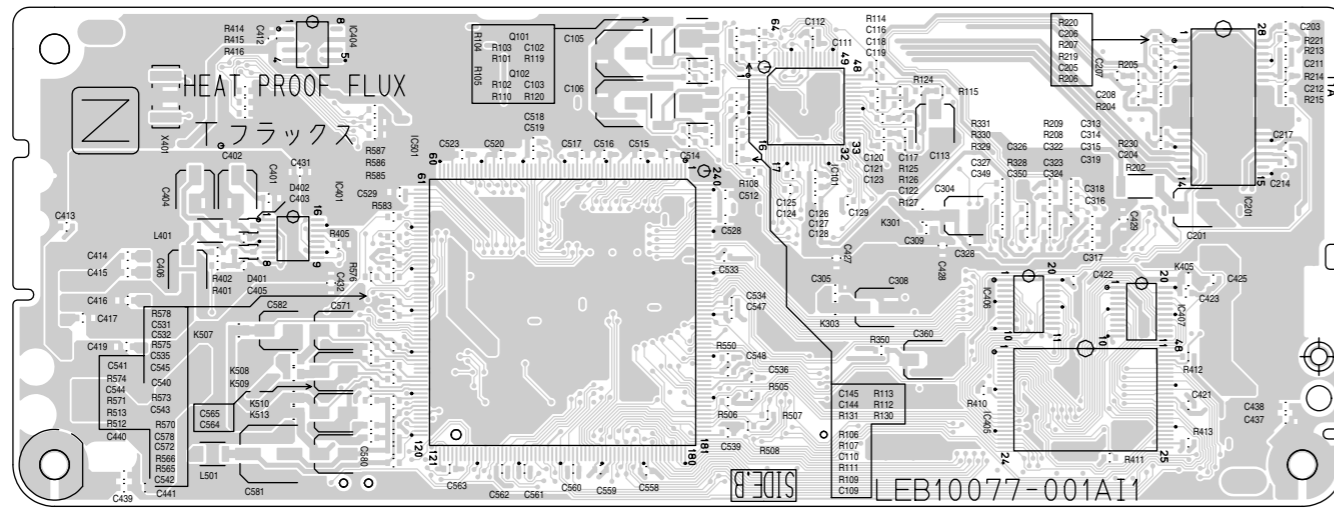


■ DVD servo board

Forward side

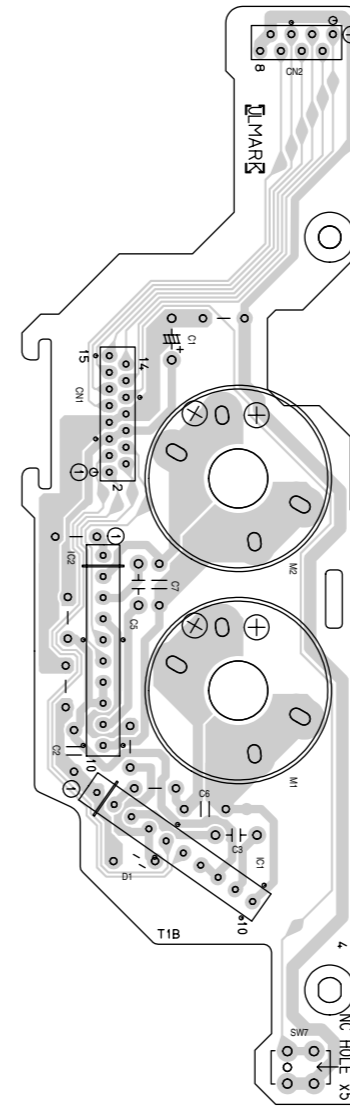


Reverse side

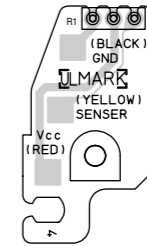


■ DVD loading board

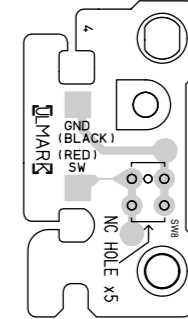
(Motor board)



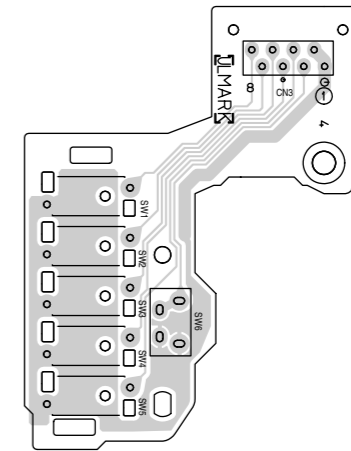
(Sensor board)



(Switch board)

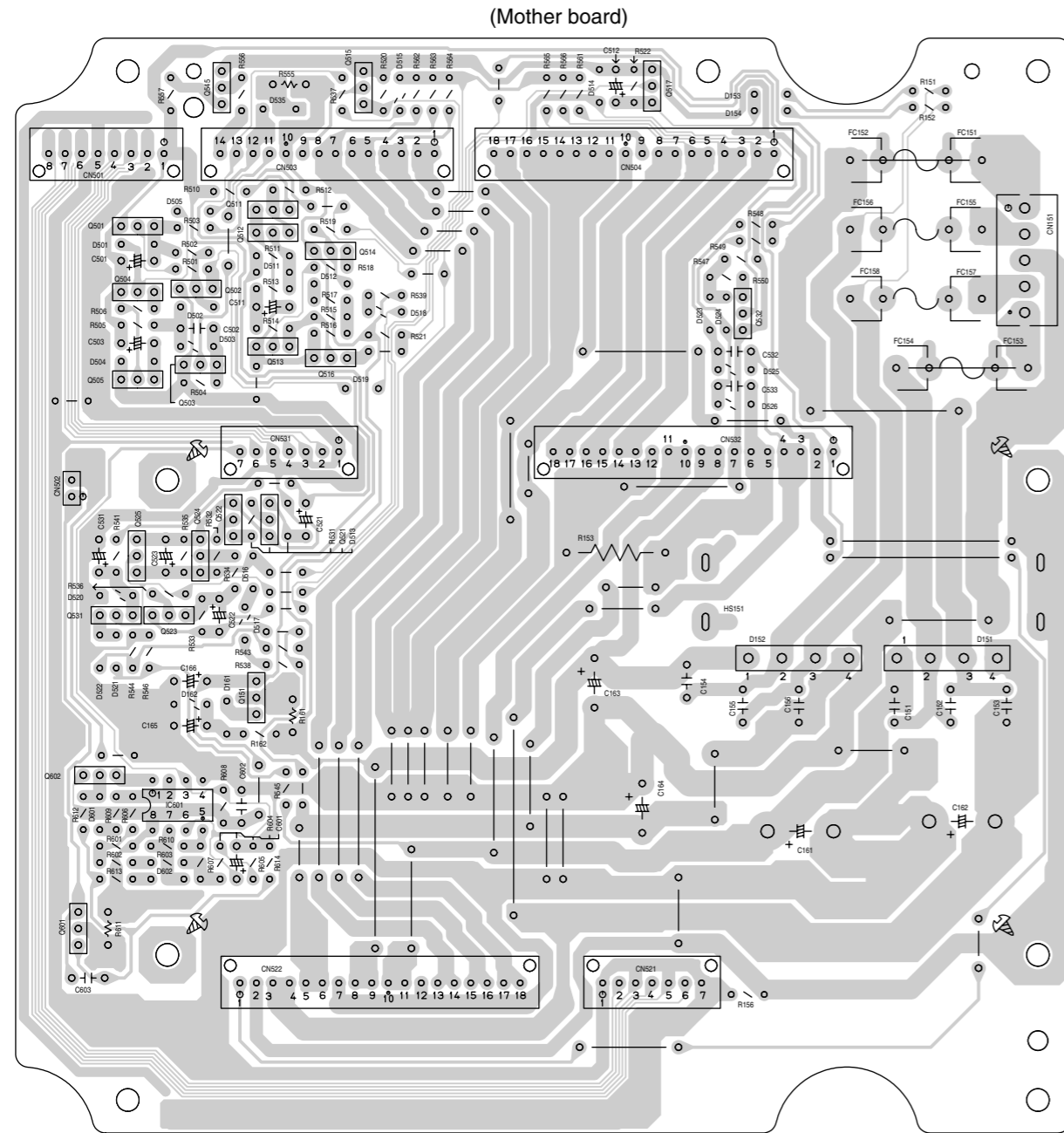


(Tray switch board)

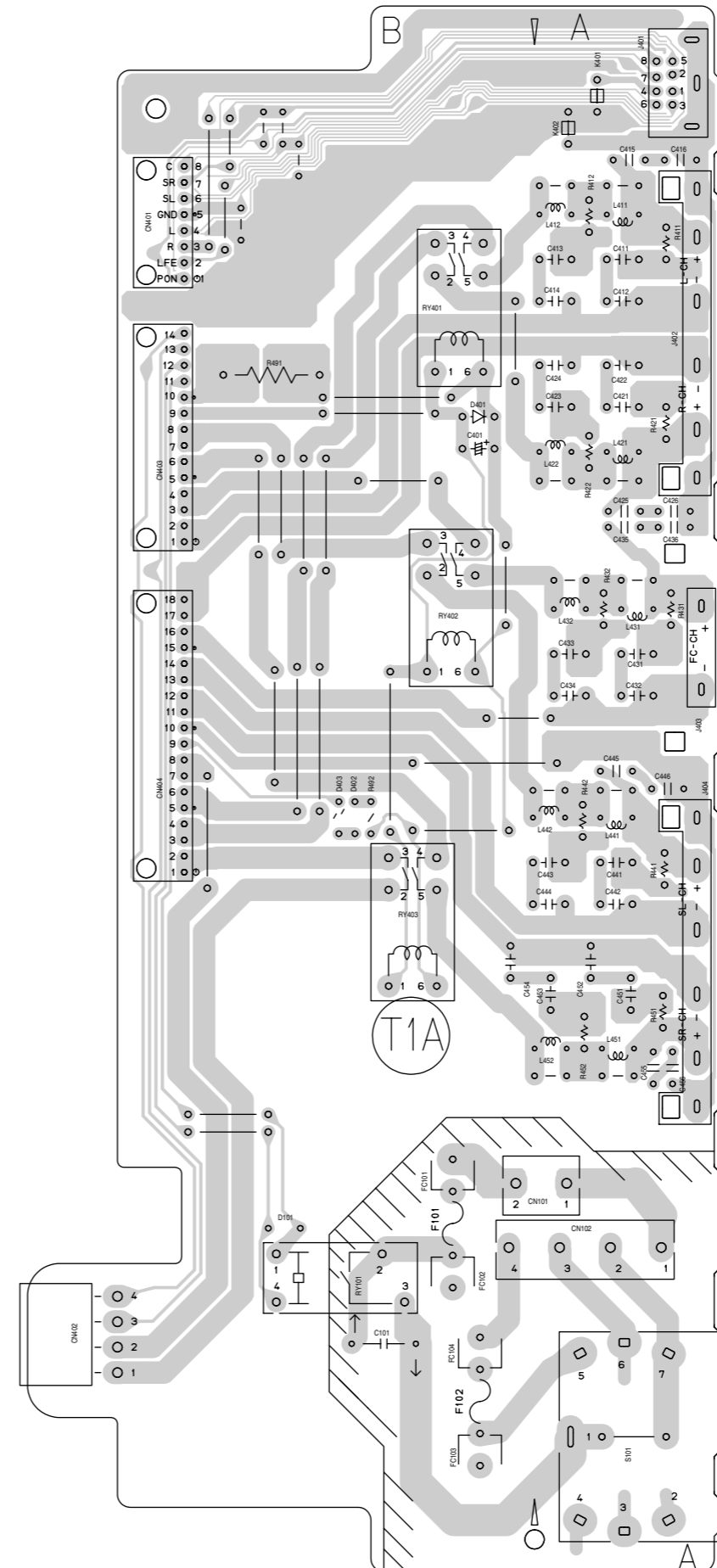


<Subwoofer section>

■ Mother board

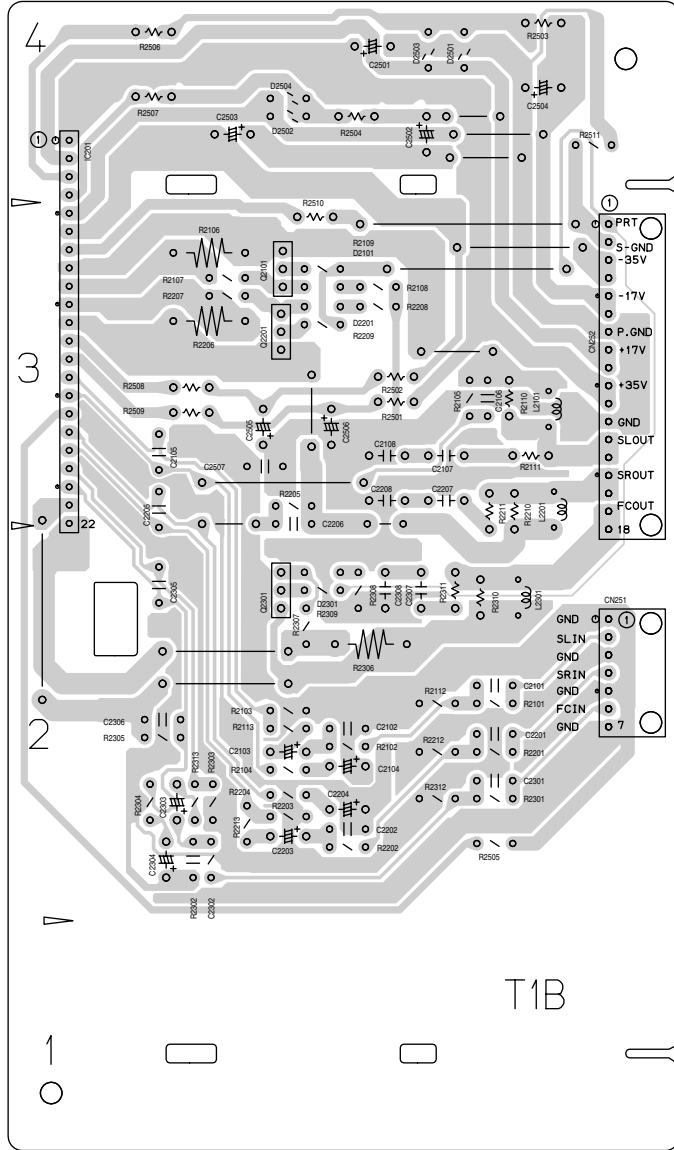


(Speaker terminal board)

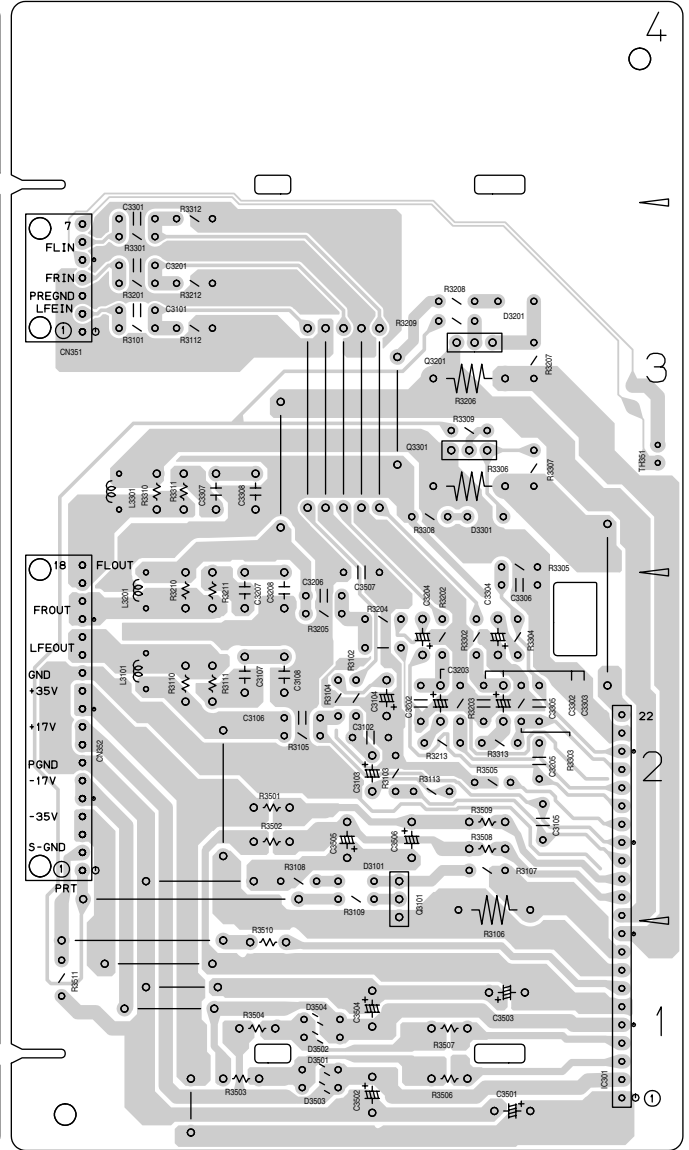


■ Amplifier board

(Amplifier board (A))



(Amplifier board (B))



JVC

VICTOR COMPANY OF JAPAN, LIMITED

AV & MULTIMEDIA COMPANY AUDIO/VIDEO SYSTEMS CATEGORY 10-1, 1chome, Ohwatari-machi, Maebashi-city, 371-8543, Japan

(No.MB033SCH)



Printed in Japan
WPC