

JVC

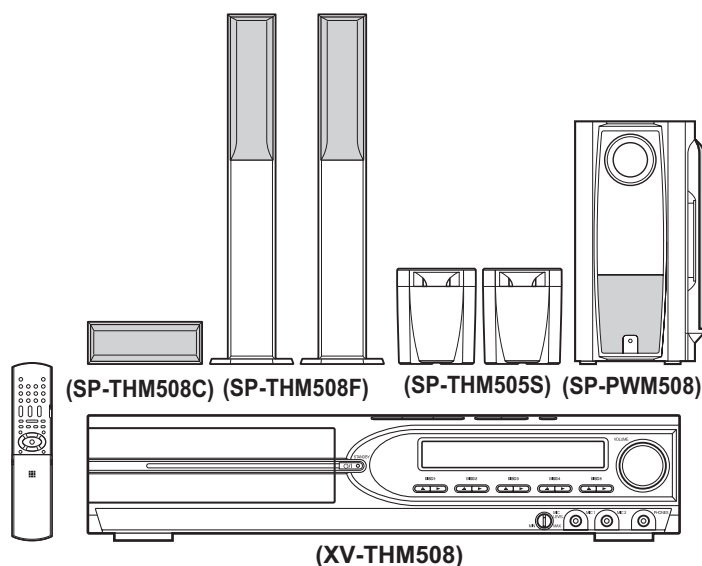
SERVICE MANUAL

DVD DIGITAL CINEMA SYSTEM

TH-M508

Area suffix

US ----- Singapore
UW ----- Brazil, Mexico, Peru
UX ----- Saudi Arabia
UG --- Turkey, South Africa, Egypt
UN ----- Asean



AV COMPU LINK
Digital Direct Progressive Scan

TABLE OF CONTENTS

1	PRECAUTION	1-4
2	SPECIFIC SERVICE INSTRUCTIONS	1-7
3	DISASSEMBLY	1-8
4	ADJUSTMENT	1-34
5	TROUBLESHOOTING	1-36

SPECIFICATION

Center unit (XV-THM508)

Audio section	Digital input*2	DIGITAL IN (DBS) (OPTICAL)	-21 dBm to -15 dBm (660 nm E30 nm)	
Video section	Video System		NTSC/PAL selectable	
	Horizontal Resolution		500 lines	
	Signal-to-Noise Ratio		64 dB	
	Video output level	Composite	1.0 V(p-p)/75 Ω	
		S-video-Y	1.0 V(p-p)/75 Ω	
		S-video-C	0.286 V (0.3 V*3) (p-p)/75 Ω	
		Component-Y	1.0 V(p-p)/75 Ω	
		Component-PB/PR	0.7 V(p-p)/75 Ω	
Video input sensitivity/ Impedance (VCR IN)	Composite	1.0 V(p-p)/75 Ω		
	S-video-Y	1.0 V(p-p)/75 Ω		
	S-video-C	0.286 V (0.3 V*3) (p-p)/75 Ω		
Tuner section	Tuning Range	FM	87.50 MHz to 108.00 MHz	
		AM	531 kHz to 1 602 kHz (at 9 kHz intervals) 530 kHz to 1 600 kHz (at 10 kHz intervals)	
	General	Power Requirements	AC 110 - 240 V , 50/60 Hz (except for Australia) AC 240 V , 50 Hz (for Australia only)	
		Power Consumption	18 W (at operation) 2.0 W (in standby mode)	
		Dimensions (W × H × D)	400 mm × 85 mm × 380 mm	
		Mass	4.3 kg	

*1 : This value is measured at System cord CONNECTOR for reference.

*2 : Corresponding to Linear PCM, Dolby Digital, and DTS Digital Surround (with sampling frequency - 32 kHz, 44.1 kHz, 48 kHz)

*3 : For PAL system

Subwoofer (SP-PWM508)

Amplifier section	Front/Center/Surround	140 W per channel, RMS at 4 Ω (Center/Surround)/ 140 W per channel, RMS at 4 Ω (Front) at 1 kHz, with 10 % total harmonic distortion.
	Subwoofer	300 W, RMS at 4 Ω at 100 Hz, with 10 % total harmonic distortion.
Speaker section	Speaker unit	25 cm Bass-reflex, Magnetically Shielded
	Frequency Range	20 Hz to 200 Hz
General	Power Requirements	AC 110 V/127 V/220 - 240 V selectable with the voltage selector, 50 Hz/60 Hz
	Power Consumption	170 W (at operation) 0 W (in standby mode)
	Dimensions (W × H × D)	256 mm × 482 mm × 460 mm
	Mass	18.5 kg

Satellite Speakers-Front speakers (SP-THM508F)

Speakers	Woofers	10.0 cm × 2
	Tweeter	4.0 cm, Bass-reflex, Magnetically Shielded
Power Handling Capacity		140 W
Impedance		4 Ω
Frequency Range		60 Hz to 20 kHz
Dimensions (W × H × D)		250 mm × 1065.5 mm × 310 mm
Mass		7.2 kg

Satellite Speakers-Surround speakers (SP-THM505S)

Speakers	8.0 cm, Bass-reflex, Magnetically Shielded
Power Handling Capacity	140 W
Impedance	4 Ω
Frequency Range	80 Hz to 20 kHz
Dimensions (W \times H \times D)	111.5 mm \times 139 mm \times 106.5 mm
Mass	0.52 kg

Satellite Speakers-Center speaker (SP-THM508C)

Speakers	Woofers	8.0 cm \times 2
	Tweeter	4.0 cm, Bass-reflex, Magnetically Shielded
Power Handling Capacity	140 W	
Impedance	4 Ω	
Frequency Range	65 Hz to 20 kHz	
Dimensions (W \times H \times D)	326 mm \times 119 mm \times 170 mm	
Mass	2.5 kg	

Designs & specifications are subject to change without notice.

SECTION 1 PRECAUTION

1.1 Safety Precautions

- (1) This design of this product contains special hardware and many circuits and components specially for safety purposes. For continued protection, no changes should be made to the original design unless authorized in writing by the manufacturer. Replacement parts must be identical to those used in the original circuits. Services should be performed by qualified personnel only.
- (2) Alterations of the design or circuitry of the product should not be made. Any design alterations of the product should not be made. Any design alterations or additions will void the manufacturer's warranty and will further relieve the manufacturer of responsibility for personal injury or property damage resulting therefrom.
- (3) Many electrical and mechanical parts in the products have special safety-related characteristics. These characteristics are often not evident from visual inspection nor can the protection afforded by them necessarily be obtained by using replacement components rated for higher voltage, wattage, etc. Replacement parts which have these special safety characteristics are identified in the Parts List of Service Manual. Electrical components having such features are identified by shading on the schematics and by (Δ) on the Parts List in the Service Manual. The use of a substitute replacement which does not have the same safety characteristics as the recommended replacement parts shown in the Parts List of Service Manual may create shock, fire, or other hazards.
- (4) The leads in the products are routed and dressed with ties, clamps, tubings, barriers and the like to be separated from live parts, high temperature parts, moving parts and/or sharp edges for the prevention of electric shock and fire hazard. When service is required, the original lead routing and dress should be observed, and it should be confirmed that they have been returned to normal, after reassembling.

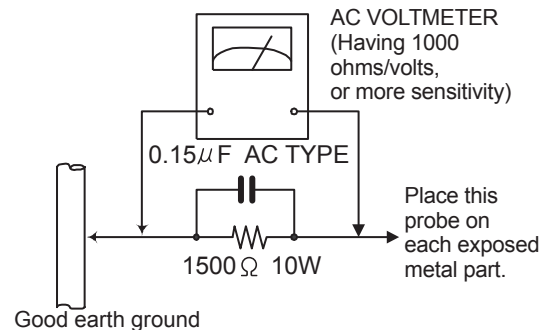
(5) Leakage shock hazard testing

After reassembling the product, always perform an isolation check on the exposed metal parts of the product (antenna terminals, knobs, metal cabinet, screw heads, headphone jack, control shafts, etc.) to be sure the product is safe to operate without danger of electrical shock. Do not use a line isolation transformer during this check.

- Plug the AC line cord directly into the AC outlet. Using a "Leakage Current Tester", measure the leakage current from each exposed metal part of the cabinet, particularly any exposed metal part having a return path to the chassis, to a known good earth ground. Any leakage current must not exceed 0.5mA AC (r.m.s.).
- Alternate check method
Plug the AC line cord directly into the AC outlet. Use an AC voltmeter having, 1,000 Ω per volt or more sensitivity in the following manner. Connect a 1,500 Ω 10W resistor paralleled by a 0.15 μ F AC-type capacitor between an exposed metal part and a known good earth ground. Measure the AC voltage across the resistor with the AC

voltmeter.

Move the resistor connection to each exposed metal part, particularly any exposed metal part having a return path to the chassis, and measure the AC voltage across the resistor. Now, reverse the plug in the AC outlet and repeat each measurement. Voltage measured any must not exceed 0.75 V AC (r.m.s.). This corresponds to 0.5 mA AC (r.m.s.).



1.2 Warning

- (1) This equipment has been designed and manufactured to meet international safety standards.
- (2) It is the legal responsibility of the repairer to ensure that these safety standards are maintained.
- (3) Repairs must be made in accordance with the relevant safety standards.
- (4) It is essential that safety critical components are replaced by approved parts.
- (5) If mains voltage selector is provided, check setting for local voltage.

1.3 Caution

Burrs formed during molding may be left over on some parts of the chassis.

Therefore, pay attention to such burrs in the case of pre-forming repair of this system.

1.4 Critical parts for safety

In regard with component parts appearing on the silk-screen printed side (parts side) of the PWB diagrams, the parts that are printed over with black such as the resistor (■), diode (■) and ICP (●) or identified by the " Δ " mark nearby are critical for safety. When replacing them, be sure to use the parts of the same type and rating as specified by the manufacturer.
(This regulation does not Except the J and C version)

1.5 Preventing static electricity

Electrostatic discharge (ESD), which occurs when static electricity stored in the body, fabric, etc. is discharged, can destroy the laser diode in the traverse unit (optical pickup). Take care to prevent this when performing repairs.

1.5.1 Grounding to prevent damage by static electricity

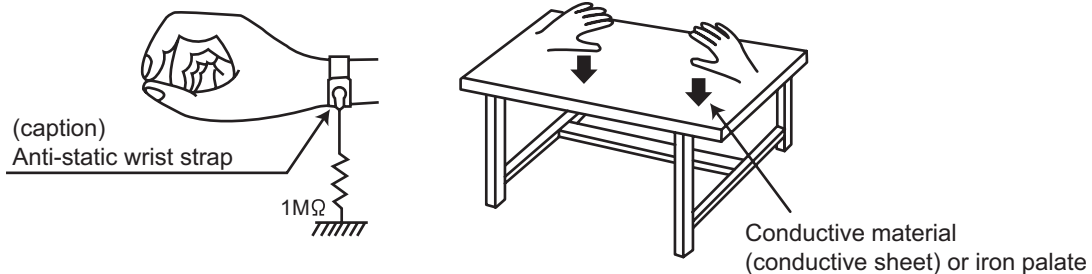
Static electricity in the work area can destroy the optical pickup (laser diode) in devices such as laser products. Be careful to use proper grounding in the area where repairs are being performed.

(1) Ground the workbench

Ground the workbench by laying conductive material (such as a conductive sheet) or an iron plate over it before placing the traverse unit (optical pickup) on it.

(2) Ground yourself

Use an anti-static wrist strap to release any static electricity built up in your body.



(3) Handling the optical pickup

- In order to maintain quality during transport and before installation, both sides of the laser diode on the replacement optical pickup are shorted. After replacement, return the shorted parts to their original condition. (Refer to the text.)
- Do not use a tester to check the condition of the laser diode in the optical pickup. The tester's internal power source can easily destroy the laser diode.

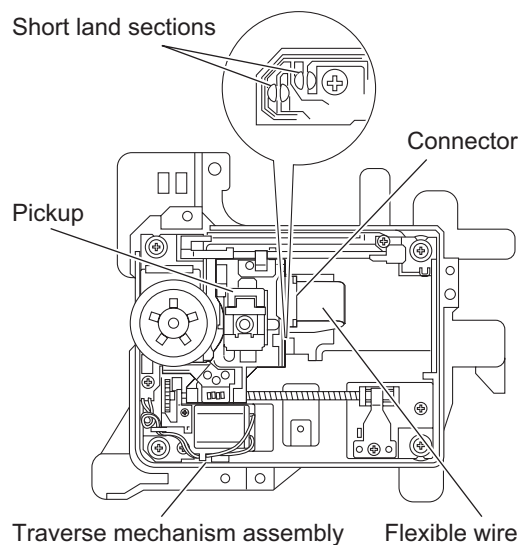
1.6 Handling the traverse unit (optical pickup)

- (1) Do not subject the traverse unit (optical pickup) to strong shocks, as it is a sensitive, complex unit.
- (2) Cut off the shorted part of the flexible cable using nippers, etc. after replacing the optical pickup. For specific details, refer to the replacement procedure in the text. Remove the anti-static pin when replacing the traverse unit. Be careful not to take too long a time when attaching it to the connector.
- (3) Handle the flexible cable carefully as it may break when subjected to strong force.
- (4) It is not possible to adjust the semi-fixed resistor that adjusts the laser power. Do not turn it.

1.7 Attention when traverse unit is decomposed

***Please refer to "Disassembly method" in the text for the pickup unit.**

- Apply solder to the short land sections before the flexible wire is disconnected from the connector on the servo board. (If the flexible wire is disconnected without applying solder, the pickup may be destroyed by static electricity.)
- In the assembly, be sure to remove solder from the short land sections after connecting the flexible wire.



1.8 Important for laser products

1.CLASS 1 LASER PRODUCT

2.DANGER : Invisible laser radiation when open and interlock failed or defeated. Avoid direct exposure to beam.

3.CAUTION : There are no serviceable parts inside the Laser Unit. Do not disassemble the Laser Unit. Replace the complete Laser Unit if it malfunctions.

4.CAUTION : The CD,MD and DVD player uses invisible laser radiation and is equipped with safety switches which prevent emission of radiation when the drawer is open and the safety interlocks have failed or are defeated. It is dangerous to defeat the safety switches.

5.CAUTION : If safety switches malfunction, the laser is able to function.

6.CAUTION : Use of controls, adjustments or performance of procedures other than those specified here in may result in hazardous radiation exposure.



CAUTION Please use enough caution not to see the beam directly or touch it in case of an adjustment or operation check.

CAUTION : Visible and invisible laser radiation when open and interlock failed or defeated.

AVOID DIRECT EXPOSURE TO BEAM.

ADVARSEL : Synlig og usynlig laserstråling når maskinen er åben eller interlocken fejler. Undgå direkte eksponering til stråling.

VARNING : Synlig och osynlig laserstråling när den öppnas och spärren är urkopplad. Betrakta ej strålen.

VARO : Avattaessa ja suojalukitus ohitettuna tai viallisena olet alttiina näkyvälle ja näkymättömälle lasersäteilylle. Vältä säteen kohdistumista suoraan itseesi.

REPRODUCTION AND POSITION OF LABELS

WARNING LABEL

CAUTION : Visible and invisible laser radiation when open and interlock failed or defeated. AVOID DIRECT EXPOSURE TO BEAM. (e)	ADVARSEL : Synlig og usynlig laserstråling når maskinen er åben eller interlocken fejler. Undgå direkte eksponering til stråling. (d)	VARNING : Synlig och osynlig laserstråling när den öppnas och spärren är urkopplad. Betrakta ej strålen. (s)	VARO : Avattaessa ja suojalukitus ohitettuna tai viallisena olet alttiina näkyvälle ja näkymättömälle lasersäteilylle. Vältä säteen kohdistumista suoraan itseesi. (f)
---	--	---	---



CAUTION : Visible and invisible laser radiation when open and interlock failed or defeated. AVOID DIRECT EXPOSURE TO BEAM. (e)	VARO : Avattaessa ja suojalukitus ohitettuna tai viallisena olet alttiina näkyvälle ja näkymättömälle lasersäteilylle. Vältä säteen kohdistumista suoraan itseesi. (f)
VARNING : Synlig och osynlig laserstråling när den öppnas och spärren är urkopplad. Betrakta ej strålen. (s)	ADVARSEL : Synlig og usynlig laserstråling når maskinen er åben eller interlocken fejler. Undgå direkte eksponering til stråling. (d)

SECTION 2
SPECIFIC SERVICE INSTRUCTIONS

This service manual does not describe SPECIFIC SERVICE INSTRUCTIONS.

SECTION 3 DISASSEMBLY

3.1 Main body section

3.1.1 Removing the metal cover (See Figs.1 to 4)

- (1) From the both sides of the main body, remove the four screws **A** attaching the metal cover. (See Figs.1 and 2)
- (2) From the back side of the main body, remove the three screws **B** attaching the metal cover. (See Fig.3)
- (3) Lift the rear section of the metal cover in the direction of the arrow while extending the lower sections of the metal cover, release the five claws **a** using a longer screwdriver from the inside as required. (See Fig.4)

Note:

Do not damage any parts and boards inside the main body when releasing the claws **a** using a longer screwdriver.

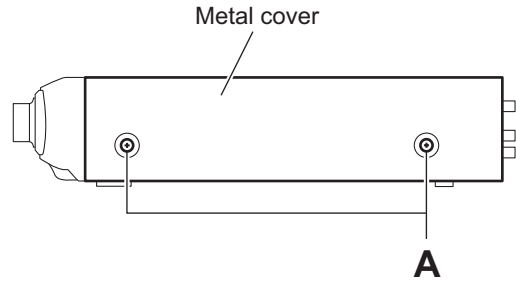


Fig.1

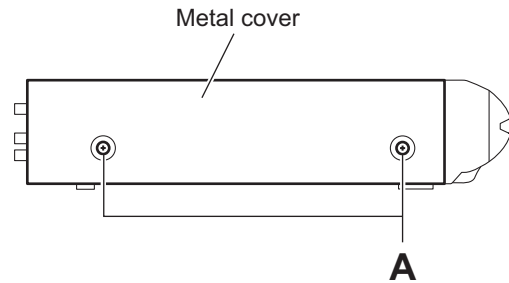


Fig.2

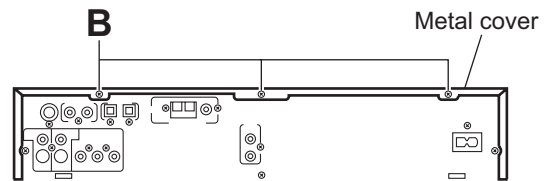


Fig.3

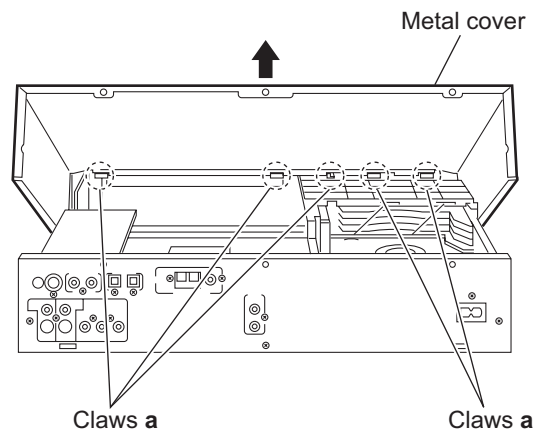


Fig.4

3.1.2 Removing the front panel assembly (See Figs.5 and 6)

- Prior to performing the following procedures, remove the metal cover.
 - (1) From the top side of the main body, disconnect the parallel wires from the connectors (CN456, CN457) on the main board. (See Fig.5)
 - (2) Disconnect the card wires from the connectors (CN450, CN460) on the main board. (See Fig.5)
 - (3) Remove the screw **C** attaching the earth wire to the main board. (See Fig.5)

Reference:

When attaching the screw **C**, attach the earth wire with it. (See Fig.5)

- (4) From the bottom side of the main body, remove the three screws **D** attaching the front panel assembly. (See Fig.6)
- (5) From the both and bottom sides of the main body, remove the front panel assembly in the direction of the arrow while releasing the joints **b** and **c**. (See Fig.6)

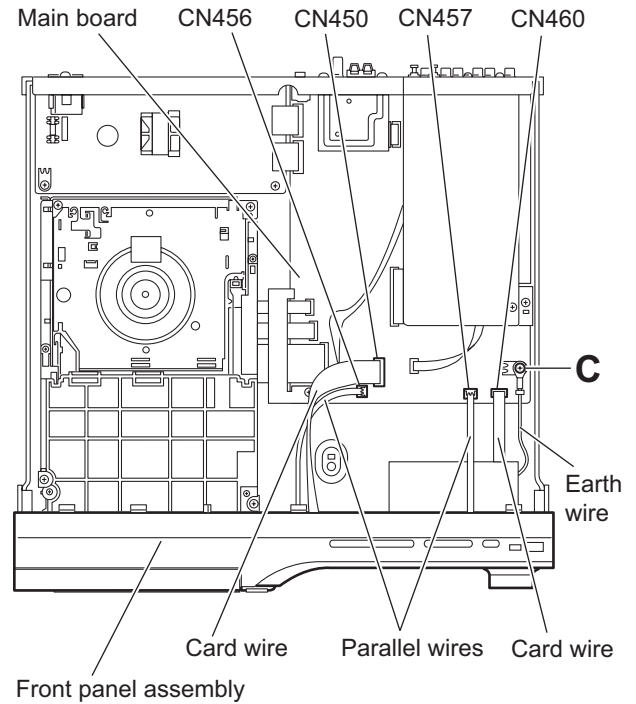


Fig.5

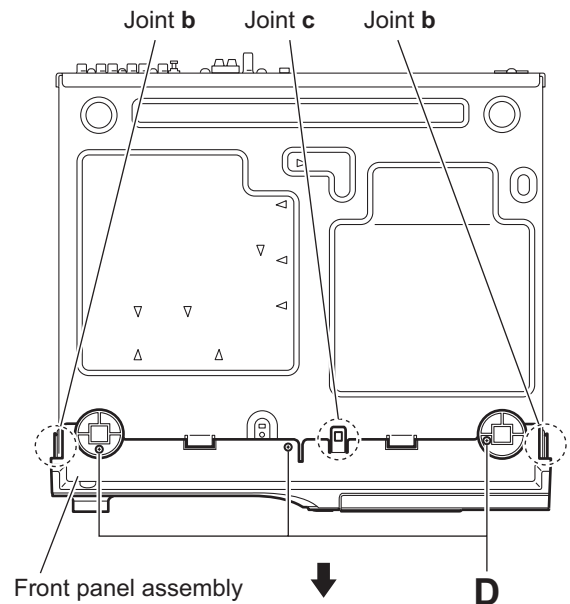


Fig.6

3.1.3 Removing the DVD changer mechanism assembly (See Fig.7)

- Prior to performing the following procedures, remove metal cover and front panel assembly.

- (1) From the top side of the main body, remove the screw **E** attaching the wire protection board to the main board.
- (2) Take out the wire protection board, and disconnect the card wires from the connectors ([CN401](#) to [CN403](#)) on the main board.

Reference:

When attaching the wire protection board, attach the wire protection board after connecting the card wires to the connectors ([CN401](#) to [CN403](#)) on the main board.

- (3) Remove the four screws **F** attaching the DVD changer mechanism assembly on the bottom chassis.
- (4) Take out the DVD changer mechanism assembly in the upward direction.

Reference:

When attaching the DVD changer mechanism assembly, align the holes of the DVD changer mechanism assembly to the projections **d** on the bottom chassis.

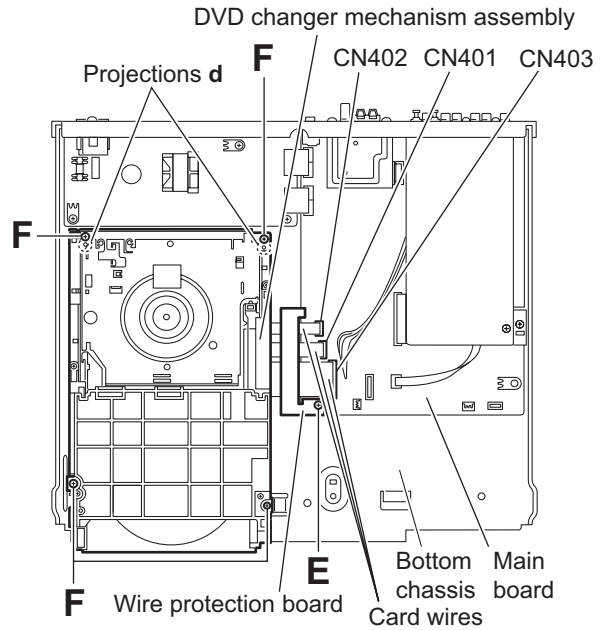


Fig.7

3.1.4 Removing the rear panel (See Fig.8)

- Prior to performing the following procedures, remove the metal cover.

- (1) From the back side of the main body, remove the screw **G** and thirteen screws **H** attaching the rear panel.

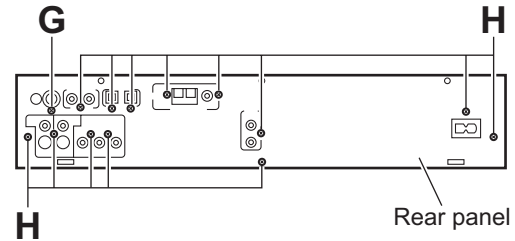


Fig.8

3.1.5 Removing the audio & digital input board (See Figs.9 and 10)

- Prior to performing the following procedures, remove the metal cover.
 - (1) From the top side of the main body, disconnect the card wires from the connectors (CN411, CN412) on the main board. (See Fig.9)
 - (2) Remove the screw J attaching the audio & digital input board to the bracket(DSP). (See Fig.9)
 - (3) From the back side of the main body, remove the screw K and three screws L attaching the audio & digital input board to the rear panel. (See Fig.10)
 - (4) Take out the audio & digital input board from the main body.

3.1.6 Removing the tuner (See Figs.9 and 10)

- Prior to performing the following procedures, remove the metal cover.
 - (1) From the top side of the main body, disconnect the card wire from the connector CN1 on the tuner. (See Fig.9)
 - (2) From the back side of the main body, remove the two screws M attaching the tuner to the rear panel. (See Fig.10)
 - (3) Take out the tuner from the main body.

3.1.7 Removing the power supply board (See Figs.9 and 10)

- Prior to performing the following procedures, remove the metal cover.
 - (1) From the top side of the main body, disconnect the parallel wires from the connectors (CN404 to CN407) on the main board. (See Fig.9)
 - (2) Remove the three screws N attaching the power supply board. (See Fig.9)
 - (3) From the back side of the main body, remove the screw P attaching the power supply board to the rear panel. (See Fig.10)
 - (4) Take out the power supply board from the main body.

Reference:

Remove the rear panel as required. (See “3.1.4 Removing the rear pane”)

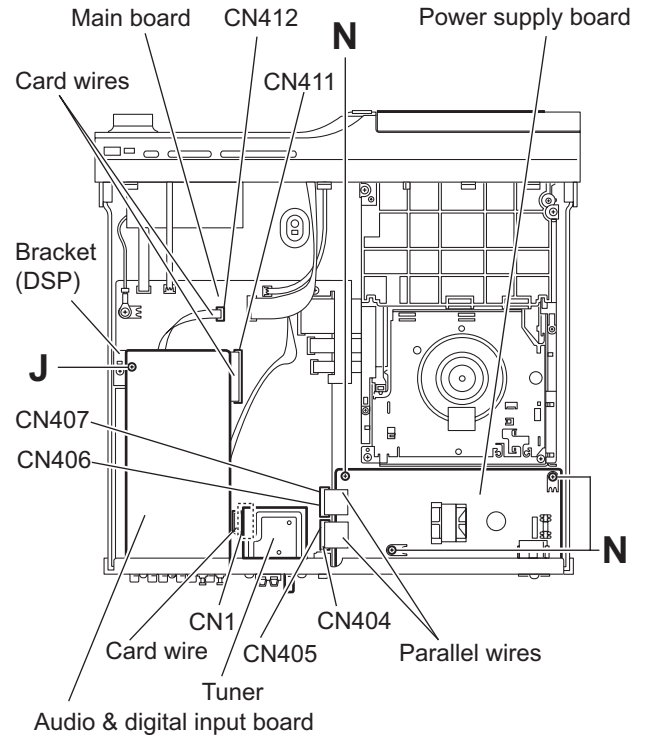


Fig.9

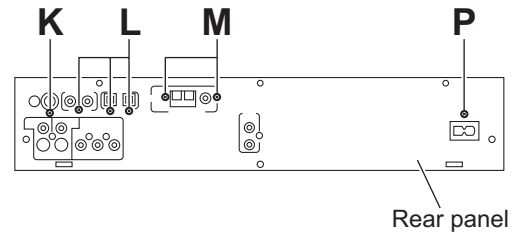


Fig.10

3.1.8 Removing the main board (See Fig.11)

- Prior to performing the following procedures, remove the metal cover, rear panel, audio & digital input board and tuner.

- (1) From the top side of the main body, remove the screw **Q** attaching the wire protection board to the main board.
- (2) Take out the wire protection board, and disconnect the card wires from the connectors ([CN401](#) to [CN403](#)) on the main board.

Reference:

When attaching the wire protection board, attach the wire protection board after connecting the card wires to the connectors ([CN401](#) to [CN403](#)) on the main board.

- (3) Disconnect the card wires from the connectors ([CN450](#) and [CN460](#)) on the main board.
- (4) Disconnect the parallel wires from the connectors ([CN404](#) to [CN407](#), [CN456](#) and [CN457](#)) on the main board.
- (5) Remove the two screws **R** and screw **R'** attaching the main board on the bottom chassis.

Reference:

When attaching the screw **R'**, attach the earth wire with it.

- (6) Take out the main board from the main body.

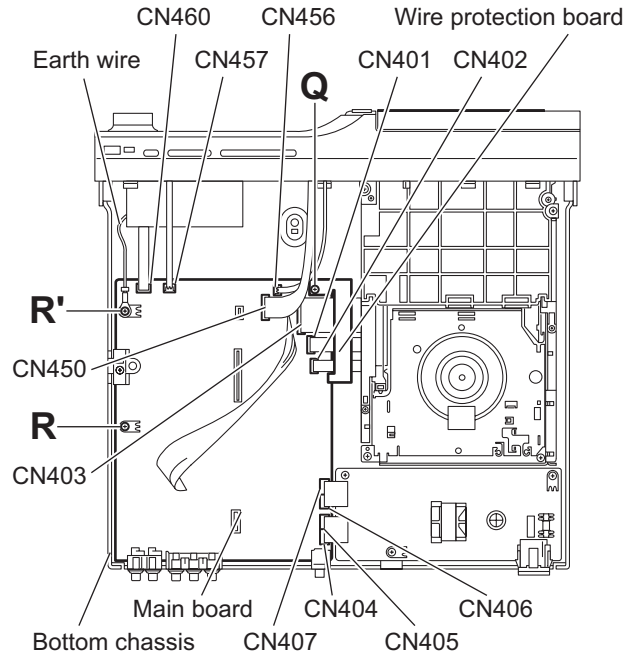


Fig.11

3.2 Front panel assembly section

- Prior to performing the following procedures, remove the front panel assembly from the main body. (See “Removing the front panel assembly”)

3.2.1 Removing the phone jack board (See Fig.1)

- (1) From the inside of the front panel assembly, remove the screw **A** and screw **A'** attaching the phone jack board.

Reference:

- When attaching the phone jack board, align the projections **a** of the front panel assembly to the holes of the phone jack board.
- When attaching the screw **A'**, attach the earth wire with it.

- (2) Take out the phone jack board from the front panel assembly.

3.2.2 Removing the connect board (See Fig.1)

- (1) From the inside of the front panel assembly, disconnect the card wire from the connector ([CN561](#)) on the connect board.
- (2) Remove the two screws **B** attaching the connect board.

Reference:

When attaching the connect board, align the projections **b** of the front panel assembly to the holes of the connect board.

- (3) Take out the connect board from the front panel assembly.

3.2.3 Removing the operation board (See Fig.1)

- (1) From the inside of the front panel assembly, remove the three screws **C** attaching the operation board.

Reference:

When attaching the operation board, align the projections **c** of the front panel assembly to the holes of the operation board.

- (2) Take out the operation board with the button(top).

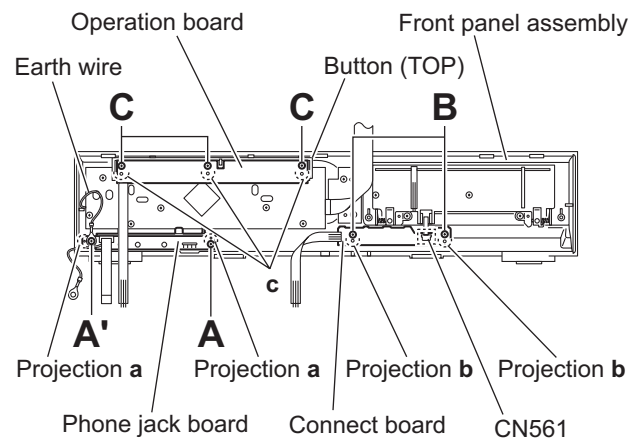


Fig.1

3.2.4 Removing the front board (See Figs.2 and 3)

- Prior to performing the following procedures, remove the operation board.

- (1) From the front side of the front panel assembly, pull out the volume knob in the direction of the arrow. (See Fig.2)
- (2) From the inside of the front panel assembly, remove the seven screws **D** attaching the front board. (See Fig.3)

Reference:

When attaching the front board, align the projections **d** of the front panel assembly to the holes of the front board. (See Fig.3)

- (3) Take out the front board and remove the solder from the soldered point **e** to remove the parallel wire. (See Fig.3)

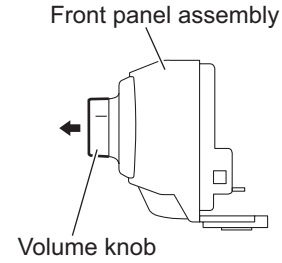


Fig.2

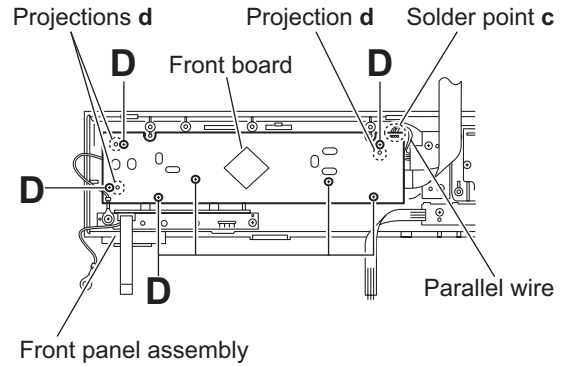


Fig.3

3.2.5 Removing the power key board (See Fig.4)

- (1) From the inside of the front panel assembly, remove the two screws **E** attaching the power key board.

Reference:

When attaching the power key board, align the projections **f** of the front panel assembly to the holes of the power key board.

- (2) Take out the power key board and remove the solder from the soldered point **g** to remove the parallel wire.

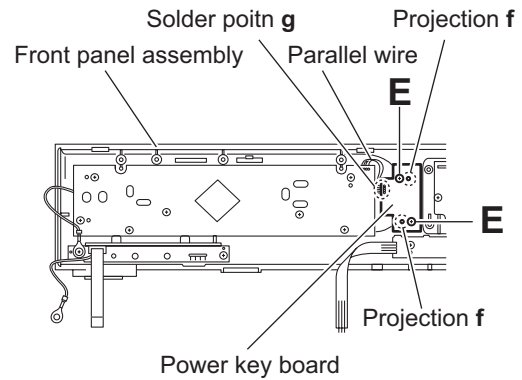


Fig.4

3.2.6 Removing the illumination board (See Figs.5 and 6)

- (1) Open the DVD door of the front panel assembly and remove the three screws **F** attaching the door holder to the DVD door. (See Fig.5)
- (2) Remove the DVD door from the door holder. (See Fig.5)
- (3) From the inside of the DVD door, disconnect the card wire from the connector [CN551](#) on the illumination board. (See Fig.6)
- (4) Take out the illumination board from the DVD door.

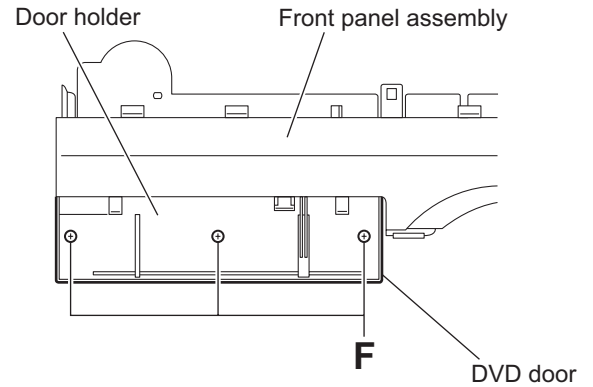


Fig.5

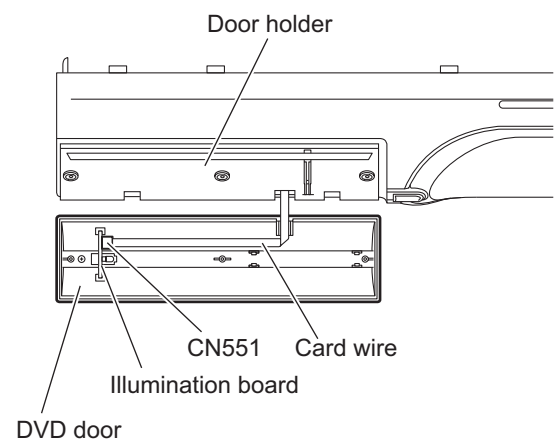


Fig.6

3.3 DVD changer mechanism assembly section

- Prior to performing the following procedures, remove the metal cover, front panel assembly and the DVD changer mechanism assembly.

3.3.1 Removing the tray assemblies (See Figs.1 to 5)

- (1) Remove the two screws **A** from the top cover and release the two joints **a** on the both sides of the DVD changer mechanism assembly. (See Figs.1 and 2)
- (2) Remove the two rods from the top cover and remove the top cover from the lifter assembly. (See Figs.1 and 2)
- (3) Remove the open det lever on the left side of the DVD changer mechanism assembly. (See Fig.3)
- (4) From the right side of the DVD changer mechanism assembly, draw out the tray assemblies toward the front while pushing the part **b** of the side (R) assembly. (See Fig.4)

Attention:

The tray can be locked if all tray assemblies are attached.

- (5) From the top side of the DVD changer mechanism assembly, move the stopper tabs **c** in the direction of the arrow and release them. Pull out the tray assemblies from the DVD changer mechanism assembly. (See Figs.4 and 5)

Caution:

Remove the tray assembly from top tray 5 in order.

Attention:

When reattaching the tray assembly, or when removing the disc remaining inside, refer to another section "3.3.15 Taking out the disc in the play mode".

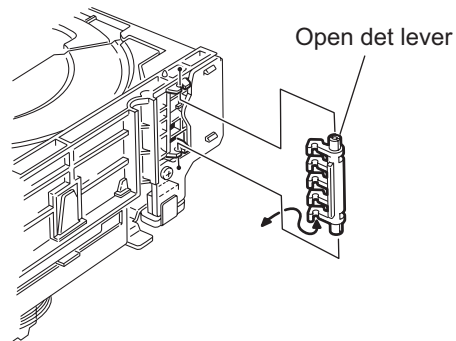


Fig.3

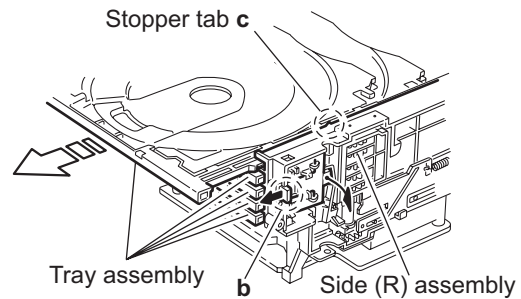


Fig.4

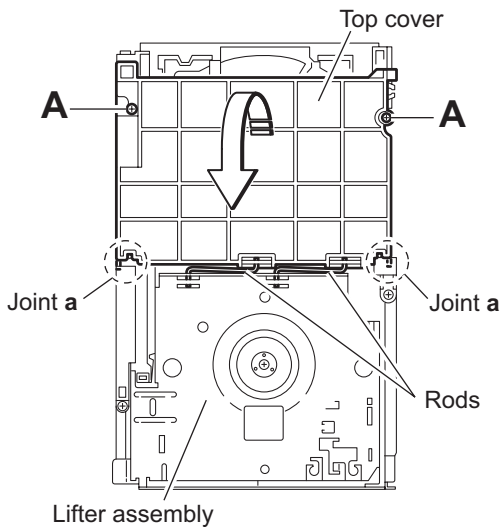


Fig.1

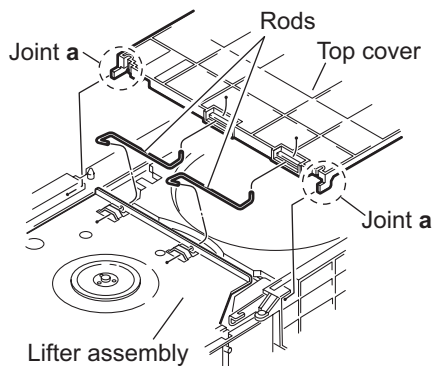


Fig.2

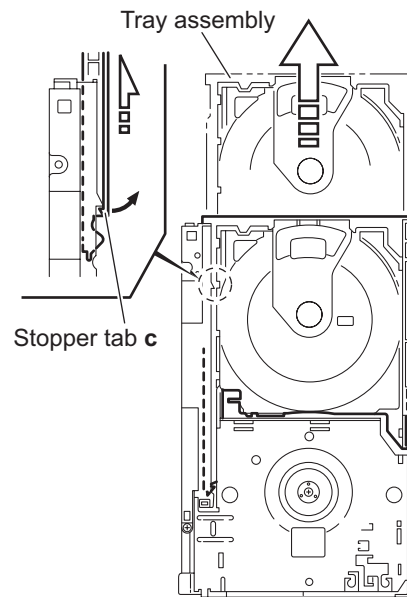


Fig.5

3.3.2 Removing the DVD servo board (See Figs.6 to 8)

- Prior to performing the following procedures, remove the tray assemblies.

(1) From the topside of the DVD changer mechanism assembly, solder the short-circuit points **d** on the DVD pickup. (See Fig.6)

Caution:

Solder the short-circuit points **d** on the DVD pickup before disconnecting the flexible wire extending from the DVD pickup. If you do not follow this instruction, the DVD pickup may be damaged.

- (2) From the bottom side of the DVD changer mechanism assembly, disconnect the card wires from the connectors **CN201** and **CN451** and the wires from the connectors **CN452** and **CN453** on the DVD servo board. (See Fig.7)
- (3) Remove the two screws **B** attaching the bracket to the DVD changer mechanism assembly, and reverse the DVD servo board. (See Fig.7)
- (4) From the reverse side of the DVD servo board, disconnect the card wire from the connector **CN101** in the direction of the arrow 1 on the DVD servo board. (See Fig.8)
- (5) Take out the DVD servo board.

Caution:

Unsolder the solders from the short-circuit points **d** after reassembling.

Reference:

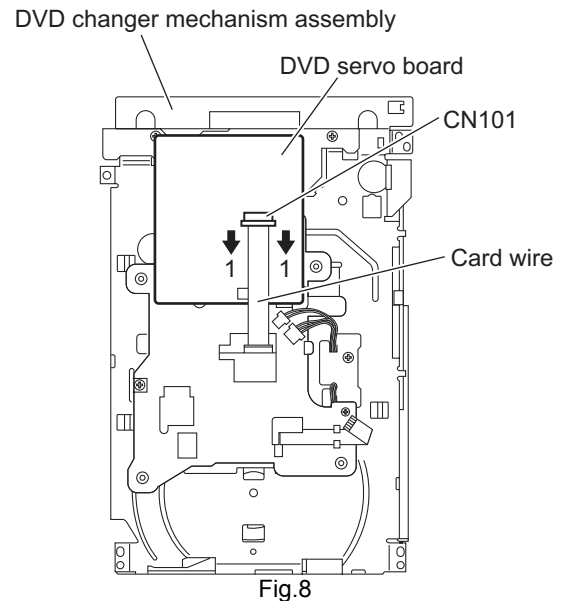
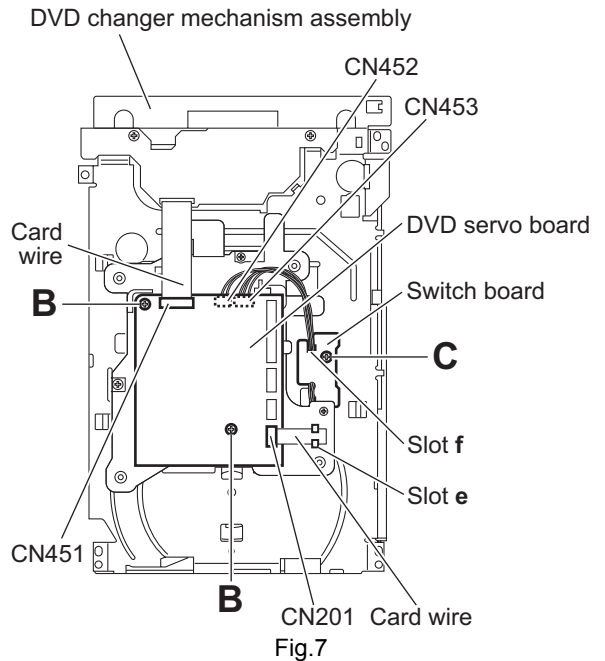
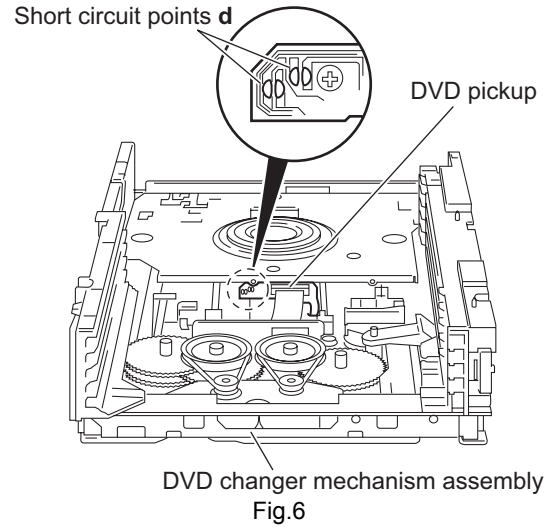
When connecting the card wire to the connector **CN201**, let the wire through the slots **e**.

3.3.3 Removing the switch board (See Fig.7)

- (1) From the bottom side of the DVD changer mechanism assembly, disconnect the wires from connectors **CN452** and **CN453** on the DVD servo board.
- (2) Remove the screw **C** attaching the switch board to the DVD changer mechanism assembly.
- (3) Release the wires from the slots **f** of the switch board.

Caution:

When reassembling, let the wires through the slots **f** of the switch board.



3.3.4 Removing the motor board (See Figs.9 and 10)

- (1) From the top side of the DVD changer mechanism assembly, remove the two belts from the motor pulleys. (See Fig.9)

Caution:

Take care not to attach grease on the belt.

- (2) Remove the four screws **D** attaching the motors to the chassis assembly. (See Fig.9)
- (3) From the bottom side of the DVD changer mechanism assembly, remove the two screws **E**. (See Fig.10)
- (4) Disconnect the connector **CN2** on the motor board from the tray switch board and remove the motor board. (See Fig.10)
- (5) Disconnect the card wire from the connector **CN1** on the motor board. (See Fig.10)

Caution:

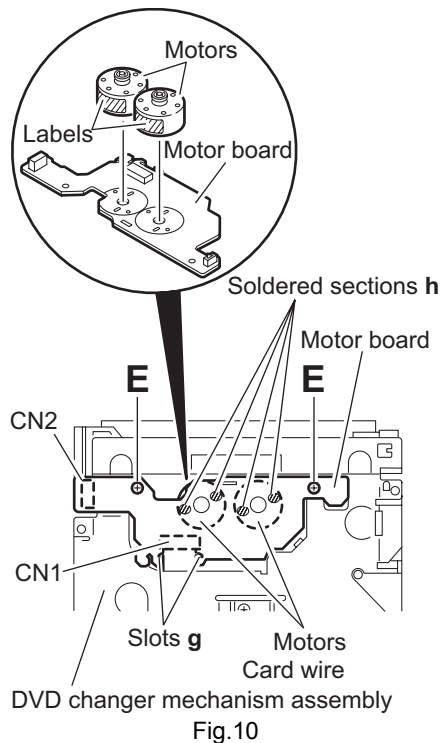
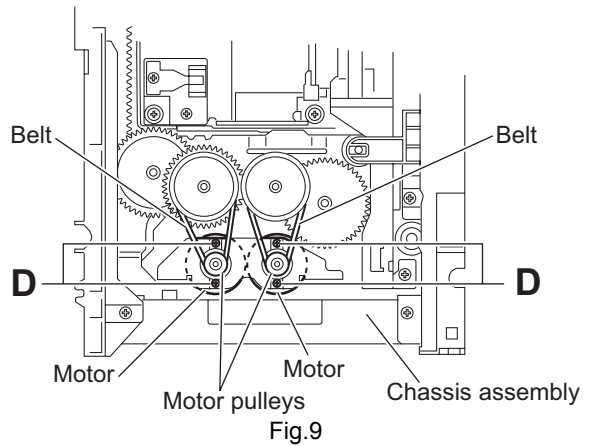
- When connecting the card wire, let the card wire through the slots **g** of the motor board. (See Fig.10)
- When reattaching the motor, turn the side where the label should be put to the front side. (See Fig.10)

Reference:

You need not to remove the tray assemblies, and in such case, move it.

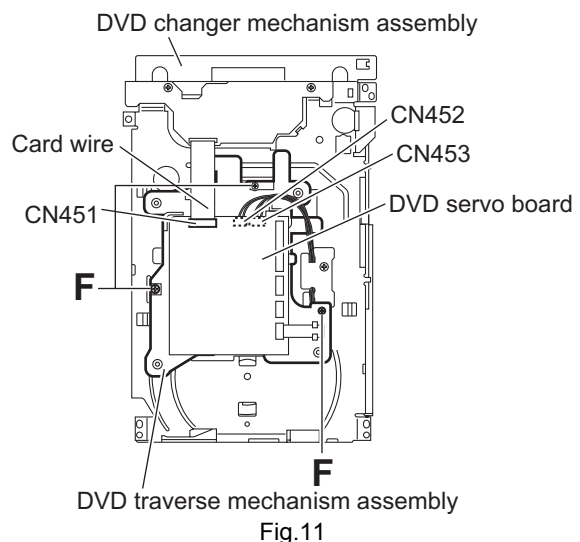
3.3.5 Removing the motor (See Fig. 10)

- Prior to performing the following procedures, remove the motor board.
 - (1) From the reverse side of the motor board, unsolder the four soldered sections **h** on the motor board.
 - (2) From the forward side of the motor board, remove the motors.



3.3.6 Removing the DVD traverse mechanism assembly (See Fig.11)

- Prior to performing the following procedures, remove the tray assemblies.
 - (1) From the top side of the DVD changer mechanism assembly, disconnect the card wire from the connector **CN451** on the DVD servo board.
 - (2) Disconnect the wires from the connectors **CN452** and **CN453** on the DVD servo board.
 - (3) Remove the three screws **F** attaching the DVD traverse mechanism assembly.
 - (4) Take out the DVD traverse mechanism assembly with DVD servo board from the DVD changer mechanism assembly.



3.3.7 Removing the DVD pickup (See Figs.12 to 14)

- Prior to performing the following procedures, remove the tray assemblies and DVD traverse mechanism assembly.

(1) From the topside of the DVD traverse mechanism assembly, solder the short-circuit points **i** on the DVD pick up. (See Fig.12)

Caution:

Solder the short-circuit points **i** on the DVD pickup before disconnecting the flexible wire extending from the DVD pickup. If you do not follow this instruction, the DVD pick-up may be damaged.

- (2) Disconnect the flexible wire from the connector on the DVD pickup. (See Fig.12)
- (3) Turn the screw shaft gear in the direction of the arrow 1 to move the DVD pickup in the direction of the arrow 2. (See Fig.12)
- (4) Remove the screw **G** attaching the gear holder. (See Fig.12)
- (5) Remove the screw **H** attaching the SS adj. spring. (See Fig.12)
- (6) Move the DVD pickup in the direction of the arrow and remove the screw shaft from the section **j** on the screw shaft holder. (See Fig.13)
- (7) Remove the section **k** of the DVD pickup from the guide shaft. (See Fig.13)
- (8) Remove the two screws **J** attaching the rack arm to the DVD pickup. (See Fig.14)
- (9) Pull the screw shaft from the DVD pickup in the direction of the arrow. (See Fig.14)

3.3.8 Attaching the DVD pickup (See Figs.12 to 14)

(1) Attach the screw shaft to the DVD pickup and attach the rack arm with the screws **J**. (See Fig.14)

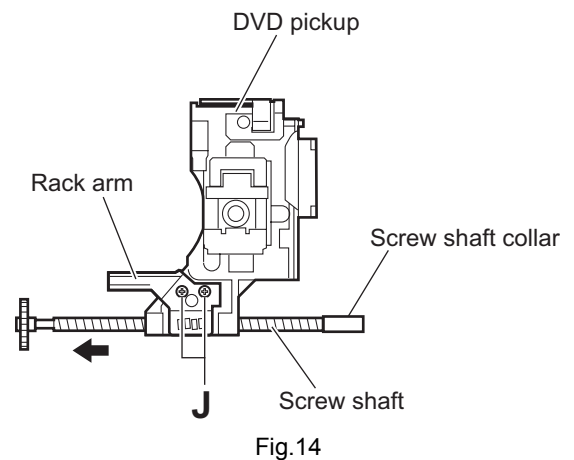
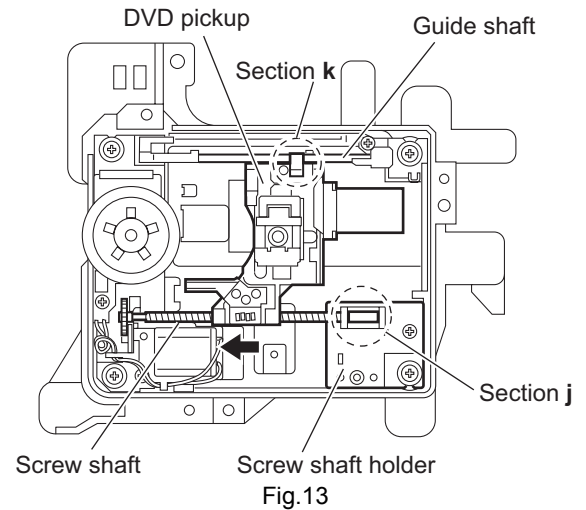
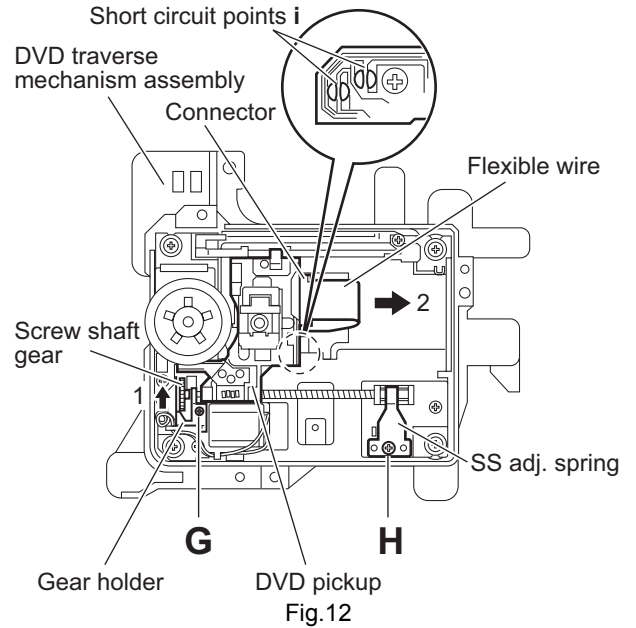
Reference:

After attaching the screw shaft to the DVD pickup, attach the screw shaft collar to the screw shaft. (See Fig.14)

- (2) Attach the section **k** of the DVD pickup to the guide shaft first and attach the screw shaft to the section **j** on the screw shaft holder. (See Fig.14)
- (3) Attach the SS adj. spring and gear holder with the screws **G** and **H**. (See Fig.12)
- (4) Turn the screw shaft gear to move the DVD pickup toward the left. (See Fig.12)
- (5) Connect the flexible wire to the connector on the DVD pick-up. (See Fig.12)

Caution:

Unsolder the solders from the short-circuit points **i** after connecting the flexible wire.

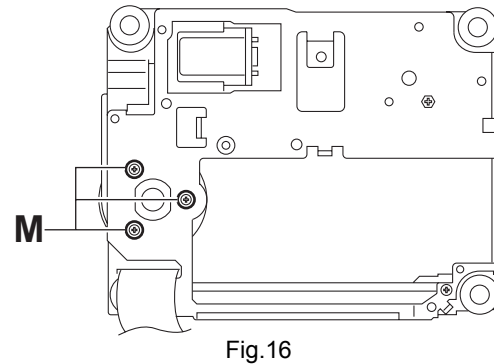
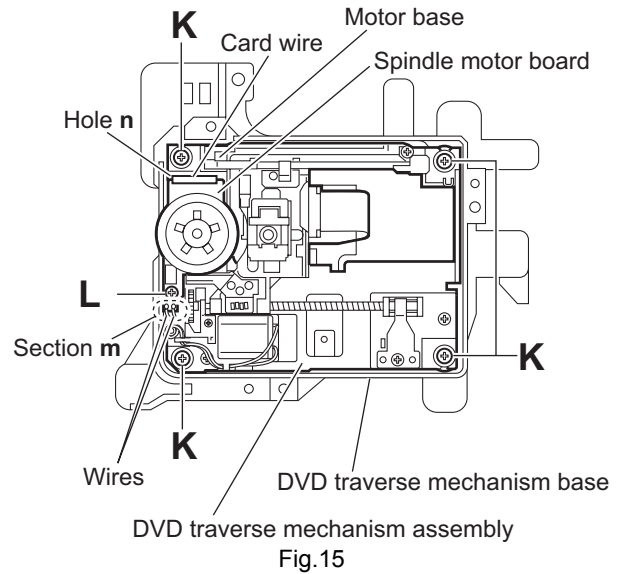


3.3.9 Removing the spindle motor board (See Figs.15 and 16)

- Prior to performing the following procedures, remove the tray assemblies and DVD traverse mechanism assembly.
 - (1) From the topside of the DVD traverse mechanism assembly, remove the four screws **K** attaching the DVD traverse mechanism assembly to the DVD traverse mechanism base. (See Fig.15)
 - (2) Remove the wires from the soldered section **m** on the spindle motor board. (See Fig.15)
 - (3) Remove the screw **L** attaching the spindle motor board. (See Fig.15)
 - (4) From the bottom side of the DVD traverse mechanism assembly, remove the three screws **M** attaching the spindle motor board. (See Fig.16)

Reference:

When attaching the spindle motor board, let the card wire through the hole **n** on the motor base. (See Fig.15)

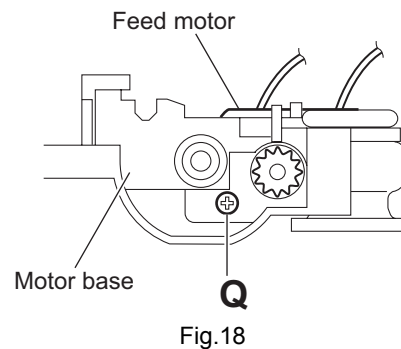
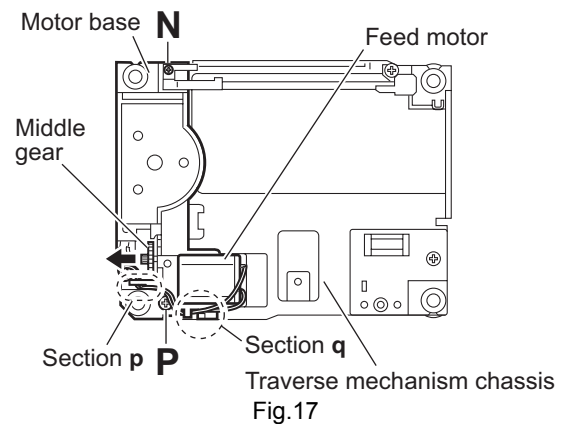


3.3.10 Removing the feed motor (See Figs.17 and 18)

- Prior to performing the following procedures, remove the tray assemblies, DVD traverse mechanism assembly, DVD pickup and spindle motor board.
- Remove the wires of the feed motor as required.
 - (1) Remove the middle gear in the direction of the arrow. (See Fig.17)
 - (2) Remove the screw **N** and screw **P** attaching the motor base.
 - (3) Remove the screw **Q** attaching the feed motor to the motor base. (See Fig.18)
 - (4) Take out the feed motor from the motor base.

Reference:

After attaching the feed motor, let the wires through the sections **p** and **q** on the motor base. (See Fig.17)



3.3.11 Removing the side (L) assembly and tray switch board (See Figs.19 to 23)

- Prior to performing the following procedures, remove the tray assemblies.
 - (1) From the topside of the DVD changer mechanism assembly, remove the two screws **R** attaching the side (L) assembly. (See Fig.19)
 - (2) From the left side of the DVD changer mechanism assembly, removing the spacer fixing the tray switch board and motor board. (See Fig.20)
 - (3) Disconnect the connector **CN3** on the tray switch board from the motor board and detach the side (L) assembly in an upward direction. (See Fig.20)
 - (4) Remove the screw **S** attaching the tray switch board to the side (L) assembly. (See Fig.21)
 - (5) Release the joint tab **r** of the side (L) assembly in the direction of the arrow 1 and release the joint tab **s** while removing the tray switch board in the direction of the arrow 2. (See Fig.21)

Reference:

After attaching the tray switch board to the motor board, fix them with spacers.

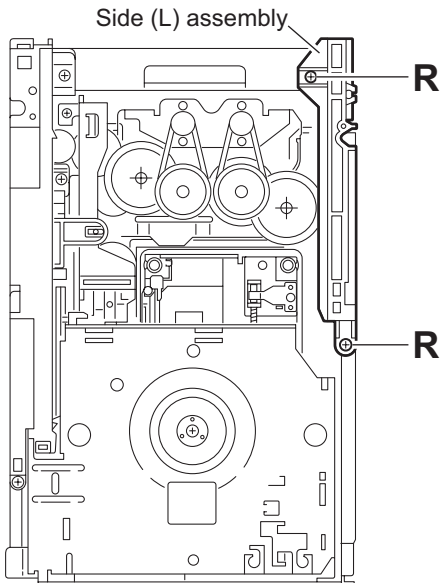


Fig.19

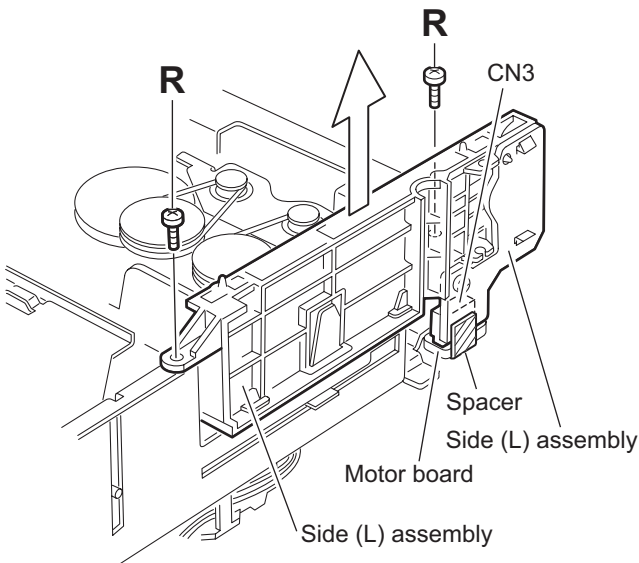


Fig.20

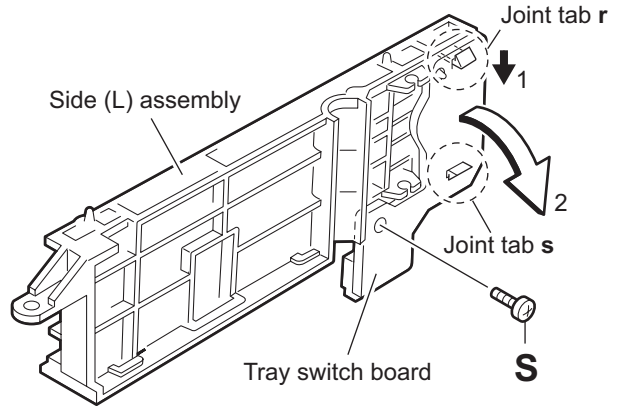


Fig.21

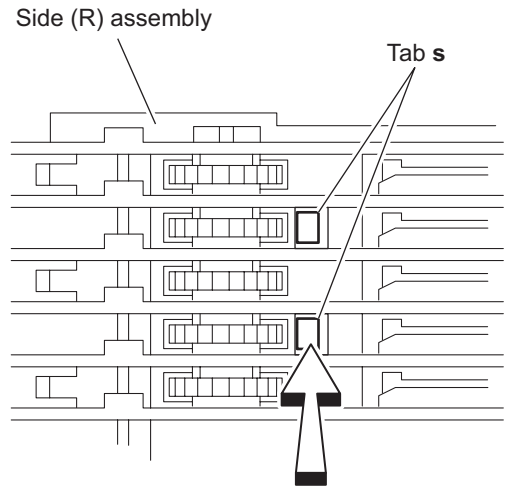


Fig.22

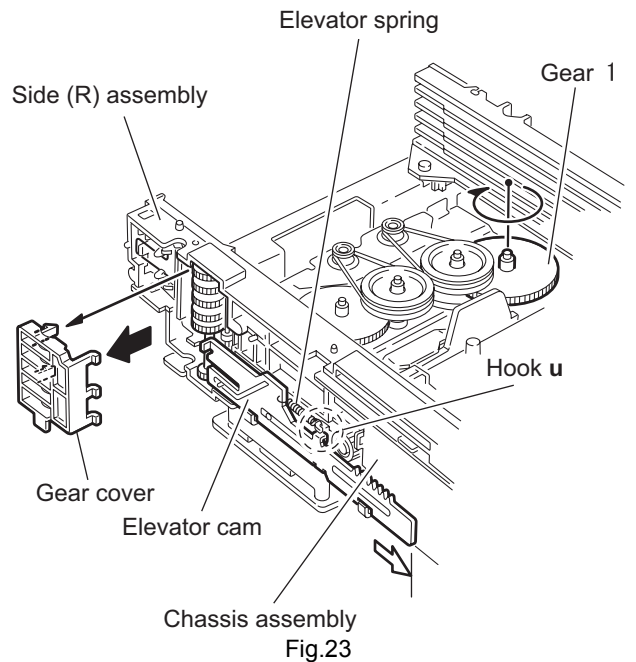


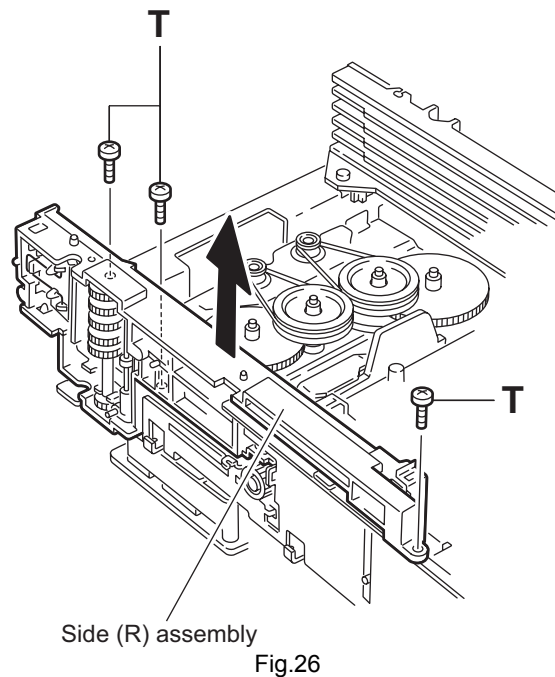
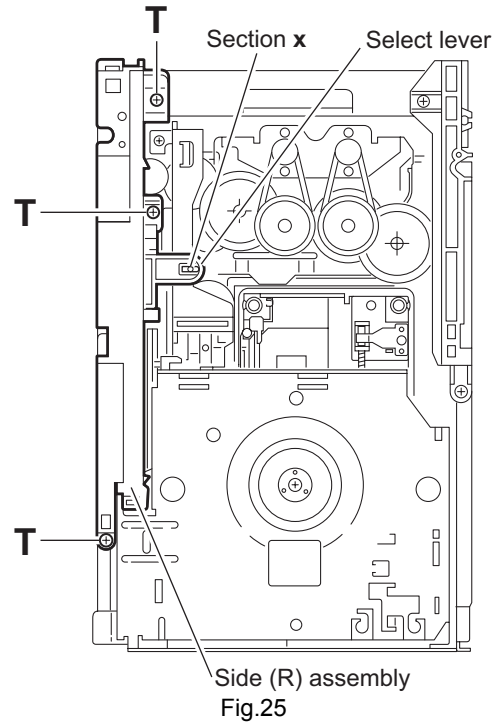
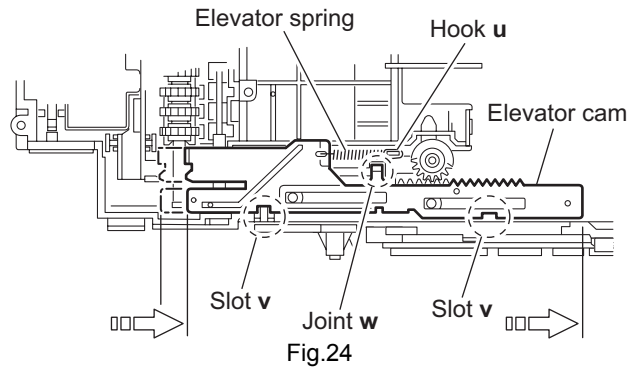
Fig.23

**3.3.12 Removing the side (R) assembly
(See Fig.22 to 26)**

- Prior to performing the following procedures, remove the tray assemblies and DVD servo board.
- When removing the DVD servo board, it is not necessary to remove the DVD servo board from the bracket.
 - (1) From the inside of the side (R) assembly, release the two tabs **t** of the gear cover and remove the gear cover outward. (See Figs.22 and 23)
 - (2) From the right side of the DVD changer mechanism assembly, remove the elevator spring attached to the hook **u** of the chassis assembly. (See Figs.23 and 24)
 - (3) From the topside of the DVD changer mechanism assembly, turn the gear 1 clockwise to move the elevator cam rearward. (See Fig.24)
 - (4) Move the two slots **v** and joint **w** of the elevator cam and remove the elevator cam outward. (See Fig.24)
 - (5) Remove the three screws **T** and detach the side (R) assembly upward. (See Figs.25 and 26)

Caution:

When reattaching the side (R) assembly, make sure to fit the shaft section **x** into the slot of the select lever. (See Fig.25)



3.3.13 Removing the lifter assembly (See Figs.27 to 31)

- Prior to performing the following procedures, remove the tray assemblies, DVD servo board, side (L) assembly and side (R) assembly.
- When removing the DVD servo board, it is not necessary to remove the DVD servo board from the bracket.
 - (1) From the topside of the DVD changer mechanism assembly, turn the gear 1 clockwise to move the lifter assembly upward. (See Figs.27 and 28)
 - (2) Turn the gear 2 clockwise to move the hook toward the front until it stops. (See Figs.27 and 28)
 - (3) Move the hook stopper in the direction of the arrow 2 while pushing the tab y of the hook stopper to unlock it in the direction of the arrow 1 and release four joints z to detach from the rack holder. (See Fig.29)
 - (4) Release the rod from part aa. (See Fig.29)
 - (5) Turn the gear 1 clockwise again to move the lifter assembly upward. (See Fig.30)
 - (6) Remove the lifter assembly from the DVD changer mechanism assembly upward at the positions ab where the four pins on the both sides of the lifter assembly fit to the notches of the chassis assembly. (See Fig.30)
 - (7) Move the lifter assembly in the direction of the arrow and release it from the hook. (See Fig.31)

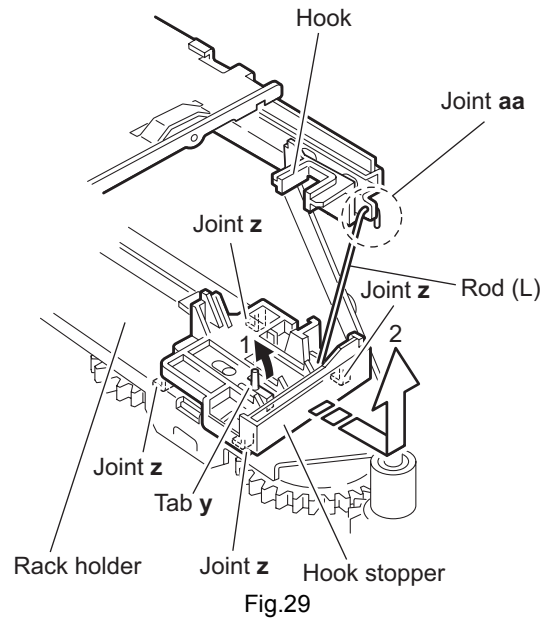
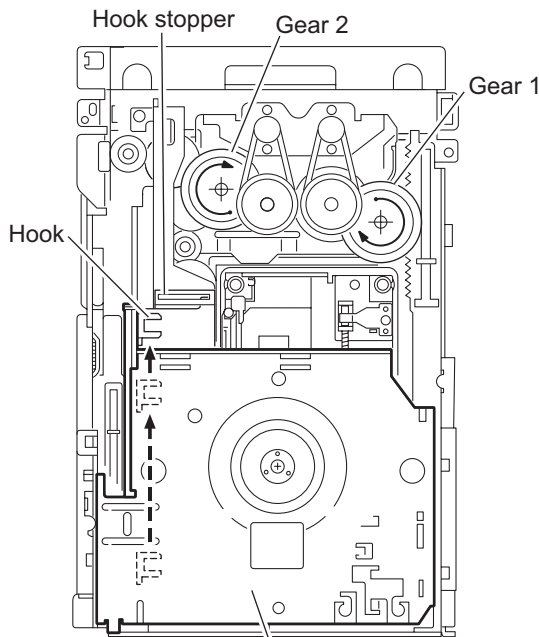


Fig.29



Lifter assembly
Fig.27

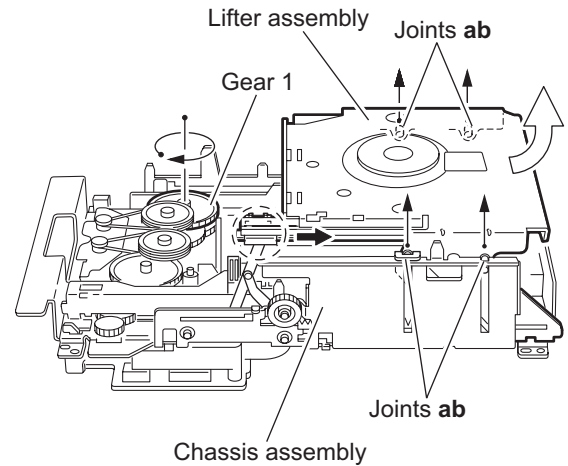


Fig.30

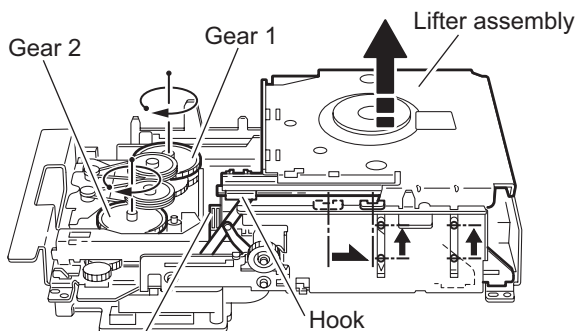


Fig.28

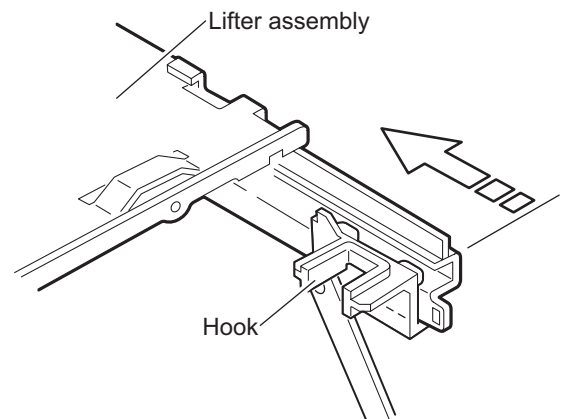


Fig.31

3.3.14 Removing the rack holder assembly and sensor assembly (See Figs.32 to 38)

- Prior to performing the following procedures, remove the tray assemblies, side (L) assembly, side (R) assembly and lifter assembly.

Reference:

If the slide gear of the DVD changer mechanism assembly places at joint **ac** of the rack holder assembly, turn the gear 1 counterclockwise to move the slide gear in the direction of the arrow. Then remove the rack holder assembly. (See Figs.32 and 33)

- (1) Remove the three screws **U** attaching the rack holder assembly and release joint **ac** from the notch **ad**. (See Figs.32 and 34)

Caution:

When reattaching the rack holder assembly, do not nip the wires extending from the sensor assembly. (See Fig.32)

- (2) Remove the two screws **V** attaching the sensor assembly. (See Figs.35 and 38)
- (3) Move the sensor assembly in the direction of the arrow to release from the joint section **ae**. (See Figs.35 and 38)
- (4) Remove the sensor spring attached to the bottom of the sensor assembly from the boss **af** on the sensor slider. (See Figs.35 and 36)
- (5) Remove the screw **W** and **X** attaching the sensor board and SV. resister respectively. (See Fig.37)

Reference:

Remove the solder from the solder point **ai** on the sensor board as required. (See Fig.37)

Caution:

- When reattaching the SV. resister, attach the sensor slider to the sensor bracket and fit the lever on the bottom of the SV. resister into slot **aj** of the sensor slider. (See Figs.36 and 37)
- When reattaching the rack holder assembly, turn the gear 1 clockwise to move the slide gear and slide lever inside the body in the direction of the arrow. (See Figs.32 and 38)
- Let the wire extending from the sensor assembly through notch **ag** to the bottom of the DVD changer mechanism assembly. (See Figs.35 and 38)
- Fit pin **ak** of the slide lever into hole **ah** of the sensor slider on the bottom of the sensor assembly while attaching the sensor spring to the boss **af** of the sensor slider. (See Figs.36 and 38)
- Joint section **ae** of the sensor assembly to the notch **am** of the DVD changer mechanism assembly. (See Figs.35 and 38)

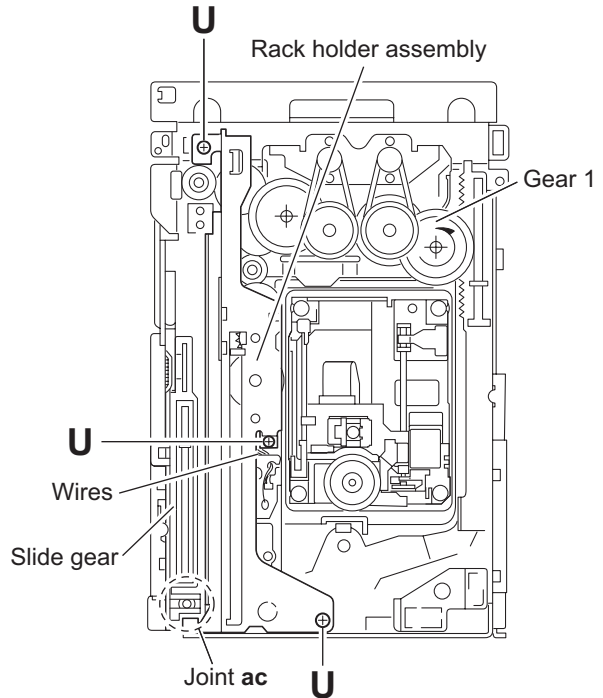


Fig.32

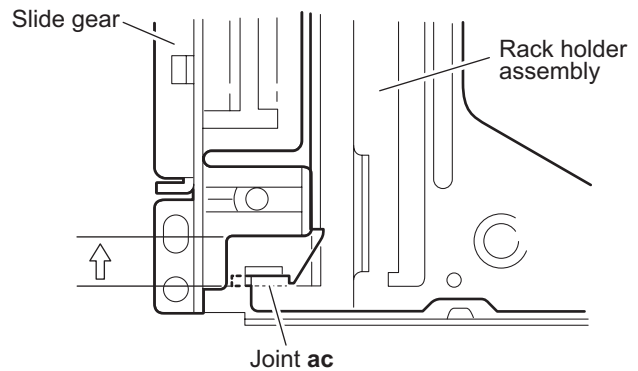


Fig.33

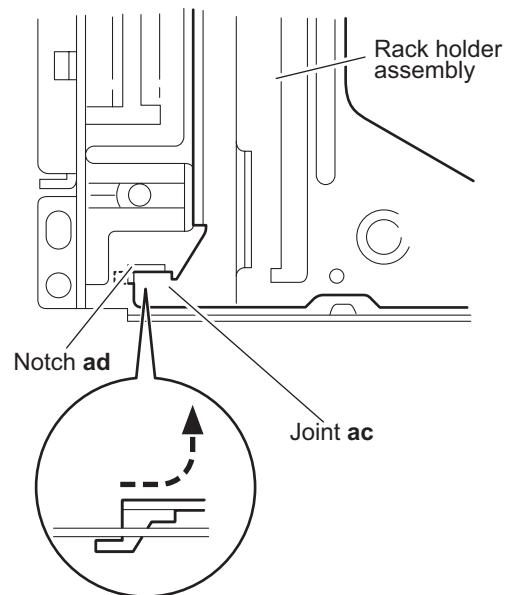


Fig.34

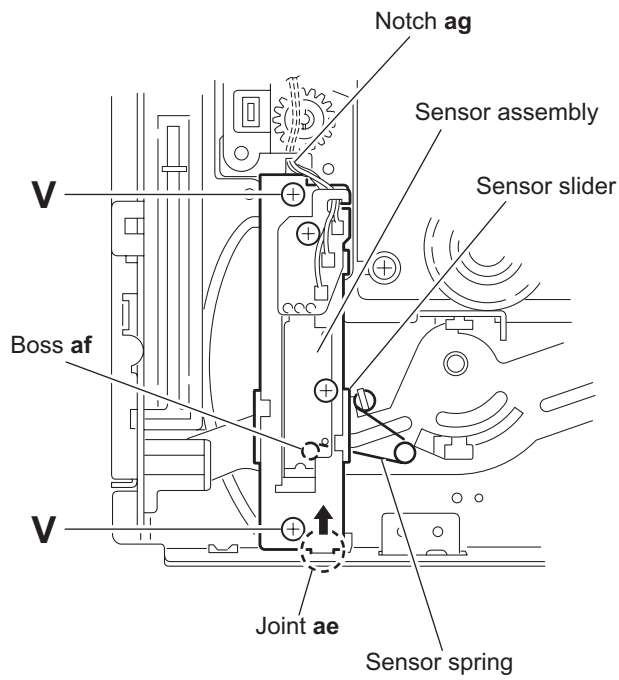
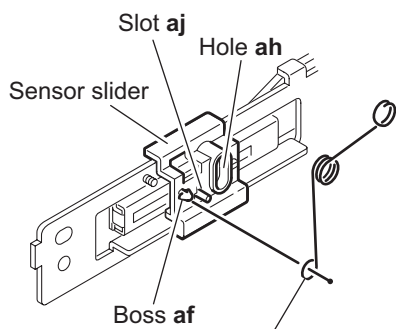


Fig.35



Sensor spring
Fig.36

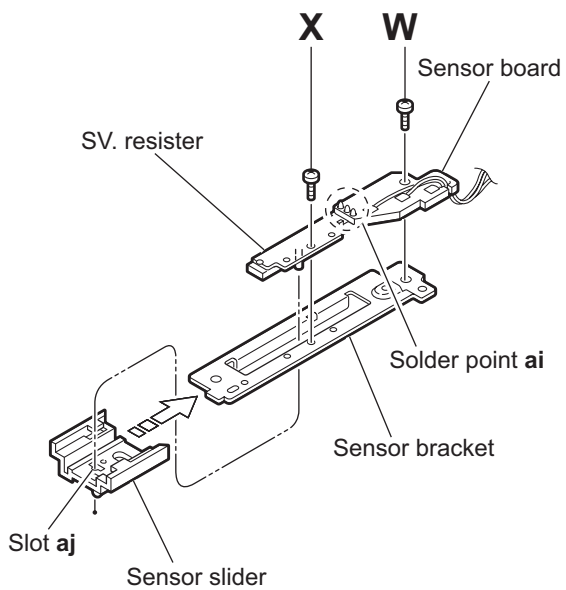


Fig.37

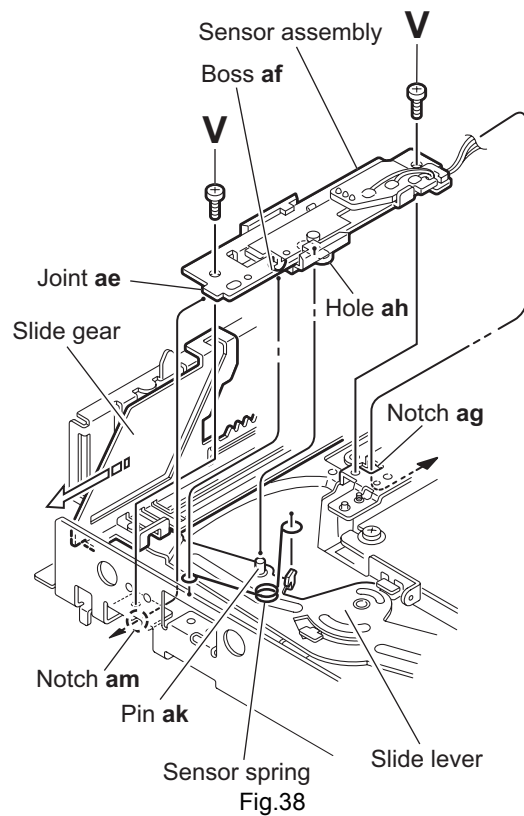


Fig.38

3.3.15 Taking out the disc in the play mode (See Fig.39 to 42)

Reference:

Refer to "Removing the tray assemblies".

- (1) From the topside of the DVD changer mechanism assembly, remove the top cover.
- (2) Unlock the tray assemblies and draw out the tray assemblies toward the front.
- (3) From the top side of the DVD changer mechanism assembly, turn the gear 1 clockwise to move the lifter assembly upward. (See Fig.39)
- (4) Turn the gear 2 clockwise to move the sub tray remaining inside the lifter assembly toward the front, then pull out.
- (5) Take out the disc on the sub tray. (See Fig.40)
- (6) After clearing away the disc, insert the sub tray into the main tray. (See Fig.41)
- (7) Push the tray assembly toward the body and reattach.

Caution:

When reattaching the sub tray, move the tray stopper on the bottom of the main tray in the direction of the arrow to lock the sub tray certainly. (See Figs.41 and 42)

- (7) Push the tray assembly toward the body and reattach.

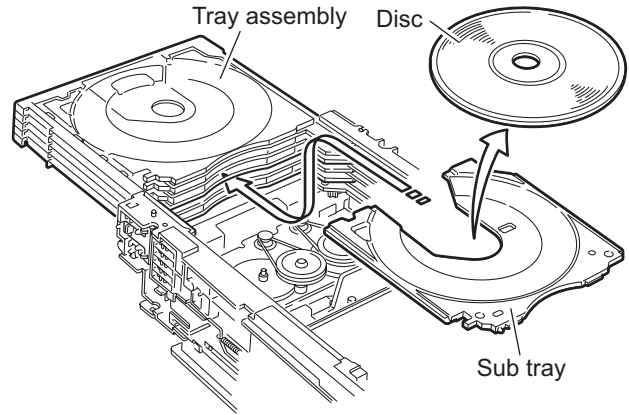


Fig.40

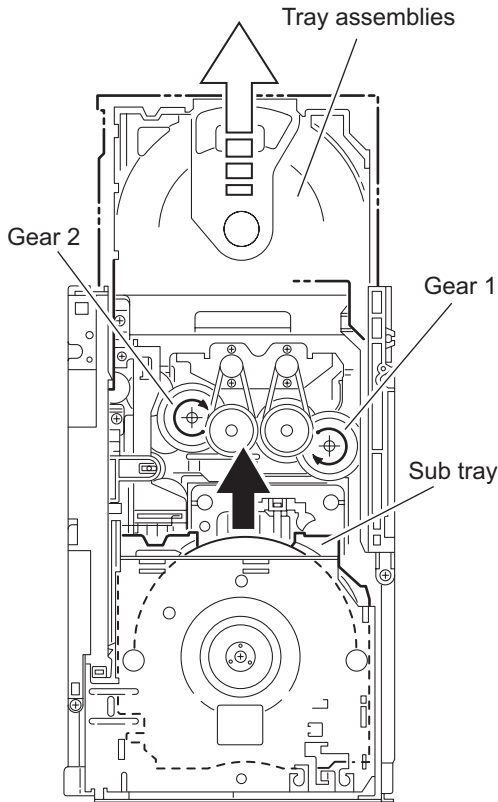


Fig.39

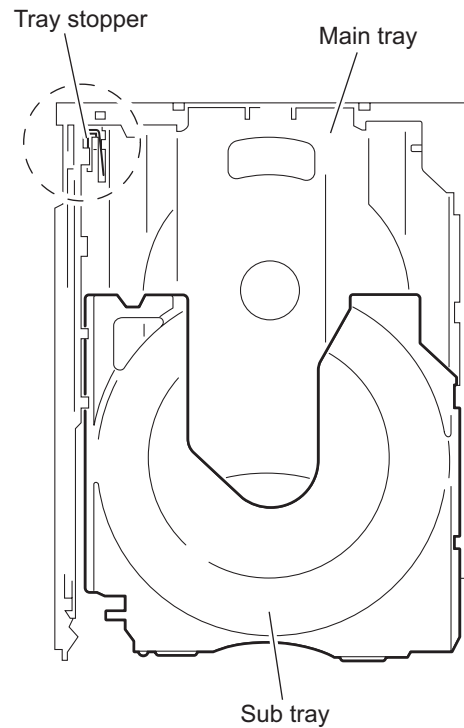


Fig.41

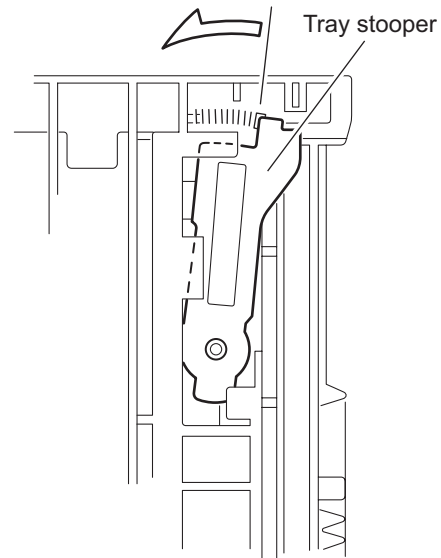


Fig.42

3.4 Speaker section

3.4.1 Removing the amplifier assembly

(See Figs.1 to 3)

- (1) From the back side of the speaker main body, remove three screws **A** attaching the amplifier assembly. (See Fig.1)
- (2) From the bottom side of the speaker main body, remove the eight screws **B** attaching amplifier assembly. (See Fig.2)
- (3) From the top side of the speaker main body, move the amplifier assembly backward and disconnect the wire from the connector **CN204** on the amplifier board. (See Fig.3)

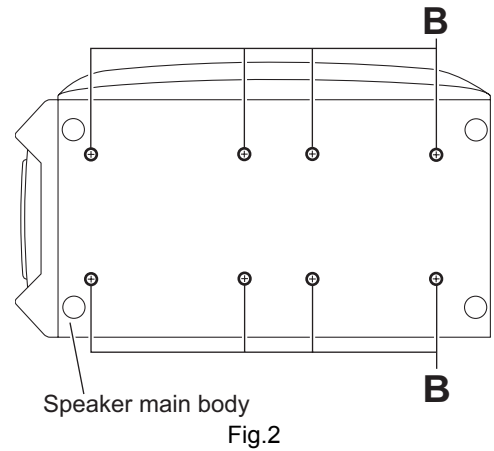


Fig.2

3.4.2 Removing the rear panel

(See Figs.3 and 4)

- Prior to performing the following procedure, remove the amplifier assembly.
- (1) From the back side of the amplifier assembly, remove the four screws **C**, screw **D** and two screws **E** attaching the rear panel. (See Fig.4)
- (2) From the top side of the amplifier assembly, take out the rear panel with fan motor, and disconnect the wire from the connector **CN202** on the amplifier board. (See Fig.3)

3.4.3 Removing the fan motor

(See Fig.4)

- Prior to performing the following procedures, remove the amplifier assembly and rear panel.
- (1) From the front side of the rear panel, remove the four screws **F** attaching the fan motor.
- (2) Take out the fan motor.

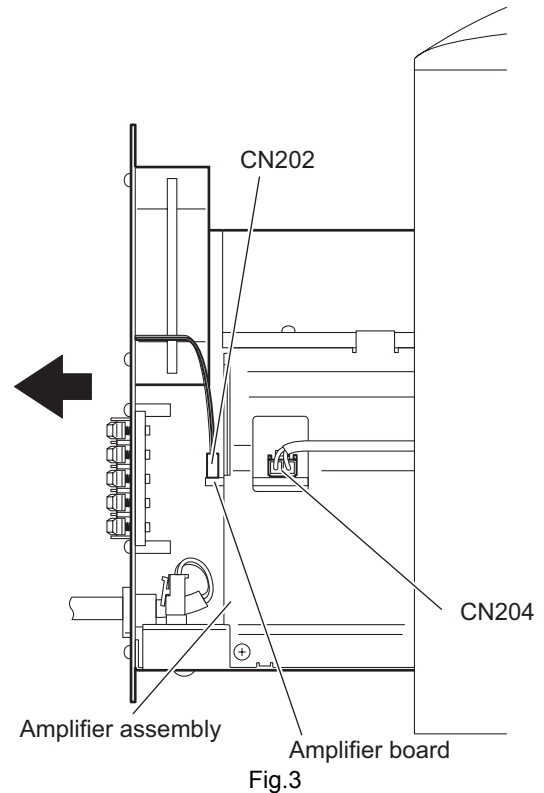


Fig.3

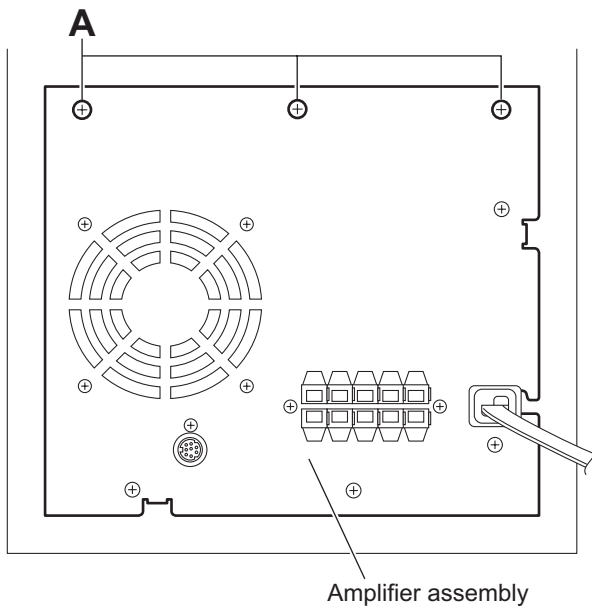


Fig.1

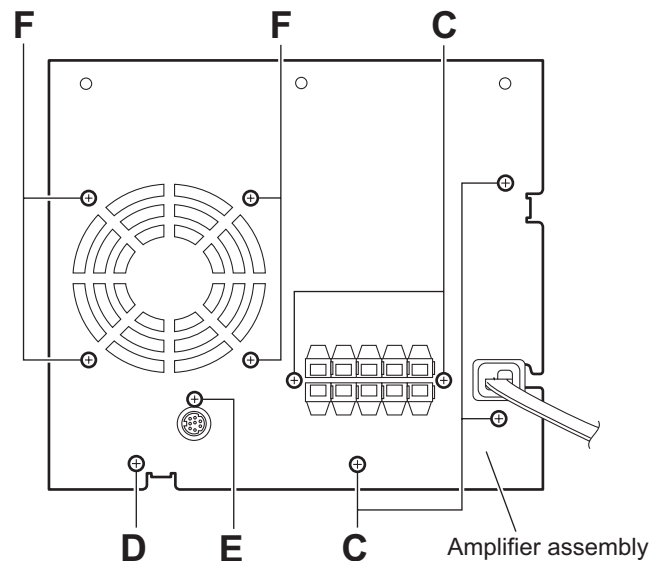


Fig.4

3.4.4 Removing the heat sink bracket (See Fig.5)

- Prior to performing the following procedure, remove the amplifier assembly.
 - (1) From the top side of the amplifier assembly, remove the three screws **G** and three screws **H** attaching the heat sink bracket.
 - (2) Take out the heat sink bracket.

Reference:

When attaching the heat sink bracket, attach the screw **H** with barrier.

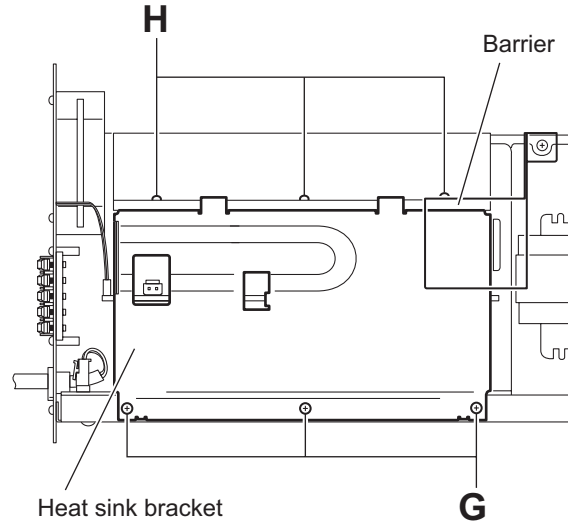


Fig.5

3.4.5 Removing the amplifier board (See Fig.6)

- Prior to performing the following procedures, remove the amplifier assembly and heat sink bracket.
 - (1) From the top side of the amplifier assembly, disconnect the amplifier board from the connector [CN201](#) and [CN203](#) on the main board.
 - (2) Take out the amplifier board and disconnect the wire from the connector [CN202](#) on the amplifier board.

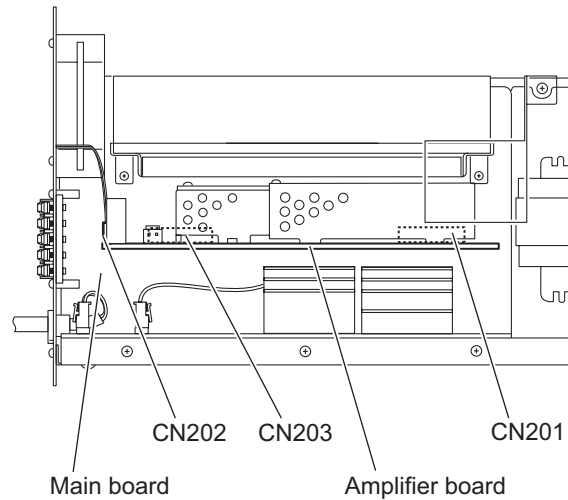


Fig.6

3.4.6 Removing the power board (See Figs.7 to 9)

- Prior to performing the following procedures, remove the amplifier assembly, rear panel, heat sink bracket and amplifier board.
 - (1) From the right side of the amplifier assembly, remove the five screws **J** attaching the power board. (See Fig.7)
 - (2) From the top side of the amplifier assembly, disconnect the wires from the connectors **CN312** and **CN321** on the power board. (See Fig.8)
 - (3) Disconnect the power cord from the connector **CN311** on the power board, and take out the power cord. (See Fig.8)
 - (4) Disconnect the wire from the connector **CN501** on the LED board. (See Fig.9)
 - (5) Disconnect the power board from the connector **CN301**, **CN302** and **CN303** on the main board, and take out the power board assembly from the amplifier assembly. (See Fig.8)

Reference:

Remove the screw **K** attach the barrier as required. (See Fig.7)

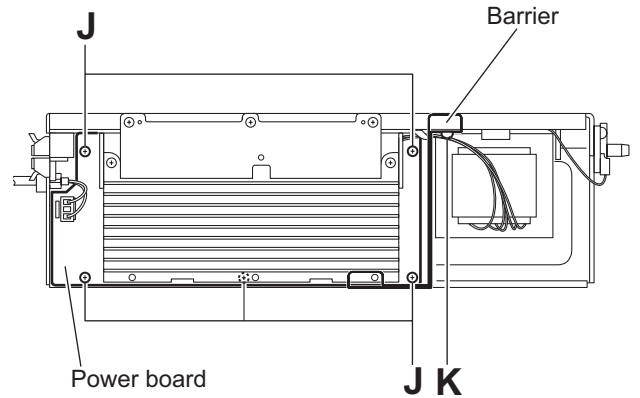


Fig.7

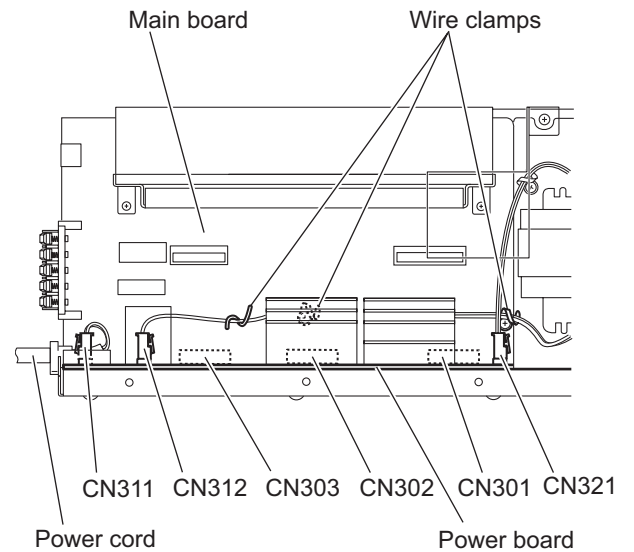


Fig.8

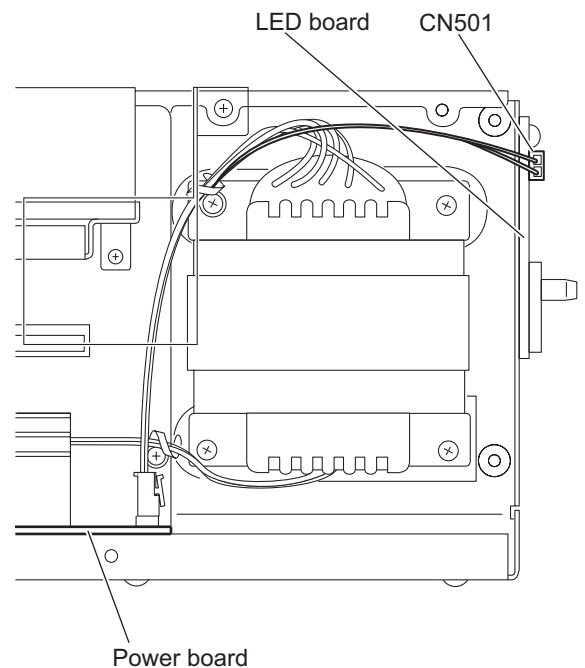


Fig.9

3.4.7 Removing the heat sink (See Figs.10 and 11)

- Prior to performing the following procedures, remove the amplifier assembly, rear panel, heat sink bracket, amplifier board and power board.

- (1) From right side of the amplifier assembly, remove the three screws **L** and three screws **M** attaching the heat sink. (See Fig.10)
- (2) From the top side of the amplifier assembly, remove the two screws **N** attaching the heat sink to the main board. (See Fig.11)
- (3) Take out the heat sink.

Reference:

Remove the screw **P** attach the barrier as required.

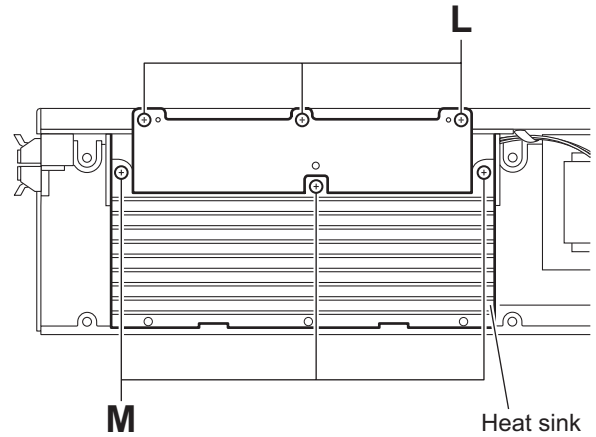


Fig.10

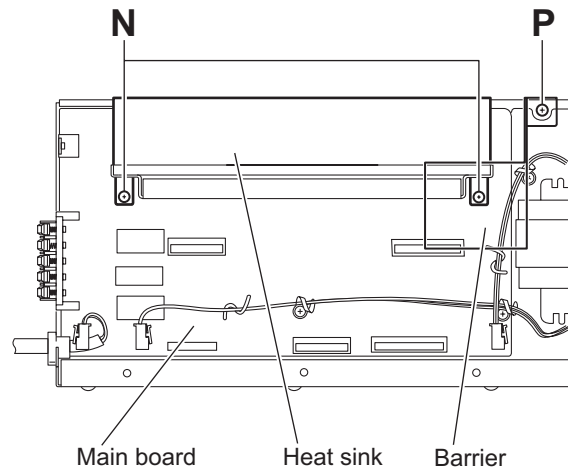


Fig.11

3.4.8 Removing the main board (See Fig.12)

- Prior to performing the following procedures, remove the amplifier assembly, rear panel, heat sink bracket, amplifier board, power board and heat sink.

- (1) From the top side of the amplifier assembly, remove the wires from the wire clamps on the main board.
- (2) Remove the three screws **Q** and two screws **Q'** attaching the main board.
- (3) Take out the main board.

Reference:

- When attaching the main board, attach the screws **Q'** with wire clamps.
- After attaching the main board, bundle the wire by the wire clamps.

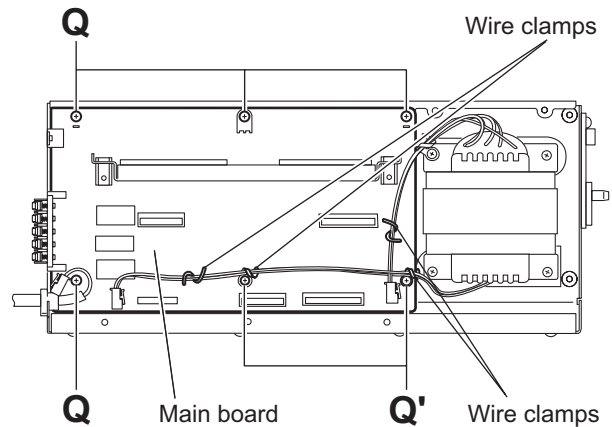
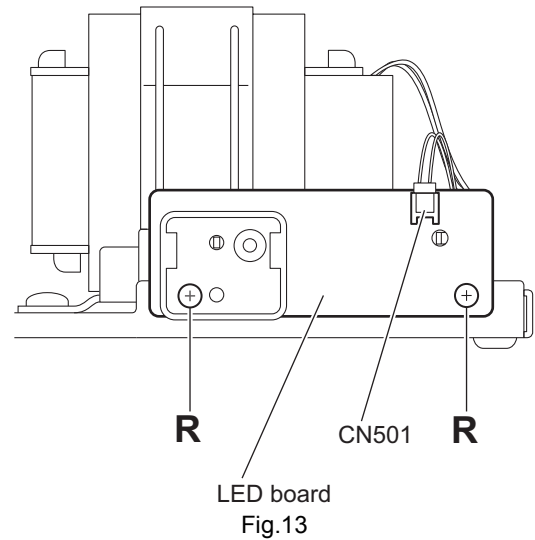


Fig.12

3.4.9 Removing the LED board (See Fig.13)

- Prior to performing the following procedures, remove the amplifier assembly and rear panel.
 - (1) From the top side of the amplifier assembly, disconnect the wire from the connector [CN501](#) on the LED board.
 - (2) Remove the two screws **R** attaching the LED board, take out the LED board.

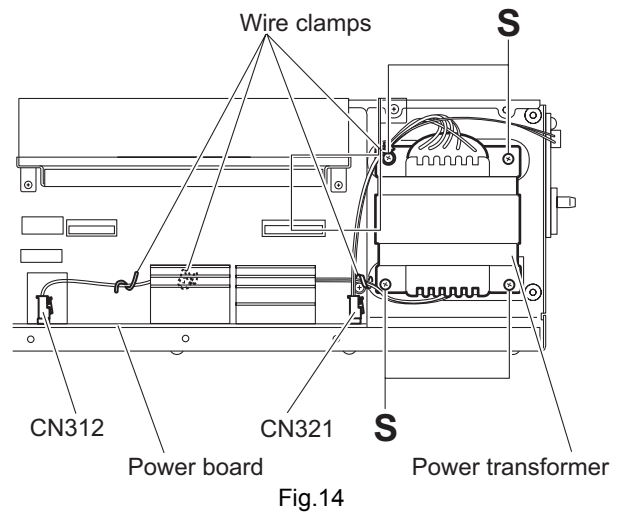


3.4.10 Removing the power transformer (See Fig.14)

- Prior to performing the following procedures, remove the amplifier assembly, heat sink bracket and amplifier board.
 - (1) From the top side of the amplifier assembly, disconnect the wire from the connectors [CN312](#) and [CN321](#) on the power board.
 - (2) Remove the four screws **S** attaching the power transformer, and take out the power transformer from the amplifier assembly.

Reference:

- When attaching the power transformer, attach the screws **S** with wire clamp.
- After connect the wires from the connectors [CN312](#) and [CN321](#), bundle the wire by the wire clamp.



3.4.11 Removing the speaker net
(See Figs.15 and 16)

- (1) From right side of the speaker main body, remove the four screws **T** attaching the speaker net. (See Fig.15)
- (2) From bottom side of the speaker main body, insert the tip of the flat-bladed screwdriver or similar tool into the space between the speaker main body and speaker net, and lift the speaker net little by little to remove. (See Fig.16)

Note:

To prevent damaging the speaker net and speaker main body, insert cushioning plates etc. and below the tip of the flat-bladed screwdriver or similar tool.

- (3) Take out the speaker net from the speaker main body.

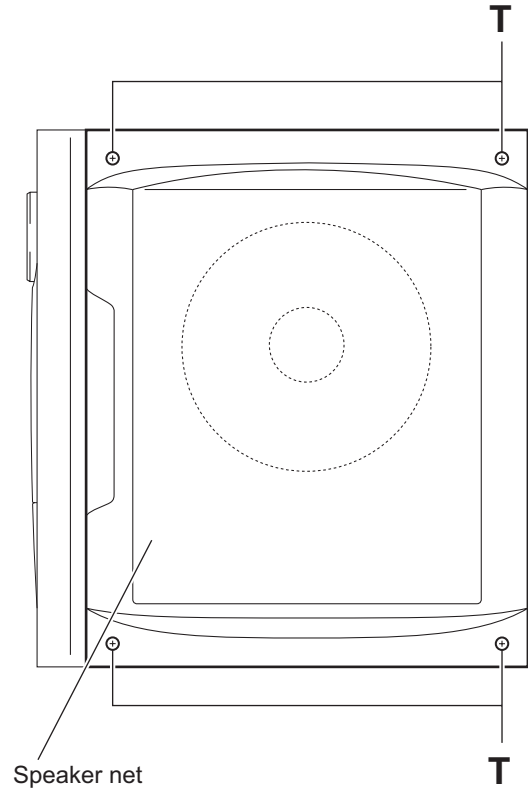


Fig.15

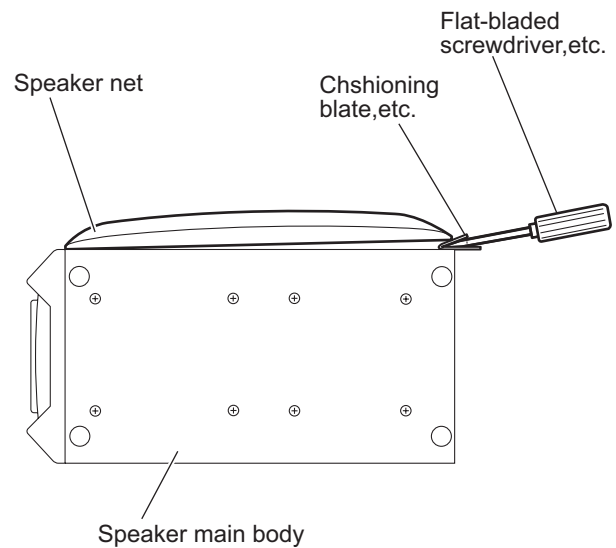


Fig.16

3.4.12 Removing the speaker (See Figs.17 and 18)

- Prior to performing the following procedures, remove the speaker net.
 - (1) From right side of the speaker main body, remove the eight screws **U** attaching the speaker. (See Fig.17)
 - (2) Take out the speaker from the speaker main body. (See Fig.18)
 - (3) Disconnect the wires from the terminal of the speaker. (See Fig.18)

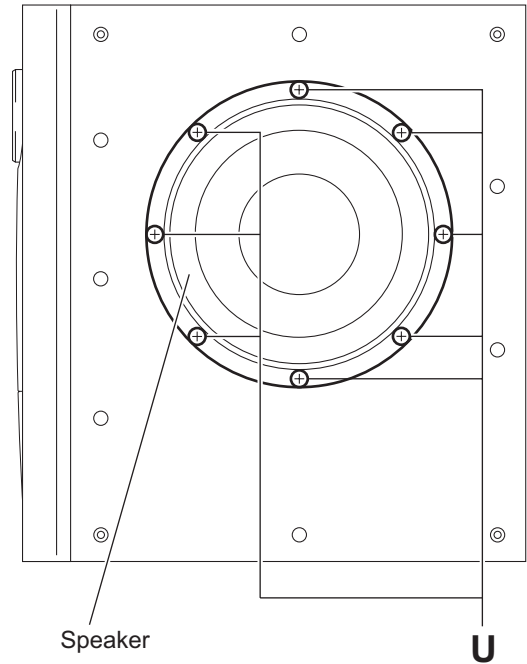
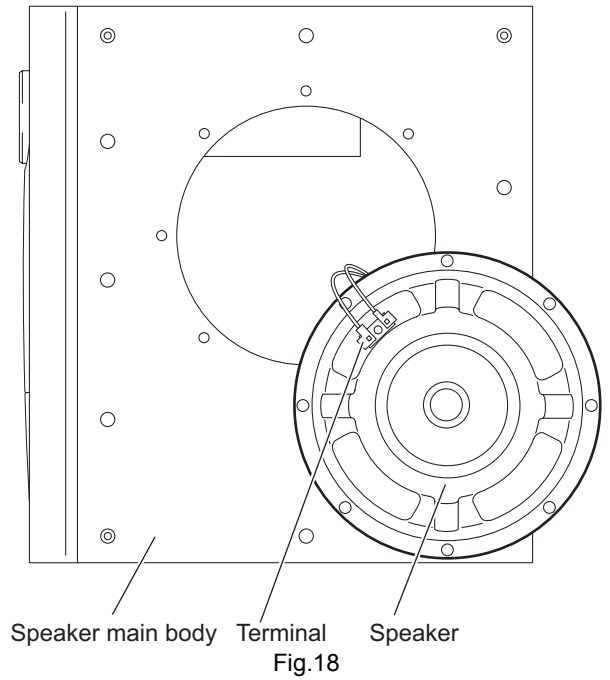


Fig.17



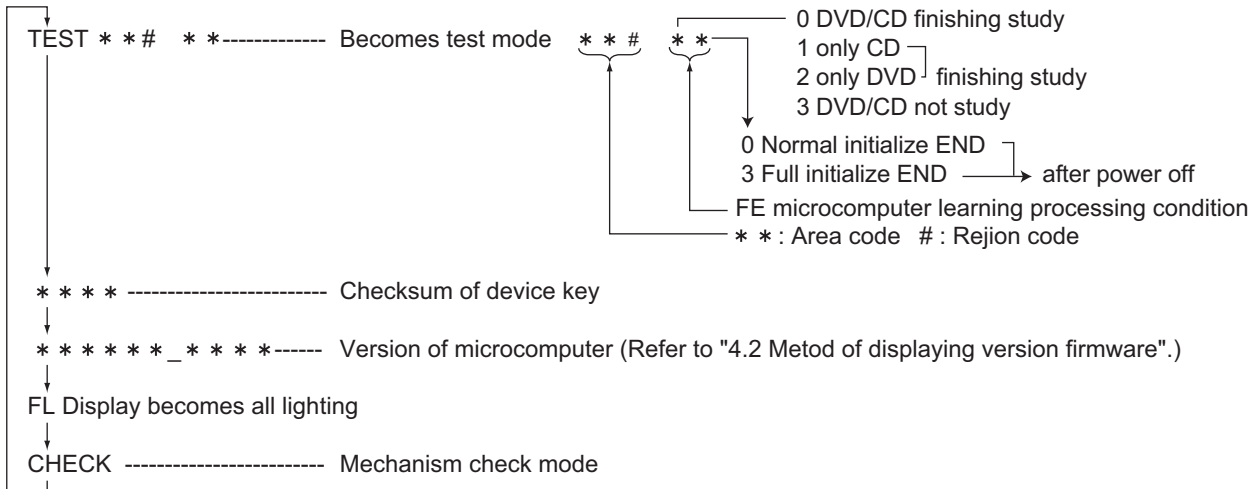
SECTION 4 ADJUSTMENT

4.1 Test mode setting method

- (1) Unplug the power plug.
- (2) Insert power plug into outlet while pressing both "PLAY" key and "STANDBY/ON" key of the main body.
- "Area code" is indicated at the upper left of display,
- (3) To release test mode, press "STANDBY/ON" key of the main body.

NOTE:

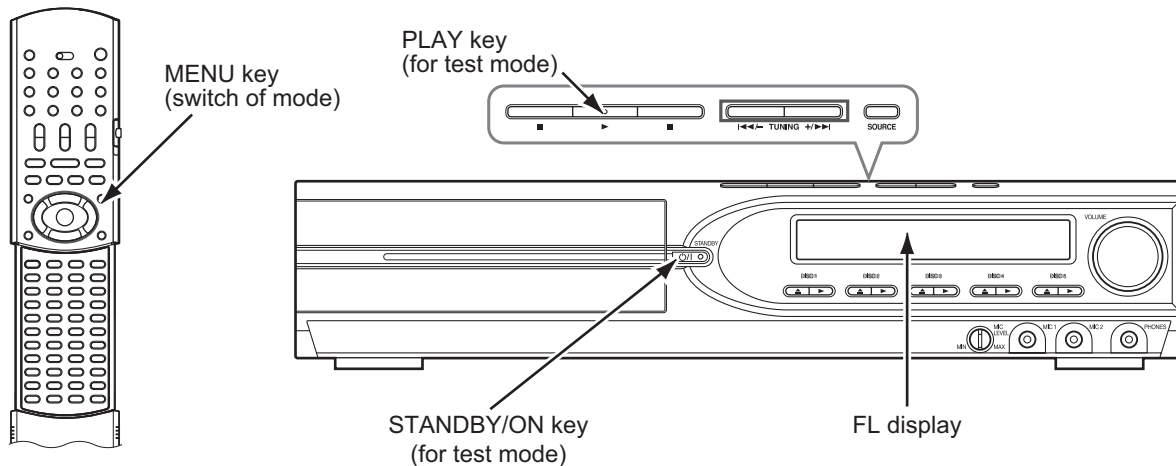
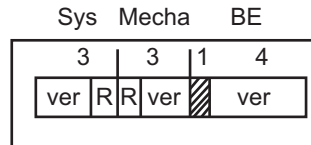
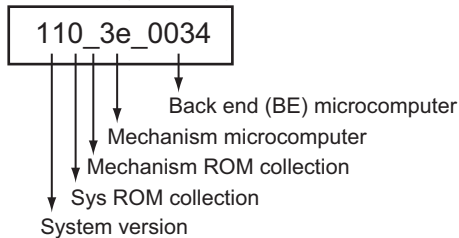
Each pressing of "MENU" key of the remote controller in test mode changes the mode as follows.



4.2 Method of displaying version of firmware

- (1) Set the main body at test mode.
- (2) Press "MENU" key of the remote controller twice. Then, version number and alphabetical letter of the system controller and the back end are displayed in the FL display as follows.

FL Display (Example)



4.3 Normal initialization method

Please initialize according to the following procedures in the following case:

- Just after you upgrade the firmware.
- After you confirm the symptoms that a customer points out. First Initialize, and then confirm whether the symptoms are improved or not.
- After servicing, before returning the main body to a customer. (Initialized main body should be returned to a customer.)
 - (1) Set the main body at test mode.
 - (2) Press "PAUSE" key of the main body.
 - (3) When initialization is completed, "00" and "RDS" is displayed in the FL display.
 - (4) After this, power switch to off and wait until "See You" to off.

4.4 Full-initialization method

Please perform all-initialization according to the following procedures in the following case:

- Just after you exchange the pick-up.
- Just after you exchange the spindle motor.
- Just after you exchange the traverse mechanism base.

NOTE:

Please perform all-initialization when you exchange the parts above and also when you remove the parts above.

- Just after the flap adjustment of the pick-up guide shaft.
 - (1) Set the main body at test mode.
 - (2) Press and hold "F.SKIP" key of the main body for more than 1.5 seconds.
 - (3) When all-initialization is completed, "33" and "RDS" is displayed in the FL display.
 - (4) After this, power switch to off and wait until "See You" to off.

NOTE:

After all-initialization, be sure to perform Device Key Writing.

SECTION 5 TROUBLESHOOTING

This service manual does not describe TROUBLESHOOTING.



JVC

Victor Company of Japan, Limited
AV & MULTIMEDIA COMPANY AUDIO/VIDEO SYSTEMS CATEGORY 10-1,1chome,Ohwatari-machi,Maebashi-city,371-8543,Japan

(No.MB294)

JVC

SCHEMATIC DIAGRAMS

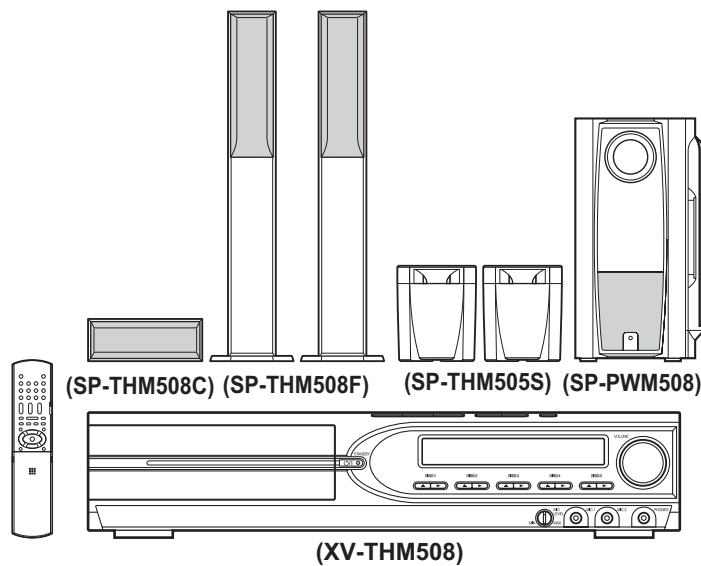
DVD DIGITAL CINEMA SYSTEM

TH-M508

CD-ROM No.SML200407

Area suffix

US ----- Singapore
UW ----- Brazil, Mexico, Peru
UX ----- Saudi Arabia
UG --- Turkey, South Africa, Egypt
UN ----- Asean



AV COMPU LINK

Digital Direct Progressive Scan

Contents

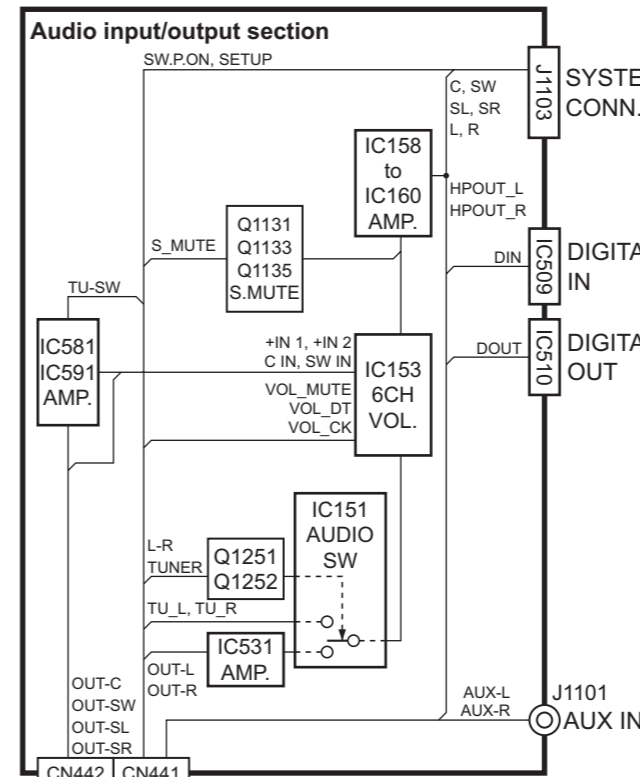
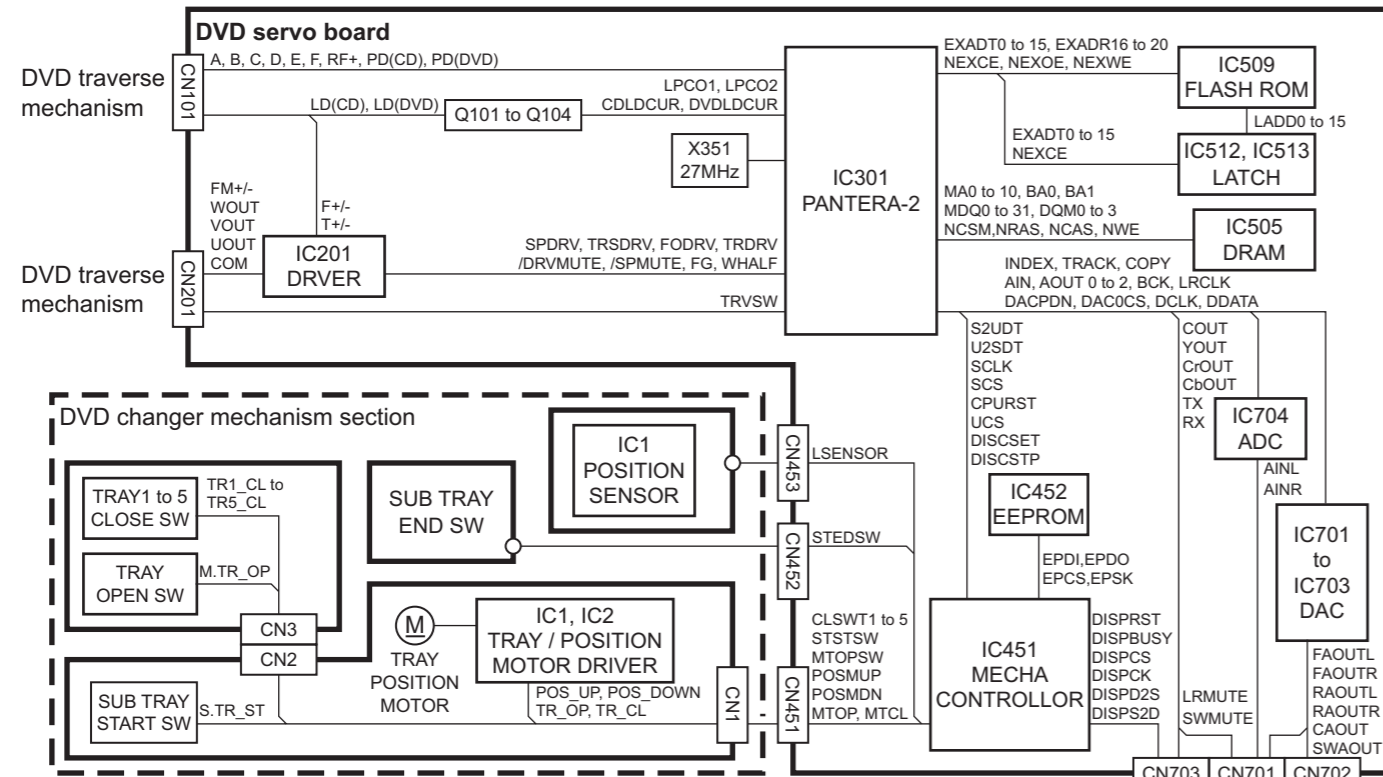
Block diagrams	2-1
Standard schematic diagrams	2-2 to 13
Printed circuit boards	2-14 to 18

In regard with component parts appearing on the silk-screen printed side (parts side) of the PWB diagrams, the parts that are printed over with black such as the resistor (■), diode (▬) and ICP (●) or identified by the "⚠" mark nearby are critical for safety.

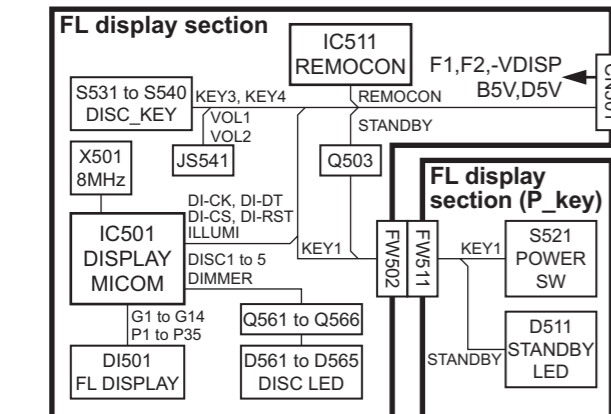
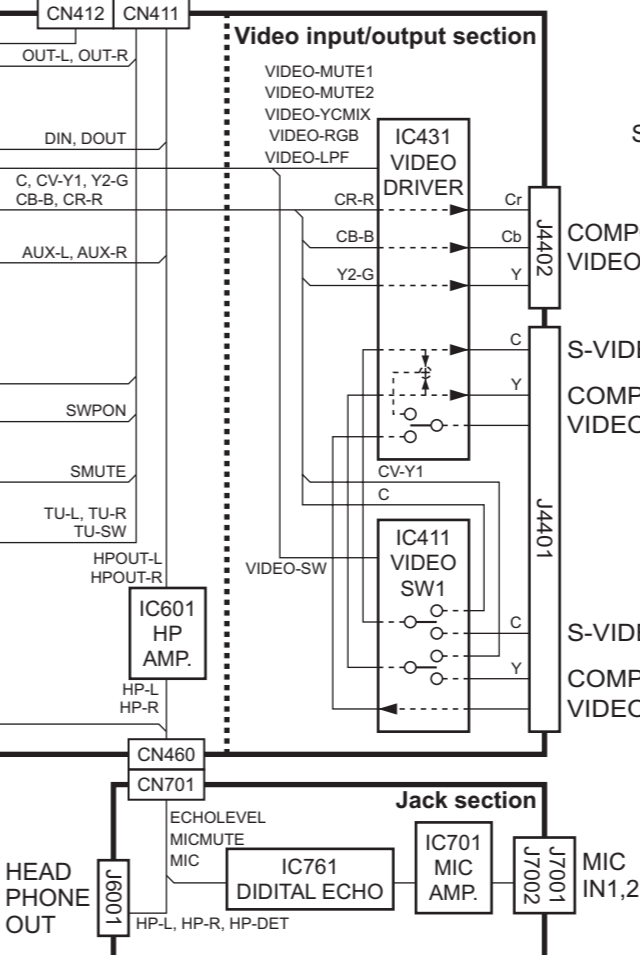
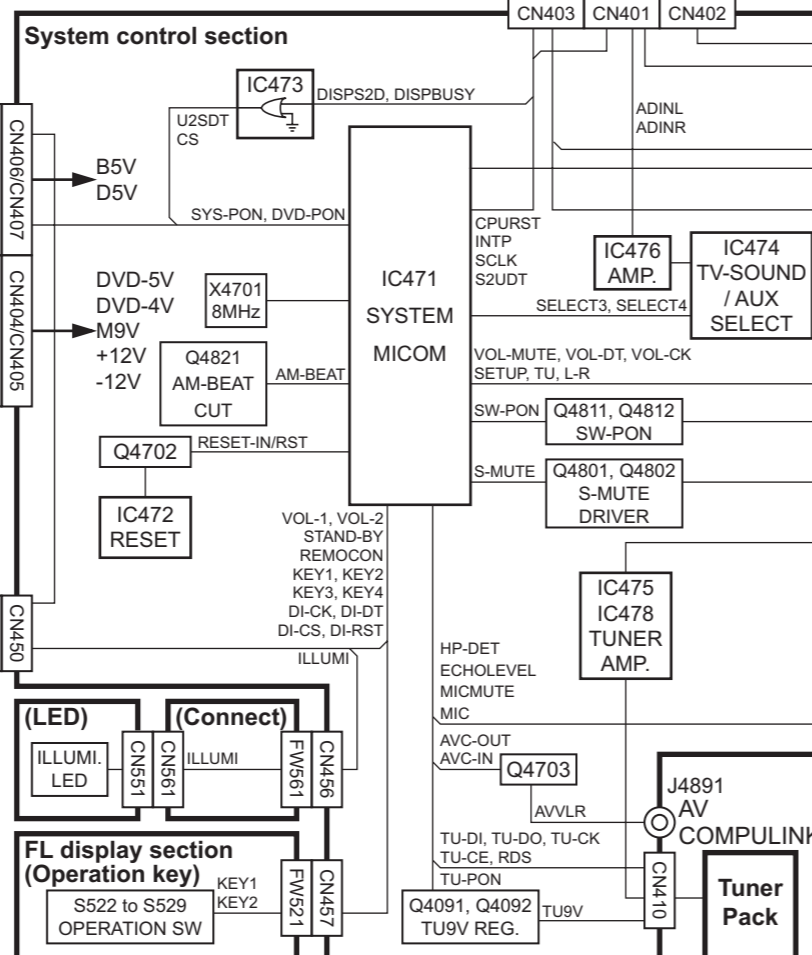
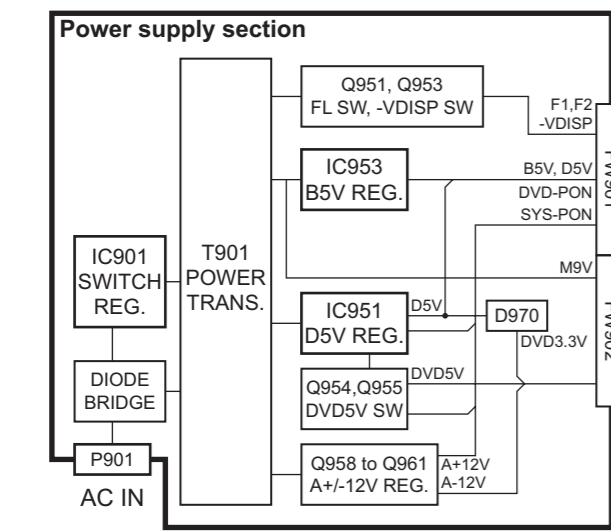
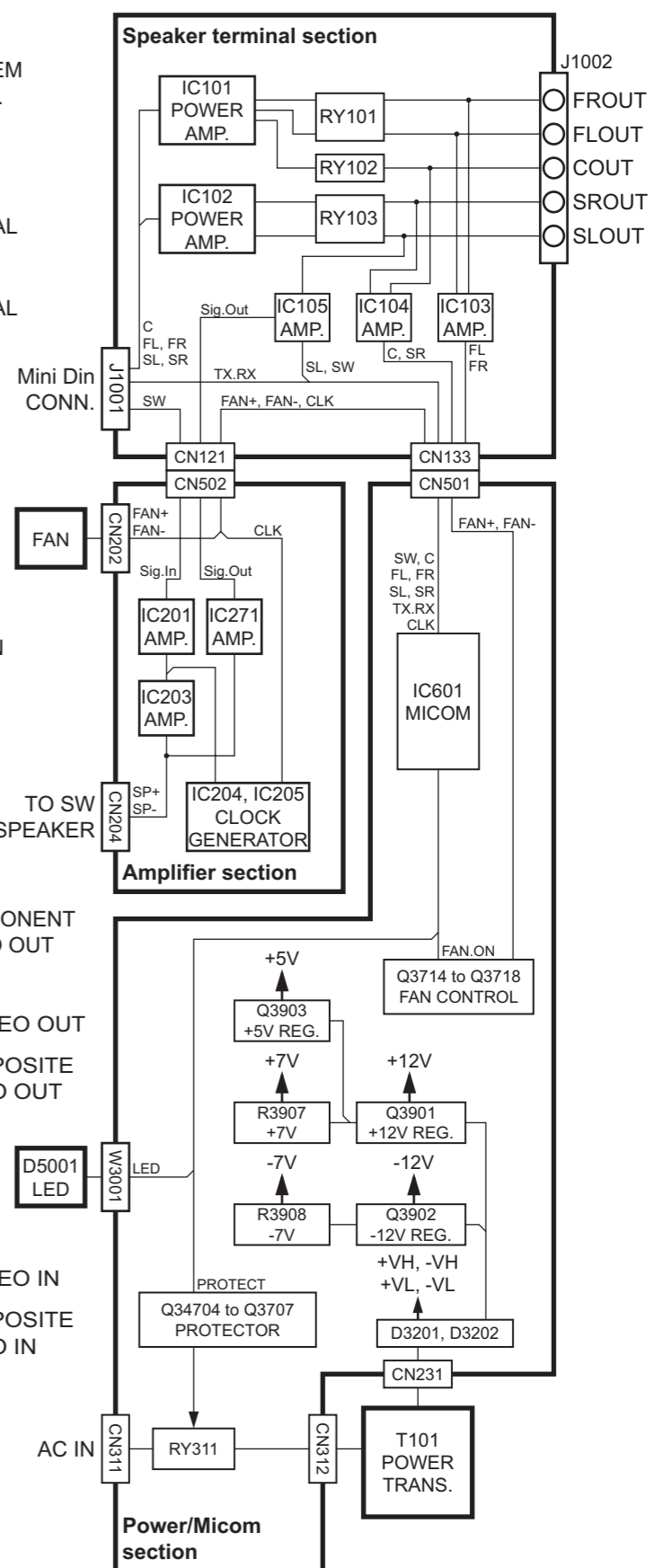
(This regulation does not correspond to J and C version.)

Block diagrams

<Main body section>



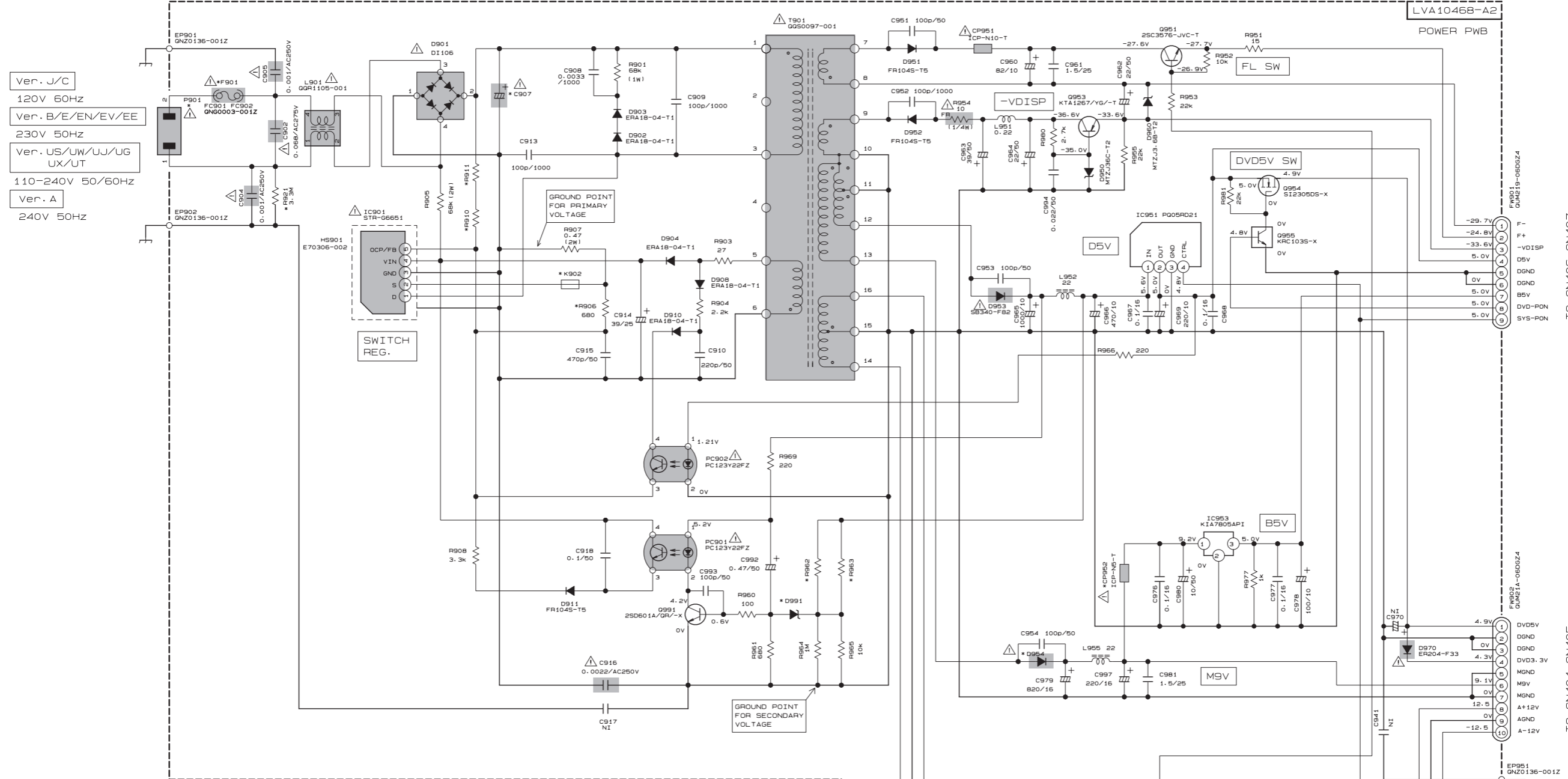
<Subwoofer section>



Standard schematic diagrams

<Main body section>

■ Power supply section



- Ver. J/C
120V 60HZ
- Ver. B/E/EN/EE/EE
230V 50HZ
- Ver. US/UW/UJ/UG
UX/UT
110-240V 50/60HZ
- Ver. A
240V 50HZ

REF No.	Ver.	ADDRESS	D	J/C	B/E/EN/EE/EE	UG/US/UJ/UG /A/UX/UT
*F901	(A-3)	QMF51U1-1R6-JB (1.6A/125V)	QMF51U1-1R6-JB (1.6A/125V)	QMF51W2-1R6-JB (1.6A)	QMF51W2-1R6-JB (1.6A)	QMF51W2-1R6-JB (1.6A)
*R952	(E-7)	1M	1M	NONE	NONE	NONE
*R953	(E-8)	100	100	180	180	180
*D991	(F-7)	MTZJ5.1C-T2	MTZJ5.1C-T2	MTZJ5.1B-T2	MTZJ5.1B-T2	MTZJ5.1B-T2
*K902	(C-5)	QGR0779-001Z	QGR0779-001Z	O(B3199)	O(B3199)	O(B3199)
*R921	(B-3)	NONE	3.3M	NONE	NONE	NONE
*P901	(B-2)	QNC0081-001	QNC0082-001	QNC0081-001	QNC0081-001	QNC0081-001
*R910 *R911	(B-5)	750k	750k	470k	470k	470k
*CP952	(F-10)	O(B3198)	ICP-N5-T	ICP-N5-T	ICP-N5-T	ICP-N5-T

REF No.	Ver.	ADDRESS	D	J/C	B/E/EN/EE/EE	US/UJ/UG /A/UX/UT
*C907	(B-5)	QETM2QM-157 (150/200)	QETM2QM-157 (150/200)	QETM2GM-686 (68/400)	QETM2GM-107 (100/400)	QETM2GM-107 (100/400)
*D954	(F-9)	FR104S-T5	ERA18-04-T1	FR104S-T5	FR104S-T5	FR104S-T5

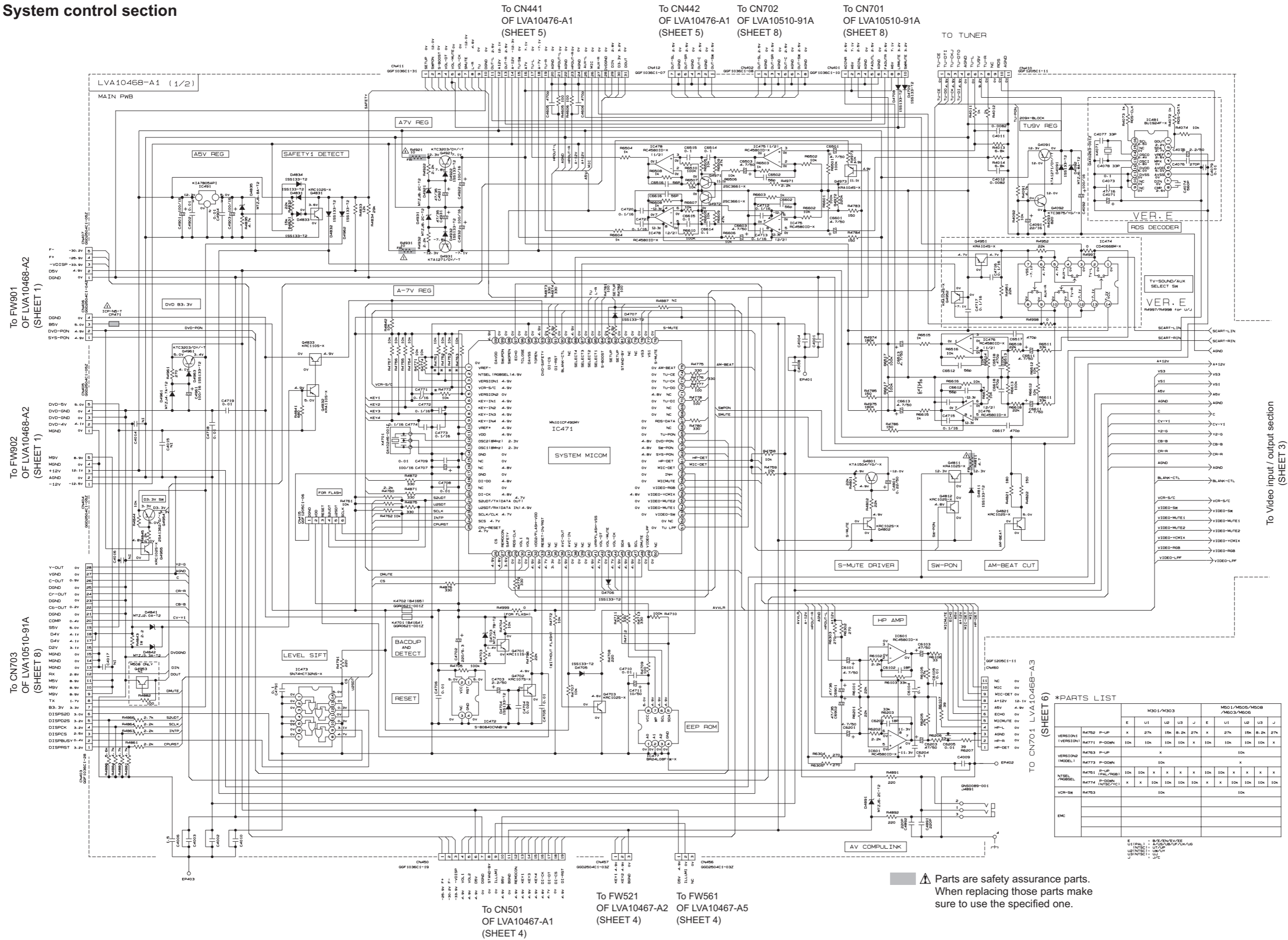
VERSION CODES	
J	U. S. A.
C	CANADA
E	GERMANY/FRANCE/HOLLAND
B	GREAT BRITAIN
EE	RUSSIA
EN	SWEDEN/NORWAY/FINLAND/DENMARK
EV	EAST EUROPE
A	AUSTRALIA
UW	BRAZIL/MEXICO/PERU
US	SINGAPOLE
UJ	USA MILITARY BASE
UG	TURKEY/EGYPT/SOUTHAFRICA

▲ Parts are safety assurance parts.
When replacing those parts make
sure to use the specified one.

TO CN406·CN407
OF LVA10468-A1
(SHEET 2)

TO CN404·CN405
OF LVA10468-A1
(SHEET 2)

System control section



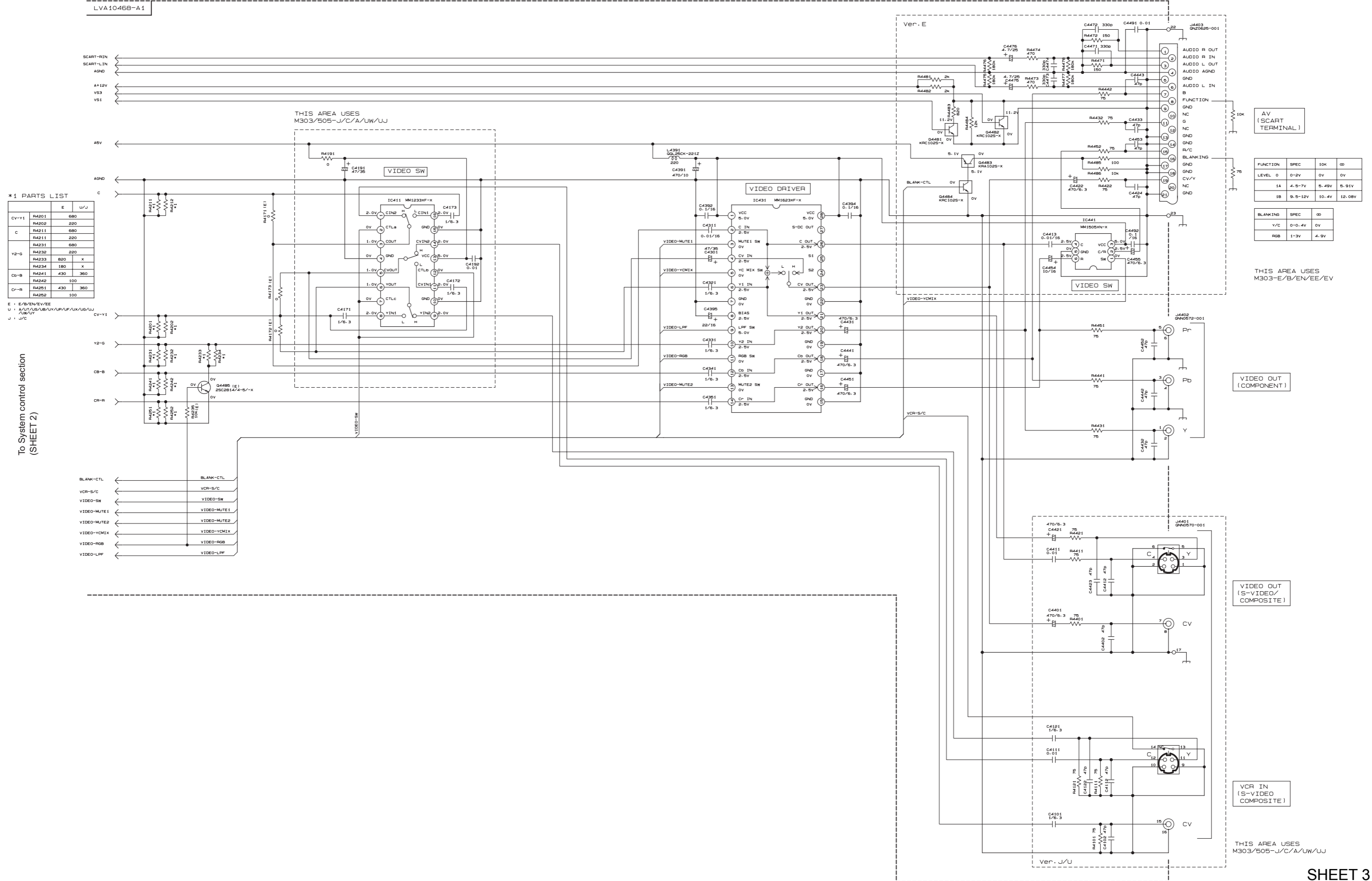
*PARTS LIST

	PART NO.	M301/M303				M501/M505/M508					
		E	U1	U2	U3	J	E	U1	U2	U3	J
VERSION1	R475B P-UP	x	27k	15k	8.2k	27k	x	27k	15k	8.2k	27k
VERSION1	R4771 P-DOWN	10k	10k	10k	10k	x	10k	10k	10k	x	
VERSION2	R4753 P-UP					x					10k
MODEL1	R4773 P-DOWN					10k					x
NTSEL /NRSEL	R4751 (RAL/RGB)	10k	10k	x	x	x	10k	10k	x	x	x
	R4774 P-DOWN (INTC/CI)	x	x	10k	10k	10k	x	x	10k	10k	10k
VCR-SW	R4753			10k							10k
EMC											

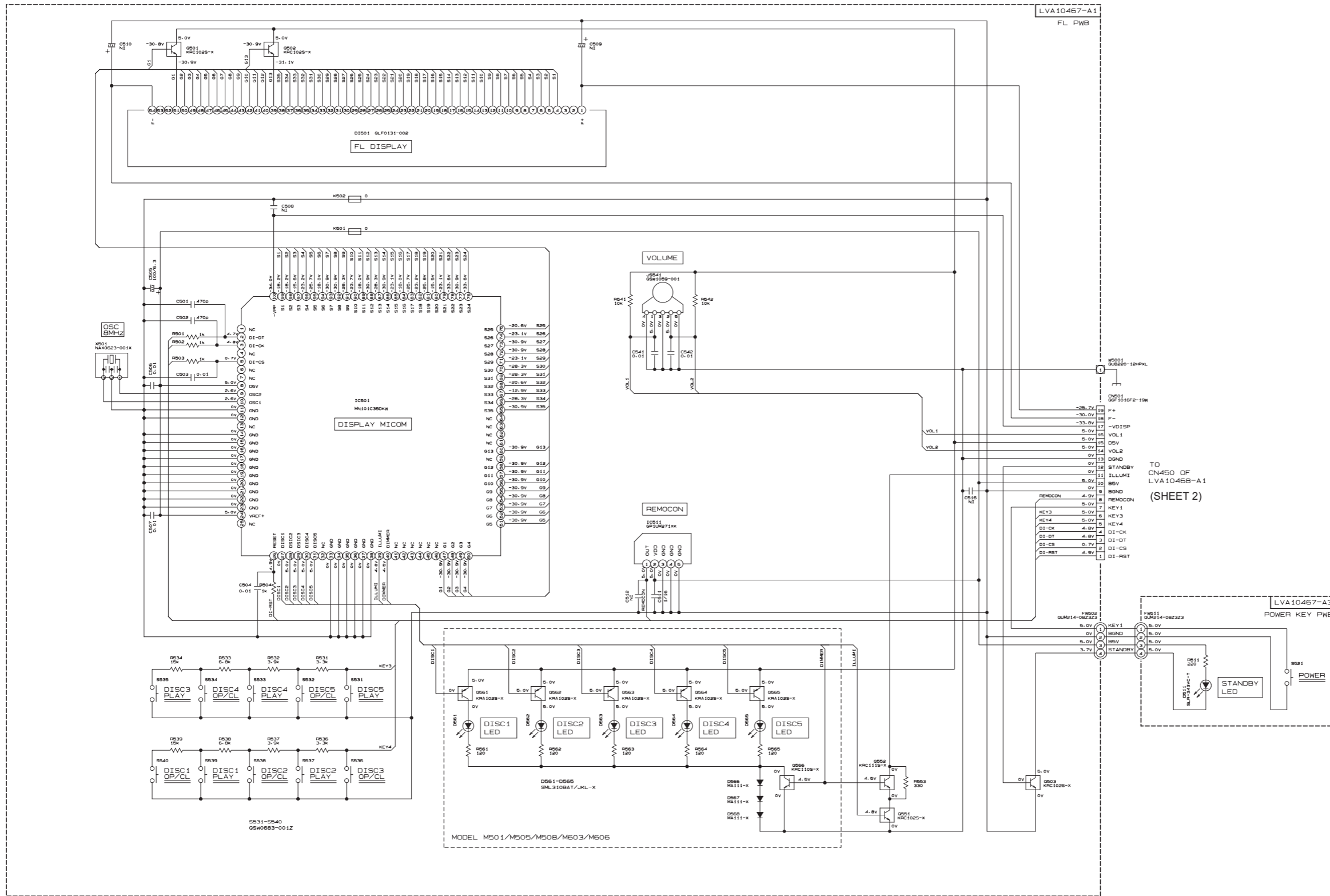
E: 1: B/E/V/E
U: 1: A: U3: B: U/P: U/K: U/G
INTC: 1: U/P
USINTC: 1: U/P
J: C

Parts are safety assurance parts. When replacing those parts make sure to use the specified one.

Video input / output section



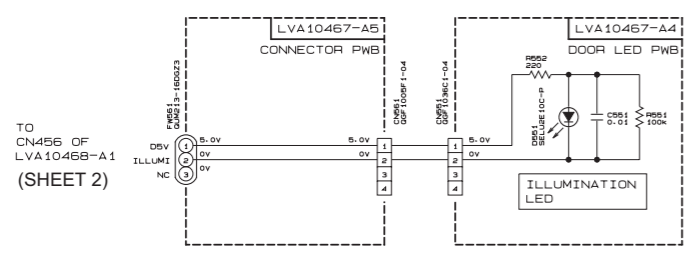
FL display section



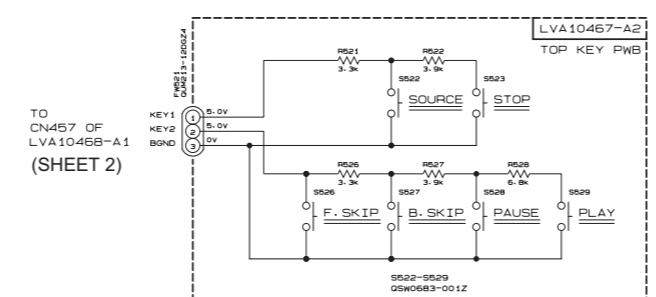
LVA10467-A1
FL PWB

TO
CN450 OF
LVA10468-A1
(SHEET 2)

LVA10467-A3
POWER KEY PWB

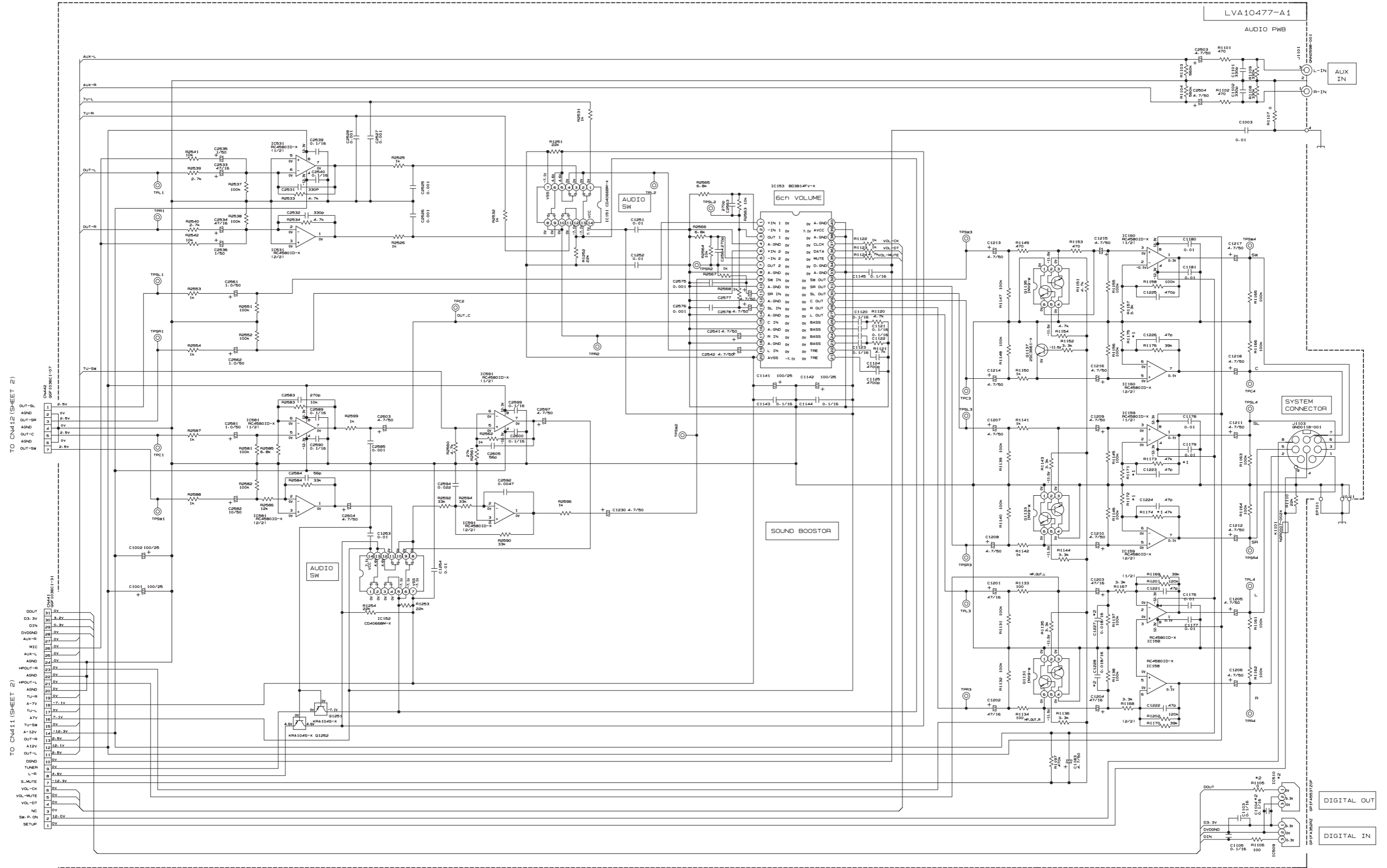


TO
CN456 OF
LVA10468-A1
(SHEET 2)



TO
CN457 OF
LVA10468-A1
(SHEET 2)

■ Audio input / output section

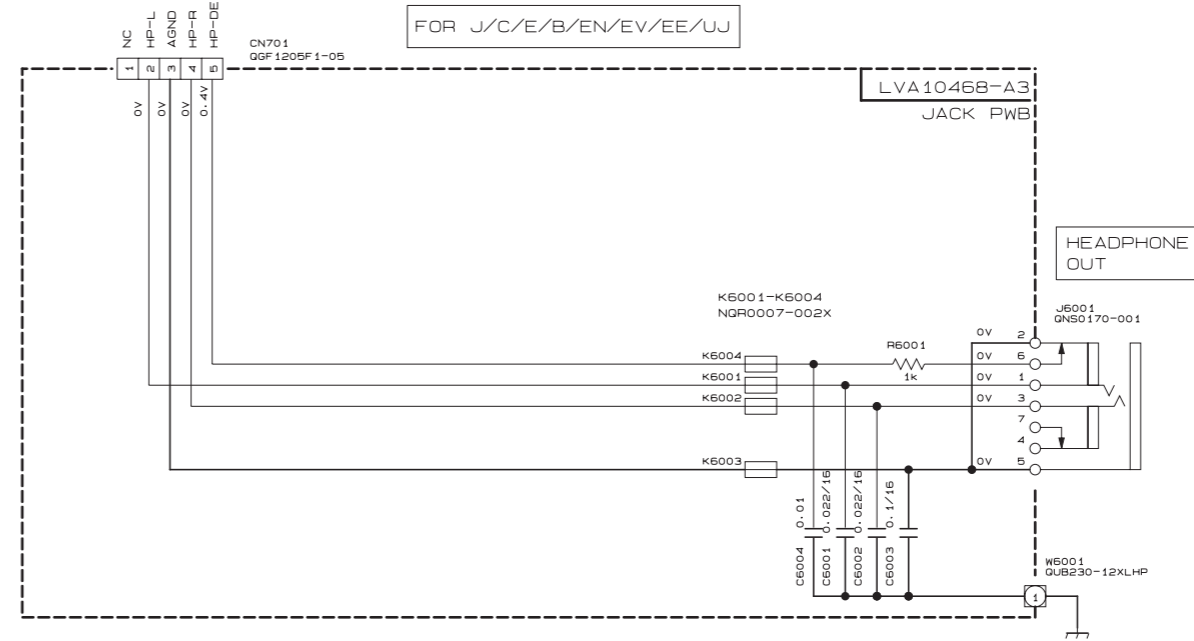


*1	R1175	R1173
	4.3k	5.1k
	R1174	
	4.3k	3.3k

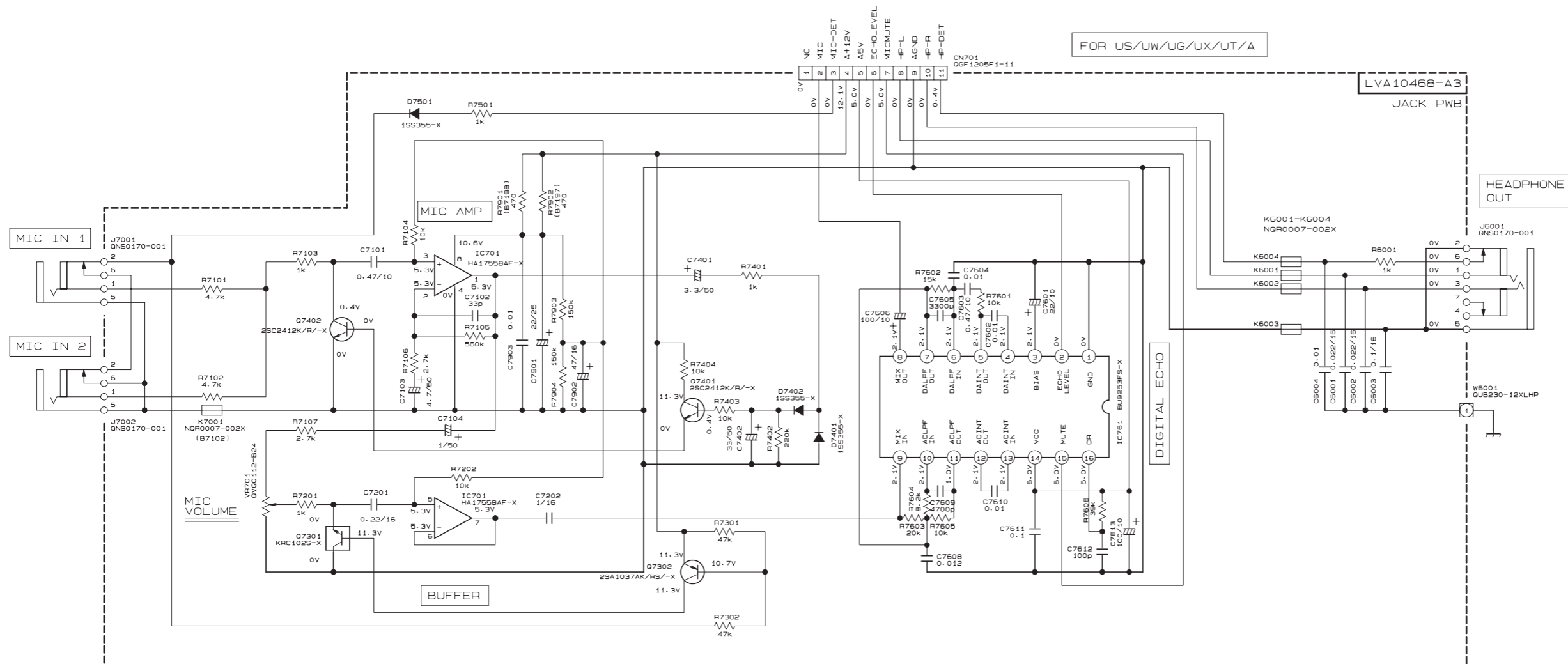
*2 USE M508

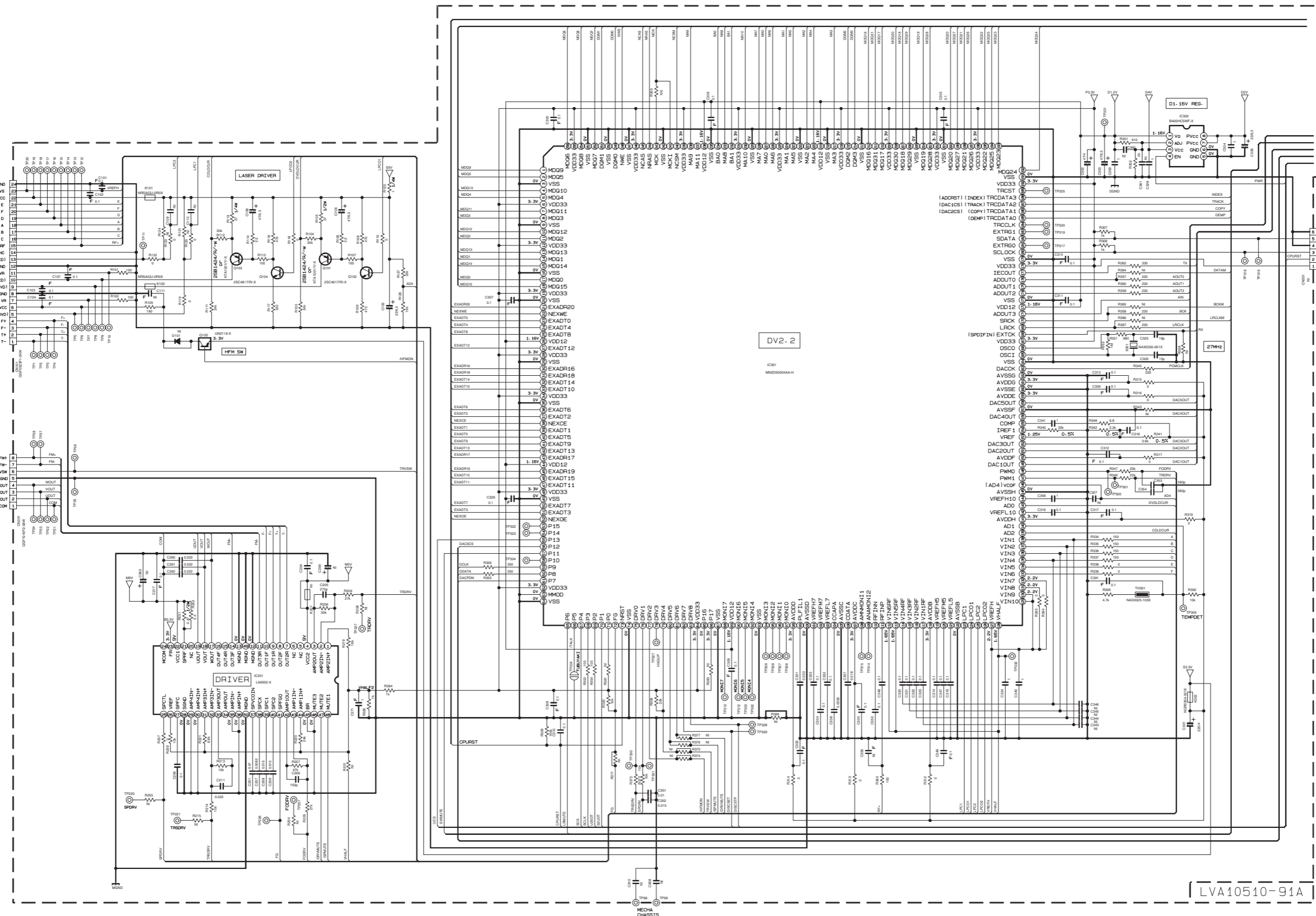
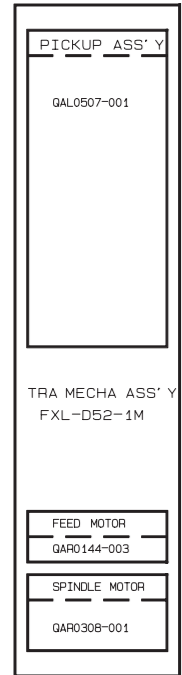
Jack section

TO
CN460 OF
LVA10468-A1
(SHEET 2)



TO
CN460 OF
LVA10468-A1
(SHEET 2)



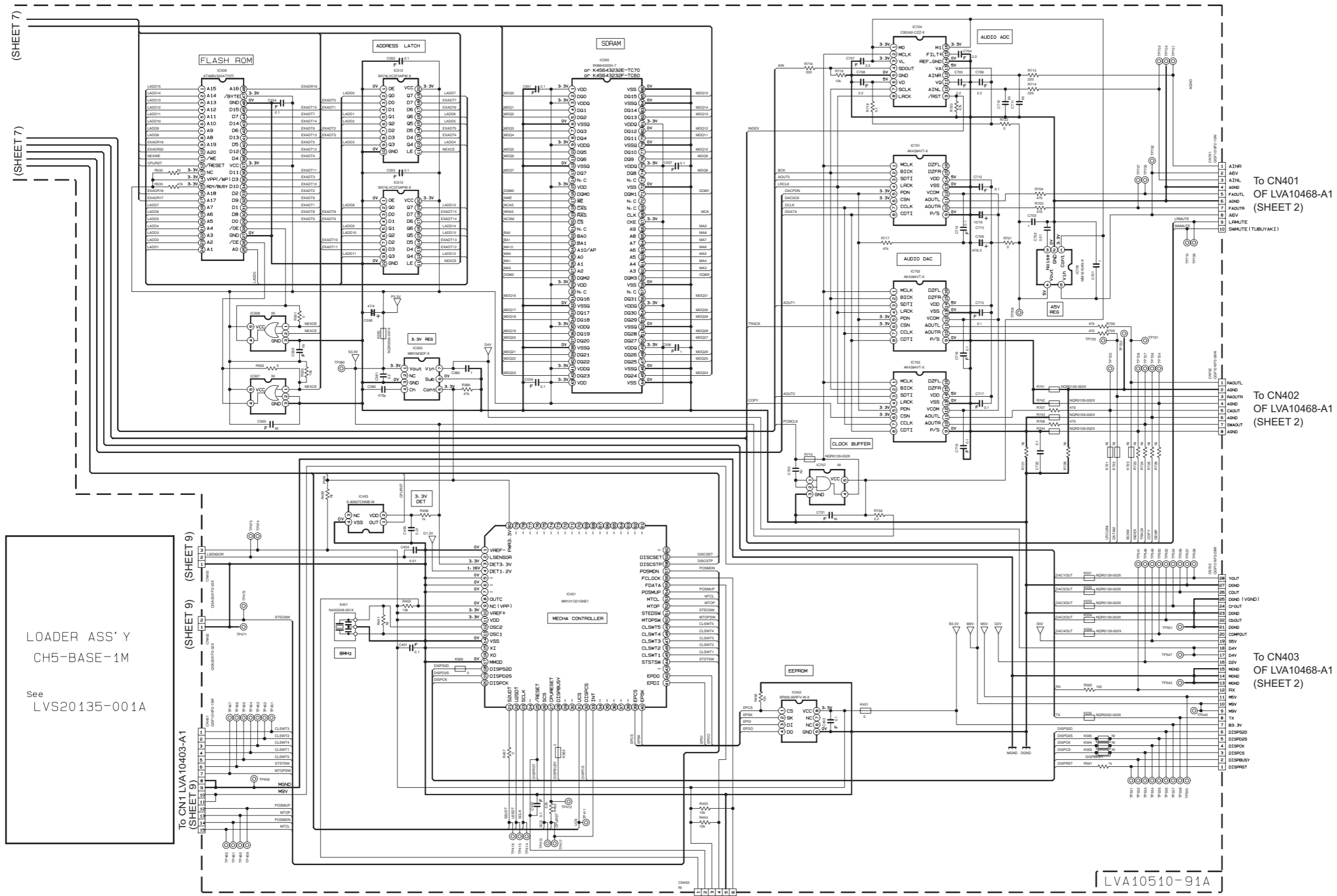


(SHEET 8)

(SHEET 8)

for ICE

■ DVD servo section (2/2)



LOADER ASS'Y
CH5-BASE-1M
See
LVS20135-001A

To CN401
OF LVA10468-A1
(SHEET 2)

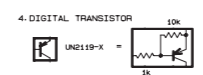
To CN402
OF LVA10468-A1
(SHEET 2)

To CN403
OF LVA10468-A1
(SHEET 2)

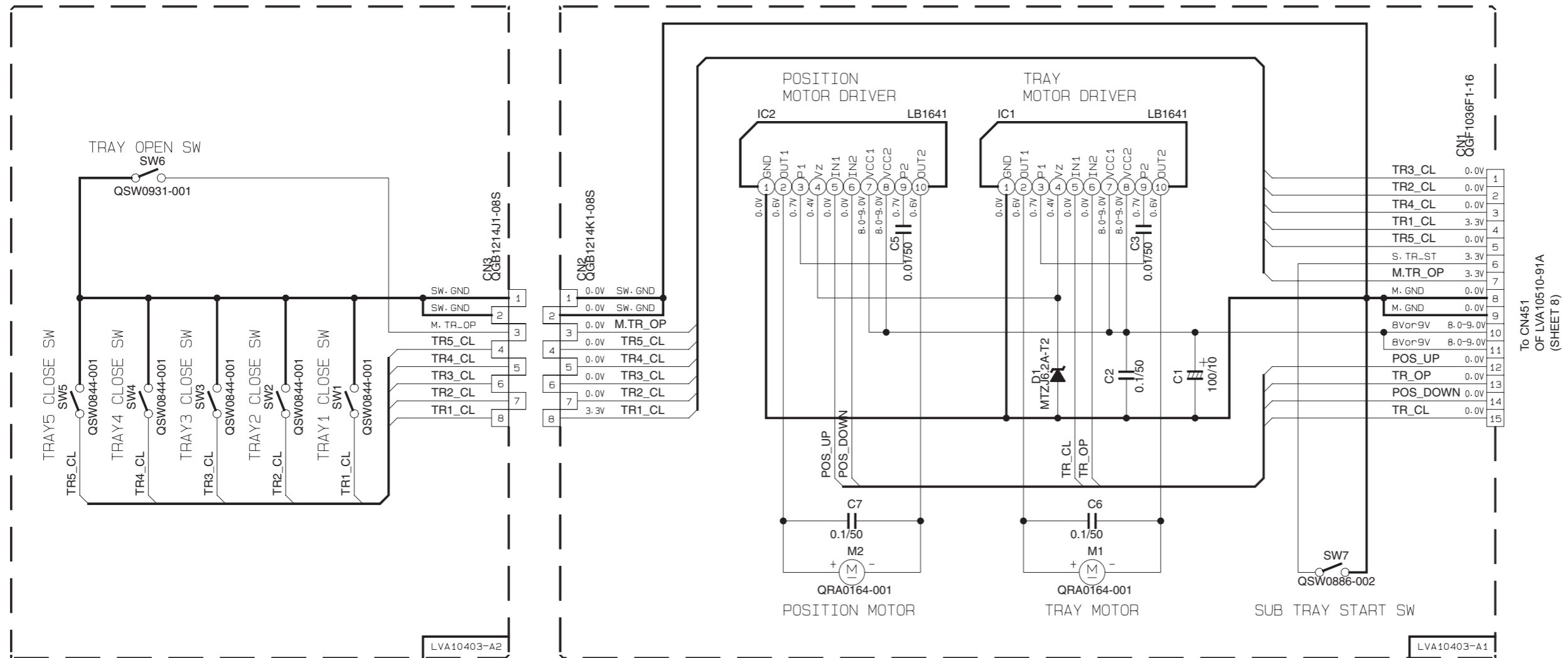
LVA10510-91A

NOTES

1. VOLTAGES ARE DC-MEASURED WITH A DIGITAL VOLT METER WITHOUT INPUT SIGNAL.
CONDITION --- A DVD disc in the Tray 1- and STOP mode.
2. UNLESS OTHERWISE SPECIFIED:
ALL RESISTORS ARE 1/10W ±5% METAL GLAZE RESISTOR, OR 0.5X METAL GLAZE RESISTOR.
ALL CAPACITORS ARE 50V, ±25V, ±16V, ±10V or 6.3V CERAMIC CAPACITOR.
ALL RESISTANCE VALUES ARE IN Ω(M).
ALL CAPACITANCE VALUES ARE IN μF(p=PF).
ALL E. CAPACITORS ARE SHOWN IN THE FORM OF CAPACITANCE(μF)/RATED VOLTAGE (V).
ALL INDUCTANCE VALUES ARE IN μH(m=MH).
3. NI STANDS FOR NOT INSERTED PARTS.



■ DVD changer mechanism section

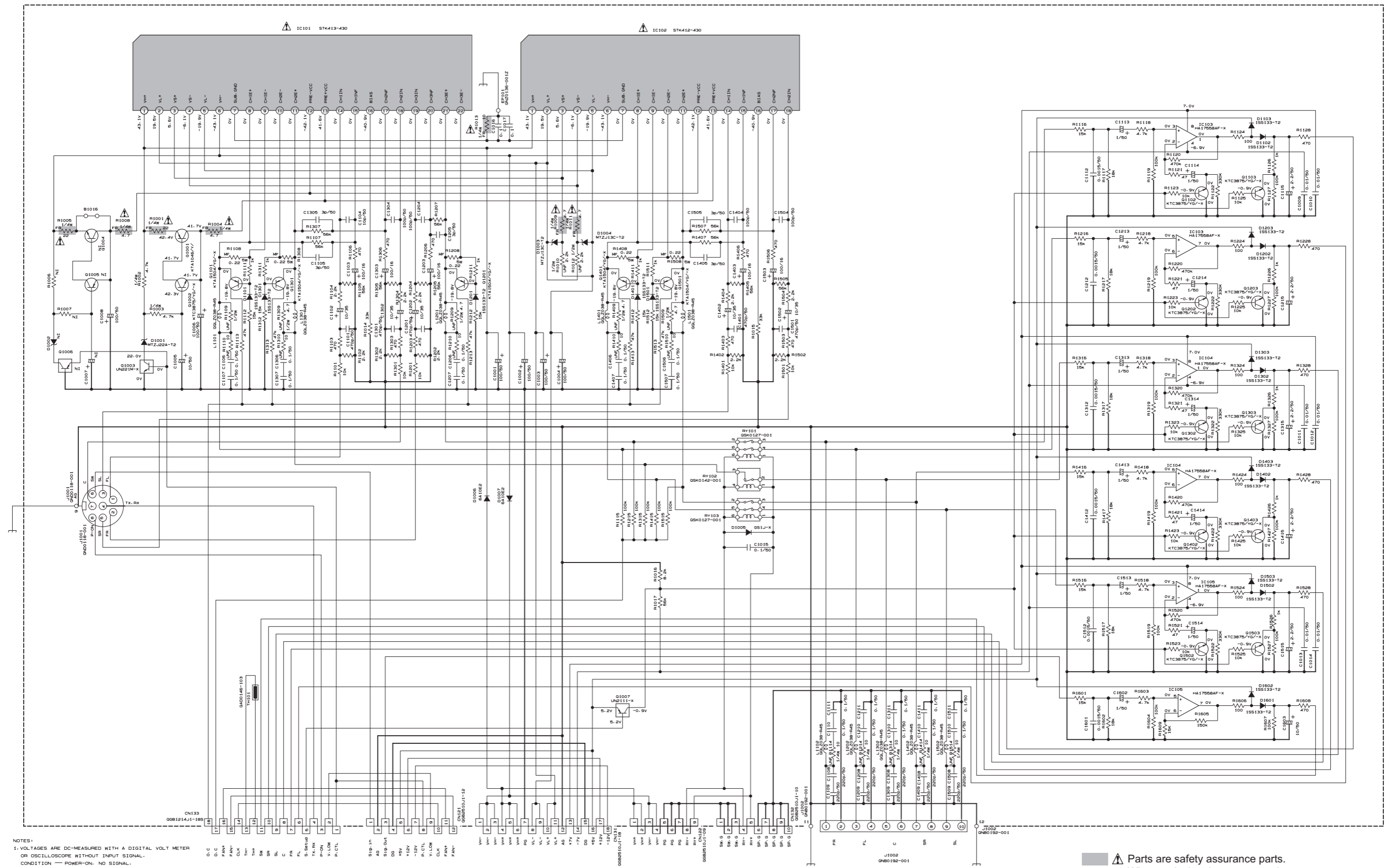


NOTES

1. VOLTAGES ARE DC-MEASURED WITH A DIGITAL VOLT METER.
CONDITION:DISC1 STOP
2. UNLESS OTHERWISE SPECIFIED.
ALL CAPACITORS ARE SHOWN IN THE FORM OF CAPACITANCE(μF)/RATED VOLTAGE(V).

<Subwoofer section>

Terminal section



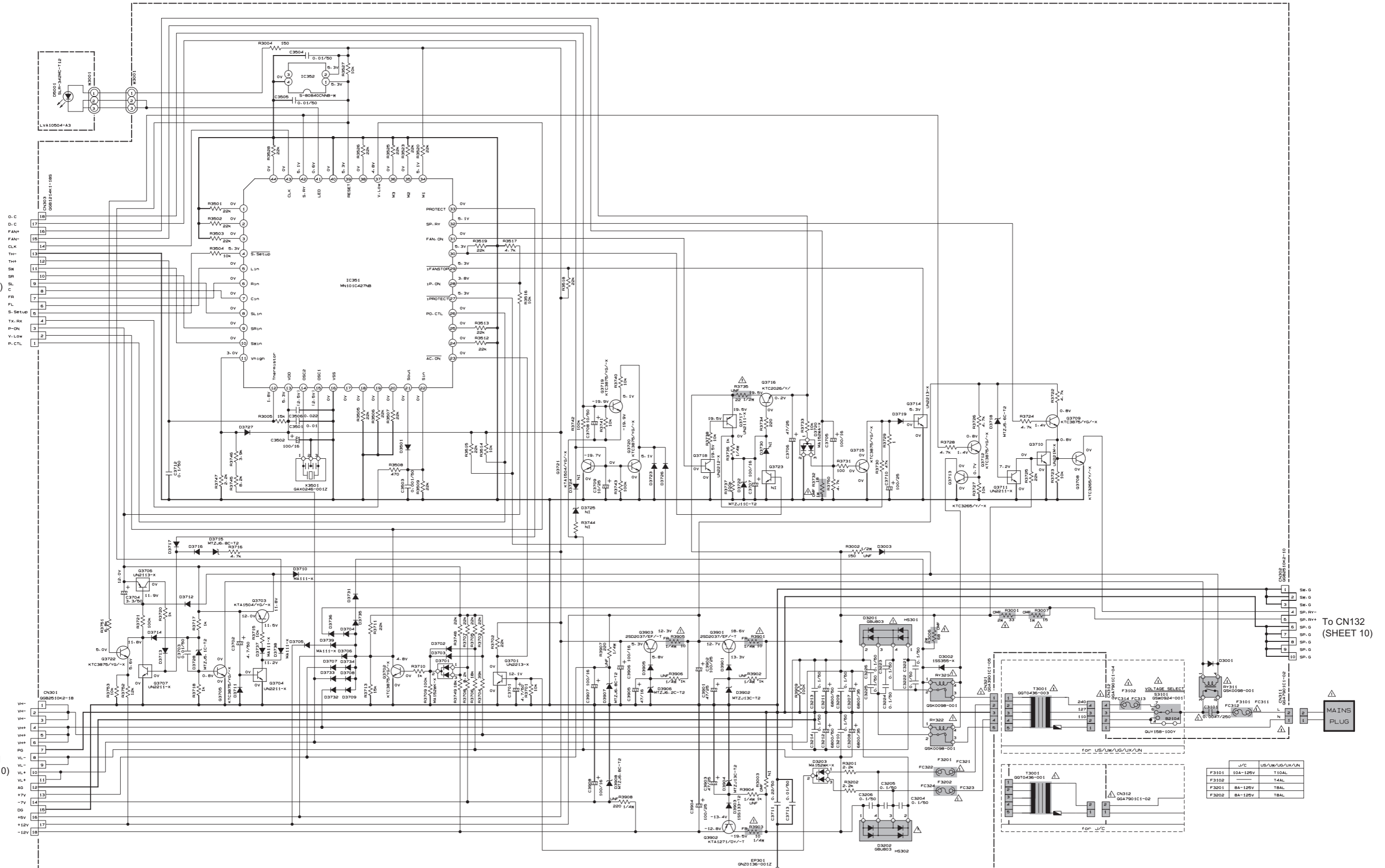
NOTES:
 1. VOLTAGES ARE DC-MEASURED WITH A DIGITAL VOLT METER OR OSCILLOSCOPE WITHOUT INPUT SIGNAL. CONDITION — POWER-ON, NO SIGNAL.
 2. UNLESS OTHERWISE SPECIFIED, ALL RESISTANCE VALUES ARE IN OHMS. ALL INDUCTANCE VALUES ARE IN H. ALL CAPACITANCE VALUES ARE IN μ F.

- To CN303 (SHEET 11)
- To CN201 (SHEET 12)
- To CN301 (SHEET 11)
- To CN203 (SHEET 12)
- To CN302 (SHEET 11)

▲ Parts are safety assurance parts. When replacing those parts make sure to use the specified one.

■ Mother section

To CN133
(SHEET 10)



To CN131
(SHEET 10)

To CN132
(SHEET 10)

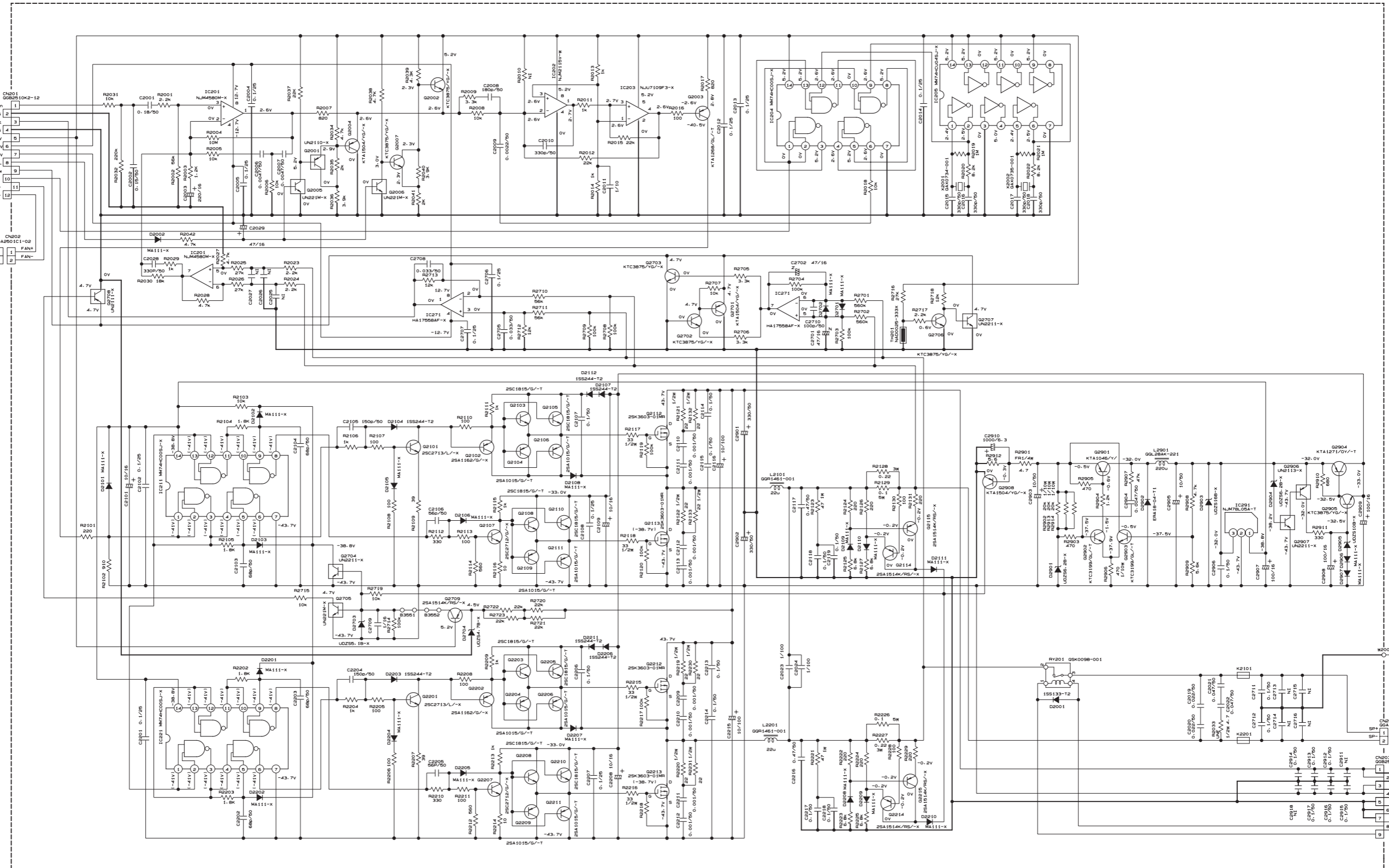
- NOTES:
1. VOLTAGES ARE DC-MEASURED WITH A DIGITAL VOLT METER OR OSCILLOSCOPE WITHOUT INPUT SIGNAL.
CONDITION — POWER-ON; NO SIGNAL.
 2. UNLESS OTHERWISE SPECIFIED:
ALL RESISTANCE VALUES ARE IN OHMS.
ALL INDUCTIVE VALUES ARE IN H.
ALL CAPACITANCE VALUES ARE IN μ F. P IS pF.
ALL DIODES ARE 1S5133-T2.

▲ Parts are safety assurance parts.
When replacing those parts make
sure to use the specified one.

J/C	US/UK/US/UK/UN	T10AL
F3101	10A-125V	T10AL
F3102	—	T4AL
F3201	8A-125V	T8AL
F3202	8A-125V	T8AL

Amplifier section

To CN121
(SHEET 10)



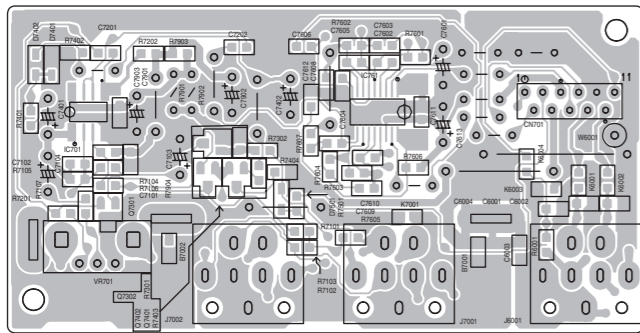
To CN122
(SHEET 10)

NOTES:
 1. VOLTAGES ARE DC-MEASURED WITH A DIGITAL VOLT METER OR OSCILLOSCOPE WITHOUT INPUT SIGNAL. CONDITION — POWER-ON. NO SIGNAL.
 2. UNLESS OTHERWISE SPECIFIED, ALL RESISTANCE VALUES ARE IN OHMS. ALL INDUCTANCE VALUES ARE IN H. ALL CAPACITANCE VALUES ARE IN μ F. P IS pF.

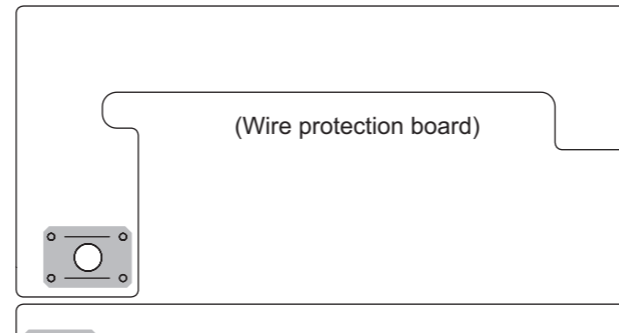
Printed circuit boards

<Main body section>

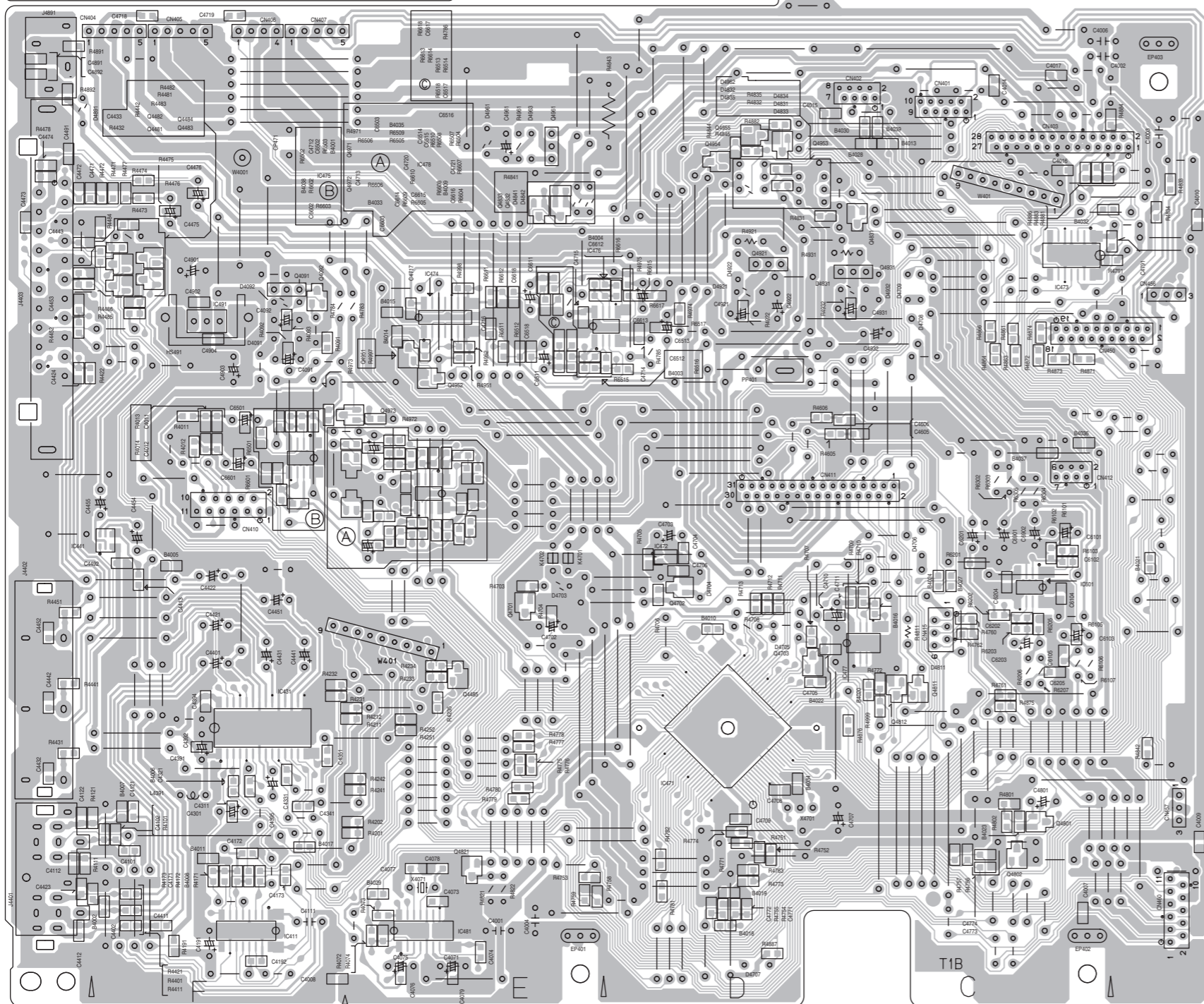
■ Main board



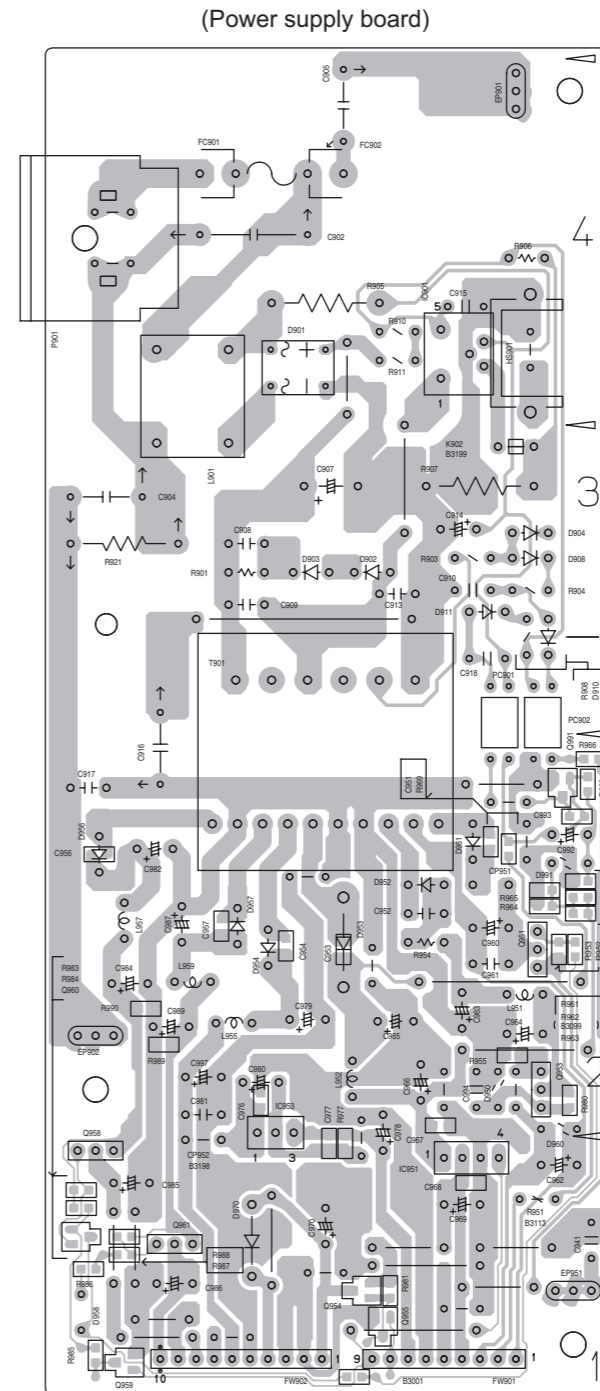
(Phone jack board)



(Wire protection board)



(Main board)

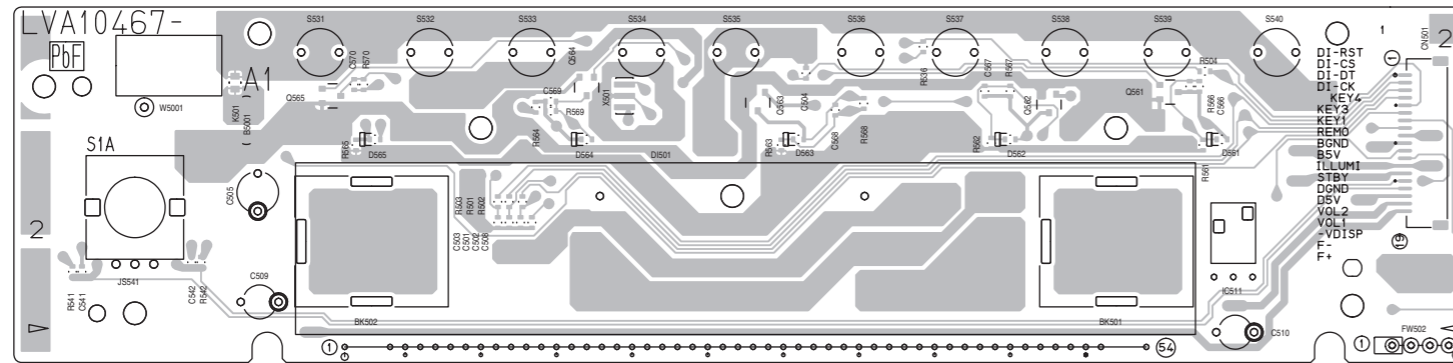


(Power supply board)

■ Front board

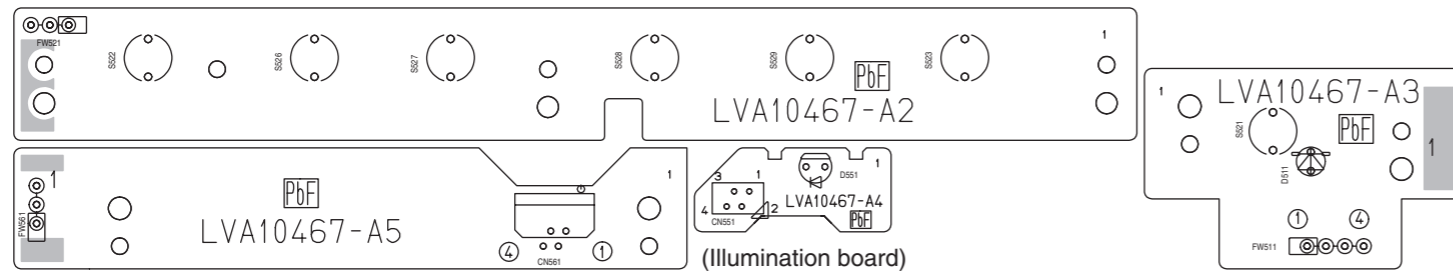
■ Audio board

Forward side



(Front board)

(Operation board)

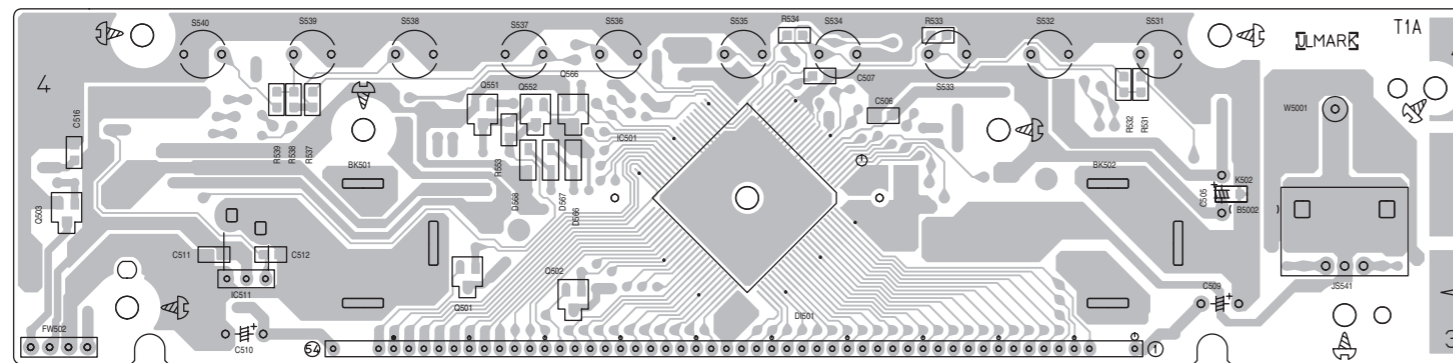


(Connect board)

(Illumination board)

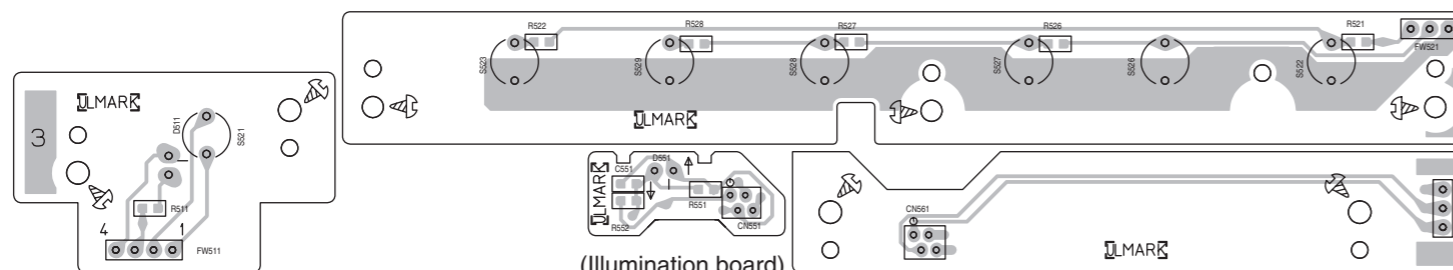
(Power key board)

Reverse side



(Front board)

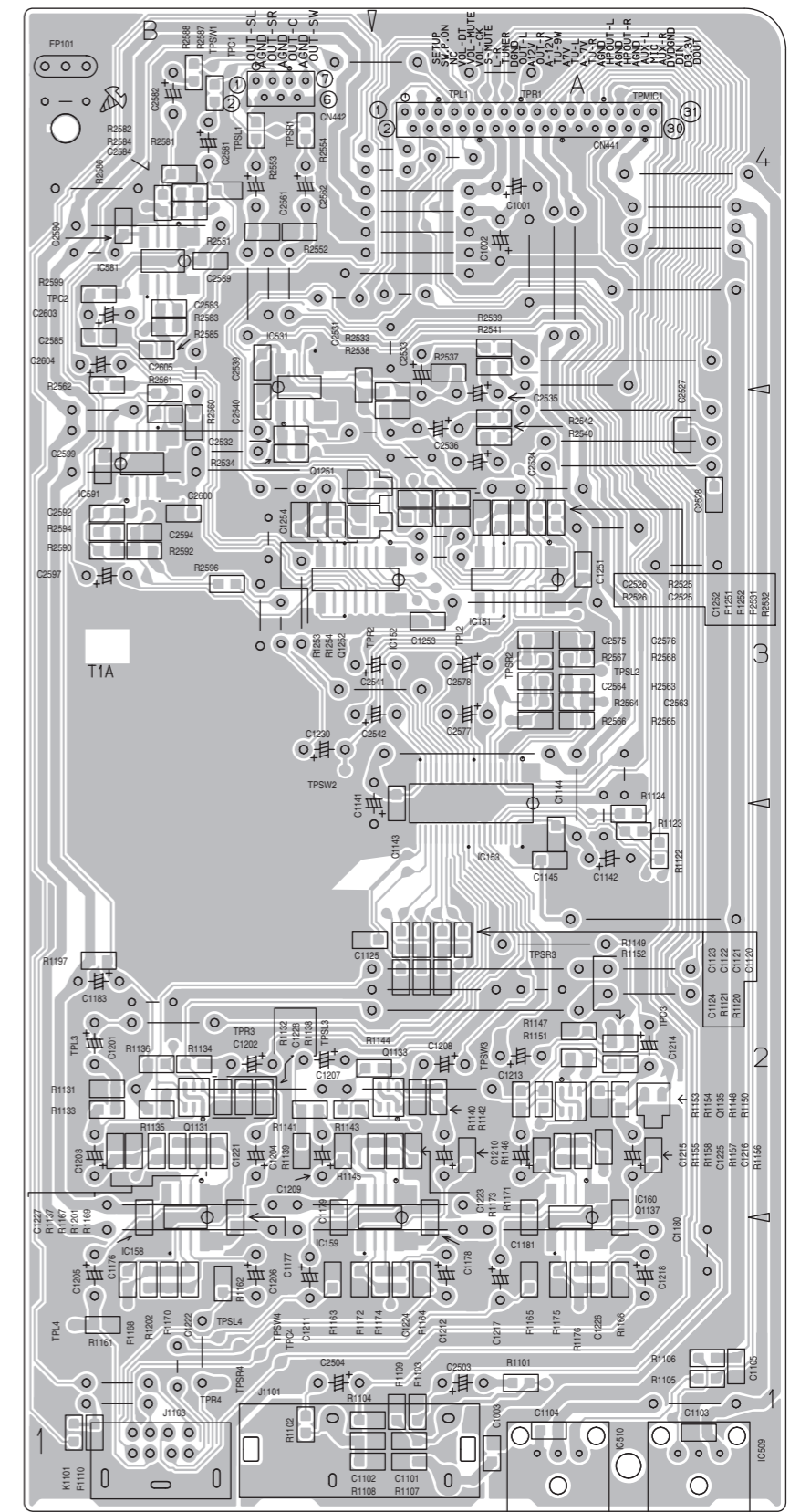
(Operation board)



(Power key board)

(Illumination board)

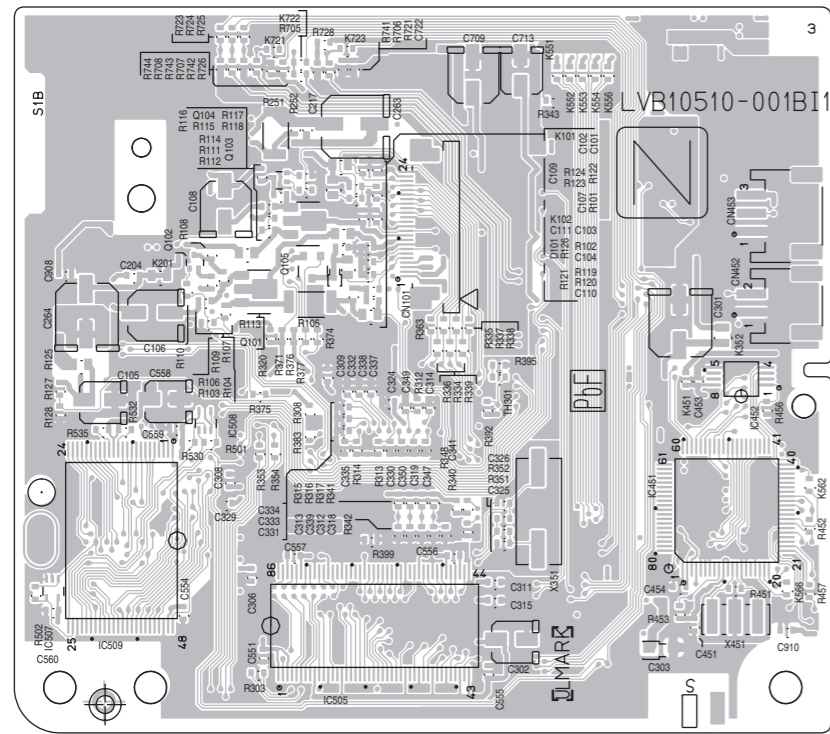
(Connect board)



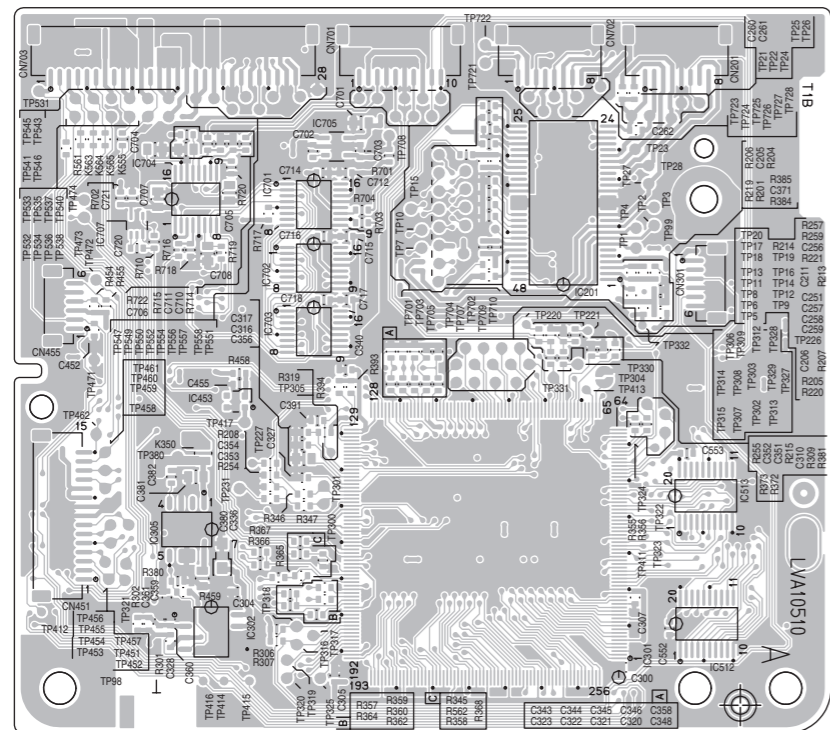
(Audio & Digital input board)

■ DVD servo board

Forward side

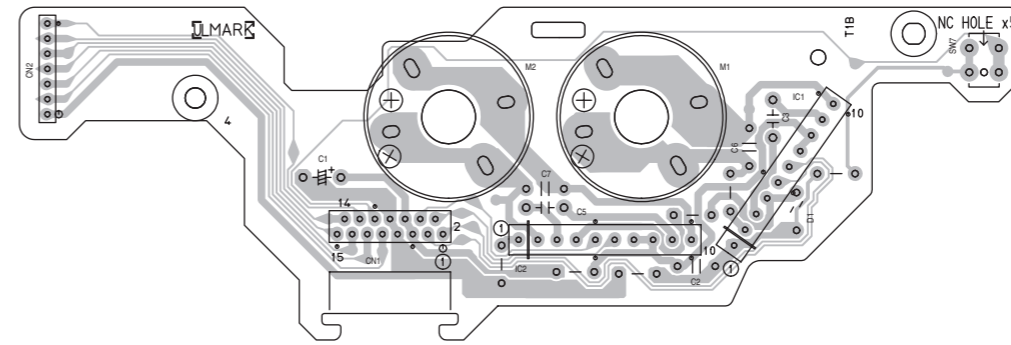


Reverse side

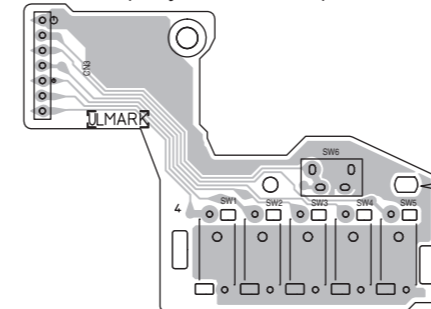


■ Loading board

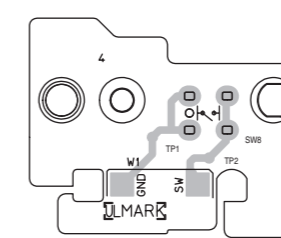
(Motor board)



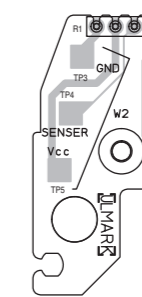
(Tray switch board)



(Switch board)

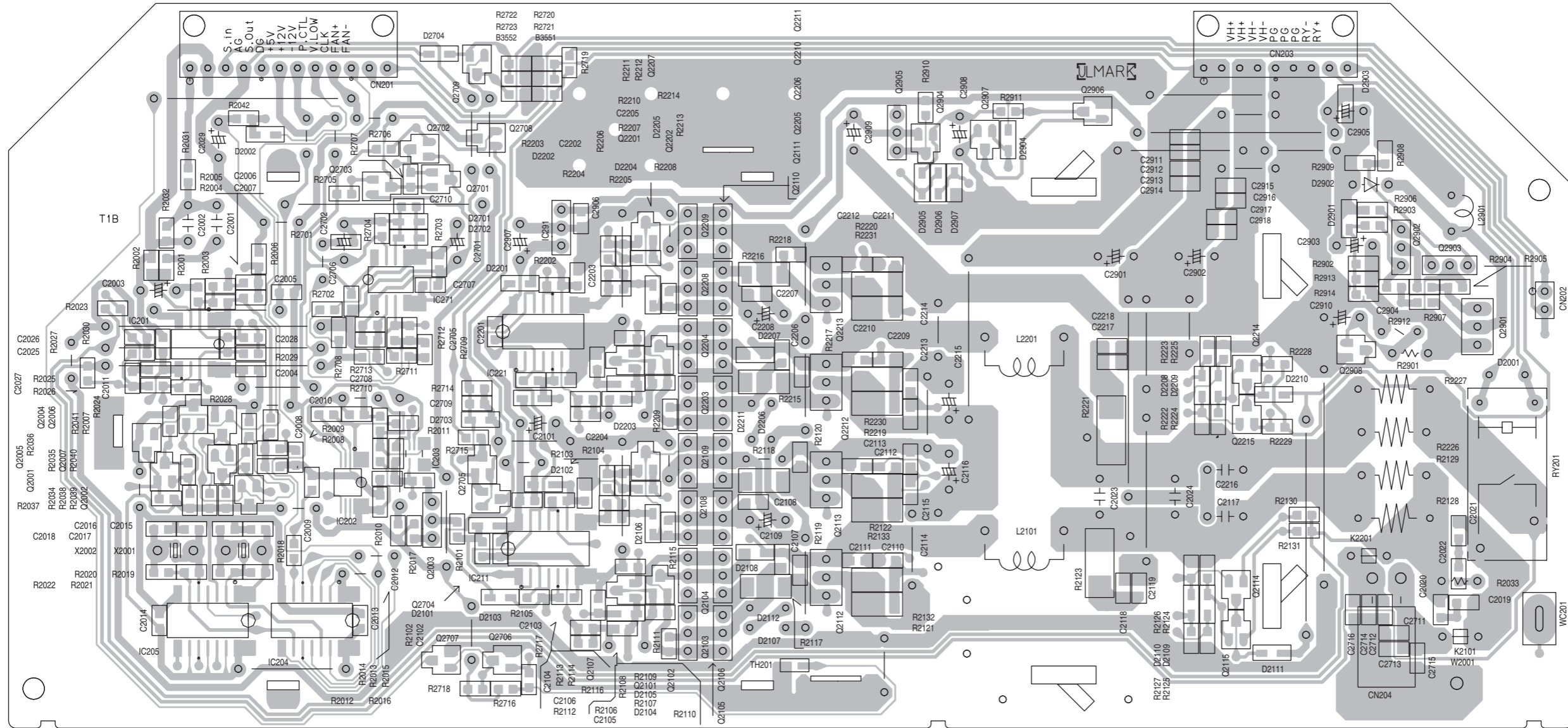


(Sensor board)



■ Subwoofer amp. board

(Amp. board)



< MEMO >

JVC

Victor Company of Japan, Limited

AV & MULTIMEDIA COMPANY AUDIO/VIDEO SYSTEMS CATEGORY 10-1, 1chome, Ohwatari-machi, Maebashi-city, 371-8543, Japan

(No.MB294CH)



Printed in Japan
WPC

PARTS LIST

[TH-M508]

* All printed circuit boards and its assemblies are not available as service parts.

Area suffix

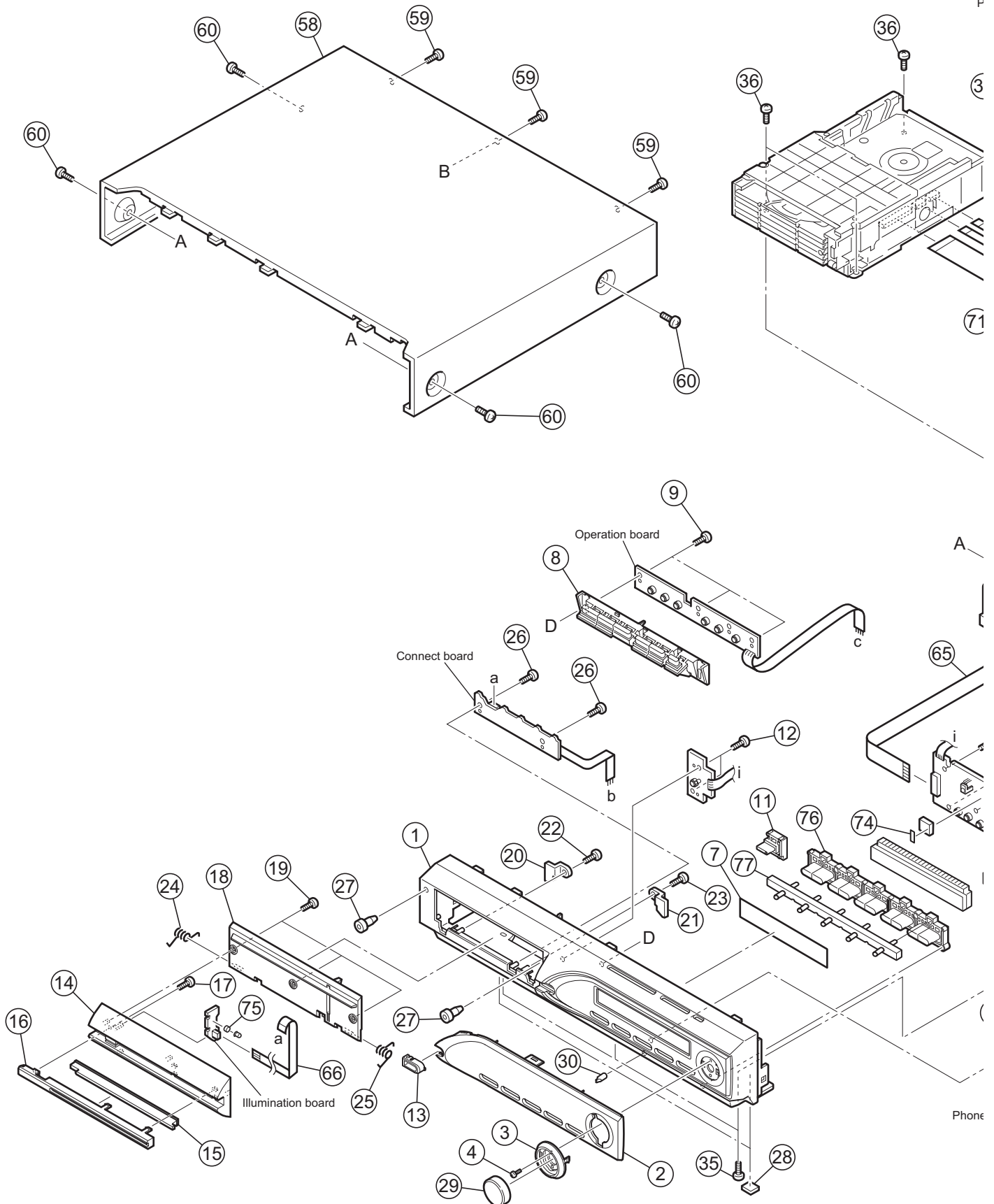
US ----- Singapore
UW ----- Brazil, Mexico, Peru
UX ----- Saudi Arabia
UG - Turkey, South Africa, Egypt
UN ----- Asean

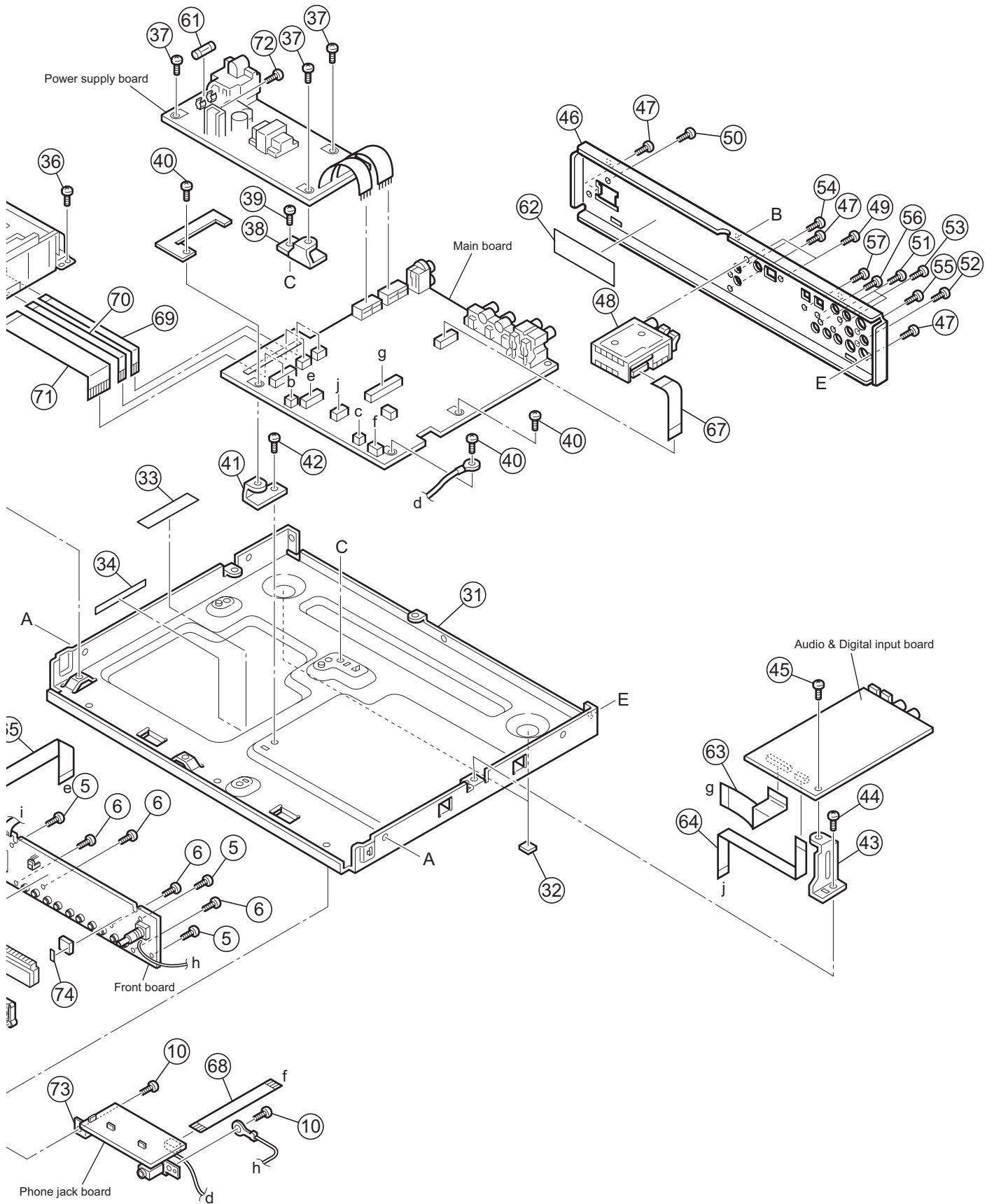
- Contents -

Exploded view of general assembly and parts list (Block No.M1)	3- 2
Speaker assembly and parts list (Subwoofer) (Block No.M2)	3- 6
Speaker assembly and parts list (Center speaker) (Block No.M6)	3- 8
Speaker assembly and parts list (Front speaker) (Block No.M7)	3- 9
DVD mechanism assembly and parts list (Block No.MJ)	3-10
DVD changer mechanism assembly and parts list (Block No.MK)	3-12
Electrical parts list (Block No.01~07)	3-14
Packing materials and accessories parts list (Block No.M3)	3-28

Exploded view of general assembly and parts list

Block No. M 1 M M





General assembly

Block No. [M][1][M][M]

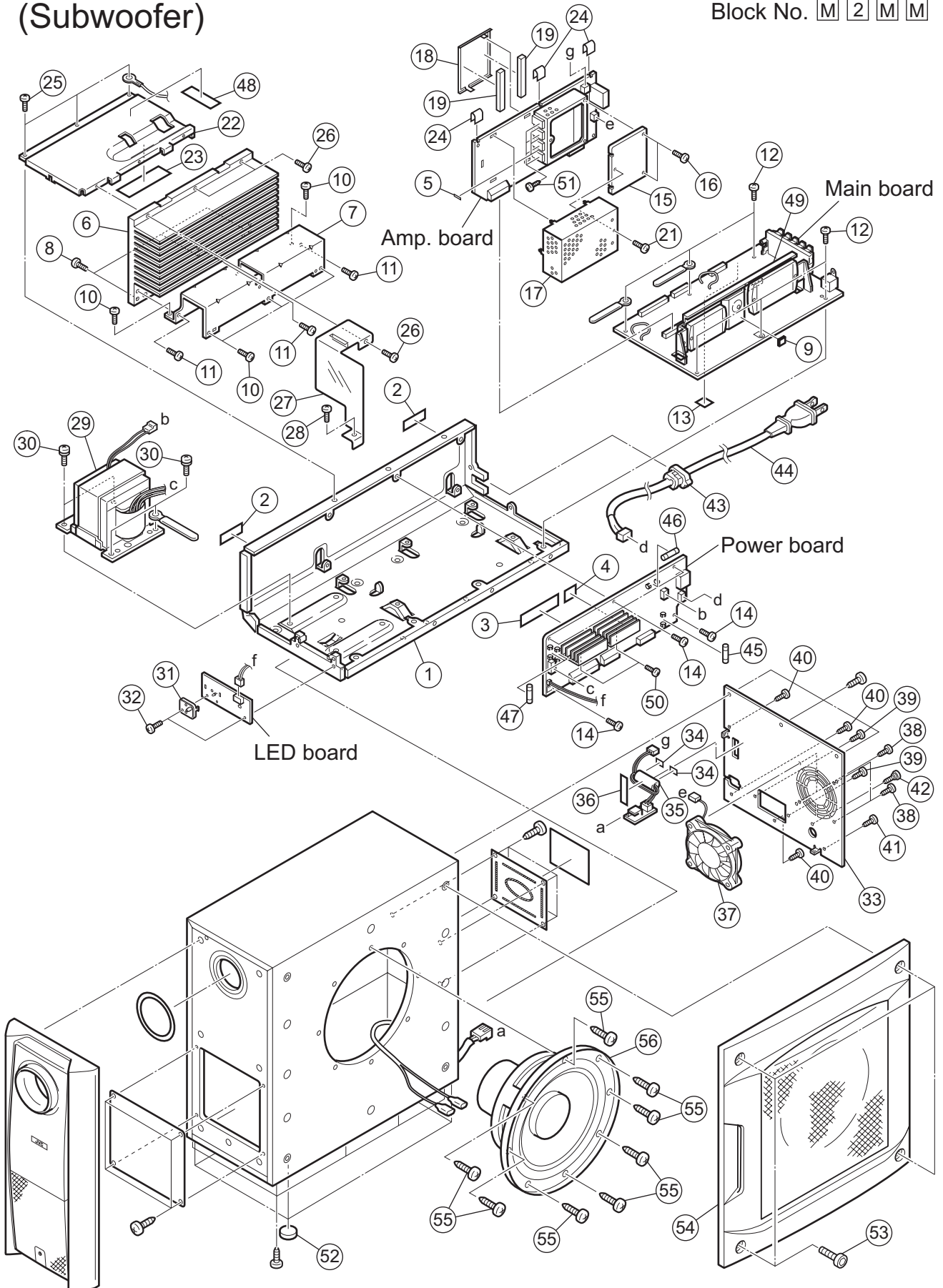
△	Symbol No.	Part No.	Part Name	Description	Local
	1	LV10965-006A	FRONT CAB ASSY		
	2	LV21605-001A	FL LENS		
	3	LV34588-002A	VOL RING		
	4	QYSDSF2608Z	TAP SCREW	M2.6 x 8mm	
	5	QYSDSF2608Z	TAP SCREW	M2.6 x 8mm(x3)	
	6	QYSDSF2608Z	TAP SCREW	M2.6 x 8mm(x4)	
	7	LV42851-006A	FL SCREEN		
	8	LV21607-001A	BUTTON(TOP)		
	9	QYSDSF2612Z	TAP SCREW	M2.6 x 12mm(x3)	
	10	QYSDSF2608Z	TAP SCREW	M2.6 x 8mm(x2)	
	11	LV34590-002A	BTN(POWER) ASSY		
	12	QYSDSF2608Z	TAP SCREW	M2.6 x 8mm(x2)	
	13	LV43663-002A	ORNAMENT(POWER)		
	14	LV21608-005A	DVD DOOR		
	15	LV34592-002A	DOOR LENS		
	16	LV34593-002A	ORNAMENT(DOOR)		
	17	QYSDSF2608Z	TAP SCREW	M2.6 x 8mm	
	18	LV21609-002A	DOOR HOLDER		
	19	QYSDSF2608Z	TAP SCREW	M2.6 x 8mm(x3)	
	20	LV41694-001A	DOOR BKT(L)		
	21	LV41695-001A	DOOR BKT(R)		
	22	QYSDSF2608Z	TAP SCREW	M2.6 x 8mm	
	23	QYSDSF2608Z	TAP SCREW	M2.6 x 8mm	
	24	LV43806-001A	DOOR SPRING(L)		
	25	LV43665-001A	DOOR SPRING		
	26	QYSDSF2608Z	TAP SCREW	M2.6 x 8mm(x2)	
	27	E69897-002	CUSHION	(x2)	
	28	LV40301-001A	FELT SPACER	(x2)	
	29	LV34594-002A	VOLUME KNOB		
	30	VXL4431-005	MIC VOLUME KNOB		
	31	LV10770-004A	BOTTOM CHASSIS		
	32	LV40301-002A	FELT SPACER	(x2)	
	33	LV30225-0T7A	SPACER		
	34	LV30225-0T8A	SPACER		
	35	QYSDST3006Z	TAP SCREW	M3 x 6mm(x3)	
	36	QYSDST3006Z	TAP SCREW	M3 x 6mm(x4)	
	37	QYSDST3006Z	TAP SCREW	M3 x 6mm(x3)	
	38	LV41548-001A-NK	C.B BKT		
	39	QYSDST3006Z	TAP SCREW	M3 x 6mm	
	40	QYSBST3008Z	TAP SCREW	M3 x 8mm(x3)	
	41	LV41548-001A-NK	C.B BKT		
	42	QYSDST3006Z	TAP SCREW	M3 x 6mm	
	43	LV43333-001A	BKT(DSP)		
	44	QYSDST3006Z	TAP SCREW	M3 x 6mm	
	45	QYSDST3006Z	TAP SCREW	M3 x 6mm	
	46	LV21450-055A	REAR PANEL		THM508UN,THM508US
	46	LV21450-054A	REAR PANEL		THM508UW
	46	LV21450-056A	REAR PANEL		THM508UG,THM508UX
	47	QYSBSGY3008M	TAP SCREW	M3 x 8mm(x3)	
	48	QAU0346-001	TUNER	TU 1	
	49	QYSBSGY3008M	TAP SCREW	M3 x 8mm(x2)	
	50	QYSBSGY3008M	TAP SCREW	M3 x 8mm	
	51	QYSBSGY3008M	TAP SCREW	M3 x 8mm(x2)	
	52	QYSBSGY3008M	TAP SCREW	M3 x 8mm	
	53	QYSBSGY3008M	TAP SCREW	M3 x 8mm	
	54	QYSBSGY3008M	TAP SCREW	M3 x 8mm	
	55	QYSBST3006M	TAP SCREW	M3 x 6mm	
	56	QYSBSGY3008M	TAP SCREW	M3 x 8mm	
	57	QYSBSGY3008M	TAP SCREW	M3 x 8mm	
	58	LV21610-001A/S/	METAL COVER		
	59	QYSBSGY3008M	TAP SCREW	M3 x 8mm(x3)	
	60	QYSDSG3006N	TAP SCREW	M3 x 6mm(x4)	
△	61	QMF51W2-1R6-J8	FUSE	F901	
	62	LV41843-002A	LASER CAUTION		
	63	QUQH10-3112AJ	FFC WIRE	31pin 12cm	
	64	QUQH10-0714AJ	FFC WIRE	7pin 14cm	
	65	QUQH10-1920AJ	FFC WIRE	19pin 20cm	
	66	QUQH10-0418AJ	FFC WIRE	4pin 18cm	
	67	QUQH12-1107AJ	FFC WIRE	11pin 7cm	
	68	QUQH12-1110AJ	FFC WIRE	11pin 10cm	
	69	QUQH10-0817AJ	FFC WIRE	8pin 17cm	
	70	QUQH10-1017AJ	FFC WIRE	10pin 17cm	
	71	QUQH10-2817AJ	FFC WIRE	28pin 17cm	
	72	QYSBSE3008Z	TAP SCREW	M3 x 8mm	

△	Symbol No.	Part No.	Part Name	Description	Local
	73	LV43661-001A	BKT		
	74	LV30225-0M9A	SPACER	(x2)	
	75	LV42683-001A	SPACER		
	76	LV21606-001A	DISC BUTTON		
	77	LV43657-001A	INDICATOR		

Speaker assembly and parts list

(Subwoofer)

Block No. M 2 M M



The parts without symbol number are not service.

Speaker (Subwoofer)

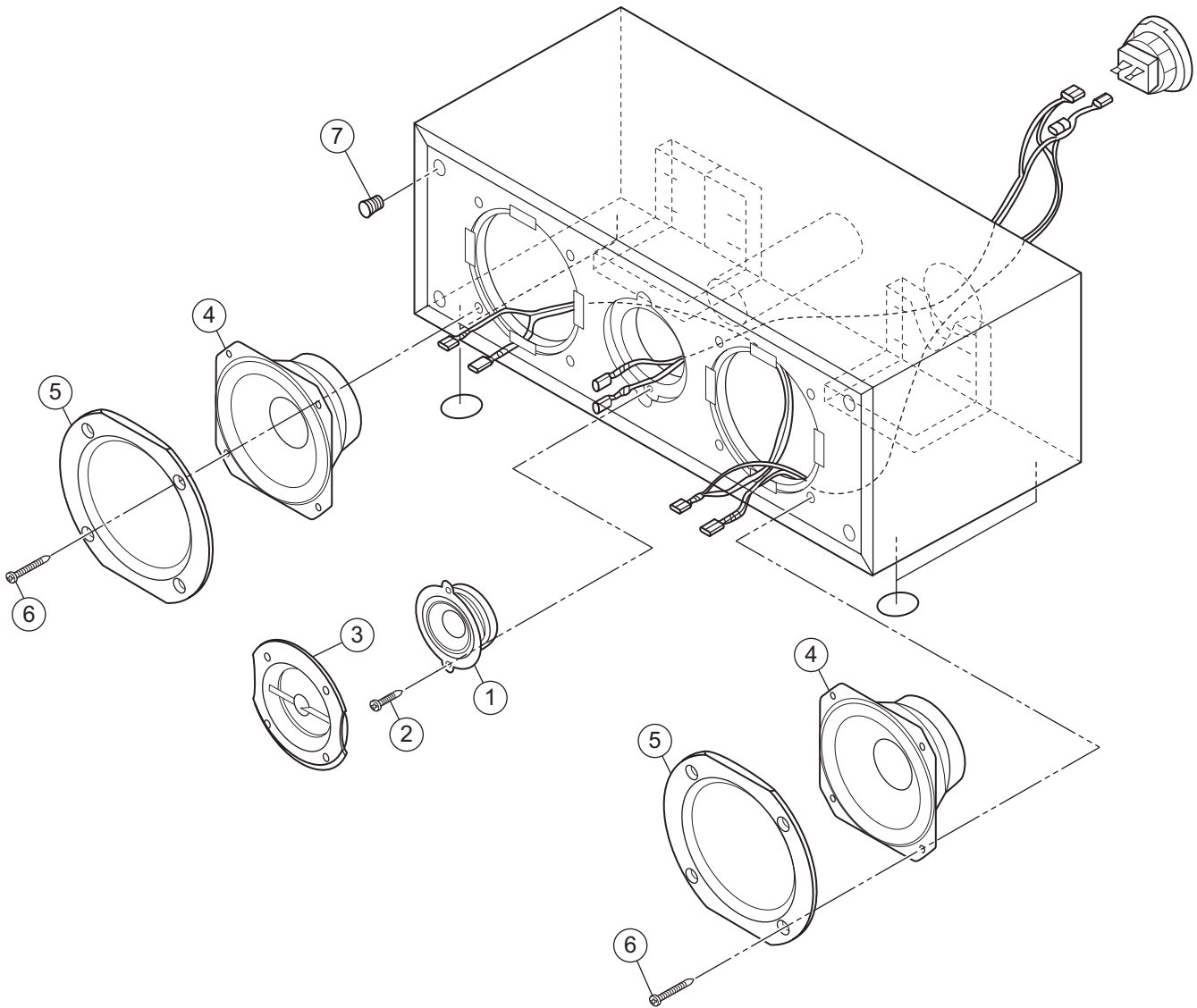
Block No. [M][2][M][M]

△	Symbol No.	Part No.	Part Name	Description	Local
	1	LV10880-001A	CHASSIS BASE		
	2	LV30225-0T9A	SPACER	(x2)	
	3	LV30225-0U1A	SPACER		
	4	LV30225-0U2A	SPACER		
	5	VYSH101-009	SPACER	(x3)	
	6	LV21663-001A	HEAT SINK		
	7	LV21664-001A	H.SINK BKT		
	8	QYSBSG3010E	TAP SCREW	M3 x 10mm(x3)	
	9	LV43203-001A	SPACER		
	10	QYSBSG3008E	TAP SCREW	M3 x 8mm(x5)	
	11	QYSBSG3010E	TAP SCREW	M3 x 10mm(x3)	
	12	QYSBSG3008E	TAP SCREW	M3 x 8mm(x6)	
	13	LV30225-0M4A	SPACER		
	14	QYSBSG3008E	TAP SCREW	M3 x 8mm(x5)	
	15	LV43798-001A	COVER		
	16	QYSBSG3008E	TAP SCREW	M3 x 8mm(x2)	
	17	LV34788-001A	SHIELD CASE		
	18	LV35261-001A	SHIELD		
	19	LV30225-0V9A	SPACER	(x2)	
	21	QYSBSG3008E	TAP SCREW	M3 x 8mm	
	22	LV21661-002A	TOP PLATE		
	23	LV30225-0P8A	SPACER		
	24	LV30225-0U9A	SPACER	(x3)	
	25	QYSBSG3006E	TAP SCREW	M3 x 6mm(x3)	
	26	QYSBSG3010E	TAP SCREW	M3 x 10mm(x3)	
	27	LV35126-001A	BARRIER		
	28	QYSBSG3008E	TAP SCREW	M3 x 8mm	
△	29	QQT0436-003	POWER TRANSF		
	30	QYSDSTL4010E	TAP SCREW	M4 x 10mm(x4)	
	31	LV43692-001A	LED HOLDER		
	32	QYSBSG3008E	TAP SCREW	M3 x 8mm(x2)	
	33	LV21662-011A	REAR PANEL		
	34	LV30225-0U8A	SPACER	(x2)	
	35	QQR0216-001	NOISE FILTER		
	36	LV30225-0U7A	SPACER		
	37	QAR0318-001	FAN MOTOR		
	38	QYSBSGY3008M	TAP SCREW	M3 x 8mm(x4)	
	39	QYSBSGY3008M	TAP SCREW	M3 x 8mm(x2)	
	40	QYSBSGY3008M	TAP SCREW	M3 x 8mm(x3)	
	41	E73562-003	SCREW		
	42	QYSBST3006M	TAP SCREW	M3 x 6mm	
△	43	QZW0033-001	STRAIN RELIEF		
△	44	QMPK210-205-JN	POWER CORD(EU)	2.05m BLACK	THM508UG,THM508UN,THM508US,THM508UW
△	44	QMPK210-200-JD	POWER CORD		THM508UX
△	45	QMFZ051-100-J8	FUSE	F3101	
△	46	QMF51W2-4R0-J8	FUSE	F3102	
△	47	QMFZ051-8R0-J8	FUSE	F3201 F3202(x2)	
	48	LV43583-001A	LABEL		
	49	LV34787-001A	IC BRACKET		
	50	QYSPSPD3008Z	SCREW	M3 x 8mm(x2)	
	51	QYSBSG3008Z	TAP SCREW	M3 x 8mm(x4)	
	52	9000007931	RUBBER CUSHION	(x4)	
	53	7014241606	TAPPING SCREW	(x4)	
	54	9925001601	SPEAKER NET		
	55	7001541606	TAPPING SCREW	(x8)	
	56	CR250006-01	CONE SPEAKER		

Speaker assembly and parts list

(Center speaker)

Block No. M 6 M M



The parts without symbol number are not service.

Speaker (Center speaker)

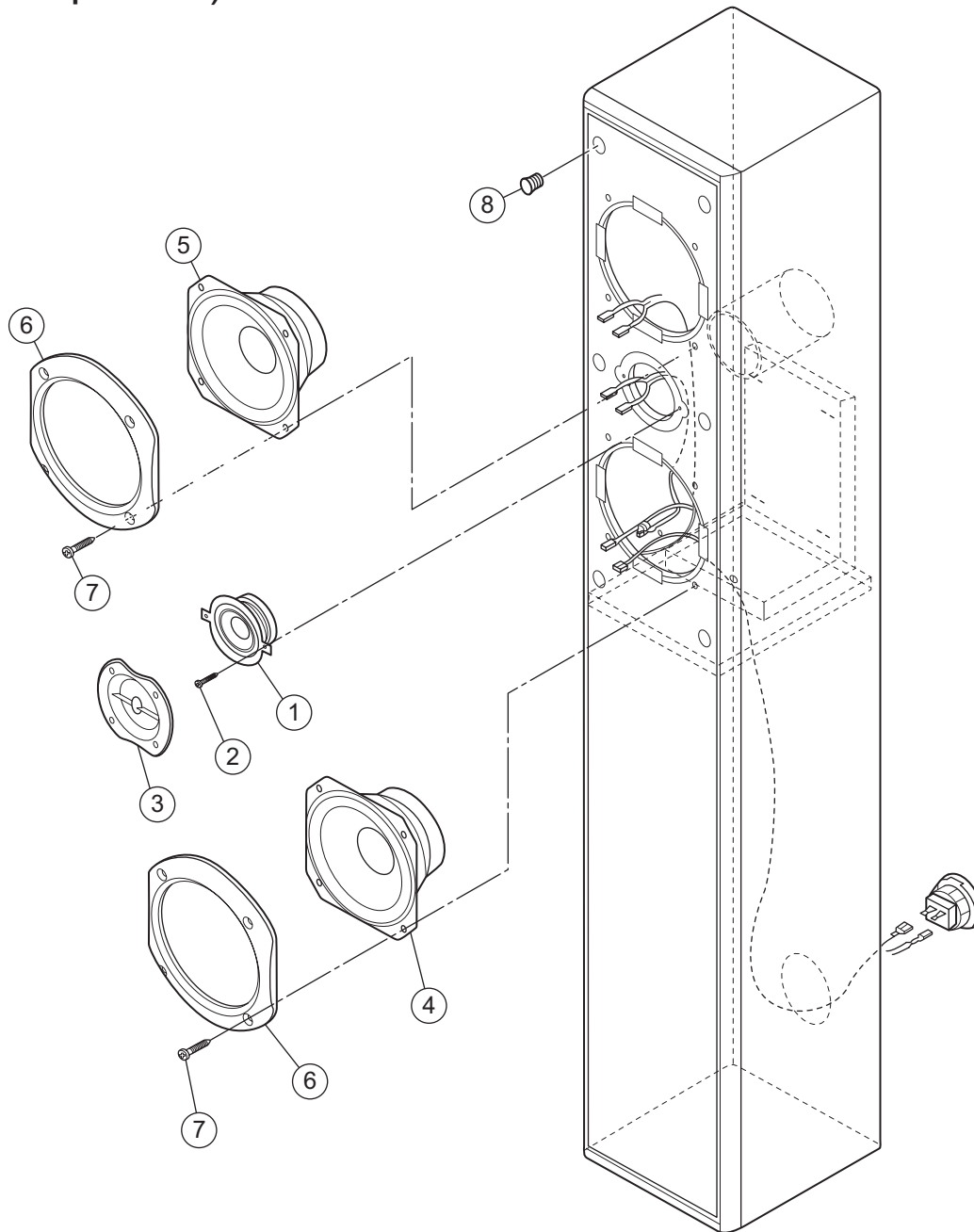
Block No. M6MM

△	Symbol No.	Part No.	Part Name	Description	Local
	1	TF040013-02	SPEAKER(TW)		
	2	7001591206	SCREW	(x2)	
	3	5700071001	TW RING		
	4	CR077019-01	SPEAKER(WF)	(x2)	
	5	5700066901	WF RING	(x2)	
	6	7008142006	SCREW	(x8)	
	7	5600008011	HOLDER	(x4)	

Speaker assembly and parts list

(Front speaker)

Block No. [M][7][M][M]



The parts without symbol number are not service.

Speaker (Front speaker)

Block No. [M][7][M][M]

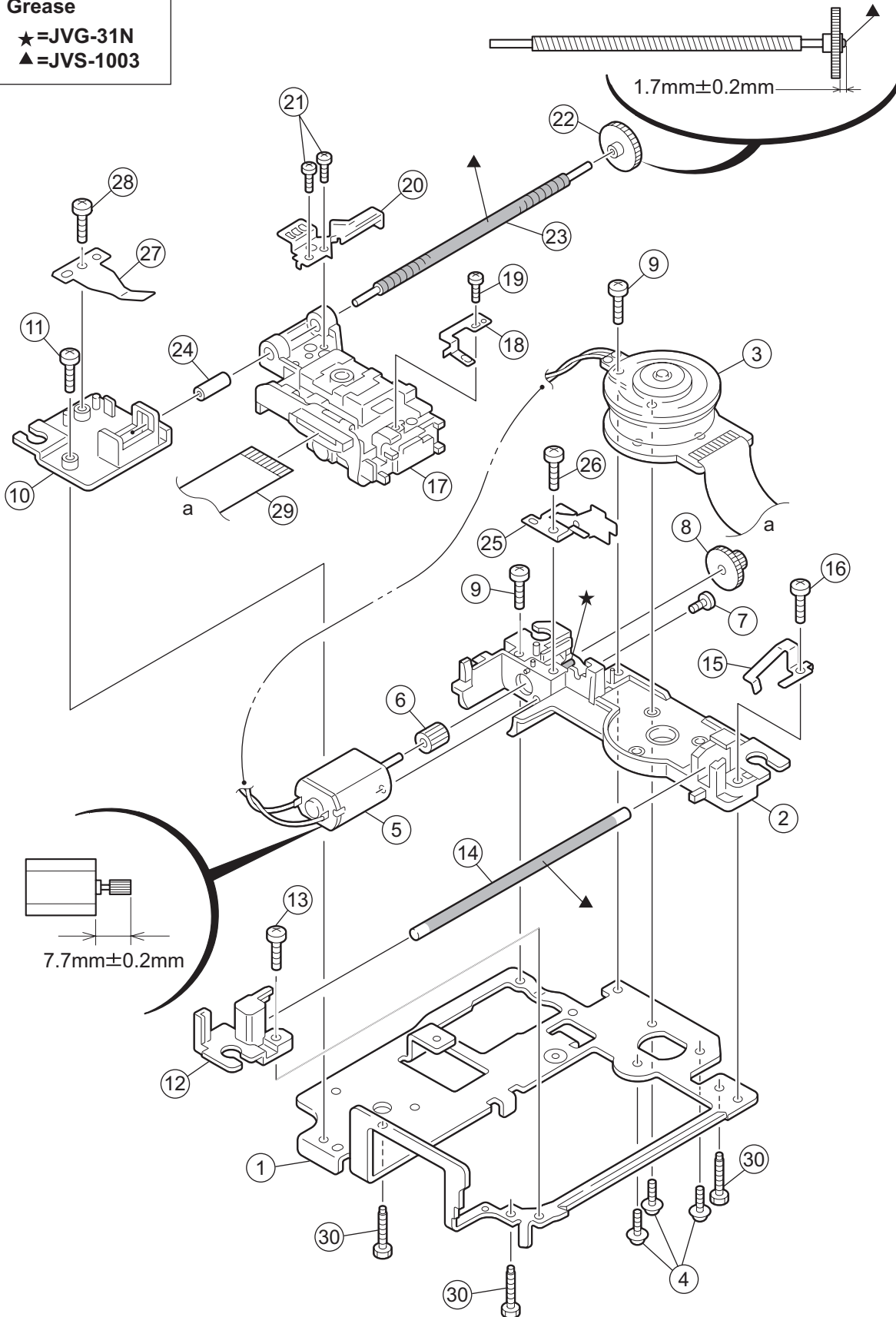
△ Symbol No.	Part No.	Part Name	Description	Local
1	TF040013-02	SPEAKER(TW)		
2	7001591206	SCREW	(x2)	
3	5700070901	TW RING		
4	CR100051-03	SPEAKER(WF)		
5	CR100051-04	SPEAKER(WF)		
6	5700066701	WF RING	(x2)	
7	7008142006	SCREW	(x8)	
8	5600008011	HOLDER	(x6)	

DVD mechanism assembly and parts list

Block No. M J M M

FXL-D52-1M

Grease
 ★=JVG-31N
 ▲=JVS-1003



The parts without symbol number are not service.

DVD mechanism

Block No. [M][J][M][M]

△	Symbol No.	Part No.	Part Name	Description	Local
	1	LV10751-001A	TM CHASSIS		
	2	LV10752-003A	SF MOTOR BASE		
	3	QAR0308-001	SPINDLE MOTOR		
	4	LV43461-001A	SPECIAL SCREW	(x3)	
	5	QAR0144-003	MOTOR		
	6	VKS5557-001	F.M. GEAR		
	7	QYSPSPT2030M	SCREW	M2 x 3mm	
	8	LV33985-001A	MIDDLE GEAR		
	9	QYSDST2008Z	TAP SCREW	M2 x 8mm(x2)	
	10	LV33989-001A	S.SHAFT HOLDER		
	11	QYSDST2008Z	TAP SCREW	M2 x 8mm	
	12	LV33990-001A	G.SHAFT HOLDER		
	13	QYSDST2008Z	TAP SCREW	M2 x 8mm	
	14	LV43291-002A	GUIDE SHAFT		
	15	LV33991-001A	ADJUST SPRING		
	16	QYSPST2008Z	TAP SCREW	M2 x 8mm	
	17	QAL0507-001	PICK UP		
	18	LV33983-001A	PS SPRING		
	19	QYSPSFT1730Z	TAP SCREW	M1.7 x 3mm	
	20	LV33984-002A	RACK ARM		
	21	QYSPSFT1730Z	TAP SCREW	M1.7 x 3mm(x2)	
	22	LV33986-001A	S.SHAFT GEAR		
	23	LV43293-001A	SCREW SHAFT		
	24	LV43290-001A	S.SHAFT COLLOR		
	25	LV33987-001A	GEAR HOLDER		
	26	QYSPSFT2040Z	TAP SCREW	M2 x 4mm	
	27	LV33988-001A	SS ADJ SPRING		
	28	QYSDST2008Z	TAP SCREW	M2 x 8mm	
	29	LV43702-001A	PICK FFC		
	30	LV43292-002A	ADJUST SCREW	(x3)	

DVD changer mechanism assembly and parts list

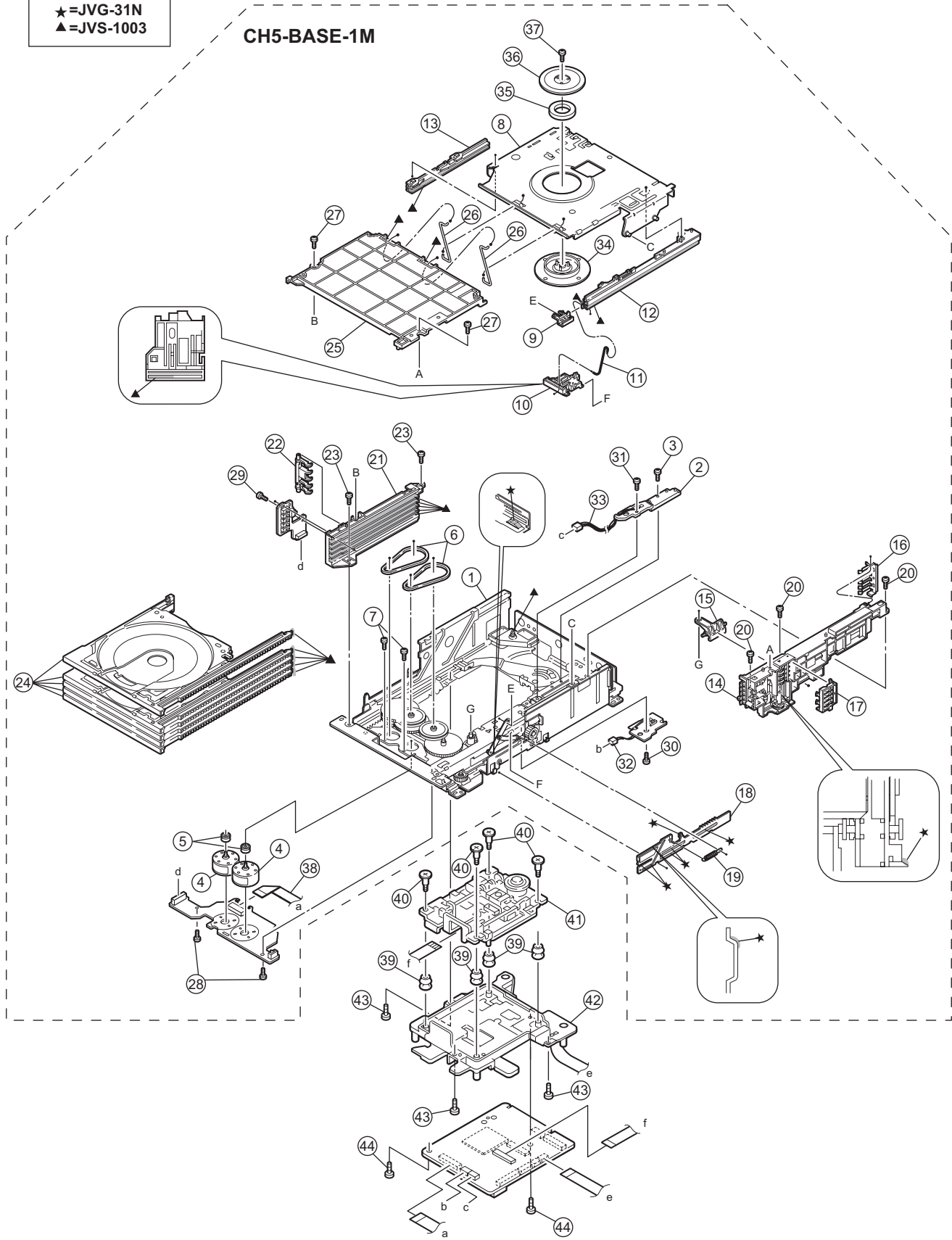
Block No. M K M M

Grease

- ★=JVG-31N
- ▲=JVS-1003

FMU-SD9-5M

CH5-BASE-1M



The parts without symbol number are not service.

DVD changer mechanism

Block No. [M][K][M][M]

△	Symbol No.	Part No.	Part Name	Description	Local
	1	LV10913-001A	LOADER ASSY		
	2	QVY0027-B14	S V RESISTOR		
	3	QYSDST2004Z	SCREW	2mm x 4mm	
	4	QAR0164-001	MOTOR	(x2)	
	5	LV42340-001A	MOTOR PULLEY	(x2)	
	6	LV41431-002A	BELT	(x2)	
	7	QYSPSPU1725N	SCREW	1.7mm x 2.5mm(x2)	
	8	LV33965-004A	LIFTER ASSY		
	9	LV33963-001A	HOOK		
	10	LV33964-002A	HOOK STOPPER		
	11	LV43285-001A	ROD (L)		
	12	LV21408-002A	RAIL(R)		
	13	LV21409-002A	RAIL(L)		
	14	LV21520-004A	SIDE(R) ASSY		
	15	LV33974-001A	SELECT LEVER		
	16	LV33977-002A	CLICK SPRING		
	17	LV33975-001A	GEAR COVER		
	18	LV33976-001A	ELEVATOR CAM		
	19	LV43287-001A	ELEVATOR SPRING		
	20	QYSDST2605Z	SCREW	2.6mm x 5mm(x3)	
	21	LV10749-002A	SIDE(L)		
	22	LV33980-001A	OPEN DET.LEVER		
	23	QYSDST2605Z	SCREW	2.6mm x 5mm(x2)	
	24	LV10746-003A	TRAY ASSY	(x5)	
	25	LV10750-003A	TOP COVER		
	26	LV43289-002A	ROD	(x2)	
	27	QYSDSF2608Z	SCREW	2.6mm x 8mm(x2)	
	28	QYSDST2605Z	SCREW	2.6mm x 5mm(x2)	
	29	QYSDSF2608Z	SCREW	2.6mm x 8mm	
	30	QYSDST2605Z	SCREW	2.6mm x 5mm	
	31	QYSDST2004Z	SCREW	2mm x 4mm	
	32	WJM0330-002A	E-SI C WIRE C-F		
	33	WJM0331-001A	E-SI C WIRE C-F		
	34	LV32417-001A	CLAMPER		
	35	LV42930-003A	P.C.MAGNET		
	36	LV33992-001A	DVD YOKE		
	37	LV41741-001A	SPECIAL SCREW		
	38	QUQ110-1508BJ	FFC WIRE		
	39	LV41659-002A	INSULATOR	(x4)	
	40	LV43245-001A	SPECIAL SCREW	(x4)	
	41	-----	TRAVERSE MECHANISM		
	42	LV10872-002A	DVD TM BASE 3		
	43	QYSDST2605Z	SCREW	2.6mm x 5mm(x3)	
	44	QYSDSF2606Z	SCREW	2.6mm x 6mm(x2)	

Electrical parts list

Main board

Block No. [0][1]

△ Symbol No.	Part No.	Part Name	Description	Local
IC411	MM1233XF-X	IC		
IC431	MM1623XF-X	IC		
IC471	MN101C49GMY1	IC		
IC472	S-80840CNNB-W	IC		
IC473	SN74HCT32NS-X	IC(DIGITAL)		
IC475	RC4580ID-X	IC		
IC476	RC4580ID-X	IC		
IC477	BR24L08F-W-X	IC(DIGITAL)		
IC478	RC4580ID-X	IC		
IC491	KIA7805API	IC		
IC601	RC4580ID-X	IC		
IC701	RC4580ID-X	IC		
IC761	BU9253FS-X	IC		
△ IC901	STR-G6651	IC		
IC951	PQ05RD21	IC		
IC953	KIA7805API	IC		
Q951	2SC3576-JVC-T	TRANSISTOR		
Q953	KTA1267/YG/-T	TRANSISTOR		
Q954	SI2305DS-X	TRANSISTOR		
Q955	KRC103S-X	DIGITAL TR		
Q958	KTA1271/OY/-T	TRANSISTOR		
Q959	KRC103S-X	DIGITAL TR		
Q960	2SB709A/QR/-X	TRANSISTOR		
Q961	KTC3203/OY/-T	TRANSISTOR		
Q991	2SD601A/QR/-X	TRANSISTOR		
Q4091	KTA1271/OY/-T	TRANSISTOR		
Q4092	KTC3875/YG/-X	SI TRANSISTOR		
Q4701	KRC111S-X	TRANSISTOR		
Q4702	KRC107S-X	DIGI TRANSISTOR		
Q4703	KRC102S-X	DIGI TRANSISTOR		
Q4801	KTA1504/YG/-X	SI TRANSISTOR		
Q4802	KRC102S-X	DIGI TRANSISTOR		
Q4811	KRA102S-X	DIGI TRANSISTOR		
Q4812	KRC102S-X	DIGI TRANSISTOR		
Q4821	KRC102S-X	DIGI TRANSISTOR		
Q4831	KRC102S-X	DIGI TRANSISTOR		
Q4832	KRA110S-X	TRANSISTOR		
Q4833	KRC110S-X	DIGI TRANSISTOR		
Q4921	KTC3203/OY/-T	TRANSISTOR		
Q4931	KTA1271/OY/-T	TRANSISTOR		
Q4954	2SA1362/G/-X	TRANSISTOR		
Q4955	KRC102S-X	DIGI TRANSISTOR		
Q4961	KTC3203/OY/-T	TRANSISTOR		
Q4971	2SC3661-X	TRANSISTOR		
Q4972	2SC3661-X	TRANSISTOR		
Q4973	KRA104S-X	DIGI TRANSISTOR		
Q7301	KRC102S-X	DIGI TRANSISTOR		
Q7302	2SA1037AK/RS/-X	TRANSISTOR		
Q7401	2SC2412K/R/-X	TRANSISTOR		
Q7402	2SC2412K/R/-X	TRANSISTOR		
△ D901	DI106	BRIDGE DIODE		
D902	ERA18-04-T1	FR DIODE		
D903	ERA18-04-T1	FR DIODE		
D904	ERA18-04-T1	FR DIODE		
D908	ERA18-04-T1	FR DIODE		
D910	ERA18-04-T1	FR DIODE		
D911	FR104S-T5	FR DIODE		
D950	MTZJ30C-T2	Z DIODE		
D951	FR104S-T5	FR DIODE		
D952	FR104S-T5	FR DIODE		
△ D953	RK34-LFB2	FUSEIODE		
△ D954	FR104S-T5	FR DIODE		
△ D956	FR104S-T5	FR DIODE		
△ D957	FR104S-T5	FR DIODE		
D958	1SS133-T2	DIODE		
D960	MTZJ2.2A-T2	S.B.DIODE		
△ D970	ER204-F33	FR DIODE		
D991	MTZJ5.1B-T2	Z DIODE		
D4091	1SS133-T2	DIODE		
D4092	MTZJ6.8A-T2	Z DIODE		
D4703	MTZJ4.7B-T2	Z DIODE		
D4704	1SS133-T2	DIODE		
D4705	1SS133-T2	DIODE		
D4706	1SS133-T2	DIODE		
D4707	1SS133-T2	DIODE		
D4708	1SS133-T2	DIODE		
D4709	1SS133-T2	DIODE		
D4811	1SS133-T2	DIODE		
D4831	1SS133-T2	DIODE		
D4832	1SS133-T2	DIODE		
D4833	1SS133-T2	DIODE		
D4834	1SS133-T2	DIODE		
D4835	MTZJ6.8A-T2	Z DIODE		
D4841	MTZJ2.0A-T2	Z DIODE		
D4842	MTZJ3.3A-T2	Z DIODE		
D4891	MTZJ6.2C-T2	Z DIODE		
D4921	MTZJ8.2C-T2	Z DIODE		
D4922	1SS133-T2	DIODE		
D4931	MTZJ8.2C-T2	Z DIODE		
D4932	1SS133-T2	DIODE		
D4961	MTZJ4.7A-T2	Z DIODE		
D4962	1SS133-T2	DIODE		
D4963	1SS133-T2	DIODE		
D7401	1SS355-X	SI DIODE		
D7402	1SS355-X	SI DIODE		
D7501	1SS355-X	SI DIODE		
△ PC901	PC123Y22FZ	PHOTO COUPLER		
△ PC902	PC123Y22FZ	PHOTO COUPLER		
△ C902	QFZ9075-683	MPP CAPACITOR	0.068uF AC275V M	
△ C904	QCZ9079-102	C CAPACITOR	1000pF AC250V M	
△ C905	QCZ9079-102	C CAPACITOR	1000pF AC250V M	
△ C907	QETM2GM-107	E CAPACITOR	100uF 400V M	
C908	QCZ0136-332Z	C CAPACITOR	3300pF 1kV K	
C909	QCZ0136-101Z	C CAPACITOR	100pF 1kV K	
C910	QCB11HK-221Y	C CAPACITOR	220pF 50V K	
C913	QCZ0136-101Z	C CAPACITOR	100pF 1kV K	
C914	QEZ0532-396Z	E CAPACITOR	39uF 25V M	
C915	QCB11HK-471Y	C CAPACITOR	470pF 50V K	
△ C916	QCZ9079-222	C CAPACITOR	2200pF AC250V M	
C918	QCFB1HZ-104Y	C CAPACITOR	0.1uF 50V Z	
C951	NDC31HJ-101X	C CAPACITOR	100pF 50V J	
C952	QCZ0136-101Z	C CAPACITOR	100pF 1kV K	
C953	NDC31HJ-101X	C CAPACITOR	100pF 50V J	
C954	NDC31HJ-101X	C CAPACITOR	100pF 50V J	
C956	NDC31HJ-101X	C CAPACITOR	100pF 50V J	
C957	NDC31HJ-101X	C CAPACITOR	100pF 50V J	
C960	QEZ0529-826Z	E CAPACITOR	82uF 10V M	
C961	QCZ0202-155Z	C CAPACITOR	1.5uF 25V Z	
C962	QETN1HM-226Z	E CAPACITOR	22uF 50V M	
C963	QEZ0533-396Z	E CAPACITOR	39uF 50V M	
C964	QETN1HM-226Z	E CAPACITOR	22uF 50V M	
C965	QEZ0528-108	E CAPACITOR	1000uF 10V M	
C966	QETN1AM-477Z	E CAPACITOR	470uF 10V M	
C967	NCB31CK-104X	C CAPACITOR	0.1uF 16V K	
C968	NCB31CK-104X	C CAPACITOR	0.1uF 16V K	
C969	QETN1AM-227Z	E CAPACITOR	220uF 10V M	
C976	NCB31CK-104X	C CAPACITOR	0.1uF 16V K	
C977	NCB31CK-104X	C CAPACITOR	0.1uF 16V K	
C978	QETN1AM-107Z	E CAPACITOR	100uF 10V M	
C979	QEZ0530-827	E CAPACITOR	820uF 16V M	
C980	QETN1HM-106Z	E CAPACITOR	10uF 50V M	
C981	QCZ0202-155Z	C CAPACITOR	1.5uF 25V Z	
C982	QEZ0531-567	E CAPACITOR	560uF 25V M	
C984	QETN1CM-227Z	E CAPACITOR	220uF 16V M	
C985	QETN1EM-107Z	E CAPACITOR	100uF 25V M	
C986	QETN1EM-107Z	E CAPACITOR	100uF 25V M	
C987	QEZ0532-187Z	E CAPACITOR	180uF 25V M	
C989	QETN1CM-107Z	E CAPACITOR	100uF 16V M	
C992	QETN1HM-474Z	E CAPACITOR	0.47uF 50V M	
C993	NDC31HJ-101X	C CAPACITOR	100pF 50V J	
C994	QCB11HK-223Y	C CAPACITOR	0.022uF 50V K	
C997	QETN1CM-227Z	E CAPACITOR	220uF 16V M	

△ Symbol No.	Part No.	Part Name	Description	Local	△ Symbol No.	Part No.	Part Name	Description	Local
C4006	QCZ0202-155Z	C CAPACITOR	1.5uF 25V Z		C6104	NCB31CK-104X	C CAPACITOR	0.1uF 16V K	
C4011	NCB31HK-822X	C CAPACITOR	8200pF 50V K		C6105	NCB31HK-103X	C CAPACITOR	0.01uF 50V K	
C4012	NCB31HK-822X	C CAPACITOR	8200pF 50V K		C6201	QETN1HM-475Z	E CAPACITOR	4.7uF 50V M	
C4091	QETN1CM-226Z	E CAPACITOR	22uF 16V M		C6202	NCS31HJ-101X	C CAPACITOR	100pF 50V J	
C4092	QETN1CM-107Z	E CAPACITOR	100uF 16V M		C6203	QETN1EM-476Z	E CAPACITOR	47uF 25V M	
C4101	NCB30JK-105X	C CAPACITOR	1uF 6.3V K		C6204	NCB31CK-104X	C CAPACITOR	0.1uF 16V K	
C4102	NDC31HJ-470X	C CAPACITOR	47pF 50V J		C6205	NCB31HK-103X	C CAPACITOR	0.01uF 50V K	
C4111	QFLC1HJ-103Z	M CAPACITOR	0.01uF 50V J		C6501	QETN1HM-475Z	E CAPACITOR	4.7uF 50V M	
C4112	NDC31HJ-470X	C CAPACITOR	47pF 50V J		C6502	NCS31HJ-560X	C CAPACITOR	56pF 50V J	
C4121	NCB30JK-105X	C CAPACITOR	1uF 6.3V K		C6503	QETN1HM-475Z	E CAPACITOR	4.7uF 50V M	
C4122	NDC31HJ-470X	C CAPACITOR	47pF 50V J		C6511	QETN1HM-475Z	E CAPACITOR	4.7uF 50V M	
C4171	NCB30JK-105X	C CAPACITOR	1uF 6.3V K		C6512	NCS31HJ-560X	C CAPACITOR	56pF 50V J	
C4172	NCB30JK-105X	C CAPACITOR	1uF 6.3V K		C6513	QETN1HM-475Z	E CAPACITOR	4.7uF 50V M	
C4173	NCB30JK-105X	C CAPACITOR	1uF 6.3V K		C6514	NCB31CK-104X	C CAPACITOR	0.1uF 16V K	
C4191	QETN1EM-476Z	E CAPACITOR	47uF 25V M		C6515	NCB31CK-104X	C CAPACITOR	0.1uF 16V K	
C4192	NCB31HK-103X	C CAPACITOR	0.01uF 50V K		C6516	NCS31HJ-560X	C CAPACITOR	56pF 50V J	
C4301	QETN1EM-476Z	E CAPACITOR	47uF 25V M		C6517	NCS31HJ-471X	C CAPACITOR	470pF 50V J	
C4311	NCB31HK-103X	C CAPACITOR	0.01uF 50V K		C6518	NCS31HJ-471X	C CAPACITOR	470pF 50V J	
C4321	NCB30JK-105X	C CAPACITOR	1uF 6.3V K		C6601	QETN1HM-475Z	E CAPACITOR	4.7uF 50V M	
C4331	NCB30JK-105X	C CAPACITOR	1uF 6.3V K		C6602	NCS31HJ-560X	C CAPACITOR	56pF 50V J	
C4341	NCB30JK-105X	C CAPACITOR	1uF 6.3V K		C6603	QETN1HM-475Z	E CAPACITOR	4.7uF 50V M	
C4351	NCB30JK-105X	C CAPACITOR	1uF 6.3V K		C6611	QETN1HM-475Z	E CAPACITOR	4.7uF 50V M	
C4391	QETN1AM-477Z	E CAPACITOR	470uF 10V M		C6612	NCS31HJ-560X	C CAPACITOR	56pF 50V J	
C4392	NCB31CK-104X	C CAPACITOR	0.1uF 16V K		C6613	QETN1HM-475Z	E CAPACITOR	4.7uF 50V M	
C4394	NCB31CK-104X	C CAPACITOR	0.1uF 16V K		C6614	NCB31CK-104X	C CAPACITOR	0.1uF 16V K	
C4395	QETN1CM-226Z	E CAPACITOR	22uF 16V M		C6615	NCB31CK-104X	C CAPACITOR	0.1uF 16V K	
C4401	QETN0JM-477Z	E CAPACITOR	470uF 6.3V M		C6616	NCS31HJ-560X	C CAPACITOR	56pF 50V J	
C4402	NDC31HJ-470X	C CAPACITOR	47pF 50V J		C6617	NCS31HJ-471X	C CAPACITOR	470pF 50V J	
C4411	NCB31HK-103X	C CAPACITOR	0.01uF 50V K		C6618	NCS31HJ-471X	C CAPACITOR	470pF 50V J	
C4412	NDC31HJ-470X	C CAPACITOR	47pF 50V J		C6901	QETN1VM-476Z	E CAPACITOR	47uF 35V M	
C4421	QETN0JM-477Z	E CAPACITOR	470uF 6.3V M		C6902	QETN1VM-476Z	E CAPACITOR	47uF 35V M	
C4423	NDC31HJ-470X	C CAPACITOR	47pF 50V J		C7101	NCB31AK-474X	C CAPACITOR	0.47uF 10V K	
C4431	QETN0JM-477Z	E CAPACITOR	470uF 6.3V M		C7102	NDC31HJ-820X	C CAPACITOR	82pF 50V J	
C4432	NCS31HJ-470X	C CAPACITOR	47pF 50V J		C7103	QER61HM-474Z	E CAPACITOR	0.47uF 50V M	
C4441	QETN0JM-477Z	E CAPACITOR	470uF 6.3V M		C7104	QER61HM-105Z	E CAPACITOR	1uF 50V M	
C4442	NDC31HJ-470X	C CAPACITOR	47pF 50V J		C7105	NCB31HK-103X	C CAPACITOR	0.01uF 50V K	
C4451	QETN0JM-477Z	E CAPACITOR	470uF 6.3V M		C7106	NCB31HK-103X	C CAPACITOR	0.01uF 50V K	
C4452	NDC31HJ-470X	C CAPACITOR	47pF 50V J		C7201	NCB31CK-224X	C CAPACITOR	0.22uF 16V K	
C4605	NCS31HJ-471X	C CAPACITOR	470pF 50V J		C7202	NCB31AK-105X	C CAPACITOR	1uF 10V K	
C4606	NCS31HJ-471X	C CAPACITOR	470pF 50V J		C7401	QER61EM-335Z	E CAPACITOR	3.3uF 25V M	
C4702	QETN0JM-227Z	E CAPACITOR	220uF 6.3V M		C7402	QER61CM-336Z	E CAPACITOR	33uF 16V M	
C4703	QETN1HM-225Z	E CAPACITOR	2.2uF 50V M		C7601	QER61AM-226Z	E CAPACITOR	22uF 10V M	
C4704	NCB31CK-223X	C CAPACITOR	0.022uF 16V K		C7602	NCB31CK-333X	C CAPACITOR	0.033uF 16V K	
C4705	NCB31HK-103X	C CAPACITOR	0.01uF 50V K		C7603	NCB31AK-474X	C CAPACITOR	0.47uF 10V K	
C4706	NCB31HK-103X	C CAPACITOR	0.01uF 50V K		C7604	NCB31HK-103X	C CAPACITOR	0.01uF 50V K	
C4707	QETN1CM-107Z	E CAPACITOR	100uF 16V M		C7605	NCB31HK-822X	C CAPACITOR	8200pF 50V K	
C4708	NCB31HK-103X	C CAPACITOR	0.01uF 50V K		C7606	NCB31AK-105X	C CAPACITOR	1uF 10V K	
C4709	NCB31HK-103X	C CAPACITOR	0.01uF 50V K		C7608	NCB31HK-123X	C CAPACITOR	0.012uF 50V K	
C4710	NCB31HK-103X	C CAPACITOR	0.01uF 50V K		C7609	NCB31HK-472X	C CAPACITOR	4700pF 50V K	
C4711	QETN1HM-106Z	E CAPACITOR	10uF 50V M		C7610	NCB31HK-103X	C CAPACITOR	0.01uF 50V K	
C4712	NCB31CK-104X	C CAPACITOR	0.1uF 16V K		C7611	NCB31CK-104X	C CAPACITOR	0.1uF 16V K	
C4713	NCB31CK-104X	C CAPACITOR	0.1uF 16V K		C7612	NCS31HJ-121X	C CAPACITOR	120pF 50V J	
C4714	NCB31CK-104X	C CAPACITOR	0.1uF 16V K		C7613	QER61AM-107Z	E CAPACITOR	100uF 10V M	
C4715	NCB31CK-104X	C CAPACITOR	0.1uF 16V K		C7901	QER61CM-226Z	E CAPACITOR	22uF 16V M	
C4718	NCB31HK-103X	C CAPACITOR	0.01uF 50V K		C7902	QER61CM-476Z	E CAPACITOR	47uF 16V M	
C4719	NCB31HK-103X	C CAPACITOR	0.01uF 50V K		C7903	NCB31HK-103X	C CAPACITOR	0.01uF 50V K	
C4720	NCB31CK-104X	C CAPACITOR	0.1uF 16V K		R901	QRL01DJ-683X	OMF RESISTOR	68kΩ 1W J	
C4721	NCB31CK-104X	C CAPACITOR	0.1uF 16V K		R903	QRE141J-270Y	C RESISTOR	27Ω 1/4W J	
C4771	NCB31CK-104X	C CAPACITOR	0.1uF 16V K		R904	QRE141J-222Y	C RESISTOR	2.2kΩ 1/4W J	
C4772	NCB31CK-104X	C CAPACITOR	0.1uF 16V K		R905	QRL027J-683	OMF RESISTOR	68kΩ 2W J	
C4773	NCB31CK-104X	C CAPACITOR	0.1uF 16V K		R906	QRJ146J-681X	UNF C RESISTOR	680Ω 1/4W J	
C4774	NCB31CK-104X	C CAPACITOR	0.1uF 16V K		R907	QRT027J-R47	MF RESISTOR	0.47Ω 2W J	
C4791	NCB31CK-104X	C CAPACITOR	0.1uF 16V K		R908	QRE141J-332Y	C RESISTOR	3.3kΩ 1/4W J	
C4801	QETN1HM-224Z	E CAPACITOR	0.22uF 50V M		R910	QRE141J-474Y	C RESISTOR	470kΩ 1/4W J	
C4891	NCB31HK-221X	C CAPACITOR	220pF 50V K		R911	QRE141J-474Y	C RESISTOR	470kΩ 1/4W J	
C4892	NCB31HK-221X	C CAPACITOR	220pF 50V K		R951	QRE141J-150Y	C RESISTOR	15Ω 1/4W J	
C4901	QETN1CM-107Z	E CAPACITOR	100uF 16V M		R952	NRSA63J-103X	MG RESISTOR	10kΩ 1/16W J	
C4902	NCB31HK-103X	C CAPACITOR	0.01uF 50V K		R953	NRSA02J-223X	MG RESISTOR	22kΩ 1/10W J	
C4903	QETN1CM-107Z	E CAPACITOR	100uF 16V M		△ R954	QRZ9005-100X	FUSI RESISTOR	10Ω	
C4904	NCB31HK-103X	C CAPACITOR	0.01uF 50V K		R955	NRSA63J-223X	MG RESISTOR	22kΩ 1/16W J	
C4921	QETN1EM-476Z	E CAPACITOR	47uF 25V M		R960	NRSA63J-101X	MG RESISTOR	100Ω 1/16W J	
C4922	QETN1CM-107Z	E CAPACITOR	100uF 16V M		R961	NRSA63J-681X	MG RESISTOR	680Ω 1/16W J	
C4931	QETN1EM-476Z	E CAPACITOR	47uF 25V M		R963	NRSA63J-181X	MG RESISTOR	180Ω 1/16W J	
C4932	QETN1CM-107Z	E CAPACITOR	100uF 16V M		R964	NRSA63J-105X	MG RESISTOR	1MΩ 1/16W J	
C4961	QETN1CM-107Z	E CAPACITOR	100uF 16V M		R965	NRSA63J-103X	MG RESISTOR	10kΩ 1/16W J	
C6001	NCB31CK-223X	C CAPACITOR	0.022uF 16V K		R966	NRSA63J-221X	MG RESISTOR	220Ω 1/16W J	
C6002	NCB31CK-223X	C CAPACITOR	0.022uF 16V K		R969	NRSA63J-221X	MG RESISTOR	220Ω 1/16W J	
C6003	NCB31CK-104X	C CAPACITOR	0.1uF 16V K		R977	NRSA63J-102X	MG RESISTOR	1kΩ 1/16W J	
C6004	NCB31CK-103X	C CAPACITOR	0.01uF 16V K		R980	NRSA63J-272X	MG RESISTOR	2.7kΩ 1/16W J	
C6101	QETN1HM-475Z	E CAPACITOR	4.7uF 50V M		R981	NRSA63J-223X	MG RESISTOR	22kΩ 1/16W J	
C6102	NCS31HJ-101X	C CAPACITOR	100pF 50V J		R983	NRSA63J-102X	MG RESISTOR	1kΩ 1/16W J	
C6103	QETN1EM-476Z	E CAPACITOR	47uF 25V M						

△ Symbol No.	Part No.	Part Name	Description	Local	△ Symbol No.	Part No.	Part Name	Description	Local
R984	NRSA63J-222X	MG RESISTOR	2.2kΩ 1/16W J		R4777	NRSA63J-101X	MG RESISTOR	100Ω 1/16W J	
R985	NRSA02J-132X	MG RESISTOR	1.3kΩ 1/10W J		R4778	NRSA63J-101X	MG RESISTOR	100Ω 1/16W J	
R986	NRSA02J-152X	MG RESISTOR	1.5kΩ 1/10W J		R4781	NRSA63J-101X	MG RESISTOR	100Ω 1/16W J	
R987	NRSA02J-152X	MG RESISTOR	1.5kΩ 1/10W J		R4782	NRSA63J-101X	MG RESISTOR	100Ω 1/16W J	
R988	NRSA63J-222X	MG RESISTOR	2.2kΩ 1/16W J		R4783	QRE141J-151Y	C RESISTOR	150Ω 1/4W J	
R989	NRSA63J-333X	MG RESISTOR	33kΩ 1/16W J		R4784	QRE141J-151Y	C RESISTOR	150Ω 1/4W J	
R990	NRSA63J-333X	MG RESISTOR	33kΩ 1/16W J		R4785	QRE141J-151Y	C RESISTOR	150Ω 1/4W J	
R4011	NRSA63J-102X	MG RESISTOR	1kΩ 1/16W J		R4786	QRE141J-151Y	C RESISTOR	150Ω 1/4W J	
R4012	NRSA63J-102X	MG RESISTOR	1kΩ 1/16W J		R4791	NRSA02J-221X	MG RESISTOR	220Ω 1/10W J	
R4013	NRSA63J-682X	MG RESISTOR	6.8kΩ 1/16W J		R4801	NRSA63J-223X	MG RESISTOR	22kΩ 1/16W J	
R4014	NRSA63J-682X	MG RESISTOR	6.8kΩ 1/16W J		R4802	NRSA63J-223X	MG RESISTOR	22kΩ 1/16W J	
R4091	NRSA63J-472X	MG RESISTOR	4.7kΩ 1/16W J		△ R4811	QRZ9006-4R7X	F RESISTOR	4.7Ω 1/4W J	
R4092	NRSA63J-103X	MG RESISTOR	10kΩ 1/16W J		R4821	QRE141J-181Y	C RESISTOR	180Ω 1/4W J	
R4093	NRSA63J-821X	MG RESISTOR	820Ω 1/16W J		R4822	QRE141J-151Y	C RESISTOR	150Ω 1/4W J	
R4101	NRSA63J-750X	MG RESISTOR	75Ω 1/16W J		R4831	NRSA63J-153X	MG RESISTOR	15kΩ 1/16W J	
R4111	NRSA63J-750X	MG RESISTOR	75Ω 1/16W J		R4832	NRSA63J-223X	MG RESISTOR	22kΩ 1/16W J	
R4121	NRSA63J-750X	MG RESISTOR	75Ω 1/16W J		R4833	NRSA63J-123X	MG RESISTOR	12kΩ 1/16W J	
R4191	NRSA63J-0R0X	MG RESISTOR	0Ω 1/16W J		R4834	NRSA63J-393X	MG RESISTOR	39kΩ 1/16W J	
R4201	NRSA63J-681X	MG RESISTOR	680Ω 1/16W J		R4835	NRSA63J-472X	MG RESISTOR	4.7kΩ 1/16W J	
R4202	NRSA63J-221X	MG RESISTOR	220Ω 1/16W J		R4841	NRSA63J-681X	MG RESISTOR	680Ω 1/16W J	
R4211	NRSA63J-681X	MG RESISTOR	680Ω 1/16W J		R4842	NRSA63J-103X	MG RESISTOR	10kΩ 1/16W J	
R4212	NRSA63J-221X	MG RESISTOR	220Ω 1/16W J		R4843	QRT017J-2R2	MF RESISTOR	2.2Ω 1W J	
R4231	NRSA63J-681X	MG RESISTOR	680Ω 1/16W J		R4844	NRSA63J-103X	MG RESISTOR	10kΩ 1/16W J	
R4232	NRSA63J-221X	MG RESISTOR	220Ω 1/16W J		R4845	NRSA63J-222X	MG RESISTOR	2.2kΩ 1/16W J	
R4241	NRSA63J-361X	MG RESISTOR	360Ω 1/16W J		R4861	NRSA63J-222X	MG RESISTOR	2.2kΩ 1/16W J	
R4242	NRSA63J-101X	MG RESISTOR	100Ω 1/16W J		R4863	NRSA63J-222X	MG RESISTOR	2.2kΩ 1/16W J	
R4251	NRSA63J-361X	MG RESISTOR	360Ω 1/16W J		R4864	NRSA63J-222X	MG RESISTOR	2.2kΩ 1/16W J	
R4252	NRSA63J-101X	MG RESISTOR	100Ω 1/16W J		R4866	NRSA63J-272X	MG RESISTOR	2.7kΩ 1/16W J	
R4401	NRSA63J-750X	MG RESISTOR	75Ω 1/16W J		R4871	NRSA63J-331X	MG RESISTOR	330Ω 1/16W J	
R4411	NRSA63J-750X	MG RESISTOR	75Ω 1/16W J		R4872	NRSA63J-331X	MG RESISTOR	330Ω 1/16W J	
R4421	NRSA63J-750X	MG RESISTOR	75Ω 1/16W J		R4873	NRSA63J-331X	MG RESISTOR	330Ω 1/16W J	
R4431	NRSA63J-750X	MG RESISTOR	75Ω 1/16W J		R4874	NRSA63J-331X	MG RESISTOR	330Ω 1/16W J	
R4441	NRSA63J-750X	MG RESISTOR	75Ω 1/16W J		R4875	NRSA63J-331X	MG RESISTOR	330Ω 1/16W J	
R4451	NRSA63J-750X	MG RESISTOR	75Ω 1/16W J		R4876	NRSA63J-331X	MG RESISTOR	330Ω 1/16W J	
R4605	NRSA63J-101X	MG RESISTOR	100Ω 1/16W J		R4881	NRSA63J-472X	MG RESISTOR	4.7kΩ 1/16W J	
R4606	NRSA63J-101X	MG RESISTOR	100Ω 1/16W J		R4882	NRSA63J-101X	MG RESISTOR	100Ω 1/16W J	
R4703	NRSA63J-102X	MG RESISTOR	1kΩ 1/16W J		R4883	NRSA63J-472X	MG RESISTOR	4.7kΩ 1/16W J	
R4704	NRSA63J-103X	MG RESISTOR	10kΩ 1/16W J		R4884	NRSA63J-472X	MG RESISTOR	4.7kΩ 1/16W J	
R4705	NRSA63J-472X	MG RESISTOR	4.7kΩ 1/16W J		R4886	NRSA63J-562X	MG RESISTOR	5.6kΩ 1/16W J	
R4706	NRSA63J-223X	MG RESISTOR	22kΩ 1/16W J		R4891	NRSA63J-221X	MG RESISTOR	220Ω 1/16W J	
R4707	NRSA63J-103X	MG RESISTOR	10kΩ 1/16W J		R4892	NRSA63J-221X	MG RESISTOR	220Ω 1/16W J	
R4708	QRE141J-221Y	C RESISTOR	220Ω 1/4W J		△ R4921	QRZ9005-100X	FUSI RESISTOR	10Ω	
R4709	NRSA63J-101X	MG RESISTOR	100Ω 1/16W J		R4922	NRSA63J-222X	MG RESISTOR	2.2kΩ 1/16W J	
R4710	NRSA63J-104X	MG RESISTOR	100kΩ 1/16W J		△ R4931	QRZ9005-100X	FUSI RESISTOR	10Ω	
R4711	NRSA63J-331X	MG RESISTOR	330Ω 1/16W J		R4932	NRSA63J-222X	MG RESISTOR	2.2kΩ 1/16W J	
R4712	NRSA63J-331X	MG RESISTOR	330Ω 1/16W J		R4961	QRE141J-271Y	C RESISTOR	270Ω 1/4W J	
R4713	NRSA63J-331X	MG RESISTOR	330Ω 1/16W J		R4971	NRSA63J-222X	MG RESISTOR	2.2kΩ 1/16W J	
				THM5	R4972	NRSA63J-224X	MG RESISTOR	220kΩ 1/16W J	
				08UG,	R4973	NRSA63J-102X	MG RESISTOR	1kΩ 1/16W J	
				THM5	R4974	NRSA63J-184X	MG RESISTOR	180kΩ 1/16W J	
R4751	NRSA63J-103X	MG RESISTOR	10kΩ 1/16W J	08UN,	R4975	NRSA63J-184X	MG RESISTOR	180kΩ 1/16W J	
				THM5	R4997	NRSA63J-0R0X	MG RESISTOR	0Ω 1/16W J	
				08US,	R4998	NRSA63J-0R0X	MG RESISTOR	0Ω 1/16W J	
				THM5	R6001	NRSA63J-102X	MG RESISTOR	1kΩ 1/16W J	
				08UX	R6101	NRSA63J-223X	MG RESISTOR	22kΩ 1/16W J	
R4752	NRSA63J-153X	MG RESISTOR	15kΩ 1/16W J	THM5	R6102	NRSA63J-222X	MG RESISTOR	2.2kΩ 1/16W J	
				08UW	R6103	NRSA63J-333X	MG RESISTOR	33kΩ 1/16W J	
				THM5	R6105	NRSA63J-473X	MG RESISTOR	47kΩ 1/16W J	
				08UG,	R6106	QRE141J-330Y	C RESISTOR	33Ω 1/4W J	
				THM5	R6107	QRE141J-390Y	C RESISTOR	39Ω 1/4W J	
R4752	NRSA63J-273X	MG RESISTOR	27kΩ 1/16W J	08UN,	R6201	NRSA63J-223X	MG RESISTOR	22kΩ 1/16W J	
				THM5	R6202	NRSA63J-222X	MG RESISTOR	2.2kΩ 1/16W J	
				08US,	R6203	NRSA63J-333X	MG RESISTOR	33kΩ 1/16W J	
				THM5	R6205	NRSA63J-473X	MG RESISTOR	47kΩ 1/16W J	
				08UX	R6206	QRE141J-330Y	C RESISTOR	33Ω 1/4W J	
R4753	NRSA63J-103X	MG RESISTOR	10kΩ 1/16W J		R6207	QRE141J-390Y	C RESISTOR	39Ω 1/4W J	
R4754	NRSA63J-103X	MG RESISTOR	10kΩ 1/16W J		R6302	QRE141J-271Y	C RESISTOR	270Ω 1/4W J	
R4755	NRSA63J-103X	MG RESISTOR	10kΩ 1/16W J		R6303	QRE141J-271Y	C RESISTOR	270Ω 1/4W J	
R4756	NRSA63J-103X	MG RESISTOR	10kΩ 1/16W J		R6304	QRE141J-271Y	C RESISTOR	270Ω 1/4W J	
R4757	NRSA63J-103X	MG RESISTOR	10kΩ 1/16W J		R6305	QRE141J-271Y	C RESISTOR	270Ω 1/4W J	
R4758	NRSA63J-103X	MG RESISTOR	10kΩ 1/16W J		R6501	NRSA63J-104X	MG RESISTOR	100kΩ 1/16W J	
R4759	NRSA63J-103X	MG RESISTOR	10kΩ 1/16W J		R6502	NRSA63J-103X	MG RESISTOR	10kΩ 1/16W J	
R4760	NRSA63J-222X	MG RESISTOR	2.2kΩ 1/16W J		R6503	NRSA63J-102X	MG RESISTOR	1kΩ 1/16W J	
R4761	NRSA63J-103X	MG RESISTOR	10kΩ 1/16W J		R6504	NRSA63J-102X	MG RESISTOR	1kΩ 1/16W J	
R4762	NRSA63J-103X	MG RESISTOR	10kΩ 1/16W J		R6505	NRSA63J-103X	MG RESISTOR	10kΩ 1/16W J	
R4763	NRSA63J-273X	MG RESISTOR	27kΩ 1/16W J		R6506	NRSA63J-103X	MG RESISTOR	10kΩ 1/16W J	
R4771	NRSA63J-103X	MG RESISTOR	10kΩ 1/16W J		R6507	NRSA63J-103X	MG RESISTOR	10kΩ 1/16W J	
R4772	NRSA63J-103X	MG RESISTOR	10kΩ 1/16W J		R6508	NRSA63J-102X	MG RESISTOR	1kΩ 1/16W J	
R4774	NRSA63J-103X	MG RESISTOR	10kΩ 1/16W J	THM5	R6509	NRSA63J-473X	MG RESISTOR	47kΩ 1/16W J	
				08UW	R6510	NRSA63J-104X	MG RESISTOR	100kΩ 1/16W J	
R4775	NRSA63J-331X	MG RESISTOR	330Ω 1/16W J		R6511	NRSA63J-513X	MG RESISTOR	51kΩ 1/16W J	
R4776	NRSA63J-331X	MG RESISTOR	330Ω 1/16W J						

△ Symbol No.	Part No.	Part Name	Description	Local
R6512	NRSA63J-103X	MG RESISTOR	10kΩ 1/16W J	
R6513	NRSA63J-104X	MG RESISTOR	100kΩ 1/16W J	
R6514	NRSA63J-103X	MG RESISTOR	10kΩ 1/16W J	
R6515	NRSA63J-102X	MG RESISTOR	1kΩ 1/16W J	
R6516	NRSA63J-103X	MG RESISTOR	10kΩ 1/16W J	
R6517	NRSA63J-104X	MG RESISTOR	100kΩ 1/16W J	
R6518	NRSA63J-223X	MG RESISTOR	22kΩ 1/16W J	
R6601	NRSA63J-104X	MG RESISTOR	100kΩ 1/16W J	
R6602	NRSA63J-103X	MG RESISTOR	10kΩ 1/16W J	
R6603	NRSA63J-102X	MG RESISTOR	1kΩ 1/16W J	
R6604	NRSA63J-102X	MG RESISTOR	1kΩ 1/16W J	
R6605	NRSA63J-103X	MG RESISTOR	10kΩ 1/16W J	
R6606	NRSA63J-103X	MG RESISTOR	10kΩ 1/16W J	
R6607	NRSA63J-103X	MG RESISTOR	10kΩ 1/16W J	
R6608	NRSA63J-102X	MG RESISTOR	1kΩ 1/16W J	
R6609	NRSA63J-473X	MG RESISTOR	47kΩ 1/16W J	
R6610	NRSA63J-104X	MG RESISTOR	100kΩ 1/16W J	
R6611	NRSA63J-513X	MG RESISTOR	51kΩ 1/16W J	
R6612	NRSA63J-103X	MG RESISTOR	10kΩ 1/16W J	
R6613	NRSA63J-104X	MG RESISTOR	100kΩ 1/16W J	
R6614	NRSA63J-103X	MG RESISTOR	10kΩ 1/16W J	
R6615	NRSA63J-102X	MG RESISTOR	1kΩ 1/16W J	
R6616	NRSA63J-103X	MG RESISTOR	10kΩ 1/16W J	
R6617	NRSA63J-104X	MG RESISTOR	100kΩ 1/16W J	
R6618	NRSA63J-223X	MG RESISTOR	22kΩ 1/16W J	
R7101	NRSA63J-472X	MG RESISTOR	4.7kΩ 1/16W J	
R7102	NRSA63J-472X	MG RESISTOR	4.7kΩ 1/16W J	
R7103	NRSA63J-102X	MG RESISTOR	1kΩ 1/16W J	
R7104	NRSA63J-103X	MG RESISTOR	10kΩ 1/16W J	
R7105	NRSA63J-564X	MG RESISTOR	560kΩ 1/16W J	
R7106	NRSA63J-272X	MG RESISTOR	2.7kΩ 1/16W J	
R7107	NRSA63J-272X	MG RESISTOR	2.7kΩ 1/16W J	
R7201	NRSA63J-102X	MG RESISTOR	1kΩ 1/16W J	
R7202	NRSA63J-103X	MG RESISTOR	10kΩ 1/16W J	
R7301	NRSA63J-473X	MG RESISTOR	47kΩ 1/16W J	
R7302	NRSA63J-473X	MG RESISTOR	47kΩ 1/16W J	
R7401	NRSA63J-102X	MG RESISTOR	1kΩ 1/16W J	
R7402	NRSA63J-224X	MG RESISTOR	220kΩ 1/16W J	
R7403	NRSA63J-103X	MG RESISTOR	10kΩ 1/16W J	
R7404	NRSA63J-103X	MG RESISTOR	10kΩ 1/16W J	
R7501	NRSA63J-102X	MG RESISTOR	1kΩ 1/16W J	
R7601	NRSA63J-103X	MG RESISTOR	10kΩ 1/16W J	
R7602	NRSA63J-153X	MG RESISTOR	15kΩ 1/16W J	
R7603	NRSA63J-153X	MG RESISTOR	15kΩ 1/16W J	
R7604	NRSA63J-822X	MG RESISTOR	8.2kΩ 1/16W J	
R7605	NRSA63J-103X	MG RESISTOR	10kΩ 1/16W J	
R7606	NRSA63J-433X	MG RESISTOR	43kΩ 1/16W J	
R7607	NRSA63J-183X	MG RESISTOR	18kΩ 1/16W J	
R7901	QRE141J-471Y	C RESISTOR	470Ω 1/4W J	
R7902	QRE141J-471Y	C RESISTOR	470Ω 1/4W J	
R7903	NRSA63J-154X	MG RESISTOR	150kΩ 1/16W J	
R7904	NRSA63J-154X	MG RESISTOR	150kΩ 1/16W J	
VR701	QVQ0112-B24	V RESISTOR		
△ L901	QQR1105-001	LINE FILTER		
L951	QQL244K-R22Z	COIL	0.22uH K	
L952	QQL44BK-220Z	COIL	22uH K	
L955	QQL26AK-220Z	COIL	22uH K	
L957	QQL244K-100Z	COIL	10uH K	
L959	QQL244K-100Z	COIL	10uH K	
L4391	QQL25CK-221Z	COIL	220uH K	
△ T901	QQS0097-001	SW TRANSF		
CN401	QGF1036C1-10	CONNECTOR	FFC/FPC (1-10)	
CN402	QGF1036C1-08	CONNECTOR	FFC/FPC (1-8)	
CN403	QGF1036C1-28	CONNECTOR	FFC/FPC (1-28)	
CN404	QGD2504C1-05Z	CONNECTOR	(1-5)	
CN405	QGD2504C1-05Z	CONNECTOR	(1-5)	
CN406	QGD2504C1-04Z	CONNECTOR	(1-4)	
CN407	QGD2504C1-05Z	CONNECTOR	(1-5)	
CN410	QGF1205C1-11	CONNECTOR	FFC/FPC (1-11)	
CN411	QGF1036C1-31	CONNECTOR	FFC/FPC (1-31)	
CN412	QGF1036C1-07	CONNECTOR	FFC/FPC (1-7)	
CN450	QGF1036C1-19	CONNECTOR	FFC/FPC (1-19)	
CN456	QGD2504C1-03Z	CONNECTOR	(1-3)	
CN457	QGD2504C1-03Z	CONNECTOR	(1-3)	
CN460	QGF1205C1-11	CONNECTOR	FFC/FPC (1-11)	
CN701	QGF1205F1-11	CONNECTOR	FFC/FPC (1-11)	

△ Symbol No.	Part No.	Part Name	Description	Local
△ CP471	ICP-N5-T	IC PROTECTOR	250mA	
△ CP951	ICP-N10-T	IC PROTECTOR	400mA	
△ CP952	ICP-N5-T	IC PROTECTOR	250mA	
EP401	QNZ0136-001Z	EARTH PLATE		
EP402	QNZ0136-001Z	EARTH PLATE		
EP403	QNZ0136-001Z	EARTH PLATE		
EP901	QNZ0136-001Z	EARTH PLATE		
EP902	QNZ0136-001Z	EARTH PLATE		
FC901	QNG0003-001Z	FUSE CLIP		
FC902	QNG0003-001Z	FUSE CLIP		
FW901	QUM219-06DGZ4	PARA RIBON WIR		
FW902	QUM21A-06DGZ4	PARA RIBON WIR		
HS901	E70306-002	HEAT SINK		
J4401	QNN0570-001	PIN JACK		
J4402	QNN0572-001	PIN JACK		
J4891	QNS0089-001	3.5 JACK		
J6001	QNS0170-001	HEADPHONE JACK		
J7001	QNS0170-001	HEADPHONE JACK		
J7002	QNS0170-001	HEADPHONE JACK		
K4702	QQR0621-001Z	COIL		
K6001	NQR0007-002X	FERRITE BEADS		
K6002	NQR0007-002X	FERRITE BEADS		
K6003	NQR0007-002X	FERRITE BEADS		
K6004	NQR0007-002X	FERRITE BEADS		
K7001	NQR0007-002X	FERRITE BEADS		
△ P901	QNC0081-001	AC INLET		
PP401	QZW0112-001	WIRE CLAMP		
X4701	QAX0246-001Z	C RESONATOR	8.00MHz	

Front board

Block No. [0][2]

△ Symbol No.	Part No.	Part Name	Description	Local
IC501	MN101C35DKW	IC(MPU)		
IC511	GP1UM271XK	IR DETECT UNIT	38kHz	
Q501	KRC102S-X	DIGI TRANSISTOR		
Q502	KRC102S-X	DIGI TRANSISTOR		
Q503	KRC102S-X	DIGI TRANSISTOR		
Q551	KRC102S-X	DIGI TRANSISTOR		
Q552	KRC111S-X	TRANSISTOR		
Q561	KRA102S-X	DIGI TRANSISTOR		
Q562	KRA102S-X	DIGI TRANSISTOR		
Q563	KRA102S-X	DIGI TRANSISTOR		
Q564	KRA102S-X	DIGI TRANSISTOR		
Q565	KRA102S-X	DIGI TRANSISTOR		
Q566	KRC110S-X	DIGI TRANSISTOR		
D511	SLR-343VC-T	LED		
D551	SELU2E10C-P	LED		
D561	SML310BAT/JKL-X	LED		
D562	SML310BAT/JKL-X	LED		
D563	SML310BAT/JKL-X	LED		
D564	SML310BAT/JKL-X	LED		
D565	SML310BAT/JKL-X	LED		
D566	MA111-X	SI DIODE		
D567	MA111-X	SI DIODE		
D568	MA111-X	SI DIODE		
C501	NCB31HK-471X	C CAPACITOR	470pF 50V K	
C502	NCB31HK-471X	C CAPACITOR	470pF 50V K	
C503	NCB31HK-103X	C CAPACITOR	0.01uF 50V K	
C504	NCB31HK-103X	C CAPACITOR	0.01uF 50V K	
C505	QEKCOJM-107Z	E CAPACITOR	100uF 6.3V M	
C506	NCB31HK-103X	C CAPACITOR	0.01uF 50V K	
C507	NCB31HK-103X	C CAPACITOR	0.01uF 50V K	
C511	NCB21CK-105X	C CAPACITOR	1uF 16V K	
C541	NCB31HK-103X	C CAPACITOR	0.01uF 50V K	
C542	NCB31HK-103X	C CAPACITOR	0.01uF 50V K	
C551	NCB31HK-103X	C CAPACITOR	0.01uF 50V K	
R501	NRSA63J-102X	MG RESISTOR	1kΩ 1/16W J	
R502	NRSA63J-102X	MG RESISTOR	1kΩ 1/16W J	

Symbol No.	Part No.	Part Name	Description	Local
R503	NRSA63J-102X	MG RESISTOR	1kΩ 1/16W J	
R504	NRSA63J-102X	MG RESISTOR	1kΩ 1/16W J	
R511	NRSA63J-221X	MG RESISTOR	220Ω 1/16W J	
R521	NRSA63J-332X	MG RESISTOR	3.3kΩ 1/16W J	
R522	NRSA63J-392X	MG RESISTOR	3.9kΩ 1/16W J	
R526	NRSA63J-332X	MG RESISTOR	3.3kΩ 1/16W J	
R527	NRSA63J-392X	MG RESISTOR	3.9kΩ 1/16W J	
R528	NRSA63J-682X	MG RESISTOR	6.8kΩ 1/16W J	
R531	NRSA63J-332X	MG RESISTOR	3.3kΩ 1/16W J	
R532	NRSA63J-392X	MG RESISTOR	3.9kΩ 1/16W J	
R533	NRSA63J-682X	MG RESISTOR	6.8kΩ 1/16W J	
R534	NRSA63J-153X	MG RESISTOR	15kΩ 1/16W J	
R536	NRSA63J-332X	MG RESISTOR	3.3kΩ 1/16W J	
R537	NRSA63J-392X	MG RESISTOR	3.9kΩ 1/16W J	
R538	NRSA63J-682X	MG RESISTOR	6.8kΩ 1/16W J	
R539	NRSA63J-153X	MG RESISTOR	15kΩ 1/16W J	
R541	NRSA63J-103X	MG RESISTOR	10kΩ 1/16W J	
R542	NRSA63J-103X	MG RESISTOR	10kΩ 1/16W J	
R551	NRSA63J-104X	MG RESISTOR	100kΩ 1/16W J	
R552	NRSA63J-221X	MG RESISTOR	220Ω 1/16W J	
R553	NRSA63J-331X	MG RESISTOR	330Ω 1/16W J	
R561	NRSA63J-121X	MG RESISTOR	120Ω 1/16W J	
R562	NRSA63J-121X	MG RESISTOR	120Ω 1/16W J	
R563	NRSA63J-121X	MG RESISTOR	120Ω 1/16W J	
R564	NRSA63J-121X	MG RESISTOR	120Ω 1/16W J	
R565	NRSA63J-121X	MG RESISTOR	120Ω 1/16W J	

BK501	LV43659-001A	FL HOLDER		
BK502	LV43659-001A	FL HOLDER		
CN501	QGF1016F2-19W	CONNECTOR	FFC/FPC (1-19)	
CN551	QGF1036C1-04	CONNECTOR	FFC/FPC (1-4)	
CN561	QGF1005F1-04	CONNECTOR	FFC/FPC (1-4)	
DI501	QLF0131-002	FL TUBE		
FW502	QUM214-08Z3Z3	PARA RIBON WIR		
FW521	QUM213-12DGZ4	PARA RIBON WIRE		
FW561	QUM213-16DGZ3	PARA RIBON WIRE		
JS541	QSW1059-001	JOG VOLUME		
S521	QSW0683-001Z	PUSH SW		
S522	QSW0683-001Z	PUSH SW		
S523	QSW0683-001Z	PUSH SW		
S526	QSW0683-001Z	PUSH SW		
S527	QSW0683-001Z	PUSH SW		
S528	QSW0683-001Z	PUSH SW		
S529	QSW0683-001Z	PUSH SW		
S531	QSW0683-001Z	PUSH SW		
S532	QSW0683-001Z	PUSH SW		
S533	QSW0683-001Z	PUSH SW		
S534	QSW0683-001Z	PUSH SW		
S535	QSW0683-001Z	PUSH SW		
S536	QSW0683-001Z	PUSH SW		
S537	QSW0683-001Z	PUSH SW		
S538	QSW0683-001Z	PUSH SW		
S539	QSW0683-001Z	PUSH SW		
S540	QSW0683-001Z	PUSH SW		
X501	NAX0623-001X	C RESONATOR	8.00MHZ	

Audio board

Block No. [0][3]

Symbol No.	Part No.	Part Name	Description	Local
IC151	CD4066BM-X	IC		
IC152	CD4066BM-X	IC		
IC153	BD3814FV-X	IC		
IC158	RC4580ID-X	IC		
IC159	RC4580ID-X	IC		
IC160	RC4580ID-X	IC		
IC509	GP1FA352RZ	OPT RECEIVER		
IC510	GP1FA553TZ0F	IC		
IC531	RC4580ID-X	IC		
IC581	RC4580ID-X	IC		
IC591	RC4580ID-X	IC		
Q1131	IMX9-W	TRANSISTOR		

Symbol No.	Part No.	Part Name	Description	Local
Q1133	IMX9-W	TRANSISTOR		
Q1135	IMX9-W	TRANSISTOR		
Q1137	2SC3661-X	TRANSISTOR		
Q1251	KRA104S-X	DIGI TRANSISTOR		
Q1252	KRA104S-X	DIGI TRANSISTOR		
C1001	QETN1EM-107Z	E CAPACITOR	100uF 25V M	
C1002	QETN1EM-107Z	E CAPACITOR	100uF 25V M	
C1003	NCB31HK-103X	C CAPACITOR	0.01uF 50V K	
C1101	NCS31HJ-331X	C CAPACITOR	330pF 50V J	
C1102	NCS31HJ-331X	C CAPACITOR	330pF 50V J	
C1103	NCB31CK-104X	C CAPACITOR	0.1uF 16V K	
C1104	NCB31CK-104X	C CAPACITOR	0.1uF 16V K	
C1120	NCB31CK-104X	C CAPACITOR	0.1uF 16V K	
C1121	NCB31CK-104X	C CAPACITOR	0.1uF 16V K	
C1122	NCB31CK-104X	C CAPACITOR	0.1uF 16V K	
C1123	NCB31CK-104X	C CAPACITOR	0.1uF 16V K	
C1124	NCB31HK-472X	C CAPACITOR	4700pF 50V K	
C1125	NCB31HK-472X	C CAPACITOR	4700pF 50V K	
C1141	QETN1EM-107Z	E CAPACITOR	100uF 25V M	
C1142	QETN1EM-107Z	E CAPACITOR	100uF 25V M	
C1143	NCB31CK-104X	C CAPACITOR	0.1uF 16V K	
C1144	NCB31CK-104X	C CAPACITOR	0.1uF 16V K	
C1145	NCB31CK-104X	C CAPACITOR	0.1uF 16V K	
C1176	NCB31HK-103X	C CAPACITOR	0.01uF 50V K	
C1177	NCB31HK-103X	C CAPACITOR	0.01uF 50V K	
C1178	NCB31HK-103X	C CAPACITOR	0.01uF 50V K	
C1179	NCB31HK-103X	C CAPACITOR	0.01uF 50V K	
C1180	NCB31HK-103X	C CAPACITOR	0.01uF 50V K	
C1181	NCB31HK-103X	C CAPACITOR	0.01uF 50V K	
C1183	QETN1HM-475Z	E CAPACITOR	4.7uF 50V M	
C1201	QETN1CM-476Z	E CAPACITOR	47uF 16V M	
C1202	QETN1CM-476Z	E CAPACITOR	47uF 16V M	
C1203	QETN1CM-476Z	E CAPACITOR	47uF 16V M	
C1204	QETN1CM-476Z	E CAPACITOR	47uF 16V M	
C1205	QETN1HM-475Z	E CAPACITOR	4.7uF 50V M	
C1206	QETN1HM-475Z	E CAPACITOR	4.7uF 50V M	
C1207	QETN1HM-475Z	E CAPACITOR	4.7uF 50V M	
C1208	QETN1HM-475Z	E CAPACITOR	4.7uF 50V M	
C1209	QETN1HM-475Z	E CAPACITOR	4.7uF 50V M	
C1210	QETN1HM-475Z	E CAPACITOR	4.7uF 50V M	
C1211	QETN1HM-475Z	E CAPACITOR	4.7uF 50V M	
C1212	QETN1HM-475Z	E CAPACITOR	4.7uF 50V M	
C1213	QETN1HM-475Z	E CAPACITOR	4.7uF 50V M	
C1214	QETN1HM-475Z	E CAPACITOR	4.7uF 50V M	
C1215	QETN1HM-475Z	E CAPACITOR	4.7uF 50V M	
C1216	QETN1HM-475Z	E CAPACITOR	4.7uF 50V M	
C1217	QETN1HM-475Z	E CAPACITOR	4.7uF 50V M	
C1218	QETN1HM-475Z	E CAPACITOR	4.7uF 50V M	
C1221	NCS31HJ-470X	C CAPACITOR	47pF 50V J	
C1222	NCS31HJ-470X	C CAPACITOR	47pF 50V J	
C1223	NCS31HJ-470X	C CAPACITOR	47pF 50V J	
C1224	NCS31HJ-470X	C CAPACITOR	47pF 50V J	
C1225	NCS31HJ-471X	C CAPACITOR	470pF 50V J	
C1226	NCS31HJ-470X	C CAPACITOR	47pF 50V J	
C1227	NCB31CK-183X	C CAPACITOR	0.018uF 16V K	
C1228	NCB31CK-183X	C CAPACITOR	0.018uF 16V K	
C1230	QETN1HM-475Z	E CAPACITOR	4.7uF 50V M	
C1251	NCB31HK-103X	C CAPACITOR	0.01uF 50V K	
C1252	NCB31HK-103X	C CAPACITOR	0.01uF 50V K	
C1253	NCB31HK-103X	C CAPACITOR	0.01uF 50V K	
C1254	NCB31HK-103X	C CAPACITOR	0.01uF 50V K	
C2503	QETN1HM-475Z	E CAPACITOR	4.7uF 50V M	
C2504	QETN1HM-475Z	E CAPACITOR	4.7uF 50V M	
C2525	NCB31HK-102X	C CAPACITOR	1000pF 50V K	
C2526	NCB31HK-102X	C CAPACITOR	1000pF 50V K	
C2527	NCB31HK-102X	C CAPACITOR	1000pF 50V K	
C2528	NCB31HK-102X	C CAPACITOR	1000pF 50V K	
C2531	NCB31HK-331X	C CAPACITOR	330pF 50V K	
C2532	NCB31HK-331X	C CAPACITOR	330pF 50V K	
C2533	QETN1CM-476Z	E CAPACITOR	47uF 16V M	
C2534	QETN1CM-476Z	E CAPACITOR	47uF 16V M	
C2535	QETN1HM-105Z	E CAPACITOR	1uF 50V M	
C2536	QETN1HM-105Z	E CAPACITOR	1uF 50V M	
C2539	NCB31CK-104X	C CAPACITOR	0.1uF 16V K	
C2540	NCB31CK-104X	C CAPACITOR	0.1uF 16V K	
C2541	QETN1HM-475Z	E CAPACITOR	4.7uF 50V M	
C2542	QETN1HM-475Z	E CAPACITOR	4.7uF 50V M	

△ Symbol No.	Part No.	Part Name	Description	Local	△ Symbol No.	Part No.	Part Name	Description	Local
C2561	QETN1HM-105Z	E CAPACITOR	1uF 50V M		R1172	NRSA63J-332X	MG RESISTOR	3.3kΩ 1/16W J	
C2562	QETN1HM-105Z	E CAPACITOR	1uF 50V M		R1173	NRSA63J-473X	MG RESISTOR	47kΩ 1/16W J	
C2563	NCB31HK-271X	C CAPACITOR	270pF 50V K		R1174	NRSA63J-473X	MG RESISTOR	47kΩ 1/16W J	
C2564	NCB31HK-271X	C CAPACITOR	270pF 50V K		R1175	NRSA63J-562X	MG RESISTOR	5.6kΩ 1/16W J	
C2575	NCB31HK-102X	C CAPACITOR	1000pF 50V K		R1176	NRSA63J-393X	MG RESISTOR	39kΩ 1/16W J	
C2576	NCB31HK-102X	C CAPACITOR	1000pF 50V K		R1197	NRSA63J-474X	MG RESISTOR	470kΩ 1/16W J	
C2577	QETN1HM-475Z	E CAPACITOR	4.7uF 50V M		R1201	NRSA63J-124X	MG RESISTOR	120kΩ 1/16W J	
C2578	QETN1HM-475Z	E CAPACITOR	4.7uF 50V M		R1202	NRSA63J-124X	MG RESISTOR	120kΩ 1/16W J	
C2581	QETN1HM-105Z	E CAPACITOR	1uF 50V M		R1251	NRSA63J-223X	MG RESISTOR	22kΩ 1/16W J	
C2582	QETN1HM-106Z	E CAPACITOR	10uF 50V M		R1252	NRSA63J-223X	MG RESISTOR	22kΩ 1/16W J	
C2583	NCB31HK-271X	C CAPACITOR	270pF 50V K		R1253	NRSA63J-223X	MG RESISTOR	22kΩ 1/16W J	
C2584	NCS31HJ-560X	C CAPACITOR	56pF 50V J		R1254	NRSA63J-223X	MG RESISTOR	22kΩ 1/16W J	
C2585	NCB31HK-102X	C CAPACITOR	1000pF 50V K		R2525	NRSA63J-102X	MG RESISTOR	1kΩ 1/16W J	
C2589	NCB31CK-104X	C CAPACITOR	0.1uF 16V K		R2526	NRSA63J-102X	MG RESISTOR	1kΩ 1/16W J	
C2590	NCB31CK-104X	C CAPACITOR	0.1uF 16V K		R2531	NRSA63J-102X	MG RESISTOR	1kΩ 1/16W J	
C2592	NCB31HK-472X	C CAPACITOR	4700pF 50V K		R2532	NRSA63J-102X	MG RESISTOR	1kΩ 1/16W J	
C2594	NCB31HK-223X	C CAPACITOR	0.022uF 50V K		R2533	NRSA63J-472X	MG RESISTOR	4.7kΩ 1/16W J	
C2597	QETN1HM-475Z	E CAPACITOR	4.7uF 50V M		R2534	NRSA63J-472X	MG RESISTOR	4.7kΩ 1/16W J	
C2599	NCB31CK-104X	C CAPACITOR	0.1uF 16V K		R2537	NRSA63J-104X	MG RESISTOR	100kΩ 1/16W J	
C2600	NCB31CK-104X	C CAPACITOR	0.1uF 16V K		R2538	NRSA63J-104X	MG RESISTOR	100kΩ 1/16W J	
C2603	QETN1HM-475Z	E CAPACITOR	4.7uF 50V M		R2539	NRSA63J-272X	MG RESISTOR	2.7kΩ 1/16W J	
C2604	QETN1HM-475Z	E CAPACITOR	4.7uF 50V M		R2540	NRSA63J-272X	MG RESISTOR	2.7kΩ 1/16W J	
C2605	NCS31HJ-560X	C CAPACITOR	56pF 50V J		R2541	NRSA63J-272X	MG RESISTOR	2.7kΩ 1/16W J	
					R2542	NRSA63J-272X	MG RESISTOR	2.7kΩ 1/16W J	
R1101	NRSA63J-471X	MG RESISTOR	470Ω 1/16W J		R2551	NRSA63J-104X	MG RESISTOR	100kΩ 1/16W J	
R1102	NRSA63J-471X	MG RESISTOR	470Ω 1/16W J		R2552	NRSA63J-104X	MG RESISTOR	100kΩ 1/16W J	
R1103	NRSA63J-564X	MG RESISTOR	560kΩ 1/16W J		R2553	NRSA63J-102X	MG RESISTOR	1kΩ 1/16W J	
R1104	NRSA63J-564X	MG RESISTOR	560kΩ 1/16W J		R2554	NRSA63J-102X	MG RESISTOR	1kΩ 1/16W J	
R1105	NRSA63J-0R0X	MG RESISTOR	0Ω 1/16W J		R2560	NRSA63J-472X	MG RESISTOR	4.7kΩ 1/16W J	
R1106	NRSA63J-101X	MG RESISTOR	100Ω 1/16W J		R2561	NRSA63J-273X	MG RESISTOR	27kΩ 1/16W J	
R1107	NRSA63J-0R0X	MG RESISTOR	0Ω 1/16W J		R2562	NRSA63J-102X	MG RESISTOR	1kΩ 1/16W J	
R1108	NRSA63J-334X	MG RESISTOR	330kΩ 1/16W J		R2563	NRSA63J-103X	MG RESISTOR	10kΩ 1/16W J	
R1109	NRSA63J-334X	MG RESISTOR	330kΩ 1/16W J		R2564	NRSA63J-103X	MG RESISTOR	10kΩ 1/16W J	
R1110	NRSA63J-223X	MG RESISTOR	22kΩ 1/16W J		R2565	NRSA63J-682X	MG RESISTOR	6.8kΩ 1/16W J	
R1120	NRSA63J-472X	MG RESISTOR	4.7kΩ 1/16W J		R2566	NRSA63J-682X	MG RESISTOR	6.8kΩ 1/16W J	
R1121	NRSA63J-472X	MG RESISTOR	4.7kΩ 1/16W J		R2567	NRSA63J-102X	MG RESISTOR	1kΩ 1/16W J	
R1122	NRSA63J-102X	MG RESISTOR	1kΩ 1/16W J		R2568	NRSA63J-102X	MG RESISTOR	1kΩ 1/16W J	
R1123	NRSA63J-102X	MG RESISTOR	1kΩ 1/16W J		R2581	NRSA63J-104X	MG RESISTOR	100kΩ 1/16W J	
R1124	NRSA63J-472X	MG RESISTOR	4.7kΩ 1/16W J		R2582	NRSA63J-104X	MG RESISTOR	100kΩ 1/16W J	
R1131	NRSA63J-104X	MG RESISTOR	100kΩ 1/16W J		R2583	NRSA63J-103X	MG RESISTOR	10kΩ 1/16W J	
R1132	NRSA63J-104X	MG RESISTOR	100kΩ 1/16W J		R2584	NRSA63J-333X	MG RESISTOR	33kΩ 1/16W J	
R1133	NRSA63J-101X	MG RESISTOR	100Ω 1/16W J		R2585	NRSA63J-682X	MG RESISTOR	6.8kΩ 1/16W J	
R1134	NRSA63J-101X	MG RESISTOR	100Ω 1/16W J		R2586	NRSA63J-123X	MG RESISTOR	12kΩ 1/16W J	
R1135	NRSA63J-332X	MG RESISTOR	3.3kΩ 1/16W J		R2587	NRSA63J-102X	MG RESISTOR	1kΩ 1/16W J	
R1136	NRSA63J-332X	MG RESISTOR	3.3kΩ 1/16W J		R2588	NRSA63J-102X	MG RESISTOR	1kΩ 1/16W J	
R1137	NRSA63J-104X	MG RESISTOR	100kΩ 1/16W J		R2590	NRSA63J-333X	MG RESISTOR	33kΩ 1/16W J	
R1138	NRSA63J-104X	MG RESISTOR	100kΩ 1/16W J		R2592	NRSA63J-333X	MG RESISTOR	33kΩ 1/16W J	
R1139	NRSA63J-104X	MG RESISTOR	100kΩ 1/16W J		R2594	NRSA63J-333X	MG RESISTOR	33kΩ 1/16W J	
R1140	NRSA63J-104X	MG RESISTOR	100kΩ 1/16W J		R2596	NRSA63J-102X	MG RESISTOR	1kΩ 1/16W J	
R1141	NRSA63J-102X	MG RESISTOR	1kΩ 1/16W J		R2599	NRSA63J-102X	MG RESISTOR	1kΩ 1/16W J	
R1142	NRSA63J-102X	MG RESISTOR	1kΩ 1/16W J						
R1143	NRSA63J-332X	MG RESISTOR	3.3kΩ 1/16W J		CN441	QGF1036C1-31	CONNECTOR	FFC/FPC (1-31)	
R1144	NRSA63J-332X	MG RESISTOR	3.3kΩ 1/16W J		CN442	QGF1036C1-07	CONNECTOR	FFC/FPC (1-7)	
R1145	NRSA63J-104X	MG RESISTOR	100kΩ 1/16W J		EP101	QNZ0136-001Z	EARTH PLATE		
R1146	NRSA63J-104X	MG RESISTOR	100kΩ 1/16W J		J1101	QNN0598-001	PIN JACK		
R1147	NRSA63J-104X	MG RESISTOR	100kΩ 1/16W J		J1103	QND0118-001	DIN CONNECTOR		
R1148	NRSA63J-104X	MG RESISTOR	100kΩ 1/16W J		K1101	NQR0007-002X	FERRITE BEADS		
R1149	NRSA63J-471X	MG RESISTOR	470Ω 1/16W J						
R1150	NRSA63J-102X	MG RESISTOR	1kΩ 1/16W J						
R1151	NRSA63J-472X	MG RESISTOR	4.7kΩ 1/16W J						
R1152	NRSA63J-332X	MG RESISTOR	3.3kΩ 1/16W J						
R1153	NRSA63J-471X	MG RESISTOR	470Ω 1/16W J						
R1154	NRSA63J-472X	MG RESISTOR	4.7kΩ 1/16W J						
R1155	NRSA63J-104X	MG RESISTOR	100kΩ 1/16W J						
R1156	NRSA63J-104X	MG RESISTOR	100kΩ 1/16W J						
R1157	NRSA63J-242X	MG RESISTOR	2.4kΩ 1/16W J						
R1158	NRSA63J-104X	MG RESISTOR	100kΩ 1/16W J						
R1161	NRSA63J-104X	MG RESISTOR	100kΩ 1/16W J						
R1162	NRSA63J-104X	MG RESISTOR	100kΩ 1/16W J						
R1163	NRSA63J-104X	MG RESISTOR	100kΩ 1/16W J						
R1164	NRSA63J-104X	MG RESISTOR	100kΩ 1/16W J						
R1165	NRSA63J-104X	MG RESISTOR	100kΩ 1/16W J						
R1166	NRSA63J-104X	MG RESISTOR	100kΩ 1/16W J						
R1167	NRSA63J-332X	MG RESISTOR	3.3kΩ 1/16W J						
R1168	NRSA63J-332X	MG RESISTOR	3.3kΩ 1/16W J						
R1169	NRSA63J-393X	MG RESISTOR	39kΩ 1/16W J						
R1170	NRSA63J-393X	MG RESISTOR	39kΩ 1/16W J						
R1171	NRSA63J-332X	MG RESISTOR	3.3kΩ 1/16W J						

Main(Subwoofer) board

Block No. [0][4]

△ Symbol No.	Part No.	Part Name	Description	Local
△ IC101	STK413-430	IC		
△ IC102	STK412-430	POWER I.C		
IC103	HA17558AF-X	IC		
IC104	HA17558AF-X	IC		
IC105	HA17558AF-X	IC		
IC351	MN101C427NB	IC		
IC352	S-80840CNNB-W	IC		
Q1001	KTA1046/Y/	TRANSISTOR		
Q1002	KTC3875/YG/-X	SI TRANSISTOR		
Q1003	UN221M-X	DIGI TRANSISTOR		

Symbol No.	Part No.	Part Name	Description	Local	Symbol No.	Part No.	Part Name	Description	Local
Q1007	UN2111-X	TRANSISTOR			D3707	1SS133-T2	SI DIODE		
Q1101	KTA1504/YG/-X	SI TRANSISTOR			D3708	1SS133-T2	SI DIODE		
Q1102	KTC3875/YG/-X	SI TRANSISTOR			D3709	1SS133-T2	SI DIODE		
Q1103	KTC3875/YG/-X	SI TRANSISTOR			D3710	MA111-X	SI DIODE		
Q1201	KTA1504/YG/-X	SI TRANSISTOR			D3711	1SS133-T2	SI DIODE		
Q1202	KTC3875/YG/-X	SI TRANSISTOR			D3712	1SS133-T2	SI DIODE		
Q1203	KTC3875/YG/-X	SI TRANSISTOR			D3713	1SS133-T2	SI DIODE		
Q1301	KTA1504/YG/-X	SI TRANSISTOR			D3714	1SS133-T2	SI DIODE		
Q1302	KTC3875/YG/-X	SI TRANSISTOR			D3715	MTZJ6.8C-T2	Z DIODE		
Q1303	KTC3875/YG/-X	SI TRANSISTOR			D3716	1SS133-T2	SI DIODE		
Q1401	KTA1504/YG/-X	SI TRANSISTOR			D3717	1SS133-T2	SI DIODE		
Q1402	KTC3875/YG/-X	SI TRANSISTOR			D3718	MTZJ5.6C-T2	Z DIODE		
Q1403	KTC3875/YG/-X	SI TRANSISTOR			D3719	1SS133-T2	SI DIODE		
Q1501	KTA1504/YG/-X	SI TRANSISTOR			D3720	MA152WA-X	DIODE		
Q1502	KTC3875/YG/-X	SI TRANSISTOR			D3722	MTZJ11C-T2	Z DIODE		
Q1503	KTC3875/YG/-X	SI TRANSISTOR			D3723	1SS133-T2	SI DIODE		
Q3701	UN2213-X	DIGI TRANSISTOR			D3726	1SS133-T2	SI DIODE		
Q3702	KTC3875/YG/-X	SI TRANSISTOR			D3727	1SS133-T2	SI DIODE		
Q3703	KTA1504/YG/-X	SI TRANSISTOR			D3728	MTZJ5.1C-T2	Z DIODE		
Q3704	UN2211-X	TRANSISTOR			D3731	1SS133-T2	SI DIODE		
Q3705	KTC3875/YG/-X	SI TRANSISTOR			D3732	1SS133-T2	SI DIODE		
Q3706	UN2113-X	TRANSISTOR			D3733	1SS133-T2	SI DIODE		
Q3707	UN2211-X	TRANSISTOR			D3734	1SS133-T2	SI DIODE		
Q3708	KTC3265/Y/-X	TRANSISTOR			D3735	1SS133-T2	SI DIODE		
Q3709	KTC3875/YG/-X	SI TRANSISTOR			D3736	1SS133-T2	SI DIODE		
Q3710	UN221M-X	DIGI TRANSISTOR			D3737	MA111-X	SI DIODE		
Q3711	UN2211-X	TRANSISTOR			D3738	MA111-X	SI DIODE		
Q3712	KTC3875/YG/-X	SI TRANSISTOR			D3739	MA111-X	SI DIODE		
Q3713	KTC3265/Y/-X	TRANSISTOR			D3901	1SS133-T2	SI DIODE		
Q3714	UN2213-X	DIGI TRANSISTOR			D3902	MTZJ13C-T2	Z DIODE		
Q3715	KTC3875/YG/-X	SI TRANSISTOR			D3903	1SS133-T2	SI DIODE		
Q3716	KTC2026/Y/-	TRANSISTOR			D3904	MTZJ13C-T2	Z DIODE		
Q3717	UN2111-X	TRANSISTOR			D3905	1SS133-T2	SI DIODE		
Q3718	UN2212-X	TRANSISTOR			D3906	MTZJ6.2C-T2	Z DIODE		
Q3719	KTC3875/YG/-X	SI TRANSISTOR			D3907	MTZJ6.8C-T2	Z DIODE		
Q3720	KTC3875/YG/-X	SI TRANSISTOR			D3908	MTZJ6.8C-T2	Z DIODE		
Q3721	KTA1504/YG/-X	SI TRANSISTOR			D5001	SLR-342MC-T12	LED		
Q3722	KTC3875/YG/-X	SI TRANSISTOR							
Q3901	2SD2037/EF/-T	TRANSISTOR			C1001	QETN1HM-107Z	E CAPACITOR	100uF 50V M	
Q3902	KTA1271/OY/-T	TRANSISTOR			C1002	QETN1HM-107Z	E CAPACITOR	100uF 50V M	
Q3903	2SD2037/EF/-T	TRANSISTOR			C1003	QETN1HM-107Z	E CAPACITOR	100uF 50V M	
					C1004	QETN1HM-107Z	E CAPACITOR	100uF 50V M	
D1001	MTZJ20C-T2	Z DIODE			C1005	QETN1HM-106Z	E CAPACITOR	10uF 50V M	
D1003	MTZJ13C-T2	Z DIODE			C1006	QETN1HM-107Z	E CAPACITOR	100uF 50V M	
D1004	MTZJ13C-T2	Z DIODE			C1008	QETN1HM-107Z	E CAPACITOR	100uF 50V M	
D1005	GS1J-X	DIODE			C1009	NCF31HZ-103X	C CAPACITOR	0.01uF 50V Z	
D1006	6A10E2	SI DIODE			C1010	NCF31HZ-103X	C CAPACITOR	0.01uF 50V Z	
D1007	6A10E2	SI DIODE			C1011	NCF31HZ-103X	C CAPACITOR	0.01uF 50V Z	
D1101	1SS133-T2	SI DIODE			C1012	NCF31HZ-103X	C CAPACITOR	0.01uF 50V Z	
D1102	1SS133-T2	SI DIODE			C1013	NCF31HZ-103X	C CAPACITOR	0.01uF 50V Z	
D1103	1SS133-T2	SI DIODE			C1014	NCF31HZ-103X	C CAPACITOR	0.01uF 50V Z	
D1201	1SS133-T2	SI DIODE			C1015	NCB21HK-104X	C CAPACITOR	0.1uF 50V K	
D1202	1SS133-T2	SI DIODE			C1016	NCB21HK-104X	C CAPACITOR	0.1uF 50V K	
D1203	1SS133-T2	SI DIODE			C1017	NCB21HK-104X	C CAPACITOR	0.1uF 50V K	
D1301	1SS133-T2	SI DIODE			C1018	QFZ0212-105Z	MF CAPACITOR	1uF	
D1302	1SS133-T2	SI DIODE			C1019	QCB1HK-103Y	C CAPACITOR	0.01uF 50V K	
D1303	1SS133-T2	SI DIODE			C1101	NCB31HK-471X	C CAPACITOR	470pF 50V K	
D1401	1SS133-T2	SI DIODE			C1102	QTE1V06-106Z	E CAPACITOR	10uF 35V	
D1402	1SS133-T2	SI DIODE			C1103	QTE1C28-107Z	E CAPACITOR	100uF 16V	
D1403	1SS133-T2	SI DIODE			C1104	NDC31HJ-101X	C CAPACITOR	100pF 50V J	
D1501	1SS133-T2	SI DIODE			C1105	NDC31HJ-3R0X	C CAPACITOR	3pF 50V J	
D1502	1SS133-T2	SI DIODE			C1106	QFVF1HJ-104Z	MF CAPACITOR	0.1uF 50V J	
D1503	1SS133-T2	SI DIODE			C1107	QFVF1HJ-104Z	MF CAPACITOR	0.1uF 50V J	
D1601	1SS133-T2	SI DIODE			C1108	NCB31HK-221X	C CAPACITOR	220pF 50V K	
D1602	1SS133-T2	SI DIODE			C1109	NCB31HK-221X	C CAPACITOR	220pF 50V K	
D3001	1SS133-T2	SI DIODE			C1110	QFVF1HJ-104Z	MF CAPACITOR	0.1uF 50V J	
D3002	1SS355-X	SI DIODE			C1111	QFVF1HJ-104Z	MF CAPACITOR	0.1uF 50V J	
D3003	1SS133-T2	SI DIODE			C1112	NCB31HK-152X	C CAPACITOR	1500pF 50V K	
Δ D3201	GBU803	BRIDGE DIODE			C1113	QETN1HM-105Z	E CAPACITOR	1uF 50V M	
Δ D3202	GBU803	BRIDGE DIODE			C1114	QETN1HM-105Z	E CAPACITOR	1uF 50V M	
D3203	MA152WK-X	SI DIODE			C1115	QETN1HM-225Z	E CAPACITOR	2.2uF 50V M	
D3501	1SS133-T2	SI DIODE			C1201	NCB31HK-471X	C CAPACITOR	470pF 50V K	
D3701	MA152WK-X	SI DIODE			C1202	QTE1V06-106Z	E CAPACITOR	10uF 35V	
D3702	1SS133-T2	SI DIODE			C1203	QTE1C28-107Z	E CAPACITOR	100uF 16V	
D3703	1SS133-T2	SI DIODE			C1204	NDC31HJ-101X	C CAPACITOR	100pF 50V J	
D3704	1SS133-T2	SI DIODE			C1205	NDC31HJ-3R0X	C CAPACITOR	3pF 50V J	
D3705	1SS133-T2	SI DIODE			C1206	QFVF1HJ-104Z	MF CAPACITOR	0.1uF 50V J	
D3706	1SS133-T2	SI DIODE			C1207	QFVF1HJ-104Z	MF CAPACITOR	0.1uF 50V J	

△ Symbol No.	Part No.	Part Name	Description	Local	△ Symbol No.	Part No.	Part Name	Description	Local
C1208	NCB31HK-221X	C CAPACITOR	220pF 50V K		C3505	NCF31HZ-103X	C CAPACITOR	0.01uF 50V Z	
C1209	NCB31HK-221X	C CAPACITOR	220pF 50V K		C3506	NCB11HK-223X	C CAPACITOR	0.022uF 50V K	
C1210	QFVF1HJ-104Z	MF CAPACITOR	0.1uF 50V J		C3701	QETN1HM-475Z	E CAPACITOR	4.7uF 50V M	
C1211	QFVF1HJ-104Z	MF CAPACITOR	0.1uF 50V J		C3702	QETN1HM-475Z	E CAPACITOR	4.7uF 50V M	
C1212	NCB31HK-152X	C CAPACITOR	1500pF 50V K		C3703	NCF31HZ-103X	C CAPACITOR	0.01uF 50V Z	
C1213	QETN1HM-105Z	E CAPACITOR	1uF 50V M		C3704	QETN1HM-335Z	E CAPACITOR	3.3uF 50V M	
C1214	QETN1HM-105Z	E CAPACITOR	1uF 50V M		C3705	QETN1CM-107Z	E CAPACITOR	100uF 16V M	
C1215	QETN1HM-225Z	E CAPACITOR	2.2uF 50V M		C3706	QETN1EM-476Z	E CAPACITOR	47uF 25V M	
C1301	NCB31HK-471X	C CAPACITOR	470pF 50V K		C3707	QETN1CM-107Z	E CAPACITOR	100uF 16V M	
C1302	QTE1V06-106Z	E CAPACITOR	10uF 35V		C3708	QETN1HM-106Z	E CAPACITOR	10uF 50V M	
C1303	QTE1C28-107Z	E CAPACITOR	100uF 16V		C3709	QETN1EM-476Z	E CAPACITOR	47uF 25V M	
C1304	NDC31HJ-101X	C CAPACITOR	100pF 50V J		C3710	QETN1EM-107Z	E CAPACITOR	100uF 25V M	
C1305	NDC31HJ-3R0X	C CAPACITOR	3pF 50V J		C3711	QFVF1HJ-224Z	MF CAPACITOR	0.22uF 50V J	
C1306	QFVF1HJ-104Z	MF CAPACITOR	0.1uF 50V J		C3712	NCB21HK-104X	C CAPACITOR	0.1uF 50V K	
C1307	QFVF1HJ-104Z	MF CAPACITOR	0.1uF 50V J		C3713	QCB1HK-103Y	C CAPACITOR	0.01uF 50V K	
C1308	NCB31HK-221X	C CAPACITOR	220pF 50V K		C3901	QETN1EM-476Z	E CAPACITOR	47uF 25V M	
C1309	NCB31HK-221X	C CAPACITOR	220pF 50V K		C3902	QETN1EM-107Z	E CAPACITOR	100uF 25V M	
C1310	QFVF1HJ-104Z	MF CAPACITOR	0.1uF 50V J		C3903	QETN1EM-476Z	E CAPACITOR	47uF 25V M	
C1311	QFVF1HJ-104Z	MF CAPACITOR	0.1uF 50V J		C3904	QETN1EM-107Z	E CAPACITOR	100uF 25V M	
C1312	NCB31HK-152X	C CAPACITOR	1500pF 50V K		C3905	QETN1CM-476Z	E CAPACITOR	47uF 16V M	
C1313	QETN1HM-105Z	E CAPACITOR	1uF 50V M		C3906	QETN1CM-107Z	E CAPACITOR	100uF 16V M	
C1314	QETN1HM-105Z	E CAPACITOR	1uF 50V M		C3907	QETN1CM-107Z	E CAPACITOR	100uF 16V M	
C1315	QETN1HM-225Z	E CAPACITOR	2.2uF 50V M		C3908	QETN1CM-107Z	E CAPACITOR	100uF 16V M	
C1401	NCB31HK-471X	C CAPACITOR	470pF 50V K		△ R1001	QRZ9005-220X	FUSI RESISTOR	22Ω	
C1402	QTE1V06-106Z	E CAPACITOR	10uF 35V		R1002	QRE141J-472Y	C RESISTOR	4.7kΩ 1/4W J	
C1403	QTE1C28-107Z	E CAPACITOR	100uF 16V		R1003	QRE141J-472Y	C RESISTOR	4.7kΩ 1/4W J	
C1404	NDC31HJ-101X	C CAPACITOR	100pF 50V J		△ R1004	QRZ9006-4R7X	F.RESISTOR	4.7Ω 1/4W J	
C1405	NDC31HJ-3R0X	C CAPACITOR	3pF 50V J		△ R1005	QRZ9005-220X	FUSI RESISTOR	22Ω	
C1406	QFVF1HJ-104Z	MF CAPACITOR	0.1uF 50V J		△ R1008	QRZ9006-4R7X	F.RESISTOR	4.7Ω 1/4W J	
C1407	QFVF1HJ-104Z	MF CAPACITOR	0.1uF 50V J		△ R1009	QRZ9006-4R7X	F.RESISTOR	4.7Ω 1/4W J	
C1408	NCB31HK-221X	C CAPACITOR	220pF 50V K		R1010	QRL01DJ-122X	OMF RESISTOR	1.2kΩ 1W J	
C1409	NCB31HK-221X	C CAPACITOR	220pF 50V K		△ R1011	QRZ9006-4R7X	F.RESISTOR	4.7Ω 1/4W J	
C1410	QFVF1HJ-104Z	MF CAPACITOR	0.1uF 50V J		R1012	QRL01DJ-122X	OMF RESISTOR	1.2kΩ 1W J	
C1411	QFVF1HJ-104Z	MF CAPACITOR	0.1uF 50V J		△ R1013	QRZ9005-100X	FUSI RESISTOR	10Ω	
C1412	NCB31HK-152X	C CAPACITOR	1500pF 50V K		R1014	NRSA63J-333X	MG RESISTOR	33kΩ 1/16W J	
C1413	QETN1HM-105Z	E CAPACITOR	1uF 50V M		R1015	NRSA63J-333X	MG RESISTOR	33kΩ 1/16W J	
C1414	QETN1HM-105Z	E CAPACITOR	1uF 50V M		R1016	NRSA63J-822X	MG RESISTOR	8.2kΩ 1/16W J	
C1415	QETN1HM-225Z	E CAPACITOR	2.2uF 50V M		R1017	NRSA63J-563X	MG RESISTOR	56kΩ 1/16W J	
C1501	NCB31HK-471X	C CAPACITOR	470pF 50V K		R1101	NRSA63J-103X	MG RESISTOR	10kΩ 1/16W J	
C1502	QTE1V06-106Z	E CAPACITOR	10uF 35V		R1102	NRSA63J-222X	MG RESISTOR	2.2kΩ 1/16W J	
C1503	QTE1C28-107Z	E CAPACITOR	100uF 16V		R1103	NRSA63J-471X	MG RESISTOR	470Ω 1/16W J	
C1504	NDC31HJ-101X	C CAPACITOR	100pF 50V J		R1104	NRSA63J-222X	MG RESISTOR	2.2kΩ 1/16W J	
C1505	NDC31HJ-3R0X	C CAPACITOR	3pF 50V J		R1105	NRSA63J-563X	MG RESISTOR	56kΩ 1/16W J	
C1506	QFVF1HJ-104Z	MF CAPACITOR	0.1uF 50V J		R1106	NRSA63J-471X	MG RESISTOR	470Ω 1/16W J	
C1507	QFVF1HJ-104Z	MF CAPACITOR	0.1uF 50V J		R1107	NRSA63J-563X	MG RESISTOR	56kΩ 1/16W J	
C1508	NCB31HK-221X	C CAPACITOR	220pF 50V K		R1108	QRZ0224-R22	EMIT RESISTOR	0.22Ω	
C1509	NCB31HK-221X	C CAPACITOR	220pF 50V K		R1109	QRK126J-4R7X	UNF C RESISTOR	4.7Ω 1/2W J	
C1510	QFVF1HJ-104Z	MF CAPACITOR	0.1uF 50V J		R1110	QRJ146J-100X	UNF C RESISTOR	10Ω 1/4W J	
C1511	QFVF1HJ-104Z	MF CAPACITOR	0.1uF 50V J		R1111	NRSA63J-102X	MG RESISTOR	1kΩ 1/16W J	
C1512	NCB31HK-152X	C CAPACITOR	1500pF 50V K		R1112	NRSA63J-153X	MG RESISTOR	15kΩ 1/16W J	
C1513	QETN1HM-105Z	E CAPACITOR	1uF 50V M		R1113	NRSA63J-473X	MG RESISTOR	47kΩ 1/16W J	
C1514	QETN1HM-105Z	E CAPACITOR	1uF 50V M		R1114	QRJ146J-100X	UNF C RESISTOR	10Ω 1/4W J	
C1515	QETN1HM-225Z	E CAPACITOR	2.2uF 50V M		R1115	NRSA63J-104X	MG RESISTOR	100kΩ 1/16W J	
C1601	NCB31HK-152X	C CAPACITOR	1500pF 50V K		R1116	NRSA63J-153X	MG RESISTOR	15kΩ 1/16W J	
C1602	QETN1HM-105Z	E CAPACITOR	1uF 50V M		R1117	NRSA63J-183X	MG RESISTOR	18kΩ 1/16W J	
C1603	QETN1HM-106Z	E CAPACITOR	10uF 50V M		R1118	NRSA63J-472X	MG RESISTOR	4.7kΩ 1/16W J	
△ C3101	QCZ9105-472	C CAPACITOR	4700pF 250V M		R1119	NRSA63J-104X	MG RESISTOR	100kΩ 1/16W J	
C3204	NCB21HK-104X	C CAPACITOR	0.1uF 50V K		R1120	NRSA63J-474X	MG RESISTOR	470kΩ 1/16W J	
C3205	NCB21HK-104X	C CAPACITOR	0.1uF 50V K		R1121	NRSA63J-470X	MG RESISTOR	47Ω 1/16W J	
C3206	NCB21HK-104X	C CAPACITOR	0.1uF 50V K		R1122	NRSA63J-334X	MG RESISTOR	330kΩ 1/16W J	
C3207	QEZ0677-688	C CAPACITOR	6800uF		R1123	NRSA63J-103X	MG RESISTOR	10kΩ 1/16W J	
C3208	QEZ0677-688	C CAPACITOR	6800uF		R1124	NRSA63J-101X	MG RESISTOR	100Ω 1/16W J	
C3209	NCB21HK-104X	C CAPACITOR	0.1uF 50V K		R1125	NRSA63J-103X	MG RESISTOR	10kΩ 1/16W J	
C3210	NCB21HK-104X	C CAPACITOR	0.1uF 50V K		R1126	NRSA63J-102X	MG RESISTOR	1kΩ 1/16W J	
C3211	QEZ0678-688	E CAPACITER	6800uF		R1127	NRSA63J-104X	MG RESISTOR	100kΩ 1/16W J	
C3212	QEZ0678-688	E CAPACITER	6800uF		R1128	NRSA63J-471X	MG RESISTOR	470Ω 1/16W J	
C3213	NCB21HK-104X	C CAPACITOR	0.1uF 50V K		R1201	NRSA63J-103X	MG RESISTOR	10kΩ 1/16W J	
C3214	NCB21HK-104X	C CAPACITOR	0.1uF 50V K		R1202	NRSA63J-222X	MG RESISTOR	2.2kΩ 1/16W J	
C3221	NCB21HK-104X	C CAPACITOR	0.1uF 50V K		R1203	NRSA63J-471X	MG RESISTOR	470Ω 1/16W J	
C3222	NCB21HK-104X	C CAPACITOR	0.1uF 50V K		R1204	NRSA63J-222X	MG RESISTOR	2.2kΩ 1/16W J	
C3223	NCB21HK-104X	C CAPACITOR	0.1uF 50V K		R1205	NRSA63J-563X	MG RESISTOR	56kΩ 1/16W J	
C3224	NCB21HK-104X	C CAPACITOR	0.1uF 50V K		R1206	NRSA63J-471X	MG RESISTOR	470Ω 1/16W J	
C3225	NCB21HK-104X	C CAPACITOR	0.1uF 50V K		R1207	NRSA63J-563X	MG RESISTOR	56kΩ 1/16W J	
C3226	NCB21HK-104X	C CAPACITOR	0.1uF 50V K		R1208	QRZ0224-R22	EMIT RESISTOR	0.22Ω	
C3501	NCB31CK-104X	C CAPACITOR	0.1uF 16V K		R1209	QRK126J-4R7X	UNF C RESISTOR	4.7Ω 1/2W J	
C3502	QETN1CM-107Z	E CAPACITOR	100uF 16V M		R1210	QRJ146J-100X	UNF C RESISTOR	10Ω 1/4W J	
C3503	NCB31HK-102X	C CAPACITOR	1000pF 50V K		R1211	NRSA63J-102X	MG RESISTOR	1kΩ 1/16W J	
C3504	NCF31HZ-103X	C CAPACITOR	0.01uF 50V Z						

△ Symbol No.	Part No.	Part Name	Description	Local	△ Symbol No.	Part No.	Part Name	Description	Local
R1212	NRSA63J-153X	MG RESISTOR	15kΩ 1/16W J		R1506	NRSA63J-471X	MG RESISTOR	470Ω 1/16W J	
R1213	NRSA63J-473X	MG RESISTOR	47kΩ 1/16W J		R1507	NRSA63J-563X	MG RESISTOR	56kΩ 1/16W J	
R1214	QRJ146J-100X	UNF C RESISTOR	10Ω 1/4W J		R1508	QRZ0224-R22	EMIT RESISTOR	0.22Ω	
R1215	NRSA63J-104X	MG RESISTOR	100kΩ 1/16W J		R1509	QRK126J-4R7X	UNF C RESISTOR	4.7Ω 1/2W J	
R1216	NRSA63J-153X	MG RESISTOR	15kΩ 1/16W J		R1510	QRJ146J-100X	UNF C RESISTOR	10Ω 1/4W J	
R1217	NRSA63J-183X	MG RESISTOR	18kΩ 1/16W J		R1511	NRSA63J-102X	MG RESISTOR	1kΩ 1/16W J	
R1218	NRSA63J-472X	MG RESISTOR	4.7kΩ 1/16W J		R1512	NRSA63J-153X	MG RESISTOR	15kΩ 1/16W J	
R1219	NRSA63J-104X	MG RESISTOR	100kΩ 1/16W J		R1513	NRSA63J-473X	MG RESISTOR	47kΩ 1/16W J	
R1220	NRSA63J-474X	MG RESISTOR	470kΩ 1/16W J		R1514	QRJ146J-100X	UNF C RESISTOR	10Ω 1/4W J	
R1221	NRSA63J-470X	MG RESISTOR	47Ω 1/16W J		R1515	NRSA63J-104X	MG RESISTOR	100kΩ 1/16W J	
R1222	NRSA63J-334X	MG RESISTOR	330kΩ 1/16W J		R1516	NRSA63J-153X	MG RESISTOR	15kΩ 1/16W J	
R1223	NRSA63J-103X	MG RESISTOR	10kΩ 1/16W J		R1517	NRSA63J-183X	MG RESISTOR	18kΩ 1/16W J	
R1224	NRSA63J-101X	MG RESISTOR	100Ω 1/16W J		R1518	NRSA63J-472X	MG RESISTOR	4.7kΩ 1/16W J	
R1225	NRSA63J-103X	MG RESISTOR	10kΩ 1/16W J		R1519	NRSA63J-104X	MG RESISTOR	100kΩ 1/16W J	
R1226	NRSA63J-102X	MG RESISTOR	1kΩ 1/16W J		R1520	NRSA63J-474X	MG RESISTOR	470kΩ 1/16W J	
R1227	NRSA63J-104X	MG RESISTOR	100kΩ 1/16W J		R1521	NRSA63J-470X	MG RESISTOR	47Ω 1/16W J	
R1228	NRSA63J-471X	MG RESISTOR	470Ω 1/16W J		R1522	NRSA63J-334X	MG RESISTOR	330kΩ 1/16W J	
R1301	NRSA63J-103X	MG RESISTOR	10kΩ 1/16W J		R1523	NRSA63J-103X	MG RESISTOR	10kΩ 1/16W J	
R1302	NRSA63J-222X	MG RESISTOR	2.2kΩ 1/16W J		R1524	NRSA63J-101X	MG RESISTOR	100Ω 1/16W J	
R1303	NRSA63J-471X	MG RESISTOR	470Ω 1/16W J		R1525	NRSA63J-103X	MG RESISTOR	10kΩ 1/16W J	
R1304	NRSA63J-222X	MG RESISTOR	2.2kΩ 1/16W J		R1526	NRSA63J-102X	MG RESISTOR	1kΩ 1/16W J	
R1305	NRSA63J-563X	MG RESISTOR	56kΩ 1/16W J		R1527	NRSA63J-104X	MG RESISTOR	100kΩ 1/16W J	
R1306	NRSA63J-471X	MG RESISTOR	470Ω 1/16W J		R1528	NRSA63J-471X	MG RESISTOR	470Ω 1/16W J	
R1307	NRSA63J-563X	MG RESISTOR	56kΩ 1/16W J		R1601	NRSA63J-153X	MG RESISTOR	15kΩ 1/16W J	
R1308	QRZ0224-R22	EMIT RESISTOR	0.22Ω		R1602	NRSA63J-183X	MG RESISTOR	18kΩ 1/16W J	
R1309	QRK126J-4R7X	UNF C RESISTOR	4.7Ω 1/2W J		R1603	NRSA63J-472X	MG RESISTOR	4.7kΩ 1/16W J	
R1310	QRJ146J-100X	UNF C RESISTOR	10Ω 1/4W J		R1604	NRSA63J-104X	MG RESISTOR	100kΩ 1/16W J	
R1311	NRSA63J-102X	MG RESISTOR	1kΩ 1/16W J		R1605	NRSA63J-154X	MG RESISTOR	150kΩ 1/16W J	
R1312	NRSA63J-153X	MG RESISTOR	15kΩ 1/16W J		R1606	NRSA63J-101X	MG RESISTOR	100Ω 1/16W J	
R1313	NRSA63J-473X	MG RESISTOR	47kΩ 1/16W J		R1607	NRSA63J-104X	MG RESISTOR	100kΩ 1/16W J	
R1314	QRJ146J-100X	UNF C RESISTOR	10Ω 1/4W J		R1608	NRSA63J-471X	MG RESISTOR	470Ω 1/16W J	
R1315	NRSA63J-104X	MG RESISTOR	100kΩ 1/16W J		R1609	NRSA63J-153X	MG RESISTOR	15kΩ 1/16W J	
R1316	NRSA63J-153X	MG RESISTOR	15kΩ 1/16W J		△ R3001	QRL027J-330	OMF RESISTOR	33Ω 2W J	
R1317	NRSA63J-183X	MG RESISTOR	18kΩ 1/16W J		R3002	QRK126J-151X	UNF C RESISTOR	150Ω 1/2W J	
R1318	NRSA63J-472X	MG RESISTOR	4.7kΩ 1/16W J		R3004	NRSA02J-151X	MG RESISTOR	150Ω 1/10W J	
R1319	NRSA63J-104X	MG RESISTOR	100kΩ 1/16W J		R3005	NRSA63J-153X	MG RESISTOR	15kΩ 1/16W J	
R1320	NRSA63J-474X	MG RESISTOR	470kΩ 1/16W J		△ R3006	QRL027J-680	OMF RESISTOR	68Ω 2W J	
R1321	NRSA63J-470X	MG RESISTOR	47Ω 1/16W J		△ R3007	QRL01DJ-150X	OMF RESISTOR	15Ω 1W J	
R1322	NRSA63J-334X	MG RESISTOR	330kΩ 1/16W J		R3201	NRSA63J-222X	MG RESISTOR	2.2kΩ 1/16W J	
R1323	NRSA63J-103X	MG RESISTOR	10kΩ 1/16W J		R3202	NRSA63J-222X	MG RESISTOR	2.2kΩ 1/16W J	
R1324	NRSA63J-101X	MG RESISTOR	100Ω 1/16W J		R3501	NRSA63J-223X	MG RESISTOR	22kΩ 1/16W J	
R1325	NRSA63J-103X	MG RESISTOR	10kΩ 1/16W J		R3502	NRSA63J-223X	MG RESISTOR	22kΩ 1/16W J	
R1326	NRSA63J-102X	MG RESISTOR	1kΩ 1/16W J		R3503	NRSA63J-223X	MG RESISTOR	22kΩ 1/16W J	
R1327	NRSA63J-104X	MG RESISTOR	100kΩ 1/16W J		R3504	NRSA63J-103X	MG RESISTOR	10kΩ 1/16W J	
R1328	NRSA63J-471X	MG RESISTOR	470Ω 1/16W J		R3505	NRSA63J-223X	MG RESISTOR	22kΩ 1/16W J	
R1401	NRSA63J-103X	MG RESISTOR	10kΩ 1/16W J		R3506	NRSA63J-223X	MG RESISTOR	22kΩ 1/16W J	
R1402	NRSA63J-222X	MG RESISTOR	2.2kΩ 1/16W J		R3507	NRSA63J-223X	MG RESISTOR	22kΩ 1/16W J	
R1403	NRSA63J-471X	MG RESISTOR	470Ω 1/16W J		R3508	NRSA63J-471X	MG RESISTOR	470Ω 1/16W J	
R1404	NRSA63J-222X	MG RESISTOR	2.2kΩ 1/16W J		R3509	NRSA63J-223X	MG RESISTOR	22kΩ 1/16W J	
R1405	NRSA63J-563X	MG RESISTOR	56kΩ 1/16W J		R3512	NRSA63J-223X	MG RESISTOR	22kΩ 1/16W J	
R1406	NRSA63J-471X	MG RESISTOR	470Ω 1/16W J		R3513	NRSA63J-223X	MG RESISTOR	22kΩ 1/16W J	
R1407	NRSA63J-563X	MG RESISTOR	56kΩ 1/16W J		R3514	NRSA63J-103X	MG RESISTOR	10kΩ 1/16W J	
R1408	QRZ0224-R22	EMIT RESISTOR	0.22Ω		R3515	NRSA63J-223X	MG RESISTOR	22kΩ 1/16W J	
R1409	QRK126J-4R7X	UNF C RESISTOR	4.7Ω 1/2W J		R3516	NRSA63J-103X	MG RESISTOR	10kΩ 1/16W J	
R1410	QRJ146J-100X	UNF C RESISTOR	10Ω 1/4W J		R3517	NRSA63J-472X	MG RESISTOR	4.7kΩ 1/16W J	
R1411	NRSA63J-102X	MG RESISTOR	1kΩ 1/16W J		R3518	NRSA63J-223X	MG RESISTOR	22kΩ 1/16W J	
R1412	NRSA63J-153X	MG RESISTOR	15kΩ 1/16W J		R3519	NRSA63J-223X	MG RESISTOR	22kΩ 1/16W J	
R1413	NRSA63J-473X	MG RESISTOR	47kΩ 1/16W J		R3520	NRSA63J-223X	MG RESISTOR	22kΩ 1/16W J	
R1414	QRJ146J-100X	UNF C RESISTOR	10Ω 1/4W J		R3523	NRSA63J-223X	MG RESISTOR	22kΩ 1/16W J	
R1415	NRSA63J-104X	MG RESISTOR	100kΩ 1/16W J		R3525	NRSA63J-223X	MG RESISTOR	22kΩ 1/16W J	
R1416	NRSA63J-153X	MG RESISTOR	15kΩ 1/16W J		R3526	NRSA63J-223X	MG RESISTOR	22kΩ 1/16W J	
R1417	NRSA63J-183X	MG RESISTOR	18kΩ 1/16W J		R3527	NRSA63J-103X	MG RESISTOR	10kΩ 1/16W J	
R1418	NRSA63J-472X	MG RESISTOR	4.7kΩ 1/16W J		R3528	NRSA63J-223X	MG RESISTOR	22kΩ 1/16W J	
R1419	NRSA63J-104X	MG RESISTOR	100kΩ 1/16W J		R3701	NRSA63J-103X	MG RESISTOR	10kΩ 1/16W J	
R1420	NRSA63J-474X	MG RESISTOR	470kΩ 1/16W J		R3702	NRSA63J-223X	MG RESISTOR	22kΩ 1/16W J	
R1421	NRSA63J-470X	MG RESISTOR	47Ω 1/16W J		R3703	NRSA63J-223X	MG RESISTOR	22kΩ 1/16W J	
R1422	NRSA63J-334X	MG RESISTOR	330kΩ 1/16W J		R3704	NRSA63J-393X	MG RESISTOR	39kΩ 1/16W J	
R1423	NRSA63J-103X	MG RESISTOR	10kΩ 1/16W J		R3705	NRSA63J-223X	MG RESISTOR	22kΩ 1/16W J	
R1424	NRSA63J-101X	MG RESISTOR	100Ω 1/16W J		R3706	NRSA63J-183X	MG RESISTOR	18kΩ 1/16W J	
R1425	NRSA63J-103X	MG RESISTOR	10kΩ 1/16W J		R3707	NRSA63J-223X	MG RESISTOR	22kΩ 1/16W J	
R1426	NRSA63J-102X	MG RESISTOR	1kΩ 1/16W J		R3708	NRSA63J-822X	MG RESISTOR	8.2kΩ 1/16W J	
R1427	NRSA63J-104X	MG RESISTOR	100kΩ 1/16W J		R3709	NRSA63J-104X	MG RESISTOR	100kΩ 1/16W J	
R1428	NRSA63J-471X	MG RESISTOR	470Ω 1/16W J		R3710	NRSA63J-102X	MG RESISTOR	1kΩ 1/16W J	
R1501	NRSA63J-103X	MG RESISTOR	10kΩ 1/16W J		R3711	NRSA63J-223X	MG RESISTOR	22kΩ 1/16W J	
R1502	NRSA63J-222X	MG RESISTOR	2.2kΩ 1/16W J		R3713	NRSA63J-153X	MG RESISTOR	15kΩ 1/16W J	
R1503	NRSA63J-471X	MG RESISTOR	470Ω 1/16W J		R3715	NRSA63J-103X	MG RESISTOR	10kΩ 1/16W J	
R1504	NRSA63J-222X	MG RESISTOR	2.2kΩ 1/16W J		R3716	NRSA63J-472X	MG RESISTOR	4.7kΩ 1/16W J	
R1505	NRSA63J-563X	MG RESISTOR	56kΩ 1/16W J		R3717	NRSA63J-102X	MG RESISTOR	1kΩ 1/16W J	

△ Symbol No.	Part No.	Part Name	Description	Local	△ Symbol No.	Part No.	Part Name	Description	Local
Q2708	UN2111-X	TRANSISTOR			C2105	NDC31HJ-151X	C CAPACITOR	150pF 50V J	
Q2709	2SA1514K/RS/-X	TRANSISTOR			C2106	NDC31HJ-560X	C CAPACITOR	56pF 50V J	
Q2901	KTA1046/Y/	TRANSISTOR			C2107	NCB21HK-104X	C CAPACITOR	0.1uF 50V K	
Q2902	KTC3199/GL/-T	TRANSISTOR			C2108	NCB31EK-104X	C CAPACITOR	0.1uF 25V K	
Q2903	KTC3199/GL/-T	TRANSISTOR			C2109	QETN1CM-106Z	E CAPACITOR	10uF 16V M	
Q2904	KTA1271/OY/-T	TRANSISTOR			C2110	NCB31HK-102X	C CAPACITOR	1000pF 50V K	
Q2905	KTC3875/YG/-X	SI TRANSISTOR			C2111	NCB31HK-102X	C CAPACITOR	1000pF 50V K	
Q2906	UN2113-X	TRANSISTOR			C2112	NCB31HK-102X	C CAPACITOR	1000pF 50V K	
Q2907	UN2211-X	TRANSISTOR			C2113	NCB31HK-102X	C CAPACITOR	1000pF 50V K	
Q2908	KTA1504/YG/-X	SI TRANSISTOR			C2114	NCB21HK-104X	C CAPACITOR	0.1uF 50V K	
					C2115	NCB21HK-104X	C CAPACITOR	0.1uF 50V K	
D2001	1SS133-T2	SI DIODE			C2116	QETN2AM-106Z	E CAPACITOR	10uF 100V M	
D2002	MA111-X	SI DIODE			C2117	QFVF1HJ-474Z	MF CAPACITOR	0.47uF 50V J	
D2101	MA111-X	SI DIODE			C2118	NCB21HK-104X	C CAPACITOR	0.1uF 50V K	
D2102	MA111-X	SI DIODE			C2119	NCB21HK-104X	C CAPACITOR	0.1uF 50V K	
D2103	MA111-X	SI DIODE			C2201	NCB31EK-104X	C CAPACITOR	0.1uF 25V K	
D2104	1SS244-T2	SI DIODE			C2202	NDC31HJ-680X	C CAPACITOR	68pF 50V J	
D2105	MA111-X	SI DIODE			C2203	NDC31HJ-680X	C CAPACITOR	68pF 50V J	
D2106	MA111-X	SI DIODE			C2204	NDC31HJ-151X	C CAPACITOR	150pF 50V J	
D2107	1SS244-T2	SI DIODE			C2205	NDC31HJ-560X	C CAPACITOR	56pF 50V J	
D2108	MA111-X	SI DIODE			C2206	NCB21HK-104X	C CAPACITOR	0.1uF 50V K	
D2109	MA111-X	SI DIODE			C2207	NCB31EK-104X	C CAPACITOR	0.1uF 25V K	
D2110	MA111-X	SI DIODE			C2208	QETN1CM-106Z	E CAPACITOR	10uF 16V M	
D2111	MA111-X	SI DIODE			C2209	NCB31HK-102X	C CAPACITOR	1000pF 50V K	
D2112	1SS244-T2	SI DIODE			C2210	NCB31HK-102X	C CAPACITOR	1000pF 50V K	
D2201	MA111-X	SI DIODE			C2211	NCB31HK-102X	C CAPACITOR	1000pF 50V K	
D2202	MA111-X	SI DIODE			C2212	NCB31HK-102X	C CAPACITOR	1000pF 50V K	
D2203	1SS244-T2	SI DIODE			C2213	NCB21HK-104X	C CAPACITOR	0.1uF 50V K	
D2204	MA111-X	SI DIODE			C2214	NCB21HK-104X	C CAPACITOR	0.1uF 50V K	
D2205	MA111-X	SI DIODE			C2215	QETN2AM-106Z	E CAPACITOR	10uF 100V M	
D2206	1SS244-T2	SI DIODE			C2216	QFVF1HJ-474Z	MF CAPACITOR	0.47uF 50V J	
D2207	MA111-X	SI DIODE			C2217	NCB21HK-104X	C CAPACITOR	0.1uF 50V K	
D2208	MA111-X	SI DIODE			C2218	NCB21HK-104X	C CAPACITOR	0.1uF 50V K	
D2209	MA111-X	SI DIODE			C2701	QENC1CM-476Z	BP E CAPACITOR	47uF 16V M	
D2210	MA111-X	SI DIODE			C2702	QENC1CM-476Z	BP E CAPACITOR	47uF 16V M	
D2211	1SS244-T2	SI DIODE			C2705	NCB31HK-333X	C CAPACITOR	0.033uF 50V K	
D2701	MA111-X	SI DIODE			C2706	NCB31EK-104X	C CAPACITOR	0.1uF 25V K	
D2702	MA111-X	SI DIODE			C2707	NCB31EK-104X	C CAPACITOR	0.1uF 25V K	
D2703	UDZS5.1B-X	Z DIODE			C2708	NCB31HK-333X	C CAPACITOR	0.033uF 50V K	
D2704	UDZS4.7B-X	Z DIODE			C2709	NCJ31CK-105X-A	C CAPACITOR		
D2901	UDZS6.2B-X	Z DIODE			C2710	NCS31HJ-101X	C CAPACITOR	100pF 50V J	
D2902	ERA18-04-T1	FR DIODE			C2711	NCB21HK-104X	C CAPACITOR	0.1uF 50V K	
D2903	UDZS16B-X	Z DIODE			C2712	NCB21HK-104X	C CAPACITOR	0.1uF 50V K	
D2904	UDZS6.2B-X	Z DIODE			C2901	QETN1HM-337Z	E CAPACITOR	330uF 50V M	
D2905	UDZS10B-X	Z DIODE			C2902	QETN1HM-337Z	E CAPACITOR	330uF 50V M	
D2906	MA111-X	SI DIODE			C2903	QETN1HM-106Z	E CAPACITOR	10uF 50V M	
D2907	MA111-X	SI DIODE			C2904	NCB31HK-472X	C CAPACITOR	4700pF 50V K	
					C2905	QETN1EM-106Z	E CAPACITOR	10uF 25V M	
C2001	QFVF1HJ-184Z	MF CAPACITOR	0.18uF 50V J		C2906	NCB21HK-104X	C CAPACITOR	0.1uF 50V K	
C2002	QFVF1HJ-154Z	MF CAPACITOR	0.15uF 50V J		C2907	QETN1CM-107Z	E CAPACITOR	100uF 16V M	
C2003	QTE1C28-227Z	E CAPACITOR	220uF 16V		C2908	QETN1CM-107Z	E CAPACITOR	100uF 16V M	
C2004	NCB31EK-104X	C CAPACITOR	0.1uF 25V K		C2909	QETN1CM-107Z	E CAPACITOR	100uF 16V M	
C2005	NCB31EK-104X	C CAPACITOR	0.1uF 25V K		C2910	QETN0JM-108Z	E CAPACITOR	1000uF 6.3V M	
C2006	NCB31HK-472X	C CAPACITOR	4700pF 50V K		C2912	NCB21HK-104X	C CAPACITOR	0.1uF 50V K	
C2007	NCB31HK-472X	C CAPACITOR	4700pF 50V K		C2913	NCB21HK-104X	C CAPACITOR	0.1uF 50V K	
C2008	NDC31HJ-181X	C CAPACITOR	180pF 50V J		C2914	NCB21HK-104X	C CAPACITOR	0.1uF 50V K	
C2009	NCB31HK-222X	C CAPACITOR	2200pF 50V K		C2915	NCB21HK-104X	C CAPACITOR	0.1uF 50V K	
C2010	NCB31HK-331X	C CAPACITOR	330pF 50V K		C2916	NCB21HK-104X	C CAPACITOR	0.1uF 50V K	
C2011	NCF31AZ-105X	C CAPACITOR	1uF 10V Z		C2917	NCB21HK-104X	C CAPACITOR	0.1uF 50V K	
C2012	NCB31EK-104X	C CAPACITOR	0.1uF 25V K		R2001	NRSA63J-222X	MG RESISTOR	2.2kΩ 1/16W J	
C2013	NCB31EK-104X	C CAPACITOR	0.1uF 25V K		R2002	NRSA63J-563X	MG RESISTOR	56kΩ 1/16W J	
C2014	NCB31EK-104X	C CAPACITOR	0.1uF 25V K		R2003	NRSA63J-122X	MG RESISTOR	1.2kΩ 1/16W J	
C2015	NDC31HJ-331X	C CAPACITOR	330pF 50V J		R2004	NRSA63J-106X	MG RESISTOR	10MΩ 1/16W J	
C2016	NDC31HJ-331X	C CAPACITOR	330pF 50V J		R2005	NRSA63J-103X	MG RESISTOR	10kΩ 1/16W J	
C2017	NDC31HJ-331X	C CAPACITOR	330pF 50V J		R2006	NRSA63J-103X	MG RESISTOR	10kΩ 1/16W J	
C2018	NDC31HJ-331X	C CAPACITOR	330pF 50V J		R2007	NRSA63J-821X	MG RESISTOR	820Ω 1/16W J	
C2019	NCB31HK-223X	C CAPACITOR	0.022uF 50V K		R2008	NRSA63J-103X	MG RESISTOR	10kΩ 1/16W J	
C2020	NCB31HK-223X	C CAPACITOR	0.022uF 50V K		R2009	NRSA63J-332X	MG RESISTOR	3.3kΩ 1/16W J	
C2021	NCB21HK-473X	C CAPACITOR	0.047uF 50V K		R2011	NRSA63J-102X	MG RESISTOR	1kΩ 1/16W J	
C2022	NCB21HK-473X	C CAPACITOR	0.047uF 50V K		R2012	NRSA63J-223X	MG RESISTOR	22kΩ 1/16W J	
C2023	QFZ0212-105Z	MF CAPACITOR	1uF		R2013	NRSA63J-102X	MG RESISTOR	1kΩ 1/16W J	
C2024	QFZ0212-105Z	MF CAPACITOR	1uF		R2014	NRSA63J-102X	MG RESISTOR	1kΩ 1/16W J	
C2028	NDC31HJ-331X	C CAPACITOR	330pF 50V J		R2015	NRSA63J-223X	MG RESISTOR	22kΩ 1/16W J	
C2029	QETN1CM-476Z	E CAPACITOR	47uF 16V M		R2016	NRSA63J-101X	MG RESISTOR	100Ω 1/16W J	
C2101	QETN1CM-106Z	E CAPACITOR	10uF 16V M		R2017	NRSA63J-821X	MG RESISTOR	820Ω 1/16W J	
C2102	NCB31EK-104X	C CAPACITOR	0.1uF 25V K		R2018	NRSA63J-103X	MG RESISTOR	10kΩ 1/16W J	
C2103	NDC31HJ-680X	C CAPACITOR	68pF 50V J		R2019	NRSA63J-105X	MG RESISTOR	1MΩ 1/16W J	
C2104	NDC31HJ-680X	C CAPACITOR	68pF 50V J						

△ Symbol No.	Part No.	Part Name	Description	Local	△ Symbol No.	Part No.	Part Name	Description	Local
R2020	NRSA63J-822X	MG RESISTOR	8.2kΩ 1/16W J		R2222	NRSA63J-221X	MG RESISTOR	220Ω 1/16W J	
R2021	NRSA63J-105X	MG RESISTOR	1MΩ 1/16W J		R2223	NRSA63J-682X	MG RESISTOR	6.8kΩ 1/16W J	
R2022	NRSA63J-822X	MG RESISTOR	8.2kΩ 1/16W J		R2224	NRSA63J-221X	MG RESISTOR	220Ω 1/16W J	
R2023	NRSA63J-222X	MG RESISTOR	2.2kΩ 1/16W J		R2225	NRSA63J-682X	MG RESISTOR	6.8kΩ 1/16W J	
R2024	NRSA63J-222X	MG RESISTOR	2.2kΩ 1/16W J		R2226	QRM034J-R10	MP RESISTOR	0.1Ω 3W J	
R2025	NRSA63J-273X	MG RESISTOR	27kΩ 1/16W J		R2227	QRZ0224-R22	EMIT RESISTOR	0.22Ω	
R2026	NRSA63J-273X	MG RESISTOR	27kΩ 1/16W J		R2228	NRSA63J-101X	MG RESISTOR	100Ω 1/16W J	
R2027	NRSA63J-472X	MG RESISTOR	4.7kΩ 1/16W J		R2229	NRSA63J-221X	MG RESISTOR	220Ω 1/16W J	
R2028	NRSA63J-472X	MG RESISTOR	4.7kΩ 1/16W J		R2230	NRS125J-220X	MG RESISTOR	22Ω 1/2W J	
R2029	NRSA63J-102X	MG RESISTOR	1kΩ 1/16W J		R2231	NRS125J-220X	MG RESISTOR	22Ω 1/2W J	
R2030	NRSA63J-183X	MG RESISTOR	18kΩ 1/16W J		R2701	NRSA63J-564X	MG RESISTOR	560kΩ 1/16W J	
R2031	NRSA63J-103X	MG RESISTOR	10kΩ 1/16W J		R2702	NRSA63J-564X	MG RESISTOR	560kΩ 1/16W J	
R2032	NRSA63J-224X	MG RESISTOR	220kΩ 1/16W J		R2703	NRSA63J-104X	MG RESISTOR	100kΩ 1/16W J	
R2033	QRK126J-4R7X	UNF C RESISTOR	4.7Ω 1/2W J		R2704	NRSA63J-104X	MG RESISTOR	100kΩ 1/16W J	
R2034	NRSA63J-472X	MG RESISTOR	4.7kΩ 1/16W J		R2705	NRSA63J-332X	MG RESISTOR	3.3kΩ 1/16W J	
R2035	NRSA63J-202X	MG RESISTOR	2kΩ 1/16W J		R2706	NRSA63J-332X	MG RESISTOR	3.3kΩ 1/16W J	
R2036	NRSA63J-392X	MG RESISTOR	3.9kΩ 1/16W J		R2707	NRSA63J-103X	MG RESISTOR	10kΩ 1/16W J	
R2037	NRSA63J-223X	MG RESISTOR	22kΩ 1/16W J		R2708	NRSA63J-104X	MG RESISTOR	100kΩ 1/16W J	
R2038	NRSA63J-472X	MG RESISTOR	4.7kΩ 1/16W J		R2709	NRSA63J-104X	MG RESISTOR	100kΩ 1/16W J	
R2039	NRSA63J-432X	MG RESISTOR	4.3kΩ 1/16W J		R2710	NRSA63J-563X	MG RESISTOR	56kΩ 1/16W J	
R2040	NRSA63J-272X	MG RESISTOR	2.7kΩ 1/16W J		R2711	NRSA63J-563X	MG RESISTOR	56kΩ 1/16W J	
R2040	NRSA63J-392X	MG RESISTOR	3.9kΩ 1/16W J		R2712	NRSA63J-123X	MG RESISTOR	12kΩ 1/16W J	
R2041	NRSA63J-272X	MG RESISTOR	2.7kΩ 1/16W J		R2713	NRSA63J-123X	MG RESISTOR	12kΩ 1/16W J	
R2041	NRSA63J-202X	MG RESISTOR	2kΩ 1/16W J		R2714	NRSA63J-104X	MG RESISTOR	100kΩ 1/16W J	
R2042	NRSA63J-472X	MG RESISTOR	4.7kΩ 1/16W J		R2715	NRSA63J-103X	MG RESISTOR	10kΩ 1/16W J	
R2101	NRSA63J-221X	MG RESISTOR	220Ω 1/16W J		R2716	NRSA63J-273X	MG RESISTOR	27kΩ 1/16W J	
R2102	NRSA63J-911X	MG RESISTOR	910Ω 1/16W J		R2717	NRSA63J-222X	MG RESISTOR	2.2kΩ 1/16W J	
R2103	NRSA63J-103X	MG RESISTOR	10kΩ 1/16W J		R2718	NRSA63J-123X	MG RESISTOR	12kΩ 1/16W J	
R2104	NRSA63J-182X	MG RESISTOR	1.8kΩ 1/16W J		R2719	NRSA63J-103X	MG RESISTOR	10kΩ 1/16W J	
R2105	NRSA63J-182X	MG RESISTOR	1.8kΩ 1/16W J		R2720	NRSA63J-223X	MG RESISTOR	22kΩ 1/16W J	
R2106	NRSA63J-102X	MG RESISTOR	1kΩ 1/16W J		R2721	NRSA63J-223X	MG RESISTOR	22kΩ 1/16W J	
R2107	NRSA63J-101X	MG RESISTOR	100Ω 1/16W J		R2722	NRSA63J-223X	MG RESISTOR	22kΩ 1/16W J	
R2108	NRSA63J-101X	MG RESISTOR	100Ω 1/16W J		R2723	NRSA63J-223X	MG RESISTOR	22kΩ 1/16W J	
R2109	NRSA63J-390X	MG RESISTOR	39Ω 1/16W J		R2901	QRZ9006-4R7X	F.RESISTOR	4.7Ω 1/4W J	
R2110	NRSA63J-101X	MG RESISTOR	100Ω 1/16W J		R2902	NRSA02J-203X	MG RESISTOR	20kΩ 1/10W J	
R2111	NRSA63J-102X	MG RESISTOR	1kΩ 1/16W J		R2903	NRSA63J-471X	MG RESISTOR	470Ω 1/16W J	
R2112	NRSA63J-331X	MG RESISTOR	330Ω 1/16W J		R2904	NRSA63J-122X	MG RESISTOR	1.2kΩ 1/16W J	
R2113	NRSA63J-101X	MG RESISTOR	100Ω 1/16W J		R2905	NRSA63J-221X	MG RESISTOR	220Ω 1/16W J	
R2114	NRSA63J-561X	MG RESISTOR	560Ω 1/16W J		R2906	NRSA02J-471X	MG RESISTOR	470Ω 1/10W J	
R2115	NRSA63J-102X	MG RESISTOR	1kΩ 1/16W J		R2907	NRSA63J-473X	MG RESISTOR	47kΩ 1/16W J	
R2116	NRSA63J-100X	MG RESISTOR	10Ω 1/16W J		R2908	NRSA63J-472X	MG RESISTOR	4.7kΩ 1/16W J	
R2117	NRS125J-330X	MG RESISTOR	33Ω 1/2W J		R2909	NRSA63J-562X	MG RESISTOR	5.6kΩ 1/16W J	
R2118	NRS125J-330X	MG RESISTOR	33Ω 1/2W J		R2910	NRSA63J-681X	MG RESISTOR	680Ω 1/16W J	
R2119	NRSA63J-104X	MG RESISTOR	100kΩ 1/16W J		R2911	NRSA63J-331X	MG RESISTOR	330Ω 1/16W J	
R2120	NRSA63J-104X	MG RESISTOR	100kΩ 1/16W J		R2912	QRE141J-5R6Y	C RESISTOR	5.6Ω 1/4W J	
R2121	NRS125J-220X	MG RESISTOR	22Ω 1/2W J		R2913	NRSA02J-203X	MG RESISTOR	20kΩ 1/10W J	
R2122	NRS125J-220X	MG RESISTOR	22Ω 1/2W J		R2914	NRSA02J-203X	MG RESISTOR	20kΩ 1/10W J	
R2123	NRS016J-470X	MG RESISTOR	47Ω 1W J		L2101	QQR1461-001	COIL		
R2124	NRSA63J-221X	MG RESISTOR	220Ω 1/16W J		L2201	QQR1461-001	COIL		
R2125	NRSA63J-682X	MG RESISTOR	6.8kΩ 1/16W J		L2901	QQL28AK-221	CHOKE COIL	220uH K	
R2126	NRSA63J-221X	MG RESISTOR	220Ω 1/16W J		CN201	QGB2510K2-12	CONNECTOR	B-B (1-12)	
R2127	NRSA63J-682X	MG RESISTOR	6.8kΩ 1/16W J		CN202	QGA2501C1-02	CONNECTOR	W-B (1-2)	
R2128	QRZ0224-R22	EMIT RESISTOR	0.22Ω		CN203	QGB2510K2-09	CONNECTOR	B-B (1-9)	
R2129	QRM034J-R10	MP RESISTOR	0.1Ω 3W J		CN204	QGA3901F2-02	CONNECTOR	W-B (1-2)	
R2130	NRSA63J-101X	MG RESISTOR	100Ω 1/16W J		HS201	LV34789-001A	FET CASE		
R2131	NRSA63J-221X	MG RESISTOR	220Ω 1/16W J		K2101	QQR1277-001Z	COIL		
R2132	NRS125J-220X	MG RESISTOR	22Ω 1/2W J		K2201	QQR1277-001Z	COIL		
R2133	NRS125J-220X	MG RESISTOR	22Ω 1/2W J		RY201	QSK0098-001	RELAY		
R2202	NRSA63J-182X	MG RESISTOR	1.8kΩ 1/16W J		TH201	NAD0025-333X	N THERMISTOR	33kΩ	
R2203	NRSA63J-182X	MG RESISTOR	1.8kΩ 1/16W J		WC201	QZW0112-002	WIRE CLAMP		
R2204	NRSA63J-102X	MG RESISTOR	1kΩ 1/16W J		X2001	QAX0734-001	C RESONATOR	400.00kHz	
R2205	NRSA63J-101X	MG RESISTOR	100Ω 1/16W J		X2002	QAX0735-001	C RESONATOR	420.00kHz	
R2206	NRSA63J-101X	MG RESISTOR	100Ω 1/16W J						
R2207	NRSA63J-390X	MG RESISTOR	39Ω 1/16W J						
R2208	NRSA63J-101X	MG RESISTOR	100Ω 1/16W J						
R2209	NRSA63J-102X	MG RESISTOR	1kΩ 1/16W J						
R2210	NRSA63J-331X	MG RESISTOR	330Ω 1/16W J						
R2211	NRSA63J-101X	MG RESISTOR	100Ω 1/16W J						
R2212	NRSA63J-561X	MG RESISTOR	560Ω 1/16W J						
R2213	NRSA63J-102X	MG RESISTOR	1kΩ 1/16W J						
R2214	NRSA63J-100X	MG RESISTOR	10Ω 1/16W J						
R2215	NRS125J-330X	MG RESISTOR	33Ω 1/2W J						
R2216	NRS125J-330X	MG RESISTOR	33Ω 1/2W J						
R2217	NRSA63J-104X	MG RESISTOR	100kΩ 1/16W J						
R2218	NRSA63J-104X	MG RESISTOR	100kΩ 1/16W J						
R2219	NRS125J-220X	MG RESISTOR	22Ω 1/2W J						
R2220	NRS125J-220X	MG RESISTOR	22Ω 1/2W J						
R2221	NRS016J-470X	MG RESISTOR	47Ω 1W J						

DVD loading board

Block No. [0][6]

△ Symbol No.	Part No.	Part Name	Description	Local
IC1	LB1641	IC		
IC2	LB1641	IC		
D1	MTZJ6.2A-T2	Z DIODE		

Symbol No.	Part No.	Part Name	Description	Local
C1	QEKC1AM-107Z	E CAPACITOR	100uF 10V M	
C2	QCFB1HZ-104Y	C CAPACITOR	0.1uF 50V Z	
C3	QFLC1HJ-103Z	M CAPACITOR	0.01uF 50V J	
C5	QFLC1HJ-103Z	M CAPACITOR	0.01uF 50V J	
C6	QCFB1HZ-104Y	C CAPACITOR	0.1uF 50V Z	
C7	QCFB1HZ-104Y	C CAPACITOR	0.1uF 50V Z	

CN1	QGF1036F1-15	CONNECTOR	FFC/FPC (1-15)	
CN2	QGB2024K1-07S	CONNECTOR	B-B (1-7)	
CN3	QGB2024J1-07S	CONNECTOR	B-B (1-7)	
SW1	QSW0844-001	PUSH SWITCH		
SW2	QSW0844-001	PUSH SWITCH		
SW3	QSW0844-001	PUSH SWITCH		
SW4	QSW0844-001	PUSH SWITCH		
SW5	QSW0844-001	PUSH SWITCH		
SW6	QSW0854-002	PUSH SW		
SW8	QSW0923-001	DETECT SWITCH		

DVD servo board

Block No. [0][7]

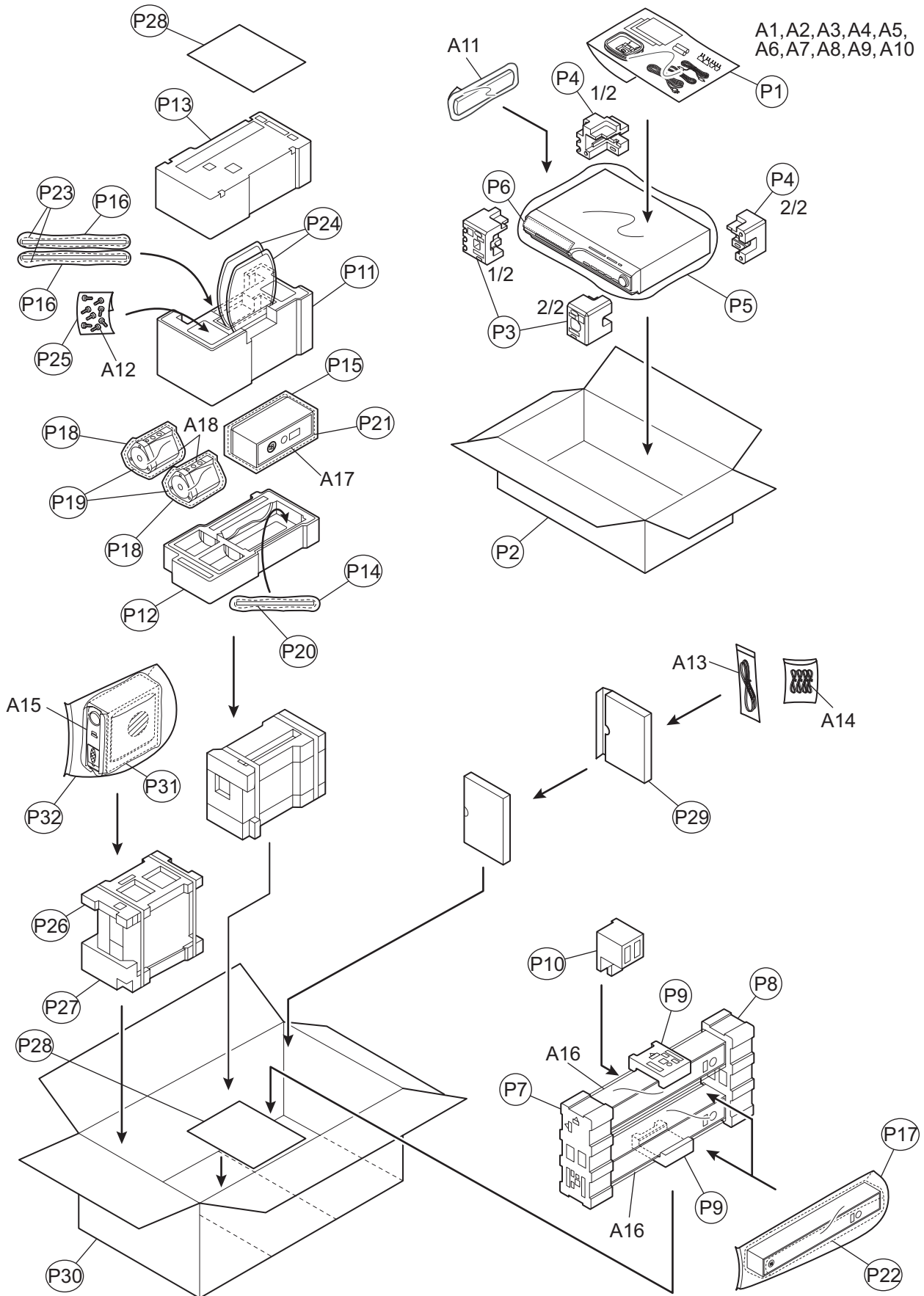
Symbol No.	Part No.	Part Name	Description	Local
IC201	LA6502-X	IC		
IC301	MN2DS0004AA-H	IC		
IC302	BA00HC5WF-X	IC		
IC305	MM1563DF-X	IC	3.3V Regulator	
IC451	MN101C61GNE1	IC(MCU)		
IC452	BR93L56RFV-W-X	IC		
IC453	S-80827CNBN-W	IC		
IC505	K4S643232F-TC60	IC		
IC509	AT49BV322AT70TI	IC(FLASH)		
IC512	SN74LVC373APW-X	IC(DIGITAL)		
IC513	SN74LVC373APW-X	IC(DIGITAL)		
IC701	AK4384VT-X	IC		
IC702	AK4384VT-X	IC		
IC703	AK4384VT-X	IC		
IC704	CS5342-CZZ-X	IC(DIGITAL)		
IC705	MM1615AN-X	IC		
Q101	KTA1001/Y/-X	TRANSISTOR		
Q102	2SC4617/R/-X	TRANSISTOR		
Q103	KTA1001/Y/-X	TRANSISTOR		
Q104	2SC4617/R/-X	TRANSISTOR		
Q105	UN2119-X	TRANSISTOR		
C101	NCF31CZ-104X	C CAPACITOR	0.1uF 16V Z	
C102	NCF31CZ-104X	C CAPACITOR	0.1uF 16V Z	
C103	NCF31CZ-104X	C CAPACITOR	0.1uF 16V Z	
C104	NCF31CZ-104X	C CAPACITOR	0.1uF 16V Z	
C105	NEA70JM-226X	E CAPACITOR	22uF 6.3V M	
C106	NEA70JM-476X	E CAPACITOR	47uF 6.3V M	
C107	NCF31CZ-104X	C CAPACITOR	0.1uF 16V Z	
C108	NEA70JM-476X	E CAPACITOR	47uF 6.3V M	
C204	NCF31CZ-104X	C CAPACITOR	0.1uF 16V Z	
C205	NCB31HK-271X	C CAPACITOR	270pF 50V K	
C206	NDC31HJ-151X	C CAPACITOR	150pF 50V J	
C211	NCB31CK-223X	C CAPACITOR	0.022uF 16V K	
C217	NCF31CZ-104X	C CAPACITOR	0.1uF 16V Z	
C251	NCB31AK-474X	C CAPACITOR	0.47uF 10V K	
C256	NCB31CK-104X	C CAPACITOR	0.1uF 16V K	
C257	NCB31HK-822X	C CAPACITOR	8200pF 50V K	
C258	NCB31CK-153X	C CAPACITOR	0.015uF 16V K	
C259	NCB31CK-153X	C CAPACITOR	0.015uF 16V K	
C260	NCB31HK-223X	C CAPACITOR	0.022uF 50V K	
C261	NCB31HK-223X	C CAPACITOR	0.022uF 50V K	
C262	NCB31HK-223X	C CAPACITOR	0.022uF 50V K	
C300	NCF31CZ-104X	C CAPACITOR	0.1uF 16V Z	
C301	NEA70GM-227X	E CAPACITOR	220uF 4V M	
C302	NEA70GM-476X	E CAPACITOR	47uF 4V M	
C303	NBE20JM-476X	TA E CAPACITOR	47uF 6.3V M	
C304	NCB30JK-105X	C CAPACITOR	1uF 6.3V K	
C305	NCF31CZ-104X	C CAPACITOR	0.1uF 16V Z	

Symbol No.	Part No.	Part Name	Description	Local
C306	NCF31CZ-104X	C CAPACITOR	0.1uF 16V Z	
C307	NCF31CZ-104X	C CAPACITOR	0.1uF 16V Z	
C308	NCF31CZ-104X	C CAPACITOR	0.1uF 16V Z	
C309	NCF31CZ-104X	C CAPACITOR	0.1uF 16V Z	
C310	NCB31CK-104X	C CAPACITOR	0.1uF 16V K	
C311	NCF31CZ-104X	C CAPACITOR	0.1uF 16V Z	
C312	NCF31CZ-104X	C CAPACITOR	0.1uF 16V Z	
C313	NCF31CZ-104X	C CAPACITOR	0.1uF 16V Z	
C314	NCB31CK-104X	C CAPACITOR	0.1uF 16V K	
C315	NCF31CZ-104X	C CAPACITOR	0.1uF 16V Z	
C316	NCB31CK-104X	C CAPACITOR	0.1uF 16V K	
C317	NCF31CZ-104X	C CAPACITOR	0.1uF 16V Z	
C318	NCF31CZ-104X	C CAPACITOR	0.1uF 16V Z	
C319	NCB31CK-104X	C CAPACITOR	0.1uF 16V K	
C320	NCB31CK-104X	C CAPACITOR	0.1uF 16V K	
C321	NCB31CK-104X	C CAPACITOR	0.1uF 16V K	
C322	NCB31CK-104X	C CAPACITOR	0.1uF 16V K	
C323	NCB31CK-104X	C CAPACITOR	0.1uF 16V K	
C324	NCB30JK-105X	C CAPACITOR	1uF 6.3V K	
C325	NDC31HJ-180X	C CAPACITOR	18pF 50V J	
C326	NDC31HJ-150X	C CAPACITOR	15pF 50V J	
C328	NCB30JK-105X	C CAPACITOR	1uF 6.3V K	
C329	NCF31CZ-104X	C CAPACITOR	0.1uF 16V Z	
C330	NCF31CZ-104X	C CAPACITOR	0.1uF 16V Z	
C331	NCB31CK-333X	C CAPACITOR	0.033uF 16V K	
C332	NCB31CK-104X	C CAPACITOR	0.1uF 16V K	
C333	NCB31CK-104X	C CAPACITOR	0.1uF 16V K	
C334	NCB31CK-104X	C CAPACITOR	0.1uF 16V K	
C335	NCF31CZ-104X	C CAPACITOR	0.1uF 16V Z	
C336	NBE20JM-226X	TA E CAPACITOR	22uF 6.3V M	
C337	NCB31CK-183X	C CAPACITOR	0.018uF 16V K	
C338	NCB31HK-562X	C CAPACITOR	5600pF 50V K	
C339	NCF31CZ-104X	C CAPACITOR	0.1uF 16V Z	
C340	NCB30JK-105X	C CAPACITOR	1uF 6.3V K	
C341	NCB30JK-105X	C CAPACITOR	1uF 6.3V K	
C347	NCB31CK-104X	C CAPACITOR	0.1uF 16V K	
C348	NCB31CK-104X	C CAPACITOR	0.1uF 16V K	
C349	NCF31CZ-104X	C CAPACITOR	0.1uF 16V Z	
C350	NCB31CK-104X	C CAPACITOR	0.1uF 16V K	
C351	NCB31CK-103X	C CAPACITOR	0.01uF 16V K	
C352	NCB31CK-153X	C CAPACITOR	0.015uF 16V K	
C353	NCB31HK-561X	C CAPACITOR	560pF 50V K	
C354	NCB31HK-561X	C CAPACITOR	560pF 50V K	
C356	NCB21CK-105X	C CAPACITOR	1uF 16V K	
C359	NCB30JK-105X	C CAPACITOR	1uF 6.3V K	
C371	NCF31AZ-105X	C CAPACITOR	1uF 10V Z	
C380	NCB21CK-105X	C CAPACITOR	1uF 16V K	
C381	NCB21AK-225X	C CAPACITOR	2.2uF 10V K	
C382	NCB31HK-471X	C CAPACITOR	470pF 50V K	
C391	NCF31CZ-104X	C CAPACITOR	0.1uF 16V Z	
C451	NCF31CZ-104X	C CAPACITOR	0.1uF 16V Z	
C452	NCB31CK-104X	C CAPACITOR	0.1uF 16V K	
C453	NCF31CZ-104X	C CAPACITOR	0.1uF 16V Z	
C454	NCB31CK-103X	C CAPACITOR	0.01uF 16V K	
C455	NCB31CK-103X	C CAPACITOR	0.01uF 16V K	
C551	NCF31CZ-104X	C CAPACITOR	0.1uF 16V Z	
C552	NCF31CZ-104X	C CAPACITOR	0.1uF 16V Z	
C553	NCF31CZ-104X	C CAPACITOR	0.1uF 16V Z	
C554	NCF31CZ-104X	C CAPACITOR	0.1uF 16V Z	
C555	NCF31CZ-104X	C CAPACITOR	0.1uF 16V Z	
C556	NCF31AZ-105X	C CAPACITOR	1uF 10V Z	
C557	NCF31CZ-104X	C CAPACITOR	0.1uF 16V Z	
C558	NEA70GM-476X	E CAPACITOR	47uF 4V M	
C701	NCB21CK-105X	C CAPACITOR	1uF 16V K	
C702	NCB31CK-103X	C CAPACITOR	0.01uF 16V K	
C703	NCB30JK-105X	C CAPACITOR	1uF 6.3V K	
C704	NCF21CZ-225X	C CAPACITOR	2.2uF 16V Z	
C705	NCF21CZ-225X	C CAPACITOR	2.2uF 16V Z	
C706	NCF21CZ-225X	C CAPACITOR	2.2uF 16V Z	
C707	NCF21CZ-225X	C CAPACITOR	2.2uF 16V Z	
C708	NCF21CZ-225X	C CAPACITOR	2.2uF 16V Z	
C709	NEA70JM-476X	E CAPACITOR	47uF 6.3V M	
C712	NCF31CZ-104X	C CAPACITOR	0.1uF 16V Z	
C713	NEA71CM-106X	E CAPACITOR	10uF 16V M	
C714	NCF31CZ-104X	C CAPACITOR	0.1uF 16V Z	
C715	NCF31CZ-104X	C CAPACITOR	0.1uF 16V Z	
C716	NCF31CZ-104X	C CAPACITOR	0.1uF 16V Z	
C717	NCF31CZ-104X	C CAPACITOR	0.1uF 16V Z	

△ Symbol No.	Part No.	Part Name	Description	Local	△ Symbol No.	Part No.	Part Name	Description	Local
C718	NCF31CZ-104X	C CAPACITOR	0.1uF 16V Z		R359	NRSA63J-221X	MG RESISTOR	220Ω 1/16W J	
C722	NCB31CK-104X	C CAPACITOR	0.1uF 16V K		R360	NRSA63J-221X	MG RESISTOR	220Ω 1/16W J	
R101	NRSA63J-101X	MG RESISTOR	100Ω 1/16W J		R362	NRSA63J-331X	MG RESISTOR	330Ω 1/16W J	
R102	NRSA63J-101X	MG RESISTOR	100Ω 1/16W J		R363	NRSA63J-151X	MG RESISTOR	150Ω 1/16W J	
R103	NRSA63J-243X	MG RESISTOR	24kΩ 1/16W J		R367	NRSA63J-221X	MG RESISTOR	220Ω 1/16W J	
R104	NRSA63J-303X	MG RESISTOR	30kΩ 1/16W J		R372	NRSA63J-103X	MG RESISTOR	10kΩ 1/16W J	
R105	NRS125J-270X	MG RESISTOR	27Ω 1/2W J		R373	NRSA63J-103X	MG RESISTOR	10kΩ 1/16W J	
R106	NRSA63J-2R2X	MG RESISTOR	2.2Ω 1/16W J		R380	NRSA63J-473X	MG RESISTOR	47kΩ 1/16W J	
R107	NRSA63J-101X	MG RESISTOR	100Ω 1/16W J		R384	NRSA63J-102X	MG RESISTOR	1kΩ 1/16W J	
R108	NRSA63J-471X	MG RESISTOR	470Ω 1/16W J		R385	NRSA63J-102X	MG RESISTOR	1kΩ 1/16W J	
R109	NRSA63J-471X	MG RESISTOR	470Ω 1/16W J		R392	NRSA63J-103X	MG RESISTOR	10kΩ 1/16W J	
R110	NRSA63J-0R0X	MG RESISTOR	0Ω 1/16W J		R393	NRSA63J-0R0X	MG RESISTOR	0Ω 1/16W J	
R111	NRSA63J-243X	MG RESISTOR	24kΩ 1/16W J		R394	NRSA63J-0R0X	MG RESISTOR	0Ω 1/16W J	
R112	NRSA63J-303X	MG RESISTOR	30kΩ 1/16W J		R395	NRSA63J-472X	MG RESISTOR	4.7kΩ 1/16W J	
R113	NRSA02J-270X	MG RESISTOR	27Ω 1/10W J		R452	NRSA63J-222X	MG RESISTOR	2.2kΩ 1/16W J	
R114	NRSA63J-2R2X	MG RESISTOR	2.2Ω 1/16W J		R453	NRSA63J-103X	MG RESISTOR	10kΩ 1/16W J	
R115	NRSA63J-101X	MG RESISTOR	100Ω 1/16W J		R454	NRSA63J-103X	MG RESISTOR	10kΩ 1/16W J	
R116	NRSA63J-471X	MG RESISTOR	470Ω 1/16W J		R455	NRSA63J-103X	MG RESISTOR	10kΩ 1/16W J	
R117	NRSA63J-331X	MG RESISTOR	330Ω 1/16W J		R456	NRSA63J-103X	MG RESISTOR	10kΩ 1/16W J	
R118	NRSA63J-0R0X	MG RESISTOR	0Ω 1/16W J		R457	NRSA63J-0R0X	MG RESISTOR	0Ω 1/16W J	
R119	NRSA63J-0R0X	MG RESISTOR	0Ω 1/16W J		R458	NRSA63J-102X	MG RESISTOR	1kΩ 1/16W J	
R120	NRSA63J-0R0X	MG RESISTOR	0Ω 1/16W J		R530	NRSA63J-103X	MG RESISTOR	10kΩ 1/16W J	
R122	NRSA63J-0R0X	MG RESISTOR	0Ω 1/16W J		R535	NRSA63J-473X	MG RESISTOR	47kΩ 1/16W J	
R123	NRSA63J-0R0X	MG RESISTOR	0Ω 1/16W J		R561	NRSA63J-102X	MG RESISTOR	1kΩ 1/16W J	
R125	NRSA02J-1R0X	MG RESISTOR	1Ω 1/10W J		R562	NRSA63J-101X	MG RESISTOR	100Ω 1/16W J	
R126	NRSA02J-181X	MG RESISTOR	180Ω 1/10W J		R701	NRSA63J-0R0X	MG RESISTOR	0Ω 1/16W J	
R127	NRSA63J-333X	MG RESISTOR	33kΩ 1/16W J		R702	NRSA63J-2R2X	MG RESISTOR	2.2Ω 1/16W J	
R128	NRSA63J-163X	MG RESISTOR	16kΩ 1/16W J		R703	NRSA63J-471X	MG RESISTOR	470Ω 1/16W J	
R204	NRSA63J-273X	MG RESISTOR	27kΩ 1/16W J		R704	NRSA63J-471X	MG RESISTOR	470Ω 1/16W J	
R205	NRSA63J-273X	MG RESISTOR	27kΩ 1/16W J		R705	NRSA63J-471X	MG RESISTOR	470Ω 1/16W J	
R206	NRSA63J-303X	MG RESISTOR	30kΩ 1/16W J		R706	NRSA63J-471X	MG RESISTOR	470Ω 1/16W J	
R207	NRSA63J-473X	MG RESISTOR	47kΩ 1/16W J		R707	NRSA63J-471X	MG RESISTOR	470Ω 1/16W J	
R213	NRSA63J-103X	MG RESISTOR	10kΩ 1/16W J		R708	NRSA63J-471X	MG RESISTOR	470Ω 1/16W J	
R214	NRSA63J-103X	MG RESISTOR	10kΩ 1/16W J		R710	NQR0129-002X	FERRITE BEADS		
R219	NRSA63J-183X	MG RESISTOR	18kΩ 1/16W J		R714	NRSA63J-221X	MG RESISTOR	220Ω 1/16W J	
R220	NRSA63J-243X	MG RESISTOR	24kΩ 1/16W J		R715	NRSA63J-221X	MG RESISTOR	220Ω 1/16W J	
R221	NRSA63J-682X	MG RESISTOR	6.8kΩ 1/16W J		R716	NRSA63J-221X	MG RESISTOR	220Ω 1/16W J	
R251	NRS125J-R47X	MG RESISTOR	0.47Ω 1/2W J		R717	NRSA63J-473X	MG RESISTOR	47kΩ 1/16W J	
R252	NRSA63J-2R2X	MG RESISTOR	2.2Ω 1/16W J		R718	NRSA63J-103X	MG RESISTOR	10kΩ 1/16W J	
R257	NRSA63J-0R0X	MG RESISTOR	0Ω 1/16W J		R719	NRSA63J-5R1X	MG RESISTOR	5.1Ω 1/16W J	
R259	NRSA63J-103X	MG RESISTOR	10kΩ 1/16W J		R720	NRSA63J-473X	MG RESISTOR	47kΩ 1/16W J	
R301	NRSA63J-911X	MG RESISTOR	910Ω 1/16W J		R722	NRSA63J-0R0X	MG RESISTOR	0Ω 1/16W J	
R302	NRSA63J-202X	MG RESISTOR	2kΩ 1/16W J		R741	NQR0129-002X	FERRITE BEADS		
R303	NRSA63J-101X	MG RESISTOR	100Ω 1/16W J		R742	NQR0129-002X	FERRITE BEADS		
R306	NRSA63J-102X	MG RESISTOR	1kΩ 1/16W J		R743	NQR0129-002X	FERRITE BEADS		
R307	NRSA63J-102X	MG RESISTOR	1kΩ 1/16W J		R744	NQR0129-002X	FERRITE BEADS		
R308	NRSA63J-223X	MG RESISTOR	22kΩ 1/16W J		CN101	QGF0523F1-24W	CONNECTOR	FFC/FPC (1-24)	
R309	NRSA63J-104X	MG RESISTOR	100kΩ 1/16W J		CN201	QGF1016F2-08W	CONNECTOR	FFC/FPC (1-8)	
R312	NRSA63J-0R0X	MG RESISTOR	0Ω 1/16W J		CN451	QGF1016F2-15W	CONNECTOR	FFC/FPC (1-15)	
R313	NRSA63J-0R0X	MG RESISTOR	0Ω 1/16W J		CN452	QGA2001F2-02X	CONNECTOR	W-B (1-2)	
R314	NRSA63J-0R0X	MG RESISTOR	0Ω 1/16W J		CN453	QGA2001F2-03X	CONNECTOR	W-B (1-3)	
R315	NRSA63J-0R0X	MG RESISTOR	0Ω 1/16W J		CN701	QGF1016F2-10W	CONNECTOR	FFC/FPC (1-10)	
R316	NRSA63J-0R0X	MG RESISTOR	0Ω 1/16W J		CN702	QGF1016F2-08W	CONNECTOR	FFC/FPC (1-8)	
R317	NRSA63J-0R0X	MG RESISTOR	0Ω 1/16W J		CN703	QGF1016F2-28W	CONNECTOR	FFC/FPC (1-28)	
R319	NRSA63J-0R0X	MG RESISTOR	0Ω 1/16W J		K101	NRSA02J-0R0X	MG RESISTOR	0Ω 1/10W J	
R320	NRSA63J-103X	MG RESISTOR	10kΩ 1/16W J		K102	NRSA02J-0R0X	MG RESISTOR	0Ω 1/10W J	
R334	NRSA63J-151X	MG RESISTOR	150Ω 1/16W J		K350	NQR0354-001X	FERRITE BEADS		
R335	NRSA63J-151X	MG RESISTOR	150Ω 1/16W J		K352	NQR0354-001X	FERRITE BEADS		
R336	NRSA63J-151X	MG RESISTOR	150Ω 1/16W J		K451	NRSA63J-0R0X	MG RESISTOR	0Ω 1/16W J	
R337	NRSA63J-151X	MG RESISTOR	150Ω 1/16W J		K551	NQR0129-002X	FERRITE BEADS		
R338	NRSA63J-0R0X	MG RESISTOR	0Ω 1/16W J		K552	NQR0129-002X	FERRITE BEADS		
R339	NRSA63J-0R0X	MG RESISTOR	0Ω 1/16W J		K553	NQR0129-002X	FERRITE BEADS		
R340	NRSA63D-303X	MG RESISTOR	30kΩ 1/16W D		K554	NQR0129-002X	FERRITE BEADS		
R341	NRSA63D-362X	MG RESISTOR	3.6kΩ 1/16W D		K555	NQR0022-005X	FERRITE BEADS		
R342	NRSA63D-222X	MG RESISTOR	2.2kΩ 1/16W D		K556	NQR0129-002X	FERRITE BEADS		
R345	NRSA63J-221X	MG RESISTOR	220Ω 1/16W J		K562	NRSA63J-0R0X	MG RESISTOR	0Ω 1/16W J	
R346	NRSA63J-223X	MG RESISTOR	22kΩ 1/16W J		K566	NRSA63J-0R0X	MG RESISTOR	0Ω 1/16W J	
R347	NRSA63J-203X	MG RESISTOR	20kΩ 1/16W J		TH301	NAD0025-103X	N THERMISTOR	10kΩ	
R348	NRSA63J-6R8X	MG RESISTOR	6.8Ω 1/16W J		X351	NAX0550-001X	CRYSTAL	27.000MHz	
R351	NRSA63J-681X	MG RESISTOR	680Ω 1/16W J		X451	NAX0248-001X	C OSCILLATOR		
R352	NRSA63J-105X	MG RESISTOR	1MΩ 1/16W J						
R353	NRSA63J-101X	MG RESISTOR	100Ω 1/16W J						
R354	NRSA63J-101X	MG RESISTOR	100Ω 1/16W J						
R355	NRSA63J-331X	MG RESISTOR	330Ω 1/16W J						
R356	NRSA63J-331X	MG RESISTOR	330Ω 1/16W J						
R357	NRSA63J-221X	MG RESISTOR	220Ω 1/16W J						
R358	NRSA63J-221X	MG RESISTOR	220Ω 1/16W J						

Packing materials and accessories parts list

Block No. M 3 M M



Packing and accessories

Block No. [M][3][M][M]

△	Symbol No.	Part No.	Part Name	Description	Local
	A 1	LVT1147-010A	INST BOOK	ENG	
	A 2	LVT1147-011A	INST BOOK	CHI(PEKIN)	THM508UN,THM508US
	A 2	LVT1147-012A	INST BOOK	SPA POR	THM508UW
	A 2	LVT1147-013A	INST BOOK	ARA	THM508UG,THM508UX
	A 3	LVT1147-017A	INST BOOK	PER	THM508UG
△	A 4	QMPL060-183-JD	POWER CORD(EU)	1.83m BLACK	THM508UG,THM508UN,THM508US,THM508UW
△	A 4	QMPS040-183-JD	POWER CORD(EU)	1.83m BLACK	THM508UX
△	A 5	QAM0112-002	PLUG ADAPTOR	(x2)	THM508UG,THM508UN,THM508US,THM508UW
	A 6	QAL0457-001	ANT.WIRE		
	A 7	QAL0014-001	AM LOOP ANT		
	A 8	-----	BATTERY	(x2)	
△	A 9	QAM0027-002	CONVERSION PLUG	(x2)	THM508UX
	A 10	QAM0216-002	VIDEO CABLE		
	A 11	RM-STHM303U	REMOCON UNIT		
	A 12	7000742006	SCREW	(x8)	
	A 13	6200044901	DIN CABLE		
	A 14	6200045101	CORD SET		
	A 15	QAS0187-001	SPEKAER BOX		
	A 16	SPM508-FRSPBOX	SPEKAER BOX	FRONT(x2)	
	A 17	SPM508-CESPBOX	SPEKAER BOX	CENTER	
	A 18	AB080047-01	SPEKAER BOX	SURROUND(x2)	
	P 1	QPA02503505P	POLY BAG	25cm x 35cm	
	P 2	LV34830-002A	CARTON BOX		THM508UN,THM508US
	P 2	LV34830-003A	CARTON BOX		THM508UW
	P 2	LV34830-001A	CARTON BOX		THM508UG,THM508UX
	P 3	LV21611-001A	CUSHION FRONT		
	P 4	LV21612-001A	CUSHION REAR		
	P 5	QPC05006515P	POLY BAG	50cm x 65cm	
	P 6	LV43936-001A	PAPER SHEET		
	P 7	8000056111	BOTTOM CUSHION		
	P 8	8000056101	TOP CUSHION		
	P 9	8000056201	CENTER CUSHION	(x2)	
	P 10	8000056211	CENTER CUSHION		
	P 11	8000056311	CUSHION		
	P 12	8000056301	CUSHION		
	P 13	8000056321	CUSHION		
	P 14	8500043451	POLY BAG		
	P 15	8500048191	POLY BAG		
	P 16	8500043481	POLY BAG	(x2)	
	P 17	8500055711	POLY BAG	(x2)	
	P 18	8500043421	POLY BAG	(x2)	
	P 19	8500048061	MIRROR MAT	(x2)	
	P 20	8500051841	MIRROR MAT		
	P 21	8500051821	MIRROR MAT		
	P 22	8500055511	MIRROR MAT	(x2)	
	P 23	8500055521	MIRROR MAT	(x2)	
	P 24	8500055811	MIRROR MAT BAG	(x2)	
	P 25	8500047111	POLY BAG		
	P 26	8000057211	TOP CUSHION		
	P 27	8000057201	BOTTOM CUSHION		
	P 28	8100126701	PARTITION	(x2)	
	P 29	8300048501	CARTON BOX		
	P 30	8400213961	CARTON BOX		THM508UG,THM508UX
	P 30	8400213971	CARTON BOX		THM508UN,THM508US,THM508UW
	P 31	8500051891	MIRROR MAT		
	P 32	8500051991	POLY BAG		