

JVC

SCHEMATIC DIAGRAMS

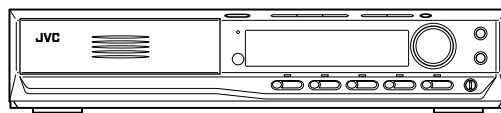
DVD DIGITAL CINEMA SYSTEM

TH-M65

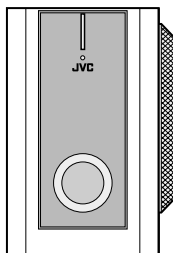
CD-ROM No.SML200312

Area suffix

US ----- Singapore
UW ----- Brazil, Mexico, Peru
UJ ----- U.S.Military
UG - Turkey, South Africa, Egypt



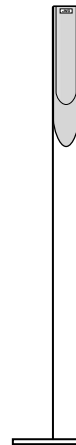
XV-THM65



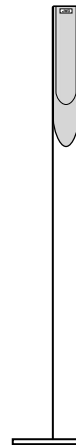
SP-PWM65



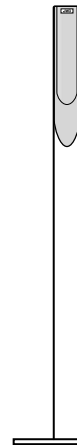
SP-THM65C



SP-THM65F



SP-THM65F



SP-THM65F



SP-THM65F



Contents

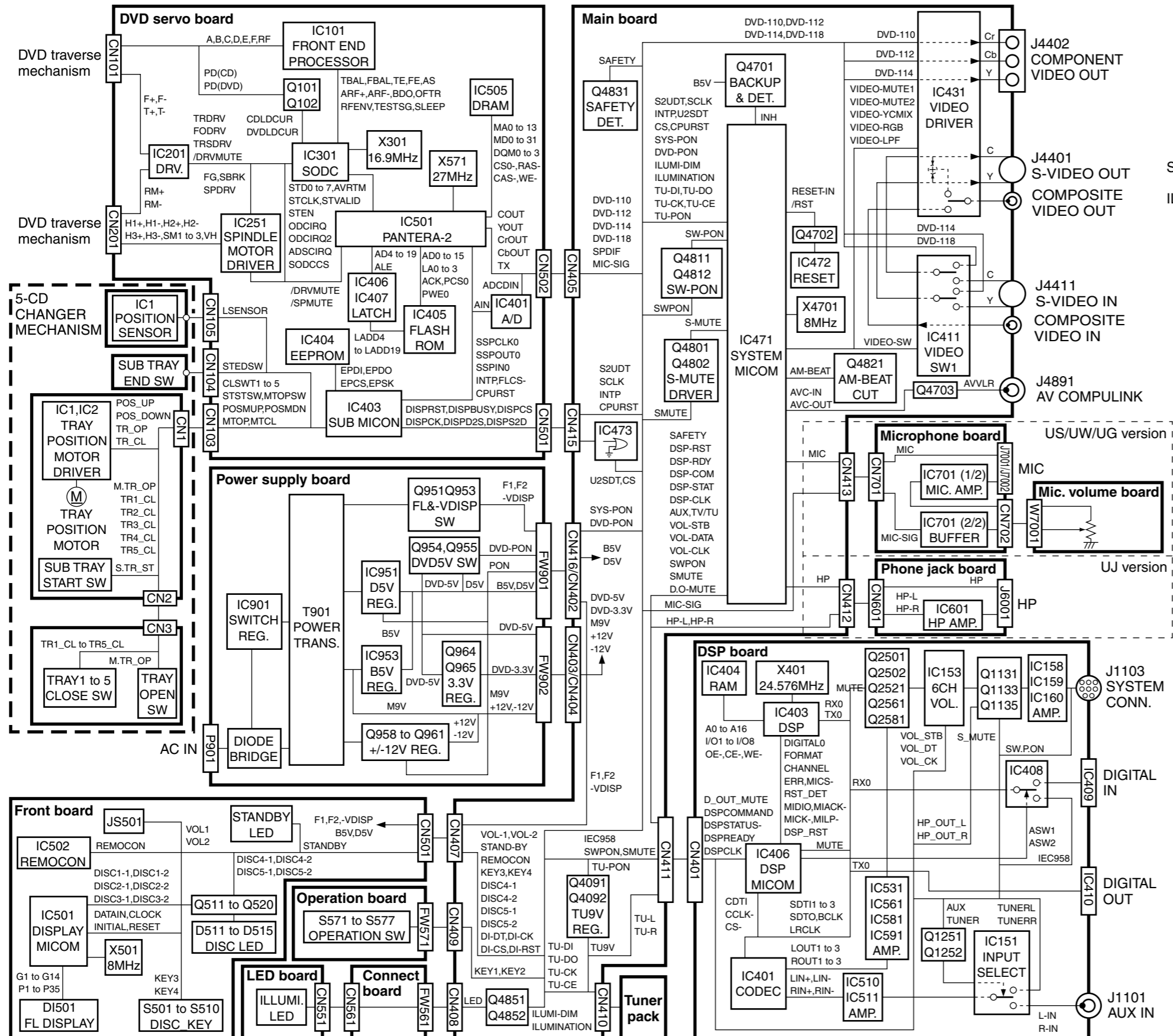
Block diagrams	2-1
Standard schematic diagrams	2-2
Printed circuit boards	2-14 to 19

In regard with component parts appearing on the silk-screen printed side (parts side) of the PWB diagrams, the parts that are printed over with black such as the resistor (■), diode (⬤) and ICP (●) or identified by the "▲" mark nearby are critical for safety.

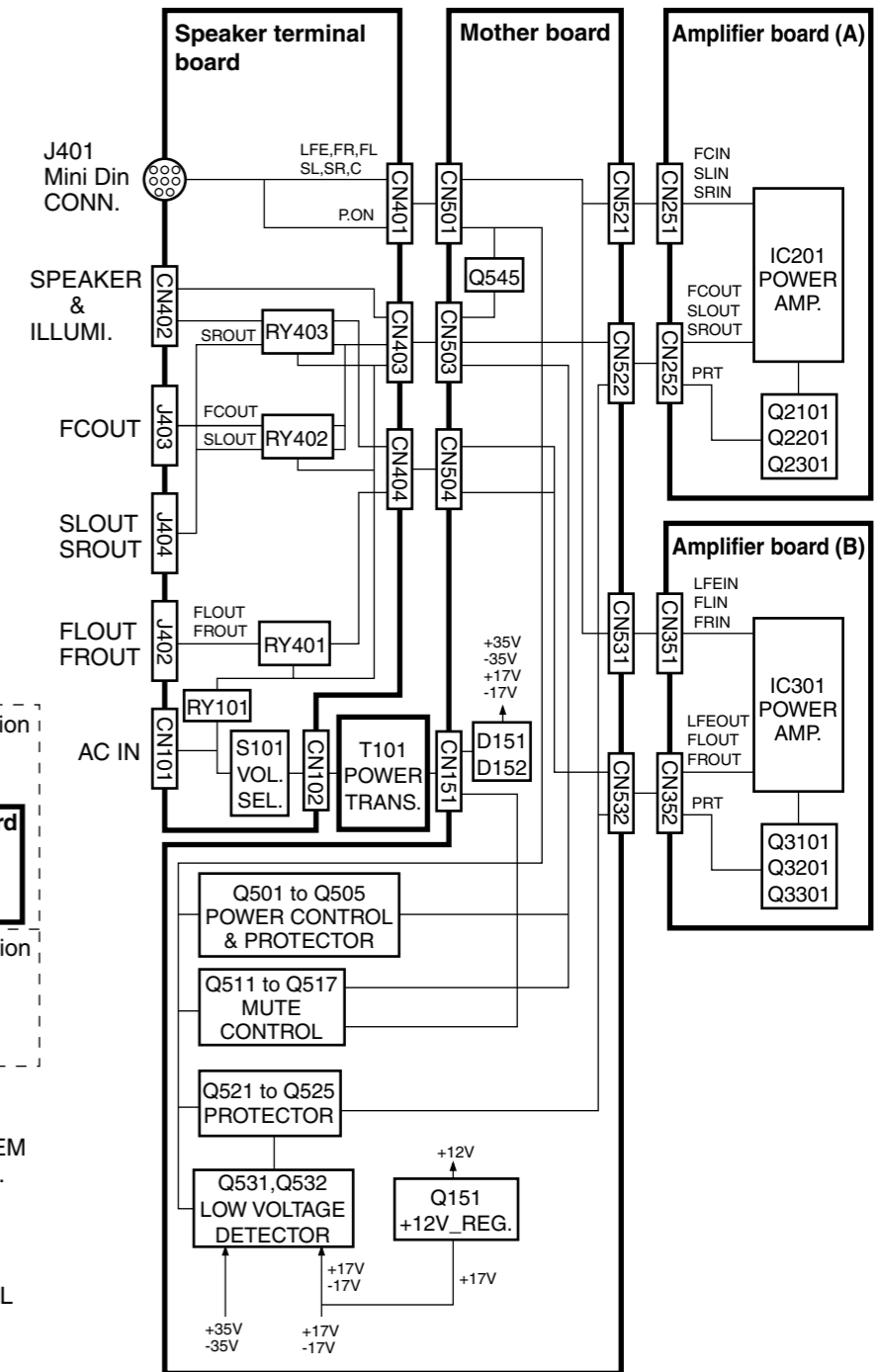
(This regulation does not correspond to J and C version.)

Block diagrams

<Main body section>



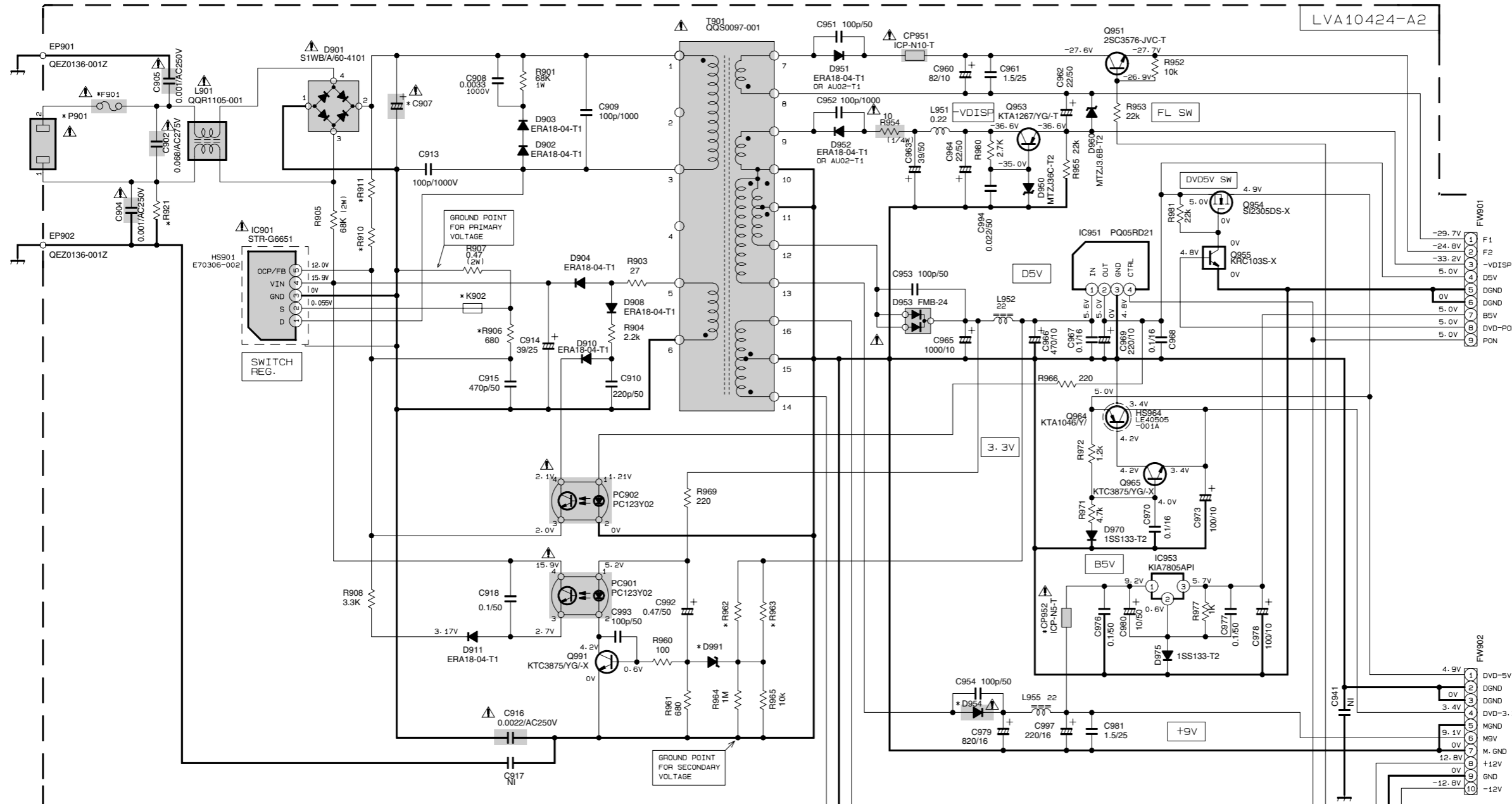
<Subwoofer section>



Standard schematic diagrams

<Main body section>

■ Power supply section



TO CN401, CN402
OF LVA10424-A1
(SHEET 2/10)

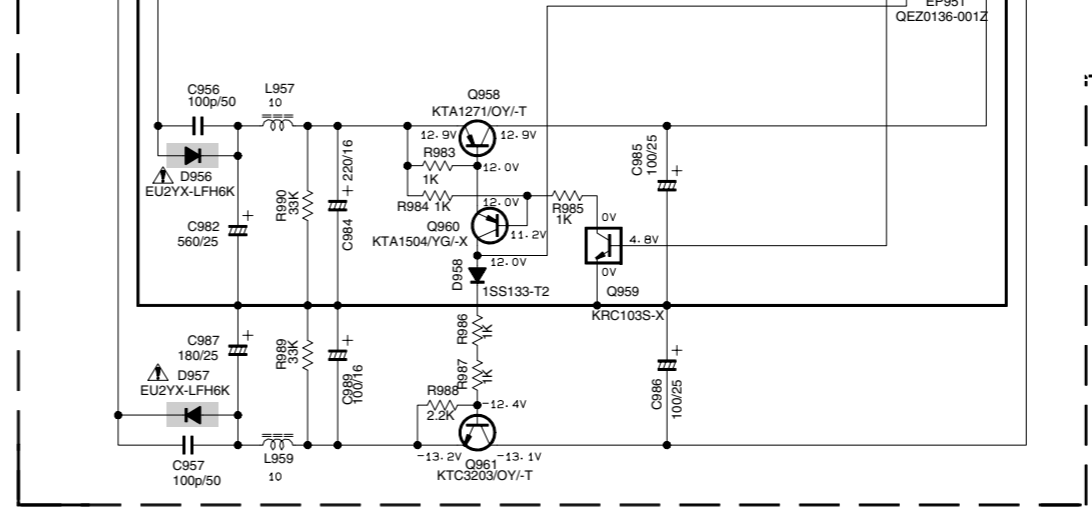
TO CN403, CN404
OF LVA10424-A1
(SHEET 2/10)

REF NO	Ver	ADDRESS	D	J/C	B/E/EN/EE/EV	US/US/UW/UJ /UP/LF/A/UB/UY /UX/UT
*F901	(A-3)	QMF51U1-1R6-JB (1.6A/125V)	QMF51U1-1R6-JB (1.6A/125V)	QMF51W2-1R6-JB (1.6A)	QMF51W2-1R6-JB (1.6A)	QMF51W2-1R6-JB (1.6A)
*R962	(E-7)	1M	1M	0 (B3099)	0 (B3099)	
*R963	(E-8)	100	100	NONE	NONE	
*D991	(F-7)	MTZJ5-1C-T2	MTZJ5-1C-T2	MTZJ5-1B-T2	MTZJ5-1B-T2	
*K902	(C-5)	QGRO779-001Z	QGRO779-001Z	0 (B3199)	0 (B3199)	
*R921	(B-3)	NONE	3.3M	NONE	NONE	
*P901	(B-2)	QNC0081-001	QNC0082-001	QNC0081-001	QNC0081-001	
*R910 *R911	(B-5)	750K	750K	470K	470K	
*CP952	(F-10)	0 (B3198)	0 (B3198)	ICP-N5-T	ICP-N5-T	

VERSION CODES	
J	U.S.A.
C	CANADA
E	GERMANY/FRANCE/HOLLAND
B	GREAT BRITAIN
EE	RUSSIA
EN	SWEDEN/NORWAY/FINLAND/DENMARK
EV	EAST EUROPE
A	AUSTRALIA
UW	BRAZIL/MEXICO/PERU
US	SINGAPOLE
UJ	USA MILITARY BASE
UG	TURKEY/EGYPT/SOUTHAFRICA

- Ver. J/C
120V 60Hz
- Ver. B/E/EN/EE/EV
230V 50Hz
- Ver. US/UW/UJ/UG
110-230V 50/60Hz
- Ver. A
240V 50Hz

REF NO	Ver	ADDRESS	D	J/C	B/E/EN/EE/EV A/UB/UP/LF/UY	US/US/UW/UJ /UX/UT
*C907	(B-5)	QETM2DM-157 (150/200)	QETM2DM-157 (150/200)	QE20522-B26 QE20374-B26 (82/400)	QE20522-127 QE20445-127 (120/400)	
*D954	(F-9)	EU2YX-LFH6K	ERA18-04-T1	EU2YX-LFH6K	EU2YX-LFH6K	



▲ Parts are safety assurance parts.
When replacing those parts make
sure to use the specified one.

System control section

TO CN401 OF LVA10309-A1
(SHEET 5/10)

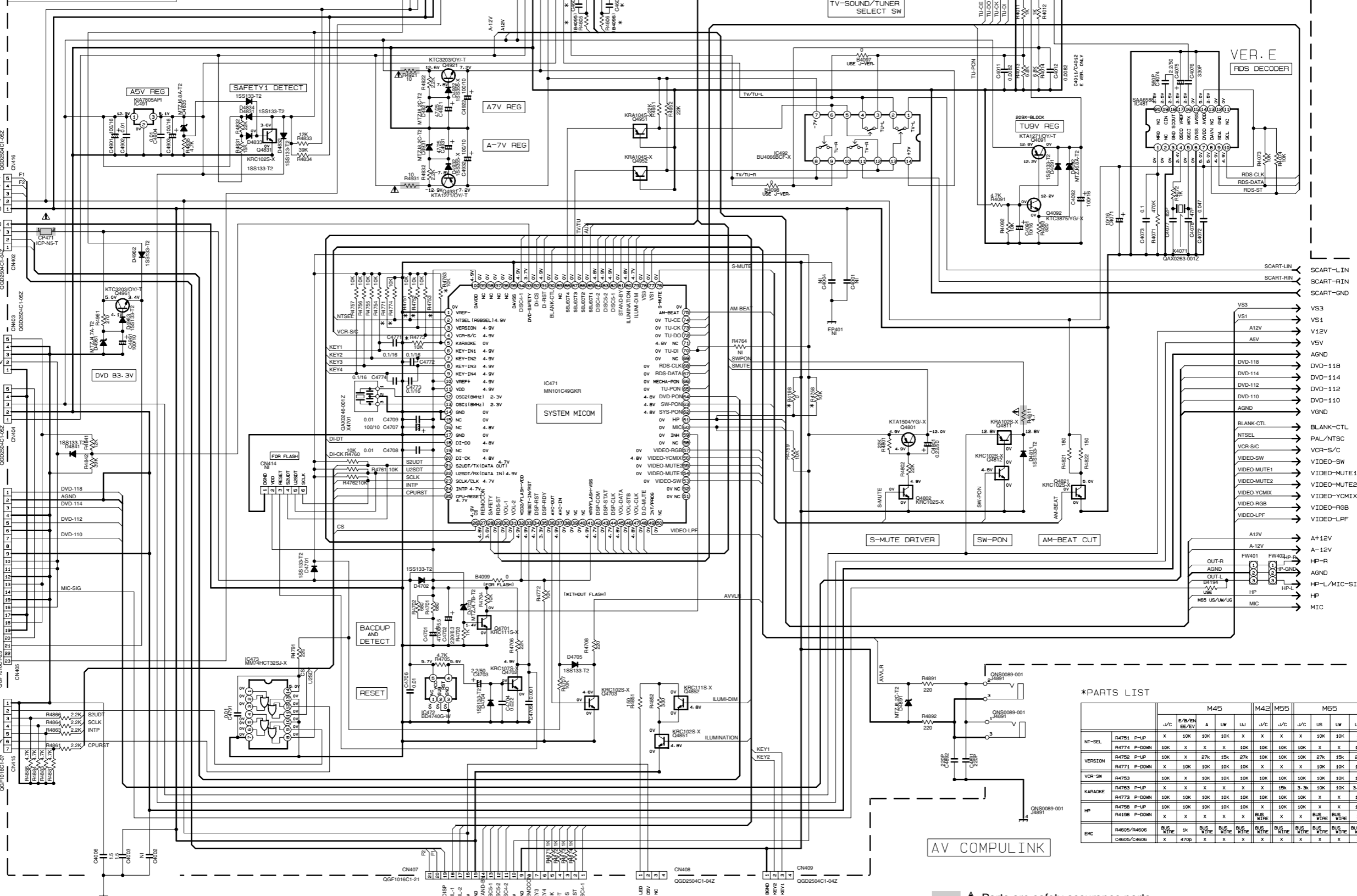
TO FW901 OF LVA10424-A2
(SHEET 1/10)

TO FW902 OF LVA10424-A2
(SHEET 1/10)

TO CN502 OF LEA10077
(SHEET 9/10)

TO CN501 OF LEA10077
(SHEET 9/10)

LVA10424-A1 (1/2)



TO CN501 OF LVA10425-A1
(SHEET 4/10)

TO FW561 OF LVA10425-A3
(SHEET 4/10)

TO FW571 OF LVA10425-A5
(SHEET 4/10)

AV COMPULINK

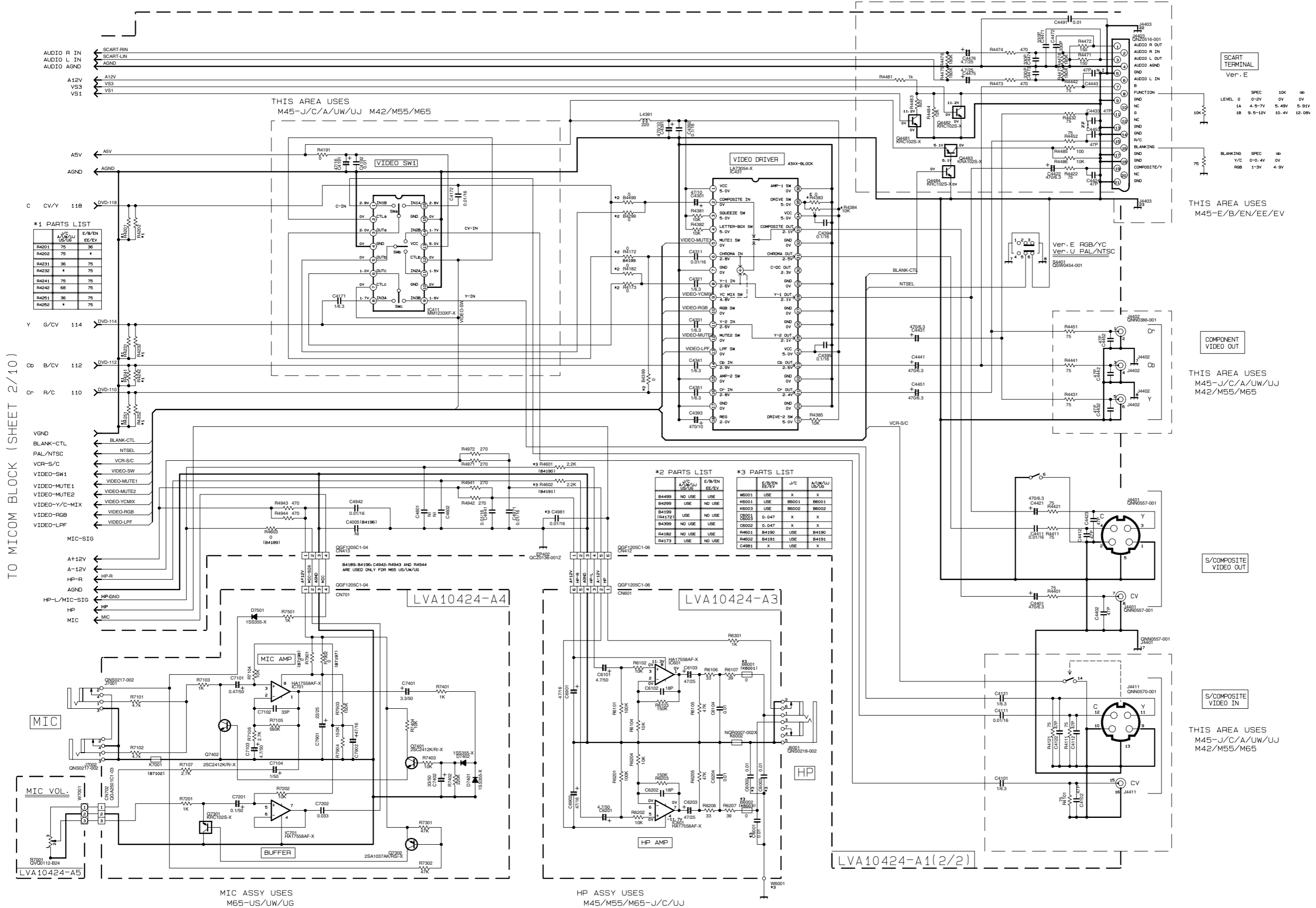
*PARTS LIST

	QTY	M45				M42		M55		M65			
		J/C	E/B/EN	EE/EN	A	UW	UJ	J/C	J/C	J/C	US	UW	UJ
NT-SEL	R4751 P-UP	X	10K	10K	10K	X	X	X	X	10K	10K	X	10K
	R4774 P-DOWN	10K	X	X	X	10K	10K	10K	10K	X	X	10K	X
VERSION	R4752 P-UP	10K	X	27K	15K	27K	10K	10K	10K	27K	15K	27K	27K
	R4771 P-DOWN	X	10K	10K	10K	10K	X	X	X	10K	10K	10K	10K
VCR-SW	R4753	10K	X	10K	10K	10K	10K	10K	10K	10K	10K	10K	10K
KARAOKE	R4763 P-UP	X	X	X	X	X	X	15K	3.3K	10K	10K	3.3K	10K
	R4773 P-DOWN	10K	10K	10K	10K	10K	10K	10K	10K	X	X	10K	X
HP	R4756 P-UP	10K	10K	10K	10K	10K	X	10K	10K	X	X	10K	X
	R4198 P-DOWN	X	X	X	X	X	X	X	X	BUS WIRE	BUS WIRE	BUS WIRE	BUS WIRE
EMC	R4605/R4606	BUS WIRE	1K	BUS WIRE	BUS WIRE	BUS WIRE	BUS WIRE	BUS WIRE	BUS WIRE	BUS WIRE	BUS WIRE	BUS WIRE	BUS WIRE
	C4605/C4606	X	470p	X	X	X	X	X	X	X	X	X	X

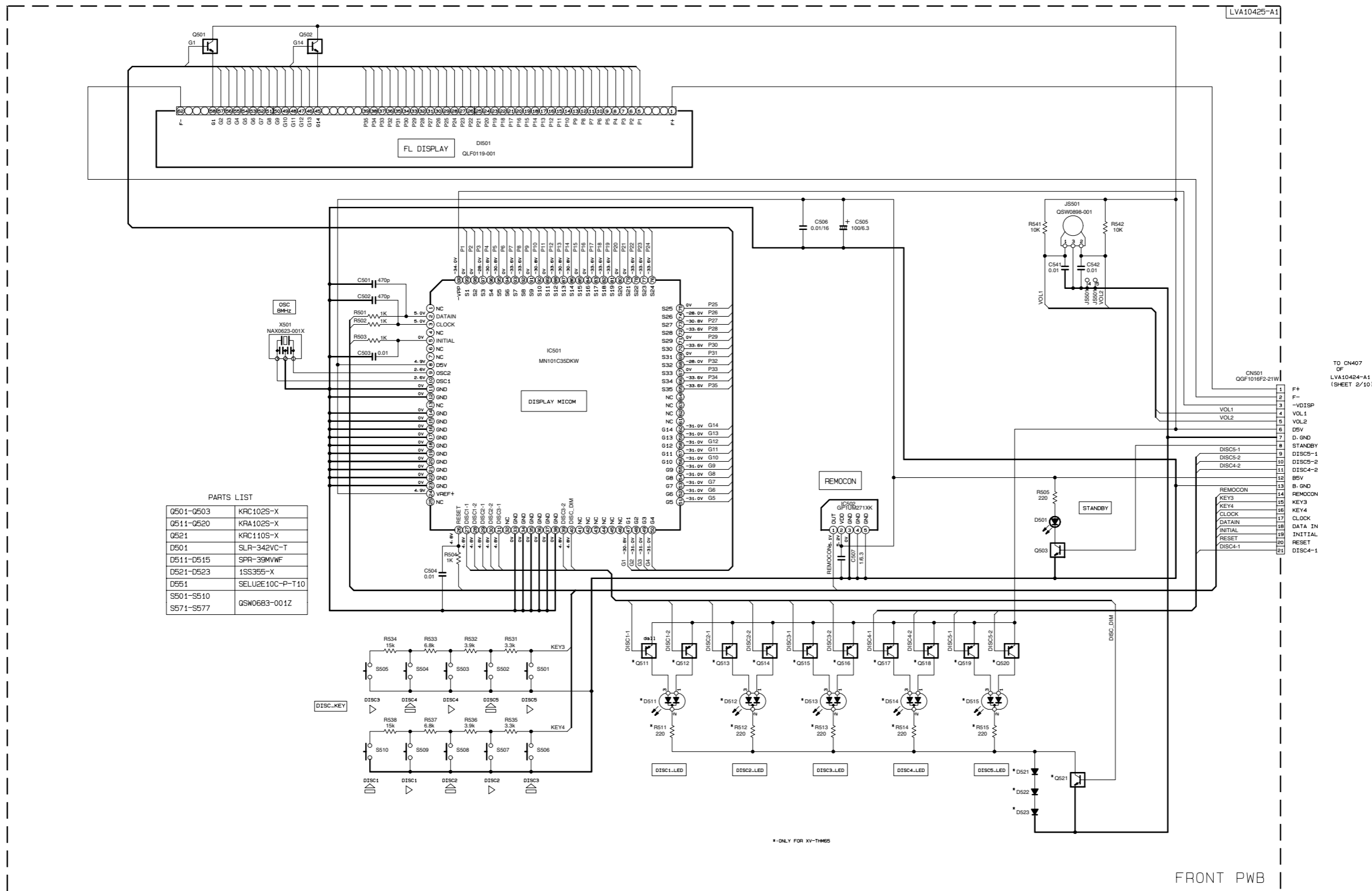
Parts are safety assurance parts. When replacing those parts make sure to use the specified one.

TO VIDEO BLOCK (SHEET 3/10)

Video input / output section



FL display section

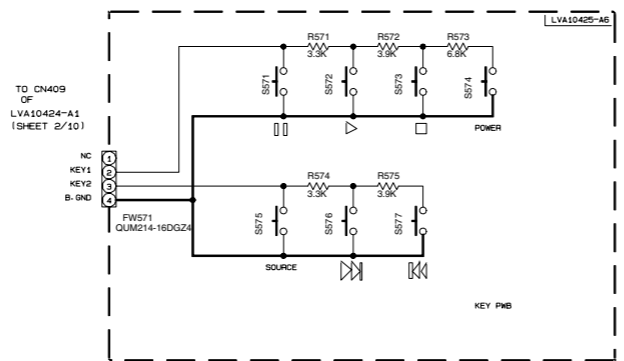
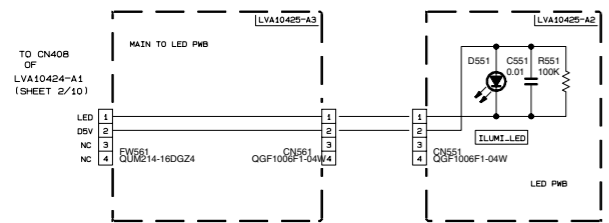


PARTS LIST

Q501-Q503	KRC102S-X
Q511-Q520	KRA102S-X
Q521	KRC110S-X
D501	SLR-342VC-T
D511-D515	SPR-39MWWF
D521-D523	1SS355-X
D551	SELU2E10C-P-T10
S501-S510	
S571-S577	QSW06B3-001Z

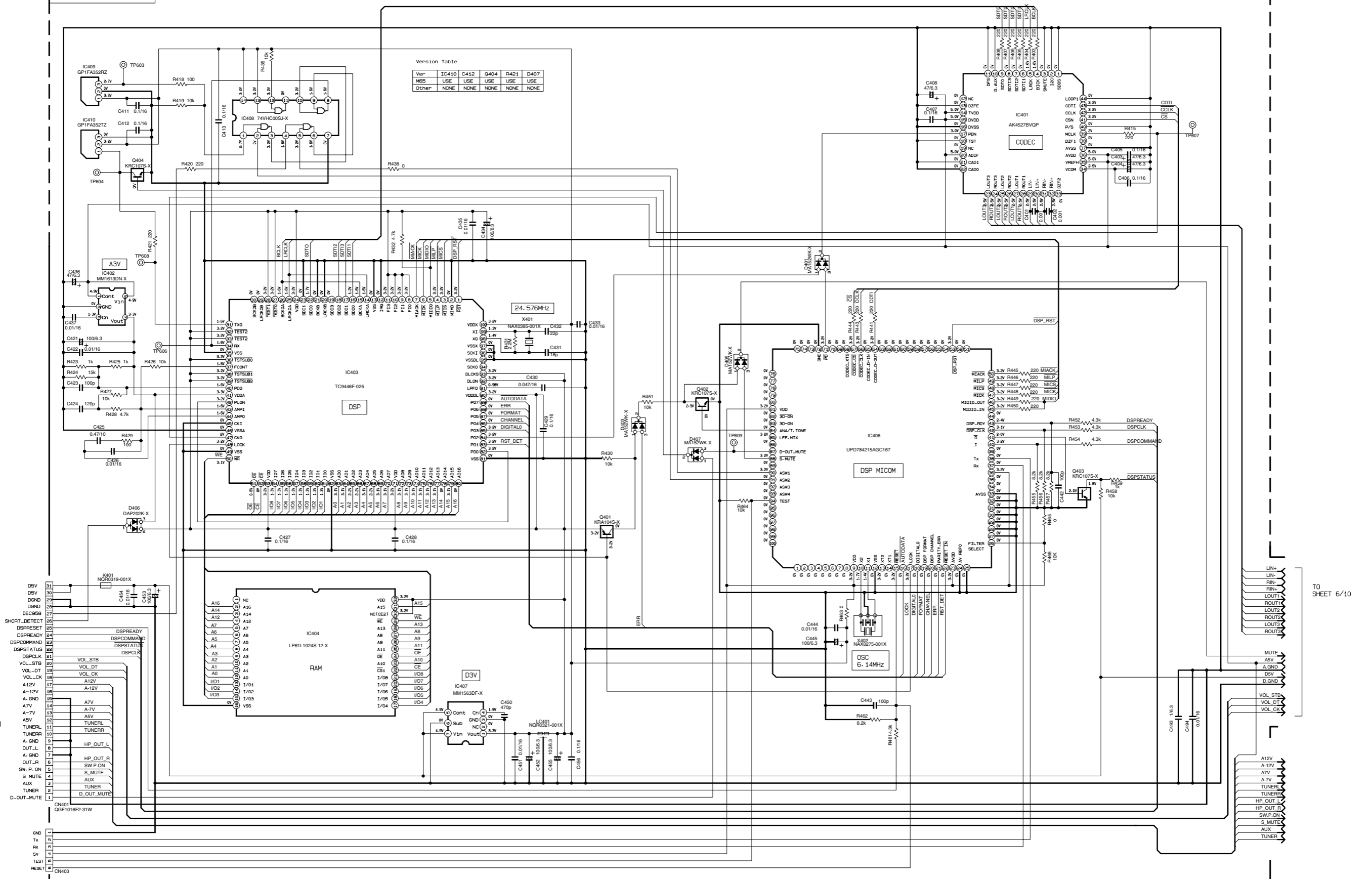
TO CN407 OF LVA10424-A1 (SHEET 2/10)

FRONT PWB



■ DSP section

LVA10309-A1

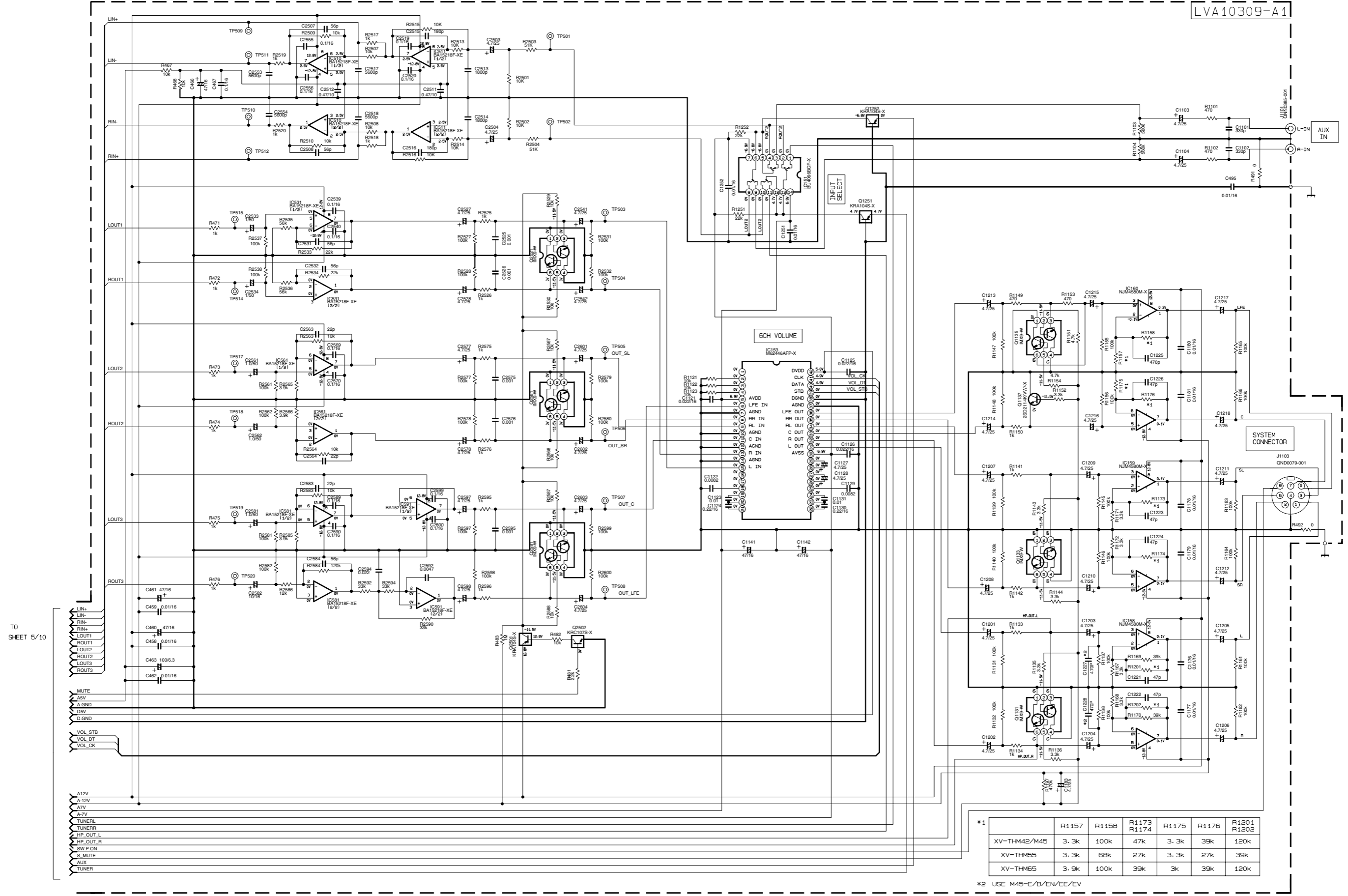


TO CN411 OF LVA10424-A1 (SHEET 2/10)

TO SHEET 6/10

■ Audio input / output section

LVA10309-A1



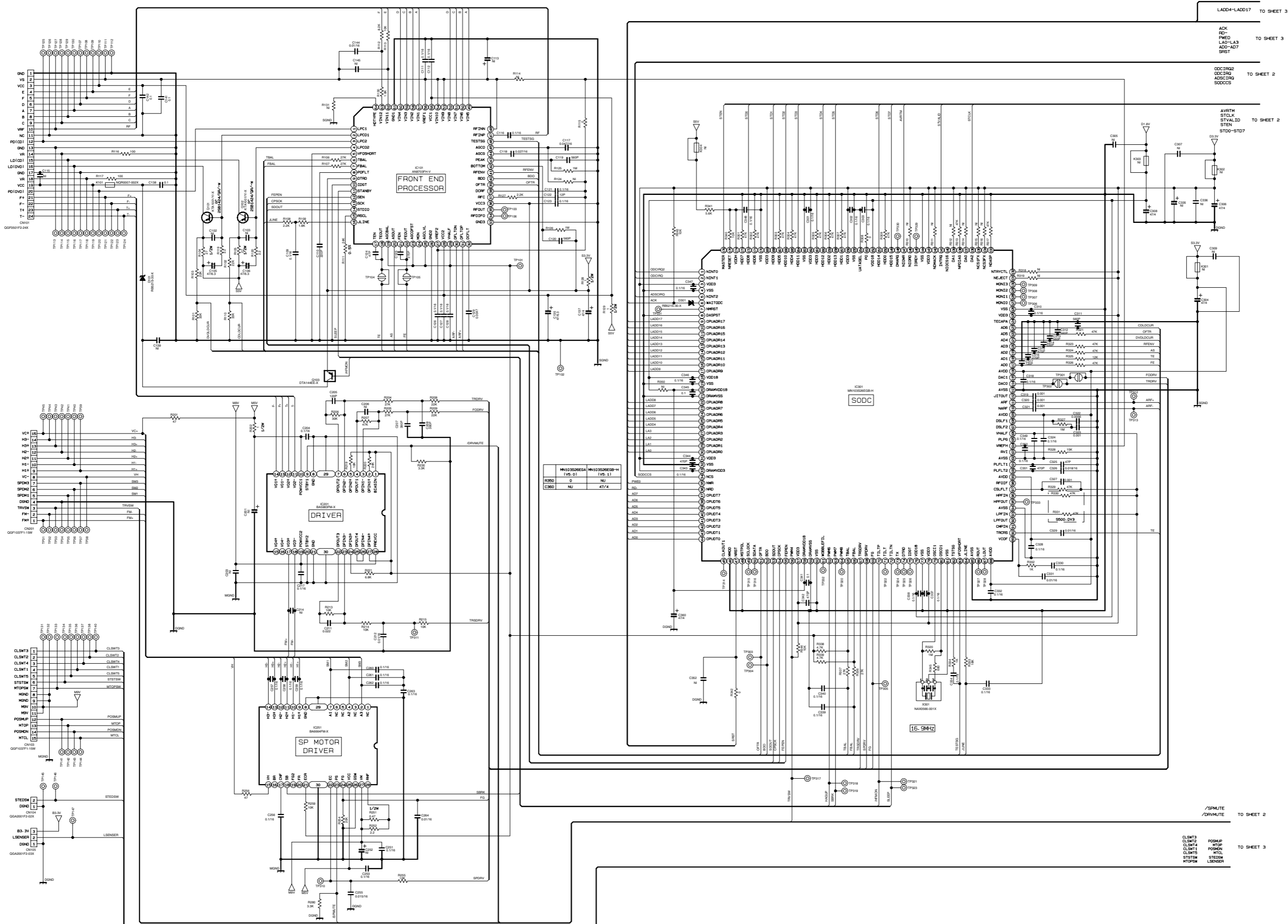
TO SHEET 5/10

*1

XV-THM42/M45	R1157 3.3k	R1158 100k	R1173 R1174 47k	R1175 3.3k	R1176 39k	R1201 R1202 120k
XV-THM55	3.3k	68k	27k	3.3k	27k	39k
XV-THM65	3.9k	100k	39k	3k	39k	120k

*2 USE M45-E/B/EN/EE/EV

DVD servo section 1/4



LEA10077-PP2

LADD4-LADD17 TO SHEET 3

ACK
RD-
PWE-
LAD-LA3
ADD-AD7
SPST

TO SHEET 3

OCC1RQ2
OCC1RQ
ASCI1RQ
S00CCS

TO SHEET 2

AVRTH
STCLK
STVALLD
STEN
STDO-STD7

TO SHEET 2

TO SHEET 2

TO SHEET 3

CLSW3 POSKUP
CLSW2 MTOP
CLSW4 POSKON
CLSW1 MTL
STSTW STEGNA
MTOPK LSENSOR

DVD servo section 2/4

FROM SHEET1
OCC1PQ2
OCC1PQ
ADSC1PQ
SOCCCS

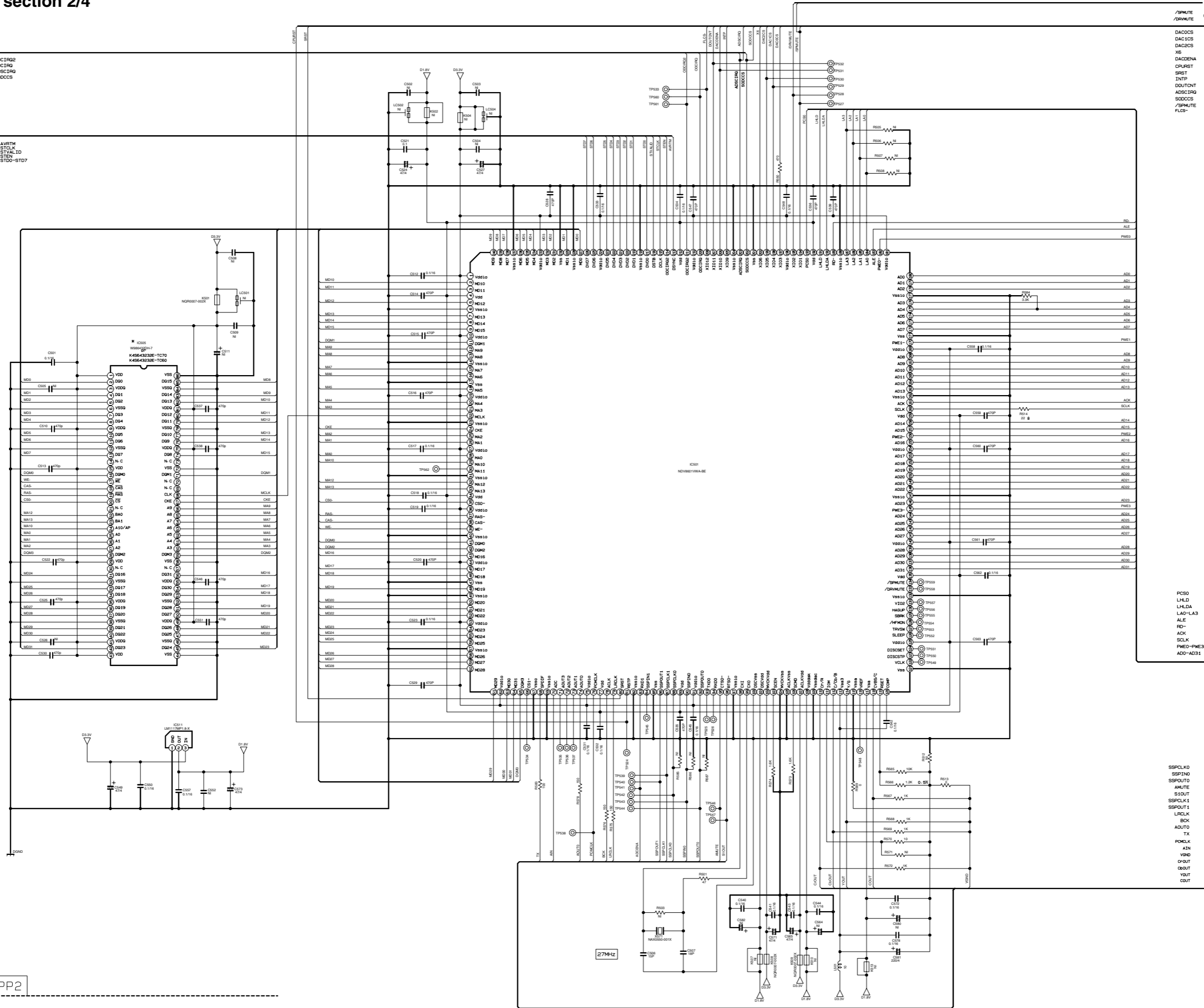
FROM SHEET1
AVSTM
STCLK
STVALD
STEN
STD0-STD7

/SPMUTE FROM SHEET1

DAC0CS
DAC1CS
DAC2CS
X6
DAC2ENA
CLMST
SPST
INTP
DOUTCNT
ADSC1PQ
SOCCCS
/SPMUTE
FLCS-

PCSO
LHLD
LHLD A
LAO-LA3
ALE
RD-
ACK
SCLK
PWE0-PWE3
ADD-AD31

SSPCLK0
SSPINO
SSPOUT0
/AMUTE
S1OUT
SSPCLK1
SSPOUT1
LRELK
SCK
ADUTO
TX
POMLK
ATN
VBI0
DOUT
DOUT
YOUT
DOUT



LEA10077-PP2

DVD servo section 3/4

FLCS- DAC1CS SRET
 DAC2CS INTPT
 FROM X6 DOUTONT
 SHEET 2 DAC2ENA ADSC1NG
 CPURST S0CCCS
 /SPKTE

FROM LADD4-LADD17
 SHEET 1

FROM SHEET 2

FROM SHEET 1

FROM SHEET 2

FROM SHEET 2

FROM SHEET 2

FROM SHEET 2

FROM SHEET 2

FROM SHEET 2

FROM SHEET 2

FROM SHEET 2

FROM SHEET 2

FROM SHEET 2

FROM SHEET 2

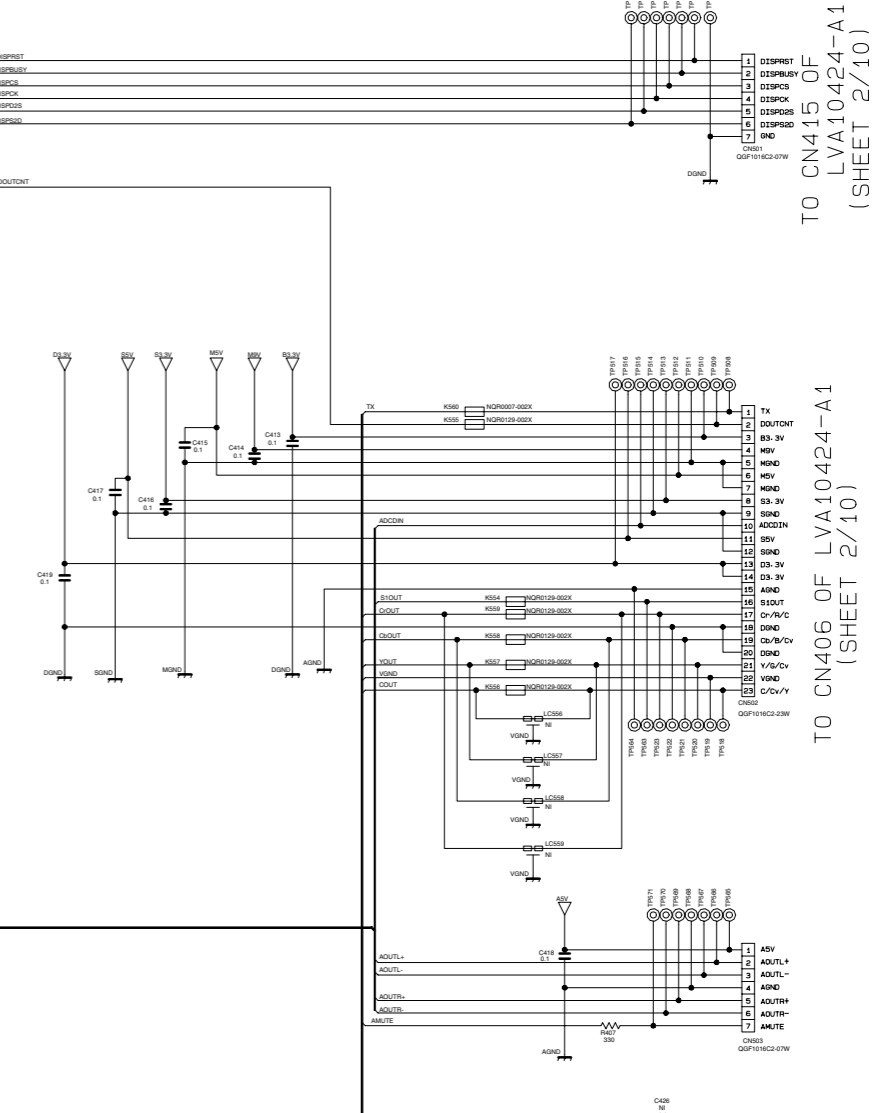
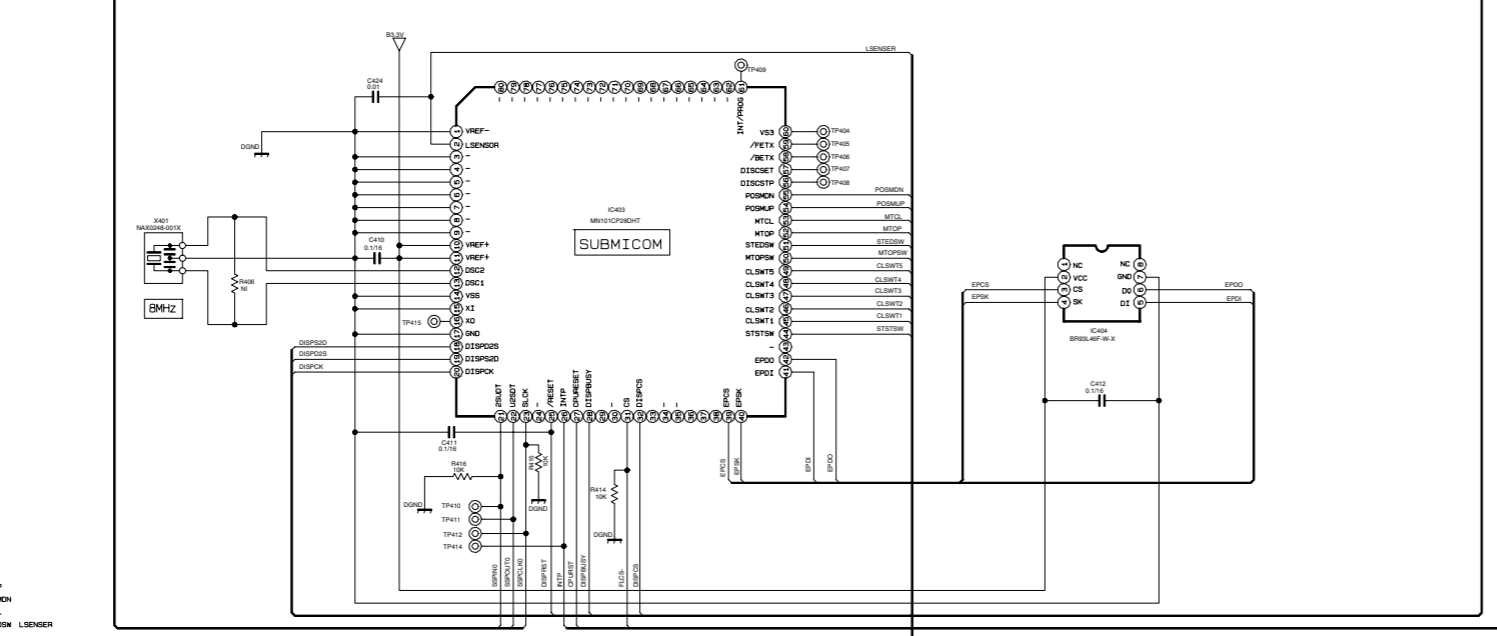
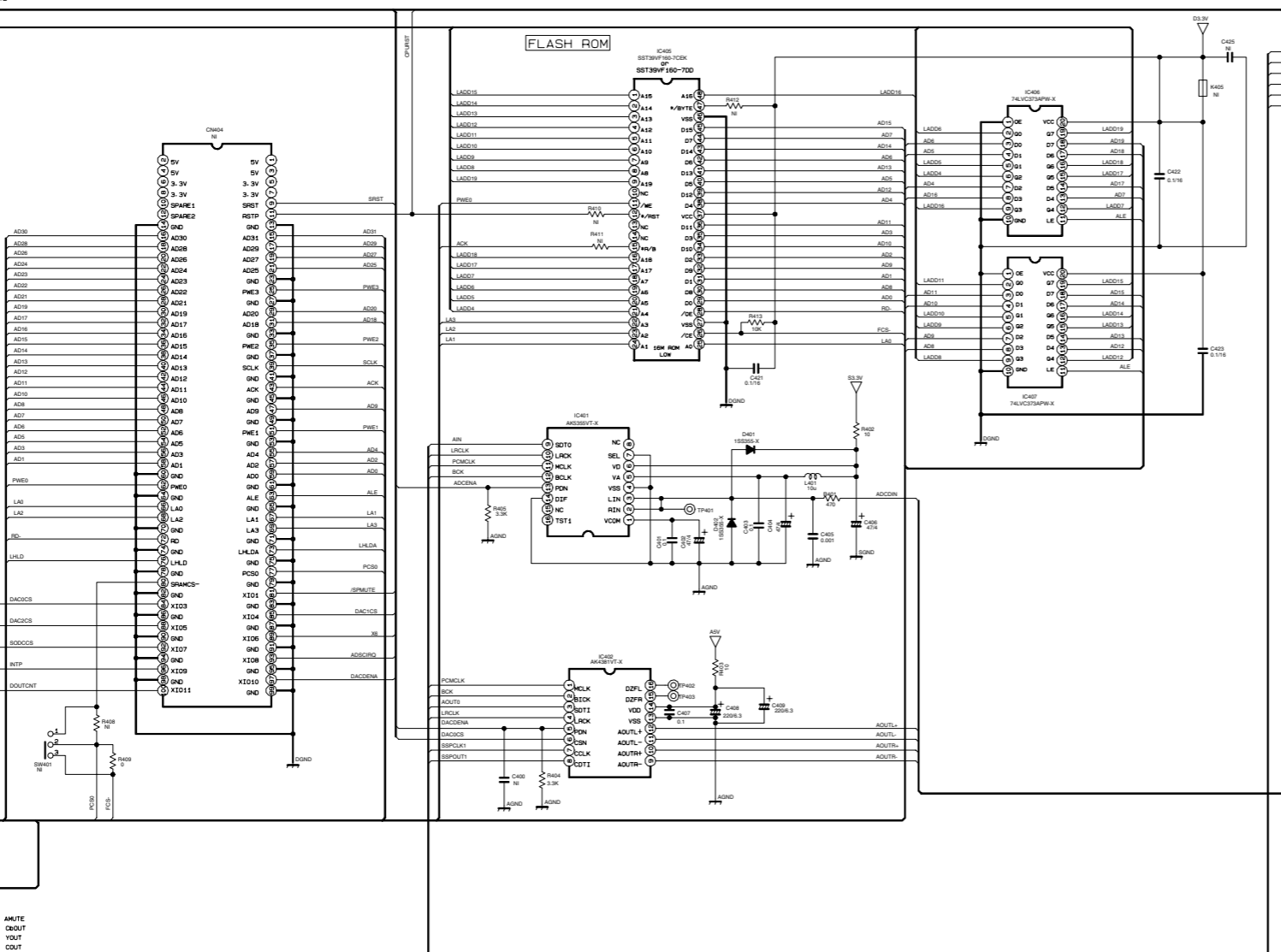
FROM SHEET 2

FROM SHEET 2

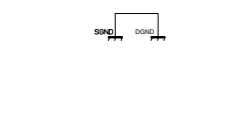
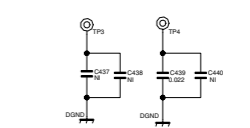
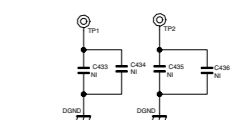
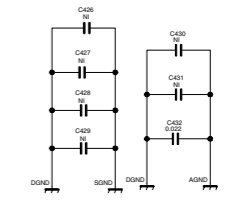
FROM SHEET 2

FROM SHEET 2

FROM SHEET 2



	EMU-SD1-1	EMU-SD1-11	EMU-SD2-1	EMU-SD2-11
IC402	NO INSERT	NO INSERT	INSERT	INSERT
C400	NO INSERT	NO INSERT	INSERT	INSERT
C407	NO INSERT	NO INSERT	INSERT	INSERT
C408	NO INSERT	NO INSERT	INSERT	INSERT
C409	NO INSERT	NO INSERT	INSERT	INSERT
R403	NO INSERT	NO INSERT	INSERT	INSERT
R404	NO INSERT	NO INSERT	INSERT	INSERT
R407	NO INSERT	NO INSERT	INSERT	INSERT
C418	NO INSERT	NO INSERT	INSERT	INSERT
CN503	NO INSERT	INSERT	NO INSERT	INSERT
IC401	NO INSERT	INSERT	NO INSERT	INSERT
C401	NO INSERT	INSERT	NO INSERT	INSERT
C402	NO INSERT	INSERT	NO INSERT	INSERT
C403	NO INSERT	INSERT	NO INSERT	INSERT
C404	NO INSERT	INSERT	NO INSERT	INSERT
C405	NO INSERT	INSERT	NO INSERT	INSERT
C406	NO INSERT	INSERT	NO INSERT	INSERT
R401	NO INSERT	INSERT	NO INSERT	INSERT
R402	NO INSERT	INSERT	NO INSERT	INSERT
R405	NO INSERT	INSERT	NO INSERT	INSERT
D401	NO INSERT	INSERT	NO INSERT	INSERT
D402	NO INSERT	INSERT	NO INSERT	INSERT
L401	NO INSERT	INSERT	NO INSERT	INSERT
K554	NO INSERT	NO INSERT	INSERT	INSERT
K555	NO INSERT	NO INSERT	INSERT	INSERT



TO CN415 OF LVA10424-A1 (SHEET 2/10)

TO CN406 OF LVA10424-A1 (SHEET 2/10)

DVD servo section 4/4

NO	DC(V)	NO	DC(V)
1	0V	51	2.1V
2	4.4V	52	2.1V
3	3.7V	53	2.1V
4	4.4V	54	2.1V
5	0V	55	4.9V
6	1.7V	56	2.1V
7	1.7V	57	2.1V
8	1.9V	58	2.1V
9	3.3V	59	2.1V
10	0V	60	2.1V
11	3.3V	61	0V
12	3.3V	62	2.1V
13	3.3V	63	2.1V
14	3.3V	64	0V
15	0V		
16	1.7V		
17	1.5V		
18	1.7V		
19	1.7V		
20	0V		
21	1.7V		
22	0V		
23	1.7V		
24	0.9V		
25	1.7V		
26	0V		
27	0V		
28	4.9V		
29	1.7V		
30	0V		
31	0V		
32	0V		
33	0V		
34	0V		
35	0.9V		
36	3.3V		
37	1.3V		
38	0.9V		
39	3.3V		
40	3.3V		
41	1.7V		
42	1.7V		
43	1.7V		
44	1.0V		
45	1.7V		
46	2.1V		
47	2.1V		
48	2.1V		
49	2.1V		
50	2.1V		

NO	DC(V)
1	1.7V
2	1.7V
3	1.7V
4	1.7V
5	1.7V
6	1.7V
7	1.7V
8	0V
9	3.2V
10	5.0V
11	2.5V
12	2.5V
13	2.5V
14	2.5V
15	4.3V
16	4.3V
17	4.3V
18	4.3V
19	9.2V
20	5.0V
21	0V
22	1.7V
23	1.7V
24	1.7V
25	0V
26	0V
27	1.7V
28	9.2V
29	1.7V
30	9.2V

NO	DC(V)
1	0.8V
2	0.8V
3	0.8V
4	0.8V
5	0V
6	0V
7	0.8V
8	0V
9	5.0V
10	5.0V
11	5.0V
12	5.0V
13	5.0V
14	5.0V
15	0V
16	0V
17	0V
18	0V
19	5.0V
20	5.0V
21	1.67V
22	1.67V
23	0V
24	3.3V
25	5.0V
26	0V
27	9.2V
28	9.2V
29	0V
30	0V

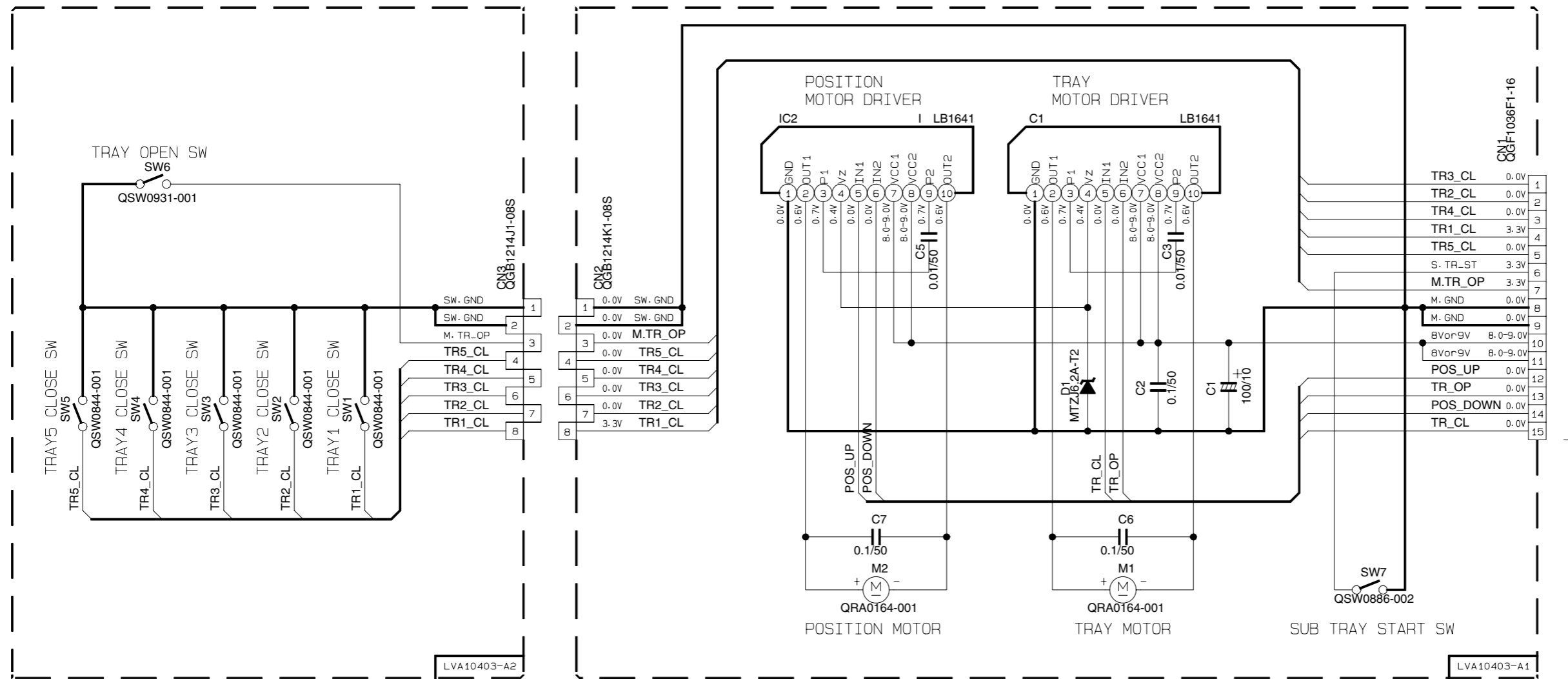
NO	DC(V)	NO	DC(V)	NO	DC(V)	NO	DC(V)
1	0V	51	3.3V	101	0.7V	151	0V
2	2.9V	52	3.3V	102	0V	152	1.7V
3	3.3V	53	---	103	1.4V	153	0V
4	0V	54	---	104	2.1V	154	1.7V
5	3.3V	55	---	105	---	155	0V
6	3.3V	56	---	106	1.7V	156	3.3V
7	---	57	3.3V	107	0.7V	157	0V
8	0V	58	1.7V	108	0.7V	158	0V
9	0V	59	0V	109	3.3V	159	0V
10	0V	60	0V	110	1.7V	160	0V
11	3.3V	61	---	111	1.7V	161	0V
12	3.3V	62	---	112	0V	162	3.3V
13	3.3V	63	---	113	0V	163	0V
14	0V	64	---	114	1.7V	164	0V
15	1.4V	65	1.7V	115	1.7V	165	0V
16	0V	66	1.7V	116	3.3V	166	0V
17	1.4V	67	1.7V	117	1.7V	167	0V
18	1.7V	68	1.7V	118	1.7V	168	0V
19	0V	69	3.3V	119	1.7V	169	3.3V
20	0V	70	---	120	1.7V	170	0V
21	0V	71	---	121	2.1V	171	0V
22	2.2V	72	---	122	1.7V	172	3.3V
23	2.2V	73	---	123	2.1V	173	0V
24	1.7V	74	---	124	---	174	4.9V
25	1.5V	75	---	125	3.3V	175	4.9V
26	1.5V	76	1.7V	126	0V	176	3.3V
27	1.5V	77	0V	127	0V		
28	1.5V	78	3.3V	128	0V		
29	1.5V	79	1.7V	129	0V		
30	0.5V	80	---	130	0V		
31	3.3V	81	0V	131	3.3V		
32	0V	82	0.8V	132	0V		
33	3.3V	83	2.1V	133	0V		
34	3.3V	84	1.7V	134	0V		
35	3.3V	85	0V	135	0V		
36	3.3V	86	---	136	1.7V		
37	0V	87	---	137	3.3V		
38	0V	88	3.3V	138	0V		
39	0V	89	0V	139	3.3V		
40	0V	90	1.7V	140	0V		
41	0V	91	---	141	0V		
42	0V	92	---	142	0V		
43	1.0V	93	1.7V	143	3.3V		
44	0V	94	0V	144	0V		
45	---	95	---	145	---		
46	0V	96	1.7V	146	1.7V		
47	3.3V	97	1.7V	147	3.3V		
48	0V	98	---	148	---		
49	---	99	3.3V	149	0V		
50	---	100	0.7V	150	0V		

NO	DC(V)	NO	DC(V)
1	3.3V	51	---
2	3.3V	52	0V
3	0V	53	3.3V
4	3.3V	54	3.3V
5	---	55	3.3V
6	3.3V	56	3.3V
7	---	57	---
8	0V	58	3.3V
9	3.3V	59	0V
10	0V	60	---
11	3.3V	61	0V
12	3.3V	62	0V
13	1.5V	63	0V
14	1.5V	64	0V
15	1.5V	65	0V
16	1.5V	66	3.3V
17	3.3V	67	3.3V
18	---	68	0V
19	0V	69	3.3V
20	0V	70	3.3V
21	---	71	0V
22	3.3V	72	3.3V
23	1.7V	73	3.3V
24	1.7V	74	3.3V
25	5.0V	75	3.3V
26	3.3V	76	3.3V
27	0V	77	0V
28	3.3V	78	0V
29	3.3V	79	0V
30	3.3V	80	0V
31	3.3V	81	3.3V
32	0V	82	3.3V
33	3.3V	83	3.3V
34	3.3V	84	3.3V
35	0V	85	3.3V
36	3.3V	86	3.3V
37	3.3V	87	3.3V
38	3.3V	88	3.3V
39	0V	89	3.3V
40	0V	90	3.3V
41	---	91	3.3V
42	---	92	0V
43	0V	93	0V
44	---	94	0V
45	3.3V	95	0V
46	0V	96	0V
47	0V	97	0V
48	3.3V	98	0V
49	3.3V	99	0V
50	3.3V	100	0V

NO	DC(V)
1	0V
2	3.2V
3	0V
4	0V
5	0V
6	0V
7	0V
8	0V

NO	DC(V)	NO	DC(V)	NO	DC(V)	NO	DC(V)	NO	DC(V)	NO	DC(V)	NO	DC(V)
1	3.2V	53	3.2V	105	0V	157	0V	209	0V				
2	0.5V	54	0.4V	106	0V	158	0V	210	3.2V				
3	0.4V	55	0.4V	107	3.2V	159	1.7V	211	0V				
4	1.8V	56	0.4V	108	1.7V	160	1.7V	212	1.7V				
5	0.4V	57	0V	109	0V	161	3.2V	213	3.2V				
6	0V	58	0.4V	110	0V	162	0V	214	3.2V				
7	0.4V	59	0.4V	111	1.0V	163	0V	215	0V				
8	0.4V	60	0.4V	112	1.0V	164	0V	216	0V				
9	0V	61	0.5V	113	3.1V	165	0V	217	3.2V				
10	3.2V	62	3.2V	114	0.4V	166	0V	218	0V				
11	0V	63	0.5V	115	0.4V	167	0V	219	3.2V				
12	0V	64	3.2V	116	---	168	0V	220	3.2V				
13	0V	65	1.0V	117	3.1V	169	3.2V	221	0V				
14	0V	66	---	118	0.8V	170	3.2V	222	3.2V				
15	2.0V	67	0V	119	1.3V	171	0V	223	3.2V				
16	1.3V	68	1.7V	120	1.8V	172	0V	224	3.2V				
17	0V	69	0V	121	0V	173	0V	225	0V				
18	0.4V	70	3.2V	122	0V	174	0V	226	0V				
19	3.2V	71	0V	123	0V	175	0V	227	0.8V				
20	1.4V	72	0V	124	0V	176	0V	228	0V				
21	1.7V	73	0V	125	3.2V	177	0V	229	0.8V				
22	1.7V	74	0V	126	0V	178	0V	230	0V				
23	0V	75	3.2V	127	0V	179	0V	231	0.8V				
24	3.2V	76	---	128	0V	180	0V	232	0.6V				
25	0.5V	77	1.7V	129	0V	181	3.2V	233	3.2V				
26	2.5V	78	1.7V	130	0V	182	3.2V	234	0.6V				
27	3.2V	79	1.7V	131	0V	183	0V	235	0.8V				
28	1.2V	80	0V	132	0V	184	0V	236	1.0V				
29	0V	81	0V	133	0V	185	3.2V	237	0V				
30	0V	82	0V	134	0V	186	0V	238	0.4V				
31	0V	83	3.2V	135	1.8V	187	0V	239	0.8V				
32	2.0V	84	0.4V	136	0V	188	0V	240	0.8V				
33	1.3V	85	0V	137	0V	189	3.2V						
34	1.7V	86	3.2V	138	0V	190	0V						
35	2.2V	87	0V	139	0V	191	0V						
36	3.1V	88	1.7V	140	3.2V	192	1.7V						
37	3.2V	89	0V	141	0V	193	3.2V						
38	0V	90	0V	142	0V	194	3.2V						
39	3.2V	91	1.2V	143	0V	195	0V						
40	0V	92	0V	144	0V	196	3.2V						
41	0V	93	0V	145	3.2V	197	3.2V</						

■ DVD mechanism control section



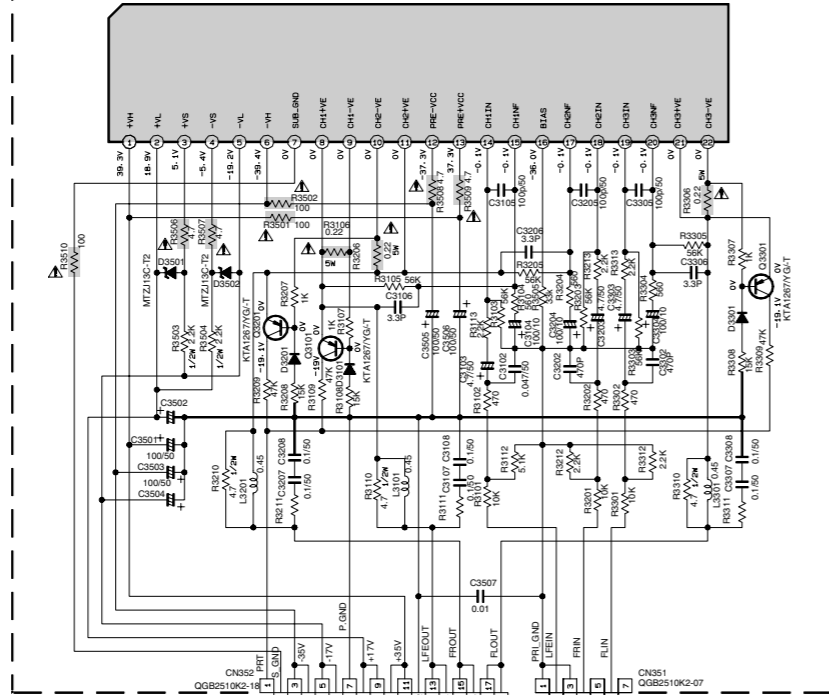
TO POWER AND MECHA CONTROL MICOM

- NOTES
1. VOLTAGES ARE DC-MEASURED WITH A DIGITAL VOLT METER.
CONDITION: DISC1 STOP
 2. UNLESS OTHERWISE SPECIFIED.
ALL CAPACITORS ARE SHOWN IN THE FORM OF CAPACITANCE (μF)/RATED VOLTAGE (V).

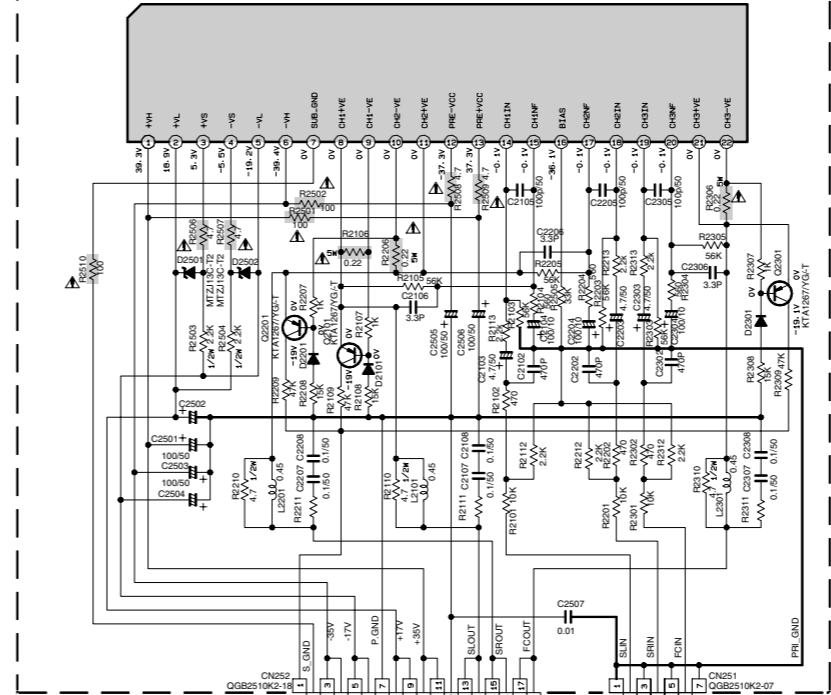
<Subwoofer section>

■ Main amplifier section

LVA10438-A2



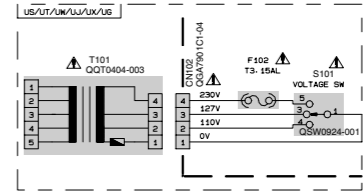
LVA10438-A1



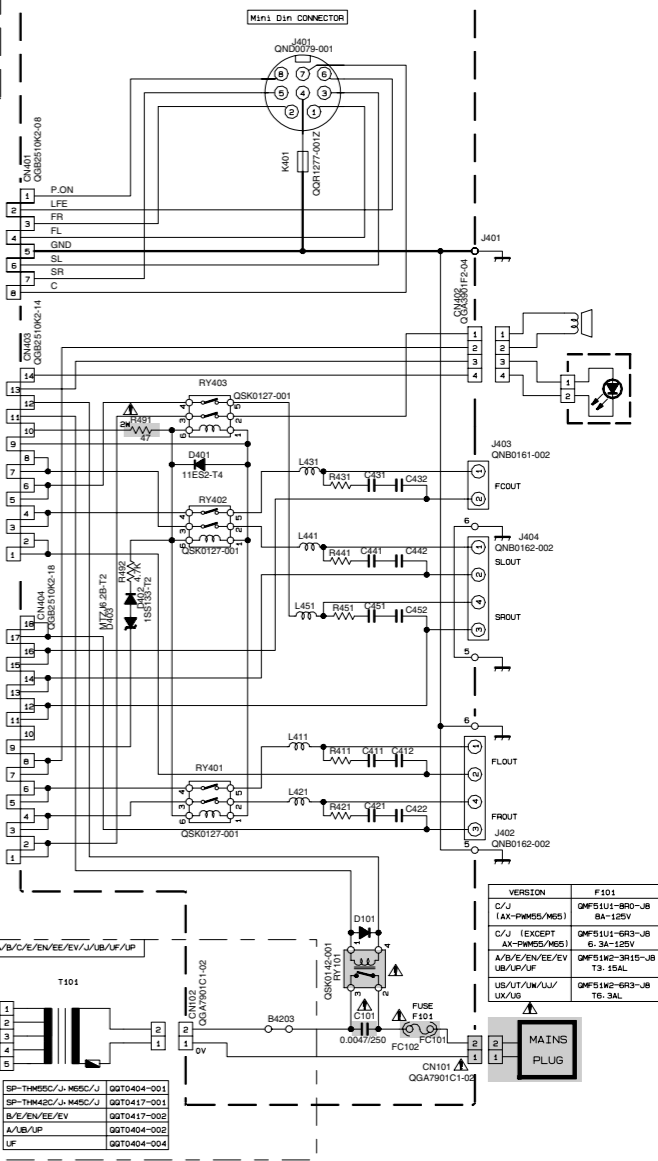
MODEL	VERSION	IC201
AX-PHMS5	C/J	STK413-410
OTHER		STK413-490

VERSION	R211/2211/2311 R211/3311	C2107/2207/2307 C2108/2208/2308 C3207/3307 C3208/3308	L411/421/431 L441/451	R411/421/431 R441/451	C411/421/431 C441/451 C412/422/432 C442/452	C2502/2504 C3502/3504
B/E/EN/EE/EV	10	0.1/50	0.45	10	0.1/50	47/25
OTHER	4.7	0.1/50	BUS WIRE	---	---	100/25

VERSION CODES	
A-AUSTRALIA	UF-CHINA
B-GREAT BRITAIN	UG-TURKEY/EGIPT/SOUTH AFRICA
C-CANADA	UJ-USA MILITARY BASE
D-JAPAN	UK-KOREA
E-GERMANY/FRANCE/HOLLAND	US-SINGAPORE
EE-RUSSIA	UT-TAIWAN
EN-SWEDEN/NORWAY/FINLAND/DENMARK	UN-BRAZIL/MEXICO/PERU
EV-EAST EUROPE	UX-SAUDI ARABIA
J-U.S.A	UY-ARGENTINA
LB-HONG KONG	



LVA10433-A2



VERSION	F101
C/J	QPS111-890-UB BA-125V
C/J (EXCEPT AX-PHMS5/MS5)	QPS111-693-UB 6.3A-125V
A/B/E/EN/EE/EV UB/UP/UF	QPS192-3815-UB T3-15AL
UK/US	QPS192-693-UB T6-3AL

- NOTES
- VOLTAGES ARE DC-MEASURED WITH A DIGITAL VOLT METER WITHOUT INPUT SIGNAL.
 - UNLESS OTHERWISE SPECIFIED, ALL RESISTORS ARE 1/4W ±5% CARBON RESISTOR.
 - ALL CAPACITORS ARE 50V CAPACITOR.
 - ALL RESISTANCE VALUES ARE IN OHM(Ω).
 - ALL CAPACITANCE VALUES ARE IN #F(P=PF).
 - ALL E-CAPACITORS ARE SHOWN IN THE FORM OF CAPACITANCE(μF)/RATED VOLTAGE (V).
 - ALL DIODES ARE 1SS133-T2.
 - * MARKING ARE USED DIFFERENT VERSION.

LVA10433-A1

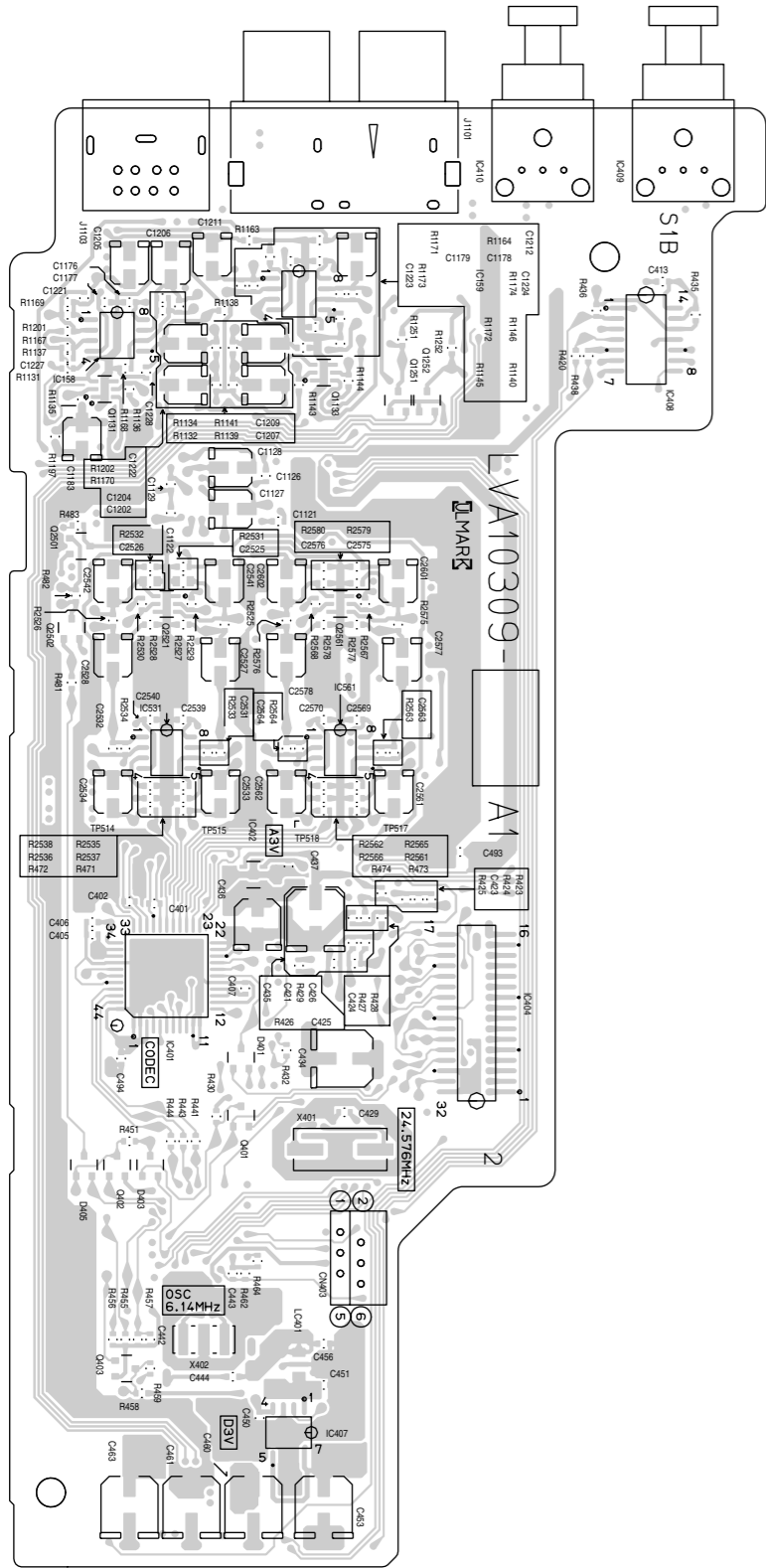
LOW VOLTAGE DETECTOR

VERSION	F153/F154
C/J	QPS111-890-UB BA-125V
A/B/E/EN/EE/EV UB/UP/UF	QPS2051-890-UB TRAL

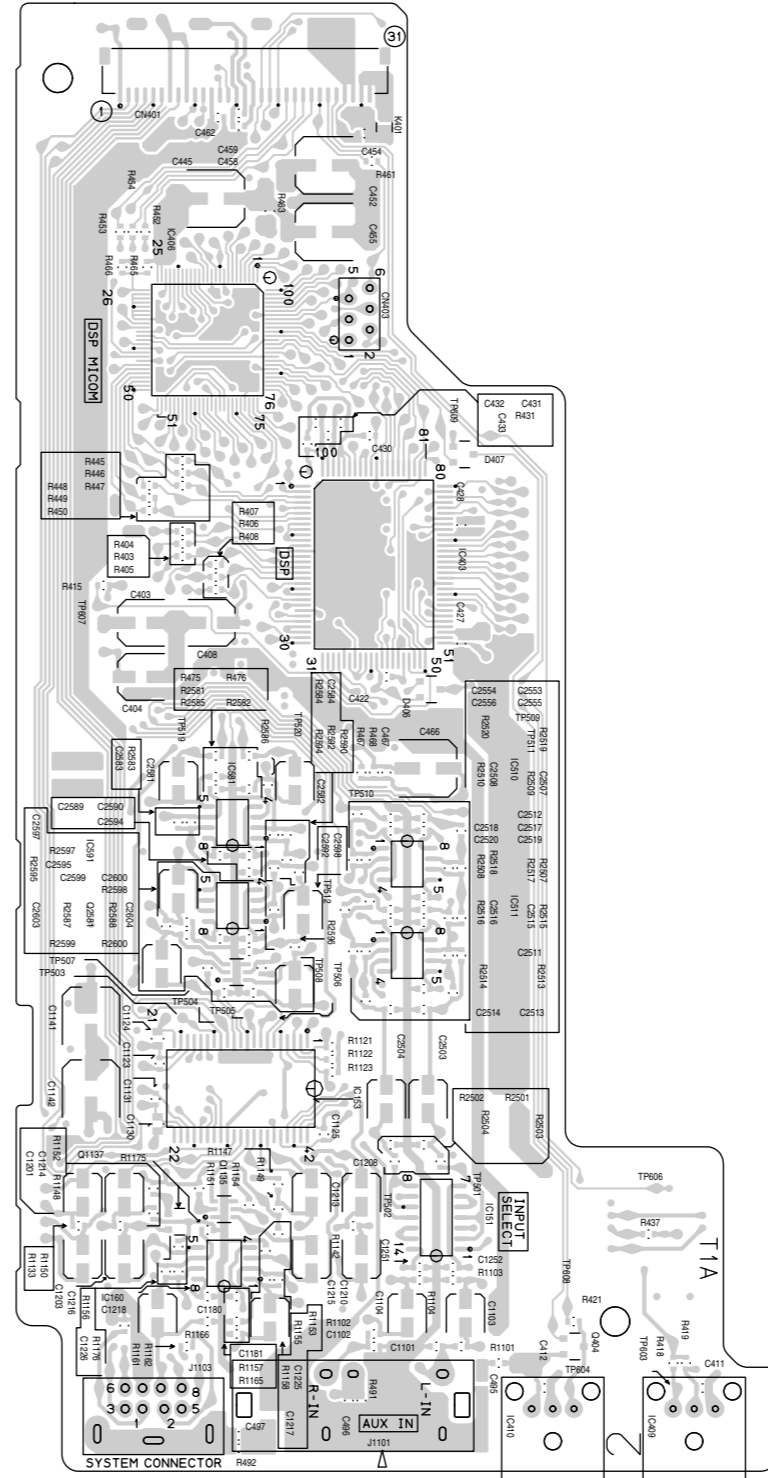
▲ Parts are safety assurance parts. When replacing those parts make sure to use the specified one.

■ DSP board

Forward side

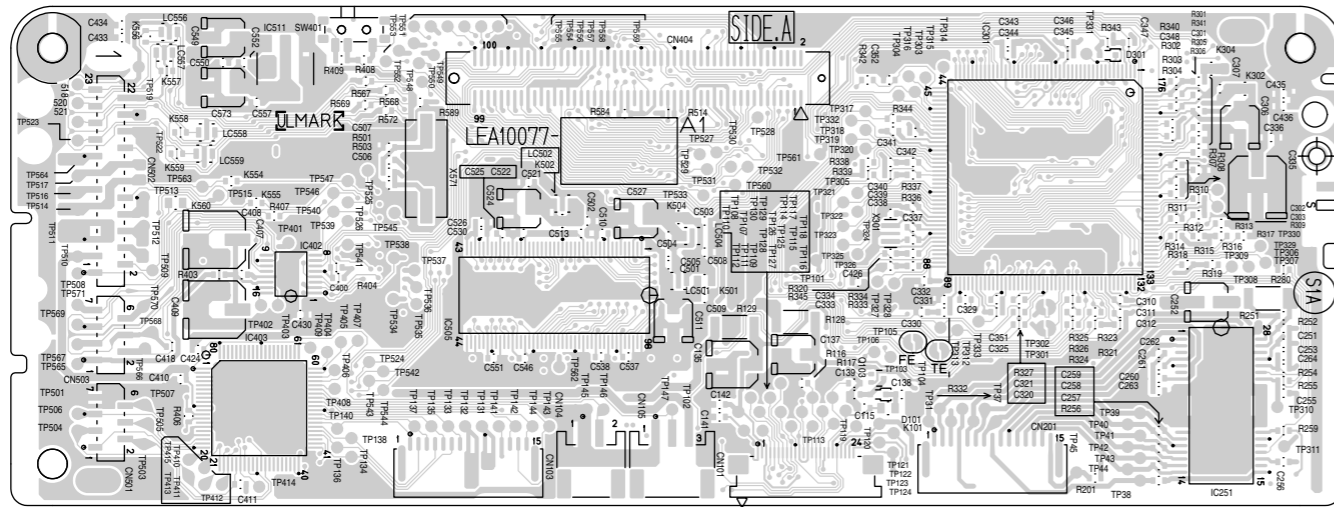


Reverse side

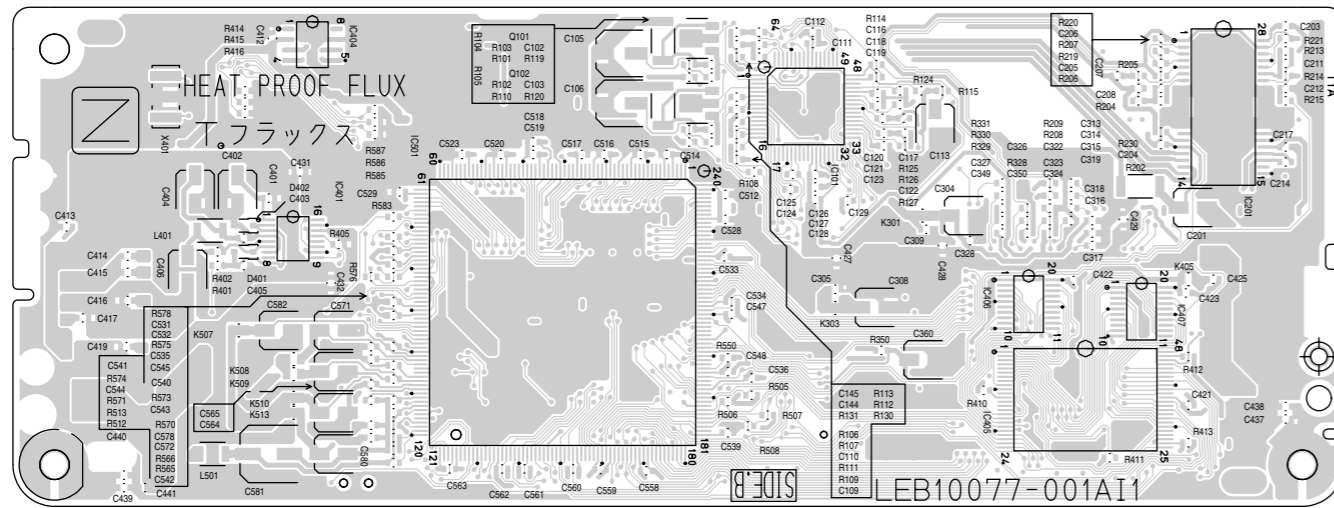


■ DVD servo board

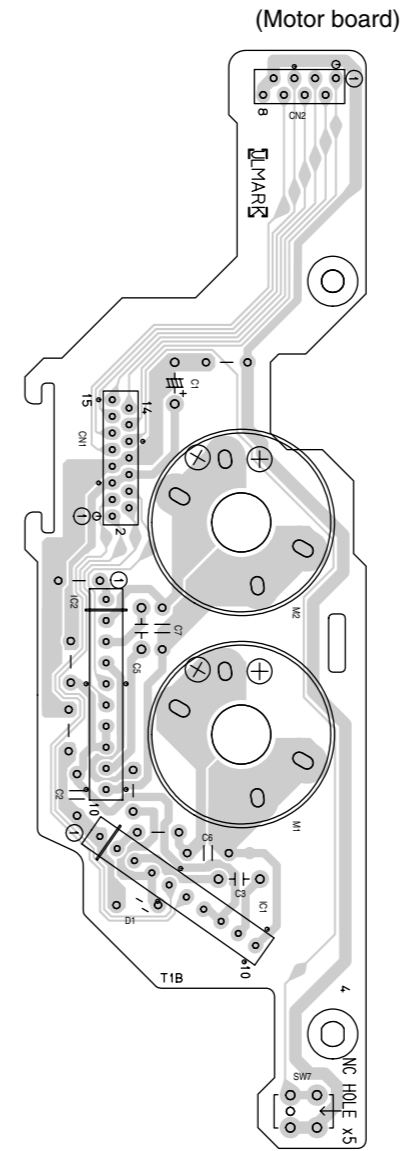
Forward side



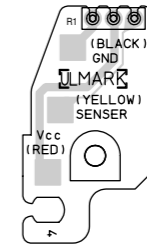
Reverse side



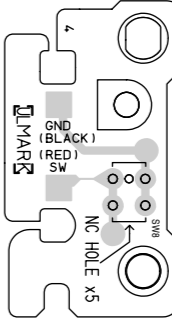
■ DVD loading board



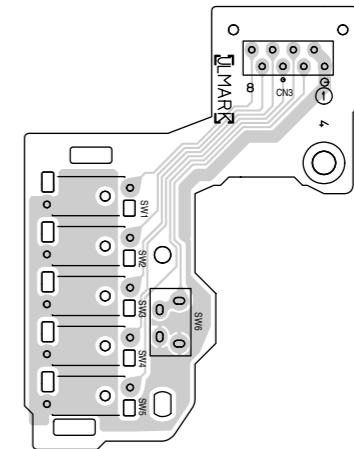
(Sensor board)



(Switch board)



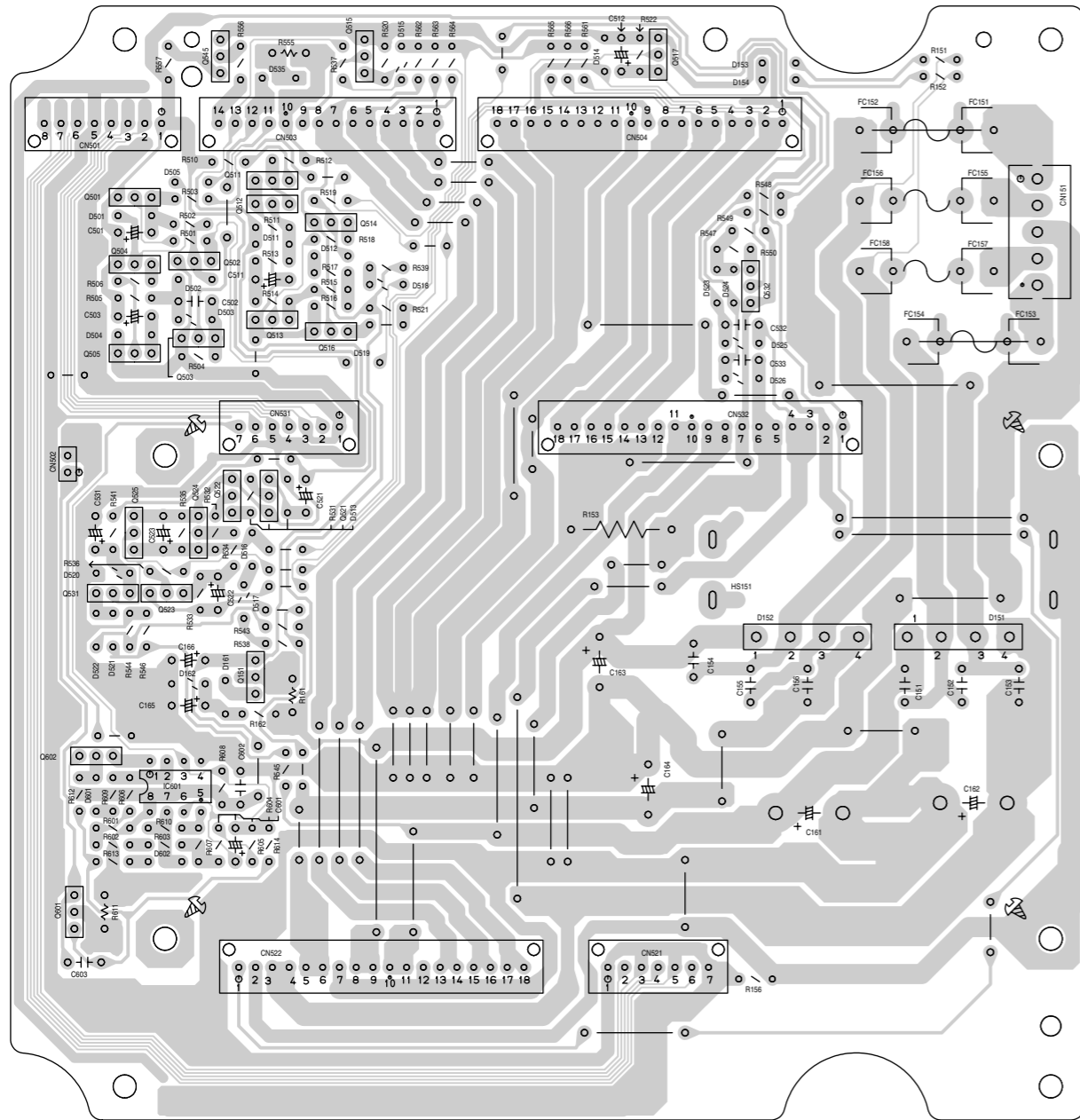
(Tray switch board)



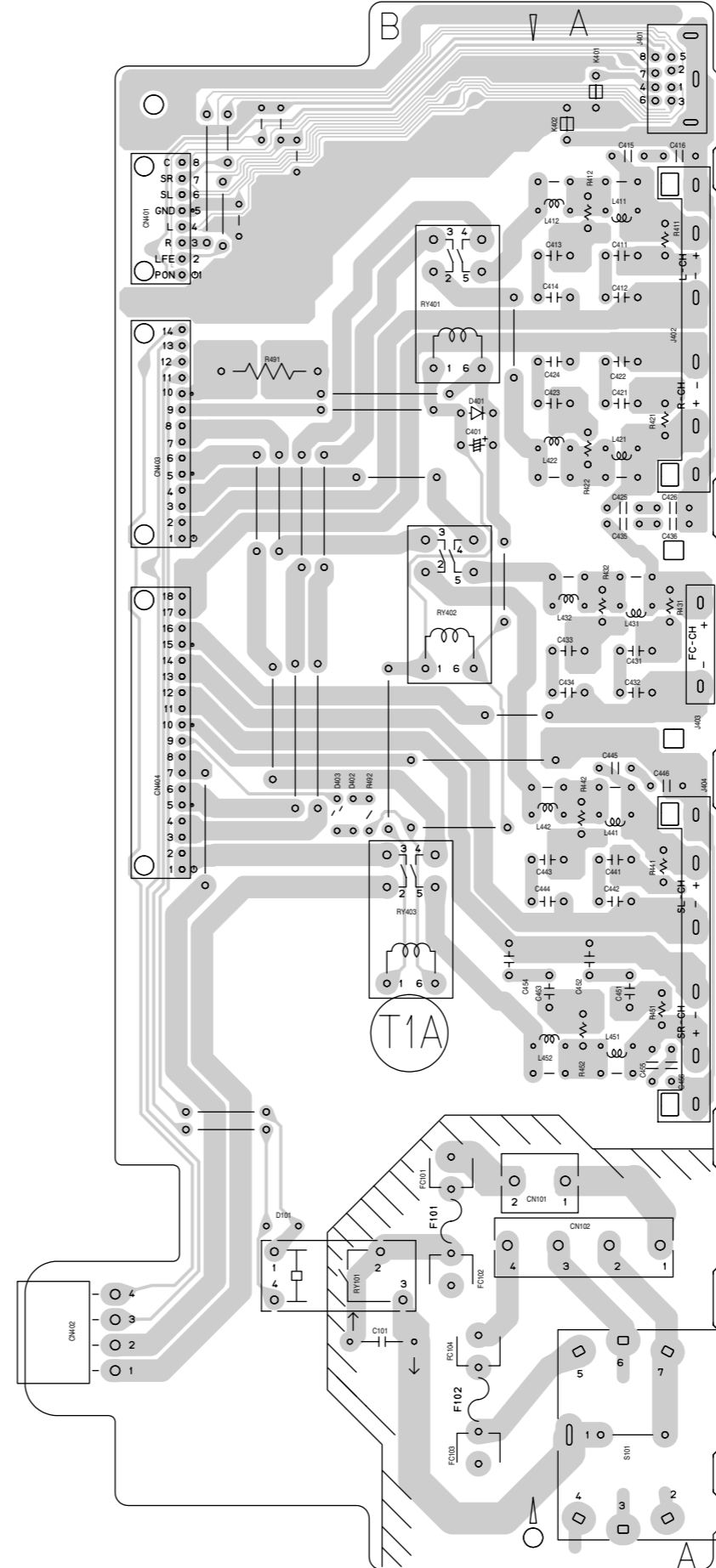
<Subwoofer section>

■ Mother board

(Mother board)

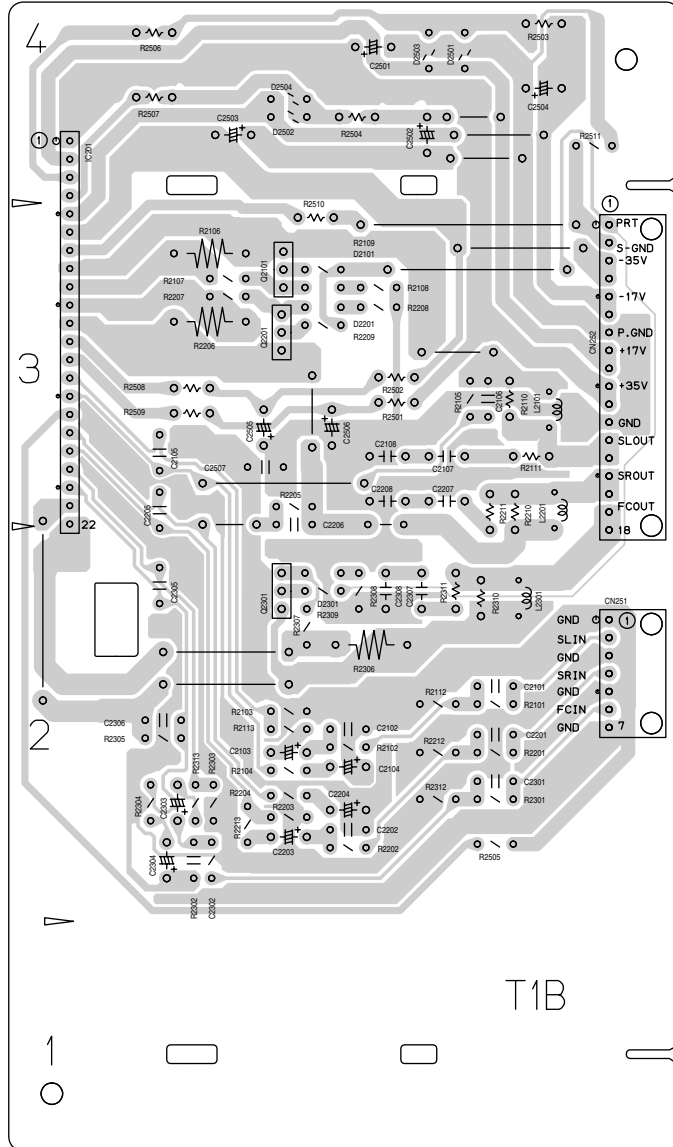


(Speaker terminal board)

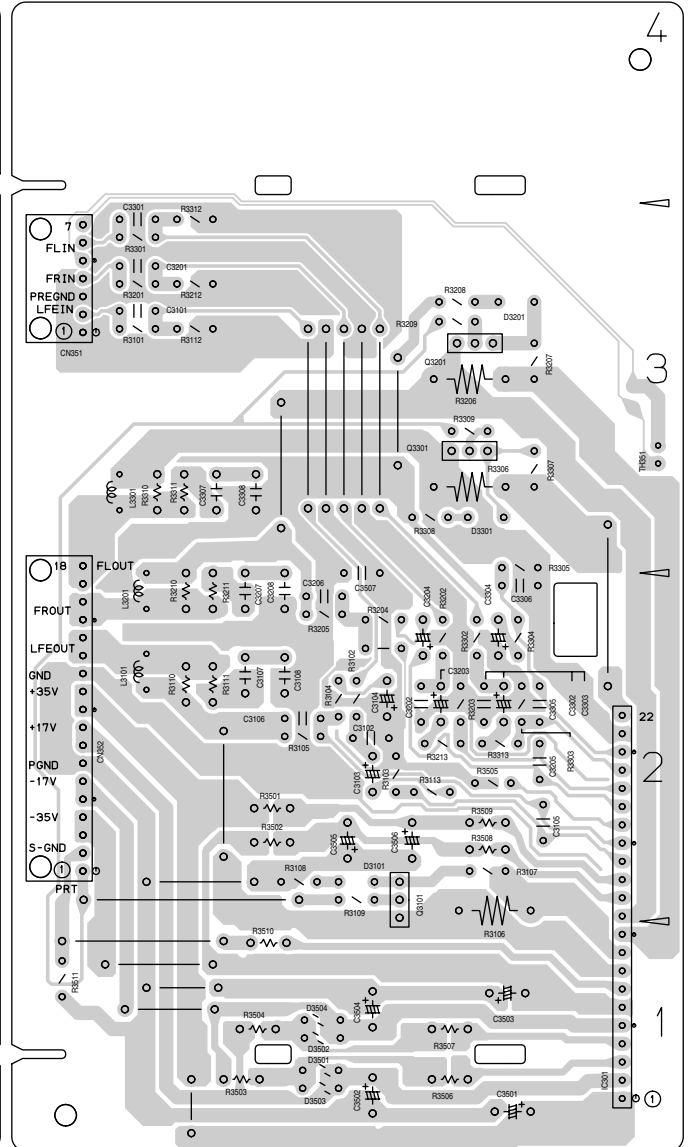


■ Amplifier board

(Amplifier board (A))



(Amplifier board (B))



JVC

VICTOR COMPANY OF JAPAN, LIMITED

AV & MULTIMEDIA COMPANY AUDIO/VIDEO SYSTEMS CATEGORY 10-1, 1chome, Ohwatari-machi, Maebashi-city, 371-8543, Japan

(No.MB112SCH)



Printed in Japan
WPC