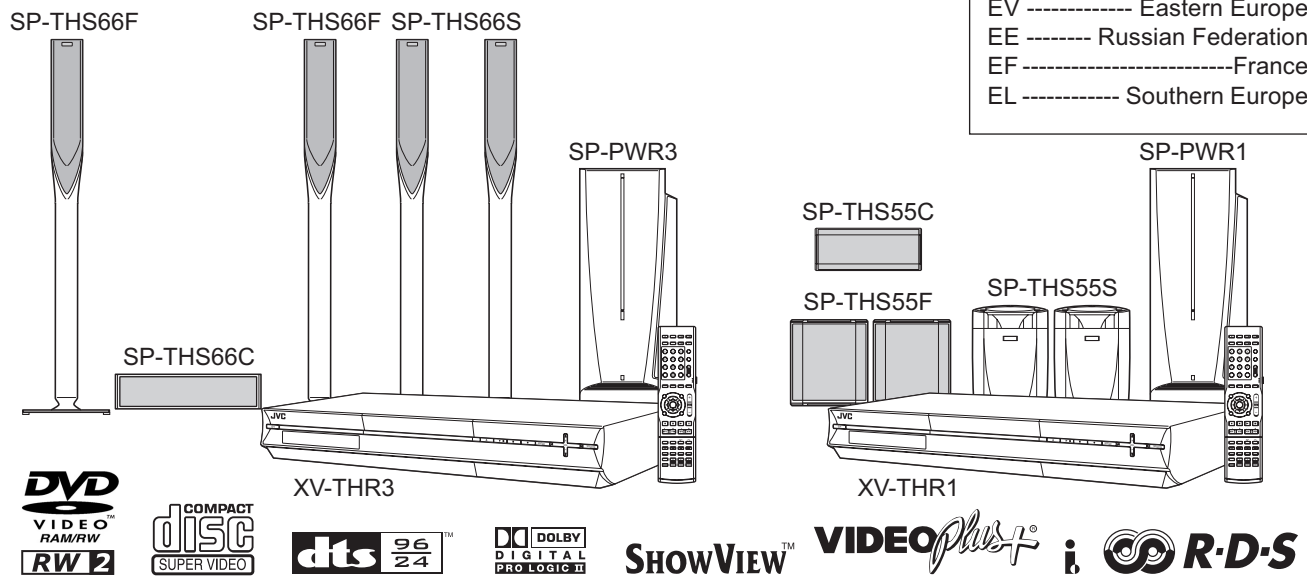


JVC

SERVICE MANUAL

DVD DIGITAL CINEMA SYSTEM

TH-R3,TH-R1



The DVD mechanism was changed.
The corresponding product have a discernment sign.

Lead free solder used in the board (material : Sn-Ag-Cu, melting point : 219 Centigrade)

TABLE OF CONTENTS

1	PRECAUTION.....	1-4
2	SPECIFIC SERVICE INSTRUCTIONS.....	1-4
3	DISASSEMBLY.....	1-4
4	ADJUSTMENT.....	1-5
5	TROUBLESHOOTING.....	1-5

SPECIFICATION

XV-THR1/XV-THR3

GENERAL	Power requirement		AC 230 V, 50 Hz
	Power consumption	Power on	40 W
		Power off	6 W
	Temperature	Operating	5°C to 35°C (41°F to 104°F)
		Storage	-20°C to 60°C (-4°F to 140°F)
	Operating position		Horizontal only
	Dimensions (WxHxD)		435 mm × 70 mm × 318 mm
Mass		3.6 kg	
VIDEO/AUDIO	Recordable disc		DVD-RAM 12 cm (4.7 GB/9.4 GB) DVD-RAM 8 cm (1.4 GB/2.8 GB) DVD-R 12 cm (4.7 GB) DVD-R 8 cm (1.4 GB) DVD-RW 12 cm (4.7 GB) DVD-RW 8 cm (1.4 GB)
	Recording format	DVD-RAM	DVD Video Recording format
		DVD-R	DVD-Video format
		DVD-RW	DVD-Video format, DVD Video Recording format
	Recording time Maximum 8 hours (with 4.7 GB disc)	(XP)	Approx. 1 hour
		(SP)	Approx. 2 hours
		(LP)	Approx. 4 hours
		(EP)	Approx. 6 hours
		(FR)	Approx. 1 hour - 8 hours
	Playable disc		DVD-RAM 12 cm (4.7 GB/9.4 GB) DVD-RAM 8 cm (1.4 GB/2.8 GB) DVD-R 12 cm (4.7 GB) DVD-R 8 cm (1.4 GB) DVD-RW 12 cm (4.7 GB) DVD-RW 8 cm (1.4 GB) DVD VIDEO Music CD (CD-DA) Video CD Super Video CD (SVCD) CD-R/RW (CD-DA, Video CD/SVCD formatted discs, MP3/JPEG formatted discs)
Audio recording system		Dolby Digital (2 ch) Linear PCM (XP mode only)	
Video recording compression system		MPEG2 (CBR/VBR)	
INPUT/OUTPUT	S-video input	Y	1.0 V _{p-p} , 75 Ω
		C	0.3 V _{p-p} , 75 Ω
	Video input		1.0 V _{p-p} , 75 Ω (pin jack)
	Audio input		-8 dB, 50 kΩ (pin jack) Corresponding to mono (left)
	Audio input*1	Optical (DIGITAL IN)	-21 dBm to -15 dBm (660 nm ±30 nm)
		Coaxial (DIGITAL IN)	0.5 V _{p-p} , 75Ω
	Audio output		-8 dB, 1kΩ (pin jack)
	21-pin SCART connectors		IN/OUT × 1, IN/DECODER × 1
	i.Link		4-pin for DV input
	Component video output	Y	1.0 V _{p-p} , 75Ω
		PB/PR	0.7 V _{p-p} , 75Ω Corresponding to copy protection
TUNER/TIMER	TV TUNER	Tuning system	Frequency synthesiser tuner
		Channel coverage	VHF: 47 MHz-143 MHz/143 MHz-470 MHz UHF: 470 MHz-862 MHz
	RADIO TUNER	Tuning Range	FM: 87.50 MHz to 108.00 MHz AM(MW): 522 kHz to 1 629 kHz
	TIMER	Clock reference	Quartz
		Programme capacity	1 year programmable timer/8 programmes
		Memory backup time	Approx. 10 min.

*1 Corresponding to Linear PCM, Dolby Digital and DTS Digital Surround (with sampling frequency -32 kHz, 44.1 kHz, 48 kHz)

Subwoofer (SP-PWR1/SP-PWR3)

Amplifier section	Front	140 W per channel, RMS at 4Ω at 1 kHz, with 10 % total harmonic distortion.
	Center/Surround	130 W per channel, RMS at 4Ω at 1 kHz, with 10 % total harmonic distortion.
	Subwoofer	140 W, RMS at 4Ω at 100 Hz, with 10 % total harmonic distortion.
Speaker section	Speaker unit	16 cm Bass-reflex
	Power Handling Capacity	140 W
	Impedance	4Ω
	Frequency Range	30 Hz to 200 Hz
General	Power Requirements	AC 230 V, 50 Hz
	Power Consumption	135 W (at operation) 0 W (in standby mode)
	Dimensions (W × H × D)	170 mm × 411 mm × 459 mm
	Mass	11.7 kg

Satellite Speakers (TH-R1)

Front speakers (SP-THS55F)	Speaker unit	8.0 cm Bass-reflex, Magnetically Shielded
	Power Handling Capacity	140 W
	Impedance	4Ω
	Frequency Range	80 Hz to 20 kHz
	Dimensions (W × H × D)	106 mm × 119.5 mm × 102 mm
	Mass	0.51 kg
Center speaker (SP-THS55C)	Speaker unit	5.5 cm × 2 Bass-reflex, Magnetically Shielded
	Power Handling Capacity	140 W
	Impedance	4Ω
	Frequency Range	80 Hz to 20 kHz
	Dimensions (W × H × D)	209 mm × 85 mm × 92 mm
	Mass	0.85 kg
Surround speakers (SP-THS55S)	Speaker unit	8.0 cm Bass-reflex
	Power Handling Capacity	140 W
	Impedance	4Ω
	Frequency Range	80 Hz to 20 kHz
	Dimensions (W × H × D)	111.5 mm × 148 mm × 106.5 mm
	Mass	0.56 kg

Satellite Speakers (TH-R3)

Front speakers (SP-THS66F)	Speaker unit	5.5 cm × 2 Bass-reflex, Magnetically Shielded
	Power Handling Capacity	140 W
	Impedance	4Ω
	Frequency Range	90 Hz to 20 kHz
	Dimensions (W × H × D)	250 mm × 1 104 mm × 250 mm
	Mass	2.6 kg
Center speaker (SP-THS66C)	Speaker unit	5.5 cm × 2 Bass-reflex, Magnetically Shielded
	Power Handling Capacity	140 W
	Impedance	4Ω
	Frequency Range	90 Hz to 20 kHz
	Dimensions (W × H × D)	320 mm × 75 mm × 92 mm
	Mass	0.9 kg
Surround speakers (SP-THS66S)	Speaker unit	5.5 cm × 2 Bass-reflex
	Power Handling Capacity	140 W
	Impedance	4Ω
	Frequency Range	90 Hz to 20 kHz
	Dimensions (W × H × D)	250 mm × 1 104 mm × 250 mm
	Mass	2.5 kg

Design & specifications subject to change without notice.

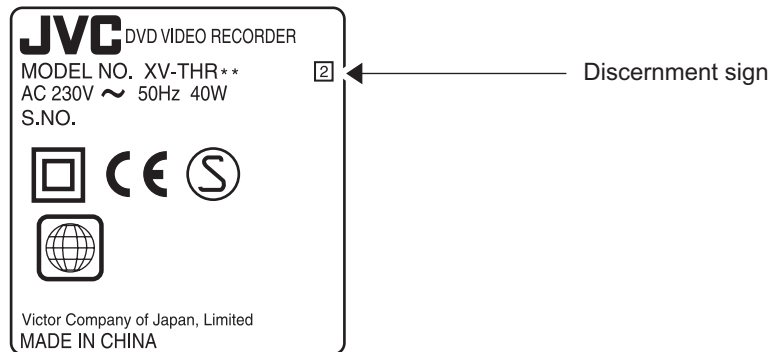
SECTION 1 PRECAUTION

Please refer to "TH-R3, TH-R1 (No.MB442)" about this section.

SECTION 2 SPECIFIC SERVICE INSTRUCTIONS

2.1 HOW TO IDENTIFY MODELS

2.1.1 NAME PLATE



SECTION 3 DISASSEMBLY

For the 3.2 DVD mechanism assembly, the disassembly method of a DVD mechanism does not correspond to the product with which the DVD mechanism was changed.

Please refer to "TH-R3, TH-R1 (No.MB442)" about other items.

SECTION 4 ADJUSTMENT

For the 4.6 Taking out a disc, please follow this procedure about how to taking out a disk of the product with which the DVD mechanism was changed.

Please refer to "TH-R3, TH-R1 (No.MB442)" about other items.

4.6 Taking out a disc

4.6.1 Method 1

There is compulsive tray ejection mode by electric operation.

- (1) AC Plug is pulled out at once and inserted again.
- (2) It is displayed on FL display as "PLEASE" and "WAIT" blink alternately, and while it blinks, pushing the EJECT button of a main body is continued.
- (3) After a while, a tray opens (About 20 seconds).
- (4) A disk is removed, the tray is pushed, and a tray is made to close.
- (5) "PLEASE" and "WAIT" blink alternately and it is displayed in FL indicator, and it will be in a standby state.
- (6) If the POWER button is pushed, it will usually be operating.

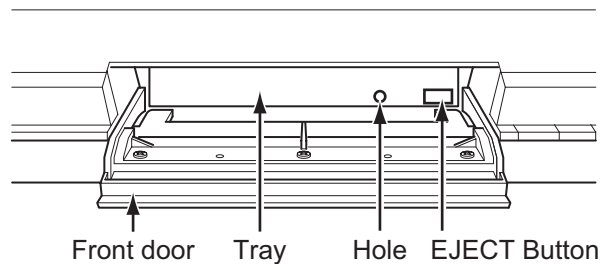
4.6.2 Method 2

When the disc cannot be removed by operating above "Method 1", open the front door of the main body manually and directly press the EJECT button located in the lower right of the drive unit.

4.6.3 Method 3

When neither "Method 1" nor "Method 2" can remove the disc, the tray can be ejected mechanically without turning the power on.

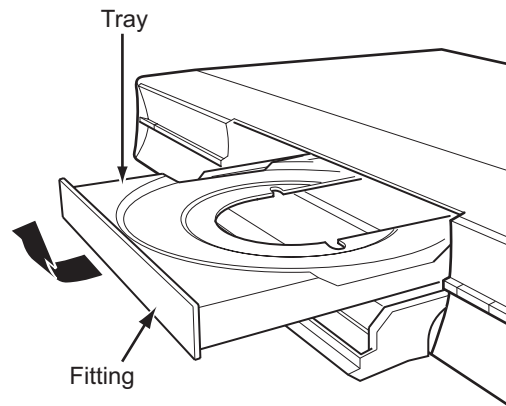
- (1) Open the front door of the main body manually.
- (2) Insert a fine wire (e.g. a straightened paper clip) into the hole in the lower part of the tray of the drive unit.
- (3) As the tray ejects a little, pull out the tray manually.



4.7 Exchanging the fitting

As the fitting that comes with the service drive unit cannot be used, make sure to attach a service fitting when the drive unit is exchanged. The fitting that is removed from the old drive unit can be attached to the new drive unit.

The fitting can be removed by pulling upwards while opening out the lower part of the fitting outwards.



SECTION 5 TROUBLESHOOTING

Please refer to "TH-R3, TH-R1 (No.MB442)" about this section.



JVC

Victor Company of Japan, Limited
AV & MULTIMEDIA COMPANY AUDIO/VIDEO SYSTEMS CATEGORY 10-1,1chome,Ohwatari-machi,Maebashi-city,371-8543,Japan

(No.MB442B)

PARTS LIST

[TH-R3] [TH-R1]

* All printed circuit boards and its assemblies are not available as service parts.

Area suffix

B ----- U.K.
 E ----- Continental Europe
 EN ----- Northern Europe
 EV ----- Eastern Europe
 EE ----- Russian Federation
 EF ----- France
 EL ----- Southern Europe

Combination	XV-THR3	SP-THR3
TH-R3B	EK	B
TH-R3E	EU	E
TH-R3EN	EY	EN
TH-R3EV	EZ	EV
TH-R3EE	ER	EE
TH-R3EF	EF	EF
TH-R3EL	EL	E

Combination	XV-THR1	SP-THR1
TH-R1B	EK	B
TH-R1E	EU	E
TH-R1EN	EY	EN
TH-R1EV	EZ	EV
TH-R1EE	ER	EE
TH-R1EF	EF	EF
TH-R1EL	EL	E

- Contents -

XV-THR3/XV-THR1

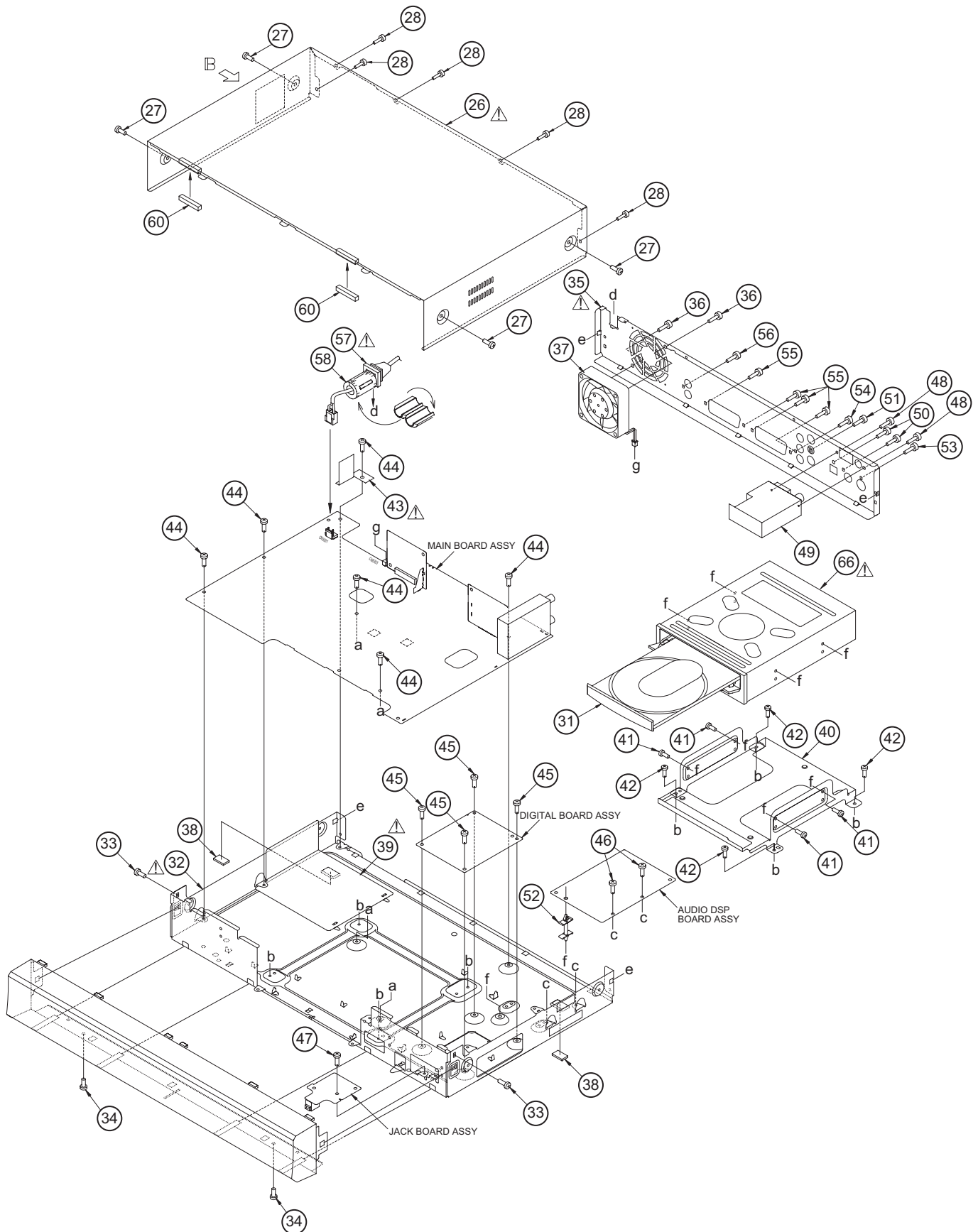
Exploded view of general assembly and parts list (Block No.M1)	3- 2
Electrical parts list (Block No.01~09)	3- 6
Packing materials and accessories parts list (Block No.M2)	3-20

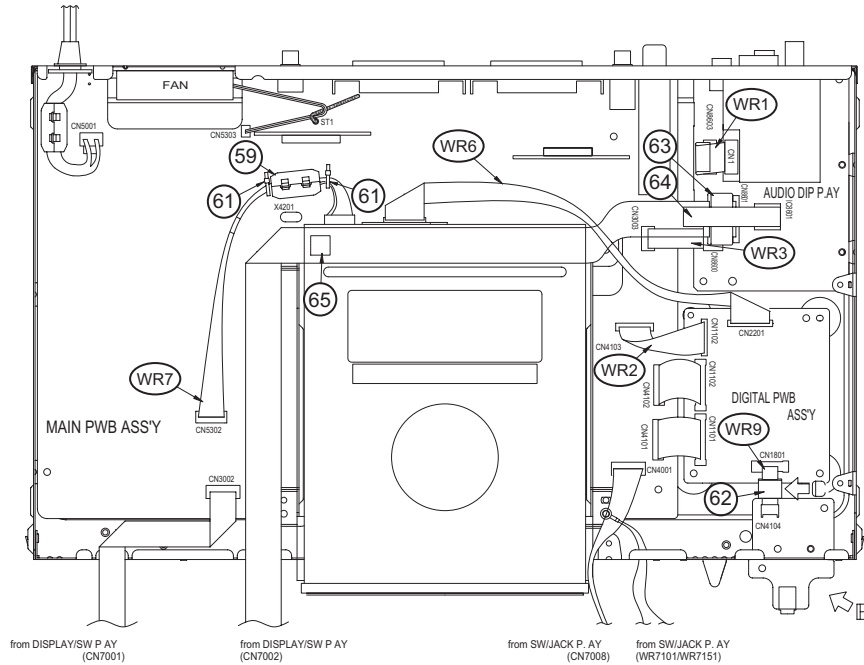
SP-PWR3/SP-PWR1

Speaker assembly and parts list(Subwoofer) (Block No.M3)	3-22
Electrical parts list (Block No.10)	3-24
Packing materials and accessories parts list (Block No.M4)	
(SP-PWR3 B,E,EN,EV,EF)	3-28
Packing materials and accessories parts list (Block No.M5)	
(SP-PWR1 B,E,EN,EV,EF)	3-30
Packing materials and accessories parts list (Block No.M6) (SP-PWR3 EE)	3-32
Packing materials and accessories parts list (Block No.M7) (SP-PWR1 EE)	3-34

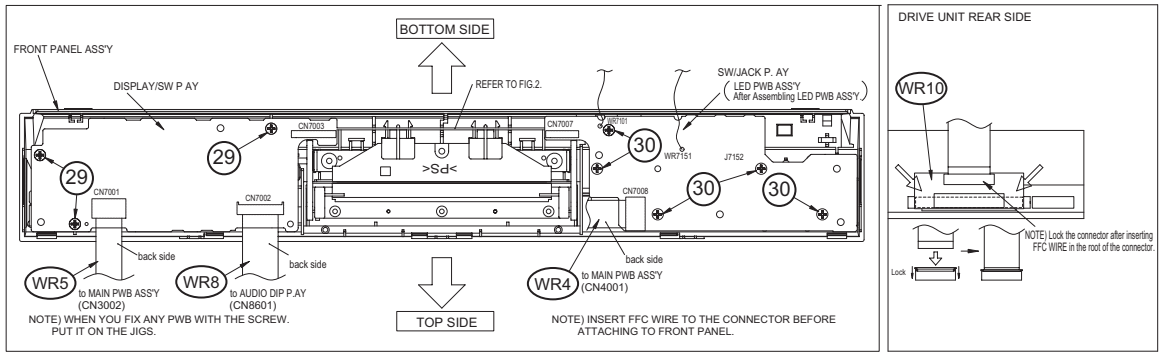
Exploded view of general assembly and parts list

Block No. **M 1 M M**

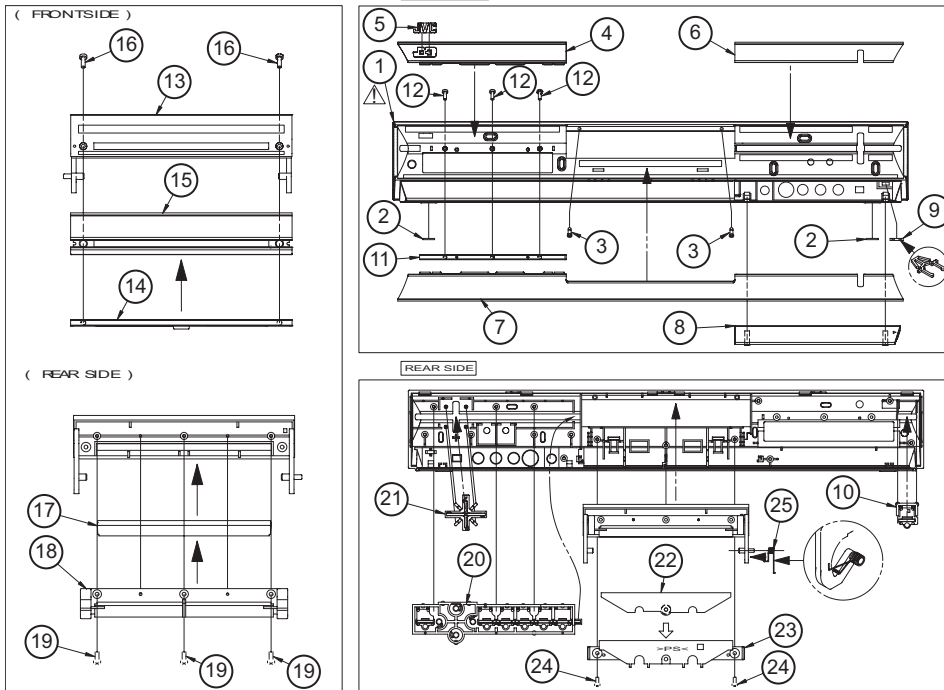




FRONT PANEL SUB ASS'Y



LID SUBASS'Y



General Assembly

Block No. [M][1][M][M]

△	Symbol No.	Part No.	Part Name	Description	Local
△	1	LV11091-002A	FRONT PANEL		
	2	LV40301-002A	FELT SPACER	FOOT(x2)	
	3	E69897-002	CUSHION	(x2)	
	4	LV35801-001A	FRONT LENS L		
	5	GN40020-002A	JVC MARK		
	6	LV35802-001A	FRONT LENS R		
	7	LV21967-003A	FL LENS A		1EK,3EK
	7	LV21967-002A	FL LENS A		1EF,1EL,1ER,1EU,1EY,1EZ, 3EF,3EL,3ER,3EU,3EY,3EZ
	8	LV35803-003A	DOOR		
	9	PU60109	CATCHER		
	10	LV35804-001A	POWER BUTTON		
	11	LV35805-001A	BAR		
	12	QYSDSF2006ZA	TAP SCREW	PANEL+BAR(x3)	
	13	LV35806-001A	LID BASE		
	14	LV35807-001A	LID BAR		
	15	LV35808-002A	LID LENS		1EF,1EK,1EL,1ER,1EU,1EY,1EZ
	15	LV35808-003A	LID LENS		3EF,3EK,3EL,3ER,3EU,3EY,3EZ
	16	QYSDSF2006ZA	TAP SCREW	BASE+BAR(x2)	
	17	LV35809-001A	LIGHT LENS		
	18	LV35810-003A	LENS COVER		
	19	QYSDSF2006ZA	TAP SCREW	LENS+COVER(x3)	
	20	LV21968-001A	MAIN BUTTON		
	21	LV35811-001A	CURSOR		
	22	LV35813-001A	LIGHT GUIDE		
	23	LV35814-001A	LG COVER		
	24	QYSDSF2608ZA	TAP SCREW	LG COV+PNL(x2)	
	25	LV44187-003A	SPRING	LID BASE	
△	26	LP21361-002A	TOP COVER	(SERVICE)	
	27	QYSBSGY3008NA	TAP SCREW	TOP SIDE(x4)	
	28	QYSBSGY3008NA	TAP SCREW	TOP REAR(x5)	
	29	QYSDSF2608ZA	TAP SCREW	FL PWB+PNL(x3)	
	30	QYSDSF2608ZA	TAP SCREW	SW PWB+PNL(x5)	
	31	LP21348-201B	FITTING(DVD)		
△	32	LP10578-001A	BOTTOM CHASSIS		
	33	QYSDSG3008ZA	TAP SCREW	BTM SIDE(x2)	
	34	QYSSST3006ZA	TAP SCREW	FRONT+BTM(x2)	
△	35	LP21362-024B	REAR PANEL		1EF,3EF
△	35	LP21362-012B	REAR PANEL		1EK,3EK
△	35	LP21362-016B	REAR PANEL		1ER,3ER
△	35	LP21362-011B	REAR PANEL		1EL,1EU,1EY,1EZ,3EL,3EU,3EY,3EZ
	36	QYSDSF3008NA	TAP SCREW	FAN(x2)	
	37	QAR0349-001	COOLING FAN		
	38	LP30002-0K1A	SPACER	FOOT(x2)	
△	39	LP31485-001A	PROTECT SHEET		
	40	LP21364-001A	DVD BKT		
	41	QYSDST3006ZA	TAP SCREW	DRIVE(x4)	
	42	QYSBSGG3006ZA	TAP SCREW	DVD BKT(x4)	
△	43	LV44381-001A	BARRIER		
	44	QYSBSGG3006ZA	TAP SCREW	MAIN PWB(x6)	
	45	QYSBSGG3006ZA	TAP SCREW	DIGI PWB(x4)	
	46	QYSBSGG3006ZA	TAP SCREW	DSP PWB(x2)	
	47	QYSBSGG3006ZA	TAP SCREW	DV PWB	
	48	QYSBSGY3008NA	TAP SCREW	FM/AM TU(x2)	
	49	QAU0278-003	TUNER		1ER,3ER
	49	QAU0347-001	TUNER		1EF,1EK,1EL,1EU,1EY,1EZ, 3EF,3EK,3EL,3EU,3EY,3EZ
	50	QYSBSGY3008NA	TAP SCREW	DIGITAL AUDIO(x2)	
	51	QYSBST3004NA	TAP SCREW	TV TUNER	
	52	PEME0946-08	SPACER	DSP	
	53	QYSDST3006ZA	TAP SCREW	SYSTEM	
	54	QYSBSGY3008NA	TAP SCREW	COMPONENT	
	55	QYSBSGY3008NA	TAP SCREW	SCART(x4)	
	56	QYSBSGY3008NA	TAP SCREW	ANALOG AUDIO	
△	57	QMP51K0-170-K	POWER CORD	1.7m BLACK	1EK,3EK
△	57	QMP4A10-170-K	POWER CORD	1.7m BLACK	1EF,1EL,1ER,1EU,1EY,1EZ, 3EF,3EL,3ER,3EU,3EY,3EZ
	58	QQR0491-001	FERRITE CORE	AC CORD	
	59	QQR0917-001	CORE FILTER	DVD REG	
	60	LP41256-001A	GASKET	TOP COVER(x2)	
	61	QZW0004-001	WIRE CLAMP	(x2)	
	62	QQR0717-004	FERRITE CORE	FOR DV	
	63	QQR1674-001	FERRITE CORE	FOR DSP	
	64	LV30225-0M7A	SPACER	FOR DSP	
	65	LP41241-005A	500SPACER WFACE	JR5---FFC	

△	Symbol No.	Part No.	Part Name	Description	Local
△	66	QAL0704-001	DRIVE UNIT		
	WR 1	QUQ112-1106CJ-E	FFC WIRE	TUNER CN1-DSP CN8603	
	WR 2	QUQ210-1510CJ-E	FFC WIRE	DIGI CN1102-MAIN CN4103	
	WR 3	QUQ112-0705CJ-E	FFC WIRE	DSP CN8600-MAIN CN3003	
	WR 4	QUQ112-1113CJ-E	FFC WIRE	F.SW CN7008-MAIN CN4001	
	WR 5	QUQ112-1116CJ-E	FFC WIRE	F.FDP CN7001-MAIN CN3002	
	WR 6	QUQ105-4026AF-E	FFC WIRE	DRIVE CN1-DIGI CN2201	
	WR 7	QJJ032-041814-E	SIN CR C-C WIRE	DRIVE CN451-MAIN CN5302	
	WR 8	QUQ210-2248CJ-E	FFC WIRE	F.FDP CN7002-DSP CN8601	
	WR 9	QUQ210-0706CJ-E	FFC WIRE	DV JACK CN4104-DIGI CN1801	
	WR10	QGZ0021A1-40	CONNECTOR	IDE C CONN	

Electrical parts list

Digital board

Block No. [0][1]

△ Symbol No.	Part No.	Part Name	Description	Local
PW1	LPA10289-06B	DIGITAL BOARD ASSY		1ER,3ER
PW1	LPA10289-05C	DIGITAL BOARD ASSY		1EF,1EK,1EL,1EU,1EV,1EZ, 3EF,3EK,3EL,3EU,3EV,3EZ
IC1201	LPN0972-001A	IC(FLASH)	(SERVICE)	1ER,3ER
IC1201	LPN0971-001A	IC(FLASH)	(SERVICE)	1EF,1EK,1EL,1EU,1EV,1EZ, 3EF,3EK,3EL,3EU,3EV,3EZ
IC1202	SN74LVC373APW-X	IC(DIGITAL)		
IC1203	SN74LVC373APW-X	IC(DIGITAL)		
IC1401	DMN8602-B0	IC(DIGITAL)		
IC1404	SN74HCT08APW-X	IC		
IC1601	HY5DU561622DT-J	IC		
IC1601	or NT5DS16M16CS-6K	IC		
IC1601	or K4H561638F-UCB3	IC		
IC1602	HY5DU561622DT-J	IC		
IC1602	or NT5DS16M16CS-6K	IC		
IC1602	or K4H561638F-UCB3	IC		
IC1701	BD3533F-X	IC		
IC1801	TSB41AB1PAP	IC		
IC1901	L2150-W	IC		
Q1901	2SA1530A/QR/-X	TRANSISTOR		
Q1901	or 2SB709A/QR/-X	TRANSISTOR		
Q1901	or 2SA1037AK/QR/-X	TRANSISTOR		
Q1903	2SC3928A/QRS/-X	TRANSISTOR		
Q1903	or 2SD601A/QRS/-X	TRANSISTOR		
Q1903	or 2SC2412K/QRS/-X	TRANSISTOR		
D1401	MA111-X	SI DIODE		
D1401	or 1SS355-X	SI DIODE		
D1402	MA111-X	SI DIODE		
D1402	or 1SS355-X	SI DIODE		
C1101	NCB31CK-104X	C CAPACITOR	0.1uF 16V K	
C1102	NCB31CK-104X	C CAPACITOR	0.1uF 16V K	
C1103	NCB31CK-104X	C CAPACITOR	0.1uF 16V K	
C1104	NCB31CK-104X	C CAPACITOR	0.1uF 16V K	
C1105	NCB31CK-104X	C CAPACITOR	0.1uF 16V K	
C1106	NCB31CK-104X	C CAPACITOR	0.1uF 16V K	
C1107	NCB31CK-104X	C CAPACITOR	0.1uF 16V K	
C1108	NCB31CK-104X	C CAPACITOR	0.1uF 16V K	
C1109	NCB31CK-104X	C CAPACITOR	0.1uF 16V K	
C1110	NCB31CK-104X	C CAPACITOR	0.1uF 16V K	
C1111	NEHMOJM-107X	E CAPACITOR	100uF 6.3V M	
C1112	NEX60GM-337X	E CAPACITOR	330uF 4V M	
C1113	NEHMOJM-107X	E CAPACITOR	100uF 6.3V M	
C1116	NCB31CK-104X	C CAPACITOR	0.1uF 16V K	
C1117	NCB31CK-104X	C CAPACITOR	0.1uF 16V K	
C1118	NCB31CK-104X	C CAPACITOR	0.1uF 16V K	
C1119	NCB31CK-104X	C CAPACITOR	0.1uF 16V K	
C1120	NCB31CK-104X	C CAPACITOR	0.1uF 16V K	
C1121	NCB31CK-104X	C CAPACITOR	0.1uF 16V K	
C1122	NCB31CK-104X	C CAPACITOR	0.1uF 16V K	
C1123	NCB31CK-104X	C CAPACITOR	0.1uF 16V K	
C1124	NCB31CK-104X	C CAPACITOR	0.1uF 16V K	
C1125	NCB31CK-104X	C CAPACITOR	0.1uF 16V K	
C1126	NCB31CK-104X	C CAPACITOR	0.1uF 16V K	
C1127	NCB31CK-104X	C CAPACITOR	0.1uF 16V K	
C1203	NCB31CK-104X	C CAPACITOR	0.1uF 16V K	
C1204	NBE20JM-106X	TA E CAPACITOR	10uF 6.3V M	
C1206	NCB31CK-104X	C CAPACITOR	0.1uF 16V K	
C1207	NCB31CK-104X	C CAPACITOR	0.1uF 16V K	
C1209	NCB31CK-104X	C CAPACITOR	0.1uF 16V K	
C1210	NCB31CK-104X	C CAPACITOR	0.1uF 16V K	
C1419	NBE20JM-106X	TA E CAPACITOR	10uF 6.3V M	
C1420	NBE20JM-106X	TA E CAPACITOR	10uF 6.3V M	
C1421	NCB31CK-104X	C CAPACITOR	0.1uF 16V K	
C1422	NCB31CK-104X	C CAPACITOR	0.1uF 16V K	
C1423	NCB31CK-104X	C CAPACITOR	0.1uF 16V K	
C1424	NCB31CK-104X	C CAPACITOR	0.1uF 16V K	
C1425	NCB31CK-104X	C CAPACITOR	0.1uF 16V K	
C1427	NBE20JM-106X	TA E CAPACITOR	10uF 6.3V M	

△ Symbol No.	Part No.	Part Name	Description	Local
C1428	NCB31CK-104X	C CAPACITOR	0.1uF 16V K	
C1429	NCB31CK-104X	C CAPACITOR	0.1uF 16V K	
C1430	NCB31CK-104X	C CAPACITOR	0.1uF 16V K	
C1434	NBE20JM-106X	TA E CAPACITOR	10uF 6.3V M	
C1435	NBE20JM-106X	TA E CAPACITOR	10uF 6.3V M	
C1436	NCB31CK-104X	C CAPACITOR	0.1uF 16V K	
C1437	NCB31CK-104X	C CAPACITOR	0.1uF 16V K	
C1438	NCB31CK-104X	C CAPACITOR	0.1uF 16V K	
C1442	NCB31CK-104X	C CAPACITOR	0.1uF 16V K	
C1444	NCB31CK-104X	C CAPACITOR	0.1uF 16V K	
C1445	NCB31CK-104X	C CAPACITOR	0.1uF 16V K	
C1447	NCB31CK-104X	C CAPACITOR	0.1uF 16V K	
C1448	NCB31EK-103X	C CAPACITOR	0.01uF 25V K	
C1452	NCB31CK-104X	C CAPACITOR	0.1uF 16V K	
C1453	NCB31CK-104X	C CAPACITOR	0.1uF 16V K	
C1455	NCB31CK-104X	C CAPACITOR	0.1uF 16V K	
C1457	NCB31CK-104X	C CAPACITOR	0.1uF 16V K	
C1459	NCB31EK-103X	C CAPACITOR	0.01uF 25V K	
C1460	NDC31HJ-120X	C CAPACITOR	12pF 50V J	
C1461	NDC31HJ-120X	C CAPACITOR	12pF 50V J	
C1462	NCB31CK-104X	C CAPACITOR	0.1uF 16V K	
C1605	NCB31CK-104X	C CAPACITOR	0.1uF 16V K	
C1606	NCB31CK-104X	C CAPACITOR	0.1uF 16V K	
C1607	NCB31CK-104X	C CAPACITOR	0.1uF 16V K	
C1608	NCB31CK-104X	C CAPACITOR	0.1uF 16V K	
C1609	NCB31CK-104X	C CAPACITOR	0.1uF 16V K	
C1610	NCB31CK-104X	C CAPACITOR	0.1uF 16V K	
C1611	NCB31CK-104X	C CAPACITOR	0.1uF 16V K	
C1612	NCB31CK-104X	C CAPACITOR	0.1uF 16V K	
C1613	NCB31CK-104X	C CAPACITOR	0.1uF 16V K	
C1614	NCB31CK-104X	C CAPACITOR	0.1uF 16V K	
C1615	NCB31CK-104X	C CAPACITOR	0.1uF 16V K	
C1616	NCB31CK-104X	C CAPACITOR	0.1uF 16V K	
C1617	NCB31CK-104X	C CAPACITOR	0.1uF 16V K	
C1618	NCB31CK-104X	C CAPACITOR	0.1uF 16V K	
C1619	NCB31CK-104X	C CAPACITOR	0.1uF 16V K	
C1620	NCB31CK-104X	C CAPACITOR	0.1uF 16V K	
C1621	NCB31CK-104X	C CAPACITOR	0.1uF 16V K	
C1622	NCB31CK-104X	C CAPACITOR	0.1uF 16V K	
C1623	NCB31CK-104X	C CAPACITOR	0.1uF 16V K	
C1624	NCB31CK-104X	C CAPACITOR	0.1uF 16V K	
C1625	NCB31CK-104X	C CAPACITOR	0.1uF 16V K	
C1626	NCB31CK-104X	C CAPACITOR	0.1uF 16V K	
C1627	NCB31CK-104X	C CAPACITOR	0.1uF 16V K	
C1642	NCB31CK-104X	C CAPACITOR	0.1uF 16V K	
C1646	NCB31CK-104X	C CAPACITOR	0.1uF 16V K	
C1652	NCB31CK-104X	C CAPACITOR	0.1uF 16V K	
C1654	NCB31CK-104X	C CAPACITOR	0.1uF 16V K	
C1656	NCB31CK-104X	C CAPACITOR	0.1uF 16V K	
C1658	NCB31CK-104X	C CAPACITOR	0.1uF 16V K	
C1701	NCB31CK-104X	C CAPACITOR	0.1uF 16V K	
C1702	NCB30JK-105X	C CAPACITOR	1uF 6.3V K	
C1704	NCB31CK-104X	C CAPACITOR	0.1uF 16V K	
C1705	NBE20JM-226X	TA E CAPACITOR	22uF 6.3V M	
C1706	NCB10JK-106X	C CAPACITOR	10uF 6.3V K	
C1801	NCB30JK-105X	C CAPACITOR	1uF 6.3V K	
C1802	NDC31HJ-271X	C CAPACITOR	270pF 50V J	
C1803	NBE20JM-226X	TA E CAPACITOR	22uF 6.3V M	
C1804	NCB31CK-104X	C CAPACITOR	0.1uF 16V K	
C1805	NCB30JK-105X	C CAPACITOR	1uF 6.3V K	
C1807	NCB31CK-104X	C CAPACITOR	0.1uF 16V K	
C1808	NDC31HJ-7R0X	C CAPACITOR	7pF 50V J	
C1809	NDC31HJ-7R0X	C CAPACITOR	7pF 50V J	
C1810	NCB31CK-104X	C CAPACITOR	0.1uF 16V K	
C1811	NCB31CK-104X	C CAPACITOR	0.1uF 16V K	
C1812	NCB31CK-104X	C CAPACITOR	0.1uF 16V K	
C1813	NCB31CK-104X	C CAPACITOR	0.1uF 16V K	
C1901	NBE20JM-226X	TA E CAPACITOR	22uF 6.3V M	
C1902	NBE20JM-226X	TA E CAPACITOR	22uF 6.3V M	
C1903	NCB31CK-104X	C CAPACITOR	0.1uF 16V K	
C1904	NBE20JM-226X	TA E CAPACITOR	22uF 6.3V M	
C1905	NDC31HJ-5R0X	C CAPACITOR	5pF 50V J	
C1906	NCB31CK-104X	C CAPACITOR	0.1uF 16V K	
C1907	NCB31CK-104X	C CAPACITOR	0.1uF 16V K	
C1908	NCB31CK-104X	C CAPACITOR	0.1uF 16V K	
C1909	NDC31HJ-120X	C CAPACITOR	12pF 50V J	

△ Symbol No.	Part No.	Part Name	Description	Local	△ Symbol No.	Part No.	Part Name	Description	Local
C1910	NDC31HJ-120X	C CAPACITOR	12pF 50V J		R1614	NRSA63J-101X	MG RESISTOR	100Ω 1/16W J	
C1911	NCB31CK-104X	C CAPACITOR	0.1uF 16V K		R1618	NRSA63J-101X	MG RESISTOR	100Ω 1/16W J	
C1912	NCB31CK-104X	C CAPACITOR	0.1uF 16V K		R1620	NRSA63J-101X	MG RESISTOR	100Ω 1/16W J	
C1913	NCB30JK-105X	C CAPACITOR	1uF 6.3V K		R1624	NRSA63J-101X	MG RESISTOR	100Ω 1/16W J	
C1914	NCB30JK-105X	C CAPACITOR	1uF 6.3V K		R1626	NRSA63J-101X	MG RESISTOR	100Ω 1/16W J	
C1915	NCB30JK-105X	C CAPACITOR	1uF 6.3V K		R1629	NRSA63J-101X	MG RESISTOR	100Ω 1/16W J	
C1916	NCB31CK-104X	C CAPACITOR	0.1uF 16V K		R1630	NRSA63J-101X	MG RESISTOR	100Ω 1/16W J	
C1918	NDC31HJ-101X	C CAPACITOR	100pF 50V J		R1631	NRSA63J-101X	MG RESISTOR	100Ω 1/16W J	
					R1632	NRSA63J-101X	MG RESISTOR	100Ω 1/16W J	
R1216	NRSA63J-101X	MG RESISTOR	100Ω 1/16W J		R1642	NRSA63J-330X	MG RESISTOR	33Ω 1/16W J	
R1222	NRSA63J-222X	MG RESISTOR	2.2kΩ 1/16W J		R1701	NRSA63J-0R0X	MG RESISTOR	0Ω 1/16W J	
R1223	NRSA63J-472X	MG RESISTOR	4.7kΩ 1/16W J		R1801	NRSA63J-101X	MG RESISTOR	100Ω 1/16W J	
R1224	NRSA63J-472X	MG RESISTOR	4.7kΩ 1/16W J		R1802	NRSA63J-101X	MG RESISTOR	100Ω 1/16W J	
R1225	NRSA63J-103X	MG RESISTOR	10kΩ 1/16W J		R1803	NRSA63J-103X	MG RESISTOR	10kΩ 1/16W J	
R1226	NRSA63J-472X	MG RESISTOR	4.7kΩ 1/16W J		R1804	NRSA63J-103X	MG RESISTOR	10kΩ 1/16W J	
R1229	NRSA63J-472X	MG RESISTOR	4.7kΩ 1/16W J		R1807	NRSA63J-103X	MG RESISTOR	10kΩ 1/16W J	
R1230	NRSA63J-472X	MG RESISTOR	4.7kΩ 1/16W J		R1809	NRSA63J-103X	MG RESISTOR	10kΩ 1/16W J	
R1231	NRSA63J-472X	MG RESISTOR	4.7kΩ 1/16W J		R1810	NRSA63J-394X	MG RESISTOR	390kΩ 1/16W J	
R1401	NRSA63F-1181X	MG RESISTOR	1.18kΩ 1/16W F		R1813	NRSA63J-560X	MG RESISTOR	56Ω 1/16W J	
R1403	NRSA63J-0R0X	MG RESISTOR	0Ω 1/16W J		R1814	NRSA63J-560X	MG RESISTOR	56Ω 1/16W J	
R1408	NRSA63J-102X	MG RESISTOR	1kΩ 1/16W J		R1815	NRSA63J-560X	MG RESISTOR	56Ω 1/16W J	
R1409	NRSA63J-103X	MG RESISTOR	10kΩ 1/16W J		R1816	NRSA63J-560X	MG RESISTOR	56Ω 1/16W J	
R1410	NRSA63J-103X	MG RESISTOR	10kΩ 1/16W J		R1817	NRSA63J-512X	MG RESISTOR	5.1kΩ 1/16W J	
R1412	NRSA63J-103X	MG RESISTOR	10kΩ 1/16W J		R1818	NRSA63D-562X	MG RESISTOR	5.6kΩ 1/16W D	
R1413	NRSA63J-103X	MG RESISTOR	10kΩ 1/16W J		R1819	NRSA63D-751X	MG RESISTOR	750Ω 1/16W D	
R1415	NRSA63J-102X	MG RESISTOR	1kΩ 1/16W J		R1820	NRSA63J-103X	MG RESISTOR	10kΩ 1/16W J	
R1430	NRSA63J-101X	MG RESISTOR	100Ω 1/16W J		R1821	NRSA63J-102X	MG RESISTOR	1kΩ 1/16W J	
R1431	NRSA63J-101X	MG RESISTOR	100Ω 1/16W J		R1824	NRSA63J-101X	MG RESISTOR	100Ω 1/16W J	
R1432	NRSA63J-101X	MG RESISTOR	100Ω 1/16W J		R1825	NRSA63J-101X	MG RESISTOR	100Ω 1/16W J	
R1433	NRSA63J-101X	MG RESISTOR	100Ω 1/16W J		R1901	NRSA63J-391X	MG RESISTOR	390Ω 1/16W J	
R1434	NRSA63J-101X	MG RESISTOR	100Ω 1/16W J		R1902	NRSA63J-101X	MG RESISTOR	100Ω 1/16W J	
R1435	NRSA63J-101X	MG RESISTOR	100Ω 1/16W J		R1905	NRSA63J-104X	MG RESISTOR	100kΩ 1/16W J	
R1436	NRSA63J-101X	MG RESISTOR	100Ω 1/16W J		R1906	NRSA63J-222X	MG RESISTOR	2.2kΩ 1/16W J	
R1439	NRSA63J-101X	MG RESISTOR	100Ω 1/16W J		R1907	NRSA63J-101X	MG RESISTOR	100Ω 1/16W J	
R1440	NRSA63J-101X	MG RESISTOR	100Ω 1/16W J		R1908	NRSA63J-103X	MG RESISTOR	10kΩ 1/16W J	
R1443	NRSA63J-472X	MG RESISTOR	4.7kΩ 1/16W J		R1909	NRSA63J-222X	MG RESISTOR	2.2kΩ 1/16W J	
R1445	NRSA63J-101X	MG RESISTOR	100Ω 1/16W J		R1910	NRSA63J-222X	MG RESISTOR	2.2kΩ 1/16W J	
R1446	NRSA63J-101X	MG RESISTOR	100Ω 1/16W J		R1913	NRSA63J-103X	MG RESISTOR	10kΩ 1/16W J	
R1447	NRSA63J-101X	MG RESISTOR	100Ω 1/16W J		R1914	NRSA63J-271X	MG RESISTOR	270Ω 1/16W J	
R1448	NRSA63J-101X	MG RESISTOR	100Ω 1/16W J		R1915	NRSA63J-471X	MG RESISTOR	470Ω 1/16W J	
R1449	NRSA63J-101X	MG RESISTOR	100Ω 1/16W J		R2201	NRSA63J-103X	MG RESISTOR	10kΩ 1/16W J	
R1456	NRSA63J-101X	MG RESISTOR	100Ω 1/16W J		R2202	NRSA63J-562X	MG RESISTOR	5.6kΩ 1/16W J	
R1462	NRSA63J-101X	MG RESISTOR	100Ω 1/16W J		R2203	NRSA63J-472X	MG RESISTOR	4.7kΩ 1/16W J	
R1465	NRSA63J-101X	MG RESISTOR	100Ω 1/16W J		R2204	NRSA63J-330X	MG RESISTOR	33Ω 1/16W J	
R1467	NRSA63J-101X	MG RESISTOR	100Ω 1/16W J		R2205	NRSA63J-820X	MG RESISTOR	82Ω 1/16W J	
R1469	NRSA63J-102X	MG RESISTOR	1kΩ 1/16W J		R2206	NRSA63J-220X	MG RESISTOR	22Ω 1/16W J	
R1470	NRSA63J-222X	MG RESISTOR	2.2kΩ 1/16W J		R2207	NRSA63J-220X	MG RESISTOR	22Ω 1/16W J	
R1472	NRSA63J-0R0X	MG RESISTOR	0Ω 1/16W J		R2208	NRSA63J-820X	MG RESISTOR	82Ω 1/16W J	
R1473	NRSA63J-101X	MG RESISTOR	100Ω 1/16W J		R2209	NRSA63J-220X	MG RESISTOR	22Ω 1/16W J	
R1474	NRSA63J-221X	MG RESISTOR	220Ω 1/16W J		R2210	NRSA63J-820X	MG RESISTOR	82Ω 1/16W J	
R1475	NRSA63J-101X	MG RESISTOR	100Ω 1/16W J		R2211	NRSA63J-330X	MG RESISTOR	33Ω 1/16W J	
R1476	NRSA63J-221X	MG RESISTOR	220Ω 1/16W J		RA1609	NRZ0087-330W	NET RESISTOR	33Ω 1/16W J	
R1478	NRSA63J-101X	MG RESISTOR	100Ω 1/16W J		RA1610	NRZ0087-330W	NET RESISTOR	33Ω 1/16W J	
R1480	NRSA63J-221X	MG RESISTOR	220Ω 1/16W J		RA1611	NRZ0087-330W	NET RESISTOR	33Ω 1/16W J	
R1481	NRSA63J-101X	MG RESISTOR	100Ω 1/16W J		RA1612	NRZ0087-330W	NET RESISTOR	33Ω 1/16W J	
R1483	NRSA63J-821X	MG RESISTOR	820Ω 1/16W J		RA1613	NRZ0087-330W	NET RESISTOR	33Ω 1/16W J	
R1485	NRSA63D-151X	MG RESISTOR	150Ω 1/16W D		RA1614	NRZ0087-330W	NET RESISTOR	33Ω 1/16W J	
R1486	NRSA63D-151X	MG RESISTOR	150Ω 1/16W D		RA1615	NRZ0087-330W	NET RESISTOR	33Ω 1/16W J	
R1487	NRSA63D-151X	MG RESISTOR	150Ω 1/16W D		RA1616	NRZ0087-330W	NET RESISTOR	33Ω 1/16W J	
R1488	NRSA63D-151X	MG RESISTOR	150Ω 1/16W D		RA1617	NRZ0087-101W	NET RESISTOR	100Ω 1/15W J	
R1489	NRSA63D-151X	MG RESISTOR	150Ω 1/16W D		RA1618	NRZ0087-101W	NET RESISTOR	100Ω 1/15W J	
R1490	NRSA63D-151X	MG RESISTOR	150Ω 1/16W D		RA1619	NRZ0087-101W	NET RESISTOR	100Ω 1/15W J	
R1491	NRSA63J-102X	MG RESISTOR	1kΩ 1/16W J		RA1620	NRZ0087-101W	NET RESISTOR	100Ω 1/15W J	
R1494	NRSA63J-103X	MG RESISTOR	10kΩ 1/16W J		RA1621	NRZ0087-101W	NET RESISTOR	100Ω 1/15W J	
R1495	NRSA63J-103X	MG RESISTOR	10kΩ 1/16W J		RA1622	NRZ0087-101W	NET RESISTOR	100Ω 1/15W J	
R1499	NRSA63J-105X	MG RESISTOR	1MΩ 1/16W J		RA1623	NRZ0087-101W	NET RESISTOR	100Ω 1/15W J	
R1601	NRSA63J-330X	MG RESISTOR	33Ω 1/16W J		RA1624	NRZ0087-101W	NET RESISTOR	100Ω 1/15W J	
R1602	NRSA63J-330X	MG RESISTOR	33Ω 1/16W J		RA1625	NRZ0087-330W	NET RESISTOR	33Ω 1/16W J	
R1603	NRSA63J-330X	MG RESISTOR	33Ω 1/16W J		RA1626	NRZ0087-330W	NET RESISTOR	33Ω 1/16W J	
R1604	NRSA63J-330X	MG RESISTOR	33Ω 1/16W J		RA1627	NRZ0087-330W	NET RESISTOR	33Ω 1/16W J	
R1605	NRSA63J-101X	MG RESISTOR	100Ω 1/16W J		RA1628	NRZ0087-330W	NET RESISTOR	33Ω 1/16W J	
R1606	NRSA63J-220X	MG RESISTOR	22Ω 1/16W J		RA1629	NRZ0087-101W	NET RESISTOR	100Ω 1/15W J	
R1607	NRSA63J-220X	MG RESISTOR	22Ω 1/16W J		RA1630	NRZ0087-101W	NET RESISTOR	100Ω 1/15W J	
R1608	NRSA63J-220X	MG RESISTOR	22Ω 1/16W J		RA1631	NRZ0087-101W	NET RESISTOR	100Ω 1/15W J	
R1609	NRSA63J-220X	MG RESISTOR	22Ω 1/16W J		RA1632	NRZ0087-101W	NET RESISTOR	100Ω 1/15W J	
R1611	NRSA63J-101X	MG RESISTOR	100Ω 1/16W J		RA1633	NRZ0087-101W	NET RESISTOR	100Ω 1/15W J	
R1612	NRSA63J-101X	MG RESISTOR	100Ω 1/16W J		RA1634	NRZ0087-330W	NET RESISTOR	33Ω 1/16W J	
R1613	NRSA63J-101X	MG RESISTOR	100Ω 1/16W J		RA1635	NRZ0087-330W	NET RESISTOR	33Ω 1/16W J	

△ Symbol No.	Part No.	Part Name	Description	Local
RA1801	NRZ0087-103W	NET RESISTOR	10kΩ 1/16W J	
RA1802	NRZ0087-103W	NET RESISTOR	10kΩ 1/16W J	
RA1803	NRZ0087-101W	NET RESISTOR	100Ω 1/15W J	
RA1804	NRZ0087-101W	NET RESISTOR	100Ω 1/15W J	
RA1901	NRZ0087-101W	NET RESISTOR	100Ω 1/15W J	
RA1902	NRZ0087-101W	NET RESISTOR	100Ω 1/15W J	
RA2208	NRZ0087-330W	NET RESISTOR	33Ω 1/16W J	
RA2209	NRZ0087-330W	NET RESISTOR	33Ω 1/16W J	
RA2210	NRZ0087-330W	NET RESISTOR	33Ω 1/16W J	
RA2211	NRZ0087-330W	NET RESISTOR	33Ω 1/16W J	
RA2212	NRZ0087-330W	NET RESISTOR	33Ω 1/16W J	

△ Symbol No.	Part No.	Part Name	Description	Local
K2216	NQR0022-002X	FERRITE BEADS		
K2217	NQR0022-002X	FERRITE BEADS		
K2218	NQR0022-002X	FERRITE BEADS		
K2219	NQR0022-002X	FERRITE BEADS		
K2220	NQR0022-002X	FERRITE BEADS		
K2221	NQR0022-002X	FERRITE BEADS		
LC1101	NQR0512-008X	EMI FILTER		
LC1102	NQR0512-008X	EMI FILTER		
LC1103	NQR0512-008X	EMI FILTER		
LF1801	NQR0568-005X	CHOKE COIL		
X1401	NAX0768-001X	CRYSTAL	13.5MHz	
X1801	NAX0773-001X	CRYSTAL		
X1901	NAX0733-001X	CRYSTAL	14.31818MHz	

L1901	NQL085J-1R8X	COIL	1.8uH J	
B1204	NRSA63J-0R0X	MG RESISTOR	0Ω 1/16W J	
B1402	NRSA63J-0R0X	MG RESISTOR	0Ω 1/16W J	
B1702	NRSA63J-0R0X	MG RESISTOR	0Ω 1/16W J	
CN1101	QGB1231L2-15W	CONNECTOR	FJ 15PIN	
CN1102	QGB1231L2-15W	CONNECTOR	FJ 15PIN	
CN1103	QGF1016C2-15W	CONNECTOR	1-15	
CN1402	QGA2001C6-04X	CONNECTOR	CPRM	
CN1403	QGF1016C2-04W	CONNECTOR	LOG	
CN1802	QGF1016C2-07W	CONNECTOR	FFC 7PIN	
CN2201	QGF0550C1-40W	CONNECTOR	F/T F_END	
GN1101	QNZ0136-001Z	EARTH PLATE		
GN1102	QNZ0136-001Z	EARTH PLATE		
GN1103	QNZ0136-001Z	EARTH PLATE		
GN1104	QNZ0136-001Z	EARTH PLATE		
K1101	NQR0022-002X	FERRITE BEADS		
K1102	NQR0022-002X	FERRITE BEADS		
K1103	NQR0022-002X	FERRITE BEADS		
K1104	NQR0022-002X	FERRITE BEADS		
K1108	NQR0022-002X	FERRITE BEADS		
K1110	NQR0022-002X	FERRITE BEADS		
K1112	NQR0022-005X	FERRITE BEADS		
K1113	NQR0022-005X	FERRITE BEADS		
K1114	NQR0022-005X	FERRITE BEADS		
K1115	NQR0022-005X	FERRITE BEADS		
K1116	NQR0022-005X	FERRITE BEADS		
K1117	NQR0022-005X	FERRITE BEADS		
K1118	NQR0022-005X	FERRITE BEADS		
K1119	NQR0022-005X	FERRITE BEADS		
K1120	NQR0022-005X	FERRITE BEADS		
K1121	NQR0022-005X	FERRITE BEADS		
K1122	NQR0022-005X	FERRITE BEADS		
K1123	NQR0022-005X	FERRITE BEADS		
K1126	NQR0022-002X	FERRITE BEADS		
K1127	NQR0022-002X	FERRITE BEADS		
K1128	NQR0022-002X	FERRITE BEADS		
K1129	NQR0022-002X	FERRITE BEADS		
K1130	NQR0022-002X	FERRITE BEADS		
K1131	NQR0022-002X	FERRITE BEADS		
K1201	NRSA63J-0R0X	MG RESISTOR	0Ω 1/16W J	
K1401	NQR0022-002X	FERRITE BEADS		
K1402	NQR0022-002X	FERRITE BEADS		
K1403	NQR0022-002X	FERRITE BEADS		
K1404	NQR0022-002X	FERRITE BEADS		
K1406	NQR0022-002X	FERRITE BEADS		
K1408	NQR0022-002X	FERRITE BEADS		
K1801	NQR0022-002X	FERRITE BEADS		
K1802	NQR0022-002X	FERRITE BEADS		
K1901	NQR0022-002X	FERRITE BEADS		
K1902	NQR0022-002X	FERRITE BEADS		
K2201	NQR0022-002X	FERRITE BEADS		
K2202	NQR0022-002X	FERRITE BEADS		
K2203	NQR0022-002X	FERRITE BEADS		
K2204	NQR0022-002X	FERRITE BEADS		
K2205	NQR0022-002X	FERRITE BEADS		
K2206	NQR0022-002X	FERRITE BEADS		
K2207	NQR0022-002X	FERRITE BEADS		
K2208	NQR0022-002X	FERRITE BEADS		
K2209	NQR0022-002X	FERRITE BEADS		
K2210	NQR0022-002X	FERRITE BEADS		
K2211	NQR0022-002X	FERRITE BEADS		
K2212	NQR0022-002X	FERRITE BEADS		
K2213	NQR0022-002X	FERRITE BEADS		
K2214	NQR0022-002X	FERRITE BEADS		
K2215	NQR0022-002X	FERRITE BEADS		

Display/Switch board

Block No. [0][2]

△ Symbol No.	Part No.	Part Name	Description	Local
PW1	LPA10278-02C1	DISPLAY/SW P AY		1EF;1EK;1EL;1ER;1EU;1EV;1EZ
PW1	LPA10278-03C1	DISPLAY/SW P AY		3EF;3EK;3EL;3ER;3EU;3EV;3EZ
IC7001	MN101C88GNT	IC(MCU)		
IC7002	BR24L08F-W-X	IC(DIGITAL)		
IC7003	S-80840CNNB-G-W	IC		
IC7004	GP1UM281XKVF	IR DETECT UNIT		
Q7001	KRC107S-X	DIGI TRANSISTOR		
Q7002	KRC111S-X	TRANSISTOR		
Q7003	KRA102S-X	DIGI TRANSISTOR		
D7001	1SS133-T2	SI DIODE		
D7002	MTZJ4.7B-T2	Z DIODE		
D7003	MTZJ9.1B-T2	Z DIODE		
D7004	1SS133-T2	SI DIODE		
D7010	1SS355-X	SI DIODE		
C7001	NCB31CK-104X	C CAPACITOR	0.1uF 16V K	
C7002	QEK1HM-225Z	E CAPACITOR	2.2uF 50V M	
C7003	NCB31CK-223X	C CAPACITOR	0.022uF 16V K	
C7004	NCB31HK-103X	C CAPACITOR	0.01uF 50V K	
C7005	NCB31CK-104X	C CAPACITOR	0.1uF 16V K	
C7006	NDC31HJ-101X	C CAPACITOR	100pF 50V J	
C7007	NCB31CK-104X	C CAPACITOR	0.1uF 16V K	
C7008	NCB31CK-104X	C CAPACITOR	0.1uF 16V K	
C7009	QEK1HM-106Z	E CAPACITOR	10uF 50V M	
C7010	QEK0JM-107Z	E CAPACITOR	100uF 6.3V M	
C7011	NCB31CK-104X	C CAPACITOR	0.1uF 16V K	
C7012	NCB31HK-102X	C CAPACITOR	1000pF 50V K	
C7013	QEK1CM-106Z	E CAPACITOR	10uF 16V M	
C7014	NCB31CK-104X	C CAPACITOR	0.1uF 16V K	
C7015	NCB31CK-104X	C CAPACITOR	0.1uF 16V K	
C7016	NCB31CK-104X	C CAPACITOR	0.1uF 16V K	
C7017	NCB31CK-104X	C CAPACITOR	0.1uF 16V K	
R7001	NRSA63J-472X	MG RESISTOR	4.7kΩ 1/16W J	
R7002	NRSA63J-223X	MG RESISTOR	22kΩ 1/16W J	
R7003	NRSA63J-102X	MG RESISTOR	1kΩ 1/16W J	
R7004	NRSA63J-103X	MG RESISTOR	10kΩ 1/16W J	
R7005	NRSA63J-103X	MG RESISTOR	10kΩ 1/16W J	
R7006	NRSA63J-331X	MG RESISTOR	330Ω 1/16W J	
R7007	NRSA63J-331X	MG RESISTOR	330Ω 1/16W J	
R7008	NRSA63J-331X	MG RESISTOR	330Ω 1/16W J	
R7009	NRSA63J-101X	MG RESISTOR	100Ω 1/16W J	
R7010	NRSA63J-472X	MG RESISTOR	4.7kΩ 1/16W J	
R7011	NRSA63J-103X	MG RESISTOR	10kΩ 1/16W J	
R7012	NRSA63J-103X	MG RESISTOR	10kΩ 1/16W J	
R7014	NRSA63J-103X	MG RESISTOR	10kΩ 1/16W J	
R7015	NRSA63J-103X	MG RESISTOR	10kΩ 1/16W J	
R7016	NRSA63J-472X	MG RESISTOR	4.7kΩ 1/16W J	
R7017	NRSA63J-101X	MG RESISTOR	100Ω 1/16W J	
R7018	NRSA63J-101X	MG RESISTOR	100Ω 1/16W J	
R7019	NRSA63J-101X	MG RESISTOR	100Ω 1/16W J	
R7020	NRSA63J-101X	MG RESISTOR	100Ω 1/16W J	

△ Symbol No.	Part No.	Part Name	Description	Local
R7021	NRSA63J-101X	MG RESISTOR	100Ω 1/16W J	
R7022	NRSA63J-101X	MG RESISTOR	100Ω 1/16W J	
R7023	NRSA63J-101X	MG RESISTOR	100Ω 1/16W J	
R7024	NRSA63J-101X	MG RESISTOR	100Ω 1/16W J	
R7025	NRSA63J-101X	MG RESISTOR	100Ω 1/16W J	
R7026	NRSA63J-101X	MG RESISTOR	100Ω 1/16W J	
R7027	NRSA63J-101X	MG RESISTOR	100Ω 1/16W J	
R7028	NRSA63J-101X	MG RESISTOR	100Ω 1/16W J	
R7029	NRSA63J-101X	MG RESISTOR	100Ω 1/16W J	
R7030	NRSA63J-101X	MG RESISTOR	100Ω 1/16W J	
R7031	NRSA63J-101X	MG RESISTOR	100Ω 1/16W J	
R7032	NRSA63J-101X	MG RESISTOR	100Ω 1/16W J	
R7033	NRSA63J-101X	MG RESISTOR	100Ω 1/16W J	
R7034	NRSA63J-101X	MG RESISTOR	100Ω 1/16W J	
R7035	NRSA63J-103X	MG RESISTOR	10kΩ 1/16W J	
R7036	NRSA63J-103X	MG RESISTOR	10kΩ 1/16W J	
R7037	NRSA63J-103X	MG RESISTOR	10kΩ 1/16W J	
R7040	NRSA63J-0R0X	MG RESISTOR	0Ω 1/16W J	3EF,3EK,3EL,3ER,3EU,3EY,3EZ
R7041	NRSA63J-0R0X	MG RESISTOR	0Ω 1/16W J	
R7042	NRSA63J-103X	MG RESISTOR	10kΩ 1/16W J	
R7070	NRSA63J-472X	MG RESISTOR	4.7kΩ 1/16W J	
CN7001	QGF1201F2-11	CONNECTOR	FFC/FPC (1-11)	
CN7002	QGF1016F5-22	CONNECTOR	FFC/FPC (1-22)	
CN7003	QGB2024K1-10S	CONNECTOR	B-B (1-10)	
DI7001	QLF0151-001	FL TUBE		
HD1	LV43659-201A	FL HOLDER		
HD2	LV43659-201A	FL HOLDER		
S7001	QSW0381-001Z	TACT SWITCH	POWER	
W1	NRSA63J-0R0X	MG RESISTOR	0Ω 1/16W J	
W2	NRSA63J-0R0X	MG RESISTOR	0Ω 1/16W J	
W3	NRSA63J-0R0X	MG RESISTOR	0Ω 1/16W J	
W4	NRSA63J-0R0X	MG RESISTOR	0Ω 1/16W J	
W40	NRSA63J-0R0X	MG RESISTOR	0Ω 1/16W J	
W41	NRSA63J-0R0X	MG RESISTOR	0Ω 1/16W J	
W42	NRSA63J-0R0X	MG RESISTOR	0Ω 1/16W J	
W43	NRSA63J-0R0X	MG RESISTOR	0Ω 1/16W J	
W44	NRSA63J-0R0X	MG RESISTOR	0Ω 1/16W J	
W45	NRSA63J-0R0X	MG RESISTOR	0Ω 1/16W J	
W46	NRSA63J-0R0X	MG RESISTOR	0Ω 1/16W J	
W47	NRSA63J-0R0X	MG RESISTOR	0Ω 1/16W J	
W48	NRSA63J-0R0X	MG RESISTOR	0Ω 1/16W J	
W49	NRSA63J-0R0X	MG RESISTOR	0Ω 1/16W J	
W50	NRSA63J-0R0X	MG RESISTOR	0Ω 1/16W J	
W51	NRSA63J-0R0X	MG RESISTOR	0Ω 1/16W J	
W52	NRSA63J-0R0X	MG RESISTOR	0Ω 1/16W J	
W70	NRSA63J-0R0X	MG RESISTOR	0Ω 1/16W J	
X7001	QAX0246-001Z	C RESONATOR	8.00MHZ	
OT1	LV30225-0M9A	SPACER	SPACER(x2)	

△ Symbol No.	Part No.	Part Name	Description	Local
R7051	NRSA63J-152X	MG RESISTOR	1.5kΩ 1/16W J	
R7052	NRSA63J-182X	MG RESISTOR	1.8kΩ 1/16W J	
R7053	NRSA63J-272X	MG RESISTOR	2.7kΩ 1/16W J	
R7054	NRSA63J-392X	MG RESISTOR	3.9kΩ 1/16W J	
R7055	NRSA63J-682X	MG RESISTOR	6.8kΩ 1/16W J	
R7056	NRSA63J-123X	MG RESISTOR	12kΩ 1/16W J	
R7057	NRSA63J-152X	MG RESISTOR	1.5kΩ 1/16W J	
R7058	NRSA63J-182X	MG RESISTOR	1.8kΩ 1/16W J	
R7059	NRSA63J-272X	MG RESISTOR	2.7kΩ 1/16W J	
R7060	NRSA63J-392X	MG RESISTOR	3.9kΩ 1/16W J	
R7061	NRSA63J-682X	MG RESISTOR	6.8kΩ 1/16W J	
R7101	NRSA63J-473X	MG RESISTOR	47kΩ 1/16W J	
R7102	NRSA63J-473X	MG RESISTOR	47kΩ 1/16W J	
R7105	NRSA63J-330X	MG RESISTOR	33Ω 1/16W J	
R7106	NRSA63J-330X	MG RESISTOR	33Ω 1/16W J	
R7107	NRSA63J-102X	MG RESISTOR	1kΩ 1/16W J	
R7151	NRSA63J-750X	MG RESISTOR	75Ω 1/16W J	
R7152	NRSA63J-750X	MG RESISTOR	75Ω 1/16W J	
R7153	NRSA63J-750X	MG RESISTOR	75Ω 1/16W J	
R7154	NRSA63J-101X	MG RESISTOR	100Ω 1/16W J	
R7155	NRSA63J-101X	MG RESISTOR	100Ω 1/16W J	
CN7007	QGB2024K1-07S	CONNECTOR	B-B (1-7)	
CN7008	QGF1201F2-11	CONNECTOR	FFC/FPC (1-11)	
J7101	QNS0231-001	JACK		
J7151	QND0084-001	S JACK		
J7152	QNN0364-002	PIN JACK		
K7101	NQR0269-004X	FERRITE BEADS		
K7102	NRSA63J-0R0X	MG RESISTOR	0Ω 1/16W J	
K7103	NQR0269-004X	FERRITE BEADS		
K7104	NQR0269-004X	FERRITE BEADS		
S7002	QSW0381-001Z	TACT SWITCH	EJECT	
S7003	QSW0381-001Z	TACT SWITCH	REC	
S7006	QSW0381-001Z	TACT SWITCH	SOURCE	
S7007	QSW0381-001Z	TACT SWITCH	STOP	
S7008	QSW0381-001Z	TACT SWITCH	PLAY	
S7009	QSW0381-001Z	TACT SWITCH	ENTER	
S7010	QSW0381-001Z	TACT SWITCH	LEFT	
S7011	QSW0381-001Z	TACT SWITCH	UP/VOL+	
S7012	QSW0381-001Z	TACT SWITCH	RIGHT	
S7013	QSW0381-001Z	TACT SWITCH	DOWN/VOL-	
W5	NRSA63J-0R0X	MG RESISTOR	0Ω 1/16W J	
WR7101	WJZ0157-001A-E	E-HARNESS ASSY		

LED board

Block No. [0][4]

△ Symbol No.	Part No.	Part Name	Description	Local
PW1	LPA10278-02C3	LED BOARD ASSY		1EF,1EK,1EL,1ER,1EU,1EY,1EZ
PW1	LPA10278-03C3	LED BOARD ASSY		3EF,3EK,3EL,3ER,3EU,3EY,3EZ
Q7041	2SD2114K/VVW-X	TRANSISTOR		
Q7042	2SD2114K/VVW-X	TRANSISTOR		
D7006	SELU1E54CM-P	LED	ILUMI	
D7007	SELU1E54CM-P	LED	ILUMI	
C7018	NCB31HK-103X	C CAPACITOR	0.01uF 50V K	
C7019	NCB31HK-103X	C CAPACITOR	0.01uF 50V K	
R7043	NRSA63J-390X	MG RESISTOR	39Ω 1/16W J	
R7044	NRSA63J-820X	MG RESISTOR	82Ω 1/16W J	
R7045	NRSA63J-103X	MG RESISTOR	10kΩ 1/16W J	
R7046	NRSA63J-820X	MG RESISTOR	82Ω 1/16W J	
R7047	NRSA63J-103X	MG RESISTOR	10kΩ 1/16W J	
R7048	NRSA63J-390X	MG RESISTOR	39Ω 1/16W J	
R7049	NRSA63J-222X	MG RESISTOR	2.2kΩ 1/16W J	
R7050	NRSA63J-222X	MG RESISTOR	2.2kΩ 1/16W J	
CN7005	QGB2024J1-10S	CONNECTOR	B-B (1-10)	
CN7006	QGB2024J1-07S	CONNECTOR	B-B (1-7)	
HD7006	LV44189-001A	LED HOLDER	ILUMI HLD	
HD7007	LV44189-001A	LED HOLDER	ILUMI HLD	

Switch/Jack board

Block No. [0][3]

△ Symbol No.	Part No.	Part Name	Description	Local
PW1	LPA10278-02C2	SW/JACK P. ASSY		1EF,1EK,1EL,1ER,1EU,1EY,1EZ
PW1	LPA10278-03C2	SW/JACK P. ASSY		3EF,3EK,3EL,3ER,3EU,3EY,3EZ
C7101	QEK1CM-107Z	E CAPACITOR	100uF 16V M	
C7102	QEK1CM-107Z	E CAPACITOR	100uF 16V M	
C7103	NCB31HK-103X	C CAPACITOR	0.01uF 50V K	
C7104	NCB31HK-103X	C CAPACITOR	0.01uF 50V K	
C7105	NCB31CK-104X	C CAPACITOR	0.1uF 16V K	
C7106	NCB31CK-104X	C CAPACITOR	0.1uF 16V K	
C7107	NCB31CK-393X	C CAPACITOR	0.039uF 16V K	
C7108	NCB31CK-393X	C CAPACITOR	0.039uF 16V K	
C7109	NRSA63J-0R0X	MG RESISTOR	0Ω 1/16W J	
C7151	NCB31HK-103X	C CAPACITOR	0.01uF 50V K	
C7152	NCB31HK-102X	C CAPACITOR	1000pF 50V K	
C7153	NCB31HK-102X	C CAPACITOR	1000pF 50V K	
C7156	NRSA63J-0R0X	MG RESISTOR	0Ω 1/16W J	
C7157	NRSA63J-0R0X	MG RESISTOR	0Ω 1/16W J	
C7158	NQR0269-004X	FERRITE BEADS		

DV Jack board

Block No. [0][5]

Symbol No.	Part No.	Part Name	Description	Local
PW1	LPA10278-02C4	JACK BOARD ASSY		1EF,1EK,1EL,1ER,1EU,1EV,1EZ
PW1	LPA10278-03C4	JACK BOARD ASSY		3EF,3EK,3EL,3ER,3EU,3EV,3EZ
C4102	NRSA63J-0R0X	MG RESISTOR	0Ω 1/16W J	
CN4101	QGF1016F3-07	CONNECTOR	FFC/FPC (1-7)	
EP4101	QNZ0136-001Z	EARTH PLATE		
J4101	QNZ0675-001	D CONNECTOR	F-DV	

Audio DSP board

Block No. [0][6]

Symbol No.	Part No.	Part Name	Description	Local
PW1	LPA20040-02B	AUDIO DSP P.AY		
IC8600	UPD784217AGC266	IC		
IC8601	SN74LVC1G04K-X	IC		
IC8602	SN74AHCT1G32K-X	IC		
IC8603	BA3259HFP-W	IC		
IC8604	DSPA56370AF	IC		
IC8605	SN74LVC1GU04K-X	IC		
IC8606	CS42518-CQZ-C-W	IC		
IC8607	RC4580ID-X	IC		
IC8608	RC4580ID-X	IC		
IC8609	RC4580ID-X	IC		
IC8610	RC4580ID-X	IC		
IC8611	BD3814FV-X	IC		
IC8612	RC4580ID-X	IC		
IC8613	RC4580ID-X	IC		
IC8614	RC4580ID-X	IC		
IC8615	RC4580ID-X	IC		
IC8616	BU1924F-X	IC		
Q8600	UN2214-X	TRANSISTOR		
Q8601	UN2214-X	TRANSISTOR		
Q8602	UN2214-X	TRANSISTOR		
Q8603	UN2214-X	TRANSISTOR		
Q8604	UN2114-X	TRANSISTOR		
Q8605	KTC3203/OY/-T	TRANSISTOR		
Q8606	KTA1271/OY/-T	TRANSISTOR		
Q8607	KTC3875/YG/-X	SI TRANSISTOR		
Q8608	KTA1271/OY/-T	TRANSISTOR		
Q8609	2SD2114K/VW/-X	TRANSISTOR		
Q8610	2SD2114K/VW/-X	TRANSISTOR		
Q8611	2SD2114K/VW/-X	TRANSISTOR		
Q8612	2SD2114K/VW/-X	TRANSISTOR		
Q8613	2SD2114K/VW/-X	TRANSISTOR		
Q8615	2SD2114K/VW/-X	TRANSISTOR		
Q8616	UN2114-X	TRANSISTOR		
Q8617	UN2214-X	TRANSISTOR		
D8600	1SS133-T2	SI DIODE		
D8605	MTZJ8.2C-T2	Z DIODE		
D8606	MTZJ8.2C-T2	Z DIODE		
D8607	1SS133-T2	SI DIODE		
D8608	1SS133-T2	SI DIODE		
D8609	1SS133-T2	SI DIODE		
D8610	MTZJ6.8A-T2	Z DIODE		
D8611	1SS133-T2	SI DIODE		
C8600	NDC31HJ-101X	C CAPACITOR	100pF 50V J	
C8601	NCB31HK-103X	C CAPACITOR	0.01uF 50V K	
C8602	NDC31HJ-101X	C CAPACITOR	100pF 50V J	
C8604	NCB31CK-104X	C CAPACITOR	0.1uF 16V K	
C8605	NCB31CK-104X	C CAPACITOR	0.1uF 16V K	
C8606	NCB31CK-104X	C CAPACITOR	0.1uF 16V K	
C8607	QETN0JM-107Z	E CAPACITOR	100uF 6.3V M	
C8608	NCB31CK-104X	C CAPACITOR	0.1uF 16V K	
C8609	QETN0JM-107Z	E CAPACITOR	100uF 6.3V M	

Symbol No.	Part No.	Part Name	Description	Local
C8610	NCB31CK-104X	C CAPACITOR	0.1uF 16V K	
C8611	NCB31CK-104X	C CAPACITOR	0.1uF 16V K	
C8612	NCB31CK-104X	C CAPACITOR	0.1uF 16V K	
C8613	NCB31CK-104X	C CAPACITOR	0.1uF 16V K	
C8614	NCB31CK-104X	C CAPACITOR	0.1uF 16V K	
C8615	NCB31CK-104X	C CAPACITOR	0.1uF 16V K	
C8617	NCB31CK-104X	C CAPACITOR	0.1uF 16V K	
C8620	NCB31CK-104X	C CAPACITOR	0.1uF 16V K	
C8621	NDC31HJ-100X	C CAPACITOR	10pF 50V J	
C8622	NDC31HJ-100X	C CAPACITOR	10pF 50V J	
C8623	NCB31CK-104X	C CAPACITOR	0.1uF 16V K	
C8624	NCB31CK-104X	C CAPACITOR	0.1uF 16V K	
C8625	NCB31CK-104X	C CAPACITOR	0.1uF 16V K	
C8626	NCB31CK-104X	C CAPACITOR	0.1uF 16V K	
C8627	NCB31CK-104X	C CAPACITOR	0.1uF 16V K	
C8629	NCB31CK-104X	C CAPACITOR	0.1uF 16V K	
C8630	NCB31CK-104X	C CAPACITOR	0.1uF 16V K	
C8631	NDC31HJ-221X	C CAPACITOR	220pF 50V J	
C8632	NDC31HJ-221X	C CAPACITOR	220pF 50V J	
C8633	QETN1EM-475Z	E CAPACITOR	4.7uF 25V M	
C8634	NCB31CK-104X	C CAPACITOR	0.1uF 16V K	
C8635	QETN0JM-107Z	E CAPACITOR	100uF 6.3V M	
C8636	NCB31CK-104X	C CAPACITOR	0.1uF 16V K	
C8637	NCB31CK-104X	C CAPACITOR	0.1uF 16V K	
C8638	NCB31CK-223X	C CAPACITOR	0.022uF 16V K	
C8639	NCB31HK-102X	C CAPACITOR	1000pF 50V K	
C8640	NCB31CK-104X	C CAPACITOR	0.1uF 16V K	
C8641	NCB31HK-103X	C CAPACITOR	0.01uF 50V K	
C8642	NCB31HK-103X	C CAPACITOR	0.01uF 50V K	
C8643	NCB31HK-103X	C CAPACITOR	0.01uF 50V K	
C8644	NCB31HK-103X	C CAPACITOR	0.01uF 50V K	
C8645	NCB31HK-103X	C CAPACITOR	0.01uF 50V K	
C8646	NCB31CK-104X	C CAPACITOR	0.1uF 16V K	
C8647	NCB31CK-104X	C CAPACITOR	0.1uF 16V K	
C8648	NCB31CK-104X	C CAPACITOR	0.1uF 16V K	
C8701	NCB31HK-682X	C CAPACITOR	6800pF 50V K	
C8702	NCB31HK-682X	C CAPACITOR	6800pF 50V K	
C8703	NDC31HJ-471X	C CAPACITOR	470pF 50V J	
C8704	NDC31HJ-471X	C CAPACITOR	470pF 50V J	
C8705	NDC31HJ-471X	C CAPACITOR	470pF 50V J	
C8706	NDC31HJ-471X	C CAPACITOR	470pF 50V J	
C8707	NCB31HK-102X	C CAPACITOR	1000pF 50V K	
C8708	NCB31HK-102X	C CAPACITOR	1000pF 50V K	
C8709	QETN1HM-106Z	E CAPACITOR	10uF 50V M	
C8710	QETN1HM-106Z	E CAPACITOR	10uF 50V M	
C8711	NCB31CK-104X	C CAPACITOR	0.1uF 16V K	
C8712	NCB31CK-104X	C CAPACITOR	0.1uF 16V K	
C8713	NCB31HK-682X	C CAPACITOR	6800pF 50V K	
C8714	NCB31HK-332X	C CAPACITOR	3300pF 50V K	
C8715	NDC31HJ-471X	C CAPACITOR	470pF 50V J	
C8716	NDC31HJ-471X	C CAPACITOR	470pF 50V J	
C8717	NDC31HJ-471X	C CAPACITOR	470pF 50V J	
C8718	NDC31HJ-471X	C CAPACITOR	470pF 50V J	
C8719	NCB31HK-102X	C CAPACITOR	1000pF 50V K	
C8720	NCB31HK-103X	C CAPACITOR	0.01uF 50V K	
C8721	NCB31CK-224X	C CAPACITOR	0.22uF 16V K	
C8722	QETN1HM-106Z	E CAPACITOR	10uF 50V M	
C8723	NCB31HK-682X	C CAPACITOR	6800pF 50V K	
C8724	NCB31HK-682X	C CAPACITOR	6800pF 50V K	
C8725	NDC31HJ-471X	C CAPACITOR	470pF 50V J	
C8726	NDC31HJ-471X	C CAPACITOR	470pF 50V J	
C8727	NCB31HK-102X	C CAPACITOR	1000pF 50V K	
C8728	NCB31HK-102X	C CAPACITOR	1000pF 50V K	
C8729	NCB31CK-224X	C CAPACITOR	0.22uF 16V K	
C8730	NCB31CK-224X	C CAPACITOR	0.22uF 16V K	
C8731	NCB31CK-104X	C CAPACITOR	0.1uF 16V K	
C8732	NCB31HK-472X	C CAPACITOR	4700pF 50V K	
C8733	NCB31HK-472X	C CAPACITOR	4700pF 50V K	
C8734	NCB31CK-104X	C CAPACITOR	0.1uF 16V K	
C8735	NCB31CK-104X	C CAPACITOR	0.1uF 16V K	
C8736	NCB31CK-104X	C CAPACITOR	0.1uF 16V K	
C8737	NCB31CK-104X	C CAPACITOR	0.1uF 16V K	
C8738	NCB31CK-104X	C CAPACITOR	0.1uF 16V K	
C8739	NDC31HJ-471X	C CAPACITOR	470pF 50V J	
C8740	NDC31HJ-471X	C CAPACITOR	470pF 50V J	
C8741	NCB31CK-104X	C CAPACITOR	0.1uF 16V K	
C8742	NCB31CK-104X	C CAPACITOR	0.1uF 16V K	
C8753	NDC31HJ-101X	C CAPACITOR	100pF 50V J	

△ Symbol No.	Part No.	Part Name	Description	Local	△ Symbol No.	Part No.	Part Name	Description	Local
C8754	NDC31HJ-101X	C CAPACITOR	100pF 50V J		R8618	NRSA63J-221X	MG RESISTOR	220Ω 1/16W J	
C8757	NDC31HJ-152X	C CAPACITOR	1500pF 50V J		R8619	NRSA63J-221X	MG RESISTOR	220Ω 1/16W J	
C8758	NDC31HJ-152X	C CAPACITOR	1500pF 50V J		R8620	NRSA63J-221X	MG RESISTOR	220Ω 1/16W J	
C8759	NDC31HJ-101X	C CAPACITOR	100pF 50V J		R8621	NRSA63J-221X	MG RESISTOR	220Ω 1/16W J	
C8760	NDC31HJ-101X	C CAPACITOR	100pF 50V J		R8622	NRSA63J-221X	MG RESISTOR	220Ω 1/16W J	
C8761	NCB31CK-104X	C CAPACITOR	0.1uF 16V K		R8623	NRSA63J-221X	MG RESISTOR	220Ω 1/16W J	
C8762	NCB31CK-104X	C CAPACITOR	0.1uF 16V K		R8624	NRSA63J-221X	MG RESISTOR	220Ω 1/16W J	
C8763	NCB31CK-104X	C CAPACITOR	0.1uF 16V K		R8625	NRSA63J-221X	MG RESISTOR	220Ω 1/16W J	
C8764	NCB31CK-104X	C CAPACITOR	0.1uF 16V K		R8626	NRSA63J-221X	MG RESISTOR	220Ω 1/16W J	
C8767	NDC31HJ-101X	C CAPACITOR	100pF 50V J		R8627	NRSA63J-221X	MG RESISTOR	220Ω 1/16W J	
C8768	NDC31HJ-101X	C CAPACITOR	100pF 50V J		R8628	NRSA63J-221X	MG RESISTOR	220Ω 1/16W J	
C8771	NDC31HJ-152X	C CAPACITOR	1500pF 50V J		R8629	NRSA63J-221X	MG RESISTOR	220Ω 1/16W J	
C8772	NDC31HJ-152X	C CAPACITOR	1500pF 50V J		R8630	NRSA63J-102X	MG RESISTOR	1kΩ 1/16W J	
C8773	NCB31CK-104X	C CAPACITOR	0.1uF 16V K		R8631	NRSA63J-103X	MG RESISTOR	10kΩ 1/16W J	
C8774	NCB31CK-104X	C CAPACITOR	0.1uF 16V K		R8632	NRSA63J-112X	MG RESISTOR	1.1kΩ 1/16W J	
C8776	NDC31HJ-101X	C CAPACITOR	100pF 50V J		R8633	NRSA63J-222X	MG RESISTOR	2.2kΩ 1/16W J	
C8778	NDC31HJ-152X	C CAPACITOR	1500pF 50V J		R8650	NRSA63J-102X	MG RESISTOR	1kΩ 1/16W J	
C8780	NCB31HK-103X	C CAPACITOR	0.01uF 50V K		R8651	NRSA63J-102X	MG RESISTOR	1kΩ 1/16W J	
C8782	NDC31HJ-152X	C CAPACITOR	1500pF 50V J		R8652	NRSA63J-221X	MG RESISTOR	220Ω 1/16W J	
C8783	NCB31CK-104X	C CAPACITOR	0.1uF 16V K		R8653	NRSA63J-221X	MG RESISTOR	220Ω 1/16W J	
C8784	NCB31CK-104X	C CAPACITOR	0.1uF 16V K		R8654	NRSA63J-221X	MG RESISTOR	220Ω 1/16W J	
C8786	QETN1HM-106Z	E CAPACITOR	10uF 50V M		R8655	NRSA63J-221X	MG RESISTOR	220Ω 1/16W J	
C8800	QETN1HM-225Z	E CAPACITOR	2.2uF 50V M		R8656	NRSA63J-102X	MG RESISTOR	1kΩ 1/16W J	
C8801	NDC31HJ-271X	C CAPACITOR	270pF 50V J		R8657	NRSA63J-102X	MG RESISTOR	1kΩ 1/16W J	
C8802	NCB31HK-103X	C CAPACITOR	0.01uF 50V K		R8658	NRSA63J-103X	MG RESISTOR	10kΩ 1/16W J	
C8803	NDC31HJ-561X	C CAPACITOR	560pF 50V J		R8659	NRSA63J-102X	MG RESISTOR	1kΩ 1/16W J	
C8804	NCB31CK-104X	C CAPACITOR	0.1uF 16V K		R8660	NRSA63J-102X	MG RESISTOR	1kΩ 1/16W J	
C8805	NDC31HJ-330X	C CAPACITOR	33pF 50V J		R8662	NRSA63J-101X	MG RESISTOR	100Ω 1/16W J	
C8806	NDC31HJ-330X	C CAPACITOR	33pF 50V J		R8663	NRSA63J-102X	MG RESISTOR	1kΩ 1/16W J	
C8807	QETN1HM-226Z	E CAPACITOR	22uF 50V M		R8664	NRSA63J-103X	MG RESISTOR	10kΩ 1/16W J	
C8808	QETN1CM-107Z	E CAPACITOR	100uF 16V M		R8665	NRSA63J-105X	MG RESISTOR	1MΩ 1/16W J	
C8809	NCB31CK-224X	C CAPACITOR	0.22uF 16V K		R8666	NRSA63J-103X	MG RESISTOR	10kΩ 1/16W J	
C8810	NCB31CK-224X	C CAPACITOR	0.22uF 16V K		R8667	NRSA63J-103X	MG RESISTOR	10kΩ 1/16W J	
C8811	NDC31HJ-331X	C CAPACITOR	330pF 50V J		R8668	NRSA63J-103X	MG RESISTOR	10kΩ 1/16W J	
C8812	NDC31HJ-331X	C CAPACITOR	330pF 50V J		R8669	NRSA63J-103X	MG RESISTOR	10kΩ 1/16W J	
C8813	NDC31HJ-331X	C CAPACITOR	330pF 50V J		R8670	NRSA63J-103X	MG RESISTOR	10kΩ 1/16W J	
C8814	NDC31HJ-331X	C CAPACITOR	330pF 50V J		R8671	NRSA63J-103X	MG RESISTOR	10kΩ 1/16W J	
C8815	NCB31CK-104X	C CAPACITOR	0.1uF 16V K		R8672	NRSA63J-103X	MG RESISTOR	10kΩ 1/16W J	
C8816	NCB31CK-104X	C CAPACITOR	0.1uF 16V K		R8673	NRSA63J-103X	MG RESISTOR	10kΩ 1/16W J	
C8817	NCB31CK-104X	C CAPACITOR	0.1uF 16V K		R8674	NRSA63J-103X	MG RESISTOR	10kΩ 1/16W J	
C8818	NCB31CK-104X	C CAPACITOR	0.1uF 16V K		R8675	NRSA63J-103X	MG RESISTOR	10kΩ 1/16W J	
C8819	QETN1AM-476Z	E CAPACITOR	47uF 10V M		R8676	NRSA63J-103X	MG RESISTOR	10kΩ 1/16W J	
C8900	NDC31HJ-101X	C CAPACITOR	100pF 50V J		R8677	NRSA63J-103X	MG RESISTOR	10kΩ 1/16W J	
C8901	NCB31HK-103X	C CAPACITOR	0.01uF 50V K		R8678	NRSA63J-103X	MG RESISTOR	10kΩ 1/16W J	
C8902	NDC31HJ-270X	C CAPACITOR	27pF 50V J		R8679	NRSA63J-103X	MG RESISTOR	10kΩ 1/16W J	
C8903	NCB31CK-104X	C CAPACITOR	0.1uF 16V K		R8680	NRSA63J-103X	MG RESISTOR	10kΩ 1/16W J	
C8904	NCB31HK-103X	C CAPACITOR	0.01uF 50V K		R8681	NRSA63J-103X	MG RESISTOR	10kΩ 1/16W J	
C8905	QETN1CM-476Z	E CAPACITOR	47uF 16V M		R8682	NRSA63J-103X	MG RESISTOR	10kΩ 1/16W J	
C8906	QETN1CM-476Z	E CAPACITOR	47uF 16V M		R8699	NRSA63J-103X	MG RESISTOR	10kΩ 1/16W J	
C8907	QETN1CM-107Z	E CAPACITOR	100uF 16V M		R8700	NRSA63J-221X	MG RESISTOR	220Ω 1/16W J	
C8908	QETN1CM-107Z	E CAPACITOR	100uF 16V M		R8701	NRSA63J-221X	MG RESISTOR	220Ω 1/16W J	
C8909	NCB31HK-103X	C CAPACITOR	0.01uF 50V K		R8702	NRSA63J-332X	MG RESISTOR	3.3kΩ 1/16W J	
C8910	QETN0JM-107Z	E CAPACITOR	100uF 6.3V M		R8704	NRSA63J-221X	MG RESISTOR	220Ω 1/16W J	
C8911	QETN0JM-107Z	E CAPACITOR	100uF 6.3V M		R8705	NRSA63J-221X	MG RESISTOR	220Ω 1/16W J	
C8912	QETN0JM-107Z	E CAPACITOR	100uF 6.3V M		R8706	NRSA63J-103X	MG RESISTOR	10kΩ 1/16W J	
C8919	NCB31CK-104X	C CAPACITOR	0.1uF 16V K		R8707	NRSA63J-103X	MG RESISTOR	10kΩ 1/16W J	
C8950	NCB31CK-104X	C CAPACITOR	0.1uF 16V K		R8708	NRSA63J-221X	MG RESISTOR	220Ω 1/16W J	
C8951	NCB31CK-104X	C CAPACITOR	0.1uF 16V K		R8709	NRSA63J-221X	MG RESISTOR	220Ω 1/16W J	
C8993	NCB31HK-103X	C CAPACITOR	0.01uF 50V K		R8751	NRSA63J-472X	MG RESISTOR	4.7kΩ 1/16W J	
C8994	NCB31HJ-152X	C CAPACITOR	1500pF 50V J		R8752	NRSA63J-472X	MG RESISTOR	4.7kΩ 1/16W J	
R8600	NRSA63J-822X	MG RESISTOR	8.2kΩ 1/16W J		R8753	NRSA63J-103X	MG RESISTOR	10kΩ 1/16W J	
R8601	NRSA63J-432X	MG RESISTOR	4.3kΩ 1/16W J		R8754	NRSA63J-103X	MG RESISTOR	10kΩ 1/16W J	
R8602	NRSA63J-221X	MG RESISTOR	220Ω 1/16W J		R8755	NRSA63J-181X	MG RESISTOR	180Ω 1/16W J	
R8603	NRSA63J-103X	MG RESISTOR	10kΩ 1/16W J		R8756	NRSA63J-181X	MG RESISTOR	180Ω 1/16W J	
R8604	NRSA63J-103X	MG RESISTOR	10kΩ 1/16W J		R8757	NRSA63J-472X	MG RESISTOR	4.7kΩ 1/16W J	
R8605	NRSA63J-103X	MG RESISTOR	10kΩ 1/16W J		R8758	NRSA63J-472X	MG RESISTOR	4.7kΩ 1/16W J	
R8606	NRSA63J-103X	MG RESISTOR	10kΩ 1/16W J		R8759	NRSA63J-181X	MG RESISTOR	180Ω 1/16W J	
R8607	NRSA63J-103X	MG RESISTOR	10kΩ 1/16W J		R8760	NRSA63J-181X	MG RESISTOR	180Ω 1/16W J	
R8608	NRSA63J-102X	MG RESISTOR	1kΩ 1/16W J		R8761	NRSA63J-103X	MG RESISTOR	10kΩ 1/16W J	
R8609	NRSA63J-0R0X	MG RESISTOR	0Ω 1/16W J		R8762	NRSA63J-103X	MG RESISTOR	10kΩ 1/16W J	
R8610	NRSA63J-102X	MG RESISTOR	1kΩ 1/16W J		R8763	NRSA63J-102X	MG RESISTOR	1kΩ 1/16W J	
R8612	NRSA63J-822X	MG RESISTOR	8.2kΩ 1/16W J		R8764	NRSA63J-102X	MG RESISTOR	1kΩ 1/16W J	
R8613	NRSA63J-822X	MG RESISTOR	8.2kΩ 1/16W J		R8765	NRSA63J-472X	MG RESISTOR	4.7kΩ 1/16W J	
R8614	NRSA63J-0R0X	MG RESISTOR	0Ω 1/16W J		R8766	NRSA63J-472X	MG RESISTOR	4.7kΩ 1/16W J	
R8615	NRSA63J-103X	MG RESISTOR	10kΩ 1/16W J		R8767	NRSA63J-123X	MG RESISTOR	12kΩ 1/16W J	
R8616	NRSA63J-432X	MG RESISTOR	4.3kΩ 1/16W J		R8768	NRSA63J-183X	MG RESISTOR	18kΩ 1/16W J	
R8617	NRSA63J-432X	MG RESISTOR	4.3kΩ 1/16W J		R8769	NRSA63J-181X	MG RESISTOR	180Ω 1/16W J	
					R8770	NRSA63J-181X	MG RESISTOR	180Ω 1/16W J	

△ Symbol No.	Part No.	Part Name	Description	Local	△ Symbol No.	Part No.	Part Name	Description	Local
R8771	NRSA63J-472X	MG RESISTOR	4.7kΩ 1/16W J		R8912	NRSA63J-104X	MG RESISTOR	100kΩ 1/16W J	
R8772	NRSA63J-472X	MG RESISTOR	4.7kΩ 1/16W J		R8913	NRSA63J-303X	MG RESISTOR	30kΩ 1/16W J	
R8773	NRSA63J-181X	MG RESISTOR	180Ω 1/16W J		R8914	NRSA63J-303X	MG RESISTOR	30kΩ 1/16W J	
R8774	NRSA63J-181X	MG RESISTOR	180Ω 1/16W J		R8915	NRSA63J-223X	MG RESISTOR	22kΩ 1/16W J	
R8775	NRSA63J-123X	MG RESISTOR	12kΩ 1/16W J		R8916	NRSA63J-223X	MG RESISTOR	22kΩ 1/16W J	
R8776	NRSA63J-183X	MG RESISTOR	18kΩ 1/16W J		R8917	NRSA63J-223X	MG RESISTOR	22kΩ 1/16W J	
R8777	NRSA63J-102X	MG RESISTOR	1kΩ 1/16W J		R8918	NRSA63J-223X	MG RESISTOR	22kΩ 1/16W J	
R8778	NRSA63J-102X	MG RESISTOR	1kΩ 1/16W J		R8919	NRSA63J-223X	MG RESISTOR	22kΩ 1/16W J	
R8779	NRSA63J-472X	MG RESISTOR	4.7kΩ 1/16W J		R8920	NRSA63J-223X	MG RESISTOR	22kΩ 1/16W J	
R8780	NRSA63J-472X	MG RESISTOR	4.7kΩ 1/16W J		R8921	NRSA63J-331X	MG RESISTOR	330Ω 1/16W J	
R8781	NRSA63J-123X	MG RESISTOR	12kΩ 1/16W J		R8922	NRSA63J-331X	MG RESISTOR	330Ω 1/16W J	
R8782	NRSA63J-123X	MG RESISTOR	12kΩ 1/16W J		R8923	NRSA63J-331X	MG RESISTOR	330Ω 1/16W J	
R8783	NRSA63J-181X	MG RESISTOR	180Ω 1/16W J		R8924	NRSA63J-331X	MG RESISTOR	330Ω 1/16W J	
R8784	NRSA63J-181X	MG RESISTOR	180Ω 1/16W J		R8925	NRSA63J-472X	MG RESISTOR	4.7kΩ 1/16W J	
R8787	NRSA63J-472X	MG RESISTOR	4.7kΩ 1/16W J		R8926	NRSA63J-472X	MG RESISTOR	4.7kΩ 1/16W J	
R8788	NRSA63J-472X	MG RESISTOR	4.7kΩ 1/16W J		R8950	NRSA63J-750X	MG RESISTOR	75Ω 1/16W J	
R8789	NRSA63J-181X	MG RESISTOR	180Ω 1/16W J		R8951	NRSA63J-221X	MG RESISTOR	220Ω 1/16W J	
R8790	NRSA63J-181X	MG RESISTOR	180Ω 1/16W J		R8952	NRSA63J-392X	MG RESISTOR	3.9kΩ 1/16W J	
R8791	NRSA63J-123X	MG RESISTOR	12kΩ 1/16W J		R8953	NRSA63J-102X	MG RESISTOR	1kΩ 1/16W J	
R8792	NRSA63J-123X	MG RESISTOR	12kΩ 1/16W J		△ R8954	QRZ9005-100X	FUSI RESISTOR	10Ω	
R8793	NRSA63J-102X	MG RESISTOR	1kΩ 1/16W J		△ R8955	QRZ9005-100X	FUSI RESISTOR	10Ω	
R8794	NRSA63J-102X	MG RESISTOR	1kΩ 1/16W J		R8956	NRSA63J-222X	MG RESISTOR	2.2kΩ 1/16W J	
R8795	NRSA63J-472X	MG RESISTOR	4.7kΩ 1/16W J		R8957	NRSA63J-222X	MG RESISTOR	2.2kΩ 1/16W J	
R8796	NRSA63J-472X	MG RESISTOR	4.7kΩ 1/16W J		R8958	NRSA63J-222X	MG RESISTOR	2.2kΩ 1/16W J	
R8798	NRSA63J-102X	MG RESISTOR	1kΩ 1/16W J		R8959	NRSA63J-102X	MG RESISTOR	1kΩ 1/16W J	
R8799	NRSA63J-102X	MG RESISTOR	1kΩ 1/16W J		R8981	NRSA63J-101X	MG RESISTOR	100Ω 1/16W J	
R8800	NRSA63J-102X	MG RESISTOR	1kΩ 1/16W J		R8982	NRSA63J-101X	MG RESISTOR	100Ω 1/16W J	
R8801	NRSA63J-222X	MG RESISTOR	2.2kΩ 1/16W J		R8983	NRSA63J-101X	MG RESISTOR	100Ω 1/16W J	
R8802	NRSA63J-473X	MG RESISTOR	47kΩ 1/16W J		R8984	NRSA63J-101X	MG RESISTOR	100Ω 1/16W J	
R8851	NRSA63J-103X	MG RESISTOR	10kΩ 1/16W J		R8985	NRSA63J-101X	MG RESISTOR	100Ω 1/16W J	
R8852	NRSA63J-103X	MG RESISTOR	10kΩ 1/16W J		R8986	NRSA63J-101X	MG RESISTOR	100Ω 1/16W J	
R8853	NRSA63J-221X	MG RESISTOR	220Ω 1/16W J		CN8600	QGF1201F2-07	CONNECTOR	FFC/FPC (1-7)	
R8854	NRSA63J-221X	MG RESISTOR	220Ω 1/16W J		CN8601	QGF1016C2-22W	CONNECTOR	FFC/FPC (1-22)	
R8855	NRSA63J-332X	MG RESISTOR	3.3kΩ 1/16W J		CN8603	QGF1201C2-11	CONNECTOR	FFC/FPC (1-11)	
R8856	NRSA63J-332X	MG RESISTOR	3.3kΩ 1/16W J		EP8600	QNZ0136-001Z	EARTH PLATE		
R8857	NRSA63J-332X	MG RESISTOR	3.3kΩ 1/16W J		EP8601	QNZ0136-001Z	EARTH PLATE		
R8858	NRSA63J-332X	MG RESISTOR	3.3kΩ 1/16W J		J8600	QND0118-001	DIN CONNECTOR	SYSTEM	
R8859	NRSA63J-473X	MG RESISTOR	47kΩ 1/16W J		J8601	QNN0481-001	SURROUND JACK	COAXIAL	
R8860	NRSA63J-473X	MG RESISTOR	47kΩ 1/16W J		K8600	NQR0269-004X	FERRITE BEADS		
R8861	NRSA63J-222X	MG RESISTOR	2.2kΩ 1/16W J		UN8600	GP1FAV50RK0F	OPT RECEIVER	OPTICAL	
R8862	NRSA63J-222X	MG RESISTOR	2.2kΩ 1/16W J		X8600	QAX0719-001Z	C RESONATOR	6.144MHz	
R8863	NRSA63J-682X	MG RESISTOR	6.8kΩ 1/16W J		X8601	QAX0722-001Z	CRYSTAL	24.576MHz	
R8864	NRSA63J-682X	MG RESISTOR	6.8kΩ 1/16W J		X8603	QAX0263-001Z	CRYSTAL	4.332MHz	
R8865	NRSA63J-103X	MG RESISTOR	10kΩ 1/16W J						
R8866	NRSA63J-103X	MG RESISTOR	10kΩ 1/16W J						
R8867	NRSA63J-103X	MG RESISTOR	10kΩ 1/16W J						
R8868	NRSA63J-103X	MG RESISTOR	10kΩ 1/16W J						
R8869	NRSA63J-221X	MG RESISTOR	220Ω 1/16W J						
R8870	NRSA63J-221X	MG RESISTOR	220Ω 1/16W J						
R8871	NRSA63J-332X	MG RESISTOR	3.3kΩ 1/16W J						
R8872	NRSA63J-332X	MG RESISTOR	3.3kΩ 1/16W J						
R8873	NRSA63J-472X	MG RESISTOR	4.7kΩ 1/16W J						
R8874	NRSA63J-472X	MG RESISTOR	4.7kΩ 1/16W J						
R8875	NRSA63J-473X	MG RESISTOR	47kΩ 1/16W J						
R8876	NRSA63J-473X	MG RESISTOR	47kΩ 1/16W J						
R8877	NRSA63J-103X	MG RESISTOR	10kΩ 1/16W J						
R8878	NRSA63J-103X	MG RESISTOR	10kΩ 1/16W J						
R8879	NRSA63J-103X	MG RESISTOR	10kΩ 1/16W J						
R8880	NRSA63J-221X	MG RESISTOR	220Ω 1/16W J						
R8881	NRSA63J-332X	MG RESISTOR	3.3kΩ 1/16W J						
R8882	NRSA63J-472X	MG RESISTOR	4.7kΩ 1/16W J						
R8883	NRSA63J-473X	MG RESISTOR	47kΩ 1/16W J						
R8884	NRSA63J-103X	MG RESISTOR	10kΩ 1/16W J						
R8885	NRSA63J-103X	MG RESISTOR	10kΩ 1/16W J						
R8886	NRSA63J-101X	MG RESISTOR	100Ω 1/16W J						
R8887	NRSA63J-101X	MG RESISTOR	100Ω 1/16W J						
R8888	NRSA63J-332X	MG RESISTOR	3.3kΩ 1/16W J						
R8889	NRSA63J-103X	MG RESISTOR	10kΩ 1/16W J						
R8890	NRSA63J-473X	MG RESISTOR	47kΩ 1/16W J						
R8892	NRSA63J-103X	MG RESISTOR	10kΩ 1/16W J						
R8893	NRSA63J-104X	MG RESISTOR	100kΩ 1/16W J						
R8900	NRSA63J-102X	MG RESISTOR	1kΩ 1/16W J						
R8901	NRSA63J-102X	MG RESISTOR	1kΩ 1/16W J						
R8902	NRSA63J-103X	MG RESISTOR	10kΩ 1/16W J						
R8903	NRSA63J-472X	MG RESISTOR	4.7kΩ 1/16W J						
R8904	NRSA63J-103X	MG RESISTOR	10kΩ 1/16W J						
R8905	NRSA63J-821X	MG RESISTOR	820Ω 1/16W J						
R8911	NRSA63J-104X	MG RESISTOR	100kΩ 1/16W J						

Main board					Block No. [0][7]
△ Symbol No.	Part No.	Part Name	Description	Local	
PW1	LPA10284-24A1	MAIN BOARD ASSY			1EF,3EF
PW1	LPA10284-23A1	MAIN BOARD ASSY			1EK,3EK
PW1	LPA10284-22A1	MAIN BOARD ASSY			1EL,1ER,1EU,1EY,1EZ, 3EL,3ER,3EU,3EY,3EZ
IC3001	MN101D10GDE	IC(MCU)	MASK		
IC3002	IC-PST3425U-X	IC			
IC3004	LPN0991-001A-31	IC(EEPROM)	*(REFER TO BELOW)		1EL,1ER,1EU,1EY,1EZ, 3EL,3ER,3EU,3EY,3EZ
IC3004	LPN0991-002A-32	IC(EEPROM)	*(REFER TO BELOW)		1EK,3EK
IC3004	LPN0991-003A-33	IC(EEPROM)	*(REFER TO BELOW)		1EF,3EF
IC4001	BH7623KS2	IC			
IC4201	LC74793-E	IC			
IC4202	MM1504XN-X	IC			
IC5101	STR-G6653-F9	IC			
IC5301	TL431/A-T	IC			
IC5301	or MM1431AT-T	IC			
IC5301	or UTCTL431-T	IC			
IC5303	MM1689BH-X	IC			
IC5307	MM1662GH-X	IC			
IC5308	MM1665AH-X	IC			
IC5309	PQ5EV3	IC			
IC7301	BH7868FS-X	IC			
IC7302	MM1508XN-X	IC			
IC7303	TC74HC4053AF-XE IC				

After exchanging EEPROMs, a main part does not correspond to some remote control commands at Jig RCU mode. Please cancel the Jig RCU mode of a main part after exchanging EEPROMs. Please refer to the "Canceling JIG mode" about the release method.

△ Symbol No.	Part No.	Part Name	Description	Local	△ Symbol No.	Part No.	Part Name	Description	Local
IC7303	or CD74HC4053NS-X	IC			Q7312	or DTC144WKA-X	DIGI TRANSISTOR		
IC7304	MM1503XN-X	IC			Q7312	or RT1N44HC-X	DIGI TRANSISTOR		
IC7305	MM1501XN-X	IC			Q7313	UN221E-X	TRANSTSTOR		
IC8001	AK5366VQ-W	IC			Q7313	or DTC144WKA-X	DIGI TRANSISTOR		
IC8201	AK4385VT-X	IC			Q7313	or RT1N44HC-X	DIGI TRANSISTOR		
IC8201	or AK4385ET-X	IC			Q7314	UN221E-X	TRANSTSTOR		
IC8202	RC4558D-X	IC			Q7314	or DTC144WKA-X	DIGI TRANSISTOR		
IC8301	LA7151-E	IC			Q7314	or RT1N44HC-X	DIGI TRANSISTOR		
IC8302	LA7151-E	IC			Q7315	UN2215-X	TRANSISTOR		
IC8303	RC4558D-X	IC			Q7315	or DTC114TKA-X	TRANSISTOR		
Q3004	2SD601A/QRS/-X	TRANSISTOR			Q7315	or RT1N140C-X	DIGI TRANSISTOR		
Q3004	or 2SC2412K/QRS/-X	TRANSISTOR			Q7316	2SB709A/QR/-X	TRANSISTOR		
Q3004	or 2SC3928A/QRS/-X	TRANSISTOR			Q7316	or 2SA1037AK/QR/-X	TRANSISTOR		
Q3005	UN2211-X	TRANSISTOR			Q7316	or 2SA1530A/QR/-X	TRANSISTOR		
Q3005	or DTC114EKA-X	DIGI TRANSISTOR			Q7317	2SB709A/QR/-X	TRANSISTOR		
Q3005	or RT1N141C-X	DIGI TRANSISTOR			Q7317	or 2SA1037AK/QR/-X	TRANSISTOR		
Q3007	UN221E-X	TRANSTSTOR			Q7317	or 2SA1530A/QR/-X	TRANSISTOR		
Q3007	or DTC144WKA-X	DIGI TRANSISTOR			Q7321	UN221E-X	TRANSTSTOR		
Q3007	or RT1N44HC-X	DIGI TRANSISTOR			Q7321	or DTC144WKA-X	DIGI TRANSISTOR		
Q4001	2SB709A/QR/-X	TRANSISTOR			Q7321	or RT1N44HC-X	DIGI TRANSISTOR		
Q4001	or 2SA1037AK/QR/-X	TRANSISTOR			Q8201	UN221E-X	TRANSTSTOR		
Q4001	or 2SA1530A/QR/-X	TRANSISTOR			Q8201	or DTC144WKA-X	DIGI TRANSISTOR		
Q4101	2SD2144S/UV/-T	TRANSISTOR			Q8201	or RT1N44HC-X	DIGI TRANSISTOR		
Q4101	or 2SC3576-JVC-T	TRANSISTOR			Q8202	UN211E-X	DIGI TRANSISTOR		
Q4201	2SD601A/QRS/-X	TRANSISTOR			Q8202	or DTA144WKA-X	TRANSISTOR		
Q4201	or 2SC2412K/QRS/-X	TRANSISTOR			Q8202	or RT1P44HC-X	DIGI TRANSISTOR		
Q4201	or 2SC3928A/QRS/-X	TRANSISTOR			Q8203	2SC2412K/QRS/-X	TRANSISTOR		
Q5301	2SC3576-JVC-T	TRANSISTOR			Q8203	or 2SD601A/QRS/-X	TRANSISTOR		
Q5301	or 2SD2144S/UV/-T	TRANSISTOR			Q8203	or 2SC3928A/QRS/-X	TRANSISTOR		
Q5302	UN2111-X	TRANSISTOR			Q8205	2SC2412K/QRS/-X	TRANSISTOR		
Q5302	or DTA114EKA-X	DIGI TRANSISTOR			Q8205	or 2SD601A/QRS/-X	TRANSISTOR		
Q5302	or RT1P141C-X	DIGI TRANSISTOR			Q8205	or 2SC3928A/QRS/-X	TRANSISTOR		
Q5303	UN2211-X	TRANSISTOR			Q8301	2SC2412K/QRS/-X	TRANSISTOR		
Q5303	or DTC114EKA-X	DIGI TRANSISTOR			Q8301	or 2SD601A/QRS/-X	TRANSISTOR		
Q5303	or RT1N141C-X	DIGI TRANSISTOR			Q8301	or 2SC3928A/QRS/-X	TRANSISTOR		
Q5304	2SA1585S/QR/-T	TRANSISTOR			Q8302	2SC2412K/QRS/-X	TRANSISTOR		
Q5305	UN2211-X	TRANSISTOR			Q8302	or 2SD601A/QRS/-X	TRANSISTOR		
Q5305	or DTC114EKA-X	DIGI TRANSISTOR			Q8302	or 2SC3928A/QRS/-X	TRANSISTOR		
Q5305	or RT1N141C-X	DIGI TRANSISTOR			D3002	1SS133-T2	SI DIODE		
Q5306	2SA1585S/QR/-T	TRANSISTOR			D3002	or 1SS270A-T2	SI DIODE		
Q5308	UN2111-X	TRANSISTOR			D3003	MTZJ39C-T2	Z DIODE		
Q5308	or DTA114EKA-X	DIGI TRANSISTOR			D3004	10EDB20-T2	SI DIODE		
Q5308	or RT1P141C-X	DIGI TRANSISTOR			D3005	10EDB20-T2	SI DIODE		
Q5309	UN2211-X	TRANSISTOR			D3008	1SS355-X	SI DIODE		
Q5309	or DTC114EKA-X	DIGI TRANSISTOR			D3008	or MA111-X	SI DIODE		
Q5309	or RT1N141C-X	DIGI TRANSISTOR			D4001	DA204U-X	SI DIODE		
Q5310	2SC5739/QP/	TRANSISTOR			D4002	DA204U-X	SI DIODE		
Q5310	or 2SD2394/EF/	TRANSISTOR			D5001	D3SBA60	DIODE		
Q5312	UN2211-X	TRANSISTOR			D5001	or GBJ4J	BRIDGE DIODE		
Q5312	or DTC114EKA-X	DIGI TRANSISTOR			D5101	SARS01-T2	SI DIODE		
Q5312	or RT1N141C-X	DIGI TRANSISTOR			D5103	1F4G-T2	FR DIODE		
Q5313	2SD601A/QRS/-X	TRANSISTOR			D5103	or 10ERB20-T2	FR DIODE		
Q5313	or 2SC2412K/QRS/-X	TRANSISTOR			D5103	or AU01Z-T2	FR DIODE		
Q5313	or 2SC3928A/QRS/-X	TRANSISTOR			D5104	1SS133-T2	SI DIODE		
Q5314	UN2111-X	TRANSISTOR			D5104	or 1SS270A-T2	SI DIODE		
Q5314	or DTA114EKA-X	DIGI TRANSISTOR			D5105	1F4G-T2	FR DIODE		
Q5314	or RT1P141C-X	DIGI TRANSISTOR			D5105	or 10ERB40-T2	FR DIODE		
Q5315	UN2211-X	TRANSISTOR			D5105	or AU01Z-T2	FR DIODE		
Q5315	or DTC114EKA-X	DIGI TRANSISTOR			D5106	1F4G-T2	FR DIODE		
Q5315	or RT1N141C-X	DIGI TRANSISTOR			D5106	or 10ERB20-T2	FR DIODE		
Q5316	2SD1858/QR/-T	TRANSISTOR			D5106	or AU01Z-T2	FR DIODE		
Q6030	2SB709A/QR/-X	TRANSISTOR			D5201	1F4G-T2	FR DIODE		
Q6030	or 2SA1037AK/QR/-X	TRANSISTOR			D5201	or 10ERB20-T2	FR DIODE		
Q6030	or 2SA1530A/QR/-X	TRANSISTOR			D5201	or AU01Z-T2	FR DIODE		
Q7301	2SD601A/QRS/-X	TRANSISTOR			D5202	1F4G-T2	FR DIODE		
Q7301	or 2SC2412K/QRS/-X	TRANSISTOR			D5202	or 10ERB20-T2	FR DIODE		
Q7301	or 2SC3928A/QRS/-X	TRANSISTOR			D5202	or AU01Z-T2	FR DIODE		
Q7302	2SD601A/QRS/-X	TRANSISTOR			D5204	RL2Z-LFB2	FR DIODE		
Q7302	or 2SC2412K/QRS/-X	TRANSISTOR			D5204	or UF202G-F26	FR DIODE		
Q7302	or 2SC3928A/QRS/-X	TRANSISTOR			D5205	RK34-LFB2	SB IODE		
Q7310	2SB709A/QR/-X	TRANSISTOR			D5206	RK34-LFB2	SB IODE		
Q7310	or 2SA1037AK/QR/-X	TRANSISTOR			D5207	1F4G-T2	FR DIODE		
Q7310	or 2SA1530A/QR/-X	TRANSISTOR			D5207	or 10ERB20-T2	FR DIODE		
Q7311	2SB709A/QR/-X	TRANSISTOR			D5207	or AU01Z-T2	FR DIODE		
Q7311	or 2SA1037AK/QR/-X	TRANSISTOR			D5210	RK34-LFB2	SB IODE		
Q7311	or 2SA1530A/QR/-X	TRANSISTOR			D5211	1F4G-T2	FR DIODE		
Q7312	UN221E-X	TRANSTSTOR			D5211	or 10ERB20-T2	FR DIODE		

△ Symbol No.	Part No.	Part Name	Description	Local	△ Symbol No.	Part No.	Part Name	Description	Local
D5211	or AU01Z-T2	FR DIODE			C4202	NCB31CK-104X	C CAPACITOR	0.1uF 16V K	
D5212	RL2Z-LFB2	FR DIODE			C4203	NCB30JK-105X	C CAPACITOR	1uF 6.3V K	
D5212	or UF202G-F26	FR DIODE			C4204	NCB30JK-105X	C CAPACITOR	1uF 6.3V K	
D5213	RK34-LFB2	SB IODE			C4205	NDC31HJ-180X	C CAPACITOR	18pF 50V J	
D5214	RK34-LFB2	SB IODE			C4206	NDC31HJ-220X	C CAPACITOR	22pF 50V J	
D5301	MTZJ15C-T2	Z DIODE			C4207	NCB31CK-563X	C CAPACITOR	0.056uF 16V K	
D5302	1SS133-T2	SI DIODE			C4208	QEKJ1HM-475Z	E CAPACITOR	4.7uF 50V M	
D5302	or 1SS270A-T2	SI DIODE			C4209	NCB31AK-224X	C CAPACITOR	0.22uF 10V K	
D5303	MTZJ27C-T2	Z DIODE			C4210	QEKJ0JM-227Z	E CAPACITOR	220uF 6.3V M	
D5304	RK34-LFB2	SB IODE			C4216	NCB31CK-104X	C CAPACITOR	0.1uF 16V K	
D5305	RK34-LFB2	SB IODE			C4217	NCB30JK-105X	C CAPACITOR	1uF 6.3V K	
D5306	RK34-LFB2	SB IODE			C4218	NCB30JK-105X	C CAPACITOR	1uF 6.3V K	
D5309	MTZJ5.6C-T2	Z DIODE			△ C5001	QFZ9075-683	MPP CAPACITOR	0.068uF AC275V M	
D5310	1A3G-T2	SI DIODE			△ C5002	QFZ9075-223	MPP CAPACITOR	0.022uF AC275V M	
D5310	or 10EDB20-T2	SI DIODE			C5003	QEZ0374-107	E CAPACITOR	100uF 400V M	
D5314	1A3G-T2	SI DIODE			△ C5004	QCZ9079-222	C CAPACITOR	2200pF AC250V M	
D5314	or 10EDB20-T2	SI DIODE			C5102	QCZ0349-472Z	C CAPACITOR	4700pF 1kV K	
D5315	MTZJ12B-T2	Z DIODE			C5103	QEZ0619-276Z	E CAPACITOR	27uF	
D5318	1S4-T2	SB DIODE			C5104	QCZ0136-471Z	C CAPACITOR	470pF 1kV K	
D5318	or AW04-T2	SB DIODE			C5105	QFLC1HJ-471Z	M CAPACITOR	470pF 50V J	
D5320	1S4-T2	SB DIODE			C5106	NCB31HK-103X	C CAPACITOR	0.01uF 50V K	
D5320	or AW04-T2	SB DIODE			C5107	NDC31HJ-121X	C CAPACITOR	120pF 50V J	
D6002	HZ30-2L-T2	Z DIODE			C5201	QEZ0562-227Z	E CAPACITOR	220uF 6.3V M	
D7304	1SS133-T2	SI DIODE			C5202	QEZ0620-186Z	E CAPACITOR	18uF	
D8001	MA8030/H/-X	Z DIODE			C5204	QEZ0701-128	E CAPACITOR	1200uF	
D8001	or UDZS3.0B-X	Z DIODE			C5205	QEZ0564-278	E CAPACITOR	2700uF 10V M	
△ PC5101	PS2581AL1/QW/	PHOTO COUPLER			C5206	QEZ0564-128	E CAPACITOR	1200uF 10V M	
C3001	NCB31HK-272X	C CAPACITOR	2700pF 50V K		C5207	QETN2AM-475Z	E CAPACITOR	4.7uF 100V M	
C3011	QETL0JM-478	E CAPACITOR	4700uF 6.3V M		C5209	QEZ0564-278	E CAPACITOR	2700uF 10V M	
C3020	QERF1CM-106Z	E CAPACITOR	10uF 16V M		C5210	QEZ0620-186Z	E CAPACITOR	18uF	
C3021	NCB31EK-103X	C CAPACITOR	0.01uF 25V K		C5301	QFV1HJ-154Z	MF CAPACITOR	0.15uF 50V J	
C3024	NCB31CK-104X	C CAPACITOR	0.1uF 16V K		C5302	QFLC1HJ-333Z	M CAPACITOR	0.033uF 50V J	
C3029	NCB31CK-104X	C CAPACITOR	0.1uF 16V K		C5304	QETN1CM-107Z	E CAPACITOR	100uF 16V M	
C3030	QEKJ0JM-476Z	E CAPACITOR	47uF 6.3V M		C5305	QETN1AM-107Z	E CAPACITOR	100uF 10V M	
C3031	NDC31HJ-180X	C CAPACITOR	18pF 50V J		C5306	QETN1AM-107Z	E CAPACITOR	100uF 10V M	
C3032	NDC31HJ-270X	C CAPACITOR	27pF 50V J		C5308	QETN1AM-107Z	E CAPACITOR	100uF 10V M	
C3033	QAT3725-300Z	TRIM CAPACITOR	30pF TIMER CLOCK	1EL,1ER,1EU,1EY,1EZ, 3EL,3ER,3EU,3EY,3EZ	C5309	NCB31HK-103X	C CAPACITOR	0.01uF 50V K	
C3034	NDC31HJ-220X	C CAPACITOR	22pF 50V J		C5310	QETN1CM-107Z	E CAPACITOR	100uF 16V M	
C3035	NDC31HJ-180X	C CAPACITOR	18pF 50V J		C5311	QETN1HM-225Z	E CAPACITOR	2.2uF 50V M	
C3037	NCB31CK-104X	C CAPACITOR	0.1uF 16V K		C5312	QETN1AM-107Z	E CAPACITOR	100uF 10V M	
C3039	NCB31CK-104X	C CAPACITOR	0.1uF 16V K		C5313	NCB21AK-105X	C CAPACITOR	1uF 10V K	
C3040	QEKJ0JM-476Z	E CAPACITOR	47uF 6.3V M		C5314	NCB31HK-471X	C CAPACITOR	470pF 50V K	
C3041	NCB31CK-104X	C CAPACITOR	0.1uF 16V K		C5315	QETN1HM-226Z	E CAPACITOR	22uF 50V M	
C3042	QETN0JM-477Z	E CAPACITOR	470uF 6.3V M		C5316	QETN1AM-107Z	E CAPACITOR	100uF 10V M	
C4001	NCB30JK-105X	C CAPACITOR	1uF 6.3V K		C5326	NCB21AK-105X	C CAPACITOR	1uF 10V K	
C4003	NCB30JK-105X	C CAPACITOR	1uF 6.3V K		C5327	NCB31HK-471X	C CAPACITOR	470pF 50V K	
C4005	NCB30JK-105X	C CAPACITOR	1uF 6.3V K		C5332	NCB10JK-106X	C CAPACITOR	10uF 6.3V K	
C4007	NCB30JK-105X	C CAPACITOR	1uF 6.3V K		C5333	NCB21AK-105X	C CAPACITOR	1uF 10V K	
C4009	NCB31CK-104X	C CAPACITOR	0.1uF 16V K		C5334	NCB21AK-105X	C CAPACITOR	1uF 10V K	
C4010	NCB31EK-103X	C CAPACITOR	0.01uF 25V K		C5335	NCB21AK-105X	C CAPACITOR	1uF 10V K	
C4011	NCB31EK-103X	C CAPACITOR	0.01uF 25V K		C5336	NCB21AK-105X	C CAPACITOR	1uF 10V K	
C4013	QEKJ0JM-476Z	E CAPACITOR	47uF 6.3V M		C5351	QETN1CM-108Z	E CAPACITOR	1000uF 16V M	
C4014	NCB31EK-103X	C CAPACITOR	0.01uF 25V K		C6012	QETJ0JM-477Z	E CAPACITOR	470uF 6.3V M	
C4016	NCB31CK-104X	C CAPACITOR	0.1uF 16V K		C6013	NDC31HJ-100X	C CAPACITOR	10pF 50V J	
C4017	NCB31EK-103X	C CAPACITOR	0.01uF 25V K		C6014	NCB31HK-103X	C CAPACITOR	0.01uF 50V K	
C4019	NCB31EK-103X	C CAPACITOR	0.01uF 25V K		C6037	QEKJ1HM-225Z	E CAPACITOR	2.2uF 50V M	1EF,3EF
C4021	QEKJ1CM-106Z	E CAPACITOR	10uF 16V M		C6831	QEKJ1HM-225Z	E CAPACITOR	2.2uF 50V M	
C4022	NCB31EK-103X	C CAPACITOR	0.01uF 25V K		C6832	QEKJ1HM-225Z	E CAPACITOR	2.2uF 50V M	
C4023	NCB30JK-105X	C CAPACITOR	1uF 6.3V K		C7301	NCB31EK-103X	C CAPACITOR	0.01uF 25V K	
C4024	NCB31CK-104X	C CAPACITOR	0.1uF 16V K		C7302	NCB31CK-104X	C CAPACITOR	0.1uF 16V K	
C4025	NCB31EK-103X	C CAPACITOR	0.01uF 25V K		C7303	NCB31EK-103X	C CAPACITOR	0.01uF 25V K	
C4026	NCB30JK-105X	C CAPACITOR	1uF 6.3V K		C7304	NCB31EK-103X	C CAPACITOR	0.01uF 25V K	
C4028	NCB30JK-105X	C CAPACITOR	1uF 6.3V K		C7305	NCB30JK-105X	C CAPACITOR	1uF 6.3V K	
C4030	NCB30JK-105X	C CAPACITOR	1uF 6.3V K		C7306	NCB30JK-105X	C CAPACITOR	1uF 6.3V K	
C4032	NCB31CK-104X	C CAPACITOR	0.1uF 16V K		C7307	QEKJ0JM-226Z	E CAPACITOR	22uF 6.3V M	
C4033	NCB31CK-104X	C CAPACITOR	0.1uF 16V K		C7308	NCB30JK-105X	C CAPACITOR	1uF 6.3V K	
C4035	NRSA63J-0R0X	MG RESISTOR	0Ω 1/16W J		C7309	NCB30JK-105X	C CAPACITOR	1uF 6.3V K	
C4036	NRSA63J-0R0X	MG RESISTOR	0Ω 1/16W J		C7310	NCB30JK-105X	C CAPACITOR	1uF 6.3V K	
C4042	NCB31CK-104X	C CAPACITOR	0.1uF 16V K		C7311	NCB31CK-104X	C CAPACITOR	0.1uF 16V K	
C4044	QEKJ0JM-476Z	E CAPACITOR	47uF 6.3V M		C7312	NCB31EK-103X	C CAPACITOR	0.01uF 25V K	
C4047	NCB31EK-103X	C CAPACITOR	0.01uF 25V K		C7313	NCB31CK-104X	C CAPACITOR	0.1uF 16V K	
C4065	QEKJ0JM-476Z	E CAPACITOR	47uF 6.3V M		C7314	NCB31EK-103X	C CAPACITOR	0.01uF 25V K	
C4109	QEKJ0JM-476Z	E CAPACITOR	47uF 6.3V M		C7315	QEKJ1CM-476Z	E CAPACITOR	47uF 16V M	
C4110	QEKJ0JM-107Z	E CAPACITOR	100uF 6.3V M		C7316	NCB30JK-105X	C CAPACITOR	1uF 6.3V K	
C4201	QEKJ0JM-227Z	E CAPACITOR	220uF 6.3V M		C7317	NCB30JK-105X	C CAPACITOR	1uF 6.3V K	
					C7318	NCB30JK-105X	C CAPACITOR	1uF 6.3V K	
					C7319	NCB30JK-105X	C CAPACITOR	1uF 6.3V K	
					C7326	NCB31CK-104X	C CAPACITOR	0.1uF 16V K	

△ Symbol No.	Part No.	Part Name	Description	Local	△ Symbol No.	Part No.	Part Name	Description	Local
C7327	NCB31EK-103X	C CAPACITOR	0.01uF 25V K		R3004	NRSA63J-102X	MG RESISTOR	1kΩ 1/16W J	
C7330	NCB31HK-102X	C CAPACITOR	1000pF 50V K		R3005	NRSA63J-471X	MG RESISTOR	470Ω 1/16W J	
C7331	NCB31HK-102X	C CAPACITOR	1000pF 50V K		R3006	NRSA63J-102X	MG RESISTOR	1kΩ 1/16W J	
C7332	NCB31HK-681X	C CAPACITOR	680pF 50V K		R3007	NRSA63J-0R0X	MG RESISTOR	0Ω 1/16W J	
C7333	NCB31HK-681X	C CAPACITOR	680pF 50V K		R3008	NRSA63J-0R0X	MG RESISTOR	0Ω 1/16W J	
C7336	QETN0JM-477Z	E CAPACITOR	470uF 6.3V M		R3009	NRSA63J-102X	MG RESISTOR	1kΩ 1/16W J	
C7340	QETN0JM-477Z	E CAPACITOR	470uF 6.3V M		R3010	NRSA63J-0R0X	MG RESISTOR	0Ω 1/16W J	
C7345	NCB31EK-103X	C CAPACITOR	0.01uF 25V K		R3013	NRSA63J-0R0X	MG RESISTOR	0Ω 1/16W J	
C7346	QEKJ1CM-107Z	E CAPACITOR	100uF 16V M		R3014	NRSA63J-471X	MG RESISTOR	470Ω 1/16W J	
C7347	QEKJ1CM-476Z	E CAPACITOR	47uF 16V M		R3015	NRSA63J-471X	MG RESISTOR	470Ω 1/16W J	
C7350	NCB31HK-102X	C CAPACITOR	1000pF 50V K		R3016	NRSA63J-471X	MG RESISTOR	470Ω 1/16W J	
C7351	NCB31HK-102X	C CAPACITOR	1000pF 50V K		R3017	NRSA63J-471X	MG RESISTOR	470Ω 1/16W J	
C7352	NCB31HK-681X	C CAPACITOR	680pF 50V K		R3018	NRSA63J-471X	MG RESISTOR	470Ω 1/16W J	
C7353	NCB31HK-681X	C CAPACITOR	680pF 50V K		R3019	NRSA63J-0R0X	MG RESISTOR	0Ω 1/16W J	
C7363	QETN0JM-477Z	E CAPACITOR	470uF 6.3V M		R3020	NRSA63J-0R0X	MG RESISTOR	0Ω 1/16W J	
C7364	QETN0JM-477Z	E CAPACITOR	470uF 6.3V M		R3021	NRSA63J-102X	MG RESISTOR	1kΩ 1/16W J	
C7365	QETN0JM-477Z	E CAPACITOR	470uF 6.3V M		R3022	NRSA63J-102X	MG RESISTOR	1kΩ 1/16W J	
C7366	QETN0JM-477Z	E CAPACITOR	470uF 6.3V M		R3025	NRSA63J-0R0X	MG RESISTOR	0Ω 1/16W J	
C7367	QETN0JM-477Z	E CAPACITOR	470uF 6.3V M		R3026	NRSA63J-471X	MG RESISTOR	470Ω 1/16W J	
C7368	NDC31HJ-120X	C CAPACITOR	12pF 50V J		R3027	NRSA63J-471X	MG RESISTOR	470Ω 1/16W J	
C7369	NDC31HJ-6R0X	C CAPACITOR	6pF 50V J		R3028	NRSA63J-0R0X	MG RESISTOR	0Ω 1/16W J	
C7371	NCB31EK-103X	C CAPACITOR	0.01uF 25V K		R3031	NRSA63J-102X	MG RESISTOR	1kΩ 1/16W J	
C7372	NCB30JK-105X	C CAPACITOR	1uF 6.3V K		R3032	NRSA63J-102X	MG RESISTOR	1kΩ 1/16W J	
C7388	NCB31HK-102X	C CAPACITOR	1000pF 50V K		R3035	NRSA63J-102X	MG RESISTOR	1kΩ 1/16W J	
C7390	NCB31HK-102X	C CAPACITOR	1000pF 50V K		R3042	NRSA63J-103X	MG RESISTOR	10kΩ 1/16W J	
C8005	QEKJ1HM-105Z	E CAPACITOR	1uF 50V M		R3045	NRSA63J-103X	MG RESISTOR	10kΩ 1/16W J	
C8007	QEKJ1HM-105Z	E CAPACITOR	1uF 50V M		R3049	NRSA63J-102X	MG RESISTOR	1kΩ 1/16W J	
C8008	QEKJ1HM-105Z	E CAPACITOR	1uF 50V M		R3050	NRSA63J-102X	MG RESISTOR	1kΩ 1/16W J	
C8009	QEKJ1HM-105Z	E CAPACITOR	1uF 50V M		R3052	NRSA63J-0R0X	MG RESISTOR	0Ω 1/16W J	
C8010	QEKJ1HM-105Z	E CAPACITOR	1uF 50V M		R3053	NRSA63J-0R0X	MG RESISTOR	0Ω 1/16W J	
C8011	QEKJ1HM-105Z	E CAPACITOR	1uF 50V M		R3054	NRSA63J-0R0X	MG RESISTOR	0Ω 1/16W J	
C8012	QEKJ1HM-105Z	E CAPACITOR	1uF 50V M		R3055	NRSA63J-0R0X	MG RESISTOR	0Ω 1/16W J	
C8014	QEKJ1HM-105Z	E CAPACITOR	1uF 50V M		R3056	NRSA63J-0R0X	MG RESISTOR	0Ω 1/16W J	
C8021	QERF1HM-475Z	E CAPACITOR	4.7uF 50V M		R3057	NRSA63J-0R0X	MG RESISTOR	0Ω 1/16W J	
C8022	QERF1HM-475Z	E CAPACITOR	4.7uF 50V M		R3058	NRSA63J-0R0X	MG RESISTOR	0Ω 1/16W J	
C8023	QERF0JM-107Z	E CAPACITOR	100uF 6.3V M		R3059	NRSA63J-0R0X	MG RESISTOR	0Ω 1/16W J	
C8024	NCB31CK-104X	C CAPACITOR	0.1uF 16V K		R3060	NRSA63J-0R0X	MG RESISTOR	0Ω 1/16W J	
C8025	QEKJ1HM-475Z	E CAPACITOR	4.7uF 50V M		R3061	NRSA63J-0R0X	MG RESISTOR	0Ω 1/16W J	
C8026	NCB31CK-104X	C CAPACITOR	0.1uF 16V K		R3062	NRSA63J-0R0X	MG RESISTOR	0Ω 1/16W J	
C8027	QEKJ0JM-107Z	E CAPACITOR	100uF 6.3V M		R3065	NRSA63J-103X	MG RESISTOR	10kΩ 1/16W J	
C8028	NCB31CK-104X	C CAPACITOR	0.1uF 16V K		R3067	NRSA63J-0R0X	MG RESISTOR	0Ω 1/16W J	
C8029	NCB31CK-104X	C CAPACITOR	0.1uF 16V K		R3068	NRSA63J-0R0X	MG RESISTOR	0Ω 1/16W J	
C8201	NCB31CK-104X	C CAPACITOR	0.1uF 16V K		R3069	NRSA63J-0R0X	MG RESISTOR	0Ω 1/16W J	
C8202	QETJ0JM-477Z	E CAPACITOR	470uF 6.3V M		R3070	NRSA63J-0R0X	MG RESISTOR	0Ω 1/16W J	
C8203	NCB31HK-472X	C CAPACITOR	4700pF 50V K		R3072	NRSA63J-0R0X	MG RESISTOR	0Ω 1/16W J	
C8204	NDC31HJ-471X	C CAPACITOR	470pF 50V J		R3074	NRSA63J-0R0X	MG RESISTOR	0Ω 1/16W J	
C8205	NDC31HJ-471X	C CAPACITOR	470pF 50V J		R3075	NRSA63J-0R0X	MG RESISTOR	0Ω 1/16W J	
C8206	NCB31HK-472X	C CAPACITOR	4700pF 50V K		R3076	NRSA63J-103X	MG RESISTOR	10kΩ 1/16W J	
C8207	NDC31HJ-471X	C CAPACITOR	470pF 50V J		R3083	NRSA63J-104X	MG RESISTOR	100kΩ 1/16W J	
C8208	NDC31HJ-471X	C CAPACITOR	470pF 50V J		R3084	NRSA63J-682X	MG RESISTOR	6.8kΩ 1/16W J	
C8209	NCB31CK-104X	C CAPACITOR	0.1uF 16V K		R3087	NRSA63J-0R0X	MG RESISTOR	0Ω 1/16W J	
C8210	QETJ1CM-107Z	E CAPACITOR	100uF 16V M		R3088	NRSA63J-0R0X	MG RESISTOR	0Ω 1/16W J	
C8211	NCB31CK-104X	C CAPACITOR	0.1uF 16V K		R3089	NRSA63J-0R0X	MG RESISTOR	0Ω 1/16W J	
C8212	QETJ1CM-107Z	E CAPACITOR	100uF 16V M		R3090	NRSA63J-0R0X	MG RESISTOR	0Ω 1/16W J	
C8215	QEKJ1CM-476Z	E CAPACITOR	47uF 16V M		R3091	NRSA63J-0R0X	MG RESISTOR	0Ω 1/16W J	
C8217	QEKJ1CM-476Z	E CAPACITOR	47uF 16V M		R3092	NRSA63J-0R0X	MG RESISTOR	0Ω 1/16W J	
C8301	QEKJ1CM-107Z	E CAPACITOR	100uF 16V M		R3093	NRSA63J-0R0X	MG RESISTOR	0Ω 1/16W J	
C8302	NCB31CK-104X	C CAPACITOR	0.1uF 16V K		R3100	NRSA63J-0R0X	MG RESISTOR	0Ω 1/16W J	
C8303	QEKJ1HM-105Z	E CAPACITOR	1uF 50V M		R3201	NRSA63J-103X	MG RESISTOR	10kΩ 1/16W J	
C8304	QEKJ1HM-105Z	E CAPACITOR	1uF 50V M		R3202	NRSA63J-103X	MG RESISTOR	10kΩ 1/16W J	
C8305	QEKJ1HM-105Z	E CAPACITOR	1uF 50V M		R3204	NRSA63J-472X	MG RESISTOR	4.7kΩ 1/16W J	
C8306	QEKJ1HM-105Z	E CAPACITOR	1uF 50V M		R3205	NRSA63J-472X	MG RESISTOR	4.7kΩ 1/16W J	
C8307	QEKJ1HM-105Z	E CAPACITOR	1uF 50V M		R3206	NRSA63J-332X	MG RESISTOR	3.3kΩ 1/16W J	
C8308	QEKJ1HM-105Z	E CAPACITOR	1uF 50V M		R3207	NRSA63J-682X	MG RESISTOR	6.8kΩ 1/16W J	
C8311	QEKJ1CM-107Z	E CAPACITOR	100uF 16V M		R3209	NRSA63J-472X	MG RESISTOR	4.7kΩ 1/16W J	
C8312	NCB31CK-104X	C CAPACITOR	0.1uF 16V K		R3213	NRSA63J-474X	MG RESISTOR	470kΩ 1/16W J	
C8313	QEKJ1HM-105Z	E CAPACITOR	1uF 50V M		R3214	NRSA63J-334X	MG RESISTOR	330kΩ 1/16W J	
C8314	QEKJ1HM-105Z	E CAPACITOR	1uF 50V M		R3218	NRSA63J-472X	MG RESISTOR	4.7kΩ 1/16W J	
C8315	QEKJ1HM-105Z	E CAPACITOR	1uF 50V M		R3219	NRSA63J-472X	MG RESISTOR	4.7kΩ 1/16W J	
C8316	QEKJ1HM-105Z	E CAPACITOR	1uF 50V M		R3220	NRSA63J-104X	MG RESISTOR	100kΩ 1/16W J	
C8317	QEKJ1HM-105Z	E CAPACITOR	1uF 50V M		R3221	NRSA63J-103X	MG RESISTOR	10kΩ 1/16W J	
C8318	QEKJ1HM-105Z	E CAPACITOR	1uF 50V M		R3222	NRSA63J-103X	MG RESISTOR	10kΩ 1/16W J	
C8321	QEKJ1CM-107Z	E CAPACITOR	100uF 16V M		R3223	NRSA63J-472X	MG RESISTOR	4.7kΩ 1/16W J	
C8322	NCB31CK-104X	C CAPACITOR	0.1uF 16V K		R3224	NRSA63J-472X	MG RESISTOR	4.7kΩ 1/16W J	
C8323	QEKJ1CM-107Z	E CAPACITOR	100uF 16V M		R3225	NRSA63J-105X	MG RESISTOR	1MΩ 1/16W J	
C8324	NCB31CK-104X	C CAPACITOR	0.1uF 16V K		R3226	NRSA63J-101X	MG RESISTOR	100Ω 1/16W J	
R3003	NRSA63J-0R0X	MG RESISTOR	0Ω 1/16W J		R3227	NRSA63J-0R0X	MG RESISTOR	0Ω 1/16W J	
					R3229	NRSA63J-103X	MG RESISTOR	10kΩ 1/16W J	

△ Symbol No.	Part No.	Part Name	Description	Local
R3231	NRSA63J-103X	MG RESISTOR	10kΩ 1/16W J	
R3232	NRSA63J-103X	MG RESISTOR	10kΩ 1/16W J	
R3233	NRSA63J-103X	MG RESISTOR	10kΩ 1/16W J	
R3235	NRSA63J-103X	MG RESISTOR	10kΩ 1/16W J	
R3242	NRSA63J-472X	MG RESISTOR	4.7kΩ 1/16W J	
R4001	NRSA63J-0R0X	MG RESISTOR	0Ω 1/16W J	
R4002	NRSA63J-0R0X	MG RESISTOR	0Ω 1/16W J	
R4003	NRSA63J-0R0X	MG RESISTOR	0Ω 1/16W J	
R4005	NRSA63J-0R0X	MG RESISTOR	0Ω 1/16W J	
R4006	NRSA63J-0R0X	MG RESISTOR	0Ω 1/16W J	
R4007	NRSA63J-0R0X	MG RESISTOR	0Ω 1/16W J	
R4008	NRSA63J-0R0X	MG RESISTOR	0Ω 1/16W J	
R4009	NRSA63J-0R0X	MG RESISTOR	0Ω 1/16W J	
R4010	NRSA63J-0R0X	MG RESISTOR	0Ω 1/16W J	
R4013	NRSA63J-0R0X	MG RESISTOR	0Ω 1/16W J	
R4014	NRSA63J-0R0X	MG RESISTOR	0Ω 1/16W J	
R4017	NRSA63J-102X	MG RESISTOR	1kΩ 1/16W J	
R4020	NRSA63J-182X	MG RESISTOR	1.8kΩ 1/16W J	
R4021	NRSA63J-102X	MG RESISTOR	1kΩ 1/16W J	
R4104	NRSA63J-221X	MG RESISTOR	220Ω 1/16W J	
R4105	NRSA02J-105X	MG RESISTOR	1MΩ 1/10W J	
R4203	NRSA63J-103X	MG RESISTOR	10kΩ 1/16W J	
R4204	NRSA63J-0R0X	MG RESISTOR	0Ω 1/16W J	
R4206	NRSA63J-0R0X	MG RESISTOR	0Ω 1/16W J	
R4209	NRSA63J-103X	MG RESISTOR	10kΩ 1/16W J	
R4210	NRSA63J-272X	MG RESISTOR	2.7kΩ 1/16W J	
R4211	NRSA63J-562X	MG RESISTOR	5.6kΩ 1/16W J	
R4215	NRSA63J-101X	MG RESISTOR	100Ω 1/16W J	
R4216	NRSA63J-102X	MG RESISTOR	1kΩ 1/16W J	
R4217	QRE141J-332Y	C RESISTOR	3.3kΩ 1/4W J	
R4314	NRSA63J-0R0X	MG RESISTOR	0Ω 1/16W J	
R5101	QRG02GJ-683	OMF RESISTOR	68kΩ 2W J	
R5102	NRSA63J-122X	MG RESISTOR	1.2kΩ 1/16W J	
R5103	QRE141J-684Y	C RESISTOR	680kΩ 1/4W J	
R5104	NRSA63J-102X	MG RESISTOR	1kΩ 1/16W J	
R5105	QRE141J-820Y	C RESISTOR	82Ω 1/4W J	
R5106	NRSA63J-392X	MG RESISTOR	3.9kΩ 1/16W J	
R5107	NRSA63J-681X	MG RESISTOR	680Ω 1/16W J	
R5108	QRT01DJ-R33X	MF RESISTOR	0.33Ω 1W J	
△ R5109	QRZ9005-470X	FUSI RESISTOR	47Ω 1/4W G	
R5301	NRSA63J-221X	MG RESISTOR	220Ω 1/16W J	
R5302	NRSA63J-472X	MG RESISTOR	4.7kΩ 1/16W J	
R5303	NRSA63J-152X	MG RESISTOR	1.5kΩ 1/16W J	
R5304	NRSA63D-682X	MG RESISTOR	6.8kΩ 1/16W D	
R5305	NRSA63D-203X	MG RESISTOR	20kΩ 1/16W D	
R5306	NRSA63D-392X	MG RESISTOR	3.9kΩ 1/16W D	
△ R5307	QRZ9005-470X	FUSI RESISTOR	47Ω 1/4W G	
R5308	QRE141J-270Y	C RESISTOR	27Ω 1/4W J	
R5309	NRSA63J-562X	MG RESISTOR	5.6kΩ 1/16W J	
R5310	NRSA63J-103X	MG RESISTOR	10kΩ 1/16W J	
R5311	QRE141J-471Y	C RESISTOR	470Ω 1/4W J	
R5314	NRSA63J-302X	MG RESISTOR	3kΩ 1/16W J	
R5315	NRSA63J-472X	MG RESISTOR	4.7kΩ 1/16W J	
R5318	NRSA63J-471X	MG RESISTOR	470Ω 1/16W J	
R5319	QRE141J-150Y	C RESISTOR	15Ω 1/4W J	
R5320	QRE123J-121X	C RESISTOR	120Ω 1/2W J	
R5321	NRSA63J-103X	MG RESISTOR	10kΩ 1/16W J	
R5322	NRSA63J-102X	MG RESISTOR	1kΩ 1/16W J	
R5323	NRSA63J-222X	MG RESISTOR	2.2kΩ 1/16W J	
R5324	NRSA63J-102X	MG RESISTOR	1kΩ 1/16W J	
R5336	NRSA63J-122X	MG RESISTOR	1.2kΩ 1/16W J	
R5337	NRSA63J-102X	MG RESISTOR	1kΩ 1/16W J	
R5341	NRSA63J-103X	MG RESISTOR	10kΩ 1/16W J	
R5343	NRSA63J-473X	MG RESISTOR	47kΩ 1/16W J	
R6020	NRSA63J-102X	MG RESISTOR	1kΩ 1/16W J	
R6021	NRSA63J-102X	MG RESISTOR	1kΩ 1/16W J	
R6030	NRSA63J-332X	MG RESISTOR	3.3kΩ 1/16W J	
R6031	NRSA63J-101X	MG RESISTOR	100Ω 1/16W J	
R6032	NRSA63J-332X	MG RESISTOR	3.3kΩ 1/16W J	1EF,3EF
R6033	NRSA63J-182X	MG RESISTOR	1.8kΩ 1/16W J	1EF,3EF
R6080	NRSA63J-103X	MG RESISTOR	10kΩ 1/16W J	
R7301	NRSA63J-472X	MG RESISTOR	4.7kΩ 1/16W J	
R7302	NRSA63J-472X	MG RESISTOR	4.7kΩ 1/16W J	
R7303	NRSA63J-392X	MG RESISTOR	3.9kΩ 1/16W J	
R7304	NRSA63J-223X	MG RESISTOR	22kΩ 1/16W J	
R7305	NRSA63J-331X	MG RESISTOR	330Ω 1/16W J	
R7309	NRSA63J-104X	MG RESISTOR	100kΩ 1/16W J	
R7311	QRE141J-153Y	C RESISTOR	15kΩ 1/4W J	

△ Symbol No.	Part No.	Part Name	Description	Local
R7312	NRSA63J-103X	MG RESISTOR	10kΩ 1/16W J	
R7314	NRSA63J-0R0X	MG RESISTOR	0Ω 1/16W J	
R7317	NRSA63J-0R0X	MG RESISTOR	0Ω 1/16W J	
R7318	NRSA63D-750X	MG RESISTOR	75Ω 1/16W D	
R7319	NRSA63D-750X	MG RESISTOR	75Ω 1/16W D	
R7320	NRSA63D-750X	MG RESISTOR	75Ω 1/16W D	
R7335	NRSA63J-101X	MG RESISTOR	100Ω 1/16W J	
R7336	NRSA63J-101X	MG RESISTOR	100Ω 1/16W J	
R7337	NRSA63J-101X	MG RESISTOR	100Ω 1/16W J	
R7338	NRSA63J-101X	MG RESISTOR	100Ω 1/16W J	
R7339	QRE141J-101Y	C RESISTOR	100Ω 1/4W J	
R7340	NRSA63J-750X	MG RESISTOR	75Ω 1/16W J	
R7341	NRSA63J-102X	MG RESISTOR	1kΩ 1/16W J	
R7342	NRSA63J-102X	MG RESISTOR	1kΩ 1/16W J	
R7343	NRSA63J-750X	MG RESISTOR	75Ω 1/16W J	
R7344	NRSA63D-750X	MG RESISTOR	75Ω 1/16W D	
R7345	NRSA63D-750X	MG RESISTOR	75Ω 1/16W D	
R7346	NRSA63D-680X	MG RESISTOR	68Ω 1/16W D	
R7347	NRSA63D-750X	MG RESISTOR	75Ω 1/16W D	
R7348	NRSA63J-103X	MG RESISTOR	10kΩ 1/16W J	
R7349	QRE121J-331Y	C RESISTOR	330Ω 1/2W J	
R7350	NRSA63J-562X	MG RESISTOR	5.6kΩ 1/16W J	
R7351	NRSA63J-562X	MG RESISTOR	5.6kΩ 1/16W J	
R7352	NRSA63J-332X	MG RESISTOR	3.3kΩ 1/16W J	
R7353	NRSA63J-101X	MG RESISTOR	100Ω 1/16W J	
R7354	NRSA63J-101X	MG RESISTOR	100Ω 1/16W J	
R7355	NRSA63J-101X	MG RESISTOR	100Ω 1/16W J	
R7356	NRSA63J-101X	MG RESISTOR	100Ω 1/16W J	
R7357	NRSA63J-151X	MG RESISTOR	150Ω 1/16W J	
R7358	NRSA63J-151X	MG RESISTOR	150Ω 1/16W J	
R7359	NRSA63J-151X	MG RESISTOR	150Ω 1/16W J	
R7360	NRSA63J-750X	MG RESISTOR	75Ω 1/16W J	
R7361	NRSA63J-750X	MG RESISTOR	75Ω 1/16W J	
R7362	NRSA63J-103X	MG RESISTOR	10kΩ 1/16W J	
R7365	NRSA63J-0R0X	MG RESISTOR	0Ω 1/16W J	
R7366	NRSA63J-0R0X	MG RESISTOR	0Ω 1/16W J	
R7367	NRSA63J-102X	MG RESISTOR	1kΩ 1/16W J	
R7368	NRSA63J-102X	MG RESISTOR	1kΩ 1/16W J	
R7378	QRE141J-103Y	C RESISTOR	10kΩ 1/4W J	
R8001	NRSA63J-513X	MG RESISTOR	51kΩ 1/16W J	
R8002	NRSA63J-513X	MG RESISTOR	51kΩ 1/16W J	
R8007	NRSA63J-473X	MG RESISTOR	47kΩ 1/16W J	
R8008	NRSA63J-473X	MG RESISTOR	47kΩ 1/16W J	
R8013	NRSA63J-473X	MG RESISTOR	47kΩ 1/16W J	
R8014	NRSA63J-473X	MG RESISTOR	47kΩ 1/16W J	
R8015	NRSA63J-473X	MG RESISTOR	47kΩ 1/16W J	
R8016	NRSA63J-473X	MG RESISTOR	47kΩ 1/16W J	
R8017	NRSA63D-203X	MG RESISTOR	20kΩ 1/16W D	
R8019	NRSA63D-473X	MG RESISTOR	47kΩ 1/16W D	
R8020	NRSA63D-473X	MG RESISTOR	47kΩ 1/16W D	
R8021	NRSA63D-473X	MG RESISTOR	47kΩ 1/16W D	
R8022	NRSA63D-473X	MG RESISTOR	47kΩ 1/16W D	
R8023	NRSA63D-473X	MG RESISTOR	47kΩ 1/16W D	
R8024	NRSA63D-473X	MG RESISTOR	47kΩ 1/16W D	
R8026	NRSA63D-203X	MG RESISTOR	20kΩ 1/16W D	
R8031	NRSA63D-203X	MG RESISTOR	20kΩ 1/16W D	
R8032	NRSA63D-203X	MG RESISTOR	20kΩ 1/16W D	
R8033	NRSA63J-101X	MG RESISTOR	100Ω 1/16W J	
R8034	NRSA63J-101X	MG RESISTOR	100Ω 1/16W J	
R8035	NRSA63J-101X	MG RESISTOR	100Ω 1/16W J	
R8036	NRSA63J-4R7X	MG RESISTOR	4.7Ω 1/16W J	
R8037	NRSA63J-4R7X	MG RESISTOR	4.7Ω 1/16W J	
R8038	QRE141J-151Y	C RESISTOR	150Ω 1/4W J	
R8040	NRSA63J-470X	MG RESISTOR	47Ω 1/16W J	
R8042	NRSA63J-470X	MG RESISTOR	47Ω 1/16W J	
R8044	NRSA63J-182X	MG RESISTOR	1.8kΩ 1/16W J	
R8045	NRSA63J-332X	MG RESISTOR	3.3kΩ 1/16W J	
R8201	NRSA63J-101X	MG RESISTOR	100Ω 1/16W J	
R8202	NRSA63J-101X	MG RESISTOR	100Ω 1/16W J	
R8203	NRSA63J-101X	MG RESISTOR	100Ω 1/16W J	
R8204	NRSA63J-101X	MG RESISTOR	100Ω 1/16W J	
R8205	NRSA63J-4R7X	MG RESISTOR	4.7Ω 1/16W J	
R8206	NRSA63J-104X	MG RESISTOR	100kΩ 1/16W J	
R8211	NRSA63D-432X	MG RESISTOR	4.3kΩ 1/16W D	
R8212	NRSA63D-432X	MG RESISTOR	4.3kΩ 1/16W D	
R8213	NRSA63D-472X	MG RESISTOR	4.7kΩ 1/16W D	
R8214	NRSA63D-472X	MG RESISTOR	4.7kΩ 1/16W D	
R8215	NRSA63D-121X	MG RESISTOR	120Ω 1/16W D	

△ Symbol No.	Part No.	Part Name	Description	Local	△ Symbol No.	Part No.	Part Name	Description	Local
R8216	NRSA63D-121X	MG RESISTOR	120Ω 1/16W D		△ CN5001	QGA7901C3-02	CONNECTOR	AC_IN	
R8217	NRSA63D-432X	MG RESISTOR	4.3kΩ 1/16W D		CN5301	QGA2501C1-04	CONNECTOR	DVD LG	
R8218	NRSA63D-432X	MG RESISTOR	4.3kΩ 1/16W D		CN5303	QGA2001C1-02	CONNECTOR	FAN	
R8219	NRSA63D-472X	MG RESISTOR	4.7kΩ 1/16W D		CN6701	LPA10292-02A	DEMOD BOARD ASSY		1EF,3EF
R8220	NRSA63D-472X	MG RESISTOR	4.7kΩ 1/16W D						1EK,1EL,1ER,1EU,1EY,1EZ, 3EK,3EL,3ER,3EU,3EY,3EZ
R8221	NRSA63D-121X	MG RESISTOR	120Ω 1/16W D		CN6701	LPA10292-01A	DEMOD BOARD ASSY		1EF,3EF
R8222	NRSA63D-121X	MG RESISTOR	120Ω 1/16W D		△ CP5301	QMFZ054-1R5X-J1	FUSE	1.5A	
R8223	NRSA63J-221X	MG RESISTOR	220Ω 1/16W J		△ F5001	QMF51W2-1R6-J8	FUSE	1.6A AC250V	
R8224	NRSA63J-221X	MG RESISTOR	220Ω 1/16W J		FC5001	QNG0020-001Z	FUSE CLIP		
R8233	NRSA63J-473X	MG RESISTOR	47kΩ 1/16W J		FC5002	QNG0020-001Z	FUSE CLIP		
R8234	NRSA63J-473X	MG RESISTOR	47kΩ 1/16W J		GN1	QNZ0136-001Z	EARTH PLATE		
R8241	NRSA63J-273X	MG RESISTOR	27kΩ 1/16W J		GN2	QNZ0136-001Z	EARTH PLATE		
R8242	NRSA63J-471X	MG RESISTOR	470Ω 1/16W J		GN3	QNZ0136-001Z	EARTH PLATE		
R8244	NRSA63J-682X	MG RESISTOR	6.8kΩ 1/16W J		GN4	QNZ0136-001Z	EARTH PLATE		
R8249	NRSA63J-273X	MG RESISTOR	27kΩ 1/16W J		GN5	QNZ0136-001Z	EARTH PLATE		
R8250	NRSA63J-471X	MG RESISTOR	470Ω 1/16W J		J7301	QNZ0516-001	RGB CONNECTOR	AV1	
R8252	NRSA63J-682X	MG RESISTOR	6.8kΩ 1/16W J		J7302	QNZ0516-001	RGB CONNECTOR	AV2	
R8301	NRSA63J-100X	MG RESISTOR	10Ω 1/16W J		J7304	QNN0701-001	PIN JACK	AUDIO OUT	
R8302	NRSA63J-100X	MG RESISTOR	10Ω 1/16W J		J7309	QNN0700-001	PIN JACK		
R8303	NRSA63J-471X	MG RESISTOR	470Ω 1/16W J		△ LF5001	QQR1031-001	LINE FILTER		
R8304	NRSA63J-273X	MG RESISTOR	27kΩ 1/16W J		ST3	QZW0007-001	POST PIN		
R8305	NRSA63J-682X	MG RESISTOR	6.8kΩ 1/16W J		ST5	QZW0007-001	POST PIN		
R8306	NRSA63J-471X	MG RESISTOR	470Ω 1/16W J		TU6001	QAU0402-002	TUNER		1EF,3EF
R8307	NRSA63J-273X	MG RESISTOR	27kΩ 1/16W J		TU6001	QAU0401-001	TUNER		1EK,1EL,1ER,1EU,1EY,1EZ, 3EK,3EL,3ER,3EU,3EY,3EZ
R8308	NRSA63J-682X	MG RESISTOR	6.8kΩ 1/16W J		W1	NRSA63J-0R0X	MG RESISTOR	0Ω 1/16W J	
R8310	NRSA63J-273X	MG RESISTOR	27kΩ 1/16W J		W2	NRSA63J-0R0X	MG RESISTOR	0Ω 1/16W J	
R8313	NRSA63J-273X	MG RESISTOR	27kΩ 1/16W J		W3	NRSA63J-0R0X	MG RESISTOR	0Ω 1/16W J	
R8315	NRSA63J-470X	MG RESISTOR	47Ω 1/16W J		W4	NRSA63J-0R0X	MG RESISTOR	0Ω 1/16W J	
R8316	NRSA63J-470X	MG RESISTOR	47Ω 1/16W J		W5	NRSA63J-0R0X	MG RESISTOR	0Ω 1/16W J	
R8321	NRSA63J-221X	MG RESISTOR	220Ω 1/16W J		W6	NRSA63J-0R0X	MG RESISTOR	0Ω 1/16W J	
R8322	NRSA63J-221X	MG RESISTOR	220Ω 1/16W J		W8	NRSA63J-0R0X	MG RESISTOR	0Ω 1/16W J	
R8323	NRSA63J-103X	MG RESISTOR	10kΩ 1/16W J		W9	NRSA63J-0R0X	MG RESISTOR	0Ω 1/16W J	
R8324	NRSA63J-332X	MG RESISTOR	3.3kΩ 1/16W J		W16	NRSA63J-0R0X	MG RESISTOR	0Ω 1/16W J	
R8325	NRSA63J-103X	MG RESISTOR	10kΩ 1/16W J		W17	NRSA63J-0R0X	MG RESISTOR	0Ω 1/16W J	
R8326	NRSA63J-332X	MG RESISTOR	3.3kΩ 1/16W J		W18	NRSA63J-0R0X	MG RESISTOR	0Ω 1/16W J	
L3001	QQL231J-R22Y	COIL	0.22uH J		W19	NRSA63J-0R0X	MG RESISTOR	0Ω 1/16W J	
L4001	QQL29BJ-100Z	P COIL	10uH J		W20	NRSA63J-0R0X	MG RESISTOR	0Ω 1/16W J	
L4002	QQL29BJ-100Z	P COIL	10uH J		W22	NRSA63J-0R0X	MG RESISTOR	0Ω 1/16W J	
L4005	QQL29BJ-100Z	P COIL	10uH J		W23	NRSA63J-0R0X	MG RESISTOR	0Ω 1/16W J	
L4201	QQL29BJ-100Z	P COIL	10uH J		W24	NRSA63J-0R0X	MG RESISTOR	0Ω 1/16W J	
L5202	QQL26AK-330Z	COIL	33uH K		W25	NRSA63J-0R0X	MG RESISTOR	0Ω 1/16W J	
L5203	QQL26AK-330Z	COIL	33uH K		W26	NRSA63J-0R0X	MG RESISTOR	0Ω 1/16W J	
L5204	QQL26AK-330Z	COIL	33uH K		W27	NRSA63J-0R0X	MG RESISTOR	0Ω 1/16W J	
L5206	QQL26AK-330Z	COIL	33uH K		W28	NRSA63J-0R0X	MG RESISTOR	0Ω 1/16W J	
L6002	QQL29BK-1R0Z	P COIL	1uH K		W29	NRSA63J-0R0X	MG RESISTOR	0Ω 1/16W J	
L6003	QQL29BK-1R0Z	P COIL	1uH K		W30	NRSA63J-0R0X	MG RESISTOR	0Ω 1/16W J	
L6005	QQL231J-5R6Y	COIL	5.6uH J		W31	NRSA63J-0R0X	MG RESISTOR	0Ω 1/16W J	
L6701	QQL29BJ-3R3Z	P COIL	3.3uH J		W32	NRSA63J-0R0X	MG RESISTOR	0Ω 1/16W J	
L7302	QRE141J-101Y	C RESISTOR	100Ω 1/4W J		W33	NRSA63J-0R0X	MG RESISTOR	0Ω 1/16W J	
L7303	QRE141J-101Y	C RESISTOR	100Ω 1/4W J		W34	NRSA63J-0R0X	MG RESISTOR	0Ω 1/16W J	
L7305	QRE141J-101Y	C RESISTOR	100Ω 1/4W J		W35	NRSA63J-0R0X	MG RESISTOR	0Ω 1/16W J	
L7306	QRE141J-101Y	C RESISTOR	100Ω 1/4W J		W36	NRSA63J-0R0X	MG RESISTOR	0Ω 1/16W J	
L7311	QRE141J-101Y	C RESISTOR	100Ω 1/4W J		W38	NRSA63J-0R0X	MG RESISTOR	0Ω 1/16W J	
L7312	QRE141J-101Y	C RESISTOR	100Ω 1/4W J		W39	NRSA63J-0R0X	MG RESISTOR	0Ω 1/16W J	
L7325	QQL071J-6R8Y	COIL	6.8uH J		W40	NRSA63J-0R0X	MG RESISTOR	0Ω 1/16W J	
△ T5001	QQS0333-001	SW TRANSF			W41	NRSA63J-0R0X	MG RESISTOR	0Ω 1/16W J	
B5504	NRSA63J-0R0X	MG RESISTOR	0Ω 1/16W J		W42	NRSA63J-0R0X	MG RESISTOR	0Ω 1/16W J	
B7309	NRSA63J-0R0X	MG RESISTOR	0Ω 1/16W J		W43	NRSA63J-0R0X	MG RESISTOR	0Ω 1/16W J	
B7311	NRSA63J-0R0X	MG RESISTOR	0Ω 1/16W J		W44	NRSA63J-0R0X	MG RESISTOR	0Ω 1/16W J	
B7315	NRSA63J-0R0X	MG RESISTOR	0Ω 1/16W J		W45	NRSA63J-0R0X	MG RESISTOR	0Ω 1/16W J	
B7319	NRSA63J-0R0X	MG RESISTOR	0Ω 1/16W J		W46	NRSA63J-0R0X	MG RESISTOR	0Ω 1/16W J	
B7337	NRSA63J-0R0X	MG RESISTOR	0Ω 1/16W J		W47	NRSA63J-0R0X	MG RESISTOR	0Ω 1/16W J	
B7339	NRSA63J-0R0X	MG RESISTOR	0Ω 1/16W J		W48	NRSA63J-0R0X	MG RESISTOR	0Ω 1/16W J	
B8002	NRSA63J-0R0X	MG RESISTOR	0Ω 1/16W J		W49	NRSA63J-0R0X	MG RESISTOR	0Ω 1/16W J	
B8003	NRSA63J-0R0X	MG RESISTOR	0Ω 1/16W J		W50	NRSA63J-0R0X	MG RESISTOR	0Ω 1/16W J	
CN3002	QGF1201C2-11	CONNECTOR	FOR_THEATE		W51	NRSA63J-0R0X	MG RESISTOR	0Ω 1/16W J	
CN3003	QGF1201C1-07	CONNECTOR	FOR_THEATE	1EF,3EF	W52	NRSA63J-0R0X	MG RESISTOR	0Ω 1/16W J	
CN3003	QGF1201C2-07	CONNECTOR	FOR_THEATE	1EK,1EL,1ER, 1EU,1EY,1EZ,3 EK,3EL,3ER,3 EU,3EY,3EZ	X3001	QAX0728-001	CRYSTAL	14.318180MHz	
CN3901	QGF1207C1-08	CONNECTOR	FOR FLASH		X3002	QAX0444-001	CRYSTAL	32.768kHz	1EF,1EK,3EF,3EK
CN4001	QGF1207C1-11	CONNECTOR	FRONT IN		X4201	QAX0849-001	CRYSTAL	32.768kHz	1EL,1ER,1EU,1EY,1EZ, 3EL,3ER,3EU,3EY,3EZ
CN4101	QGB1231M1-15	CONNECTOR	DIGITAL		HS1	QZW0155-001	HEAT SINK	FOR IC5101	
CN4102	QGB1231M1-15	CONNECTOR	DIGITAL		OT1	QYTDST3008ZA	TAP SCREW	FOR IC5101	
CN4103	QGF1016C3-15	CONNECTOR	FFC/FPC (1-15)						
CN4401	LPA10291-01A	RGB_YC BOARD ASSY							

Demodulator board

Block No. [0][8]

Symbol No.	Part No.	Part Name	Description	Local
PW1	LPA10292-02A	DEMOD BOARD ASSY		1EF,3EF
PW1	LPA10292-01A	DEMOD BOARD ASSY		1EK,1EL,1ER,1EU,1EY,1EZ,3EK,3EL,3ER,3EU,3EY,3EZ
IC6701	MSP3417GQGB8V3X	IC		
D6701	1SS133-T2	SI DIODE		
D6701	or 1SS270A-T2	SI DIODE		
C6704	NCB31HK-103X	C CAPACITOR	0.01uF 50V K	1EF,3EF
C6704	NCB30JK-105X	C CAPACITOR	1uF 6.3V K	1EK,1EL,1ER,1EU,1EY,1EZ,3EK,3EL,3ER,3EU,3EY,3EZ
C6707	NDC31HJ-470X	C CAPACITOR	47pF 50V J	
C6708	NDC31HJ-8R0X	C CAPACITOR	8pF 50V J	
C6709	NDC31HJ-8R0X	C CAPACITOR	8pF 50V J	
C6713	NCB30JK-105X	C CAPACITOR	1uF 6.3V K	1EF,3EF
C6713	NCF31CZ-334X	C CAPACITOR	0.33uF 16V Z	1EK,1EL,1ER,1EU,1EY,1EZ,3EK,3EL,3ER,3EU,3EY,3EZ
C6714	NCB31HK-222X	C CAPACITOR	2200pF 50V K	
C6716	NCB31HK-222X	C CAPACITOR	2200pF 50V K	
C6719	QEKJ1EM-106Z	E CAPACITOR	10uF 25V M	
C6720	QEKJ1EM-106Z	E CAPACITOR	10uF 25V M	
C6721	NCB31HK-103X	C CAPACITOR	0.01uF 50V K	
C6723	NCB31HK-103X	C CAPACITOR	0.01uF 50V K	
C6724	QEKJ1HM-225Z	E CAPACITOR	2.2uF 50V M	1EF,3EF
R6707	NRSA63J-330X	MG RESISTOR	33Ω 1/16W J	
R6708	NRSA63J-103X	MG RESISTOR	10kΩ 1/16W J	
R6709	NRSA63J-102X	MG RESISTOR	1kΩ 1/16W J	
R6710	NRSA63J-0R0X	MG RESISTOR	0Ω 1/16W J	
R6711	NRSA63J-104X	MG RESISTOR	100kΩ 1/16W J	
R6712	NRSA63J-102X	MG RESISTOR	1kΩ 1/16W J	
R6713	NRSA63J-123X	MG RESISTOR	12kΩ 1/16W J	
R6714	NRSA63J-102X	MG RESISTOR	1kΩ 1/16W J	
R6715	NRSA63J-123X	MG RESISTOR	12kΩ 1/16W J	
R6716	NRSA63J-470X	MG RESISTOR	47Ω 1/16W J	
R6719	QRE141J-103Y	C RESISTOR	10kΩ 1/4W J	
R6720	NRSA63J-562X	MG RESISTOR	5.6kΩ 1/16W J	
R6721	NRSA63J-562X	MG RESISTOR	5.6kΩ 1/16W J	
B6701	NRSA63J-0R0X	MG RESISTOR	0Ω 1/16W J	
B6702	NRSA63J-0R0X	MG RESISTOR	0Ω 1/16W J	
B6703	NRSA63J-0R0X	MG RESISTOR	0Ω 1/16W J	
CN6701	QGG2502K1-10	CONNECTOR	(1-10)	
K6701	NQR0129-003X	FERRITE BEADS A VCC 1		
K6702	NQR0129-003X	FERRITE BEADS SIF IN		
K6705	NQR0129-003X	FERRITE BEADS D VCC		
K6706	NQR0129-003X	FERRITE BEADS DAC VCC		
K6707	NQR0129-003X	FERRITE BEADS		1EF,3EF
K6708	NRSA63J-0R0X	MG RESISTOR	0Ω 1/16W J	
W6701	NRSA02J-0R0X	MG RESISTOR	0Ω 1/10W J	
X6701	QAX0773-001Z	CRYSTAL	18.432000MHz	
OT1	LP40425-001A	BRACKET(PWB)		

Symbol No.	Part No.	Part Name	Description	Local
C4404	NCB30JK-105X	C CAPACITOR	1uF 6.3V K	
C4405	NCB30JK-105X	C CAPACITOR	1uF 6.3V K	
C4406	NCB30JK-105X	C CAPACITOR	1uF 6.3V K	
C4407	NCB31CK-104X	C CAPACITOR	0.1uF 16V K	
C4408	NRSA63J-0R0X	MG RESISTOR	0Ω 1/16W J	
C4409	NCB31EK-103X	C CAPACITOR	0.01uF 25V K	
C4410	QEKJ0JM-107Z	E CAPACITOR	100uF 6.3V M	
C4411	NCB31CK-104X	C CAPACITOR	0.1uF 16V K	
C4412	NCB30JK-105X	C CAPACITOR	1uF 6.3V K	
C4413	NCB30JK-105X	C CAPACITOR	1uF 6.3V K	
C4417	NCB31CK-104X	C CAPACITOR	0.1uF 16V K	
C4418	NCB31CK-224X	C CAPACITOR	0.22uF 16V K	
C4419	NCB31EK-103X	C CAPACITOR	0.01uF 25V K	
C4420	QEKJ0JM-107Z	E CAPACITOR	100uF 6.3V M	
C4421	NCB31CK-104X	C CAPACITOR	0.1uF 16V K	
C4422	NCB30JK-105X	C CAPACITOR	1uF 6.3V K	
C4423	NCB30JK-105X	C CAPACITOR	1uF 6.3V K	
C4424	NCB30JK-105X	C CAPACITOR	1uF 6.3V K	
R4401	NRSA63J-0R0X	MG RESISTOR	0Ω 1/16W J	
R4402	NRSA63J-271X	MG RESISTOR	270Ω 1/16W J	
R4403	NRSA63J-221X	MG RESISTOR	220Ω 1/16W J	
R4404	NRSA63J-221X	MG RESISTOR	220Ω 1/16W J	
R4405	NRSA63J-221X	MG RESISTOR	220Ω 1/16W J	
R4411	NRSA63J-912X	MG RESISTOR	9.1kΩ 1/16W J	
R4412	NRSA63J-472X	MG RESISTOR	4.7kΩ 1/16W J	
R4413	NRSA63J-752X	MG RESISTOR	7.5kΩ 1/16W J	
R4414	NRSA63J-225X	MG RESISTOR	2.2MΩ 1/16W J	
R4415	NRSA63J-470X	MG RESISTOR	47Ω 1/16W J	
R4416	NRSA63J-470X	MG RESISTOR	47Ω 1/16W J	
R4417	NRSA63J-470X	MG RESISTOR	47Ω 1/16W J	
R4418	NRSA63J-101X	MG RESISTOR	100Ω 1/16W J	
R4419	NRSA63J-101X	MG RESISTOR	100Ω 1/16W J	
R4420	NRSA63J-101X	MG RESISTOR	100Ω 1/16W J	
CN4402	QGG2502K1-12	CONNECTOR	(1-12)	
OT1	LP40425-001A	BRACKET(PWB)		

RGB-Y/C board

Block No. [0][9]

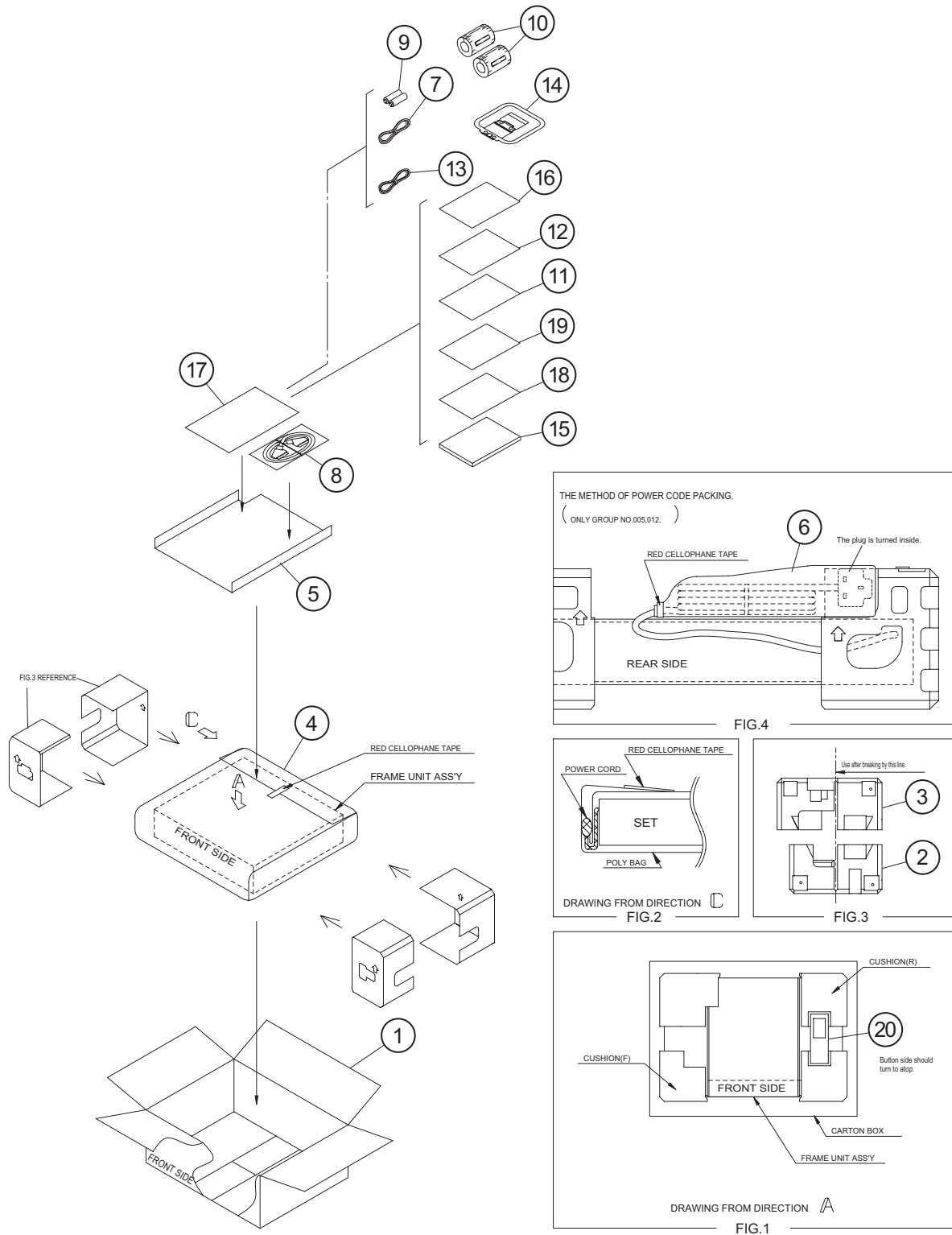
Symbol No.	Part No.	Part Name	Description	Local
PW1	LPA10291-01A	RGB_YC BOARD ASSY		
IC4401	BH7236AF-X	IC		
IC4402	MM1503XN-X	IC		
IC4403	74HC4538D-X	IC		
IC4404	BA7666FS-X	IC		
D4401	RB717F-X	SB DIODE		
C4401	QEKJ0JM-476Z	E CAPACITOR	47uF 6.3V M	
C4403	NCB31CK-104X	C CAPACITOR	0.1uF 16V K	

< MEMO >

Packing materials and accessories parts list

Block No. **M 2 M M**

No additional / supplemental order of WARRANTY CARDS are available



Packing and Accessories

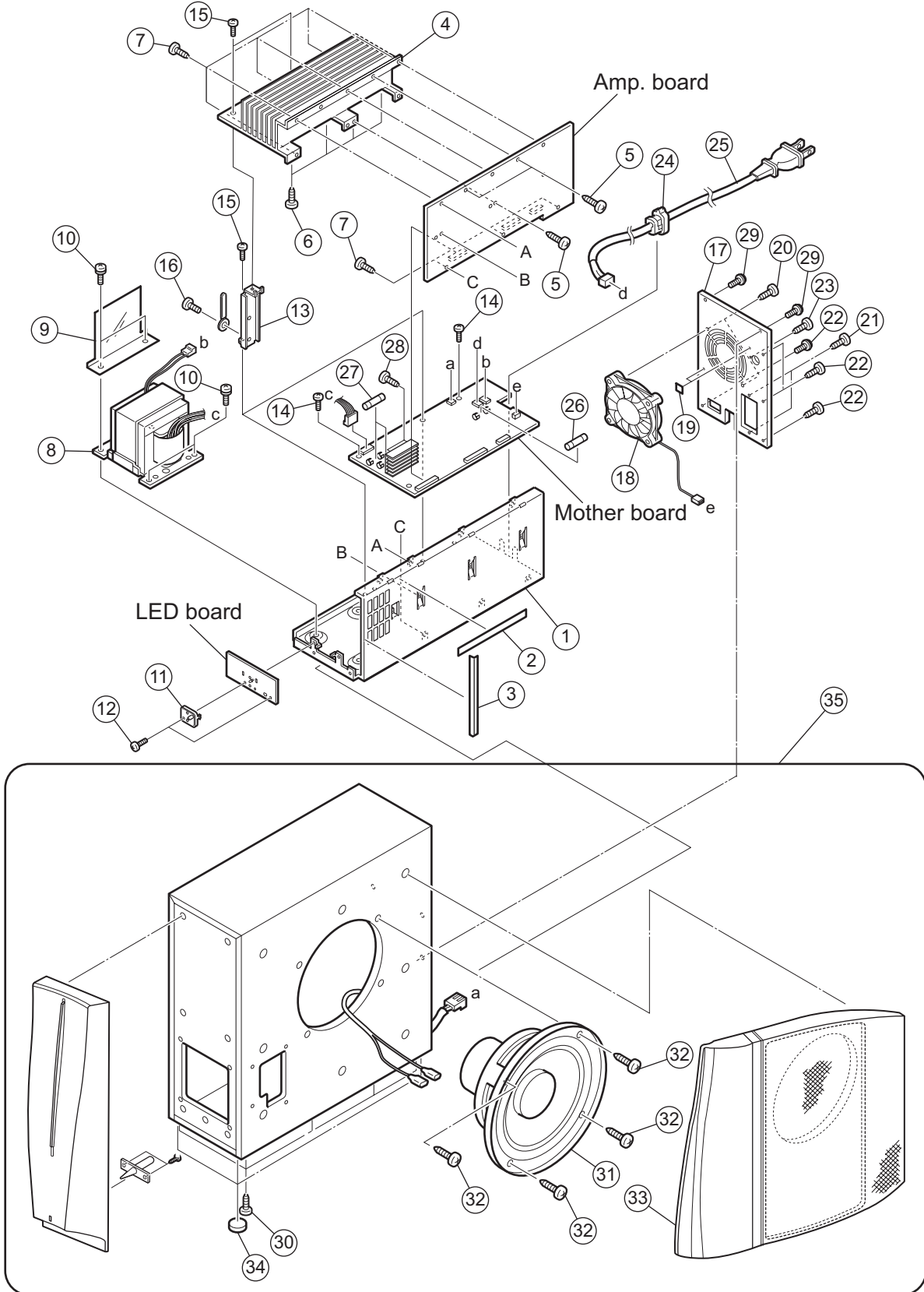
Block No. [M][2][M][M]

△	Symbol No.	Part No.	Part Name	Description	Local
	1	LV35815-005A	CARTON BOX		1EF
	1	LV35815-006A	CARTON BOX		1EK
	1	LV21970-001A	CARTON BOX		1ER
	1	LV35815-004A	CARTON BOX		1EL,1EU,1EY,1EZ
	1	LV35816-004A	CARTON BOX		3EF
	1	LV35816-006A	CARTON BOX		3EK
	1	LV21971-002A	CARTON BOX		3ER
	1	LV35816-003A	CARTON BOX		3EL,3EU,3EY,3EZ
	2	LV11092-003A	CUSHION(F)		
	3	LV11107-003A	CUSHION(R)		
	4	QPC06005515P	POLY BAG	60cm x 55cm	
	5	LV35990-001A	CARTON SPACER		
	6	QPA01203505	ENVELOPE	12cm x 35cm	1EK,3EK
	7	QAM0525-002	RF CABLE		
	8	QAM0502-002	PERI CABLE		
	9	-----	BATTERY	(x2)	
	10	QQR1607-001	FERRITE CLAMP		
	10	QQR1607-001	FERRITE CLAMP		
	11	LV44432-001A	NOTICE SHEET		
	12	LYT1481-001A	SHEET(WEEE)-A		1EF,1EK,1EL,1EU,3EF,3EK,3EL,3EU
	12	LYT1481-002A	SHEET(WEEE)-B		1EY,3EY
	12	LYT1481-003A	SHEET(WEEE)-C		1ER,1EZ,3ER,3EZ
	13	QAL0457-001	ANT.WIRE		
	14	QAL0476-002	AM LOOP ANT		
△	15	LVT1352-019B	INST BOOK		1EF,3EF
△	15	LVT1352-003B	INST BOOK		1EK,3EK
△	15	LVT1352-013B	INST BOOK		1EL,3EL
△	15	LVT1352-014B	INST BOOK		1EL,3EL
△	15	LVT1352-018B	INST BOOK		1ER,3ER
△	15	LVT1352-005B	INST BOOK		1EU,3EU
△	15	LVT1352-006B	INST BOOK		1EU,3EU
△	15	LVT1352-007B	INST BOOK		1EU,3EU
△	15	LVT1352-008B	INST BOOK		1EU,3EU
△	15	LVT1352-009A	INST BOOK		1EY,3EY
△	15	LVT1352-010A	INST BOOK		1EY,3EY
△	15	LVT1352-011A	INST BOOK		1EY,3EY
△	15	LVT1352-012A	INST BOOK		1EY,3EY
△	15	LVT1352-015A	INST BOOK		1EZ,3EZ
△	15	LVT1352-016A	INST BOOK		1EZ,3EZ
△	15	LVT1352-017A	INST BOOK		1EZ,3EZ
	16	LVT1458-001A	CAUTION SHEET		
	17	QPC02503530P	POLY BAG	INST	
	18	-----	WARRANTY CARD	BT-54027-1	
	19	VNA3000-204	REGISTER CARD		1EK,3EK
	20	RM-STHR3RW1	REMOCON UNIT		

Speaker assembly and parts list

Block No. M 3 M M

(Subwoofer)



The parts without symbol number are not service.

Speaker(Subwoofer)

Block No. [M][3[M][M]

△	Symbol No.	Part No.	Part Name	Description	Local
	1	LV10875-002A	CHASSIS BASE		
	2	LV30225-0T5A	SPACER		
	3	LV30225-0T6A	SPACER		
	4	LV10951-001A	HEAT SINK		
	5	QYSBSG3010EA	TAP SCREW	M3 x 10mm(x3)	
	6	QYSBSG3016EA	TAP SCREW	M3 x 16mm(x4)	
	7	QYSBSG3010EA	TAP SCREW	M3 x 10mm(x9)	
△	8	QQT0482-002	POWER TRANSF		
	9	LV44309-001A	BARRIER		
	10	QYSDSTL4008EA	TAP SCREW	M4 x 8mm(x4)	
	11	LV43692-002A	LED HOLDER		
	12	QYSBSG3010EA	TAP SCREW	M3 x 10mm(x2)	
	13	LV34712-001A	HEAT SINK BKT	(x2)	
	14	QYSBSG3010EA	TAP SCREW	M3 x 10mm(x2)	
	15	QYSBSG3010EA	TAP SCREW	M3 x 10mm(x4)	
	16	QYSBSG3006ZA	TAP SCREW	M3 x 6mm(x2)	
	17	LV21652-021A	REAR PANEL		
	18	QAR0318-001	FAN MOTOR		
	19	LV30225-0D5A	SPACER	(x2)	
	20	QYSBSGY3008MA	TAP SCREW	M3 x 8mm(x2)	
	21	QYSBSGY3008MA	TAP SCREW	M3 x 8mm(x2)	
	22	QYSBSGY3008MA	TAP SCREW	M3 x 8mm(x4)	
	23	QYSBST3006MA	TAP SCREW	M3 x 6mm	
△	24	QZW0033-001	STRAIN RELIEF		
△	25	QMPN150-200-JC	POWER CORD(EU)	2m BLACK	R1B,R3B
△	25	QMPK210-205-JN	POWER CORD(EU)	2.05m BLACK	R1E,R1EN,R1EV,R1EF,R1EE, R3E,R3EN,R3EV,R3EF,R3EE,
△	26	QMF51W2-3R15-J8	FUSE	F101 3.15A AC250V	
△	27	QMFZ051-8R0-J8	FUSE	F153 F154 8A	
	28	QYSPSPD3008ZA	SCREW	M3 x 8mm(x2)	
	29	QYSDSA4016MA	TAP SCREW	M4 x 16mm(x2)	
	30	QYSDST4014MA	TAP SCREW	M4 x 14mm(x8)	
	31	LE10016-063A	CONE SPK		
	32	7001541606	TAPPING SCREW	(x4)	
	33	LV35760-001A	NET ASSY		
	34	9000007961	FOOT	(x4)	
	35	QAS0302-001	SPEAKER BOX		

Electrical parts list

Mother board

Block No. [1][0]

△ Symbol No.	Part No.	Part Name	Description	Local
△ IC201	STK413-430	IC		
△ IC202	STK413-400	IC		
IC301	RC4558D-X	IC		
IC302	RC4558D-X	IC		
IC303	RC4558D-X	IC		
IC601	MN101C427NB	IC		
Q152	KTC2026/Y/	TRANSISTOR		
Q501	KRA104S-X	DIGI TRANSISTOR		
Q502	KTC3875/YG/-X	SI TRANSISTOR		
Q503	KTC3875/YG/-X	SI TRANSISTOR		
Q504	KTA1504/YG/-X	SI TRANSISTOR		
Q505	KRC109S-X	TRANSISTOR		
Q517	KRC104S-X	TRANSISTOR		
Q523	KTC3875/YG/-X	SI TRANSISTOR		
Q524	KTA1504/YG/-X	SI TRANSISTOR		
Q525	KTC3875/YG/-X	SI TRANSISTOR		
Q542	KTC3875/YG/-X	SI TRANSISTOR		
Q603	KTC3875/YG/-X	SI TRANSISTOR		
Q604	KTC3265/Y/-X	TRANSISTOR		
Q2101	KTA1504/YG/-X	SI TRANSISTOR		
Q2201	KTA1504/YG/-X	SI TRANSISTOR		
Q2301	KTA1504/YG/-X	SI TRANSISTOR		
Q2401	KTA1504/YG/-X	SI TRANSISTOR		
Q2501	KTA1504/YG/-X	SI TRANSISTOR		
Q2601	KTA1504/YG/-X	SI TRANSISTOR		
Q2701	KTC3875/YG/-X	SI TRANSISTOR		
Q2702	KTA1046/Y/	TRANSISTOR		
Q2703	KRC102S-X	DIGI TRANSISTOR		
Q2707	KTA1267/YG/-T	TRANSISTOR		
Q2708	KTC3199/GL/-T	TRANSISTOR		
Q3101	KTC3875/YG/-X	SI TRANSISTOR		
Q3102	KTC3875/YG/-X	SI TRANSISTOR		
Q3201	KTC3875/YG/-X	SI TRANSISTOR		
Q3202	KTC3875/YG/-X	SI TRANSISTOR		
Q3301	KTC3875/YG/-X	SI TRANSISTOR		
Q3302	KTC3875/YG/-X	SI TRANSISTOR		
Q3401	KTC3875/YG/-X	SI TRANSISTOR		
Q3402	KTC3875/YG/-X	SI TRANSISTOR		
Q3501	KTC3875/YG/-X	SI TRANSISTOR		
Q3502	KTC3875/YG/-X	SI TRANSISTOR		
Q3701	KRA102S-X	DIGI TRANSISTOR		
Q3702	KRA102S-X	DIGI TRANSISTOR		
Q3703	KRC103S-X	DIGITAL TR		
Q3704	KTC2026/Y/	TRANSISTOR		
Q3705	KTC3875/YG/-X	SI TRANSISTOR		
Q3706	KRC104S-X	TRANSISTOR		
D101	1SS355-X	SI DIODE		
△ D151	GBU803	BRIDGE DIODE		
△ D152	GBU803	BRIDGE DIODE		
D154	1SS133-T2	SI DIODE		
D163	1SS133-T2	SI DIODE		
D164	MTZJ6.2A-T2	Z DIODE		
D165	MTZJ6.8C-T2	Z DIODE		
D166	MTZJ6.8C-T2	Z DIODE		
D501	1SS133-T2	SI DIODE		
D504	1SS133-T2	SI DIODE		
D505	UDZS5.1B-X	Z DIODE		
D506	1SS133-T2	SI DIODE		
D507	1SS355-X	SI DIODE		
D510	1SS133-T2	SI DIODE		
D514	1SS133-T2	SI DIODE		
D515	1SS133-T2	SI DIODE		
D516	MTZJ30C-T2	Z DIODE		
D521	MTZJ6.8C-T2	Z DIODE		
D535	1SS355-X	SI DIODE		
D541	1SS133-T2	SI DIODE		
D542	1SS133-T2	SI DIODE		
D543	1SS133-T2	SI DIODE		
D545	1SS133-T2	SI DIODE		
D546	1SS133-T2	SI DIODE		

△ Symbol No.	Part No.	Part Name	Description	Local
D548	1SS133-T2	SI DIODE		
D549	1SS133-T2	SI DIODE		
D550	1SS133-T2	SI DIODE		
D551	1SS133-T2	SI DIODE		
D552	1SS133-T2	SI DIODE		
D553	1SS133-T2	SI DIODE		
D561	SLR-342MC-T12	LED		
D601	1SS133-T2	SI DIODE		
D610	1SS133-T2	SI DIODE		
D611	1SS133-T2	SI DIODE		
D612	1SS133-T2	SI DIODE		
D2101	1SS133-T2	SI DIODE		
D2201	1SS133-T2	SI DIODE		
D2301	1SS133-T2	SI DIODE		
D2401	1SS133-T2	SI DIODE		
D2501	1SS133-T2	SI DIODE		
D2601	1SS133-T2	SI DIODE		
D2701	MTZJ15C-T2	Z DIODE		
D2702	MTZJ15C-T2	Z DIODE		
D2703	MTZJ16C-T2	Z DIODE		
D2704	1SS133-T2	SI DIODE		
D2705	1SS133-T2	SI DIODE		
D3101	1SS133-T2	SI DIODE		
D3102	1SS133-T2	SI DIODE		
D3201	1SS133-T2	SI DIODE		
D3202	1SS133-T2	SI DIODE		
D3301	1SS133-T2	SI DIODE		
D3302	1SS133-T2	SI DIODE		
D3401	1SS133-T2	SI DIODE		
D3402	1SS133-T2	SI DIODE		
D3501	1SS133-T2	SI DIODE		
D3502	1SS133-T2	SI DIODE		
D3601	1SS133-T2	SI DIODE		
D3602	1SS133-T2	SI DIODE		
D3703	MTZJ11C-T2	Z DIODE		
D3706	1SS133-T2	SI DIODE		
D3707	1SS133-T2	SI DIODE		
D3708	1SS133-T2	SI DIODE		
△ C101	QCZ9105-472	C CAPACITOR	4700pF 250V M	
C153	NCF21HZ-473X	C CAPACITOR	0.047uF 50V Z	
C154	NCF21HZ-473X	C CAPACITOR	0.047uF 50V Z	
C155	NCF21HZ-473X	C CAPACITOR	0.047uF 50V Z	
C156	NCF21HZ-473X	C CAPACITOR	0.047uF 50V Z	
C157	NCF21HZ-223X	C CAPACITOR	0.022uF 50V Z	
C159	NCF21HZ-223X	C CAPACITOR	0.022uF 50V Z	
C161	QETM1HM-338	E CAPACITOR	3300uF 50V M	
C162	QETM1HM-338	E CAPACITOR	3300uF 50V M	
C163	QETM1EM-478	E CAPACITOR	4700uF 25V M	
C164	QETM1EM-478	E CAPACITOR	4700uF 25V M	
C167	QETN1EM-476Z	E CAPACITOR	47uF 25V M	
C168	QETN1CM-107Z	E CAPACITOR	100uF 16V M	
C171	QETN1CM-107Z	E CAPACITOR	100uF 16V M	
C172	QETN1CM-107Z	E CAPACITOR	100uF 16V M	
C501	QETN1HM-475Z	E CAPACITOR	4.7uF 50V M	
C502	NCF31HZ-103X	C CAPACITOR	0.01uF 50V Z	
C503	QETN1HM-475Z	E CAPACITOR	4.7uF 50V M	
C512	QETN1HM-475Z	E CAPACITOR	4.7uF 50V M	
C522	QETN1HM-106Z	E CAPACITOR	10uF 50V M	
C523	QETN1EM-476Z	E CAPACITOR	47uF 25V M	
C571	NCF31HZ-103X	C CAPACITOR	0.01uF 50V Z	
C591	NCF31HZ-103X	C CAPACITOR	0.01uF 50V Z	
C592	NCF31HZ-103X	C CAPACITOR	0.01uF 50V Z	
C601	QETN1CM-107Z	E CAPACITOR	100uF 16V M	
C602	NCB31HK-102X	C CAPACITOR	1000pF 50V K	
C604	NCF31HZ-103X	C CAPACITOR	0.01uF 50V Z	
C605	NCF31HZ-103X	C CAPACITOR	0.01uF 50V Z	
C606	QETN1HM-106Z	E CAPACITOR	10uF 50V M	
C2102	NCB31CK-473X	C CAPACITOR	0.047uF 16V K	
C2103	QETN1HM-475Z	E CAPACITOR	4.7uF 50V M	
C2104	QETN1CM-107Z	E CAPACITOR	100uF 16V M	
C2105	NDC31HJ-101X	C CAPACITOR	100pF 50V J	
C2106	NDC31HJ-3R0X	C CAPACITOR	3pF 50V J	
C2107	NCB21HK-104X	C CAPACITOR	0.1uF 50V K	
C2108	NCB21HK-104X	C CAPACITOR	0.1uF 50V K	
C2202	NCB31HK-471X	C CAPACITOR	470pF 50V K	

△ Symbol No.	Part No.	Part Name	Description	Local	△ Symbol No.	Part No.	Part Name	Description	Local
C2203	QETN1HM-475Z	E CAPACITOR	4.7uF 50V M		C3716	QETN1AM-227Z	E CAPACITOR	220uF 10V M	
C2204	QETN1CM-107Z	E CAPACITOR	100uF 16V M		C3720	QETN1EM-476Z	E CAPACITOR	47uF 25V M	
C2205	NDC31HJ-101X	C CAPACITOR	100pF 50V J		C3721	QEKC1CM-107Z	E CAPACITOR	100uF 16V M	
C2206	NDC31HJ-3R0X	C CAPACITOR	3pF 50V J						
C2207	NCB21HK-104X	C CAPACITOR	0.1uF 50V K		R152	NRSA63J-222X	MG RESISTOR	2.2kΩ 1/16W J	
C2208	NCB21HK-104X	C CAPACITOR	0.1uF 50V K		△ R163	QRJ146J-221X	UNF C RESISTOR	220Ω 1/4W J	
C2211	NCB21HK-104X	C CAPACITOR	0.1uF 50V K		R164	QRE141J-332Y	C RESISTOR	3.3kΩ 1/4W J	
C2212	NCB21HK-104X	C CAPACITOR	0.1uF 50V K		R165	QRL027J-391	OMF RESISTOR	390Ω 2W J	
C2302	NCB31HK-471X	C CAPACITOR	470pF 50V K		R166	QRL027J-391	OMF RESISTOR	390Ω 2W J	
C2303	QETN1HM-475Z	E CAPACITOR	4.7uF 50V M		△ R171	QRL027J-470	OMF RESISTOR	47Ω 2W J	
C2304	QETN1CM-107Z	E CAPACITOR	100uF 16V M		R501	NRSA63J-472X	MG RESISTOR	4.7kΩ 1/16W J	
C2305	NDC31HJ-101X	C CAPACITOR	100pF 50V J		R502	NRSA63J-104X	MG RESISTOR	100kΩ 1/16W J	
C2306	NDC31HJ-3R0X	C CAPACITOR	3pF 50V J		R504	NRSA63J-102X	MG RESISTOR	1kΩ 1/16W J	
C2307	NCB21HK-104X	C CAPACITOR	0.1uF 50V K		R505	NRSA63J-102X	MG RESISTOR	1kΩ 1/16W J	
C2308	NCB21HK-104X	C CAPACITOR	0.1uF 50V K		R506	NRSA63J-103X	MG RESISTOR	10kΩ 1/16W J	
C2311	NCB21HK-104X	C CAPACITOR	0.1uF 50V K		R508	NRSA63J-223X	MG RESISTOR	22kΩ 1/16W J	
C2312	NCB21HK-104X	C CAPACITOR	0.1uF 50V K		R510	QRE141J-472Y	C RESISTOR	4.7kΩ 1/4W J	
C2402	NCB31HK-471X	C CAPACITOR	470pF 50V K		R522	NRSA63J-103X	MG RESISTOR	10kΩ 1/16W J	
C2403	QETN1HM-475Z	E CAPACITOR	4.7uF 50V M		R523	NRSA63J-223X	MG RESISTOR	22kΩ 1/16W J	
C2404	QETN1CM-107Z	E CAPACITOR	100uF 16V M		R533	NRSA63J-103X	MG RESISTOR	10kΩ 1/16W J	
C2405	NDC31HJ-101X	C CAPACITOR	100pF 50V J		R534	NRSA63J-103X	MG RESISTOR	10kΩ 1/16W J	
C2406	NDC31HJ-3R0X	C CAPACITOR	3pF 50V J		R535	NRSA63J-104X	MG RESISTOR	100kΩ 1/16W J	
C2407	NCB21HK-104X	C CAPACITOR	0.1uF 50V K		R536	NRSA63J-103X	MG RESISTOR	10kΩ 1/16W J	
C2408	NCB21HK-104X	C CAPACITOR	0.1uF 50V K		R540	NRSA63J-472X	MG RESISTOR	4.7kΩ 1/16W J	
C2411	NCB21HK-104X	C CAPACITOR	0.1uF 50V K		R553	NRSA63J-153X	MG RESISTOR	15kΩ 1/16W J	
C2412	NCB21HK-104X	C CAPACITOR	0.1uF 50V K		R554	NRSA63J-223X	MG RESISTOR	22kΩ 1/16W J	
C2502	NCB31HK-471X	C CAPACITOR	470pF 50V K		R555	QRJ146J-271X	UNF C RESISTOR	270Ω 1/4W J	
C2503	QETN1HM-475Z	E CAPACITOR	4.7uF 50V M		R556	NRSA63J-102X	MG RESISTOR	1kΩ 1/16W J	
C2504	QETN1CM-107Z	E CAPACITOR	100uF 16V M		R557	NRSA63J-104X	MG RESISTOR	100kΩ 1/16W J	
C2505	NDC31HJ-101X	C CAPACITOR	100pF 50V J		R558	NRSA63J-223X	MG RESISTOR	22kΩ 1/16W J	
C2506	NDC31HJ-3R0X	C CAPACITOR	3pF 50V J		R559	NRSA63J-223X	MG RESISTOR	22kΩ 1/16W J	
C2507	NCB21HK-104X	C CAPACITOR	0.1uF 50V K		R560	NRSA63J-223X	MG RESISTOR	22kΩ 1/16W J	
C2508	NCB21HK-104X	C CAPACITOR	0.1uF 50V K		R561	NRSA63J-822X	MG RESISTOR	8.2kΩ 1/16W J	
C2511	NCB21HK-104X	C CAPACITOR	0.1uF 50V K		R562	NRSA63J-393X	MG RESISTOR	39kΩ 1/16W J	
C2512	NCB21HK-104X	C CAPACITOR	0.1uF 50V K		R563	NRSA63J-223X	MG RESISTOR	22kΩ 1/16W J	
C2602	NCB31HK-471X	C CAPACITOR	470pF 50V K		R574	NRSA02J-151X	MG RESISTOR	150Ω 1/10W J	
C2603	QETN1HM-475Z	E CAPACITOR	4.7uF 50V M		R601	NRSA63J-103X	MG RESISTOR	10kΩ 1/16W J	
C2604	QETN1CM-107Z	E CAPACITOR	100uF 16V M		R602	NRSA63J-272X	MG RESISTOR	2.7kΩ 1/16W J	
C2605	NDC31HJ-101X	C CAPACITOR	100pF 50V J		R603	NRSA63J-222X	MG RESISTOR	2.2kΩ 1/16W J	
C2606	NDC31HJ-3R0X	C CAPACITOR	3pF 50V J		R606	NRSA63J-223X	MG RESISTOR	22kΩ 1/16W J	
C2607	NCB21HK-104X	C CAPACITOR	0.1uF 50V K		R607	NRSA63J-223X	MG RESISTOR	22kΩ 1/16W J	
C2608	NCB21HK-104X	C CAPACITOR	0.1uF 50V K		R608	NRSA63J-223X	MG RESISTOR	22kΩ 1/16W J	
C2611	NCB21HK-104X	C CAPACITOR	0.1uF 50V K		R611	NRSA63J-471X	MG RESISTOR	470Ω 1/16W J	
C2612	NCB21HK-104X	C CAPACITOR	0.1uF 50V K		R612	NRSA63J-223X	MG RESISTOR	22kΩ 1/16W J	
C2701	QETN1HM-107Z	E CAPACITOR	100uF 50V M		R613	NRSA63J-223X	MG RESISTOR	22kΩ 1/16W J	
C2702	QETN1EM-107Z	E CAPACITOR	100uF 25V M		R614	NRSA63J-223X	MG RESISTOR	22kΩ 1/16W J	
C2703	QETN1HM-107Z	E CAPACITOR	100uF 50V M		R621	NRSA63J-103X	MG RESISTOR	10kΩ 1/16W J	
C2704	QETN1HM-476Z	E CAPACITOR	47uF 50V M		R622	NRSA63J-223X	MG RESISTOR	22kΩ 1/16W J	
C2705	QETN1HM-107Z	E CAPACITOR	100uF 50V M		R623	NRSA63J-103X	MG RESISTOR	10kΩ 1/16W J	
C2706	QETN1HM-107Z	E CAPACITOR	100uF 50V M		R624	NRSA63J-472X	MG RESISTOR	4.7kΩ 1/16W J	
C2707	QETN1HM-106Z	E CAPACITOR	10uF 50V M		R625	NRSA63J-472X	MG RESISTOR	4.7kΩ 1/16W J	
C2711	QETN1HM-106Z	E CAPACITOR	10uF 50V M		R626	NRSA63J-103X	MG RESISTOR	10kΩ 1/16W J	
C2712	NCF31HZ-103X	C CAPACITOR	0.01uF 50V Z		R627	NRSA63J-102X	MG RESISTOR	1kΩ 1/16W J	
C2713	NCF31HZ-103X	C CAPACITOR	0.01uF 50V Z		R628	NRSA63J-223X	MG RESISTOR	22kΩ 1/16W J	
C3101	NCB31HK-152X	C CAPACITOR	1500pF 50V K		R629	NRSA63J-103X	MG RESISTOR	10kΩ 1/16W J	
C3103	QETN1HM-105Z	E CAPACITOR	1uF 50V M		R631	NRSA63J-223X	MG RESISTOR	22kΩ 1/16W J	
C3104	QETN1HM-225Z	E CAPACITOR	2.2uF 50V M		R633	NRSA63J-223X	MG RESISTOR	22kΩ 1/16W J	
C3201	NCB31HK-152X	C CAPACITOR	1500pF 50V K		R635	NRSA63J-223X	MG RESISTOR	22kΩ 1/16W J	
C3203	QETN1HM-105Z	E CAPACITOR	1uF 50V M		R637	NRSA63J-223X	MG RESISTOR	22kΩ 1/16W J	
C3204	QETN1HM-225Z	E CAPACITOR	2.2uF 50V M		R640	NRSA63J-223X	MG RESISTOR	22kΩ 1/16W J	
C3301	NCB31HK-152X	C CAPACITOR	1500pF 50V K		R641	NRSA63J-223X	MG RESISTOR	22kΩ 1/16W J	
C3303	QETN1HM-105Z	E CAPACITOR	1uF 50V M		R642	NRSA63J-223X	MG RESISTOR	22kΩ 1/16W J	
C3304	QETN1HM-225Z	E CAPACITOR	2.2uF 50V M		R643	NRSA63J-223X	MG RESISTOR	22kΩ 1/16W J	
C3401	NCB31HK-152X	C CAPACITOR	1500pF 50V K		R644	NRSA63J-103X	MG RESISTOR	10kΩ 1/16W J	
C3403	QETN1HM-105Z	E CAPACITOR	1uF 50V M		R645	NRSA63J-102X	MG RESISTOR	1kΩ 1/16W J	
C3404	QETN1HM-225Z	E CAPACITOR	2.2uF 50V M		R667	NRSA63J-472X	MG RESISTOR	4.7kΩ 1/16W J	
C3501	NCB31HK-152X	C CAPACITOR	1500pF 50V K		R671	NRSA63J-102X	MG RESISTOR	1kΩ 1/16W J	
C3503	QETN1HM-105Z	E CAPACITOR	1uF 50V M		R685	QRE141J-102Y	C RESISTOR	1kΩ 1/4W J	
C3504	QETN1HM-225Z	E CAPACITOR	2.2uF 50V M		R686	QRE141J-102Y	C RESISTOR	1kΩ 1/4W J	
C3601	NCB31HK-152X	C CAPACITOR	1500pF 50V K		R2101	NRSA63J-103X	MG RESISTOR	10kΩ 1/16W J	
C3604	QETN1HM-225Z	E CAPACITOR	2.2uF 50V M		R2103	NRSA63J-563X	MG RESISTOR	56kΩ 1/16W J	
C3701	NCF31HZ-103X	C CAPACITOR	0.01uF 50V Z		R2104	NRSA63J-561X	MG RESISTOR	560Ω 1/16W J	
C3702	NCF31HZ-103X	C CAPACITOR	0.01uF 50V Z		R2105	NRSA63J-563X	MG RESISTOR	56kΩ 1/16W J	
C3703	NCF31HZ-103X	C CAPACITOR	0.01uF 50V Z		R2106	QRZ0224-R22	EMIT RESISTOR	0.22Ω	
C3704	NCF31HZ-103X	C CAPACITOR	0.01uF 50V Z		R2107	NRSA63J-102X	MG RESISTOR	1kΩ 1/16W J	
C3705	NCF31HZ-103X	C CAPACITOR	0.01uF 50V Z		R2108	NRSA63J-153X	MG RESISTOR	15kΩ 1/16W J	
C3706	NCF31HZ-103X	C CAPACITOR	0.01uF 50V Z		R2109	NRSA63J-473X	MG RESISTOR	47kΩ 1/16W J	
C3715	QETN1CM-107Z	E CAPACITOR	100uF 16V M		R2110	QRK126J-4R7X	UNF C RESISTOR	4.7Ω 1/2W J	

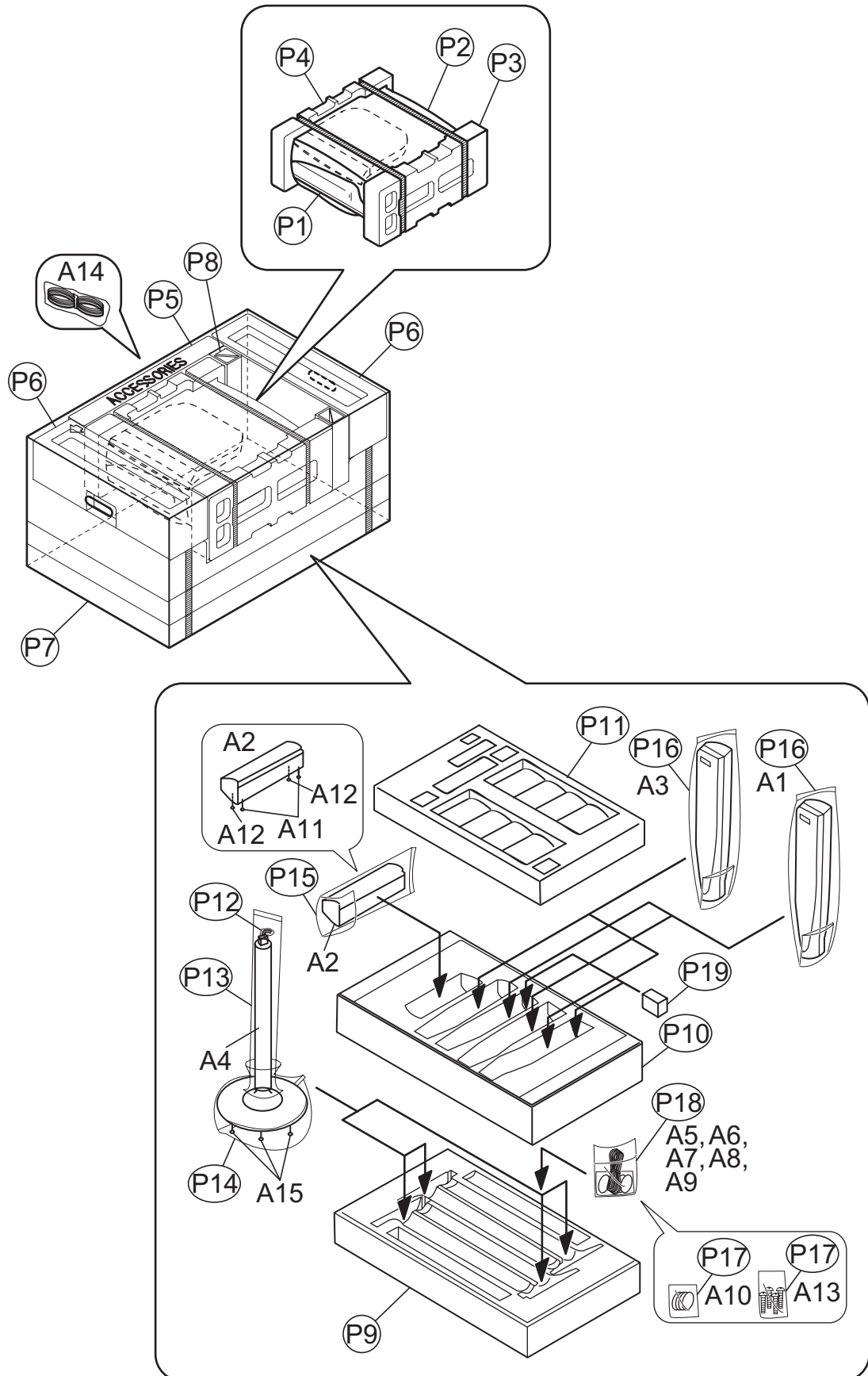
△ Symbol No.	Part No.	Part Name	Description	Local	△ Symbol No.	Part No.	Part Name	Description	Local
R2111	QRJ146J-100X	UNF C RESISTOR	10Ω 1/4W J		R2705	NRSA63J-333X	MG RESISTOR	33kΩ 1/16W J	
R2112	NRSA63J-752X	MG RESISTOR	7.5kΩ 1/16W J		△ R2706	QRZ9006-4R7X	F.RESISTOR	4.7Ω 1/4W J	
R2113	NRSA63J-222X	MG RESISTOR	2.2kΩ 1/16W J		△ R2707	QRZ9006-4R7X	F.RESISTOR	4.7Ω 1/4W J	
R2114	NRSA63J-104X	MG RESISTOR	100kΩ 1/16W J		△ R2708	QRZ9006-4R7X	F.RESISTOR	4.7Ω 1/4W J	
R2201	NRSA63J-103X	MG RESISTOR	10kΩ 1/16W J		△ R2709	QRZ9006-4R7X	F.RESISTOR	4.7Ω 1/4W J	
R2203	NRSA63J-563X	MG RESISTOR	56kΩ 1/16W J		△ R2710	QRZ9005-100X	FUSI RESISTOR	10Ω	
R2204	NRSA63J-561X	MG RESISTOR	560Ω 1/16W J		R2711	NRSA63J-333X	MG RESISTOR	33kΩ 1/16W J	
R2205	NRSA63J-563X	MG RESISTOR	56kΩ 1/16W J		R2712	NRSA63J-562X	MG RESISTOR	5.6kΩ 1/16W J	
R2206	QRZ0224-R22	EMIT RESISTOR	0.22Ω		R2713	NRSA63J-562X	MG RESISTOR	5.6kΩ 1/16W J	
R2207	NRSA63J-102X	MG RESISTOR	1kΩ 1/16W J		R2721	QRE141J-472Y	C RESISTOR	4.7kΩ 1/4W J	
R2208	NRSA63J-153X	MG RESISTOR	15kΩ 1/16W J		R2722	QRE141J-472Y	C RESISTOR	4.7kΩ 1/4W J	
R2209	NRSA63J-473X	MG RESISTOR	47kΩ 1/16W J		R3101	NRSA63J-153X	MG RESISTOR	15kΩ 1/16W J	
R2210	QRK126J-4R7X	UNF C RESISTOR	4.7Ω 1/2W J		R3103	NRSA63J-222X	MG RESISTOR	2.2kΩ 1/16W J	
R2211	QRJ146J-100X	UNF C RESISTOR	10Ω 1/4W J		R3104	NRSA63J-183X	MG RESISTOR	18kΩ 1/16W J	
R2212	NRSA63J-222X	MG RESISTOR	2.2kΩ 1/16W J		R3105	NRSA63J-474X	MG RESISTOR	470kΩ 1/16W J	
R2213	NRSA63J-222X	MG RESISTOR	2.2kΩ 1/16W J		R3106	NRSA63J-470X	MG RESISTOR	47Ω 1/16W J	
R2214	NRSA63J-104X	MG RESISTOR	100kΩ 1/16W J		R3107	NRSA63J-334X	MG RESISTOR	330kΩ 1/16W J	
R2215	QRJ146J-100X	UNF C RESISTOR	10Ω 1/4W J		R3108	NRSA63J-101X	MG RESISTOR	100Ω 1/16W J	
R2301	NRSA63J-103X	MG RESISTOR	10kΩ 1/16W J		R3109	NRSA63J-102X	MG RESISTOR	1kΩ 1/16W J	
R2303	NRSA63J-563X	MG RESISTOR	56kΩ 1/16W J		R3110	NRSA63J-104X	MG RESISTOR	100kΩ 1/16W J	
R2304	NRSA63J-561X	MG RESISTOR	560Ω 1/16W J		R3111	NRSA63J-471X	MG RESISTOR	470Ω 1/16W J	
R2305	NRSA63J-563X	MG RESISTOR	56kΩ 1/16W J		R3112	NRSA63J-103X	MG RESISTOR	10kΩ 1/16W J	
R2306	QRZ0224-R22	EMIT RESISTOR	0.22Ω		R3113	NRSA63J-103X	MG RESISTOR	10kΩ 1/16W J	
R2307	NRSA63J-102X	MG RESISTOR	1kΩ 1/16W J		R3201	NRSA63J-153X	MG RESISTOR	15kΩ 1/16W J	
R2308	NRSA63J-153X	MG RESISTOR	15kΩ 1/16W J		R3203	NRSA63J-222X	MG RESISTOR	2.2kΩ 1/16W J	
R2309	NRSA63J-473X	MG RESISTOR	47kΩ 1/16W J		R3204	NRSA63J-183X	MG RESISTOR	18kΩ 1/16W J	
R2310	QRK126J-4R7X	UNF C RESISTOR	4.7Ω 1/2W J		R3205	NRSA63J-474X	MG RESISTOR	470kΩ 1/16W J	
R2311	QRJ146J-100X	UNF C RESISTOR	10Ω 1/4W J		R3206	NRSA63J-470X	MG RESISTOR	47Ω 1/16W J	
R2312	NRSA63J-222X	MG RESISTOR	2.2kΩ 1/16W J		R3207	NRSA63J-334X	MG RESISTOR	330kΩ 1/16W J	
R2313	NRSA63J-222X	MG RESISTOR	2.2kΩ 1/16W J		R3208	NRSA63J-101X	MG RESISTOR	100Ω 1/16W J	
R2314	NRSA63J-104X	MG RESISTOR	100kΩ 1/16W J		R3209	NRSA63J-102X	MG RESISTOR	1kΩ 1/16W J	
R2315	QRJ146J-100X	UNF C RESISTOR	10Ω 1/4W J		R3210	NRSA63J-104X	MG RESISTOR	100kΩ 1/16W J	
R2401	NRSA63J-103X	MG RESISTOR	10kΩ 1/16W J		R3211	NRSA63J-471X	MG RESISTOR	470Ω 1/16W J	
R2403	NRSA63J-563X	MG RESISTOR	56kΩ 1/16W J		R3212	NRSA63J-103X	MG RESISTOR	10kΩ 1/16W J	
R2404	NRSA63J-561X	MG RESISTOR	560Ω 1/16W J		R3213	NRSA63J-103X	MG RESISTOR	10kΩ 1/16W J	
R2405	NRSA63J-563X	MG RESISTOR	56kΩ 1/16W J		R3301	NRSA63J-153X	MG RESISTOR	15kΩ 1/16W J	
R2406	QRZ0224-R22	EMIT RESISTOR	0.22Ω		R3303	NRSA63J-222X	MG RESISTOR	2.2kΩ 1/16W J	
R2407	NRSA63J-102X	MG RESISTOR	1kΩ 1/16W J		R3304	NRSA63J-183X	MG RESISTOR	18kΩ 1/16W J	
R2408	NRSA63J-153X	MG RESISTOR	15kΩ 1/16W J		R3305	NRSA63J-474X	MG RESISTOR	470kΩ 1/16W J	
R2409	NRSA63J-473X	MG RESISTOR	47kΩ 1/16W J		R3306	NRSA63J-470X	MG RESISTOR	47Ω 1/16W J	
R2410	QRK126J-4R7X	UNF C RESISTOR	4.7Ω 1/2W J		R3307	NRSA63J-334X	MG RESISTOR	330kΩ 1/16W J	
R2411	QRJ146J-100X	UNF C RESISTOR	10Ω 1/4W J		R3308	NRSA63J-101X	MG RESISTOR	100Ω 1/16W J	
R2412	NRSA63J-222X	MG RESISTOR	2.2kΩ 1/16W J		R3309	NRSA63J-102X	MG RESISTOR	1kΩ 1/16W J	
R2413	NRSA63J-222X	MG RESISTOR	2.2kΩ 1/16W J		R3310	NRSA63J-104X	MG RESISTOR	100kΩ 1/16W J	
R2414	NRSA63J-104X	MG RESISTOR	100kΩ 1/16W J		R3311	NRSA63J-471X	MG RESISTOR	470Ω 1/16W J	
R2415	QRJ146J-100X	UNF C RESISTOR	10Ω 1/4W J		R3312	NRSA63J-103X	MG RESISTOR	10kΩ 1/16W J	
R2501	NRSA63J-103X	MG RESISTOR	10kΩ 1/16W J		R3313	NRSA63J-103X	MG RESISTOR	10kΩ 1/16W J	
R2503	NRSA63J-563X	MG RESISTOR	56kΩ 1/16W J		R3401	NRSA63J-153X	MG RESISTOR	15kΩ 1/16W J	
R2504	NRSA63J-561X	MG RESISTOR	560Ω 1/16W J		R3403	NRSA63J-222X	MG RESISTOR	2.2kΩ 1/16W J	
R2505	NRSA63J-563X	MG RESISTOR	56kΩ 1/16W J		R3404	NRSA63J-183X	MG RESISTOR	18kΩ 1/16W J	
R2506	QRZ0224-R22	EMIT RESISTOR	0.22Ω		R3405	NRSA63J-474X	MG RESISTOR	470kΩ 1/16W J	
R2507	NRSA63J-102X	MG RESISTOR	1kΩ 1/16W J		R3406	NRSA63J-470X	MG RESISTOR	47Ω 1/16W J	
R2508	NRSA63J-153X	MG RESISTOR	15kΩ 1/16W J		R3407	NRSA63J-334X	MG RESISTOR	330kΩ 1/16W J	
R2509	NRSA63J-473X	MG RESISTOR	47kΩ 1/16W J		R3408	NRSA63J-101X	MG RESISTOR	100Ω 1/16W J	
R2510	QRK126J-4R7X	UNF C RESISTOR	4.7Ω 1/2W J		R3409	NRSA63J-102X	MG RESISTOR	1kΩ 1/16W J	
R2511	QRJ146J-100X	UNF C RESISTOR	10Ω 1/4W J		R3410	NRSA63J-104X	MG RESISTOR	100kΩ 1/16W J	
R2512	NRSA63J-222X	MG RESISTOR	2.2kΩ 1/16W J		R3411	NRSA63J-471X	MG RESISTOR	470Ω 1/16W J	
R2513	NRSA63J-222X	MG RESISTOR	2.2kΩ 1/16W J		R3412	NRSA63J-103X	MG RESISTOR	10kΩ 1/16W J	
R2514	NRSA63J-104X	MG RESISTOR	100kΩ 1/16W J		R3413	NRSA63J-103X	MG RESISTOR	10kΩ 1/16W J	
R2515	QRJ146J-100X	UNF C RESISTOR	10Ω 1/4W J		R3501	NRSA63J-153X	MG RESISTOR	15kΩ 1/16W J	
R2601	NRSA63J-103X	MG RESISTOR	10kΩ 1/16W J		R3503	NRSA63J-222X	MG RESISTOR	2.2kΩ 1/16W J	
R2603	NRSA63J-563X	MG RESISTOR	56kΩ 1/16W J		R3504	NRSA63J-183X	MG RESISTOR	18kΩ 1/16W J	
R2604	NRSA63J-561X	MG RESISTOR	560Ω 1/16W J		R3505	NRSA63J-474X	MG RESISTOR	470kΩ 1/16W J	
R2605	NRSA63J-563X	MG RESISTOR	56kΩ 1/16W J		R3506	NRSA63J-470X	MG RESISTOR	47Ω 1/16W J	
R2606	QRZ0224-R22	EMIT RESISTOR	0.22Ω		R3507	NRSA63J-334X	MG RESISTOR	330kΩ 1/16W J	
R2607	NRSA63J-102X	MG RESISTOR	1kΩ 1/16W J		R3508	NRSA63J-101X	MG RESISTOR	100Ω 1/16W J	
R2608	NRSA63J-153X	MG RESISTOR	15kΩ 1/16W J		R3509	NRSA63J-102X	MG RESISTOR	1kΩ 1/16W J	
R2609	NRSA63J-473X	MG RESISTOR	47kΩ 1/16W J		R3510	NRSA63J-104X	MG RESISTOR	100kΩ 1/16W J	
R2610	QRK126J-4R7X	UNF C RESISTOR	4.7Ω 1/2W J		R3511	NRSA63J-471X	MG RESISTOR	470Ω 1/16W J	
R2611	QRJ146J-100X	UNF C RESISTOR	10Ω 1/4W J		R3512	NRSA63J-103X	MG RESISTOR	10kΩ 1/16W J	
R2612	NRSA63J-222X	MG RESISTOR	2.2kΩ 1/16W J		R3513	NRSA63J-103X	MG RESISTOR	10kΩ 1/16W J	
R2613	NRSA63J-222X	MG RESISTOR	2.2kΩ 1/16W J		R3601	NRSA63J-153X	MG RESISTOR	15kΩ 1/16W J	
R2614	NRSA63J-104X	MG RESISTOR	100kΩ 1/16W J		R3603	NRSA63J-222X	MG RESISTOR	2.2kΩ 1/16W J	
R2615	QRJ146J-100X	UNF C RESISTOR	10Ω 1/4W J		R3604	NRSA63J-183X	MG RESISTOR	18kΩ 1/16W J	
△ R2701	QRZ9005-220X	FUSI RESISTOR	22Ω		R3605	NRSA63J-154X	MG RESISTOR	150kΩ 1/16W J	
△ R2702	QRJ146J-220X	UNF C RESISTOR	22Ω 1/4W J		R3607	NRSA63J-104X	MG RESISTOR	100kΩ 1/16W J	
R2703	NRSA63J-471X	MG RESISTOR	470Ω 1/16W J		R3608	NRSA63J-101X	MG RESISTOR	100Ω 1/16W J	
R2704	NRSA63J-471X	MG RESISTOR	470Ω 1/16W J		R3610	NRSA63J-104X	MG RESISTOR	100kΩ 1/16W J	

△ Symbol No.	Part No.	Part Name	Description	Local
R3611	NRSA63J-471X	MG RESISTOR	470Ω 1/16W J	
R3717	NRSA63J-103X	MG RESISTOR	10kΩ 1/16W J	
R3719	QRE141J-102Y	C RESISTOR	1kΩ 1/4W J	
△ R3720	QRJ146J-100X	UNF C RESISTOR	10Ω 1/4W J	
R3721	NRSA63J-221X	MG RESISTOR	220Ω 1/16W J	
R3725	NRSA63J-472X	MG RESISTOR	4.7kΩ 1/16W J	
R3726	NRSA63J-103X	MG RESISTOR	10kΩ 1/16W J	
△ R3727	QRL01DJ-180X	OMF RESISTOR	18Ω 1W J	
R3728	NRSA63J-101X	MG RESISTOR	100Ω 1/16W J	
R3729	NRSA63J-473X	MG RESISTOR	47kΩ 1/16W J	
R3730	NRSA63J-470X	MG RESISTOR	47Ω 1/16W J	
R3732	NRSA63J-153X	MG RESISTOR	15kΩ 1/16W J	
R3741	NRSA63J-473X	MG RESISTOR	47kΩ 1/16W J	
R3742	NRSA63J-104X	MG RESISTOR	100kΩ 1/16W J	
L2101	QQLZ005-R45	COIL	0.45uH	
L2201	QQLZ005-R45	COIL	0.45uH	
L2202	QQLZ005-R45	COIL	0.45uH	
L2301	QQLZ005-R45	COIL	0.45uH	
L2302	QQLZ005-R45	COIL	0.45uH	
L2401	QQLZ005-R45	COIL	0.45uH	
L2402	QQLZ005-R45	COIL	0.45uH	
L2501	QQLZ005-R45	COIL	0.45uH	
L2502	QQLZ005-R45	COIL	0.45uH	
L2601	QQLZ005-R45	COIL	0.45uH	
L2602	QQLZ005-R45	COIL	0.45uH	
△ CN101	QGA7901C1-02	CONNECTOR	W-B (1-2)	
△ CN102	QGA7901C1-02	CONNECTOR	W-B (1-2)	
CN151	QGA3901C1-05	CONNECTOR	W-B (1-5)	
CN271	QGB2510J1-14	CONNECTOR	B-B (1-14)	
CN272	QGB2510J1-09	CONNECTOR	B-B (1-9)	
CN273	QGB2510J1-14	CONNECTOR	B-B (1-14)	
CN274	QGA3901C1-02	CONNECTOR	W-B (1-2)	
CN371	QGA2501C1-02	CONNECTOR	W-B (1-2)	
CN372	QGB2510K2-09	CONNECTOR	B-B (1-9)	
CN373	QGA2501C1-02	CONNECTOR	W-B (1-2)	
CN501	QGB2510K2-14	CONNECTOR	B-B (1-14)	
CN502	QGB2510K2-14	CONNECTOR	B-B (1-14)	
EP201	QNZ0136-001Z	EARTH PLATE		
EP501	QNZ0136-001Z	EARTH PLATE		
FC101	QNG0019-001Z	FUSE CLIP		
FC102	QNG0019-001Z	FUSE CLIP		
FC155	QNG0019-001Z	FUSE CLIP		
FC156	QNG0019-001Z	FUSE CLIP		
FC157	QNG0019-001Z	FUSE CLIP		
FC158	QNG0019-001Z	FUSE CLIP		
FW501	QUM213-28Z4Z4-E	RIBBON WIRE		
HS151	QZW0138-001	HEAT SINK		
J2701	QND0118-001	DIN CONNECTOR		
J2702	QNB0195-001	SPEAKER TERMINA		
△ RY101	QSK0142-001	RELAY		
RY271	QSK0127-001	RELAY		
RY272	QSK0127-001	RELAY		
RY273	QSK0127-001	RELAY		
TH271	NAD0025-103X	N THERMISTOR	10kΩ	
WC201	QZW0112-001	WIRE CLAMP		
X601	QAX0246-001Z	C RESONATOR	8.00MHz	

Packing materials and accessories parts list

(SP-PWR3 B,E,EN,EV,EF)

Block No. M 4 M M



Packing and Accessories (SP-PWR3 B,E,EN,EV,EF)

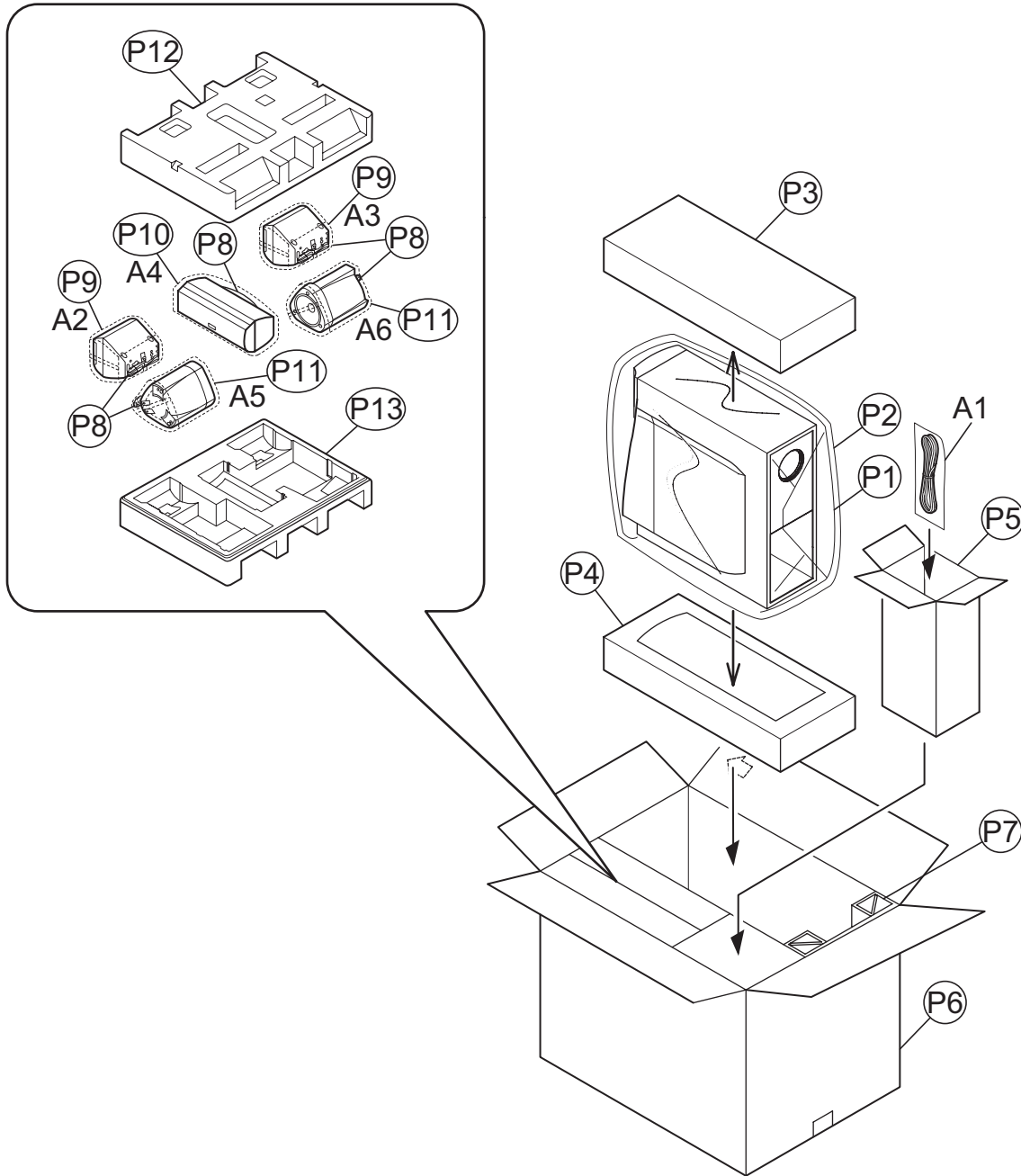
Block No. [M][4][M][M]

△ Symbol No.	Part No.	Part Name	Description	Local
A 1	AB050039-01	SPEAKER BOX	FRONT(x2)	
A 2	AB050035-01	SPEAKER BOX	CENTER	
A 3	AB050039-02	SPEAKER BOX	SURROUND(x2)	
A 4	9900033801	STAND & BASE ASSY	(x4)	
A 5	6200045901	SPK CORD-C	CENTER	
A 6	6200045911	SPK CORD-FR	FRONT RIGHT	
A 7	6200045921	SPK CORD-FL	FRONT LEFT	
A 8	6200045931	SPK CORD-SR	SURROUND RIGHT	
A 9	6200045941	SPK CORD-SL	SURROUND LEFT	
A 10	9000011101	COVER	(x4)	
A 11	9000008401	RUBBER CUSHION	(x2)	
A 12	9000009501	RUBBER CUSHION	(x2)	
A 13	7001652506	SCREW	(x4)	
A 14	6200044901	DIN CABLE		
A 15	9000005371	FOOT	BASE ASSY(x24)	
P 1	8500051881	MIRROR MAT		
P 2	8500051901	POLY BAG		
P 3	LV22000-001A	TOP CUSHION		
P 4	LV22000-002A	BOTTOM CUSHION		
P 5	LV35852-001A	ACCESSORY BOX		
P 6	LV35994-001A	CUSHION	(x2)	
P 7	LV35831-041A	PACKING CASE(MASTER)		
P 8	LV35833-002A	PARTITION		
P 9	LV22009-001A	CUSHION A		
P 10	LV22009-002A	CUSHION B		
P 11	LV22009-003A	CUSHION C		
P 12	8500047111	POLY BAG	(x4)	
P 13	8500059101	POLY BAG	(x4)	
P 14	8500055761	POLY BAG	(x4)	
P 15	8500055781	POLY BAG		
P 16	8500055771	POLY BAG	(x4)	
P 17	8500047101	POLY BAG	(x2)	
P 18	8500032771	POLY BAG		
P 19	8000062601	CUSHION	(x2)	

Packing materials and accessories parts list

(SP-PWR1 B,E,EN,EV,EF)

Block No. M 5 M M



Packing and Accessories (SP-PWR1 B,E,EN,EV,EF)

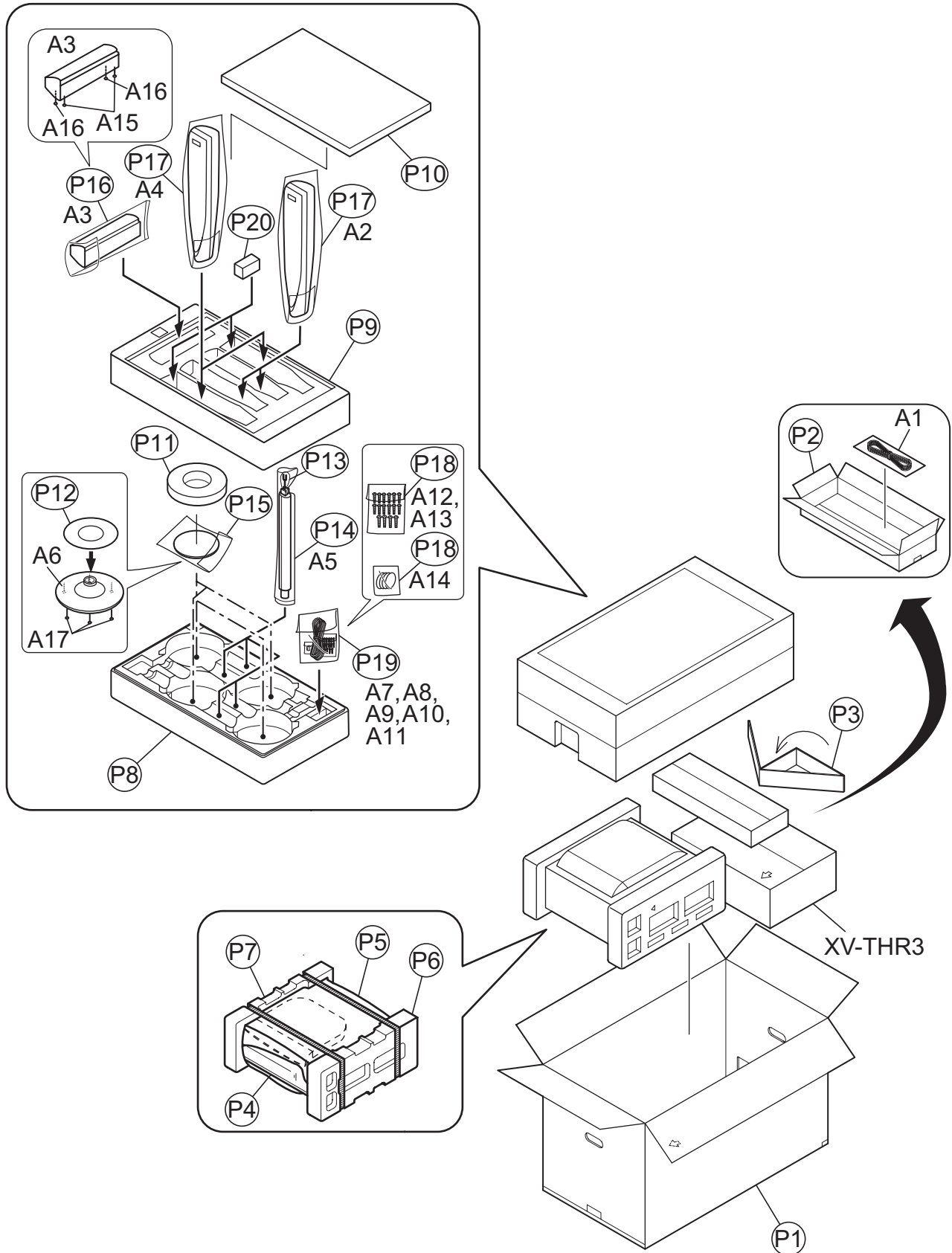
Block No. [M][5][M][M]

△ Symbol No.	Part No.	Part Name	Description	Local
A 1	6200044901	DIN CABLE		
A 2	AB080071-01	SPEAKER BOX	FRONT RIGHT	
A 3	AB080071-02	SPEAKER BOX	FRONT LEFT	
A 4	AB050032-01	SPEAKER BOX	CENTER	
A 5	AB080072-01	SPEAKER BOX	SURROUND RIGHT	
A 6	AB080072-02	SPEAKER BOX	SURROUND LEFT	
P 1	8500051881	MIRROR MAT		
P 2	8500051901	POLY BAG		
P 3	LV21990-001A	TOP CUSHION		
P 4	LV21990-002A	BOTTOM CUSHION		
P 5	LV35834-004A	ACCESSORY BOX		R1E,R1EN,R1EV,R1EF
P 5	LV35834-005A	ACCESSORY BOX		R1B
P 6	LV35831-038A	PACKING CASE		R1B
P 6	LV35831-039A	PACKING CASE		R1E,R1EN,R1EV,R1EF
P 7	LV35833-001A	PARTITION		R1B
P 8	8500052241	POLY BAG	SPK CORD(x5)	
P 9	8500051971	POLY BAG	FRONT SPK(x2)	
P 10	8500055751	POLY BAG	CENTER SPK	
P 11	8500051981	POLY BAG	SURROUND SPK(x2)	
P 12	LV21995-001A	TOP CUSHION		
P 13	LV21995-002A	BOTTOM CUSHION		

Packing materials and accessories parts list

(SP-PWR3 EE)

Block No. M 6 M M



Packing and Accessories (SP-PWR3 EE)

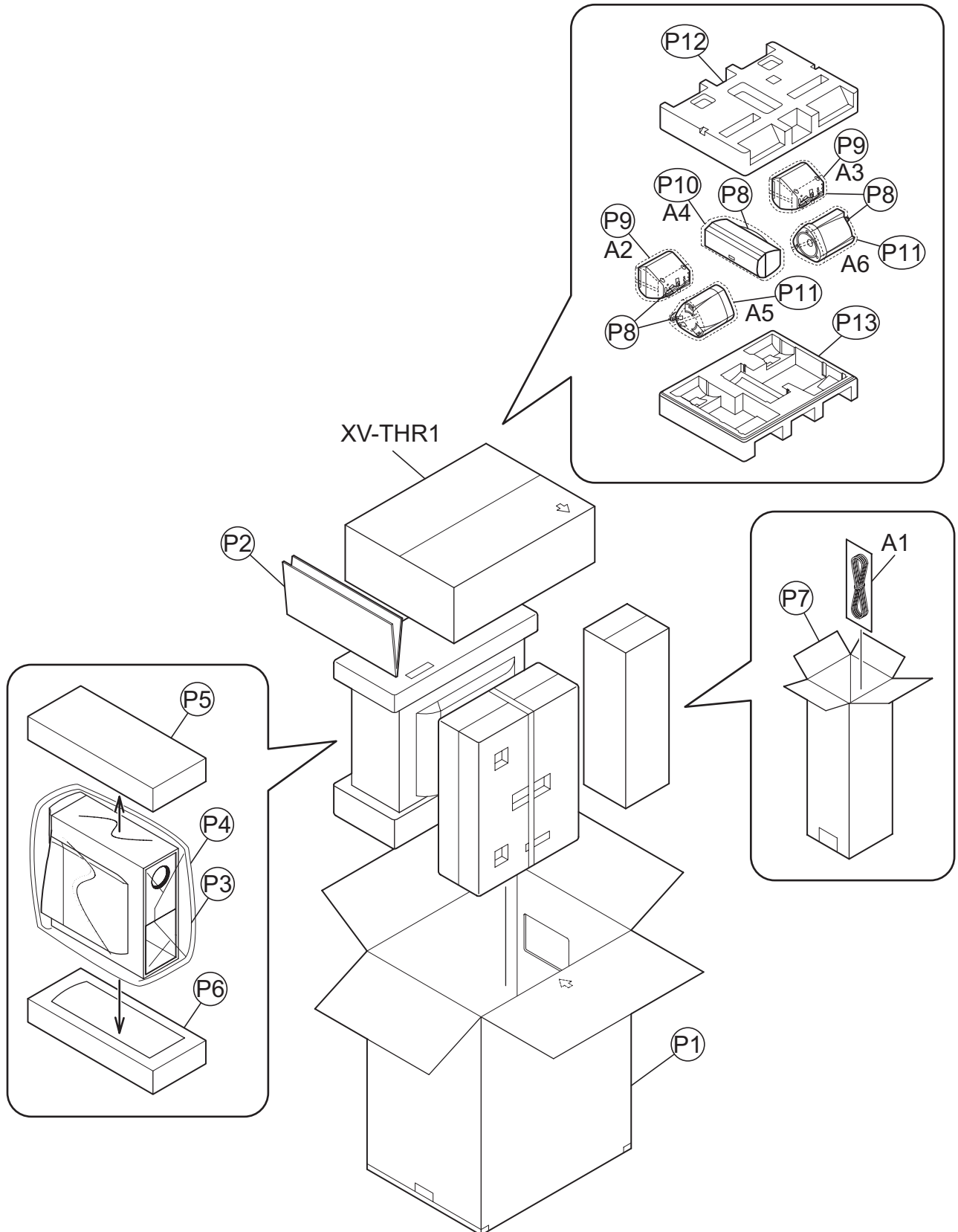
Block No. [M][6][M][M]

△ Symbol No.	Part No.	Part Name	Description	Local
A 1	6200044901	DIN CABLE		
A 2	AB050039-01	SPEAKER BOX	FRONT(x2)	
A 3	AB050035-01	SPEAKER BOX	CENTER	
A 4	AB050039-02	SPEAKER BOX	SURROUND(x2)	
A 5	9900033701	STAND ASSY	(x4)	
A 6	9900033711	BASE ASSY	(x4)	
A 7	6200045901	SPK CORD-C	CENTER	
A 8	6200045911	SPK CORD-FR	FRONT RIGHT	
A 9	6200045921	SPK CORD-FL	FRONT LEFT	
A 10	6200045931	SPK CORD-SR	SURROUND RIGHT	
A 11	6200045941	SPK CORD-SL	SURROUND LEFT	
A 12	7004445506	SCREW	(x12)	
A 13	7001652506	SCREW	(x4)	
A 14	9000011101	COVER	(x4)	
A 15	9000008401	RUBBER CUSHION	CENTER SPK(x2)	
A 16	9000009501	RUBBER CUSHION	CENTER SPK(x2)	
A 17	9000005371	FOOT	BASE ASSY(x24)	
P 1	LV36010-001A	PACKING CASE		
P 2	LV36013-001A	ACCESSORY BOX		
P 3	LV36014-001A	PACKING SHEET		
P 4	8500051881	MIRROR MAT		
P 5	8500051901	POLY BAG		
P 6	LV22000-001A	TOP CUSHION		
P 7	LV22000-002A	BOTTOM CUSHION		
P 8	LV21999-001A	CUSHION A		
P 9	LV21999-002A	CUSHION B		
P 10	LV21999-003A	CUSHION C		
P 11	LV35854-001A	CUSHION	(x4)	
P 12	8500059001	MIRROR MAT	(x4)	
P 13	8500047111	POLY BAG	(x4)	
P 14	8500059101	POLY BAG	(x4)	
P 15	8500059141	POLY BAG	(x4)	
P 16	8500055781	POLY BAG		
P 17	8500055771	POLY BAG	(x4)	
P 18	8500047101	POLY BAG	(x2)	
P 19	8500032771	POLY BAG		
P 20	8000062601	CUSHION	(x2)	

Packing materials and accessories parts list

(SP-PWR1 EE)

Block No. M 7 M M



Packing and Accessories (SP-PWR1 EE)

Block No. [M][7][M][M]

△ Symbol No.	Part No.	Part Name	Description	Local
A 1	6200044901	DIN CABLE		
A 2	AB080071-01	SPEAKER BOX	FRONT RIGHT	
A 3	AB080071-02	SPEAKER BOX	FRONT LEFT	
A 4	AB050032-01	SPEAKER BOX	CENTER	
A 5	AB080072-01	SPEAKER BOX	SURROUND RIGHT	
A 6	AB080072-02	SPEAKER BOX	SURROUND LEFT	
P 1	LV36009-001A	PACKING CASE		
P 2	LV36269-001A	PACKING SPACER		
P 3	8500051881	MIRROR MAT		
P 4	8500051901	POLY BAG		
P 5	LV21990-001A	TOP CUSHION		
P 6	LV21990-002A	BOTTOM CUSHION		
P 7	LV35834-005A	ACCESSORY BOX		
P 8	8500052241	POLY BAG	SPK CORD(x5)	
P 9	8500051971	POLY BAG	FRONT SPK(x2)	
P 10	8500055751	POLY BAG	CENTER SPK	
P 11	8500051981	POLY BAG	SURROUND SPK(x2)	
P 12	LV21995-001A	TOP CUSHION		
P 13	LV21995-002A	BOTTOM CUSHION		

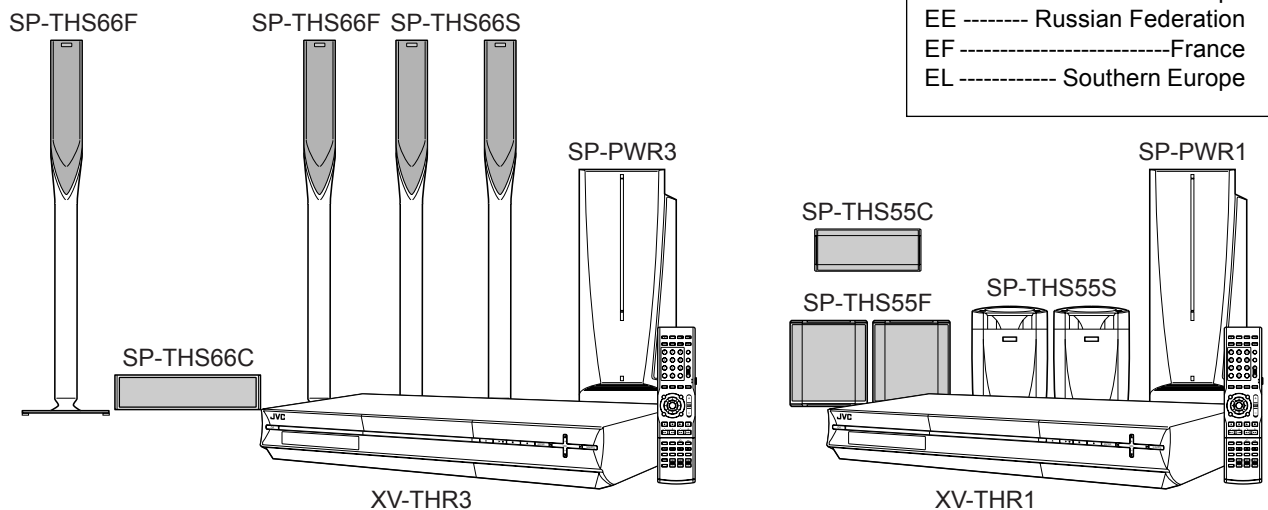
JVC

SCHEMATIC DIAGRAMS

DVD DIGITAL CINEMA SYSTEM

TH-R3, TH-R1

CD-ROM No.SML200508



SHOWVIEW™

VIDEO *plus+*



R-D-S

Lead free solder used in the board (material : Sn-Ag-Cu, melting point : 219 Centigrade)

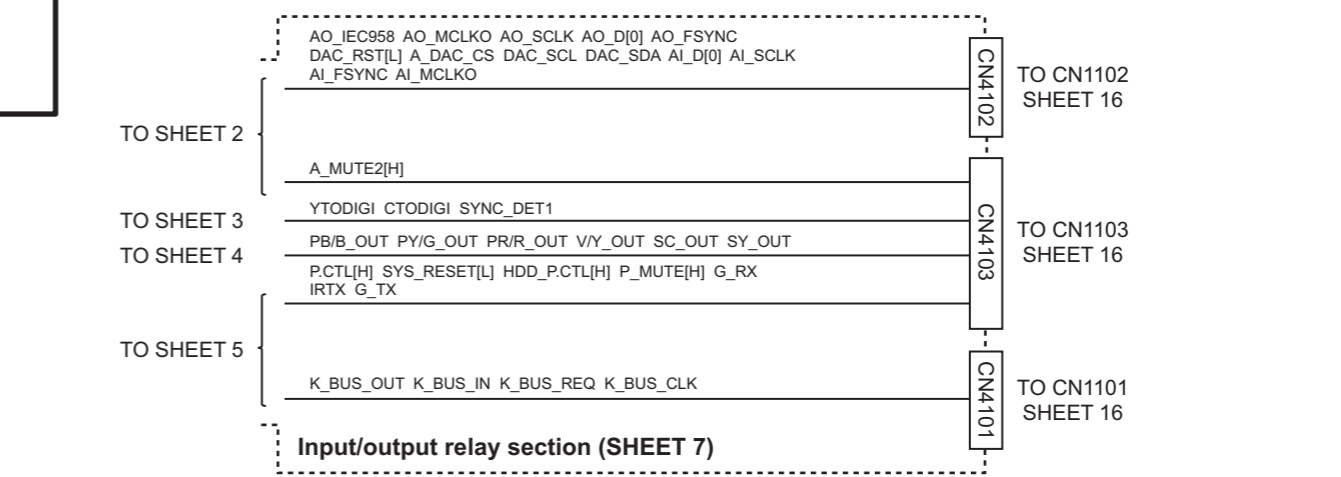
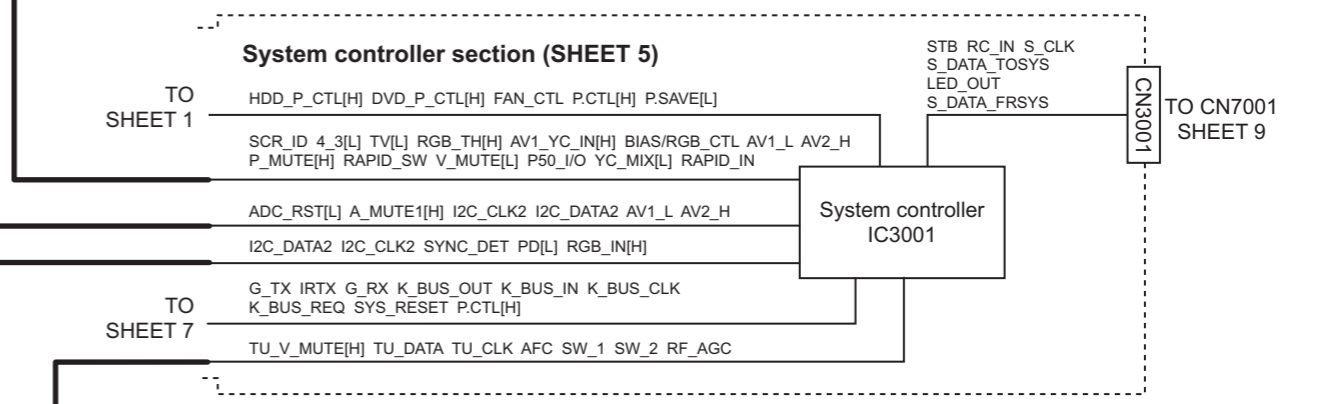
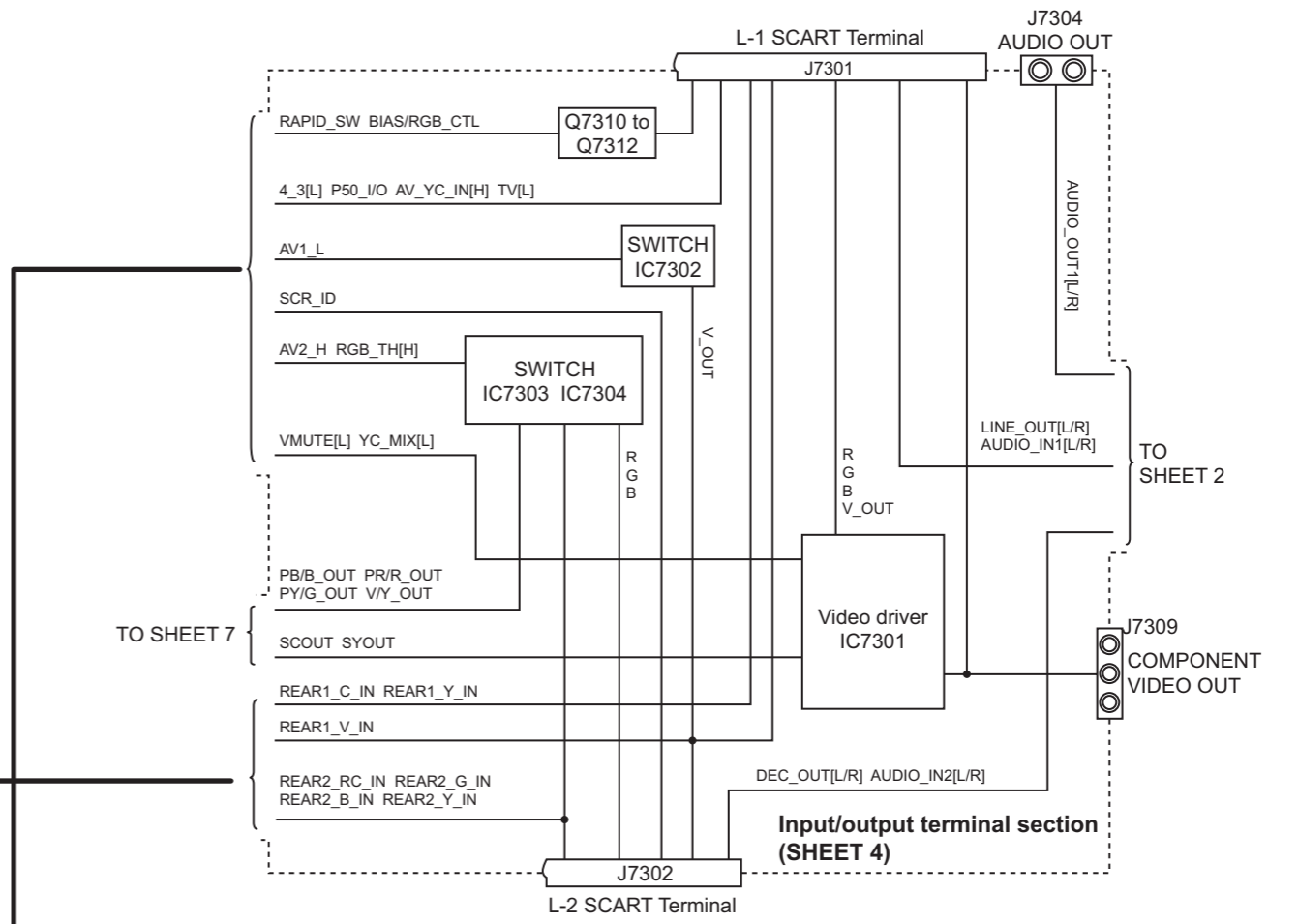
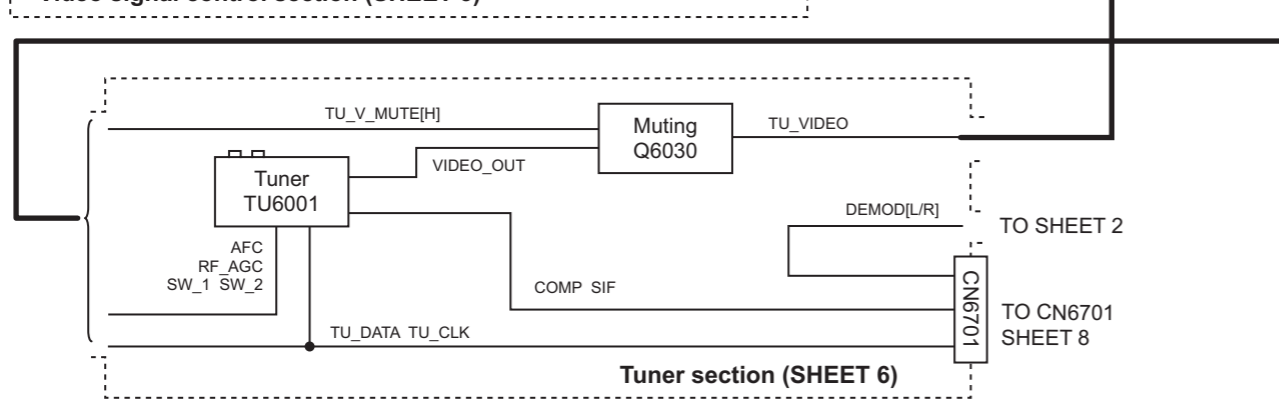
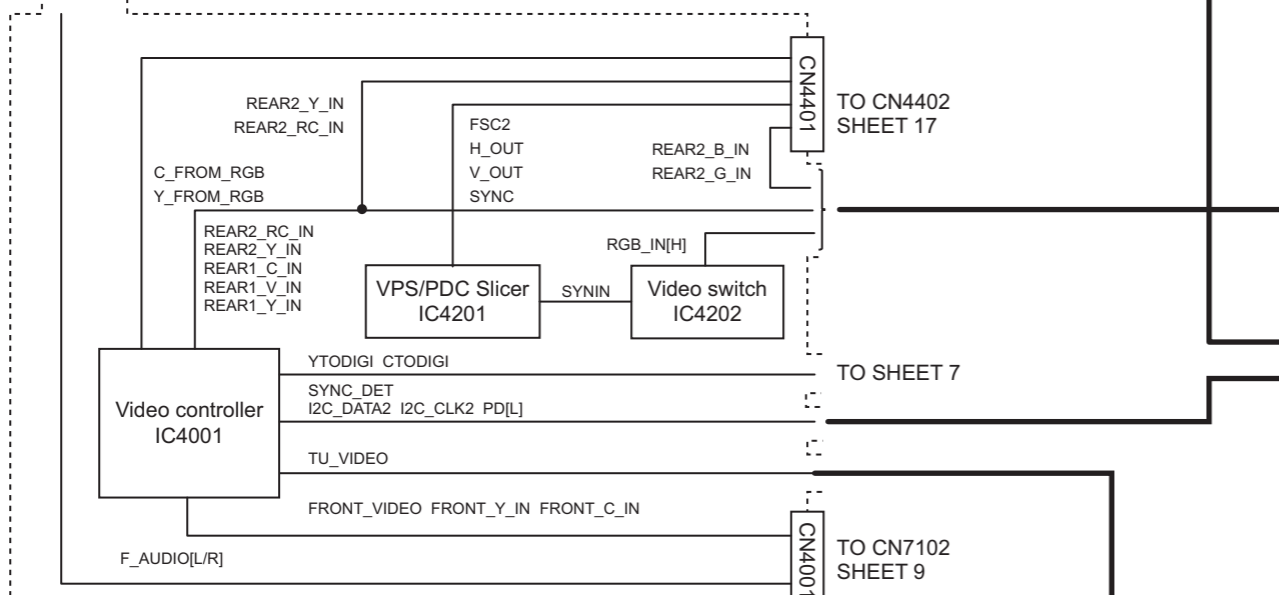
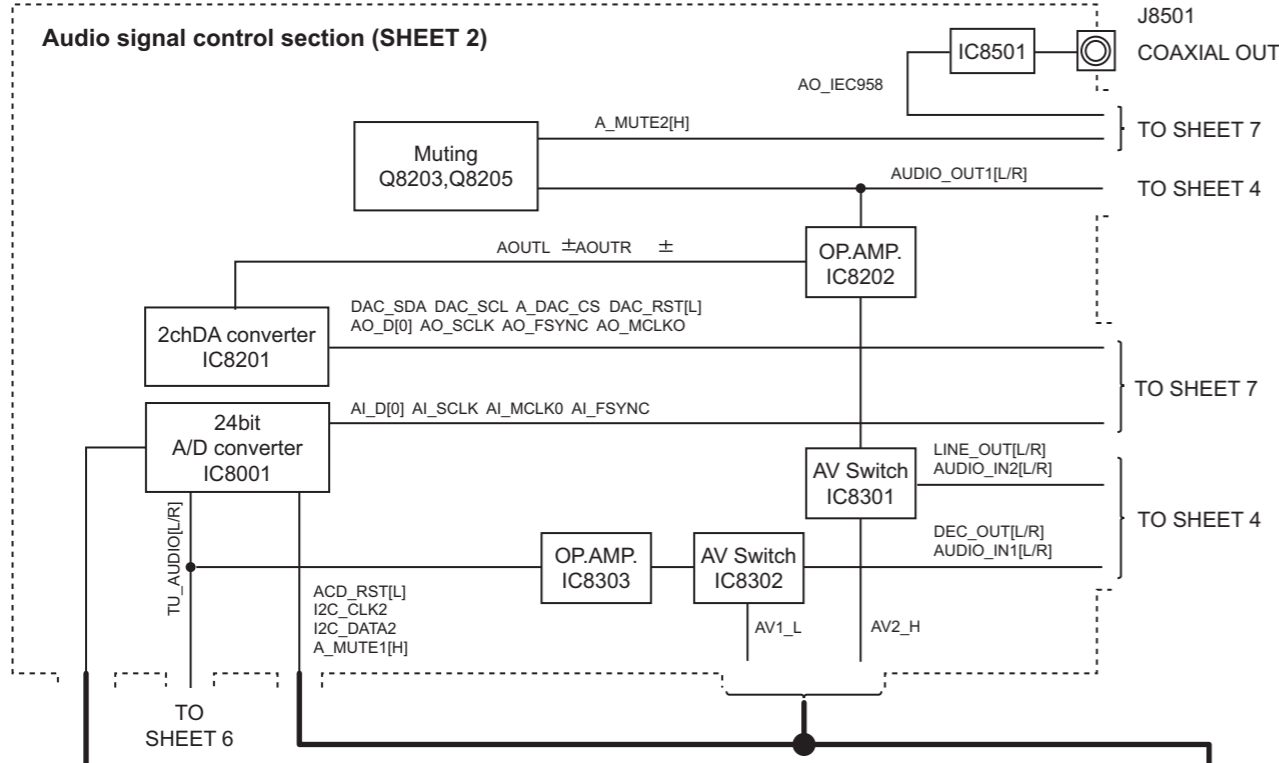
Contents

Wiring diagram.....	2-1
Block diagrams	2-2
Standard schematic diagrams	2-5
Voltage charts	2-23
Printed circuit boards	2-24 to 28

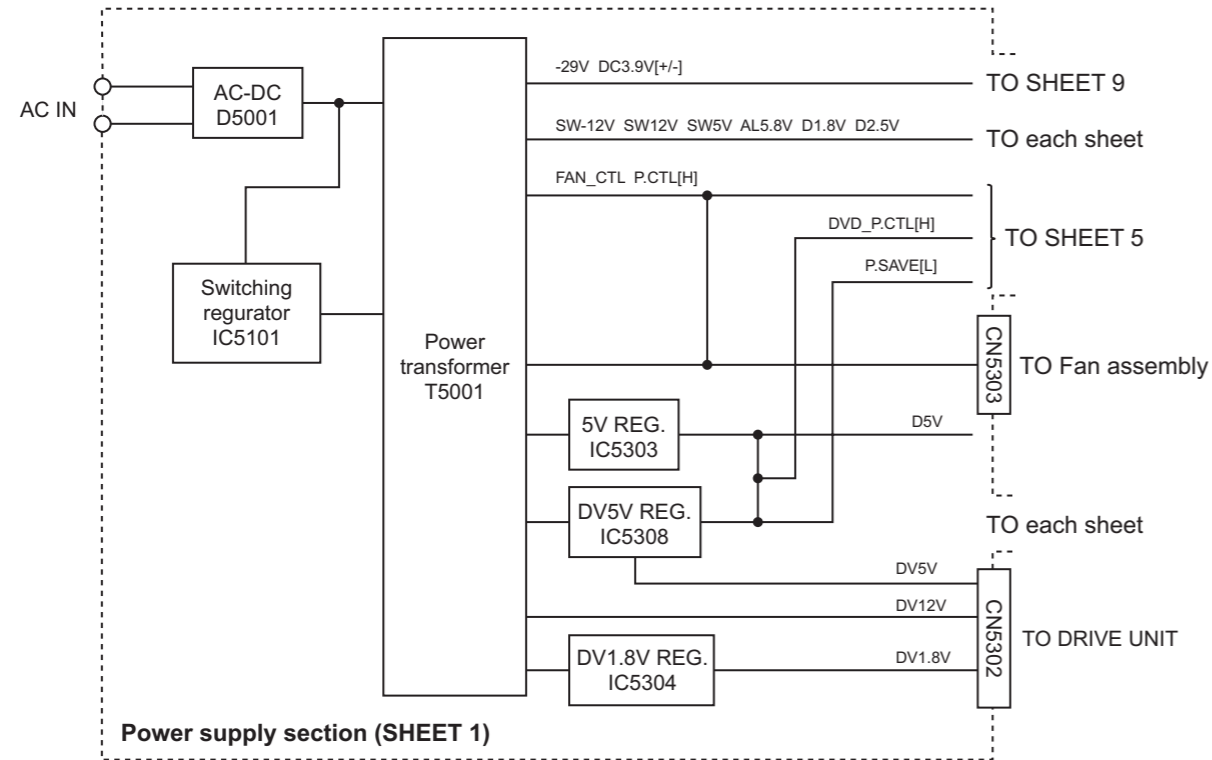
In regard with component parts appearing on the silk-screen printed side (parts side) of the PWB diagrams, the parts that are printed over with black such as the resistor (■), diode (⊣) and ICP (●) or identified by the "⚠" mark nearby are critical for safety.

Block diagrams

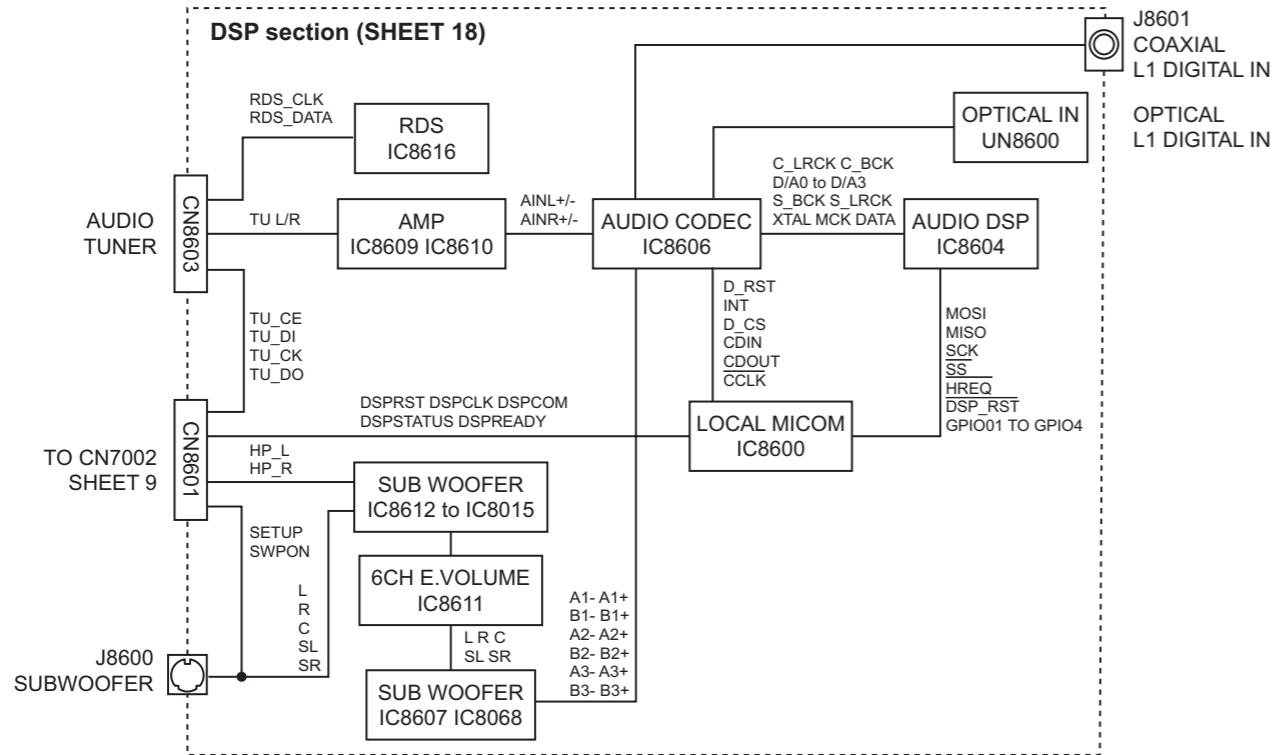
■ MAIN 03



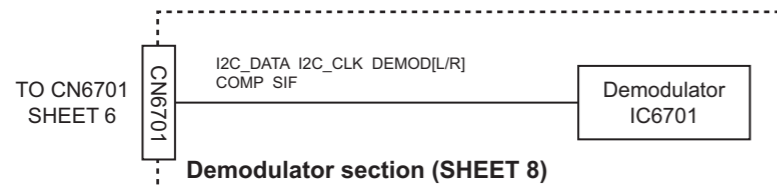
■ MAIN 0 3



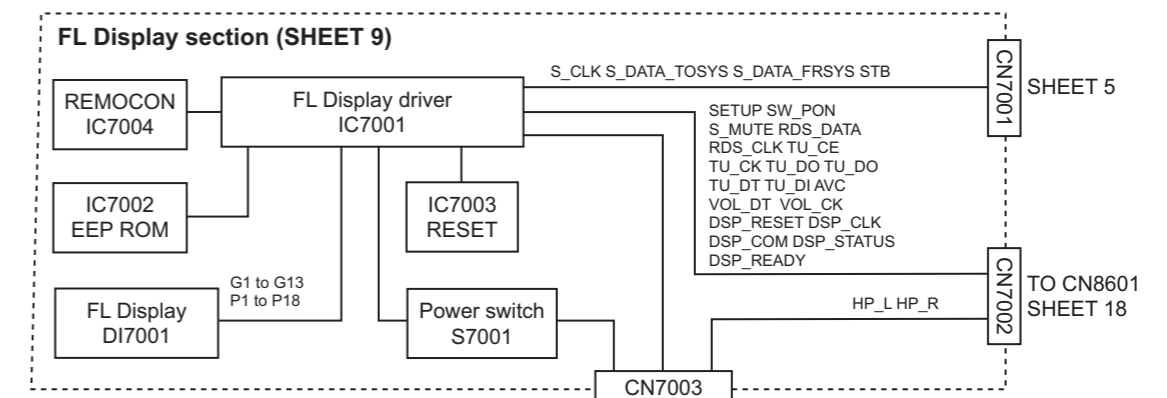
■ AUDIO DSP 7 3



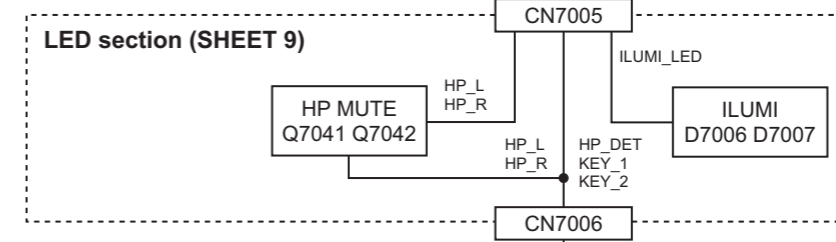
■ DEMODULATOR 1 4



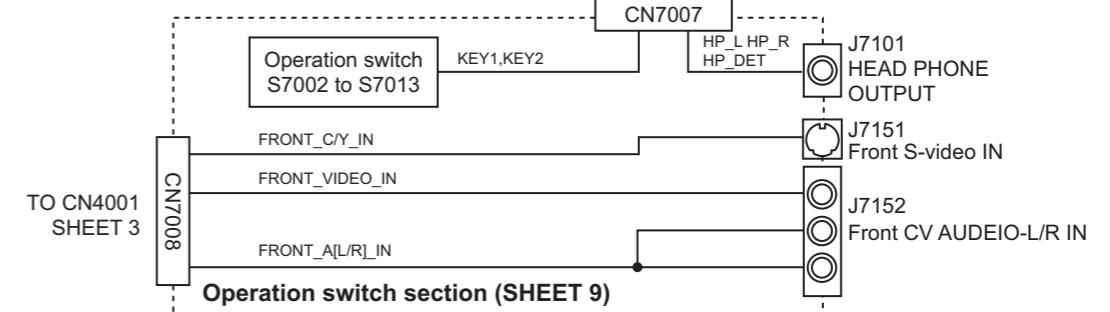
■ DISPLAY/SW 2 8



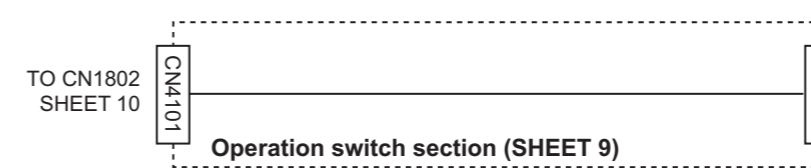
■ LED 2 9



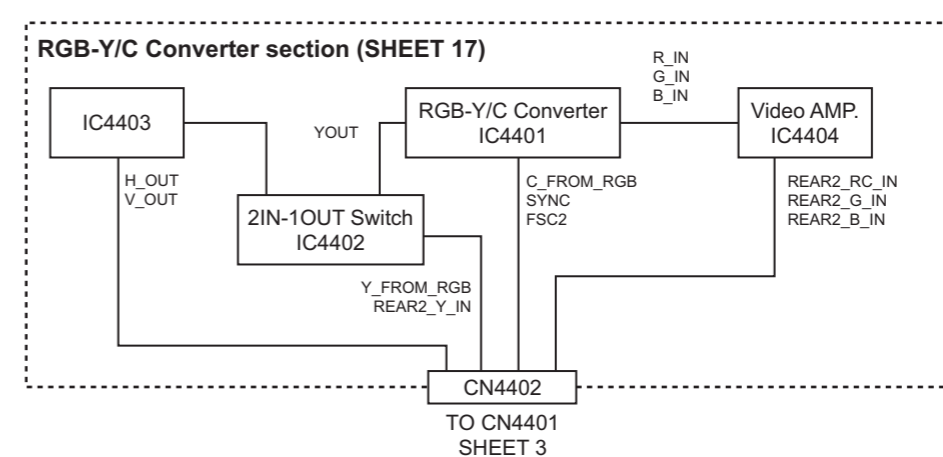
■ SW/JACK 2 7

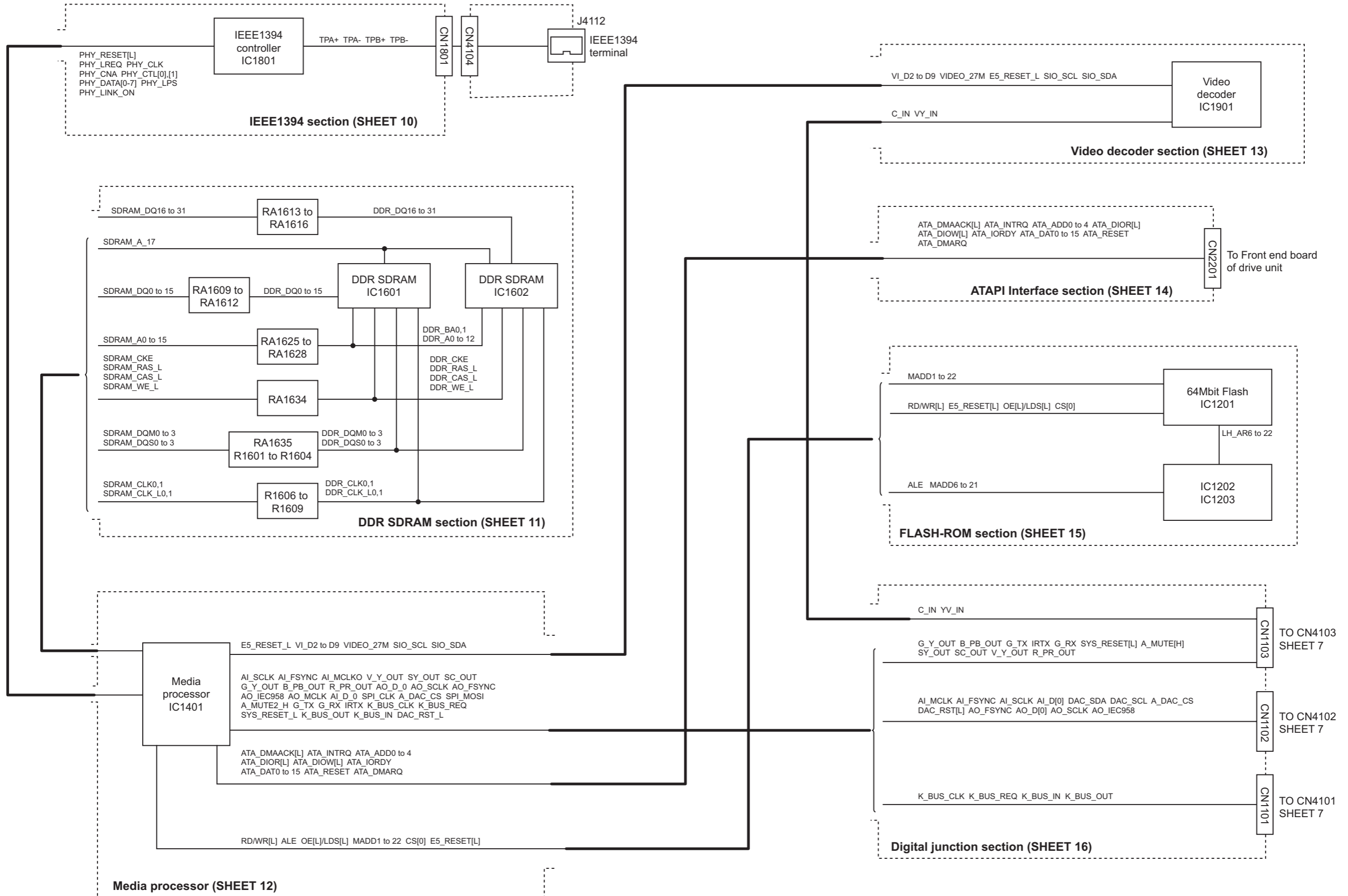


■ DV JACK 3 6



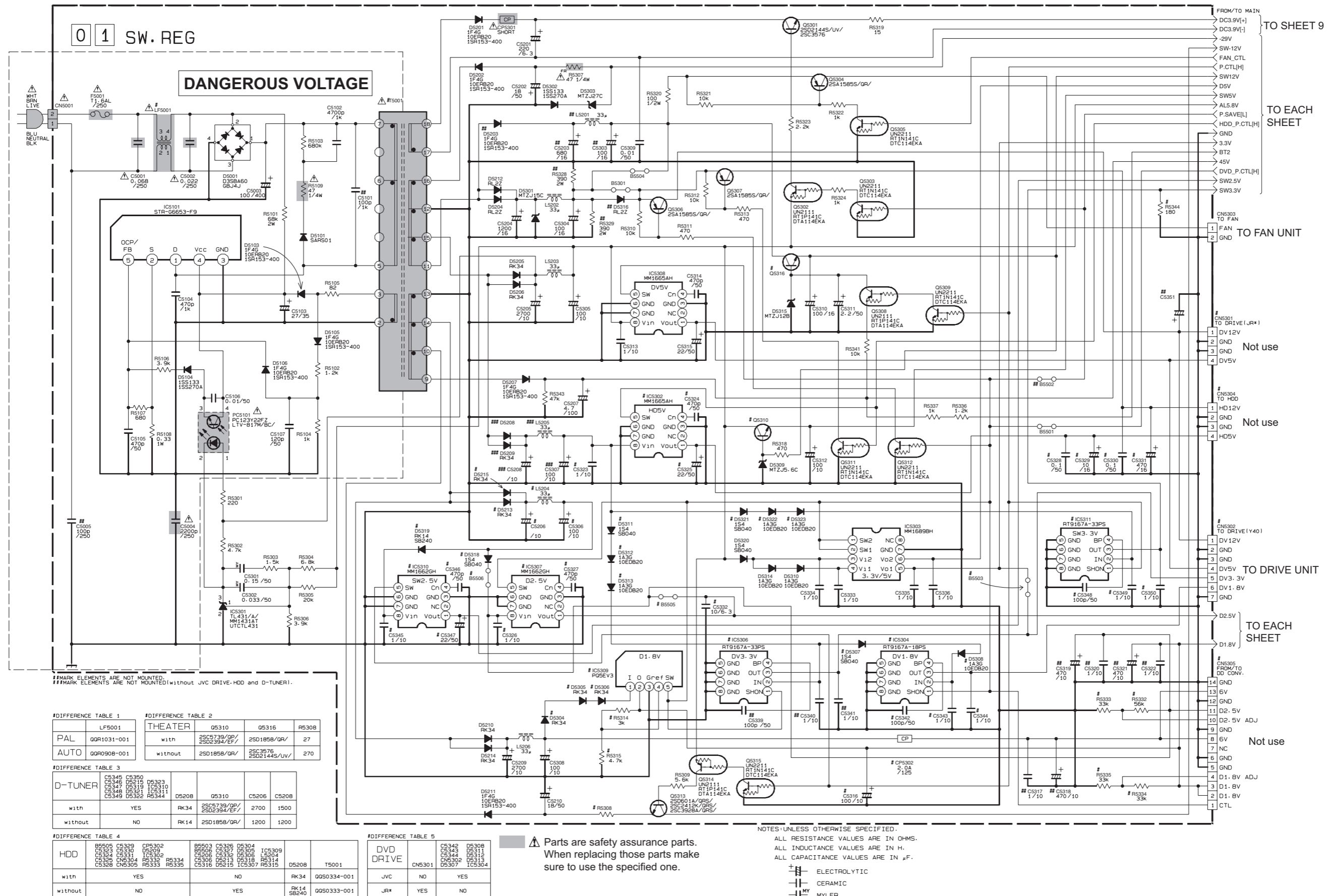
■ RGB_YC 6 8





Standard schematic diagrams

Power supply section



MARK ELEMENTS ARE NOT MOUNTED.
 MARK ELEMENTS ARE NOT MOUNTED (without JVC DRIVE, HDD and D-TUNER).

DIFFERENCE TABLE 1

	LF5001
PAL	QGR1031-001
AUTO	QGR0908-001

DIFFERENCE TABLE 2

	THEATER	Q5310	Q5316	R5308
with	2SC5739/OP/25D2394/EF/	2SD1858/QR/		27
without		2SD1858/QR/	2SD2144S/UV/	270

DIFFERENCE TABLE 3

	C5345	C5350	C5346	O5215	O5323	C5347	O5319	IC5310
with	YES	YES	YES	YES	YES	YES	YES	YES
without	NO	NO	NO	NO	NO	NO	NO	NO

DIFFERENCE TABLE 4

	B5505	C5329	CP5302	B5503	C5326	O5304	IC5309
with	YES	YES	YES	NO	NO	NO	NO
without	NO	NO	NO	YES	YES	YES	YES

DIFFERENCE TABLE 5

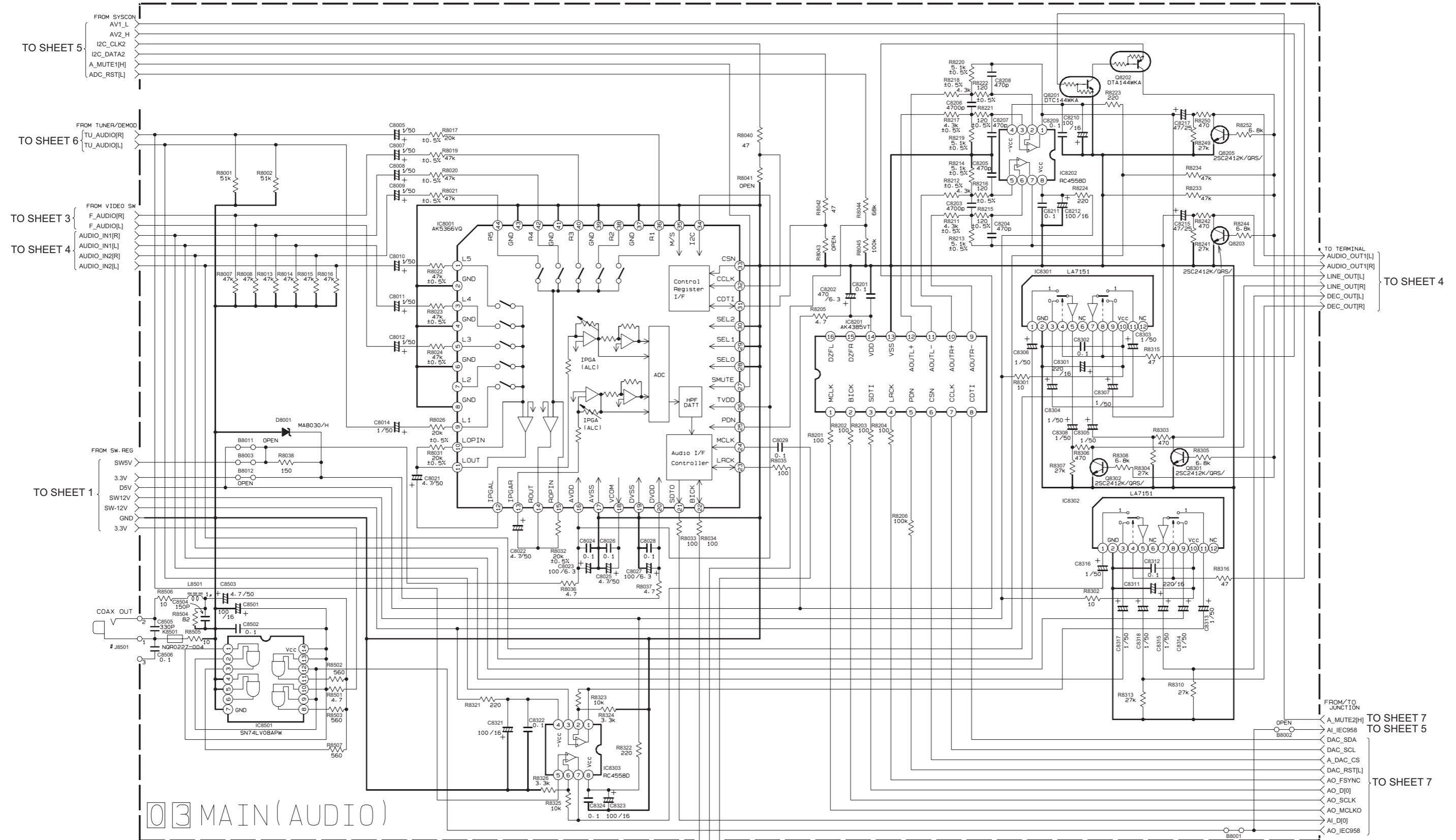
	DVD DRIVE	C5342	O5308
JVC	NO	YES	YES
JR*	YES	NO	NO

Parts are safety assurance parts. When replacing those parts make sure to use the specified one.

NOTES: UNLESS OTHERWISE SPECIFIED.
 ALL RESISTANCE VALUES ARE IN OHMS.
 ALL INDUCTANCE VALUES ARE IN H.
 ALL CAPACITANCE VALUES ARE IN μF.

ELECTROLYTIC
 CERAMIC
 MYLER
 NON POLAR

Audio signal control section



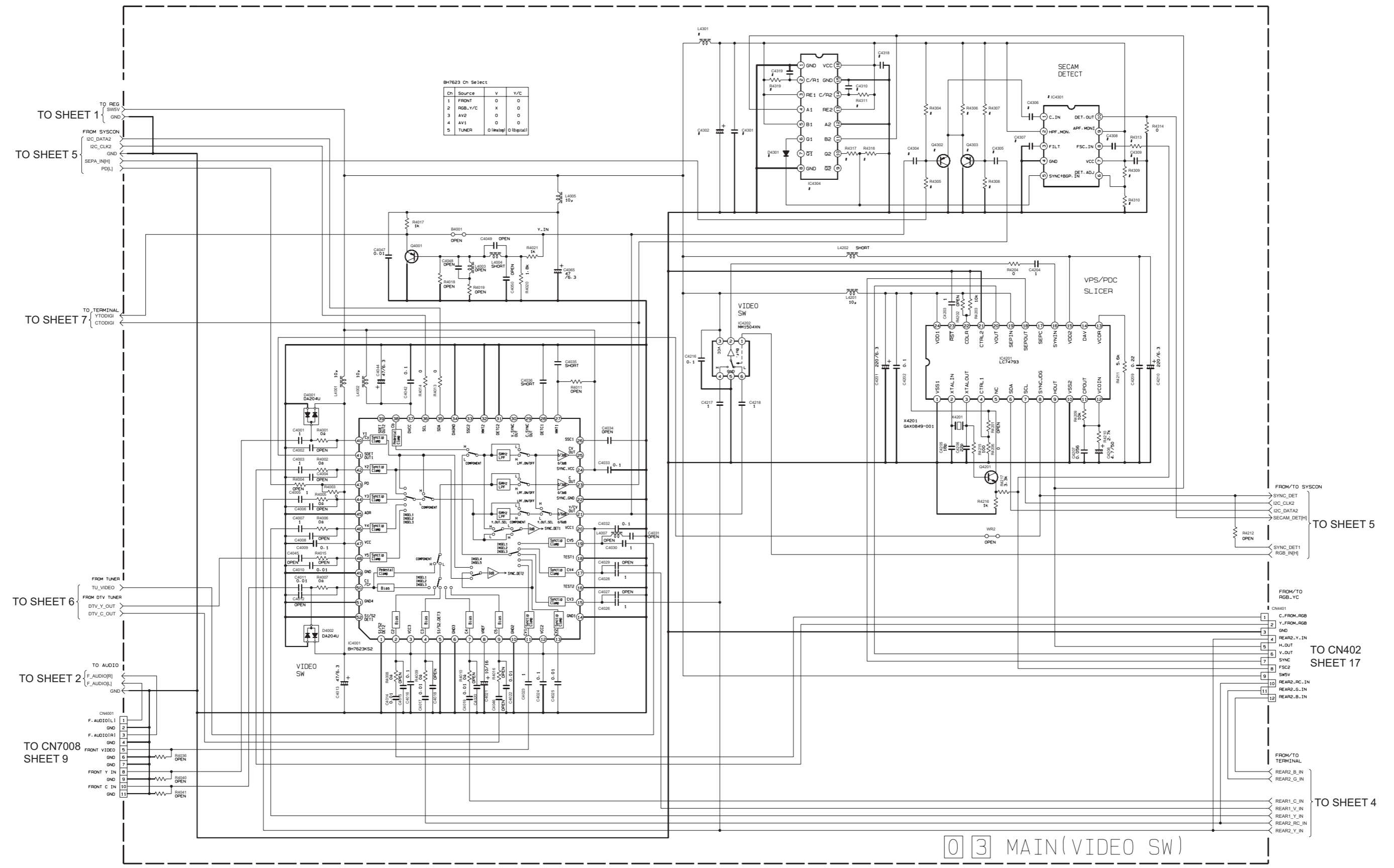
03 MAIN(AUDIO)

NOTES: UNLESS OTHERWISE SPECIFIED,
 ALL RESISTANCE VALUES ARE IN OHMS.
 ALL INDUCTANCE VALUES ARE IN H.
 ALL CAPACITANCE VALUES ARE IN μ F.

TO SHEET 7

ELECTROLYTIC
 CERAMIC
 MYLER
 NON POLAR

Video signal control section



BH7623 Ch Select

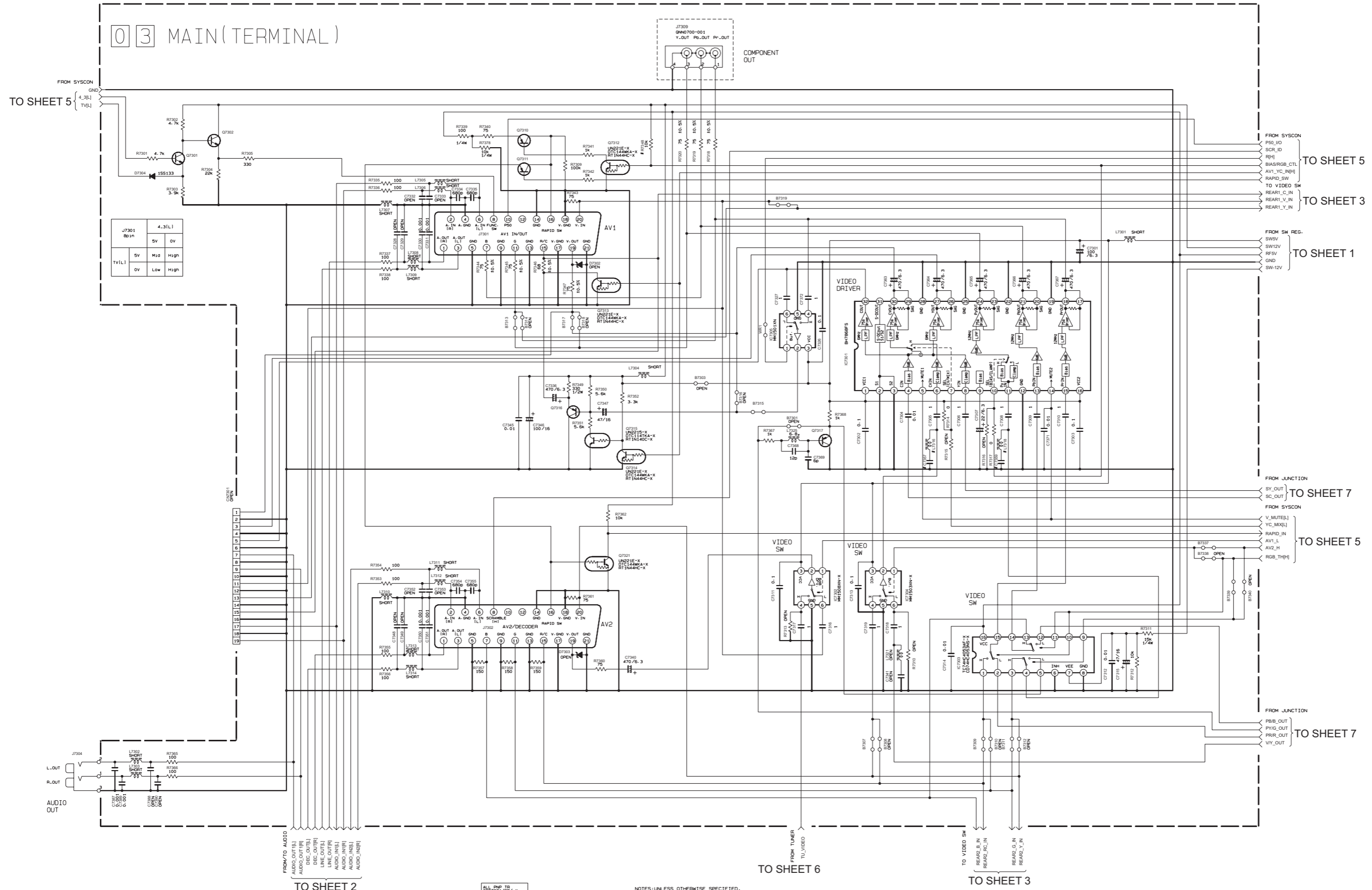
Ch	Source	Y	Y/C
1	FRONT	0	0
2	RGB_Y/C	x	0
3	AV2	0	0
4	AV1	0	0
5	TUNER	0 (Analog)	0 (Digital)

03 MAIN(VIDEO SW)

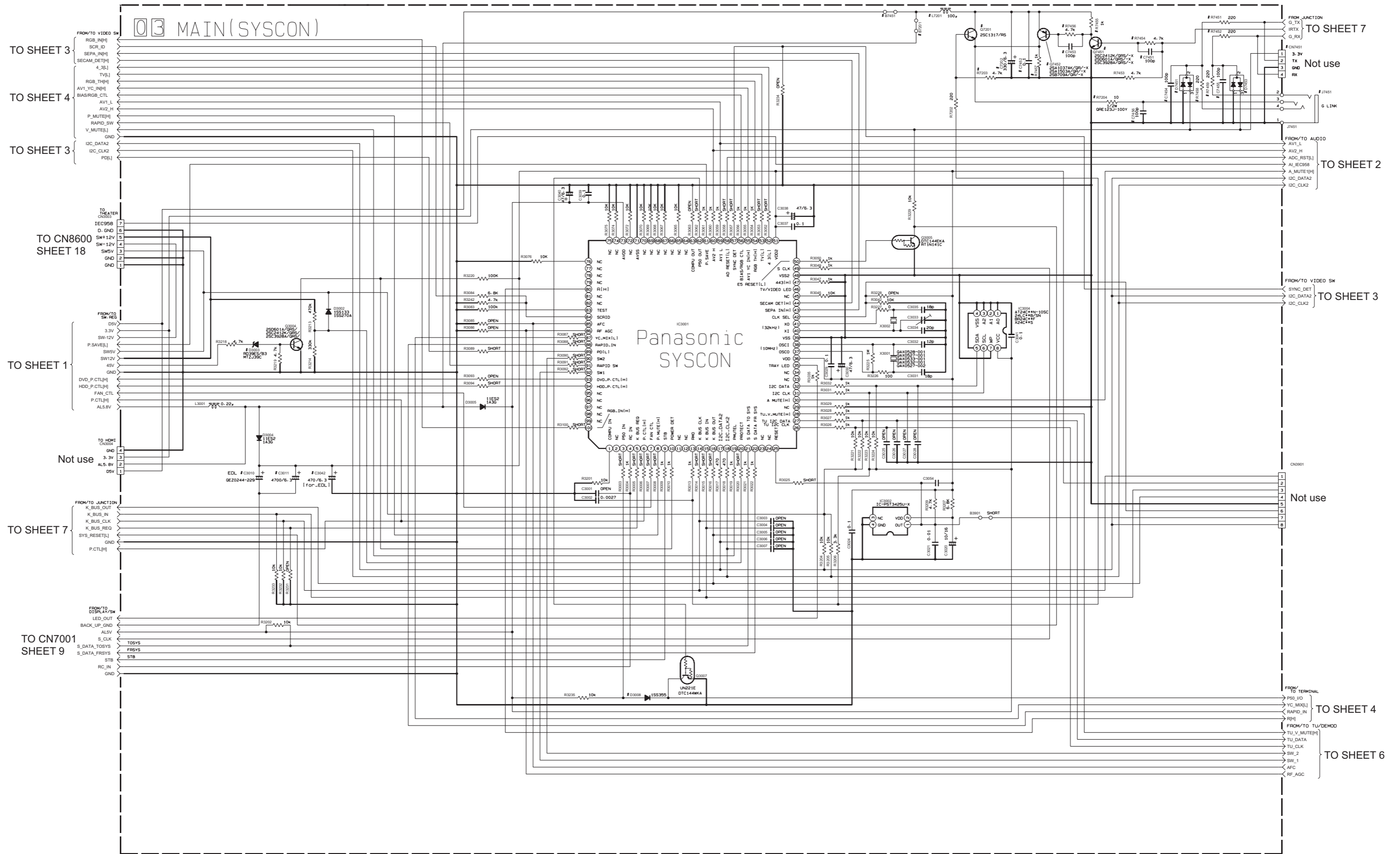
ALL SHIP TR
S9709A/GR/-X
S9713/GR/GR/-X
S9715/GR/GR/-X
ALL NPN TR
S9701A/GR/-X
S9702A/GR/-X
S9703A/GR/-X
mark are not mounted

NOTES: UNLESS OTHERWISE SPECIFIED.
ALL RESISTANCE VALUES ARE IN OHMS.
ALL INDUCTANCE VALUES ARE IN H.
ALL CAPACITANCE VALUES ARE IN uF.
ELECTROLYTIC
CERAMIC

Input / output terminal section



System control section



DIFFERENCE TABLE

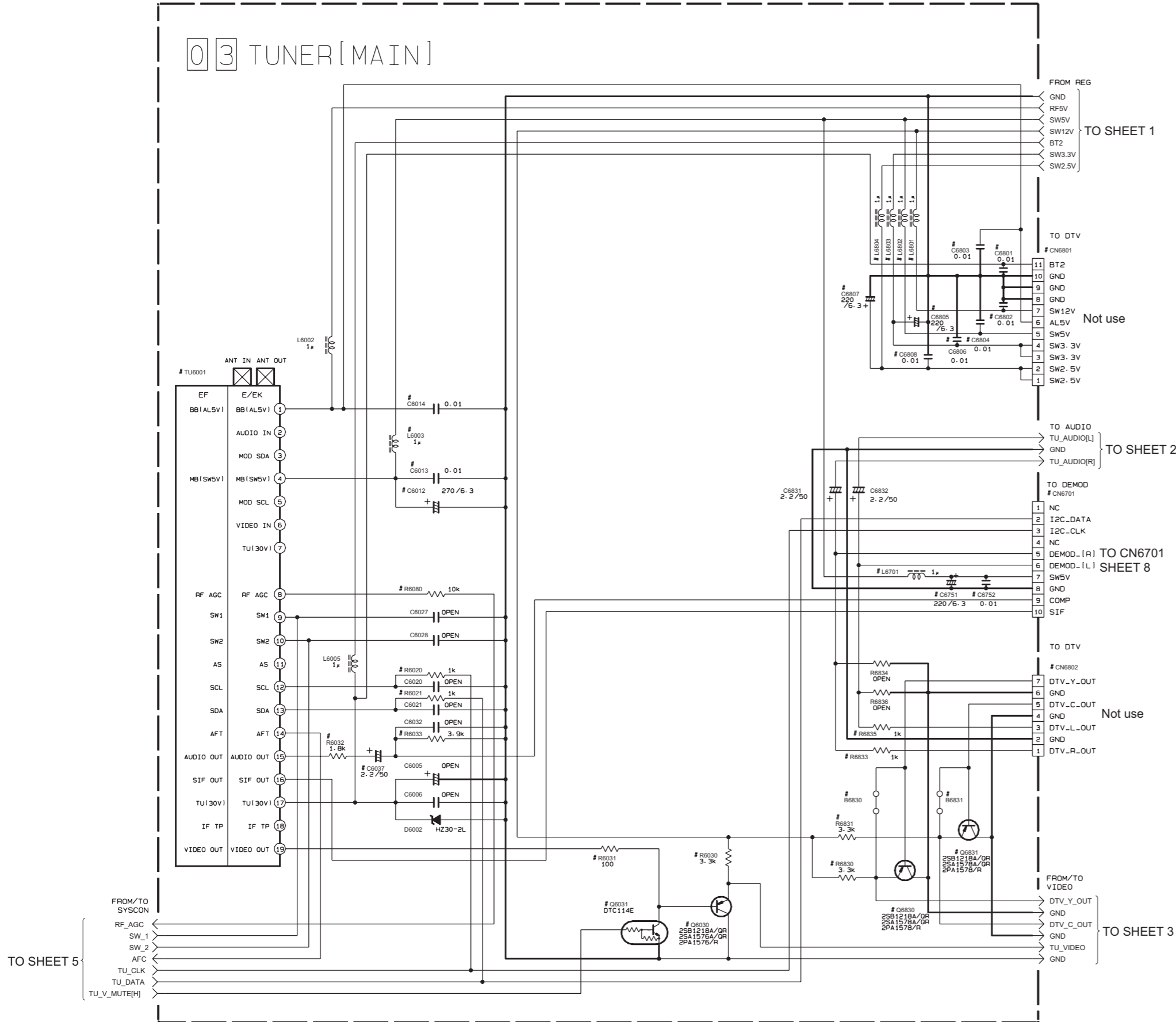
	C-BOX	G-LINK
J7451-L7201-R7204-C7202 C7452-C7456	○	○
R7205-R7203-Q7201-B7201	○	x
R7451-R7453-R7453-R7454 R7454-R7456-R7457-R7456 R7456-R7451-R7452-R7451 C7451-C7453-C7454-C7455	x	○
C7451-C7451-C7453		

NOTES: UNLESS OTHERWISE SPECIFIED:
 ALL RESISTANCE VALUES ARE IN OHMS.
 ALL INDUCTANCE VALUES ARE IN H.
 ALL CAPACITANCE VALUES ARE IN μF.

ELECTROLYTIC
 CERAMIC
 MYLAR
 NON POLAR

■ Tuner section

03 TUNER [MAIN]



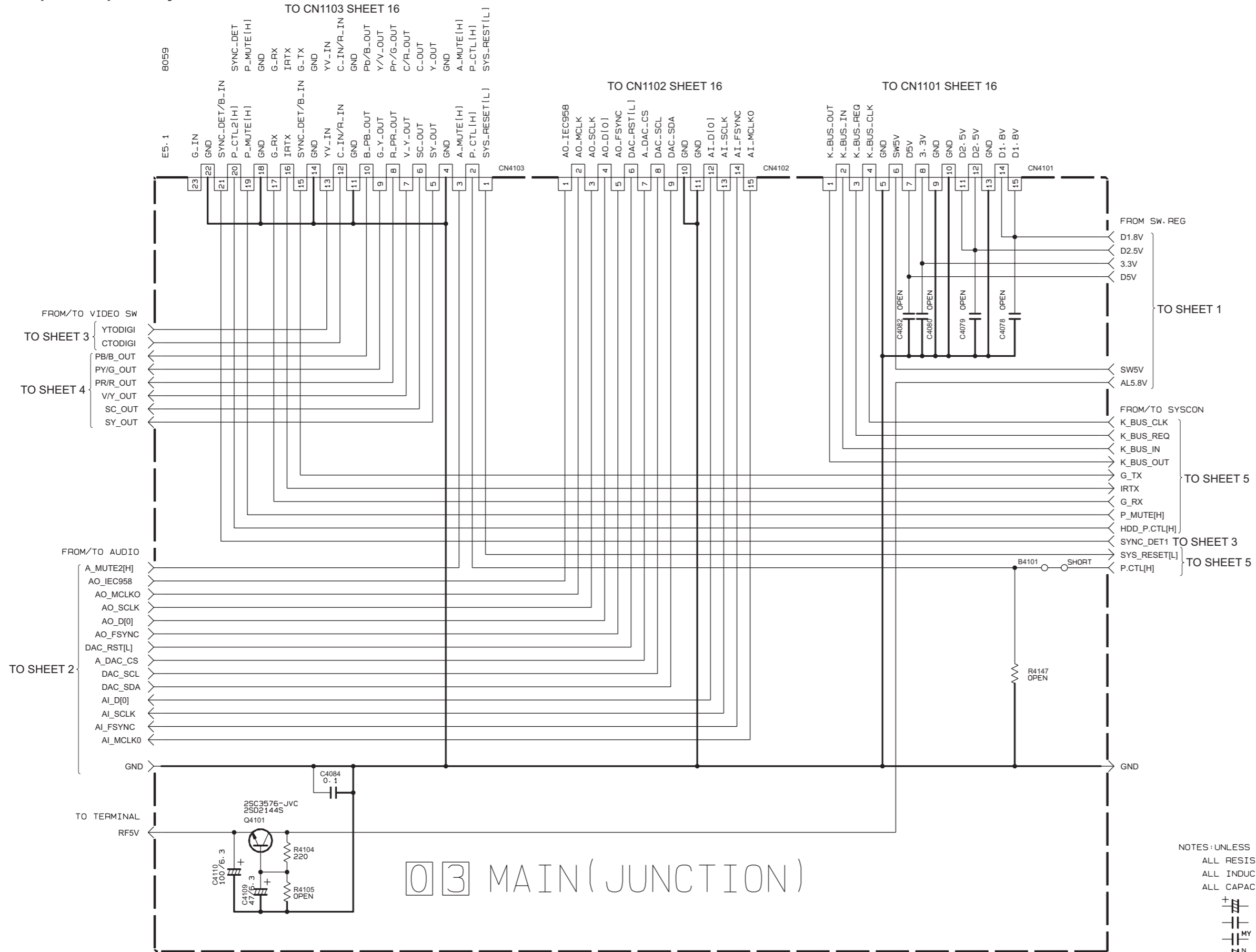
DIFFERENCE TABLE

FUNCTION	SYMBOL	THR1,THR3	
		EF	EK,EL,ER EU,EY,EZ
ANALOG TUNER			
TUNER	TU6001	SAMSUNG GAU0402	SAMSUNG GAU0401
BB(AL5V)	C6014	○	○
MB(SW5V)	L6003	○	○
	C6012	○	×
	C6013	○	○
RF AGC	R6080	○	○
SCL	R6020	○	○
SDA	R6021	○	○
AUDIO OUT	R6032	○	○
	R6033	○	×
	C6037	○	×
	C6030	○	○
VIDEO OUT	R6030	○	○
	R6031	○	○
VIDEO MUTE	Q6031	×	×
DEMOD			
VCC	L6701	○	○
	C6751	×	×
	C6752	×	×
	CN6701	○	○
DIGITAL TUNER			
REG	CN6801	×	×
BT2	C6801	×	×
SW12V	L6801	×	×
	C6802	×	×
SW5V	L6802	×	×
	C6804	×	×
SW3.3V	L6803	×	×
	C6805	×	×
	C6806	×	×
SW2.5V	L6804	×	×
	C6807	×	×
	C6808	×	×
SIGNAL	CN6802	×	×
Y OUT	R6830	×	×
	B6830	×	×
C OUT	R6831	×	×
	B6831	×	×
L OUT	R6835	×	×
R OUT	R6833	×	×

NOTES: UNLESS OTHERWISE SPECIFIED.
 ALL RESISTANCE VALUES ARE IN OHMS.
 ALL INDUCTANCE VALUES ARE IN H.
 ALL CAPACITANCE VALUES ARE IN μF.

- ⊕ CERAMIC
- ⊖ CERAMIC
- MY MYLER
- N NON POLAR

Input / output relay section



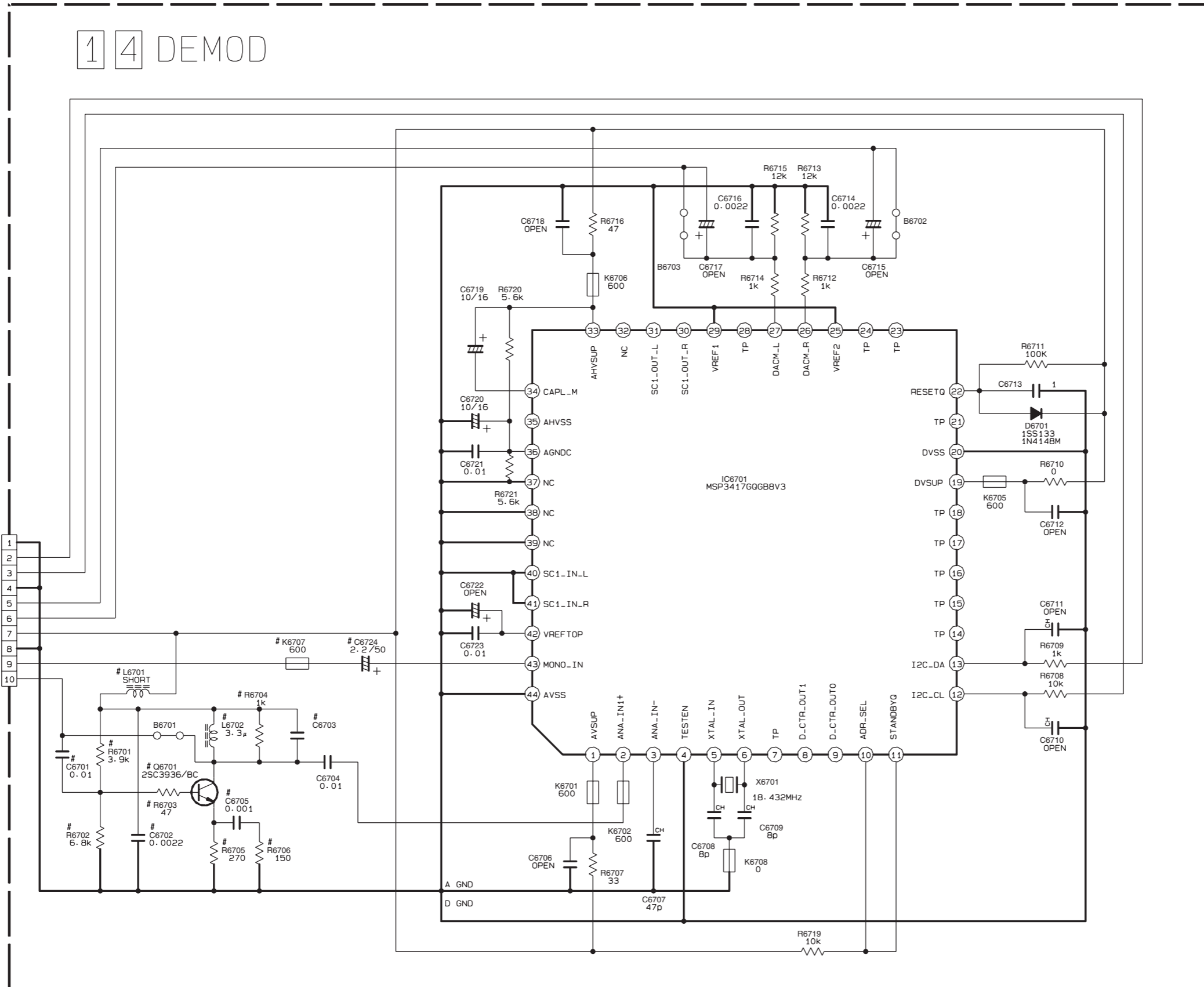
NOTES: UNLESS OTHERWISE SPECIFIED.
 ALL RESISTANCE VALUES ARE IN OHMS.
 ALL INDUCTANCE VALUES ARE IN H.
 ALL CAPACITANCE VALUES ARE IN μF.

- ELECTROLYTIC
- CERAMIC
- MYLER
- NON POLAR

Demodulator section

1 4 DEMOD

TO MAIN
CN6701
GND 1
I2C_DATA 2
I2C_CLK 3
GND 4
DEMOD_[R] 5
DEMOD_[L] 6
SW5V 7
GND 8
COMP 9
SIF 10

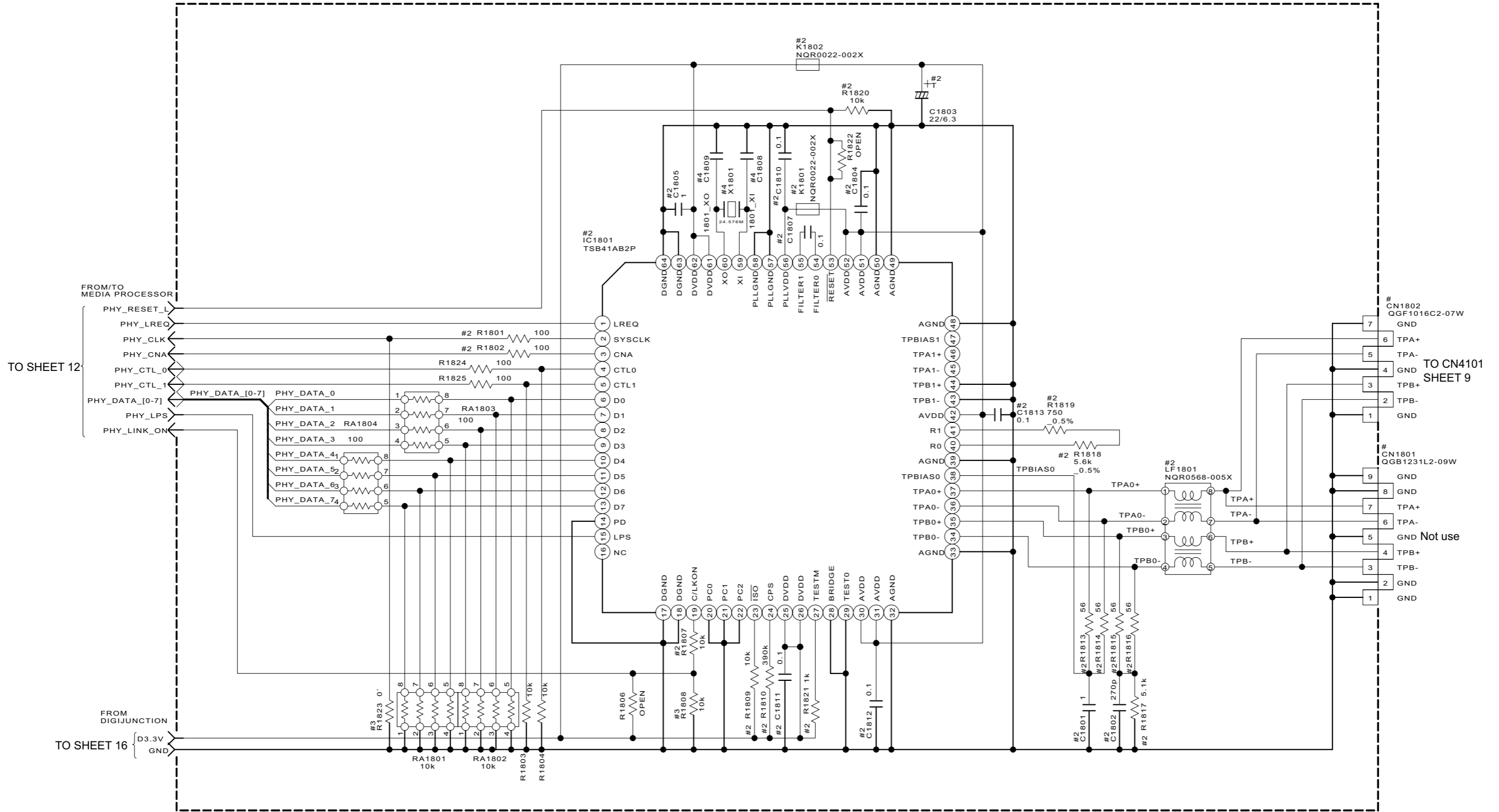


NOTES: UNLESS OTHERWISE SPECIFIED.
ALL RESISTANCE VALUES ARE IN OHMS.
ALL INDUCTANCE VALUES ARE IN H.
ALL CAPACITANCE VALUES ARE IN μ F.

- ELECTROLYTIC
- CERAMIC
- MYLER
- NON POLAR

DIFFERENCE TABLE

FUNCTION	SYMBOL	EU/EK/AA/AG	EF
PREAMP	R6701-R6704, R6705, R6706, C6701-C6703, C6705, L6702, Q6701	X	X
MONO IN	C6724, K6707	X	O

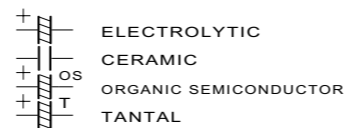


# MARK	Ref	CN1801	CN1802
THEATER	Dest Key	NO	YES
OTHER	Dest Key	YES	NO

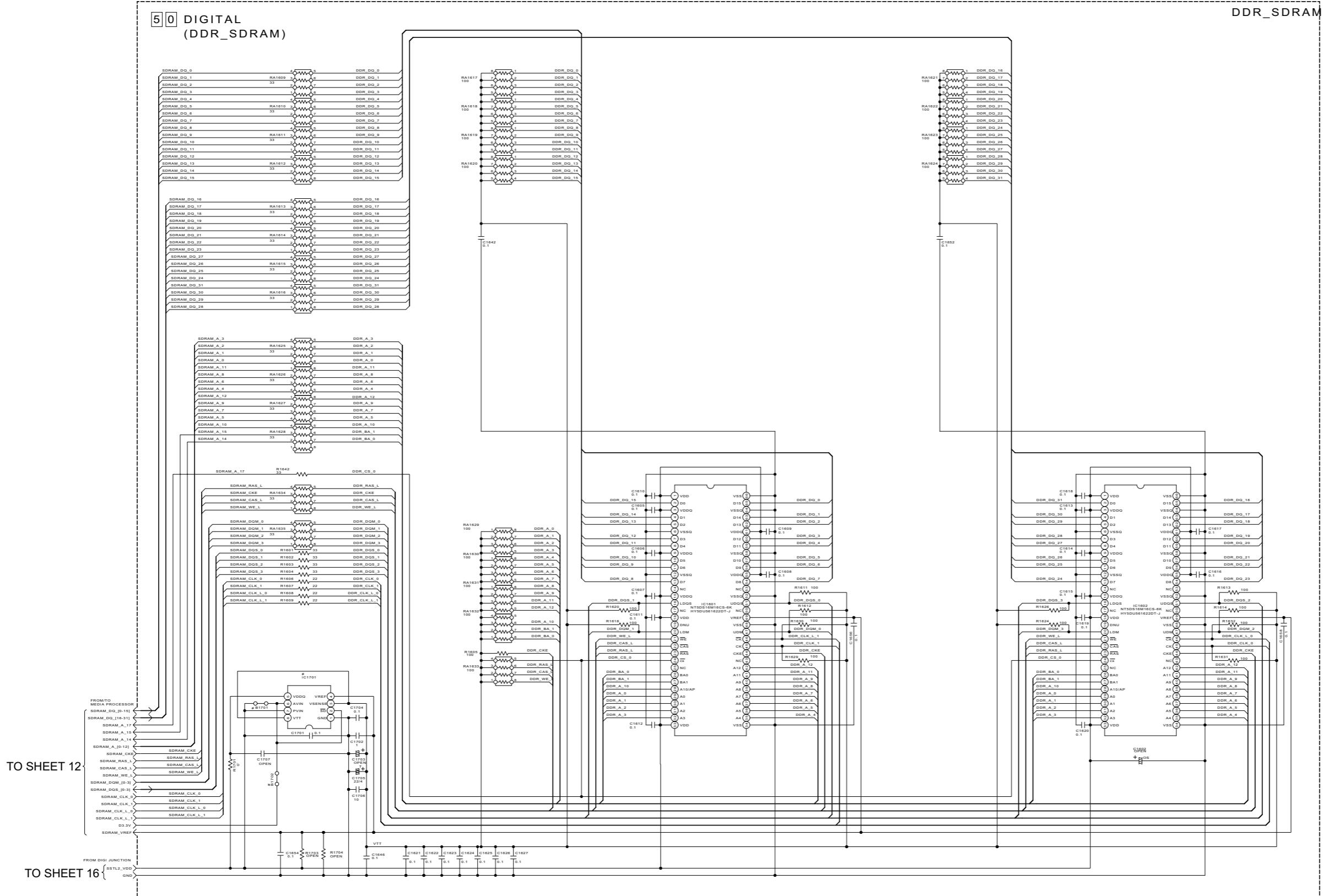
#4 MARK	Ref	X1801	C1808	C1809
NTSC	Dest Key	NAX0666-001X	12p	
PAL	Dest Key	NAX0773-001X	7p	

DIFFERENCE TABLE	Ref	#_MARK	#2_MARK	#3_MARK	#4_MARK
DV_IN	Dest Key	YES	NO		
NO_DV_IN	Dest Key	NO	YES		

NOTES: UNLESS OTHERWISE SPECIFIED
 ALL RESISTANCE VALUES ARE IN OHMS.
 ALL INDUCTANCE VALUES ARE IN H.
 ALL CAPACITANCE VALUES ARE IN F.



DDR SDRAM section



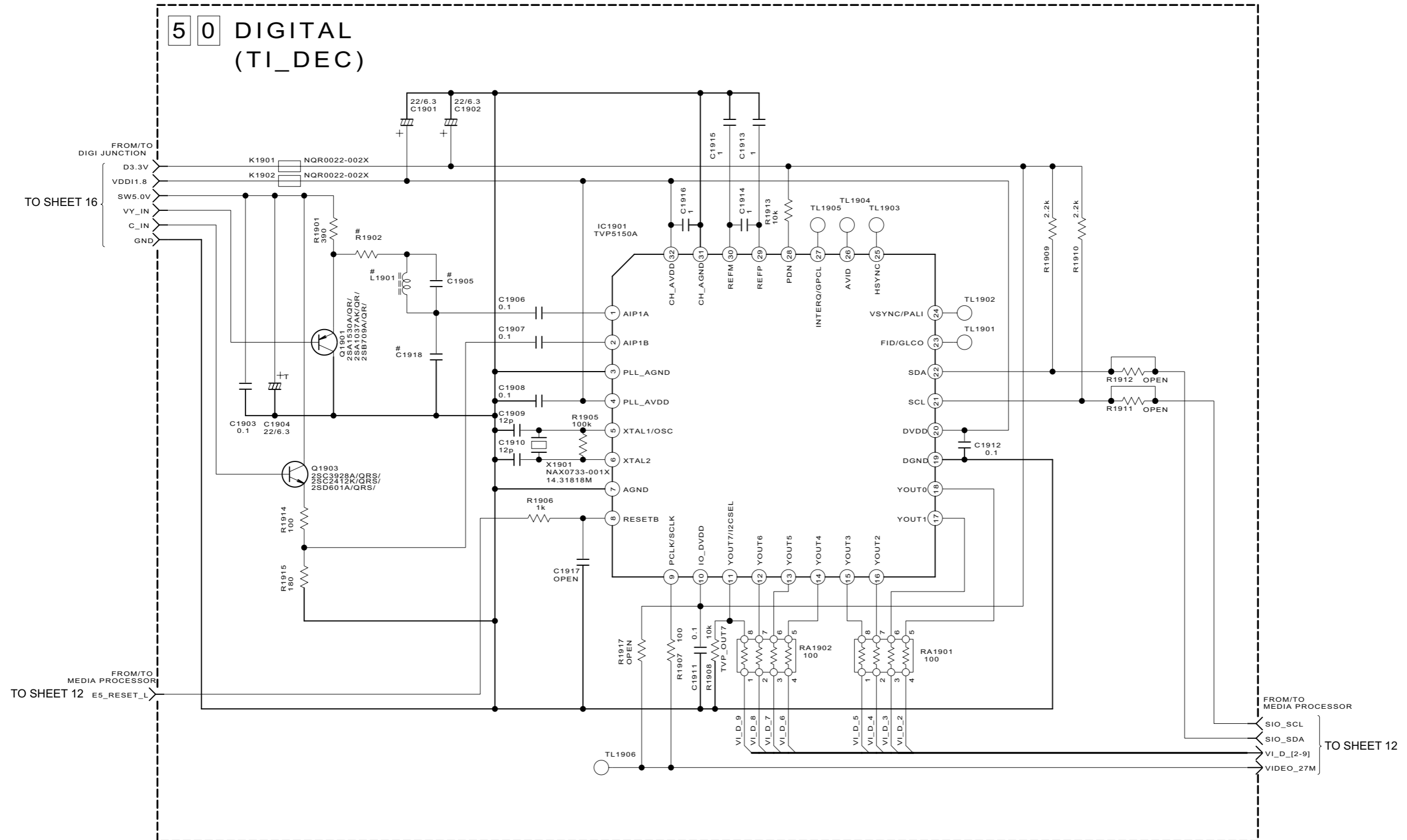
TO SHEET 12

TO SHEET 16

MARK	REF	IC1701	B1701	B1702
DRAW	NO	NO	YES	NO
NYC	NO	NO	YES	NO
PAL	NO	NO	YES	NO

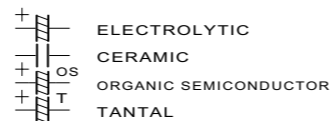
NOTES UNLESS OTHERWISE SPECIFIED:
 ALL RESISTANCE VALUES ARE IN OHMS.
 ALL INDUCTANCE VALUES ARE IN NH.
 ALL CAPACITANCE VALUES ARE IN PF.
 + ELECTROLYTIC
 CERAMIC
 ORGANIC SEMICONDUCTOR
 TANTAL

Video decoder section

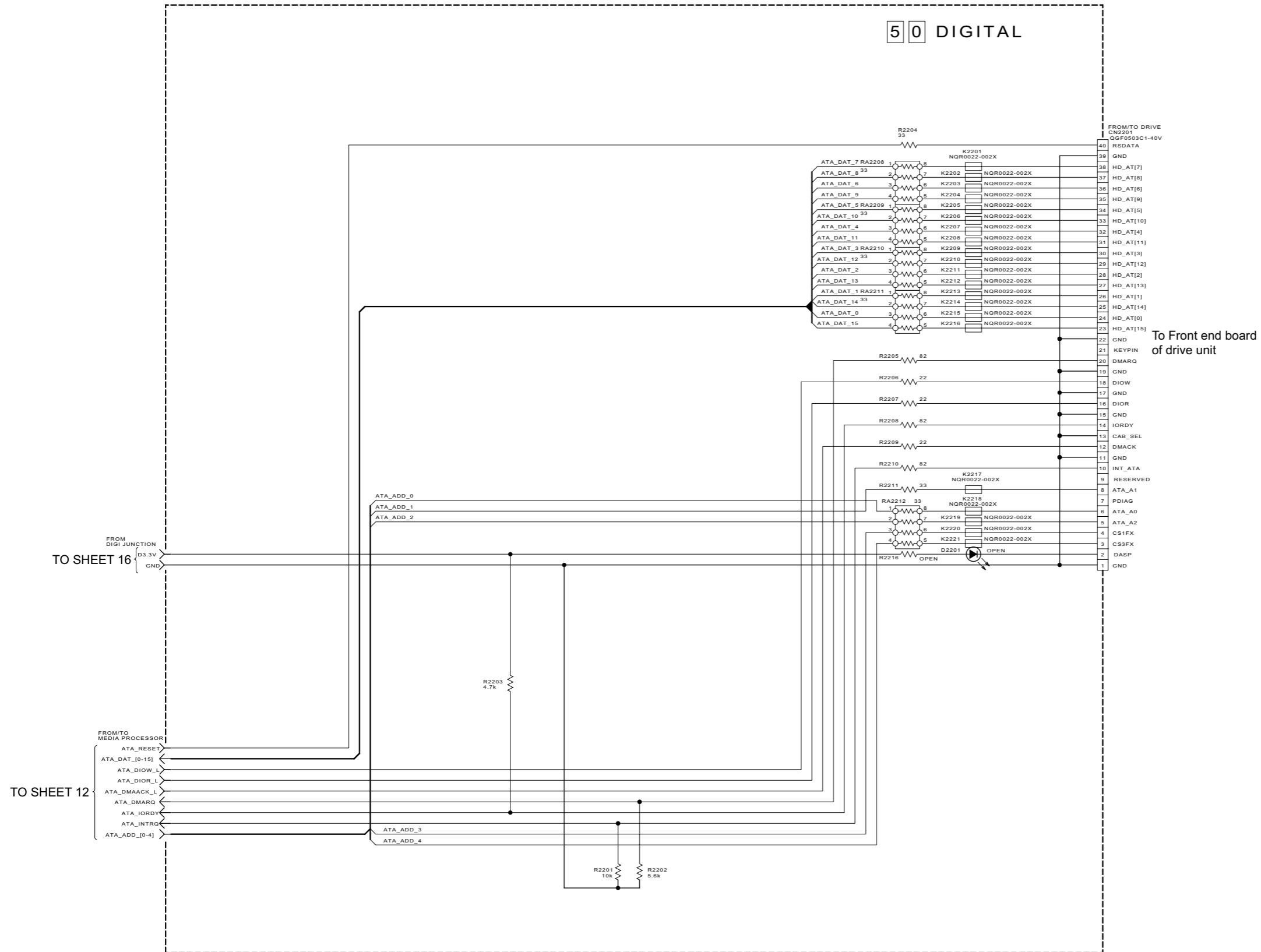


# MARK	Ref	Dest Key	R1902	L1901	C1905	C1918
NTSC	0'		0'	OPEN	0'	OPEN
PAL	100		1.8u	5p	100p	

NOTES: UNLESS OTHERWISE SPECIFIED
 ALL RESISTANCE VALUES ARE IN OHMS.
 ALL INDUCTANCE VALUES ARE IN H.
 ALL CAPACITANCE VALUES ARE IN F.



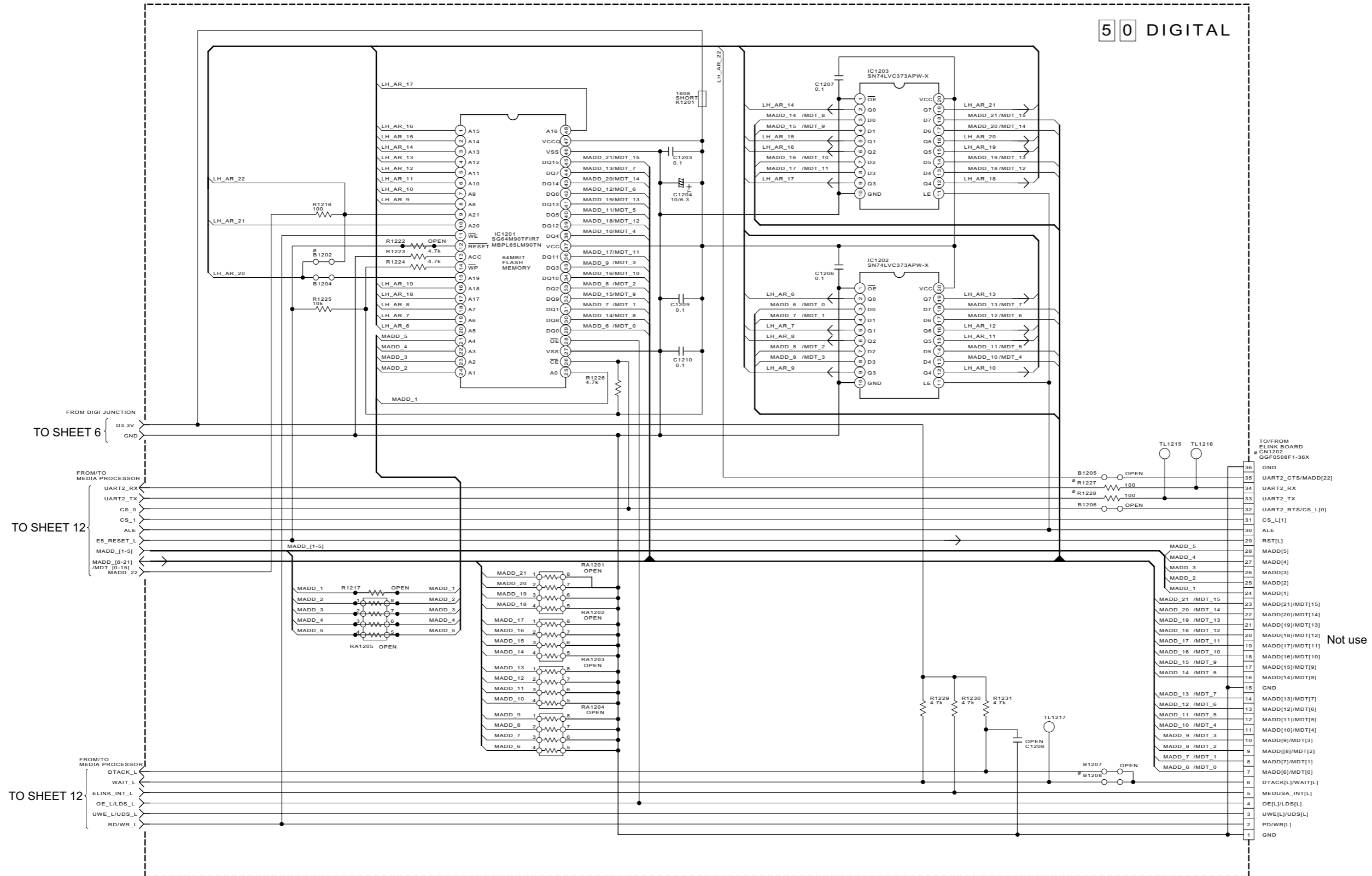
■ ATAPI interface section



NOTES: UNLESS OTHERWISE SPECIFIED,
 ALL RESISTANCE VALUES ARE IN OHMS.
 ALL INDUCTANCE VALUES ARE IN H.
 ALL CAPACITANCE VALUES ARE IN F.

ELECTROLYTIC
 CERAMIC
 ORGANIC SEMICONDUCTOR
 TANTAL

FLASH-ROM section

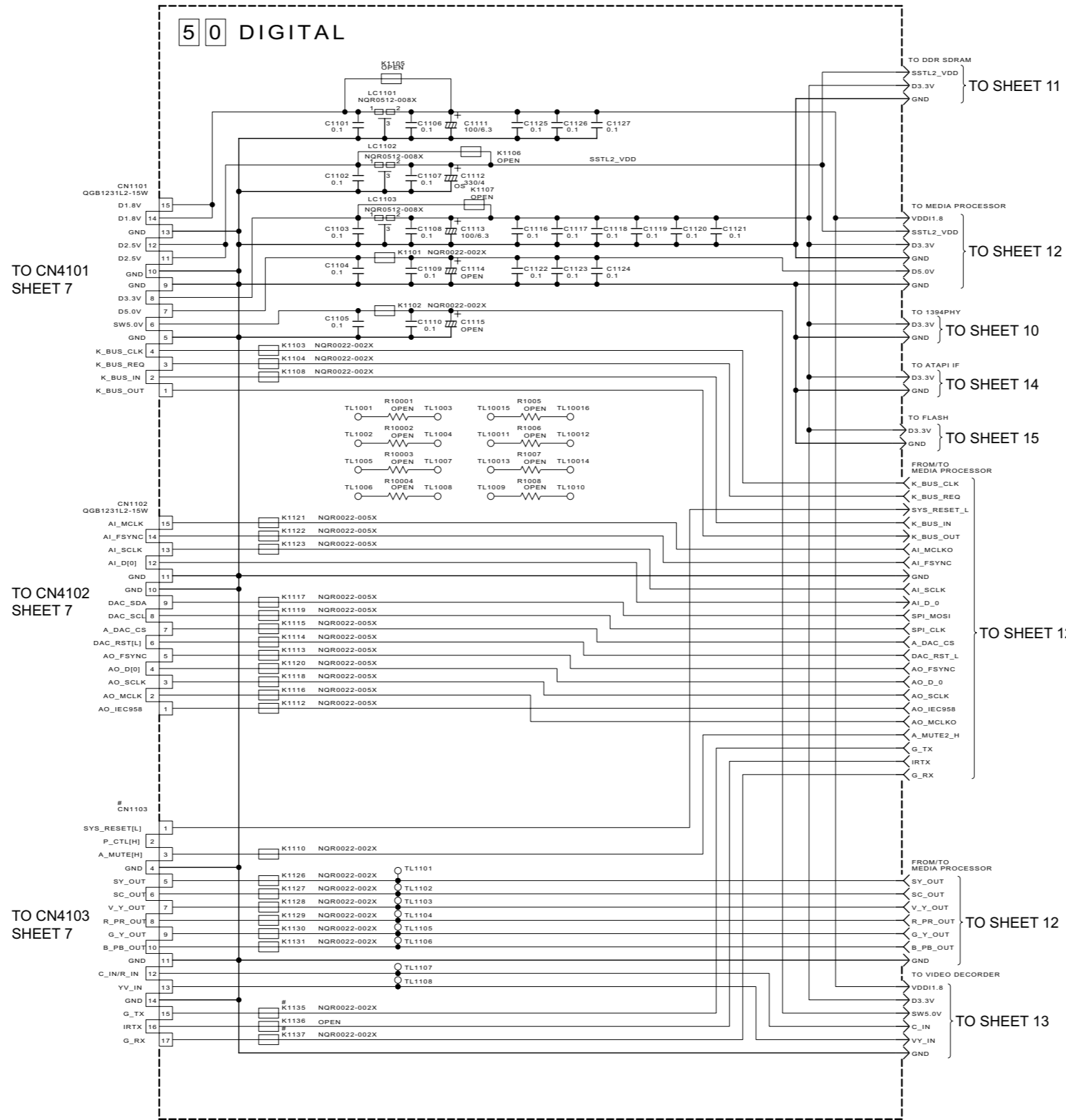


NOTES: UNLESS OTHERWISE SPECIFIED
 ALL RESISTANCE VALUES ARE IN OHMS.
 ALL INDUCTANCE VALUES ARE IN H.
 ALL CAPACITANCE VALUES ARE IN F.

MARK ARE NOT MOUNTED.

ELECTROLYTIC
 CERAMIC
 ORGANIC SEMICONDUCTOR
 TANTALUM

■ Digital junction section

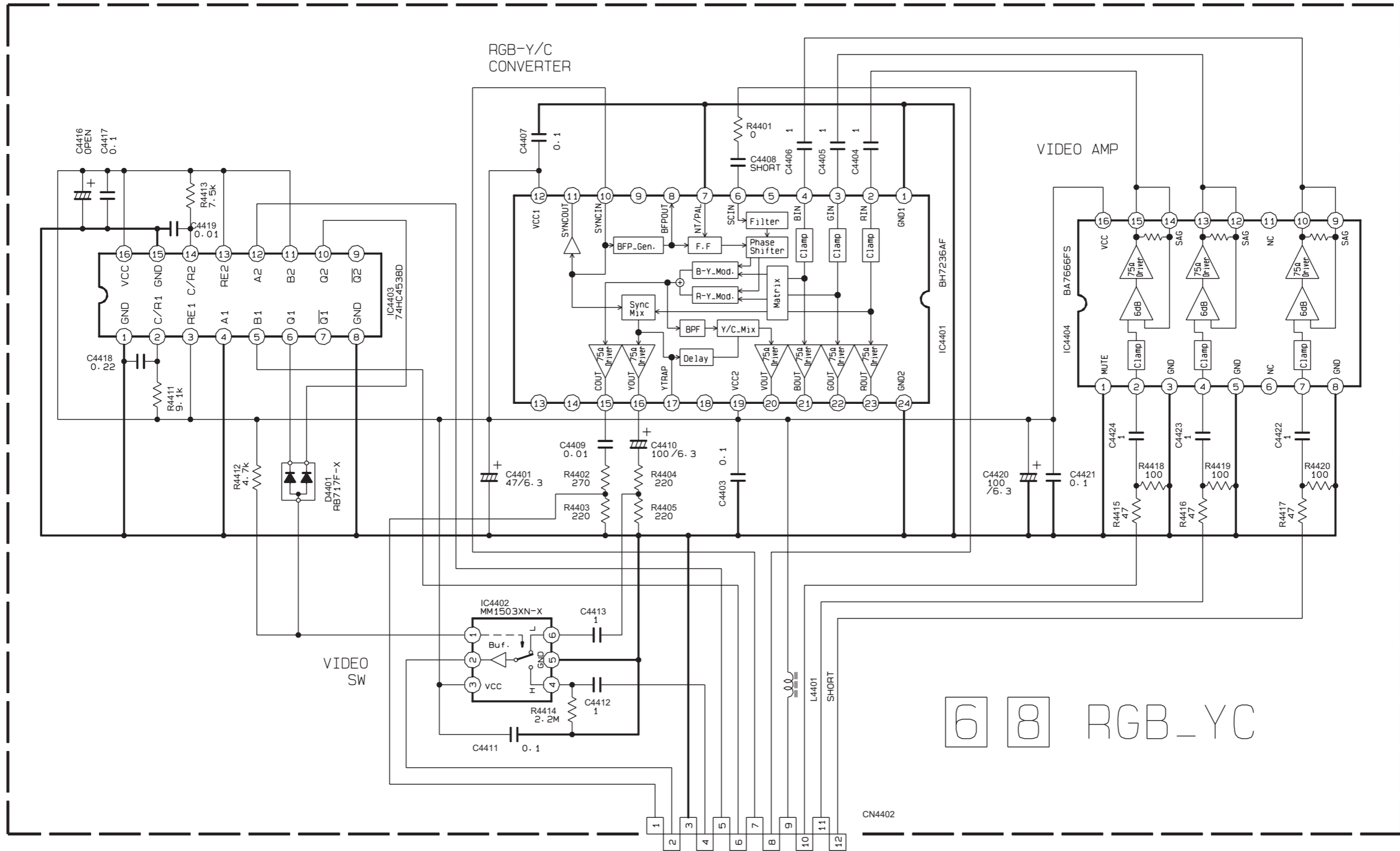


NOTES: UNLESS OTHERWISE SPECIFIED,
ALL RESISTANCE VALUES ARE IN OHMS.
ALL INDUCTANCE VALUES ARE IN H.
ALL CAPACITANCE VALUES ARE IN F.

- ELECTROLYTIC
- CERAMIC
- ORGANIC SEMICONDUCTOR
- TANTAL

# MARK		CN1103	K1135 K1137
Dest Key	Ref		
DR-MV5	QGF1016C2-17W	YES	
OTHER	QGF1016C2-15W	NO	

RGB - Y/C converter section



NOTES: UNLESS OTHERWISE SPECIFIED.
 ALL RESISTANCE VALUES ARE IN OHMS.
 ALL INDUCTANCE VALUES ARE IN H.
 ALL CAPACITANCE VALUES ARE IN μ F.

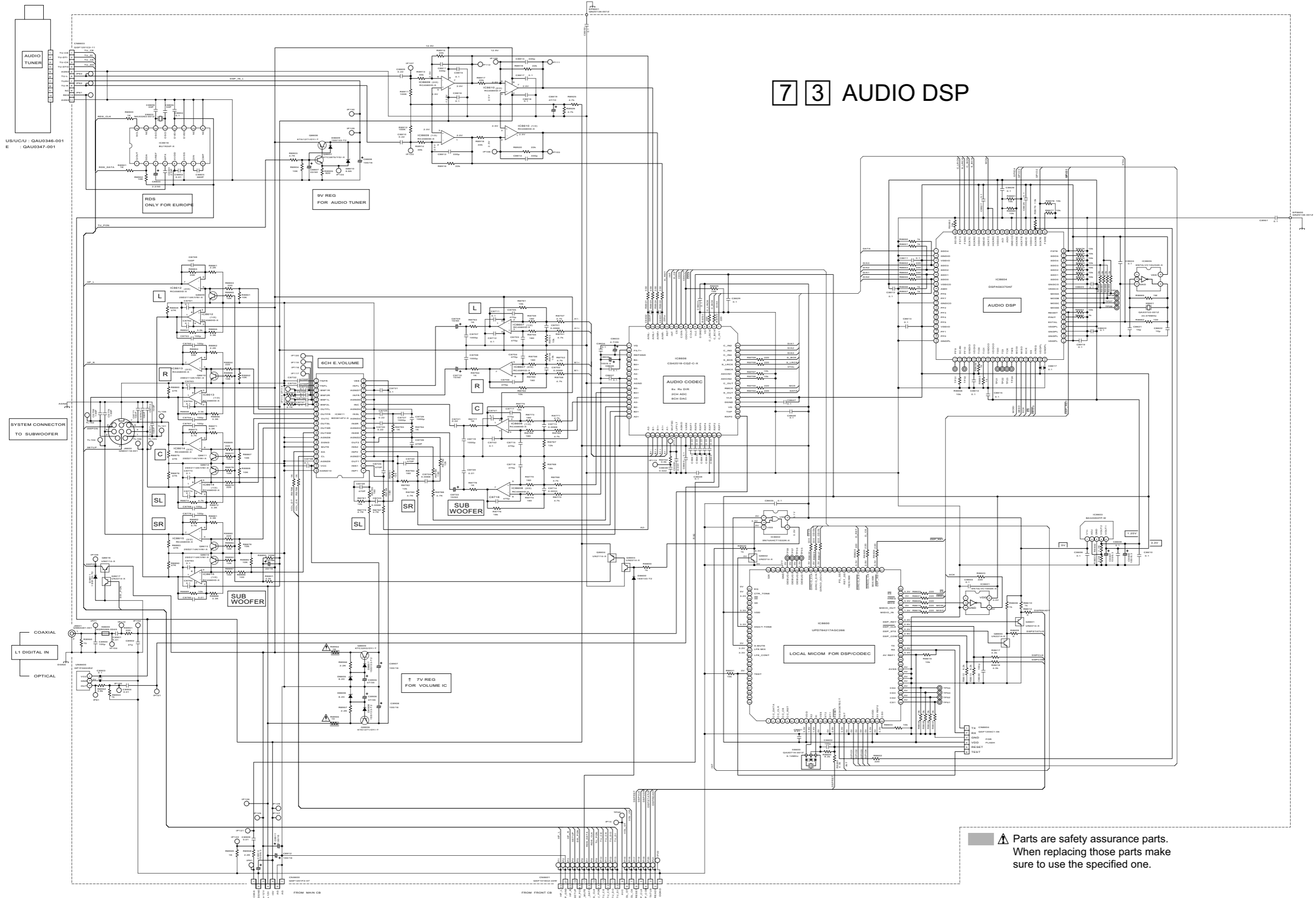
ELECTROLYTIC
 CERAMIC

FROM/TO MAIN
 1 C-FROM_RGB
 2 Y-FROM_RGB
 3 GND
 4 REAR2-Y-IN
 5 H-OUT
 6 V-OUT
 7 SYNC
 8 FSC2
 9 SW5V
 10 REAR2-RC-IN
 11 REAR2-G-IN
 12 REAR2-B-IN

TO CN4401
 SHEET 3

6 8 RGB_YC

Audio DSP section



7 3 AUDIO DSP

USUC/U : QAU0346-001
E : QAU0347-001

SYSTEM CONNECTOR
TO SUBWOOFER

COAXIAL
OPTICAL
L1 DIGITAL IN

RDS ONLY FOR EUROPE

9V REG FOR AUDIO TUNER

6CH E. VOLUME

SUB WOOFER

SUB WOOFER

± 7V REG FOR VOLUME IC

AUDIO CODEC

AUDIO DSP

LOCAL MICOM FOR DSP/ICODEC

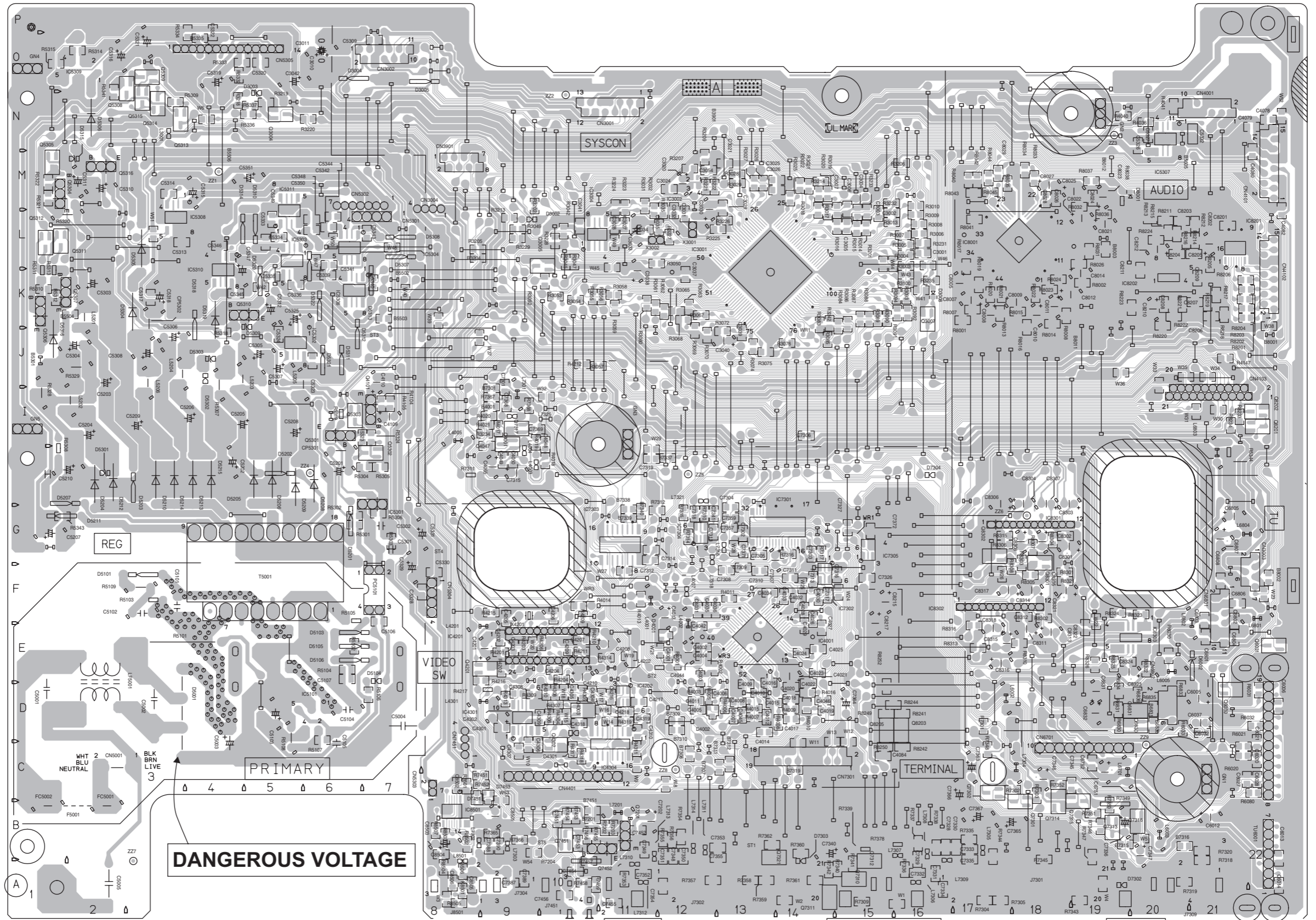
⚠ Parts are safety assurance parts.
When replacing those parts make
sure to use the specified one.

TO CN3003
SHEET 5

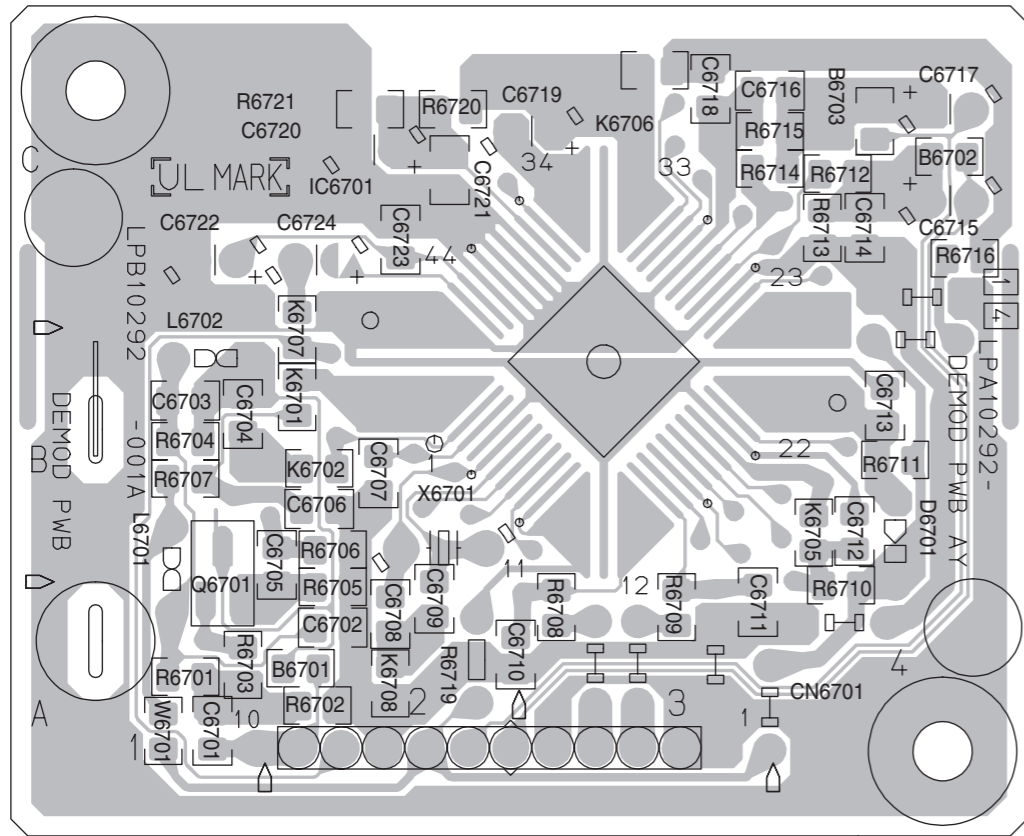
TO CN7002
SHEET 9

Printed circuit boards

■ Main board Lead free solder used in the board (material : Sn-Ag-Cu, melting point : 219 Centigrade)

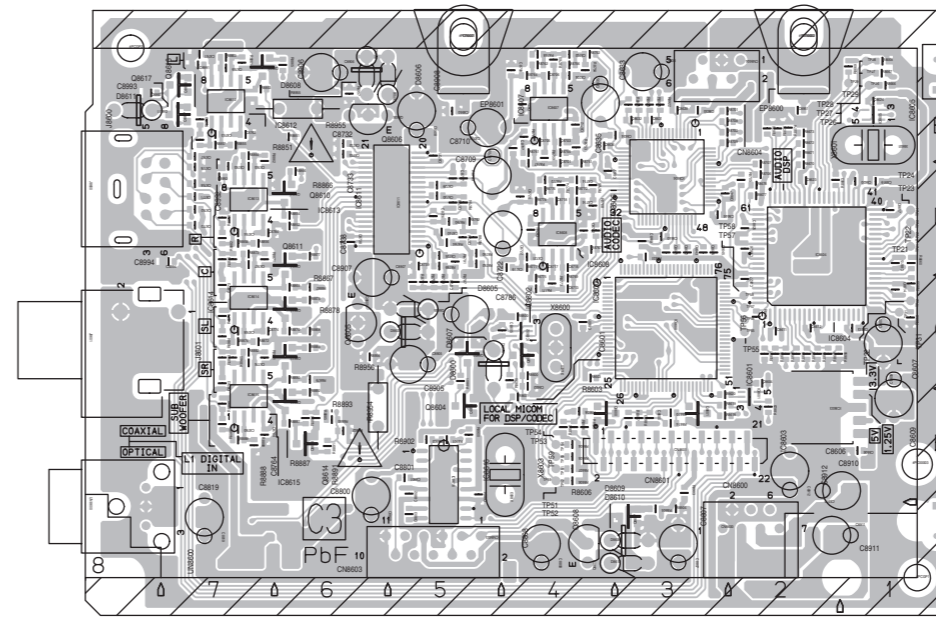


■ **Demodulator board** Lead free solder used in the board (material : Sn-Ag-Cu, melting point : 219 Centigrade)

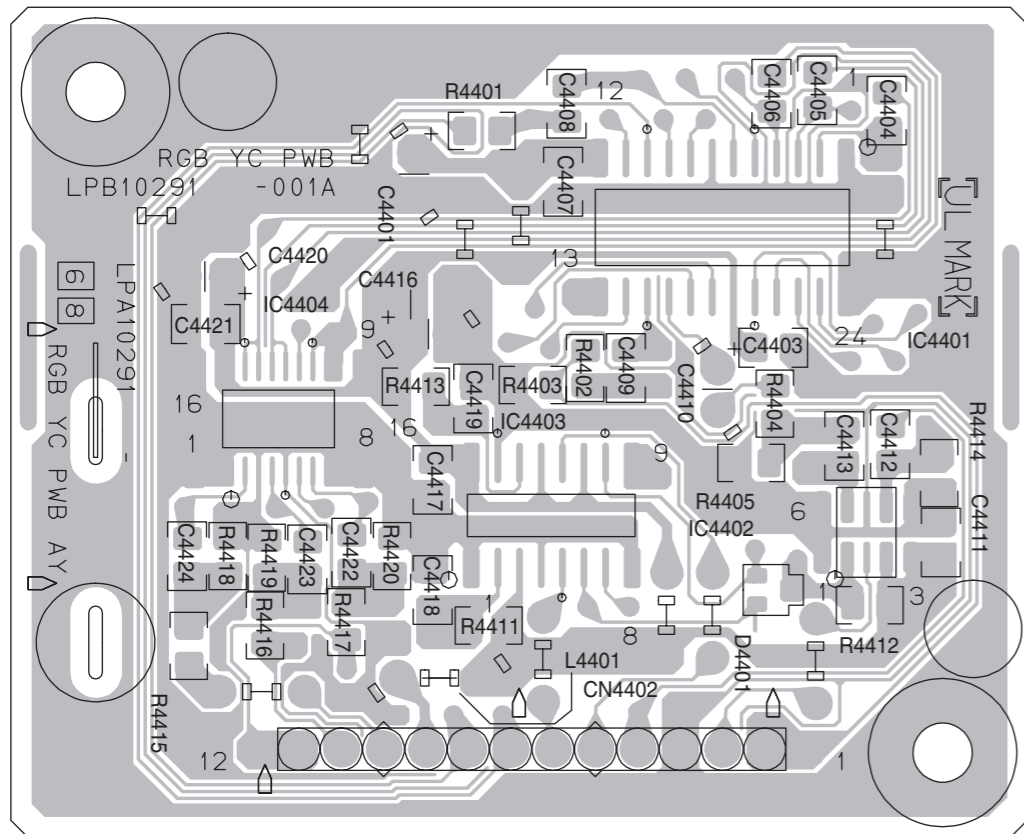


■ **Audio DSP board** Lead free solder used in the board (material : Sn-Ag-Cu, melting point : 219 Centigrade)

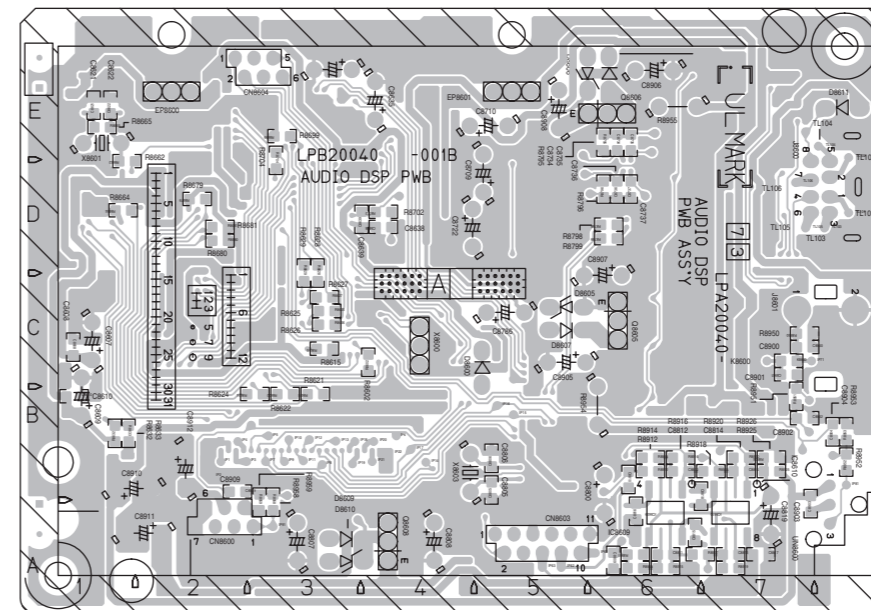
Forward side



■ **RGB-Y/C Converter board** Lead free solder used in the board (material : Sn-Ag-Cu, melting point : 219 Centigrade)

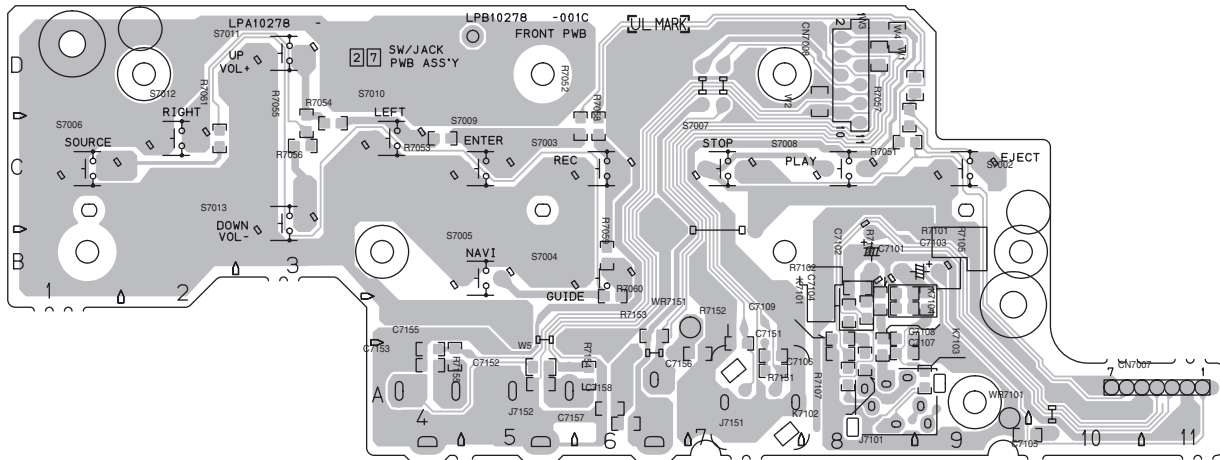


Reverse side



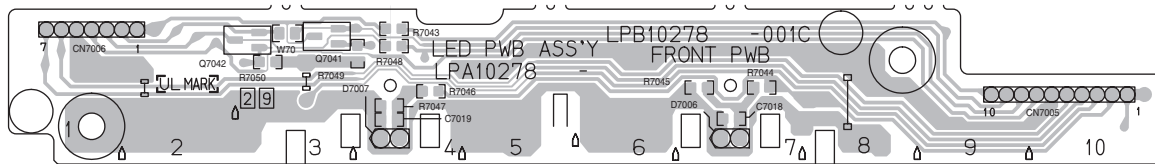
■ Switch / Jack board

Lead free solder used in the board (material : Sn-Ag-Cu, melting point : 219 Centigrade)



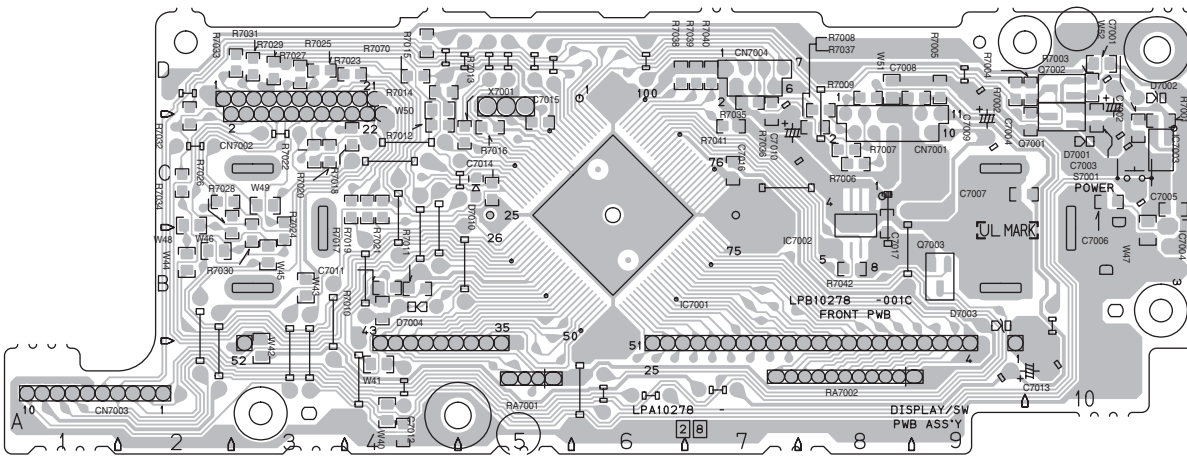
■ LED board

Lead free solder used in the board (material : Sn-Ag-Cu, melting point : 219 Centigrade)



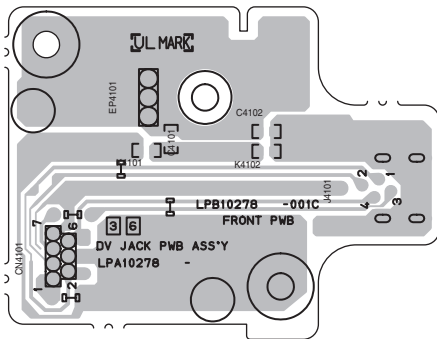
■ Display / Switch board

Lead free solder used in the board (material : Sn-Ag-Cu, melting point : 219 Centigrade)



■ DV Jack board

Lead free solder used in the board (material : Sn-Ag-Cu, melting point : 219 Centigrade)



< MEMO >

JVC

Victor Company of Japan, Limited

AV & MULTIMEDIA COMPANY AUDIO/VIDEO SYSTEMS CATEGORY 10-1, 1chome, Ohwatari-machi, Maebashi-city, 371-8543, Japan

(No.MB442BSCH)



Printed in Japan
VPT