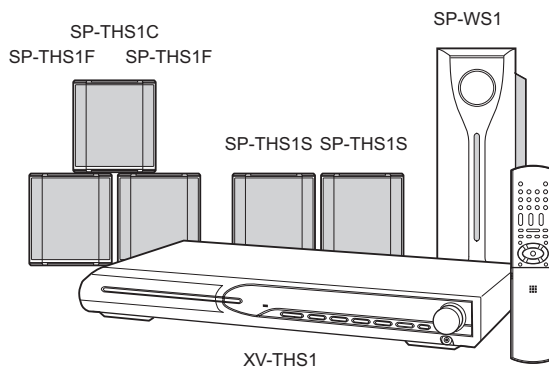


JVC

SERVICE MANUAL

DVD DIGITAL CINEMA SYSTEM

TH-S1



Area suffix

B ----- U.K.
E ----- Continental Europe
EN ----- Northern Europe
EV ----- Eastern Europe
EE ----- Russian Federation



TABLE OF CONTENTS

1	PRECAUTION.....	1-3
2	SPECIFIC SERVICE INSTRUCTIONS.....	1-3
3	DISASSEMBLY	1-3
4	ADJUSTMENT	1-3
5	TROUBLESHOOTING	1-3

SPECIFICATION

Center unit (XV-THS1)

Audio section	Front/Center/Surround		52 W per channel, RMS at 6 Ω at 1 kHz, with 10 % total harmonic distortion.
	Subwoofer		52 W, RMS at 6 Ω at 100 Hz, with 10% total harmonic distortion.
	Digital input*	OPTICAL DIGITAL IN	-21 dBm to -15 dBm (660 nm E30 nm)
Video section	Video System		PAL
	Horizontal Resolution		500 lines
	Signal-to-Noise Ratio (Composite signal when "RGB" is selected)		64 dB
	Video output level	Composite	1.0 V(p-p)/75 Ω
S-video-Y		1.0 V(p-p)/75 Ω	
S-video-C		0.3 V(p-p)/75 Ω	
Tuner section	Tuning Range	FM	87.50 MHz to 108.00 MHz
		AM	522 kHz to 1 629 kHz
General	Power Requirements		AC 230 V , 50 Hz
	Power Consumption		75 W (at operation) 1.0 W (in standby mode)
	Dimensions (W \times H \times D)		360 mm \times 65 mm \times 370 mm
	Mass		5.3 kg

* Corresponding to Linear PCM, Dolby Digital, and DTS Digital Surround (with sampling frequency -32 kHz, 44.1 kHz, 48 kHz)

Front / Center speakers (SP-THS1F)

Type	1-Way Bass-Reflex Type (Magnetically-shielded Type)
Speaker	8.0 cm cone \times 1
Power Handling Capacity	55 W
Impedance	6 Ω
Frequency Range	90 Hz to 20 000 Hz
Sound Pressure Level	80.0 dB/W·m
Dimensions (W \times H \times D)	106 mm \times 119.5 mm \times 102 mm
Mass	0.49 kg each

Surround speakers (SP-THS1S)

Type	1-Way Bass-Reflex Type (Magnetically-shielded Type)
Speaker	8.0 cm cone \times 1
Power Handling Capacity	55 W
Impedance	6 Ω
Frequency Range	90 Hz to 20 000 Hz
Sound Pressure Level	80 dB/W·m
Dimensions (W \times H \times D)	106 mm \times 119.5 mm \times 102 mm
Mass	0.56 kg each

Subwoofer (SP-WS1)

Type	1-Way Bass-Reflex Type (Magnetically-shielded Type)
Speaker	16.0 cm cone \times 1
Power Handling Capacity	55 W
Impedance	6 Ω
Frequency Range	30 Hz to 150 Hz
Sound Pressure Level	76 dB/W·m
Dimensions (W \times H \times D)	128 mm \times 284 mm \times 337 mm
Mass	3.3 kg

Designs & specifications are subject to change without notice.

**SECTION 1
PRECAUTION**

Please refer to "TH-S3 No.MB187" about this section.

**SECTION 2
SPECIFIC SERVICE INSTRUCTIONS**

Please refer to "TH-S3 No.MB187" about this section.

**SECTION 3
DISASSEMBLY**

Please refer to "TH-S3 No.MB187" about this section.

**SECTION 4
ADJUSTMENT**

Please refer to "TH-S3 No.MB187" about this section.

**SECTION 5
TROUBLESHOOTING**

Please refer to "TH-S3 No.MB187" about this section.



JVC

Victor Company of Japan, Limited
AV & MULTIMEDIA COMPANY AUDIO/VIDEO SYSTEMS CATEGORY 10-1,1chome,Ohwatari-machi,Maebashi-city,371-8543,Japan

(No.MB305)

PARTS LIST

[TH-S1]

* All printed circuit boards and its assemblies are not available as service parts.

Area suffix

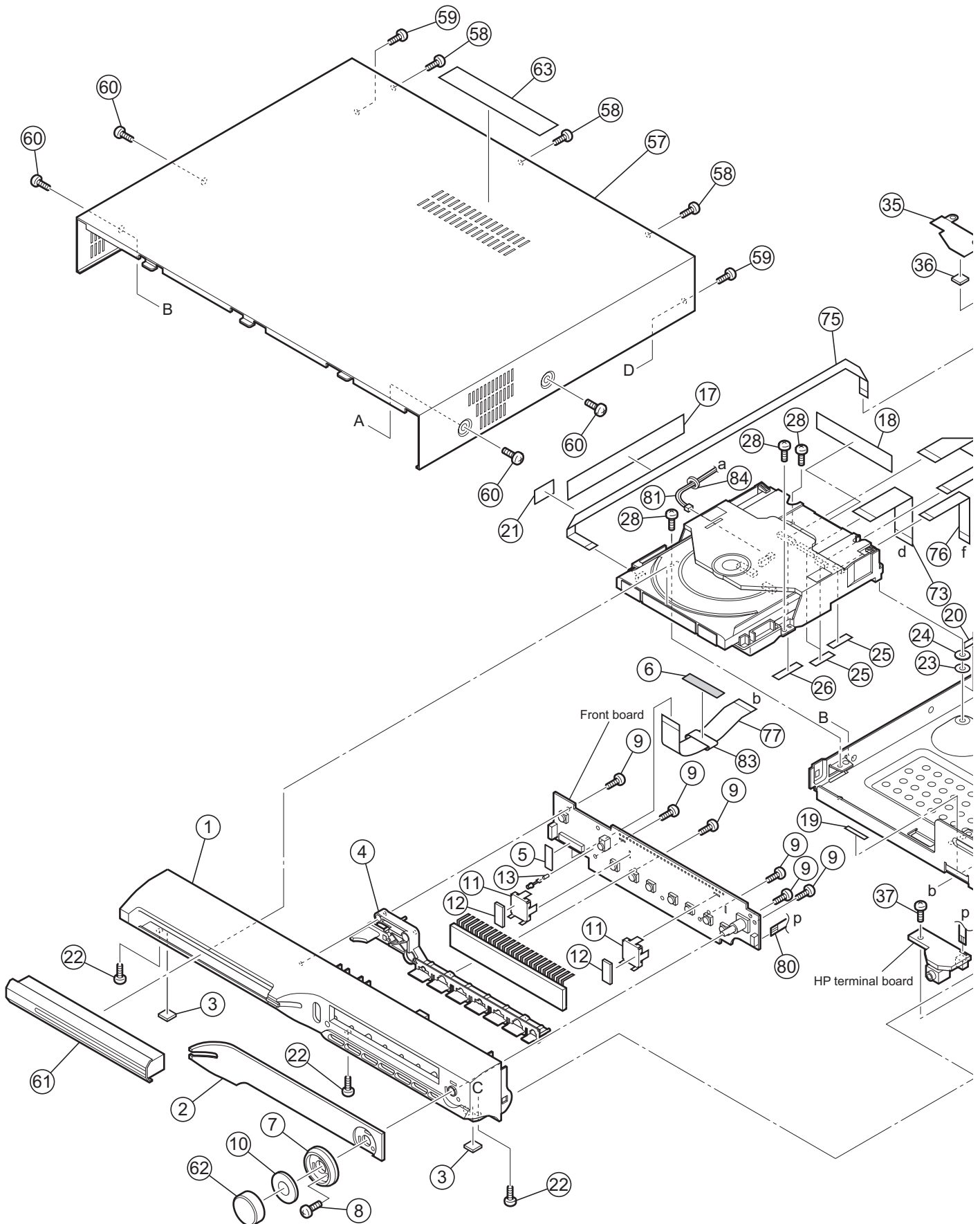
B ----- U.K.
E ----- Continental Europe
EN ----- Northern Europe
EV ----- Eastern Europe
EE ----- Russian Federation

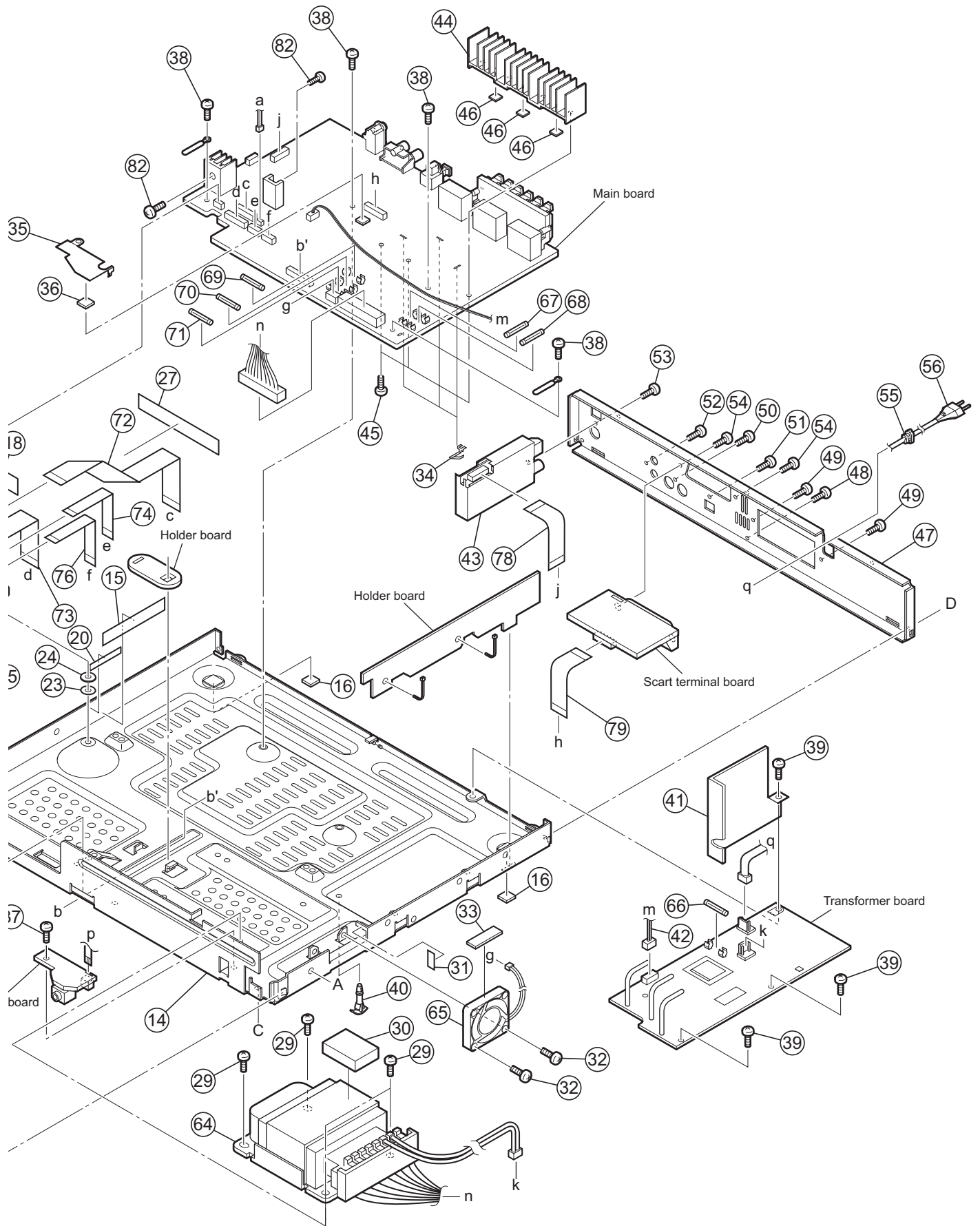
- Contents -

Exploded view of general assembly and parts list (Block No.M1)	3- 2
Speaker assembly and parts list(Subwoofer) (Block No.M2)	3- 6
DVD mechanism assembly and parts list (Block No.MJ)	3- 7
DVD loading base assembly and parts list (Block No.MN)	3- 9
Electrical parts list (Block No.01~04)	3-11
Packing materials and accessories parts list (Block No.M3)	3-18

Exploded view of general assembly and parts list

Block No. **M 1 M M**





General Assembly

Block No. [M][1][M][M]

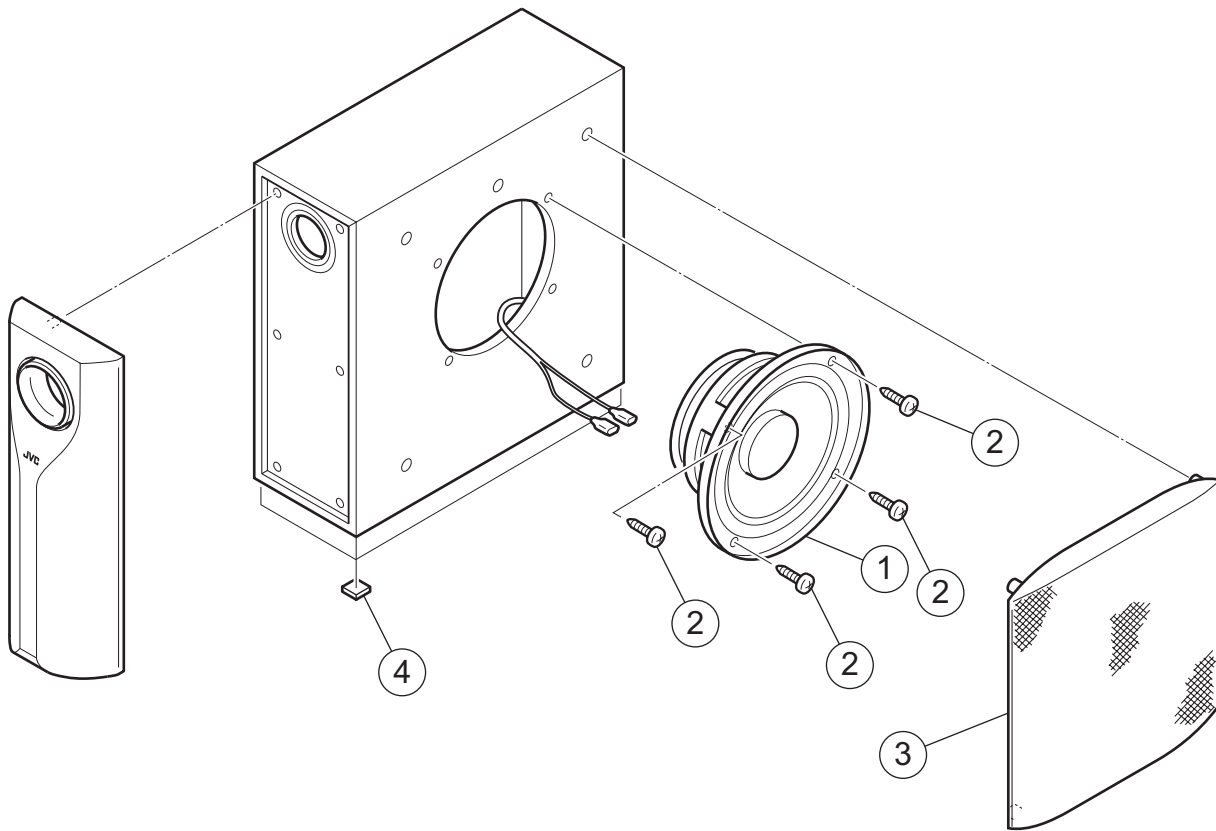
△	Symbol No.	Part No.	Part Name	Description	Local
	1	GV10166-008A	FRONT PANEL		
	2	GV30519-004A	WINDOW LENS		
	3	LV40301-001A	FELT SPACER	(x2)	
	4	GV10167-001A	CONTROL BUTTON		
	5	GV40121-005A	SPACER		
	6	GV30349-028A	SPACER		
	7	GV30522-001A	VOL RING		
	8	QYSDSF2608Z	TAP SCREW	M2.6 x 8mm	
	9	QYSDSF2608Z	TAP SCREW	M2.6 x 8mm(x6)	
	10	GV40476-001A	VOL. SHEET		
	11	LV43659-001A	FL HOLDER	(x2)	
	12	GV30349-020A	FELT SPACER	(x2)	
	13	GV40531-001A	LED HOLDER		
	14	GV10168-002A	CHASSIS BASE		
	15	LV41843-002A	LASER CAUTION		
	16	LV40301-002A	FELT SPACER	(x2)	
	17	GV30349-032A	SPACER		
	18	GV30349-033A	SPACER		
	19	LV30225-011A	SPACER		
	20	GV30349-025A	SPACER		
	21	LV30225-035A	SPACER		
	22	QYSBSG3008Z	TAP SCREW	M3 x 8mm(x3)	
	23	LV30226-039A	SPACER		
	24	LV30226-041A	SPACER		
	25	GV40121-005A	SPACER	(x3)	
	26	GV40121-004A	SPACER		
	27	GV30349-028A	SPACER		
	28	QYSBST3010Z	TAP SCREW	M3 x 10mm(x3)	
	29	QYSDST4008Z	TAP SCREW	M4 x 8mm(x4)	
	30	GV30349-029A	SPACER		
	31	GV30349-026A	SPACER		
	32	QYSPSG3022Z	TAP SCREW	M3 x 22mm(x2)	
	33	GV30349-034A	SPACER		
	34	GV40525-001A	GROUND PLATE	(x3)	
	35	GV40529-001A	IC SHEILD		
	36	E3400-431	SPECER		
	37	QYSBSGG3008E	TAP SCREW	M3 x 8mm	
	38	QYSBST3006Z	TAP SCREW	M3 x 6mm(x4)	
	39	QYSBST3006Z	TAP SCREW	M3 x 6mm(x3)	
	40	GV40500-001A	HOLDER		
	41	GV40533-001A	SHIELD		
	42	GV40343-004A	VINYL TUBE		
	43	QAU0356-001	TUNER ASSY.	TU 1	
	44	GV40477-003A	HEAT SINK		
	45	QYSDSG3012M	TAP SCREW	M3 x 12mm(x3)	
	46	GV40509-001A	THERMAL SHEET	(x3)	
	47	GV10169-051A	REAR PANEL		S1EE
	47	GV10169-050A	REAR PANEL		S1B,S1E,S1EN,S1EV
	48	QYSBSGY3008M	TAP SCREW	M3 x 8mm	
	49	QYSBSGY3008M	TAP SCREW	M3 x 8mm(x2)	
	50	QYSBSGY3008M	TAP SCREW	M3 x 8mm	
	51	QYSBSGY3008M	TAP SCREW	M3 x 8mm	
	52	QYSBSGY3008M	TAP SCREW	M3 x 8mm	
	53	QYSBSGY3008M	TAP SCREW	M3 x 8mm	
	54	QYSBSGY3008M	TAP SCREW	M3 x 8mm(x2)	
△	55	QZW0033-001	STRAIN RELIEF		
△	56	QMPN150-200-JC	POWER CORD(EU)	2m BLACK	S1B
△	56	QMPK210-205-JN	POWER CORD(EU)	2.05m BLACK	S1E,S1EE,S1EN,S1EV
	57	GV10170-005A/S/	METAL COVER		
	58	QYSBSGY3008M	TAP SCREW	M3 x 8mm(x3)	
	59	QYSBSGY3008M	TAP SCREW	M3 x 8mm(x2)	
	60	E406308-004	SPECIAL SCREW	(x4)	
	61	GV30619-001A	CD FITTING		
	62	GV30521-001A	VOLUME KNOB		
	63	E409396-003	CAUTION LABEL		
△	64	QQT0442-001	POWER TRANSF	T 901	
	65	QAR0329-001	FAN MOTOR		
△	66	QMF51W2-1R6-J8	FUSE	F 950 1.6A AC250V	
△	67	QMF51W2-6R3-J8	FUSE	F 901 6.3A AC250V	
△	68	QMF51W2-6R3-J8	FUSE	F 902 6.3A AC250V	
△	69	QMF51W2-2R0-J8	FUSE	F 903 2A AC250V	
△	70	QMF51W2-2R0-J8	FUSE	F 904 2A AC250V	
△	71	QMF51W2-1R6-J8	FUSE	F 905 1.6A AC250V	
	72	WJU0008-002A	FFC SHIELD WIRE		

△ Symbol No.	Part No.	Part Name	Description	Local
73	QUQ110-1711AJ	FFC WIRE	17pin 11cm	
74	QUQ110-0911AJ	FFC WIRE	9pin 11cm	
75	QUQ110-0524AJ	FFC WIRE	5pin 24cm	
76	QUQ110-0811AJ	FFC WIRE	8pin 11cm	
77	QUQ110-2122AJ	FFC WIRE	21pin 22cm	
78	QUQ412-1009CJ	FFC WIRE	10pin 9cm	
79	QUQ412-1307CJ	FFC WIRE	13pin 7cm	
80	QUQ412-0408DJ	FFC WIRE	4pin 8cm	
81	QJJ060-031506	WIRE		
82	QYSBSG3010Z	TAP SCREW	M3 x 10mm(x2)	
83	QQR1516-001	FERRITE CORE		
84	QQR1618-001	FERRITE RING		

Speaker assembly and parts list

(Subwoofer)

Block No. M 2 M M



The parts without symbol number are not service.

Speaker(Subwoofer)

Block No. M2MM

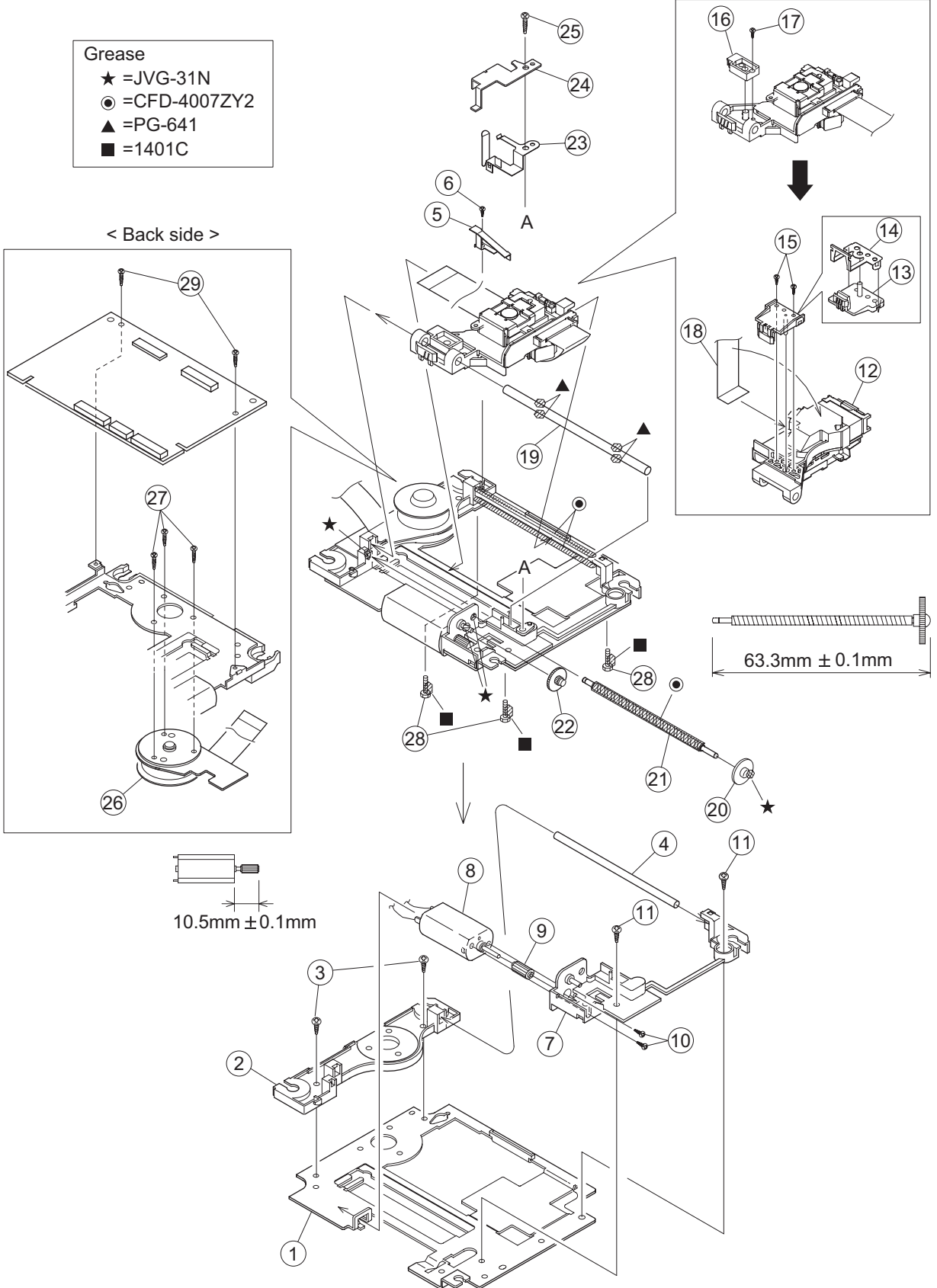
△	Symbol No.	Part No.	Part Name	Description	Local
	1	LE10016-056A	CONE SPEAKER		
	2	7001541605	TAPPING SCREW	(x4)	
	3	LV10964-001A	NET ASSY		
	4	5600006901	RUBBER FOOT	(x4)	

DVD mechanism assembly and parts list

FTU-DE3-12M

Block No. M J M M

- Grease
- ★ =JVG-31N
 - =CFD-4007ZY2
 - ▲ =PG-641
 - =1401C



The parts without symbol number are not service.

DVD mechanism

Block No. [M][J][M][M]

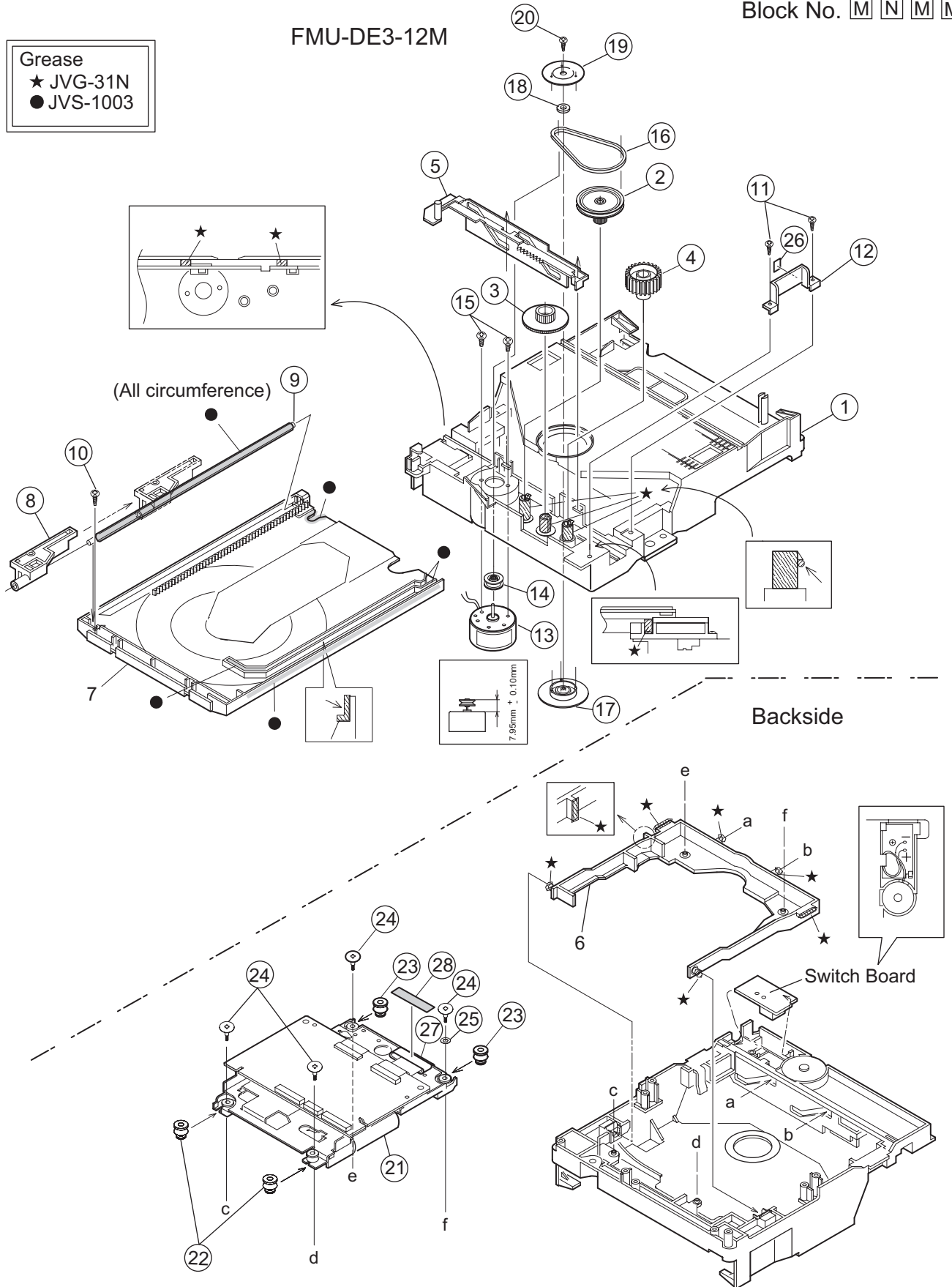
△	Symbol No.	Part No.	Part Name	Description	Local
	1	LE20725-001A	MECHA BASE		
	2	LE20699-002A	SPINDLE BASE		
	3	QYSDST2605M	TAP SCREW	M2.6 x 5mm(x2)	
	4	LE40931-001A	SHAFT		
	5	LV33991-001A	ADJUST SPRING		
	6	QYSPSFU2040M	TAP SCREW	M2 x 4mm	
	7	LE20698-004A	FEED HOLDER		
	8	QAR0215-001	FEED MOTOR		
	9	LV41510-201A	FEED GEAR T		
	10	QYSPSPU2040M	SCREW	M2 x 4mm(x2)	
	11	QYSDST2605M	TAP SCREW	M2.6 x 5mm(x2)	
	12	QAL0507-001	PICK UP		
	13	LE20700-001A	SW ACTUATOR		
	14	LE31067-002A	LEAD SPRING		
	15	QYSPSFU1740Z	TAP SCREW	M1.7 x 4mm(x2)	
	16	LE40929-001A	SW.LEVER		
	17	QYSPSFU1740Z	TAP SCREW	M1.7 x 4mm	
	18	QUQ105-2411AC	FFC		
	19	LE40931-001A	SHAFT		
	20	LE40855-002A	FEED GEAR E		
	21	LV41517-003A	LEAD SCREW		
	22	LE40930-001A	FEED GEAR M		
	23	LE40928-002A	THURUST SPRING		
	24	LE40927-002A	PLATE		
	25	QYSDST2614Z	TAPPING SCREW	M2.6 x 14mm	
	26	QAR0316-001	SPINDLE MOTOR		
	27	QYSPSPU1740Z	SCREW	M1.7 x 4mm(x3)	
	28	LE40858-002A	SPECIAL SCREW	(x3)	
	29	QYSDST2004Z	SCREW	2mm x 4mm(x2)	

DVD loading base assembly and parts list

Block No. M N M M

FMU-DE3-12M

Grease
 ★ JVG-31N
 ● JVS-1003



The parts without symbol number are not service.

DVD loading base

Block No. [M][N][M][M]

△	Symbol No.	Part No.	Part Name	Description	Local
	1	LE10275-006A	LOADING BASE		
	2	LE31043-001A	PULLEY GEAR		
	3	LE31042-001A	MIDDLE GEAR		
	4	LE31044-001A	IDLE GEAR		
	5	LE20665-005A	SLIDE CAM		
	6	LE20666-003A	ELEVATOR		
	7	LE10276-002A	TRAY		
	8	LE31045-001A	BUSHING		
	9	LE40898-001A	SHAFT		
	10	QYSSSF2008Z	TAP SCREW	M2 x 8mm	
	11	QYSDSF2008Z	TAP SCREW	M2 x 8mm(x2)	
	12	LE40937-002A	LEAF SPRING		
	13	QAR0197-001	MOTOR		
	14	LV42087-002A	MOTOR PULLEY		
	15	QYSPSPU1730Z	SCREW	M1.7 x 3mm(x2)	
	16	LE40897-001A	BELT		
	17	LE31046-003A	CLAMPER		
	18	LV42930-003A	P.C.MAGNET		
	19	LE40899-001A	YOKE		
	20	LE40906-001A	SPECIAL SCREW		
	21	-----	DVD TRAMECHA		
	22	LE40900-003A	INSULATOR	(x2)	
	23	LE40900-005A	INSULATOR	(x2)	
	24	LE40901-001A	SPECIAL SCREW	(x4)	
	25	QYWFM419025	WASHER	9mm/4.1mm x 0.25mm	
	26	LV43828-001A	SPACER		
	27	QQR1516-001	FERRITE CORE		
	28	VYSA1R4-057	SPACER		

Electrical parts list

Main board

Block No. [0][1]					Symbol No.	Part No.	Part Name	Description	Local
Symbol No.	Part No.	Part Name	Description	Local					
△ IC130	KIA7809API	IC			△ D901	6A10E2	SI DIODE		
△ IC140	PQ050RDA1SZ	IC			△ D902	6A10E2	SI DIODE		
△ IC150	PQ033RD01SZ	IC			△ D903	6A10E2	SI DIODE		
△ IC180	PQ033ES3MX-T	IC			△ D904	6A10E2	SI DIODE		
IC210	CD4052BNS-X	IC			△ D906	6A10E2	SI DIODE		
IC220	CS5342-CZZ-X	IC(DIGITAL)			△ D907	6A10E2	SI DIODE		
IC225	SN74AHC126NS-X	IC			△ D908	6A10E2	SI DIODE		
IC230	SN74AHC2GU04T-X	IC			△ D909	6A10E2	SI DIODE		
IC231	TC74VHC00FT-X	IC			△ D913	2A02-M	DIODE		
IC235	TC7WH74FU-X	IC(DIGITAL)	FLIP FLOP		△ D914	2A02-M	DIODE		
△ IC240	STA308-HT	IC (DIGITAL)			△ D916	2A02-M	DIODE		
IC241	PQ1X251M2ZP-W	IC			△ D917	2A02-M	DIODE		
△ IC250	STA506-X	IC			△ D918	2A02-M	DIODE		
△ IC254	STA506-X	IC			△ D919	2A02-M	DIODE		
△ IC258	STA506-X	IC			△ D1000	1N4003S-T5	SI DIODE		
IC270	TS482-W	IC			△ D1001	1N4003S-T5	SI DIODE		
IC300	MM1501XN-X	IC			△ D1002	1N4003S-T5	SI DIODE		
IC310	MM1623XF-X	IC			D1003	UDZS24B-X	Z DIODE		
IC400	BU1924F-X	IC			D1004	UDZS6.8B-X	Z DIODE		
IC410	MN101C61GFJ2	MASKH MICON			D1100	UDZS12B-X	Z DIODE		
IC411	BD4826G-X	IC			D1200	UDZS6.2B-X	Z DIODE		
IC412	BR24L08F-W-X	IC(DIGITAL)			D1201	MA111-X	SI DIODE		
IC420	LB1641	IC			D1400	1N4003S-T5	SI DIODE		
IC451	GP1FA352RZ	OPT RECEIVER			D1401	1N4003S-T5	SI DIODE		
IC500	MN101C35DKW	IC(MPU)			D1402	1N4003S-T5	SI DIODE		
IC501	GP1UE271XK	IR DETECT UNIT			D1500	RB160M-30-X	SB DIODE		
IC600	TC74VHC00FT-X	IC			D1600	MA111-X	SI DIODE		
IC601	TC7WH74FU-X	IC(DIGITAL)	FLIP FLOP		D1601	UDZS6.8B-X	Z DIODE		
△ Q1000	KTA1267/YG/-T	TRANSISTOR			D1800	UDZS3.6B-X	Z DIODE		
△ Q1100	KTA1046/Y/	TRANSISTOR			D2110	UDZS5.6B-X	Z DIODE	1.5kΩ 1/10W J	
Q1101	2SD601A/QR/-X	TRANSISTOR			D2200	MA111-X	SI DIODE		
Q1102	2SD601A/QR/-X	TRANSISTOR			D2201	MA111-X	SI DIODE		
△ Q1200	KTC2026/Y/	TRANSISTOR			D2301	MA111-X	SI DIODE		
Q1600	KTA1023/OY/-T	TRANSISTOR			D2302	MA111-X	SI DIODE		
Q1601	2SD601A/QR/-X	TRANSISTOR			D2650	UDZS12B-X	Z DIODE		
△ Q1900	2SA1037AK/RS/-X	TRANSISTOR			D2651	UDZS12B-X	Z DIODE		
Q1901	UN221L-X	DIGI TRANSISTOR			D2652	UDZS12B-X	Z DIODE		
Q2110	KTA1267/YG/-T	TRANSISTOR			D2680	UDZS36B-X	Z DIODE		
Q2650	2SD601A/QR/-X	TRANSISTOR			D2681	1SR139-400-T4	DIODE		
Q2651	2SD601A/QR/-X	TRANSISTOR			D3150	UDZS12B-X	Z DIODE		
Q2652	2SD601A/QR/-X	TRANSISTOR			D4103	MA111-X	SI DIODE		
Q2653	UN2111-X	TRANSISTOR			D4104	RB160M-30-X	SB DIODE		
Q2654	2SD601A/QR/-X	TRANSISTOR			D4105	MA111-X	SI DIODE		
Q2655	2SD601A/QR/-X	TRANSISTOR			D4106	MA111-X	SI DIODE		
Q2656	2SD601A/QR/-X	TRANSISTOR			D4200	UDZS5.6B-X	Z DIODE	1.5kΩ 1/10W J	
Q2657	2SD601A/QR/-X	TRANSISTOR			D4300	MA111-X	SI DIODE		
Q2660	UN211E-X	DIGI TRANSISTOR			D4301	MA111-X	SI DIODE		
Q2661	UN211E-X	DIGI TRANSISTOR			D4302	MA111-X	SI DIODE		
Q2662	UN211E-X	DIGI TRANSISTOR			D4303	MA111-X	SI DIODE		
Q2663	UN211E-X	DIGI TRANSISTOR			D4304	UDZS6.8B-X	Z DIODE		
Q2664	UN211E-X	DIGI TRANSISTOR			D4305	MA111-X	SI DIODE		
Q2665	UN211E-X	DIGI TRANSISTOR			D4306	MA111-X	SI DIODE		
Q2666	UN211E-X	DIGI TRANSISTOR			D4307	MA111-X	SI DIODE		
Q2667	UN211E-X	DIGI TRANSISTOR			D4308	UDZS9.1B-X	Z DIODE		
Q2668	UN211E-X	DIGI TRANSISTOR			D4309	UDZS13B-X	Z DIODE		
Q2669	UN211E-X	DIGI TRANSISTOR			D4400	UDZS6.8B-X	Z DIODE		
Q2670	UN211E-X	DIGI TRANSISTOR			D5002	SLR-342VC3F	LED		
Q2671	UN211E-X	DIGI TRANSISTOR			C901	QFVF1HJ-104Z	MF CAPACITOR	0.1uF 50V J	
Q2672	UN2213-X	DIGI TRANSISTOR			C902	QFVF1HJ-104Z	MF CAPACITOR	0.1uF 50V J	
Q2700	2SD601A/QR/-X	TRANSISTOR			C903	QFVF1HJ-104Z	MF CAPACITOR	0.1uF 50V J	
Q2720	2SD601A/QR/-X	TRANSISTOR			C904	QFVF1HJ-104Z	MF CAPACITOR	0.1uF 50V J	
Q2750	UN2111-X	TRANSISTOR			C905	QEZO223-478	E CAPACITER	4700uF	
Q3020	2SD601A/QR/-X	TRANSISTOR			C913	QFLC1HJ-104Z	M CAPACITOR	0.1uF 50V J	
Q4101	UN2214-X	TRANSISTOR			C914	QFLC1HJ-104Z	M CAPACITOR	0.1uF 50V J	
Q4102	UN2211-X	TRANSISTOR			C915	QETM1EM-688	E CAPACITOR	6800uF 25V M	
Q4300	UN2211-X	TRANSISTOR			C917	QFVF1HJ-104Z	MF CAPACITOR	0.1uF 50V J	
Q5000	UN2211-X	TRANSISTOR			C918	QFVF1HJ-104Z	MF CAPACITOR	0.1uF 50V J	
Q5001	UN2211-X	TRANSISTOR			C919	QFVF1HJ-104Z	MF CAPACITOR	0.1uF 50V J	
Q5004	UN2211-X	TRANSISTOR			C920	QFVF1HJ-104Z	MF CAPACITOR	0.1uF 50V J	
Q6001	2SA1037AK/RS/-X	TRANSISTOR			C921	QETM1CM-688	E CAPACITOR	6800uF 16V M	
					C1000	QETN1HM-227Z	E CAPACITOR	220uF 50V M	
					C1001	QETN1HM-227Z	E CAPACITOR	220uF 50V M	
					C1002	NCB31EK-103X	C CAPACITOR	0.01uF 25V K	
					C1003	QETN1HM-226Z	E CAPACITOR	22uF 50V M	
					C1004	QETN1HM-475Z	E CAPACITOR	4.7uF 50V M	

△ Symbol No.	Part No.	Part Name	Description	Local	△ Symbol No.	Part No.	Part Name	Description	Local
C1101	NCB31EK-103X	C CAPACITOR	0.01uF 25V K		C2509	NCF31EZ-104X	C CAPACITOR	0.1uF 25V Z	
C1102	QETN1CM-107Z	E CAPACITOR	100uF 16V M		C2510	QETN1HM-337Z	E CAPACITOR	330uF 50V M	
C1103	NCB31EK-103X	C CAPACITOR	0.01uF 25V K		C2512	NCF31EZ-104X	C CAPACITOR	0.1uF 25V Z	
C1200	QETN1EM-476Z	E CAPACITOR	47uF 25V M		C2513	NCF31EZ-104X	C CAPACITOR	0.1uF 25V Z	
C1201	QETN1CM-107Z	E CAPACITOR	100uF 16V M		C2514	NCF31EZ-104X	C CAPACITOR	0.1uF 25V Z	
C1202	NCB31CK-104X	C CAPACITOR	0.1uF 16V K		C2520	NCS31HJ-331X	C CAPACITOR	330pF 50V J	
C1300	QETN1EM-476Z	E CAPACITOR	47uF 25V M		C2521	NCF31EZ-104X	C CAPACITOR	0.1uF 25V Z	
C1301	QETN1EM-476Z	E CAPACITOR	47uF 25V M		C2522	NCF31EZ-104X	C CAPACITOR	0.1uF 25V Z	
C1400	QETN1HM-106Z	E CAPACITOR	10uF 50V M		C2523	NCB21HK-683X	C CAPACITOR	0.068uF 50V K	
C1401	QETN1HM-106Z	E CAPACITOR	10uF 50V M		C2524	NCB31HK-102X	C CAPACITOR	1000pF 50V K	
C1500	QETN1EM-476Z	E CAPACITOR	47uF 25V M		C2525	NCB21HK-683X	C CAPACITOR	0.068uF 50V K	
C1501	QETN1EM-476Z	E CAPACITOR	47uF 25V M		C2526	QFVF1HJ-224Z	MF CAPACITOR	0.22uF 50V J	
C1600	QETN1CM-106Z	E CAPACITOR	10uF 16V M		C2527	NCF31EZ-104X	C CAPACITOR	0.1uF 25V Z	
C1601	QETN1CM-107Z	E CAPACITOR	100uF 16V M		C2528	NCF31EZ-104X	C CAPACITOR	0.1uF 25V Z	
C1800	NCB31EK-103X	C CAPACITOR	0.01uF 25V K		C2529	NCF31EZ-104X	C CAPACITOR	0.1uF 25V Z	
C1801	QETN1HM-106Z	E CAPACITOR	10uF 50V M		C2530	QETN1HM-337Z	E CAPACITOR	330uF 50V M	
C1900	QETN1CM-106Z	E CAPACITOR	10uF 16V M		C2531	NCF31EZ-104X	C CAPACITOR	0.1uF 25V Z	
C2000	NDC31HJ-331X	C CAPACITOR	330pF 50V J		C2532	NCF31EZ-104X	C CAPACITOR	0.1uF 25V Z	
C2001	NDC31HJ-331X	C CAPACITOR	330pF 50V J		C2540	NDC31HJ-331X	C CAPACITOR	330pF 50V J	
C2004	NCB31CK-103X	C CAPACITOR	0.01uF 16V K		C2541	NCF31EZ-104X	C CAPACITOR	0.1uF 25V Z	
C2100	NCB31CK-103X	C CAPACITOR	0.01uF 16V K		C2542	NCF31EZ-104X	C CAPACITOR	0.1uF 25V Z	
C2101	QETN1HM-106Z	E CAPACITOR	10uF 50V M		C2543	NCB21HK-683X	C CAPACITOR	0.068uF 50V K	
C2102	QETN1HM-106Z	E CAPACITOR	10uF 50V M		C2544	NCB31HK-102X	C CAPACITOR	1000pF 50V K	
C2103	QETN1CM-106Z	E CAPACITOR	10uF 16V M		C2545	NCB21HK-683X	C CAPACITOR	0.068uF 50V K	
C2110	NCB31CK-103X	C CAPACITOR	0.01uF 16V K		C2546	QFVF1HJ-224Z	MF CAPACITOR	0.22uF 50V J	
C2111	QETN1HM-106Z	E CAPACITOR	10uF 50V M		C2547	NCF31EZ-104X	C CAPACITOR	0.1uF 25V Z	
C2112	QETN1CM-107Z	E CAPACITOR	100uF 16V M		C2548	NCF31EZ-104X	C CAPACITOR	0.1uF 25V Z	
C2200	NDC31HJ-331X	C CAPACITOR	330pF 50V J		C2549	NCF31EZ-104X	C CAPACITOR	0.1uF 25V Z	
C2201	NDC31HJ-331X	C CAPACITOR	330pF 50V J		C2550	QETN1HM-337Z	E CAPACITOR	330uF 50V M	
C2202	QETN1CM-106Z	E CAPACITOR	10uF 16V M		C2552	NCF31EZ-104X	C CAPACITOR	0.1uF 25V Z	
C2203	NCB31CK-104X	C CAPACITOR	0.1uF 16V K		C2553	NCF31EZ-104X	C CAPACITOR	0.1uF 25V Z	
C2204	QETN1CM-106Z	E CAPACITOR	10uF 16V M		C2554	NCF31EZ-104X	C CAPACITOR	0.1uF 25V Z	
C2205	NCB31CK-104X	C CAPACITOR	0.1uF 16V K		C2560	NDC31HJ-331X	C CAPACITOR	330pF 50V J	
C2206	QETN1HM-106Z	E CAPACITOR	10uF 50V M		C2561	NCF31EZ-104X	C CAPACITOR	0.1uF 25V Z	
C2207	NCB31CK-104X	C CAPACITOR	0.1uF 16V K		C2562	NCF31EZ-104X	C CAPACITOR	0.1uF 25V Z	
C2208	QETN1HM-106Z	E CAPACITOR	10uF 50V M		C2563	NCB21HK-683X	C CAPACITOR	0.068uF 50V K	
C2209	NCB31CK-104X	C CAPACITOR	0.1uF 16V K		C2564	NCB31HK-102X	C CAPACITOR	1000pF 50V K	
C2210	NCF31EZ-104X	C CAPACITOR	0.1uF 25V Z		C2565	NCB21HK-683X	C CAPACITOR	0.068uF 50V K	
C2250	NCB31CK-104X	C CAPACITOR	0.1uF 16V K		C2566	QFVF1HJ-224Z	MF CAPACITOR	0.22uF 50V J	
C2300	NDC31HJ-180X	C CAPACITOR	18pF 50V J		C2567	NCF31EZ-104X	C CAPACITOR	0.1uF 25V Z	
C2301	NDC31HJ-180X	C CAPACITOR	18pF 50V J		C2568	NCF31EZ-104X	C CAPACITOR	0.1uF 25V Z	
C2302	NCB31CK-104X	C CAPACITOR	0.1uF 16V K		C2569	NCF31EZ-104X	C CAPACITOR	0.1uF 25V Z	
C2303	NCB31CK-104X	C CAPACITOR	0.1uF 16V K		C2570	QETN1HM-337Z	E CAPACITOR	330uF 50V M	
C2350	NCB31CK-104X	C CAPACITOR	0.1uF 16V K		C2571	NCF31EZ-104X	C CAPACITOR	0.1uF 25V Z	
C2400	NCB31CK-104X	C CAPACITOR	0.1uF 16V K		C2572	NCF31EZ-104X	C CAPACITOR	0.1uF 25V Z	
C2401	NCB31CK-104X	C CAPACITOR	0.1uF 16V K		C2580	NDC31HJ-331X	C CAPACITOR	330pF 50V J	
C2402	NCB31CK-104X	C CAPACITOR	0.1uF 16V K		C2581	NCF31EZ-104X	C CAPACITOR	0.1uF 25V Z	
C2403	NCB31CK-104X	C CAPACITOR	0.1uF 16V K		C2582	NCF31EZ-104X	C CAPACITOR	0.1uF 25V Z	
C2404	NCB31CK-104X	C CAPACITOR	0.1uF 16V K		C2583	NCB21HK-683X	C CAPACITOR	0.068uF 50V K	
C2406	QETN1HM-226Z	E CAPACITOR	22uF 50V M		C2584	NCB31HK-102X	C CAPACITOR	1000pF 50V K	
C2407	NCB31HK-122X	C CAPACITOR	1200pF 50V K		C2585	NCB21HK-683X	C CAPACITOR	0.068uF 50V K	
C2408	NDC31HJ-101X	C CAPACITOR	100pF 50V J		C2586	QFVF1HJ-224Z	MF CAPACITOR	0.22uF 50V J	
C2409	NDC31HJ-101X	C CAPACITOR	100pF 50V J		C2587	NCF31EZ-104X	C CAPACITOR	0.1uF 25V Z	
C2410	NCB31CK-104X	C CAPACITOR	0.1uF 16V K		C2588	NCF31EZ-104X	C CAPACITOR	0.1uF 25V Z	
C2413	NCB31CK-104X	C CAPACITOR	0.1uF 16V K		C2589	NCF31EZ-104X	C CAPACITOR	0.1uF 25V Z	
C2414	NCB31CK-104X	C CAPACITOR	0.1uF 16V K		C2590	QETN1HM-337Z	E CAPACITOR	330uF 50V M	
C2415	NCB31CK-104X	C CAPACITOR	0.1uF 16V K		C2592	NCF31EZ-104X	C CAPACITOR	0.1uF 25V Z	
C2416	NCB31CK-104X	C CAPACITOR	0.1uF 16V K		C2593	NCF31EZ-104X	C CAPACITOR	0.1uF 25V Z	
C2417	NCB31CK-104X	C CAPACITOR	0.1uF 16V K		C2594	NCF31EZ-104X	C CAPACITOR	0.1uF 25V Z	
C2418	NCB31CK-104X	C CAPACITOR	0.1uF 16V K		C2600	NDC31HJ-331X	C CAPACITOR	330pF 50V J	
C2419	QETN1HM-226Z	E CAPACITOR	22uF 50V M		C2601	NCF31EZ-104X	C CAPACITOR	0.1uF 25V Z	
C2420	NCB31CK-104X	C CAPACITOR	0.1uF 16V K		C2602	NCF31EZ-104X	C CAPACITOR	0.1uF 25V Z	
C2422	NCB31CK-104X	C CAPACITOR	0.1uF 16V K		C2603	NCB21HK-683X	C CAPACITOR	0.068uF 50V K	
C2423	NCB31CK-104X	C CAPACITOR	0.1uF 16V K		C2604	NCB31HK-102X	C CAPACITOR	1000pF 50V K	
C2424	NCB31CK-104X	C CAPACITOR	0.1uF 16V K		C2605	NCB21HK-683X	C CAPACITOR	0.068uF 50V K	
C2425	NCB31CK-104X	C CAPACITOR	0.1uF 16V K		C2606	QFVF1HJ-224Z	MF CAPACITOR	0.22uF 50V J	
C2426	NCB31HK-102X	C CAPACITOR	1000pF 50V K		C2607	NCF31EZ-104X	C CAPACITOR	0.1uF 25V Z	
C2430	NCB31EK-103X	C CAPACITOR	0.01uF 25V K		C2608	NCF31EZ-104X	C CAPACITOR	0.1uF 25V Z	
C2431	NCB31EK-103X	C CAPACITOR	0.01uF 25V K		C2609	NCF31EZ-104X	C CAPACITOR	0.1uF 25V Z	
C2500	NDC31HJ-331X	C CAPACITOR	330pF 50V J		C2610	QETN1HM-337Z	E CAPACITOR	330uF 50V M	
C2501	NCF31EZ-104X	C CAPACITOR	0.1uF 25V Z		C2611	NCF31EZ-104X	C CAPACITOR	0.1uF 25V Z	
C2502	NCF31EZ-104X	C CAPACITOR	0.1uF 25V Z		C2612	NCF31EZ-104X	C CAPACITOR	0.1uF 25V Z	
C2503	NCB21HK-683X	C CAPACITOR	0.068uF 50V K		C2660	QENC1HM-106Z	BP E CAPACITOR	10uF 50V M	
C2504	NCB31HK-102X	C CAPACITOR	1000pF 50V K		C2661	QENC1HM-106Z	BP E CAPACITOR	10uF 50V M	
C2505	NCB21HK-683X	C CAPACITOR	0.068uF 50V K		C2662	QENC1HM-106Z	BP E CAPACITOR	10uF 50V M	
C2506	QFVF1HJ-224Z	MF CAPACITOR	0.22uF 50V J		C2663	QENC1HM-106Z	BP E CAPACITOR	10uF 50V M	
C2507	NCF31EZ-104X	C CAPACITOR	0.1uF 25V Z		C2664	QENC1HM-106Z	BP E CAPACITOR	10uF 50V M	
C2508	NCF31EZ-104X	C CAPACITOR	0.1uF 25V Z		C2665	QENC1HM-106Z	BP E CAPACITOR	10uF 50V M	

△ Symbol No.	Part No.	Part Name	Description	Local	△ Symbol No.	Part No.	Part Name	Description	Local
C2700	NDC31HJ-471X	C CAPACITOR	470pF 50V J		△ R1200	QRZ9042-2R2X	F RESISTOR	2.2Ω	
C2701	NDC31HJ-151X	C CAPACITOR	150pF 50V J		R1201	NRSA63J-102X	MG RESISTOR	1kΩ 1/16W J	
C2702	NDC31HJ-221X	C CAPACITOR	220pF 50V J		R1600	NRSA63J-222X	MG RESISTOR	2.2kΩ 1/16W J	
C2703	NDC31HJ-221X	C CAPACITOR	220pF 50V J		R1601	NRSA63J-821X	MG RESISTOR	820Ω 1/16W J	
C2704	QETN1AM-227Z	E CAPACITOR	220uF 10V M		R1900	NRSA63J-562X	MG RESISTOR	5.6kΩ 1/16W J	
C2720	NDC31HJ-471X	C CAPACITOR	470pF 50V J		R2000	NRSA63J-393X	MG RESISTOR	39kΩ 1/16W J	
C2721	NDC31HJ-151X	C CAPACITOR	150pF 50V J		R2001	NRSA63J-393X	MG RESISTOR	39kΩ 1/16W J	
C2722	NDC31HJ-221X	C CAPACITOR	220pF 50V J		R2002	NRSA63J-223X	MG RESISTOR	22kΩ 1/16W J	
C2723	NDC31HJ-221X	C CAPACITOR	220pF 50V J		R2003	NRSA63J-223X	MG RESISTOR	22kΩ 1/16W J	
C2724	QETN1AM-227Z	E CAPACITOR	220uF 10V M		R2004	NRSA63J-0R0X	MG RESISTOR	0Ω 1/16W J	
C2750	NCB31EK-104X	C CAPACITOR	0.1uF 25V K		R2110	NRSA63J-223X	MG RESISTOR	22kΩ 1/16W J	
C2751	QETN1CM-107Z	E CAPACITOR	100uF 16V M		R2200	NRSA63J-471X	MG RESISTOR	470Ω 1/16W J	
C2801	NCB31HK-102X	C CAPACITOR	1000pF 50V K		R2201	NRSA63J-471X	MG RESISTOR	470Ω 1/16W J	
C2806	NRSA63J-0R0X	MG RESISTOR	0Ω 1/16W J		R2202	NRSA63J-5R1X	MG RESISTOR	5.1Ω 1/16W J	
C3000	QETN1CM-106Z	E CAPACITOR	10uF 16V M		R2203	NRSA63J-101X	MG RESISTOR	100Ω 1/16W J	
C3001	NCF31AZ-105X	C CAPACITOR	1uF 10V Z		R2204	NRSA63J-101X	MG RESISTOR	100Ω 1/16W J	
C3002	QETN1EM-476Z	E CAPACITOR	47uF 25V M		R2205	NRSA63J-0R0X	MG RESISTOR	0Ω 1/16W J	
C3003	NCB31HK-103X	C CAPACITOR	0.01uF 50V K		R2207	NRSA63J-103X	MG RESISTOR	10kΩ 1/16W J	
C3100	NCB31CK-104X	C CAPACITOR	0.1uF 16V K		R2208	NRSA63J-123X	MG RESISTOR	12kΩ 1/16W J	
C3101	NCF31AZ-105X	C CAPACITOR	1uF 10V Z		R2250	NRSA63J-221X	MG RESISTOR	220Ω 1/16W J	
C3102	QETN1EM-476Z	E CAPACITOR	47uF 25V M		R2252	NRSA63J-0R0X	MG RESISTOR	0Ω 1/16W J	
C3103	NCF31AZ-105X	C CAPACITOR	1uF 10V Z		R2300	NRSA63J-105X	MG RESISTOR	1MΩ 1/16W J	
C3104	QETN1HM-226Z	E CAPACITOR	22uF 50V M		R2301	NRSA63J-221X	MG RESISTOR	220Ω 1/16W J	
C3105	NCF31AZ-105X	C CAPACITOR	1uF 10V Z		R2302	NRSA63J-221X	MG RESISTOR	220Ω 1/16W J	
C3106	NCF31AZ-105X	C CAPACITOR	1uF 10V Z		R2303	NRSA63J-101X	MG RESISTOR	100Ω 1/16W J	
C3107	NCF31AZ-105X	C CAPACITOR	1uF 10V Z		R2304	NRSA63J-103X	MG RESISTOR	10kΩ 1/16W J	
C3108	NCB31CK-104X	C CAPACITOR	0.1uF 16V K		R2305	NRSA63J-101X	MG RESISTOR	100Ω 1/16W J	
C3109	QETN0JM-477Z	E CAPACITOR	470uF 6.3V M		R2401	NRSA63J-332X	MG RESISTOR	3.3kΩ 1/16W J	
C3110	QETN0JM-477Z	E CAPACITOR	470uF 6.3V M		R2402	NRSA63J-0R0X	MG RESISTOR	0Ω 1/16W J	
C3112	QETN1AM-477Z	E CAPACITOR	470uF 10V M		R2410	NRSA63J-821X	MG RESISTOR	820Ω 1/16W J	
C3150	QETN1CM-106Z	E CAPACITOR	10uF 16V M		R2411	NRSA63J-821X	MG RESISTOR	820Ω 1/16W J	
C3415	QETN0JM-477Z	E CAPACITOR	470uF 6.3V M		R2412	NRSA63J-821X	MG RESISTOR	820Ω 1/16W J	
C4000	QCZ0202-155Z	C CAPACITOR	1.5uF 25V Z		R2413	NRSA63J-821X	MG RESISTOR	820Ω 1/16W J	
C4001	NCS31HJ-330X	C CAPACITOR	33pF 50V J		R2414	NRSA63J-821X	MG RESISTOR	820Ω 1/16W J	
C4002	NCS31HJ-330X	C CAPACITOR	33pF 50V J		R2415	NRSA63J-821X	MG RESISTOR	820Ω 1/16W J	
C4003	QETN1HM-225Z	E CAPACITOR	2.2uF 50V M		R2416	NRSA63J-821X	MG RESISTOR	820Ω 1/16W J	
C4004	QETN1CM-106Z	E CAPACITOR	10uF 16V M		R2417	NRSA63J-821X	MG RESISTOR	820Ω 1/16W J	
C4005	NCS31HJ-561X	C CAPACITOR	560pF 50V J		R2418	NRSA63J-821X	MG RESISTOR	820Ω 1/16W J	
C4006	NCS31HJ-271X	C CAPACITOR	270pF 50V J		R2419	NRSA63J-821X	MG RESISTOR	820Ω 1/16W J	
C4008	QCZ0202-155Z	C CAPACITOR	1.5uF 25V Z		R2420	NRSA63J-821X	MG RESISTOR	820Ω 1/16W J	
C4013	NCB31HK-822X	C CAPACITOR	8200pF 50V K		R2421	NRSA63J-821X	MG RESISTOR	820Ω 1/16W J	
C4014	NCB31HK-822X	C CAPACITOR	8200pF 50V K		R2422	NRSA63J-222X	MG RESISTOR	2.2kΩ 1/16W J	
C4100	QETN1CM-107Z	E CAPACITOR	100uF 16V M		R2423	NRSA63J-102X	MG RESISTOR	1kΩ 1/16W J	
C4101	NCB31CK-104X	C CAPACITOR	0.1uF 16V K		R2424	NRSA63J-102X	MG RESISTOR	1kΩ 1/16W J	
C4102	NCB31CK-104X	C CAPACITOR	0.1uF 16V K		R2425	NRSA63J-102X	MG RESISTOR	1kΩ 1/16W J	
C4103	NCB31CK-103X	C CAPACITOR	0.01uF 16V K		R2430	NRSA63J-103X	MG RESISTOR	10kΩ 1/16W J	
C4104	NCB31HK-103X	C CAPACITOR	0.01uF 50V K		R2500	NRSA63J-6R2X	MG RESISTOR	6.2Ω 1/16W J	
C4107	NCB31HK-103X	C CAPACITOR	0.01uF 50V K		R2502	NRSA63J-6R2X	MG RESISTOR	6.2Ω 1/16W J	
C4108	QETN1HM-225Z	E CAPACITOR	2.2uF 50V M		R2503	NRSA63J-220X	MG RESISTOR	22Ω 1/16W J	
C4109	NCB31HK-223X	C CAPACITOR	0.022uF 50V K		R2504	NRSA63J-103X	MG RESISTOR	10kΩ 1/16W J	
C4110	NCB31HK-102X	C CAPACITOR	1000pF 50V K		R2520	NRSA63J-6R2X	MG RESISTOR	6.2Ω 1/16W J	
C4200	NCB31HK-103X	C CAPACITOR	0.01uF 50V K		R2522	NRSA63J-6R2X	MG RESISTOR	6.2Ω 1/16W J	
C4201	NCB31EK-104X	C CAPACITOR	0.1uF 25V K		R2523	NRSA63J-220X	MG RESISTOR	22Ω 1/16W J	
C4202	QETN1CM-107Z	E CAPACITOR	100uF 16V M		R2540	NRSA63J-6R2X	MG RESISTOR	6.2Ω 1/16W J	
C4203	NCB31HK-103X	C CAPACITOR	0.01uF 50V K		R2542	NRSA63J-6R2X	MG RESISTOR	6.2Ω 1/16W J	
C4400	NCB31HK-221X	C CAPACITOR	220pF 50V K		R2543	NRSA63J-220X	MG RESISTOR	22Ω 1/16W J	
C4401	NCB31HK-221X	C CAPACITOR	220pF 50V K		R2544	NRSA63J-103X	MG RESISTOR	10kΩ 1/16W J	
C4501	NCB31CK-104X	C CAPACITOR	0.1uF 16V K		R2560	NRSA63J-6R2X	MG RESISTOR	6.2Ω 1/16W J	
C5000	NCB31CK-103X	C CAPACITOR	0.01uF 16V K		R2562	NRSA63J-6R2X	MG RESISTOR	6.2Ω 1/16W J	
C5001	NCB31CK-103X	C CAPACITOR	0.01uF 16V K		R2563	NRSA63J-220X	MG RESISTOR	22Ω 1/16W J	
C5002	QEKCOJM-227Z	E CAPACITOR	220uF 6.3V M		R2580	NRSA63J-6R2X	MG RESISTOR	6.2Ω 1/16W J	
C5003	NCF21CZ-105X	C CAPACITOR	1uF 16V Z		R2582	NRSA63J-6R2X	MG RESISTOR	6.2Ω 1/16W J	
C5005	NCB31CK-103X	C CAPACITOR	0.01uF 16V K		R2583	NRSA63J-220X	MG RESISTOR	22Ω 1/16W J	
C5007	NCB31HK-471X	C CAPACITOR	470pF 50V K		R2584	NRSA63J-103X	MG RESISTOR	10kΩ 1/16W J	
C5008	NCB31HK-471X	C CAPACITOR	470pF 50V K		R2600	NRSA63J-6R2X	MG RESISTOR	6.2Ω 1/16W J	
C5009	NCB31CK-103X	C CAPACITOR	0.01uF 16V K		R2602	NRSA63J-6R2X	MG RESISTOR	6.2Ω 1/16W J	
C5010	NCB31CK-103X	C CAPACITOR	0.01uF 16V K		R2603	NRSA63J-220X	MG RESISTOR	22Ω 1/16W J	
C5011	NCB31CK-103X	C CAPACITOR	0.01uF 16V K		R2650	NRSA63J-102X	MG RESISTOR	1kΩ 1/16W J	
C5012	NCB31CK-103X	C CAPACITOR	0.01uF 16V K		R2651	NRS181J-560X	MG RESISTOR	56Ω 1/8W J	
C6001	NCS31HJ-220X	C CAPACITOR	22pF 50V J		R2652	NRSA63J-102X	MG RESISTOR	1kΩ 1/16W J	
C6002	NCB31HK-223X	C CAPACITOR	0.022uF 50V K		R2653	NRS181J-560X	MG RESISTOR	56Ω 1/8W J	
					R2654	NRSA63J-102X	MG RESISTOR	1kΩ 1/16W J	
R1001	NRSA63J-332X	MG RESISTOR	3.3kΩ 1/16W J		R2655	NRS181J-560X	MG RESISTOR	56Ω 1/8W J	
R1002	NRSA63J-2R2X	MG RESISTOR	2.2Ω 1/16W J		R2656	NRSA63J-0R0X	MG RESISTOR	0Ω 1/16W J	
R1100	NRSA63J-102X	MG RESISTOR	1kΩ 1/16W J		R2657	NRSA63J-102X	MG RESISTOR	1kΩ 1/16W J	
R1101	NRSA63J-103X	MG RESISTOR	10kΩ 1/16W J		R2660	NRSA63J-433X	MG RESISTOR	43kΩ 1/16W J	
R1102	NRSA63J-102X	MG RESISTOR	1kΩ 1/16W J		R2661	NRSA63J-433X	MG RESISTOR	43kΩ 1/16W J	
R1103	NRSA63J-102X	MG RESISTOR	1kΩ 1/16W J		R2662	NRSA63J-433X	MG RESISTOR	43kΩ 1/16W J	

△ Symbol No.	Part No.	Part Name	Description	Local	△ Symbol No.	Part No.	Part Name	Description	Local
R2663	NRSA63J-433X	MG RESISTOR	43kΩ 1/16W J		R4124	NRSA63J-103X	MG RESISTOR	10kΩ 1/16W J	
R2664	NRSA63J-433X	MG RESISTOR	43kΩ 1/16W J		R4126	NRSA63J-103X	MG RESISTOR	10kΩ 1/16W J	
R2665	NRSA63J-433X	MG RESISTOR	43kΩ 1/16W J		R4127	NRSA63J-103X	MG RESISTOR	10kΩ 1/16W J	
R2666	NRSA63J-433X	MG RESISTOR	43kΩ 1/16W J		R4128	NRSA63J-473X	MG RESISTOR	47kΩ 1/16W J	
R2667	NRSA63J-433X	MG RESISTOR	43kΩ 1/16W J		R4129	NRSA63J-473X	MG RESISTOR	47kΩ 1/16W J	
R2668	NRSA63J-433X	MG RESISTOR	43kΩ 1/16W J		R4130	NRSA63J-103X	MG RESISTOR	10kΩ 1/16W J	
R2669	NRSA63J-433X	MG RESISTOR	43kΩ 1/16W J		R4132	NRSA63J-103X	MG RESISTOR	10kΩ 1/16W J	
R2670	NRSA63J-433X	MG RESISTOR	43kΩ 1/16W J		R4133	NRSA63J-103X	MG RESISTOR	10kΩ 1/16W J	
R2671	NRSA63J-433X	MG RESISTOR	43kΩ 1/16W J		R4151	NRSA63J-221X	MG RESISTOR	220Ω 1/16W J	
R2673	NRSA63J-682X	MG RESISTOR	6.8kΩ 1/16W J		R4152	NRSA63J-221X	MG RESISTOR	220Ω 1/16W J	
R2674	NRSA63J-362X	MG RESISTOR	3.6kΩ 1/16W J		R4153	NRSA63J-221X	MG RESISTOR	220Ω 1/16W J	
R2680	NRSA63J-223X	MG RESISTOR	22kΩ 1/16W J		R4154	NRSA63J-221X	MG RESISTOR	220Ω 1/16W J	
R2700	NRSA63J-472X	MG RESISTOR	4.7kΩ 1/16W J		R4155	NRSA63J-221X	MG RESISTOR	220Ω 1/16W J	
R2701	NRSA63J-472X	MG RESISTOR	4.7kΩ 1/16W J		R4156	NRSA63J-221X	MG RESISTOR	220Ω 1/16W J	
R2702	NRSA63J-472X	MG RESISTOR	4.7kΩ 1/16W J		R4157	NRSA63J-0R0X	MG RESISTOR	0Ω 1/16W J	
R2703	NRSA63J-472X	MG RESISTOR	4.7kΩ 1/16W J		R4158	NRSA63J-0R0X	MG RESISTOR	0Ω 1/16W J	
R2704	NRSA63J-472X	MG RESISTOR	4.7kΩ 1/16W J		R4159	NRSA63J-0R0X	MG RESISTOR	0Ω 1/16W J	
R2705	NRSA63J-472X	MG RESISTOR	4.7kΩ 1/16W J		R4160	NRSA63J-0R0X	MG RESISTOR	0Ω 1/16W J	
R2706	NRSA63J-752X	MG RESISTOR	7.5kΩ 1/16W J		R4161	NRSA63J-102X	MG RESISTOR	1kΩ 1/16W J	
R2708	NRSA63J-752X	MG RESISTOR	7.5kΩ 1/16W J		R4162	NRSA63J-102X	MG RESISTOR	1kΩ 1/16W J	
R2710	NRSA63J-103X	MG RESISTOR	10kΩ 1/16W J		R4163	NRSA63J-102X	MG RESISTOR	1kΩ 1/16W J	
R2711	NRSA63J-470X	MG RESISTOR	47Ω 1/16W J		R4164	NRSA63J-102X	MG RESISTOR	1kΩ 1/16W J	
R2712	NRSA63J-391X	MG RESISTOR	390Ω 1/16W J		R4171	NRSA63J-103X	MG RESISTOR	10kΩ 1/16W J	
R2720	NRSA63J-472X	MG RESISTOR	4.7kΩ 1/16W J		R4200	NRSA63J-0R0X	MG RESISTOR	0Ω 1/16W J	
R2721	NRSA63J-472X	MG RESISTOR	4.7kΩ 1/16W J		R4301	NRSA63J-153X	MG RESISTOR	15kΩ 1/16W J	
R2722	NRSA63J-472X	MG RESISTOR	4.7kΩ 1/16W J		R4302	NRSA63J-472X	MG RESISTOR	4.7kΩ 1/16W J	
R2723	NRSA63J-472X	MG RESISTOR	4.7kΩ 1/16W J		R4303	NRSA63J-153X	MG RESISTOR	15kΩ 1/16W J	
R2724	NRSA63J-472X	MG RESISTOR	4.7kΩ 1/16W J		R4304	NRSA63J-153X	MG RESISTOR	15kΩ 1/16W J	
R2725	NRSA63J-472X	MG RESISTOR	4.7kΩ 1/16W J		R4305	NRSA63J-393X	MG RESISTOR	39kΩ 1/16W J	
R2726	NRSA63J-752X	MG RESISTOR	7.5kΩ 1/16W J		R4306	NRSA63J-203X	MG RESISTOR	20kΩ 1/16W J	
R2728	NRSA63J-752X	MG RESISTOR	7.5kΩ 1/16W J		R4307	NRSA63J-472X	MG RESISTOR	4.7kΩ 1/16W J	
R2730	NRSA63J-103X	MG RESISTOR	10kΩ 1/16W J		R4400	NRSA63J-221X	MG RESISTOR	220Ω 1/16W J	
R2731	NRSA63J-470X	MG RESISTOR	47Ω 1/16W J		R4401	NRSA63J-221X	MG RESISTOR	220Ω 1/16W J	
R2732	NRSA63J-391X	MG RESISTOR	390Ω 1/16W J		R4501	NRSA63J-101X	MG RESISTOR	100Ω 1/16W J	
R2800	NRSA63J-102X	MG RESISTOR	1kΩ 1/16W J		R5000	NRSA63J-103X	MG RESISTOR	10kΩ 1/16W J	
R2803	NRSA63J-0R0X	MG RESISTOR	0Ω 1/16W J		R5001	NRSA63J-103X	MG RESISTOR	10kΩ 1/16W J	
R2808	NRSA63J-0R0X	MG RESISTOR	0Ω 1/16W J		R5002	NRSA63J-102X	MG RESISTOR	1kΩ 1/16W J	
R2809	NRSA63J-0R0X	MG RESISTOR	0Ω 1/16W J		R5003	NRSA63J-102X	MG RESISTOR	1kΩ 1/16W J	
R2810	NRSA63J-123X	MG RESISTOR	12kΩ 1/16W J		R5004	NRSA63J-102X	MG RESISTOR	1kΩ 1/16W J	
R2851	NRSA63J-0R0X	MG RESISTOR	0Ω 1/16W J		R5005	NRSA63J-102X	MG RESISTOR	1kΩ 1/16W J	
R2852	NRSA63J-0R0X	MG RESISTOR	0Ω 1/16W J		R5006	NRSA63J-221X	MG RESISTOR	220Ω 1/16W J	
R3000	NRSA63J-0R0X	MG RESISTOR	0Ω 1/16W J		R5007	NRSA63J-102X	MG RESISTOR	1kΩ 1/16W J	
R3004	NRSA63J-681X	MG RESISTOR	680Ω 1/16W J		R5008	NRSA63J-272X	MG RESISTOR	2.7kΩ 1/16W J	
R3005	NRSA63J-221X	MG RESISTOR	220Ω 1/16W J		R5009	NRSA63J-432X	MG RESISTOR	4.3kΩ 1/16W J	
R3006	NRSA63J-681X	MG RESISTOR	680Ω 1/16W J		R5010	NRSA63J-822X	MG RESISTOR	8.2kΩ 1/16W J	
R3007	NRSA63J-221X	MG RESISTOR	220Ω 1/16W J		R5011	NRSA63J-102X	MG RESISTOR	1kΩ 1/16W J	
R3008	NRSA63J-681X	MG RESISTOR	680Ω 1/16W J		R5012	NRSA63J-272X	MG RESISTOR	2.7kΩ 1/16W J	
R3009	NRSA63J-221X	MG RESISTOR	220Ω 1/16W J		R5013	NRSA63J-432X	MG RESISTOR	4.3kΩ 1/16W J	
R3010	NRSA63J-431X	MG RESISTOR	430Ω 1/16W J		R5014	NRSA63J-822X	MG RESISTOR	8.2kΩ 1/16W J	
R3011	NRSA63J-101X	MG RESISTOR	100Ω 1/16W J		R5015	NRSA63J-0R0X	MG RESISTOR	0Ω 1/16W J	
R3012	NRSA63J-431X	MG RESISTOR	430Ω 1/16W J		R6001	NRSA63J-221X	MG RESISTOR	220Ω 1/16W J	
R3013	NRSA63J-101X	MG RESISTOR	100Ω 1/16W J		R6002	NRSA63J-221X	MG RESISTOR	220Ω 1/16W J	
R3020	NRSA63J-821X	MG RESISTOR	820Ω 1/16W J		R6050	NRSA63J-0R0X	MG RESISTOR	0Ω 1/16W J	
R3021	NRSA63J-181X	MG RESISTOR	180Ω 1/16W J		R6051	NRSA63J-0R0X	MG RESISTOR	0Ω 1/16W J	
R3022	NRSA63J-103X	MG RESISTOR	10kΩ 1/16W J						
R3100	NRSA63J-0R0X	MG RESISTOR	0Ω 1/16W J		L2501	QQL72AM-220	COIL	22uH M	
R3101	NRSA63J-0R0X	MG RESISTOR	0Ω 1/16W J		L2502	QQL72AM-220	COIL	22uH M	
R3102	NRSA63J-0R0X	MG RESISTOR	0Ω 1/16W J		L2521	QQL72AM-220	COIL	22uH M	
R3150	NRS181J-202X	MG RESISTOR	2kΩ 1/8W J		L2522	QQL72AM-220	COIL	22uH M	
R3151	NRS181J-202X	MG RESISTOR	2kΩ 1/8W J		L2541	QQL72AM-220	COIL	22uH M	
R4011	NRSA63J-102X	MG RESISTOR	1kΩ 1/16W J		L2542	QQL72AM-220	COIL	22uH M	
R4012	NRSA63J-102X	MG RESISTOR	1kΩ 1/16W J		L2561	QQL72AM-220	COIL	22uH M	
R4013	NRSA63J-682X	MG RESISTOR	6.8kΩ 1/16W J		L2562	QQL72AM-220	COIL	22uH M	
R4014	NRSA63J-682X	MG RESISTOR	6.8kΩ 1/16W J		L2581	QQL72AM-220	COIL	22uH M	
R4016	NRSA63J-102X	MG RESISTOR	1kΩ 1/16W J		L2582	QQL72AM-220	COIL	22uH M	
R4100	NRSA63J-103X	MG RESISTOR	10kΩ 1/16W J		L2601	QQL72AM-220	COIL	22uH M	
R4101	NRSA63J-682X	MG RESISTOR	6.8kΩ 1/16W J		L2602	QQL72AM-220	COIL	22uH M	
R4102	NRSA63J-103X	MG RESISTOR	10kΩ 1/16W J		L3100	QQL25CK-221Z	COIL	220uH K	
R4104	NRSA63J-103X	MG RESISTOR	10kΩ 1/16W J		L4200	QQL244K-100Z	COIL	10uH K	
R4105	NRSA63J-103X	MG RESISTOR	10kΩ 1/16W J						
R4111	NRSA63J-103X	MG RESISTOR	10kΩ 1/16W J		CN190	QGA2501C1-02	CONNECTOR	W-B (1-2)	
R4112	NRSA63J-103X	MG RESISTOR	10kΩ 1/16W J		CN341	QGF1205C1-13	CONNECTOR	FFC/FPC (1-13)	
R4117	NRSA63J-472X	MG RESISTOR	4.7kΩ 1/16W J		CN422	QGF1036C1-15	CONNECTOR	FFC/FPC (1-15)	
R4118	NRSA63J-223X	MG RESISTOR	22kΩ 1/16W J		CN423	QGF1036C1-17	CONNECTOR	FFC/FPC (1-17)	
R4119	NRSA63J-103X	MG RESISTOR	10kΩ 1/16W J		CN424	QGF1036C1-09	CONNECTOR	FFC/FPC (1-9)	
R4120	NRSA63J-221X	MG RESISTOR	220Ω 1/16W J		CN425	QGF1036C1-05	CONNECTOR	FFC/FPC (1-5)	
R4121	NRSA63J-103X	MG RESISTOR	10kΩ 1/16W J		CN426	QGF1036C1-08	CONNECTOR	FFC/FPC (1-8)	
R4122	NRSA63J-103X	MG RESISTOR	10kΩ 1/16W J		CN427	QGF1205C1-10	CONNECTOR	FFC/FPC (1-10)	

△ Symbol No.	Part No.	Part Name	Description	Local	△ Symbol No.	Part No.	Part Name	Description	Local
CN428	QGF1036C1-21	CONNECTOR	FFC/FPC (1-21)		Q955	KTC3199/GL/-T	TRANSISTOR		
CN430	QGA1002C1-03X	CONNECTOR	W-B (1-3)		Q3400	KRC102M-T	DIGI TRANSISTOR		
CN450	QGF1036F1-21	CONNECTOR	FFC/FPC (1-21)		Q3401	KRC102M-T	DIGI TRANSISTOR		
CN454	QGF1210G1-04	CONNECTOR	FFC/FPC (1-4)		Q3402	KRA102M-T	DIGI TRANSISTOR		
CN901	QGA3901C1-10	CONNECTOR	W-B (1-10)		Q3403	KRC102M-T	DIGI TRANSISTOR		
△ CP410	ICP-N5-T	IC PROTECTOR	250mA						
DI500	QLF0131-001	FL TUBE			D950	1SS133-T2	DIODE		
HS110	LE40505-001A	HEAT SINK			D951	1N4003S-T5	SI DIODE		
HS120	LE40505-001A	HEAT SINK			D953	MTZJ5.6B-T2	Z DIODE		
HS130	LE40505-001A	HEAT SINK			D954	MTZJ3.6B-T2	Z DIODE		
HS140	GV40520-002A	HEAT SINK			D955	1N4003S-T5	SI DIODE		
HS150	LV40057-H30B	HEAT SINK							
IH500	VYH7653-003	IC HOLDER			△ C950	QCZ9105-472	C CAPACITOR	4700pF 250V M	
J2000	QNN0662-001	PIN JACK			C951	QETM1EM-108	E CAPACITOR	1000uF 25V M	
J2600	QNB0189-001	SPK TERMINAL			C954	QCBB1HK-103Y	C CAPACITOR	0.01uF 50V K	
J4400	QNS0089-001	3.5 JACK			C955	QCBB1HK-103Y	C CAPACITOR	0.01uF 50V K	
JS500	QSW1059-001	JOG VOLUME			C956	QETN1HM-106Z	E CAPACITOR	10uF 50V M	
K2300	NQR0502-001X	FERRITE BEADS			C957	QETN1CM-107Z	E CAPACITOR	100uF 16V M	
K2301	NQR0502-001X	FERRITE BEADS			C958	QETN1CM-107Z	E CAPACITOR	100uF 16V M	
K2302	NQR0360-003X	FERRITE BEADS			△ C959	QFZ9075-683	MPP CAPACITOR	0.068uF AC275V M	
K2400	NQR0389-003X	FERRITE BEADS			△ C960	QCZ9079-101	C CAPACITOR	100pF AC250V K	
K2401	NRSA63J-0R0X	MG RESISTOR	0Ω 1/16W J		△ C961	QCZ9079-101	C CAPACITOR	100pF AC250V K	
K2800	NQR0360-002X	FERRITE BEADS			C2780	QCBB1HK-104Y	C CAPACITOR	0.1uF 50V K	
K2801	NQR0360-002X	FERRITE BEADS			C2781	QCBB1HK-104Y	C CAPACITOR	0.1uF 50V K	
K2802	NQR0360-002X	FERRITE BEADS			C2782	QCBB1HK-104Y	C CAPACITOR	0.1uF 50V K	
K2803	NQR0360-002X	FERRITE BEADS			C2783	QCBB1HK-223Y	C CAPACITOR	0.022uF 50V K	
K2804	NQR0360-002X	FERRITE BEADS			C2784	QCBB1HK-103Y	C CAPACITOR	0.01uF 50V K	
K2805	NQR0360-002X	FERRITE BEADS			C3400	QCBB1HK-331Y	C CAPACITOR	330pF 50V K	
K2807	NQR0360-002X	FERRITE BEADS			C3401	QCBB1HK-331Y	C CAPACITOR	330pF 50V K	
K2808	NQR0360-002X	FERRITE BEADS			C3402	QCBB1HK-331Y	C CAPACITOR	330pF 50V K	
K2809	NQR0360-002X	FERRITE BEADS			C3405	QCBB1HK-331Y	C CAPACITOR	330pF 50V K	
K2810	NQR0360-002X	FERRITE BEADS			C3406	QCSB1HJ-470Y	C CAPACITOR	47pF 50V J	
K2811	NQR0360-002X	FERRITE BEADS			C3407	QCSB1HJ-470Y	C CAPACITOR	47pF 50V J	
K2812	NQR0505-003X	RES. C.M			C3408	QCSB1HJ-470Y	C CAPACITOR	47pF 50V J	
△ RY260	QSK0127-001	RELAY			C3409	QETN0JM-477Z	E CAPACITOR	470uF 6.3V M	
△ RY261	QSK0127-001	RELAY			C3410	QCSB1HJ-470Y	C CAPACITOR	47pF 50V J	
△ RY262	QSK0127-001	RELAY							
S5000	QSW0683-001Z	PUSH SW			R953	QRE141J-103Y	C RESISTOR	10kΩ 1/4W J	
S5001	QSW0683-001Z	PUSH SW			R954	QRE141J-102Y	C RESISTOR	1kΩ 1/4W J	
S5002	QSW0683-001Z	PUSH SW			R955	QRE141J-102Y	C RESISTOR	1kΩ 1/4W J	
S5003	QSW0683-001Z	PUSH SW			R956	QRE141J-102Y	C RESISTOR	1kΩ 1/4W J	
S5004	QSW0683-001Z	PUSH SW			R957	QRE141J-271Y	C RESISTOR	270Ω 1/4W J	
S5005	QSW0683-001Z	PUSH SW			R958	QRE141J-332Y	C RESISTOR	3.3kΩ 1/4W J	
S5006	QSW0683-001Z	PUSH SW			R2780	QRE141J-102Y	C RESISTOR	1kΩ 1/4W J	
S5007	QSW0683-001Z	PUSH SW			R2781	QRE141J-102Y	C RESISTOR	1kΩ 1/4W J	
TB121	QWTG640-015	SHRINK TUBE			R3400	QRE141J-202Y	C RESISTOR	2kΩ 1/4W J	
TB130	QWTG640-015	SHRINK TUBE			R3401	QRE141J-202Y	C RESISTOR	2kΩ 1/4W J	
TB131	QWTG640-015	SHRINK TUBE			R3402	QRE141J-821Y	C RESISTOR	820Ω 1/4W J	
TB140	QWTG640-015	SHRINK TUBE			R3403	QRE141J-123Y	C RESISTOR	12kΩ 1/4W J	
TB141	QWTG640-015	SHRINK TUBE			R3404	QRE141J-223Y	C RESISTOR	22kΩ 1/4W J	
X2300	QAX0800-001Z	CRYSTAL	18.432000MHz		R3405	QRE141J-223Y	C RESISTOR	22kΩ 1/4W J	
X4000	QAX0263-001Z	CRYSTAL	4.332MHz		R3406	QRE141J-393Y	C RESISTOR	39kΩ 1/4W J	
X4100	QAX0246-001Z	C RESONATOR	8.00MHz		R3407	QRE141J-151Y	C RESISTOR	150Ω 1/4W J	
X5000	NAX0623-001X	C RESONATOR	8.00MHz		R3409	QRE141J-151Y	C RESISTOR	150Ω 1/4W J	
Z901	QNG0003-001Z	FUSE CLIP			R3411	QRE141J-393Y	C RESISTOR	39kΩ 1/4W J	
Z902	QNG0003-001Z	FUSE CLIP			R3412	QRE141J-750Y	C RESISTOR	75Ω 1/4W J	
Z903	QNG0003-001Z	FUSE CLIP			R3413	QRE141J-750Y	C RESISTOR	75Ω 1/4W J	
Z904	QNG0003-001Z	FUSE CLIP			R3414	QRE141J-750Y	C RESISTOR	75Ω 1/4W J	
Z905	QNG0003-001Z	FUSE CLIP			R3415	QRE141J-101Y	C RESISTOR	100Ω 1/4W J	
Z906	QNG0003-001Z	FUSE CLIP			R3416	QRE141J-103Y	C RESISTOR	10kΩ 1/4W J	
Z907	QNG0003-001Z	FUSE CLIP			R3417	QRE141J-750Y	C RESISTOR	75Ω 1/4W J	
Z908	QNG0003-001Z	FUSE CLIP							
Z909	QNG0003-001Z	FUSE CLIP			△ T950	QQT0253-002	POWER TRANSF		
Z910	QNG0003-001Z	FUSE CLIP							

Trans board

Block No. [0][2]

△ Symbol No.	Part No.	Part Name	Description	Local
Q951	KTBT72N/	TRANSISTOR		
Q952	KTC3199/GL/-T	TRANSISTOR		
Q953	KTC3199/GL/-T	TRANSISTOR		
Q954	KTC3199/GL/-T	TRANSISTOR		
	CN340	QGF1205F1-13	CONNECTOR	FFC/FPC (1-13)
	CN453	QGF1210G1-04	CONNECTOR	FFC/FPC (1-4)
	CN950	QGA7901C1-02	CONNECTOR	W-B (1-2)
	CN952	QGA7901C1-02	CONNECTOR	W-B (1-2)
	CN953	QGA2001C1-04	CONNECTOR	W-B (1-4)
	EP950	QNZ0136-001Z	EARTH PLATE	
	J2780	QNS0170-001	HEADPHONE JACK	
	J3400	QNZ0625-001	RGB CONNECTOR	
	K2780	QQR0601-001Z	COIL	
	K2781	QQR0601-001Z	COIL	
	K2782	QQR0601-001Z	COIL	
	△ LF950	QQR1360-001	LINE FILTER	
	PP950	QZW0112-001	WIRE CLAMP	
	PP951	QZW0112-001	WIRE CLAMP	

Symbol No.	Part No.	Part Name	Description	Local
PP952	QZW0112-001	WIRE CLAMP		
△ RY950	QSK0124-001	RELAY		
Z950	QNG0003-001Z	FUSE CLIP		
Z951	QNG0003-001Z	FUSE CLIP		

Symbol No.	Part No.	Part Name	Description	Local
C321	NCB31CK-104X	C CAPACITOR	0.1uF 16V K	
C322	NCB31CK-104X	C CAPACITOR	0.1uF 16V K	
C323	NCB31CK-104X	C CAPACITOR	0.1uF 16V K	
C324	NCB30JK-105X	C CAPACITOR	1uF 6.3V K	
C325	NDC31HJ-180X	C CAPACITOR	18pF 50V J	
C326	NDC31HJ-150X	C CAPACITOR	15pF 50V J	
C328	NCB31CK-104X	C CAPACITOR	0.1uF 16V K	
C329	NCB31CK-104X	C CAPACITOR	0.1uF 16V K	
C330	NCB31CK-104X	C CAPACITOR	0.1uF 16V K	
C331	NCB31CK-333X	C CAPACITOR	0.033uF 16V K	
C332	NCB31CK-104X	C CAPACITOR	0.1uF 16V K	
C333	NCB31CK-104X	C CAPACITOR	0.1uF 16V K	
C334	NCB31CK-104X	C CAPACITOR	0.1uF 16V K	
C335	NCB31CK-104X	C CAPACITOR	0.1uF 16V K	
C337	NCB31CK-183X	C CAPACITOR	0.018uF 16V K	
C338	NCB31HK-562X	C CAPACITOR	5600pF 50V K	
C339	NCB31CK-104X	C CAPACITOR	0.1uF 16V K	
C340	NCB30JK-105X	C CAPACITOR	1uF 6.3V K	
C341	NCF31AZ-105X	C CAPACITOR	1uF 10V Z	
C347	NCB31CK-104X	C CAPACITOR	0.1uF 16V K	
C348	NCB31CK-104X	C CAPACITOR	0.1uF 16V K	
C349	NCB31CK-104X	C CAPACITOR	0.1uF 16V K	
C350	NCB31CK-104X	C CAPACITOR	0.1uF 16V K	
C351	NCB31CK-103X	C CAPACITOR	0.01uF 16V K	
C352	NCB31CK-153X	C CAPACITOR	0.015uF 16V K	
C353	NCB31HK-561X	C CAPACITOR	560pF 50V K	
C354	NCB31HK-561X	C CAPACITOR	560pF 50V K	
C356	NCB21CK-105X	C CAPACITOR	1uF 16V K	
C371	NCB30JK-105X	C CAPACITOR	1uF 6.3V K	
C380	NCB21CK-105X	C CAPACITOR	1uF 16V K	
C381	NCB21AK-225X	C CAPACITOR	2.2uF 10V K	
C382	NCB31HK-471X	C CAPACITOR	470pF 50V K	
C391	NCF31CZ-104X	C CAPACITOR	0.1uF 16V Z	
C455	NCB31CK-103X	C CAPACITOR	0.01uF 16V K	
C551	NCB31CK-104X	C CAPACITOR	0.1uF 16V K	
C552	NCB31CK-104X	C CAPACITOR	0.1uF 16V K	
C553	NCB31CK-104X	C CAPACITOR	0.1uF 16V K	
C554	NCB31CK-104X	C CAPACITOR	0.1uF 16V K	
C555	NCB31CK-104X	C CAPACITOR	0.1uF 16V K	
C556	NCF31AZ-105X	C CAPACITOR	1uF 10V Z	
C557	NCB31CK-104X	C CAPACITOR	0.1uF 16V K	
C558	NEA70GM-476X	E CAPACITOR	47uF 4V M	
C751	NCB31CK-104X	C CAPACITOR	0.1uF 16V K	

DVD servo board

Block No. [0][3]

Symbol No.	Part No.	Part Name	Description	Local
IC201	LA6502-X	IC		
IC301	MN2DS0004AA-H	IC		
IC302	LM1117MP-ADJ-X	IC		
IC305	MM1563DF-X	IC	3.3V Regulator	
IC453	S-80830CNNB-G-W	IC		
IC505	K4S643232F-TC60	IC		
IC505	or K4S643232H-TC60	IC		
IC509	AT49BV322AT70TI	IC (FLASH)		
IC509	or MBD32TF70TN	IC (MICRO C ROM)		
IC512	SN74LVC373APW-X	IC (DIGITAL)		
IC513	SN74LVC373APW-X	IC (DIGITAL)		
IC706	SN74AHC1G08DC-X	IC C.M		
IC707	SN74AHC1G04DC-X	IC		
Q101	KTA1001/Y/-X	TRANSISTOR		
Q101	or 2SB1424/R/-W	TRANSISTOR		
Q102	2SC4617/R/-X	TRANSISTOR		
Q103	KTA1001/Y/-X	TRANSISTOR		
Q103	or 2SB1424/R/-W	TRANSISTOR		
Q104	2SC4617/R/-X	TRANSISTOR		
Q105	UN2119-X	TRANSISTOR		
C101	NCB31CK-104X	C CAPACITOR	0.1uF 16V K	
C102	NCB31CK-104X	C CAPACITOR	0.1uF 16V K	
C103	NCB31CK-104X	C CAPACITOR	0.1uF 16V K	
C104	NCB31CK-104X	C CAPACITOR	0.1uF 16V K	
C105	NEA70JM-476X	E CAPACITOR	47uF 6.3V M	
C106	NEA70JM-476X	E CAPACITOR	47uF 6.3V M	
C107	NCB31CK-104X	C CAPACITOR	0.1uF 16V K	
C108	NEA70JM-476X	E CAPACITOR	47uF 6.3V M	
C204	NCB31CK-104X	C CAPACITOR	0.1uF 16V K	
C205	NCB31HK-271X	C CAPACITOR	270pF 50V K	
C206	NDC31HJ-151X	C CAPACITOR	150pF 50V J	
C211	NCB31HK-223X	C CAPACITOR	0.022uF 50V K	
C217	NCB31CK-104X	C CAPACITOR	0.1uF 16V K	
C251	NCB31AK-474X	C CAPACITOR	0.47uF 10V K	
C256	NCB31CK-104X	C CAPACITOR	0.1uF 16V K	
C257	NCB31HK-822X	C CAPACITOR	8200pF 50V K	
C258	NCB31CK-153X	C CAPACITOR	0.015uF 16V K	
C259	NCB31CK-153X	C CAPACITOR	0.015uF 16V K	
C260	NCB31EK-223X	C CAPACITOR	0.022uF 25V K	
C261	NCB31EK-223X	C CAPACITOR	0.022uF 25V K	
C262	NCB31EK-223X	C CAPACITOR	0.022uF 25V K	
C300	NCB31CK-104X	C CAPACITOR	0.1uF 16V K	
C301	NEA70GM-227X	E CAPACITOR	220uF 4V M	
C302	NEA70GM-476X	E CAPACITOR	47uF 4V M	
C303	NEA70GM-476X	E CAPACITOR	47uF 4V M	
C304	NCB30JK-105X	C CAPACITOR	1uF 6.3V K	
C305	NCB31CK-104X	C CAPACITOR	0.1uF 16V K	
C306	NCB31CK-104X	C CAPACITOR	0.1uF 16V K	
C307	NCB31CK-104X	C CAPACITOR	0.1uF 16V K	
C308	NCB31CK-104X	C CAPACITOR	0.1uF 16V K	
C309	NCB31CK-104X	C CAPACITOR	0.1uF 16V K	
C310	NCB30JK-105X	C CAPACITOR	1uF 6.3V K	
C311	NCB31CK-104X	C CAPACITOR	0.1uF 16V K	
C312	NCB31CK-104X	C CAPACITOR	0.1uF 16V K	
C313	NCB31CK-104X	C CAPACITOR	0.1uF 16V K	
C314	NCB31CK-104X	C CAPACITOR	0.1uF 16V K	
C315	NCB31CK-104X	C CAPACITOR	0.1uF 16V K	
C316	NCB31CK-104X	C CAPACITOR	0.1uF 16V K	
C317	NCB31CK-104X	C CAPACITOR	0.1uF 16V K	
C318	NCB31CK-104X	C CAPACITOR	0.1uF 16V K	
C319	NCB31CK-104X	C CAPACITOR	0.1uF 16V K	
C320	NCB31CK-104X	C CAPACITOR	0.1uF 16V K	

Symbol No.	Part No.	Part Name	Description	Local
R101	NRSA63J-101X	MG RESISTOR	100Ω 1/16W J	
R102	NRSA63J-101X	MG RESISTOR	100Ω 1/16W J	
R103	NRSA63J-243X	MG RESISTOR	24kΩ 1/16W J	
R104	NRSA63J-303X	MG RESISTOR	30kΩ 1/16W J	
R105	NRS125J-270X	MG RESISTOR	27Ω 1/2W J	
R106	NRSA63J-2R2X	MG RESISTOR	2.2Ω 1/16W J	
R107	NRSA63J-101X	MG RESISTOR	100Ω 1/16W J	
R108	NRSA63J-471X	MG RESISTOR	470Ω 1/16W J	
R109	NRSA63J-471X	MG RESISTOR	470Ω 1/16W J	
R110	NRSA63J-0R0X	MG RESISTOR	0Ω 1/16W J	
R111	NRSA63J-243X	MG RESISTOR	24kΩ 1/16W J	
R112	NRSA63J-303X	MG RESISTOR	30kΩ 1/16W J	
R113	NRS125J-270X	MG RESISTOR	27Ω 1/2W J	
R114	NRSA63J-2R2X	MG RESISTOR	2.2Ω 1/16W J	
R115	NRSA63J-101X	MG RESISTOR	100Ω 1/16W J	
R116	NRSA63J-471X	MG RESISTOR	470Ω 1/16W J	
R117	NRSA63J-331X	MG RESISTOR	330Ω 1/16W J	
R118	NRSA63J-0R0X	MG RESISTOR	0Ω 1/16W J	
R119	NRSA63J-0R0X	MG RESISTOR	0Ω 1/16W J	
R120	NRSA63J-0R0X	MG RESISTOR	0Ω 1/16W J	
R122	NRSA63J-0R0X	MG RESISTOR	0Ω 1/16W J	
R123	NRSA63J-0R0X	MG RESISTOR	0Ω 1/16W J	
R125	NRS125J-1R0X	MG RESISTOR	1Ω 1/2W J	
R126	NRSA63J-181X	MG RESISTOR	180Ω 1/16W J	
R127	NRSA63J-333X	MG RESISTOR	33kΩ 1/16W J	
R128	NRSA63J-163X	MG RESISTOR	16kΩ 1/16W J	
R204	NRSA63J-273X	MG RESISTOR	27kΩ 1/16W J	
R205	NRSA63J-273X	MG RESISTOR	27kΩ 1/16W J	
R206	NRSA63J-303X	MG RESISTOR	30kΩ 1/16W J	
R207	NRSA63J-473X	MG RESISTOR	47kΩ 1/16W J	
R213	NRSA63J-103X	MG RESISTOR	10kΩ 1/16W J	
R214	NRSA63J-103X	MG RESISTOR	10kΩ 1/16W J	
R219	NRSA63J-183X	MG RESISTOR	18kΩ 1/16W J	
R220	NRSA63J-243X	MG RESISTOR	24kΩ 1/16W J	

△ Symbol No.	Part No.	Part Name	Description	Local	△ Symbol No.	Part No.	Part Name	Description	Local
R221	NRSA63J-682X	MG RESISTOR	6.8kΩ 1/16W J		CN501	QGF1016F2-08W	CONNECTOR	FFC/FPC (1-8)	
R251	NRS125J-R47X	MG RESISTOR	0.47Ω 1/2W J		CN502	QGF1016F2-09W	CONNECTOR	FFC/FPC (1-9)	
R252	NRSA63J-2R2X	MG RESISTOR	2.2Ω 1/16W J		CN503	QGF1016F2-17W	CONNECTOR	FFC/FPC (1-17)	
R257	NRSA63J-0R0X	MG RESISTOR	0Ω 1/16W J		CN504	QGF1016F2-15W	CONNECTOR	FFC/FPC (1-15)	
R259	NRSA63J-103X	MG RESISTOR	10kΩ 1/16W J		CN505	QGA1002F1-03X	CONNECTOR	W-B (1-3)	
R302	NRSA63J-240X	MG RESISTOR	24Ω 1/16W J		K101	NRSA02J-0R0X	MG RESISTOR	0Ω 1/10W J	
R303	NRSA63J-101X	MG RESISTOR	100Ω 1/16W J		K102	NRSA02J-0R0X	MG RESISTOR	0Ω 1/10W J	
R306	NRSA63J-102X	MG RESISTOR	1kΩ 1/16W J		K350	NQR0502-001X	FERRITE BEADS		
R307	NRSA63J-102X	MG RESISTOR	1kΩ 1/16W J		K352	NQR0502-001X	FERRITE BEADS		
R308	NRSA63J-223X	MG RESISTOR	22kΩ 1/16W J		K551	NQR0129-002X	FERRITE BEADS		
R309	NRSA63J-104X	MG RESISTOR	100kΩ 1/16W J		K552	NQR0129-002X	FERRITE BEADS		
R312	NRSA63J-0R0X	MG RESISTOR	0Ω 1/16W J		K553	NQR0129-002X	FERRITE BEADS		
R313	NRSA63J-0R0X	MG RESISTOR	0Ω 1/16W J		K554	NQR0129-002X	FERRITE BEADS		
R314	NRSA63J-0R0X	MG RESISTOR	0Ω 1/16W J		K555	NQR0022-005X	FERRITE BEADS		
R315	NRSA63J-0R0X	MG RESISTOR	0Ω 1/16W J		K556	NQR0129-002X	FERRITE BEADS		
R316	NRSA63J-6R8X	MG RESISTOR	6.8Ω 1/16W J		K721	NQR0251-004X	FERRITE BEADS		
R317	NRSA63J-0R0X	MG RESISTOR	0Ω 1/16W J		K722	NQR0251-004X	FERRITE BEADS		
R319	NRSA63J-0R0X	MG RESISTOR	0Ω 1/16W J		K723	NQR0251-004X	FERRITE BEADS		
R320	NRSA63J-103X	MG RESISTOR	10kΩ 1/16W J		K724	NQR0251-004X	FERRITE BEADS		
R331	NRSA63J-331X	MG RESISTOR	330Ω 1/16W J		K725	NQR0251-004X	FERRITE BEADS		
R332	NRSA63J-331X	MG RESISTOR	330Ω 1/16W J		K730	NRSA63J-0R0X	MG RESISTOR	0Ω 1/16W J	
R334	NRSA63J-151X	MG RESISTOR	150Ω 1/16W J		K731	NRSA63J-0R0X	MG RESISTOR	0Ω 1/16W J	
R335	NRSA63J-151X	MG RESISTOR	150Ω 1/16W J		K732	NRSA63J-0R0X	MG RESISTOR	0Ω 1/16W J	
R336	NRSA63J-151X	MG RESISTOR	150Ω 1/16W J		K733	NRSA63J-0R0X	MG RESISTOR	0Ω 1/16W J	
R337	NRSA63J-151X	MG RESISTOR	150Ω 1/16W J		K734	NRSA63J-0R0X	MG RESISTOR	0Ω 1/16W J	
R338	NRSA63J-0R0X	MG RESISTOR	0Ω 1/16W J		K735	NRSA63J-0R0X	MG RESISTOR	0Ω 1/16W J	
R339	NRSA63J-0R0X	MG RESISTOR	0Ω 1/16W J		K736	NRSA63J-0R0X	MG RESISTOR	0Ω 1/16W J	
R340	NRSA63D-303X	MG RESISTOR	30kΩ 1/16W D		K752	NQR0502-001X	FERRITE BEADS		
R341	NRSA63D-362X	MG RESISTOR	3.6kΩ 1/16W D		K758	NQR0360-003X	FERRITE BEADS		
R342	NRSA63D-222X	MG RESISTOR	2.2kΩ 1/16W D		K759	NQR0360-003X	FERRITE BEADS		
R343	NRSA63J-0R0X	MG RESISTOR	0Ω 1/16W J		K766	NRSA63J-0R0X	MG RESISTOR	0Ω 1/16W J	
R345	NRSA63J-471X	MG RESISTOR	470Ω 1/16W J		K767	NRSA63J-0R0X	MG RESISTOR	0Ω 1/16W J	
R346	NRSA63J-223X	MG RESISTOR	22kΩ 1/16W J		TH301	NAD0025-103X	N THERMISTOR	10kΩ	
R347	NRSA63J-203X	MG RESISTOR	20kΩ 1/16W J		X351	NAX0550-001X	CRYSTAL	27.000MHz	
R351	NRSA63J-681X	MG RESISTOR	680Ω 1/16W J						
R352	NRSA63J-105X	MG RESISTOR	1MΩ 1/16W J						
R353	NRSA63J-101X	MG RESISTOR	100Ω 1/16W J						
R354	NRSA63J-101X	MG RESISTOR	100Ω 1/16W J						
R355	NRSA63J-331X	MG RESISTOR	330Ω 1/16W J						
R356	NRSA63J-331X	MG RESISTOR	330Ω 1/16W J						
R357	NRSA63J-331X	MG RESISTOR	330Ω 1/16W J						
R358	NRSA63J-331X	MG RESISTOR	330Ω 1/16W J						
R359	NRSA63J-331X	MG RESISTOR	330Ω 1/16W J						
R360	NRSA63J-331X	MG RESISTOR	330Ω 1/16W J						
R362	NRSA63J-331X	MG RESISTOR	330Ω 1/16W J						
R363	NRSA63J-151X	MG RESISTOR	150Ω 1/16W J						
R367	NRSA63J-331X	MG RESISTOR	330Ω 1/16W J						
R368	NRSA63J-331X	MG RESISTOR	330Ω 1/16W J						
R369	NRSA63J-331X	MG RESISTOR	330Ω 1/16W J						
R372	NRSA63J-103X	MG RESISTOR	10kΩ 1/16W J						
R373	NRSA63J-103X	MG RESISTOR	10kΩ 1/16W J						
R384	NRSA63J-102X	MG RESISTOR	1kΩ 1/16W J						
R385	NRSA63J-102X	MG RESISTOR	1kΩ 1/16W J						
R388	NRSA63J-103X	MG RESISTOR	10kΩ 1/16W J						
R392	NRSA63J-103X	MG RESISTOR	10kΩ 1/16W J						
R393	NRSA63J-0R0X	MG RESISTOR	0Ω 1/16W J						
R394	NRSA63J-0R0X	MG RESISTOR	0Ω 1/16W J						
R395	NRSA63J-472X	MG RESISTOR	4.7kΩ 1/16W J						
R399	NRSA63J-0R0X	MG RESISTOR	0Ω 1/16W J						
R452	NRSA63J-102X	MG RESISTOR	1kΩ 1/16W J						
R457	NRSA63J-0R0X	MG RESISTOR	0Ω 1/16W J						
R458	NRSA63J-102X	MG RESISTOR	1kΩ 1/16W J						
R530	NRSA63J-103X	MG RESISTOR	10kΩ 1/16W J						
R531	NRSA63J-103X	MG RESISTOR	10kΩ 1/16W J						
R533	NRSA63J-0R0X	MG RESISTOR	0Ω 1/16W J						
R534	NRSA63J-103X	MG RESISTOR	10kΩ 1/16W J						
R562	NRSA63J-101X	MG RESISTOR	100Ω 1/16W J						
R728	NRSA63J-0R0X	MG RESISTOR	0Ω 1/16W J						
R729	NRSA63J-0R0X	MG RESISTOR	0Ω 1/16W J						
R732	NRSA63J-0R0X	MG RESISTOR	0Ω 1/16W J						
R754	NRSA63J-0R0X	MG RESISTOR	0Ω 1/16W J						
R758	NRSA63J-151X	MG RESISTOR	150Ω 1/16W J						
R759	NRSA63J-151X	MG RESISTOR	150Ω 1/16W J						
R761	NRSA63J-0R0X	MG RESISTOR	0Ω 1/16W J						
R990	NRSA63J-0R0X	MG RESISTOR	0Ω 1/16W J						
CN101	QGF0523F1-24W	CONNECTOR	FFC/FPC (1-24)						
CN201	QGF1037F1-08W	CONNECTOR	FFC/FPC (1-8)						

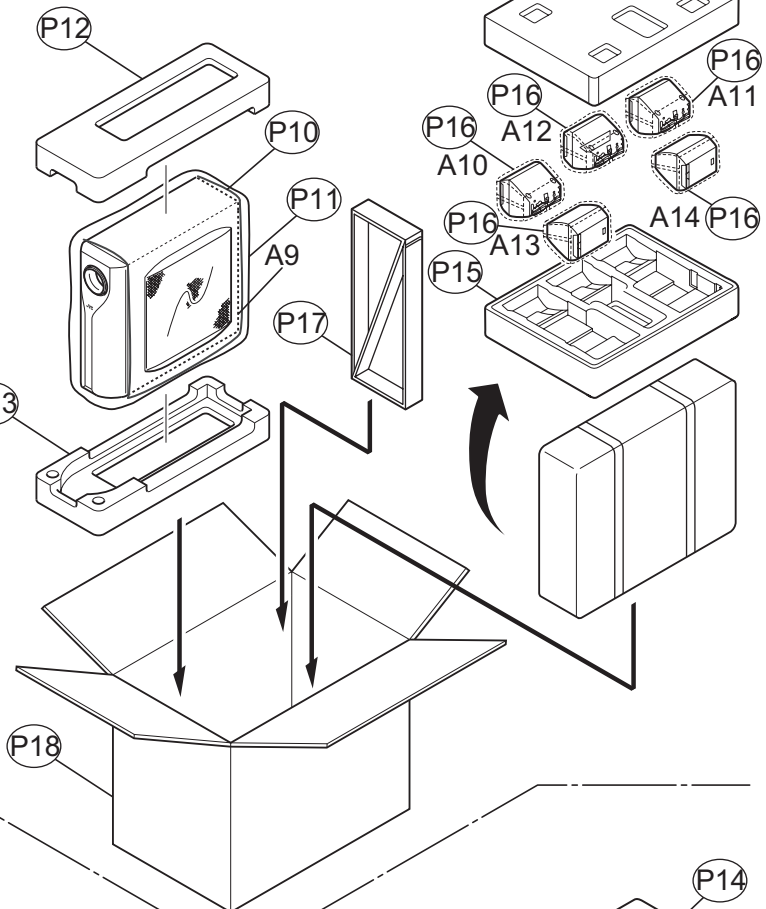
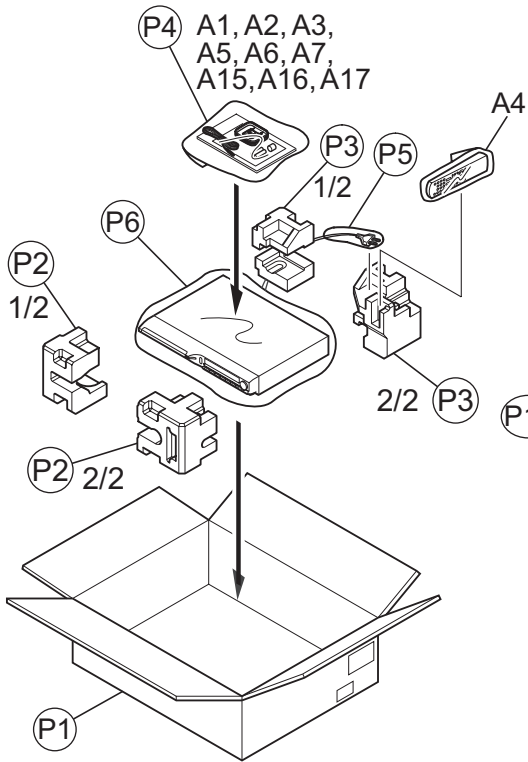
DVD loading switch board

Block No. [0][4]

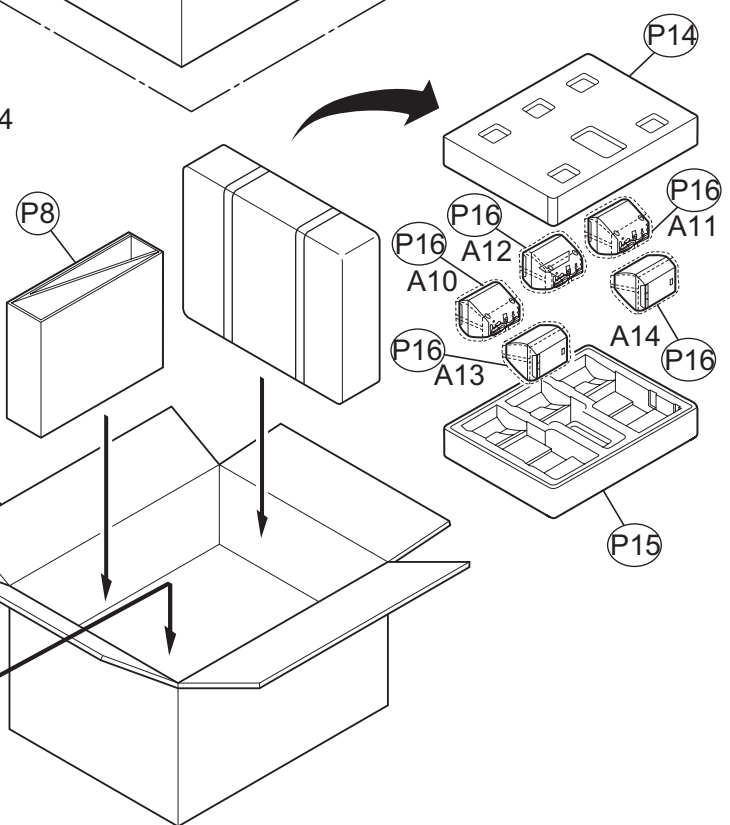
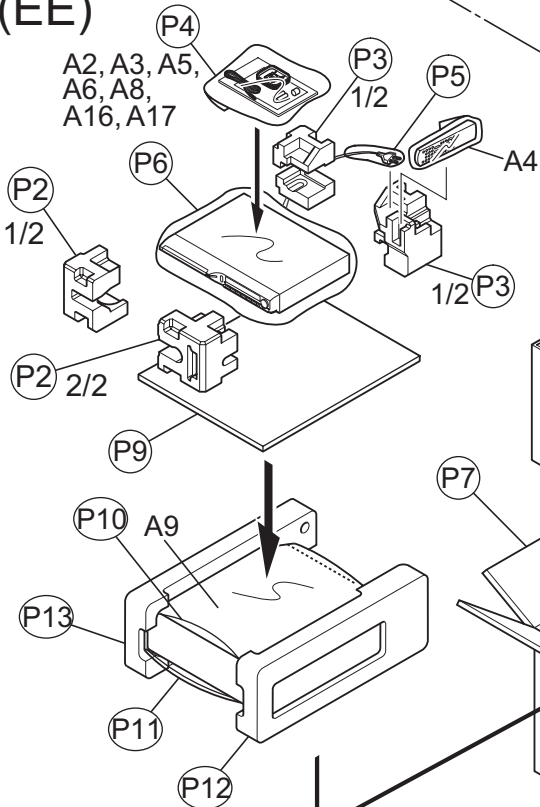
△ Symbol No.	Part No.	Part Name	Description	Local
CN1	QGF1016F3-05	CONNECTOR	FFC/FPC (1-5)	
S1	QSW1007-001	DETECT SWITCH		

Packing materials and accessories parts list

(B,E,EN,EV)



(EE)



Packing and Accessories

Block No. [M][3][M][M]

△ Symbol No.	Part No.	Part Name	Description	Local
A 1	GVT0141-008A	INST BOOK	ENG	S1B
A 1	GVT0141-006A	INST BOOK	GER,FRE,DUT	S1E
A 1	GVT0141-007A	INST BOOK	SWE,FIN,DAN,GER,FRE, SPA,ITA	S1EN
A 1	GVT0141-009A	INST BOOK	POL,HUN,CZE	S1EV
A 2	BT-54023-1	WARRANTY CARD		
A 3	QAL0014-001	AM LOOP ANT		
A 4	RM-STHS1R	REMOCON		
A 5	QAL0457-001	ANT.WIRE		
A 6	-----	BATTERY	(x2)	
A 7	VNA3000-204	REGISTER CARD		S1B
A 8	GVT0141-010A	INST BOOK	RUS	S1EE
A 9	QAS0259-001	WOFFER BOX		
A 10	AB080063-01	SPK WITH BOX-FR		
A 11	AB080063-02	SPK WITH BOX-FL		
A 12	AB080062-01	SPK WITH BOX-C		
A 13	AB080064-01	SPK WITH BOX-SR		
A 14	AB080064-02	SPK WITH BOX-SL		
A 15	GV40572-002A	INSTRUCTION SHT		S1B
A 16	GV40572-003A	INSTRUCTION SHT		S1E,S1EE,S1EN,S1EV
A 17	QQR1607-001	FERRITE CLAMP		
P 1	GV30632-001A	CARTON BOX		S1B,S1E,S1EN,S1EV
P 2	GV20256-001A	FRONT CUSHION		
P 3	GV20257-001A	REAR CUSHION		
P 4	QPA02503503P	POLY BAG	25cm x 35cm	
P 5	QPA01002503	POLY BAG	10cm x 25cm	
P 6	QPC05006530P	POLY BAG	50cm x 65cm	
P 7	GV30633-002A	CARTON BOX		S1EE
P 8	GV30636-002A	CARTON SPACER		S1EE
P 9	GV40237-008A	CARTON SPACER		S1EE
P 10	8500055541	MIRROR SHEET		
P 11	8500055721	POLY BAG		
P 12	LV21821-001A	TOP CUSHION		
P 13	LV21821-002A	BOTTOM CUSHION		
P 14	LV21820-001A	TOP CUSHION		
P 15	LV21820-002A	BOTTOM CUSHION		
P 16	8500051971	POLY BAG	(x5)	
P 17	LV43922-001A	PARTITION		S1B,S1E,S1EN,S1EV
P 18	LV35231-016A	CARTON BOX		S1B,S1E,S1EN,S1EV

JVC

SCHEMATIC DIAGRAMS

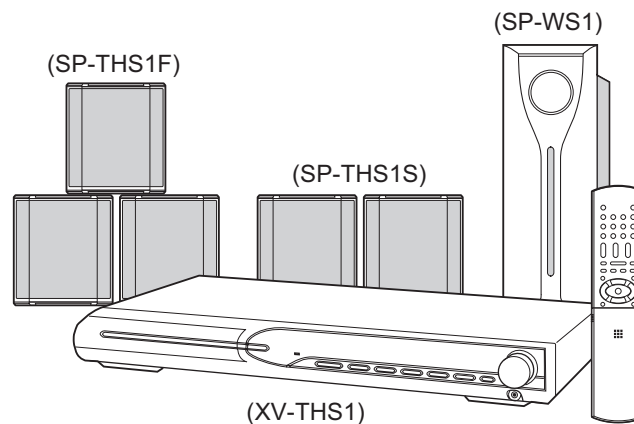
DVD DIGITAL CINEMA SYSTEM

TH-S1

CD-ROM No.SML200408

Area suffix

B ----- U.K.
E ----- Continental Europe
EN ----- Northern Europe
EV ----- Eastern Europe
EE ----- Russian Federation

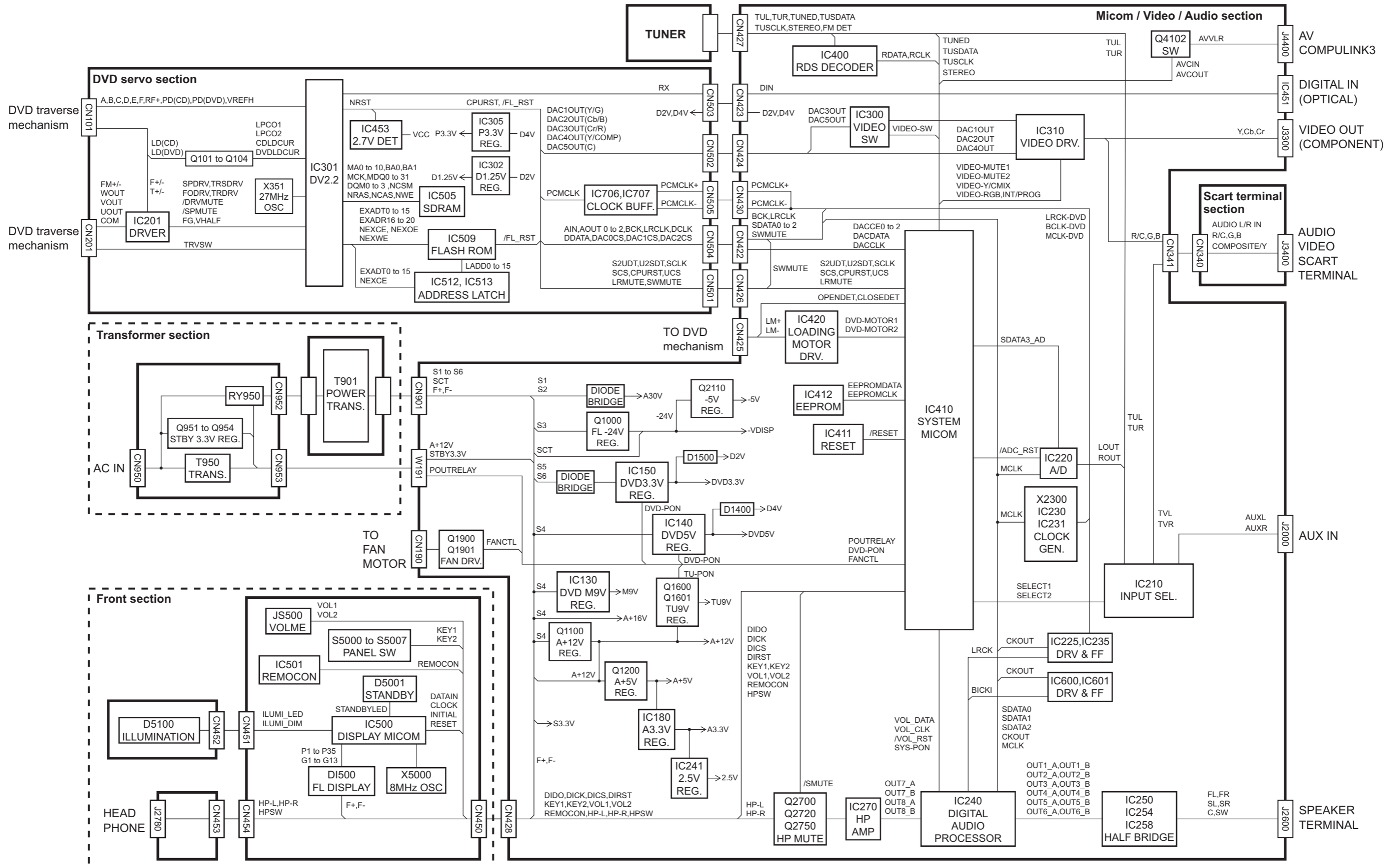


Contents

Block diagram	2-1
Standard schematic diagrams	2-2
Printed circuit boards	2-10 to 13

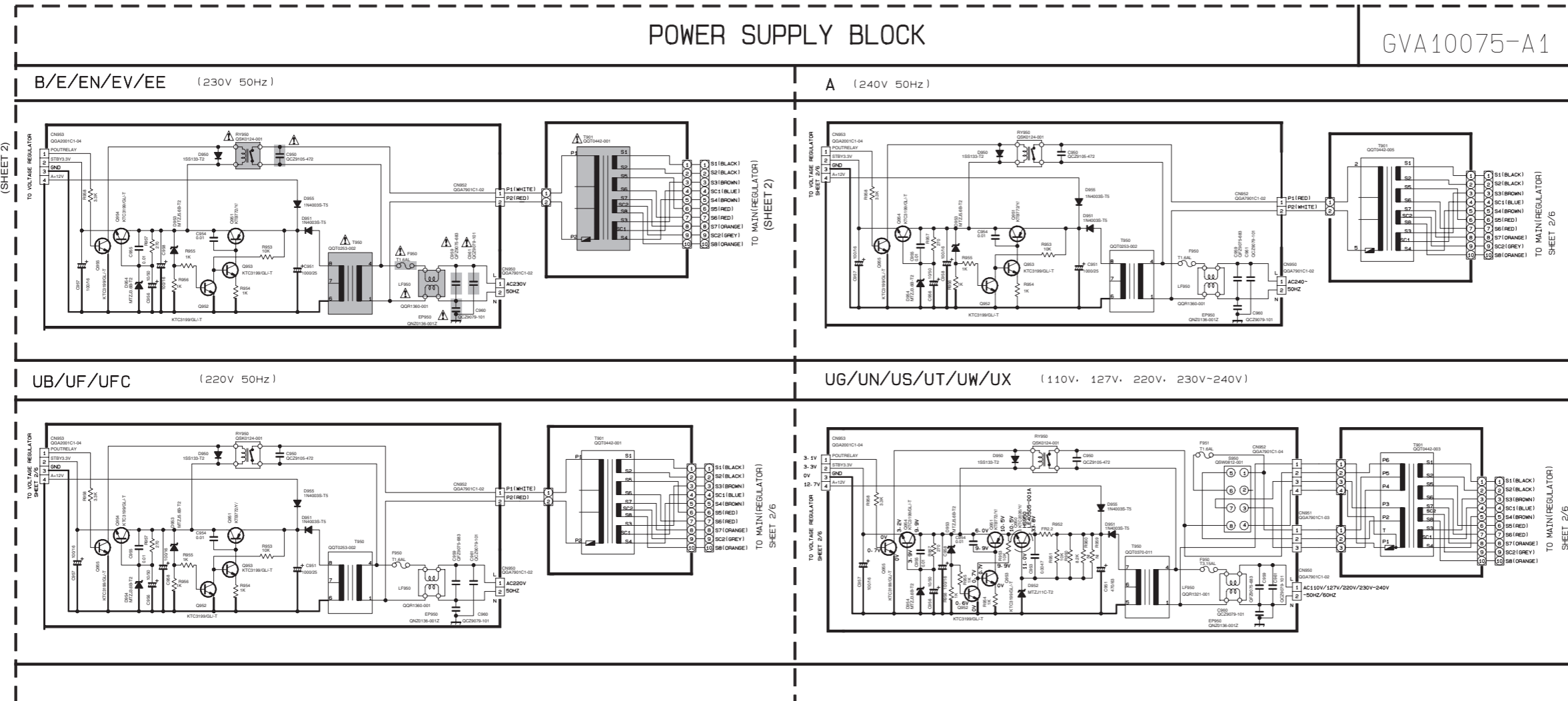
In regard with component parts appearing on the silk-screen printed side (parts side) of the PWB diagrams, the parts that are printed over with black such as the resistor (■), diode (⊣) and ICP (●) or identified by the "⚠" mark nearby are critical for safety.

Block diagram




Standard schematic diagrams

Transformer section

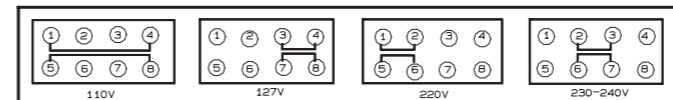


VERSION CODES

- A : AUSTRALIA
- B : GREAT BRITAIN
- E : GERMANY/FRANCE/HOLLAND
- EE : RUSSIA
- EN : SWEDEN/NORWAY/FINLAND/DENMARK
- EV : EAST EUROPE
- UB : HONG KONG
- UF : CHINA
- UG : TURKEY/EGYPT/SOUTHAFRICA
- US : SINGAPORE
- UT : TAIWAN
- UN : BRAZIL/MEXICO/PERU
- UX : SAUDI ARABIA
- UY : ARGENTINA

 Parts are safety assurance parts.
When replacing those parts make sure to use the specified one.

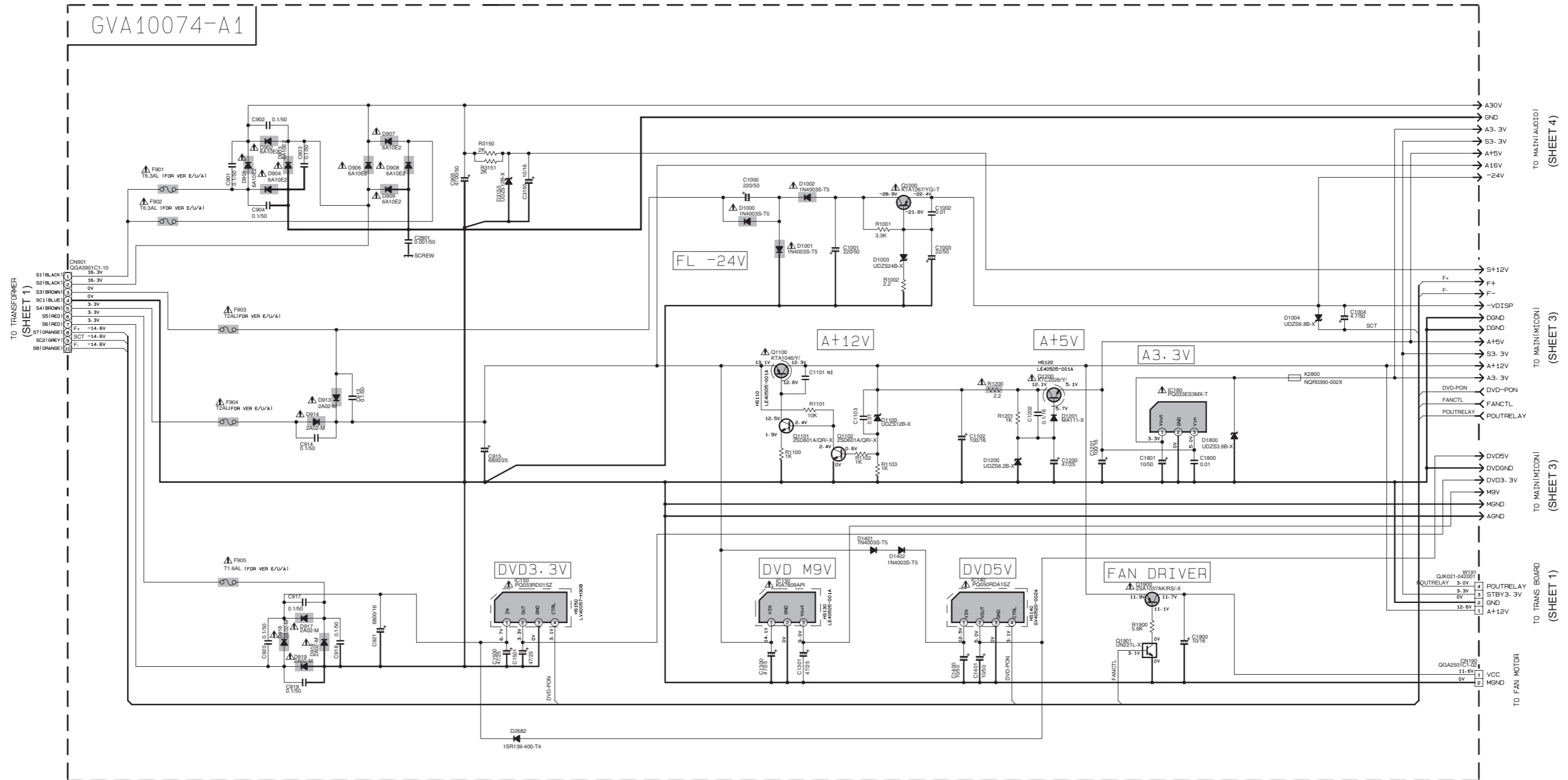
VOLTAGE SELECTOR LOCATION



NOTES

1. VOLTAGE ARE DC-MEASURED WITH A DIGITAL VOLT METER OR OSCILLOSCOPE WITHOUT INPUT SIGNAL.
INSIDE BRACKET VALUES ARE OTHER FUNCTIONS.
2. UNLESS OTHERWISE SPECIFIED, RESISTOR ARE 1/4W ±5% CARBON RESISTOR.
ALL RESISTOR VALUES ARE IN OHM.
ALL CAPACITOR ARE CERAMIC CAPACITOR OR MYLAR CAPACITOR.
ALL CAPACITANCE VALUES ARE IN μF (μ=10⁻⁶).
- ALL INDUCTANCE VALUES ARE IN μH (μ=10⁻⁶).
- ALL E-CAPACITOR ARE SHOWN IN THE FORM OF CAPACITANCE (μF/RATED VOLTAGE).
3. FOR VERSION B/E/EN/EV/EE/UB/UF/UFC/UG/UN/US/UT/UW/UX, CIRCUIT VOLTAGE.
PLEASE REFER TO UB/UN/US/UT/UW/UX/ CIRCUIT VOLTAGE.

■ Regulator section



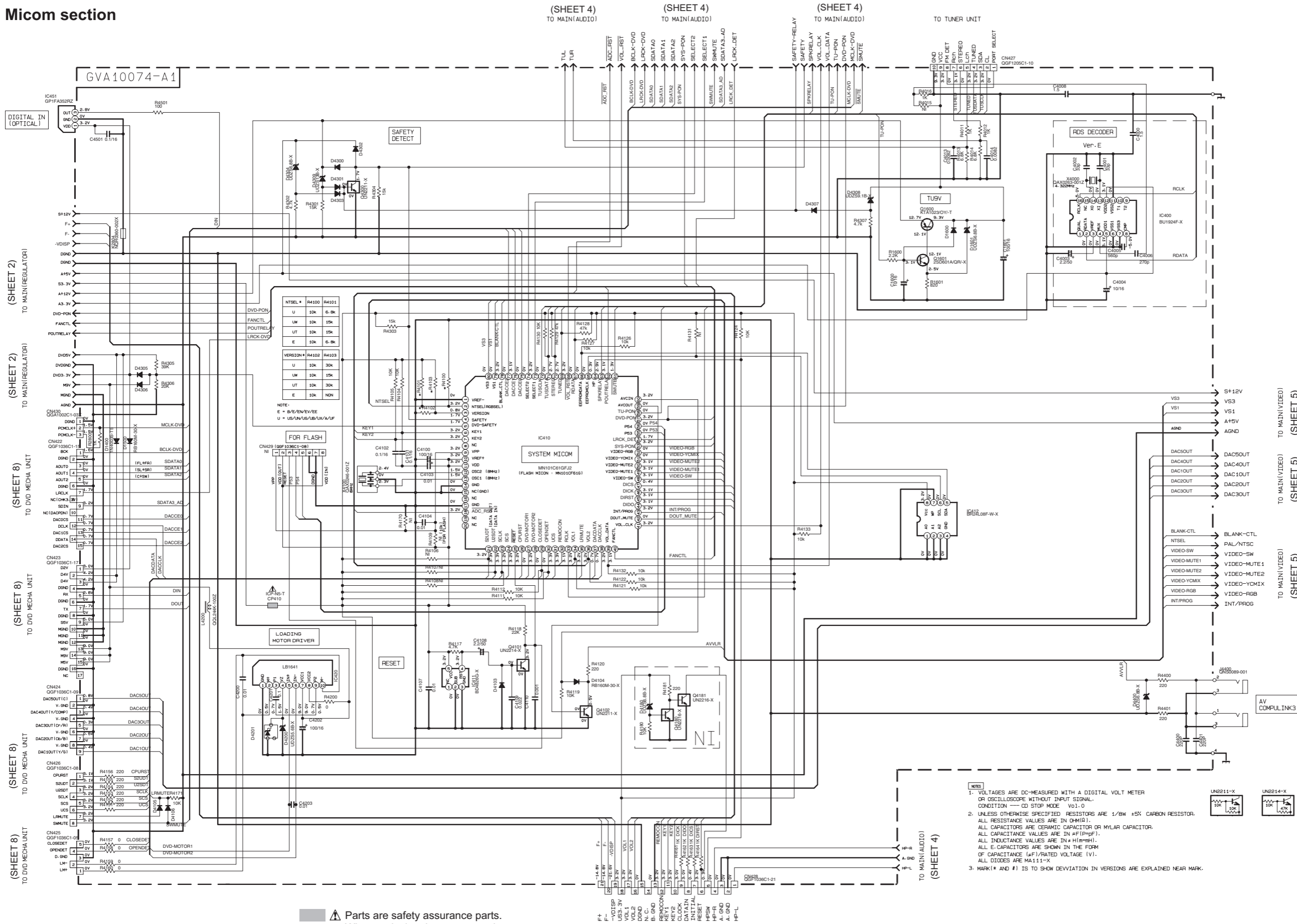
NOTES

- VOLTAGES ARE DC-MEASURED WITH A DIGITAL VOLT METER OR OSCILLOSCOPE WITHOUT INPUT SIGNAL. CONDITION --- CD STOP MODE V01-0
- UNLESS OTHERWISE SPECIFIED RESISTORS ARE 1/8W ±5% CARBON RESISTOR. ALL RESISTANCE VALUES ARE IN Ω(M). ALL CAPACITORS ARE CERAMIC CAPACITOR OR MYLAR CAPACITOR. ALL CAPACITANCE VALUES ARE IN #F(P=PF). ALL INDUCTANCE VALUES ARE IN #H(M=MH). ALL E. CAPACITORS ARE SHOWN IN THE FORM OF CAPACITANCE (μF)/RATED VOLTAGE (V). ALL DIODES ARE MA111-X
- MARK[* AND #] IS TO SHOW DEVIATION IN VERSIONS ARE EXPLAINED NEAR MARK.



▲ Parts are safety assurance parts. When replacing those parts make sure to use the specified one.

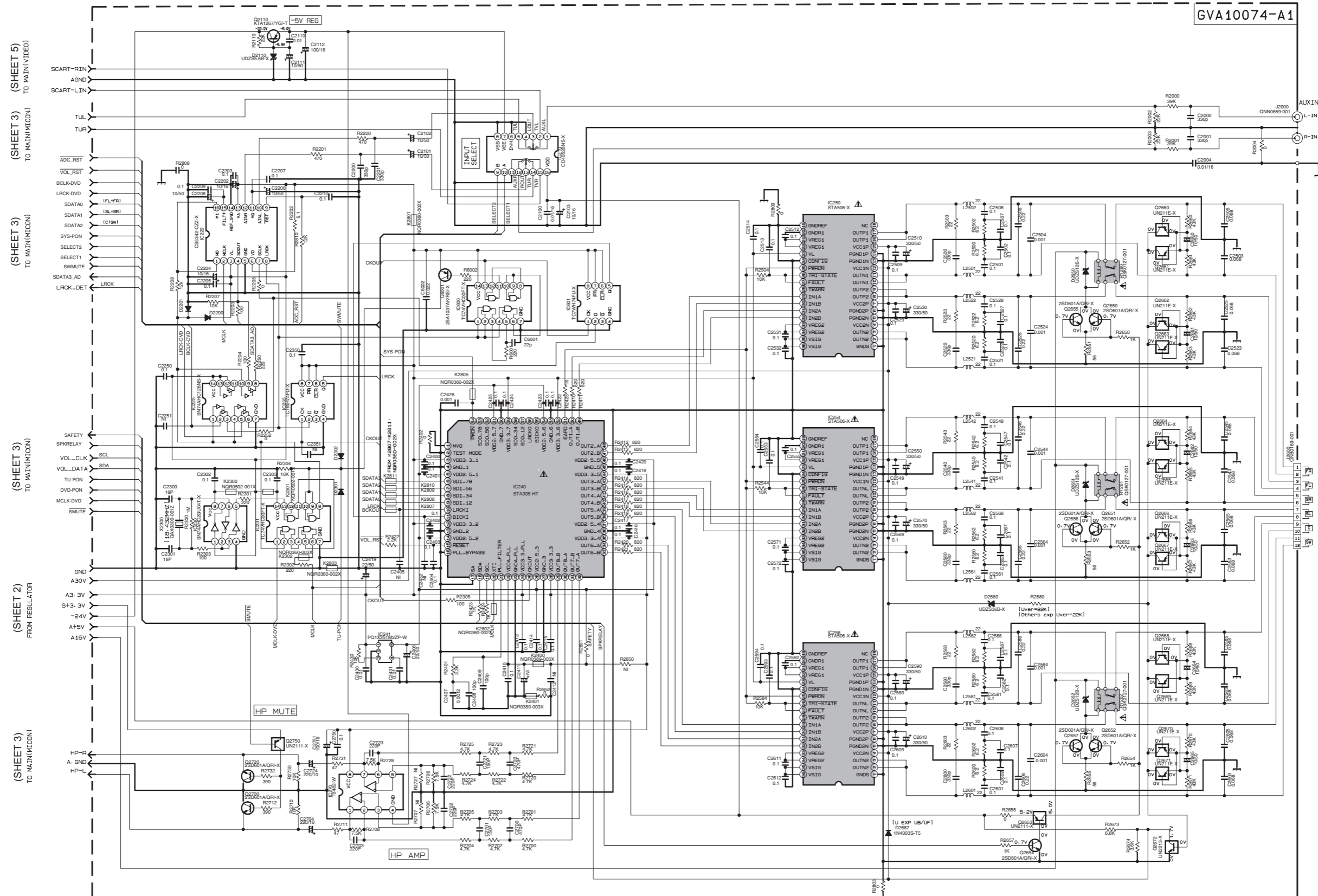
Micom section



- NOTES:**
1. VOLTAGES ARE DC-MEASURED WITH A DIGITAL VOLT METER OR OSCILLOSCOPE WITHOUT INPUT SIGNAL. CONDITION — CD STOP MODE V01.0
 2. UNLESS OTHERWISE SPECIFIED RESISTORS ARE 1/8W ±5% CARBON RESISTOR. ALL RESISTANCE VALUES ARE IN Ω(MΩ). ALL CAPACITORS ARE CERAMIC CAPACITOR OR MYLAR CAPACITOR. ALL CAPACITANCE VALUES ARE IN #F(PpF). ALL INDUCTANCE VALUES ARE IN #H(MpH). ALL E-CAPACITORS ARE SHOWN IN THE FORM OF CAPACITANCE (μF)/RATED VOLTAGE (V). ALL DIODES ARE MA111-X.
 3. MARK (* AND #1 IS TO SHOW DEVIATION IN VERSIONS ARE EXPLAINED NEAR MARK.

⚠ Parts are safety assurance parts. When replacing those parts make sure to use the specified one.

■ Audio section



GVA10074-A1

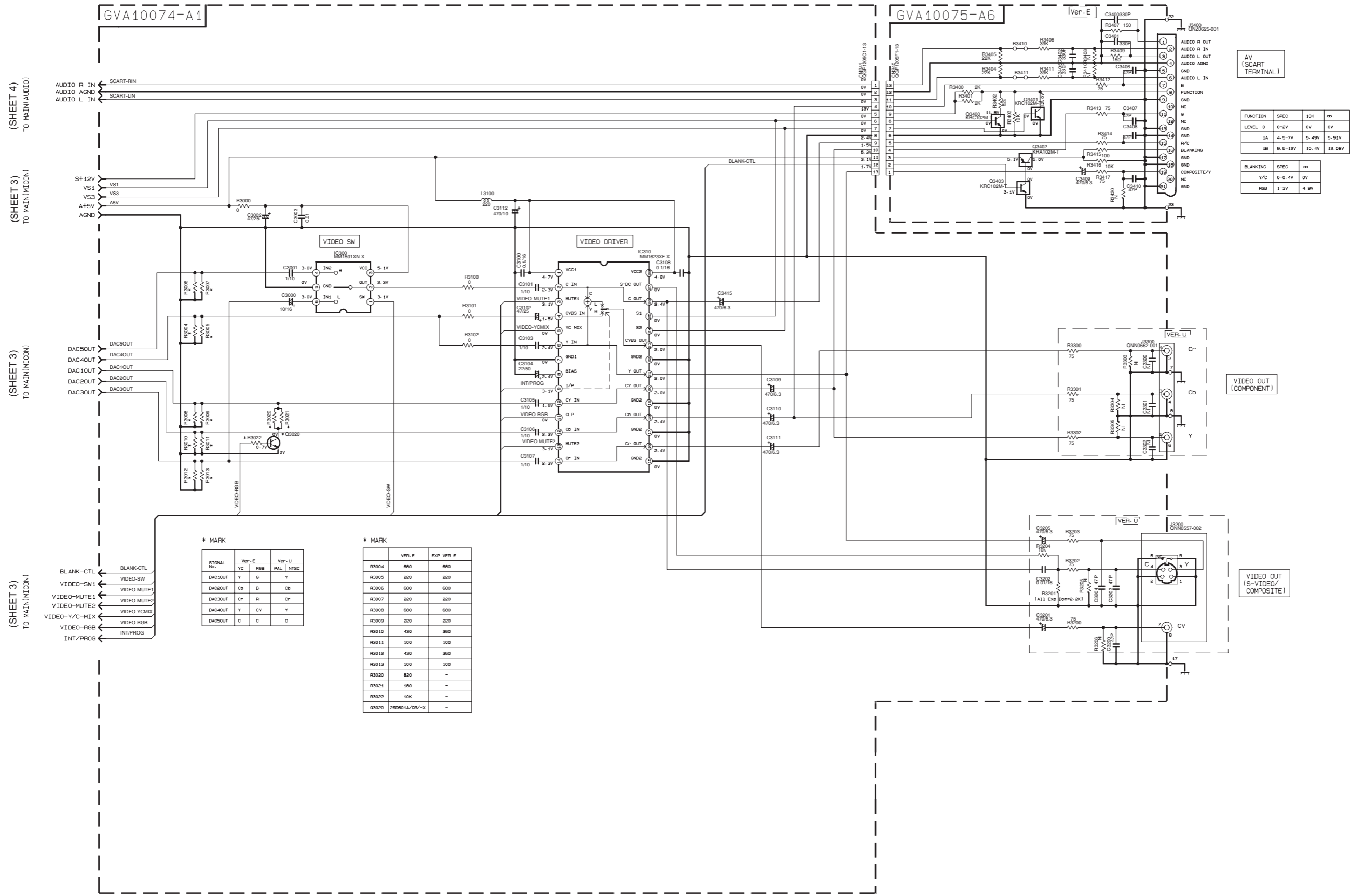
(SHEET 5) TO MAIN(VIDEO)
 (SHEET 3) TO MAIN(MICON)
 (SHEET 3) TO MAIN(MICON)
 (SHEET 3) TO MAIN(MICON)
 (SHEET 2) FROM REGULATOR
 (SHEET 3) TO MAIN(MICON)

- NOTES**
- VOLTAGES ARE DC-MEASURED WITH A DIGITAL VOLT METER OR OSCILLOSCOPE WITHOUT INPUT SIGNAL. CONDITION — CD STOP MODE V01.0
 - UNLESS OTHERWISE SPECIFIED RESISTORS ARE 1/8W ±5% CARBON RESISTOR. ALL RESISTANCE VALUES ARE IN Ω(MΩ). ALL CAPACITORS ARE CERAMIC CAPACITOR OR MYLAR CAPACITOR. ALL CAPACITANCE VALUES ARE IN #(pF)(nF). ALL INDUCTANCE VALUES ARE IN #(mH)(mH). ALL E-CAPACITORS ARE SHOWN IN THE FORM OF CAPACITANCE (μF)/RATED VOLTAGE (V). ALL DIODES ARE M4111-X.
 - MARK(* AND #) IS TO SHOW DEVIATION IN VERSIONS ARE EXPLAINED NEAR MARK.

REF	QTY	DESCRIPTION	1	2	3	4	5	6	7	8	9	10	11	12	13	14	15	16	17	18	19	20	21	22	23	24	25	26	27	28	29	30	31	32	33	34	35	36		
UN213-X	1	UN213-X																																						
UN211E-X	1	UN211E-X																																						
UN211-X	1	UN211-X																																						

⚠ Parts are safety assurance parts. When replacing those parts make sure to use the specified one.

Video section



AV
(SCART TERMINAL)

FUNCTION	SPEC	10K	∞
LEVEL 0	0-2V	0V	0V
1A	4.5-7V	5.48V	5.91V
1B	9.5-12V	10.4V	12.08V

BLANKING	SPEC	∞
Y/C	0-0.4V	0V
RGB	1-3V	4.9V

VIDEO OUT
(COMPONENT)

VIDEO OUT
(S-VIDEO/
COMPOSITE)

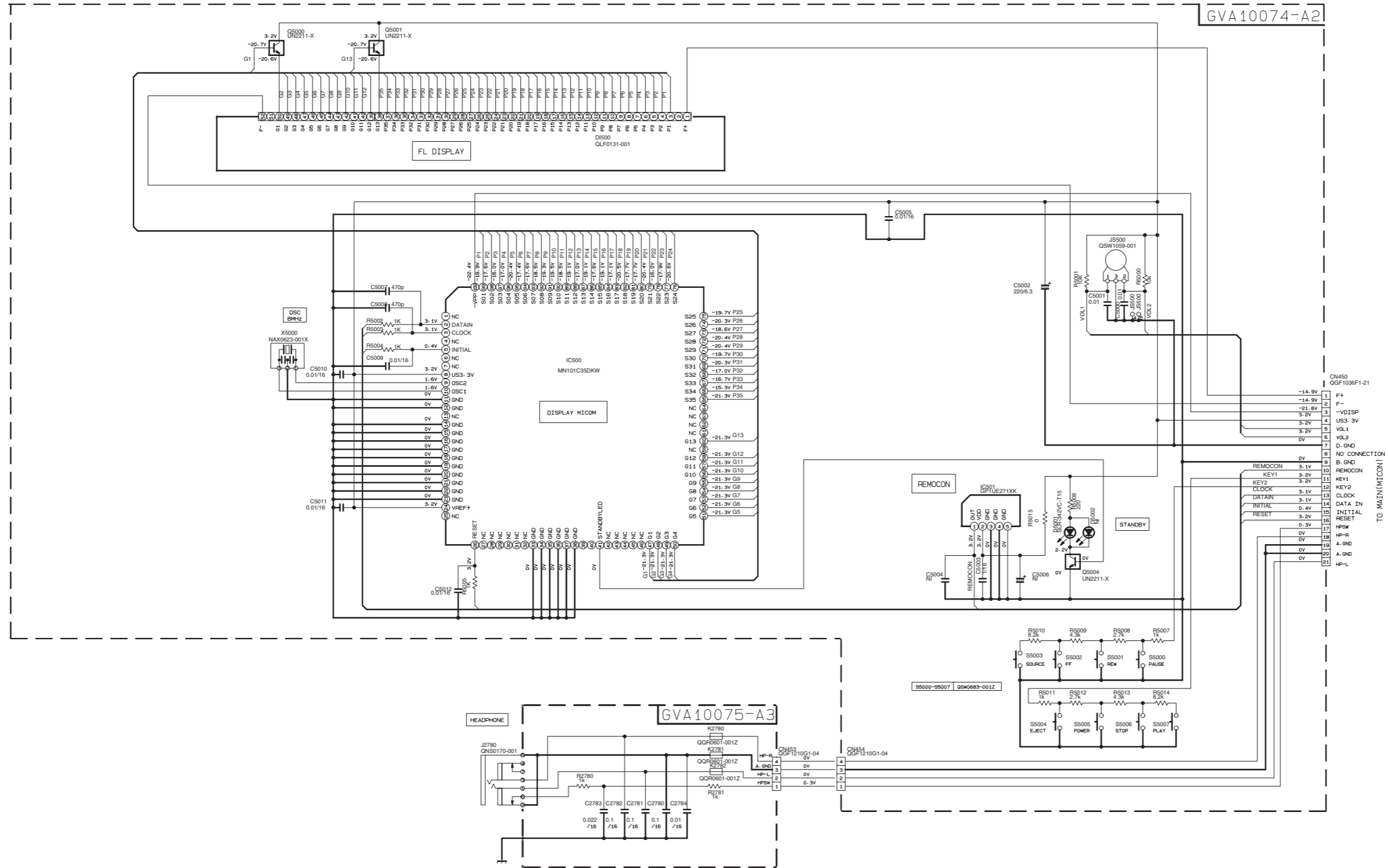
* MARK

SIGNAL NO.	Ver. E	Ver. U
DAC10UT	Y G	Y
DAC20UT	Cb B	Cb
DAC30UT	Cr R	Cr
DAC40UT	Y CV	Y
DAC50UT	C C	C

* MARK

	VER. E	EXP VER E
R3004	680	680
R3005	220	220
R3006	680	680
R3007	220	220
R3008	680	680
R3009	220	220
R3010	430	360
R3011	100	100
R3012	430	360
R3013	100	100
R3020	820	-
R3021	180	-
R3022	10K	-
Q3020	2SD601A/9V-X	-

■ Front section

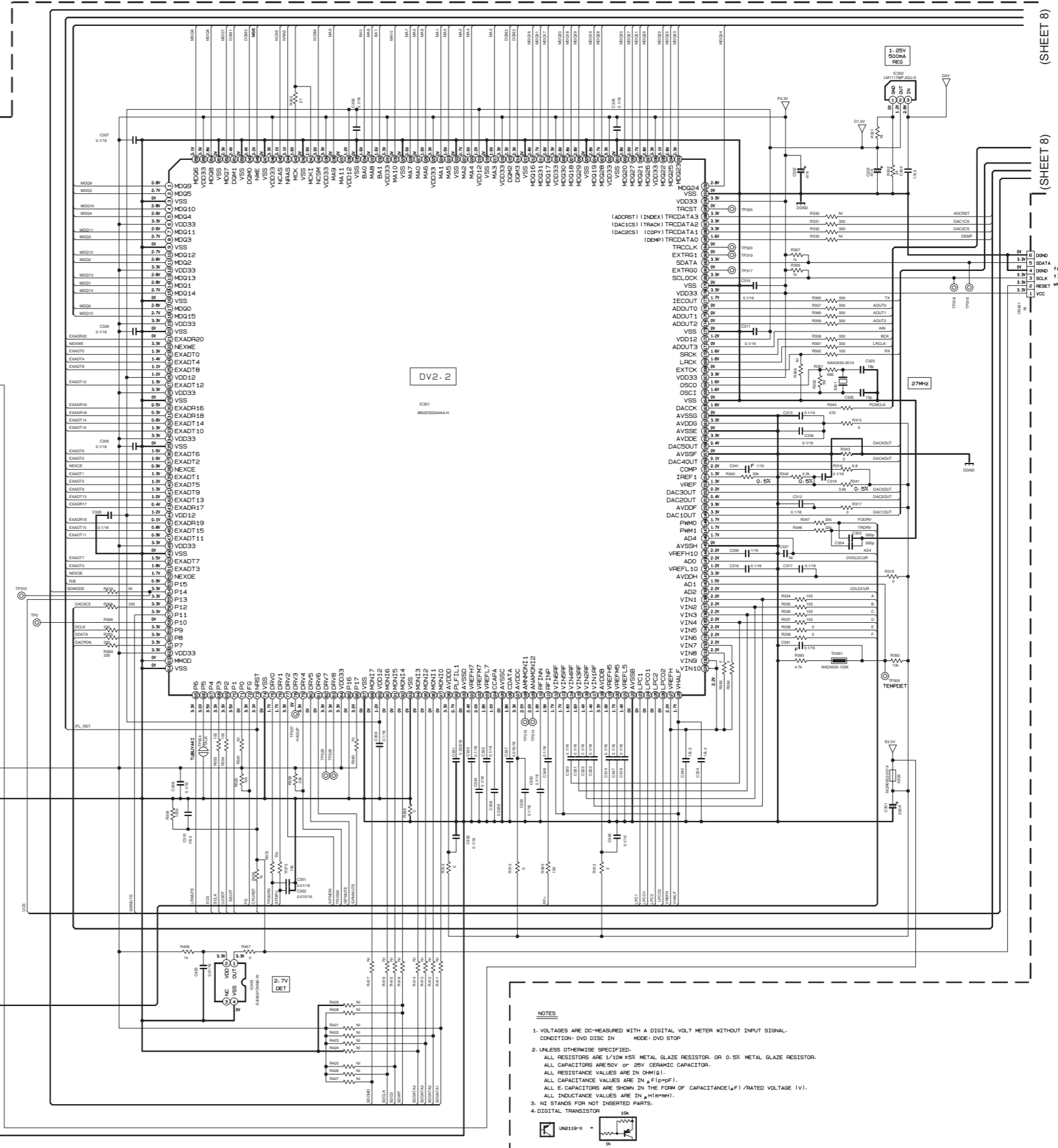
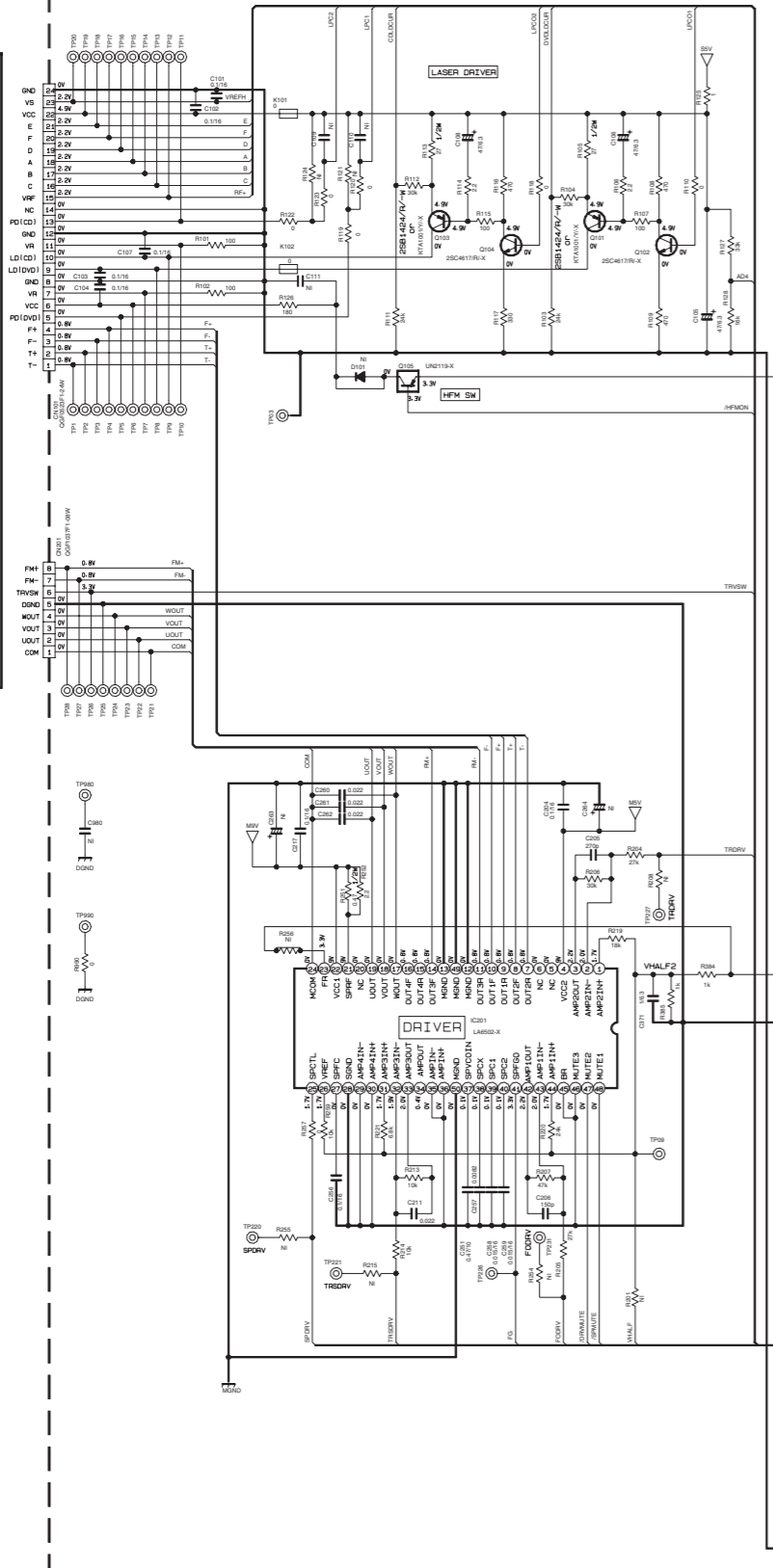


- NOTES**
1. VOLTAGES ARE DC-MEASURED WITH A DIGITAL VOLT METER OR OSCILLOSCOPE WITHOUT INPUT SIGNAL. CONDITION --- CD STOP MODE Vo1.0
 2. UNLESS OTHERWISE SPECIFIED RESISTORS ARE 1/8W ±5% CARBON RESISTOR. ALL RESISTANCE VALUES ARE IN Ω(M). ALL CAPACITORS ARE CERAMIC CAPACITOR OR MYLAR CAPACITOR. ALL CAPACITANCE VALUES ARE IN #F(P=pF). ALL INDUCTANCE VALUES ARE IN #H(m=μH). ALL E-CAPACITORS ARE SHOWN IN THE FORM OF CAPACITANCE (μF)/RATED VOLTAGE (V). ALL DIODES ARE MA111-X
 3. MARK(*) AND # IS TO SHOW DEVIATION IN VERSIONS ARE EXPLAINED NEAR MARK.

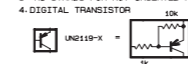




LVA10513-311A (1/2)



- NOTES**
- VOLTAGES ARE DC-MEASURED WITH A DIGITAL VOLT METER WITHOUT INPUT SIGNAL. CONDITION: DVD DISC IN MODE: DVD STOP
 - UNLESS OTHERWISE SPECIFIED:
ALL RESISTORS ARE 1/10W 45X METAL GLAZE RESISTOR, OR 0.5X METAL GLAZE RESISTOR.
ALL CAPACITORS ARE 50V OR 25V CERAMIC CAPACITOR.
ALL RESISTANCE VALUES ARE IN OHM(Ω).
ALL CAPACITANCE VALUES ARE IN pF(pF).
 - ALL CAPACITORS ARE SHOWN IN THE FORM OF CAPACITANCE/PI/RATED VOLTAGE (V).
ALL INDUCTANCE VALUES ARE IN mH(mH).
 - NI STANDS FOR NOT INSERTED PARTS.
 - DIGITAL TRANSISTOR



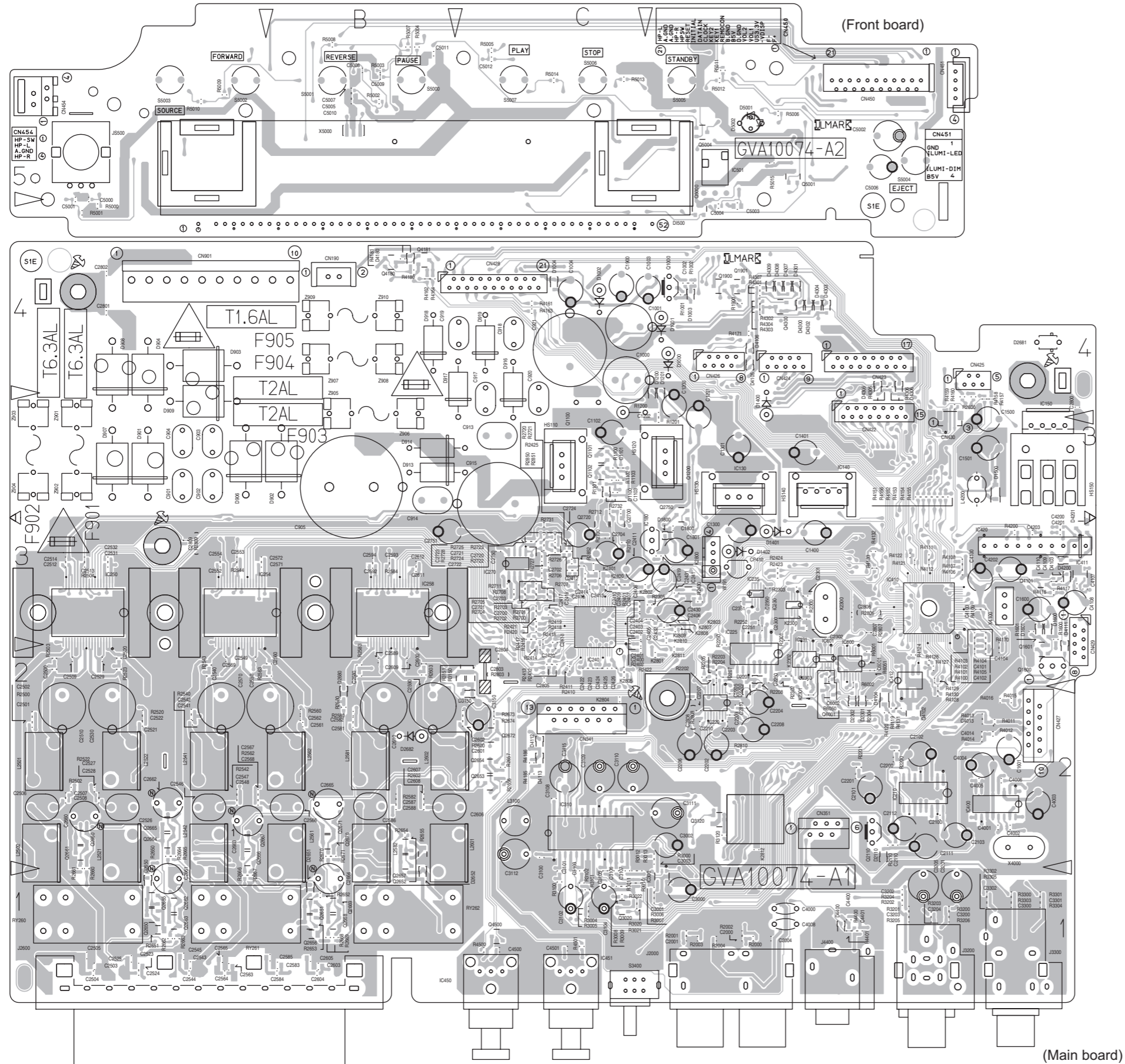
(SHEET 8)

(SHEET 8)

Printed circuit boards

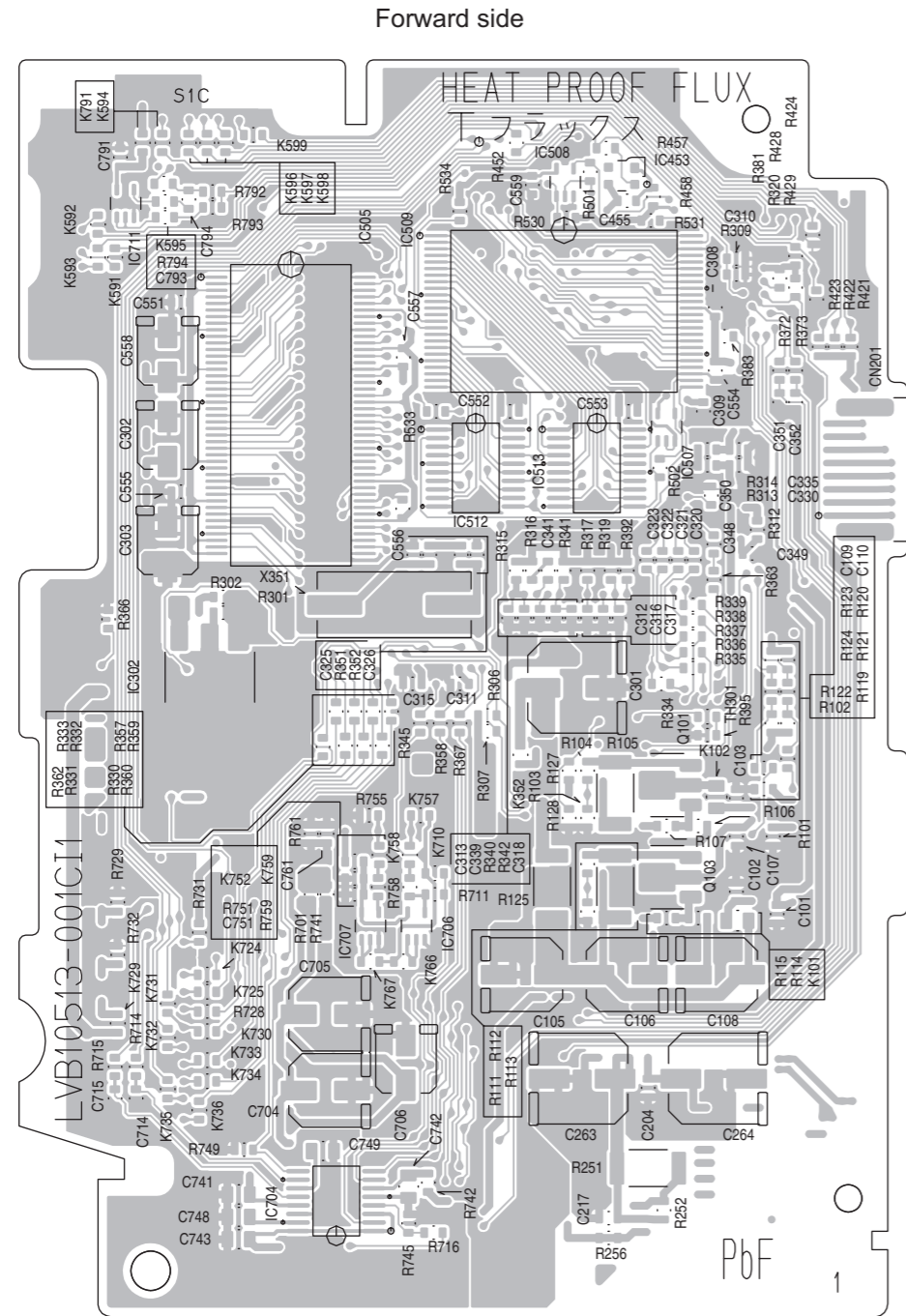
■ Main board (1/2)

Forward side

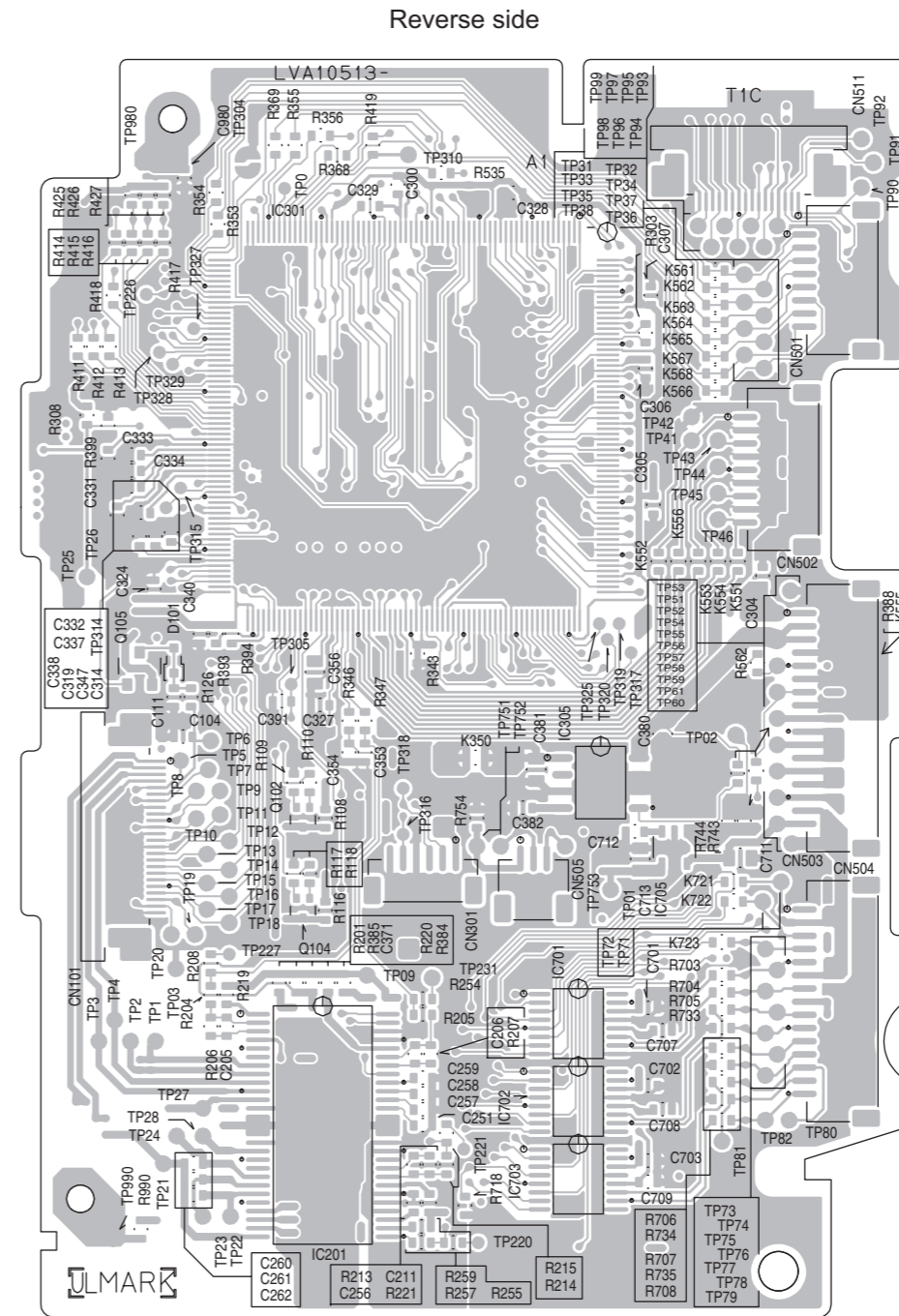


(Main board)

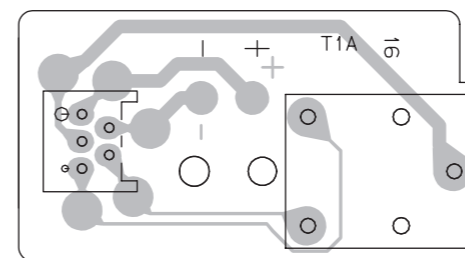
■ DVD servo board (1/2)



■ DVD servo board (2/2)



■ DVD loading switch board



JVC

Victor Company of Japan, Limited

AV & MULTIMEDIA COMPANY AUDIO/VIDEO SYSTEMS CATEGORY 10-1, 1chome, Ohwatari-machi, Maebashi-city, 371-8543, Japan

(No.MB305SCH)



Printed in Japan
WPC