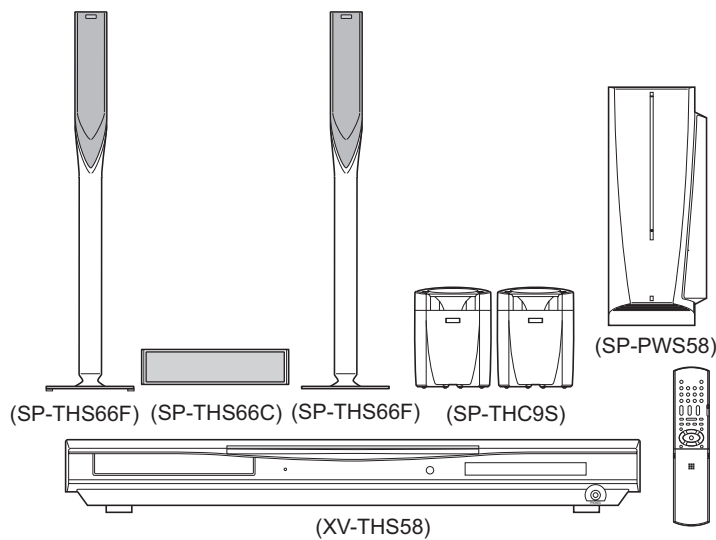


JVC

SERVICE MANUAL

DVD DIGITAL CINEMA SYSTEM

TH-S58



Area suffix

UF ----- China



Digital Direct Progressive Scan

Lead free solder used in the board (material : Sn-Ag-Cu, melting point : 219 Centigrade)

TABLE OF CONTENTS

1	PRECAUTION.....	1-4
2	SPECIFIC SERVICE INSTRUCTIONS.....	1-4
3	DISASSEMBLY.....	1-4
4	ADJUSTMENT.....	1-4
5	TROUBLESHOOTING.....	1-4

SPECIFICATION

Center unit : (XV-THS66/XV-THS58/XV-THS55)

Audio section	Total Harmonic Distortion *1		0.02%
	Audio input level		AUDIO IN (VCR): 270 mV/47 k Ω
	Digital input*2		DIGITAL IN (OPTICAL): -21 dBm to -15 dBm (660 nm \pm 30 nm)
Video section	Video System		PAL/NTSC
	Horizontal Resolution		500 lines
	Signal-to-Noise Ratio		64 dB
	Video input sensitivity/Impedance (VCR IN)		Composite: 1.0 V(p-p)/75 Ω S-video-Y: 1.0 V(p-p)/75 Ω S-video-C: For PAL 0.3 V(p-p)/75 Ω S-video-C: For NTSC 0.286 V(p-p)/75 Ω
	Video output level		Composite: 1.0 V(p-p)/75 Ω S-video-Y: 1.0 V(p-p)/75 Ω S-video-C: For PAL 0.3 V(p-p)/75 Ω S-video-C: For NTSC 0.286 V(p-p)/75 Ω Component-Y: 1.0 V(p-p)/75 Ω Component-PB/PR: 0.7 V(p-p)/75 Ω
Tuner section	Tuning Range	FM	87.50 MHz to 108.00 MHz
		AM	531 kHz to 1 710 kHz(at 9 kHz intervals) 530 kHz to 1 710 kHz(at 10 kHz intervals)
General	Power Requirements		AC 220 V , 50 Hz
	Power Consumption		17 W (at operation) 1.3 W (in standby mode)
	Dimensions (W \times H \times D)		435 mm \times 55 mm \times 304 mm
	Mass		2.5 kg

Subwoofer : (SP-PWS66/SP-PWS58/SP-PWS55)

Amplifier section	Front	140 W per channel, RMS at 4 Ω at 1 kHz, with 10 % total harmonic distortion.	
	Center/Surround	130 W per channel, RMS at 4 Ω at 1 kHz, with 10 % total harmonic distortion.	
	Subwoofer	140 W, RMS at 4 Ω at 100 Hz, with 10 % total harmonic distortion.	
Speaker section	Speaker unit	16 cm Bass-reflex	
	Power Handling Capacity	140 W	
	Impedance	4 Ω	
	Frequency Range	30 Hz to 200 Hz	
General	Power Requirements		AC 220 V, 50 Hz
	Power Consumption		135 W (at operation) 0 W (in standby mode)
	Dimensions (W \times H \times D)		170 mm \times 411 mm \times 451 mm
	Mass		11.5 kg

Satellite Speakers

Front speakers : (SP-THS66F)	Speaker unit	5.5 cm × 2 Bass-reflex, Magnetically Shielded
	Power Handling Capacity	140 W
	Impedance	4 Ω
	Frequency Range	90 Hz to 20 kHz
	Dimensions (W × H × D)	250 mm × 110 mm × 250 mm
	Mass	2.6 kg
Center speaker: (SP-THS66C)	Speaker unit	5.5 cm × 2 Bass-reflex, Magnetically Shielded
	Power Handling Capacity	140 W
	Impedance	4 Ω
	Frequency Range	90 Hz to 20 kHz
	Dimensions (W × H × D)	320 mm × 75 mm × 92 mm
	Mass	0.9 kg
Surround speakers : (SP-THC9S)	Speaker unit	8.0 cm Bass-reflex
	Power Handling Capacity	140 W
	Impedance	4 Ω
	Frequency Range	80 Hz to 20 kHz
	Dimensions (W × H × D)	111.5 mm × 148 mm × 106.5 mm
	Mass	0.44 kg each

*1: This value is measured at System cord CONNECTOR for reference.

*2: Corresponding to Linear PCM, Dolby Digital, and DTS Digital Surround (with sampling frequency -32 kHz, 44.1 kHz, 48 kHz)
Designs & specifications are subject to change without notice.

SECTION 1 PRECAUTION

Please refer to "TH-S5 (No.MB268)" about this section.

SECTION 2 SPECIFIC SERVICE INSTRUCTIONS

Please refer to "TH-S5 (No.MB268)" about this section.

SECTION 3 DISASSEMBLY

Please refer to "TH-S5 (No.MB268)" about this section.

SECTION 4 ADJUSTMENT

Please refer to "TH-S5 (No.MB268)" about this section.

SECTION 5 TROUBLESHOOTING

Please refer to "TH-S5 (No.MB268)" about this section.

JVC

Victor Company of Japan, Limited

AV & MULTIMEDIA COMPANY AUDIO/VIDEO SYSTEMS CATEGORY 10-1,1chome,Ohwatari-machi,Maebashi-city,371-8543,Japan

(No.MB450)



Printed in Japan
VPT

JVC

SCHEMATIC DIAGRAMS

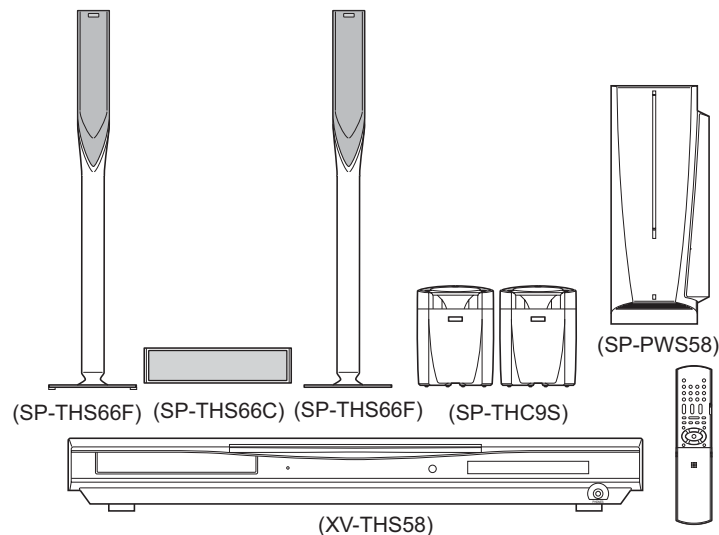
DVD DIGITAL CINEMA SYSTEM

TH-S58

CD-ROM No.SML200508

Area suffix

UF ----- China



Digital Direct Progressive Scan

Lead free solder used in the board (material : Sn-Ag-Cu, melting point : 219 Centigrade)

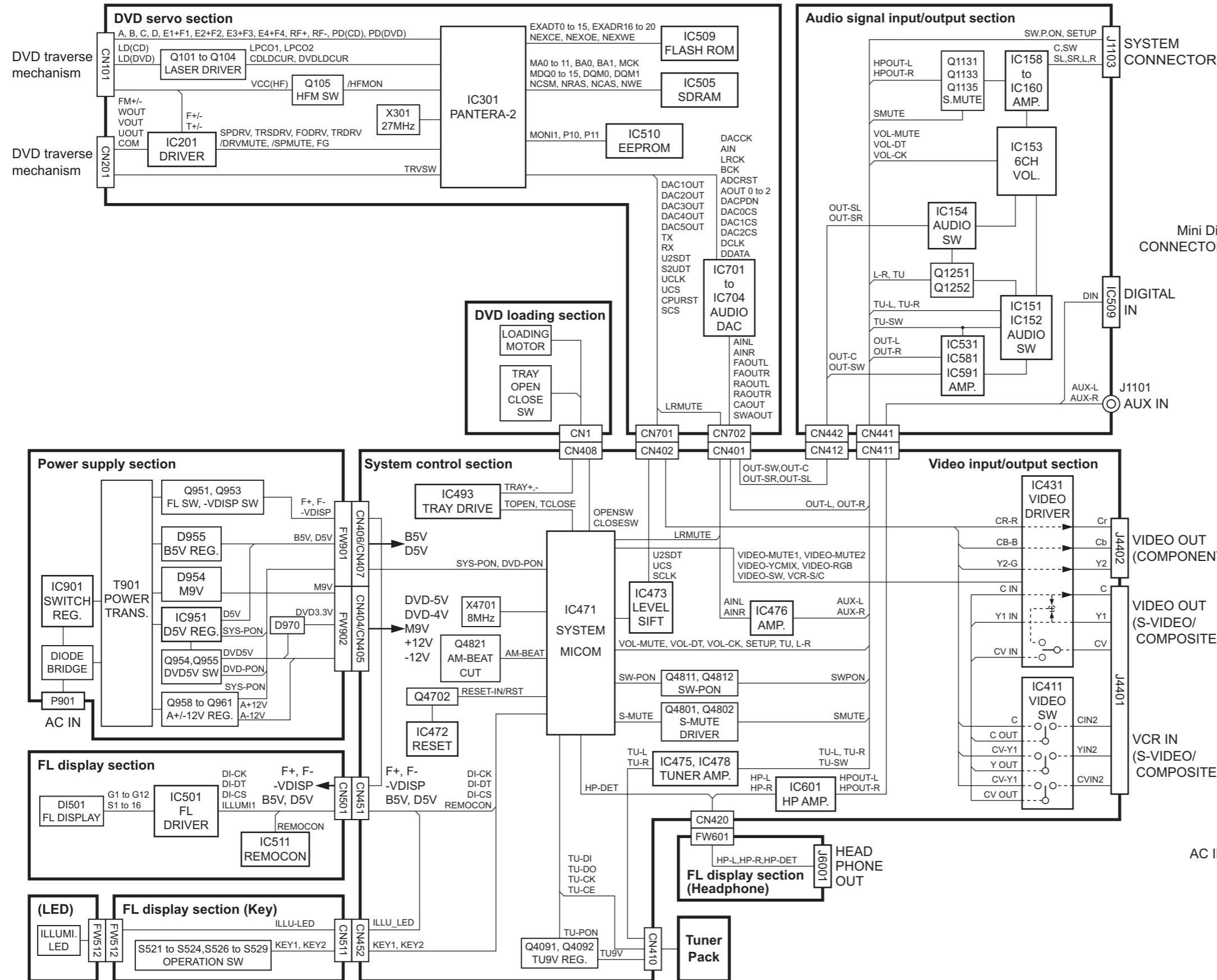
Contents

Block diagram	2-1
Standard schematic diagrams	2-2
Printed circuit boards	2-12 to 17

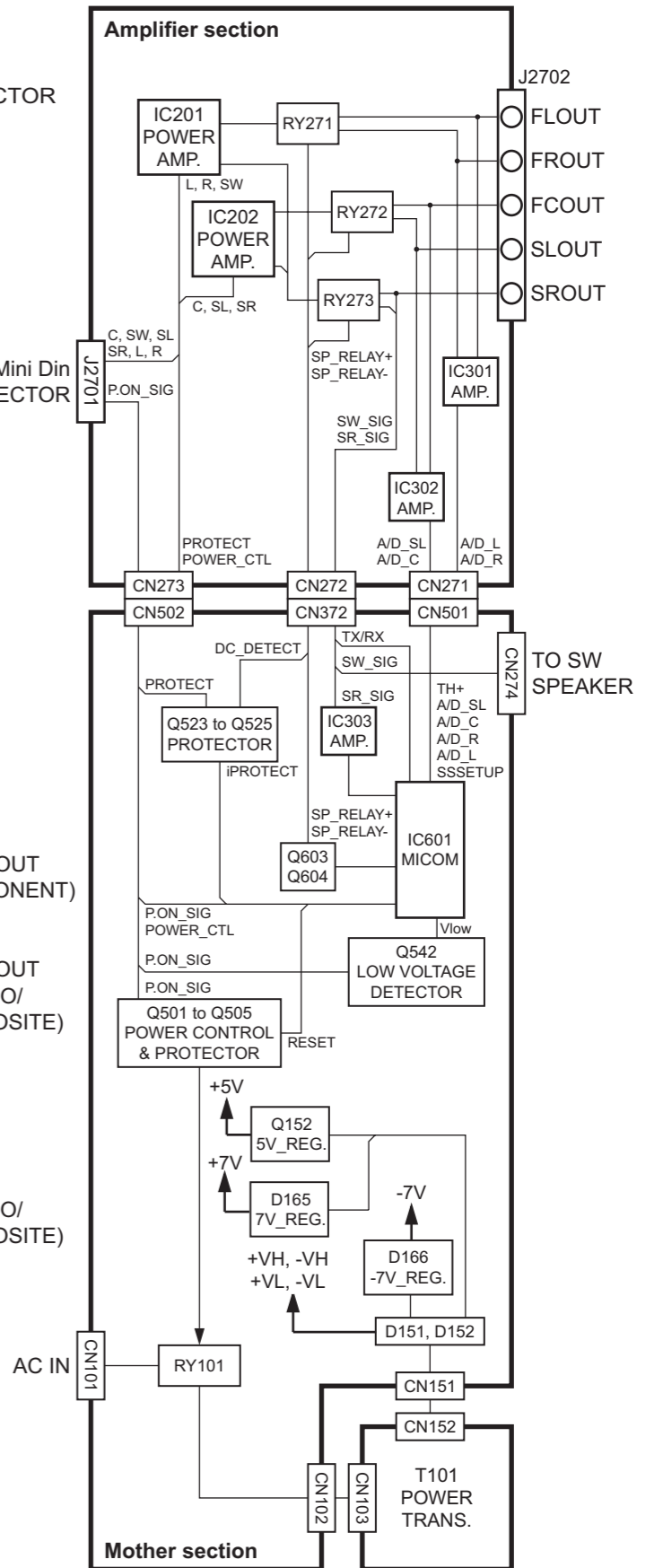
In regard with component parts appearing on the silk-screen printed side (parts side) of the PWB diagrams, the parts that are printed over with black such as the resistor (■), diode (⊣) and ICP (●) or identified by the "⚠" mark nearby are critical for safety.

Block diagram

<Main body section>



<Subwoofer section>

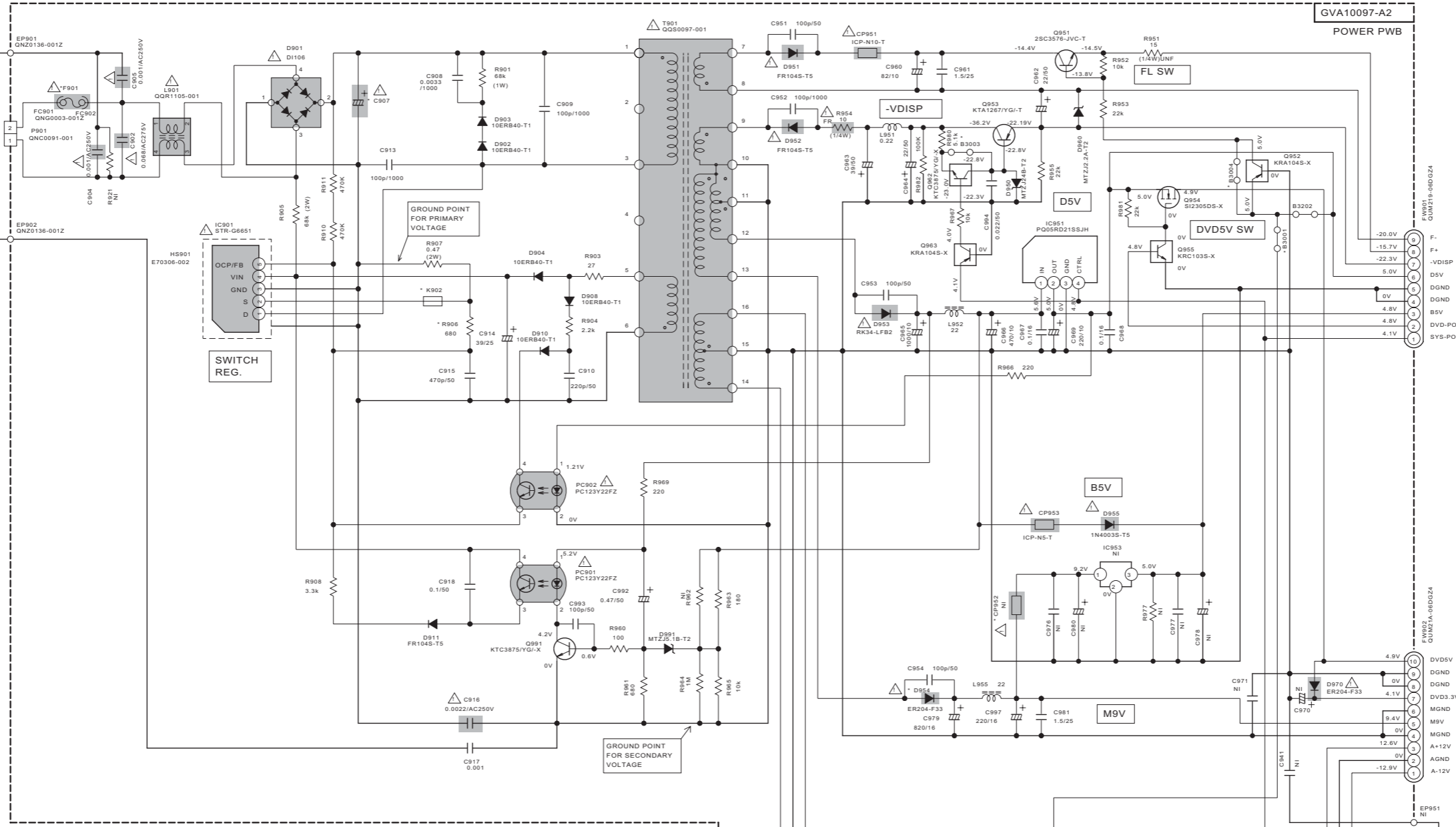


Standard schematic diagrams

<Main body section>

■ Power supply section

- Ver. B/E/EN/EV/EE
230V 50Hz
- Ver. US/UN/UG/UX/UT
110-240V 50/60Hz
- Ver. A
240V 50Hz
- Ver. UF/UB
220V 50Hz
- Ver. UP
220V 60Hz



Ver.	ADDRESS	B/E/EN/EE /EV	UG/US/UN/UX/UT /UP/UF/UB
*F901	(A-3)	QMF51W2-1R6-J8 (T1.6AL)	QMF51W2-1R6-J8 (T1.6AL)
*K902	(C-5)	0 (B3199)	0 (B3199)
*P901	(B-2)	QNC0091-001	QNC0091-001
*B3001 B3003 B3004	(C-12) (B-10) (B-12)	NONE	NONE

VERSION CODES	
J	: U.S.A.
C	: CANADA
E	: GERMANY/FRANCE/HOLLAND
B	: GREAT BRITAIN
EE	: RUSSIA
EN	: SWEDEN/NORWAY/FINLAND/DENMARK
EV	: EAST EUROPE
A	: AUSTRALIA
UW	: BRAZIL/MEXICO/PERU
US	: SINGAPOLE
UJ	: USA MILITARY BASE
UN	: INDONESIA
UT	: TAIWAN
UG	: TURKEY/EGYPT/SOUTHAFRICA

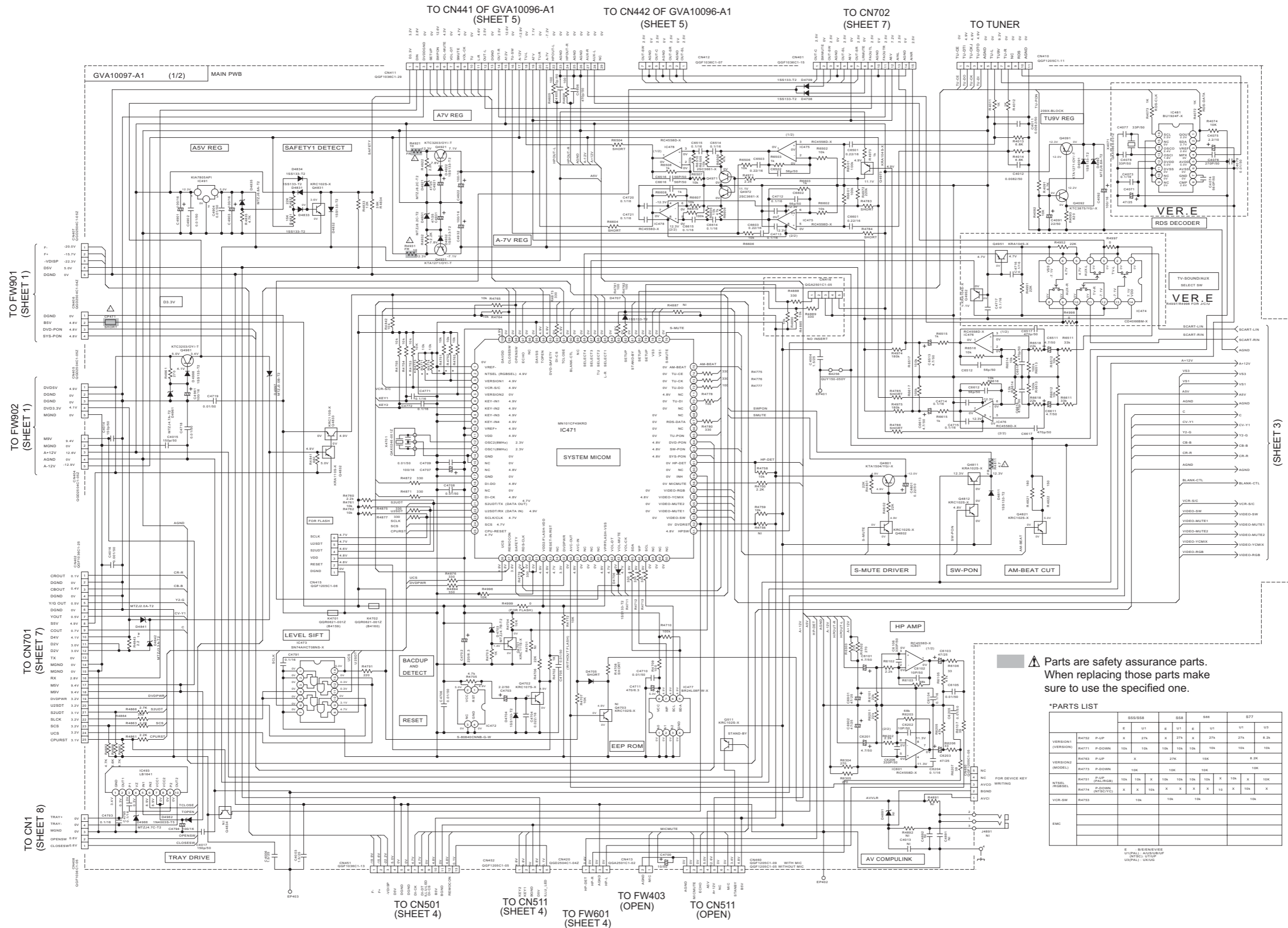
Ver.	ADDRESS	D	J/C	B/E/EN/EE/ EV /A/UB/UP/UF/UT	US/UN/UG/UX
*C907	(B-5)	(100/200)	(120/200)	QE20688-686 (68/400)	QE20688-107 (100/400)
*D954	(F-9)	FR104S-T5	FR104S-T5	FR104S-T5	FR104S-T5

⚠ Parts are safety assurance parts. When replacing those parts make sure to use the specified one.

TO CN406, CN407 OF GVA10097-A1 (SHEET 2)

TO CN404, CN405 OF GVA10097-A1 (SHEET 2)

System control section



⚠ Parts are safety assurance parts. When replacing those parts make sure to use the specified one.

***PARTS LIST**

	S55/S58	S58		S56		S77		
		E	U1	E	U1	E	U1	
VERSION1 (VERSION)	R4752 P-UP	X	27K	X	27K	X	27K	6.2K
VERSION1 (VERSION)	R4771 P-DOWN	10K	10K	10K	10K	10K	10K	10K
VERSION2 (MODEL)	R4753 P-UP	X	27K		15K		8.2K	
VERSION2 (MODEL)	R4773 P-DOWN	10K	10K	10K	10K	10K	10K	10K
NTSEL (MODEL)	R4751 P-UP (PAL/SEC)	10K	10K	X	10K	X	10K	X
NTSEL (MODEL)	R4774 P-DOWN (NTSC/CYC)	X	X	10K	X	X	X	10K
VCR-SW	R4755	10K	10K	10K	10K		10K	
EMC								

Video input/output section

GVA10097-A1

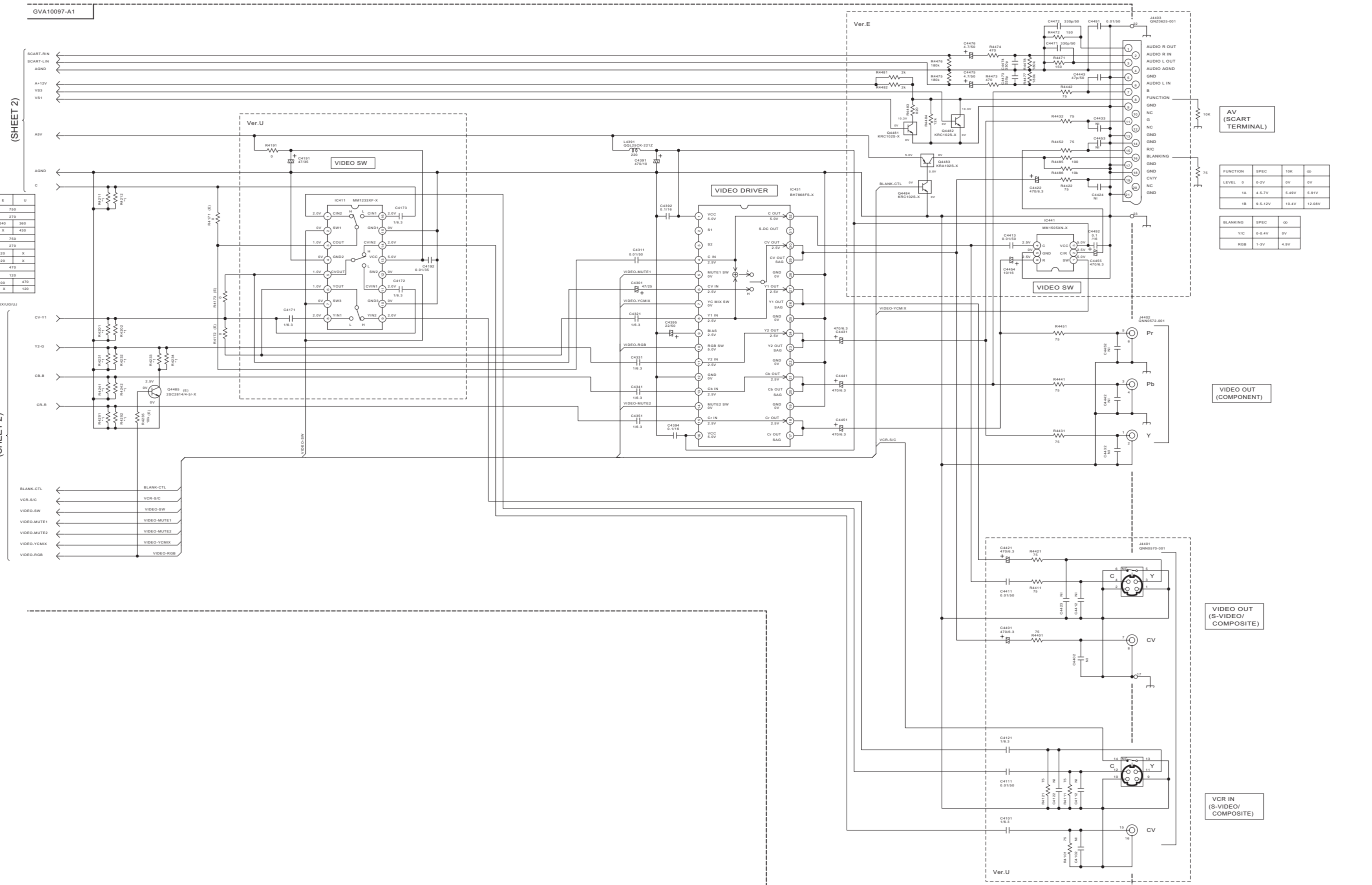
*1 PARTS LIST

	E	U
CV-Y1	R4201 750	
	R4202 270	
C	R4211 240 360	
	R4212 X 430	
V2-G	R4231 750	
	R4232 270	
	R4233 820 X	
	R4234 220 X	
Cb-B	R4241 470	
	R4242 120	
Cr-R	R4251 100 470	
	R4252 X 120	

E : E/B/EN/EEVE
U : A/UT/US/UB/UY/UP/UF/UX/UG/UU
X : UNDEF

(SHEET 2)

(SHEET 2)



AV (SCART TERMINAL)

FUNCTION	SPEC	10K	ΩD
LEVEL 0	0-2V	0V	0V
1A	4.5-7V	5.49V	5.91V
1B	9.5-12V	10.4V	12.08V

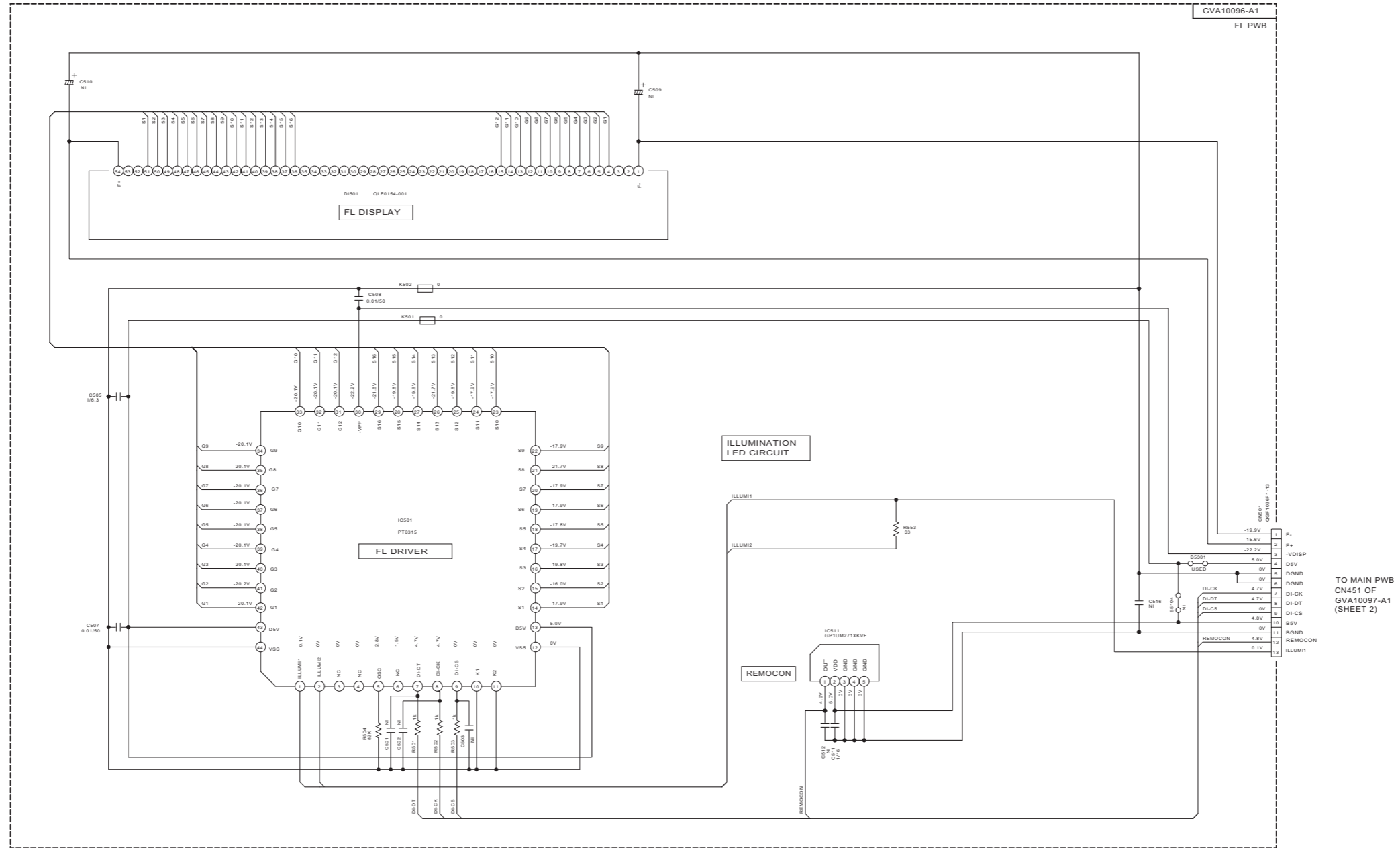
BLANKING	SPEC	ΩD
Y/C	0-0.4V	0V
RGB	1-3V	4.9V

VIDEO OUT (COMPONENT)

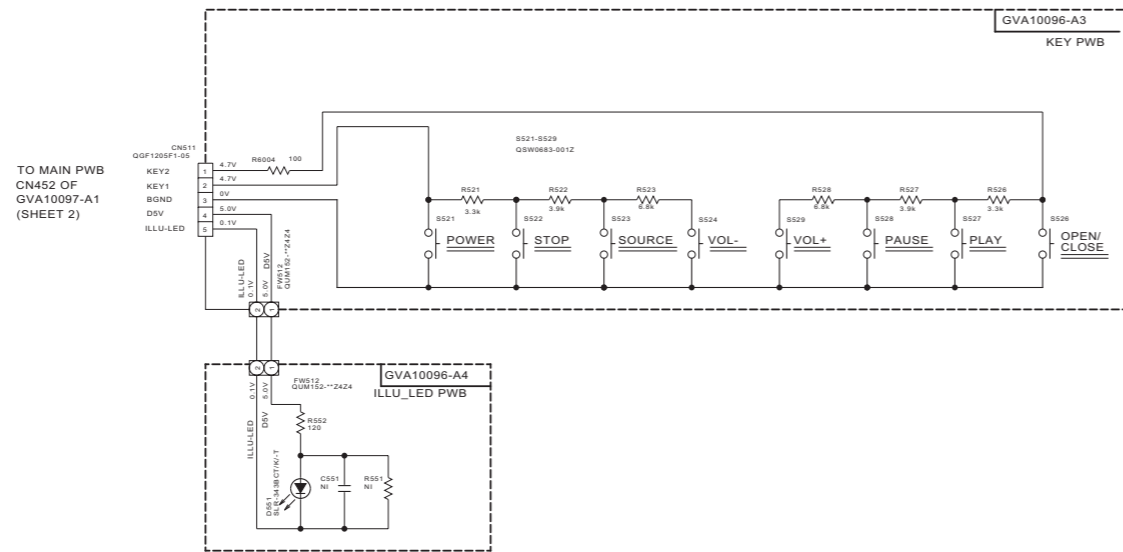
VIDEO OUT (S-VIDEO/COMPOSITE)

VCR IN (S-VIDEO/COMPOSITE)

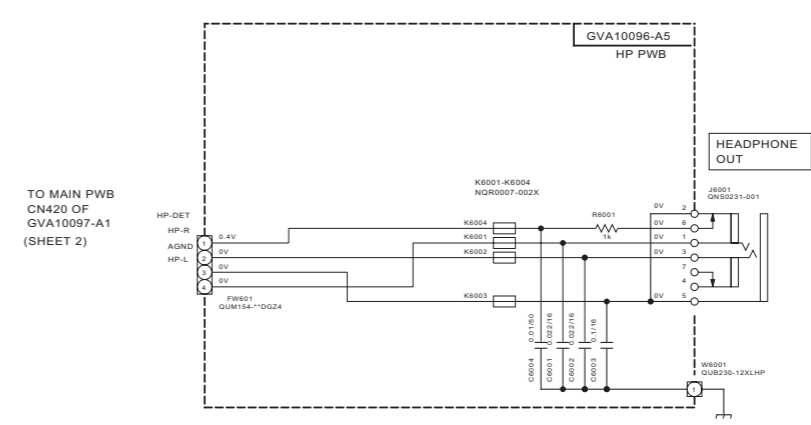
FL display section



TO MAIN PWB
CN451 OF
GVA10097-A1
(SHEET 2)

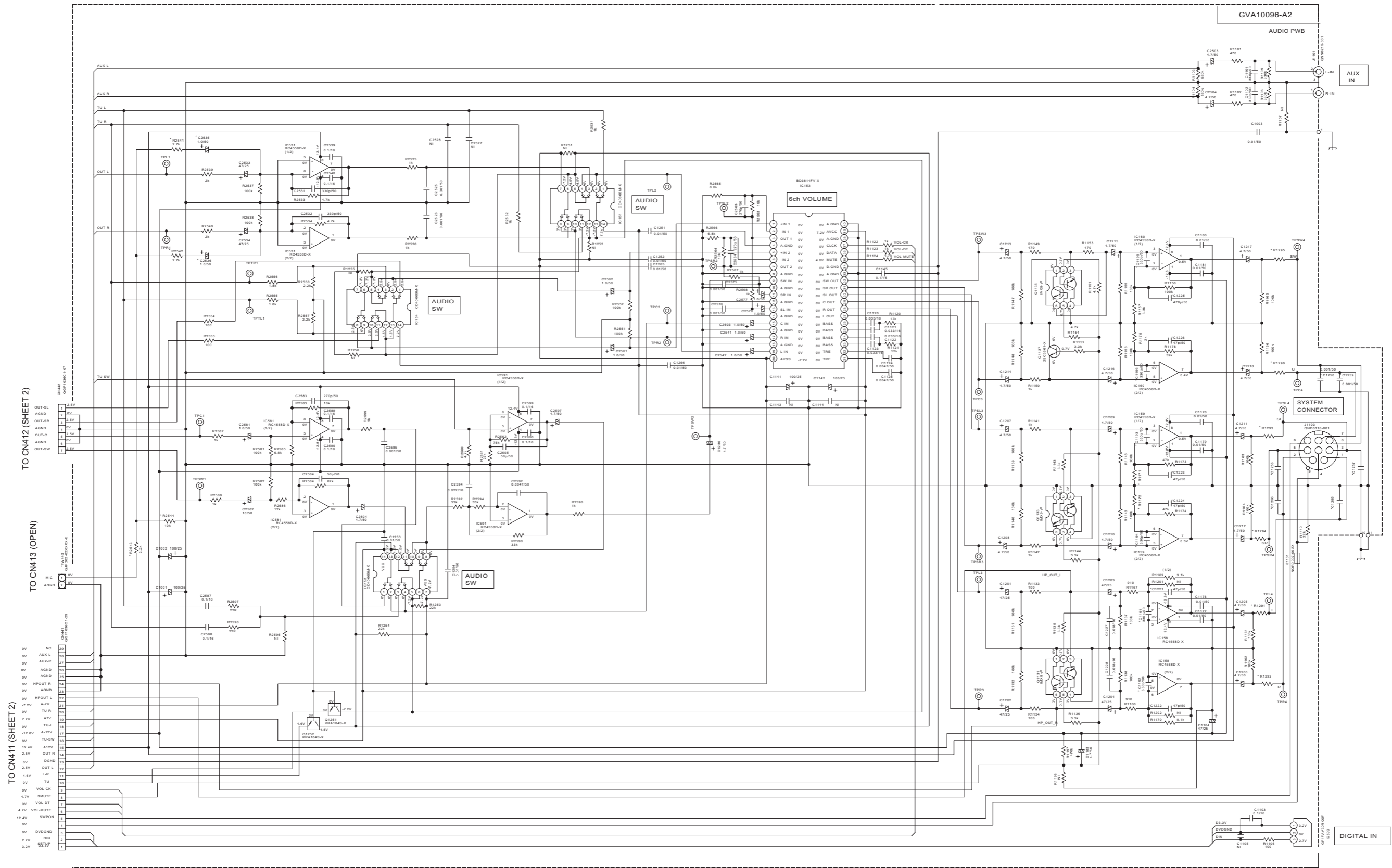


TO MAIN PWB
CN452 OF
GVA10097-A1
(SHEET 2)



TO MAIN PWB
CN420 OF
GVA10097-A1
(SHEET 2)

Audio signal input/output section



***PART LIST FOR MIC LINE**

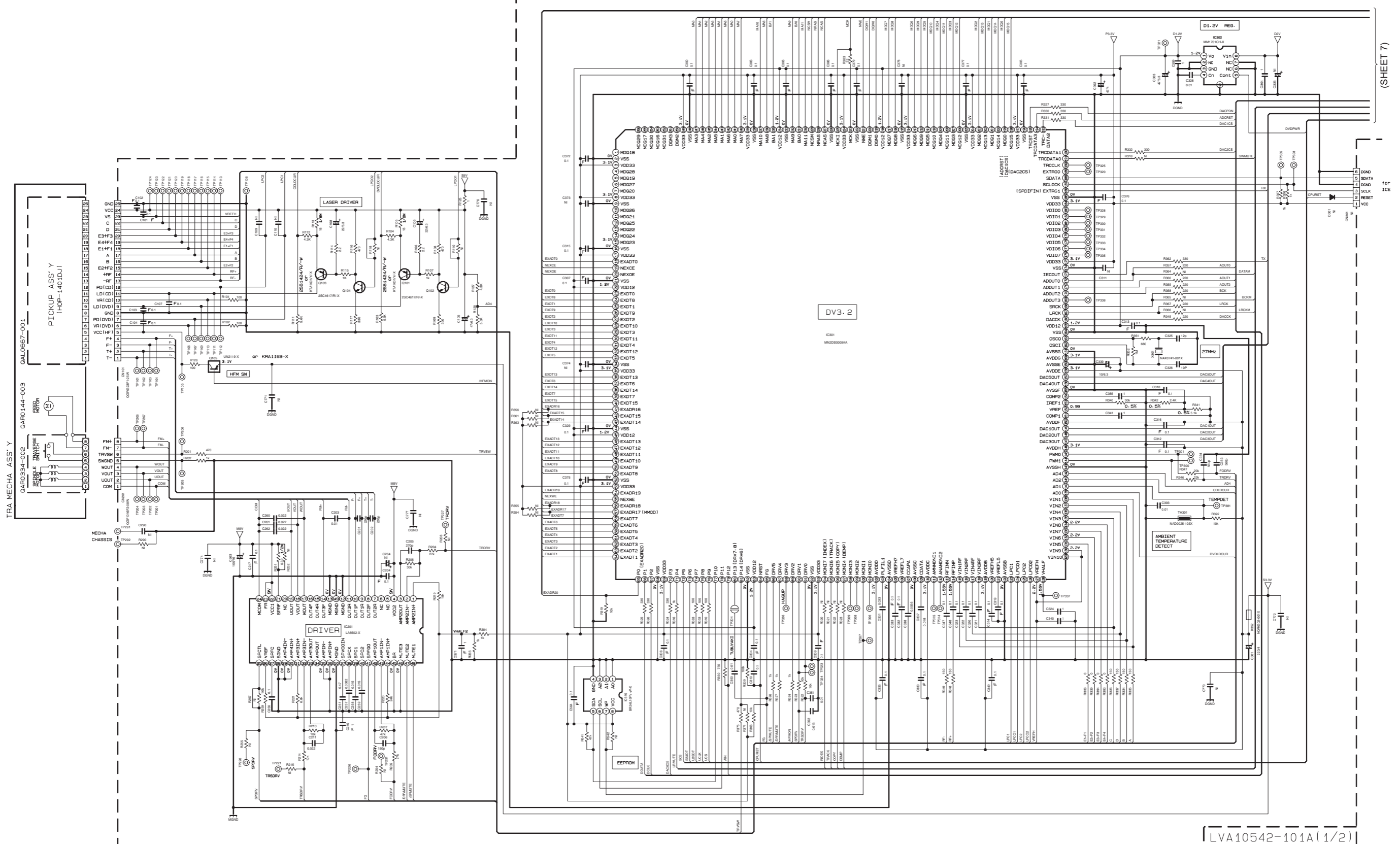
MODEL	REF. NO.	R2541 R2542	C2535 C2536	R2543	R2544	FW443
XV-THS55/S57/S58/S66	NI	NI	NI	NI	NI	NI
XV-THS77	2.7K	1.0/50	2.2k	10k	INSERT	

***PART LIST FOR GAIN CONTROL**

MODEL	REF. NO.	R1171 R1172
XV-THS55/S57		1.5k
XV-THS58/S66/S77		2.4k

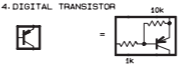
***PART LIST FOR EMC COUNTERMEASURE**

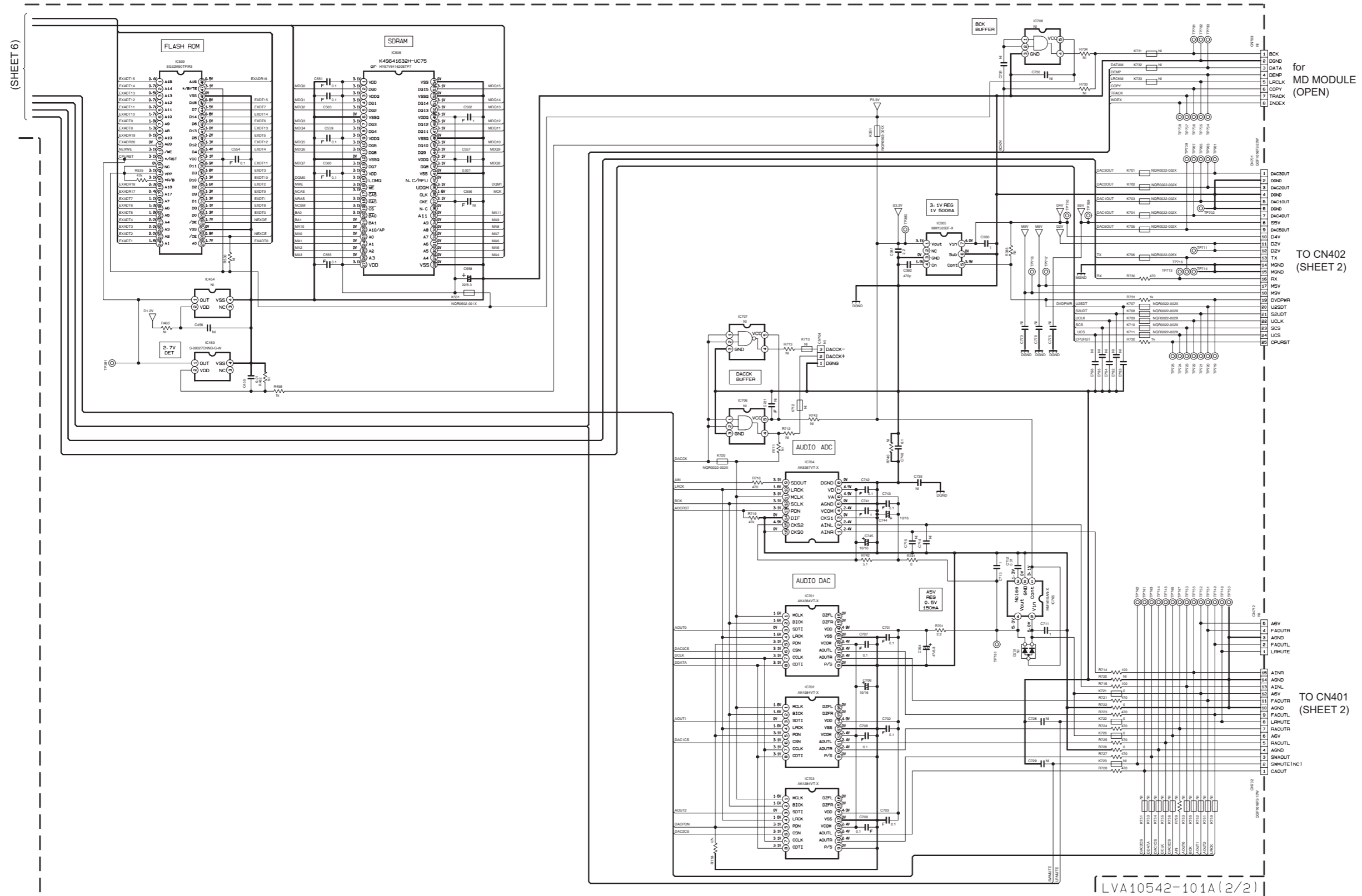
REF. NO.	VERSION	B/E/EN/VE/EE/UP	A/UT/US/UX/UN/UG/UB/UF
C1191 - 1196		330p/50	NI
C1221 - 1224, C1226		NI	47p/50
C1225		NI	470p/50
C1255 - 1258		0.001/50	100p/50
C1259, C1250		0.001/50	NI
R1291 - 1296		100	SHORT CIRCUIT



(SHEET 7)

- NOTES**
1. VOLTAGES ARE DC-MEASURED WITH A DIGITAL VOLT METER WITHOUT INPUT SIGNAL. CONDITION — DVD STOP mode.
 2. UNLESS OTHERWISE SPECIFIED:
ALL RESISTORS ARE 1/16W 1% METAL GLAZE RESISTOR, OR 0.5% METAL GLAZE RESISTOR.
ALL CAPACITORS ARE 50V, 25V, 10V or 6.3V CERAMIC CAPACITOR.
ALL RESISTANCE VALUES ARE IN OHM(Ω).
ALL CAPACITANCE VALUES ARE IN pF(pf).
 3. ALL E-CAPACITORS ARE SHOWN IN THE FORM OF CAPACITANCE(μF)/RATED VOLTAGE (V).
ALL INDUCTANCE VALUES ARE IN mH(mH).
 4. DIGITAL TRANSISTOR

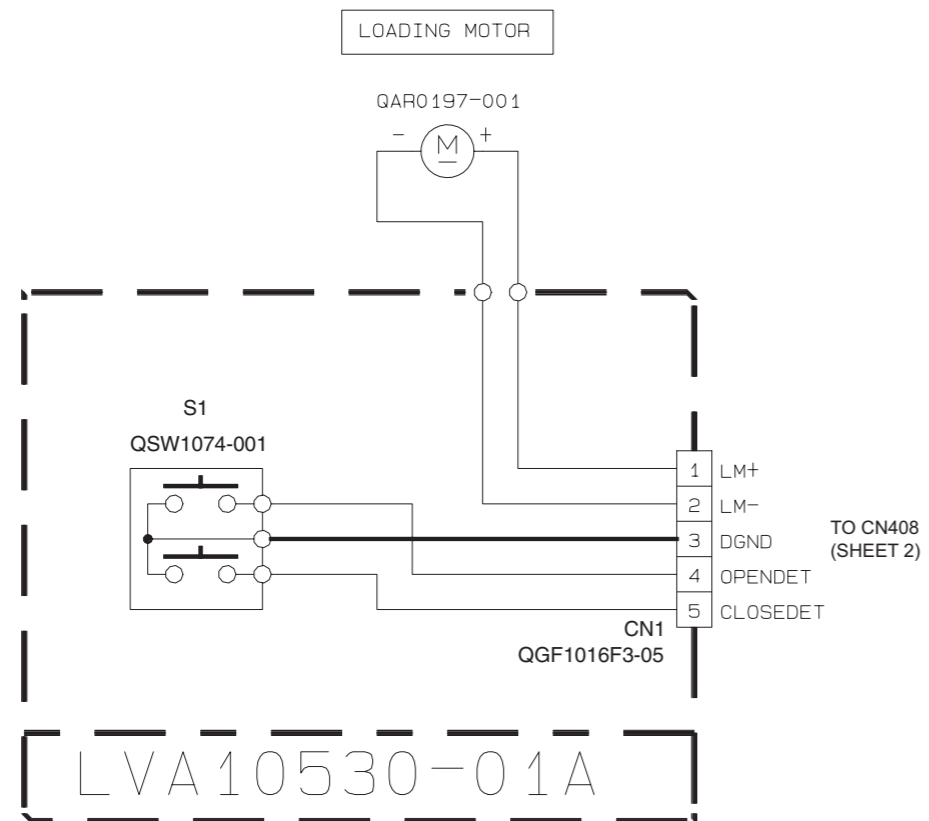




- NOTES
1. VOLTAGES ARE DC-MEASURED WITH A DIGITAL VOLT METER WITHOUT INPUT SIGNAL. CONDITION — DVD STOP MODE.
 2. UNLESS OTHERWISE SPECIFIED, ALL RESISTORS ARE 1/16W ±5% METAL GLAZE RESISTOR, OR 0.5% METAL GLAZE RESISTOR. ALL CAPACITORS ARE 50V, 25V, 16V, 10V OR 6.3V CERAMIC CAPACITOR. ALL RESISTANCE VALUES ARE IN OHM(Ω). ALL CAPACITANCE VALUES ARE IN pF(pF). ALL E-CAPACITORS ARE SHOWN IN THE FORM OF CAPACITANCE(μF)/RATED VOLTAGE (V). ALL INDUCTANCE VALUES ARE IN μH(μH).
 3. NI STANDS FOR NOT INSERTED PARTS.

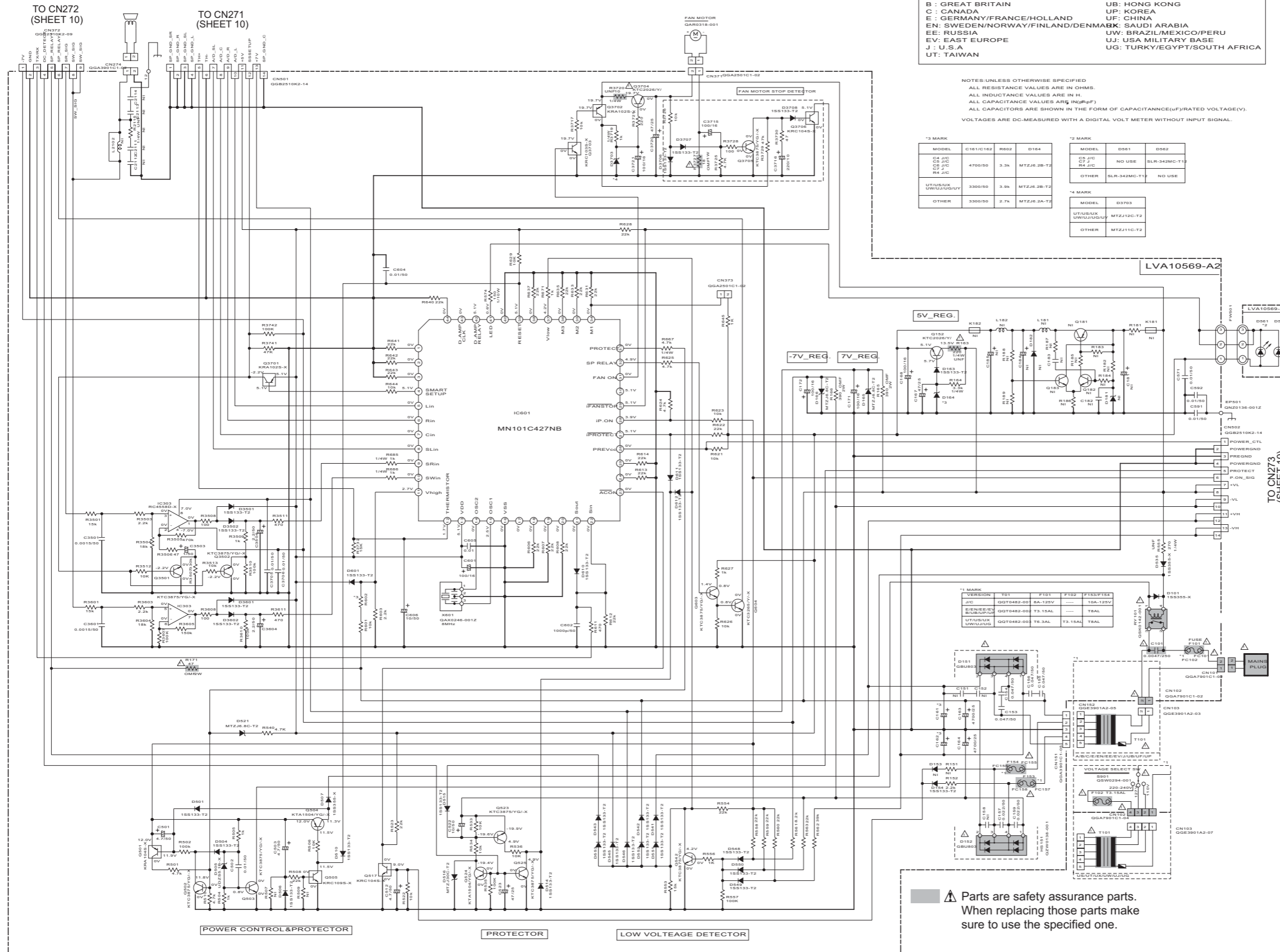
■ DVD loading section

< MEMO >



<Subwoofer section>

■ Mother section



VERSION

A : AUSTRALIA	US : SINGAPOLE
B : GREAT BRITAIN	UB : HONG KONG
C : CANADA	UP : KOREA
E : GERMANY/FRANCE/HOLLAND	UF : CHINA
EN : SWEDEN/NORWAY/FINLAND/DENMARK	UBK : SAUDI ARABIA
EE : RUSSIA	UW : BRAZIL/MEXICO/PERU
EV : EAST EUROPE	UJ : USA MILITARY BASE
J : U.S.A	UG : TURKEY/EGYPT/SOUTH AFRICA
UT : TAIWAN	

NOTES: UNLESS OTHERWISE SPECIFIED
 ALL RESISTANCE VALUES ARE IN OHMS.
 ALL INDUCTANCE VALUES ARE IN H.
 ALL CAPACITANCE VALUES ARE IN (µF).
 ALL CAPACITORS ARE SHOWN IN THE FORM OF CAPACITANCE (µF)/RATED VOLTAGE (V).
 VOLTAGES ARE DC-MEASURED WITH A DIGITAL VOLT METER WITHOUT INPUT SIGNAL.

***3 MARK**

MODEL	C161C162	R602	D164
C4 J/C	4700/50	3.3k	MTZJ6.2B-T2
C5 J/C			
R4 J/C			
UT/US/UK	3300/50	3.3k	MTZJ6.2B-T2
OTHER	3300/50	2.7k	MTZJ6.2A-T2

***2 MARK**

MODEL	D561	D562
C5 J/C	NO USE	SLR-342MC-T1
R4 J/C		
OTHER	SLR-342MC-T1	NO USE

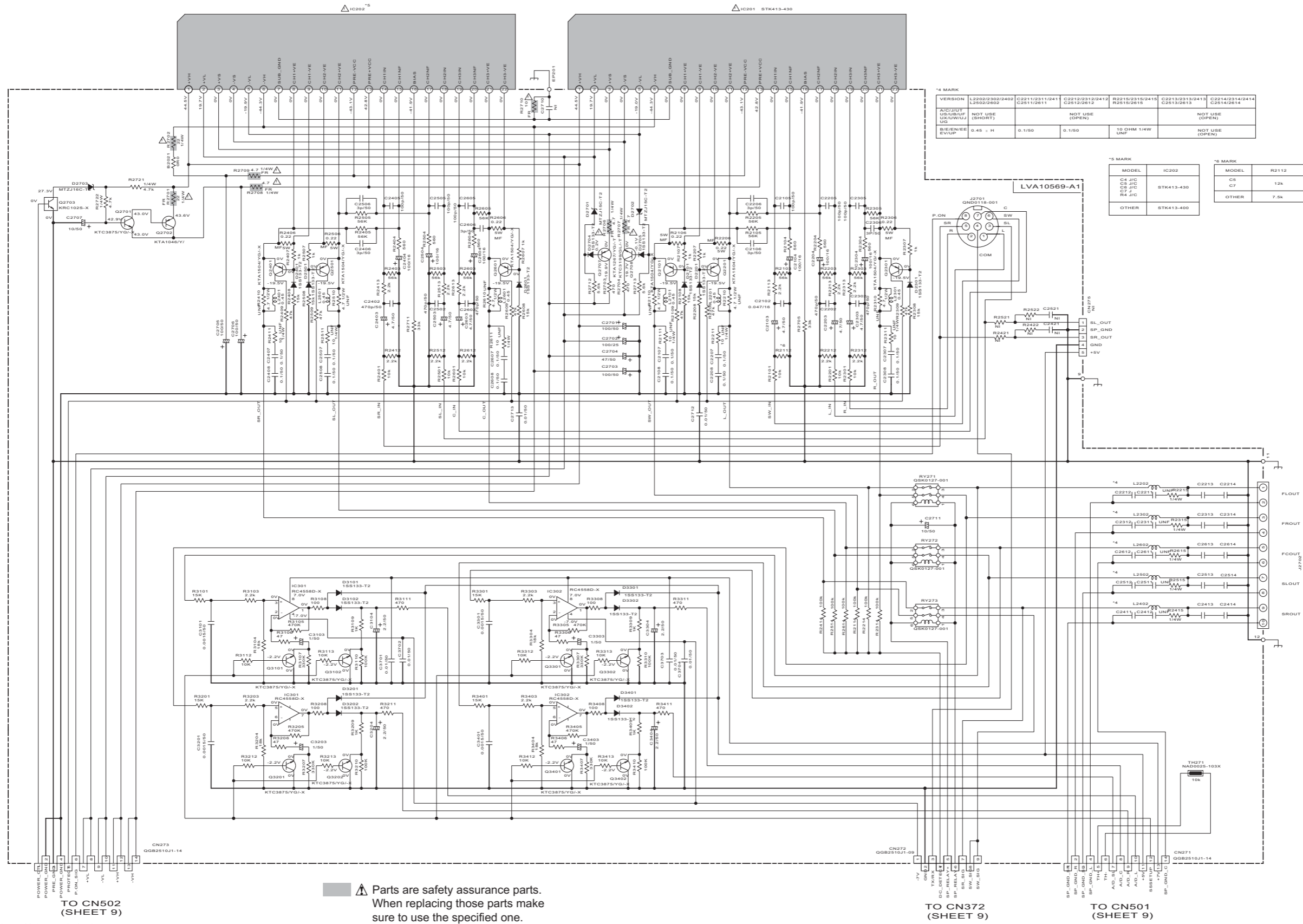
***4 MARK**

MODEL	D3703
UT/US/UK	MTZJ12C-T2
OTHER	MTZJ11C-T2

VERSION	T01	F101	F102	F103/F104
J/C	QGT0482-00	RA-125V	---	10A-125V
UT/US/UK	QGT0482-00	T3.15A	---	TRAL
OTHER	QGT0482-00	T6.3A	T3.15A	TRAL

⚠ Parts are safety assurance parts.
 When replacing those parts make sure to use the specified one.

Amplifier section



*4 MARK

VERSION	L2002/2302/2402 L2002/2402	C2211/2311/2411 C2511/2611	C2212/2312/2412 C2512/2612	R2215/2315/2415 R2515/2615	C2213/2313/2413 C2513/2613	C2214/2314/2414 C2514/2614
APC/JULY	NOT USE (SHOR1)	NOT USE (OPEN)	NOT USE (OPEN)	NOT USE (OPEN)	NOT USE (OPEN)	NOT USE (OPEN)
USE/SEP	0.45 ± H	0.1/50	0.1/50	10 OHM 1/4W	NOT USE (OPEN)	NOT USE (OPEN)

*5 MARK

MODEL	IC202
C4 JIC	STK413-430
C5 JIC	STK413-430
C7 JIC	STK413-430
OTHER	STK413-400

*6 MARK

MODEL	R2112
C5	12K
OTHER	7.5K

TO CN502
(SHEET 9)

TO CN372
(SHEET 9)

TO CN501
(SHEET 9)

⚠ Parts are safety assurance parts.
When replacing those parts make
sure to use the specified one.

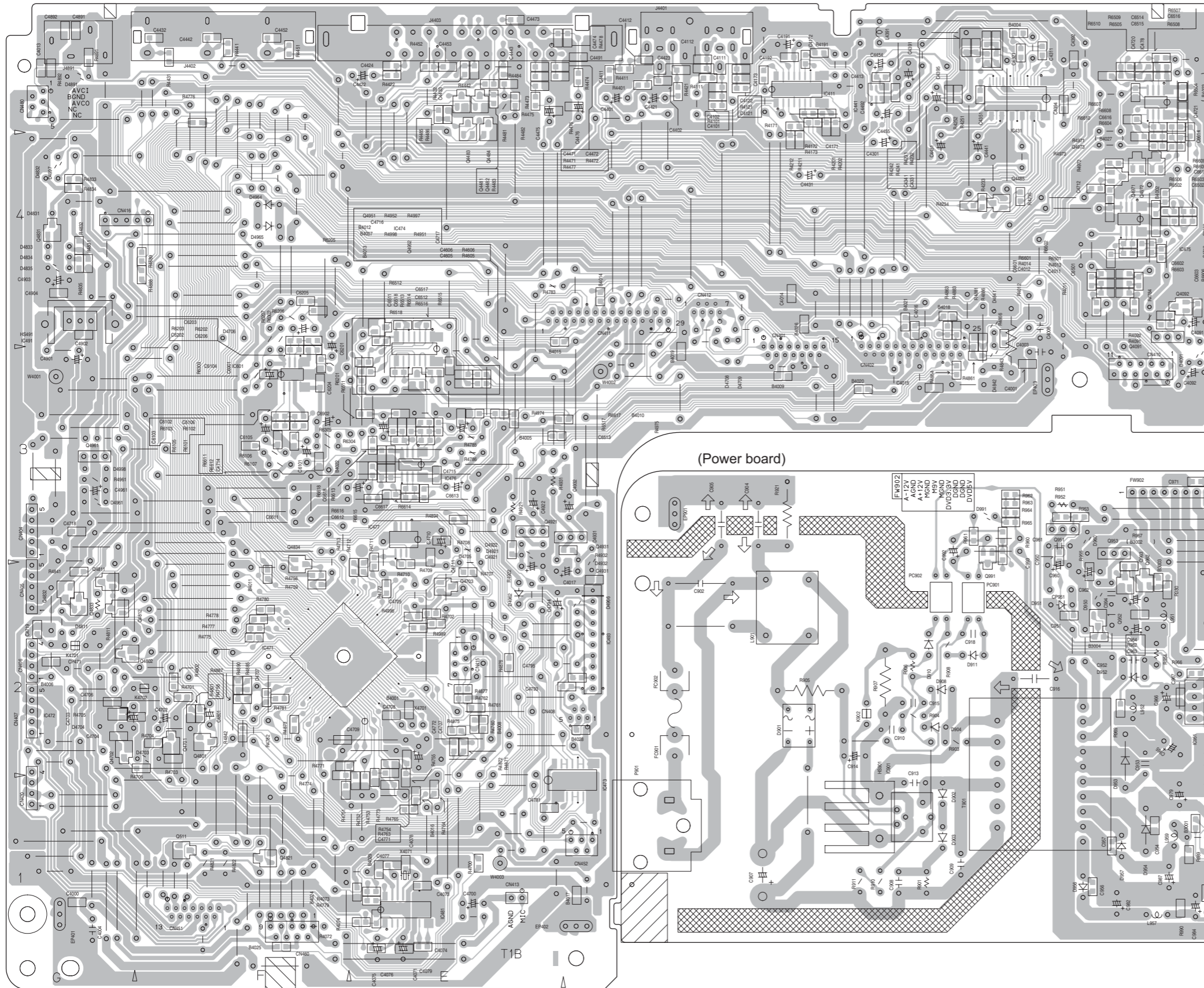
NOTES: UNLESS OTHERWISE SPECIFIED
ALL RESISTANCE VALUES ARE IN OHMS.
ALL INDUCTANCE VALUES ARE IN H.
ALL CAPACITANCE VALUES ARE IN F. (p=pF)
ALL CAPACITORS ARE SHOWN IN THE FORM OF CAPACITANCE(μF)/RATED VOLTAGE(V).
VOLTAGES ARE DC-MEASURED WITH A DIGITAL VOLT METER WITHOUT INPUT SIGNAL.

Printed circuit boards

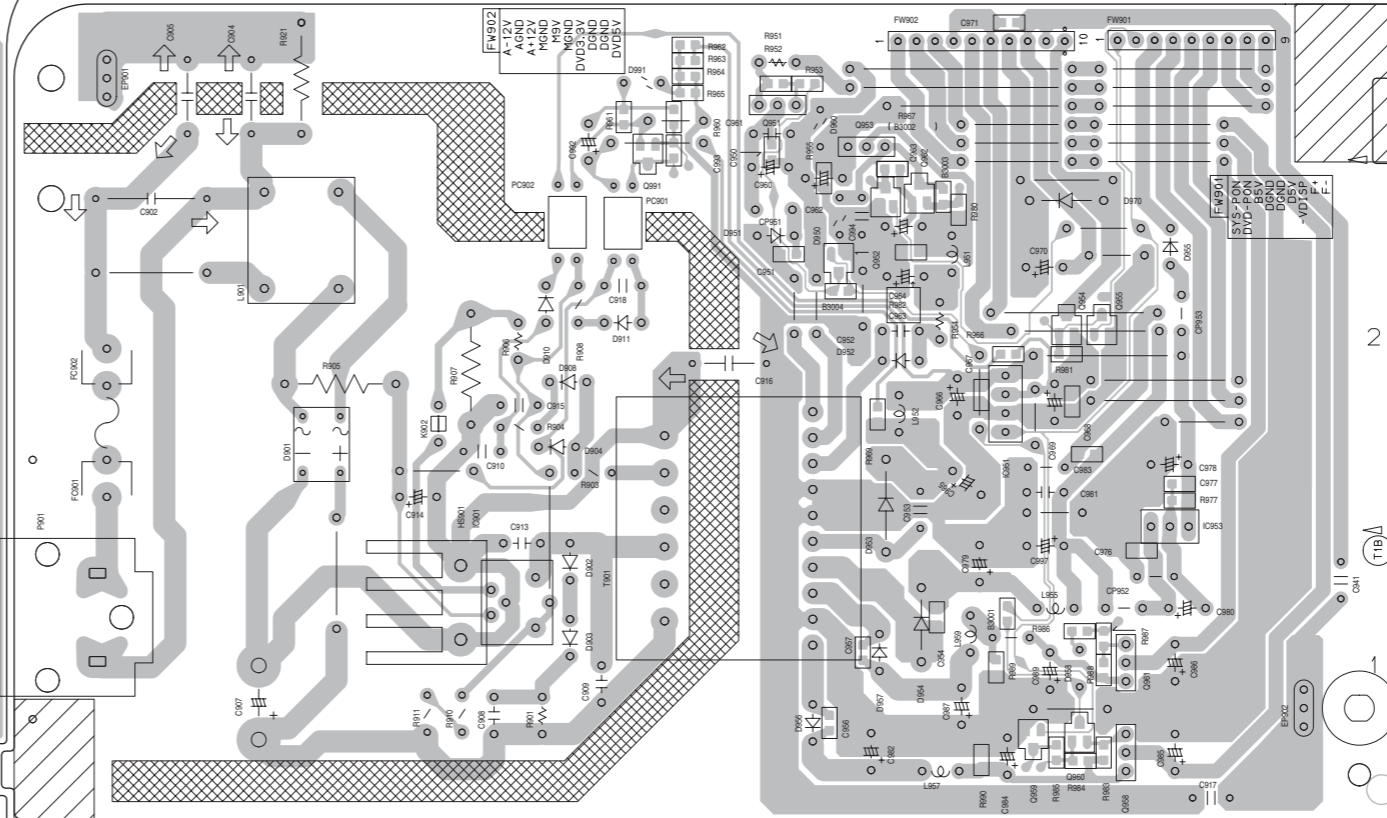
<Main body section>

■ Main board Lead free solder used in the board (material : Sn-Ag-Cu, melting point : 219 Centigrade)

(Main board)



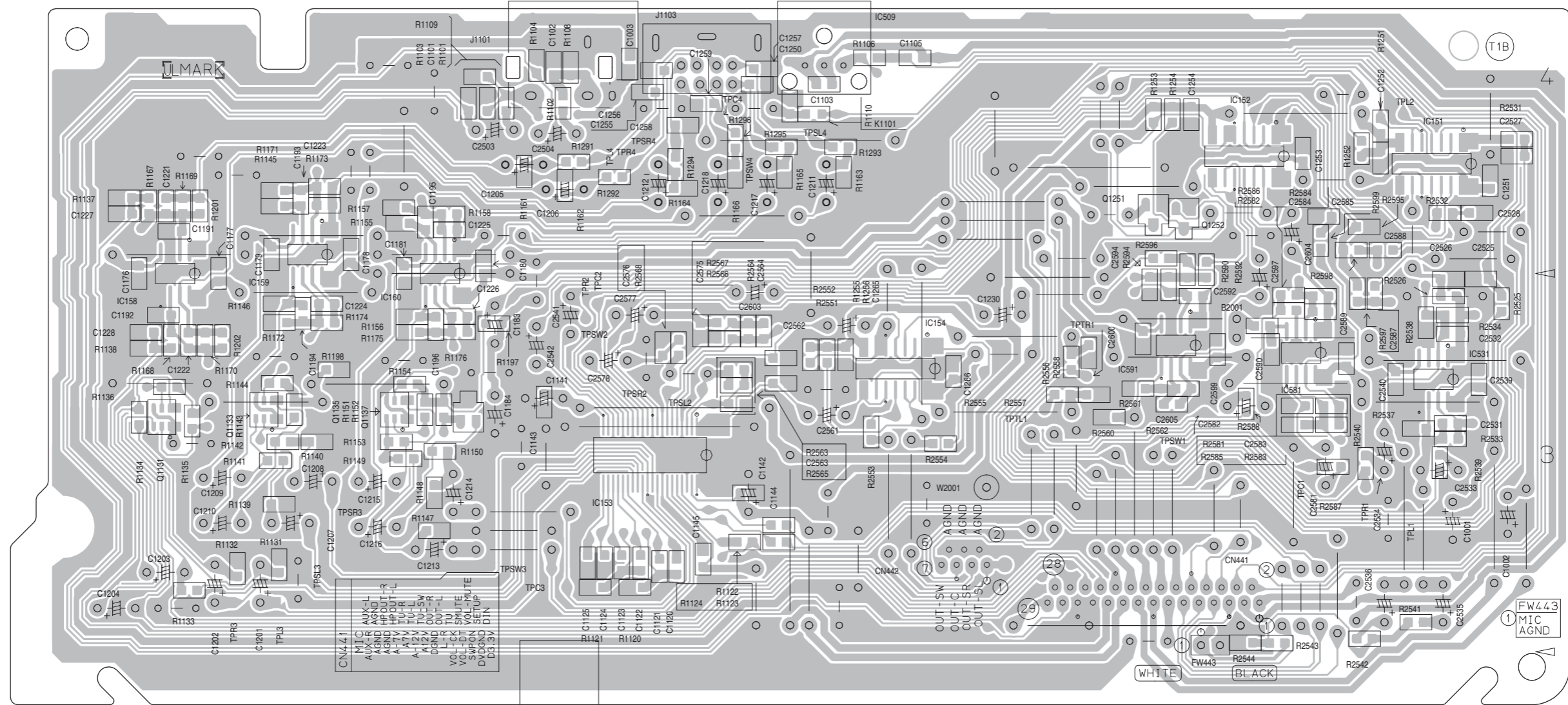
(Power board)



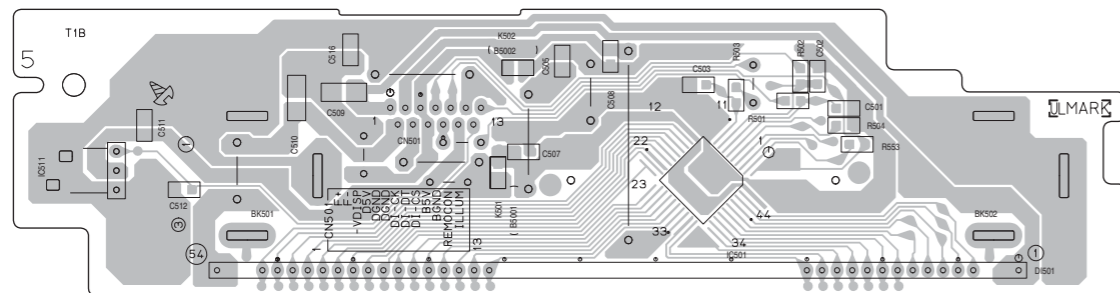
■ Front board

Lead free solder used in the board (material : Sn-Ag-Cu, melting point : 219 Centigrade)

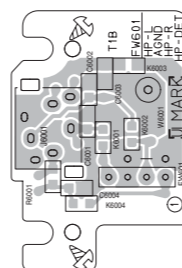
(Audio signal input/output board)



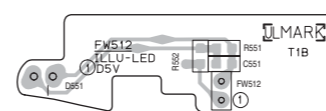
(FL board)



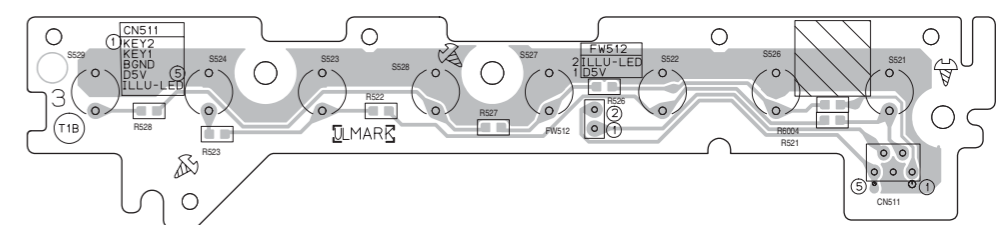
(HP board)



(LED board)

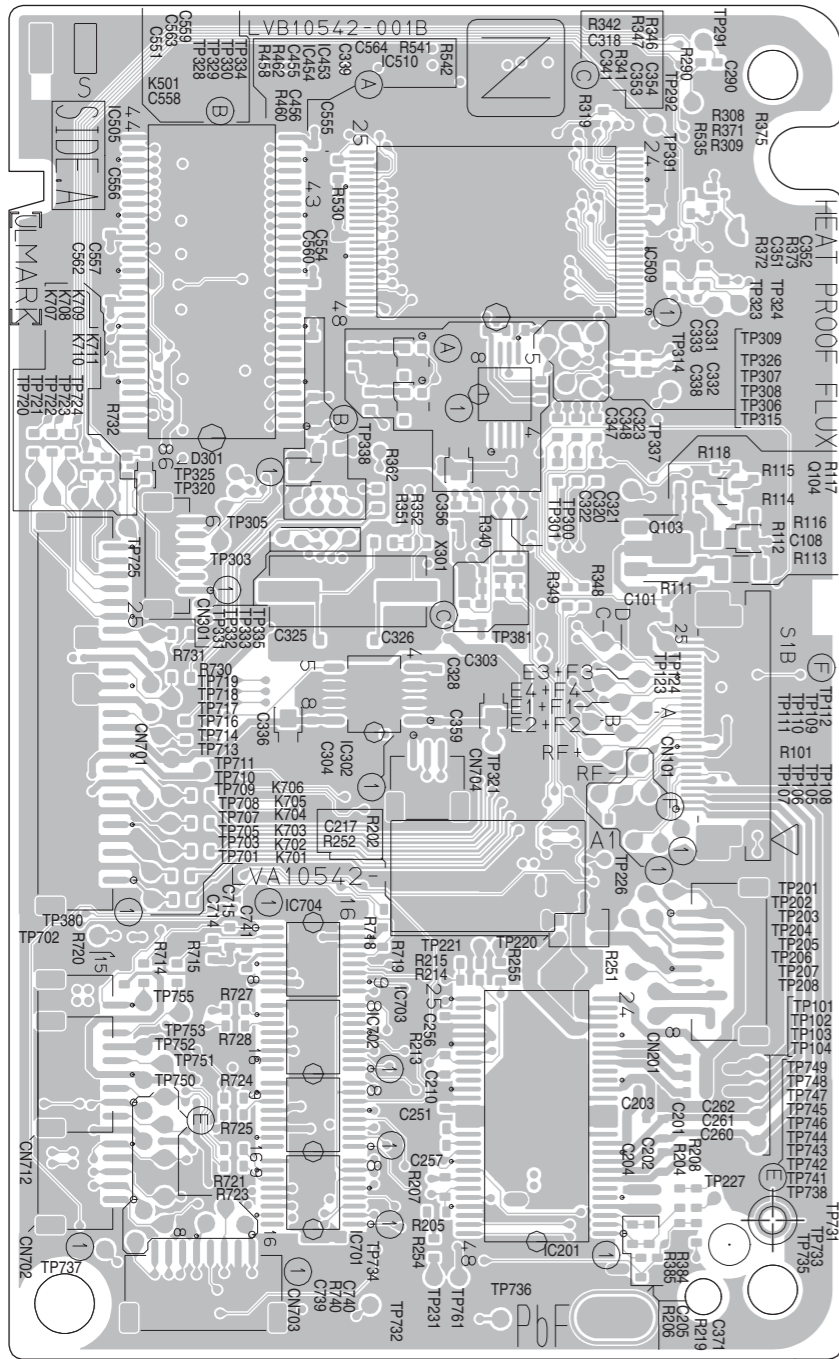


(Key board)

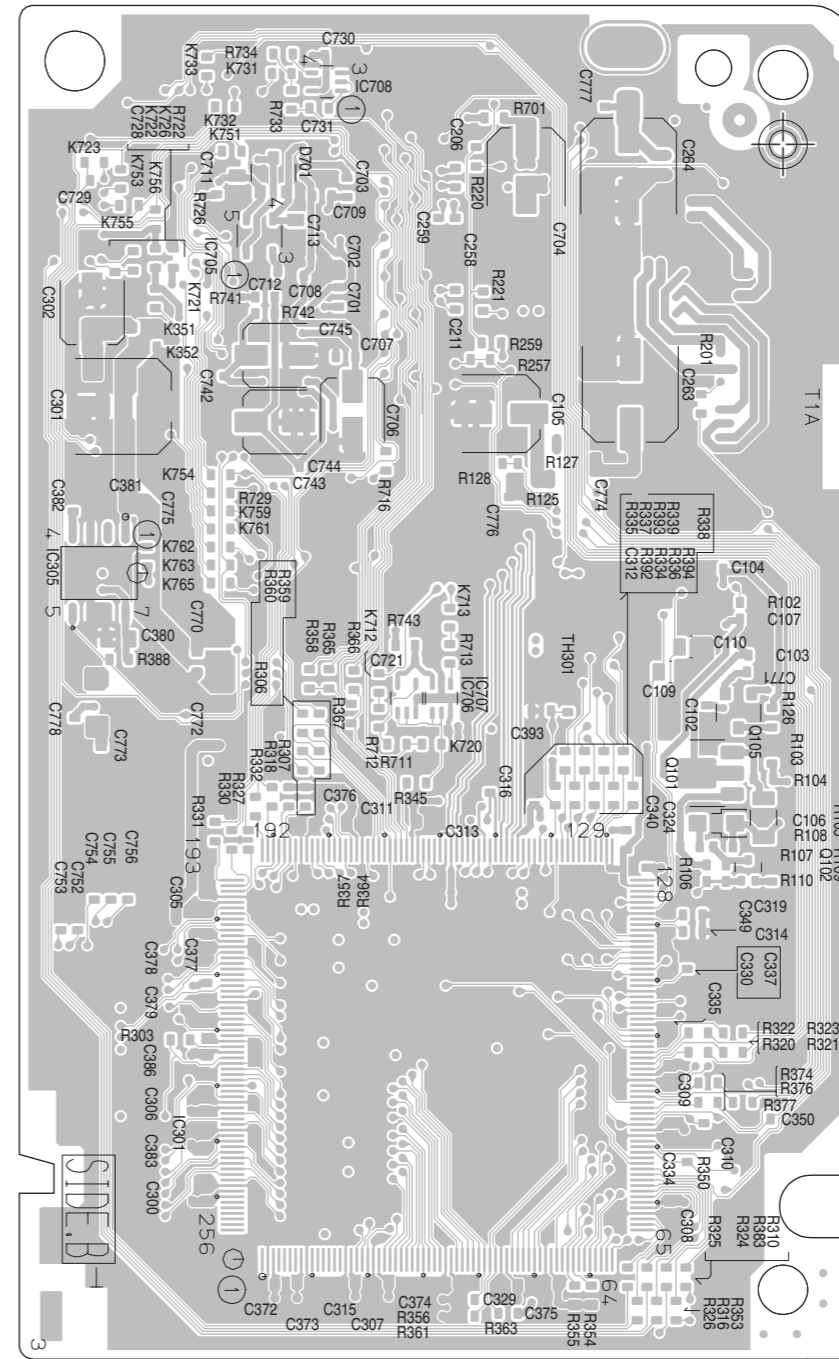


■ DVD servo board Lead free solder used in the board (material : Sn-Ag-Cu, melting point : 219 Centigrade)

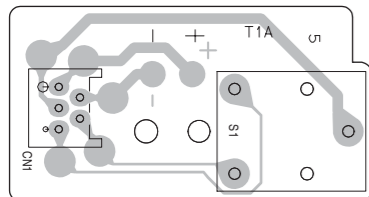
Forward side



Reverse side



■ DVD loading board Lead free solder used in the board (material : Sn-Ag-Cu, melting point : 219 Centigrade)

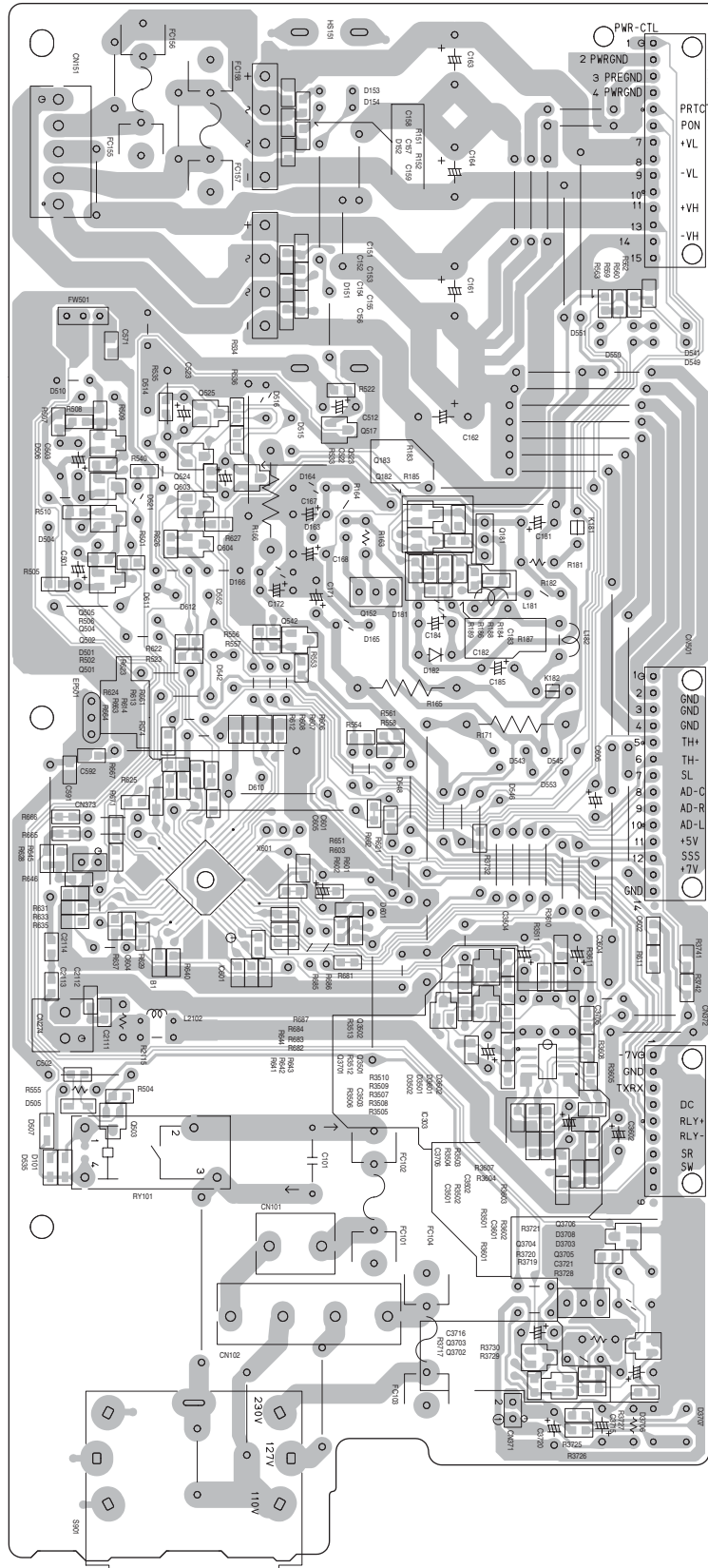


<Subwoofer section>

■ Mother board

Lead free solder used in the board (material : Sn-Ag-Cu, melting point : 219 Centigrade)

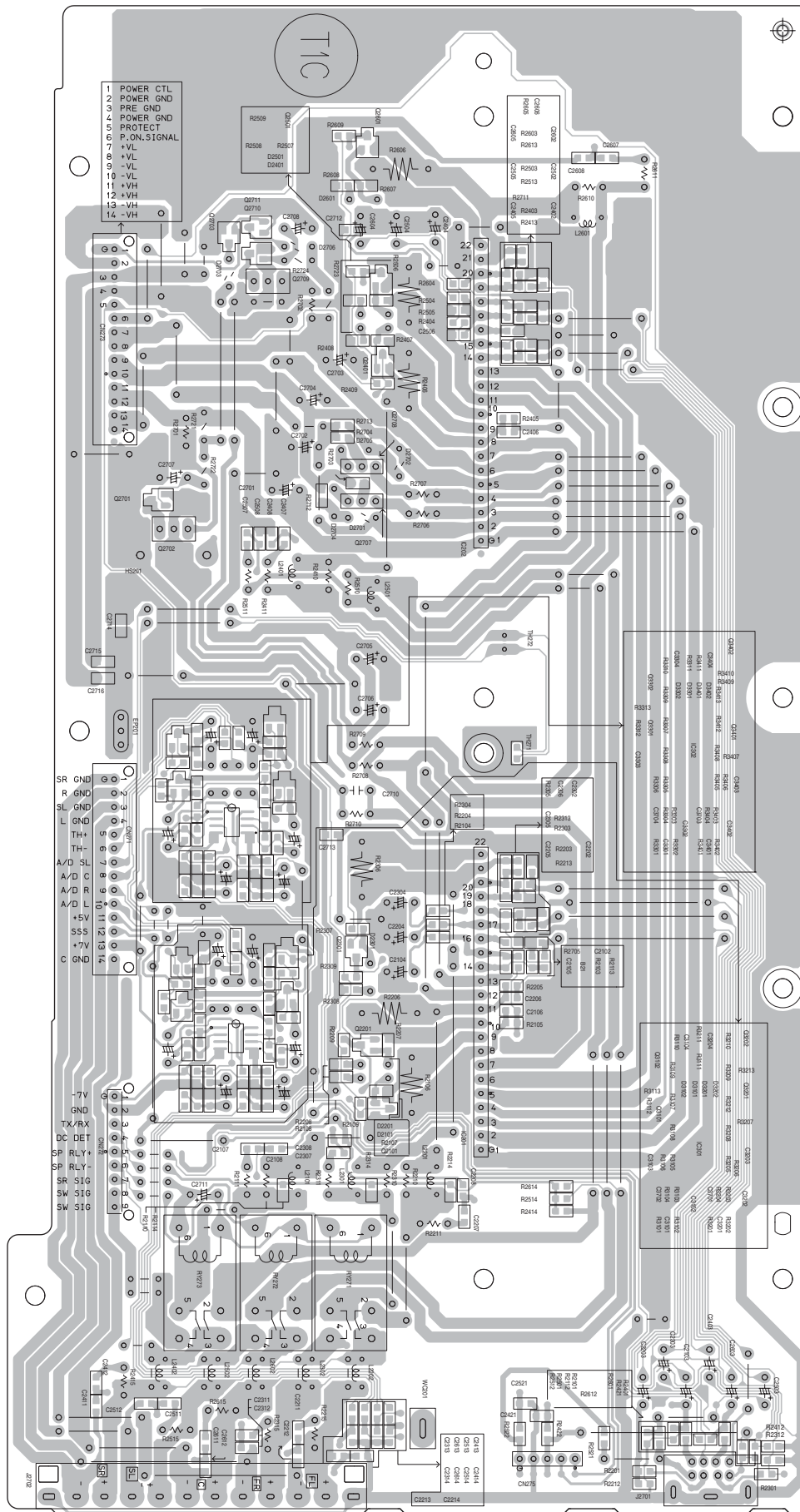
(Mother board)



■ Mother board

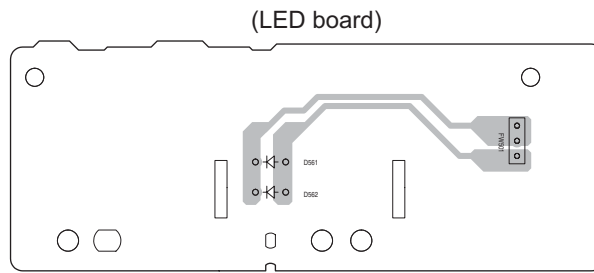
Lead free solder used in the board (material : Sn-Ag-Cu, melting point : 219 Centigrade)

(Amp. board)



■ **Mother board**

Lead free solder used in the board (material : Sn-Ag-Cu, melting point : 219 Centigrade)



JVC

Victor Company of Japan, Limited

AV & MULTIMEDIA COMPANY AUDIO/VIDEO SYSTEMS CATEGORY 10-1,1chome,Ohwatari-machi,Maebashi-city,371-8543,Japan

(No.MB450SCH)



Printed in Japan
VPT

PARTS LIST

[TH-S58]

* All printed circuit boards and its assemblies are not available as service parts.

Area suffix

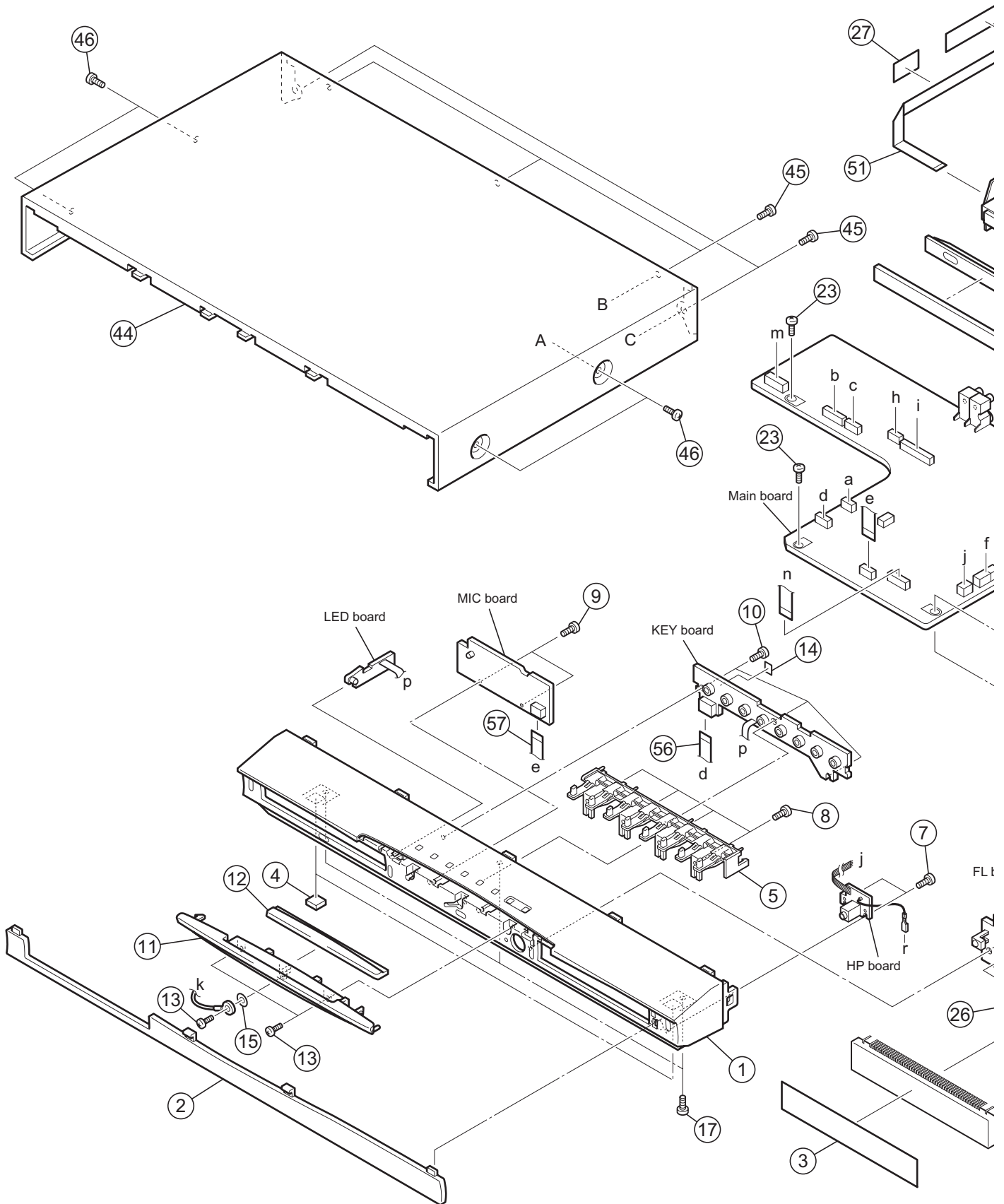
UF ----- China

- Contents -

Exploded view of general assembly and parts list (Block No.M1)	3- 2
Speaker assembly and parts list(Subwoofer) (Block No.M2)	3- 5
DVD mechanism assembly and parts list (Block No.MJ)	3- 7
DVD loading base assembly and parts list (Block No.MN).....	3- 9
Electrical parts list (Block No.01~05)	3-11
Packing materials and accessories parts list (Block No.M3)	3-22

Exploded view of general assembly and parts list

Block No. **M 1 M M**



General Assembly

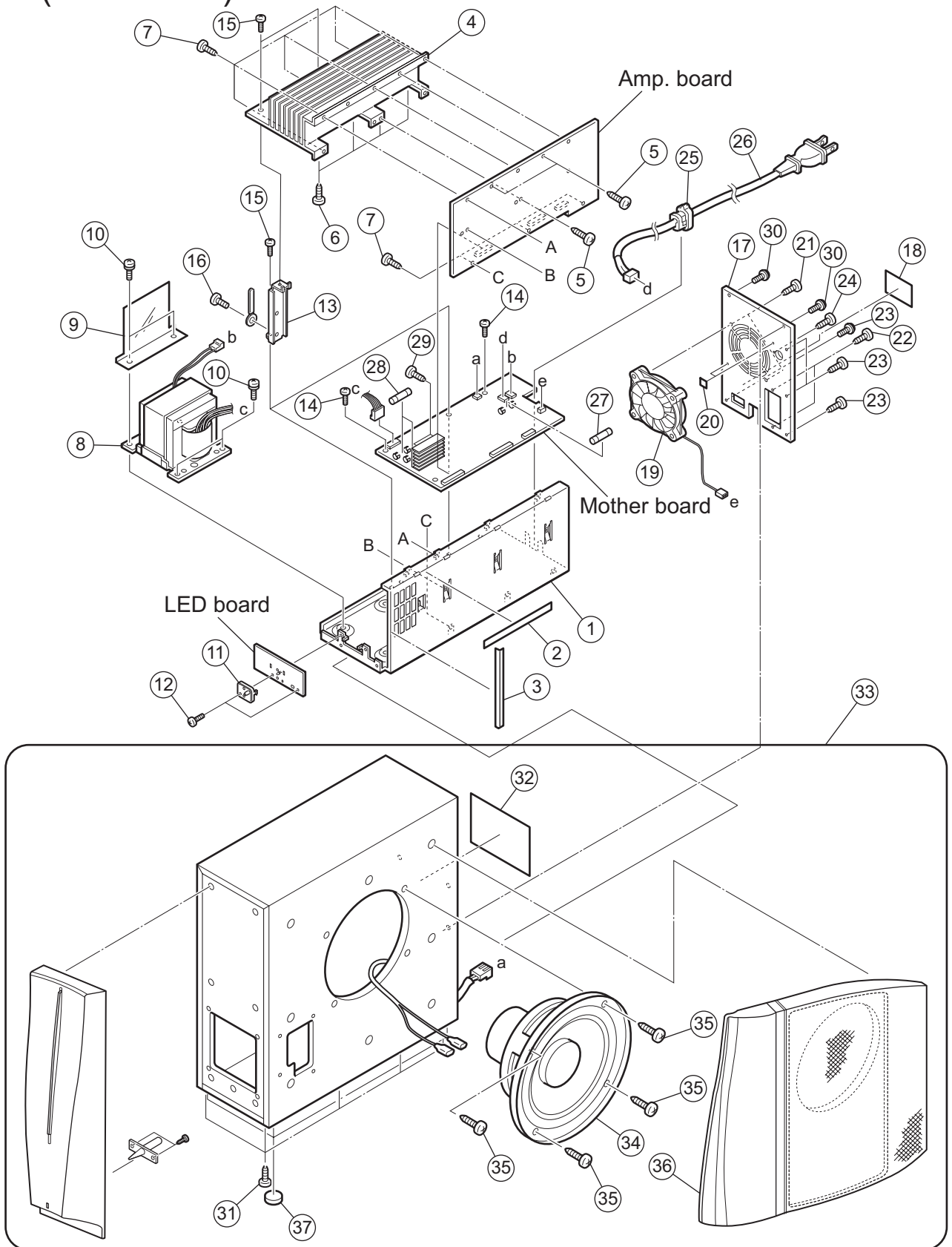
Block No. [M][1][M][M]

△	Symbol No.	Part No.	Part Name	Description	Local
	1	GV10256-003A	FRONT PANEL		
	2	GV20351-001A	PANEL LENS		
	3	GV40592-001A	FL FILTER		
	4	LV40301-002A	FELT SPACER	(x2)	
	5	GV10266-001A	CONTROL BUTTON		
	6	QYSDSF2608ZA	TAP SCREW	M2.6 x 8mm	
	7	QYSDSF2608ZA	TAP SCREW	M2.6 x 8mm(x2)	
	8	QYSDSF2608ZA	TAP SCREW	M2.6 x 8mm(x4)	
	9	QYSDSF2608ZA	TAP SCREW	M2.6 x 8mm(x2)	
	10	QYSDSF2608ZA	TAP SCREW	M2.6 x 8mm(x3)	
	11	GV30709-002A	ORNAMENT		
	12	GV30708-001A	LIGHT LENS		
	13	QYSDSF2608ZA	TAP SCREW	M2.6 x 8mm(x3)	
	14	E3400-431	SPACER		
	15	QYWAS275703ZA	WASHER	5.7mm/2.7mm x 0.3mm	
	16	GV10258-001A	CHASSIS BASE		
	17	QYSBST3006ZA	TAP SCREW	M3 x 6mm(x3)	
	18	LV41843-002A	LASER CAUTION		
	19	LV40301-002A	FELT SPACER	(x2)	
	20	GV30349-025A	SPACER		
	21	QYSBST3006ZA	TAP SCREW	M3 x 6mm(x2)	
	22	QYSBST3006ZA	TAP SCREW	M3 x 6mm(x2)	
	23	QYSBST3006ZA	TAP SCREW	M3 x 6mm(x3)	
	24	QYSBST3006ZA	TAP SCREW	M3 x 6mm(x2)	
	25	LV30225-079A	SPACER		
	26	GV40121-005A	SPACER		
	27	LV30225-035A	SPACER		
	28	GV30349-032A	SPACER	(x3)	
	29	GV40121-005A	SPACER	(x2)	
	30	GV30349-055A	SPACER		
	31	GV40121-005A	SPACER		
	32	GV20345-006A	REAR PANEL		
	33	QAU0346-001	TUNER	TU 1	
	34	QYSBSGY3008EA	TAP SCREW	M3 x 8mm(x2)	
	35	QYSBST3006EA	TAP SCREW	M3 x 6mm	
	36	QYSBSGY3008EA	TAP SCREW	M3 x 8mm	
	37	QYSBSGY3008EA	TAP SCREW	M3 x 8mm	
	38	QYSBSGY3008EA	TAP SCREW	M3 x 8mm	
	39	QYSBSGY3008EA	TAP SCREW	M3 x 8mm(x2)	
	40	QYSBSGY3008EA	TAP SCREW	M3 x 8mm	
	41	QYSBSGY3008EA	TAP SCREW	M3 x 8mm	
	42	GV30775-002A	RATING LABEL		
	43	LV43268-001A	CCC LABEL		
	44	GV10267-001A/S/	METAL COVER		
	45	QYSBSGY3008EA	TAP SCREW	M3 x 8mm(x5)	
	46	E406308-007	SCREW	(x4)	
	47	GV30707-001A	FITTING BASE		
	48	GV40591-003A	FITTING LENS		
	49	QUQH10-1511AJ-E	FFC WIRE	15pin 11cm	
	50	QUQH10-2511AJ-E	FFC WIRE	25pin 11cm	
	51	QUQH10-0534BJ-E	FFC WIRE	5pin 34cm	
	52	QUQH12-1111AJ-E	FFC WIRE	11pin 11cm	
	53	QUQH10-2908AJ-E	FFC WIRE	29pin 8cm	
	54	QUQH10-0708AJ-E	FFC WIRE	7pin 8cm	
	55	QUQH10-1316AJ-E	FFC WIRE	13pin 16cm	
	56	QUQH12-0508AJ-E	FFC WIRE	5pin 8cm	
	57	QUQH12-0509AJ-E	FFC WIRE	5pin 9cm	
△	58	QMF51W2-1R6-J8	FUSE	F901 1.6A AC250V	
	59	QYSBSF3008ZA	TAP SCREW	M3 x 8mm	
	60	GV30349-020A	FELT SPACER	(x2)	

Speaker assembly and parts list

Block No. **M 2 M M**

(Subwoofer)



The parts without symbol number are not service.

Speaker(Subwoofer)

Block No. [M][2][M][M]

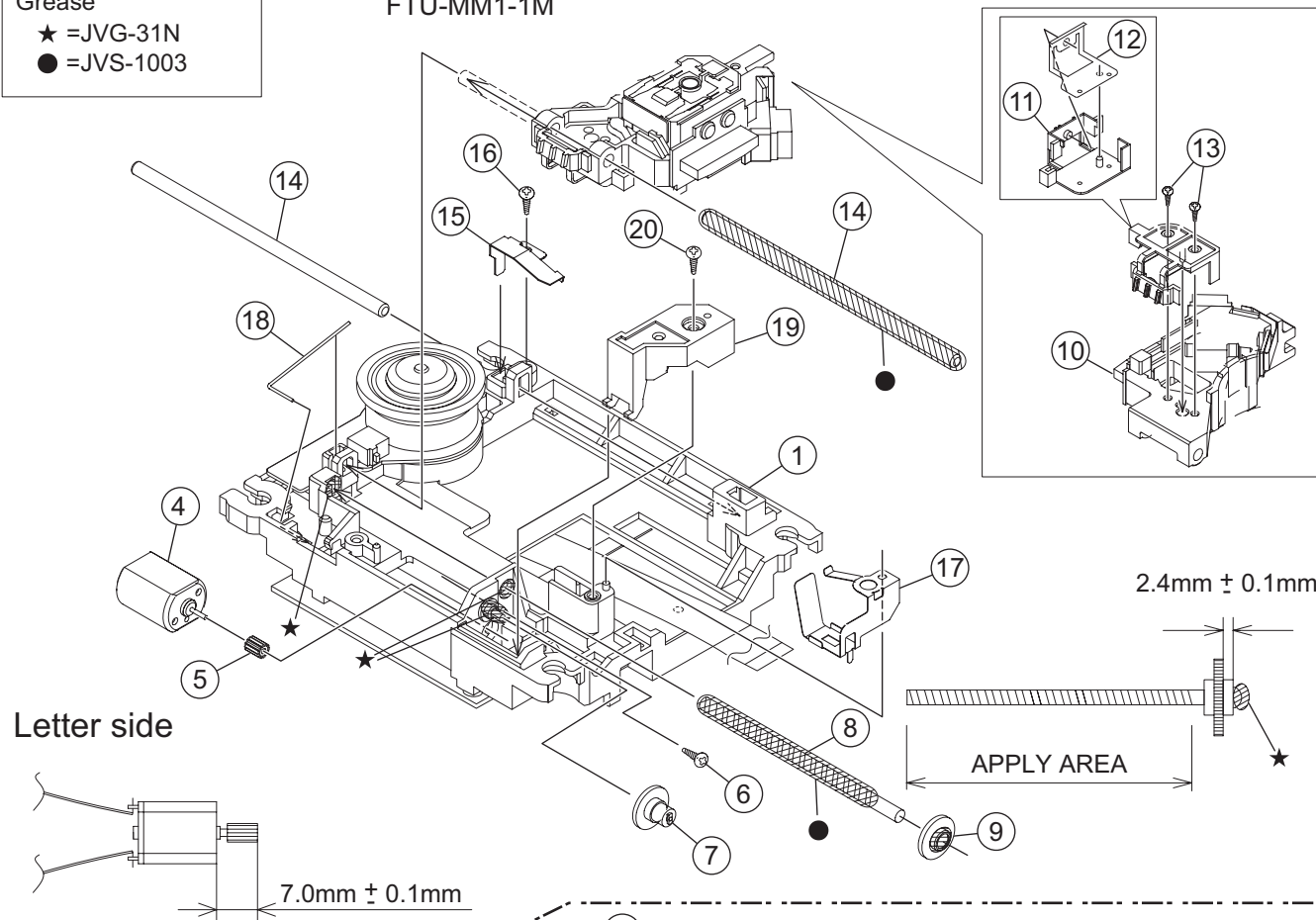
△	Symbol No.	Part No.	Part Name	Description	Local
	1	LV10875-002A	CHASSIS BASE		
	2	LV30225-0T5A	SPACER		
	3	LV30225-0T6A	SPACER		
	4	LV10951-001A	HEAT SINK		
	5	QYSBSG3010EA	TAP SCREW	M3 x 10mm(x3)	
	6	QYSBSG3016EA	TAP SCREW	M3 x 16mm(x4)	
	7	QYSBSG3010EA	TAP SCREW	M3 x 10mm(x9)	
△	8	QQT0482-002	POWER TRANSF		
	9	LV44309-001A	BARRIER		
	10	QYSBSTL4008EA	TAP SCREW	M4 x 8mm(x4)	
	11	LV43692-002A	LED HOLDER		
	12	QYSBSG3010EA	TAP SCREW	M3 x 10mm(x2)	
	13	LV34712-001A	HEAT SINK BKT	(x2)	
	14	QYSBSG3010EA	TAP SCREW	M3 x 10mm(x2)	
	15	QYSBSG3010EA	TAP SCREW	M3 x 10mm(x4)	
	16	QYSBSG3006ZA	TAP SCREW	M3 x 6mm(x2)	
	17	LV21652-021A	REAR PANEL		
	18	LV30092-0G9A	UF LABEL		
	19	QAR0318-001	FAN MOTOR		
	20	LV30225-0D5A	SPACER	(x2)	
	21	QYSBSGY3008MA	TAP SCREW	M3 x 8mm(x2)	
	22	QYSBSGY3008MA	TAP SCREW	M3 x 8mm(x2)	
	23	QYSBSGY3008MA	TAP SCREW	M3 x 8mm(x4)	
	24	QYSBST3006MA	TAP SCREW	M3 x 6mm	
△	25	QZW0033-001	STRAIN RELIEF		
△	26	QMPR480-200-JC	POWER CORD(EK)	2m BLACK	
△	27	QMF51W2-3R15-J8	FUSE	F 101 3.15A AC250V	
△	28	QMFZ051-8R0-J8	FUSE	F 153 F 154 8A(x2)	
	29	QYSPSPD3008ZA	SCREW	M3 x 8mm(x2)	
	30	QYSDSA4016MA	TAP SCREW	M4 x 16mm(x2)	
	31	QYSDST4014MA	TAP SCREW	M4 x 14mm(x8)	
	32	LV35792-021A	RATING LABEL		
	33	QAS0302-001	SPEAKER BOX		
	34	LE10016-063A	CONE SPK		
	35	7001541606	TAPPING SCREW	(x4)	
	36	LV35760-001A	NET ASSY		
	37	9000007961	FOOT	(x4)	

DVD mechanism assembly and parts list

Block No. M J M M

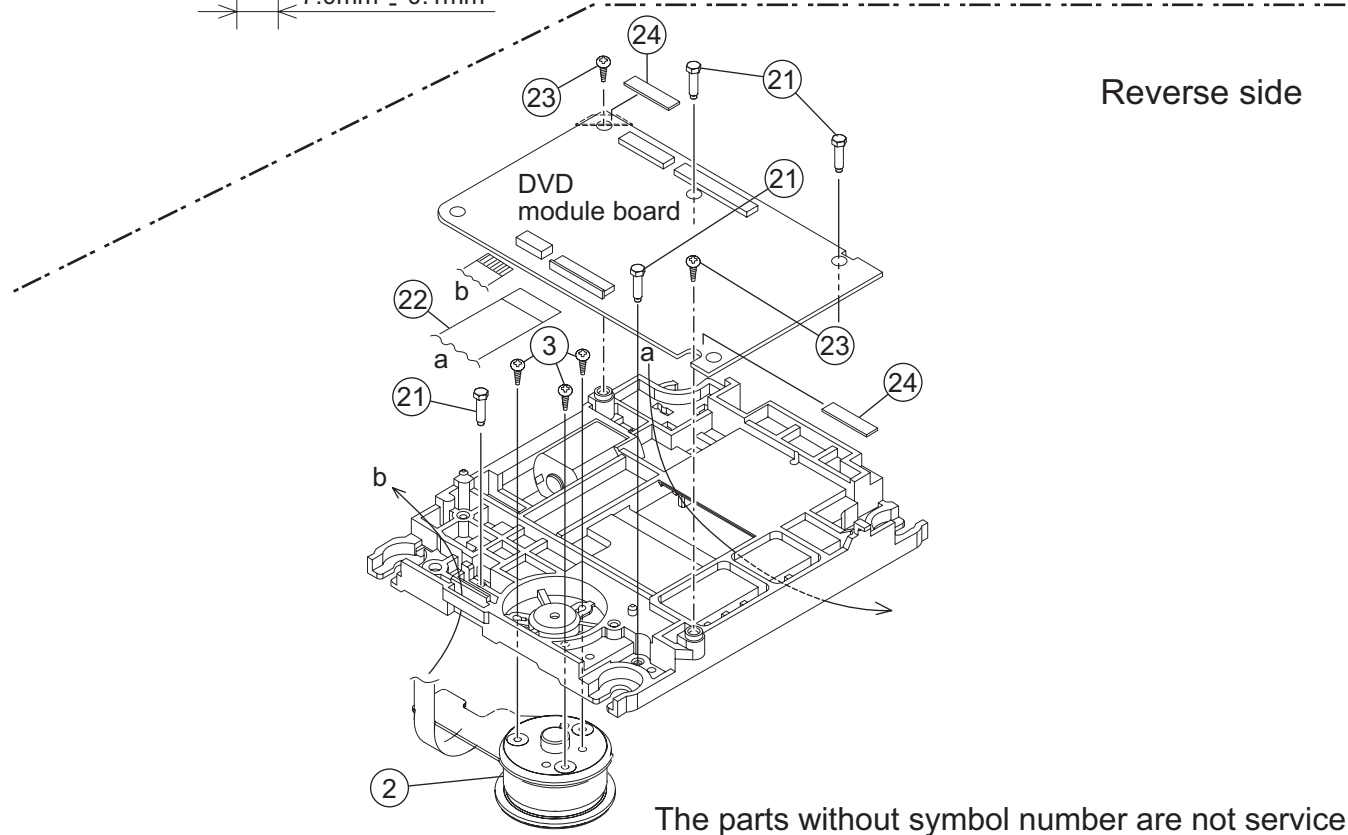
Grease
 ★ =JVG-31N
 ● =JVS-1003

FTU-MM1-1M



Letter side

Reverse side



The parts without symbol number are not service.

DVD mechanism

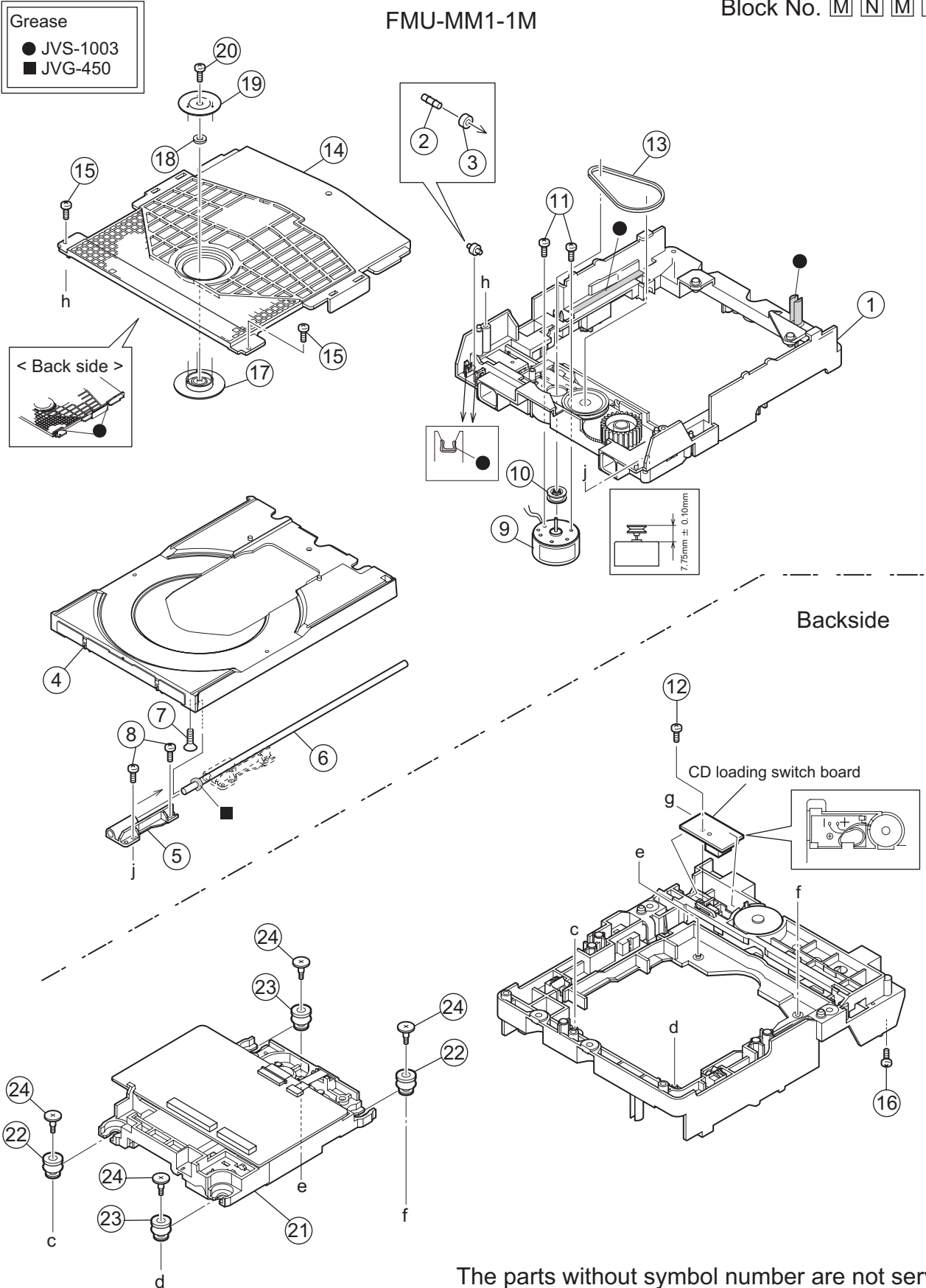
Block No. [M][J][M][M]

△	Symbol No.	Part No.	Part Name	Description	Local
	1	LV10984-001A	S.TM CHASSIS		
	2	QAR0334-002	S.MOTOR		
	3	QYSPSPU1740ZA	SCREW	M1.7 x 4mm(x3)	
	4	QAR0144-003	MOTOR		
	5	VKS5557-001	F.M. GEAR		
	6	QYSPSPT2025ZA	SCREW	M2 x 2.5mm	
	7	LV35461-002A	MIDDLE GEAR		
	8	LV44040-001A	SCREW SHAFT		
	9	LV35462-001A	SCREW SHAFT GEA		
	10	QAL0667-001	DVD PICK		
	11	LV21869-001A	RACK ARM		
	12	LV35463-001A	RACK ARM SPRING		
	13	QYSPSFU1740ZA	TAP SCREW	M1.7 x 4mm(x2)	
	14	LV44041-001A	GUIDE SHAFT	(x2)	
	15	LV35464-001A	G.SHAFT ADJ.SP		
	16	QYSDSF2005ZA	TAP SCREW	M2 x 5mm	
	17	LV35465-001A	THRUST SPRING		
	18	LV44042-001A	ROD SPRING		
	19	LV35467-001A	FEED BRACKET		
	20	QYSDSF2005ZA	TAP SCREW	M2 x 5mm	
	21	LV44046-001A	ADJUST SCREW	(x4)	
	22	LV44092-001A	PICK FFC		
	23	LV44209-001A	WASHER SCREW	(x2)	
	24	LV30225-0V6A	SPACER	(x2)	

DVD loading base assembly and parts list

FMU-MM1-1M

Block No. M N M M



The parts without symbol number are not service.

DVD loading base

Block No. [M][N][M][M]

△	Symbol No.	Part No.	Part Name	Description	Local
	1	LV11065-003A	LOADER SUB ASSY		
	2	E407140-001SS	C.D ROLLER		
	3	E407149-001SS	RUBBER TUBE		
	4	LV10979-002A	TRAY		
	5	LV35499-001A	SHAFT GUIDE		
	6	LV44022-001A	SHAFT		
	7	QYSSSF2008ZA	TAP SCREW	M2 x 8mm	
	8	QYSDSF2008ZA	TAP SCREW	M2 x 8mm(x2)	
	9	QAR0197-001	MOTOR		
	10	LV43844-002A	MOTOR PULLEY		
	11	QYSPSPU1730ZA	SCREW	M1.7 x 3mm(x2)	
	12	QYSDSF2008ZA	TAP SCREW	M2 x 8mm	
	13	LV43974-001A	BELT		
	14	LV21852-003A	CLAMPER BASE		
	15	QYSDSF2008ZA	TAP SCREW	M2 x 8mm(x2)	
	16	LV41741-004A	SPECIAL SCREW		
	17	LV35056-002A	DVD CLAMPER		
	18	LV42930-003A	P.C.MAGNET		
	19	LV43848-001A	YOKE		
	20	LE40906-002A	SPECIAL SCREW		
	21	-----	SINGLE DVD TRAM		
	22	LV44043-002A	INSULATOR	(x2)	
	23	LV44043-003A	INSULATOR	(x2)	
	24	LV44044-001A	SPECIAL SCREW	(x4)	

Electrical parts list

Main board

Block No. [0][1]

Symbol No.	Part No.	Part Name	Description	Local
IC411	MM1233XF-X	IC		
IC431	BH7868FS-X	IC		
IC471	MN101C49GFT1	IC		
IC472	S-80840CNNB-G-W	IC		
IC473	SN74AHCT08NS-X	IC		
IC475	RC4558D-X	IC		
IC476	RC4558D-X	IC		
IC477	BR24L08F-W-X	IC(DIGITAL)		
IC478	RC4558D-X	IC		
IC491	KIA7805API	IC		
IC493	LB1641	IC		
IC601	RC4558D-X	IC		
△ IC901	STR-G6651	IC		
IC951	PQ05RD21SSJH	IC		
Q511	KRC102S-X	DIGI TRANSISTOR		
Q951	2SC3576-JVC-T	TRANSISTOR		
Q952	KRA104S-X	DIGI TRANSISTOR		
Q953	KTA1267/YG/-T	TRANSISTOR		
Q954	SI2305DS-X	TRANSISTOR		
Q955	KRC103S-X	DIGITAL TR		
Q958	KTA1271/OY/-T	TRANSISTOR		
Q959	KRC103S-X	DIGITAL TR		
Q960	KTA1504/YG/-X	SI TRANSISTOR		
Q961	KTC3203/OY/-T	TRANSISTOR		
Q962	KTC3875/YG/-X	SI TRANSISTOR		
Q963	KRA104S-X	DIGI TRANSISTOR		
Q991	KTC3875/YG/-X	SI TRANSISTOR		
Q4091	KTA1271/OY/-T	TRANSISTOR		
Q4092	KTC3875/YG/-X	SI TRANSISTOR		
Q4701	KRC111S-X	TRANSISTOR		
Q4702	KRC107S-X	DIGI TRANSISTOR		
Q4801	KTA1504/YG/-X	SI TRANSISTOR		
Q4802	KRC102S-X	DIGI TRANSISTOR		
Q4811	KRA102S-X	DIGI TRANSISTOR		
Q4812	KRC102S-X	DIGI TRANSISTOR		
Q4821	KRC102S-X	DIGI TRANSISTOR		
Q4831	KRC102S-X	DIGI TRANSISTOR		
Q4832	KRA110S-X	TRANSISTOR		
Q4833	KRC110S-X	DIGI TRANSISTOR		
Q4921	KTC3203/OY/-T	TRANSISTOR		
Q4931	KTA1271/OY/-T	TRANSISTOR		
Q4961	KTC3203/OY/-T	TRANSISTOR		
Q4971	2SC3661-X	TRANSISTOR		
Q4972	2SC3661-X	TRANSISTOR		
Q4973	KRA104S-X	DIGI TRANSISTOR		
△ D901	DI106	BRIDGE DIODE		
D902	10ERB40-T1	FR DIODE		
D903	10ERB40-T1	FR DIODE		
D904	10ERB40-T1	FR DIODE		
D908	10ERB40-T1	FR DIODE		
D910	10ERB40-T1	FR DIODE		
D911	FR104S-T5	FR DIODE		
D950	MTZJ24B-T2	Z DIODE		
△ D951	FR104S-T5	FR DIODE		
△ D952	FR104S-T5	FR DIODE		
△ D953	RK34-LFB2	SB IODE		
△ D954	ER204-F33	FR DIODE		
△ D955	1N4003S-T5	SI DIODE		
△ D956	FR104S-T5	FR DIODE		
△ D957	FR104S-T5	FR DIODE		
D958	1SS133-T2	SI DIODE		
D960	MTZJ2.2A-T2	S.B.DIODE		
△ D970	ER204-F33	FR DIODE		
D991	MTZJ5.1B-T2	Z DIODE		
D4091	1SS133-T2	SI DIODE		
D4092	MTZJ6.8A-T2	Z DIODE		
D4703	MTZJ4.7B-T2	Z DIODE		
D4704	1SS133-T2	SI DIODE		
D4706	1SS133-T2	SI DIODE		
D4707	1SS133-T2	SI DIODE		
D4708	1SS133-T2	SI DIODE		
D4811	1SS133-T2	SI DIODE		
D4831	1SS133-T2	SI DIODE		
D4832	1SS133-T2	SI DIODE		
D4833	1SS133-T2	SI DIODE		
D4834	1SS133-T2	SI DIODE		
D4835	MTZJ6.8A-T2	Z DIODE		
D4841	MTZJ2.0A-T2	Z DIODE		
D4842	MTZJ3.3A-T2	Z DIODE		
D4921	MTZJ8.2C-T2	Z DIODE		
D4922	1SS133-T2	SI DIODE		
D4931	MTZJ8.2C-T2	Z DIODE		
D4932	1SS133-T2	SI DIODE		
D4961	MTZJ4.7A-T2	Z DIODE		
D4962	1N4003S-T5	SI DIODE		
D4966	MTZJ4.7C-T2	Z DIODE		
D4997	MTZJ3.0B-T2	Z DIODE		
D4998	1SS133-T2	SI DIODE		
△ PC901	PC123Y22FZ	PHOTO COUPLER		
△ PC902	PC123Y22FZ	PHOTO COUPLER		
△ C902	QFZ9075-683	MPP CAPACITOR	0.068uF AC275V M	
△ C904	QCZ9079-102	C CAPACITOR	1000pF AC250V M	
△ C905	QCZ9079-102	C CAPACITOR	1000pF AC250V M	
△ C907	QEZ0688-686	E CAPACITOR	68uF	
C908	QCZ0136-332Z	C CAPACITOR	3300pF 1kV K	
C909	QCZ0136-101Z	C CAPACITOR	100pF 1kV K	
C910	QCBB1HK-221Y	C CAPACITOR	220pF 50V K	
C913	QCZ0136-101Z	C CAPACITOR	100pF 1kV K	
C914	QEZO532-396Z	E CAPACITOR	39uF 25V M	
C915	QCBB1HK-471Y	C CAPACITOR	470pF 50V K	
△ C916	QCZ9079-222	C CAPACITOR	2200pF AC250V M	
C917	QDGB1HK-102Y	C CAPACITOR	1000pF 50V K	
C918	QCFB1HZ-104Y	C CAPACITOR	0.1uF 50V Z	
C951	NDC31HJ-101X	C CAPACITOR	100pF 50V J	
C952	QCZ0136-101Z	C CAPACITOR	100pF 1kV K	
C953	QCBB1HK-101Y	C CAPACITOR	100pF 50V K	
C954	NDC31HJ-101X	C CAPACITOR	100pF 50V J	
C956	NDC31HJ-101X	C CAPACITOR	100pF 50V J	
C957	NDC31HJ-101X	C CAPACITOR	100pF 50V J	
C960	QEZO529-826Z	E CAPACITOR	82uF 10V M	
C962	QETN1HM-226Z	E CAPACITOR	22uF 50V M	
C963	QEZO533-396Z	E CAPACITOR	39uF 50V M	
C964	QETN1HM-226Z	E CAPACITOR	22uF 50V M	
C965	QEZO528-108	E CAPACITOR	1000uF 10V M	
C966	QETN1AM-477Z	E CAPACITOR	470uF 10V M	
C967	NCB31CK-104X	C CAPACITOR	0.1uF 16V K	
C968	NCB31CK-104X	C CAPACITOR	0.1uF 16V K	
C969	QETN1AM-227Z	E CAPACITOR	220uF 10V M	
C979	QEZO530-827	E CAPACITOR	820uF 16V M	
C982	QEZO531-567	E CAPACITOR	560uF 25V M	
C984	QETN1CM-227Z	E CAPACITOR	220uF 16V M	
C985	QETN1EM-107Z	E CAPACITOR	100uF 25V M	
C986	QETN1EM-107Z	E CAPACITOR	100uF 25V M	
C987	QEZO532-187Z	E CAPACITOR	180uF 25V M	
C989	QETN1CM-107Z	E CAPACITOR	100uF 16V M	
C992	QETN1HM-474Z	E CAPACITOR	0.47uF 50V M	
C993	NDC31HJ-101X	C CAPACITOR	100pF 50V J	
C994	QCBB1HK-223Y	C CAPACITOR	0.022uF 50V K	
C997	QETN1CM-227Z	E CAPACITOR	220uF 16V M	
C4011	NCB31HK-822X	C CAPACITOR	8200pF 50V K	
C4012	NCB31HK-822X	C CAPACITOR	8200pF 50V K	
C4014	NDC31HJ-151X	C CAPACITOR	150pF 50V J	
C4015	NDC31HJ-151X	C CAPACITOR	150pF 50V J	
C4016	NCB31HK-102X	C CAPACITOR	1000pF 50V K	
C4017	NDC31HJ-151X	C CAPACITOR	150pF 50V J	
C4091	QETN1HM-226Z	E CAPACITOR	22uF 50V M	
C4092	QETN1CM-107Z	E CAPACITOR	100uF 16V M	
C4101	NCB30JK-105X	C CAPACITOR	1uF 6.3V K	
C4102	NDC31HJ-470X	C CAPACITOR	47pF 50V J	
C4111	NCB31HK-103X	C CAPACITOR	0.01uF 50V K	
C4112	NDC31HJ-470X	C CAPACITOR	47pF 50V J	
C4121	NCB30JK-105X	C CAPACITOR	1uF 6.3V K	
C4122	NDC31HJ-470X	C CAPACITOR	47pF 50V J	
C4171	NCB30JK-105X	C CAPACITOR	1uF 6.3V K	

△ Symbol No.	Part No.	Part Name	Description	Local	△ Symbol No.	Part No.	Part Name	Description	Local
C4172	NCB30JK-105X	C CAPACITOR	1uF 6.3V K		C6603	NCB31CK-224X	C CAPACITOR	0.22uF 16V K	
C4173	NCB30JK-105X	C CAPACITOR	1uF 6.3V K		C6611	QETN1HM-475Z	E CAPACITOR	4.7uF 50V M	
C4191	QER61AM-476Z	E CAPACITOR	47uF 10V M		C6612	NDC31HJ-560X	C CAPACITOR	56pF 50V J	
C4192	NCB31HK-103X	C CAPACITOR	0.01uF 50V K		C6613	QETN1HM-475Z	E CAPACITOR	4.7uF 50V M	
C4301	QETN1EM-476Z	E CAPACITOR	47uF 25V M		C6614	NCB31CK-104X	C CAPACITOR	0.1uF 16V K	
C4311	NCB31HK-103X	C CAPACITOR	0.01uF 50V K		C6615	NCB31CK-104X	C CAPACITOR	0.1uF 16V K	
C4321	NCB30JK-105X	C CAPACITOR	1uF 6.3V K		C6616	NDC31HJ-560X	C CAPACITOR	56pF 50V J	
C4331	NCB30JK-105X	C CAPACITOR	1uF 6.3V K		C6617	NCB31HK-471X	C CAPACITOR	470pF 50V K	
C4341	NCB30JK-105X	C CAPACITOR	1uF 6.3V K		C6618	NCB31HK-471X	C CAPACITOR	470pF 50V K	
C4351	NCB30JK-105X	C CAPACITOR	1uF 6.3V K		C6901	QETN1EM-476Z	E CAPACITOR	47uF 25V M	
C4391	QETN1AM-477Z	E CAPACITOR	470uF 10V M		C6902	QETN1EM-476Z	E CAPACITOR	47uF 25V M	
C4392	NCB31CK-104X	C CAPACITOR	0.1uF 16V K		R901	QRL01DJ-683X	OMF RESISTOR	68kΩ 1W J	
C4394	NCB31CK-104X	C CAPACITOR	0.1uF 16V K		R903	QRE141J-270Y	C RESISTOR	27Ω 1/4W J	
C4395	QETN1HM-226Z	E CAPACITOR	22uF 50V M		R904	QRE141J-222Y	C RESISTOR	2.2kΩ 1/4W J	
C4401	QETN0JM-477Z	E CAPACITOR	470uF 6.3V M		R905	QRL027J-683	OMF RESISTOR	68kΩ 2W J	
C4402	NDC31HJ-470X	C CAPACITOR	47pF 50V J		R906	QRJ146J-681X	UNF C RESISTOR	680Ω 1/4W J	
C4411	NCB31HK-103X	C CAPACITOR	0.01uF 50V K		R907	QRT027J-R47	MF RESISTOR	0.47Ω 2W J	
C4412	NDC31HJ-470X	C CAPACITOR	47pF 50V J		R908	QRE141J-332Y	C RESISTOR	3.3kΩ 1/4W J	
C4421	QETN0JM-477Z	E CAPACITOR	470uF 6.3V M		R910	QRE141J-474Y	C RESISTOR	470kΩ 1/4W J	
C4423	NDC31HJ-470X	C CAPACITOR	47pF 50V J		R911	QRE141J-474Y	C RESISTOR	470kΩ 1/4W J	
C4431	QETN0JM-477Z	E CAPACITOR	470uF 6.3V M		R951	QRJ146J-150X	UNF C RESISTOR	15Ω 1/4W J	
C4441	QETN0JM-477Z	E CAPACITOR	470uF 6.3V M		R952	NRSA63J-103X	MG RESISTOR	10kΩ 1/16W J	
C4451	QETN0JM-477Z	E CAPACITOR	470uF 6.3V M		R953	NRSA02J-223X	MG RESISTOR	22kΩ 1/10W J	
C4605	NCB31HK-471X	C CAPACITOR	470pF 50V K		△ R954	QRZ9005-100X	FUSI RESISTOR	10Ω	
C4606	NCB31HK-471X	C CAPACITOR	470pF 50V K		R955	NRSA63J-223X	MG RESISTOR	22kΩ 1/16W J	
C4702	QETN0JM-227Z	E CAPACITOR	220uF 6.3V M		R960	NRSA63J-101X	MG RESISTOR	100Ω 1/16W J	
C4703	QETN1HM-225Z	E CAPACITOR	2.2uF 50V M		R961	NRSA63J-681X	MG RESISTOR	680Ω 1/16W J	
C4704	NCB31CK-223X	C CAPACITOR	0.022uF 16V K		R963	NRSA63J-181X	MG RESISTOR	180Ω 1/16W J	
C4705	NCB31HK-103X	C CAPACITOR	0.01uF 50V K		R964	NRSA63J-105X	MG RESISTOR	1MΩ 1/16W J	
C4706	NCB31HK-103X	C CAPACITOR	0.01uF 50V K		R965	NRSA63J-103X	MG RESISTOR	10kΩ 1/16W J	
C4707	QETN1CM-107Z	E CAPACITOR	100uF 16V M		R966	NRSA02J-221X	MG RESISTOR	220Ω 1/10W J	
C4708	NCB31HK-103X	C CAPACITOR	0.01uF 50V K		R967	NRSA63J-103X	MG RESISTOR	10kΩ 1/16W J	
C4709	NCB31HK-103X	C CAPACITOR	0.01uF 50V K		R969	NRSA63J-221X	MG RESISTOR	220Ω 1/16W J	
C4710	NCB31HK-103X	C CAPACITOR	0.01uF 50V K		R980	NRSA63J-512X	MG RESISTOR	5.1kΩ 1/16W J	
C4711	QETN0JM-477Z	E CAPACITOR	470uF 6.3V M		R981	NRSA63J-223X	MG RESISTOR	22kΩ 1/16W J	
C4712	NCB31CK-104X	C CAPACITOR	0.1uF 16V K		R982	NRSA63J-104X	MG RESISTOR	100kΩ 1/16W J	
C4713	NCB31CK-104X	C CAPACITOR	0.1uF 16V K		R983	NRSA63J-102X	MG RESISTOR	1kΩ 1/16W J	
C4714	NCB31CK-104X	C CAPACITOR	0.1uF 16V K		R984	NRSA63J-222X	MG RESISTOR	2.2kΩ 1/16W J	
C4715	NCB31CK-104X	C CAPACITOR	0.1uF 16V K		R985	NRSA02J-132X	MG RESISTOR	1.3kΩ 1/10W J	
C4718	NCB31HK-103X	C CAPACITOR	0.01uF 50V K		R986	NRSA02J-152X	MG RESISTOR	1.5kΩ 1/10W J	
C4719	NCB31HK-103X	C CAPACITOR	0.01uF 50V K		R987	NRSA02J-152X	MG RESISTOR	1.5kΩ 1/10W J	
C4720	NCB31CK-104X	C CAPACITOR	0.1uF 16V K		R988	NRSA63J-222X	MG RESISTOR	2.2kΩ 1/16W J	
C4721	NCB31CK-104X	C CAPACITOR	0.1uF 16V K		R989	NRSA63J-333X	MG RESISTOR	33kΩ 1/16W J	
C4771	NCB31CK-104X	C CAPACITOR	0.1uF 16V K		R990	NRSA63J-333X	MG RESISTOR	33kΩ 1/16W J	
C4772	NCB31CK-104X	C CAPACITOR	0.1uF 16V K		R4011	NRSA63J-102X	MG RESISTOR	1kΩ 1/16W J	
C4791	NCB31CK-104X	C CAPACITOR	0.1uF 16V K		R4012	NRSA63J-102X	MG RESISTOR	1kΩ 1/16W J	
C4793	NCB31CK-104X	C CAPACITOR	0.1uF 16V K		R4013	NRSA63J-682X	MG RESISTOR	6.8kΩ 1/16W J	
C4794	QETN1CM-107Z	E CAPACITOR	100uF 16V M		R4014	NRSA63J-682X	MG RESISTOR	6.8kΩ 1/16W J	
C4795	NCB31CK-104X	C CAPACITOR	0.1uF 16V K		R4091	NRSA63J-472X	MG RESISTOR	4.7kΩ 1/16W J	
C4801	QETN1HM-224Z	E CAPACITOR	0.22uF 50V M		R4092	NRSA63J-103X	MG RESISTOR	10kΩ 1/16W J	
C4901	QETN1CM-107Z	E CAPACITOR	100uF 16V M		R4093	NRSA63J-821X	MG RESISTOR	820Ω 1/16W J	
C4903	QETN1CM-107Z	E CAPACITOR	100uF 16V M		R4101	NRSA63J-750X	MG RESISTOR	75Ω 1/16W J	
C4921	QETN1EM-476Z	E CAPACITOR	47uF 25V M		R4111	NRSA63J-750X	MG RESISTOR	75Ω 1/16W J	
C4922	QETN1CM-107Z	E CAPACITOR	100uF 16V M		R4121	NRSA63J-750X	MG RESISTOR	75Ω 1/16W J	
C4931	QETN1EM-476Z	E CAPACITOR	47uF 25V M		R4191	NRSA63J-0R0X	MG RESISTOR	0Ω 1/16W J	
C4932	QETN1CM-107Z	E CAPACITOR	100uF 16V M		R4201	NRSA63J-751X	MG RESISTOR	750Ω 1/16W J	
C4961	QETN1CM-107Z	E CAPACITOR	100uF 16V M		R4202	NRSA63J-271X	MG RESISTOR	270Ω 1/16W J	
C6101	QETN1HM-475Z	E CAPACITOR	4.7uF 50V M		R4211	NRSA63J-361X	MG RESISTOR	360Ω 1/16W J	
C6102	NDC31HJ-101X	C CAPACITOR	100pF 50V J		R4212	NRSA63J-431X	MG RESISTOR	430Ω 1/16W J	
C6103	QETN1CM-107Z	E CAPACITOR	100uF 16V M		R4231	NRSA63J-751X	MG RESISTOR	750Ω 1/16W J	
C6105	NCB31HK-103X	C CAPACITOR	0.01uF 50V K		R4232	NRSA63J-271X	MG RESISTOR	270Ω 1/16W J	
C6201	QETN1HM-475Z	E CAPACITOR	4.7uF 50V M		R4241	NRSA63J-471X	MG RESISTOR	470Ω 1/16W J	
C6202	NDC31HJ-101X	C CAPACITOR	100pF 50V J		R4242	NRSA63J-121X	MG RESISTOR	120Ω 1/16W J	
C6203	QETN1CM-107Z	E CAPACITOR	100uF 16V M		R4251	NRSA63J-471X	MG RESISTOR	470Ω 1/16W J	
C6205	NCB31HK-103X	C CAPACITOR	0.01uF 50V K		R4252	NRSA63J-121X	MG RESISTOR	120Ω 1/16W J	
C6501	NCB31CK-224X	C CAPACITOR	0.22uF 16V K		R4401	NRSA63J-750X	MG RESISTOR	75Ω 1/16W J	
C6502	NDC31HJ-560X	C CAPACITOR	56pF 50V J		R4411	NRSA63J-750X	MG RESISTOR	75Ω 1/16W J	
C6503	NCB31CK-224X	C CAPACITOR	0.22uF 16V K		R4421	NRSA63J-750X	MG RESISTOR	75Ω 1/16W J	
C6511	QETN1HM-475Z	E CAPACITOR	4.7uF 50V M		R4431	NRSA63J-750X	MG RESISTOR	75Ω 1/16W J	
C6512	NDC31HJ-560X	C CAPACITOR	56pF 50V J		R4441	NRSA63J-750X	MG RESISTOR	75Ω 1/16W J	
C6513	QETN1HM-475Z	E CAPACITOR	4.7uF 50V M		R4451	NRSA63J-750X	MG RESISTOR	75Ω 1/16W J	
C6514	NCB31CK-104X	C CAPACITOR	0.1uF 16V K		R4605	NRSA63J-101X	MG RESISTOR	100Ω 1/16W J	
C6515	NCB31CK-104X	C CAPACITOR	0.1uF 16V K		R4606	NRSA63J-101X	MG RESISTOR	100Ω 1/16W J	
C6516	NDC31HJ-560X	C CAPACITOR	56pF 50V J		R4702	NRSA63J-102X	MG RESISTOR	1kΩ 1/16W J	
C6517	NCB31HK-471X	C CAPACITOR	470pF 50V K		R4703	NRSA63J-102X	MG RESISTOR	1kΩ 1/16W J	
C6518	NCB31HK-471X	C CAPACITOR	470pF 50V K		R4704	NRSA63J-103X	MG RESISTOR	10kΩ 1/16W J	
C6601	NCB31CK-224X	C CAPACITOR	0.22uF 16V K		R4705	NRSA63J-472X	MG RESISTOR	4.7kΩ 1/16W J	
C6602	NDC31HJ-560X	C CAPACITOR	56pF 50V J						

△ Symbol No.	Part No.	Part Name	Description	Local	△ Symbol No.	Part No.	Part Name	Description	Local
R4706	NRSA63J-223X	MG RESISTOR	22kΩ 1/16W J		R6205	NRSA63J-473X	MG RESISTOR	47kΩ 1/16W J	
R4707	NRSA63J-103X	MG RESISTOR	10kΩ 1/16W J		R6206	QRE141J-330Y	C RESISTOR	33Ω 1/4W J	
R4709	NRSA63J-101X	MG RESISTOR	100Ω 1/16W J		R6207	QRE141J-390Y	C RESISTOR	39Ω 1/4W J	
R4710	NRSA63J-104X	MG RESISTOR	100kΩ 1/16W J		R6302	QRE141J-271Y	C RESISTOR	270Ω 1/4W J	
R4711	NRSA63J-331X	MG RESISTOR	330Ω 1/16W J		R6303	QRE141J-271Y	C RESISTOR	270Ω 1/4W J	
R4712	NRSA63J-331X	MG RESISTOR	330Ω 1/16W J		R6304	QRE141J-271Y	C RESISTOR	270Ω 1/4W J	
R4713	NRSA63J-331X	MG RESISTOR	330Ω 1/16W J		R6305	QRE141J-271Y	C RESISTOR	270Ω 1/4W J	
R4751	NRSA63J-103X	MG RESISTOR	10kΩ 1/16W J		R6501	NRSA63J-104X	MG RESISTOR	100kΩ 1/16W J	
R4752	NRSA63J-273X	MG RESISTOR	27kΩ 1/16W J		R6502	NRSA63J-103X	MG RESISTOR	10kΩ 1/16W J	
R4753	NRSA63J-103X	MG RESISTOR	10kΩ 1/16W J		R6503	NRSA63J-102X	MG RESISTOR	1kΩ 1/16W J	
R4754	NRSA63J-103X	MG RESISTOR	10kΩ 1/16W J		R6505	NRSA63J-103X	MG RESISTOR	10kΩ 1/16W J	
R4755	NRSA63J-103X	MG RESISTOR	10kΩ 1/16W J		R6506	NRSA63J-103X	MG RESISTOR	10kΩ 1/16W J	
R4758	NRSA63J-103X	MG RESISTOR	10kΩ 1/16W J		R6507	NRSA63J-103X	MG RESISTOR	10kΩ 1/16W J	
R4759	NRSA63J-103X	MG RESISTOR	10kΩ 1/16W J		R6508	NRSA63J-102X	MG RESISTOR	1kΩ 1/16W J	
R4760	NRSA63J-222X	MG RESISTOR	2.2kΩ 1/16W J		R6509	NRSA63J-473X	MG RESISTOR	47kΩ 1/16W J	
R4761	NRSA63J-103X	MG RESISTOR	10kΩ 1/16W J		R6510	NRSA63J-104X	MG RESISTOR	100kΩ 1/16W J	
R4762	NRSA63J-103X	MG RESISTOR	10kΩ 1/16W J		R6511	NRSA63J-333X	MG RESISTOR	33kΩ 1/16W J	
R4763	NRSA63J-273X	MG RESISTOR	27kΩ 1/16W J		R6512	NRSA63J-103X	MG RESISTOR	10kΩ 1/16W J	
R4764	NRSA63J-103X	MG RESISTOR	10kΩ 1/16W J		R6513	NRSA63J-104X	MG RESISTOR	100kΩ 1/16W J	
R4765	NRSA63J-103X	MG RESISTOR	10kΩ 1/16W J		R6514	NRSA63J-103X	MG RESISTOR	10kΩ 1/16W J	
R4771	NRSA63J-103X	MG RESISTOR	10kΩ 1/16W J		R6515	NRSA63J-102X	MG RESISTOR	1kΩ 1/16W J	
R4772	NRSA63J-103X	MG RESISTOR	10kΩ 1/16W J		R6516	NRSA63J-103X	MG RESISTOR	10kΩ 1/16W J	
R4773	NRSA63J-103X	MG RESISTOR	10kΩ 1/16W J		R6517	NRSA63J-104X	MG RESISTOR	100kΩ 1/16W J	
R4775	NRSA63J-331X	MG RESISTOR	330Ω 1/16W J		R6518	NRSA63J-223X	MG RESISTOR	22kΩ 1/16W J	
R4776	NRSA63J-331X	MG RESISTOR	330Ω 1/16W J		R6601	NRSA63J-104X	MG RESISTOR	100kΩ 1/16W J	
R4777	NRSA63J-101X	MG RESISTOR	100Ω 1/16W J		R6602	NRSA63J-103X	MG RESISTOR	10kΩ 1/16W J	
R4778	NRSA63J-101X	MG RESISTOR	100Ω 1/16W J		R6603	NRSA63J-102X	MG RESISTOR	1kΩ 1/16W J	
R4781	NRSA63J-101X	MG RESISTOR	100Ω 1/16W J		R6605	NRSA63J-103X	MG RESISTOR	10kΩ 1/16W J	
R4782	NRSA63J-101X	MG RESISTOR	100Ω 1/16W J		R6606	NRSA63J-103X	MG RESISTOR	10kΩ 1/16W J	
R4801	NRSA63J-223X	MG RESISTOR	22kΩ 1/16W J		R6607	NRSA63J-103X	MG RESISTOR	10kΩ 1/16W J	
R4802	NRSA63J-223X	MG RESISTOR	22kΩ 1/16W J		R6608	NRSA63J-102X	MG RESISTOR	1kΩ 1/16W J	
△ R4811	QRZ9006-4R7X	F.RESISTOR	4.7Ω 1/4W J		R6609	NRSA63J-473X	MG RESISTOR	47kΩ 1/16W J	
R4821	QRE141J-181Y	C RESISTOR	180Ω 1/4W J		R6610	NRSA63J-104X	MG RESISTOR	100kΩ 1/16W J	
R4822	QRE141J-151Y	C RESISTOR	150Ω 1/4W J		R6611	NRSA63J-333X	MG RESISTOR	33kΩ 1/16W J	
R4831	NRSA63J-153X	MG RESISTOR	15kΩ 1/16W J		R6612	NRSA63J-103X	MG RESISTOR	10kΩ 1/16W J	
R4832	NRSA63J-223X	MG RESISTOR	22kΩ 1/16W J		R6613	NRSA63J-104X	MG RESISTOR	100kΩ 1/16W J	
R4833	NRSA63J-123X	MG RESISTOR	12kΩ 1/16W J		R6614	NRSA63J-103X	MG RESISTOR	10kΩ 1/16W J	
R4834	NRSA63J-393X	MG RESISTOR	39kΩ 1/16W J		R6615	NRSA63J-102X	MG RESISTOR	1kΩ 1/16W J	
R4835	NRSA63J-472X	MG RESISTOR	4.7kΩ 1/16W J		R6616	NRSA63J-103X	MG RESISTOR	10kΩ 1/16W J	
R4841	NRSA63J-681X	MG RESISTOR	680Ω 1/16W J		R6617	NRSA63J-104X	MG RESISTOR	100kΩ 1/16W J	
R4842	NRSA63J-103X	MG RESISTOR	10kΩ 1/16W J		R6618	NRSA63J-223X	MG RESISTOR	22kΩ 1/16W J	
R4843	QRT027J-2R2	MF RESISTOR	2.2Ω 2W J						
R4861	NRSA63J-222X	MG RESISTOR	2.2kΩ 1/16W J		△ L901	QQR1105-001	LINE FILTER		
R4863	NRSA63J-222X	MG RESISTOR	2.2kΩ 1/16W J		L951	QQL244K-R22Z	COIL	0.22uH K	
R4864	NRSA63J-331X	MG RESISTOR	330Ω 1/16W J		L952	QQL44BK-220Z	COIL	22uH K	
R4866	NRSA63J-272X	MG RESISTOR	2.7kΩ 1/16W J		L955	QQL26AK-220Z	COIL	22uH K	
R4871	NRSA63J-331X	MG RESISTOR	330Ω 1/16W J		L957	QQL244K-100Z	COIL	10uH K	
R4872	NRSA63J-331X	MG RESISTOR	330Ω 1/16W J		L959	QQL244K-100Z	COIL	10uH K	
R4873	NRSA63J-331X	MG RESISTOR	330Ω 1/16W J		L4391	QQL25CK-221Z	COIL	220uH K	
R4875	NRSA63J-331X	MG RESISTOR	330Ω 1/16W J		△ T901	QQS0097-001	SW TRANSF		
R4876	NRSA63J-331X	MG RESISTOR	330Ω 1/16W J						
R4877	NRSA63J-331X	MG RESISTOR	330Ω 1/16W J		CN401	QGF1036C1-15	CONNECTOR	FFC/FPC (1-15)	
R4881	NRSA63J-472X	MG RESISTOR	4.7kΩ 1/16W J		CN402	QGF1036C1-25	CONNECTOR	FFC/FPC (1-25)	
R4883	NRSA63J-472X	MG RESISTOR	4.7kΩ 1/16W J		CN404	QGD2504C1-05Z	CONNECTOR	(1-5)	
R4886	NRSA63J-562X	MG RESISTOR	5.6kΩ 1/16W J		CN405	QGD2504C1-05Z	CONNECTOR	(1-5)	
R4894	NRSA63J-331X	MG RESISTOR	330Ω 1/16W J		CN406	QGD2504C1-04Z	CONNECTOR	(1-4)	
△ R4921	QRZ9005-100X	FUSI RESISTOR	10Ω		CN407	QGD2504C1-05Z	CONNECTOR	(1-5)	
R4922	NRSA63J-222X	MG RESISTOR	2.2kΩ 1/16W J		CN408	QGF1036C1-05	CONNECTOR	FFC/FPC (1-5)	
△ R4931	QRZ9005-100X	FUSI RESISTOR	10Ω		CN410	QGF1205C1-11	CONNECTOR	FFC/FPC (1-11)	
R4932	NRSA63J-222X	MG RESISTOR	2.2kΩ 1/16W J		CN411	QGF1036C1-29	CONNECTOR	FFC/FPC (1-29)	
R4961	QRE141J-271Y	C RESISTOR	270Ω 1/4W J		CN412	QGF1036C1-07	CONNECTOR	FFC/FPC (1-7)	
R4971	NRSA63J-222X	MG RESISTOR	2.2kΩ 1/16W J		CN420	QGD2504C1-04Z	CONNECTOR	(1-4)	
R4972	NRSA63J-224X	MG RESISTOR	220kΩ 1/16W J		CN451	QGF1036C1-13	CONNECTOR	FFC/FPC (1-13)	
R4973	NRSA63J-102X	MG RESISTOR	1kΩ 1/16W J		CN452	QGF1205C1-05	CONNECTOR	FFC/FPC (1-5)	
R4974	NRSA63J-184X	MG RESISTOR	180kΩ 1/16W J		CN460	QGF1205C1-05	CONNECTOR	FFC/FPC (1-5)	
R4975	NRSA63J-184X	MG RESISTOR	180kΩ 1/16W J		CN480	QGF1205C1-05	CONNECTOR	FFC/FPC (1-5)	
R4996	NRSA63J-103X	MG RESISTOR	10kΩ 1/16W J		△ CP951	ICP-N10-T	IC PROTECTOR	400mA	
R4997	NRSA63J-0R0X	MG RESISTOR	0Ω 1/16W J		△ CP953	ICP-N5-T	IC PROTECTOR	250mA	
R4998	NRSA63J-0R0X	MG RESISTOR	0Ω 1/16W J		EP401	QNZ0136-001Z	EARTH PLATE		
R6101	NRSA63J-223X	MG RESISTOR	22kΩ 1/16W J		EP402	QNZ0136-001Z	EARTH PLATE		
R6102	NRSA63J-222X	MG RESISTOR	2.2kΩ 1/16W J		EP403	QNZ0136-001Z	EARTH PLATE		
R6103	NRSA63J-683X	MG RESISTOR	68kΩ 1/16W J		EP901	QNZ0136-001Z	EARTH PLATE		
R6105	NRSA63J-473X	MG RESISTOR	47kΩ 1/16W J		EP902	QNZ0136-001Z	EARTH PLATE		
R6106	QRE141J-330Y	C RESISTOR	33Ω 1/4W J		FC901	QNG0003-001Z	FUSE CLIP		
R6107	QRE141J-390Y	C RESISTOR	39Ω 1/4W J		FC902	QNG0003-001Z	FUSE CLIP		
R6201	NRSA63J-223X	MG RESISTOR	22kΩ 1/16W J		FW901	QUM219-06DGZ4-E	PARA RIBON WIR		
R6202	NRSA63J-222X	MG RESISTOR	2.2kΩ 1/16W J		FW902	QUM21A-06DGZ4-E	PARA RIBON WIR		
R6203	NRSA63J-683X	MG RESISTOR	68kΩ 1/16W J		HS901	LV40057-009A	HEAT SINK		

Symbol No.	Part No.	Part Name	Description	Local
J4401	QNN0570-001	PIN JACK		
J4402	QNN0572-001	PIN JACK		
△ P901	QNC0091-001	AC INLET		
X4701	QAX0246-001Z	C RESONATOR	8.00MHz	

Front board

Block No. [0][2]

Symbol No.	Part No.	Part Name	Description	Local
IC151	CD4066BM-X	IC		
IC152	CD4066BM-X	IC		
IC153	BD3814FV-X	IC		
IC154	CD4066BM-X	IC		
IC158	RC4558D-X	IC		
IC159	RC4558D-X	IC		
IC160	RC4558D-X	IC		
IC501	PT6315	IC		
IC509	GP1FAV30RK0F	OPT RECEIVER		
IC511	GP1UM271XKVF	IR DETECT UNIT		
IC531	RC4558D-X	IC		
IC581	RC4558D-X	IC		
IC591	RC4558D-X	IC		
Q1131	IMX9-W	TRANSISTOR		
Q1133	IMX9-W	TRANSISTOR		
Q1135	IMX9-W	TRANSISTOR		
Q1137	2SC3661-X	TRANSISTOR		
Q1251	KRA104S-X	DIGI TRANSISTOR		
Q1252	KRA104S-X	DIGI TRANSISTOR		
D511	SLI-343URC-W-T	LED		
D551	SLR-343BCT/K/-T	LED I/M		
C505	NCB30JK-105X	C CAPACITOR	1uF 6.3V K	
C508	NCB31HK-103X	C CAPACITOR	0.01uF 50V K	
C511	NCB21CK-105X	C CAPACITOR	1uF 16V K	
C1001	QETN1EM-107Z	E CAPACITOR	100uF 25V M	
C1002	QETN1EM-107Z	E CAPACITOR	100uF 25V M	
C1003	NCB31HK-103X	C CAPACITOR	0.01uF 50V K	
C1101	NCB31HK-331X	C CAPACITOR	330pF 50V K	
C1102	NCB31HK-331X	C CAPACITOR	330pF 50V K	
C1103	NCB31CK-104X	C CAPACITOR	0.1uF 16V K	
C1120	NCB31CK-333X	C CAPACITOR	0.033uF 16V K	
C1121	NCB31CK-333X	C CAPACITOR	0.033uF 16V K	
C1122	NCB31CK-333X	C CAPACITOR	0.033uF 16V K	
C1123	NCB31CK-333X	C CAPACITOR	0.033uF 16V K	
C1124	NCB31HK-472X	C CAPACITOR	4700pF 50V K	
C1125	NCB31HK-472X	C CAPACITOR	4700pF 50V K	
C1141	QETN1EM-107Z	E CAPACITOR	100uF 25V M	
C1142	QETN1EM-107Z	E CAPACITOR	100uF 25V M	
C1145	NCB31CK-104X	C CAPACITOR	0.1uF 16V K	
C1176	NCB31HK-103X	C CAPACITOR	0.01uF 50V K	
C1177	NCB31HK-103X	C CAPACITOR	0.01uF 50V K	
C1178	NCB31HK-103X	C CAPACITOR	0.01uF 50V K	
C1179	NCB31HK-103X	C CAPACITOR	0.01uF 50V K	
C1180	NCB31HK-103X	C CAPACITOR	0.01uF 50V K	
C1181	NCB31HK-103X	C CAPACITOR	0.01uF 50V K	
C1183	QETN1HM-475Z	E CAPACITOR	4.7uF 50V M	
C1184	QETN1EM-476Z	E CAPACITOR	47uF 25V M	
C1201	QETN1EM-476Z	E CAPACITOR	47uF 25V M	
C1202	QETN1EM-476Z	E CAPACITOR	47uF 25V M	
C1203	QETN1EM-476Z	E CAPACITOR	47uF 25V M	
C1204	QETN1EM-476Z	E CAPACITOR	47uF 25V M	
C1207	QETN1HM-475Z	E CAPACITOR	4.7uF 50V M	
C1208	QETN1HM-475Z	E CAPACITOR	4.7uF 50V M	
C1209	QETN1HM-475Z	E CAPACITOR	4.7uF 50V M	
C1210	QETN1HM-475Z	E CAPACITOR	4.7uF 50V M	
C1213	QETN1HM-475Z	E CAPACITOR	4.7uF 50V M	
C1214	QETN1HM-475Z	E CAPACITOR	4.7uF 50V M	
C1215	QETN1HM-475Z	E CAPACITOR	4.7uF 50V M	
C1216	QETN1HM-475Z	E CAPACITOR	4.7uF 50V M	
C1221	NDC31HJ-470X	C CAPACITOR	47pF 50V J	
C1222	NDC31HJ-470X	C CAPACITOR	47pF 50V J	

Symbol No.	Part No.	Part Name	Description	Local
C1223	NDC31HJ-470X	C CAPACITOR	47pF 50V J	
C1224	NDC31HJ-470X	C CAPACITOR	47pF 50V J	
C1225	NCB31HK-471X	C CAPACITOR	470pF 50V K	
C1226	NDC31HJ-470X	C CAPACITOR	47pF 50V J	
C1227	NCB31CK-183X	C CAPACITOR	0.018uF 16V K	
C1228	NCB31CK-183X	C CAPACITOR	0.018uF 16V K	
C1230	QETN1HM-475Z	E CAPACITOR	4.7uF 50V M	
C1251	NCB31HK-103X	C CAPACITOR	0.01uF 50V K	
C1252	NCB31HK-103X	C CAPACITOR	0.01uF 50V K	
C1253	NCB31HK-103X	C CAPACITOR	0.01uF 50V K	
C1254	NCB31HK-103X	C CAPACITOR	0.01uF 50V K	
C1255	NDC31HJ-101X	C CAPACITOR	100pF 50V J	
C1256	NDC31HJ-101X	C CAPACITOR	100pF 50V J	
C1257	NDC31HJ-101X	C CAPACITOR	100pF 50V J	
C1258	NDC31HJ-101X	C CAPACITOR	100pF 50V J	
C1265	NCB31HK-103X	C CAPACITOR	0.01uF 50V K	
C1266	NCB31HK-103X	C CAPACITOR	0.01uF 50V K	
C2503	QETN1HM-475Z	E CAPACITOR	4.7uF 50V M	
C2504	QETN1HM-475Z	E CAPACITOR	4.7uF 50V M	
C2525	NCB31HK-102X	C CAPACITOR	1000pF 50V K	
C2526	NCB31HK-102X	C CAPACITOR	1000pF 50V K	
C2531	NCB31HK-331X	C CAPACITOR	330pF 50V K	
C2532	NCB31HK-331X	C CAPACITOR	330pF 50V K	
C2533	QETN1EM-476Z	E CAPACITOR	47uF 25V M	
C2534	QETN1EM-476Z	E CAPACITOR	47uF 25V M	
C2539	NCB31CK-104X	C CAPACITOR	0.1uF 16V K	
C2540	NCB31CK-104X	C CAPACITOR	0.1uF 16V K	
C2541	QETN1HM-105Z	E CAPACITOR	1uF 50V M	
C2542	QETN1HM-105Z	E CAPACITOR	1uF 50V M	
C2561	QETN1HM-105Z	E CAPACITOR	1uF 50V M	
C2562	QETN1HM-105Z	E CAPACITOR	1uF 50V M	
C2563	NCB31HK-271X	C CAPACITOR	270pF 50V K	
C2564	NCB31HK-271X	C CAPACITOR	270pF 50V K	
C2575	NCB31HK-102X	C CAPACITOR	1000pF 50V K	
C2576	NCB31HK-102X	C CAPACITOR	1000pF 50V K	
C2577	QETN1HM-105Z	E CAPACITOR	1uF 50V M	
C2578	QETN1HM-105Z	E CAPACITOR	1uF 50V M	
C2581	QETN1HM-105Z	E CAPACITOR	1uF 50V M	
C2582	QETN1HM-106Z	E CAPACITOR	10uF 50V M	
C2583	NCB31HK-271X	C CAPACITOR	270pF 50V K	
C2584	NDC31HJ-560X	C CAPACITOR	56pF 50V J	
C2585	NCB31HK-102X	C CAPACITOR	1000pF 50V K	
C2587	NCB31CK-104X	C CAPACITOR	0.1uF 16V K	
C2588	NCB31CK-104X	C CAPACITOR	0.1uF 16V K	
C2589	NCB31CK-104X	C CAPACITOR	0.1uF 16V K	
C2590	NCB31CK-104X	C CAPACITOR	0.1uF 16V K	
C2592	NCB31HK-472X	C CAPACITOR	4700pF 50V K	
C2594	NCB31CK-223X	C CAPACITOR	0.022uF 16V K	
C2597	QETN1HM-475Z	E CAPACITOR	4.7uF 50V M	
C2599	NCB31CK-104X	C CAPACITOR	0.1uF 16V K	
C2600	NCB31CK-104X	C CAPACITOR	0.1uF 16V K	
C2603	QETN1HM-105Z	E CAPACITOR	1uF 50V M	
C2604	QETN1HM-475Z	E CAPACITOR	4.7uF 50V M	
C2605	NDC31HJ-560X	C CAPACITOR	56pF 50V J	
C6001	NCB31CK-223X	C CAPACITOR	0.022uF 16V K	
C6002	NCB31CK-223X	C CAPACITOR	0.022uF 16V K	
C6003	NCB31CK-104X	C CAPACITOR	0.1uF 16V K	
C6004	NCB31HK-103X	C CAPACITOR	0.01uF 50V K	
R501	NRSA63J-102X	MG RESISTOR	1kΩ 1/16W J	
R502	NRSA63J-102X	MG RESISTOR	1kΩ 1/16W J	
R503	NRSA63J-102X	MG RESISTOR	1kΩ 1/16W J	
R504	NRSA63J-823X	MG RESISTOR	82kΩ 1/16W J	
R511	NRSA63J-152X	MG RESISTOR	1.5kΩ 1/16W J	
R521	NRSA63J-332X	MG RESISTOR	3.3kΩ 1/16W J	
R522	NRSA63J-392X	MG RESISTOR	3.9kΩ 1/16W J	
R523	NRSA63J-682X	MG RESISTOR	6.8kΩ 1/16W J	
R526	NRSA63J-332X	MG RESISTOR	3.3kΩ 1/16W J	
R527	NRSA63J-392X	MG RESISTOR	3.9kΩ 1/16W J	
R528	NRSA63J-682X	MG RESISTOR	6.8kΩ 1/16W J	
R552	NRSA63J-121X	MG RESISTOR	120Ω 1/16W J	
R553	NRSA63J-330X	MG RESISTOR	33Ω 1/16W J	
R1101	NRSA63J-471X	MG RESISTOR	470Ω 1/16W J	
R1102	NRSA63J-471X	MG RESISTOR	470Ω 1/16W J	
R1103	NRSA63J-564X	MG RESISTOR	560kΩ 1/16W J	
R1104	NRSA63J-564X	MG RESISTOR	560kΩ 1/16W J	
R1106	NRSA63J-101X	MG RESISTOR	100Ω 1/16W J	
R1108	NRSA63J-334X	MG RESISTOR	330kΩ 1/16W J	

△ Symbol No.	Part No.	Part Name	Description	Local	△ Symbol No.	Part No.	Part Name	Description	Local
Q2201	KTA1504/YG/-X	SI TRANSISTOR			D3102	1SS133-T2	SI DIODE		
Q2301	KTA1504/YG/-X	SI TRANSISTOR			D3201	1SS133-T2	SI DIODE		
Q2401	KTA1504/YG/-X	SI TRANSISTOR			D3202	1SS133-T2	SI DIODE		
Q2501	KTA1504/YG/-X	SI TRANSISTOR			D3301	1SS133-T2	SI DIODE		
Q2601	KTA1504/YG/-X	SI TRANSISTOR			D3302	1SS133-T2	SI DIODE		
Q2701	KTC3875/YG/-X	SI TRANSISTOR			D3401	1SS133-T2	SI DIODE		
Q2702	KTA1046/Y/	TRANSISTOR			D3402	1SS133-T2	SI DIODE		
Q2703	KRC102S-X	DIGI TRANSISTOR			D3501	1SS133-T2	SI DIODE		
Q2707	KTA1267/YG/-T	TRANSISTOR			D3502	1SS133-T2	SI DIODE		
Q2708	KTC3199/GL/-T	TRANSISTOR			D3601	1SS133-T2	SI DIODE		
Q2709	KTC2026/Y/	TRANSISTOR			D3602	1SS133-T2	SI DIODE		
Q2710	KTA1504/YG/-X	SI TRANSISTOR			D3703	MTZJ15C-T2	Z DIODE		
Q2711	KRA102S-X	DIGI TRANSISTOR			D3706	1SS133-T2	SI DIODE		
Q3101	KTC3875/YG/-X	SI TRANSISTOR			D3707	1SS133-T2	SI DIODE		
Q3102	KTC3875/YG/-X	SI TRANSISTOR			D3708	1SS133-T2	SI DIODE		
Q3201	KTC3875/YG/-X	SI TRANSISTOR							
Q3202	KTC3875/YG/-X	SI TRANSISTOR			△ C101	QCZ9105-472	C CAPACITOR	4700pF 250V M	
Q3301	KTC3875/YG/-X	SI TRANSISTOR			C153	NCF21HZ-473X	C CAPACITOR	0.047uF 50V Z	
Q3302	KTC3875/YG/-X	SI TRANSISTOR			C154	NCF21HZ-473X	C CAPACITOR	0.047uF 50V Z	
Q3401	KTC3875/YG/-X	SI TRANSISTOR			C155	NCF21HZ-473X	C CAPACITOR	0.047uF 50V Z	
Q3402	KTC3875/YG/-X	SI TRANSISTOR			C156	NCF21HZ-473X	C CAPACITOR	0.047uF 50V Z	
Q3501	KTC3875/YG/-X	SI TRANSISTOR			C157	NCF21HZ-223X	C CAPACITOR	0.022uF 50V Z	
Q3502	KTC3875/YG/-X	SI TRANSISTOR			C159	NCF21HZ-223X	C CAPACITOR	0.022uF 50V Z	
Q3701	KRA102S-X	DIGI TRANSISTOR			C161	QETM1HM-338	E CAPACITOR	3300uF 50V M	
Q3702	KRA102S-X	DIGI TRANSISTOR			C162	QETM1HM-338	E CAPACITOR	3300uF 50V M	
Q3703	KRC103S-X	DIGITAL TR			C163	QETM1EM-478	E CAPACITOR	4700uF 25V M	
Q3704	KTC2026/Y/	TRANSISTOR			C164	QETM1EM-478	E CAPACITOR	4700uF 25V M	
Q3705	KTC3875/YG/-X	SI TRANSISTOR			C167	QETN1EM-476Z	E CAPACITOR	47uF 25V M	
Q3706	KRC104S-X	TRANSISTOR			C168	QETN1CM-107Z	E CAPACITOR	100uF 16V M	
					C171	QETN1CM-107Z	E CAPACITOR	100uF 16V M	
D101	1SS355-X	SI DIODE			C172	QETN1CM-107Z	E CAPACITOR	100uF 16V M	
△ D151	GBU803	BRIDGE DIODE			C501	QETN1HM-475Z	E CAPACITOR	4.7uF 50V M	
△ D152	GBU803	BRIDGE DIODE			C502	NCF31HZ-103X	C CAPACITOR	0.01uF 50V Z	
D154	1SS133-T2	SI DIODE			C503	QETN1HM-475Z	E CAPACITOR	4.7uF 50V M	
D163	1SS133-T2	SI DIODE			C512	QETN1HM-475Z	E CAPACITOR	4.7uF 50V M	
D164	MTZJ6.2B-T2	Z DIODE			C522	QETN1HM-106Z	E CAPACITOR	10uF 50V M	
D165	MTZJ6.8C-T2	Z DIODE			C523	QETN1EM-476Z	E CAPACITOR	47uF 25V M	
D166	MTZJ6.8C-T2	Z DIODE			C571	NCF31HZ-103X	C CAPACITOR	0.01uF 50V Z	
D501	1SS133-T2	SI DIODE			C591	NCF31HZ-103X	C CAPACITOR	0.01uF 50V Z	
D504	1SS133-T2	SI DIODE			C592	NCF31HZ-103X	C CAPACITOR	0.01uF 50V Z	
D505	UDZS5.1B-X	Z DIODE			C601	QETN1CM-107Z	E CAPACITOR	100uF 16V M	
D506	1SS133-T2	SI DIODE			C602	NCB31HK-102X	C CAPACITOR	1000pF 50V K	
D507	1SS355-X	SI DIODE			C604	NCF31HZ-103X	C CAPACITOR	0.01uF 50V Z	
D510	1SS133-T2	SI DIODE			C605	NCF31HZ-103X	C CAPACITOR	0.01uF 50V Z	
D514	1SS133-T2	SI DIODE			C606	QETN1HM-106Z	E CAPACITOR	10uF 50V M	
D515	1SS133-T2	SI DIODE			C2102	NCB31CK-473X	C CAPACITOR	0.047uF 16V K	
D516	MTZJ30C-T2	Z DIODE			C2103	QETN1HM-475Z	E CAPACITOR	4.7uF 50V M	
D521	MTZJ6.8C-T2	Z DIODE			C2104	QETN1CM-107Z	E CAPACITOR	100uF 16V M	
D535	1SS355-X	SI DIODE			C2105	NDC31HJ-101X	C CAPACITOR	100pF 50V J	
D541	1SS133-T2	SI DIODE			C2106	NDC31HJ-3R0X	C CAPACITOR	3pF 50V J	
D542	1SS133-T2	SI DIODE			C2107	NCB21HK-104X	C CAPACITOR	0.1uF 50V K	
D543	1SS133-T2	SI DIODE			C2108	NCB21HK-104X	C CAPACITOR	0.1uF 50V K	
D545	1SS133-T2	SI DIODE			C2202	NCB31HK-471X	C CAPACITOR	470pF 50V K	
D546	1SS133-T2	SI DIODE			C2203	QETN1HM-475Z	E CAPACITOR	4.7uF 50V M	
D548	1SS133-T2	SI DIODE			C2204	QETN1CM-107Z	E CAPACITOR	100uF 16V M	
D549	1SS133-T2	SI DIODE			C2205	NDC31HJ-101X	C CAPACITOR	100pF 50V J	
D550	1SS133-T2	SI DIODE			C2206	NDC31HJ-3R0X	C CAPACITOR	3pF 50V J	
D551	1SS133-T2	SI DIODE			C2207	NCB21HK-104X	C CAPACITOR	0.1uF 50V K	
D552	1SS133-T2	SI DIODE			C2208	NCB21HK-104X	C CAPACITOR	0.1uF 50V K	
D553	1SS133-T2	SI DIODE			C2302	NCB31HK-471X	C CAPACITOR	470pF 50V K	
D561	SLR-342MC-T12	LED			C2303	QETN1HM-475Z	E CAPACITOR	4.7uF 50V M	
D601	1SS133-T2	SI DIODE			C2304	QETN1CM-107Z	E CAPACITOR	100uF 16V M	
D610	1SS133-T2	SI DIODE			C2305	NDC31HJ-101X	C CAPACITOR	100pF 50V J	
D611	1SS133-T2	SI DIODE			C2306	NDC31HJ-3R0X	C CAPACITOR	3pF 50V J	
D612	1SS133-T2	SI DIODE			C2307	NCB21HK-104X	C CAPACITOR	0.1uF 50V K	
D2101	1SS133-T2	SI DIODE			C2308	NCB21HK-104X	C CAPACITOR	0.1uF 50V K	
D2201	1SS133-T2	SI DIODE			C2402	NCB31HK-471X	C CAPACITOR	470pF 50V K	
D2301	1SS133-T2	SI DIODE			C2403	QETN1HM-475Z	E CAPACITOR	4.7uF 50V M	
D2401	1SS133-T2	SI DIODE			C2404	QETN1CM-107Z	E CAPACITOR	100uF 16V M	
D2501	1SS133-T2	SI DIODE			C2405	NDC31HJ-101X	C CAPACITOR	100pF 50V J	
D2601	1SS133-T2	SI DIODE			C2406	NDC31HJ-3R0X	C CAPACITOR	3pF 50V J	
D2701	MTZJ15C-T2	Z DIODE			C2407	NCB21HK-104X	C CAPACITOR	0.1uF 50V K	
D2702	MTZJ15C-T2	Z DIODE			C2408	NCB21HK-104X	C CAPACITOR	0.1uF 50V K	
D2703	MTZJ16C-T2	Z DIODE			C2502	NCB31HK-471X	C CAPACITOR	470pF 50V K	
D2704	1SS133-T2	SI DIODE			C2503	QETN1HM-475Z	E CAPACITOR	4.7uF 50V M	
D2705	1SS133-T2	SI DIODE			C2504	QETN1CM-107Z	E CAPACITOR	100uF 16V M	
D2706	MTZJ22A-T2	Z DIODE			C2505	NDC31HJ-101X	C CAPACITOR	100pF 50V J	
D3101	1SS133-T2	SI DIODE			C2506	NDC31HJ-3R0X	C CAPACITOR	3pF 50V J	

△ Symbol No.	Part No.	Part Name	Description	Local	△ Symbol No.	Part No.	Part Name	Description	Local
C2507	NCB21HK-104X	C CAPACITOR	0.1uF 50V K		R563	NRSA63J-223X	MG RESISTOR	22kΩ 1/16W J	
C2508	NCB21HK-104X	C CAPACITOR	0.1uF 50V K		R574	NRSA02J-151X	MG RESISTOR	150Ω 1/10W J	
C2602	NCB31HK-471X	C CAPACITOR	470pF 50V K		R601	NRSA63J-103X	MG RESISTOR	10kΩ 1/16W J	
C2603	QETN1HM-475Z	E CAPACITOR	4.7uF 50V M		R602	NRSA63J-392X	MG RESISTOR	3.9kΩ 1/16W J	
C2604	QETN1CM-107Z	E CAPACITOR	100uF 16V M		R603	NRSA63J-222X	MG RESISTOR	2.2kΩ 1/16W J	
C2605	NDC31HJ-101X	C CAPACITOR	100pF 50V J		R606	NRSA63J-223X	MG RESISTOR	22kΩ 1/16W J	
C2606	NDC31HJ-3R0X	C CAPACITOR	3pF 50V J		R607	NRSA63J-223X	MG RESISTOR	22kΩ 1/16W J	
C2607	NCB21HK-104X	C CAPACITOR	0.1uF 50V K		R608	NRSA63J-223X	MG RESISTOR	22kΩ 1/16W J	
C2608	NCB21HK-104X	C CAPACITOR	0.1uF 50V K		R611	NRSA63J-471X	MG RESISTOR	470Ω 1/16W J	
C2701	QETN1HM-107Z	E CAPACITOR	100uF 50V M		R612	NRSA63J-223X	MG RESISTOR	22kΩ 1/16W J	
C2702	QETN1EM-107Z	E CAPACITOR	100uF 25V M		R613	NRSA63J-223X	MG RESISTOR	22kΩ 1/16W J	
C2703	QETN1HM-107Z	E CAPACITOR	100uF 50V M		R614	NRSA63J-223X	MG RESISTOR	22kΩ 1/16W J	
C2704	QETN1HM-476Z	E CAPACITOR	47uF 50V M		R621	NRSA63J-103X	MG RESISTOR	10kΩ 1/16W J	
C2705	QETN1HM-107Z	E CAPACITOR	100uF 50V M		R622	NRSA63J-223X	MG RESISTOR	22kΩ 1/16W J	
C2706	QETN1HM-107Z	E CAPACITOR	100uF 50V M		R623	NRSA63J-103X	MG RESISTOR	10kΩ 1/16W J	
C2707	QETN1HM-106Z	E CAPACITOR	10uF 50V M		R624	NRSA63J-472X	MG RESISTOR	4.7kΩ 1/16W J	
C2708	QETN1HM-106Z	E CAPACITOR	10uF 50V M		R625	NRSA63J-472X	MG RESISTOR	4.7kΩ 1/16W J	
C2711	QETN1HM-106Z	E CAPACITOR	10uF 50V M		R626	NRSA63J-103X	MG RESISTOR	10kΩ 1/16W J	
C2712	NCF31HZ-103X	C CAPACITOR	0.01uF 50V Z		R627	NRSA63J-102X	MG RESISTOR	1kΩ 1/16W J	
C2713	NCF31HZ-103X	C CAPACITOR	0.01uF 50V Z		R628	NRSA63J-223X	MG RESISTOR	22kΩ 1/16W J	
C3101	NCB31HK-152X	C CAPACITOR	1500pF 50V K		R629	NRSA63J-103X	MG RESISTOR	10kΩ 1/16W J	
C3103	QETN1HM-105Z	E CAPACITOR	1uF 50V M		R633	NRSA63J-223X	MG RESISTOR	22kΩ 1/16W J	
C3104	QETN1HM-225Z	E CAPACITOR	2.2uF 50V M		R635	NRSA63J-223X	MG RESISTOR	22kΩ 1/16W J	
C3201	NCB31HK-152X	C CAPACITOR	1500pF 50V K		R637	NRSA63J-223X	MG RESISTOR	22kΩ 1/16W J	
C3203	QETN1HM-105Z	E CAPACITOR	1uF 50V M		R640	NRSA63J-223X	MG RESISTOR	22kΩ 1/16W J	
C3204	QETN1HM-225Z	E CAPACITOR	2.2uF 50V M		R641	NRSA63J-223X	MG RESISTOR	22kΩ 1/16W J	
C3301	NCB31HK-152X	C CAPACITOR	1500pF 50V K		R642	NRSA63J-223X	MG RESISTOR	22kΩ 1/16W J	
C3303	QETN1HM-105Z	E CAPACITOR	1uF 50V M		R643	NRSA63J-223X	MG RESISTOR	22kΩ 1/16W J	
C3304	QETN1HM-225Z	E CAPACITOR	2.2uF 50V M		R644	NRSA63J-103X	MG RESISTOR	10kΩ 1/16W J	
C3401	NCB31HK-152X	C CAPACITOR	1500pF 50V K		R646	NRSA63J-102X	MG RESISTOR	1kΩ 1/16W J	
C3403	QETN1HM-105Z	E CAPACITOR	1uF 50V M		R667	NRSA63J-472X	MG RESISTOR	4.7kΩ 1/16W J	
C3404	QETN1HM-225Z	E CAPACITOR	2.2uF 50V M		R671	NRSA63J-102X	MG RESISTOR	1kΩ 1/16W J	
C3501	NCB31HK-152X	C CAPACITOR	1500pF 50V K		R685	QRE141J-102Y	C RESISTOR	1kΩ 1/4W J	
C3503	QETN1HM-105Z	E CAPACITOR	1uF 50V M		R686	QRE141J-102Y	C RESISTOR	1kΩ 1/4W J	
C3504	QETN1HM-225Z	E CAPACITOR	2.2uF 50V M		R2101	NRSA63J-183X	MG RESISTOR	18kΩ 1/16W J	
C3601	NCB31HK-152X	C CAPACITOR	1500pF 50V K		R2103	NRSA63J-563X	MG RESISTOR	56kΩ 1/16W J	
C3604	QETN1HM-225Z	E CAPACITOR	2.2uF 50V M		R2104	NRSA63J-561X	MG RESISTOR	560Ω 1/16W J	
C3701	NCF31HZ-103X	C CAPACITOR	0.01uF 50V Z		R2105	NRSA63J-563X	MG RESISTOR	56kΩ 1/16W J	
C3702	NCF31HZ-103X	C CAPACITOR	0.01uF 50V Z		R2106	QRZ0224-R22	EMIT RESISTOR	0.22Ω	
C3703	NCF31HZ-103X	C CAPACITOR	0.01uF 50V Z		R2107	NRSA63J-102X	MG RESISTOR	1kΩ 1/16W J	
C3704	NCF31HZ-103X	C CAPACITOR	0.01uF 50V Z		R2108	NRSA63J-153X	MG RESISTOR	15kΩ 1/16W J	
C3705	NCF31HZ-103X	C CAPACITOR	0.01uF 50V Z		R2109	NRSA63J-473X	MG RESISTOR	47kΩ 1/16W J	
C3706	NCF31HZ-103X	C CAPACITOR	0.01uF 50V Z		R2110	QRK126J-4R7X	UNF C RESISTOR	4.7Ω 1/2W J	
C3715	QETN1CM-107Z	E CAPACITOR	100uF 16V M		R2111	QRJ146J-100X	UNF C RESISTOR	10Ω 1/4W J	
C3716	QETN1AM-227Z	E CAPACITOR	220uF 10V M		R2112	NRSA63J-752X	MG RESISTOR	7.5kΩ 1/16W J	
C3720	QETN1EM-476Z	E CAPACITOR	47uF 25V M		R2113	NRSA63J-222X	MG RESISTOR	2.2kΩ 1/16W J	
C3721	QEKC1CM-107Z	E CAPACITOR	100uF 16V M		R2114	NRSA63J-104X	MG RESISTOR	100kΩ 1/16W J	
R152	NRSA63J-222X	MG RESISTOR	2.2kΩ 1/16W J		R2201	NRSA63J-273X	MG RESISTOR	27kΩ 1/16W J	
△ R163	QRJ146J-221X	UNF C RESISTOR	220Ω 1/4W J		R2203	NRSA63J-563X	MG RESISTOR	56kΩ 1/16W J	
R164	QRE141J-332Y	C RESISTOR	3.3kΩ 1/4W J		R2204	NRSA63J-561X	MG RESISTOR	560Ω 1/16W J	
R165	QRL027J-391	OMF RESISTOR	390Ω 2W J		R2205	NRSA63J-563X	MG RESISTOR	56kΩ 1/16W J	
R166	QRL027J-391	OMF RESISTOR	390Ω 2W J		R2206	QRZ0224-R22	EMIT RESISTOR	0.22Ω	
△ R171	QRL027J-470	OMF RESISTOR	47Ω 2W J		R2207	NRSA63J-102X	MG RESISTOR	1kΩ 1/16W J	
R501	NRSA63J-472X	MG RESISTOR	4.7kΩ 1/16W J		R2208	NRSA63J-153X	MG RESISTOR	15kΩ 1/16W J	
R502	NRSA63J-104X	MG RESISTOR	100kΩ 1/16W J		R2209	NRSA63J-473X	MG RESISTOR	47kΩ 1/16W J	
R504	NRSA63J-102X	MG RESISTOR	1kΩ 1/16W J		R2210	QRK126J-4R7X	UNF C RESISTOR	4.7Ω 1/2W J	
R505	NRSA63J-102X	MG RESISTOR	1kΩ 1/16W J		R2211	QRJ146J-100X	UNF C RESISTOR	10Ω 1/4W J	
R506	NRSA63J-103X	MG RESISTOR	10kΩ 1/16W J		R2212	NRSA63J-392X	MG RESISTOR	3.9kΩ 1/16W J	
R508	NRSA63J-223X	MG RESISTOR	22kΩ 1/16W J		R2213	NRSA63J-222X	MG RESISTOR	2.2kΩ 1/16W J	
R510	NRSA63J-472X	MG RESISTOR	4.7kΩ 1/16W J		R2214	NRSA63J-104X	MG RESISTOR	100kΩ 1/16W J	
R522	NRSA63J-103X	MG RESISTOR	10kΩ 1/16W J		R2301	NRSA63J-273X	MG RESISTOR	27kΩ 1/16W J	
R523	NRSA63J-223X	MG RESISTOR	22kΩ 1/16W J		R2303	NRSA63J-563X	MG RESISTOR	56kΩ 1/16W J	
R533	NRSA63J-103X	MG RESISTOR	10kΩ 1/16W J		R2304	NRSA63J-561X	MG RESISTOR	560Ω 1/16W J	
R534	NRSA63J-103X	MG RESISTOR	10kΩ 1/16W J		R2305	NRSA63J-563X	MG RESISTOR	56kΩ 1/16W J	
R535	NRSA63J-104X	MG RESISTOR	100kΩ 1/16W J		R2306	QRZ0224-R22	EMIT RESISTOR	0.22Ω	
R536	NRSA63J-103X	MG RESISTOR	10kΩ 1/16W J		R2307	NRSA63J-102X	MG RESISTOR	1kΩ 1/16W J	
R540	NRSA63J-472X	MG RESISTOR	4.7kΩ 1/16W J		R2308	NRSA63J-153X	MG RESISTOR	15kΩ 1/16W J	
R553	NRSA63J-153X	MG RESISTOR	15kΩ 1/16W J		R2309	NRSA63J-473X	MG RESISTOR	47kΩ 1/16W J	
R554	NRSA63J-223X	MG RESISTOR	22kΩ 1/16W J		R2310	QRK126J-4R7X	UNF C RESISTOR	4.7Ω 1/2W J	
R555	QRJ146J-271X	UNF C RESISTOR	270Ω 1/4W J		R2311	QRJ146J-100X	UNF C RESISTOR	10Ω 1/4W J	
R556	NRSA63J-102X	MG RESISTOR	1kΩ 1/16W J		R2312	NRSA63J-392X	MG RESISTOR	3.9kΩ 1/16W J	
R557	NRSA63J-104X	MG RESISTOR	100kΩ 1/16W J		R2313	NRSA63J-222X	MG RESISTOR	2.2kΩ 1/16W J	
R558	NRSA63J-223X	MG RESISTOR	22kΩ 1/16W J		R2314	NRSA63J-104X	MG RESISTOR	100kΩ 1/16W J	
R559	NRSA63J-223X	MG RESISTOR	22kΩ 1/16W J		R2401	NRSA63J-273X	MG RESISTOR	27kΩ 1/16W J	
R560	NRSA63J-223X	MG RESISTOR	22kΩ 1/16W J		R2403	NRSA63J-563X	MG RESISTOR	56kΩ 1/16W J	
R561	NRSA63J-822X	MG RESISTOR	8.2kΩ 1/16W J		R2404	NRSA63J-561X	MG RESISTOR	560Ω 1/16W J	
R562	NRSA63J-393X	MG RESISTOR	39kΩ 1/16W J		R2405	NRSA63J-563X	MG RESISTOR	56kΩ 1/16W J	
					R2406	QRZ0224-R22	EMIT RESISTOR	0.22Ω	

△ Symbol No.	Part No.	Part Name	Description	Local	△ Symbol No.	Part No.	Part Name	Description	Local
R2407	NRSA63J-102X	MG RESISTOR	1kΩ 1/16W J		R3305	NRSA63J-474X	MG RESISTOR	470kΩ 1/16W J	
R2408	NRSA63J-153X	MG RESISTOR	15kΩ 1/16W J		R3306	NRSA63J-470X	MG RESISTOR	47Ω 1/16W J	
R2409	NRSA63J-473X	MG RESISTOR	47kΩ 1/16W J		R3307	NRSA63J-334X	MG RESISTOR	330kΩ 1/16W J	
R2410	QRK126J-4R7X	UNF C RESISTOR	4.7Ω 1/2W J		R3308	NRSA63J-101X	MG RESISTOR	100Ω 1/16W J	
R2411	QRJ146J-100X	UNF C RESISTOR	10Ω 1/4W J		R3309	NRSA63J-102X	MG RESISTOR	1kΩ 1/16W J	
R2412	NRSA63J-392X	MG RESISTOR	3.9kΩ 1/16W J		R3310	NRSA63J-104X	MG RESISTOR	100kΩ 1/16W J	
R2413	NRSA63J-222X	MG RESISTOR	2.2kΩ 1/16W J		R3311	NRSA63J-471X	MG RESISTOR	470Ω 1/16W J	
R2414	NRSA63J-104X	MG RESISTOR	100kΩ 1/16W J		R3312	NRSA63J-103X	MG RESISTOR	10kΩ 1/16W J	
R2501	NRSA63J-273X	MG RESISTOR	27kΩ 1/16W J		R3313	NRSA63J-103X	MG RESISTOR	10kΩ 1/16W J	
R2503	NRSA63J-563X	MG RESISTOR	56kΩ 1/16W J		R3401	NRSA63J-153X	MG RESISTOR	15kΩ 1/16W J	
R2504	NRSA63J-561X	MG RESISTOR	560Ω 1/16W J		R3403	NRSA63J-222X	MG RESISTOR	2.2kΩ 1/16W J	
R2505	NRSA63J-563X	MG RESISTOR	56kΩ 1/16W J		R3404	NRSA63J-183X	MG RESISTOR	18kΩ 1/16W J	
R2506	QRZ0224-R22	EMIT RESISTOR	0.22Ω		R3405	NRSA63J-474X	MG RESISTOR	470kΩ 1/16W J	
R2507	NRSA63J-102X	MG RESISTOR	1kΩ 1/16W J		R3406	NRSA63J-470X	MG RESISTOR	47Ω 1/16W J	
R2508	NRSA63J-153X	MG RESISTOR	15kΩ 1/16W J		R3407	NRSA63J-334X	MG RESISTOR	330kΩ 1/16W J	
R2509	NRSA63J-473X	MG RESISTOR	47kΩ 1/16W J		R3408	NRSA63J-101X	MG RESISTOR	100Ω 1/16W J	
R2510	QRK126J-4R7X	UNF C RESISTOR	4.7Ω 1/2W J		R3409	NRSA63J-102X	MG RESISTOR	1kΩ 1/16W J	
R2511	QRJ146J-100X	UNF C RESISTOR	10Ω 1/4W J		R3410	NRSA63J-104X	MG RESISTOR	100kΩ 1/16W J	
R2512	NRSA63J-392X	MG RESISTOR	3.9kΩ 1/16W J		R3411	NRSA63J-471X	MG RESISTOR	470Ω 1/16W J	
R2513	NRSA63J-222X	MG RESISTOR	2.2kΩ 1/16W J		R3412	NRSA63J-103X	MG RESISTOR	10kΩ 1/16W J	
R2514	NRSA63J-104X	MG RESISTOR	100kΩ 1/16W J		R3413	NRSA63J-103X	MG RESISTOR	10kΩ 1/16W J	
R2601	NRSA63J-273X	MG RESISTOR	27kΩ 1/16W J		R3501	NRSA63J-153X	MG RESISTOR	15kΩ 1/16W J	
R2603	NRSA63J-563X	MG RESISTOR	56kΩ 1/16W J		R3503	NRSA63J-222X	MG RESISTOR	2.2kΩ 1/16W J	
R2604	NRSA63J-561X	MG RESISTOR	560Ω 1/16W J		R3504	NRSA63J-183X	MG RESISTOR	18kΩ 1/16W J	
R2605	NRSA63J-563X	MG RESISTOR	56kΩ 1/16W J		R3505	NRSA63J-474X	MG RESISTOR	470kΩ 1/16W J	
R2606	QRZ0224-R22	EMIT RESISTOR	0.22Ω		R3506	NRSA63J-470X	MG RESISTOR	47Ω 1/16W J	
R2607	NRSA63J-102X	MG RESISTOR	1kΩ 1/16W J		R3507	NRSA63J-334X	MG RESISTOR	330kΩ 1/16W J	
R2608	NRSA63J-153X	MG RESISTOR	15kΩ 1/16W J		R3508	NRSA63J-101X	MG RESISTOR	100Ω 1/16W J	
R2609	NRSA63J-473X	MG RESISTOR	47kΩ 1/16W J		R3509	NRSA63J-102X	MG RESISTOR	1kΩ 1/16W J	
R2610	QRK126J-4R7X	UNF C RESISTOR	4.7Ω 1/2W J		R3510	NRSA63J-104X	MG RESISTOR	100kΩ 1/16W J	
R2611	QRJ146J-100X	UNF C RESISTOR	10Ω 1/4W J		R3511	NRSA63J-471X	MG RESISTOR	470Ω 1/16W J	
R2612	NRSA63J-392X	MG RESISTOR	3.9kΩ 1/16W J		R3512	NRSA63J-103X	MG RESISTOR	10kΩ 1/16W J	
R2613	NRSA63J-222X	MG RESISTOR	2.2kΩ 1/16W J		R3513	NRSA63J-103X	MG RESISTOR	10kΩ 1/16W J	
R2614	NRSA63J-104X	MG RESISTOR	100kΩ 1/16W J		R3601	NRSA63J-153X	MG RESISTOR	15kΩ 1/16W J	
△ R2701	QRZ9005-220X	FUSI RESISTOR	22Ω		R3603	NRSA63J-222X	MG RESISTOR	2.2kΩ 1/16W J	
△ R2702	QRZ9005-220X	FUSI RESISTOR	22Ω		R3604	NRSA63J-183X	MG RESISTOR	18kΩ 1/16W J	
R2703	NRSA63J-471X	MG RESISTOR	470Ω 1/16W J		R3605	NRSA63J-154X	MG RESISTOR	150kΩ 1/16W J	
R2704	NRSA63J-471X	MG RESISTOR	470Ω 1/16W J		R3607	NRSA63J-104X	MG RESISTOR	100kΩ 1/16W J	
R2705	NRSA63J-333X	MG RESISTOR	33kΩ 1/16W J		R3608	NRSA63J-101X	MG RESISTOR	100Ω 1/16W J	
△ R2706	QRZ9006-4R7X	F.RESISTOR	4.7Ω 1/4W J		R3610	NRSA63J-104X	MG RESISTOR	100kΩ 1/16W J	
△ R2707	QRZ9006-4R7X	F.RESISTOR	4.7Ω 1/4W J		R3611	NRSA63J-471X	MG RESISTOR	470Ω 1/16W J	
△ R2708	QRZ9006-4R7X	F.RESISTOR	4.7Ω 1/4W J		R3717	NRSA63J-103X	MG RESISTOR	10kΩ 1/16W J	
△ R2709	QRZ9006-4R7X	F.RESISTOR	4.7Ω 1/4W J		R3719	QRE141J-102Y	C RESISTOR	1kΩ 1/4W J	
△ R2710	QRZ9005-100X	FUSI RESISTOR	10Ω		△ R3720	QRJ146J-100X	UNF C RESISTOR	10Ω 1/4W J	
R2711	NRSA63J-333X	MG RESISTOR	33kΩ 1/16W J		R3721	NRSA63J-221X	MG RESISTOR	220Ω 1/16W J	
R2712	NRSA63J-562X	MG RESISTOR	5.6kΩ 1/16W J		R3725	NRSA63J-472X	MG RESISTOR	4.7kΩ 1/16W J	
R2713	NRSA63J-562X	MG RESISTOR	5.6kΩ 1/16W J		R3726	NRSA63J-103X	MG RESISTOR	10kΩ 1/16W J	
R2721	QRE141J-472Y	C RESISTOR	4.7kΩ 1/4W J		△ R3727	QRL01DJ-180X	OMF RESISTOR	18Ω 1W J	
R2722	QRE141J-472Y	C RESISTOR	4.7kΩ 1/4W J		R3728	NRSA63J-101X	MG RESISTOR	100Ω 1/16W J	
R2723	QRE141J-472Y	C RESISTOR	4.7kΩ 1/4W J		R3729	NRSA63J-473X	MG RESISTOR	47kΩ 1/16W J	
R2724	QRE141J-472Y	C RESISTOR	4.7kΩ 1/4W J		R3730	NRSA63J-470X	MG RESISTOR	47Ω 1/16W J	
R3101	NRSA63J-153X	MG RESISTOR	15kΩ 1/16W J		R3732	NRSA63J-153X	MG RESISTOR	15kΩ 1/16W J	
R3103	NRSA63J-222X	MG RESISTOR	2.2kΩ 1/16W J		R3741	NRSA63J-473X	MG RESISTOR	47kΩ 1/16W J	
R3104	NRSA63J-183X	MG RESISTOR	18kΩ 1/16W J		R3742	NRSA63J-104X	MG RESISTOR	100kΩ 1/16W J	
R3105	NRSA63J-474X	MG RESISTOR	470kΩ 1/16W J		L2101	QQLZ005-R45	COIL	0.45uH	
R3106	NRSA63J-470X	MG RESISTOR	47Ω 1/16W J		L2201	QQLZ005-R45	COIL	0.45uH	
R3107	NRSA63J-334X	MG RESISTOR	330kΩ 1/16W J		L2301	QQLZ005-R45	COIL	0.45uH	
R3108	NRSA63J-101X	MG RESISTOR	100Ω 1/16W J		L2401	QQLZ005-R45	COIL	0.45uH	
R3109	NRSA63J-102X	MG RESISTOR	1kΩ 1/16W J		L2501	QQLZ005-R45	COIL	0.45uH	
R3110	NRSA63J-104X	MG RESISTOR	100kΩ 1/16W J		L2601	QQLZ005-R45	COIL	0.45uH	
R3111	NRSA63J-471X	MG RESISTOR	470Ω 1/16W J		△ CN101	QGA7901C1-02	CONNECTOR	W-B (1-2)	
R3112	NRSA63J-103X	MG RESISTOR	10kΩ 1/16W J		△ CN102	QGA7901C1-02	CONNECTOR	W-B (1-2)	
R3113	NRSA63J-103X	MG RESISTOR	10kΩ 1/16W J		CN151	QGA3901C1-05	CONNECTOR	W-B (1-5)	
R3201	NRSA63J-153X	MG RESISTOR	15kΩ 1/16W J		CN271	QGB2510J1-14	CONNECTOR	B-B (1-14)	
R3203	NRSA63J-222X	MG RESISTOR	2.2kΩ 1/16W J		CN272	QGB2510J1-09	CONNECTOR	B-B (1-9)	
R3204	NRSA63J-183X	MG RESISTOR	18kΩ 1/16W J		CN273	QGB2510J1-14	CONNECTOR	B-B (1-14)	
R3205	NRSA63J-474X	MG RESISTOR	470kΩ 1/16W J		CN274	QGA3901C1-02	CONNECTOR	W-B (1-2)	
R3206	NRSA63J-470X	MG RESISTOR	47Ω 1/16W J		CN371	QGA2501C1-02	CONNECTOR	W-B (1-2)	
R3207	NRSA63J-334X	MG RESISTOR	330kΩ 1/16W J		CN372	QGB2510K2-09	CONNECTOR	B-B (1-9)	
R3208	NRSA63J-101X	MG RESISTOR	100Ω 1/16W J		CN501	QGB2510K2-14	CONNECTOR	B-B (1-14)	
R3209	NRSA63J-102X	MG RESISTOR	1kΩ 1/16W J		CN502	QGB2510K2-14	CONNECTOR	B-B (1-14)	
R3210	NRSA63J-104X	MG RESISTOR	100kΩ 1/16W J		EP201	QNZ0136-001Z	EARTH PLATE		
R3211	NRSA63J-471X	MG RESISTOR	470Ω 1/16W J		EP501	QNZ0136-001Z	EARTH PLATE		
R3212	NRSA63J-103X	MG RESISTOR	10kΩ 1/16W J		FC101	QNG0019-001Z	FUSE CLIP		
R3213	NRSA63J-103X	MG RESISTOR	10kΩ 1/16W J		FC102	QNG0019-001Z	FUSE CLIP		
R3301	NRSA63J-153X	MG RESISTOR	15kΩ 1/16W J		FC155	QNG0019-001Z	FUSE CLIP		
R3303	NRSA63J-222X	MG RESISTOR	2.2kΩ 1/16W J						
R3304	NRSA63J-183X	MG RESISTOR	18kΩ 1/16W J						

△ Symbol No.	Part No.	Part Name	Description	Local	△ Symbol No.	Part No.	Part Name	Description	Local
FC156	QNG0019-001Z	FUSE CLIP			C300	NCF31EZ-104X	C CAPACITOR	0.1uF 25V Z	
FC157	QNG0019-001Z	FUSE CLIP			C301	NEAF0GM-227X	E CAPACITOR	220uF 4V M	
FC158	QNG0019-001Z	FUSE CLIP			C302	NEAF0GM-476X	E CAPACITOR	47uF 4V M	
FW501	QUM213-28Z4Z4-E	RIBBON WIRE			C303	NBE20JM-476X	TA E CAPACITOR	47uF 6.3V M	
HS151	QZW0138-001	HEAT SINK			C304	NCB30JK-105X	C CAPACITOR	1uF 6.3V K	
J2701	QND0118-001	DIN CONNECTOR			C305	NCF31EZ-104X	C CAPACITOR	0.1uF 25V Z	
J2702	QNB0195-001	SPEAKER TERMINA			C306	NCF31EZ-104X	C CAPACITOR	0.1uF 25V Z	
△ RY101	QSK0142-001	RELAY			C307	NCF31EZ-104X	C CAPACITOR	0.1uF 25V Z	
RY271	QSK0127-001	RELAY			C308	NCF31EZ-104X	C CAPACITOR	0.1uF 25V Z	
RY272	QSK0127-001	RELAY			C309	NCF31EZ-104X	C CAPACITOR	0.1uF 25V Z	
RY273	QSK0127-001	RELAY			C310	NCF31EZ-104X	C CAPACITOR	0.1uF 25V Z	
TH271	NAD0025-103X	N THERMISTOR	10kΩ		C312	NCF31EZ-104X	C CAPACITOR	0.1uF 25V Z	
WC201	QZW0112-001	WIRE CLAMP			C313	NCF31EZ-104X	C CAPACITOR	0.1uF 25V Z	
X601	QAX0246-001Z	C RESONATOR	8.00MHz		C314	NCF31EZ-104X	C CAPACITOR	0.1uF 25V Z	

DVD module board

Block No. [0][4]

△ Symbol No.	Part No.	Part Name	Description	Local
IC201	LA6502-X	IC		
IC301	MN2DS0009AA	IC		
IC302	MM1701CH-X	IC		
IC305	MM1563BF-X	IC	3.1V Regulator	
IC453	S-80827CNNB-G-W	IC		
IC505	K4S641632H-UC75	IC		
IC505	or HY57V641620ETP7	IC(DIGITAL)		
IC509	-----	IC(MICRO C ROM)		
IC510	BR24L16FV-W-X	IC		
IC701	AK4384VT-X	IC		
IC701	or AK4384ET-X	IC		
IC702	AK4384VT-X	IC		
IC702	or AK4384ET-X	IC		
IC703	AK4384VT-X	IC		
IC703	or AK4384ET-X	IC		
IC704	AK5357VT-X	IC		
IC704	or AK5357ET-X	IC		
IC705	MM1615AN-X	IC		
Q101	KTA1001/Y/-X	TRANSISTOR		
Q101	or 2SB1424/R/-W	TRANSISTOR		
Q102	2SC4617/R/-X	TRANSISTOR		
Q103	KTA1001/Y/-X	TRANSISTOR		
Q103	or 2SB1424/R/-W	TRANSISTOR		
Q104	2SC4617/R/-X	TRANSISTOR		
Q105	UN2119-X	TRANSISTOR		
Q105	or KRA116S-X	TRANSISTOR		
C101	NCF31EZ-104X	C CAPACITOR	0.1uF 25V Z	
C102	NCF31EZ-104X	C CAPACITOR	0.1uF 25V Z	
C103	NCF31EZ-104X	C CAPACITOR	0.1uF 25V Z	
C104	NCF31EZ-104X	C CAPACITOR	0.1uF 25V Z	
C105	NEAF0JM-476X	E CAPACITOR	47uF 6.3V M	
C106	NBE20JM-226X	TA E CAPACITOR	22uF 6.3V M	
C107	NCF31EZ-104X	C CAPACITOR	0.1uF 25V Z	
C108	NBE20JM-226X	TA E CAPACITOR	22uF 6.3V M	
C201	NDC31HJ-221X	C CAPACITOR	220pF 50V J	
C202	NDC31HJ-221X	C CAPACITOR	220pF 50V J	
C203	NCB31HK-103X	C CAPACITOR	0.01uF 50V K	
C204	NCF31EZ-104X	C CAPACITOR	0.1uF 25V Z	
C205	NCB31HK-271X	C CAPACITOR	270pF 50V K	
C206	NDC31HJ-151X	C CAPACITOR	150pF 50V J	
C210	NCF31AZ-105X	C CAPACITOR	1uF 10V Z	
C211	NCB31HK-223X	C CAPACITOR	0.022uF 50V K	
C217	NCF31EZ-104X	C CAPACITOR	0.1uF 25V Z	
C251	NCB31AK-474X	C CAPACITOR	0.47uF 10V K	
C256	NCB31CK-104X	C CAPACITOR	0.1uF 16V K	
C257	NCB31HK-822X	C CAPACITOR	8200pF 50V K	
C258	NCB31CK-153X	C CAPACITOR	0.015uF 16V K	
C259	NCB31CK-153X	C CAPACITOR	0.015uF 16V K	
C260	NCB31HK-223X	C CAPACITOR	0.022uF 50V K	
C261	NCB31HK-223X	C CAPACITOR	0.022uF 50V K	
C262	NCB31HK-223X	C CAPACITOR	0.022uF 50V K	
C263	NEAF1CM-107X	E CAPACITOR	100uF 16V M	
C300	NCF31EZ-104X	C CAPACITOR	0.1uF 25V Z	
C301	NEAF0GM-227X	E CAPACITOR	220uF 4V M	
C302	NEAF0GM-476X	E CAPACITOR	47uF 4V M	
C303	NBE20JM-476X	TA E CAPACITOR	47uF 6.3V M	
C304	NCB30JK-105X	C CAPACITOR	1uF 6.3V K	
C305	NCF31EZ-104X	C CAPACITOR	0.1uF 25V Z	
C306	NCF31EZ-104X	C CAPACITOR	0.1uF 25V Z	
C307	NCF31EZ-104X	C CAPACITOR	0.1uF 25V Z	
C308	NCF31EZ-104X	C CAPACITOR	0.1uF 25V Z	
C309	NCF31EZ-104X	C CAPACITOR	0.1uF 25V Z	
C310	NCF31EZ-104X	C CAPACITOR	0.1uF 25V Z	
C312	NCF31EZ-104X	C CAPACITOR	0.1uF 25V Z	
C313	NCF31EZ-104X	C CAPACITOR	0.1uF 25V Z	
C314	NCF31EZ-104X	C CAPACITOR	0.1uF 25V Z	
C315	NCF31EZ-104X	C CAPACITOR	0.1uF 25V Z	
C316	NCF31EZ-104X	C CAPACITOR	0.1uF 25V Z	
C318	NCF31EZ-104X	C CAPACITOR	0.1uF 25V Z	
C319	NCF31EZ-104X	C CAPACITOR	0.1uF 25V Z	
C320	NCB31CK-104X	C CAPACITOR	0.1uF 16V K	
C321	NCB31CK-104X	C CAPACITOR	0.1uF 16V K	
C322	NCB31CK-104X	C CAPACITOR	0.1uF 16V K	
C323	NCB31CK-104X	C CAPACITOR	0.1uF 16V K	
C324	NCB30JK-105X	C CAPACITOR	1uF 6.3V K	
C325	NDC31HJ-120X	C CAPACITOR	12pF 50V J	
C326	NDC31HJ-100X	C CAPACITOR	10pF 50V J	
C328	NCB31HK-103X	C CAPACITOR	0.01uF 50V K	
C329	NCF31EZ-104X	C CAPACITOR	0.1uF 25V Z	
C330	NCF31EZ-104X	C CAPACITOR	0.1uF 25V Z	
C331	NCB31CK-333X	C CAPACITOR	0.033uF 16V K	
C332	NCF31EZ-104X	C CAPACITOR	0.1uF 25V Z	
C333	NCF31EZ-104X	C CAPACITOR	0.1uF 25V Z	
C334	NCF31EZ-104X	C CAPACITOR	0.1uF 25V Z	
C335	NCF31EZ-104X	C CAPACITOR	0.1uF 25V Z	
C337	NCB31CK-183X	C CAPACITOR	0.018uF 16V K	
C338	NCB31HK-562X	C CAPACITOR	5600pF 50V K	
C339	NBE20JM-106X	TA E CAPACITOR	10uF 6.3V M	
C340	NCB30JK-105X	C CAPACITOR	1uF 6.3V K	
C341	NCB30JK-105X	C CAPACITOR	1uF 6.3V K	
C347	NCB31CK-104X	C CAPACITOR	0.1uF 16V K	
C348	NCB31CK-104X	C CAPACITOR	0.1uF 16V K	
C349	NCF31EZ-104X	C CAPACITOR	0.1uF 25V Z	
C350	NCB31HK-103X	C CAPACITOR	0.01uF 50V K	
C351	NCB31HK-103X	C CAPACITOR	0.01uF 50V K	
C352	NCB31CK-153X	C CAPACITOR	0.015uF 16V K	
C353	NCB31HK-561X	C CAPACITOR	560pF 50V K	
C354	NCB31HK-561X	C CAPACITOR	560pF 50V K	
C356	NCB30JK-105X	C CAPACITOR	1uF 6.3V K	
C359	NCB30JK-105X	C CAPACITOR	1uF 6.3V K	
C371	NCF31AZ-105X	C CAPACITOR	1uF 10V Z	
C372	NCF31EZ-104X	C CAPACITOR	0.1uF 25V Z	
C375	NCF31EZ-104X	C CAPACITOR	0.1uF 25V Z	
C376	NCF31EZ-104X	C CAPACITOR	0.1uF 25V Z	
C377	NCF31EZ-104X	C CAPACITOR	0.1uF 25V Z	
C379	NCF31EZ-104X	C CAPACITOR	0.1uF 25V Z	
C380	NCB21CK-105X	C CAPACITOR	1uF 16V K	
C381	NCB21AK-225X	C CAPACITOR	2.2uF 10V K	
C382	NCB31HK-471X	C CAPACITOR	470pF 50V K	
C383	NCF31EZ-104X	C CAPACITOR	0.1uF 25V Z	
C386	NCF31EZ-104X	C CAPACITOR	0.1uF 25V Z	
C393	NCB31HK-103X	C CAPACITOR	0.01uF 50V K	
C455	NCB31HK-103X	C CAPACITOR	0.01uF 50V K	
C551	NCF31EZ-104X	C CAPACITOR	0.1uF 25V Z	
C554	NCF31EZ-104X	C CAPACITOR	0.1uF 25V Z	
C555	NCF31EZ-104X	C CAPACITOR	0.1uF 25V Z	
C557	NCB31HK-102X	C CAPACITOR	1000pF 50V K	
C558	NBE20JM-226X	TA E CAPACITOR	22uF 6.3V M	
C559	NCF31EZ-104X	C CAPACITOR	0.1uF 25V Z	
C560	NCF31EZ-104X	C CAPACITOR	0.1uF 25V Z	
C562	NCF31AZ-105X	C CAPACITOR	1uF 10V Z	
C563	NCF31EZ-104X	C CAPACITOR	0.1uF 25V Z	
C564	NCF31EZ-104X	C CAPACITOR	0.1uF 25V Z	
C701	NCF31EZ-104X	C CAPACITOR	0.1uF 25V Z	
C702	NCF31EZ-104X	C CAPACITOR	0.1uF 25V Z	
C703	NCF31EZ-104X	C CAPACITOR	0.1uF 25V Z	
C704	NEAF0JM-476X	E CAPACITOR	47uF 6.3V M	
C706	NEAF1CM-106X	E CAPACITOR	10uF 16V M	
C707	NCF31EZ-104X	C CAPACITOR	0.1uF 25V Z	
C708	NCF31EZ-104X	C CAPACITOR	0.1uF 25V Z	

△ Symbol No.	Part No.	Part Name	Description	Local	△ Symbol No.	Part No.	Part Name	Description	Local
C709	NCF31EZ-104X	C CAPACITOR	0.1uF 25V Z		R358	NRSA63J-221X	MG RESISTOR	220Ω 1/16W J	
C711	NCB21CK-105X	C CAPACITOR	1uF 16V K		R359	NRSA63J-221X	MG RESISTOR	220Ω 1/16W J	
C712	NCB31HK-103X	C CAPACITOR	0.01uF 50V K		R360	NRSA63J-221X	MG RESISTOR	220Ω 1/16W J	
C713	NCB21CK-105X	C CAPACITOR	1uF 16V K		R362	NRSA63J-331X	MG RESISTOR	330Ω 1/16W J	
C740	NCB31CK-104X	C CAPACITOR	0.1uF 16V K		R367	NRSA63J-221X	MG RESISTOR	220Ω 1/16W J	
C741	NCF31AZ-105X	C CAPACITOR	1uF 10V Z		R372	NRSA63J-103X	MG RESISTOR	10kΩ 1/16W J	
C742	NCF31EZ-104X	C CAPACITOR	0.1uF 25V Z		R373	NRSA63J-103X	MG RESISTOR	10kΩ 1/16W J	
C743	NCF31EZ-104X	C CAPACITOR	0.1uF 25V Z		R374	NRSA63J-102X	MG RESISTOR	1kΩ 1/16W J	
C744	NEAF1CM-106X	E CAPACITOR	10uF 16V M		R375	NRSA63J-471X	MG RESISTOR	470Ω 1/16W J	
C745	NEAF1CM-106X	E CAPACITOR	10uF 16V M		R376	NRSA63J-102X	MG RESISTOR	1kΩ 1/16W J	
R101	NRSA63J-101X	MG RESISTOR	100Ω 1/16W J		R377	NRSA63J-102X	MG RESISTOR	1kΩ 1/16W J	
R102	NRSA63J-101X	MG RESISTOR	100Ω 1/16W J		R383	NRSA63J-101X	MG RESISTOR	100Ω 1/16W J	
R103	NRSA63J-562X	MG RESISTOR	5.6kΩ 1/16W J		R384	NRSA63J-102X	MG RESISTOR	1kΩ 1/16W J	
R104	NRSA63J-432X	MG RESISTOR	4.3kΩ 1/16W J		R385	NRSA63J-102X	MG RESISTOR	1kΩ 1/16W J	
R105	NRS181J-180X	MG RESISTOR	18Ω 1/8W J		R392	NRSA63J-103X	MG RESISTOR	10kΩ 1/16W J	
R106	NRSA63J-2R2X	MG RESISTOR	2.2Ω 1/16W J		R393	NRSA63J-0R0X	MG RESISTOR	0Ω 1/16W J	
R107	NRSA63J-102X	MG RESISTOR	1kΩ 1/16W J		R394	NRSA63J-0R0X	MG RESISTOR	0Ω 1/16W J	
R108	NRSA63J-471X	MG RESISTOR	470Ω 1/16W J		R458	NRSA63J-102X	MG RESISTOR	1kΩ 1/16W J	
R109	NRSA63J-331X	MG RESISTOR	330Ω 1/16W J		R535	NRSA63J-473X	MG RESISTOR	47kΩ 1/16W J	
R111	NRSA63J-562X	MG RESISTOR	5.6kΩ 1/16W J		R541	NRSA63J-473X	MG RESISTOR	47kΩ 1/16W J	
R112	NRSA63J-432X	MG RESISTOR	4.3kΩ 1/16W J		R701	NRSA63J-2R2X	MG RESISTOR	2.2Ω 1/16W J	
R113	NRS181J-180X	MG RESISTOR	18Ω 1/8W J		R714	NRSA63J-101X	MG RESISTOR	100Ω 1/16W J	
R114	NRSA63J-2R2X	MG RESISTOR	2.2Ω 1/16W J		R715	NRSA63J-101X	MG RESISTOR	100Ω 1/16W J	
R115	NRSA63J-102X	MG RESISTOR	1kΩ 1/16W J		R716	NRSA63J-471X	MG RESISTOR	470Ω 1/16W J	
R116	NRSA63J-471X	MG RESISTOR	470Ω 1/16W J		R718	NRSA63J-473X	MG RESISTOR	47kΩ 1/16W J	
R117	NRSA63J-331X	MG RESISTOR	330Ω 1/16W J		R719	NRSA63J-473X	MG RESISTOR	47kΩ 1/16W J	
R125	NRSA63J-1R0X	MG RESISTOR	1Ω 1/16W J		R721	NRSA63J-471X	MG RESISTOR	470Ω 1/16W J	
R126	NRSA63J-101X	MG RESISTOR	100Ω 1/16W J		R722	NRSA63J-0R0X	MG RESISTOR	0Ω 1/16W J	
R127	NRSA63J-432X	MG RESISTOR	4.3kΩ 1/16W J		R723	NRSA63J-471X	MG RESISTOR	470Ω 1/16W J	
R128	NRSA63J-562X	MG RESISTOR	5.6kΩ 1/16W J		R724	NRSA63J-471X	MG RESISTOR	470Ω 1/16W J	
R201	NRSA63J-471X	MG RESISTOR	470Ω 1/16W J		R725	NRSA63J-471X	MG RESISTOR	470Ω 1/16W J	
R202	NRSA63J-102X	MG RESISTOR	1kΩ 1/16W J		R726	NRSA63J-0R0X	MG RESISTOR	0Ω 1/16W J	
R204	NRSA63J-273X	MG RESISTOR	27kΩ 1/16W J		R727	NRSA63J-471X	MG RESISTOR	470Ω 1/16W J	
R205	NRSA63J-273X	MG RESISTOR	27kΩ 1/16W J		R728	NRSA63J-471X	MG RESISTOR	470Ω 1/16W J	
R206	NRSA63J-303X	MG RESISTOR	30kΩ 1/16W J		R730	NRSA63J-471X	MG RESISTOR	470Ω 1/16W J	
R207	NRSA63J-473X	MG RESISTOR	47kΩ 1/16W J		R731	NRSA63J-102X	MG RESISTOR	1kΩ 1/16W J	
R213	NRSA63J-103X	MG RESISTOR	10kΩ 1/16W J		R732	NRSA63J-102X	MG RESISTOR	1kΩ 1/16W J	
R214	NRSA63J-103X	MG RESISTOR	10kΩ 1/16W J		R741	NRSA63J-0R0X	MG RESISTOR	0Ω 1/16W J	
R219	NRSA63J-183X	MG RESISTOR	18kΩ 1/16W J		R742	NRSA63J-5R1X	MG RESISTOR	5.1Ω 1/16W J	
R220	NRSA63J-243X	MG RESISTOR	24kΩ 1/16W J		CN101	QGF0523F1-25W	CONNECTOR	FFC/FPC (1-25)	
R221	NRSA63J-682X	MG RESISTOR	6.8kΩ 1/16W J		CN201	QGF1016F2-08W	CONNECTOR	FFC/FPC (1-8)	
R251	NRS125J-R39X	MG RESISTOR	0.39Ω 1/2W J		CN701	QGF1016F2-25W	CONNECTOR	FFC/FPC (1-25)	
R259	NRSA63J-103X	MG RESISTOR	10kΩ 1/16W J		CN702	QGF1016F2-15W	CONNECTOR	FFC/FPC (1-15)	
R303	NRSA63J-220X	MG RESISTOR	22Ω 1/16W J		K351	NQR0502-001X	FERRITE BEADS		
R306	NRSA63J-102X	MG RESISTOR	1kΩ 1/16W J		K352	NQR0502-001X	FERRITE BEADS		
R307	NRSA63J-102X	MG RESISTOR	1kΩ 1/16W J		K501	NQR0502-001X	FERRITE BEADS		
R308	NRSA63J-103X	MG RESISTOR	10kΩ 1/16W J		K701	NQR0022-002X	FERRITE BEADS		
R309	NRSA63J-104X	MG RESISTOR	100kΩ 1/16W J		K702	NQR0022-002X	FERRITE BEADS		
R310	NRSA63J-101X	MG RESISTOR	100Ω 1/16W J		K703	NQR0022-002X	FERRITE BEADS		
R316	NRSA63J-102X	MG RESISTOR	1kΩ 1/16W J		K704	NQR0022-002X	FERRITE BEADS		
R319	NRSA63J-103X	MG RESISTOR	10kΩ 1/16W J		K705	NQR0022-002X	FERRITE BEADS		
R324	NRSA63J-331X	MG RESISTOR	330Ω 1/16W J		K706	NQR0022-005X	FERRITE BEADS		
R325	NRSA63J-331X	MG RESISTOR	330Ω 1/16W J		K707	NQR0022-002X	FERRITE BEADS		
R326	NRSA63J-331X	MG RESISTOR	330Ω 1/16W J		K708	NQR0022-002X	FERRITE BEADS		
R327	NRSA63J-331X	MG RESISTOR	330Ω 1/16W J		K709	NQR0022-002X	FERRITE BEADS		
R330	NRSA63J-331X	MG RESISTOR	330Ω 1/16W J		K710	NQR0022-002X	FERRITE BEADS		
R331	NRSA63J-331X	MG RESISTOR	330Ω 1/16W J		K711	NQR0022-002X	FERRITE BEADS		
R332	NRSA63J-331X	MG RESISTOR	330Ω 1/16W J		K720	NQR0022-002X	FERRITE BEADS		
R334	NRSA63J-151X	MG RESISTOR	150Ω 1/16W J		K721	NRSA63J-0R0X	MG RESISTOR	0Ω 1/16W J	
R335	NRSA63J-151X	MG RESISTOR	150Ω 1/16W J		K722	NRSA63J-0R0X	MG RESISTOR	0Ω 1/16W J	
R336	NRSA63J-151X	MG RESISTOR	150Ω 1/16W J		K726	NRSA63J-0R0X	MG RESISTOR	0Ω 1/16W J	
R337	NRSA63J-151X	MG RESISTOR	150Ω 1/16W J		TH301	NAD0025-103X	N THERMISTOR	10kΩ	
R338	NRSA63J-0R0X	MG RESISTOR	0Ω 1/16W J		X301	NAX0741-001X	CRYSTAL		
R339	NRSA63J-0R0X	MG RESISTOR	0Ω 1/16W J						
R340	NRSA63D-303X	MG RESISTOR	30kΩ 1/16W D						
R341	NRSA63D-512X	MG RESISTOR	5.1kΩ 1/16W D						
R342	NRSA63D-242X	MG RESISTOR	2.4kΩ 1/16W D						
R345	NRSA63J-221X	MG RESISTOR	220Ω 1/16W J						
R346	NRSA63J-223X	MG RESISTOR	22kΩ 1/16W J						
R347	NRSA63J-203X	MG RESISTOR	20kΩ 1/16W J						
R348	NRSA63J-151X	MG RESISTOR	150Ω 1/16W J						
R349	NRSA63J-151X	MG RESISTOR	150Ω 1/16W J						
R350	NRSA63J-751X	MG RESISTOR	750Ω 1/16W J						
R351	NRSA63J-681X	MG RESISTOR	680Ω 1/16W J						
R352	NRSA63J-105X	MG RESISTOR	1MΩ 1/16W J						
R353	NRSA63J-101X	MG RESISTOR	100Ω 1/16W J						
R357	NRSA63J-221X	MG RESISTOR	220Ω 1/16W J						

DVD loading switch board

Block No. [0][5]

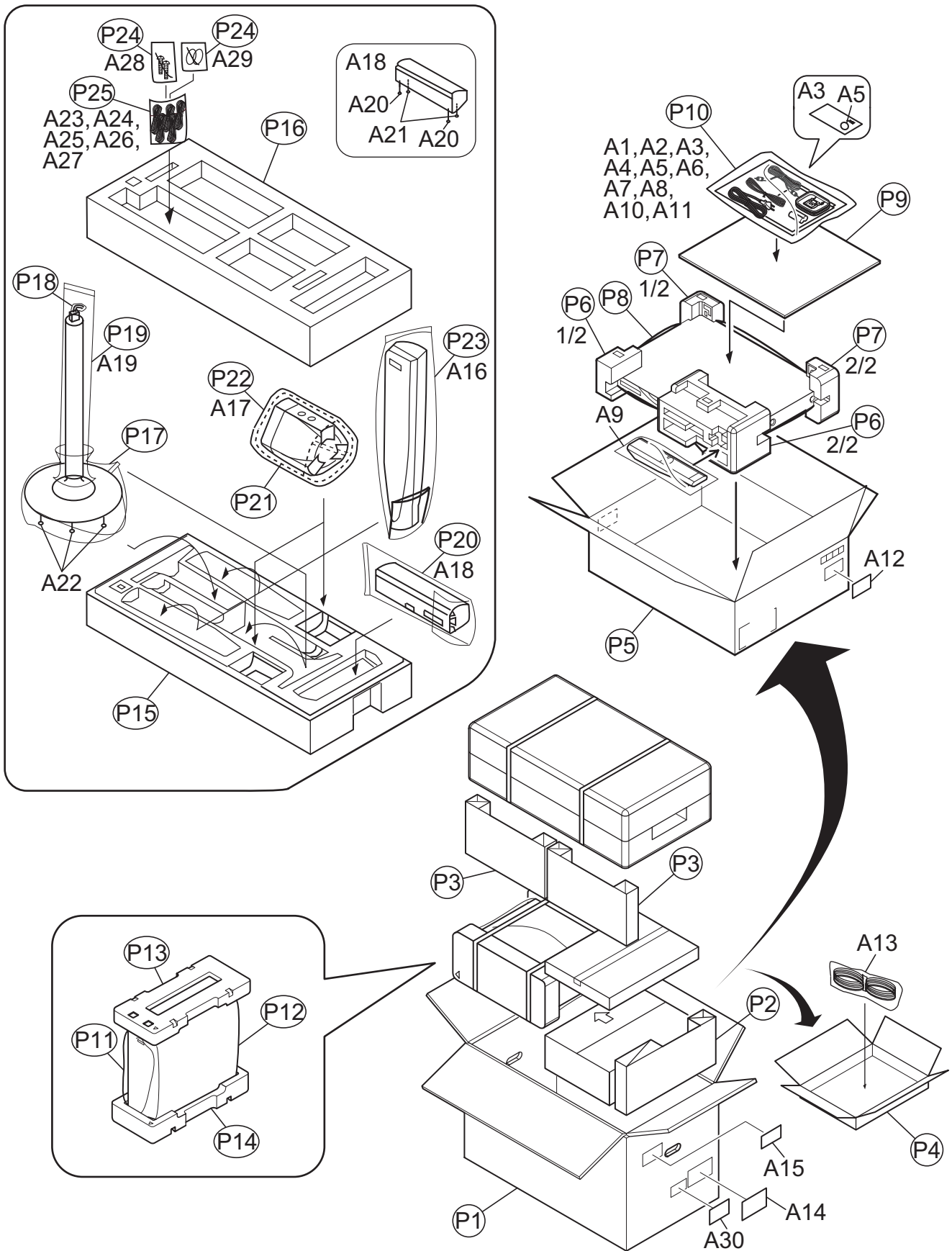
△ Symbol No.	Part No.	Part Name	Description	Local
CN1	QGF1016F3-05	CONNECTOR	FFC/FPC (1-5)	
S1	QSW1074-001	DETECT SWITCH		

< MEMO >

Packing materials and accessories parts list

Block No. M 3 M M

No additional / supplemental order of WARRANTY CARDS are available



Packing and Accessories

Block No. [M][3][M][M]

△	Symbol No.	Part No.	Part Name	Description	Local
	A 1	GVT0152-008A	INST BOOK	CHI(PEKIN)	
	A 2	GN30020-004A	SURVEY CARD		
	A 3	-----	WARRANTY CARD	BT-59019-1	
	A 4	BT-59021-4C	S.CENTER LIST		
	A 5	BT-59020-1	SEAL		
△	A 6	QMPS230-183-JC	POWER CORD(EK)	1.83m BLACK	
	A 7	QAL0014-001	AM LOOP ANT		
	A 8	QAL0457-001	ANT.WIRE		
	A 9	RM-STHS66U	REMOCON UNIT		
	A 10	-----	BATTERY	(x2)	
	A 11	QAM0216-001	SIGNAL CORD		
	A 12	CL0020-001	COMPUTER LABEL		
	A 13	62-000-449-01	SUPPLIED DIN CA		
	A 14	CL0020-001	COMPUTER LABEL		
	A 15	GV30803-004A	UF CARTON LABEL		
	A 16	AB050039-01	SPEAKER BOX	FRONT(x2)	
	A 17	AB080070-01	SPEAKER BOX	SURROUND(x2)	
	A 18	AB050035-01	SPEAKER BOX	CENTER	
	A 19	9900033801	STAND BASE ASSY	(x2)	
	A 20	9000008401	RUBBER FOOT	(x2)	
	A 21	9000009501	RUBBER FOOT	(x2)	
	A 22	9000005371	FOOT	(x12)	
	A 23	6200045901	SPK CORD-C	CENTER	
	A 24	6200045911	SPK CORD-FR	FRONT RIGHT	
	A 25	6200045921	SPK CORD-FL	FRONT LEFT	
	A 26	6200045931	SPK CORD-SR	SURROUND RIGHT	
	A 27	6200045941	SPK CORD-SL	SURROUND LEFT	
	A 28	7001652506	SCREW	(x2)	
	A 29	9000011101	COVER	(x2)	
	A 30	LE40796-001A	VERANCE LABEL		
	P 1	GV20370-201A	MASTER CARTON		
	P 2	GV30780-201A	CARTON SPACER		
	P 3	GV30780-202A	CARTON SPACER	(x2)	
	P 4	GV30764-203A	ACC. BOX		
	P 5	GV20372-202A	CARTON BOX		
	P 6	GV20347-201A	CUSHION(F)		
	P 7	GV20348-201A	CUSHION(R)		
	P 8	QPC05006530P	POLY BAG	50cm x 65cm	
	P 9	GV30785-201A	CARTON SPACER		
	P 10	QPA02503503P	POLY BAG	25cm x 35cm	
	P 11	8500051881	MIRROR MAT		
	P 12	8500051901	POLY BAG		
	P 13	LV22000-001A	TOP CUSHION		
	P 14	LV22000-002A	BOTTOM CUSHION		
	P 15	LV22075-001A	BOTTOM CUSHION		
	P 16	LV22075-002A	TOP CUSHION		
	P 17	8500055761	POLY BAG	(x2)	
	P 18	8500047111	POLY BAG	(x2)	
	P 19	8500059101	POLY BAG	(x2)	
	P 20	8500055781	POLY BAG		
	P 21	8500048061	MIRROR MAT	(x2)	
	P 22	8500043421	POLY BAG	(x2)	
	P 23	8500055771	POLY BAG	(x2)	
	P 24	8500047101	POLY BAG	(x2)	
	P 25	8500032771	POLY BAG		