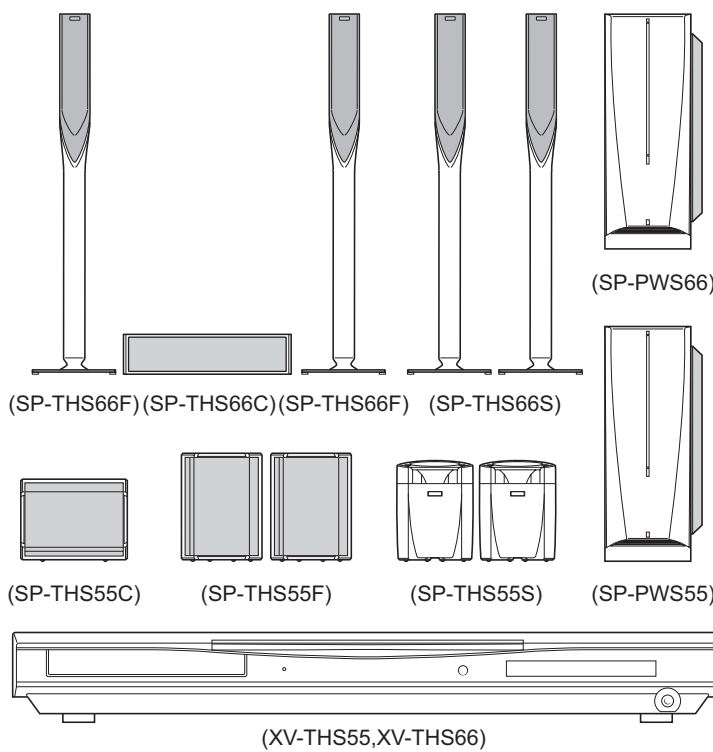


JVC

SERVICE MANUAL

DVD DIGITAL CINEMA SYSTEM

TH-S55, TH-S66



Area suffix	
B	U.K.
E	Continental Europe
EN	Northern Europe
EV	Eastern Europe
EE	Russian Federation



Digital Direct Progressive Scan



TABLE OF CONTENTS

1	PRECAUTION	1-4
2	SPECIFIC SERVICE INSTRUCTIONS	1-8
3	DISASSEMBLY	1-9
4	ADJUSTMENT	1-21
5	TROUBLESHOOTING	1-26

SPECIFICATION

Center unit (XV-THS66/XV-THS55)

Audio section	Total Harmonic Distortion*1	0.02%
	Digital input*2	DIGITAL IN(OPTICAL) : -21 dBm to -15 dBm (660 nm ±30 nm)
Video section	Video System	PAL
	Horizontal Resolution	500 lines
	Signal-to-Noise Ratio	64 dB(Composite signal when "RGB" is selected)
	Video output level	Composite : 1.0 V(p-p)/75 Ω S-video-Y : 1.0 V(p-p)/75 Ω S-video-C : 0.3 V(p-p)/75 Ω Component-Y : 1.0 V(p-p)/75 Ω Component-PB/PR : 0.7 V(p-p)/75 Ω RGB : 0.7 V(p-p)/75 Ω
Tuner section	Tuning Range	FM : 87.50 MHz to 108.00 MHz
		AM (MW) : 522 kHz to 1 629 kHz
General	Power Requirements	AC 230 V , 50 Hz
	Power Consumption	17 W (at operation) 1.3 W (in standby mode)
	Dimensions (W × H × D)	435 mm × 55 mm × 304 mm
	Mass	2.5 kg

*1: This value is measured at System cord CONNECTOR for reference.

*2: Corresponding to Linear PCM, Dolby Digital, and DTS Digital Surround (with sampling frequency - 32 kHz, 44.1 kHz, 48 kHz)

Subwoofer (SP-PWS66/SP-PWS55)

Amplifier section	Front	140 W per channel, RMS at 4 Ω at 1 kHz, with 10 % total harmonic distortion.
	Center/Surround	130 W per channel, RMS at 4 Ω at 1 kHz, with 10 % total harmonic distortion.
	Subwoofer	140 W, RMS at 4 Ω at 100 Hz, with 10 % total harmonic distortion.
Speaker section	Speaker unit	16 cm Bass-reflex
	Power Handling Capacity	140 W
	Impedance	4 Ω
	Frequency Range	30 Hz to 200 Hz
General	Power Requirements	AC 230 V , 50 Hz
	Power Consumption	135 W (at operation) 0 W (in standby mode)
	Dimensions (W × H × D)	170 mm × 411 mm × 451 mm
	Mass	11.5 kg

Satellite Speakers

Front speakers (SP-THS66F)	Speaker unit	5.5 cm × 2 Bass-reflex, Magnetically Shielded
	Power Handling Capacity	140 W
	Impedance	4 Ω
	Frequency Range	90 Hz to 20 kHz
	Dimensions (W × H × D)	250 mm × 110 mm × 250 mm
	Mass	2.6 kg
Center speaker (SP-THS66C)	Speaker unit	5.5 cm × 2 Bass-reflex, Magnetically Shielded
	Power Handling Capacity	140 W
	Impedance	4 Ω
	Frequency Range	90 Hz to 20 kHz
	Dimensions (W × H × D)	320 mm × 75 mm × 92 mm
	Mass	0.9 kg
Surround speakers (SP-THS66S)	Speaker unit	5.5 cm × 2 Bass-reflex
	Power Handling Capacity	140 W
	Impedance	4 Ω
	Frequency Range	90 Hz to 20 kHz
	Dimensions (W × H × D)	250 mm × 110 mm × 250 mm
	Mass	2.5 kg
Front speakers (SP-THS55F)	Speaker unit	8.0 cm Bass-reflex, Magnetically Shielded
	Power Handling Capacity	140 W
	Impedance	4 Ω
	Frequency Range	80 Hz to 20 kHz
	Dimensions (W × H × D)	106 mm × 119.5 mm × 102 mm
	Mass	0.51 kg
Center speaker (SP-THS55C)	Speaker unit	5.5 cm × 2 Bass-reflex, Magnetically Shielded
	Power Handling Capacity	140 W
	Impedance	4 Ω
	Frequency Range	80 Hz to 20 kHz
	Dimensions (W × H × D)	209 mm × 85 mm × 92 mm
	Mass	0.85 kg
Surround speakers (SP-THS55S)	Speaker unit	8.0 cm Bass-reflex
	Power Handling Capacity	140 W
	Impedance	4 Ω
	Frequency Range	80 Hz to 20 kHz
	Dimensions (W × H × D)	111.5 mm × 148 mm × 106.5 mm
	Mass	0.56 kg

Designs & specifications are subject to change without notice.

SECTION 1 PRECAUTION

1.1 Safety Precautions

- (1) This design of this product contains special hardware and many circuits and components specially for safety purposes. For continued protection, no changes should be made to the original design unless authorized in writing by the manufacturer. Replacement parts must be identical to those used in the original circuits. Services should be performed by qualified personnel only.
- (2) Alterations of the design or circuitry of the product should not be made. Any design alterations of the product should not be made. Any design alterations or additions will void the manufacturer's warranty and will further relieve the manufacturer of responsibility for personal injury or property damage resulting therefrom.
- (3) Many electrical and mechanical parts in the products have special safety-related characteristics. These characteristics are often not evident from visual inspection nor can the protection afforded by them necessarily be obtained by using replacement components rated for higher voltage, wattage, etc. Replacement parts which have these special safety characteristics are identified in the Parts List of Service Manual. Electrical components having such features are identified by shading on the schematics and by (Δ) on the Parts List in the Service Manual. The use of a substitute replacement which does not have the same safety characteristics as the recommended replacement parts shown in the Parts List of Service Manual may create shock, fire, or other hazards.
- (4) The leads in the products are routed and dressed with ties, clamps, tubings, barriers and the like to be separated from live parts, high temperature parts, moving parts and/or sharp edges for the prevention of electric shock and fire hazard. When service is required, the original lead routing and dress should be observed, and it should be confirmed that they have been returned to normal, after reassembling.

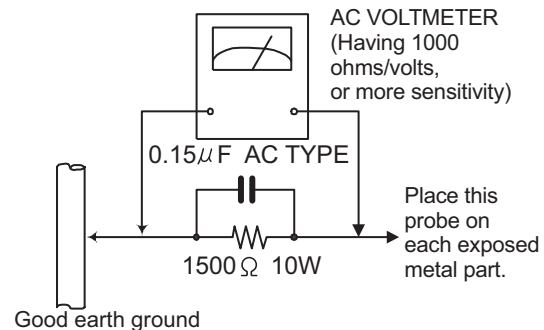
(5) Leakage shock hazard testing

After reassembling the product, always perform an isolation check on the exposed metal parts of the product (antenna terminals, knobs, metal cabinet, screw heads, headphone jack, control shafts, etc.) to be sure the product is safe to operate without danger of electrical shock. Do not use a line isolation transformer during this check.

- Plug the AC line cord directly into the AC outlet. Using a "Leakage Current Tester", measure the leakage current from each exposed metal part of the cabinet, particularly any exposed metal part having a return path to the chassis, to a known good earth ground. Any leakage current must not exceed 0.5mA AC (r.m.s.).
- Alternate check method
Plug the AC line cord directly into the AC outlet. Use an AC voltmeter having, 1,000 Ω per volt or more sensitivity in the following manner. Connect a 1,500 Ω 10W resistor paralleled by a 0.15 μ F AC-type capacitor between an exposed metal part and a known good earth ground. Measure the AC voltage across the resistor with the AC

voltmeter.

Move the resistor connection to each exposed metal part, particularly any exposed metal part having a return path to the chassis, and measure the AC voltage across the resistor. Now, reverse the plug in the AC outlet and repeat each measurement. Voltage measured any must not exceed 0.75 V AC (r.m.s.). This corresponds to 0.5 mA AC (r.m.s.).



1.2 Warning

- (1) This equipment has been designed and manufactured to meet international safety standards.
- (2) It is the legal responsibility of the repairer to ensure that these safety standards are maintained.
- (3) Repairs must be made in accordance with the relevant safety standards.
- (4) It is essential that safety critical components are replaced by approved parts.
- (5) If mains voltage selector is provided, check setting for local voltage.

1.3 Caution


Burrs formed during molding may be left over on some parts of the chassis.

Therefore, pay attention to such burrs in the case of pre-forming repair of this system.

1.4 Critical parts for safety

In regard with component parts appearing on the silk-screen printed side (parts side) of the PWB diagrams, the parts that are printed over with black such as the resistor (■), diode (■) and ICP (●) or identified by the " Δ " mark nearby are critical for safety. When replacing them, be sure to use the parts of the same type and rating as specified by the manufacturer.
(This regulation does not Except the J and C version)

1.5 Safety Precautions (U.K only)

- (1) This design of this product contains special hardware and many circuits and components specially for safety purposes. For continued protection, no changes should be made to the original design unless authorized in writing by the manufacturer. Replacement parts must be identical to those used in the original circuits.
- (2) Any unauthorised design alterations or additions will void the manufacturer's guarantee; furthermore the manufacturer cannot accept responsibility for personal injury or property damage resulting therefrom.
- (3) Essential safety critical components are identified by () on the Parts List and by shading on the schematics, and must never be replaced by parts other than those listed in the manual. Please note however that many electrical and mechanical parts in the product have special safety related characteristics. These characteristics are often not evident from visual inspection. Parts other than specified by the manufacturer may not have the same safety characteristics as the recommended replacement parts shown in the Parts List of the Service Manual and may create shock, fire, or other hazards.
- (4) The leads in the products are routed and dressed with ties, clamps, tubings, barriers and the like to be separated from live parts, high temperature parts, moving parts and/or sharp edges for the prevention of electric shock and fire hazard. When service is required, the original lead routing and dress should be observed, and it should be confirmed that they have been returned to normal, after re-assembling.

1.5.1 Warning

- (1) Service should be performed by qualified personnel only.
- (2) This equipment has been designed and manufactured to meet international safety standards.
- (3) It is the legal responsibility of the repairer to ensure that these safety standards are maintained.
- (4) Repairs must be made in accordance with the relevant safety standards.
- (5) It is essential that safety critical components are replaced by approved parts.
- (6) If mains voltage selector is provided, check setting for local voltage.



CAUTION Burrs formed during molding may be left over on some parts of the chassis. Therefore, pay attention to such burrs in the case of performing repair of this system.

1.6 Preventing static electricity

Electrostatic discharge (ESD), which occurs when static electricity stored in the body, fabric, etc. is discharged, can destroy the laser diode in the traverse unit (optical pickup). Take care to prevent this when performing repairs.

1.6.1 Grounding to prevent damage by static electricity

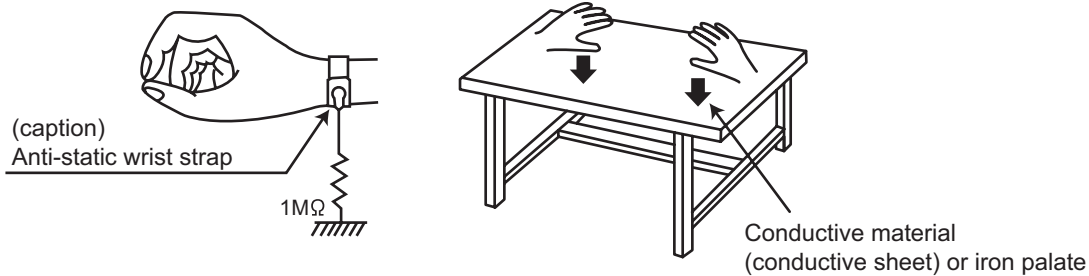
Static electricity in the work area can destroy the optical pickup (laser diode) in devices such as laser products. Be careful to use proper grounding in the area where repairs are being performed.

(1) Ground the workbench

Ground the workbench by laying conductive material (such as a conductive sheet) or an iron plate over it before placing the traverse unit (optical pickup) on it.

(2) Ground yourself

Use an anti-static wrist strap to release any static electricity built up in your body.



(3) Handling the optical pickup

- In order to maintain quality during transport and before installation, both sides of the laser diode on the replacement optical pickup are shorted. After replacement, return the shorted parts to their original condition. (Refer to the text.)
- Do not use a tester to check the condition of the laser diode in the optical pickup. The tester's internal power source can easily destroy the laser diode.

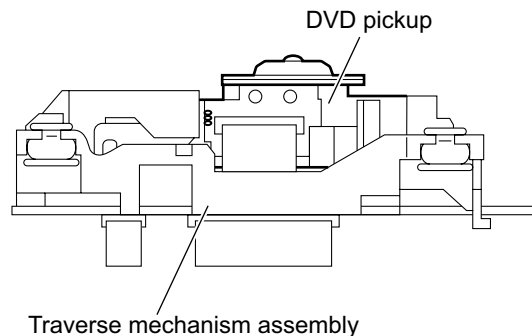
1.7 Handling the traverse unit (optical pickup)

- (1) Do not subject the traverse unit (optical pickup) to strong shocks, as it is a sensitive, complex unit.
- (2) Cut off the shorted part of the flexible cable using nippers, etc. after replacing the optical pickup. For specific details, refer to the replacement procedure in the text. Remove the anti-static pin when replacing the traverse unit. Be careful not to take too long a time when attaching it to the connector.
- (3) Handle the flexible cable carefully as it may break when subjected to strong force.
- (4) It is not possible to adjust the semi-fixed resistor that adjusts the laser power. Do not turn it.

1.8 Attention when traverse unit is decomposed

***Please refer to "Disassembly method" in the text for the pickup unit.**

- Apply solder to the short land sections before the flexible wire is disconnected from the connecto on the servo board. (If the flexible wire is disconnected without applying solder, the pickup may be destroyed by static electricity.)
- In the assembly, be sure to remove solder from the short land sections after connecting the flexible wire.



1.9 Important for laser products

1.CLASS 1 LASER PRODUCT

2.DANGER : Invisible laser radiation when open and interlock failed or defeated. Avoid direct exposure to beam.

3.CAUTION : There are no serviceable parts inside the Laser Unit. Do not disassemble the Laser Unit. Replace the complete Laser Unit if it malfunctions.

4.CAUTION : The CD,MD and DVD player uses invisible laser radiation and is equipped with safety switches which prevent emission of radiation when the drawer is open and the safety interlocks have failed or are defeated. It is dangerous to defeat the safety switches.

5.CAUTION : If safety switches malfunction, the laser is able to function.

6.CAUTION : Use of controls, adjustments or performance of procedures other than those specified here in may result in hazardous radiation exposure.



CAUTION Please use enough caution not to see the beam directly or touch it in case of an adjustment or operation check.

CAUTION : Visible and invisible laser radiation when open and interlock failed or defeated.

AVOID DIRECT EXPOSURE TO BEAM.

ADVARSEL : Synlig og usynlig laserstråling når maskinen er åben eller interlocken fejler. Undgå direkte eksponering til stråling.

VARNING : Synlig och osynlig laserstråling när den öppnas och spärren är urkopplad. Betrakta ej strålen.

VARO : Avattaessa ja suojalukitus ohitettuna tai viallisena olet alltiina näkyvälle ja näkymättömälle lasersäteilylle. Vältä säteen kohdistumista suoraan itseesi.

REPRODUCTION AND POSITION OF LABELS

WARNING LABEL

CAUTION : Visible and invisible laser radiation when open and interlock failed or defeated. AVOID DIRECT EXPOSURE TO BEAM. (e)	ADVARSEL : Synlig og usynlig laserstråling når maskinen er åben eller interlocken fejler. Undgå direkte eksponering til stråling. (d)	VARNING : Synlig och osynlig laserstråling när den öppnas och spärren är urkopplad. Betrakta ej strålen. (s)	VARO : Avattaessa ja suojalukitus ohitettuna tai viallisena olet alltiina näkyvälle ja näkymättömälle lasersäteilylle. Vältä säteen kohdistumista suoraan itseesi. (f)
---	--	---	---

CLASS 1
LASER PRODUCT

CAUTION : Visible and invisible laser radiation when open and interlock failed or defeated. AVOID DIRECT EXPOSURE TO BEAM. (e)	VARO : Avattaessa ja suojalukitus ohitettuna tai viallisena olet alltiina näkyvälle ja näkymättömälle lasersäteilylle. Vältä säteen kohdistumista suoraan itseesi. (f)
VARNING : Synlig och osynlig laserstråling när den öppnas och spärren är urkopplad. Betrakta ej strålen. (s)	ADVARSEL : Synlig og usynlig laserstråling når maskinen er åben eller interlocken fejler. Undgå direkte eksponering til stråling. (d)

SECTION 2 SPECIFIC SERVICE INSTRUCTIONS

This service manual does not describe SPECIFIC SERVICE INSTRUCTIONS.

SECTION 3 DISASSEMBLY

3.1 Main body section

3.1.1 Removing the metal cover

(See Figs.1 to 3)

- (1) From the both sides of the main body, remove the four screws **A** attaching the metal cover. (See Figs.1 and 2)
- (2) From the back side of the main body, remove the five screws **B** attaching the metal cover. (See Fig.3)
- (3) Lift the rear section of the metal cover upward while extending the lower sections of the metal cover. (See Fig.3)

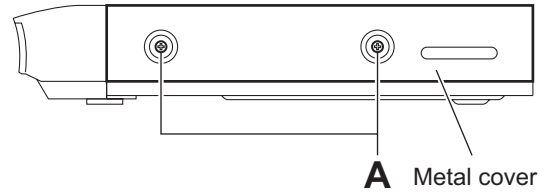


Fig.1

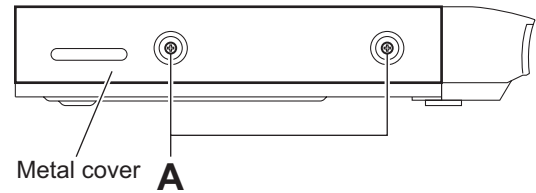


Fig.2

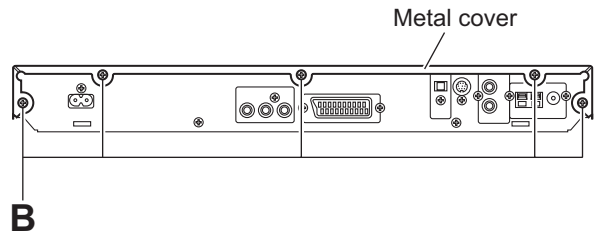


Fig.3

3.1.2 Removing the front panel assembly (See Figs.4 to 7)

- Prior to performing the following procedures, remove the metal cover.

- (1) From the top side of the main body, disconnect the parallel wires from the connector [CN420](#) on the main board. (See Fig.4)
- (2) Disconnect the parallel wires from the connectors [CN451](#), [CN452](#) and [CN460](#) on the main board. (See Fig.4)
- (3) Remove the screw **C** attaching the earth wire to the main board. (See Fig.4)
- (4) Remove the earth wire attaching to the chassis base. (See Fig.4)

Reference:

When attaching the screw **C**, attach the earth wire with it. (See Fig.4)

- (5) From the bottom side of the main body, remove the three screws **D** attaching the front panel assembly. (See Fig.5)
- (6) Remove the front panel assembly in the direction of the arrow while releasing the two joints **a** and two joints **b**. (See Fig.5 to 7)

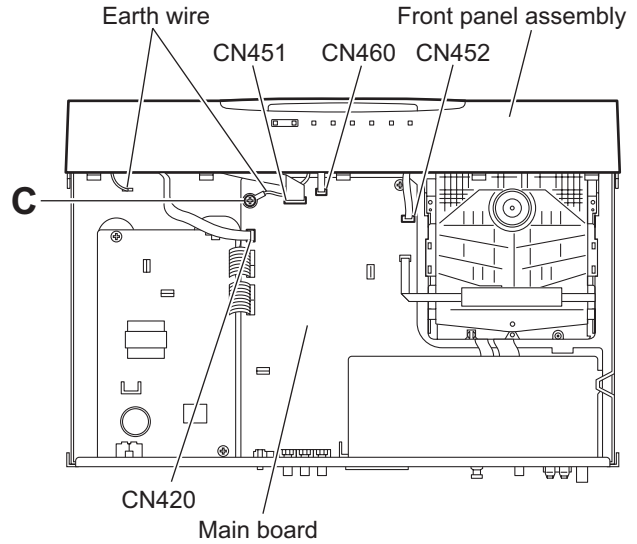


Fig.4

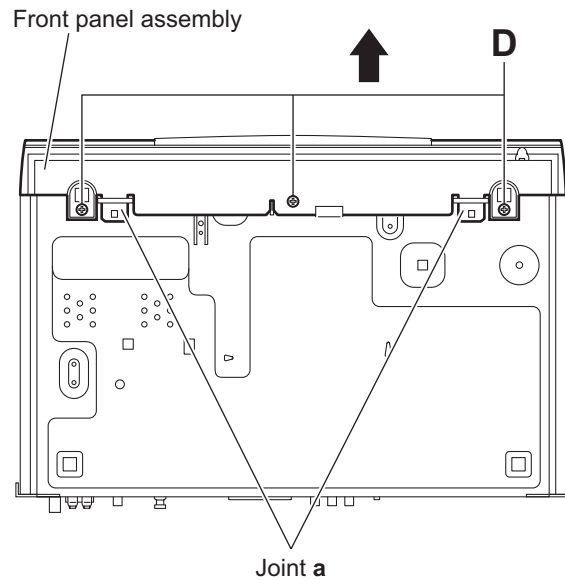


Fig.5

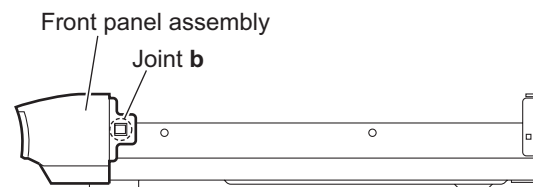


Fig.6

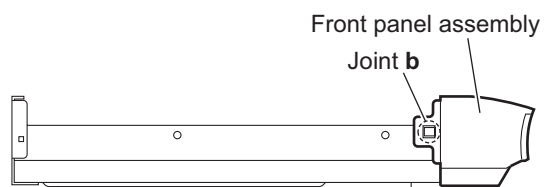


Fig.7

3.1.3 Removing the rear panel (See Fig.8)

- Prior to performing the following procedures, remove the metal cover.
 - (1) From the back side of the main body, remove the screw **E** and ten screws **F** attaching the rear panel.

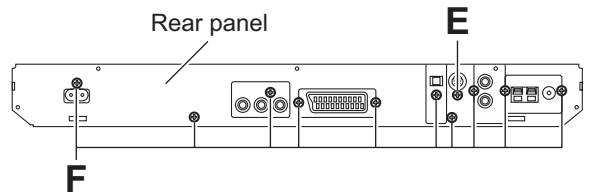


Fig.8

3.1.4 Removing the Audio signal input/output board (See Figs.9 and 10)

- Prior to performing the following procedures, remove the metal cover.
 - (1) From the back side of the main body, remove the screw **E**, two screws **G** attaching the Audio signal input/output board to the rear panel. (See Fig.9)
 - (2) Take out the Audio signal input/output board, and disconnect the card wires from the connectors [CN411](#) and [CN412](#) on the Audio signal input/output board. (See Fig.10)

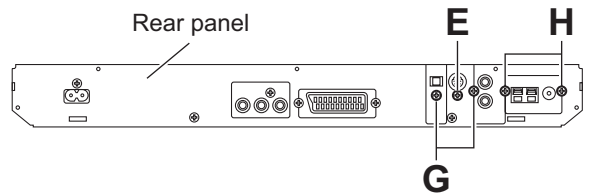


Fig.9

3.1.5 Removing the tuner assembly (See Figs.9 and 11)

- Prior to performing the following procedures, remove the metal cover and Audio signal input/output board.
 - (1) From the back side of the main body, remove the two screws **H** attaching the tuner assembly to the rear panel. (See Fig.9)
 - (2) From the top side of the main body, disconnect the card wire from the connector [CN410](#) on the main board. (See Fig.11)
 - (3) Take out the tuner assembly from the main body.

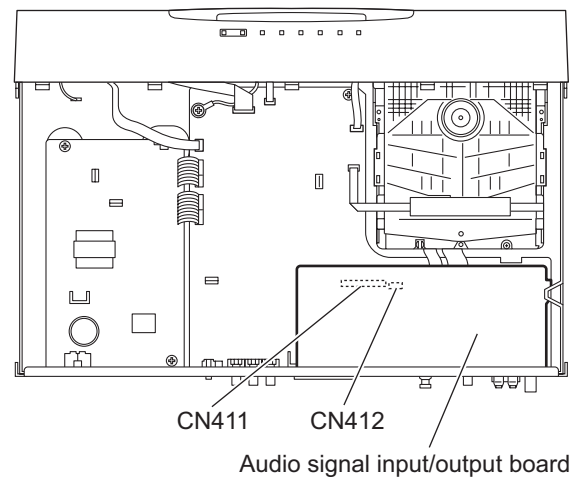


Fig.10

3.1.6 Removing the DVD mechanism assembly (See Fig.11)

- Prior to performing the following procedures, remove metal cover and Audio signal input/output board.
 - (1) From the top side of the main body, disconnect the card wires from the connectors [CN401](#), [CN402](#) and [CN408](#) on the main board.
 - (2) Remove the screw **J** attaching the DVD mechanism assembly on the main body.

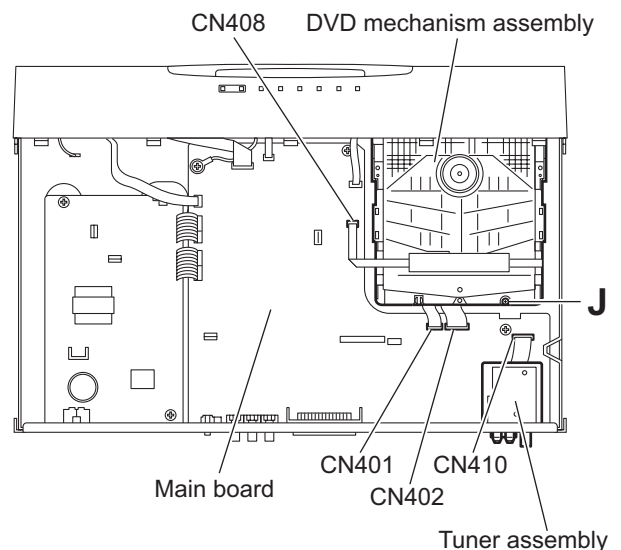


Fig.11

3.1.7 Removing the power board (See Figs.12 and 14)

- Prior to performing the following procedures, remove the metal cover.
- (1) From the back side of the main body, remove the screw **K** attaching the power board to the rear panel. (See Fig.12)
- (2) From the top side of the main body, disconnect the parallel wires from the connectors [CN404](#) to [CN407](#) on the main board. (See Fig.13)
- (3) Remove the two screws **L** attaching the power board. (See Fig.13)
- (4) Release the holder using a pliers and take out the transformer board from the main body.

Reference:

Remove the rear panel as required. (See "3.1.3 Removing the rear panel")

3.1.8 Removing the main board (See Fig.14)

- Prior to performing the following procedures, remove the metal cover, rear panel, Audio signal input/output board and tuner assembly.
- (1) From the top side of the main body, disconnect the card wires from the connectors [CN401](#), [CN402](#), [CN408](#), [CN451](#), [CN452](#) and [CN460](#) on the main board.
- (2) Disconnect the parallel wires from the connectors [CN404](#) to [CN407](#) and [CN420](#) on the main board.
- (3) From the top side of the main body, remove the two screws **M**, screw **M'** attaching the main board on the main body.
- (4) Take out the main board from the main body.

Reference:

When attaching the screw **M'**, attach the earth wire with it. (See Fig.12.)

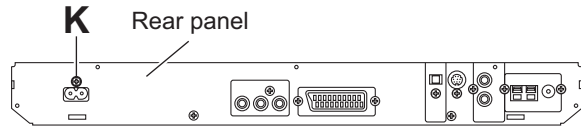


Fig.12

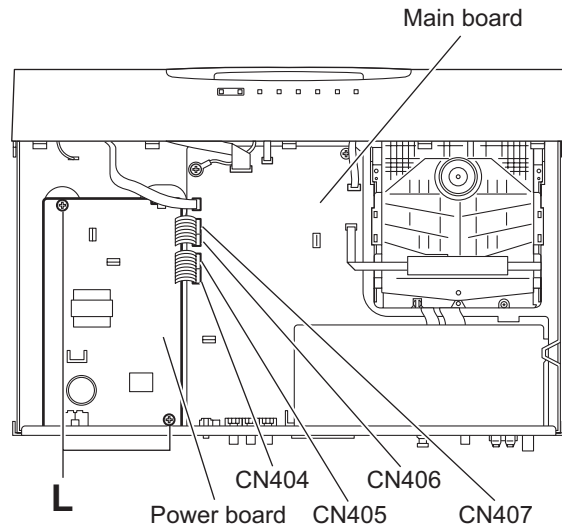


Fig.13

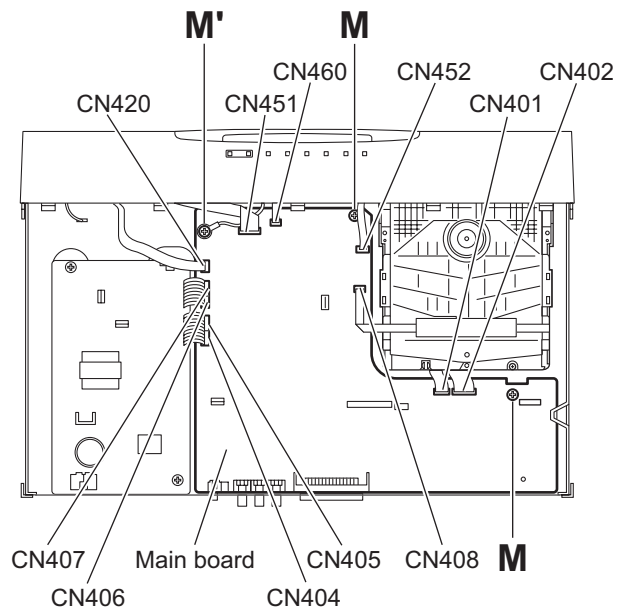


Fig.14

3.2 Front panel assembly section

- Prior to performing the following procedures, remove the metal cover and front panel assembly.

3.2.1 Removing the HP board

(See Fig.1)

- (1) From the inside of the front panel assembly, remove the two screws **A** attaching the HP board.
- (2) Take out the HP board from the front panel assembly.

3.2.2 Removing the KEY board

(See Fig.1)

- Prior to performing the following procedures, remove the metal cover and front panel assembly.
- (1) From the inside of the front panel assembly, remove the three screws **B** attaching the KEY board.
- (2) Take out the KEY board from the front panel assembly.

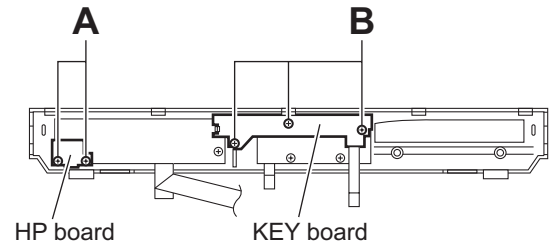


Fig.1

3.2.3 Removing the FL board

(See Fig.2)

- Prior to performing the following procedures, remove the metal cover and front panel assembly.
- (1) From the inside of the front panel assembly, remove the screw **C** attaching the FL board.
- (2) Take out the FL board from the front panel assembly.

3.2.4 Removing the MIC and LED boards

(See Fig.2)

- Prior to performing the following procedures, remove the metal cover and front panel assembly.
- (1) From the inside of the front panel assembly, remove the two screws **D** attaching the MIC board.
- (2) Take out the MIC and LED boards from the front panel assembly.

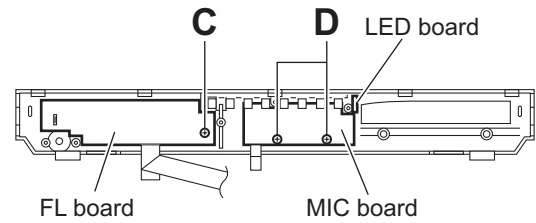


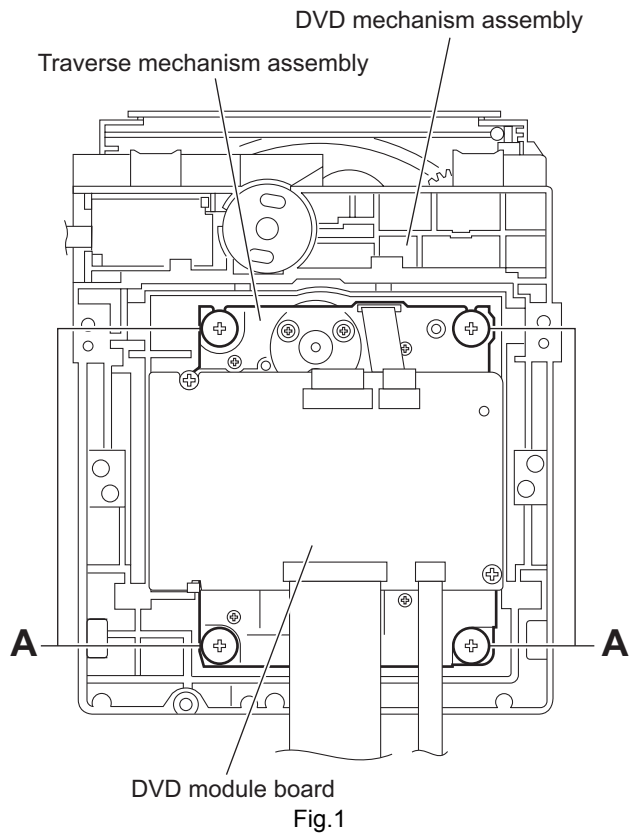
Fig.2

3.3 DVD mechanism section

- Remove the DVD mechanism assembly from the main body.

3.3.1 Removing the traverse mechanism assembly (See Fig.1)

From the bottom side of the DVD mechanism assembly, remove the four screws **A** attaching the traverse mechanism assembly and take out the traverse mechanism assembly with the DVD module board.



3.3.2 Removing the DVD module board (See Figs.2 and 3)

- Remove the traverse mechanism assembly.
 - (1) From the side of the traverse mechanism assembly, solder the short land sections **a** on the DVD pickup. (See Fig.2.)
 - (2) From the bottom side of the traverse mechanism assembly, release the lock of the connector **CN101** on the DVD module board in the direction of the arrow and disconnect the card wire. (See Fig.3.)

Caution:

- Solder the short land sections **a** on the DVD pickup before disconnecting the card wire from the connector **CN101** on the DVD module board. If the card wire is disconnected without attaching solder, the DVD pickup may be destroyed by static electricity. (See Figs.2 and 3.)
 - When attaching the DVD module board, be sure to remove solders from the short land sections **a** after connecting the card wire to the connector **CN101** on the DVD module board. (See Figs.2 and 3.)
- (3) Disconnect the card wire from the connector **CN201** on the DVD module board. (See Fig.3.)
 - (4) Remove the two screws **B** attaching the DVD module board. (See Fig.3.)
 - (5) Remove the DVD module board from the engagement section **b** in an upward and remove the engagement section **c** in the direction of the arrow. (See Fig.3.)

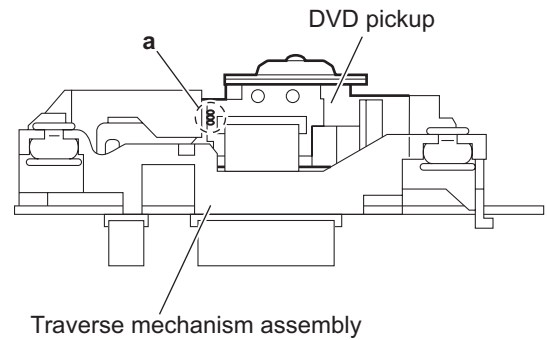


Fig.2

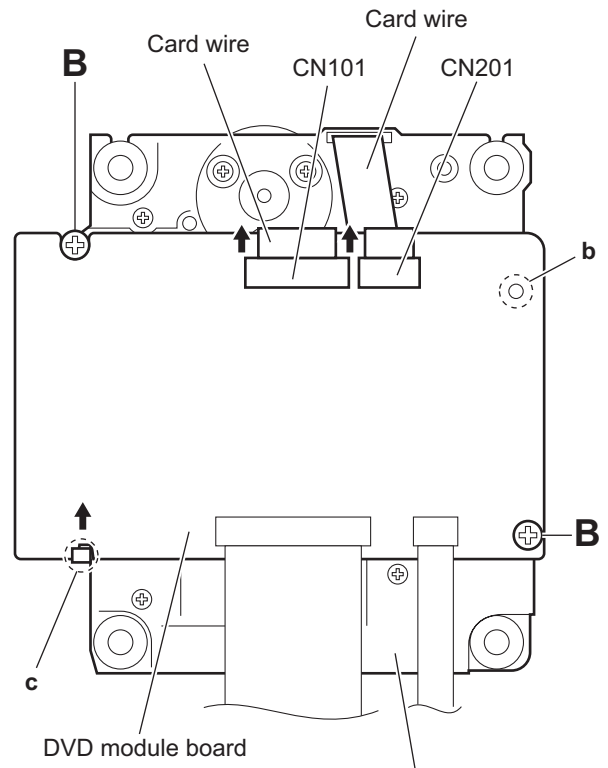


Fig.3

3.3.3 Removing the DVD pickup (See Figs.2,4 to 6)

- Remove the traverse mechanism assembly.
 - From the side of the traverse mechanism assembly, solder the short land sections **a** on the DVD pickup. (See Fig.2.)
 - Release the lock of the connector on the DVD pickup in the direction of the arrow and disconnect the card wire. (See Fig.4.)

Caution:

- Solder the short land sections **a** on the DVD pickup before disconnecting the card wire from the connector on the DVD pickup. If the card wire is disconnected without attaching solder, the DVD pickup may be destroyed by static electricity. (See Figs.2 and 4.)
- When attaching the DVD pickup, be sure to remove solders from the short land sections **a** after connecting the card wire to the connector on the DVD pickup. (See Figs.2 and 4.)

- Remove the screw **C** and remove the feed bracket from the sections **d**. (See Fig.4.)
- Release the claw **e** of the thrust spring in the direction of the arrow and remove the thrust spring. (See Fig.4.)
- Remove the guide shaft of the DVD pickup from the section **f** on the traverse mechanism assembly and remove the guide shaft from the section **g** while moving it in the direction of the arrow. (See Fig.5.)
- Remove the DVD pickup from the section **h** of the traverse mechanism assembly and take out the DVD pickup with the guide shaft. (See fig.5.)
- From the bottom side of the DVD pickup, remove the two screws **D** attaching the rack arm and rack arm spring. (See Fig.6.)
- Pull the guide shaft out of the DVD pickup. (See Fig.6.)

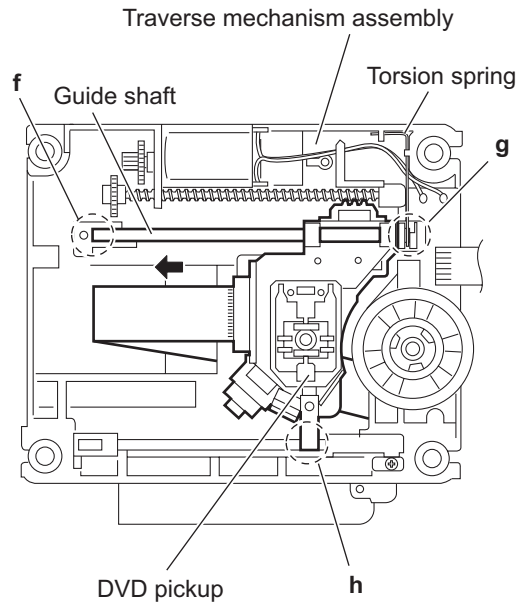


Fig.5

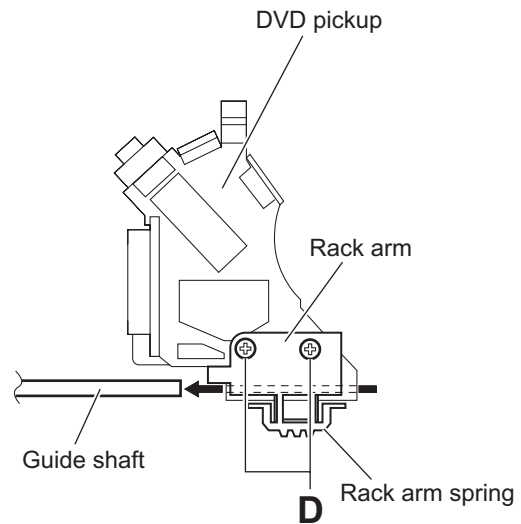


Fig.6

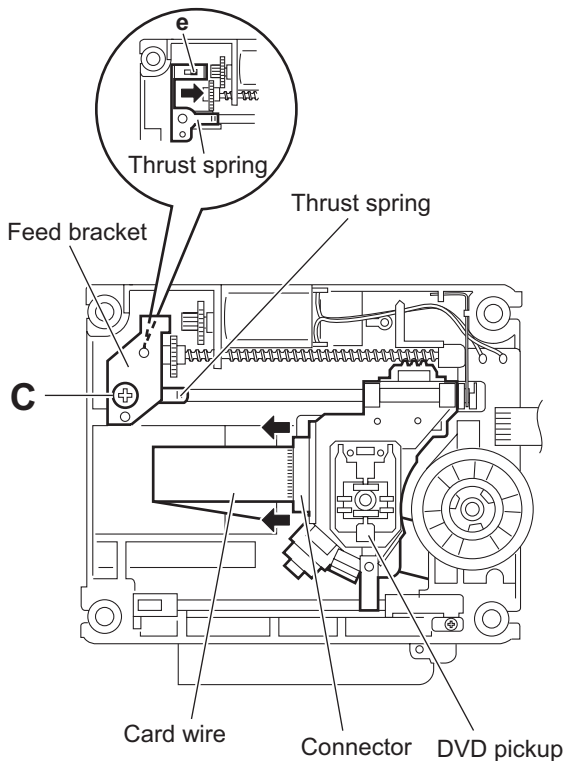


Fig.4

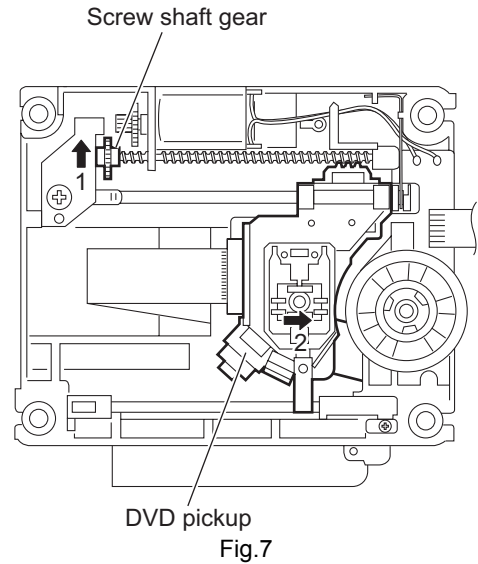
3.3.4 Attaching the DVD pickup (See Figs.2,4 to 7)

- See "3.2.3 Removing the DVD pickup".
 - (1) Attach the guide shaft, rack arm and rack arm spring to the DVD pickup. (See Fig.6.)
 - (2) Align the DVD pickup to the section **h** of the traverse mechanism assembly first, and set the both ends of the guide shaft of the DVD pickup in the sections **f** and **g** of the traverse mechanism assembly. (See Fig.5.)

Reference:

When attaching the guide shaft to the section **g**, attach it under the rod spring. (See Fig.5.)

- (3) Attach the feed bracket and thrust spring. (See Fig.4.)
- (4) Remove solders from the short land sections **a** after connecting the card wire to the connector on the DVD pickup. (See Figs.2 and 4.)
- (5) Turn the screw shaft gear in the direction of the arrow 1 to move the DVD pickup fully in the direction of the arrow 2. (See Fig.7.)

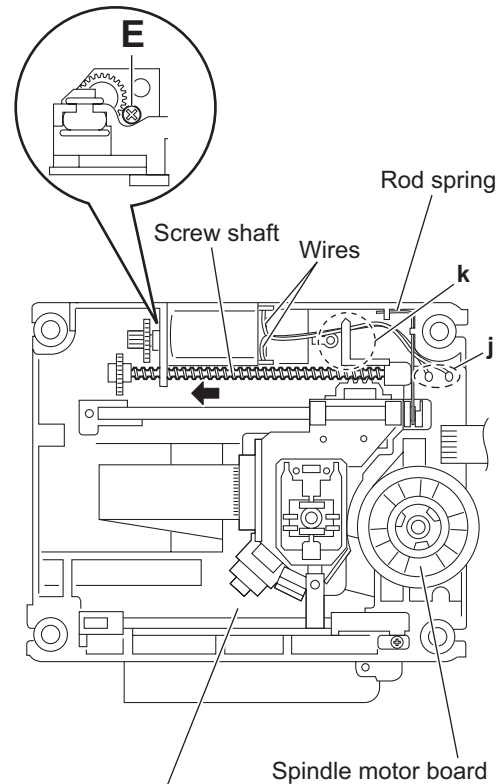


3.3.5 Removing the feed motor (See Figs.4,8 and 9)

- Remove the traverse mechanism assembly.
 - (1) From the top side of the traverse mechanism assembly, remove the screw **C** and remove the feed bracket from the sections **d**. (See Fig.4.)
 - (2) Release the claw **e** of the thrust spring in the direction of the arrow and remove the thrust spring. (See Fig.4.)
 - (3) Remove the wires from the soldered section **j** on the spindle motor board. (See Fig.8.)

Reference:

- When attaching the feed motor, pass the wire through the section **k** on the traverse mechanism assembly. (See Fig.8.)
 - Pass the wire through the lower section of the rod spring. (See Fig.8.)
- (4) Remove the screw shaft in the direction of the arrow. (See Fig.8.)
 - (5) From the side of the traverse mechanism assembly, remove the screw **E** attaching the feed motor. (See Fig.8.)
 - (6) Take out the feed motor from the traverse mechanism assembly.



Traverse mechanism assembly
Fig.8

3.3.6 Removing the spindle motor board (See Figs.8 and 9)

- Remove the traverse mechanism assembly and DVD module board.
 - (1) From the top side of the traverse mechanism assembly, remove the wires from the soldered section **j** on the spindle motor board. (See Fig.8.)
 - (2) From the bottom side of the traverse mechanism assembly, remove the three screws **F** attaching the spindle motor board. (See Fig.9.)

Reference:

- When attaching the spindle motor board, pass the wire through the section **m** on the traverse mechanism assembly. (See Fig.9.)
- After attaching the screws **F**, apply bond as before.

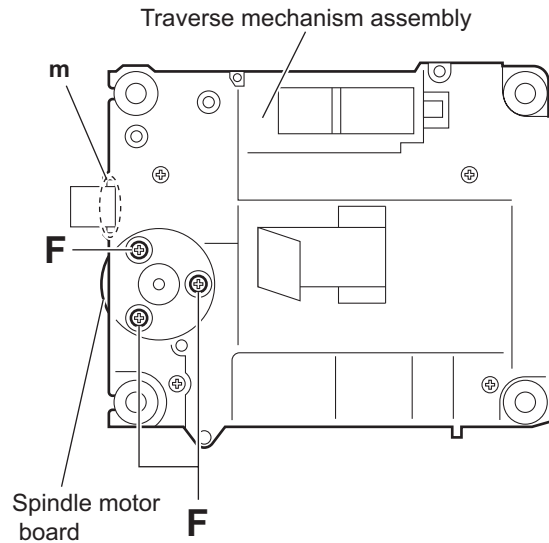


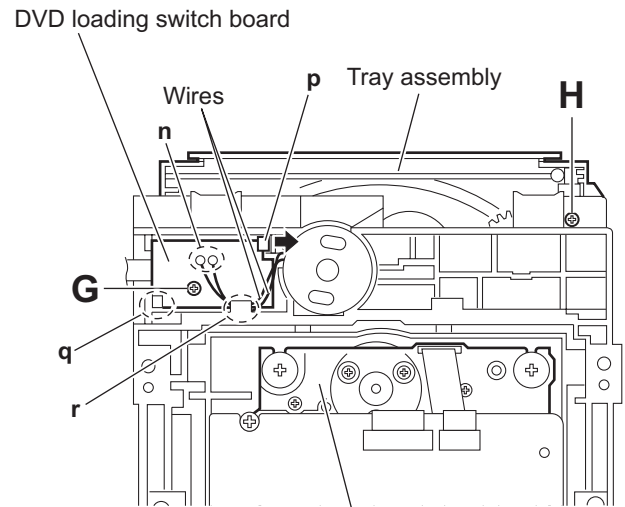
Fig.9

3.3.7 Removing the DVD loading switch board (See Fig.10.)

- (1) From the bottom side of the DVD mechanism assembly, remove the wires from the soldered sections **n** on the DVD loading switch board.
- (2) Remove the screw **G** attaching the DVD loading switch board.
- (3) Lift the DVD loading switch board while pressing the claw **p** of the DVD mechanism assembly in the direction of the arrow and remove it from the section **q**.

Reference:

Pass the wires through the section **r** after attaching the DVD loading switch board to the DVD mechanism assembly.



DVD mechanism assembly
Fig.10

3.3.8 Removing the loading motor (See Figs.10 to 14)

- (1) From the bottom side of the DVD mechanism assembly, remove the wires from the soldered section **n** on the DVD loading switch board. (See Fig.10.)
- (2) Remove the screw **H** attaching the tray assembly. (See Fig.10.)
- (3) From the right side of the DVD mechanism assembly, push the slide cam and pull the tray assembly out of the DVD mechanism assembly in the direction of the arrow. (See Fig.11.)
- (4) From the top side of the DVD mechanism assembly, remove the two screws **J** attaching the clamber base. (See Fig.12.)
- (5) Lift the clamber base in an upward direction to remove it from the engagement sections **s** and remove the engagement sections **t** in the direction of the arrow. (See Fig.12.)
- (6) Remove the two screws **K** attaching the tray assembly and take out the tray assembly from the DVD mechanism assembly. (See Fig.13.)
- (7) Remove the belt from the motor pulley. (See Fig.14.)

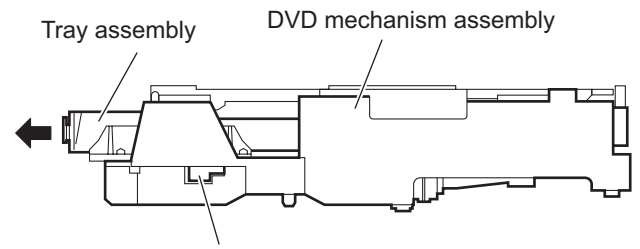


Fig.11

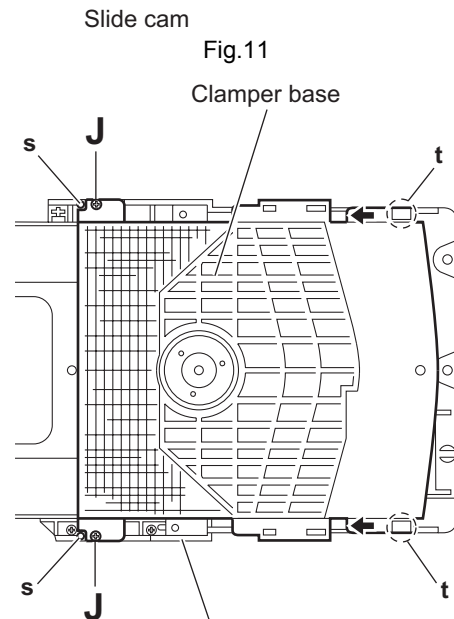
Note:

Take care not to attach grease on the belt.

- (8) Remove the two screws **M** attaching the loading motor to the DVD mechanism assembly and take out the loading motor from the bottom side of the DVD mechanism assembly. (See Fig.14.)

Reference:

Pass the wires through the section **r** after attaching the loading motor to the DVD mechanism assembly. (See Fig.10.)



DVD mechanism assembly
Fig.12

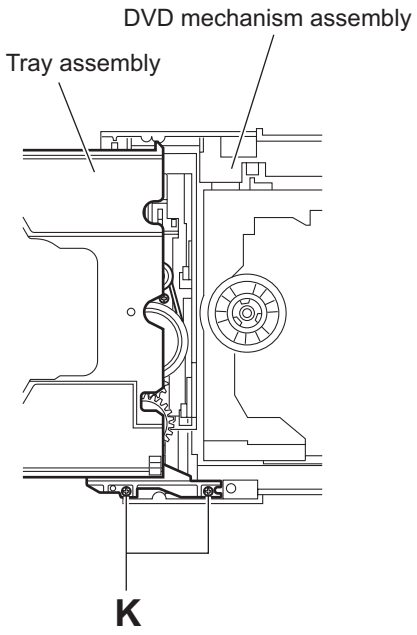
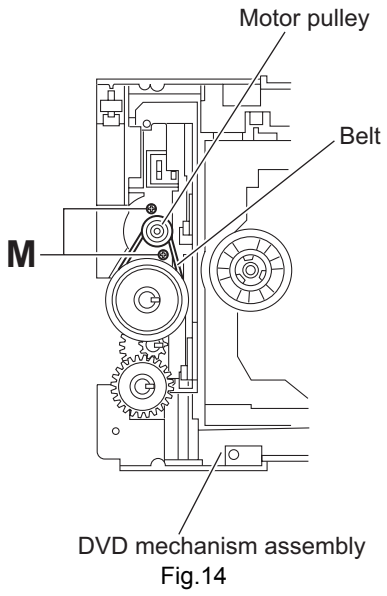


Fig.13



SECTION 4 ADJUSTMENT

4.1 Special mode

4.1.1 Outline

The contents in the special mode of operation, and the definition of a key (remote controller or main unit)

4.1.2 Special mode

1.DVD TEST MODE

It goes into the TEST mode of DVD.

DVD TEST mode is canceled by except DVD source, and POWER OFF.

It is referring to the "4.2 DVD test mode" for details.

Insert the power cord in an outlet while pressing the "POWER" and "PLAY" keys on the main unit simultaneously.

A main unit entered in the DVD TEST MODE.

2.DVD NORMAL INITIALIZE

Initialize DVD backend memory.

<RDS> segment of FL will light up if successful.

It is referring to the "4.2 DVD test mode" for details.

Press the "PAUSE" key on the remote controller during the DVD test mode.

DVD initialization is completed

3.DVD FULL INITIALIZE

Initialize DVD memory including frontend.

<RDS> segment of FL will light up if successful.

It is referring to the "4.2 DVD test mode" for details.

Press the 1.5 second "F.SKIP" key on the remote controller during the DVD test mode.

DVD initialization is completed

4.DVD REGION CHECK

FL display in DVD TEST MODE.

It is referring to the "4.2 DVD test mode" for details.

Press the "MENU" key on the remote controller during the DVD test mode.

A region No. display

5.FORCED NTSC MODE

It is made compulsive NTSC mode.

From this, with regards to the input of NTSEL_SW, there is nothing only at the time of 1st power on, and it performs NTSC starting.

(Command specification is performed to a module.)

A mode clearance is performed by power off.

VIDEO FORMAT change is prohibited during Forced NTSC mode.

Insert the power cord in an outlet while pressing the "POWER" and "PAUSE" keys on the main unit simultaneously.

A main unit entered in the NTSC mode compulsively.

6.TRAY LOCK

A loader mechanism's tray lock is carried out. In the tray lock function ON state, EJECT processing is not performed to the EJECT key.

And , a LOCK display is performed at this time.

When it turns off a tray lock function, STOP and EJECT KEY are pushed simultaneously again.

Back up ON/OFF of a tray lock.

Press the "STOP" and "OPEN/CLOSE1" keys on the remote controller at standby.

A tray lock is completed.

4.1.3 Upgrading of firmware (DVD UPGRADE)

The latest firmware for upgrading is updated in "Optical disc CSG" page in JS-net. At the time of service, compare the version of the product and the latest version, and upgrade the old version into the latest version.

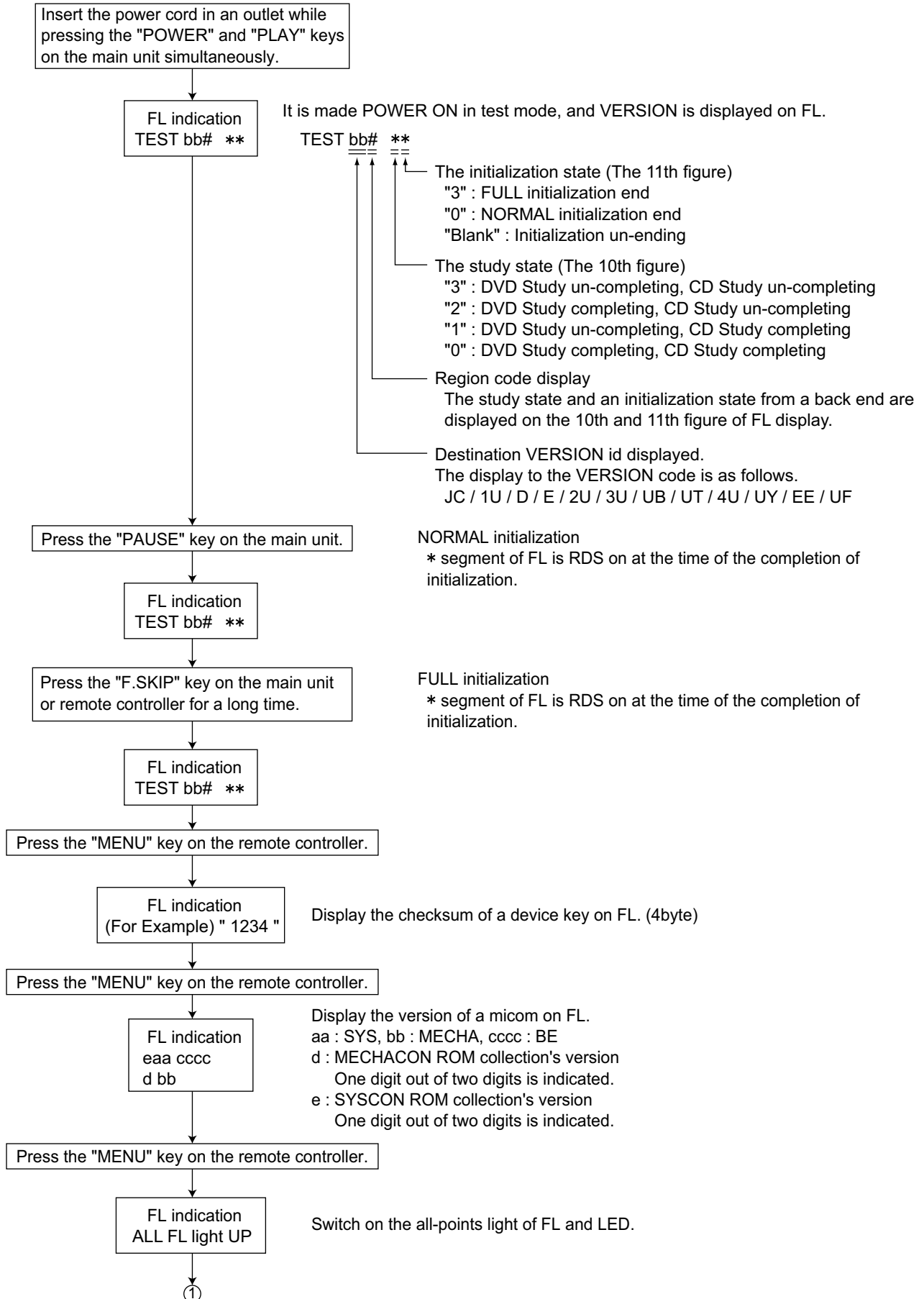
- (1) Press "STANDBY/ON" key of the main body to turn it on.
- (2) Push "OPEN/CLOSE" key of the main body, and insert the upgrade disc in the tray.
- (3) When reading the data of the disc, the OSD screen is displayed "VERSION UP DISC", "PROGRAM & DESTINATION MODE" and "READING..".
- (4) When the screen changes from "READING.." to "WRITING..", upgrading starts.
- (5) After writing the data of the disc, the screen is displayed "OPEN".
- (6) Take out the disc, and press "STANDBY/ON" key of the main body.
- (7) When the stand-by indicator is lighted, upgrading is completed.
- (8) Set the main body at test mode, and confirm the version of the firmware. (Refer to "4.2 Method of displaying version firmware".)

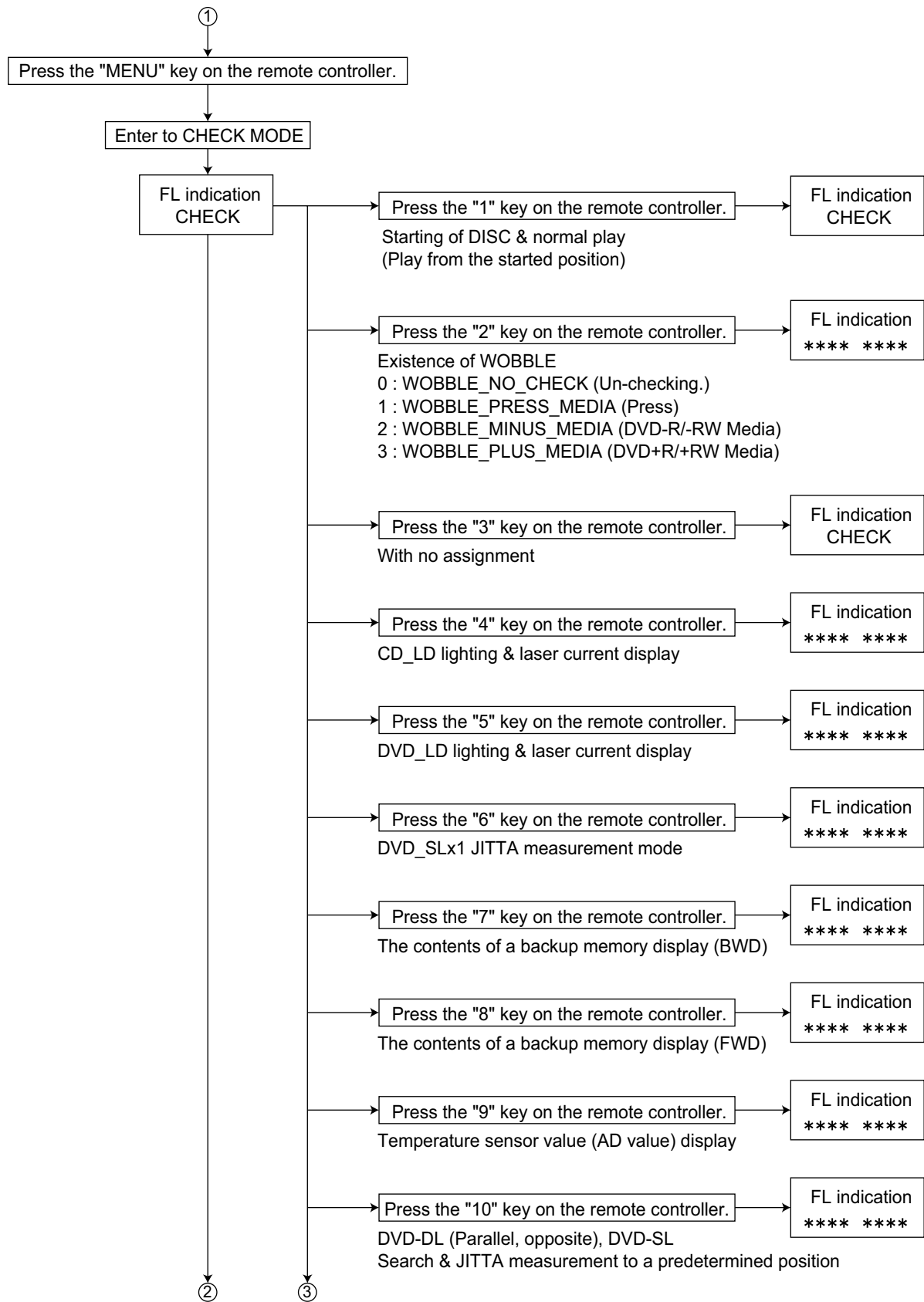
4.1.4 Upgrading of system microcomputer (ROM CORRECTION)

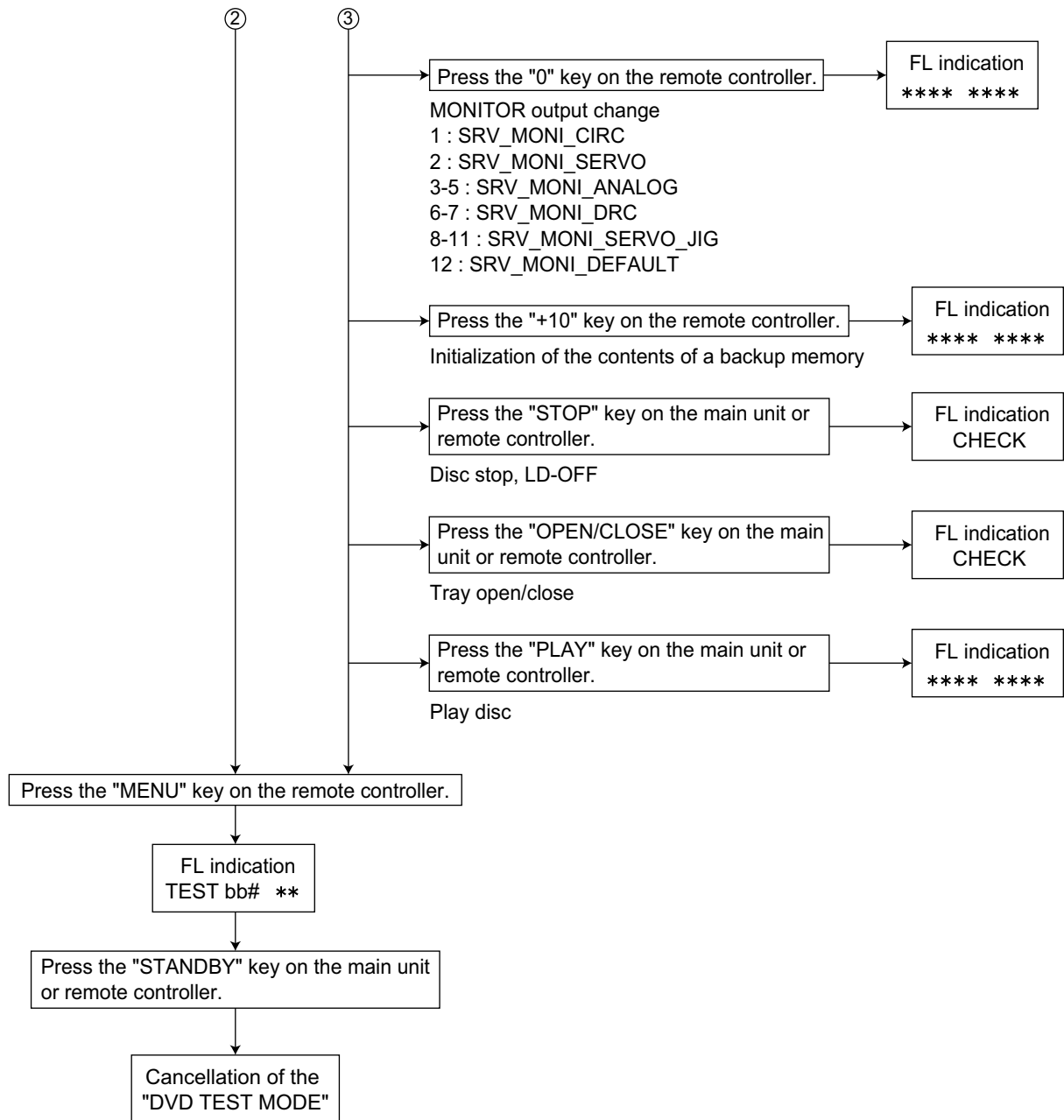
- (1) Press "STANDBY/ON" key of the main body to turn it on.
- (2) Push "OPEN/CLOSE" key of the main body, and insert the upgrade disc in the tray.
- (3) When reading the data of the disc, the OSD screen is displayed "VERSION UP DISC", "SYSCON UPG MODE" and "READING..".
- (4) When the screen changes from "READING.." to "WRITING..", system data is written.
- (5) After writing the data of the disc, the FL display of the main body is displayed "COMPLETE".
- (6) Take out the disc, and press "STANDBY/ON" key of the main body.
- (7) When the stand-by indicator is lighted, upgrading is completed.
- (8) Set the main body at test mode, and confirm the version of the system microcomputer. (Refer to "4.2 Method of displaying version firmware".)

4.2 DVD TEST MODE

Refer to "4.2.2 Indication of FL display in the DVD test mode" as required







SECTION 5 TROUBLESHOOTING

This service manual does not describe TROUBLESHOOTING.



JVC

Victor Company of Japan, Limited
AV & MULTIMEDIA COMPANY AUDIO/VIDEO SYSTEMS CATEGORY 10-1,1chome,Ohwatari-machi,Maebashi-city,371-8543,Japan

(No.MB365)

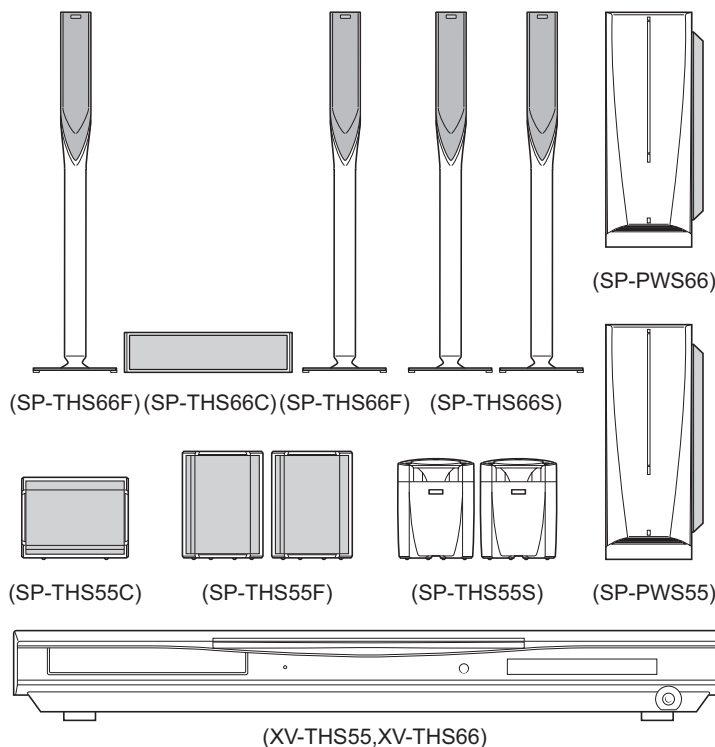
JVC

SCHEMATIC DIAGRAMS

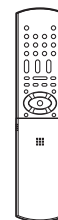
DVD DIGITAL CINEMA SYSTEM

TH-S55, TH-S66

CD-ROM No.SML200504



Area suffix	
B	U.K.
E	Continental Europe
EN	Northern Europe
EV	Eastern Europe
EE	Russian Federation



Digital Direct Progressive Scan



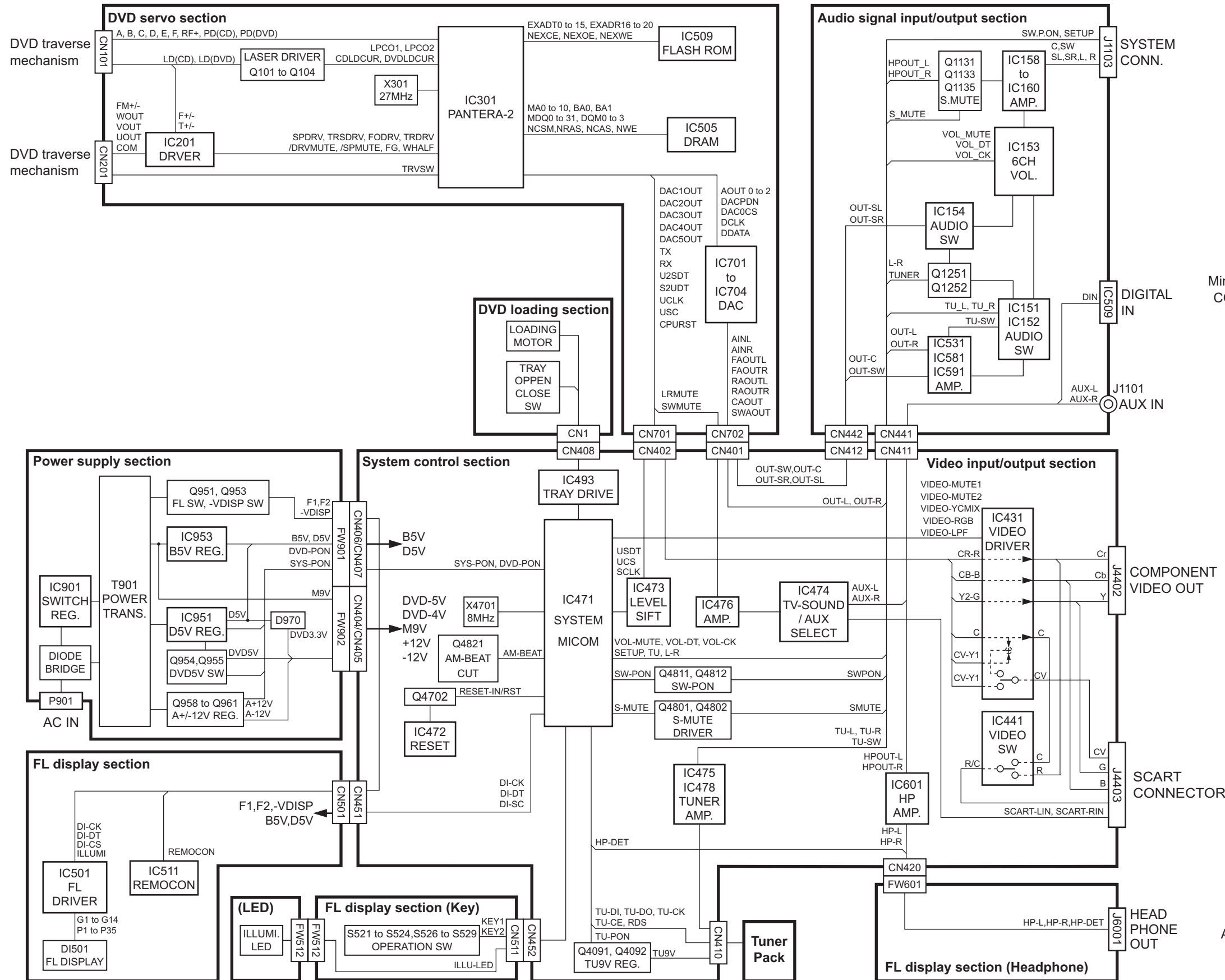
Contents

Block diagram	2-1
Standard schematic diagrams	2-2
Printed circuit boards	2-12 to 16

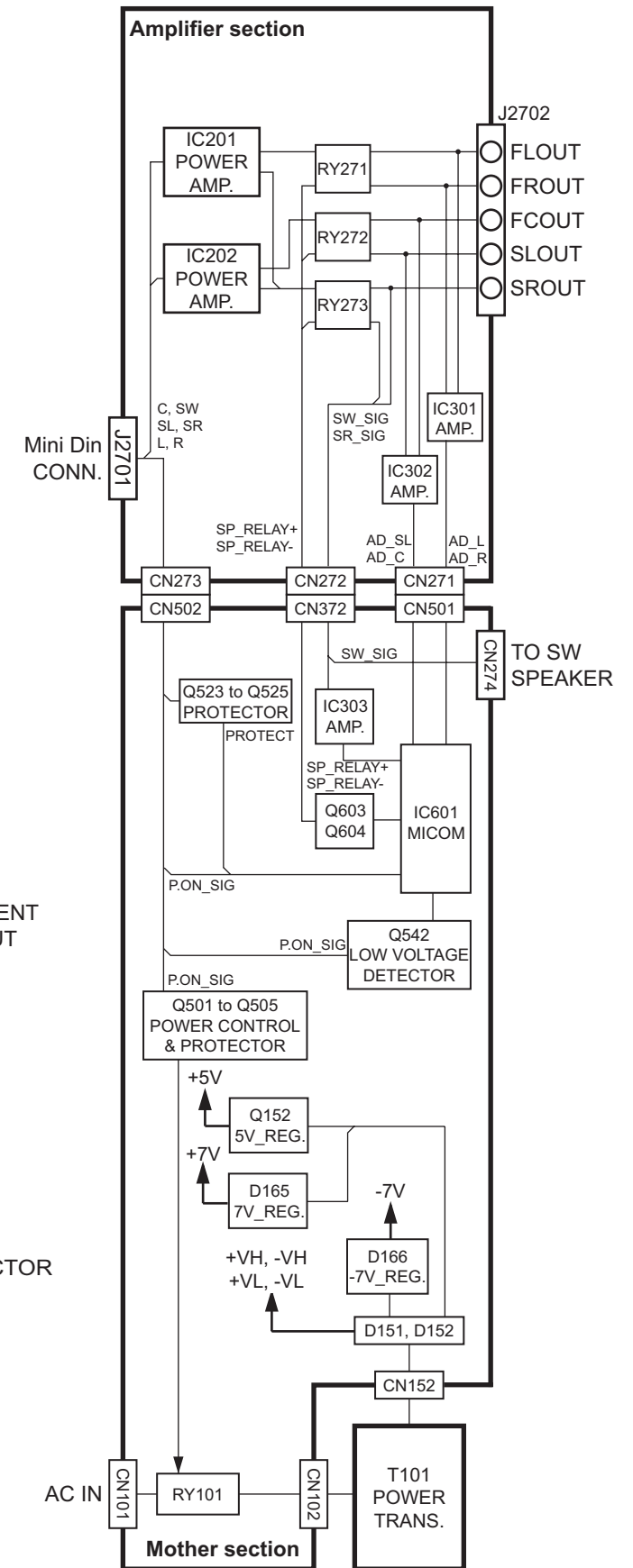
In regard with component parts appearing on the silk-screen printed side (parts side) of the PWB diagrams, the parts that are printed over with black such as the resistor (■), diode (⊣) and ICP (●) or identified by the "⚠" mark nearby are critical for safety.

Block diagram

<Main body section>



<Subwoofer section>

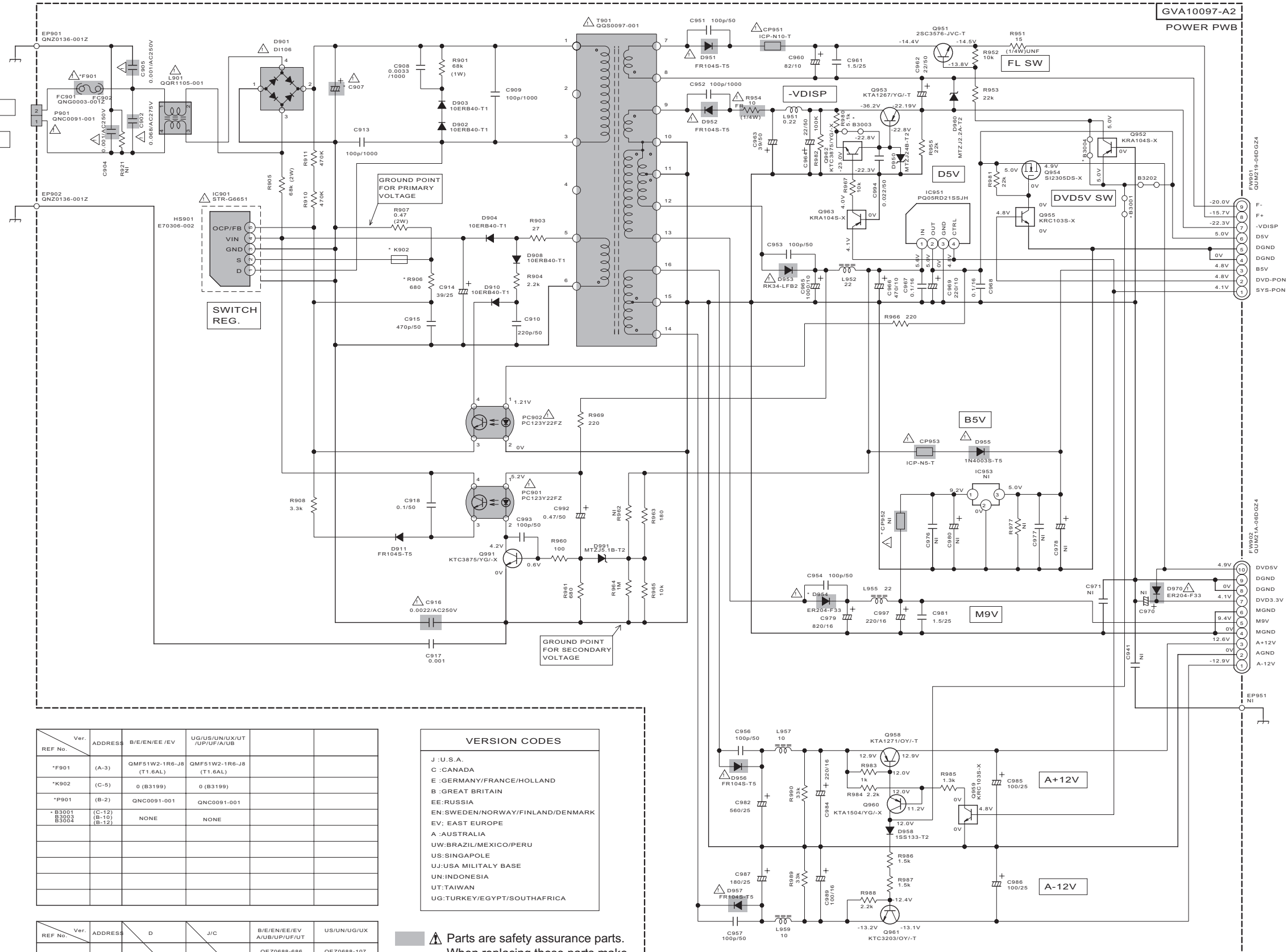


Standard schematic diagrams

<Main body section>

■ Power supply section

- Ver.B/E/EN/EE/EE
- 230V 50Hz
- Ver.US/UN/UG/UX
- 110-240V 50/60Hz
- Ver.A
- 240V 50Hz
- Ver.UF/UB
- 220V 50Hz
- Ver.UP/UT
- 220V 60Hz



Ver.	ADDRESS	B/E/EN/EE/ EV	UG/US/UN/UX/UT /UP/UF/UA/UB
*F901	(A-3)	QMF51W2-1R6-J8 (T1.6AL)	QMF51W2-1R6-J8 (T1.6AL)
*K902	(C-5)	0 (B3199)	0 (B3199)
*P901	(B-2)	QNC0091-001	QNC0091-001
*B3001 B3002 B3004	(C-12) (B-10) (B-12)	NONE	NONE

VERSION CODES	
J	: U.S.A.
C	: CANADA
E	: GERMANY/FRANCE/HOLLAND
B	: GREAT BRITAIN
EE	: RUSSIA
EN	: SWEDEN/NORWAY/FINLAND/DENMARK
EV	: EAST EUROPE
A	: AUSTRALIA
UW	: BRAZIL/MEXICO/PERU
US	: SINGAPOLE
UJ	: USA MILITARY BASE
UN	: INDONESIA
UT	: TAIWAN
UG	: TURKEY/EGYPT/SOUTHAFRICA

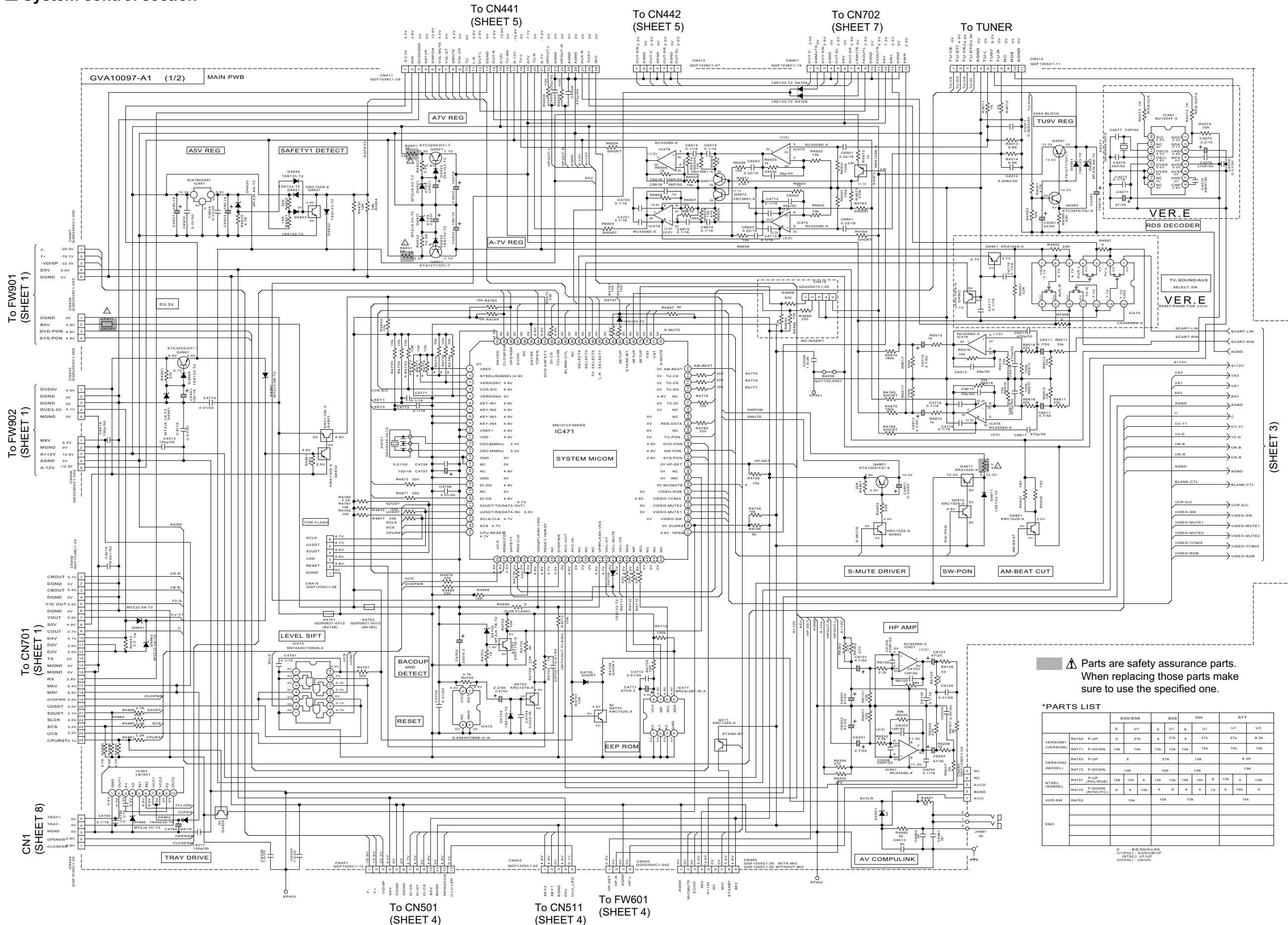
REF No.	Ver.	ADDRESS	D	J/C	B/E/EN/EE/ EV A/UB/UP/UF/UT	US/UN/UG/UX
*C907	(B-5)	(100/200)	(120/200)		QE20688-686 (68/400)	QE20688-107 (100/400)
*D954	(F-9)	FR104S-T5		FR104S-T5	FR104S-T5	FR104S-T5

▲ Parts are safety assurance parts. When replacing those parts make sure to use the specified one.

TO CN406, CN407 (SHEET 2)

TO CN404, CN405 (SHEET 2)

System control section



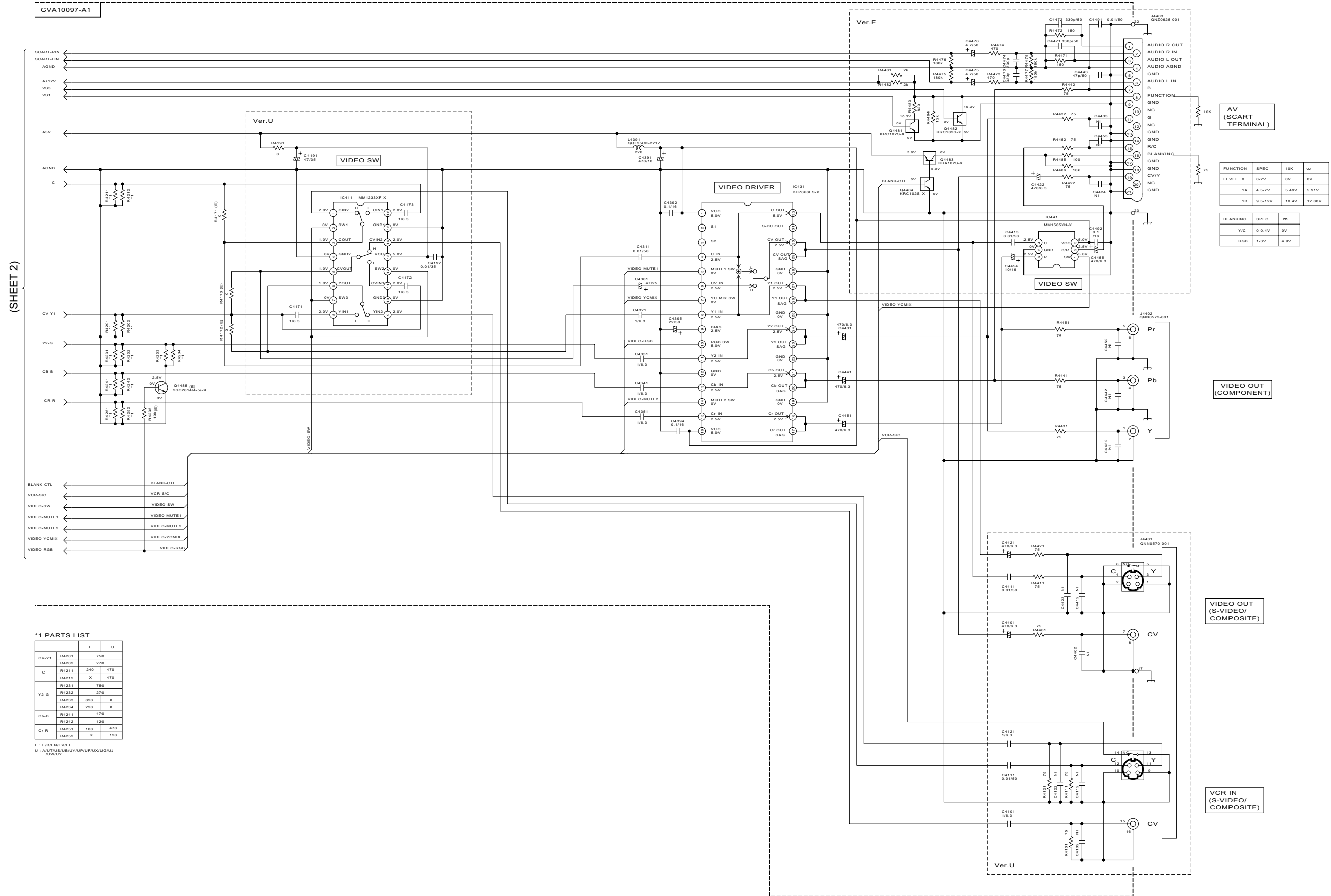
⚠ Parts are safety assurance parts. When replacing those parts make sure to use the specified one.

***PARTS LIST**

VERSION1 (VERSION)	PARTS	S55/S58		S58		S66		S77	
		E	U1	E	U1	E	U1	U1	U3
VERSION1 (VERSION)	R4752 P-UP	X	27k	X	27k	X	27k	27k	8.2k
VERSION2 (MODEL)	R4771 P-DOWN	10k	10k	10k	10k	10k	10k	10k	10k
VERSION2 (MODEL)	R4753 P-UP	X	27k			10k		8.2k	
VERSION2 (MODEL)	R4773 P-DOWN	10k	10k	10k	10k	10k	10k	10k	10k
NTSEL /RGRSEL	R4751 P-UP (PAL/RGB)	10k	10k	X	10k	10k	X	10k	X
NTSEL /RGRSEL	R4774 P-DOWN (NTSC/PC)	X	X	10k	X	X	X	10	X
VCR-SW	R4755	10k	10k	10k	10k			10k	
EMC									

E: REFERENCE VALUE
 U1(PAL): AUSEL/UP
 U1(PC): UTUP
 U3(PAL): UAXUS

Video input / output section



(SHEET 2)

*1 PARTS LIST

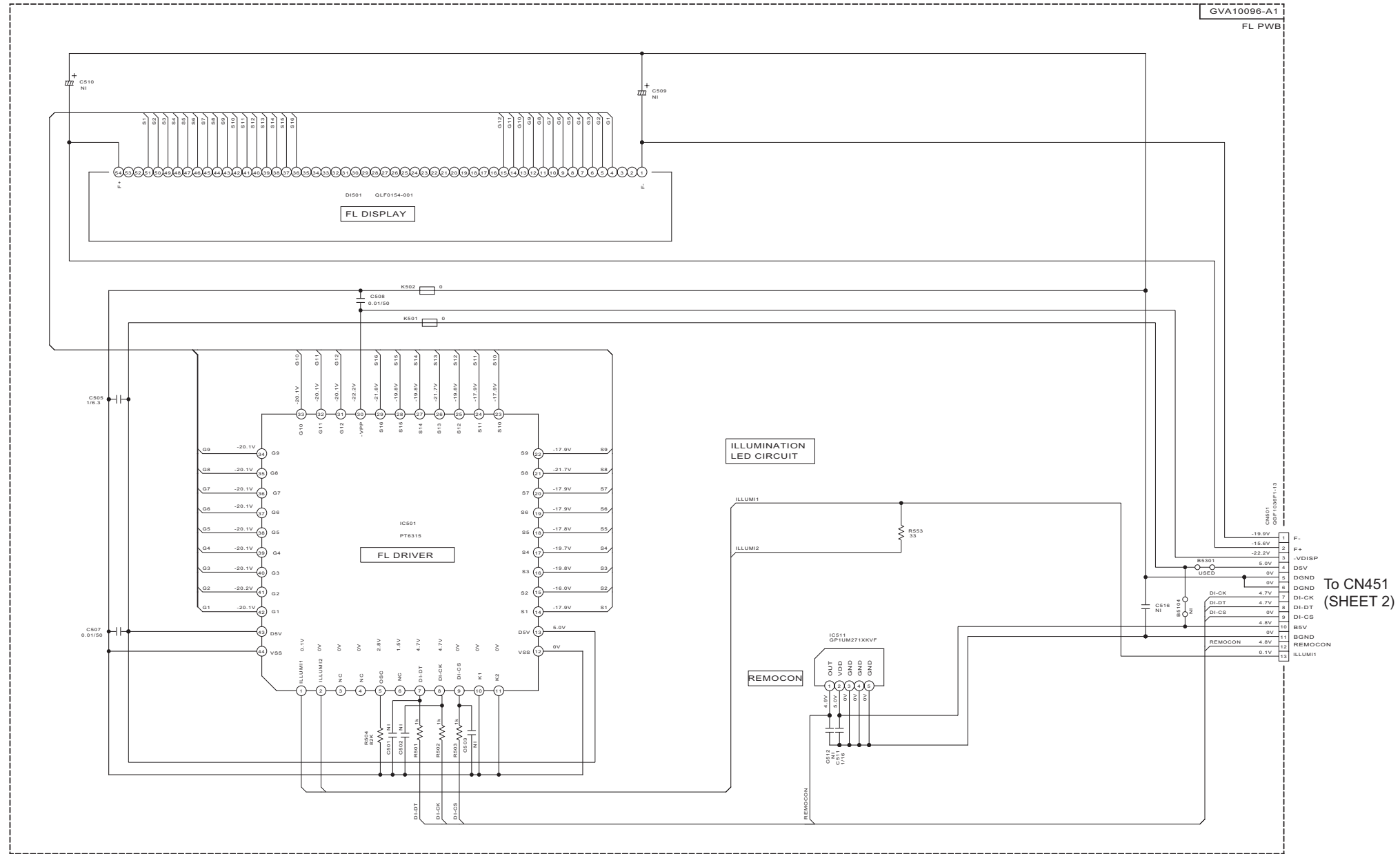
		E	U
CV-Y1	R4201	750	
	R4202	270	
C	R4211	240	470
	R4212	X	470
	R4231	750	
Y2-G	R4232	270	
	R4233	820	X
	R4234	220	X
Cb-B	R4241	470	
	R4242	120	
Cr-R	R4251	100	470
	R4252	X	120

E : E/B/EN/VE/E
U : A/UT/US/UB/UY/UP/UF/UX/UG/UJ
/UW/U

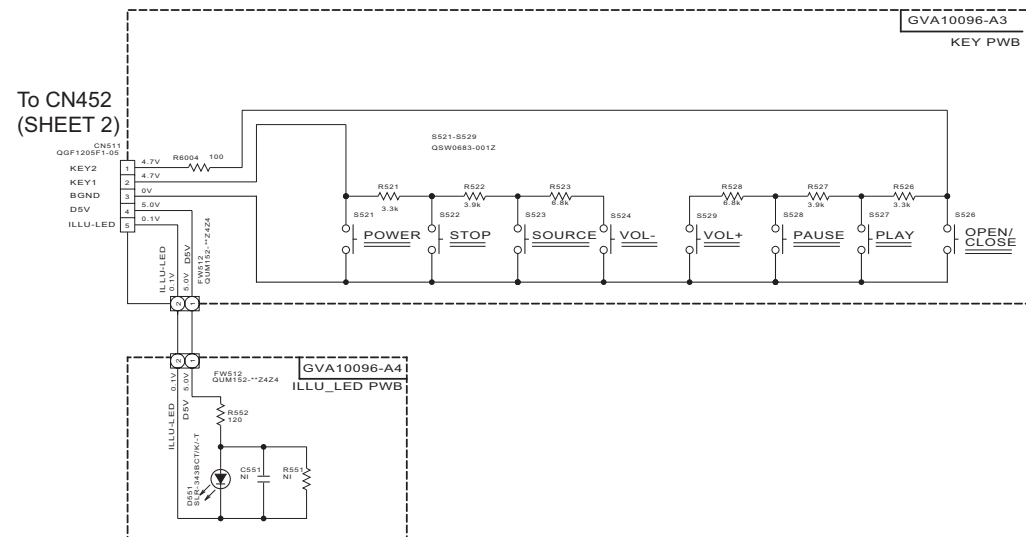
FUNCTION	SPEC	10k	∞
LEVEL 0	0-2V	0V	0V
1A	4.5-7V	5.49V	5.91V
1B	9.5-12V	10.4V	12.08V

BLANKING	SPEC	∞
Y/C	0.0-4V	0V
RGB	1-3V	4.9V

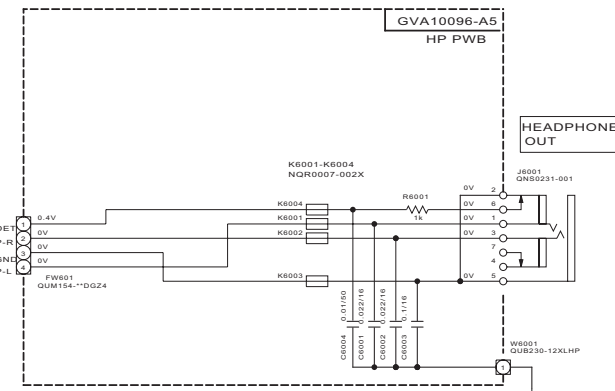
FL display section



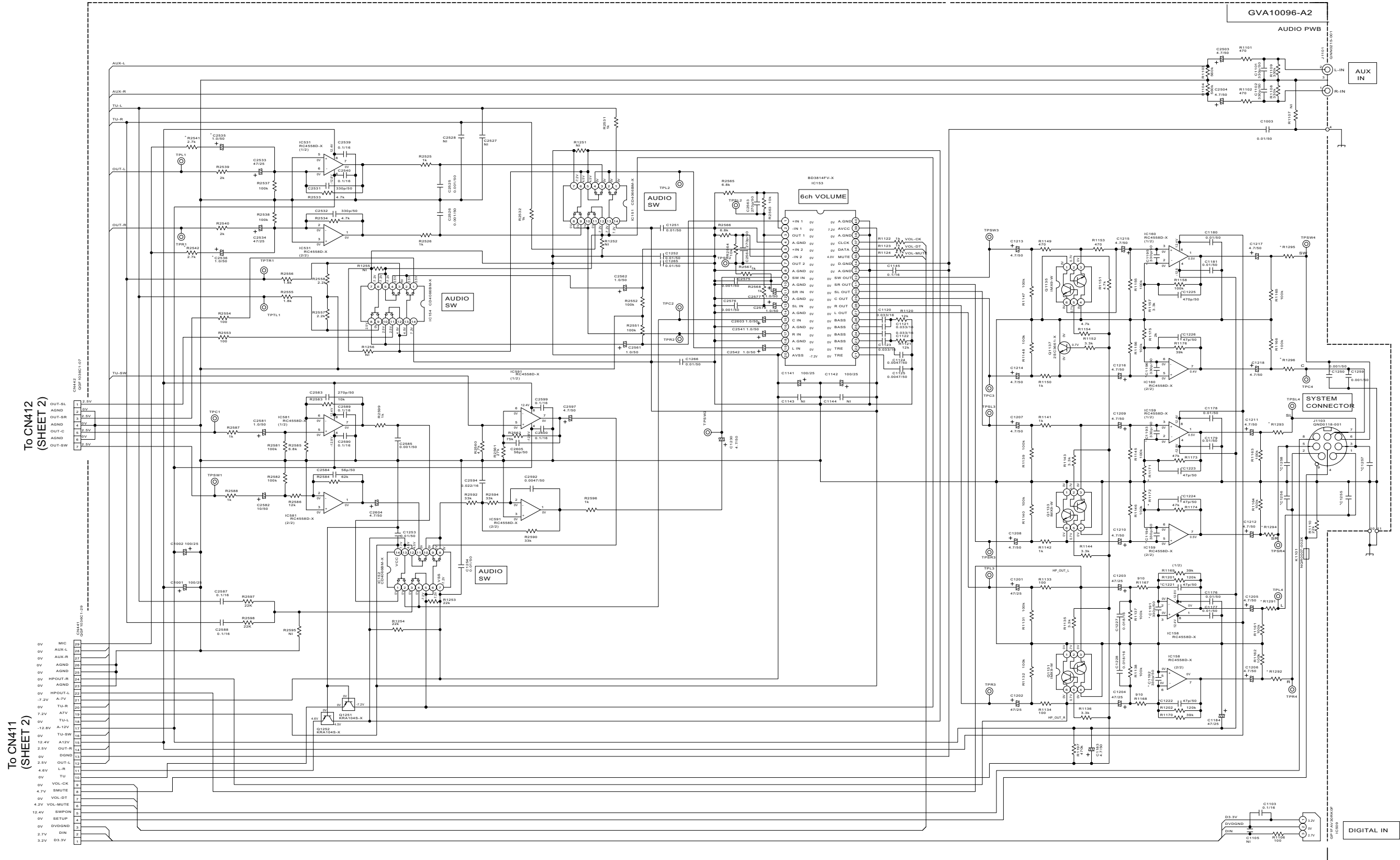
To CN451
(SHEET 2)



To CN420
(SHEET 2)



Audio signal input / output section



To CN412
(SHEET 2)

To CN411
(SHEET 2)

*PART LIST FOR MIC LINE

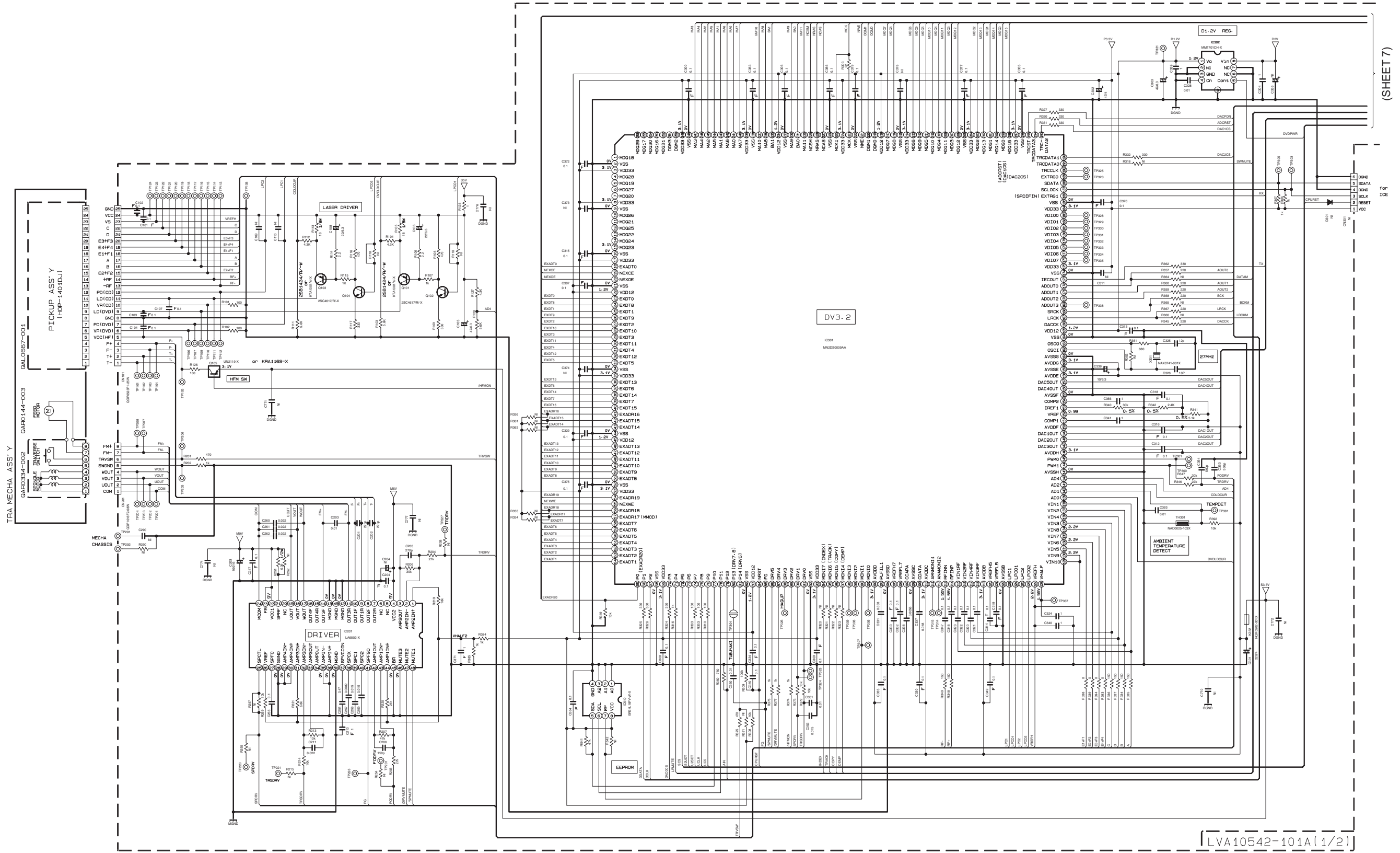
MODEL	REF. NO.	R2541 R2542	C2535 C2536
XV-THS55/S57/S58/S66		NI	NI
XV-THS77		2.7K	1.0/50

*PART LIST FOR GAIN CONTROL

MODEL	REF. NO.	R1171 R1172
XV-THS55/S57		1.5k
XV-THS58/S66/S77		2.4k

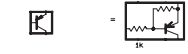
*PART LIST FOR EMC COUNTERMEASURE

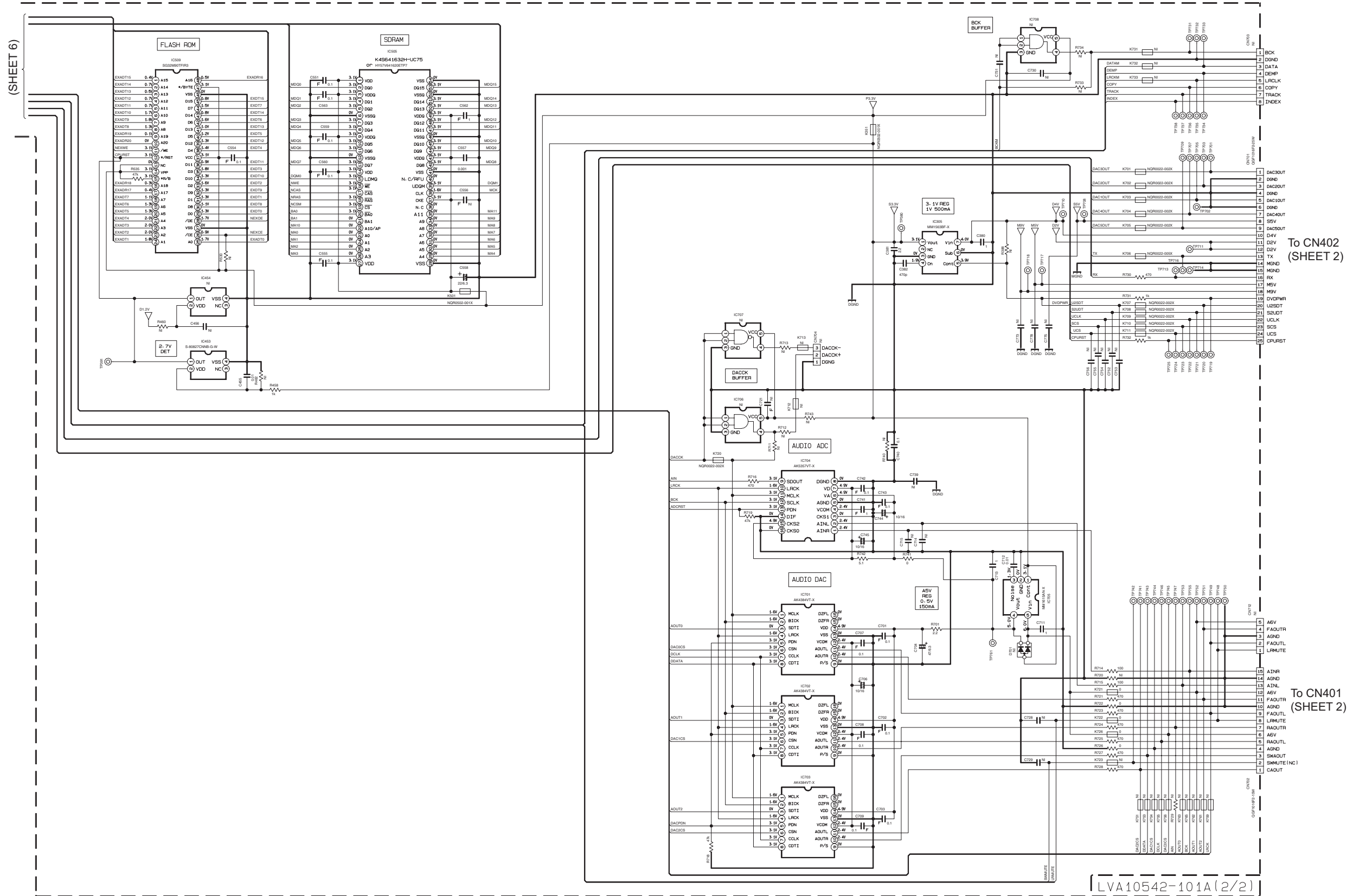
REF. NO.	VERSION	B/E/EN/VE/EE/UP	A/U/US/UX/UN/UG/UB/UF
C1191 - 1196		330p/50	NI
C1221 - 1224, C1226		NI	47p/50
C1225		NI	470p/50
C1255 - 1258		0.001/50	100p/50
C1259, C1250		0.001/50	NI
R1291 - 1296		100	SHORT CIRCUIT



(SHEET 7)

- NOTES
1. VOLTAGES ARE DC-MEASURED WITH A DIGITAL VOLT METER WITHOUT INPUT SIGNAL. CONDITION — DVD STOP mode.
 2. UNLESS OTHERWISE SPECIFIED:
ALL RESISTORS ARE 1/16W ±5% METAL GLAZE RESISTOR, OR 0.5X METAL GLAZE RESISTOR.
ALL CAPACITORS ARE 50V, 25V, 16V, 10V OR 6.3V CERAMIC CAPACITOR.
ALL RESISTANCE VALUES ARE IN OHM(Ω).
ALL CAPACITANCE VALUES ARE IN PICO(F)P.
ALL E-CAPACITORS ARE SHOWN IN THE FORM OF CAPACITANCE(μF)/RATED VOLTAGE (V).
ALL INDUCTANCE VALUES ARE IN μH(μH).
 3. NI STANDS FOR NOT INSERTED PARTS.
 4. DIGITAL TRANSISTOR





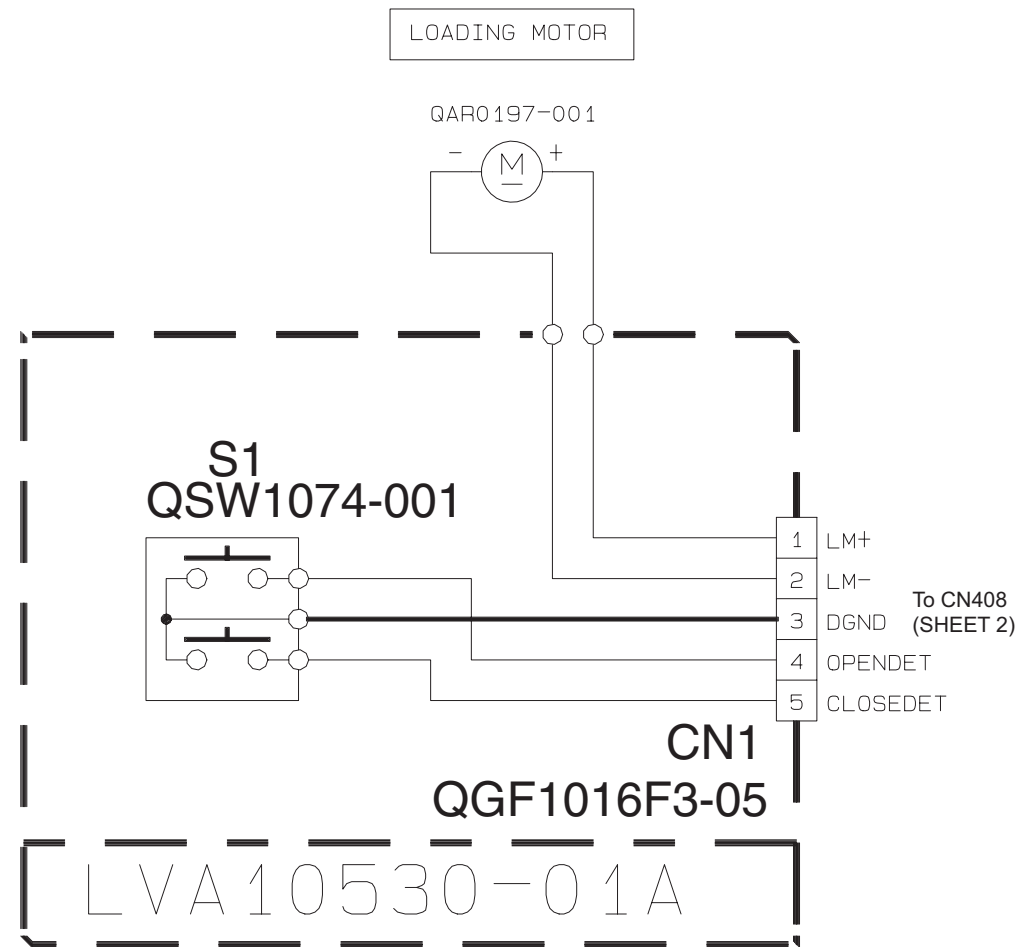
NOTES

1. VOLTAGES ARE DC-MEASURED WITH A DIGITAL VOLT METER WITHOUT INPUT SIGNAL. CONDITION ---- DVD STOP mode.
2. UNLESS OTHERWISE SPECIFIED:
ALL RESISTORS ARE 1/16W ±5% METAL GLAZE RESISTOR OR 0.5X METAL GLAZE RESISTOR.
ALL CAPACITORS ARE 50V · 25V · 16V · 10V OR 6.3V CERAMIC CAPACITOR.
ALL RESISTANCE VALUES ARE IN Ω(k)(g).
ALL CAPACITANCE VALUES ARE IN μF(p)(pF).
ALL E-CAPACITORS ARE SHOWN IN THE FORM OF CAPACITANCE(μF)/RATED VOLTAGE (V).
ALL INDUCTANCE VALUES ARE IN μH(m)(mH).
3. NI STANDS FOR NOT INSERTED PARTS.

LVA10542-101A(2/2)

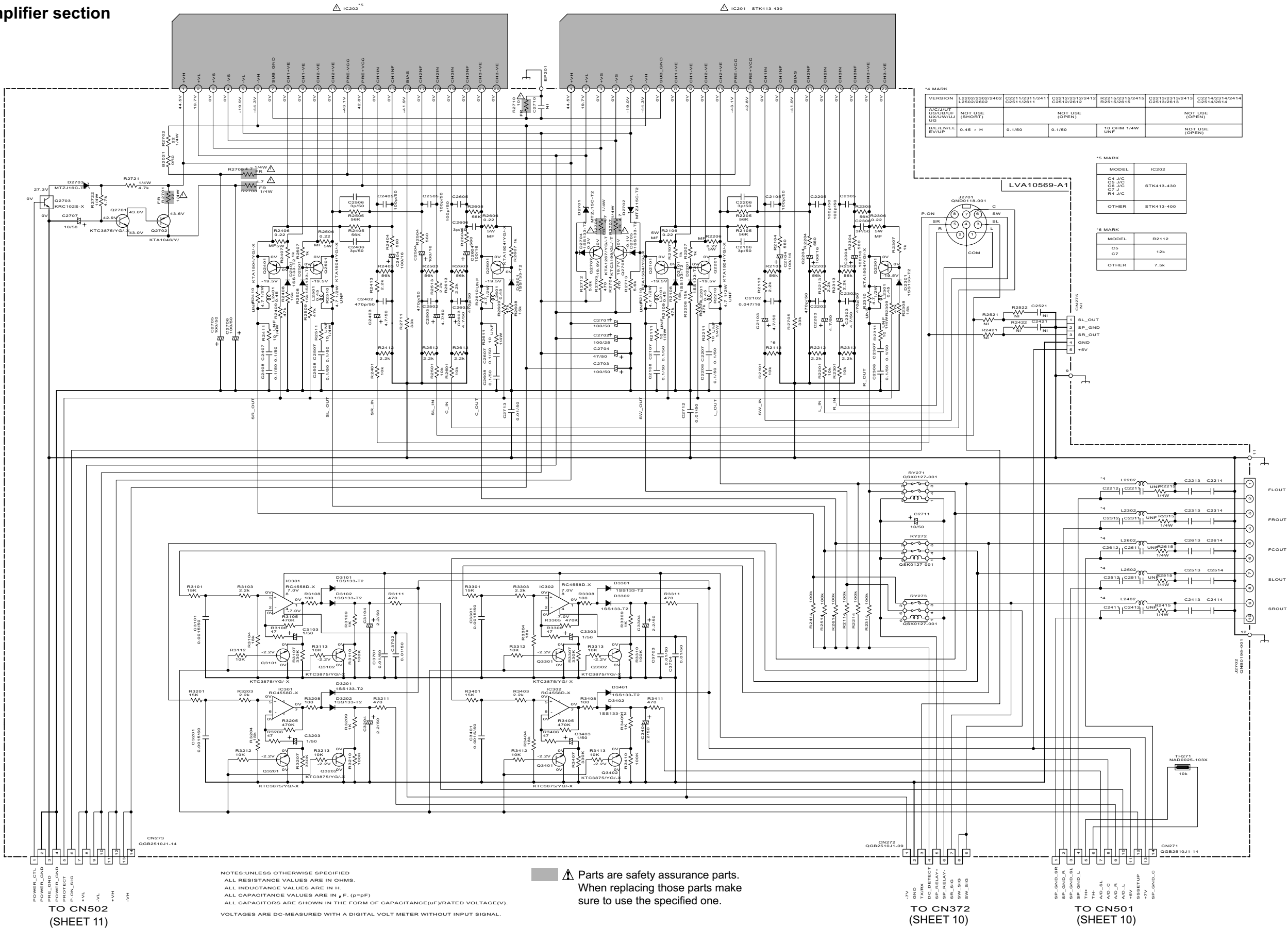
■ DVD loading section

< MEMO >



<Subwoofer section>

■ Amplifier section



VERSION	L2202/2302/2402 L2302/2302	C2211/2311/2411 C2311/2311	C2212/2312/2412 C2312/2312	R2215/2315/2415 R2315/2315	C2213/2313/2413 C2313/2313	C2214/2314/2414 C2314/2314
APC/JUD UC/UN/UF UC/UN/UF UC/UN/UF	NOT USE (SHORT)	NOT USE (OPEN)	NOT USE (OPEN)	NOT USE (OPEN)	NOT USE (OPEN)	NOT USE (OPEN)
R/E/NE/E EV/UP	0.45 x H	0.1/50	0.1/50	10 OHM 1/4W UNF	NOT USE (OPEN)	NOT USE (OPEN)

*5 MARK	
MODEL	IC202
C4 JIC C5 JIC D3 JIC R4 JIC	STK413-430
OTHER	STK413-400

*6 MARK	
MODEL	R2112
C5	12k
C7	7.5k
OTHER	

NOTES-UNLESS OTHERWISE SPECIFIED
 ALL RESISTANCE VALUES ARE IN OHMS.
 ALL INDUCTANCE VALUES ARE IN H.
 ALL CAPACITANCE VALUES ARE IN F. (P=PF)
 ALL CAPACITORS ARE SHOWN IN THE FORM OF CAPACITANCE(UF)/RATED VOLTAGE(V).
 VOLTAGES ARE DC-MEASURED WITH A DIGITAL VOLT METER WITHOUT INPUT SIGNAL.

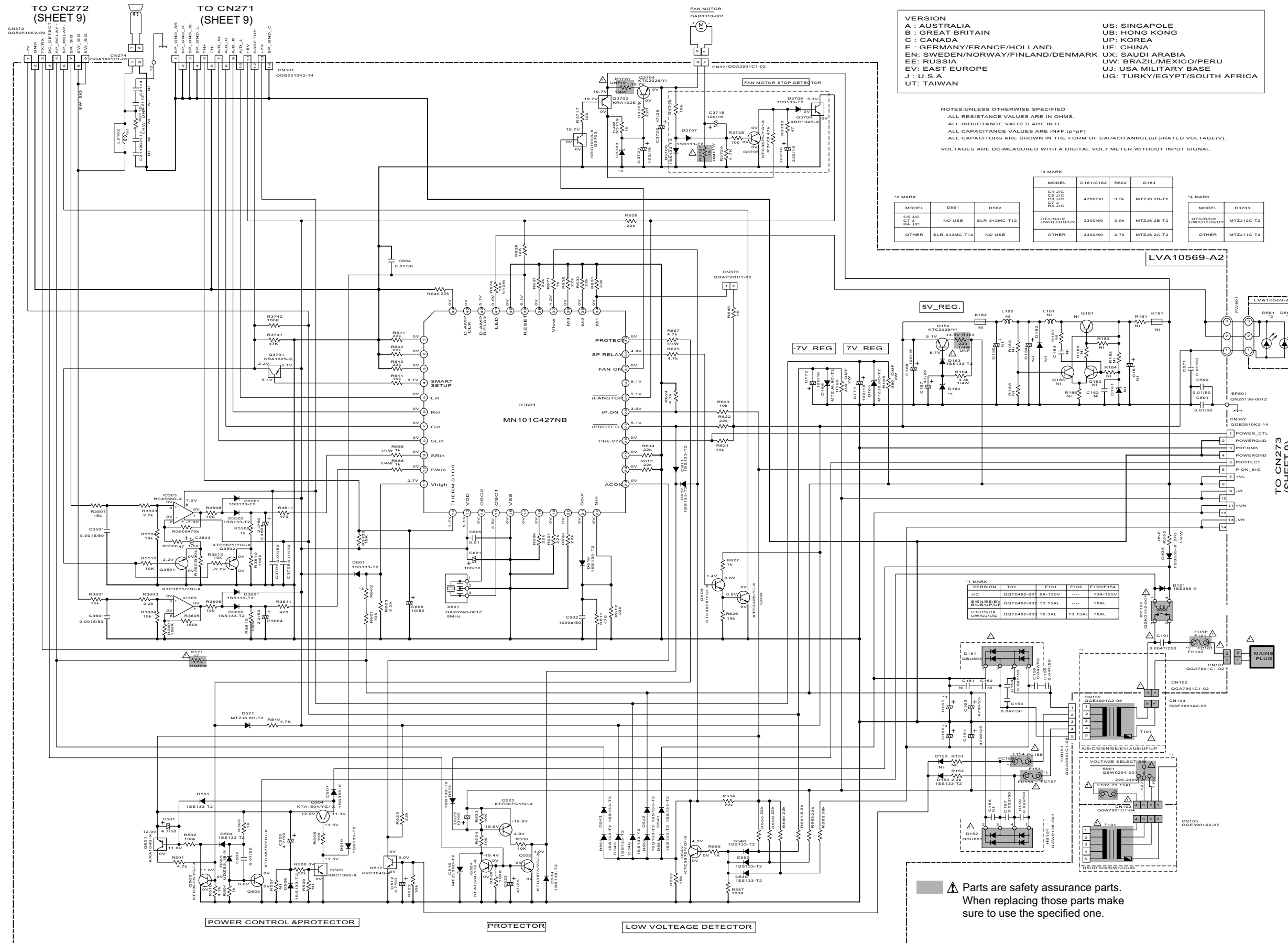
⚠ Parts are safety assurance parts.
 When replacing those parts make
 sure to use the specified one.

TO CN502
 (SHEET 11)

TO CN372
 (SHEET 10)

TO CN501
 (SHEET 10)

■ Mother section



VERSION
 A : AUSTRALIA
 B : GREAT BRITAIN
 C : CANADA
 E : GERMANY/FRANCE/HOLLAND
 EE: SWEDEN/NORWAY/FINLAND/DENMARK
 EV: EAST EUROPE
 J : U.S.A
 UT: TAIWAN

US: SINGAPOLE
 UB: HONG KONG
 UP: KOREA
 UF: CHINA
 UX: SAUDI ARABIA
 UW: BRAZIL/MEXICO/PERU
 UJ: USA MILITARY BASE
 UG: TURKEY/EGYPT/SOUTH AFRICA

NOTES: UNLESS OTHERWISE SPECIFIED
 ALL RESISTANCE VALUES ARE IN OHMS.
 ALL INDUCTANCE VALUES ARE IN H.
 ALL CAPACITANCE VALUES ARE IN nF (p.p.F)
 ALL CAPACITORS ARE SHOWN IN THE FORM OF CAPACITANCE(uF)/RATED VOLTAGE(V).
 VOLTAGES ARE DC-MEASURED WITH A DIGITAL VOLT METER WITHOUT INPUT SIGNAL.

*3 MARK

MODEL	C161/C162	R602	D184
C4 J/C			
C5 J/C	4700/50	3.3k	MTZJ6.2B-T2
R4 J/C			
UT/UB/UX	3300/50	3.9k	MTZJ6.2B-T2
UW/UJ/UG/UY			
OTHER	3300/50	2.7k	MTZJ11C-T2

*4 MARK

MODEL	D3703
UT/UB/UX	MTZJ12C-T2
UW/UJ/UG/UY	
OTHER	MTZJ11C-T2

*1 MARK

VERSION	T01	F101	F102	F153/F154
J/C	QGT0482-00	8A-125V	---	10A-125V
E/E/E/E/V	QGT0482-002	T3-15AL	---	T8AL
UT/UB/UX	QGT0482-003	T8-3AL	T5-15AL	T8AL
UW/UJ/UG				

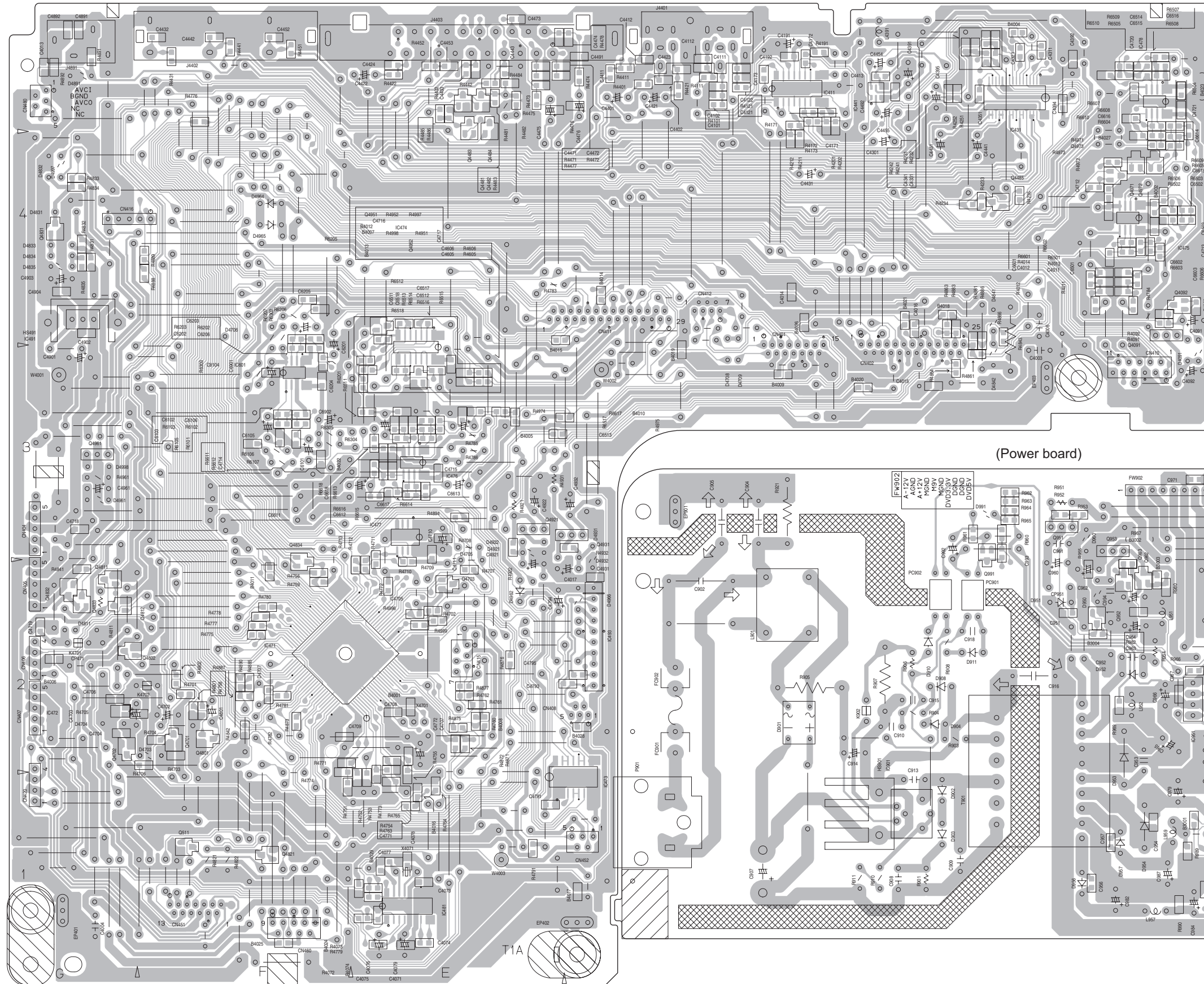
▲ Parts are safety assurance parts.
 When replacing those parts make sure to use the specified one.

Printed circuit boards

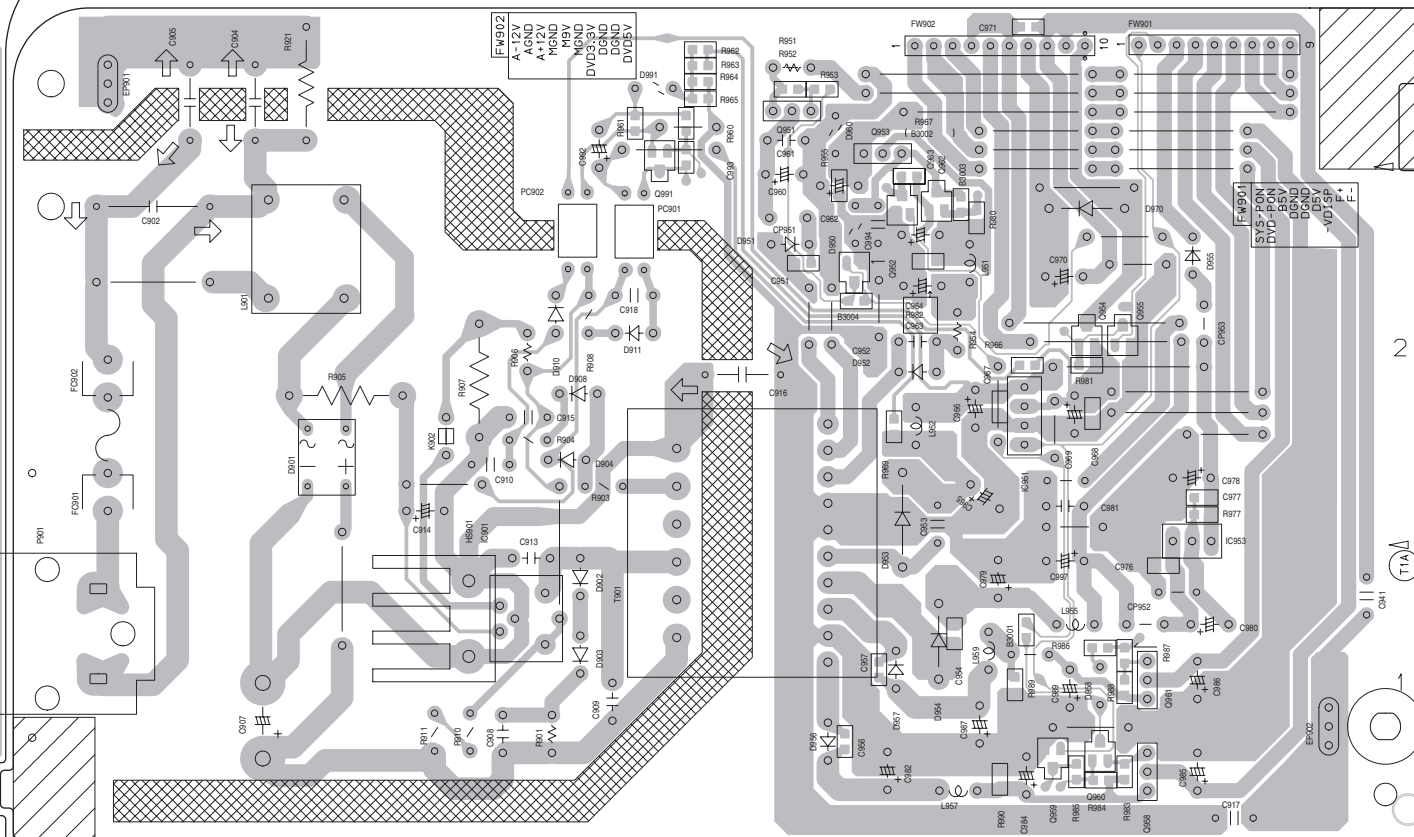
<Main section>

■ Main board

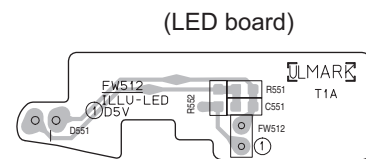
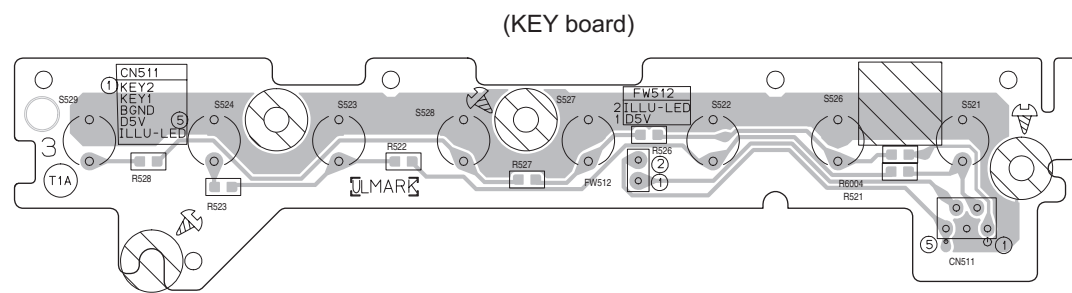
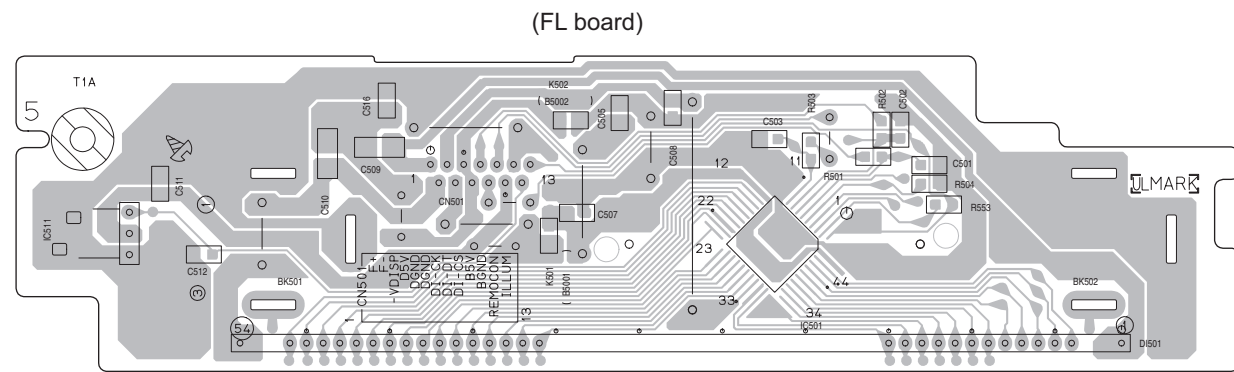
(Main board)



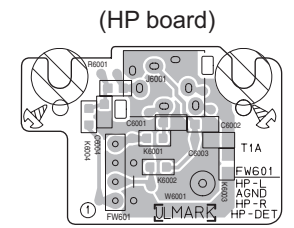
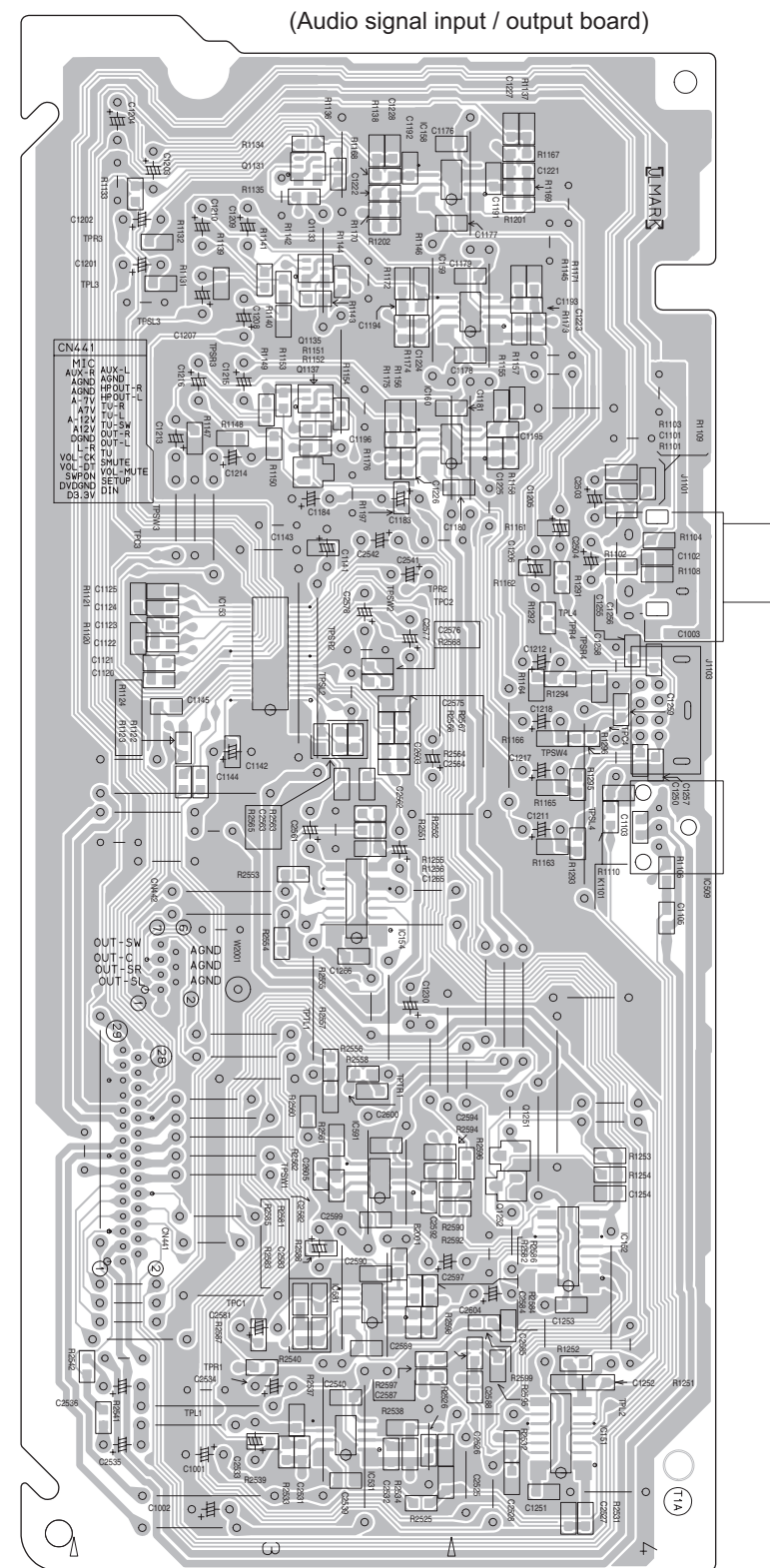
(Power board)



■ FL board

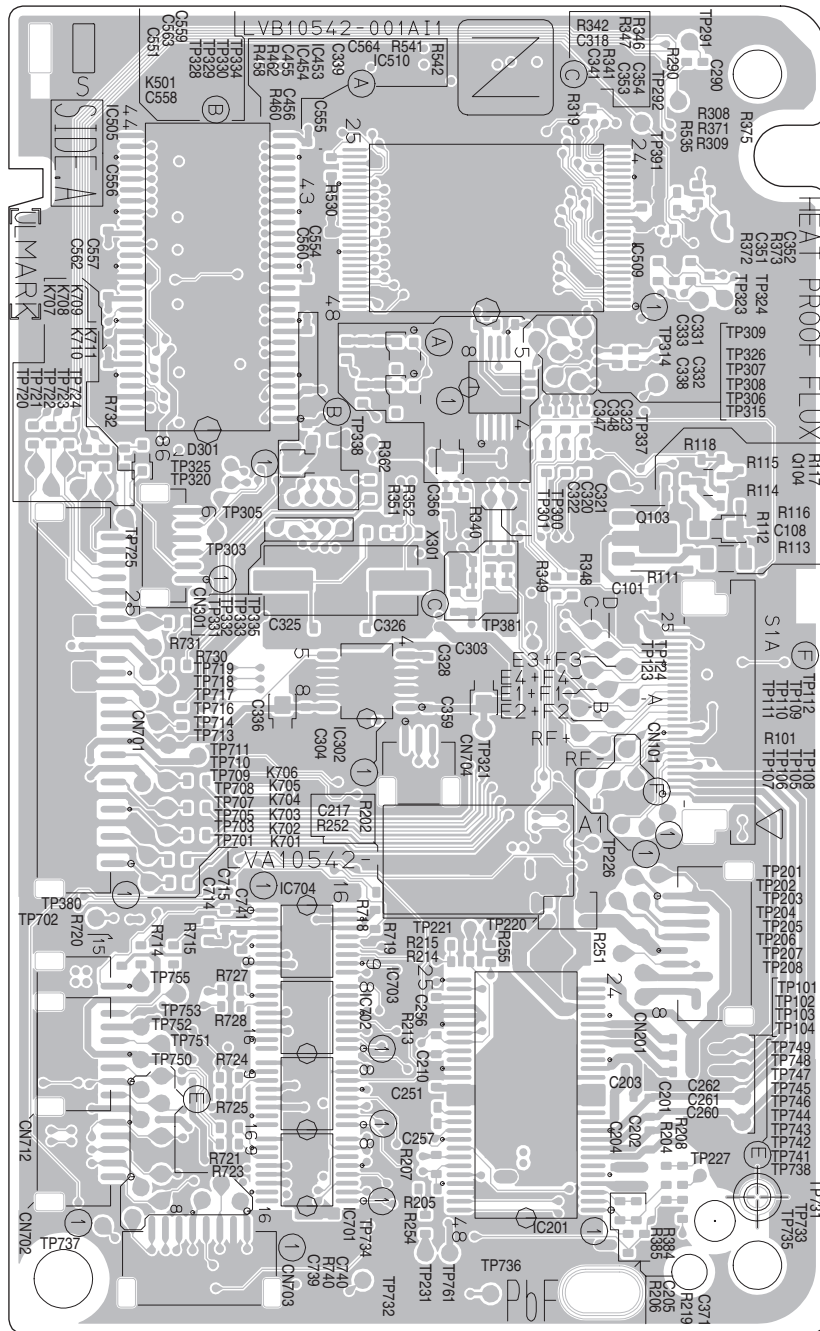


■ Audio board

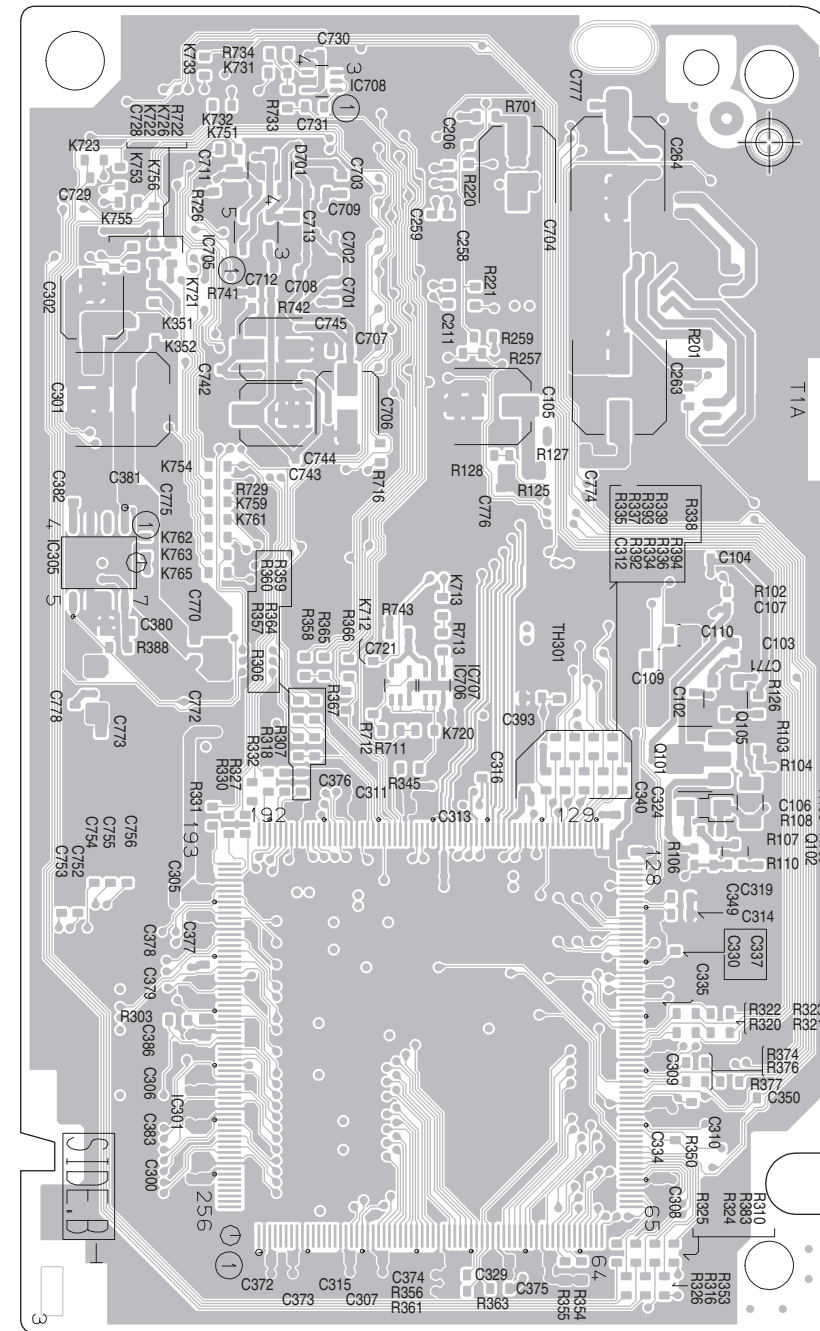


■ DVD servo board

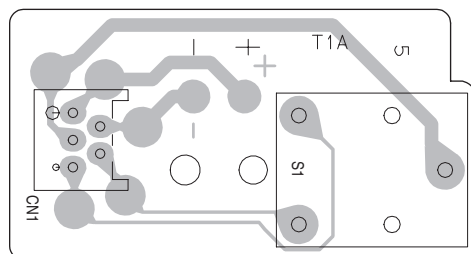
Forward side



Reverse side



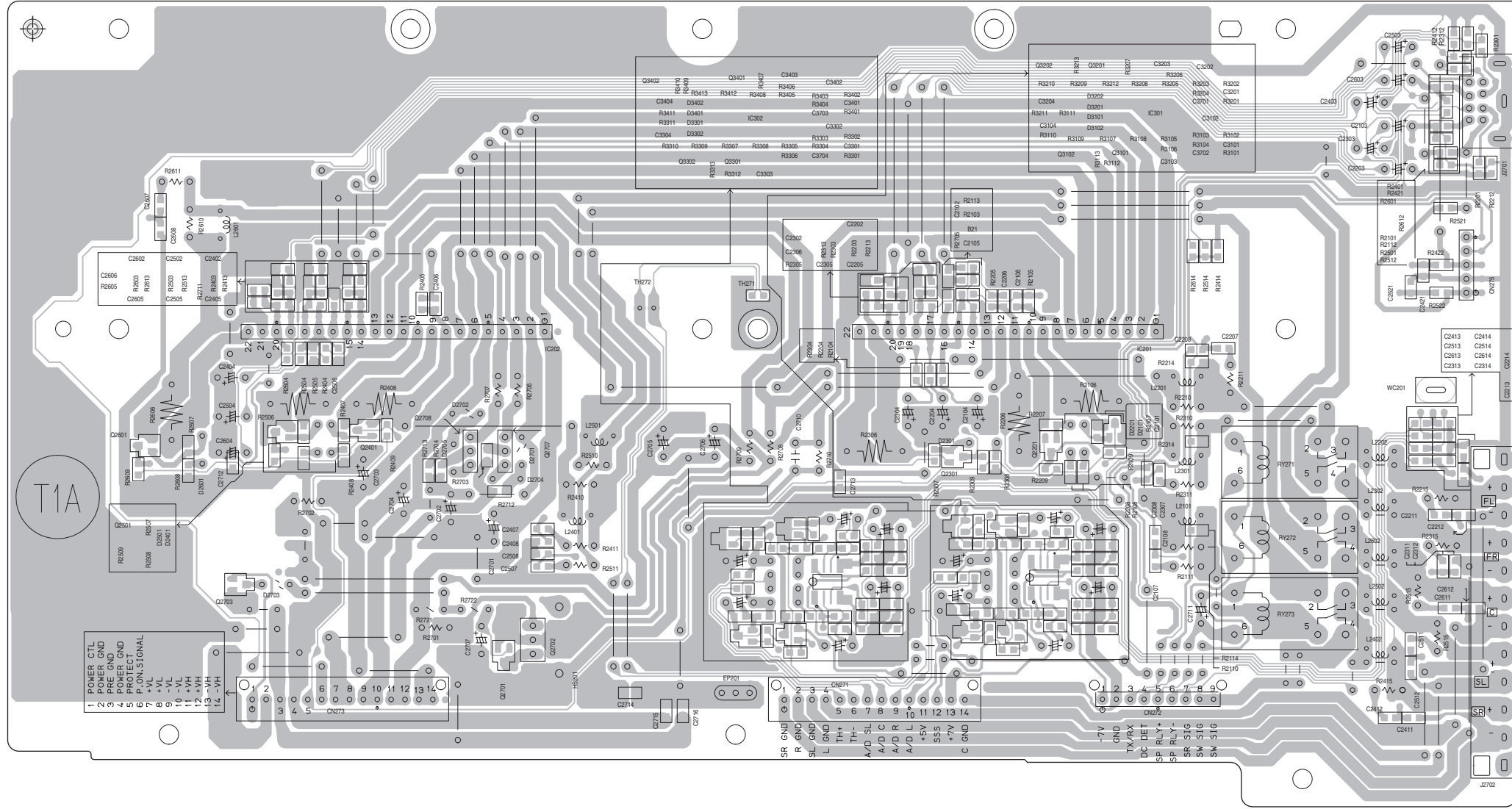
■ DVD loading board



<Subwoofer section>

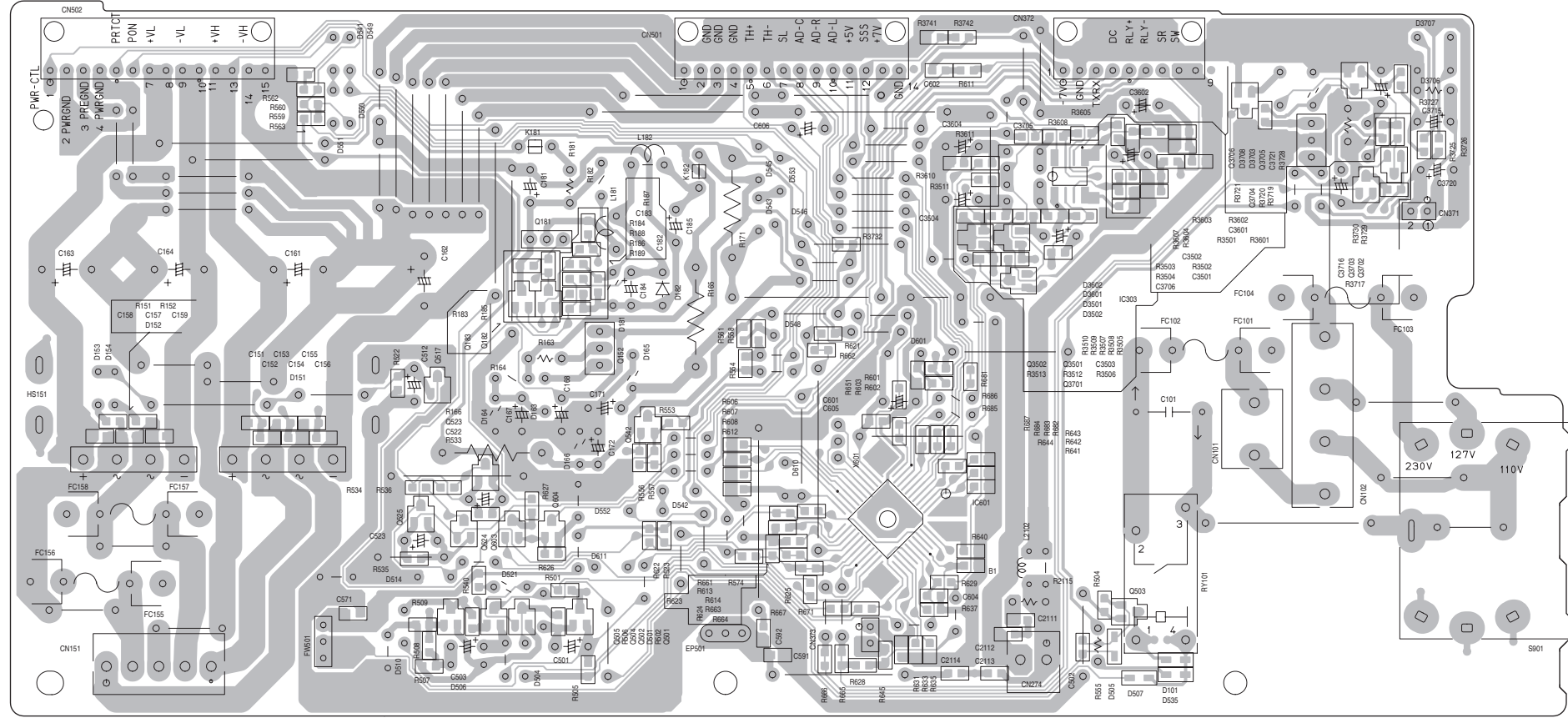
■ Amp board

(Amp board)

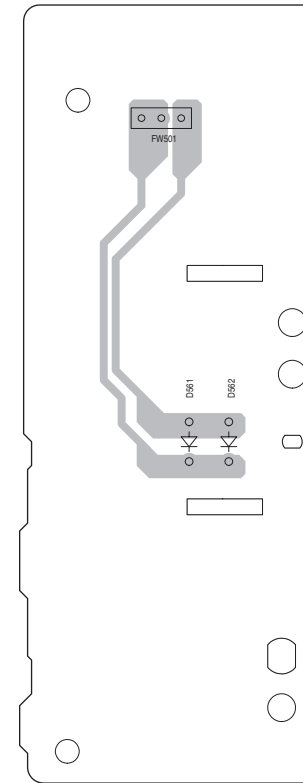


■ Mother board

(Mother board)



(LED board)



< MEMO >

JVC

Victor Company of Japan, Limited

AV & MULTIMEDIA COMPANY AUDIO/VIDEO SYSTEMS CATEGORY 10-1, 1chome, Ohwatari-machi, Maebashi-city, 371-8543, Japan

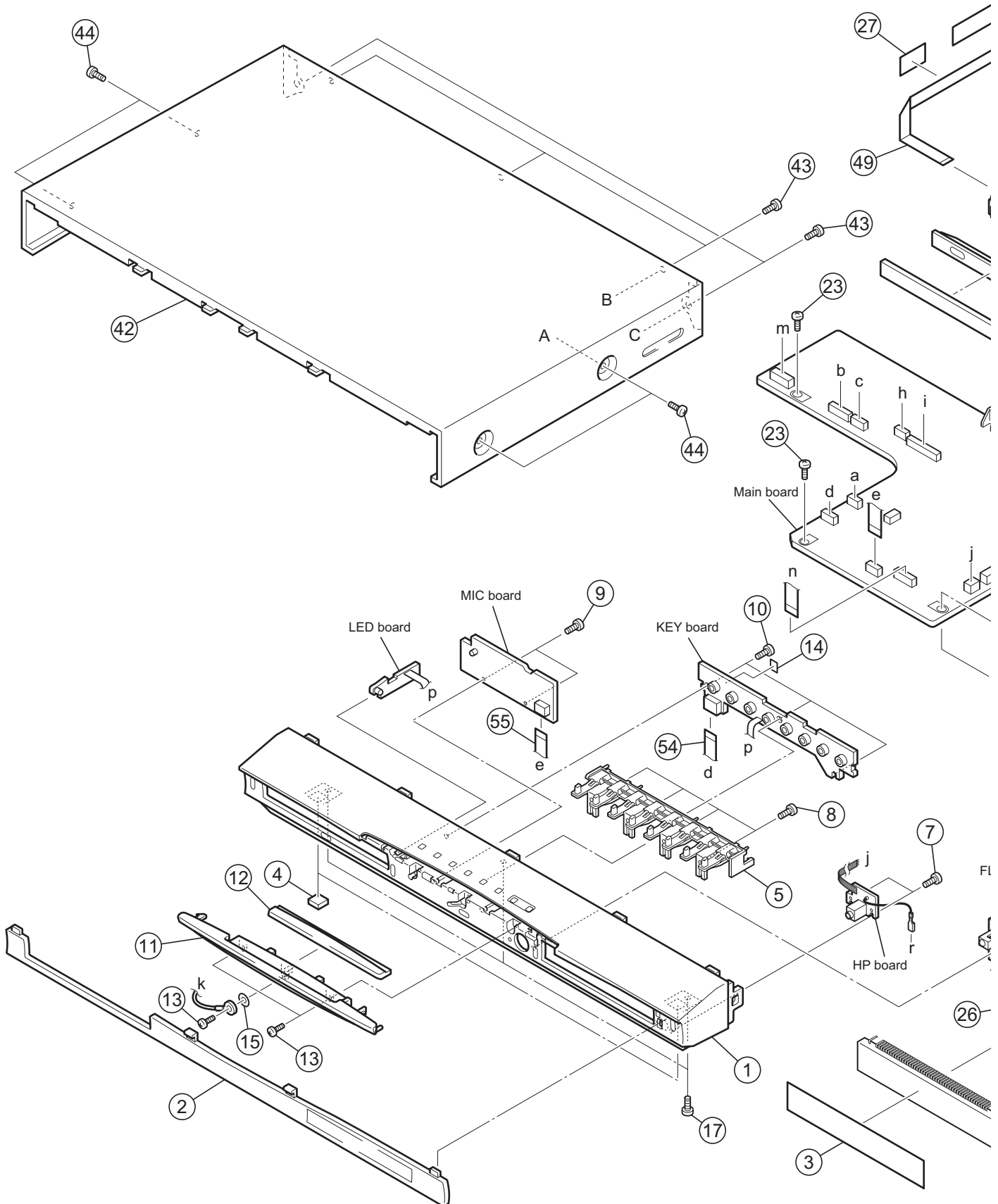
(No.MB365SCH)

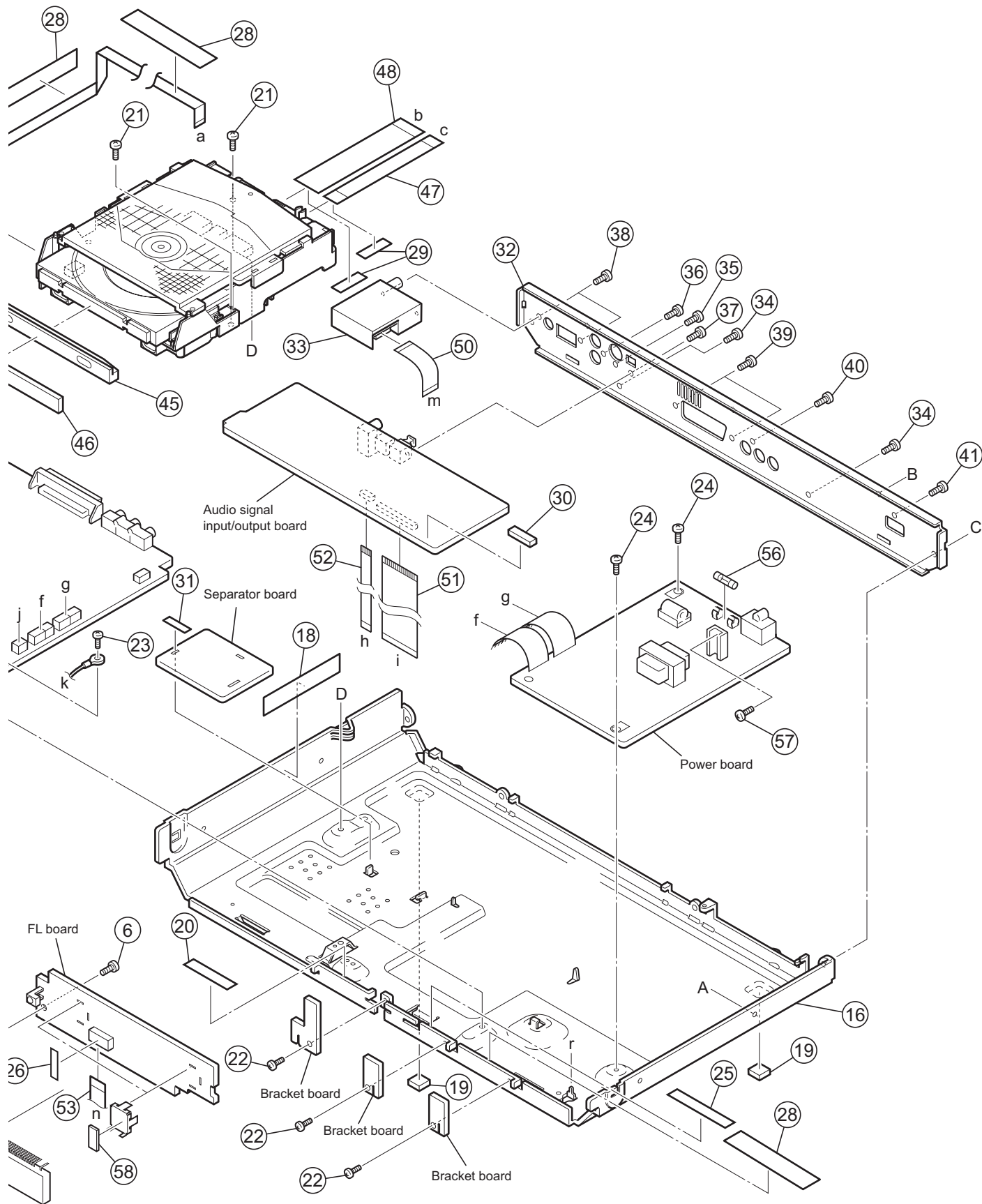


Printed in Japan
VPT

Exploded view of general assembly and parts list

Block No. M 1 M M





General Assembly

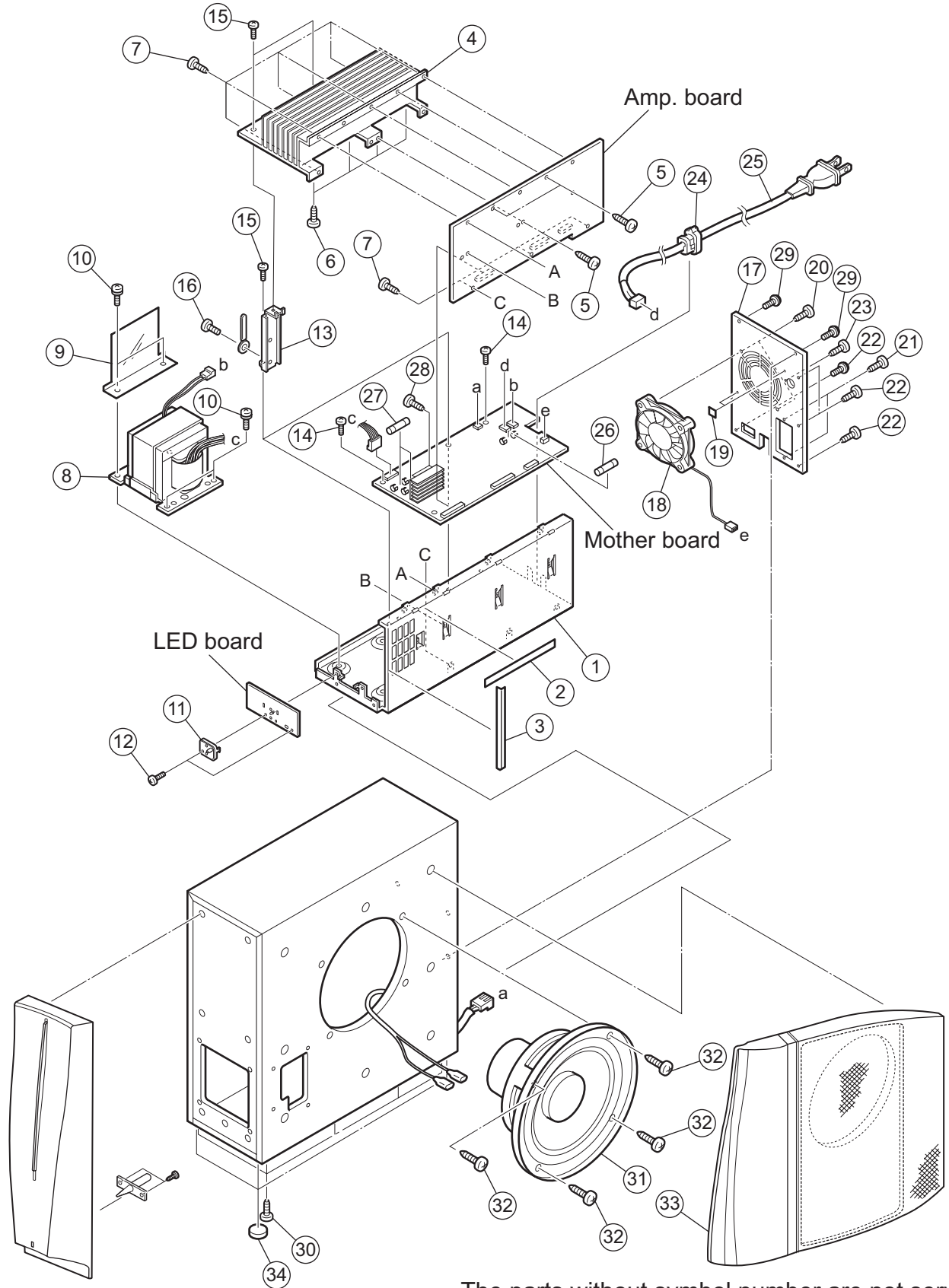
Block No. [M][1][M][M]

△	Symbol No.	Part No.	Part Name	Description	Local
	1	GV10256-001A	FRONT PANEL		
	2	GV20351-001A	PANEL LENS		
	3	GV40592-001A	FL FILTER		
	4	LV40301-002A	FELT SPACER	(x2)	
	5	GV10266-001A	CONTROL BUTTON		
	6	QYSDSF2608ZA	TAP SCREW	M2.6 x 8mm	
	7	QYSDSF2608ZA	TAP SCREW	M2.6 x 8mm(x2)	
	8	QYSDSF2608ZA	TAP SCREW	M2.6 x 8mm(x4)	
	9	QYSDSF2608ZA	TAP SCREW	M2.6 x 8mm(x2)	
	10	QYSDSF2608ZA	TAP SCREW	M2.6 x 8mm(x3)	
	11	GV30709-001A	ORNAMENT		
	12	GV30708-001A	LIGHT LENS		
	13	QYSDSF2608ZA	TAP SCREW	M2.6 x 8mm(x3)	
	14	E3400-431	SPECER		
	15	QYWAS275703ZA	WASHER	5.7mm/2.7mm x 0.3mm	
	16	GV10258-001A	CHASSIS BASE		
	17	QYSBST3006ZA	TAP SCREW	M3 x 6mm(x3)	
	18	LV41843-002A	LASER CAUTION		
	19	LV40301-002A	FELT SPACER	(x2)	
	20	GV30349-025A	SPACER		
	21	QYSBST3006ZA	TAP SCREW	M3 x 6mm(x2)	
	22	QYSBST3006ZA	TAP SCREW	M3 x 6mm(x3)	
	23	QYSBST3006ZA	TAP SCREW	M3 x 6mm(x3)	
	24	QYSBST3006ZA	TAP SCREW	M3 x 6mm(x2)	
	25	LV30225-079A	SPACER		
	26	GV40121-005A	SPACER		
	27	LV30225-035A	SPACER		
	28	GV30349-032A	SPACER	(x3)	
	29	GV40121-005A	SPACER	(x2)	
	30	GV30349-055A	SPACER		
	31	GV40121-005A	SPACER		
	32	GV20345-002A	REAR PANEL		S55EE
	32	GV20345-001A	REAR PANEL		S55B,S55E,S55EE,S55EN,S55EV
	32	GV20345-008A	REAR PANEL		S66EE
	32	GV20345-007A	REAR PANEL		S66B,S66E,S66EN,S66EV
	33	QAU0278-003	TUNER		
	34	QYSBSGY3008EA	TAP SCREW	M3 x 8mm(x2)	
	35	QYSBST3006EA	TAP SCREW	M3 x 6mm	
	36	QYSBSGY3008EA	TAP SCREW	M3 x 8mm	
	37	QYSBSGY3008EA	TAP SCREW	M3 x 8mm	
	38	QYSBSGY3008EA	TAP SCREW	M3 x 8mm(x2)	
	39	QYSBSGY3008EA	TAP SCREW	M3 x 8mm(x2)	
	40	QYSBSGY3008EA	TAP SCREW	M3 x 8mm	
	41	QYSBSGY3008EA	TAP SCREW	M3 x 8mm	
	42	GV10267-001A	METAL COVER		
	43	QYSBSGY3008EA	TAP SCREW	M3 x 8mm(x5)	
	44	E406308-007	SCREW	(x4)	
	45	GV30707-001A	FITTING BASE		
	46	GV40591-001A	FITTING LENS		S55B,S55E,S55EE,S55EN,S55EV
	46	GV40591-004A	FITTING LENS		S66B,S66E,S66EE,S66EN,S66EV
	47	QUQH10-1511AJ-E	FFC WIRE	FC 401 15pin 11cm	
	48	QUQH10-2511AJ-E	FFC WIRE	FC 402 25pin 11cm	
	49	QUQH10-0534BJ-E	FFC WIRE	FC 408 5pin 34cm	
	50	QUQH12-1111AJ-E	FFC WIRE	FC 410 11pin 11cm	
	51	QUQH10-2908AJ-E	FFC WIRE	FC 411 29pin 8cm	
	52	QUQH10-0708AJ-E	FFC WIRE	FC 412 7pin 8cm	
	53	QUQH10-1316AJ-E	FFC WIRE	FC 451 13pin 16cm	
	54	QUQH12-0508AJ-E	FFC WIRE	FC 452 5pin 8cm	
	55	QUQH12-0509AJ-E	FFC WIRE	FC 460 5pin 9cm	
	56	QMF51W2-1R6-J8	FUSE	F 901 1.6A AC250V	
	57	QYSBSF3008ZA	TAP SCREW	M3 x 8mm	
	58	GV30349-020A	FELT SPACER	(x2)	

Speaker assembly and parts list

Block No. **M 2 M M**

(Subwoofer)



The parts without symbol number are not service.

Speaker(Subwoofer)

Block No. [M][2][M][M]

△	Symbol No.	Part No.	Part Name	Description	Local
	1	LV10875-002A	CHASSIS BASE		
	2	LV30225-0T5A	SPACER		
	3	LV30225-0T6A	SPACER		
	4	LV10951-001A	HEAT SINK		
	5	QYSBSG3010EA	TAP SCREW	M3 x 10mm(x3)	
	6	QYSBSG3016EA	TAP SCREW	M3 x 16mm(x4)	
	7	QYSBSG3010EA	TAP SCREW	M3 x 10mm(x9)	
△	8	QQT0482-002	POWER TRANSF		
	9	LV44309-001A	BARRIER		
	10	QYSBSTL4008EA	TAP SCREW	M4 x 8mm(x4)	
	11	LV43692-002A	LED HOLDER		
	12	QYSBSG3010EA	TAP SCREW	M3 x 10mm(x2)	
	13	LV34712-001A	HEAT SINK BKT	(x2)	
	14	QYSBSG3010EA	TAP SCREW	M3 x 10mm(x2)	
	15	QYSBSG3010EA	TAP SCREW	M3 x 10mm(x4)	
	16	QYSBSG3006ZA	TAP SCREW	M3 x 6mm(x2)	
	17	LV21652-021A	REAR PANEL		
	18	QAR0318-001	FAN MOTOR		
	19	LV30225-0D5A	SPACER	(x2)	
	20	QYSBSGY3008MA	TAP SCREW	M3 x 8mm(x2)	
	21	QYSBSGY3008MA	TAP SCREW	M3 x 8mm(x2)	
	22	QYSBSGY3008MA	TAP SCREW	M3 x 8mm(x4)	
	23	QYSBST3006MA	TAP SCREW	M3 x 6mm	
△	24	QZW0033-001	STRAIN RELIEF		
△	25	QMPN150-200-JC	POWER CORD(EU)	2m BLACK	S55B,S66B
△	25	QMPK210-205-JN	POWER CORD(EU)	2.05m BLACK	S55E,S55EN,S55EV,S55EE,S66E,S66EN, S66EV,S66EE
△	26	QMF51W2-3R15-J8	FUSE	F101 3.15A AC250V	
△	27	QMFZ051-8R0-J8	FUSE	F153 F154 8A	
	28	QYSPSPD3008ZA	SCREW	M3 x 8mm(x2)	
	29	QYSDSA4016MA	TAP SCREW	M4 x 16mm(x2)	
	30	QYS DST4014MA	TAP SCREW	M4 x 14mm(x8)	
	31	LE10016-063A	CONE SPK		
	32	7001541606	TAPPING SCREW	(x4)	
	33	LV35760-001A	NET ASSY		
	34	9000007961	FOOT	(x4)	

DVD mechanism assembly and parts list

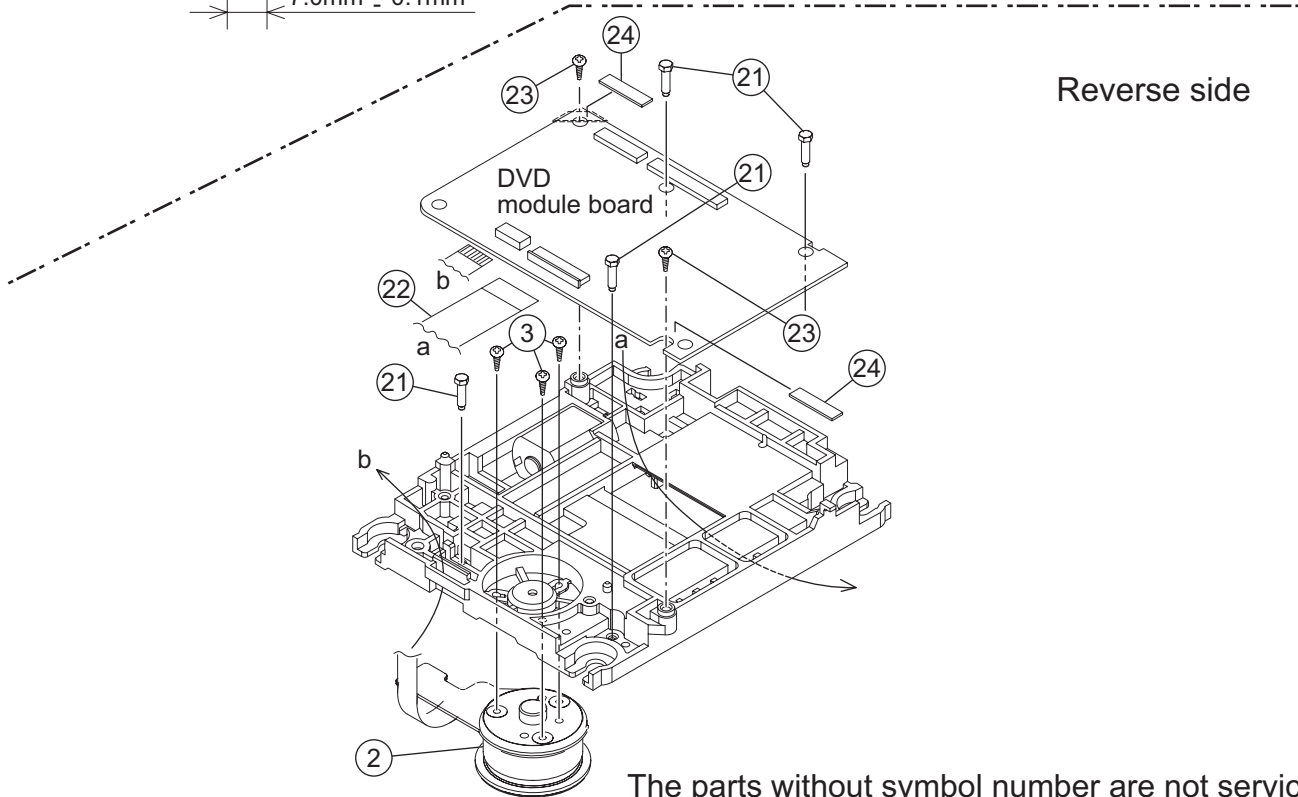
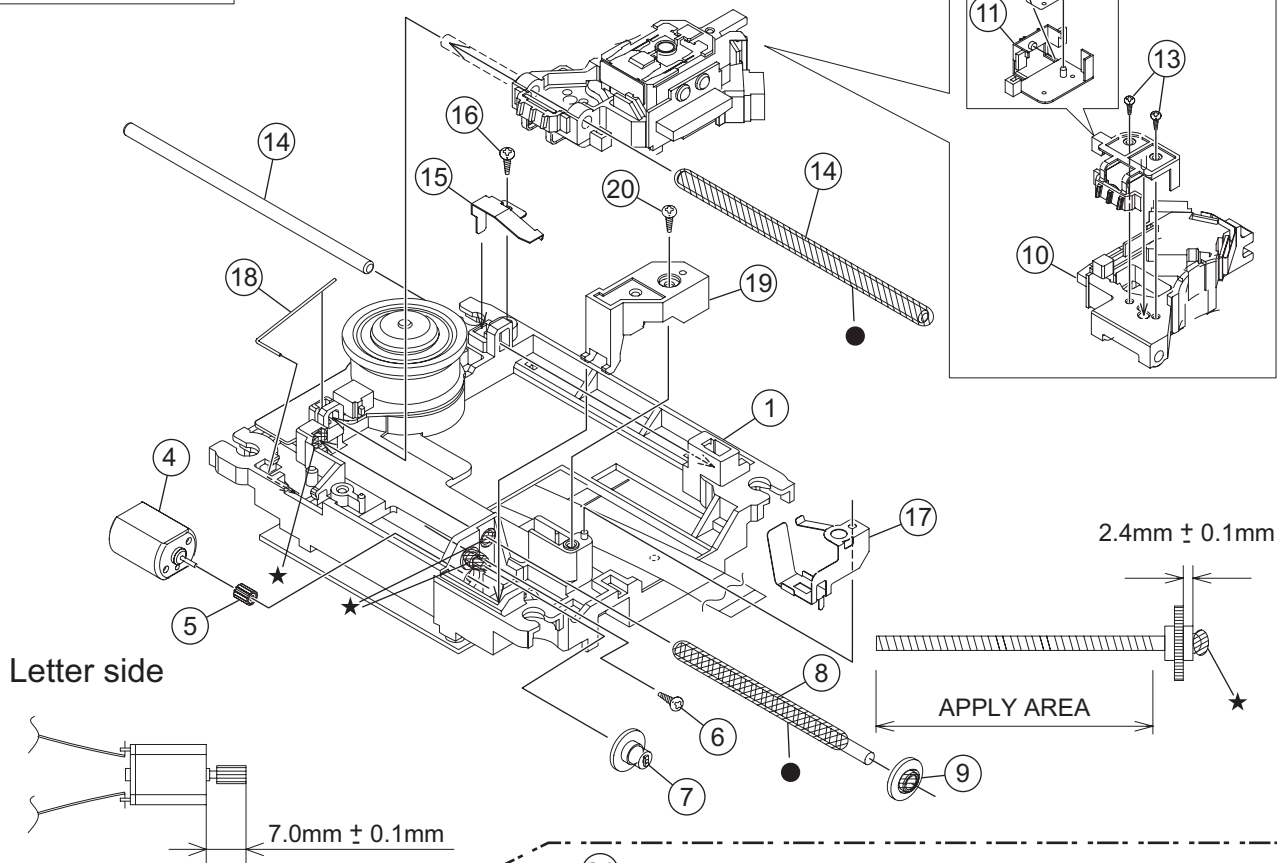
Block No. M J M M

Grease

★ =JVG-31N

● =JVS-1003

FTU-MM1-1M



DVD mechanism

Block No. [M][J][M][M]

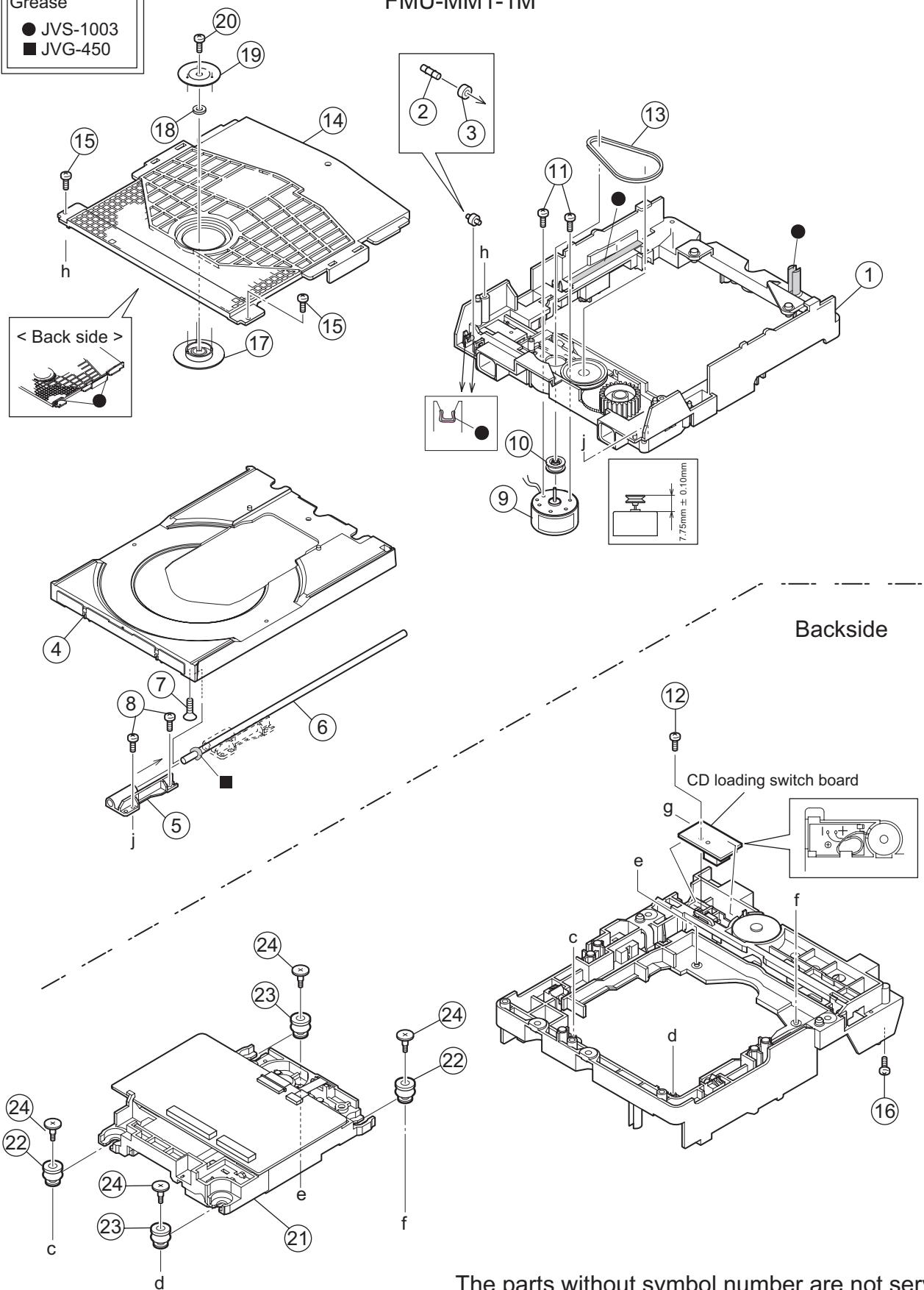
△	Symbol No.	Part No.	Part Name	Description	Local
	1	LV10984-001A	S.TM CHASSIS		
	2	QAR0334-002	S.MOTOR		
	3	QYSPSPU1740ZA	SCREW	M1.7 x 4mm(x3)	
	4	QAR0144-003	MOTOR		
	5	VKS5557-001	F.M. GEAR		
	6	QYSPSPT2025ZA	SCREW	M2 x 2.5mm	
	7	LV35461-002A	MIDDLE GEAR		
	8	LV44040-001A	SCREW SHAFT		
	9	LV35462-001A	SCREW SHAFT GEA		
	10	QAL0667-001	DVD PICK		
	11	LV21869-001A	RACK ARM		
	12	LV35463-001A	RACK ARM SPRING		
	13	QYSPSFU1740ZA	TAP SCREW	M1.7 x 4mm(x2)	
	14	LV44041-001A	GUIDE SHAFT	(x2)	
	15	LV35464-001A	G.SHAFT ADJ.SP		
	16	QYSDSF2005ZA	TAP SCREW	M2 x 5mm	
	17	LV35465-001A	THRUST SPRING		
	18	LV44042-001A	ROD SPRING		
	19	LV35467-001A	FEED BRACKET		
	20	QYSDSF2005ZA	TAP SCREW	M2 x 5mm	
	21	LV44046-001A	ADJUST SCREW	(x4)	
	22	LV44092-001A	PICK FFC		
	23	LV44209-001A	WASHER SCREW	(x2)	
	24	LV30225-0V6A	SPACER	(x2)	

DVD loading base assembly and parts list

FMU-MM1-1M

Block No. M N M M

Grease
 ● JVS-1003
 ■ JVG-450



The parts without symbol number are not service.

DVD loading base

Block No. [M][N][M][M]

△	Symbol No.	Part No.	Part Name	Description	Local
	1	LV11065-003A	LOADER SUB ASSY		
	2	E407140-001SS	C.D ROLLER		
	3	E407149-001SS	RUBBER TUBE		
	4	LV10979-002A	TRAY		
	5	LV35499-001A	SHAFT GUIDE		
	6	LV44022-001A	SHAFT		
	7	QYSSSF2008ZA	TAP SCREW	M2 x 8mm	
	8	QYSDSF2008ZA	TAP SCREW	M2 x 8mm(x2)	
	9	QAR0197-001	MOTOR		
	10	LV43844-002A	MOTOR PULLEY		
	11	QYSPSPU1730ZA	SCREW	M1.7 x 3mm(x2)	
	12	QYSDSF2008ZA	TAP SCREW	M2 x 8mm	
	13	LV43974-001A	BELT		
	14	LV21852-003A	CLAMPER BASE		
	15	QYSDSF2008ZA	TAP SCREW	M2 x 8mm(x2)	
	16	LV41741-004A	SPECIAL SCREW		
	17	LV35056-002A	DVD CLAMPER		
	18	LV42930-003A	P.C.MAGNET		
	19	LV43848-001A	YOKE		
	20	LE40906-002A	SPECIAL SCREW		
	21	-----	SINGLE DVD TRAM		
	22	LV44043-002A	INSULATOR	(x2)	
	23	LV44043-003A	INSULATOR	(x2)	
	24	LV44044-001A	SPECIAL SCREW	(x4)	

Electrical parts list

Main board

Block No. [0][1]

Symbol No.	Part No.	Part Name	Description	Local	Symbol No.	Part No.	Part Name	Description	Local
	IC431	BH7868FS-X	IC		D960	MTZJ2.2A-T2	S.B.DIODE		
	IC441	MM1505XN-X	IC		△D970	ER204-F33	FR DIODE		
	IC471	MN101C49GFT1	IC		D991	MTZJ5.1B-T2	Z DIODE		
	IC472	S-80840CNNB-G-W	IC		D4091	1SS133-T2	SI DIODE		
	IC473	SN74AHCT08NS-X	IC		D4092	MTZJ6.8A-T2	Z DIODE		
	IC474	CD4066BM-X	IC		D4703	MTZJ4.7B-T2	Z DIODE		
	IC475	RC4558D-X	IC		D4704	1SS133-T2	SI DIODE		
	IC476	RC4558D-X	IC		D4706	1SS133-T2	SI DIODE		
	IC477	BR24L08F-W-X	IC(DIGITAL)		D4707	1SS133-T2	SI DIODE		
	IC478	RC4558D-X	IC		D4708	1SS133-T2	SI DIODE		
	IC481	BU1924F-X	IC		D4709	1SS133-T2	SI DIODE		
	IC491	KIA7805API	IC		D4811	1SS133-T2	SI DIODE		
	IC493	LB1641	IC		D4831	1SS133-T2	SI DIODE		
	IC601	RC4558D-X	IC		D4832	1SS133-T2	SI DIODE		
△	IC901	STR-G6651	IC		D4833	1SS133-T2	SI DIODE		
	IC951	PQ05RD21SSJH	IC		D4834	1SS133-T2	SI DIODE		
	Q511	KRC102S-X	DIGI TRANSISTOR		D4835	MTZJ6.8A-T2	Z DIODE		
	Q951	2SC3576-JVC-T	TRANSISTOR		D4841	MTZJ2.0A-T2	Z DIODE		
	Q952	KRA104S-X	DIGI TRANSISTOR		D4842	MTZJ3.3A-T2	Z DIODE		
	Q953	KTA1267/YG/-T	TRANSISTOR		D4921	MTZJ8.2C-T2	Z DIODE		
	Q954	SI2305DS-X	TRANSISTOR		D4922	1SS133-T2	SI DIODE		
	Q955	KRC103S-X	DIGITAL TR		D4931	MTZJ8.2C-T2	Z DIODE		
	Q958	KTA1271/OY/-T	TRANSISTOR		D4932	1SS133-T2	SI DIODE		
	Q959	KRC103S-X	DIGITAL TR		D4961	MTZJ4.7A-T2	Z DIODE		
	Q960	KTA1504/YG/-X	SI TRANSISTOR		D4962	1N4003S-T5	SI DIODE		
	Q961	KTC3203/OY/-T	TRANSISTOR		D4966	MTZJ4.7C-T2	Z DIODE		
	Q962	KTC3875/YG/-X	SI TRANSISTOR		D4997	MTZJ3.0B-T2	Z DIODE		
	Q963	KRA104S-X	DIGI TRANSISTOR		D4998	1SS133-T2	SI DIODE		
	Q991	KTC3875/YG/-X	SI TRANSISTOR		△PC901	PC123Y22FZ	PHOTO COUPLER		
	Q4091	KTA1271/OY/-T	TRANSISTOR		△PC902	PC123Y22FZ	PHOTO COUPLER		
	Q4092	KTC3875/YG/-X	SI TRANSISTOR		△C902	QFZ9075-683	MPP CAPACITOR	0.068uF AC275V M	
	Q4481	KRC102S-X	DIGI TRANSISTOR		△C904	QCZ9079-102	C CAPACITOR	1000pF AC250V M	
	Q4482	KRC102S-X	DIGI TRANSISTOR		△C905	QCZ9079-102	C CAPACITOR	1000pF AC250V M	
	Q4483	KRA102S-X	DIGI TRANSISTOR		△C907	QEZO688-686	E CAPACITOR	68uF	
	Q4484	KRC102S-X	DIGI TRANSISTOR		C908	QCZ0136-332Z	C CAPACITOR	3300pF 1kV K	
	Q4485	2SC2814/4-5/-X	TRANSISTOR		C909	QCZ0136-101Z	C CAPACITOR	100pF 1kV K	
	Q4701	KRC111S-X	TRANSISTOR		C910	QCBB1HK-221Y	C CAPACITOR	220pF 50V K	
	Q4702	KRC107S-X	DIGI TRANSISTOR		C913	QCZ0136-101Z	C CAPACITOR	100pF 1kV K	
	Q4801	KTA1504/YG/-X	SI TRANSISTOR		C914	QEZO532-396Z	E CAPACITOR	39uF 25V M	
	Q4802	KRC102S-X	DIGI TRANSISTOR		C915	QCBB1HK-471Y	C CAPACITOR	470pF 50V K	
	Q4811	KRA102S-X	DIGI TRANSISTOR		△C916	QCZ9079-222	C CAPACITOR	2200pF AC250V M	
	Q4812	KRC102S-X	DIGI TRANSISTOR		C917	QDGB1HK-102Y	C CAPACITOR	1000pF 50V K	
	Q4821	KRC102S-X	DIGI TRANSISTOR		C918	QCFB1HZ-104Y	C CAPACITOR	0.1uF 50V Z	
	Q4831	KRC102S-X	DIGI TRANSISTOR		C951	NDC31HJ-101X	C CAPACITOR	100pF 50V J	
	Q4832	KRA110S-X	TRANSISTOR		C952	QCZ0136-101Z	C CAPACITOR	100pF 1kV K	
	Q4833	KRC110S-X	DIGI TRANSISTOR		C953	QCBB1HK-101Y	C CAPACITOR	100pF 50V K	
	Q4921	KTC3203/OY/-T	TRANSISTOR		C954	NDC31HJ-101X	C CAPACITOR	100pF 50V J	
	Q4931	KTA1271/OY/-T	TRANSISTOR		C956	NDC31HJ-101X	C CAPACITOR	100pF 50V J	
	Q4951	KRA104S-X	DIGI TRANSISTOR		C957	NDC31HJ-101X	C CAPACITOR	100pF 50V J	
	Q4952	KRA104S-X	DIGI TRANSISTOR		C960	QEZO529-826Z	E CAPACITOR	82uF 10V M	
	Q4961	KTC3203/OY/-T	TRANSISTOR		C961	QCZ0202-155Z	C CAPACITOR	1.5uF 25V Z	
	Q4971	2SC3661-X	TRANSISTOR		C962	QETN1HM-226Z	E CAPACITOR	22uF 50V M	
	Q4972	2SC3661-X	TRANSISTOR		C963	QEZO533-396Z	E CAPACITOR	39uF 50V M	
	Q4973	KRA104S-X	DIGI TRANSISTOR		C964	QETN1HM-226Z	E CAPACITOR	22uF 50V M	
△	D901	DI106	BRIDGE DIODE		C965	QEZO528-108	E CAPACITOR	1000uF 10V M	
	D902	10ERB40-T1	FR DIODE		C966	QETN1AM-477Z	E CAPACITOR	470uF 10V M	
	D903	10ERB40-T1	FR DIODE		C967	NCB31CK-104X	C CAPACITOR	0.1uF 16V K	
	D904	10ERB40-T1	FR DIODE		C968	NCB31CK-104X	C CAPACITOR	0.1uF 16V K	
	D908	10ERB40-T1	FR DIODE		C969	QETN1AM-227Z	E CAPACITOR	220uF 10V M	
	D910	10ERB40-T1	FR DIODE		C979	QEZO530-827	E CAPACITOR	820uF 16V M	
	D911	FR104S-T5	FR DIODE		C981	QCZ0202-155Z	C CAPACITOR	1.5uF 25V Z	
	D950	MTZJ24B-T2	Z DIODE		C982	QEZO531-567	E CAPACITOR	560uF 25V M	
△	D951	FR104S-T5	FR DIODE		C984	QETN1CM-227Z	E CAPACITOR	220uF 16V M	
△	D952	FR104S-T5	FR DIODE		C985	QETN1EM-107Z	E CAPACITOR	100uF 25V M	
△	D953	RK34-LFB2	FUSEIODE		C986	QETN1EM-107Z	E CAPACITOR	100uF 25V M	
△	D954	ER204-F33	FR DIODE		C987	QEZO532-187Z	E CAPACITOR	180uF 25V M	
△	D955	1N4003S-T5	SI DIODE		C989	QETN1CM-107Z	E CAPACITOR	100uF 16V M	
△	D956	FR104S-T5	FR DIODE		C992	QETN1HM-474Z	E CAPACITOR	0.47uF 50V M	
△	D957	FR104S-T5	FR DIODE		C993	NDC31HJ-101X	C CAPACITOR	100pF 50V J	
	D958	1SS133-T2	SI DIODE		C994	QCBB1HK-223Y	C CAPACITOR	0.022uF 50V K	
					C997	QETN1CM-227Z	E CAPACITOR	220uF 16V M	
					C4003	QCZ0202-155Z	C CAPACITOR	1.5uF 25V Z	
					C4004	QCZ0202-155Z	C CAPACITOR	1.5uF 25V Z	
					C4006	QCZ0202-155Z	C CAPACITOR	1.5uF 25V Z	

△ Symbol No.	Part No.	Part Name	Description	Local	△ Symbol No.	Part No.	Part Name	Description	Local
C4011	NCB31HK-822X	C CAPACITOR	8200pF 50V K		C4902	NCB31HK-103X	C CAPACITOR	0.01uF 50V K	
C4012	NCB31HK-822X	C CAPACITOR	8200pF 50V K		C4903	QETN1CM-107Z	E CAPACITOR	100uF 16V M	
C4014	NDC31HJ-151X	C CAPACITOR	150pF 50V J		C4904	NCB31HK-103X	C CAPACITOR	0.01uF 50V K	
C4015	NDC31HJ-151X	C CAPACITOR	150pF 50V J		C4921	QETN1EM-476Z	E CAPACITOR	47uF 25V M	
C4016	NCB31HK-102X	C CAPACITOR	1000pF 50V K		C4922	QETN1CM-107Z	E CAPACITOR	100uF 16V M	
C4017	NDC31HJ-151X	C CAPACITOR	150pF 50V J		C4931	QETN1EM-476Z	E CAPACITOR	47uF 25V M	
C4071	QETN1EM-476Z	E CAPACITOR	47uF 25V M		C4932	QETN1CM-107Z	E CAPACITOR	100uF 16V M	
C4073	NCB31CK-104X	C CAPACITOR	0.1uF 16V K		C4961	QETN1CM-107Z	E CAPACITOR	100uF 16V M	
C4074	NCB31HK-561X	C CAPACITOR	560pF 50V K		C6101	QETN1HM-475Z	E CAPACITOR	4.7uF 50V M	
C4075	QETN1HM-225Z	E CAPACITOR	2.2uF 50V M		C6102	NDC31HJ-100X	C CAPACITOR	10pF 50V J	
C4076	NCB31HK-271X	C CAPACITOR	270pF 50V K		C6103	QETN1EM-476Z	E CAPACITOR	47uF 25V M	
C4077	NDC31HJ-390X	C CAPACITOR	39pF 50V J		C6104	NCB31CK-104X	C CAPACITOR	0.1uF 16V K	
C4078	NDC31HJ-390X	C CAPACITOR	39pF 50V J		C6105	NCB31HK-103X	C CAPACITOR	0.01uF 50V K	
C4079	NCB31HK-103X	C CAPACITOR	0.01uF 50V K		C6106	NCB31HK-331X	C CAPACITOR	330pF 50V K	
C4091	QETN1HM-226Z	E CAPACITOR	22uF 50V M		C6201	QETN1HM-475Z	E CAPACITOR	4.7uF 50V M	
C4092	QETN1CM-107Z	E CAPACITOR	100uF 16V M		C6202	NDC31HJ-100X	C CAPACITOR	10pF 50V J	
C4102	NDC31HJ-470X	C CAPACITOR	47pF 50V J		C6203	QETN1EM-476Z	E CAPACITOR	47uF 25V M	
C4112	NDC31HJ-470X	C CAPACITOR	47pF 50V J		C6204	NCB31CK-104X	C CAPACITOR	0.1uF 16V K	
C4122	NDC31HJ-470X	C CAPACITOR	47pF 50V J		C6205	NCB31HK-103X	C CAPACITOR	0.01uF 50V K	
C4301	QETN1EM-476Z	E CAPACITOR	47uF 25V M		C6206	NCB31HK-331X	C CAPACITOR	330pF 50V K	
C4311	NCB31HK-103X	C CAPACITOR	0.01uF 50V K		C6501	NCB31CK-224X	C CAPACITOR	0.22uF 16V K	
C4321	NCB30JK-105X	C CAPACITOR	1uF 6.3V K		C6502	NDC31HJ-560X	C CAPACITOR	56pF 50V J	
C4331	NCB30JK-105X	C CAPACITOR	1uF 6.3V K		C6503	NCB31CK-224X	C CAPACITOR	0.22uF 16V K	
C4341	NCB30JK-105X	C CAPACITOR	1uF 6.3V K		C6511	QETN1HM-475Z	E CAPACITOR	4.7uF 50V M	
C4351	NCB30JK-105X	C CAPACITOR	1uF 6.3V K		C6512	NDC31HJ-560X	C CAPACITOR	56pF 50V J	
C4391	QETN1AM-477Z	E CAPACITOR	470uF 10V M		C6513	QETN1HM-475Z	E CAPACITOR	4.7uF 50V M	
C4392	NCB31CK-104X	C CAPACITOR	0.1uF 16V K		C6514	NCB31CK-104X	C CAPACITOR	0.1uF 16V K	
C4394	NCB31CK-104X	C CAPACITOR	0.1uF 16V K		C6515	NCB31CK-104X	C CAPACITOR	0.1uF 16V K	
C4395	QETN1HM-226Z	E CAPACITOR	22uF 50V M		C6516	NDC31HJ-560X	C CAPACITOR	56pF 50V J	
C4402	NDC31HJ-470X	C CAPACITOR	47pF 50V J		C6517	NCB31HK-471X	C CAPACITOR	470pF 50V K	
C4412	NDC31HJ-470X	C CAPACITOR	47pF 50V J		C6518	NCB31HK-471X	C CAPACITOR	470pF 50V K	
C4413	NCB31HK-103X	C CAPACITOR	0.01uF 50V K		C6601	NCB31CK-224X	C CAPACITOR	0.22uF 16V K	
C4422	QETNOJM-477Z	E CAPACITOR	470uF 6.3V M		C6602	NDC31HJ-560X	C CAPACITOR	56pF 50V J	
C4423	NDC31HJ-470X	C CAPACITOR	47pF 50V J		C6603	NCB31CK-224X	C CAPACITOR	0.22uF 16V K	
C4431	QETNOJM-477Z	E CAPACITOR	470uF 6.3V M		C6611	QETN1HM-475Z	E CAPACITOR	4.7uF 50V M	
C4441	QETNOJM-477Z	E CAPACITOR	470uF 6.3V M		C6612	NDC31HJ-560X	C CAPACITOR	56pF 50V J	
C4443	NDC31HJ-470X	C CAPACITOR	47pF 50V J		C6613	QETN1HM-475Z	E CAPACITOR	4.7uF 50V M	
C4451	QETNOJM-477Z	E CAPACITOR	470uF 6.3V M		C6614	NCB31CK-104X	C CAPACITOR	0.1uF 16V K	
C4454	QETN1CM-106Z	E CAPACITOR	10uF 16V M		C6615	NCB31CK-104X	C CAPACITOR	0.1uF 16V K	
C4455	QETNOJM-477Z	E CAPACITOR	470uF 6.3V M		C6616	NDC31HJ-560X	C CAPACITOR	56pF 50V J	
C4471	NCB31HK-331X	C CAPACITOR	330pF 50V K		C6617	NCB31HK-471X	C CAPACITOR	470pF 50V K	
C4472	NCB31HK-331X	C CAPACITOR	330pF 50V K		C6618	NCB31HK-471X	C CAPACITOR	470pF 50V K	
C4473	NCB31HK-331X	C CAPACITOR	330pF 50V K		C6901	QETN1EM-476Z	E CAPACITOR	47uF 25V M	
C4474	NCB31HK-331X	C CAPACITOR	330pF 50V K		C6902	QETN1EM-476Z	E CAPACITOR	47uF 25V M	
C4475	QETN1HM-475Z	E CAPACITOR	4.7uF 50V M		R901	QRL01DJ-683X	OMF RESISTOR	68kΩ 1W J	
C4476	QETN1HM-475Z	E CAPACITOR	4.7uF 50V M		R903	QRE141J-270Y	C RESISTOR	27Ω 1/4W J	
C4491	NCB31HK-103X	C CAPACITOR	0.01uF 50V K		R904	QRE141J-222Y	C RESISTOR	2.2kΩ 1/4W J	
C4492	NCB31CK-104X	C CAPACITOR	0.1uF 16V K		R905	QRL027J-683	OMF RESISTOR	68kΩ 2W J	
C4605	NCB31HK-471X	C CAPACITOR	470pF 50V K		R906	QRJ146J-681X	UNF C RESISTOR	680Ω 1/4W J	
C4606	NCB31HK-471X	C CAPACITOR	470pF 50V K		R907	QRT027J-R47	MF RESISTOR	0.47Ω 2W J	
C4702	QETNOJM-227Z	E CAPACITOR	220uF 6.3V M		R908	QRE141J-332Y	C RESISTOR	3.3kΩ 1/4W J	
C4703	QETN1HM-225Z	E CAPACITOR	2.2uF 50V M		R910	QRE141J-474Y	C RESISTOR	470kΩ 1/4W J	
C4704	NCB31CK-223X	C CAPACITOR	0.022uF 16V K		R911	QRE141J-474Y	C RESISTOR	470kΩ 1/4W J	
C4705	NCB31HK-103X	C CAPACITOR	0.01uF 50V K		R951	QRJ146J-150X	UNF C RESISTOR	15Ω 1/4W J	
C4706	NCB31HK-103X	C CAPACITOR	0.01uF 50V K		R952	NRSA63J-103X	MG RESISTOR	10kΩ 1/16W J	
C4707	QETN1CM-107Z	E CAPACITOR	100uF 16V M		R953	NRSA02J-223X	MG RESISTOR	22kΩ 1/10W J	
C4708	NCB31HK-103X	C CAPACITOR	0.01uF 50V K		△ R954	QRZ9005-100X	FUSI RESISTOR	10Ω	
C4709	NCB31HK-103X	C CAPACITOR	0.01uF 50V K		R955	NRSA63J-223X	MG RESISTOR	22kΩ 1/16W J	
C4710	NCB31HK-103X	C CAPACITOR	0.01uF 50V K		R960	NRSA63J-101X	MG RESISTOR	100Ω 1/16W J	
C4711	QETNOJM-477Z	E CAPACITOR	470uF 6.3V M		R961	NRSA63J-681X	MG RESISTOR	680Ω 1/16W J	
C4712	NCB31CK-104X	C CAPACITOR	0.1uF 16V K		R963	NRSA63J-181X	MG RESISTOR	180Ω 1/16W J	
C4713	NCB31CK-104X	C CAPACITOR	0.1uF 16V K		R964	NRSA63J-105X	MG RESISTOR	1MΩ 1/16W J	
C4714	NCB31CK-104X	C CAPACITOR	0.1uF 16V K		R965	NRSA63J-103X	MG RESISTOR	10kΩ 1/16W J	
C4715	NCB31CK-104X	C CAPACITOR	0.1uF 16V K		R966	NRSA02J-221X	MG RESISTOR	220Ω 1/10W J	
C4716	NCB31CK-104X	C CAPACITOR	0.1uF 16V K		R967	NRSA63J-103X	MG RESISTOR	10kΩ 1/16W J	
C4717	NCB31CK-104X	C CAPACITOR	0.1uF 16V K		R969	NRSA63J-221X	MG RESISTOR	220Ω 1/16W J	
C4718	NCB31HK-103X	C CAPACITOR	0.01uF 50V K		R980	NRSA63J-512X	MG RESISTOR	5.1kΩ 1/16W J	
C4719	NCB31HK-103X	C CAPACITOR	0.01uF 50V K		R981	NRSA63J-223X	MG RESISTOR	22kΩ 1/16W J	
C4720	NCB31CK-104X	C CAPACITOR	0.1uF 16V K		R982	NRSA63J-104X	MG RESISTOR	100kΩ 1/16W J	
C4721	NCB31CK-104X	C CAPACITOR	0.1uF 16V K		R983	NRSA63J-102X	MG RESISTOR	1kΩ 1/16W J	
C4771	NCB31CK-104X	C CAPACITOR	0.1uF 16V K		R984	NRSA63J-222X	MG RESISTOR	2.2kΩ 1/16W J	
C4772	NCB31CK-104X	C CAPACITOR	0.1uF 16V K		R985	NRSA02J-132X	MG RESISTOR	1.3kΩ 1/10W J	
C4791	NCB31CK-104X	C CAPACITOR	0.1uF 16V K		R986	NRSA02J-152X	MG RESISTOR	1.5kΩ 1/10W J	
C4793	NCB31CK-104X	C CAPACITOR	0.1uF 16V K		R987	NRSA02J-152X	MG RESISTOR	1.5kΩ 1/10W J	
C4794	QETN1CM-107Z	E CAPACITOR	100uF 16V M		R988	NRSA63J-222X	MG RESISTOR	2.2kΩ 1/16W J	
C4795	NCB31CK-104X	C CAPACITOR	0.1uF 16V K		R989	NRSA63J-333X	MG RESISTOR	33kΩ 1/16W J	
C4801	QETN1HM-224Z	E CAPACITOR	0.22uF 50V M		R990	NRSA63J-333X	MG RESISTOR	33kΩ 1/16W J	
C4901	QETN1CM-107Z	E CAPACITOR	100uF 16V M						

△ Symbol No.	Part No.	Part Name	Description	Local	△ Symbol No.	Part No.	Part Name	Description	Local
R4011	NRSA63J-102X	MG RESISTOR	1kΩ 1/16W J		R4777	NRSA63J-101X	MG RESISTOR	100Ω 1/16W J	
R4012	NRSA63J-102X	MG RESISTOR	1kΩ 1/16W J		R4778	NRSA63J-101X	MG RESISTOR	100Ω 1/16W J	
R4013	NRSA63J-682X	MG RESISTOR	6.8kΩ 1/16W J		R4779	NRSA63J-331X	MG RESISTOR	330Ω 1/16W J	
R4014	NRSA63J-682X	MG RESISTOR	6.8kΩ 1/16W J		R4780	NRSA63J-331X	MG RESISTOR	330Ω 1/16W J	
R4072	NRSA63J-102X	MG RESISTOR	1kΩ 1/16W J		R4781	NRSA63J-101X	MG RESISTOR	100Ω 1/16W J	
R4073	NRSA63J-102X	MG RESISTOR	1kΩ 1/16W J		R4782	NRSA63J-101X	MG RESISTOR	100Ω 1/16W J	
R4074	NRSA63J-103X	MG RESISTOR	10kΩ 1/16W J		R4791	NRSA02J-221X	MG RESISTOR	220Ω 1/10W J	
R4091	NRSA63J-472X	MG RESISTOR	4.7kΩ 1/16W J		R4801	NRSA63J-223X	MG RESISTOR	22kΩ 1/16W J	
R4092	NRSA63J-103X	MG RESISTOR	10kΩ 1/16W J		R4802	NRSA63J-223X	MG RESISTOR	22kΩ 1/16W J	
R4093	NRSA63J-821X	MG RESISTOR	820Ω 1/16W J		△ R4811	QRZ9006-4R7X	F.RESISTOR	4.7Ω 1/4W J	
R4171	NRSA63J-0R0X	MG RESISTOR	0Ω 1/16W J		R4821	QRE141J-181Y	C RESISTOR	180Ω 1/4W J	
R4172	NRSA63J-0R0X	MG RESISTOR	0Ω 1/16W J		R4822	QRE141J-151Y	C RESISTOR	150Ω 1/4W J	
R4173	NRSA63J-0R0X	MG RESISTOR	0Ω 1/16W J		R4831	NRSA63J-153X	MG RESISTOR	15kΩ 1/16W J	
R4201	NRSA63J-751X	MG RESISTOR	750Ω 1/16W J		R4832	NRSA63J-223X	MG RESISTOR	22kΩ 1/16W J	
R4202	NRSA63J-271X	MG RESISTOR	270Ω 1/16W J		R4833	NRSA63J-123X	MG RESISTOR	12kΩ 1/16W J	
R4211	NRSA63J-241X	MG RESISTOR	240Ω 1/16W J		R4834	NRSA63J-393X	MG RESISTOR	39kΩ 1/16W J	
R4231	NRSA63J-751X	MG RESISTOR	750Ω 1/16W J		R4835	NRSA63J-472X	MG RESISTOR	4.7kΩ 1/16W J	
R4232	NRSA63J-271X	MG RESISTOR	270Ω 1/16W J		R4841	NRSA63J-681X	MG RESISTOR	680Ω 1/16W J	
R4233	NRSA63J-821X	MG RESISTOR	820Ω 1/16W J		R4842	NRSA63J-103X	MG RESISTOR	10kΩ 1/16W J	
R4234	NRSA63J-221X	MG RESISTOR	220Ω 1/16W J		R4843	QRT027J-2R2	MF RESISTOR	2.2Ω 2W J	
R4235	NRSA63J-103X	MG RESISTOR	10kΩ 1/16W J		R4861	NRSA63J-222X	MG RESISTOR	2.2kΩ 1/16W J	
R4241	NRSA63J-471X	MG RESISTOR	470Ω 1/16W J		R4863	NRSA63J-222X	MG RESISTOR	2.2kΩ 1/16W J	
R4242	NRSA63J-121X	MG RESISTOR	120Ω 1/16W J		R4864	NRSA63J-331X	MG RESISTOR	330Ω 1/16W J	
R4251	NRSA63J-101X	MG RESISTOR	100Ω 1/16W J		R4866	NRSA63J-272X	MG RESISTOR	2.7kΩ 1/16W J	
R4422	NRSA63J-750X	MG RESISTOR	75Ω 1/16W J		R4871	NRSA63J-331X	MG RESISTOR	330Ω 1/16W J	
R4431	NRSA63J-750X	MG RESISTOR	75Ω 1/16W J		R4872	NRSA63J-331X	MG RESISTOR	330Ω 1/16W J	
R4432	NRSA63J-750X	MG RESISTOR	75Ω 1/16W J		R4873	NRSA63J-331X	MG RESISTOR	330Ω 1/16W J	
R4441	NRSA63J-750X	MG RESISTOR	75Ω 1/16W J		R4875	NRSA63J-331X	MG RESISTOR	330Ω 1/16W J	
R4442	NRSA63J-750X	MG RESISTOR	75Ω 1/16W J		R4876	NRSA63J-331X	MG RESISTOR	330Ω 1/16W J	
R4451	NRSA63J-750X	MG RESISTOR	75Ω 1/16W J		R4877	NRSA63J-331X	MG RESISTOR	330Ω 1/16W J	
R4452	NRSA63J-750X	MG RESISTOR	75Ω 1/16W J		R4881	NRSA63J-472X	MG RESISTOR	4.7kΩ 1/16W J	
R4471	NRSA63J-151X	MG RESISTOR	150Ω 1/16W J		R4883	NRSA63J-472X	MG RESISTOR	4.7kΩ 1/16W J	
R4472	NRSA63J-151X	MG RESISTOR	150Ω 1/16W J		R4886	NRSA63J-562X	MG RESISTOR	5.6kΩ 1/16W J	
R4473	NRSA63J-471X	MG RESISTOR	470Ω 1/16W J		R4894	NRSA63J-331X	MG RESISTOR	330Ω 1/16W J	
R4474	NRSA63J-471X	MG RESISTOR	470Ω 1/16W J		△ R4921	QRZ9005-100X	FUSI RESISTOR	10Ω	
R4475	NRSA63J-184X	MG RESISTOR	180kΩ 1/16W J		R4922	NRSA63J-222X	MG RESISTOR	2.2kΩ 1/16W J	
R4476	NRSA63J-184X	MG RESISTOR	180kΩ 1/16W J		△ R4931	QRZ9005-100X	FUSI RESISTOR	10Ω	
R4477	NRSA63J-184X	MG RESISTOR	180kΩ 1/16W J		R4932	NRSA63J-222X	MG RESISTOR	2.2kΩ 1/16W J	
R4478	NRSA63J-184X	MG RESISTOR	180kΩ 1/16W J		R4951	NRSA63J-223X	MG RESISTOR	22kΩ 1/16W J	
R4481	QRE141J-202Y	C RESISTOR	2kΩ 1/4W J		R4952	NRSA63J-223X	MG RESISTOR	22kΩ 1/16W J	
R4482	NRSA63J-202X	MG RESISTOR	2kΩ 1/16W J		R4961	QRE141J-271Y	C RESISTOR	270Ω 1/4W J	
R4483	NRSA63J-821X	MG RESISTOR	820Ω 1/16W J		R4971	NRSA63J-222X	MG RESISTOR	2.2kΩ 1/16W J	
R4484	NRSA63J-123X	MG RESISTOR	12kΩ 1/16W J		R4972	NRSA63J-224X	MG RESISTOR	220kΩ 1/16W J	
R4485	NRSA63J-101X	MG RESISTOR	100Ω 1/16W J		R4973	NRSA63J-102X	MG RESISTOR	1kΩ 1/16W J	
R4486	NRSA63J-103X	MG RESISTOR	10kΩ 1/16W J		R4974	NRSA63J-184X	MG RESISTOR	180kΩ 1/16W J	
R4605	NRSA63J-101X	MG RESISTOR	100Ω 1/16W J		R4975	NRSA63J-184X	MG RESISTOR	180kΩ 1/16W J	
R4606	NRSA63J-101X	MG RESISTOR	100Ω 1/16W J		R4996	NRSA63J-103X	MG RESISTOR	10kΩ 1/16W J	
R4702	NRSA63J-102X	MG RESISTOR	1kΩ 1/16W J		R6101	NRSA63J-223X	MG RESISTOR	22kΩ 1/16W J	
R4703	NRSA63J-102X	MG RESISTOR	1kΩ 1/16W J		R6102	NRSA63J-222X	MG RESISTOR	2.2kΩ 1/16W J	
R4704	NRSA63J-103X	MG RESISTOR	10kΩ 1/16W J		R6103	NRSA63J-683X	MG RESISTOR	68kΩ 1/16W J	
R4705	NRSA63J-472X	MG RESISTOR	4.7kΩ 1/16W J		R6105	NRSA63J-473X	MG RESISTOR	47kΩ 1/16W J	
R4706	NRSA63J-223X	MG RESISTOR	22kΩ 1/16W J		R6106	QRE141J-330Y	C RESISTOR	33Ω 1/4W J	
R4707	NRSA63J-103X	MG RESISTOR	10kΩ 1/16W J		R6107	QRE141J-390Y	C RESISTOR	39Ω 1/4W J	
R4709	NRSA63J-101X	MG RESISTOR	100Ω 1/16W J		R6201	NRSA63J-223X	MG RESISTOR	22kΩ 1/16W J	
R4710	NRSA63J-104X	MG RESISTOR	100kΩ 1/16W J		R6202	NRSA63J-222X	MG RESISTOR	2.2kΩ 1/16W J	
R4711	NRSA63J-331X	MG RESISTOR	330Ω 1/16W J		R6203	NRSA63J-683X	MG RESISTOR	68kΩ 1/16W J	
R4712	NRSA63J-331X	MG RESISTOR	330Ω 1/16W J		R6205	NRSA63J-473X	MG RESISTOR	47kΩ 1/16W J	
R4713	NRSA63J-331X	MG RESISTOR	330Ω 1/16W J		R6206	QRE141J-330Y	C RESISTOR	33Ω 1/4W J	
R4751	NRSA63J-103X	MG RESISTOR	10kΩ 1/16W J		R6207	QRE141J-390Y	C RESISTOR	39Ω 1/4W J	
R4753	NRSA63J-103X	MG RESISTOR	10kΩ 1/16W J		R6302	QRE141J-271Y	C RESISTOR	270Ω 1/4W J	
R4754	NRSA63J-103X	MG RESISTOR	10kΩ 1/16W J		R6303	QRE141J-271Y	C RESISTOR	270Ω 1/4W J	
R4755	NRSA63J-103X	MG RESISTOR	10kΩ 1/16W J		R6304	QRE141J-271Y	C RESISTOR	270Ω 1/4W J	
R4758	NRSA63J-103X	MG RESISTOR	10kΩ 1/16W J		R6305	QRE141J-271Y	C RESISTOR	270Ω 1/4W J	
R4759	NRSA63J-103X	MG RESISTOR	10kΩ 1/16W J		R6501	NRSA63J-104X	MG RESISTOR	100kΩ 1/16W J	
R4760	NRSA63J-222X	MG RESISTOR	2.2kΩ 1/16W J		R6502	NRSA63J-103X	MG RESISTOR	10kΩ 1/16W J	
R4761	NRSA63J-103X	MG RESISTOR	10kΩ 1/16W J		R6503	NRSA63J-102X	MG RESISTOR	1kΩ 1/16W J	
R4762	NRSA63J-103X	MG RESISTOR	10kΩ 1/16W J		R6505	NRSA63J-103X	MG RESISTOR	10kΩ 1/16W J	
				S66B, S66E, S66EE, S66EN, S66EV	R6506	NRSA63J-103X	MG RESISTOR	10kΩ 1/16W J	
R4763	NRSA63J-153X	MG RESISTOR	15kΩ 1/16W J		R6507	NRSA63J-103X	MG RESISTOR	10kΩ 1/16W J	
					R6508	NRSA63J-102X	MG RESISTOR	1kΩ 1/16W J	
R4764	NRSA63J-103X	MG RESISTOR	10kΩ 1/16W J		R6509	NRSA63J-473X	MG RESISTOR	47kΩ 1/16W J	
R4765	NRSA63J-103X	MG RESISTOR	10kΩ 1/16W J		R6510	NRSA63J-104X	MG RESISTOR	100kΩ 1/16W J	
R4771	NRSA63J-103X	MG RESISTOR	10kΩ 1/16W J		R6511	NRSA63J-333X	MG RESISTOR	33kΩ 1/16W J	
R4772	NRSA63J-103X	MG RESISTOR	10kΩ 1/16W J		R6512	NRSA63J-103X	MG RESISTOR	10kΩ 1/16W J	
R4773	NRSA63J-103X	MG RESISTOR	10kΩ 1/16W J		R6513	NRSA63J-104X	MG RESISTOR	100kΩ 1/16W J	
R4775	NRSA63J-331X	MG RESISTOR	330Ω 1/16W J		R6514	NRSA63J-103X	MG RESISTOR	10kΩ 1/16W J	
R4776	NRSA63J-331X	MG RESISTOR	330Ω 1/16W J		R6515	NRSA63J-102X	MG RESISTOR	1kΩ 1/16W J	
					R6516	NRSA63J-103X	MG RESISTOR	10kΩ 1/16W J	

△ Symbol No.	Part No.	Part Name	Description	Local	△ Symbol No.	Part No.	Part Name	Description	Local
R6517	NRSA63J-104X	MG RESISTOR	100kΩ 1/16W J		IC501	PT6315	IC		
R6518	NRSA63J-223X	MG RESISTOR	22kΩ 1/16W J		IC509	GP1FAV30RK0F	OPT RECEIVER		
R6601	NRSA63J-104X	MG RESISTOR	100kΩ 1/16W J		IC511	GP1UM271XKVF	IR DETECT UNIT		
R6602	NRSA63J-103X	MG RESISTOR	10kΩ 1/16W J		IC531	RC4558D-X	IC		
R6603	NRSA63J-102X	MG RESISTOR	1kΩ 1/16W J		IC581	RC4558D-X	IC		
R6605	NRSA63J-103X	MG RESISTOR	10kΩ 1/16W J		IC591	RC4558D-X	IC		
R6606	NRSA63J-103X	MG RESISTOR	10kΩ 1/16W J						
R6607	NRSA63J-103X	MG RESISTOR	10kΩ 1/16W J		Q1131	IMX9-W	TRANSISTOR		
R6608	NRSA63J-102X	MG RESISTOR	1kΩ 1/16W J		Q1133	IMX9-W	TRANSISTOR		
R6609	NRSA63J-473X	MG RESISTOR	47kΩ 1/16W J		Q1135	IMX9-W	TRANSISTOR		
R6610	NRSA63J-104X	MG RESISTOR	100kΩ 1/16W J		Q1137	2SC3661-X	TRANSISTOR		
R6611	NRSA63J-333X	MG RESISTOR	33kΩ 1/16W J		Q1251	KRA104S-X	DIGI TRANSISTOR		
R6612	NRSA63J-103X	MG RESISTOR	10kΩ 1/16W J		Q1252	KRA104S-X	DIGI TRANSISTOR		
R6613	NRSA63J-104X	MG RESISTOR	100kΩ 1/16W J						
R6614	NRSA63J-103X	MG RESISTOR	10kΩ 1/16W J		D511	SLI-343URC-W-T	LED		
R6615	NRSA63J-102X	MG RESISTOR	1kΩ 1/16W J		D551	SLR-343BCT/K-T	LED I/M		
R6616	NRSA63J-103X	MG RESISTOR	10kΩ 1/16W J						
R6617	NRSA63J-104X	MG RESISTOR	100kΩ 1/16W J						
R6618	NRSA63J-223X	MG RESISTOR	22kΩ 1/16W J						

△ L901	QQR1105-001	LINE FILTER		
L951	QQL244K-R22Z	COIL	0.22uH K	
L952	QQL44BK-220Z	COIL	22uH K	
L955	QQL26AK-220Z	COIL	22uH K	
L957	QQL244K-100Z	COIL	10uH K	
L959	QQL244K-100Z	COIL	10uH K	
L4391	QQL25CK-221Z	COIL	220uH K	
△ T901	QQS0097-001	SW TRANSF		

CN401	QGF1036C1-15	CONNECTOR	FFC/FPC (1-15)	
CN402	QGF1036C1-25	CONNECTOR	FFC/FPC (1-25)	
CN404	QGD2504C1-05Z	CONNECTOR	(1-5)	
CN405	QGD2504C1-05Z	CONNECTOR	(1-5)	
CN406	QGD2504C1-04Z	CONNECTOR	(1-4)	
CN407	QGD2504C1-05Z	CONNECTOR	(1-5)	
CN408	QGF1036C1-05	CONNECTOR	FFC/FPC (1-5)	
CN410	QGF1205C1-11	CONNECTOR	FFC/FPC (1-11)	
CN411	QGF1036C1-29	CONNECTOR	FFC/FPC (1-29)	
CN412	QGF1036C1-07	CONNECTOR	FFC/FPC (1-7)	
CN420	QGD2504C1-04Z	CONNECTOR	(1-4)	
CN451	QGF1036C1-13	CONNECTOR	FFC/FPC (1-13)	
CN452	QGF1205C1-05	CONNECTOR	FFC/FPC (1-5)	
CN460	QGF1205C1-05	CONNECTOR	FFC/FPC (1-5)	
CN480	QGF1205C1-05	CONNECTOR	FFC/FPC (1-5)	
△ CP951	ICP-N10-T	IC PROTECTOR	400mA	
△ CP953	ICP-N5-T	IC PROTECTOR	250mA	
EP401	QNZ0136-001Z	EARTH PLATE		
EP402	QNZ0136-001Z	EARTH PLATE		
EP403	QNZ0136-001Z	EARTH PLATE		
EP901	QNZ0136-001Z	EARTH PLATE		
EP902	QNZ0136-001Z	EARTH PLATE		
FC901	QNG0003-001Z	FUSE CLIP		
FC902	QNG0003-001Z	FUSE CLIP		
FW901	QUM219-06DGZ4-E	PARA RIBON WIR		
FW902	QUM21A-06DGZ4-E	PARA RIBON WIR		
HS901	LV40057-009A	HEAT SINK		
J4402	QNN0572-001	PIN JACK		
J4403	QNZ0625-001	RGB CONNECTOR		
△ P901	QNC0091-001	AC INLET		
X4071	QAX0868-001Z	C RESONATOR	8.00MHZ	
X4701	QAX0246-001Z	C RESONATOR		

Front board

Block No. [0][2]

△ Symbol No.	Part No.	Part Name	Description	Local
IC151	CD4066BM-X	IC		
IC152	CD4066BM-X	IC		
IC153	BD3814FV-X	IC		
IC154	CD4066BM-X	IC		
IC158	RC4558D-X	IC		
IC159	RC4558D-X	IC		
IC160	RC4558D-X	IC		

C505	NCB30JK-105X	C CAPACITOR	1uF 6.3V K	
C507	NCB31HK-103X	C CAPACITOR	0.01uF 50V K	
C508	NCB31HK-103X	C CAPACITOR	0.01uF 50V K	
C511	NCB21CK-105X	C CAPACITOR	1uF 16V K	
C1001	QETN1EM-107Z	E CAPACITOR	100uF 25V M	
C1002	QETN1EM-107Z	E CAPACITOR	100uF 25V M	
C1003	NCB31HK-103X	C CAPACITOR	0.01uF 50V K	
C1101	NCB31HK-331X	C CAPACITOR	330pF 50V K	
C1102	NCB31HK-331X	C CAPACITOR	330pF 50V K	
C1103	NCB31CK-104X	C CAPACITOR	0.1uF 16V K	
C1120	NCB31CK-333X	C CAPACITOR	0.033uF 16V K	
C1121	NCB31CK-333X	C CAPACITOR	0.033uF 16V K	
C1122	NCB31CK-333X	C CAPACITOR	0.033uF 16V K	
C1123	NCB31CK-333X	C CAPACITOR	0.033uF 16V K	
C1124	NCB31HK-472X	C CAPACITOR	4700pF 50V K	
C1125	NCB31HK-472X	C CAPACITOR	4700pF 50V K	
C1141	QETN1EM-107Z	E CAPACITOR	100uF 25V M	
C1142	QETN1EM-107Z	E CAPACITOR	100uF 25V M	
C1145	NCB31CK-104X	C CAPACITOR	0.1uF 16V K	
C1176	NCB31HK-103X	C CAPACITOR	0.01uF 50V K	
C1177	NCB31HK-103X	C CAPACITOR	0.01uF 50V K	
C1178	NCB31HK-103X	C CAPACITOR	0.01uF 50V K	
C1179	NCB31HK-103X	C CAPACITOR	0.01uF 50V K	
C1180	NCB31HK-103X	C CAPACITOR	0.01uF 50V K	
C1181	NCB31HK-103X	C CAPACITOR	0.01uF 50V K	
C1183	QETN1HM-475Z	E CAPACITOR	4.7uF 50V M	
C1184	QETN1EM-476Z	E CAPACITOR	47uF 25V M	
C1191	NCB31HK-331X	C CAPACITOR	330pF 50V K	
C1192	NCB31HK-331X	C CAPACITOR	330pF 50V K	
C1193	NCB31HK-331X	C CAPACITOR	330pF 50V K	
C1194	NCB31HK-331X	C CAPACITOR	330pF 50V K	
C1195	NCB31HK-331X	C CAPACITOR	330pF 50V K	
C1196	NCB31HK-331X	C CAPACITOR	330pF 50V K	
C1201	QETN1EM-476Z	E CAPACITOR	47uF 25V M	
C1202	QETN1EM-476Z	E CAPACITOR	47uF 25V M	
C1203	QETN1EM-476Z	E CAPACITOR	47uF 25V M	
C1204	QETN1EM-476Z	E CAPACITOR	47uF 25V M	
C1205	QETN1HM-475Z	E CAPACITOR	4.7uF 50V M	
C1206	QETN1HM-475Z	E CAPACITOR	4.7uF 50V M	
C1207	QETN1HM-475Z	E CAPACITOR	4.7uF 50V M	
C1208	QETN1HM-475Z	E CAPACITOR	4.7uF 50V M	
C1209	QETN1HM-475Z	E CAPACITOR	4.7uF 50V M	
C1210	QETN1HM-475Z	E CAPACITOR	4.7uF 50V M	
C1211	QETN1HM-475Z	E CAPACITOR	4.7uF 50V M	
C1212	QETN1HM-475Z	E CAPACITOR	4.7uF 50V M	
C1213	QETN1HM-475Z	E CAPACITOR	4.7uF 50V M	
C1214	QETN1HM-475Z	E CAPACITOR	4.7uF 50V M	
C1215	QETN1HM-475Z	E CAPACITOR	4.7uF 50V M	
C1216	QETN1HM-475Z	E CAPACITOR	4.7uF 50V M	
C1217	QETN1HM-475Z	E CAPACITOR	4.7uF 50V M	
C1218	QETN1HM-475Z	E CAPACITOR	4.7uF 50V M	
C1221	NRSA63J-133X	MG RESISTOR	13kΩ 1/16W J	
C1222	NRSA63J-133X	MG RESISTOR	13kΩ 1/16W J	
C1227	NCB31CK-183X	C CAPACITOR	0.018uF 16V K	
C1228	NCB31CK-183X	C CAPACITOR	0.018uF 16V K	
C1230	QETN1HM-475Z	E CAPACITOR	4.7uF 50V M	
C1250	NCB31HK-102X	C CAPACITOR	1000pF 50V K	
C1251	NCB31HK-103X	C CAPACITOR	0.01uF 50V K	
C1252	NCB31HK-103X	C CAPACITOR	0.01uF 50V K	
C1253	NCB31HK-103X	C CAPACITOR	0.01uF 50V K	
C1254	NCB31HK-103X	C CAPACITOR	0.01uF 50V K	

△ Symbol No.	Part No.	Part Name	Description	Local	△ Symbol No.	Part No.	Part Name	Description	Local
C1255	NCB31HK-102X	C CAPACITOR	1000pF 50V K		R1134	NRSA63J-101X	MG RESISTOR	100Ω 1/16W J	
C1256	NCB31HK-102X	C CAPACITOR	1000pF 50V K		R1135	NRSA63J-332X	MG RESISTOR	3.3kΩ 1/16W J	
C1257	NCB31HK-102X	C CAPACITOR	1000pF 50V K		R1136	NRSA63J-332X	MG RESISTOR	3.3kΩ 1/16W J	
C1258	NCB31HK-102X	C CAPACITOR	1000pF 50V K		R1137	NRSA63J-104X	MG RESISTOR	100kΩ 1/16W J	
C1259	NCB31HK-102X	C CAPACITOR	1000pF 50V K		R1138	NRSA63J-104X	MG RESISTOR	100kΩ 1/16W J	
C1265	NCB31HK-103X	C CAPACITOR	0.01uF 50V K		R1139	NRSA63J-104X	MG RESISTOR	100kΩ 1/16W J	
C1266	NCB31HK-103X	C CAPACITOR	0.01uF 50V K		R1140	NRSA63J-104X	MG RESISTOR	100kΩ 1/16W J	
C2503	QETN1HM-475Z	E CAPACITOR	4.7uF 50V M		R1141	NRSA63J-102X	MG RESISTOR	1kΩ 1/16W J	
C2504	QETN1HM-475Z	E CAPACITOR	4.7uF 50V M		R1142	NRSA63J-102X	MG RESISTOR	1kΩ 1/16W J	
C2525	NCB31HK-102X	C CAPACITOR	1000pF 50V K		R1143	NRSA63J-332X	MG RESISTOR	3.3kΩ 1/16W J	
C2526	NCB31HK-102X	C CAPACITOR	1000pF 50V K		R1144	NRSA63J-332X	MG RESISTOR	3.3kΩ 1/16W J	
C2531	NCB31HK-331X	C CAPACITOR	330pF 50V K		R1145	NRSA63J-104X	MG RESISTOR	100kΩ 1/16W J	
C2532	NCB31HK-331X	C CAPACITOR	330pF 50V K		R1146	NRSA63J-104X	MG RESISTOR	100kΩ 1/16W J	
C2533	QETN1EM-476Z	E CAPACITOR	47uF 25V M		R1147	NRSA63J-104X	MG RESISTOR	100kΩ 1/16W J	
C2534	QETN1EM-476Z	E CAPACITOR	47uF 25V M		R1148	NRSA63J-104X	MG RESISTOR	100kΩ 1/16W J	
C2539	NCB31CK-104X	C CAPACITOR	0.1uF 16V K		R1149	NRSA63J-471X	MG RESISTOR	470Ω 1/16W J	
C2540	NCB31CK-104X	C CAPACITOR	0.1uF 16V K		R1150	NRSA63J-102X	MG RESISTOR	1kΩ 1/16W J	
C2541	QETN1HM-105Z	E CAPACITOR	1uF 50V M		R1151	NRSA63J-472X	MG RESISTOR	4.7kΩ 1/16W J	
C2542	QETN1HM-105Z	E CAPACITOR	1uF 50V M		R1152	NRSA63J-332X	MG RESISTOR	3.3kΩ 1/16W J	
C2561	QETN1HM-105Z	E CAPACITOR	1uF 50V M		R1153	NRSA63J-471X	MG RESISTOR	470Ω 1/16W J	
C2562	QETN1HM-105Z	E CAPACITOR	1uF 50V M		R1154	NRSA63J-472X	MG RESISTOR	4.7kΩ 1/16W J	
C2563	NCB31HK-271X	C CAPACITOR	270pF 50V K		R1155	NRSA63J-104X	MG RESISTOR	100kΩ 1/16W J	
C2564	NCB31HK-271X	C CAPACITOR	270pF 50V K		R1156	NRSA63J-104X	MG RESISTOR	100kΩ 1/16W J	
C2575	NCB31HK-102X	C CAPACITOR	1000pF 50V K		R1157	NRSA63J-332X	MG RESISTOR	3.3kΩ 1/16W J	
C2576	NCB31HK-102X	C CAPACITOR	1000pF 50V K		R1158	NRSA63J-104X	MG RESISTOR	100kΩ 1/16W J	
C2577	QETN1HM-105Z	E CAPACITOR	1uF 50V M		R1161	NRSA63J-104X	MG RESISTOR	100kΩ 1/16W J	
C2578	QETN1HM-105Z	E CAPACITOR	1uF 50V M		R1162	NRSA63J-104X	MG RESISTOR	100kΩ 1/16W J	
C2581	QETN1HM-105Z	E CAPACITOR	1uF 50V M		R1163	NRSA63J-104X	MG RESISTOR	100kΩ 1/16W J	
C2582	QETN1HM-106Z	E CAPACITOR	10uF 50V M		R1164	NRSA63J-104X	MG RESISTOR	100kΩ 1/16W J	
C2583	NCB31HK-271X	C CAPACITOR	270pF 50V K		R1165	NRSA63J-104X	MG RESISTOR	100kΩ 1/16W J	
C2584	NDC31HJ-560X	C CAPACITOR	56pF 50V J		R1166	NRSA63J-104X	MG RESISTOR	100kΩ 1/16W J	
C2585	NCB31HK-102X	C CAPACITOR	1000pF 50V K		R1167	NRSA63J-911X	MG RESISTOR	910Ω 1/16W J	
C2587	NCB31CK-104X	C CAPACITOR	0.1uF 16V K		R1168	NRSA63J-911X	MG RESISTOR	910Ω 1/16W J	
C2588	NCB31CK-104X	C CAPACITOR	0.1uF 16V K		R1169	NRSA63J-393X	MG RESISTOR	39kΩ 1/16W J	
C2589	NCB31CK-104X	C CAPACITOR	0.1uF 16V K		R1170	NRSA63J-393X	MG RESISTOR	39kΩ 1/16W J	
C2590	NCB31CK-104X	C CAPACITOR	0.1uF 16V K						
C2592	NCB31HK-472X	C CAPACITOR	4700pF 50V K						
C2594	NCB31CK-223X	C CAPACITOR	0.022uF 16V K		R1171	NRSA63J-152X	MG RESISTOR	1.5kΩ 1/16W J	S55B, S55E, S55EE, S55EN, S55EV
C2597	QETN1HM-475Z	E CAPACITOR	4.7uF 50V M						
C2599	NCB31CK-104X	C CAPACITOR	0.1uF 16V K						
C2600	NCB31CK-104X	C CAPACITOR	0.1uF 16V K						
C2603	QETN1HM-105Z	E CAPACITOR	1uF 50V M						
C2604	QETN1HM-475Z	E CAPACITOR	4.7uF 50V M		R1171	NRSA63J-242X	MG RESISTOR	2.4kΩ 1/16W J	S66B, S66E, S66EE, S66EN, S66EV
C2605	NDC31HJ-560X	C CAPACITOR	56pF 50V J						
C6001	NCB31CK-223X	C CAPACITOR	0.022uF 16V K						
C6002	NCB31CK-223X	C CAPACITOR	0.022uF 16V K						
C6003	NCB31CK-104X	C CAPACITOR	0.1uF 16V K		R1172	NRSA63J-152X	MG RESISTOR	1.5kΩ 1/16W J	S55B, S55E, S55EE, S55EN, S55EV
C6004	NCB31HK-103X	C CAPACITOR	0.01uF 50V K						
R501	NRSA63J-102X	MG RESISTOR	1kΩ 1/16W J						
R502	NRSA63J-102X	MG RESISTOR	1kΩ 1/16W J						
R503	NRSA63J-102X	MG RESISTOR	1kΩ 1/16W J						
R504	NRSA63J-823X	MG RESISTOR	82kΩ 1/16W J						
R511	NRSA63J-152X	MG RESISTOR	1.5kΩ 1/16W J		R1173	NRSA63J-473X	MG RESISTOR	47kΩ 1/16W J	
R521	NRSA63J-332X	MG RESISTOR	3.3kΩ 1/16W J		R1174	NRSA63J-473X	MG RESISTOR	47kΩ 1/16W J	
R522	NRSA63J-392X	MG RESISTOR	3.9kΩ 1/16W J		R1175	NRSA63J-202X	MG RESISTOR	2kΩ 1/16W J	
R523	NRSA63J-682X	MG RESISTOR	6.8kΩ 1/16W J		R1176	NRSA63J-393X	MG RESISTOR	39kΩ 1/16W J	
R526	NRSA63J-332X	MG RESISTOR	3.3kΩ 1/16W J		R1197	NRSA63J-474X	MG RESISTOR	470kΩ 1/16W J	
R527	NRSA63J-392X	MG RESISTOR	3.9kΩ 1/16W J		R1201	NRSA63J-124X	MG RESISTOR	120kΩ 1/16W J	
R528	NRSA63J-682X	MG RESISTOR	6.8kΩ 1/16W J		R1202	NRSA63J-124X	MG RESISTOR	120kΩ 1/16W J	
R552	NRSA63J-121X	MG RESISTOR	120Ω 1/16W J		R1253	NRSA63J-223X	MG RESISTOR	22kΩ 1/16W J	
R553	NRSA63J-330X	MG RESISTOR	33Ω 1/16W J		R1254	NRSA63J-223X	MG RESISTOR	22kΩ 1/16W J	
R1101	NRSA63J-471X	MG RESISTOR	470Ω 1/16W J		R1291	NRSA63J-101X	MG RESISTOR	100Ω 1/16W J	
R1102	NRSA63J-471X	MG RESISTOR	470Ω 1/16W J		R1292	NRSA63J-101X	MG RESISTOR	100Ω 1/16W J	
R1103	NRSA63J-564X	MG RESISTOR	560kΩ 1/16W J		R1293	NRSA63J-101X	MG RESISTOR	100Ω 1/16W J	
R1104	NRSA63J-564X	MG RESISTOR	560kΩ 1/16W J		R1294	NRSA63J-101X	MG RESISTOR	100Ω 1/16W J	
R1106	NRSA63J-101X	MG RESISTOR	100Ω 1/16W J		R1295	NRSA63J-101X	MG RESISTOR	100Ω 1/16W J	
R1108	NRSA63J-334X	MG RESISTOR	330kΩ 1/16W J		R1296	NRSA63J-101X	MG RESISTOR	100Ω 1/16W J	
R1109	NRSA63J-334X	MG RESISTOR	330kΩ 1/16W J		R2525	NRSA63J-102X	MG RESISTOR	1kΩ 1/16W J	
R1110	NRSA63J-223X	MG RESISTOR	22kΩ 1/16W J		R2526	NRSA63J-102X	MG RESISTOR	1kΩ 1/16W J	
R1120	NRSA63J-123X	MG RESISTOR	12kΩ 1/16W J		R2531	NRSA63J-102X	MG RESISTOR	1kΩ 1/16W J	
R1121	NRSA63J-123X	MG RESISTOR	12kΩ 1/16W J		R2532	NRSA63J-102X	MG RESISTOR	1kΩ 1/16W J	
R1122	NRSA63J-102X	MG RESISTOR	1kΩ 1/16W J		R2533	NRSA63J-472X	MG RESISTOR	4.7kΩ 1/16W J	
R1123	NRSA63J-102X	MG RESISTOR	1kΩ 1/16W J		R2534	NRSA63J-472X	MG RESISTOR	4.7kΩ 1/16W J	
R1124	NRSA63J-472X	MG RESISTOR	4.7kΩ 1/16W J		R2537	NRSA63J-104X	MG RESISTOR	100kΩ 1/16W J	
R1131	NRSA63J-104X	MG RESISTOR	100kΩ 1/16W J		R2538	NRSA63J-104X	MG RESISTOR	100kΩ 1/16W J	
R1132	NRSA63J-104X	MG RESISTOR	100kΩ 1/16W J		R2539	NRSA63J-202X	MG RESISTOR	2kΩ 1/16W J	
R1133	NRSA63J-101X	MG RESISTOR	100Ω 1/16W J		R2540	NRSA63J-202X	MG RESISTOR	2kΩ 1/16W J	

△ Symbol No.	Part No.	Part Name	Description	Local	△ Symbol No.	Part No.	Part Name	Description	Local
R2551	NRSA63J-104X	MG RESISTOR	100kΩ 1/16W J		Q152	KTC2026/Y/	TRANSISTOR		
R2552	NRSA63J-104X	MG RESISTOR	100kΩ 1/16W J		Q501	KRA104S-X	DIGI TRANSISTOR		
R2553	NRSA63J-101X	MG RESISTOR	100Ω 1/16W J		Q502	KTC3875/YG/-X	SI TRANSISTOR		
R2554	NRSA63J-101X	MG RESISTOR	100Ω 1/16W J		Q503	KTC3875/YG/-X	SI TRANSISTOR		
R2555	NRSA63J-182X	MG RESISTOR	1.8kΩ 1/16W J		Q504	KTA1504/YG/-X	SI TRANSISTOR		
R2556	NRSA63J-182X	MG RESISTOR	1.8kΩ 1/16W J		Q505	KRC109S-X	TRANSISTOR		
R2557	NRSA63J-222X	MG RESISTOR	2.2kΩ 1/16W J		Q517	KRC104S-X	TRANSISTOR		
R2558	NRSA63J-222X	MG RESISTOR	2.2kΩ 1/16W J		Q523	KTC3875/YG/-X	SI TRANSISTOR		
R2560	NRSA63J-472X	MG RESISTOR	4.7kΩ 1/16W J		Q524	KTA1504/YG/-X	SI TRANSISTOR		
R2561	NRSA63J-273X	MG RESISTOR	27kΩ 1/16W J		Q525	KTC3875/YG/-X	SI TRANSISTOR		
R2562	NRSA63J-753X	MG RESISTOR	75kΩ 1/16W J		Q542	KTC3875/YG/-X	SI TRANSISTOR		
R2563	NRSA63J-103X	MG RESISTOR	10kΩ 1/16W J		Q603	KTC3875/YG/-X	SI TRANSISTOR		
R2564	NRSA63J-103X	MG RESISTOR	10kΩ 1/16W J		Q604	KTC3265/Y/-X	TRANSISTOR		
R2565	NRSA63J-682X	MG RESISTOR	6.8kΩ 1/16W J		Q2101	KTA1504/YG/-X	SI TRANSISTOR		
R2566	NRSA63J-682X	MG RESISTOR	6.8kΩ 1/16W J		Q2201	KTA1504/YG/-X	SI TRANSISTOR		
R2567	NRSA63J-102X	MG RESISTOR	1kΩ 1/16W J		Q2301	KTA1504/YG/-X	SI TRANSISTOR		
R2568	NRSA63J-102X	MG RESISTOR	1kΩ 1/16W J		Q2401	KTA1504/YG/-X	SI TRANSISTOR		
R2581	NRSA63J-104X	MG RESISTOR	100kΩ 1/16W J		Q2501	KTA1504/YG/-X	SI TRANSISTOR		
R2582	NRSA63J-104X	MG RESISTOR	100kΩ 1/16W J		Q2601	KTA1504/YG/-X	SI TRANSISTOR		
R2583	NRSA63J-103X	MG RESISTOR	10kΩ 1/16W J		Q2701	KTC3875/YG/-X	SI TRANSISTOR		
R2584	NRSA63J-623X	MG RESISTOR	62kΩ 1/16W J		Q2702	KTA1046/Y/	TRANSISTOR		
R2585	NRSA63J-682X	MG RESISTOR	6.8kΩ 1/16W J		Q2703	KRC102S-X	DIGI TRANSISTOR		
R2586	NRSA63J-123X	MG RESISTOR	12kΩ 1/16W J		Q2707	KTA1267/YG/-T	TRANSISTOR		
R2587	NRSA63J-102X	MG RESISTOR	1kΩ 1/16W J		Q2708	KTC3199/GL/-T	TRANSISTOR		
R2588	NRSA63J-102X	MG RESISTOR	1kΩ 1/16W J		Q3101	KTC3875/YG/-X	SI TRANSISTOR		
R2590	NRSA63J-333X	MG RESISTOR	33kΩ 1/16W J		Q3102	KTC3875/YG/-X	SI TRANSISTOR		
R2592	NRSA63J-333X	MG RESISTOR	33kΩ 1/16W J		Q3201	KTC3875/YG/-X	SI TRANSISTOR		
R2594	NRSA63J-333X	MG RESISTOR	33kΩ 1/16W J		Q3202	KTC3875/YG/-X	SI TRANSISTOR		
R2596	NRSA63J-102X	MG RESISTOR	1kΩ 1/16W J		Q3301	KTC3875/YG/-X	SI TRANSISTOR		
R2597	NRSA63J-223X	MG RESISTOR	22kΩ 1/16W J		Q3302	KTC3875/YG/-X	SI TRANSISTOR		
R2598	NRSA63J-223X	MG RESISTOR	22kΩ 1/16W J		Q3401	KTC3875/YG/-X	SI TRANSISTOR		
R2599	NRSA63J-102X	MG RESISTOR	1kΩ 1/16W J		Q3402	KTC3875/YG/-X	SI TRANSISTOR		
R6001	NRSA63J-102X	MG RESISTOR	1kΩ 1/16W J		Q3501	KTC3875/YG/-X	SI TRANSISTOR		
R6004	NRSA63J-101X	MG RESISTOR	100Ω 1/16W J		Q3502	KTC3875/YG/-X	SI TRANSISTOR		
BK501	LV43659-001A	FL HOLDER			Q3701	KRA102S-X	DIGI TRANSISTOR		
BK502	LV43659-001A	FL HOLDER			Q3702	KRA102S-X	DIGI TRANSISTOR		
CN441	QGF1036C1-29	CONNECTOR	FFC/FPC (1-29)		Q3703	KRC103S-X	DIGITAL TR		
CN442	QGF1036C1-07	CONNECTOR	FFC/FPC (1-7)		Q3704	KTC2026/Y/	TRANSISTOR		
CN501	QGF1036F1-13	CONNECTOR	FFC/FPC (1-13)		Q3705	KTC3875/YG/-X	SI TRANSISTOR		
CN511	QGF1205F1-05	CONNECTOR	FFC/FPC (1-5)		Q3706	KRC104S-X	TRANSISTOR		
CN760	QGF1205F1-05	CONNECTOR	FFC/FPC (1-5)						
DI501	QLF0154-001	FL TUBE			D101	1SS355-X	SI DIODE		
FW512	QUM022-11Z4Z4-E	F.WIRE			△ D151	GBU803	BRIDGE DIODE		
FW601	QUM154-17DGZ4-E	F.WIRE			△ D152	GBU803	BRIDGE DIODE		
J1101	QNN0215-001	SURROUND JACK			D154	1SS133-T2	SI DIODE		
J1103	QND0118-001	DIN CONNECTOR			D163	1SS133-T2	SI DIODE		
J6001	QNS0231-001	JACK			D164	MTZJ6.2A-T2	Z DIODE		
K1101	NQR0007-002X	FERRITE BEADS			D165	MTZJ6.8C-T2	Z DIODE		
K6001	NQR0007-002X	FERRITE BEADS			D166	MTZJ6.8C-T2	Z DIODE		
K6002	NQR0007-002X	FERRITE BEADS			D501	1SS133-T2	SI DIODE		
K6003	NQR0007-002X	FERRITE BEADS			D504	1SS133-T2	SI DIODE		
K6004	NQR0007-002X	FERRITE BEADS			D505	UDZS5.1B-X	Z DIODE		
S521	QSW0683-001Z	PUSH SW			D506	1SS133-T2	SI DIODE		
S522	QSW0683-001Z	PUSH SW			D507	1SS355-X	SI DIODE		
S523	QSW0683-001Z	PUSH SW			D510	1SS133-T2	SI DIODE		
S524	QSW0683-001Z	PUSH SW			D514	1SS133-T2	SI DIODE		
S526	QSW0683-001Z	PUSH SW			D515	1SS133-T2	SI DIODE		
S527	QSW0683-001Z	PUSH SW			D516	MTZJ30C-T2	Z DIODE		
S528	QSW0683-001Z	PUSH SW			D521	MTZJ6.8C-T2	Z DIODE		
S529	QSW0683-001Z	PUSH SW			D535	1SS355-X	SI DIODE		

BK501	LV43659-001A	FL HOLDER		
BK502	LV43659-001A	FL HOLDER		
CN441	QGF1036C1-29	CONNECTOR	FFC/FPC (1-29)	
CN442	QGF1036C1-07	CONNECTOR	FFC/FPC (1-7)	
CN501	QGF1036F1-13	CONNECTOR	FFC/FPC (1-13)	
CN511	QGF1205F1-05	CONNECTOR	FFC/FPC (1-5)	
CN760	QGF1205F1-05	CONNECTOR	FFC/FPC (1-5)	
DI501	QLF0154-001	FL TUBE		
FW512	QUM022-11Z4Z4-E	F.WIRE		
FW601	QUM154-17DGZ4-E	F.WIRE		
J1101	QNN0215-001	SURROUND JACK		
J1103	QND0118-001	DIN CONNECTOR		
J6001	QNS0231-001	JACK		
K1101	NQR0007-002X	FERRITE BEADS		
K6001	NQR0007-002X	FERRITE BEADS		
K6002	NQR0007-002X	FERRITE BEADS		
K6003	NQR0007-002X	FERRITE BEADS		
K6004	NQR0007-002X	FERRITE BEADS		
S521	QSW0683-001Z	PUSH SW		
S522	QSW0683-001Z	PUSH SW		
S523	QSW0683-001Z	PUSH SW		
S524	QSW0683-001Z	PUSH SW		
S526	QSW0683-001Z	PUSH SW		
S527	QSW0683-001Z	PUSH SW		
S528	QSW0683-001Z	PUSH SW		
S529	QSW0683-001Z	PUSH SW		

Mother board

Block No. [0][3]

△ Symbol No.	Part No.	Part Name	Description	Local
△ IC201	STK413-430	IC		
△ IC202	STK413-400	IC		
IC301	RC4558D-X	IC		
IC302	RC4558D-X	IC		
IC303	RC4558D-X	IC		
IC601	MN101C427NB	IC		

D101	1SS355-X	SI DIODE		
△ D151	GBU803	BRIDGE DIODE		
△ D152	GBU803	BRIDGE DIODE		
D154	1SS133-T2	SI DIODE		
D163	1SS133-T2	SI DIODE		
D164	MTZJ6.2A-T2	Z DIODE		
D165	MTZJ6.8C-T2	Z DIODE		
D166	MTZJ6.8C-T2	Z DIODE		
D501	1SS133-T2	SI DIODE		
D504	1SS133-T2	SI DIODE		
D505	UDZS5.1B-X	Z DIODE		
D506	1SS133-T2	SI DIODE		
D507	1SS355-X	SI DIODE		
D510	1SS133-T2	SI DIODE		
D514	1SS133-T2	SI DIODE		
D515	1SS133-T2	SI DIODE		
D516	MTZJ30C-T2	Z DIODE		
D521	MTZJ6.8C-T2	Z DIODE		
D535	1SS355-X	SI DIODE		
D541	1SS133-T2	SI DIODE		
D542	1SS133-T2	SI DIODE		
D543	1SS133-T2	SI DIODE		
D545	1SS133-T2	SI DIODE		
D546	1SS133-T2	SI DIODE		
D548	1SS133-T2	SI DIODE		
D549	1SS133-T2	SI DIODE		
D550	1SS133-T2	SI DIODE		
D551	1SS133-T2	SI DIODE		
D552	1SS133-T2	SI DIODE		
D553	1SS133-T2	SI DIODE		
D561	SLR-342MC-T12	LED		
D601	1SS133-T2	SI DIODE		
D610	1SS133-T2	SI DIODE		
D611	1SS133-T2	SI DIODE		
D612	1SS133-T2	SI DIODE		
D2101	1SS133-T2	SI DIODE		
D2201	1SS133-T2	SI DIODE		

△ Symbol No.	Part No.	Part Name	Description	Local	△ Symbol No.	Part No.	Part Name	Description	Local
D2301	1SS133-T2	SI DIODE			C2311	NCB21HK-104X	C CAPACITOR	0.1uF 50V K	
D2401	1SS133-T2	SI DIODE			C2312	NCB21HK-104X	C CAPACITOR	0.1uF 50V K	
D2501	1SS133-T2	SI DIODE			C2402	NCB31HK-471X	C CAPACITOR	470pF 50V K	
D2601	1SS133-T2	SI DIODE			C2403	QETN1HM-475Z	E CAPACITOR	4.7uF 50V M	
D2701	MTZJ15C-T2	Z DIODE			C2404	QETN1CM-107Z	E CAPACITOR	100uF 16V M	
D2702	MTZJ15C-T2	Z DIODE			C2405	NDC31HJ-101X	C CAPACITOR	100pF 50V J	
D2703	MTZJ16C-T2	Z DIODE			C2406	NDC31HJ-3R0X	C CAPACITOR	3pF 50V J	
D2704	1SS133-T2	SI DIODE			C2407	NCB21HK-104X	C CAPACITOR	0.1uF 50V K	
D2705	1SS133-T2	SI DIODE			C2408	NCB21HK-104X	C CAPACITOR	0.1uF 50V K	
D3101	1SS133-T2	SI DIODE			C2411	NCB21HK-104X	C CAPACITOR	0.1uF 50V K	
D3102	1SS133-T2	SI DIODE			C2412	NCB21HK-104X	C CAPACITOR	0.1uF 50V K	
D3201	1SS133-T2	SI DIODE			C2502	NCB31HK-471X	C CAPACITOR	470pF 50V K	
D3202	1SS133-T2	SI DIODE			C2503	QETN1HM-475Z	E CAPACITOR	4.7uF 50V M	
D3301	1SS133-T2	SI DIODE			C2504	QETN1CM-107Z	E CAPACITOR	100uF 16V M	
D3302	1SS133-T2	SI DIODE			C2505	NDC31HJ-101X	C CAPACITOR	100pF 50V J	
D3401	1SS133-T2	SI DIODE			C2506	NDC31HJ-3R0X	C CAPACITOR	3pF 50V J	
D3402	1SS133-T2	SI DIODE			C2507	NCB21HK-104X	C CAPACITOR	0.1uF 50V K	
D3501	1SS133-T2	SI DIODE			C2508	NCB21HK-104X	C CAPACITOR	0.1uF 50V K	
D3502	1SS133-T2	SI DIODE			C2511	NCB21HK-104X	C CAPACITOR	0.1uF 50V K	
D3601	1SS133-T2	SI DIODE			C2512	NCB21HK-104X	C CAPACITOR	0.1uF 50V K	
D3602	1SS133-T2	SI DIODE			C2602	NCB31HK-471X	C CAPACITOR	470pF 50V K	
D3703	MTZJ11C-T2	Z DIODE			C2603	QETN1HM-475Z	E CAPACITOR	4.7uF 50V M	
D3706	1SS133-T2	SI DIODE			C2604	QETN1CM-107Z	E CAPACITOR	100uF 16V M	
D3707	1SS133-T2	SI DIODE			C2605	NDC31HJ-101X	C CAPACITOR	100pF 50V J	
D3708	1SS133-T2	SI DIODE			C2606	NDC31HJ-3R0X	C CAPACITOR	3pF 50V J	
△ C101	QCZ9105-472	C CAPACITOR	4700pF 250V M		C2607	NCB21HK-104X	C CAPACITOR	0.1uF 50V K	
C153	NCF21HZ-473X	C CAPACITOR	0.047uF 50V Z		C2608	NCB21HK-104X	C CAPACITOR	0.1uF 50V K	
C154	NCF21HZ-473X	C CAPACITOR	0.047uF 50V Z		C2611	NCB21HK-104X	C CAPACITOR	0.1uF 50V K	
C155	NCF21HZ-473X	C CAPACITOR	0.047uF 50V Z		C2612	NCB21HK-104X	C CAPACITOR	0.1uF 50V K	
C156	NCF21HZ-473X	C CAPACITOR	0.047uF 50V Z		C2701	QETN1HM-107Z	E CAPACITOR	100uF 50V M	
C157	NCF21HZ-223X	C CAPACITOR	0.022uF 50V Z		C2702	QETN1EM-107Z	E CAPACITOR	100uF 25V M	
C159	NCF21HZ-223X	C CAPACITOR	0.022uF 50V Z		C2703	QETN1HM-107Z	E CAPACITOR	100uF 50V M	
C161	QETM1HM-338	E CAPACITOR	3300uF 50V M		C2704	QETN1HM-476Z	E CAPACITOR	47uF 50V M	
C162	QETM1HM-338	E CAPACITOR	3300uF 50V M		C2705	QETN1HM-107Z	E CAPACITOR	100uF 50V M	
C163	QETM1EM-478	E CAPACITOR	4700uF 25V M		C2706	QETN1HM-107Z	E CAPACITOR	100uF 50V M	
C164	QETM1EM-478	E CAPACITOR	4700uF 25V M		C2707	QETN1HM-106Z	E CAPACITOR	10uF 50V M	
C167	QETN1EM-476Z	E CAPACITOR	47uF 25V M		C2711	QETN1HM-106Z	E CAPACITOR	10uF 50V M	
C168	QETN1CM-107Z	E CAPACITOR	100uF 16V M		C2712	NCF31HZ-103X	C CAPACITOR	0.01uF 50V Z	
C171	QETN1CM-107Z	E CAPACITOR	100uF 16V M		C2713	NCF31HZ-103X	C CAPACITOR	0.01uF 50V Z	
C172	QETN1CM-107Z	E CAPACITOR	100uF 16V M		C3101	NCB31HK-152X	C CAPACITOR	1500pF 50V K	
C501	QETN1HM-475Z	E CAPACITOR	4.7uF 50V M		C3103	QETN1HM-105Z	E CAPACITOR	1uF 50V M	
C502	NCF31HZ-103X	C CAPACITOR	0.01uF 50V Z		C3104	QETN1HM-225Z	E CAPACITOR	2.2uF 50V M	
C503	QETN1HM-475Z	E CAPACITOR	4.7uF 50V M		C3201	NCB31HK-152X	C CAPACITOR	1500pF 50V K	
C512	QETN1HM-475Z	E CAPACITOR	4.7uF 50V M		C3203	QETN1HM-105Z	E CAPACITOR	1uF 50V M	
C522	QETN1HM-106Z	E CAPACITOR	10uF 50V M		C3204	QETN1HM-225Z	E CAPACITOR	2.2uF 50V M	
C523	QETN1EM-476Z	E CAPACITOR	47uF 25V M		C3301	NCB31HK-152X	C CAPACITOR	1500pF 50V K	
C571	NCF31HZ-103X	C CAPACITOR	0.01uF 50V Z		C3303	QETN1HM-105Z	E CAPACITOR	1uF 50V M	
C591	NCF31HZ-103X	C CAPACITOR	0.01uF 50V Z		C3304	QETN1HM-225Z	E CAPACITOR	2.2uF 50V M	
C592	NCF31HZ-103X	C CAPACITOR	0.01uF 50V Z		C3401	NCB31HK-152X	C CAPACITOR	1500pF 50V K	
C601	QETN1CM-107Z	E CAPACITOR	100uF 16V M		C3403	QETN1HM-105Z	E CAPACITOR	1uF 50V M	
C602	NCB31HK-102X	C CAPACITOR	1000pF 50V K		C3404	QETN1HM-225Z	E CAPACITOR	2.2uF 50V M	
C604	NCF31HZ-103X	C CAPACITOR	0.01uF 50V Z		C3501	NCB31HK-152X	C CAPACITOR	1500pF 50V K	
C605	NCF31HZ-103X	C CAPACITOR	0.01uF 50V Z		C3503	QETN1HM-105Z	E CAPACITOR	1uF 50V M	
C606	QETN1HM-106Z	E CAPACITOR	10uF 50V M		C3504	QETN1HM-225Z	E CAPACITOR	2.2uF 50V M	
C2102	NCB31CK-473X	C CAPACITOR	0.047uF 16V K		C3601	NCB31HK-152X	C CAPACITOR	1500pF 50V K	
C2103	QETN1HM-475Z	E CAPACITOR	4.7uF 50V M		C3604	QETN1HM-225Z	E CAPACITOR	2.2uF 50V M	
C2104	QETN1CM-107Z	E CAPACITOR	100uF 16V M		C3701	NCF31HZ-103X	C CAPACITOR	0.01uF 50V Z	
C2105	NDC31HJ-101X	C CAPACITOR	100pF 50V J		C3702	NCF31HZ-103X	C CAPACITOR	0.01uF 50V Z	
C2106	NDC31HJ-3R0X	C CAPACITOR	3pF 50V J		C3703	NCF31HZ-103X	C CAPACITOR	0.01uF 50V Z	
C2107	NCB21HK-104X	C CAPACITOR	0.1uF 50V K		C3704	NCF31HZ-103X	C CAPACITOR	0.01uF 50V Z	
C2108	NCB21HK-104X	C CAPACITOR	0.1uF 50V K		C3705	NCF31HZ-103X	C CAPACITOR	0.01uF 50V Z	
C2202	NCB31HK-471X	C CAPACITOR	470pF 50V K		C3706	NCF31HZ-103X	C CAPACITOR	0.01uF 50V Z	
C2203	QETN1HM-475Z	E CAPACITOR	4.7uF 50V M		C3715	QETN1CM-107Z	E CAPACITOR	100uF 16V M	
C2204	QETN1CM-107Z	E CAPACITOR	100uF 16V M		C3716	QETN1AM-227Z	E CAPACITOR	220uF 10V M	
C2205	NDC31HJ-101X	C CAPACITOR	100pF 50V J		C3720	QETN1EM-476Z	E CAPACITOR	47uF 25V M	
C2206	NDC31HJ-3R0X	C CAPACITOR	3pF 50V J		C3721	QEK1CM-107Z	E CAPACITOR	100uF 16V M	
C2207	NCB21HK-104X	C CAPACITOR	0.1uF 50V K		R152	NRSA63J-222X	MG RESISTOR	2.2kΩ 1/16W J	
C2208	NCB21HK-104X	C CAPACITOR	0.1uF 50V K		△ R163	QRJ146J-221X	UNF C RESISTOR	220Ω 1/4W J	
C2211	NCB21HK-104X	C CAPACITOR	0.1uF 50V K		R164	QRE141J-332Y	C RESISTOR	3.3kΩ 1/4W J	
C2212	NCB21HK-104X	C CAPACITOR	0.1uF 50V K		R165	QRL027J-391	OMF RESISTOR	390Ω 2W J	
C2302	NCB31HK-471X	C CAPACITOR	470pF 50V K		R166	QRL027J-391	OMF RESISTOR	390Ω 2W J	
C2303	QETN1HM-475Z	E CAPACITOR	4.7uF 50V M		△ R171	QRL027J-470	OMF RESISTOR	47Ω 2W J	
C2304	QETN1CM-107Z	E CAPACITOR	100uF 16V M		R501	NRSA63J-472X	MG RESISTOR	4.7kΩ 1/16W J	
C2305	NDC31HJ-101X	C CAPACITOR	100pF 50V J		R502	NRSA63J-104X	MG RESISTOR	100kΩ 1/16W J	
C2306	NDC31HJ-3R0X	C CAPACITOR	3pF 50V J		R504	NRSA63J-102X	MG RESISTOR	1kΩ 1/16W J	
C2307	NCB21HK-104X	C CAPACITOR	0.1uF 50V K		R505	NRSA63J-102X	MG RESISTOR	1kΩ 1/16W J	
C2308	NCB21HK-104X	C CAPACITOR	0.1uF 50V K		R506	NRSA63J-103X	MG RESISTOR	10kΩ 1/16W J	

△ Symbol No.	Part No.	Part Name	Description	Local	△ Symbol No.	Part No.	Part Name	Description	Local
R508	NRSA63J-223X	MG RESISTOR	22kΩ 1/16W J		R2213	NRSA63J-222X	MG RESISTOR	2.2kΩ 1/16W J	
R510	QRE141J-472Y	C RESISTOR	4.7kΩ 1/4W J		R2214	NRSA63J-104X	MG RESISTOR	100kΩ 1/16W J	
R522	NRSA63J-103X	MG RESISTOR	10kΩ 1/16W J		R2215	QRJ146J-100X	UNF C RESISTOR	10Ω 1/4W J	
R523	NRSA63J-223X	MG RESISTOR	22kΩ 1/16W J		R2301	NRSA63J-103X	MG RESISTOR	10kΩ 1/16W J	
R533	NRSA63J-103X	MG RESISTOR	10kΩ 1/16W J		R2303	NRSA63J-563X	MG RESISTOR	56kΩ 1/16W J	
R534	NRSA63J-103X	MG RESISTOR	10kΩ 1/16W J		R2304	NRSA63J-561X	MG RESISTOR	560Ω 1/16W J	
R535	NRSA63J-104X	MG RESISTOR	100kΩ 1/16W J		R2305	NRSA63J-563X	MG RESISTOR	56kΩ 1/16W J	
R536	NRSA63J-103X	MG RESISTOR	10kΩ 1/16W J		R2306	QRZ0224-R22	EMIT RESISTOR	0.22Ω	
R540	NRSA63J-472X	MG RESISTOR	4.7kΩ 1/16W J		R2307	NRSA63J-102X	MG RESISTOR	1kΩ 1/16W J	
R553	NRSA63J-153X	MG RESISTOR	15kΩ 1/16W J		R2308	NRSA63J-153X	MG RESISTOR	15kΩ 1/16W J	
R554	NRSA63J-223X	MG RESISTOR	22kΩ 1/16W J		R2309	NRSA63J-473X	MG RESISTOR	47kΩ 1/16W J	
R555	QRJ146J-271X	UNF C RESISTOR	270Ω 1/4W J		R2310	QRK126J-4R7X	UNF C RESISTOR	4.7Ω 1/2W J	
R556	NRSA63J-102X	MG RESISTOR	1kΩ 1/16W J		R2311	QRJ146J-100X	UNF C RESISTOR	10Ω 1/4W J	
R557	NRSA63J-104X	MG RESISTOR	100kΩ 1/16W J		R2312	NRSA63J-222X	MG RESISTOR	2.2kΩ 1/16W J	
R558	NRSA63J-223X	MG RESISTOR	22kΩ 1/16W J		R2313	NRSA63J-222X	MG RESISTOR	2.2kΩ 1/16W J	
R559	NRSA63J-223X	MG RESISTOR	22kΩ 1/16W J		R2314	NRSA63J-104X	MG RESISTOR	100kΩ 1/16W J	
R560	NRSA63J-223X	MG RESISTOR	22kΩ 1/16W J		R2315	QRJ146J-100X	UNF C RESISTOR	10Ω 1/4W J	
R561	NRSA63J-822X	MG RESISTOR	8.2kΩ 1/16W J		R2401	NRSA63J-103X	MG RESISTOR	10kΩ 1/16W J	
R562	NRSA63J-393X	MG RESISTOR	39kΩ 1/16W J		R2403	NRSA63J-563X	MG RESISTOR	56kΩ 1/16W J	
R563	NRSA63J-223X	MG RESISTOR	22kΩ 1/16W J		R2404	NRSA63J-561X	MG RESISTOR	560Ω 1/16W J	
R574	NRSA02J-151X	MG RESISTOR	150Ω 1/10W J		R2405	NRSA63J-563X	MG RESISTOR	56kΩ 1/16W J	
R601	NRSA63J-103X	MG RESISTOR	10kΩ 1/16W J		R2406	QRZ0224-R22	EMIT RESISTOR	0.22Ω	
R602	NRSA63J-272X	MG RESISTOR	2.7kΩ 1/16W J		R2407	NRSA63J-102X	MG RESISTOR	1kΩ 1/16W J	
R603	NRSA63J-222X	MG RESISTOR	2.2kΩ 1/16W J		R2408	NRSA63J-153X	MG RESISTOR	15kΩ 1/16W J	
R606	NRSA63J-223X	MG RESISTOR	22kΩ 1/16W J		R2409	NRSA63J-473X	MG RESISTOR	47kΩ 1/16W J	
R607	NRSA63J-223X	MG RESISTOR	22kΩ 1/16W J		R2410	QRK126J-4R7X	UNF C RESISTOR	4.7Ω 1/2W J	
R608	NRSA63J-223X	MG RESISTOR	22kΩ 1/16W J		R2411	QRJ146J-100X	UNF C RESISTOR	10Ω 1/4W J	
R611	NRSA63J-471X	MG RESISTOR	470Ω 1/16W J		R2412	NRSA63J-222X	MG RESISTOR	2.2kΩ 1/16W J	
R612	NRSA63J-223X	MG RESISTOR	22kΩ 1/16W J		R2413	NRSA63J-222X	MG RESISTOR	2.2kΩ 1/16W J	
R613	NRSA63J-223X	MG RESISTOR	22kΩ 1/16W J		R2414	NRSA63J-104X	MG RESISTOR	100kΩ 1/16W J	
R614	NRSA63J-223X	MG RESISTOR	22kΩ 1/16W J		R2415	QRJ146J-100X	UNF C RESISTOR	10Ω 1/4W J	
R621	NRSA63J-103X	MG RESISTOR	10kΩ 1/16W J		R2501	NRSA63J-103X	MG RESISTOR	10kΩ 1/16W J	
R622	NRSA63J-223X	MG RESISTOR	22kΩ 1/16W J		R2503	NRSA63J-563X	MG RESISTOR	56kΩ 1/16W J	
R623	NRSA63J-103X	MG RESISTOR	10kΩ 1/16W J		R2504	NRSA63J-561X	MG RESISTOR	560Ω 1/16W J	
R624	NRSA63J-472X	MG RESISTOR	4.7kΩ 1/16W J		R2505	NRSA63J-563X	MG RESISTOR	56kΩ 1/16W J	
R625	NRSA63J-472X	MG RESISTOR	4.7kΩ 1/16W J		R2506	QRZ0224-R22	EMIT RESISTOR	0.22Ω	
R626	NRSA63J-103X	MG RESISTOR	10kΩ 1/16W J		R2507	NRSA63J-102X	MG RESISTOR	1kΩ 1/16W J	
R627	NRSA63J-102X	MG RESISTOR	1kΩ 1/16W J		R2508	NRSA63J-153X	MG RESISTOR	15kΩ 1/16W J	
R628	NRSA63J-223X	MG RESISTOR	22kΩ 1/16W J		R2509	NRSA63J-473X	MG RESISTOR	47kΩ 1/16W J	
R629	NRSA63J-103X	MG RESISTOR	10kΩ 1/16W J		R2510	QRK126J-4R7X	UNF C RESISTOR	4.7Ω 1/2W J	
R631	NRSA63J-223X	MG RESISTOR	22kΩ 1/16W J		R2511	QRJ146J-100X	UNF C RESISTOR	10Ω 1/4W J	
R633	NRSA63J-223X	MG RESISTOR	22kΩ 1/16W J		R2512	NRSA63J-222X	MG RESISTOR	2.2kΩ 1/16W J	
R635	NRSA63J-223X	MG RESISTOR	22kΩ 1/16W J		R2513	NRSA63J-222X	MG RESISTOR	2.2kΩ 1/16W J	
R637	NRSA63J-223X	MG RESISTOR	22kΩ 1/16W J		R2514	NRSA63J-104X	MG RESISTOR	100kΩ 1/16W J	
R640	NRSA63J-223X	MG RESISTOR	22kΩ 1/16W J		R2515	QRJ146J-100X	UNF C RESISTOR	10Ω 1/4W J	
R641	NRSA63J-223X	MG RESISTOR	22kΩ 1/16W J		R2601	NRSA63J-103X	MG RESISTOR	10kΩ 1/16W J	
R642	NRSA63J-223X	MG RESISTOR	22kΩ 1/16W J		R2603	NRSA63J-563X	MG RESISTOR	56kΩ 1/16W J	
R643	NRSA63J-223X	MG RESISTOR	22kΩ 1/16W J		R2604	NRSA63J-561X	MG RESISTOR	560Ω 1/16W J	
R644	NRSA63J-103X	MG RESISTOR	10kΩ 1/16W J		R2605	NRSA63J-563X	MG RESISTOR	56kΩ 1/16W J	
R645	NRSA63J-102X	MG RESISTOR	1kΩ 1/16W J		R2606	QRZ0224-R22	EMIT RESISTOR	0.22Ω	
R667	NRSA63J-472X	MG RESISTOR	4.7kΩ 1/16W J		R2607	NRSA63J-102X	MG RESISTOR	1kΩ 1/16W J	
R671	NRSA63J-102X	MG RESISTOR	1kΩ 1/16W J		R2608	NRSA63J-153X	MG RESISTOR	15kΩ 1/16W J	
R685	QRE141J-102Y	C RESISTOR	1kΩ 1/4W J		R2609	NRSA63J-473X	MG RESISTOR	47kΩ 1/16W J	
R686	QRE141J-102Y	C RESISTOR	1kΩ 1/4W J		R2610	QRK126J-4R7X	UNF C RESISTOR	4.7Ω 1/2W J	
R2101	NRSA63J-103X	MG RESISTOR	10kΩ 1/16W J		R2611	QRJ146J-100X	UNF C RESISTOR	10Ω 1/4W J	
R2103	NRSA63J-563X	MG RESISTOR	56kΩ 1/16W J		R2612	NRSA63J-222X	MG RESISTOR	2.2kΩ 1/16W J	
R2104	NRSA63J-561X	MG RESISTOR	560Ω 1/16W J		R2613	NRSA63J-222X	MG RESISTOR	2.2kΩ 1/16W J	
R2105	NRSA63J-563X	MG RESISTOR	56kΩ 1/16W J		R2614	NRSA63J-104X	MG RESISTOR	100kΩ 1/16W J	
R2106	QRZ0224-R22	EMIT RESISTOR	0.22Ω		R2615	QRJ146J-100X	UNF C RESISTOR	10Ω 1/4W J	
R2107	NRSA63J-102X	MG RESISTOR	1kΩ 1/16W J		△ R2701	QRZ9005-220X	FUSI RESISTOR	22Ω	
R2108	NRSA63J-153X	MG RESISTOR	15kΩ 1/16W J		△ R2702	QRJ146J-220X	UNF C RESISTOR	22Ω 1/4W J	
R2109	NRSA63J-473X	MG RESISTOR	47kΩ 1/16W J		R2703	NRSA63J-471X	MG RESISTOR	470Ω 1/16W J	
R2110	QRK126J-4R7X	UNF C RESISTOR	4.7Ω 1/2W J		R2704	NRSA63J-471X	MG RESISTOR	470Ω 1/16W J	
R2111	QRJ146J-100X	UNF C RESISTOR	10Ω 1/4W J		R2705	NRSA63J-333X	MG RESISTOR	33kΩ 1/16W J	
R2112	NRSA63J-752X	MG RESISTOR	7.5kΩ 1/16W J		△ R2706	QRZ9006-4R7X	F.RESISTOR	4.7Ω 1/4W J	
R2113	NRSA63J-222X	MG RESISTOR	2.2kΩ 1/16W J		△ R2707	QRZ9006-4R7X	F.RESISTOR	4.7Ω 1/4W J	
R2114	NRSA63J-104X	MG RESISTOR	100kΩ 1/16W J		△ R2708	QRZ9006-4R7X	F.RESISTOR	4.7Ω 1/4W J	
R2201	NRSA63J-103X	MG RESISTOR	10kΩ 1/16W J		△ R2709	QRZ9006-4R7X	F.RESISTOR	4.7Ω 1/4W J	
R2203	NRSA63J-563X	MG RESISTOR	56kΩ 1/16W J		△ R2710	QRZ9005-100X	FUSI RESISTOR	10Ω	
R2204	NRSA63J-561X	MG RESISTOR	560Ω 1/16W J		R2711	NRSA63J-333X	MG RESISTOR	33kΩ 1/16W J	
R2205	NRSA63J-563X	MG RESISTOR	56kΩ 1/16W J		R2712	NRSA63J-562X	MG RESISTOR	5.6kΩ 1/16W J	
R2206	QRZ0224-R22	EMIT RESISTOR	0.22Ω		R2713	NRSA63J-562X	MG RESISTOR	5.6kΩ 1/16W J	
R2207	NRSA63J-102X	MG RESISTOR	1kΩ 1/16W J		R2721	QRE141J-472Y	C RESISTOR	4.7kΩ 1/4W J	
R2208	NRSA63J-153X	MG RESISTOR	15kΩ 1/16W J		R2722	QRE141J-472Y	C RESISTOR	4.7kΩ 1/4W J	
R2209	NRSA63J-473X	MG RESISTOR	47kΩ 1/16W J		R3101	NRSA63J-153X	MG RESISTOR	15kΩ 1/16W J	
R2210	QRK126J-4R7X	UNF C RESISTOR	4.7Ω 1/2W J		R3103	NRSA63J-222X	MG RESISTOR	2.2kΩ 1/16W J	
R2211	QRJ146J-100X	UNF C RESISTOR	10Ω 1/4W J		R3104	NRSA63J-183X	MG RESISTOR	18kΩ 1/16W J	
R2212	NRSA63J-222X	MG RESISTOR	2.2kΩ 1/16W J		R3105	NRSA63J-474X	MG RESISTOR	470kΩ 1/16W J	

△ Symbol No.	Part No.	Part Name	Description	Local	△ Symbol No.	Part No.	Part Name	Description	Local
R3106	NRSA63J-470X	MG RESISTOR	47Ω 1/16W J		L2101	QQLZ005-R45	COIL	0.45uH	
R3107	NRSA63J-334X	MG RESISTOR	330kΩ 1/16W J		L2201	QQLZ005-R45	COIL	0.45uH	
R3108	NRSA63J-101X	MG RESISTOR	100Ω 1/16W J		L2202	QQLZ005-R45	COIL	0.45uH	
R3109	NRSA63J-102X	MG RESISTOR	1kΩ 1/16W J		L2301	QQLZ005-R45	COIL	0.45uH	
R3110	NRSA63J-104X	MG RESISTOR	100kΩ 1/16W J		L2302	QQLZ005-R45	COIL	0.45uH	
R3111	NRSA63J-471X	MG RESISTOR	470Ω 1/16W J		L2401	QQLZ005-R45	COIL	0.45uH	
R3112	NRSA63J-103X	MG RESISTOR	10kΩ 1/16W J		L2402	QQLZ005-R45	COIL	0.45uH	
R3113	NRSA63J-103X	MG RESISTOR	10kΩ 1/16W J		L2501	QQLZ005-R45	COIL	0.45uH	
R3201	NRSA63J-153X	MG RESISTOR	15kΩ 1/16W J		L2502	QQLZ005-R45	COIL	0.45uH	
R3203	NRSA63J-222X	MG RESISTOR	2.2kΩ 1/16W J		L2601	QQLZ005-R45	COIL	0.45uH	
R3204	NRSA63J-183X	MG RESISTOR	18kΩ 1/16W J		L2602	QQLZ005-R45	COIL	0.45uH	
R3205	NRSA63J-474X	MG RESISTOR	470kΩ 1/16W J		△ CN101	QGA7901C1-02	CONNECTOR	W-B (1-2)	
R3206	NRSA63J-470X	MG RESISTOR	47Ω 1/16W J		△ CN102	QGA7901C1-02	CONNECTOR	W-B (1-2)	
R3207	NRSA63J-334X	MG RESISTOR	330kΩ 1/16W J		CN151	QGA3901C1-05	CONNECTOR	W-B (1-5)	
R3208	NRSA63J-101X	MG RESISTOR	100Ω 1/16W J		CN271	QGB2510J1-14	CONNECTOR	B-B (1-14)	
R3209	NRSA63J-102X	MG RESISTOR	1kΩ 1/16W J		CN272	QGB2510J1-09	CONNECTOR	B-B (1-9)	
R3210	NRSA63J-104X	MG RESISTOR	100kΩ 1/16W J		CN273	QGB2510J1-14	CONNECTOR	B-B (1-14)	
R3211	NRSA63J-471X	MG RESISTOR	470Ω 1/16W J		CN274	QGA3901C1-02	CONNECTOR	W-B (1-2)	
R3212	NRSA63J-103X	MG RESISTOR	10kΩ 1/16W J		CN371	QGA2501C1-02	CONNECTOR	W-B (1-2)	
R3213	NRSA63J-103X	MG RESISTOR	10kΩ 1/16W J		CN372	QGB2510K2-09	CONNECTOR	B-B (1-9)	
R3301	NRSA63J-153X	MG RESISTOR	15kΩ 1/16W J		CN373	QGA2501C1-02	CONNECTOR	W-B (1-2)	
R3303	NRSA63J-222X	MG RESISTOR	2.2kΩ 1/16W J		CN501	QGB2510K2-14	CONNECTOR	B-B (1-14)	
R3304	NRSA63J-183X	MG RESISTOR	18kΩ 1/16W J		CN502	QGB2510K2-14	CONNECTOR	B-B (1-14)	
R3305	NRSA63J-474X	MG RESISTOR	470kΩ 1/16W J		EP201	QNZ0136-001Z	EARTH PLATE		
R3306	NRSA63J-470X	MG RESISTOR	47Ω 1/16W J		EP501	QNZ0136-001Z	EARTH PLATE		
R3307	NRSA63J-334X	MG RESISTOR	330kΩ 1/16W J		FC101	QNG0019-001Z	FUSE CLIP		
R3308	NRSA63J-101X	MG RESISTOR	100Ω 1/16W J		FC102	QNG0019-001Z	FUSE CLIP		
R3309	NRSA63J-102X	MG RESISTOR	1kΩ 1/16W J		FC155	QNG0019-001Z	FUSE CLIP		
R3310	NRSA63J-104X	MG RESISTOR	100kΩ 1/16W J		FC156	QNG0019-001Z	FUSE CLIP		
R3311	NRSA63J-471X	MG RESISTOR	470Ω 1/16W J		FC157	QNG0019-001Z	FUSE CLIP		
R3312	NRSA63J-103X	MG RESISTOR	10kΩ 1/16W J		FC158	QNG0019-001Z	FUSE CLIP		
R3313	NRSA63J-103X	MG RESISTOR	10kΩ 1/16W J		FW501	QUM213-28Z4Z4-E	RIBBON WIRE		
R3401	NRSA63J-153X	MG RESISTOR	15kΩ 1/16W J		HS151	QZW0138-001	HEAT SINK		
R3403	NRSA63J-222X	MG RESISTOR	2.2kΩ 1/16W J		J2701	QND0118-001	DIN CONNECTOR		
R3404	NRSA63J-183X	MG RESISTOR	18kΩ 1/16W J		J2702	QNB0195-001	SPEAKER TERMINA		
R3405	NRSA63J-474X	MG RESISTOR	470kΩ 1/16W J		△ RY101	QSK0142-001	RELAY		
R3406	NRSA63J-470X	MG RESISTOR	47Ω 1/16W J		RY271	QSK0127-001	RELAY		
R3407	NRSA63J-334X	MG RESISTOR	330kΩ 1/16W J		RY272	QSK0127-001	RELAY		
R3408	NRSA63J-101X	MG RESISTOR	100Ω 1/16W J		RY273	QSK0127-001	RELAY		
R3409	NRSA63J-102X	MG RESISTOR	1kΩ 1/16W J		TH271	NAD0025-103X	N THERMISTOR	10kΩ	
R3410	NRSA63J-104X	MG RESISTOR	100kΩ 1/16W J		WC201	QZW0112-001	WIRE CLAMP		
R3411	NRSA63J-471X	MG RESISTOR	470Ω 1/16W J		X601	QAX0246-001Z	C RESONATOR	8.00MHz	
R3412	NRSA63J-103X	MG RESISTOR	10kΩ 1/16W J						
R3413	NRSA63J-103X	MG RESISTOR	10kΩ 1/16W J						
R3501	NRSA63J-153X	MG RESISTOR	15kΩ 1/16W J						
R3503	NRSA63J-222X	MG RESISTOR	2.2kΩ 1/16W J						
R3504	NRSA63J-183X	MG RESISTOR	18kΩ 1/16W J						
R3505	NRSA63J-474X	MG RESISTOR	470kΩ 1/16W J						
R3506	NRSA63J-470X	MG RESISTOR	47Ω 1/16W J						
R3507	NRSA63J-334X	MG RESISTOR	330kΩ 1/16W J						
R3508	NRSA63J-101X	MG RESISTOR	100Ω 1/16W J						
R3509	NRSA63J-102X	MG RESISTOR	1kΩ 1/16W J						
R3510	NRSA63J-104X	MG RESISTOR	100kΩ 1/16W J						
R3511	NRSA63J-471X	MG RESISTOR	470Ω 1/16W J						
R3512	NRSA63J-103X	MG RESISTOR	10kΩ 1/16W J						
R3513	NRSA63J-103X	MG RESISTOR	10kΩ 1/16W J						
R3601	NRSA63J-153X	MG RESISTOR	15kΩ 1/16W J						
R3603	NRSA63J-222X	MG RESISTOR	2.2kΩ 1/16W J						
R3604	NRSA63J-183X	MG RESISTOR	18kΩ 1/16W J						
R3605	NRSA63J-154X	MG RESISTOR	150kΩ 1/16W J						
R3607	NRSA63J-104X	MG RESISTOR	100kΩ 1/16W J						
R3608	NRSA63J-101X	MG RESISTOR	100Ω 1/16W J						
R3610	NRSA63J-104X	MG RESISTOR	100kΩ 1/16W J						
R3611	NRSA63J-471X	MG RESISTOR	470Ω 1/16W J						
R3717	NRSA63J-103X	MG RESISTOR	10kΩ 1/16W J						
R3719	QRE141J-102Y	C RESISTOR	1kΩ 1/4W J						
△ R3720	QRJ146J-100X	UNF C RESISTOR	10Ω 1/4W J						
R3721	NRSA63J-221X	MG RESISTOR	220Ω 1/16W J						
R3725	NRSA63J-472X	MG RESISTOR	4.7kΩ 1/16W J						
R3726	NRSA63J-103X	MG RESISTOR	10kΩ 1/16W J						
△ R3727	QRL01DJ-180X	OMF RESISTOR	18Ω 1W J						
R3728	NRSA63J-101X	MG RESISTOR	100Ω 1/16W J						
R3729	NRSA63J-473X	MG RESISTOR	47kΩ 1/16W J						
R3730	NRSA63J-470X	MG RESISTOR	47Ω 1/16W J						
R3732	NRSA63J-153X	MG RESISTOR	15kΩ 1/16W J						
R3741	NRSA63J-473X	MG RESISTOR	47kΩ 1/16W J						
R3742	NRSA63J-104X	MG RESISTOR	100kΩ 1/16W J						

DVD module board

Block No. [0][4]

△ Symbol No.	Part No.	Part Name	Description	Local
IC201	LA6502-X	IC		
IC301	MN2DS0009AA	IC		
IC302	MM1701CH-X	IC		
IC305	MM1563BF-X	IC	3.1V Regulator	
IC453	S-80827CNNB-G-W	IC		
IC505	K4S641632H-UC75	IC		
IC505	or HY57V641620ETP7	IC(DIGITAL)		
IC509	SG32M90TFIR3	IC(MICRO C ROM)		
IC510	BR24L16FV-W-X	IC		
IC701	AK4384VT-X	IC		
IC701	or AK4384ET-X	IC		
IC702	AK4384VT-X	IC		
IC702	or AK4384ET-X	IC		
IC703	AK4384VT-X	IC		
IC703	or AK4384ET-X	IC		
IC704	AK5357VT-X	IC		
IC704	or AK5357ET-X	IC		
IC705	MM1615AN-X	IC		
Q101	KTA1001/Y/-X	TRANSISTOR		
Q101	or 2SB1424/R/-W	TRANSISTOR		
Q102	2SC4617/R/-X	TRANSISTOR		
Q103	KTA1001/Y/-X	TRANSISTOR		
Q103	or 2SB1424/R/-W	TRANSISTOR		
Q104	2SC4617/R/-X	TRANSISTOR		

△ Symbol No.	Part No.	Part Name	Description	Local	△ Symbol No.	Part No.	Part Name	Description	Local
Q105	UN2119-X	TRANSISTOR			C372	NCF31EZ-104X	C CAPACITOR	0.1uF 25V Z	
Q105	or KRA116S-X	TRANSISTOR			C375	NCF31EZ-104X	C CAPACITOR	0.1uF 25V Z	
C101	NCF31EZ-104X	C CAPACITOR	0.1uF 25V Z		C376	NCF31EZ-104X	C CAPACITOR	0.1uF 25V Z	
C102	NCF31EZ-104X	C CAPACITOR	0.1uF 25V Z		C377	NCF31EZ-104X	C CAPACITOR	0.1uF 25V Z	
C103	NCF31EZ-104X	C CAPACITOR	0.1uF 25V Z		C379	NCF31EZ-104X	C CAPACITOR	0.1uF 25V Z	
C104	NCF31EZ-104X	C CAPACITOR	0.1uF 25V Z		C380	NCB21CK-105X	C CAPACITOR	1uF 16V K	
C105	NEAF0JM-476X	E CAPACITOR	47uF 6.3V M		C381	NCB21AK-225X	C CAPACITOR	2.2uF 10V K	
C106	NBE20JM-226X	TA E CAPACITOR	22uF 6.3V M		C382	NCB31HK-471X	C CAPACITOR	470pF 50V K	
C107	NCF31EZ-104X	C CAPACITOR	0.1uF 25V Z		C383	NCF31EZ-104X	C CAPACITOR	0.1uF 25V Z	
C108	NBE20JM-226X	TA E CAPACITOR	22uF 6.3V M		C386	NCF31EZ-104X	C CAPACITOR	0.1uF 25V Z	
C201	NDC31HJ-221X	C CAPACITOR	220pF 50V J		C393	NCB31HK-103X	C CAPACITOR	0.01uF 50V K	
C202	NDC31HJ-221X	C CAPACITOR	220pF 50V J		C455	NCB31HK-103X	C CAPACITOR	0.01uF 50V K	
C203	NCB31HK-103X	C CAPACITOR	0.01uF 50V K		C551	NCF31EZ-104X	C CAPACITOR	0.1uF 25V Z	
C204	NCF31EZ-104X	C CAPACITOR	0.1uF 25V Z		C554	NCF31EZ-104X	C CAPACITOR	0.1uF 25V Z	
C205	NCB31HK-271X	C CAPACITOR	270pF 50V K		C555	NCF31EZ-104X	C CAPACITOR	0.1uF 25V Z	
C206	NDC31HJ-151X	C CAPACITOR	150pF 50V J		C557	NCB31HK-102X	C CAPACITOR	1000pF 50V K	
C210	NCF31AZ-105X	C CAPACITOR	1uF 10V Z		C558	NBE20JM-226X	TA E CAPACITOR	22uF 6.3V M	
C211	NCB31HK-223X	C CAPACITOR	0.022uF 50V K		C559	NCF31EZ-104X	C CAPACITOR	0.1uF 25V Z	
C217	NCF31EZ-104X	C CAPACITOR	0.1uF 25V Z		C560	NCF31EZ-104X	C CAPACITOR	0.1uF 25V Z	
C251	NCB31AK-474X	C CAPACITOR	0.47uF 10V K		C562	NCF31AZ-105X	C CAPACITOR	1uF 10V Z	
C256	NCB31CK-104X	C CAPACITOR	0.1uF 16V K		C563	NCF31EZ-104X	C CAPACITOR	0.1uF 25V Z	
C257	NCB31HK-822X	C CAPACITOR	8200pF 50V K		C564	NCF31EZ-104X	C CAPACITOR	0.1uF 25V Z	
C258	NCB31CK-153X	C CAPACITOR	0.015uF 16V K		C701	NCF31EZ-104X	C CAPACITOR	0.1uF 25V Z	
C259	NCB31CK-153X	C CAPACITOR	0.015uF 16V K		C702	NCF31EZ-104X	C CAPACITOR	0.1uF 25V Z	
C260	NCB31HK-223X	C CAPACITOR	0.022uF 50V K		C703	NCF31EZ-104X	C CAPACITOR	0.1uF 25V Z	
C261	NCB31HK-223X	C CAPACITOR	0.022uF 50V K		C704	NEAF0JM-476X	E CAPACITOR	47uF 6.3V M	
C262	NCB31HK-223X	C CAPACITOR	0.022uF 50V K		C706	NEAF1CM-106X	E CAPACITOR	10uF 16V M	
C263	NEAF1CM-107X	E CAPACITOR	100uF 16V M		C707	NCF31EZ-104X	C CAPACITOR	0.1uF 25V Z	
C300	NCF31EZ-104X	C CAPACITOR	0.1uF 25V Z		C708	NCF31EZ-104X	C CAPACITOR	0.1uF 25V Z	
C301	NEAF0GM-227X	E CAPACITOR	220uF 4V M		C709	NCF31EZ-104X	C CAPACITOR	0.1uF 25V Z	
C302	NEAF0GM-476X	E CAPACITOR	47uF 4V M		C711	NCB21CK-105X	C CAPACITOR	1uF 16V K	
C303	NBE20JM-476X	TA E CAPACITOR	47uF 6.3V M		C712	NCB31HK-103X	C CAPACITOR	0.01uF 50V K	
C304	NCB30JK-105X	C CAPACITOR	1uF 6.3V K		C713	NCB21CK-105X	C CAPACITOR	1uF 16V K	
C305	NCF31EZ-104X	C CAPACITOR	0.1uF 25V Z		C740	NCB31CK-104X	C CAPACITOR	0.1uF 16V K	
C306	NCF31EZ-104X	C CAPACITOR	0.1uF 25V Z		C741	NCF31AZ-105X	C CAPACITOR	1uF 10V Z	
C307	NCF31EZ-104X	C CAPACITOR	0.1uF 25V Z		C742	NCF31EZ-104X	C CAPACITOR	0.1uF 25V Z	
C308	NCF31EZ-104X	C CAPACITOR	0.1uF 25V Z		C743	NCF31EZ-104X	C CAPACITOR	0.1uF 25V Z	
C309	NCF31EZ-104X	C CAPACITOR	0.1uF 25V Z		C744	NEAF1CM-106X	E CAPACITOR	10uF 16V M	
C310	NCF31EZ-104X	C CAPACITOR	0.1uF 25V Z		C745	NEAF1CM-106X	E CAPACITOR	10uF 16V M	
C312	NCF31EZ-104X	C CAPACITOR	0.1uF 25V Z		R101	NRSA63J-101X	MG RESISTOR	100Ω 1/16W J	
C313	NCF31EZ-104X	C CAPACITOR	0.1uF 25V Z		R102	NRSA63J-101X	MG RESISTOR	100Ω 1/16W J	
C314	NCF31EZ-104X	C CAPACITOR	0.1uF 25V Z		R103	NRSA63J-562X	MG RESISTOR	5.6kΩ 1/16W J	
C315	NCF31EZ-104X	C CAPACITOR	0.1uF 25V Z		R104	NRSA63J-432X	MG RESISTOR	4.3kΩ 1/16W J	
C316	NCF31EZ-104X	C CAPACITOR	0.1uF 25V Z		R105	NRS181J-180X	MG RESISTOR	18Ω 1/8W J	
C318	NCF31EZ-104X	C CAPACITOR	0.1uF 25V Z		R106	NRSA63J-2R2X	MG RESISTOR	2.2Ω 1/16W J	
C319	NCF31EZ-104X	C CAPACITOR	0.1uF 25V Z		R107	NRSA63J-102X	MG RESISTOR	1kΩ 1/16W J	
C320	NCB31CK-104X	C CAPACITOR	0.1uF 16V K		R108	NRSA63J-471X	MG RESISTOR	470Ω 1/16W J	
C321	NCB31CK-104X	C CAPACITOR	0.1uF 16V K		R109	NRSA63J-331X	MG RESISTOR	330Ω 1/16W J	
C322	NCB31CK-104X	C CAPACITOR	0.1uF 16V K		R111	NRSA63J-562X	MG RESISTOR	5.6kΩ 1/16W J	
C323	NCB31CK-104X	C CAPACITOR	0.1uF 16V K		R112	NRSA63J-432X	MG RESISTOR	4.3kΩ 1/16W J	
C324	NCB30JK-105X	C CAPACITOR	1uF 6.3V K		R113	NRS181J-180X	MG RESISTOR	18Ω 1/8W J	
C325	NDC31HJ-120X	C CAPACITOR	12pF 50V J		R114	NRSA63J-2R2X	MG RESISTOR	2.2Ω 1/16W J	
C326	NDC31HJ-100X	C CAPACITOR	10pF 50V J		R115	NRSA63J-102X	MG RESISTOR	1kΩ 1/16W J	
C328	NCB31HK-103X	C CAPACITOR	0.01uF 50V K		R116	NRSA63J-471X	MG RESISTOR	470Ω 1/16W J	
C329	NCF31EZ-104X	C CAPACITOR	0.1uF 25V Z		R117	NRSA63J-331X	MG RESISTOR	330Ω 1/16W J	
C330	NCF31EZ-104X	C CAPACITOR	0.1uF 25V Z		R125	NRSA63J-1R0X	MG RESISTOR	1Ω 1/16W J	
C331	NCB31CK-333X	C CAPACITOR	0.033uF 16V K		R126	NRSA63J-101X	MG RESISTOR	100Ω 1/16W J	
C332	NCF31EZ-104X	C CAPACITOR	0.1uF 25V Z		R127	NRSA63J-432X	MG RESISTOR	4.3kΩ 1/16W J	
C333	NCF31EZ-104X	C CAPACITOR	0.1uF 25V Z		R128	NRSA63J-562X	MG RESISTOR	5.6kΩ 1/16W J	
C334	NCF31EZ-104X	C CAPACITOR	0.1uF 25V Z		R201	NRSA63J-471X	MG RESISTOR	470Ω 1/16W J	
C335	NCF31EZ-104X	C CAPACITOR	0.1uF 25V Z		R202	NRSA63J-102X	MG RESISTOR	1kΩ 1/16W J	
C337	NCB31CK-183X	C CAPACITOR	0.018uF 16V K		R204	NRSA63J-273X	MG RESISTOR	27kΩ 1/16W J	
C338	NCB31HK-562X	C CAPACITOR	5600pF 50V K		R205	NRSA63J-273X	MG RESISTOR	27kΩ 1/16W J	
C339	NBE20JM-106X	TA E CAPACITOR	10uF 6.3V M		R206	NRSA63J-303X	MG RESISTOR	30kΩ 1/16W J	
C340	NCB30JK-105X	C CAPACITOR	1uF 6.3V K		R207	NRSA63J-473X	MG RESISTOR	47kΩ 1/16W J	
C341	NCB30JK-105X	C CAPACITOR	1uF 6.3V K		R213	NRSA63J-103X	MG RESISTOR	10kΩ 1/16W J	
C347	NCB31CK-104X	C CAPACITOR	0.1uF 16V K		R214	NRSA63J-103X	MG RESISTOR	10kΩ 1/16W J	
C348	NCB31CK-104X	C CAPACITOR	0.1uF 16V K		R219	NRSA63J-183X	MG RESISTOR	18kΩ 1/16W J	
C349	NCF31EZ-104X	C CAPACITOR	0.1uF 25V Z		R220	NRSA63J-243X	MG RESISTOR	24kΩ 1/16W J	
C350	NCB31HK-103X	C CAPACITOR	0.01uF 50V K		R221	NRSA63J-682X	MG RESISTOR	6.8kΩ 1/16W J	
C351	NCB31HK-103X	C CAPACITOR	0.01uF 50V K		R251	NRS125J-R39X	MG RESISTOR	0.39Ω 1/2W J	
C352	NCB31CK-153X	C CAPACITOR	0.015uF 16V K		R259	NRSA63J-103X	MG RESISTOR	10kΩ 1/16W J	
C353	NCB31HK-561X	C CAPACITOR	560pF 50V K		R303	NRSA63J-220X	MG RESISTOR	22Ω 1/16W J	
C354	NCB31HK-561X	C CAPACITOR	560pF 50V K		R306	NRSA63J-102X	MG RESISTOR	1kΩ 1/16W J	
C356	NCB30JK-105X	C CAPACITOR	1uF 6.3V K		R307	NRSA63J-102X	MG RESISTOR	1kΩ 1/16W J	
C359	NCB30JK-105X	C CAPACITOR	1uF 6.3V K		R308	NRSA63J-103X	MG RESISTOR	10kΩ 1/16W J	
C371	NCF31AZ-105X	C CAPACITOR	1uF 10V Z		R309	NRSA63J-104X	MG RESISTOR	100kΩ 1/16W J	

△ Symbol No.	Part No.	Part Name	Description	Local	△ Symbol No.	Part No.	Part Name	Description	Local
R310	NRSA63J-101X	MG RESISTOR	100Ω 1/16W J		K703	NQR0022-002X	FERRITE BEADS		
R316	NRSA63J-102X	MG RESISTOR	1kΩ 1/16W J		K704	NQR0022-002X	FERRITE BEADS		
R319	NRSA63J-103X	MG RESISTOR	10kΩ 1/16W J		K705	NQR0022-002X	FERRITE BEADS		
R324	NRSA63J-331X	MG RESISTOR	330Ω 1/16W J		K706	NQR0022-005X	FERRITE BEADS		
R325	NRSA63J-331X	MG RESISTOR	330Ω 1/16W J		K707	NQR0022-002X	FERRITE BEADS		
R326	NRSA63J-331X	MG RESISTOR	330Ω 1/16W J		K708	NQR0022-002X	FERRITE BEADS		
R327	NRSA63J-331X	MG RESISTOR	330Ω 1/16W J		K709	NQR0022-002X	FERRITE BEADS		
R330	NRSA63J-331X	MG RESISTOR	330Ω 1/16W J		K710	NQR0022-002X	FERRITE BEADS		
R331	NRSA63J-331X	MG RESISTOR	330Ω 1/16W J		K711	NQR0022-002X	FERRITE BEADS		
R332	NRSA63J-331X	MG RESISTOR	330Ω 1/16W J		K720	NQR0022-002X	FERRITE BEADS		
R334	NRSA63J-151X	MG RESISTOR	150Ω 1/16W J		K721	NRSA63J-0R0X	MG RESISTOR	0Ω 1/16W J	
R335	NRSA63J-151X	MG RESISTOR	150Ω 1/16W J		K722	NRSA63J-0R0X	MG RESISTOR	0Ω 1/16W J	
R336	NRSA63J-151X	MG RESISTOR	150Ω 1/16W J		K726	NRSA63J-0R0X	MG RESISTOR	0Ω 1/16W J	
R337	NRSA63J-151X	MG RESISTOR	150Ω 1/16W J		TH301	NAD0025-103X	N THERMISTOR	10kΩ	
R338	NRSA63J-0R0X	MG RESISTOR	0Ω 1/16W J		X301	NAX0741-001X	CRYSTAL		
R339	NRSA63J-0R0X	MG RESISTOR	0Ω 1/16W J						
R340	NRSA63D-303X	MG RESISTOR	30kΩ 1/16W D						
R341	NRSA63D-512X	MG RESISTOR	5.1kΩ 1/16W D						
R342	NRSA63D-242X	MG RESISTOR	2.4kΩ 1/16W D						
R345	NRSA63J-221X	MG RESISTOR	220Ω 1/16W J						
R346	NRSA63J-223X	MG RESISTOR	22kΩ 1/16W J						
R347	NRSA63J-203X	MG RESISTOR	20kΩ 1/16W J						
R348	NRSA63J-151X	MG RESISTOR	150Ω 1/16W J						
R349	NRSA63J-151X	MG RESISTOR	150Ω 1/16W J						
R350	NRSA63J-751X	MG RESISTOR	750Ω 1/16W J						
R351	NRSA63J-681X	MG RESISTOR	680Ω 1/16W J						
R352	NRSA63J-105X	MG RESISTOR	1MΩ 1/16W J						
R353	NRSA63J-101X	MG RESISTOR	100Ω 1/16W J						
R357	NRSA63J-221X	MG RESISTOR	220Ω 1/16W J						
R358	NRSA63J-221X	MG RESISTOR	220Ω 1/16W J						
R359	NRSA63J-221X	MG RESISTOR	220Ω 1/16W J						
R360	NRSA63J-221X	MG RESISTOR	220Ω 1/16W J						
R362	NRSA63J-331X	MG RESISTOR	330Ω 1/16W J						
R367	NRSA63J-221X	MG RESISTOR	220Ω 1/16W J						
R372	NRSA63J-103X	MG RESISTOR	10kΩ 1/16W J						
R373	NRSA63J-103X	MG RESISTOR	10kΩ 1/16W J						
R374	NRSA63J-102X	MG RESISTOR	1kΩ 1/16W J						
R375	NRSA63J-471X	MG RESISTOR	470Ω 1/16W J						
R376	NRSA63J-102X	MG RESISTOR	1kΩ 1/16W J						
R377	NRSA63J-102X	MG RESISTOR	1kΩ 1/16W J						
R383	NRSA63J-101X	MG RESISTOR	100Ω 1/16W J						
R384	NRSA63J-102X	MG RESISTOR	1kΩ 1/16W J						
R385	NRSA63J-102X	MG RESISTOR	1kΩ 1/16W J						
R392	NRSA63J-103X	MG RESISTOR	10kΩ 1/16W J						
R393	NRSA63J-0R0X	MG RESISTOR	0Ω 1/16W J						
R394	NRSA63J-0R0X	MG RESISTOR	0Ω 1/16W J						
R458	NRSA63J-102X	MG RESISTOR	1kΩ 1/16W J						
R535	NRSA63J-473X	MG RESISTOR	47kΩ 1/16W J						
R541	NRSA63J-473X	MG RESISTOR	47kΩ 1/16W J						
R701	NRSA63J-2R2X	MG RESISTOR	2.2Ω 1/16W J						
R714	NRSA63J-101X	MG RESISTOR	100Ω 1/16W J						
R715	NRSA63J-101X	MG RESISTOR	100Ω 1/16W J						
R716	NRSA63J-471X	MG RESISTOR	470Ω 1/16W J						
R718	NRSA63J-473X	MG RESISTOR	47kΩ 1/16W J						
R719	NRSA63J-473X	MG RESISTOR	47kΩ 1/16W J						
R721	NRSA63J-471X	MG RESISTOR	470Ω 1/16W J						
R722	NRSA63J-0R0X	MG RESISTOR	0Ω 1/16W J						
R723	NRSA63J-471X	MG RESISTOR	470Ω 1/16W J						
R724	NRSA63J-471X	MG RESISTOR	470Ω 1/16W J						
R725	NRSA63J-471X	MG RESISTOR	470Ω 1/16W J						
R726	NRSA63J-0R0X	MG RESISTOR	0Ω 1/16W J						
R727	NRSA63J-471X	MG RESISTOR	470Ω 1/16W J						
R728	NRSA63J-471X	MG RESISTOR	470Ω 1/16W J						
R730	NRSA63J-471X	MG RESISTOR	470Ω 1/16W J						
R731	NRSA63J-102X	MG RESISTOR	1kΩ 1/16W J						
R732	NRSA63J-102X	MG RESISTOR	1kΩ 1/16W J						
R741	NRSA63J-0R0X	MG RESISTOR	0Ω 1/16W J						
R742	NRSA63J-5R1X	MG RESISTOR	5.1Ω 1/16W J						
CN101	QGF0523F1-25W	CONNECTOR	FFC/FPC (1-25)						
CN201	QGF1016F2-08W	CONNECTOR	FFC/FPC (1-8)						
CN701	QGF1016F2-25W	CONNECTOR	FFC/FPC (1-25)						
CN702	QGF1016F2-15W	CONNECTOR	FFC/FPC (1-15)						
K351	NQR0502-001X	FERRITE BEADS							
K352	NQR0502-001X	FERRITE BEADS							
K501	NQR0502-001X	FERRITE BEADS							
K701	NQR0022-002X	FERRITE BEADS							
K702	NQR0022-002X	FERRITE BEADS							

DVD loading switch board

Block No. [0][5]

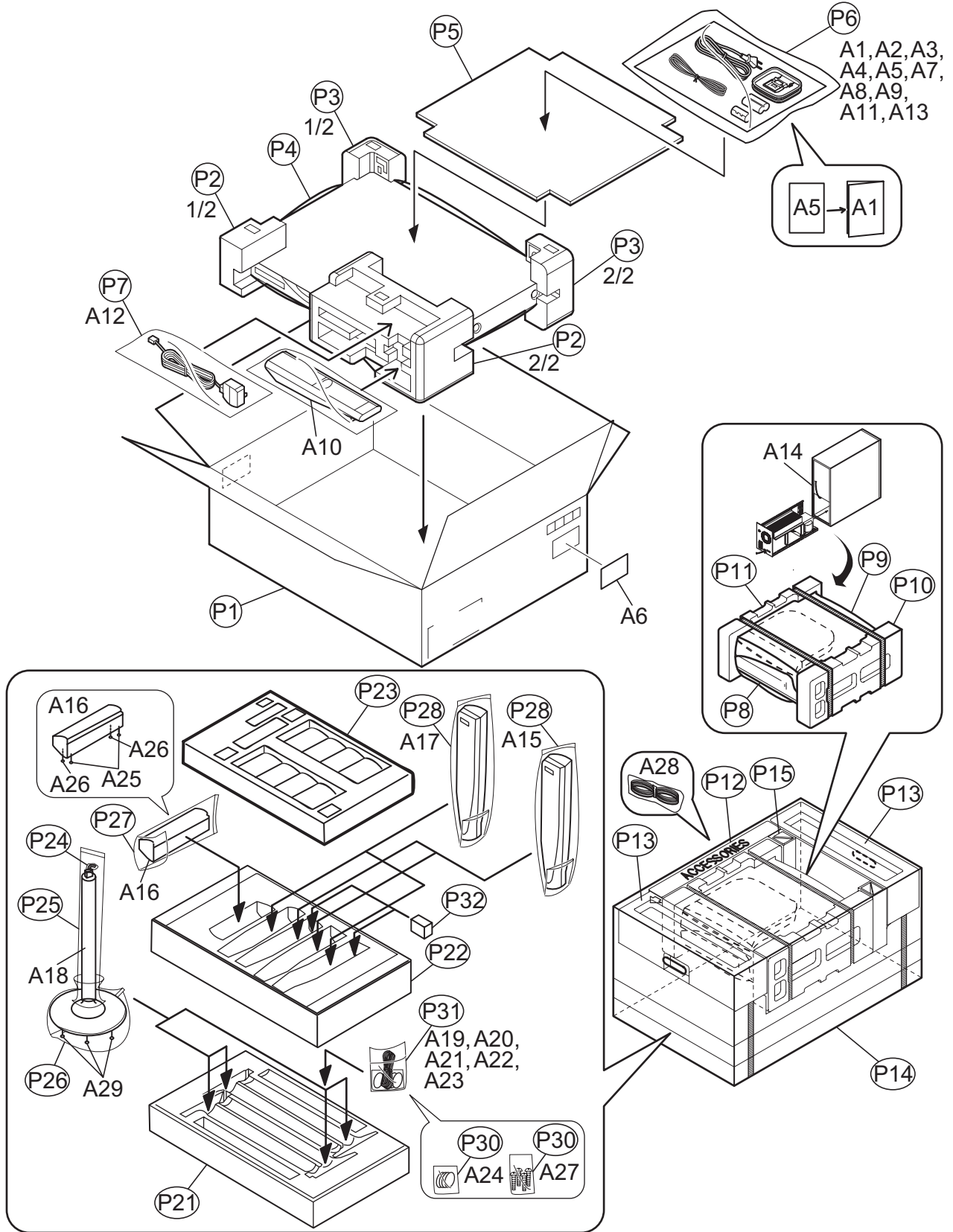
△ Symbol No.	Part No.	Part Name	Description	Local
CN1	QGF1016F3-05	CONNECTOR	FFC/FPC (1-5)	
S1	QSW1074-001	DETECT SWITCH		

Packing materials and accessories parts list

(TH-S66 B,E,EN,EV)

Block No. M 3 M M

No additional / supplemental order of WARRANTY CARDS are available



Packing and Accessories (TH-S66 B,E,EN,EV)

Block No. [M][3][M][M]

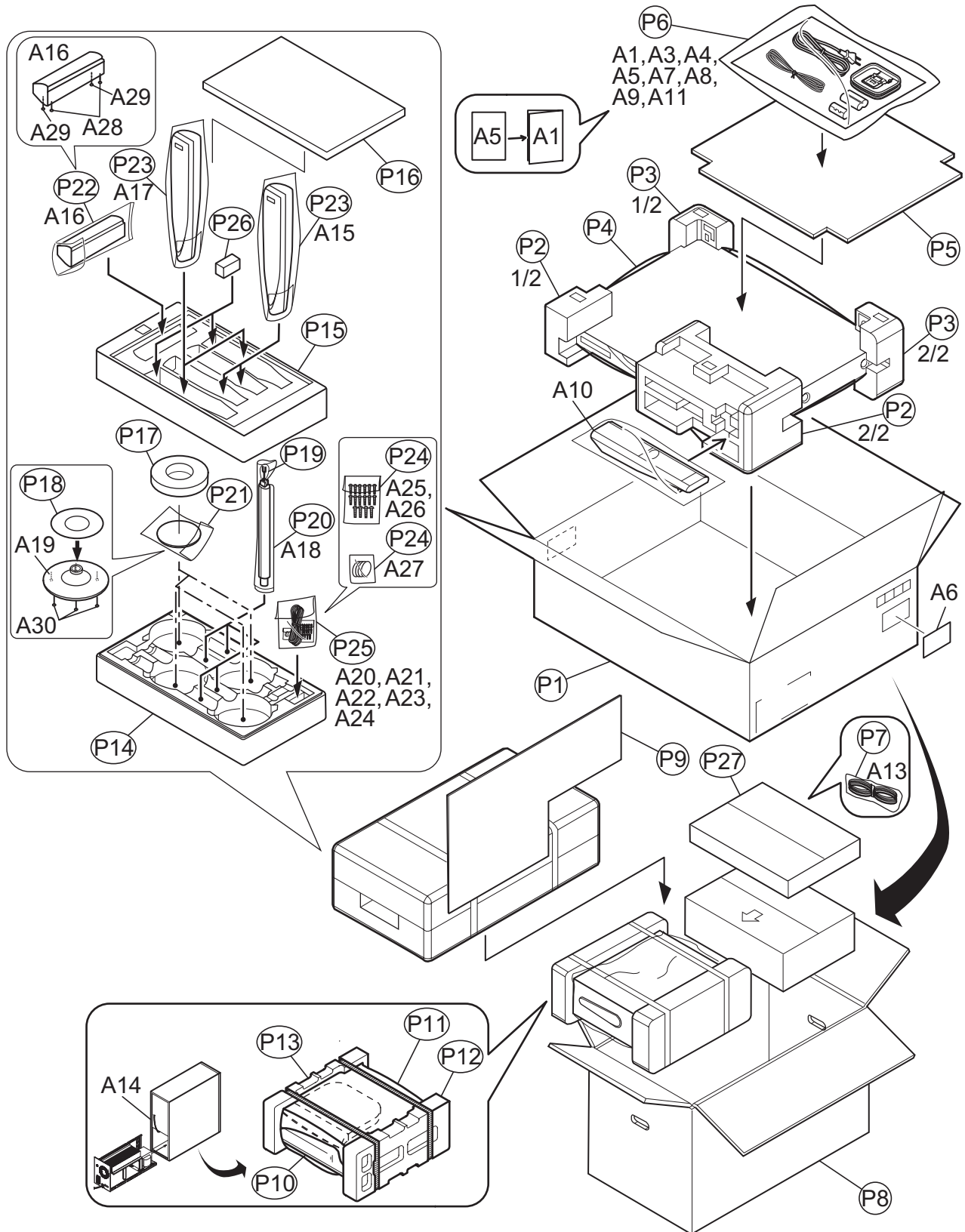
△	Symbol No.	Part No.	Part Name	Description	Local
	A 1	GVT0152-001A	INST BOOK	ENG	S66B
	A 1	GVT0152-002A	INST BOOK	GER FRE	S66E,S66EN
	A 1	GVT0152-005A	INST BOOK	CZE POL HUN	S66EV
	A 2	GVT0152-003A	INST BOOK	DUT	S66E
	A 2	GVT0152-004A	INST BOOK	SWE FIN DAN SPA ITA	S66EN
	A 3	-----	WARRANTY CARD	BT-54026-1	
	A 4	QQR1656-001	FERRITE CORE		
	A 5	GV40626-001A	INFO SHEET		
	A 6	CL0020-001	COMPUTER LABEL		
△	A 7	QMPL060-183-JD	POWER CORD(EU)	1.83m BLACK	S66E,S66EN,S66EV
	A 8	QAL0014-001	AM LOOP ANT		
	A 9	QAL0457-001	ANT.WIRE		
	A 10	RM-STHS66R	REMOCON UNIT		
	A 11	-----	BATTERY	(x2)	
△	A 12	QMPP060-183-JD	POWER CORD(EU)	1.83m BLACK	S66B
	A 13	VNA3000-204	REGISTER CARD		S66B
	A 14	QAS0325-001	SPEAKER BOX	WOOFER	
	A 15	AB050039-01	SPEAKER BOX	FRONT(x2)	
	A 16	AB050035-01	SPEAKER BOX	CENTER	
	A 17	AB050039-02	SPEAKER BOX	SURROUND(x2)	
	A 18	9900033801	STAND & BASE ASSY	(x4)	
	A 19	6200045901	SPK CORD-C	CENTER	
	A 20	6200045911	SPK CORD-FR	FRONT RIGHT	
	A 21	6200045921	SPK CORD-FL	FRONT LEFT	
	A 22	6200045931	SPK CORD-SR	SURROUND RIGHT	
	A 23	6200045941	SPK CORD-SL	SURROUND LEFT	
	A 24	9000011101	COVER	(x4)	
	A 25	9000008401	RUBBER CUSHION	(x2)	
	A 26	9000009501	RUBBER CUSHION	(x2)	
	A 27	7001652506	SCREW	(x4)	
	A 28	QAM0588-001	DIN CABLE		
	A 29	9000005371	FOOT	BASE ASSY(x24)	
	P 1	GV20365-001A	CARTON BOX		
	P 2	GV20347-001A	CUSHION(F)		
	P 3	GV20348-001A	CUSHION(R)		
	P 4	QPC05006530P	POLY BAG	50cm x 65cm	
	P 5	GV30785-001A	CARTON SPACER		
	P 6	QPA02503503P	POLY BAG	25cm x 35cm	
	P 7	QPA01503503	POLY BAG	15cm x 35cm	S66B
	P 8	8500051881	MIRROR MAT		
	P 9	8500051901	POLY BAG		
	P 10	LV22000-001A	TOP CUSHION		
	P 11	LV22000-002A	BOTTOM CUSHION		
	P 12	LV35852-001A	ACCESSORY BOX		
	P 13	LV35994-001A	CUSHION	(x2)	
	P 14	LV35831-024A	PACKING CASE(MASTER)		
	P 15	LV35833-002A	PARTITION		
	P 21	LV22009-001A	CUSHION A		
	P 22	LV22009-002A	CUSHION B		
	P 23	LV22009-003A	CUSHION C		
	P 24	8500047111	POLY BAG	(x4)	
	P 25	8500059101	POLY BAG	(x4)	
	P 26	8500055761	POLY BAG	(x4)	
	P 27	8500055781	POLY BAG		
	P 28	8500055771	POLY BAG	(x4)	
	P 30	8500047101	POLY BAG	(x2)	
	P 31	8500032771	POLY BAG		
	P 32	8000062601	CUSHION	(x2)	

Packing materials and accessories parts list

(TH-S66 EE)

Block No. M 4 M M

No additional / supplemental order of WARRANTY CARDS are available



Packing and Accessories (TH-S66 EE)

Block No. [M][4][M][M]

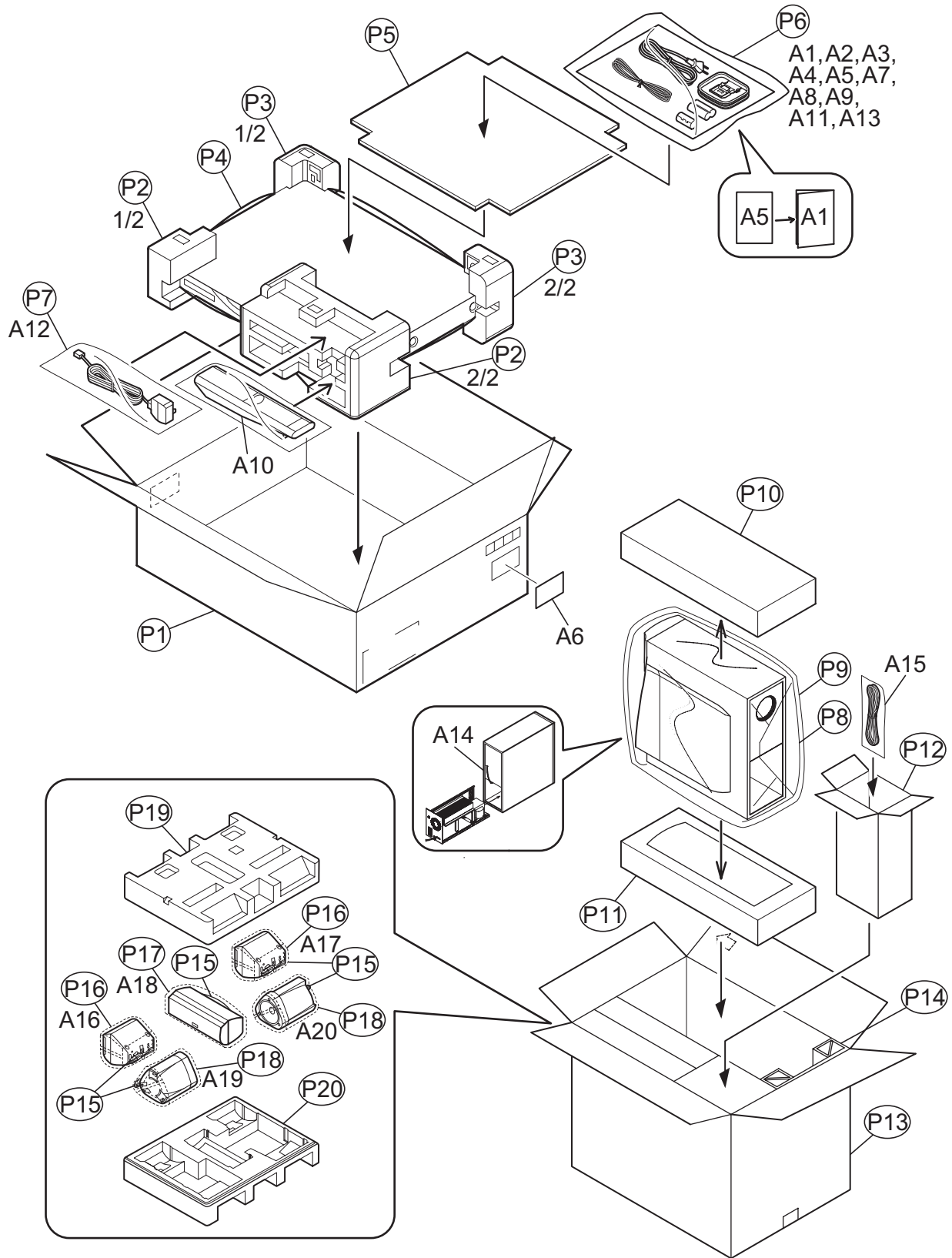
△	Symbol No.	Part No.	Part Name	Description	Local
	A 1	GVT0152-006A	INST BOOK	RUS	
	A 3	-----	WARRANTY CARD	BT-54026-1	
	A 4	QQR1656-001	FERRITE CORE		
	A 5	GV40626-001A	INFO SHEET		
	A 6	CL0020-001	COMPUTER LABEL		
△	A 7	QMPL060-183-JD	POWER CORD(EU)	1.83m BLACK	
	A 8	QAL0014-001	AM LOOP ANT		
	A 9	QAL0457-001	ANT.WIRE		
	A 10	RM-STHS66R	REMOCON UNIT		
	A 11	-----	BATTERY	(x2)	
	A 13	QAM0588-001	DIN CABLE		
	A 14	QAS0325-001	SPEAKER BOX	WOOFER	
	A 15	AB050039-01	SPEAKER BOX	FRONT(x2)	
	A 16	AB050035-01	SPEAKER BOX	CENTER	
	A 17	AB050039-02	SPEAKER BOX	SURROUND(x2)	
	A 18	9900033701	STAND ASSY	(x4)	
	A 19	9900033711	BASE ASSY	(x4)	
	A 20	6200045901	SPK CORD-C	CENTER	
	A 21	6200045911	SPK CORD-FR	FRONT RIGHT	
	A 22	6200045921	SPK CORD-FL	FRONT LEFT	
	A 23	6200045931	SPK CORD-SR	SURROUND RIGHT	
	A 24	6200045941	SPK CORD-SL	SURROUND LEFT	
	A 25	7004445506	SCREW	(x12)	
	A 26	7001652506	SCREW	(x4)	
	A 27	9000011101	COVER	(x4)	
	A 28	9000008401	RUBBER CUSHION	CENTER SPK(x2)	
	A 29	9000009501	RUBBER CUSHION	CENTER SPK(x2)	
	A 30	9000005371	FOOT	BASE ASSY(x24)	
	P 1	GV20372-003A	CARTON BOX		
	P 2	GV20347-001A	CUSHION(F)		
	P 3	GV20348-001A	CUSHION(R)		
	P 4	QPC05006530P	POLY BAG	50cm x 65cm	
	P 5	GV30785-001A	CARTON SPACER		
	P 6	QPA02503503P	POLY BAG	25cm x 35cm	
	P 7	QPA02503503P	POLY BAG	25cm x 35cm	
	P 8	GV20369-001A	MASTER CARTON		
	P 9	GV30765-002A	CARTON SPACER		
	P 10	8500051881	MIRROR MAT		
	P 11	8500051901	POLY BAG		
	P 12	LV22000-001A	TOP CUSHION		
	P 13	LV22000-002A	BOTTOM CUSHION		
	P 14	LV21999-001A	CUSHION A		
	P 15	LV21999-002A	CUSHION B		
	P 16	LV21999-003A	CUSHION C		
	P 17	LV35854-001A	CUSHION	(x4)	
	P 18	8500059001	MIRROR MAT	(x4)	
	P 19	8500047111	POLY BAG	(x4)	
	P 20	8500059101	POLY BAG	(x4)	
	P 21	8500059141	POLY BAG	(x4)	
	P 22	8500055781	POLY BAG		
	P 23	8500055771	POLY BAG	(x4)	
	P 24	8500047101	POLY BAG	(x2)	
	P 25	8500032771	POLY BAG		
	P 26	8000062601	CUSHION	(x2)	
	P 27	GV30764-002A	ACC. BOX		

Packing materials and accessories parts list

(TH-S55 B,E,EN,EV)

Block No. M 5 M M

No additional / supplemental order of WARRANTY CARDS are available



Packing and Accessories (TH-S55 B,E,EN,EV)

Block No. [M][5][M][M]

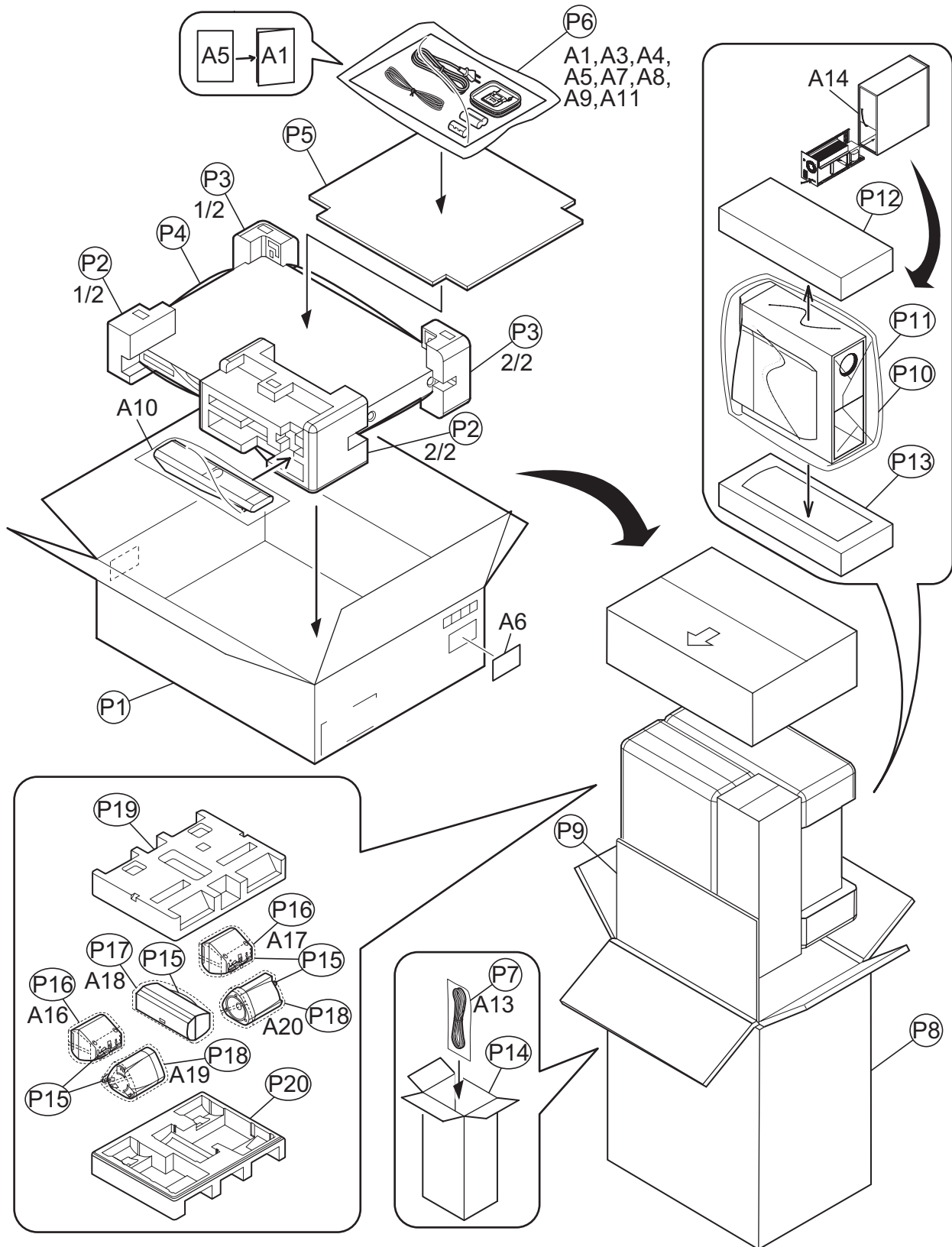
△	Symbol No.	Part No.	Part Name	Description	Local
	A 1	GVT0152-001A	INST BOOK	ENG	S55B
	A 1	GVT0152-002A	INST BOOK	GER FRE	S55E,S55EN
	A 1	GVT0152-005A	INST BOOK	CZE POL HUN	S55EV
	A 2	GVT0152-003A	INST BOOK	DUT	S55E
	A 2	GVT0152-004A	INST BOOK	SWE FIN DAN SPA ITA	S55EN
	A 3	-----	WARRANTY CARD	BT-54026-1	
	A 4	QQR1656-001	FERRITE CORE		
	A 5	GV40626-001A	INFO SHEET		
	A 6	CL0020-001	COMPUTER LABEL		
△	A 7	QMPL060-183-JD	POWER CORD(EU)	1.83m BLACK	S55E,S55EN,S55EV
	A 8	QAL0014-001	AM LOOP ANT		
	A 9	QAL0457-001	ANT.WIRE		
	A 10	RM-STHS66R	REMOCON UNIT		
	A 11	-----	BATTERY	(x2)	
△	A 12	QMPP060-183-JD	POWER CORD(EU)	1.83m BLACK	S55B
	A 13	VNA3000-204	REGISTER CARD		S55B
	A 14	QAS0302-001	SPEAKER BOX	WOOFER	
	A 15	6200044901	DIN CABLE		
	A 16	AB080071-01	SPEAKER BOX	FRONT RIGHT	
	A 17	AB080071-02	SPEAKER BOX	FRONT LEFT	
	A 18	AB050032-01	SPEAKER BOX	CENTER	
	A 19	AB080072-01	SPEAKER BOX	SURROUND RIGHT	
	A 20	AB080072-02	SPEAKER BOX	SURROUND LEFT	
	P 1	GV20364-001A	CARTON BOX		
	P 2	GV20347-001A	CUSHION(F)		
	P 3	GV20348-001A	CUSHION(R)		
	P 4	QPC05006530P	POLY BAG	50cm x 65cm	
	P 5	GV30785-001A	CARTON SPACER		
	P 6	QPA02503503P	POLY BAG	25cm x 35cm	
	P 7	QPA01503503	POLY BAG	15cm x 35cm	S55B
	P 8	8500051881	MIRROR MAT		
	P 9	8500051901	POLY BAG		
	P 10	LV21990-001A	TOP CUSHION		
	P 11	LV21990-002A	BOTTOM CUSHION		
	P 12	LV35834-004A	ACCESSORY BOX		S55B
	P 12	LV35834-005A	ACCESSORY BOX		S55E,S55EN,S55EV
	P 13	LV35831-016A	PACKING CASE(MASTER)		S55B
	P 13	LV35831-017A	PACKING CASE(MASTER)		S55E,S55EN,S55EV
	P 14	LV35833-001A	PARTITION		S55B
	P 15	8500052241	POLY BAG	SPK CORD(x5)	
	P 16	8500051971	POLY BAG	FRONT SPK(x2)	
	P 17	8500055751	POLY BAG	CENTER SPK	
	P 18	8500051981	POLY BAG	SURROUND SPK(x2)	
	P 19	LV21995-001A	TOP CUSHION		
	P 20	LV21995-002A	BOTTOM CUSHION		

Packing materials and accessories parts list

(TH-S55 EE)

Block No. M 6 M M

No additional / supplemental order of WARRANTY CARDS are available



Packing and Accessories (TH-S55 EE)

Block No. [M][6][M][M]

△	Symbol No.	Part No.	Part Name	Description	Local
	A 1	GVT0152-006A	INST BOOK	RUS	
	A 3	-----	WARRANTY CARD	BT-54026-1	
	A 4	QQR1656-001	FERRITE CORE		
	A 5	GV40626-001A	INFO SHEET		
	A 6	CL0020-001	COMPUTER LABEL		
△	A 7	QMPL060-183-JD	POWER CORD(EU)	1.83m BLACK	
	A 8	QAL0014-001	AM LOOP ANT		
	A 9	QAL0457-001	ANT.WIRE		
	A 10	RM-STHS66R	REMOCON UNIT		
	A 11	-----	BATTERY	(x2)	
	A 13	QAM0588-001	DIN CABLE		
	A 14	QAS0302-001	SPEAKER BOX	WOOFER	
	A 16	AB080071-01	SPEAKER BOX	FRONT RIGHT	
	A 17	AB080071-02	SPEAKER BOX	FRONT LEFT	
	A 18	AB050032-01	SPEAKER BOX	CENTER	
	A 19	AB080072-01	SPEAKER BOX	SURROUND RIGHT	
	A 20	AB080072-02	SPEAKER BOX	SURROUND LEFT	
	P 1	GV20372-002A	CARTON BOX		
	P 2	GV20347-001A	CUSHION(F)		
	P 3	GV20348-001A	CUSHION(R)		
	P 4	QPC05006530P	POLY BAG	50cm x 65cm	
	P 5	GV30785-001A	CARTON SPACER		
	P 6	QPA02503503P	POLY BAG	25cm x 35cm	
	P 7	QPA02503503P	POLY BAG	25cm x 35cm	
	P 8	GV20368-001A	MASTER CARTON		
	P 9	GV30765-001A	CARTON SPACER		
	P 10	8500051881	MIRROR MAT		
	P 11	8500051901	POLY BAG		
	P 12	LV21990-001A	TOP CUSHION		
	P 13	LV21990-002A	BOTTOM CUSHION		
	P 14	GV30764-001A	ACC. BOX		
	P 15	8500052241	POLY BAG	SPK CORD(x5)	
	P 16	8500051971	POLY BAG	FRONT SPK(x2)	
	P 17	8500055751	POLY BAG	CENTER SPK	
	P 18	8500051981	POLY BAG	SURROUND SPK(x2)	
	P 19	LV21995-001A	TOP CUSHION		
	P 20	LV21995-002A	BOTTOM CUSHION		