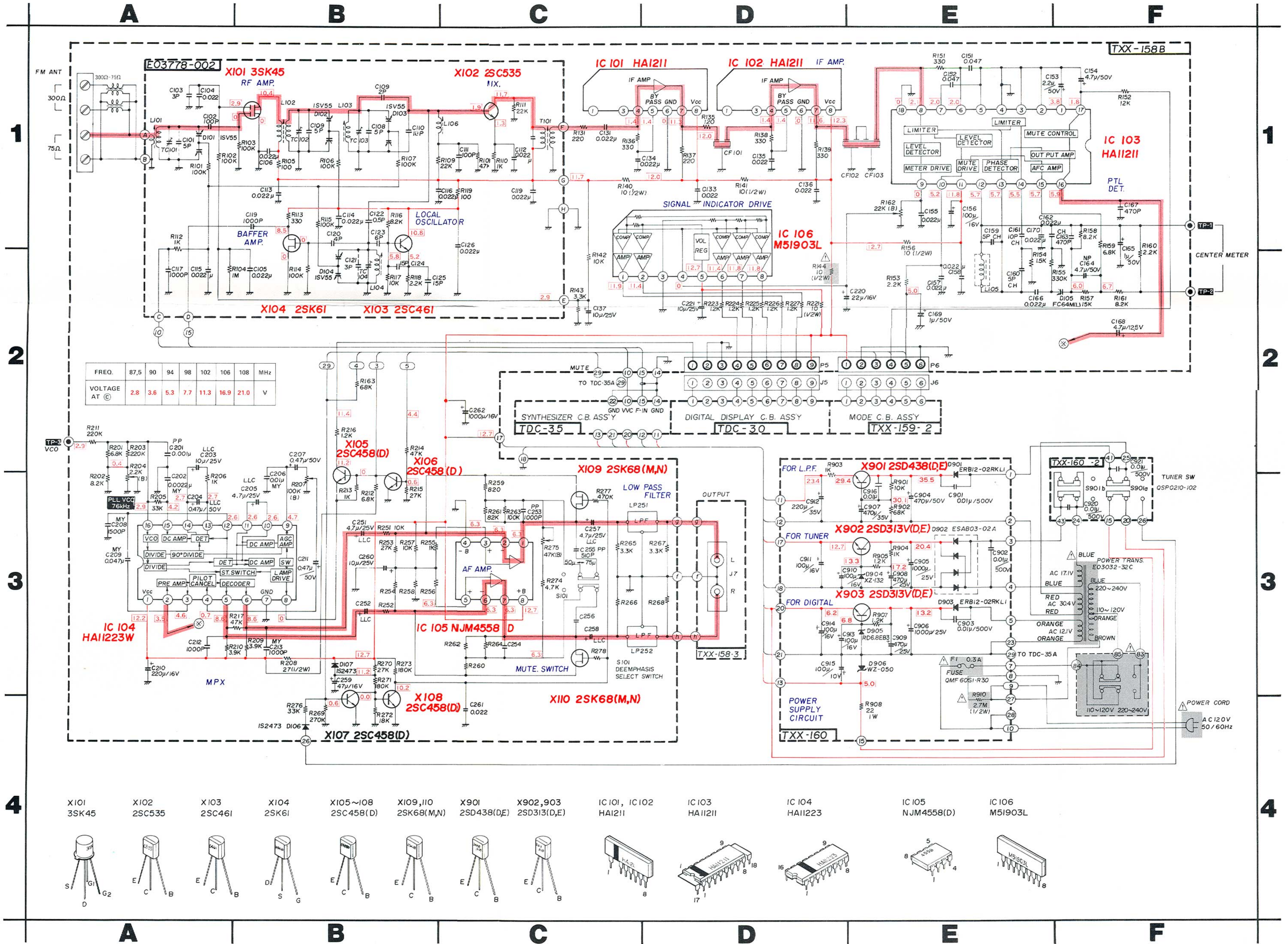


9. T-M1 Schematic Diagram



Printed Circuit Board Ass'y Locations

P.C. Board Ass'y	Description	Page
TXX-158	FM Tuner P.C. Board Ass'y	12
TDC-30	Digital display P.C. Board Ass'y	12
TDC-35	Synthesizer P.C. Board Ass'y	14
TXX-160	Power Supply P.C. Board Ass'y	16
TXX-202	Mode Select and Control P.C. Board Ass'y	17

- Notes:**
- indicates positive B power supply.
 - indicates signal path.
 - Values in 12.7 are voltages measured with a tester (having an internal resistance of 20 kΩ/V). The tuning frequency is 87.5 MHz unless otherwise specified. Example 12.7
 - When replacing the parts in the darkened area and those marked with △, be sure to use the designated parts to ensure safety.
 - This is the standard circuit diagram. The design and contents are subject to change without notice.

1

2

3

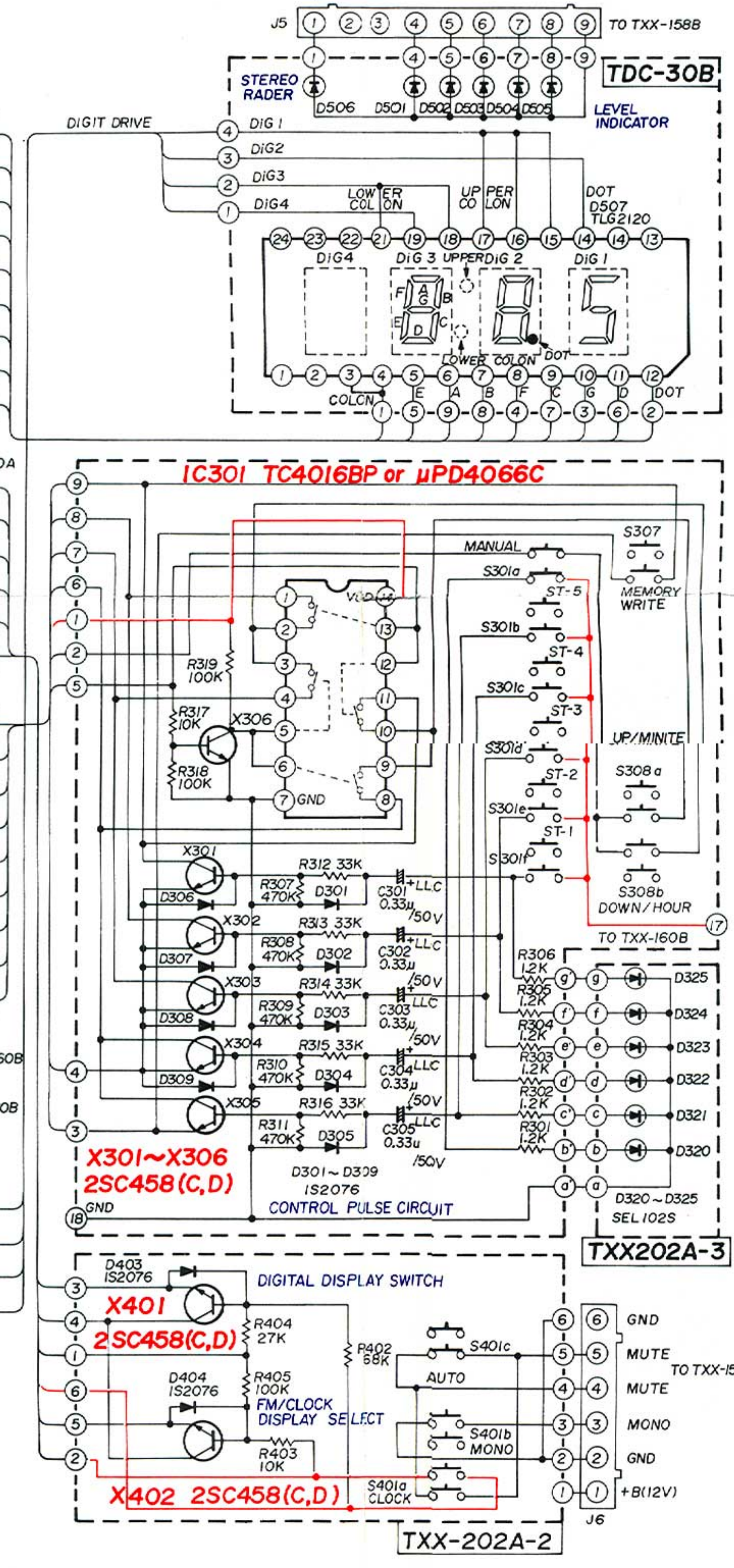
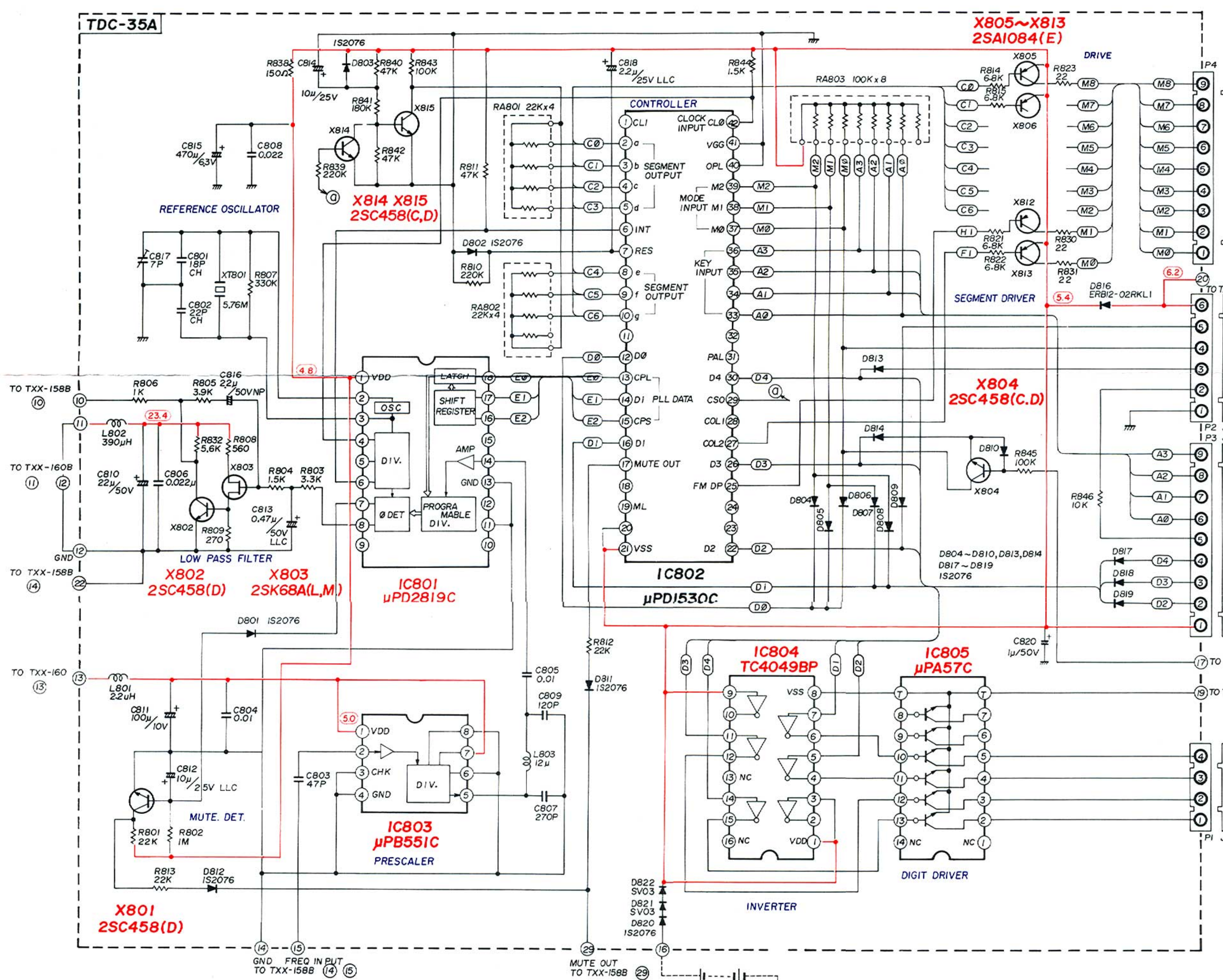
4

1

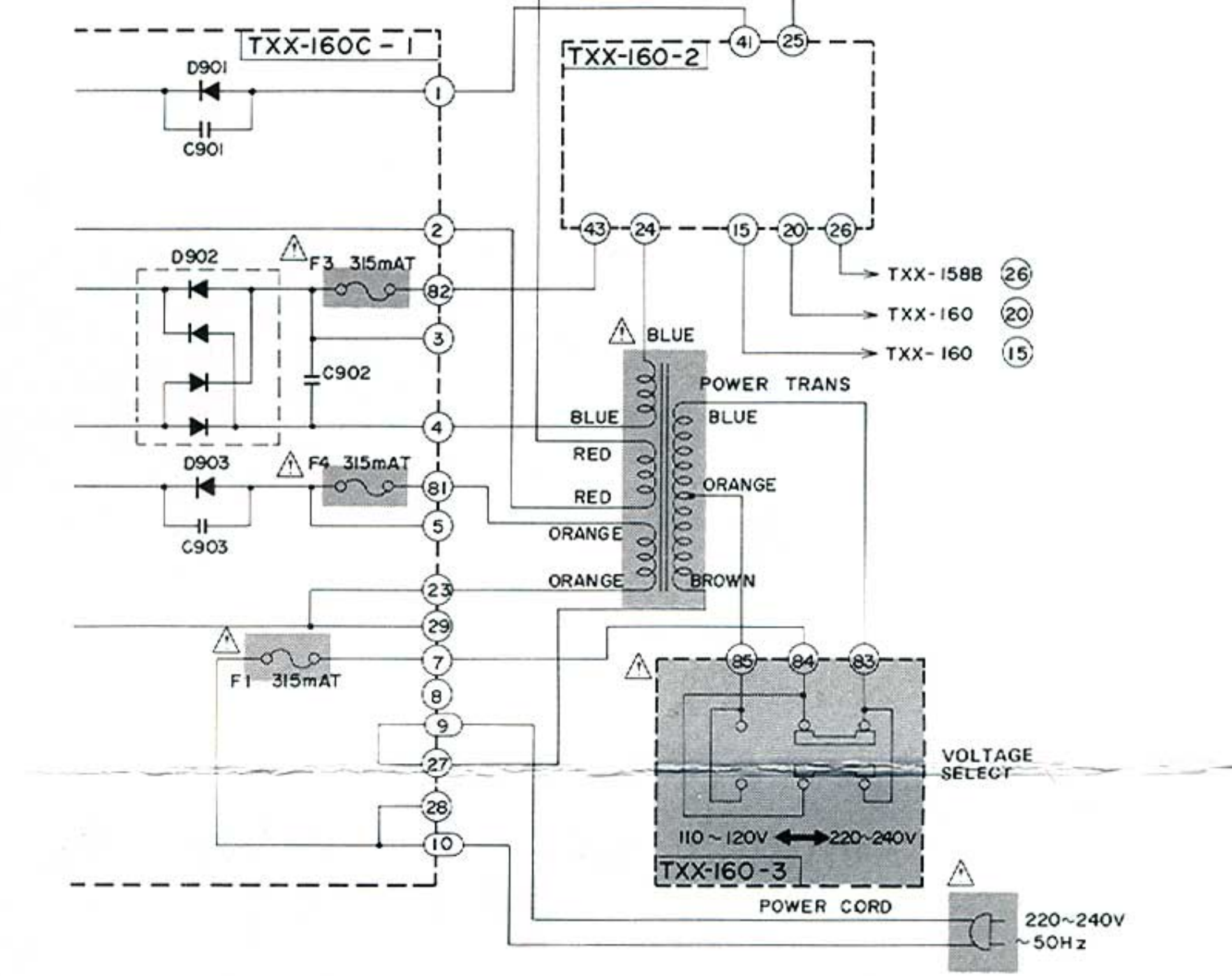
2

3

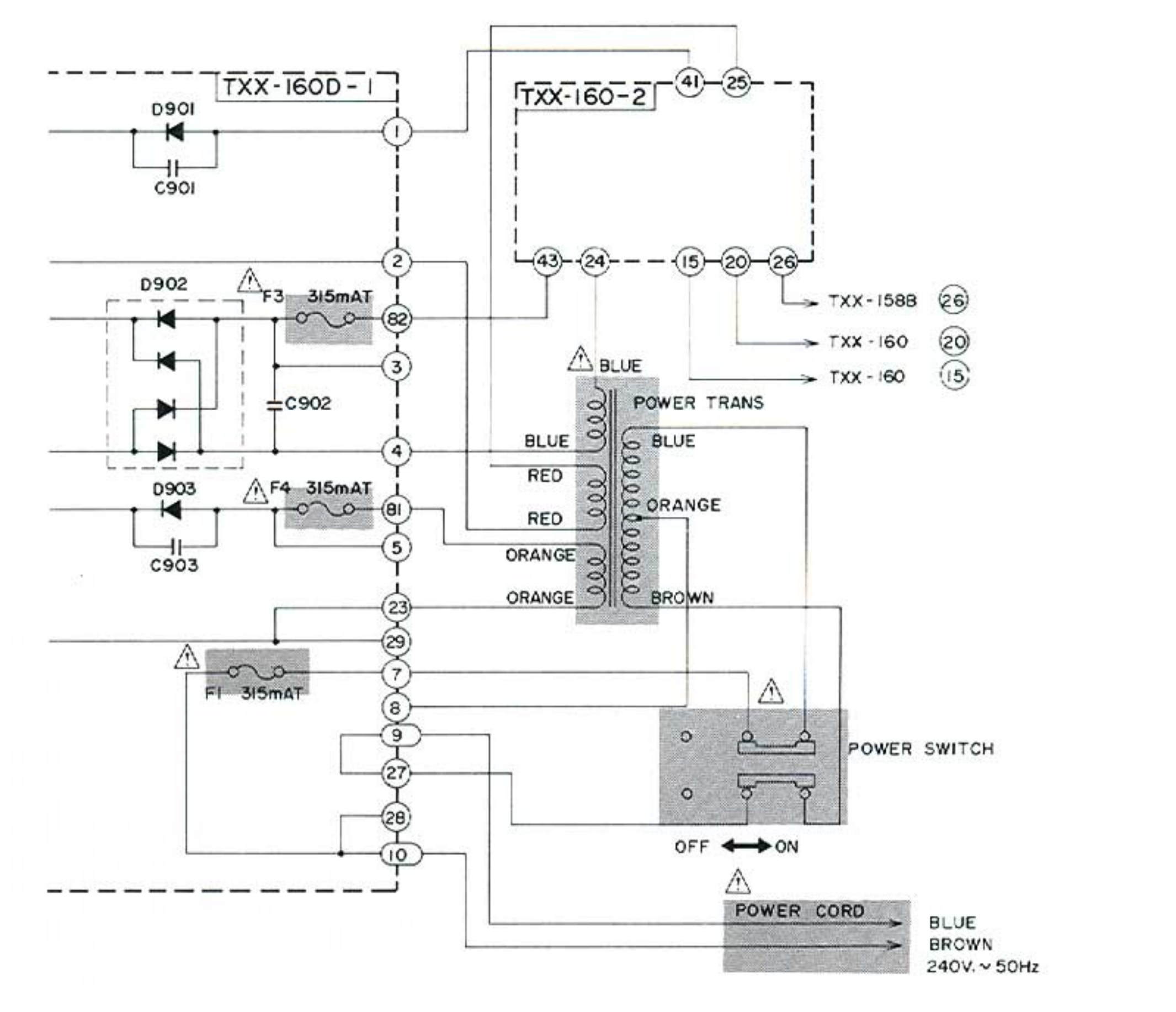
4



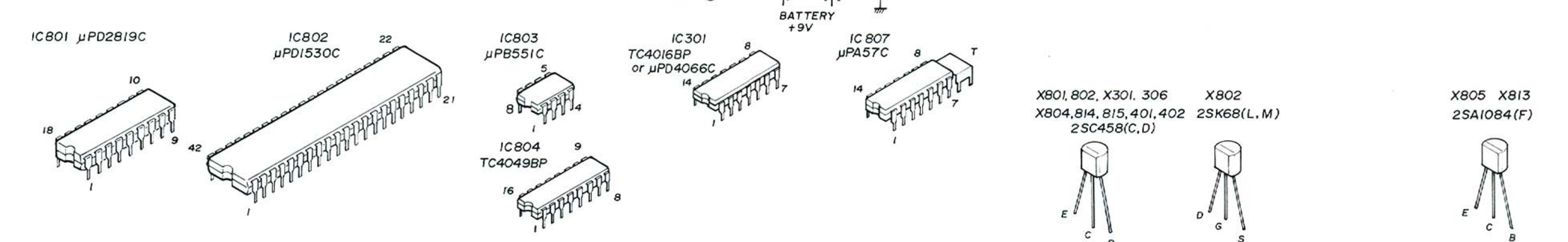
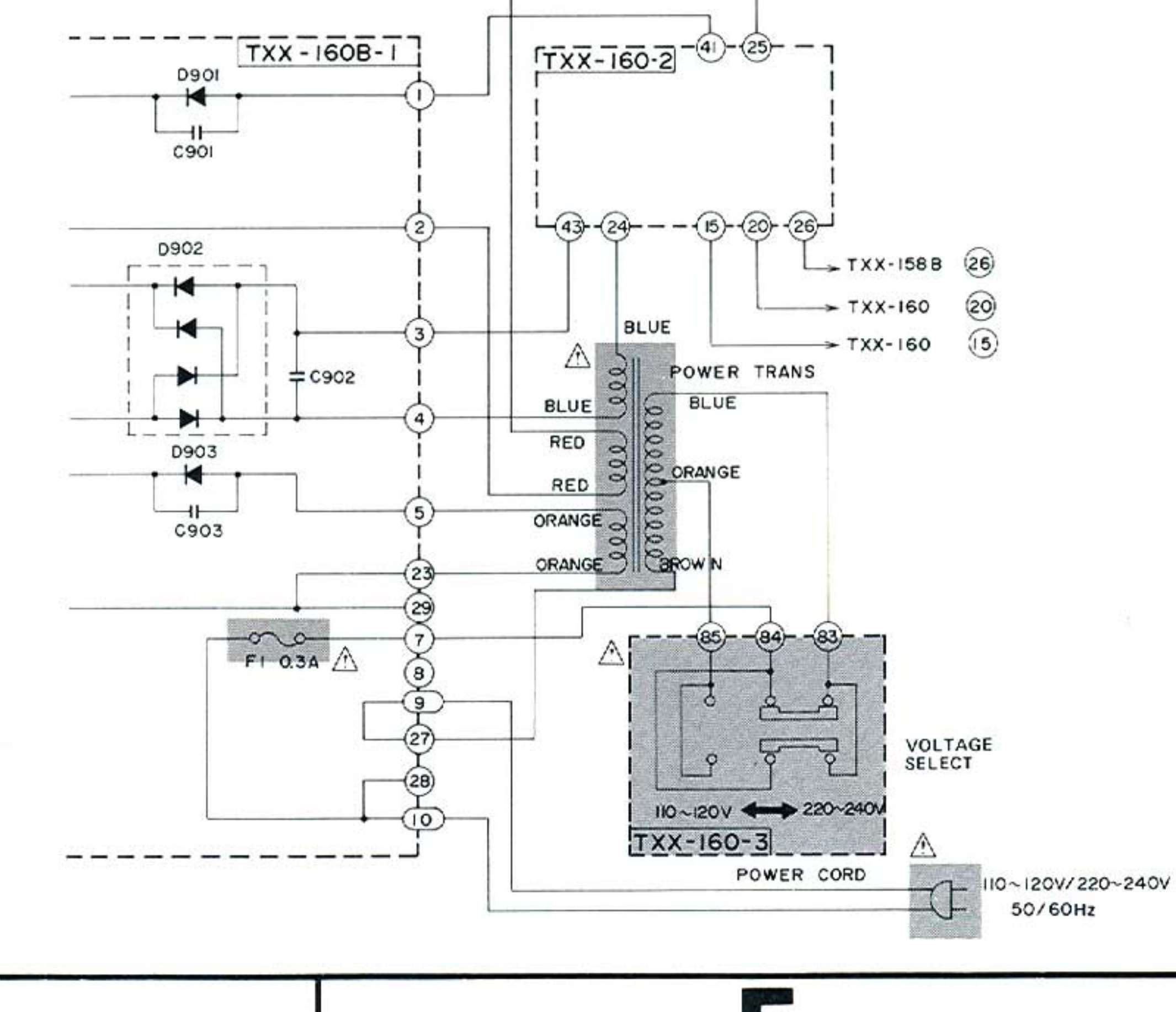
(E) For EUROPE : 220V~50Hz
(A) For AUSTRALIA : 240V~50Hz



(B) For UK : 240V ~ 50Hz



For Other areas



Printed Circuit Board Ass'y Locations

P.C. Board Ass'y	Description	Page
TXX-158	FM Tuner P.C. Board Ass'y	12
TDC-30	Digital Display P.C. Board Ass'y	12
TDC-35	Synthesizer P.C. Board Ass'y	14
TXX-160	Power Supply P.C. Board Ass'y	16
TXX-202	Mode Select and Control P.C. Board Ass'y	17

- Notes:
- indicates positive B power supply.
 - indicates signal path.
 - Values in are voltages measured with a tester (having an internal resistance of 20 kΩ/V). The tuning frequency is 87.5 MHz unless otherwise specified. Example 12.7
 - When replacing the parts in the darkened area and those marked with , be sure to use the designated parts to ensure safety.
 - This is the standard circuit diagram. The design and contents are subject to change without notice.