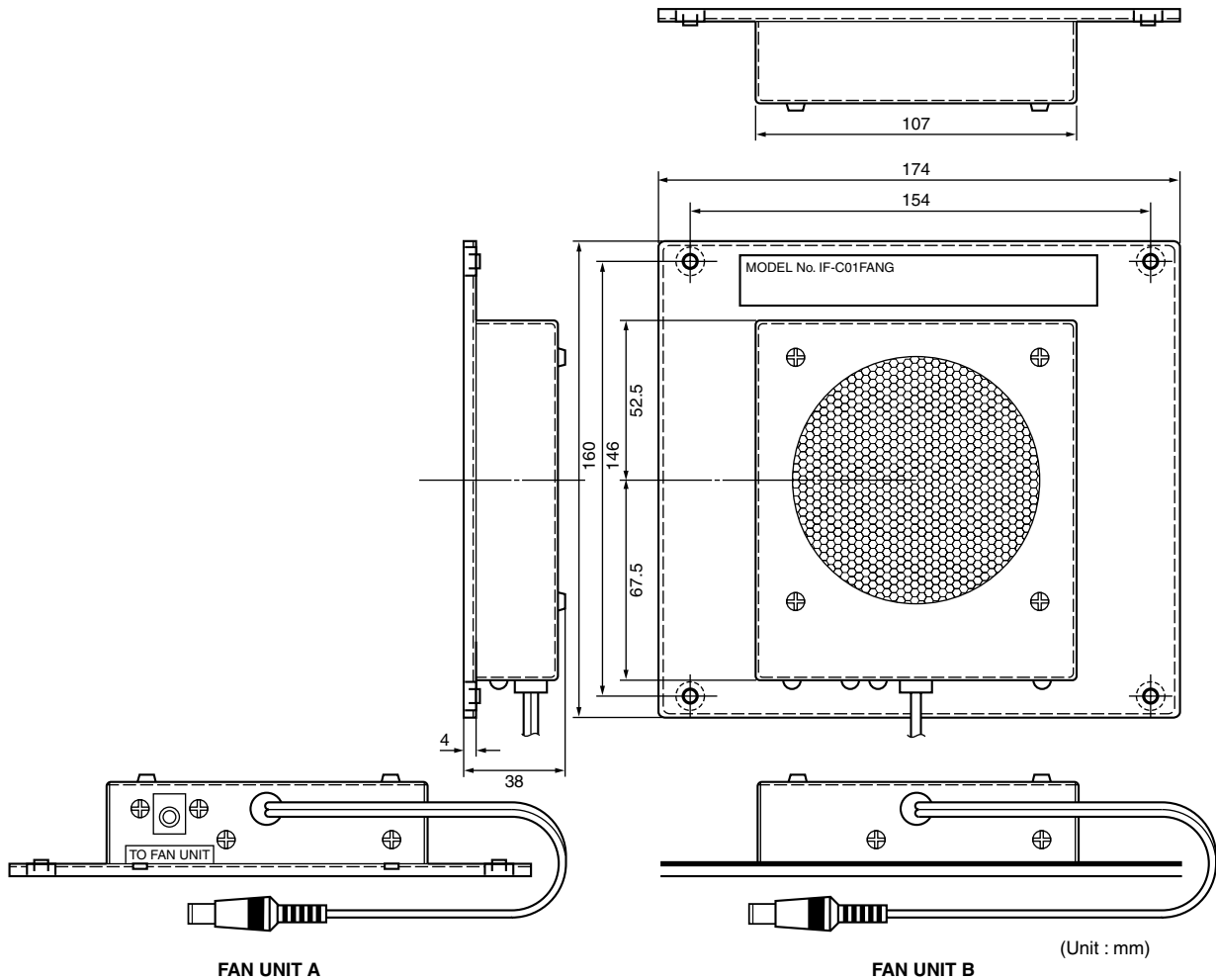


JVC

SERVICE MANUAL

FAN UNIT

TS-C01FANG



Total Mass : 1.1 kg

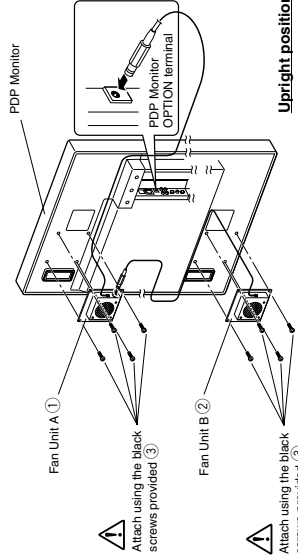
CONTENTS

- INSTRUCTIONS2
- PARTS LIST3

INSTRUCTIONS

How to assemble (Install the Fan Units before attaching in the wall or ceiling units.)

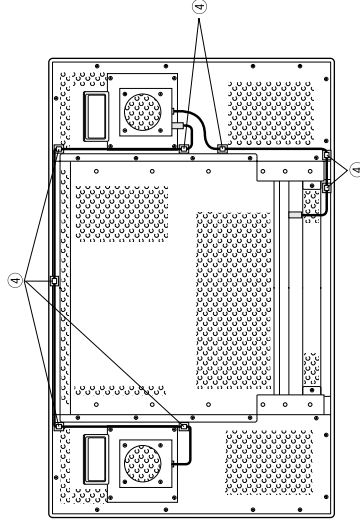
- Using four black screws provided ③, affix Fan Unit A ① to the rear right side of the PDP Monitor, as illustrated below.
- Using four black screws provided ③, affix Fan Unit B ② to the rear left side of the PDP Monitor, as illustrated below.
- Plug the DC plug for Fan Unit A ① into the OPTION terminal for the PDP Monitor.
- Plug the DC plug for Fan Unit B ② into the DC jack for Fan Unit A, labeled "FC FAN UNIT".
- Peel off the sticker attached to the wire clamp ④, and attach to the PDP Monitor to fix the wires in place, attach to the spots illustrated below.
- Turn the PDP Monitor on and confirm that the fans are operating.



Upright position.

ATTENTION

When using in the upright position (illustrated above), ensure Fan Unit A, located on the rear right of the PDP Monitor, is facing upward.



ATTENTION

When attaching on to a wall or ceiling unit, be careful that the wires do not get tangled and that the DC plug does not come loose.

• For more details, consult your local dealer.

Printed in Japan
LC21141-001A

JVC
VICTOR COMPANY OF JAPAN, LIMITED

© 2002 VICTOR COMPANY OF JAPAN, LIMITED

JVC

Fan Unit

TS-C01 FANG

Instructions for Assembly

Assembly, Set Up Precautions

WARNING

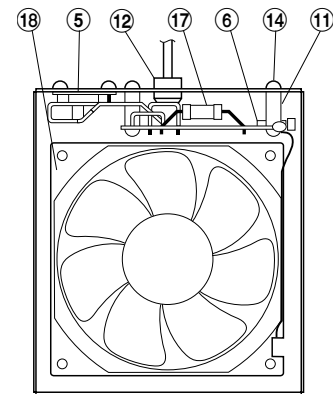
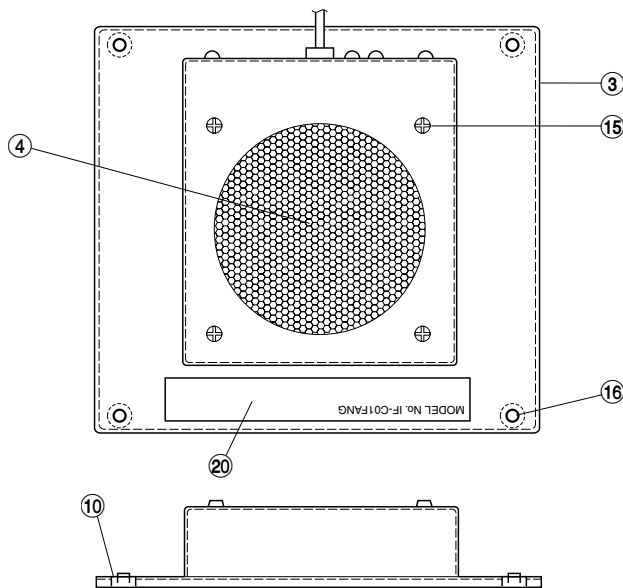
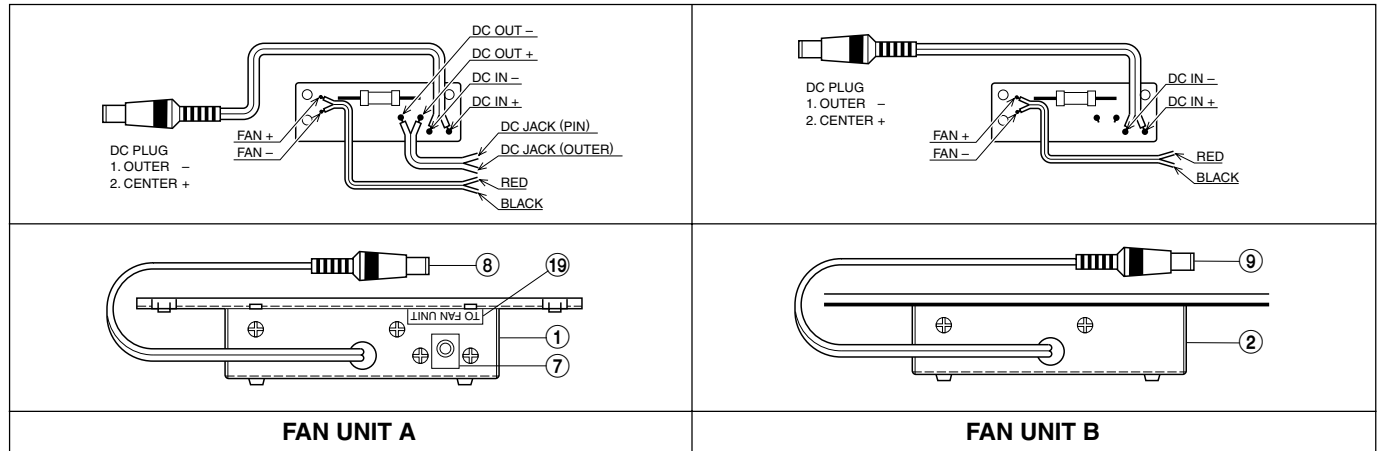
- Only attach to the JVC specified PDP Monitor. Attachment to other objects could result in fire or damage.
- Only use the screws provided for assembly of this unit.
- Failure to do so could cause the Monitor to collapse or fall, resulting in injury or damage.
- Only use the screws provided.
- Failure to do so could cause the screws to interfere with the circuits, resulting in electric shock or damage to the monitor.
- Only use the wire clamp provided to keep the electric wires in place.
- Failure to do so could result in fire or damage when attaching to a wall unit.
- Plug in the DC plug provided into its corresponding DC jack.
- Failure to do so could result in fire or damage due to inappropriate operation.
- Do not cover the ventilation areas of the Fan Unit and PDP Monitor.
- Failure to do so could result in fire and damage due to insufficient ventilation.
- Clean the ventilation areas of both the Fan Unit and PDP Monitor.
- Operation when the unit is covered in dust could result in fire or damage.

ATTENTION During assembly, be careful not to touch metal edges.

Parts List

① Fan Unit A x 1	② Fan Unit B x 1
<p>DC jack</p> <p>DC plug</p> <p>Output terminal</p>	<p>DC plug</p> <p>DC plug</p> <p>Non output terminal</p>
③ Screw x 8 S light screw (Black) Length: 12mm	④ Wire Clamp X 10

PARTS LIST



■ PARTS LIST

△ Ref.No.	Part No.	Part Name	Description	Local
1	YAC3608-001	FAN CASE	For FAN UNIT A	
2	YAC3608-002	FAN CASE	For FAN UNIT B	
3	YAC3616-001	FAN BASE	(X 2)	
4	YAC4570-001	FAN COVER	(X 2)	
5	YAC4574-001	DC JACK BKT		
6	YDD4974-002	FAN PWB ASS'Y	(X 2)	
7	YWA1221-00A	DC JACK		
8	YAB4571-001	DC PLUG CORD	For FAN UNIT A	
9	YAB4571-002	DC PLUG CORD	For FAN UNIT B	
10	YAM4572-001	STUD	(X 8)	
11	ASB-320	STUD	(X 4)	
12	KF-21	CORD BUSH	(X 2)	
14	QYSDST3005M	SCREW	(X 8)	
15	QYSPSPD3030Z	SCREW	(X 8)	
16	QYSBSB4012M	SCREW	(X 8)	
17	QRG039J-560	OM R	(X 2) 56Ω 3W J	
18	QAR0238-002	FAN	(X 2)	
19	YAA4537-001	LABEL		
20	LC41402-002A	CAUTION LABEL	(X 2)	
	LC21141-001	INST BOOK		
	KAJ3613-001	PACKING CASE		
	LC32507-002A	CARTON LABEL		



JVC

VICTOR COMPANY OF JAPAN, LIMITED

HOME AV NETWORK BUSINESS UNIT 12, 3-chome, Moriya-cho, kanagawa-ku, Yokohama, kanagawa-prefecture, 221-8528, Japan

TS-C01FANG



Printed in Japan
VP0205
SW