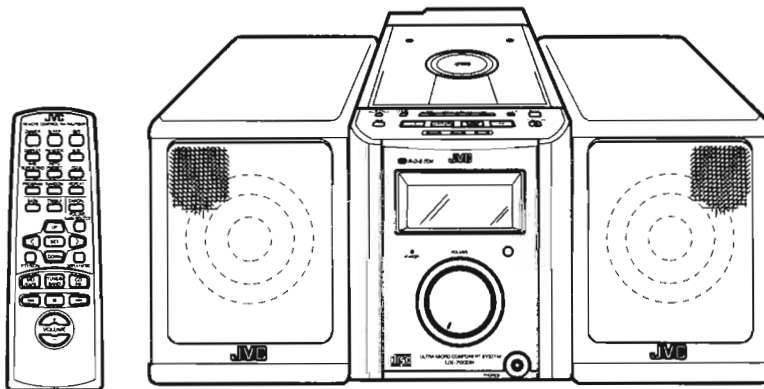


JVC

SERVICE MANUAL

MICRO COMPONENT SYSTEM

UX-7000 UX-7000R FS-7000



Area Suffix (UX-7000)

A	Australia
EE	Eastern Europe
U	Other Areas
UB	Hong Kong
UF	China
US	Singapore
UT	Taiwan
UX	Saudi Arabia

Area Suffix (UX-7000R)

E	Continental Europe
EN	Northern Europe
B	U.K

Area Suffix (FS-7000)

J	The U.S.A. & Canada
---	-------	---------------------

R·D·S EON

COMPACT disc
DIGITAL AUDIO

Contents

Safety Precautions	1-2	Flow of Function Operation Until TOC read	2-23
Importance Admistering point on the safety	1-4	Maintenance of Laser Pickup	2-24
Important for Laser Products	1-5	Replacement of Laser Pickup	2-24
Instructions (For UX-7000R)	1-6~17	Self diagnosis Function of CD	2-25
Description of Major ICs	2-1	Block Diagrams	2-27
Internal connections of FL Display	2-12	Schematic Diagrams	2-29~39
Removal of Main parts	2-14	Printed Circuit Boards	2-40~43
Main Adjustment	2-19	Parts List	3-1~27

Safety Precautions

1. This design of this product contains special hardware and many circuits and components specially for safety purposes. For continued protection, no changes should be made to the original design unless authorized in writing by the manufacturer. Replacement parts must be identical to those used in the original circuits. Services should be performed by qualified personnel only.
2. Alterations of the design or circuitry of the product should not be made. Any design alterations of the product should not be made. Any design alterations or additions will void the manufacturer's warranty and will further relieve the manufacture of responsibility for personal injury or property damage resulting therefrom.
3. Many electrical and mechanical parts in the products have special safety-related characteristics. These characteristics are often not evident from visual inspection nor can the protection afforded by them necessarily be obtained by using replacement components rated for higher voltage, wattage, etc. Replacement parts which have these special safety characteristics are identified in the Parts List of Service Manual. Electrical components having such features are identified by shading on the schematics and by (Δ) on the Parts List in the Service Manual. The use of a substitute replacement which does not have the same safety characteristics as the recommended replacement parts shown in the Parts List of Service Manual may create shock, fire, or other hazards.
4. The leads in the products are routed and dressed with ties, clamps, tubings, barriers and the like to be separated from live parts, high temperature parts, moving parts and/or sharp edges for the prevention of electric shock and fire hazard. When service is required, the original lead routing and dress should be observed, and it should be confirmed that they have been returned to normal, after re-assembling.
5. Leakage current check (Electrical shock hazard testing)
After re-assembling the product, always perform an isolation check on the exposed metal parts of the product (antenna terminals, knobs, metal cabinet, screw heads, headphone jack, control shafts, etc.) to be sure the product is safe to operate without danger of electrical shock. Do not use a line isolation transformer during this check.

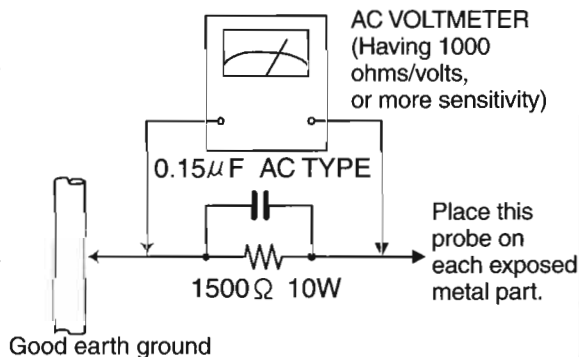
- Plug the AC line cord directly into the AC outlet. Using a "Leakage Current Tester", measure the leakage current from each exposed metal parts of the cabinet, particularly any exposed metal part having a return path to the chassis, to a known good earth ground. Any leakage current must not exceed 0.5mA AC (r.m.s.)

- Alternate check method

Plug the AC line cord directly into the AC outlet. Use an AC voltmeter having, 1,000 ohms per volt or more sensitivity in the following manner. Connect a 1,500 Ω 10W resistor paralleled by a 0.15 μ F AC-type capacitor between an exposed metal part and a known good earth ground.

Measure the AC voltage across the resistor with the AC voltmeter.

Move the resistor connection to each exposed metal part, particularly any exposed metal part having a return path to the chassis, and measure the AC voltage across the resistor. Now reverse the plug in the AC outlet and repeat each measurement voltage measured any must not exceed 0.75 V AC (r.m.s.). This corresponds to 0.5 mA AC (r.m.s.).



Warning

1. This equipment has been designed and manufactured to meet international safety standards.
2. It is the legal responsibility of the repairer to ensure that these safety standards are maintained.
3. Repairs must be made in accordance with the relevant safety standards.
4. It is essential that safety critical components are replaced by approved parts.
5. If mains voltage selector is provided, check setting for local voltage.

CAUTION Burrs formed during molding may be left over on some parts of the chassis. Therefore, pay attention to such burrs in the case of performing repair of this system.

Safety Precautions (U.K only)

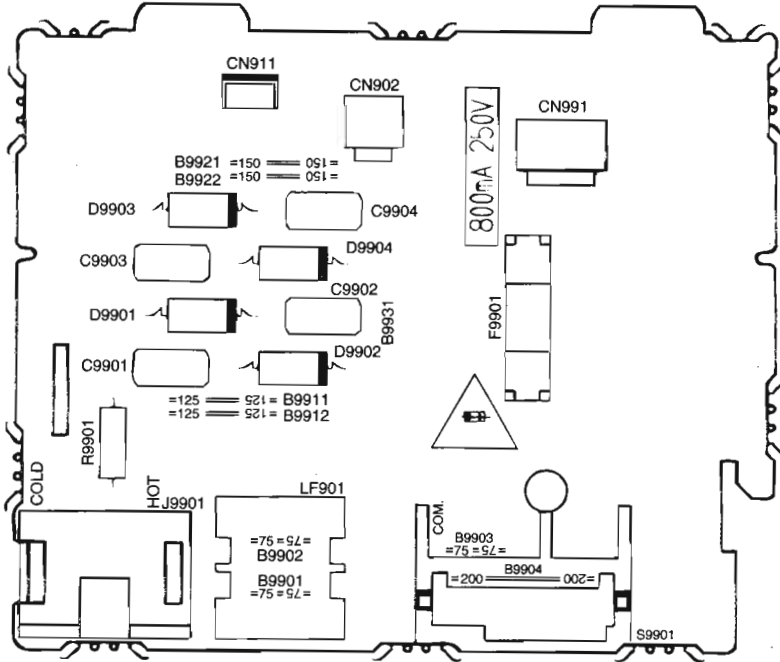
1. This design of this product contains special hardware and many circuits and components specially for safety purposes. For continued protection, no changes should be made to the original design unless authorized in writing by the manufacturer. Replacement parts must be identical to those used in the original circuits.
2. Any unauthorised design alterations or additions will void the manufacturer's guarantee ; furthermore the manufacturer cannot accept responsibility for personal injury or property damage resulting therefrom.
3. Essential safety critical components are identified by (⚠) on the Parts List and by shading on the schematics, and must never be replaced by parts other than those listed in the manual. Please note however that many electrical and mechanical parts in the product have special safety related characteristics. These characteristics are often not evident from visual inspection. Parts other than specified by the manufacturer may not have the same safety characteristics as the recommended replacement parts shown in the Parts List of the Service Manual and may create shock, fire, or other hazards.
4. The leads in the products are routed and dressed with ties, clamps, tubings, barriers and the like to be separated from live parts, high temperature parts, moving parts and/or sharp edges for the prevention of electric shock and fire hazard. When service is required, the original lead routing and dress should be observed, and it should be confirmed that they have been returned to normal, after re-assembling.


Warning


1. Service should be performed by qualified personnel only.
2. This equipment has been designed and manufactured to meet international safety standards.
3. It is the legal responsibility of the repairer to ensure that these safety standards are maintained.
4. Repairs must be made in accordance with the relevant safety standards.
5. It is essential that safety critical components are replaced by approved parts.
6. If mains voltage selector is provided, check setting for local voltage.

⚠ CAUTION Burrs formed during molding may be left over on some parts of the chassis. Therefore, pay attention to such burrs in the case of performing repair of this system.

■ Importance Administering point on the Safety



J ONLY
<p>Full Fuse Replacement Marking</p> <p>Graphic symbol mark (This symbol means fast blow type fuse.)</p> <div style="text-align: center;">  </div> <p>should be read as follows ;</p>
FUSE CAUTION
<p>FOR CONTINUED PROTECTION AGAINST RISK OF FIRE, REPLACE ONLY WITH SAME TYPE AND RATING OF FUSES ;</p> <p style="text-align: center;">F9901 : 800mA, 250V</p>

J SEULEMENT
<p>Marquage Pour Le Remplacement Complet De Fusible</p> <p>Le symbole graphique (Ce symbole signifie fusible de type à fusion rapide.)</p> <div style="text-align: center;">  </div> <p>doit être interprété comme suit ;</p>
PRECAUTIONS SUR LES FUSIBLES
<p>POUR UNE PROTECTION CONTINUE CONTRE DES RISQUES D'INCENDIE, REMPLACER SEULEMENT PAR UN FUSIBLE DU MEME TYPE ;</p> <p style="text-align: center;">F9901 : 800mA, 250V</p>

Important for Laser Products

1.CLASS 1 LASER PRODUCT

2.DANGER : Invisible laser radiation when open and inter lock failed or defeated. Avoid direct exposure to beam.

3.CAUTION : There are no serviceable parts inside the Laser Unit. Do not disassemble the Laser Unit. Replace the complete Laser Unit if it malfunctions.

4.CAUTION : The compact disc player uses invisible laserradiation and is equipped with safety switches which prevent emission of radiation when the drawer is open and the safety interlocks have failed or are defeated. It is dangerous to defeat the safety switches.

5.CAUTION : If safety switches malfunction, the laser is able to function.

6.CAUTION : Use of controls, adjustments or performance of procedures other than those specified herein may result in hazardous radiation exposure.

VARNING : Osynlig laserstrålning är denna del är öppnad och spårren är urkopplad. Betrakta ej strålen.
VARO : Avattaessa ja suojalukitus ohitettaessa olet alltiina näkymättömälle lasersäteilylle.Älä katso säteeseen.

ADVARSEL : Usynlig laserstrålning ved åbning , når sikkerhedsafbrydere er ude af funktion. Undgå udsættelse for stråling.
ADVARSEL : Usynlig laserstrålning ved åbning,når sikkerhetsbryteren er avslott. unngå utsettelse for stråling.

REPRODUCTION AND POSITION OF LABELS

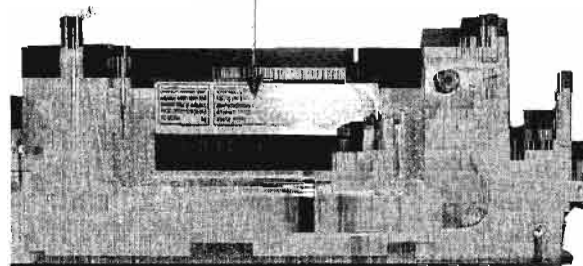
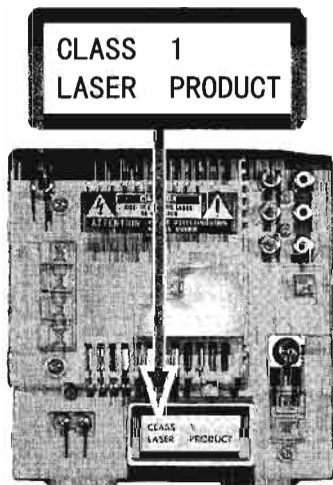
WARNING LABEL (Except for the U.S.A.and Canada)

DANGER : Invisible laser radiation when open and interlock or defeated.
 AVOID DIRECT EXPOSURE TO BEAM (e)

VARO : Avattaessa ja suojalukitus ohitettaessa olet alltiina näkymättömälle lasersäteilylle.Älä katso säteeseen. (d)

VARNING : Osynlig laserstrålning är denna del är öppnad och spårren är urkopplad. Betrakta ej strålen. (s)

ADVARSEL :Usynlig laserstrålning ved åbning , når sikkerhedsafbrydere er ude af funktion. Undgå udsættelse for stråling. (f)



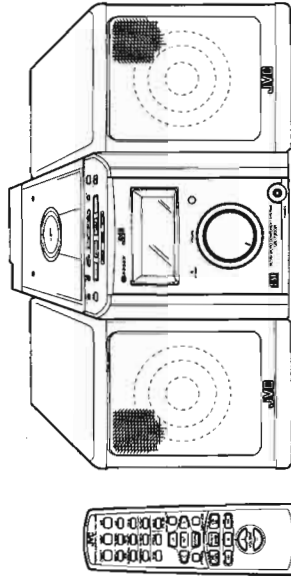
Instructions (For UX-7000R)



JVC

ULTRA MICRO COMPONENT SYSTEM
 ULTRA-MIKRO-KOMPONENTEN-SYSTEM
 SYSTEME DE COMPOSANTS ULTRA MICRO
 ULTRA MIKRO KOMPONENTENSISTEEM
 SISTEMAS DE COMPONENTES ULTRA MICRO
 SISTEMA AD ULTRA MICROCOMPONENTI

UX-7000R



JVC
 VECTOR COMPANY OF JAPAN, LIMITED

R-D-S EON

COMPACT
disc
 DIGITAL AUDIO

INSTRUCTIONS
 BEDIENUNGSANLEITUNG
 MANUEL D'INSTRUCTIONS
 GEBRUIKSAANWIJZING
 MANUAL DE INSTRUCCIONES
 ISTRUZIONI

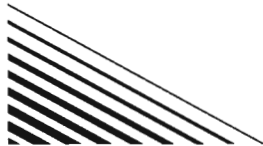
For Customer Use:
 Enter below the Model No. and Serial No. which are located either on the rear, bottom or side of the cabinet. Retain this information for future reference.

Model No. _____
 Serial No. _____

LVT0035-001A [E]

0498MNMCFEJSC

EN, GE, FR, NL, SP, IT



Warnings, Cautions and Others / Warnung, Achtung und sonstige Hinweise / Mises en garde, précautions et indications diverses / Waarschuwingen, voorzorgen en andere mededelingen/Avisos, precauciones y otras notas / Avvertenze e precauzioni da osservare

Per l'Italia:
"Si dichiara che il questo prodotto di marca JVC è conforme alle prescrizioni del Decreto Ministeriale n.548 del 28/09/95 pubblicato nella Gazzetta Ufficiale della Repubblica Italiana n.301 del 28/12/95."

Caution — 0V1 switch!
Disconnect the mains plug to shut the power off completely. The 0V1 switch in any position does not disconnect the mains line. The power can be remote controlled.

Achtung — 0V1 Schalter!
Den Netzstecker aus der Steckdose ziehen, um die Stromversorgung vollständig zu unterbrechen. Der Schalter 0V1 unterbricht in keiner Stellung die Stromversorgung vollkommen. Die Stromversorgung kann mit der Fernbedienung ein- und ausgeschaltet werden.

Attention — Commutateur 0V1!
Déconnecter la fiche de secteur pour couper complètement le courant. Le commutateur 0V1 ne coupe jamais complètement la ligne de secteur, quelle que soit sa position. Le courant peut être télécommandé.

Voorzichtig — 0V1 schakelaar!
Om de stroomtoevoer geheel uit te schakelen, trek u de stekker uit het stopcontact. Anders zal er altijd een geringe hoeveelheid stroom naar het apparaat lopen, ongeacht de stand van de 0V1 schakelaar. U kunt het apparaat ook met de afstandsbediening aan- en uitschakelen.

Precaución — Interruptor 0V1!
Desconectar el cable de alimentación para desactivar la alimentación totalmente. Cualquier que sea la posición de ajuste del interruptor 0V1, la alimentación no se cortará completamente. La alimentación puede ser controlada remotamente.

Attenzione — L'interruttore 0V1!
Disinserire la spina del cavo di alimentazione dalla presa della rete elettrica per staccare completamente l'alimentazione. L'interruttore 0V1 in nessuna posizione stacca la linea di alimentazione elettrica principale. È possibile il controllo remoto dell'alimentazione.

VOORZICHTIG
Ter vermijden van gevaar voor brand, elektrische schokken, enz.:
1. Verwijder het apparaat van het schakelen van de behuizing.
2. Stel het toestel niet bloot aan regen of vocht.

PRECAUCIÓN
Para reducir riesgos de choques eléctricos, incendio, etc.:
1. No extraiga los tornillos, los cubiertas ni la caja.
2. No exponga este aparato a la lluvia o a la humedad.

ATTENZIONE
Per ridurre il rischio di shock elettrici, incendi, ecc...
1. Non togliete viti, coperti o la scatola.
2. Non esponete l'apparecchio alla pioggia e all'umidità.

CAUTION
To reduce the risk of electrical shocks, fire, etc.:
1. Do not remove screws, covers, cabinet.
2. Do not expose this appliance to rain or moisture.

ACHTUNG
Zur Verhinderung von elektrischen Schlägen, Brandgefahr, usw.:
Keine Schrauben lösen oder Abdeckungen entfernen und das Gehäuse nicht öffnen.
Dieses Gerät weder Regen noch Feuchtigkeit aussetzen.

ATTENTION
Afin d'éviter tout risque d'électrocution, d'incendie, etc.:
1. Ne pas enlever les vis ni les panneaux et ne pas ouvrir le coffret de l'appareil.
2. Ne pas exposer l'appareil à la pluie ni à l'humidité.

Caution: Proper Ventilation
To avoid risk of electric shock and fire, and to prevent damage, locate the apparatus as follows:

1. Front: No obstructions and open spacing.
2. Sides/ Top/ Back: No obstructions on the sides shown by the dimensions below.
3. Bottom: Place on the level surface. Maintain an adequate air path for ventilation by placing on a stand with a height of 10 cm or more.

Voorzichtig: Goede ventilatie vereist
Om brand, elektrische schokken en beschadiging te voorkomen, moet u het toestel als volgt opstellen:

1. Voorkant: Geen belemmeringen en voldoende ruimte.
2. Zijkanten/boven-/onderkant: Geen belemmeringen op de zijden in de hieronder aangegeven zones.
3. Onderkant: Op vlakke ondergrond plaatsen. Voldoende ventilatieruimte voorzien door het toestel op een onderstel met een hoogte van 10 cm of meer te plaatsen.

Voricht: Ausreichende Belüftung
Zur Vermeidung von elektrischen Schlägen, Feuer und sonstigen Schäden sollte das Gerät unter folgenden Bedingungen aufgestellt werden:

1. Vorderseite: Hindernisse frei und gut zugänglich.
2. Seiten- und Rückwände: Hindernisse in allen gegebenen Abständen (s. Abbildung).
3. Unterseite: Die Stellfläche muß absolut eben sein. Sorgen Sie für ausreichende Luftzufuhr durch Aufstellung auf einem Stand mit mindestens 10 cm Höhe.

Precaución: ventilación correcta
Para evitar el riesgo de descargas eléctricas e incendio y prevenir posibles daños, instale el equipo en un lugar que cumpla los siguientes requisitos:

1. Parte frontal: Sin obstrucciones, espacio abierto.
2. Lados/parte superior/parte posterior: No debe haber ninguna obstrucción en las áreas mostradas por las dimensiones de la siguiente figura.
3. Parte inferior: Sitúe el equipo sobre una superficie nivelada. Mantenga un espacio adecuado para permitir el paso del aire y una correcta ventilación, situando el equipo sobre un soporte de 10 o más cm de altura.

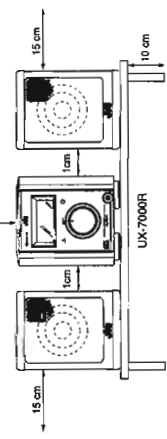
Attention: Aération correcte
Pour prévenir tout risque de décharge électrique ou d'incendie et éviter tout dommage, installez l'appareil de la manière suivante:

1. Avant: Pas d'obstacles et espace libre.
2. Côtés/dessus/dessous: Assurez-vous que rien ne bloque les espaces indiqués sur le schéma ci-dessous.
3. Dessous: Posez l'appareil sur une surface plane et horizontale. Veillez à ce que sa ventilation correcte puisse se faire en le plaçant sur un support d'au moins dix centimètres de hauteur.

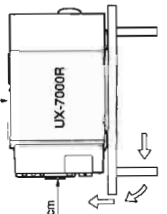
Attenzione: Per una corretta ventilazione
Per prevenire il rischio di scariche elettriche e di incendio ed evitare possibili danni, collocare le apparecchiature nel modo seguente:

1. Parte anteriore: Non deve esserci ostacoli e spazio libero.
2. Lati/Parte superiore/fondo: Lasciare libere le zone indicate dalle dimensioni di seguito.
3. Base: Collocare su una superficie piana. Consentire un'adeguata ventilazione dell'impianto appoggiandolo su un tavolino alto almeno 10 cm.

Front view
Vorderansicht
Vista frontal
Vista frontale



Side view
Seitenansicht
Côté
Vista lateral
Vista laterale



Thank you for purchasing the JVC Ultra Micro Component System. We hope it will be a valued addition to your home, giving you years of enjoyment. Be sure to read this instruction manual carefully before operating your new stereo system. In it you will find all the information you need to set up and use the system. If you have a query that is not answered by the manual, please contact your dealer.

Features

- Here are some of the things that make your System both powerful and simple to use.
 - The controls and operations have been redesigned to make them very easy to use, freeing you to just enjoy the music.
 - With JVC's **COMPU PLAY** you can turn on the System and automatically start the Radio or CD Player with a single touch. **COMPUPLAY**
 - The System incorporates Active Hyper Bass Super PRO circuitry to faithfully reproduce low frequency sounds.
 - A 45-station preset capability (30 FM and 15 AM (MW/LW)) in addition to auto-seek and manual tuning.
 - Versatile CD options include repeat, random and program play.
 - Timer functions: Daily Timer and Sleep Timer.
 - The System is compatible with RDS (Radio Data System) broadcasting.
 - The EON data enables you to standby for desired information.
 - The PTY Search function searches for programmes in the category you wish.
 - In addition, Radio Text can be displayed using data sent by station.
 - You can connect various external units, such as an MD recorder, tape deck, etc.

How This Manual Is Organized

- Basic information that is the same for many different functions - e.g. setting the volume - is given in the section 'Common Operations', and not repeated under each function.
 - The names of buttons/controls and display messages are written in all capital letters: e.g. TUNER BAND, "NO DISC".
 - System functions are written with an initial capital letter only: e.g. Normal Play.
- Use the table of contents to look up specific information you require. We've enjoyed making this manual for you, and hope it serves you in enjoying the many features built into your System.

IMPORTANT CAUTIONS

- **Installation of the System**
 - Select a place which is level, dry and neither too hot nor too cold. (Between 5°C and 35°C or 41°F and 95°F.)
 - Leave sufficient distance between the System and a TV.
 - Do not use the System in a place subject to vibrations.

Power cord

- Do not handle the power cord with wet hands!
- Some power (5W) is always consumed as long as the power cord is connected to the wall outlet.
- When unplugging the System from the wall outlet, always pull the plug, not the power cord.

Malfunctions, etc.

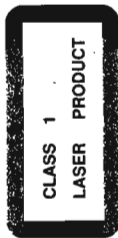
- There are no user serviceable parts inside. In case of system failure, unplug the power cord and consult your dealer.
- Do not insert any metallic object into the System.

Table of Contents

Features 1
 How This Manual Is Organized 1
IMPORTANT CAUTIONS 1
Getting Started 2
Common Operations 6
Using the Tuner 8
Using the CD Player 11
Listening to External Equipments 13
Using the Timers 14
Care And Maintenance 16
Troubleshooting 17
Specifications 18

IMPORTANT FOR LASER PRODUCTS / WICHTIGER HINWEIS FÜR LASER-PRODUKTE / IMPORTANT POUR LES PRODUITS LASER / BELANGRIJKE INFORMATIE VOOR LASERPRODUCTEN / IMPORTANTE PARA LOS PRODUCTOS LASER / IMPORTANTE PER I PRODOTTI LASER
REPRODUCTION OF LABELS/ANBRINGINGSORDE FÜR LASER-PRODUKTE/REPRODUCTION DES ÉTIQUETTES/VERKLARING VAN DE LABELS/REPRODUCCIÓN DE ETIQUETAS/RIPRODUZIONE DELLE ETICHETTE

- ① CLASSIFICATION LABEL, PLACED ON EXTERIOR SURFACE
- ① KLASSIFIZIERUNGSHINWEIS BEFINDET SICH AUF DER AUSSENSEITE
- ① ÉTIQUETTE DE CLASSIFICATION, PLACÉE SUR LA SURFACE EXTÉRIEURE
- ① CLASSIFICAZIONE-ETIKET AAN DE BUITENKANT VAN HET APPARAAT
- ① ETIQUETA DE ADVERTENCIA, PEGADA EN EL INTERIOR DE LA UNIDAD
- ① ETICHETTA DI AVVERTENZA, SITUATA ALL'INTERNO DELL'APPARECCHIO



- 1. CLASS 1 LASER PRODUCT
- 2. **DANGER:** Invisible laser radiation when open and interlock failed. Avoid direct exposure to beam.
- 3. **CAUTION:** Do not open the top cover. There are no user serviceable parts inside the Unit; leave all servicing to qualified service personnel.
- 1. LASER-PRODUKT DER KLASSE 1
- 2. **GEFAHR:** Unsichtbare Laserstrahlung bei Öffnung und Fehlerhafter oder beschädigter Sperr. Direkten Kontakt mit dem Strahl vermeiden!
- 3. **ACHTUNG:** Das Gehäuse nicht öffnen. Das Gerät enthält keine benutzbar Teile, die vom Benutzer gewartet werden können. Überlassen Sie Wartungsarbeiten bitte qualifizierten Kundendienst-Fachleuten.
- 1. PRODOTTO LASER CLASSE 1
- 2. **PERICOLO:** Radiazione laser invisibile quando l'apparecchio è aperto ed il dispositivo di sicurezza è guasto o disattivato. Evitare l'esposizione diretta ai raggi.
- 3. **ATTENZIONE:** Non aprire il coperchio superiore. Non vi sono parti adoperabili dall'utente all'interno di questo apparecchio; lasciare tutti i controlli a personale qualificato.

Getting Started

Accessories

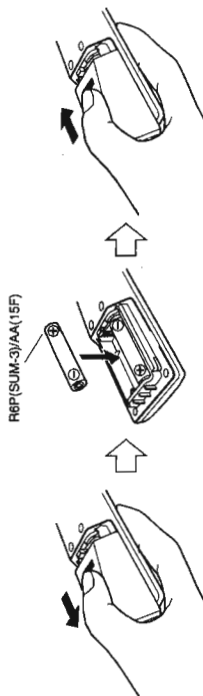
Check that you have all of the following items, which are supplied with the System.

- Power Cord (1)
- AM Loop Antenna (1)
- Remote Control (1)
- Batteries (2)
- FM Wire Antenna (1)
- Speaker Cords (2)

If any of these items are missing, contact your dealer immediately.

How To Put Batteries In the Remote Control

Match the polarity (+ and -) on the batteries with the + and - markings in the battery compartment.

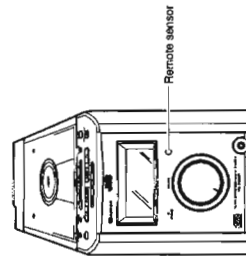


CAUTION: Handle batteries properly.

- To avoid battery leakage or explosion:
 - Remove batteries when the Remote Control will not be used for a long time.
 - When you need to replace the batteries, replace both batteries at the same time with new ones.
 - Don't use an old battery with a new one.
 - Don't use different types of batteries together.

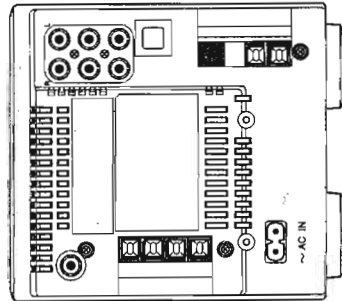
Using the Remote Control

The Remote Control makes it easy to use many of the functions of the System from a distance of up to 7m (23 feet) away. You need to point the Remote Control at the remote sensor on the System's front panel.

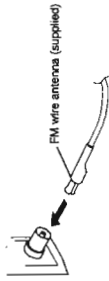


CAUTION: Make all connections before plugging the System into an AC power outlet.

Connecting the FM Antenna



Using the Supplied Wire Antenna

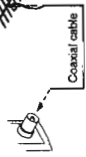


Using the Coaxial Type Connector (Not Supplied)

A 75-ohm antenna with coaxial type connector (IEC or DIN45 325) should be connected to the FM 75-ohm COAXIAL terminal.



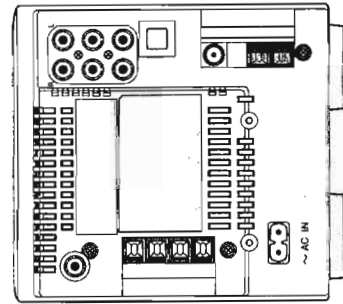
If reception is poor, connect the outside antenna. FM outdoor antenna (option)



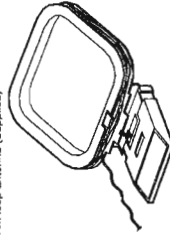
Note: Before attaching a 75 ohm coaxial lead (the kind with a round wire going to an outside antenna), disconnect the supplied FM Wire Antenna.

CAUTION: To avoid noise, keep antennas away from the System, the connecting cord and the AC power cord.

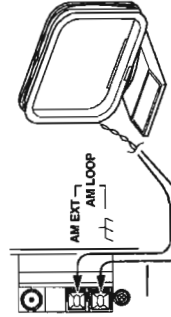
Connecting the AM (MW/LW) Antenna



AM loop antenna (Supplied)



Attach the AM loop to its base by snapping the tabs on the loop into the slot in the base.

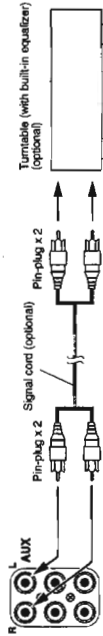


Turn the loop until you have the best reception.

CAUTION: Make all connections before plugging the System into an AC power outlet.

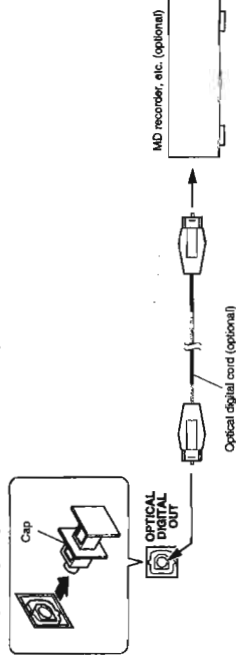
Connecting Auxiliary Equipment

Connect an (optional) signal cord between the AUX terminals on the System and the output terminals of your auxiliary equipment, (e.g. turntable). You can listen to this source.



Connecting an MD Recorder, etc (Digital Output)

Unplug the cap and connect an (optional) optical digital cord between the System's OPTICAL DIGITAL OUT terminal and the input terminal of the MD recorder, etc.



Connecting a Subwoofer System

Connect an (optional) signal cord between the SUB WOOFER OUT terminal and an external JVC subwoofer system, etc.



Connecting the AC Power Cord

Firmly insert the supplied AC power cord into the AC inlet on the back of the Unit.



CAUTIONS:

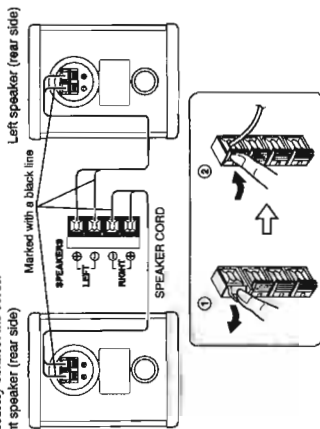
- ONLY USE THE JVC POWER CORD PROVIDED WITH THIS SYSTEM TO AVOID MALFUNCTION OR DAMAGE TO THE SYSTEM.
- BE SURE TO UNPLUG THE POWER CORD FROM THE OUTLET WHEN GOING OUT OR WHEN THE SYSTEM IS NOT IN USE FOR AN EXTENDED PERIOD OF TIME.

Now you can plug the AC power cord into the wall outlet, and your System is at your command!

CAUTION: Make all connections before plugging the System into an AC power outlet.

Connecting the Speakers

1. Open the Speaker terminals on the rear of the Unit, and on the Speakers themselves.
2. Connect the speaker cords between the terminals as shown below. Connect the cords with a black line to the (-) terminals and cords without a black line to the (+) terminals. Close each of the terminals to securely connect the cords.

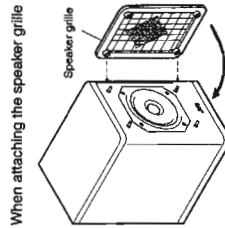


CAUTION: A TV may display irregular colors if located near the speakers. If this happens, set the speakers away from the TV.

Removing the speaker grilles

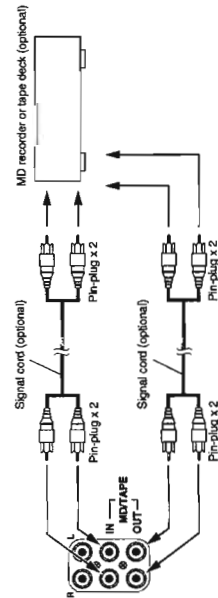
The speaker grilles can be removed.

1. Insert your fingers at the top and pull towards you.
2. Also pull the bottom towards you.



Connecting an MD Recorder/Tape Deck

Connect (optional) signal cords between the System's MD/TAPE IN/OUT terminals and the output/input terminals of the external MD recorder, tape deck, etc. You can then listen to the external source through the System, or record the System's CD player or tuner to the external unit.



COMPU PLAY

JVC's COMPU PLAY feature lets you control the most frequently used System functions with a single touch. With One Touch Operation you can play a CD, turn on the radio, or listen to an external equipment with a single press of the play button for that function. One Touch Operation turns the power on for you, then starts the function you have specified. If the System is not ready (no CD in place), the System still powers on so you can insert a CD. How One Touch Operation works in each case is explained in the section dealing with that function. The COMPU PLAY buttons are:

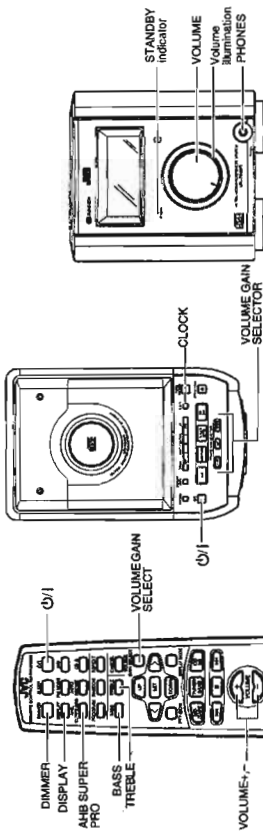
On the Unit

- CD ▶▶ button
- TUNER BAND button
- MD/TAPE button
- AUX button

On the Remote Control

- CD ▶▶ button
- TUNER BAND button
- MD/TAPE button
- AUX button

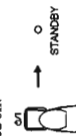
Common Operations



Turning the System On and Off

Turning the System On

Press the Δ/∇ button. The display comes on and the STANDBY indicator goes out. The System comes on ready to continue in the mode it was in when the power was last turned off.

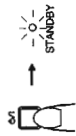


- For example, if the last thing you were doing was listening to a CD, you are now ready to listen to a CD again. If you wish, you can change to another source.
- If you were listening to the Tuner last, the Tuner comes on playing the station it was last set to.

Turning the System Off

Press the Δ/∇ button again.

The STANDBY indicator lights up and the display is blank, except for the clock display.



Adjusting the Volume

Turn the VOLUME control of the Unit clockwise to increase the volume or counterclockwise to decrease it.

OR

With the System turned on, press the VOLUME + button on the Remote Control to increase the volume or press the VOLUME - button to decrease it.

CAUTION! DO NOT turn on the System and/or start playing any source without first setting the VOLUME control to minimum, as a sudden blast of sound could damage your hearing, speakers and/or headphones.

For private listening

Connect a pair of headphones to the PHONES jack. No sound comes out of the speakers. Be sure to turn down the volume before connecting or putting on headphones.

Reinforcing the Bass Sound (AHB SUPER PRO)

You can reinforce the bass sound to maintain rich, full bass at low volume (you can use this effect only for playback).

To get the effect, press the AHB (Active Hyper Bass) SUPER PRO button on the Remote Control.

The "BASS" indicator lights up on the display.

To cancel the effect, press the button again.

The "BASS" indicator goes out.

Tone Control (BASS/TREBLE)

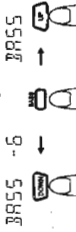
You can control the tone by changing the bass and treble.

BASS Control

You can adjust the bass level (low frequency range level) between -6 and 6. (0: Flat)

Press the BASS button on the Remote Control.

Press the UP or DOWN button on the Remote Control to adjust the bass level.

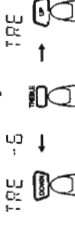


TREBLE Control

You can adjust the treble level (high frequency range level) between -6 and 6. (0: Flat)

Press the TREBLE button on the Remote Control.

Press the UP or DOWN button on the Remote Control to adjust the treble level.



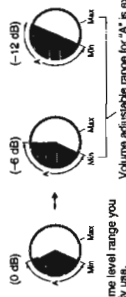
Volume Gain Selection

This lets you adjust the range covered by the VOLUME control. This is useful if you rarely listen at higher volumes, and want finer control over lower volumes. There are three volume gain settings: Normal volume.

-6 dB: The volume adjustable range is extended for lower level. You can finely adjust the volume level than that for "0 dB".

-12 dB: The volume adjustable range is further extended for lower level. You can finely adjust the volume level than that for "-6 dB".

Example:



A: Volume level range you usually use. Volume adjustable range for "A" is extended.

Press the 0 dB, -6 dB, or -12 dB button on the Unit, or press the VOLUME GAIN SELECT button on the Remote Control to make your selection.

The following appears on the display for 2 seconds:



Volume Gain Selection

When you change the volume gain with the VOLUME GAIN SELECT button, the VOLUME control automatically turns so that the volume level is kept almost the same.

Note:

- If you change the volume gain while listening to a music source, the sound may be muted for a few seconds before the new volume gain selection comes into effect. This happens in the following cases:
 - Changing from the -12 dB selection to the -6 dB or 0 dB selections.
 - Changing from the -6 dB selection to the 0 dB selection.

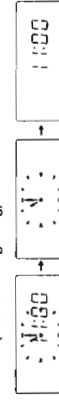
Showing the Time (DISPLAY)

In addition to a standard digital clock, an analogue clock (which advances every five minutes) can be displayed. The clock display or-der varies according to the System mode:

In Standby mode

Every time you press the DISPLAY button on the Remote Control (or the CLOCK button on the Unit), the clock display changes as shown below.

Digital Clock + Analogue Clock → Analogue Clock → Digital Clock → (back to the beginning)



When the System is turned on

Every time you press the DISPLAY button on the Remote Control (or the CLOCK button on the Unit), the time display changes as follows:

Current Source + Analogue Clock → Analogue Clock → Digital Clock → Current Source → (back to the beginning)

Note: To let work the clock, you need to set the clock beforehand. (See "Setting the Clock" on page 14.)

Receiving FM Stations with RDS

You can use the RDS (Radio Data System) by using the buttons on the Unit or the Remote Control. RDS allows FM stations to send additional signals with their regular programme signals. For example, the stations send their station names, and information about what type of programmes they broadcast, such as sports or music, etc. This unit can receive the following types of RDS signals:

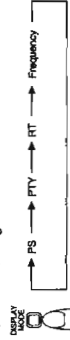
- PS (Programme Service):** shows commonly known station names.
- PTY (Programme Type):** shows types of broadcast programmes.
- RT (Radio Text):** shows text messages the station sends.
- TA (Traffic Announcement):** shows traffic announcements being broadcast.

What information can RDS signals provide?

The display shows RDS signal information that the station sends.

To show the RDS signals on the display

Press the **DISPLAY MODE** button while listening to an FM station. Each time you press the button, the display changes to show information, in the following order:



PS (Programme Service):

While searching, "PS" appears, then station name is displayed. "NO PS" appears if no signal is sent.

PTY (Programme Type):

While searching, "PTY" appears, then broadcast programme type is displayed. "NO PTY" appears if no signal is sent.

RT (Radio Text):

While searching, "RT" appears, then a text message sent by the station is displayed. "NO RT" appears if no signal is sent.

Station Frequency:

Station frequency (non-RDS service)

Notes:

- If searching finishes at once, "PS", "PTY" and "RT" will not appear on the display.
- If you press the **DISPLAY MODE** button while listening to an AM(MW/LW) station, the display only shows station frequency.
- RDS is not available for AM (MW/LW) broadcasts.

On characters displayed (see page 10.)

- When the display shows PS, PTY or RT signals:
- The display shows upper case letters only.
- The display cannot show accented letters; For example, "A" may represent accented "A's" like "Á, Â, Ã, Ä, Å and Ä."

Press the UP, DOWN, >, or < button to select the preset number.

- UP button:** Increases the preset number by 1.
- DOWN button:** Decreases the preset number by 1.
- > button:** Increases the tenth digit for preset number.
- < button:** Decreases the tenth digit for preset number.

Press the SET button.

After 1 second, the display returns to the broadcast frequency display.

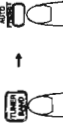
Repeat above steps 1 to 5 for each station you want to store in memory with a preset number.

To cancel the presetting, press the **CANCEL** button in step 3 or 4. To change the preset stations, repeat the same steps as above.

Auto Presetting

In each band, you can automatically preset FM-30, AM (MW/LW)-15 stations. Preset numbers will be allocated as stations are found, starting from the lowest frequency and moving up the frequency.

12" (for 2 seconds)



Select a band by pressing the TUNER BAND button.

Press the AUTO PRESET button on the Remote Control for more than two seconds.

Repeat steps 1-2 for the other band.

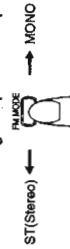
If you want to change the preset stations, carry out the Manual Presetting for the desired preset numbers.

CAUTION: If the System is unplugged or if a power failure occurs, the preset stations will be erased after about 24 hours. If this happens, you will need to preset the stations again.

To Change the FM Reception Mode

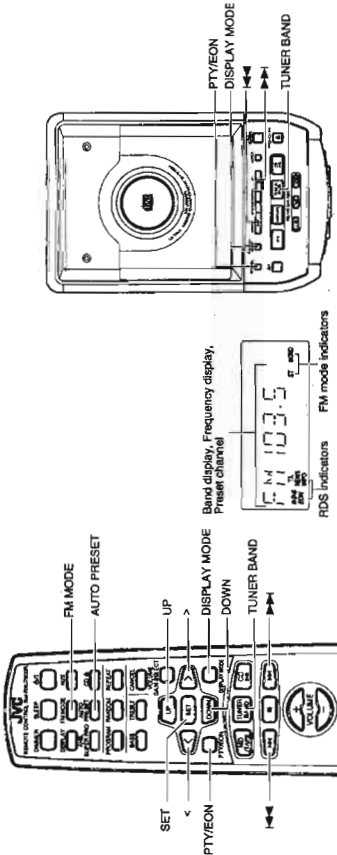
When you are tuned into an FM stereo broadcast, the "ST (Stereo)" indicator lights up and you can hear stereo effects. If an FM stereo broadcast is hard to receive or noisy, you can select Monaural mode. Reception improves, but you lose any stereo effect.

Press the **FM MODE** button on the Remote Control so that the "MONO" indicator lights up on the display.



To restore the stereo effect, press the **FM MODE** button on the Remote Control so that the "MONO" indicator goes off.

Using the Tuner



When the System is in use, the display shows other items as well. For simplicity, we show here only the items described in this section.

You can listen to FM and AM (MW/LW) stations. Stations can be tuned in manually, automatically, or from preset memory storage.

- Before listening to the radio:
- Check that both the FM and AM (MW/LW) antennas are correctly connected. (See page 3).

One Touch Radio

Just press the **TUNER BAND** button to turn on the System and start playing the station you were last tuned to. You can switch from any other sound source to the radio by pressing the **TUNER BAND** button.

Tuning in a Station

Press the TUNER BAND button.

The Band and Frequency you were last tuned to appear on the display.

If the last station was selected using the preset number, the preset number appears first. Each time you press the button, the band alternates between FM and AM (MW/LW).



Select a station using one of the following methods.

Manual Tuning

Press the **←** or **→** button on the Unit or the Remote Control repeatedly to move from frequency to frequency until you find the station you want.

OR

Auto Tuning

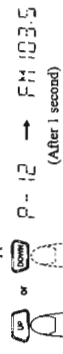
If you press and hold the **←** or **→** button on the Unit or the Remote Control for one second or more, the frequency changes down, or up, automatically until a station is found.

OR

Preset Tuning using the Remote Control (Possible only after presetting stations)

Press the UP or DOWN button on the Remote Control to select the desired preset number. After 1 second the display will show the preset number's band and frequency.

Example: Press the UP button until the preset number "12" "12" appears.

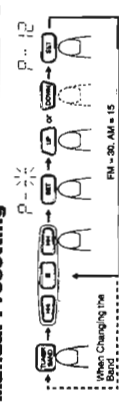


Presetting Stations

You can preset up to 30 FM stations and up to 15 AM (MW/LW) stations using the Remote Control.

Note: Preset numbers may have been set to factory test frequencies prior to shipment. This is not a malfunction. You can preset the stations you want into memory by following one of the presetting methods below.

Manual Presetting



Select a band by pressing the TUNER BAND button.

Press the ← or → button to tune in a station.

Press the SET button.

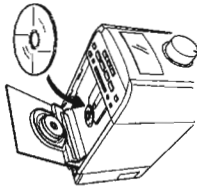
"P" is displayed. The lower 2 digits blink.

The Quickest Way To Start a CD is With the One Touch Operation

- Press the CD ► button.
- The power is automatically turned on. If a CD is already inserted, it will start playing from the first track.
- If no CD is inserted, "NO DISC" appears on the display and the CD Player remains in Stop mode.

To Insert a CD

- Press the OPEN/CLOSE ▲ button (or the CD ▲ button on the Remote Control). The CD holder opens.
- Place a CD, with its label side up as shown below.

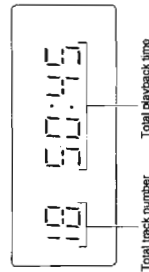


- Press the ▲ button again to close the CD holder.
- You can place an 8 cm CD without an adaptor.
- If the CD cannot be read correctly (because it is scratched, for example), "00.0000" appears on the display.

CAUTION! DO NOT try to close the CD holder by hand as it will be damaged.

Basics of Using the CD Player - Normal Play

- To Play a CD**
- Insert a CD.
- Press the CD ► button. The Play (▶) indicator lights up on the display and the first track of the CD begins playing. The CD Player automatically stops when the last track of the CD has finished playing.
- To stop playing the CD, press the ■ button on the Unit or the Remote Control. The following information for the CD is displayed.



To stop playing and remove the CD, press the ▲ button to open the CD holder. To pause, press the CD =II button. The Pause (II) indicator will light up on the display. To cancel pause, press the same button again. Play continues from the point where it was paused.

To Select a Track or Passage within a Track

During playback, press the ◀ button on the Unit or the Remote Control to select the track you want. The selected track starts playing.

- Press the ► button once to skip to the beginning of the next track.
- Press the ◀ button to skip to the beginning of the track being played. Press twice quickly to skip to the beginning of the previous track.

Search Play

Holding down the ◀ button on the Unit or the Remote Control, during playback, will fast forward/backwards the CD so you can quickly find a particular passage in the track you are listening to.

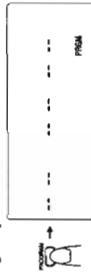
Programming the Playing Order of the Tracks

You can program the playing order of the tracks using the Remote Control.

- You can program up to 20 tracks in any desired order.
- You can only make a program when the CD Player is stopped.

- Insert a CD.
- Press the CD ► button.
- Press the ■ button to stop the CD.
- Press the PROGRAM button.

The System enters the programming mode and the "PRGM" indicator lights up.



Press the UP, DOWN, >, or < button to select the track to program.

- UP button: Increases the track number by 1.
- DOWN button: Decreases the track number by 1.
- > button: Increases the track number by ten.
- < button: Decreases the track number by ten.
- Example: for track 2, press the UP button twice. For track 12, press the > button, then press the UP button twice (or simply press the UP button 12 times).

Press the SET button.



Total playback time of the programmed tracks:

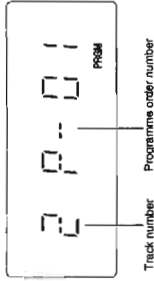
Repeat steps 5 and 6 to select the other tracks for the program.

You can see the total playback time of programmed tracks on the display.

Press the CD ► button.

The System plays the tracks in the order you have programmed them. You can skip to a particular program track by pressing the ◀ or ► button during Program Play.

To cancel the programming before playing, press the CANCEL button in above step 4, 5 or 6. To confirm the programmed tracks, press the PROGRAM button; the tracks making up the program will successively be displayed in the programmed order.



Track number: 2
Programme order number: 1

To stop playing, press the ■ button once. To delete all the tracks in a program, press the ■ button (or the CANCEL button on the Remote Control) while the CD Player is stopped. The "PRGM" indicator goes out and the program is deleted. Normal Play is resumed.

The program will also be deleted when you press the ▲ button to open the CD holder.

Note: If the total playback time of the programmed tracks exceeds 99 minutes, 59 seconds, the total playback time will go out on the display.

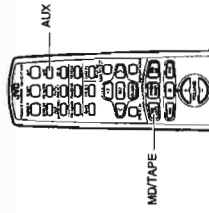
Random Play

The tracks will play in no special order when you use this mode.

Press the RANDOM button on the Remote Control.

Playback automatically starts and the "RANDOM" indicator lights up on the display.

Listening to External Equipments



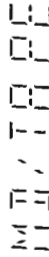
Listening to an External MD Recorder/Tape Deck

You can play an external MD recorder, tape deck, etc. through the system.

- First make sure that the external equipment is properly connected to the System. (See page 4.)

Set the VOLUME control to minimum.

Press the MD/TAPE button. When the System is in Standby mode, the System is automatically turned on. "MD/TAPE" appears on the display.



To skip a track during playback, press the ► button to jump to the next track in the random sequence. Press the ◀ button to jump back to the start of a track being played. To cancel random play, press the RANDOM button again. The "RANDOM" indicator goes out and Normal Play is resumed.

Repeating Tracks

You can set the program or individual track playing to repeat as many times as you like.

Press the REPEAT button on the Remote Control.

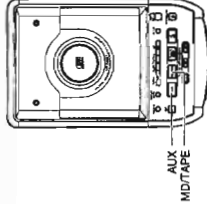
The Repeat indicator changes with each press of the button, as shown below.

◀ : Repeat one track.

◀ : In Random Play mode, this indicator is skipped.

◀ ALL : In Normal Play mode, repeats all the tracks in the Program. In Random Play mode, repeats all the tracks in random order.

To exit Repeat mode, press the REPEAT button until the Repeat indicator on the display goes out



Start playing the external equipment. Adjust the VOLUME control to the desired listening level.

- Apply sound effects, if you wish. Press the AHB Super PRO button to reinforce the bass sound. Press the BASS/TREBLE button to control the tone. (See "Tone Control" on page 7.)

To exit MD/TAPE mode You will automatically switch out of MD/TAPE mode when you select another source.

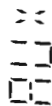
Note: You can also record the System's output signal to the external equipment. For operation, refer to the equipment's own instructions.

Listening to Auxiliary Equipment

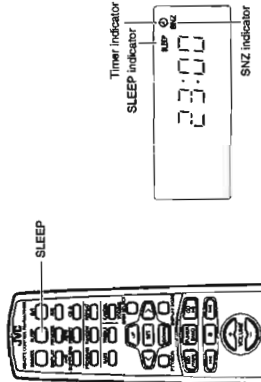
- You can listen to a turntable or other auxiliary equipment.
- First make sure that the external equipment is properly connected to the System. (See page 5.)
- Set the **VOLUME** to minimum position.
- Press the **AUX** button.

When the System is in Standby mode, the System is automatically turned on.

"AUX" appears on the display.



Using the Timers



When the System is in use, the display shows other items as well. For simplicity, we show here only the items described in this section.

Press the **CLOCK** button.

The selected time is set and the seconds start counting from 0.

CAUTION: If there is a power failure, the clock loses its setting after about 20 minutes. The display shows "0:00" and blinks, and the clock must be reset.

Note: The clock may gain or lose one or two minutes per month.

Setting the Daily Timer

You can set the Timer whether the System is on or off.

Once you have set the Daily Timer, the timer will be activated at the same time every day. It can be cancelled and re-activated whenever you wish.

The Timer indicator on the display shows when the Daily Timer you have set is in effect.

Note: Perform each setting within 30 seconds. Otherwise, the setting is cleared and the procedure must be repeated from the beginning.

Press the **⏻** button to turn on the System.

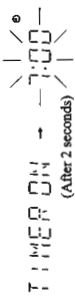
- Start playing the auxiliary equipment.
- Adjust the **VOLUME** control to the desired listening level.
- Apply sound effects, if you wish.
 - Press the **AHB** Super PRO button to reinforce the bass sound.
 - Press the **BASS/TREBLE** button to control the tone. (See "Tone Control" on page 7.)

To exit AUX mode
You will automatically switch out of AUX mode when you select other source.

Note: For operation of the auxiliary equipment, refer to its own instructions.

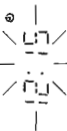
Setting the ON time (Example: 12:15)

- Press the **TIMER/SNOOZE** button on the Unit. The Timer indicator lights up and the current ON time blinks on the display.



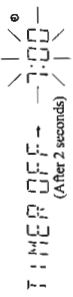
- Press the **▶▶** or **◀◀** button on the Unit to set the time you want the Unit to come on.

Pressing the **▶▶** button moves the time forwards and pressing the **◀◀** button moves the time backwards. Hold down the button to move the time in 10-minute intervals.



Setting the OFF time (Example: 13:15)

- Press the **TIMER/SNOOZE** button on the Unit. The current OFF time blinks on the display.



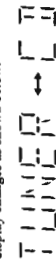
- Press the **▶▶** or **◀◀** button on the Unit to set the time you want the Unit to be turned off.

Pressing the **▶▶** button moves the time forwards and pressing the **◀◀** button moves the time backwards. Hold down the button to move the time in 10-minute intervals.



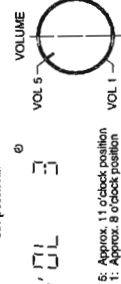
Selecting the music source

- Press the **TIMER/SNOOZE** button on the Unit. "TUNER" blinks on the display.
- Press the **▶▶** or **◀◀** button to select the music source you want to listen to.



Setting the volume level

- Press the **TIMER/SNOOZE** button on the Unit. The current volume setting blinks on the display.
- Press the **▶▶** or **◀◀** button to select the volume level.
 - The current volume level will be used.
 - Low (1) to high (5) level. When the timer is turned on, the Volume will be automatically turned to the set position.



VOL 5: Approx. 11 o'clock position
VOL 1: Approx. 8 o'clock position

Note: The volume level for VOL 1 to VOL 5 will vary according to the current volume gain selection (0 dB, -6 dB or -12 dB). So, you should learn the actual volume level beforehand.

Press the **TIMER/SNOOZE** button on the Unit.

The timer setting is completed and the display returns to the display before you set the timer (The Timer indicator remains lit).

Before turning off the Unit, prepare the music source selected in step 4.

Turner: Tune in to the desired station.
CD: Insert a CD.

Press the **⏻** button to turn off the System.

To cancel the timer, press the **TIMER/SNOOZE** button. The Timer indicator goes out on the display.

To re-activate the cancelled timer, press the **TIMER/SNOOZE** button to light the Timer indicator. Then, press the **TIMER/SNOOZE** button repeatedly until the display returns to the original display before setting the timer. (Be sure that the Timer indicator is lit)

To confirm the timer settings, cancel the timer once by pressing the **TIMER/SNOOZE** button. Then, press the **TIMER/SNOOZE** button repeatedly, and you can see the current timer settings (ON time, OFF time, source, and volume).
To change the timer setting, repeat the setting procedure from the beginning.

- When the timer turns on, the Timer indicator starts blinking. When the timer turns on, it is possible to fade in the sound from volume level 0 (zero) to the preset volume.

CAUTION: If the System is unplugged, or a power failure occurs, the timer setting will be lost after about 24 hours. You will need to reset the clock first, then the timer.

5-Minute Snoozing

When the timer turns on the music source you can, if you wish, activate the 5-minute snoozing function to temporarily stop playback.

Press the **TIMER/SNOOZE** button on the Unit.

The "SNZ" indicator lights up on the display and the power is turned off for five minutes for snoozing.

Setting the SLEEP Timer

Use the Sleep Timer to turn the System off after a certain number of minutes when it is playing. By setting the Sleep Timer, you can fall asleep to music and know that your System will turn off by itself rather than play all night.

You can only set the Sleep Timer when the System is on and a source is playing.

Play a CD or tune in to the desired station.

Press the **SLEEP** button on the Remote Control.

The "SLEEP" indicator lights up.

Set the length of time you want the source to play before shutting off.

Each time you press the **SLEEP** button, it changes the number of minutes shown on the display in this sequence:

→ 30 → 60 → 90 → 120 → Cancelled → (back to the beginning)

After setting the number of minutes for the Sleep Timer, the display will stop blinking after 5 seconds and return to the display as before setting the Sleep Timer.

The System is now set to turn off after the number of minutes you set.

Troubleshooting

- If you are having a problem with your System, check this list for a possible solution before calling for service.
- If you cannot solve the problem from the hints given here, or the System has been physically damaged, call a qualified person, such as your dealer, for service.

Symptom	Possible Cause	Action
No sound is heard.	<ul style="list-style-type: none"> • Connections are incorrect, or loose. • Headphones are connected. 	<ul style="list-style-type: none"> • Check all connections and make corrections. (See pages 4- 5.) • Disconnect the headphones.
Poor radio reception	<ul style="list-style-type: none"> • The antenna is disconnected. • The AM Loop Antenna is too close to the System. • The FM Wire Antenna is not properly extended and positioned. 	<ul style="list-style-type: none"> • Reconnect the antenna securely. • Change the position and direction of the AM Loop Antenna. • Extend FM Wire Antenna to the best reception position.
The CD skips.	The CD is dirty or scratched.	Clean or replace the CD.
The CD does not play.	The CD is upside down.	Put the CD in with the label side up.
Unable to operate the Remote Control.	<ul style="list-style-type: none"> • The path between the Remote Control and the sensor on the Unit is blocked • The batteries have lost their charge. 	<ul style="list-style-type: none"> • Remove the obstruction. • Replace the batteries.
Operations are disabled.	The built-in microprocessor has malfunctioned due to external electrical interference.	Unplug the System then plug it back in

To Confirm the Sleep Time

When the SLEEP button is pressed, the remaining sleep time is displayed. Wait for 5 seconds until the display returns to the original display.

To Cancel the SLEEP Timer Setting

Press the SLEEP button until the "SLEEP" indicator goes off on the display.

Turning off the System also cancels the SLEEP Timer.

- If you are setting the Daily Timer, the System will be turned on at the set time to wake you up.

Care And Maintenance

Handle your CDs carefully, and they will last a long time.

Compact Discs

- Only CDs bearing this mark can be used with this System. However, continued use of irregular shape CDs (heart-shape, octagonal, etc.) can damage the System.



- Remove the CD from its case by holding it at the edges while pressing the case's center hole lightly.
- Do not touch the shiny surface of the CD, or bend the CD.



- Put the CD back in its case after use to prevent warping.
- Be careful not to scratch the surface of the CD when placing it back in the case.
- Avoid exposure to direct sunlight, temperature extremes, and moisture.



- A dirty CD may not play correctly. If a CD does become dirty, wipe it with a soft cloth in a straight line from center to edge.



CAUTION: Do not use any solvent (for example, conventional record cleaner, spray thinner, benzine, etc.) to clean a CD.

Moisture Condensation

Moisture may condense on the lens inside the System in the following cases:

- After turning on heating in the room.
- In a damp room.
- If the System is brought directly from a cold to a warm place.

Should this occur, the System may malfunction. In this case, leave the System turned on for a few hours until the moisture evaporates, unplug the AC power cord, and then plug it in again.

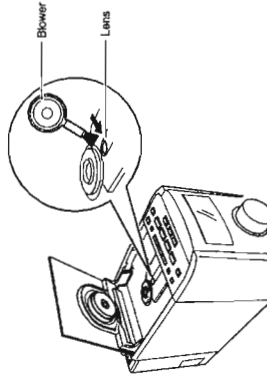


General Notes
In general, you will have the best performance by keeping your CDs and the mechanism clean.

- Store CDs in their cases, and keep them in cabinets or on shelves.
- Keep the system's CD holder closed when not in use.

Cleaning the lens

If the lens in the CD pickup is dirty, dropout, etc., could degrade sound.
Open the CD holder and clean the lens as shown.
Use a blower (available from a camera store) to blow dust off the lens.



- If there are fingerprints, etc. on the lens, gently wipe clean with a cotton swab.



Specifications

Amplifier

Output Power 30 W (15 W + 15 W) at 4 ohms (Max.)
20 W (10 W + 10 W) at 4 ohms (10% THD)

Input Sensitivity/Impedance (1 kHz)

AUX 500 mV/59 kohms
MD/TAPE 500 mV/59 kohms

Output Sensitivity/Impedance (1 kHz)

MD/TAPE 500 mV/4.9 kohms
Optical out -21 dBm - -15 dBm
Subwoofer 0 - 155 mV/10 kohms
Speaker terminals 4 - 16 ohms
Phones 16 ohm - 1 kohms
0 - 15 mW/ohm output into 32 ohms

CD Player

Signal-To-Noise Ratio 90 dB

Wow And Flutter Unmeasurable

Tuner

FM Tuner

Tuning Range 87.5 - 108.0 MHz

AM Tuner

Tuning Range (MW) 522 - 1,629 kHz
(LW) 144 - 288 kHz

Speaker Specifications

(each unit)

Speakers 8 cm cone

Impedance 4 ohms

Dimensions 120 X 160 X 190 mm (W/H/D)

Mass Approx. 1.3 kg

General

Dimensions 380 X 164 X 298 mm (W/H/D)

Mass Approx. 5.7 kg

Accessories

Power Cord (1)

AM Loop Antenna (1)

Remote Control (1)

Batteries R6P (SLIM-3)/AA (15F) (2)

FM Wire Antenna (1)

Speaker Cords (2)

Power Specifications

Power Requirements AC 230 V ~, 50 Hz

Power Consumption 30 watts (power on mode)

5 watts (in Standby mode)

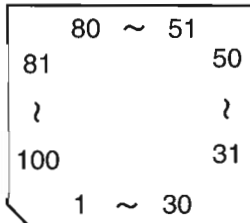
Design and specifications are subject to change without notice.

-MEMO-

Description of Major ICs

■UPD780204GF(IC701):System controller

1.Terminal Layout



2.Pin Function

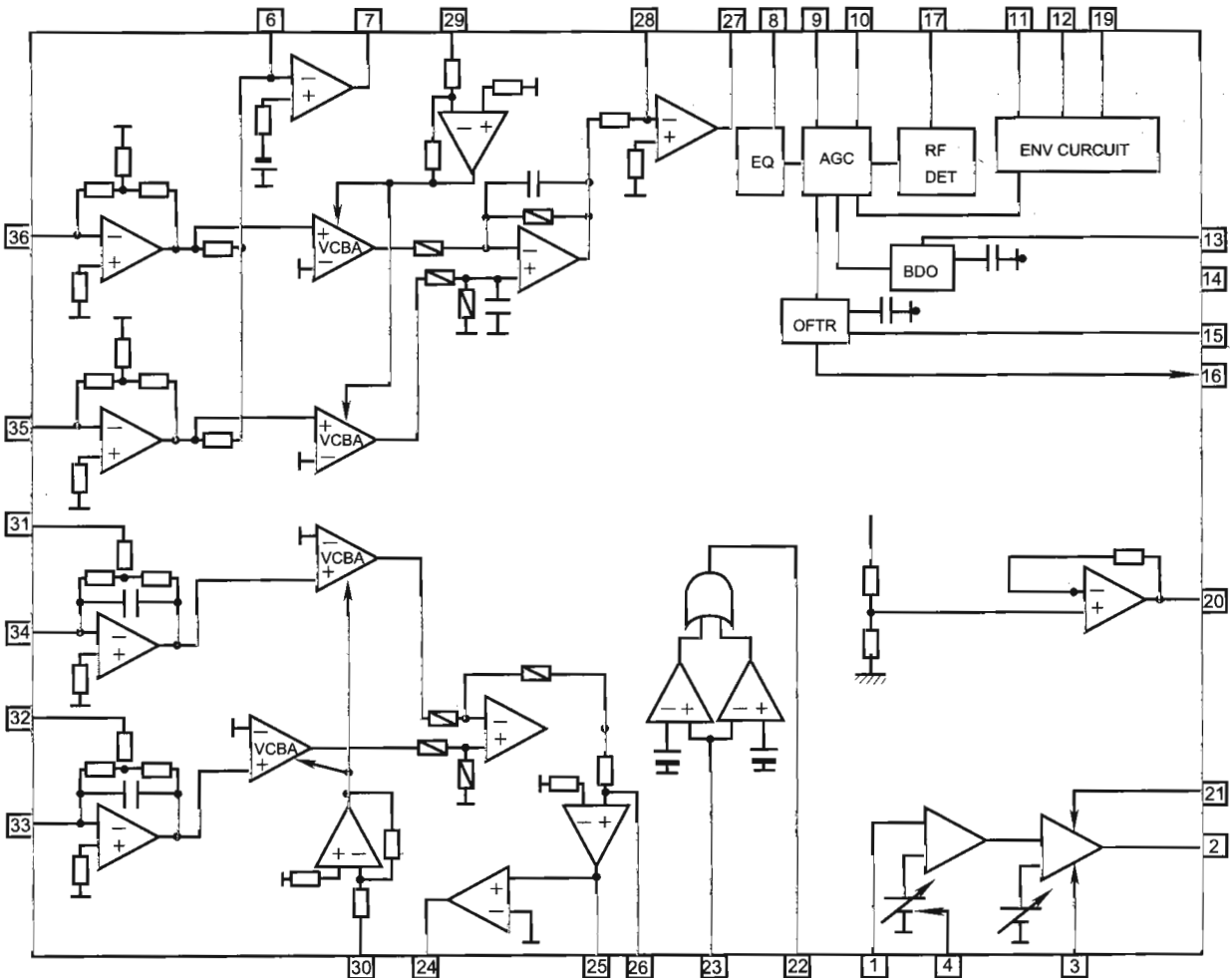
Pin No.	Symbol	I/O	Function	Pin No.	Symbol	I/O	Function
1	VDD	-	Power supply.	29	SAFETY1	I	Detection 1 for abnormal power voltage.
2	STATUS	O	Status signal output to IC603.				
3	XRESET	O	Reset signal output to IC603.	30	SAFETY0	I	
4	MCLK	O	Clock signal output to IC603.				Detection 0 for abnormal power voltage.
5	MDATA	O	Command signal output to IC603.	31	KEY1	I	
6	MLD	O	Load signal output to IC603.	32	KEY0	I	
7	+BCTL	O	Switched 5V control.	33	VOLP	I	Voltage of volume position.
8	BEAT2	O	Main clock selector 2.	34	AVDD	-	Power supply.
9	BEAT1	O	Main clock selector 1.	35	AVREF	-	Power supply.
10	RESET	I	Reset signal input.	36	BASS	O	Bass control signal output.
11	X2	O	Main clock signal.	37	TRE	O	Treble control signal output.
12	X1	I	Main clock signal.	38	RDSCLK	I	Clock signal input from IC4.
13	IC(VPP)	-	Connect to VSS.	39	REM	I	Remote control signal input.
14	XT2	O	Sub clock signal.	40	VSS	-	Connect to GND.
15	XT1	I	Sub clock signal.	41	MT1	O	CD door motor control signal output.
16	VDD	-	Power supply.				
17	SCK	O	Serial clock output to IC317.IC2	42	MT0	O	CD door motor control signal output.
18	SDATA	O	Serial data output to IC317.IC2				
19	STB	O	Strobe signal output to IC317.	43	MTS	O	CD door motor speed (L=normal,H=slow).
20	BUPC	O	Sub clock control				
21	BUP	I	Distinction of backup power source (H=Backup).	44	FAUX1	O	Function AUX 1.
				45	FAUX2	O	Function AUX 2.
22	SQCK	O	Outside clock for sub-code Q resistor output.	46	VDD	-	Power supply.
				47	L.O.MUTE	O	Line out mute signal output.
23	NC	-	Non connect.	48	FTU	O	Function Tuner.
24	SUBQ	I	Sub-code / Q-code input.	49	MPX	I	Detection of FM stereo(L=stereo).
25	AVSS	-	Power supply.	50	SMUTE	O	System mute(mute=L).
26	PERIOD	O	Strobe of Tuner PLL.	51	POUT	O	Power ON/OFF.
27	DOOR	I	Door OPEN/CLOSE & REST SW detection.	52~67	S23~S38	O	FL segment control output.
				68~78	S1~S11	O	FL segment control output.
28	SAFETY2	I	Detection 2 for abnormal power voltage.	79	VLOAD	-	Connect to -28V
				80~90	S12~S22	O	FL segment control output.
				91~100	8G~3G	O	FL grid control signal.

■ AN8806SB(IC601):RF&Servo AMP

1. Terminal Layout

PD	1	36	PDAC
LD	2	35	PDBD
LDON	3	34	PDF
LDP	4	33	PDE
VCC	5	32	PDER
RF-	6	31	PDFR
RF OUT	7	30	TBAL
RF IN	8	29	FBAL
C.AGC	9	28	EF-
ARF	10	27	EF OUT
C.ENV	11	26	TE-
C.EA	12	25	TE OUT
CS BDO	13	24	CROSS
BDO	14	23	TE BPF
CS BRT	15	22	VDET
OFTR	16	21	LD OFF
/NRFDET	17	20	VREF
GND	18	19	ENV

2. Block Diagram

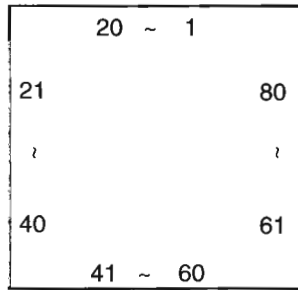


3. Functions

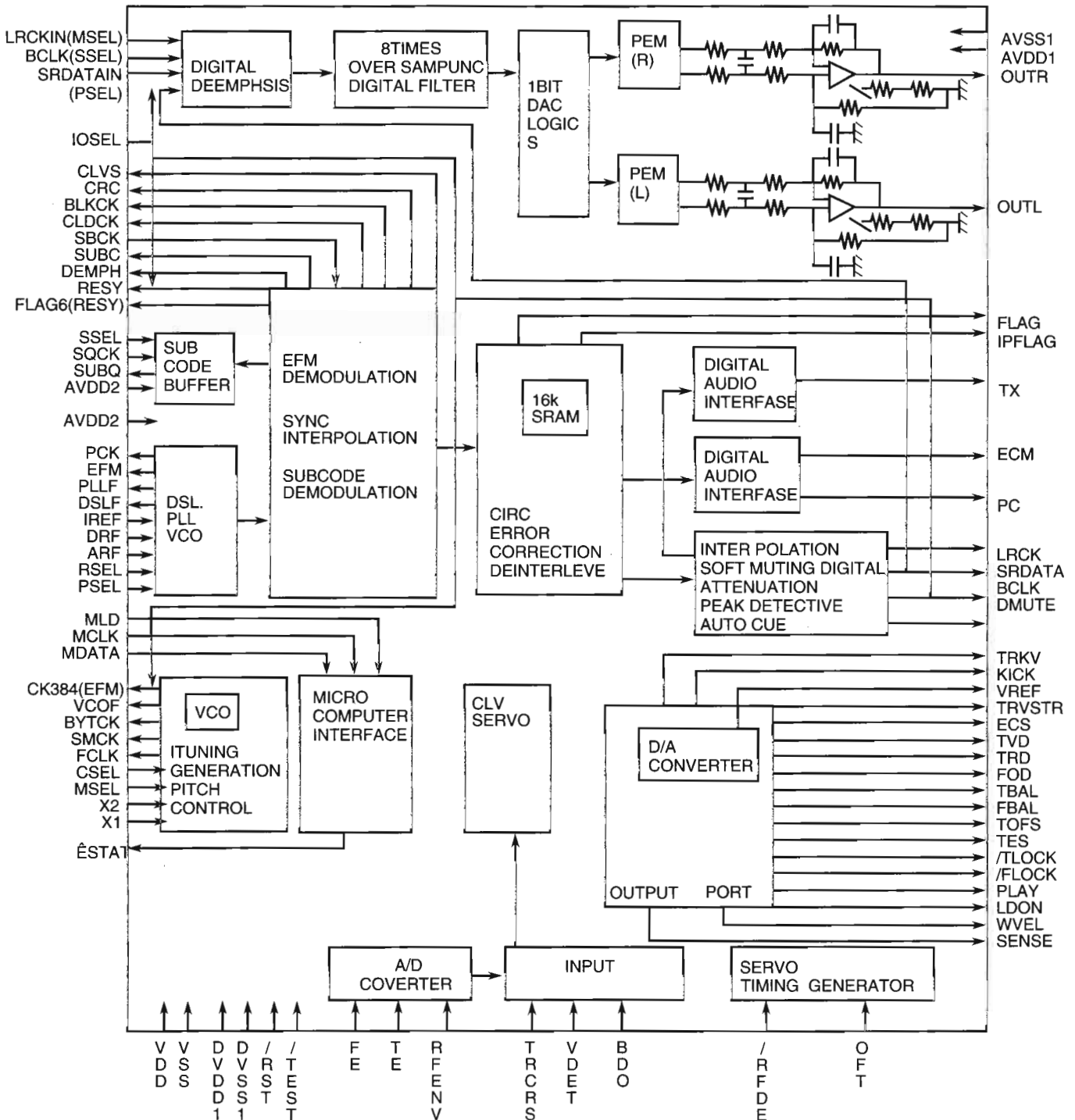
Pin No.	Symbol	I/O	Functions and operations
1	PD	I	APC amp input terminal
2	LD	O	APC amp output terminal
3	LD ON	I	APC ON/OFF control terminal
4	LDP	--	Connect to ground
5	VCC	--	Power supply
6	RF-	I	Inverse input pin for RF amp
7	RF OUT	O	RFamp output
8	RF IN	I	RF input
9	C.AGC	I/O	Connecting pin of AGC loop filter
10	ARF	O	RF output
11	C.ENV	I/O	A capacitor is connected to this terminal to detect the envelope of RF signal
12	C.EA	I/O	A capacitor is connected to this terminal to detect the envelope of RF signal
13	CS BDO	I/O	A capacitor is connected to detect the lower envelope of RF signal
14	BDO	O	BDO output pin
15	CS BRT	I/O	A capacitor is connected to detect the lower envelope of RF signal
16	OFTR	O	Of-track status signal output
17	/NRFDET	O	RF detection signal output
18	GND	--	Ground
19	ENV	O	Envelope output
20	VREF	O	Reference voltage output
21	LD OFF	--	Connect to ground
22	VDET	O	Vibration detection signal output
23	TE BPF	I	Input pin of tracking error through BPF
24	CROSS	O	Tracking error cross output
25	TE OUT	O	Tracking error signal output
26	TE-	I	Inverse input pin for tracking error amp
27	FE OUT	O	Output pin of focus error
28	FE-	I	Inverse input pin for focus error amp
29	FBAL	I	Focus balance control
30	TBAL	I	Tracking balance control
31	PDFR	I/O	F I-V amp gain control
32	PDER	I/O	E I-V amp gain control
33	PDF	I	I-V amp input
34	PDE	I	I-V amp input
35	PD BD	I	I-V amp input
36	PD AC	I	I-V amp input

■ MN35510(IC603):DIGITAL SERVO&DIGITAL SIGNAL PROCESSER

1. Terminal Layout



2. Block Diagram

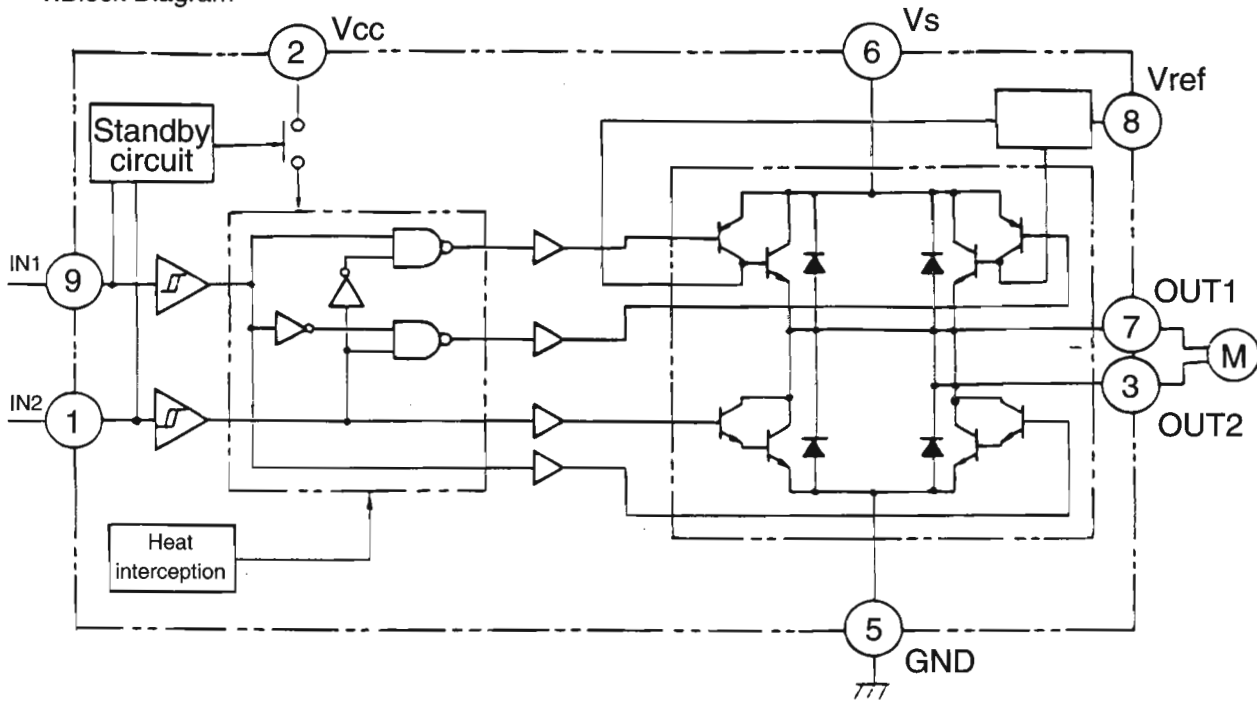


3. Description

Pin No.	symbol	I/O	Description	Pin No.	symbol	I/O	Description
1	BCLK	O	Not used	41	TES	O	Tracking error shunt signal output(H:shunt)
2	LRCK	O	Not used	42	PLAY	—	Not used
3	SRDATA	O	Not used	43	WVEL	—	Not used
4	DVDD1	—	Power supply (Digital)	44	ARF	I	RF signal input
5	DVSS1	—	Connected to GND	45	IREF	I	Reference current input pin
6	TX	O	Digital audio interface output	46	DRF	I	Bias pin for DSL
7	MCLK	I	μ com command clock signal input (Data is latched at signal's rising point)	47	DSLIF	I/O	Loop filter pin for DSL
8	MDATA	I	μ com command data input	48	PLLIF	I/O	Loop filter pin for PLL
9	MLD	I	μ com command load signal input	49	VCOF	—	Not used
10	SENSE	O	Sence signal output	50	AVDD2	—	Power supply(Analog)
11	FLOCK	O	Focus lock signal output Active :Low	51	AVSS2	—	Connected to GND(Analog)
12	TLOCK	O	Tracking lock signal output Active :Low	52	EFM	—	Not used
13	BLKCK	O	sub-code·block·clock signal output	53	PCK	—	Not used
14	SQCK	I	Outside clock for sub-code Q resister input	54	PDO	—	Not used
15	SUBQ	O	Sub-code Q -code output	55	SUBC	—	Not used
16	DMUTE	—	Connected to GND	56	SBCK	—	Not used
17	STATUS	O	Status signal (CRC,CUE,CLVS,TTSTOP,ECLV,SQOK)	57	VSS	—	Connected to GND(for X'tal oscillation circuit)
18	RST	I	Reset signal input (L:Reset)	58	XI	I	Input of 16.9344MHz X'tal oscillation circuit
19	SMCK	—	Not used	59	X2	O	Output of X'tal oscillation circuit
20	PMCK	—	Not used	60	VDD	—	Power supply(for X'tal cscillation circuit)
21	TRV	O	Traverse enforced output	61	BYTCK	—	Not used
22	TVD	O	Traverse drive output	62	CLDCK	—	Not used
23	PC	—	Not used	63	FLAG	—	Not used
24	ECM	O	Spindle motor drive signal (Enforced mode output) 3-State	64	IPPLAG	—	Not used
25	ECS	O	Spindle motor drive signal (Servo error signal output)	65	FLAG	—	Not used
26	KICK	O	Kick pulse output	66	CLVS	—	Not used
27	TRD	O	Tracking drive output	67	CRC	—	Not used
28	FOD	O	Focus drive output	68	DEMPH	—	Not used
29	VREF	I	Reference voltage input pin for D/A output block (TVD,FOD,FBA,TBAL)	69	RESY	—	Not used
30	FBAL	O	Focus Balance adjust signal output	70	IOSEL	—	pull up
31	TBAL	O	Tracking Balance adjust signal output	71	TEST	—	pull up
32	FE	I	Focus error signal input(Analog input)	72	AVDD1	—	Power supply(Digital)
33	TE	I	Tracking error signal input(Analog input)	73	OUT L	O	Lch audio output
34	RF ENV	I	RF envelope signal input(Analog input)	74	AVSS1	—	Connected to GND
35	VDET	I	Vibration detect signal input(H:detect)	75	OUT R	O	Rch audio output
36	OFT	I	Off track signal input(H:off track)	76	RSEL	—	pull up
37	TRCRS	I	Track cross signal input	77	CSEL	—	Connected to GND
38	RFDET	I	RF detect signal input(L:detect)	78	PSEL	—	Connected to GND
39	BDO	I	BDO input pin(L:detect)	79	MSEL	—	Connected to GND
40	LDON	O	Laser ON signal output(H:on)	80	SSEL	—	Pull up

■ TA8409S(IC401.IC501): Motor Driver

1. Block Diagram



2. Function

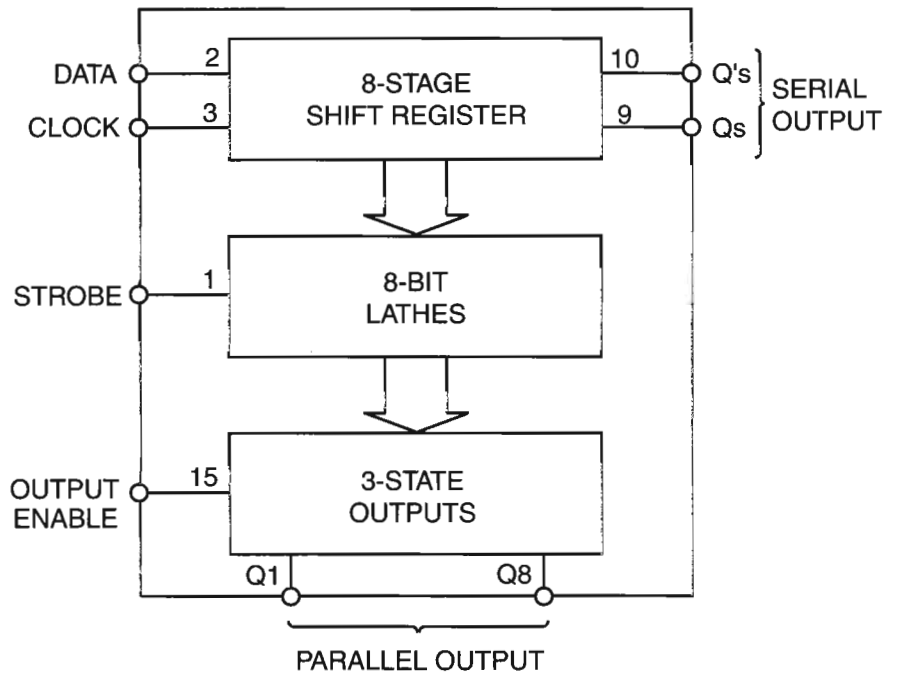
INPUT		OUTPUT		MODE
IN1	IN2	OUT1	OUT2	MOTOR
0	0	∞	∞	STOP
1	0	H	L	CW/CCW
0	1	L	H	CCW/CW
1	1	L	L	BRAKE

BU4094BC(IC317):SERIAL TO PARALLEL PROT EXTENSION

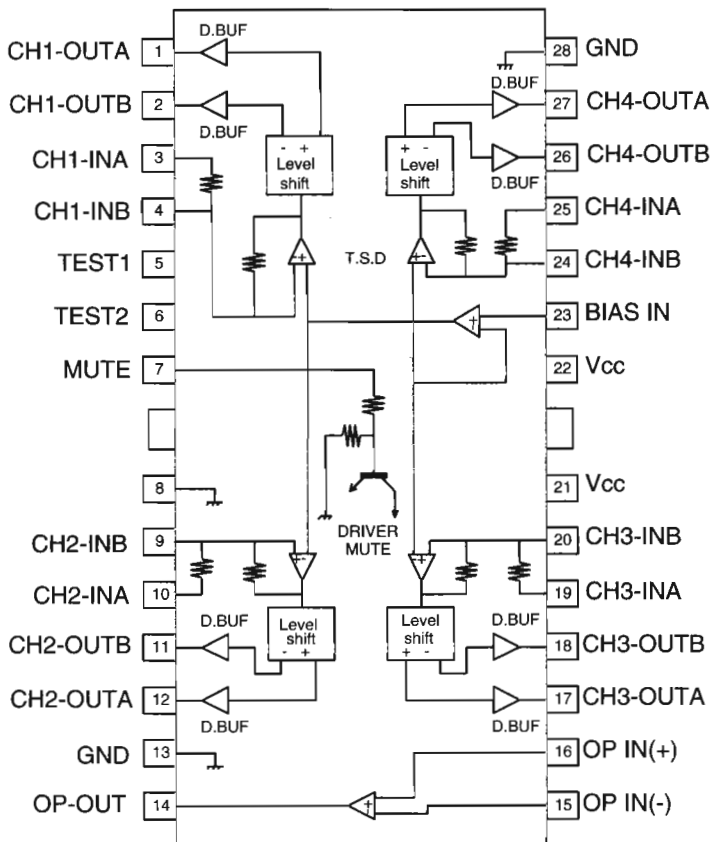
1. Terminal Layout

STOROB	1	16	Vdd
DATA	2	15	OUTPUT ENABLE
CLOCK	3	14	Q5
Q1	4	13	Q6
Q2	5	12	Q7
Q3	6	11	Q8
Q4	7	10	Q's
Vss	8	9	Qs

2. Block Diagram

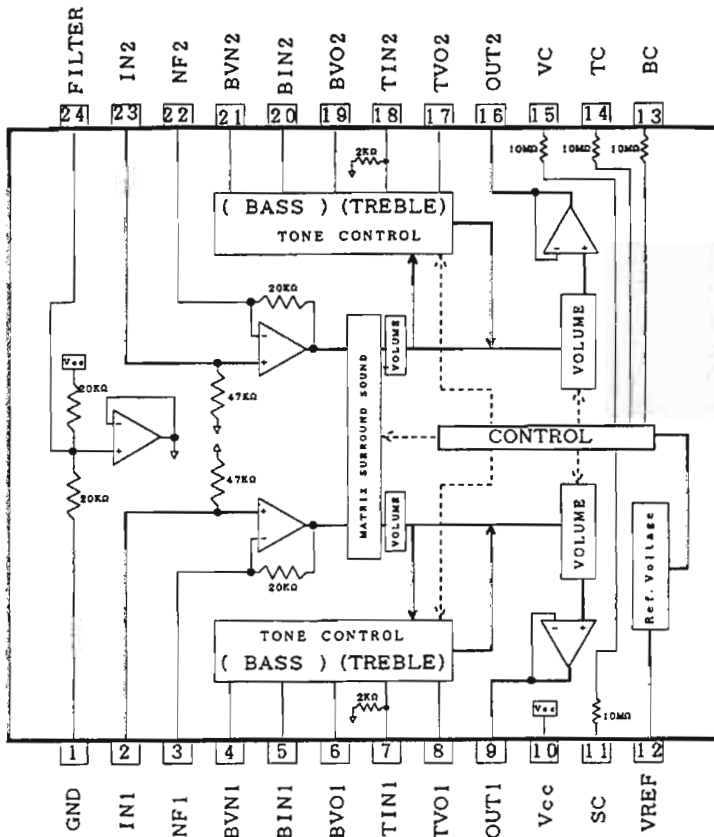


BA6897FP-W(IC602):4channel driver



■BH3852S(IC308):E.VOLUME

1.Block Diagrams

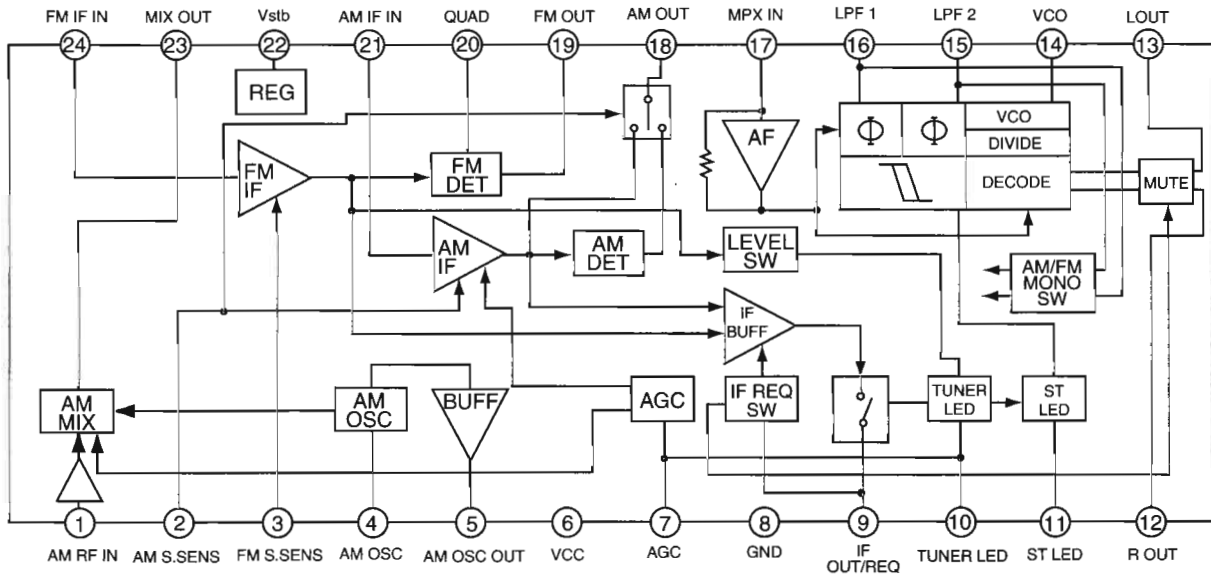


2.Pin Function

PinNo.	Symbol	I/O	Function	PinNo.	Symbol	I/O	Function
1	GND	-	Connect to GND.	13	BASS	I	Terminal for bass control.
2	IN1	I	Terminal for 1ch volume input.	14	TRE	I	Terminal for treble control.
3	NF1	I	Terminal for gain adjustment of input step AMP.	15	VOL	I	Terminal for volume control.
4~6	BASS1	-	Terminal for connection of 1ch low-frequency filter.	16	OUT2	O	Terminal for 2ch volume output.
7,8	TRE1	-	Terminal for connection of 1ch high-frequency filter.	17,18	TRE2	-	Terminal for connection of 2ch high-frequency filter.
9	OUT1	O	Terminal for 1ch volume output.	19~21	BASS2	-	Terminal for connection of 2ch low-frequency filter.
10	VCC	-	Terminal for power supply.	22	NF2	I	Terminal for gain adjustment of input step AMP.
11	LIVE	-	Terminal for surround control.	23	IN2	I	Terminal for 2ch volume input.
12	VREF	O	Terminal for reference voltage output.	24	VSET	-	Terminal for filter.

■ TA2057N(IC1):FM/AM IF AMP & Detector

1. Block Diagrams



2. Pin Function

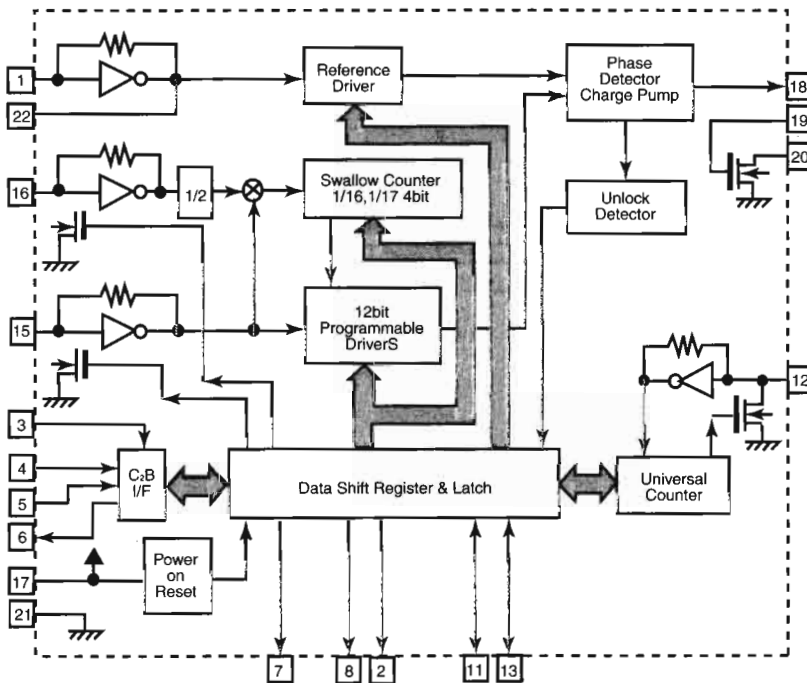
Pin No.	I/O	Symbol	Function	Pin No.	I/O	Symbol	Function
1	I	AM RF	AMRF signal input	13	O	Lch OUT	Output Lch
2		AM S.SENS		14	O	VCO	Voltage controlled terminal
3		FM S.SENS		15	O	LPF2	When voltage of terminal is MONO at "H" and ST at "L"
4	-	AM OSC	AM local oscillation circuit	16	O	LPF1	When voltage of terminal is AM at "H" and FM at "L"
5	O	AM OSC OUT	AM local oscillation signal output	17	I	MPX IN	Multi plex signal input
6	-	VCC	Power supply	18	O	AM OUT	AM detection signal output
7	I	AGC	AGC voltage input terminal	19	O	FM OUT	FM detection signal output
8	-	GND	Connect to GND	20	I	FM QUAD	Bypass to FMIF
9	O	IF OUT	IF REQ signal output to IC2	21	I	AM IF IN	Input of AMIF signal
10	O	TU IND	Indicator drive output when tuning	22	-	Vst	Fixed voltage output terminal
11	O	ST IND	Stereo indicator output "H"mono . "L"stereo	23	O	AM MIX OUT	Output terminal for AM mixer
12	O	Rch OUT	Output Rch	24	I	FM IF IN	Input of FMIF signal

■ LC72136N(IC2):PLL Frequency synthesizer LSI

1. Layout

XT	1	22	XT
FM/AM	2	21	GND
CE	3	20	LPFOUT
DI	4	19	LPFIN
CLOCK	5	18	PD
DO	6	17	VCC
FM/ST/VCO	7	16	FMIN
AM/FM	8	15	AMIN
	9	14	
SDIN	10	13	IFCONT
	11	12	IFIN

2. Block



3. Function

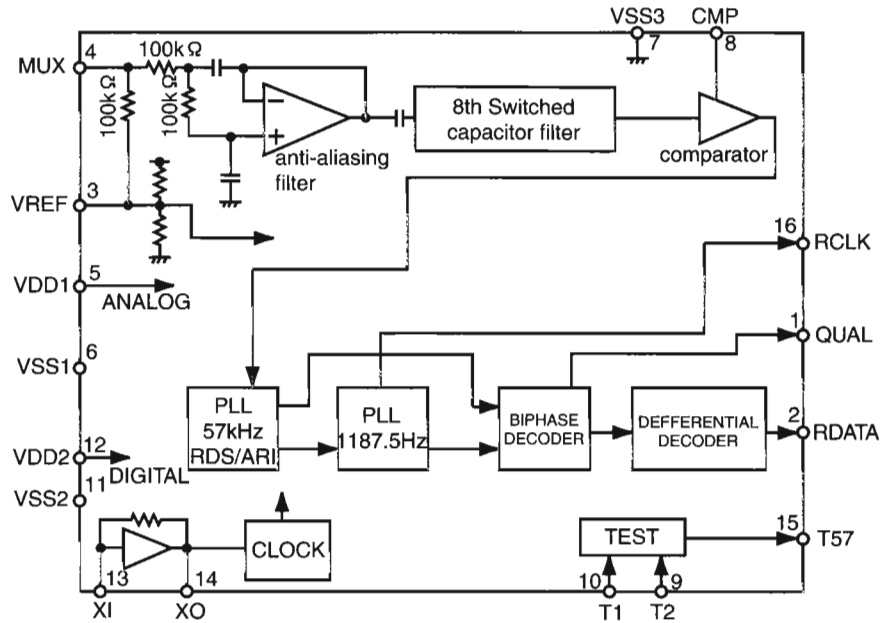
Pin No.	Symbol	I/O	Function	Pin No.	Symbol	I/O	Function
1	XT	I	X'tal oscillator connect (75KHz)	12	IFIN	I	IF counter signal input
2	FM/AM	O	LOW:FM mode	13	IFCONT	O	IF signal output
3	CE	I	When data output/input for 4pin(input) and 6pin(output): H	14		-	Not use
4	DI	I	Input for receive the serial data from controller	15	AMIN	I	AM Local OSC signal output
5	CLOCK	I	Sync signal input use	16	FMIN	I	FM Local OSC signal input
6	DO	O	Data output for Controller Output port	17	VCC	-	Power supply(VDD=4.5~5.5V) When power ON:Reset circuit move
7	FM/ST/VCO	O	"Low": MW mode	18	PD	O	PLL charge pump output(H: Local OSC frequency Height than Reference frequency. L: Low Agreement: Height impedance)
8	AM/FM	O	Not use	19	LPFIN	I	Input for active lowpassfilter of PLL
9		-	Not use	20	LPFOUT	O	Output for active lowpassfilter of PLL
10		-	Input/output port	21	GND	-	Connected to GND
11	SDIN	I/O	Data input/output	22	XT	I	X'tal oscillator(75KHz)

■ BU1922(IC4):RDS Detector (Only UX-7000R)

1.Terminal Layout

QUAL	1	16	RCLK
RDATA	2	15	T57
VREF	3	14	XO
MUX	4	13	XI
VDD1	5	12	VDD2
VSS1	6	11	VSS2
VSS3	7	10	T1
CMP	8	9	T2

2.Pin Function



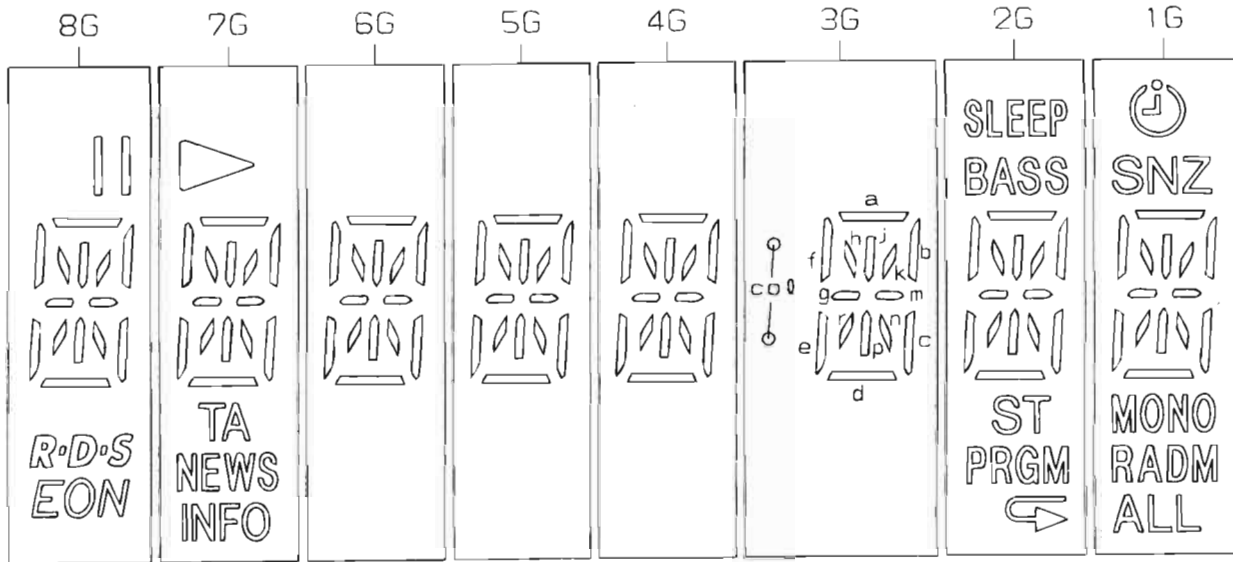
3.Pin Function

Pin No.	Symbol	I/O	Function
1	QUAL	--	Non connection
2	RDDA	O	RDS data output
3	VR	O	Reference voltage output
4	MUX	I	Multiplex signal input
5	VDDA	--	+5Vsupply voltage for analog
6	VSSA	--	Ground for analog part(0V)
7	CIN	I	Subcarrier outputof reconstruction filter
8	SCOUT	O	Ground for digital part(0V)
9	MODE	--	Ground for digital part(0V)
10	TES	--	Ground for digital part(0V)
11	VSSD	--	Ground for digital part(0V)
12	VDDD	--	+5Vsupply voltage for digital part
13	OSC2	I	Oscilator input
14	OSC1	O	Oscilator output
15	TS7	--	Non connection
16	RDCL	O	RDS clock output

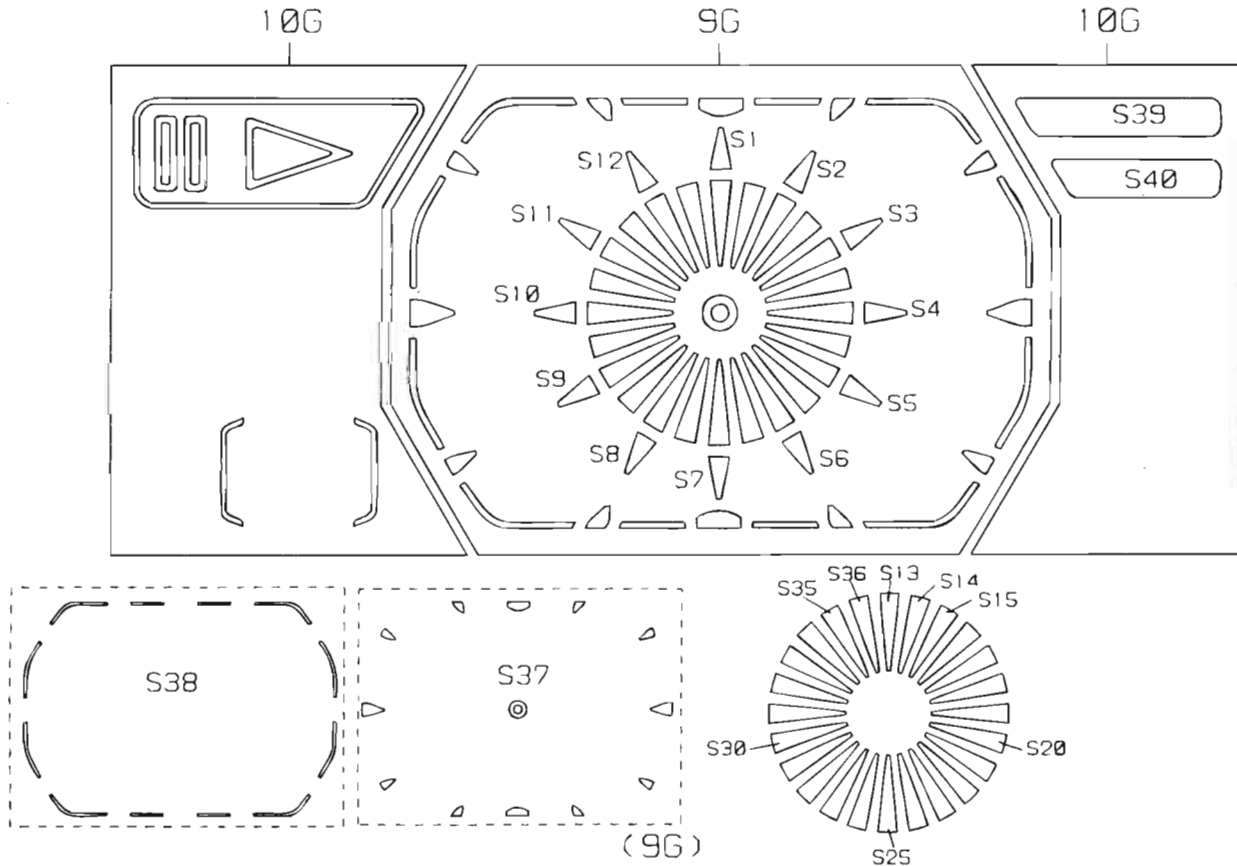
Internal Connections of FL Display

■QLF0048-001(DI701):FL DISPLAY

Front grid assignment



Rear grid assignment



ANODE CONNECTION

	10G	9G	8G	7G	6G~4G	3G	2G	1G		10G	9G	8G	7G	6G~4G	3G	2G	1G
P1	-	S1	-	-	-	-	SLEEP		P20	-	S20	-	-	-	-	-	-
P2	-	S2			-	-	BASS	SNZ	P21	-	S21	-	-	-	-	-	-
P3	-	S3	a	a	a	a	a	a	P22	-	S22	-	-	-	-	-	-
P4	-	S4	b	b	b	b	b	b	P23		S23	-	-	-	-	-	-
P5	-	S5	f	f	f	f	f	f	P24		S24	-	-	-	-	-	-
P6	-	S6	k	k	k	k	k	k	P25		S25	-	-	-	-	-	-
P7	-	S7	j	j	j	j	j	j	P26		S26	-	-	-	-	-	-
P8	-	S8	n	n	n	n	n	n	P27	-	S27	-	-	-	-	-	-
P9	-	S9	m	m	m	m	m	m	P28	-	S28	-	-	-	-	-	-
P10	-	S10	g	g	g	g	g	g	P29	-	S29	-	-	-	-	-	-
P11	-	S11	n	n	n	n	n	n	P30	-	S30	-	-	-	-	-	-
P12	-	S12	p	p	p	p	p	p	P31	-	S31	-	-	-	-	-	-
P13	-	S13	r	r	r	r	r	r	P32	-	S32	-	-	-	-	-	-
P14	-	S14	c	c	c	c	c	c	P33	-	S33	-	-	-	-	-	-
P15	-	S15	e	e	e	e	e	e	P34	-	S34	-	-	-	-	-	-
P16	-	S16	d	d	d	d	d	d	P35	-	S35	-	-	-	-	-	-
P17	-	S17	-	TA	-	col (T)	ST	MONO	P36	-	S36	-	-	-	-	-	-
P18	-	S18	R·D·S	NEWS	-	col (L)	PRGM	RADM	P37	S39	S37	-	-	-	-	-	-
P19	-	S19	EON	INFO	-	-		ALL	P38	S40	S38	-	-	-	-	-	-

PIN CONNECTION

PIN NO.	88	88	88	88	88	88	87	77	77	77	77	77	76	66	66	66	66	66	65	55	55	55	55	55	55	54	44	44	44			
CONNECTION	F	F	F	N	N	N	3	6	4	5	1	2	7	8	2	2	1	1	1	1	1	1	1	1	1	1	N	I	N	N	F	F
	1	1	1	P	P	C	G	G	G	G	G	G	2	1	0	9	8	7	6	5	4	3	2	1	0	9	8	7	6	5		

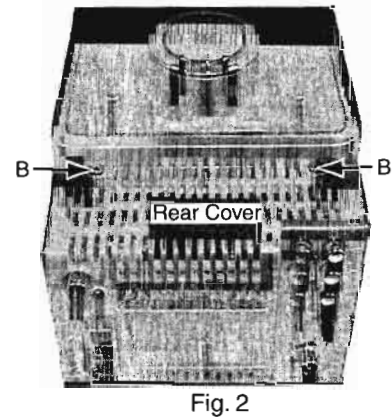
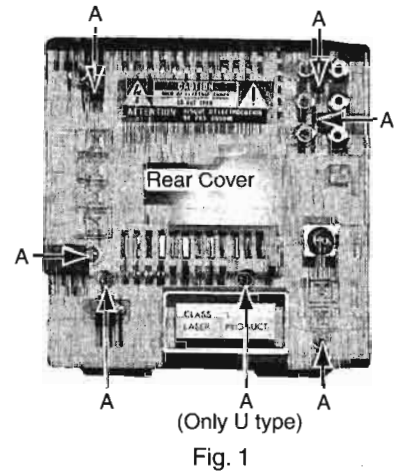
PIN NO.	1	2	3	4	5	6	7	8	9	0	1	2	3	4	5	6	7	8	9	0	1	2	3	4	5	6	7	8	9	0	1	2	3	4							
CONNECTION	N	N	N	N	N	N	N	N	N	N	N	N	N	N	N	N	N	N	N	0	9	2	2	2	2	2	2	3	3	3	3	3	3	3	I	N	N	N	N		
	P	P	P	P	P	P	P	P	P	P	P	P	P	P	P	P	P	P	P	G	G	3	4	5	6	7	8	9	0	1	2	3	4	5	6	7	8	C	P	P	P

- NOTE 1) F1, F2 --- Filament 5) 1G~10G --- Grid
 2) NP ----- No Pin 6) IC ----- Internal connection
 3) NC ----- No connection
 4) DL ----- Datum Line

Removal of main parts

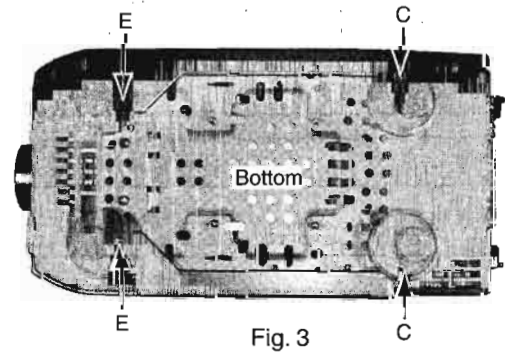
■ Removing the rear cover

1. Remove the seven screws A retaining the rear cover from behind the body.
2. Remove the two screws B retaining the rear cover from upper the body.
3. Remove the two screws C retaining the rear cover from bottom the body.
4. After passing the lock pawls at the speaker terminals through the position in Fig 1 remove the rear cover.

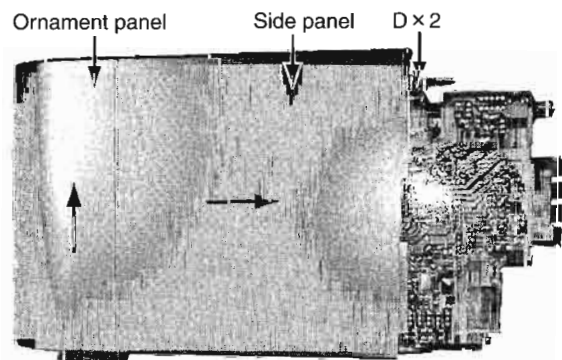


■ Removing the side panel and ornament panel

1. Remove the rear cover.
2. Remove the two screws D retaining the side panel from right and left of body.
3. Remove the two screws E retaining the front panel assembly from the bottom. (See Fig 3)
4. The slide is done in the direction of the arrow and side panels is detached.
5. The slide is done in the direction of the arrow and the ornament panels is detached.



* These parts are installed and rear cover is installed at the end assembly.



■ Removing the CD player assembly

- 1.Remove the rear cover from behind the body.
- 2.Remove the side panels and ornament panels.
(L and R)
- 3.After removing the four screws F from behind the body, dismount the heat sink.
- 4.Remove the two screws G retaining the CD mechanism assembly from right and left of body.
- 5.Remove the one screw H retaining the tuner function amplifier P.C.Board.
- 6.Disconnect the connector from CN602,CN641 on the tuner function amplifier P.C.Board (See Fig 7).
- 7.Disconnect the card wire from CN603,CN604 on the CD servo control P.C.Board (See Fig 6).
- 8.Disconnect the connector from CN311 on the main board (See Fig 6-1).
- 9.Remove the CD player while pulling it out toward the rear side.

Then the connector CN872 connected to the connector CN781 on the FL display microcomputer P.C.Board of the front assembly will be disconnected at the same time.(See Fig 6-1)

- * To ensure easy assembly of the CD player assembly, temporarily remove the tuner function amplifier P.C.Board, and after mounting the CD player assembly, assemble the tuner function amplifier P.C.Board.

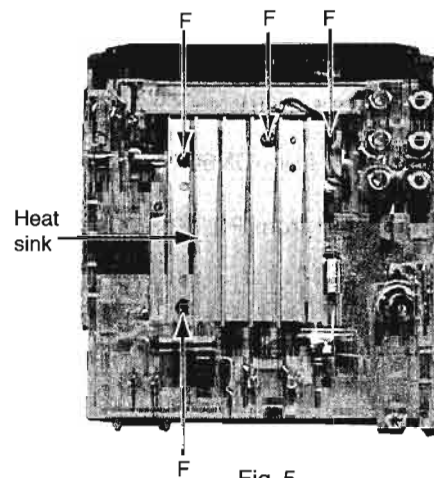


Fig. 5

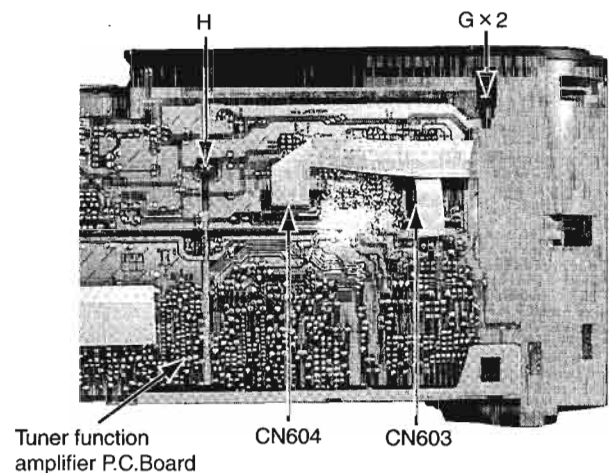


Fig. 6

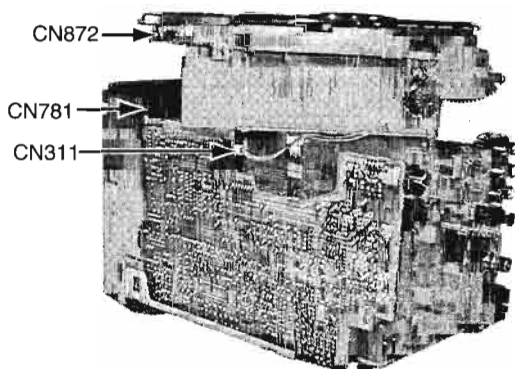


Fig. 6-1

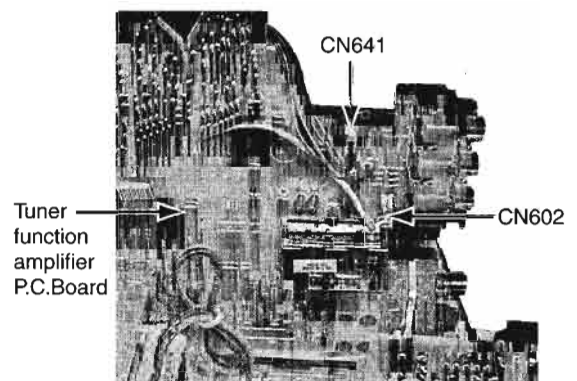


Fig. 7

■ Removing the CD servo control P.C.Board

1. Remove the CD mechanism assembly.
2. Remove the four screws I on the CD servo control P.C.Board.
3. Disconnect the card wire from CN601 on the CD servo control P.C.Board.
4. Disconnect the connector from P011 on the Motor P.C.Board.

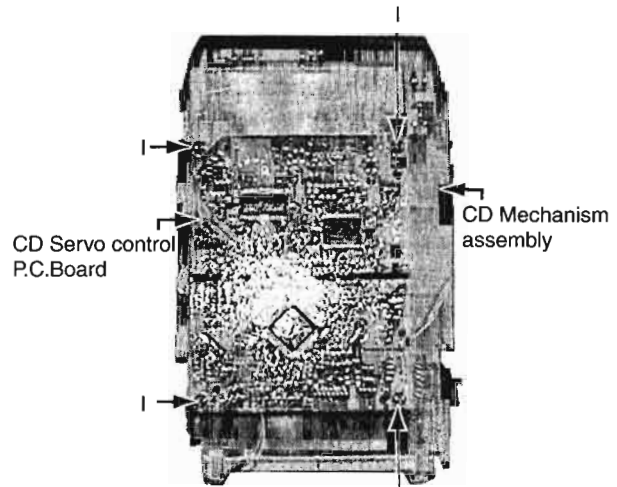


Fig. 8

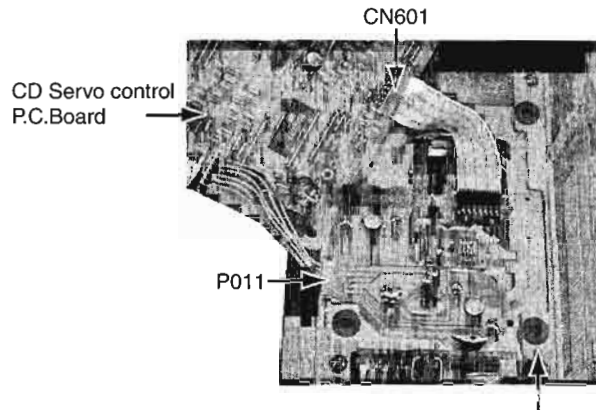


Fig. 9 CD Traverse mechanism assembly

■ Removing the CD Traverse mechanism assembly

1. Remove the CD mechanism assembly.
2. Remove the CD servo control P.C.Board.
3. Remove the four screws J retaining the mechanism bracket from CD mechanism assembly.

■ Removing the CD motor drive P.C.Board

1. Remove the CD mechanism assembly.
2. Remove the CD servo control P.C.Board.
3. Remove the CD traverse mechanism assembly.
4. Disconnect the loading belt.

*At this time, the grease of the gear must not place to the loading belt.

5. Remove two screws K retaining the loading motor from CD mechanism assembly.

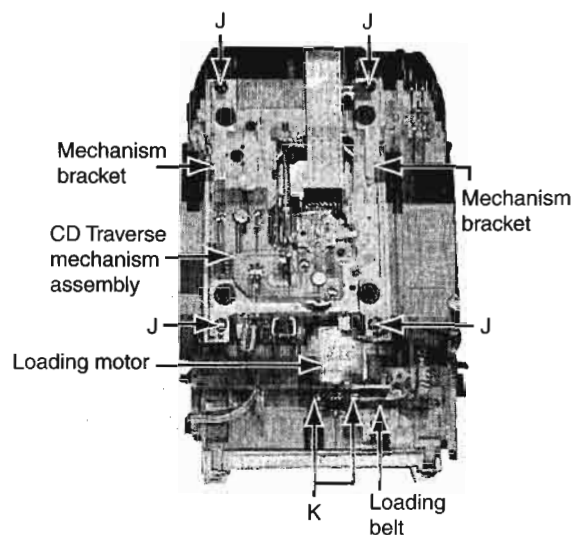


Fig. 10

**■ Removing the CD door assembly
(See Fig 11.12)**

Disengage the two engagement section on both the right and left sides of the CD door while expanding the sections outward.

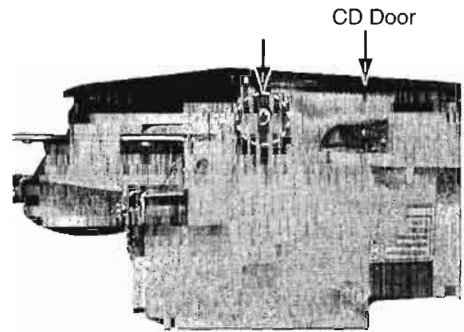


Fig. 11

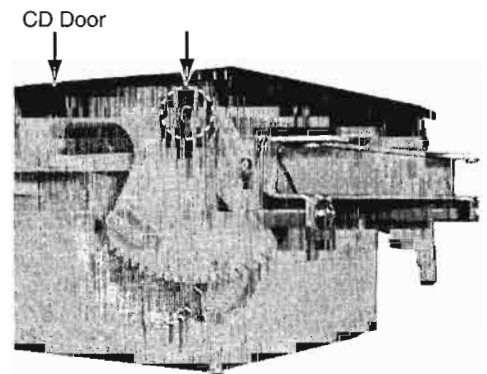


Fig. 12

**■ Removing the operation switch P.C.Board
(See Fig 13.14)**

1. Remove the top panel while expanding the right and left side hooks outward.
2. Remove the operation switch P.C.Board upward.

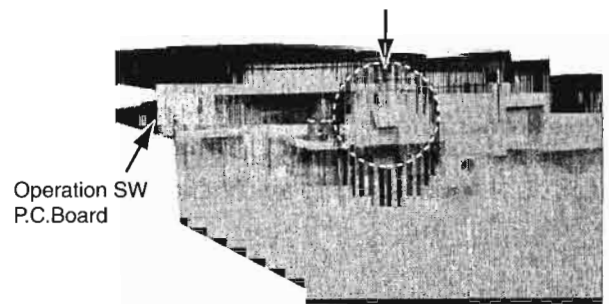


Fig. 13

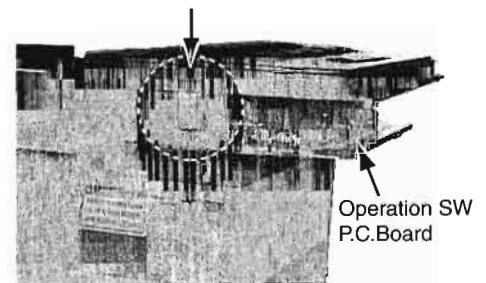


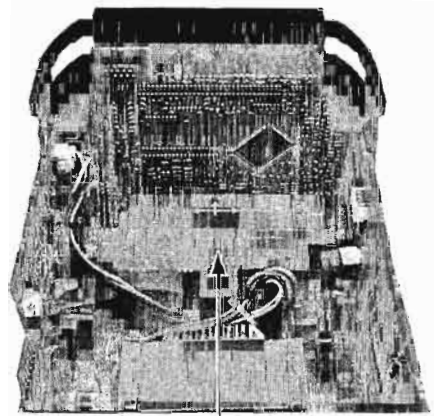
Fig. 14

■ Removing the tuner function amplifier P.C.Board

1. Lift connection P.C.Board for above and extract from the connector.
2. Pull out backward and detach tuner function amplifier P.C.Board.

■ Removing the main board

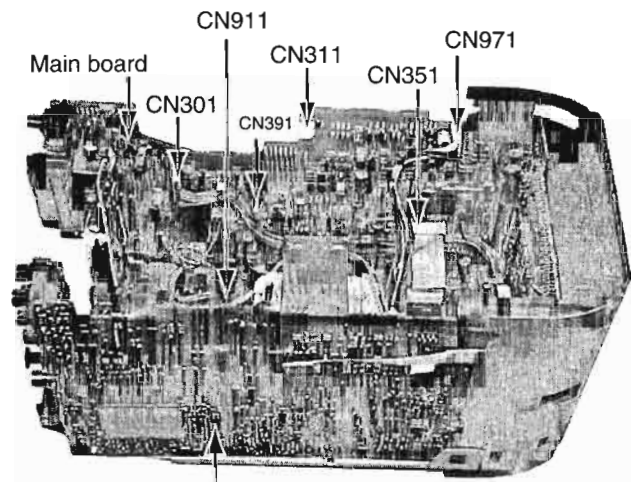
1. Lift connection P.C.Board for above and extract from the connector.
2. Disconnect the connector and card wire from CN971.CN301.CN351 on the main board.
3. Disconnect the connector CN911 on the power supply P.C.Board.
4. Disconnect the earth wire CN391 on the main board.
5. Pull out backward and detach main board.



Connection P.C.Board
Fig. 15

■ Removing the Front panel assembly

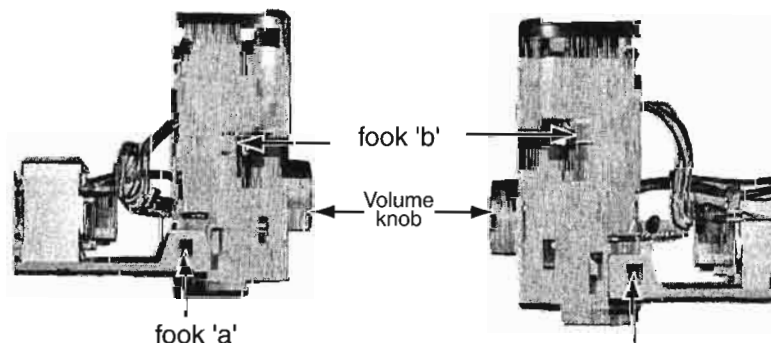
1. The volume knob is pulled out.
2. The front panel assembly is detached from the chassis base while removing a right and left hooks 'a'.



Tuner function amplifier P.C.Board
Fig. 16

■ Removing the Front P.C.Board

1. Remove the Front panel assembly.
2. The front P.C.Board is detached while expanding the hook 'b' in two places which is the fixation of front P.C.Board outside.



fook 'a'
Fig. 17

fook 'a'
Fig. 18

Main Adjustment

■ Test Instruments required for adjustment

- 1.Low frequency oscillator
(Frequency range:50Hz to 20kHz)
(Output:0dBs across 600Ω terminating resistor)
- 2.Attenuator (Impedance:600Ω)
- 3.Test disc:CTS-1000(Audio)
:CTS-1000&CRG-1211S(Optical Control)
- 4.Extension cord:Reference Next Page
- 5.Electronic voltmeter
- 6.Distortion meter
- 7.Jitter meter:NJM631
- 8.TE offset meter:LTM9055

■ Measuring conditions(Amplifier section)

Supply voltage

AC230V (50Hz)	Ver.B.E Type
AC110/127/230V (50/60Hz)	Ver.U/UT/US/UB
AC220V (50Hz)	Ver.UF
AC240V (50Hz)	Ver.A
AC120V (60Hz)	Ver.J

Reference output level

Speaker	0dBs(0.775V)/4Ω
Headphone	-20dBs(0.077V)/32Ω
Line out	500mV(-3.8dBs)/47kΩ

Standard test frequency 1kHz

Reference input level AUX -3.8dBs

Output for measuring

At speaker terminal J3003(Dummy load : 4Ω)

Posture of test Horizontal

■ Standard position of function switches

Function switch	to AUX
Active hyper-bass pro switch	to OFF
Gain selector switch	to 0dB

■ Standard position of volume control

Bass treble	to center
Main volume adjust	to reference output VOL4

■ Remarks of measuring

- 1.Negative side of the input and output on the measuring system, it ought to be separately to each other.
when using the 2 channels E.V.meter, never connect together on the negative side.
- 2.This model's amplifier is BTL.
On account of that minus speaker's terminal isn't same potential as earth in BTL (Balanced transformer-less) amplifier.
never connect minus side to the ground or negative.
- 3.When measuring power output with dummy load.
Connected wire to be used as big as possible.

■ Measuring condition(Tuner section)

Power source to tuner:DC5V

AM modulation 400Hz 30%

FM modulation 400Hz deviation 22.5kHz

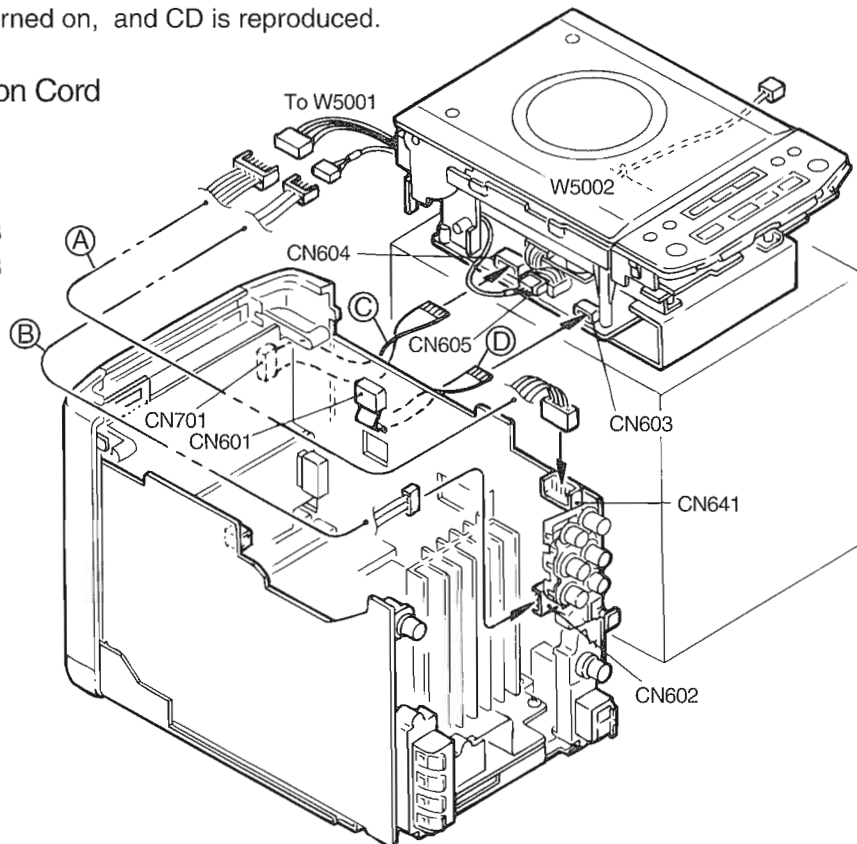
■ Operation Confirmation

Do as follows by the method when you do the operation confirmation detaching the CD mechanism part from the main body.

1. Remove the CD mechanism assembly.
2. Operation Switch P.C.Board is detached from the CD mechanism assembly, and Operation Switch P.C.Board is connected with Front P.C.Board.
3. Flat wire A,B,C and D connected with the CD mechanism assembly are made an extension wire.
4. Switch S6382 on the substrate is short-circuited.
5. The disk is turned on, and the CD door is closed.
6. The power supply is turned on, and CD is reproduced.

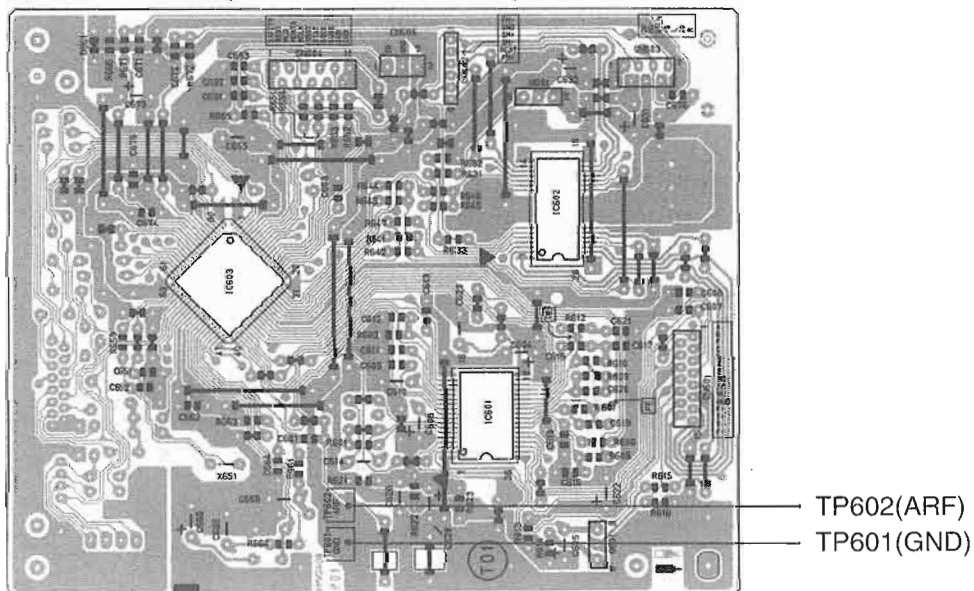
Connect the Extension Cord

- Ⓐ VMC0041-005
- Ⓑ VMC0041-003
- Ⓒ VWF1211-40TTB
- Ⓓ VWF1207-40TTB



■ Arrangement Checking Test Pont

(CD Servo control board)



■ AMP Section

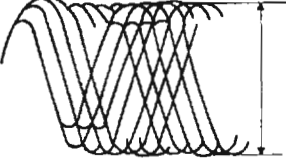
Items	Conditions	Adjustment and Confirmation Procedure	Standard Value
1. Amplifier gain check	*Measuring instrument :Oscilloscope *Measuring point :AUX IN :Speaker terminal	Input the 1kHz to AUX IN. Main volume is maximum. When speaker output becomes 0dB, input is $-16\text{dB} \pm 4\text{dB}$.	$-16\text{dB} \pm 4\text{dB}$
2. Noise level check	*Measuring instrument :Oscilloscope :Voltmeter *Measuring point :AUX IN :Speaker terminal	Switch and volume position Function switch : AUX. Bass treble : flat When main volume becomes maximum, confirm that speaker output is less than 4mV. When main volume becomes minimum, confirm that speaker output is less than 2.5mV	Less than 4mV Less than 2.5mV
3. Sub woofer output check	*Measuring instrument :Oscilloscope :Voltmeter *Measuring point :AUX IN :Sub woofer output terminal *Test disc :CTS-1000	Input the reference frequency 100Hz from AUX IN. By main volume is maximum position, bass and treble is flat position, Confirm the sub woofer output is $-14\text{dBs} \pm 4\text{dB}$.	$-14\text{dBs} \pm 4\text{dB}$
4. Super Bass /AHB effect	*Measuring instrument :Oscilloscope *Measuring point :Speaker terminal	Input the reference frequency 70Hz from AUX IN. Confirm the speaker terminal output is $11\text{dB} \pm 4\text{dB}$.	$11\text{dB} \pm 4\text{dB}$
5. Gain selector effect	*Measuring instrument :Oscilloscope *Measuring point :Speaker terminal By TEST MODE	Input the reference frequency 1kHz to AUX IN confirm whether $-6\text{dB} \pm 3\text{dB}$ is output from the speaker terminal at -6dB switch ON, and $-12\text{dB} \pm 3\text{dB}$ is output from the speaker terminal at -12dB switch ON. (Respectively 0dB difference)	$-6\text{dB} \pm 3\text{dB}$ $-12\text{dB} \pm 3\text{dB}$ Respectively 0dB difference
5. Sub woofer out Gain selector effect	*Measuring instrument :Oscilloscope *Measuring point :Sub woofer output By TEST MODE	Input the reference frequency 100Hz to AUX IN confirm whether $-6\text{dB} \pm 3\text{dB}$ is output from the Sub woofer output terminal at -6dB switch ON, and $-12\text{dB} \pm 3\text{dB}$ is output from the speaker terminal at -12dB switch ON. (Respectively 0dB difference)	$-6\text{dB} \pm 3\text{dB}$ $-12\text{dB} \pm 3\text{dB}$ Respectively 0dB difference

How to set TEST MODE

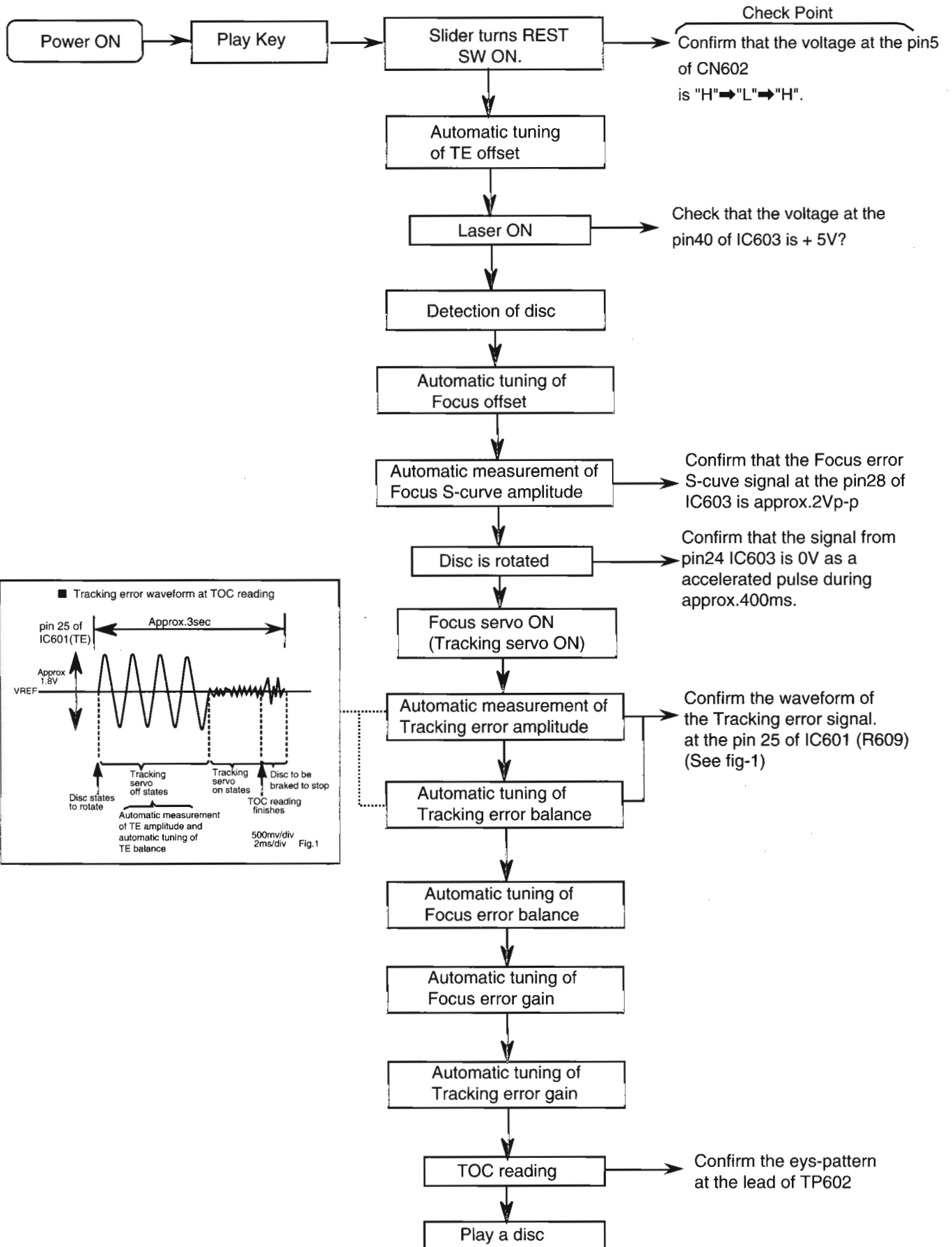
Press **[STOP]** + **[VOLUME-]** + **[POWER]** on the remote control same time.

Confirm that all of the LCDs have been turned on when set to the **[TEST MODE]**.

■CD Section

Items	Conditions	Adjustment and Confirmation Procedure	Standard Value
1. Jitter check	*Measuring instrument : jitter meter *Test point : TP601(GND side) : TP602(ARF side) *Test disc : CTS-1000	Connect the jitter meter between TP601(GND) and TP602(ARF) and when test disc (track 1) is played, confirm that the meter reading is 26n-sec or less.	26n-sec or less
2. RF level (eye pattern)	*Measuring instrument : Oscilloscope *Test point : TP601(GND side) : TP602(ARF side) *Test disc : CTS-1000	Connect the oscilloscope between TP601(GND) and TP602(ARF) and when test disc (track 1) is played, confirm that peak-to-peak value of oscilloscope waveform is within $1.1V \pm 0.2V$. <div style="text-align: center;"> <p>Eye-pattern waveform</p>  <p>The maximum value of this waveform should be in the range of specifications and the waveform should be clear</p> </div>	$1.1V \pm 0.2V$
3. Outer most area check	*Test disc : CTS-1000	Select "Track 26" on the outer area of test disc directly and check that it begins playback smoothly and that there are no abnormal conditions such as a tracking error.	
4. Pickup unit movement check (From the outer area to the inner area)	*Test disc : CTS-1000	Allow the pickup to skip over from the disc's outer most area to "Track 1" and check that it takes within 10 seconds for the player to enter play mode.	within 10 seconds

Flow of Functional Operation Until TOC Read



Maintenance of Laser Pickup

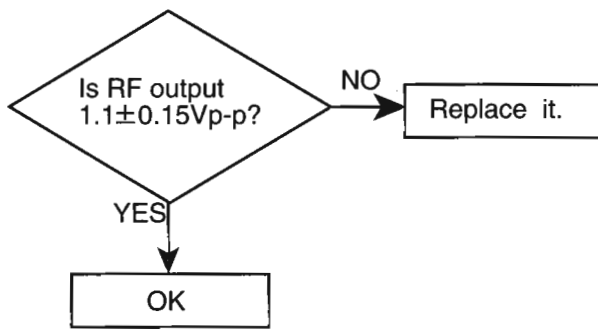
(1) Cleaning the pick up lens

Before you replace the pick up, please try to clean the lens with a alcohol soaked cotton swab.

(2) Life of the laser diode (Fig.1)

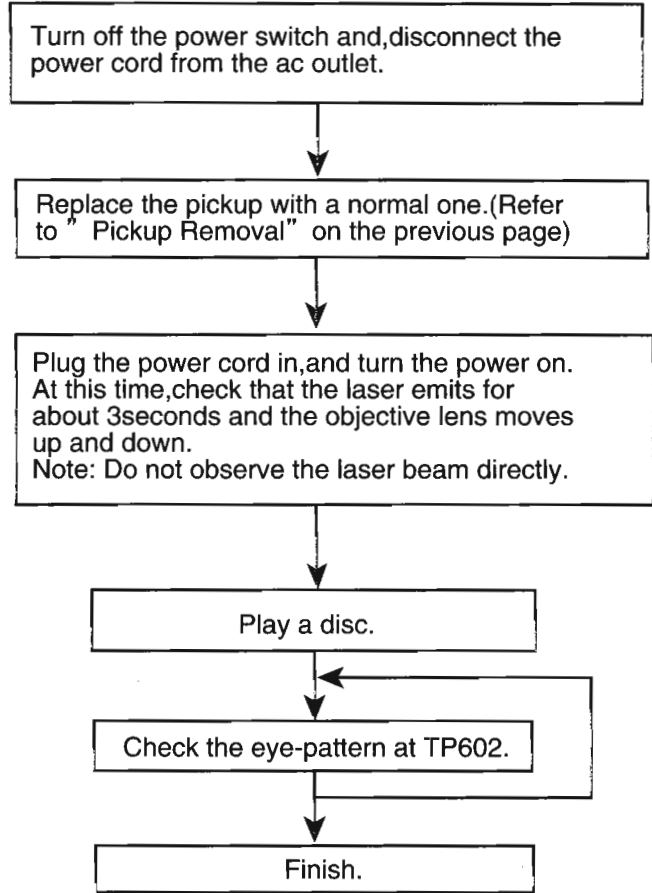
When the life of the laser diode has expired, the following symptoms will appear.

- (1) The level of RF output (EFM output: amplitude of eye pattern) will below.



(Fig.1)

Replacement of Laser Pickup



(3) Semi-fixed resistor on the APC PC board

The semi-fixed resistor on the APC printed circuit board which is attached to the pickup is used to adjust the laser power. Since this adjustment should be performed to match the characteristics of the whole optical block, do not touch the semi-fixed resistor.

If the laser power is lower than the specified value, the laser diode is almost worn out, and the laser pickup should be replaced.

If the semi-fixed resistor is adjusted while the pickup is functioning normally, the laser pickup may be damaged due to excessive current.

Self Diagnosis Function of CD

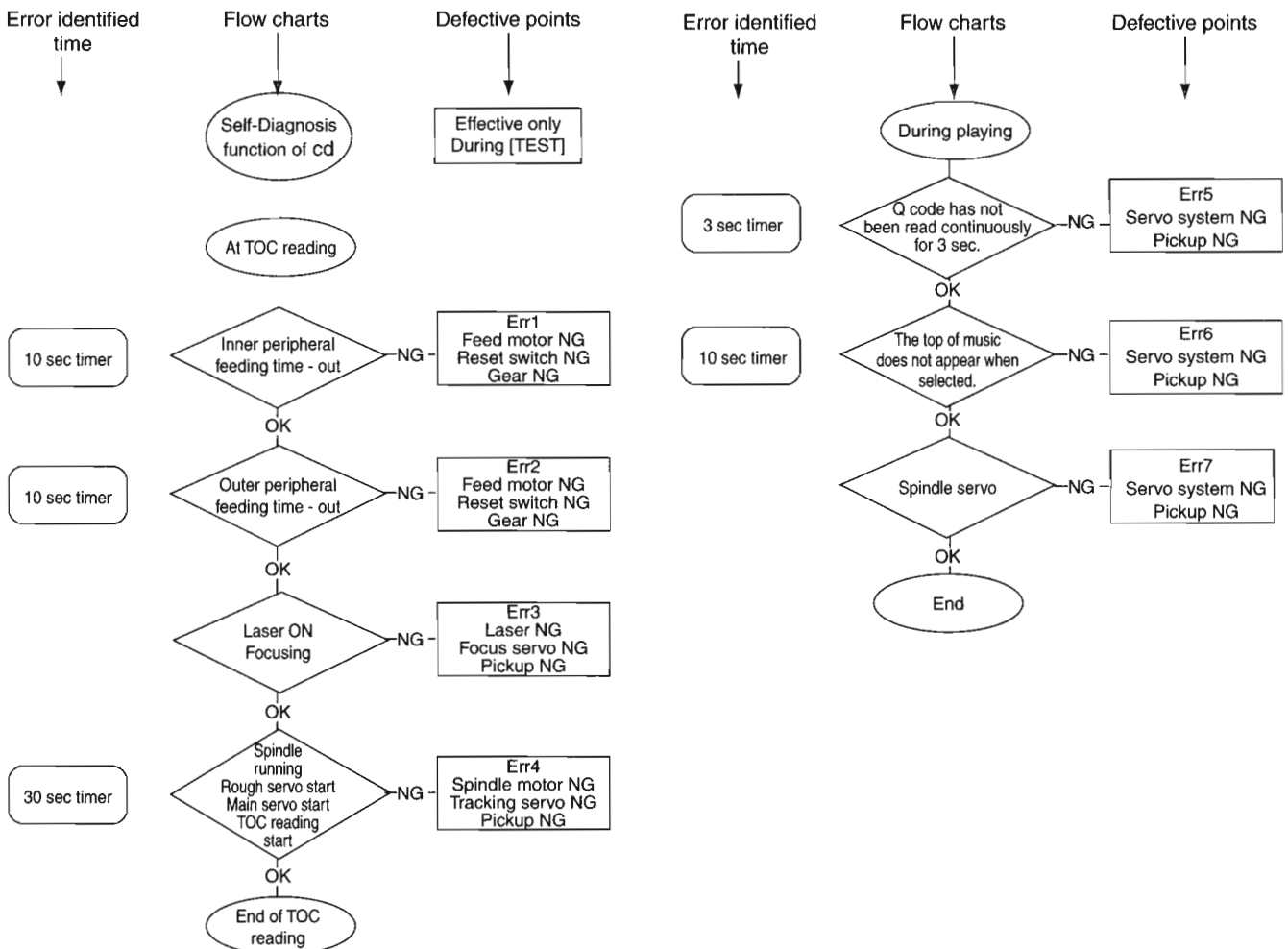
1. Purpose

This function is designed to display an error to readily clarify the cause of such an error should any trouble occur in CD.

2. How to Use the Function

- (1) Turn the microcomputer action of the set to [TEST] mode.
- (2) Press **STOP** + **VOLUME-** + **POWER** on the remote control same time.
Confirm that all of the LCDs have been turned on when set to the [TEST] mode subsequent to the step in item (2).
- (3) When the CD trouble has occurred after starting CD, an error code will be displayed on the display section of LCD, etc.

3. Error code and location in trouble

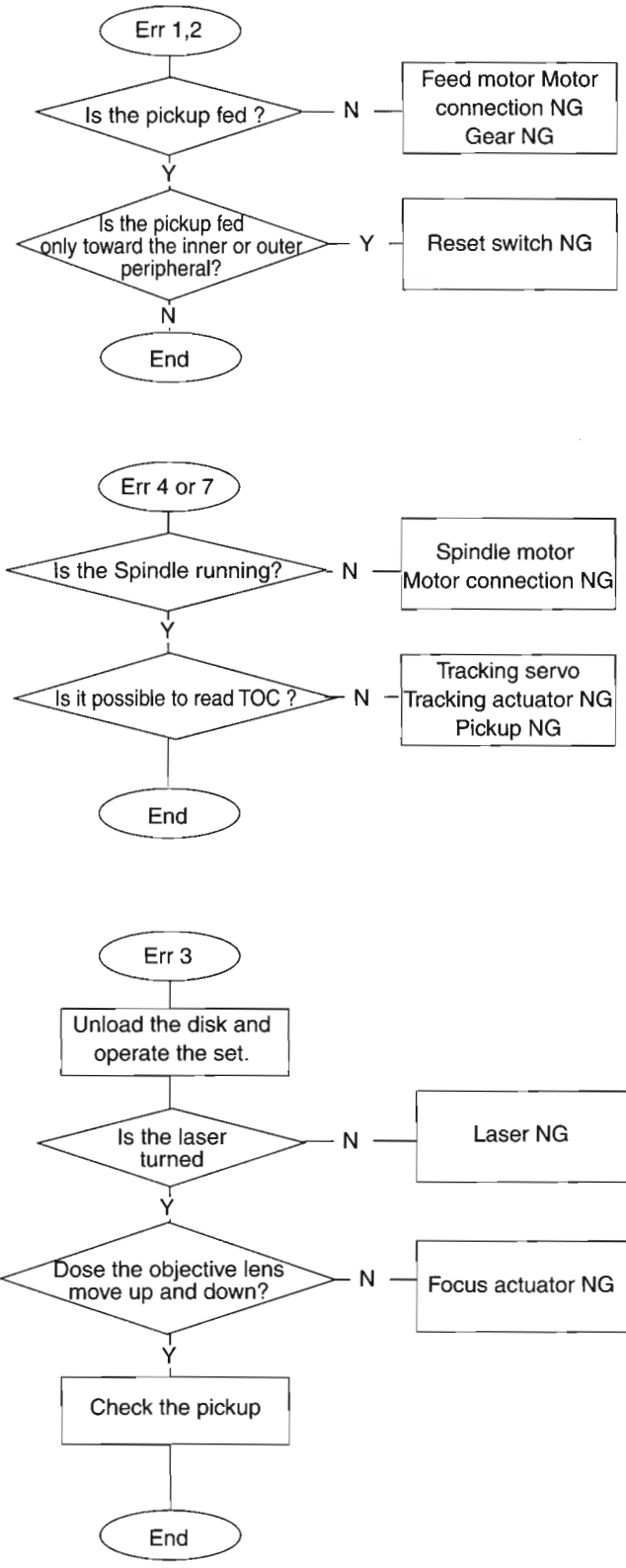


UX-7000/UX-7000R/FS-7000

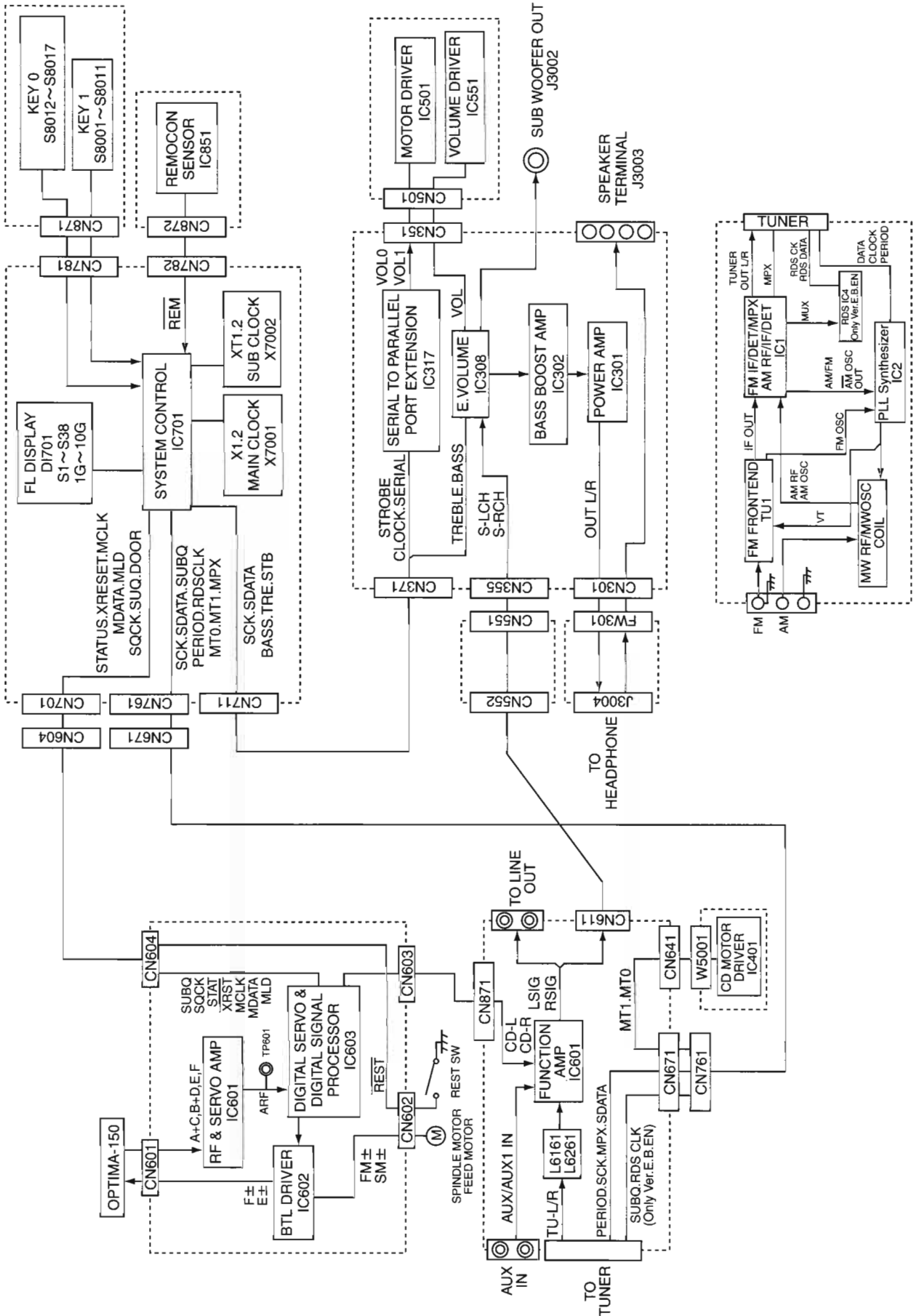
Error identified time
↓

Flow charts
↓

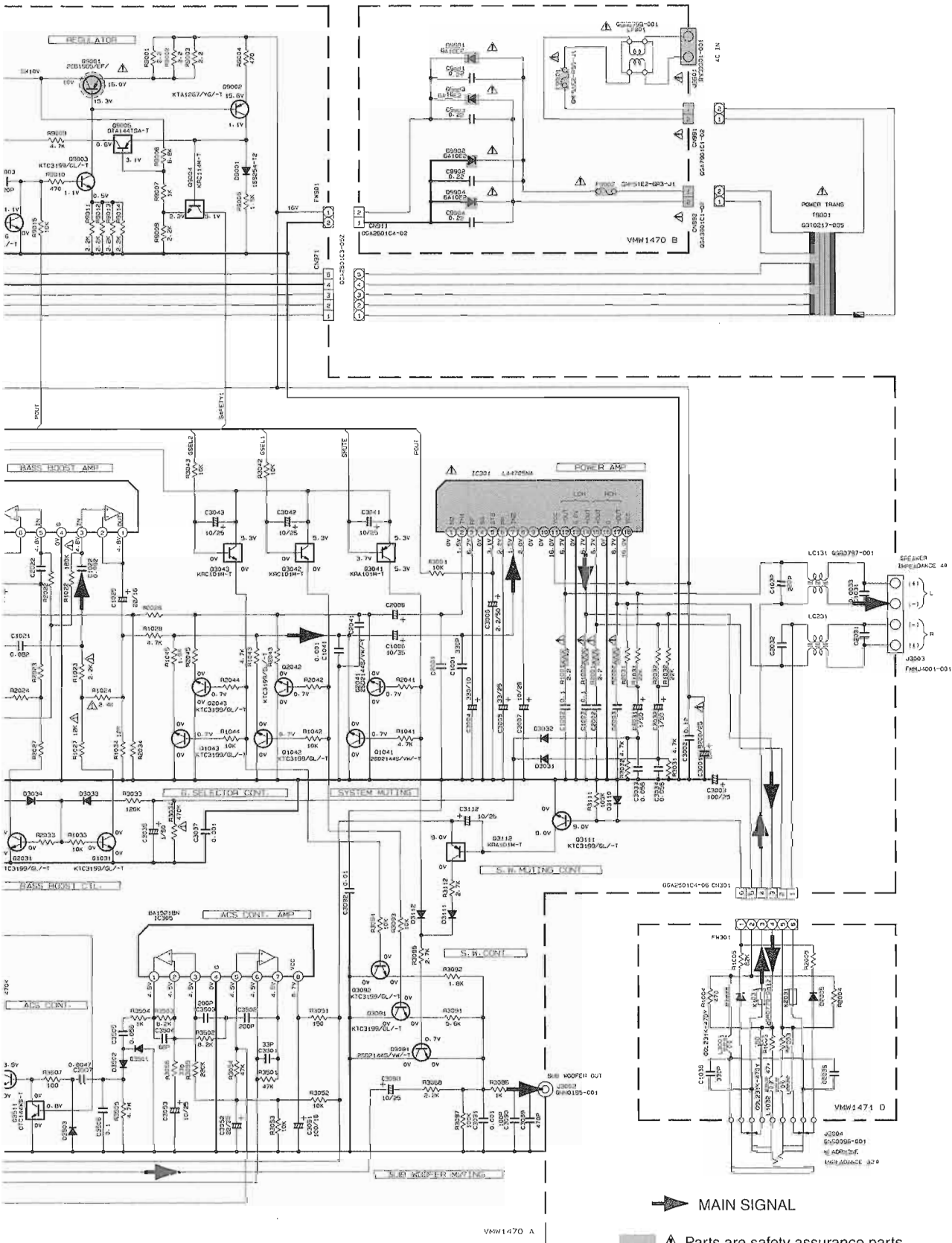
Defective points
↓



Block Diagrams



-MEMO-



▲ MAIN SIGNAL

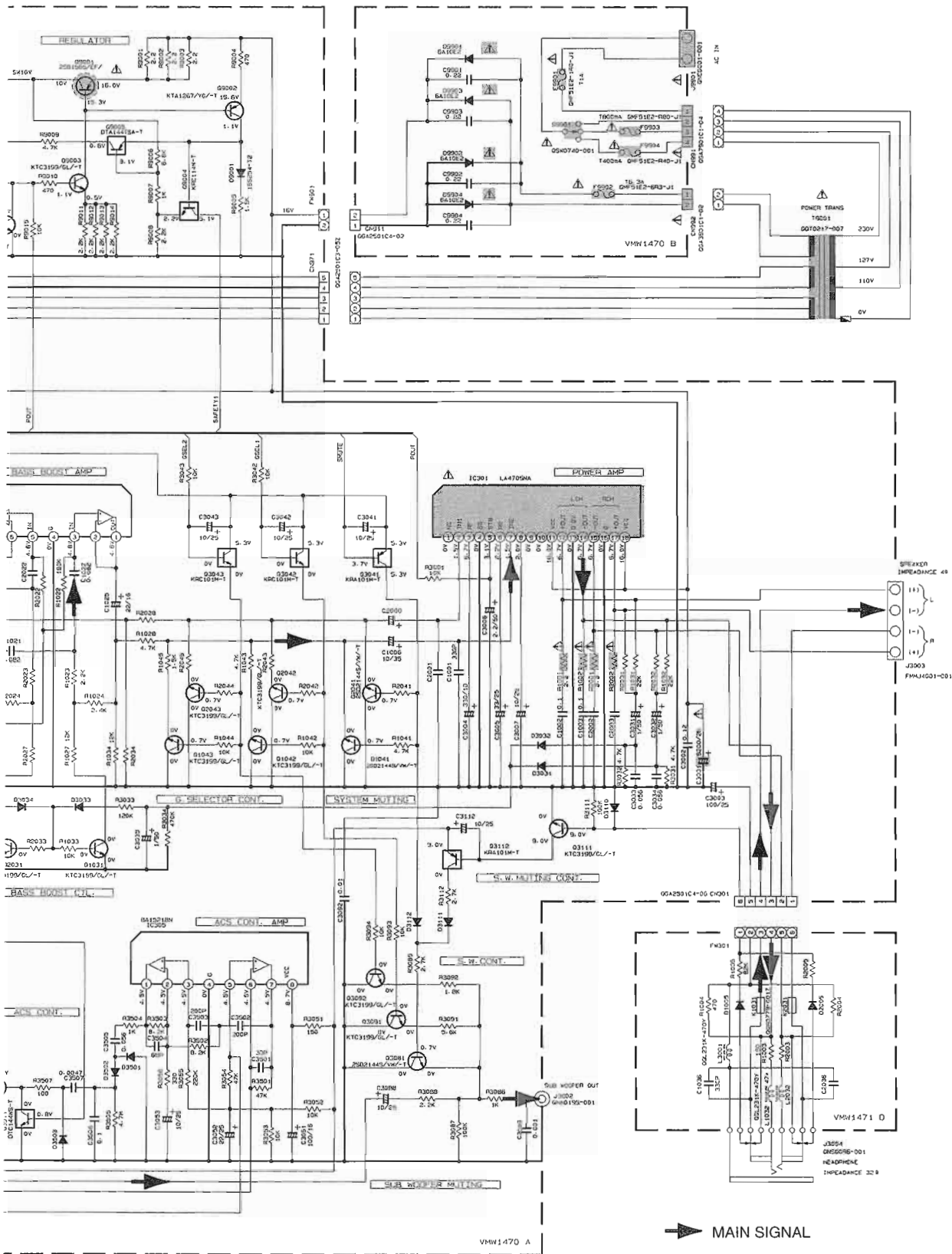
▲ Parts are safety assurance parts. When replacing those parts make sure to use the specified one.

E. EN. B. EE

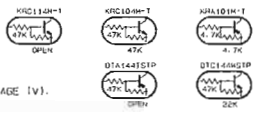
UNLESS OTHERWISE SPECIFIED, RESISTORS ARE 1/4W ±5% CARBON RESISTOR.
 ALL RESISTANCE VALUES ARE IN OHMS.
 ALL CAPACITORS ARE CERAMIC CAPACITOR OR NYLON CAPACITOR.
 ALL CAPACITANCE VALUES ARE IN μF±5%.
 ALL INDUCTANCE VALUES ARE IN mH±5%.
 ALL E-CAPACITORS ARE SHOWN IN THE FORM OF CAPACITANCE (μF)/RATED VOLTAGE (V).
 ALL DIODES ARE HERMETIC. (R) 1522541-77



MODEL UX-7000, 7000R



UNLESS OTHERWISE SPECIFIED, RESISTORS ARE 1/4W 1% CARBON RESISTOR.
 L. RESISTANCE VALUES ARE IN OHMS (Ω).
 C. CAPACITORS ARE CERAMIC CAPACITOR OR MYLAR CAPACITOR.
 L. CAPACITANCE VALUES ARE IN pF (pF).
 I. INDUCTANCE VALUES ARE IN μH (μH).
 E. CAPACITORS ARE SHOWN IN THE FORM OF CAPACITANCE (pF)/RATED VOLTAGE (V).
 D. DIODES ARE 1N4148 OR 1N5254-177

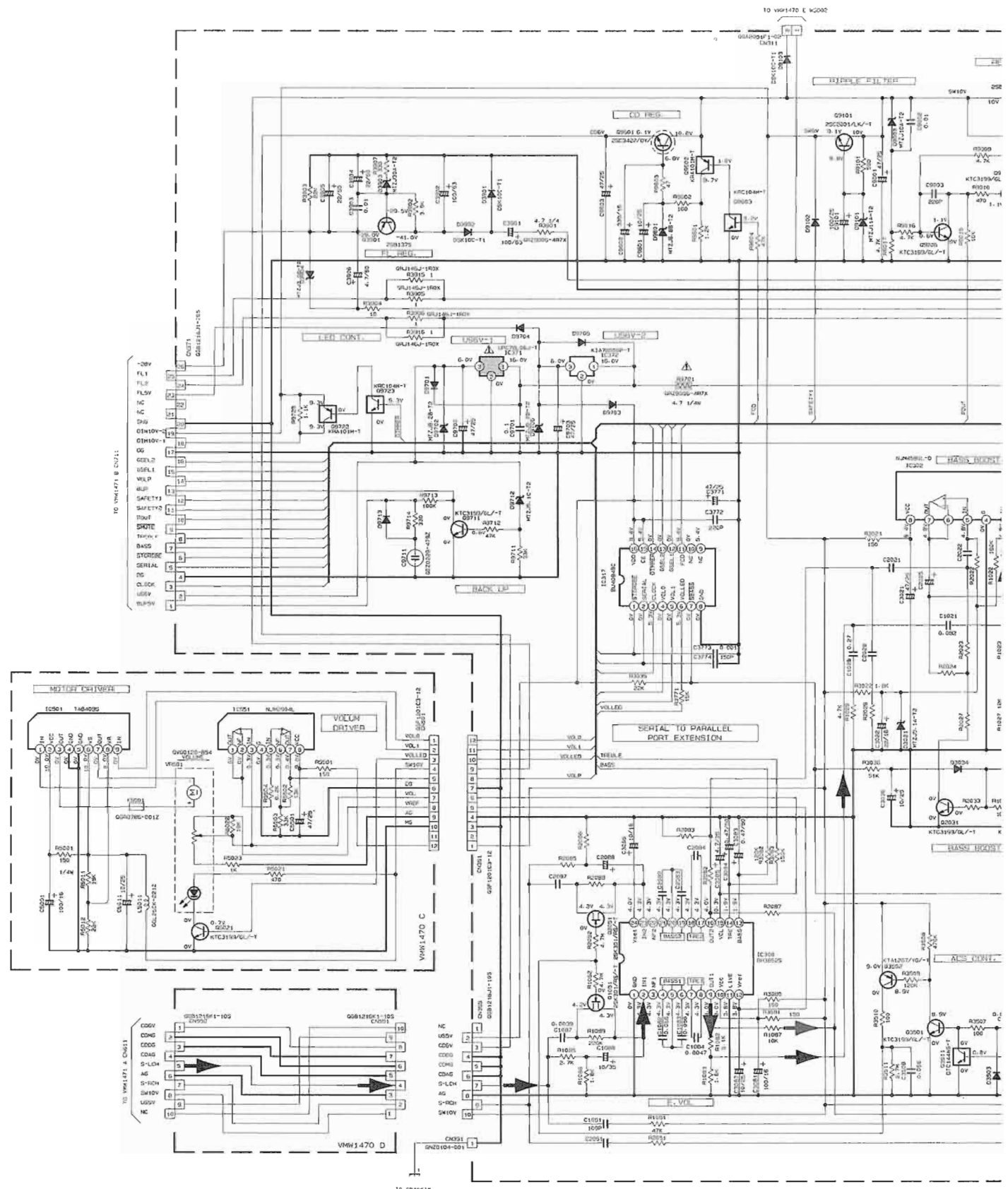


MODEL UX-7000

▶ MAIN SIGNAL
 ⚠ Parts are safety assurance parts. When replacing those parts make sure to use the specified one.

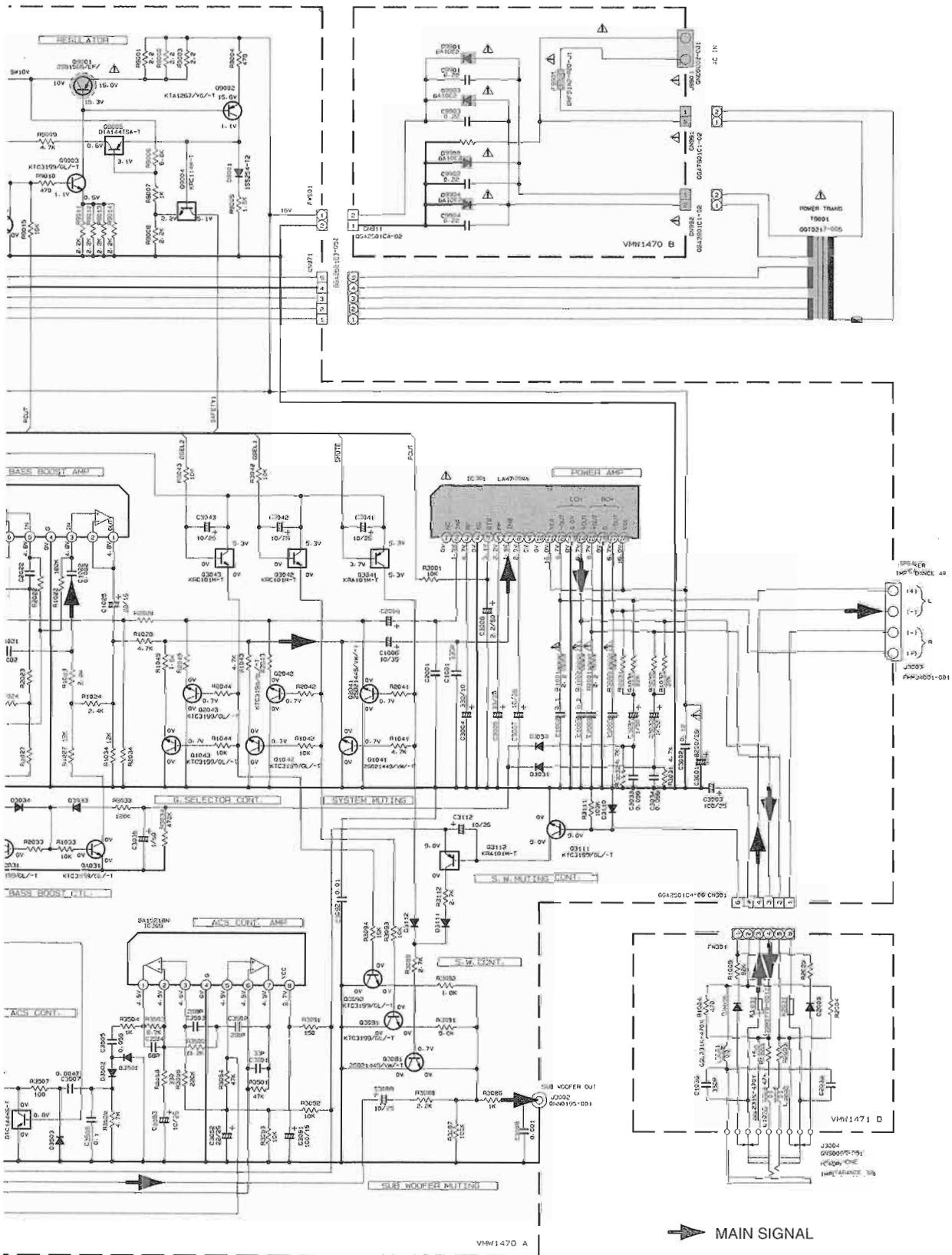
MAIN AMP. Section (For Ver.UF only)

5
4
3
2
1



NOTES
 1. VOLTAGES ARE DC-MEASURED WITH A DIGITAL VOLT METER OR OSCILLOSCOPE WITHOUT INPUT SIGNAL. CONDITION --- PLAC. CD STOP MODE
 2. UNLESS OTHERWISE ALL RESISTANCE ALL CAPACITANCE ALL CAPACITANCE ALL INDUCTANCE ALL E. CAPACITANCE ALL DIODES ARE

A B C D



➔ MAIN SIGNAL

⚠ Parts are safety assurance parts. When replacing those parts make sure to use the specified one.

J. C

MODEL FS-7000

- UNLESS OTHERWISE SPECIFIED, RESISTORS ARE 1/4W 5% CARBON RESISTOR.
- RESISTANCE VALUES ARE IN OHMS.
- CAPACITORS ARE CERAMIC CAPACITOR OR MYLAR CAPACITOR.
- CAPACITANCE VALUES ARE IN P.F. (pF).
- INDUCTANCE VALUES ARE IN MH (mH).
- CAPACITORS ARE SHOWN IN THE FORM OF CAPACITANCE (μF) / RATED VOLTAGE (V).
- DIODES ARE 1N5104U OR 1N5164T-77



D | E | F | G | H

System Controller & FL Display Section

BI PLANAR VFD

OLF0048-001
D1701

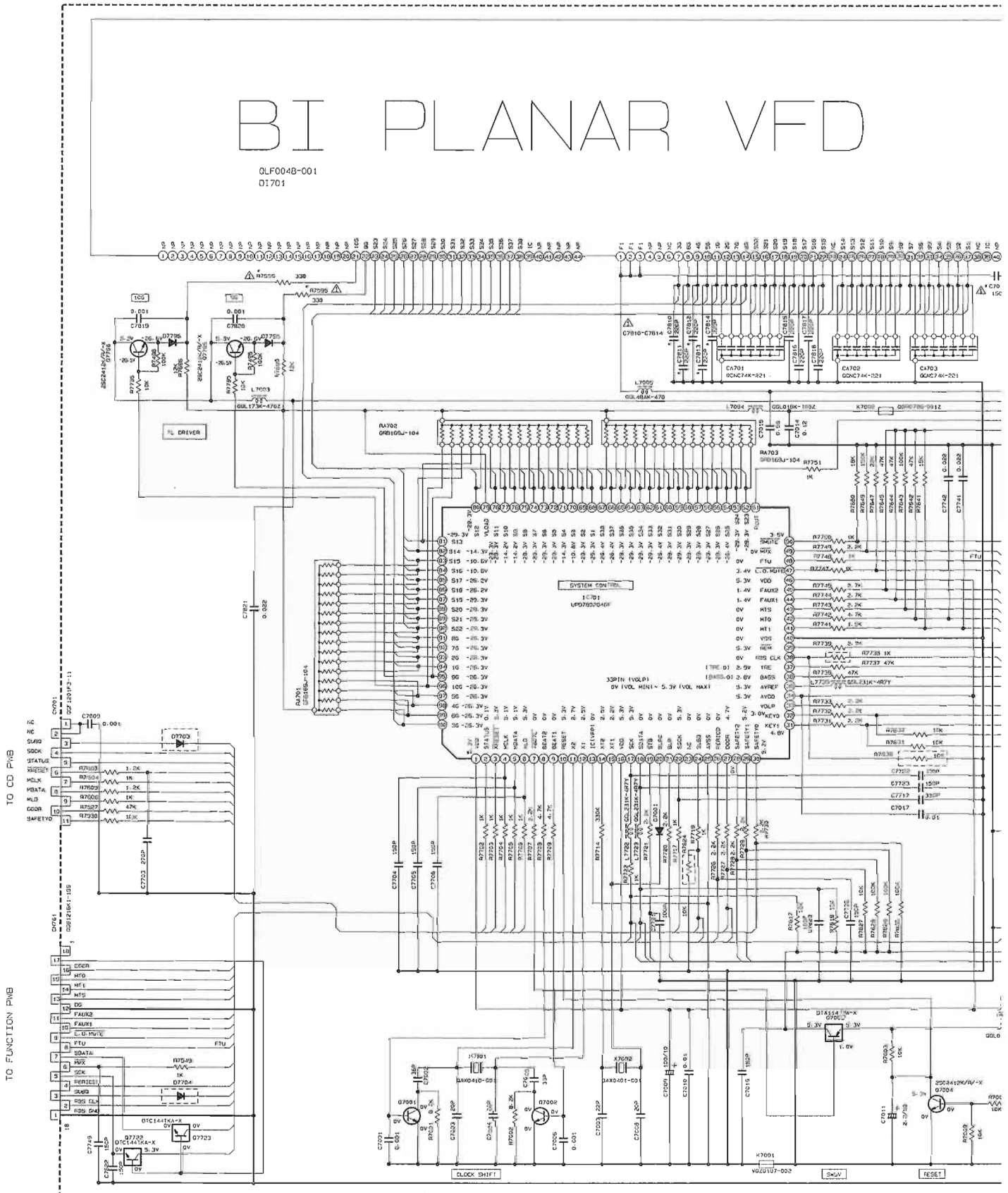
5

4

3

2

1



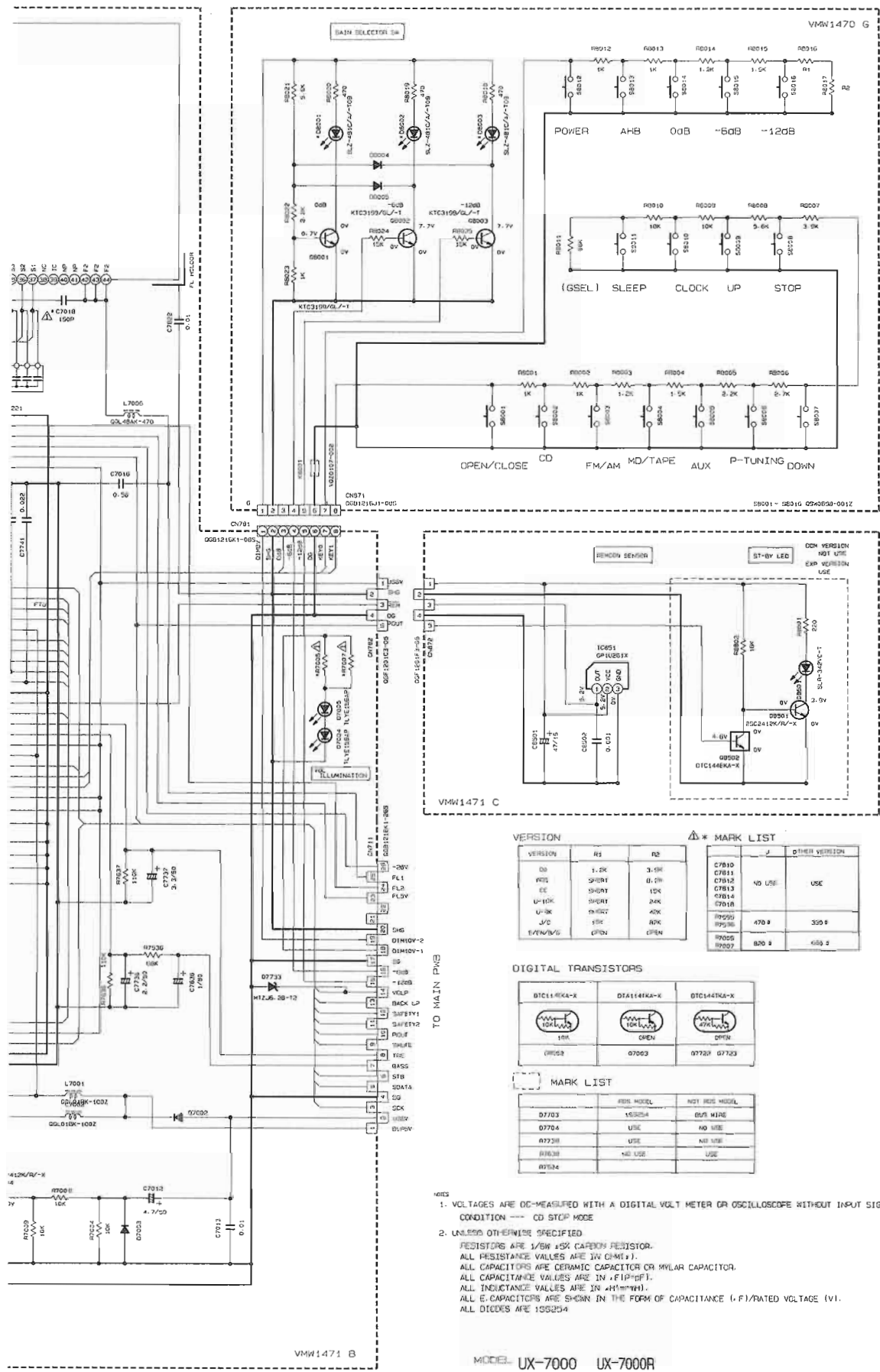
A

B

C

2-34

D



VERSION

VERSION	R1	R2
DB	1.2K	3.9K
FE	SHORT	0.0H
EC	SHORT	15K
U-10K	SHORT	24K
U-9K	SHORT	40K
J/C	10K	80K
E/EN/R/S	OPEN	OPEN

△ * MARK LIST

VERSION	J	OTHER VERSION
C7010		
C7011		
C7012	NO USE	USE
C7013		
C7014		
C7018		
R7005	470 Ω	330 Ω
R7006		
R7007	820 Ω	400 Ω

DIGITAL TRANSISTORS

DTCL144KA-X	DTA1144KA-X	DTCL144TA-X
OPEN	OPEN	OPEN
07703	07703	07723 07723

MARK LIST

	REQ. MODEL	NOT REQ. MODEL
07703	152024	077 WIRE
07704	USE	NO WIRE
07723	USE	NO USE
R7020	NO USE	USE
07704		

NOTES

- VOLTAGES ARE DC-MEASURED WITH A DIGITAL VOLT METER OR OSCILLOSCOPE WITHOUT INPUT SIGNAL. CONDITION --- CD STOP MODE
- UNLESS OTHERWISE SPECIFIED
RESISTORS ARE 1/8W ±5% CARBON RESISTOR.
ALL RESISTANCE VALUES ARE IN OHM(+).
ALL CAPACITORS ARE CERAMIC CAPACITOR OR MYLAR CAPACITOR.
ALL CAPACITANCE VALUES ARE IN nF(pF).
ALL INDUCTANCE VALUES ARE IN mH(mH).
ALL ELECTROLYTIC CAPACITORS ARE SHOWN IN THE FORM OF CAPACITANCE (μF)/RATED VOLTAGE (V).
ALL DIODES ARE 1SS254

MODEL UX-7000 FS-10 UX-7000R FS-7000

CD Section

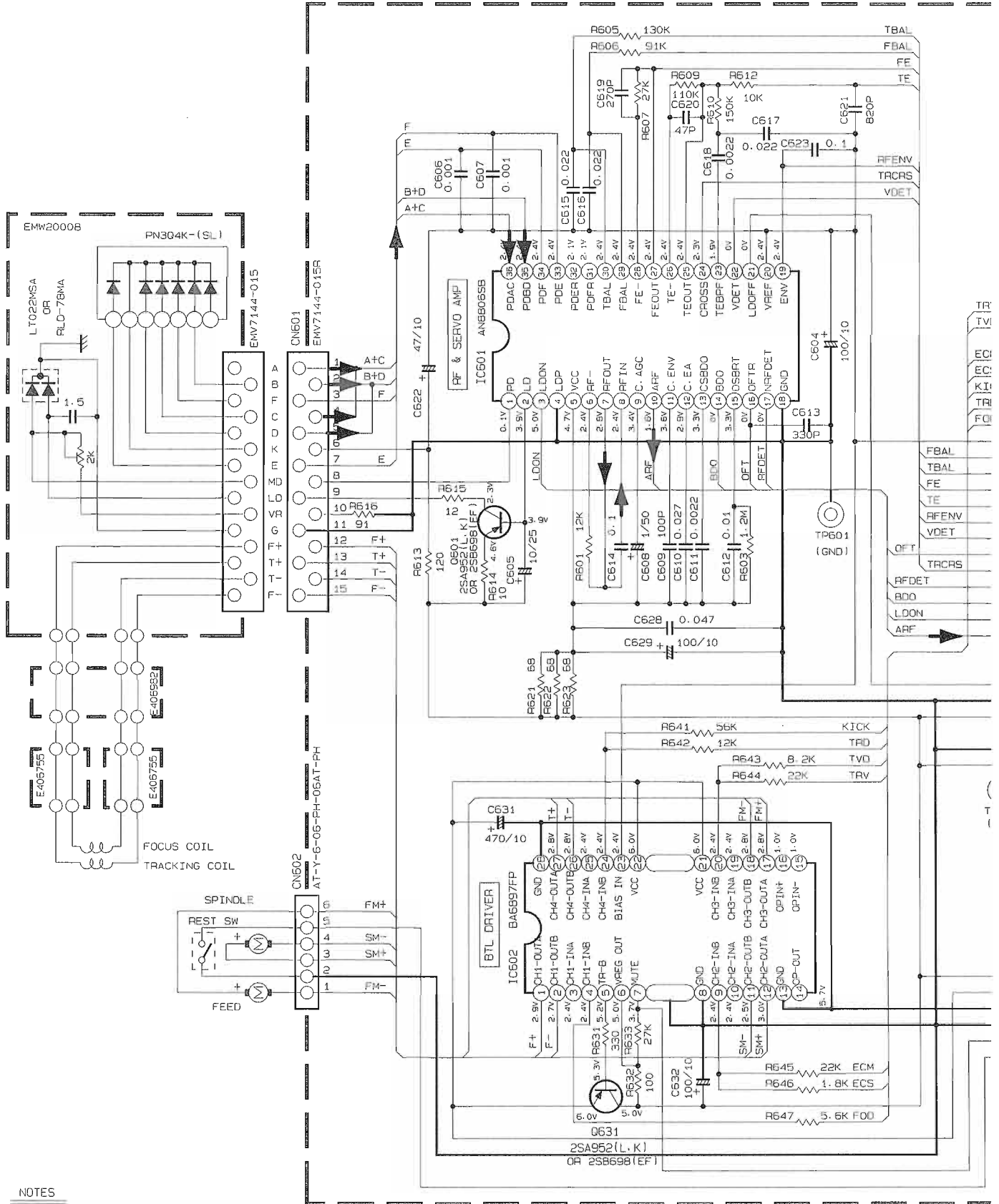
5

4

3

2

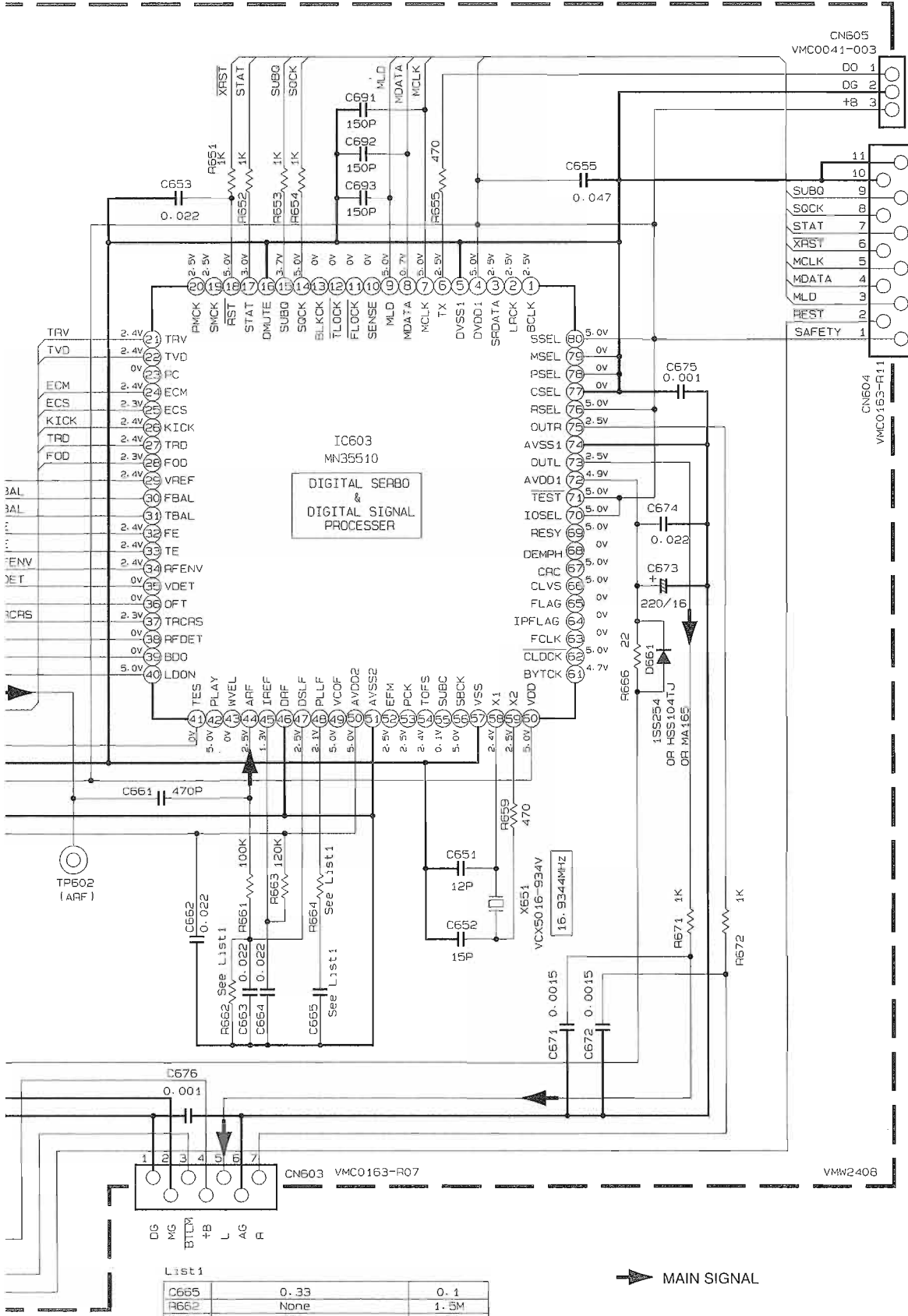
1



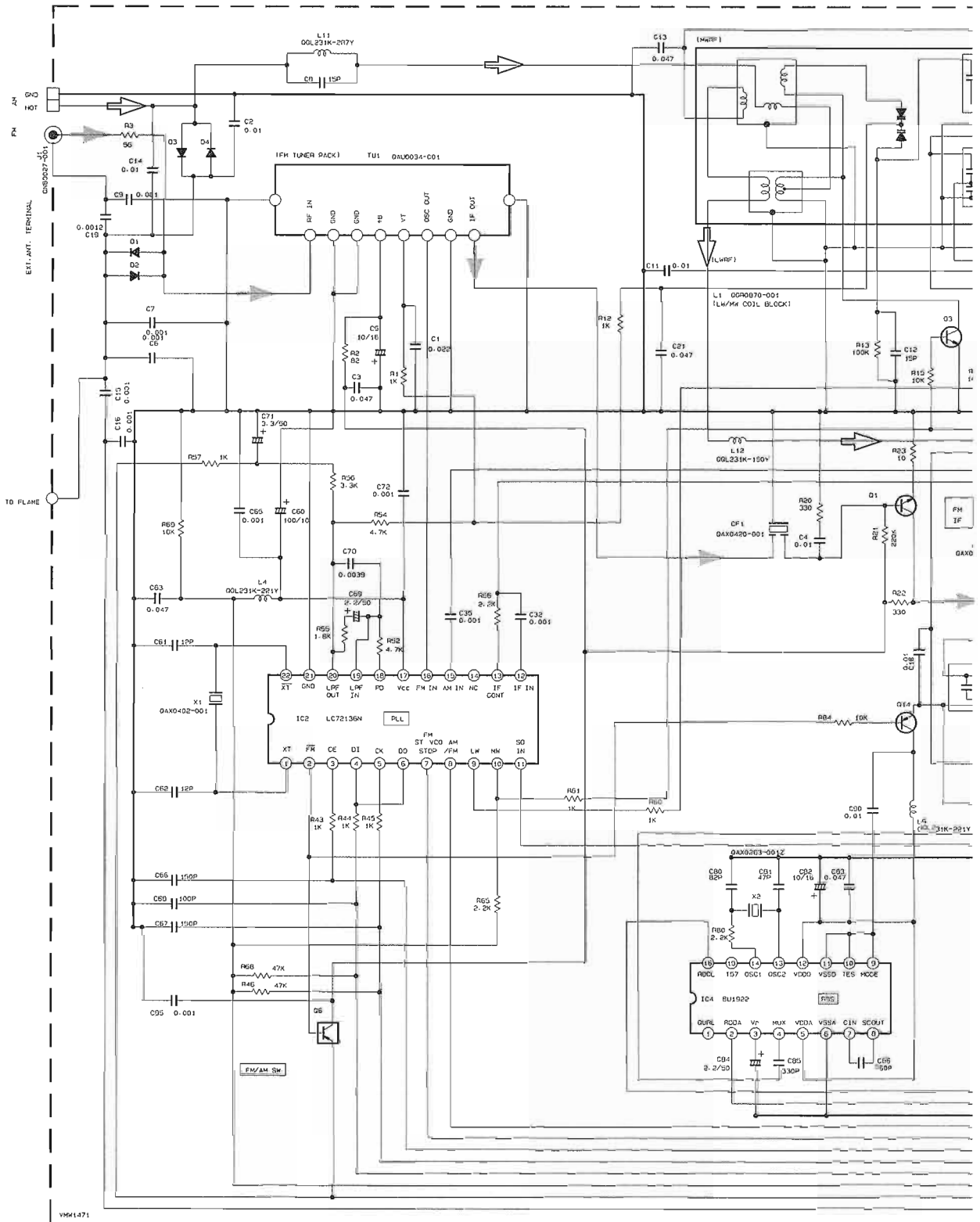
NOTES

1. VOLTAGES ARE DC-MEASURED WITH A DIGITAL VOLT METER
2. UNLESS OTHERWISE SPECIFIED, RESISTORS ARE 1/6W ±5% CARBON RESISTOR.
 ALL RESISTANCE VALUES ARE IN Ω(M)(K).
 ALL CAPACITORS ARE CERAMIC CAPACITOR OR MYLAR CAPACITOR.
 ALL CAPACITANCE VALUES ARE IN #F(P=pF).
 ALL E-CAPACITORS ARE SHOWN IN THE FORM OF CAPACITANCE I²F/RATED VOLTAGE (V).

A B C D

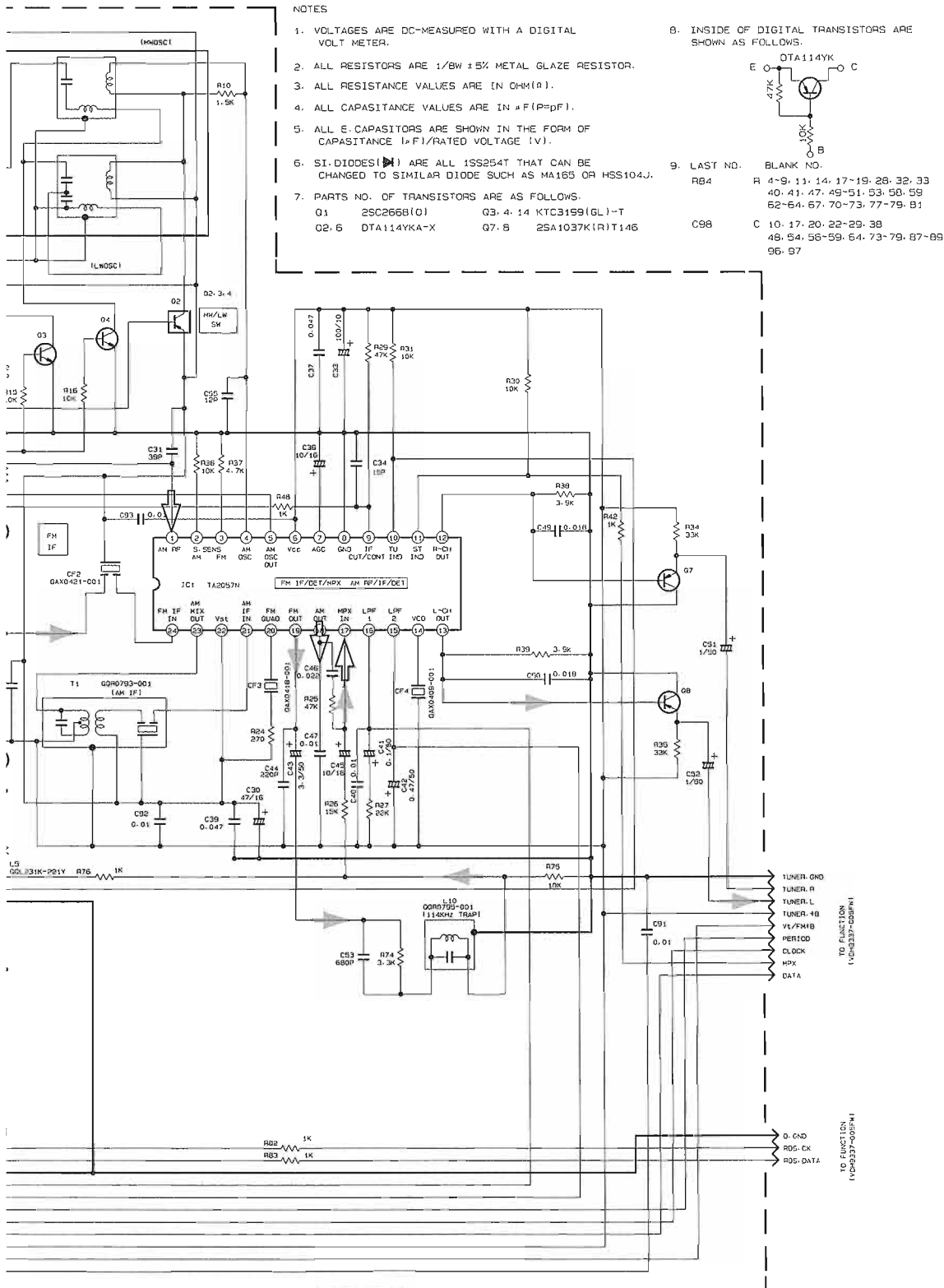


■ TUNER Section (For Ver.E/EN/B of UX-7000R)



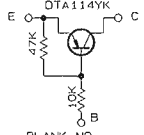
CONDITION	PIN NO.	1	2	3	4	5	6	7	8	9	10	11	12	13	14	15	16	17	18	19	20	21	22	23	24
IC1	FM NO SIGNAL	2.0	0.5	0	2.0	5.1	5.1	0	0	0.3	5.1	5.1	1.1	1.1	4.4	3.7	3.7	1.4	0	1.3	1.1	2.0	2.0	5.1	2.0
	FM 60dB STEREO	2.0	0.5	0	2.0	5.1	5.1	1.1	0	0.3	0	0	1.1	1.1	4.3	4.1	3.7	1.4	0	1.4	1.1	2.0	2.0	5.1	2.0
	AM NO SIGNAL	2.0	0.5	0	2.0	5.0	5.1	0	0	0.3	5.1	5.1	1.1	1.1	4.5	0.1	0	1.4	1.4	1.5	1.6	2.0	2.0	5.1	2.0
IC2	FM NO SIGNAL	2.4	0	0	5.1	5.0	5.1	3.7	3.7	2.0	3.8	5.1	0	0	0	0	2.6	5.1	1.9	1.0	3.7	0	2.7		
	FM NO SIGNAL	2.0	2.5	2.5	2.5	5.0	0	2.5	2.5	0	0	0	5.0	2.4	2.4	2.5	2.5								

Tr. NO.	D1			
PIN NO.	E	C	B	E
FM 87.5MHz NO SIGNAL	0	7.5	0.7	8.2
AM 522KHz NO SIGNAL	0	0	0	8.2
Tr. NO.	G2			
PIN NO.	E	C	B	E
AM 522KHz NO SIGNAL	2.0	2.0	0.1	0
AM 144KHz NO SIGNAL	2.0	2.0	2.0	0



NOTES

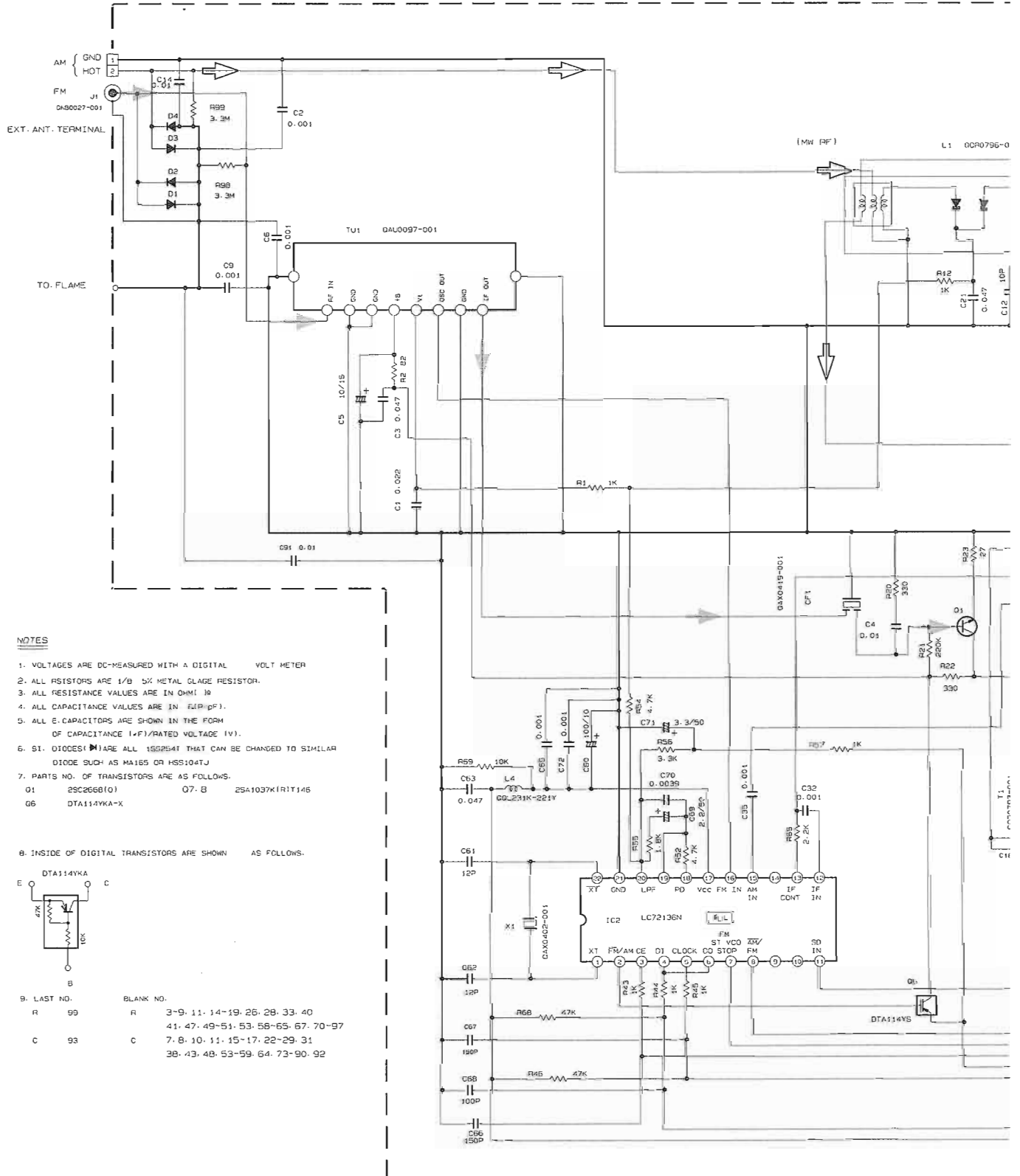
1. VOLTAGES ARE DC-MEASURED WITH A DIGITAL VOLT METER.
2. ALL RESISTORS ARE 1/8W ±5% METAL GLAZE RESISTOR.
3. ALL RESISTANCE VALUES ARE IN OHM(Ω).
4. ALL CAPACITANCE VALUES ARE IN pF(pF).
5. ALL E. CAPASITORS ARE SHOWN IN THE FORM OF CAPACITANCE (pF)/RATED VOLTAGE (V).
6. SI. DIODES (D) ARE ALL 1SS254T THAT CAN BE CHANGED TO SIMILAR DIODE SUCH AS MA165 OR HSS104J.
7. PARTS NO. OF TRANSISTORS ARE AS FOLLOWS.
 Q1 2SC2668(O) Q3: 4: 14 KTC3199(G)L1-T
 Q2: 6 DTA114YKA-X Q7: 8 2SA1037K(R)T146
8. INSIDE OF DIGITAL TRANSISTORS ARE SHOWN AS FOLLOWS.
 E 0
 47K
 C
 B
 10K
9. LAST NO. BLANK NO.
 R84 R 4-9: 11: 14: 17-19: 28: 32: 33
 40: 41: 47: 49-51: 53: 58: 59
 62-64: 67: 70-73: 77-79: 81
 C98 C 10: 17: 20: 22-29: 38
 48: 54: 56-59: 64: 73-79: 87-89
 96: 97



	Q5			Q7			Q8			Q14			
	B	E	C	B	E	C	B	E	C	B	E	C	B
3	0.7	8.8	8.7	0	1.6	0	1.1	1.6	0	1.1	5.1	5.1	4.5
	0	8.8	0	8.7	1.6	0	1.1	1.6	0	1.1	5.1	0.1	8.7
	Q3			Q4									
	B	E	C	B	E	C	B						
3	0.1	0	0	0.7	0	0	0.7						
3	2.0	0	0	0.1	0	0	0.1						

→ FM/TUNER MAIN SIGNAL
 ⇨ AM RADIO SIGNAL

TUNER Section (For Ver.J of FS-7000)



CONDITION	1	2	3	4	5	6	7	8	9	10	11	12	13	14	15	16	17	18	19	20	21	22	23	24
IC1 FM NO SIGNAL	2.0	0.5	0	2.0	5.1	5.1	0	0	0.3	5.1	5.1	3.1	1.1	4.4	3.7	3.7	1.4	0	1.3	1.1	2.0	2.0	5.1	2.0
IC1 FM 60dB STEREO	2.0	0.25	0	2.0	5.1	5.1	1.1	0	0.3	0	0	1.1	1.1	4.3	4.1	3.7	1.4	0	3.4	3.1	2.0	2.0	5.1	2.0
IC1 AM NO SIGNAL	2.0	0.5	0	2.0	5.1	5.1	0	0	0.3	5.1	5.1	1.1	1.1	4.5	0.1	0	1.4	1.4	1.5	1.6	2.0	2.0	5.1	2.0
IC2 FM NO SIGNAL	2.4	0	0	1.4	5.0	3.1	3.7	0	0	5.1	0	0	0	0	0	2.6	5.1	1.0	1.0	3.7	0	2.7		

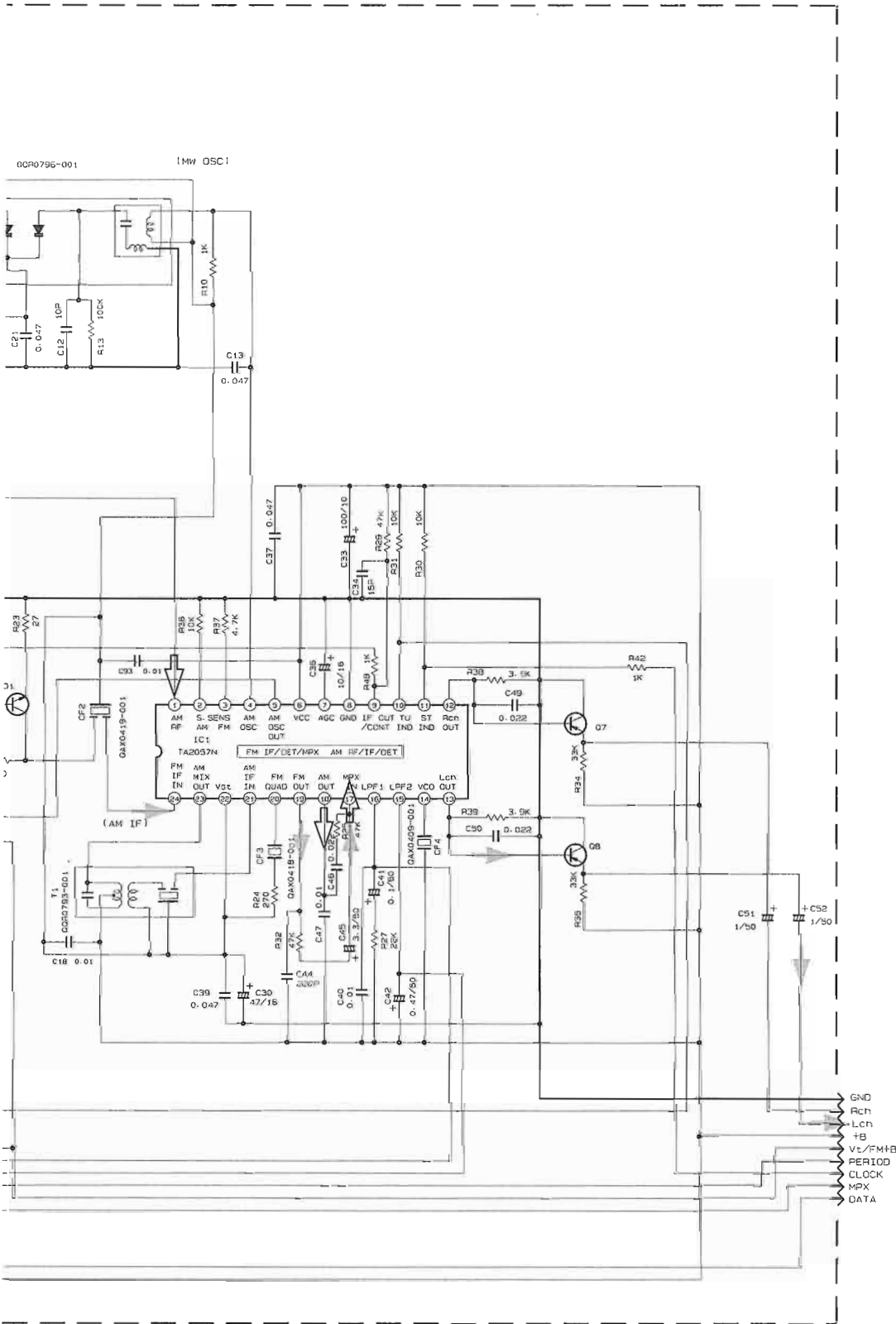
IC	PIN NO.	Q1	Q2	Q3	Q4
IC1	FM NAME	E	C	B	A
IC1	FM 87.5MHz	1	2	3	4
IC1	AM 520KHz	1	2	3	4

A

B

C

D



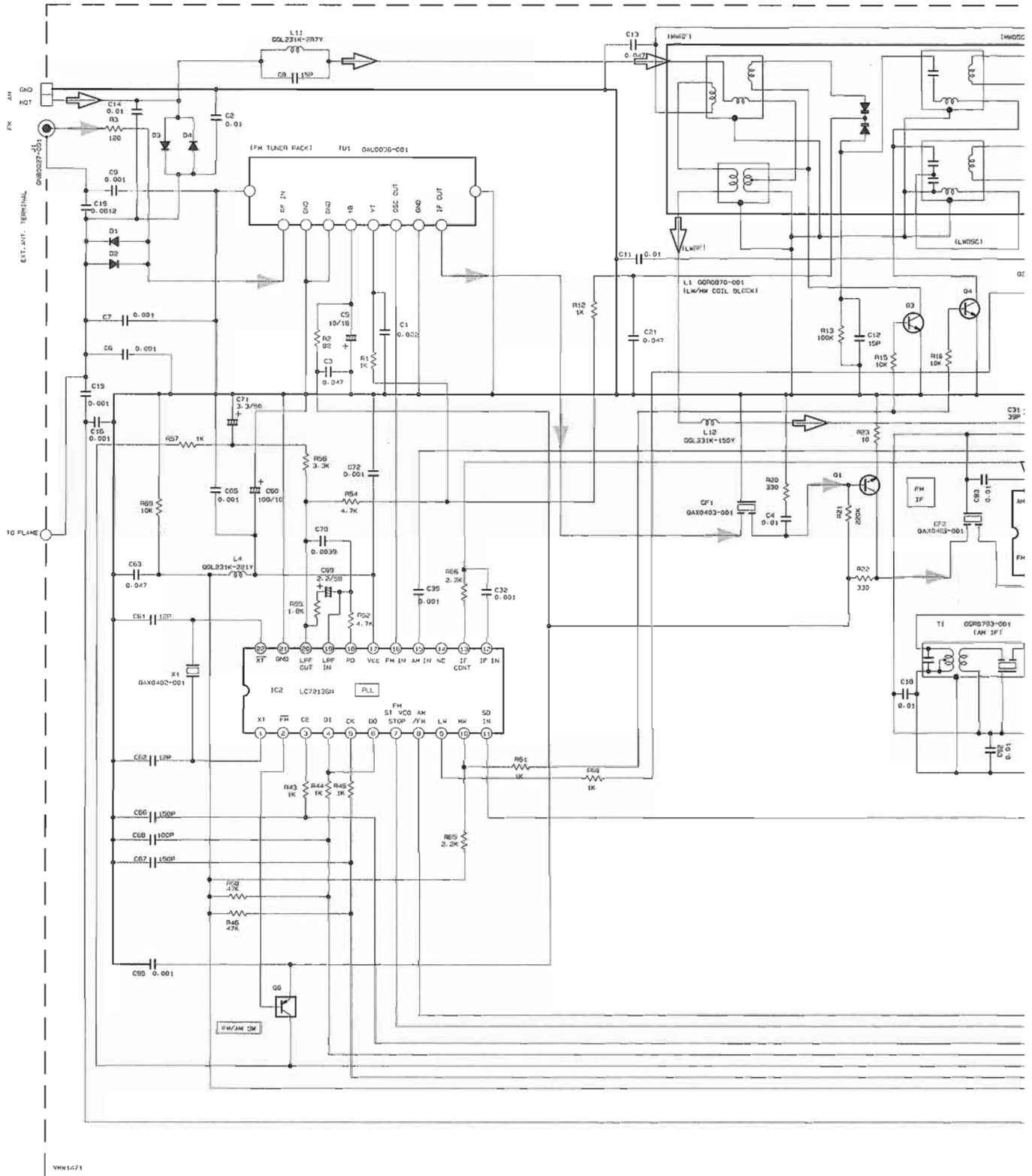
08	07	06
E	C	B
1.8	0.8	0.7
0.8	0.7	0.6
0.7	0.6	0.5
0.6	0.5	0.4
0.5	0.4	0.3
0.4	0.3	0.2
0.3	0.2	0.1

J

FS-5000
FS-6000
FS-7000

➔ FM/TUNER MAIN SIGNAL
➤ AM RADIO SIGNAL

■ TUNER Section (For Ver.EE of UX-7000)



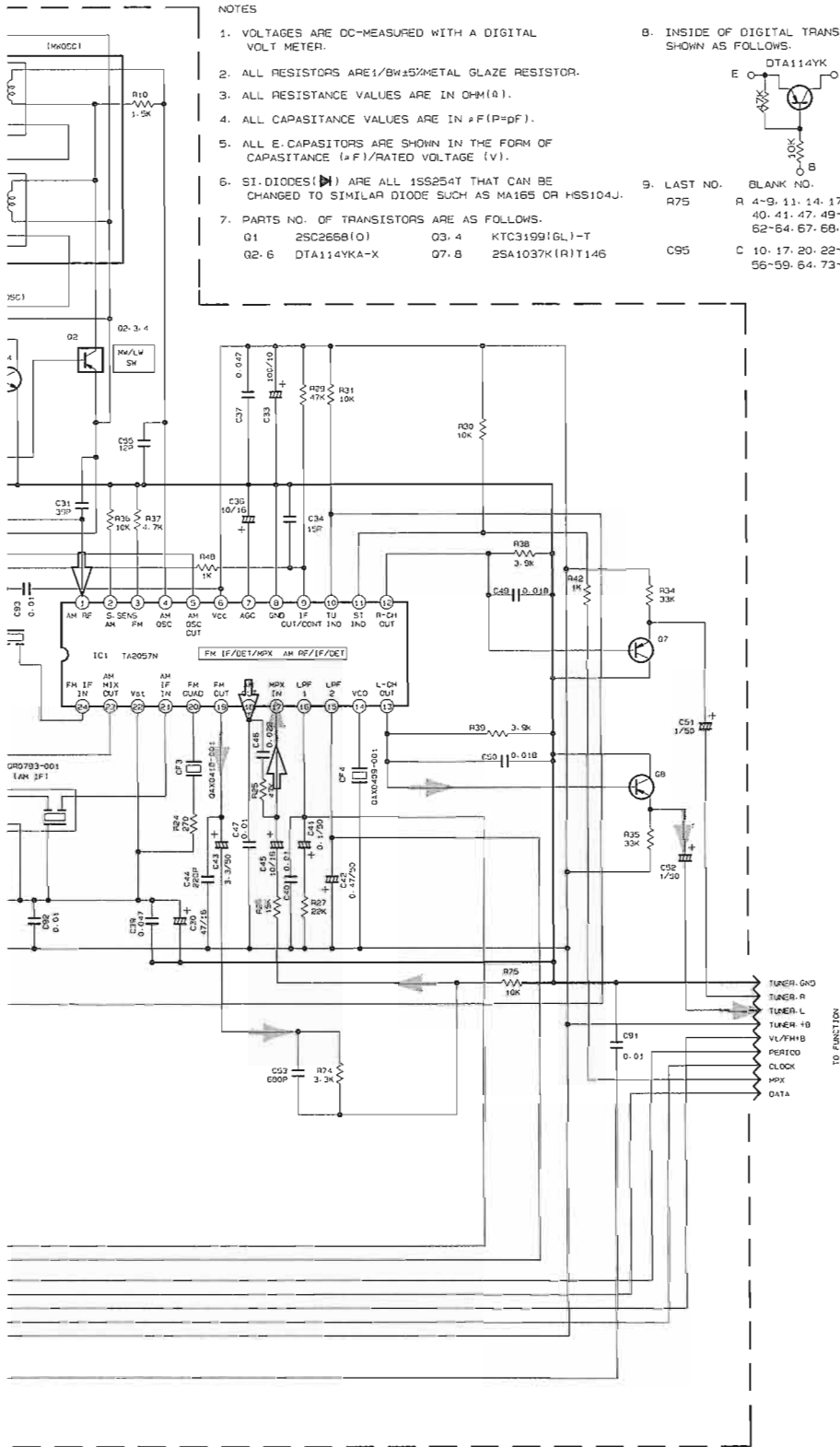
V9K1471

CONDITION	PIN NO.	1	2	3	4	5	6	7	8	9	10	11	12	13	14	15	16	17	18	19	20	21	22	23	24
IC1	FM NO SIGNAL	2.0	0.5	0	2.0	5.1	5.1	0	0	0.3	5.1	5.1	1.1	1.1	4.4	3.7	3.7	1.4	0	1.3	1.1	2.0	2.0	5.1	2.0
	FM 600B STEREO	2.0	0.5	0	2.0	5.1	5.1	1.1	0	0.3	0	0	1.1	1.1	4.3	4.1	3.7	1.4	0	1.4	1.1	2.0	2.0	5.1	2.0
	AM NO SIGNAL	2.0	0.5	0	2.0	5.0	5.1	0	0	0.3	5.1	5.1	1.1	1.1	4.5	0.1	0	1.4	1.4	1.5	1.6	2.0	2.0	5.1	2.0
IC2	FM NO SIGNAL	2.4	0	0	5.1	4.9	5.1	3.7	3.7	2.0	3.8	5.1	0	0	0	0	2.6	5.1	1.0	1.0	3.7	0	2.7		

T _r NO.	01			
PIN NO.	E	C	B	E
FM 87.5MHz NO SIGNAL	0	7.5	0.7	B.
AM 52KHz NO SIGNAL	0	0	0	B.
T _r NO.	02			
PIN NO.	E	C	B	E
AM 52KHz NO SIGNAL	2.0	2.0	0.1	0
AM 144KHz NO SIGNAL	2.0	2.0	2.0	0

NOTES

- VOLTAGES ARE DC-MEASURED WITH A DIGITAL VOLT METER.
- ALL RESISTORS ARE 1/8W±5%METAL GLAZE RESISTOR.
- ALL RESISTANCE VALUES ARE IN OHM(Ω).
- ALL CAPASITANCE VALUES ARE IN μF(P=pF).
- ALL E. CAPASITORS ARE SHOWN IN THE FORM OF CAPASITANCE (μF)/RATED VOLTAGE (V).
- SI DIODES (▶) ARE ALL 1SS254T THAT CAN BE CHANGED TO SIMILAR DIODE SUCH AS MA16S OR HSS104J.
- PARTS NO. OF TRANSISTORS ARE AS FOLLOWS:
 Q1 2S2656(O) Q3, 4 KTC3199(1GL)-T
 Q2-6 DTA114KA-X Q7-8 2SA1037K(R)T146 C95
- INSIDE OF DIGITAL TRANSISTORS ARE SHOWN AS FOLLOWS:
 DTA114YK
 E O C
 47K 10K
 O B
- LAST NO. BLANK NO.
 R75 R 4-9, 11, 14, 17-19, 26, 32, 33
 40, 41, 47, 49-51, 53, 58, 59
 62-64, 67, 68, 70-73
 C95 C 10, 17, 20, 22-29, 39, 48, 54
 56-59, 64, 73-90

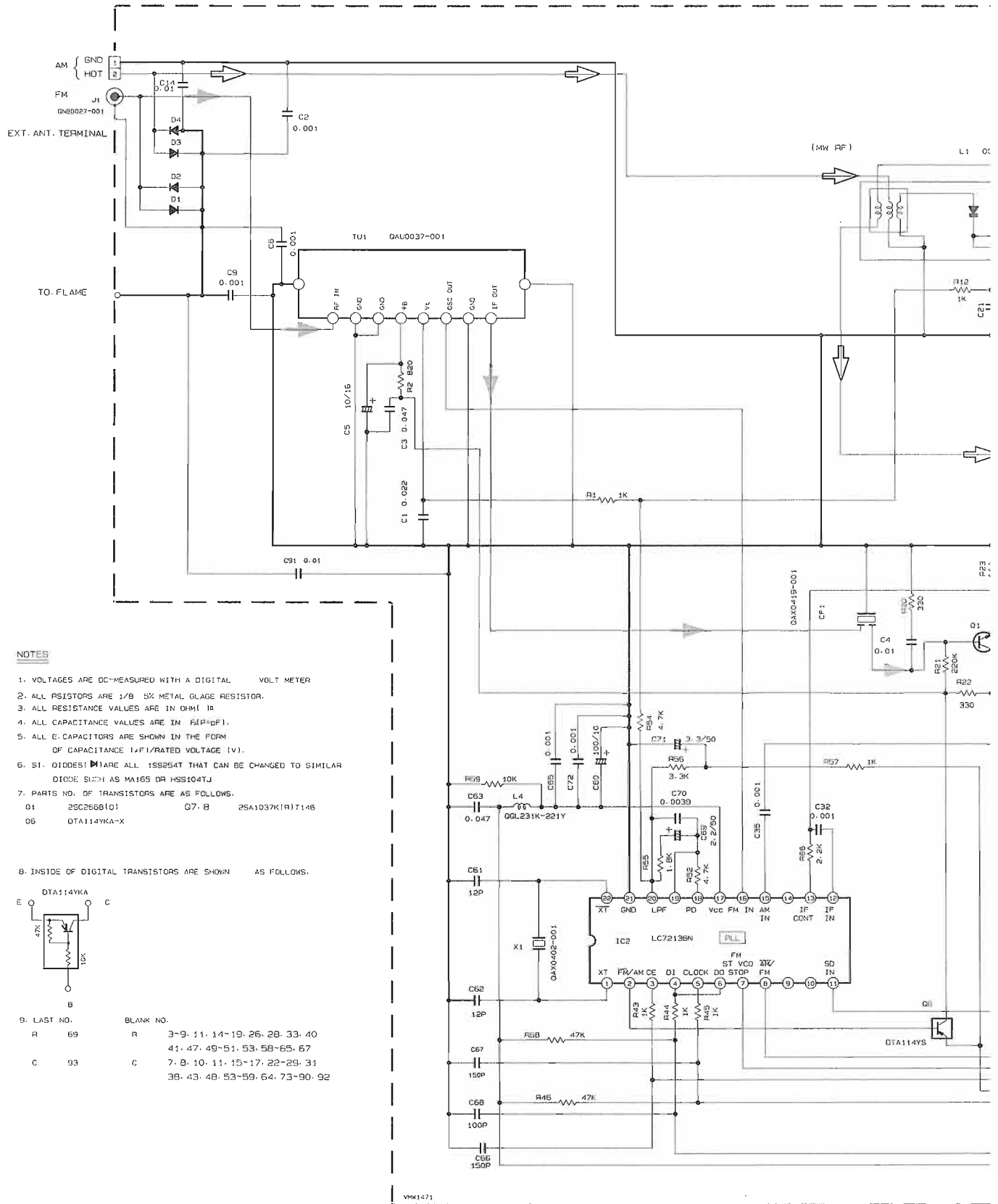


1		06			Q7			08		
	B	E	C	B	E	C	B	E	C	B
5	0.7	B.8	B.7	0	1.6	0	1.1	1.5	0	1.1
	0	B.8	0	B.7	1.6	0	1.1	1.5	0	1.1
2		03			Q4					
	B	E	C	B	E	C	B			
0	0.1	0	0	0.7	0	0	0.7			
0	2.0	0	0	0.1	0	0	0.1			

FM/TUNER MAIN SIGNAL
 AM RADIO SIGNAL

TO FUNCTION (TO VDR0337-003F#J)

TUNER Section (For Ver.A/U type of UX-7000)

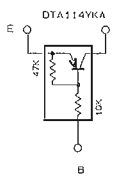


NOTES

- VOLTAGES ARE DC-MEASURED WITH A DIGITAL VOLT METER
- ALL RESISTORS ARE 1/8 WATT METAL GLAZE RESISTOR.
- ALL RESISTANCE VALUES ARE IN OHMS UNLESS OTHERWISE SPECIFIED.
- ALL CAPACITANCE VALUES ARE IN PICO-FARADS (PF) UNLESS OTHERWISE SPECIFIED.
- ALL ELECTROLYTIC CAPACITORS ARE SHOWN IN THE FORM OF CAPACITANCE VALUE/RATED VOLTAGE (V).
- SI-DIODES (D1-D4) ARE ALL 1SS254T THAT CAN BE CHANGED TO SIMILAR DIODE SUCH AS MA165 OR HSS104TJ.
- PARTS NO. OF TRANSISTORS ARE AS FOLLOWS.

G1 2SC2668(0) G7-B 2SA1037K(1R)T-146
 G5 DTA114YKA-X

8. INSIDE OF DIGITAL TRANSISTORS ARE SHOWN AS FOLLOWS.



9. LAST NO. BLANK NO.

R	69	R	3-9, 11, 14-19, 26, 28, 33, 40
			41, 47, 49-51, 53, 58-65, 67
C	93	C	7, 8, 10, 11, 15-17, 22-29, 31
			38, 43, 48, 53-59, 64, 73-90, 92

CONDITION	PIN NO.	1	2	3	4	5	6	7	8	9	10	11	12	13	14	15	16	17	18	19	20	21	22	23	24
IC1	FM NO SIGNAL	2.0	0.5	0	2.0	5.1	5.1	0	0	0.3	5.1	5.1	1.1	1.1	4.4	3.7	3.7	1.4	0	1.3	1.1	2.0	2.0	5.1	2.0
	FM 60dB STEREO	2.0	0.5	0	2.0	5.1	5.1	1.1	0	0.3	0	0	1.1	1.1	4.3	4.1	3.7	1.4	0	1.4	1.1	2.0	2.0	5.1	2.0
	AM NO SIGNAL	2.0	0.5	0	2.0	5.1	5.1	0	0	0.3	5.1	5.1	1.1	1.1	4.5	0.1	0	1.4	1.4	1.1	1.6	2.0	2.0	5.1	2.0
IC2	FM NO SIGNAL	2.4	0	0	1.1	5.0	1.1	3.7	3.7	0	0	5.1	0	0	0	0	2.6	5.1	1.0	1.0	3.7	0	2.7		

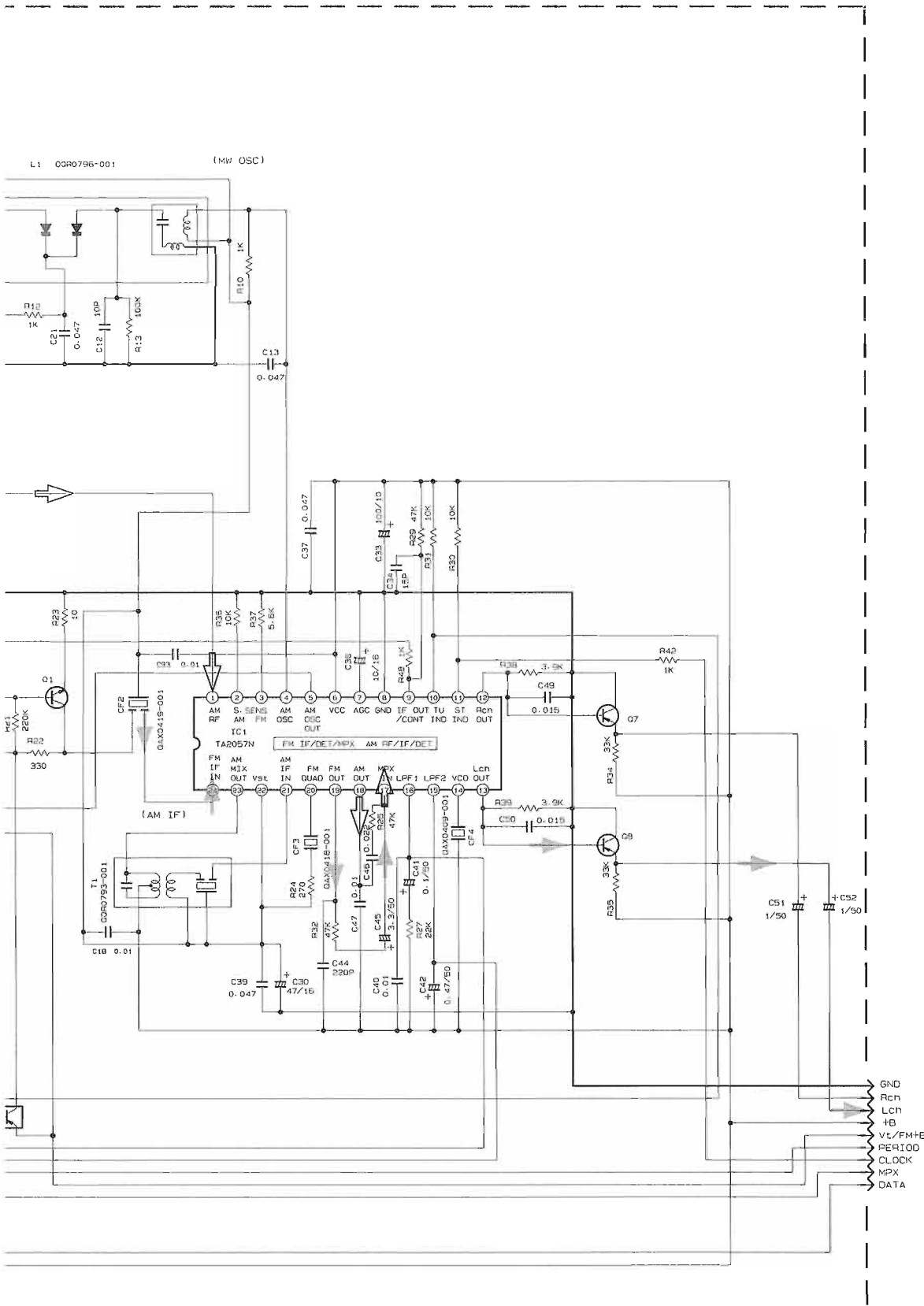
Tr No.	01
PIN NAME	C C B E
FM 87.5MHz	9 7.5 0.7 B.0
AM 520kHz	8 0 0 B.0

A

B

C

D



Q1	Q5	Q7	Q8
C	B	E	C
7	5	0	1
0	0	0	0

A/U/US/UB/UT/UX/UF

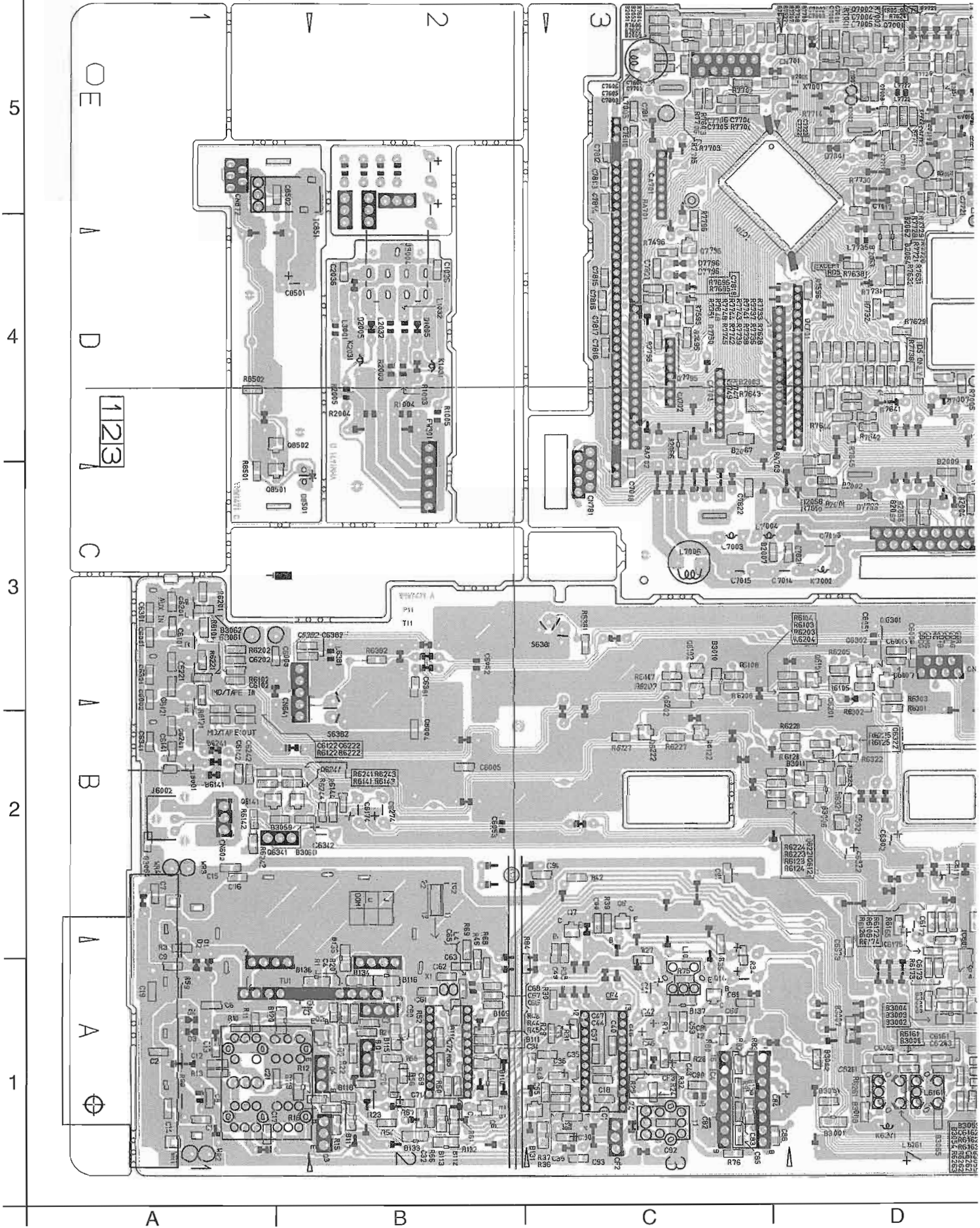
MODEL

UX-5000
UX-7000

FM/TUNER MAIN SIGNAL
AM RADIO SIGNAL

TO FUNCTION

■ System Control, Function & TUNER Board (For except Ver.B/E/EE/EN) : BlockNo. 0 3



UX-7000/UX-7000R/FS-7000

-MEMO-

PARTS LIST

[UX-7000/UX-7000R/FS-7000]

* All printed circuit boards and its assemblies are not available as service parts.

Area Suffix (UX-7000)	Area Suffix (UX-7000R)	Area Suffix (FS-7000)
A Australia EE Eastern Europe UB Hong Kong UF China US Singapore UT Taiwan UX Saudi Arabia U Other Areas	B U.K. E Continental Europe EN Northern Europe	J The U.S.A & Canada

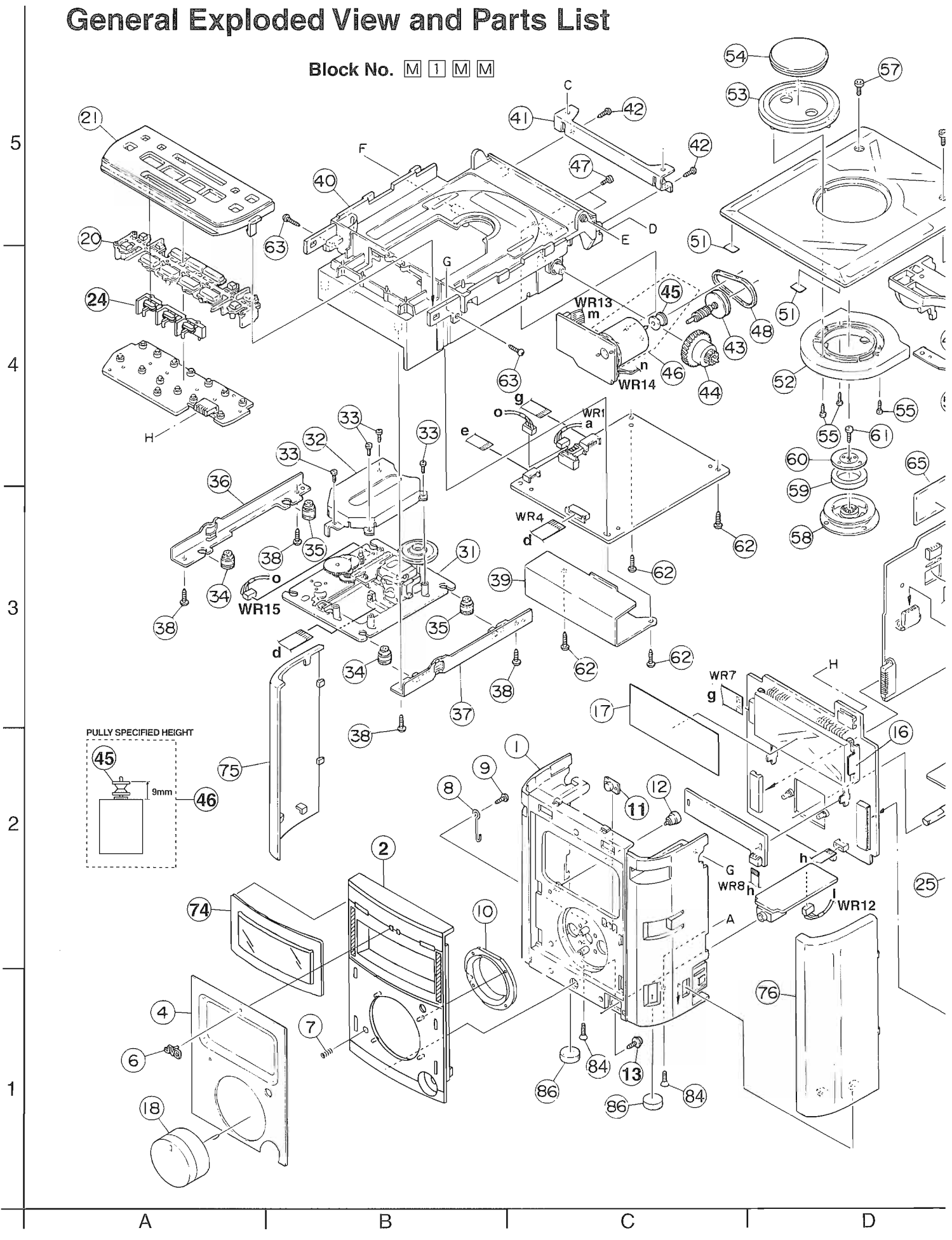
- Contents -

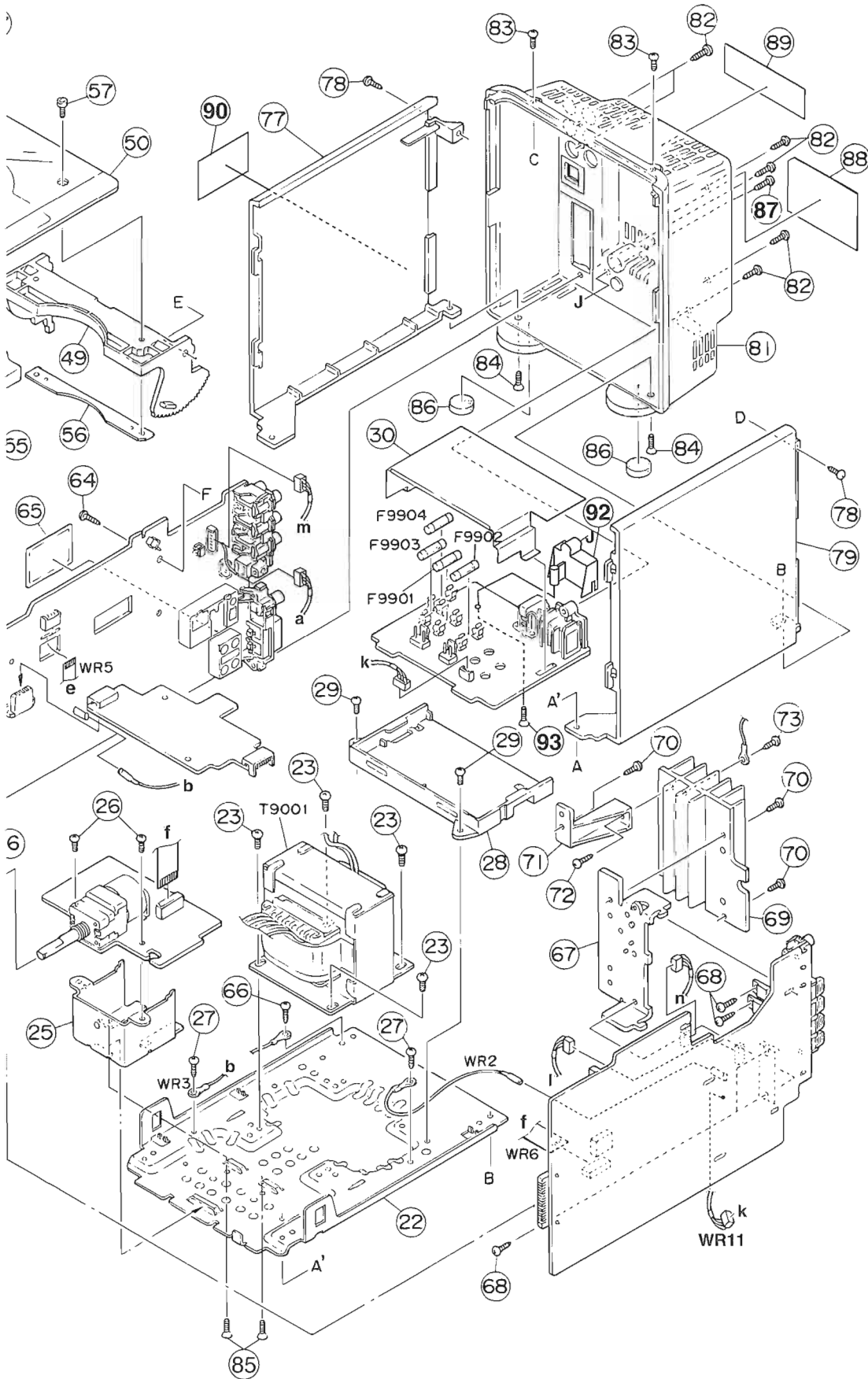
General Exploded View and Parts List	3-3
Exploded View of CD Mechanism and Parts List	3-6
Electrical Parts List	3-7
Packing Materials and Accessories List	3-26

-MEMO-

General Exploded View and Parts List

Block No. **M 1 M M**





■ Parts List

BLOCK NO.

△	REF.	PARTS NO.	PARTS NAME	REMARKS	QTY	SUFFIX	CLR
	1	LV10015-004A	FRONT PANEL	FS-7000 ONLY	1		
		LV10015-003A	FRONT PANEL	UX-7000/7000R	1		
	2	LV20071-001A	FRONT COVER		1		
	4	LV40181-006A	AL PLATE	UX-7000R ONLY	1		
		LV40181-005A	AL PLATE	UX-7000 ONLY	1		
		LV40181-007A	AL PLATE	FS-7000 ONLY	1		
	6	E406971-221	JVC MARK		1		
	7	VKW3001-321	COMP. SPRING	GRAND YOU	1		
	8	LV40218-001A	EARTH WIRE		1		
	9	SBSF3020Z	SCREW		1		
	10	LV40183-001A	VOL.ESCUTCHON		1		
	11	LV40185-001A	REMOTO LENS	FOR F.COVER	1		
	12	LV40161-002A	LENS	STANBY LENS	1		
	13	GBSF3008Z	T.SCREW	FRONT COVER+FRO	1		
	16	LV30138-002A	FL HOLDER		1		
	17	LV40220-004A	FL SHEET		1		
	18	LV40184-002ASA	VOL.KNOB ASSY		1		
	20	LV30083-002A	BUTTON		1		
	21	LV30084-004A	BUTTON COVER	UX-7000 ONLY	1		
		LV30084-005A	BUTTON COVER	UX-7000R ONLY	1		
		LV30084-006A	BUTTON COVER	FS-7000 ONLY	1		
	22	LV10036-001A	BOTTOM CHASSIS		1		
	23	SBST4006Z	SCREW		4		
	24	LV30155-001A	BUTTON		1		
	25	LV30137-001A	PWB HOLDER	FOR VOL.PWB	1		
	26	SBST3006Z	TH TAP SCREW	PWB.H+VOL.PWB	2		
	27	SBST3004Z	SCREW	EARTH W+BOTTOM	2		
	28	LV30139-001A	PWB COVER		1		
	29	SBST3006Z	TH TAP SCREW	PWB COVER+BOTTO	2		
	30	LV30514-001A	BARRIER		1		
	31	-----	C.D MECHA ASS'Y		1		
	32	VJD5410-005	PICK COVER		1		
	33	SDSF2006M	SCREW		4		
	34	E75609-001	INSULATOR		2		
	35	E75609-002	INSULATOR		2		
	36	VYH8089-001SC	CD MECHA HOLDER		1		
	37	VYH8089-002SC	CD MECHA HOLDER		1		
	38	SBSF3008Z	SCREW		4		
	39	VMA4692-002SC	SHIELD		1		
	40	VJD1210-007	CD CASE	UX-7000/7000R	1		
		VJD1210-012UL	CD CASE	FS-7000 ONLY	1		
	41	LV40164-001A	REAR BRACKET	CD.CASE+REAR	1		
	42	SBSF3008Z	SCREW	CD CASE+BRACKET	2		
	43	VYH8090-001SC	GEAR 1		1		
	44	VYH8091-002SC	GEAR 2		1		
	45	VYH7699-001	PULLEY		1		
	46	MXN13FB12F-SA8	DC MOTOR ASS'Y		1		
	47	SPSP3004Z	SCREW		2		
	48	VKB3000-170	BELT		1		
	49	VJE3014-001SC	CD DOOR		1		
	50	LV30085-004A	CD DOOR LENS		1		
	51	VYSS1R1-108	SPACER	FOR CD DOOR LEN	2		
	52	LV30080-007A	DOOR PLATE	UX-7000R ONLY	1		
		LV30080-005A	DOOR PLATE	UX-7000 ONLY	1		
		LV30080-006A	DOOR PLATE	FS-7000 ONLY	1		

BLOCK NO. M1MM

REF.	PARTS NO.	PARTS NAME	REMARKS	QTY	SUFFIX	CLR
53	LV30086-002A	ORNAMENT		1		
54	LV40104-002A	LENS (CD)		1		
55	SDSF2006M	SCREW	ORNAMENT+D.PLAT	3		
56	VJD5490-002	PLATE		1		
57	VKZ4765-001	S.BOLT(DIN)		2		
58	VYH3726-002SS	CLAMPER		1		
59	VYH7313-003	MAGNET		1		
60	VYH7677-201	YOKE		1		
61	SDSF2606Z	SCREW		1		
62	SBSF3008Z	SCREW	CD CASE + CD PW	4		
63	SBSF3008Z	SCREW	CD CASE+FRONT P	2		
64	SBSF3008Z	SCREW	CD CASE+PWB(L)	1		
65	LV40410-001A	SHIELD	UX-7000 ONLY	1	EE	
	LV40410-001A	SHIELD	UX-7000R ONLY	1	B,E,EN	
66	SBST3004Z	SCREW	SHIELD WIER+BOT	1		
67	LV40165-001A	IC HOLDER		1		
68	SBSF3010Z	SCREW		4		
69	LV30141-003A	HEAT SINK		1		
70	SBSF3008Z	SCREW	H.SINK+IC HOL,C	3		
71	LV40221-001A	BRACKET	CD CASE+H.SINK	1		
72	SBST3008Z	TH TAP SCREW		1		
73	SBST3008Z	TH TAP SCREW	H.SINK+EARTH WI	1		
74	LV40182-002A	FRONT LENS		1		
75	LV30087-002A	FITTING(L)		1		
76	LV30088-002A	FITTING(R)		1		
77	LV20044-003A	SIDE PANEL(L)	UX-7000/7000R	1		
	LV20044-004A	SIDE PANEL(L)	FS-7000 ONLY	1		
78	SBSF3008Z	SCREW	FOR CD CASE	2		
79	LV20045-004A	SIDE PANEL(R)	FS-7000 ONLY	1		
	LV20045-003A	SIDE PANEL(R)	UX-7000/7000R	1		
81	LV10037-010A	REAR COVER	UX-7000 ONLY	1	EE,A,UF	
	LV10037-010A	REAR COVER	UX-7000R ONLY	1	B,E,EN	
	LV10037-011A	REAR COVER	FS-7000 ONLY	1	J	
	LV10037-012A	REAR COVER	UX-7000 ONLY	1	UT,UX	
	LV10037-012A	REAR COVER	UX-7000 ONLY	1	U,UB,US	
82	SBSF3010M	T.SCREW	REAR	6		
83	SBST3006M	TH TAP SCREW	REAR+BK(TOP GAW	2		
84	SSST3010Z	SCREW	BOTTOM	4		
85	SBST3006Z	TH TAP SCREW	PWB.HLDER+BOTTO	2		
86	VJF4003-001	FOOT		4		
87	SBSF3010M	T.SCREW	UX-7000 ONLY	1	UT,UX	
	SBSF3010M	T.SCREW	UX-7000 ONLY	1	U,UB,US	
88	LV30536-003A	NAME PLATE	UX-7000 ONLY	1	U,UB	
	LV30157-001A	NAME PLATE	UX-7000R ONLY	1	B,E,EN	
	LV30536-007A	NAME PLATE	FS-7000 ONLY	1	J	
	LV30536-002A	NAME PLATE	UX-7000 ONLY	1	US	
	LV30536-004A	NAME PLATE	UX-7000 ONLY	1	UT	
	LV30536-005A	NAME PLATE	UX-7000 ONLY	1	UX	
	LV30536-001A	NAME PLATE	UX-7000 ONLY	1	EE	
	LV30536-009A	NAME PLATE	UX-7000 ONLY	1	A	
	LV30536-008A	NAME PLATE	UX-7000 ONLY	1	UF	
89	VND4118-004	CAUTION LABEL		1		
90	LV30257-010A	UT LABEL	UX-7000 ONLY	1	UT	
92	VYH8161-001	SELECT HOLDER	UX-7000 ONLY	1	UT,UX	

BLOCK NO. M1MM

REF.	PARTS NO.	PARTS NAME	REMARKS	QTY	SUFFIX	CLR
93	VYH8161-001	SELECT HOLDER	UX-7000 ONLY	1	U,UB,US	
	SBSF3008Z	SCREW	UX-7000 ONLY	1	UT,UX	
	SBSF3008Z	SCREW	UX-7000 ONLY	1	U,UB,US	
F9901	QMF51N2-R80J1	FUSE	FS-7000 ONLY	1	J	
	QMF51E2-1R0J1	FUSE	UX-7000 ONLY	1	UT,UX	
F9902	QMF51E2-1R0J1	FUSE	UX-7000 ONLY	1	U,UB,US	
	QMF51E2-R50SBS	FUSE	UX-7000 ONLY	1	A,EE,UF	
	QMF51E2-R50SBS	FUSE	UX-7000R ONLY	1	B,E,EN	
	QMF51E2-6R3J1	FUSE	UX-7000/7000R	1		
F9903	QMF51E2-R80SBS	FUSE	UX-7000 ONLY	1	UT,UX	
F9904	QMF51E2-R80SBS	FUSE	UX-7000 ONLY	1	U,UB,US	
	QMF51E2-R40SBS	FUSE	UX-7000 ONLY	1	UT,UX	
	QMF51E2-R40SBS	FUSE	UX-7000 ONLY	1	U,UB,US	
T9001	QQT0217-005	POWER TRANS	UX-7000R ONLY	1	B,E,EN	
	QQT0217-007	POWER TRANS	UX-7000 ONLY	1	UT,UX	
WR 1	QQT0217-006	POWER TRANS	FS-7000 ONLY	1	J	
	QQT0217-005	POWER TRANS	UX-7000 ONLY	1	A,EE,UF	
	QQT0217-007	POWER TRANS	UX-7000 ONLY	1	U,UB,US	
WR 2	VDM9291-C001C-A	WIRE&TUBE	CD - FUNC	1		
WR 3	VWE240-10NTSA	WIRE	MAIN - BOTTOM	1		
WR 4	VWE240-08NTSA	LUG WIRE	FUNC - BOTTOM	1		
WR 5	VWF1015-07TTA	FFC CABLE		1		
WR 6	VWF1207-07TTB	FFC		1		
WR 7	VWF1212-06TTB	CARD WIRE	MAIN - VOL	1		
WR 8	VWF1211-16TTB	CARD WIRE	MICOM - CD	1		
WR 11	VWF1205-06TTB	CARD WIRE	MICOM - REM.SEN	1		
WR 12	SC-J-2-10-EH-02	SC-EH WIRE	MAIN - AC	1		
WR 13	SC-J-6-28-EH-06	SC-EH WIRE	H.P - MAIN	1		
WR 14	SC-P-0-14-EH-05	SC-EH WIRE	DOOR MOTOR - FU	1		
WR 15	SA-P-2-14-PH-02	SA-PH WIRE	DOOR MOTOR - MA	1		
	AT-Y-6-06-PH-06	AT-PH CONN		1		

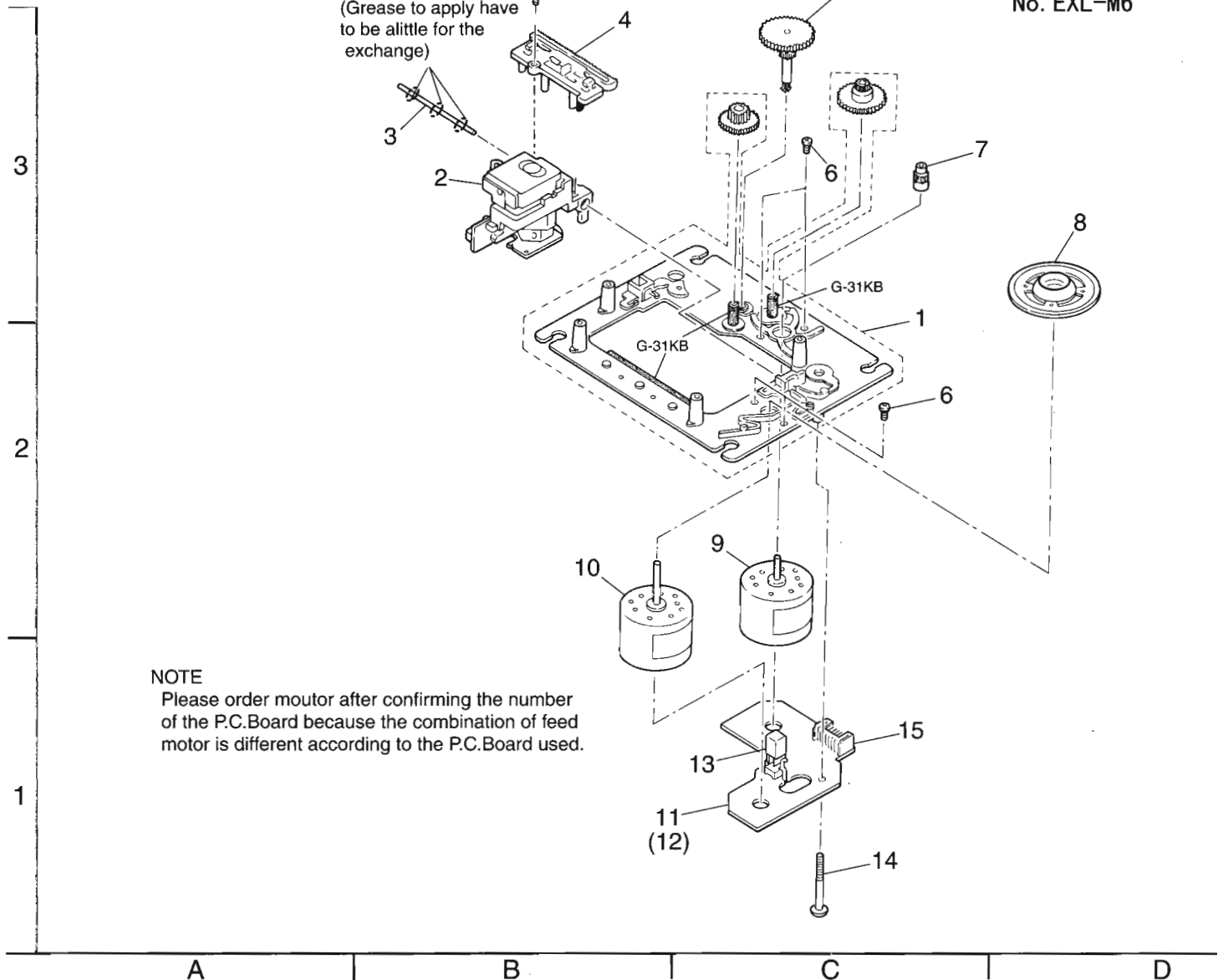
CD Mechanism Ass'y and Parts List

Block No. **M 2 M M**

No. EXL-M6

■ Grease Point

G-31KB
(Grease to apply have to be alittle for the exchange)



NOTE
Please order motor after confirming the number of the P.C.Board because the combination of feed motor is different according to the P.C.Board used.

■ CD Mechanism Assembly Parts List

	Item	Parts Number	Parts Name	Q'ty	Description	Area
	1	EPB-002PK	MECHA. BASE ASSY	1		
	2	OPTIMA-150S	OPTICAL PICK UP	1		
	3	E407782-001	CD SHAFT	1		
	4	E307746-001	CD RACK	1		
	5	EPB-003A	MECHA GEAR	1		
	6	SDSP2003N	SCREW	4		
	7	E406750-001	PINION GEAR	1		
	8	EPB309173A	TURN TABLE	1		
	9	E406784-001	FEED MOTOR	1	Use the No.11 P.C.Board	
		MDN-4RA3ETA-1	FEED MOTOR	1	Use the No.12 P.C.Board	
	10	E406783-001	SPINDLE MOTOR	1		
	11	EMW10190-001 (S)	P. C. BOARD	1		
	12	EMW10190-221 (S)	P. C. BOARD	1		
	13	ESB1100-005	LEAF SWITCH	1		
	14	E75832-001	SCREW	1		
	15	EMV5109-006B	CONN. TERMINAL	1		
	16	SDSF2006Z	SCREW	1		

■ Main Board (UX-7000 EE,UX-7000R B/E/EN)

BLOCK NO. 01		BLOCK NO. 01		
REF.	PARTS NO.	PARTS NAME	REMARKS	SUFFIX
CN301	VMC0040-006	CONNECTOR	HEADPHONE	
CN311	VMC0075-R02	2P CONNECTOR	CD DOOR	
CN351	QGF1201C3-12	VMC0332-012	MOTOR VOL	
CN355	QGB1216J1-10S	CONNECTOR	CONNECT	
CN371	QGB1216J1-26S	B TO B CONNE	MICOM	
CN391	VMZ0015-002	POST PIN	SHARSHI EARTH	
CN501	QGF1201C3-12	VMC0332-012		
CN551	QGB1216K1-10S	CONNECTOR		
CN552	QGB1216K1-10S	CONNECTOR		
CN571	QGB1216J1-08S	CONNECTOR	TO MICON	
CN911	VMC0040-002	CONNECTOR	MAIN PWB	
CN971	QGA2501C3-05Z	CONNECTOR	POWER TRANS	
CN981	EMG7331-003Z	FUSE CLIP		
CN982	EMG7331-003Z	FUSE CLIP		
CN983	EMG7331-003Z	FUSE CLIP		
CN984	EMG7331-003Z	FUSE CLIP		
CN991	VMZ0049-B02	CONNECTOR	PRI MORE	
CN992	VMZ0049-A02	CONNECTOR	SEC	
C1001	QGB11HK-331Y	C CAPACITOR	330PF 10% 50V	
C1002	QGC31EM-104ZV	C CAPACITOR	10MF 20% 25V	
C1003	QGC31EM-104ZV	C CAPACITOR	10MF 20% 25V	
C1006	QTE1V06-106Z	E CAPACITOR	0.82MF 5% 50V	
C1021	QFN41HJ-823	M CAPACITOR	0.82MF 5% 50V	
C1022	QFN41HJ-823	M CAPACITOR	0.82MF 5% 50V	
C1025	QTE1C06-226Z	E CAPACITOR	27MF 5% 50V	
C1026	QFV81HJ-274	CAPACITOR	3300PF 20% 16V	
C1031	QGX81CM-332Y	C CAPACITOR	220PF 10% 50V	
C1032	QCB11HK-221Y	C CAPACITOR	1000PF 10% 50V	
C1041	QGB11HK-102	C CAPACITOR	100PF 5% 50V	
C1051	QCS11HJ-101	C CAPACITOR	0.56MF 5% 50V	
C1082	QFN31HJ-563Z	M CAPACITOR	0.56MF 5% 50V	
C1083	QFN31HJ-563Z	M CAPACITOR	0.56MF 5% 50V	
C1084	QFN41HJ-472	M CAPACITOR	4700PF 5% 50V	
C1087	EFZ0101-392S	P.P.CAPACITOR	3900PF	
C1088	QTE1V06-106Z	E CAPACITOR		
C2001	QCB11HK-331Y	C CAPACITOR	330PF 10% 50V	
C2002	QCC31EM-104ZV	C CAPACITOR	10MF 20% 25V	
C2003	QCC31EM-104ZV	C CAPACITOR	10MF 20% 25V	
C2006	QTE1V06-106Z	E CAPACITOR	0.82MF 5% 50V	
C2021	QFN41HJ-823	M CAPACITOR	0.82MF 5% 50V	
C2022	QFN41HJ-823	M CAPACITOR	0.82MF 5% 50V	
C2025	QTE1C06-226Z	E CAPACITOR	27MF 5% 50V	
C2026	QFV81HJ-274	CAPACITOR	27MF 5% 50V	
C2031	QGX81CM-332Y	C CAPACITOR	3300PF 20% 16V	
C2032	QCB11HK-221Y	C CAPACITOR	220PF 10% 50V	
C2041	QCG11HK-102	C CAPACITOR	1000PF 10% 50V	
C2051	QCS11HJ-101	C CAPACITOR	100PF 5% 50V	
C2082	QFN31HJ-563Z	M CAPACITOR	0.56MF 5% 50V	
C2083	QFN31HJ-563Z	M CAPACITOR	0.56MF 5% 50V	
C2084	QFN41HJ-472	M CAPACITOR	4700PF 5% 50V	
C2087	EFZ0101-392S	P.P.CAPACITOR	3900PF	
C2088	ATE1V06-106Z	E CAPACITOR		
C3001	QEZ0437-828	E CAPACITOR	8200MF	
C3002	QFV71HJ-124ZM	TF CAPACITOR	1.5MF 5% 50V	
C3003	QET41EM-107	E.CAPA.IM	100MF 20% 25V	

BLOCK NO. 01		BLOCK NO. 01		
REF.	PARTS NO.	PARTS NAME	REMARKS	SUFFIX
C3004	EETC1AM-337ZE	E CAPACITOR	33MF 20% 25V	
C3005	QETC1EM-336Z	E CAPACITOR	2.2MF 20% 50V	
C3006	QEK41HM-225	E CAPACITOR	10MF 20% 25V	
C3007	QET41EM-106	E CAPACITOR	47MF 20% 25V	
C3021	QET41EM-476	E CAPACITOR		
C3022	QTE1C06-226Z	E CAPACITOR	1.0MF 20% 50V	
C3031	QER41HM-105	E CAPACITOR	1.0MF 20% 50V	
C3032	QER41HM-105	E CAPACITOR	0.56MF 5% 50V	
C3033	QFV71HJ-563ZM	M.M.CAP.IM	0.56MF 5% 50V	
C3034	QFV71HJ-563ZM	M.M.CAP.IM		
C3035	QEK41HM-105	E CAPACITOR	1.0MF 20% 50V	
C3036	QET41EM-106	E CAPACITOR	10MF 20% 25V	
C3037	QCG11HK-102	C CAPACITOR	1000PF 10% 50V	
C3041	QET41EM-106	E CAPACITOR	10MF 20% 25V	
C3042	QET41EM-106	E CAPACITOR	10MF 20% 25V	
C3043	QET41EM-106	E CAPACITOR	10MF 20% 25V	
C3051	QET41CM-107	E CAPACITOR	22MF 20% 16V	
C3052	QET41CM-107	E CAPACITOR	100PF 10% 50V	
C3053	QET41EM-106	E CAPACITOR	10MF 20% 25V	
C3080	QCG11HK-102	C CAPACITOR	1000PF 10% 50V	
C3081	QET41CM-107	E CAPACITOR	100MF 20% 16V	
C3083	QEK41HM-474	E CAPACITOR	0.47MF 20% 50V	
C3084	QEK41HM-474	E CAPACITOR	0.47MF 20% 50V	
C3085	QEK41EM-475	E CAPACITOR	4.7MF 20% 25V	
C3086	EETB1CM-106E	E.CAPA. I.M		
C3087	QET41EM-106	E CAPACITOR	10MF 20% 25V	
C3088	QEP51EM-106	E.CAPA. I.M	10MF 20% 25V	
C3089	QCB11HK-471Y	C CAPACITOR	470PF 10% 50V	
C3090	QCB11HK-101Y	C CAPACITOR	100PF 10% 50V	
C3091	QCG11HK-102	C CAPACITOR	1000PF 10% 50V	
C3092	QCVB1CM-103Y	C CAPACITOR	0.10MF 30% 16V	
C3112	QET41EM-106	E CAPACITOR	10MF 20% 25V	
C3501	QCS11HJ-330	C CAPACITOR	33PF 5% 50V	
C3502	QCS11HJ-201	C CAPACITOR	200PF 5% 50V	
C3503	QCS11HJ-201	C CAPACITOR	200PF 5% 50V	
C3504	QCS11HJ-680	C CAPACITOR	68PF 5% 50V	
C3505	QFN31HJ-563Z	M.CAPACITOR	0.56MF 5% 50V	
C3506	QFN41HJ-104	M CAPACITOR	10MF 5% 50V	
C3507	QFN41HJ-472	M CAPACITOR	4700PF 5% 50V	
C3508	QFN31HJ-563Z	M.CAPACITOR	0.56MF 5% 50V	
C3771	QET41EM-476	E CAPACITOR	47MF 20% 25V	
C3772	QCB11HK-221Y	C CAPACITOR	220PF 10% 50V	
C3773	QCB11HK-102	C CAPACITOR	1000PF 10% 50V	
C3774	QCB11HK-151Y	C CAPACITOR	150PF 10% 50V	
C3901	QETB1JM-107	E CAPACITOR	100MF 20% 63V	
C3902	QETB1JM-107	E CAPACITOR	100MF 20% 63V	
C3903	QCVB1CM-103Y	E CAPACITOR	0.10MF 30% 16V	
C3904	QEK51HM-226	E CAPACITOR	22MF 20% 50V	
C3905	QET41EM-226	E CAPACITOR	22MF 20% 50V	
C3906	QEK61HM-475Z	E CAPACITOR	4.7MF 20% 50V	
C4001	QEK41CM-106	E CAPACITOR	10MF 20% 16V	
C4002	QETC0JM-227	E CAPACITOR	220MF 20% 6.3V	
C4003	QEK61AM-107ZM	E CAPACITOR	100MF 20% 10V	
C5001	QET41CM-107	E CAPACITOR	100MF 20% 16V	
C5011	QET41EM-106	E CAPACITOR	10MF 20% 25V	

BLOCK NO. 00111111

A REF.	PARTS NO.	PARTS NAME	REMARKS	SUFFIX
C5501	QET41EM-476	E CAPACITOR	47MF 20% 25V	
C9001	QEK41EM-476	E.CAPA. I.M	47MF 20% 25V	
C9002	QCVB1CN-103Y	C CAPACITOR	-010MF 30% 16V	
C9003	QCBB1HK-221Y	C CAPACITOR	220PF 10% 50V	
C9101	QET41EM-107	E.CAPA.I.M	100MF 20% 25V	
C9601	QEK41EM-106	E CAPACITOR	10MF 20% 25V	
C9602	QEH1CM-337Z	E CAPACITOR	330MF 20% 16V	
C9603	QET41EM-476	E CAPACITOR	47MF 20% 25V	
C9701	QFN41HJ-104	M CAPACITOR	-1.0MF 5% 50V	
C9702	QET41EM-476	E CAPACITOR	47MF 20% 25V	
C9703	QET41EM-476	E CAPACITOR	47MF 20% 25V	
C9711	QEZ0229-479Z	EDL CAPACITOR	47000MF	
C9901	QFV41HJ-224	CAPACITOR	.22MF 5% 50V	
C9902	QFV41HJ-224	CAPACITOR	.22MF 5% 50V	
C9903	QFV41HJ-224	CAPACITOR	.22MF 5% 50V	
C9904	QFV41HJ-224	CAPACITOR	.22MF 5% 50V	
D3021	MT25.1JAT-77	ZENER DIODE		
D3031	1SS133	SI DIODE		
D3032	1SS133	SI DIODE		
D3033	1SS133	SI DIODE		
D3034	1SS133	SI DIODE		
D3110	1SS133	SI DIODE		
D3111	1SS133	SI DIODE		
D3112	1SS133	SI DIODE		
D3501	1SS133	SI DIODE	MAKER SITEI	
D3502	1SS133	SI DIODE	MAKER SITEI	
D3503	1SS133	SI DIODE	MAKER SITEI	
D3901	DSK10C-E	DIODE		
D3902	DSK10C-E	DIODE		
D3903	MTZ30JAT-77	Z DIODE		
D3904	MTZ30JAT-77	Z DIODE I.M		
D8001	SLZ-481C09-T6	LED	GSEL LED(ODDB)	
D8002	SLZ-481C09-T6	LED	GSEL LED(-6DB)	
D8003	SLZ-481C09-T6	LED	GSEL LED(-12DB)	
D8004	1SS133	SI DIODE		
D8005	1SS133	SI DIODE		
D9001	1SS133	SI DIODE		
D9002	MTZ10JAT-77	ZENER DIODE		
D9101	MTZ11JA	Z DIODE I.M		
D9102	1SS133	SI DIODE		
D9103	DSK10C-E	DIODE		
D9601	MTZ6.8JB	DIODE		
D9701	1SS133	SI DIODE		
D9702	MTZ8.2JB	DIODE		
D9703	1SS133	SI DIODE		
D9704	1SS133	SI DIODE		
D9705	1SS133	SI DIODE		
D9706	MTZ8.2JB	DIODE		
D9712	MTZ5.1JC	ZENER DIODE		
D9713	1SS133	SI DIODE		
D9901	6A10E2	SI DIODE	POWER AMP	
D9902	6A10E2	SI DIODE		
D9903	6A10E2	SI DIODE		
D9904	6A10E2	SI DIODE		
IC301	LA4705NA	IC		

BLOCK NO. 00111111

A REF.	PARTS NO.	PARTS NAME	REMARKS	SUFFIX
IC302	VC4580LD	IC	AHB AMP	
IC305	BA15218N	IC	E VOL	
IC308	BH3852S	IC		
IC317	BU4094BC	IC		
IC371	UPC78L06J	IC		
IC372	KIA78S06P-T	IC		
IC401	TA8409S	IC		
IC501	TA8409S	IC		
IC551	NJM2904L	IC		
J3002	0NN0195-001	PIN JACK	SUB WOOFER	
J3003	FMMJ4001-001	SPK TERMINAL	SPEAKER	
J9901	GNC0001-001	AC INRET	MORE	
K5001	VQZ0107-002	INDUCTOR		
K8001	VQZ0107-002	INDUCTOR		
LC131	VQZ0104-003	INDUCTOR		
LC231	VQZ0104-003	INDUCTOR	E VER	
LF901	VQZ0113-001	INDUCTOR		
L4001	VQP0028-221Z	INDUCTOR		
L4002	VQZ0107-002	INDUCTOR		
L5011	VQP0028-221Z	INDUCTOR		
PP391	VMZ0015-011	STYLE PIN	HP WIRE CLAMP	
PP394	VMZ0015-011	STYLE PIN	TRANS WIRE CLAMP	
PP395	VMZ0015-011	STYLE PIN	HP WIRE CLAMP	
Q4031	KTC3199(GL)-T	TRANSISTOR		
Q4041	2SD2144S(VW)	TRANSISTOR		
Q4042	KTC3199(GL)-T	TRANSISTOR		
Q4043	KTC3199(GL)-T	TRANSISTOR		
Q1051	2SK301(PQ)-T	TR		
Q2031	KTC3199(GL)-T	TRANSISTOR		
Q2041	2SD2144S(VW)	TRANSISTOR		
Q2042	KTC3199(GL)-T	TRANSISTOR		
Q2043	KTC3199(GL)-T	TRANSISTOR		
Q2051	2SK301(PQ)-T	TR		
Q3041	KRA101M-T	DIGI TRANSISTOR		
Q3042	KRC101M-T	DIGI TRANSISTOR		
Q3043	KRC101M-T	DIGI TRANSISTOR	BASS MUTE	
Q3081	2SD2144S(VW)	TRANSISTOR		
Q3091	KTC3199(GL)-T	TRANSISTOR		
Q3092	KTC3199(GL)-T	TRANSISTOR		
Q3111	KTC3199(GL)-T	TRANSISTOR		
Q3112	KRA101M-T	DIGI TRANSISTOR		
Q3501	KTC3199(GL)-T	TRANSISTOR		
Q3502	KTA1267(YG)-T	TRANSISTOR		
Q3511	DTC144WSTP	TR I.M		
Q3901	2SB1375	TRANSISTOR		
Q4001	KTC3199(GL)-T	TRANSISTOR		
Q4002	KTC3199(GL)-T	TRANSISTOR		
Q4003	KRC114M-T	DIGI TRANSISTOR		
Q5021	KTC3199(GL)-T	TRANSISTOR		
Q8001	KTC3199(GL)-T	TRANSISTOR		
Q8002	KTC3199(GL)-T	TRANSISTOR		
Q8003	KTC3199(GL)-T	TRANSISTOR		
Q9001	2SB1565(E,F)	TRANSISTOR	REG.10V	
Q9002	KTA1267(YG)-T	TRANSISTOR		
Q9003	KTC3199(GL)-T	TRANSISTOR		

BLOCK NO. 01111111

REF.	PARTS NO.	PARTS NAME	REMARKS	SUFFIX
R2083	GRD161J-162	C RESISTOR	1.6K 5% 1/4W	
R2085	GRD161J-272	C RESISTOR	2.7K 5% 1/4W	
R2086	GRD161J-182	C RESISTOR	1.8K 5% 1/4W	
R2087	GRE141J-103Y	C RESISTOR	10K 5% 1/4W	
R2089	GRD161J-224	C RESISTOR	220K 5% 1/4W	
R3001	GRE141J-103Y	C RESISTOR	10K 5% 1/4W	
R3021	GRD161J-151	C RESISTOR	150 5% 1/4W	
R3022	GRD161J-182	C RESISTOR	1.8K 5% 1/4W	
R3031	GRD161J-472	C RESISTOR	4.7K 5% 1/4W	
R3032	GRD161J-472	C RESISTOR	4.7K 5% 1/4W	
R3033	GRD161J-124	C RESISTOR	120K 5% 1/4W	
R3034	GRD161J-474	C RESISTOR	470K 5% 1/4W	
R3035	GRD161J-223	C RESISTOR	22K 5% 1/4W	
R3036	GRD161J-513	C RESISTOR	51K 5% 1/4W	
R3042	GRE141J-103Y	C RESISTOR	10K 5% 1/4W	
R3043	GRE141J-103Y	C RESISTOR	10K 5% 1/4W	
R3051	GRD161J-151	C RESISTOR	150 5% 1/4W	
R3052	GRE141J-103Y	C RESISTOR	10K 5% 1/4W	
R3053	GRE141J-103Y	C RESISTOR	10K 5% 1/4W	
R3054	GRD161J-473	C RESISTOR	47K 5% 1/4W	
R3055	GRD161J-224	C RESISTOR	220K 5% 1/4W	
R3056	GRD161J-331	C RESISTOR	330 5% 1/4W	
R3080	GRD161J-151	C RESISTOR	150 5% 1/4W	
R3081	GRD161J-151	C RESISTOR	150 5% 1/4W	
R3082	GRD161J-124	C RESISTOR	120K 5% 1/4W	
R3083	GRD161J-154	C RESISTOR	150K 5% 1/4W	
R3085	GRD161J-272	C RESISTOR	2.7K 5% 1/4W	
R3086	GRD161J-102	C RESISTOR	1.0K 5% 1/4W	
R3087	GRD161J-104	C RESISTOR	100K 5% 1/4W	
R3088	GRD161J-222	C RESISTOR	2.2K 5% 1/4W	
R3091	GRD167J-562	C RESISTOR	5.6K 5% 1/4W	
R3092	GRD161J-182	C RESISTOR	1.8K 5% 1/4W	
R3093	GRE141J-103Y	C RESISTOR	10K 5% 1/4W	
R3094	GRE141J-103Y	C RESISTOR	10K 5% 1/4W	
R3111	GRD161J-104	C RESISTOR	100K 5% 1/4W	
R3112	GRD161J-272	C RESISTOR	2.7K 5% 1/4W	
R3501	GRD161J-473	C RESISTOR	47K 5% 1/4W	
R3502	GRD161J-822	C RESISTOR	8.2K 5% 1/4W	
R3503	GRD161J-822	C RESISTOR	8.2K 5% 1/4W	
R3504	GRD161J-102	C RESISTOR	1.0K 5% 1/4W	
R3505	GRD161J-475	C RESISTOR	4.7M 5% 1/4W	
R3507	GRD161J-101	C RESISTOR	100 5% 1/4W	
R3508	GRD161J-474	C RESISTOR	470K 5% 1/4W	
R3509	GRD161J-424	C RESISTOR	120K 5% 1/4W	
R3510	GRD161J-101	C RESISTOR	100 5% 1/4W	
R3511	GRD167J-275	C.RES. 1.M	2.7M 5% 1/4W	
R3771	GRD161J-453	C RESISTOR	15K 5% 1/4W	
R3901	GRZ0077-4R7X	F RESISTOR	4.7 1/0W	
R3902	GRD161J-392	C RESISTOR	3.9K 5% 1/4W	
R3903	GRD161J-223	C RESISTOR	22K 5% 1/4W	
R3904	GRD161J-100	C RESISTOR	10 5% 1/4W	
R3905	GRJ146J-1R0X	UNF C RESISTOR	1.0 5% 1/4W	
R3906	GRJ146J-1R0X	UNF C RESISTOR	1.0 5% 1/4W	
R3907	GRD161J-331	C RESISTOR	330 5% 1/4W	
R3915	GRJ146J-1R0X	UNF C RESISTOR	1.0 5% 1/4W	

BLOCK NO. 01111111

REF.	PARTS NO.	PARTS NAME	REMARKS	SUFFIX
Q9004	KRC114M-T	DIGI TRANSISTOR		
Q9005	DTA144TSA-T	D. TRANSISTOR		
Q9006	KTC3199(GL)-T	TRANSISTOR		
Q9101	25C2001(L,K)	TRANSISTOR		
Q9601	25C3422(OY)	TRANSISTOR		
Q9602	KRA101M-T	DIGI TRANSISTOR		
Q9603	KRC104M-T	DIGI TRANSISTOR		
Q9711	KTC3199(GL)-T	TRANSISTOR		
Q9722	KRA101M-T	DIGI TRANSISTOR		
Q9723	KRC104M-T	DIGI TRANSISTOR		
R1001	GRD161J-2R2	C RESISTOR	2.2 5% 1/4W	
R1002	GRD161J-2R2	C RESISTOR	2.2 5% 1/4W	
R1022	GRD161J-184	C RESISTOR	180K 5% 1/4W	
R1023	GRD161J-222	C RESISTOR	2.2K 5% 1/4W	
R1024	GRD161J-242	C RESISTOR	2.4K 5% 1/4W	
R1027	GRD161J-123	C RESISTOR	12K 5% 1/4W	
R1028	GRD161J-472	C RESISTOR	4.7K 5% 1/4W	
R1029	GRD161J-472	C RESISTOR	4.7K 5% 1/4W	
R1031	GRD161J-223	C RESISTOR	22K 5% 1/4W	
R1032	GRD161J-223	C RESISTOR	22K 5% 1/4W	
R1033	GRE141J-103Y	C RESISTOR	10K 5% 1/4W	
R1034	GRD161J-123	C RESISTOR	12K 5% 1/4W	
R1041	GRD161J-472	C RESISTOR	4.7K 5% 1/4W	
R1042	GRE141J-103Y	C RESISTOR	10K 5% 1/4W	
R1043	GRD161J-472	C RESISTOR	4.7K 5% 1/4W	
R1044	GRE141J-103Y	C RESISTOR	10K 5% 1/4W	
R1045	GRD161J-152	C RESISTOR	1.5K 5% 1/4W	
R1051	GRD161J-473	C RESISTOR	47K 5% 1/4W	
R1052	GRD161J-475	C RESISTOR	4.7M 5% 1/4W	
R1082	GRD161J-512	C RESISTOR	5.1K 5% 1/4W	
R1083	GRD161J-162	C RESISTOR	1.6K 5% 1/4W	
R1085	GRD161J-272	C RESISTOR	2.7K 5% 1/4W	
R1086	GRD161J-182	C RESISTOR	1.8K 5% 1/4W	
R1087	GRE141J-103Y	C RESISTOR	10K 5% 1/4W	
R1089	GRD161J-224	C RESISTOR	220K 5% 1/4W	
R2001	GRD161J-2R2	C RESISTOR	2.2 5% 1/4W	
R2002	GRD161J-2R2	C RESISTOR	2.2 5% 1/4W	
R2022	GRD161J-184	C RESISTOR	180K 5% 1/4W	
R2023	GRD161J-222	C RESISTOR	2.2K 5% 1/4W	
R2024	GRD161J-242	C RESISTOR	2.4K 5% 1/4W	
R2027	GRD161J-123	C RESISTOR	12K 5% 1/4W	
R2028	GRD161J-472	C RESISTOR	4.7K 5% 1/4W	
R2029	GRD161J-472	C RESISTOR	4.7K 5% 1/4W	
R2031	GRD161J-223	C RESISTOR	22K 5% 1/4W	
R2032	GRD161J-223	C RESISTOR	22K 5% 1/4W	
R2033	GRE141J-103Y	C RESISTOR	10K 5% 1/4W	
R2034	GRD161J-123	C RESISTOR	12K 5% 1/4W	
R2041	GRD161J-472	C RESISTOR	4.7K 5% 1/4W	
R2042	GRE141J-103Y	C RESISTOR	10K 5% 1/4W	
R2043	GRD161J-472	C RESISTOR	4.7K 5% 1/4W	
R2044	GRE141J-103Y	C RESISTOR	10K 5% 1/4W	
R2045	GRD161J-132	C RESISTOR	1.3K 5% 1/4W	
R2051	GRD161J-473	C RESISTOR	47K 5% 1/4W	
R2052	GRD161J-475	C RESISTOR	4.7M 5% 1/4W	
R2082	GRD161J-512	C RESISTOR	5.1K 5% 1/4W	

BLOCK NO. 01111111

A REF.	PARTS NO.	PARTS NAME	REMARKS	SUFFIX
R9013	GRD161J-222	C RESISTOR	2.2K 5% 1/4W	
R9014	GRD161J-222	C RESISTOR	2.2K 5% 1/4W	
R9015	GRE141J-103Y	C RESISTOR	10K 5% 1/4W	
R9016	GRD161J-472	C RESISTOR	4.7K 5% 1/4W	
R9017	GRD161J-472	C RESISTOR	4.7K 5% 1/4W	
R9101	GRD161J-561	C RESISTOR	560 5% 1/4W	
R9601	GRD161J-122	C RESISTOR	1.2K 5% 1/4W	
R9602	GRD161J-101	C RESISTOR	100 5% 1/4W	
R9603	GRD161J-470	C RESISTOR	47 5% 1/4W	
R9604	GRD161J-473	C RESISTOR	47K 5% 1/4W	
R9701	GRZ0077-4R7X	F RESISTOR	4.7 170W	
R9711	GRD161J-333	C RESISTOR	33K 5% 1/4W	
R9712	GRD161J-473	C RESISTOR	47K 5% 1/4W	
R9713	GRD161J-104	C RESISTOR	100K 5% 1/4W	
R9714	GRD161J-331	C RESISTOR	330 5% 1/4W	
R9723	GRD161J-122	C RESISTOR	1.2K 5% 1/4W	
S8001	QSW0698-001Z	TACT SWITCH	OPEN/CLOSE	
S8002	QSW0698-001Z	TACT SWITCH	CD	
S8003	QSW0698-001Z	TACT SWITCH	FM/AM	
S8004	QSW0698-001Z	TACT SWITCH	MD/TAPE	
S8005	QSW0698-001Z	TACT SWITCH	AUX	
S8006	QSW0698-001Z	TACT SWITCH	P-TUNING	
S8007	QSW0698-001Z	TACT SWITCH	DOWN	
S8008	QSW0698-001Z	TACT SWITCH	STOP	
S8009	QSW0698-001Z	TACT SWITCH	UP	
S8010	QSW0698-001Z	TACT SWITCH	CLOCK	
S8011	QSW0698-001Z	TACT SWITCH	SLEEP	
S8012	QSW0698-001Z	TACT SWITCH	POWER	
S8013	QSW0698-001Z	TACT SWITCH	AHB	
S8014	QSW0698-001Z	TACT SWITCH	ODD	
S8015	QSW0698-001Z	TACT SWITCH	TIMER/SNOOZE	
S8016	QSW0698-001Z	TACT SWITCH	(-12DB)	
VR501	QVQ0120-B54	M V RESISTOR		

BLOCK NO. 01111111

A REF.	PARTS NO.	PARTS NAME	REMARKS	SUFFIX
R9916	GRJ166J-1R0X	UNF C RESISTOR	1.0 5% 1/4W	
R4001	GRD161J-153	C RESISTOR	15K 5% 1/4W	
R4002	GRD161J-123	C RESISTOR	12K 5% 1/4W	
R4003	GRD161J-3R9S	UNF.C.RES. I.M	3.9 5% 1/4W	
R4004	GRD161J-133Y	C RESISTOR	13K 5% 1/4W	
R4005	GRD161J-391	C RESISTOR	390 5% 1/4W	
R4006	GRD161J-151	C RESISTOR	150 5% 1/4W	
R5001	GRJ146J-151X	C RESISTOR	150 5% 1/4W	
R5011	GRD161J-153	C RESISTOR	15K 5% 1/4W	
R5012	GRD161J-223	C RESISTOR	22K 5% 1/4W	
R5021	GRD161J-471	C RESISTOR	470 5% 1/4W	
R5022	GRE141J-183Y	C RESISTOR	18K 5% 1/4W	
R5023	GRD161J-102	C RESISTOR	1.0K 5% 1/4W	
R5011	GRD161J-151	C RESISTOR	150 5% 1/4W	
R5021	GRD161J-133Y	C RESISTOR	13K 5% 1/4W	
R5003	GRD161J-333	C RESISTOR	33K 5% 1/4W	
R5004	GRD161J-822	C RESISTOR	8.2K 5% 1/4W	
R8001	GRD161J-102	C RESISTOR	1.0K 5% 1/4W	
R8002	GRD161J-102	C RESISTOR	1.0K 5% 1/4W	
R8003	GRD161J-122	C RESISTOR	1.2K 5% 1/4W	
R8004	GRD161J-152	C RESISTOR	1.5K 5% 1/4W	
R8005	GRD161J-222	C RESISTOR	2.2K 5% 1/4W	
R8006	GRD161J-272	C RESISTOR	2.7K 5% 1/4W	
R8007	GRD161J-392	C RESISTOR	3.9K 5% 1/4W	
R8008	GRD161J-562	C RESISTOR	5.6K 5% 1/4W	
R8009	GRE141J-103Y	C RESISTOR	10K 5% 1/4W	
R8010	GRE141J-183Y	C RESISTOR	18K 5% 1/4W	
R8011	GRD161J-563	C RESISTOR	56K 5% 1/4W	
R8012	GRD161J-102	C RESISTOR	1.0K 5% 1/4W	
R8013	GRD161J-102	C RESISTOR	1.0K 5% 1/4W	
R8014	GRD161J-122	C RESISTOR	1.2K 5% 1/4W	
R8015	GRD161J-152	C RESISTOR	1.5K 5% 1/4W	
R8016	QWY124-5.0Y	BUS WIRE I/M		
R8017	GRD161J-822	C RESISTOR	UX-7000 ONLY	B,E,EN
R8017	GRD161J-153	C RESISTOR	UX-7000 ONLY	EE
R8018	GRD161J-471	C RESISTOR	470 5% 1/4W	
R8019	GRD161J-471	C RESISTOR	470 5% 1/4W	
R8020	GRD161J-471	C RESISTOR	470 5% 1/4W	
R8021	GRD161J-562	C RESISTOR	5.6K 5% 1/4W	
R8022	GRD161J-222	C RESISTOR	2.2K 5% 1/4W	
R8023	GRD161J-102	C RESISTOR	1.0K 5% 1/4W	
R8024	GRD161J-153	C RESISTOR	15K 5% 1/4W	
R8025	GRD161J-153	C RESISTOR	15K 5% 1/4W	
R9001	GRD161J-2R2	C RESISTOR	2.2 5% 1/4W	
R9002	GRD161J-2R2	C RESISTOR	2.2 5% 1/4W	
R9003	GRD161J-2R2	C RESISTOR	2.2 5% 1/4W	
R9004	GRD161J-471	C RESISTOR	470 5% 1/4W	
R9005	GRD161J-152	C RESISTOR	1.5K 5% 1/4W	
R9006	GRD161J-682	C RESISTOR	6.8K 5% 1/4W	
R9007	GRD161J-102	C RESISTOR	1.0K 5% 1/4W	
R9008	GRD161J-222	C RESISTOR	2.2K 5% 1/4W	
R9009	GRD161J-472	C RESISTOR	4.7K 5% 1/4W	
R9010	GRD161J-471	C RESISTOR	470 5% 1/4W	
R9011	GRD161J-222	C RESISTOR	2.2K 5% 1/4W	
R9012	GRD161J-222	C RESISTOR	2.2K 5% 1/4W	

■ Main Board (UX-7000 A/U/UB/UF/US/UT/UX,FS-7000 J)

BLOCK NO. 02111111		BLOCK NO. 02111111		
REF.	PARTS NO.	PARTS NAME	REMARKS	SUFFIX
A	CN301	VMC0040-006	CONNECTOR	HEADPHONE
	CN311	VMC0075-R02	2P CONNECTOR	CD DOOR
	CN351	GMF1201C3-12	VMC0332-012	MOTOR VOL
	CN355	QGB1216J1-10S	CONNECTOR	CONNECT
	CN371	QGB1216J1-26S	B TO B CONNE	MICDM
	CN391	VMZ0015-002	POST PIN	SHARSHI EARTH
	CN501	GGF1201C3-12	VMC0332-012	
	CN551	QGB1216K1-10S	CONNECTOR	
	CN552	QGB1216K1-10S	CONNECTOR	
	CN871	QGB1216J1-08S	CONNECTOR	TO MICON
	CN911	VMC0040-002	CONNECTOR	MAIN PWB
	CN971	QGA2501C3-05Z	CONNECTOR	POWER TRANS
A	CN981	EMG7331-003Z	FUSE CLIP	
A	CN982	EMG7331-003Z	FUSE CLIP	
	CN983	EMG7331-003Z	FUSE CLIP	UX-7000 ONLY
	CN984	EMG7331-003Z	FUSE CLIP	UX-7000 ONLY
	CN985	EMG7331-003Z	FUSE CLIP	UX-7000 ONLY
	CN986	EMG7331-003Z	FUSE CLIP	UX-7000 ONLY
	CN987	EMG7331-003Z	FUSE CLIP	UX-7000 ONLY
	CN988	EMG7331-003Z	FUSE CLIP	UX-7000 ONLY
	CN991	VMZ0049-B04	CONNECTOR	U,UB,US
	CN991	VMZ0049-B02	CONNECTOR	J
	CN991	VMZ0049-B02	CONNECTOR	FS-7000 ONLY
	CN991	VMZ0049-B02	CONNECTOR	A,U,F
	CN991	VMZ0049-B04	CONNECTOR	UX-7000 ONLY
	CN992	VMZ0049-A02	CONNECTOR	UT,UX
	C1001	QCBBIHK-331Y	C CAPACITOR	SEC
	C1002	QCC31EM-104ZV	C CAPACITOR	330PF 10% 50V
	C1003	QCC31EM-104ZV	C CAPACITOR	-10MF 20% 25V
	C1006	QTE1V06-106Z	E CAPACITOR	-10MF 20% 25V
	C1021	QFN41HJ-823	M CAPACITOR	.082MF 5% 50V
	C1022	QFN41HJ-823	M CAPACITOR	-082MF 5% 50V
	C1025	QTE1C06-226Z	E CAPACITOR	.27MF 5% 50V
	C1026	QFV81HJ-274	CAPACITOR	3900PF
	C1051	QCS11HJ-101	C CAPACITOR	100PF 5% 50V
	C1082	QFN31HJ-563Z	M CAPACITOR	.056MF 5% 50V
	C1083	QFN31HJ-563Z	M CAPACITOR	.056MF 5% 50V
	C1084	QFN41HJ-472	M CAPACITOR	4700PF 5% 50V
	C1087	EFZ0101-392S	P.P.CAPACITOR	
	C1088	QTE1V06-106Z	E CAPACITOR	
	C2001	QCBBIHK-331Y	C CAPACITOR	330PF 10% 50V
	C2002	QCC31EM-104ZV	C CAPACITOR	-10MF 20% 25V
	C2003	QCC31EM-104ZV	C CAPACITOR	-10MF 20% 25V
	C2006	QTE1V06-106Z	E CAPACITOR	.082MF 5% 50V
	C2021	QFN41HJ-823	M CAPACITOR	.082MF 5% 50V
	C2022	QFN41HJ-823	M CAPACITOR	.082MF 5% 50V
	C2025	QTE1C06-226Z	E CAPACITOR	.27MF 5% 50V
	C2026	QFV81HJ-274	CAPACITOR	3900PF
	C2051	QCS11HJ-101	C CAPACITOR	100PF 5% 50V
	C2082	QFN31HJ-563Z	M CAPACITOR	.056MF 5% 50V
	C2083	QFN31HJ-563Z	M CAPACITOR	.056MF 5% 50V
	C2084	QFN41HJ-472	M CAPACITOR	4700PF 5% 50V
	C2087	EFZ0101-392S	P.P.CAPACITOR	3900PF
	C2088	QTE1V06-106Z	E CAPACITOR	
	C3001	QEZ0437-828	E CAPACITOR	8200MF
A	C3002	QFV71HJ-124ZM	TF CAPACITOR	.12MF 5% 50V

BLOCK NO. 02111111		BLOCK NO. 02111111		
REF.	PARTS NO.	PARTS NAME	REMARKS	SUFFIX
A	C3003	QET41EM-107	E.CAPA.I.M	100MF 20% 25V
	C3004	EETC1AM-337ZE	E.CAPACITOR	33MF 20% 25V
	C3005	QETC1EM-336Z	E CAPACITOR	2.2MF 20% 50V
	C3006	QEK41HM-225	E CAPACITOR	10MF 20% 25V
	C3007	QET41EM-106	E CAPACITOR	47MF 20% 25V
	C3021	QET41EM-476	E CAPACITOR	
	C3022	QTE1C06-226Z	E CAPACITOR	1.0MF 20% 50V
	C3031	QER41HM-105	E CAPACITOR	1.0MF 20% 50V
	C3032	QER41HM-105	E CAPACITOR	.056MF 5% 50V
	C3033	QFV71HJ-563ZM	M.M.CAP.I.M	.056MF 5% 50V
	C3034	QFV71HJ-563ZM	M.M.CAP.I.M	.056MF 5% 50V
	C3035	QEK41HM-105	E CAPACITOR	1.0MF 20% 50V
	C3036	QET41EM-106	E CAPACITOR	10MF 20% 25V
	C3041	QET41EM-106	E CAPACITOR	10MF 20% 25V
	C3042	QET41EM-106	E CAPACITOR	10MF 20% 25V
	C3043	QET41EM-106	E CAPACITOR	10MF 20% 25V
	C3051	QET41CM-107	E CAPACITOR	100MF 20% 16V
	C3052	QEK51EM-226E	E.CAPA.I.M	22MF 20% 25V
	C3053	QET41EM-106	E CAPACITOR	10MF 20% 25V
	C3081	QET41CM-107	E CAPACITOR	100MF 20% 16V
	C3083	QEK41HM-474	E CAPACITOR	.47MF 20% 50V
	C3084	QEK41HM-474	E CAPACITOR	.47MF 20% 50V
	C3085	QEK41EM-475	E CAPACITOR	4.7MF 20% 25V
	C3086	EETB1CM-106E	E.CAPA.I.M	
	C3087	QET41EM-106	E CAPACITOR	10MF 20% 25V
	C3088	QER51EM-106	E.CAPA.I.M	1000PF 10% 50V
	C3089	QCVB1HK-102	C CAPACITOR	.010MF 30% 16V
	C3092	QCVB1CN-103Y	C CAPACITOR	10MF 20% 25V
	C3112	QET41EM-106	E CAPACITOR	33PF 5% 50V
	C3501	QCS11HJ-330	C CAPACITOR	200PF 5% 50V
	C3502	QCS1HJ-201	C CAPACITOR	200PF 5% 50V
	C3503	QCS11HJ-201	C CAPACITOR	68PF 5% 50V
	C3504	QCS11HJ-680	C CAPACITOR	.056MF 5% 50V
	C3505	QFN31HJ-563Z	M CAPACITOR	.10MF 5% 50V
	C3506	QFN41HJ-104	M CAPACITOR	4700PF 5% 50V
	C3507	QFN41HJ-472	M CAPACITOR	.056MF 5% 50V
	C3508	QFN31HJ-563Z	M CAPACITOR	47MF 20% 25V
	C3771	QET41EM-476	E CAPACITOR	220PF 10% 50V
	C3772	QCBBIHK-221Y	C CAPACITOR	1000PF 10% 50V
	C3773	QCVB1HK-102	C CAPACITOR	150PF 10% 50V
	C3774	QCBBIHK-151Y	C CAPACITOR	100MF 20% 63V
A	C3902	QETB1JM-107	E CAPACITOR	100MF 20% 63V
A	C3903	QCVB1CN-103Y	C CAPACITOR	.010MF 30% 16V
	C3904	QEK51HM-226	E.CAPACITOR	22MF 20% 50V
	C3905	QET41HM-226	E CAPACITOR	22MF 20% 50V
	C3906	QEK61HM-475Z	E CAPACITOR	4.7MF 20% 50V
	C4001	QEK41CM-106	E CAPACITOR	10MF 20% 16V
	C4002	QETC0JM-227	E CAPACITOR	220MF 20% 6.3V
	C4003	QEK61AM-107ZM	E CAPACITOR	100MF 20% 10V
	C5001	QET41CM-107	E CAPACITOR	100MF 20% 16V
	C5011	QET41EM-106	E CAPACITOR	10MF 20% 25V
	C5501	QET41EM-476	E CAPACITOR	47MF 20% 25V
	C9001	QEK41EM-476	E.CAPA.I.M	47MF 20% 25V
	C9002	QCVB1CN-103Y	C CAPACITOR	.010MF 30% 16V

BLOCK NO. 02

REF.	PARTS NO.	PARTS NAME	REMARKS	SUFFIX
A D9903	6A10E2	SI DIODE		
A D9904	6A10E2	SI DIODE		
A IC301	LA4705NA	IC	POWER AMP	
A IC302	VC4580LD	IC	AHB AMP	
A IC305	BA15218N	IC		
A IC308	BH3852S	IC	E VOL	
A IC317	BU40948C	IC		
A IC371	UPC78L06J	IC		
A IC372	KIA78506P-T	IC		
A IC401	TA8409S	IC		
A IC501	TA8409S	IC		
A IC551	NJM2904L	IC		
A J3002	QNN0195-001	PIN JACK	SUB WOOFER	
A J3003	FMMJ4001-001	SPK TERMINAL	SPEAKER	U,UB,US
A J9901	GNC0001-001	AC INRET	UX-7000 ONLY	
A J9901	GNC0001-001	AC INRET	UX-7000 ONLY	US,UT,UX,A
A K5001	VQZ0107-002	INDUCTOR		J
A K8001	VQZ0107-002	INDUCTOR		
A L4001	VQP0028-221Z	INDUCTOR		
A L4002	VQZ0107-002	INDUCTOR		
A L5011	VQP0028-221Z	INDUCTOR		
A PP391	VMZ0015-011	STYLE PIN	HP WIRE CLAMP	
A PP394	VMZ0015-011	STYLE PIN	TRANS WIRE CLAMP	
A PP395	VMZ0015-011	STYLE PIN	HP WIRE CLAMP	
A Q1031	KTC3199(GL)-T	TRANSISTOR		
A Q1041	2SD2144S(VM)	TRANSISTOR		
A Q1042	KTC3199(GL)-T	TRANSISTOR		
A Q1043	KTC3199(GL)-T	TRANSISTOR		
A Q1051	2SK301(PQ)-T	TR		
A Q2031	KTC3199(GL)-T	TRANSISTOR		
A Q2041	2SD2144S(VM)	TRANSISTOR		
A Q2042	KTC3199(GL)-T	TRANSISTOR		
A Q2043	KTC3199(GL)-T	TRANSISTOR		
A Q2051	2SK301(PQ)-T	TR		
A Q3041	KRA101M-T	TR I/M		
A Q3042	KRC101M-T	TR I/M		
A Q3043	KRC101M-T	TR I/M		
A Q3081	2SD2144S(VM)	TRANSISTOR	BASS MUTE	
A Q3091	KTC3199(GL)-T	TRANSISTOR		
A Q3092	KTC3199(GL)-T	TRANSISTOR		
A Q3111	KTC3199(GL)-T	TRANSISTOR		
A Q3112	KRA101M-T	TR I/M		
A Q3501	KTC3199(GL)-T	TRANSISTOR		
A Q3502	KTA1267(YG)-T	TRANSISTOR		
A Q3511	DTC144WSTP	TR I.M		
A Q3901	2SB1375	TRANSISTOR		
A Q4001	KTC3199(GL)-T	TRANSISTOR		
A Q4002	KTC3199(GL)-T	TRANSISTOR		
A Q4003	KRC114M-T	TR I.M	*	
A Q5021	KTC3199(GL)-T	TRANSISTOR		
A Q8001	KTC3199(GL)-T	TRANSISTOR		
A Q8002	KTC3199(GL)-T	TRANSISTOR		
A Q8003	KTC3199(GL)-T	TRANSISTOR		
A Q9001	2SB1565(E,F)	TRANSISTOR	REG.10V	

BLOCK NO. 02

REF.	PARTS NO.	PARTS NAME	REMARKS	SUFFIX
A C9003	QCBB1HK-221Y	C CAPACITOR	220PF 10% 50V	
A C9101	GET41EM-107	E.CAPA.IM	100MF 20% 25V	
A C9601	QEK41EM-106	E CAPACITOR	UX-7000 ONLY	U,UB,UF
A C9601	QEK41EM-106	E.CAPACITOR	FS-7000 ONLY	J
A C9601	QEK41EM-106	E CAPACITOR	UX-7000 ONLY	UT,UX,A
A C9601	QEK61EM-106ZN	E CAPACITOR	UX-7000 ONLY	US
A C9602	QHR1CM-337Z	E CAPACITOR	330MF 20% 16V	
A C9603	GET41EM-476	E CAPACITOR	47MF 20% 25V	
A C9701	QFN41HJ-104	M CAPACITOR	10MF 5% 50V	
A C9702	GET41EM-476	E CAPACITOR	47MF 20% 25V	
A C9703	GET41EM-476	E CAPACITOR	47MF 20% 25V	
A C9711	QEZ0229-479Z	EDL-CAPACITOR	47000MF	
A C9901	QFV41HJ-224	CAPACITOR	.22MF 5% 50V	
A C9902	QFV41HJ-224	CAPACITOR	.22MF 5% 50V	
A C9903	QFV41HJ-224	CAPACITOR	.22MF 5% 50V	
A C9904	QFV41HJ-224	CAPACITOR	.22MF 5% 50V	
A D3021	MTZ5.1JAT-77	ZENER DIODE		
A D3031	1SS133	SI DIODE		
A D3032	1SS133	SI DIODE		
A D3033	1SS133	SI DIODE		
A D3034	1SS133	SI DIODE		
A D3110	1SS133	SI DIODE		
A D3111	1SS133	SI DIODE		
A D3112	1SS133	SI DIODE		
A D3501	1SS133	SI DIODE	MAKER SITEI	
A D3502	1SS133	SI DIODE	MAKER SITEI	
A D3503	1SS133	SI DIODE	MAKER SITEI	
A D3901	DSK10C-E	DIODE		
A D3902	DSK10C-E	DIODE		
A D3903	MTZ30JAT-77	Z DIODE	UX-7000 ONLY	U,UB,UF
A D3903	MTZJ27A-T2	Z DIODE	UX-7000 ONLY	A
A D3903	MTZ30JAT-77	Z DIODE	UX-7000 ONLY	US,UT,UX
A D3903	MTZJ27A-T2	Z DIODE	FS-7000 ONLY	J
A D3904	MTZ3.0JB	Z.DIODE I.M		
A D8001	SLZ-481C09-T6	LED	GSEL LED(ODB)	
A D8002	SLZ-481C09-T6	LED	GSEL LED(-6DB)	
A D8003	SLZ-481C09-T6	LED	GSEL LED(-12DB)	
A D8004	1SS133	SI DIODE		
A D8005	1SS133	SI DIODE		
A D9001	1SS133	SI DIODE		
A D9002	MTZ10JAT-77	ZENER DIODE		
A D9101	MTZ11JA	Z.DIODE I.M		
A D9102	1SS133	SI DIODE		
A D9103	DSK10C-E	DIODE		
A D9601	MTZ6.8JB	DIODE		
A D9701	1SS133	SI DIODE		
A D9702	MTZ8.2JB	DIODE		
A D9703	1SS133	SI DIODE		
A D9704	1SS133	SI DIODE		
A D9705	1SS133	SI DIODE		
A D9706	MTZ8.2JB	DIODE		
A D9712	MTZ5.1JC	ZENER DIODE		
A D9713	1SS133	SI DIODE		
A D9901	6A10E2	SI DIODE		
A D9902	6A10E2	SI DIODE		

BLOCK NO. 02

REF.	PARTS NO.	PARTS NAME	REMARKS	SUFFIX
A R2052	GRD161J-475	C RESISTOR	4.7K 5% 1/4W	
R2082	GRD161J-512	C RESISTOR	5.1K 5% 1/4W	
R2083	GRD161J-162	C RESISTOR	1.6K 5% 1/4W	
R2085	GRD161J-272	C RESISTOR	2.7K 5% 1/4W	
R2086	GRD161J-182	C RESISTOR	1.8K 5% 1/4W	
R2087	GRE141J-103Y	C RESISTOR	10K 5% 1/4W	
R2089	GRD161J-224	C RESISTOR	22K 5% 1/4W	
R3001	GRE141J-103Y	C RESISTOR	10K 5% 1/4W	
R3021	GRD161J-151	C RESISTOR	15K 5% 1/4W	
R3022	GRD161J-182	C RESISTOR	1.8K 5% 1/4W	
R3031	GRD161J-472	C RESISTOR	4.7K 5% 1/4W	
R3032	GRD161J-472	C RESISTOR	4.7K 5% 1/4W	
R3033	GRD161J-124	C RESISTOR	12K 5% 1/4W	
R3034	GRD161J-474	C RESISTOR	47K 5% 1/4W	
R3035	GRD161J-223	C RESISTOR	22K 5% 1/4W	
R3036	GRD161J-513	C RESISTOR	51K 5% 1/4W	
R3042	GRE141J-103Y	C RESISTOR	10K 5% 1/4W	
R3043	GRE141J-103Y	C RESISTOR	10K 5% 1/4W	
R3051	GRD161J-151	C RESISTOR	15K 5% 1/4W	
R3052	GRE141J-103Y	C RESISTOR	10K 5% 1/4W	
R3053	GRE141J-103Y	C RESISTOR	10K 5% 1/4W	
R3054	GRD161J-473	C RESISTOR	47K 5% 1/4W	
R3055	GRD161J-224	C RESISTOR	22K 5% 1/4W	
R3056	GRD161J-331	C RESISTOR	33K 5% 1/4W	
R3080	GRD161J-151	C RESISTOR	15K 5% 1/4W	
R3081	GRD161J-151	C RESISTOR	15K 5% 1/4W	
R3082	GRD161J-124	C RESISTOR	12K 5% 1/4W	
R3083	GRD161J-154	C RESISTOR	15K 5% 1/4W	
R3085	GRD161J-272	C RESISTOR	2.7K 5% 1/4W	
R3086	GRD161J-102	C RESISTOR	1.0K 5% 1/4W	
R3087	GRD161J-104	C RESISTOR	10K 5% 1/4W	
R3088	GRD161J-222	C RESISTOR	2.2K 5% 1/4W	
R3091	GRD161J-562	C RESISTOR	5.6K 5% 1/4W	
R3092	GRD161J-182	C RESISTOR	1.8K 5% 1/4W	
R3093	GRE141J-103Y	C RESISTOR	10K 5% 1/4W	
R3094	GRE141J-103Y	C RESISTOR	10K 5% 1/4W	
R3111	GRD161J-104	C RESISTOR	10K 5% 1/4W	
R3112	GRD161J-272	C RESISTOR	2.7K 5% 1/4W	
R3501	GRD161J-473	C RESISTOR	47K 5% 1/4W	
R3502	GRD161J-822	C RESISTOR	8.2K 5% 1/4W	
R3503	GRD161J-822	C RESISTOR	8.2K 5% 1/4W	
R3504	GRD161J-102	C RESISTOR	1.0K 5% 1/4W	
R3505	GRD161J-475	C RESISTOR	4.7M 5% 1/4W	
R3507	GRD161J-101	C RESISTOR	10K 5% 1/4W	
R3508	GRD161J-474	C RESISTOR	47K 5% 1/4W	
R3509	GRD161J-124	C RESISTOR	12K 5% 1/4W	
R3510	GRD161J-101	C RESISTOR	10K 5% 1/4W	
R3511	GRD161J-275	C RESISTOR	2.7M 5% 1/4W	
R3771	GRD161J-153	C RESISTOR	15K 5% 1/4W	
R3901	GRZ0077-4R7X	F RESISTOR	4.7 1/10W	
R3902	GRD161J-322	C RESISTOR	3.2K 5% 1/4W	
R3903	GRD161J-223	C RESISTOR	22K 5% 1/4W	
R3904	GRD161J-100	C RESISTOR	10 5% 1/4W	
R3905	GRJ146J-1R0X	UNF. C RESISTOR	1.0 5% 1/4W	
R3906	GRJ146J-1R0X	UNF. C RESISTOR	1.0 5% 1/4W	

BLOCK NO. 02

REF.	PARTS NO.	PARTS NAME	REMARKS	SUFFIX
A Q9002	KTA1267(YG)-T	TRANSISTOR		
Q9003	KTC3199(GL)-T	TRANSISTOR		
Q9004	KRC114M-T	TR. I.M		
Q9005	DTA144TSA-T	D. TRANSISTOR *		
Q9006	KTC3199(GL)-T	TRANSISTOR		
A Q9701	2SC2001(L,K)	TRANSISTOR		
A Q9601	2SC3422(OY)	TRANSISTOR		
Q9602	KRA101M-T	TR. I/M		
Q9603	KRC104M-T	D. TR. I.M		
Q9711	KTC3199(GL)-T	TRANSISTOR		
Q9722	KRA101M-T	TR. I/M		
Q9723	KRC104M-T	D. TR. I.M		
A R1001	GRD161J-2R2	C RESISTOR	2-2 5% 1/4W	
A R1002	GRD161J-2R2	C RESISTOR	2-2 5% 1/4W	
R1022	GRD161J-184	C RESISTOR	18K 5% 1/4W	
R1023	GRD161J-222	C RESISTOR	2.2K 5% 1/4W	
R1024	GRD161J-242	C RESISTOR	2.4K 5% 1/4W	
R1027	GRD161J-123	C RESISTOR	12K 5% 1/4W	
R1028	GRD161J-472	C RESISTOR	4.7K 5% 1/4W	
R1029	GRD161J-472	C RESISTOR	4.7K 5% 1/4W	
R1031	GRD161J-223	C RESISTOR	22K 5% 1/4W	
R1032	GRD161J-223	C RESISTOR	22K 5% 1/4W	
R1033	GRE141J-103Y	C RESISTOR	10K 5% 1/4W	
R1034	GRD161J-123	C RESISTOR	12K 5% 1/4W	
R1041	GRD161J-472	C RESISTOR	4.7K 5% 1/4W	
R1042	GRE141J-103Y	C RESISTOR	10K 5% 1/4W	
R1043	GRD161J-472	C RESISTOR	4.7K 5% 1/4W	
R1044	GRE141J-103Y	C RESISTOR	10K 5% 1/4W	
R1045	GRD161J-152	C RESISTOR	1.5K 5% 1/4W	
R1051	GRD161J-473	C RESISTOR	47K 5% 1/4W	
R1052	GRD161J-475	C RESISTOR	4.7M 5% 1/4W	
R1082	GRD161J-512	C RESISTOR	5.1K 5% 1/4W	
R1083	GRD161J-162	C RESISTOR	1.6K 5% 1/4W	
R1085	GRD161J-272	C RESISTOR	2.7K 5% 1/4W	
R1086	GRD161J-182	C RESISTOR	1.8K 5% 1/4W	
R1087	GRE141J-103Y	C RESISTOR	10K 5% 1/4W	
R1089	GRD161J-224	C RESISTOR	22K 5% 1/4W	
A R2001	GRD161J-2R2	C RESISTOR	2-2 5% 1/4W	
A R2002	GRD161J-2R2	C RESISTOR	2-2 5% 1/4W	
R2022	GRD161J-184	C RESISTOR	18K 5% 1/4W	
R2023	GRD161J-222	C RESISTOR	2.2K 5% 1/4W	
R2024	GRD161J-242	C RESISTOR	2.4K 5% 1/4W	
R2027	GRD161J-123	C RESISTOR	12K 5% 1/4W	
R2028	GRD161J-123	C RESISTOR	12K 5% 1/4W	
R2029	GRD161J-472	C RESISTOR	4.7K 5% 1/4W	
R2031	GRD161J-223	C RESISTOR	22K 5% 1/4W	
R2032	GRD161J-223	C RESISTOR	22K 5% 1/4W	
R2033	GRE141J-103Y	C RESISTOR	10K 5% 1/4W	
R2034	GRD161J-123	C RESISTOR	12K 5% 1/4W	
R2041	GRD161J-472	C RESISTOR	4.7K 5% 1/4W	
R2042	GRE141J-103Y	C RESISTOR	10K 5% 1/4W	
R2043	GRD161J-472	C RESISTOR	4.7K 5% 1/4W	
R2044	GRD161J-103Y	C RESISTOR	10K 5% 1/4W	
R2045	GRD161J-152	C RESISTOR	1.5K 5% 1/4W	
R2051	GRD161J-473	C RESISTOR	47K 5% 1/4W	

BLOCK NO. 02111111

REF.	PARTS NO.	PARTS NAME	REMARKS	SUFFIX
R9005	QRD161J-152	C RESISTOR	1.5K 5% 1/4W	
R9006	QRD167J-682	C RESISTOR	6.8K 5% 1/4W	
R9007	QRD161J-102	C RESISTOR	1.0K 5% 1/4W	
R9008	QRD161J-222	C RESISTOR	2.2K 5% 1/4W	
R9009	QRD161J-472	C RESISTOR	4.7K 5% 1/4W	
R9010	QRD161J-471	C RESISTOR	4.7K 5% 1/4W	
R9011	QRD161J-222	C RESISTOR	2.2K 5% 1/4W	
R9012	QRD161J-222	C RESISTOR	2.2K 5% 1/4W	
R9013	QRD161J-222	C RESISTOR	2.2K 5% 1/4W	
R9014	QRD161J-222	C RESISTOR	2.2K 5% 1/4W	
R9015	GRE141J-103Y	C RESISTOR	10K 5% 1/4W	
R9016	QRD161J-472	C RESISTOR	4.7K 5% 1/4W	
R9017	QRD161J-472	C RESISTOR	4.7K 5% 1/4W	
R9018	QRD161J-561	C RESISTOR	560 5% 1/4W	
R9101	QRD161J-122	C RESISTOR	1.2K 5% 1/4W	
R9602	QRD161J-101	C RESISTOR	100 5% 1/4W	
R9603	QRD161J-470	C RESISTOR	47 5% 1/4W	
R9604	QRD161J-473	C RESISTOR	47K 5% 1/4W	
R9701	QRZ0077-4R7X	F RESISTOR	4.7 1/0W	
R9711	QRD161J-333	C RESISTOR	33K 5% 1/4W	
R9712	QRD161J-473	C RESISTOR	47K 5% 1/4W	
R9713	QRD161J-104	C RESISTOR	100K 5% 1/4W	
R9714	QRD161J-331	C RESISTOR	330 5% 1/4W	
R9723	QRD161J-122	C RESISTOR	UX-7000 ONLY	US,UT,UX,A
R9723	QRD161J-112	C RESISTOR	FS-7000 ONLY	J
R9901	QRZ9037-335	COMP. RESISTOR	FS-7000 ONLY	U,UB,UF
S8001	QSW0598-001Z	TACT SWITCH	OPEN/CLOSE	
S8002	QSW0598-001Z	TACT SWITCH	CD	
S8003	QSW0598-001Z	TACT SWITCH	FM/AM	
S8004	QSW0598-001Z	TACT SWITCH	MD/TAPE	
S8005	QSW0598-001Z	TACT SWITCH	AUX	
S8006	QSW0598-001Z	TACT SWITCH	P-TUNING	
S8007	QSW0598-001Z	TACT SWITCH	DOWN	
S8008	QSW0598-001Z	TACT SWITCH	STOP	
S8009	QSW0598-001Z	TACT SWITCH	UP	
S8010	QSW0598-001Z	TACT SWITCH	CLOCK	
S8011	QSW0598-001Z	TACT SWITCH	SLEEP	
S8012	QSW0598-001Z	TACT SWITCH	POWER	
S8013	QSW0598-001Z	TACT SWITCH	AHB	
S8014	QSW0598-001Z	TACT SWITCH	ODB	
S8015	QSW0598-001Z	TACT SWITCH	TIMER/SNOOZE	
S8016	QSW0598-001Z	TACT SWITCH	(-12DB)	
S9901	QSW0740-001	VOLTAGE SWITCH	UX-7000 ONLY	U,UB,US
S9901	QSW0740-001	SELECT SWITCH	UX-7000 ONLY	UT,UX
VR501	QVG0120-B54	M V RESISTOR		

BLOCK NO. 02111111

REF.	PARTS NO.	PARTS NAME	REMARKS	SUFFIX
R9907	QRD161J-331	C RESISTOR	UX-7000 ONLY	U,UB,UF
R9907	QRD161J-331	C RESISTOR	FS-7000 ONLY	J
R9907	QRD161J-331	C RESISTOR	UX-7000 ONLY	US,UT,UX
R9907	QRD161J-471	C RESISTOR	UX-7000 ONLY	A
R3915	GRJ146J-1R0X	UNF C RESISTOR	1.0 5% 1/4W	
R3916	GRJ146J-1R0X	UNF C RESISTOR	1.0 5% 1/4W	
R4001	GRD161J-153	C RESISTOR	15K 5% 1/4W	
R4002	GRD161J-123	C RESISTOR	12K 5% 1/4W	
R4003	GRD161J-389S	UNF C RES. I.M	3.9 5% 1/4W	
R4004	GRD161J-133Y	C RESISTOR	13K 5% 1/4W	
R4005	GRD161J-391	C RESISTOR	390 5% 1/4W	
R4006	GRD161J-151	C RESISTOR	150 5% 1/4W	
R5001	GRJ146J-151X	C RESISTOR	150 5% 1/4W	
R5011	GRD161J-153	C RESISTOR	15K 5% 1/4W	
R5012	GRD161J-223	C RESISTOR	22K 5% 1/4W	
R5021	QRD161J-471	C RESISTOR	470 5% 1/4W	
R5022	GRE141J-183Y	C RESISTOR	18K 5% 1/4W	
R5023	QRD161J-102	C RESISTOR	1.0K 5% 1/4W	
R501	QRD161J-151	C RESISTOR	150 5% 1/4W	
R5502	QRD161J-133Y	C RESISTOR	13K 5% 1/4W	
R5503	QRD161J-333	C RESISTOR	33K 5% 1/4W	
R5504	QRD161J-822	C RESISTOR	8.2K 5% 1/4W	
R8001	QRD161J-102	C RESISTOR	1.0K 5% 1/4W	
R8002	QRD161J-102	C RESISTOR	1.0K 5% 1/4W	
R8003	QRD161J-122	C RESISTOR	1.2K 5% 1/4W	
R8004	QRD161J-152	C RESISTOR	1.5K 5% 1/4W	
R8005	QRD161J-222	C RESISTOR	2.2K 5% 1/4W	
R8006	QRD161J-272	C RESISTOR	2.7K 5% 1/4W	
R8007	QRD161J-392	C RESISTOR	3.9K 5% 1/4W	
R8008	QRD167J-562	C RESISTOR	5.6K 5% 1/4W	
R8009	GRE141J-103Y	C RESISTOR	10K 5% 1/4W	
R8010	GRE141J-183Y	C RESISTOR	18K 5% 1/4W	
R8011	QRD161J-563	C RESISTOR	56K 5% 1/4W	
R8012	QRD161J-102	C RESISTOR	1.0K 5% 1/4W	
R8013	QRD161J-102	C RESISTOR	1.0K 5% 1/4W	
R8014	QRD161J-122	C RESISTOR	1.2K 5% 1/4W	
R8015	QRD161J-152	C RESISTOR	1.5K 5% 1/4W	
R8016	QWY124-5.0Y	BUS WIRE	UX-7000 ONLY	US,UT,UX,A
R8016	QRD161J-153	C RESISTOR	FS-7000 ONLY	J
R8016	QWY124-5.0Y	BUS WIRE	UX-7000 ONLY	U,UB,UF
R8017	QRD161J-433	C RESISTOR	UX-7000 ONLY	U,UB,UF
R8017	QRD161J-433	C RESISTOR	UX-7000 ONLY	US,UT,UX,A
R8017	QRD161J-823	C RESISTOR	FS-7000 ONLY	J
R8018	QRD161J-471	C RESISTOR	470 5% 1/4W	
R8019	QRD161J-471	C RESISTOR	470 5% 1/4W	
R8020	QRD161J-471	C RESISTOR	470 5% 1/4W	
R8021	QRD167J-562	C RESISTOR	5.6K 5% 1/4W	
R8022	QRD161J-222	C RESISTOR	2.2K 5% 1/4W	
R8023	QRD161J-102	C RESISTOR	1.0K 5% 1/4W	
R8024	QRD161J-153	C RESISTOR	15K 5% 1/4W	
R9001	GRD161J-153	C RESISTOR	15K 5% 1/4W	
R9002	GRD161J-2R2	C RESISTOR	2.2 5% 1/4W	
R9003	GRD161J-2R2	C RESISTOR	2.2 5% 1/4W	
R9004	GRD161J-471	C RESISTOR	470 5% 1/4W	

System Control, Function & Tuner Board
(UX-7000 EE, UX-7000R B/E/EN)

BLOCK NO. 03

A	REF.	PARTS NO.	PARTS NAME	REMARKS	SUFFIX
C	1	NCB21HK-223AY	C CAPACITOR	.022MF 10% 50V	
C	2	NCB21HK-103AY	C CAPACITOR	.010MF 10% 50V	
C	3	NCB21HK-473AY	C CAPACITOR	.047MF 10% 25V	
C	4	NCB21HK-103AY	C CAPACITOR	.010MF 10% 50V	
C	5	QEK41CM-106	E CAPACITOR	100PF 20% 16V	
C	6	NCB21HK-102AY	C CAPACITOR	1000PF 10% 50V	
C	7	NCB21HK-102AY	C CAPACITOR	1000PF 5% 50V	
C	8	NCB21HK-150AY	C CAPACITOR	15PF 5% 50V	
C	9	NCB21HK-102AY	C CAPACITOR	1000PF 10% 50V	
C	11	NCB21HK-103AY	C CAPACITOR	.010MF 10% 50V	
C	12	NCB21HK-150X	C CAPACITOR		
C	13	NCB21HK-473AY	C CAPACITOR	.047MF 10% 25V	
C	14	NCB21HK-103AY	C CAPACITOR	.010MF 10% 50V	
C	15	NCB21HK-102AY	C CAPACITOR	1000PF 10% 50V	
C	16	NCB21HK-102AY	C CAPACITOR	1000PF 10% 50V	
C	18	NCB21HK-103AY	C CAPACITOR	.010MF 10% 50V	
C	19	NCB21HK-122AY	C CAPACITOR	1200PF 10% 50V	
C	21	NCB21HK-473AY	C CAPACITOR	.047MF 10% 25V	
C	30	QEK41CM-476	E CAPACITOR	47MF 20% 16V	
C	31	NCB21HK-390AY	C CAPACITOR	39PF 5% 50V	
C	32	NCB21HK-102AY	C CAPACITOR	1000PF 10% 50V	
C	33	QEK61AM-1072M	E CAPACITOR	100MF 20% 10V	
C	34	NCB21HK-150AY	C CAPACITOR	15PF 5% 50V	
C	35	NCB21HK-102AY	C CAPACITOR	1000PF 10% 50V	
C	36	QEK41CM-106	E CAPACITOR	10MF 20% 16V	
C	37	NCB21HK-473AY	C CAPACITOR	.047MF 10% 25V	
C	39	NCB21HK-473AY	C CAPACITOR	.047MF 10% 25V	
C	40	NCB21HK-103AY	C CAPACITOR	.010MF 10% 50V	
C	41	QEK41HM-104	E CAPACITOR	.107MF 20% 50V	
C	42	QEK41HM-474	E CAPACITOR	.47MF 20% 50V	
C	43	QEK61HM-3352N	E CAPACITOR	3.3MF 20% 50V	
C	44	NCB21HK-221AY	C CAPACITOR	220PF 5% 50V	
C	45	QEK41CM-106	E CAPACITOR	10MF 20% 16V	
C	46	NCB21HK-223AY	C CAPACITOR	.022MF 10% 50V	
C	47	NCB21HK-103AY	C CAPACITOR	.010MF 10% 50V	
C	49	NCB21HK-183AY	C CAPACITOR	.018MF 10% 50V	
C	50	NCB21HK-183AY	C CAPACITOR	.018MF 10% 50V	
C	51	QEK41HM-105	E CAPACITOR	1.0MF 20% 50V	
C	52	QEK41HM-105	E CAPACITOR	1.0MF 20% 50V	
C	53	NCB21HK-681AY	C CAPACITOR	680PF 10% 50V	
C	55	NCB21HK-120AY	C CAPACITOR	12PF 5% 50V	
C	60	QEK61AM-1072M	E CAPACITOR	100MF 20% 10V	
C	61	NCB21HK-120AY	C CAPACITOR	12PF 5% 50V	
C	62	NCB21HK-120AY	C CAPACITOR	12PF 5% 50V	
C	63	NCB21HK-473AY	C CAPACITOR	.047MF 10% 25V	
C	65	NCB21HK-102AY	C CAPACITOR	1000PF 10% 50V	
C	66	NCB21HK-151X	C CAPACITOR	150PF 5% 50V	
C	67	NCB21HK-151X	C CAPACITOR	150PF 5% 50V	
C	68	NCB21HK-101AY	C CAPACITOR	100PF 5% 50V	
C	69	QEK41HM-225	E CAPACITOR	2.2MF 20% 50V	
C	70	NCB21HK-392AY	C CAPACITOR	3900PF 10% 50V	
C	71	QEK61HM-3352N	E CAPACITOR	3.3MF 20% 50V	
C	72	NCB21HK-102AY	C CAPACITOR	1000PF 10% 50V	
C	80	NCB21HK-820AY	C CAPACITOR	UX-7000R ONLY	B/E/EN
C	81	NCB21HK-470AY	C CAPACITOR	UX-7000R ONLY	B/E/EN

BLOCK NO. 03

A	REF.	PARTS NO.	PARTS NAME	REMARKS	SUFFIX
C	82	QEK41CM-106	E CAPACITOR	UX-7000R ONLY	B/E/EN
C	83	NCB21HK-473AY	C CAPACITOR	UX-7000R ONLY	B/E/EN
C	84	QEK41HM-225	E CAPACITOR	UX-7000R ONLY	B/E/EN
C	85	NCB21HK-331AY	C CAPACITOR	UX-7000R ONLY	B/E/EN
C	86	NCB21HK-561	C CAPACITOR	UX-7000R ONLY	B/E/EN
C	89	NCB21HK-102AY	C CAPACITOR	UX-7000R ONLY	B/E/EN
C	90	NCB21HK-103AY	C CAPACITOR	UX-7000R ONLY	B/E/EN
C	91	NCB21HK-103AY	C CAPACITOR	.010MF 10% 50V	
C	92	NCB21HK-103AY	C CAPACITOR	.010MF 10% 50V	
C	93	NCB21HK-103AY	C CAPACITOR	.010MF 10% 50V	
C	94	NCB21HK-102AY	C CAPACITOR	1000PF 10% 50V	
C	95	NCB21HK-102AY	C CAPACITOR	1000PF 10% 50V	
CA	701	GCNC74K-221	C NETWORK	220PF 10%	
CA	702	GCNC74K-221	C NETWORK	220PF 10%	
CA	703	GCNC74K-221	C NETWORK	220PF 10%	
CF	1	VCF2M3B-104	C FILTER	UX-7000R ONLY	B/E/EN
CF	1	GAX0403-001	CERAMIC FILTER	UX-7000 ONLY	EE
CF	2	GAX0403-001	CERAMIC FILTER	UX-7000 ONLY	EE
CF	2	VCF2S3B-102	C FILTER	UX-7000R ONLY	B/E/EN
CF	3	VCF1222-1152	C FILTER		
CF	4	GAX0409-001	CERA LOCK		
CM	601	VMC0163-R07	CONNECTOR	TO CD(SIG)	
CM	602	VMC0040-003	CONNECTOR IM	TO CD(OPT DIG)	
CM	611	GBB1216J1-10S	CONNECTOR	TO MAIN	
CM	641	VMC0040-005	CONNECTOR	TO DOOR MOT	
CM	711	GBB1216J1-18S	B TO B CONNE	TO MICRON	
CM	701	VMC0163-R11	CONNECTOR	TO CD	
CM	711	GBB1216K1-26S	B TO B CONNE	TO MAIN	
CM	761	GBB1216K1-18S	B TO B CONNE	TO FUNC. TUNER	
CM	781	GBB1216K1-08S	CONNECTOR	TO SW	
CM	782	GGF1201C3-05	FFC CONNE	TO FRONT	
CM	872	GGF1201F3-05	CONNECTOR	TO MICRON	
C	3036	NCS21HJ-331AY	C CAPACITOR	330PF 5% 50V	
C	3036	NCS21HJ-331AY	C CAPACITOR	330PF 5% 50V	
C	6003	NCS21HJ-102AY	C CAPACITOR	1000PF 5% 50V	
C	6007	NCS21HJ-102AY	C CAPACITOR	1000PF 5% 50V	
C	6101	NCS21HJ-151X	C CAPACITOR	150PF 5% 50V	
C	6121	NCS21HJ-151X	C CAPACITOR	150PF 5% 50V	
C	6141	NCB21HK-102AY	C CAPACITOR	1000PF 10% 50V	
C	6161	NCB21HK-122AY	C CAPACITOR	1200PF 10% 50V	
C	6162	NCB21HK-332AY	C CAPACITOR	3300PF 10% 50V	
C	6171	QTE1V06-106Z	E CAPACITOR		
C	6172	QEK41EM-475	E CAPACITOR	4.7MF 20% 25V	
C	6174	QEK41EM-475	E CAPACITOR	4.7MF 20% 25V	
C	6175	NCS21HJ-300AY	C.CAPA. C.M	30PF 5% 50V	
C	6221	NCS21HJ-151X	C CAPACITOR	150PF 5% 50V	
C	6221	NCS21HJ-151X	C CAPACITOR	150PF 5% 50V	
C	6241	NCB21HK-102AY	C CAPACITOR	1000PF 10% 50V	
C	6261	NCB21HK-122AY	C CAPACITOR	1200PF 10% 50V	
C	6262	NCB21HK-332AY	C CAPACITOR	3300PF 10% 50V	
C	6271	QTE1V06-106Z	E CAPACITOR	4.7MF 20% 25V	
C	6272	QEK41EM-475	E CAPACITOR	10PF 5% 50V	
C	6273	NCS21HJ-100AY	C CAPACITOR	10PF 5% 50V	
C	6274	QEK41EM-475	E CAPACITOR	4.7MF 20% 25V	

BLOCK NO. 03

A	REF.	PARTS NO.	PARTS NAME	REMARKS	SUFFIX
	C7810	NCS21HJ-221AY	C CAPACITOR	220PF 5% 50V	
	C7811	NCS21HJ-221AY	C CAPACITOR	220PF 5% 50V	
	C7812	NCS21HJ-221AY	C CAPACITOR	220PF 5% 50V	
	C7813	NCS21HJ-221AY	C CAPACITOR	220PF 5% 50V	
	C7814	NCS21HJ-221AY	C CAPACITOR	220PF 5% 50V	
	C7815	NCS21HJ-221AY	C CAPACITOR	220PF 5% 50V	
	C7816	NCS21HJ-221AY	C CAPACITOR	220PF 5% 50V	
	C7817	NCS21HJ-221AY	C CAPACITOR	220PF 5% 50V	
	C7818	NCS21HJ-221AY	C CAPACITOR	220PF 5% 50V	
	C7819	NCS21HJ-102AY	C CAPACITOR	1000PF 5% 50V	
	C7820	NCS21HJ-102AY	C CAPACITOR	1000PF 5% 50V	
	C7821	NCB21HK-223AY	C CAPACITOR	.022MF 10% 50V	
	C7822	NCB21HK-103AY	C CAPACITOR	.010MF 10% 50V	
	C8501	QEK41CM-476	E CAPACITOR	47MF 20% 16V	
	C8502	NCS21HJ-102AY	C CAPACITOR	1000PF 5% 50V	
	D 1	1SS133	SI DIODE		
	D 2	1SS133	SI DIODE		
	D 3	1SS133	SI DIODE		
	D 4	1SS133	SI DIODE		
	D1701	QLF0048-001	FL TUBE		
	D1005	1SS133	SI DIODE		
	D2005	1SS133	SI DIODE		
	D6303	1SS133	SI DIODE		
	D6361	1SS133	SI DIODE		
	D6362	1SS133	SI DIODE		
	D6901	MTZ3-9JB	Z DIODE	TU SW	
	D6902	1SS133	SI DIODE	TU SW	
	D6903	1SS133	SI DIODE	TU SW	
	D7001	1SS133	SI DIODE	US5V	
	D7002	1SS133	SI DIODE		
	D7003	1SS133	SI DIODE	RESET	
	D7004	TYE156AP	LED	VOL-ILL (ANBER)	
	D7005	TYE156AP	LED	VOL-ILL (ANBER)	
	D7703	1SS133	SI DIODE	UX-7000R ONLY	B,E,EN
	D7704	1SS133	SI DIODE	UX-7000R ONLY	B,E,EN
	D7733	MTZ6-2JB	ZENER DIODE		
	D7795	1SS133	SI DIODE		
	D7796	1SS133	SI DIODE		
	D8501	SLR-342VC-T	LED I.M		
	IC 1	TA2057N	IC		
	IC 2	LC72136N	IC		
	IC 4	BU1922	IC		
	IC601	BA15218F-WE	IC	UX-7000R ONLY	B,E,EN
	IC701	UPD780204GF-042	IC	FUNCTION	
	IC851	GP1U261X	IC	SYSTEM MICON	
	J 1	EMB41YV-302K	IR DETECT UNIT	REM SENSOR	
	J3004	QNS0096-001	ANT TERMINAL	AM/FM ANT COAX	
	J6001	GNM0196-001	3.5 JACK	KIKAKU HENKOU	
	J6002	GP1F32T	PIN JACK	AUX/LINE OUT	
	K1031	VQZ0048-009	OPTICAL JACK	OPT DIG OUT	
	K2031	VQZ0048-009	INDUCTOR	FTZ	
	K6341	VQZ0048-007	INDUCTOR	FTZ	
	K6371	VQZ0107-002	INDUCTOR		
	K7001	VQZ0107-002	INDUCTOR		
	K7002	VQZ0107-002	INDUCTOR		

BLOCK NO. 03

A	REF.	PARTS NO.	PARTS NAME	REMARKS	SUFFIX
	C6275	NCS21HJ-300AY	C.CAPA. C.M	30PF 5% 50V	
	C6301	NCB21HK-103AY	C CAPACITOR	.010MF 10% 50V	
	C6302	QEK41HM-105	E CAPACITOR	1.0MF 20% 50V	
	C6321	NCB21HK-103AY	C CAPACITOR	1.0MF 10% 50V	
	C6322	QEK41HM-105	E CAPACITOR	1.0MF 20% 50V	
	C6341	NCB21HK-103AY	C CAPACITOR	.010MF 10% 50V	
	C6342	QEK41CM-106	E CAPACITOR	10MF 20% 16V	
	C6361	NCB21HK-103AY	C CAPACITOR	.010MF 10% 50V	
	C6362	QEK41HM-105	E CAPACITOR	1.0MF 20% 50V	
	C6371	QEK41CM-476	E CAPACITOR	47MF 20% 16V	
	C6372	QTE1V06-106Z	E CAPACITOR		
	C6373	NCB21EK-823AY	C CAPACITOR	.082MF 10% 25V	
	C6381	NCB21HK-223AY	C CAPACITOR	.022MF 10% 50V	
	C6382	NCB21HK-223AY	C CAPACITOR	.022MF 10% 50V	
	C6383	NCS21HJ-102AY	C CAPACITOR	1000PF 5% 50V	
	C6384	NCS21HJ-151X	C CAPACITOR	150PF 5% 50V	
	C6901	QEK61HM-475Z	E CAPACITOR	4.7MF 20% 50V	
	C6902	QEK61AM-107ZM	E CAPACITOR	100MF 20% 10V	
	C7001	NCS21HJ-102AY	C CAPACITOR	1000PF 5% 50V	
	C7002	NCS21HJ-360AY	C CAPACITOR	36PF 5% 50V	
	C7003	NCS21HJ-200AY	C CAPACITOR	20PF 5% 50V	
	C7004	NCS21HJ-220AY	C CAPACITOR	22PF 5% 50V	
	C7005	NCS21HJ-390AY	C CAPACITOR	39PF 5% 50V	
	C7006	NCS21HJ-102AY	C CAPACITOR	1000PF 5% 50V	
	C7007	NCS21HJ-220AY	C CAPACITOR	22PF 5% 50V	
	C7008	NCS21HJ-200AY	C CAPACITOR	20PF 5% 50V	
	C7009	QER41AM-107	E CAPACITOR	100MF 20% 10V	
	C7010	NCB21HK-103AY	C CAPACITOR	.010MF 10% 50V	
	C7011	QER41HM-225	E CAPACITOR	2.2MF 20% 50V	
	C7012	QER41HM-475MM	E CAPACITOR	4.7MF 20% 50V	
	C7013	NCB21HK-103AY	C CAPACITOR	.010MF 10% 50V	
	C7014	GFV71HJ-124ZM	TF CAPACITOR	.12MF 5% 50V	
	C7015	GFV81HJ-564	M.M.CAPA. I.M	.56MF 5% 50V	
	C7016	GFV81HJ-564	M.M.CAPA. I.M	.56MF 5% 50V	
	C7017	NCB21HK-103AY	C CAPACITOR	.010MF 10% 50V	
	C7018	NCS21HJ-151X	C CAPACITOR	150PF 5% 50V	
	C7019	NCS21HJ-151X	C CAPACITOR	150PF 5% 50V	
	C7622	NCS21HJ-151X	C CAPACITOR	150PF 5% 50V	
	C7623	NCS21HJ-101AY	C CAPACITOR	100PF 5% 50V	
	C7636	QER41HM-105	E CAPACITOR	1.0MF 20% 50V	
	C7703	NCS21HJ-271AY	C CAPACITOR	270PF 5% 50V	
	C7704	NCS21HJ-151X	C CAPACITOR	150PF 5% 50V	
	C7705	NCS21HJ-151X	C CAPACITOR	150PF 5% 50V	
	C7706	NCS21HJ-151X	C CAPACITOR	150PF 5% 50V	
	C7717	NCS21HJ-331AY	C CAPACITOR	330PF 5% 50V	
	C7721	NCS21HJ-101AY	C CAPACITOR	100PF 5% 50V	
	C7722	NCS21HJ-151X	C CAPACITOR	150PF 5% 50V	
	C7723	NCS21HJ-151X	C CAPACITOR	150PF 5% 50V	
	C7726	NCS21HJ-151X	C CAPACITOR	150PF 5% 50V	
	C7736	QER41HM-225	E CAPACITOR	2.2MF 20% 50V	
	C7737	QER61HM-357M	E CAPACITOR	3.5MF 20% 50V	
	C7741	NCB21HK-223AY	C CAPACITOR	.022MF 10% 50V	
	C7742	NCB21HK-223AY	C CAPACITOR	.022MF 10% 50V	
	C7749	NCS21HJ-151X	C CAPACITOR	150PF 5% 50V	
	C7809	NCS21HJ-102AY	C CAPACITOR	1000PF 5% 50V	

BLOCK NO. 03

A	REF.	PARTS NO.	PARTS NAME	REMARKS	SUFFIX
				MW/LW RF/OSC	
L	1	VGZ0098-102	COIL BLOCK		
L	4	VGP0018-221	INDUCTOR	UX-7000R ONLY	B,E,EN
L	5	EGL4007-101	INDUCTOR	UX-7000R ONLY	B,E,EN
L	10	VGZ0069-002	TRAP COIL		
L	11	VGP0018-2R7	INDUCTOR		
L	12	EGL4007-150T	INDUCTOR I.M		
L1032		VGP0018-470	INDUCTOR	FTZ	
L2032		VGP0018-470	INDUCTOR	FTZ	
L3001		VGP0018-470	INDUCTOR	FTZ	
L6161		EGF0101-010	FILIER		
L6261		EGF0101-010	FILTER		
L6381		VGP0018-100	INDUCTOR I.M		
L7001		VGP0035-100Z	INDUCTOR	VDD	
L7002		VGP0035-100Z	INDUCTOR	SWSV	
L7003		VGP0026-470Z	INDUCTOR	FL DRIVER	
L7004		VGP0035-100Z	INDUCTOR	FL	
L7005		QGL48AK-470	INDUCTOR	FL	
L7006		QGL48AK-470	INDUCTOR	FL	
L7722		VGP0018-4R7	INDUCTOR	SCK	
L7723		VGP0018-4R7	INDUCTOR	SDATA	
L7735		VGP0018-4R7	INDUCTOR	AVREF	
PP603		VMZ0015-011	STYLE PIN		
Q	1	2SC2668(0)	TRANSISTOR		
Q	2	DTA114YKA-X	TRANSISTOR		
Q	3	KTC3199(GL)-T	TRANSISTOR		
Q	4	KTC3199(GL)-T	TRANSISTOR		
Q	6	DTA114YKA-X	TRANSISTOR		
Q	7	2SA1037K(CR)-X	TRANSISTOR		
Q	8	2SA1037K(CR)-X	TRANSISTOR		
Q	14	2SA1037K(CR)-X	TRANSISTOR		
Q6101		2SD1048X7T-HL	TRANSISTOR	UX-7000R ONLY	B,E,EN
Q6102		2SD1048X7T-HL	TRANSISTOR		
Q6121		2SD1048X7T-HL	TRANSISTOR		
Q6122		2SD1048X7T-HL	TRANSISTOR		
Q6141		2SD1048X7T-HL	TRANSISTOR		
Q6161		2SC2412K(R)-X	TRANSISTOR		
Q6201		2SD1048X7T-HL	TRANSISTOR		
Q6202		2SD1048X7T-HL	TRANSISTOR		
Q6221		2SD1048X7T-HL	TRANSISTOR		
Q6222		2SD1048X7T-HL	TRANSISTOR		
Q6241		2SD1048X7T-HL	TRANSISTOR		
Q6261		2SC2412K(R)-X	TRANSISTOR		
Q6301		2SC2412K(R)-X	TRANSISTOR		
Q6302		DTA114WKA-X	DIGI TRANSISTOR		
Q6321		2SC2412K(R)-X	TRANSISTOR		
Q6322		DTA114WKA-X	DIGI TRANSISTOR		
Q6341		DTA123JSA-T	D-TR.I.M		
Q6361		DTA114WKA-X	DIGI TRANSISTOR		
Q6901		KTA1267(YG)-T	TRANSISTOR	TU SW	
Q6902		2SC2412K(R)-X	TRANSISTOR	TU SW	
Q7001		2SC2714(O)-X	TRANSISTOR	CLOCK SHIFT	
Q7002		2SC2714(O)-X	TRANSISTOR	CLOCK SHIFT	
Q7003		DTA114TKAT146	TRANSISTOR	SWSV	
Q7004		2SC2412K(R)-X	TRANSISTOR	RESET	
Q7722		DTC144TKA-X	TRANSISTOR	SDATA CONT	

BLOCK NO. 03

A	REF.	PARTS NO.	PARTS NAME	REMARKS	SUFFIX
				SCK CONT	
				FL DRIVER	
				FL DRIVER	
				1.0K 5% 1/10W	
				82 5% 1/10W	
				UX-7000R ONLY	EE
				1.5K 5% 1/10W	B,E,EN
				1.0K 5% 1/10W	
				100K 5% 1/10W	
				10K 5% 1/10W	
				10K 5% 1/10W	
				330 5% 1/10W	
				220K 5% 1/10W	
				330 5% 1/10W	
				10 5% 1/10W	
				270 5% 1/10W	
				47K 5% 1/10W	
				15K 5% 1/10W	
				22K 5% 1/10W	
				47K 5% 1/10W	
				10K 5% 1/10W	
				10K 5% 1/10W	
				33K 5% 1/10W	
				10K 5% 1/10W	
				4.7K 5% 1/10W	
				3.9K 5% 1/10W	
				3.9K 5% 1/10W	
				1.0K 5% 1/10W	
				1.0K 5% 1/10W	
				1.0K 5% 1/10W	
				1.0K 5% 1/10W	
				47K 5% 1/10W	
				3.3K 5% 1/10W	
				1.0K 5% 1/10W	
				1.0K 5% 1/10W	
				1.0K 5% 1/10W	
				2.2K 5% 1/10W	
				2.2K 5% 1/10W	
				47K 5% 1/10W	
				10K 5% 1/10W	
				3.3K 5% 1/10W	
				10K 5% 1/10W	
				UX-7000R ONLY	B,E,EN
				UX-7000R ONLY	B,E,EN
				UX-7000R ONLY	B,E,EN
				UX-7000R ONLY	B,E,EN

BLOCK NO. 03

A	REF.	PARTS NO.	PARTS NAME	REMARKS	SUFFIX
	R6242	NRSA02J-222NY	MG RESISTOR	2.2K 5% 1/10W	
	R6243	NRSA02J-322NY	MG RESISTOR	3.9K 5% 1/10W	
	R6244	NRSA02J-223NY	MG RESISTOR	2.2K 5% 1/10W	
	R6261	NRSA02J-332NY	MG RESISTOR	3.3K 5% 1/10W	
	R6262	NRSA02J-103NY	MG RESISTOR	10K 5% 1/10W	
	R6263	NRSA02J-562NY	MG RESISTOR	5.6K 5% 1/10W	
	R6264	NRSA02J-392NY	MG RESISTOR	3.9K 5% 1/10W	
	R6265	NRSA02J-682X	MG RESISTOR	6.8K 5% 1/10W	
	R6271	NRSA02J-103NY	MG RESISTOR	10K 5% 1/10W	
	R6272	NRSA02J-753NY	MG RESISTOR	75K 5% 1/10W	
	R6273	NRSA02J-154NY	MG RESISTOR	150K 5% 1/10W	
	R6274	NRSA02J-333NY	MG RESISTOR	33K 5% 1/10W	
	R6301	NRSA02J-103NY	MG RESISTOR	10K 5% 1/10W	
	R6302	NRSA02J-473NY	MG RESISTOR	47K 5% 1/10W	
	R6303	NRSA02J-103NY	MG RESISTOR	10K 5% 1/10W	
	R6321	NRSA02J-103NY	MG RESISTOR	10K 5% 1/10W	
	R6322	NRSA02J-473NY	MG RESISTOR	47K 5% 1/10W	
	R6323	NRSA02J-103NY	MG RESISTOR	10K 5% 1/10W	
	R6361	NRSA02J-223NY	MG RESISTOR	22K 5% 1/10W	
	R6362	NRSA02J-103NY	MG RESISTOR	10K 5% 1/10W	
	R6371	QRD167J-121	C RESISTOR	120 5% 1/4W	
	R6372	NRSA02J-473NY	MG RESISTOR	47K 5% 1/10W	
	R6373	NRSA02J-473NY	MG RESISTOR	47K 5% 1/10W	
	R6381	NRSA02J-102NY	MG RESISTOR	1.0K 5% 1/10W	
	R6382	NRSA02J-913NY	MG RESISTOR	91K 5% 1/10W	
	R6901	NRSA02J-390NY	MG RESISTOR	39 5% 1/10W	
	R6902	NRSA02J-102NY	MG RESISTOR	1.0K 5% 1/10W	
	R6903	NRSA02J-563NY	MG RESISTOR	56K 5% 1/10W	
	R6904	NRSA02J-472NY	MG RESISTOR	4.7K 5% 1/10W	
	R7001	NRSA02J-822NY	MG RESISTOR	8.2K 5% 1/10W	
	R7002	NRSA02J-822NY	MG RESISTOR	8.2K 5% 1/10W	
	R7003	NRSA02J-103NY	MG RESISTOR	10K 5% 1/10W	
	R7004	NRSA02J-103NY	MG RESISTOR	10K 5% 1/10W	
	R7005	NRSA02J-561NY	RES. C.M	560 5% 1/10W	
	R7007	NRSA02J-561NY	RES. C.M	560 5% 1/10W	
	R7008	NRSA02J-103NY	MG RESISTOR	10K 5% 1/10W	
	R7009	NRSA02J-103NY	MG RESISTOR	10K 5% 1/10W	
	R7495	NRSA02J-104X	MG RESISTOR	100K 5% 1/10W	
	R7496	NRSA02J-104X	MG RESISTOR	100K 5% 1/10W	
	R7527	NRSA02J-473NY	MG RESISTOR	47K 5% 1/10W	
	R7530	NRSA02J-103NY	MG RESISTOR	10K 5% 1/10W	
	R7536	NRSA02J-683NY	MG RESISTOR	68K 5% 1/10W	
	R7549	NRSA02J-102NY	MG RESISTOR	1.0K 5% 1/10W	
	R7595	NRSA02J-331NY	MG RESISTOR	330 5% 1/10W	
	R7596	NRSA02J-331NY	MG RESISTOR	330 5% 1/10W	
	R7603	NRSA02J-122NY	MG RESISTOR	1.2K 5% 1/10W	
	R7604	NRSA02J-102NY	MG RESISTOR	1.0K 5% 1/10W	
	R7605	NRSA02J-122NY	MG RESISTOR	1.2K 5% 1/10W	
	R7606	NRSA02J-102NY	MG RESISTOR	1.0K 5% 1/10W	
	R7617	NRSA02J-103NY	MG RESISTOR	10K 5% 1/10W	
	R7618	NRSA02J-103NY	MG RESISTOR	10K 5% 1/10W	
	R7624	NRSA02J-103NY	MG RESISTOR	UX-7000R ONLY	B,E,E,N
	R7627	NRSA02J-103NY	MG RESISTOR	10K 5% 1/10W	
	R7628	NRSA02J-104X	MG RESISTOR	100K 5% 1/10W	
	R7629	NRSA02J-104X	MG RESISTOR	100K 5% 1/10W	

BLOCK NO. 03

A	REF.	PARTS NO.	PARTS NAME	REMARKS	SUFFIX
	R701	GRB169J-104	R-NETWORK	100K 5% 1/6W	
	R702	GRB169J-104	R-NETWORK	100K 5% 1/6W	
	R703	GRB169J-104	R-NETWORK	100K 5% 1/6W	
	R1003	GRD161J-151	C RESISTOR	150 5% 1/4W	
	R1004	GRD161J-471	C RESISTOR	470 5% 1/4W	
	R1005	GRD161J-823	C RESISTOR	82K 5% 1/4W	
	R2003	GRD161J-151	C RESISTOR	150 5% 1/4W	
	R2004	GRD161J-471	C RESISTOR	470 5% 1/4W	
	R2005	GRD161J-823	C RESISTOR	82K 5% 1/4W	
	R6101	NRSA02J-102NY	MG RESISTOR	1.0K 5% 1/10W	
	R6102	NRSA02J-224NY	MG RESISTOR	220K 5% 1/10W	
	R6103	NRSA02J-363NYM	RES. C.M	36K 5% 1/10W	
	R6104	NRSA02J-393NY	MG RESISTOR	39K 5% 1/10W	
	R6105	NRSA02J-222NY	MG RESISTOR	2.2K 5% 1/10W	
	R6106	NRSA02J-273NY	MG RESISTOR	27K 5% 1/10W	
	R6107	NRSA02J-273NY	MG RESISTOR	27K 5% 1/10W	
	R6108	NRSA02J-222NY	MG RESISTOR	2.2K 5% 1/10W	
	R6121	NRSA02J-102NY	MG RESISTOR	1.0K 5% 1/10W	
	R6122	NRSA02J-224NY	MG RESISTOR	220K 5% 1/10W	
	R6123	NRSA02J-363NYM	RES. C.M	36K 5% 1/10W	
	R6124	NRSA02J-393NY	MG RESISTOR	39K 5% 1/10W	
	R6125	NRSA02J-222NY	MG RESISTOR	2.2K 5% 1/10W	
	R6126	NRSA02J-273NY	MG RESISTOR	27K 5% 1/10W	
	R6127	NRSA02J-273NY	MG RESISTOR	27K 5% 1/10W	
	R6128	NRSA02J-222NY	MG RESISTOR	2.2K 5% 1/10W	
	R6141	NRSA02J-102NY	MG RESISTOR	1.0K 5% 1/10W	
	R6142	NRSA02J-222NY	MG RESISTOR	2.2K 5% 1/10W	
	R6143	NRSA02J-392NY	MG RESISTOR	3.9K 5% 1/10W	
	R6144	NRSA02J-223NY	MG RESISTOR	22K 5% 1/10W	
	R6161	NRSA02J-332NY	MG RESISTOR	3.3K 5% 1/10W	
	R6162	NRSA02J-103NY	MG RESISTOR	10K 5% 1/10W	
	R6163	NRSA02J-562NY	MG RESISTOR	5.6K 5% 1/10W	
	R6164	NRSA02J-392NY	MG RESISTOR	3.9K 5% 1/10W	
	R6165	NRSA02J-682X	MG RESISTOR	6.8K 5% 1/10W	
	R6171	NRSA02J-103NY	MG RESISTOR	10K 5% 1/10W	
	R6172	NRSA02J-753NY	MG RESISTOR	75K 5% 1/10W	
	R6173	NRSA02J-154NY	MG RESISTOR	150K 5% 1/10W	
	R6174	NRSA02J-333NY	MG RESISTOR	33K 5% 1/10W	
	R6201	NRSA02J-102NY	MG RESISTOR	1.0K 5% 1/10W	
	R6202	NRSA02J-224NY	MG RESISTOR	220K 5% 1/10W	
	R6203	NRSA02J-363NYM	RES. C.M	36K 5% 1/10W	
	R6204	NRSA02J-393NY	MG RESISTOR	39K 5% 1/10W	
	R6205	NRSA02J-222NY	MG RESISTOR	2.2K 5% 1/10W	
	R6206	NRSA02J-273NY	MG RESISTOR	27K 5% 1/10W	
	R6207	NRSA02J-273NY	MG RESISTOR	27K 5% 1/10W	
	R6208	NRSA02J-222NY	MG RESISTOR	2.2K 5% 1/10W	
	R6221	NRSA02J-102NY	MG RESISTOR	1.0K 5% 1/10W	
	R6222	NRSA02J-224NY	MG RESISTOR	220K 5% 1/10W	
	R6223	NRSA02J-363NYM	RES. C.M	36K 5% 1/10W	
	R6224	NRSA02J-393NY	MG RESISTOR	39K 5% 1/10W	
	R6225	NRSA02J-222NY	MG RESISTOR	2.2K 5% 1/10W	
	R6226	NRSA02J-273NY	MG RESISTOR	27K 5% 1/10W	
	R6227	NRSA02J-273NY	MG RESISTOR	27K 5% 1/10W	
	R6228	NRSA02J-222NY	MG RESISTOR	2.2K 5% 1/10W	
	R6241	NRSA02J-102NY	MG RESISTOR	1.0K 5% 1/10W	

BLOCK NO. 03

REF.	PARTS NO.	PARTS NAME	REMARKS	SUFFIX
R8502	NRSA02J-1B3NY	MG RESISTOR	1BK 5% 1/10W	
	SPACE LV40359-003A	LED SPACER	FOR D7004	
	S4381 QSM0620-001	LED SPACER	FOR D7005	
	S4382 QSM0620-001	SWITCH		
		IFT		
T 1	VGT7A21-113	FM FRONT END	UX-7000 ONLY	EE
TU 1	GAU0036-001	FRONT END	UX-7000R ONLY	B,E,EN
TU 1	GAU0034-001	POST PIN		
W6001	VMZ0015-002	CRYSTAL		
X 1	QAX0402-001	CRYSTAL		
X 2	VGX5057-001	CRYSTAL	UX-7000R ONLY	B,E,EN
X7001	GAX0410-001Z	CERA LOCK	MAIN CLOCK	
X7002	QAX0401-001	CRYSTAL	CLOCK	

BLOCK NO. 03

REF.	PARTS NO.	PARTS NAME	REMARKS	SUFFIX
R7630	NRSA02J-104X	MG RESISTOR	100K 5% 1/10W	
R7631	NRSA02J-103NY	MG RESISTOR	10K 5% 1/10W	
R7632	NRSA02J-103NY	MG RESISTOR	10K 5% 1/10W	
R7636	NRSA02J-114NYM	MG RESISTOR	110K 5% 1/10W	
R7637	NRSA02J-114NYM	MG RESISTOR	110K 5% 1/10W	
R7638	NRSA02J-103NY	MG RESISTOR	UX-7000 ONLY	EE
R7641	NRSA02J-153NY	MG RESISTOR	15K 5% 1/10W	
R7642	NRSA02J-473NY	MG RESISTOR	47K 5% 1/10W	
R7643	NRSA02J-104X	MG RESISTOR	100K 5% 1/10W	
R7644	NRSA02J-473NY	MG RESISTOR	47K 5% 1/10W	
R7645	NRSA02J-473NY	MG RESISTOR	47K 5% 1/10W	
R7647	NRSA02J-223NY	MG RESISTOR	22K 5% 1/10W	
R7649	NRSA02J-154NY	MG RESISTOR	150K 5% 1/10W	
R7650	NRSA02J-183NY	MG RESISTOR	18K 5% 1/10W	
R7695	NRSA02J-123NY	MG RESISTOR	12K 5% 1/10W	
R7696	NRSA02J-123NY	MG RESISTOR	12K 5% 1/10W	
R7702	NRSA02J-102NY	MG RESISTOR	1.0K 5% 1/10W	
R7703	NRSA02J-102NY	MG RESISTOR	1.0K 5% 1/10W	
R7704	NRSA02J-102NY	MG RESISTOR	1.0K 5% 1/10W	
R7705	NRSA02J-102NY	MG RESISTOR	1.0K 5% 1/10W	
R7706	NRSA02J-102NY	MG RESISTOR	1.0K 5% 1/10W	
R7707	NRSA02J-222NY	MG RESISTOR	2.2K 5% 1/10W	
R7708	NRSA02J-472NY	MG RESISTOR	4.7K 5% 1/10W	
R7709	NRSA02J-472NY	MG RESISTOR	4.7K 5% 1/10W	
R7714	NRSA02J-334NY	MG RESISTOR	330K 5% 1/10W	
R7717	NRSA02J-102NY	MG RESISTOR	1.0K 5% 1/10W	
R7719	NRSA02J-102NY	MG RESISTOR	1.0K 5% 1/10W	
R7720	NRSA02J-222NY	MG RESISTOR	2.2K 5% 1/10W	
R7721	NRSA02J-222NY	MG RESISTOR	2.2K 5% 1/10W	
R7722	NRSA02J-102NY	MG RESISTOR	1.0K 5% 1/10W	
R7726	NRSA02J-222NY	MG RESISTOR	2.2K 5% 1/10W	
R7727	NRSA02J-222NY	MG RESISTOR	2.2K 5% 1/10W	
R7728	NRSA02J-222NY	MG RESISTOR	2.2K 5% 1/10W	
R7729	NRSA02J-222NY	MG RESISTOR	2.2K 5% 1/10W	
R7730	NRSA02J-222NY	MG RESISTOR	2.2K 5% 1/10W	
R7731	NRSA02J-222NY	MG RESISTOR	2.2K 5% 1/10W	
R7732	NRSA02J-222NY	MG RESISTOR	2.2K 5% 1/10W	
R7733	NRSA02J-222NY	MG RESISTOR	2.2K 5% 1/10W	
R7736	NRSA02J-473NY	MG RESISTOR	47K 5% 1/10W	
R7737	NRSA02J-473NY	MG RESISTOR	47K 5% 1/10W	
R7738	NRSA02J-102NY	MG RESISTOR	UX-7000R ONLY	B,E,EN
R7739	NRSA02J-222NY	MG RESISTOR	2.2K 5% 1/10W	
R7741	NRSA02J-152NY	MG RESISTOR	1.5K 5% 1/10W	
R7742	NRSA02J-472NY	MG RESISTOR	4.7K 5% 1/10W	
R7743	NRSA02J-222NY	MG RESISTOR	2.2K 5% 1/10W	
R7744	NRSA02J-272NY	MG RESISTOR	2.7K 5% 1/10W	
R7745	NRSA02J-272NY	MG RESISTOR	2.7K 5% 1/10W	
R7747	NRSA02J-102NY	MG RESISTOR	1.0K 5% 1/10W	
R7748	NRSA02J-102NY	MG RESISTOR	1.0K 5% 1/10W	
R7749	NRSA02J-222NY	MG RESISTOR	2.2K 5% 1/10W	
R7750	NRSA02J-102NY	MG RESISTOR	1.0K 5% 1/10W	
R7751	NRSA02J-102NY	MG RESISTOR	1.0K 5% 1/10W	
R7795	NRSA02J-103NY	MG RESISTOR	10K 5% 1/10W	
R7796	NRSA02J-103NY	MG RESISTOR	10K 5% 1/10W	
R8501	NRSA02J-221NY	MG RESISTOR	220 5% 1/10W	

**System Control, Function & Tuner Board
(UX-7000 A/UJUB/UF/US/UT/UX, FS-7000 J)**

BLOCK NO. 04111111

A	REF.	PARTS NO.	PARTS NAME	REMARKS	SUFFIX
C	1	NCB21HK-223AY	C CAPACITOR	.022MF 10% 50V	
C	2	NCB21HK-102AY	C CAPACITOR	1000PF 10% 50V	
C	3	NCB21HK-473AY	C CAPACITOR	.047MF 10% 25V	
C	4	NCB21HK-103AY	C CAPACITOR	.010MF 10% 50V	
C	5	0EK41CM-106	E CAPACITOR	100PF 20% 16V	
C	6	NCB21HK-102AY	C CAPACITOR	1000PF 10% 50V	
C	9	NCB21HK-102AY	C CAPACITOR	1000PF 10% 50V	
C	12	NDU21HJ-100X	C CAPACITOR		
C	13	NCB21HK-473AY	C CAPACITOR	.047MF 10% 25V	
C	14	NCB21HK-103AY	C CAPACITOR	.010MF 10% 50V	
C	18	NCB21HK-103AY	C CAPACITOR	.010MF 10% 50V	
C	21	NCB21HK-473AY	C CAPACITOR	.047MF 10% 25V	
C	30	0EK41CM-476	E CAPACITOR	47MF 20% 16V	
C	32	NCB21HK-102AY	C CAPACITOR	1000PF 10% 50V	
C	33	0EK61AM-107ZM	E CAPACITOR	100MF 20% 10V	
C	34	NCB21HK-150AY	C CAPACITOR	15PF 5% 50V	
C	35	NCB21HK-102AY	C CAPACITOR	1000PF 10% 50V	
C	36	0EK41CM-106	E CAPACITOR	10MF 20% 16V	
C	37	NCB21HK-473AY	C CAPACITOR	.047MF 10% 25V	
C	39	NCB21HK-473AY	C CAPACITOR	.047MF 10% 25V	
C	40	NCB21HK-103AY	C CAPACITOR	.010MF 10% 50V	
C	41	0EK41HM-104	E CAPACITOR	.10MF 20% 50V	
C	42	0EK41HM-474	E CAPACITOR	.47MF 20% 50V	
C	44	NCB21HJ-221AY	C CAPACITOR	220PF 5% 50V	
C	45	0EK61HM-355ZN	E CAPACITOR	3.5MF 20% 50V	
C	46	NCB21HK-223AY	C CAPACITOR	.022MF 10% 50V	
C	47	NCB21HK-103AY	C CAPACITOR	.010MF 10% 50V	
C	49	NCB21HK-153AY	C CAPACITOR	UX-7000 ONLY	
C	49	NCB21HK-223AY	C CAPACITOR	FS-7000 ONLY	
C	50	NCB21HK-223AY	C CAPACITOR	FS-7000 ONLY	
C	50	NCB21HK-153AY	C CAPACITOR	UX-7000 ONLY	
C	51	0EK41HM-105	E CAPACITOR	1.0MF 20% 50V	
C	52	0EK41HM-105	E CAPACITOR	1.0MF 20% 50V	
C	60	0EK61AM-107ZM	E CAPACITOR	100MF 20% 10V	
C	61	NCB21HJ-120AY	C CAPACITOR	12PF 5% 50V	
C	62	NCB21HJ-120AY	C CAPACITOR	12PF 5% 50V	
C	63	NCB21HK-473AY	C CAPACITOR	.047MF 10% 25V	
C	65	NCB21HK-102AY	C CAPACITOR	1000PF 10% 50V	
C	66	NCB21HJ-151X	C CAPACITOR	150PF 5% 50V	
C	67	NCB21HJ-151X	C CAPACITOR	150PF 5% 50V	
C	68	NCB21HJ-103AY	C CAPACITOR	100PF 5% 50V	
C	69	0EK41HM-225	E CAPACITOR	2.2MF 20% 50V	
C	70	NCB21HK-392AY	C CAPACITOR	3900PF 10% 50V	
C	71	0EK61HM-355ZN	E CAPACITOR	3.5MF 20% 50V	
C	72	NCB21HK-102AY	C CAPACITOR	1000PF 10% 50V	
C	91	NCB21HK-103AY	C CAPACITOR	.010MF 10% 50V	
C	93	NCB21HK-103AY	C CAPACITOR	.010MF 10% 50V	
CA701		0CNC74K-221	C NETWORK	220PF 10%	
CA702		0CNC74K-221	C NETWORK	220PF 10%	
CA703		0CNC74K-221	C NETWORK	220PF 10%	
CF 1		VCFL213B-108Z	C FILTER	FM IF	
CF 2		VCFL213B-108Z	C FILTER	FM IF	
CF 3		VCFL22-145Z	C FILTER		
CF 4		0AX0409-001	CERA LOCK		
CA601		VMC0163-R07	CONNECTOR	TO CD (SIG)	

BLOCK NO. 04111111

A	REF.	PARTS NO.	PARTS NAME	REMARKS	SUFFIX
	CA602	VMC0040-003	CONNECTOR IM	TO CDOPT (DIG)	
	CA611	0GB1216J1-10S	CONNECTOR	TO MAIN	
	CA641	VMC0040-005	CONNECTOR	TO DOOR MOT	
	CA671	0GB1216J1-18S	B TO B CONNE	TO MICON	
	CA701	VMC0163-R11	CONNECTOR	TO CD	
	CA711	0GB1216K1-26S	B TO B CONNE	TO MAIN	
	CA761	0GB1216K1-18S	B TO B CONNE	TO FUNC. TUNER	
	CA781	0GB1216K1-08S	CONNECTOR	TO SW	
	CA782	0GF1201C3-05	FFC CONNE	TO FRONT	
	CA872	0GF1201F3-05	CONNECTOR	TO MICON	
	C1036	NCS21HJ-331AY	C CAPACITOR	330PF 5% 50V	
	C2036	NCS21HJ-331AY	C CAPACITOR	330PF 5% 50V	
	C6003	NCS21HJ-102AY	C CAPACITOR	1000PF 5% 50V	
	C6007	NCS21HJ-102AY	C CAPACITOR	1000PF 5% 50V	
	C6101	NCS21HJ-151X	C CAPACITOR	150PF 5% 50V	
	C6121	NCS21HJ-151X	C CAPACITOR	150PF 5% 50V	
	C6141	NCB21HK-102AY	C CAPACITOR	1000PF 10% 50V	
	C6161	NCB21HK-122AY	C CAPACITOR	1200PF 10% 50V	
	C6162	NCB21HK-332AY	C CAPACITOR	3300PF 10% 50V	
	C6171	0TE1V06-106Z	E CAPACITOR	4.7MF 20% 25V	
	C6172	0EK41EM-475	E CAPACITOR	10PF 5% 50V	
	C6173	NCS21HJ-100AY	C CAPACITOR	4.7MF 20% 25V	
	C6174	0EK41EM-475	E CAPACITOR	30PF 5% 50V	
	C6175	NCS21HJ-300AY	C CAPACITOR	30PF 5% 50V	
	C6201	NCS21HJ-151X	C CAPACITOR	150PF 5% 50V	
	C6241	NCS21HJ-151X	C CAPACITOR	150PF 5% 50V	
	C6241	NCB21HK-102AY	C CAPACITOR	1000PF 10% 50V	
	C6261	NCB21HK-122AY	C CAPACITOR	1200PF 10% 50V	
	C6262	NCB21HK-332AY	C CAPACITOR	3300PF 10% 50V	
	C6271	0TE1V06-106Z	E CAPACITOR	4.7MF 20% 25V	
	C6272	0EK41EM-475	E CAPACITOR	10PF 5% 50V	
	C6273	NCS21HJ-100AY	C CAPACITOR	4.7MF 20% 25V	
	C6274	0EK41EM-475	E CAPACITOR	30PF 5% 50V	
	C6275	NCS21HJ-300AY	C CAPACITOR	.010MF 10% 50V	
	C6301	NCB21HK-103AY	C CAPACITOR	1.0MF 20% 50V	
	C6302	0EK41HM-105	E CAPACITOR	.010MF 10% 50V	
	C6321	NCB21HK-103AY	C CAPACITOR	1.0MF 20% 50V	
	C6322	0EK41HM-105	E CAPACITOR	4.7MF 20% 16V	
	C6341	NCB21HK-103AY	C CAPACITOR	.010MF 10% 50V	
	C6342	0EK41CM-106	E CAPACITOR	10MF 20% 16V	
	C6361	NCB21HK-103AY	C CAPACITOR	.010MF 10% 50V	
	C6362	0EK41HM-105	E CAPACITOR	1.0MF 20% 50V	
	C6371	0EK41CM-476	E CAPACITOR	47MF 20% 16V	
	C6372	0TE1V06-106Z	E CAPACITOR	.082MF 10% 25V	
	C6373	NCB21EK-823AY	C CAPACITOR	.022MF 10% 50V	
	C6381	NCB21HK-223AY	C CAPACITOR	.022MF 10% 50V	
	C6382	NCB21HK-223AY	C CAPACITOR	.022MF 10% 50V	
	C6383	NCS21HJ-102AY	C CAPACITOR	1000PF 5% 50V	
	C6384	NCS21HJ-151X	C CAPACITOR	150PF 5% 50V	
	C6901	0EK61HM-475Z	E CAPACITOR	4.7MF 20% 50V	
	C6902	0EK61AM-107ZM	E CAPACITOR	100MF 20% 10V	
	C7001	NCS21HJ-102AY	C CAPACITOR	1000PF 5% 50V	
	C7002	NCS21HJ-360AY	C CAPACITOR	360PF 5% 50V	
	C7003	NCS21HJ-200AY	C CAPACITOR	20PF 5% 50V	
	C7004	NCS21HJ-220AY	C CAPACITOR	22PF 5% 50V	

BLOCK NO. 04111111

REF.	PARTS NO.	PARTS NAME	REMARKS	SUFFIX
D6303	1SS133	SI DIODE		
D6361	1SS133	SI DIODE		
D6362	1SS133	SI DIODE		
D6901	MTZ3-9JB	Z DIODE	TU SW	
D6902	1SS133	SI DIODE	TU SW	
D6903	1SS133	SI DIODE	TU SW	
D7001	1SS133	SI DIODE	US5V	
D7002	1SS133	SI DIODE		
D7003	1SS133	SI DIODE	RESET	
D7004	TYE156AP	LED	VOL-ILL(ANBER)	
D7005	TYE156AP	LED	VOL-ILL(ANBER)	
D7733	MTZ6-2JB	ZENER DIODE		
D7795	1SS133	SI DIODE		
D7796	1SS133	SI DIODE		
D8501	SLR-342VC-T	LED I.M		
IC 1	TA2037N	IC		
IC 2	LC72136N	IC		
IC601	BA15218F-ME	IC	FUNCTION	
IC701	UPD780204GF-042	IC	SYSTEM MICON	
IC851	GP1U261X	IC	REM SENSOR	
J 1	EMB41VV-302K	ANT TERMINAL	AM/FM ANT COAX	
J3004	ONS0096-001	3.5 JACK	KIKAKU HENKOU	
J6001	GNN0196-001	PIN JACK	AUX/LINE OUT	
J6002	GP1F32T	OPTICAL JACK	OPT DIG OUT	
K1031	VQZ0048-009	INDUCTOR	FTZ	
K2031	VQZ0048-009	INDUCTOR	FTZ	
K6341	VQZ0048-007	INDUCTOR		
K6371	VQZ0107-002	INDUCTOR		
K7001	VQZ0107-002	INDUCTOR		
K7002	VQZ0107-002	INDUCTOR		
L 1	VQZ0098-202	COIL BLOCK	MW/LW RF/OSC	
L 4	VQP0018-221	INDUCTOR		
L1032	VQP0018-470	INDUCTOR	FTZ	
L2032	VQP0018-470	INDUCTOR	FTZ	
L3001	VQP0018-470	INDUCTOR	FTZ	
L6161	EQF0101-010	FILTER		
L6261	EQF0101-010	FILTER		
L6381	VQP0018-100	INDUCTOR I.M		
L7001	VQP0033-100Z	INDUCTOR	VDD	
L7002	VQP0033-100Z	INDUCTOR	SM5V	
L7003	VQP0026-470Z	INDUCTOR	FL DRIVER	
L7004	VQP0033-100Z	INDUCTOR	FL	
L7005	QQL48AK-470	INDUCTOR	FL	
L7006	QQL48AK-470	INDUCTOR	FL	
L7722	VQP0018-4R7	INDUCTOR	SCK	
L7723	VQP0018-4R7	INDUCTOR	SDATA	
L7735	VQP0018-4R7	INDUCTOR	AVREF	
PP603	VMZ0015-011	STYLE PIN		
Q 1	2SC2668(C)	TRANSISTOR		
Q 6	DTA114YKA-X	TRANSISTOR		
Q 7	2SA1037K(R)-X	TRANSISTOR		
Q 8	2SA1037K(R)-X	TRANSISTOR		
Q6101	2SD1048X7T-HL	TRANSISTOR		
Q6102	2SD1048X7T-HL	TRANSISTOR		
Q6121	2SD1048X7T-HL	TRANSISTOR		

BLOCK NO. 04111111

REF.	PARTS NO.	PARTS NAME	REMARKS	SUFFIX
C7005	NC821HJ-390AY	C CAPACITOR	39PF 5% 50V	
C7006	NC821HJ-102AY	C CAPACITOR	1000PF 5% 50V	
C7007	NC821HJ-220AY	C CAPACITOR	22PF 5% 50V	
C7008	NC821HJ-200AY	C CAPACITOR	20PF 5% 50V	
C7009	QER41AM-107	E CAPACITOR	100MF 20% 10V	
C7010	NC821HK-103AY	C CAPACITOR	0.10MF 10% 50V	
C7011	QER41HM-225	E CAPACITOR	2.2MF 20% 50V	
C7012	QER41HM-475MH	E CAPACITOR	4.7MF 20% 50V	
C7013	NC821HK-103AY	C CAPACITOR	0.10MF 10% 50V	
C7014	QEV71HJ-124ZM	TF CAPACITOR	0.12MF 5% 50V	
C7015	QFV81HJ-564	M.M.CAPA. I.M	0.56MF 5% 50V	
C7016	QFV81HJ-564	M.M.CAPA. I.M	0.56MF 5% 50V	
C7017	NC821HK-103AY	C CAPACITOR	0.10MF 10% 50V	
C7018	NC821HJ-151X	C CAPACITOR	UX-7000 ONLY	
C7019	NC821HJ-151X	C CAPACITOR	150PF 5% 50V	
C7622	NC821HJ-151X	C CAPACITOR	150PF 5% 50V	
C7623	NC821HJ-101AY	C CAPACITOR	100PF 5% 50V	
C7636	QER41HM-105	E CAPACITOR	1.0MF 20% 50V	
C7703	NC821HJ-271AY	C CAPACITOR	270PF 5% 50V	
C7704	NC821HJ-151X	C CAPACITOR	150PF 5% 50V	
C7705	NC821HJ-151X	C CAPACITOR	150PF 5% 50V	
C7706	NC821HJ-151X	C CAPACITOR	150PF 5% 50V	
C7717	NC821HJ-331AY	C CAPACITOR	330PF 5% 50V	
C7721	NC821HJ-101AY	C CAPACITOR	100PF 5% 50V	
C7722	NC821HJ-151X	C CAPACITOR	150PF 5% 50V	
C7723	NC821HJ-151X	C CAPACITOR	150PF 5% 50V	
C7726	NC821HJ-151X	C CAPACITOR	150PF 5% 50V	
C7736	QER41HM-225	E CAPACITOR	2.2MF 20% 50V	
C7737	QER61HM-335ZM	E CAPACITOR	3.3MF 20% 50V	
C7741	NC821HK-223AY	C CAPACITOR	0.22MF 10% 50V	
C7742	NC821HK-223AY	C CAPACITOR	0.22MF 10% 50V	
C7749	NC821HJ-151X	C CAPACITOR	150PF 5% 50V	
C7809	NC821HJ-102AY	C CAPACITOR	1000PF 5% 50V	
C7810	NC821HJ-221AY	C CAPACITOR	UX-7000 ONLY	
C7811	NC821HJ-221AY	C CAPACITOR	UX-7000 ONLY	
C7812	NC821HJ-221AY	C CAPACITOR	UX-7000 ONLY	
C7813	NC821HJ-221AY	C CAPACITOR	UX-7000 ONLY	
C7814	NC821HJ-221AY	C CAPACITOR	UX-7000 ONLY	
C7815	NC821HJ-221AY	C CAPACITOR	220PF 5% 50V	
C7816	NC821HJ-221AY	C CAPACITOR	220PF 5% 50V	
C7817	NC821HJ-221AY	C CAPACITOR	220PF 5% 50V	
C7818	NC821HJ-221AY	C CAPACITOR	220PF 5% 50V	
C7819	NC821HJ-102AY	C CAPACITOR	1000PF 5% 50V	
C7820	NC821HJ-102AY	C CAPACITOR	1000PF 5% 50V	
C7821	NCB21HK-223AY	C CAPACITOR	0.22MF 10% 50V	
C7822	NCB21HK-103AY	C CAPACITOR	0.10MF 10% 50V	
C8501	GEK41CM-476	E CAPACITOR	47MF 20% 16V	
C8502	NC821HJ-102AY	C CAPACITOR	1000PF 5% 50V	
D 1	1SS133	SI DIODE		
D 2	1SS133	SI DIODE		
D 3	1SS133	SI DIODE		
D 4	1SS133	SI DIODE		
D1701	6LF0048-001	FL TUBE		
D1005	1SS133	SI DIODE		
D2005	1SS133	SI DIODE		

BLOCK NO. 04

BLOCK NO. 04

A	REF.	PARTS NO.	PARTS NAME	REMARKS	SUFFIX
	R 46	NRSA02J-473NY	MG RESISTOR	4.7K 5% 1/10W	
	R 48	NRSA02J-102NY	MG RESISTOR	1.0K 5% 1/10W	
	R 52	NRSA02J-472NY	MG RESISTOR	4.7K 5% 1/10W	
	R 54	NRSA02J-472NY	MG RESISTOR	4.7K 5% 1/10W	
	R 55	NRSA02J-182NY	MG RESISTOR	1.8K 5% 1/10W	
	R 56	NRSA02J-332NY	MG RESISTOR	3.3K 5% 1/10W	
	R 57	NRSA02J-102NY	MG RESISTOR	1.0K 5% 1/10W	
	R 66	NRSA02J-222NY	MG RESISTOR	2.2K 5% 1/10W	
	R 68	NRSA02J-473NY	MG RESISTOR	4.7K 5% 1/10W	
	R 69	NRSA02J-103NY	MG RESISTOR	10K 5% 1/10W	
	R 98	GRZ9037-335	COMP. RESISTOR	FS-7000 ONLY	
	R 99	GRZ9037-335	COMP. RESISTOR	FS-7000 ONLY	
	RA701	GRB169J-104	R.NETWORK	100K 5% 1/6W	
	RA702	GRB169J-104	R.NETWORK	100K 5% 1/6W	
	RA703	GRB169J-104	R.NETWORK	100K 5% 1/6W	
	R1003	GRD161J-151	C RESISTOR	150 5% 1/4W	
	R1004	GRD161J-471	C RESISTOR	470 5% 1/4W	
	R1005	GRD161J-823	C RESISTOR	82K 5% 1/4W	
	R2003	GRD161J-151	C RESISTOR	150 5% 1/4W	
	R2004	GRD161J-471	C RESISTOR	470 5% 1/4W	
	R2005	GRD161J-823	C RESISTOR	82K 5% 1/4W	
	R6101	NRSA02J-102NY	MG RESISTOR	1.0K 5% 1/10W	
	R6102	NRSA02J-224NY	MG RESISTOR	220K 5% 1/10W	
	R6103	NRSA02J-363NYM	RES. C.M	36K 5% 1/10W	
	R6104	NRSA02J-393NY	MG RESISTOR	39K 5% 1/10W	
	R6105	NRSA02J-222NY	MG RESISTOR	2.2K 5% 1/10W	
	R6106	NRSA02J-273NY	MG RESISTOR	27K 5% 1/10W	
	R6107	NRSA02J-273NY	MG RESISTOR	27K 5% 1/10W	
	R6108	NRSA02J-222NY	MG RESISTOR	2.2K 5% 1/10W	
	R6121	NRSA02J-102NY	MG RESISTOR	1.0K 5% 1/10W	
	R6122	NRSA02J-224NY	MG RESISTOR	220K 5% 1/10W	
	R6123	NRSA02J-363NYM	RES. C.M	36K 5% 1/10W	
	R6124	NRSA02J-393NY	MG RESISTOR	39K 5% 1/10W	
	R6125	NRSA02J-222NY	MG RESISTOR	2.2K 5% 1/10W	
	R6126	NRSA02J-273NY	MG RESISTOR	27K 5% 1/10W	
	R6127	NRSA02J-273NY	MG RESISTOR	27K 5% 1/10W	
	R6128	NRSA02J-222NY	MG RESISTOR	2.2K 5% 1/10W	
	R6141	NRSA02J-102NY	MG RESISTOR	1.0K 5% 1/10W	
	R6142	NRSA02J-222NY	MG RESISTOR	2.2K 5% 1/10W	
	R6143	NRSA02J-392NY	MG RESISTOR	3.9K 5% 1/10W	
	R6144	NRSA02J-223NY	MG RESISTOR	22K 5% 1/10W	
	R6161	NRSA02J-332NY	MG RESISTOR	3.3K 5% 1/10W	
	R6162	NRSA02J-103NY	MG RESISTOR	10K 5% 1/10W	
	R6163	NRSA02J-562NY	MG RESISTOR	5.6K 5% 1/10W	
	R6164	NRSA02J-392NY	MG RESISTOR	3.9K 5% 1/10W	
	R6165	NRSA02J-682X	MG RESISTOR	6.8K 5% 1/10W	
	R6171	NRSA02J-103NY	MG RESISTOR	10K 5% 1/10W	
	R6172	NRSA02J-753NY	MG RESISTOR	75K 5% 1/10W	
	R6173	NRSA02J-154NY	MG RESISTOR	150K 5% 1/10W	
	R6174	NRSA02J-333NY	MG RESISTOR	33K 5% 1/10W	
	R6201	NRSA02J-102NY	MG RESISTOR	1.0K 5% 1/10W	
	R6202	NRSA02J-224NY	MG RESISTOR	220K 5% 1/10W	
	R6203	NRSA02J-363NYM	RES. C.M	36K 5% 1/10W	
	R6204	NRSA02J-393NY	MG RESISTOR	39K 5% 1/10W	
	R6205	NRSA02J-222NY	MG RESISTOR	2.2K 5% 1/10W	

A	REF.	PARTS NO.	PARTS NAME	REMARKS	SUFFIX
	G6122	2SD1048X7T-HL	TRANSISTOR		
	G6141	2SD1048X7T-HL	TRANSISTOR		
	G6161	2SC2412K/R/-X	TRANSISTOR		
	G6201	2SD1048X7T-HL	TRANSISTOR		
	G6202	2SD1048X7T-HL	TRANSISTOR		
	G6221	2SD1048X7T-HL	TRANSISTOR		
	G6222	2SD1048X7T-HL	TRANSISTOR		
	G6241	2SD1048X7T-HL	TRANSISTOR		
	G6261	2SC2412K/R/-X	TRANSISTOR		
	G6301	2SC2412K/R/-X	TRANSISTOR		
	G6302	DTA114WKA-X	DIGI TRANSISTOR		
	G6321	2SC2412K/R/-X	TRANSISTOR		
	G6322	DTA114WKA-X	DIGI TRANSISTOR		
	G6341	DTA123JSA-T	D.TR.I.M		
	G6361	DTA114WKA-X	DIGI TRANSISTOR		
	G6901	KTA1267(YG)-T	TRANSISTOR	TU SW	
	G6902	2SC2412K/R/-X	TRANSISTOR	TU SW	
	G7001	2SC2714/O/-X	TRANSISTOR	CLOCK SHIFT	
	G7002	2SC2714/O/-X	TRANSISTOR	CLOCK SHIFT	
	G7003	DTA114TKAT146	TRANSISTOR	SW5V	
	G7004	2SC2412K/R/-X	TRANSISTOR	RESET	
	G7722	DTC144TKA-X	TRANSISTOR	SDATA CONT	
	G7723	DTC144TKA-X	TRANSISTOR	SCK CONT	
	G7795	2SC2412K/R/-X	TRANSISTOR	FL DRIVER	
	G7796	2SC2412K/R/-X	TRANSISTOR	FL DRIVER	
	G8501	2SC2412K/R/-X	TRANSISTOR		
	G8502	DTC144EKA-X	TRANSISTOR		
	R 1	NRSA02J-102NY	MG RESISTOR	1.0K 5% 1/10W	
	R 2	NRSA02J-820NY	MG RESISTOR	FS-7000 ONLY	
	R 2	NRSA02J-821NY	MG RESISTOR	UX-7000 ONLY	
	R 3	NRSA02J-OR0NY	BUS WIRE I/M	5% 1/10W	
	R 10	NRSA02J-102NY	MG RESISTOR	1.0K 5% 1/10W	
	R 12	NRSA02J-102NY	MG RESISTOR	1.0K 5% 1/10W	
	R 13	NRSA02J-104X	MG RESISTOR	100K 5% 1/10W	
	R 20	NRSA02J-331NY	MG RESISTOR	330 5% 1/10W	
	R 21	NRSA02J-224NY	MG RESISTOR	220K 5% 1/10W	
	R 22	NRSA02J-331NY	MG RESISTOR	330 5% 1/10W	
	R 23	NRSA02J-270NY	MG RESISTOR	27 5% 1/10W	
	R 24	NRSA02J-271NY	MG RESISTOR	270 5% 1/10W	
	R 25	NRSA02J-473NY	MG RESISTOR	47K 5% 1/10W	
	R 27	NRSA02J-223NY	MG RESISTOR	22K 5% 1/10W	
	R 29	NRSA02J-473NY	MG RESISTOR	47K 5% 1/10W	
	R 30	NRSA02J-103NY	MG RESISTOR	10K 5% 1/10W	
	R 31	NRSA02J-103NY	MG RESISTOR	10K 5% 1/10W	
	R 32	NRSA02J-473NY	MG RESISTOR	47K 5% 1/10W	
	R 34	NRSA02J-333NY	MG RESISTOR	33K 5% 1/10W	
	R 35	NRSA02J-333NY	MG RESISTOR	33K 5% 1/10W	
	R 36	NRSA02J-103NY	MG RESISTOR	10K 5% 1/10W	
	R 37	NRSA02J-472NY	MG RESISTOR	4.7K 5% 1/10W	
	R 38	NRSA02J-392NY	MG RESISTOR	3.9K 5% 1/10W	
	R 39	NRSA02J-392NY	MG RESISTOR	3.9K 5% 1/10W	
	R 42	NRSA02J-102NY	MG RESISTOR	1.0K 5% 1/10W	
	R 43	NRSA02J-102NY	MG RESISTOR	1.0K 5% 1/10W	
	R 44	NRSA02J-102NY	MG RESISTOR	1.0K 5% 1/10W	
	R 45	NRSA02J-102NY	MG RESISTOR	1.0K 5% 1/10W	

BLOCK NO. 04

A	REF.	PARTS NO.	PARTS NAME	REMARKS	SUFFIX
	R7527	NRSA02J-473NY	MG RESISTOR	47K 5% 1/10W	
	R7530	NRSA02J-103NY	MG RESISTOR	10K 5% 1/10W	
	R7536	NRSA02J-683NY	MG RESISTOR	68K 5% 1/10W	
	R7549	NRSA02J-102NY	MG RESISTOR	1.0K 5% 1/10W	
	R7595	NRSA02J-331NY	MG RESISTOR	UX-7000 ONLY	US,UT,UX,A
	R7595	NRSA02J-471NY	MG RESISTOR	FS-7000 ONLY	J
	R7595	NRSA02J-331NY	MG RESISTOR	UX-7000 ONLY	U,UB,UF
	R7596	NRSA02J-331NY	MG RESISTOR	UX-7000 ONLY	U,UB,UF
	R7596	NRSA02J-471NY	MG RESISTOR	FS-7000 ONLY	J
	R7596	NRSA02J-331NY	MG RESISTOR	UX-7000 ONLY	US,UT,UX,A
	R7603	NRSA02J-122NY	MG RESISTOR	1.2K 5% 1/10W	
	R7604	NRSA02J-102NY	MG RESISTOR	1.0K 5% 1/10W	
	R7605	NRSA02J-122NY	MG RESISTOR	1.2K 5% 1/10W	
	R7606	NRSA02J-102NY	MG RESISTOR	1.0K 5% 1/10W	
	R7617	NRSA02J-103NY	MG RESISTOR	10K 5% 1/10W	
	R7618	NRSA02J-103NY	MG RESISTOR	10K 5% 1/10W	
	R7627	NRSA02J-103NY	MG RESISTOR	10K 5% 1/10W	
	R7628	NRSA02J-104X	MG RESISTOR	100K 5% 1/10W	
	R7629	NRSA02J-104X	MG RESISTOR	100K 5% 1/10W	
	R7630	NRSA02J-104X	MG RESISTOR	100K 5% 1/10W	
	R7631	NRSA02J-103NY	MG RESISTOR	10K 5% 1/10W	
	R7632	NRSA02J-103NY	MG RESISTOR	10K 5% 1/10W	
	R7636	NRSA02J-114NYM	MG RESISTOR	110K 5% 1/10W	
	R7637	NRSA02J-114NYM	MG RESISTOR	110K 5% 1/10W	
	R7638	NRSA02J-103NY	MG RESISTOR	10K 5% 1/10W	
	R7641	NRSA02J-153NY	MG RESISTOR	15K 5% 1/10W	
	R7642	NRSA02J-473NY	MG RESISTOR	47K 5% 1/10W	
	R7643	NRSA02J-104X	MG RESISTOR	100K 5% 1/10W	
	R7644	NRSA02J-473NY	MG RESISTOR	47K 5% 1/10W	
	R7645	NRSA02J-473NY	MG RESISTOR	47K 5% 1/10W	
	R7647	NRSA02J-223NY	MG RESISTOR	22K 5% 1/10W	
	R7649	NRSA02J-154NY	MG RESISTOR	150K 5% 1/10W	
	R7650	NRSA02J-183NY	MG RESISTOR	18K 5% 1/10W	
	R7695	NRSA02J-123NY	MG RESISTOR	12K 5% 1/10W	
	R7696	NRSA02J-123NY	MG RESISTOR	12K 5% 1/10W	
	R7702	NRSA02J-102NY	MG RESISTOR	1.0K 5% 1/10W	
	R7703	NRSA02J-102NY	MG RESISTOR	1.0K 5% 1/10W	
	R7704	NRSA02J-102NY	MG RESISTOR	1.0K 5% 1/10W	
	R7705	NRSA02J-102NY	MG RESISTOR	1.0K 5% 1/10W	
	R7706	NRSA02J-102NY	MG RESISTOR	1.0K 5% 1/10W	
	R7707	NRSA02J-222NY	MG RESISTOR	2.2K 5% 1/10W	
	R7708	NRSA02J-472NY	MG RESISTOR	4.7K 5% 1/10W	
	R7709	NRSA02J-472NY	MG RESISTOR	4.7K 5% 1/10W	
	R7714	NRSA02J-334NY	MG RESISTOR	330K 5% 1/10W	
	R7717	NRSA02J-102NY	MG RESISTOR	1.0K 5% 1/10W	
	R7719	NRSA02J-102NY	MG RESISTOR	1.0K 5% 1/10W	
	R7720	NRSA02J-222NY	MG RESISTOR	2.2K 5% 1/10W	
	R7721	NRSA02J-222NY	MG RESISTOR	2.2K 5% 1/10W	
	R7722	NRSA02J-102NY	MG RESISTOR	1.0K 5% 1/10W	
	R7726	NRSA02J-222NY	MG RESISTOR	2.2K 5% 1/10W	
	R7727	NRSA02J-222NY	MG RESISTOR	2.2K 5% 1/10W	
	R7728	NRSA02J-222NY	MG RESISTOR	2.2K 5% 1/10W	
	R7729	NRSA02J-222NY	MG RESISTOR	2.2K 5% 1/10W	
	R7730	NRSA02J-222NY	MG RESISTOR	2.2K 5% 1/10W	
	R7731	NRSA02J-222NY	MG RESISTOR	2.2K 5% 1/10W	

BLOCK NO. 04

A	REF.	PARTS NO.	PARTS NAME	REMARKS	SUFFIX
	R6206	NRSA02J-273NY	MG RESISTOR	27K 5% 1/10W	
	R6207	NRSA02J-273NY	MG RESISTOR	27K 5% 1/10W	
	R6208	NRSA02J-222NY	MG RESISTOR	2.2K 5% 1/10W	
	R6221	NRSA02J-102NY	MG RESISTOR	1.0K 5% 1/10W	
	R6222	NRSA02J-222NY	MG RESISTOR	2.2K 5% 1/10W	
	R6223	NRSA02J-363NYM	RES. C.M	36K 5% 1/10W	
	R6224	NRSA02J-393NY	MG RESISTOR	39K 5% 1/10W	
	R6225	NRSA02J-222NY	MG RESISTOR	2.2K 5% 1/10W	
	R6226	NRSA02J-273NY	MG RESISTOR	27K 5% 1/10W	
	R6227	NRSA02J-273NY	MG RESISTOR	27K 5% 1/10W	
	R6228	NRSA02J-222NY	MG RESISTOR	2.2K 5% 1/10W	
	R6241	NRSA02J-102NY	MG RESISTOR	1.0K 5% 1/10W	
	R6242	NRSA02J-222NY	MG RESISTOR	2.2K 5% 1/10W	
	R6243	NRSA02J-222NY	MG RESISTOR	2.2K 5% 1/10W	
	R6244	NRSA02J-393NY	MG RESISTOR	3.9K 5% 1/10W	
	R6261	NRSA02J-332NY	MG RESISTOR	22K 5% 1/10W	
	R6262	NRSA02J-103NY	MG RESISTOR	3.3K 5% 1/10W	
	R6263	NRSA02J-562NY	MG RESISTOR	10K 5% 1/10W	
	R6264	NRSA02J-392NY	MG RESISTOR	5.6K 5% 1/10W	
	R6265	NRSA02J-682X	MG RESISTOR	3.9K 5% 1/10W	
	R6271	NRSA02J-103NY	MG RESISTOR	6.8K 5% 1/10W	
	R6272	NRSA02J-753NY	MG RESISTOR	10K 5% 1/10W	
	R6273	NRSA02J-154NY	MG RESISTOR	75K 5% 1/10W	
	R6274	NRSA02J-333NY	MG RESISTOR	150K 5% 1/10W	
	R6301	NRSA02J-103NY	MG RESISTOR	33K 5% 1/10W	
	R6302	NRSA02J-473NY	MG RESISTOR	10K 5% 1/10W	
	R6303	NRSA02J-103NY	MG RESISTOR	47K 5% 1/10W	
	R6321	NRSA02J-103NY	MG RESISTOR	10K 5% 1/10W	
	R6322	NRSA02J-473NY	MG RESISTOR	10K 5% 1/10W	
	R6323	NRSA02J-103NY	MG RESISTOR	47K 5% 1/10W	
	R6361	NRSA02J-223NY	MG RESISTOR	22K 5% 1/10W	
	R6362	NRSA02J-103NY	MG RESISTOR	10K 5% 1/10W	
	R6371	GRD167J-121	C RESISTOR	120 5% 1/4W	
	R6372	NRSA02J-473NY	MG RESISTOR	47K 5% 1/10W	
	R6373	NRSA02J-473NY	MG RESISTOR	47K 5% 1/10W	
	R6381	NRSA02J-102NY	MG RESISTOR	1.0K 5% 1/10W	
	R6382	NRSA02J-913NY	MG RESISTOR	91K 5% 1/10W	
	R6901	NRSA02J-390NY	MG RESISTOR	39 5% 1/10W	
	R6902	NRSA02J-102NY	MG RESISTOR	1.0K 5% 1/10W	
	R6903	NRSA02J-563NY	MG RESISTOR	56K 5% 1/10W	
	R6904	NRSA02J-472NY	MG RESISTOR	4.7K 5% 1/10W	
	R7001	NRSA02J-822NY	MG RESISTOR	8.2K 5% 1/10W	
	R7002	NRSA02J-822NY	MG RESISTOR	8.2K 5% 1/10W	
	R7003	NRSA02J-103NY	MG RESISTOR	10K 5% 1/10W	
	R7004	NRSA02J-103NY	MG RESISTOR	10K 5% 1/10W	
	R7005	NRSA02J-561NY	RES. C.M	UX-7000 ONLY	US,UT,UX,A
	R7005	NRSA02J-821NY	RES. C.M	FS-7000 ONLY	J
	R7005	NRSA02J-561NY	RES. C.M	UX-7000 ONLY	U,UB,UF
	R7007	NRSA02J-561NY	RES. C.M	UX-7000 ONLY	U,UB,UF
	R7007	NRSA02J-821NY	RES. C.M	FS-7000 ONLY	J
	R7007	NRSA02J-561NY	RES. C.M	UX-7000 ONLY	US,UT,UX,A
	R7008	NRSA02J-103NY	MG RESISTOR	10K 5% 1/10W	
	R7009	NRSA02J-103NY	MG RESISTOR	10K 5% 1/10W	
	R7495	NRSA02J-104X	MG RESISTOR	100K 5% 1/10W	
	R7496	NRSA02J-104X	MG RESISTOR	100K 5% 1/10W	

CD Servo Control Board

BLOCK NO. 05

REF.	PARTS NO.	PARTS NAME	REMARKS	SUFFIX
C 604	QEK3AM-107ZM	E CAPACITOR	100MF 20% 10V	
C 605	QET41EM-106	E CAPACITOR	10MF 20% 25V	
C 606	QCGB1HK-102	C CAPACITOR	1000PF 10% 50V	
C 607	QCGB1HK-102	C CAPACITOR	1000PF 10% 50V	
C 608	QET41EM-105	E CAPACITOR	1.0MF 20% 50V	
C 609	QCBB1HK-101Y	C CAPACITOR	100PF 10% 50V	
C 610	QFLC1HJ-273ZM	M CAPACITOR	.027MF 5% 50V	
C 611	QCXB1CM-222Y	C CAPACITOR	2200PF 20% 16V	
C 612	QCVB1CN-103Y	C CAPACITOR	.010MF 30% 16V	
C 613	QCBB1HK-331Y	C CAPACITOR	330PF 10% 50V	
C 614	QFLC1HJ-104ZM	M CAPACITOR	.10MF 5% 50V	
C 615	QCFB1HZ-223	C CAPACITOR	.022MF +80:-20% 50V	
C 616	QCFB1HZ-223	C CAPACITOR	.022MF +80:-20% 50V	
C 617	QCFB1HZ-223	C CAPACITOR	.022MF +80:-20% 50V	
C 618	QCXB1CM-222Y	C CAPACITOR	2200PF 20% 16V	
C 619	QCBB1HK-271Y	C CAPACITOR	270PF 10% 50V	
C 620	QCS11HJ-470	C CAPACITOR	47PF 5% 50V	
C 621	QCBB1HK-821Y	C CAPACITOR	820PF 10% 50V	
C 622	QET41EM-476	E CAPACITOR	47MF 20% 10V	
C 623	QFLC1HJ-104ZM	M CAPACITOR	.10MF 5% 50V	
C 628	QCC11EM-473V	C CAPACITOR	.047MF 20% 25V	
C 629	QET41EM-107	E CAPACITOR	100MF 20% 10V	
C 631	QET41AM-477	E CAPACITOR	470MF 20% 10V	
C 632	QEK61AM-107ZM	E CAPACITOR	100MF 20% 10V	
C 651	QCS11HJ-120	C CAPACITOR	12PF 5% 50V	
C 652	QCS11HJ-150	C CAPACITOR	15PF 5% 50V	
C 653	QCFB1HZ-223	C CAPACITOR	.022MF +80:-20% 50V	
C 655	QCC11EM-473V	C CAPACITOR	.047MF 20% 25V	
C 661	QCBB1HK-471Y	C CAPACITOR	470PF 10% 50V	
C 662	QCFB1HZ-223	C CAPACITOR	.022MF +80:-20% 50V	
C 663	QFLC1HJ-223ZM	M CAPACITOR	.022MF 5% 50V	
C 664	QCFB1HZ-223	C CAPACITOR	.022MF +80:-20% 50V	
C 665	QFV41HJ-104ZM	TF CAPACITOR	.10MF 5% 50V	
C 671	QCXB1CM-152Y	C CAPACITOR	1500PF 20% 16V	
C 672	QCXB1CM-152Y	C CAPACITOR	1500PF 20% 16V	
C 673	QTE1C05-227	E CAPACITOR		
C 674	QCFB1HZ-223	C CAPACITOR		
C 675	QCGB1HK-102	C CAPACITOR		
C 676	QCGB1HK-102	C CAPACITOR		
C 691	QCBB1HK-151Y	C CAPACITOR		
C 692	QCBB1HK-151Y	C CAPACITOR	150PF 10% 50V	
C 693	QCBB1HK-151Y	C CAPACITOR	150PF 10% 50V	
C 698	QCGB1HK-102	C CAPACITOR	1000PF 10% 50V	
CN601	QGF1008F1-15	CONNECTOR	TO RF	
CN603	QGF1205F1-07	CONNECTOR	TO AUDIO	
CN604	VMC0163-R11	CONNECTOR	TO MICRON	
CN605	VMC0041-003	CONNECTOR	TO DIGITAL OUT	
D 661	1SS133	SI DIODE		
IC601	AN8806SB	IC	RF AMP DRIVER	
IC602	BA6897FP	IC	1CHIP PROCESSER	
IC603	MN35510	IC		
Q 601	2SA952(L,K)	TRANSISTOR		
Q 631	2SA952(L,K)	TRANSISTOR		
R 601	QRD161J-123	C RESISTOR	12K 5% 1/4W	
R 603	QRD161J-125	C RESISTOR	1.2M 5% 1/4W	

BLOCK NO. 04

REF.	PARTS NO.	PARTS NAME	REMARKS	SUFFIX
R7732	NRSA02J-222NY	MG RESISTOR	2.2K 5% 1/10W	
R7733	NRSA02J-222NY	MG RESISTOR	2.2K 5% 1/10W	
R7736	NRSA02J-473NY	MG RESISTOR	47K 5% 1/10W	
R7737	NRSA02J-473NY	MG RESISTOR	47K 5% 1/10W	
R7739	NRSA02J-222NY	MG RESISTOR	2.2K 5% 1/10W	
R7741	NRSA02J-152NY	MG RESISTOR	1.5K 5% 1/10W	
R7742	NRSA02J-472NY	MG RESISTOR	4.7K 5% 1/10W	
R7743	NRSA02J-222NY	MG RESISTOR	2.2K 5% 1/10W	
R7744	NRSA02J-272NY	MG RESISTOR	2.7K 5% 1/10W	
R7745	NRSA02J-272NY	MG RESISTOR	2.7K 5% 1/10W	
R7747	NRSA02J-102NY	MG RESISTOR	1.0K 5% 1/10W	
R7748	NRSA02J-102NY	MG RESISTOR	1.0K 5% 1/10W	
R7749	NRSA02J-222NY	MG RESISTOR	2.2K 5% 1/10W	
R7750	NRSA02J-102NY	MG RESISTOR	1.0K 5% 1/10W	
R7751	NRSA02J-102NY	MG RESISTOR	1.0K 5% 1/10W	
R7795	NRSA02J-103NY	MG RESISTOR	10K 5% 1/10W	
R7796	NRSA02J-103NY	MG RESISTOR	10K 5% 1/10W	
R8501	NRSA02J-221NY	MG RESISTOR	220 5% 1/10W	
R8502	NRSA02J-183NY	MG RESISTOR	18K 5% 1/10W	
SPACE	LV40359-003A	LED SPACER	FOR D7005	
S6381	GSW0620-001	SWITCH	FOR D7004	
S6382	GSW0620-001	SWITCH		
T 1	VQT7A21-113	IFT		
TU 1	GAU0037-001	FRONT END	UX-7000 ONLY	
TU 1	GAU0097-001	FRONT END	FS-7000 ONLY	
W6001	VMZ0015-002	POST PIN		
X 1	GAX0402-001	CRYSTAL	MAIN CLOCK	
X7001	GAX0410-001Z	CERA LOCK	CLOCK	
X7002	GAX0401-001	CRYSTAL		

BLOCK NO. 05111111

REF.	PARTS NO.	PARTS NAME	REMARKS	SUFFIX
R 605	QRD167J-134	C RESISTOR	130K 5% 1/4W	
R 606	QRD161J-913	C RESISTOR	91K 5% 1/4W	
R 607	QRD161J-273	C RESISTOR	27K 5% 1/4W	
R 609	QRD161J-114	C RESISTOR	110K 5% 1/4W	
R 610	QRD161J-154	C RESISTOR	150K 5% 1/4W	
R 612	QRD161J-103Y	C RESISTOR	10K 5% 1/4W	
R 613	QRD167J-121	C RESISTOR	120 5% 1/4W	
R 614	QRD161J-100	C RESISTOR	10 5% 1/4W	
R 615	QRD161J-120	C RESISTOR	12 5% 1/4W	
R 616	QRD161J-910Y	C RESISTOR	91 5% 1/4W	
R 621	QRD161J-330	C RESISTOR	33 5% 1/4W	
R 622	QRD161J-330	C RESISTOR	33 5% 1/4W	
R 623	QRD161J-330	C RESISTOR	33 5% 1/4W	
R 631	QRD161J-331	C RESISTOR	330 5% 1/4W	
R 632	QRD161J-101	C RESISTOR	100 5% 1/4W	
R 633	QRD161J-273	C RESISTOR	27K 5% 1/4W	
R 641	QRD161J-563	C RESISTOR	56K 5% 1/4W	
R 642	QRD161J-123	C RESISTOR	12K 5% 1/4W	
R 643	QRD161J-822	C RESISTOR	8.2K 5% 1/4W	
R 644	QRD161J-223	C RESISTOR	22K 5% 1/4W	
R 645	QRD161J-223	C RESISTOR	22K 5% 1/4W	
R 646	QRD161J-182	C RESISTOR	1.8K 5% 1/4W	
R 647	QRD167J-562	C RESISTOR	5.6K 5% 1/4W	
R 651	QRD161J-102	C RESISTOR	1.0K 5% 1/4W	
R 652	QRD161J-102	C RESISTOR	1.0K 5% 1/4W	
R 653	QRD161J-102	C RESISTOR	1.0K 5% 1/4W	
R 654	QRD161J-102	C RESISTOR	1.0K 5% 1/4W	
R 655	QRD161J-471	C RESISTOR	470 5% 1/4W	
R 659	QRD161J-471	C RESISTOR	470 5% 1/4W	
R 661	QRD161J-104	C RESISTOR	100K 5% 1/4W	
R 662	QRD161J-155	C RESISTOR	1.5M 5% 1/4W	
R 663	QRD161J-124	C RESISTOR	120K 5% 1/4W	
R 664	QRD161J-471	C RESISTOR	470 5% 1/4W	
R 666	QRD161J-220	C RESISTOR	22 5% 1/4W	
R 671	QRD161J-102	C RESISTOR	1.0K 5% 1/4W	
R 672	QRD161J-102	C RESISTOR	1.0K 5% 1/4W	
X 651	VCX5016-934V	CRYSTAL	16.9344MHZ	

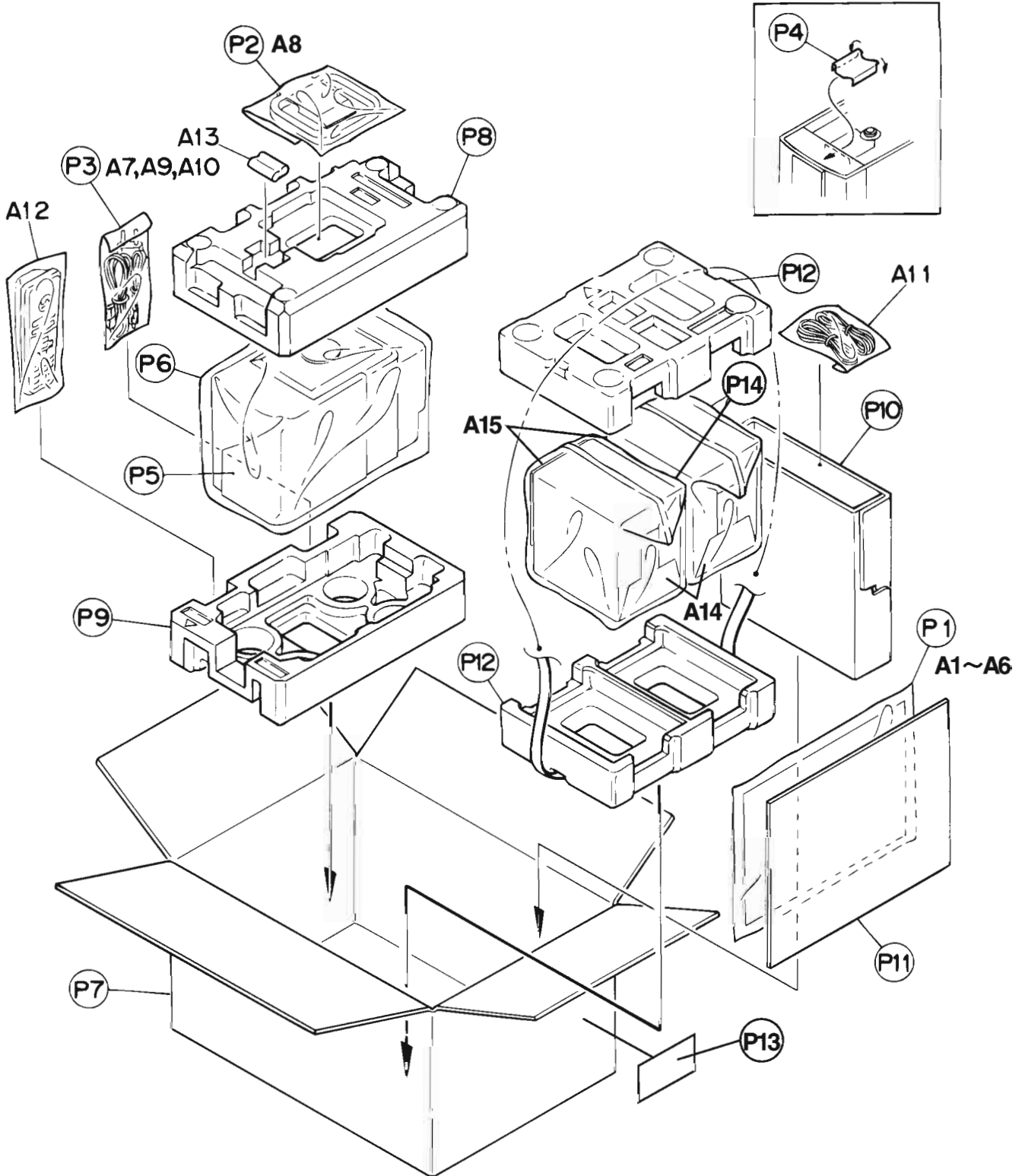
Packing Materials and Accessories List

Block No.

M	3	M	M
---	---	---	---

Block No.

M	4	M	M
---	---	---	---



■ Packing List

BLOCK NO.

△ REF.	PARTS NO.	PARTS NAME	REMARKS	QTY	SUFFIX	CLR
P 1	QPA02503503P	POLY BAG	INSTRUCTIONS	1		
P 2	QPA01702503P	POLY BAG	AM LOOP ANT	1		
P 3	QPA01202505	POLY BAG	FS-7000 ONLY	1	J	
	QPA01202505	POLY BAG	UX-7000 ONLY	1	US,UT,UX,A	
	QPA01202505	POLY BAG	UX-7000 ONLY	1	U,UF,EE	
	QPA01202505	POLY BAG	UX-7000R ONLY	1	E,EN	
	QPA01503503	POLY BAG	UX-7000R ONLY	1	B,UB	
P 4	VPK4236-010	SPACER		1		
P 5	VPK3001-012	SHEET		1		
P 6	QPC04004515P	POLY BAG		1		
P 7	LV30142-005A	CARTON	UX-7000 ONLY	1	U,UB,US	
	LV30142-006A	CARTON	UX-7000R ONLY	1	B,E,EN	
	LV30142-005A	CARTON	UX-7000 ONLY	1	UT,UX,A	
	LV30142-012A	CARTON	UX-7000 ONLY	1	UF	
	LV30142-007A	CARTON	FS-7000 ONLY	1	J	
	LV30142-005A	CARTON	UX-7000 ONLY	1	EE	
P 8	LV10038-001A	CUSHION		1		
P 9	LV10038-002A	CUSHION		1		
P 10	LV30440-001A	SPACER		1		
P 11	LV40548-001A	PACKING SHEET	UX-7000 ONLY	1	U,UB,UF	
	LV40548-001A	PACKING SHEET	UX-7000 ONLY	1	US,UT,A	
	LV40548-001A	PACKING SHEET	UX-7000R ONLY	1	B	
	LV40548-001A	PACKING SHEET	FS-7000 ONLY	1	J	
P 12	LV10080-001A	CUSHION	FOR SPEAKER	2		
P 13	LV30257-010A	UT LABEL	UX-7000 ONLY	1	UT	
P 14	85-000-289-01	POLY BAG	FOR SPEAKER	2		

■ Accessories List

BLOCK NO.

△ REF.	PARTS NO.	PARTS NAME	REMARKS	QTY	SUFFIX	CLR
A 1	LVT0035-001B	INSTRUCTIONS	UX-7000R ONLY	1	E	
	LVT0035-002B	INSTRUCTIONS	UX-7000R ONLY	1	EN	
	LVT0035-003B	INSTRUCTIONS	UX-7000R ONLY	1	B	
	LVT0087-001A	INSTRUCTIONS	FS-7000 ONLY	1	J	
	LVT0085-001A	INSTRUCTIONS	UX-7000 ONLY	1	EE	
	LVT0085-004A	INSTRUCTIONS	UX-7000 ONLY	1	UF	
	LVT0085-002A	INSTRUCTIONS	UX-7000 ONLY	1	UT,UX,A	
	LVT0085-002A	INSTRUCTIONS	UX-7000 ONLY	1	U,UB,US	
A 2	BT-54008-1	WARRANTY CARD	UX-7000 ONLY	1	EE	
	BT-56001-1	WARRANTY CARD	UX-7000 ONLY	1	A	
	BT-59011-1	WARRANTY CARD	UX-7000 ONLY	1	UF	
	BT-51009-3	WARRANTY CARD	FS-7000 ONLY	1	J	
	BT-52001-4	WARRANTY CARD	FS-7000 ONLY	1	J	
	BT-54008-1	WARRANTY CARD	UX-7000R ONLY	1	B,E,EN	
A 3	BT-56002-1	SERVICE NETWORK	UX-7000 ONLY	1	A	
	BT-20071B	SERVICE NETWORK	FS-7000 ONLY	1	J	
	BT-59009-1	SERVICE NETWORK	UX-7000 ONLY	1	UF	
	BT-20137	SERVICE NETWORK	FS-7000 ONLY	1	J	
A 4	BT-20044G	SAFTY SHEET	FS-7000 ONLY	1	J	
A 5	LVT0085-003A	INSTRUCTIONS	UX-7000 ONLY	1	UX	
A 6	LV30258-035A	UB SHEET	UX-7000 ONLY	1	UB	
A 7	EWP503-001	ANT.WIRE	FM ANT.	1		
A 8	QAL0014-001	AM LOOP ANT	AM ANT.	1		
A 9	QMP5520-183BS	POWER CORD	UX-7000R ONLY	1	B	
	QMP39F0-183	POWER CORD	UX-7000R ONLY	1	E,EN	
	QMP1F00-183	POWER CORD	FS-7000 ONLY	1	J	
	QMPP060-183-JD	POWER CORD	UX-7000 ONLY	1	UB	
	QMPS060-160-E2	POWER CORD	UX-7000 ONLY	1	UT,UX	
	QMP39F0-183	POWER CORD	UX-7000 ONLY	1	EE,U,US	
	QMP25D0-183	POWER CORD	UX-7000 ONLY	1	A	
	QMPS020-183-JC	POWER CORD	UX-7000 ONLY	1	UF	
A 10	V04062-002	AC PLUG	UX-7000 ONLY	1	U,US	
	V04062-001	AC PLUG	UX-7000 ONLY	1	UT,UX	
A 11	VMP0133-101	SPEAKER CORD	FS-7000 ONLY	1		
	VMP0133-001	SPEAKER CORD	UX-7000/7000R	1		
A 12	RM-RXU7000R	REMOCON UNIT	UX-7000R ONLY	1		
	RM-RXU7000	REMOCON UNIT	UX-7000 ONLY	1		
	RM-RXFS7000	REMOCON UNIT	FS-7000 ONLY	1		
A 13	R6SPTT/2STS	BATTERY	FOR REMOCON	1		
A 14	SPUX7000-SPBOX	SPEAKER BOX		2		
A 15	LV20107-001A	SPEAKER NET	FOR SPEAKER	2		


UX-7000/UX-7000R/FS-7000

JVC

VICTOR COMPANY OF JAPAN, LIMITED

AUDIO DIVISION, 10-1, 1Chome, Ohwatari-machi, Maebashi-city, 371-8543, Japan

(No.20708)

 Printed in Japan
9807 (V)

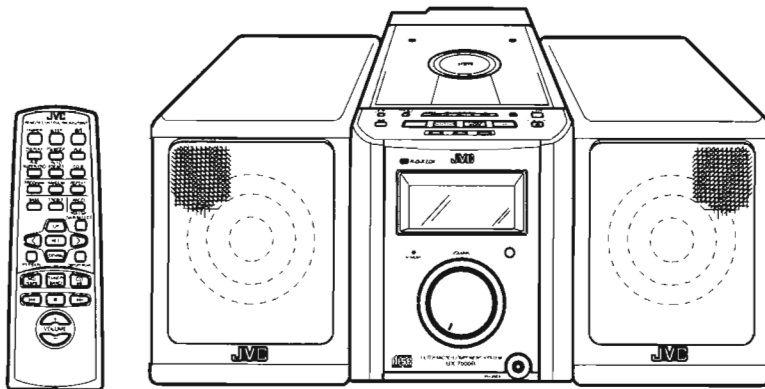
JVC

SERVICE MANUAL

MICRO COMPONENT SYSTEM

UX-7000

SUPPLEMENT



Area Suffix (UX-7000)

UP Korea

R·D·S EON

COMPACT
disc
DIGITAL AUDIO

UP version is added to UX-7000 model

This service manual indicates comparison with the UX-7000U

Regarding other parts, please refer to the UX-7000. Service Manual (No.20708)

Contents

Parts list	2
Standard schematic diagram	3

■ General parts list

Block No. **M** **1**

REF.	PARTS NAME	PARTS NUMBER	
		UX-7000U	UX-7000UP
81	REAR COVER	LV10037-012A	LV10037-013A
88	NAME PLATE	LV30536-003A	LV30536-011A
92	SELELT HOLDER	VYH8161-001	_____
94	NAME PLATE	_____	LV30536-012A
F9901	FUSE	QMF51E2-1RO-J1	QMF51E2-R40SBS
F9903	FUSE	QMF51E2-R80SBS	_____
F9904	FUSE	QMF51E2-R40SBS	_____

■ Main board (Page 3-11)

Block No. **0** **2**

REF.	PARTS NAME	PARTS NUMBER	
		UX-7000U	UX-7000UP
S9901	VOLTAGE SWITCH	QSW0740-001	_____
CN985	FUSE CLIP	EMG7331-003Z	_____
CN986	FUSE CLIP	EMG7331-003Z	_____
CN987	FUSE CLIP	EMG7331-003Z	_____
CN988	FUSE CLIP	EMG7331-003Z	_____

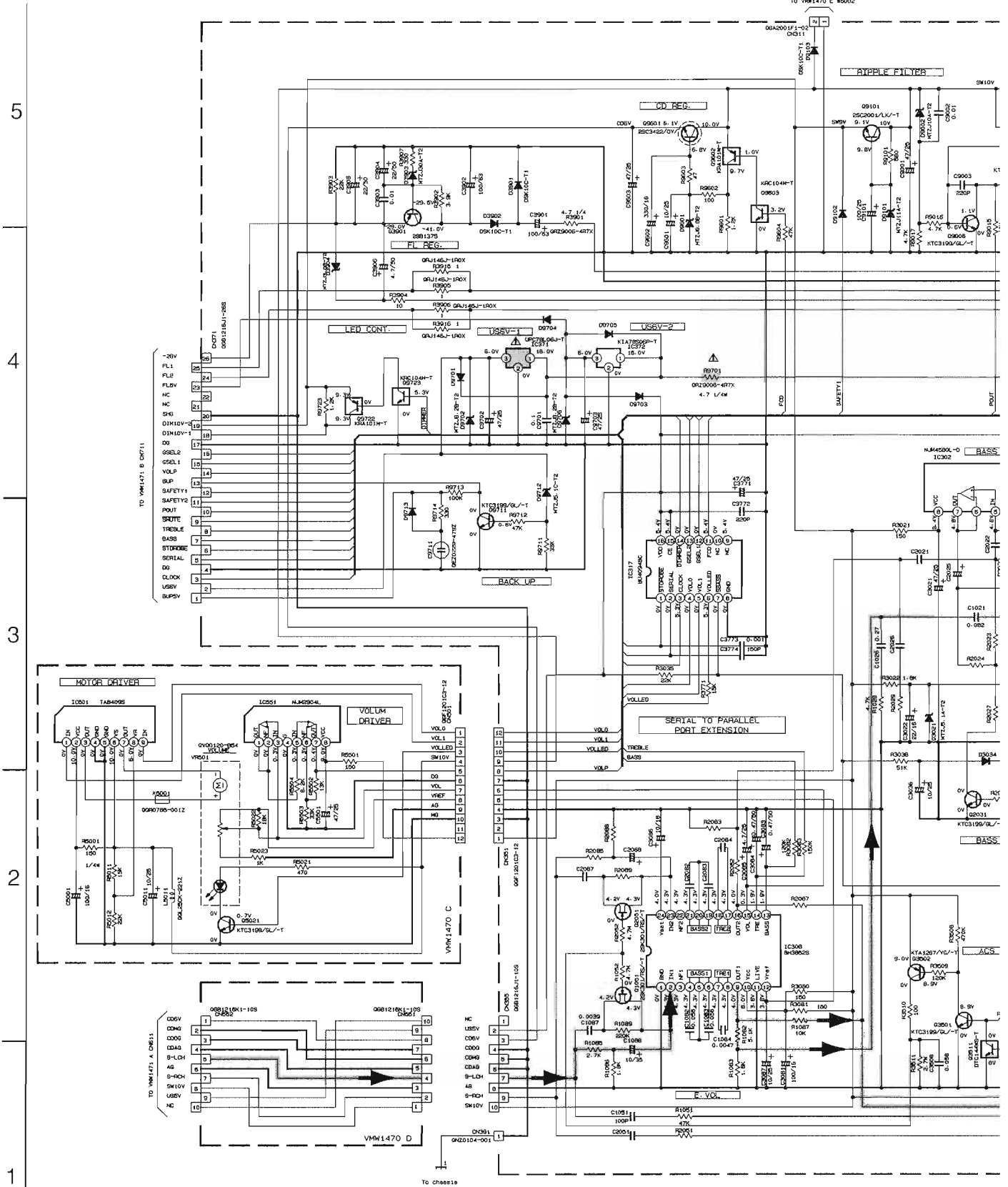
■ Accessories parts list (Page 3-27)

Block No. **M** **4**

REF.	PARTS NAME	PARTS NUMBER	
		UX-7000U	UX-7000UP
A1	INSTRUCTIONS	LVT0085-002A	LVT0085-005A
A2	WARRANTY CARD	_____	BT-56004-6
A9	POWER CORD	QMP39F0-183	VMP0121-001
A10	AC PLUG	V04062-002	_____

Standard schematic diagram

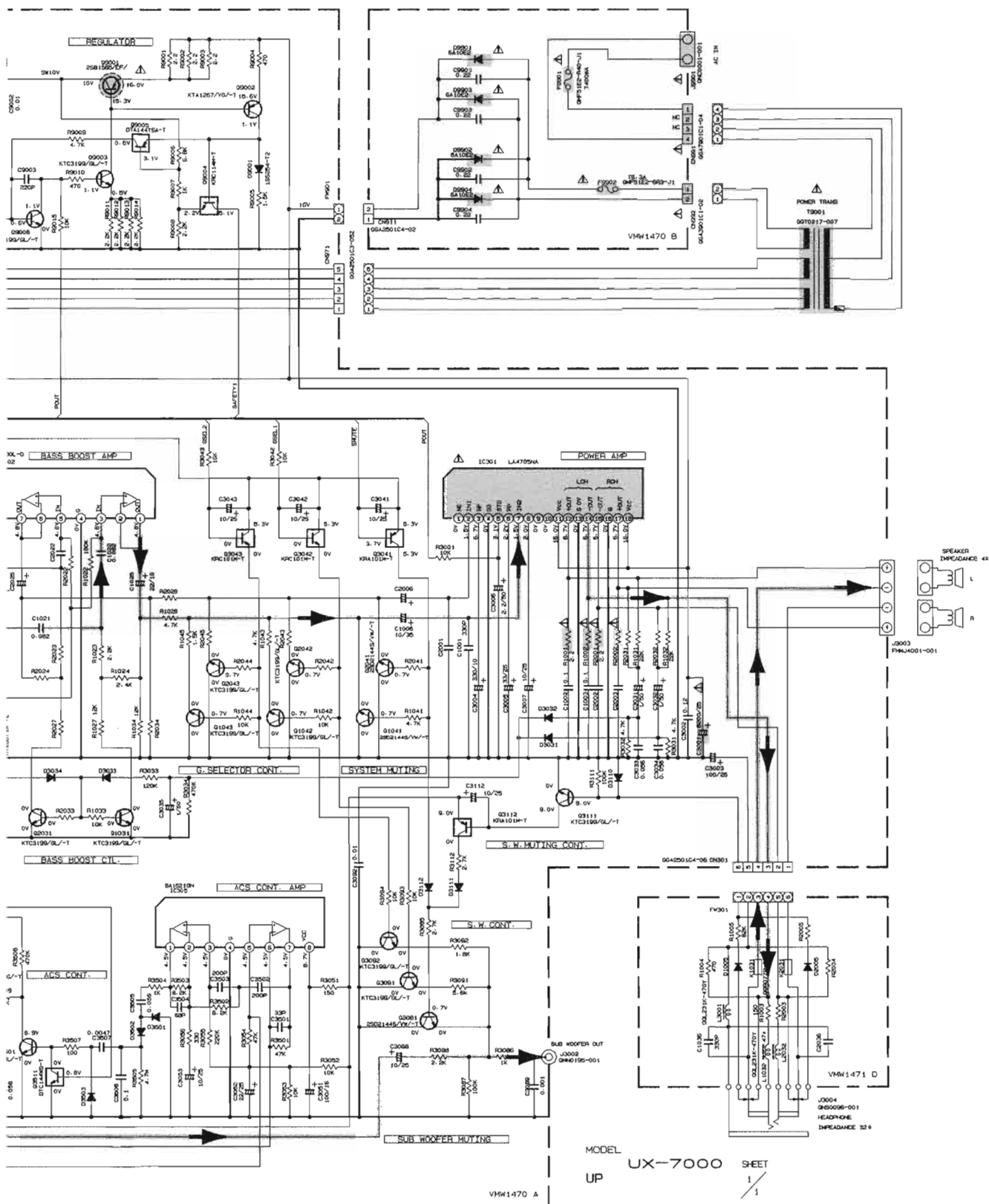
■ MAIN AMP. Section



NOTES

1. VOLTAGES ARE DC-MEASURED WITH A DIGITAL VOLT METER OR OSCILLOSCOPE WITHOUT INPUT SIGNAL.
CONDITION — FUNC. CD STOP MODE

2. UNLESS OTH ALL RESI
ALL CAPA
ALL INDU
ALL E. CAI
ALL D100



2. UNLESS OTHERWISE SPECIFIED, RESISTORS ARE 1/4W ±5% CARBON RESISTOR.
 ALL RESISTANCE VALUES ARE IN OHMS (Ω).
 ALL CAPACITORS ARE CERAMIC CAPACITOR OR NYLON CAPACITOR.
 ALL CAPACITANCE VALUES ARE IN μF (PPF).
 ALL INDUCTANCE VALUES ARE IN mH (MH).
 ALL E-CAPACITORS ARE SHOWN IN THE FORM OF CAPACITANCE (μF)/RATED VOLTAGE (V).
 ALL DIODES ARE HS104TJ OR 1SS251-77

Main signal
 Parts are safety assurance parts.
 When replacing those parts make sure to use the specified one.

MODEL UX-7000 SHEET 1/1

-MEMO-


UX-7000

JVC

VICTOR COMPANY OF JAPAN, LIMITED

AUDIO DIVISION, 10-1, 1chome, Ohwatari-machi, Maebashi-city, 371-8543, Japan

(No.20708B)

 Printed in Japan
9909(V)