

TRANSISTOR	Q1			Q6			Q14			Q16		
	E	C	B	E	C	B	E	C	B	E	C	B
PIN	0	7.9	0.8	8.9	8.8	0	5.4	5.3	4.7	1.0	3.4	1.7
FM 87.5MHZ NO SIGNAL	0	0	0	8.9	0	8.8	5.4	0.3	8.8	1.0	3.4	1.7
AM 522KHZ NO SIGNAL	0	0	0	8.9	0	8.8	5.4	0.3	8.8	1.0	3.4	1.7

TRANSISTOR	Q2			Q3			Q4		
	E	C	B	E	C	B	E	C	B
PIN	2.0	2.0	0.1	0	0	0.7	0	0	0.7
AM 522KHZ NO SIGNAL	2.0	2.0	0.1	0	0	0.7	0	0	0.7
AM 144KHZ NO SIGNAL	2.0	2.0	0.1	0	0	0.7	0	0	0.7

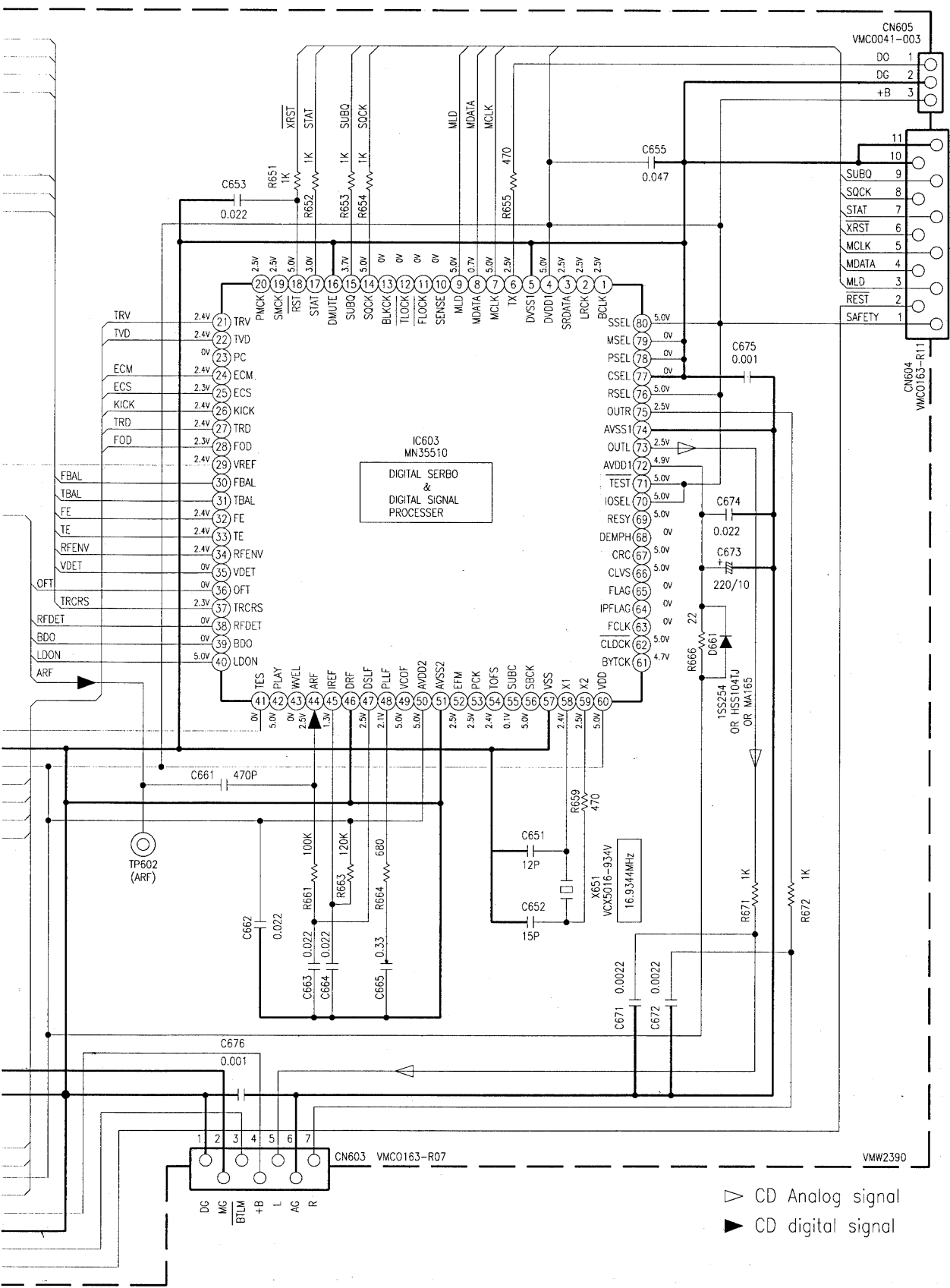
- FM Radio signal
- MW Radio signal
- LW Radio signal

VMCO163-009

EMW5109-009A

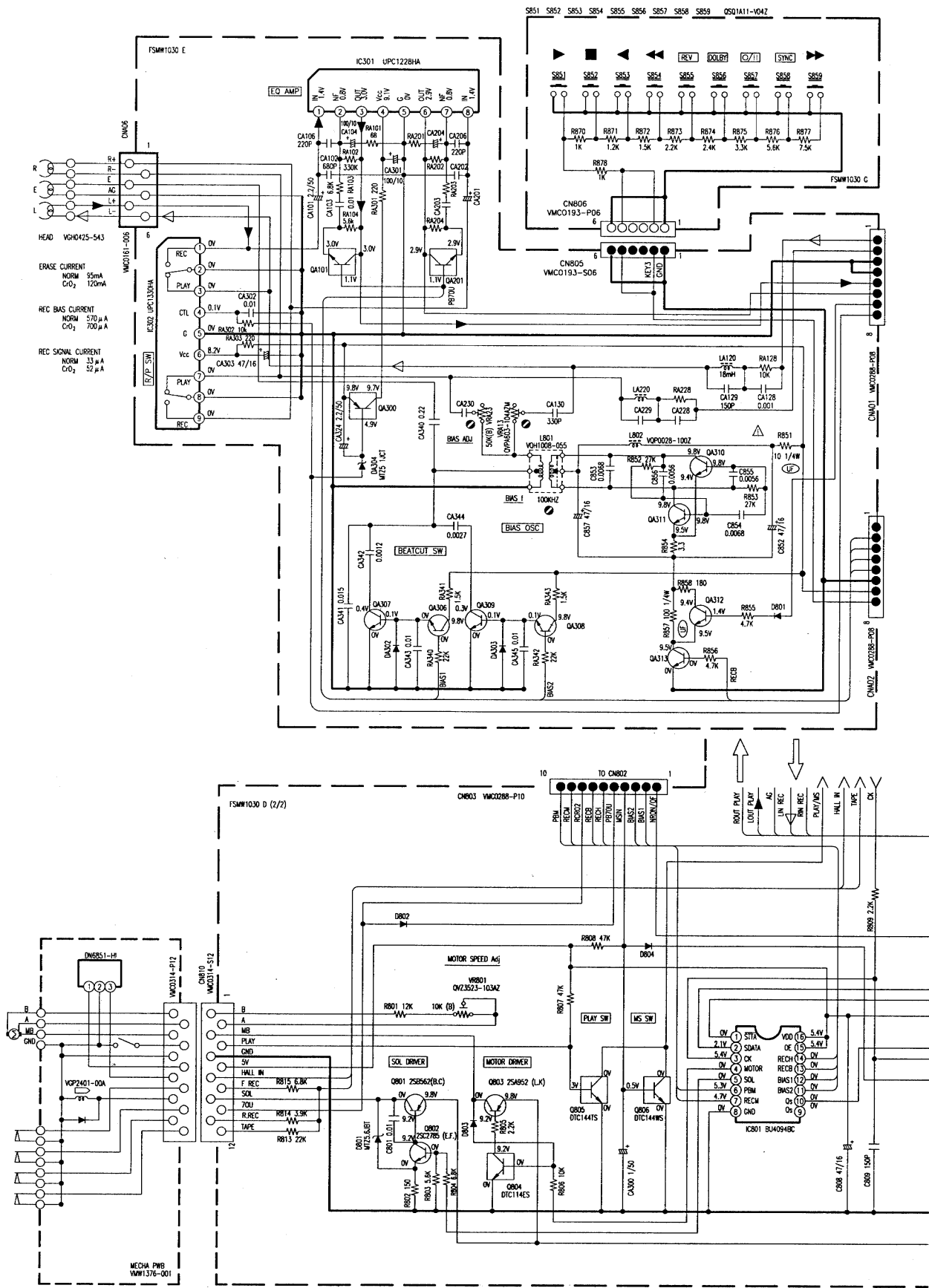
TO FLAM





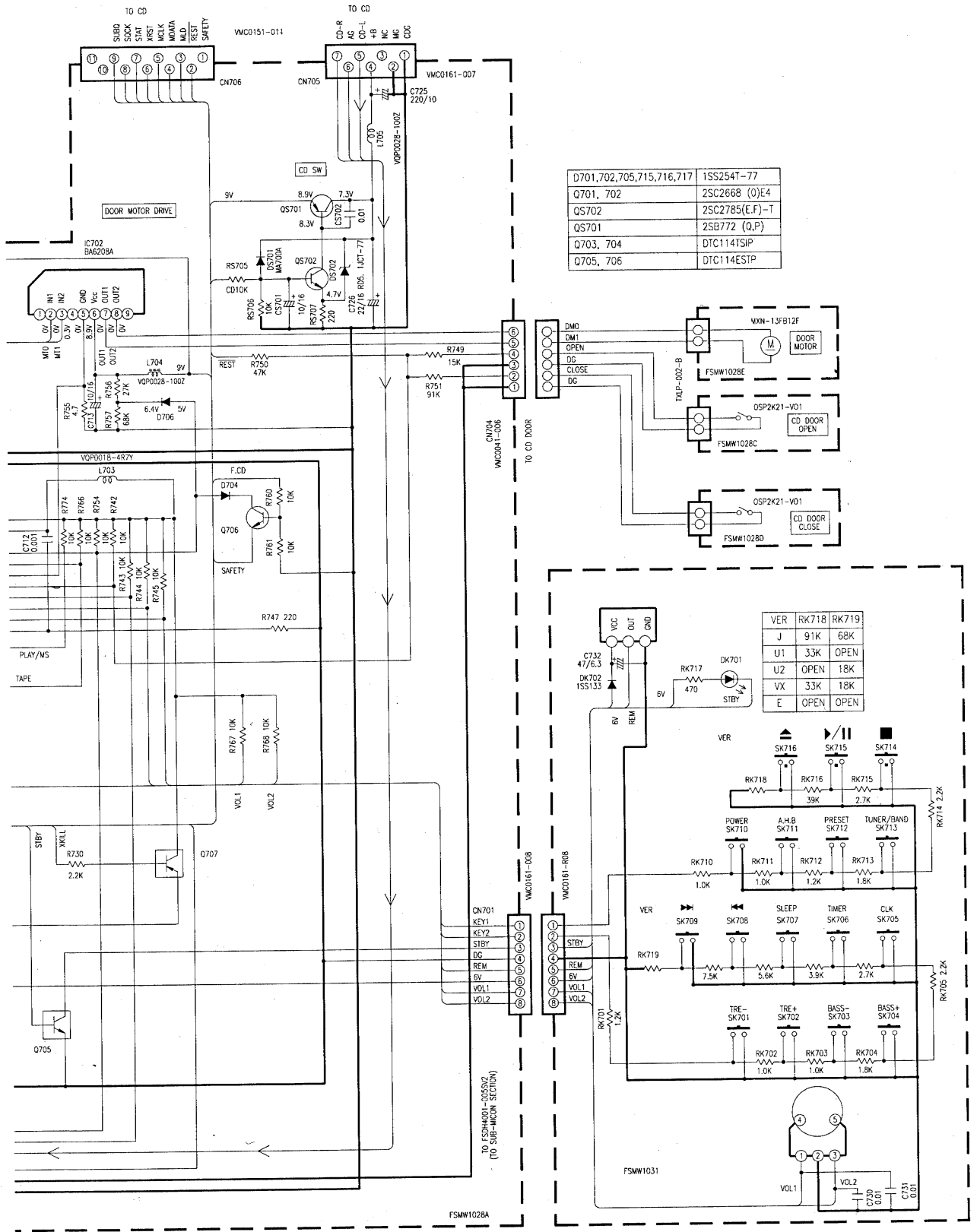
▷ CD Analog signal  
 ► CD digital signal

VMW2390

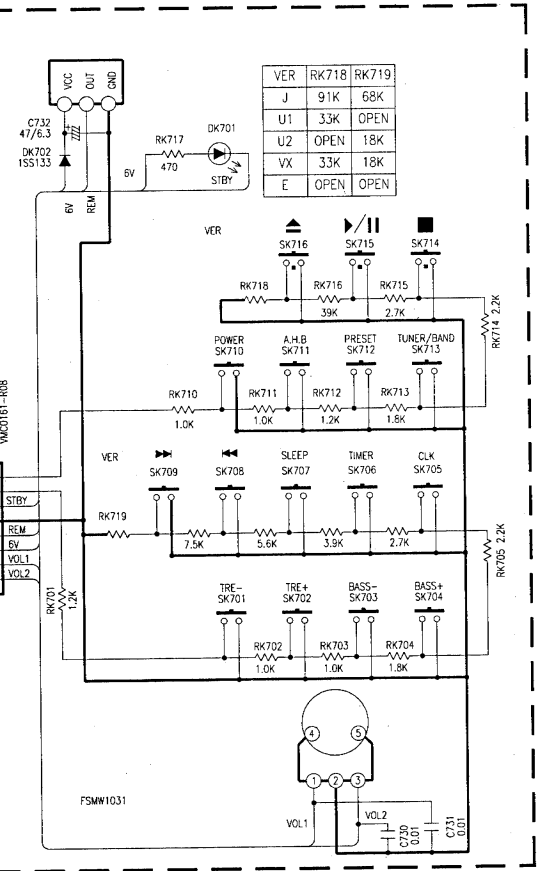
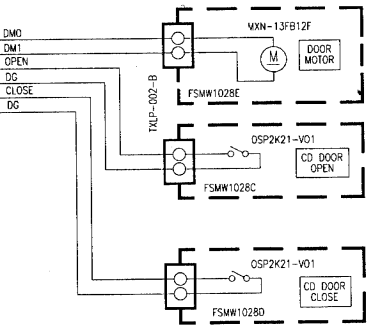








D701, 702, 705, 715, 716, 717	1SS254T-77
Q701, 702	2SC2668 (Q)E4
Q5702	2SC2785(E,F)-T
Q5701	2SB772 (Q,P)
Q703, 704	DTC1141SIP
Q705, 706	DTC114ESTP



CD Analog signal

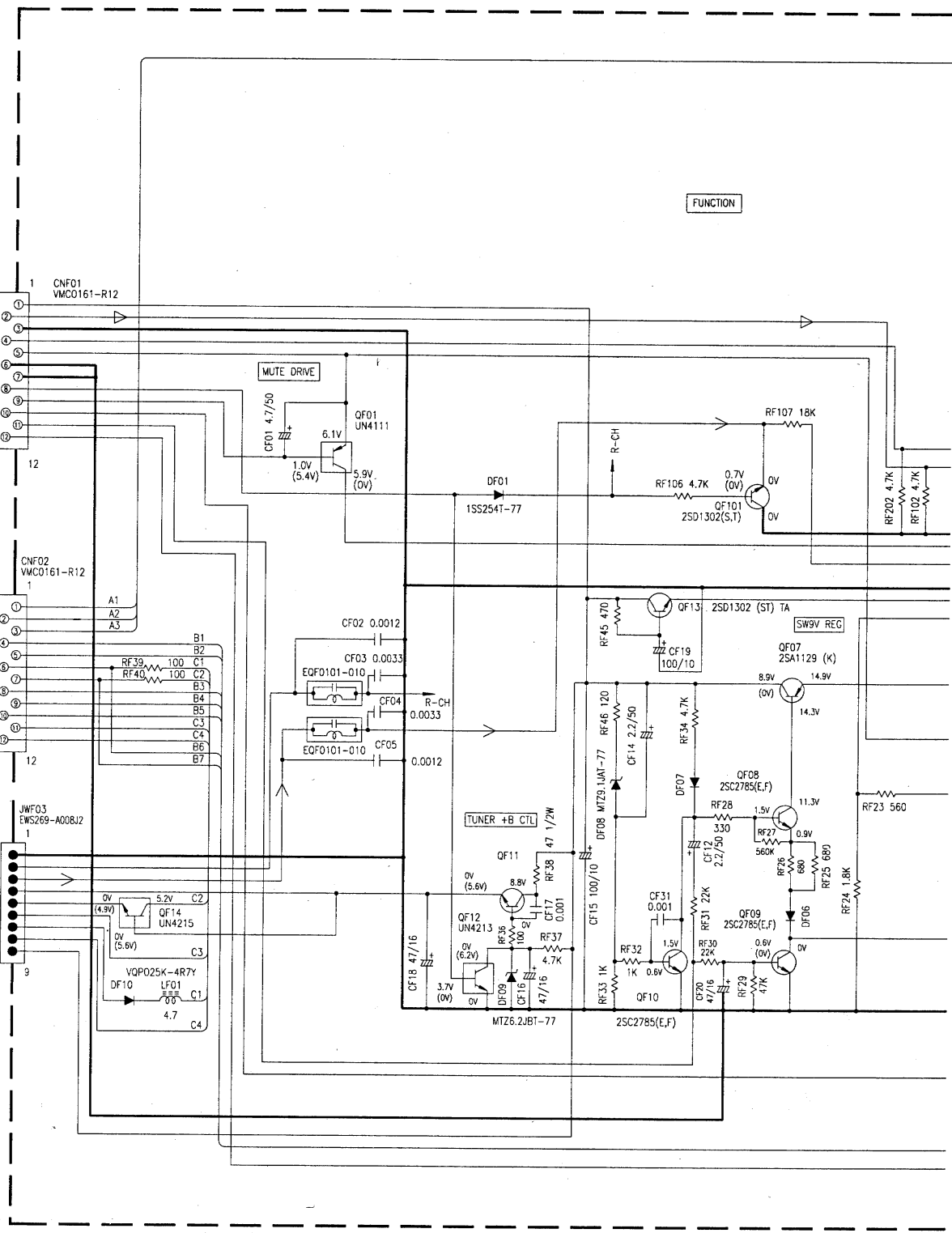


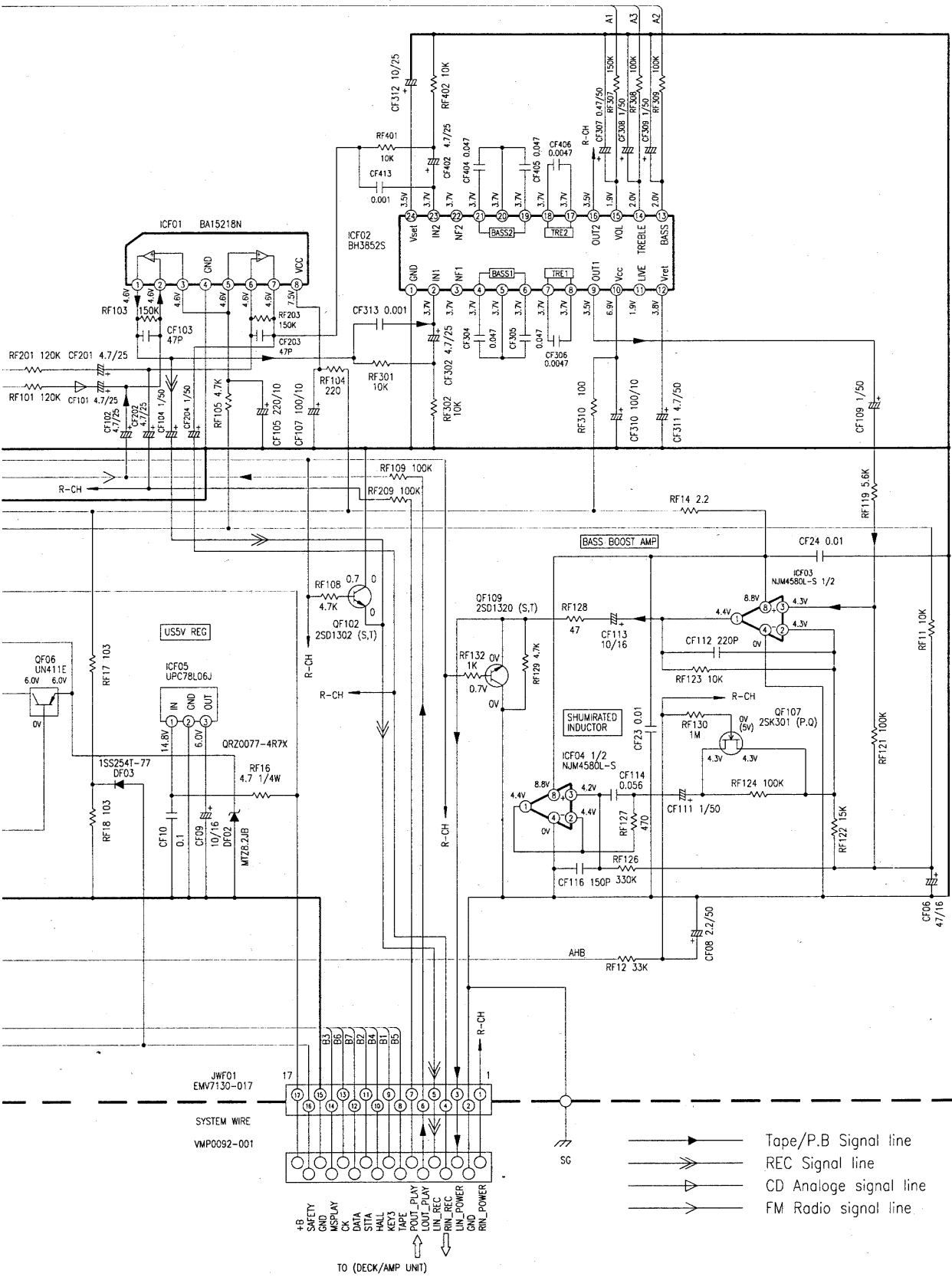
FUNCTION

TO (UCOM SECTION)  
+9V  
CD-L  
AG  
CD-R  
+6V  
CDG  
DC  
FTU  
SMUTE  
AHB  
POUT  
SAFETY

TO (UCOM SECTION)  
VOL  
BASS  
TRE  
KEY3  
SITA  
CK  
SI/SO  
PLAY/MS  
HALL  
TAPE  
MPX  
PERIOD

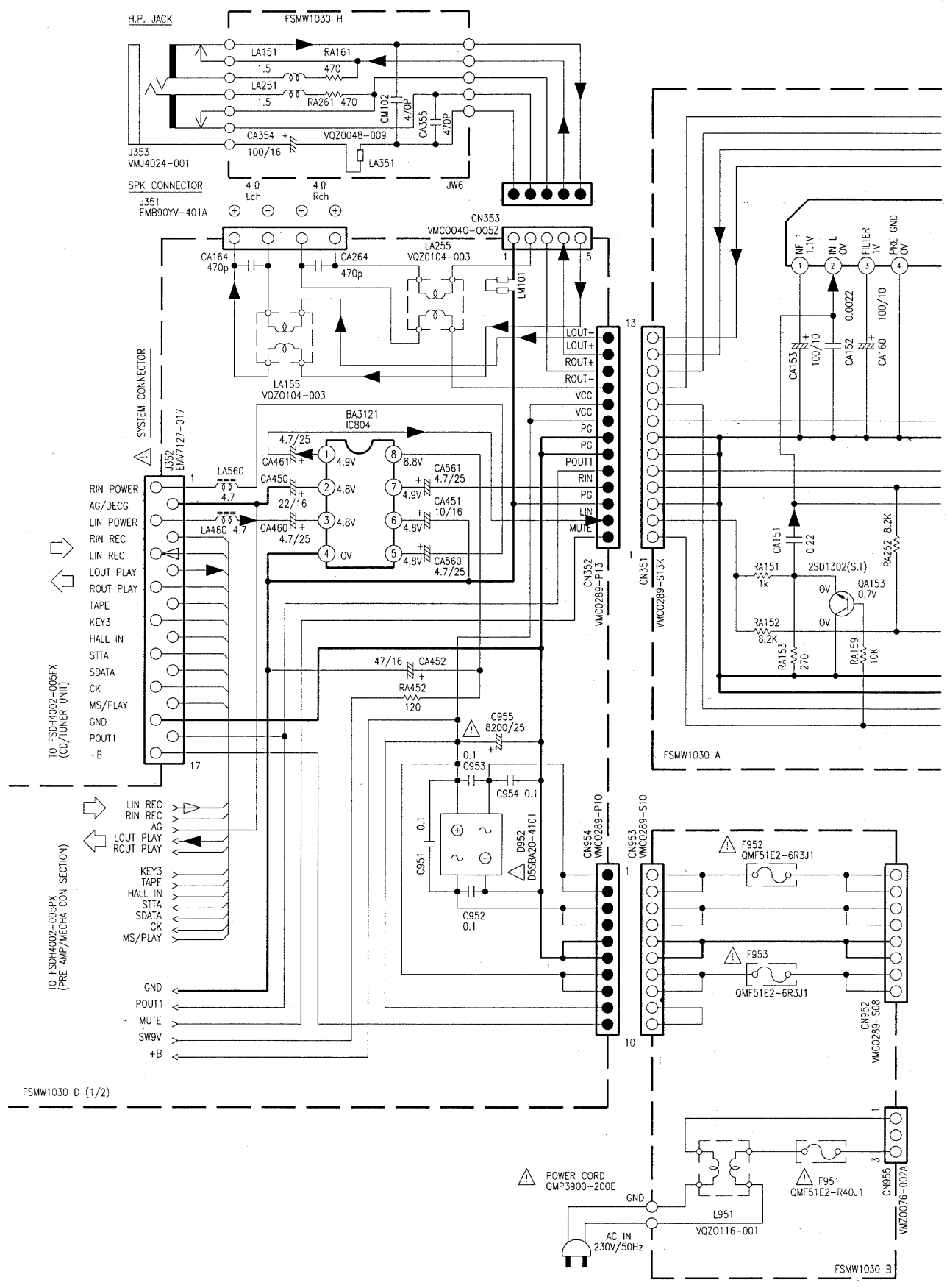
TO (UCOM SECTION)  
AG  
R-CH  
L-CH  
B  
DATA  
MPX  
CK  
PERIOD  
9V

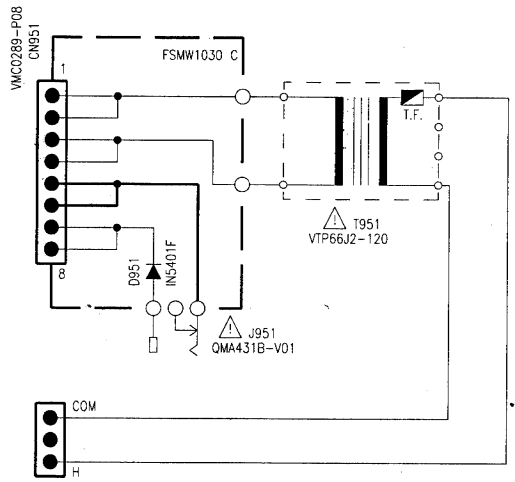
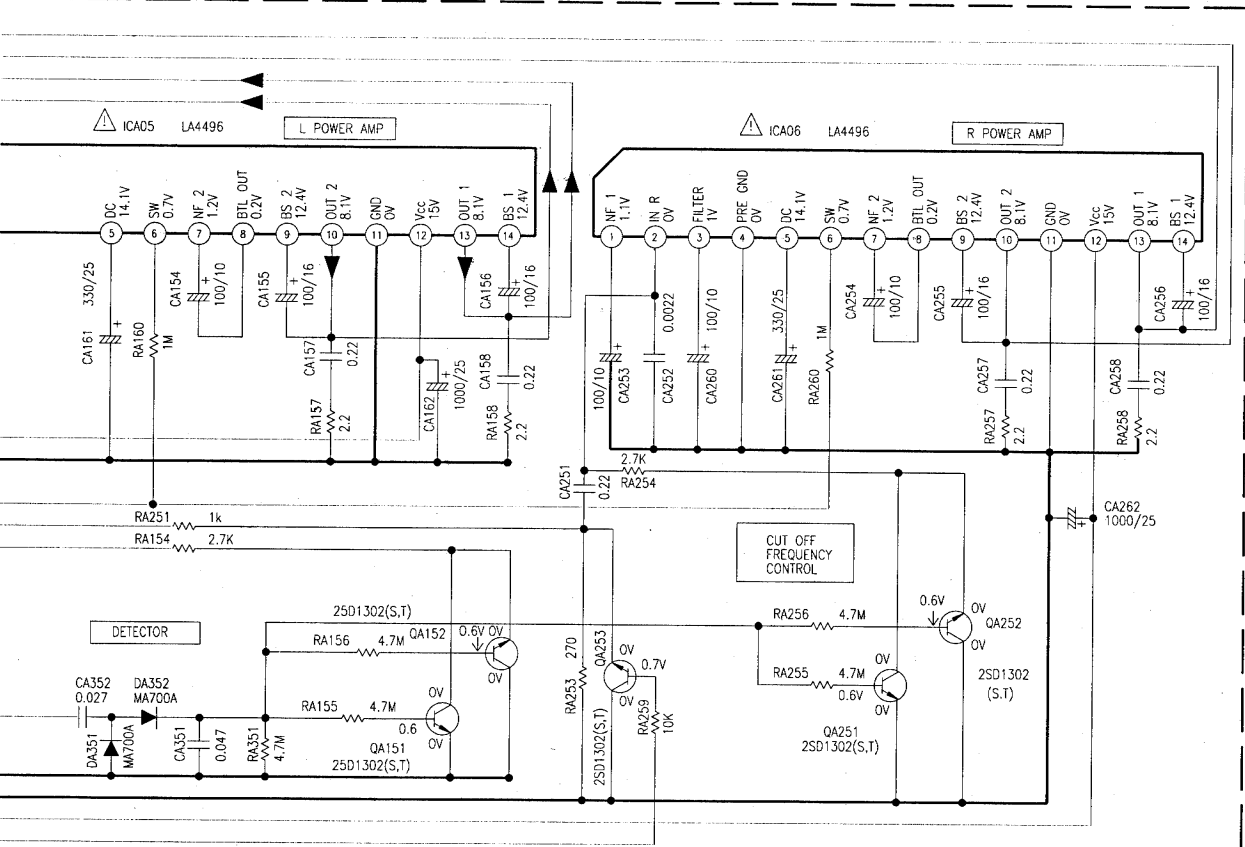




- Tape/P.B Signal line
- ⇒ REC Signal line
- ▷ CD Analoge signal line
- ↘ FM Radio signal line

TO (DECK/AMP UNIT)





- ▷ REC Signal
- ▶ Tape P.B Signal

