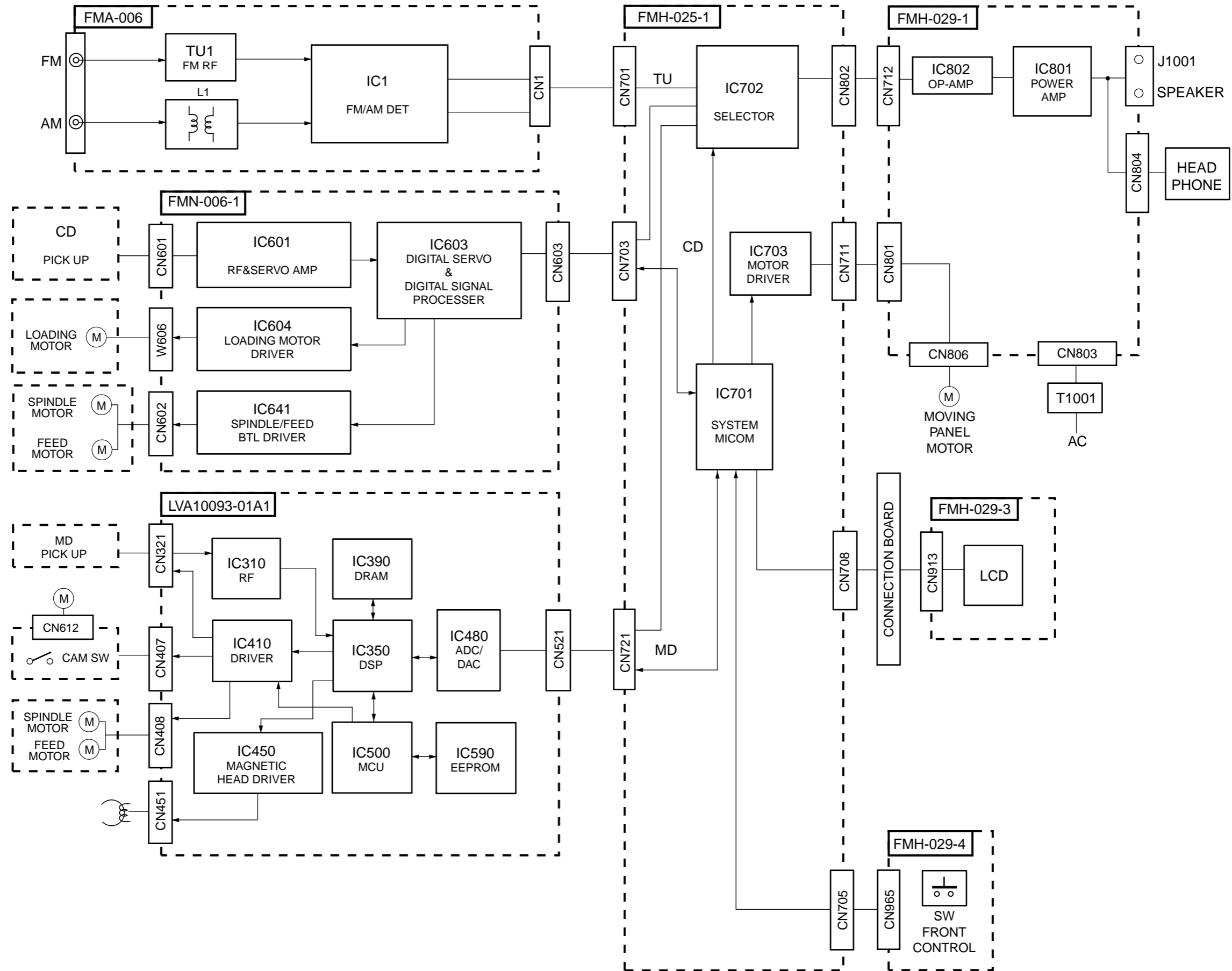
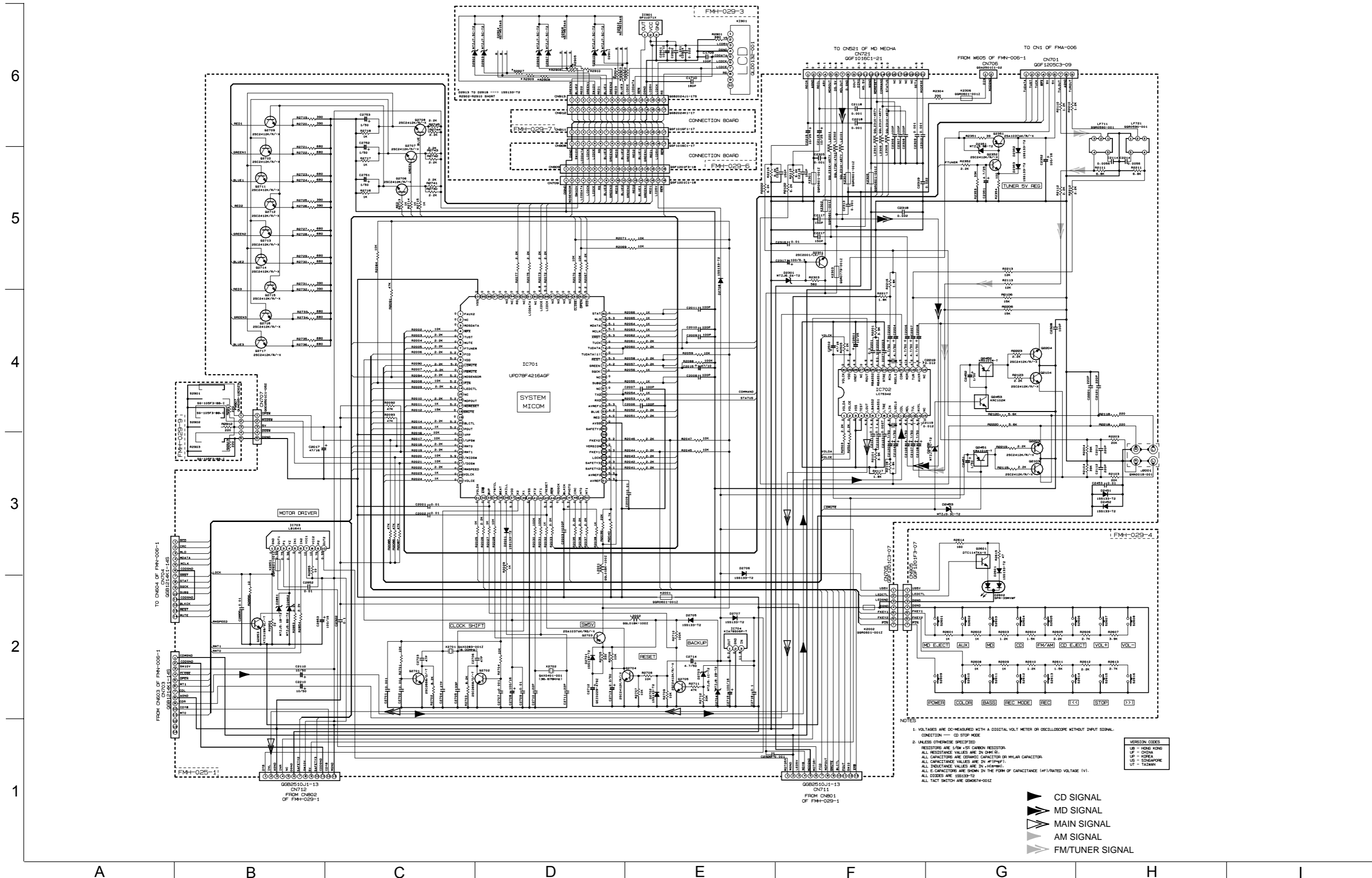


# Block diagram



# Standard schematic diagrams

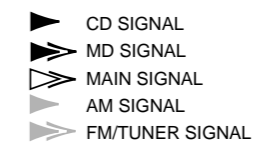
## ■ Main & control circuit



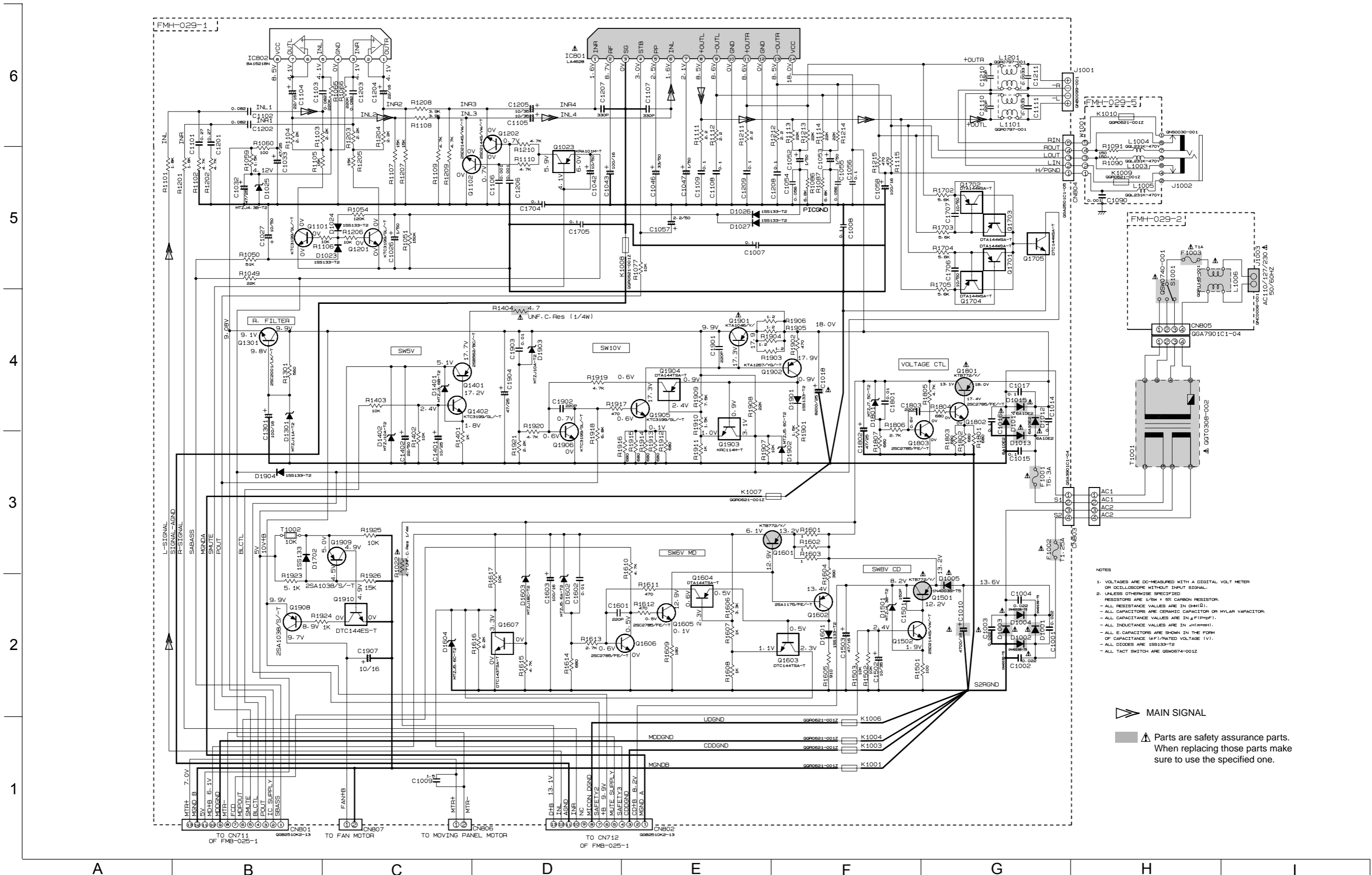
NOTES

1. VOLTAGES ARE DC-MEASURED WITH A DIGITAL VOLT METER OR OSCILLOSCOPE WITHOUT INPUT SIGNAL.  
CONDITION - CD STOP MODE.
2. UNLESS OTHERWISE SPECIFIED:  
RESISTORS ARE 1/8W ±5% CARBON RESISTOR.  
ALL RESISTANCE VALUES ARE IN OHM(S).  
ALL CAPACITORS ARE CERAMIC CAPACITOR OR MYLAR CAPACITOR.  
ALL CAPACITANCE VALUES ARE IN P(F)=PF.  
ALL INDUCTANCE VALUES ARE IN MH(MH).  
ALL E-CAPACITORS ARE SHOWN IN THE FORM OF CAPACITANCE (µF)/RATED VOLTAGE (V).  
ALL DIODES ARE 1SS133-T2.  
ALL TACT SWITCH ARE GS90P4-0012

VERSION CODES	
LB	- HONG KONG
CP	- CHINA
LP	- KOREA
US	- SINGAPORE
UT	- TAIWAN



Power amplifier & Power supply circuit

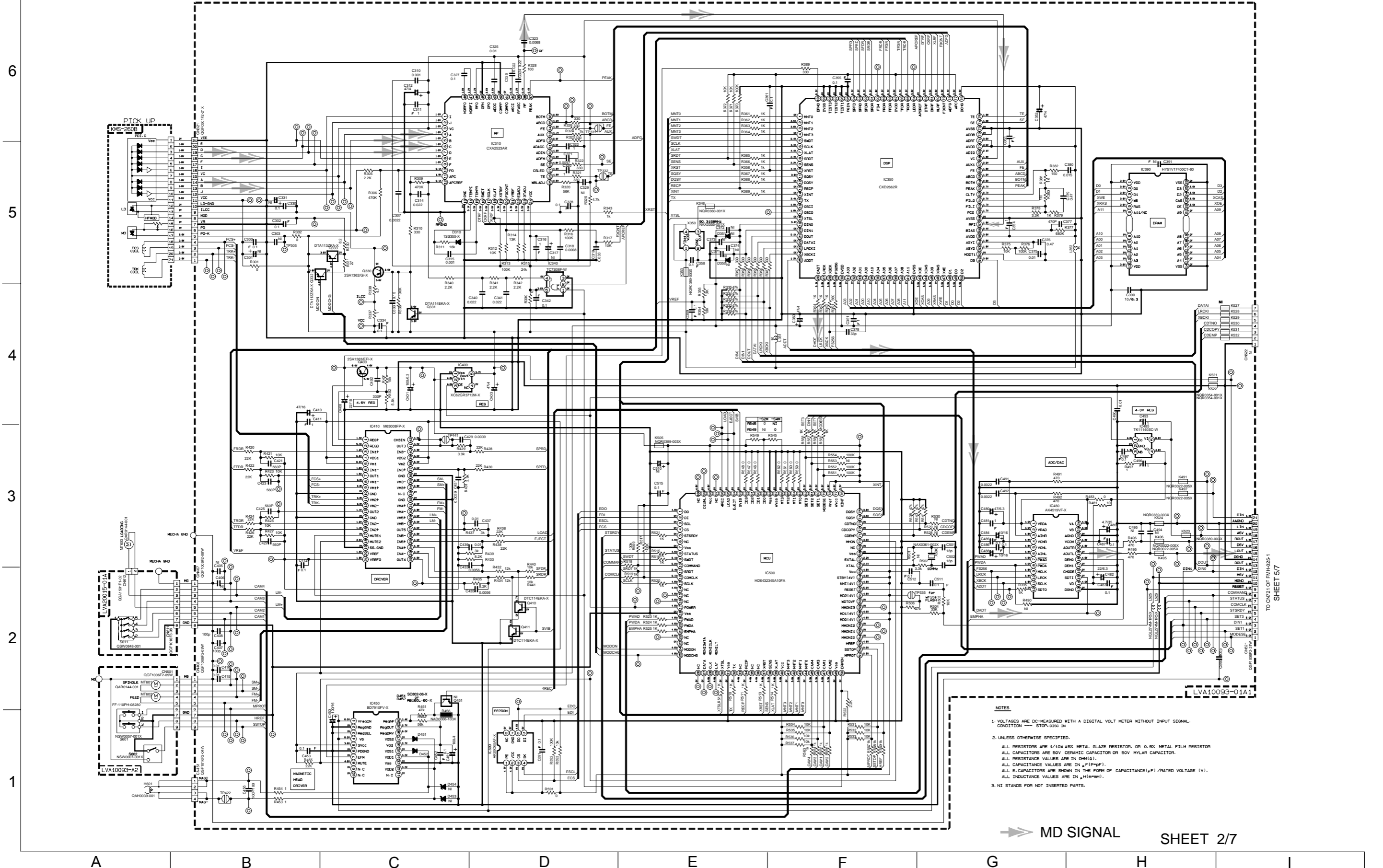


- NOTES
1. VOLTAGES ARE DC-MEASURED WITH A DIGITAL VOLT METER OR OSCILLOSCOPE WITHOUT INPUT SIGNAL.
  2. UNLESS OTHERWISE SPECIFIED, RESISTORS ARE 1/8W ± 5% CARBON RESISTOR.
  - ALL RESISTANCE VALUES ARE IN OHM(Ω).
  - ALL CAPACITORS ARE CERAMIC CAPACITOR OR MYLAR CAPACITOR.
  - ALL CAPACITANCE VALUES ARE IN μF(F)OR pF(pF).
  - ALL INDUCTANCE VALUES ARE IN mH(mH).
  - ALL E-CAPACITORS ARE SHOWN IN THE FORM OF CAPACITANCE (μF),RATED VOLTAGE (V).
  - ALL DIODES ARE 1SB133-T2
  - ALL TACT SWITCH ARE GS0674-0012

➤ MAIN SIGNAL

⚠ Parts are safety assurance parts. When replacing those parts make sure to use the specified one.

MD control circuit

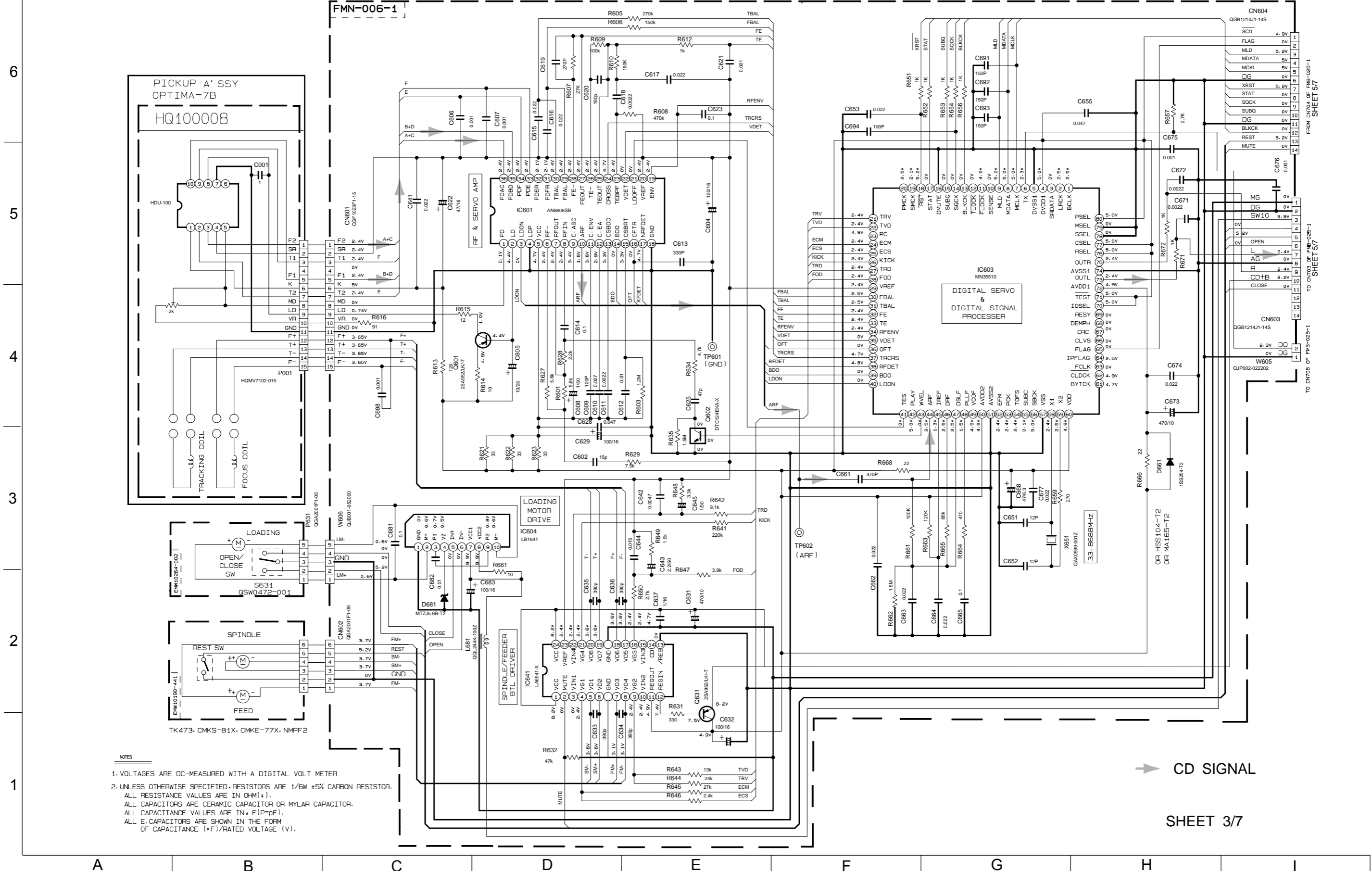


- NOTES
1. VOLTAGES ARE DC-MEASURED WITH A DIGITAL VOLT METER WITHOUT INPUT SIGNAL. CONDITION — STOP-DISC IN.
  2. UNLESS OTHERWISE SPECIFIED:  
ALL RESISTORS ARE 1/10W ±5% METAL GLAZE RESISTOR, OR 0.5% METAL FILM RESISTOR  
ALL CAPACITORS ARE 50V CERAMIC CAPACITOR OR 50V NYLON CAPACITOR.  
ALL RESISTANCE VALUES ARE IN OHM(S).  
ALL CAPACITANCE VALUES ARE IN μF(PH+P).  
ALL ELECTROLYTIC CAPACITORS ARE SHOWN IN THE FORM OF CAPACITANCE(μF)/RATED VOLTAGE (V).  
ALL INDUCTANCE VALUES ARE IN μH(MH+H).
  3. NI STANDS FOR NOT INSERTED PARTS.

➡ MD SIGNAL SHEET 2/7

SHEET 5/7

CD control circuit



- NOTES
1. VOLTAGES ARE DC-MEASURED WITH A DIGITAL VOLT METER
  2. UNLESS OTHERWISE SPECIFIED, RESISTORS ARE 1/6W ±5% CARBON RESISTOR. ALL RESISTANCE VALUES ARE IN ΩM(\*). ALL CAPACITORS ARE CERAMIC CAPACITOR OR MYLAR CAPACITOR. ALL CAPACITANCE VALUES ARE IN \* F(P=pF). ALL E. CAPACITORS ARE SHOWN IN THE FORM OF CAPACITANCE (\*F)/RATED VOLTAGE (V).

➔ CD SIGNAL

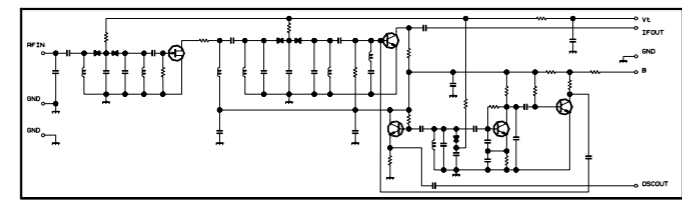
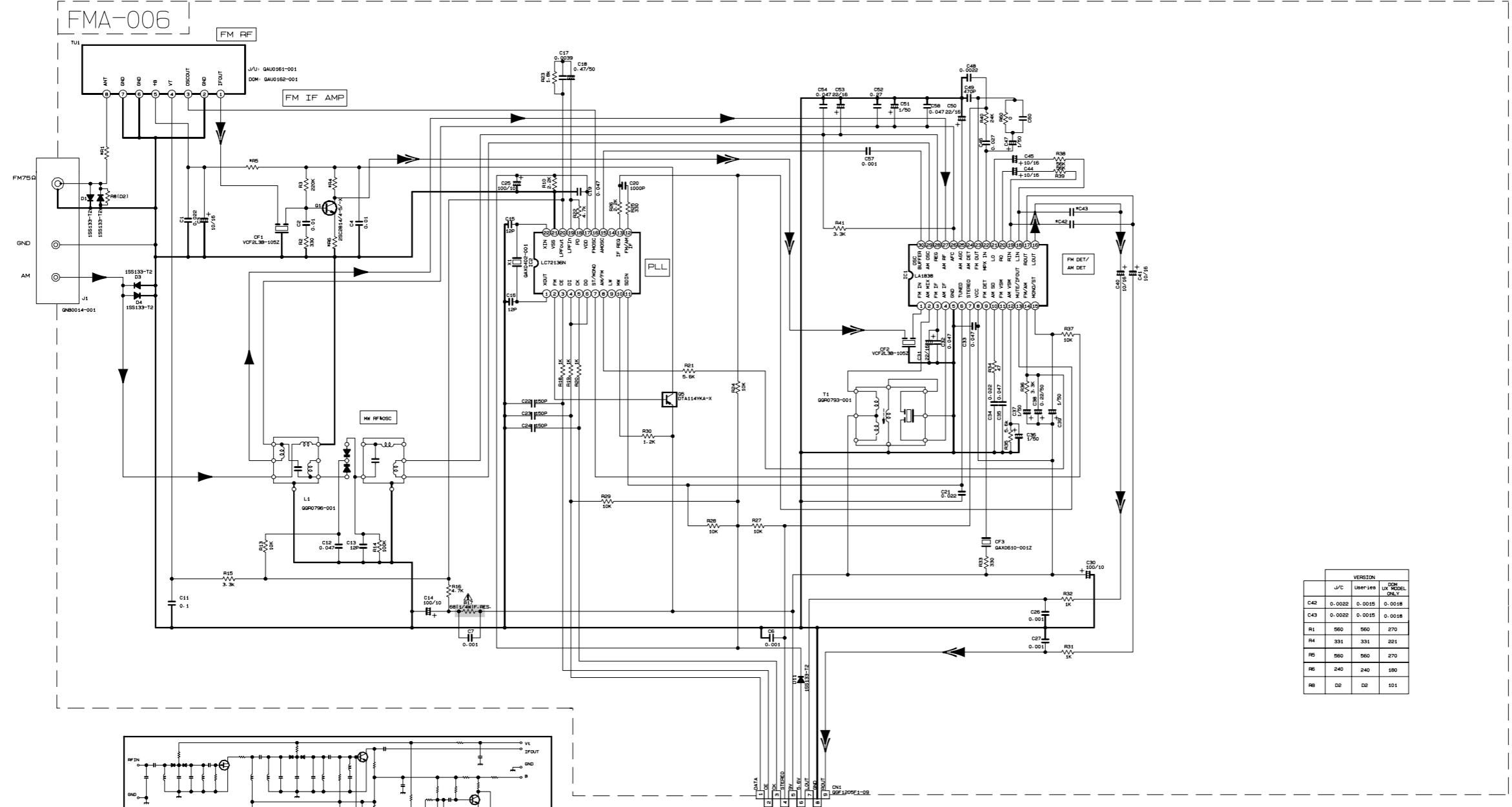
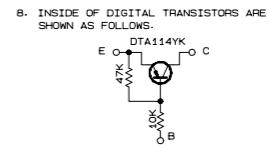
SHEET 3/7

FROM CN704 OF FME-025-1 SHEET 5/7  
 TO CN703 OF FME-025-1 SHEET 5/7  
 TO CN706 OF FME-025-1 SHEET 5/7

■ Tuner circuit

6  
5  
4  
3  
2  
1

- NOTES
1. VOLTAGES ARE DC-MEASURED WITH A DIGITAL VOLT METER.
  2. ALL RESISTORS ARE 1/8W ±5% METAL GLAZE RESISTOR.
  3. ALL RESISTANCE VALUES ARE IN Ω(M|Ω).
  4. ALL CAPASITANCE VALUES ARE IN #F(P|μF).
  5. ALL E. CAPASITORS ARE SHOWN IN THE FORM OF CAPASITANCE (#F)/RATED VOLTAGE (V).
  6. SI DIODES (▶) ARE ALL 1SS133-T THAT CAN BE CHANGED TO SIMILAR DIODE SUCH AS MA165 OR HSS104J.
  7. PARTS NO. OF TRANSISTORS ARE AS FOLLOWS.  
Q1 2SC2814/4-5/-X Q2-Q3 2SC2412K/R/-X  
Q4-Q5 DTA114YKA-X



VERSION				
	J/C	USER'S	DOM. US. MODEL	DN. Y.
C42	0.0022	0.0015	0.0018	
C43	0.0022	0.0015	0.0018	
R1	560	560	270	
R4	331	331	201	
R5	560	560	270	
R6	240	240	180	
R8	D2	D2	101	

CONDITION	PIN NO.	1	2	3	4	5	6	7	8	9	10	11	12	13	14	15	16	17	18	19	20	21	22	23	24	25	26	27	28	29	30
IC1	FM NO SIGNAL	3.6	8.9	3.6	3.6	0	5.0	5.0	8.9	8.9	1.3	0.1	0	0.9	7.8	7.8	4.3	4.3	4.3	4.3	3.4	3.4	2.8	3.4	0	0	3.5	3.5	3.6	3.6	2.7
IC1	FM 600B STEREO	3.6	8.9	3.6	3.6	0	5.0	5.1	8.9	8.9	1.3	4.3	0	0.9	7.8	7.8	4.3	4.3	4.3	4.3	3.4	3.4	2.8	3.4	0	0	3.6	3.6	3.6	3.6	2.7
IC1	AM NO SIGNAL	3.5	9.0	3.5	3.5	0	5.0	5.1	9.0	2.6	1.3	0	0	0.9	4.7	5.5	4.3	4.3	4.3	3.3	3.2	2.8	ust	0.7	0.7	3.6	3.6	3.6	3.6	2.1	
IC2	FM NO SIGNAL	2.5	0	0	5.0	4.9	5.0	7.9	7.8	3.6	6.1	5.1	0	0	0	2.5	5.1	0.9	0.9	3.8	0	2.3									

Tp. NO.	Q1	Q5
PIN NO.	E C B E C B	
FM 87.5MHz NO SIGNAL	0 7.1 0.85 8.9 8.8 0	
AM 522KHz NO SIGNAL	0 0 0 9.0 0 8.9	

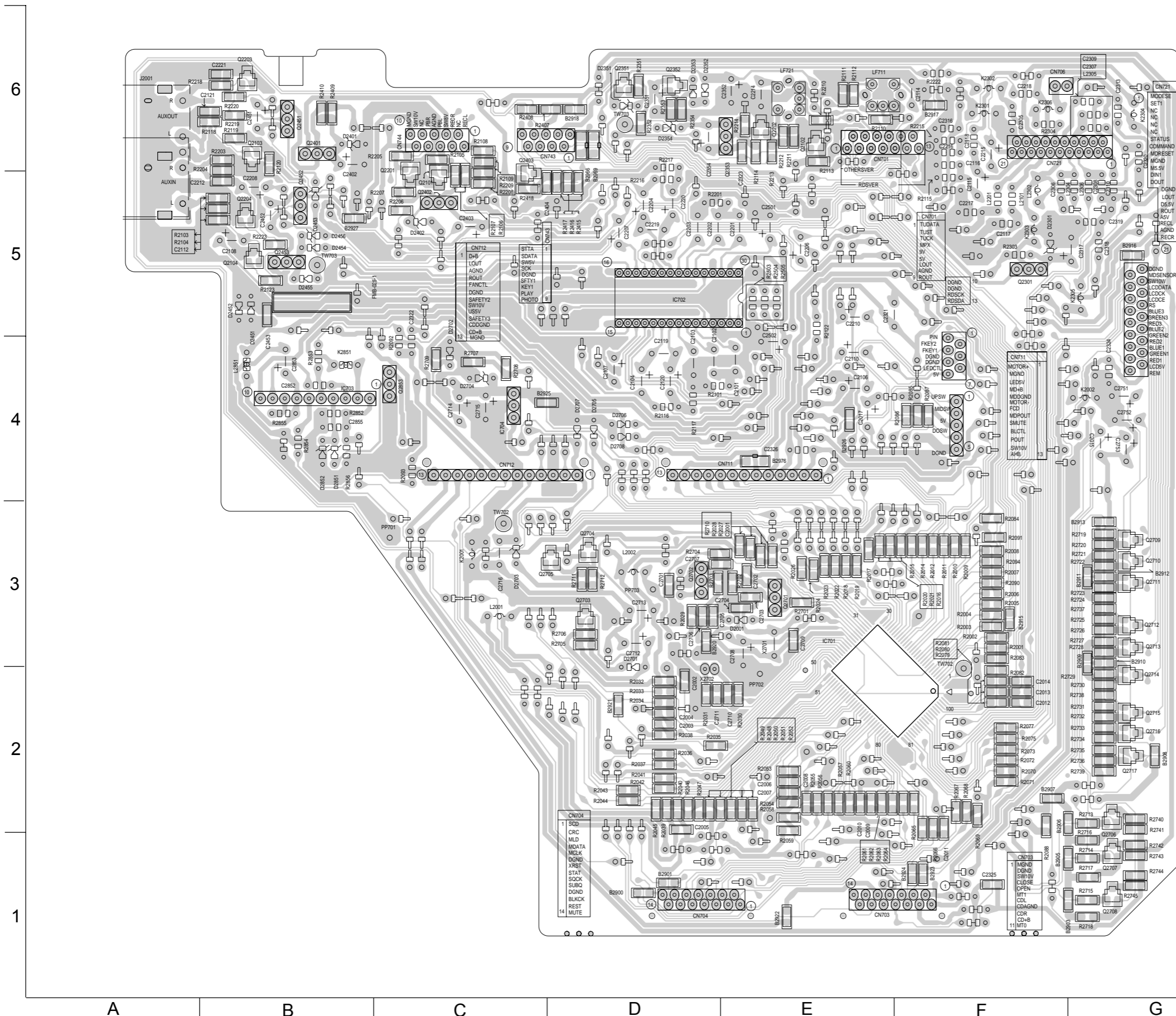
Tp. NO.	Q2	Q3	Q4
PIN NO.	E C B E C B E C B		
AM 522KHz NO SIGNAL	0 0 0.7 0 0 0.7 0 3.6 0.7		
AM 144KHz NO SIGNAL	0 0 0.3 0 0.3 0.3 3.6 3.6 3.6		

▶ AM SIGNAL  
 ▶ FM/TUNER SIGNAL  
 ▲ Parts are safety assurance parts. When replacing those parts make sure to use the specified one.

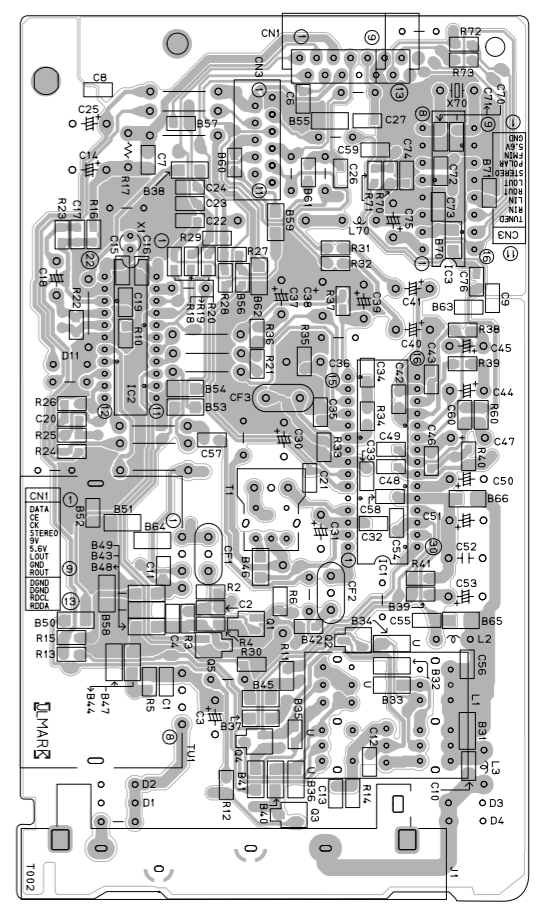
A B C D E F G H I

# Printed circuit boards

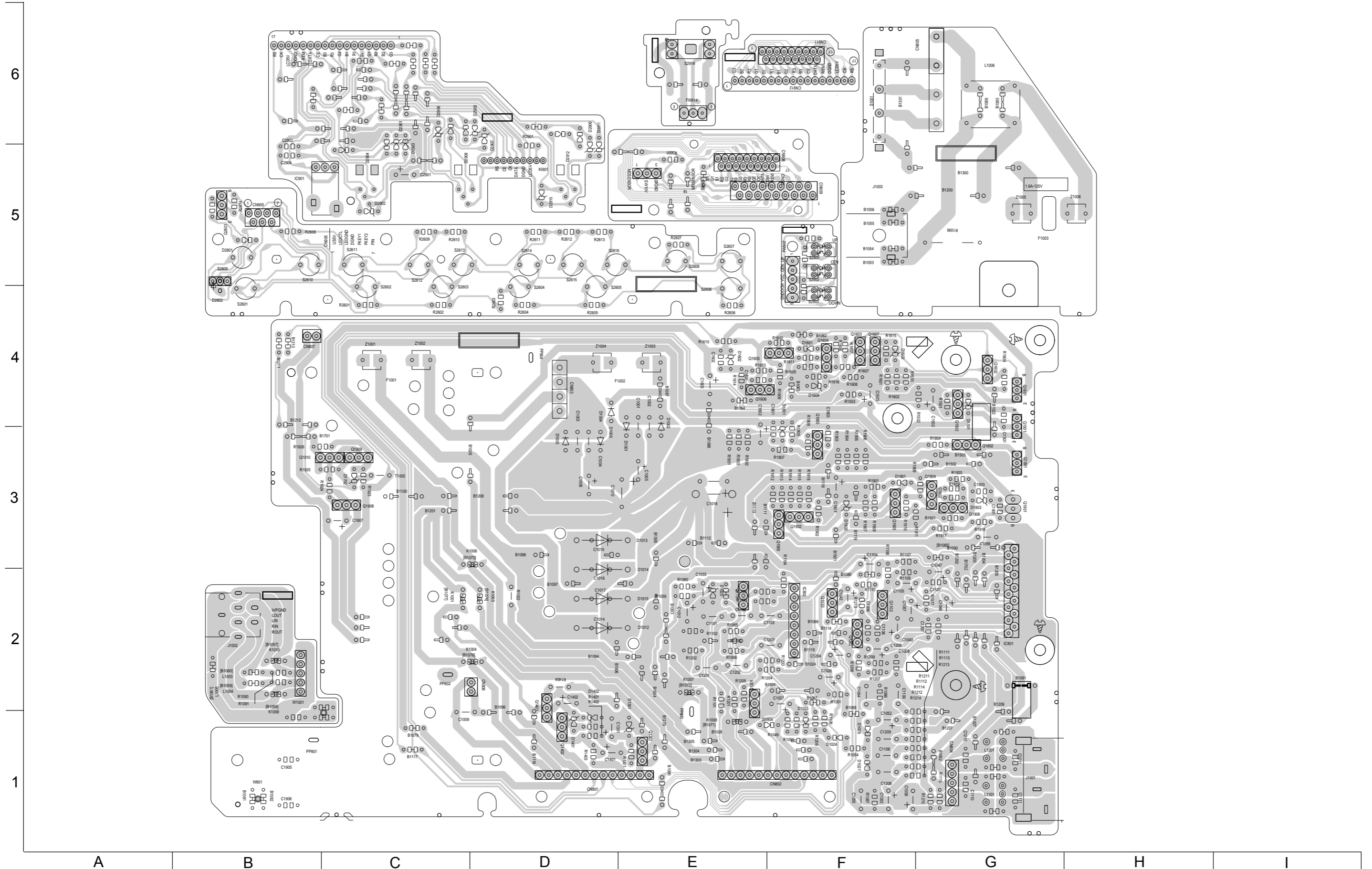
## ■ Main board



## ■ Tuner board

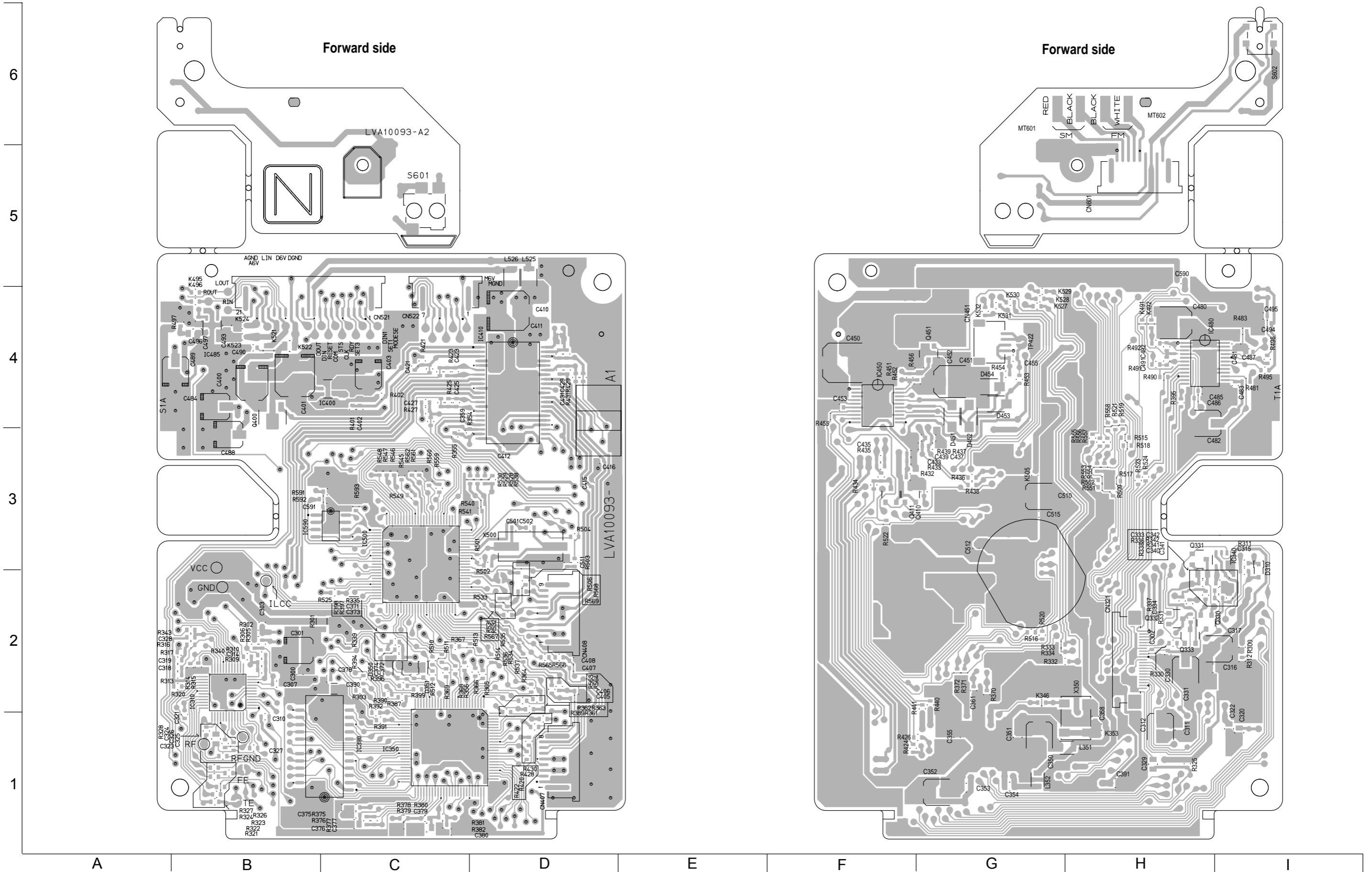


■ Power amplifier & control & AC jack board





MD servo control board



■ CD servo control board

