

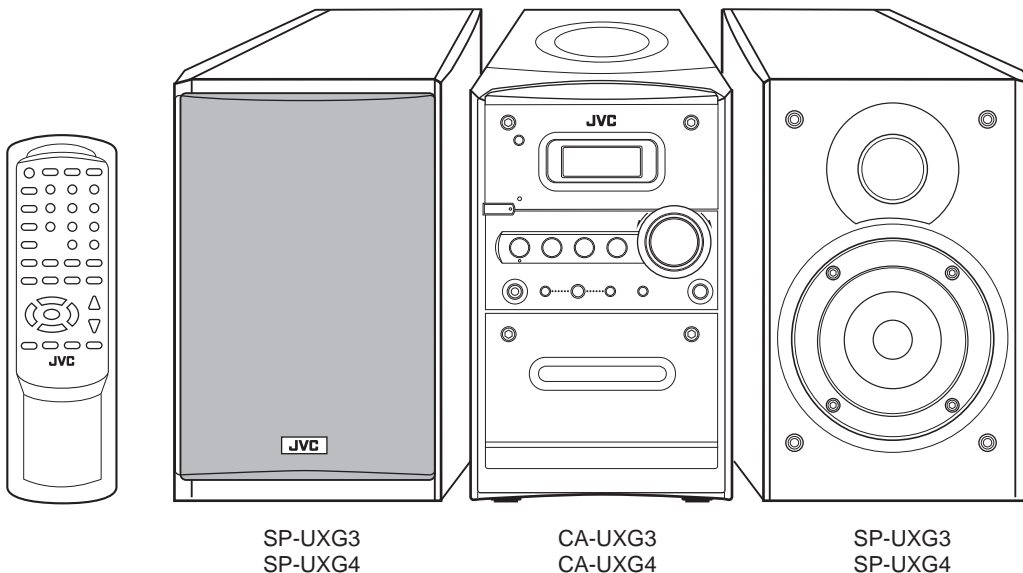
JVC

SERVICE MANUAL

MICRO COMPONENT SYSTEM

UX-G3, UX-G4

UX-G3 Area suffix	UX-G4 Area suffix
US ----- Singapore	A ----- Australia
UB ----- Hong Kong	US ----- Singapore
UP ----- Korea	UB ----- Hong Kong
UT ----- Taiwan	UT ----- Taiwan
UW ----- Brazil, Mexico, Peru	UW ----- Brazil, Mexico, Peru
UY ----- Argentina	



Lead free solder used in the board (material : Sn-Ag-Cu, melting point : 219 Centigrade)

TABLE OF CONTENTS

1	PRECAUTION	1-3
2	SPECIFIC SERVICE INSTRUCTIONS	1-4
3	DISASSEMBLY	1-5
4	ADJUSTMENT	1-16
5	TROUBLESHOOTING	1-19

SPECIFICATION

Amplifier Section	Output Power		25 W per channel, min. RMS, driven into 4 Ω at 1 kHz with no more than 10% total harmonic distortion (IEC268-3).
	Audio input sensitivity/Impedance (at 1 kHz)		AUX: 500 mV/50 k Ω
	Speakers Impedance		4 Ω - 16 Ω
Tuner	FM tuning range	50 kHz intervals	87.50 MHz-108.00 MHz
		100 kHz intervals	87.5 MHz-108.0 MHz
	AM tuning range	9 kHz intervals	531 kHz-1 710 kHz
		10 kHz intervals	530 kHz-1 710 kHz
CD player	Dynamic range		85 dB
	Signal-to-noise ratio		85 dB
	Wow and flutter		Immeasurable
Cassette deck	Wow and flutter		100 Hz - 10 000 Hz
	Wow and flutter		0.35% (WRMS)
General	Power requirement		AC 110 V-127 V / AC 220 V-240 V (adjustable with the voltage selector), 50Hz / 60Hz
	Power consumption		52 W (at operation) 3.0 W (on standby)
	Dimensions (W/H/D) (approx.)		152 mm \times 233 mm \times 331 mm
	Mass (approx.)		4.7 kg
Speaker Section	Type		Full range, bass-reflex type
	Speakers		10 cm cone \times 1
	Power handling capacity		25 W
	Impedance		4 Ω
	Frequency range		100 Hz - 15 kHz
	Dimensions (W/H/D) (approx.)		152 mm \times 233 mm \times 188 mm
	Mass (approx.)		1.8 kg each

Design and specifications are subject to change without notice.

SECTION 1 PRECAUTION

1.1 Safety Precautions

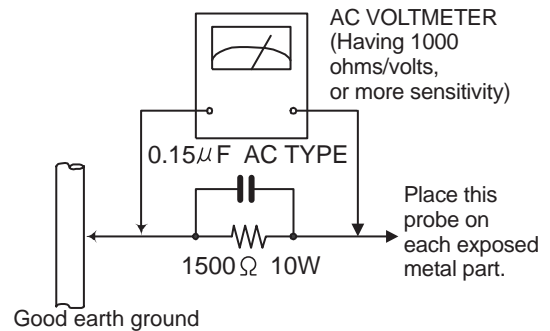
- (1) This design of this product contains special hardware and many circuits and components specially for safety purposes. For continued protection, no changes should be made to the original design unless authorized in writing by the manufacturer. Replacement parts must be identical to those used in the original circuits. Services should be performed by qualified personnel only.
- (2) Alterations of the design or circuitry of the product should not be made. Any design alterations of the product should not be made. Any design alterations or additions will void the manufacturer's warranty and will further relieve the manufacturer of responsibility for personal injury or property damage resulting therefrom.
- (3) Many electrical and mechanical parts in the products have special safety-related characteristics. These characteristics are often not evident from visual inspection nor can the protection afforded by them necessarily be obtained by using replacement components rated for higher voltage, wattage, etc. Replacement parts which have these special safety characteristics are identified in the Parts List of Service Manual. Electrical components having such features are identified by shading on the schematics and by (Δ) on the Parts List in the Service Manual. The use of a substitute replacement which does not have the same safety characteristics as the recommended replacement parts shown in the Parts List of Service Manual may create shock, fire, or other hazards.
- (4) The leads in the products are routed and dressed with ties, clamps, tubings, barriers and the like to be separated from live parts, high temperature parts, moving parts and/or sharp edges for the prevention of electric shock and fire hazard. When service is required, the original lead routing and dress should be observed, and it should be confirmed that they have been returned to normal, after reassembling.
- (5) Leakage shock hazard testing

After reassembling the product, always perform an isolation check on the exposed metal parts of the product (antenna terminals, knobs, metal cabinet, screw heads, headphone jack, control shafts, etc.) to be sure the product is safe to operate without danger of electrical shock. Do not use a line isolation transformer during this check.

 - Plug the AC line cord directly into the AC outlet. Using a "Leakage Current Tester", measure the leakage current from each exposed metal part of the cabinet, particularly any exposed metal part having a return path to the chassis, to a known good earth ground. Any leakage current must not exceed 0.5mA AC (r.m.s.).
 - Alternate check method
Plug the AC line cord directly into the AC outlet. Use an AC voltmeter having, 1,000 Ω per volt or more sensitivity in the following manner. Connect a 1,500 Ω 10W resistor paralleled by a 0.15 μ F AC-type capacitor between an exposed metal part and a known good earth ground. Measure the AC voltage across the resistor with the AC

voltmeter.

Move the resistor connection to each exposed metal part, particularly any exposed metal part having a return path to the chassis, and measure the AC voltage across the resistor. Now, reverse the plug in the AC outlet and repeat each measurement. Voltage measured any must not exceed 0.75 V AC (r.m.s.). This corresponds to 0.5 mA AC (r.m.s.).



1.2 Warning

- (1) This equipment has been designed and manufactured to meet international safety standards.
- (2) It is the legal responsibility of the repairer to ensure that these safety standards are maintained.
- (3) Repairs must be made in accordance with the relevant safety standards.
- (4) It is essential that safety critical components are replaced by approved parts.
- (5) If mains voltage selector is provided, check setting for local voltage.

1.3 Caution

Burrs formed during molding may be left over on some parts of the chassis.
Therefore, pay attention to such burrs in the case of pre-forming repair of this system.

1.4 Critical parts for safety

In regard with component parts appearing on the silk-screen printed side (parts side) of the PWB diagrams, the parts that are printed over with black such as the resistor (\blacksquare), diode (\blacksquare) and ICP (\bullet) or identified by the " Δ " mark nearby are critical for safety. When replacing them, be sure to use the parts of the same type and rating as specified by the manufacturer.
(This regulation does not Except the J and C version)

SECTION 2 SPECIFIC SERVICE INSTRUCTIONS

This service manual does not describe SPECIFIC SERVICE INSTRUCTIONS.

SECTION 3 DISASSEMBLY

3.1 Main body

3.1.1 Removing the front panel assembly (See Fig.1 to 6)

- (1) From the back of the body, remove the two screws **A**, the two screws **B** and the two screws **D** attaching the front panel assembly.
- (2) Remove the six screws **E** on both sides of the body.
- (3) Remove the screw **F** on the bottom of the body.
- (4) Move the front panel assembly in the direction of the arrow and remove. Disconnect the wire from connector [CN102](#), [CN402](#), [CON801](#) on the main board.

Caution:

When reassembling the front panel assembly, fit the right and left joints **a** to the notch.

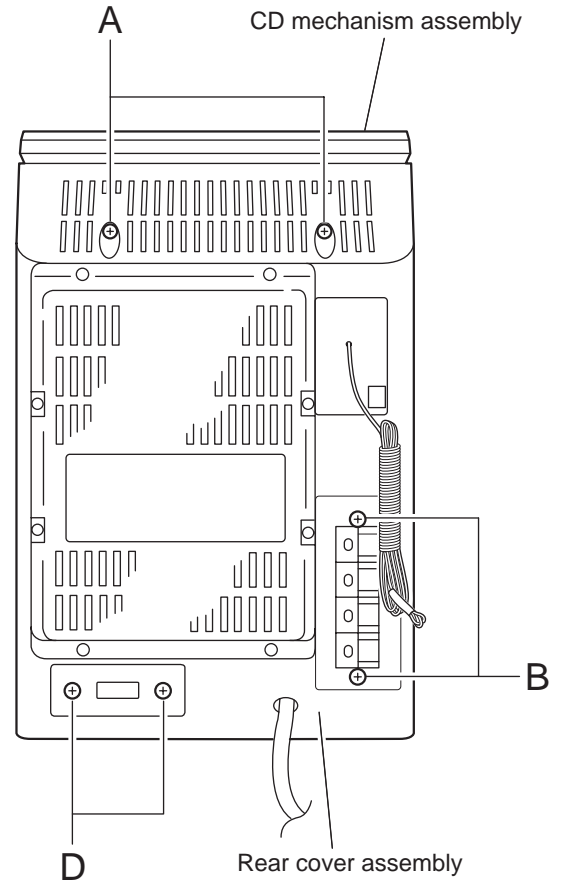


Fig.1

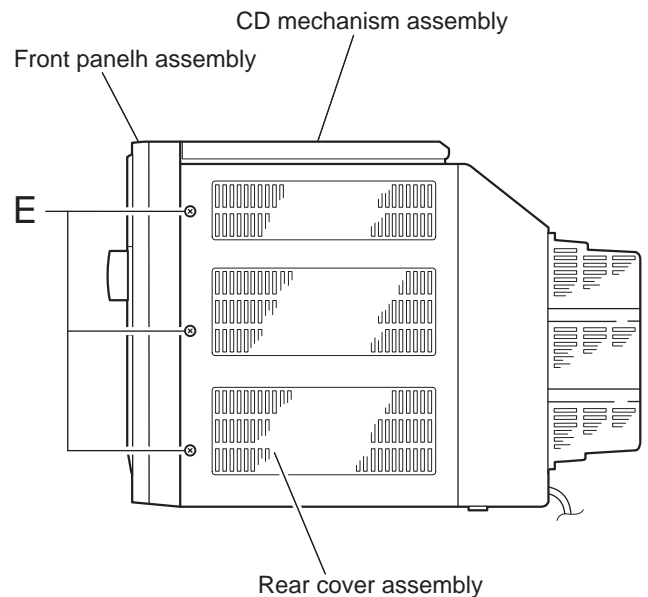


Fig.2

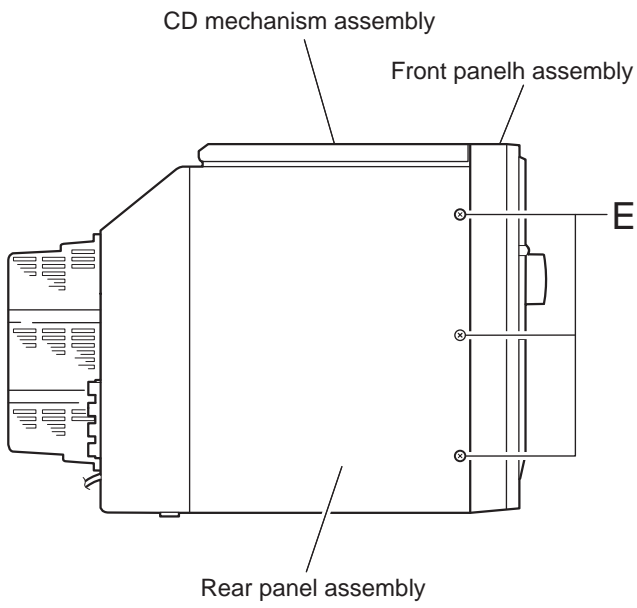


Fig.3

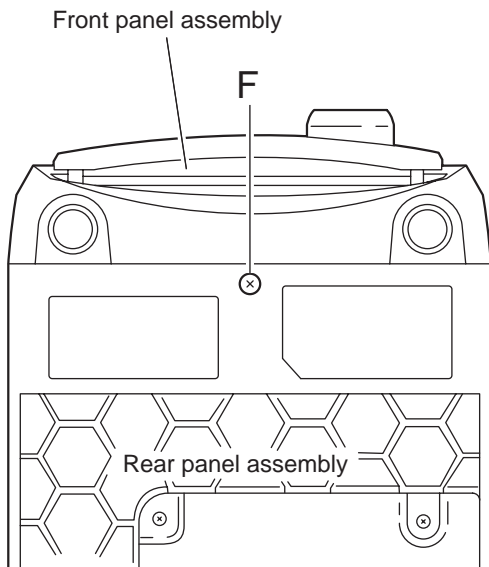


Fig.4

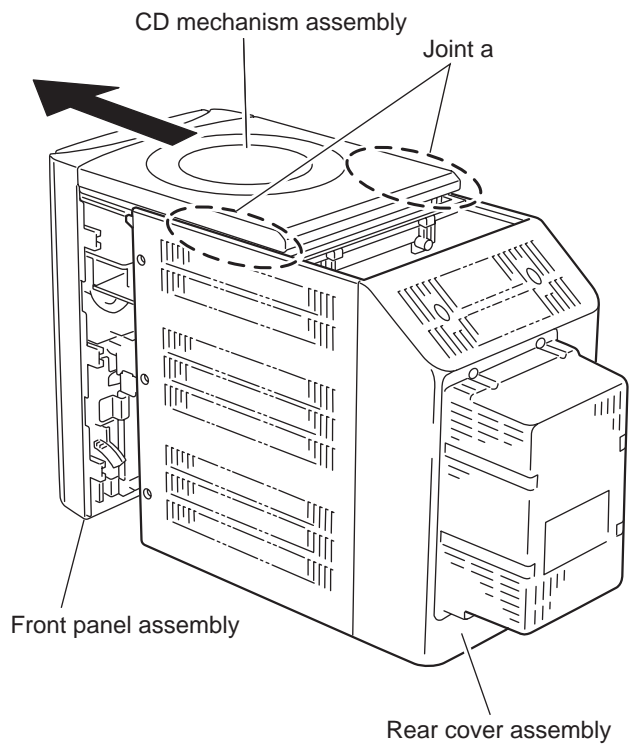


Fig.5

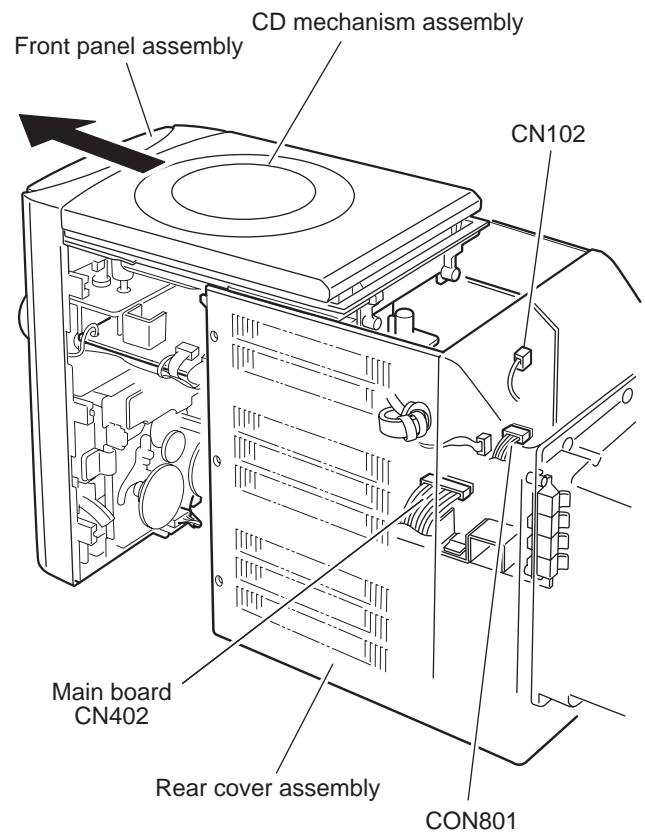


Fig.6

3.1.2 Removing the main board (See Fig.7, 8)

- Prior to performing the following procedure, remove the front panel assembly.
 - (1) Disconnect the wire from all connectors on the main board.
 - (2) Disconnect the wire from the two connectors on the cassette mechanism assembly.
 - (3) Release the two bands attaching the wire to the main board.
 - (4) Remove the two screws **G** from the front panel assembly. Release the joint **b**.

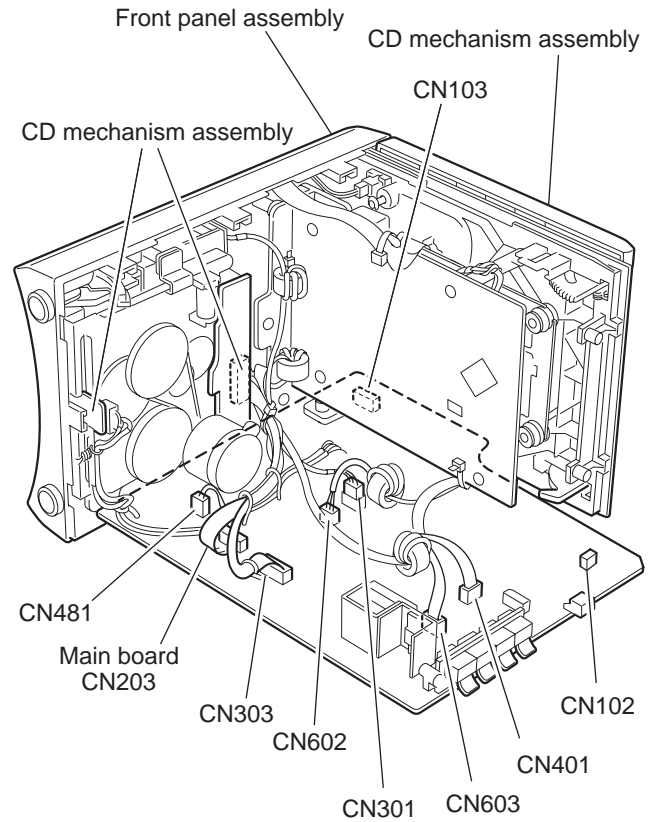


Fig.7

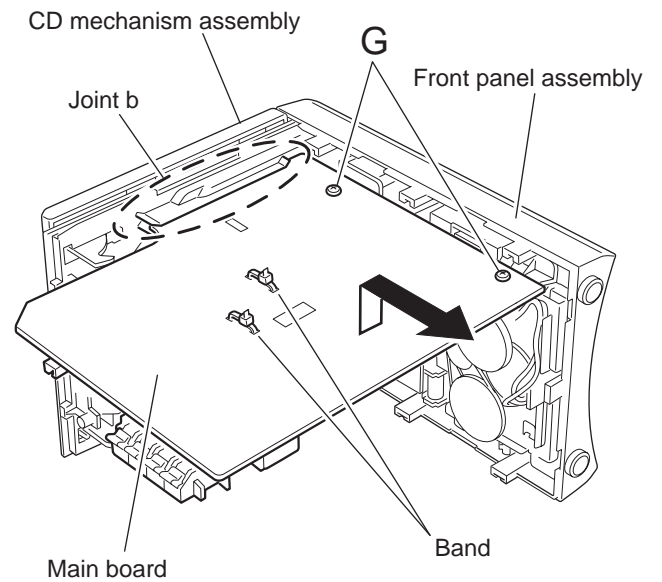


Fig.8

3.1.4 Removing the CD mechanism assembly (See Fig.11 to 13)

- Prior to performing the following procedure, remove the front panel assembly, the main board and the CD mechanism assembly.

Caution:

Before disconnecting the card wire from connector **CN601** on the CD mechanism board and from CD pickup board, solder the short-circuit point on the CD pickup board. If you do not follow this instruction, the pickup may be damaged.

- (1) Disconnect the wire from connector on the CD motor board.
- (2) Remove the four screws **J** attaching the CD mechanism board.
- (3) Move the CD mechanism board temporarily as shown in Fig.12.
- (4) Remove the screw **K** attaching the wire to the CD mechanism.
- (5) Solder the short-circuit point on the CD pickup board.
- (6) Disconnect the card wire from connector **CN601** on the CD mechanism board.

Caution:

Make sure to unsolder the short-circuit point after reconnecting the card wire to the CD pickup board and to connector **CN601** on the CD mechanism board.

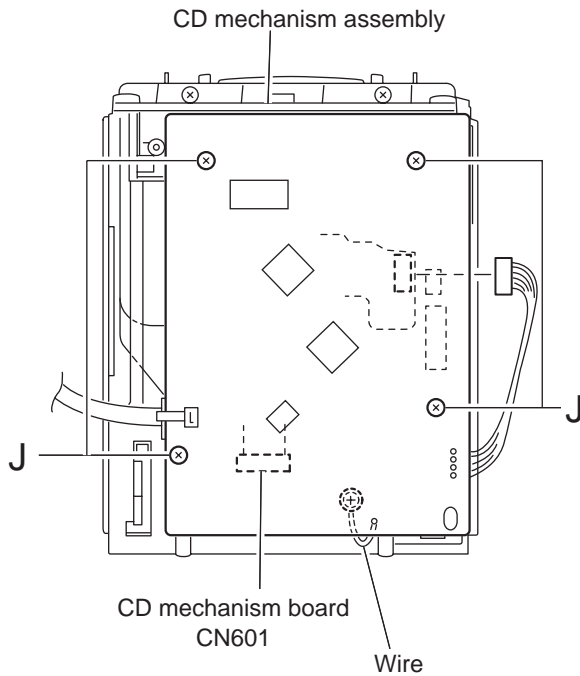


Fig.11

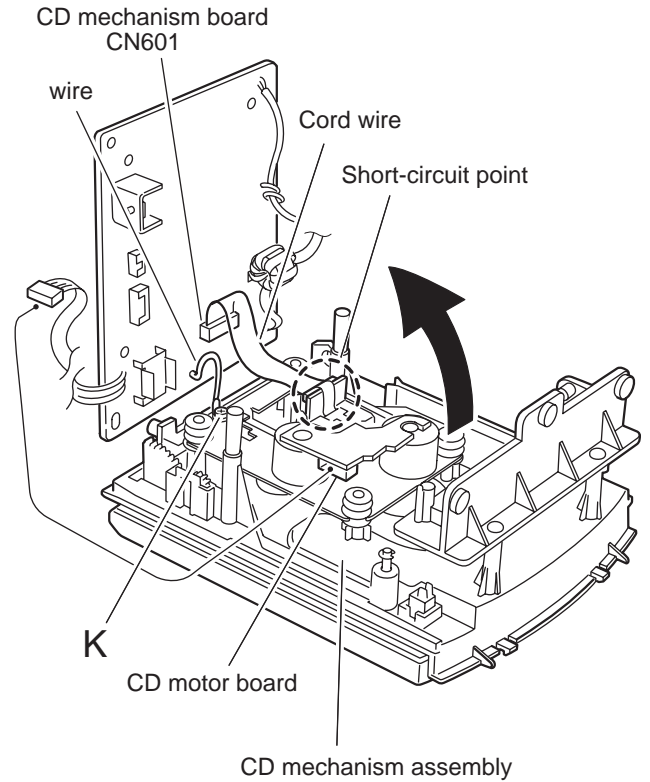


Fig.12

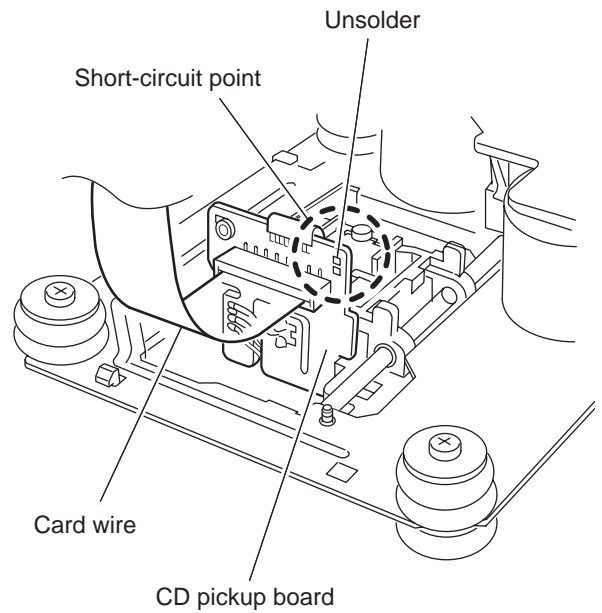


Fig.13

3.1.5 Removing the CD mechanism (See Fig.14)

- Prior to performing the following procedure, remove the front panel assembly, the main board, the CD mechanism assembly and the CD mechanism board.
(1) Remove the four screws **M** attaching the CD mechanism.

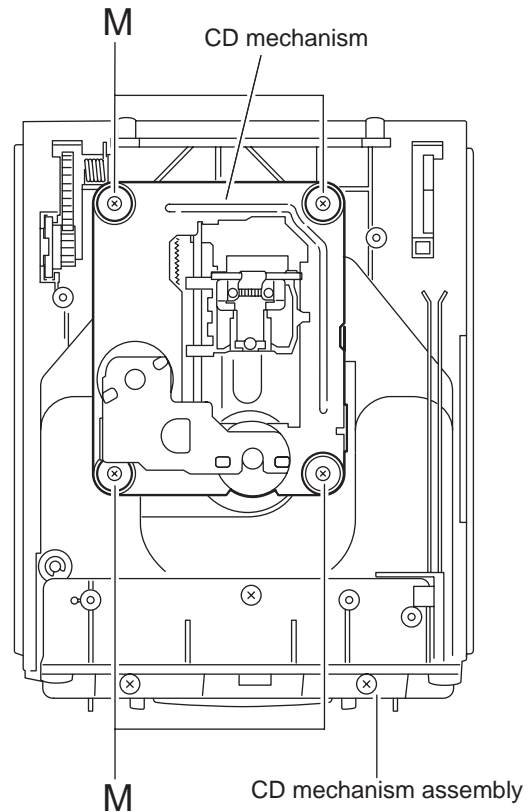


Fig.14

3.1.6 Removing the headphone board/ AUX board (See Fig.15)

- Prior to performing the following procedure, remove the front panel assembly, the main board and the CD mechanism assembly.
(1) Remove the screw **N** attaching the headphone board.
(2) Remove the screw **P** attaching the AUX board.

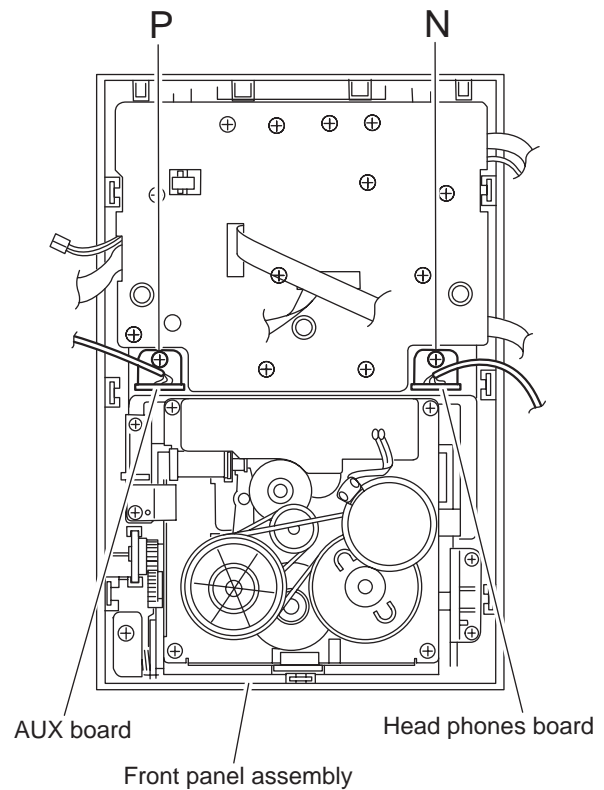


Fig.15

3.1.8 Removing the cassette mechanism assembly (See Fig.18, 19)

- Prior to performing the following procedure, remove the front panel assembly and the main board.
 - (1) Push 'PUSH OPEN' on the front panel to open the cassette door.
 - (2) Remove the screw **R** attaching the bracket of the cassette mechanism assembly.
 - (3) Remove the two screws **T** and the two screws **U** attaching the cassette mechanism assembly.

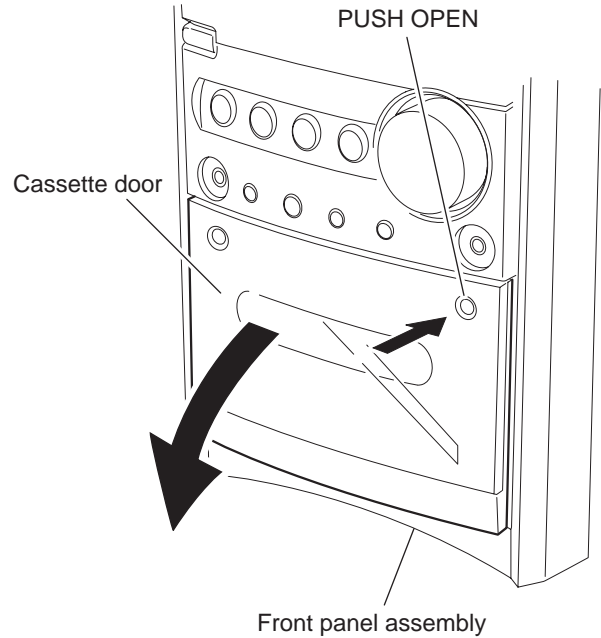


Fig.18

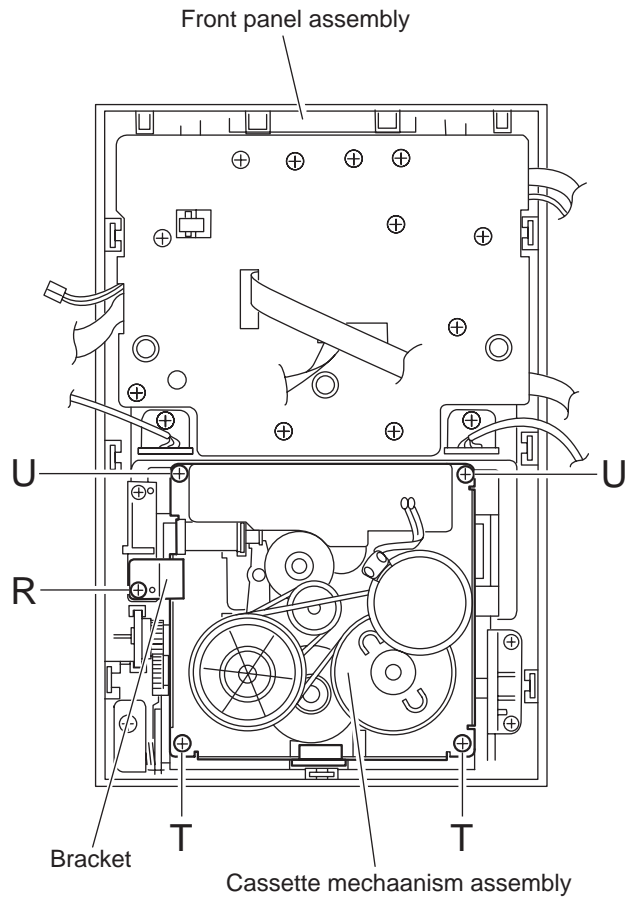


Fig.19

3.1.9 Removing the heat sink/power board (See Fig.20 to 25)

- Prior to performing the following procedure, remove the front panel assembly.
 - (1) Remove the four screws **Y** attaching the holder in the power unit section.
 - (2) Move the power unit section with the wire from the rear cover temporarily. If necessary, release the band and unsolder the wire on the power board.
 - (3) Remove the four screws **A'** and the two screws **B'** attaching the holder.
 - (4) Remove the three bands on the wire extending from the power board (part **e**). Move the holder in the direction of the arrow to detach from the joint **f**.
 - (5) Remove the four screws **D'** and screw **E'** attaching the heat sink.

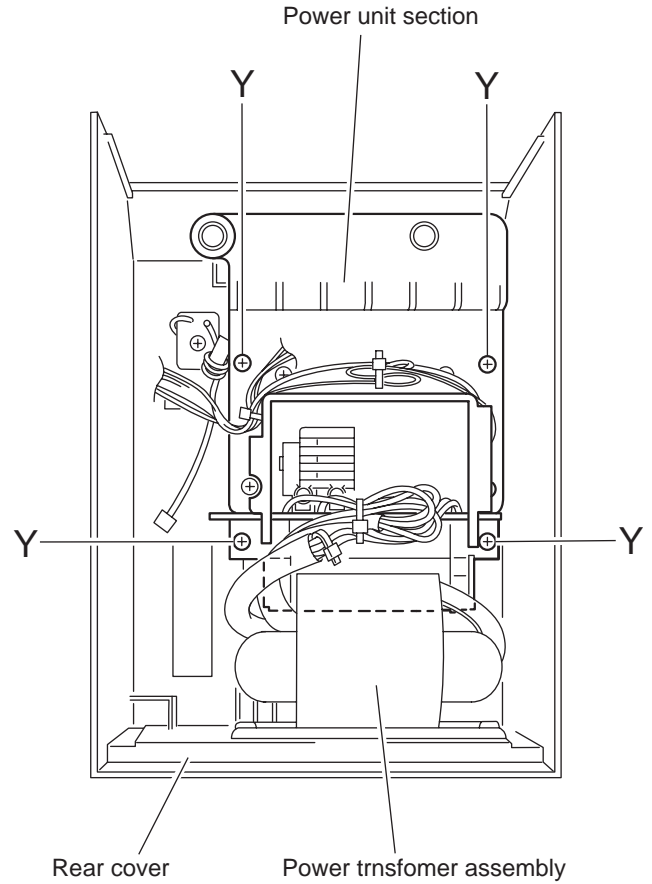


Fig.20

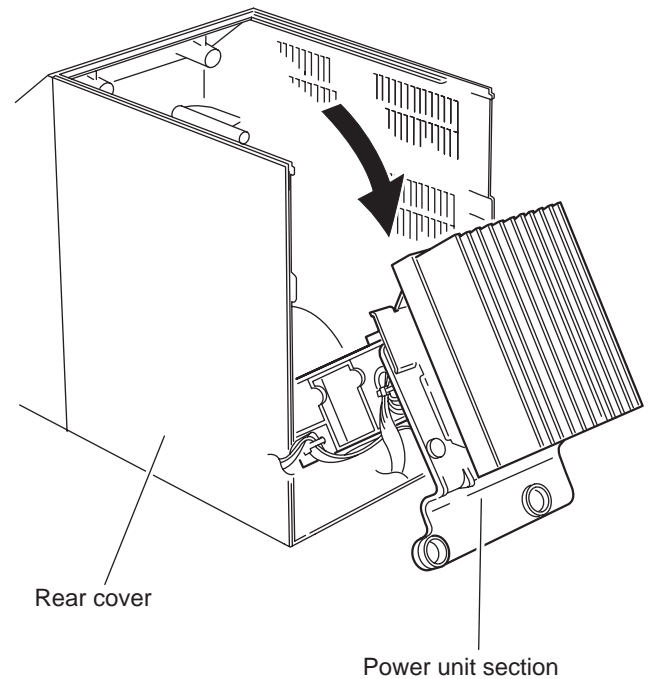


Fig.21

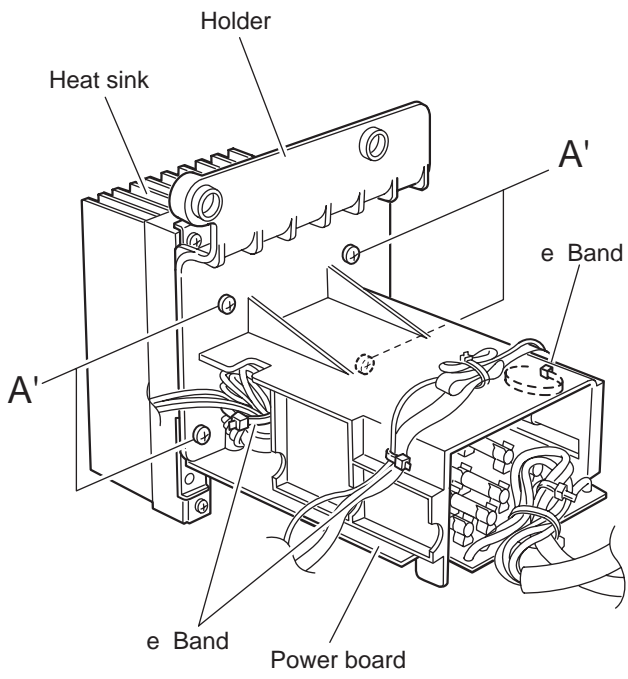


Fig.22

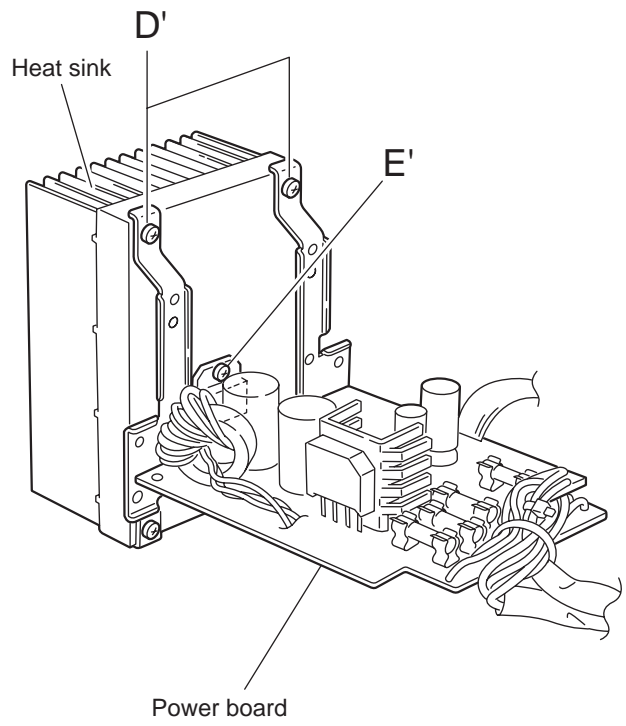


Fig.24

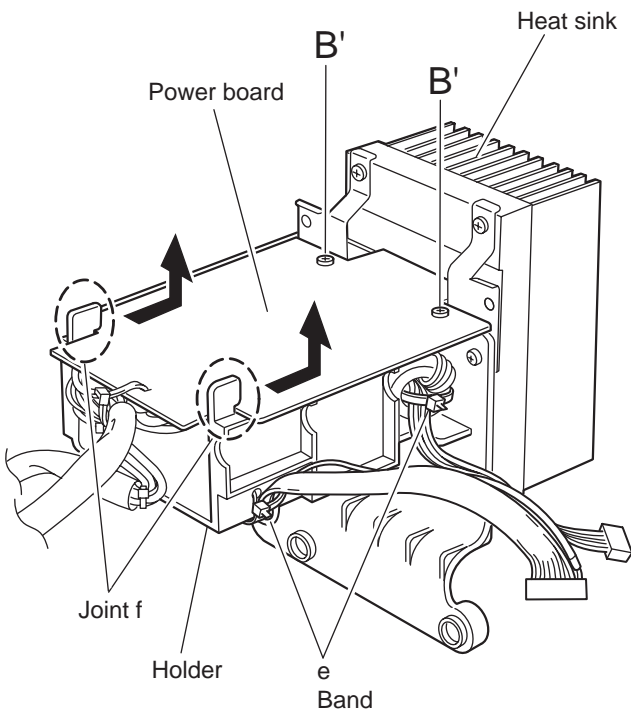


Fig.23

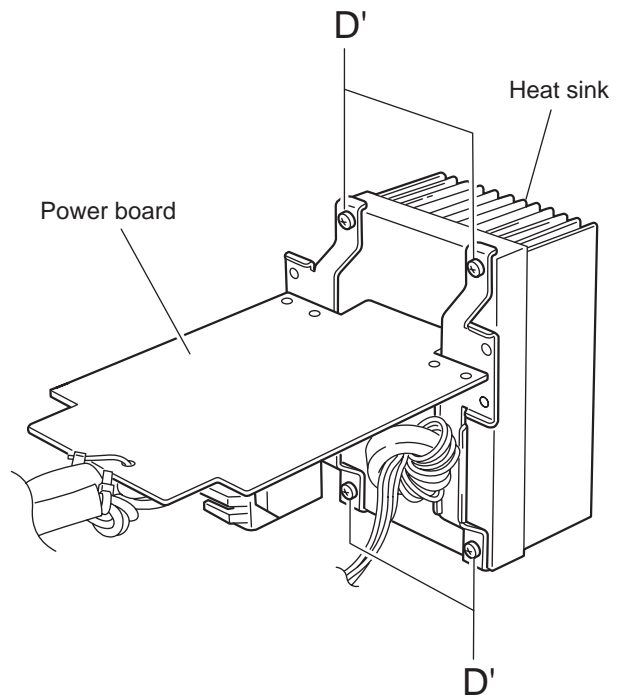


Fig.25

3.1.10 Removing the power transformer assembly (See Fig.26, 27)

- Prior to performing the following procedure, remove the front panel assembly and the power unit section.
 - (1) Remove the four screws **F'** attaching the power transformer assembly. The bracket comes off at the bottom of the rear cover.
 - (2) Remove the screw **G'** attaching the power cord folder.
 - (3) Remove the two screws **H'** attaching the AC connect board.

3.1.11 Removing the FM-ANT board (See Fig.26, 27)

- Prior to performing the following procedure, remove the front panel assembly and the power unit section.
 - (1) Remove the screw **J'** on the rear cover assembly.
 - (2) Unsolder the FM-ANT wire on the FM-ANT board.

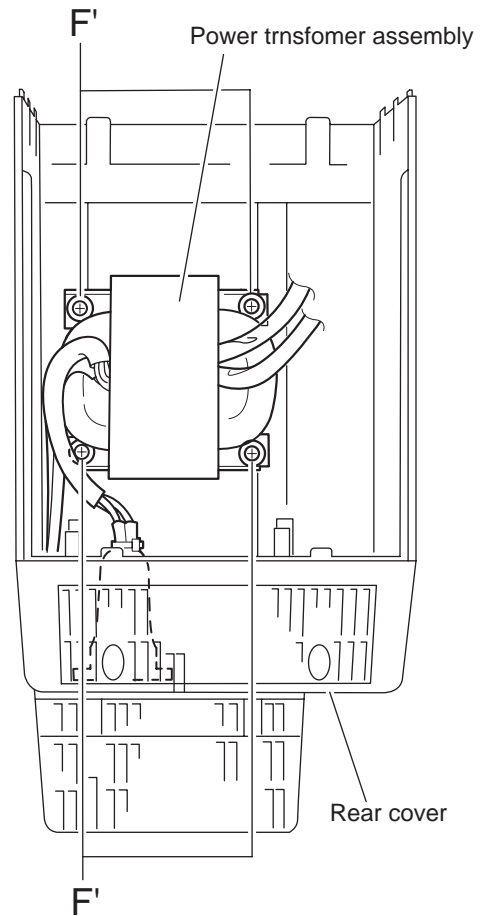


Fig.26

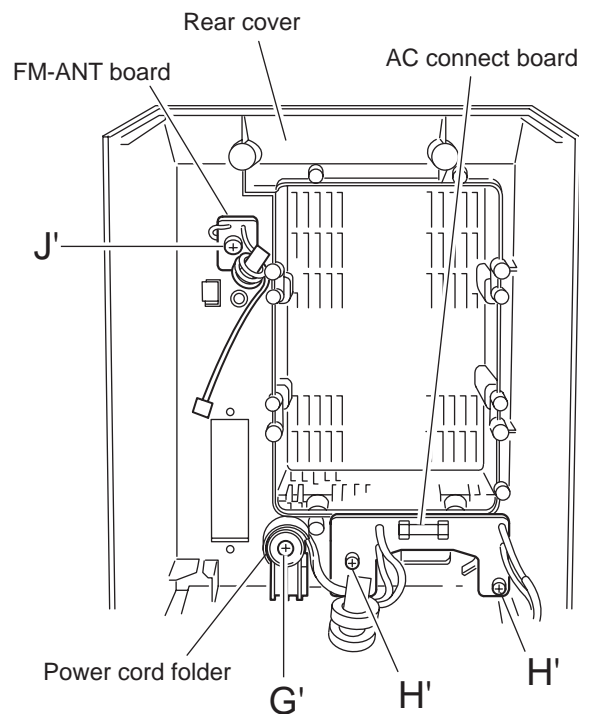


Fig.27

SECTION 4

ADJUSTMENT

4.1 Measuring instructions required for adjustment

- AM signal generator
- FM signal generator
- Inter mediate frequency sweep generator
- FM stereo signal generator
- Low-frequency oscillator (oscillation frequency 50 Hz - 20 kHz, 0 dB output with 600 Ω impedance)
- Attenuator (600 Ω impedance)
- Electronic voltmeter
- Distortion meter
- Torque gauge (cassette for CTG-N)
- Wow & flutter meter
- Frequency counter meter

4.2 Test tape

- Playback tape
 - VT712 (tape speed, wow flutter)
 - VT724 (reference level)
 - VT703L (head azimuth)
 - VT738 (frequency response)
- Recording tape
 - AC225 (type I)
- Power supply voltage
 - AC220V - 240V 50Hz

4.3 Measuring instruments

- Radio section
 - FM : 1 kHz, 22.5kHz deviation
 - FM stereo : 1 kHz, 67.5 kHz deviation, pilot signal 7.5 kHz
 - AM : 1 kHz, 30% modulation
 - Reference output : 0 dB (1 V) 4 Ω
 - Headphone output : -10 dB (0.1V) 32 Ω

4.4 Amplifier section

- Reference output : Speaker output 0 dB (1 V) / 4 Ω
Headphone output -10 dB (0.1 V) / 32 oh

4.5 CD section

- Test disc : CTS-1000 (JVC)
 - TCD-731R (A-BEX)
 - TCD-712R (A-BEX)
 - TCD-785 (A-BEX)

4.6 Cassette amplifier section

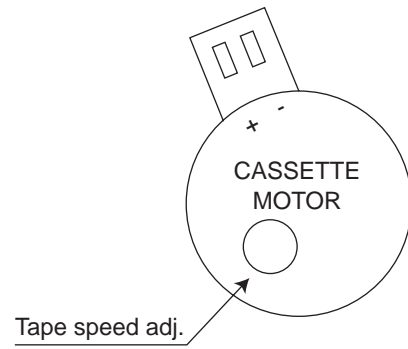
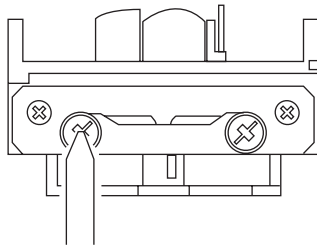
Item	Measuring condition	Check and adjustment procedure	Standard value	Adjusting part
Head azimuth adjustment	Test tape : VT703 Signal output terminal : PHONES (with 32 ohm load)	1.Plyback the test tape VT703. 2.Adjust the head azimuth adjusting screw so that the phase difference between the R and L channels is minimized at an output level that is within +/- 2dB of the maximum output level. After this adjustment, lock the head azimuth adjusting screw with screw sealant to cover more than a half of the screw head. 3.When the head azimuth is maladjusted, correct it with the head azimuth adjusting screw.	Output level : within +/-2dB of maximum output level Phase defference L and R channels: minimum	Head azimuth adjusting screw (to be used only after head replacement)
Tape speed and wow/flutter check and adjustment	Test tape : VT712 Signal output terminal : PHONES (with 32 ohm load)	1.Plyback the test tape VT712 by the end of position. 2.Connect a frequency counter and check that it reads between 2940 and 3090 Hz. If not, adjust the frequenct with the motor semifixed resistor. 3.Check that the wow / flutter is 0.38% (unweighted).	2940 to 3090 Hz within 0.38% (unweighted)	Tape speed : motor semifixed resistor check only
PB frequency responce check	Test tape : VT738 Signal output terminal : PHONES (with 32 ohm load)	Playback the test tape VT738 while confirming that deviation between the 1 kHz signal and 8 kHz signal should be 0 (+3 to -6) dB.	deviation between 1 kHz and 8 kHz : 0 (+3 to -6) dB.	
Bias frequency check	Test tape : normal Signal output terminal : Cassette R/P head	Set the TUNER or CD function and with TAPE to record. Check to see if the frequency at the measuring point (R335 or R336) is 60 kHz +/-1 kHz if not adjust T360 until the frequency counter indicates 60 kHz +/- 1 kHz.		L203
REC and PB frequency responce adjustment	Test tape : AC225 Signal input : FM 22.5 dev, 60dBu with emphasis Signal output terminal : PHONES (with 32 ohm load)	At TUNER, set the BAND to the FM position, and record the reference 1 kHz signal and 8 kHz signal alternately repeatedly. While playing back the recorded signal differ from that of the 1 kHz signal by within 0 (+3 to 6) dB.	Level difference between REC and PB : within 0 (+3 to 6) dB	

4.7 Tuner section

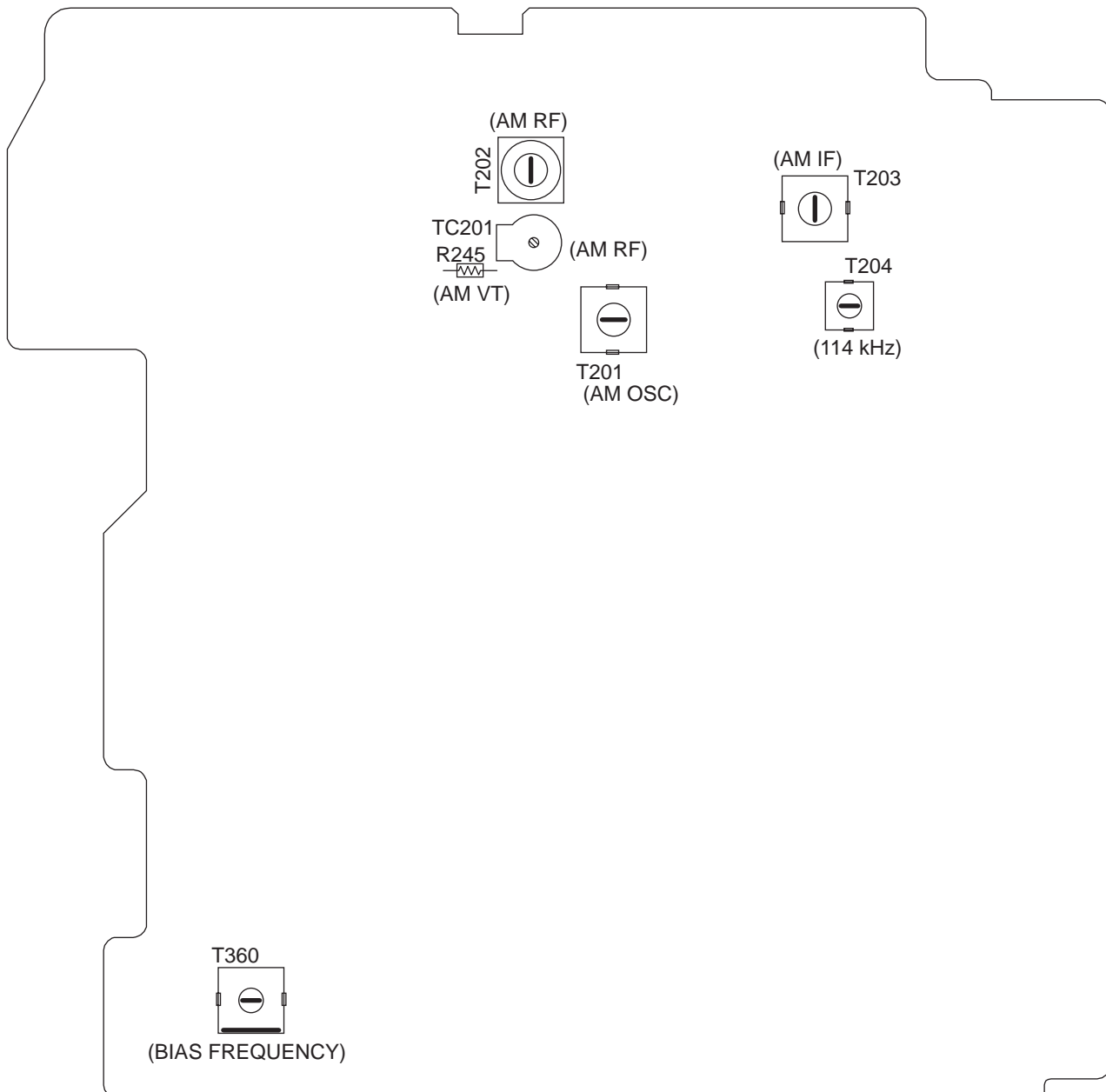
Item	Measuring condition	Check and adjustment procedure	Standard value	Adjusting part
AM IF adjustment	Signal input : Loop antenna Signal output : IC201 pin 18	1.Set the intermediate frequency sweep generator to AM 450 kHz. 2.Adjust the T203 from maximum and center output.		T203
AM tracking adjustment	Signal input : Loop antenna Signal output : PHONES (with 32 ohm load)	1.Set the TUNER at 522 kHz adjust T201 until the test pin of R245 voltage at 1.55 V +/- 0.1 V. 2.Set the TUNER at 1629 kHz, check the pin of R245 voltage at 8.4 V +/- 6V. 3.Set the TUNER ang S/G at 612 kHz, adjust T202 for maximum output. 4.Set the TUNER and S/G at 1404 kHz, adjust T201 for maximum output. 5.Repwat the above step 3 and 4.		T201 R245 TC201
Tuner 114 kHz filter the waves adjustment	Signal input : IC101 pin 19 Signal output : IC101 pin 18	1.Set the unit in standby mode. Input 114 kHz signal to IC101 pin 19. 2.Adjust the T204 for output voltage minimum.		T204

4.8 Location of adjusting parts

Cassette mechanism section



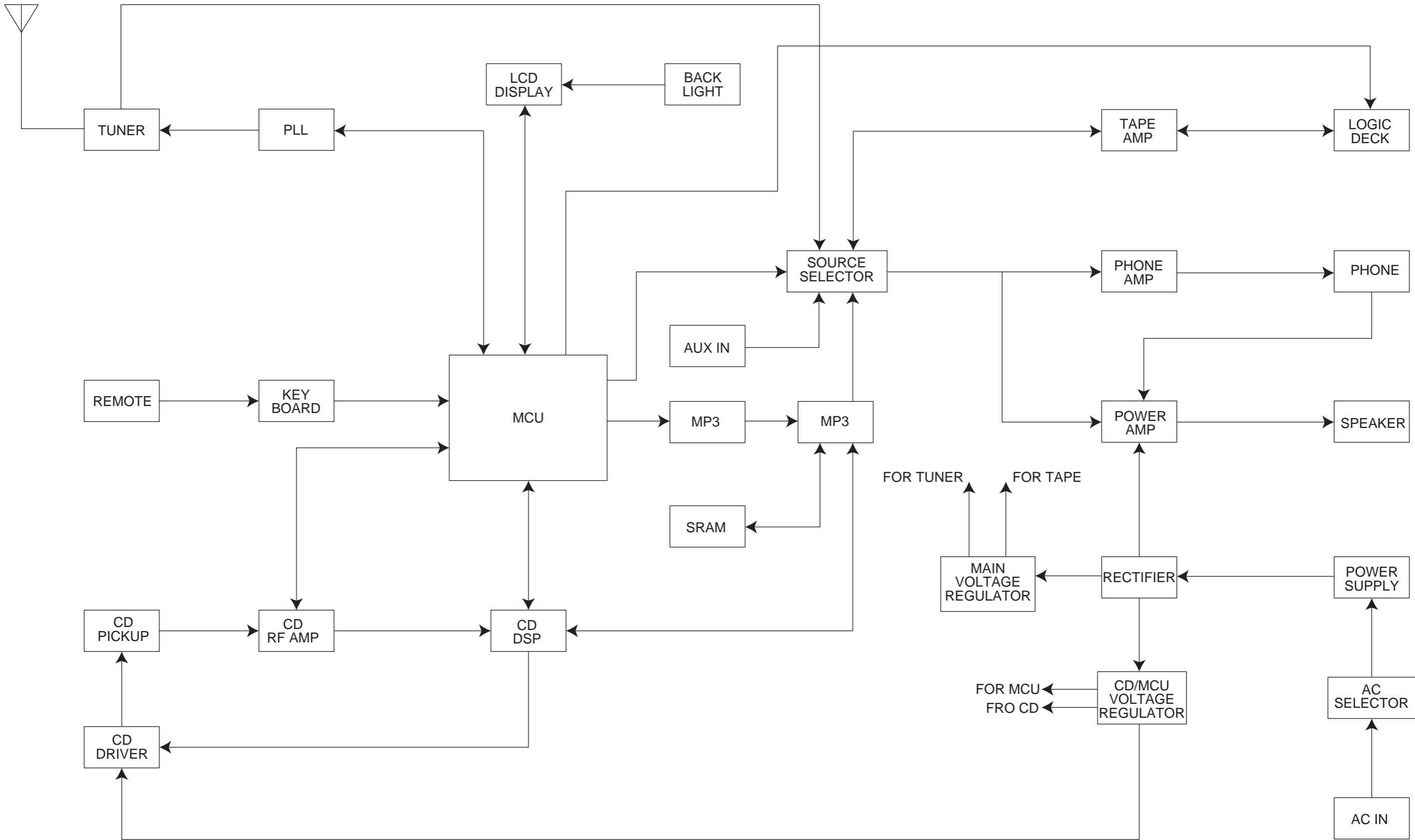
Main board assembly



SECTION 5 TROUBLESHOOTING

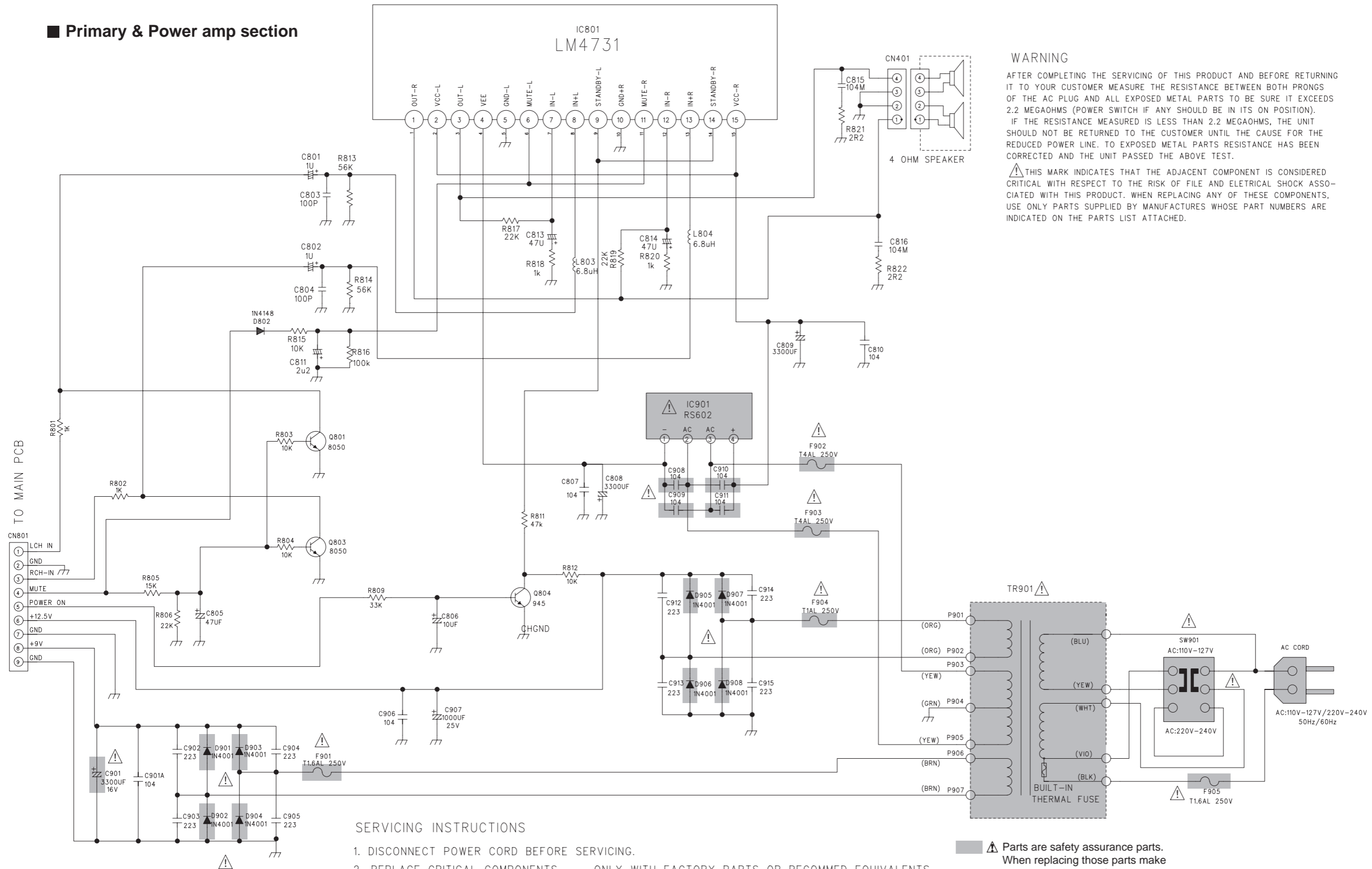
This service manual does not describe TROUBLESHOOTING.

Block diagram



Standard schematic diagrams

Primary & Power amp section



WARNING

AFTER COMPLETING THE SERVICING OF THIS PRODUCT AND BEFORE RETURNING IT TO YOUR CUSTOMER MEASURE THE RESISTANCE BETWEEN BOTH PRONGS OF THE AC PLUG AND ALL EXPOSED METAL PARTS TO BE SURE IT EXCEEDS 2.2 MEGAOHMS (POWER SWITCH IF ANY SHOULD BE IN ITS ON POSITION). IF THE RESISTANCE MEASURED IS LESS THAN 2.2 MEGAOHMS, THE UNIT SHOULD NOT BE RETURNED TO THE CUSTOMER UNTIL THE CAUSE FOR THE REDUCED POWER LINE TO EXPOSED METAL PARTS RESISTANCE HAS BEEN CORRECTED AND THE UNIT PASSED THE ABOVE TEST.

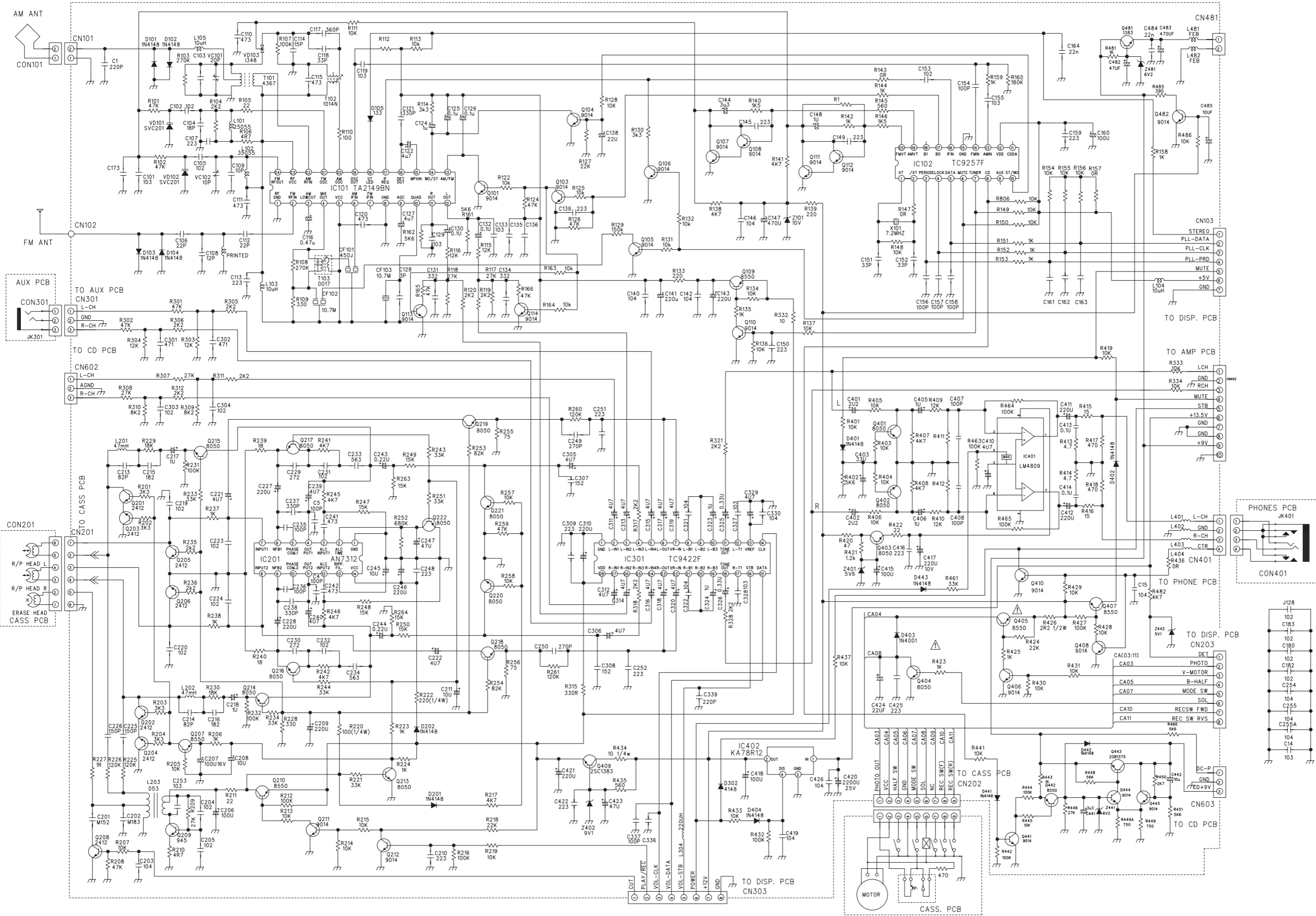
⚠ THIS MARK INDICATES THAT THE ADJACENT COMPONENT IS CONSIDERED CRITICAL WITH RESPECT TO THE RISK OF FIRE AND ELECTRICAL SHOCK ASSOCIATED WITH THIS PRODUCT. WHEN REPLACING ANY OF THESE COMPONENTS, USE ONLY PARTS SUPPLIED BY MANUFACTURERS WHOSE PART NUMBERS ARE INDICATED ON THE PARTS LIST ATTACHED.

SERVICING INSTRUCTIONS

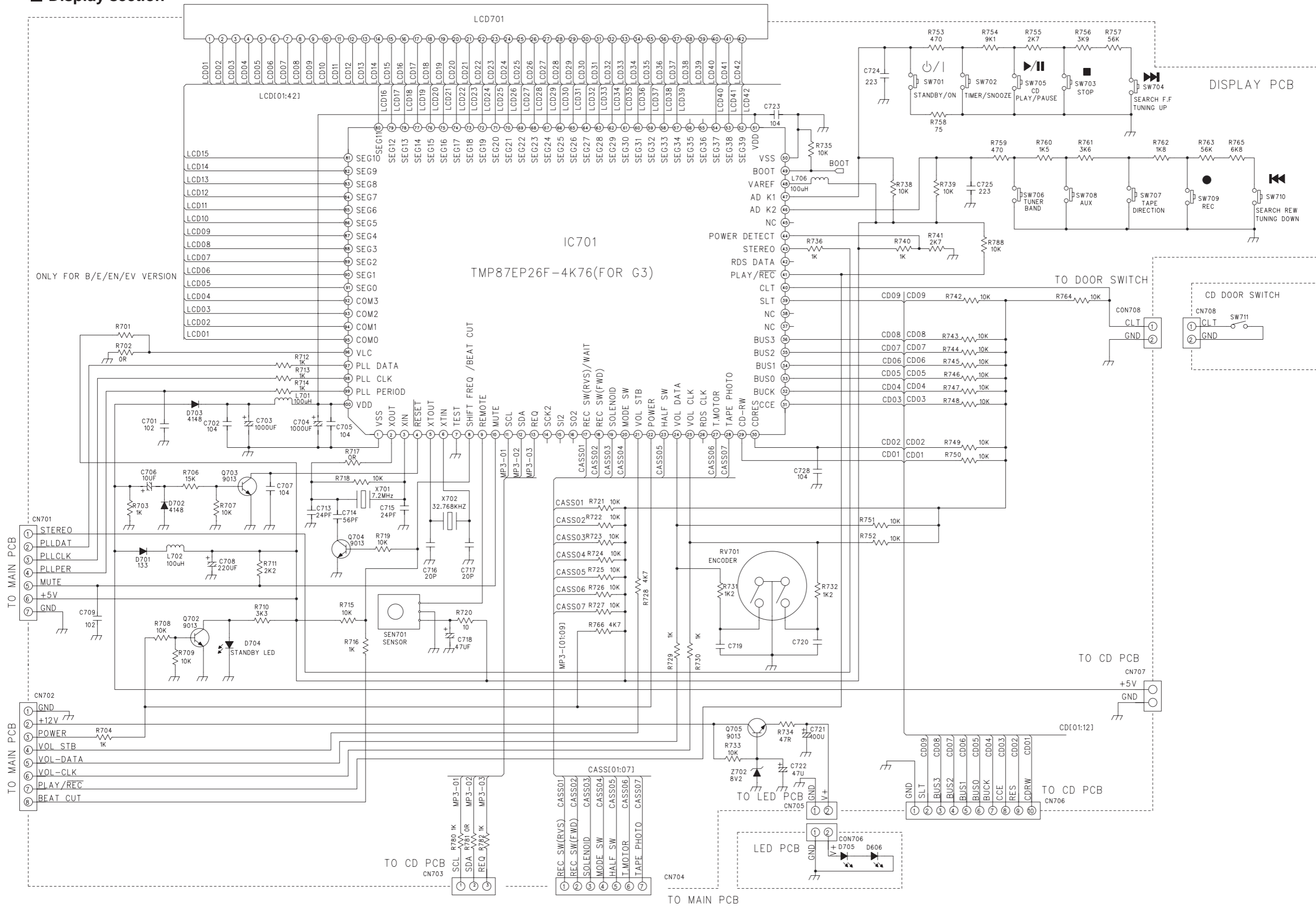
1. DISCONNECT POWER CORD BEFORE SERVICING.
2. REPLACE CRITICAL COMPONENTS ONLY WITH FACTORY PARTS OR RECOMMENDED EQUIVALENTS.
3. FOR AC LINE POWERED UNITS – BEFORE RETURNING REPAIRED UNIT TO USER, USE AN OHMMETER TO MEASURE FROM BOTH AC PLUG BLADES TO ALL EXPOSED METALLIC PARTS. THE RESISTANCE SHOULD BE MORE THAN 100,000 OHMS.

⚠ Parts are safety assurance parts. When replacing those parts make sure to use the specified one.

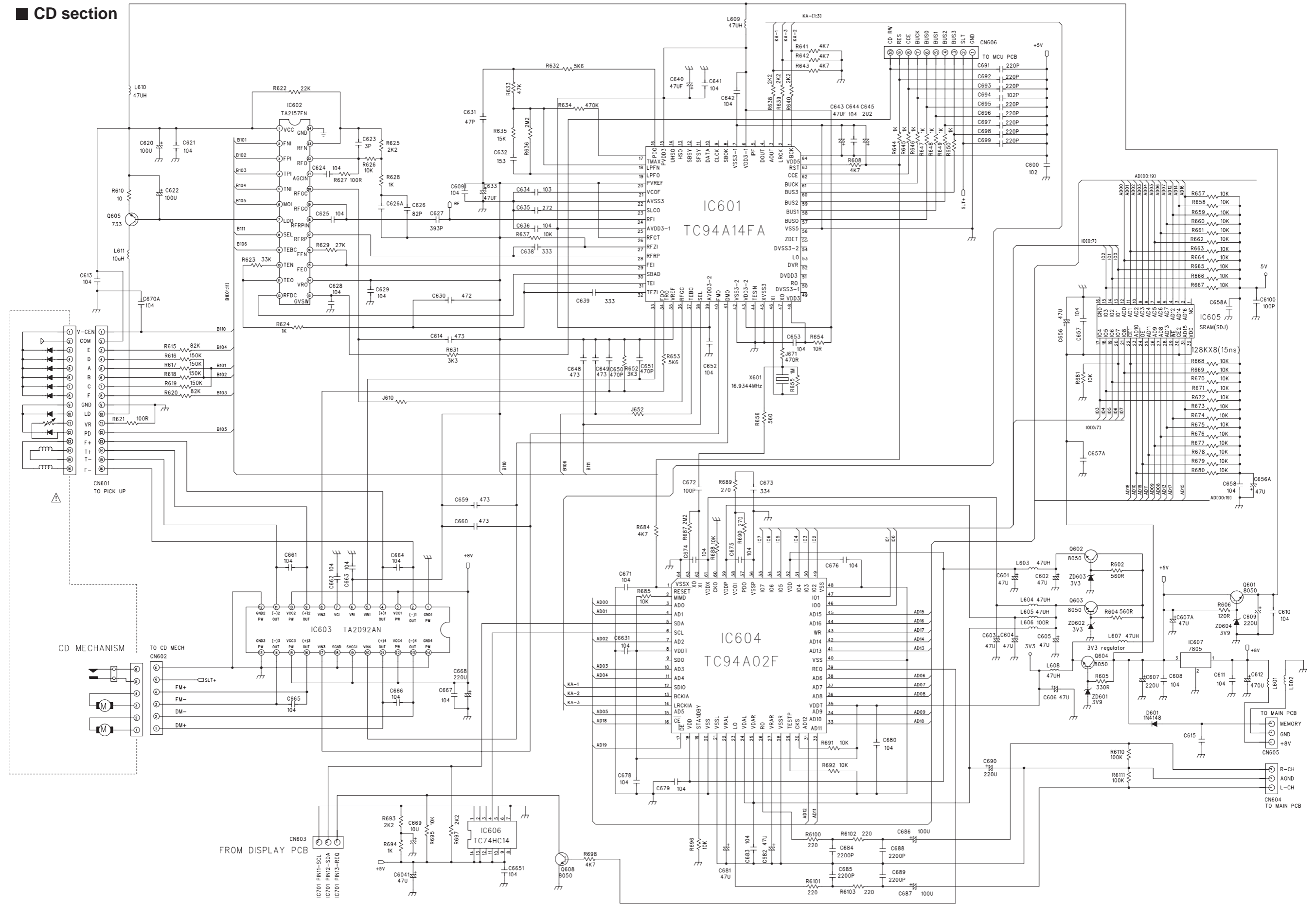
Main section



■ Display section

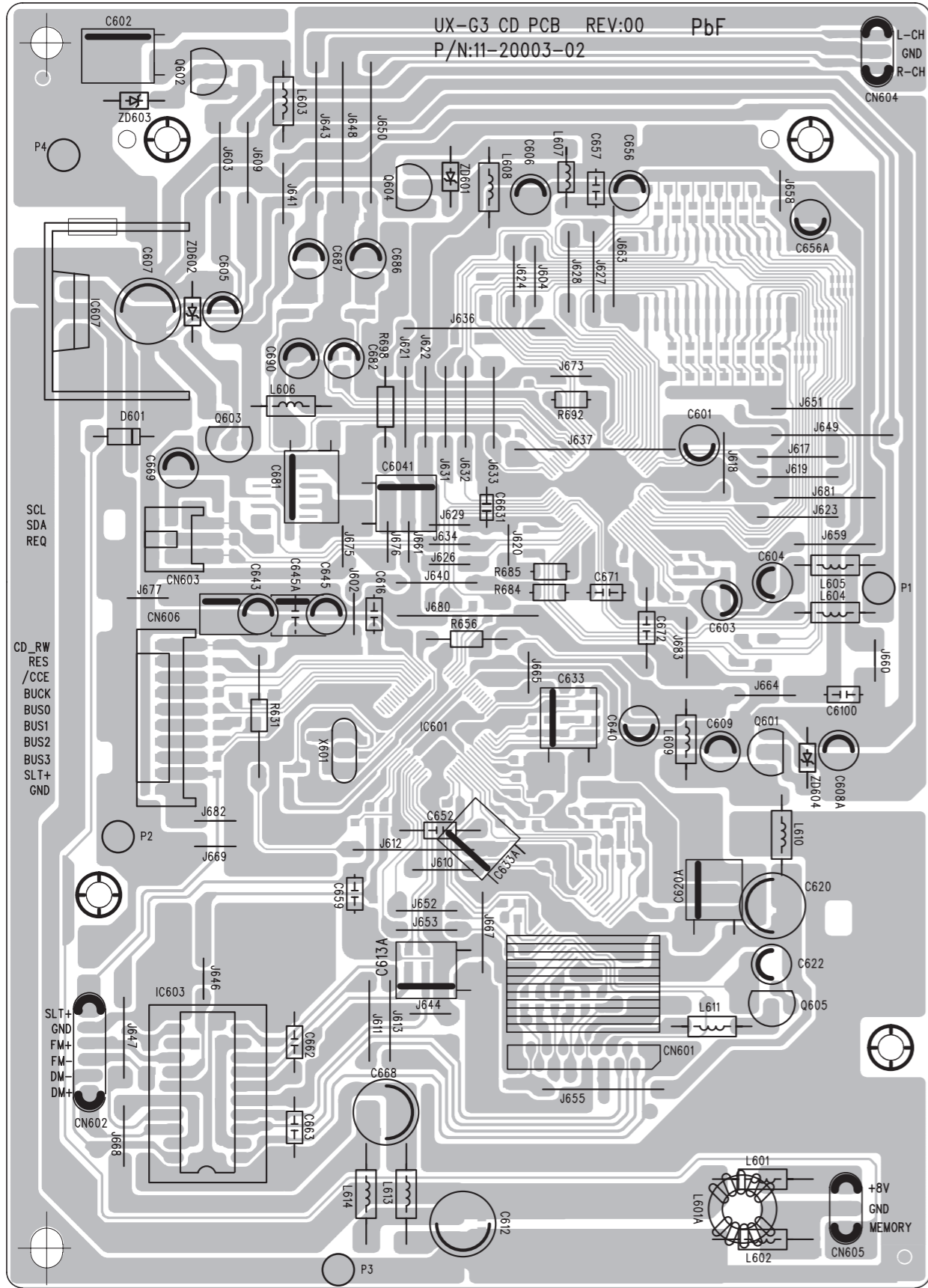


CD section

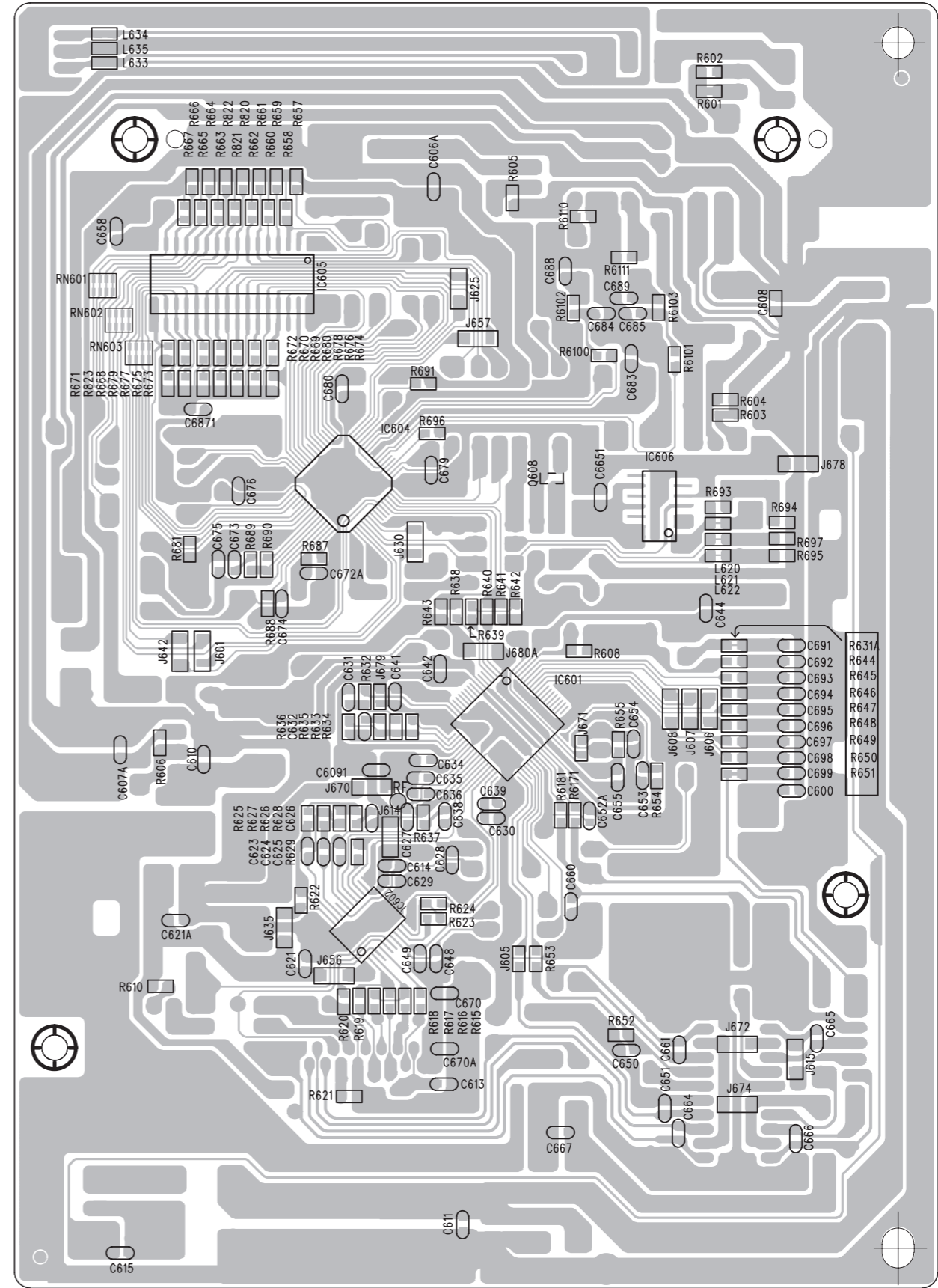


■ **CD board** Lead free solder used in the board (material : Sn-Ag-Cu, melting point : 219 Centigrade)

(forward side)

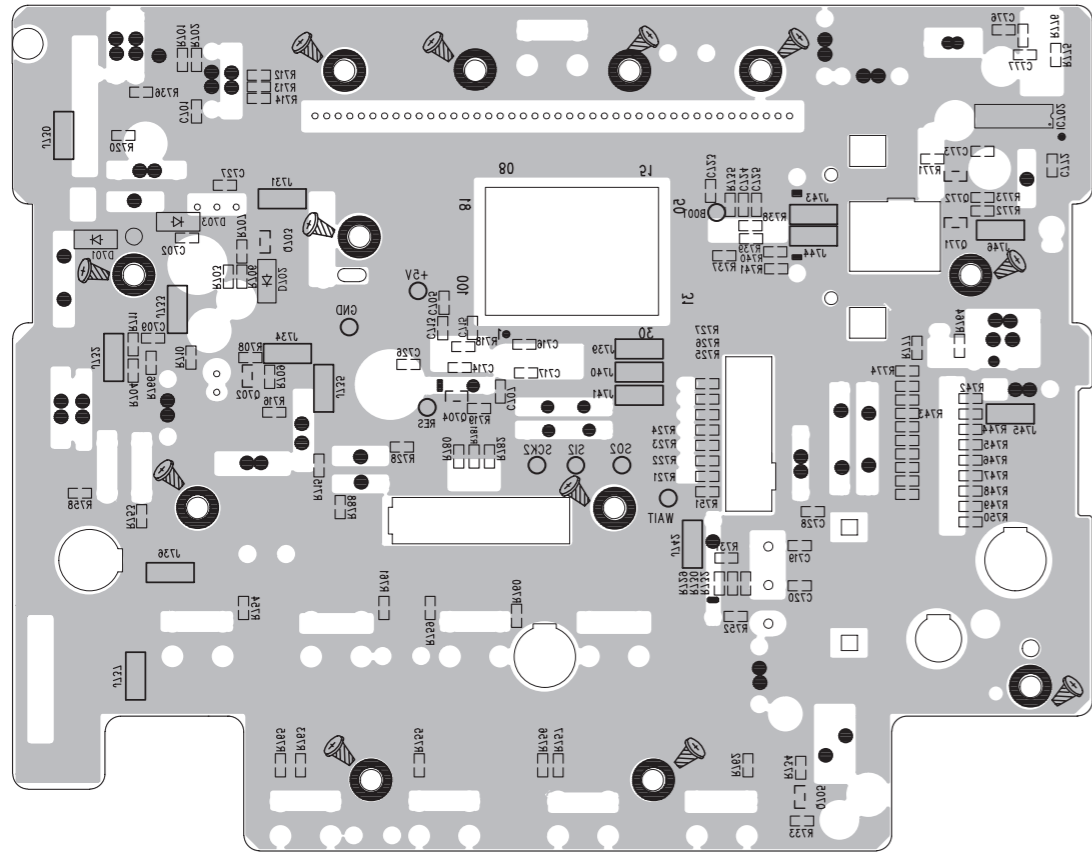


(reverse side)

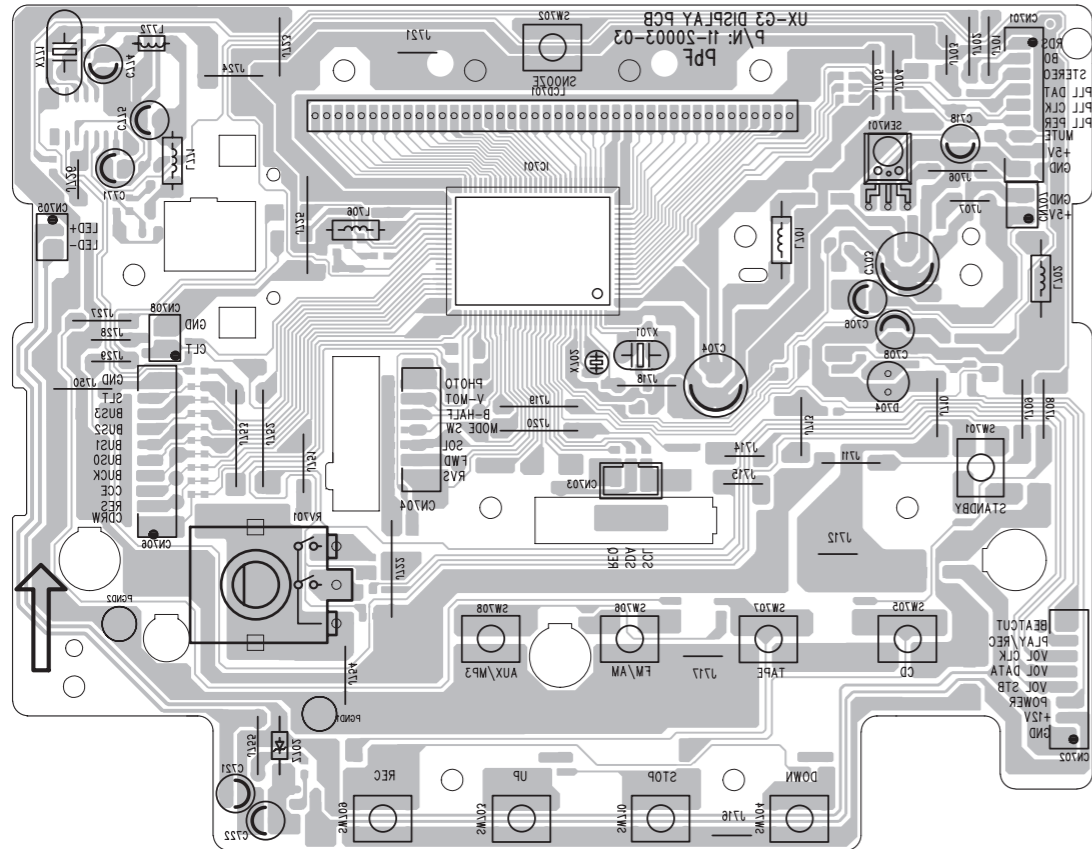


■ **Front board** Lead free solder used in the board (material : Sn-Ag-Cu, melting point : 219 Centigrade)

(forward side)

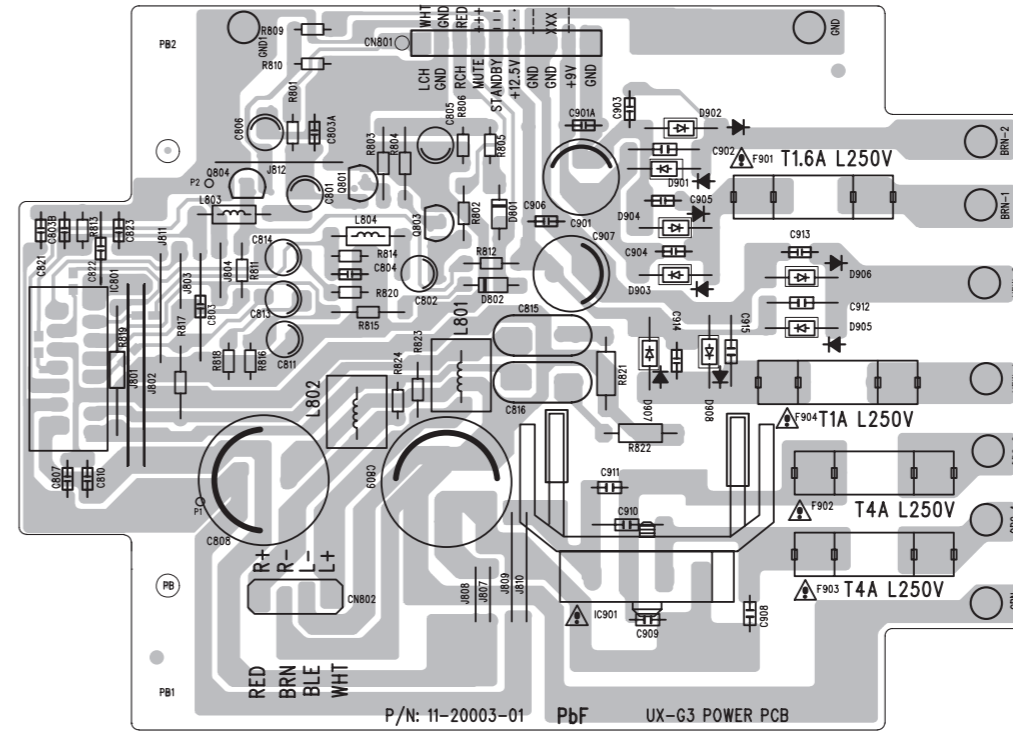


(forward side)

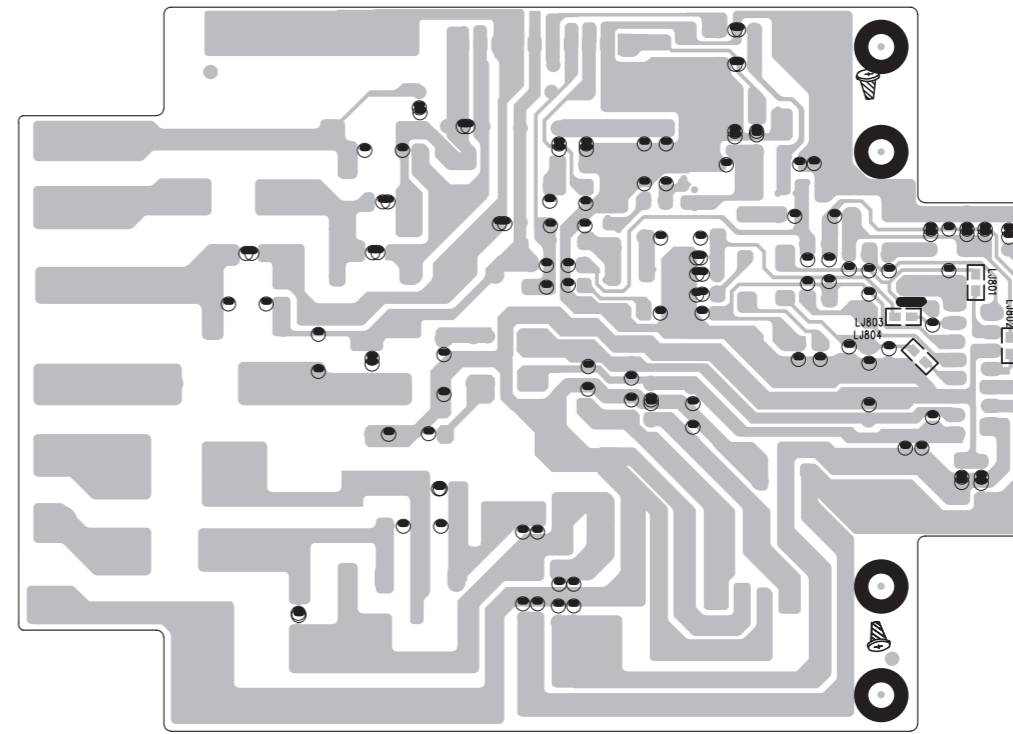


■ **Trans board** Lead free solder used in the board (material : Sn-Ag-Cu, melting point : 219 Centigrade)

(forward side)



(forward side)



PARTS LIST

[UX-G3][UX-G4]

* All printed circuit boards and its assemblies are not available as service parts.

UX-G3	
Area suffix	
US -----	Singapore
UB -----	Hong Kong
UP -----	Korea
UT -----	Taiwan
UW -----	Brazil, Mexico, Peru
UY -----	Argentina

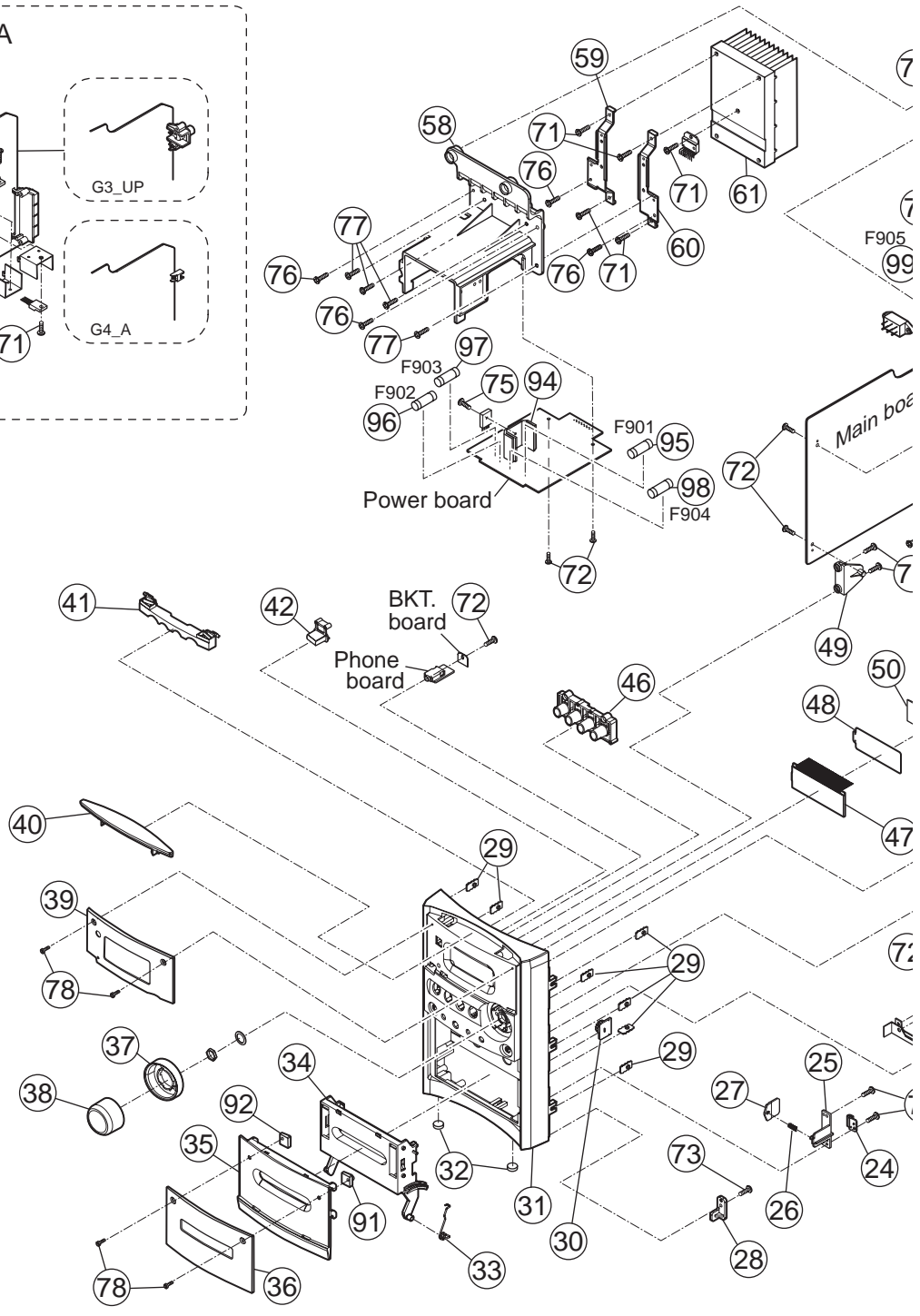
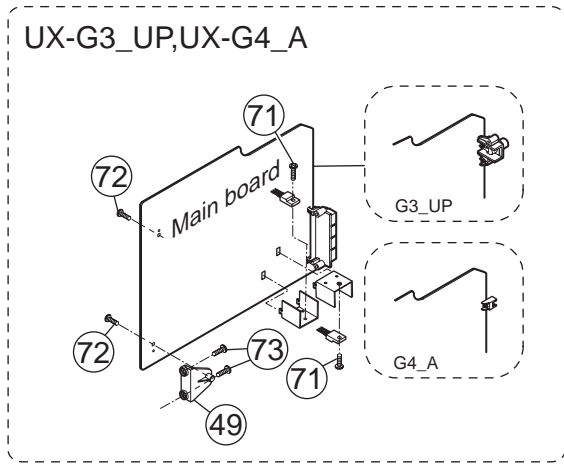
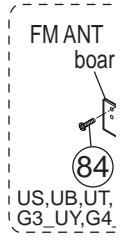
UX-G4	
Area suffix	
A -----	Australia
US -----	Singapore
UB -----	Hong Kong
UT -----	Taiwan
UW -----	Brazil, Mexico, Peru

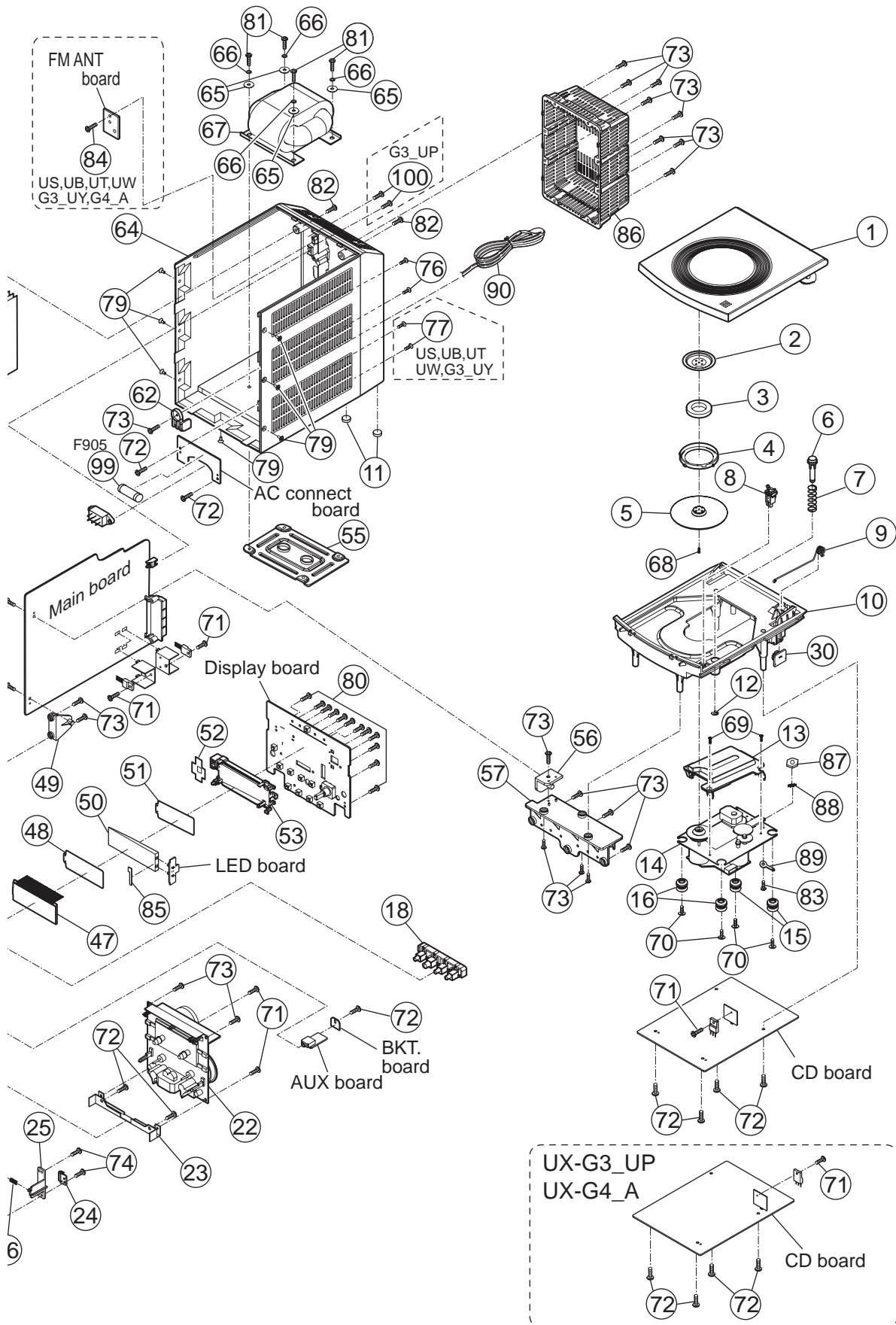
- Contents -

Exploded view of general assembly and parts list (Block No.M1) -----	3- 2
Electrical parts list (Block No.01~04) -----	3- 6
Packing materials and accessories parts list (Block No.M3) -----	3-26

Exploded view of general assembly and parts list

Block No. **M** **1** **M** **M**





The parts without symbol number are not service.

General Assembly

Block No. [M][1][M][M]

△	Symbol No.	Part No.	Part Name	Description	Local
	1	OW688000300014	CD DOOR		
	2	OW659020003018	METAL PLATE		
	3	OW399009019023	P.C.MAGNET		
	4	OW694000300027	STABILIZER RING		
	5	OW698007953043	STABILIZER	CD Pick Up	
	6	OW698000141034	ROD	PUSH	
	7	OW605000003048	EJECT SPRING	CD	
	8	OW182010101204	CD DOOR SWITCH	DLS-02-1	
	9	OW605000300007	CD DOOR SPRING		
	10	OW689000300051	CD TRAY		
	11	OW622020003008	RUBBER FOOT	(x2)	
	12	OW617000003011	E RING	M3	
	13	OW689000088032	PU COVER	Plastic	
△	14	OW200020001009	CD MECHANISM	DA11VF	
	15	OW622002750111	CD DAMPER	Blue(x2)	
	16	OW622002750122	CD DAMPER	Gray(x2)	
	18	OW684020003033	KNOB B		
	22	OW208034309005	CASSETTE MECHA	CRM4309	
	23	OW659000300002	MECHA BKT		
	24	OW659000300024	SUPPORT BKT		
	25	OW698000005032	LATCH HOLDER		
	26	OW605000005024	LATCH SPRING		
	27	OW698000005021	LID LATCH		
	28	OW689000300095	SPRING BKT	CASS DOOR	
	29	OW659004200053	PANEL FIXING	(x7)	
	30	OW682000303028	DAMPER GEAR	B40GG(x2)	
	31	OW692000300034	FRONT CABINET	HB	
	32	OW622000300003	RUBBER FOOT	(x2)	
	33	OW605000300018	DOOR SPRING	CASSETTE	
	34	OW689000300073	DOOR BKT	CASSETTE	
	35	OW688000300003	CASS DOOR		
	36	OW621020003006	CASS DOOR LENS		G3_UB,G3_UP,G3_US,G3_UT,G3_UW,G3_UY
	36	OW621020003063	CASS DOOR LENS		G4_A,G4_UB,G4_US,G4_UT,G4_UW
	37	OW694000300016	VOLUME RING		
	38	OW684020003011	VOLUME KNOB		
	39	OW621020003039	DISPLAY LENS	U	
	40	OW684000300059	SNOOZE KNOB		
	41	OW689000300084	SNOOZE KNOB BKT		
	42	OW684020003044	POWER KNOB		
	46	OW684020003022	KNOB A		
	47	OW351080300006	LCD DISPLAY	G9419TT-P LCD701	
	48	OW621000300001	LCD FILTER		
	49	OW689000300038	PCB BKT		
	50	OW621000300034	LIGHT GUIDE		
	51	OW620000300008	LCD FILTER	Paper	
	52	OW620000300019	FELT	BLK	
	53	OW689000300005	LIGHT GUIDE BKT		
	55	OW659020003007	TRANS BKT		
	56	OW689000300027	MAIN PCB BKT		
	57	OW689000300062	CD TRAY BKT		
	58	OW689020003001	POWER PCB BKT	HB	
	59	OW672020003015	HEAT SINK BKT	A	
	60	OW672020003026	HEAT SINK BKT	B	
	61	OW672020003004	HEAT SINK		
△	62	OW694000300005	AC CORD HOLDER		
	64	OW693020003119	REAR CABINET		G3_UP
	64	OW693020003087	REAR CABINET		G4_A
	64	OW693020003108	REAR CABINET		G3_UB,G3_US,G3_UT,G3_UW,G3_UY,G4_UB,G4_US,G4_UT,G4_UW
	65	OW617000030017	METAL WASHER	12X4X1mm(x4)	
	66	OW617030009017	SPRING WASHER	M4 4X7X1mm(x4)	
△	67	OW177020003044	POWER TRANS	TR901 RN-65D KOREA	G3_UP
△	67	OW177020003022	POWER TRANS	TR901 G3 RN-65D SAA	G4_A
△	67	OW177020003055	POWER TRANS	TR901 Dual RN-75D AH4.301.0137/5	G3_UB,G3_US,G3_UT,G3_UW,G3_UY,G4_UB,G4_US,G4_UT,G4_UW
	68	OW618092605001	SCREW	2.6X5	
	69	OW618082006005	SCREW	M2.0X6(x2)	
	70	OW618092610026	SCREW	2.6X10(x4)	
	71	OW618083006056	SCREW	M3X6(x10)	
	72	OW618093008069	SCREW	3X8(x14)	
	73	OW618093010011	SCREW	3.0X10(x21)	
	74	OW618092610004	SCREW	2.6X10(x2)	
	75	OW618093012029	SCREW	3X12	
	76	OW618093012007	SCREW	3X12(x6)	

△	Symbol No.	Part No.	Part Name	Description	Local
	77	OW618083010038	SCREW	M3X10(x4)	G3_UP,G4_A
	77	OW618083010038	SCREW	M3X10(x6)	G3_UB,G3_US,G3_UT,G3_UW,G3_UY,G4_UB,G4_US,G4_UT,G4_UW
	78	OW618000012001	SCREW	M3X8 HEXAGON(x4)	
	79	OW618083006023	SCREW	M3X6(x7)	
	80	OW618092608031	SCREW	2.6X8(x12)	
	81	OW618084012008	SCREW	M4X12(x4)	
	82	OW618093014005	SCREW	3.0X14(x2)	
	83	OW618083005002	SCREW	M3X5	
	84	OW618092606009	SCREW	M2.6X6	G3_UB,G3_US,G3_UT,G3_UW,G3_UY,G4_A,G4_UB,G4_US,G4_UT,G4_UW
	85	OW622000300025	LCD SPONGE	Black	
	86	OW696020003005	REAR COVER	HB	
	87	OW6170400007036	STEEL NUT	M3	
	88	OW6170200001034	TOOTH WASHER	M3	
	89	OW6170300005012	SOLDERING LUG	3.5mm L=9mm	
△	90	OW2340200001046	POWER CORD	2M W/Solder	G3_UP
△	90	OW2340200001057	POWER CORD	2M W/Solder	G3_UY
△	90	OW2340200001024	POWER CORD	SAA 2M	G4_A
△	90	OW2340200001013	POWER CORD	BS 2M	G3_UB,G4_UB
△	90	OW2340200001035	POWER CORD	Taiwan 2M	G3_UT,G4_UT
△	90	OW2340200001002	POWER CORD	VDE 2M	G3_US,G3_UW,G4_US,G4_UW
	91	OW6180200003001	SCREW POST BKT	A	
	92	OW6180200003012	SCREW POST BKT	B	
	94	OW6720200003037	HEAT SINK A		
△	95	OW370057162058	FUSE	F901 1.6A 250V	
△	96	OW370057402039	FUSE	F902 4A 250V	
△	97	OW370057402039	FUSE	F903 4A 250V	
△	98	OW370057102041	FUSE	F904 1A 250V	
△	99	OW370057102041	FUSE	F905 1A 250V	G3_UP,G4_A
△	99	OW370057162058	FUSE	F905 1.6A 250V	G3_UB,G3_US,G3_UT,G3_UW,G3_UY,G4_UB,G4_US,G4_UT,G4_UW
	100	OW618092612002	SCREW	M2.6X12(x2)	G3_UP

Electrical parts list

Main board

Block No. [0][1]

△ Symbol No.	Part No.	Part Name	Description	Local
IC101	TA2099	IC	OW510002099007	G3_UP G3_UB, G3_US, G3_UT,G 3_UW,G
IC101	TA2149BFN	IC	OW510002149016	3_UY,G4 A,G4 U B,G4_US .G4_UT, G4_UW
IC102	TC9257F	IC	OW510009257012	
IC201	UPC1330HA	IC	OW510001330005	G3_UP G3_UB, G3_US, G3_UT,G 3_UW,G
IC201	AN7312E	IC	OW510007312012	3_UY,G4 A,G4 U B,G4_US .G4_UT, G4_UW
IC202	AN7312E	IC	OW510007312012	G3_UP
IC301	TC9422F	IC	OW510009422028	
IC401	LM4809MM	IC	OW510004809013	
△ IC402	KA78R12	IC	OW510007812048	
Q101	8550	TRANSISTOR	OW343008550091	G3_UP G3_UB, G3_US, G3_UT,G 3_UW,G
Q101	9014	TRANSISTOR	OW343009014064	3_UY,G4 A,G4 U B,G4_US .G4_UT, G4_UW
Q102	8050	TRANSISTOR	OW343008050064	G3_UP
Q103	9018	TRANSISTOR	OW343009018047	G3_UP G3_UB, G3_US, G3_UT,G 3_UW,G
Q103	9014	TRANSISTOR	OW343009014064	3_UY,G4 A,G4 U B,G4_US .G4_UT, G4_UW
Q104	8550	TRANSISTOR	OW343008550091	G3_UP G3_UB, G3_US, G3_UT,G 3_UW,G
Q104	9014	TRANSISTOR	OW343009014064	3_UY,G4 A,G4 U B,G4_US .G4_UT, G4_UW
Q105	9014	TRANSISTOR	OW343009014064	3_UY,G4 A,G4 U B,G4_US .G4_UT, G4_UW
Q106	9014	TRANSISTOR	OW343009014064	
Q107	9014	TRANSISTOR	OW343009014064	
Q108	8550	TRANSISTOR	OW343008550091	G3_UP G3_UB, G3_US, G3_UT,G 3_UW,G
Q108	9014	TRANSISTOR	OW343009014064	3_UY,G4 A,G4 U B,G4_US .G4_UT, G4_UW
Q109	9014	TRANSISTOR	OW343009014064	G3_UP

△ Symbol No.	Part No.	Part Name	Description	Local
Q109	8550	TRANSISTOR	OW343008550089	G3_UB, G3_US, G3_UT,G 3_UW,G 3_UY,G4 A,G4 U B,G4_US .G4_UT, G4_UW
Q110	9014	TRANSISTOR	OW343009014064	
Q111	9014	TRANSISTOR	OW343009014064	
Q112	9014	TRANSISTOR	OW343009014064	
Q113	9014	TRANSISTOR	OW343009014064	
Q114	9018	TRANSISTOR	OW343009018047	G3_UP G3_UB, G3_US, G3_UT,G 3_UW,G 3_UY,G4 A,G4 U B,G4_US .G4_UT, G4_UW
Q114	9014	TRANSISTOR	OW343009014064	3_UY,G4 A,G4 U B,G4_US .G4_UT, G4_UW G3_UB, G3_US, G3_UT,G 3_UW,G
Q201	2SC2412K	TRANSISTOR	OW343002412018	3_UY,G4 A,G4 U B,G4_US .G4_UT, G4_UW G3_UB, G3_US, G3_UT,G 3_UW,G
Q202	2SC2412K	TRANSISTOR	OW343002412018	3_UY,G4 A,G4 U B,G4_US .G4_UT, G4_UW G3_UB, G3_US, G3_UT,G 3_UW,G
Q203	2SC2412K	TRANSISTOR	OW343002412018	3_UY,G4 A,G4 U B,G4_US .G4_UT, G4_UW G3_UB, G3_US, G3_UT,G 3_UW,G
Q204	2SC2412K	TRANSISTOR	OW343002412018	3_UY,G4 A,G4 U B,G4_US .G4_UT, G4_UW G3_UB, G3_US, G3_UT,G 3_UW,G
Q205	2SC2412K	TRANSISTOR	OW343002412018	3_UY,G4 A,G4 U B,G4_US .G4_UT, G4_UW G3_UB, G3_US, G3_UT,G 3_UW,G
Q206	2SC2412K	TRANSISTOR	OW343002412018	3_UY,G4 A,G4 U B,G4_US .G4_UT, G4_UW G3_UB, G3_US, G3_UT,G 3_UW,G

△ Symbol No.	Part No.	Part Name	Description	Local	△ Symbol No.	Part No.	Part Name	Description	Local
Q207	8550	TRANSISTOR	OW343008550089	G3_UB, G3_US, G3_UT,G 3_UW,G 3_UY,G4 A,G4_U B,G4_US .G4_UT, G4_UW	△ D403	1N4001	DIODE	OW300004001048	
Q208	2SC2412K	TRANSISTOR	OW343002412018		D404	1N4148	DIODE	OW300004148072	
Q209	2SC945-P	TRANSISTOR	OW343000945055		D441	1N4148	DIODE	OW300004148072	
Q210	8550	TRANSISTOR	OW343008550089		D442	1N4148	DIODE	OW300004148072	
Q211	9014	TRANSISTOR	OW343009014064		D443	1N4148	DIODE	OW300004148072	
Q212	9014	TRANSISTOR	OW343009014064		D705	OW313030005043	LED	KL-3M4	G4_A G3_UB, G3_UP,G 3_US,G3 UT,G3
Q213	8050	TRANSISTOR	OW343008050064		D705	KL-3M4	LED	OW313030005043	UW,G3 UY,G4_U B,G4_US .G4_UT, G4_UW
Q214	8050	TRANSISTOR	OW343008050064		D706	OW313030005043	LED	KL-3M4	G4_A G3_UB, G3_UP,G 3_US,G3 UT,G3
Q215	8050	TRANSISTOR	OW343008050064		D706	KL-3M4	LED	OW313030005043	UW,G3 UY,G4_U B,G4_US .G4_UT, G4_UW
Q216	8050	TRANSISTOR	OW343008050064		C1	OW101102077004	C CAPACITOR	1000pF	G3_UP G3_UB, G3_US, G3_UT,G 3_UW,G 3_UY,G4 A,G4_U B,G4_US .G4_UT, G4_UW G3_UP
Q217	8050	TRANSISTOR	OW343008050064		C1	OW120221526006	C CAPACITOR	220pF 50V	
Q218	8050	TRANSISTOR	OW343008050064		C2	OW100101066009	C CAPACITOR	100pF	
Q219	8050	TRANSISTOR	OW343008050064		C4	OW120101526004	C CAPACITOR	100pF 50V	
Q220	8050	TRANSISTOR	OW343008050064		C5	OW120101526004	C CAPACITOR	100pF 50V	
Q221	8050	TRANSISTOR	OW343008050064		C7	OW120103527004	C CAPACITOR	0.01uF 50V	G3_UP
Q222	8050	TRANSISTOR	OW343008050064		C9	OW100103068008	C CAPACITOR	0.01uF	G3_UP
Q401	8050	TRANSISTOR	OW343008050064		C11	OW120200526002	C CAPACITOR	20pF 50V	G3_UP G3_UB, G3_US, G3_UT,G 3_UW,G 3_UY,G4 A,G4_U B,G4_US .G4_UT, G4_UW G3_UP
Q402	8050	TRANSISTOR	OW343008050064		C15	OW100104069003	C CAPACITOR	0.1uF	G3_UP G3_UB, G3_US, G3_UT,G 3_UW,G 3_UY,G4 A,G4_U B,G4_US .G4_UT, G4_UW G3_UP
Q403	8050	TRANSISTOR	OW343008050075		C18	OW120221526006	C CAPACITOR	220pF 50V	G3_UP
Q404	8050	TRANSISTOR	OW343008050075		C19	OW100101066009	C CAPACITOR	100pF	G3_UP
△ Q405	8550	TRANSISTOR	OW343008550089		C20	OW100101066009	C CAPACITOR	100pF	G3_UP
Q406	9014	TRANSISTOR	OW343009014064		C21	OW100103068008	C CAPACITOR	0.01uF	G3_UP
Q407	8550	TRANSISTOR	OW343008550089		C22	OW100101066009	C CAPACITOR	100pF	G3_UP
Q408	9014	TRANSISTOR	OW343009014064		C23	OW100103068008	C CAPACITOR	0.01uF	G3_UP
△ Q409	2SC1383R	TRANSISTOR	OW343001383032		C24	OW100103068008	C CAPACITOR	0.01uF	G3_UP
Q410	9014	TRANSISTOR	OW343009014064		C25	OW100103068008	C CAPACITOR	0.01uF	G3_UP
Q441	9014	TRANSISTOR	OW343009014064		C29	OW120103527004	C CAPACITOR	0.01uF 50V	G3_UP
Q442	8550	TRANSISTOR	OW343008550089		C30	OW120103527004	C CAPACITOR	0.01uF 50V	G3_UP
△ Q443	2SB1375	TRANSISTOR	OW343001375021		C100	OW120473527005	C CAPACITOR	0.047uF 50V	G3_UP
Q444	9014	TRANSISTOR	OW343009014064	G3_UP,G 4_A,G4_U B,G4_US S,G4_UT .G4_UW	C101	OW131472022905	E CAPACITOR	470uF 16V	G3_UP G3_UB, G3_US, G3_UT,G 3_UW,G 3_UY,G4 A,G4_U B,G4_US .G4_UT, G4_UW G3_UP
Q445	9014	TRANSISTOR	OW343009014064		C101	OW119103577002	C CAPACITOR	0.01uF 50V	G3_UP G3_UB, G3_US, G3_UT,G 3_UW,G 3_UY,G4 A,G4_U B,G4_US .G4_UT, G4_UW G3_UP
Q481	2SC1383R	TRANSISTOR	OW343001383032		C102	OW120104527009	C CAPACITOR	0.1uF 50V	G3_UP G3_UB, G3_US, G3_UT,G 3_UW,G 3_UY,G4 A,G4_U B,G4_US .G4_UT, G4_UW G3_UP
Q482	9014	TRANSISTOR	OW343009014064		C102	OW100102567007	C CAPACITOR	0.001uF 50V	G3_UP G3_UB, G3_US, G3_UT,G 3_UW,G 3_UY,G4 A,G4_U B,G4_US .G4_UT, G4_UW G3_UP
D101	1N4148	DIODE	OW300004148072	G3_UB, G3_US, G3_UT,G 3_UW,G 3_UY,G4 A,G4_U B,G4_US .G4_UT, G4_UW G3_UB, G3_US, G3_UT,G 3_UW,G 3_UY,G4 A,G4_U B,G4_US .G4_UT, G4_UW	C18	OW120221526006	C CAPACITOR	220pF 50V	G3_UP
D102	1N4148	DIODE	OW300004148072	G3_UB, G3_US, G3_UT,G 3_UW,G 3_UY,G4 A,G4_U B,G4_US .G4_UT, G4_UW	C19	OW100101066009	C CAPACITOR	100pF	G3_UP
D103	1N4148	DIODE	OW300004148072		C20	OW100101066009	C CAPACITOR	100pF	G3_UP
D104	1N4148	DIODE	OW300004148072		C21	OW100103068008	C CAPACITOR	0.01uF	G3_UP
D105	1N4148	DIODE	OW300004148072	G3_UB, G3_US, G3_UT,G 3_UW,G 3_UY,G4 A,G4_U B,G4_US .G4_UT, G4_UW	C22	OW100101066009	C CAPACITOR	100pF	G3_UP
D107	SVC348T	VARI CAP DIODE	OW311000348032	G3_UB, G3_US, G3_UT,G 3_UW,G 3_UY,G4 A,G4_U B,G4_US .G4_UT, G4_UW	C23	OW100103068008	C CAPACITOR	0.01uF	G3_UP
D108	1N4148	DIODE	OW300004148072	G3_UP	C24	OW100103068008	C CAPACITOR	0.01uF	G3_UP
D201	1N4148	DIODE	OW300004148072		C25	OW100103068008	C CAPACITOR	0.01uF	G3_UP
D202	1N4148	DIODE	OW300004148072		C29	OW120103527004	C CAPACITOR	0.01uF 50V	G3_UP
D302	1N4148	DIODE	OW300004148072		C30	OW120103527004	C CAPACITOR	0.01uF 50V	G3_UP
D401	1N4148	DIODE	OW300004148072		C100	OW120473527005	C CAPACITOR	0.047uF 50V	G3_UP
D402	1N4148	DIODE	OW300004148072		C101	OW131472022905	E CAPACITOR	470uF 16V	G3_UP G3_UB, G3_US, G3_UT,G 3_UW,G 3_UY,G4 A,G4_U B,G4_US .G4_UT, G4_UW G3_UP
					C103	OW120223527006	C CAPACITOR	0.022uF 50V	G3_UP
					C104	OW390000029121	C RESISTOR	Ω 1/16W	G3_UP

△ Symbol No.	Part No.	Part Name	Description	Local	△ Symbol No.	Part No.	Part Name	Description	Local
C104	OW100180566003	C CAPACITOR	18pF 50V	G3_UB, G3_US, G3_UT,G 3_UW,G 3_UY,G4 A,G4_U B,G4_US G4_UT, G4_UW	C113	OW120223527006	C CAPACITOR	0.022uF 50V	G3_UB, G3_US, G3_UT,G 3_UW,G 3_UY,G4 A,G4_U B,G4_US G4_UT, G4_UW
C105	OW390000029121	C RESISTOR	0Ω 1/16W	G3_UP G3_UB, G3_US, G3_UT,G 3_UW,G 3_UY,G4 A,G4_U B,G4_US G4_UT, G4_UW	C114	OW120223527006	C CAPACITOR	0.022uF 50V	G3_UP G3_UB, G3_US, G3_UT,G 3_UW,G 3_UY,G4 A,G4_U B,G4_US G4_UT, G4_UW
C105	OW100102567007	C CAPACITOR	0.001uF 50V	G3_UP G3_UB, G3_US, G3_UT,G 3_UW,G 3_UY,G4 A,G4_U B,G4_US G4_UT, G4_UW	C114	OW100150566009	C CAPACITOR	15pF 50V	G3_UP G3_UB, G3_US, G3_UT,G 3_UW,G 3_UY,G4 A,G4_U B,G4_US G4_UT, G4_UW
C106	OW120103527004	C CAPACITOR	0.01uF 50V	G3_UP G3_UB, G3_US, G3_UT,G 3_UW,G 3_UY,G4 A,G4_U B,G4_US G4_UT, G4_UW	C115	OW120223527006	C CAPACITOR	0.022uF 50V	G3_UP G3_UB, G3_US, G3_UT,G 3_UW,G 3_UY,G4 A,G4_U B,G4_US G4_UT, G4_UW
C106	OW100220566009	C CAPACITOR	22pF 50V	G3_UP G3_UB, G3_US, G3_UT,G 3_UW,G 3_UY,G4 A,G4_U B,G4_US G4_UT, G4_UW	C115	OW120473527005	C CAPACITOR	0.047uF 50V	G3_UP G3_UB, G3_US, G3_UT,G 3_UW,G 3_UY,G4 A,G4_U B,G4_US G4_UT, G4_UW
C107	OW120223527006	C CAPACITOR	0.022uF 50V	G3_UB, G3_US, G3_UT,G 3_UW,G 3_UY,G4 A,G4_U B,G4_US G4_UT, G4_UW	C116	OW131331032906	E CAPACITOR	33uF 25V	G3_UP G3_UB, G3_US, G3_UT,G 3_UW,G 3_UY,G4 A,G4_U B,G4_US G4_UT, G4_UW
C108	OW100120566006	C CAPACITOR	12pF 50V	G3_UB, G3_US, G3_UT,G 3_UW,G 3_UY,G4 A,G4_U B,G4_US G4_UT, G4_UW	C116	OW131478052902	E CAPACITOR	0.47uF 50V	G3_UP G3_UB, G3_US, G3_UT,G 3_UW,G 3_UY,G4 A,G4_U B,G4_US G4_UT, G4_UW
C109	OW100223567005	C CAPACITOR	0.022uF 50V	G3_UP G3_UB, G3_US, G3_UT,G 3_UW,G 3_UY,G4 A,G4_U B,G4_US G4_UT, G4_UW	C117	OW120020526004	C CAPACITOR	2pF 50V	G3_UP G3_UB, G3_US, G3_UT,G 3_UW,G 3_UY,G4 A,G4_U B,G4_US G4_UT, G4_UW
C109	OW100100566007	C CAPACITOR	10pF 50V	G3_UP G3_UB, G3_US, G3_UT,G 3_UW,G 3_UY,G4 A,G4_U B,G4_US G4_UT, G4_UW	C117	OW114361576004	P CAPACITOR	360pF 50V	G3_UP G3_UB, G3_US, G3_UT,G 3_UW,G 3_UY,G4 A,G4_U B,G4_US G4_UT, G4_UW
C110	OW100050566006	C CAPACITOR	5pF 50V	G3_UP G3_UB, G3_US, G3_UT,G 3_UW,G 3_UY,G4 A,G4_U B,G4_US G4_UT, G4_UW	C118	OW131107052916	E CAPACITOR	1uF 50V	G3_UP G3_UB, G3_US, G3_UT,G 3_UW,G 3_UY,G4 A,G4_U B,G4_US G4_UT, G4_UW
C110	OW100473567004	C CAPACITOR	0.047uF 50V	G3_UP G3_UB, G3_US, G3_UT,G 3_UW,G 3_UY,G4 A,G4_U B,G4_US G4_UT, G4_UW	C118	OW100330566007	C CAPACITOR	33pF 50V	G3_UP G3_UB, G3_US, G3_UT,G 3_UW,G 3_UY,G4 A,G4_U B,G4_US G4_UT, G4_UW
C111	OW100180566003	C CAPACITOR	18pF 50V	G3_UP G3_UB, G3_US, G3_UT,G 3_UW,G 3_UY,G4 A,G4_U B,G4_US G4_UT, G4_UW	C119	OW120221526006	C CAPACITOR	220pF 50V	G3_UP G3_UB, G3_US, G3_UT,G 3_UW,G 3_UY,G4 A,G4_U B,G4_US G4_UT, G4_UW
C111	OW120473527005	C CAPACITOR	0.047uF 50V	G3_UP G3_UB, G3_US, G3_UT,G 3_UW,G 3_UY,G4 A,G4_U B,G4_US G4_UT, G4_UW	C119	OW120103527004	C CAPACITOR	0.01uF 50V	G3_UP G3_UB, G3_US, G3_UT,G 3_UW,G 3_UY,G4 A,G4_U B,G4_US G4_UT, G4_UW
C112	OW114361576004	P CAPACITOR	360pF 50V	G3_UP G3_UB, G3_US, G3_UT,G 3_UW,G 3_UY,G4 A,G4_U B,G4_US G4_UT, G4_UW	C120	OW120471526005	C CAPACITOR	470 pF 50V	G3_UP G3_UB, G3_US, G3_UT,G 3_UW,G 3_UY,G4 A,G4_U B,G4_US G4_UT, G4_UW
C112	OW100220566009	C CAPACITOR	22pF 50V	G3_UP G3_UB, G3_US, G3_UT,G 3_UW,G 3_UY,G4 A,G4_U B,G4_US G4_UT, G4_UW	C120	OW100473068009	C CAPACITOR	0.047uF	G3_UP G3_UB, G3_US, G3_UT,G 3_UW,G 3_UY,G4 A,G4_U B,G4_US G4_UT, G4_UW
C113	OW100220566009	C CAPACITOR	22pF 50V	G3_UP	C121	OW131107052916	E CAPACITOR	1uF 50V	G3_UP

△ Symbol No.	Part No.	Part Name	Description	Local	△ Symbol No.	Part No.	Part Name	Description	Local
C121	OW120331526004	C CAPACITOR	330pF 50V	G3_UB, G3_US, G3_UT,G 3_UW,G 3_UY,G4 A,G4_U B,G4_US .G4_UT, G4_UW	C130	OW131108052912	E CAPACITOR	0.1uF 50V	G3_UB, G3_US, G3_UT,G 3_UW,G 3_UY,G4 A,G4_U B,G4_US .G4_UT, G4_UW
C122	OW131478052902	E CAPACITOR	0.47uF 50V	G3_UP G3_UB, G3_US, G3_UT,G 3_UW,G 3_UY,G4 A,G4_U B,G4_US .G4_UT, G4_UW	C131	OW131227052907	E CAPACITOR	2.2uF 50V	G3_UP G3_UB, G3_US, G3_UT,G 3_UW,G 3_UY,G4 A,G4_U B,G4_US .G4_UT, G4_UW
C122	OW131477052906	E CAPACITOR	4.7uF 50V	G3_UP G3_UB, G3_US, G3_UT,G 3_UW,G 3_UY,G4 A,G4_U B,G4_US .G4_UT, G4_UW	C131	OW120332527008	C CAPACITOR	3300p 50V	G3_UP G3_UB, G3_US, G3_UT,G 3_UW,G 3_UY,G4 A,G4_U B,G4_US .G4_UT, G4_UW
C123	OW131107052916	E CAPACITOR	1uF 50V	G3_UP G3_UB, G3_US, G3_UT,G 3_UW,G 3_UY,G4 A,G4_U B,G4_US .G4_UT, G4_UW	C132	OW131472022905	E CAPACITOR	470uF 16V	G3_UP G3_UB, G3_US, G3_UT,G 3_UW,G 3_UY,G4 A,G4_U B,G4_US .G4_UT, G4_UW
C124	OW131107052916	E CAPACITOR	1uF 50V	G3_UP G3_UB, G3_US, G3_UT,G 3_UW,G 3_UY,G4 A,G4_U B,G4_US .G4_UT, G4_UW	C132	OW131108052912	E CAPACITOR	0.1uF 50V	G3_UP G3_UB, G3_US, G3_UT,G 3_UW,G 3_UY,G4 A,G4_U B,G4_US .G4_UT, G4_UW
C125	OW131108052912	E CAPACITOR	0.1uF 50V	G3_UP G3_UB, G3_US, G3_UT,G 3_UW,G 3_UY,G4 A,G4_U B,G4_US .G4_UT, G4_UW	C133	OW120104527009	C CAPACITOR	0.1uF 50V	G3_UP G3_UB, G3_US, G3_UT,G 3_UW,G 3_UY,G4 A,G4_U B,G4_US .G4_UT, G4_UW
C126	OW131108052912	E CAPACITOR	0.1uF 50V	G3_UP G3_UB, G3_US, G3_UT,G 3_UW,G 3_UY,G4 A,G4_U B,G4_US .G4_UT, G4_UW	C133	OW120103527004	C CAPACITOR	0.01uF 50V	G3_UP G3_UB, G3_US, G3_UT,G 3_UW,G 3_UY,G4 A,G4_U B,G4_US .G4_UT, G4_UW
C127	OW120103527004	C CAPACITOR	0.01uF 50V	G3_UP G3_UB, G3_US, G3_UT,G 3_UW,G 3_UY,G4 A,G4_U B,G4_US .G4_UT, G4_UW	C134	OW131108052912	E CAPACITOR	0.1uF 50V	G3_UP G3_UB, G3_US, G3_UT,G 3_UW,G 3_UY,G4 A,G4_U B,G4_US .G4_UT, G4_UW
C127	OW131477052906	E CAPACITOR	4.7uF 50V	G3_UP G3_UB, G3_US, G3_UT,G 3_UW,G 3_UY,G4 A,G4_U B,G4_US .G4_UT, G4_UW	C134	OW120332527008	C CAPACITOR	3300p 50V	G3_UP G3_UB, G3_US, G3_UT,G 3_UW,G 3_UY,G4 A,G4_U B,G4_US .G4_UT, G4_UW
C128	OW120103527004	C CAPACITOR	0.01uF 50V	G3_UP G3_UB, G3_US, G3_UT,G 3_UW,G 3_UY,G4 A,G4_U B,G4_US .G4_UT, G4_UW	C135	OW131108052912	E CAPACITOR	0.1uF 50V	G3_UP G3_UB, G3_US, G3_UT,G 3_UW,G 3_UY,G4 A,G4_U B,G4_US .G4_UT, G4_UW
C128	OW100030566007	C CAPACITOR	3pF 50V	G3_UP G3_UB, G3_US, G3_UT,G 3_UW,G 3_UY,G4 A,G4_U B,G4_US .G4_UT, G4_UW	C136	OW120392527005	C CAPACITOR	0.0039uF 50V	G3_UP G3_UB, G3_US, G3_UT,G 3_UW,G 3_UY,G4 A,G4_U B,G4_US .G4_UT, G4_UW
C129	OW131107052916	E CAPACITOR	1uF 50V	G3_UP G3_UB, G3_US, G3_UT,G 3_UW,G 3_UY,G4 A,G4_U B,G4_US .G4_UT, G4_UW	C137	OW120392527005	C CAPACITOR	0.0039uF 50V	G3_UP G3_UB, G3_US, G3_UT,G 3_UW,G 3_UY,G4 A,G4_U B,G4_US .G4_UT, G4_UW
C129	OW120103527004	C CAPACITOR	0.01uF 50V	G3_UP G3_UB, G3_US, G3_UT,G 3_UW,G 3_UY,G4 A,G4_U B,G4_US .G4_UT, G4_UW	C138	OW120102527008	C CAPACITOR	1000pF 50V	G3_UP G3_UB, G3_US, G3_UT,G 3_UW,G 3_UY,G4 A,G4_U B,G4_US .G4_UT, G4_UW
C130	OW120104527009	C CAPACITOR	0.1uF 50V	G3_UP G3_UB, G3_US, G3_UT,G 3_UW,G 3_UY,G4 A,G4_U B,G4_US .G4_UT, G4_UW	C138	OW131221032908	E CAPACITOR	22uF 25V	G3_UP G3_UB, G3_US, G3_UT,G 3_UW,G 3_UY,G4 A,G4_U B,G4_US .G4_UT, G4_UW
					C139	OW120104527009	C CAPACITOR	0.1uF 50V	G3_UP G3_UB, G3_US, G3_UT,G 3_UW,G 3_UY,G4 A,G4_U B,G4_US .G4_UT, G4_UW
					C139	OW120223527006	C CAPACITOR	0.022uF 50V	G3_UP G3_UB, G3_US, G3_UT,G 3_UW,G 3_UY,G4 A,G4_U B,G4_US .G4_UT, G4_UW
					C140	OW131222012908	E CAPACITOR	220uF10V	G3_UP G3_UB, G3_US, G3_UT,G 3_UW,G 3_UY,G4 A,G4_U B,G4_US .G4_UT, G4_UW
					C140	OW120104527009	C CAPACITOR	0.1uF 50V	G3_UP G3_UB, G3_US, G3_UT,G 3_UW,G 3_UY,G4 A,G4_U B,G4_US .G4_UT, G4_UW
					C141	OW120223527006	C CAPACITOR	0.022uF 50V	G3_UP G3_UB, G3_US, G3_UT,G 3_UW,G 3_UY,G4 A,G4_U B,G4_US .G4_UT, G4_UW

△ Symbol No.	Part No.	Part Name	Description	Local	△ Symbol No.	Part No.	Part Name	Description	Local
C141	OW131222022906	E CAPACITOR	220uF 16V	G3_UB, G3_US, G3_UT,G 3_UW,G 3_UY,G4 A,G4 U B,G4_US ,G4_UT, G4_UW	C156	OW120560526008	C CAPACITOR	56pF 50V	G3_UB, G3_US, G3_UT,G 3_UW,G 3_UY,G4 A,G4 U B,G4_US ,G4_UT, G4_UW
C142	OW120102527008	C CAPACITOR	1000pF 50V	G3_UP, G3_UB, G3_US, G3_UT,G 3_UW,G 3_UY,G4 A,G4 U B,G4_US ,G4_UT, G4_UW	C157	OW120101526004	C CAPACITOR	100pF 50V	G3_UB, G3_US, G3_UT,G 3_UW,G 3_UY,G4 A,G4 U B,G4_US ,G4_UT, G4_UW
C142	OW120104527009	C CAPACITOR	0.1uF 50V	G3_UP, G3_UB, G3_US, G3_UT,G 3_UW,G 3_UY,G4 A,G4 U B,G4_US ,G4_UT, G4_UW	C158	OW120223527006	C CAPACITOR	0.022uF 50V	G3_UP, G3_UB, G3_US, G3_UT,G 3_UW,G 3_UY,G4 A,G4 U B,G4_US ,G4_UT, G4_UW
C143	OW120223527006	C CAPACITOR	0.022uF 50V	G3_UP, G3_UB, G3_US, G3_UT,G 3_UW,G 3_UY,G4 A,G4 U B,G4_US ,G4_UT, G4_UW	C158	OW120101526004	C CAPACITOR	100pF 50V	G3_UP, G3_UB, G3_US, G3_UT,G 3_UW,G 3_UY,G4 A,G4 U B,G4_US ,G4_UT, G4_UW
C143	OW131222022906	E CAPACITOR	220uF 16V	G3_UP, G3_UB, G3_US, G3_UT,G 3_UW,G 3_UY,G4 A,G4 U B,G4_US ,G4_UT, G4_UW	C159	OW131222012908	E CAPACITOR	220uF10V	G3_UP, G3_UB, G3_US, G3_UT,G 3_UW,G 3_UY,G4 A,G4 U B,G4_US ,G4_UT, G4_UW
C144	OW131337052905	E CAPACITOR	3.3uF 50V		C159	OW120223527006	C CAPACITOR	0.022uF 50V	G3_UP, G3_UB, G3_US, G3_UT,G 3_UW,G 3_UY,G4 A,G4 U B,G4_US ,G4_UT, G4_UW
C145	OW120223527006	C CAPACITOR	0.022uF 50V		C160	OW120820526001	C CAPACITOR	82pF 50V	G3_UP, G3_UB, G3_US, G3_UT,G 3_UW,G 3_UY,G4 A,G4 U B,G4_US ,G4_UT, G4_UW
C146	OW100223069009	C CAPACITOR	0.022uF		C160	OW131102022904	E CAPACITOR	100uF 16V	G3_UP, G3_UB, G3_US, G3_UT,G 3_UW,G 3_UY,G4 A,G4 U B,G4_US ,G4_UT, G4_UW
C147	OW131472022905	E CAPACITOR	470uF 16V	G3_UP, G3_UB, G3_US, G3_UT,G 3_UW,G 3_UY,G4 A,G4 U B,G4_US ,G4_UT, G4_UW	C161	OW120470526009	C CAPACITOR	47pF 50V	G3_UP, G3_UB, G3_US, G3_UT,G 3_UW,G 3_UY,G4 A,G4 U B,G4_US ,G4_UT, G4_UW
△ C148	OW131107052916	E CAPACITOR	1uF 50V		C163	OW120220526001	C CAPACITOR	22 pF 50V	G3_UP, G3_UB, G3_US, G3_UT,G 3_UW,G 3_UY,G4 A,G4 U B,G4_US ,G4_UT, G4_UW
C149	OW120223527006	C CAPACITOR	0.022uF 50V		C164	OW100473567004	C CAPACITOR	0.047uF 50V	G3_UP, G3_UB, G3_US, G3_UT,G 3_UW,G 3_UY,G4 A,G4 U B,G4_US ,G4_UT, G4_UW
C150	OW120330526008	C CAPACITOR	33pF 50V	G3_UP, G3_UB, G3_US, G3_UT,G 3_UW,G 3_UY,G4 A,G4 U B,G4_US ,G4_UT, G4_UW	C164	OW100223069009	C CAPACITOR	0.022uF	G3_UP, G3_UB, G3_US, G3_UT,G 3_UW,G 3_UY,G4 A,G4 U B,G4_US ,G4_UT, G4_UW
C150	OW120223527006	C CAPACITOR	0.022uF 50V	G3_UP, G3_UB, G3_US, G3_UT,G 3_UW,G 3_UY,G4 A,G4 U B,G4_US ,G4_UT, G4_UW	C165	OW120102527008	C CAPACITOR	1000pF 50V	G3_UP, G3_UB, G3_US, G3_UT,G 3_UW,G 3_UY,G4 A,G4 U B,G4_US ,G4_UT, G4_UW
C151	OW120330526008	C CAPACITOR	33pF 50V		C180	OW100102567007	C CAPACITOR	0.001uF 50V	G3_UB, G3_US, G3_UT,G 3_UW,G 3_UY,G4 A,G4 U B,G4_US ,G4_UT, G4_UW
C152	OW120560526008	C CAPACITOR	56pF 50V		C182	OW100102567007	C CAPACITOR	0.001uF 50V	G3_UB, G3_US, G3_UT,G 3_UW,G 3_UY,G4 A,G4 U B,G4_US ,G4_UT, G4_UW
C152	OW120330526008	C CAPACITOR	33pF 50V	G3_UP, G3_UB, G3_US, G3_UT,G 3_UW,G 3_UY,G4 A,G4 U B,G4_US ,G4_UT, G4_UW					
C153	OW120101526004	C CAPACITOR	100pF 50V	G3_UP, G3_UB, G3_US, G3_UT,G 3_UW,G 3_UY,G4 A,G4 U B,G4_US ,G4_UT, G4_UW					
C153	OW120102527008	C CAPACITOR	1000pF 50V	G3_UB, G3_US, G3_UT,G 3_UW,G 3_UY,G4 A,G4 U B,G4_US ,G4_UT, G4_UW					
C154	OW120101526004	C CAPACITOR	100pF 50V	G3_UB, G3_US, G3_UT,G 3_UW,G 3_UY,G4 A,G4 U B,G4_US ,G4_UT, G4_UW					
C155	OW120103527004	C CAPACITOR	0.01uF 50V	G3_UB, G3_US, G3_UT,G 3_UW,G 3_UY,G4 A,G4 U B,G4_US ,G4_UT, G4_UW					

△ Symbol No.	Part No.	Part Name	Description	Local	△ Symbol No.	Part No.	Part Name	Description	Local	
				G3_UB, G3_US, G3_UT,G 3_UW,G 3_UY,G4 A,G4_U B,G4_US G4_UT, G4_UW		C242	OW120473527005	C CAPACITOR	0.047uF 50V	
						C243	OW131228052903	E CAPACITOR	0.22uF 50V	
						C244	OW131228052903	E CAPACITOR	0.22uF 50V	
						C245	OW131101032906	E CAPACITOR	10uF 25V	
C183	OW120102527008	C CAPACITOR	1000pF 50V			C246	OW131222012908	E CAPACITOR	220uF10V	G3_UP G3_UB, G3_US, G3_UT,G 3_UW,G 3_UY,G4 A,G4_U B,G4_US G4_UT, G4_UW
C201	OW110152567001	M CAPACITOR	0.0015uF 50V							
C202	OW110183567009	M CAPACITOR	0.018uF 50V			C246	OW131222022906	E CAPACITOR	220uF 16V	
C203	OW120104527009	C CAPACITOR	0.1uF 50V							
C204	OW110102567008	M CAPACITOR	0.001uF 50V							
C205	OW110102567008	M CAPACITOR	0.001uF 50V							
C206	OW131102022904	E CAPACITOR	100uF 16V			C247	OW131471022911	E CAPACITOR	47uF 16V	
C207	OW131222012908	E CAPACITOR	220uF10V			C248	OW120223527006	C CAPACITOR	0.022uF 50V	
				G3_UP G3_UB, G3_US, G3_UT,G 3_UW,G 3_UY,G4 A,G4_U B,G4_US G4_UT, G4_UW		C249	OW120271526008	C CAPACITOR	270pF 50V	
						C250	OW120271526008	C CAPACITOR	270pF 50V	
						C251	OW120223527006	C CAPACITOR	0.022uF 50V	
C207	OW131102022904	E CAPACITOR	100uF 16V			C252	OW120223527006	C CAPACITOR	0.022uF 50V	
						C253	OW110103577002	M CAPACITOR	0.01uF 50V	
						C254	OW100104069003	C CAPACITOR	0.1uF	
						C255	OW100104069003	C CAPACITOR	0.1uF	
						C261	OW120101526004	C CAPACITOR	100pF 50V	G3_UP
C208	OW120223527006	C CAPACITOR	0.022uF 50V			C262	OW120101526004	C CAPACITOR	100pF 50V	G3_UP
				G3_UB, G3_US, G3_UT,G 3_UW,G 3_UY,G4 A,G4_U B,G4_US G4_UT, G4_UW		C263	OW120101526004	C CAPACITOR	100pF 50V	G3_UP
						C264	OW120101526004	C CAPACITOR	100pF 50V	G3_UP
C208	OW131101032906	E CAPACITOR	10uF 25V			C301	OW120471527004	C CAPACITOR	470pF 50V	
						C302	OW120471527004	C CAPACITOR	470pF 50V	
						C303	OW120102527008	C CAPACITOR	1000pF 50V	
						C304	OW120102527008	C CAPACITOR	1000pF 50V	
						△ C305	OW131477052906	E CAPACITOR	4.7uF 50V	
						C306	OW131477052906	E CAPACITOR	4.7uF 50V	
C209	OW131222012908	E CAPACITOR	220uF10V			C307	OW120152527001	C CAPACITOR	1500pF 50V	
C210	OW120223527006	C CAPACITOR	0.022uF 50V			C308	OW120152527001	C CAPACITOR	1500pF 50V	
C211	OW131101032906	E CAPACITOR	10uF 25V			C309	OW120223527006	C CAPACITOR	0.022uF 50V	
C213	OW120820526001	C CAPACITOR	82pF 50V			C310	OW131222012908	E CAPACITOR	220uF10V	
C214	OW120820526001	C CAPACITOR	82pF 50V							G3_UP G3_UB, G3_US, G3_UT,G 3_UW,G 3_UY,G4 A,G4_U B,G4_US G4_UT, G4_UW
C215	OW120182527004	C CAPACITOR	1800pF 50V							
C216	OW120182527004	C CAPACITOR	1800pF 50V							
C217	OW131107052916	E CAPACITOR	1uF 50V			C310	OW131222022906	E CAPACITOR	220uF 16V	
C218	OW131107052916	E CAPACITOR	1uF 50V							
				G3_UB, G3_US, G3_UT,G 3_UW,G 3_UY,G4 A,G4_U B,G4_US G4_UT, G4_UW						
C219	OW120102527008	C CAPACITOR	1000pF 50V			C311	OW131477052906	E CAPACITOR	4.7uF 50V	
						C312	OW131477052906	E CAPACITOR	4.7uF 50V	
						C313	OW131477052906	E CAPACITOR	4.7uF 50V	
						C314	OW131477052906	E CAPACITOR	4.7uF 50V	
						C315	OW131477052906	E CAPACITOR	4.7uF 50V	
						C316	OW131477052906	E CAPACITOR	4.7uF 50V	
						C317	OW131477052906	E CAPACITOR	4.7uF 50V	
						C318	OW131477052906	E CAPACITOR	4.7uF 50V	
						C319	OW131477052906	E CAPACITOR	4.7uF 50V	
C220	OW120102527008	C CAPACITOR	1000pF 50V			C320	OW131477052906	E CAPACITOR	4.7uF 50V	
						C321	OW120104527009	C CAPACITOR	0.1uF 50V	
						C322	OW120104527009	C CAPACITOR	0.1uF 50V	
						C323	OW131107052916	E CAPACITOR	1uF 50V	
						C324	OW131107052916	E CAPACITOR	1uF 50V	
C221	OW131477052906	E CAPACITOR	4.7uF 50V			C325	OW131338052901	E CAPACITOR	0.33uF 50V	
C222	OW131477052906	E CAPACITOR	4.7uF 50V			C326	OW131338052901	E CAPACITOR	0.33uF 50V	
C223	OW120102527008	C CAPACITOR	1000pF 50V			C327	OW120103527004	C CAPACITOR	0.01uF 50V	
C224	OW120102527008	C CAPACITOR	1000pF 50V			C328	OW120103527004	C CAPACITOR	0.01uF 50V	
C225	OW120151526006	C CAPACITOR	150pF 50V			C329	OW131477052906	E CAPACITOR	4.7uF 50V	
C226	OW120151526006	C CAPACITOR	150pF 50V			C330	OW120104527009	C CAPACITOR	0.1uF 50V	
C227	OW131222012908	E CAPACITOR	220uF10V			C335	OW100221066002	C CAPACITOR	220pF	G3_UP
C228	OW131222012908	E CAPACITOR	220uF10V			C337	OW100101066009	C CAPACITOR	100pF	
C229	OW120272527003	C CAPACITOR	2700pF 50V							
C230	OW120272527003	C CAPACITOR	2700pF 50V							
C231	OW120102527008	C CAPACITOR	1000pF 50V							
C232	OW120102527008	C CAPACITOR	1000pF 50V							
C233	OW120563020021	C CAPACITOR	0.056uF							
C234	OW120563020021	C CAPACITOR	0.056uF			C339	OW100221066002	C CAPACITOR	220pF	
C235	OW120101526004	C CAPACITOR	100pF 50V							
C236	OW120101526004	C CAPACITOR	100pF 50V							
C237	OW120331526004	C CAPACITOR	330pF 50V							
C238	OW120331526004	C CAPACITOR	330pF 50V			C401	OW131227052907	E CAPACITOR	2.2uF 50V	
C239	OW131477052906	E CAPACITOR	4.7uF 50V			C402	OW131227052907	E CAPACITOR	2.2uF 50V	
C240	OW131477052906	E CAPACITOR	4.7uF 50V			C403	OW131331022908	E CAPACITOR	33uF 16V	
C241	OW120473527005	C CAPACITOR	0.047uF 50V			C405	OW131107052916	E CAPACITOR	1uF 50V	

△ Symbol No.	Part No.	Part Name	Description	Local	△ Symbol No.	Part No.	Part Name	Description	Local
C406	OW131107052916	E CAPACITOR	1uF 50V						G3_UB, G3_US,
C407	OW120101526004	C CAPACITOR	100pF 50V						G3_UT,G
C408	OW120101526004	C CAPACITOR	100pF 50V						3_UW,G
C410	OW131477052906	E CAPACITOR	4.7uF 50V		VC101	OW118200070034	TR CAPACITOR	20pF 3P	3_UY,G4
C411	OW131222012908	E CAPACITOR	220uF 10V						A,G4_U
C412	OW131222012908	E CAPACITOR	220uF 10V						B,G4_US
C413	OW120104527009	C CAPACITOR	0.1uF 50V						,G4_UT,
C414	OW120104527009	C CAPACITOR	0.1uF 50V						G4_UW
C415	OW131102022904	E CAPACITOR	100uF 16V						G3_UB,
C416	OW120223527006	C CAPACITOR	0.022uF 50V						G3_US,
C417	OW131222012908	E CAPACITOR	220uF 10V						G3_UT,G
C418	OW131102022904	E CAPACITOR	100uF 16V		VC102	OW118100070053	TR CAPACITOR	10pF	3_UW,G
C419	OW120104527009	C CAPACITOR	0.1uF 50V						3_UY,G4
△ C420	OW130223032029	E CAPACITOR	2200uF 25V						A,G4_U
C421	OW131222012908	E CAPACITOR	220uF 10V						B,G4_US
C422	OW100223069009	C CAPACITOR	0.022uF						,G4_UT,
C423	OW131471022911	E CAPACITOR	47uF 16V						G4_UW
C424	OW131221032908	E CAPACITOR	22uF 25V		R100	OW390100226108	C RESISTOR	10KΩ 1/16W	G3_UP
C425	OW120223527006	C CAPACITOR	0.022uF 50V		R101	OW390470126103	C RESISTOR	4.7KΩ 1/16W	G3_UP
C426	OW100104069003	C CAPACITOR	0.1uF	G3_UP					G3_UB,
				G3_UB,					G3_US,
				G3_US,					G3_UT,G
				G3_UT,G					3_UW,G
C426	OW120104527009	C CAPACITOR	0.1uF 50V	3_UW,G	R101	OW380470223313	C RESISTOR	47KΩ 1/8W	3_UY,G4
				3_UY,G4					A,G4_U
				A,G4_U					B,G4_US
				B,G4_US					,G4_UT,
				,G4_UT,					G4_UW
				G4_UW					G3_UP
				G3_UP					G3_UB,
C427	OW120104527009	C CAPACITOR	0.1uF 50V						G3_US,
C441	OW131337052905	E CAPACITOR	3.3uF 50V						G3_UT,G
C442	OW131101032906	E CAPACITOR	10uF 25V						3_UW,G
C455	OW120102527008	C CAPACITOR	1000pF 50V	G3_UP					3_UY,G4
C456	OW120102527008	C CAPACITOR	1000pF 50V	G3_UP	R102	OW390470226109	C RESISTOR	47KΩ 1/16W	A,G4_U
C457	OW120102527008	C CAPACITOR	1000pF 50V	G3_UP					B,G4_US
C458	OW120102527008	C CAPACITOR	1000pF 50V	G3_UP					,G4_UT,
C482	OW131471022911	E CAPACITOR	47uF 16V						G4_UW
				G3_UB,					G3_UP
				G3_US,					G3_UB,
				G3_US,					G3_US,
				G3_UT,G					G3_UT,G
C483	OW131472022905	E CAPACITOR	470uF 16V	3_UW,G					3_UW,G
				3_UY,G4					3_UY,G4
				A,G4_U					A,G4_U
				B,G4_US					B,G4_US
				,G4_UT,					,G4_UT,
				G4_UW					G4_UW
C484	OW120223527006	C CAPACITOR	0.022uF 50V						G3_UP
C485	OW131101032906	E CAPACITOR	10uF 25V						G3_UB,
C486	OW131472022905	E CAPACITOR	470uF 16V	G3_UP					G3_US,
C813	OW100473567004	C CAPACITOR	0.047uF 50V	G3_UP					G3_UT,G
C815	OW120104527009	C CAPACITOR	0.1uF 50V	G3_UP					3_UW,G
C816	OW120104527009	C CAPACITOR	0.1uF 50V	G3_UP					3_UY,G4
C821	OW120102527008	C CAPACITOR	1000pF 50V	G3_UP	R104	OW390220126104	C RESISTOR	2.2KΩ 1/16W	A,G4_U
C822	OW120102527008	C CAPACITOR	1000pF 50V	G3_UP					B,G4_US
C823	OW120102527008	C CAPACITOR	1000pF 50V	G3_UP					,G4_UT,
C824	OW120102527008	C CAPACITOR	1000pF 50V	G3_UP					G4_UW
				G3_UB,					G3_UP
				G3_US,					G3_UB,
				G3_US,					G3_US,
				G3_UT,G					G3_UT,G
C831	OW120104527009	C CAPACITOR	0.1uF 50V	3_UW,G					3_UW,G
				3_UY,G4					3_UY,G4
				A,G4_U					A,G4_U
				B,G4_US					B,G4_US
				,G4_UT,					,G4_UT,
				G4_UW					G4_UW
				G3_UB,					G3_UP
				G3_US,					G3_UB,
				G3_US,					G3_US,
				G3_UT,G					G3_UT,G
C832	OW120104527009	C CAPACITOR	0.1uF 50V	3_UW,G					3_UW,G
				3_UY,G4					3_UY,G4
				A,G4_U					A,G4_U
				B,G4_US					B,G4_US
				,G4_UT,					,G4_UT,
				G4_UW					G4_UW
				G3_UB,					G3_UP
				G3_US,					G3_UB,
				G3_US,					G3_US,
				G3_UT,G					G3_UT,G
				3_UW,G					3_UW,G
				3_UY,G4					3_UY
				A,G4_U					G4_A,G4
				B,G4_US					UB,G4_U
				,G4_UT,					US,G4_U
				G4_UW					T,G4_U
				G3_UB,					W
				G3_US,					G3_UP
				G3_US,					
				G3_UT,G					
				3_UW,G					
				3_UY,G4					
C225A	OW100223069009	C CAPACITOR	0.022uF	3_UW,G	R107	OW390100926105	C RESISTOR	10Ω 1/16W	
				3_UY,G4					
				A,G4_U					
				B,G4_US					
				,G4_UT,					
				G4_UW					

△ Symbol No.	Part No.	Part Name	Description	Local	△ Symbol No.	Part No.	Part Name	Description	Local
R107	OW390100326105	C RESISTOR	100KΩ 1/16W	G3_UB, G3_US, G3_UT,G 3_ÜW,G 3_ÜY,G4 A,G4_U B,G4_US .G4_UT, G4_UW	R117	OW390270226103	C RESISTOR	27KΩ 1/16W	G3_UB, G3_US, G3_UT,G 3_ÜW,G 3_ÜY,G4 A,G4_U B,G4_US .G4_UT, G4_UW
R108	OW390100226108	C RESISTOR	10KΩ 1/16W	G3_UP G3_UB, G3_US, G3_UT,G 3_ÜW,G 3_ÜY,G4 A,G4_U B,G4_US .G4_UT, G4_UW	R118	OW390330126102	C RESISTOR	3.3KΩ 1/16W	G3_UP G3_UB, G3_US, G3_UT,G 3_ÜW,G 3_ÜY,G4 A,G4_U B,G4_US .G4_UT, G4_UW
R108	OW390270326109	C RESISTOR	270KΩ 1/16W	G3_UP G3_UB, G3_US, G3_UT,G 3_ÜW,G 3_ÜY,G4 A,G4_U B,G4_US .G4_UT, G4_UW	R118	OW390270226103	C RESISTOR	27KΩ 1/16W	G3_UP G3_UB, G3_US, G3_UT,G 3_ÜW,G 3_ÜY,G4 A,G4_U B,G4_US .G4_UT, G4_UW
R109	OW390220226101	C RESISTOR	22KΩ 1/16W	G3_UP G3_UB, G3_US, G3_UT,G 3_ÜW,G 3_ÜY,G4 A,G4_U B,G4_US .G4_UT, G4_UW	R119	OW390220226101	C RESISTOR	22KΩ 1/16W	G3_UP G3_UB, G3_US, G3_UT,G 3_ÜW,G 3_ÜY,G4 A,G4_U B,G4_US .G4_UT, G4_UW
R109	OW390330026105	C RESISTOR	330Ω 1/16W	G3_UP G3_UB, G3_US, G3_UT,G 3_ÜW,G 3_ÜY,G4 A,G4_U B,G4_US .G4_UT, G4_UW	R119	OW390220126104	C RESISTOR	2.2KΩ 1/16W	G3_UP G3_UB, G3_US, G3_UT,G 3_ÜW,G 3_ÜY,G4 A,G4_U B,G4_US .G4_UT, G4_UW
R110	OW390100226108	C RESISTOR	10KΩ 1/16W	G3_UP G3_UB, G3_US, G3_UT,G 3_ÜW,G 3_ÜY,G4 A,G4_U B,G4_US .G4_UT, G4_UW	R120	OW390270226103	C RESISTOR	27KΩ 1/16W	G3_UP G3_UB, G3_US, G3_UT,G 3_ÜW,G 3_ÜY,G4 A,G4_U B,G4_US .G4_UT, G4_UW
R110	OW390100026105	C RESISTOR	100Ω 1/16W	G3_UP G3_UB, G3_US, G3_UT,G 3_ÜW,G 3_ÜY,G4 A,G4_U B,G4_US .G4_UT, G4_UW	R120	OW390220126104	C RESISTOR	2.2KΩ 1/16W	G3_UP G3_UB, G3_US, G3_UT,G 3_ÜW,G 3_ÜY,G4 A,G4_U B,G4_US .G4_UT, G4_UW
R111	OW380100223312	C RESISTOR	10KΩ 1/8W		R121	OW390180226104	C RESISTOR	18KΩ 1/16W	G3_UP G3_UB, G3_US, G3_UT,G 3_ÜW,G 3_ÜY,G4 A,G4_U B,G4_US .G4_UT, G4_UW
R112	OW390270326109	C RESISTOR	270KΩ 1/16W	G3_UP	R122	OW390220126104	C RESISTOR	2.2KΩ 1/16W	G3_UP G3_UB, G3_US, G3_UT,G 3_ÜW,G 3_ÜY,G4 A,G4_U B,G4_US .G4_UT, G4_UW
R113	OW390100326105	C RESISTOR	100KΩ 1/16W	G3_UP G3_UB, G3_US, G3_UT,G 3_ÜW,G 3_ÜY,G4 A,G4_U B,G4_US .G4_UT, G4_UW	R122	OW390100226108	C RESISTOR	10KΩ 1/16W	G3_UP G3_UB, G3_US, G3_UT,G 3_ÜW,G 3_ÜY,G4 A,G4_U B,G4_US .G4_UT, G4_UW
R113	OW390100226108	C RESISTOR	10KΩ 1/16W	G3_UP G3_UB, G3_US, G3_UT,G 3_ÜW,G 3_ÜY,G4 A,G4_U B,G4_US .G4_UT, G4_UW	R123	OW390100326105	C RESISTOR	100KΩ 1/16W	G3_UP G3_UB, G3_US, G3_UT,G 3_ÜW,G 3_ÜY,G4 A,G4_U B,G4_US .G4_UT, G4_UW
R114	OW390100326105	C RESISTOR	100KΩ 1/16W	G3_UP G3_UB, G3_US, G3_UT,G 3_ÜW,G 3_ÜY,G4 A,G4_U B,G4_US .G4_UT, G4_UW	R124	OW390220226101	C RESISTOR	22KΩ 1/16W	G3_UP G3_UB, G3_US, G3_UT,G 3_ÜW,G 3_ÜY,G4 A,G4_U B,G4_US .G4_UT, G4_UW
R114	OW390330126102	C RESISTOR	3.3KΩ 1/16W	G3_UP G3_UB, G3_US, G3_UT,G 3_ÜW,G 3_ÜY,G4 A,G4_U B,G4_US .G4_UT, G4_UW	R124	OW390470226109	C RESISTOR	47KΩ 1/16W	G3_UP G3_UB, G3_US, G3_UT,G 3_ÜW,G 3_ÜY,G4 A,G4_U B,G4_US .G4_UT, G4_UW
R115	OW390220226101	C RESISTOR	22KΩ 1/16W	G3_UP G3_UB, G3_US, G3_UT,G 3_ÜW,G 3_ÜY,G4 A,G4_U B,G4_US .G4_UT, G4_UW	R125	OW390100126102	C RESISTOR	1KΩ 1/16W	G3_UP G3_UB, G3_US, G3_UT,G 3_ÜW,G 3_ÜY,G4 A,G4_U B,G4_US .G4_UT, G4_UW
R115	OW390120226107	C RESISTOR	12KΩ 1/16W	G3_UP G3_UB, G3_US, G3_UT,G 3_ÜW,G 3_ÜY,G4 A,G4_U B,G4_US .G4_UT, G4_UW	R125	OW390100226108	C RESISTOR	10KΩ 1/16W	G3_UP G3_UB, G3_US, G3_UT,G 3_ÜW,G 3_ÜY,G4 A,G4_U B,G4_US .G4_UT, G4_UW
R116	OW390120126101	C RESISTOR	1.2KΩ 1/16W	G3_UP G3_UB, G3_US, G3_UT,G 3_ÜW,G 3_ÜY,G4 A,G4_U B,G4_US .G4_UT, G4_UW	R126	OW390470226109	C RESISTOR	47KΩ 1/16W	G3_UP G3_UB, G3_US, G3_UT,G 3_ÜW,G 3_ÜY,G4 A,G4_U B,G4_US .G4_UT, G4_UW
R116	OW390120226107	C RESISTOR	12KΩ 1/16W	G3_UP G3_UB, G3_US, G3_UT,G 3_ÜW,G 3_ÜY,G4 A,G4_U B,G4_US .G4_UT, G4_UW					
R117	OW390100026105	C RESISTOR	100Ω 1/16W	G3_UP					

Symbol No.	Part No.	Part Name	Description	Local	Symbol No.	Part No.	Part Name	Description	Local
R127	OW390220226101	C RESISTOR	22KΩ 1/16W	G3_UB, G3_US, G3_UT,G 3_UW,G 3_UY,G4 A,G4 U B,G4_US .G4_UT, G4_UW	R136	OW390100226108	C RESISTOR	10KΩ 1/16W	G3_UB, G3_US, G3_UT,G 3_UW,G 3_UY,G4 A,G4 U B,G4_US .G4_UT, G4_UW
R128	OW390560126102	C RESISTOR	5.6KΩ 1/16W	G3_UP G3_UB, G3_US, G3_UT,G 3_UW,G 3_UY,G4 A,G4 U B,G4_US .G4_UT, G4_UW	R137	OW390560126102	C RESISTOR	5.6KΩ 1/16W	G3_UP G3_UB, G3_US, G3_UT,G 3_UW,G 3_UY,G4 A,G4 U B,G4_US .G4_UT, G4_UW
R128	OW380100223312	C RESISTOR	10KΩ 1/8W	G3_UP G3_UB, G3_US, G3_UT,G 3_UW,G 3_UY,G4 A,G4 U B,G4_US .G4_UT, G4_UW	R137	OW380100223312	C RESISTOR	10KΩ 1/8W	G3_UP G3_UB, G3_US, G3_UT,G 3_UW,G 3_UY,G4 A,G4 U B,G4_US .G4_UT, G4_UW
R129	OW390560126102	C RESISTOR	5.6KΩ 1/16W	G3_UP G3_UB, G3_US, G3_UT,G 3_UW,G 3_UY,G4 A,G4 U B,G4_US .G4_UT, G4_UW	R138	OW390470226109	C RESISTOR	47KΩ 1/16W	G3_UP G3_UB, G3_US, G3_UT,G 3_UW,G 3_UY,G4 A,G4 U B,G4_US .G4_UT, G4_UW
R129	OW390220326107	C RESISTOR	220KΩ 1/16W	G3_UP G3_UB, G3_US, G3_UT,G 3_UW,G 3_UY,G4 A,G4 U B,G4_US .G4_UT, G4_UW	R138	OW390470126103	C RESISTOR	4.7KΩ 1/16W	G3_UP G3_UB, G3_US, G3_UT,G 3_UW,G 3_UY,G4 A,G4 U B,G4_US .G4_UT, G4_UW
R130	OW390100226108	C RESISTOR	10KΩ 1/16W	G3_UP G3_UB, G3_US, G3_UT,G 3_UW,G 3_UY,G4 A,G4 U B,G4_US .G4_UT, G4_UW	R139	OW380150023311	C RESISTOR	150Ω 1/8W	G3_UP G3_UB, G3_US, G3_UT,G 3_UW,G 3_UY,G4 A,G4 U B,G4_US .G4_UT, G4_UW
R130	OW390330126102	C RESISTOR	3.3KΩ 1/16W	G3_UP G3_UB, G3_US, G3_UT,G 3_UW,G 3_UY,G4 A,G4 U B,G4_US .G4_UT, G4_UW	R139	OW380220023311	C RESISTOR	220Ω 1/8W	G3_UP G3_UB, G3_US, G3_UT,G 3_UW,G 3_UY,G4 A,G4 U B,G4_US .G4_UT, G4_UW
R131	OW390100226108	C RESISTOR	10KΩ 1/16W	G3_UP G3_UB, G3_US, G3_UT,G 3_UW,G 3_UY,G4 A,G4 U B,G4_US .G4_UT, G4_UW	R140	OW390100226108	C RESISTOR	10KΩ 1/16W	G3_UP G3_UB, G3_US, G3_UT,G 3_UW,G 3_UY,G4 A,G4 U B,G4_US .G4_UT, G4_UW
R132	OW390330126102	C RESISTOR	3.3KΩ 1/16W	G3_UP G3_UB, G3_US, G3_UT,G 3_UW,G 3_UY,G4 A,G4 U B,G4_US .G4_UT, G4_UW	R140	OW390150126104	C RESISTOR	1.5KΩ 1/16W	G3_UP G3_UB, G3_US, G3_UT,G 3_UW,G 3_UY,G4 A,G4 U B,G4_US .G4_UT, G4_UW
R132	OW390100226108	C RESISTOR	10KΩ 1/16W	G3_UP G3_UB, G3_US, G3_UT,G 3_UW,G 3_UY,G4 A,G4 U B,G4_US .G4_UT, G4_UW	R141	OW390100126102	C RESISTOR	1KΩ 1/16W	G3_UP G3_UB, G3_US, G3_UT,G 3_UW,G 3_UY,G4 A,G4 U B,G4_US .G4_UT, G4_UW
R133	OW390560226108	C RESISTOR	56KΩ 1/16W	G3_UP G3_UB, G3_US, G3_UT,G 3_UW,G 3_UY,G4 A,G4 U B,G4_US .G4_UT, G4_UW	R141	OW390470126103	C RESISTOR	4.7KΩ 1/16W	G3_UP G3_UB, G3_US, G3_UT,G 3_UW,G 3_UY,G4 A,G4 U B,G4_US .G4_UT, G4_UW
R133	OW380220023311	C RESISTOR	220Ω 1/8W	G3_UP G3_UB, G3_US, G3_UT,G 3_UW,G 3_UY,G4 A,G4 U B,G4_US .G4_UT, G4_UW	R142	OW390100226108	C RESISTOR	10KΩ 1/16W	G3_UP G3_UB, G3_US, G3_UT,G 3_UW,G 3_UY,G4 A,G4 U B,G4_US .G4_UT, G4_UW
R134	OW390180226104	C RESISTOR	18KΩ 1/16W	G3_UP G3_UB, G3_US, G3_UT,G 3_UW,G 3_UY,G4 A,G4 U B,G4_US .G4_UT, G4_UW	R142	OW390100126102	C RESISTOR	1KΩ 1/16W	G3_UP G3_UB, G3_US, G3_UT,G 3_UW,G 3_UY,G4 A,G4 U B,G4_US .G4_UT, G4_UW
R134	OW390100226108	C RESISTOR	10KΩ 1/16W	G3_UP G3_UB, G3_US, G3_UT,G 3_UW,G 3_UY,G4 A,G4 U B,G4_US .G4_UT, G4_UW	R143	OW380100223312	C RESISTOR	10KΩ 1/8W	G3_UP G3_UB, G3_US, G3_UT,G 3_UW,G 3_UY,G4 A,G4 U B,G4_US .G4_UT, G4_UW
R135	OW390180226104	C RESISTOR	18KΩ 1/16W	G3_UP G3_UB, G3_US, G3_UT,G 3_UW,G 3_UY,G4 A,G4 U B,G4_US .G4_UT, G4_UW	R143	OW39000029121	C RESISTOR	0Ω 1/16W	G3_UP G3_UB, G3_US, G3_UT,G 3_UW,G 3_UY,G4 A,G4 U B,G4_US .G4_UT, G4_UW
R135	OW380100123315	C RESISTOR	1KΩ 1/8W	G3_UP G3_UB, G3_US, G3_UT,G 3_UW,G 3_UY,G4 A,G4 U B,G4_US .G4_UT, G4_UW	R144	OW390470126103	C RESISTOR	4.7KΩ 1/16W	G3_UP
R136	OW390560126102	C RESISTOR	5.6KΩ 1/16W	G3_UP					

△ Symbol No.	Part No.	Part Name	Description	Local	△ Symbol No.	Part No.	Part Name	Description	Local
R144	OW390100126102	C RESISTOR	1KΩ 1/16W	G3_UB, G3_US, G3_UT,G 3_UW,G 3_UY,G4 A,G4_U B,G4_US .G4_UT, G4_UW	R152	OW390100126102	C RESISTOR	1KΩ 1/16W	G3_UB, G3_US, G3_UT,G 3_UW,G 3_UY,G4 A,G4_U B,G4_US .G4_UT, G4_UW
R145	OW390150126104	C RESISTOR	1.5KΩ 1/16W	G3_UP G3_UB, G3_US, G3_UT,G 3_UW,G 3_UY,G4 A,G4_U B,G4_US .G4_UT, G4_UW	R153	OW390100226108	C RESISTOR	10KΩ 1/16W	G3_UP G3_UB, G3_US, G3_UT,G 3_UW,G 3_UY,G4 A,G4_U B,G4_US .G4_UT, G4_UW
R145	OW390560026105	C RESISTOR	560Ω 1/16W	G3_UP G3_UB, G3_US, G3_UT,G 3_UW,G 3_UY,G4 A,G4_U B,G4_US .G4_UT, G4_UW	R153	OW390100126102	C RESISTOR	1KΩ 1/16W	G3_UP G3_UB, G3_US, G3_UT,G 3_UW,G 3_UY,G4 A,G4_U B,G4_US .G4_UT, G4_UW
R146	OW380220023311	C RESISTOR	220Ω 1/8W	G3_UP G3_UB, G3_US, G3_UT,G 3_UW,G 3_UY,G4 A,G4_U B,G4_US .G4_UT, G4_UW	R154	OW390100226108	C RESISTOR	10KΩ 1/16W	G3_UP
R146	OW390150126104	C RESISTOR	1.5KΩ 1/16W	G3_UP G3_UB, G3_US, G3_UT,G 3_UW,G 3_UY,G4 A,G4_U B,G4_US .G4_UT, G4_UW	R155	OW390100126102	C RESISTOR	1KΩ 1/16W	G3_UB, G3_US, G3_UT,G 3_UW,G 3_UY,G4 A,G4_U B,G4_US .G4_UT, G4_UW
R147	OW390470126103	C RESISTOR	4.7KΩ 1/16W	G3_UP G3_UB, G3_US, G3_UT,G 3_UW,G 3_UY,G4 A,G4_U B,G4_US .G4_UT, G4_UW	R155	OW390100226108	C RESISTOR	10KΩ 1/16W	G3_UP G3_UB, G3_US, G3_UT,G 3_UW,G 3_UY,G4 A,G4_U B,G4_US .G4_UT, G4_UW
R147	OW390000029121	C RESISTOR	0Ω 1/16W	G3_UP G3_UB, G3_US, G3_UT,G 3_UW,G 3_UY,G4 A,G4_U B,G4_US .G4_UT, G4_UW	R156	OW390100126102	C RESISTOR	1KΩ 1/16W	G3_UP G3_UB, G3_US, G3_UT,G 3_UW,G 3_UY,G4 A,G4_U B,G4_US .G4_UT, G4_UW
R147	OW390000029121	C RESISTOR	0Ω 1/16W	G3_UP G3_UB, G3_US, G3_UT,G 3_UW,G 3_UY,G4 A,G4_U B,G4_US .G4_UT, G4_UW	R156	OW390100226108	C RESISTOR	10KΩ 1/16W	G3_UP G3_UB, G3_US, G3_UT,G 3_UW,G 3_UY,G4 A,G4_U B,G4_US .G4_UT, G4_UW
R148	OW390100126102	C RESISTOR	1KΩ 1/16W	G3_UP G3_UB, G3_US, G3_UT,G 3_UW,G 3_UY,G4 A,G4_U B,G4_US .G4_UT, G4_UW	R157	OW390100126102	C RESISTOR	1KΩ 1/16W	G3_UP
R148	OW390100226108	C RESISTOR	10KΩ 1/16W	G3_UP G3_UB, G3_US, G3_UT,G 3_UW,G 3_UY,G4 A,G4_U B,G4_US .G4_UT, G4_UW	R158	OW390100226108	C RESISTOR	10KΩ 1/16W	G3_UP G3_UB, G3_US, G3_UT,G 3_UW,G 3_UY,G4 A,G4_U B,G4_US .G4_UT, G4_UW
R149	OW390560026105	C RESISTOR	560Ω 1/16W	G3_UP G3_UB, G3_US, G3_UT,G 3_UW,G 3_UY,G4 A,G4_U B,G4_US .G4_UT, G4_UW	R158	OW380100123315	C RESISTOR	1KΩ 1/8W	G3_UP G3_UB, G3_US, G3_UT,G 3_UW,G 3_UY,G4 A,G4_U B,G4_US .G4_UT, G4_UW
R149	OW390100226108	C RESISTOR	10KΩ 1/16W	G3_UP G3_UB, G3_US, G3_UT,G 3_UW,G 3_UY,G4 A,G4_U B,G4_US .G4_UT, G4_UW	R159	OW390100226108	C RESISTOR	10KΩ 1/16W	G3_UP G3_UB, G3_US, G3_UT,G 3_UW,G 3_UY,G4 A,G4_U B,G4_US .G4_UT, G4_UW
R150	OW390150126104	C RESISTOR	1.5KΩ 1/16W	G3_UP G3_UB, G3_US, G3_UT,G 3_UW,G 3_UY,G4 A,G4_U B,G4_US .G4_UT, G4_UW	R159	OW390100126102	C RESISTOR	1KΩ 1/16W	G3_UP G3_UB, G3_US, G3_UT,G 3_UW,G 3_UY,G4 A,G4_U B,G4_US .G4_UT, G4_UW
R150	OW390100226108	C RESISTOR	10KΩ 1/16W	G3_UP G3_UB, G3_US, G3_UT,G 3_UW,G 3_UY,G4 A,G4_U B,G4_US .G4_UT, G4_UW	R160	OW390100226108	C RESISTOR	10KΩ 1/16W	G3_UP G3_UB, G3_US, G3_UT,G 3_UW,G 3_UY,G4 A,G4_U B,G4_US .G4_UT, G4_UW
R151	OW390000029121	C RESISTOR	0Ω 1/16W	G3_UP G3_UB, G3_US, G3_UT,G 3_UW,G 3_UY,G4 A,G4_U B,G4_US .G4_UT, G4_UW	R160	OW390180326101	C RESISTOR	180KΩ 1/16W	G3_UP G3_UB, G3_US, G3_UT,G 3_UW,G 3_UY,G4 A,G4_U B,G4_US .G4_UT, G4_UW
R151	OW390100126102	C RESISTOR	1KΩ 1/16W	G3_UP G3_UB, G3_US, G3_UT,G 3_UW,G 3_UY,G4 A,G4_U B,G4_US .G4_UT, G4_UW	R161	OW390560126102	C RESISTOR	5.6KΩ 1/16W	G3_UP G3_UB, G3_US, G3_UT,G 3_UW,G 3_UY,G4 A,G4_U B,G4_US .G4_UT, G4_UW
R152	OW390100226108	C RESISTOR	10KΩ 1/16W	G3_UP	R162	OW380100223312	C RESISTOR	10KΩ 1/8W	G3_UP

△ Symbol No.	Part No.	Part Name	Description	Local	△ Symbol No.	Part No.	Part Name	Description	Local
R162	OW390560126102	C RESISTOR	5.6KΩ 1/16W	G3_UB, G3_US, G3_UT,G 3_UW,G 3_UY,G4 A,G4 U B,G4_US G4_UT, G4_UW	R204	OW390330126102	C RESISTOR	3.3KΩ 1/16W	G3_UB, G3_US, G3_UT,G 3_UW,G 3_UY,G4 A,G4 U B,G4_US G4_UT, G4_UW
R163	OW390100226108	C RESISTOR	10KΩ 1/16W	G3_UB, G3_US, G3_UT,G 3_UW,G 3_UY,G4 A,G4 U B,G4_US G4_UT, G4_UW	R205	OW390100226108	C RESISTOR	10KΩ 1/16W	G3_UB, G3_US, G3_UT,G 3_UW,G 3_UY,G4 A,G4 U B,G4_US G4_UT, G4_UW
R164	OW390100226108	C RESISTOR	10KΩ 1/16W	G3_UB, G3_US, G3_UT,G 3_UW,G 3_UY,G4 A,G4 U B,G4_US G4_UT, G4_UW	R206	OW390100126102	C RESISTOR	1KΩ 1/16W	G3_UB, G3_US, G3_UT,G 3_UW,G 3_UY,G4 A,G4 U B,G4_US G4_UT, G4_UW
R165	OW390470226109	C RESISTOR	47KΩ 1/16W	G3_UB, G3_US, G3_UT,G 3_UW,G 3_UY,G4 A,G4 U B,G4_US G4_UT, G4_UW	R207	OW390100226108	C RESISTOR	10KΩ 1/16W	
R166	OW390470226109	C RESISTOR	47KΩ 1/16W	G3_UB, G3_US, G3_UT,G 3_UW,G 3_UY,G4 A,G4 U B,G4_US G4_UT, G4_UW	R208	OW390470226109	C RESISTOR	47KΩ 1/16W	
R167	OW390000029121	C RESISTOR	0Ω 1/16W	G3_UB, G3_US, G3_UT,G 3_UW,G 3_UY,G4 A,G4 U B,G4_US G4_UT, G4_UW	R209	OW380270223316	C RESISTOR	27KΩ 1/8W	
R168	OW390000029121	C RESISTOR	0Ω 1/16W	G3_UB, G3_US, G3_UT,G 3_UW,G 3_UY,G4 A,G4 U B,G4_US G4_UT, G4_UW	R210	OW380047923312	C RESISTOR	4.7Ω 1/8W	
R199	OW390220226101	C RESISTOR	22KΩ 1/16W	G3_UB, G3_US, G3_UT,G 3_UW,G 3_UY,G4 A,G4 U B,G4_US G4_UT, G4_UW	R211	OW380022023315	C RESISTOR	22Ω 1/8W	
R201	OW380220023311	C RESISTOR	220Ω 1/8W	G3_UB, G3_US, G3_UT,G 3_UW,G 3_UY,G4 A,G4 U B,G4_US G4_UT, G4_UW	R212	OW390100326105	C RESISTOR	100KΩ 1/16W	
R201	OW390330126102	C RESISTOR	3.3KΩ 1/16W	G3_UB, G3_US, G3_UT,G 3_UW,G 3_UY,G4 A,G4 U B,G4_US G4_UT, G4_UW	R213	OW390100226108	C RESISTOR	10KΩ 1/16W	
R202	OW380100123315	C RESISTOR	1KΩ 1/8W	G3_UB, G3_US, G3_UT,G 3_UW,G 3_UY,G4 A,G4 U B,G4_US G4_UT, G4_UW	R214	OW390100226108	C RESISTOR	10KΩ 1/16W	
R202	OW390330126102	C RESISTOR	3.3KΩ 1/16W	G3_UB, G3_US, G3_UT,G 3_UW,G 3_UY,G4 A,G4 U B,G4_US G4_UT, G4_UW	R215	OW390100226108	C RESISTOR	10KΩ 1/16W	
R203	OW390330126102	C RESISTOR	3.3KΩ 1/16W	G3_UB, G3_US, G3_UT,G 3_UW,G 3_UY,G4 A,G4 U B,G4_US G4_UT, G4_UW	R216	OW390100326105	C RESISTOR	100KΩ 1/16W	
				G3_UP	R217	OW390470126103	C RESISTOR	4.7KΩ 1/16W	
				G3_UP	R218	OW390220226101	C RESISTOR	22KΩ 1/16W	
				G3_UB, G3_US, G3_UT,G 3_UW,G 3_UY,G4 A,G4 U B,G4_US G4_UT, G4_UW	R219	OW390100226108	C RESISTOR	10KΩ 1/16W	
				G3_UB, G3_US, G3_UT,G 3_UW,G 3_UY,G4 A,G4 U B,G4_US G4_UT, G4_UW	R220	OW380100023518	C RESISTOR	100Ω 1/4W	
				G3_UB, G3_US, G3_UT,G 3_UW,G 3_UY,G4 A,G4 U B,G4_US G4_UT, G4_UW	R221	OW390330226108	C RESISTOR	33KΩ 1/16W	
				G3_UB, G3_US, G3_UT,G 3_UW,G 3_UY,G4 A,G4 U B,G4_US G4_UT, G4_UW	R222	OW380220023509	C RESISTOR	220Ω 1/4W	
				G3_UB, G3_US, G3_UT,G 3_UW,G 3_UY,G4 A,G4 U B,G4_US G4_UT, G4_UW	R223	OW380100123315	C RESISTOR	1KΩ 1/8W	
				G3_UB, G3_US, G3_UT,G 3_UW,G 3_UY,G4 A,G4 U B,G4_US G4_UT, G4_UW	R224	OW390100126102	C RESISTOR	1KΩ 1/16W	
				G3_UB, G3_US, G3_UT,G 3_UW,G 3_UY,G4 A,G4 U B,G4_US G4_UT, G4_UW	R225	OW390120326104	C RESISTOR	120KΩ 1/16W	
				G3_UB, G3_US, G3_UT,G 3_UW,G 3_UY,G4 A,G4 U B,G4_US G4_UT, G4_UW	R226	OW390120326104	C RESISTOR	120KΩ 1/16W	
				G3_UB, G3_US, G3_UT,G 3_UW,G 3_UY,G4 A,G4 U B,G4_US G4_UT, G4_UW	R227	OW390010926106	C RESISTOR	1Ω 1/16W	
				G3_UB, G3_US, G3_UT,G 3_UW,G 3_UY,G4 A,G4 U B,G4_US G4_UT, G4_UW	R228	OW380330023318	C RESISTOR	330Ω 1/8W	
				G3_UB, G3_US, G3_UT,G 3_UW,G 3_UY,G4 A,G4 U B,G4_US G4_UT, G4_UW	R229	OW390180226104	C RESISTOR	18KΩ 1/16W	
				G3_UB, G3_US, G3_UT,G 3_UW,G 3_UY,G4 A,G4 U B,G4_US G4_UT, G4_UW	R230	OW390180226104	C RESISTOR	18KΩ 1/16W	
				G3_UB, G3_US, G3_UT,G 3_UW,G 3_UY,G4 A,G4 U B,G4_US G4_UT, G4_UW	R231	OW390100326105	C RESISTOR	100KΩ 1/16W	
				G3_UB, G3_US, G3_UT,G 3_UW,G 3_UY,G4 A,G4 U B,G4_US G4_UT, G4_UW	R232	OW390100326105	C RESISTOR	100KΩ 1/16W	
				G3_UB, G3_US, G3_UT,G 3_UW,G 3_UY,G4 A,G4 U B,G4_US G4_UT, G4_UW	R233	OW390330226108	C RESISTOR	33KΩ 1/16W	
				G3_UB, G3_US, G3_UT,G 3_UW,G 3_UY,G4 A,G4 U B,G4_US G4_UT, G4_UW	R234	OW390330226108	C RESISTOR	33KΩ 1/16W	
				G3_UB, G3_US, G3_UT,G 3_UW,G 3_UY,G4 A,G4 U B,G4_US G4_UT, G4_UW	R235	OW380220123317	C RESISTOR	2.2KΩ 1/8W	G3_UB, G3_US, G3_UT,G 3_UW,G 3_UY,G4 A,G4 U B,G4_US G4_UT, G4_UW
				G3_UB, G3_US, G3_UT,G 3_UW,G 3_UY,G4 A,G4 U B,G4_US G4_UT, G4_UW	R236	OW390220126104	C RESISTOR	2.2KΩ 1/16W	G3_UB, G3_US, G3_UT,G 3_UW,G 3_UY,G4 A,G4 U B,G4_US G4_UT, G4_UW
				G3_UB, G3_US, G3_UT,G 3_UW,G 3_UY,G4 A,G4 U B,G4_US G4_UT, G4_UW	R237	OW390100126102	C RESISTOR	1KΩ 1/16W	G3_UB, G3_US, G3_UT,G 3_UW,G 3_UY,G4 A,G4 U B,G4_US G4_UT, G4_UW
				G3_UB, G3_US, G3_UT,G 3_UW,G 3_UY,G4 A,G4 U B,G4_US G4_UT, G4_UW	R237	OW380100123315	C RESISTOR	1KΩ 1/8W	G3_UB, G3_US, G3_UT,G 3_UW,G 3_UY,G4 A,G4 U B,G4_US G4_UT, G4_UW
				G3_UB, G3_US, G3_UT,G 3_UW,G 3_UY,G4 A,G4 U B,G4_US G4_UT, G4_UW	R238	OW390100126102	C RESISTOR	1KΩ 1/16W	G3_UB, G3_US, G3_UT,G 3_UW,G 3_UY,G4 A,G4 U B,G4_US G4_UT, G4_UW

△ Symbol No.	Part No.	Part Name	Description	Local	△ Symbol No.	Part No.	Part Name	Description	Local
R238	OW380100123315	C RESISTOR	1KΩ 1/8W	G3_UB, G3_US, G3_UT,G 3_UW,G 3_UY,G4 A,G4_U B,G4_US G4_UT, G4_UW	R264	OW390150226101	C RESISTOR	15KΩ 1/16W	G3_UB, G3_US, G3_UT,G 3_UW,G 3_UY, G4_A,G4 UB,G4 US,G4_U T,G4_U W
R239	OW390180926101	C RESISTOR	18Ω 1/16W		R264	OW390150266101	C RESISTOR	15KΩ 1/16W	
R240	OW390180926101	C RESISTOR	18Ω 1/16W		R301	OW390470226109	C RESISTOR	47KΩ 1/16W	
R241	OW390470126103	C RESISTOR	4.7KΩ 1/16W		R302	OW390470226109	C RESISTOR	47KΩ 1/16W	
R242	OW390470126103	C RESISTOR	4.7KΩ 1/16W		R303	OW390120226107	C RESISTOR	12KΩ 1/16W	
R243	OW390330226108	C RESISTOR	33KΩ 1/16W		R304	OW390120226107	C RESISTOR	12KΩ 1/16W	
R244	OW390330226108	C RESISTOR	33KΩ 1/16W		R305	OW390220126104	C RESISTOR	2.2KΩ 1/16W	
R245	OW390470126103	C RESISTOR	4.7KΩ 1/16W		R306	OW390220126104	C RESISTOR	2.2KΩ 1/16W	
R246	OW380470123316	C RESISTOR	4.7KΩ 1/8W		R307	OW390270226103	C RESISTOR	27KΩ 1/16W	
R247	OW390150226101	C RESISTOR	15KΩ 1/16W	G3_UB, G3_UP,G 3_US,G3 UT,G3 UW,G3_ UY	R308	OW390270226103	C RESISTOR	27KΩ 1/16W	
R247	OW390150266101	C RESISTOR	15KΩ 1/16W	G4_A,G4 UB,G4 US,G4_U T,G4_U W	R309	OW390820126104	C RESISTOR	8.2KΩ 1/16W	
R248	OW390150226101	C RESISTOR	15KΩ 1/16W	G3_UP G3_UB, G3_US, G3_UT,G 3_UW,G 3_UY,G4 A,G4_U B,G4_US G4_UT, G4_UW	R310	OW390820126104	C RESISTOR	8.2KΩ 1/16W	
R248	OW380150223314	C RESISTOR	15KΩ 1/8W		R311	OW390220126104	C RESISTOR	2.2KΩ 1/16W	
R249	OW390150226101	C RESISTOR	15KΩ 1/16W	G3_UB, G3_UP,G 3_US,G3 UT,G3 UW,G3_ UY	R312	OW390220126104	C RESISTOR	2.2KΩ 1/16W	
R249	OW390150266101	C RESISTOR	15KΩ 1/16W	G4_A,G4 UB,G4 US,G4_U T,G4_U W	△ R315	OW380330023318	C RESISTOR	330Ω 1/8W	
R249	OW390150266101	C RESISTOR	15KΩ 1/16W		R317	OW390220126104	C RESISTOR	2.2KΩ 1/16W	
R250	OW390150226101	C RESISTOR	15KΩ 1/16W	G3_UB, G3_UP,G 3_US,G3 UT,G3 UW,G3_ UY	R318	OW390220126104	C RESISTOR	2.2KΩ 1/16W	
R250	OW390150266101	C RESISTOR	15KΩ 1/16W	G4_A,G4 UB,G4 US,G4_U T,G4_U W	R321	OW390220126104	C RESISTOR	2.2KΩ 1/16W	
R251	OW390330226108	C RESISTOR	33KΩ 1/16W		R322	OW390220126104	C RESISTOR	2.2KΩ 1/16W	
R252	OW390680326107	C RESISTOR	680KΩ 1/16W		R328	OW390220126104	C RESISTOR	2.2KΩ 1/16W	
R253	OW390820226101	C RESISTOR	82KΩ 1/16W		R332	OW380010023319	C RESISTOR	10Ω 1/8W	
R254	OW390820226101	C RESISTOR	82KΩ 1/16W		R333	OW380100223312	C RESISTOR	10KΩ 1/8W	
R255	OW390750926107	C RESISTOR	75Ω 1/16W		R334	OW380100223312	C RESISTOR	10KΩ 1/8W	
R256	OW390750926107	C RESISTOR	75Ω 1/16W		R335	OW390100226108	C RESISTOR	10KΩ 1/16W	
R257	OW390100226108	C RESISTOR	10KΩ 1/16W		R401	OW390100226108	C RESISTOR	10KΩ 1/16W	
R258	OW390100226108	C RESISTOR	10KΩ 1/16W		R402	OW390560126102	C RESISTOR	5.6KΩ 1/16W	
R259	OW390470226109	C RESISTOR	47KΩ 1/16W		R403	OW390100226108	C RESISTOR	10KΩ 1/16W	
R260	OW390120326104	C RESISTOR	120KΩ 1/16W		R404	OW390100226108	C RESISTOR	10KΩ 1/16W	
R261	OW390120326104	C RESISTOR	120KΩ 1/16W		R405	OW390100226108	C RESISTOR	10KΩ 1/16W	
R263	OW390150226101	C RESISTOR	15KΩ 1/16W	G3_UB, G3_US, G3_UT,G 3_UW,G 3_UY, G4_A,G4 UB,G4 US,G4_U T,G4_U W	R406	OW390100226108	C RESISTOR	10KΩ 1/16W	
R263	OW390150266101	C RESISTOR	15KΩ 1/16W		R407	OW390470126103	C RESISTOR	4.7KΩ 1/16W	
					R408	OW390470126103	C RESISTOR	4.7KΩ 1/16W	
					R409	OW390120226107	C RESISTOR	12KΩ 1/16W	
					R410	OW390120226107	C RESISTOR	12KΩ 1/16W	
					R413	OW390047926108	C RESISTOR	4.7Ω 1/16W	
					R414	OW390047926108	C RESISTOR	4.7Ω 1/16W	
					R415	OW390150926107	C RESISTOR	15Ω 1/16W	
					R416	OW390150926107	C RESISTOR	15Ω 1/16W	
					R417	OW390470026106	C RESISTOR	470Ω 1/16W	
					R418	OW390470026106	C RESISTOR	470Ω 1/16W	
					R419	OW380100223312	C RESISTOR	10KΩ 1/8W	
					R420	OW380047023312	C RESISTOR	47Ω 1/8W	
					R421	OW390120126101	C RESISTOR	1.2KΩ 1/16W	
					R422	OW380022023315	C RESISTOR	22Ω 1/8W	
					R423	OW380100123315	C RESISTOR	1KΩ 1/8W	
					R424	OW390220226101	C RESISTOR	22KΩ 1/16W	
					R425	OW390100126102	C RESISTOR	1KΩ 1/16W	
					R426	OW380022957614	C RESISTOR	2.2Ω 1/2W	
					R427	OW390100326105	C RESISTOR	100KΩ 1/16W	
					R428	OW390100226108	C RESISTOR	10KΩ 1/16W	
					R429	OW390100226108	C RESISTOR	10KΩ 1/16W	
					R430	OW390100226108	C RESISTOR	10KΩ 1/16W	
					R431	OW390100226108	C RESISTOR	10KΩ 1/16W	
					R432	OW390100326105	C RESISTOR	100KΩ 1/16W	
					R433	OW390100226108	C RESISTOR	10KΩ 1/16W	
					R434	OW380010023521	C RESISTOR	10Ω 1/4W	
					R435	OW380560023318	C RESISTOR	560Ω 1/8W	
					R436	OW390000029121	C RESISTOR	0Ω 1/16W	

△ Symbol No.	Part No.	Part Name	Description	Local	△ Symbol No.	Part No.	Part Name	Description	Local
R437	OW390100226108	C RESISTOR	10KΩ 1/16W	G3_UB, G3_US, G3_UT,G 3_ÜW,G 3_ÜY,G4 A,G4 U B,G4 ÜS G4_ÜT, G4_ÜW	L101	OW622010001017	SPONGE	10X10X10mm	G3_UB, G3_US, G3_UT,G 3_ÜW,G 3_ÜY,G4 A,G4 U B,G4 ÜS G4_ÜT, G4_ÜW
R441	OW390100226108	C RESISTOR	10KΩ 1/16W		L102	OW162070101065	COIL	10uH 823465	G3_UP
R442	OW390100326105	C RESISTOR	100KΩ 1/16W						G3_UB, G3_US, G3_UT,G 3_ÜW,G
R443	OW390100126102	C RESISTOR	1KΩ 1/16W		L102	OW153035055029	FM COIL	5.5mmX3 1/2T 0.8	3_ÜY,G4 A,G4 U B,G4 ÜS G4_ÜT, G4_ÜW
R444	OW390100326105	C RESISTOR	100KΩ 1/16W						G3_UB, G3_US, G3_UT,G 3_ÜW,G
R445	OW390100226108	C RESISTOR	10KΩ 1/16W						G3_UB, G3_US, G3_UT,G 3_ÜW,G
R446	OW390270226103	C RESISTOR	27KΩ 1/16W						G3_UB, G3_US, G3_UT,G 3_ÜW,G
R448	OW380560223312	C RESISTOR	56KΩ 1/8W						G3_UB, G3_US, G3_UT,G 3_ÜW,G
R449	OW390750026107	C RESISTOR	750Ω 1/16W						G3_UB, G3_US, G3_UT,G 3_ÜW,G
R450	OW390270126106	C RESISTOR	2.7KΩ 1/16W						G3_UB, G3_US, G3_UT,G 3_ÜW,G
R451	OW390560126102	C RESISTOR	5.6KΩ 1/16W						G3_UB, G3_US, G3_UT,G 3_ÜW,G
R460	OW390330126102	C RESISTOR	3.3KΩ 1/16W	G3_UP G3_UB, G3_US, G3_UT,G 3_ÜW,G 3_ÜY,G4 A,G4 U B,G4 ÜS G4_ÜT, G4_ÜW	L102	OW622010001017	SPONGE	10X10X10mm	G3_UB, G3_US, G3_UT,G 3_ÜW,G 3_ÜY,G4 A,G4 U B,G4 ÜS G4_ÜT, G4_ÜW
R461	OW390330226108	C RESISTOR	33KΩ 1/16W		L103	OW152086436014	AM ANT COIL	0A10-864367 NP	G3_UP G3_UB, G3_US, G3_UT,G 3_ÜW,G 3_ÜY,G4 A,G4 U B,G4 ÜS G4_ÜT, G4_ÜW
R463	OW390100326105	C RESISTOR	100KΩ 1/16W						G3_UB, G3_US, G3_UT,G 3_ÜW,G
R464	OW390100326105	C RESISTOR	100KΩ 1/16W		L103	OW162070101065	COIL	10uH 823465	G3_UB, G3_US, G3_UT,G 3_ÜW,G 3_ÜY,G4 A,G4 U B,G4 ÜS G4_ÜT, G4_ÜW
R465	OW390100326105	C RESISTOR	100KΩ 1/16W						G3_UB, G3_US, G3_UT,G 3_ÜW,G
R466	OW390330126102	C RESISTOR	3.3KΩ 1/16W	G3_UB, G3_US, G3_UT,G 3_ÜW,G 3_ÜY,G4 A,G4 U B,G4 ÜS G4_ÜT, G4_ÜW	L104	OW140001014015	IFT	1A1014N 10mm RED	G3_UP
R481	OW390100126102	C RESISTOR	1KΩ 1/16W						G3_UB, G3_US, G3_UT,G 3_ÜW,G
R483	OW166004344011	FERRITE BEAD	700 100MHz	G3_UP	L104	OW162070101065	COIL	10uH 823465	3_ÜY,G4 A,G4 U B,G4 ÜS G4_ÜT, G4_ÜW
R484	OW390330226108	C RESISTOR	33KΩ 1/16W	G3_UP					G3_UB, G3_US, G3_UT,G 3_ÜW,G
R485	OW380390023504	C RESISTOR	390Ω 1/4W						G3_UB, G3_US, G3_UT,G 3_ÜW,G
R486	OW390100226108	C RESISTOR	10KΩ 1/16W						G3_UB, G3_US, G3_UT,G 3_ÜW,G
R801	OW390100226108	C RESISTOR	10KΩ 1/16W	G3_UP	L105	OW152073995014	FM DET	7 mm 114 KHz Filter	G3_UP
R802	OW390000029121	C RESISTOR	0Ω 1/16W	G3_UP					G3_UB, G3_US, G3_UT,G 3_ÜW,G
R803	OW390220126104	C RESISTOR	2.2KΩ 1/16W	G3_UP					G3_UB, G3_US, G3_UT,G 3_ÜW,G
R804	OW390220126104	C RESISTOR	2.2KΩ 1/16W	G3_UP					G3_UB, G3_US, G3_UT,G 3_ÜW,G
R805	OW390100226108	C RESISTOR	10KΩ 1/16W	G3_UP					G3_UB, G3_US, G3_UT,G 3_ÜW,G
R806	OW390100226108	C RESISTOR	10KΩ 1/16W		L105	OW162070101065	COIL	10uH 823465	3_ÜY,G4 A,G4 U B,G4 ÜS G4_ÜT, G4_ÜW
R831	OW390100226108	C RESISTOR	10KΩ 1/16W	G3_UB, G3_US, G3_UT,G 3_ÜW,G 3_ÜY,G4 A,G4 U B,G4 ÜS G4_ÜT, G4_ÜW	L106	OW162070101065	COIL	10uH 823465	G3_UP
R832	OW390100226108	C RESISTOR	10KΩ 1/16W		△ L201	OW152040474049	CHOKE COIL	47MH	
R449A	OW390750026107	C RESISTOR	750Ω 1/16W		L202	OW152040474049	CHOKE COIL	47MH	
					L203	OW152000053039	OSC COIL	REC Bias	
					L204	OW152004344055	FERRITE COIL	4T	G3_UP
					L205	OW152004344055	FERRITE COIL	4T	G3_UP
					L207	OW152004344055	FERRITE COIL	4T	G3_UP
					L208	OW152004344055	FERRITE COIL	4T	G3_UP
					L301	OW152004446004	FETTITE COIL	4T 46uH	
					L302	OW152004446004	FETTITE COIL	4T 46uH	
					L303	OW152004446004	FETTITE COIL	4T 46uH	
					L304	OW162070222055	COIL	220uH Axial	
					L401	OW166004344011	FERRITE BEAD	700 100MHz	G3_UP
					L402	OW166004344011	FERRITE BEAD	700 100MHz	G3_UP
					L403	OW152004446004	FETTITE COIL	4T 46uH	
					L404	OW152004446004	FETTITE COIL	4T 46uH	
					L405	OW152004446004	FETTITE COIL	4T 46uH	
L101	OW153025055036	FM COIL	5.5mmX2 1/2T 0.8	G3_UB, G3_US, G3_UT,G 3_ÜW,G 3_ÜY,G4 A,G4 U B,G4 ÜS G4_ÜT, G4_ÜW	L406	OW152004446004	FETTITE COIL	4T 46uH	
					L481	OW168001122012	FERRITE BEAD	RH03509ST-B246	
					L482	OW168001122012	FERRITE BEAD	RH03509ST-B246	
					L801	OW152040080045	CHOKE COIL	8uH	G3_UP
					L802	OW152040080045	CHOKE COIL	8uH	G3_UP
					L803	OW152040080045	CHOKE COIL	8uH	G3_UP
					L804	OW152040080045	CHOKE COIL	8uH	G3_UP

△ Symbol No.	Part No.	Part Name	Description	Local	△ Symbol No.	Part No.	Part Name	Description	Local
L901	OW155000400015	CHOKE COIL	12.7X7.5X5	G3_UP	CN202	OW261041092246	CONNECTOR	9P for CASS	
T101	OW140000332028	IFT	810017 10mm YEL	G3_UP			WIRE	MECH	
T101	OW118100070053	TR CAPACITOR	10pF	G3_UP	CN203	OW260011070025	HEADER	7P	
				G3_UB,	CN301	OW260012030029	HEADER	3P	
				G3_US,	CN303	OW260011080034	HEADER	8P	
				G3_UT,G	CN401	OW260011040033	HEADER	4P	
T101	OW152086436014	AM ANT COIL	0A10-864367 NP	3_ÜW,G	CN402	OW260012100012	HEADER	10P	
				3_ÜY,G4	CN481	OW260012020044	HEADER	2P	
				A,G4_U	CN602	OW260011030024	HEADER	3P	
				B,G4_ÜS	CN603	OW260012030029	HEADER	3P	
				,G4_ÜT,	CN801	OW262000006052	SPK TERMINAL	WP-4112AE	
				G4_ÜW	CON80	OW260012040049	HEADER	4P	
				G3_UB,	1				
				G3_US,	FMANT	OW236092160003	WIRE		G3_UP
				G3_UT,G	FP101	OW560020001009	TUNER PAD	KST-F404VA-1	G3_UP
T102	OW140001014015	IFT	1A1014N 10mm RED	3_ÜW,G					G3_UB,
				3_ÜY,G4					G3_US,
				A,G4_U					G3_UT,G
				B,G4_ÜS	J101	OW390000029121	C RESISTOR	0Ω 1/16W	3_ÜW,G
				,G4_ÜT,					3_ÜY,G4
				G4_ÜW					A,G4_U
				G3_UB,					B,G4_ÜS
				G3_US,					,G4_ÜT,
				G3_UT,G					G4_ÜW
T103	OW140000332028	IFT	810017 10mm YEL	3_ÜW,G					G3_UB,
				3_ÜY,G4	J128	OW100102567007	C CAPACITOR	0.001uF 50V	G3_US,
				A,G4_U					G3_UT,G
				B,G4_ÜS					3_ÜW,G
				,G4_ÜT,					3_ÜY,G4
				G4_ÜW					A,G4_U
				G3_UB,					B,G4_ÜS
				G3_US,					,G4_ÜT,
				G3_UT,G	J131	OW390000049315	C RESISTOR	0Ω 1/8W	G4_ÜW
ACIN1	OW607000020007	EYELET	D=2X4mm	3_ÜW,G					G3_UB,
ACIN2	OW607000020007	EYELET	D=2X4mm	3_ÜY,G4					G3_US,
ACOUT1	OW607000020007	EYELET	D=2X4mm	A,G4_U	J131	OW390000049315	C RESISTOR	0Ω 1/8W	G3_UT,G
ACOUT2	OW607000020007	EYELET	D=2X4mm	B,G4_ÜS					3_ÜW,G
BP101	OW152080001038	FILTER	FM BP BPF-10833KF	,G4_ÜT,					3_ÜY
				G4_ÜW	J131	OW390000049305	C RESISTOR	0Ω 1/8W	G4_A,G4
				G3_UB,					ÜB,G4
				G3_US,					ÜS,G4_Ü
				G3_UT,G					T,G4_Ü
				3_ÜW,G					W
				3_ÜY,G4					G3_UB,
				A,G4_U	J132	OW390000049315	C RESISTOR	0Ω 1/8W	G3_UP,G
				B,G4_ÜS					3_ÜS,G3
				,G4_ÜT,					ÜT,G3
				G4_ÜW	J132	OW390000049305	C RESISTOR	0Ω 1/8W	ÜW,G3_
				G3_UP					ÜY
				G3_UB,	J132	OW390000049305	C RESISTOR	0Ω 1/8W	G4_A,G4
				G3_US,					ÜB,G4
				G3_UT,G	J132	OW390000049305	C RESISTOR	0Ω 1/8W	ÜS,G4_Ü
				3_ÜW,G					T,G4_Ü
				3_ÜY,G4					W
				A,G4_U	J133	OW390000049315	C RESISTOR	0Ω 1/8W	G3_UB,
				B,G4_ÜS					G3_UP,G
				,G4_ÜT,	J133	OW390000049315	C RESISTOR	0Ω 1/8W	3_ÜS,G3
				G4_ÜW					ÜT,G3
				G3_UP	J133	OW390000049305	C RESISTOR	0Ω 1/8W	ÜW,G3_
				G3_UB,					ÜY
				G3_US,	J133	OW390000049305	C RESISTOR	0Ω 1/8W	G4_A,G4
				G3_UT,G					ÜB,G4
				3_ÜW,G	J133	OW390000049305	C RESISTOR	0Ω 1/8W	ÜS,G4_Ü
				3_ÜY,G4					T,G4_Ü
				A,G4_U					W
				B,G4_ÜS	J134	OW390000049315	C RESISTOR	0Ω 1/8W	G3_UB,
				,G4_ÜT,					G3_UP,G
				G4_ÜW	J134	OW390000049305	C RESISTOR	0Ω 1/8W	3_ÜS,G3
				G3_UP					ÜT,G3
				G3_UB,	J134	OW390000049305	C RESISTOR	0Ω 1/8W	ÜW,G3_
				G3_US,					ÜY
				G3_UT,G	J134	OW390000049305	C RESISTOR	0Ω 1/8W	G4_A,G4
				3_ÜW,G					ÜB,G4
				3_ÜY,G4	J134	OW390000049305	C RESISTOR	0Ω 1/8W	ÜS,G4_Ü
				A,G4_U					T,G4_Ü
				B,G4_ÜS					W
				,G4_ÜT,	J135	OW390000049315	C RESISTOR	0Ω 1/8W	G3_UB,
				G4_ÜW					G3_UP,G
				G3_UP					3_ÜS,G3
				G3_UB,					ÜT,G3
				G3_US,					ÜW,G3_
				G3_UT,G					ÜY
				3_ÜW,G					
				3_ÜY,G4					
				A,G4_U					
				B,G4_ÜS					
				,G4_ÜT,					
				G4_ÜW					

△ Symbol No.	Part No.	Part Name	Description	Local	△ Symbol No.	Part No.	Part Name	Description	Local
J135	OW390000049305	C RESISTOR	0Ω 1/8W	G4_A,G4 UB,G4 US,G4 U T,G4_U W	TIEE11	OW235050040011	WIRE	40mm BLK	G3_UP
J136	OW390000049315	C RESISTOR	0Ω 1/8W	G3_UB, G3_US, G3_UT,G 3_UW,G 3_UY	TIEIE1	OW235050040011	WIRE	40mm BLK	G3_UB, G3_US, G3_UT,G 3_UW,G 3_UY,G4 A,G4 U B,G4_US G4_UT, G4_UW
J136	OW390000049305	C RESISTOR	0Ω 1/8W	G4_A,G4 UB,G4 US,G4 U T,G4_U W	TIEIE3	OW235050040011	WIRE	40mm BLK	G3_UP
J137	OW390000049315	C RESISTOR	0Ω 1/8W	G3_UB, G3_US, G3_UT,G 3_UW,G 3_UY	TIEIE4	OW235050040011	WIRE	40mm BLK	G3_UB, G3_US, G3_UT,G 3_UW,G 3_UY,G4 A,G4 U B,G4_US G4_UT, G4_UW
J137	OW390000049305	C RESISTOR	0Ω 1/8W	G4_A,G4 UB,G4 US,G4 U T,G4_U W	TIEIE6	OW235050040011	WIRE	40mm BLK	G3_UP
J138	OW390000049315	C RESISTOR	0Ω 1/8W	G3_UB, G3_US, G3_UT,G 3_UW,G 3_UY	TIEIE7	OW235050040011	WIRE	40mm BLK	G3_UB, G3_US, G3_UT,G 3_UW,G 3_UY,G4 A,G4 U B,G4_US G4_UT, G4_UW
J138	OW390000049305	C RESISTOR	0Ω 1/8W	G4_A,G4 UB,G4 US,G4 U T,G4_U W	TIEIE8	OW235050040011	WIRE	40mm BLK	G3_UP
J139	OW390000029121	C RESISTOR	0Ω 1/16W	G3_UB, G3_US, G3_UT,G 3_UW,G 3_UY,G4 A,G4 U B,G4_US G4_UT, G4_UW	VD101	SVC201	TUNING DIODE	OW300000201016	G3_UP G3_UB, G3_US, G3_UT,G 3_UW,G 3_UY,G4 A,G4 U B,G4_US G4_UT, G4_UW
J220	OW390000049315	C RESISTOR	0Ω 1/8W	G3_UB, G3_US, G3_UT,G 3_UW,G 3_UY	VD102	SVC201	TUNING DIODE	OW300000201016	G3_UB, G3_US, G3_UT,G 3_UW,G 3_UY,G4 A,G4 U B,G4_US G4_UT, G4_UW
J221	OW390000049315	C RESISTOR	0Ω 1/8W	G3_UP	VD103	SVC348T	VARI CAP DIODE	OW311000348032	G3_UB, G3_US, G3_UT,G 3_UW,G 3_UY,G4 A,G4 U B,G4_US G4_UT, G4_UW
J222	OW390000049315	C RESISTOR	0Ω 1/8W	G3_UB, G3_US, G3_UT,G 3_UW,G 3_UY	X101	OW290007200072	CRYSTAL	7.2MHz 20PPM 30pF	G3_UP
J222	OW390000049305	C RESISTOR	0Ω 1/8W	G4_A,G4 UB,G4 US,G4 U T,G4_U W	XXXXX	OW169004344074	FERRITE CORE	for Cass Mech	G3_UP
J413	OW390000049315	C RESISTOR	0Ω 1/8W	G3_UP	XXXXX	OW261061063063	CONNECTOR	6P for MAIN CN201 to CASS HEAD	G3_UP
J415	OW390000029121	C RESISTOR	0Ω 1/16W	G3_UB, G3_US, G3_UT,G 3_UW,G 3_UY,G4 A,G4 U B,G4_US G4_UT, G4_UW	XXXXX	OW169004344085	FERRITE CORE	For FMANT	G3_UP
J416	OW390000029121	C RESISTOR	0Ω 1/16W	G3_UB, G3_US, G3_UT,G 3_UW,G 3_UY,G4 A,G4 U B,G4_US G4_UT, G4_UW	XXXXX	OW236092160003	WIRE	For FM OSC	G3_UP
J417	OW166004344011	FERRITTE BEAD	700/100MHZ	G3_UB, G3_US, G3_UT,G 3_UW,G 3_UY,G4 A,G4 U B,G4_US G4_UT, G4_UW	XXXXX	OW235020100013	WIRE	for P8 to Tie2	G3_UP
JK301	OW270021315017	AUX JACK	CKX3.5-02-5P	G3_UB, G3_US, G3_UT,G 3_UW,G 3_UY,G4 A,G4 U B,G4_US G4_UT, G4_UW	XXXXX	OW261042041309	CONNECTOR	4P for MAIN CN401 to PHONE	G3_UP
JK401	OW270021315006	JACK	3.5mm	G3_UB, G3_US, G3_UT,G 3_UW,G 3_UY,G4 A,G4 U B,G4_US G4_UT, G4_UW	XXXXX	OW603000003022	CABLE TIE	4UL(x6)	G3_UP
				G3_UB, G3_US, G3_UT,G 3_UW,G 3_UY,G4 A,G4 U B,G4_US G4_UT, G4_UW	XXXXX	OW261061031095	CONNECTOR	3P for MAIN CN301 to AUX CON301	G3_UB, G3_US, G3_UT,G 3_UW,G 3_UY,G4 A,G4 U B,G4_US G4_UT, G4_UW
				G3_UB, G3_US, G3_UT,G 3_UW,G 3_UY,G4 A,G4 U B,G4_US G4_UT, G4_UW	XXXXX	OW261061063052	CONNECTOR	6P for MAIN CN201 to CASS HEAD	G3_UB, G3_US, G3_UT,G 3_UW,G 3_UY,G4 A,G4 U B,G4_US G4_UT, G4_UW

△ Symbol No.	Part No.	Part Name	Description	Local	△ Symbol No.	Part No.	Part Name	Description	Local	
XXXXX	OW169004344028	FERRITE CORE	For phone	G3_UB, G3_UP,G 3_ÜP,G3 ÜS,G3 ÜT,G3_Ü W,G3_Ü Y,G4_A, G4_A,G4 ÜB,G4_Ü S,G4_ÜS .G4_ÜT, G4_ÜT,G 4_ÜW,G 4_ÜW		△ Z441	6.2V0.5W	Z DIODE	OW303050062074	
XXXXX	OW261041021432	WIRE	1P For FM-2	G3_UB, G3_US, G3_ÜT,G 3_ÜW,G 3_ÜY,G4 A,G4_Ü B,G4_ÜS .G4_ÜT, G4_ÜW		△ Z481	6.2V0.5W	Z DIODE	OW303050062074	
XXXXX	OW169004344041	FERRITE CORE	For FMANT	G3_UB, G3_US, G3_ÜT,G 3_ÜW,G 3_ÜY,G4 A,G4_Ü B,G4_ÜS .G4_ÜT, G4_ÜW		Power board				
XXXXX	OW173000300027	FM ANT	For FMA	G3_UB, G3_US, G3_ÜT,G 3_ÜW,G 3_ÜY,G4 A,G4_Ü B,G4_ÜS .G4_ÜT, G4_ÜW		Block No. [0][2]				
XXXXX	OW239023050009	CONNECTOR WIRE	2P for DISPLAY CN705 to LED CON706	G3_UB, G3_US, G3_ÜT,G 3_ÜW,G 3_ÜY,G4 A,G4_Ü B,G4_ÜS .G4_ÜT, G4_ÜW		△ Symbol No.	Part No.	Part Name	Description	Local
XXXXX	OW261042041211	CONNECTOR WIRE	4P for MAIN CN401 to PHONE CON401	G3_UB, G3_US, G3_ÜT,G 3_ÜW,G 3_ÜY,G4 A,G4_Ü B,G4_ÜS .G4_ÜT, G4_ÜW		△ IC801	LM4731TA	IC	OW510004731018	
XXXXX	OW672009025021	HEAT SINK	for Q443	G3_UB, G3_US, G3_ÜT,G 3_ÜW,G 3_ÜY,G4 A,G4_Ü B,G4_ÜS .G4_ÜT, G4_ÜW		△ IC901	RS602	IC	OW300000602012	
XXXXX	OW603000003022	CABLE TIE	4UL(x4)	G3_UB, G3_US, G3_ÜT,G 3_ÜW,G 3_ÜY,G4 A,G4_Ü B,G4_ÜS .G4_ÜT, G4_ÜW		Q801	8050	TRANSISTOR	OW343008050075	
XXXXX	OW603000004021	ROUND WIRE	Tie	G3_UB, G3_US, G3_ÜT,G 3_ÜW,G 3_ÜY,G4 A,G4_Ü B,G4_ÜS .G4_ÜT, G4_ÜW		Q803	8050	TRANSISTOR	OW343008050075	
△ Z101	10V0.5W	Z DIODE	OW303050100043			Q804	2SC945-P	TRANSISTOR	OW343000945055	
△ Z401	5.6V0.5W	Z DIODE	OW303050056072			D802	1N4148	DIODE	OW300004148072	
△ Z402	9.1V0.5W	Z DIODE	OW303050091034			△ D901	1N4001	DIODE	OW300004001048	
						△ D902	1N4001	DIODE	OW300004001048	
						△ D903	1N4001	DIODE	OW300004001048	
						△ D904	1N4001	DIODE	OW300004001048	
						△ D905	1N4001	DIODE	OW300004001048	
						△ D906	1N4001	DIODE	OW300004001048	
						△ D907	1N4001	DIODE	OW300004001048	
						△ D908	1N4001	DIODE	OW300004001048	
						C801	OW131107052916	E CAPACITOR	1uF 50V	
						C802	OW131107052916	E CAPACITOR	1uF 50V	
						C803	OW100561066009	C RESISTOR	560pF	
						C804	OW100561066009	C RESISTOR	560pF	
						C805	OW131471032918	E CAPACITOR	47uF 25V	
						C806	OW131471032918	E CAPACITOR	47uF 25V	
						C807	OW100224068006	C RESISTOR	0.22uF	
						△ C808	OW130333042014	E CAPACITOR	3300uF 35V	
						△ C809	OW130333042014	E CAPACITOR	3300uF 35V	
						C810	OW100224068006	C RESISTOR	0.22uF	
						C811	OW131227052907	E CAPACITOR	2.2uF 50V	
						C813	OW131471032918	E CAPACITOR	47uF 25V	
						C814	OW131471032918	E CAPACITOR	47uF 25V	
						C815	OW110104567009	M CAPACITOR	0.1uF 50V	
						C816	OW110104567009	M CAPACITOR	0.1uF 50V	
						C821	OW100101066009	C CAPACITOR	100pF	
						C822	OW100101066009	C CAPACITOR	100pF	
						C823	OW100101066009	C CAPACITOR	100pF	
						△ C901	OW130333022107	E CAPACITOR	3300uF 16V	
						C902	OW100223069009	C CAPACITOR	0.022uF	
						C903	OW100223069009	C CAPACITOR	0.022uF	
						C904	OW100223069009	C CAPACITOR	0.022uF	
						C905	OW100223069009	C CAPACITOR	0.022uF	
						C906	OW100223069009	C CAPACITOR	0.022uF	
						△ C907	OW130103032105	E CAPACITOR	1000uF 25V	
						C908	OW100104069003	C CAPACITOR	0.1uF	
						C909	OW100104069003	C CAPACITOR	0.1uF	
						C910	OW100104069003	C CAPACITOR	0.1uF	
						C911	OW100104069003	C CAPACITOR	0.1uF	
						C912	OW100223069009	C CAPACITOR	0.022uF	
						C913	OW100223069009	C CAPACITOR	0.022uF	
						C914	OW100223069009	C CAPACITOR	0.022uF	
						C915	OW100223069009	C CAPACITOR	0.022uF	
						C901A	OW100223069009	C CAPACITOR	0.022uF	
						R801	OW380100123315	C RESISTOR	1KΩ 1/8W	
						R802	OW380100123315	C RESISTOR	1KΩ 1/8W	
						R803	OW380100223312	C RESISTOR	10KΩ 1/8W	
						R804	OW380100223312	C RESISTOR	10KΩ 1/8W	
						R805	OW380150223314	C RESISTOR	15KΩ 1/8W	
						R806	OW380220223314	C RESISTOR	22KΩ 1/8W	
						R809	OW380330223312	C RESISTOR	33KΩ 1/8W	
						R811	OW380470223313	C RESISTOR	47KΩ 1/8W	
						R812	OW380100223312	C RESISTOR	10KΩ 1/8W	
						R813	OW380560223312	C RESISTOR	56KΩ 1/8W	
						R814	OW380560223312	C RESISTOR	56KΩ 1/8W	
						R815	OW380100223312	C RESISTOR	10KΩ 1/8W	
						R816	OW380100323318	C RESISTOR	100KΩ 1/8W	
						R817	OW380220223314	C RESISTOR	22KΩ 1/8W	

△ Symbol No.	Part No.	Part Name	Description	Local	△ Symbol No.	Part No.	Part Name	Description	Local
R740	OW390100126102	C RESISTOR	1KΩ 1/16W		SW702	OW182010101194	TACT SWITCH	Evjgae 05R H=5mm	
R741	OW390270126106	C RESISTOR	2.7KΩ 1/16W		SW703	OW182010101194	TACT SWITCH	Evjgae 05R H=5mm	
R742	OW390100226108	C RESISTOR	10KΩ 1/16W		SW704	OW182010101194	TACT SWITCH	Evjgae 05R H=5mm	
R743	OW390100226108	C RESISTOR	10KΩ 1/16W		SW705	OW182010101194	TACT SWITCH	Evjgae 05R H=5mm	
R744	OW390100226108	C RESISTOR	10KΩ 1/16W		SW706	OW182010101194	TACT SWITCH	Evjgae 05R H=5mm	
R745	OW390100226108	C RESISTOR	10KΩ 1/16W		SW707	OW182010101194	TACT SWITCH	Evjgae 05R H=5mm	
R746	OW390100226108	C RESISTOR	10KΩ 1/16W		SW708	OW182010101194	TACT SWITCH	Evjgae 05R H=5mm	
R747	OW390100226108	C RESISTOR	10KΩ 1/16W		SW709	OW182010101194	TACT SWITCH	Evjgae 05R H=5mm	
R748	OW390100226108	C RESISTOR	10KΩ 1/16W		X701	OW156050720026	CER. RESONATOR	ZTA7.2MT	
R749	OW390100226108	C RESISTOR	10KΩ 1/16W		X702	OW290032768078	CRYSTAL	32.768MHz 20PPM	
R750	OW390100226108	C RESISTOR	10KΩ 1/16W		XXXXX	OW169004344028	FERRITE CORE	for CN707	
R751	OW390100226108	C RESISTOR	10KΩ 1/16W		XXXXX	OW235020080029	WIRE	for PGND2 to CD P4	
R752	OW390100226108	C RESISTOR	10KΩ 1/16W		XXXXX	OW603000003022	CABLE TIE	4UL(x2)	
					XXXXX	OW603000005029	CABLE TIE	6.5UL(x2)	
R753	OW390100226108	C RESISTOR	10KΩ 1/16W	G3_UB, G3_UP,G 3_US,G3 UT,G3_ UW,G3_ UY	△ Z702	8.2V0.5W	Z DIODE	OW303050082024	
R753	OW390470026106	C RESISTOR	470Ω 1/16W	G4_A,G4 UB,G4 US,G4_U T,G4_U W					
R754	OW390910126103	C RESISTOR	9.1KΩ 1/16W						
R755	OW390270126106	C RESISTOR	2.7KΩ 1/16W						
R756	OW390390126108	C RESISTOR	3.9KΩ 1/16W						
R757	OW390560226108	C RESISTOR	56KΩ 1/16W						
R758	OW390750926107	C RESISTOR	75 1/16W						
R759	OW390470026106	C RESISTOR	470Ω 1/16W						
R760	OW390150126104	C RESISTOR	1.5KΩ 1/16W						
R761	OW390360126105	C RESISTOR	3.6KΩ 1/16W						
R762	OW390180126107	C RESISTOR	1.8KΩ 1/16W						
R763	OW390560226108	C RESISTOR	56KΩ 1/16W						
R764	OW390100226108	C RESISTOR	10KΩ 1/16W						
R765	OW390680126104	C RESISTOR	6.8KΩ 1/16W						
R766	OW390470126103	C RESISTOR	4.7KΩ 1/16W						
R780	OW390100126102	C RESISTOR	1KΩ 1/16W						
R781	OW390000029121	C RESISTOR	0Ω 1/16W						
R782	OW390100126102	C RESISTOR	1KΩ 1/16W						
R788	OW390100226108	C RESISTOR	10KΩ 1/16W						
L701	OW162070102064	COIL	100uH						
L702	OW162070102064	COIL	100uH						
L706	OW162070102075	COIL	100uH						
CN701	OW261041082272	CONNECTOR WIRE	8P for MAIN CN103						
CN702	OW261041082248	CONNECTOR WIRE	8P for MAIN CN303						
CN703	OW261041032238	CONNECTOR WIRE	3P for CD CN603						
CN704	OW261041072206	CONNECTOR WIRE	7P for MAIN CN203						
CN706	OW261041102143	CONNECTOR WIRE	10P for CD CN606						
CN707	OW261042021315	CONNECTOR WIRE	2P for MAIN CN481						
CN708	OW261041021365	CONNECTOR WIRE	2P for CD door switch						
J730	OW390000049315	C RESISTOR	0Ω 1/8W						
J731	OW390000049315	C RESISTOR	0Ω 1/8W						
J732	OW390000049315	C RESISTOR	0Ω 1/8W						
J733	OW390000049315	C RESISTOR	0Ω 1/8W						
J734	OW390000049315	C RESISTOR	0Ω 1/8W						
J735	OW390000049315	C RESISTOR	0Ω 1/8W						
J736	OW390000049315	C RESISTOR	0Ω 1/8W						
J737	OW390000049315	C RESISTOR	0Ω 1/8W						
J739	OW390000049315	C RESISTOR	0Ω 1/8W						
J740	OW390000049315	C RESISTOR	0Ω 1/8W						
J741	OW390000049315	C RESISTOR	0Ω 1/8W						
J742	OW390000049315	C RESISTOR	0Ω 1/8W						
J743	OW390000049315	C RESISTOR	0Ω 1/8W						
J744	OW390000049315	C RESISTOR	0Ω 1/8W						
J745	OW390000049315	C RESISTOR	0Ω 1/8W						
RV701	OW254092040043	ENCODER VOL	EC162102 FIB- HA1-24						
SEN701	OW309062638005	SENSOR	IRM2638F4						
SW701	OW182010101194	TACT SWITCH	Evjgae 05R H=5mm						
					IC601	TC94A14FA	CD LSI IC	OW510009414017	
					IC602	TA2157FN	IC	OW510002157016	
					IC603	TA2092AN	IC	OW510002092038	
					IC604	TC94A02F-007	IC	OW510009402012	
					IC605	AS7C31024B-15	IC	OW510031024039	
					IC606	SN74HC14DR	IC	OW510007414038	
					△ IC607	PJ7805	IC	OW510007805103	
					Q601	8050	TRANSISTOR	OW343008050075	
					Q602	8050	TRANSISTOR	OW343008050075	
					Q603	8050	TRANSISTOR	OW343008050075	
					Q604	8050	TRANSISTOR	OW343008050075	
					Q605	2SA733PNP	TRANSISTOR	OW343000733056	
					Q608	8050	TRANSISTOR	OW343008050064	
					D601	1N4148	DIODE	OW300004148083	
					C600	OW120102526009	C CAPACITOR	1000pF 50V	
					C601	OW131222012908	E CAPACITOR	220uF 10V	
					C602	OW131471012902	E CAPACITOR	47uF 10V	
					C603	OW131471022911	E CAPACITOR	47uF 16V	
					C604	OW131471022911	E CAPACITOR	47uF 16V	
					C605	OW131471022911	E CAPACITOR	47uF 16V	
					C606	OW131471022911	E CAPACITOR	47uF 16V	
					C607	OW131472012907	E CAPACITOR	470uF 10V	
					C608	OW120104527009	C CAPACITOR	0.1uF 50V	
					C609	OW131222012908	E CAPACITOR	220uF 10V	
					C610	OW120104527009	C CAPACITOR	0.1uF 50V	
					C611	OW120104527009	C CAPACITOR	0.1uF 50V	
					△ C612	OW131103012902	E CAPACITOR	1000uF 10V	
					C613	OW120104527009	C CAPACITOR	0.1uF 50V	
					C614	OW120473527005	C CAPACITOR	0.047uF 50V	
					C620	OW131472012907	E CAPACITOR	470uF 10V	
					C621	OW120104527009	C CAPACITOR	0.1uF 50V	
					C622	OW131102022904	E CAPACITOR	100uF 16V	
					C623	OW120030526008	C CAPACITOR	3 pF 50V	
					C624	OW120104527009	C CAPACITOR	0.1uF 50V	
					C625	OW120104527009	C CAPACITOR	0.1uF 50V	
					C626	OW120680526001	C CAPACITOR	68pF 50V	
					C627	OW120393527001	C CAPACITOR	0.039uF 50V	
					C628	OW120104527009	C CAPACITOR	0.1uF 50V	
					C629	OW120104527009	C CAPACITOR	0.1uF 50V	
					C630	OW120472527009	C CAPACITOR	4700pF 50V	
					C631	OW120470526009	C CAPACITOR	47pF 50V	

CD board

Block No. [0][4]

△ Symbol No.	Part No.	Part Name	Description	Local
IC601	TC94A14FA	CD LSI IC	OW510009414017	
IC602	TA2157FN	IC	OW510002157016	
IC603	TA2092AN	IC	OW510002092038	
IC604	TC94A02F-007	IC	OW510009402012	
IC605	AS7C31024B-15	IC	OW510031024039	
IC606	SN74HC14DR	IC	OW510007414038	
△ IC607	PJ7805	IC	OW510007805103	
Q601	8050	TRANSISTOR	OW343008050075	
Q602	8050	TRANSISTOR	OW343008050075	
Q603	8050	TRANSISTOR	OW343008050075	
Q604	8050	TRANSISTOR	OW343008050075	
Q605	2SA733PNP	TRANSISTOR	OW343000733056	
Q608	8050	TRANSISTOR	OW343008050064	
D601	1N4148	DIODE	OW300004148083	
C600	OW120102526009	C CAPACITOR	1000pF 50V	
C601	OW131222012908	E CAPACITOR	220uF 10V	
C602	OW131471012902	E CAPACITOR	47uF 10V	
C603	OW131471022911	E CAPACITOR	47uF 16V	
C604	OW131471022911	E CAPACITOR	47uF 16V	
C605	OW131471022911	E CAPACITOR	47uF 16V	
C606	OW131471022911	E CAPACITOR	47uF 16V	
C607	OW131472012907	E CAPACITOR	470uF 10V	
C608	OW120104527009	C CAPACITOR	0.1uF 50V	
C609	OW131222012908	E CAPACITOR	220uF 10V	
C610	OW120104527009	C CAPACITOR	0.1uF 50V	
C611	OW120104527009	C CAPACITOR	0.1uF 50V	
△ C612	OW131103012902	E CAPACITOR	1000uF 10V	
C613	OW120104527009	C CAPACITOR	0.1uF 50V	
C614	OW120473527005	C CAPACITOR	0.047uF 50V	
C620	OW131472012907	E CAPACITOR	470uF 10V	
C621	OW120104527009	C CAPACITOR	0.1uF 50V	
C622	OW131102022904	E CAPACITOR	100uF 16V	
C623	OW120030526008	C CAPACITOR	3 pF 50V	
C624	OW120104527009	C CAPACITOR	0.1uF 50V	
C625	OW120104527009	C CAPACITOR	0.1uF 50V	
C626	OW120680526001	C CAPACITOR	68pF 50V	
C627	OW120393527001	C CAPACITOR	0.039uF 50V	
C628	OW120104527009	C CAPACITOR	0.1uF 50V	
C629	OW120104527009	C CAPACITOR	0.1uF 50V	
C630	OW120472527009	C CAPACITOR	4700pF 50V	
C631	OW120470526009	C CAPACITOR	47pF 50V	

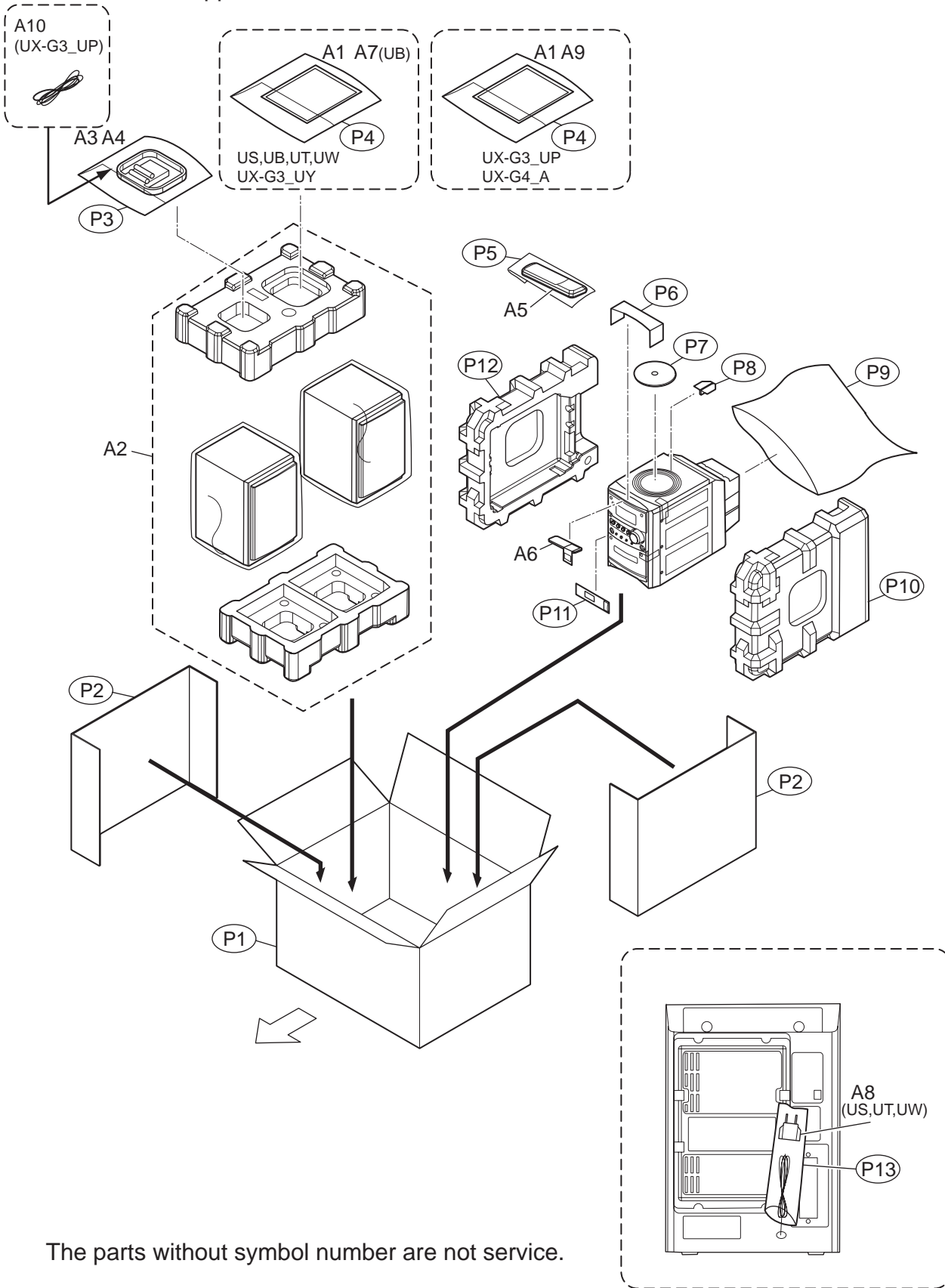
△ Symbol No.	Part No.	Part Name	Description	Local	△ Symbol No.	Part No.	Part Name	Description	Local
C632	OW120153527006	C CAPACITOR	0.015uF 50V		R618	OW390150326107	C RESISTOR	150KΩ 1/16W	
C633	OW131472012907	E CAPACITOR	470uF 10V		R619	OW390150326107	C RESISTOR	150KΩ 1/16W	
C634	OW120103527004	C CAPACITOR	0.01uF 50V		R620	OW390820226101	C RESISTOR	82KΩ 1/16W	
C635	OW120272527003	C CAPACITOR	2700pF 50V		R621	OW390100026105	C RESISTOR	100Ω 1/16W	
C636	OW120104527009	C CAPACITOR	0.1uF 50V		R622	OW390220226101	C RESISTOR	22KΩ 1/16W	
C638	OW120333527004	C CAPACITOR	0.033uF 50V		R623	OW390330226108	C RESISTOR	33KΩ 1/16W	
C639	OW120333527004	C CAPACITOR	0.033uF 50V		R624	OW390100126102	C RESISTOR	1KΩ 1/16W	
C640	OW131471022911	E CAPACITOR	47uF 16V		R625	OW390220126104	C RESISTOR	2.2KΩ 1/16W	
C641	OW120104527009	C CAPACITOR	0.1uF 50V		R626	OW390100226108	C RESISTOR	10KΩ 1/16W	
C642	OW120104527009	C CAPACITOR	0.1uF 50V		R627	OW390100026105	C RESISTOR	100Ω 1/16W	
C643	OW131471012902	E CAPACITOR	47uF 10V		R628	OW390100126102	C RESISTOR	1KΩ 1/16W	
C644	OW120104527009	C CAPACITOR	0.1uF 50V		R629	OW390270226103	C RESISTOR	27KΩ 1/16W	
C645	OW100225570002	C CAPACITOR	2.2uF 50V		R631	OW380330123315	C RESISTOR	3.3KΩ 1/8W	
C648	OW120473527005	C CAPACITOR	0.047uF 50V		R632	OW390560126102	C RESISTOR	5.6KΩ 1/16W	
C649	OW120473527005	C CAPACITOR	0.047uF 50V		R633	OW390470226109	C RESISTOR	47KΩ 1/16W	
C650	OW120471527004	C CAPACITOR	470pF 50V		R634	OW390470326106	C RESISTOR	470KΩ 1/16W	
C651	OW120471527004	C CAPACITOR	470pF 50V		R635	OW390150226101	C RESISTOR	15KΩ 1/16W	
C652	OW100223069009	C CAPACITOR	0.022uF		R636	OW390220426104	C RESISTOR	2.2MΩ 1/16W	
C653	OW120104527009	C CAPACITOR	0.1uF 50V		R637	OW390100226108	C RESISTOR	10KΩ 1/16W	
C656	OW131471022911	E CAPACITOR	47uF 16V		R638	OW390220126104	C RESISTOR	2.2KΩ 1/16W	
C657	OW100223069009	C CAPACITOR	0.022uF		R639	OW390220126104	C RESISTOR	2.2KΩ 1/16W	
C658	OW120104527009	C CAPACITOR	0.1uF 50V		R640	OW390220126104	C RESISTOR	2.2KΩ 1/16W	
C659	OW100473577002	C CAPACITOR	0.047uF		R641	OW390470126103	C RESISTOR	4.7KΩ 1/16W	
C660	OW120473527005	C CAPACITOR	0.047uF 50V		R642	OW390470126103	C RESISTOR	4.7KΩ 1/16W	
C661	OW120104527009	C CAPACITOR	0.1uF 50V		R643	OW390470126103	C RESISTOR	4.7KΩ 1/16W	
C662	OW100104069003	C CAPACITOR	0.1uF		R644	OW390100126102	C RESISTOR	1KΩ 1/16W	
C663	OW100104069003	C CAPACITOR	0.1uF		R645	OW390100126102	C RESISTOR	1KΩ 1/16W	
C664	OW120104527009	C CAPACITOR	0.1uF 50V		R646	OW390100126102	C RESISTOR	1KΩ 1/16W	
C665	OW120104527009	C CAPACITOR	0.1uF 50V		R647	OW390100126102	C RESISTOR	1KΩ 1/16W	
C666	OW120104527009	C CAPACITOR	0.1uF 50V		R648	OW390100126102	C RESISTOR	1KΩ 1/16W	
C667	OW120104527009	C CAPACITOR	0.1uF 50V		R649	OW390100126102	C RESISTOR	1KΩ 1/16W	
C668	OW131472012907	E CAPACITOR	470uF 10V		R650	OW390100126102	C RESISTOR	1KΩ 1/16W	
C669	OW131101032906	E CAPACITOR	10uF 25V		R652	OW390330126102	C RESISTOR	3.3KΩ 1/16W	
C671	OW100223069009	C CAPACITOR	0.022uF		R653	OW390560126102	C RESISTOR	5.6KΩ 1/16W	
C672	OW100101066009	C CAPACITOR	100pF		R654	OW390100926105	C RESISTOR	10Ω 1/16W	
C673	OW120334527009	C CAPACITOR	0.33uF 50V		R655	OW390100426102	C RESISTOR	1MΩ 1/16W	
C674	OW120104527009	C CAPACITOR	0.1uF 50V		R656	OW380560023318	C RESISTOR	560Ω 1/8W	
C675	OW120104527009	C CAPACITOR	0.1uF 50V		R657	OW390100226108	C RESISTOR	10KΩ 1/16W	
C676	OW120104527009	C CAPACITOR	0.1uF 50V		R658	OW390100226108	C RESISTOR	10KΩ 1/16W	
C679	OW120104527009	C CAPACITOR	0.1uF 50V		R659	OW390100226108	C RESISTOR	10KΩ 1/16W	
C680	OW120104527009	C CAPACITOR	0.1uF 50V		R660	OW390100226108	C RESISTOR	10KΩ 1/16W	
C681	OW131471012902	E CAPACITOR	47uF 10V		R661	OW390100226108	C RESISTOR	10KΩ 1/16W	
C682	OW131471022911	E CAPACITOR	47uF 16V		R662	OW390100226108	C RESISTOR	10KΩ 1/16W	
C683	OW120104527009	C CAPACITOR	0.1uF 50V		R663	OW390100226108	C RESISTOR	10KΩ 1/16W	
C684	OW120222527001	C CAPACITOR	2200pF 50V		R664	OW390100226108	C RESISTOR	10KΩ 1/16W	
C685	OW120222527001	C CAPACITOR	2200pF 50V		R665	OW390100226108	C RESISTOR	10KΩ 1/16W	
C686	OW131102022904	E CAPACITOR	100uF 16V		R666	OW390100226108	C RESISTOR	10KΩ 1/16W	
C687	OW131102022904	E CAPACITOR	100uF 16V		R667	OW390100226108	C RESISTOR	10KΩ 1/16W	
C688	OW120222527001	C CAPACITOR	2200pF 50V		R668	OW390100226108	C RESISTOR	10KΩ 1/16W	
C689	OW120222527001	C CAPACITOR	2200pF 50V		R669	OW390100226108	C RESISTOR	10KΩ 1/16W	
C690	OW131222012908	E CAPACITOR	220uF 10V		R670	OW390100226108	C RESISTOR	10KΩ 1/16W	
C691	OW120221020022	C CAPACITOR	220pF 500A		R671	OW390100226108	C RESISTOR	10KΩ 1/16W	
C692	OW120221020022	C CAPACITOR	220pF 500A		R672	OW390100226108	C RESISTOR	10KΩ 1/16W	
C693	OW120221020022	C CAPACITOR	220pF 500A		R673	OW390100226108	C RESISTOR	10KΩ 1/16W	
C694	OW120102526009	C CAPACITOR	1000pF 50V		R674	OW390100226108	C RESISTOR	10KΩ 1/16W	
C695	OW120221020022	C CAPACITOR	220pF 500A		R675	OW390100226108	C RESISTOR	10KΩ 1/16W	
C696	OW120221020022	C CAPACITOR	220pF 500A		R676	OW390100226108	C RESISTOR	10KΩ 1/16W	
C697	OW120221020022	C CAPACITOR	220pF 500A		R677	OW390100226108	C RESISTOR	10KΩ 1/16W	
C698	OW120221020022	C CAPACITOR	220pF 500A		R678	OW390100226108	C RESISTOR	10KΩ 1/16W	
C699	OW120221020022	C CAPACITOR	220pF 500A		R679	OW390100226108	C RESISTOR	10KΩ 1/16W	
C6041	OW131471012902	E CAPACITOR	47uF 10V		R680	OW390100226108	C RESISTOR	10KΩ 1/16W	
C6091	OW120104527009	C CAPACITOR	0.1uF 50V		R681	OW390100226108	C RESISTOR	10KΩ 1/16W	
C6100	OW100101066009	C CAPACITOR	100pF		R684	OW380470123316	C RESISTOR	4.7KΩ 1/8W	
C656A	OW131471022911	E CAPACITOR	47uF 16V		R685	OW380100223312	C RESISTOR	10KΩ 1/8W	
C6631	OW100223069009	C CAPACITOR	0.022uF		R687	OW390220426104	C RESISTOR	2.2MΩ 1/16W	
C6651	OW120104527009	C CAPACITOR	0.1uF 50V		R688	OW390100226108	C RESISTOR	10KΩ 1/16W	
C670A	OW120104527009	C CAPACITOR	0.1uF 50V		R689	OW390270026109	C RESISTOR	270Ω 1/16W	
C672A	OW120221020022	C CAPACITOR	220pF 500A		R690	OW390270026109	C RESISTOR	270Ω 1/16W	
R602	OW390560026105	C RESISTOR	560Ω 1/16W		R691	OW390100226108	C RESISTOR	10KΩ 1/16W	
R604	OW390560026105	C RESISTOR	560Ω 1/16W		R692	OW380100223312	C RESISTOR	10KΩ 1/8W	
R605	OW390330026105	C RESISTOR	330Ω 1/16W		R693	OW390220126104	C RESISTOR	2.2KΩ 1/16W	
R606	OW390120026104	C RESISTOR	120Ω 1/16W		R694	OW390100126102	C RESISTOR	1KΩ 1/16W	
R608	OW390470126103	C RESISTOR	4.7KΩ 1/16W		R695	OW390100226108	C RESISTOR	10KΩ 1/16W	
R610	OW390100926105	C RESISTOR	10Ω 1/16W		R696	OW390100226108	C RESISTOR	10KΩ 1/16W	
R615	OW390820226101	C RESISTOR	82KΩ 1/16W		R697	OW390220126104	C RESISTOR	2.2KΩ 1/16W	
R616	OW390150326107	C RESISTOR	150KΩ 1/16W		R698	OW380470123316	C RESISTOR	4.7KΩ 1/8W	
R617	OW390150326107	C RESISTOR	150KΩ 1/16W		R6100	OW390220026107	C RESISTOR	220Ω 1/16W	
					R6101	OW390220026107	C RESISTOR	220Ω 1/16W	

△ Symbol No.	Part No.	Part Name	Description	Local
R6102	OW390220026107	C RESISTOR	220Ω 1/16W	
R6103	OW390220026107	C RESISTOR	220Ω 1/16W	
R6110	OW390100326105	C RESISTOR	100KΩ 1/16W	
R6111	OW390100326105	C RESISTOR	100KΩ 1/16W	
R6171	OW390000029121	C RESISTOR	0Ω 1/16W	
R6181	OW390000029121	C RESISTOR	0Ω 1/16W	
L601	OW168001122012	FERRITE BEAD	RH03509ST-B246	
L602	OW168001122012	FERRITE BEAD	RH03509ST-B246	
L603	OW162070471036	COIL	47uH	
L604	OW162070471036	COIL	47uH	
L605	OW162070471036	COIL	47uH	
L606	OW380100023318	C RESISTOR	100Ω1/8W	
L607	OW162070471047	COIL	47uH	
L608	OW162070471036	COIL	47uH	
L609	OW162070471036	COIL	47uH	
L610	OW162070471036	COIL	47uH	
L611	OW162070101054	AXIAL INDUCTOR	10uH	
L613	OW168001122012	FERRITE BEAD	RH03509ST-B246	
L614	OW168001122012	FERRITE BEAD	RH03509ST-B246	
CN601	OW238080160124	HEADER	16P	
CN602	OW261041061355	CONNECTOR WIRE	6P for CD MECH	
CN603	OW260021030017	HEADER	3P	
CN604	OW261041032295	CONNECTOR WIRE	3P for MAIN CN602	
CN605	OW261032032006	CONNECTOR WIRE	3P for MAIN CN603	
CN606	OW260021100011	HEADER	10P	
J601	OW390000049315	C RESISTOR	0Ω 1/8W	
J605	OW390000029121	C RESISTOR	0Ω 1/16W	
J606	OW390000049315	C RESISTOR	0Ω 1/8W	
J607	OW390000049315	C RESISTOR	0Ω 1/8W	
J608	OW390000049315	C RESISTOR	0Ω 1/8W	
J614	OW390000049315	C RESISTOR	0Ω 1/8W	
J615	OW390000049315	C RESISTOR	0Ω 1/8W	
J625	OW390000049315	C RESISTOR	0Ω 1/8W	
J630	OW390000049315	C RESISTOR	0Ω 1/8W	
J635	OW390000049315	C RESISTOR	0Ω 1/8W	
J642	OW390000049315	C RESISTOR	0Ω 1/8W	
J656	OW390000049315	C RESISTOR	0Ω 1/8W	
J657	OW390000049315	C RESISTOR	0Ω 1/8W	
J670	OW390000049315	C RESISTOR	0Ω 1/8W	
J671	OW390470026106	C RESISTOR	470Ω 1/16W	
J672	OW390000049315	C RESISTOR	0Ω 1/8W	
J674	OW390000049315	C RESISTOR	0Ω 1/8W	
P1	OW235050040011	WIRE	40mm BLK	
X601	OW156051693083	CER. RESONATOR	16.9344MHz	
XXXXX	OW239061090007	CABLE	16P for CD Pickup to CN601	
XXXXX	OW169004344028	FERRITE CORE	For CD Audio	
XXXXX	OW169004344074	FERRITE CORE	For CD Power	
XXXXX	OW672000013014	HEAT SINK	For IC603	
XXXXX	OW672009025021	HEAT SINK	For IC607	
XXXXX	OW235020060024	WIRE	for CD P3 to CD MECH	
△ ZD601	3.9V0.5W	Z DIODE	OW303050039062	
△ ZD602	3.3V0.5W	Z DIODE	OW303050033068	
△ ZD603	3.3V0.5W	Z DIODE	OW303050033068	
△ ZD604	3.9V0.5W	Z DIODE	OW303050039062	

Packing materials and accessories parts list

Block No. M 3 M M

No additional / supplemental order of WARRANTY CARDS are available.



The parts without symbol number are not service.

Packing and Accessories

Block No. [M][3][M][M]

△	Symbol No.	Part No.	Part Name	Description	Local
	A 1	OW904020003248	INST BOOK	KOR LVT1364-007A	G3_UP
	A 1	OW904020003226	INST BOOK	SPA LVT1364-010A	G3_UY
	A 1	OW903020004045	INST BOOK	ENG LVT1364-011A	G4_A
	A 1	OW904020003194	INST BOOK	ENG CHI(PEKIN) LVT1364-012A	G3_UB,G4_UB
	A 1	OW904020003204	INST BOOK	ENG CHI(PEKIN) LVT1364-006B	G3_US,G4_US
	A 1	OW904020003237	INST BOOK	CHI(TAIWAN) LVT1364-008A	G3_UT,G4_UT
	A 1	OW904020003215	INST BOOK	ENG SPA POR LVT1364-009A	G3_UW,G4_UW
	A 2	OW220020003022	SPK BOX	25W 4Ω	G3_UB,G3_UP,G3_US,G3_UT,G3_UW,G3_UY
	A 2	OW220020004021	SPK BOX	25W 4Ω	G4_A,G4_UB,G4_US,G4_UT,G4_UW
	A 3	OW220004910021	AM LOOP ANT	L=1M W/JST	
	A 4	-----	BATTERY	(x2)	
	A 5	OW800UREJVC08	REMOTE CONTROL		G3_UB,G3_UP,G3_US,G3_UT,G3_UW,G3_UY
	A 5	OW800UREJVC09	REMOTE CONTROL		G4_A,G4_UB,G4_US,G4_UT,G4_UW
	A 6	OW905000300034	INSERT CARD		
	A 7	OW904020003261	UB SHEET		G3_UB
	A 7	OW903020004034	UB SHEET		G4_UB
△	A 8	OW177000501017	AC ADAPTOR	JT-0475 UL/VDE	G3_UT,G4_UT
△	A 8	OW275002755024	AC ADAPTOR	AZ2755/16	G3_US,G3_UW,G4_US,G4_UW
	A 9	-----	WARRANTY CARD	BT-56013-1	G3_UP
	A 9	-----	WARRANTY CARD	BT-56012-1	G4_A
	A 10	OW173021400074	FM ANT WIRE	W/PLUG L=400mm	G3_UP
	P 1	OW905020003074	CARTON		G3_UB,G3_UP,G3_US,G3_UT,G3_UW,G3_UY
	P 1	OW905020003063	CARTON		G4_A,G4_UB,G4_US,G4_UT,G4_UW
	P 2	OW905020003006	SHEET PROTECT	(x2)	
	P 3	OW906090710107	POLY BAG	7X10	
	P 4	OW906091014057	POLY BAG	10X14	
	P 5	OW906000025058	POLY BAG	3.5X10	
	P 6	OW622000300036	SHEET PROTECT		
	P 7	OW622001000019	CUSHION	116X17X2mm	
	P 8	OW905001182025	PROTECT BOARD		
	P 9	OW906020003019	POLY BAG	18X24	
	P 10	OW901020003018	POLY FOAM R		
	P 11	OW622000300014	SUPPORT SPONGE		
	P 12	OW901020003007	POLY FOAM L		
	P 13	OW906020003008	POLY BAG	4X13	