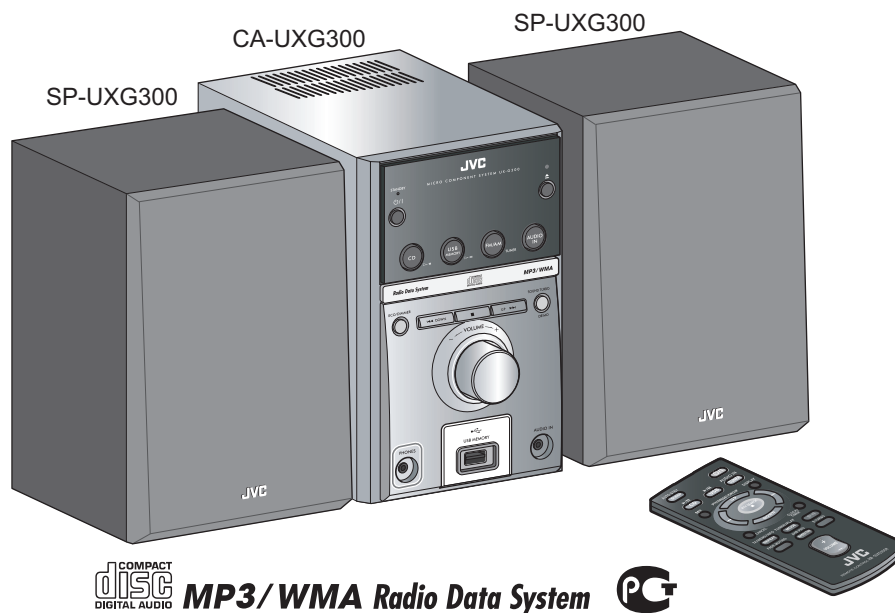


# JVC

## SERVICE MANUAL

### MICRO COMPONENT SYSTEM

**UX-G300B, UX-G300E, UX-G300EN, UX-G300EV,  
UX-G303E, UX-G303EN, UX-G303EV, UX-G305E,  
UX-G305EN, UX-G305EV, UX-G300A, UX-G300US,  
UX-G300UF, UX-G300UT, UX-G300UW,  
UX-G300UG, UX-G300UN, UX-G305UT**



UX-G300EV  
UX-G303EV  
UX-G305EV

Lead free solder used in the board (material : Sn-Ag-Cu, melting point : 219 Centigrade)  
Lead free solder used in the board (material : Sn-Cu, melting point : 230 Centigrade)

### TABLE OF CONTENTS

1	PRECAUTION .....	1-4
2	SPECIFIC SERVICE INSTRUCTIONS .....	1-7
3	DISASSEMBLY .....	1-7
4	ADJUSTMENT .....	1-20
5	TROUBLESHOOTING .....	1-21

# SPECIFICATION

UX-G300 B/E/EN/EV

UX-G303 E/EN/EV

UX-G305 E/EN/EV

<b>Amplifier section</b>	
OUTPUT POWER	60 W (30 W + 30 W) at 4 Ω (10% THD)
Speakers/Impedance	4 Ω - 16 Ω
Audio input AUDIO IN	500 mV/47 kΩ (at "IN LVL1")
	250 mV/47 kΩ (at "IN LVL2")
	125 mV/47 kΩ (at "IN LVL3")
Digital input	USB MEMORY
<b>Tuner section</b>	
FM tuning range	87.50 MHz - 108.00 MHz
AM (MW) tuning range	522 kHz - 1 629 kHz
<b>CD player section</b>	
Dynamic range	88 dB
Signal-to-noise ratio	85 dB
Wow and flutter	Immeasurable
<b>USB storage</b>	
USB specification	Compatible with USB 2.0 Full Speed
Compatible device	Mass storage class
Compatible file system	"FAT16,FAT32"
Bus power supply	Max. 500 mA
<b>Speakers</b>	
Speaker units	10 cm cone x 1
Impedance	4 Ω
Dimensions (approx.)	160 mm x 250 mm x 150 mm (W/H/D)
Mass (approx.)	1.6 kg each
<b>General</b>	
Power requirements	"AC 230~,50 Hz"
Power supply to USB mass storage class device	DC 5 V =500 mA
Power consumption	20 W (power on)
	6.5 W (standby mode)
	1 W or less (Save Mode)
Dimensions (W x H x D)	165 mm x 251 mm x 269 mm
Mass	2.6 kg

Specifications and appearance are subject to change without prior notice.

**UX-G300 US/UN/UB/UG/A/UW/UF/UT**  
**UX-G305UT**

<b>Amplifier section</b>	
OUTPUT POWER	60 W (30 W + 30 W) at 4 Ω (10% THD)
Speakers/Impedance	4 Ω - 16 Ω
Audio input AUDIO IN	500 mV/47 kΩ (at "IN LVL1")
	250 mV/47 kΩ (at "IN LVL2")
	125 mV/47 kΩ (at "IN LVL3")
Digital input	USB MEMORY
<b>Tuner section</b>	
FM tuning range	87.50 MHz - 108.00 MHz
AM (MW) tuning range	530 kHz - 1 710 kHz (in 10 kHz spacing)
	531 kHz - 1 710 kHz (in 9 kHz spacing)
<b>CD player section</b>	
Dynamic range	88 dB
Signal-to-noise ratio	85 dB
Wow and flutter	Immeasurable
<b>USB storage</b>	
USB specification	Compatible with USB 2.0 Full Speed
Compatible device	Mass storage class
Compatible file system	FAT16, FAT32
Bus power supply	Max. 500 mA
<b>Speakers</b>	
Speaker units	10 cm cone x 1
Impedance	4 Ω
Dimensions (approx.)	160 mm x 250 mm x 150 mm (W/H/D)
Mass (approx.)	1.6 kg each
<b>General</b>	
Power requirements	AC 110 V - AC 240 V , 50/60 Hz
	AC 240 V , 50 Hz (only Australia)
	AC 220 V , 50 Hz (only Hong Kong)
Power supply to USB mass storage class device	DC 5 V =500 mA
Power consumption	20 W (power on)
	6.5 W (standby mode)
	1 W or less (Save Mode)
Dimensions (W x H x D)	165 mm x 251 mm x 269 mm
Mass	2.6 kg

Specifications and appearance are subject to change without prior notice.

# SECTION 1 PRECAUTION

## 1.1 Safety Precautions

- (1) This design of this product contains special hardware and many circuits and components specially for safety purposes. For continued protection, no changes should be made to the original design unless authorized in writing by the manufacturer. Replacement parts must be identical to those used in the original circuits. Services should be performed by qualified personnel only.
- (2) Alterations of the design or circuitry of the product should not be made. Any design alterations of the product should not be made. Any design alterations or additions will void the manufacturer's warranty and will further relieve the manufacturer of responsibility for personal injury or property damage resulting therefrom.
- (3) Many electrical and mechanical parts in the products have special safety-related characteristics. These characteristics are often not evident from visual inspection nor can the protection afforded by them necessarily be obtained by using replacement components rated for higher voltage, wattage, etc. Replacement parts which have these special safety characteristics are identified in the Parts List of Service Manual. Electrical components having such features are identified by shading on the schematics and by ( $\Delta$ ) on the Parts List in the Service Manual. The use of a substitute replacement which does not have the same safety characteristics as the recommended replacement parts shown in the Parts List of Service Manual may create shock, fire, or other hazards.
- (4) The leads in the products are routed and dressed with ties, clamps, tubings, barriers and the like to be separated from live parts, high temperature parts, moving parts and/or sharp edges for the prevention of electric shock and fire hazard. When service is required, the original lead routing and dress should be observed, and it should be confirmed that they have been returned to normal, after reassembling.

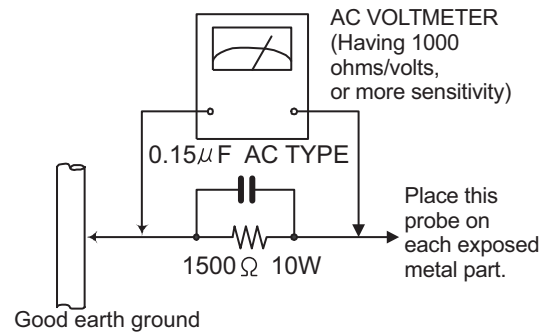
### (5) Leakage shock hazard testing

After reassembling the product, always perform an isolation check on the exposed metal parts of the product (antenna terminals, knobs, metal cabinet, screw heads, headphone jack, control shafts, etc.) to be sure the product is safe to operate without danger of electrical shock. Do not use a line isolation transformer during this check.

- Plug the AC line cord directly into the AC outlet. Using a "Leakage Current Tester", measure the leakage current from each exposed metal part of the cabinet, particularly any exposed metal part having a return path to the chassis, to a known good earth ground. Any leakage current must not exceed 0.5mA AC (r.m.s.).
- Alternate check method  
Plug the AC line cord directly into the AC outlet. Use an AC voltmeter having, 1,000 $\Omega$  per volt or more sensitivity in the following manner. Connect a 1,500 $\Omega$  10W resistor paralleled by a 0.15 $\mu$ F AC-type capacitor between an exposed metal part and a known good earth ground. Measure the AC voltage across the resistor with the AC

voltmeter.

Move the resistor connection to each exposed metal part, particularly any exposed metal part having a return path to the chassis, and measure the AC voltage across the resistor. Now, reverse the plug in the AC outlet and repeat each measurement. Voltage measured any must not exceed 0.75 V AC (r.m.s.). This corresponds to 0.5 mA AC (r.m.s.).



## 1.2 Warning

- (1) This equipment has been designed and manufactured to meet international safety standards.
- (2) It is the legal responsibility of the repairer to ensure that these safety standards are maintained.
- (3) Repairs must be made in accordance with the relevant safety standards.
- (4) It is essential that safety critical components are replaced by approved parts.
- (5) If mains voltage selector is provided, check setting for local voltage.

## 1.3 Caution

**Burrs formed during molding may be left over on some parts of the chassis.**

**Therefore, pay attention to such burrs in the case of pre-forming repair of this system.**

## 1.4 Critical parts for safety

In regard with component parts appearing on the silk-screen printed side (parts side) of the PWB diagrams, the parts that are printed over with black such as the resistor (■), diode (■) and ICP (●) or identified by the " $\Delta$ " mark nearby are critical for safety. When replacing them, be sure to use the parts of the same type and rating as specified by the manufacturer.  
(This regulation does not Except the J and C version)

## 1.5 Preventing static electricity

Electrostatic discharge (ESD), which occurs when static electricity stored in the body, fabric, etc. is discharged, can destroy the laser diode in the traverse unit (optical pickup). Take care to prevent this when performing repairs.

### 1.5.1 Grounding to prevent damage by static electricity

Static electricity in the work area can destroy the optical pickup (laser diode) in devices such as laser products.

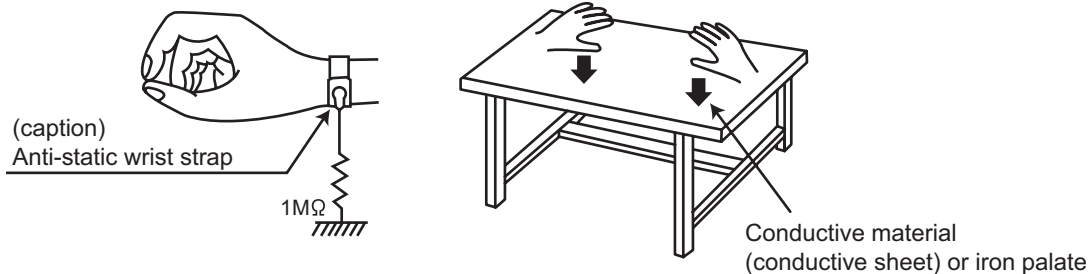
Be careful to use proper grounding in the area where repairs are being performed.

(1) Ground the workbench

Ground the workbench by laying conductive material (such as a conductive sheet) or an iron plate over it before placing the traverse unit (optical pickup) on it.

(2) Ground yourself

Use an anti-static wrist strap to release any static electricity built up in your body.



(3) Handling the optical pickup

- In order to maintain quality during transport and before installation, both sides of the laser diode on the replacement optical pickup are shorted. After replacement, return the shorted parts to their original condition. (Refer to the text.)
- Do not use a tester to check the condition of the laser diode in the optical pickup. The tester's internal power source can easily destroy the laser diode.

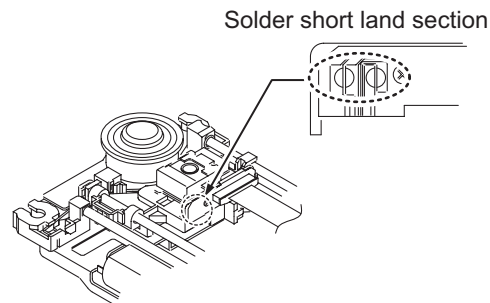
## 1.6 Handling the traverse unit (optical pickup)

- (1) Do not subject the traverse unit (optical pickup) to strong shocks, as it is a sensitive, complex unit.
- (2) Cut off the shorted part of the flexible cable using nippers, etc. after replacing the optical pickup. For specific details, refer to the replacement procedure in the text. Remove the anti-static pin when replacing the traverse unit. Be careful not to take too long a time when attaching it to the connector.
- (3) Handle the flexible cable carefully as it may break when subjected to strong force.
- (4) It is not possible to adjust the semi-fixed resistor that adjusts the laser power. Do not turn it.

## 1.7 Attention when traverse unit is decomposed

**\*Please refer to "Disassembly method" in the text for the pickup unit.**

- Apply solder to the short land sections before the card wire is disconnected from the connector on the servo board. (If the card wire is disconnected without applying solder, the pickup may be destroyed by static electricity.)
- In the assembly, be sure to remove solder from the short land sections after connecting the card wire.



## 1.8 Important for laser products

### 1.CLASS 1 LASER PRODUCT

#### 2.CAUTION :

(For U.S.A.) Visible and/or invisible class II laser radiation when open. Do not stare into beam.

(Others) Visible and/or invisible class 1M laser radiation when open. Do not view directly with optical instruments.

**3.CAUTION :** Visible and/or invisible laser radiation when open and inter lock failed or defeated. Avoid direct exposure to beam.

**4.CAUTION :** This laser product uses visible and/or invisible laser radiation and is equipped with safety switches which prevent emission of radiation when the drawer is open and the safety interlocks have failed or are defeated. It is dangerous to defeat the safety switches.

(For U.S.A.)

**CAUTION :** Visible and/or invisible class II laser radiation when open. Do not stare into beam.

(Others)

**CAUTION :** Visible and/or invisible class 1M laser radiation when open. Do not view directly with optical instruments

**ACHTUNG:** Sichtbare und/oder unsichtbare Laserstrahlung der Klasse 1M bei offenen Abdeckungen. Nicht direkt mit optischen Instrumenten betrachten.

**ATTENTION:** Rayonnement laser visible et/ou invisible de classe 1M une fois ouvert. Ne pas regarder directement avec des instruments optiques.

**VOORZICHTIG:** Zichtbare en/of onzichtbare klasse 1M laserstralen indien geopend. Bekijk niet direct met optische instrumenten.

**ATTENZIONE:** Radiazione laser in classe 1M visibile e/o invisibile quando aperto. Non osservare direttamente con strumenti ottici.

**WARNING:** Synlig och/eller osynlig laserstrålning, klass 1M, när denna del är öppnad. Betrakta ej strålen med optiska instrument.

**VARO!** Avattaessa olet alttiina nakyyvalle ja/tai näkymättömälle luokan 1M lasersateilylle. Älä tarkastele sitä optisen laitteen läpi.

**ADVASEL:** Synlig og/eller usynlig klasse 1M-laserstråling ved åbning. Se ikke direkte med optiske instrumenter.

**AVISO:** Radiación láser de clase 1M visible y/o invisible cuando está abierto. No mirar directamente con instrumental óptico.

**PRECAUÇÃO:** Radiação laser de classe 1M visível e/ou invisível quando aberto. Não olhe diretamente com instrumentos ópticos.

**5.CAUTION :** If safety switches malfunction, the laser is able to function.

**6.CAUTION :** Use of controls, adjustments or performance of procedures other than those specified here in may result in hazardous radiation exposure.



**CAUTION Please use enough caution not to see the beam directly or touch it in case of an adjustment or operation check.**

**PRECAUÇÃO:** Radiação laser de classe 1M visível e/ou invisível quando aberto. Não olhe diretamente com instrumentos ópticos.

**ПРЕДУПРЕЖДЕНИЕ:** В открытом состоянии происходит видимое и/или невидимое излучение лазера класса 1M. Не смотрите непосредственно в оптические инструменты.

**UWAGA:** Otwarcie spowoduje narażenie na widzialne i/lub niewidzialne promieniowanie lasera klasy 1M. Nie patrzeć bezpośrednio w przyrządy optyczne.

**UPOZORNĚNÍ:** Při otevření vydává viditelné popř. neviditelné laserové ozáření třídy 1M. Nedívejte se do otvoru přímo s optickými nástroji.

**FIGYELMEZTETÉS:** Látható és/vagy láthatatlan 1M osztályú sugárzás nyitott állapotban. Ne nézze közvetlenül optikai műszerekkel.

**注意:** 打開蓋板可能會產生可見或不可見的 1M 級鐳射。不要使用光學儀器直接進行窺視。

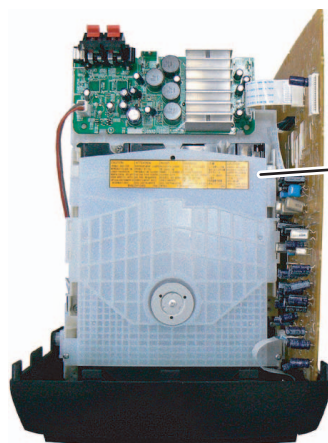
**注意:** 打开蓋板可能会产生可见或不可见的 1M 级辐射。不要使用光学仪器直接进行窥视。

**تنبيه:** يوجد إشعاع ليزري مرئي و/أو غير مرئي من الفئة 1M عندما يكون الجهاز مفتوحاً. تجنب النظر مباشرة داخل الجهاز باستخدام أدوات بصرية.

**احتياطات:** هنگامی که باز گردد، تشعشع مرئی و یا نامرئی کلاس 1M لیزر وجود دارد. با لوازم چشمی مستقیماً به آن نگاه نکنید.

**주의:** 개방하면 가시 및/또는 비가시 클래스 1M 레이저 방사선이 나옵니다. 광학 기구로 직접 들여다보지 마십시오.

## REPRODUCTION AND POSITION OF LABELS and PRINT WARNING LABEL and PRINT



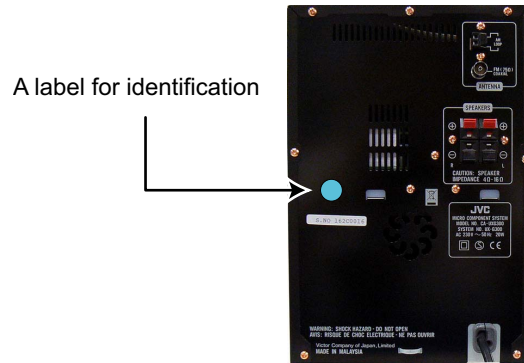
<b>CAUTION</b> VISIBLE AND/OR INVISIBLE CLASS 1M LASER RADIATION WHEN OPEN. DO NOT VIEW DIRECTLY WITH OPTICAL INSTRUMENTS. IEC60825-1:2001 (ENG)	<b>ATTENTION</b> RAYONNEMENT LASER VISIBLE ET/OU INVISIBLE DE CLASSE 1M UNE FOIS OUVERT. NE PAS REGARDER DIRECTEMENT AVEC DES INSTRUMENTS OPTIQUES. (FRA)	<b>AVISO</b> RADIACIÓN LASER DE CLASE 1M VISIBLE Y/O INVISIBLE CUANDO ESTÁ ABIERTO. NO MIRAR DIRECTAMENTE CON INSTRUMENTAL ÓPTICO. (ESP)	<b>WARNING</b> SYNLIG OCH/ELLER OSYNLIG LASERSTRÅLNING, KLASS 1M, NÄR DENNA DEL ÄR ÖPPNAD. BETRAKTA EJ STRÅLEN MED OPTISKA INSTRUMENT. (SWE)	<b>注意</b> ニコも隠くと可視 及び/または不可視 のクラス1M レーザー放射が 出ます。 光学観望で直接 見ないでください。 (JPN)	<b>CAUTION</b> VISIBLE AND/OR INVISIBLE CLASS II LASER RADIATION WHEN OPEN. DO NOT STARE INTO BEAM. FDA 21 CFR (ENG) LV44603-003A
--	---	--	--	--	---

## SECTION 2 SPECIFIC SERVICE INSTRUCTIONS

New CD mechanism was added.

In a model using new CD mechanism for, it stick a blue label for identification on the back side.

When it repair the CD mechanism of an article sticking this label on, please use a parts list of FMU-VK1-2M.



## SECTION 3 DISASSEMBLY

### 3.1 Main body (Used figure are UX-G300E)

#### 3.1.1 Removing the Metal Cover (See Fig.1, 2)

- (1) Remove the seven screws **A** attaching the Metal cover. (See Fig.1)
- (2) Remove the two screws **B** attaching the both side of the Metal cover. (See Fig.2)

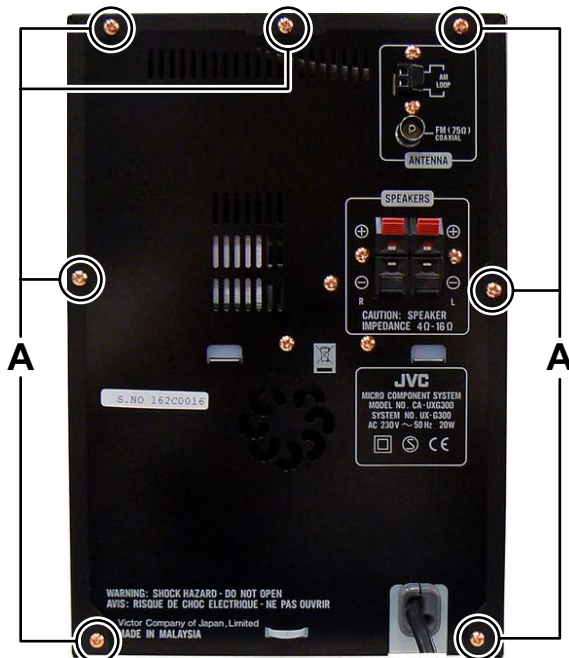


Fig.1

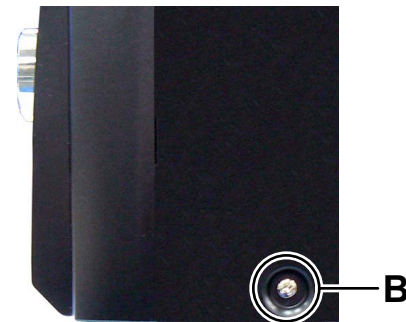


Fig.2



### 3.1.2 Removing the Tuner pack (See Fig.3, 4)

- (1) Disconnect the card wire from Tuner pack connected to connector **CN306** of the Micom board. (See Fig.3)
- (2) Remove the two screws **C** attaching the Tuner pack. (See Fig.4)

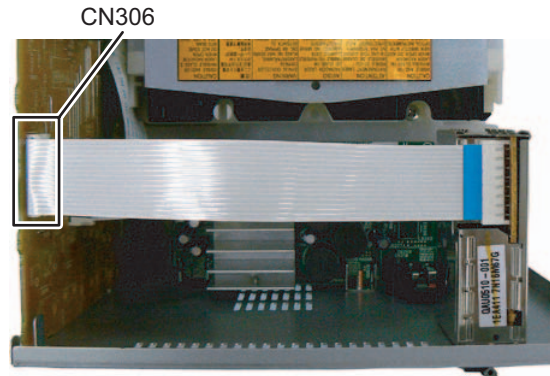


Fig.3

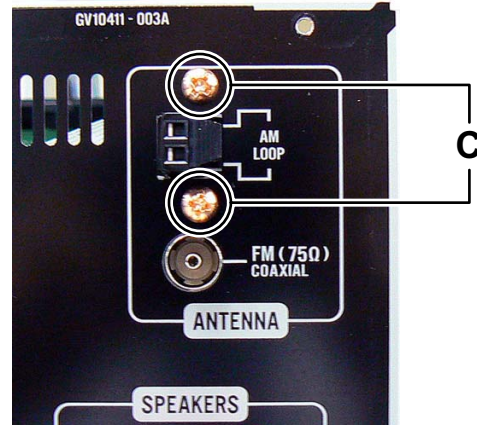


Fig.4

### 3.1.3 Removing the Rear panel (See Fig.5)

- (1) Remove the five screws **D** attaching the Rear panel.

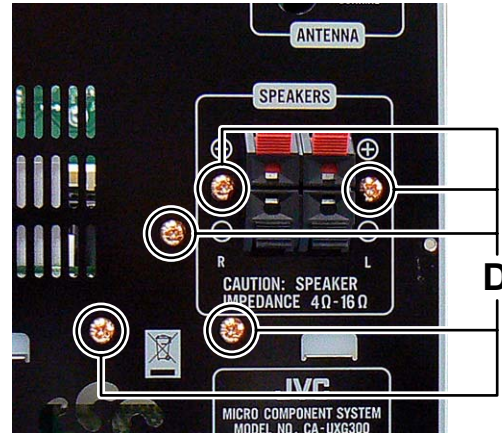


Fig.5

### 3.1.4 Removing the Amp board (See Fig.6)

- (1) Disconnect the connector wire from Power board connected to connector **CN640** of the Amp board.
- (2) Disconnect the card wire from Amp board connected to connector **CN520** of the Micom board.
- (3) Remove the one screw **E** attaching the Amp board.

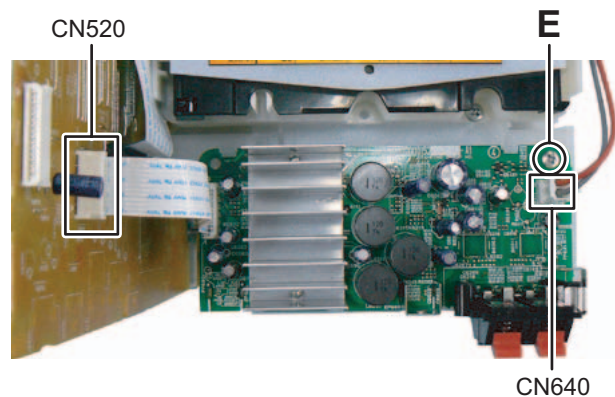
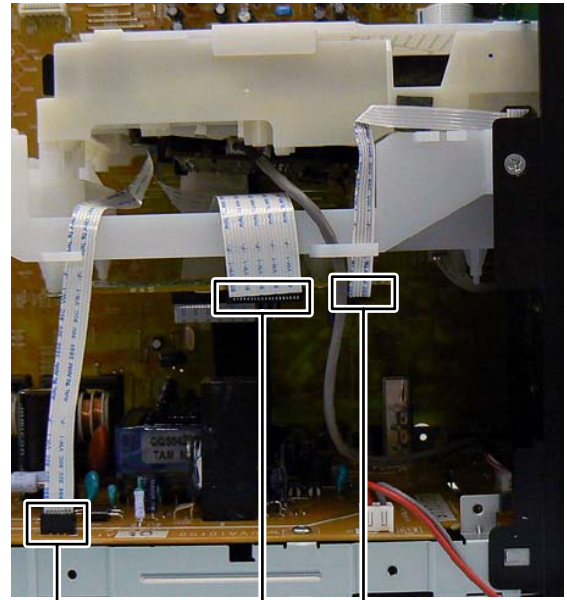


Fig.6



### 3.1.5 Removing the CD mechanism (See Fig.7 to 9)

- (1) Disconnect the card wire from CD mechanism connected to connector [CN360](#) and [CN362](#) of the Connection board. (See Fig.7)
- (2) Disconnect the card wire from CD mechanism connected to connector [CN205](#) of the Power board. (See Fig.7)
- (3) Remove the two screws **F** attaching the CD mechanism. (See Fig.8)
- (4) Disconnect the connector wire from USB jack board connected to connector [CN802](#) of the CD servo control board. (See Fig.9)



CN205 CN362 CN360  
Fig.7

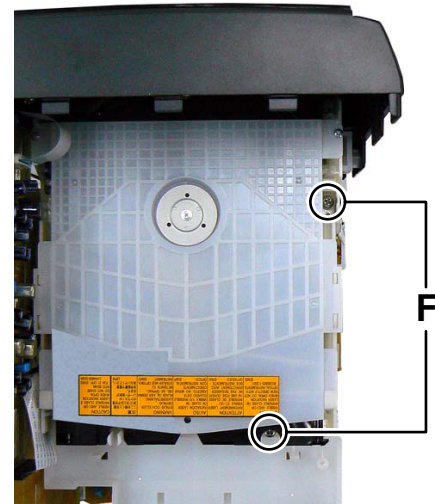
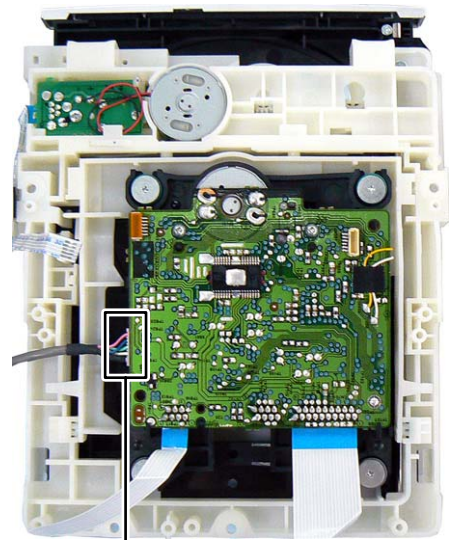


Fig.8



CN802

Fig.9

### 3.1.6 Removing the Mecha chassis (See Fig.10, 11)

- (1) Remove the two screws **G** attaching the both side of the Front panel. (See Fig.10)
- (2) Disconnect the card wire from Connection board connected to connector **CN311** of the Micom board. (See Fig.11)

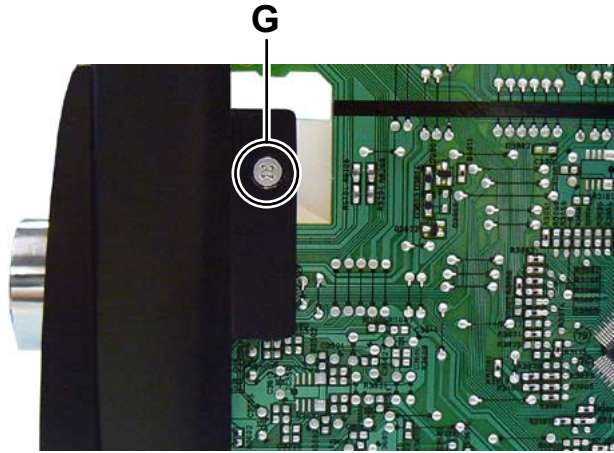


Fig.10

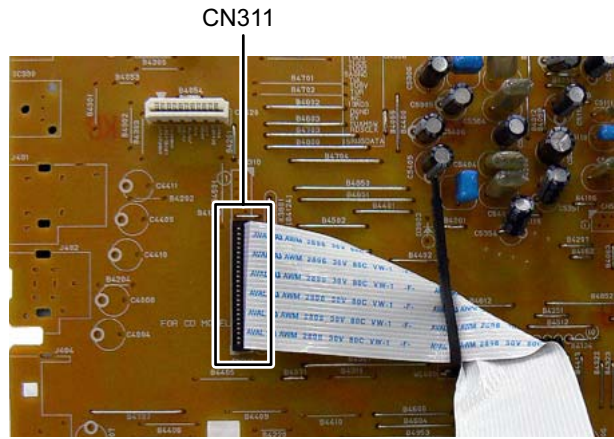


Fig.11

### 3.1.7 Removing the Front panel (See Fig.12 to 14)

- (1) Disconnect the card wire from FL board connected to connector **CN304** of the Micom board. (See Fig.12)
- (2) Disconnect the card wire from Volume board connected to connector **CN303** of the Micom board. (see Fig.12)
- (3) Remove the two screws **H** attaching the Front panel. (See Fig.13)
- (4) Disengage two hooks **a** engaged both side of the Front panel. (See Fig.14)
- (5) Disengage one hook **b** engaged bottom side of the Front panel. (See Fig.13)

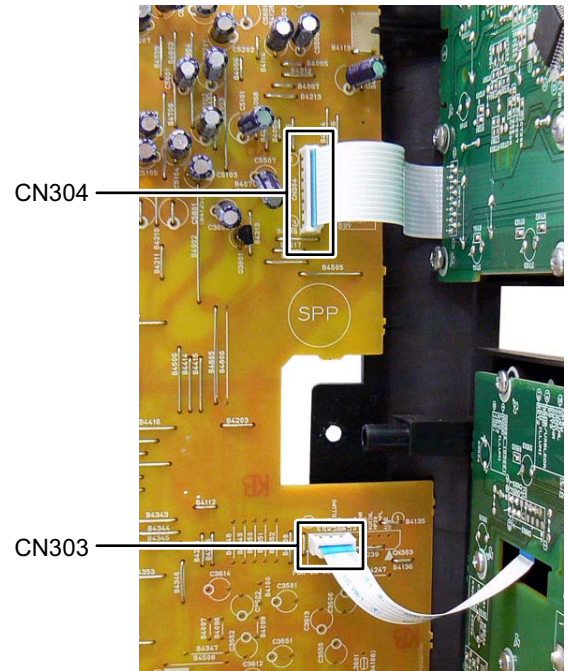


Fig.12

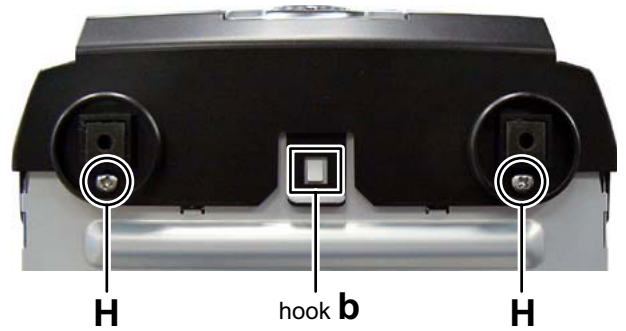


Fig.13

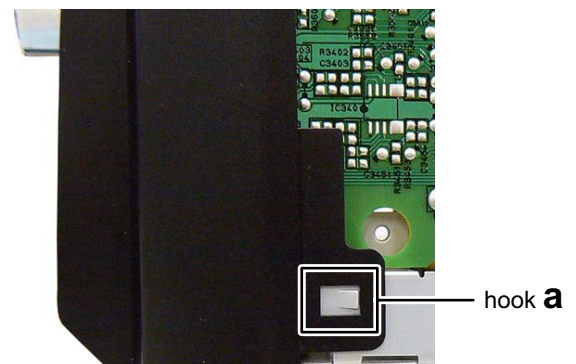


Fig.14



### 3.1.8 Removing the Micom board (See Fig.15, 16)

- (1) Remove the two screws **J** attaching the Micom board. (See Fig.15)
- (2) Disconnect the flat cable wire from Micom board connected to connector **CN201** and **CN203** of the Power board. (See Fig.16)
- (3) Disconnect the board to board connector connected to connector **CN204** of the Power board. (See Fig.16)
- (4) Disconnect the board to board connector connected to connector **CN803** of the USB jack board. (See Fig.16)

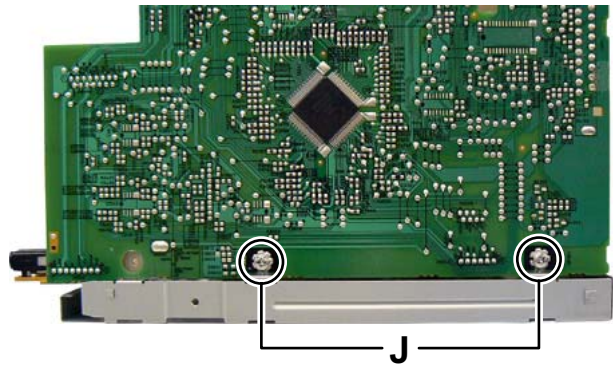
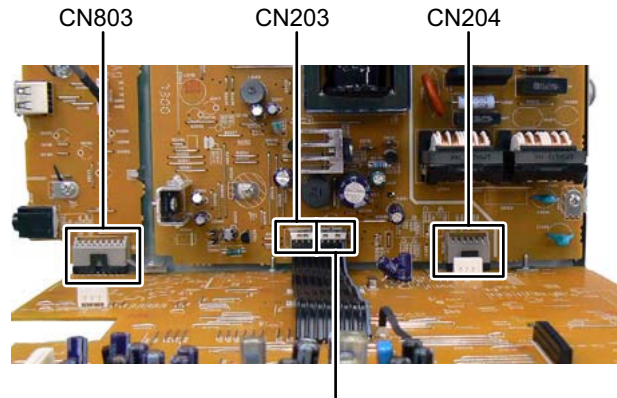


Fig.15



CN201  
Fig.16

### 3.1.9 Removing the USB jack board (See Fig.17)

- (1) Remove the three screws **K** attaching the USB jack board.

### 3.1.10 Removing the Power board (See Fig.17)

- (1) Disconnect the power cord connected to connector **CN200** of the Power board.
- (2) Remove the four screws **L** attaching the Power board.

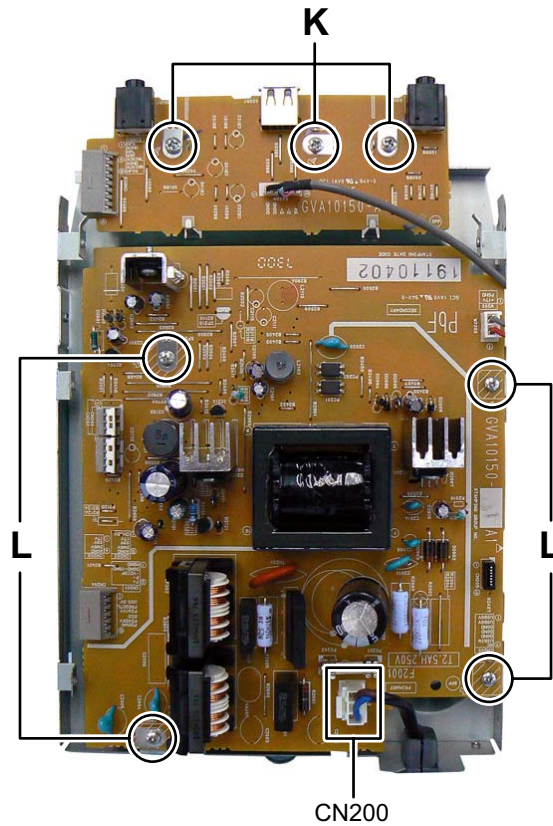


Fig.17

**3.1.11 Removing the FL board (See Fig.18)**

(1) Remove the seven screws **M** attaching the FL board.

**3.1.12 Removing the Volume board (See Fig.18)**

(1) Remove the volume knob.

(2) Remove the nine screws **N** attaching the Volume board.

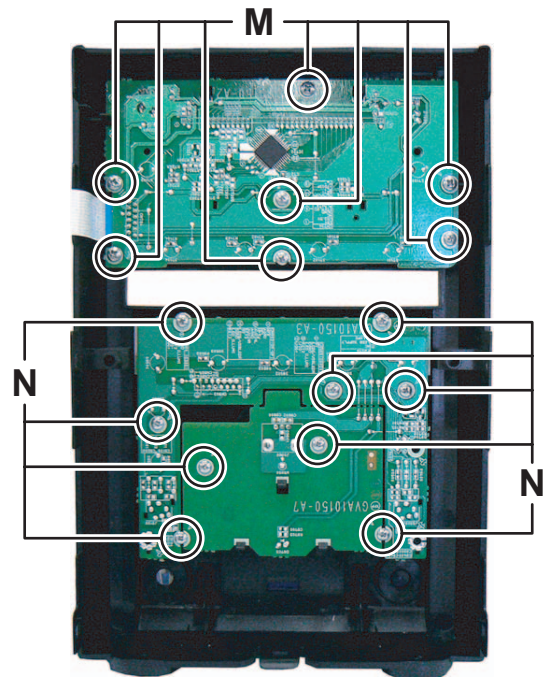


Fig.18

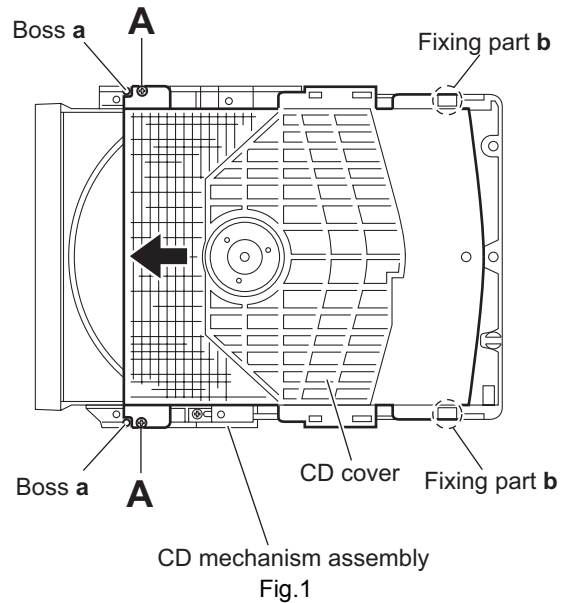
### 3.2 CD mechanism assembly

- Remove the CD mechanism assembly from main body.

#### 3.2.1 Removing the CD cover

(See Fig.1)

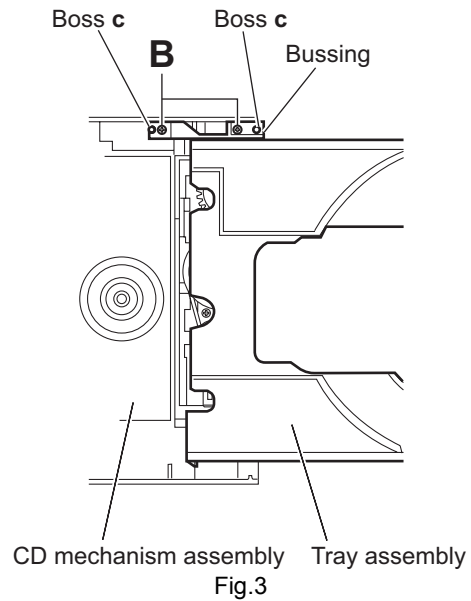
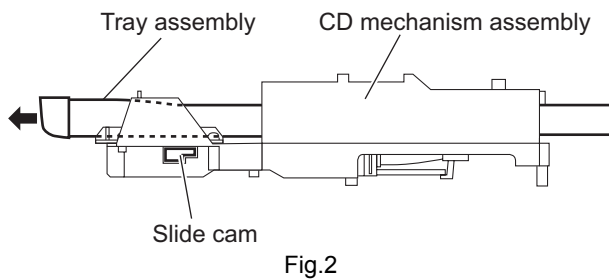
- (1) Remove the two screws **A** attaching the CD cover from bottom side of CD mechanism assembly.
- (2) Lift up the CD cover from disengage boss **a** of the CD mechanism assembly.
- (3) Slide the CD cover to direction of the arrow and remove the CD cover from fixing part of **b**.
- (4) Remove the CD cover.



#### 3.2.2 Removing the tray assembly

(See Fig.2 and 3)

- Remove the CD cover.
- (1) Press slide cam and pull out the tray assembly to direction of the arrow from right side of CD mechanism assembly. (See Fig.2)
- (2) Remove the two screws **B** attaching the tray assembly from upper side of CD mechanism. (See Fig.3)
- (3) Remove the bussing of the tray assembly from boss **c** of the CD mechanism assembly and remove the tray assembly. (See Fig.3)



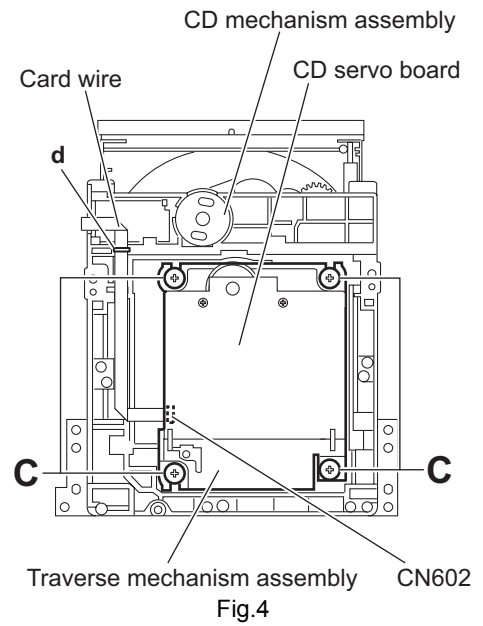


### 3.2.3 Removing the traverse mechanism assembly (See Fig.4)

- (1) Remove the four screws **C** attaching the traverse mechanism assembly from bottom side of CD mechanism assembly.
- (2) Disconnect the card wire from connector **CN602** of the CD servo board and then take out the traverse mechanism assembly and CD servo board together.

#### Reference:

When reattaching the traverse mechanism assembly, the card wire should through the part **d**.

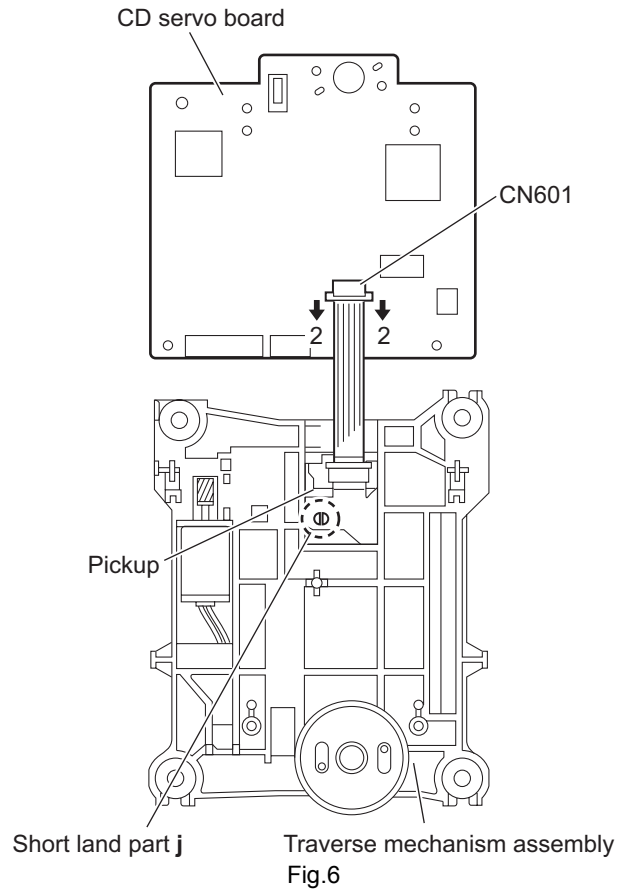
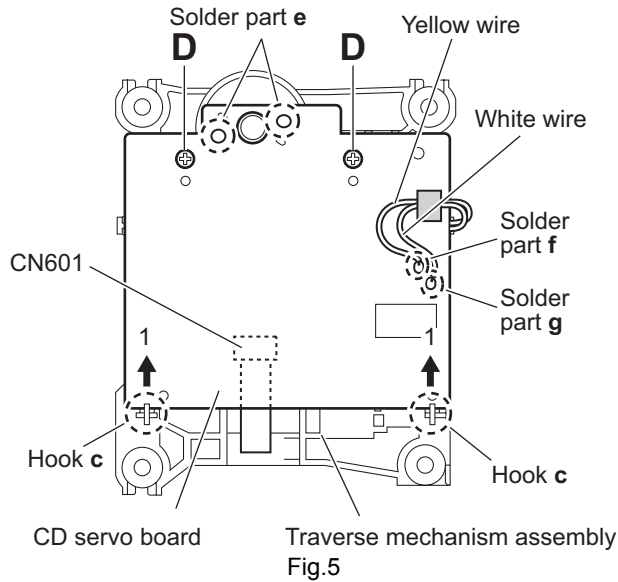


### 3.2.4 Removing the CD servo board (See Fig.5 and 6)

- Remove the traverse mechanism assembly.
  - (1) Remove the two screws **D** attaching the CD servo board from bottom side of traverse mechanism assembly. (See Fig.5)
  - (2) Remove the solder from solder part **e** of the CD servo board. (See Fig.5)
  - (3) Remove the yellow wire from solder part **f** of the CD servo board. (See Fig.5)
  - (4) Remove the white wire from solder part **g** of the CD servo board. (See Fig.5)
  - (5) Remove the CD servo board to upper side, disengage the hook **c** to direction of the arrow 1 then turn over the CD servo board. (See Fig.5)
  - (6) Solder to short land part **j** of pickup. (See Fig.6)
  - (7) Release the lock of connector **CN601** to direction of the arrow 2 and disengage the card wire. (See Fig.6)

#### Caution:

- Solder to short land part **j** of the pickup then disconnect the card wire from connector **CN601** of the CD servo board. If disconnect the card wire before soldering, pickup is make sure destroyed by static electricity. (See Fig.6)
- When reattaching the CD servo board, connect the card wire to connector **CN601** and then remove the solder of short land part **j** of the pickup.



### 3.2.5 Removing the pickup (See Fig.7 to 9)

- Remove the traverse mechanism assembly.
  - (1) Remove the one screw **E** attaching the plate from upper side of traverse mechanism assembly. (See Fig.7)
  - (2) Remove the plate from fixing part **k** then take out the plate. (See Fig.7)
  - (3) Remove the two screws **F** attaching the LEAD spring and then take out the LEAD spring. (See Fig.8)
  - (4) Take out the feed gear, and then remove the shaft of pickup from part **m** of the traverse mechanism assembly. (See Fig.8)
  - (5) Remove the pickup from part **n** of the traverse mechanism assembly and then take out pickup with shaft. (See Fig.8)
  - (6) Release the shaft from pickup. (See Fig.8)
  - (7) Solder the short land part **p** of the pickup. (See Fig.9)
  - (8) Release the lock of the connector to direction of the arrow, and then disconnect the card wire. (See Fig.9)

#### Caution:

- Solder to short land part **p** of the pickup then disconnect the card wire from connector. If disconnect the card wire before soldering, pickup is make sure destroyed by static electricity. (See Fig.9)
- When reattaching the pickup, connect the card wire to connector and then remove the solder from short land part **p**. (See Fig.9)

### 3.2.6 Attaching the pickup (See Fig.7 to 10)

- Please refer the "Removing the pickup".
  - (1) Connect the card wire to connector of pickup, and then remove the solder from short land part **p** of the pickup. (See Fig.9)
  - (2) Attach the shaft to pickup. (See Fig.8)
  - (3) Fit the pickup to part **n** of the traverse mechanism and then attach the end of the shaft to part **k**. (See Fig.8)
  - (4) Attach the LEAD spring and feed gear. (See Fig.8)
  - (5) Attach the plate. (See Fig. 7)
  - (6) One turn the LEAD gear to direction of the arrow 1 and fully shift to direction of the arrow 2. (See Fig.10)

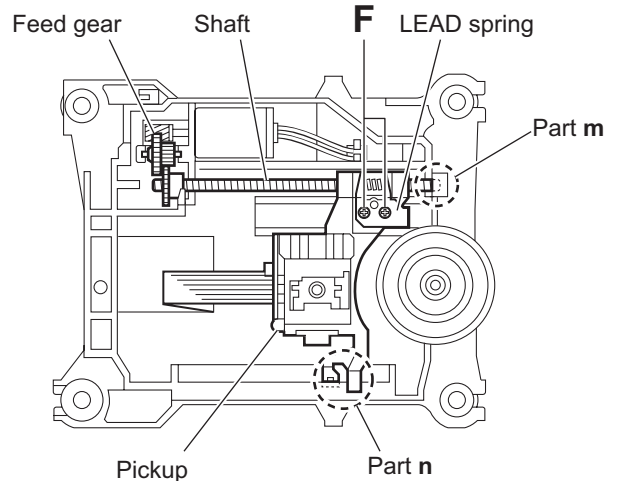


Fig.8

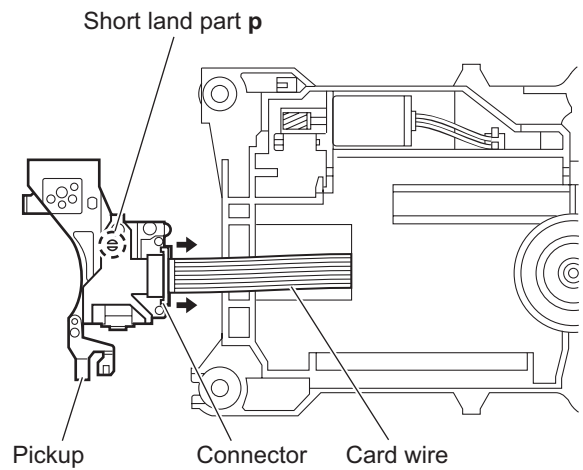


Fig.9

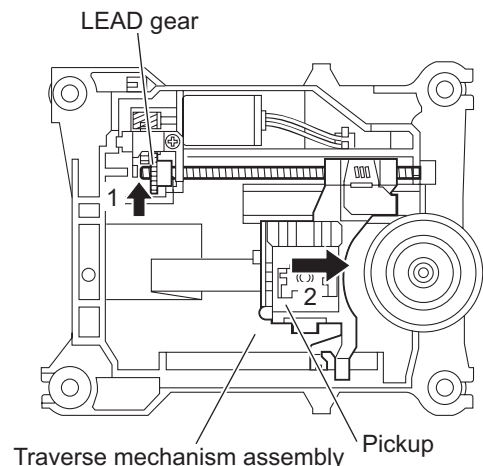
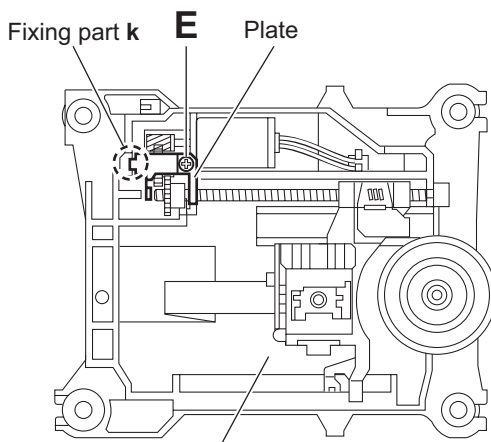


Fig.10



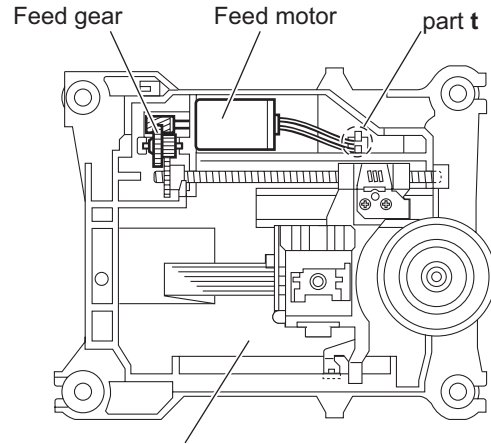
Traverse mechanism assembly  
Fig.7

### 3.2.7 Removing the feed motor (See Fig.11 to 13)

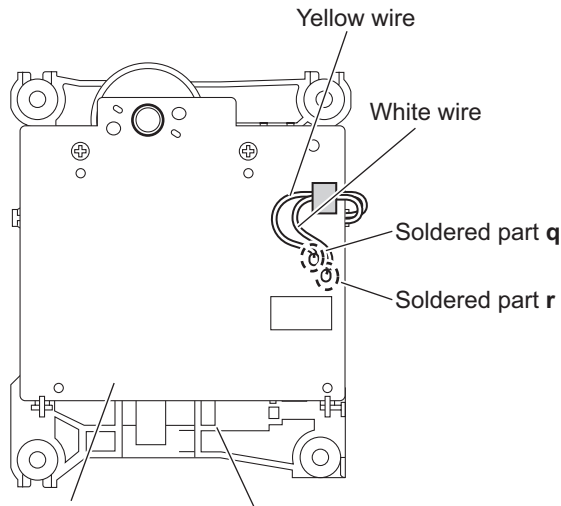
- Remove the traverse mechanism.
  - (1) Remove the yellow wire from solder part **q** of the CD servo board from upper side of traverse mechanism. (See Fig.11)
  - (2) Remove the white wire from solder part **r** of the CD servo board. (See Fig.11)
  - (3) Remove the one screw **G** attaching the plate. (See Fig.12)
  - (4) Disengage the plate from fixing part **s** and take out the plate. (See Fig.12)
  - (5) Remove the feed gear and take out the feed motor. (See Fig.13)

#### Reference:

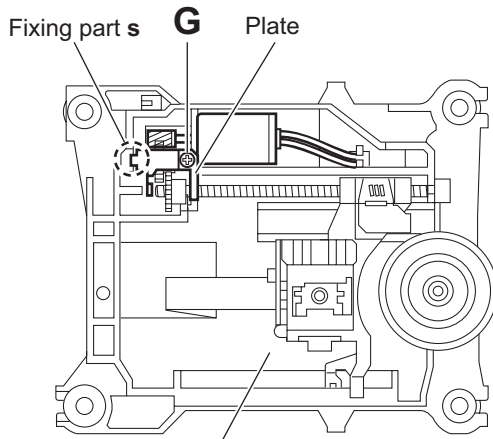
When attaching the feed motor, the wire has to through the part **t** of the traverse mechanism assembly. (See Fig.13)



Traverse mechanism assembly  
Fig.13



CD servo board      Traverse mechanism assembly  
Fig.11



Traverse mechanism assembly  
Fig.12

### 3.2.8 Removing the switch board

(See Fig.14)

- (1) Disconnect the card wire from **CN1** of the switch board from bottom side of CD mechanism assembly.
- (2) Remove the wire from solder part **u** of the switch board.
- (3) Remove the one screw **H** attaching the switch board to CD mechanism assembly.
- (4) Lift up the switch board by pushing the hook **v** of CD mechanism assembly and take out it from part **w**.

#### Reference:

- After attach the switch board to CD mechanism assembly, wire hooked to part **x**.
- Hook **u** of the CD mechanism assembly, it have to bond lock.

### 3.2.9 Removing the motor

(See Fig.14 and 15)

- (1) Remove the tray assembly.
- (2) Remove the wire from solder part **u** of the switch board from bottom side of CD mechanism assembly.
- (3) Remove the belt of motor pulley from upper side of CD mechanism assembly. (See Fig.15)

#### Caution:

Belt should not apply grease.

- (4) Remove the two screws **J** attaching the motor to CD mechanism assembly and take out the motor from bottom side of CD mechanism assembly. (See Fig.15)

#### Reference:

After motor attached to CD mechanism assembly, wire should hook to part **w**. (See Fig.14)

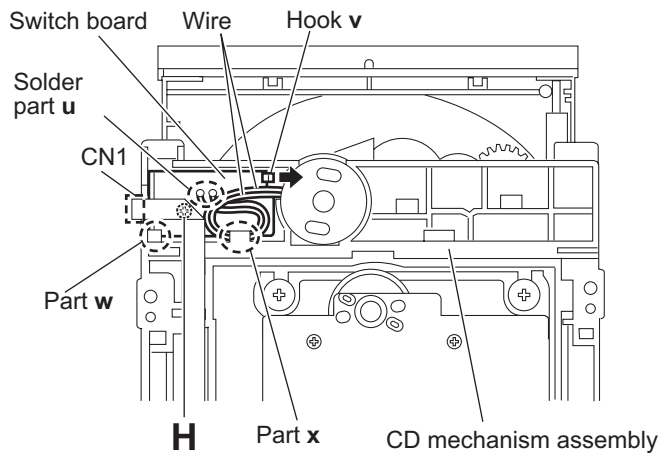


Fig.14

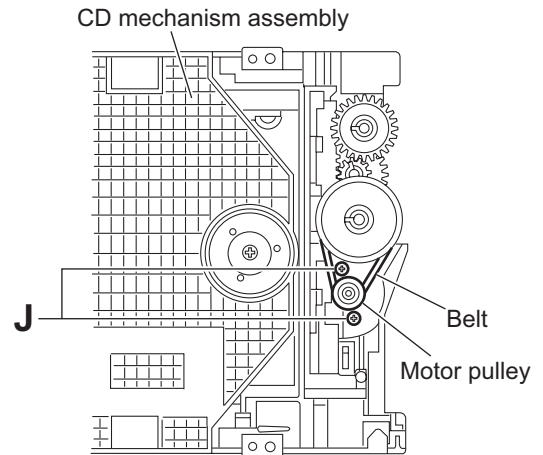
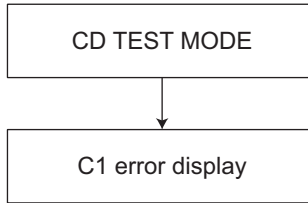


Fig.15

# SECTION 4 ADJUSTMENT

## 4.1 Outline



## 4.2 How to go CD TEST MODE

[STOP] + [CD] + AC in

## 4.3 Function specification

Function	Key	Operation	FL display							
CD TEST MODE			C	D		T	E	S	T	T
C1 error display	>>	Remocon	I	N	I	T	I	A	L	
C1 error display		Remocon	E	r		*	*	*	*	*
Return to CD TEST MODE	CANCEL	Remocon	C	D		T	E	S	T	T

After receive data

## 4.4 C1 error history

When 8 key is pressed, syscon send C1 err display command (0x9C 0x01 0x00).  
 If syscon receive C1 error display status (0xAA 0x01 0x00 \*\* \*\*), it displays C1 error.  
 Syscon convert 2byte hex data to decimal data (00000-65635).

## 4.5 Special mode

- [POWER] + [SET] + [REPEAT]: COLD SET
- [POWER] + [SET] + [S.TURBO]: FL DISPLAY turn on all segment
- [POWER] + [SET] + [BASS/TRE]:Micon version display
  - press again and again      Syscon version
  - CD version
  - USB version
  - Destination
  - Model name



## **SECTION 5 TROUBLESHOOTING**

This service manual does not describe TROUBLESHOOTING.



**JVC**

Victor Company of Japan, Limited  
Audio/Video Systems Division 10-1, 1chome, Ohwatari-machi, Maebashi-city, 371-8543, Japan

---

(No.MB665<Rev.004>)

Printed in Japan  
VPT

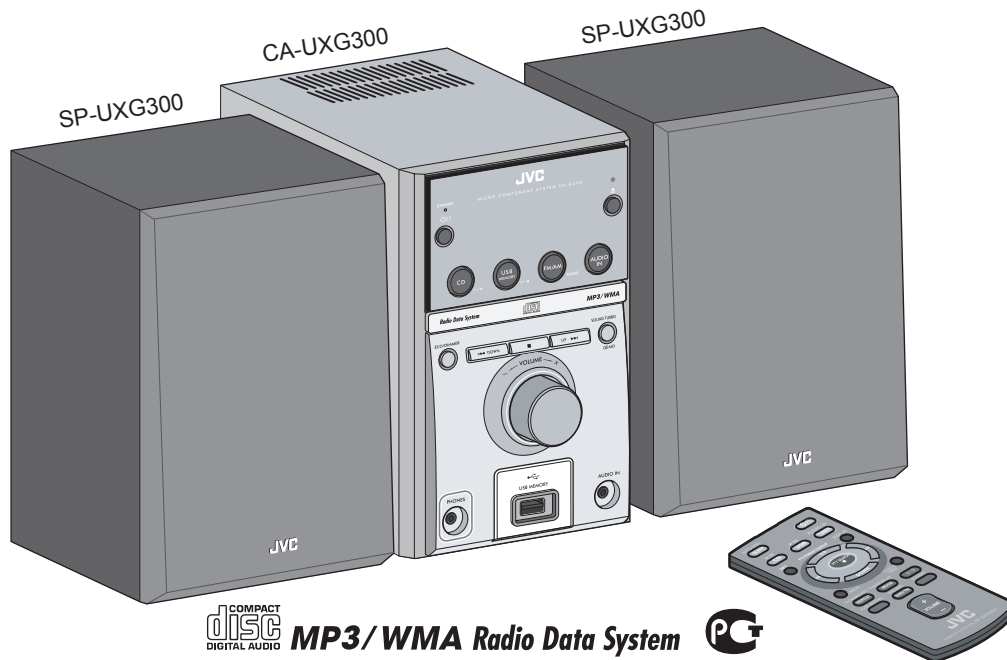
# JVC

## SCHEMATIC DIAGRAMS

### MICRO COMPONENT SYSTEM

**UX-G300B,UX-G300E,UX-G300EN,UX-G300EV**  
**UX-G303E,UX-G303EN,UX-G303EV,UX-G305E**  
**UX-G305EN,UX-G305EV,UX-G300A,UX-G300US**  
**UX-G300UF,UX-G300UT,UX-G300UW,UX-G300UG**  
**UX-G300UN,UX-G305UT**

DVD-ROM No.SML2008Q2



COMPACT  
disc  
DIGITAL AUDIO

**MP3/WMA Radio Data System**

PG

UX-G300EV  
UX-G303EV  
UX-G305EV

Lead free solder used in the board (material : Sn-Ag-Cu, melting point : 219 Centigrade)

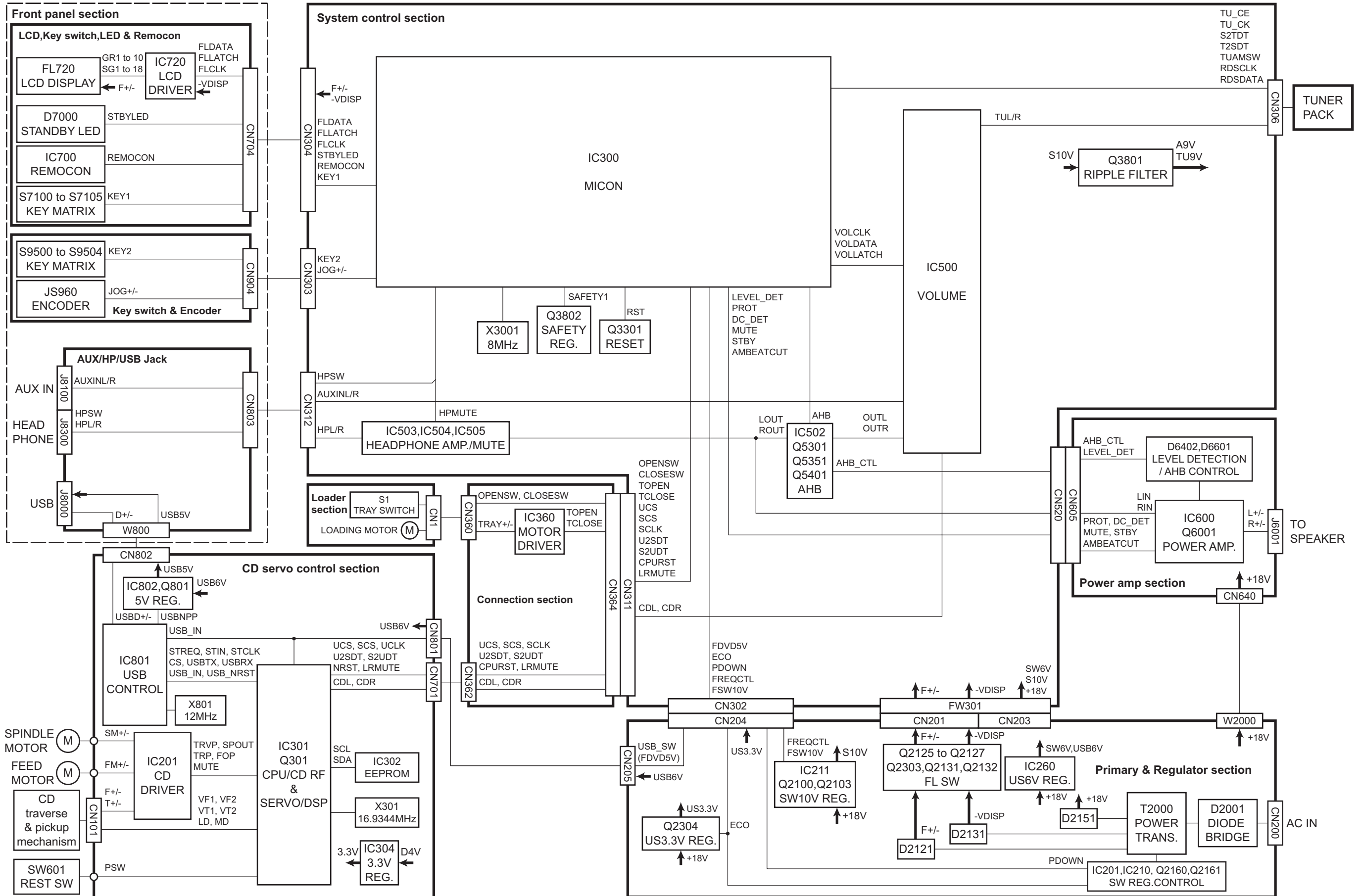
Lead free solder used in the board (material : Sn-Cu, melting point : 230 Centigrade)

#### Contents

Block diagrams .....	2-1
Standard schematic diagrams .....	2-2
Printed circuit boards .....	2-10 to 12

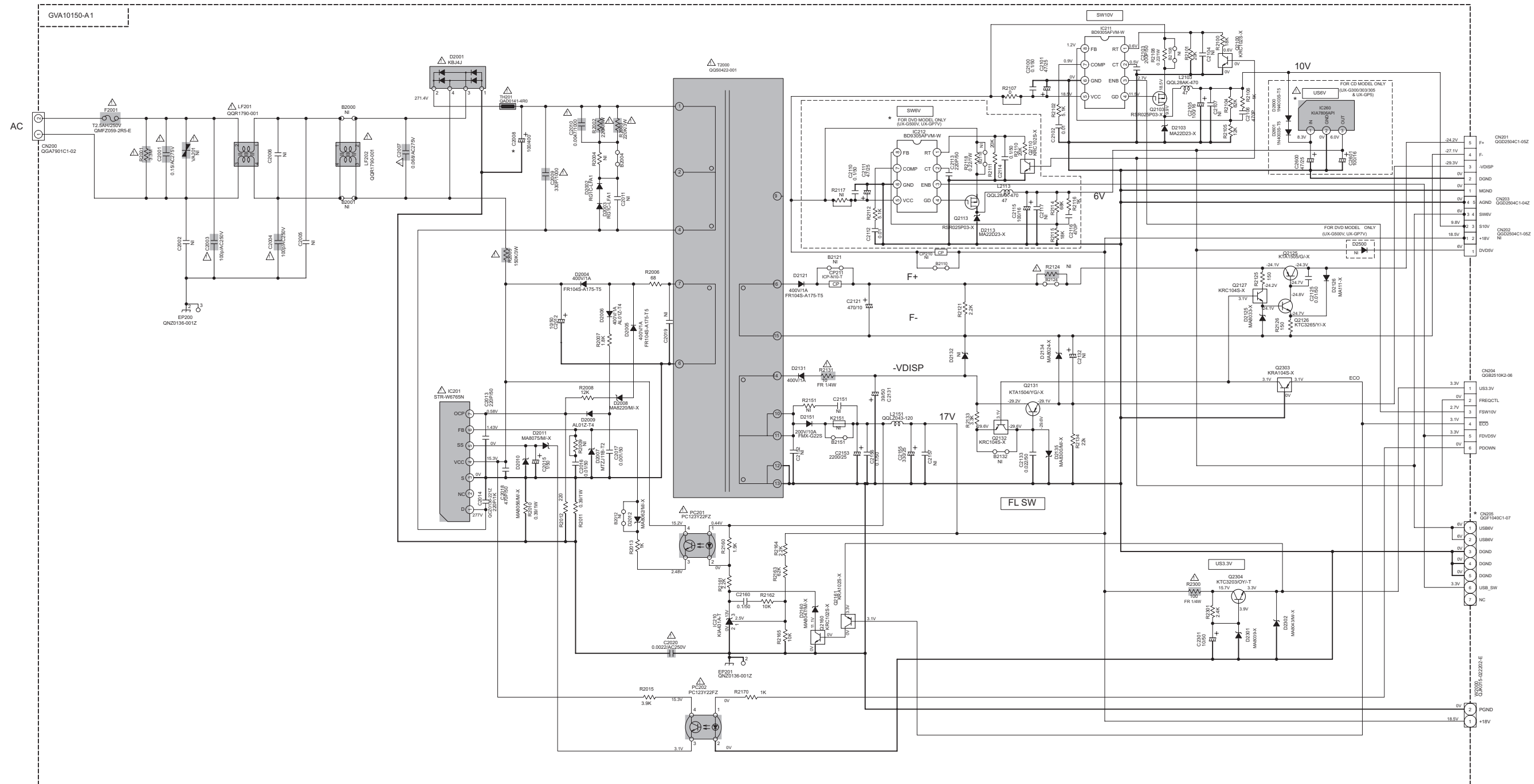
In regard with component parts appearing on the silk-screen printed side (parts side) of the PWB diagrams, the parts that are printed over with black such as the resistor (■), diode (▣) and ICP (●) or identified by the "▲" mark nearby are critical for safety.

# Block diagram



# Standard schematic diagrams

## Regulator section



	CD + USB	DVD + USB REC	CD + IPOD	DVD + IPOD
UX-G300/G800D	UX-G500V	UX-GP5/GP9D	UX-GP7V	
IC212	NI	BD9305AFVM-W	NI	BD9305AFVM-W
IC260	KIA7806API	NI	KIA7806API	NI
CN205	GGF1040C1-07	GGF1040C1-05	NI	NI

\* FOR C2008:

100/400V	B E EN EV EE UF UP UY A UB
220/200V	J/C
220/400V	US UN UG UX UH UJ UT UW

R1	R2
RT1N41C-X	47K
KRC104S-X	47K
RT1N141C-X	10K
KRC102S-X	10K

R1	R2
RT1P41C-X	47K
KRA104S-X	47K
RT1P141C-X	10K
KRA102S-X	10K

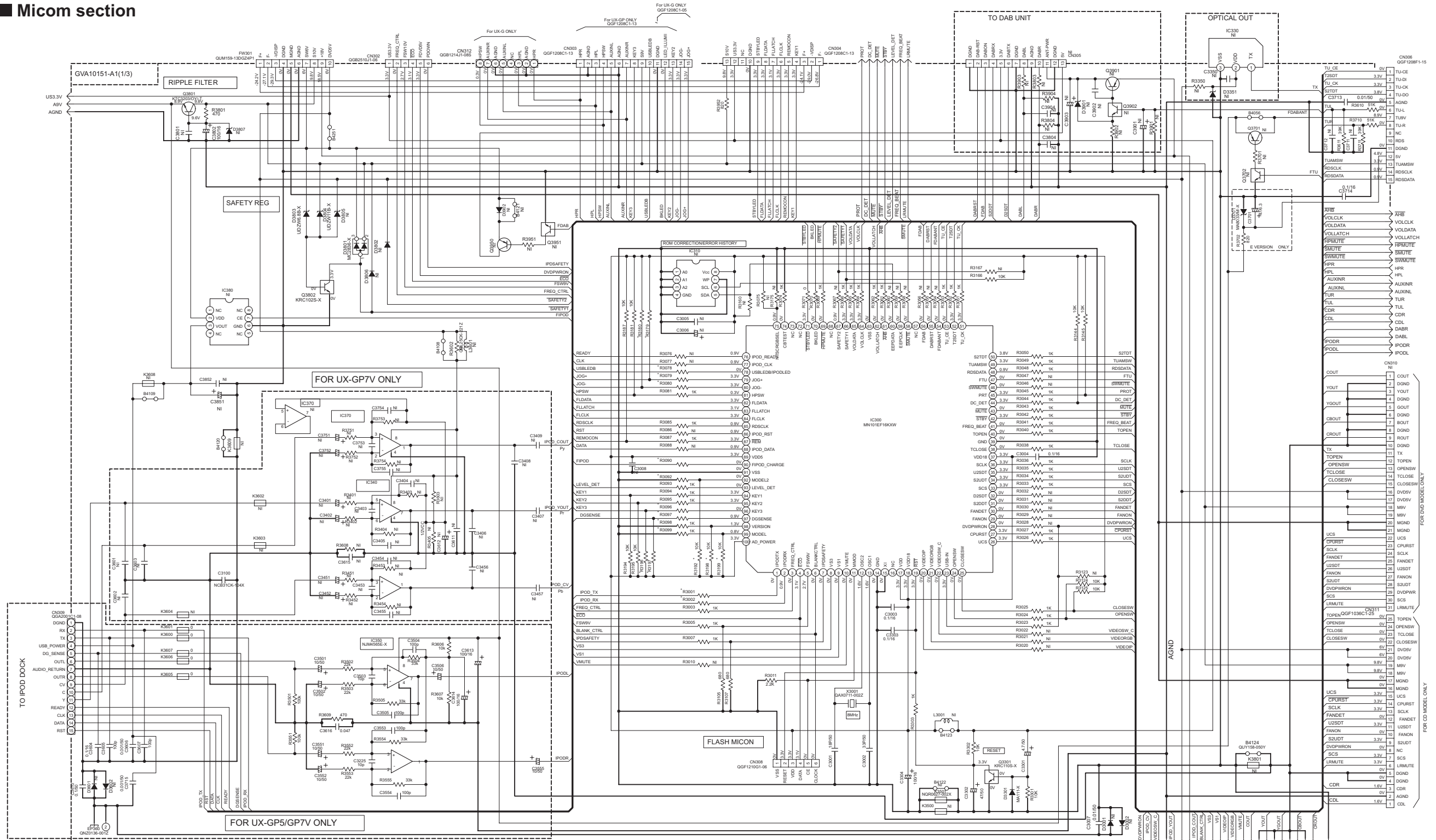
- NOTES
- VOLTAGES ARE DC-MEASURED WITH A DIGITAL VOLT METER OR OSCILLOSCOPE WITHOUT INPUT SIGNAL. CONDITION — CD STOP MODE
  - UNLESS OTHERWISE SPECIFIED, ALL RESISTORS ARE 1/4W ± 5% CARBON FILM RESISTOR OR 0.063W ± 5% THICK FILM CHIP RESISTOR
  - NI=NO INSERT
  - 0"= SHORT BY PATTERN

ALL RESISTANCE VALUES ARE IN OHM(Ω). ALL CAPACITANCE VALUES ARE IN μF(PpF). ALL CAPACITORS ARE SHOWN IN THE FORM OF CAPACITANCE (μF) / RATED VOLTAGE (V). ALL INDUCTANCE VALUES ARE IN μH(mHmH). ALL DIODES ARE MA111-X

Parts are safety assurance parts. When replacing those parts make sure to use the specified one.



**Micom section**



**\*PARTS LIST**

MODEL	FULL DOWN (NO MODEL DETECTION)	UX-G300 (CD & USB)	UX-G500V (DVD & USB)	UX-G800D (DAB & USB)	UX-GP5 (CD & IPOD)	UX-GP7V (DVD & IPOD)
R1(R3199)	NI	10K	10K	10K	10K	10K
R2(R3099)	10K	3.3K	6.8K	13K	30K	NI

MODEL	FULL DOWN (NO MODEL DETECTION)	UX-GP5D (DAB & IPOD)	UX-G500V (DAB & USB)	UX-G800D (DAB & USB)	UX-GP5 (DAB & USB)	UX-GP7V (DAB & IPOD & HI POWER)
R1(R3192)	NI	10K	10K	10K	10K	10K
R2(R3092)	10K	3.3K	6.8K	13K	30K	NI

VERSION	J/C	E	UT	UZ	US	U4	DOM
R1(R3198)	NI	10K	10K	10K	10K	10K	10K
R2(R3098)	10K	3.3K	6.8K	13K	30K	NI	NI

**\*CD MODEL MICON PIN**

MODEL	UX-G300	UX-GP5
R3001	NI	1K
R3002	NI	1K
R3003	NI	1K
R3004	NI	1K
R3005	NI	1K
R3006	NI	1K
R3007	NI	1K
R3008	NI	1K
R3009	NI	1K
R3010	NI	1K
R3011	NI	1K
R3012	NI	1K
R3013	NI	1K
R3014	NI	1K
R3015	NI	1K
R3016	NI	1K
R3017	NI	1K
R3018	NI	1K
R3019	NI	1K
R3020	NI	1K
R3021	NI	1K
R3022	NI	1K
R3023	NI	1K
R3024	NI	1K
R3025	NI	1K
R3026	NI	1K
R3027	NI	1K
R3028	NI	1K
R3029	NI	1K
R3030	NI	1K
R3031	NI	1K
R3032	NI	1K
R3033	NI	1K
R3034	NI	1K
R3035	NI	1K
R3036	NI	1K
R3037	NI	1K
R3038	NI	1K
R3039	NI	1K
R3040	NI	1K
R3041	NI	1K
R3042	NI	1K
R3043	NI	1K
R3044	NI	1K
R3045	NI	1K
R3046	NI	1K
R3047	NI	1K
R3048	NI	1K
R3049	NI	1K
R3050	NI	1K
R3051	NI	1K
R3052	NI	1K
R3053	NI	1K
R3054	NI	1K
R3055	NI	1K
R3056	NI	1K
R3057	NI	1K
R3058	NI	1K
R3059	NI	1K
R3060	NI	1K
R3061	NI	1K
R3062	NI	1K
R3063	NI	1K
R3064	NI	1K
R3065	NI	1K
R3066	NI	1K
R3067	NI	1K
R3068	NI	1K
R3069	NI	1K
R3070	NI	1K
R3071	NI	1K
R3072	NI	1K
R3073	NI	1K
R3074	NI	1K
R3075	NI	1K
R3076	NI	1K
R3077	NI	1K
R3078	NI	1K
R3079	NI	1K
R3080	NI	1K
R3081	NI	1K
R3082	NI	1K
R3083	NI	1K
R3084	NI	1K
R3085	NI	1K
R3086	NI	1K
R3087	NI	1K
R3088	NI	1K
R3089	NI	1K
R3090	NI	1K
R3091	NI	1K
R3092	NI	1K
R3093	NI	1K
R3094	NI	1K
R3095	NI	1K
R3096	NI	1K
R3097	NI	1K
R3098	NI	1K
R3099	NI	1K

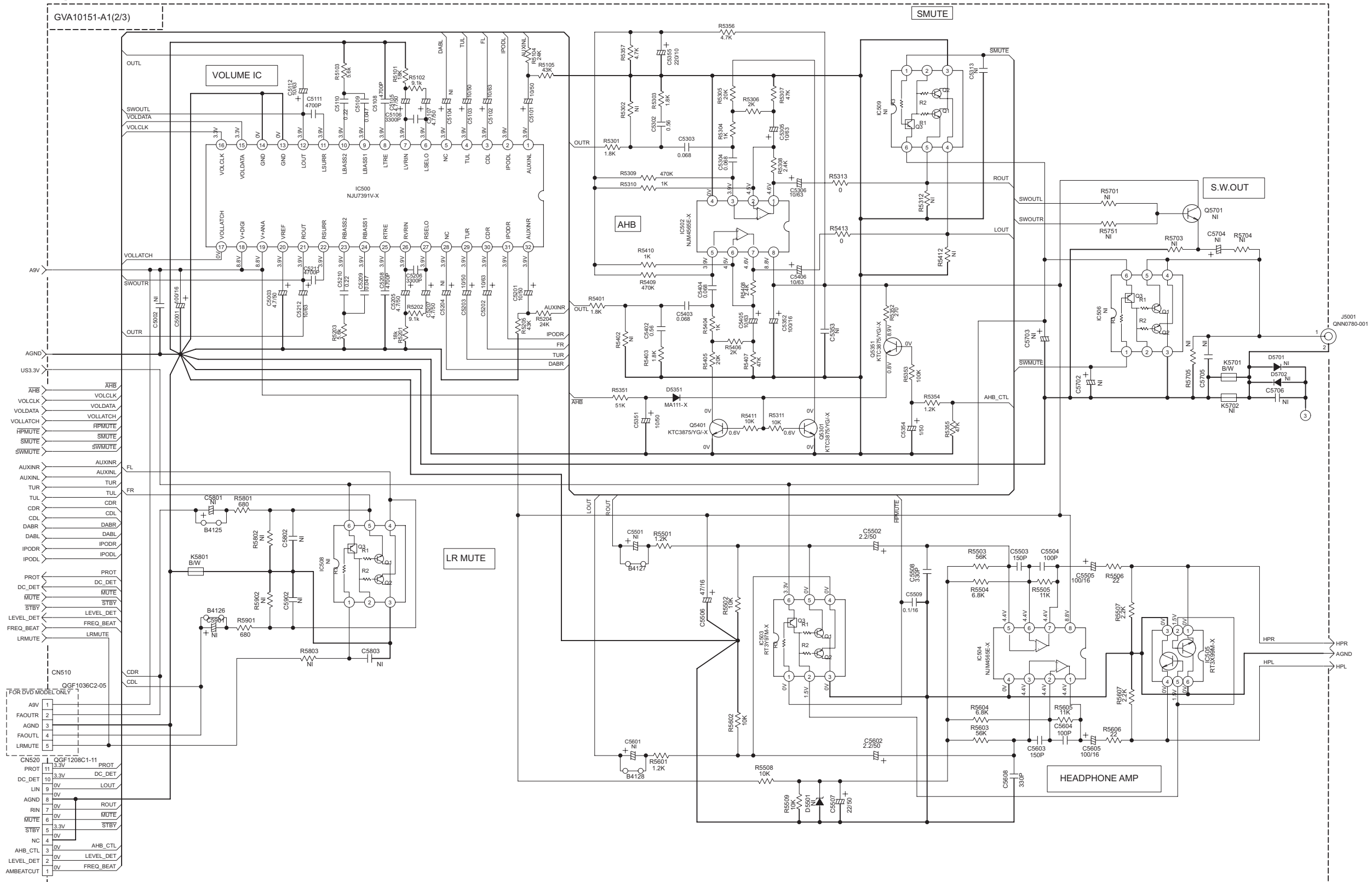
**NOTES**

- VOLTAGES ARE DC-MEASURED WITH A DIGITAL VOLT METER OR OSCILLOSCOPE WITHOUT INPUT SIGNAL. CONDITION — CD STOP MODE
- UNLESS OTHERWISE SPECIFIED, ALL RESISTORS ARE 1/4W ± 5% CARBON FILM RESISTOR OR 0.063W ± 5% THICK FILM CHIP RESISTOR. ALL CAPACITORS ARE CERAMIC CAPACITOR OR MYLAR CAPACITOR.
- NI=NO INSERT
- ∅=SHORT BY PATTERN

ALL RESISTANCE VALUES ARE IN OHM (Ω).  
 ALL CAPACITANCE VALUES ARE IN μF(μF).  
 ALL CAPACITORS ARE SHOWN IN THE FORM OF CAPACITANCE (μF) RATED VOLTAGE (V).  
 ALL INDUCTANCE VALUES ARE IN μH(μH).  
 ALL DIODES ARE MA111-X

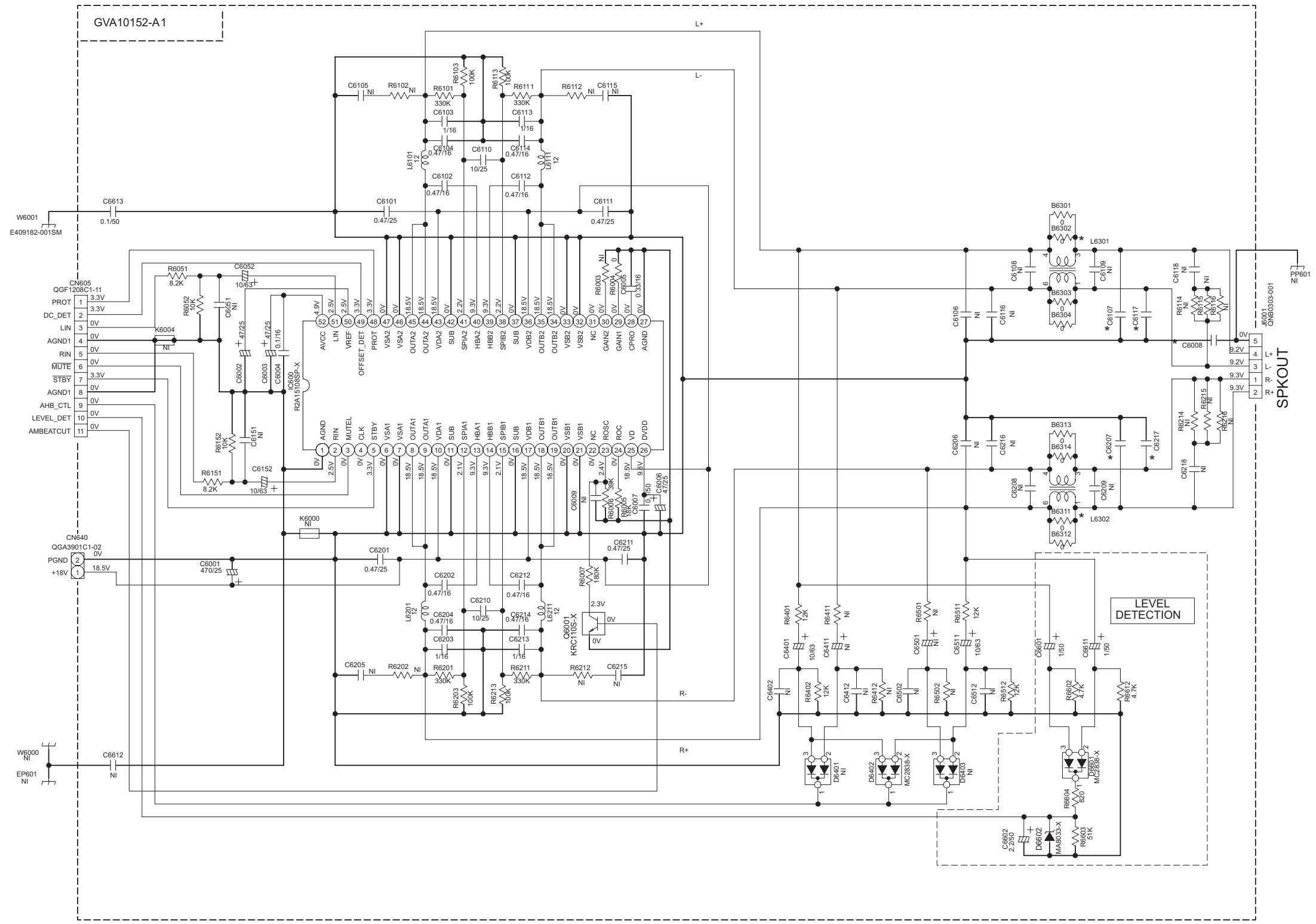
UX-G300	CD
UX-G500V	DVD + SCART
UX-G800D	CD + DAB
UX-GP5	CD + IPOD
UX-GP7V	DVD + SCART + IPOD
UX-GP9D	CD + DAB + IPOD

■ Audio amp section



- NOTES
- VOLTAGES ARE DC-MEASURED WITH A DIGITAL VOLT METER OR OSCILLOSCOPE WITHOUT INPUT SIGNAL. CONDITION --- CD STOP MODE
  - UNLESS OTHERWISE SPECIFIED, ALL RESISTORS ARE 1/4W ± 5% CARBON FILM RESISTOR OR 0.063W ± 5% THICK FILM CHIP RESISTOR. ALL CAPACITORS ARE CERAMIC CAPACITOR OR MYLAR CAPACITOR.
  - NI=NO INSERT
  - "0"= SHORT BY PATTERN
- ALL RESISTANCE VALUES ARE IN OHM (Ω). ALL CAPACITANCE VALUES ARE IN μF (P=pF). ALL E-CAPACITORS ARE SHOWN IN THE FORM OF CAPACITANCE(μF)/RATED VOLTAGE (V). ALL INDUCTANCE VALUES ARE IN μH(m=mH). ALL DIODES ARE MA1111-X

■ Digital amp section



R1

R2

	R1	R2
RT1N430C-X	4.7K	NI
KRC110S-X		

	R6003	R6004
20dB	OROX	OROX
26dB	OROX	NI
32dB	NI	OROX
36dB	NI	NI

\* FOR L6301/L6302:

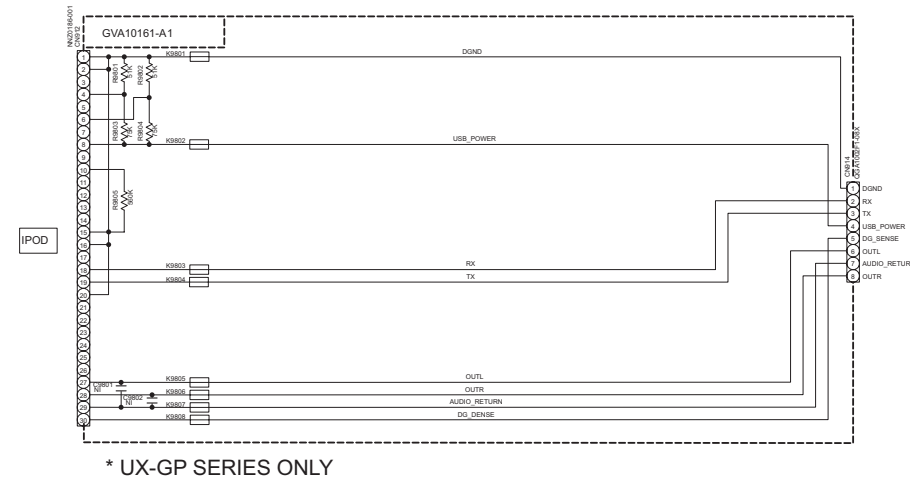
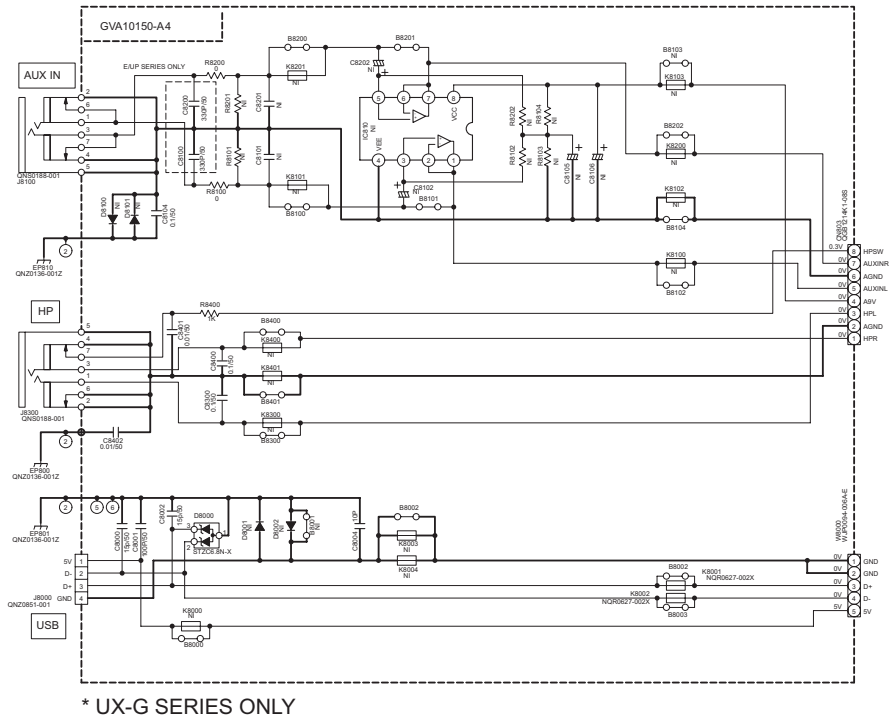
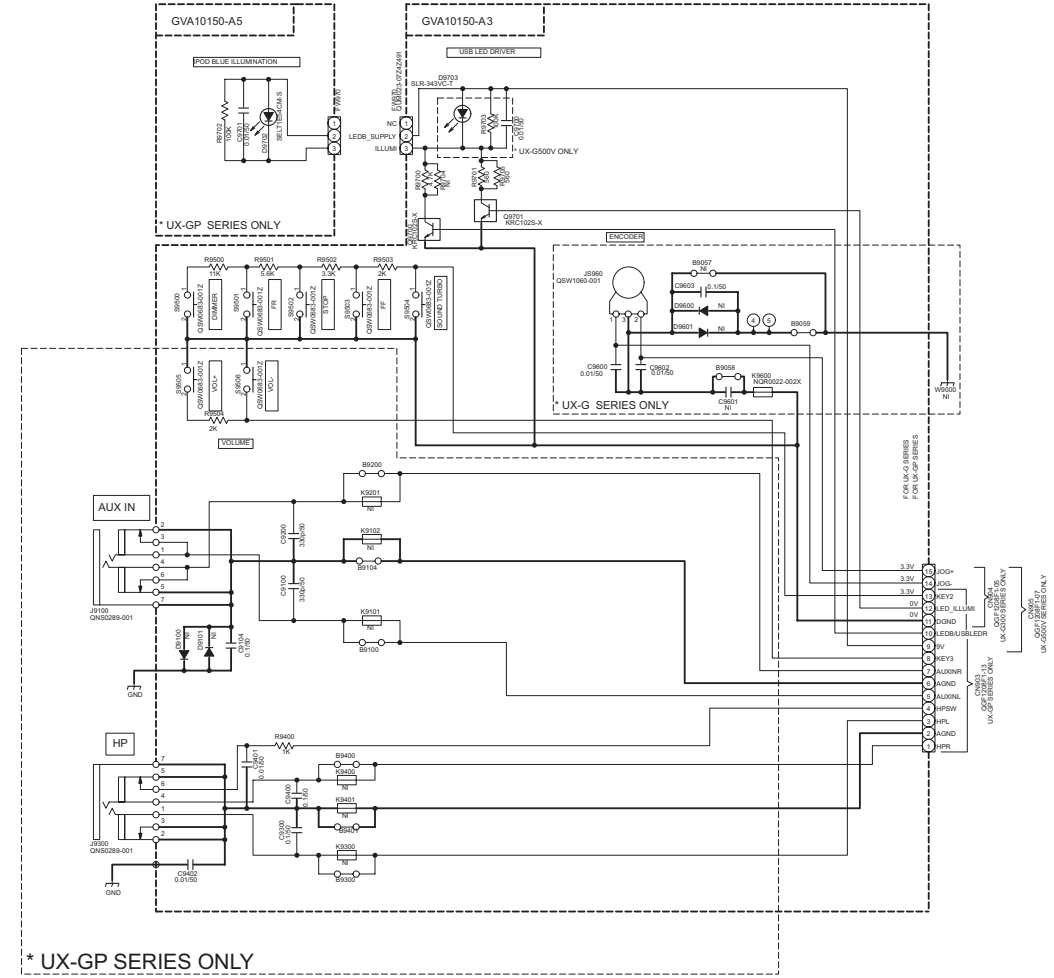
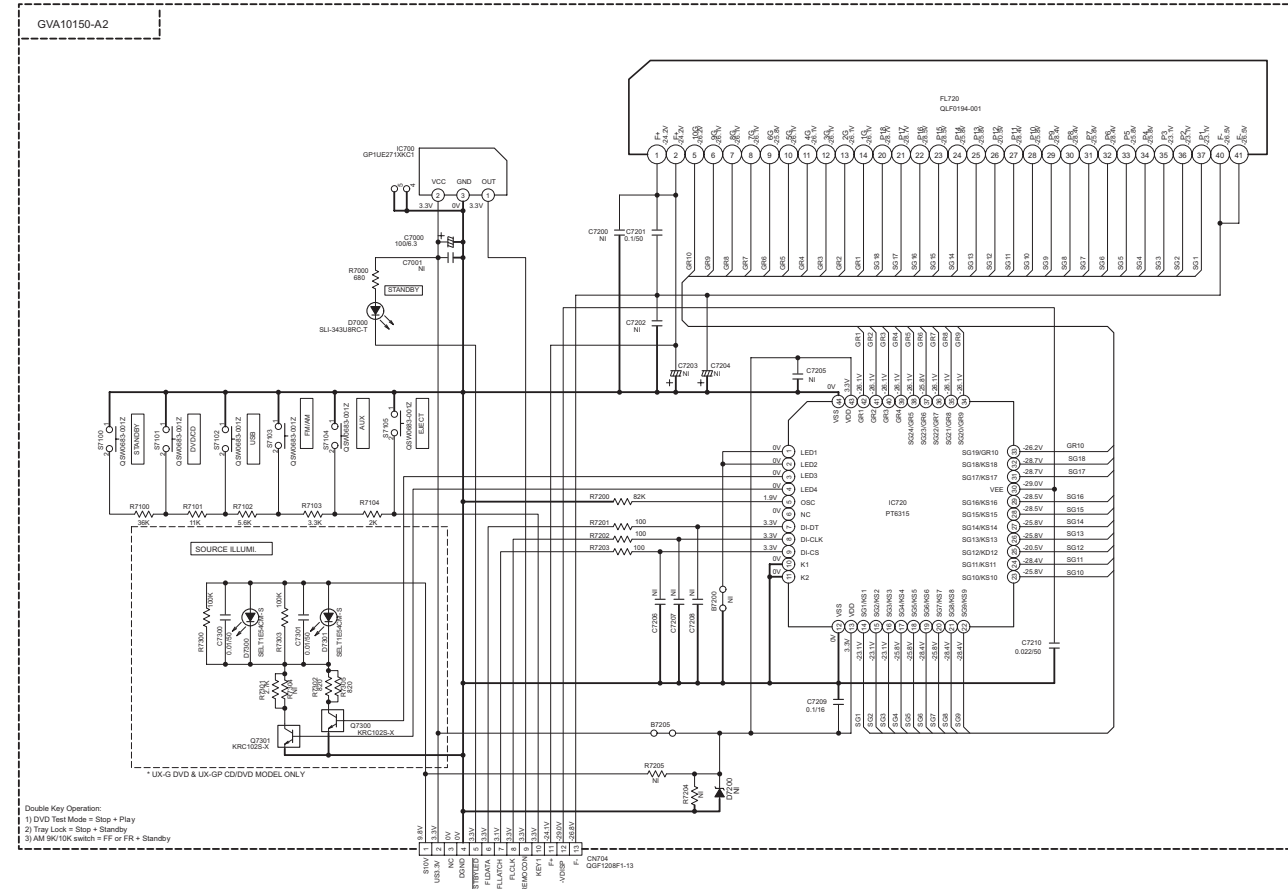
QQR0797-002	UT/J ONLY
QUY158-050Y	OTHER VERSION

	UT ONLY	OTHERS
C6107	INSERT	NI
C6207	INSERT	NI
C6117	INSERT	NI
C6217	INSERT	NI
C6008	INSERT	NI

- VOLTAGES ARE DC-MEASURED WITH A DIGITAL VOLT METER OR OSCILLOSCOPE WITHOUT INPUT SIGNAL. CONDITION --- CD STOP MODE.
- UNLESS OTHERWISE SPECIFIED. ALL RESISTORS ARE 1/4 W ± 5% CARBON FILM RESISTOR. ALL CAPACITORS ARE CERAMIC CAPACITOR OR MYLAR CAPACITOR.
- NI STANDS FOR NOT INSERTED PARTS.
- \*0"= SHORT BY PATTERN

ALL RESISTANCE VALUES ARE IN OHM(Ω).  
 ALL CAPACITANCE VALUES ARE IN μF(P=pF).  
 ALL CAPACITORS ARE SHOWN IN THE FORM OF CAPACITANCE(μF)/RATED VOLTAGE (V).  
 ALL INDUCTANCE VALUES ARE IN μH(m=mH).

■ Front section



NOTES

- VOLTAGES ARE DC-MEASURED WITH A DIGITAL VOLT METER OR OSCILLOSCOPE WITHOUT INPUT SIGNAL. CONDITION --- DVD STOP MODE
- UNLESS OTHERWISE SPECIFIED:  
 ALL RESISTORS ARE 1/4W ± 5% CARBON FILM RESISTOR OR 0.650W ± 5% THICK FILM CHIP RESISTOR  
 ALL CAPACITORS ARE CERAMIC CAPACITOR OR MYLAR CAPACITOR  
 3IN1 MEANS NO INSERT  
 4. DIGITAL TRANSISTOR

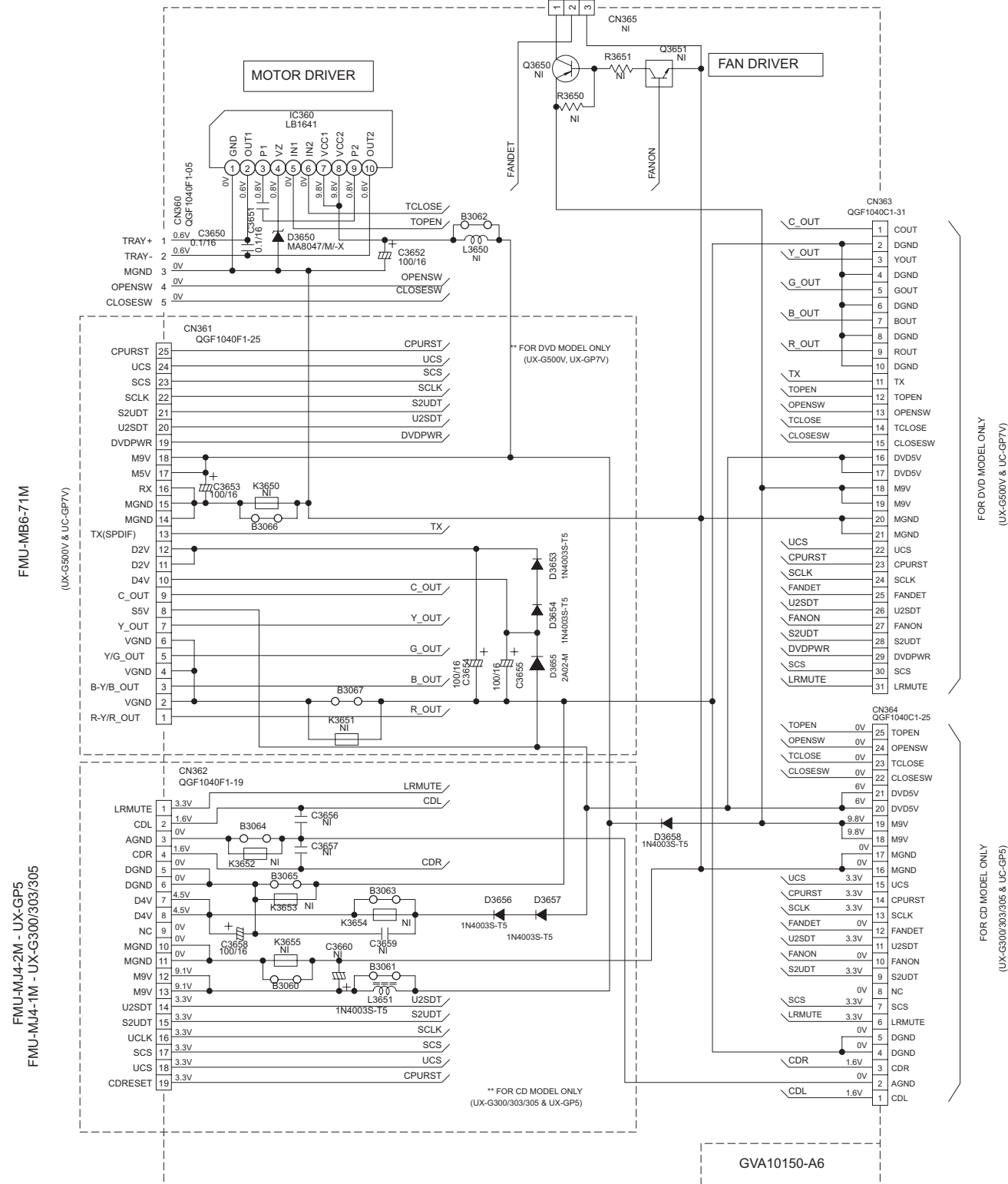
FOR K8001-K8008 USE NIP0433-090X

ALL RESISTANCE VALUES ARE IN OHM (Ω)  
 ALL CAPACITANCE VALUES ARE IN pF (pF)  
 ALL E-CAPACITORS ARE SHOWN IN THE FORM OF CAPACITANCE (μF) (RATED VOLTAGE (V))  
 ALL INDUCTANCE VALUES ARE IN μH (μH)  
 ALL FERRITE BEADS ARE OQR021-021Z  
 ALL DIODES ARE MA111-X

R

RT1M4K-X      47K  
 KR1A15-X      22K

## ■ Connection section

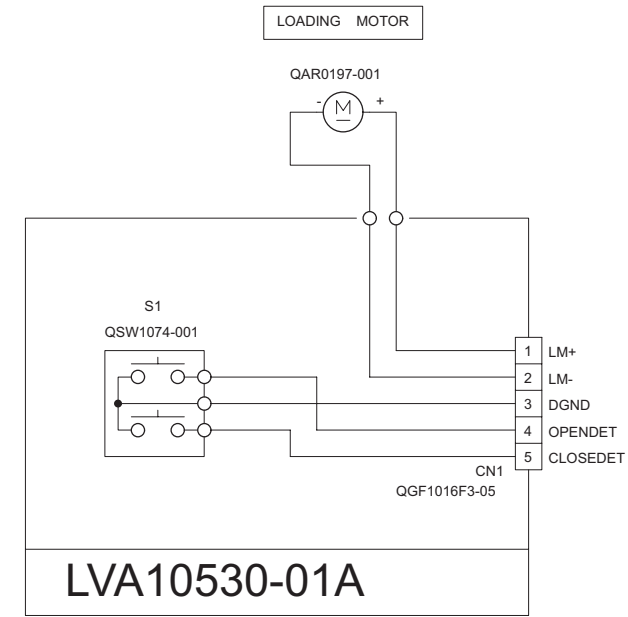


### NOTES

- VOLTAGES ARE DC-MEASURED WITH A DIGITAL VOLT METER OR OSCILLOSCOPE WITHOUT INPUT SIGNAL. CONDITION — CD STOP MODE
- UNLESS OTHERWISE SPECIFIED.  
ALL RESISTORS ARE 1/4W ±5% CARBON FILM RESISTOR OR 0.063W ±5% THICK FILM CHIP RESISTOR  
ALL CAPACITORS ARE CERAMIC CAPACITOR OR MYLAR CAPACITOR.  
3. NI=NO INSERT  
4. "0"= SHORT BY PATTERN

- ALL RESISTANCE VALUES ARE IN OHM(Ω).  
ALL CAPACITANCE VALUES ARE IN μF(P=pF).  
ALL E. CAPACITORS ARE SHOWN IN THE FORM OF CAPACITANCE(μF)/RATED VOLTAGE (V).  
ALL INDUCTANCE VALUES ARE IN μH(m=mH)  
ALL DIODES ARE MA111- X

## ■ Loader section



FMU-MB6-71M

(UX-G500V & UC-GP7V)

FMU-MJ4-2M - UX-GP5

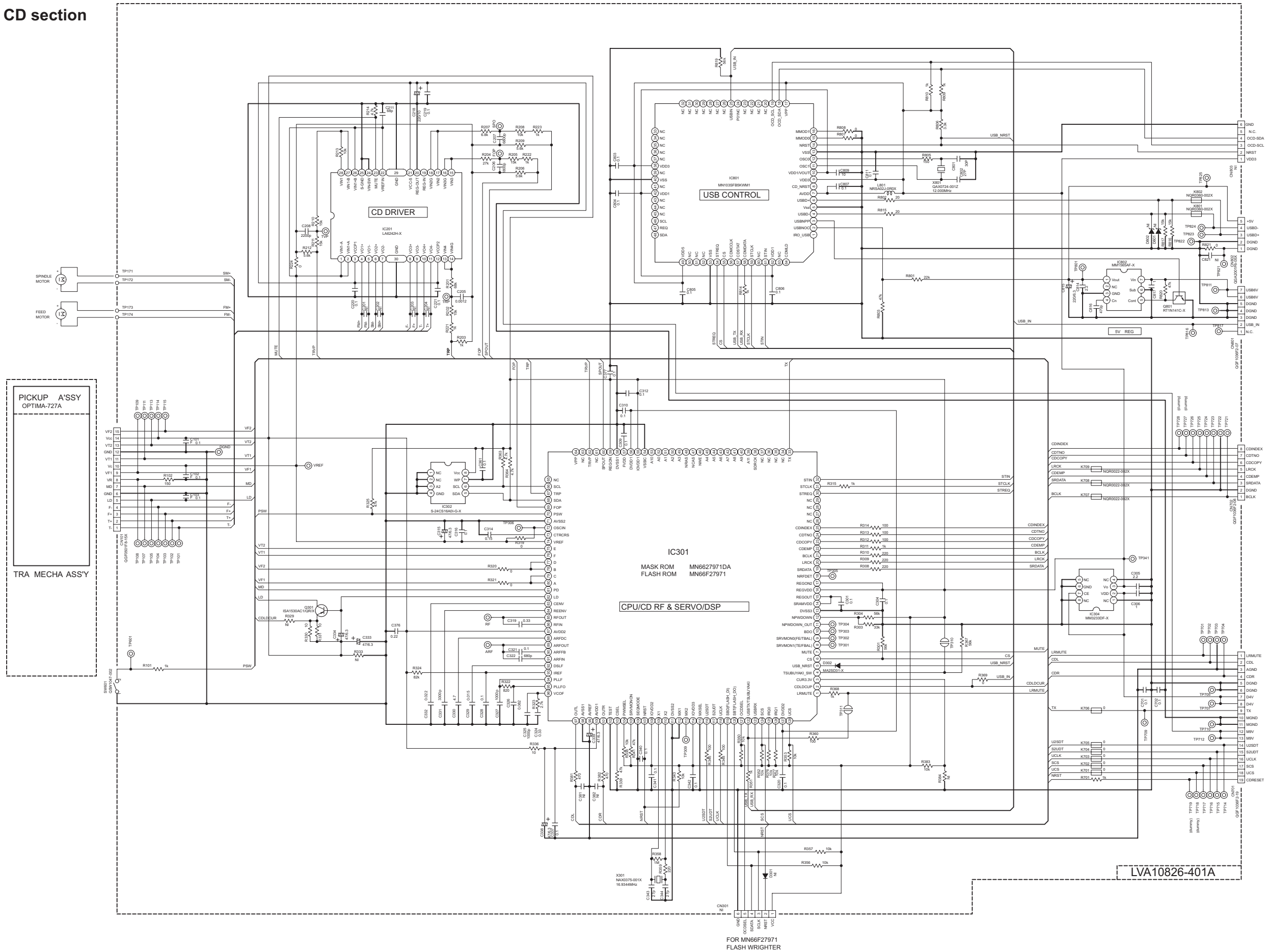
FMU-MJ4-1M - UX-G300/303/305

FOR DVD MODEL ONLY  
(UX-G500V & UC-GP7V)

FOR CD MODEL ONLY  
(UX-G300/303/305 & UC-GP5)



CD section



FOR MEDIAMICON  
FLASH WRITER

FOR USB  
DEVICE

FOR SYSTEM

FOR MD  
or RIPPING

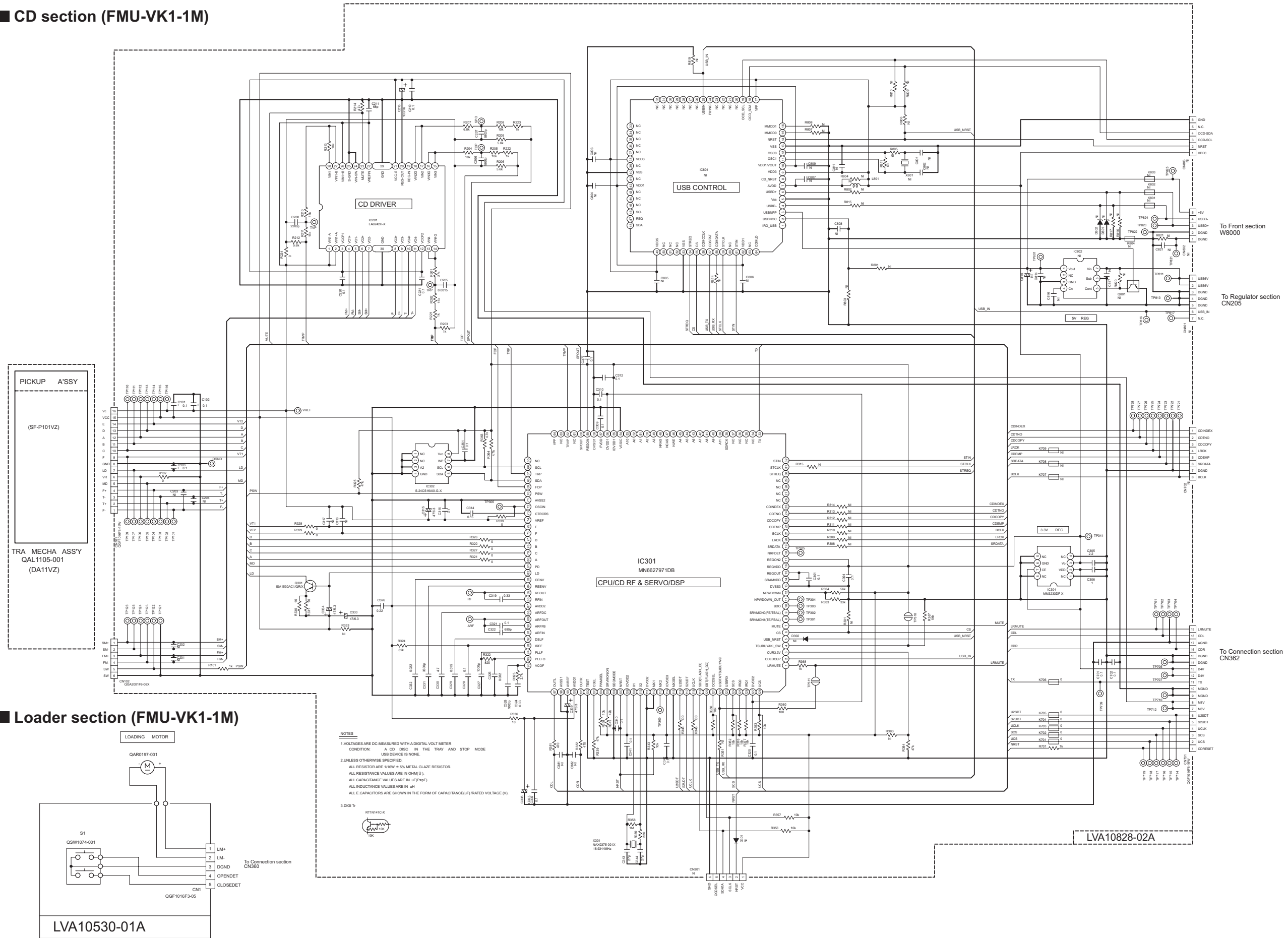
FOR SYSTEM

FOR MN66F27971  
FLASH WRITER

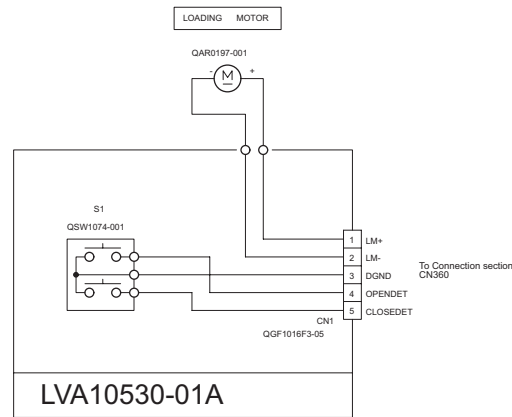
LVA10826-401A



■ CD section (FMU-VK1-1M)



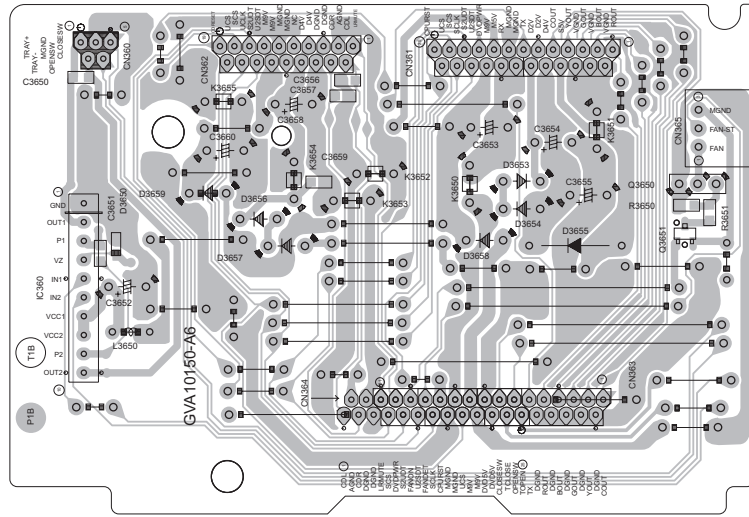
■ Loader section (FMU-VK1-1M)



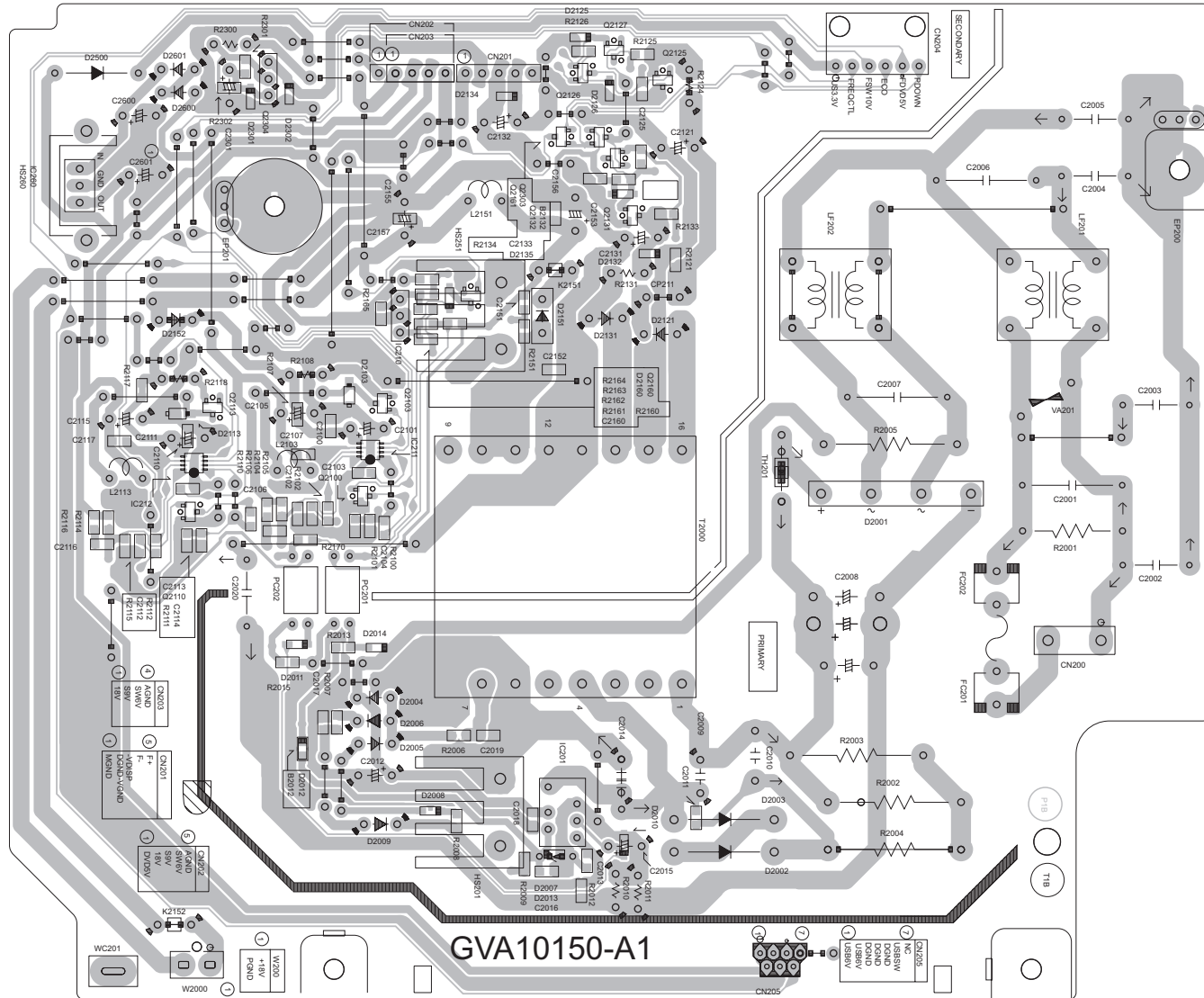
# Printed circuit boards

- Power board Lead free solder used in the board (material : Sn-Ag-Cu, melting point : 219 Centigrade)
- Lead free solder used in the board (material : Sn-Cu, melting point : 230 Centigrade)

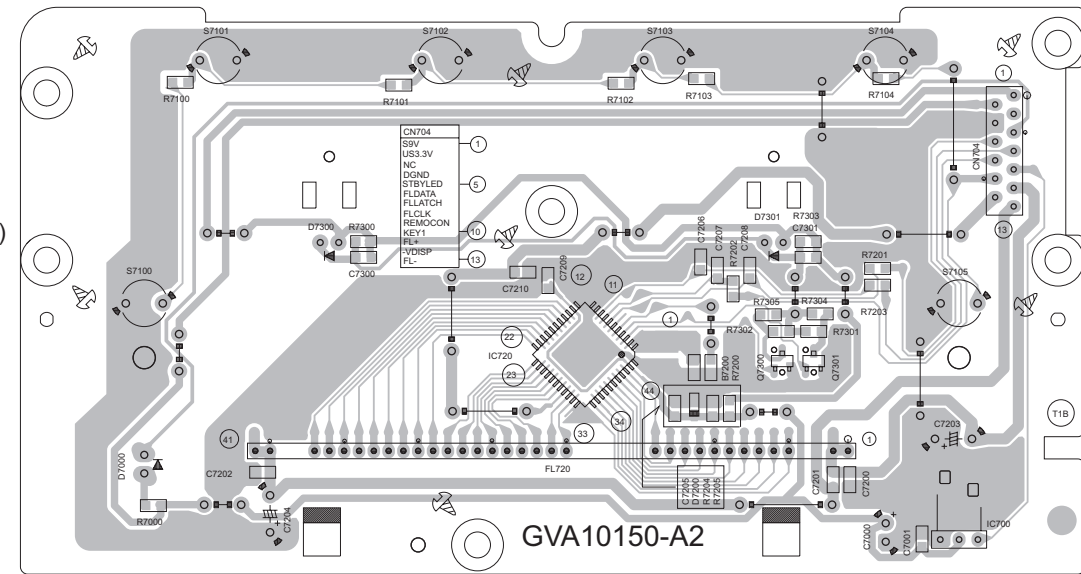
(Connection board)



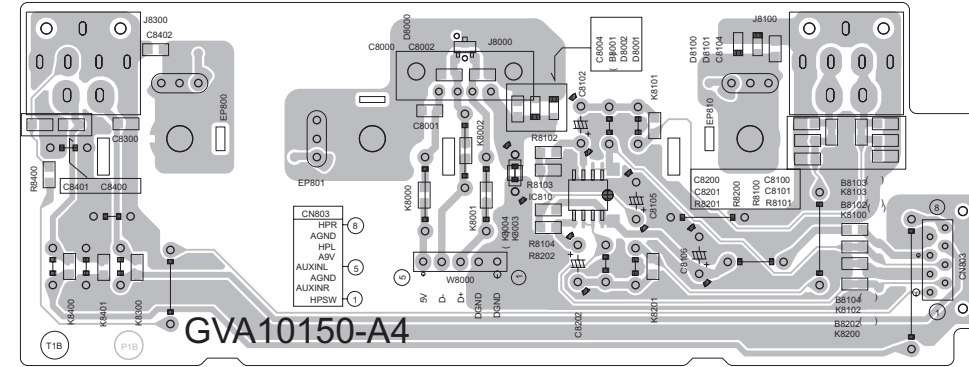
(Power board)



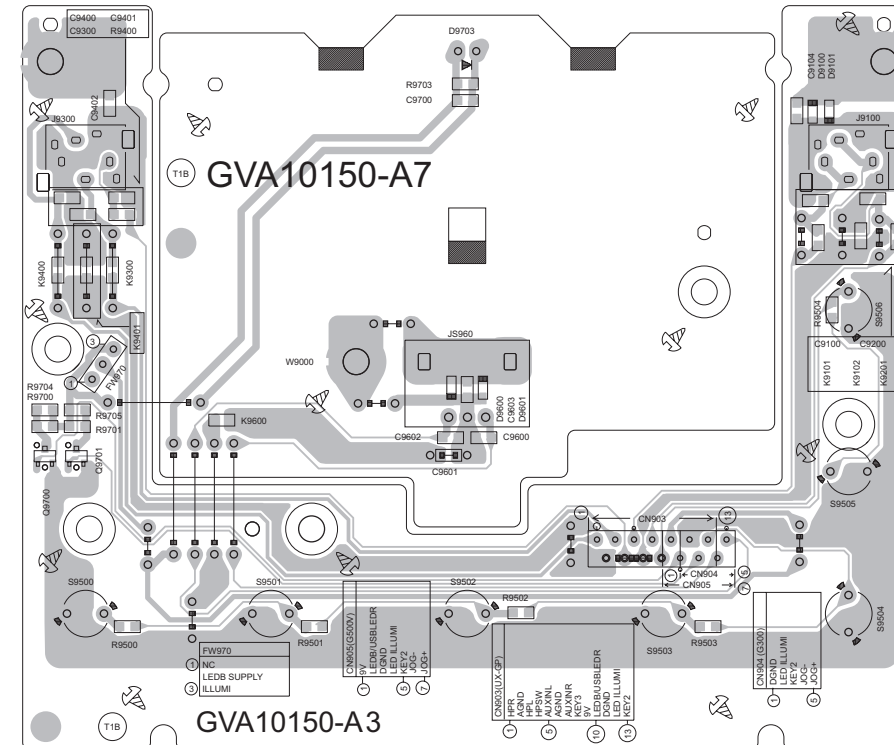
(FL board)



(Front input board)



(Switch board)



(Volume board)

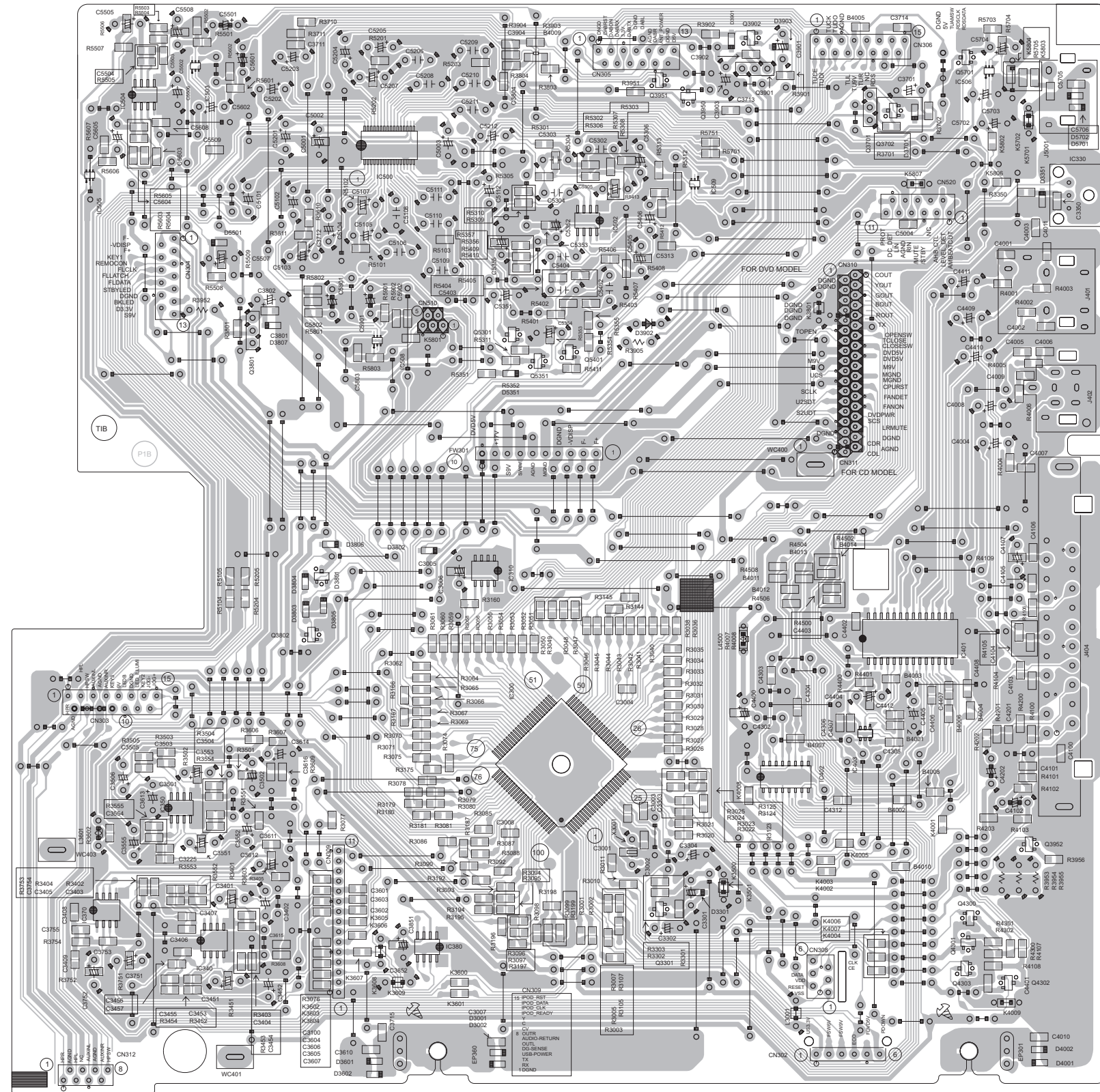


■ **Micom board** Lead free solder used in the board (material : Sn-Ag-Cu, melting point : 219 Centigrade)

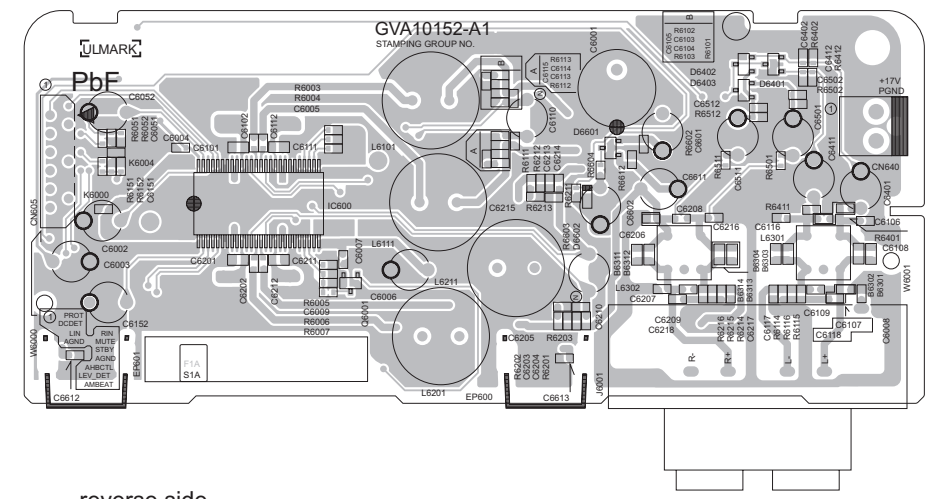
Lead free solder used in the board (material : Sn-Cu, melting point : 230 Centigrade)

■ **Amp board** Lead free solder used in the board (material : Sn-Ag-Cu, melting point : 219 Centigrade)

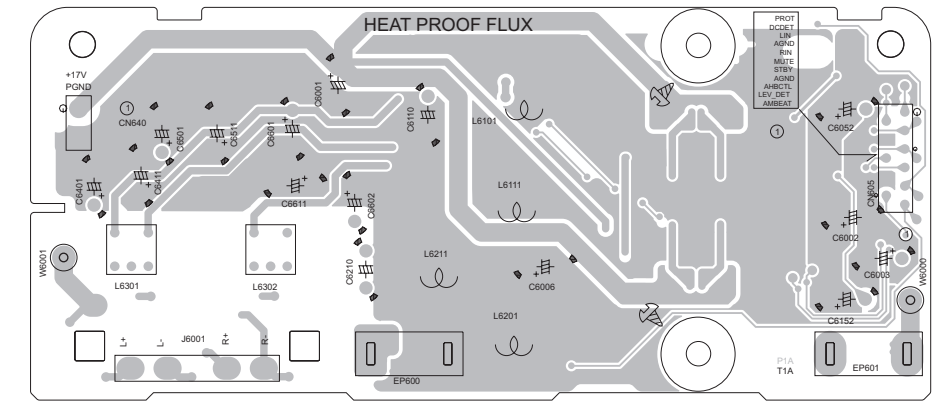
Lead free solder used in the board (material : Sn-Cu, melting point : 230 Centigrade)



forward side side



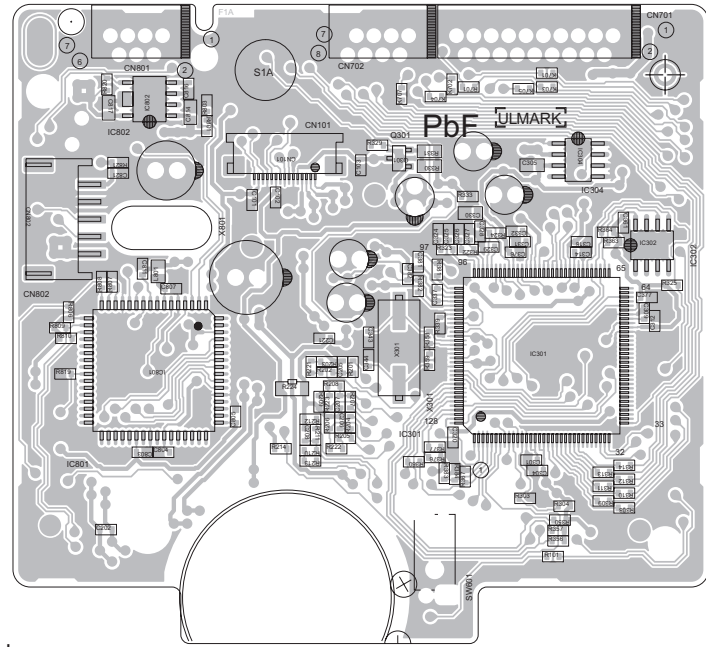
reverse side



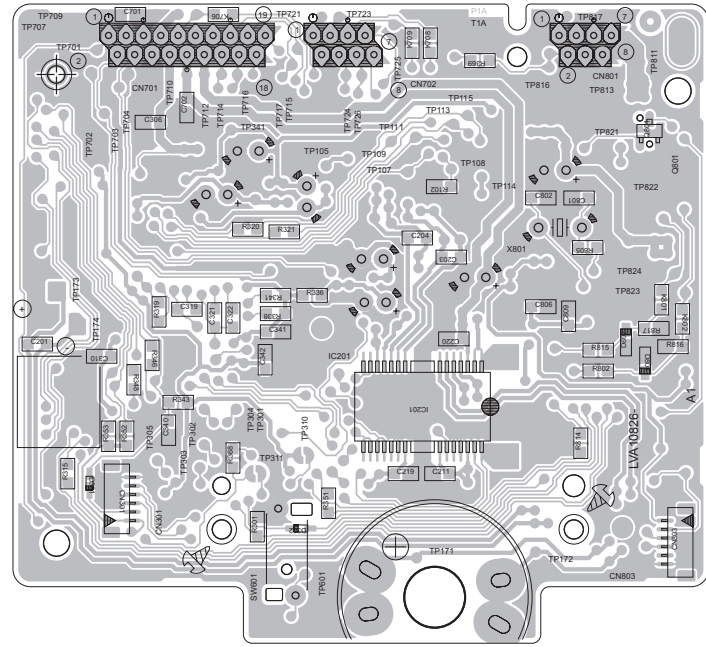
■ **CD servo control board** Lead free solder used in the board (material : Sn-Ag-Cu, melting point : 219 Centigrade)

Lead free solder used in the board (material : Sn-Cu, melting point : 230 Centigrade)

forward side

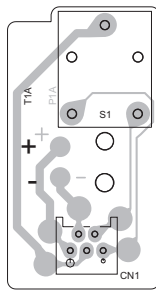


reverse side



■ **Loader board** Lead free solder used in the board (material : Sn-Ag-Cu, melting point : 219 Centigrade)

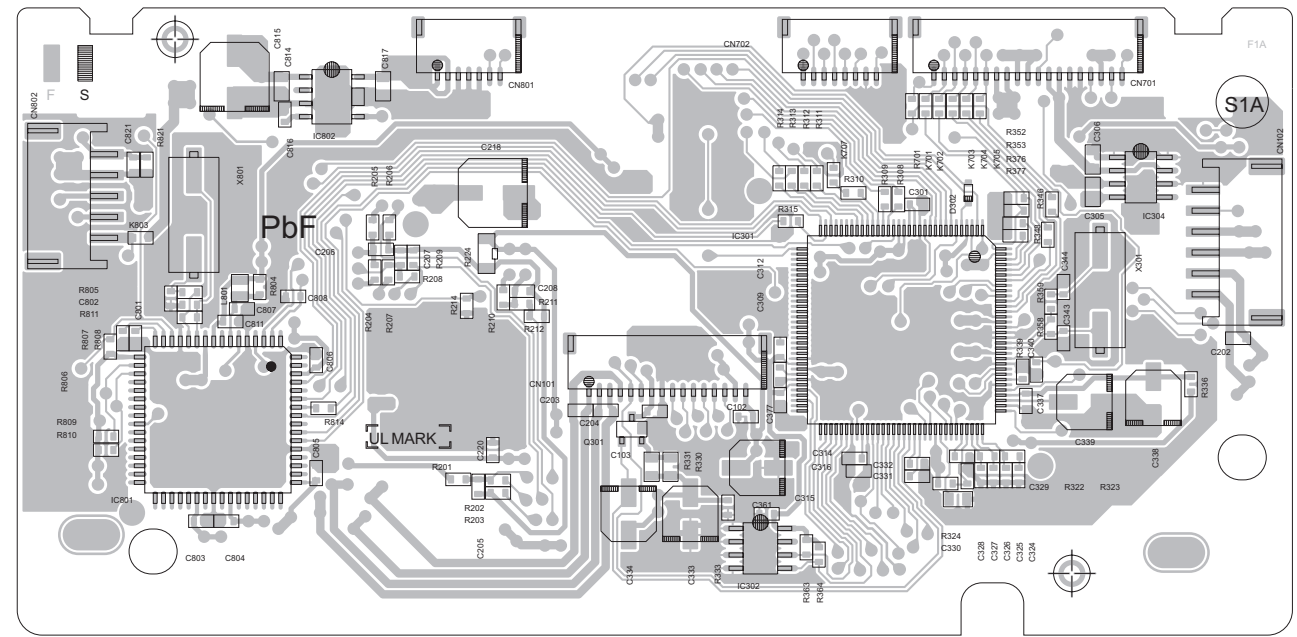
Lead free solder used in the board (material : Sn-Cu, melting point : 230 Centigrade)



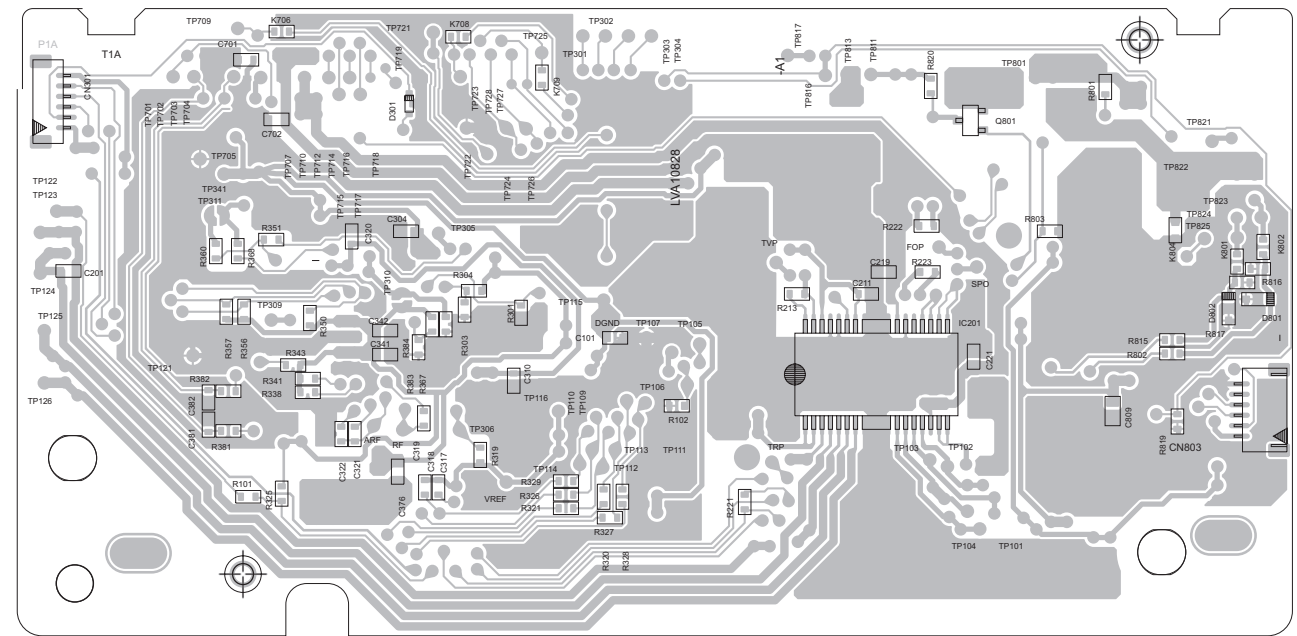
■ **CD servo control board (FMU-VK1-1M)** Lead free solder used in the board (material : Sn-Ag-Cu, melting point : 219 Centigrade)

Lead free solder used in the board (material : Sn-Cu, melting point : 230 Centigrade)

forward side

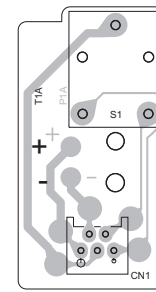


reverse side



■ **Loader board (FMU-VK1-1M)** Lead free solder used in the board (material : Sn-Ag-Cu, melting point : 219 Centigrade)

Lead free solder used in the board (material : Sn-Cu, melting point : 230 Centigrade)



< MEMO >



**Victor Company of Japan, Limited**

Audio/Video Systems Division 10-1, 1chome, Ohwatari-machi, Maebashi-city, 371-8543, Japan

(No.MB665SCH<Rev.004>)

Printed in Japan  
VPT

# PARTS LIST

UX-G300B,UX-G300E, UX-G300EN,UX-G300EV  
UX-G303E,UX-G303EN,UX-G303EV,UX-G305E  
UX-G305EN,UX-G305EV,UX-G300A,UX-G300US  
UX-G300UF,UX-G300UT,UX-G300UW,UX-G300UG  
UX-G300UN,UX-G305UT

\* All printed circuit boards and its assemblies are not available as service parts.

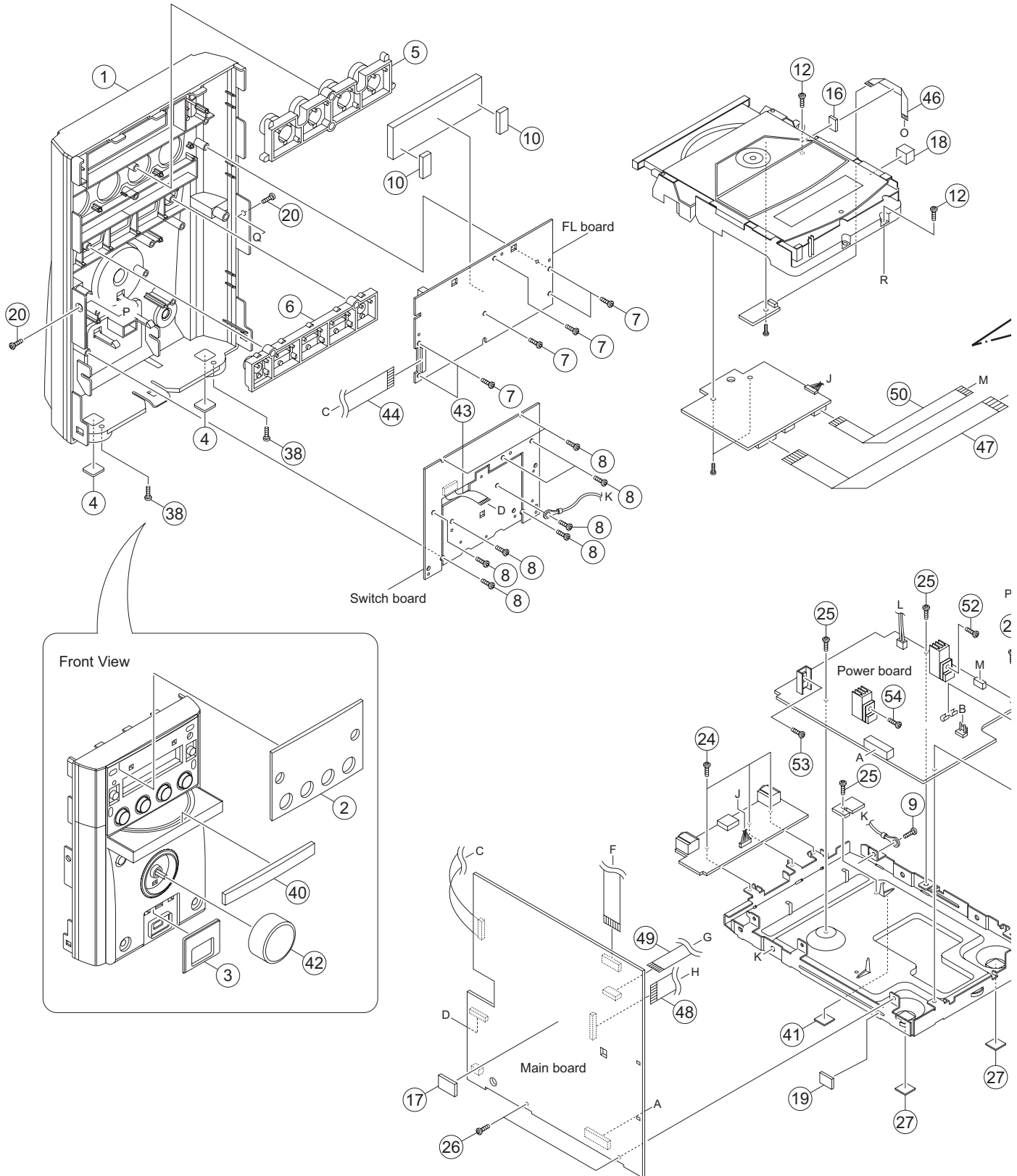
## - Contents -

Exploded view of general assembly and parts list (Block No.M1) .....	3- 2
CD mechanism assembly and parts list (Block No.MB) FMU-MJ4-1M .....	3- 6
CD loading base assembly and parts list (Block No.MD) FLM-J6-2M .....	3- 8
CD loading base assembly and parts list (Block No.MW) FMU-VK1-1M .....	3-10
Electrical parts list (Block No.01~05 ) .....	3-12
Packing materials and accessories parts list (Block No.M3) .....	3-20

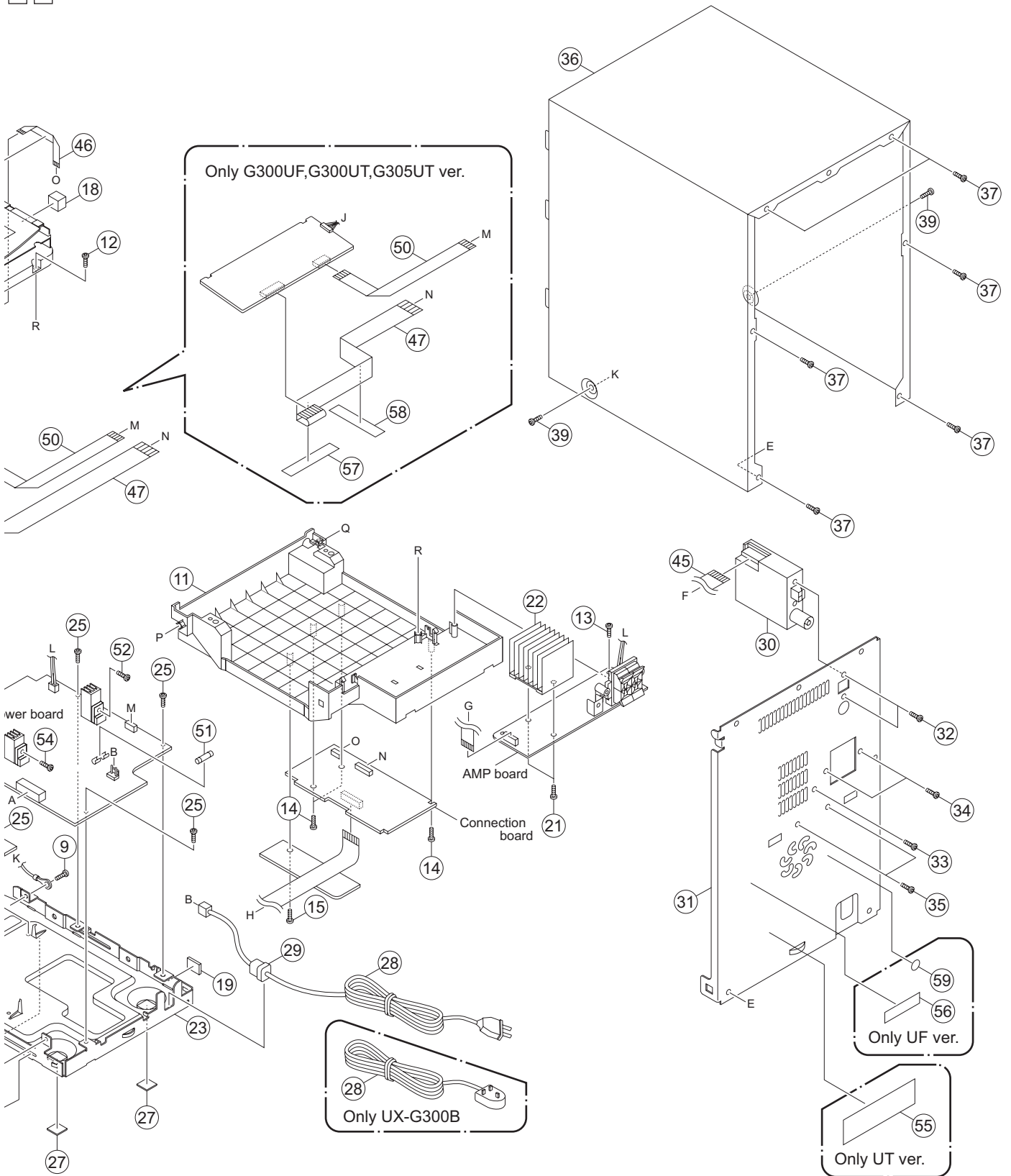


# Exploded view of general assembly and parts list

Block No. **M 1 M M**



M M



The parts without symbol number are not service.

# General Assembly

Block No. [M][1][M][M]

△	Symbol No.	Part No.	Part Name	Description	Local
	1	GV10404-007A	FRONT PANEL		300B,300E,300EN,300EV,300A,300US,300UF,300UT,300UW,300UG,300UN
	1	GV10404-008A	FRONT PANEL		303E,303EN,303EV,305E,305EN,305EV,305UT
	2	GV20500-001A	FRONT LENS		300B,300E,300EN,300EV,300A,300US,300UF,300UT,300UW,300UG,300UN
	2	GV20500-002A	FRONT LENS		303E,303EN,303EV
	2	GV20500-003A	FRONT LENS		305E,305EN,305EV,305UT
	3	GV31136-005A	USB LENS		300B,300E,300EN,300EV,300A,300US,300UF,300UT,300UW,300UG,300UN
	3	GV31136-006A	USB LENS		303E,303EN,303EV,305E,305EN,305EV,305UT
	4	GV40764-001A	FOOT SPACER	(x2)	
	5	GV31130-001A	F.BUTTON ASSY		
	6	GV20502-001A	BUTTON		300B,300E,300EN,300EV,300A,300US,300UF,300UT,300UW,300UG,300UN
	6	GV20502-002A	BUTTON		303E,303EN,303EV,305E,305EN,305EV,305UT
	7	QYSDSF2608ZA	TAP SCREW	M2.6 x 8mm(x6)	
	8	QYSDSF2608ZA	TAP SCREW	M2.6 x 8mm(x9)	
	9	QYSDSG3008ZA	TAP SCREW	M3 x 8mm	
	10	GV30349-091A	SPACER	(x2)	
	11	GV10405-001A	MECHA HOLDER		
	12	QYSBSF3010ZA	TAP SCREW	M3 x 10mm(x2)	
	13	QYSDSG3008ZA	TAP SCREW	M3 x 8mm	
	14	LV44209-001A	WASHER SCREW	(x3)	
	15	LV44209-001A	WASHER SCREW		
	16	GV30349-048A	SPACER		
	17	GV30349-014A	SPACER		
	18	GV30349-092A	SPACER		
	19	GV30349-076A	SPACER	(x2)	
	20	QYSSSF3010ZA	TAP SCREW	M3 x 10mm(x2)	
	21	QYSDSG3008ZA	TAP SCREW	M3 x 8mm(x2)	
	22	GV31137-001A	HEAT SINK		
	23	GV10406-001A	BOTTOM CHASSIS		
	24	QYSDSG3006ZA	TAP SCREW	M3 x 6mm(x3)	
	25	QYSDSG3006ZA	TAP SCREW	M3 x 6mm(x5)	
	26	QYSDSG3006ZA	TAP SCREW	M3 x 6mm(x2)	
	27	GV40764-001A	FOOT SPACER	(x2)	
△	28	QMPN150-200-JC	POWER CORD(EK)	2m BLACK	300B
△	28	QMPK200-200-JD	POWER CORD	2m BLACK	300E,300EN,300EV,303E,303EN,303EV,305E,305EN,305EV,300US,300UW,300UG,300UN
△	28	QMPG150-244-JC	POWER CORD(AST)	2.44m BLACK	300A
△	28	QMPR480-200-JC	POWER CORD(EU)	2m BLACK	300UF
△	28	QMPR600-200-JD	POWER CORD	2m BLACK	300UT,305UT
	29	QZW0033-001	STRAIN RELIEF		
	30	QAU0510-001	TUNER		300B,300E,300EN,300EV,303E,303EN,303EV,305E,305EN,305EV
	30	QAU0509-001	TUNER		300A,300US,300UF,300UT,300UW,300UG,300UN,305UT
	31	GV10411-003A	REAR PANEL		300B,300E,300EN
	31	GV10411-004A	REAR PANEL		300EV
	31	GV10411-010A	REAR PANEL		303E,303EN
	31	GV10411-011A	REAR PANEL		303EV
	31	GV10411-013A	REAR PANEL		305E,305EN
	31	GV10411-014A	REAR PANEL		305EV
	31	GV10411-006A	REAR PANEL		300A
	31	GV10411-001A	REAR PANEL		300US,300UW,300UG,300UN
	31	GV10411-008A	REAR PANEL		300UF
	31	GV10411-007A	REAR PANEL		300UT
	31	GV10411-033A	REAR PANEL		305UT
	32	QYSBSGY3008EA	TAP SCREW	M3 x 8mm(x2)	
	33	QYSBSGY3008EA	TAP SCREW	M3 x 8mm	
	34	QYSBSGY3008EA	TAP SCREW	M3 x 8mm(x2)	
	35	QYSBSGY3008EA	TAP SCREW	M3 x 8mm(x2)	
	36	GV10407-001A/S/	METAL COVER		300B,300E,300EN,300EV,300A,300US,300UF,300UT,300UW,300UG,300UN
	36	GV10407-002A/S/	METAL COVER		303E,303EN,303EV,305E,305EN,305EV,305UT
	37	QYSBSGY3008EA	TAP SCREW	M3 x 8mm(x6)	
	38	QYSDSG3008ZA	TAP SCREW	M3 x 8mm(x2)	
	39	QYSDSG3008NA	TAP SCREW	M3 x 8mm(x2)	
	40	GV31134-006A	TRAY FITTING		300B,300E,300EN,300EV
	40	GV31134-008A	TRAY FITTING		303E,303EN,303EV,305E,305EN,305EV
	40	GV31134-007A	TRAY FITTING		300A,300US,300UF,300UT,300UW,300UG,300UN
	40	GV31134-009A	TRAY FITTING		N
	41	GV40613-002A	SPACER		305UT
	42	GV31135-002A	VOL KNOB		

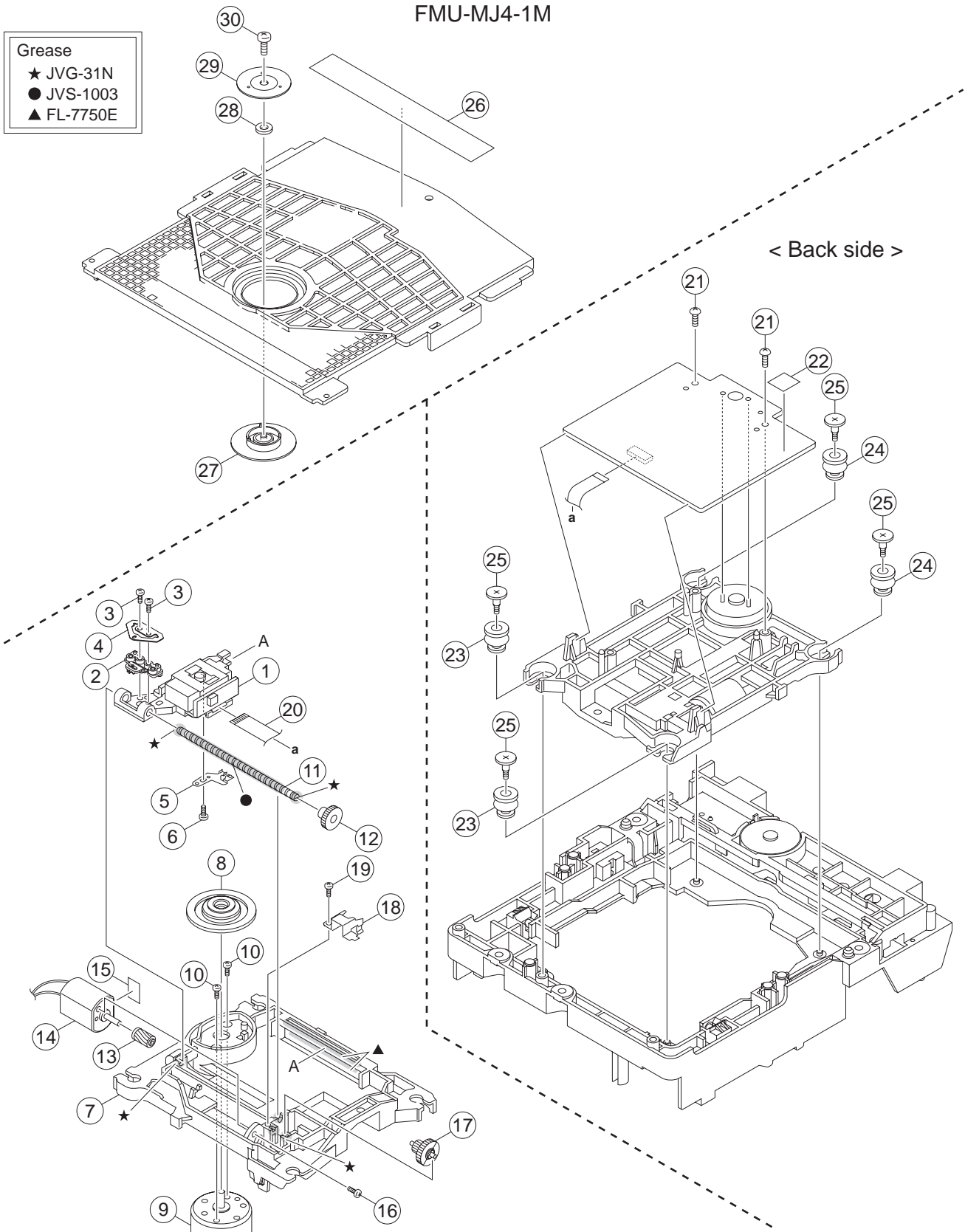
△	Symbol No.	Part No.	Part Name	Description	Local
	43	QUQU12-0508BJ-E	FFC WIRE	FC 303	
	44	QUQU12-1308AJ-E	FFC WIRE	FC 304	
	45	QUQU12-1514AJ-E	FFC WIRE	FC 306	300B,300E,300EN,300EV,303E,303EN,303EV,305E,305EN,305EV
	45	QUQU12-1114AJ-E	FFC WIRE	FC 306	300A,300US,300UF,300UT,300UW,300UG,300UN,305UT
	46	QUR110-0512AJ-E	FFC WIRE	FC 360	
	47	QUR110-1918AJ-E	FFC WIRE	FC 362	300B,300E,300EN,300EV,303E,303EN,303EV,305E,305EN,305EV,300A,300US,300UW,300UG,300UN
	47	QUR110-1922AJ-E	FFC WIRE	FC 362	300UF,300UT,305UT
	48	QUR110-2520AJ-E	FFC WIRE	FC 364	
	49	QUQU12-1107AJ-E	FFC WIRE	FC 605	
	50	QUR110-0718AJ-E	FFC WIRE	FC 205	300B,300E,300EN,300EV,303E,303EN,303EV,305E,305EN,305EV,300A,300US,300UW,300UG,300UN
	50	QUR110-0716AJ-E	FFC WIRE	FC 205	300UF,300UT,305UT
△	51	QMFZ059-2R5-E	FUSE	F 2001	
	52	QYSDSG3008ZA	TAP SCREW	SC 201	
	53	QYSDSG3008ZA	TAP SCREW	SC 260	
	54	QYSDSG3008ZA	TAP SCREW	SC 251	
	55	GV30759-020A	UT LABEL		300UT
	55	GV30759-023A	UT LABEL		305UT
	56	GV31164-006A	UF LABEL		300UF
	57	GV30349-004A	SPACER		300UF,300UT,305UT
	58	GV30349-053A	SPACER		300UF,300UT,305UT
	59	GN40099-001A	CCC LABEL		300UF

# CD mechanism assembly and parts list

Block No. **M B M M**

FMU-MJ4-1M

- | Grease |          |
|--------|----------|
| ★      | JVG-31N  |
| ●      | JVS-1003 |
| ▲      | FL-7750E |



The parts without symbol number are not service.

# CD mechanism(FMU-MJ4-1M)

Block No. [M][B][M][M]

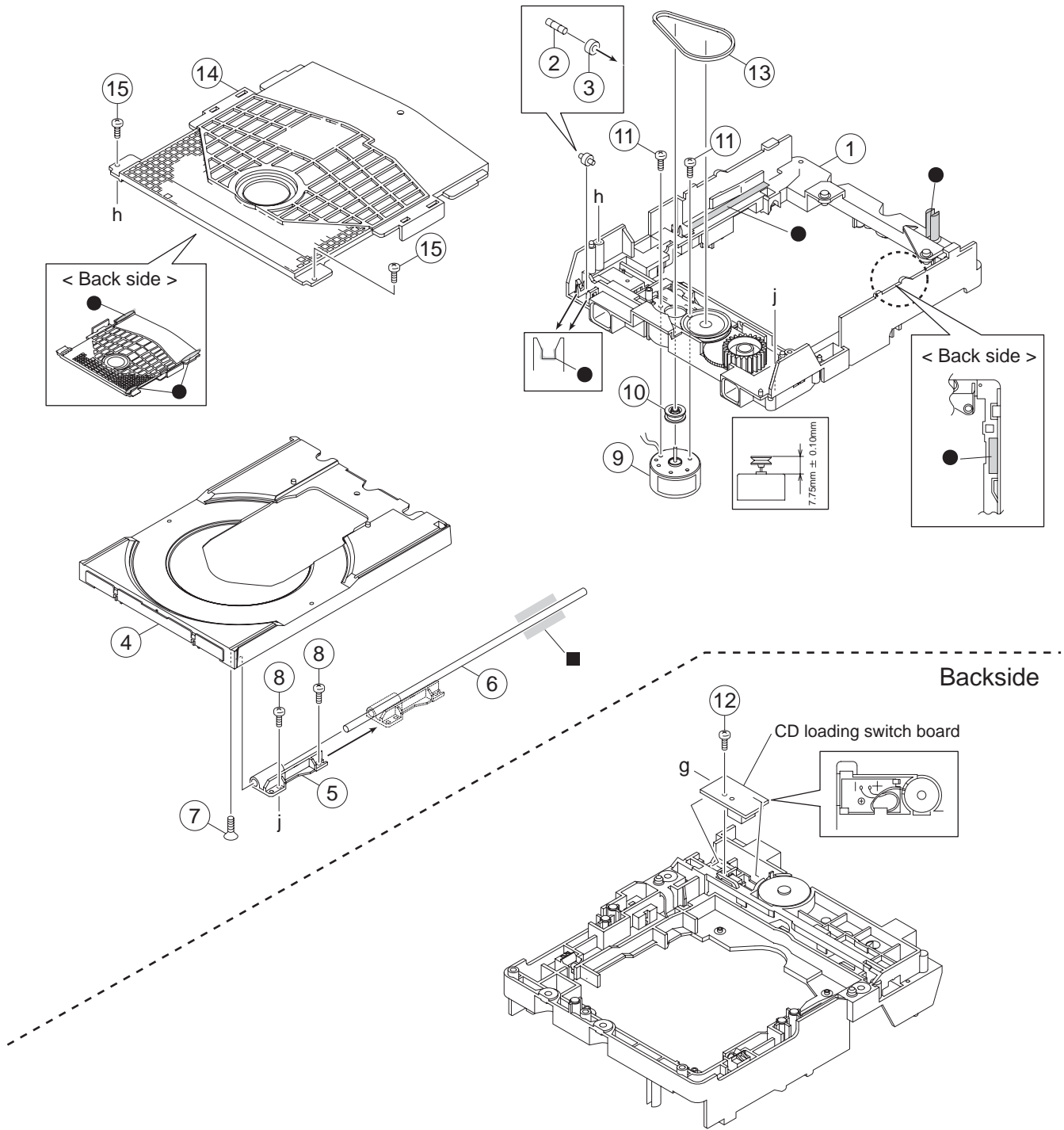
△	Symbol No.	Part No.	Part Name	Description	Local
	1	QAL0993-001	PICK UP		
	2	LV22529-003A	RACK ARM		
	3	VKZ4777-012	MINI SCREW	(x2)	
	4	LV37574-001A	RACK ARM SPRING		
	5	LV37786-001A	PS SPRING		
	6	QYSPSGT1425MA	TAP SCREW	M1.4 x 2.5mm	
	7	LV10855-004A	TM CHASSIS		
	8	LV43648-002A	TURN TABLE		
	9	QAR0302-001	SPINDLE MOTOR	2.0V DC	
	10	VKZ4743-002	SPECIAL SCREW	(x2)	
	11	LV40157-001A	SCREW SHAFT		
	12	LV43651-001A	SS GEAR		
	13	LV43650-001A	F MOTOR GEAR		
	14	QAR0303-001	FEED MOTOR	2.0V DC	
	15	LV30227-0B7A	SPACER		
	16	QYSPSPT2030MA	SCREW	M2 x 3mm	
	17	LV34565-003A	F MIDDLE GEAR		
	18	LV34563-002A	SHAFT HOLDER		
	19	QYSPSFT1740ZA	TAP SCREW	M1.7 x 4mm	
	20	QUQU05-1506BB-E	FFC WIRE	15pin 6cm	
	21	QYSBSF2006ZA	TAP SCREW	M2 x 6mm(x2)	
	22	LV30225-073A	SPACER		
	23	LV44043-001A	INSULATOR	(x2)	
	24	LV44043-002A	INSULATOR	(x2)	
	25	LV44044-001A	SPECIAL SCREW	(x4)	
	26	LV44603-003A	LASER CAUTION		
	27	LV34586-002A	CD CLAMPER		
	28	LV42930-003A	MAGNET		
	29	LV43848-001A	YOKE		
	30	LV43958-001A	SPECIAL SCREW		

# CD loading base assembly and parts list

Block No. **M D M M**

FLM-J6-2M

Grease
● JVS-1003
■ JCFD-4007ZY2



The parts without symbol number are not service.



# CD loading base(FLM-J6-2M)

Block No. [M][D][M][M]

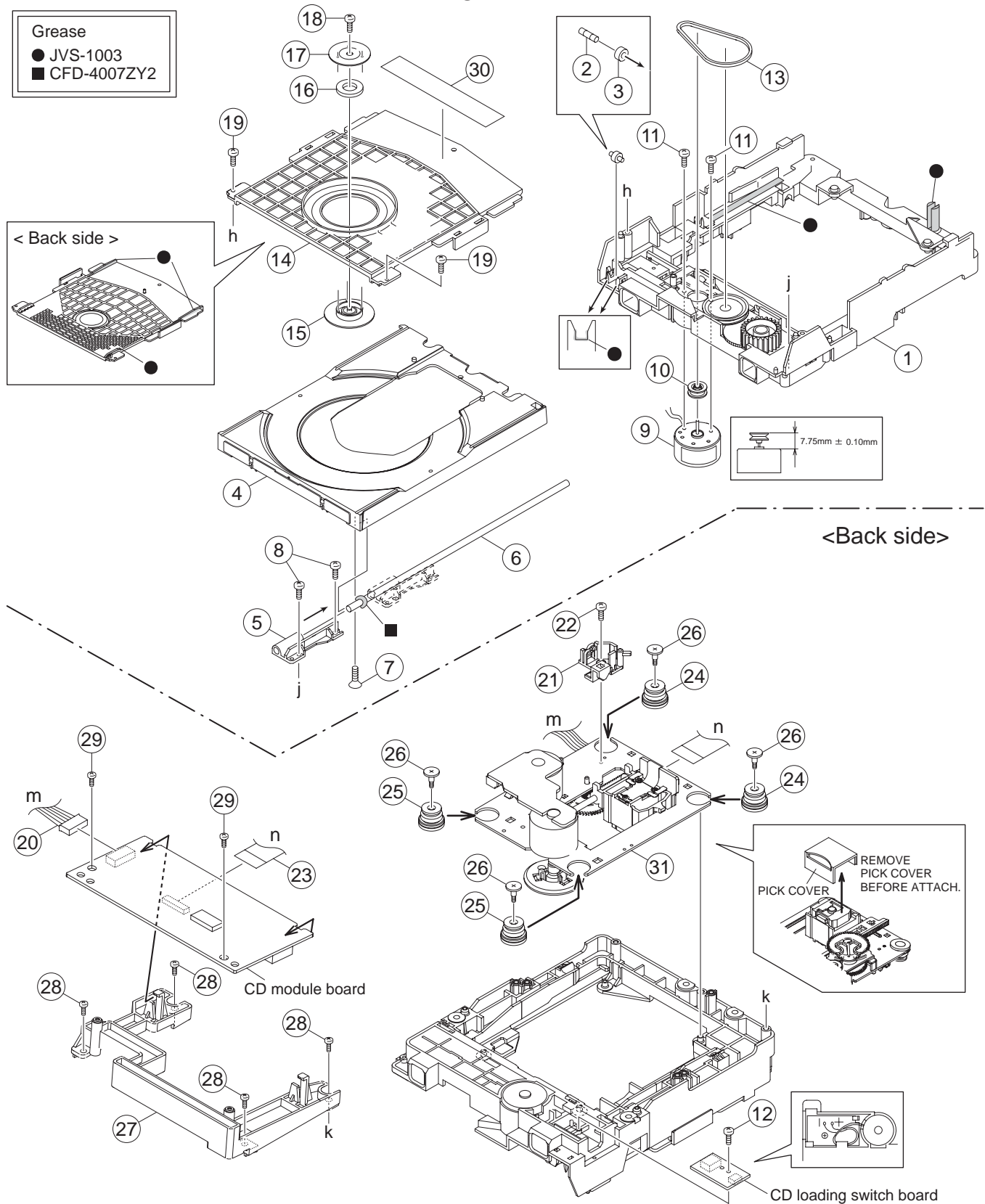
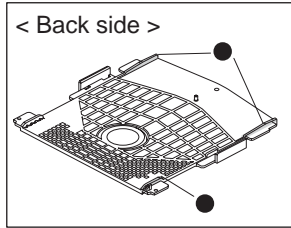
△	Symbol No.	Part No.	Part Name	Description	Local
	1	LV11065-014A	LOADER SUB ASSY		
	2	E407140-001SS	C.D ROLLER		
	3	E407149-001SS	RUBBER TUBE		
	4	LV10979-003A	TRAY		
	5	LV35499-003A	SHAFT GUIDE		
	6	LV44022-001A	SHAFT		
	7	QYSSSF2008ZA	TAP SCREW	M2 x 8mm	
	8	QYSDSF2008ZA	TAP SCREW	M2 x 8mm(x2)	
	9	QAR0197-001	MOTOR	2.0V DC	
	9	or QAR0450-001	MOTOR		
	10	LV43844-002A	MOTOR PULLEY		
	11	QYSPSPU1730ZA	SCREW	M1.7 x 3mm(x2)	
	12	QYSDSF2008ZA	TAP SCREW	M2 x 8mm	
	13	LV43974-001A	BELT		
	14	LV21852-003A	CLAMPER BASE		
	15	QYSDSF2008ZA	TAP SCREW	M2 x 8mm(x2)	

# CD loading base assembly and parts list

Block No. M W M M

FMU-VK1-1M

Grease  
 ● JVS-1003  
 ■ CFD-4007ZY2



The parts without symbol number are not service.

# CD mechanism(FMU-VK1-1M)

Block No. [M][W][M][M]

△	Symbol No.	Part No.	Part Name	Description	Local
	1	LV11564-001A	LOADER SUB ASSY		
	2	E407140-001SS	C.D ROLLER		
	3	E407149-001SS	RUBBER TUBE		
	4	LV10979-003A	TRAY		
	5	LV35499-003A	SHAFT GUIDE		
	6	LV44022-001A	SHAFT		
	7	QYSSSF2008ZA	TAP SCREW	M2 x 8mm	
	8	QYSDSF2008ZA	TAP SCREW	M2 x 8mm(x2)	
	9	QAR0197-001	MOTOR	2.0V DC	
	9	or QAR0450-001	MOTOR		
	10	LV43844-002A	MOTOR PULLEY		
	11	QYSPSPU1730ZA	SCREW	M1.7 x 3mm(x2)	
	12	QYSDSF2008ZA	TAP SCREW	M2 x 8mm	
	13	LV43974-001A	BELT		
	14	LV22684-001A	CLAMPER BASE		
	15	LV22686-001A	CLAMPER		
	16	LV42929-001A	P.C.MAGNET		
	17	LV38206-001A	CD YOKE		
	18	LV43958-001A	SPECIAL SCREW		
	19	QYSDSF2008ZA	TAP SCREW	M2 x 8mm(x2)	
	20	WJJ0955-001A-E	E-SI C WIRE C-C		
	21	LV22698-001A	WIRE CLAMPER		
	22	QYSPST2006ZA	TAP SCREW	M2 x 6mm	
	23	QUR310-1606AE-E	FFC WIRE		
	24	LV45127-001A	INSULATOR	(x2)	
	25	LV45127-002A	INSULATOR	(x2)	
	26	LV44044-001A	SPECIAL SCREW	(x4)	
	27	LV11565-001A	CB HOLDER		
	28	QYSBSF2608ZA	TAP SCREW	M2.6 x 8mm(x4)	
	29	LV44209-001A	WASHER SCREW	(x2)	
	30	LV44603-003A	LASER CAUTION		
	31	QAL1105-001	CD TRAMECHA		

# Electrical parts list

## Main board

Block No. [0][1]

△ Symbol No.	Part No.	Part Name	Description	Local
IC300	MN101EF16Z-G300	MICON IC		
IC500	NJU7391V-X	IC		
IC502	NJM4565E-X	IC		
IC503	RT3Y97M-X	TR ARRAY		
IC504	NJM4565E-X	IC		
IC505	RT3X99M-X	TRANSISTOR		
Q3301	KRC110S-X	DIGI TRANSISTOR		
Q3801	KTC3203/OY/-T	TRANSISTOR		
Q3802	KRC102S-X	DIGI TRANSISTOR		
Q5301	KTC3875/YG/-X	TRANSISTOR		
Q5351	KTC3875/YG/-X	TRANSISTOR		
Q5401	KTC3875/YG/-X	TRANSISTOR		
D3301	MA111-X	SI DIODE		
D3701	MA8033-X	Z DIODE		300B,300E, 300EN,300EV, 303E,303EN, 303EV,305E, 305EN,305EV
D3801	MC2836-X	DIODE		
D3803	UDZW6.8B-X	Z DIODE		300B,300E, 300EN,300EV, 303E,303EN, 303EV,305E, 305EN,305EV
D3803	MA8068/M/-X	Z DIODE		300A,300US, 300UF,300UT, 300UW,300UG, 300UN,305UT
D3804	UDZW11B-X	Z DIODE		300B,300E, 300EN,300EV, 303E,303EN, 303EV,305E, 305EN,305EV
D3804	MA8110/M/-X	Z DIODE		300A,300US, 300UF,300UT, 300UW,300UG, 300UN,305UT
D5351	MA111-X	SI DIODE		
C3001	NDC31HJ-180X	C CAPACITOR	18pF 50V J	
C3002	NDC31HJ-330X	C CAPACITOR	33pF 50V J	
C3003	NCB31CK-104X	C CAPACITOR	0.1uF 16V K	
C3004	NCB31CK-104X	C CAPACITOR	0.1uF 16V K	
C3301	QETN1HM-475Z	E CAPACITOR	4.7uF 50V M	
C3302	QETN1HM-476Z	E CAPACITOR	47uF 50V M	
C3303	NCB31HK-103X	C CAPACITOR	0.01uF 50V K	
C3304	QETN1CM-107Z	E CAPACITOR	100uF 16V M	
C3610	NCB31HK-104X	C CAPACITOR	0.1uF 50V K	
C3701	QETN0JM-476Z	E CAPACITOR	47uF 6.3V M	300B,300E, 300EN,300EV, 303E,303EN, 303EV,305E, 305EN,305EV
C3713	NCB31HK-103X	C CAPACITOR	0.01uF 50V K	
C3714	NCB31CK-104X	C CAPACITOR	0.1uF 16V K	
C3802	QETN1CM-107Z	E CAPACITOR	100uF 16V M	
C5001	QETN1CM-107Z	E CAPACITOR	100uF 16V M	
C5003	QETN1HM-475Z	E CAPACITOR	4.7uF 50V M	
C5101	QETN1HM-106Z	E CAPACITOR	10uF 50V M	
C5102	QTE1J46-106Z	E CAPACITOR	10uF 63V	
C5103	QETN1HM-106Z	E CAPACITOR	10uF 50V M	
C5105	QETN1HM-475Z	E CAPACITOR	4.7uF 50V M	
C5106	QFNC2AJ-332Z	M CAPACITOR	3300pF 100V J	
C5107	QETN1HM-475Z	E CAPACITOR	4.7uF 50V M	
C5108	QFNC2AJ-472Z	M CAPACITOR	4700pF 100V J	
C5109	QFNC2AJ-473Z	M CAPACITOR	0.047uF 100V J	
C5110	QFVC1HJ-224Z	MF CAPACITOR	0.22uF 50V J	
C5111	QFNC2AJ-472Z	M CAPACITOR	4700pF 100V J	
C5112	QTE1J46-106Z	E CAPACITOR	10uF 63V	
C5201	QETN1HM-106Z	E CAPACITOR	10uF 50V M	
C5202	QTE1J46-106Z	E CAPACITOR	10uF 63V	
C5203	QETN1HM-106Z	E CAPACITOR	10uF 50V M	
C5205	QETN1HM-475Z	E CAPACITOR	4.7uF 50V M	

△ Symbol No.	Part No.	Part Name	Description	Local
C5206	QFNC2AJ-332Z	M CAPACITOR	3300pF 100V J	
C5207	QETN1HM-475Z	E CAPACITOR	4.7uF 50V M	
C5208	QFNC2AJ-472Z	M CAPACITOR	4700pF 100V J	
C5209	QFNC2AJ-473Z	M CAPACITOR	0.047uF 100V J	
C5210	QFVC1HJ-224Z	MF CAPACITOR	0.22uF 50V J	
C5211	QFNC2AJ-472Z	M CAPACITOR	4700pF 100V J	
C5212	QTE1J46-106Z	E CAPACITOR	10uF 63V	
C5302	QFVC1HJ-564Z	MF CAPACITOR	0.56uF 50V J	
C5303	QFNC2AJ-683Z	M CAPACITOR	0.068uF 100V J	
C5304	QFNC2AJ-683Z	M CAPACITOR	0.068uF 100V J	
C5305	QE20863-106Z	M CAPACITOR	10uF	
C5306	QE20863-106Z	M CAPACITOR	10uF	
C5351	QETN1HM-106Z	E CAPACITOR	10uF 50V M	
C5352	QETN1CM-107Z	E CAPACITOR	100uF 16V M	
C5354	QETN1HM-105Z	E CAPACITOR	1uF 50V M	
C5355	QETN1AM-227Z	E CAPACITOR	220uF 10V M	
C5402	QFVC1HJ-564Z	MF CAPACITOR	0.56uF 50V J	
C5403	QFNC2AJ-683Z	M CAPACITOR	0.068uF 100V J	
C5404	QFNC2AJ-683Z	M CAPACITOR	0.068uF 100V J	
C5405	QE20863-106Z	M CAPACITOR	10uF	
C5406	QE20863-106Z	M CAPACITOR	10uF	
C5502	QETN1HM-225Z	E CAPACITOR	2.2uF 50V M	
C5503	NDC31HJ-151X	C CAPACITOR	150pF 50V J	
C5504	NDC31HJ-101X	C CAPACITOR	100pF 50V J	
C5505	QETN1CM-107Z	E CAPACITOR	100uF 16V M	
C5506	QETN1CM-476Z	E CAPACITOR	47uF 16V M	
C5507	QETN1HM-226Z	E CAPACITOR	22uF 50V M	
C5508	NDC31HJ-331X	C CAPACITOR	330pF 50V J	
C5509	NCB31CK-104X	C CAPACITOR	0.1uF 16V K	
C5602	QETN1HM-225Z	E CAPACITOR	2.2uF 50V M	
C5603	NDC31HJ-151X	C CAPACITOR	150pF 50V J	
C5604	NDC31HJ-101X	C CAPACITOR	100pF 50V J	
C5605	QETN1CM-107Z	E CAPACITOR	100uF 16V M	
C5608	NDC31HJ-331X	C CAPACITOR	330pF 50V J	
R3003	NRSA63J-102X	MG RESISTOR	1kΩ 1/16W J	
R3005	NRSA63J-102X	MG RESISTOR	1kΩ 1/16W J	
R3007	NRSA63J-102X	MG RESISTOR	1kΩ 1/16W J	
R3011	NRSA63J-222X	MG RESISTOR	2.2kΩ 1/16W J	
R3023	NRSA63J-102X	MG RESISTOR	1kΩ 1/16W J	
R3024	NRSA63J-102X	MG RESISTOR	1kΩ 1/16W J	
R3025	NRSA63J-102X	MG RESISTOR	1kΩ 1/16W J	
R3026	NRSA63J-102X	MG RESISTOR	1kΩ 1/16W J	
R3027	NRSA63J-102X	MG RESISTOR	1kΩ 1/16W J	
R3033	NRSA63J-102X	MG RESISTOR	1kΩ 1/16W J	
R3034	NRSA63J-102X	MG RESISTOR	1kΩ 1/16W J	
R3035	NRSA63J-102X	MG RESISTOR	1kΩ 1/16W J	
R3036	NRSA63J-102X	MG RESISTOR	1kΩ 1/16W J	
R3038	NRSA63J-102X	MG RESISTOR	1kΩ 1/16W J	
R3040	NRSA63J-102X	MG RESISTOR	1kΩ 1/16W J	
R3041	NRSA63J-102X	MG RESISTOR	1kΩ 1/16W J	
R3042	NRSA63J-102X	MG RESISTOR	1kΩ 1/16W J	
R3043	NRSA63J-102X	MG RESISTOR	1kΩ 1/16W J	
R3044	NRSA63J-102X	MG RESISTOR	1kΩ 1/16W J	
R3045	NRSA63J-102X	MG RESISTOR	1kΩ 1/16W J	
R3048	NRSA63J-102X	MG RESISTOR	1kΩ 1/16W J	300B,300E, 300EN,300EV, 303E,303EN, 303EV,305E, 305EN,305EV
R3049	NRSA63J-102X	MG RESISTOR	1kΩ 1/16W J	300B,300E, 300EN,300EV, 303E,303EN, 303EV,305E, 305EN,305EV
R3050	NRSA63J-102X	MG RESISTOR	1kΩ 1/16W J	
R3051	NRSA63J-102X	MG RESISTOR	1kΩ 1/16W J	
R3052	NRSA63J-102X	MG RESISTOR	1kΩ 1/16W J	
R3053	NRSA63J-102X	MG RESISTOR	1kΩ 1/16W J	
R3061	NRSA63J-102X	MG RESISTOR	1kΩ 1/16W J	
R3062	NRSA63J-102X	MG RESISTOR	1kΩ 1/16W J	
R3064	NRSA63J-102X	MG RESISTOR	1kΩ 1/16W J	
R3065	NRSA63J-102X	MG RESISTOR	1kΩ 1/16W J	
R3066	NRSA63J-102X	MG RESISTOR	1kΩ 1/16W J	
R3069	NRSA63J-102X	MG RESISTOR	1kΩ 1/16W J	
R3071	NRSA63J-0R0X	MG RESISTOR	0Ω 1/16W J	
R3074	NRSA63J-102X	MG RESISTOR	1kΩ 1/16W J	

△ Symbol No.	Part No.	Part Name	Description	Local	△ Symbol No.	Part No.	Part Name	Description	Local
R3079	NRSA63J-102X	MG RESISTOR	1kΩ 1/16W J		R5403	NRSA63J-182X	MG RESISTOR	1.8kΩ 1/16W J	
R3080	NRSA63J-102X	MG RESISTOR	1kΩ 1/16W J		R5404	NRSA63J-102X	MG RESISTOR	1kΩ 1/16W J	
R3081	NRSA63J-102X	MG RESISTOR	1kΩ 1/16W J		R5405	NRSA63J-203X	MG RESISTOR	20kΩ 1/16W J	
R3085	NRSA63J-102X	MG RESISTOR	1kΩ 1/16W J	300B,300E, 300EN,300EV, 303E,303EN, 303EV,305E, 305EN,305EV	R5406	NRSA63J-202X	MG RESISTOR	2kΩ 1/16W J	
R3087	NRSA63J-102X	MG RESISTOR	1kΩ 1/16W J		R5407	NRSA63J-473X	MG RESISTOR	47kΩ 1/16W J	
R3092	NRSA63J-103X	MG RESISTOR	10kΩ 1/16W J		R5408	NRSA63J-242X	MG RESISTOR	2.4kΩ 1/16W J	
R3093	NRSA63J-102X	MG RESISTOR	1kΩ 1/16W J		R5409	NRSA63J-474X	MG RESISTOR	470kΩ 1/16W J	
R3094	NRSA63J-102X	MG RESISTOR	1kΩ 1/16W J		R5410	NRSA63J-102X	MG RESISTOR	1kΩ 1/16W J	
R3095	NRSA63J-102X	MG RESISTOR	1kΩ 1/16W J		R5411	NRSA63J-103X	MG RESISTOR	10kΩ 1/16W J	
R3098	NRSA63J-332X	MG RESISTOR	3.3kΩ 1/16W J	300B,300E, 300EN,300EV, 303E,303EN, 303EV,305E, 305EN,305EV	R5413	NRSA63J-0R0X	MG RESISTOR	0Ω 1/16W J	
R3098	NRSA63J-682X	MG RESISTOR	6.8kΩ 1/16W J	300A,300US, 300UF,300UN	R5501	NRSA63J-122X	MG RESISTOR	1.2kΩ 1/16W J	
R3098	NRSA63J-133X	MG RESISTOR	13kΩ 1/16W J	300UW	R5502	NRSA63J-103X	MG RESISTOR	10kΩ 1/16W J	
R3098	NRSA63J-303X	MG RESISTOR	30kΩ 1/16W J	300UG	R5503	NRSA63J-563X	MG RESISTOR	56kΩ 1/16W J	
R3099	NRSA63J-332X	MG RESISTOR	3.3kΩ 1/16W J		R5504	NRSA63J-682X	MG RESISTOR	6.8kΩ 1/16W J	
R3105	NRSA63J-681X	MG RESISTOR	680Ω 1/16W J		R5505	NRSA63J-113X	MG RESISTOR	11kΩ 1/16W J	
R3107	NRSA63J-681X	MG RESISTOR	680Ω 1/16W J		R5506	NRSA63J-220X	MG RESISTOR	22Ω 1/16W J	
R3124	NRSA63J-103X	MG RESISTOR	10kΩ 1/16W J		R5507	NRSA63J-222X	MG RESISTOR	2.2kΩ 1/16W J	
R3125	NRSA63J-103X	MG RESISTOR	10kΩ 1/16W J		R5508	NRSA63J-103X	MG RESISTOR	10kΩ 1/16W J	
R3144	NRSA63J-103X	MG RESISTOR	10kΩ 1/16W J		R5509	NRSA63J-103X	MG RESISTOR	10kΩ 1/16W J	
R3145	NRSA63J-103X	MG RESISTOR	10kΩ 1/16W J		R5601	NRSA63J-122X	MG RESISTOR	1.2kΩ 1/16W J	
R3166	NRSA63J-103X	MG RESISTOR	10kΩ 1/16W J		R5602	NRSA63J-103X	MG RESISTOR	10kΩ 1/16W J	
R3179	NRSA63J-103X	MG RESISTOR	10kΩ 1/16W J		R5603	NRSA63J-563X	MG RESISTOR	56kΩ 1/16W J	
R3180	NRSA63J-103X	MG RESISTOR	10kΩ 1/16W J		R5604	NRSA63J-682X	MG RESISTOR	6.8kΩ 1/16W J	
R3181	NRSA63J-103X	MG RESISTOR	10kΩ 1/16W J		R5605	NRSA63J-113X	MG RESISTOR	11kΩ 1/16W J	
R3187	NRSA63J-103X	MG RESISTOR	10kΩ 1/16W J		R5606	NRSA63J-220X	MG RESISTOR	22Ω 1/16W J	
R3194	NRSA63J-103X	MG RESISTOR	10kΩ 1/16W J		R5607	NRSA63J-222X	MG RESISTOR	2.2kΩ 1/16W J	
R3195	NRSA63J-103X	MG RESISTOR	10kΩ 1/16W J		R5801	NRSA63J-681X	MG RESISTOR	680Ω 1/16W J	
R3198	NRSA63J-103X	MG RESISTOR	10kΩ 1/16W J		R5901	NRSA63J-681X	MG RESISTOR	680Ω 1/16W J	
R3199	NRSA63J-103X	MG RESISTOR	10kΩ 1/16W J		CN302	QGB2510J1-06	CONNECTOR	B-B (1-6)	
R3301	NRSA63J-103X	MG RESISTOR	10kΩ 1/16W J		CN303	QGF1208C1-05	CONNECTOR	FFC/FPC (1-5)	
R3302	NRSA63J-103X	MG RESISTOR	10kΩ 1/16W J		CN304	QGF1208C1-13	CONNECTOR	FFC/FPC (1-13)	
R3303	NRSA63J-102X	MG RESISTOR	1kΩ 1/16W J		CN306	QGF1208F1-15	CONNECTOR	FFC/FPC (1-15)	300B,300E, 300EN,300EV, 303E,303EN, 303EV,305E, 305EN,305EV
R3610	NRSA63J-513X	MG RESISTOR	51kΩ 1/16W J		CN306	QGF1208F1-11	CONNECTOR	FFC/FPC (1-11)	300A,300US, 300UF,300UT, 300UW,300UG, 300UN,305UT
R3611	NRSA63J-393X	MG RESISTOR	39kΩ 1/16W J		CN311	QGF1040C1-25	CONNECTOR	FFC/FPC (1-25)	
R3702	NRSA63J-821X	MG RESISTOR	820Ω 1/16W J	300B,300E, 300EN,300EV, 303E,303EN, 303EV,305E, 305EN,305EV	CN312	QGB1214J1-08S	CONNECTOR	B-B (1-8)	
R3710	NRSA63J-513X	MG RESISTOR	51kΩ 1/16W J		CN520	QGF1208C1-11	CONNECTOR	FFC/FPC (1-11)	
R3711	NRSA63J-393X	MG RESISTOR	39kΩ 1/16W J		EP360	QNZ0136-001Z	EARTH PLATE		
R3801	NRSA63J-471X	MG RESISTOR	470Ω 1/16W J		K3501	NQR0627-002X	FERRITE	1.5K/ 100MHz200mA 0.4R	
R5101	NRSA63J-183X	MG RESISTOR	18kΩ 1/16W J		K5801	NRSA63J-0R0X	MG RESISTOR	0Ω 1/16W J	
R5102	NRSA63J-912X	MG RESISTOR	9.1kΩ 1/16W J		X3001	QAX0711-002Z	CRYSTAL	8.000000MHz	
R5103	NRSA63J-562X	MG RESISTOR	5.6kΩ 1/16W J						
R5104	NRSA63J-243X	MG RESISTOR	24kΩ 1/16W J						
R5105	NRSA63J-433X	MG RESISTOR	43kΩ 1/16W J						
R5201	NRSA63J-183X	MG RESISTOR	18kΩ 1/16W J						
R5202	NRSA63J-912X	MG RESISTOR	9.1kΩ 1/16W J						
R5203	NRSA63J-562X	MG RESISTOR	5.6kΩ 1/16W J						
R5204	NRSA63J-243X	MG RESISTOR	24kΩ 1/16W J						
R5205	NRSA63J-433X	MG RESISTOR	43kΩ 1/16W J						
R5301	NRSA63J-182X	MG RESISTOR	1.8kΩ 1/16W J						
R5303	NRSA63J-182X	MG RESISTOR	1.8kΩ 1/16W J						
R5304	NRSA63J-102X	MG RESISTOR	1kΩ 1/16W J						
R5305	NRSA63J-203X	MG RESISTOR	20kΩ 1/16W J						
R5306	NRSA63J-202X	MG RESISTOR	2kΩ 1/16W J						
R5307	NRSA63J-473X	MG RESISTOR	47kΩ 1/16W J						
R5308	NRSA63J-242X	MG RESISTOR	2.4kΩ 1/16W J						
R5309	NRSA63J-474X	MG RESISTOR	470kΩ 1/16W J						
R5310	NRSA63J-102X	MG RESISTOR	1kΩ 1/16W J						
R5311	NRSA63J-103X	MG RESISTOR	10kΩ 1/16W J						
R5313	NRSA63J-0R0X	MG RESISTOR	0Ω 1/16W J						
R5351	NRSA63J-513X	MG RESISTOR	51kΩ 1/16W J						
R5352	NRSA63J-271X	MG RESISTOR	270Ω 1/16W J						
R5353	NRSA63J-104X	MG RESISTOR	100kΩ 1/16W J						
R5354	NRSA63J-122X	MG RESISTOR	1.2kΩ 1/16W J						
R5355	NRSA63J-473X	MG RESISTOR	47kΩ 1/16W J						
R5356	NRSA63J-472X	MG RESISTOR	4.7kΩ 1/16W J						
R5357	NRSA63J-472X	MG RESISTOR	4.7kΩ 1/16W J						
R5401	NRSA63J-182X	MG RESISTOR	1.8kΩ 1/16W J						

## Power board

Block No. [0][2]

△ Symbol No.	Part No.	Part Name	Description	Local
IC600	R2A15108SP-X	IC		
Q6001	KRC110S-X	DIGI TRANSISTOR		
D6402	MC2838-X	DIODE		
D6601	MC2838-X	DIODE		
D6602	MA8033-X	Z DIODE		
C6001	QETN1EM-477Z	E CAPACITOR	470uF 25V M	
C6002	QETN1EM-476Z	E CAPACITOR	47uF 25V M	
C6003	QETN1EM-476Z	E CAPACITOR	47uF 25V M	
C6004	NCB31CK-104X	C CAPACITOR	0.1uF 16V K	
C6005	NCB31CK-334X	C CAPACITOR	0.33uF 16V K	
C6006	QETN1EM-476Z	E CAPACITOR	47uF 25V M	
C6007	NCB31HK-104X	C CAPACITOR	0.1uF 50V K	
C6008	NCB31CK-104X	C CAPACITOR	0.1uF 16V K	300UT,305UT
C6052	QEZ0863-106Z	M CAPACITOR	10uF	

Symbol No.	Part No.	Part Name	Description	Local
C6101	NCB21EK-474X	C CAPACITOR	0.47uF 25V K	
C6102	NCB31CK-474X	C CAPACITOR	0.47uF 16V K	
C6103	NCB31CK-105X	C CAPACITOR	1uF 16V K	
C6104	NCB31CK-474X	C CAPACITOR	0.47uF 16V K	
C6107	NCB31HK-472X	C CAPACITOR	4700pF 50V K	300UT,305UT
C6110	QENC1EM-106Z	BP E CAPACITOR	10uF 25V M	
C6111	NCB21EK-474X	C CAPACITOR	0.47uF 25V K	
C6112	NCB31CK-474X	C CAPACITOR	0.47uF 16V K	
C6113	NCB31CK-105X	C CAPACITOR	1uF 16V K	
C6114	NCB31CK-474X	C CAPACITOR	0.47uF 16V K	
C6117	NCB31HK-472X	C CAPACITOR	4700pF 50V K	300UT,305UT
C6152	QEZ0863-106Z	M CAPACITOR	10uF	
C6201	NCB21EK-474X	C CAPACITOR	0.47uF 25V K	
C6202	NCB31CK-474X	C CAPACITOR	0.47uF 16V K	
C6203	NCB31CK-105X	C CAPACITOR	1uF 16V K	
C6204	NCB31CK-474X	C CAPACITOR	0.47uF 16V K	
C6207	NCB31HK-472X	C CAPACITOR	4700pF 50V K	300UT,305UT
C6210	QENC1EM-106Z	BP E CAPACITOR	10uF 25V M	
C6211	NCB21EK-474X	C CAPACITOR	0.47uF 25V K	
C6212	NCB31CK-474X	C CAPACITOR	0.47uF 16V K	
C6213	NCB31CK-105X	C CAPACITOR	1uF 16V K	
C6214	NCB31CK-474X	C CAPACITOR	0.47uF 16V K	
C6217	NCB31HK-472X	C CAPACITOR	4700pF 50V K	300UT,305UT
C6401	QEZ0863-106Z	M CAPACITOR	10uF	
C6511	QEZ0863-106Z	M CAPACITOR	10uF	
C6601	QETN1HM-105Z	E CAPACITOR	1uF 50V M	
C6602	QETN1HM-225Z	E CAPACITOR	2.2uF 50V M	
C6611	QETN1HM-105Z	E CAPACITOR	1uF 50V M	
C6613	NCB31HK-104X	C CAPACITOR	0.1uF 50V K	
R6004	NRSA63J-0R0X	MG RESISTOR	0Ω 1/16W J	
R6005	NRSA63J-183X	MG RESISTOR	18kΩ 1/16W J	300B,300E, 300EN,300EV, 303E,303EN, 303EV,305E, 305EN,305EV, 300A,300US, 300UW,300UG, 300UN 300UF,300UT, 305UT
R6005	NRSA63J-153X	MG RESISTOR	15kΩ 1/16W J	
R6006	NRSA63J-393X	MG RESISTOR	39kΩ 1/16W J	
R6007	NRSA63J-184X	MG RESISTOR	180kΩ 1/16W J	
R6051	NRSA63J-822X	MG RESISTOR	8.2kΩ 1/16W J	
R6052	NRSA63J-103X	MG RESISTOR	10kΩ 1/16W J	
R6101	NRSA63J-334X	MG RESISTOR	330kΩ 1/16W J	
R6103	NRSA63J-104X	MG RESISTOR	100kΩ 1/16W J	
R6111	NRSA63J-334X	MG RESISTOR	330kΩ 1/16W J	
R6113	NRSA63J-104X	MG RESISTOR	100kΩ 1/16W J	
R6151	NRSA63J-822X	MG RESISTOR	8.2kΩ 1/16W J	
R6152	NRSA63J-103X	MG RESISTOR	10kΩ 1/16W J	
R6201	NRSA63J-334X	MG RESISTOR	330kΩ 1/16W J	
R6203	NRSA63J-104X	MG RESISTOR	100kΩ 1/16W J	
R6211	NRSA63J-334X	MG RESISTOR	330kΩ 1/16W J	
R6213	NRSA63J-104X	MG RESISTOR	100kΩ 1/16W J	
R6401	NRSA63J-123X	MG RESISTOR	12kΩ 1/16W J	
R6402	NRSA63J-123X	MG RESISTOR	12kΩ 1/16W J	
R6511	NRSA63J-123X	MG RESISTOR	12kΩ 1/16W J	
R6512	NRSA63J-123X	MG RESISTOR	12kΩ 1/16W J	
R6602	NRSA63J-472X	MG RESISTOR	4.7kΩ 1/16W J	
R6603	NRSA63J-513X	MG RESISTOR	51kΩ 1/16W J	
R6604	NRSA63J-821X	MG RESISTOR	820Ω 1/16W J	
R6612	NRSA63J-472X	MG RESISTOR	4.7kΩ 1/16W J	
L6101	QLLZ043-120	COIL	12uH	
L6111	QLLZ043-120	COIL	12uH	
L6201	QLLZ043-120	COIL	12uH	
L6211	QLLZ043-120	COIL	12uH	
L6301	QQR0797-002	COIL		300UT,305UT
L6302	QQR0797-002	COIL		300UT,305UT
CN605	QGF1208C1-11	CONNECTOR	FFC/FPC (1-11)	
CN640	QGA3901C1-02	CONNECTOR	W-B (1-2)	
EP600	E409182-001SM	GRAND TERMINAL		
J6001	QNB0303-001	SPK JACK		

## Primary board

Block No. [0][3]

Symbol No.	Part No.	Part Name	Description	Local
△ IC201	STR-W6765N	IC		
IC210	KIA431A-T	IC		
IC211	BD9305AFVM-W	REGULATOR IC		
△ IC260	KIA7806API	IC		
IC360	LB1641	IC		
IC700	GP1UE271XKC1	IC		
IC720	PT6315	IC		
Q2100	KRC102S-X	DIGI TRANSISTOR		
Q2103	RSR025P03-X	MOSFET		
Q2125	KTA1505/G-X	CHIP TR.		
Q2126	KTC3265/Y-X	TRANSISTOR		
Q2127	KRC104S-X	TRANSISTOR		
Q2131	KTA1504/YG-X	TRANSISTOR		
Q2132	KRC104S-X	TRANSISTOR		
Q2160	KRC102S-X	DIGI TRANSISTOR		
Q2161	KRA102S-X	DIGI TRANSISTOR		
Q2303	KRA104S-X	DIGI TRANSISTOR		
Q2304	KTC3203/OY-T	TRANSISTOR		
△ D2001	KBJ4J	BRIDGE DIODE		
D2002	RG1C-LFA1	SI DIODE		
D2003	RG1C-LFA1	SI DIODE		
D2004	FR104S-T5	FR DIODE		
D2005	FR104S-T5	FR DIODE		
D2006	AL01Z-T4	DIODE		
D2007	MTZJ11B-T2	Z DIODE		
D2008	MA8220/M-X	Z DIODE		
D2009	AL01Z-T4	DIODE		
D2010	MA8056/M-X	Z DIODE		
D2011	MA8075/M-X	Z DIODE		
D2012	MA8062/M-X	Z DIODE		
D2103	MA22D23-X	SB DIODE		
D2121	FR104S-T5	FR DIODE		
D2125	MA8033-X	Z DIODE		
D2126	MA111-X	SI DIODE		
D2131	FR104S-T5	FR DIODE		
D2134	MA8024-X	Z DIODE		
D2135	MA8300/M-X	Z DIODE		
D2151	FMX-G22S	DIODE		
D2160	MA8047/M-X	Z DIODE		
D2301	MA8039-X	Z DIODE		
D2302	MA8043/M-X	Z DIODE		
D2600	1N4003S-T5	SI DIODE		
D2601	1N4003S-T5	SI DIODE		
D3650	MA8047/M-X	Z DIODE		
D3656	1N4003S-T5	SI DIODE		
D3657	1N4003S-T5	SI DIODE		
D3658	1N4003S-T5	SI DIODE		
D3659	1N4003S-T5	SI DIODE		
D7000	SLI-343U8RC-T	LED		
D8000	STZC6.8N-X	USB ESD DIODE		
△ PC201	PC123Y22FZ	PHOTO COUPLER		
△ PC202	PC123Y22FZ	PHOTO COUPLER		
△ C2001	QFZ9073-154	MM CAPACITOR	0.15uF AC250V M	
△ C2003	QCZ9134-101	C CAPACITOR	100pF	
△ C2004	QCZ9134-101	C CAPACITOR	100pF	300B,300E, 300EN,300EV, 303E,303EN, 303EV,305E, 305EN,305EV, 300A,300US, 300UF,300UW, 300UG,300UN 300UT,305UT
△ C2004	QCZ9134-221	M CAPACITOR	220pF	
△ C2007	QFZ9073-683	MM CAPACITOR	0.068uF AC250V M	
C2008	QEZ0881-107	M CAPACITOR	100uF	300B,300E, 300EN,300EV, 303E,303EN, 303EV,305E, 305EN,305EV, 300A,300UF

△ Symbol No.	Part No.	Part Name	Description	Local	△ Symbol No.	Part No.	Part Name	Description	Local
C2008	QEZO884-227	M CAPACITOR	220uF	300US,300UT, 300UW,300UG, 300UN,305UT	R2108	QRT01DJ-R22X	MF RESISTOR	0.22Ω 1W J	
△ C2009	QCZ0136-331Z	C CAPACITOR	330pF 1kV K		R2121	NRSA63J-222X	MG RESISTOR	2.2kΩ 1/16W J	
△ C2010	QCZ0134-472	C CAPACITOR	4700pF		R2125	NRSA63J-151X	MG RESISTOR	150Ω 1/16W J	
C2012	QETN1HM-106Z	E CAPACITOR	10uF 50V M		R2126	NRSA63J-151X	MG RESISTOR	150Ω 1/16W J	
C2013	NDC31HJ-221X	C CAPACITOR	220pF 50V J		△ R2131	QRZ9015-100X	FUSI RESISTOR	10Ω	
C2014	QCZ0136-221Z	C CAPACITOR	220pF 1kV K		R2133	NRSA63J-332X	MG RESISTOR	3.3kΩ 1/16W J	
C2015	QETN1HM-105Z	E CAPACITOR	1uF 50V M		R2134	NRSA63J-223X	MG RESISTOR	22kΩ 1/16W J	
C2016	NCB31HK-103X	C CAPACITOR	0.01uF 50V K		R2160	NRSA63J-152X	MG RESISTOR	1.5kΩ 1/16W J	
C2017	NCB31HK-102X	C CAPACITOR	1000pF 50V K		R2161	NRSA63J-222X	MG RESISTOR	2.2kΩ 1/16W J	
C2018	NDC31HJ-471X	C CAPACITOR	470pF 50V J		R2162	NRSA63J-103X	MG RESISTOR	10kΩ 1/16W J	
C2020	QCZ9134-222	C CAPACITOR	2200pF		R2163	NRSA63J-623X	MG RESISTOR	62kΩ 1/16W J	
C2100	NCB31HK-104X	C CAPACITOR	0.1uF 50V K		R2164	NRSA63J-222X	MG RESISTOR	2.2kΩ 1/16W J	
C2101	QETN1EM-476Z	E CAPACITOR	47uF 25V M		R2165	NRSA63J-103X	MG RESISTOR	10kΩ 1/16W J	
C2102	NCB31HK-103X	C CAPACITOR	0.01uF 50V K		R2170	NRSA63J-102X	MG RESISTOR	1kΩ 1/16W J	
C2103	NDC31HJ-201X	C CAPACITOR	200pF 50V J		△ R2300	QRZ9005-101X	F RESISTOR	100Ω	
C2105	QETN1CM-107Z	E CAPACITOR	100uF 16V M		R2301	NRSA63J-242X	MG RESISTOR	2.4kΩ 1/16W J	
C2106	NCB31HK-471X	C CAPACITOR	470pF 50V K		R7000	NRSA63J-681X	MG RESISTOR	680Ω 1/16W J	
C2121	QETN1AM-477Z	E CAPACITOR	470uF 10V M		R7100	NRSA63J-363X	MG RESISTOR	36kΩ 1/16W J	
C2125	NCB31HK-103X	C CAPACITOR	0.01uF 50V K		R7101	NRSA63J-113X	MG RESISTOR	11kΩ 1/16W J	
C2131	QEZO658-396Z	E CAPACITOR	39uF 50V M		R7102	NRSA63J-562X	MG RESISTOR	5.6kΩ 1/16W J	
C2133	NCB31HK-223X	C CAPACITOR	0.022uF 50V K		R7103	NRSA63J-332X	MG RESISTOR	3.3kΩ 1/16W J	
C2153	QETM1EM-228	E CAPACITOR	2200uF 25V M		R7104	NRSA63J-202X	MG RESISTOR	2kΩ 1/16W J	
C2155	QETN1EM-337Z	E CAPACITOR	330uF 25V M		R7200	NRSA63J-823X	MG RESISTOR	82kΩ 1/16W J	
C2156	NCB31HK-104X	C CAPACITOR	0.1uF 50V K		R7201	NRSA63J-101X	MG RESISTOR	100Ω 1/16W J	
C2160	NCB31HK-104X	C CAPACITOR	0.1uF 50V K		R7202	NRSA63J-101X	MG RESISTOR	100Ω 1/16W J	
C2301	QETN1HM-106Z	E CAPACITOR	10uF 50V M		R7203	NRSA63J-101X	MG RESISTOR	100Ω 1/16W J	
C2600	QETN1EM-476Z	E CAPACITOR	47uF 25V M		R8400	NRSA63J-102X	MG RESISTOR	1kΩ 1/16W J	
C2601	QETN1CM-107Z	E CAPACITOR	100uF 16V M		R9500	NRSA63J-113X	MG RESISTOR	11kΩ 1/16W J	
C3650	NCB31CK-104X	C CAPACITOR	0.1uF 16V K		R9501	NRSA63J-562X	MG RESISTOR	5.6kΩ 1/16W J	
C3651	NCB31CK-104X	C CAPACITOR	0.1uF 16V K		R9502	NRSA63J-332X	MG RESISTOR	3.3kΩ 1/16W J	
C3652	QETN1CM-107Z	E CAPACITOR	100uF 16V M		R9503	NRSA63J-202X	MG RESISTOR	2kΩ 1/16W J	
C3658	QETN1CM-107Z	E CAPACITOR	100uF 16V M		L2103	QQL28AK-470	CHOKE COIL	47uH K	
C7000	QERF0JM-107Z	E CAPACITOR	100uF 6.3V M		L2151	QQLZ043-120	COIL	12uH	
C7201	NCB31HK-104X	C CAPACITOR	0.1uF 50V K		△ T2000	QQS0422-001	SW TRANSF		
C7209	NCB31CK-104X	C CAPACITOR	0.1uF 16V K		CN200	QGA7901C1-02	CONNECTOR	W-B (1-2)	
C7210	NCB31HK-223X	C CAPACITOR	0.022uF 50V K		CN201	QGD2504C1-05Z	CONNECTOR	(1-5)	
C8000	NDC31HJ-150X	C CAPACITOR	15pF 50V J		CN203	QGD2504C1-04Z	CONNECTOR	(1-4)	
C8001	NDC31HJ-101X	C CAPACITOR	100pF 50V J		CN204	QGB2510K2-06	CONNECTOR	B-B (1-6)	
C8002	NDC31HJ-150X	C CAPACITOR	15pF 50V J		CN205	QGF1040C1-07	CONNECTOR	FFC/FPC (1-7)	
C8004	NDC31HJ-100X	C CAPACITOR	10pF 50V J		CN360	QGF1040F1-05	CONNECTOR	FFC/FPC (1-5)	
C8100	NDC31HJ-331X	C CAPACITOR	330pF 50V J	300B,300E, 300EN,300EV, 303E,303EN, 303EV,305E, 305EN,305EV	CN362	QGF1040F1-19	CONNECTOR	FFC/FPC (1-19)	
					CN364	QGF1040C1-25	CONNECTOR	FFC/FPC (1-25)	
					CN704	QGF1208F1-13	CONNECTOR	FFC/FPC (1-13)	
					CN803	QGB1214K1-08S	CONNECTOR	B-B (1-8)	
C8104	NCB31HK-104X	C CAPACITOR	0.1uF 50V K		CN904	QGF1208F1-05	CONNECTOR	FFC/FPC (1-5)	
C8200	NDC31HJ-331X	C CAPACITOR	330pF 50V J	300B,300E, 300EN,300EV, 303E,303EN, 303EV,305E, 305EN,305EV	CP211	ICP-N10-T	IC PROTECTOR	400mA	
					EP200	QNZ0136-001Z	EARTH PLATE		
					EP201	QNZ0136-001Z	EARTH PLATE		
					EP800	QNZ0136-001Z	EARTH PLATE		
					EP801	QNZ0136-001Z	EARTH PLATE		
					EP810	QNZ0136-001Z	EARTH PLATE		
C8300	NCB31HK-104X	C CAPACITOR	0.1uF 50V K		FC201	QNG0003-001Z	FUSE CLIP		
C8400	NCB31HK-104X	C CAPACITOR	0.1uF 50V K		FC202	QNG0003-001Z	FUSE CLIP		
C8401	NCB31HK-103X	C CAPACITOR	0.01uF 50V K		FL720	QLF0194-001	FL TUBE		
C8402	NCB31HK-103X	C CAPACITOR	0.01uF 50V K		HS201	LV40057-004A	HEAT SINK		
C9600	NCB31HK-103X	C CAPACITOR	0.01uF 50V K		HS251	GV40614-001A	HEAT SINK		
C9602	NCB31HK-103X	C CAPACITOR	0.01uF 50V K		HS260	GV40606-002A	HEAT SINK		
C9603	NCB31HK-104X	C CAPACITOR	0.1uF 50V K		J8000	QNZ0851-001	USB CONNECTOR		
△ R2001	QRZ9037-335	COMP RESISTOR	3.3MΩ 1/2W K		J8100	QNS0188-001	JACK		
△ R2002	QRZ0255-224	UNF C RESISTOR	220kΩ		J8300	QNS0188-001	JACK		
△ R2003	QRZ0255-224	UNF C RESISTOR	220kΩ		JS960	QSW1060-001	ROTARY SW		
△ R2005	QRZ0255-154	UNF C RESI	150kΩ		K8001	NQR0627-002X	FERRITE	1.5K/ 100MHz220mA0.4R	
R2006	NRSA63J-680X	MG RESISTOR	68Ω 1/16W J					1.5K/ 100MHz220mA0.4R	
R2007	NRSA63J-182X	MG RESISTOR	1.8kΩ 1/16W J					1.5K/ 100MHz220mA0.4R	
R2008	NRSA63J-123X	MG RESISTOR	12kΩ 1/16W J						
R2010	QRT01DJ-R39X	MF RESISTOR	0.39Ω 1W J		K9600	NQR0022-002X	FERRITE BEADS		
R2011	QRT01DJ-R39X	MF RESISTOR	0.39Ω 1W J		△ LF201	QQR1790-001	LINE FILTER		
R2012	NRSA63J-221X	MG RESISTOR	220Ω 1/16W J		△ LF202	QQR1790-001	LINE FILTER		
R2013	NRSA63J-102X	MG RESISTOR	1kΩ 1/16W J		S7100	QSW0683-001Z	PUSH SW		
R2015	NRSA63J-392X	MG RESISTOR	3.9kΩ 1/16W J		S7101	QSW0683-001Z	PUSH SW		
R2100	NRSA63J-183X	MG RESISTOR	18kΩ 1/16W J		S7102	QSW0683-001Z	PUSH SW		
R2101	NRSA63J-203X	MG RESISTOR	20kΩ 1/16W J		S7103	QSW0683-001Z	PUSH SW		
R2102	NRSA63J-512X	MG RESISTOR	5.1kΩ 1/16W J		S7104	QSW0683-001Z	PUSH SW		
R2104	NRSA63J-823X	MG RESISTOR	82kΩ 1/16W J		S7105	QSW0683-001Z	PUSH SW		
R2105	NRSA63J-123X	MG RESISTOR	12kΩ 1/16W J		S9500	QSW0683-001Z	PUSH SW		
R2106	NRSA63J-102X	MG RESISTOR	1kΩ 1/16W J		S9501	QSW0683-001Z	PUSH SW		



△ Symbol No.	Part No.	Part Name	Description	Local
S9502	QSW0683-001Z	PUSH SW		
S9503	QSW0683-001Z	PUSH SW		
S9504	QSW0683-001Z	PUSH SW		
△ TH201	QAD0143-3R9	THERMISTOR	3.9Ω	300B,300E, 300EN,300EV, 303E,303EN, 303EV,305E, 305EN,305EV, 300A,300UF
△ TH201	QAD0141-4R0	N THERMISTOR	4Ω	300US,300UT, 300UW,300UG, 300UN,305UT
WC201	QZW0112-001	WIRE CLAMP		

△ Symbol No.	Part No.	Part Name	Description	Local
C344	NDC31HJ-270X	C CAPACITOR	27pF 50V J	
C361	NCB31CK-104X	C CAPACITOR	0.1uF 16V K	
C376	NCB31CK-224X	C CAPACITOR	0.22uF 16V K	
C377	NCB31CK-104X	C CAPACITOR	0.1uF 16V K	
C701	NCB31CK-104X	C CAPACITOR	0.1uF 16V K	
C702	NCB31CK-104X	C CAPACITOR	0.1uF 16V K	
C801	NDC31HJ-300X	C CAPACITOR	30pF 50V J	
C802	NDC31HJ-270X	C CAPACITOR	27pF 50V J	
C803	NCB31CK-104X	C CAPACITOR	0.1uF 16V K	
C804	NCB31CK-104X	C CAPACITOR	0.1uF 16V K	
C805	NCB31CK-104X	C CAPACITOR	0.1uF 16V K	
C806	NCB31CK-104X	C CAPACITOR	0.1uF 16V K	
C807	NCB31CK-104X	C CAPACITOR	0.1uF 16V K	
C809	NCB20JK-106X	C CAPACITOR	10uF 6.3V K	
C811	NCB31CK-104X	C CAPACITOR	0.1uF 16V K	
C814	NCB21AK-225X	C CAPACITOR	2.2uF 10V K	
C815	QEKJ0JM-227Z	E CAPACITOR	220uF 6.3V M	
C816	NDC31HJ-471X	C CAPACITOR	470pF 50V J	
C817	NCB21CK-105X	C CAPACITOR	1uF 16V K	

## CD servo board(FMU-MJ4-1M)

Block No. [0][4]

△ Symbol No.	Part No.	Part Name	Description	Local
IC201	LA6242H-X	IC		
IC301	MN6627971DA	IC		
IC302	S-24CS16A0I-G-X	IC		
IC304	MM3233DF-X	IC		
IC801	MN103SFB5KWM1	IC(MCU)		
IC802	MM1565AF-X	IC		
Q301	ISA1530AC1/QR/X	TRANSISTOR		
Q801	RT1N141C-X	DIGI TRANSISTOR		
D302	MA2SD31-X	SB DIODE		
C101	NCF31EZ-104X	C CAPACITOR	0.1uF 25V Z	
C102	NCF31EZ-104X	C CAPACITOR	0.1uF 25V Z	
C103	NCF31EZ-104X	C CAPACITOR	0.1uF 25V Z	
C205	NCB31HK-122X	C CAPACITOR	1200pF 50V K	
C206	NCB31HK-182X	C CAPACITOR	1800pF 50V K	
C207	NCB31HK-682X	C CAPACITOR	6800pF 50V K	
C208	NCB31HK-222X	C CAPACITOR	2200pF 50V K	
C211	NDC31HJ-680X	C CAPACITOR	68pF 50V J	
C218	QERF1AM-227Z	E CAPACITOR	220uF 10V M	
C219	NCB31CK-104X	C CAPACITOR	0.1uF 16V K	
C220	NCB31CK-104X	C CAPACITOR	0.1uF 16V K	
C221	NCB31CK-104X	C CAPACITOR	0.1uF 16V K	
C301	NCB31CK-104X	C CAPACITOR	0.1uF 16V K	
C304	NCB31CK-104X	C CAPACITOR	0.1uF 16V K	
C305	NCB21AK-225X	C CAPACITOR	2.2uF 10V K	
C306	NCB21CK-105X	C CAPACITOR	1uF 16V K	
C309	NCB31CK-104X	C CAPACITOR	0.1uF 16V K	
C310	NCB31CK-104X	C CAPACITOR	0.1uF 16V K	
C312	NCB31CK-104X	C CAPACITOR	0.1uF 16V K	
C314	NCB31CK-154X	C CAPACITOR	0.15uF 16V K	
C315	QEKJ0JM-476Z	E CAPACITOR	47uF 6.3V M	
C316	NCB31CK-104X	C CAPACITOR	0.1uF 16V K	
C319	NCB31CK-334X	C CAPACITOR	0.33uF 16V K	
C320	NCB31CK-104X	C CAPACITOR	0.1uF 16V K	
C321	NCB31CK-104X	C CAPACITOR	0.1uF 16V K	
C322	NCB31HK-681X	C CAPACITOR	680pF 50V K	
C324	NCB31CK-334X	C CAPACITOR	0.33uF 16V K	
C325	NCB31HK-102X	C CAPACITOR	1000pF 50V K	
C326	NCB31CK-823X	C CAPACITOR	0.082uF 16V K	
C327	NCB31HK-102X	C CAPACITOR	1000pF 50V K	
C328	NCB31CK-104X	C CAPACITOR	0.1uF 16V K	
C329	NCB31HK-153X	C CAPACITOR	0.015uF 50V K	
C330	NCB20JK-475X	C CAPACITOR	4.7uF 6.3V K	
C331	NCB31HK-332X	C CAPACITOR	3300pF 50V K	
C332	NCB31HK-223X	C CAPACITOR	0.022uF 50V K	
C333	QEKJ0JM-476Z	E CAPACITOR	47uF 6.3V M	
C334	QEKJ0JM-476Z	E CAPACITOR	47uF 6.3V M	
C337	NCB31CK-104X	C CAPACITOR	0.1uF 16V K	
C338	QEKJ0JM-476Z	E CAPACITOR	47uF 6.3V M	
C339	QEKJ0JM-476Z	E CAPACITOR	47uF 6.3V M	
C340	NCB31CK-104X	C CAPACITOR	0.1uF 16V K	
C341	NCB31CK-104X	C CAPACITOR	0.1uF 16V K	
C342	NCB31CK-104X	C CAPACITOR	0.1uF 16V K	
C343	NDC31HJ-270X	C CAPACITOR	27pF 50V J	

R101	NRSA63J-102X	MG RESISTOR	1kΩ 1/16W J
R102	NRSA63J-151X	MG RESISTOR	150Ω 1/16W J
R201	NRSA63J-683X	MG RESISTOR	68kΩ 1/16W J
R202	NRSA63J-153X	MG RESISTOR	15kΩ 1/16W J
R203	NRSA63J-102X	MG RESISTOR	1kΩ 1/16W J
R204	NRSA63J-273X	MG RESISTOR	27kΩ 1/16W J
R205	NRSA63J-153X	MG RESISTOR	15kΩ 1/16W J
R206	NRSA63J-562X	MG RESISTOR	5.6kΩ 1/16W J
R207	NRSA63J-682X	MG RESISTOR	6.8kΩ 1/16W J
R208	NRSA63J-103X	MG RESISTOR	10kΩ 1/16W J
R209	NRSA63J-562X	MG RESISTOR	5.6kΩ 1/16W J
R210	NRSA63J-153X	MG RESISTOR	15kΩ 1/16W J
R211	NRSA63J-153X	MG RESISTOR	15kΩ 1/16W J
R212	NRSA63J-562X	MG RESISTOR	5.6kΩ 1/16W J
R213	NRSA63J-103X	MG RESISTOR	10kΩ 1/16W J
R214	NRSA63J-472X	MG RESISTOR	4.7kΩ 1/16W J
R221	NRSA63J-102X	MG RESISTOR	1kΩ 1/16W J
R222	NRSA63J-102X	MG RESISTOR	1kΩ 1/16W J
R223	NRSA63J-102X	MG RESISTOR	1kΩ 1/16W J
R224	NRS181J-0R0X	MG RESISTOR	0Ω 1/8W J
R301	NRSA63J-563X	MG RESISTOR	56kΩ 1/16W J
R303	NRSA63J-333X	MG RESISTOR	33kΩ 1/16W J
R304	NRSA63J-563X	MG RESISTOR	56kΩ 1/16W J
R308	NRSA63J-221X	MG RESISTOR	220Ω 1/16W J
R309	NRSA63J-221X	MG RESISTOR	220Ω 1/16W J
R310	NRSA63J-221X	MG RESISTOR	220Ω 1/16W J
R311	NRSA63J-102X	MG RESISTOR	1kΩ 1/16W J
R312	NRSA63J-101X	MG RESISTOR	100Ω 1/16W J
R313	NRSA63J-101X	MG RESISTOR	100Ω 1/16W J
R314	NRSA63J-101X	MG RESISTOR	100Ω 1/16W J
R315	NRSA63J-102X	MG RESISTOR	1kΩ 1/16W J
R319	NRSA63J-0R0X	MG RESISTOR	0Ω 1/16W J
R320	NRSA63J-0R0X	MG RESISTOR	0Ω 1/16W J
R321	NRSA63J-0R0X	MG RESISTOR	0Ω 1/16W J
R322	NRSA63J-821X	MG RESISTOR	820Ω 1/16W J
R323	NRSA63J-272X	MG RESISTOR	2.7kΩ 1/16W J
R324	NRSA63J-823X	MG RESISTOR	82kΩ 1/16W J
R325	NRSA63J-473X	MG RESISTOR	47kΩ 1/16W J
R330	NRSA02F-100X	MG RESISTOR	10Ω 1/10W F
R331	NRSA02F-100X	MG RESISTOR	10Ω 1/10W F
R336	NRSA63J-100X	MG RESISTOR	10Ω 1/16W J
R338	NRSA63J-103X	MG RESISTOR	10kΩ 1/16W J
R339	NRSA63J-473X	MG RESISTOR	47kΩ 1/16W J
R341	NRSA63J-473X	MG RESISTOR	47kΩ 1/16W J
R343	NRSA63J-103X	MG RESISTOR	10kΩ 1/16W J
R346	NRSA63J-101X	MG RESISTOR	100Ω 1/16W J
R348	NRSA63J-101X	MG RESISTOR	100Ω 1/16W J
R350	NRSA63J-103X	MG RESISTOR	10kΩ 1/16W J
R351	NRSA63J-102X	MG RESISTOR	1kΩ 1/16W J
R352	NRSA63J-103X	MG RESISTOR	10kΩ 1/16W J
R353	NRSA63J-103X	MG RESISTOR	10kΩ 1/16W J
R356	NRSA63J-103X	MG RESISTOR	10kΩ 1/16W J
R357	NRSA63J-103X	MG RESISTOR	10kΩ 1/16W J
R358	NRSA63J-105X	MG RESISTOR	1MΩ 1/16W J
R359	NRSA63J-221X	MG RESISTOR	220Ω 1/16W J
R360	NRSA63J-101X	MG RESISTOR	100Ω 1/16W J
R363	NRSA63J-472X	MG RESISTOR	4.7kΩ 1/16W J
R364	NRSA63J-472X	MG RESISTOR	4.7kΩ 1/16W J

△ Symbol No.	Part No.	Part Name	Description	Local	△ Symbol No.	Part No.	Part Name	Description	Local
R367	NRSA63J-563X	MG RESISTOR	56kΩ 1/16W J						
R368	NRSA63J-102X	MG RESISTOR	1kΩ 1/16W J		D302	MA2SD31-X	SB DIODE		
R369	NRSA63J-0R0X	MG RESISTOR	0Ω 1/16W J						
R376	NRSA63J-103X	MG RESISTOR	10kΩ 1/16W J		C101	NCF31EZ-104X	C CAPACITOR	0.1uF 25V Z	
R377	NRSA63J-103X	MG RESISTOR	10kΩ 1/16W J		C102	NCF31EZ-104X	C CAPACITOR	0.1uF 25V Z	
R381	NRSA63J-471X	MG RESISTOR	470Ω 1/16W J		C103	NCF31EZ-104X	C CAPACITOR	0.1uF 25V Z	
R382	NRSA63J-471X	MG RESISTOR	470Ω 1/16W J		C205	NCB31HK-152X	C CAPACITOR	1500pF 50V K	
R383	NRSA63J-103X	MG RESISTOR	10kΩ 1/16W J		C206	NCB31HK-182X	C CAPACITOR	1800pF 50V K	
R701	NRSA63J-102X	MG RESISTOR	1kΩ 1/16W J		C207	NCB31HK-682X	C CAPACITOR	6800pF 50V K	
R801	NRSA63J-223X	MG RESISTOR	22kΩ 1/16W J		C208	NCB31HK-222X	C CAPACITOR	2200pF 50V K	
R802	NRSA63J-200X	MG RESISTOR	20Ω 1/16W J		C211	NDC31HJ-680X	C CAPACITOR	68pF 50V J	
R803	NRSA63J-473X	MG RESISTOR	47kΩ 1/16W J		C218	NEAF1CM-107X	E CAPACITOR	100uF 16V M	
R805	NRSA63J-151X	MG RESISTOR	150Ω 1/16W J		C219	NCB31CK-104X	C CAPACITOR	0.1uF 16V K	
R806	NRSA63J-332X	MG RESISTOR	3.3kΩ 1/16W J		C220	NCB31CK-104X	C CAPACITOR	0.1uF 16V K	
R807	NRSA63J-0R0X	MG RESISTOR	0Ω 1/16W J		C221	NCB31CK-104X	C CAPACITOR	0.1uF 16V K	
R808	NRSA63J-0R0X	MG RESISTOR	0Ω 1/16W J		C301	NCB31CK-104X	C CAPACITOR	0.1uF 16V K	
R809	NRSA63J-102X	MG RESISTOR	1kΩ 1/16W J		C304	NCB31CK-104X	C CAPACITOR	0.1uF 16V K	
R810	NRSA63J-102X	MG RESISTOR	1kΩ 1/16W J		C305	NCB21AK-225X	C CAPACITOR	2.2uF 10V K	
R814	NRSA63J-102X	MG RESISTOR	1kΩ 1/16W J		C306	NCB21CK-105X	C CAPACITOR	1uF 16V K	
R815	NRSA63J-200X	MG RESISTOR	20Ω 1/16W J		C309	NCB31CK-104X	C CAPACITOR	0.1uF 16V K	
R816	NRSA63J-153X	MG RESISTOR	15kΩ 1/16W J		C310	NCB31CK-104X	C CAPACITOR	0.1uF 16V K	
R817	NRSA63J-153X	MG RESISTOR	15kΩ 1/16W J		C312	NCB31CK-104X	C CAPACITOR	0.1uF 16V K	
R819	NRSA63J-563X	MG RESISTOR	56kΩ 1/16W J		C314	NCB31CK-154X	C CAPACITOR	0.15uF 16V K	
R820	NRSA63J-473X	MG RESISTOR	47kΩ 1/16W J		C315	NEAF0JM-476X	E CAPACITOR	47uF 6.3V M	
R821	NRSA63J-0R0X	MG RESISTOR	0Ω 1/16W J		C316	NCB31CK-104X	C CAPACITOR	0.1uF 16V K	
L801	NRSA02J-0R0X	MG RESISTOR	0Ω 1/10W J		C319	NCB31CK-334X	C CAPACITOR	0.33uF 16V K	
CN101	QGF0501F8-15X	CONNECTOR	FFC/FPC (1-15)		C320	NCB31CK-104X	C CAPACITOR	0.1uF 16V K	
CN701	QGF1036F2-19	CONNECTOR	FFC/FPC (1-19)		C321	NCB31CK-104X	C CAPACITOR	0.1uF 16V K	
CN702	QGF1036F2-08	CONNECTOR	FFC/FPC (1-8)		C322	NCB31HK-681X	C CAPACITOR	680pF 50V K	
CN801	QGF1036F2-07	CONNECTOR	FFC/FPC (1-7)		C324	NCB31CK-334X	C CAPACITOR	0.33uF 16V K	
CN802	QGA2001F6-05X	CONNECTOR	W-B (1-5)		C325	NCB31HK-102X	C CAPACITOR	1000pF 50V K	
K701	NRSA63J-0R0X	MG RESISTOR	0Ω 1/16W J		C326	NCB31CK-823X	C CAPACITOR	0.082uF 16V K	
K702	NRSA63J-0R0X	MG RESISTOR	0Ω 1/16W J		C327	NCB31HK-102X	C CAPACITOR	1000pF 50V K	
K703	NRSA63J-0R0X	MG RESISTOR	0Ω 1/16W J		C328	NCB31CK-104X	C CAPACITOR	0.1uF 16V K	
K704	NRSA63J-0R0X	MG RESISTOR	0Ω 1/16W J		C329	NCB31HK-153X	C CAPACITOR	0.015uF 50V K	
K705	NRSA63J-0R0X	MG RESISTOR	0Ω 1/16W J		C330	NCB20JK-475X	C CAPACITOR	4.7uF 6.3V K	
K706	NRSA63J-0R0X	MG RESISTOR	0Ω 1/16W J		C331	NCB31HK-332X	C CAPACITOR	3300pF 50V K	
K707	NQR0022-002X	FERRITE BEADS			C332	NCB31HK-223X	C CAPACITOR	0.022uF 50V K	
K708	NQR0022-002X	FERRITE BEADS			C333	NEAF0JM-476X	E CAPACITOR	47uF 6.3V M	
K709	NQR0022-002X	FERRITE BEADS			C334	NEAF0JM-476X	E CAPACITOR	47uF 6.3V M	
K801	NQR0360-002X	COIL			C337	NCB31CK-104X	C CAPACITOR	0.1uF 16V K	
K802	NQR0360-002X	COIL			C338	NEAF0JM-476X	E CAPACITOR	47uF 6.3V M	
SW601	QSW1047-002	PUSH SWITCH			C339	NEAF0JM-476X	E CAPACITOR	47uF 6.3V M	
X301	NAX0375-001X	CRYSTAL	16.9344MHz		C340	NCB31CK-104X	C CAPACITOR	0.1uF 16V K	
X801	QAX0724-001Z	CRYSTAL	12.000000MHz		C341	NCB31CK-104X	C CAPACITOR	0.1uF 16V K	

## Loader board(FLM-J6-2M)

Block No. [0][5]

△ Symbol No.	Part No.	Part Name	Description	Local
CN1	QGF1016F9-05	CONNECTOR	FFC/FPC (1-5)	
S1	QSW1074-002	DETECT SWITCH		

## CD servo board(FMU-VK1-1M)

Block No. [0][6]

△ Symbol No.	Part No.	Part Name	Description	Local
IC201	LA6242H-X	IC		
IC301	MN6627971DB	IC		
IC302	S-24CS16A01-G-X	IC		
IC304	MM3233DF-X	IC		
IC801	MN103SFB5KWM2	IC(MCU)		
IC802	MM1565AF-X	IC		
Q301	ISA1530AC1/QR/X	TRANSISTOR		
Q801	RT1N141C-X	DIGI TRANSISTOR		

R101	NRSA63J-102X	MG RESISTOR	1kΩ 1/16W J	
R102	NRSA63J-0R0X	MG RESISTOR	0Ω 1/16W J	
R201	NRSA63J-273X	MG RESISTOR	27kΩ 1/16W J	
R202	NRSA63J-153X	MG RESISTOR	15kΩ 1/16W J	
R203	NRSA63J-102X	MG RESISTOR	1kΩ 1/16W J	
R204	NRSA63J-103X	MG RESISTOR	10kΩ 1/16W J	
R205	NRSA63J-103X	MG RESISTOR	10kΩ 1/16W J	
R206	NRSA63J-562X	MG RESISTOR	5.6kΩ 1/16W J	
R207	NRSA63J-682X	MG RESISTOR	6.8kΩ 1/16W J	
R208	NRSA63J-103X	MG RESISTOR	10kΩ 1/16W J	
R209	NRSA63J-562X	MG RESISTOR	5.6kΩ 1/16W J	

△ Symbol No.	Part No.	Part Name	Description	Local
R210	NRSA63J-153X	MG RESISTOR	15kΩ 1/16W J	
R211	NRSA63J-153X	MG RESISTOR	15kΩ 1/16W J	
R212	NRSA63J-562X	MG RESISTOR	5.6kΩ 1/16W J	
R213	NRSA63J-103X	MG RESISTOR	10kΩ 1/16W J	
R214	NRSA63J-472X	MG RESISTOR	4.7kΩ 1/16W J	
R221	NRSA63J-102X	MG RESISTOR	1kΩ 1/16W J	
R222	NRSA63J-102X	MG RESISTOR	1kΩ 1/16W J	
R223	NRSA63J-102X	MG RESISTOR	1kΩ 1/16W J	
R224	NRS181J-0R0X	MG RESISTOR	0Ω 1/8W J	
R301	NRSA63J-563X	MG RESISTOR	56kΩ 1/16W J	
R303	NRSA63J-333X	MG RESISTOR	33kΩ 1/16W J	
R304	NRSA63J-563X	MG RESISTOR	56kΩ 1/16W J	
R315	NRSA63J-102X	MG RESISTOR	1kΩ 1/16W J	
R319	NRSA63J-0R0X	MG RESISTOR	0Ω 1/16W J	
R320	NRSA63J-0R0X	MG RESISTOR	0Ω 1/16W J	
R321	NRSA63J-0R0X	MG RESISTOR	0Ω 1/16W J	
R322	NRSA63J-821X	MG RESISTOR	820Ω 1/16W J	
R323	NRSA63J-272X	MG RESISTOR	2.7kΩ 1/16W J	
R324	NRSA63J-823X	MG RESISTOR	82kΩ 1/16W J	
R325	NRSA63J-473X	MG RESISTOR	47kΩ 1/16W J	
R326	NRSA63J-0R0X	MG RESISTOR	0Ω 1/16W J	
R327	NRSA63J-0R0X	MG RESISTOR	0Ω 1/16W J	
R328	NRSA63J-0R0X	MG RESISTOR	0Ω 1/16W J	
R329	NRSA63J-0R0X	MG RESISTOR	0Ω 1/16W J	
R330	NRSA02F-100X	MG RESISTOR	10Ω 1/10W F	
R331	NRSA02F-100X	MG RESISTOR	10Ω 1/10W F	
R336	NRSA63J-100X	MG RESISTOR	10Ω 1/16W J	
R338	NRSA63J-103X	MG RESISTOR	10kΩ 1/16W J	
R339	NRSA63J-473X	MG RESISTOR	47kΩ 1/16W J	
R341	NRSA63J-473X	MG RESISTOR	47kΩ 1/16W J	
R343	NRSA63J-103X	MG RESISTOR	10kΩ 1/16W J	
R346	NRSA63J-101X	MG RESISTOR	100Ω 1/16W J	
R348	NRSA63J-101X	MG RESISTOR	100Ω 1/16W J	
R350	NRSA63J-103X	MG RESISTOR	10kΩ 1/16W J	
R351	NRSA63J-102X	MG RESISTOR	1kΩ 1/16W J	
R352	NRSA63J-103X	MG RESISTOR	10kΩ 1/16W J	
R353	NRSA63J-103X	MG RESISTOR	10kΩ 1/16W J	
R356	NRSA63J-103X	MG RESISTOR	10kΩ 1/16W J	
R357	NRSA63J-103X	MG RESISTOR	10kΩ 1/16W J	
R358	NRSA63J-105X	MG RESISTOR	1MΩ 1/16W J	
R359	NRSA63J-221X	MG RESISTOR	220Ω 1/16W J	
R360	NRSA63J-101X	MG RESISTOR	100Ω 1/16W J	
R363	NRSA63J-472X	MG RESISTOR	4.7kΩ 1/16W J	
R364	NRSA63J-472X	MG RESISTOR	4.7kΩ 1/16W J	
R367	NRSA63J-563X	MG RESISTOR	56kΩ 1/16W J	
R368	NRSA63J-102X	MG RESISTOR	1kΩ 1/16W J	
R376	NRSA63J-103X	MG RESISTOR	10kΩ 1/16W J	
R377	NRSA63J-103X	MG RESISTOR	10kΩ 1/16W J	
R381	NRSA63J-471X	MG RESISTOR	470Ω 1/16W J	
R382	NRSA63J-471X	MG RESISTOR	470Ω 1/16W J	
R383	NRSA63J-103X	MG RESISTOR	10kΩ 1/16W J	
R701	NRSA63J-102X	MG RESISTOR	1kΩ 1/16W J	
R801	NRSA63J-223X	MG RESISTOR	22kΩ 1/16W J	
R802	NRSA63J-200X	MG RESISTOR	20Ω 1/16W J	
R803	NRSA63J-473X	MG RESISTOR	47kΩ 1/16W J	
R804	NRSA63J-0R0X	MG RESISTOR	0Ω 1/16W J	
R805	NRSA63J-151X	MG RESISTOR	150Ω 1/16W J	
R806	NRSA63J-332X	MG RESISTOR	3.3kΩ 1/16W J	
R807	NRSA63J-0R0X	MG RESISTOR	0Ω 1/16W J	
R808	NRSA63J-0R0X	MG RESISTOR	0Ω 1/16W J	
R809	NRSA63J-102X	MG RESISTOR	1kΩ 1/16W J	
R810	NRSA63J-102X	MG RESISTOR	1kΩ 1/16W J	
R814	NRSA63J-102X	MG RESISTOR	1kΩ 1/16W J	
R815	NRSA63J-200X	MG RESISTOR	20Ω 1/16W J	
R816	NRSA63J-153X	MG RESISTOR	15kΩ 1/16W J	
R817	NRSA63J-153X	MG RESISTOR	15kΩ 1/16W J	
R819	NRSA63J-563X	MG RESISTOR	56kΩ 1/16W J	
R820	NRSA63J-473X	MG RESISTOR	47kΩ 1/16W J	
R821	NRSA63J-0R0X	MG RESISTOR	0Ω 1/16W J	
CN101	QGF1016F8-16W	CONNECTOR	FFC/FPC (1-16)	
CN102	QGA2001F6-06X	CONNECTOR	W-B (1-6)	
CN701	QGF1016F8-19W	CONNECTOR	FFC/FPC (1-19)	
CN801	QGF1016F8-07W	CONNECTOR	FFC/FPC (1-7)	
CN802	QGA2001F6-05X	CONNECTOR	W-B (1-5)	
K701	NRSA63J-0R0X	MG RESISTOR	0Ω 1/16W J	
K702	NRSA63J-0R0X	MG RESISTOR	0Ω 1/16W J	
K703	NRSA63J-0R0X	MG RESISTOR	0Ω 1/16W J	

△ Symbol No.	Part No.	Part Name	Description	Local
K704	NRSA63J-0R0X	MG RESISTOR	0Ω 1/16W J	
K705	NRSA63J-0R0X	MG RESISTOR	0Ω 1/16W J	
K706	NRSA63J-0R0X	MG RESISTOR	0Ω 1/16W J	
K801	NQR0360-002X	COIL		
K802	NQR0360-002X	COIL		
K803	NRSA63J-0R0X	MG RESISTOR	0Ω 1/16W J	
K804	NRSA63J-0R0X	MG RESISTOR	0Ω 1/16W J	
X301	NAX0375-001X	CRYSTAL	16.9344MHz	
X801	NAX0832-001X	CRYSTAL		

## Loader board(FMU-VK1-1M)

Block No. [0][7]

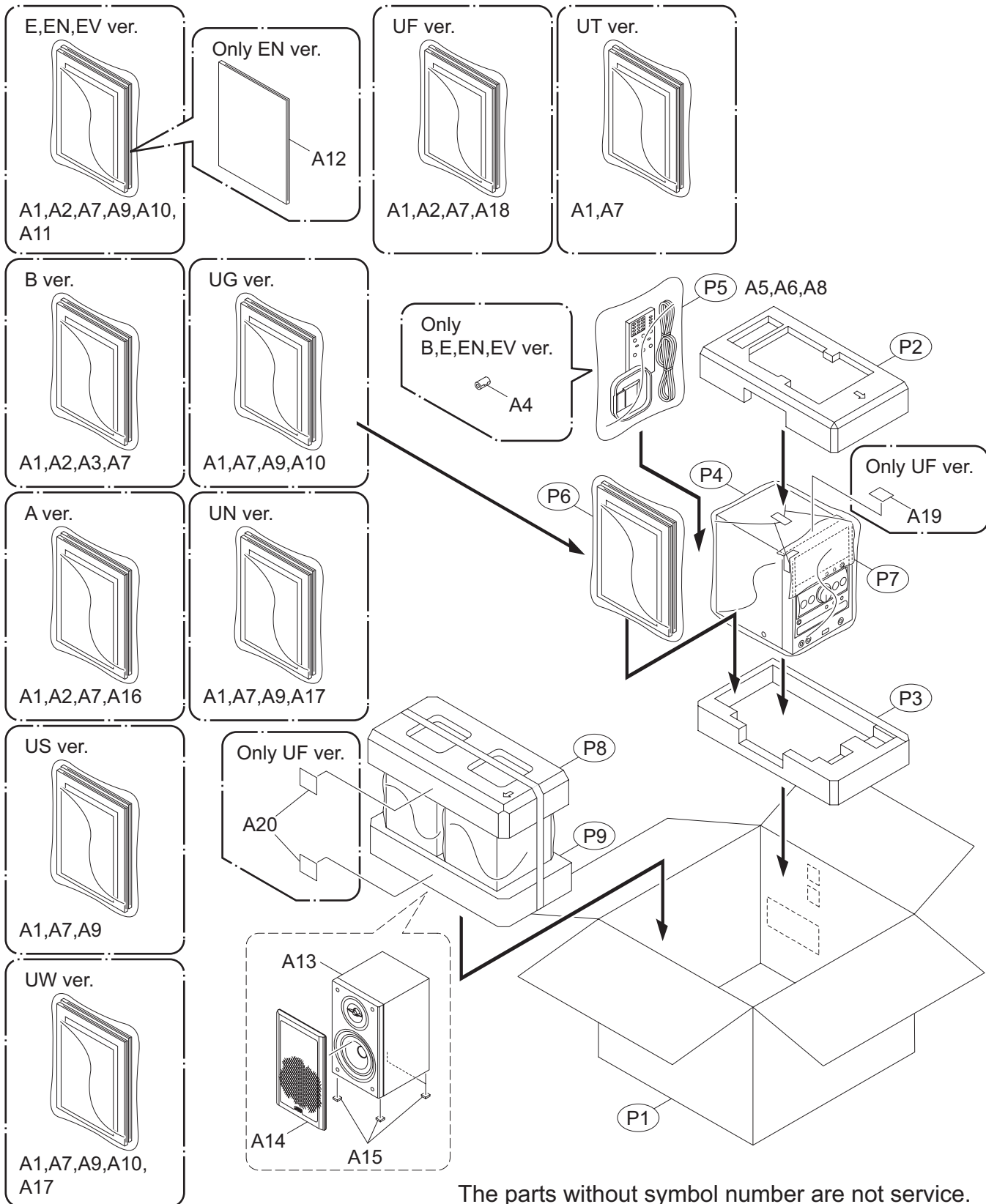
△ Symbol No.	Part No.	Part Name	Description	Local
CN1	QGF1040F1-05	CONNECTOR	FFC/FPC (1-5)	
CN1	or QGF1036F2-05	CONNECTOR	FFC/FPC (1-5)	
S1	QSW1074-002	DETECT SWITCH		

<MEMO>

# Packing materials and accessories parts list

Block No. M 3 M M

No additional / supplemental order of WARRANTY CARDS are available.



# Packing and Accessories

Block No. [M][3][M][M]

△	Symbol No.	Part No.	Part Name	Description	Local
	A 1	GVT0241-001A	INST BOOK	ENG	300B
	A 1	GVT0241-002B	INST BOOK	GER	300E,303E,305E
	A 1	GVT0241-006B	INST BOOK	SPA	300EN,303EN,305EN
	A 1	GVT0241-011A	INST BOOK	RUS	300EV,303EV,305EV
	A 1	GVT0241-015A	INST BOOK	ENG	300A,300US,300UW,300UG,300UN
	A 1	GVT0241-019A	INST BOOK	CHI(PEKIN)	300UF
	A 1	GVT0241-020A	INST BOOK	CHI(PEKIN)	300UT,305UT
	A 2	-----	WARRANTY CARD	BT-54032-1	300B,300E,300EN,300EV,303E,303EN,303EV,305E,305EN,305EV
	A 2	-----	WARRANTY CARD	BT-56017-1	300A
	A 2	-----	WARANTY CARD	BT-59029-1	300UF
	A 3	VNA3000-204	REGIST CARD		300B
	A 4	QQR1834-001	NOISE FILTER		300B,300E,300EN,300EV,303E,303EN,303EV,305E,305EN,305EV
	A 5	QAL0476-003	AM LOOP ANT		300B,300E,300EN,300EV,303E,303EN,303EV,305E,305EN,305EV,300A,300US,300UW,300UG,300UN
	A 5	or QAL0014-003	AM LOOP ANT		
	A 5	QAL1123-001	AM LOOP ANT		300UF,300UT,305UT
	A 6	QAL0457-001	ANT.WIRE		
	A 7	GVT0252-001A	CAUTION SHEET		300B,300A,300UW
	A 7	GVT0252-002A	CAUTION SHEET		300E,300EN,303E,303EN,305E,305EN
	A 7	GVT0252-003A	CAUTION SHEET		300EV,303EV,305EV
	A 7	GVT0252-004A	CAUTION SHEET		300US,300UF,300UT,300UG,300UN,305UT
	A 8	RM-SUXG300R	REMOCON		300B,300E,300EN,300EV,303E,303EN,303EV,305E,305EN,305EV
	A 8	RM-SUXG300U	REMOCON		300A,300US,300UF,300UT,300UW,300UG,300UN,305UT
	A 9	GVT0241-003B	INST BOOK	FRE	300E,303E,305E
	A 9	GVT0241-007B	INST BOOK	SWE	300EN,303EN,305EN
	A 9	GVT0241-012A	INST BOOK	POL	300EV,303EV,305EV
	A 9	GVT0241-018A	INST BOOK	CHI(PEKIN)	300US,300UN
	A 9	GVT0241-016A	INST BOOK	SPA	300UW
	A 9	GVT0241-021A	INST BOOK	ARA	300UG
	A 10	GVT0241-004B	INST BOOK	DUT	300E,303E,305E
	A 10	GVT0241-008B	INST BOOK	FIN	300EN,303EN,305EN
	A 10	GVT0241-013A	INST BOOK	HUN	300EV,303EV,305EV
	A 10	GVT0241-017A	INST BOOK	POR	300UW
	A 10	GVT0241-022A	INST BOOK	PER	300UG
	A 11	GVT0241-005B	INST BOOK	ITA	300E,303E,305E
	A 11	GVT0241-009B	INST BOOK	DAN	300EN,303EN,305EN
	A 11	GVT0241-014A	INST BOOK	CZE	300EV,303EV,305EV
	A 12	GVT0241-010B	INST BOOK	POR	300EN,303EN,305EN
	A 13	SPUXG300-SPBOX	SPK WITH BOX	(x2)	300B,300E,300EN,300EV,303E,303EN,303EV,300A,300US,300UF,300UT,300UW,300UG,300UN
	A 13	SPUXG305-SPBOX	SPK WITH BOX	(x2)	305E,305EN,305EV,305UT
	A 14	J201-G30001B-50	SPK NET ASSY	(x2)	300B,300E,300EN,300EV,303E,303EN,303EV,300A,300US,300UF,300UT,300UW,300UG,300UN
	A 14	J201-G30501X-50	SPK NET ASSY	(x2)	305E,305EN,305EV,305UT
	A 15	441-910102-00	RUBBER CUSHION	(x8)	
	A 16	-----	WARRANTY CARD	BT-56016-1	300A
△	A 17	QAM0112-002	CONVERSION PLUG		300UW,300UN
	A 18	BT-59021-9	SVC CENTER LIST		300UF
	A 19	LV44928-201A	RECYCLE MARK		300UF
	A 20	LV44927-201A	RECYCLE LABEL	(x2)	300UF
	P 1	GV31146-012A	CARTON BOX		300B,300E,300EN,300EV
	P 1	GV31146-004A	CARTON BOX		303E,303EN,303EV
	P 1	GV31146-006A	CARTON BOX		305E,305EN,305EV
	P 1	GV31146-013A	CARTON BOX		300A,300US,300UT,300UW,300UG,300UN
	P 1	GV31146-014A	CARTON BOX		300UF
	P 1	GV31146-015A	CARTON BOX		305UT
	P 2	GV10419-001A	CUSHION TOP		
	P 3	GV10420-001A	CUSHION BOTTOM		
	P 4	QPC05006515PB	POLY BAG	50cm x 65cm	
	P 5	QPC02503515PB	POLY BAG	25cm x 35cm	
	P 6	QPC02503515PB	POLY BAG	25cm x 35cm	
	P 7	GV40437-007A	CLOTH		
	P 8	720-XG300T-00	TOP CUSHION		
	P 9	720-XG300B-00	BOTTOM CUSHION		