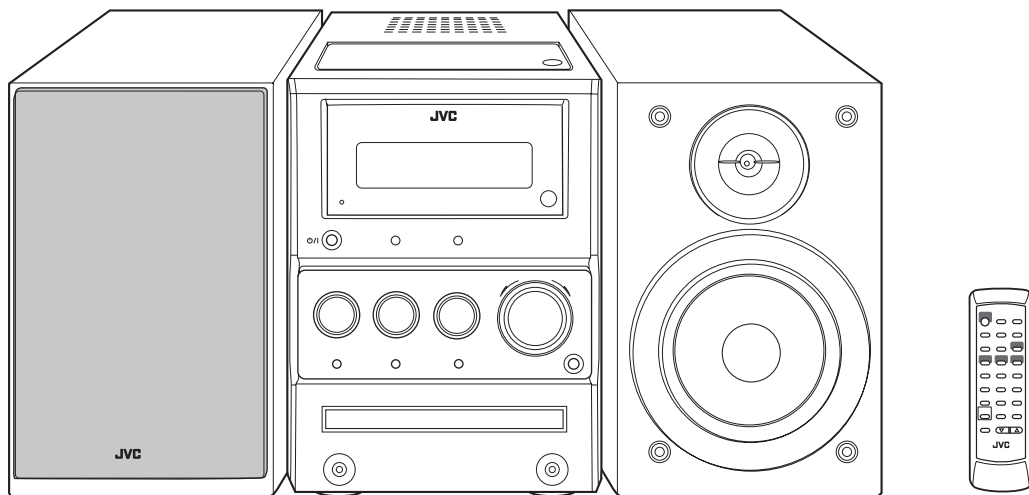


JVC

SERVICE MANUAL

MICRO COMPONENT SYSTEM

**UX-G35US,UX-G35UB,UX-G33A,
UX-G33US,UX-G33UB,UX-G33UW,
UX-G30US,UX-G30UB,UX-G30UW**



SP-UXG35
SP-UXG33
SP-UXG30

CA-UXG35
CA-UXG33
CA-UXG30

SP-UXG35
SP-UXG33
SP-UXG30

COMPACT
disc
DIGITAL AUDIO

MP3
PLAYBACK

Lead free solder used in the board (material : Sn-Ag-Cu, melting point : 219 Centigrade)

TABLE OF CONTENTS

1	PRECAUTION.....	1-3
2	SPECIFIC SERVICE INSTRUCTIONS.....	1-7
3	DISASSEMBLY.....	1-8
4	ADJUSTMENT.....	1-21
5	TROUBLE SHOOTING.....	1-22

SPECIFICATION

Amplifier section	Output Power		60 W (30 W + 30 W) at 6 Ω (10% THD)
	Speakers/Impedance		6 Ω - 16 Ω
	Audio Input	AUX	500 mV/50 k Ω (at "AUX LVL 1") 250 mV/50 k Ω (at "AUX LVL 2") 125 mV/50 k Ω (at "AUX LVL 3")
Tuner section	FM tuning range		531 kHz - 1 710 kHz (at 9 kHz intervals)
	AM tuning range		530 kHz - 1 710 kHz (at 10 kHz intervals)
CD player section	Dynamic range		88 dB
	Signal-to-noise ratio		93 dB
	Wow and flutter		Immeasurable
Cassette deck section	Frequency response		Normal (type I): 50 Hz - 14 000 Hz
	Wow and flutter		0.15% (WRMS)
Speakers	Speaker units		10 cm cone \times 1 + 1.5 cm dome \times 1
	Impedance		6 Ω
	Dimensions (approx.)		140 mm \times 231 mm \times 195 mm (W/H/D)
	Mass (approx.)		1.7 kg each
General	Power requirement	Hong Kong	AC 220 V , 50 Hz
		Australia	AC 240 V , 50 Hz
		other	AC 110 V/AC 127 V/AC 220 V/AC 230 V - 240 V , 50 Hz/60 Hz (adjustable with the voltage selector)
	Power consumption	Hong Kong	50 W (at operation) 9.5 W (on standby/display on) 1.1 W (on standby/display off)
		Australia	50 W (at operation) 10 W (on standby/display on) 1.3 W (on standby/display off)
		other	60 W (at operation) 14.8 W (on standby/display on) 3.8 W (on standby/display off)
	Dimensions (approx.)		165 mm \times 231 mm \times 328 mm (W/H/D)
	Mass (approx.)		4.5 kg

Design and specifications are subject to change without notice.

SECTION 1 PRECAUTION

1.1 Safety Precautions

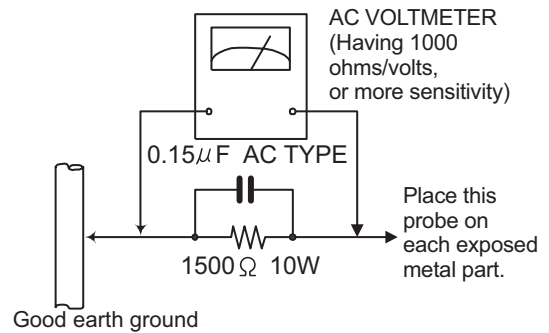
- (1) This design of this product contains special hardware and many circuits and components specially for safety purposes. For continued protection, no changes should be made to the original design unless authorized in writing by the manufacturer. Replacement parts must be identical to those used in the original circuits. Services should be performed by qualified personnel only.
- (2) Alterations of the design or circuitry of the product should not be made. Any design alterations of the product should not be made. Any design alterations or additions will void the manufacturer's warranty and will further relieve the manufacturer of responsibility for personal injury or property damage resulting therefrom.
- (3) Many electrical and mechanical parts in the products have special safety-related characteristics. These characteristics are often not evident from visual inspection nor can the protection afforded by them necessarily be obtained by using replacement components rated for higher voltage, wattage, etc. Replacement parts which have these special safety characteristics are identified in the Parts List of Service Manual. Electrical components having such features are identified by shading on the schematics and by (Δ) on the Parts List in the Service Manual. The use of a substitute replacement which does not have the same safety characteristics as the recommended replacement parts shown in the Parts List of Service Manual may create shock, fire, or other hazards.
- (4) The leads in the products are routed and dressed with ties, clamps, tubings, barriers and the like to be separated from live parts, high temperature parts, moving parts and/or sharp edges for the prevention of electric shock and fire hazard. When service is required, the original lead routing and dress should be observed, and it should be confirmed that they have been returned to normal, after reassembling.
- (5) Leakage shock hazard testing

After reassembling the product, always perform an isolation check on the exposed metal parts of the product (antenna terminals, knobs, metal cabinet, screw heads, headphone jack, control shafts, etc.) to be sure the product is safe to operate without danger of electrical shock. Do not use a line isolation transformer during this check.

 - Plug the AC line cord directly into the AC outlet. Using a "Leakage Current Tester", measure the leakage current from each exposed metal part of the cabinet, particularly any exposed metal part having a return path to the chassis, to a known good earth ground. Any leakage current must not exceed 0.5mA AC (r.m.s.).
 - Alternate check method
Plug the AC line cord directly into the AC outlet. Use an AC voltmeter having, 1,000 Ω per volt or more sensitivity in the following manner. Connect a 1,500 Ω 10W resistor paralleled by a 0.15 μ F AC-type capacitor between an exposed metal part and a known good earth ground. Measure the AC voltage across the resistor with the AC

voltmeter.

Move the resistor connection to each exposed metal part, particularly any exposed metal part having a return path to the chassis, and measure the AC voltage across the resistor. Now, reverse the plug in the AC outlet and repeat each measurement. Voltage measured any must not exceed 0.75 V AC (r.m.s.). This corresponds to 0.5 mA AC (r.m.s.).



1.2 Warning

- (1) This equipment has been designed and manufactured to meet international safety standards.
- (2) It is the legal responsibility of the repairer to ensure that these safety standards are maintained.
- (3) Repairs must be made in accordance with the relevant safety standards.
- (4) It is essential that safety critical components are replaced by approved parts.
- (5) If mains voltage selector is provided, check setting for local voltage.

1.3 Caution

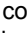
Burrs formed during molding may be left over on some parts of the chassis.

Therefore, pay attention to such burrs in the case of pre-forming repair of this system.

1.4 Critical parts for safety

In regard with component parts appearing on the silk-screen printed side (parts side) of the PWB diagrams, the parts that are printed over with black such as the resistor (■), diode (■) and ICP (●) or identified by the " Δ " mark nearby are critical for safety. When replacing them, be sure to use the parts of the same type and rating as specified by the manufacturer. (This regulation does not Except the J and C version)

1.5 Safety Precautions (U.K only)

- (1) This design of this product contains special hardware and many circuits and components specially for safety purposes. For continued protection, no changes should be made to the original design unless authorized in writing by the manufacturer. Replacement parts must be identical to those used in the original circuits.
- (2) Any unauthorised design alterations or additions will void the manufacturer's guarantee; furthermore the manufacturer cannot accept responsibility for personal injury or property damage resulting therefrom.
- (3) Essential safety critical components are identified by () on the Parts List and by shading on the schematics, and must never be replaced by parts other than those listed in the manual. Please note however that many electrical and mechanical parts in the product have special safety related characteristics. These characteristics are often not evident from visual inspection. Parts other than specified by the manufacturer may not have the same safety characteristics as the recommended replacement parts shown in the Parts List of the Service Manual and may create shock, fire, or other hazards.
- (4) The leads in the products are routed and dressed with ties, clamps, tubings, barriers and the like to be separated from live parts, high temperature parts, moving parts and/or sharp edges for the prevention of electric shock and fire hazard. When service is required, the original lead routing and dress should be observed, and it should be confirmed that they have been returned to normal, after re-assembling.

1.5.1 Warning

- (1) Service should be performed by qualified personnel only.
- (2) This equipment has been designed and manufactured to meet international safety standards.
- (3) It is the legal responsibility of the repairer to ensure that these safety standards are maintained.
- (4) Repairs must be made in accordance with the relevant safety standards.
- (5) It is essential that safety critical components are replaced by approved parts.
- (6) If mains voltage selector is provided, check setting for local voltage.



CAUTION Burrs formed during molding may be left over on some parts of the chassis. Therefore, pay attention to such burrs in the case of preforming repair of this system.

1.6 Preventing static electricity

Electrostatic discharge (ESD), which occurs when static electricity stored in the body, fabric, etc. is discharged, can destroy the laser diode in the traverse unit (optical pickup). Take care to prevent this when performing repairs.

1.6.1 Grounding to prevent damage by static electricity

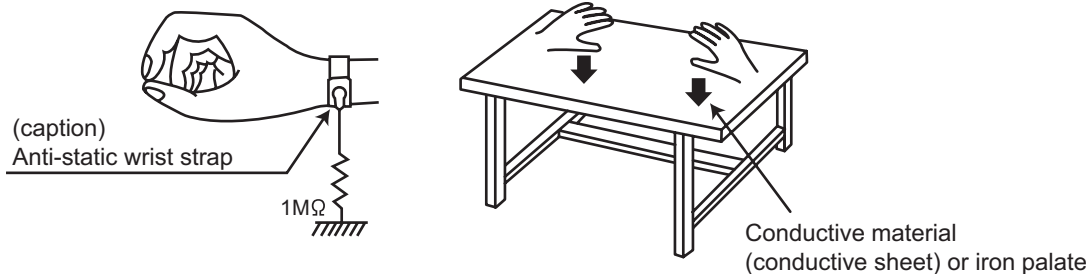
Static electricity in the work area can destroy the optical pickup (laser diode) in devices such as laser products. Be careful to use proper grounding in the area where repairs are being performed.

(1) Ground the workbench

Ground the workbench by laying conductive material (such as a conductive sheet) or an iron plate over it before placing the traverse unit (optical pickup) on it.

(2) Ground yourself

Use an anti-static wrist strap to release any static electricity built up in your body.



(3) Handling the optical pickup

- In order to maintain quality during transport and before installation, both sides of the laser diode on the replacement optical pickup are shorted. After replacement, return the shorted parts to their original condition. (Refer to the text.)
- Do not use a tester to check the condition of the laser diode in the optical pickup. The tester's internal power source can easily destroy the laser diode.

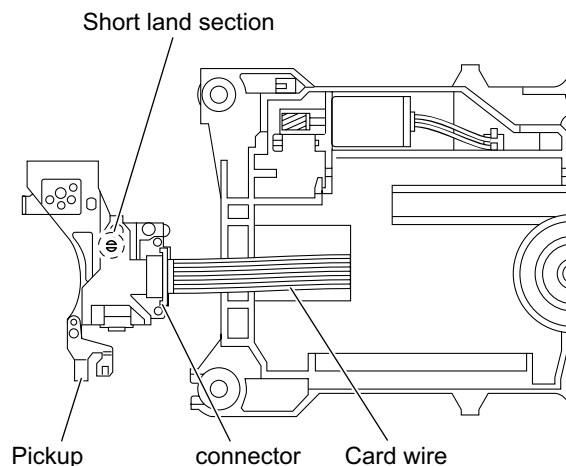
1.7 Handling the traverse unit (optical pickup)

- (1) Do not subject the traverse unit (optical pickup) to strong shocks, as it is a sensitive, complex unit.
- (2) Cut off the shorted part of the flexible cable using nippers, etc. after replacing the optical pickup. For specific details, refer to the replacement procedure in the text. Remove the anti-static pin when replacing the traverse unit. Be careful not to take too long a time when attaching it to the connector.
- (3) Handle the flexible cable carefully as it may break when subjected to strong force.
- (4) It is not possible to adjust the semi-fixed resistor that adjusts the laser power. Do not turn it.

1.8 Attention when traverse unit is decomposed

***Please refer to "Disassembly method" in the text for the pickup unit.**

- Apply solder to the short land sections before the card wire is disconnected from the connector on the servo board. (If the card wire is disconnected without applying solder, the pickup may be destroyed by static electricity.)
- In the assembly, be sure to remove solder from the short land sections after connecting the card wire.



1.9 Important for laser products

1.CLASS 1 LASER PRODUCT

2.CAUTION :

(For U.S.A.) Visible and/or invisible class II laser radiation when open. Do not stare into beam.

(Others) Visible and/or invisible class 1M laser radiation when open. Do not view directly with optical instruments.

3.CAUTION : Visible and/or invisible laser radiation when open and inter lock failed or defeated. Avoid direct exposure to beam.

4.CAUTION : This laser product uses visible and/or invisible laser radiation and is equipped with safety switches which prevent emission of radiation when the drawer is open and the safety interlocks have failed or are defeated. It is dangerous to defeat the safety switches.

(For U.S.A.)

CAUTION : Visible and/or invisible class II laser radiation when open. Do not stare into beam.

(Others)

CAUTION : Visible and/or invisible class 1M laser radiation when open. Do not view directly with optical instruments

ACHTUNG: Sichtbare und/oder unsichtbare Laserstrahlung der Klasse 1M bei offenen Abdeckungen. Nicht direkt mit optischen Instrumenten betrachten.

ATTENTION: Rayonnement laser visible et/ou invisible de classe 1M une fois ouvert. Ne pas regarder directement avec des instruments optiques.

VOORZICHTIG: Zichtbare en/of onzichtbare klasse 1M laserstralen indien geopend. Bekijk niet direct met optische instrumenten.

ATTENZIONE: Radiazione laser in classe 1M visibile e/o invisibile quando aperto. Non osservare direttamente con strumenti ottici.

WARNING: Synlig och/eller osynlig laserstrålning, klass 1M, när denna del är öppnad. Betrakta ej strålen med optiska instrument.

VARO! Avattaessa olet alttiina nakyyvalle ja/tai näkymättömälle luokan 1M lasersateilylle. Älä tarkastele sitä optisen laitteen läpi.

ADVASEL: Synlig og/eller usynlig klasse 1M-laserstrålning ved åbning. Se ikke direkte med optiske instrumenter.

AVISO: Radiación láser de clase 1M visible y/o invisible cuando está abierto. No mirar directamente con instrumental óptico.

PRECAUÇÃO: Radiação laser de classe 1M visível e/ou invisível quando aberto. Não olhe diretamente com instrumentos ópticos.

5.CAUTION : If safety switches malfunction, the laser is able to function.

6.CAUTION : Use of controls, adjustments or performance of procedures other than those specified here in may result in hazardous radiation exposure.



CAUTION Please use enough caution not to see the beam directly or touch it in case of an adjustment or operation check.

PRECAUÇÃO: Radiação laser de classe 1M visível e/ou invisível quando aberto. Não olhe diretamente com instrumentos ópticos.

ПРЕДУПРЕЖДЕНИЕ: В открытом состоянии происходит видимое и/или невидимое излучение лазера класса 1M. Не смотрите непосредственно в оптические инструменты.

UWAGA: Otwarcie spowoduje narażenie na widzialne i/lub niewidzialne promieniowanie lasera klasy 1M. Nie patrzeć bezpośrednio w przyrządy optyczne.

UPOZORNĚNÍ: Při otevření vydává viditelné popř. neviditelné laserové ozáření třídy 1M. Nedívejte se do otvoru přímo s optickými nástroji.

FIGYELMEZTETÉS: Látható és/vagy láthatatlan 1M osztályú sugárzás nyitott állapotban. Ne nézze közvetlenül optikai műszerekkel.

注意: 打開蓋板可能會產生可見或不可見的 1M 級鐳射。不要使用光學儀器直接進行窺視。

注意: 打开盖板可能会产生可见或不可见的 1M 级辐射。不要使用光学仪器直接进行窥视。

تنبيه: يوجد إشعاع ليزري مرئي و/أو غير مرئي من الفئة 1M عندما يكون الجهاز مفتوحاً. تجنب النظر مباشرة داخل الجهاز باستخدام أدوات بصرية.

احتياط: هنگامی که باز گردد، تشعشع مرئی و یا نامرئی کلاس 1M لیزر وجود دارد. با لوازم چشمی مستقیماً به آن نگاه نکنید.

주의: 개방하면 가시 및/또는 비가시 클래스 1M 레이저 방사선이 나옵니다. 광학 기구로 직접 들여다보지 마십시오.

REPRODUCTION AND POSITION OF LABELS and PRINT WARNING LABEL and PRINT



CAUTION VISIBLE AND/OR INVISIBLE CLASS 1M LASER RADIATION WHEN OPEN. DO NOT VIEW DIRECTLY WITH OPTICAL INSTRUMENTS. IEC60825-1:2001 (ENG)	ATTENTION RAYONNEMENT LASER VISIBLE ET/OU INVISIBLE DE CLASSE 1M UNE FOIS OUVERT NE PAS REGARDER DIRECTEMENT AVEC DES INSTRUMENTS OPTIQUES. (FRA)	AVISO RADIACION LASER DE CLASE 1M VISIBLE Y/O INVISIBLE CUANDO ESTA ABIERTO. NO MIRAR DIRECTAMENTE CON INSTRUMENTAL OPTICO. (ESP)	WARNING SYNLIG OCH/ELLER OSYNLIG LASERSTRÅLNING, KLASS 1M, NÄR DENNA DEL ÄR ÖPPNAD. BETRAKTA EJ STRÅLEN MED OPTISKA INSTRUMENT. (SWE)	注意 ここを覗くと可視 及び/または不可視 のクラス1M レーザー放射が 出ます。 光学装置で直接 見ないでください。 (JPN)	CAUTION VISIBLE AND/OR INVISIBLE CLASS II LASER RADIATION WHEN OPEN. DO NOT STARE INTO BEAM. FDA 21 CFR (ENG) LV44608-003A
--	---	---	---	--	---

SECTION 2
SPECIFIC SERVICE INSTRUCTIONS

This service manual does not describe SPECIFIC SERVICE INSTRUCTIONS.

SECTION 3 DISASSEMBLY

3.1 Main Body

3.1.1 Removing the side panel

(See Fig.1 to 3)

- (1) Remove the one screw **A** attaching the rear cover. (See Fig.1)
- (2) Remove the five screws **B** attaching the side panel and top cover. (See Fig.1)
- (3) Remove the two screws **C** attaching the front panel assembly. (See Fig.2)
- (4) Slide the both side panels in the direction of the arrow. (See Fig.3)

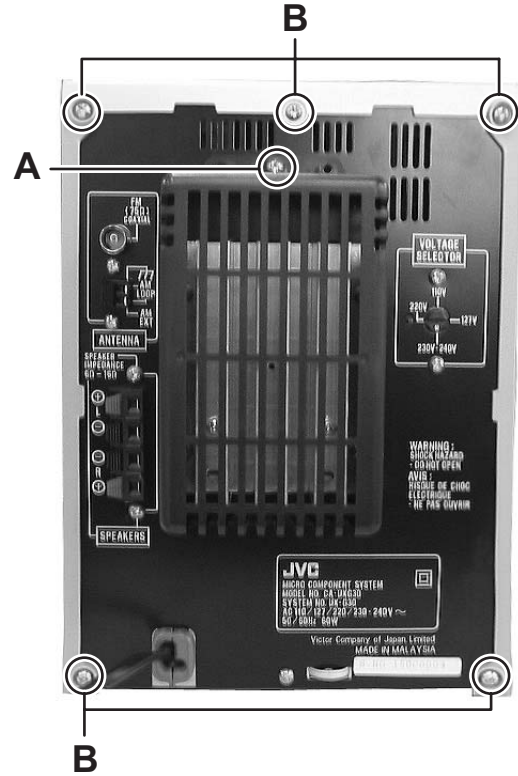


Fig.1

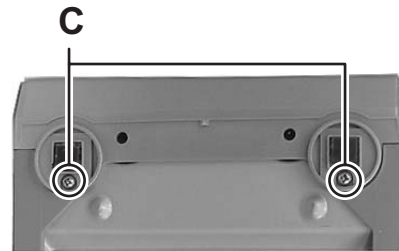
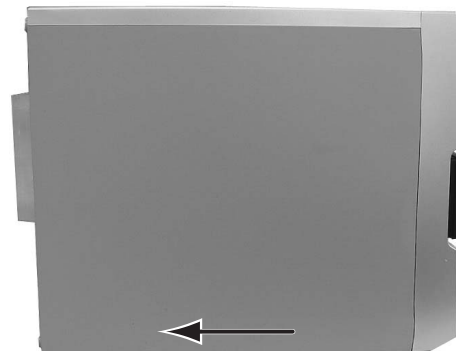


Fig.2



(both side)

Fig.3

3.1.2 Removing the front panel assembly (See Fig.4)

- (1) Remove the two screws **D** attaching the front panel and top cover.
- (2) Disconnect the card wire of the switch board from the connector [CN401](#) of the micron board.
- (3) Disengage the two hooks **a** then remove the front panel assembly.

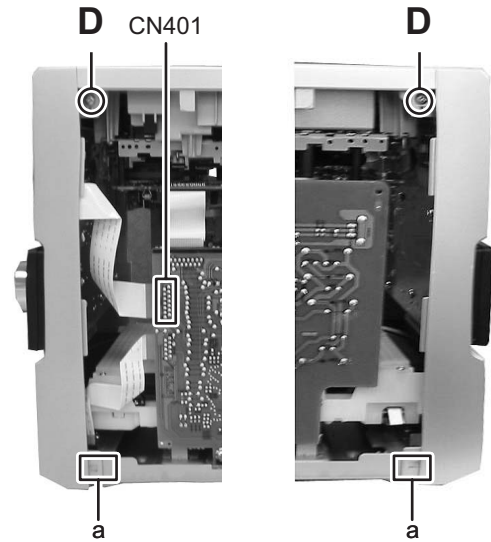


Fig.4

3.1.3 Removing the top cover (See Fig.5)

- (1) Disconnect the card wire from connector [CN100](#).

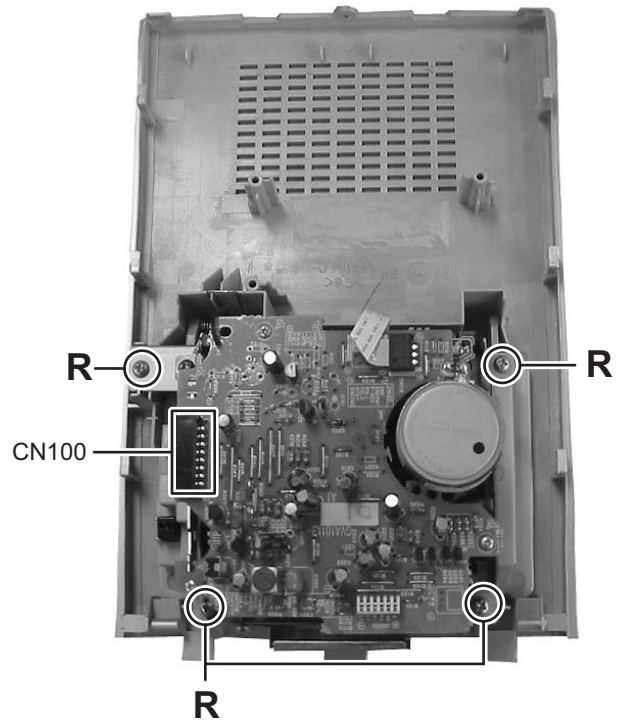


Fig.5

3.1.4 Removing the tuner pack
(See Fig.6, 7)

- (1) Disconnect the card wire of the tuner pack from connector [CN405](#) of the micon board. (See Fig.6)
- (2) Remove the two screws **E** attaching the tuner pack. (See Fig.7)

3.1.5 Removing the micon board
(See Fig.6 to 8)

- (1) Remove the two screws **F** attaching the micon board. (See Fig.7)
- (2) Disconnect the card wires from connectors [CN400](#), [CN406](#) of the micon board. (See Fig.6)
- (3) Disconnect the micon board from the power amplifier board in the direction of the arrow while releasing the claw **b**, **c** of the connectors [CN151](#), [CN152](#) on the power amplifier board. (See Fig.8)
- (4) Remove the two screws **G** attaching the micon board. (See Fig.6)

3.1.6 Removing the power amplifier board
(See Fig.7, 8)

- (1) Remove the two screws **H** attaching the power IC. (See Fig.7)
- (2) Remove the one screw **J** attaching the amplifier board. (See Fig.8)
- (3) Disconnect the power amplifier board from the trans board in the direction of the arrow while releasing the claw **d** of the connector [CN150](#) on the power amplifier board. (See Fig.8)

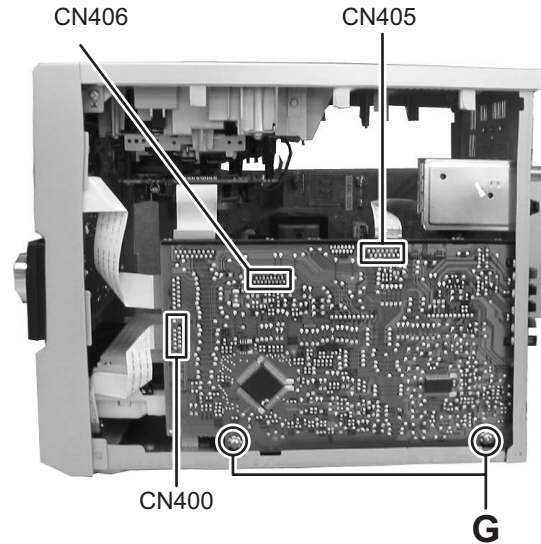


Fig.6

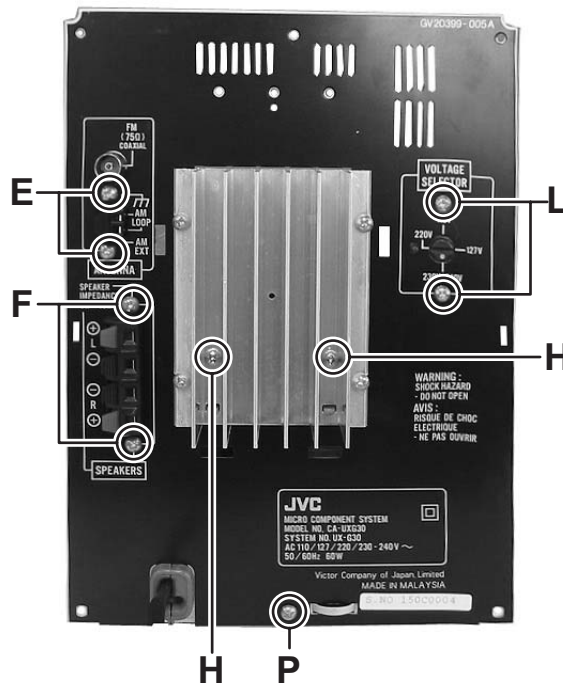


Fig.7

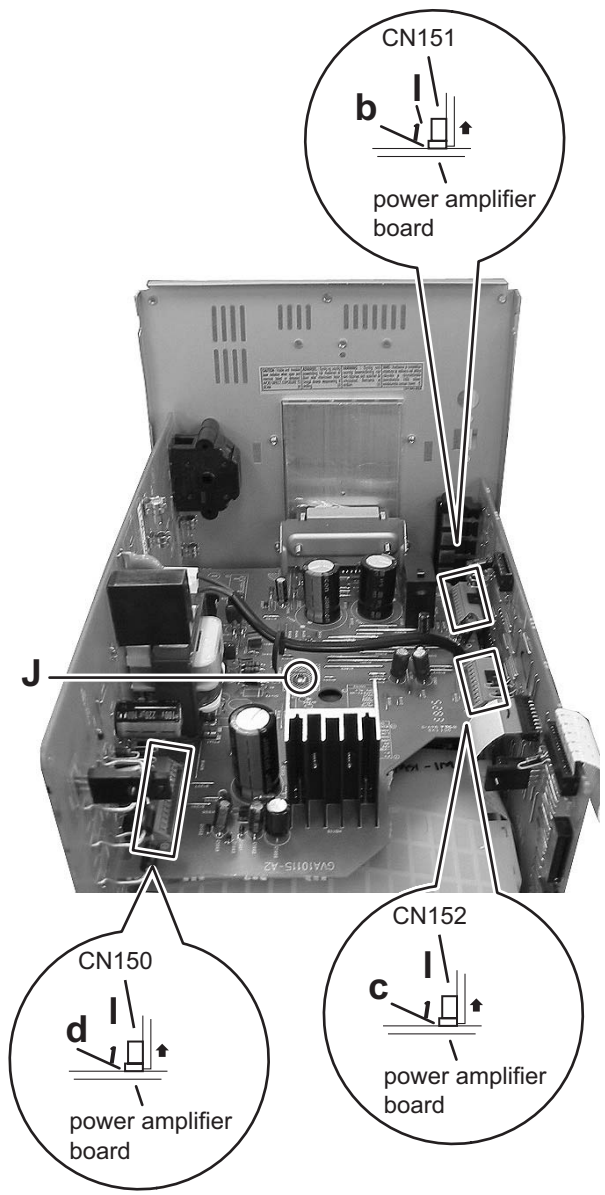


Fig.8

3.1.7 Removing the DVD mechanism assembly (See Fig.9)

- (1) Remove the one screw **K** attaching the DVD mechanism assembly.

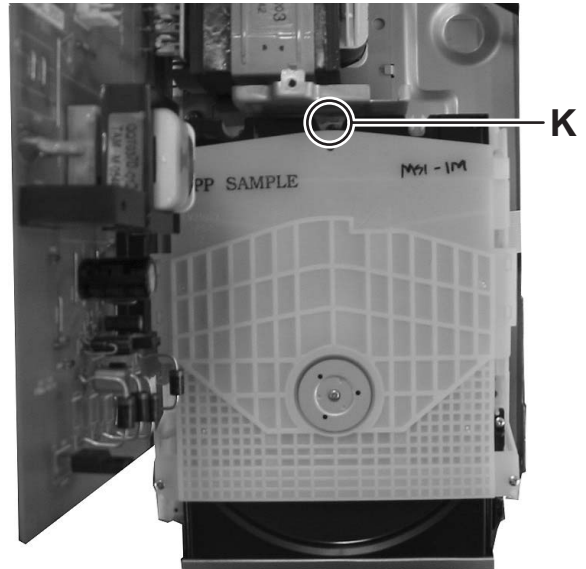


Fig.9

3.1.8 Removing the trans board (See Fig.7, 10, 11)

- (1) Remove the two screws **L** attaching the trans board. (See Fig.7)
- (2) Disconnect the connector wire from the connector [CN900](#) of the trans board. (See Fig.10)
- (3) Remove the one screw **M** attaching the trans board. (See Fig.10)
- (4) Remove the three screws **N** attaching the power transformer. (See Fig.11)

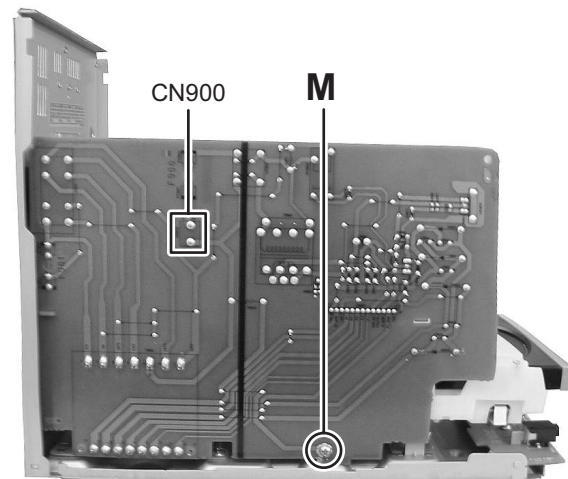


Fig.10

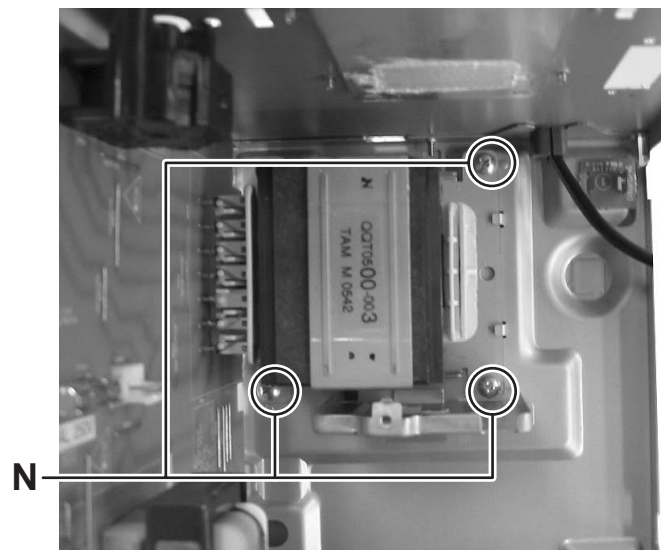


Fig.11

3.1.9 Removing the rear panel
(See Fig.7, 12)

- (1) Remove the one screw **P** attaching the rear panel. (See Fig.7)
- (2) Disengage the two hooks **e** then remove the rear panel. (See Fig.12)

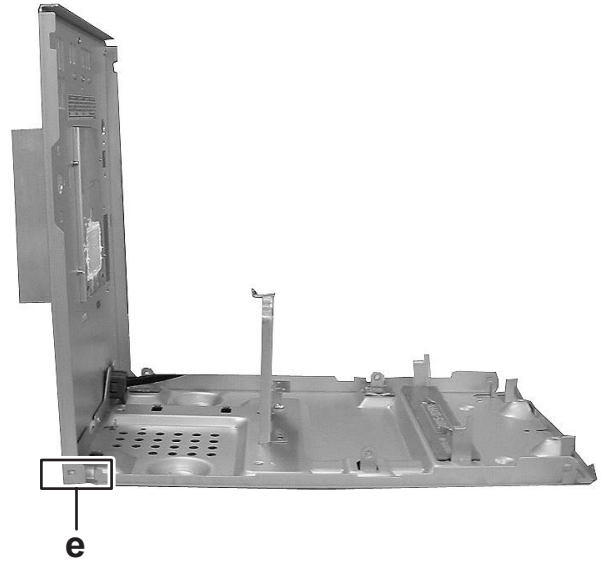


Fig.12

3.1.10 Removing the jack board
(See Fig.13)

- (1) Remove the two screws **Q** attaching the jack board.
- (2) Disengage the two hooks **f** then remove the jack board.

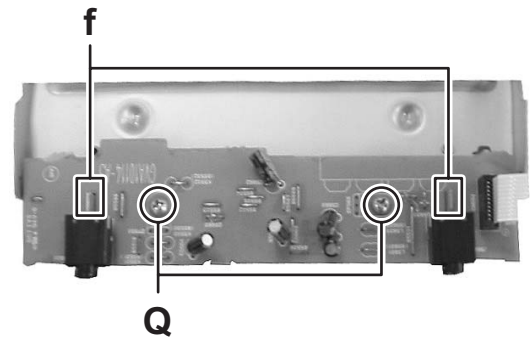


Fig.13

3.1.11 Removing the cassette mechanism assembly
(See Fig.5)

- (1) Remove the four screws **R** attaching the cassette mechanism assembly.

3.1.12 Removing the switch board
(See Fig.14, 15)

- (1) Take out the volume knob. (See Fig.14)
- (2) Remove the six screws **S** attaching the switch board. (See Fig.15)
- (3) Disengage the two hooks **g** then remove the switch board. (See Fig.15)



Fig.14

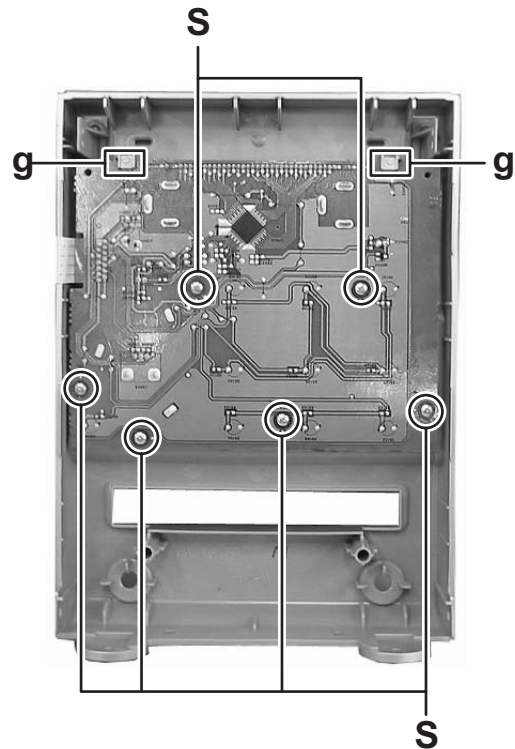


Fig.15

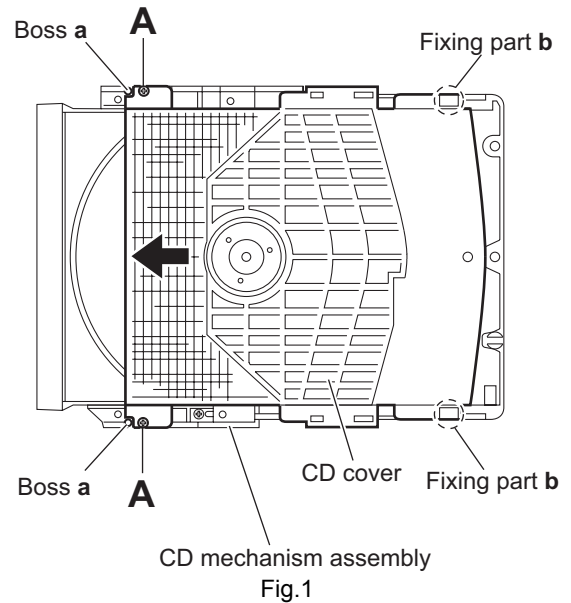
3.2 CD mechanism assembly

- Remove the CD mechanism assembly from main body.

3.2.1 Removing the CD cover

(See Fig.1)

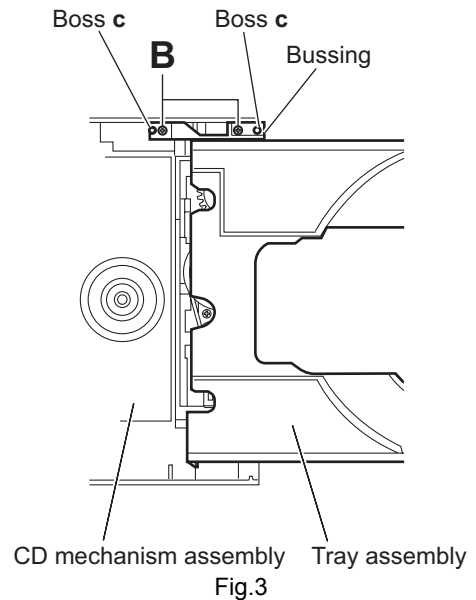
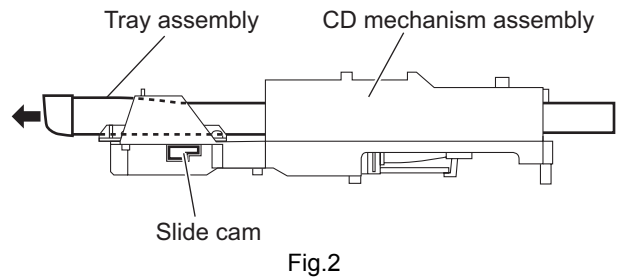
- (1) Remove the two screws **A** attaching the CD cover from bottom side of CD mechanism assembly.
- (2) Lift up the CD cover from disengage boss **a** of the CD mechanism assembly.
- (3) Slide the CD cover to direction of the arrow and remove the CD cover from fixing part **b**.
- (4) Remove the CD cover.



3.2.2 Removing the tray assembly

(See Fig.2 and 3)

- Remove the CD cover.
- (1) Press slide cam and pull out the tray assembly to direction of the arrow from right side of CD mechanism assembly. (See Fig.2)
- (2) Remove the two screws **B** attaching the tray assembly from upper side of CD mechanism. (See Fig.3)
- (3) Remove the bussing of the tray assembly from boss **c** of the CD mechanism assembly and remove the tray assembly. (See Fig.3)

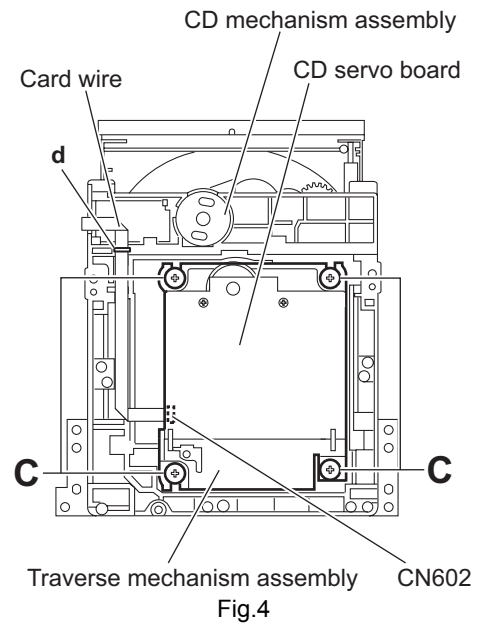


3.2.3 Removing the traverse mechanism assembly (See Fig.4)

- (1) Remove the four screws **C** attaching the traverse mechanism assembly from bottom side of CD mechanism assembly.
- (2) Disconnect the card wire from connector [CN602](#) of the CD servo board and then take out the traverse mechanism assembly and CD servo board together.

Reference:

When reattaching the traverse mechanism assembly, the card wire should through the part **d**.

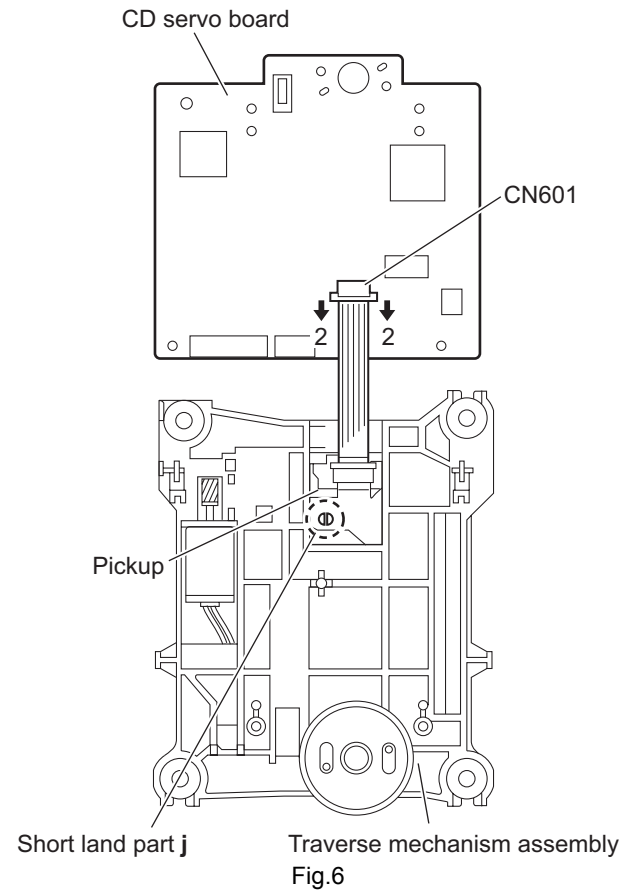
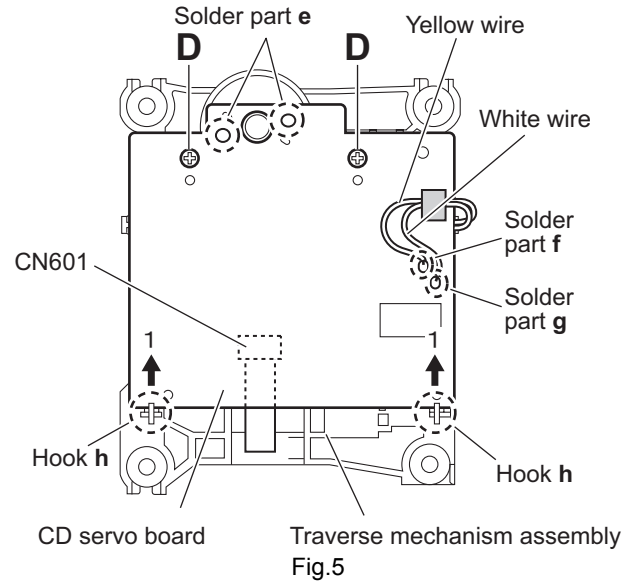


3.2.4 Removing the CD servo board (See Fig.5 and 6)

- Remove the traverse mechanism assembly.
 - (1) Remove the two screws **D** attaching the CD servo board from bottom side of traverse mechanism assembly. (See Fig.5)
 - (2) Remove the solder from solder part **e** of the CD servo board. (See Fig.5)
 - (3) Remove the yellow wire from solder part **f** of the CD servo board. (See Fig.5)
 - (4) Remove the white wire from solder part **h** of the CD servo board. (See Fig.5)
 - (5) Remove the CD servo board to upper side, disengage the hook **c** to direction of the arrow 1 then turn over the CD servo board. (See Fig.5)
 - (6) Solder to short land part **j** of pickup. (See Fig.6)
 - (7) Release the lock of connector **CN601** to direction of the arrow 2 and disengage the card wire. (See Fig.6)

Caution:

- Solder to short land part **j** of the pickup then disconnect the card wire from connector **CN601** of the CD servo board. If disconnect the card wire before soldering, pickup is make sure destroyed by static electricity. (See Fig.6)
- When reattaching the CD servo board, connect the card wire to connector **CN601** and then remove the solder of short land part **j** of the pickup.



3.2.5 Removing the pickup (See Fig.7 to 9)

- Remove the traverse mechanism assembly.
 - Remove the one screw **E** attaching the plate from upper side of traverse mechanism assembly. (See Fig.7)
 - Remove the plate from fixing part **k** then take out the plate. (See Fig.7)
 - Remove the two screws **F** attaching the LEAD spring and then take out the LEAD spring. (See Fig.8)
 - Take out the feed gear, and then remove the shaft of pickup from part **m** of the traverse mechanism assembly. (See Fig.8)
 - Remove the pickup from part **n** of the traverse mechanism assembly and then take out pickup with shaft. (See Fig.8)
 - Release the shaft from pickup. (See Fig.8)
 - Solder the short land part **p** of the pickup. (See Fig.9)
 - Release the lock of the connector to direction of the arrow, and then disconnect the card wire. (See Fig.9)

Caution:

- Solder to short land part **p** of the pickup then disconnect the card wire from connector. If disconnect the card wire before soldering, pickup is make sure destroyed by static electricity. (See Fig.9)
- When reattaching the pickup, connect the card wire to connector and then remove the solder from short land part **p**. (See Fig.9)

3.2.6 Attaching the pickup (See Fig.7 to 10)

- Please refer the "Removing the pickup".
 - Connect the card wire to connector of pickup, and then remove the solder from short land part **p** of the pickup. (See Fig.9)
 - Attach the shaft to pickup. (See Fig.8)
 - Fit the pickup to part **n** of the traverse mechanism and then attach the end of the shaft to part **k**. (See Fig.8)
 - Attach the LEAD spring and feed gear. (See Fig.8)
 - Attach the plate. (See Fig. 7)
 - One turn the LEAD gear to direction of the arrow 1 and fully shift to direction of the arrow 2. (See Fig.10)

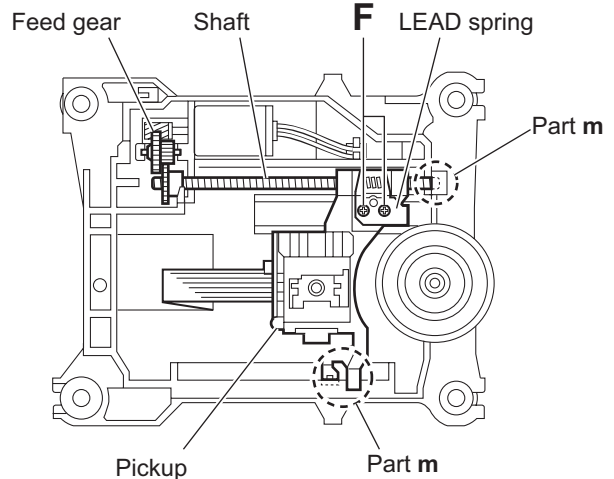


Fig.8

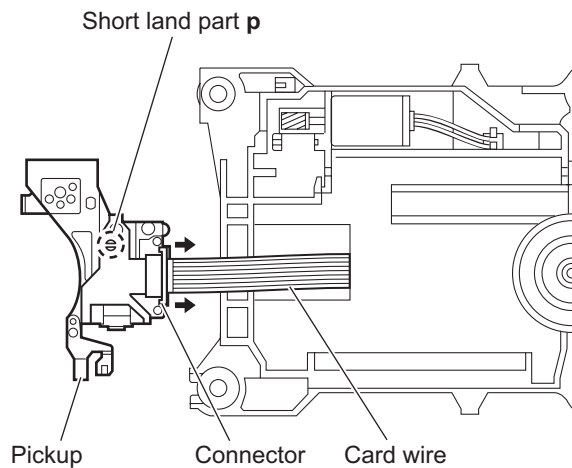


Fig.9

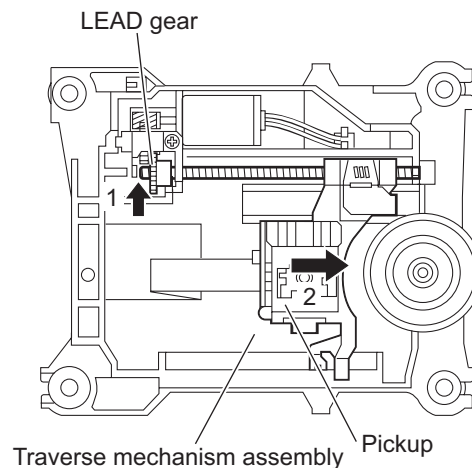


Fig.10

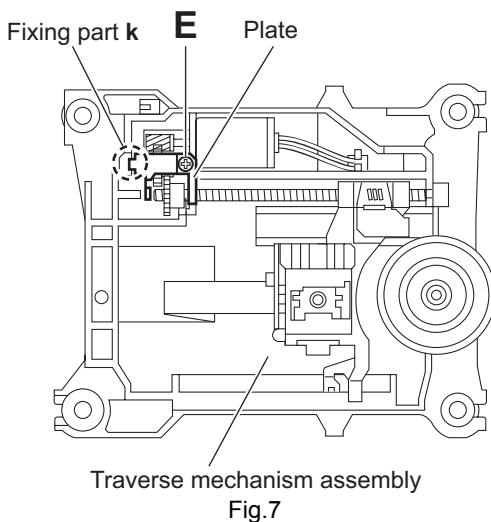


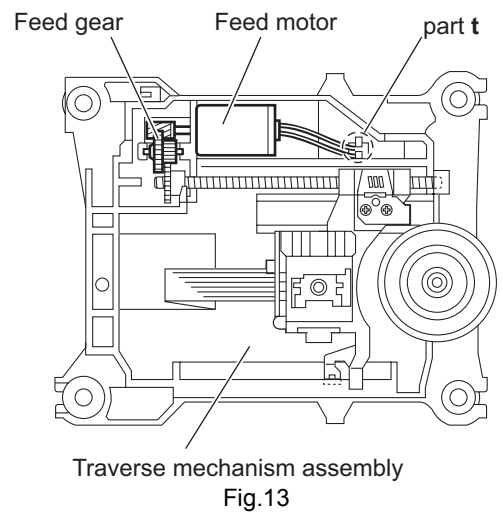
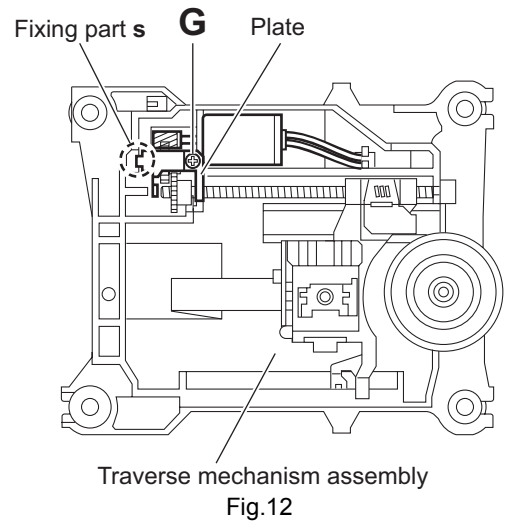
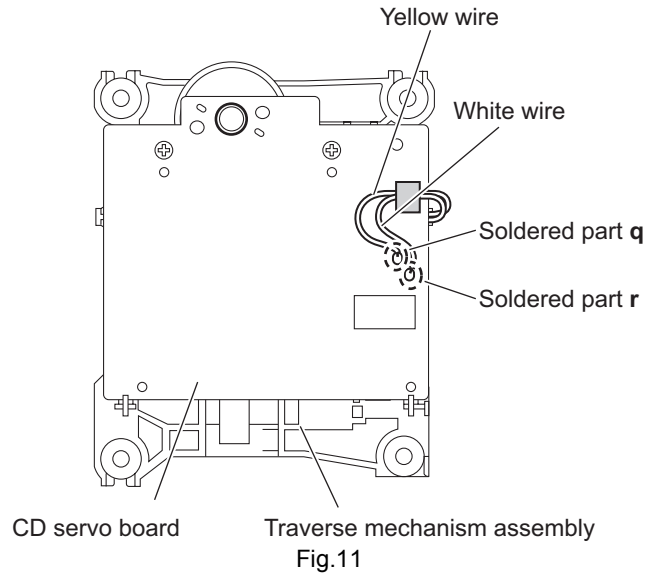
Fig.7

3.2.7 Removing the feed motor
(See Fig.11 to 13)

- Remove the traverse mechanism.
 - (1) Remove the yellow wire from solder part **q** of the CD servo board from upper side of traverse mechanism. (See Fig.11)
 - (2) Remove the white wire from solder part **r** of the CD servo board. (See Fig.11)
 - (3) Remove the one screw **G** attaching the plate. (See Fig.12)
 - (4) Disengage the plate from fixing part **s** and take out the plate. (See Fig.12)
 - (5) Remove the feed gear and take out the feed motor. (See Fig.13)

Reference:

When attaching the feed motor, the wire has to through the part **t** of the traverse mechanism assembly. (See Fig.13)



3.2.8 Removing the switch board (See Fig.14)

- (1) Disconnect the card wire from **CN1** of the switch board from bottom side of CD mechanism assembly.
- (2) Remove the wire from solder part **u** of the switch board.
- (3) Remove the one screw **H** attaching the switch board to CD mechanism assembly.
- (4) Lift up the switch board by pushing the hook **v** of CD mechanism assembly and take out it from part **w**.

Reference:

- After attach the switch board to CD mechanism assembly, wire hooked to part **x**.
- Hook **u** of the CD mechanism assembly, it have to bond lock.

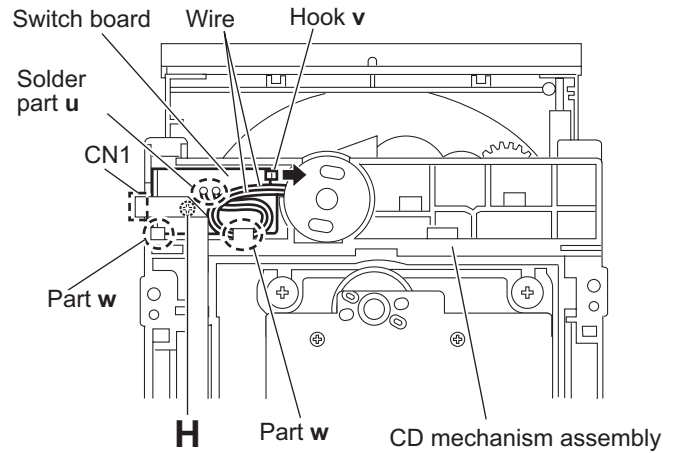


Fig.14

3.2.9 Removing the motor (See Fig.14 and 15)

- Remove the tray assembly.

- (1) Remove the wire from solder part **u** of the switch board from bottom side of CD mechanism assembly.
- (2) Remove the belt of motor pulley from upper side of CD mechanism assembly. (See Fig.15)

Caution:

Belt should not apply grease.

- (3) Remove the two screws **J** attaching the motor to CD mechanism assembly and take out the motor from bottom side of CD mechanism assembly. (See Fig.15)

Reference:

After motor attached to CD mechanism assembly, wire should hook to part **w**. (See Fig.14)

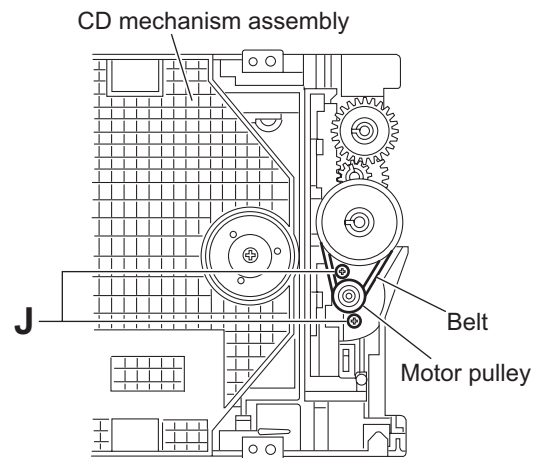


Fig.15

SECTION 4 ADJUSTMENT

4.1 Test mode

Step	Special key function	Keys	Description
1	Cold start	(remocon) A.STANDBY + SET + DISPLAY	<ol style="list-style-type: none"> Restore factory setting at next AC Power ON. Volume level: 12 First source at Power ON: CD Sound Turbo: Enable AHB Pro: Disable FM Preset Channel: restore to factory setting Clock/ Timer: Clear Dimmer: restore to factory setting FL display: COLD during key pressed.
2	Clock fast forward	(remocon) A.STANDBY + SET + FM MODE/ PLAY MODE	<ol style="list-style-type: none"> Clock minute fast increase by 1 every seconds. (Clock starts from 0:00 if not preset) Pressed again to stop clock fast running. During: Power Standby: OK Power ON: OK ECO mode: OK Safety trigger: OK
3	Volume change	(remocon) A.STANDBY + SET + SOUND TURBO	<ol style="list-style-type: none"> Volume level changes from 40 > 21 > Vol MIN > 40 During: Power Standby: OK (unit will turn ON) Power ON: OK ECO mode: OK Safety trigger: OK
4	Version display	(remocon) A.STANDBY + SET + AHB PRO	<ol style="list-style-type: none"> Display ROM version for 5 seconds. Example: 37R06107 Digit 1 and 2: ROM version = 37 Digit 3 and 4: ROM Correction version = 0 Digit 5: ROM issue year = 2006 Digit 6: ROM issue month = January (1: Jan, 2: Feb, 3: Mar, 4: Apr, 5: May, 6: June, 7: July, 8: Aug, 9: Sept, A: Oct, B: Nov, C: Dec) Digit 7 and 8: ROM issue day = 7 During: Power Standby: NG Power ON: OK ECO mode: NG Safety trigger: NG
5	FL display test	(remocon) A.STANDBY + SET + BASS/TREBLE	<ol style="list-style-type: none"> All FL segments will blink at 500ms interval. During: Power Standby: OK Power ON: OK ECO mode (Pressing DIMMER key at Power Standby): NG Safety trigger: NG Press any key (except SOUND TURBO) on the unit or CANCEL key (remocon) will exit test mode."
6	Safety info display	(Unit) SOUND TURBO + STOP	<ol style="list-style-type: none"> Safety Information display. During safety trigger, safety info is display for 2 sec and return to ECO mode. Safety Information display: NO SAFTY: No Safety triggered. SFTY- VH: Power IC NG SFTY-REG: Power Regulator NG SFTY-ALP: tape module NG SFTY- CD: CD module NG SFTY-PRRT: Power AMP Protector NG During: Power Standby: OK Power ON: NG ECO mode: OK (FL turns ON for 2sec then turns OFF) Safety trigger: OK (FL turns ON for 2sec then turns OFF) For version 36, there is no backup of safety information. It shows only current safety condition. For version 37, last safety information is backup.

SECTION 5 TROUBLE SHOOTING

5.1 Maintenance of laser pickup (CD)

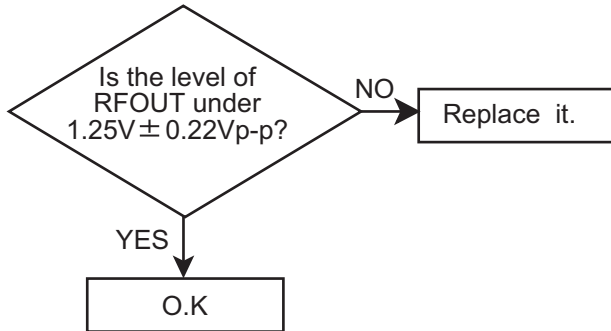
(1) Cleaning the pick up lens

Before you replace the pick up, please try to clean the lens with a alcohol soaked cotton swab.

(2) Life of the laser diode

When the life of the laser diode has expired, the following symptoms will appear.

- The level of RF output (EFM output : amplitude of eye pattern) will below.



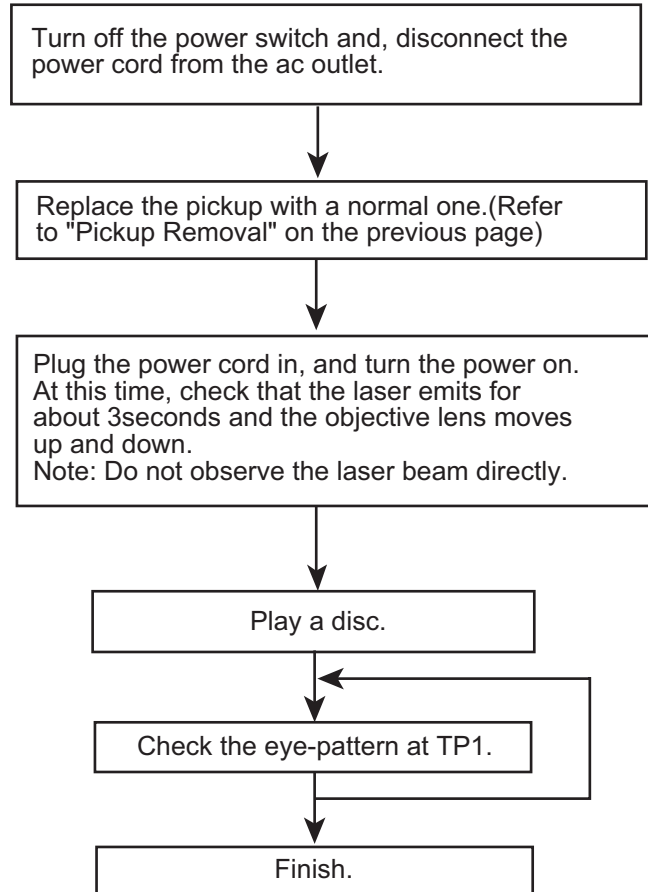
(3) Semi-fixed resistor on the APC PC board

The semi-fixed resistor on the APC printed circuit board which is attached to the pickup is used to adjust the laser power. Since this adjustment should be performed to match the characteristics of the whole optical block, do not touch the semi-fixed resistor.

If the laser power is lower than the specified value, the laser diode is almost worn out, and the laser pickup should be replaced.

If the semi-fixed resistor is adjusted while the pickup is functioning normally, the laser pickup may be damaged due to excessive current.

5.2 Replacement of laser pickup (CD)





JVC

Victor Company of Japan, Limited
Audio/Video Systems Category 10-1, 1chome, Ohwatari-machi, Maebashi-city, 371-8543, Japan

(No.MB536)

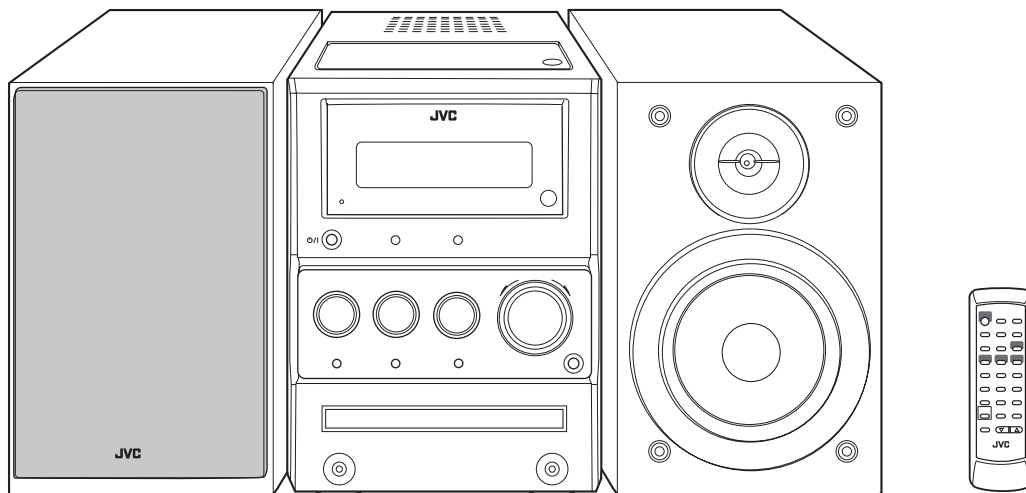
JVC

SCHEMATIC DIAGRAMS

MICRO COMPONENT SYSTEM

UX-G35US,UX-G35UB UX-G33A,UX-G33US,UX-G33UB,UX-G33UW UX-G30US,UX-G30UB,UX-G30UW

CD-ROM No.SML200606



SP-UXG35
SP-UXG33
SP-UXG30

CA-UXG35
CA-UXG33
CA-UXG30

SP-UXG35
SP-UXG33
SP-UXG30

COMPACT
disc
DIGITAL AUDIO

MP3
PLAYBACK

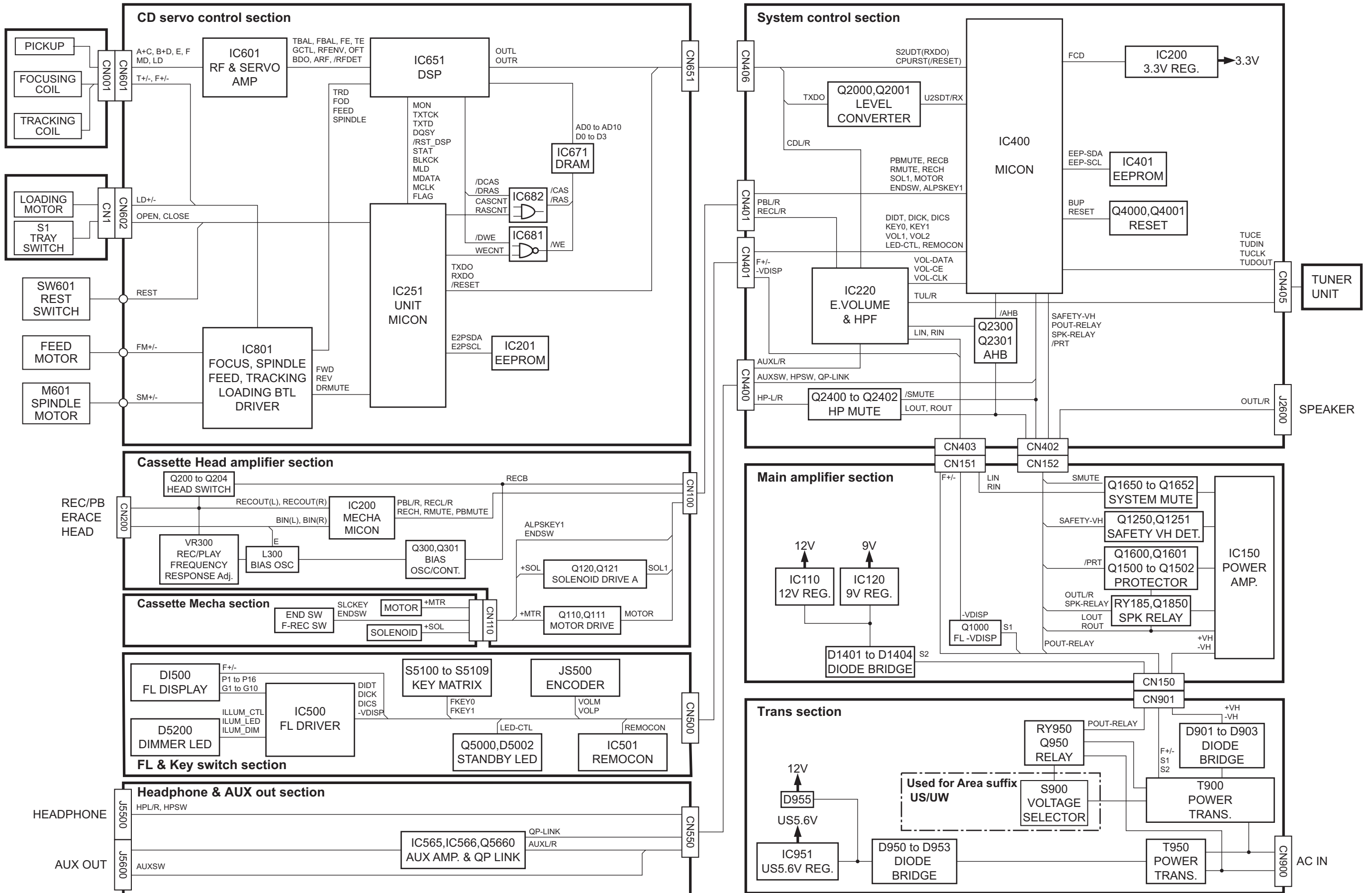
Lead free solder used in the board (material : Sn-Ag-Cu, melting point : 219 Centigrade)

Contents

Block diagrams	2-1
Standard schematic diagrams	2-2
Printed circuit boards	2-8 to 10

In regard with component parts appearing on the silk-screen printed side (parts side) of the PWB diagrams, the parts that are printed over with black such as the resistor (■), diode (▣) and ICP (●) or identified by the "▲" mark nearby are critical for safety.

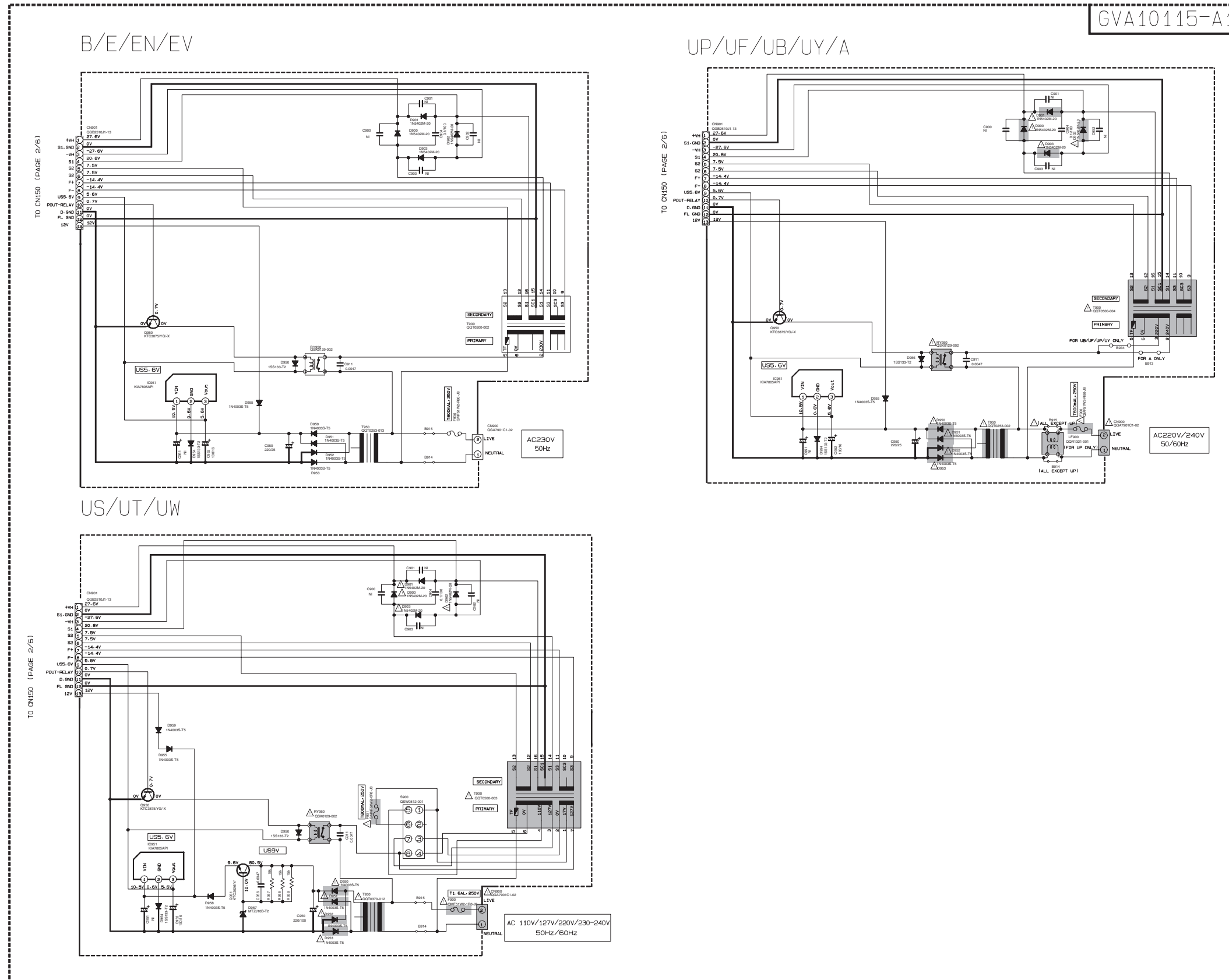
Block diagram



Standard schematic diagrams

Transformer section

GVA10115-A1



DL EXT	VERSION CODES
002	B : U. K.
005	E : CONTINENTAL EUROPE
009	EN : NORDIC COUNTRIES
026	EV : EASTERN EUROPE
003	A : AUSTRALIA
023	UF : CHINA
019	UB : HONG KONG
014	US : SINGAPORE
010	UT : TAIWAN
037	UW : SOUTH AMERICA
025	UY : ARGENTINA
022	UP : KOREA

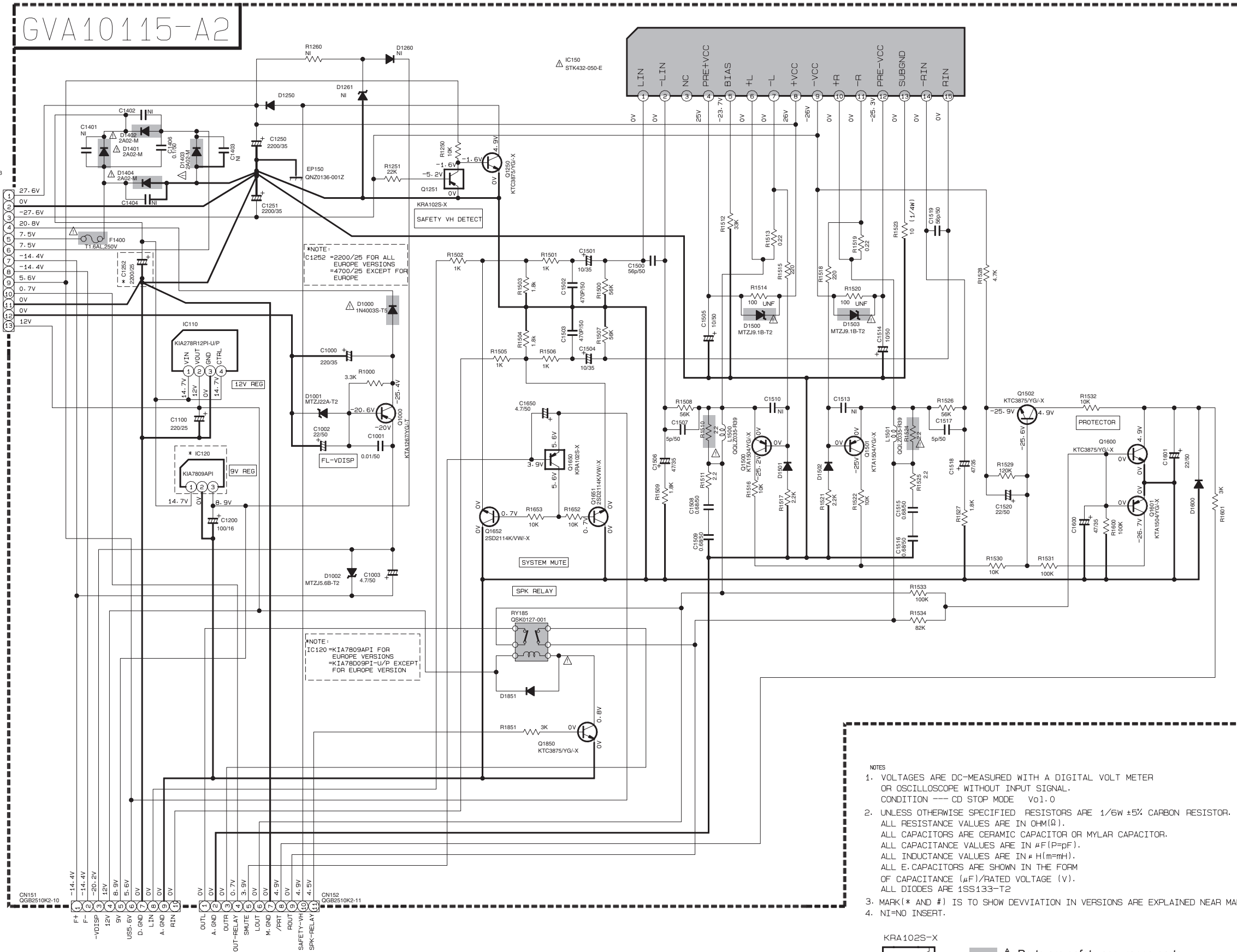
NOTES
 1. VOLTAGES ARE DC-MEASURED WITH A DIGITAL VOLT METER OR OSCILLOSCOPE WITHOUT INPUT SIGNAL. CONDITION — CD STOP MODE.
 2. UNLESS OTHERWISE SPECIFIED.
 ALL RESISTORS ARE 1/4W ± 5% CARBON FILM RESISTOR OR 0.063W ±5% THICK FILM CHIP RESISTOR
 ALL CAPACITORS ARE CERAMIC CAPACITOR OR MYLAR CAPACITOR.
 ALL RESISTANCE VALUES ARE IN OHM (Ω).
 ALL CAPACITANCE VALUES ARE IN pF(pF).
 ALL E-CAPACITORS ARE SHOWN IN THE FORM OF CAPACITANCE+RATED VOLTAGE (V).
 ALL INDUCTANCE VALUES ARE IN mH(mH).
 3. NI= NO INSERT



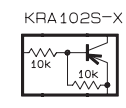
▲ Parts are safety assurance parts. When replacing those parts make sure to use the specified one.

Amplifier section

FROM TRANSFORMER CN901
PAGE 1/6



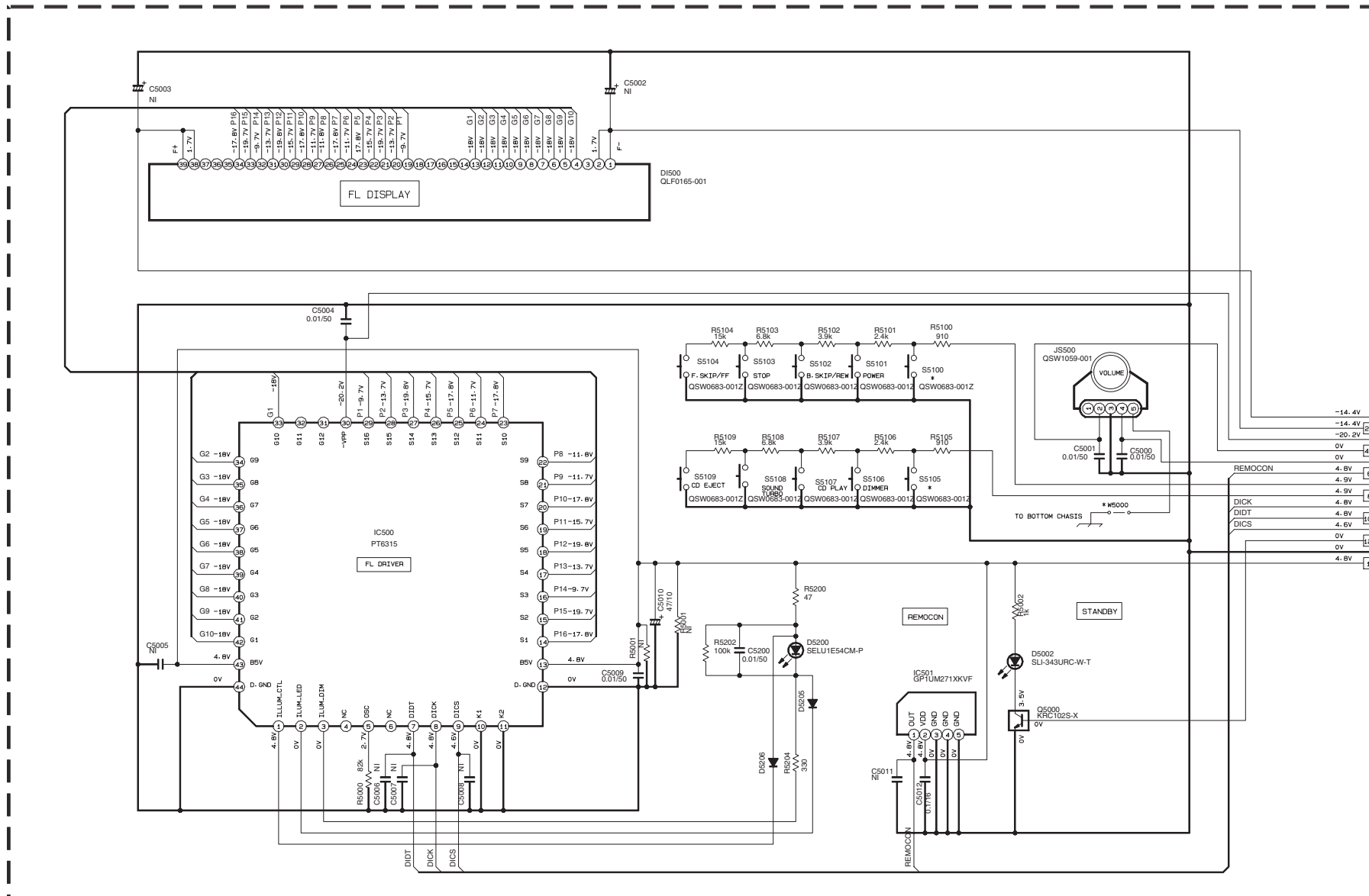
- NOTES
- VOLTAGES ARE DC-MEASURED WITH A DIGITAL VOLT METER OR OSCILLOSCOPE WITHOUT INPUT SIGNAL. CONDITION --- CD STOP MODE Vo1.0
 - UNLESS OTHERWISE SPECIFIED RESISTORS ARE 1/6W ±5% CARBON RESISTOR. ALL RESISTANCE VALUES ARE IN OHM(Ω). ALL CAPACITORS ARE CERAMIC CAPACITOR OR MYLAR CAPACITOR. ALL CAPACITANCE VALUES ARE IN μF(P=pF). ALL INDUCTANCE VALUES ARE IN μH(m=mH). ALL E. CAPACITORS ARE SHOWN IN THE FORM OF CAPACITANCE (μF)/RATED VOLTAGE (V). ALL DIODES ARE 1SS133-T2
 - MARK(* AND #) IS TO SHOW DEVIATION IN VERSIONS ARE EXPLAINED NEAR MARK.
 - NI=NO INSERT.



Parts are safety assurance parts. When replacing those parts make sure to use the specified one.

TO MICON CN403 PAGE 3/6 TO MICON CN402 PAGE 3/6

■ Front section



BUTTON INDICATION MARK WITH *

LOCATION	12-D	12-E
VERSION	S5100	S5105
A & U SERIES	AUX/PM/AM	TAPE
E SERIES	AUX	PM/AM

COMPONENT MARK WITH *

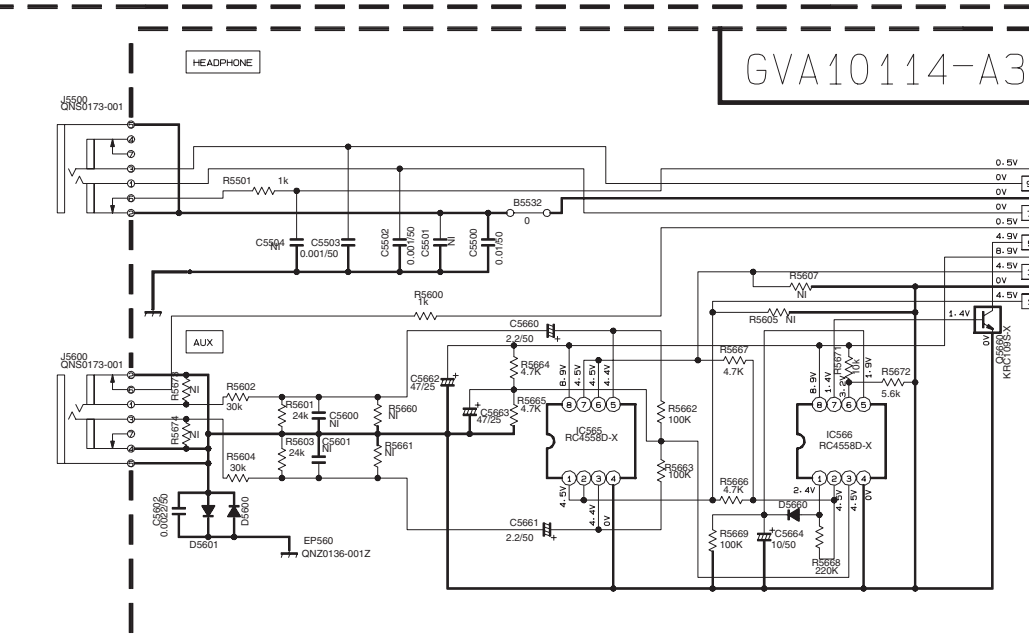
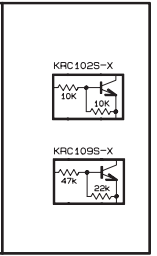
LOCATION	13-E
VERSION	W5000
E SERIES & U	QUB220-160DM-E
U SERIES & A	NONE

CN500
QGF1205F2-14
F+
F-
-VOISP
VOLM
VOLP
REMOCON
F-KEY1
F-KEY0
FL-CK
FL-DO
FL-CS
LED-CTL
D. GND
USSV

TO MICON CN401
PAGE 3/6

GVA10114-A2

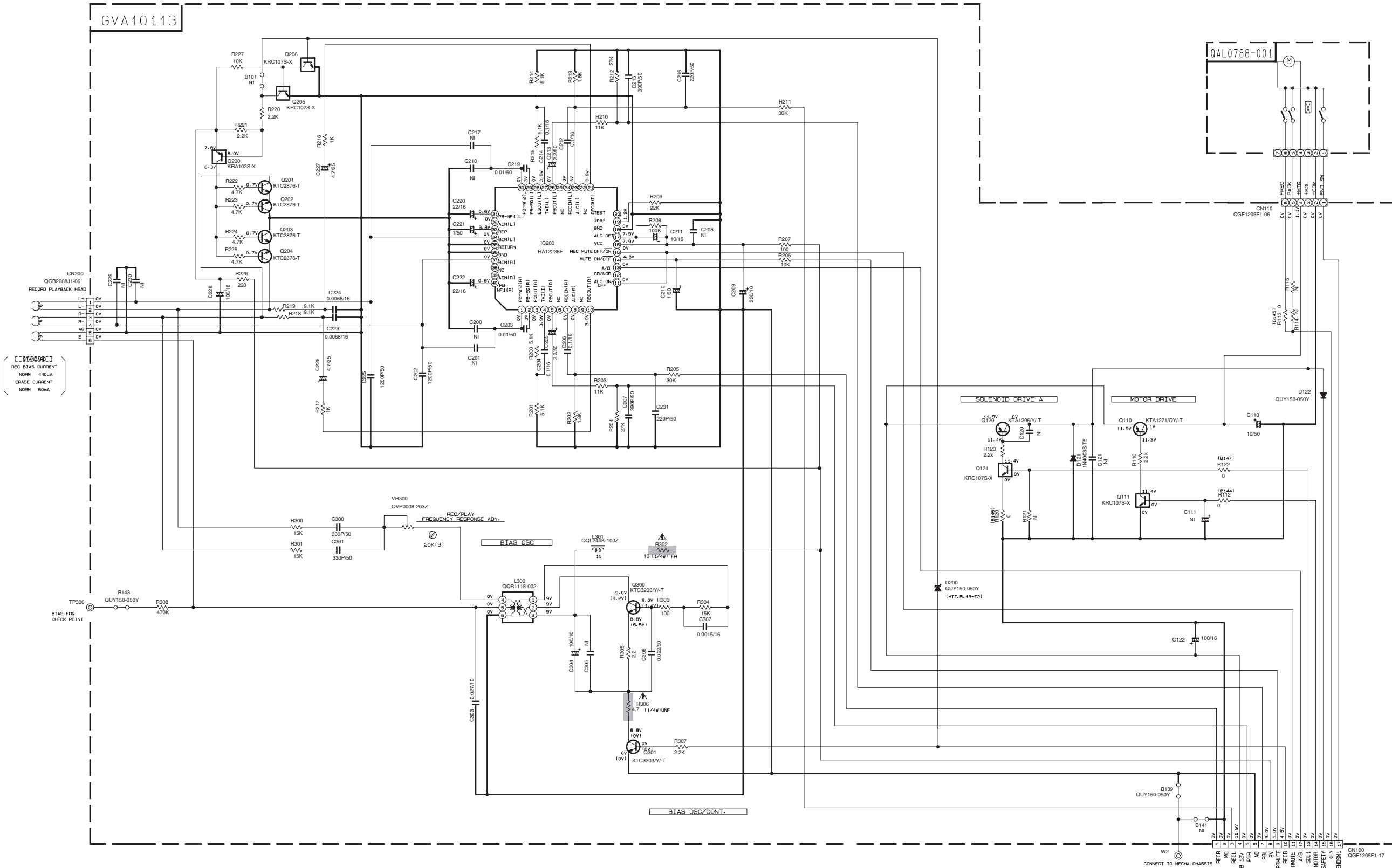
- NOTES
- VOLTAGES ARE DC-MEASURED WITH A DIGITAL VOLT METER OR OSCILLOSCOPE WITHOUT INPUT SIGNAL. CONDITION --- CD STOP MODE Vo1.0
 - UNLESS OTHERWISE SPECIFIED RESISTORS ARE 1/6W ±5% CARBON RESISTOR. ALL RESISTANCE VALUES ARE IN OHM(Ω). ALL CAPACITORS ARE CERAMIC CAPACITOR OR MYLAR CAPACITOR. ALL CAPACITANCE VALUES ARE IN nF(n=10⁻⁹F). ALL INDUCTANCE VALUES ARE IN μH(μ=10⁻⁶H). ALL E-CAPACITORS ARE SHOWN IN THE FORM OF CAPACITANCE (μF)/RATED VOLTAGE (V). ALL DIODES ARE 1SS133-T2
 - MARK(* AND #) IS TO SHOW DEVIATION IN VERSIONS ARE EXPLAINED NEAR MARK.
 - NI=NO INSERT.



GVA10114-A3

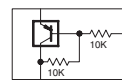
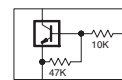
TO MICON CN400
PAGE 3/6

Cassette section



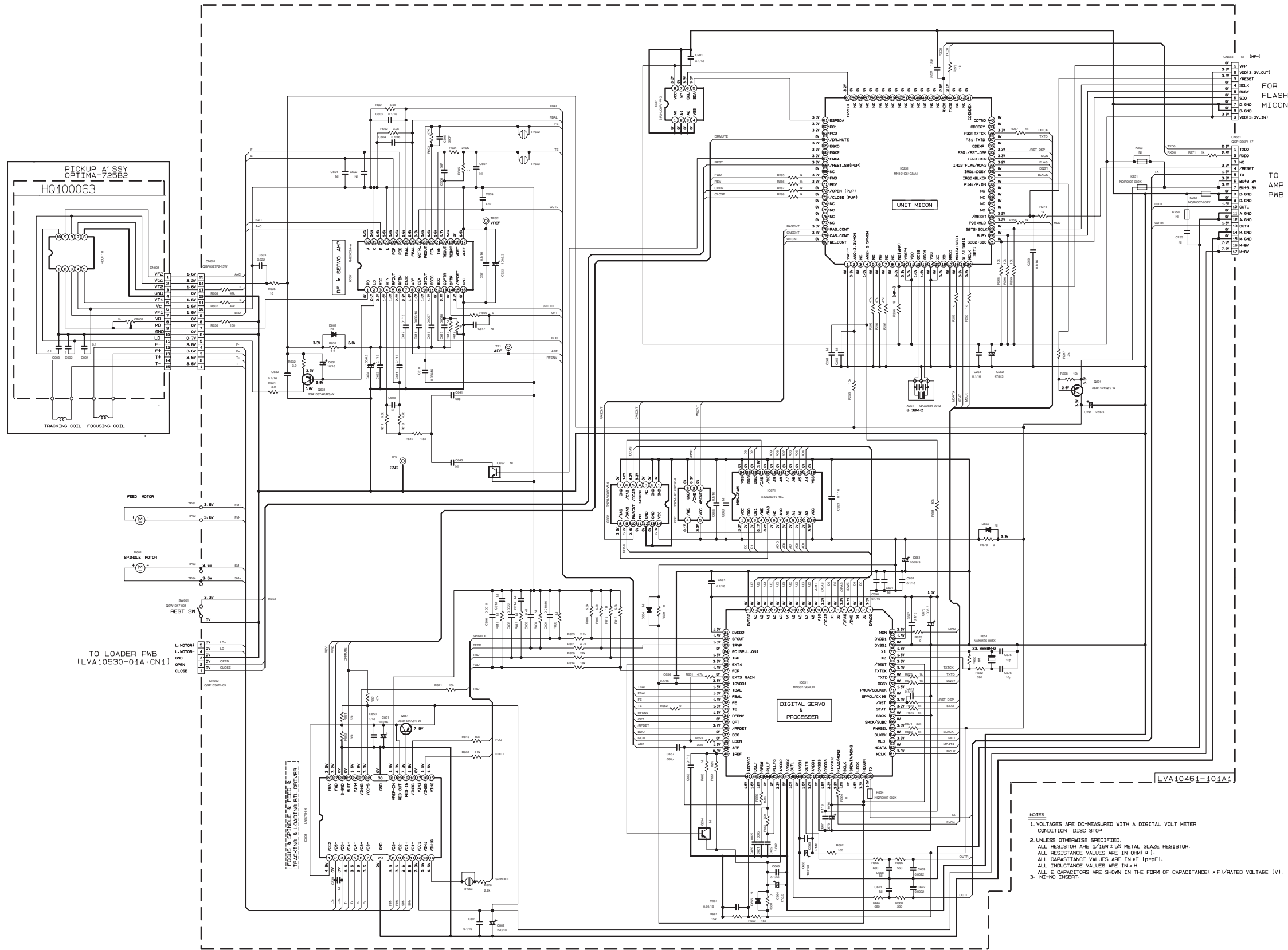
NOTES

- VOLTAGES ARE DC-MEASURED WITH A DIGITAL VOLT METER OR OSCILLOSCOPE WITHOUT INPUT SIGNAL. CONDITION - MECHA STOP MODE.
- UNLESS OTHERWISE SPECIFIED, RESISTORS ARE 1/10W ±5% METAL GLAZE RESISTOR. ALL RESISTANCE VALUES ARE IN Ω(M). ALL CAPACITORS ARE CERAMIC CAPACITOR OR MYLAR CAPACITOR. ALL CAPACITANCE VALUES ARE IN #F(P#PF). ALL INDUCTANCE VALUES ARE IN #H(M#MH). ALL E-CAPACITORS ARE SHOWN IN THE FORM OF CAPACITANCE (#F)/RATED VOLTAGE (V). POLYPROPYLENE CAPACITOR.

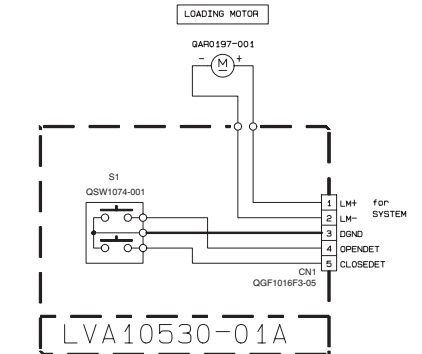


⚠ Parts are safety assurance parts. When replacing those parts make sure to use the specified one.

■ CD section



■ Loader section



NOTES

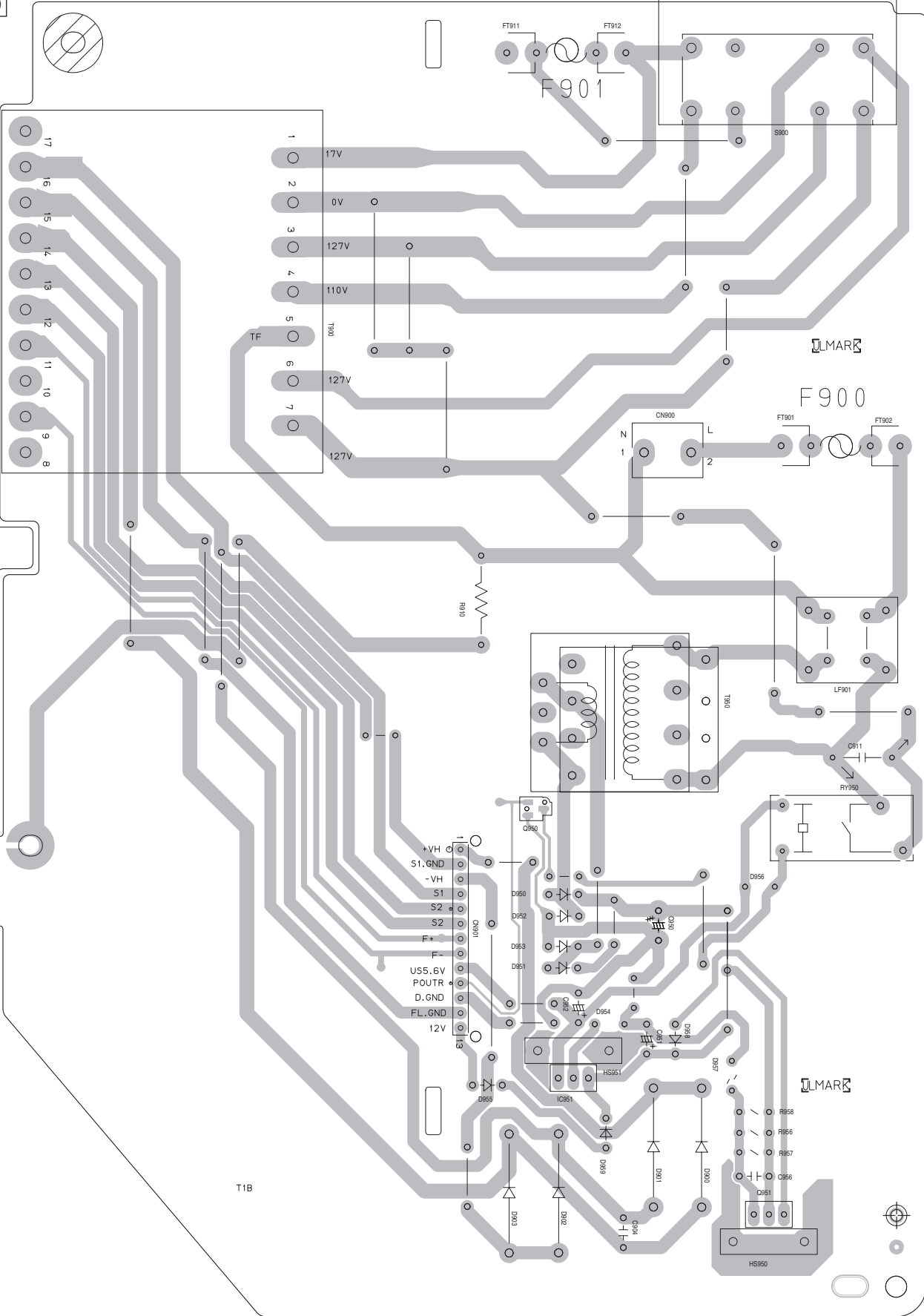
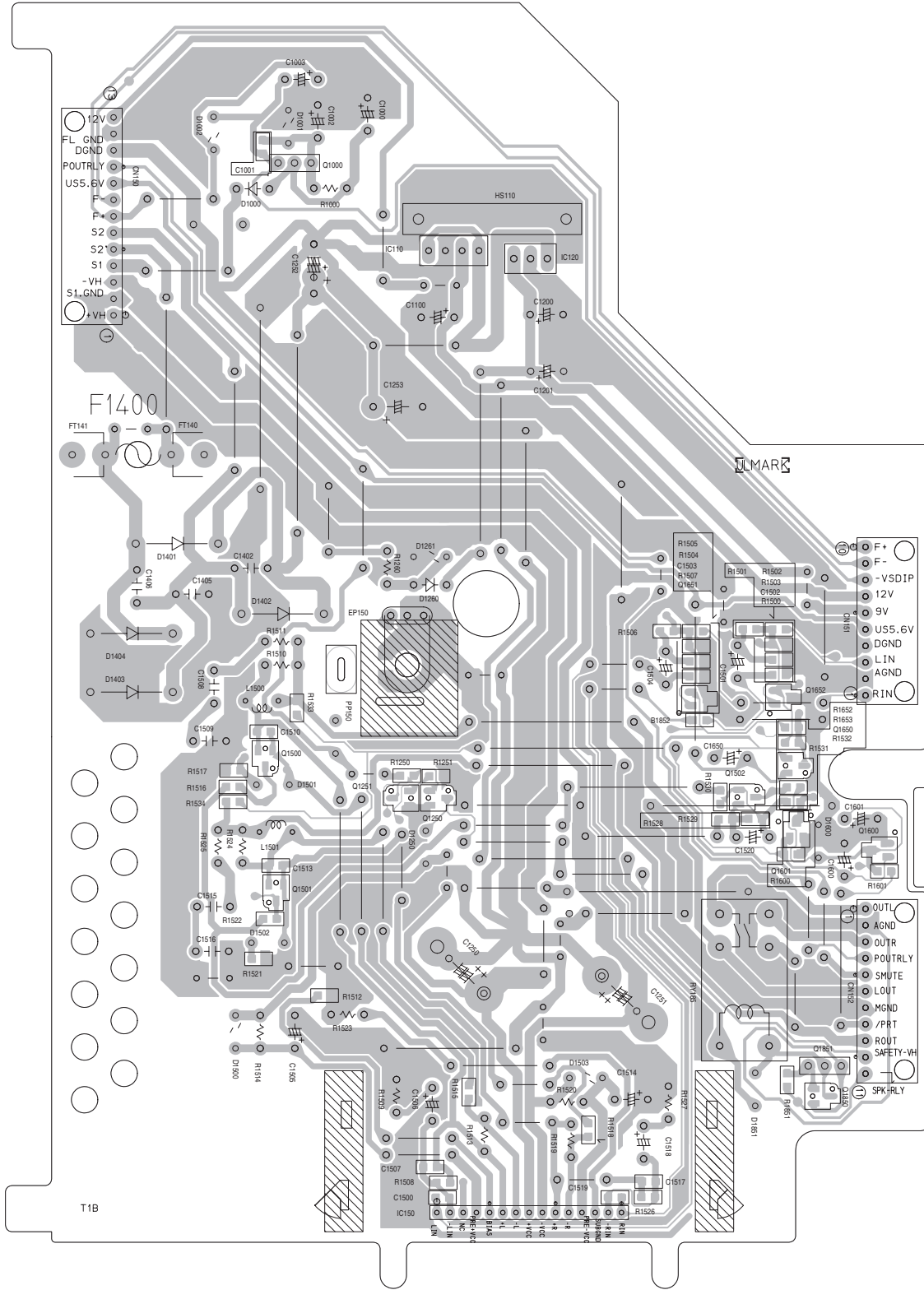
1. VOLTAGES ARE DC-MEASURED WITH A DIGITAL VOLT METER
CONDITION- DISC STOP
2. UNLESS OTHERWISE SPECIFIED,
ALL RESISTANCE ARE 1/16W ± 5% METAL GLAZE RESISTOR.
ALL CAPACITANCE VALUES ARE IN pF (p=pf).
ALL INDUCTANCE VALUES ARE IN μH
3. ALL E-CAPACITORS ARE SHOWN IN THE FORM OF CAPACITANCE (μF)/RATED VOLTAGE (V).
N=NO INSERT.

Printed circuit boards

■ **Amplifier board** Lead free solder used in the board (material : Sn-Ag-Cu, melting point : 219 Centigrade)

(Trans board)

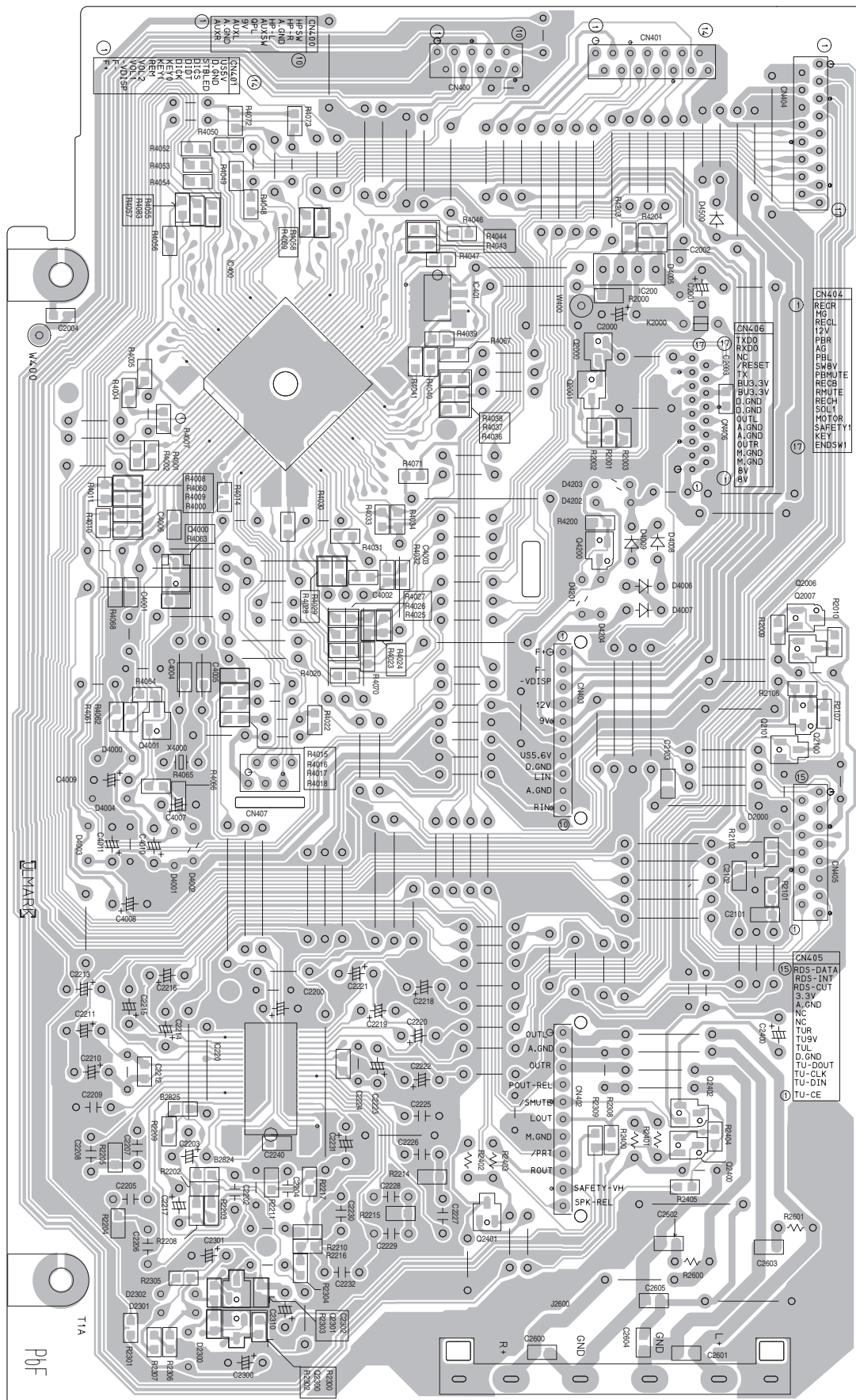
(Power amplifier board)



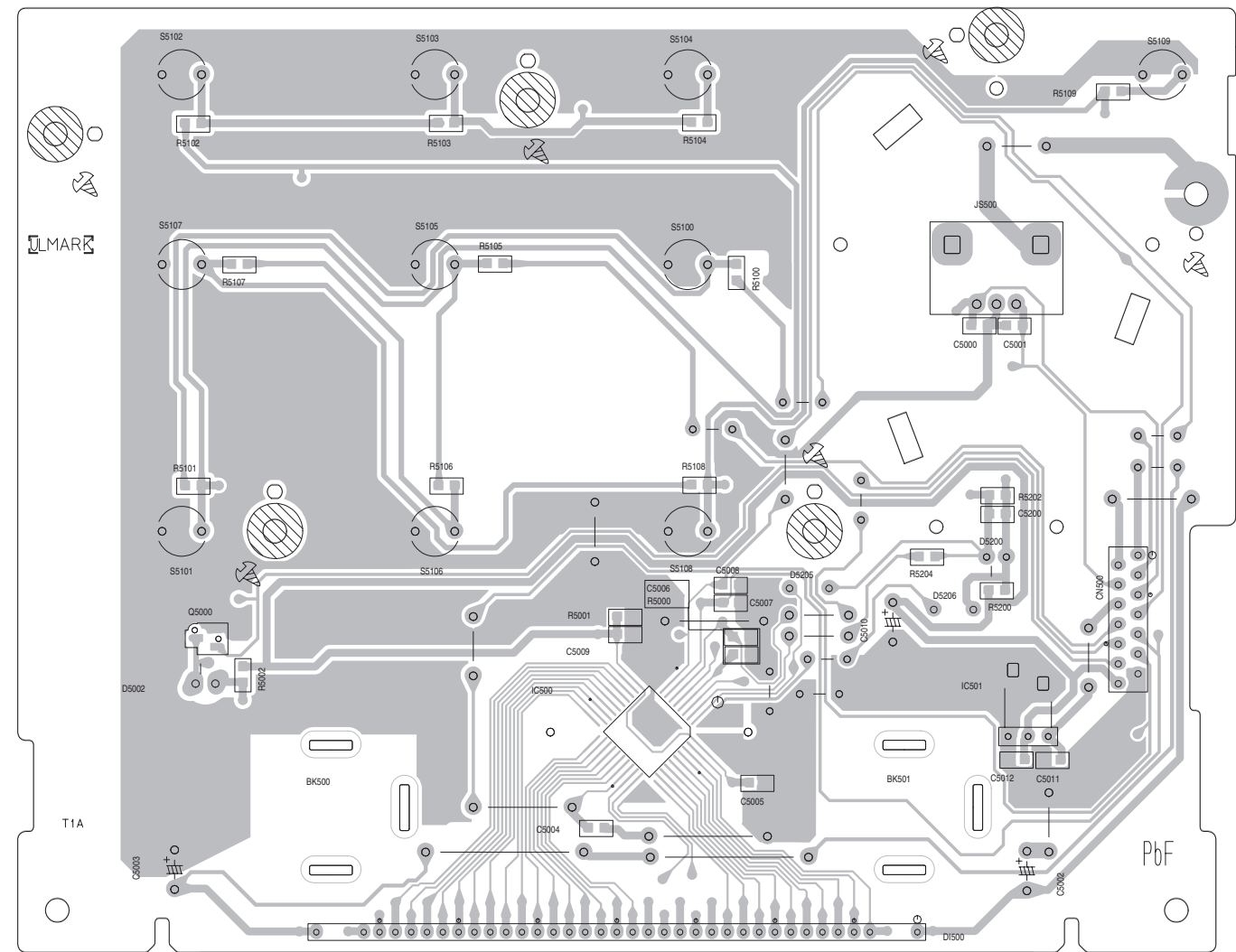
■ Micon board

Lead free solder used in the board (material : Sn-Ag-Cu, melting point : 219 Centigrade)

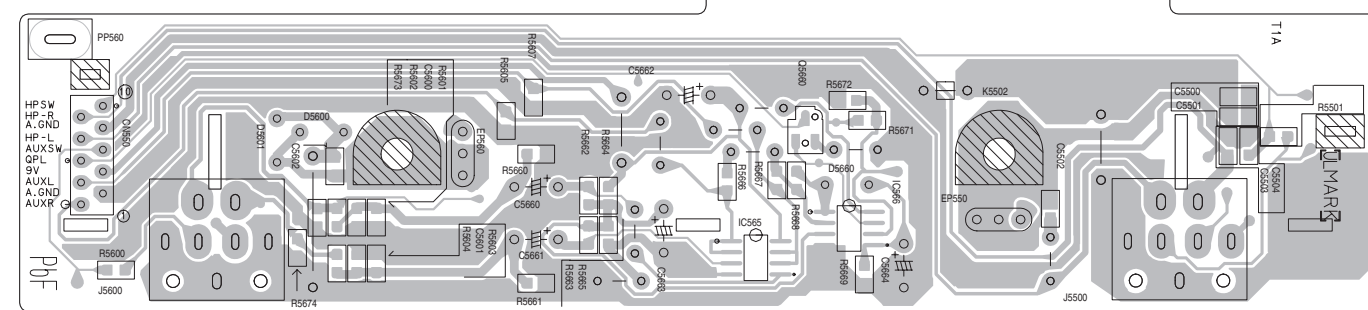
(Micon board)



(Switch board)



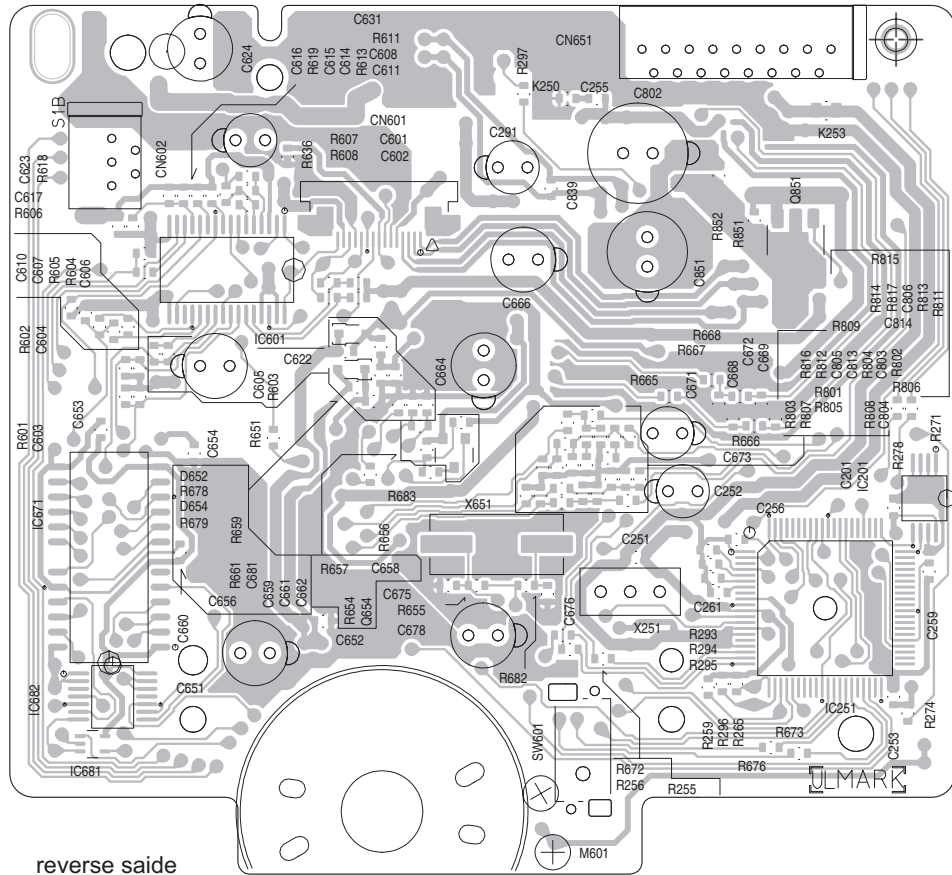
(Jack board)



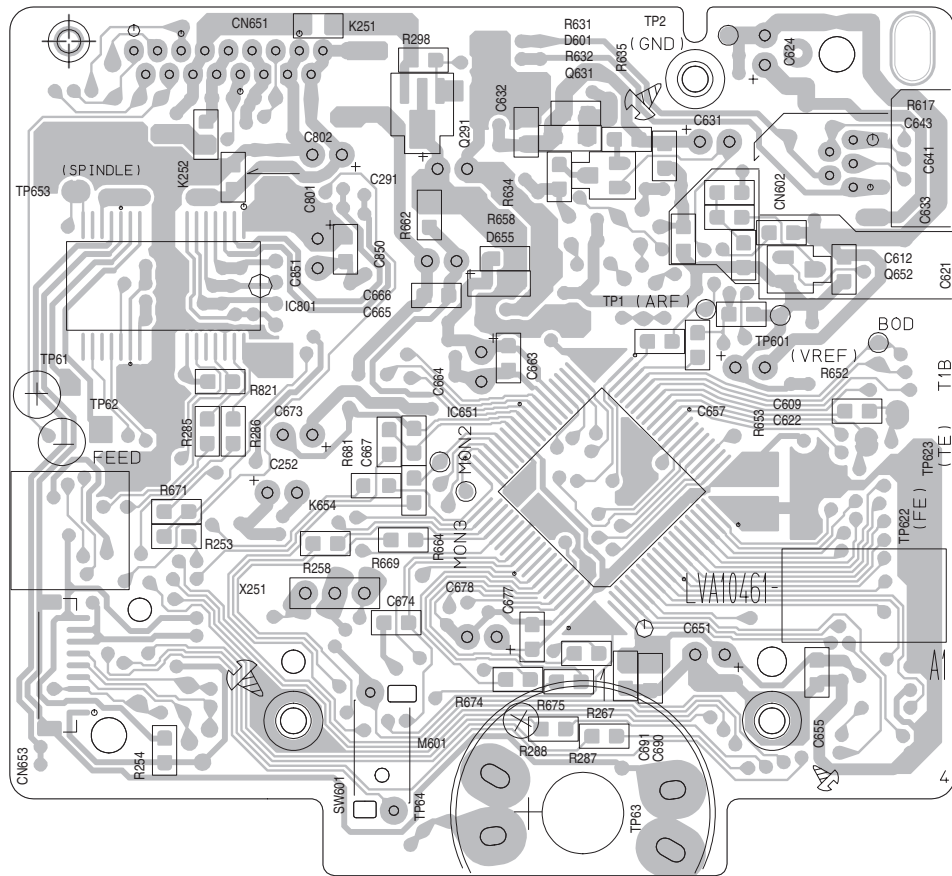
■ **CD board**

forward saide

Lead free solder used in the board (material : Sn-Ag-Cu, melting point : 219 Centigrade)

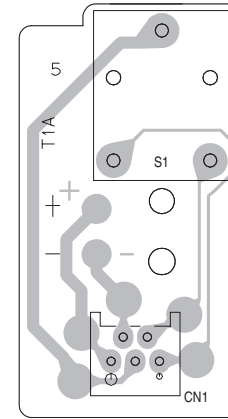


reverse saide



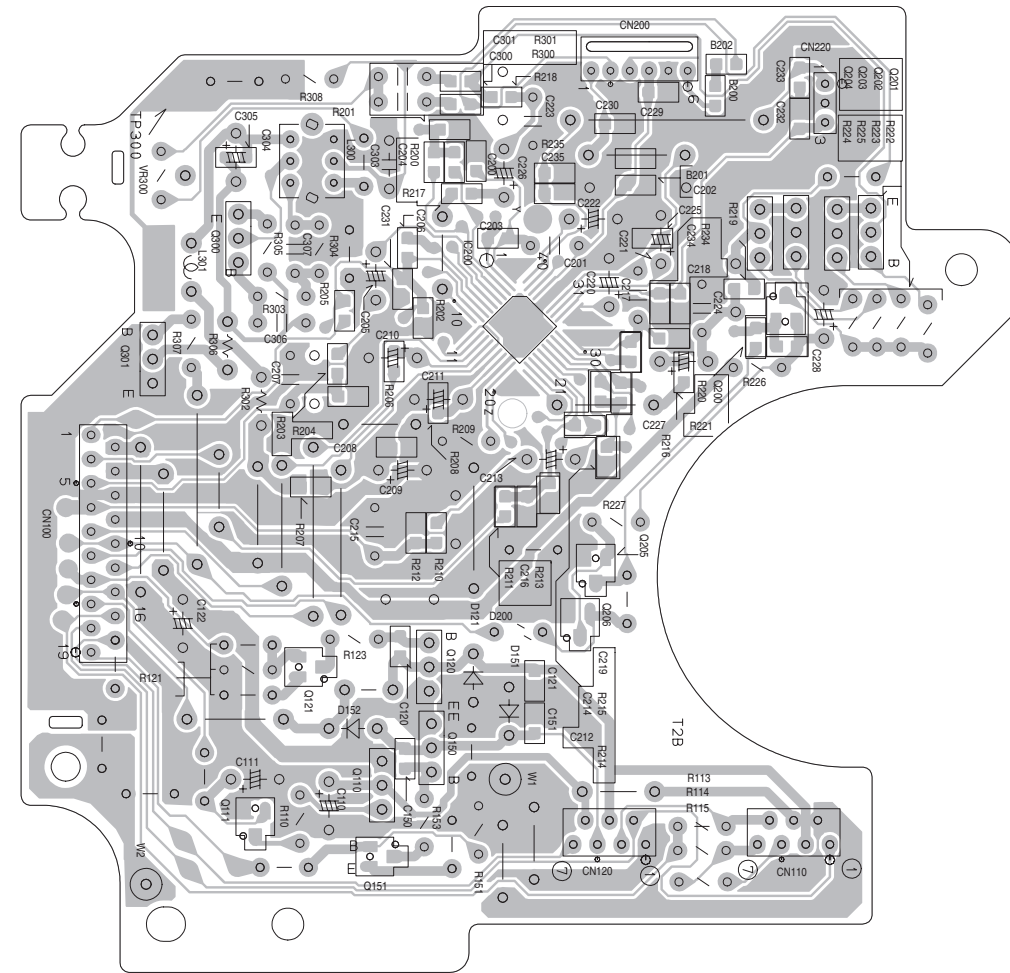
■ **Loader board**

Lead free solder used in the board (material : Sn-Ag-Cu, melting point : 219 Centigrade)



■ **Cassette board**

Lead free solder used in the board (material : Sn-Ag-Cu, melting point : 219 Centigrade)



< MEMO >

JVC

Victor Company of Japan, Limited

Audio/Video Systems Category 10-1,1chome,Ohwatari-machi,Maebashi-city,371-8543,Japan

(No.MB536SCH)



Printed in Japan
VPT

PARTS LIST

UX-G35US,UX-G35UB
UX-G33A,UX-G33US,UX-G33UB,UX-G33UW
UX-G30US,UX-G30UB,UX-G30UW

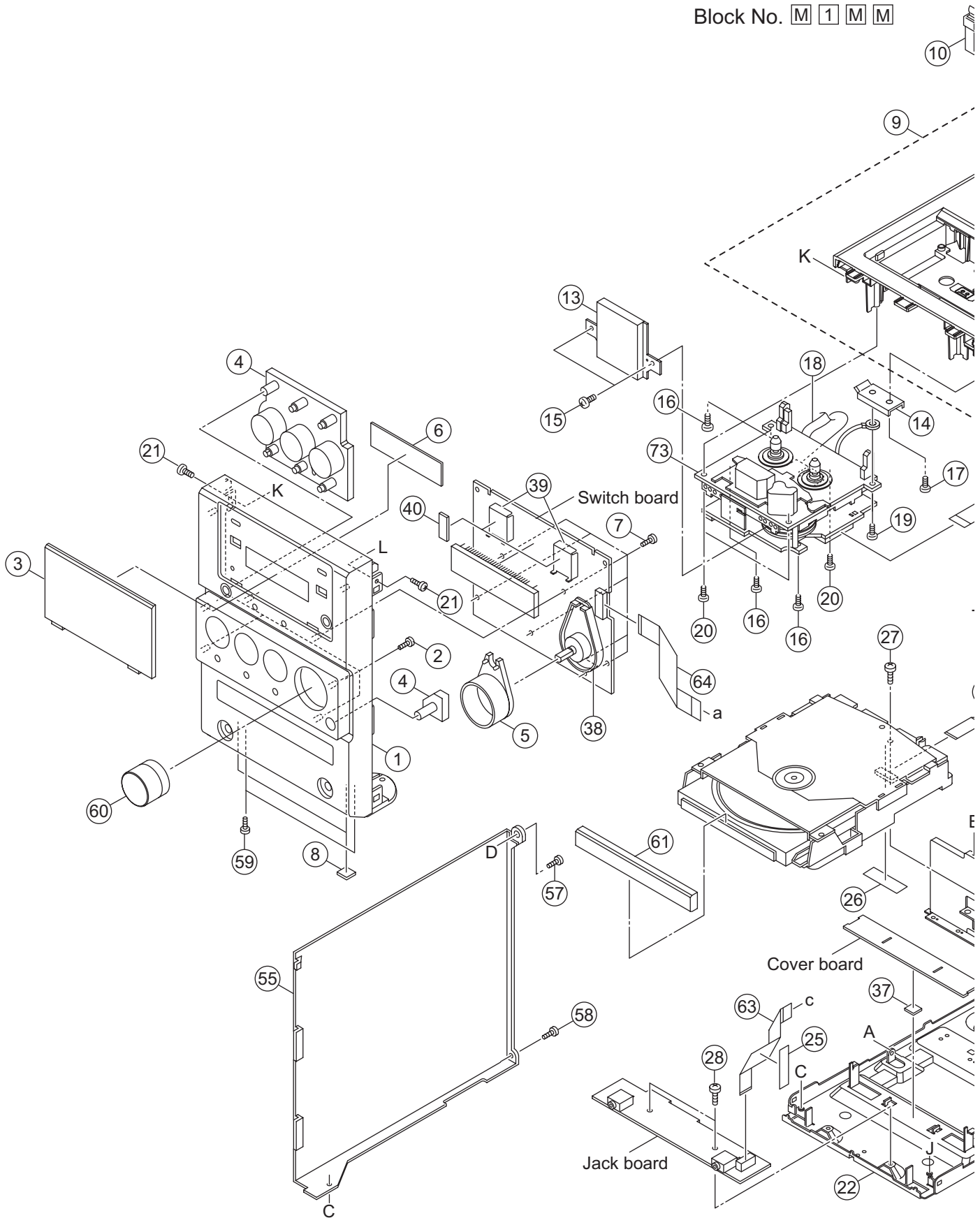
* All printed circuit boards and its assemblies are not available as service parts.

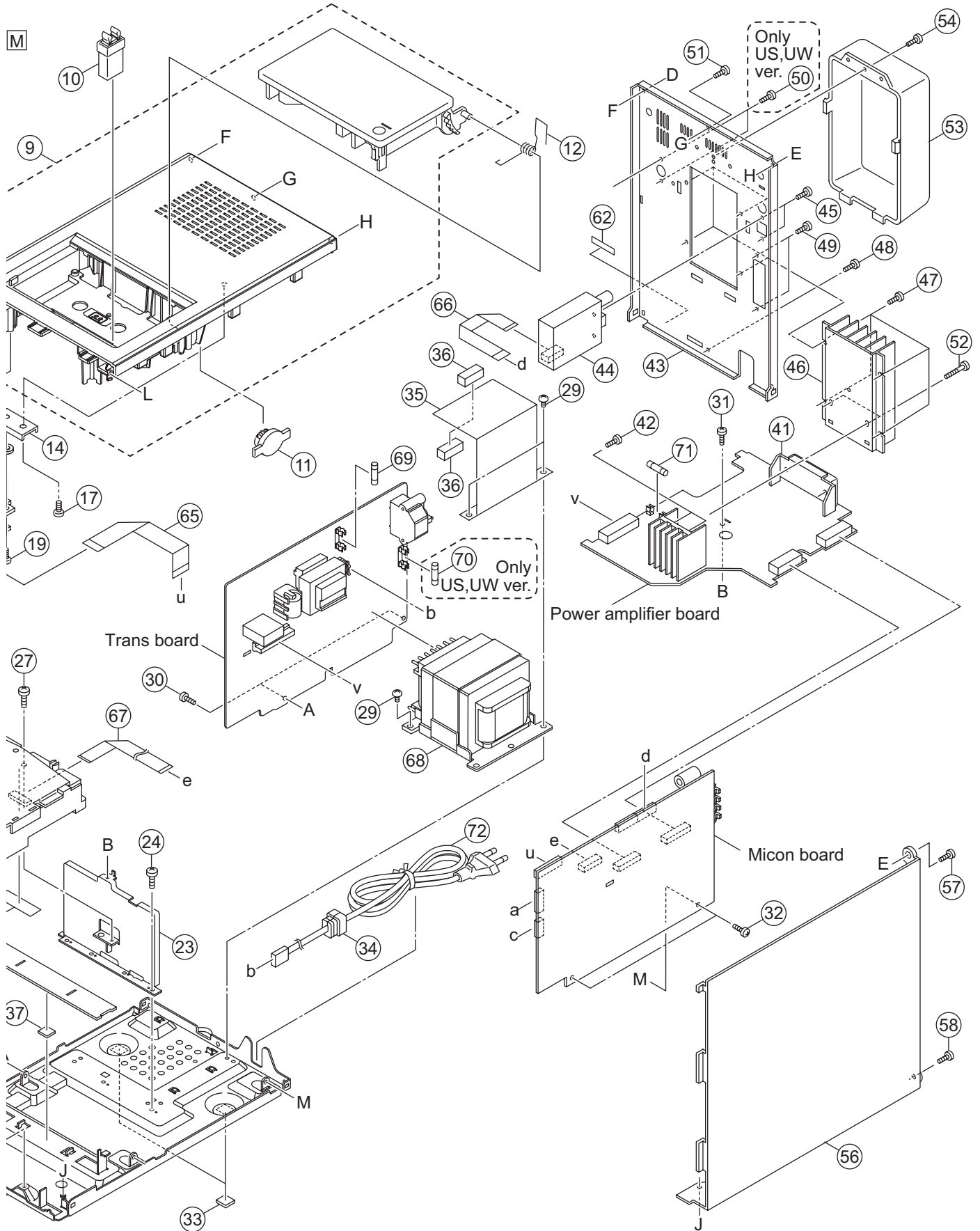
- Contents -

Exploded view of general assembly and parts list (Block No.M1)	3-2
Speaker assembly and parts list (Block No.M2)	3-6
CD mechanism assembly and parts list (Block No.MB)	3-7
CD loading base assembly and parts list (Block No.MD)	3-9
Electrical parts list (Block No.01~05)	3-11
Packing materials and accessories parts list (Block No.M3)	3-16

Exploded view of general assembly and parts list

Block No. **M 1 M M**





General Assembly

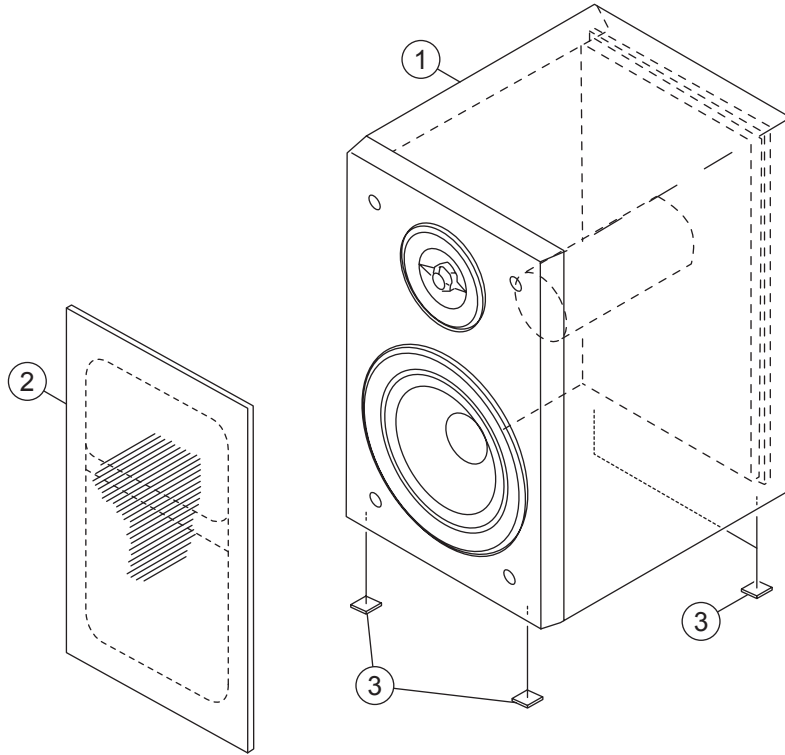
Block No. [M][1][M][M]

△	Symbol No.	Part No.	Part Name	Description	Local
	1	GV20428-004A	FRONT PNL.ASSY.		G35US,G35UB
	1	GV20428-003A	FRONT PNL.ASSY.		G33A,G33US,G33UB,G33UW,G30US, G30UB,G30UW
	2	QYSDSF2608ZA	TAP SCREW	M2.6 x 8mm(x4)	
	3	GV30832-004A	FL LENS		G35US,G35UB
	3	GV30832-003A	FL LENS		G33A,G33US,G33UB,G33UW
	3	GV30832-001A	FL LENS		G30US,G30UB,G30UW
	4	GV30833-003A	FRONT BTN.ASSY		G35US,G35UB
	4	GV30833-002A	FRONT BTN.ASSY		G33A,G33US,G33UB,G33UW,G30US, G30UB,G30UW
	5	GV30835-001A	VOL.RING LENS		
	6	GV40678-001A	FL SCREEN		
	7	QYSDSF2608ZA	TAP SCREW	M2.6 x 8mm(x6)	
	8	GV40313-002A	FELT SPACER	(x2)	
	9	GV20405-002A	TOP COVER ASSY		G35US,G35UB
	9	GV20405-001A	TOP COVER ASSY		G33A,G33US,G33UB,G33UW,G30US, G30UB,G30UW
	10	GV40220-001A	LACH		
	11	GV40034-001A	DAMPER ASSY.		
	12	GV40705-001A	DOOR SPRING		
	13	GV30839-001A	HEAD SHIELD		
	14	LV43116-001A	MECHA BRACKET		
	15	QYSBST3006ZA	TAP SCREW	M3 x 6mm(x2)	
	16	QYSDSF2006ZA	TAP SCREW	M2 x 6mm(x3)	
	17	QYSBSG3010ZA	TAP SCREW	M3 x 10mm	
	18	QUQU12-0607BJ-E	FFC WIRE	6pin 7cm	
	19	QYSBST3006ZA	TAP SCREW	M3 x 6mm	
	20	QYSBSG3010ZA	TAP SCREW	M3 x 10mm(x3)	
	21	QYSBSG3010ZA	TAP SCREW	M3 x 10mm(x2)	
	22	GV10295-001A	BOTTOM CHASSIS		
	23	GV30840-001A	SUPPORT BRACKET		
	24	QYSBST3006ZA	TAP SCREW	M3 x 6mm	
	25	GV30349-025A	SPACER		
	26	GV30349-038A	SPACER		
	27	QYSBSG3010ZA	TAP SCREW	M3 x 10mm	
	28	QYSBST3006ZA	TAP SCREW	M3 x 6mm(x2)	
	29	QYSBST4006ZA	TAP SCREW	M4 x 6mm(x3)	
	30	QYSBST3006ZA	TAP SCREW	M3 x 6mm(x2)	
	31	QYSBST3006ZA	TAP SCREW	M3 x 6mm	
	32	QYSBST3006ZA	TAP SCREW	M3 x 6mm(x2)	
	33	GV40313-002A	FELT SPACER	(x2)	
△	34	QZW0033-001	STRAIN RELIEF		
	35	GV30967-001A	TRANS SHIELD		
	36	LV30225-0R3A	SPACER	(x2)	
	37	E3400-431	SPECER		
	38	GV30836-001A	VOL.LENS HOLDER		
	39	LV43659-001A	FL HOLDER	(x2)	
	40	LV30225-0M9A	SPACER	(x2)	
	41	GV30842-001A	IC BRACKET		
	42	QYSBSG3010ZA	TAP SCREW	M3 x 10mm(x2)	
	43	GV20399-018A	REAR PANEL		G35US
	43	GV20399-019A	REAR PANEL		G35UB
	43	GV20399-016A	REAR PANEL		G33A
	43	GV20399-013A	REAR PANEL		G33US
	43	GV20399-017A	REAR PANEL		G33UB
	43	GV20399-014A	REAR PANEL		G33UW
	43	GV20399-005A	REAR PANEL		G30US
	43	GV20399-009A	REAR PANEL		G30UB
	43	GV20399-006A	REAR PANEL		G30UW
	44	QAU0412-001	TUNER		
	45	QYSBSGY3008EA	TAP SCREW	M3 x 8mm(x2)	
	46	GV30841-002A	HEAT SINK		
	47	QYSBSGY3008EA	TAP SCREW	M3 x 8mm(x4)	
	48	QYSBSGY3008EA	TAP SCREW	M3 x 8mm	
	49	QYSBSGY3008EA	TAP SCREW	M3 x 8mm(x2)	
	50	QYSBSGY3008EA	TAP SCREW	M3 x 8mm(x2)	G35US,G33US,G33UW,G30US,G30UW
	51	QYSBSGY3008EA	TAP SCREW	M3 x 8mm	
	52	QYSBSG3020ZA	TAP SCREW	M3 x 20mm(x2)	
	53	GV20400-002A	REAR COVER		G35US,G33US,G33UW,G30US,G30UW
	53	GV20400-001A	REAR COVER		G35UB,G33A,G33UB,G30UB
	54	QYSBSGY3008EA	TAP SCREW	M3 x 8mm	
	55	GV10296-002A	SIDE PANEL L		G35US,G35UB
	55	GV10296-001A	SIDE PANEL L		G33A,G33US,G33UB,G33UW,G30US, G30UB,G30UW
	56	GV10297-002A	SIDE PANEL R		G35US,G35UB

△	Symbol No.	Part No.	Part Name	Description	Local
	56	GV10297-001A	SIDE PANEL R		G33A,G33US,G33UB,G33UW,G30US, G30UB,G30UW
	57	QYSBSGY3008EA	TAP SCREW	M3 x 8mm(x2)	
	58	QYSBSGY3008EA	TAP SCREW	M3 x 8mm(x2)	
	59	QYSBST3006ZA	TAP SCREW	M3 x 6mm(x2)	
	60	GV30837-001A	VOLUME KNOB		
	61	GV30838-002A	TRAY FITTING		G35US,G35UB
	61	GV30838-001A	TRAY FITTING		G33A,G33US,G33UB,G33UW,G30US, G30UB,G30UW
	62	GV30893-001A	NUMBER LABEL		
	63	QUQU12-1011BJ-E	FFC WIRE	10pin 11cm	
	64	QUQU12-1413BJ-E	FFC WIRE	14pin 13cm	
	65	QUQU12-1707AJ-E	FFC WIRE	17pin 7cm	
	66	QUQU12-1110BJ-E	FFC WIRE	11pin 10cm	
	67	QUR110-1718AJ-E	FFC WIRE		
△	68	QQT0500-003	POWER TRANSF		G35US,G33US,G33UW,G30US,G30UW
△	68	QQT0500-004	POWER TRANSF		G35UB,G33A,G33UB,G30UB
△	69	QMF51W2-1R6-J8	FUSE	1.6A AC250V	G35US,G33US,G33UW,G30US,G30UW
△	69	QMF51W2-R80-J8	FUSE	0.8A AC250V	G35UB,G33A,G33UB,G30UB
△	70	QMF51W2-R80-J8	FUSE	0.8A AC250V	G35US,G33US,G33UW,G30US,G30UW
△	71	QMF51W2-1R6-J8	FUSE	1.6A AC250V	
△	72	QMPK200-200-JD	POWER CORD(EU)	2m BLACK	G35US,G33US,G33UW,G30US,G30UW
△	72	QMPN160-200-JD	POWER CORD(EU)	2m BLACK	G35UB,G33UB,G30UB
△	72	QMPG150-244-JC	POWER CORD(AST)	2.44m BLACK	G33A
	73	QAL0788-001	CASS.MECHANISM		

Speaker assembly and parts list

Block No. [M] 2 [M] [M]



The parts without symbol number are not service.

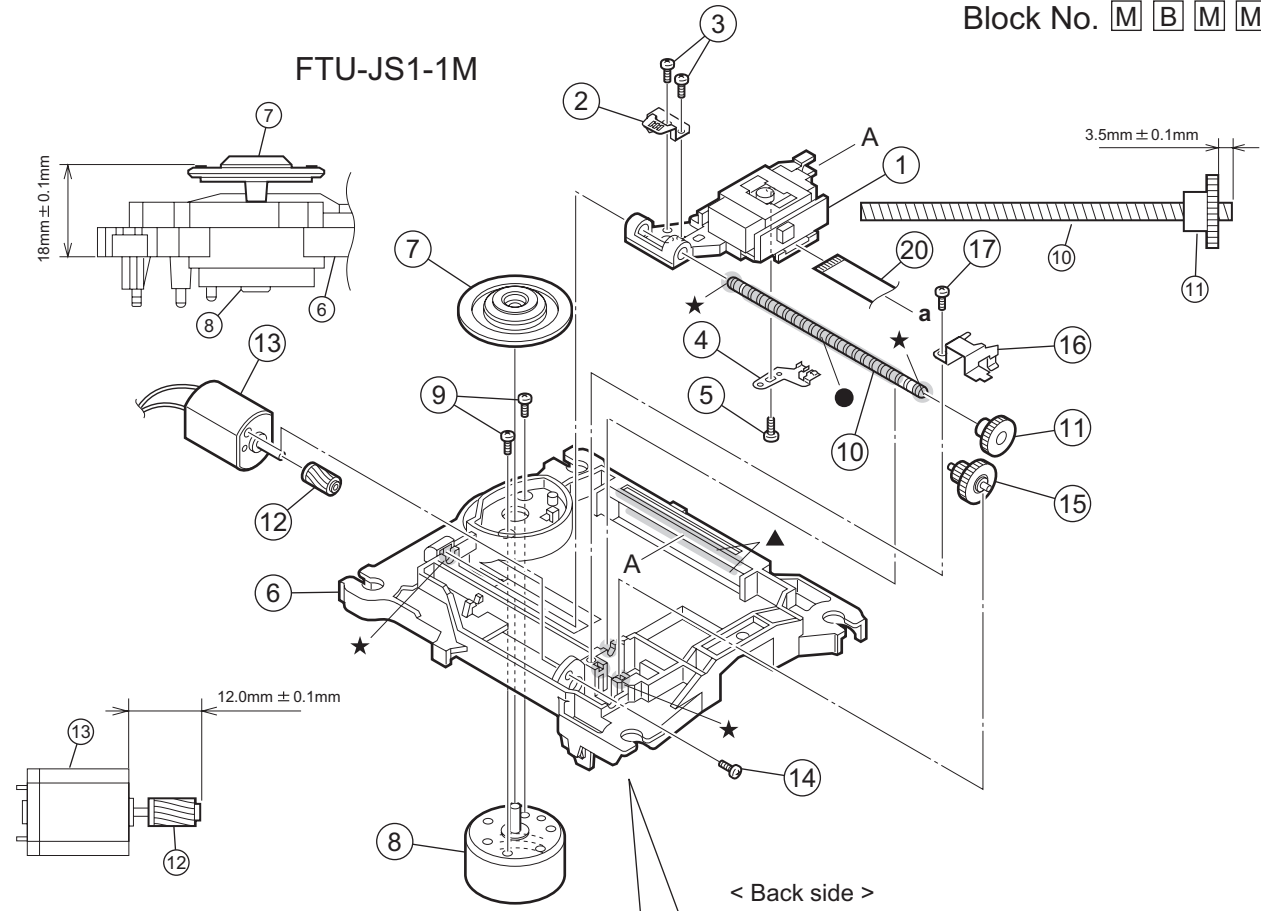
Speaker

Block No. [M][2][M][M]

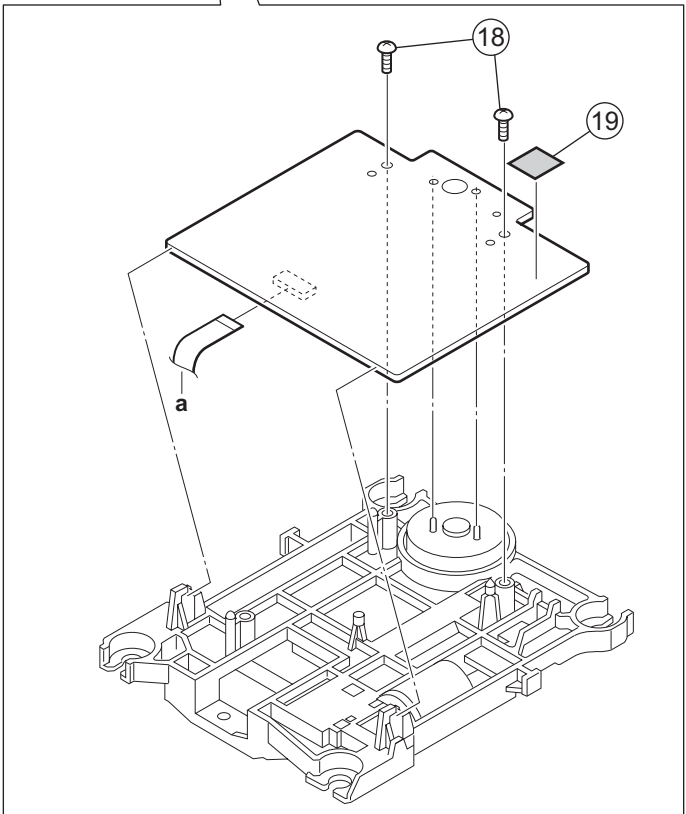
△	Symbol No.	Part No.	Part Name	Description	Local
	1	SPUXG35U-SPBOX	SPK WITH BOX	(x2)	G35US,G35UB
	1	SPUXG33E-SPBOX	SPK WITH BOX	(x2)	G33A,G33US,G33UB,G33UW
	1	SPUXG30E-SPBOX	SPK WITH BOX	(x2)	G30US,G30UB,G30UW
	2	J201-XG3503G-50	SPK NET ASSY	(x2)	G35US,G35UB
	2	J201-XG3302G-50	SPK NET ASSY	(x2)	G33A,G33US,G33UB,G33UW
	2	J201-XG3001G-50	SPK NET ASSY	(x2)	G30US,G30UB,G30UW
	3	441-910102-00	RUBBER CUSHION	(x8)	

CD mechanism assembly and parts list

Block No. M B M M



Grease	
★	JVG-31N
●	JVS-1003
▲	FL-7750E



The parts without symbol number are not service.

CD mechanism

Block No. [M][B][M][M]

△	Symbol No.	Part No.	Part Name	Description	Local
	1	QAL0750-001	CD PICK UP		
	2	LV34564-001A	RACK ARM		
	3	QYSPSPT1720MA	SCREW	M1.7 x 2mm(x2)	
	4	LV31744-001A	P.S.SPRING		
	5	QYSPSGT1425MA	TAP SCREW	M1.4 x 2.5mm	
	6	LV10855-002A	TM CHASSIS		
	7	LV43468-001A	T.T ASSY		
	8	QAR0302-001	SPINDLE MOTOR		
	9	VKZ4743-002	SPECIAL SCREW	(x2)	
	10	LV40157-001A	SCREW SHAFT		
	11	LV43651-001A	SS GEAR		
	12	LV43650-001A	F MOTOR GEAR		
	13	QAR0303-001	FEED MOTOR		
	14	QYSPSPT2030MA	SCREW	M2 x 3mm	
	15	LV34565-002A	F MIDDLE GEAR		
	16	LV34563-001A	SHAFT HOLDER		
	17	QYSPSFT1740ZA	TAP SCREW	M1.7 x 4mm	
	18	QYSBSF2006ZA	TAP SCREW	M2 x 6mm(x2)	
	19	LV30225-073A	SPACER		
	20	QUQ105-1506BB-E	FFC WIRE	15pin 6cm	

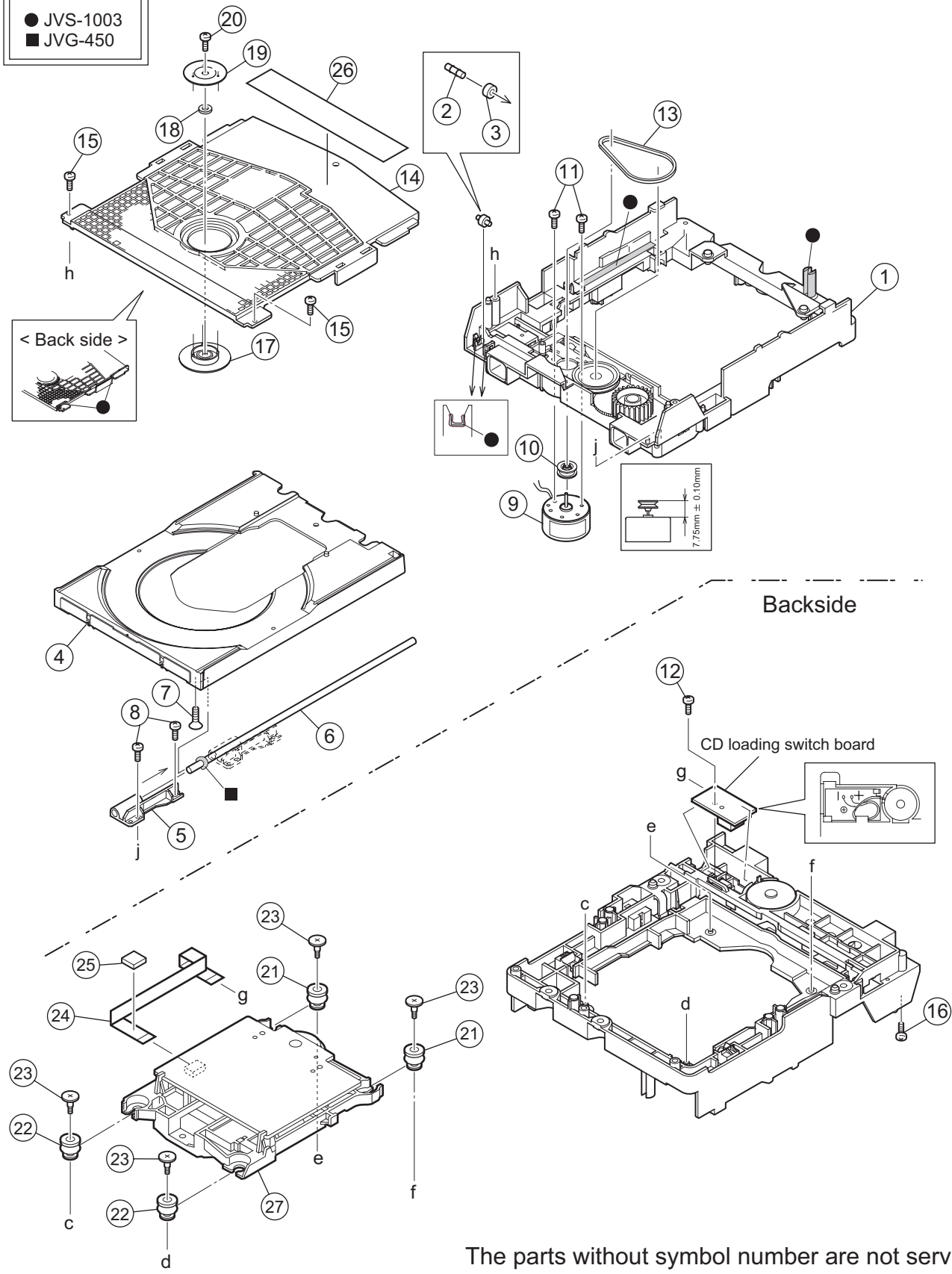
CD loading base assembly and parts list

Block No. M D M M

FMU-MS1-1M

Grease

- JVS-1003
- JVG-450



The parts without symbol number are not service.

CD loading base

Block No. [M][D][M][M]

△	Symbol No.	Part No.	Part Name	Description	Local
	1	LV11065-004A	LOADER SUB ASSY		
	2	E407140-001SS	C.D ROLLER		
	3	E407149-001SS	RUBBER TUBE		
	4	LV10979-002A	TRAY		
	5	LV35499-001A	SHAFT GUIDE		
	6	LV44022-001A	SHAFT		
	7	QYSSSF2008ZA	TAP SCREW	M2 x 8mm	
	8	QYSDSF2008ZA	TAP SCREW	M2 x 8mm(x2)	
	9	QAR0197-001	MOTOR		
	9	or QAR0280-001	LOADING MOTOR		
	10	LV43844-002A	MOTOR PULLEY		
	11	QYSPSPU1730ZA	SCREW	M1.7 x 3mm(x2)	
	12	QYSDSF2008ZA	TAP SCREW	M2 x 8mm	
	13	LV43974-001A	BELT		
	14	LV21852-003A	CLAMPER BASE		
	15	QYSDSF2008ZA	TAP SCREW	M2 x 8mm(x2)	
	16	LV41741-004A	SPECIAL SCREW		
	17	LV34586-002A	CD CLAMPER		
	18	LV42930-003A	P.C.MAGNET		
	18	or LV41118-003A	P.C.MAGNET		
	19	LV43848-001A	YOKE		
	20	LV43958-001A	SPECIAL SCREW		
	21	LE40900-003A	INSULATOR	(x2)	
	22	LE40900-004A	INSULATOR	(x2)	
	23	LV44044-001A	SPECIAL SCREW	(x4)	
	24	LV43805-001A	FFC		
	25	VYSH101-034	SPACER		
	26	LV44603-001A	LASER CATION		
	27	-----	CD TRAMECHA UNI		

Electrical parts list

Micon board

Block No. [0][1]

Symbol No.	Part No.	Part Name	Description	Local	Symbol No.	Part No.	Part Name	Description	Local
IC200	KIA78R33PI	IC			C2222	QETN1HM-475Z	E CAPACITOR	4.7uF 50V M	
IC220	LC75345M-X	IC			C2223	QETN1HM-475Z	E CAPACITOR	4.7uF 50V M	
IC400	MN101C49GFB1	MASK ROM			C2225	QFLC1HJ-272Z	M CAPACITOR	2700pF 50V J	
IC401	BR24L02F-W-X	IC(DIGITAL)			C2226	QFLC1HJ-104Z	M CAPACITOR	0.1uF 50V J	
IC500	PT6315	IC			C2227	QFLC1HJ-104Z	M CAPACITOR	0.1uF 50V J	
IC501	GP1UM271XKVF	IR DETECT UNIT			C2228	QFVF1HJ-184Z	MF CAPACITOR	0.18uF 50V J	
IC565	RC4558D-X	IC			C2229	QFVF1HJ-184Z	MF CAPACITOR	0.18uF 50V J	
IC566	RC4558D-X	IC			C2230	QFLC1HJ-104Z	M CAPACITOR	0.1uF 50V J	
Q2000	KRC102S-X	DIGI TRANSISTOR			C2231	QETN1HM-226Z	E CAPACITOR	22uF 50V M	
Q2001	KRC102S-X	DIGI TRANSISTOR			C2232	QFLC1HJ-104Z	M CAPACITOR	0.1uF 50V J	
Q2300	KTC3875/YG/-X	TRANSISTOR			C2300	QETN1HM-106Z	E CAPACITOR	10uF 50V M	
Q2301	KTC3875/YG/-X	TRANSISTOR			C2301	QETN1HM-105Z	E CAPACITOR	1uF 50V M	
Q2400	KTC2875-X	CHIP TR.			C2302	NCB31AK-154X	C CAPACITOR	0.15uF 10V K	
Q2401	KTC2875-X	CHIP TR.			C2310	QETN1HM-105Z	E CAPACITOR	1uF 50V M	
Q2402	KRA102S-X	DIGI TRANSISTOR			C2400	QETN1HM-475Z	E CAPACITOR	4.7uF 50V M	
Q4000	KRC111S-X	TRANSISTOR			C4001	NCB31HK-103X	C CAPACITOR	0.01uF 50V K	
Q4001	KTC3875/YG/-X	TRANSISTOR			C4002	NCB31HK-103X	C CAPACITOR	0.01uF 50V K	
Q4200	KRC102S-X	DIGI TRANSISTOR			C4003	NCB31HK-103X	C CAPACITOR	0.01uF 50V K	
Q5000	KRC102S-X	DIGI TRANSISTOR			C4004	NDC31HJ-150X	C CAPACITOR	15pF 50V J	
Q5660	KRC109S-X	TRANSISTOR			C4005	NDC31HJ-150X	C CAPACITOR	15pF 50V J	
D2300	1SS133-T2	SI DIODE			C4006	NCB31HK-103X	C CAPACITOR	0.01uF 50V K	
D2301	1SS133-T2	SI DIODE			C4007	QETN1CM-107Z	E CAPACITOR	100uF 16V M	
D2302	1SS133-T2	SI DIODE			C4008	QETN0JM-228Z	E CAPACITOR	2200uF 6.3V M	
D4000	1SS133-T2	SI DIODE			C4009	QETN1HM-226Z	E CAPACITOR	22uF 50V M	
D4001	1SS133-T2	SI DIODE			C4010	QETN1HM-475Z	E CAPACITOR	4.7uF 50V M	
D4002	MTZJ5.1B-T2	Z DIODE			C4011	QETN1CM-107Z	E CAPACITOR	100uF 16V M	
D4003	1SS133-T2	SI DIODE			C5000	NCB31HK-103X	C CAPACITOR	0.01uF 50V K	
D4004	1SS133-T2	SI DIODE			C5001	NCB31HK-103X	C CAPACITOR	0.01uF 50V K	
D4005	1SS133-T2	SI DIODE			C5004	NCB31HK-103X	C CAPACITOR	0.01uF 50V K	
D4006	1N4003S-T5	SI DIODE			C5009	NCB31HK-103X	C CAPACITOR	0.01uF 50V K	
D4007	1N4003S-T5	SI DIODE			C5010	QEK1AM-476Z	E CAPACITOR	47uF 10V M	
D4008	1N4003S-T5	SI DIODE			C5012	NCB31CK-104X	C CAPACITOR	0.1uF 16V K	
D4009	1N4003S-T5	SI DIODE			C5200	NCB31HK-103X	C CAPACITOR	0.01uF 50V K	
D4201	MTZJ10B-T2	Z DIODE			C5500	NCB31HK-103X	C CAPACITOR	0.01uF 50V K	
D4203	1SS133-T2	SI DIODE			C5502	NCB31HK-102X	C CAPACITOR	1000pF 50V K	
D4204	1SS133-T2	SI DIODE			C5503	NCB31HK-102X	C CAPACITOR	1000pF 50V K	
D4500	1N4003S-T5	SI DIODE			C5602	NCB31HK-222X	C CAPACITOR	2200pF 50V K	
D5002	SLI-343URC-W-T	LED			C5660	QETN1HM-225Z	E CAPACITOR	2.2uF 50V M	
D5200	SELU1E54CM-P	LED			C5661	QETN1HM-225Z	E CAPACITOR	2.2uF 50V M	
D5205	1SS133-T2	SI DIODE			C5662	QETN1EM-476Z	E CAPACITOR	47uF 25V M	
D5206	1SS133-T2	SI DIODE			C5663	QETN1EM-476Z	E CAPACITOR	47uF 25V M	
D5600	1SS133-T2	SI DIODE			C5664	QETN1HM-106Z	E CAPACITOR	10uF 50V M	
D5601	1SS133-T2	SI DIODE			R2000	NRSA63J-103X	MG RESISTOR	10kΩ 1/16W J	
D5660	1SS133-T2	SI DIODE			R2001	NRSA63J-472X	MG RESISTOR	4.7kΩ 1/16W J	
C2000	QETN1AM-227Z	E CAPACITOR	220uF 10V M		R2002	NRSA63J-472X	MG RESISTOR	4.7kΩ 1/16W J	
C2001	QETN1AM-227Z	E CAPACITOR	220uF 10V M		R2003	NRSA63J-104X	MG RESISTOR	100kΩ 1/16W J	
C2002	NCB31HK-103X	C CAPACITOR	0.01uF 50V K		R2101	NRSA63J-203X	MG RESISTOR	20kΩ 1/16W J	
C2004	NCB31HK-103X	C CAPACITOR	0.01uF 50V K		R2102	NRSA63J-203X	MG RESISTOR	20kΩ 1/16W J	
C2103	NCB31HK-103X	C CAPACITOR	0.01uF 50V K		R2202	NRSA63J-302X	MG RESISTOR	3kΩ 1/16W J	
C2200	QETN1CM-107Z	E CAPACITOR	100uF 16V M		R2203	NRSA63J-222X	MG RESISTOR	2.2kΩ 1/16W J	
C2202	QFLC1HJ-104Z	M CAPACITOR	0.1uF 50V J		R2204	NRSA63J-752X	MG RESISTOR	7.5kΩ 1/16W J	
C2203	QETN1HM-226Z	E CAPACITOR	22uF 50V M		R2205	NRSA63J-752X	MG RESISTOR	7.5kΩ 1/16W J	
C2204	QFLC1HJ-104Z	M CAPACITOR	0.1uF 50V J		R2208	NRSA63J-103X	MG RESISTOR	10kΩ 1/16W J	
C2205	QFVF1HJ-184Z	MF CAPACITOR	0.18uF 50V J		R2209	NRSA63J-154X	MG RESISTOR	150kΩ 1/16W J	
C2206	QFVF1HJ-184Z	MF CAPACITOR	0.18uF 50V J		R2210	NRSA63J-154X	MG RESISTOR	150kΩ 1/16W J	
C2207	QFLC1HJ-104Z	M CAPACITOR	0.1uF 50V J		R2211	NRSA63J-103X	MG RESISTOR	10kΩ 1/16W J	
C2208	QFLC1HJ-104Z	M CAPACITOR	0.1uF 50V J		R2212	NRSA63J-752X	MG RESISTOR	7.5kΩ 1/16W J	
C2209	QFLC1HJ-272Z	M CAPACITOR	2700pF 50V J		R2215	NRSA63J-752X	MG RESISTOR	7.5kΩ 1/16W J	
C2210	QETN1HM-475Z	E CAPACITOR	4.7uF 50V M		R2216	NRSA63J-222X	MG RESISTOR	2.2kΩ 1/16W J	
C2211	QETN1HM-475Z	E CAPACITOR	4.7uF 50V M		R2217	NRSA63J-302X	MG RESISTOR	3kΩ 1/16W J	
C2213	QETN1HM-475Z	E CAPACITOR	4.7uF 50V M		R2300	NRSA63J-113X	MG RESISTOR	11kΩ 1/16W J	
C2214	QETN1HM-106Z	E CAPACITOR	10uF 50V M		R2301	NRSA63J-513X	MG RESISTOR	51kΩ 1/16W J	
C2215	QETN1HM-475Z	E CAPACITOR	4.7uF 50V M		R2302	NRSA63J-473X	MG RESISTOR	47kΩ 1/16W J	
C2216	QETN1HM-475Z	E CAPACITOR	4.7uF 50V M		R2303	NRSA63J-473X	MG RESISTOR	47kΩ 1/16W J	
C2217	QETN1CM-107Z	E CAPACITOR	100uF 16V M		R2304	NRSA63J-113X	MG RESISTOR	11kΩ 1/16W J	
C2218	QETN1HM-475Z	E CAPACITOR	4.7uF 50V M		R2305	NRSA63J-124X	MG RESISTOR	120kΩ 1/16W J	
C2219	QETN1HM-475Z	E CAPACITOR	4.7uF 50V M		R2306	NRSA63J-334X	MG RESISTOR	330kΩ 1/16W J	
C2220	QETN1HM-106Z	E CAPACITOR	10uF 50V M		R2307	NRSA63J-362X	MG RESISTOR	3.6kΩ 1/16W J	
C2221	QETN1HM-475Z	E CAPACITOR	4.7uF 50V M		R2308	NRSA63J-563X	MG RESISTOR	56kΩ 1/16W J	
					R2309	NRSA63J-563X	MG RESISTOR	56kΩ 1/16W J	
					R2400	QRJ146J-821X	UNF C RESISTOR	820Ω 1/4W J	
					R2401	QRJ146J-821X	UNF C RESISTOR	820Ω 1/4W J	
					R2402	QRJ146J-821X	UNF C RESISTOR	820Ω 1/4W J	
					R2403	QRJ146J-821X	UNF C RESISTOR	820Ω 1/4W J	
					R2404	NRSA63J-103X	MG RESISTOR	10kΩ 1/16W J	

△ Symbol No.	Part No.	Part Name	Description	Local	△ Symbol No.	Part No.	Part Name	Description	Local
R2405	NRSA63J-103X	MG RESISTOR	10kΩ 1/16W J	G35US, G35UB, G33A, G33US, G33UB, G30US, G30UB G33UW, G30UW	R5107	NRSA63J-392X	MG RESISTOR	3.9kΩ 1/16W J	
R4001	NRSA63J-273X	MG RESISTOR	27kΩ 1/16W J		R5108	NRSA63J-682X	MG RESISTOR	6.8kΩ 1/16W J	
R4001	NRSA63J-153X	MG RESISTOR	15kΩ 1/16W J		R5109	NRSA63J-153X	MG RESISTOR	15kΩ 1/16W J	
R4002	NRSA63J-103X	MG RESISTOR	10kΩ 1/16W J		R5200	NRSA63J-470X	MG RESISTOR	47Ω 1/16W J	
R4004	NRSA63J-273X	MG RESISTOR	27kΩ 1/16W J	R5202	NRSA63J-104X	MG RESISTOR	100kΩ 1/16W J		
R4005	NRSA63J-223X	MG RESISTOR	22kΩ 1/16W J	R5204	NRSA63J-331X	MG RESISTOR	330kΩ 1/16W J		
R4007	NRSA63J-222X	MG RESISTOR	2.2kΩ 1/16W J	R5501	NRSA63J-102X	MG RESISTOR	1kΩ 1/16W J		
R4008	NRSA63J-222X	MG RESISTOR	2.2kΩ 1/16W J	R5600	NRSA63J-102X	MG RESISTOR	1kΩ 1/16W J		
R4009	NRSA63J-222X	MG RESISTOR	2.2kΩ 1/16W J	R5601	NRSA63J-243X	MG RESISTOR	24kΩ 1/16W J		
R4010	NRSA63J-103X	MG RESISTOR	10kΩ 1/16W J	R5602	NRSA63J-303X	MG RESISTOR	30kΩ 1/16W J		
R4011	NRSA63J-103X	MG RESISTOR	10kΩ 1/16W J	R5603	NRSA63J-243X	MG RESISTOR	24kΩ 1/16W J		
R4014	NRSA63J-222X	MG RESISTOR	2.2kΩ 1/16W J	R5604	NRSA63J-303X	MG RESISTOR	30kΩ 1/16W J		
R4015	NRSA63J-472X	MG RESISTOR	4.7kΩ 1/16W J	R5662	NRSA63J-104X	MG RESISTOR	100kΩ 1/16W J		
R4016	NRSA63J-222X	MG RESISTOR	2.2kΩ 1/16W J	R5663	NRSA63J-104X	MG RESISTOR	100kΩ 1/16W J		
R4017	NRSA63J-222X	MG RESISTOR	2.2kΩ 1/16W J	R5664	NRSA63J-472X	MG RESISTOR	4.7kΩ 1/16W J		
R4018	NRSA63J-222X	MG RESISTOR	2.2kΩ 1/16W J	R5665	NRSA63J-472X	MG RESISTOR	4.7kΩ 1/16W J		
R4020	NRSA63J-103X	MG RESISTOR	10kΩ 1/16W J	R5666	NRSA63J-472X	MG RESISTOR	4.7kΩ 1/16W J		
R4023	NRSA63J-103X	MG RESISTOR	10kΩ 1/16W J	R5667	NRSA63J-472X	MG RESISTOR	4.7kΩ 1/16W J		
R4024	NRSA63J-103X	MG RESISTOR	10kΩ 1/16W J	R5668	NRSA63J-224X	MG RESISTOR	220kΩ 1/16W J		
R4025	NRSA63J-222X	MG RESISTOR	2.2kΩ 1/16W J	R5669	NRSA63J-104X	MG RESISTOR	100kΩ 1/16W J		
R4026	NRSA63J-222X	MG RESISTOR	2.2kΩ 1/16W J	R5671	NRSA63J-103X	MG RESISTOR	10kΩ 1/16W J		
R4027	NRSA63J-222X	MG RESISTOR	2.2kΩ 1/16W J	R5672	NRSA63J-562X	MG RESISTOR	5.6kΩ 1/16W J		
R4030	NRSA63J-103X	MG RESISTOR	10kΩ 1/16W J	CN400	QGF1205F2-10	CONNECTOR	FFC/FPC (1-10)		
R4031	NRSA63J-102X	MG RESISTOR	1kΩ 1/16W J	CN401	QGF1205F2-14	CONNECTOR	FFC/FPC (1-14)		
R4032	NRSA63J-222X	MG RESISTOR	2.2kΩ 1/16W J	CN402	QGB2510J1-11	CONNECTOR	B-B (1-11)		
R4033	NRSA63J-103X	MG RESISTOR	10kΩ 1/16W J	CN403	QGB2510J1-10	CONNECTOR	B-B (1-10)		
R4034	NRSA63J-103X	MG RESISTOR	10kΩ 1/16W J	CN404	QGF1205F2-17	CONNECTOR	FFC/FPC (1-17)		
R4036	NRSA63J-102X	MG RESISTOR	1kΩ 1/16W J	CN405	QGF1205F2-11	CONNECTOR	FFC/FPC (1-11)		
R4037	NRSA63J-102X	MG RESISTOR	1kΩ 1/16W J	CN406	QGF1036C2-17	CONNECTOR	FFC/FPC (1-17)		
R4038	NRSA63J-102X	MG RESISTOR	1kΩ 1/16W J	CN500	QGF1205F2-14	CONNECTOR	FFC/FPC (1-14)		
R4039	NRSA63J-104X	MG RESISTOR	100kΩ 1/16W J	CN550	QGF1205C2-10	CONNECTOR	FFC/FPC (1-10)		
R4040	NRSA63J-102X	MG RESISTOR	1kΩ 1/16W J	△ DI500	QLF0165-001	FL TUBE			
R4041	NRSA63J-102X	MG RESISTOR	1kΩ 1/16W J	EP550	QNZ0136-001Z	EARTH PLATE			
R4043	NRSA63J-203X	MG RESISTOR	20kΩ 1/16W J	EP560	QNZ0136-001Z	EARTH PLATE			
R4044	NRSA63J-222X	MG RESISTOR	2.2kΩ 1/16W J	J2600	QNB0292-001	SPK TERMINAL			
R4046	NRSA63J-222X	MG RESISTOR	2.2kΩ 1/16W J	J5500	QNS0173-001	JACK			
R4047	NRSA63J-103X	MG RESISTOR	10kΩ 1/16W J	J5600	QNS0173-001	JACK			
R4048	NRSA63J-101X	MG RESISTOR	100Ω 1/16W J	JS500	QSW1059-001	JOG VOLUME			
R4049	NRSA63J-222X	MG RESISTOR	2.2kΩ 1/16W J	S5100	QSW0683-001Z	PUSH SW 1.M			
R4050	NRSA63J-222X	MG RESISTOR	2.2kΩ 1/16W J	S5101	QSW0683-001Z	PUSH SW 1.M			
R4052	NRSA63J-222X	MG RESISTOR	2.2kΩ 1/16W J	S5102	QSW0683-001Z	PUSH SW 1.M			
R4053	NRSA63J-222X	MG RESISTOR	2.2kΩ 1/16W J	S5103	QSW0683-001Z	PUSH SW 1.M			
R4054	NRSA63J-222X	MG RESISTOR	2.2kΩ 1/16W J	S5104	QSW0683-001Z	PUSH SW 1.M			
R4055	NRSA63J-222X	MG RESISTOR	2.2kΩ 1/16W J	S5105	QSW0683-001Z	PUSH SW 1.M			
R4056	NRSA63J-103X	MG RESISTOR	10kΩ 1/16W J	S5106	QSW0683-001Z	PUSH SW 1.M			
R4057	NRSA63J-222X	MG RESISTOR	2.2kΩ 1/16W J	S5107	QSW0683-001Z	PUSH SW 1.M			
R4058	NRSA63J-222X	MG RESISTOR	2.2kΩ 1/16W J	S5108	QSW0683-001Z	PUSH SW 1.M			
R4059	NRSA63J-222X	MG RESISTOR	2.2kΩ 1/16W J	S5109	QSW0683-001Z	PUSH SW 1.M			
R4060	NRSA63J-103X	MG RESISTOR	10kΩ 1/16W J	X4000	QAX0711-002Z	CRYSTAL	8.000000MHZ		
R4061	NRSA63J-331X	MG RESISTOR	330Ω 1/16W J						
R4062	NRSA63J-103X	MG RESISTOR	10kΩ 1/16W J						
R4063	NRSA63J-103X	MG RESISTOR	10kΩ 1/16W J						
R4064	NRSA63J-104X	MG RESISTOR	100kΩ 1/16W J						
R4065	NRSA63J-473X	MG RESISTOR	47kΩ 1/16W J						
R4066	NRSA63J-333X	MG RESISTOR	33kΩ 1/16W J						
R4067	NRSA63J-102X	MG RESISTOR	1kΩ 1/16W J						
R4068	NRSA63J-103X	MG RESISTOR	10kΩ 1/16W J						
R4070	NRSA63J-103X	MG RESISTOR	10kΩ 1/16W J						
R4071	NRSA63J-103X	MG RESISTOR	10kΩ 1/16W J						
R4072	NRSA63J-103X	MG RESISTOR	10kΩ 1/16W J						
R4073	NRSA63J-103X	MG RESISTOR	10kΩ 1/16W J						
R4083	NRSA63J-222X	MG RESISTOR	2.2kΩ 1/16W J						
R4200	NRSA63J-103X	MG RESISTOR	10kΩ 1/16W J						
R4203	NRSA63J-473X	MG RESISTOR	47kΩ 1/16W J						
R4204	NRSA63J-153X	MG RESISTOR	15kΩ 1/16W J						
R5000	NRSA63J-823X	MG RESISTOR	82kΩ 1/16W J						
R5002	NRSA63J-102X	MG RESISTOR	1kΩ 1/16W J						
R5100	NRSA63J-911X	MG RESISTOR	910Ω 1/16W J						
R5101	NRSA63J-242X	MG RESISTOR	2.4kΩ 1/16W J						
R5102	NRSA63J-392X	MG RESISTOR	3.9kΩ 1/16W J						
R5103	NRSA63J-682X	MG RESISTOR	6.8kΩ 1/16W J						
R5104	NRSA63J-153X	MG RESISTOR	15kΩ 1/16W J						
R5105	NRSA63J-911X	MG RESISTOR	910Ω 1/16W J						
R5106	NRSA63J-242X	MG RESISTOR	2.4kΩ 1/16W J						

Power board

Block No. [0][2]

△ Symbol No.	Part No.	Part Name	Description	Local
△ IC110	KIA278R12PI-U/P	IC		
IC120	KIA78D09PI-U/P	IC		
△ IC150	STK432-050-E	IC(HYBRID)		
IC951	KIA7805API	IC		
Q950	KTC3875/YG/-X	TRANSISTOR		
Q951	KTC2026/Y/	TRANSISTOR		
Q1000	KTA1267/YG/-T	TRANSISTOR		
Q1250	KTC3875/YG/-X	TRANSISTOR		
Q1251	KRA102S-X	DIGI TRANSISTOR		
Q1500	KTA1504/YG/-X	TRANSISTOR		
Q1501	KTA1504/YG/-X	TRANSISTOR		
Q1502	KTC3875/YG/-X	TRANSISTOR		
Q1600	KTC3875/YG/-X	TRANSISTOR		
Q1601	KTA1504/YG/-X	TRANSISTOR		
Q1650	KRA102S-X	DIGI TRANSISTOR		

G35US,
G33US,
G33UW,
G30US,
G30UW

△ Symbol No.	Part No.	Part Name	Description	Local	△ Symbol No.	Part No.	Part Name	Description	Local
Q1651	KTC2875-X	CHIP TR.			C1519	NDC31HJ-560X	C CAPACITOR	56pF 50V J	
Q1652	KTC2875-X	CHIP TR.			C1520	QETN1HM-226Z	E CAPACITOR	22uF 50V M	
Q1850	KTC3875/YG/-X	TRANSISTOR			C1600	QETN1VM-476Z	E CAPACITOR	47uF 35V M	
△ D900	1N5402M-20	SI DIODE			C1601	QETN1HM-226Z	E CAPACITOR	22uF 50V M	
△ D901	1N5402M-20	SI DIODE			C1650	QETN1HM-475Z	E CAPACITOR	4.7uF 50V M	
△ D902	1N5402M-20	SI DIODE							
△ D903	1N5402M-20	SI DIODE			R956	QRE141J-153Y	C RESISTOR	15kΩ 1/4W J	G35US, G33US, G30US, G30UW
△ D950	1N4003S-T5	SI DIODE							
△ D951	1N4003S-T5	SI DIODE			R957	QRE141J-153Y	C RESISTOR	15kΩ 1/4W J	G35US, G33US, G30US, G30UW
△ D952	1N4003S-T5	SI DIODE							
△ D953	1N4003S-T5	SI DIODE			R958	QRE141J-153Y	C RESISTOR	15kΩ 1/4W J	G35US, G33US, G30US, G30UW
D954	1SS133-T2	SI DIODE							
D955	1N4003S-T5	SI DIODE							
D956	1SS133-T2	SI DIODE							
				G35US, G33US, G30US, G30UW	R1000	QRJ146J-332X	UNF C RESISTOR	3.3kΩ 1/4W J	
D957	MTZJ10B-T2	Z DIODE			R1250	NRSA63J-103X	MG RESISTOR	10kΩ 1/16W J	
				G35US, G33US, G30US, G30UW	R1251	NRSA63J-223X	MG RESISTOR	22kΩ 1/16W J	
D958	1N4003S-T5	SI DIODE			R1500	NRSA63J-563X	MG RESISTOR	56kΩ 1/16W J	
				G35US, G33US, G30US, G30UW	△ R1501	NRSA63J-102X	MG RESISTOR	1kΩ 1/16W J	
D959	1N4003S-T5	SI DIODE			R1502	NRSA63J-102X	MG RESISTOR	1kΩ 1/16W J	
				G35US, G33US, G30US, G30UW	△ R1503	NRSA63J-182X	MG RESISTOR	1.8kΩ 1/16W J	
△ D1000	1N4003S-T5	SI DIODE			△ R1504	NRSA63J-182X	MG RESISTOR	1.8kΩ 1/16W J	
D1001	MTZJ22A-T2	Z DIODE			R1505	NRSA63J-102X	MG RESISTOR	1kΩ 1/16W J	
D1002	MTZJ5.6B-T2	Z DIODE			R1506	NRSA63J-102X	MG RESISTOR	1kΩ 1/16W J	
D1250	1SS133-T2	SI DIODE			R1507	NRSA63J-563X	MG RESISTOR	56kΩ 1/16W J	
△ D1401	2A02-M	DIODE			R1508	NRSA63J-563X	MG RESISTOR	56kΩ 1/16W J	
△ D1402	2A02-M	DIODE			R1509	QRJ146J-182X	UNF C RESISTOR	1.8kΩ 1/4W J	
△ D1403	2A02-M	DIODE			R1510	QRJ146J-2R2X	UNF C RESISTOR	2.2Ω 1/4W J	
△ D1404	2A02-M	DIODE			R1511	QRJ146J-2R2X	UNF C RESISTOR	2.2Ω 1/4W J	
D1500	MTZJ9.1B-T2	Z DIODE			R1512	NRSA63J-333X	MG RESISTOR	33kΩ 1/16W J	
D1501	1SS133-T2	SI DIODE			R1513	QRT01DJ-R22X	MF RESISTOR	0.22Ω 1W J	
D1502	1SS133-T2	SI DIODE			R1514	QRJ146J-101X	UNF C RESISTOR	100Ω 1/4W J	
△ D1503	MTZJ9.1B-T2	Z DIODE			R1515	NRSA63J-221X	MG RESISTOR	220Ω 1/16W J	
D1600	1SS133-T2	SI DIODE			R1516	NRSA63J-103X	MG RESISTOR	10kΩ 1/16W J	
D1851	1SS133-T2	SI DIODE			R1517	NRSA63J-222X	MG RESISTOR	2.2kΩ 1/16W J	
C904	QFNC2AJ-104Z	M CAPACITOR	0.1uF 100V J		R1518	NRSA63J-221X	MG RESISTOR	220Ω 1/16W J	
C911	QCZ9105-472	C CAPACITOR	4700pF 250V M		R1519	QRT01DJ-R22X	MF RESISTOR	0.22Ω 1W J	
				G35US, G33US, G30US, G30UW	R1520	QRJ146J-101X	UNF C RESISTOR	100Ω 1/4W J	
C950	QETM2AM-227	E CAPACITOR	220uF 100V M		R1521	NRSA63J-222X	MG RESISTOR	2.2kΩ 1/16W J	
				G35US, G33US, G30US, G30UW	R1522	NRSA63J-103X	MG RESISTOR	10kΩ 1/16W J	
C950	QETN1EM-227Z	E CAPACITOR	220uF 25V M		R1523	QRJ146J-100X	UNF C RESISTOR	10Ω 1/4W J	
				G35US, G33US, G30US, G30UW	△ R1524	QRJ146J-2R2X	UNF C RESISTOR	2.2Ω 1/4W J	
C952	QETN1CM-107Z	E CAPACITOR	100uF 16V M		R1525	QRJ146J-2R2X	UNF C RESISTOR	2.2Ω 1/4W J	
				G35US, G33US, G30US, G30UW	R1526	NRSA63J-563X	MG RESISTOR	56kΩ 1/16W J	
C956	QFLC2AJ-472Z	M CAPACITOR	4700pF 100V J		R1527	QRJ146J-182X	UNF C RESISTOR	1.8kΩ 1/4W J	
				G35US, G33US, G30US, G30UW	R1528	NRSA63J-472X	MG RESISTOR	4.7kΩ 1/16W J	
C1000	QETN1VM-227Z	E CAPACITOR	220uF 35V M		R1529	NRSA63J-124X	MG RESISTOR	120kΩ 1/16W J	
C1001	NCB31HK-103X	C CAPACITOR	0.01uF 50V K		R1530	NRSA63J-103X	MG RESISTOR	10kΩ 1/16W J	
C1002	QETN1HM-226Z	E CAPACITOR	22uF 50V M		R1531	NRSA63J-104X	MG RESISTOR	100kΩ 1/16W J	
C1003	QETN1HM-475Z	E CAPACITOR	4.7uF 50V M		R1532	NRSA63J-103X	MG RESISTOR	10kΩ 1/16W J	
C1100	QETN1EM-227Z	E CAPACITOR	220uF 25V M		R1533	NRSA63J-104X	MG RESISTOR	100kΩ 1/16W J	
C1200	QETN1CM-107Z	E CAPACITOR	100uF 16V M		R1534	NRSA63J-823X	MG RESISTOR	82kΩ 1/16W J	
C1250	QETM1VM-228	E CAPACITOR	2200uF 35V M		R1600	NRSA63J-104X	MG RESISTOR	100kΩ 1/16W J	
C1251	QETM1VM-228	E CAPACITOR	2200uF 35V M		R1601	NRSA63J-302X	MG RESISTOR	3kΩ 1/16W J	
C1252	QETM1EM-478	E CAPACITOR	4700uF 25V M		R1652	NRSA63J-103X	MG RESISTOR	10kΩ 1/16W J	
C1406	QFLC1HJ-104Z	M CAPACITOR	0.1uF 50V J		R1653	NRSA63J-103X	MG RESISTOR	10kΩ 1/16W J	
C1500	NDC31HJ-560X	C CAPACITOR	56pF 50V J		R1851	NRSA63J-302X	MG RESISTOR	3kΩ 1/16W J	
C1501	QTE1V06-106Z	E CAPACITOR	10uF 35V						
C1502	NCB31HK-471X	C CAPACITOR	470pF 50V K		L1500	QQLZ035-R39	COIL	0.39uH	
C1503	NCB31HK-471X	C CAPACITOR	470pF 50V K		L1501	QQLZ035-R39	COIL	0.39uH	
C1504	QTE1V06-106Z	E CAPACITOR	10uF 35V						
C1505	QETN1HM-106Z	E CAPACITOR	10uF 50V M		△ T950	QQT0370-012	POWER TRANSF		G35US, G33US, G30US, G30UW
C1506	QETN1VM-476Z	E CAPACITOR	47uF 35V M						
C1507	NDC31HJ-5R0X	C CAPACITOR	5pF 50V J		△ T950	QQT0253-002	POWER TRANSF		G35US, G33US, G30US, G30UW
C1508	QFVF1HJ-684Z	MF CAPACITOR	0.68uF 50V J						
C1509	QFVF1HJ-684Z	MF CAPACITOR	0.68uF 50V J						
C1514	QETN1HM-106Z	E CAPACITOR	10uF 50V M						
C1515	QFVF1HJ-684Z	MF CAPACITOR	0.68uF 50V J		CN150	QGB2510K2-13	CONNECTOR	B-B (1-13)	
C1516	QFVF1HJ-684Z	MF CAPACITOR	0.68uF 50V J		CN151	QGB2510K2-10	CONNECTOR	B-B (1-10)	
C1517	NDC31HJ-5R0X	C CAPACITOR	5pF 50V J		CN152	QGB2510K2-11	CONNECTOR	B-B (1-11)	
C1518	QETN1VM-476Z	E CAPACITOR	47uF 35V M		△ CN900	QGA7901C1-02	CONNECTOR	W-B (1-2)	
					CN901	QGB2510J1-13	CONNECTOR	B-B (1-13)	
					EP150	QNZ0136-001Z	EARTH PLATE		
					FT140	QNG0003-001Z	FUSE CLIP		
					FT141	QNG0003-001Z	FUSE CLIP		

Symbol No.	Part No.	Part Name	Description	Local
FT901	QNG0003-001Z	FUSE CLIP		
FT902	QNG0003-001Z	FUSE CLIP		
FT911	QNG0003-001Z	FUSE CLIP		G35US, G33US, G33UW, G30US, G30UW
FT912	QNG0003-001Z	FUSE CLIP		G35US, G33US, G33UW, G30US, G30UW
HS110	GV40620-006A	HEAT SINK		
PP150	QZW0112-001	WIRE CLAMP		
RY185	QSK0127-001	RELAY		
RY950	QSK0129-002	RELAY		
S900	QSW0812-001	VOLTAGE SWITCH		G35US, G33US, G33UW, G30US, G30UW

Symbol No.	Part No.	Part Name	Description	Local
R110	QRE141J-222Y	C RESISTOR	2.2kΩ 1/4W J	
R123	QRE141J-222Y	C RESISTOR	2.2kΩ 1/4W J	
R200	NRSA63J-512X	MG RESISTOR	5.1kΩ 1/16W J	
R201	NRSA63J-512X	MG RESISTOR	5.1kΩ 1/16W J	
R202	NRSA63J-182X	MG RESISTOR	1.8kΩ 1/16W J	
R203	NRSA63J-113X	MG RESISTOR	11kΩ 1/16W J	
R204	NRSA63J-273X	MG RESISTOR	27kΩ 1/16W J	
R205	NRSA63J-303X	MG RESISTOR	30kΩ 1/16W J	
R206	NRSA63J-103X	MG RESISTOR	10kΩ 1/16W J	
R207	NRSA63J-101X	MG RESISTOR	100Ω 1/16W J	
R208	NRSA63J-104X	MG RESISTOR	100kΩ 1/16W J	
R209	QRE141J-223Y	C RESISTOR	22kΩ 1/4W J	
R210	NRSA63J-113X	MG RESISTOR	11kΩ 1/16W J	
R211	NRSA63J-303X	MG RESISTOR	30kΩ 1/16W J	
R212	NRSA63J-273X	MG RESISTOR	27kΩ 1/16W J	
R213	NRSA63J-182X	MG RESISTOR	1.8kΩ 1/16W J	
R214	NRSA63J-512X	MG RESISTOR	5.1kΩ 1/16W J	
R215	NRSA63J-512X	MG RESISTOR	5.1kΩ 1/16W J	
R216	NRSA63J-102X	MG RESISTOR	1kΩ 1/16W J	
R217	NRSA63J-102X	MG RESISTOR	1kΩ 1/16W J	
R218	NRSA63J-912X	MG RESISTOR	9.1kΩ 1/16W J	
R219	NRSA63J-912X	MG RESISTOR	9.1kΩ 1/16W J	
R220	NRSA63J-222X	MG RESISTOR	2.2kΩ 1/16W J	
R221	NRSA63J-222X	MG RESISTOR	2.2kΩ 1/16W J	
R222	QRE141J-472Y	C RESISTOR	4.7kΩ 1/4W J	
R223	QRE141J-472Y	C RESISTOR	4.7kΩ 1/4W J	
R224	QRE141J-472Y	C RESISTOR	4.7kΩ 1/4W J	
R225	QRE141J-472Y	C RESISTOR	4.7kΩ 1/4W J	
R226	QRE141J-221Y	C RESISTOR	220Ω 1/4W J	
R227	QRE141J-103Y	C RESISTOR	10kΩ 1/4W J	
R300	NRSA63J-153X	MG RESISTOR	15kΩ 1/16W J	
R301	NRSA63J-153X	MG RESISTOR	15kΩ 1/16W J	
R302	QRZ9005-100X	FUSI RESISTOR	10Ω	
R303	QRE141J-101Y	C RESISTOR	100Ω 1/4W J	
R304	QRE141J-153Y	C RESISTOR	15kΩ 1/4W J	
R305	QRE141J-2R2Y	C RESISTOR	2.2Ω 1/4W J	
R306	QRJ146J-4R7X	UNF C RESISTOR	4.7Ω 1/4W J	
R307	QRE141J-222Y	C RESISTOR	2.2kΩ 1/4W J	
R308	QRE141J-474Y	C RESISTOR	470kΩ 1/4W J	
VR300	QVP0008-203Z	TRIM RESISTOR	20kΩ	

Cassette board

Block No. [0][3]

Symbol No.	Part No.	Part Name	Description	Local
IC200	HA12238F-E	IC		
Q110	KTA1271/OY/-T	TRANSISTOR		
Q111	KRC107S-X	DIGI TRANSISTOR		
Q120	KTA1296/Y/-T	TRANSISTOR		
Q121	KRC107S-X	DIGI TRANSISTOR		
Q200	KRA102S-X	DIGI TRANSISTOR		
Q201	KTC2876-T	TRANSISTOR		
Q202	KTC2876-T	TRANSISTOR		
Q203	KTC2876-T	TRANSISTOR		
Q204	KTC2876-T	TRANSISTOR		
Q205	KRC107S-X	DIGI TRANSISTOR		
Q206	KRC107S-X	DIGI TRANSISTOR		
Q300	KTC3203/OY/-T	TRANSISTOR		
Q301	KTC3203/OY/-T	TRANSISTOR		
D121	1N4003S-T5	SI DIODE		
C110	QETN1HM-106Z	E CAPACITOR	10uF 50V M	
C122	QETN1CM-107Z	E CAPACITOR	100uF 16V M	
C202	NCB31HK-122X	C CAPACITOR	1200pF 50V K	
C203	NCB31HK-103X	C CAPACITOR	0.01uF 50V K	
C204	NCB31CK-104X	C CAPACITOR	0.1uF 16V K	
C205	QETN1HM-225Z	E CAPACITOR	2.2uF 50V M	
C206	NCB31CK-104X	C CAPACITOR	0.1uF 16V K	
C207	QCB1HK-391Y	C CAPACITOR	390pF 50V K	
C209	QETN1AM-227Z	E CAPACITOR	220uF 10V M	
C210	QETN1HM-105Z	E CAPACITOR	1uF 50V M	
C211	QETN1HM-106Z	E CAPACITOR	10uF 50V M	
C212	NCB31CK-104X	C CAPACITOR	0.1uF 16V K	
C213	QETN1HM-225Z	E CAPACITOR	2.2uF 50V M	
C214	NCB31CK-104X	C CAPACITOR	0.1uF 16V K	
C215	QCB1HK-391Y	C CAPACITOR	390pF 50V K	
C216	NCB31HK-221X	C CAPACITOR	220pF 50V K	
C219	NCB31HK-103X	C CAPACITOR	0.01uF 50V K	
C220	QETN1HM-226Z	E CAPACITOR	22uF 50V M	
C221	QETN1HM-105Z	E CAPACITOR	1uF 50V M	
C222	QETN1HM-226Z	E CAPACITOR	22uF 50V M	
C223	QDXB1CM-682Y	C CAPACITOR	6800pF 16V M	
C224	QDXB1CM-682Y	C CAPACITOR	6800pF 16V M	
C225	NCB31HK-122X	C CAPACITOR	1200pF 50V K	
C226	QETN1EM-475Z	E CAPACITOR	4.7uF 25V M	
C227	QETN1EM-475Z	E CAPACITOR	4.7uF 25V M	
C228	QETN1CM-107Z	E CAPACITOR	100uF 16V M	
C231	NCB31HK-221X	C CAPACITOR	220pF 50V K	
C300	QCB1HK-331Y	C CAPACITOR	330pF 50V K	
C301	QCB1HK-331Y	C CAPACITOR	330pF 50V K	
C303	QFG32AJ-273Z	PP CAPACITOR	0.027uF 100V J	
C304	QETN1CM-107Z	E CAPACITOR	100uF 16V M	
C306	QCB1HK-223Y	C CAPACITOR	0.022uF 50V K	
C307	QDXB1CM-152Y	C CAPACITOR	1500pF 16V M	

L300	QQR1118-002	OSC COIL(BIAS)		
L301	QQL244K-100Z	COIL	10uH K	
CN100	QGF1205F2-17	CONNECTOR	FFC/FPC (1-17)	
CN110	QGF1205F2-06	CONNECTOR	FFC/FPC (1-6)	
CN200	QGB2021L1-06	CONNECTOR	B-B (1-6)	

CD servo board

Block No. [0][4]

Symbol No.	Part No.	Part Name	Description	Local
IC201	BR24L08FV-W-X	IC		
IC251	MN101C61GNA1	IC		
IC601	AN22002A-W	IC		
IC651	MN6627934CH	IC		
IC671	A42L2604V-45F	IC		
IC681	SN74AHC1G32DC-X	IC		
IC682	SN74LV08APW-X	IC		
IC801	LA6575H-X	IC		
Q291	2SB1424/QR/-W	TRANSISTOR		
Q631	2SA1037AK/RS/-X	TRANSISTOR		
Q851	2SB1424/QR/-W	TRANSISTOR		
C201	NCB31CK-104X	C CAPACITOR	0.1uF 16V K	
C251	NCB31CK-104X	C CAPACITOR	0.1uF 16V K	
C252	QEKJ0JM-476Z	E CAPACITOR	47uF 6.3V M	
C253	NCB31CK-104X	C CAPACITOR	0.1uF 16V K	
C259	NDC31HJ-101X	C CAPACITOR	100pF 50V J	
C291	QERF0JM-226Z	E CAPACITOR	22uF 6.3V M	
C603	NCB31CK-104X	C CAPACITOR	0.1uF 16V K	
C604	NCB31CK-104X	C CAPACITOR	0.1uF 16V K	

△ Symbol No.	Part No.	Part Name	Description	Local	△ Symbol No.	Part No.	Part Name	Description	Local
C605	NDC31HJ-391X	C CAPACITOR	390pF 50V J		R607	NRSA63J-473X	MG RESISTOR	47kΩ 1/16W J	
C606	NDC31HJ-560X	C CAPACITOR	56pF 50V J		R608	NRSA63J-473X	MG RESISTOR	47kΩ 1/16W J	
C609	NDC31HJ-470X	C CAPACITOR	47pF 50V J		R611	NRSA63J-562X	MG RESISTOR	5.6kΩ 1/16W J	
C610	NCB31CK-563X	C CAPACITOR	0.056uF 16V K		R613	NRSA63J-472X	MG RESISTOR	4.7kΩ 1/16W J	
C611	NCB31CK-104X	C CAPACITOR	0.1uF 16V K		R617	NRSA63J-152X	MG RESISTOR	1.5kΩ 1/16W J	
C612	NCB31CK-104X	C CAPACITOR	0.1uF 16V K		R631	NRSA63J-2R2X	MG RESISTOR	2.2Ω 1/16W J	
C614	NCB31CK-393X	C CAPACITOR	0.039uF 16V K		R632	NRSA63J-3R9X	MG RESISTOR	3.9Ω 1/16W J	
C615	NCB31HK-272X	C CAPACITOR	2700pF 50V K		R634	NRSA63J-3R9X	MG RESISTOR	3.9Ω 1/16W J	
C616	NCB31HK-182X	C CAPACITOR	1800pF 50V K		R635	NRSA63J-100X	MG RESISTOR	10Ω 1/16W J	
C621	NCB31CK-104X	C CAPACITOR	0.1uF 16V K		R636	NRSA63J-151X	MG RESISTOR	150Ω 1/16W J	
C622	QEKJ0JM-107Z	E CAPACITOR	100uF 6.3V M		R651	NRSA63J-472X	MG RESISTOR	4.7kΩ 1/16W J	
C623	NCB31CK-104X	C CAPACITOR	0.1uF 16V K		R652	NRSA63J-0R0X	MG RESISTOR	0Ω 1/16W J	
C624	QEKJ0JM-107Z	E CAPACITOR	100uF 6.3V M		R653	NRSA63J-222X	MG RESISTOR	2.2kΩ 1/16W J	
C631	QEKJ1CM-106Z	E CAPACITOR	10uF 16V M		R654	NRSA63J-823X	MG RESISTOR	82kΩ 1/16W J	
C632	NCB31CK-104X	C CAPACITOR	0.1uF 16V K		R655	NRSA63J-105X	MG RESISTOR	1MΩ 1/16W J	
C633	NCB31EK-223X	C CAPACITOR	0.022uF 25V K		R656	NRSA63J-104X	MG RESISTOR	100kΩ 1/16W J	
C641	NDC31HJ-680X	C CAPACITOR	68pF 50V J		R657	NRSA63J-821X	MG RESISTOR	820Ω 1/16W J	
C651	QEKJ0JM-107Z	E CAPACITOR	100uF 6.3V M		R658	NRSA63J-0R0X	MG RESISTOR	0Ω 1/16W J	
C652	NCB31CK-104X	C CAPACITOR	0.1uF 16V K		R659	NRSA63J-153X	MG RESISTOR	15kΩ 1/16W J	
C653	NCB31CK-104X	C CAPACITOR	0.1uF 16V K		R661	NRSA63J-153X	MG RESISTOR	15kΩ 1/16W J	
C654	NCB31CK-104X	C CAPACITOR	0.1uF 16V K		R662	NRSA02J-101X	MG RESISTOR	100Ω 1/10W J	
C655	NCB31CK-104X	C CAPACITOR	0.1uF 16V K		R664	NRSA63J-0R0X	MG RESISTOR	0Ω 1/16W J	
C656	NCB31CK-104X	C CAPACITOR	0.1uF 16V K		R665	NRSA63J-681X	MG RESISTOR	680Ω 1/16W J	
C657	NCS31HJ-681X	C CAPACITOR	680pF 50V J		R666	NRSA63J-561X	MG RESISTOR	560Ω 1/16W J	
C658	NCB31CK-104X	C CAPACITOR	0.1uF 16V K		R667	NRSA63J-681X	MG RESISTOR	680Ω 1/16W J	
C659	NCB31EK-223X	C CAPACITOR	0.022uF 25V K		R668	NRSA63J-561X	MG RESISTOR	560Ω 1/16W J	
C661	NCB31HK-102X	C CAPACITOR	1000pF 50V K		R669	NRSA63J-102X	MG RESISTOR	1kΩ 1/16W J	
C662	NCB31CK-823X	C CAPACITOR	0.082uF 16V K		R671	NRSA63J-333X	MG RESISTOR	33kΩ 1/16W J	
C663	NCB31CK-104X	C CAPACITOR	0.1uF 16V K		R672	NRSA63J-102X	MG RESISTOR	1kΩ 1/16W J	
C664	QERF0JM-476Z	E CAPACITOR	47uF 6.3V M		R673	NRSA63J-102X	MG RESISTOR	1kΩ 1/16W J	
C665	NCB31CK-104X	C CAPACITOR	0.1uF 16V K		R674	NRSA63J-102X	MG RESISTOR	1kΩ 1/16W J	
C666	QEKJ0JM-107Z	E CAPACITOR	100uF 6.3V M		R675	NRSA63J-102X	MG RESISTOR	1kΩ 1/16W J	
C667	NCB31CK-104X	C CAPACITOR	0.1uF 16V K		R676	NRSA63J-0R0X	MG RESISTOR	0Ω 1/16W J	
C669	NCB31HK-222X	C CAPACITOR	2200pF 50V K		R678	NRSA63J-0R0X	MG RESISTOR	0Ω 1/16W J	
C672	NCB31HK-222X	C CAPACITOR	2200pF 50V K		R679	NRSA63J-0R0X	MG RESISTOR	0Ω 1/16W J	
C673	QEKJ1CM-106Z	E CAPACITOR	10uF 16V M		R681	NRSA63J-103X	MG RESISTOR	10kΩ 1/16W J	
C674	NCB31CK-104X	C CAPACITOR	0.1uF 16V K		R682	NRSA63J-391X	MG RESISTOR	390Ω 1/16W J	
C675	NDC31HJ-100X	C CAPACITOR	10pF 50V J		R801	NRSA63J-472X	MG RESISTOR	4.7kΩ 1/16W J	
C676	NDC31HJ-100X	C CAPACITOR	10pF 50V J		R802	NRSA63J-222X	MG RESISTOR	2.2kΩ 1/16W J	
C677	NCB31CK-104X	C CAPACITOR	0.1uF 16V K		R803	NRSA63J-562X	MG RESISTOR	5.6kΩ 1/16W J	
C678	QEKJ0JM-107Z	E CAPACITOR	100uF 6.3V M		R805	NRSA63J-222X	MG RESISTOR	2.2kΩ 1/16W J	
C681	NCB31CK-103X	C CAPACITOR	0.01uF 16V K		R806	NRSA63J-222X	MG RESISTOR	2.2kΩ 1/16W J	
C690	NCB31CK-104X	C CAPACITOR	0.1uF 16V K		R807	NRSA63J-562X	MG RESISTOR	5.6kΩ 1/16W J	
C801	NCB31CK-104X	C CAPACITOR	0.1uF 16V K		R809	NRSA63J-223X	MG RESISTOR	22kΩ 1/16W J	
C802	QERF1AM-227Z	E CAPACITOR	220uF 10V M		R811	NRSA63J-153X	MG RESISTOR	15kΩ 1/16W J	
C803	NCB31AK-474X	C CAPACITOR	0.47uF 10V K		R812	NRSA63J-102X	MG RESISTOR	1kΩ 1/16W J	
C804	NCB31CK-183X	C CAPACITOR	0.018uF 16V K		R814	NRSA63J-183X	MG RESISTOR	18kΩ 1/16W J	
C805	NCB31HK-222X	C CAPACITOR	2200pF 50V K		R815	NRSA63J-153X	MG RESISTOR	15kΩ 1/16W J	
C806	NCB31HK-152X	C CAPACITOR	1500pF 50V K		R816	NRSA63J-562X	MG RESISTOR	5.6kΩ 1/16W J	
C850	NCB21CK-105X	C CAPACITOR	1uF 16V K		R821	NRSA63J-473X	MG RESISTOR	47kΩ 1/16W J	
C851	QEKJ1CM-107Z	E CAPACITOR	100uF 16V M		R851	NRSA63J-333X	MG RESISTOR	33kΩ 1/16W J	
					R852	NRSA63J-333X	MG RESISTOR	33kΩ 1/16W J	
R253	NRSA63J-103X	MG RESISTOR	10kΩ 1/16W J		CN601	QGF0527F2-15W	CONNECTOR	FFC/FPC (1-15)	
R255	NRSA63J-102X	MG RESISTOR	1kΩ 1/16W J		CN602	QGF1036F1-05	CONNECTOR	FFC/FPC (1-5)	
R256	NRSA63J-102X	MG RESISTOR	1kΩ 1/16W J		CN651	QGF1036F1-17	CONNECTOR	FFC/FPC (1-17)	
R258	NRSA63J-102X	MG RESISTOR	1kΩ 1/16W J		K251	NQR0007-002X	FERRITE BEADS		
R259	NRSA63J-103X	MG RESISTOR	10kΩ 1/16W J		K252	NQR0007-002X	FERRITE BEADS		
R265	NRSA63J-103X	MG RESISTOR	10kΩ 1/16W J		K654	NQR0007-002X	FERRITE BEADS		
R267	NRSA63J-102X	MG RESISTOR	1kΩ 1/16W J		SW601	QSW1047-002	PUSH SWITCH		
R271	NRSA63J-102X	MG RESISTOR	1kΩ 1/16W J		X251	QAX0684-001Z	C RESONATOR	8.38MHz	
R274	NRSA63J-102X	MG RESISTOR	1kΩ 1/16W J		X651	NAX0476-001X	CRYSTAL	33.8688MHz	
R278	NRSA63J-102X	MG RESISTOR	1kΩ 1/16W J						
R285	NRSA63J-102X	MG RESISTOR	1kΩ 1/16W J						
R286	NRSA63J-102X	MG RESISTOR	1kΩ 1/16W J						
R287	NRSA63J-102X	MG RESISTOR	1kΩ 1/16W J						
R288	NRSA63J-102X	MG RESISTOR	1kΩ 1/16W J						
R293	NRSA63J-473X	MG RESISTOR	47kΩ 1/16W J						
R294	NRSA63J-473X	MG RESISTOR	47kΩ 1/16W J						
R295	NRSA63J-473X	MG RESISTOR	47kΩ 1/16W J						
R296	NRSA63J-103X	MG RESISTOR	10kΩ 1/16W J						
R297	NRSA63J-122X	MG RESISTOR	1.2kΩ 1/16W J						
R298	NRSA63J-103X	MG RESISTOR	10kΩ 1/16W J						
R601	NRSA63J-562X	MG RESISTOR	5.6kΩ 1/16W J						
R602	NRSA63J-392X	MG RESISTOR	3.9kΩ 1/16W J						
R603	NRSA63J-473X	MG RESISTOR	47kΩ 1/16W J						
R604	NRSA63J-274X	MG RESISTOR	270kΩ 1/16W J						
R605	NRSA63J-0R0X	MG RESISTOR	0Ω 1/16W J						
R606	NRSA63J-0R0X	MG RESISTOR	0Ω 1/16W J						

DVD loading switch board

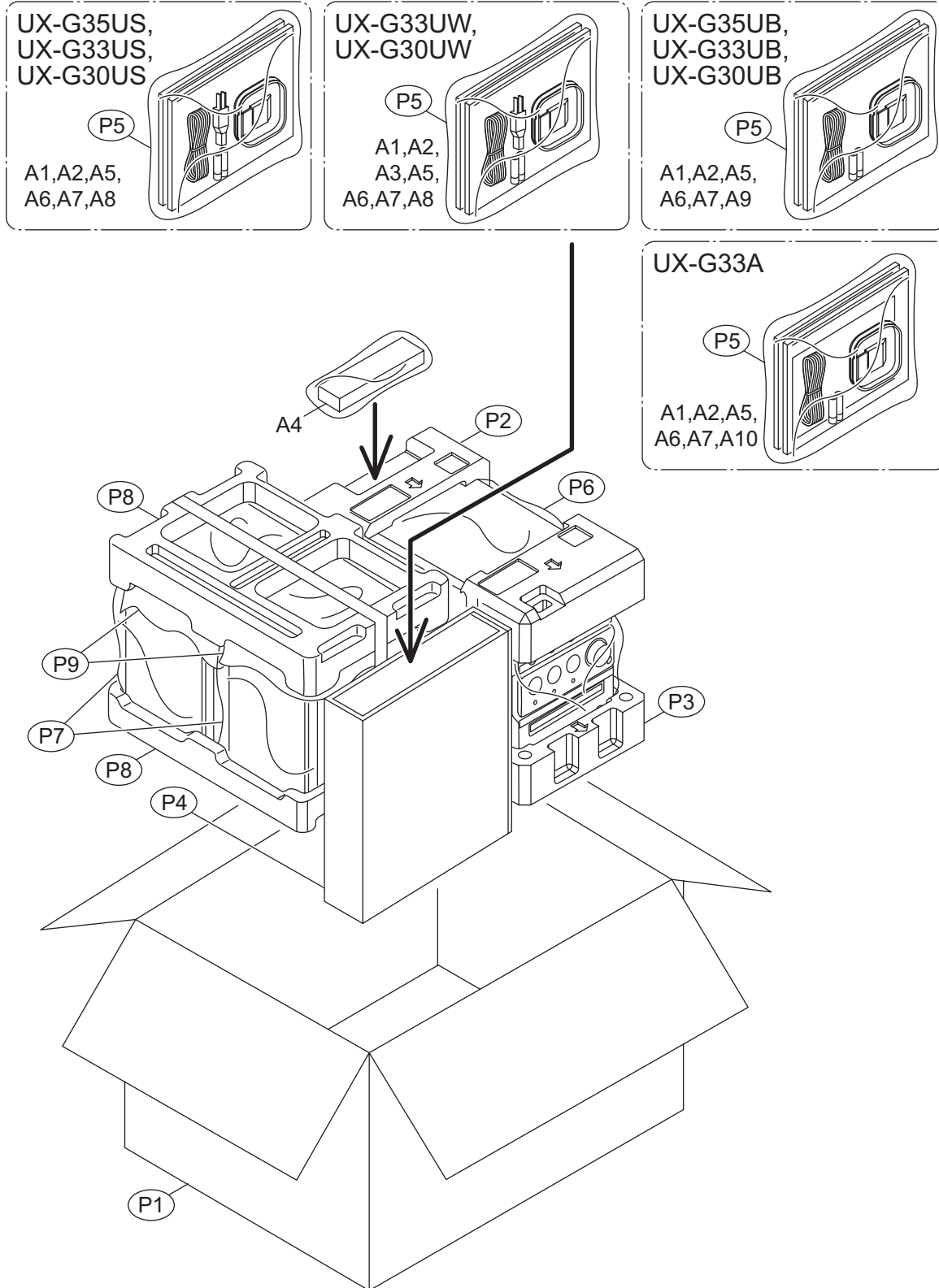
Block No. [0][5]

△ Symbol No.	Part No.	Part Name	Description	Local
CN1	QGF1016F3-05	CONNECTOR	FFC/FPC (1-5)	
S1	QSW1074-001	DETECT SWITCH		

Packing materials and accessories parts list

Block No. M 3 M M

No additional / supplemental order of WARRANTY CARDS are available.



Packing and Accessories

Block No. [M][3][M][M]

△	Symbol No.	Part No.	Part Name	Description	Local
	A 1	GVT0171-005A	INST BOOK	ENG	
	A 2	GVT0171-008A	INST BOOK	CHI(PEKIN)	G35US,G35UB,G33US,G33UB,G30US, G30UB
	A 2	GVT0171-006A	INST BOOK	SPA	G33UW,G30UW
	A 3	GVT0171-007A	INST BOOK	POR	G33UW,G30UW
	A 4	RM-SUXG30U	REMOCON UNIT		
	A 5	-----	BATTERY	(x2)	
	A 6	QAL0014-003	AM LOOP ANT		
	A 7	QAL0457-001	ANT.WIRE		
△	A 8	QAM0112-002	PLUG ADAPTOR		G35US,G33US,G33UW,G30US,G30UW
	A 9	GV30024-058A	UB SHEET		G35UB
	A 9	GV30024-057A	UB SHEET		G33UB
	A 9	GV30024-056A	UB SHEET		G30UB
	A 10	-----	WARRANTY CARD	BT-56012-1	G33A
	P 1	GV20440-002A	CARTON ASSY		G35US,G35UB
	P 1	GV20439-005A	CARTON ASSY		G33A,G33US,G33UB,G33UW
	P 1	GV20401-005A	CARTON ASSY		G30US,G30UB,G30UW
	P 2	GV10299-001A	CUSHION UPPER		
	P 3	GV10298-001A	CUSHION BOTTOM		
	P 4	GV30852-001A	CARTON SPACER		
	P 5	QPC02503515P	POLY BAG	25cm x 35cm	
	P 6	QPC05006515P	POLY BAG	50cm x 65cm	
	P 7	700-120104-10	POLY BAG	(x2)	
	P 8	720-PUXG30-00	CUSHION	(x2)	
	P 9	715-220008-00	MIRAMAT SHEET	(x2)	