

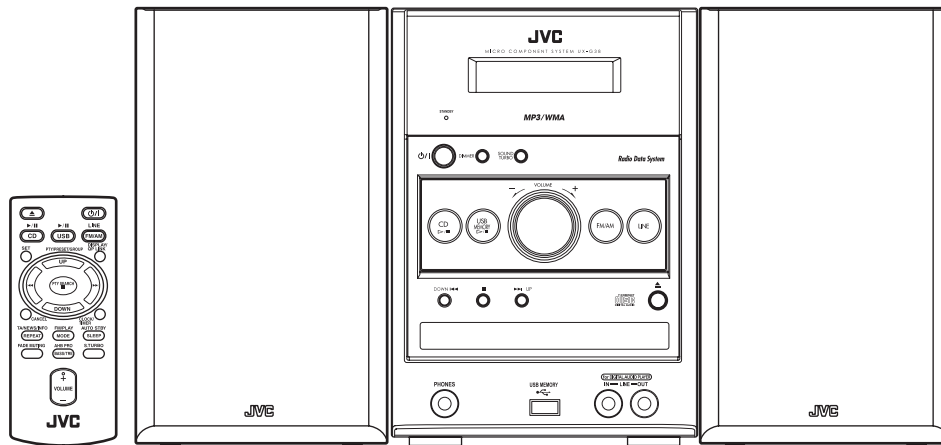
JVC

SCHEMATIC DIAGRAMS

MICRO COMPONENT SYSTEM

UX-G38B,UX-G38E,UX-G38EN UX-G38EV,UX-G39E,UX-G39EN UX-G39EV,UX-G37B,UX-G37E UX-G37EN,UX-G37EV

CD-ROM No.SML200705



SP-UXG38
SP-UXG38
SP-UXG39

CA-UXG37
CA-UXG38
CA-UXG39

SP-UXG38
SP-UXG38
SP-UXG39



MP3/WMA Radio Data System

UX-G39 is derivative model and different color model of UX-G38.

UX-G37 is different color model of UX-G38.

Lead free solder used in the board (material : Sn-Ag-Cu, melting point : 219 Centigrade)

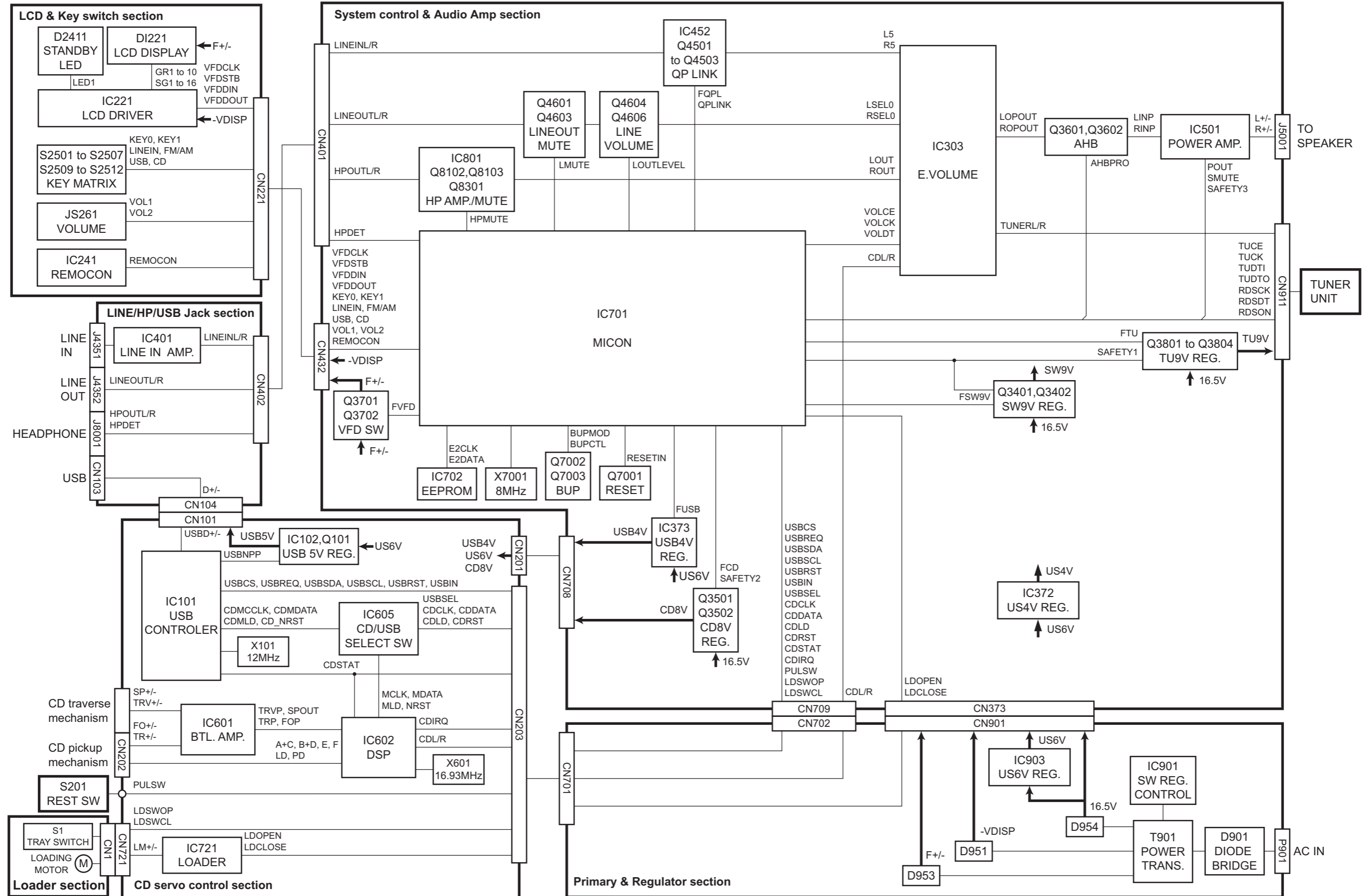
Lead free solder used in the board (material : Sn-Cu, melting point : 230 Centigrade)

Contents

Block diagrams	2-1
Standard schematic diagrams	2-2
Printed circuit boards	2-7 to 9

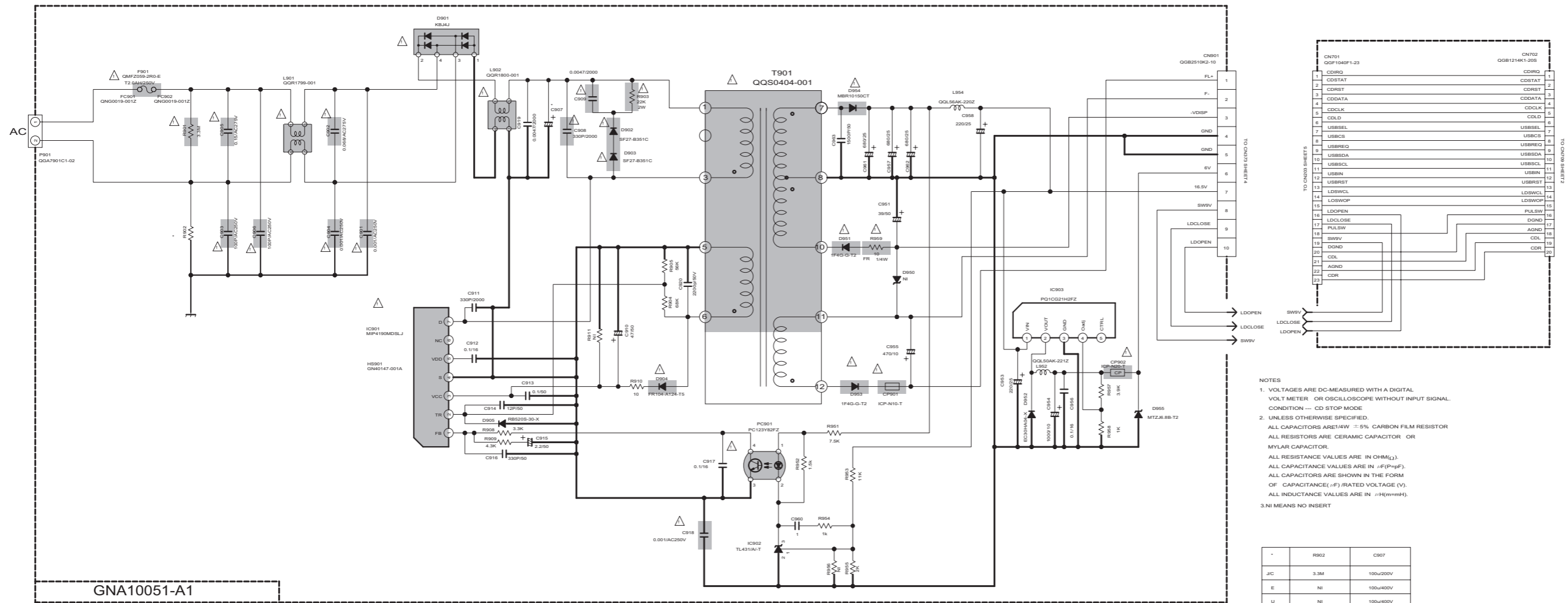
In regard with component parts appearing on the silk-screen printed side (parts side) of the PWB diagrams, the parts that are printed over with black such as the resistor (■), diode (▣) and ICP (●) or identified by the "⚠" mark nearby are critical for safety.

Block diagram



Standard schematic diagrams

Primary section

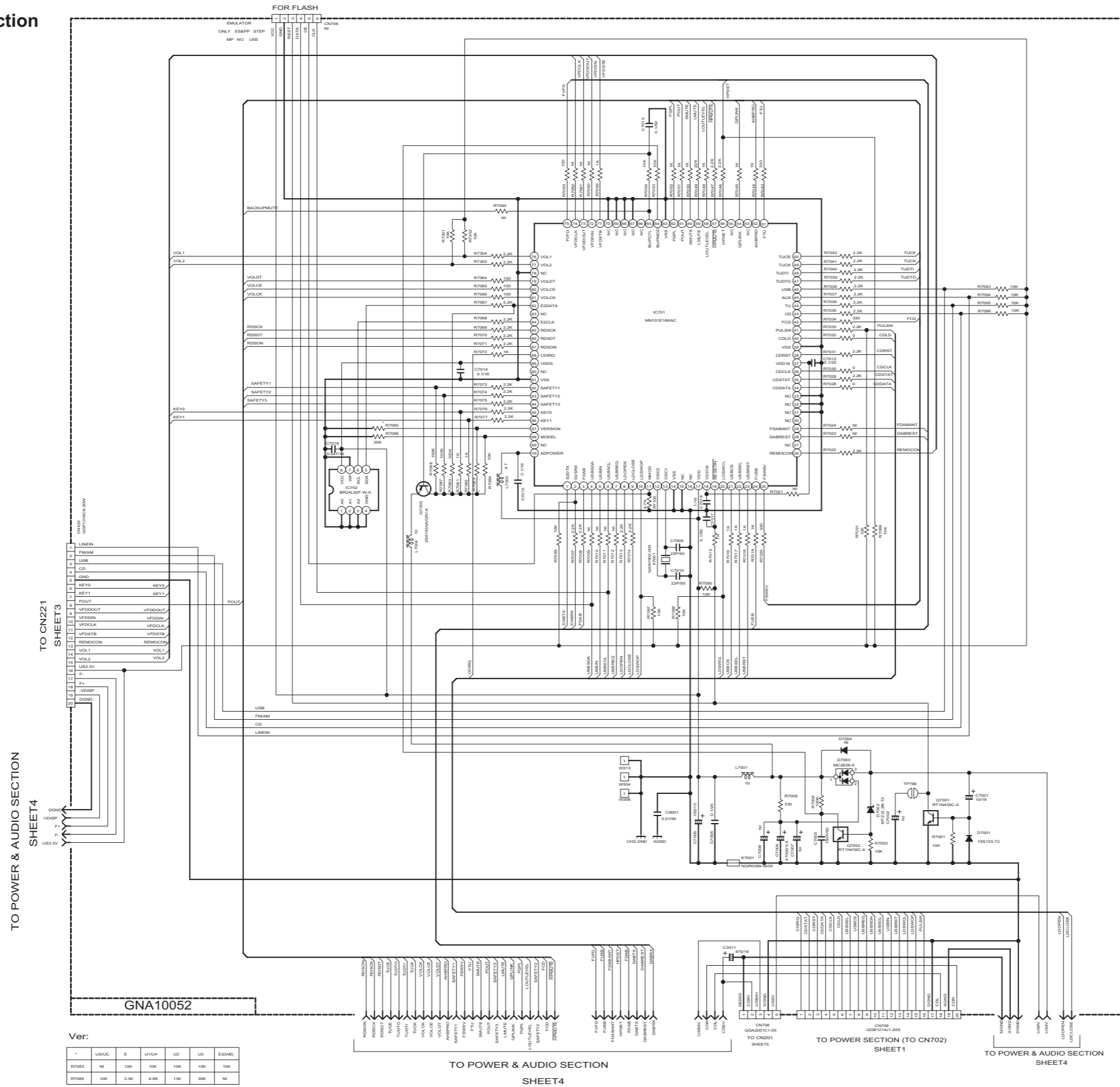


- NOTES
1. VOLTAGES ARE DC-MEASURED WITH A DIGITAL VOLT METER OR OSCILLOSCOPE WITHOUT INPUT SIGNAL. CONDITION — CD STOP MODE.
 2. UNLESS OTHERWISE SPECIFIED, ALL CAPACITORS ARE $\pm 5\%$ CARBON FILM RESISTOR ALL RESISTORS ARE CERAMIC CAPACITOR OR MYLAR CAPACITOR. ALL RESISTANCE VALUES ARE IN Ω (Ω), ALL CAPACITANCE VALUES ARE IN μ F(μ F), ALL CAPACITORS ARE SHOWN IN THE FORM OF CAPACITANCE(μ F)/RATED VOLTAGE (V). ALL INDUCTANCE VALUES ARE IN μ H(μ mH).
 3. NI MEANS NO INSERT

*	R902	C907
J/C	3.3K	100 μ 200V
E	NI	100 μ 400V
U	NI	100 μ 400V

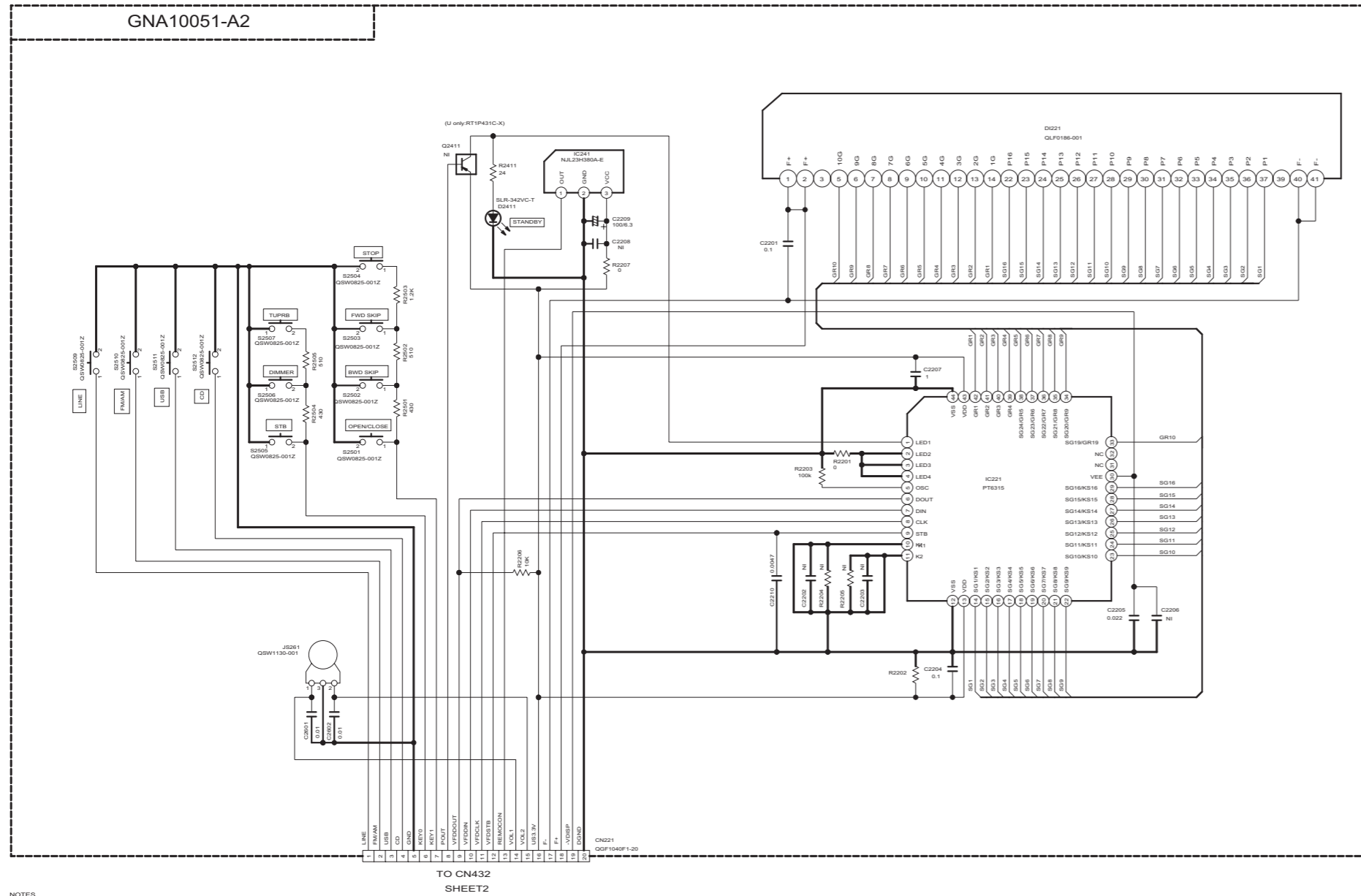
⚠ Parts are safety assurance parts. When replacing those parts make sure to use the specified one.

Micon section

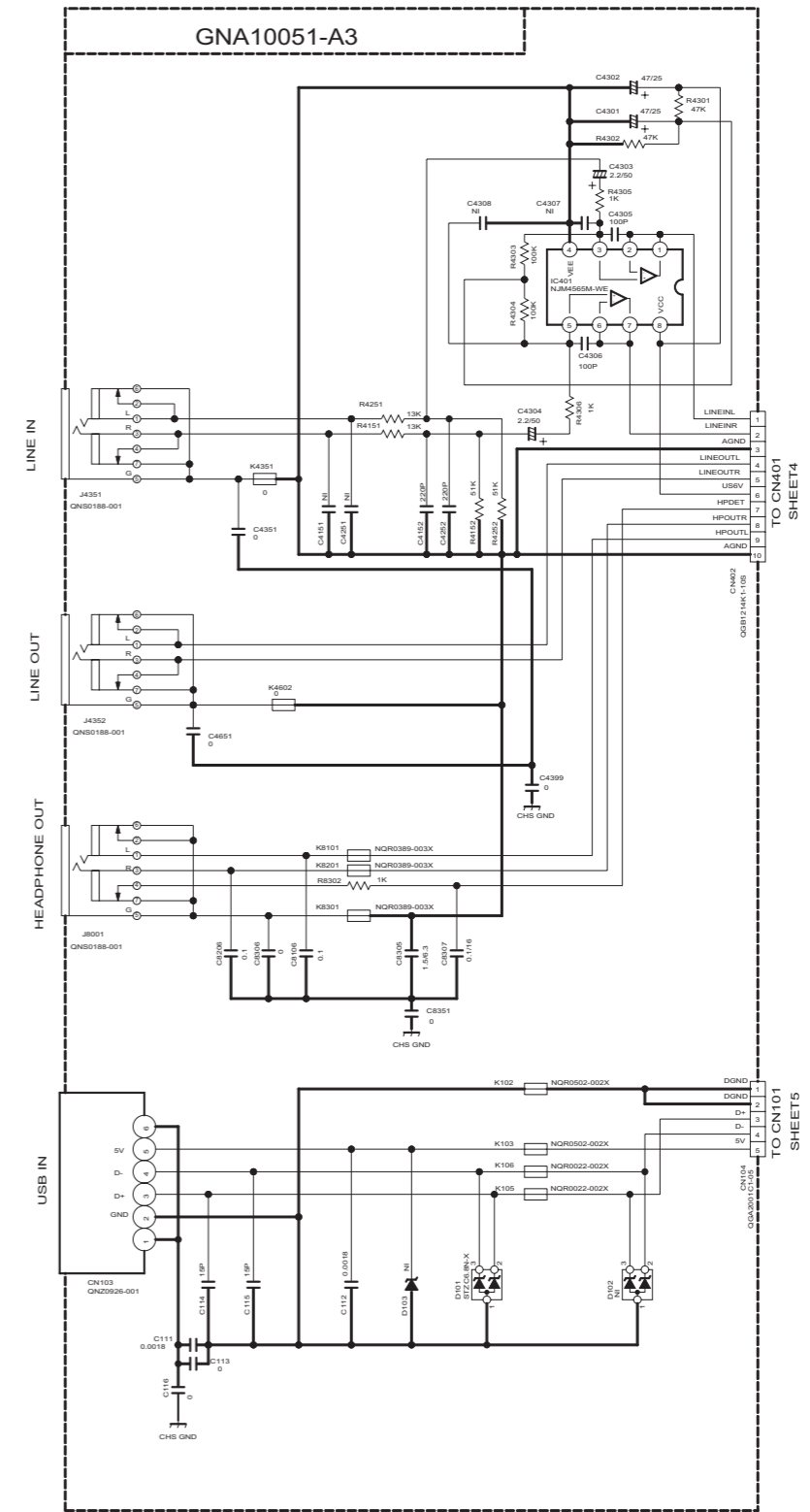


NOTES
 1. VOLTAGES ARE DC-MEASURED WITH A DIGITAL VOLT METER OR OSCILLOSCOPE WITHOUT INPUT SIGNAL. CONDITION — CD STOP MODE.
 2. UNLESS OTHERWISE SPECIFIED, ALL RESISTORS ARE 1/4W ±5% CARBON FILM RESISTOR. ALL CAPACITORS ARE CERAMIC CAPACITOR OR MYLAR CAPACITOR. ALL RESISTANCE VALUES ARE IN OHM(Ω). ALL CAPACITANCE VALUES ARE IN μF(μF). ALL CAPACITORS ARE SHOWN IN THE FORM OF CAPACITANCE(μF) RATED VOLTAGE (V). ALL INDUCTANCE VALUES ARE IN mH(mH).
 3. NI MEANS NO INSERT.
 4. DIGITAL TRANSISTOR

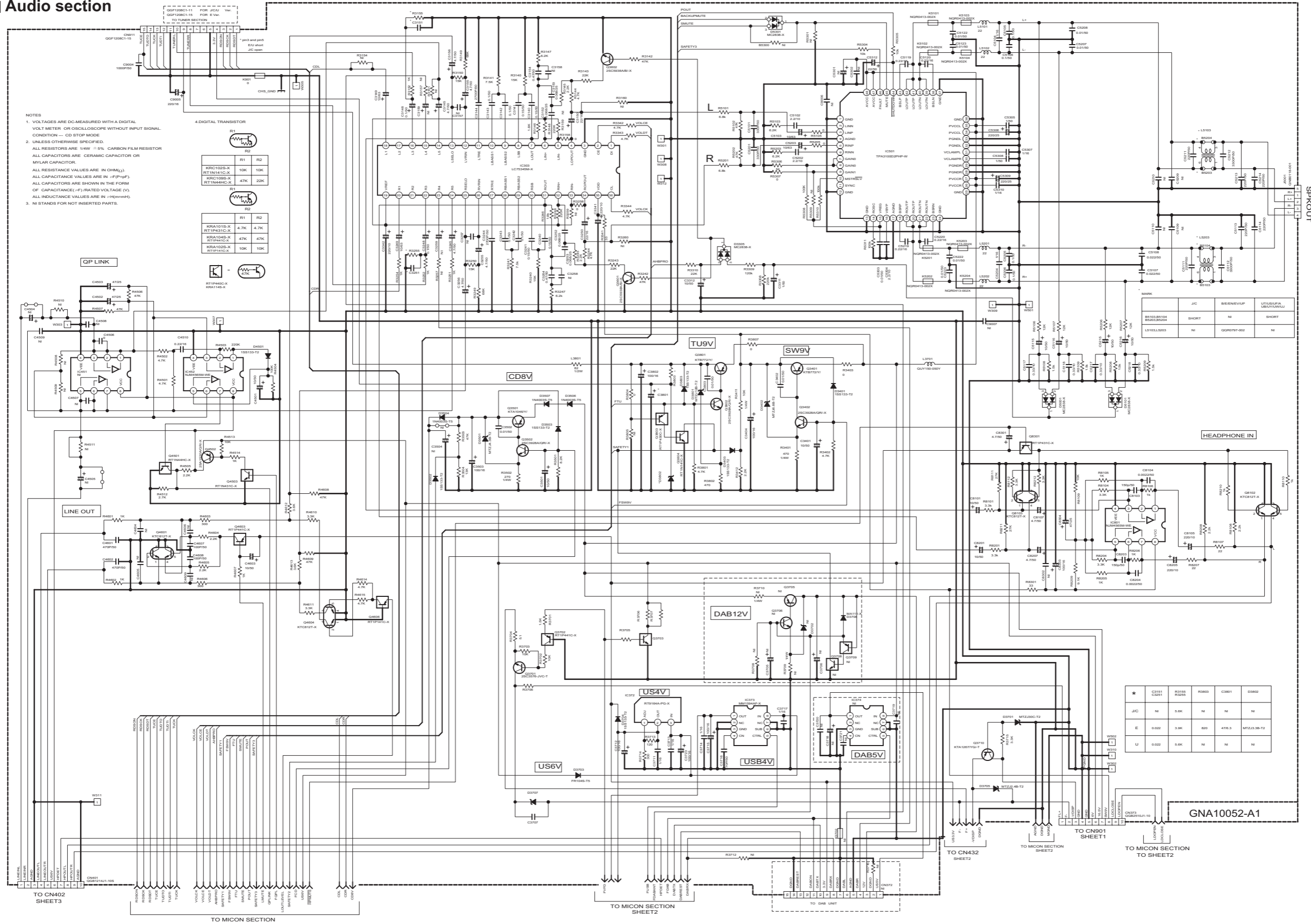
Front section



- NOTES
- VOLTAGES ARE DC-MEASURED WITH A DIGITAL VOLT METER OR OSCILLOSCOPE WITHOUT INPUT SIGNAL. CONDITION --- CD STOP MODE
 - UNLESS OTHERWISE SPECIFIED, ALL RESISTORS ARE 1/4W ± 5% CARBON FILM RESISTOR. ALL CAPACITORS ARE CERAMIC CAPACITOR OR MYLAR CAPACITOR. ALL RESISTANCE VALUES ARE IN OHM (Ω). ALL CAPACITANCE VALUES ARE IN μF (P=PF). ALL CAPACITORS ARE SHOWN IN THE FORM OF CAPACITANCE (μF) / RATED VOLTAGE (V). ALL INDUCTANCE VALUES ARE IN μH (mm=MH).
 - NI MEANS NO INSERT
 - DIGITAL TRANSISTOR
-
- 4.7K
RT1P431C-X
KRA1018-X



Audio section



- NOTES
- VOLTAGES ARE DC-MEASURED WITH A DIGITAL VOLT METER OR OSCILLOSCOPE WITHOUT INPUT SIGNAL. CONDITION — CD STOP MODE.
 - UNLESS OTHERWISE SPECIFIED, ALL RESISTORS ARE 1/4W ±5% CARBON FILM RESISTOR. ALL CAPACITORS ARE CERAMIC CAPACITOR OR MYLAR CAPACITOR.
 - ALL RESISTANCE VALUES ARE IN OHMS (Ω). ALL CAPACITANCE VALUES ARE IN pF (pF). ALL CAPACITORS ARE SHOWN IN THE FORM OF CAPACITANCE (pF) RATED VOLTAGE (V). ALL INDUCTANCE VALUES ARE IN μH (μH).
 - NI STANDS FOR NOT-INSERTED PARTS.

4-DIGIT TRANSISTOR

R1	R2
KRC1023-X	10K 10K
RT1841C-X	4.7K 4.7K
KRC1023-X	47K 22K

R1	R2
KRA1018-X	4.7K 4.7K
RT1841C-X	4.7K 4.7K
KRA1048-X	47K 47K
KRA1028-X	10K 10K
RT1841C-X	10K 10K

MARK

JTC	BEENEVLP	LTUSLUPA
B3103.B3104	NI	SHORT
B3103.B3104	SHORT	NI
L3103.L3203	NI	GD09797-02

*	C301	R308	R303	C301	C302
JTC	NI	5.6K	NI	NI	NI
E	0.022	3.9K	800	476.3	MTZJ3.3B-T2
LI	0.022	5.6K	NI	NI	NI

TO CN402 SHEET3

TO MICON SECTION SHEET2

TO MICON SECTION SHEET2

TO DAB UNIT

TO CN432 SHEET2

TO MICON SECTION SHEET2

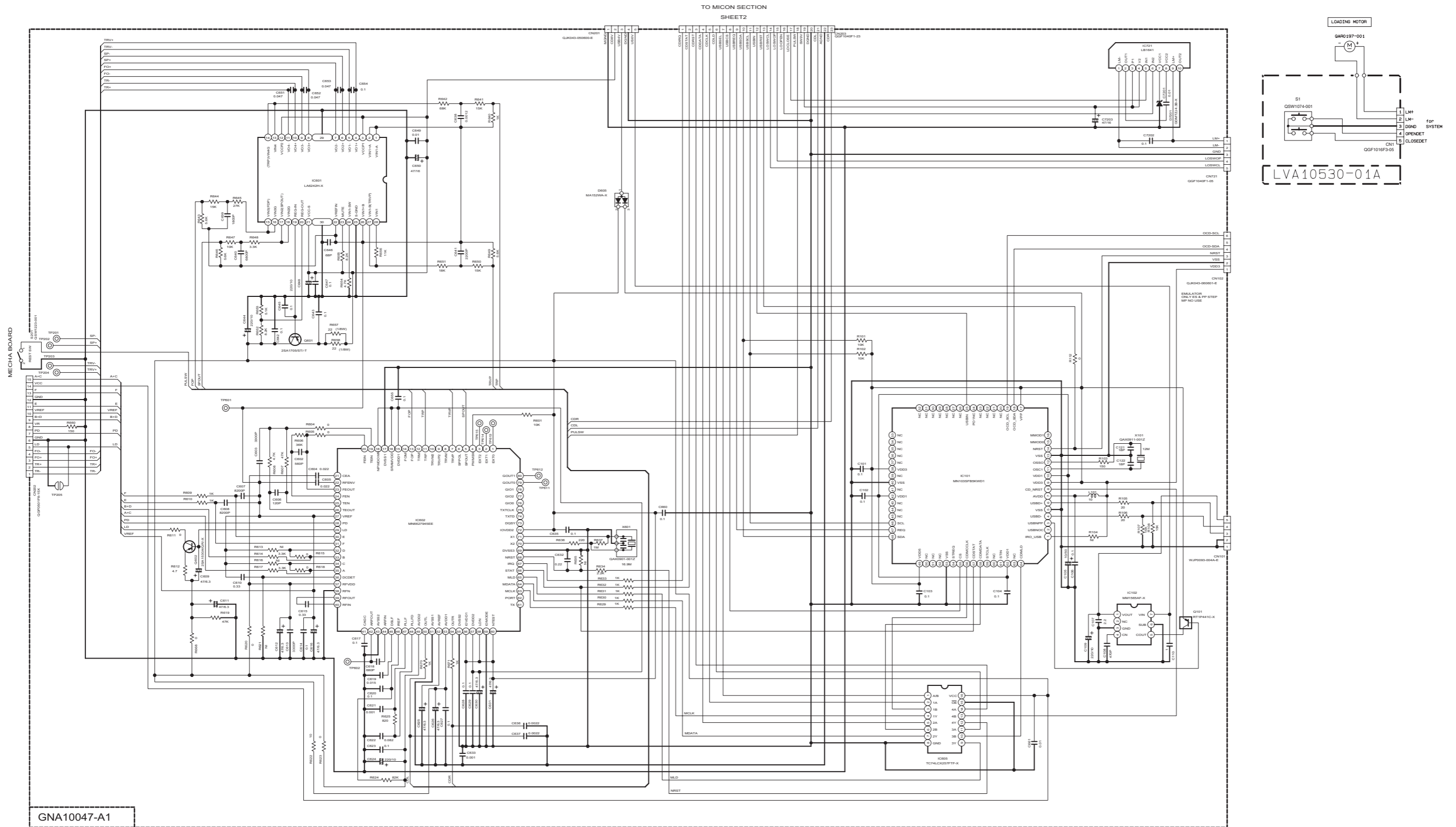
TO MICON SECTION TO SHEET2

GNA10052-A1

SPKOUT

CD section

Loader section



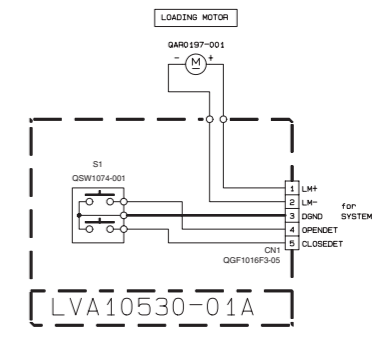
NOTES

- VOLTAGES ARE DC-MEASURED WITH A DIGITAL VOLT METER OR OSCILLOSCOPE WITHOUT INPUT SIGNAL. CONDITION --- CD STOP MODE
- UNLESS OTHERWISE SPECIFIED, ALL RESISTORS ARE 1/4W ±5% CARBON FILM RESISTOR. ALL CAPACITORS ARE CERAMIC CAPACITOR OR MYLAR CAPACITOR. ALL RESISTANCE VALUES ARE IN OHM(Ω). ALL CAPACITANCE VALUES ARE IN -F(±pF). ALL CAPACITORS ARE SHOWN IN THE FORM OF CAPACITANCE(-F) RATED VOLTAGE (V). ALL INDUCTANCE VALUES ARE IN -H(mH)±H. 3.NI MEANS NO INSERT

4. DIGITAL TRANSISTOR

47K

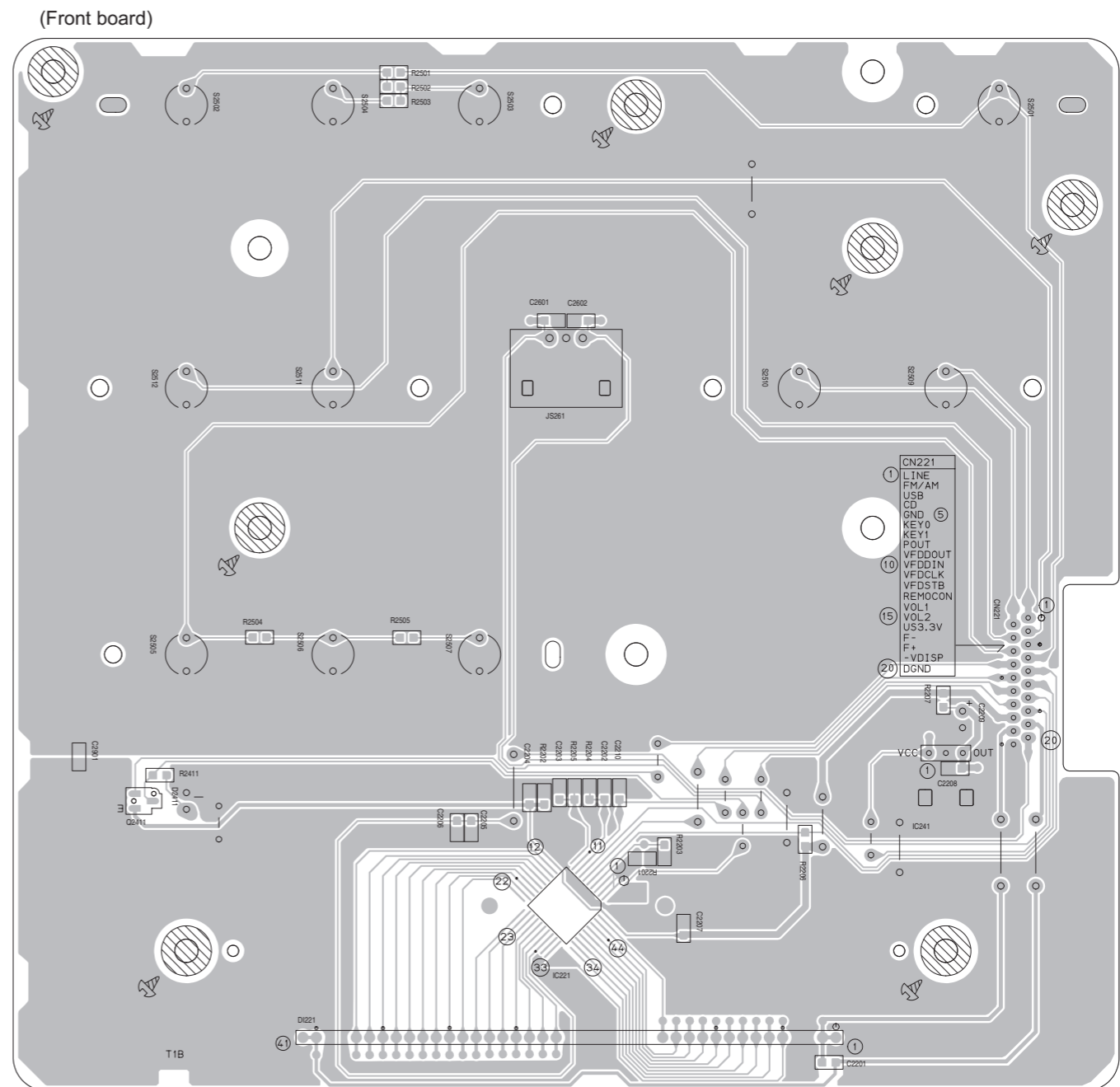
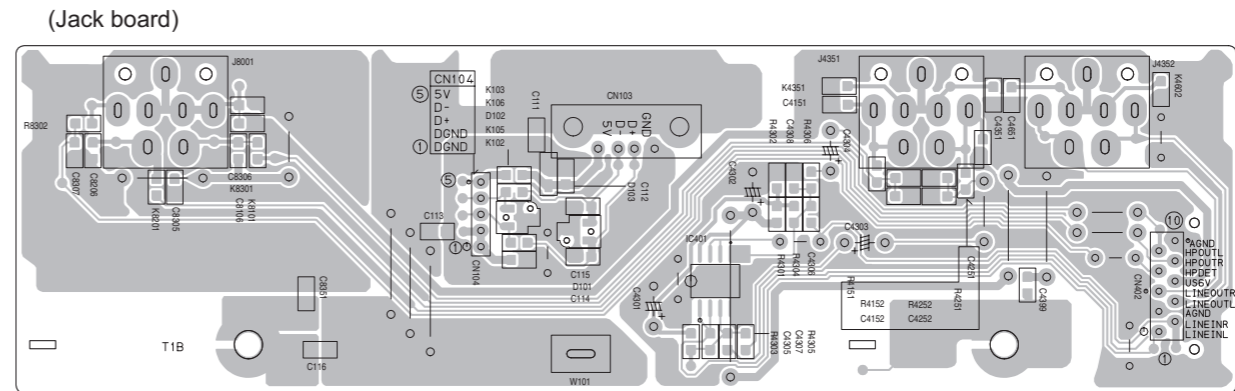
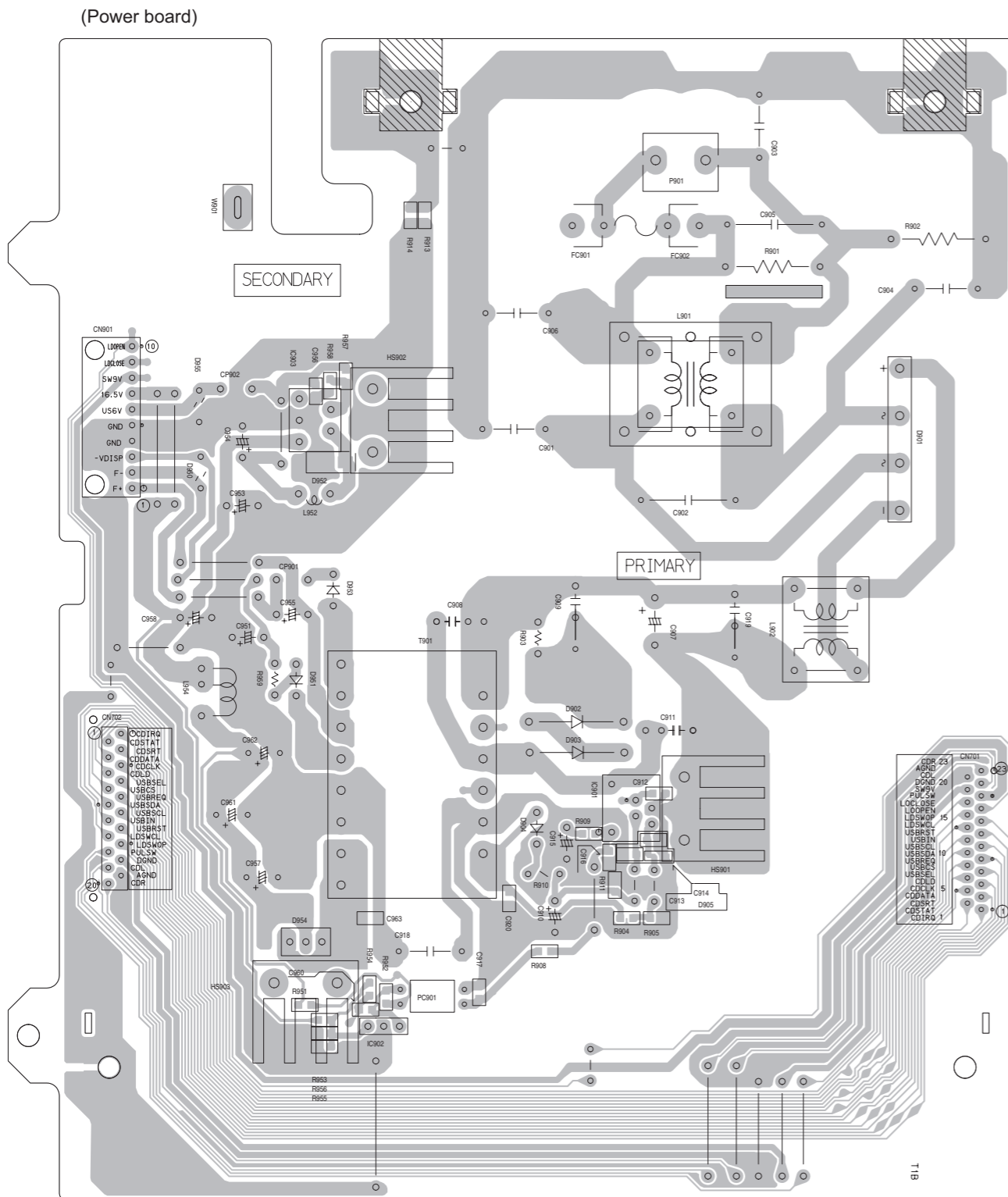
47K



Printed circuit boards

- **Power board**

Lead free solder used in the board (material : Sn-Ag-Cu, melting point : 219 Centigrade)
Lead free solder used in the board (material : Sn-Cu, melting point : 230 Centigrade)

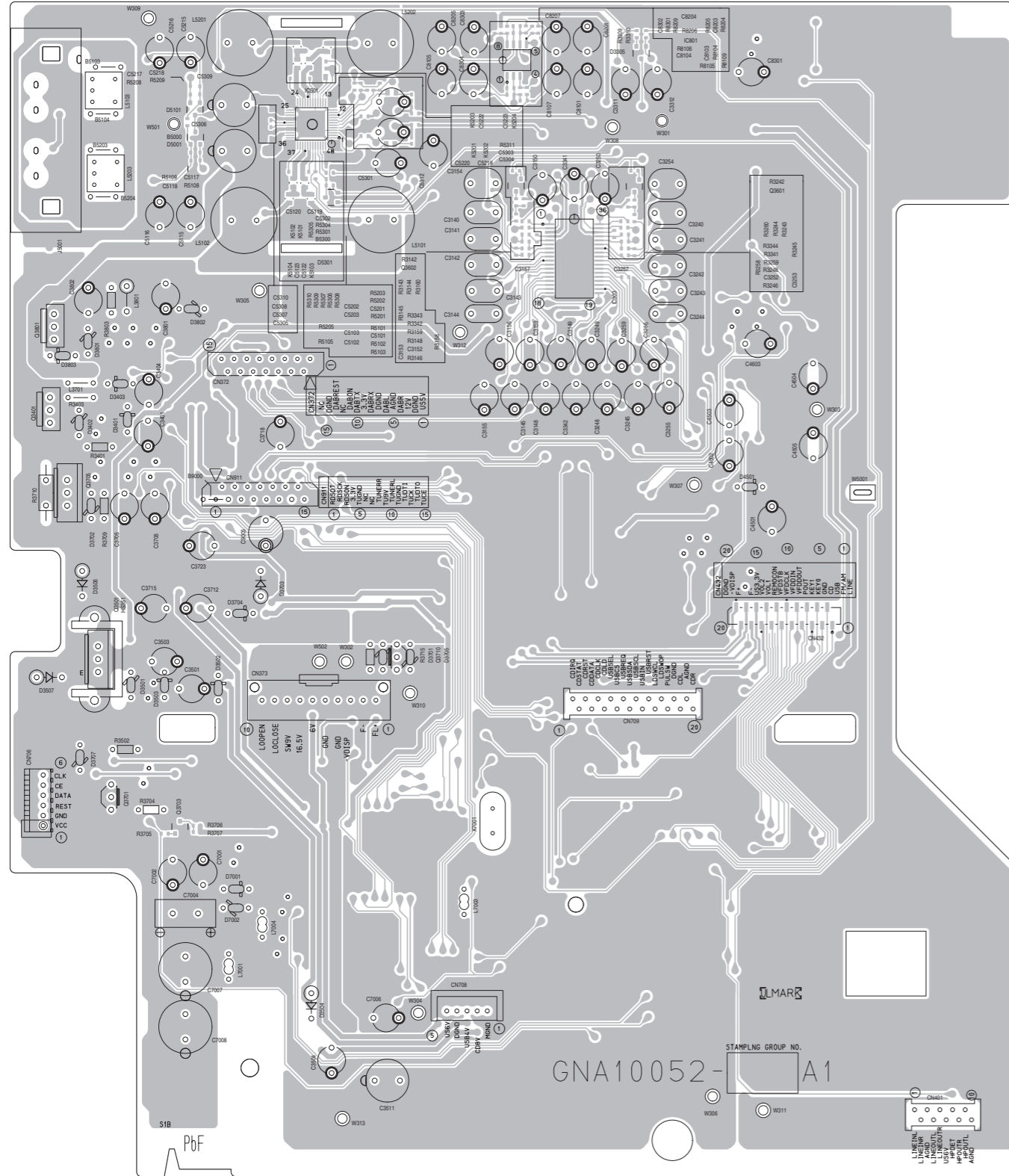


■ Main board

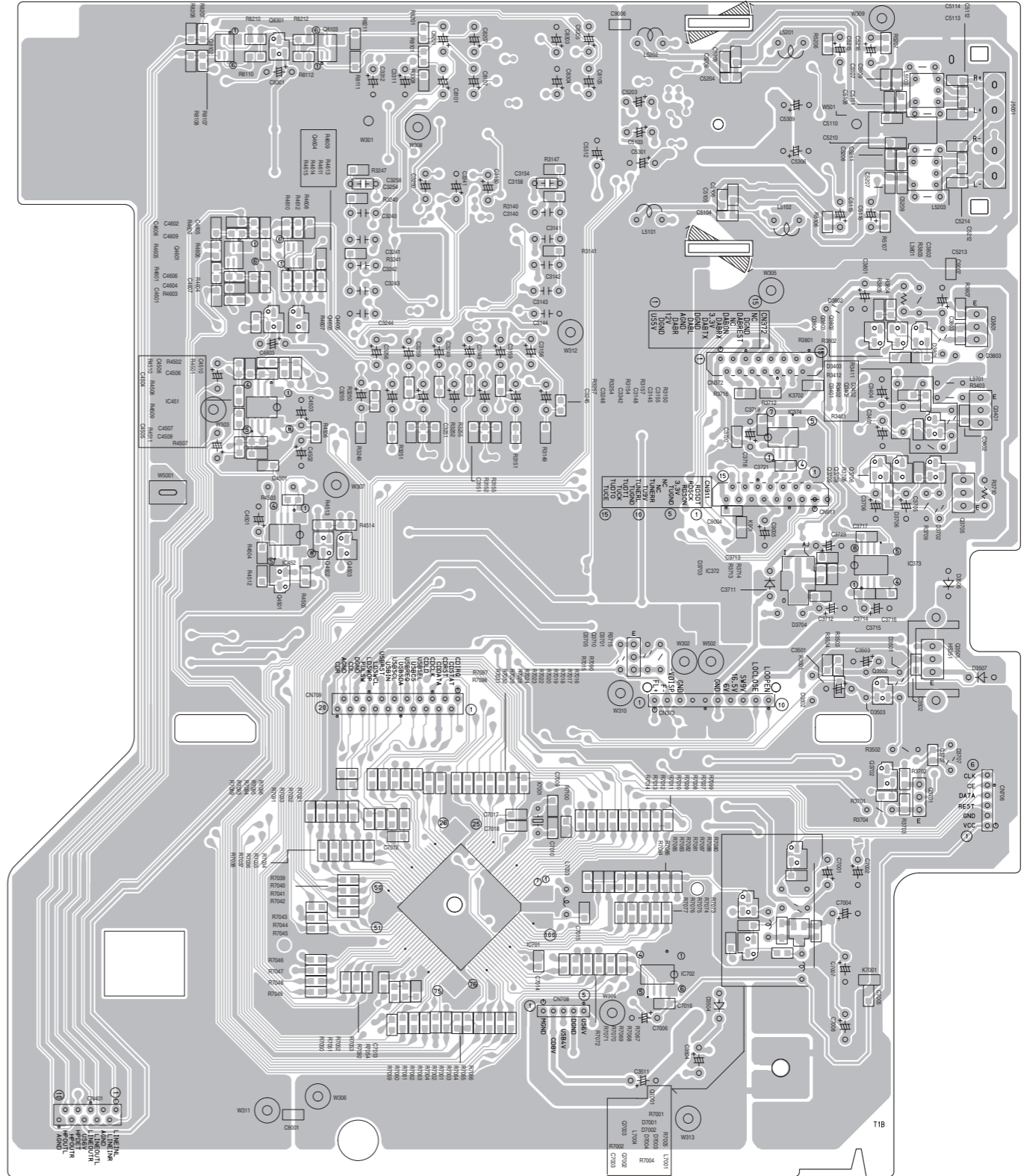
Lead free solder used in the board (material : Sn-Ag-Cu, melting point : 219 Centigrade)

Lead free solder used in the board (material : Sn-Cu, melting point : 230 Centigrade)

forward side



reverse side



JVC

Victor Company of Japan, Limited

Audio/Video Systems Category 10-1, 1chome, Ohwatari-machi, Maebashi-city, 371-8543, Japan

(No.MB611SCH)



Printed in Japan
VPT