

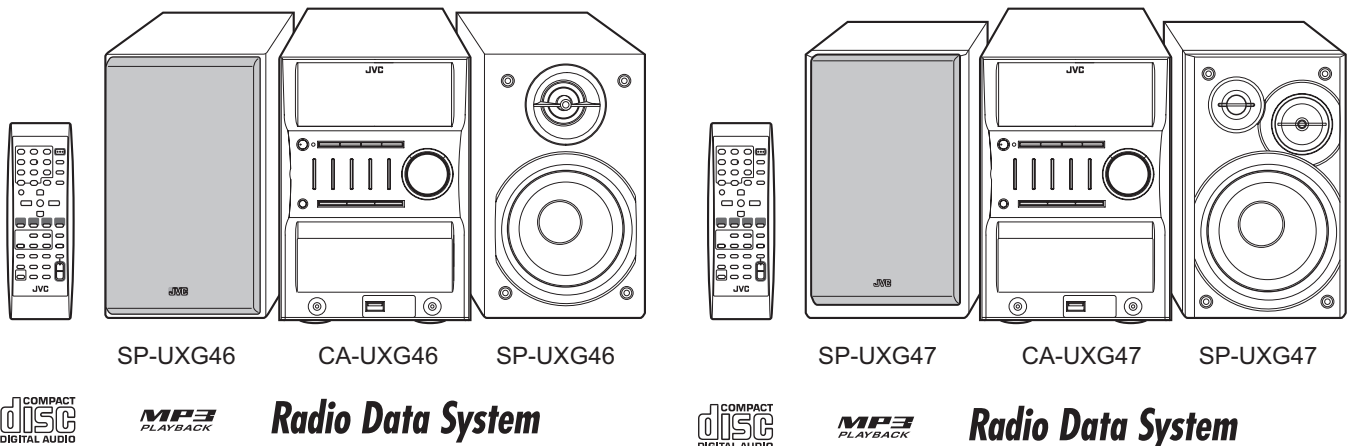
JVC

SCHEMATIC DIAGRAMS

MICRO COMPONENT SYSTEM

UX-G46B, UX-G46E, UX-G46EN UX-G46EV, UX-G47E

CD-ROM No.SML200705



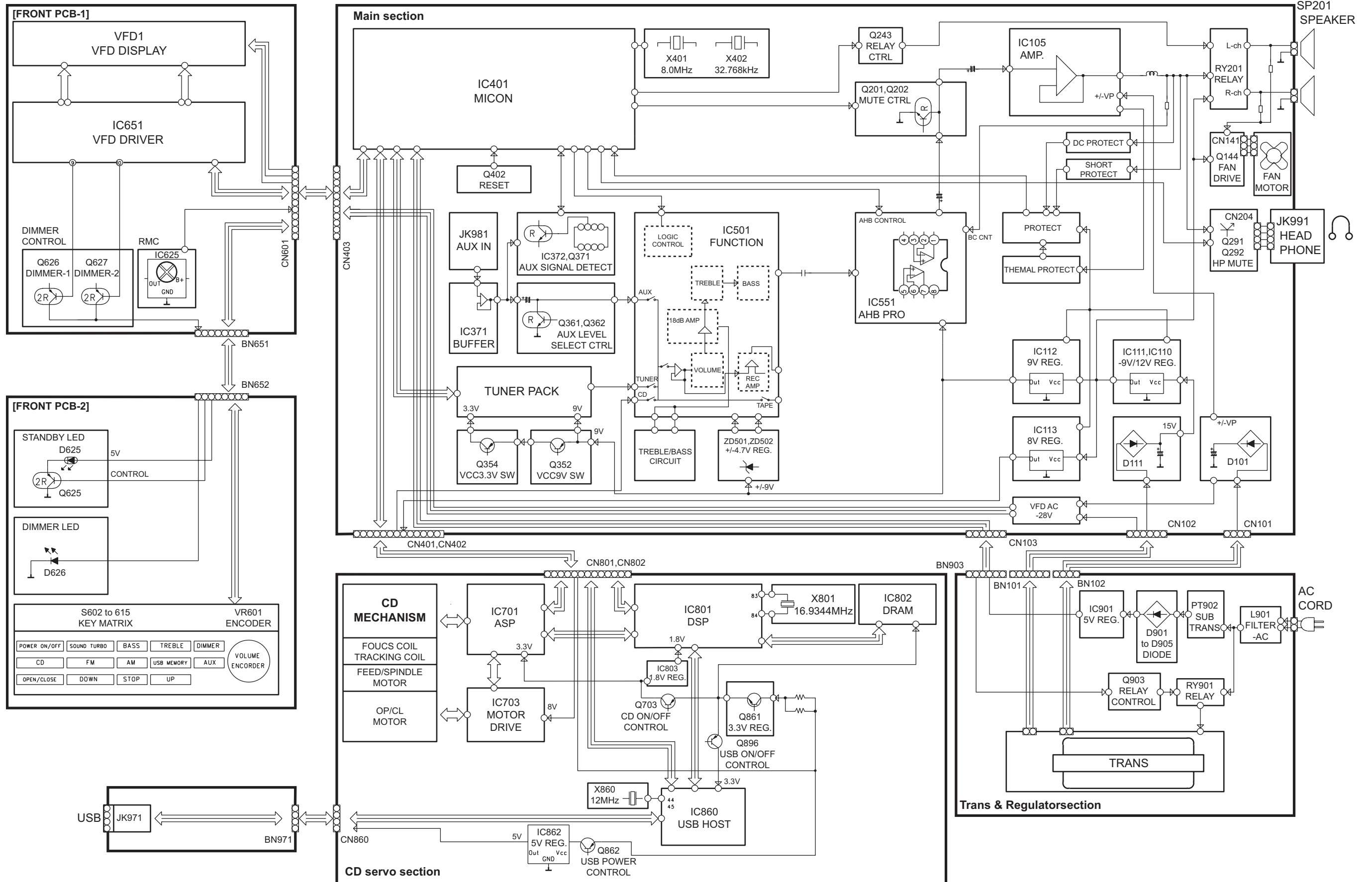
Lead free solder used in the board (material : Sn-Ag-Cu, melting point : 219 Centigrade)

Contents

Block diagrams	2-1
Standard schematic diagrams	2-2
Printed circuit boards	2-7 to 9

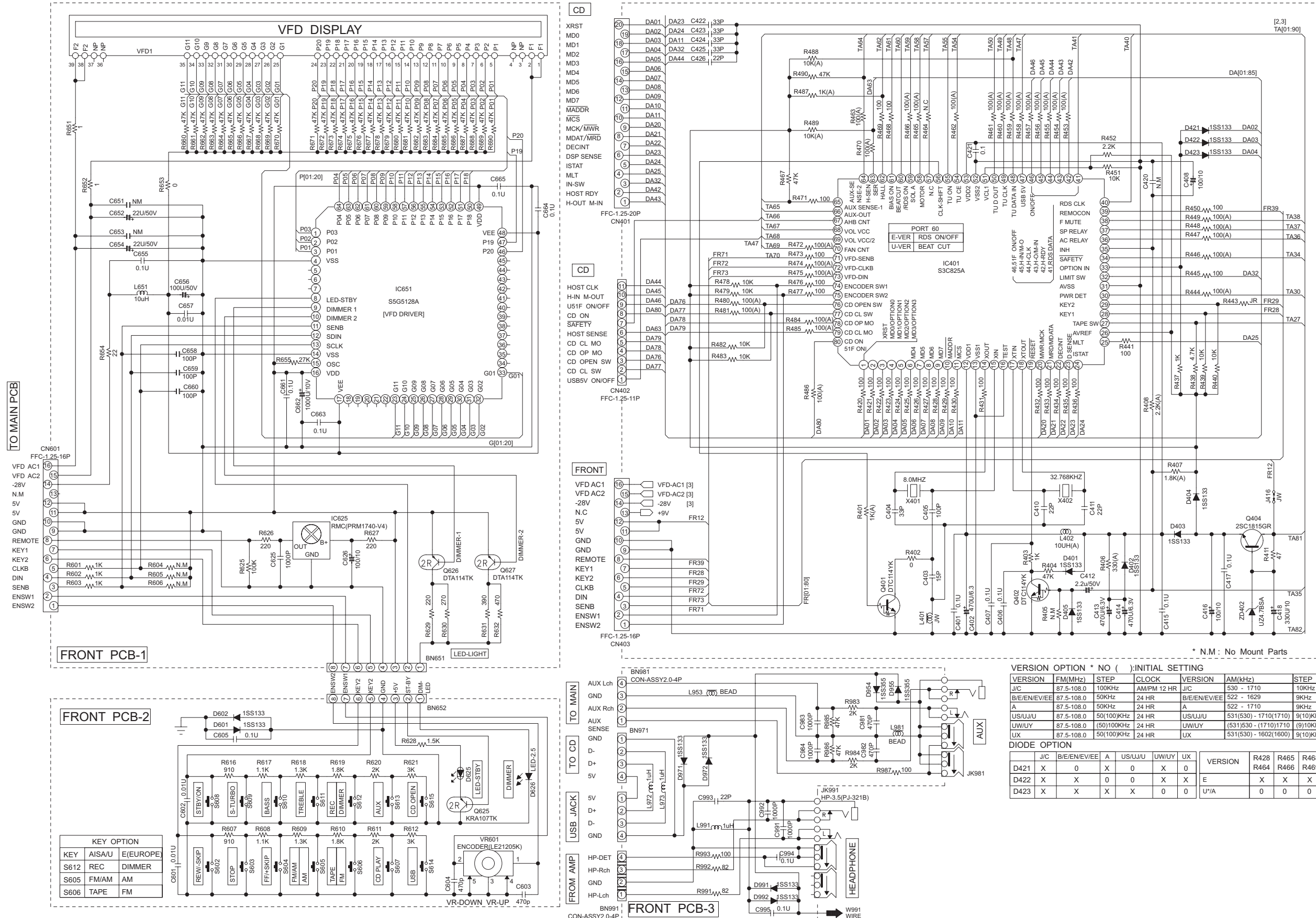
In regard with component parts appearing on the silk-screen printed side (parts side) of the PWB diagrams, the parts that are printed over with black such as the resistor (■), diode (▣) and ICP (●) or identified by the "⚠" mark nearby are critical for safety.

Block diagram

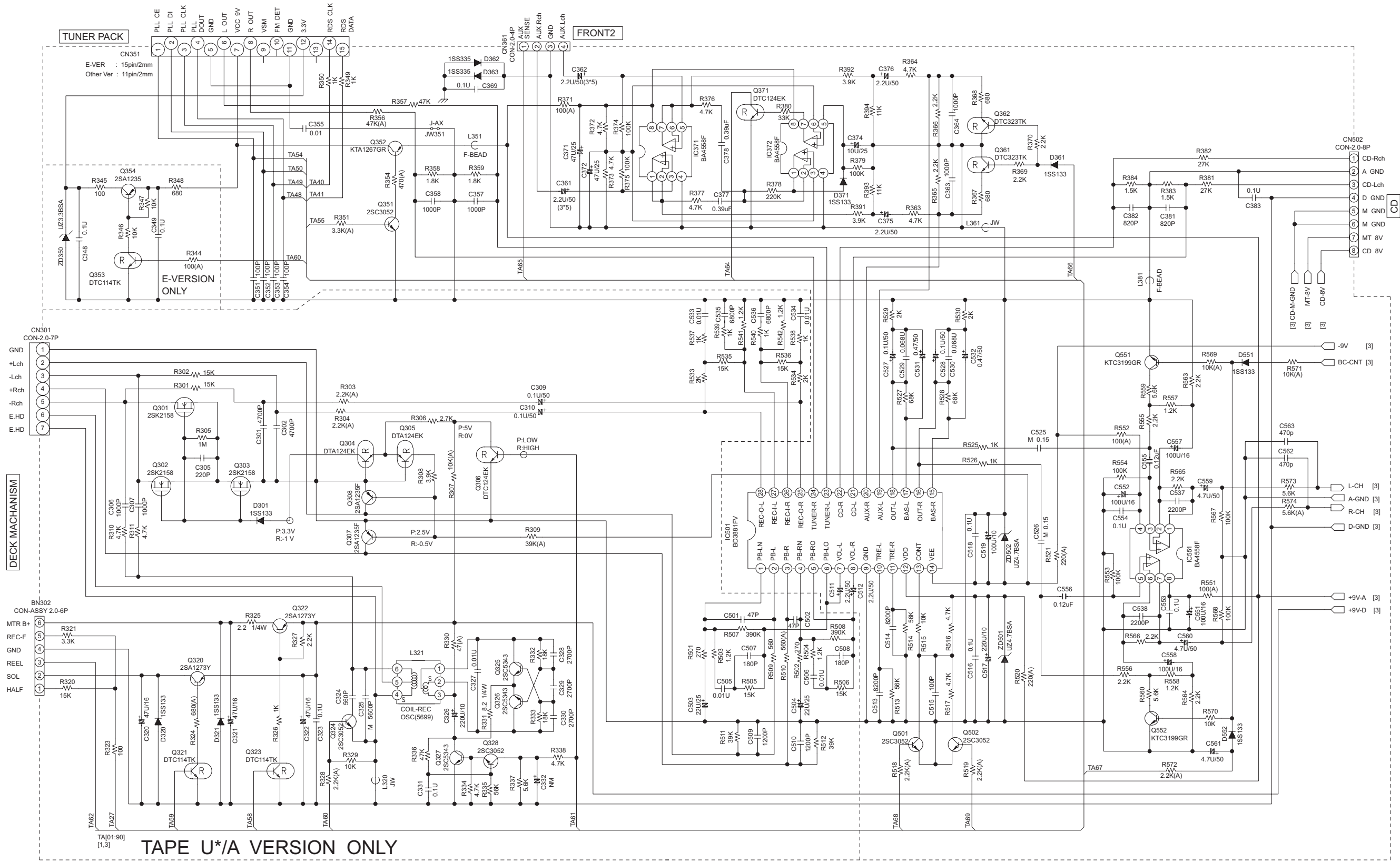


Standard schematic diagrams

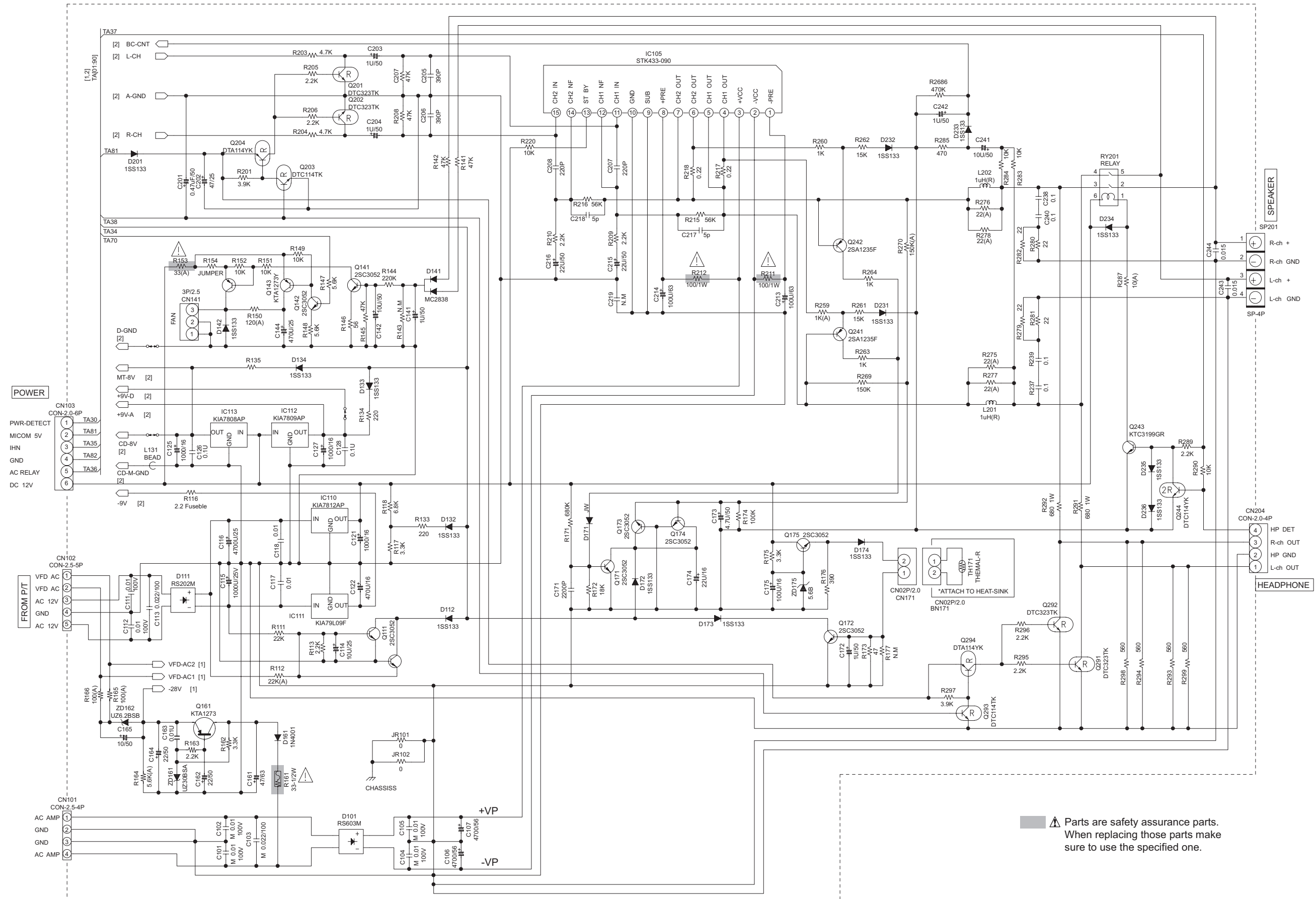
■ Main section (1/3)



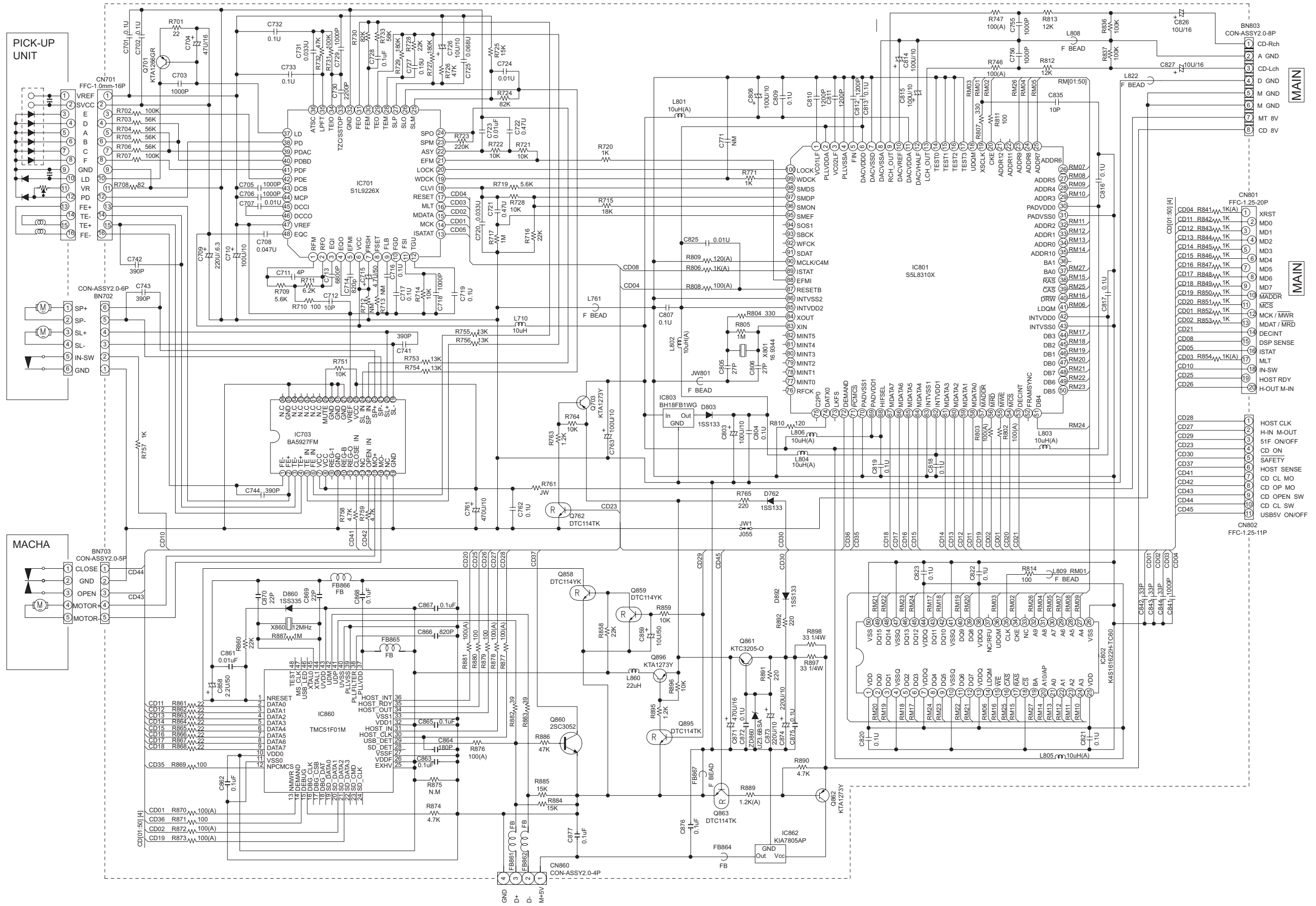
■ Main section (2/3)



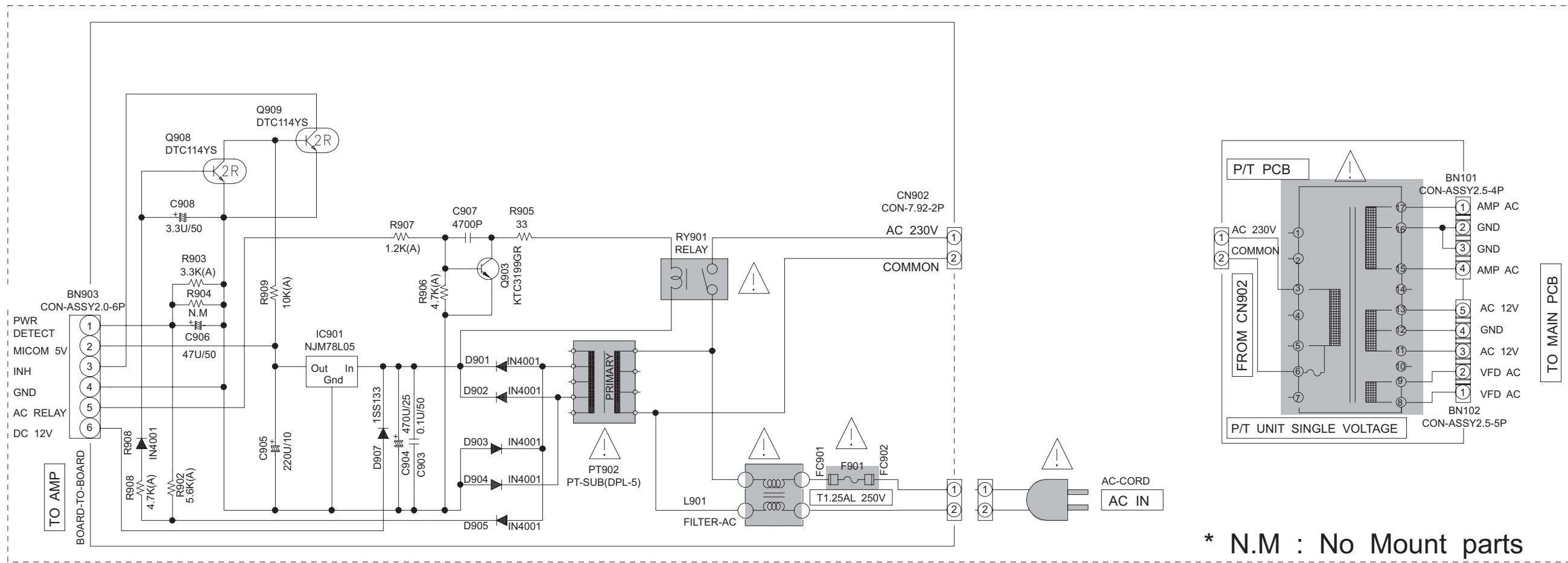
■ Main section (3/3)



CD section



■ Power section

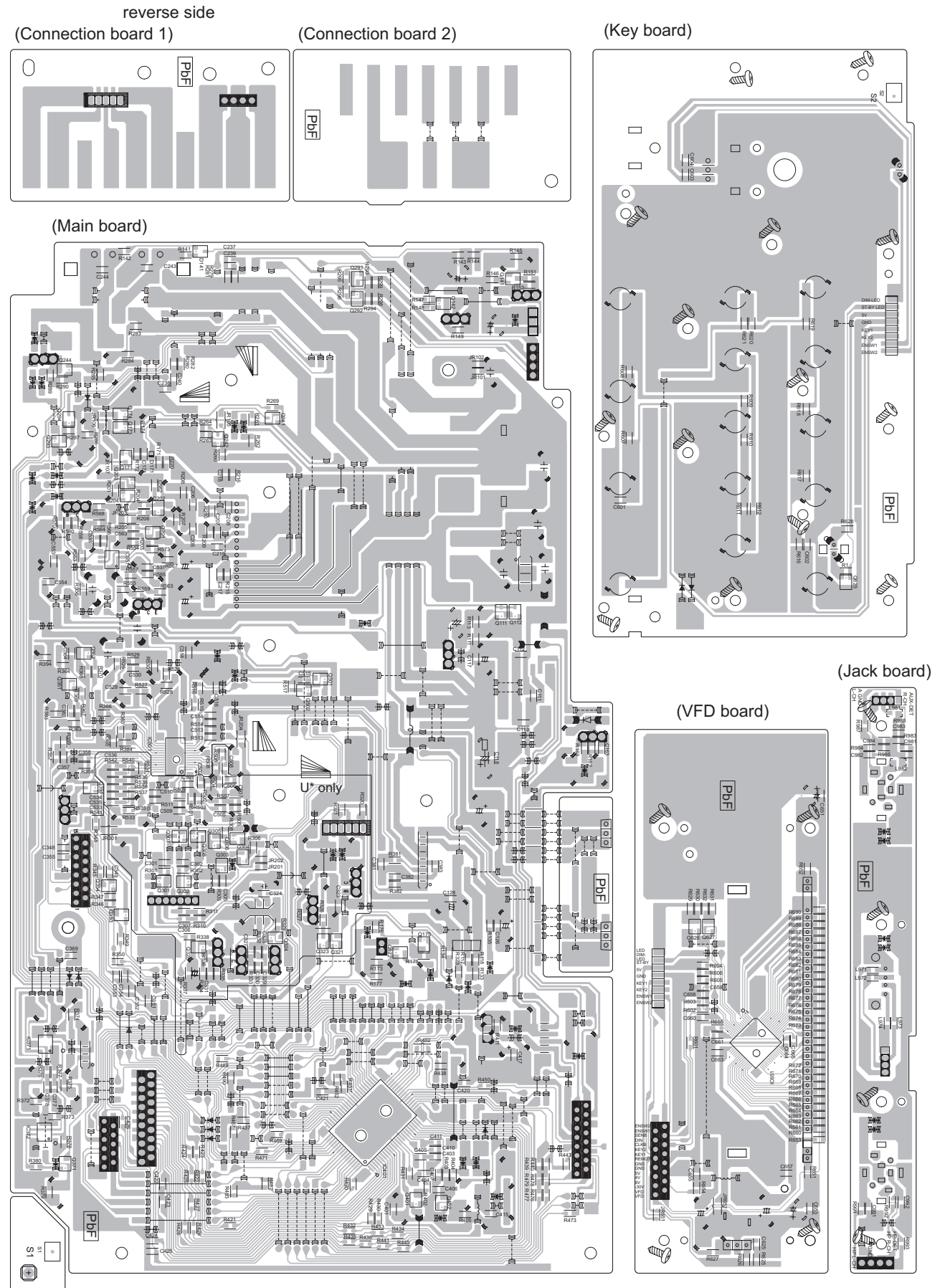
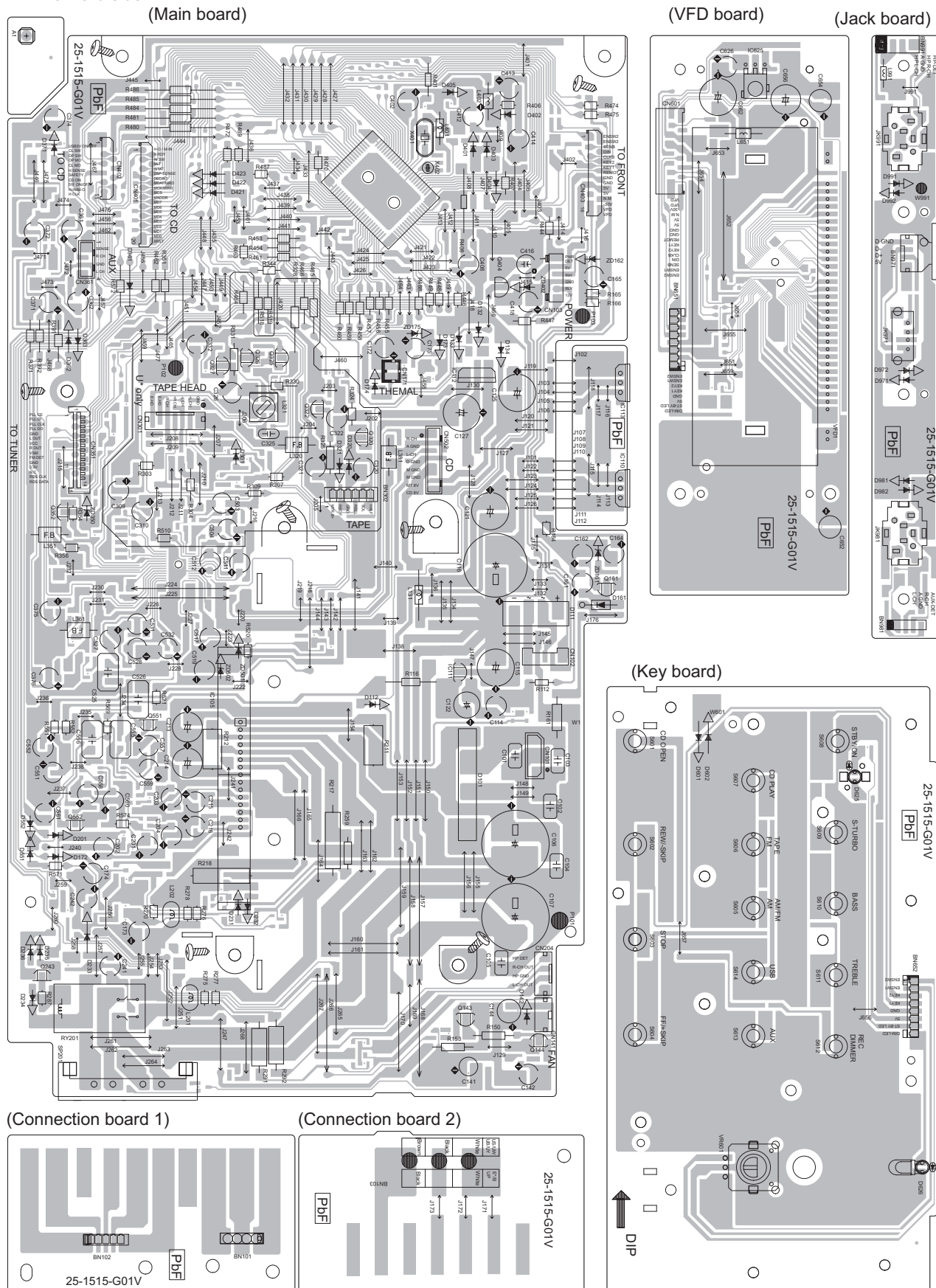


* N.M : No Mount parts

⚠ Parts are safety assurance parts. When replacing those parts make sure to use the specified one.

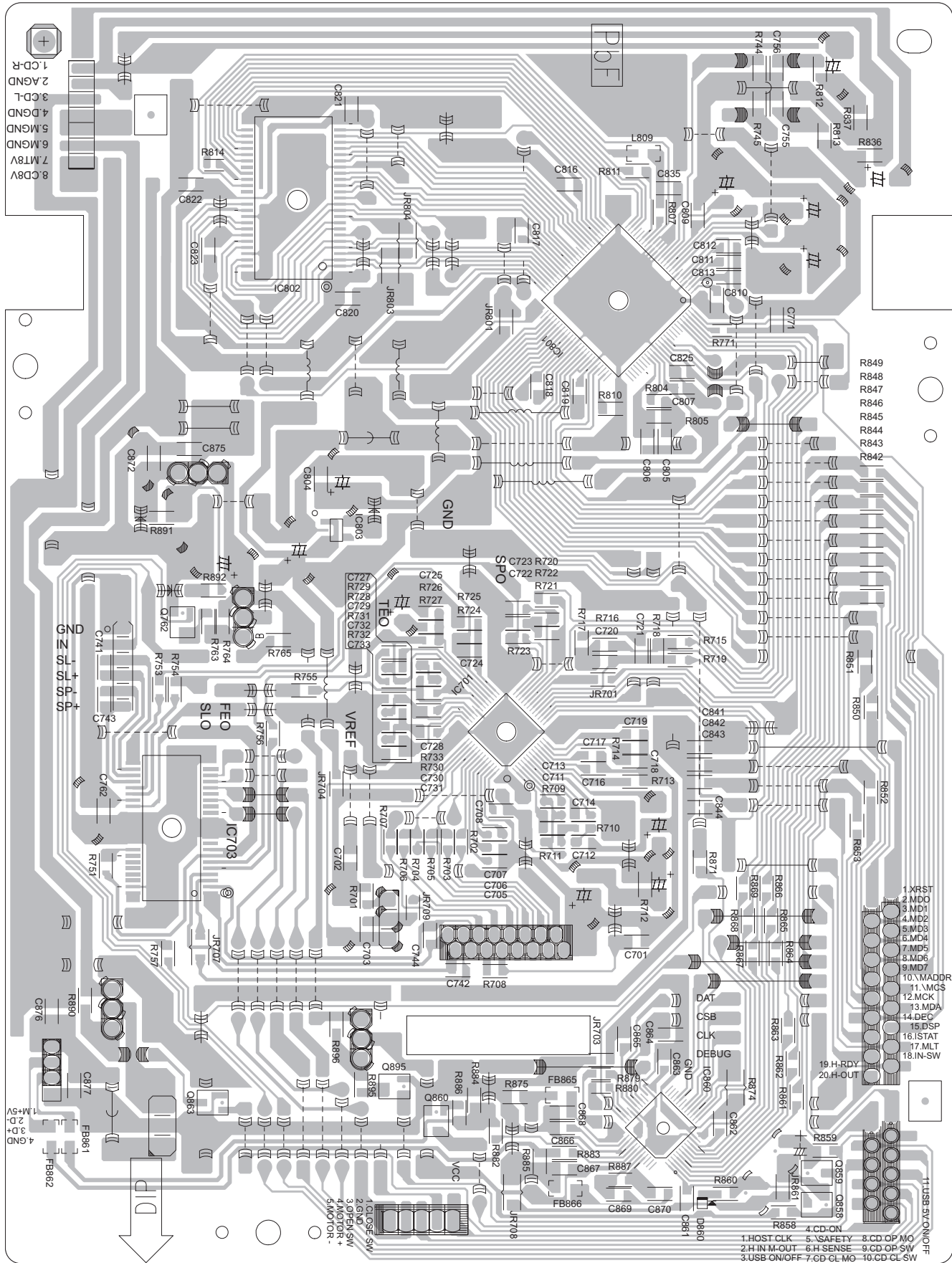
Printed circuit boards

■ Main board Lead free solder used in the board (material : Sn-Ag-Cu, melting point : 219 Centigrade)
forward side

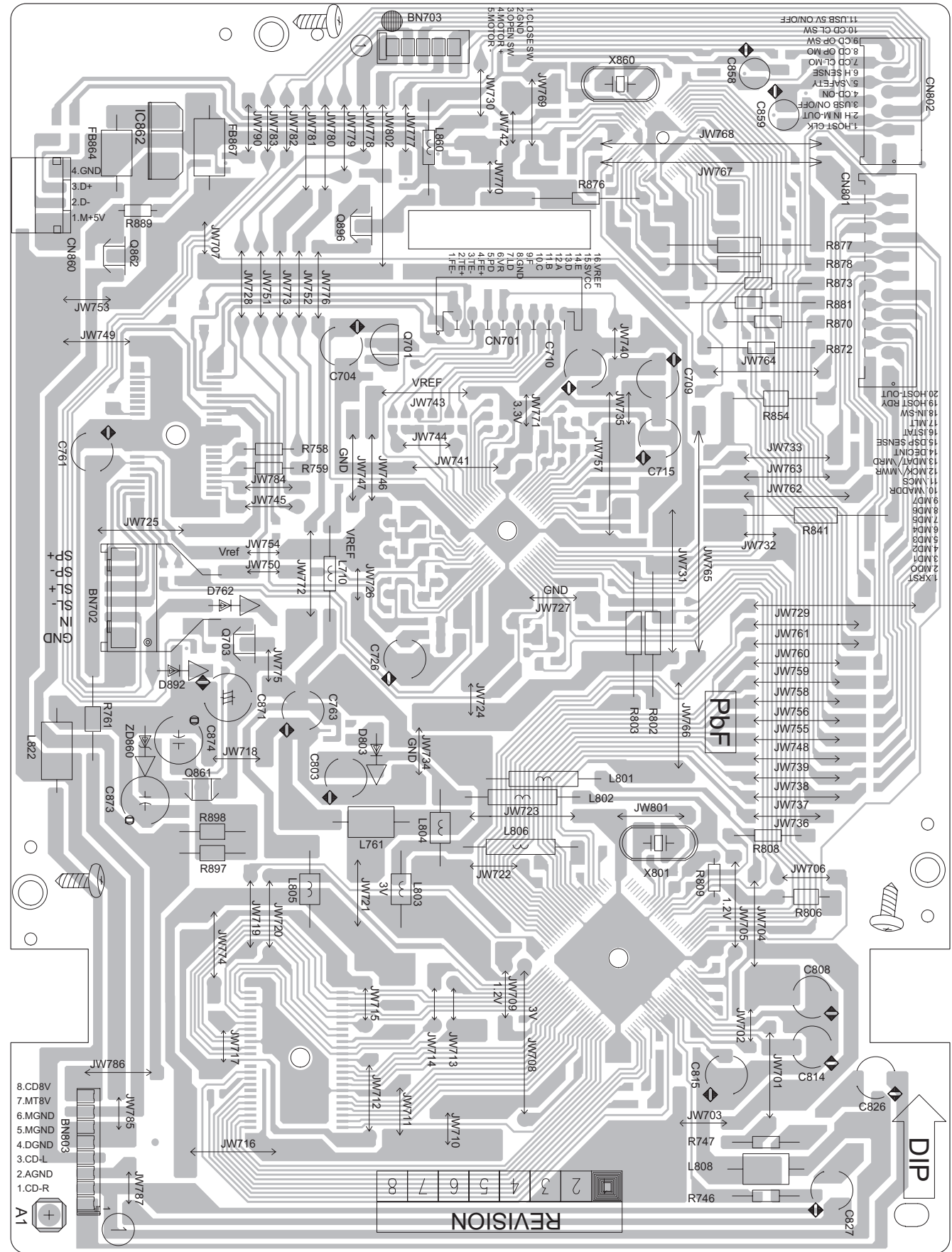


CD board
forward side

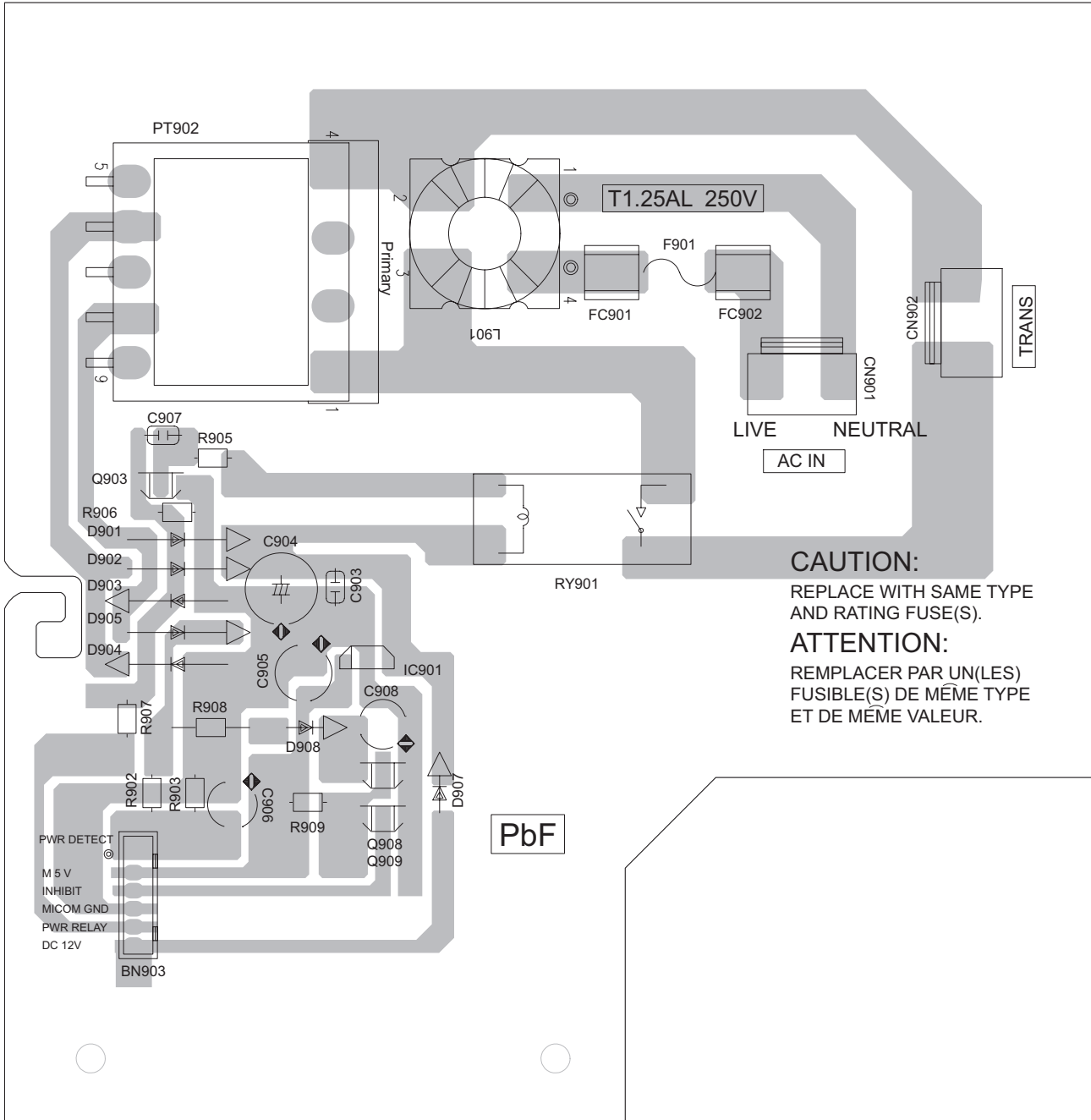
Lead free solder used in the board (material : Sn-Ag-Cu, melting point : 219 Centigrade)



reverse side



Power trans board Lead free solder used in the board (material : Sn-Ag-Cu, melting point : 219 Centigrade)



JVC

Victor Company of Japan, Limited

Audio/Video Systems Category 10-1, 1chome, Ohwatari-machi, Maebashi-city, 371-8543, Japan

(No.MB602SCH)



Printed in Japan
VPT