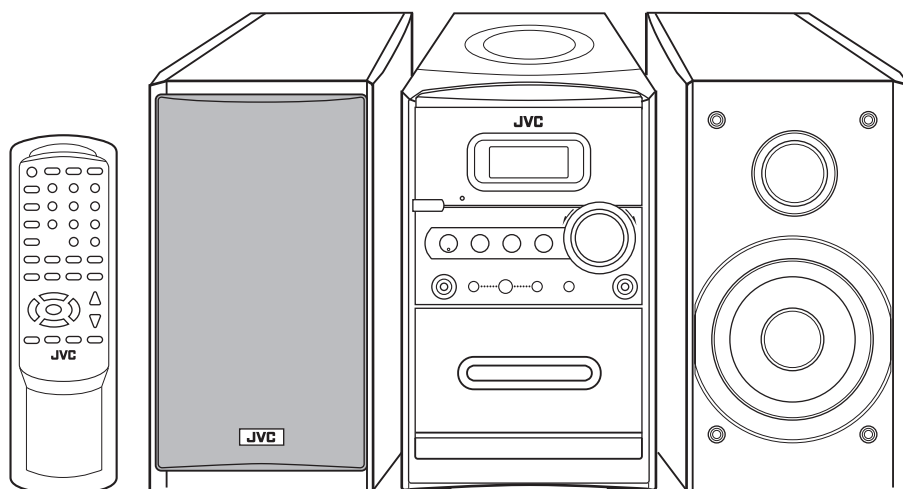


JVC

SERVICE MANUAL

MICRO COMPONENT SYSTEM

UX-H300,UX-H330,UX-H350



UX-H300	
Area suffix	
US -----	Singapore
UT -----	Taiwan
UW -----	Brazil,Mexico,Peru
UX-H330	
Area suffix	
UT -----	Taiwan
UW -----	Brazil,Mexico,Peru
UX-H350	
Area suffix	
UJ -----	U.S.Military

COMPACT
disc
DIGITAL AUDIO

TABLE OF CONTENTS

1	PRECAUTION.....	1-3
2	SPECIFIC SERVICE INSTRUCTIONS.....	1-6
3	DISASSEMBLY.....	1-7
4	ADJUSTMENT.....	1-18
5	TROUBLESHOOTING.....	1-20

SPECIFICATION

Amplifier Section	Output Power		15 W per channel, min. RMS, driven into 4 Ω at 1 kHz with no more than 10% total harmonic distortion. (IEC268-3)
	Audio input sensitivity/Impedance (at 1 kHz)		AUX:500 mV/50 k Ω
	Speakers/Impedance		4 Ω - 16 Ω
Tuner	FM tuning range	100 kHz intervals	87.5 MHz-108.0 MHz
		50 kHz intervals	87.50 MHz-108.00 MHz
	AM tuning range	10 kHz intervals	530 kHz-1 710 kHz
		9 kHz intervals	531 kHz-1 710 kHz
CD player	Dynamic range		85 dB
	Signal-to-noise ratio		85 dB
	Wow and flutter		Immeasurable
Cassette deck	Frequency response	Normal (type I)	100 Hz-10 000 Hz
	Wow and flutter		0.35% (WRMS)
General	Power requirement		AC 110 V-127 V / AC 220 V- 240 V (adjustable with the voltage selector), 50 Hz / 60Hz
	Power consumption 2 W (on standby)		40 W (at operation)
	Dimensions (W/H/D) (approx.)		152 mm \times 233 mm \times 292 mm
	Mass (approx.)		3.9 kg
Speaker Section	Type		Full range, bass-reflex type
	Speakers		10 cm cone \times 1
	Power handling capacity		15 W
	Impedance		4 Ω
	Frequency range		100 Hz-15 kHz
	Dimensions (W/H/D) (approx.)		147 mm \times 233 mm \times 189 mm
	Mass (approx.)		1.9 kg each

Design and specifications are subject to change without notice.

SECTION 1 PRECAUTION

1.1 Safety Precautions

- (1) This design of this product contains special hardware and many circuits and components specially for safety purposes. For continued protection, no changes should be made to the original design unless authorized in writing by the manufacturer. Replacement parts must be identical to those used in the original circuits. Services should be performed by qualified personnel only.
- (2) Alterations of the design or circuitry of the product should not be made. Any design alterations of the product should not be made. Any design alterations or additions will void the manufacturer's warranty and will further relieve the manufacturer of responsibility for personal injury or property damage resulting therefrom.
- (3) Many electrical and mechanical parts in the products have special safety-related characteristics. These characteristics are often not evident from visual inspection nor can the protection afforded by them necessarily be obtained by using replacement components rated for higher voltage, wattage, etc. Replacement parts which have these special safety characteristics are identified in the Parts List of Service Manual. Electrical components having such features are identified by shading on the schematics and by (Δ) on the Parts List in the Service Manual. The use of a substitute replacement which does not have the same safety characteristics as the recommended replacement parts shown in the Parts List of Service Manual may create shock, fire, or other hazards.
- (4) The leads in the products are routed and dressed with ties, clamps, tubings, barriers and the like to be separated from live parts, high temperature parts, moving parts and/or sharp edges for the prevention of electric shock and fire hazard. When service is required, the original lead routing and dress should be observed, and it should be confirmed that they have been returned to normal, after reassembling.

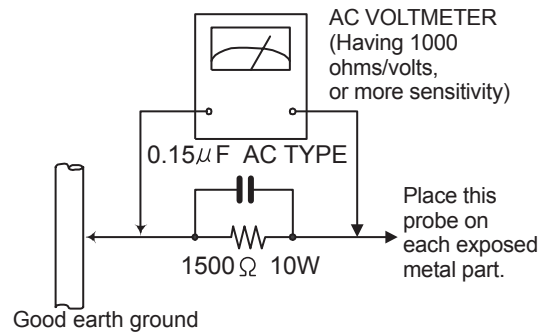
(5) Leakage shock hazard testing

After reassembling the product, always perform an isolation check on the exposed metal parts of the product (antenna terminals, knobs, metal cabinet, screw heads, headphone jack, control shafts, etc.) to be sure the product is safe to operate without danger of electrical shock. Do not use a line isolation transformer during this check.

- Plug the AC line cord directly into the AC outlet. Using a "Leakage Current Tester", measure the leakage current from each exposed metal part of the cabinet, particularly any exposed metal part having a return path to the chassis, to a known good earth ground. Any leakage current must not exceed 0.5mA AC (r.m.s.).
- Alternate check method
Plug the AC line cord directly into the AC outlet. Use an AC voltmeter having, 1,000 Ω per volt or more sensitivity in the following manner. Connect a 1,500 Ω 10W resistor paralleled by a 0.15 μ F AC-type capacitor between an exposed metal part and a known good earth ground. Measure the AC voltage across the resistor with the AC

voltmeter.

Move the resistor connection to each exposed metal part, particularly any exposed metal part having a return path to the chassis, and measure the AC voltage across the resistor. Now, reverse the plug in the AC outlet and repeat each measurement. Voltage measured any must not exceed 0.75 V AC (r.m.s.). This corresponds to 0.5 mA AC (r.m.s.).



1.2 Warning

- (1) This equipment has been designed and manufactured to meet international safety standards.
- (2) It is the legal responsibility of the repairer to ensure that these safety standards are maintained.
- (3) Repairs must be made in accordance with the relevant safety standards.
- (4) It is essential that safety critical components are replaced by approved parts.
- (5) If mains voltage selector is provided, check setting for local voltage.

1.3 Caution

Burrs formed during molding may be left over on some parts of the chassis.

Therefore, pay attention to such burrs in the case of pre-forming repair of this system.

1.4 Critical parts for safety

In regard with component parts appearing on the silk-screen printed side (parts side) of the PWB diagrams, the parts that are printed over with black such as the resistor (■), diode (■) and ICP (●) or identified by the " Δ " mark nearby are critical for safety. When replacing them, be sure to use the parts of the same type and rating as specified by the manufacturer. (This regulation does not Except the J and C version)

1.5 Preventing static electricity

Electrostatic discharge (ESD), which occurs when static electricity stored in the body, fabric, etc. is discharged, can destroy the laser diode in the traverse unit (optical pickup). Take care to prevent this when performing repairs.

1.5.1 Grounding to prevent damage by static electricity

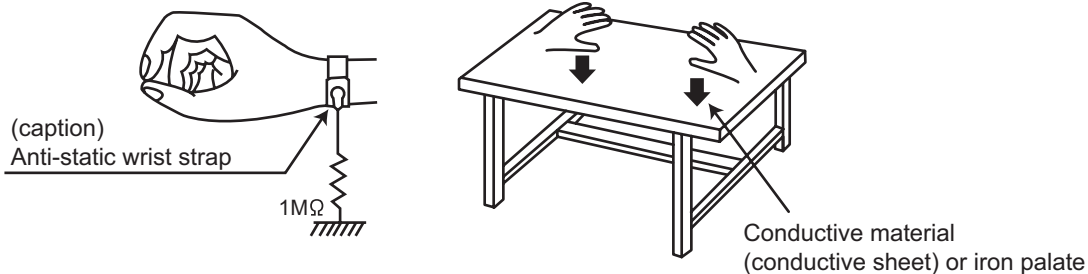
Static electricity in the work area can destroy the optical pickup (laser diode) in devices such as laser products. Be careful to use proper grounding in the area where repairs are being performed.

(1) Ground the workbench

Ground the workbench by laying conductive material (such as a conductive sheet) or an iron plate over it before placing the traverse unit (optical pickup) on it.

(2) Ground yourself

Use an anti-static wrist strap to release any static electricity built up in your body.



(3) Handling the optical pickup

- In order to maintain quality during transport and before installation, both sides of the laser diode on the replacement optical pickup are shorted. After replacement, return the shorted parts to their original condition. (Refer to the text.)
- Do not use a tester to check the condition of the laser diode in the optical pickup. The tester's internal power source can easily destroy the laser diode.

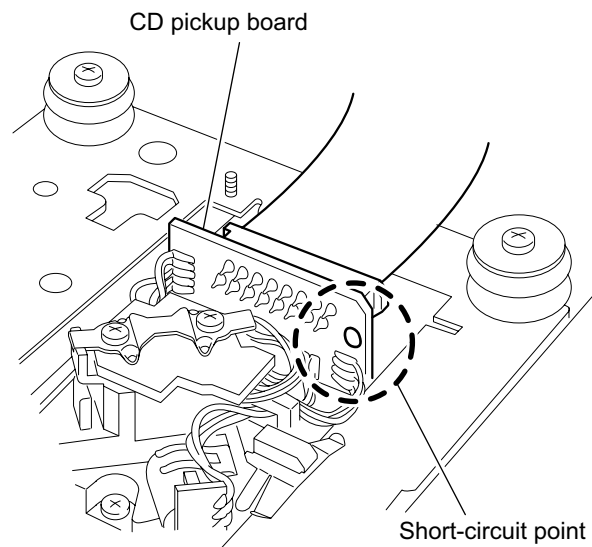
1.6 Handling the traverse unit (optical pickup)

- (1) Do not subject the traverse unit (optical pickup) to strong shocks, as it is a sensitive, complex unit.
- (2) Cut off the shorted part of the flexible cable using nippers, etc. after replacing the optical pickup. For specific details, refer to the replacement procedure in the text. Remove the anti-static pin when replacing the traverse unit. Be careful not to take too long a time when attaching it to the connector.
- (3) Handle the flexible cable carefully as it may break when subjected to strong force.
- (4) It is not possible to adjust the semi-fixed resistor that adjusts the laser power. Do not turn it.

1.7 Attention when traverse unit is decomposed

***Please refer to "Disassembly method" in the text for the pickup unit.**

- Apply solder to the short land sections before the flexible wire is disconnected from the connector on the servo board. (If the flexible wire is disconnected without applying solder, the pickup may be destroyed by static electricity.)
- In the assembly, be sure to remove solder from the short land sections after connecting the flexible wire.



1.8 Important for laser products

1.CLASS 1 LASER PRODUCT


2.DANGER : Invisible laser radiation when open and interlock failed or defeated. Avoid direct exposure to beam.

3.CAUTION : There are no serviceable parts inside the Laser Unit. Do not disassemble the Laser Unit. Replace the complete Laser Unit if it malfunctions.

4.CAUTION : The CD,MD and DVD player uses invisible laser radiation and is equipped with safety switches which prevent emission of radiation when the drawer is open and the safety interlocks have failed or are defeated. It is dangerous to defeat the safety switches.

5.CAUTION : If safety switches malfunction, the laser is able to function.

6.CAUTION : Use of controls, adjustments or performance of procedures other than those specified here in may result in hazardous radiation exposure.

 **CAUTION** Please use enough caution not to see the beam directly or touch it in case of an adjustment or operation check.

CAUTION : Visible and invisible laser radiation when open and interlock failed or defeated.

AVOID DIRECT EXPOSURE TO BEAM.

ADVARSEL : Synlig og usynlig laserstråling når maskinen er åben eller interlocken fejler. Undgå direkte eksponering til stråling.

VARNING : Synlig och osynlig laserstråling när den öppnas och spärren är urkopplad. Betrakta ej strålen.

VARO : Avattaessa ja suojalukitus ohitettuna tai viallisena olet alltiina näkyvälle ja näkymättömälle lasersäteilylle. Vältä säteen kohdistumista suoraan itseesi.

REPRODUCTION AND POSITION OF LABELS

WARNING LABEL

CAUTION : Visible and invisible laser radiation when open and interlock failed or defeated. AVOID DIRECT EXPOSURE TO BEAM. (e)	ADVARSEL : Synlig og usynlig laserstråling når maskinen er åben eller interlocken fejler. Undgå direkte eksponering til stråling. (d)	VARNING : Synlig och osynlig laserstråling när den öppnas och spärren är urkopplad. Betrakta ej strålen. (s)	VARO : Avattaessa ja suojalukitus ohitettuna tai viallisena olet alltiina näkyvälle ja näkymättömälle lasersäteilylle. Vältä säteen kohdistumista suoraan itseesi. (f)
---	--	---	---

CLASS 1
LASER PRODUCT

CAUTION : Visible and invisible laser radiation when open and interlock failed or defeated. AVOID DIRECT EXPOSURE TO BEAM. (e)	VARO : Avattaessa ja suojalukitus ohitettuna tai viallisena olet alltiina näkyvälle ja näkymättömälle lasersäteilylle. Vältä säteen kohdistumista suoraan itseesi. (f)
VARNING : Synlig och osynlig laserstråling när den öppnas och spärren är urkopplad. Betrakta ej strålen. (s)	ADVARSEL : Synlig og usynlig laserstråling når maskinen er åben eller interlocken fejler. Undgå direkte eksponering til stråling. (d)

SECTION 2 SPECIFIC SERVICE INSTRUCTIONS

This service manual does not describe SPECIFIC SERVICE INSTRUCTIONS.

SECTION 3 DISASSEMBLY

3.1 Main body

3.1.1 Removing the front panel assembly (See Fig.1 to 6)

- (1) From the back of the body, remove the two screws **A**, and the two screws **B** attaching the front panel assembly.
- (2) Remove the six screws **D** on both sides of the body.
- (3) Remove the screw **E** on the bottom of the body.
- (4) Move the front panel assembly in the direction of the arrow and remove. Disconnect connector [CN402](#), [CN801](#) on the main board and disconnect the wire from FM-ANT.

Caution:

When reassembling the front panel assembly, fit the right and left tabs a to the notch.

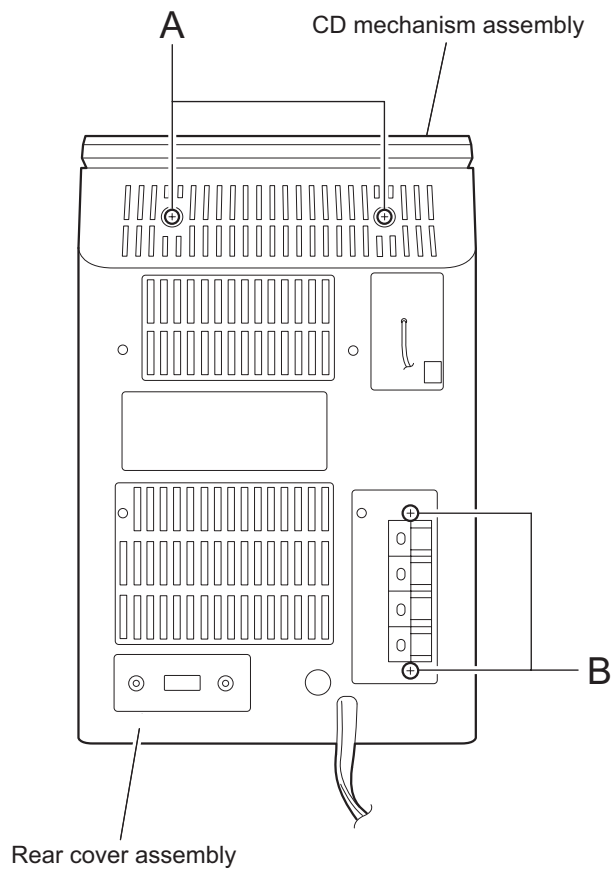


Fig.1

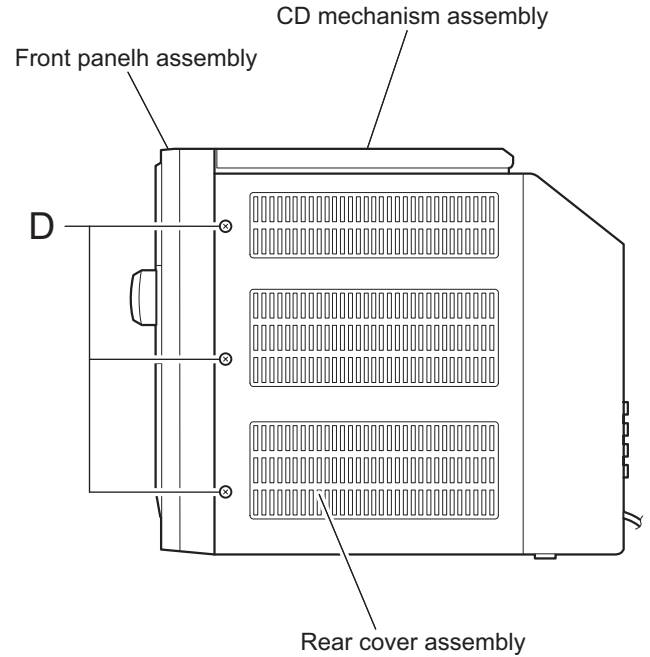


Fig.2

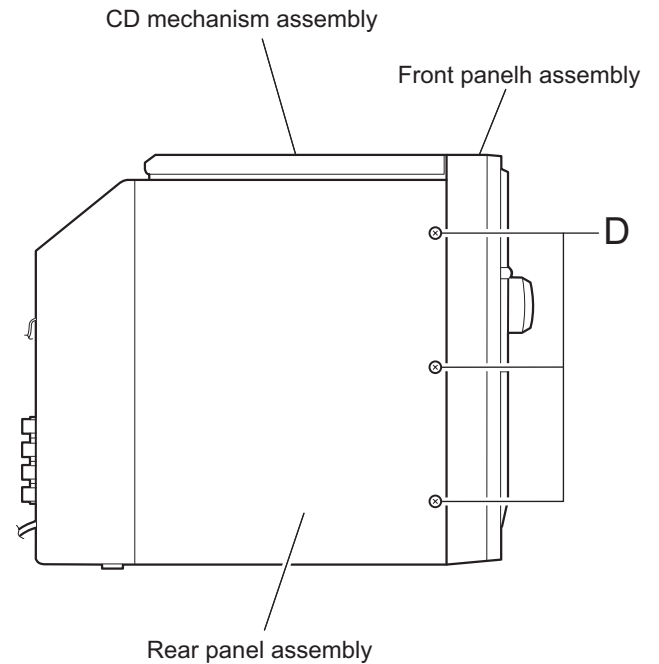


Fig.3

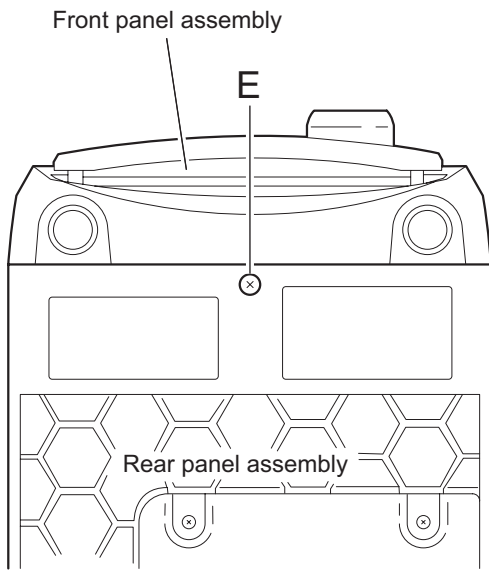


Fig.4

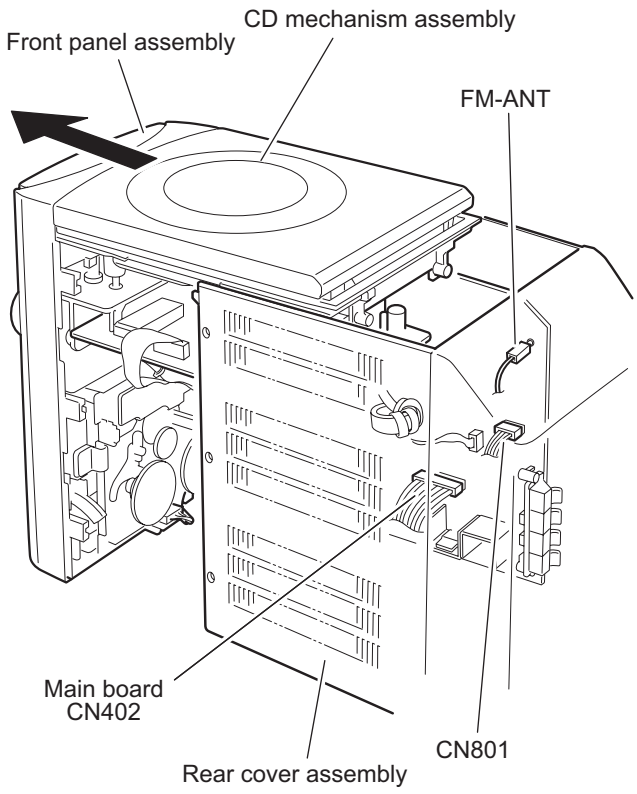


Fig.6

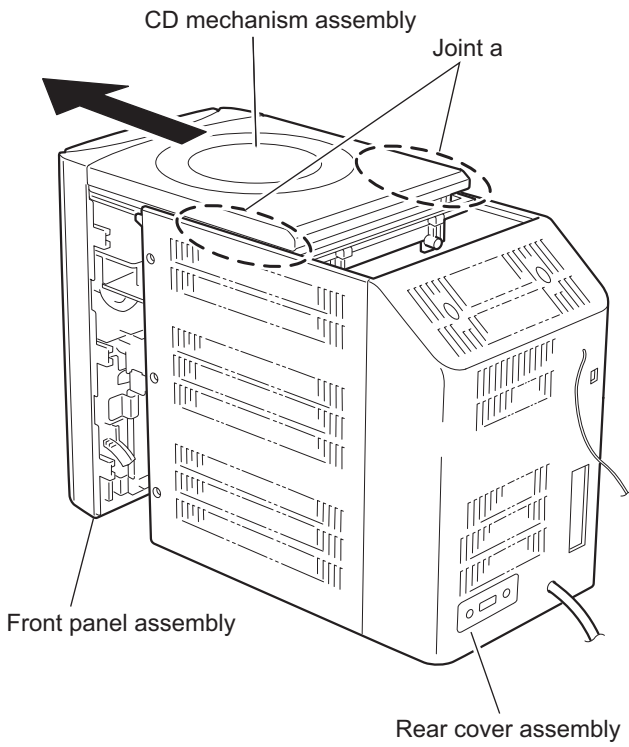


Fig.5

3.1.2 Removing the main board (See Fig.7, 8)

- Prior to performing the following procedure, remove the front panel assembly.
 - (1) Disconnect the wire from all connectors on the main board.
 - (2) Disconnect the wire from the two connectors on the cassette mechanism assembly.
 - (3) Release the three bands attaching the wire to the main board.
 - (4) Remove the two screws **F** from the front panel assembly. Release the joint **b**.

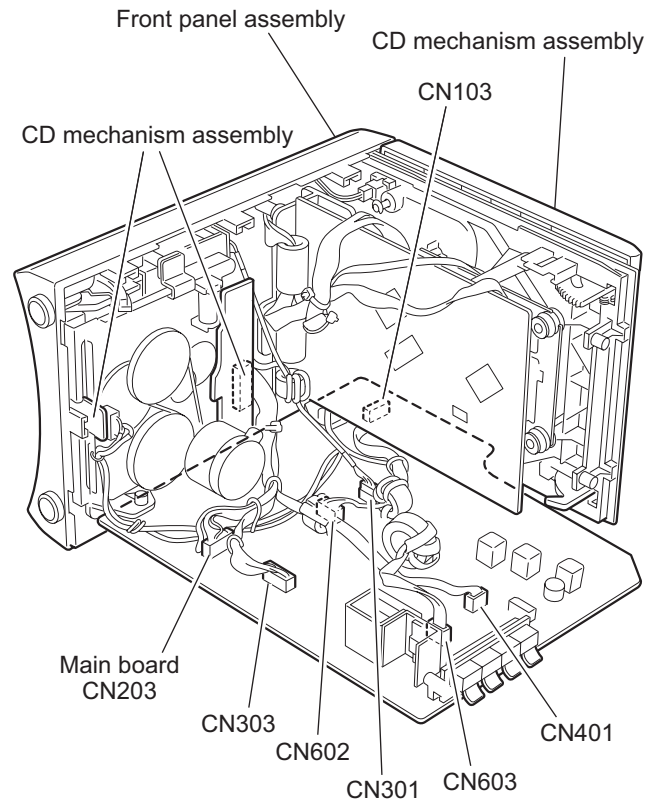


Fig.7

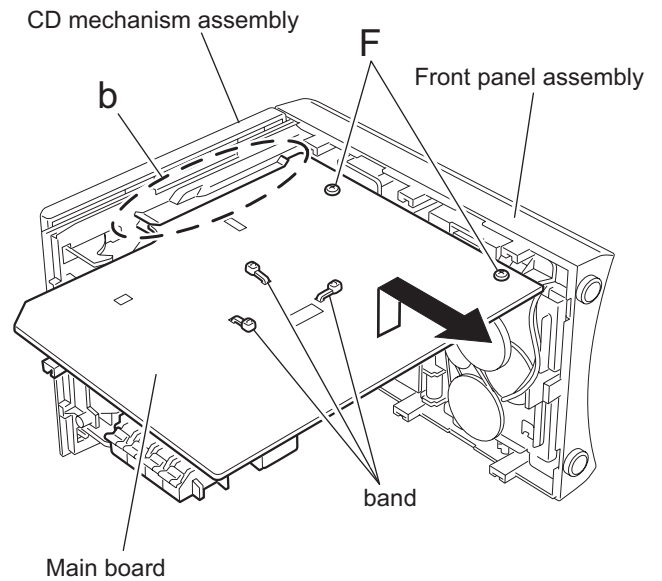


Fig.8

3.1.3 Removing the CD mechanism assembly (See Fig.9, 10)

- Prior to performing the following procedure, remove the front panel assembly and the main board.
 - (1) Release the four bands setting the wire.
 - (2) Disconnect the wire from the connector on the CD door switch and from [CN601](#), [CN603](#) and [CN604](#) on the CD mechanism board respectively.
 - (3) Remove the three screws **G** attaching the CD mechanism assembly.
 - (4) Release the joint **d** to remove the CD mechanism assembly from the front panel assembly.

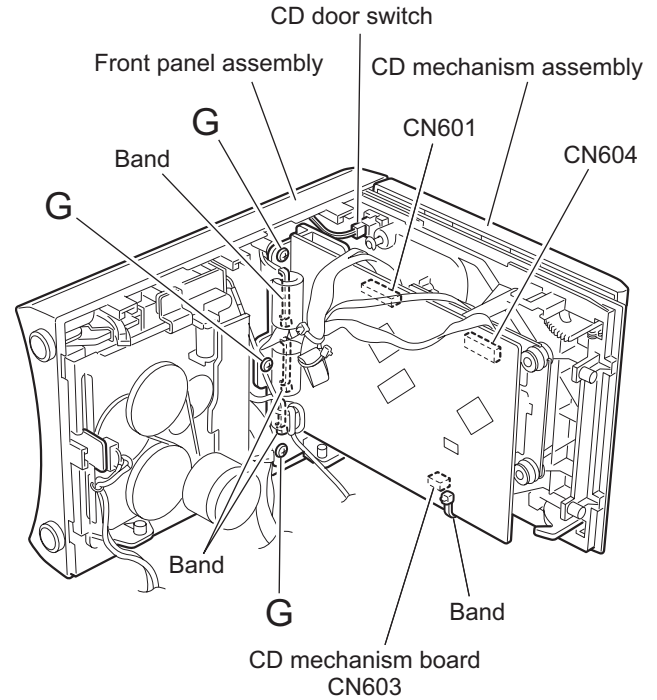


Fig.9

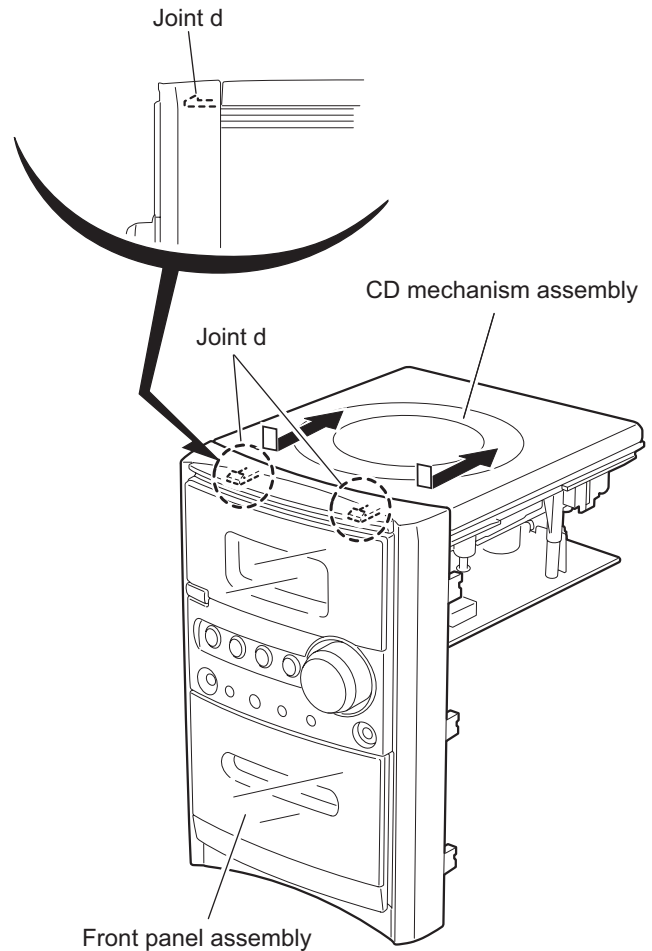


Fig.10

3.1.4 Removing the CD mechanism assembly (See Fig.11 to 13)

- Prior to performing the following procedure, remove the front panel assembly, the main board and the CD mechanism assembly.

Caution:

Before disconnecting the card wire from connector [CN607](#) on the CD mechanism board and from CD pickup board, solder the short-circuit point on the CD pickup board. If you do not follow this instruction, the pickup may be damaged.

- (1) Remove the four screws **H** attaching the CD mechanism board.
- (2) Move the CD mechanism board temporarily and disconnect the wire from connector [CN606](#).
- (3) Solder the short-circuit point on the CD pickup board.
- (4) Disconnect the card wire from connector [CN607](#) on the CD mechanism board.

Caution:

Make sure to unsolder the short-circuit point after reconnecting the card wire to the CD pickup board and to connector [CN607](#) on the CD mechanism board.

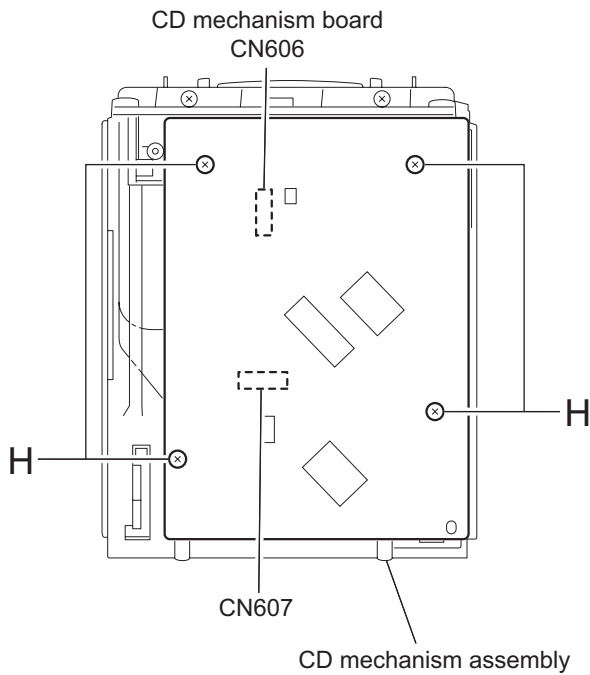


Fig.11

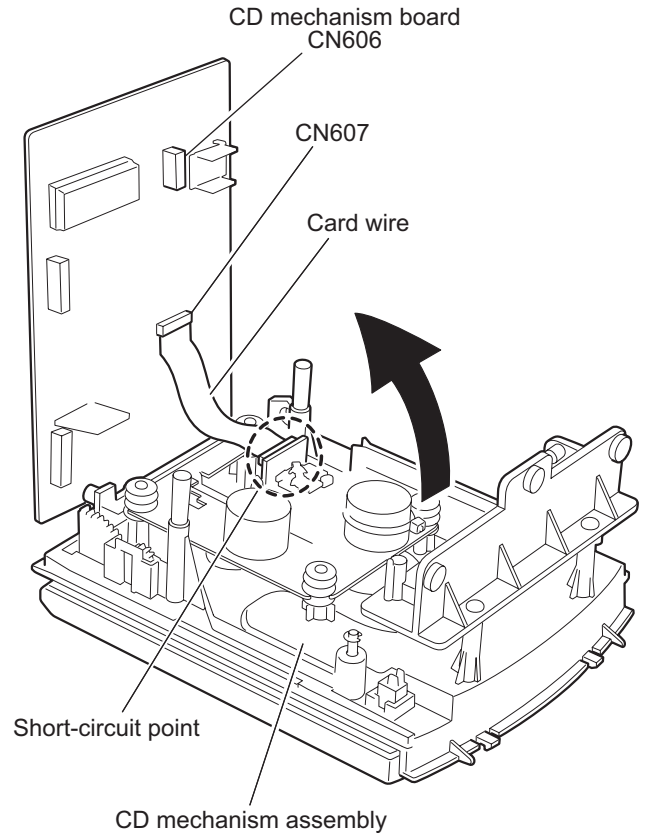


Fig.12

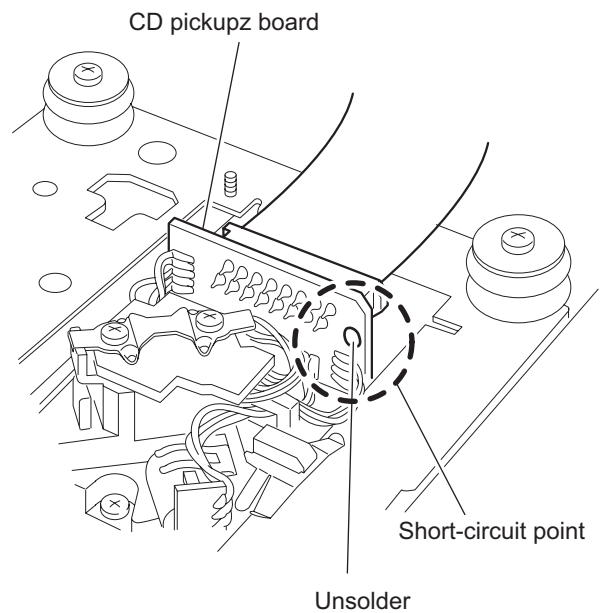


Fig.13

3.1.5 Removing the CD mechanism (See Fig.14)

- Prior to performing the following procedure, remove the front panel assembly, the main board, the CD mechanism assembly and the CD mechanism board.
 - (1) Remove the four screws **J** attaching the CD mechanism.

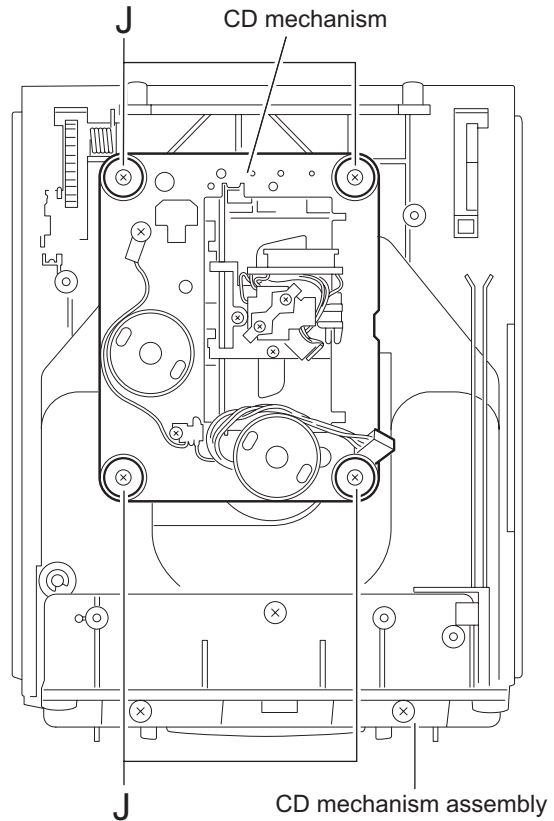


Fig.14

3.1.6 Removing the headphone board/ AUX board (See Fig.15)

- Prior to performing the following procedure, remove the front panel assembly, the main board and the CD mechanism assembly.
 - (1) Remove the screw **K** attaching the bracket and detach the headphone board.
 - (2) Remove the screw **M** attaching the bracket and detach the AUX board.

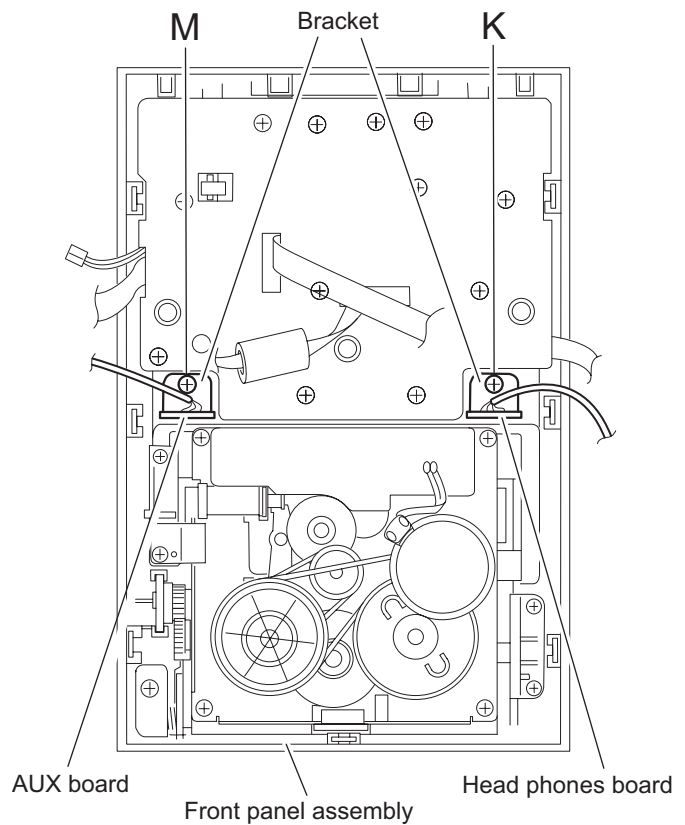


Fig.15

3.1.7 Remove the LCD board (See Fig.16, 17)

- Prior to performing the following procedure, remove the front panel assembly, the main board and the CD mechanism assembly.
 - (1) From the front panel, pull out the volume knob and remove the nut and the washer.
 - (2) Remove the twelve screws **N** attaching the LCD board.

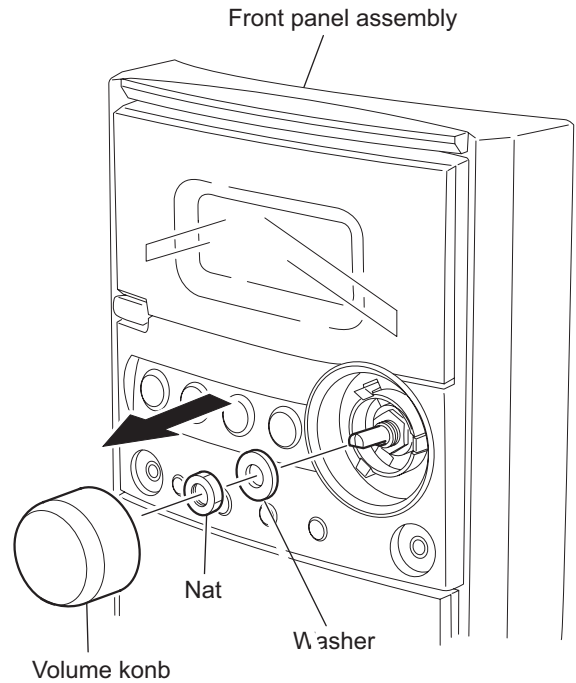


Fig.16

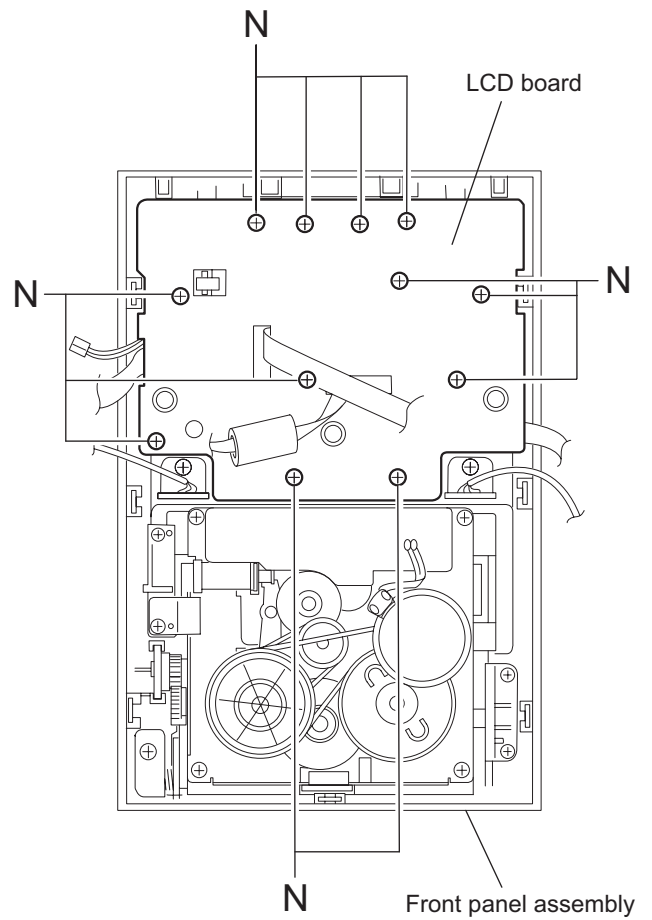


Fig.17

3.1.8 Removing the cassette mechanism assembly (See Fig.18, 19)

- Prior to performing the following procedure, remove the front panel assembly and the main board.
 - (1) Push 'PUSH OPEN' on the front panel to open the cassette door.
 - (2) Remove the screw **P** attaching the bracket of the cassette mechanism assembly.
 - (3) Remove the two screws **Q** and the two screws **R** attaching the cassette mechanism assembly.

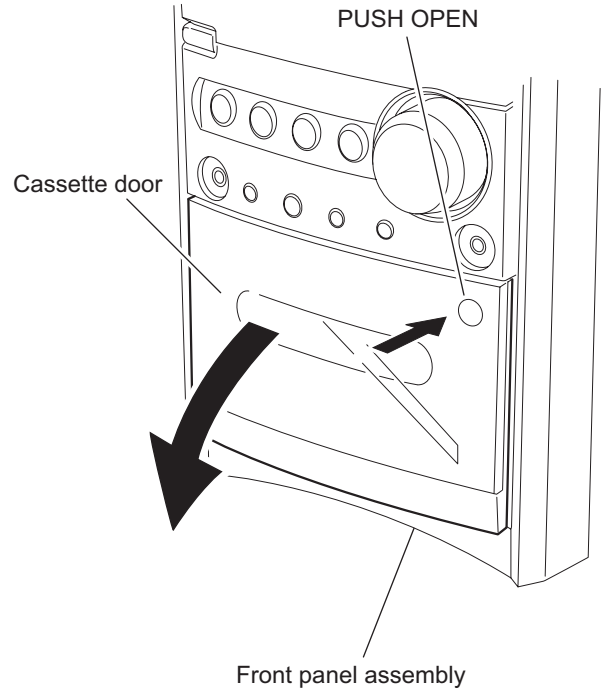


Fig.18

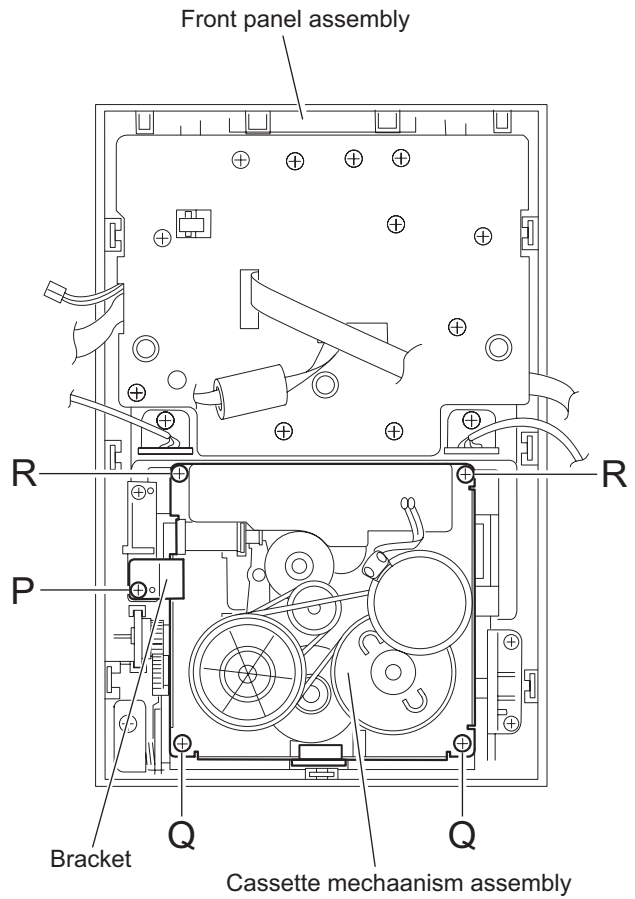


Fig.19

3.1.9 Removing the heat sink/power board (See Fig.20 to 27)

- Prior to performing the following procedure, remove the front panel assembly.
- (1) From the bottom of the rear cover, peel off the tape attaching the wire extending from the power board and remove the earth plate which is attached with the double-sided tape.
- (2) Remove the four screws **T** attaching the holder in the power unit section.
- (3) Move the power unit section with the wire from the rear cover temporarily. If necessary, release the band and unsolder the wire on the power board.
- (4) Remove the four screws **U** and the screw **Y** attaching the holder.
- (5) Release the wire from the band at 'e' and move the holder in the direction of the arrow to release from the joint f.
- (6) Remove the four screws **A'** and two screws **B'** attaching the heat sink.
- (7) Remove the two screws **D'** attaching the power board.

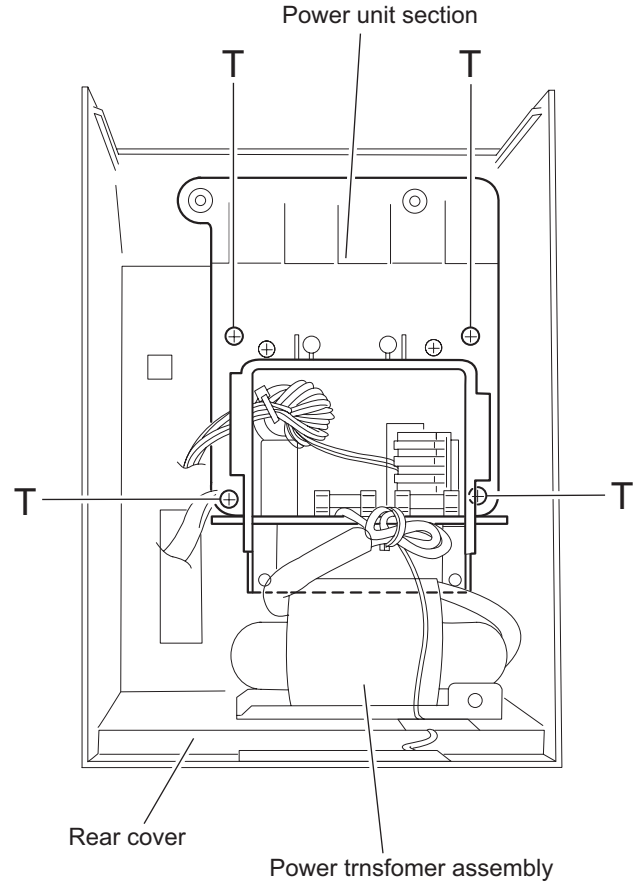
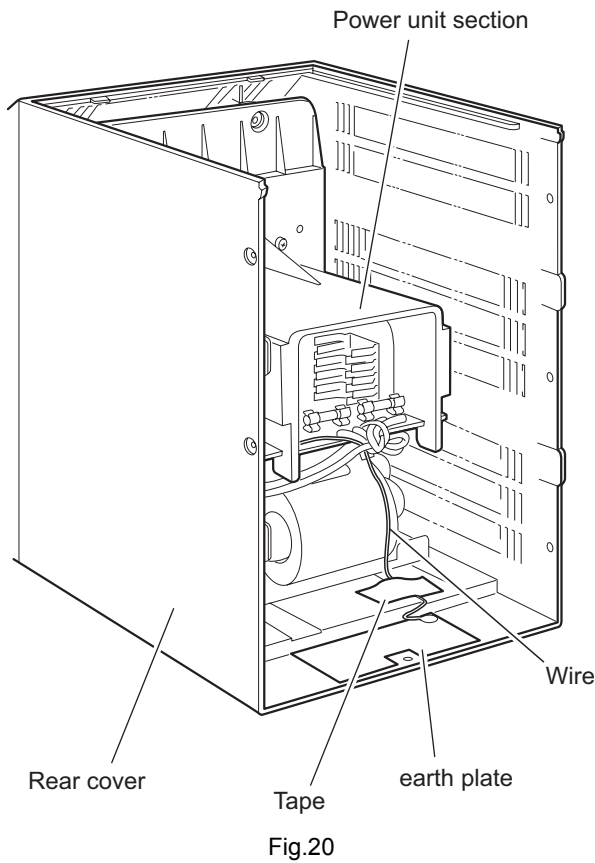


Fig.21

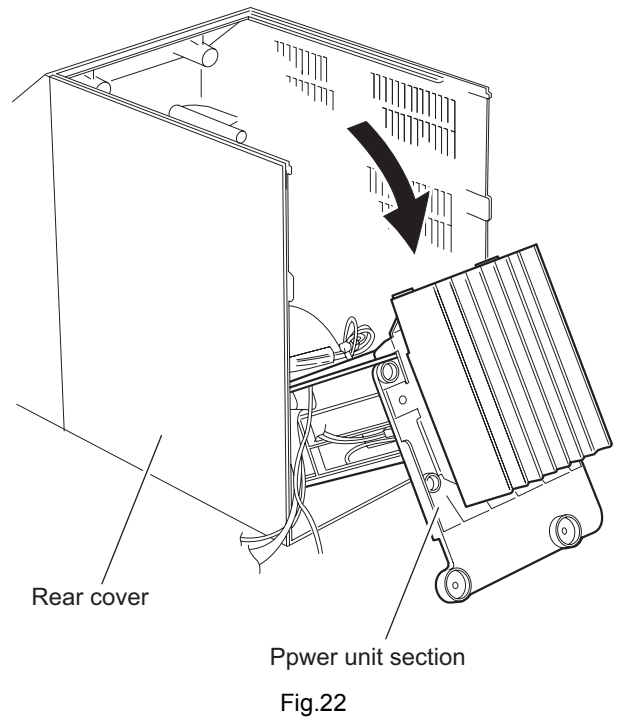


Fig.22

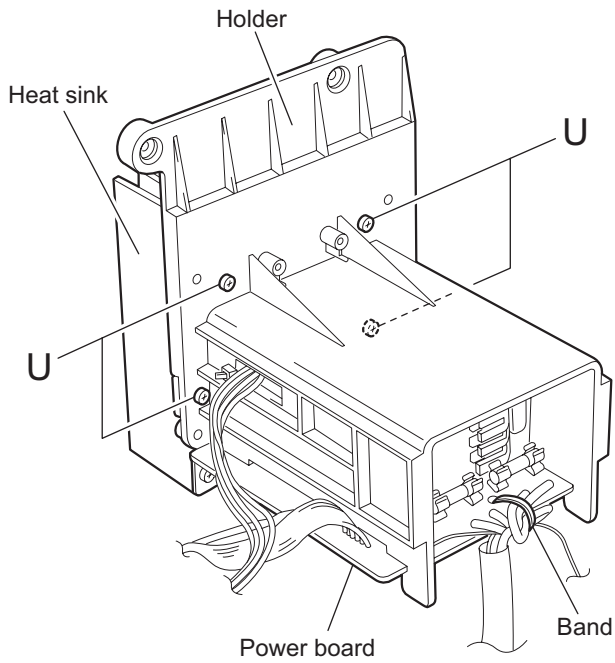


Fig.23

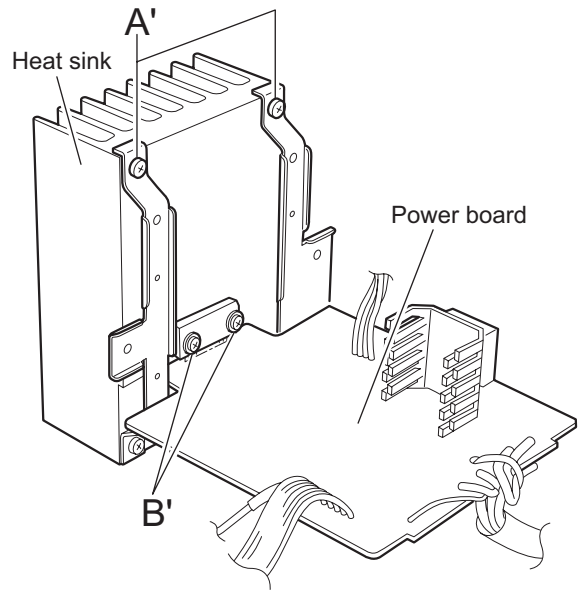


Fig.25

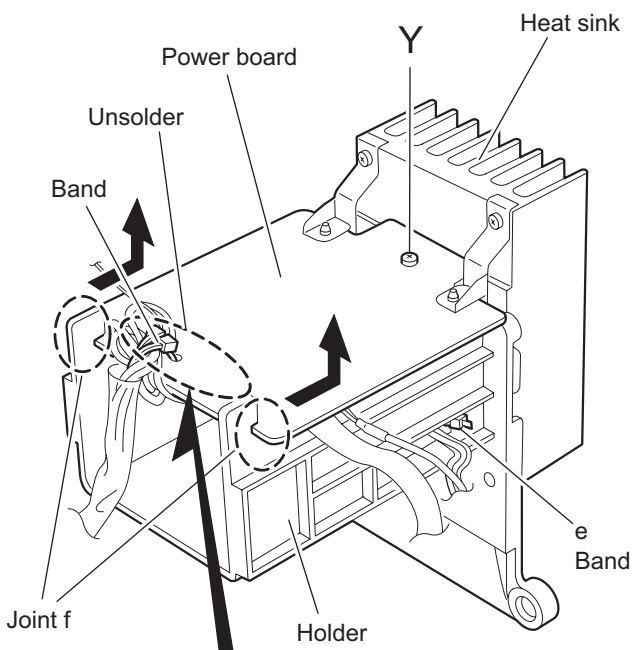


Fig.24

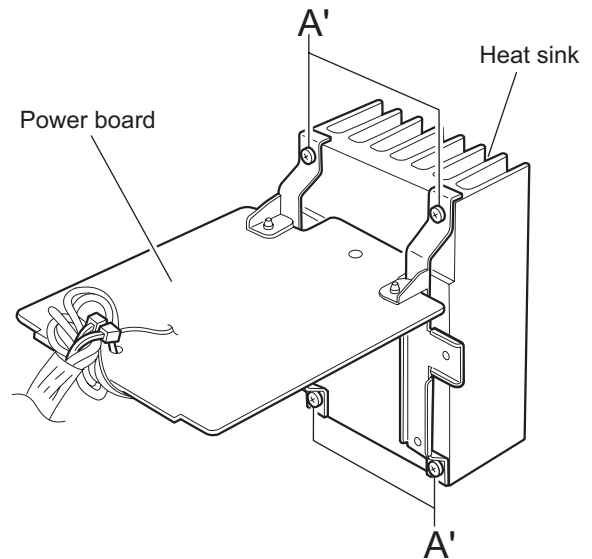


Fig.26

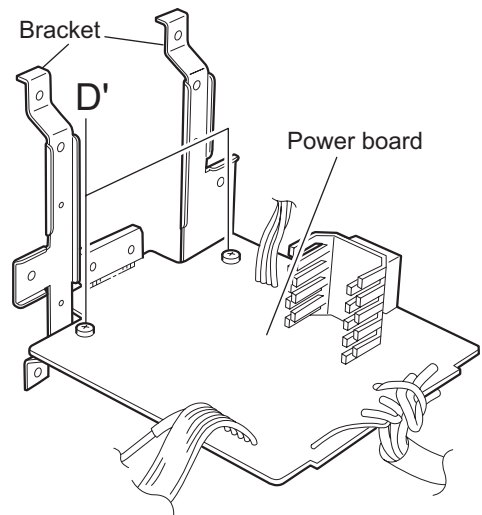


Fig.27

3.1.10 Removing the power transformer assembly/voltage selector (See Fig.28, 29)

- Prior to performing the following procedure, remove the front panel assembly and the power unit section.
 - (1) Remove the four screws **E'** attaching the power transformer assembly. The bracket comes off at the bottom of the rear cover.
 - (2) Remove the screw **F'** attaching the power cord.
 - (3) From the back of the rear cover, remove the two screws **H'** attaching the voltage selector.

3.1.11 Removing the FM antenna board (See Fig.29)

- Prior to performing the following procedure, remove the front panel assembly and the power unit section.
 - (1) From the rear cover assembly, remove the screw **G'** attaching the FM antenna board.
 - (2) From the FM antenna board, unsolder the FM antenna wire.

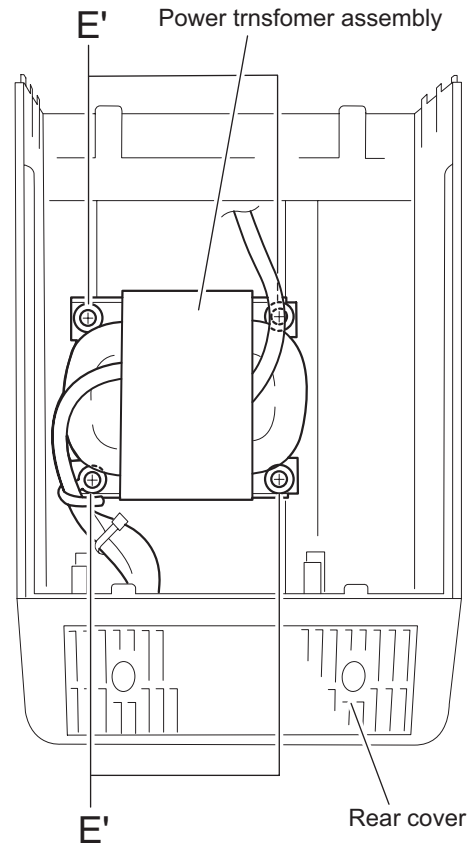


Fig.28

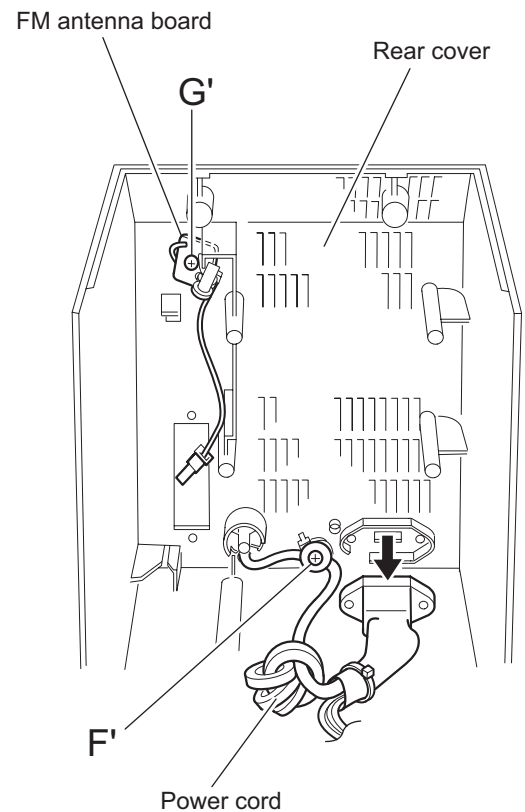


Fig.29

SECTION 4 ADJUSTMENT

4.1 Measurement Instruments Required for Adjustment

(1) Low frequency oscillator

This oscillator should have a capacity to output 0dBs to 600Ω at an oscillation frequency of 50Hz-20kHz.

(2) Attenuator impedance : 600Ω

(3) Electronic voltmeter

(4) Distortion meter

(5) Frequency counter

(6) Wow & flutter meter

(7) Test tape

VT703L : Head azimuth

VT712 : Tape speed and running unevenness (3kHz)

VT724 : Reference level (1kHz)

(8) Blank tape

TYPE I : AC-225

TYPE II : AC-514

(9) Torque gauge : For play and back tension

FWD(TW2111A), REV(TW2121a) and FF/REW(TW2231A)

(10) Test disc: CTS-1000

4.2 Measurement conditons

Power supply voltage : AC230V ~ AC240V, 50Hz / 60Hz

Reference output : Speaker : 0 dB (2V)/4Ω
: Headphone : -10 dB(0.245V)/32Ω

Reference frequency and input level : 1kHz, AUX : -8dBs

Measurement output terminal : at Speaker

Load resistance : 4Ω

4.3 Radio Input signal

AM frequency : 1kHz

AM modulation : 30%

FM frequency : 1k

FM frequency deviation : 22.5kHz

4.4 Cassette amplifier section

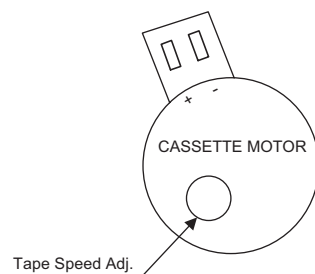
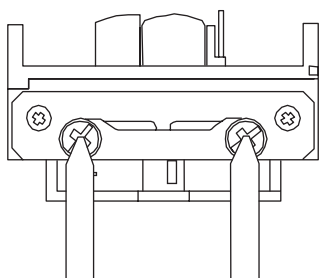
Item	Measuring condition	Check and adjustment procedure	Standard value	Adjusting part
Head azimuth adjustment	<ul style="list-style-type: none"> • Test tape:VT703L • Signal output terminal:PHONES (with 32 ohm load) 	<ol style="list-style-type: none"> 1.Play back the test tape VT703L. 2.Adjust the head azimuth adjusting screw so that the phase difference between the L and R channels is minimized at an output level that is within +/- 2 dB of the maximum output level. After this adjustment, lock the head azimuth adjusting screw with screw sealant to cover more than a half of the screw head. 3.When the head azimuth is maladjusted, correct it with the head azimuth adjusting screw. 	<ul style="list-style-type: none"> • Output level: Within +/-2 dB of maximum output level • Phase difference L and R channels:Minimum 	Head azimuth adjusting screw (to be used only after head replacement)
Tape speed and wow / flutter check and adjustment	<ul style="list-style-type: none"> • Test tape:VT712 • Signal output terminal:PHONES (with 32 ohm load) 	<ol style="list-style-type: none"> 1.Playback the test tape VT712 by the end position. 2.Connect a frequency counter and check that it reads between 2940 and 3090 Hz. If not, adjust the frequency with the motor semifixed resistor. 3.Check that the wow/flutter is within 0.38% (unweighted) 	<ul style="list-style-type: none"> • 2940 to 3090 Hz within 0.38 % (unweighted) 	Tape speed: Motor semifixed resistor
REC and PB frequency response adjustment	<ul style="list-style-type: none"> • Test tape:VT703L • Signal input FM 22.5 DEV 60dB with Emphasis • Signal output terminal:PHONES (with 32 ohm load) 	At TUNER, set the BAND to the FM position, and record the reference 1 kHz signal and 10kHz signal alternately repeatedly. While playing back the recorded signal differ from that of the 1 kHz signal by within 0 (+3 to -6) dB.	<ul style="list-style-type: none"> • Level difference between REC and PB:Within 0 (+3 to -6) dB. 	

4.5 Tuner section

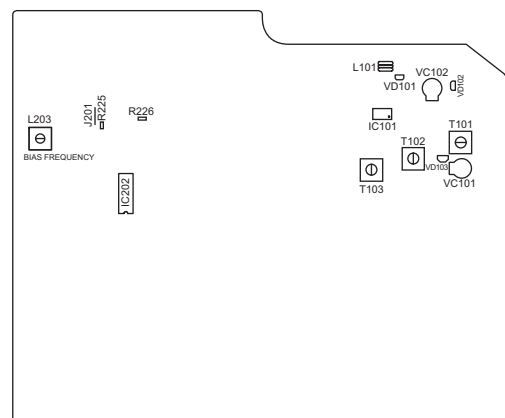
Item	Measuring condition	Check and adjustment procedure	Standard value	Adjusting part
AM IF adjustment	Signal input: Loop antenna Signal output: IC101 pin (16)	<ol style="list-style-type: none"> 1. Set the intermediate frequency sweep generator to AM 450 kHz. 2. Adjust the T103 for maximum and center output. 		T103
AM tracking adjustment	Signal input: Loop antenna PHONES (with 32 ohm load)	<ol style="list-style-type: none"> 1. Set the TUNER at 530 kHz adjust T102 until the test pin of VD103 voltage at 1.5 V +/- 0.1 V. 2. Set the TUNER at 1710 kHz, check the pin of VD103 voltage at 9.0V +/- 0.5V. 3. Set the TUNER and S/G at 600kHz, adjust T101 for maximum output. 4. Set the TUNER and S/G at 1400 kHz, adjust VC101 for maximum output. 5. Repeat the above steps 3 and 4. 		T102 T101 VD103

4.6 Location of adjusting parts

Cassette mechanism section



Main board assembly



SECTION 5 TROUBLESHOOTING

Circuit	Symptom	Cause and Remedy
General	No sound	<ul style="list-style-type: none"> ▪ Defective earphone jack: Replace the earphone jack. ▪ Defect in IC801 Check voltages. Replace if necessary. ▪ Defect in IC301 Check voltages. Replace if necessary.
AM	No sound, weak sound (Low sensitivity)	<ul style="list-style-type: none"> ▪ Defect in IF T103: Check resistance, voltage, and current. Replace as needed. ▪ Defect AM antenna coil T101 or oscilloscope coil T102: Replace if necessary. ▪ Intermediate Frequency tuning faulty: Readjust (see "Alignment and Adjustment"). ▪ RF tracking faulty: Readjust (see "Alignment and Adjustment"). ▪ Defective IC101: Check voltages. Replace if necessary. ▪ Defective IC102: Check voltages. Replace if necessary. ▪ Poor contact in antenna circuit: Check resistance and resolder.
FM	No sound, weak sound (Low sensitivity)	<ul style="list-style-type: none"> ▪ Defective band selector switch: Replace or repair the switch. ▪ Defective IC101: Check voltages. Replace if necessary. ▪ Defective IC102: Check voltages. Replace if necessary. ▪ Intermediate Frequency tuning faulty: Readjust (see "Alignment and Adjustment"). ▪ Poor contact in FM antenna circuit: Resolder or repair as required.
Tape	No sound/recording, unsteady tape sound, weak sound	<ul style="list-style-type: none"> ▪ Dirty capstan or head: Clean the capstan or head with alcohol. ▪ Irregular cassette tape winding: Replace tape. ▪ Defective IC201: Check voltage. Replace if necessary. ▪ Cassette erasure prevention tabs broken out: Replace tape or cover tab openings with adhesive tape.
CD	Cannot read the table of content. no sound	<ul style="list-style-type: none"> ▪ Disc is dirty: Wipe clean with a soft cloth. ▪ Disc is seriously warped: Use a new disc. ▪ Moisture has formed inside the CD deck: Wait about 20 to 30 minutes. ▪ Defective IC601: Check voltages. Replace if necessary. ▪ Defective IC602: Check voltages. Replace if necessary. ▪ Defective IC603: Check voltages. Replace if necessary. ▪ Defective IC604: Check voltages. Replace if necessary. ▪ Defective IC606: Check voltages. Replace if necessary. ▪ Defective IC607: Check voltages. Replace if necessary. ▪ Defective IC608: Check voltages. Replace if necessary. ▪ Defective IC609: Check voltages. Replace if necessary. ▪ Defect in the CD pickup mechanism: Replace as required.



JVC

Victor Company of Japan, Limited
AV & MULTIMEDIA COMPANY AUDIO/VIDEO SYSTEMS CATEGORY 10-1,1chome,Ohwatari-machi,Maebashi-city,371-8543,Japan

(No.MB297)

JVC

SCHEMATIC DIAGRAMS

MICRO COMPONENT SYSTEM

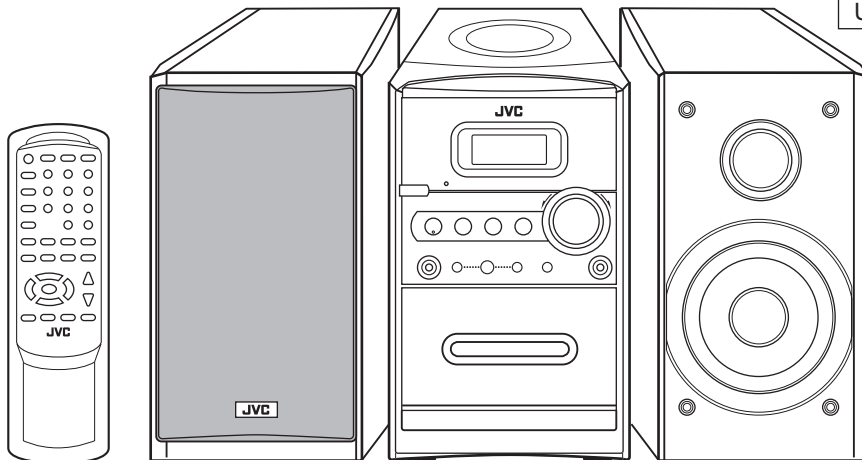
UX-H300,UX-H330,UX-H350

CD-ROM No.SML200407

UX-H300
Area suffix
US ----- Singapore
UT ----- Taiwan
UW ----- Brazil,Mexico,Peru

UX-H330
Area suffix
UT ----- Taiwan
UW ----- Brazil,Mexico,Peru

UX-H350
Area suffix
UJ ----- U.S.Military



Contents

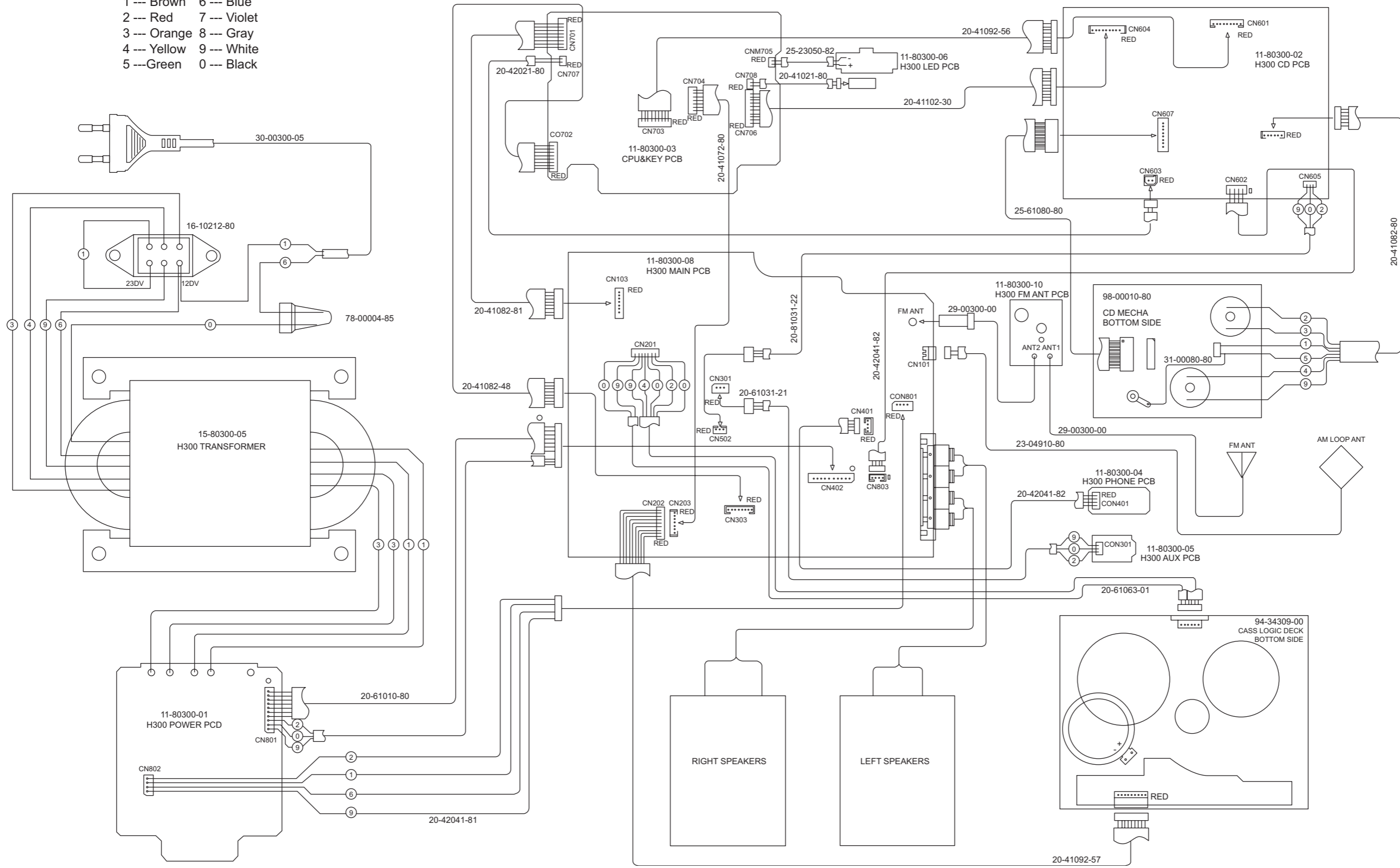
Wiring diagram	2-1
Block diagram	2-2
Standard schematic diagrams	2-3
Printed circuit boards	2-7 to 9

In regard with component parts appearing on the silk-screen printed side (parts side) of the PWB diagrams, the parts that are printed over with black such as the resistor (■), diode (⬤) and ICP (●) or identified by the "⚠" mark nearby are critical for safety.

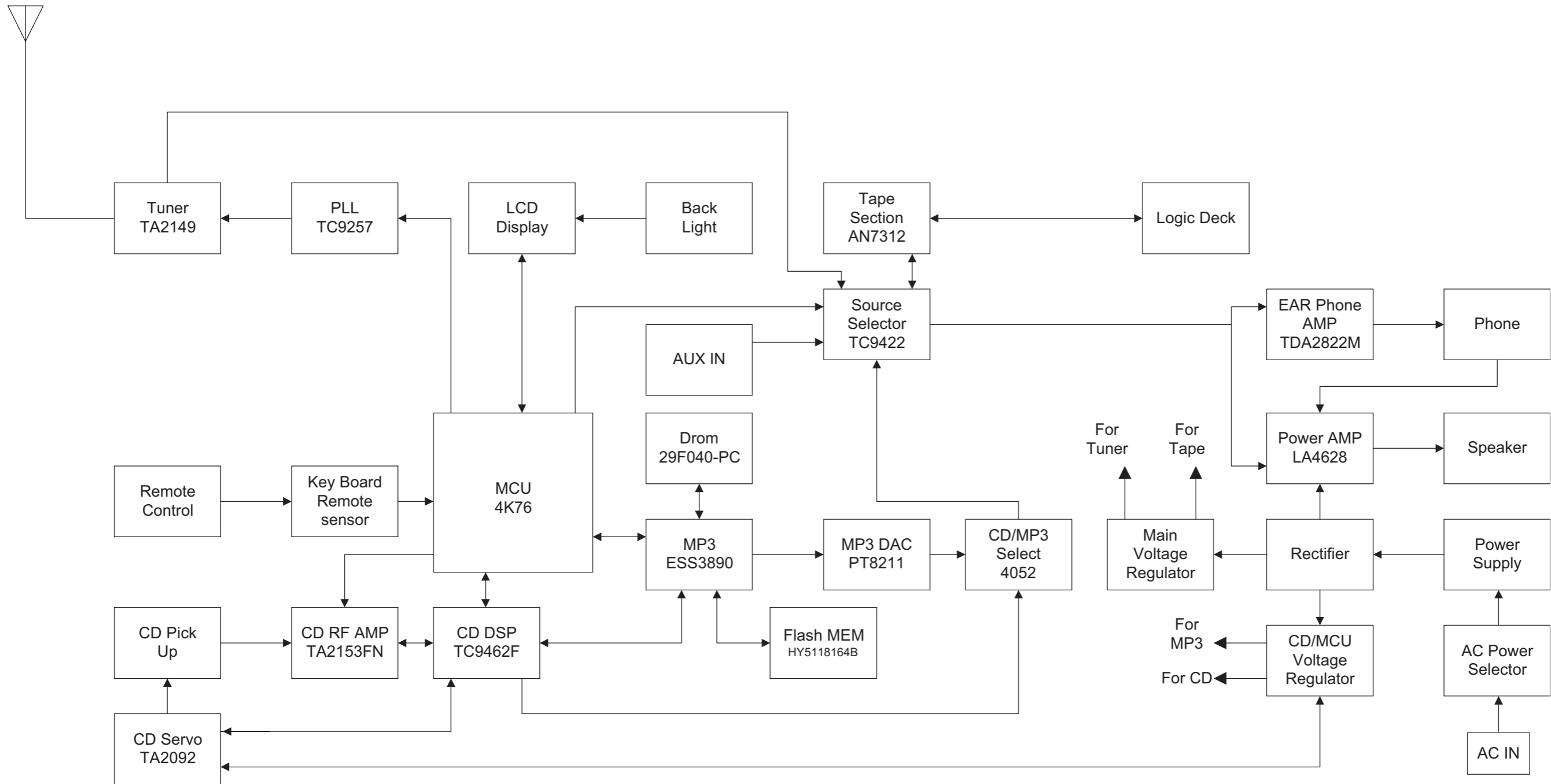
Wiring diagram

Color codes are shown below

- 1 --- Brown 6 --- Blue
- 2 --- Red 7 --- Violet
- 3 --- Orange 8 --- Gray
- 4 --- Yellow 9 --- White
- 5 --- Green 0 --- Black

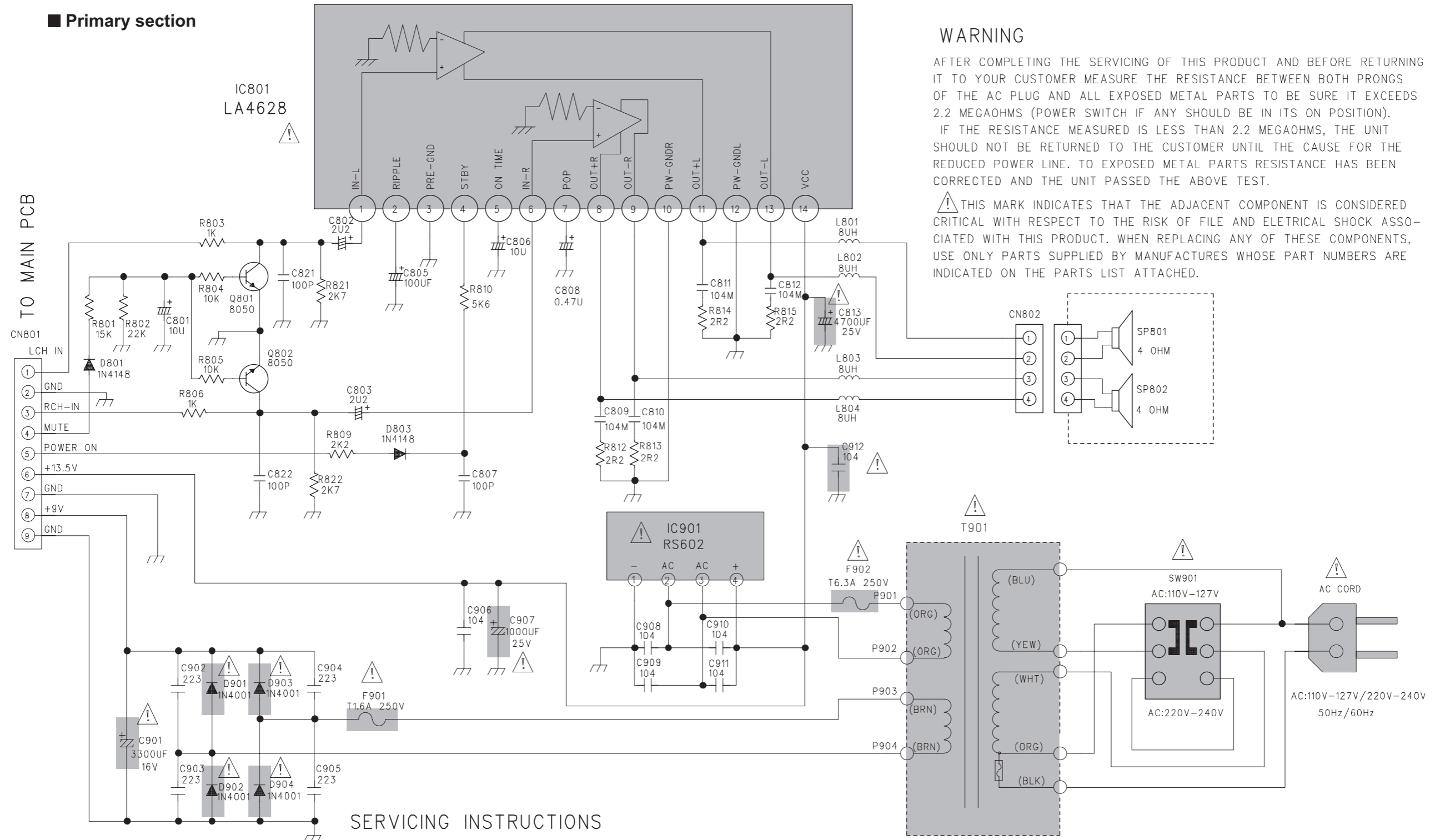


Block diagram



Standard schematic diagrams

Primary section



WARNING

AFTER COMPLETING THE SERVICING OF THIS PRODUCT AND BEFORE RETURNING IT TO YOUR CUSTOMER MEASURE THE RESISTANCE BETWEEN BOTH PRONGS OF THE AC PLUG AND ALL EXPOSED METAL PARTS TO BE SURE IT EXCEEDS 2.2 MEGAOHMS (POWER SWITCH IF ANY SHOULD BE IN ITS ON POSITION).

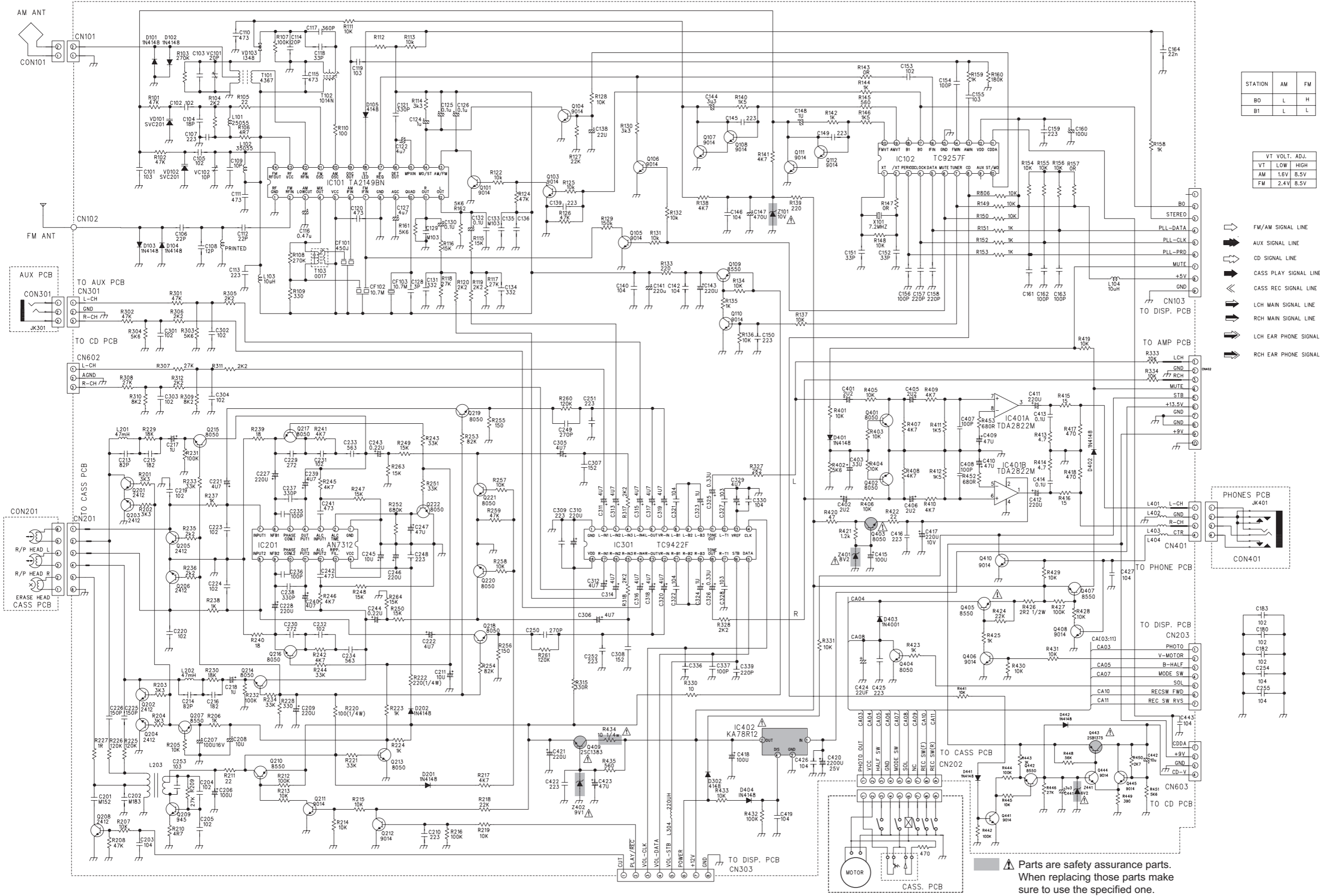
IF THE RESISTANCE MEASURED IS LESS THAN 2.2 MEGAOHMS, THE UNIT SHOULD NOT BE RETURNED TO THE CUSTOMER UNTIL THE CAUSE FOR THE REDUCED POWER LINE TO EXPOSED METAL PARTS RESISTANCE HAS BEEN CORRECTED AND THE UNIT PASSED THE ABOVE TEST.

THIS MARK INDICATES THAT THE ADJACENT COMPONENT IS CONSIDERED CRITICAL WITH RESPECT TO THE RISK OF FIRE AND ELECTRICAL SHOCK ASSOCIATED WITH THIS PRODUCT. WHEN REPLACING ANY OF THESE COMPONENTS, USE ONLY PARTS SUPPLIED BY MANUFACTURERS WHOSE PART NUMBERS ARE INDICATED ON THE PARTS LIST ATTACHED.

SERVICING INSTRUCTIONS

1. DISCONNECT POWER CORD BEFORE SERVICING.
2. REPLACE CRITICAL COMPONENTS ⚠ ONLY WITH FACTORY PARTS OR RECOMMENDED EQUIVALENTS.
3. FOR AC LINE POWERED UNITS – BEFORE RETURNING REPAIRED UNIT TO USER, USE AN OHMMETER TO MEASURE FROM BOTH AC PLUG BLADES TO ALL EXPOSED METALLIC PARTS. THE RESISTANCE SHOULD BE MORE THAN 100,000 OHMS.

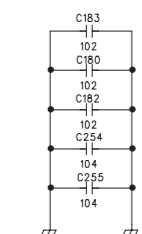
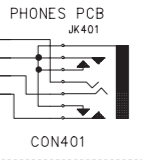
Main section



STATION	AM	FM
BO	L	H
B1	L	L

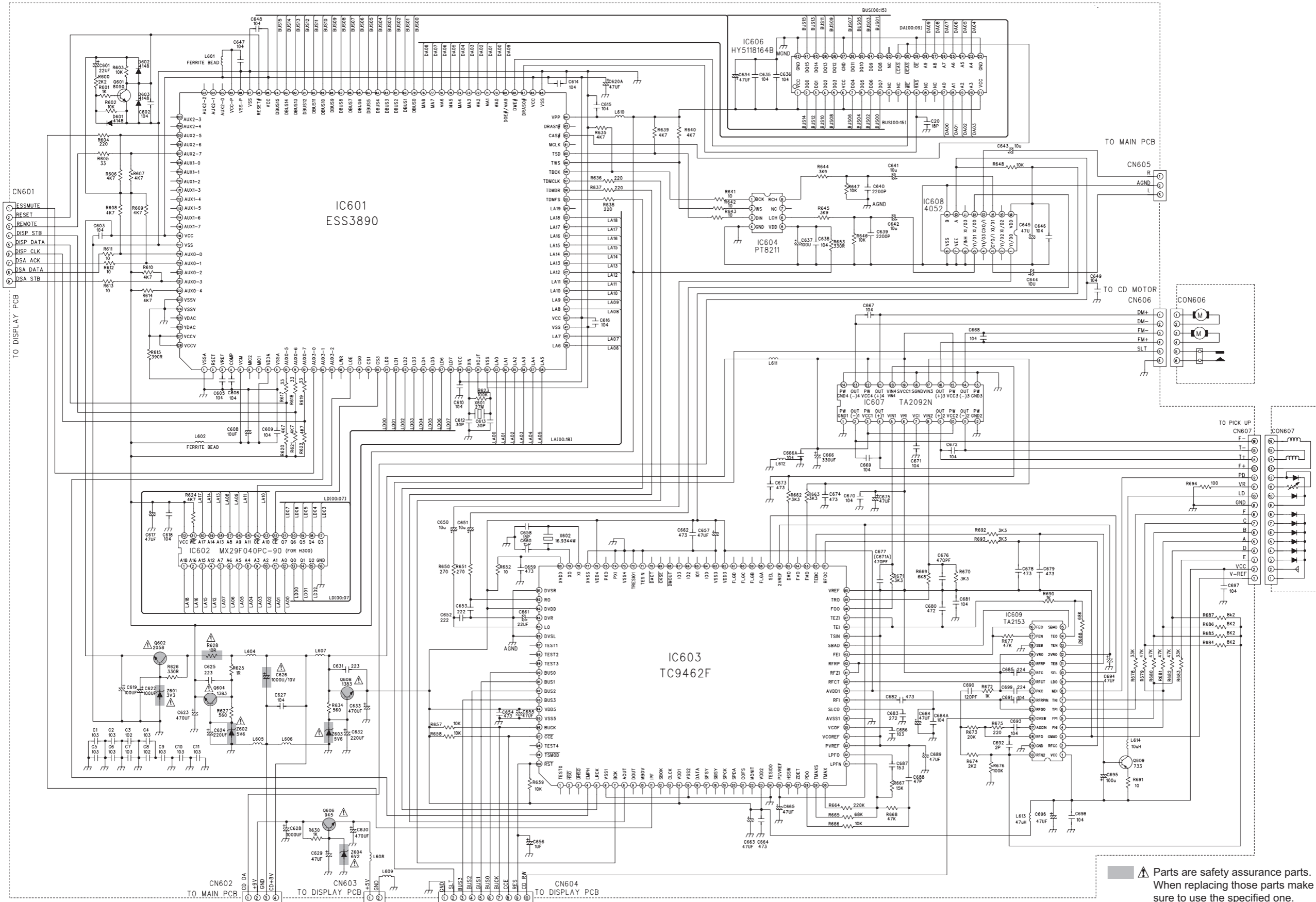
VT	VOLT. ADJ.	LOW	HIGH
AM	1.5V	8.5V	
FM	2.4V	8.5V	

- FM/AM SIGNAL LINE
- AUX SIGNAL LINE
- CD SIGNAL LINE
- CASS PLAY SIGNAL LINE
- CASS REC SIGNAL LINE
- LCH MAIN SIGNAL LINE
- RCH MAIN SIGNAL LINE
- LCH EAR PHONE SIGNAL
- RCH EAR PHONE SIGNAL

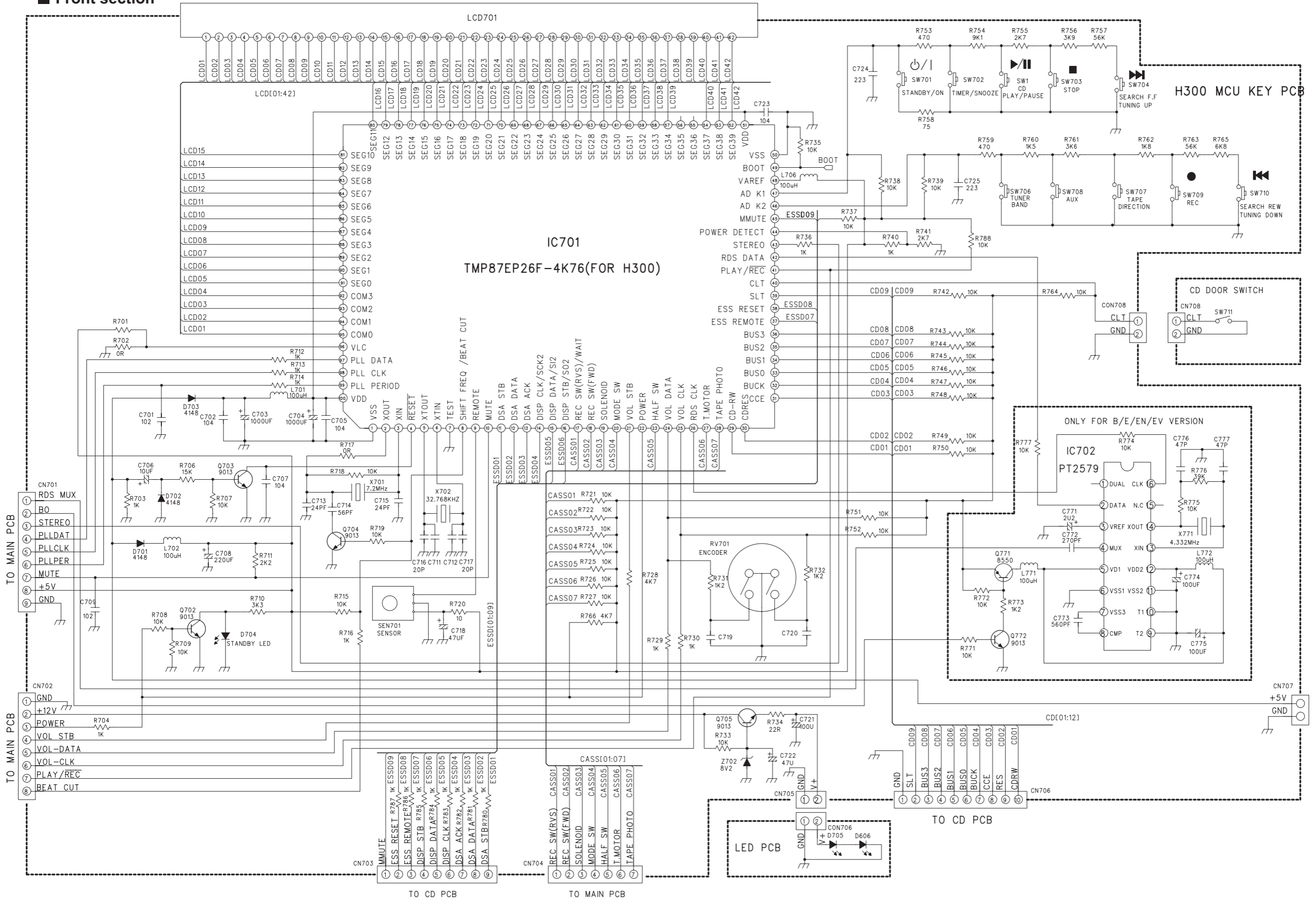


Parts are safety assurance parts. When replacing those parts make sure to use the specified one.

CD section

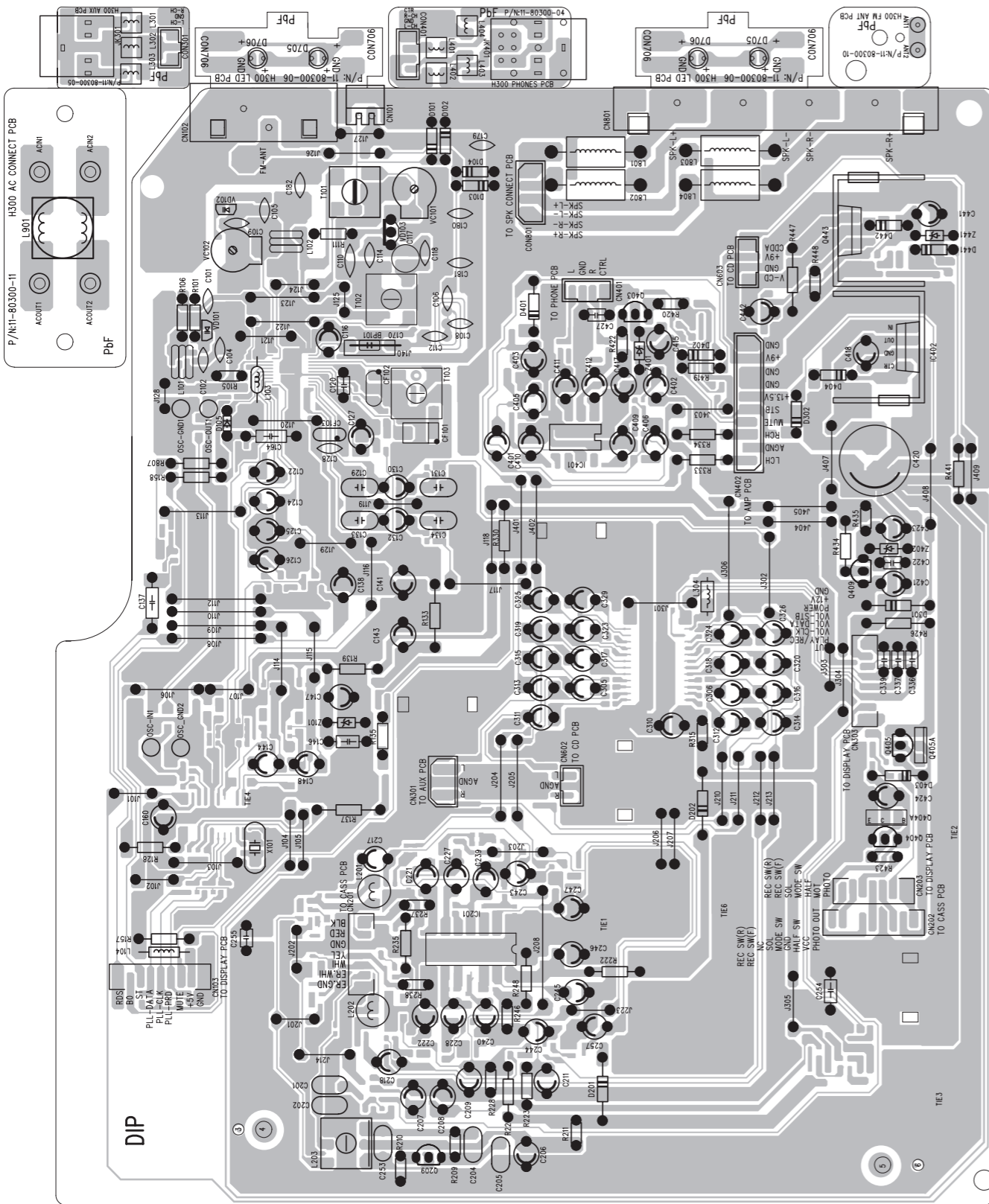


■ Front section

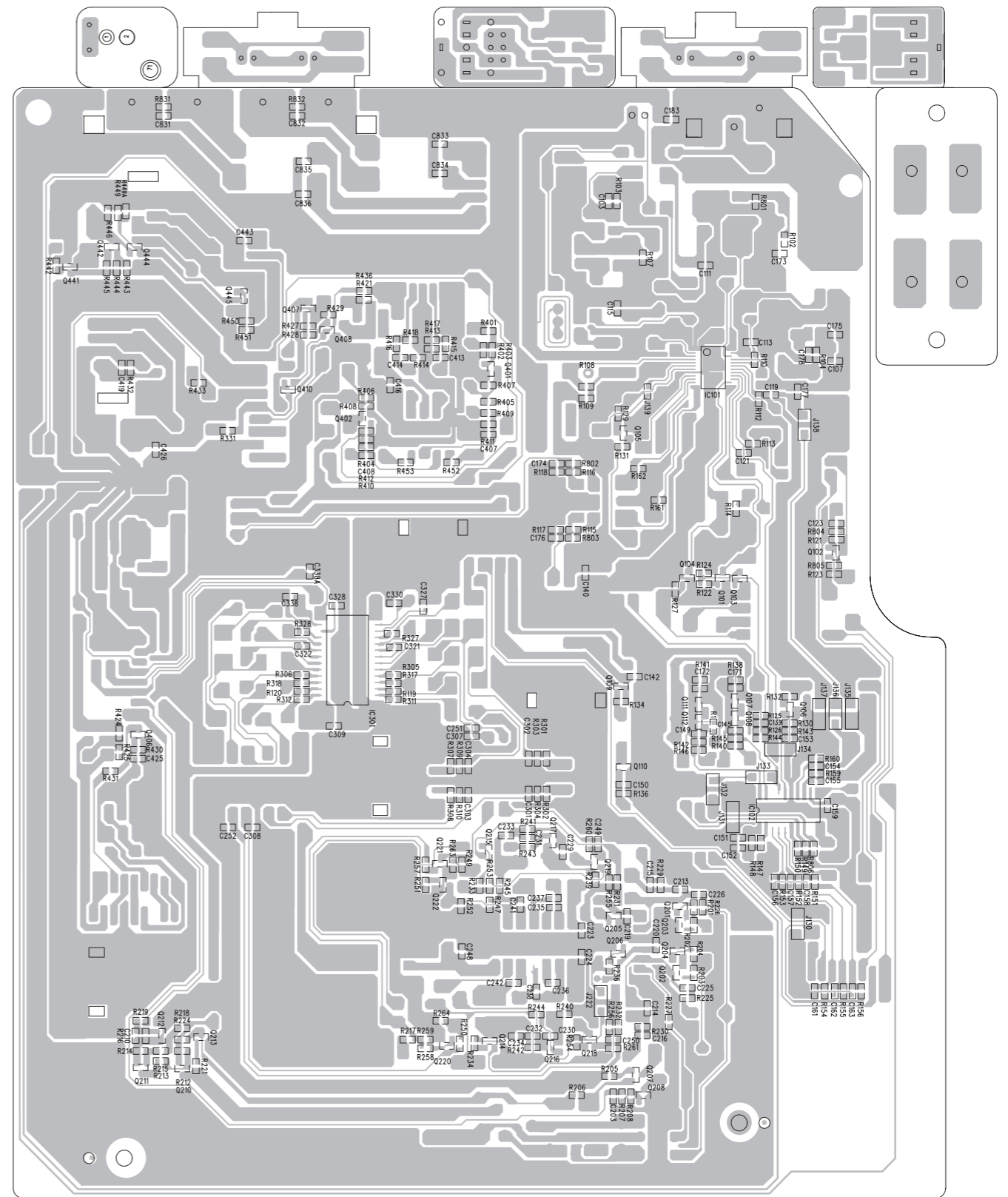


Printed circuit boards

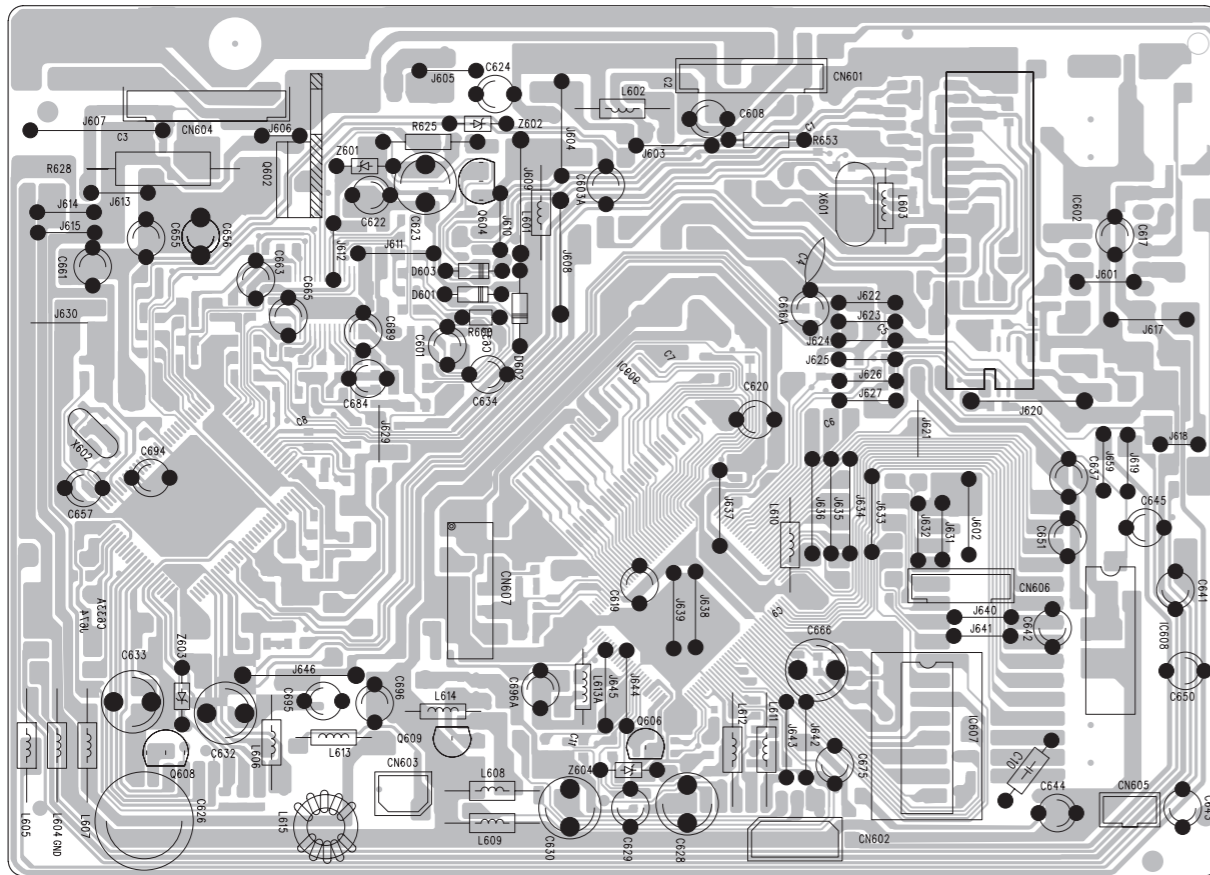
■ Main board (forward side)



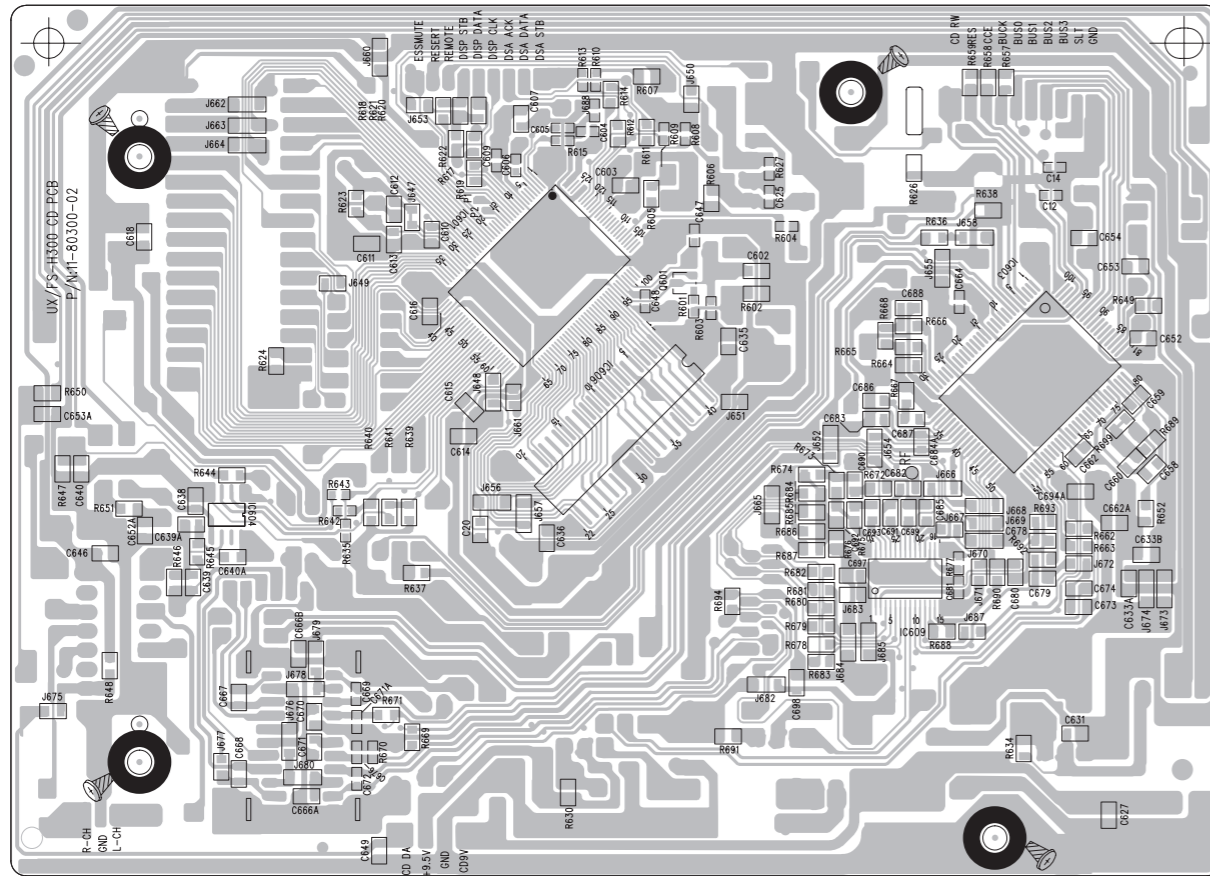
■ Main board (reverse side)



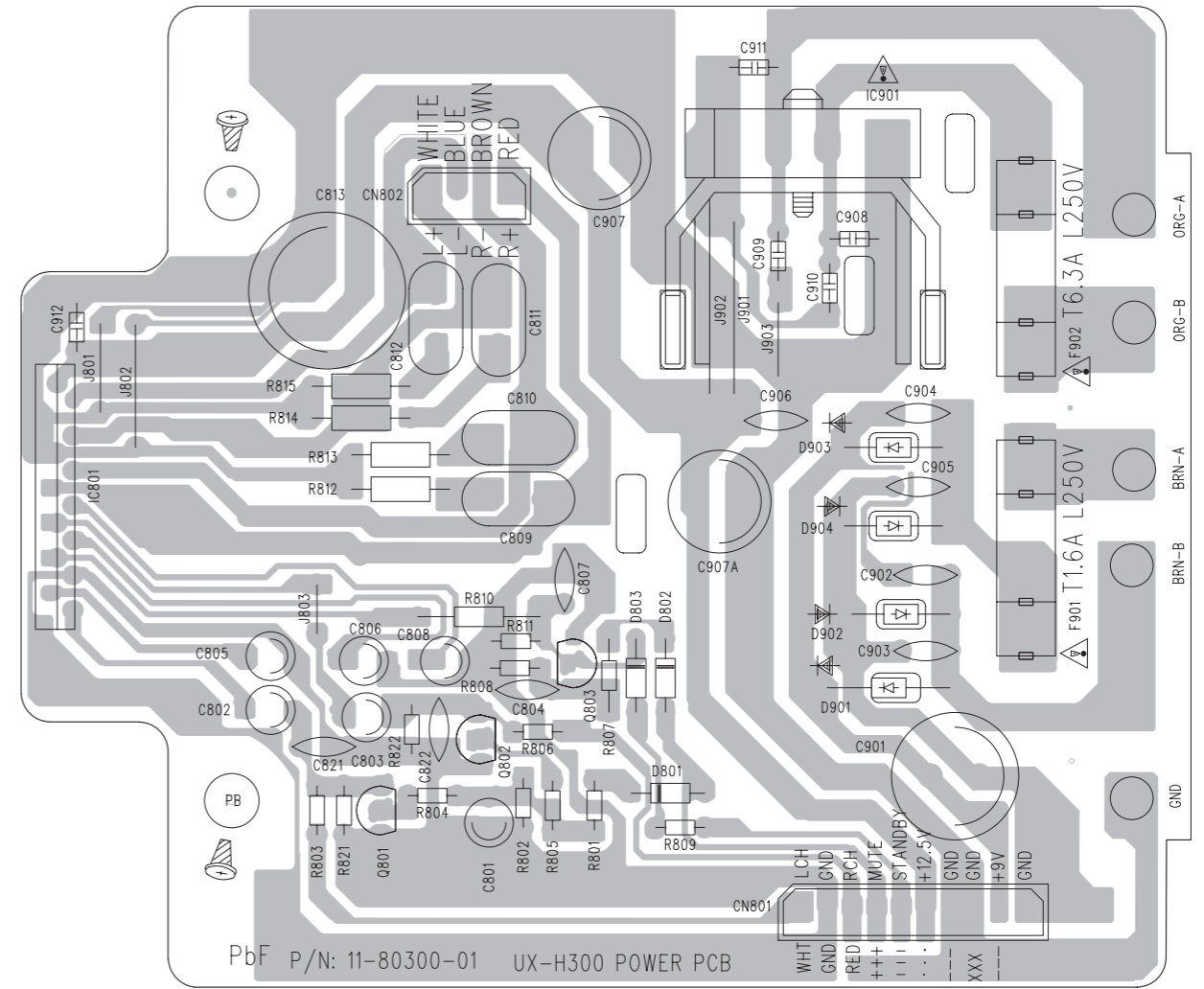
■ CD board (forward side)



■ CD board (reverse side)

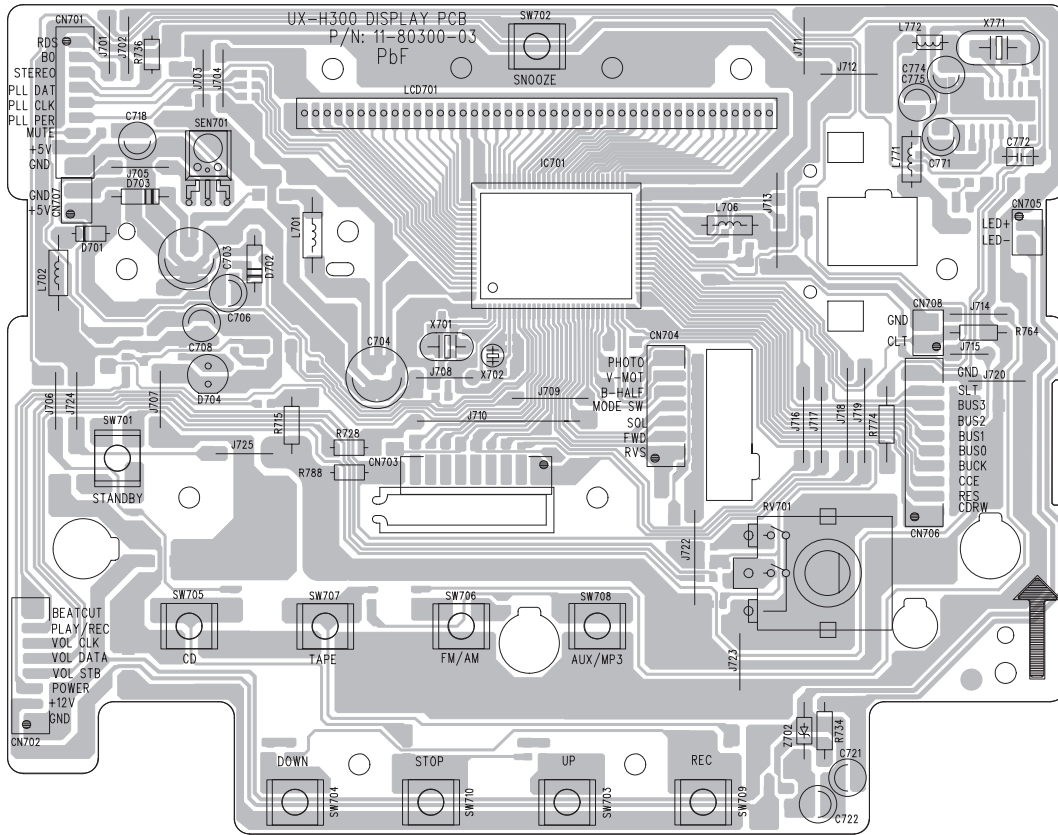


■ Power supply board

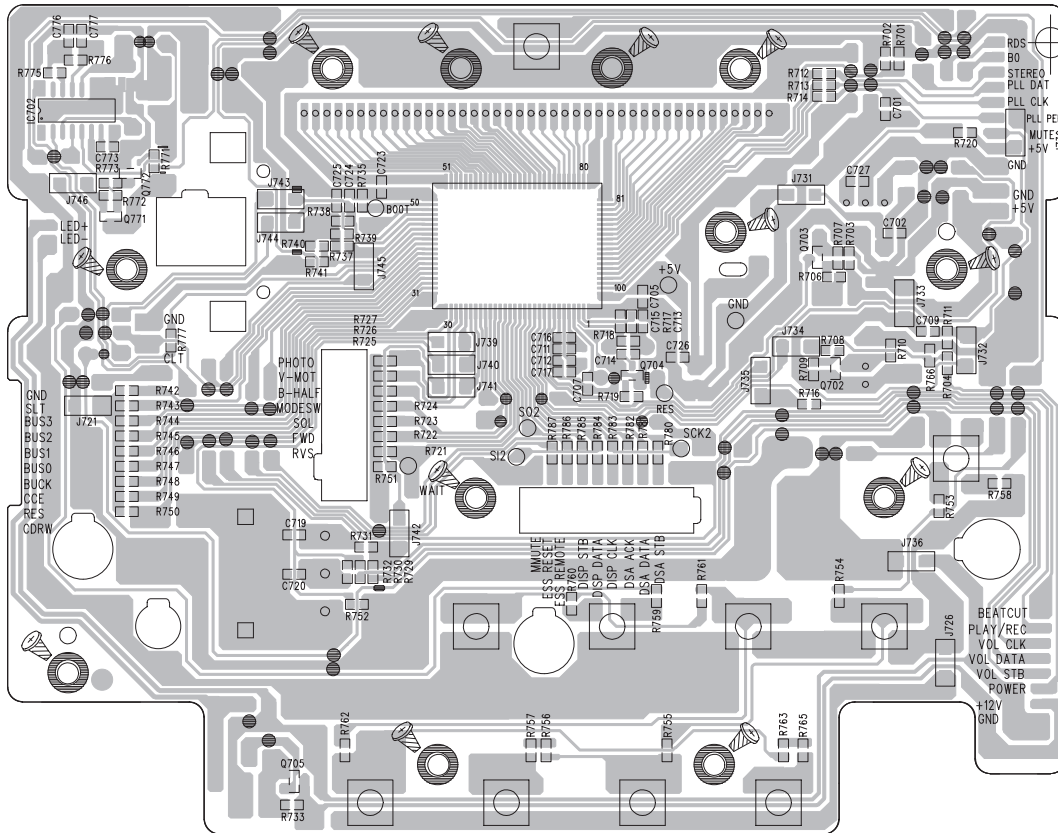


Front board

forward side



reverse side



JVC

Victor Company of Japan, Limited

AV & MULTIMEDIA COMPANY AUDIO/VIDEO SYSTEMS CATEGORY 10-1,1chome,Ohwatari-machi,Maebashi-city,371-8543,Japan

(No.MB297SCH)



Printed in Japan
WPC

PARTS LIST

[UX-H300]
[UX-H330]
[UX-H350]

* All printed circuit boards and its assemblies are not available as service parts.

UX-H300	
Area suffix	
US -----	Singapore
UT -----	Taiwan
UW -----	Brazil, Mexico, Peru

UX-H330	
Area suffix	
UT -----	Taiwan
UW -----	Brazil, Mexico, Peru

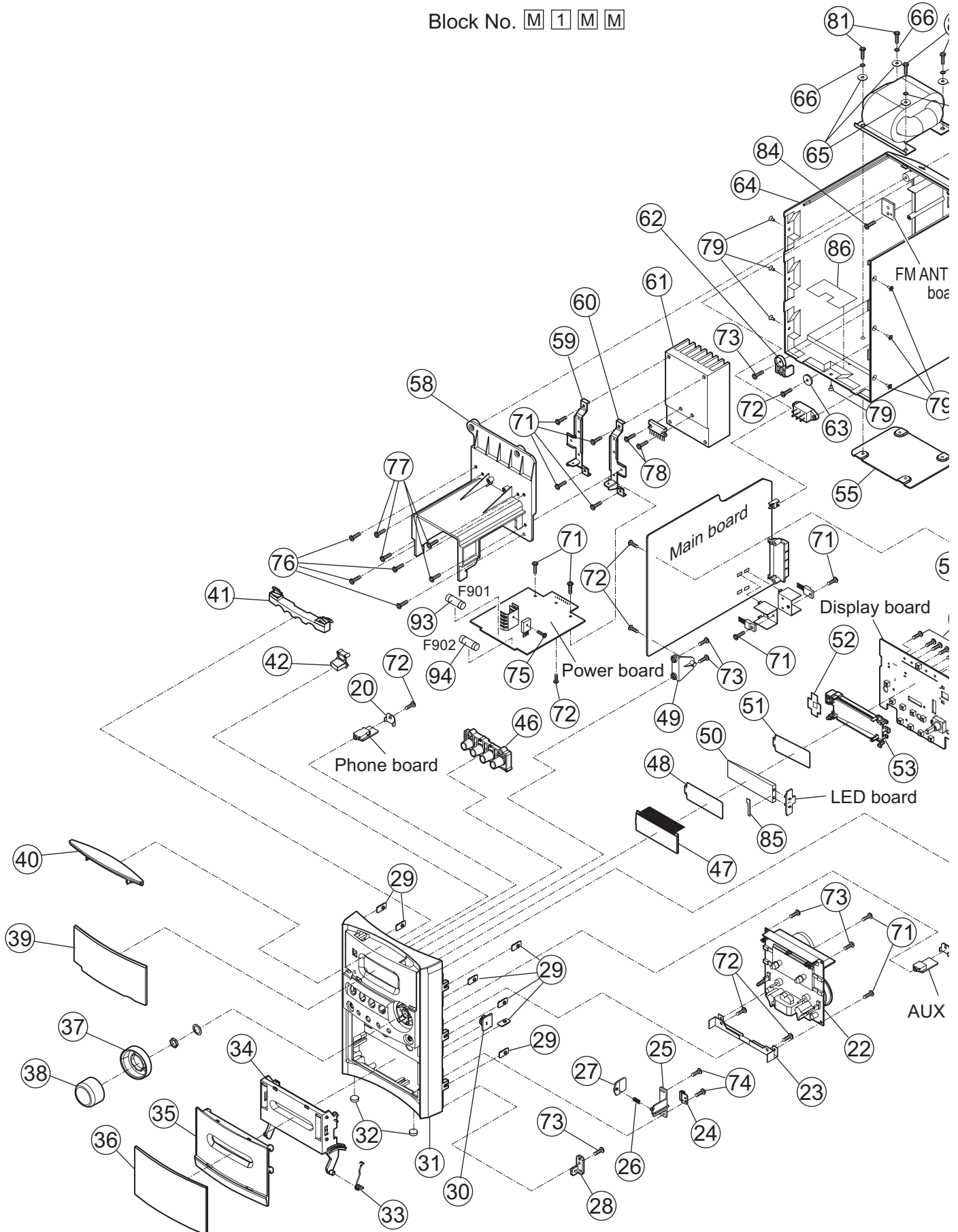
UX-H350	
Area suffix	
UJ -----	U.S. Military

- Contents -

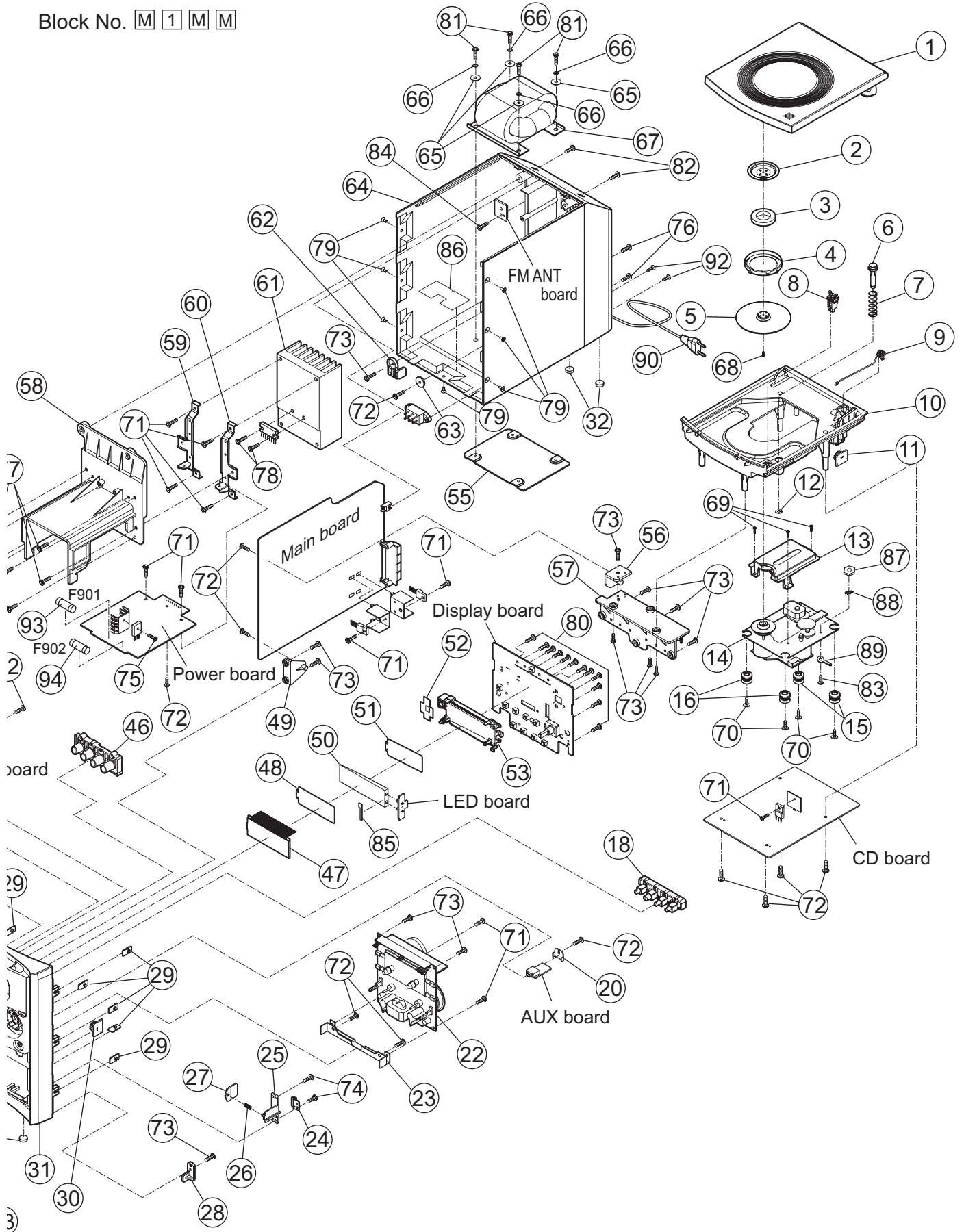
Exploded view of general assembly and parts list (Block No.M1) ----- 3- 2
Electrical parts list (Block No.01~04) ----- 3- 6
Packing materials and accessories parts list (Block No.M3) ----- 3-14

Exploded view of general assembly and parts list

Block No. M 1 M M



Block No. M 1 M M



General Assembly

Block No. [M][1][M][M]

△	Symbol No.	Part No.	Part Name	Description	Local
	1	OW66-00300-21	CD DOOR		
	2	OW39-04200-80	METAL COVER		
	3	OW97-09019-80	P.C.MAGNET		
	4	OW49-00300-12	STABILIZER RING		
	5	OW55-09019-80	FELT		
	6	OW55-00141-80	ROD	NSX01-050	
	7	OW36-00003-80	EJECT SPRING		
	8	OW16-10101-81	CD DOOR SWITCH	DLS-02-1	
	9	OW36-00300-10	CD DOOR SPRING		
	10	OW48-00300-16	CD TRAY		
	11	OW63-00303-81	DAMPER GEAR	B30B	
	12	OW35-00003-80	E RING	M3	
	13	OW48-07930-80	PU COVER	TCP-110P	
	14	OW98-00010-80	CD PICK UP	TCP11TK2PX	
	15	OW81-02750-80	CD DAMPER	(x2)	
	16	OW81-02750-81	CD DAMPER	(x2)	
	18	OW53-00300-11	FUNCTION KNOB	B	
	20	OW39-00300-26	PHONE PCB BKT.	(x2)	
	22	OW94-34309-00	CASSETTE MECHA	CRM4309	
	23	OW39-00300-21	MECHA BKT.		
	24	OW39-00300-25	SUPPORT BKT.		
	25	OW55-00005-81	LATCH HOLDER		
	26	OW36-00005-80	LATCH SPRING		
	27	OW55-00005-80	LID LATCH		
	28	OW48-00300-20	SPRING BKT.		
	29	OW39-04200-81	PANEL FIXING	(x7)	
	30	OW63-00303-80	DAMPER GEAR	B40GG	
	31	OW60-00300-11	FRONT CABINET		
	32	OW81-00300-00	RUBBER FOOT	(x4)	
	33	OW36-00300-11	CASS DOOR SPRING		
	34	OW48-00300-18	CASS DOOR BKT.		
	35	OW66-00300-20	CASS DOOR		
	36	OW43-00300-21	CASS DOOR LENS		H300
	36	OW43-00300-27	CASS DOOR LENS		H330
	36	OW43-00350-21	CASS DOOR LENS		H350
	37	OW49-00300-11	VOLUME RING		
	38	OW53-00300-13	VOLUME KNOB		
	39	OW43-00300-24	DISPLAY LENS		
	40	OW53-00300-14	SNOOZE KNOB		
	41	OW48-00300-19	SNOOZE KNOB BKT.		
	42	OW53-00300-12	POWER KNOB		
	46	OW53-00300-10	FUNCTION KNOB	A	
	47	OW91-80300-00	LCD DISPLAY	G9419TT-P	
	48	OW43-00300-20	LCD FILTER		
	49	OW48-00300-13	PCB BKT.	MAIN	
	50	OW43-00300-23	LIGHT GUIDE		
	51	OW68-00300-10	LCD FILTER		
	52	OW68-00300-12	FELT	BLK.	
	53	OW48-00300-10	LCD BKT.		
	55	OW39-00300-24	TRANSFORM BKT.		
	56	OW48-00300-12	MAIN PCB BKT.	A	
	57	OW48-00300-17	CD TRAY BKT.		
	58	OW48-00300-11	PCB BKT.	POWER	
	59	OW39-00300-22	HEAT SINK BKT.	A	
	60	OW39-00300-23	HEAT SINK BKT.	B	
	61	OW39-00300-20	HEAT SINK		
△	62	OW49-00300-10	AC CORD HOLDER		
	63	OW35-10019-80	FIBRE WASHER	F14 X F3 X 1.5mm	
	64	OW61-00300-23	REAR CABINET		
	65	OW35-00030-80	METAL WASHER	F12 X F4 X 1mm(x4)	
	66	OW35-30009-80	SPRING WASHER	M4 F4 X F7 X 1mm(x4)	
△	67	OW15-80300-05	POWER TRANS.	T901	
	68	OW40-82045-90	SCREW	M2.0 X 4.5	
	69	OW40-82005-90	SCREW	M2.0 X 5(x3)	
	70	OW40-92610-43	SCREW	M2.6 X 10(x4)	
	71	OW40-83006-81	SCREW	M3 X 6(x11)	
	72	OW40-93008-11	SCREW	M3.0 X 8(x12)	
	73	OW40-93010-01	SCREW	M3.0 X 10(x13)	
	74	OW40-92610-01	SCREW	M2.6 X 10(x2)	
	75	OW40-93010-03K	SCREW	M3 X 10	
	76	OW40-93012-01	SCREW	M3 X 12(x6)	
	77	OW40-83010-52	SCREW	M3 X 10(x4)	
	78	OW40-83010-83	SCREW	M3 X 10(x2)	
	79	OW40-83006-22	SCREW	M3 X 6(x7)	

△	Symbol No.	Part No.	Part Name	Description	Local
	80	OW40-92608-11	SCREW	M2.6 X 8(x12)	
	81	OW40-84012-01	SCREW	M4 X 12(x4)	
	82	OW40-93014-01	SCREW	M3.0 X 14(x2)	
	83	OW40-83005-01	SCREW	M3 X 5	
	84	OW40-92606-01	SCREW	M2.6 X 6	
	85	OW81-00300-02	LCD SPONGE	BLK.	
	86	OW68-00300-13	COPPER FOIL		
	87	OW35-40007-80	STEEL NUT	M3	
	88	OW35-20001-80	TOOTH WASHER	M3	
	89	OW35-30005-80	SOLDERING LUG	F3.5 L=9	
△	90	OW30-00300-03	AC CORD	2M W/O ONE SOLDER	UT
△	90	OW30-00300-05	AC CORD	SF-629 H03VVH2-F	US,UW,UJ
	92	OW40-83010-02	SCREW	M3 X 10(x2)	
△	93	OW33-57162-03W	FUSE	250V 1.6A F901	
△	94	OW33-57632-03W	FUSE	250V 6.3A F902	

Electrical parts list

Main board

Block No. [0][1]				
△ Symbol No.	Part No.	Part Name	Description	Local
	IC101	TA2149BFN	IC	OW03-02149-01
	IC102	TC9257F	IC	OW03-09257-01
	IC201	AN7312E	IC	OW03-07312-80
	IC301	TC9422F	IC	OW03-09422-00
	IC401	TDA2822M	IC	OW03-02822-01
△	IC402	KA78R12	IC	OW03-07812-04
	Q101	9014	TRANSISTOR	OW01-09014-85
	Q103	9014	TRANSISTOR	OW01-09014-85
	Q104	9014	TRANSISTOR	OW01-09014-85
	Q105	9014	TRANSISTOR	OW01-09014-85
	Q106	9014	TRANSISTOR	OW01-09014-85
	Q107	9014	TRANSISTOR	OW01-09014-85
	Q108	9014	TRANSISTOR	OW01-09014-85
	Q109	8550	TRANSISTOR	OW01-08550-86
	Q110	9014	TRANSISTOR	OW01-09014-85
	Q111	9014	TRANSISTOR	OW01-09014-85
	Q112	9014	TRANSISTOR	OW01-09014-85
	Q201	2SC2412K	TRANSISTOR	OW01-02412-80
	Q202	2SC2412K	TRANSISTOR	OW01-02412-80
	Q203	2SC2412K	TRANSISTOR	OW01-02412-80
	Q204	2SC2412K	TRANSISTOR	OW01-02412-80
	Q205	2SC2412K	TRANSISTOR	OW01-02412-80
	Q206	2SC2412K	TRANSISTOR	OW01-02412-80
	Q207	8550	TRANSISTOR	OW01-08550-86
	Q208	2SC2412K	TRANSISTOR	OW01-02412-80
	Q209	2SC945-P	TRANSISTOR	OW01-00945-80
	Q210	8550	TRANSISTOR	OW01-08550-86
	Q211	9014	TRANSISTOR	OW01-09014-85
	Q212	9014	TRANSISTOR	OW01-09014-85
	Q213	8050	TRANSISTOR	OW01-08050-80
	Q214	8050	TRANSISTOR	OW01-08050-80
	Q215	8050	TRANSISTOR	OW01-08050-80
	Q216	8050	TRANSISTOR	OW01-08050-80
	Q217	8050	TRANSISTOR	OW01-08050-80
	Q218	8050	TRANSISTOR	OW01-08050-80
	Q219	8050	TRANSISTOR	OW01-08050-80
	Q220	8050	TRANSISTOR	OW01-08050-80
	Q221	8050	TRANSISTOR	OW01-08050-80
	Q222	8050	TRANSISTOR	OW01-08050-80
	Q401	8050	TRANSISTOR	OW01-08050-80
	Q402	8050	TRANSISTOR	OW01-08050-80
△	Q403	8050	TRANSISTOR	OW01-08050-81
	Q404	8050	TRANSISTOR	OW01-08050-81
	Q405	8550	TRANSISTOR	OW01-08550-81
	Q406	9014	TRANSISTOR	OW01-09014-85
	Q407	8550	TRANSISTOR	OW01-08550-86
	Q408	9014	TRANSISTOR	OW01-09014-85
△	Q409	2SC1383R	TRANSISTOR	OW01-01383-80
	Q410	9014	TRANSISTOR	OW01-09014-85
	Q441	9014	TRANSISTOR	OW01-09014-85
	Q442	8550	TRANSISTOR	OW01-08550-86
△	Q443	2SB1375	TRANSISTOR	OW01-01375-80
	Q444	9014	TRANSISTOR	OW01-09014-85
	Q445	9014	TRANSISTOR	OW01-09014-85
	D101	1N4148	DIODE	OW02-04148-81
	D102	1N4148	DIODE	OW02-04148-81
	D103	1N4148	DIODE	OW02-04148-81
	D104	1N4148	DIODE	OW02-04148-81
	D105	1N4148	DIODE	OW02-04148-81
	D201	1N4148	DIODE	OW02-04148-81
	D202	1N4148	DIODE	OW02-04148-81
	D302	1N4148	DIODE	OW02-04148-81
	D401	1N4148	DIODE	OW02-04148-81
	D402	1N4148	DIODE	OW02-04148-81
	D403	1N4001	DIODE	OW02-04001-81
	D404	1N4148	DIODE	OW02-04148-81
	D441	1N4148	DIODE	OW02-04148-81
	D442	1N4148	DIODE	OW02-04148-81
	D705	KL-3M4	LED	OW02-30005-80 BLUE

△ Symbol No.	Part No.	Part Name	Description	Local
	D706	KL-3M4	LED	OW02-30005-80 BLUE
	C101	OW05-70103-10	C CAPACITOR	0.01mF
	C102	OW05-70102-10	C CAPACITOR	0.001mF
	C104	OW05-70180-05	C CAPACITOR	18pF
	C105	OW05-70102-10	C CAPACITOR	0.001mF
	C106	OW05-70220-05	C CAPACITOR	22pF
	C107	OW05-73223-00	C CAPACITOR	0.022mF
	C108	OW05-70120-05	C CAPACITOR	12pF
	C109	OW05-70100-05	C CAPACITOR	10pF
	C110	OW05-77473-20	C CAPACITOR	Axial 0.047mF
	C111	OW05-73473-00	C CAPACITOR	0.047mF
	C112	OW05-70220-05	C CAPACITOR	22pF
	C113	OW05-73223-00	C CAPACITOR	0.022mF
	C114	OW05-70150-05	C CAPACITOR	15pF
	C115	OW05-73473-00	C CAPACITOR	0.047mF
	C116	OW06-75474-20	E CAPACITOR	0.47mF 50V
	C117	OW05-79361-05	PP CAPACITOR	360pF
	C118	OW05-70330-05	C CAPACITOR	33pF
	C119	OW05-73103-00	C CAPACITOR	0.01mF
	C120	OW05-77473-20	C CAPACITOR	Axial 0.047mF
	C121	OW05-73331-05	C CAPACITOR	330pF
	C122	OW06-75475-20	E CAPACITOR	4.7mF 50V
	C124	OW06-75105-20	E CAPACITOR	1mF 50V
	C125	OW06-75104-20	E CAPACITOR	0.1mF 50V
	C126	OW06-75104-20	E CAPACITOR	0.1mF 50V
	C127	OW06-75475-20	E CAPACITOR	4.7mF 50V
	C128	OW05-70030-05	C CAPACITOR	3pF
	C129	OW05-72103-10	M CAPACITOR	0.01mF
	C130	OW06-75104-20	E CAPACITOR	0.1mF 50V
	C131	OW05-72332-10T	M CAPACITOR	0.0033mF
	C132	OW06-75104-20	E CAPACITOR	0.1mF 50V
	C133	OW05-72103-10	M CAPACITOR	0.01mF
	C134	OW05-72332-10T	M CAPACITOR	0.0033mF
	C138	OW06-72226-20	E CAPACITOR	22mF 25V
	C139	OW05-73223-00	C CAPACITOR	0.022mF
	C140	OW05-73104-00	C CAPACITOR	0.1mF
	C141	OW06-71227-20	E CAPACITOR	220mF 16V
	C142	OW05-73104-00	C CAPACITOR	0.1mF
	C143	OW06-71227-20	E CAPACITOR	220mF 16V
	C144	OW06-75335-20	E CAPACITOR	3.3mF 50V
	C145	OW05-73223-00	C CAPACITOR	0.022mF
	C146	OW05-77104-82	C CAPACITOR	Axial 0.1mF
	C147	OW06-71477-20	E CAPACITOR	470mF 16V
	C148	OW06-75105-20	E CAPACITOR	1mF 50V
	C149	OW05-73223-00	C CAPACITOR	0.022mF
	C150	OW05-73223-00	C CAPACITOR	0.022mF
	C151	OW05-73330-05	C CAPACITOR	33pF
	C152	OW05-73330-05	C CAPACITOR	33pF
	C153	OW05-73102-00	C CAPACITOR	1000pF
	C154	OW05-73101-05	C CAPACITOR	100pF
	C155	OW05-73103-00	C CAPACITOR	0.01mF
	C156	OW05-73101-05	C CAPACITOR	100pF
	C157	OW05-73221-05	C CAPACITOR	220pF
	C158	OW05-73221-05	C CAPACITOR	220pF
	C159	OW05-73223-00	C CAPACITOR	0.022mF
	C160	OW06-71107-20	E CAPACITOR	100mF 16V
	C162	OW05-73101-05	C CAPACITOR	100pF
	C163	OW05-73101-05	C CAPACITOR	100pF
	C164	OW05-77223-82	C CAPACITOR	Axial 0.022mF
	C180	OW05-70102-10	C CAPACITOR	0.001mF
	C182	OW05-70102-10	C CAPACITOR	0.001mF
	C183	OW05-73102-00	C CAPACITOR	1000pF
	C201	OW05-72152-10T	M CAPACITOR	0.0015mF
	C202	OW05-72183-10T	M CAPACITOR	0.018mF
	C203	OW05-73104-00	C CAPACITOR	0.1mF
	C204	OW05-72102-10	M CAPACITOR	0.001mF
	C205	OW05-72102-10	M CAPACITOR	0.001mF
	C206	OW06-71107-20	E CAPACITOR	100mF 16V
	C207	OW06-71107-20	E CAPACITOR	100mF 16V
	C208	OW06-72106-20	E CAPACITOR	10mF 25V
	C209	OW06-70227-20	E CAPACITOR	220mF 10V
	C210	OW05-73223-00	C CAPACITOR	0.022mF
	C211	OW06-72106-20	E CAPACITOR	10mF 25V
	C213	OW05-73820-05	C CAPACITOR	82pF

△ Symbol No.	Part No.	Part Name	Description	Local	△ Symbol No.	Part No.	Part Name	Description	Local
C214	OW05-73820-05	C CAPACITOR	82pF		C406	OW06-75225-20	E CAPACITOR	2.2mF 50V	
C215	OW05-73182-00	C CAPACITOR	1800pF		C407	OW05-73101-05	C CAPACITOR	100pF	
C216	OW05-73182-00	C CAPACITOR	1800pF		C408	OW05-73101-05	C CAPACITOR	100pF	
C217	OW06-75105-20	E CAPACITOR	1mF 50V		C409	OW06-71476-20	E CAPACITOR	47mF 16V	
C218	OW06-75105-20	E CAPACITOR	1mF 50V		C410	OW06-71476-20	E CAPACITOR	47mF 16V	
C219	OW05-73102-00	C CAPACITOR	1000pF		C411	OW06-70227-20	E CAPACITOR	220mF 10V	
C220	OW05-73102-00	C CAPACITOR	1000pF		C412	OW06-70227-20	E CAPACITOR	220mF 10V	
C221	OW06-75475-20	E CAPACITOR	4.7mF 50V		C413	OW05-73104-00	C CAPACITOR	0.1mF	
C222	OW06-75475-20	E CAPACITOR	4.7mF 50V		C414	OW05-73104-00	C CAPACITOR	0.1mF	
C223	OW05-73102-00	C CAPACITOR	1000pF		C415	OW06-71107-20	E CAPACITOR	100mF 16V	
C224	OW05-73102-00	C CAPACITOR	1000pF		C416	OW05-73223-00	C CAPACITOR	0.022mF	
C225	OW05-73151-05	C CAPACITOR	150pF		C417	OW06-70227-20	E CAPACITOR	220mF 10V	
C226	OW05-73151-05	C CAPACITOR	150pF		C418	OW06-71107-20	E CAPACITOR	100mF 16V	
C227	OW06-70227-20	E CAPACITOR	220mF 10V		C419	OW05-73104-00	C CAPACITOR	0.1mF	
C228	OW06-70227-20	E CAPACITOR	220mF 10V		C420	OW06-72228-21	E CAPACITOR	2200 mF 25V	
C229	OW05-73272-00	C CAPACITOR	2700pF		C421	OW06-70227-20	E CAPACITOR	220mF 10V	
C230	OW05-73272-00	C CAPACITOR	2700pF		C422	OW05-77223-82	C CAPACITOR	Axial 0.022mF	
C231	OW05-73102-00	C CAPACITOR	1000pF		C423	OW06-71476-20	E CAPACITOR	47mF 16V	
C232	OW05-73102-00	C CAPACITOR	1000pF		C424	OW06-72226-20	E CAPACITOR	22mF 25V	
C233	OW05-73563-06F	C CAPACITOR	0.056mF		C425	OW05-73223-00	C CAPACITOR	0.022mF	
C234	OW05-73563-06F	C CAPACITOR	0.056mF		C426	OW05-73104-00	C CAPACITOR	0.1mF	
C235	OW05-73101-05	C CAPACITOR	100pF		C427	OW05-77104-82	C CAPACITOR	Axial 0.1mF	
C236	OW05-73101-05	C CAPACITOR	100pF		C441	OW06-75335-20	E CAPACITOR	3.3mF 50V	
C237	OW05-73331-05	C CAPACITOR	330pF		C442	OW06-72106-20	E CAPACITOR	10mF 25V	
C238	OW05-73331-05	C CAPACITOR	330pF		C443	OW05-73104-00	C CAPACITOR	0.1mF	
C239	OW06-75475-20	E CAPACITOR	4.7mF 50V		C831	OW05-73104-00	C CAPACITOR	0.1mF	
C240	OW06-75475-20	E CAPACITOR	4.7mF 50V		C832	OW05-73104-00	C CAPACITOR	0.1mF	
C241	OW05-73473-00	C CAPACITOR	0.047mF		VC101	OW05-08200-83	TR CAPACITOR	20pF 3P	
C242	OW05-73473-00	C CAPACITOR	0.047mF		VC102	OW05-08100-80	TR CAPACITOR	10pF 3P	
C243	OW06-75224-20	E CAPACITOR	0.22mF 50V						
C244	OW06-75224-20	E CAPACITOR	0.22mF 50V		R101	OW07-74473-50T	C RESISTOR	47K 1/8W	
C245	OW06-72106-20	E CAPACITOR	10mF 25V		R102	OW07-75473-06	C RESISTOR	47K 1/16W	
C246	OW06-71227-20	E CAPACITOR	220mF 16V		R103	OW07-75274-06	C RESISTOR	270K 1/16W	
C247	OW06-71476-20	E CAPACITOR	47mF 16V		R104	OW07-75222-06	C RESISTOR	2.2K 1/16W	
C248	OW05-73223-00	C CAPACITOR	0.022mF		R105	OW07-74220-50T	C RESISTOR	22 1/8W	
C249	OW05-73271-05	C CAPACITOR	270pF		R106	OW07-74047-50T	C RESISTOR	4.7 1/8W	
C250	OW05-73271-05	C CAPACITOR	270pF		R107	OW07-75104-06	C RESISTOR	100K 1/16W	
C251	OW05-73223-00	C CAPACITOR	0.022mF		R108	OW07-75274-06	C RESISTOR	270K 1/16W	
C252	OW05-73223-00	C CAPACITOR	0.022mF		R109	OW07-75331-06	C RESISTOR	330 1/16W	
C253	OW05-72103-10	M CAPACITOR	0.01mF		R110	OW07-75101-06	C RESISTOR	100 1/16W	
C254	OW05-77104-82	C CAPACITOR	Axial 0.1mF		R111	OW07-74103-50T	C RESISTOR	10K 1/8W	
C255	OW05-77104-82	C CAPACITOR	Axial 0.1mF		R113	OW07-75103-06	C RESISTOR	10K 1/16W	
C301	OW05-73102-00	C CAPACITOR	1000pF		R114	OW07-75332-06	C RESISTOR	3.3K 1/16W	
C302	OW05-73102-00	C CAPACITOR	1000pF		R115	OW07-75123-06	C RESISTOR	12K 1/16W	
C303	OW05-73102-00	C CAPACITOR	1000pF		R116	OW07-75123-06	C RESISTOR	12K 1/16W	
C304	OW05-73102-00	C CAPACITOR	1000pF		R117	OW07-75273-06	C RESISTOR	27K 1/16W	
C305	OW06-75475-20	E CAPACITOR	4.7mF 50V		R118	OW07-75273-06	C RESISTOR	27K 1/16W	
C306	OW06-75475-20	E CAPACITOR	4.7mF 50V		R119	OW07-75222-06	C RESISTOR	2.2K 1/16W	
C307	OW05-73152-00	C CAPACITOR	1500pF		R120	OW07-75222-06	C RESISTOR	2.2K 1/16W	
C308	OW05-73152-00	C CAPACITOR	1500pF		R122	OW07-75103-06	C RESISTOR	10K 1/16W	
C309	OW05-73223-00	C CAPACITOR	0.022mF		R124	OW07-75473-06	C RESISTOR	47K 1/16W	
C310	OW06-71227-20	E CAPACITOR	220mF 16V		R125	OW07-75103-06	C RESISTOR	10K 1/16W	
C311	OW06-75475-20	E CAPACITOR	4.7mF 50V		R126	OW07-75473-06	C RESISTOR	47K 1/16W	
C312	OW06-75475-20	E CAPACITOR	4.7mF 50V		R127	OW07-75223-06	C RESISTOR	22K 1/16W	
C313	OW06-75475-20	E CAPACITOR	4.7mF 50V		R128	OW07-74103-50T	C RESISTOR	10K 1/8W	
C314	OW06-75475-20	E CAPACITOR	4.7mF 50V		R129	OW07-75154-06	C RESISTOR	150K 1/16W	
C315	OW06-75475-20	E CAPACITOR	4.7mF 50V		R130	OW07-75332-06	C RESISTOR	3.3K 1/16W	
C316	OW06-75475-20	E CAPACITOR	4.7mF 50V		R131	OW07-75103-06	C RESISTOR	10K 1/16W	
C317	OW06-75475-20	E CAPACITOR	4.7mF 50V		R132	OW07-75103-06	C RESISTOR	10K 1/16W	
C318	OW06-75475-20	E CAPACITOR	4.7mF 50V		R133	OW07-74221-50T	C RESISTOR	220 1/8W	
C319	OW06-75475-20	E CAPACITOR	4.7mF 50V		R134	OW07-75103-06	C RESISTOR	10K 1/16W	
C320	OW06-75475-20	E CAPACITOR	4.7mF 50V		R135	OW07-74102-50T	C RESISTOR	1K 1/8W	
C321	OW05-73104-00	C CAPACITOR	0.1mF		R136	OW07-75103-06	C RESISTOR	10K 1/16W	
C322	OW05-73104-00	C CAPACITOR	0.1mF		R137	OW07-74103-50T	C RESISTOR	10K 1/8W	
C323	OW06-75105-20	E CAPACITOR	1mF 50V		R138	OW07-75472-06	C RESISTOR	4.7K 1/16W	
C324	OW06-75105-20	E CAPACITOR	1mF 50V		R139	OW07-74221-50T	C RESISTOR	220 1/8W	
C325	OW06-75334-20	E CAPACITOR	0.33mF 50V		R140	OW07-75152-06	C RESISTOR	1.5K 1/16W	
C326	OW06-75334-20	E CAPACITOR	0.33mF 50V		R141	OW07-75472-06	C RESISTOR	4.7K 1/16W	
C327	OW05-73103-00	C CAPACITOR	0.01mF		R142	OW07-75102-06	C RESISTOR	1K 1/16W	
C328	OW05-73103-00	C CAPACITOR	0.01mF		R143	OW07-75000-06F	C RESISTOR	0 1/16W	
C329	OW06-75475-20	E CAPACITOR	4.7mF 50V		R144	OW07-75102-06	C RESISTOR	1K 1/16W	
C330	OW05-73104-00	C CAPACITOR	0.1mF		R145	OW07-75561-06	C RESISTOR	560 1/16W	
C337	OW05-77101-05	C CAPACITOR	Axial 100pF		R146	OW07-75152-06	C RESISTOR	1.5K 1/16W	
C339	OW05-77221-05	C CAPACITOR	Axial 220pF		R147	OW07-75000-06F	C RESISTOR	0 1/16W	
C401	OW06-75225-20	E CAPACITOR	2.2mF 50V		R148	OW07-75103-06	C RESISTOR	10K 1/16W	
C402	OW06-75225-20	E CAPACITOR	2.2mF 50V		R149	OW07-75103-06	C RESISTOR	10K 1/16W	
C403	OW06-71336-20	E CAPACITOR	33mF 16V		R150	OW07-75103-06	C RESISTOR	10K 1/16W	
C405	OW06-75225-20	E CAPACITOR	2.2mF 50V		R151	OW07-75102-06	C RESISTOR	1K 1/16W	

△ Symbol No.	Part No.	Part Name	Description	Local	△ Symbol No.	Part No.	Part Name	Description	Local
R152	OW07-75102-06	C RESISTOR	1K 1/16W		R306	OW07-75222-06	C RESISTOR	2.2K 1/16W	
R153	OW07-75102-06	C RESISTOR	1K 1/16W		R307	OW07-75273-06	C RESISTOR	27K 1/16W	
R154	OW07-75103-06	C RESISTOR	10K 1/16W		R308	OW07-75273-06	C RESISTOR	27K 1/16W	
R155	OW07-75103-06	C RESISTOR	10K 1/16W		R309	OW07-75822-06	C RESISTOR	8.2K 1/16W	
R156	OW07-75103-06	C RESISTOR	10K 1/16W		R310	OW07-75822-06	C RESISTOR	8.2K 1/16W	
R158	OW07-74102-50T	C RESISTOR	1K 1/8W		R311	OW07-75222-06	C RESISTOR	2.2K 1/16W	
R159	OW07-75102-06	C RESISTOR	1K 1/16W		R312	OW07-75222-06	C RESISTOR	2.2K 1/16W	
R160	OW07-75184-06	C RESISTOR	180K 1/16W		R315	OW07-74331-50T	C RESISTOR	330 1/8W	
R161	OW07-75562-06	C RESISTOR	5.6K 1/16W		R317	OW07-75222-06	C RESISTOR	2.2K 1/16W	
R162	OW07-75562-06	C RESISTOR	5.6K 1/16W		R318	OW07-75222-06	C RESISTOR	2.2K 1/16W	
R201	OW07-75332-06	C RESISTOR	3.3K 1/16W		R327	OW07-75222-06	C RESISTOR	2.2K 1/16W	
R202	OW07-75332-06	C RESISTOR	3.3K 1/16W		R328	OW07-75222-06	C RESISTOR	2.2K 1/16W	
R203	OW07-75332-06	C RESISTOR	3.3K 1/16W		R330	OW07-74100-50T	C RESISTOR	10 1/8W	
R204	OW07-75332-06	C RESISTOR	3.3K 1/16W		R331	OW07-75103-06	C RESISTOR	10K 1/16W	
R205	OW07-75103-06	C RESISTOR	10K 1/16W		R333	OW07-74103-50T	C RESISTOR	10K 1/8W	
R206	OW07-75102-06	C RESISTOR	1K 1/16W		R334	OW07-74103-50T	C RESISTOR	10K 1/8W	
R207	OW07-75103-06	C RESISTOR	10K 1/16W		R401	OW07-75103-06	C RESISTOR	10K 1/16W	
R208	OW07-75473-06	C RESISTOR	47K 1/16W		R402	OW07-75562-06	C RESISTOR	5.6K 1/16W	
R209	OW07-74273-50T	C RESISTOR	27K 1/8W		R403	OW07-75103-06	C RESISTOR	10K 1/16W	
R210	OW07-74047-50T	C RESISTOR	4.7 1/8W		R404	OW07-75103-06	C RESISTOR	10K 1/16W	
R211	OW07-74220-50T	C RESISTOR	22 1/8W		R405	OW07-75103-06	C RESISTOR	10K 1/16W	
R212	OW07-75104-06	C RESISTOR	100K 1/16W		R406	OW07-75103-06	C RESISTOR	10K 1/16W	
R213	OW07-75103-06	C RESISTOR	10K 1/16W		R407	OW07-75472-06	C RESISTOR	4.7K 1/16W	
R214	OW07-75103-06	C RESISTOR	10K 1/16W		R408	OW07-75472-06	C RESISTOR	4.7K 1/16W	
R215	OW07-75103-06	C RESISTOR	10K 1/16W		R409	OW07-75472-06	C RESISTOR	4.7K 1/16W	
R216	OW07-75104-06	C RESISTOR	100K 1/16W		R410	OW07-75472-06	C RESISTOR	4.7K 1/16W	
R217	OW07-75472-06	C RESISTOR	4.7K 1/16W		R411	OW07-75152-06	C RESISTOR	1.5K 1/16W	
R218	OW07-75223-06	C RESISTOR	22K 1/16W		R412	OW07-75152-06	C RESISTOR	1.5K 1/16W	
R219	OW07-75103-06	C RESISTOR	10K 1/16W		R413	OW07-75047-06	C RESISTOR	4.7 1/16W	
R220	OW07-74101-00T	C RESISTOR	100 1/4W		R414	OW07-75047-06	C RESISTOR	4.7 1/16W	
R221	OW07-75333-06	C RESISTOR	33K 1/16W		R415	OW07-75150-06	C RESISTOR	15 1/16W	
R222	OW07-74221-00T	C RESISTOR	220 1/4W		R416	OW07-75150-06	C RESISTOR	15 1/16W	
R223	OW07-74102-50T	C RESISTOR	1K 1/8W		R417	OW07-75471-06	C RESISTOR	470 1/16W	
R224	OW07-75102-06	C RESISTOR	1K 1/16W		R418	OW07-75471-06	C RESISTOR	470 1/16W	
R225	OW07-75124-06	C RESISTOR	120K 1/16W		R419	OW07-74103-50T	C RESISTOR	10K 1/8W	
R226	OW07-75124-06	C RESISTOR	120K 1/16W		R420	OW07-74470-50T	C RESISTOR	47 1/8W	
R227	OW07-75010-06	C RESISTOR	1 1/16W		R421	OW07-75122-06	C RESISTOR	1.2K 1/16W	
R228	OW07-74331-50T	C RESISTOR	330 1/8W		R422	OW07-74220-50T	C RESISTOR	22 1/8W	
R229	OW07-75183-06	C RESISTOR	18K 1/16W		R423	OW07-74102-50T	C RESISTOR	1K 1/8W	
R230	OW07-75183-06	C RESISTOR	18K 1/16W		R424	OW07-75223-06	C RESISTOR	22K 1/16W	
R231	OW07-75104-06	C RESISTOR	100K 1/16W		R425	OW07-75102-06	C RESISTOR	1K 1/16W	
R232	OW07-75104-06	C RESISTOR	100K 1/16W		R426	OW07-74022-10	C RESISTOR	2.2 1/2W	
R233	OW07-75333-06	C RESISTOR	33K 1/16W		R427	OW07-75104-06	C RESISTOR	100K 1/16W	
R234	OW07-75333-06	C RESISTOR	33K 1/16W		R428	OW07-75103-06	C RESISTOR	10K 1/16W	
R235	OW07-74222-50T	C RESISTOR	2.2K 1/8W		R429	OW07-75103-06	C RESISTOR	10K 1/16W	
R236	OW07-75222-06	C RESISTOR	2.2K 1/16W		R430	OW07-75103-06	C RESISTOR	10K 1/16W	
R237	OW07-74102-50T	C RESISTOR	1K 1/8W		R431	OW07-75103-06	C RESISTOR	10K 1/16W	
R238	OW07-74102-50T	C RESISTOR	1K 1/8W		R432	OW07-75104-06	C RESISTOR	100K 1/16W	
R239	OW07-75180-06	C RESISTOR	18 1/16W		R433	OW07-75103-06	C RESISTOR	10K 1/16W	
R240	OW07-75180-06	C RESISTOR	18 1/16W		△ R434	OW07-74100-00T	C RESISTOR	10 1/4W	
R241	OW07-75472-06	C RESISTOR	4.7K 1/16W		R435	OW07-74561-50T	C RESISTOR	560 1/8W	
R242	OW07-75472-06	C RESISTOR	4.7K 1/16W		R436	OW07-75000-06F	C RESISTOR	0 1/16W	
R243	OW07-75333-06	C RESISTOR	33K 1/16W		R441	OW07-74103-50T	C RESISTOR	10K 1/8W	
R244	OW07-75333-06	C RESISTOR	33K 1/16W		R442	OW07-75104-06	C RESISTOR	100K 1/16W	
R245	OW07-75472-06	C RESISTOR	4.7K 1/16W		R443	OW07-75102-06	C RESISTOR	1K 1/16W	
R246	OW07-74472-50T	C RESISTOR	4.7K 1/8W		R444	OW07-75104-06	C RESISTOR	100K 1/16W	
R247	OW07-75153-06	C RESISTOR	15K 1/16W		R445	OW07-75103-06	C RESISTOR	10K 1/16W	
R248	OW07-74153-50T	C RESISTOR	15K 1/8W		R446	OW07-75273-06	C RESISTOR	27K 1/16W	
R249	OW07-75153-06	C RESISTOR	15K 1/16W		R448	OW07-74563-50T	C RESISTOR	56K 1/8W	
R250	OW07-75153-06	C RESISTOR	15K 1/16W		R449	OW07-75751-06	C RESISTOR	750 1/16W	
R251	OW07-75333-06	C RESISTOR	33K 1/16W		R450	OW07-75272-06	C RESISTOR	2.7K 1/16W	
R252	OW07-75684-06	C RESISTOR	680K 1/16W		R451	OW07-75562-06	C RESISTOR	5.6K 1/16W	
R253	OW07-75823-06	C RESISTOR	82K 1/16W		R452	OW07-75681-06	C RESISTOR	680 1/16W	
R254	OW07-75823-06	C RESISTOR	82K 1/16W		R453	OW07-75681-06	C RESISTOR	680 1/16W	
R255	OW07-75750-06	C RESISTOR	75 1/16W		R802	OW07-75000-06F	C RESISTOR	0 1/16W	
R256	OW07-75750-06	C RESISTOR	75 1/16W		R803	OW07-75000-06F	C RESISTOR	0 1/16W	
R257	OW07-75103-06	C RESISTOR	10K 1/16W		R806	OW07-75103-06	C RESISTOR	10K 1/16W	
R258	OW07-75103-06	C RESISTOR	10K 1/16W		R831	OW07-75103-06	C RESISTOR	10K 1/16W	
R259	OW07-75473-06	C RESISTOR	47K 1/16W		R832	OW07-75103-06	C RESISTOR	10K 1/16W	
R260	OW07-75124-06	C RESISTOR	120K 1/16W		R449A	OW07-75751-06	C RESISTOR	750 1/16W	
R261	OW07-75124-06	C RESISTOR	120K 1/16W		L101	OW09-25055-80	FM COIL	2.5T	
R263	OW07-75153-06	C RESISTOR	15K 1/16W		L102	OW09-35055-80	FM COIL	3.5T	
R264	OW07-75153-06	C RESISTOR	15K 1/16W		L103	OW09-70101-82T	COIL	10mH	
R301	OW07-75473-06	C RESISTOR	47K 1/16W		L104	OW09-70101-82T	COIL	10mH	
R302	OW07-75473-06	C RESISTOR	47K 1/16W		L201	OW09-40474-80	CHOKE COIL	47mH	
R303	OW07-75562-06	C RESISTOR	5.6K 1/16W		L202	OW09-40474-80	CHOKE COIL	47mH	
R304	OW07-75562-06	C RESISTOR	5.6K 1/16W		L203	OW08-00053-80	OSC COIL		
R305	OW07-75222-06	C RESISTOR	2.2K 1/16W						

△ Symbol No.	Part No.	Part Name	Description	Local
L301	OW08-04344-81	FERRITE COIL	4T	
L302	OW08-04344-81	FERRITE COIL	4T	
L303	OW08-04344-81	FERRITE COIL	4T	
L304	OW09-70222-83T	COIL	220mH	
L401	OW08-04344-81	FERRITE COIL	4T	
L402	OW08-04344-81	FERRITE COIL	4T	
L403	OW08-04344-81	FERRITE COIL	4T	
L404	OW08-04344-81	FERRITE COIL	4T	
L801	OW09-40080-80	CHOKE COIL	8mH	
L802	OW09-40080-80	CHOKE COIL	8mH	
L803	OW09-40080-80	CHOKE COIL	8mH	
L804	OW09-40080-80	CHOKE COIL	8mH	
T101	OW08-86436-80	AM ANT COIL		
T102	OW08-01014-82	IFT COIL	Red 1A1014N	
T103	OW08-00332-84	IFT COIL	Yellow 810017	
ANT1	OW29-00300-00	FM ANT	Pig Tail	
ANT2	OW29-00300-01	FM ANT	Wire	
CF101	OW09-50450-80	CER.FILTER	SFU450B 450 kHz	
CF102	OW09-50107-80	CER.FILTER	LT10.7MS3	
CF103	OW09-50107-87	CER.FILTER	JT10.7MG82	
CN101	OW20-12020-81	CONNECTOR	2P	
CN103	OW20-11080-80	CONNECTOR	8P	
CN202	OW20-41092-57	CONNECTOR	9P	
CN203	OW20-11070-80	CONNECTOR	7P	
CN301	OW20-12030-80	CONNECTOR	3P	
CN303	OW20-11080-81	CONNECTOR	8P	
CN401	OW20-11040-81	CONNECTOR	4P	
CN402	OW20-12100-80	CONNECTOR	10P	
CN602	OW20-11030-80	CONNECTOR	3P	
CN603	OW20-11040-80	CONNECTOR	4P	
CN801	OW12-00006-80	CONNECTOR	SPK.Terminal	
CAN801	OW20-12040-80	CONNECTOR	4P	
FMANT	OW25-04300-80	CONNECTOR	1P	
J130	OW07-75001-05F	C RESISTOR	0 1/8W	
J131	OW07-75001-05F	C RESISTOR	0 1/8W	
J132	OW07-75001-05F	C RESISTOR	0 1/8W	
J133	OW07-75001-05F	C RESISTOR	0 1/8W	
J134	OW07-75001-05F	C RESISTOR	0 1/8W	
J135	OW07-75001-05F	C RESISTOR	0 1/8W	
J136	OW07-75001-05F	C RESISTOR	0 1/8W	
J137	OW07-75001-05F	C RESISTOR	0 1/8W	
J138	OW07-75001-05F	C RESISTOR	0 1/8W	
J139	OW07-75000-06F	C RESISTOR	0 1/16W	
J222	OW07-75001-05F	C RESISTOR	0 1/8W	
JK301	OW12-21315-01	AUX JACK	CKX3.5-02-5P	
JK401	OW12-21315-00	PHONE JACK	CKS3.5-02J5P2K	
TIEIE1	OW31-50040-80	UL WIRE	40mm BLK	
TIEIE2	OW31-50040-80	UL WIRE	40mm BLK	
TIEIE3	OW31-50040-80	UL WIRE	40mm BLK	
TIEIE4	OW31-50040-80	UL WIRE	40mm BLK	
TIEIE6	OW31-50040-80	UL WIRE	40mm BLK	
VD101	SVC201	TUNING DIODE	OW02-00201-81	
VD102	SVC201	TUNING DIODE	OW02-00201-81	
VD103	SVC348T	TUNING DIODE	OW02-00348-81	
X101	OW04-07200-80	CRYSTAL	7.2MHz	
XXXXX	OW20-61031-21	CONNECTOR	3P AUX PCB CON301	
XXXXX	OW20-61063-81	CONNECTOR	6P CN201 to CassHead	
XXXXX	OW81-10001-80	SPONGE	FOR L101 L102(x2)	
XXXXX	OW25-23050-82	CONNECTOR	2P LED PCB CON706	
XXXXX	OW11-80300-00	MAIN PCB		
XXXXX	OW20-42041-82	CONNECTOR	4P Phone PCB CON401	
XXXXX	OW08-04344-14	FERRITE CORE	T16 X 12 X 8(x3)	
XXXXX	OW08-04344-50	FERRITE CORE	T25 X 15 X 10	
XXXXX	OW08-04344-20	FERRITE CORE	T12.7 X 7.9 X 6.35	
XXXXX	OW39-09025-84	HEAT SINK		
XXXXX	OW84-00003-80	CABLE TIE	4 UL(x4)	
XXXXX	OW84-00004-82	ROUND WIRE	60mm	
△ Z101	10V0.5W	Z DIODE	OW02-50100-80	
△ Z401	8.2V0.5W	Z DIODE	OW02-50082-80	
△ Z402	9.1V0.5W	Z DIODE	OW02-50091-81	
△ Z441	6.2V0.5W	Z DIODE	OW02-50062-80	

Power board

Block No. [0][2]

△ Symbol No.	Part No.	Part Name	Description	Local
△ IC801	LA4628	IC	OW03-04628-00	
△ IC901	RS602	IC	OW02-00602-80	
Q801	8050	TRANSISTOR	OW01-08050-81	
Q802	8050	TRANSISTOR	OW01-08050-81	
D801	1N4148	DIODE	OW02-04148-81	
D803	1N4148	DIODE	OW02-04148-81	
△ D901	1N4001	DIODE	OW02-04001-81	
△ D902	1N4001	DIODE	OW02-04001-81	
△ D903	1N4001	DIODE	OW02-04001-81	
△ D904	1N4001	DIODE	OW02-04001-81	
C801	OW06-72106-20	E CAPACITOR	10mF 25V	
C802	OW06-75225-20	E CAPACITOR	2.2mF 50V	
C803	OW06-75225-20	E CAPACITOR	2.2mF 50V	
C805	OW06-71107-20	E CAPACITOR	100mF 16V	
C806	OW06-72106-20	E CAPACITOR	10mF 25V	
C807	OW05-70101-05	C CAPACITOR	100pF	
C808	OW06-75474-20	E CAPACITOR	0.47mF 50V	
C809	OW05-72104-10	M CAPACITOR	0.1mF	
C810	OW05-72104-10	M CAPACITOR	0.1mF	
C811	OW05-72104-10	M CAPACITOR	0.1mF	
C812	OW05-72104-10	M CAPACITOR	0.1mF	
△ C813	OW06-72478-81	E CAPACITOR	4700mF 25V	
C821	OW05-70101-05	C CAPACITOR	100pF	
C822	OW05-70101-05	C CAPACITOR	100pF	
△ C901	OW06-71338-81	E CAPACITOR	3300mF 16V	
C902	OW05-70223-10	C CAPACITOR	0.022mF	
C903	OW05-70223-10	C CAPACITOR	0.022mF	
C904	OW05-70223-10	C CAPACITOR	0.022mF	
C905	OW05-70223-10	C CAPACITOR	0.022mF	
C906	OW05-77104-82	C CAPACITOR	Axial 0.1mF	
△ C907	OW06-72108-81	E CAPACITOR	1000mF 25V	
C908	OW05-77104-82	C CAPACITOR	Axial 0.1mF	
C909	OW05-77104-82	C CAPACITOR	Axial 0.1mF	
C910	OW05-77104-82	C CAPACITOR	Axial 0.1mF	
C911	OW05-77104-82	C CAPACITOR	Axial 0.1mF	
△ C912	OW05-77104-82	C CAPACITOR	Axial 0.1mF	
R801	OW07-74153-50T	C RESISTOR	15K 1/8W	
R802	OW07-74223-50T	C RESISTOR	22K 1/8W	
R803	OW07-74102-50T	C RESISTOR	1K 1/8W	
R804	OW07-74103-50T	C RESISTOR	10K 1/8W	
R805	OW07-74103-50T	C RESISTOR	10K 1/8W	
R806	OW07-74102-50T	C RESISTOR	1K 1/8W	
R809	OW07-74222-50T	C RESISTOR	2.2K 1/8W	
R810	OW07-74562-50T	C RESISTOR	5.6K 1/8W	
R812	OW07-74022-00T	C RESISTOR	2.2 1/4W	
R813	OW07-74022-00T	C RESISTOR	2.2 1/4W	
R814	OW07-74022-00T	C RESISTOR	2.2 1/4W	
R815	OW07-74022-00T	C RESISTOR	2.2 1/4W	
R821	OW07-74272-50T	C RESISTOR	2.7K 1/8W	
R822	OW07-74272-50T	C RESISTOR	2.7K 1/8W	
CN801	OW20-61010-80	CONNECTOR	10P	
CN802	OW20-42041-81	CONNECTOR	4P	
△ SW901	OW16-10212-80	VOLTAGE SWITCH	SL14-22AM5A	
XXXXX	OW39-10001-81	FUSE HOLDER	FOR F901 F902(x2)	
XXXXX	OW39-00882-80	HEAT SINK	FOR IC901	
XXXXX	OW11-80300-01	POWER PCB		
XXXXX	OW31-20047-81	UL WIRE	5/47/5 Brown	
XXXXX	OW08-04344-53	FERRITE CORE	T25 X 15 X 10	
XXXXX	OW31-60170-80	UL WIRE	4/170/3.5 BLK	
XXXXX	OW37-00020-80	EYELET	D= 2 X 4mm	
XXXXX	OW78-00004-85	SILDERLESS	Connector CE-2	
XXXXX	OW84-00003-80	CABLE TIE	4 UL	
XXXXX	OW84-00005-80	CABLE TIE	6.5 UL	

Display board

Block No. [0][3]

Symbol No.	Part No.	Part Name	Description	Local
IC701	TMP87EP26F-4K76	IC		
Q702	9013	TRANSISTOR	OW01-09013-85	
Q703	9013	TRANSISTOR	OW01-09013-85	
Q704	9013	TRANSISTOR	OW01-09013-85	
Q705	9013	TRANSISTOR	OW01-09013-85	
D701	1N4148	DIODE	OW02-04148-81	
D702	1N4148	DIODE	OW02-04148-81	
D703	1N4148	DIODE	OW02-04148-81	
D704	ELT-3142D	LED	OW02-30022-82	
C701	OW05-73102-00	C CAPACITOR	1000pF	
C702	OW05-73104-00	C CAPACITOR	0.1mF	
C703	OW06-76108-01	E CAPACITOR	1000mF 6.3V	
C704	OW06-76108-01	E CAPACITOR	1000mF 6.3V	
C705	OW05-73104-00	C CAPACITOR	0.1mF	
C706	OW06-70106-81	E CAPACITOR	10mF 10V	
C707	OW05-73104-00	C CAPACITOR	0.1mF	
C708	OW06-70227-81	E CAPACITOR	220mF 10V	
C709	OW05-73102-00	C CAPACITOR	1000pF	
C713	OW05-73240-05	C CAPACITOR	24pF	
C714	OW05-73560-05	C CAPACITOR	56pF	
C715	OW05-73240-05	C CAPACITOR	24pF	
C716	OW05-73200-05	C CAPACITOR	20pF	
C717	OW05-73200-05	C CAPACITOR	20pF	
C718	OW06-70476-81	E CAPACITOR	47mF 10V	
C721	OW06-70107-81	E CAPACITOR	100mF 10V	
C722	OW06-70476-81	E CAPACITOR	47mF 10V	
C723	OW05-73104-00	C CAPACITOR	0.1mF	
C724	OW05-73223-00	C CAPACITOR	0.022mF	
C725	OW05-73223-00	C CAPACITOR	0.022mF	
R702	OW07-75000-06F	C RESISTOR	0 1/16W	
R703	OW07-75102-06	C RESISTOR	1K 1/16W	
R704	OW07-75102-06	C RESISTOR	1K 1/16W	
R706	OW07-75153-06	C RESISTOR	15K 1/16W	
R707	OW07-75103-06	C RESISTOR	10K 1/16W	
R708	OW07-75103-06	C RESISTOR	10K 1/16W	
R709	OW07-75103-06	C RESISTOR	10K 1/16W	
R710	OW07-75332-06	C RESISTOR	3.3K 1/16W	
R711	OW07-75222-06	C RESISTOR	2.2K 1/16W	
R712	OW07-75102-06	C RESISTOR	1K 1/16W	
R713	OW07-75102-06	C RESISTOR	1K 1/16W	
R714	OW07-75102-06	C RESISTOR	1K 1/16W	
R715	OW07-74103-50T	C RESISTOR	10K 1/8W	
R716	OW07-75102-06	C RESISTOR	1K 1/16W	
R717	OW07-75000-06F	C RESISTOR	0 1/16W	
R718	OW07-75103-06	C RESISTOR	10K 1/16W	
R719	OW07-75103-06	C RESISTOR	10K 1/16W	
R720	OW07-75100-06	C RESISTOR	10 1/16W	
R721	OW07-75103-06	C RESISTOR	10K 1/16W	
R722	OW07-75103-06	C RESISTOR	10K 1/16W	
R723	OW07-75103-06	C RESISTOR	10K 1/16W	
R724	OW07-75103-06	C RESISTOR	10K 1/16W	
R725	OW07-75103-06	C RESISTOR	10K 1/16W	
R726	OW07-75103-06	C RESISTOR	10K 1/16W	
R727	OW07-75103-06	C RESISTOR	10K 1/16W	
R728	OW07-74472-50T	C RESISTOR	4.7K 1/8W	
R729	OW07-75102-06	C RESISTOR	1K 1/16W	
R730	OW07-75102-06	C RESISTOR	1K 1/16W	
R731	OW07-75122-06	C RESISTOR	1.2K 1/16W	
R732	OW07-75122-06	C RESISTOR	1.2K 1/16W	
R733	OW07-75103-06	C RESISTOR	10K 1/16W	
R734	OW07-74470-50T	C RESISTOR	47 1/8W	
R735	OW07-75103-06	C RESISTOR	10K 1/16W	
R736	OW07-74102-50T	C RESISTOR	1K 1/8W	
R737	OW07-75103-06	C RESISTOR	10K 1/16W	
R738	OW07-75103-06	C RESISTOR	10K 1/16W	
R739	OW07-75103-06	C RESISTOR	10K 1/16W	
R740	OW07-75102-06	C RESISTOR	1K 1/16W	
R741	OW07-75272-06	C RESISTOR	2.7K 1/16W	
R742	OW07-75103-06	C RESISTOR	10K 1/16W	
R743	OW07-75103-06	C RESISTOR	10K 1/16W	

Symbol No.	Part No.	Part Name	Description	Local
R744	OW07-75103-06	C RESISTOR	10K 1/16W	
R745	OW07-75103-06	C RESISTOR	10K 1/16W	
R746	OW07-75103-06	C RESISTOR	10K 1/16W	
R747	OW07-75103-06	C RESISTOR	10K 1/16W	
R748	OW07-75103-06	C RESISTOR	10K 1/16W	
R749	OW07-75103-06	C RESISTOR	10K 1/16W	
R750	OW07-75103-06	C RESISTOR	10K 1/16W	
R751	OW07-75103-06	C RESISTOR	10K 1/16W	
R752	OW07-75103-06	C RESISTOR	10K 1/16W	
R753	OW07-75471-06	C RESISTOR	470 1/16W	
R754	OW07-75912-06	C RESISTOR	9.1K 1/16W	
R755	OW07-75272-06	C RESISTOR	2.7K 1/16W	
R756	OW07-75392-06	C RESISTOR	3.9K 1/16W	
R757	OW07-75563-06	C RESISTOR	56K 1/16W	
R758	OW07-75750-06	C RESISTOR	75 1/16W	
R759	OW07-75471-06	C RESISTOR	470 1/16W	
R760	OW07-75152-06	C RESISTOR	1.5K 1/16W	
R761	OW07-75362-06	C RESISTOR	3.6K 1/16W	
R762	OW07-75182-06	C RESISTOR	1.8K 1/16W	
R763	OW07-75563-06	C RESISTOR	56K 1/16W	
R764	OW07-74103-50T	C RESISTOR	10K 1/8W	
R765	OW07-75682-06	C RESISTOR	6.8K 1/16W	
R766	OW07-75472-06	C RESISTOR	4.7K 1/16W	
R780	OW07-75102-06	C RESISTOR	1K 1/16W	
R781	OW07-75102-06	C RESISTOR	1K 1/16W	
R782	OW07-75102-06	C RESISTOR	1K 1/16W	
R783	OW07-75102-06	C RESISTOR	1K 1/16W	
R784	OW07-75102-06	C RESISTOR	1K 1/16W	
R785	OW07-75102-06	C RESISTOR	1K 1/16W	
R786	OW07-75102-06	C RESISTOR	1K 1/16W	
R787	OW07-75102-06	C RESISTOR	1K 1/16W	
R788	OW07-74103-50T	C RESISTOR	10K 1/8W	
L701	OW09-70102-80	COIL	100mH	
L702	OW09-70102-80	COIL	100mH	
L706	OW09-70102-82T	COIL	100mH	
CN701	OW20-41082-81	CONNECTOR	8P	
CN702	OW20-41082-48	CONNECTOR	8P	
CN703	OW20-41092-56	CONNECTOR	9P	
CN704	OW20-41072-80	CONNECTOR	7P	
CN706	OW20-41102-38	CONNECTOR	10P	
CN707	OW20-42021-80	CONNECTOR	2P	
CN708	OW20-41021-80	CONNECTOR	2P	
J721	OW07-75001-05F	C RESISTOR	0 1/8W	
J726	OW07-75001-05F	C RESISTOR	0 1/8W	
J730	OW07-75001-05F	C RESISTOR	0 1/8W	
J731	OW07-75001-05F	C RESISTOR	0 1/8W	
J732	OW07-75001-05F	C RESISTOR	0 1/8W	
J733	OW07-75001-05F	C RESISTOR	0 1/8W	
J734	OW07-75001-05F	C RESISTOR	0 1/8W	
J735	OW07-75001-05F	C RESISTOR	0 1/8W	
J736	OW07-75001-05F	C RESISTOR	0 1/8W	
J739	OW07-75001-05F	C RESISTOR	0 1/8W	
J740	OW07-75001-05F	C RESISTOR	0 1/8W	
J741	OW07-75001-05F	C RESISTOR	0 1/8W	
J742	OW07-75001-05F	C RESISTOR	0 1/8W	
J743	OW07-75001-05F	C RESISTOR	0 1/8W	
J744	OW07-75001-05F	C RESISTOR	0 1/8W	
J745	OW07-75001-05F	C RESISTOR	0 1/8W	
RV701	OW18-92040-86	ENCODER VOL.	EC162102 FIB-HA1-24	
SEN701	OW02-66038-80	SENSOR	FM-6038TM2-5A	
SW701	OW16-10101-80	TACT SWITCH	Evjjae 05R	
SW702	OW16-10101-80	TACT SWITCH	Evjjae 05R	
SW703	OW16-10101-80	TACT SWITCH	Evjjae 05R	
SW704	OW16-10101-80	TACT SWITCH	Evjjae 05R	
SW705	OW16-10101-80	TACT SWITCH	Evjjae 05R	
SW706	OW16-10101-80	TACT SWITCH	Evjjae 05R	
SW707	OW16-10101-80	TACT SWITCH	Evjjae 05R	
SW708	OW16-10101-80	TACT SWITCH	Evjjae 05R	
SW709	OW16-10101-80	TACT SWITCH	Evjjae 05R	
SW710	OW16-10101-80	TACT SWITCH	Evjjae 05R	
X701	OW09-50720-80	CER. RESONATOR	ZTA7.2MT	
X702	OW04-32768-80	CRYSTAL	32.768 MHz	
XXXXX	OW11-80300-03	DISPLAY PCB		
XXXXX	OW08-04344-21	FERRITE CORE	T16 X 9 X 28	
XXXXX	OW08-04344-23	FERRITE CORE	T18 X 10 X 12	

△ Symbol No.	Part No.	Part Name	Description	Local	△ Symbol No.	Part No.	Part Name	Description	Local
XXXXX	OW84-00003-80	CABLE TIE	4 UL		C638	OW05-73104-00	C CAPACITOR	0.1mF	
XXXXX	OW84-00005-80	CABLE TIE	6.5 UL		C639	OW05-73222-00	C CAPACITOR	2200pF	
Z702	8.2V0.5W	Z DIODE	OW02-50082-80		C640	OW05-73222-00	C CAPACITOR	2200pF	

CD board

Block No. [0][4]

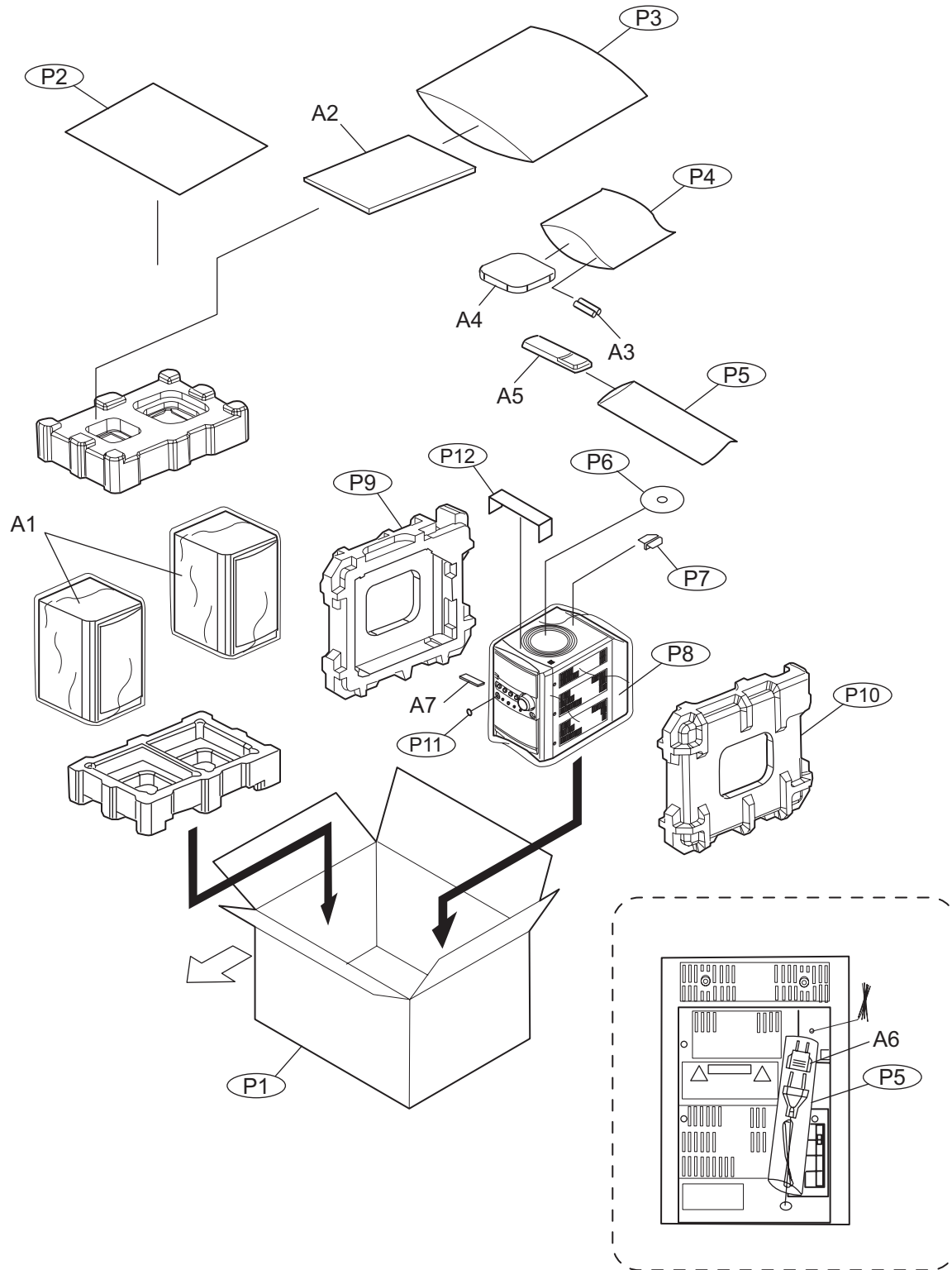
△ Symbol No.	Part No.	Part Name	Description	Local	△ Symbol No.	Part No.	Part Name	Description	Local
IC601	ES3890F	IC	OW03-03890-00		C641	OW06-72106-20	E CAPACITOR	10mF 25V	
IC602	MX29F040PC-90	IC	OW03-29040-90		C642	OW06-72106-20	E CAPACITOR	10mF 25V	
IC603	TC9462F	IC	OW03-09462-00		C643	OW06-72106-20	E CAPACITOR	10mF 25V	
IC604	PT8211	IC	OW03-08211-01		C644	OW06-72106-20	E CAPACITOR	10mF 25V	
IC606	HY5118164B	IC	OW03-51181-64		C645	OW06-72476-20	E CAPACITOR	47mF 25V	
IC607	TA2092N	IC	OW03-02092-00		C646	OW05-73104-00	C CAPACITOR	0.1mF	
IC608	HCF4052BE	IC	OW03-04052-02		C647	OW05-73104-00	C CAPACITOR	0.1mF	
IC609	TA2153	IC	OW03-02153-00		C648	OW05-73104-00	C CAPACITOR	0.1mF	
Q601	8050	TRANSISTOR	OW01-08050-80		C649	OW05-73104-00	C CAPACITOR	0.1mF	
△ Q602	KTD2058Y	TRANSISTOR	OW01-02058-80		C650	OW06-72106-20	E CAPACITOR	10mF 25V	
△ Q604	2SC1383R	TRANSISTOR	OW01-01383-80		C651	OW06-72106-20	E CAPACITOR	10mF 25V	
△ Q606	2SC1383R	TRANSISTOR	OW01-01383-80		C652	OW05-73222-00	C CAPACITOR	2200pF	
△ Q608	2SC1383R	TRANSISTOR	OW01-01383-80		C653	OW05-73222-00	C CAPACITOR	2200pF	
Q609	2SA733	TRANSISTOR	OW01-00733-80		C654	OW05-73473-00	C CAPACITOR	0.047mF	
D601	1N4148	DIODE	OW02-04148-81		C655	OW06-72476-20	E CAPACITOR	47mF 25V	
D602	1N4148	DIODE	OW02-04148-81		C656	OW06-72105-20	E CAPACITOR	1mF 25V	
D603	1N4148	DIODE	OW02-04148-81		C657	OW06-72476-20	E CAPACITOR	47mF 25V	
C1	OW05-77103-20	C CAPACITOR	Axial 0.01mF		C658	OW05-73150-00	C CAPACITOR	15pF	
C2	OW05-77103-20	C CAPACITOR	Axial 0.01mF		C659	OW05-73473-00	C CAPACITOR	0.047mF	
C3	OW05-77102-10	C CAPACITOR	Axial 1000pF		C660	OW05-73150-00	C CAPACITOR	15pF	
C4	OW05-77103-20	C CAPACITOR	Axial 0.01mF		C661	OW06-72226-20	E CAPACITOR	22mF 25V	
C5	OW05-77103-20	C CAPACITOR	Axial 0.01mF		C662	OW05-73473-00	C CAPACITOR	0.047mF	
C6	OW05-77103-20	C CAPACITOR	Axial 0.01mF		C663	OW06-72476-20	E CAPACITOR	47mF 25V	
C7	OW05-77103-20	C CAPACITOR	Axial 0.01mF		C664	OW05-73473-00	C CAPACITOR	0.047mF	
C8	OW05-77102-10	C CAPACITOR	Axial 1000pF		C665	OW06-72476-20	E CAPACITOR	47mF 25V	
C9	OW05-77103-20	C CAPACITOR	Axial 0.01mF		C666	OW06-71337-20	E CAPACITOR	330mF 16V	
C10	OW05-77103-20	C CAPACITOR	Axial 0.01mF		C667	OW05-73104-00	C CAPACITOR	0.1mF	
C11	OW05-77103-20	C CAPACITOR	Axial 0.01mF		C668	OW05-73104-00	C CAPACITOR	0.1mF	
C20	OW05-73180-00	C CAPACITOR	18pF		C669	OW05-73104-00	C CAPACITOR	0.1mF	
C601	OW06-72226-20	E CAPACITOR	22mF 25V		C670	OW05-73104-00	C CAPACITOR	0.1mF	
C602	OW05-73104-00	C CAPACITOR	0.1mF		C671	OW05-73104-00	C CAPACITOR	0.1mF	
C603	OW05-73104-00	C CAPACITOR	0.1mF		C672	OW05-73104-00	C CAPACITOR	0.1mF	
C604	OW05-73104-00	C CAPACITOR	0.1mF		C673	OW05-73473-00	C CAPACITOR	0.047mF	
C605	OW05-73104-00	C CAPACITOR	0.1mF		C674	OW05-73473-00	C CAPACITOR	0.047mF	
C606	OW05-73104-00	C CAPACITOR	0.1mF		C675	OW06-72476-20	E CAPACITOR	47mF 25V	
C608	OW06-72106-20	E CAPACITOR	10mF 25V		C676	OW05-73471-00	C CAPACITOR	470pF	
C609	OW05-73104-00	C CAPACITOR	0.1mF		C678	OW05-73473-00	C CAPACITOR	0.047mF	
C610	OW05-73104-00	C CAPACITOR	0.1mF		C679	OW05-73473-00	C CAPACITOR	0.047mF	
C612	OW05-73300-00	C CAPACITOR	30pF		C680	OW05-73472-00	C CAPACITOR	4700pF	
C613	OW05-73300-00	C CAPACITOR	30pF		C681	OW05-73104-00	C CAPACITOR	0.1mF	
C614	OW05-73104-00	C CAPACITOR	0.1mF		C682	OW05-73473-00	C CAPACITOR	0.047mF	
C615	OW05-73104-00	C CAPACITOR	0.1mF		C683	OW05-73272-00	C CAPACITOR	2700pF	
C616	OW05-73104-00	C CAPACITOR	0.1mF		C684	OW06-72476-20	E CAPACITOR	47mF 25V	
C617	OW06-72476-20	E CAPACITOR	47mF 25V		C685	OW05-73224-00	C CAPACITOR	0.22mF	
C618	OW05-73104-00	C CAPACITOR	0.1mF		C686	OW05-73103-00	C CAPACITOR	0.01mF	
C619	OW06-70107-20	E CAPACITOR	100mF 10V		C687	OW05-73153-00	C CAPACITOR	0.015mF	
C620	OW06-72476-20	E CAPACITOR	47mF 25V		C688	OW05-73470-00	C CAPACITOR	47pF	
C622	OW06-70107-20	E CAPACITOR	100mF 10V		C689	OW06-72476-20	E CAPACITOR	47mF 25V	
C623	OW06-70477-20	E CAPACITOR	470 mF 10V		C690	OW05-73121-00	C CAPACITOR	120pF	
C624	OW06-70227-20	E CAPACITOR	220mF 10V		C691	OW05-73104-00	C CAPACITOR	0.1mF	
C625	OW05-73223-00	C CAPACITOR	0.022mF		C692	OW05-73020-05	C CAPACITOR	2pF	
△ C626	OW06-70108-20	E CAPACITOR	1000mF 10V		C693	OW05-73104-00	C CAPACITOR	0.1mF	
C628	OW06-71477-20	E CAPACITOR	470mF 16V		C694	OW06-72476-20	E CAPACITOR	47mF 25V	
C629	OW06-72476-20	E CAPACITOR	47mF 25V		C695	OW06-70107-20	E CAPACITOR	100mF 10V	
C630	OW07-74331-30T	C RESISTOR	330 1/16W		C696	OW06-72476-20	E CAPACITOR	47mF 25V	
C631	OW05-73223-00	C CAPACITOR	0.022mF		C697	OW05-73104-00	C CAPACITOR	0.1mF	
C632	OW06-70227-20	E CAPACITOR	220mF 10V		C698	OW05-73104-00	C CAPACITOR	0.1mF	
C633	OW06-70477-20	E CAPACITOR	470 mF 10V		C699	OW05-73224-00	C CAPACITOR	0.22mF	
C634	OW06-72476-20	E CAPACITOR	47mF 25V		C603A	OW06-70107-20	E CAPACITOR	100mF 10V	
C635	OW05-73104-00	C CAPACITOR	0.1mF		C616A	OW06-70107-20	E CAPACITOR	100mF 10V	
C636	OW05-73104-00	C CAPACITOR	0.1mF		C633B	OW05-73104-00	C CAPACITOR	0.1mF	
C637	OW06-70107-20	E CAPACITOR	100mF 10V		C666A	OW05-73104-00	C CAPACITOR	0.1mF	
					C671A	OW05-73471-00	C CAPACITOR	470pF	
					C684A	OW05-73104-00	C CAPACITOR	0.1mF	
					C694A	OW05-73473-00	C CAPACITOR	0.047mF	
					C696A	OW06-70477-20	E CAPACITOR	470 mF 10V	
					R600	OW07-74222-50T	C RESISTOR	2.2K 1/8W	
					R601	OW07-75102-06	C RESISTOR	1K 1/16W	
					R602	OW07-75103-06	C RESISTOR	10K 1/16W	
					R603	OW07-75103-06	C RESISTOR	10K 1/16W	
					R604	OW07-75221-06	C RESISTOR	220 1/16W	
					R605	OW07-75330-06	C RESISTOR	33 1/16W	
					R606	OW07-75472-06	C RESISTOR	4.7K 1/16W	
					R607	OW07-75472-06	C RESISTOR	4.7K 1/16W	

△ Symbol No.	Part No.	Part Name	Description	Local	△ Symbol No.	Part No.	Part Name	Description	Local
R608	OW07-75472-06	C RESISTOR	4.7K 1/16W		L602	OW08-01122-00	FERRITE BEADS	RH03509ST-B246	
R609	OW07-75472-06	C RESISTOR	4.7K 1/16W		L604	OW08-01122-00	FERRITE BEADS	RH03509ST-B246	
R610	OW07-75472-06	C RESISTOR	4.7K 1/16W		L605	OW08-01122-00	FERRITE BEADS	RH03509ST-B246	
R611	OW07-75100-06	C RESISTOR	10 1/16W		L606	OW08-01122-00	FERRITE BEADS	RH03509ST-B246	
R612	OW07-75100-06	C RESISTOR	10 1/16W		L607	OW08-01122-00	FERRITE BEADS	RH03509ST-B246	
R613	OW07-75100-06	C RESISTOR	10 1/16W		L608	OW08-01122-00	FERRITE BEADS	RH03509ST-B246	
R614	OW07-75472-06	C RESISTOR	4.7K 1/16W		L609	OW08-01122-00	FERRITE BEADS	RH03509ST-B246	
R615	OW07-75391-06	C RESISTOR	390 1/16W		L610	OW08-01122-00	FERRITE BEADS	RH03509ST-B246	
R617	OW07-75330-06	C RESISTOR	33 1/16W		L611	OW08-01122-00	FERRITE BEADS	RH03509ST-B246	
R618	OW07-75330-06	C RESISTOR	33 1/16W		L612	OW08-01122-00	FERRITE BEADS	RH03509ST-B246	
R619	OW07-75330-06	C RESISTOR	33 1/16W		L613	OW09-70471-80	AXIAL INDUCTOR	47 mH	
R620	OW07-75472-06	C RESISTOR	4.7K 1/16W		L614	OW09-70101-80	AXIAL INDUCTOR	10 mH	
R621	OW07-75472-06	C RESISTOR	4.7K 1/16W						
R622	OW07-75472-06	C RESISTOR	4.7K 1/16W		CN601	OW20-11090-80	CONNECTOR	9P	
R623	OW07-75104-06	C RESISTOR	100K 1/16W		CN602	OW20-42041-86	CONNECTOR	4P	
R624	OW07-75472-06	C RESISTOR	4.7K 1/16W		CN603	OW20-12020-80	CONNECTOR	2P	
R625	OW07-74010-00T	C RESISTOR	1 1/4W		CN604	OW20-21100-80	CONNECTOR	10P	
R626	OW07-75331-06	C RESISTOR	330 1/16W		CN605	OW20-61031-22	CONNECTOR	3P	
R627	OW07-75561-06	C RESISTOR	560 1/16W		CN606	OW20-11060-80	CONNECTOR	6P	
△ R628	OW07-74100-40	C RESISTOR	10 1W		CN607	OW20-80160-80	FFC WIRE	16P	
R630	OW07-75102-06	C RESISTOR	1K 1/16W		J648	OW07-75001-05F	C RESISTOR	0 1/8W	
R634	OW07-75561-06	C RESISTOR	560 1/16W		J649	OW07-75000-06	C RESISTOR	0 1/16W	
R635	OW07-75472-06	C RESISTOR	4.7K 1/16W		J650	OW07-75000-06	C RESISTOR	0 1/16W	
R636	OW07-75221-06	C RESISTOR	220 1/16W		J651	OW07-75000-06	C RESISTOR	0 1/16W	
R637	OW07-75221-06	C RESISTOR	220 1/16W		J652	OW07-75001-05F	C RESISTOR	0 1/8W	
R638	OW07-75221-06	C RESISTOR	220 1/16W		J653	OW07-75000-06	C RESISTOR	0 1/16W	
R639	OW07-75472-06	C RESISTOR	4.7K 1/16W		J654	OW07-75001-05F	C RESISTOR	0 1/8W	
R640	OW07-75472-06	C RESISTOR	4.7K 1/16W		J655	OW07-75001-05F	C RESISTOR	0 1/8W	
R641	OW07-75100-06	C RESISTOR	10 1/16W		J656	OW07-75001-05F	C RESISTOR	0 1/8W	
R642	OW07-75100-06	C RESISTOR	10 1/16W		J657	OW07-75001-05F	C RESISTOR	0 1/8W	
R643	OW07-75100-06	C RESISTOR	10 1/16W		J658	OW07-75001-05F	C RESISTOR	0 1/8W	
R644	OW07-75392-06	C RESISTOR	3.9K 1/16W		J660	OW07-75001-05F	C RESISTOR	0 1/8W	
R645	OW07-75392-06	C RESISTOR	3.9K 1/16W		J661	OW07-75000-06	C RESISTOR	0 1/16W	
R646	OW07-75103-06	C RESISTOR	10K 1/16W		J662	OW07-75001-05F	C RESISTOR	0 1/8W	
R647	OW07-75103-06	C RESISTOR	10K 1/16W		J663	OW07-75001-05F	C RESISTOR	0 1/8W	
R648	OW07-75103-06	C RESISTOR	10K 1/16W		J664	OW07-75001-05F	C RESISTOR	0 1/8W	
R649	OW07-75000-06	C RESISTOR	0 1/16W		J665	OW07-75001-05F	C RESISTOR	0 1/8W	
R650	OW07-75271-06	C RESISTOR	270 1/16W		J666	OW07-75001-05F	C RESISTOR	0 1/8W	
R651	OW07-75271-06	C RESISTOR	270 1/16W		J667	OW07-75000-06	C RESISTOR	0 1/16W	
R652	OW07-75100-06	C RESISTOR	10 1/16W		J668	OW07-75001-05F	C RESISTOR	0 1/8W	
R653	OW07-74331-00T	C RESISTOR	330 1/4W		J669	OW07-75001-05F	C RESISTOR	0 1/8W	
R657	OW07-75103-06	C RESISTOR	10K 1/16W		J670	OW07-75001-05F	C RESISTOR	0 1/8W	
R658	OW07-75103-06	C RESISTOR	10K 1/16W		J671	OW07-75000-06	C RESISTOR	0 1/16W	
R659	OW07-75103-06	C RESISTOR	10K 1/16W		J672	OW07-75000-06	C RESISTOR	0 1/16W	
R662	OW07-75332-06	C RESISTOR	3.3K 1/16W		J673	OW07-75001-05F	C RESISTOR	0 1/8W	
R663	OW07-75332-06	C RESISTOR	3.3K 1/16W		J674	OW07-75001-05F	C RESISTOR	0 1/8W	
R664	OW07-75224-06	C RESISTOR	220K 1/16W		J675	OW07-75000-06	C RESISTOR	0 1/16W	
R665	OW07-75683-06	C RESISTOR	68K 1/16W		J676	OW07-75001-05F	C RESISTOR	0 1/8W	
R666	OW07-75103-06	C RESISTOR	10K 1/16W		J677	OW07-75000-06	C RESISTOR	0 1/16W	
R667	OW07-75153-06	C RESISTOR	15K 1/16W		J678	OW07-75001-05F	C RESISTOR	0 1/8W	
R668	OW07-75473-06	C RESISTOR	47K 1/16W		J679	OW07-75001-05F	C RESISTOR	0 1/8W	
R669	OW07-75682-06	C RESISTOR	6.8K 1/16W		J680	OW07-75001-05F	C RESISTOR	0 1/8W	
R670	OW07-75332-06	C RESISTOR	3.3K 1/16W		J682	OW07-75001-05F	C RESISTOR	0 1/8W	
R671	OW07-75332-06	C RESISTOR	3.3K 1/16W		J683	OW07-75000-06	C RESISTOR	0 1/16W	
R672	OW07-75102-06	C RESISTOR	1K 1/16W		J684	OW07-75001-05F	C RESISTOR	0 1/8W	
R673	OW07-75203-06	C RESISTOR	20K 1/16W		J685	OW07-75001-05F	C RESISTOR	0 1/8W	
R674	OW07-75222-06	C RESISTOR	2.2K 1/16W		J687	OW07-75000-06	C RESISTOR	0 1/16W	
R675	OW07-75221-06	C RESISTOR	220 1/16W		J688	OW07-75000-06	C RESISTOR	0 1/16W	
R676	OW07-75104-06	C RESISTOR	100K 1/16W		X601	OW04-27000-80	CRYSTAL	27MHz	
R677	OW07-75473-06	C RESISTOR	47K 1/16W		X602	OW09-51693-80	CER. RESONATOR	16.9344 MHz	
R678	OW07-75333-06	C RESISTOR	33K 1/16W		XXXXX	OW20-41062-80	CONNECTOR	6P CD Motor	
R679	OW07-75473-06	C RESISTOR	47K 1/16W		XXXXX	OW25-61080-80	CABLE	CD Pick Up to CN607	
R680	OW07-75473-06	C RESISTOR	47K 1/16W		XXXXX	OW31-90080-80	UL WIRE	CD to Gnd	
R681	OW07-75473-06	C RESISTOR	47K 1/16W		XXXXX	OW84-00005-80	CABLE TIE	6.5UL CD Motor Wire	
R682	OW07-75473-06	C RESISTOR	47K 1/16W		XXXXX	OW39-00013-80	HEAT SINK	CDT13 FOR IC607	
R683	OW07-75333-06	C RESISTOR	33K 1/16W		XXXXX	OW20-34320-00	IC SOCKET	32P FOR IC602	
R684	OW07-75822-06	C RESISTOR	8.2K 1/16W		XXXXX	OW11-80300-02	CD PCB		
R685	OW07-75822-06	C RESISTOR	8.2K 1/16W		XXXXX	OW39-07635-88G	HEAT SINK PLATE	FOR Q602	
R686	OW07-75822-06	C RESISTOR	8.2K 1/16W		△ Z601	3.3V0.5W	Z DIODE	OW02-50033-80T	
R687	OW07-75822-06	C RESISTOR	8.2K 1/16W		△ Z602	5.6V0.5W	Z DIODE	OW02-50056-80	
R688	OW07-75683-06	C RESISTOR	68K 1/16W		△ Z603	5.6V0.5W	Z DIODE	OW02-50056-80	
R690	OW07-75102-06	C RESISTOR	1K 1/16W		△ Z604	6.2V0.5W	Z DIODE	OW02-50062-80	
R691	OW07-75100-06	C RESISTOR	10 1/16W						
R692	OW07-75332-06	C RESISTOR	3.3K 1/16W						
R693	OW07-75332-06	C RESISTOR	3.3K 1/16W						
R694	OW07-75101-06	C RESISTOR	100 1/16W						
L601	OW08-01122-00	FERRITE BEADS	RH03509ST-B246						

<MEMO>

Packing materials and accessories parts list

Block No. **M** **3** **M** **M**



Packing and Accessories

Block No. [M][3][M][M]

△	Symbol No.	Part No.	Part Name	Description	Local
	A 1	OW00-00300-12	SPEAKER BOX	15W 4OHM(x2)	H300
	A 1	OW00-00300-11	SPEAKER BOX	15W 4OHM(x2)	H330
	A 1	OW00-00350-32	SPEAKER BOX	15W 4OHM(x2)	H350
	A 2	OW88-00300-47	INST BOOK	LVT1193-007A ENG CHI(PEKIN)	US
	A 2	OW88-00300-50	INST BOOK	LVT1193-010A CHI(TAIWAN)	UT
	A 2	OW88-00300-48	INST BOOK	LVT1193-011A ENG SPA POR	UW
	A 2	OW88-00350-59	INST BOOK	LVT1193-012A ENG	UJ
	A 3	-----	BATTERY		
	A 4	OW23-04910-80	AM LOOP ANT		
	A 5	OWAS-RJVCUXH350	REMOTE MAIN UNIT		
△	A 6	OW97-00501-80	AC PLUG ADAPTOR		UT
△	A 6	OW97-02755-80	AC PLUG ADAPTOR		US,UW,UJ
	A 7	OW89-00300-05	INSERT CARD		
	P 1	OW89-00300-13	CARTON BOX		H300
	P 1	OW89-00330-01	CARTON BOX		H330
	P 1	OW89-00350-51	CARTON BOX		H350
	P 2	OW89-00300-02	CORRUGATED PAPER		
	P 3	OW85-91014-82	POLY BAG	10 X 14	
	P 4	OW85-90710-84	POLY BAG	7 X 10	
	P 5	OW85-00025-81A	POLY BAG	3.5 X 10(x2)	
	P 6	OW81-01000-80	TURN TABLE CUSHION	116 X 17 X 2mm	
	P 7	OW89-09023-80	CD PROTECT BOARD		
	P 8	OW85-91821-84	POLY BAG	18 X 21 X 0.03	
	P 9	OW86-00300-10	POLYFOAM	L	
	P 10	OW86-00300-11	POLYFOAM	R	
	P 11	OW81-00300-01	SUPPORT SPONGE		
	P 12	OW81-00300-03	PROTECTION SHEET		