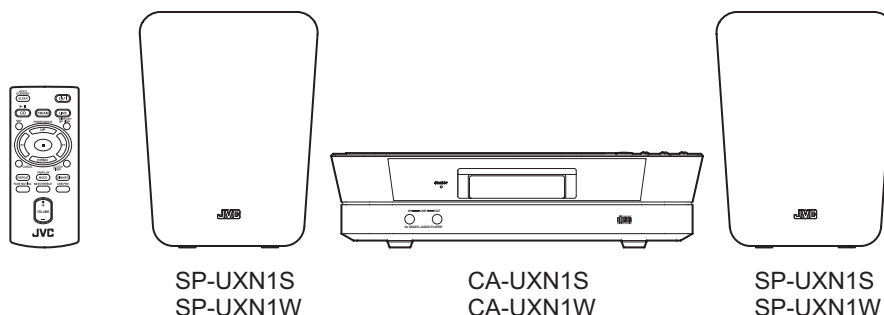


JVC

SERVICE MANUAL

MICRO COMPONENT SYSTEM

**UX-N1SA,UX-N1SUS,UX-N1SUB,
UX-N1SUF,UX-N1SUP,UX-N1SUT,
UX-N1SUW,UX-N1SUY,UX-N1SUJ,
UX-N1WA,UX-N1WUS,UX-N1WUB,
UX-N1WUF,UX-N1WUP,UX-N1WUT,
UX-N1WUW,UX-N1WUJ**



SP-UXN1S
SP-UXN1W

CA-UXN1S
CA-UXN1W

SP-UXN1S
SP-UXN1W



Lead free solder used in the board (material : Sn-Ag-Cu, melting point : 219 Centigrade)

TABLE OF CONTENTS

1	PRECAUTION.....	1-3
2	SPECIFIC SERVICE INSTRUCTIONS.....	1-5
3	DISASSEMBLY	1-5
4	ADJUSTMENT	1-5
5	TROUBLESHOOTING	1-5

SPECIFICATION

Amplifier section	OUTPUT POWER	10 W (5 W + 5 W) at 4 Ω (10% THD)
	Speakers/Impedance	4 Ω - 16 Ω
	Audio Input : LINE IN	500 mV/47 k Ω (at "LINE IN LVL1") 250 mV/47 k Ω (at "LINE IN LVL2") 125 mV/47 k Ω (at "LINE IN LVL3")
	Audio output : LINE OUT	1.0 Vrms (47 k Ω) (at "LINE OUT LVL1") 2.0 Vrms (47 k Ω) (at "LINE OUT LVL2")
Tuner section	FM Tuning range	87.50 MHz - 108.00 MHz
	AM Tuning range	530 kHz - 1 710 kHz (in 10 kHz spacing) 531 kHz - 1 710 kHz (in 9 kHz spacing)
CD player section	Dynamic range	88 dB
	Signal-to-noise ratio	93 dB
	Wow and flutter	Immeasurable
Speakers	Speaker units	8 cm cone \times 1
	Impedance	4 Ω
	Dimensions (approx.) (W/H/D)	130 mm \times 171 mm \times 136 mm
	Mass (approx.)	0.75 kg each
General	Power requirements	AC 110/220 - 240 V (adjustable with the voltage selector except for Hong Kong and Australia), 50/60 Hz AC 240 V , 50 Hz (only Australia) AC 220 V , 50 Hz (only Hong Kong)
	Power consumption	21.0 W (Power on) 5.0 W (Standby mode) 4.5 W or less (Save mode)
	Dimensions (W/H/D)	270 mm \times 68.5 mm \times 203 mm
	Mass	1.8 kg

Design and specifications are subject to change without notice.

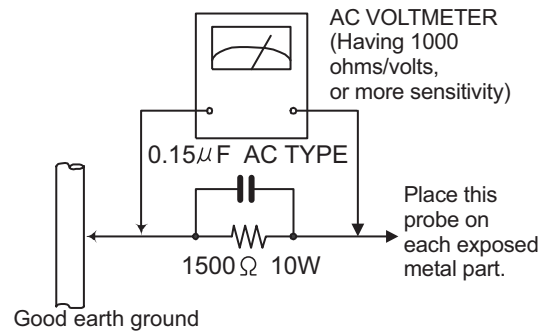
SECTION 1 PRECAUTION

1.1 Safety Precautions

- (1) This design of this product contains special hardware and many circuits and components specially for safety purposes. For continued protection, no changes should be made to the original design unless authorized in writing by the manufacturer. Replacement parts must be identical to those used in the original circuits. Services should be performed by qualified personnel only.
- (2) Alterations of the design or circuitry of the product should not be made. Any design alterations of the product should not be made. Any design alterations or additions will void the manufacturer's warranty and will further relieve the manufacturer of responsibility for personal injury or property damage resulting therefrom.
- (3) Many electrical and mechanical parts in the products have special safety-related characteristics. These characteristics are often not evident from visual inspection nor can the protection afforded by them necessarily be obtained by using replacement components rated for higher voltage, wattage, etc. Replacement parts which have these special safety characteristics are identified in the Parts List of Service Manual. Electrical components having such features are identified by shading on the schematics and by (Δ) on the Parts List in the Service Manual. The use of a substitute replacement which does not have the same safety characteristics as the recommended replacement parts shown in the Parts List of Service Manual may create shock, fire, or other hazards.
- (4) The leads in the products are routed and dressed with ties, clamps, tubings, barriers and the like to be separated from live parts, high temperature parts, moving parts and/or sharp edges for the prevention of electric shock and fire hazard. When service is required, the original lead routing and dress should be observed, and it should be confirmed that they have been returned to normal, after reassembling.
- (5) Leakage shock hazard testing
After reassembling the product, always perform an isolation check on the exposed metal parts of the product (antenna terminals, knobs, metal cabinet, screw heads, headphone jack, control shafts, etc.) to be sure the product is safe to operate without danger of electrical shock. Do not use a line isolation transformer during this check.
 - Plug the AC line cord directly into the AC outlet. Using a "Leakage Current Tester", measure the leakage current from each exposed metal part of the cabinet, particularly any exposed metal part having a return path to the chassis, to a known good earth ground. Any leakage current must not exceed 0.5mA AC (r.m.s.).
 - Alternate check method
Plug the AC line cord directly into the AC outlet. Use an AC voltmeter having, 1,000 Ω per volt or more sensitivity in the following manner. Connect a 1,500 Ω 10W resistor paralleled by a 0.15 μ F AC-type capacitor between an exposed metal part and a known good earth ground. Measure the AC voltage across the resistor with the AC

voltmeter.

Move the resistor connection to each exposed metal part, particularly any exposed metal part having a return path to the chassis, and measure the AC voltage across the resistor. Now, reverse the plug in the AC outlet and repeat each measurement. Voltage measured any must not exceed 0.75 V AC (r.m.s.). This corresponds to 0.5 mA AC (r.m.s.).



1.2 Warning

- (1) This equipment has been designed and manufactured to meet international safety standards.
- (2) It is the legal responsibility of the repairer to ensure that these safety standards are maintained.
- (3) Repairs must be made in accordance with the relevant safety standards.
- (4) It is essential that safety critical components are replaced by approved parts.
- (5) If mains voltage selector is provided, check setting for local voltage.

1.3 Caution

Burrs formed during molding may be left over on some parts of the chassis.
Therefore, pay attention to such burrs in the case of pre-forming repair of this system.

1.4 Critical parts for safety

In regard with component parts appearing on the silk-screen printed side (parts side) of the PWB diagrams, the parts that are printed over with black such as the resistor (\blacksquare), diode (\blacksquare) and ICP (\bullet) or identified by the " Δ " mark nearby are critical for safety. When replacing them, be sure to use the parts of the same type and rating as specified by the manufacturer.
(This regulation does not Except the J and C version)

1.5 Important for laser products

1.CLASS 1 LASER PRODUCT

2.CAUTION :

(For U.S.A.) Visible and/or invisible class II laser radiation when open. Do not stare into beam.

(Others) Visible and/or invisible class 1M laser radiation when open. Do not view directly with optical instruments.

3.CAUTION : Visible and/or invisible laser radiation when open and inter lock failed or defeated. Avoid direct exposure to beam.

4.CAUTION : This laser product uses visible and/or invisible laser radiation and is equipped with safety switches which prevent emission of radiation when the drawer is open and the safety interlocks have failed or are defeated. It is dangerous to defeat the safety switches.

(For U.S.A.)

CAUTION : Visible and/or invisible class II laser radiation when open. Do not stare into beam.

(Others)

CAUTION : Visible and/or invisible class 1M laser radiation when open. Do not view directly with optical instruments

ACHTUNG: Sichtbare und/oder unsichtbare Laserstrahlung der Klasse 1M bei offenen Abdeckungen. Nicht direkt mit optischen Instrumenten betrachten.

ATTENTION: Rayonnement laser visible et/ou invisible de classe 1M une fois ouvert. Ne pas regarder directement avec des instruments optiques.

VOORZICHTIG: Zichtbare en/of onzichtbare klasse 1M laserstralen indien geopend. Bekijk niet direct met optische instrumenten.

ATTENZIONE: Radiazione laser in classe 1M visibile e/o invisibile quando aperto. Non osservare direttamente con strumenti ottici.

WARNING: Synlig och/eller osynlig laserstrålning, klass 1M, när denna del är öppnad. Betrakta ej strålen med optiska instrument.

VARO! Avattaessa olet alttiina nakyyvalle ja/tai näkymättömälle luokan 1M lasersäteilylle. Älä tarkastele sitä optisen laitteen läpi.

ADVASEL: Synlig og/eller usynlig klasse 1M-laserstrålning ved åbning. Se ikke direkte med optiske instrumenter.

AVISO: Radiación láser de clase 1M visible y/o invisible cuando está abierto. No mirar directamente con instrumental óptico.

PRECAUÇÃO: Radiação laser de classe 1M visível e/ou invisível quando aberto. Não olhe diretamente com instrumentos ópticos.

5.CAUTION : If safety switches malfunction, the laser is able to function.

6.CAUTION : Use of controls, adjustments or performance of procedures other than those specified here in may result in hazardous radiation exposure.



CAUTION Please use enough caution not to see the beam directly or touch it in case of an adjustment or operation check.

PRECAUÇÃO: Radiação laser de classe 1M visível e/ou invisível quando aberto. Não olhe diretamente com instrumentos ópticos.

ПРЕДУПРЕЖДЕНИЕ: В открытом состоянии происходит видимое и/или невидимое излучение лазера класса 1M. Не смотрите непосредственно в оптические инструменты.

UWAGA: Otwarcie spowoduje narażenie na widzialne i/lub niewidzialne promieniowanie lasera klasy 1M. Nie patrzeć bezpośrednio w przyrządy optyczne.

UPOZORNĚNÍ: Při otevření vydává viditelné popř. neviditelné laserové ozáření třídy 1M. Nedívejte se do otvoru přímo s optickými nástroji.

FIGYELMEZTETÉS: Látható és/vagy láthatatlan 1M osztályú sugárzás nyitott állapotban. Ne nézze közvetlenül optikai műszerekkel.

注意: 打開蓋板可能會產生可見或不可見的 1M 級鐳射。不要使用光學儀器直接進行窺視。

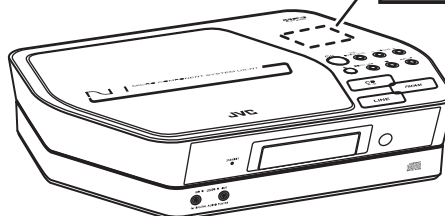
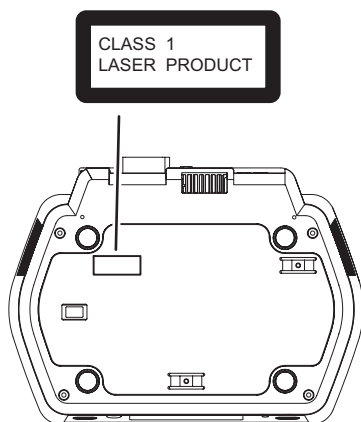
注意: 打开蓋板可能会产生可见或不可见的 1M 级辐射。不要使用光学仪器直接进行窥视。

تنبيه: يوجد إشعاع ليزري مرئي و/أو غير مرئي من الفئة 1M عندما يكون الجهاز مفتوحاً. تجنب النظر مباشرة داخل الجهاز باستخدام أدوات بصرية.

احتياطات: هنگامی که باز گردد، تشعشع مرئی و یا نامرئی کلاس 1M لیزر وجود دارد. با لوازم چشمی مستقیماً به آن نگاه نکنید.

주의: 개방하면 가시 및/또는 비가시 클래스 1M 레이저 방사선이 나옵니다. 광학 기구로 직접 들여다보지 마십시오.

REPRODUCTION AND POSITION OF LABELS and PRINT WARNING LABEL and PRINT



CAUTION VISIBLE AND/OR INVISIBLE CLASS 1M LASER RADIATION WHEN OPEN. DO NOT VIEW DIRECTLY WITH OPTICAL INSTRUMENTS. IEC60825-1:2001 (ENG)
ATTENTION RAYONNEMENT LASER VISIBLE ET/OU INVISIBLE DE CLASSE 1M UNE FOIS OUVERT. NE PAS REGARDER DIRECTEMENT AVEC DES INSTRUMENTS OPTIQUES. (FRA)
AVISO RADIACIÓN LÁSER DE CLASE 1M VISIBLE Y/O INVISIBLE CUANDO ESTÁ ABIERTO. NO MIRAR DIRECTAMENTE CON INSTRUMENTAL ÓPTICO. (ESP)
WARNING SYNLIIG OCH/ELLER OSYNLIIG LASERSTRÅLNING, KLASS 1M, NÅR DENNA DEL ÄR ÖPPNAD. BETRAKTA EJ STRÅLEN MED OPTISKA INSTRUMENT. (SWE)
注意 ここを覗くと可視及び/または不可視のクラス1Mレーザー放射線が出ます。光学装置で直接見ないでください。 (JPN)
CAUTION VISIBLE AND/OR INVISIBLE CLASS II LASER RADIATION WHEN OPEN. DO NOT STARE INTO BEAM. (ENG) FDA 21 CFR LV44803-004A

**SECTION 2
SPECIFIC SERVICE INSTRUCTIONS**

Please refer to "UX-N1 (No.MB514)" about this section.

**SECTION 3
DISASSEMBLY**

Please refer to "UX-N1 (No.MB514)" about this section.

**SECTION 4
ADJUSTMENT**

Please refer to "UX-N1 (No.MB514)" about this section.

**SECTION 5
TROUBLESHOOTING**

Please refer to "UX-N1 (No.MB514)" about this section.



JVC

Victor Company of Japan, Limited
Audio/Video Systems Category 10-1,1chome,Ohwatari-machi,Maebashi-city,371-8543,Japan

(No.MB539)

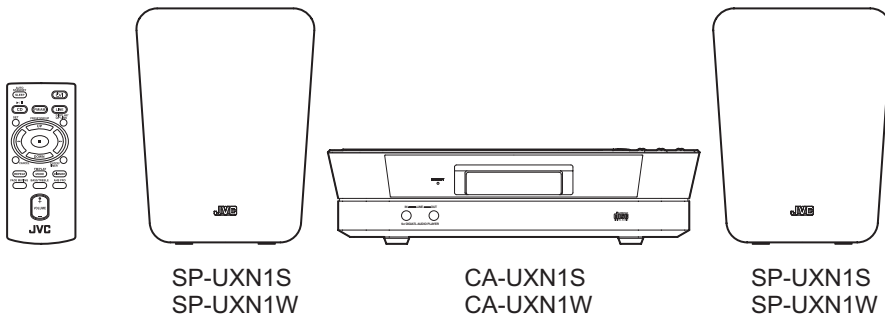
JVC

SCHEMATIC DIAGRAMS

MICRO COMPONENT SYSTEM

**UX-N1SA,UX-N1SUS,UX-N1SUB
UX-N1SUF,UX-N1SUP,UX-N1SUT
UX-N1SUW,UX-N1SUY,UX-N1SUJ
UX-N1WA,UX-N1WUS,UX-N1WUB
UX-N1WUF,UX-N1WUP,UX-N1WUT
UX-N1WUW,UX-N1WUJ**

CD-ROM No.SML200606



SP-UXN1S
SP-UXN1W

CA-UXN1S
CA-UXN1W

SP-UXN1S
SP-UXN1W

COMPACT
disc
DIGITAL AUDIO

**MP3
PLAYBACK**

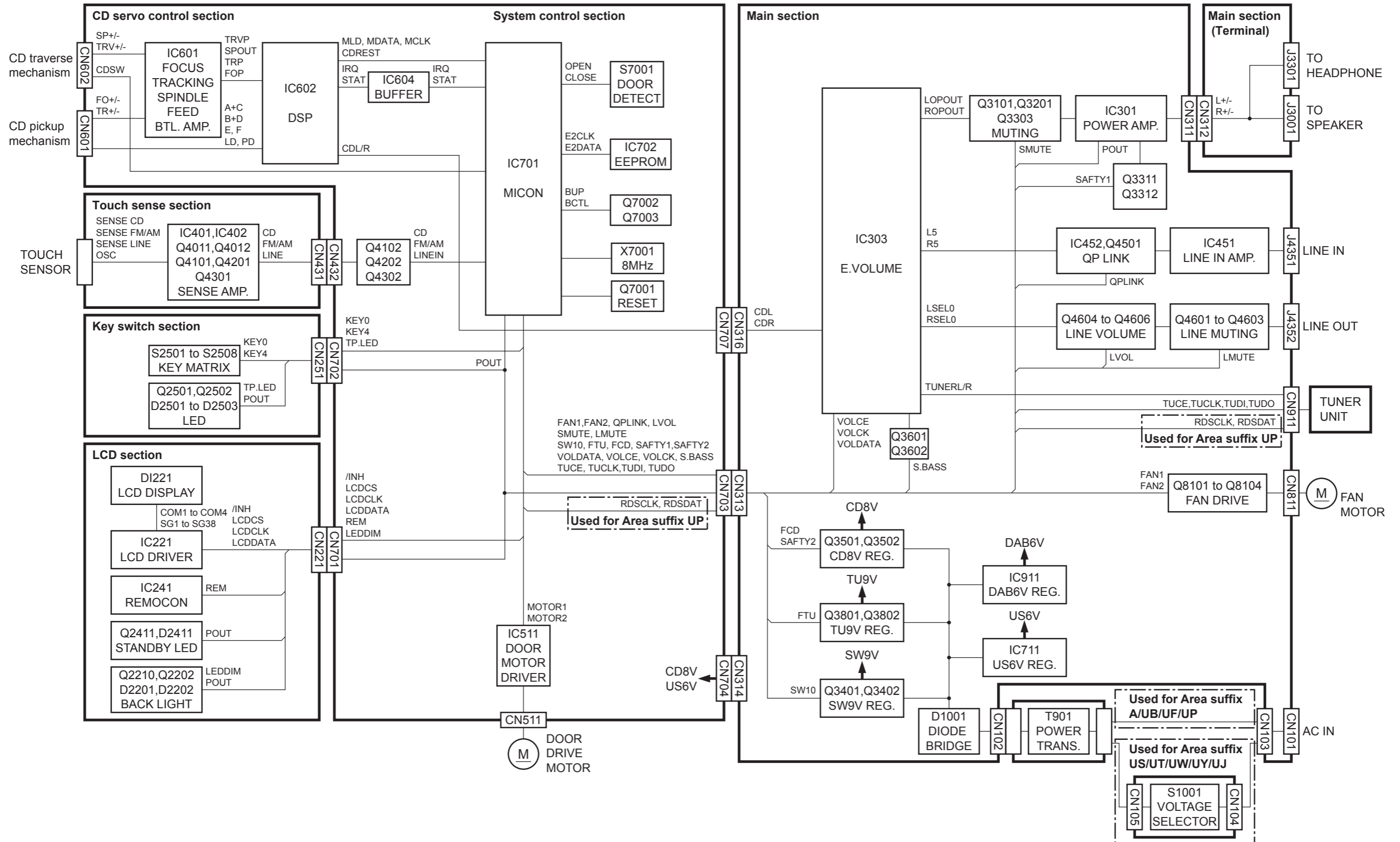
Lead free solder used in the board (material : Sn-Ag-Cu, melting point : 219 Centigrade)

Contents

Block diagrams	2-1
Standard schematic diagrams	2-2
Printed circuit boards	2-6 to 8

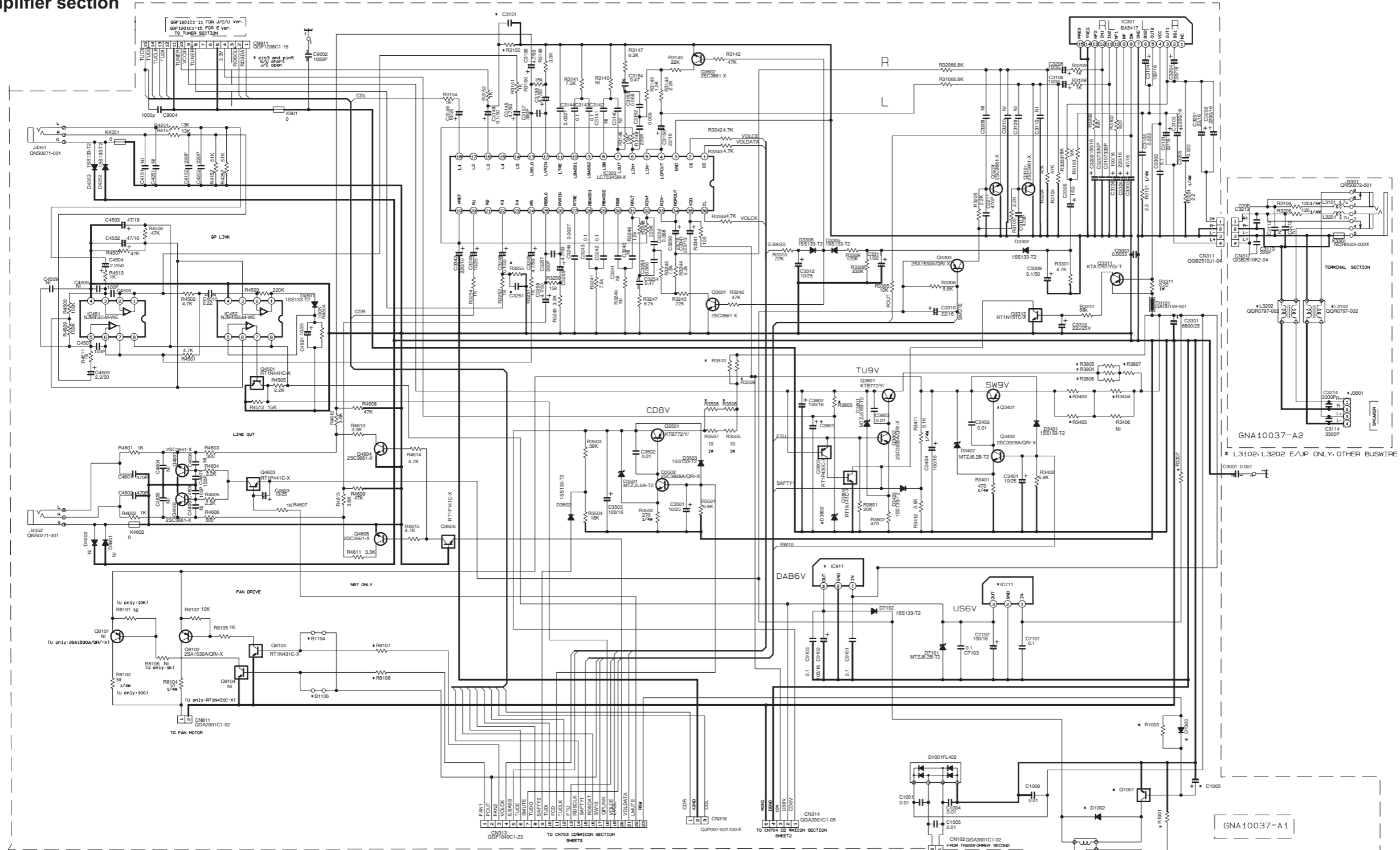
In regard with component parts appearing on the silk-screen printed side (parts side) of the PWB diagrams, the parts that are printed over with black such as the resistor (■), diode (▣) and ICP (●) or identified by the "▲" mark nearby are critical for safety.

Block diagram

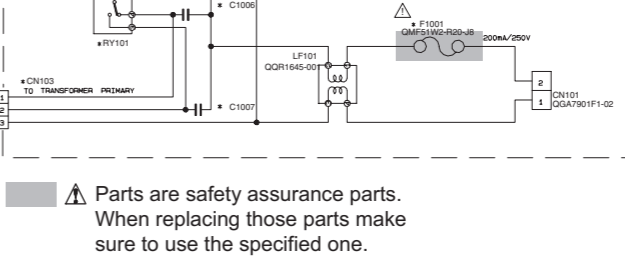
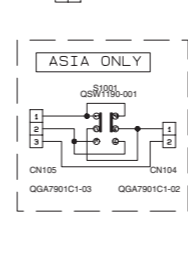
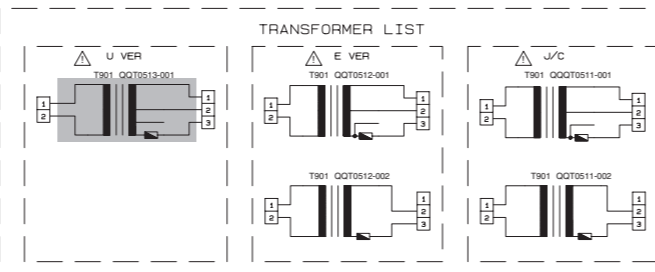


Standard schematic diagrams

Amplifier section

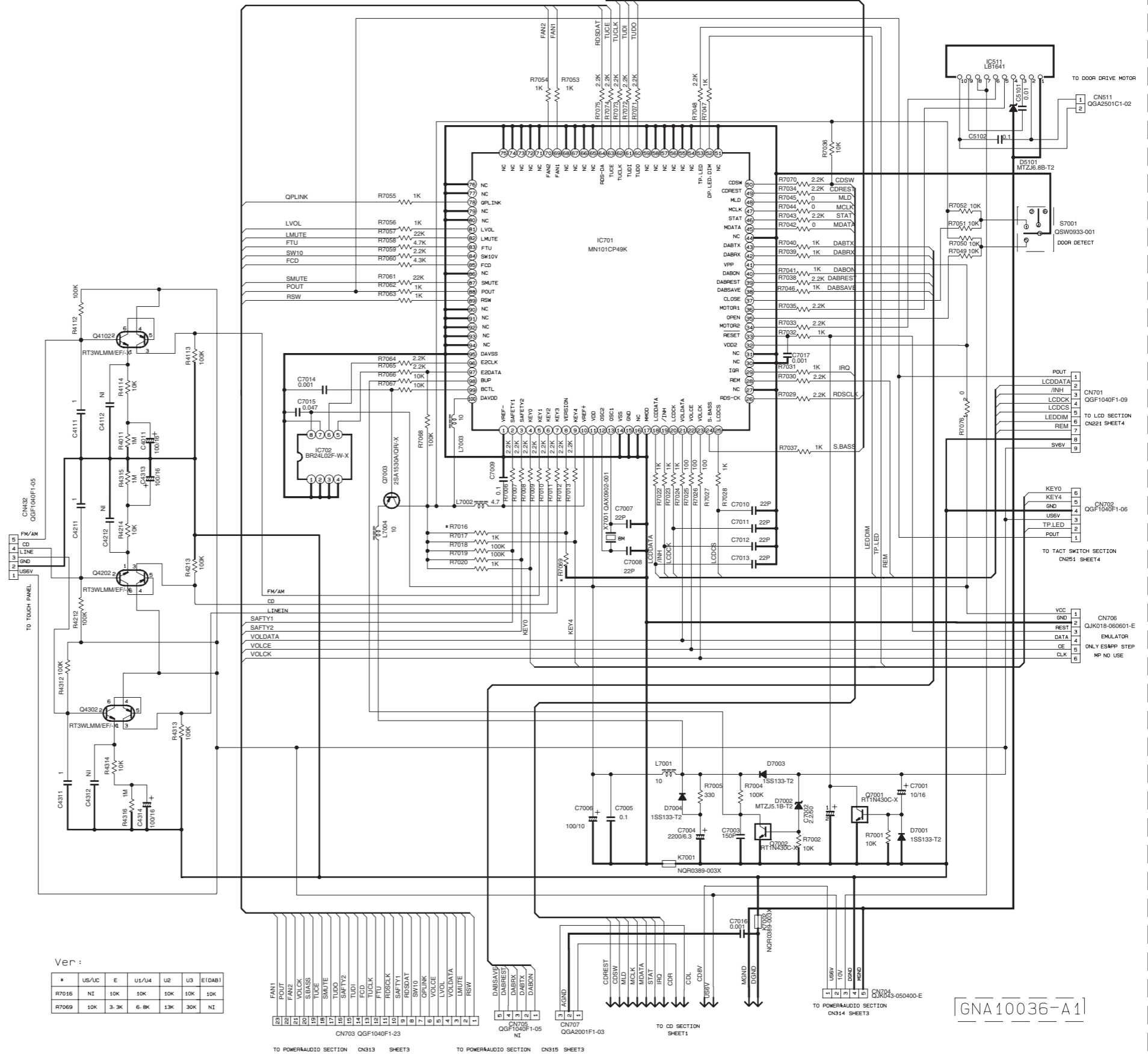
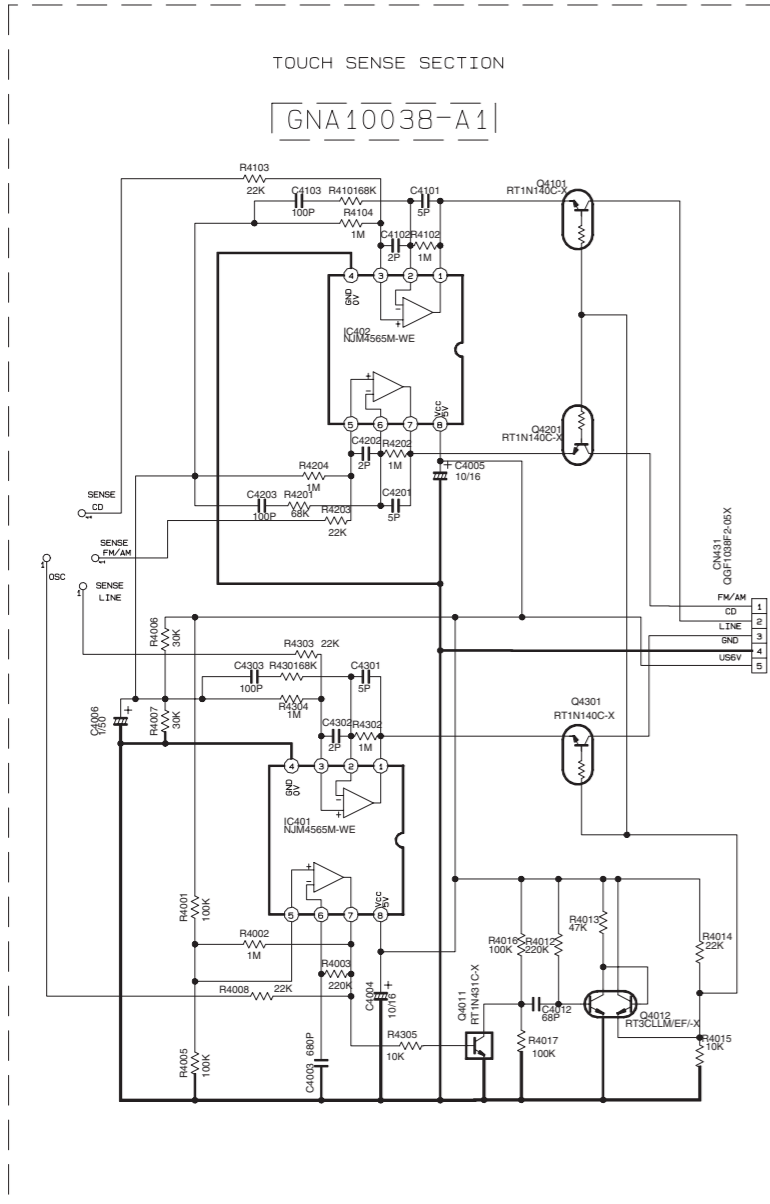


*	R1001	RY1001	F1001	C3151	R3155	R3003	C3801	D3802	C1006	D1002	R1003	Q1001	C1003	C1007	R3506	R8107
J/C	GR29037-335	Q8K0178-001	500mA/125V	NI	5.6K	NI	NI	NI	NI	D1003	NI	NI	NI	QUY158-075V	NONE	NONE
E	NI	NI	200mA/250V	0.022	3.9K	B20	47/6.3	MTZJ3.3B-T2	NI	NI	NI	NI	NI	QUY158-075V	NI	NI
U	NI	Q8K0155-001	250mA/250V	0.022	5.6K	NI	NI	NI	NI	NI	NI	NI	NI	QUY158-075V	NI	NI
*	R3403	R3807	R3809	R3510	R3307	R3806	R3804	CN103	J3001	R3405	R3404	Q3401	IC911	IC711	B1104	B1106
J/C	22 1/4W	22 1/4W	10 1/4W	QUY150-050	NI	1/4W	GGA7901C1-03	GNB0295-002	NONE	SHORT	KTA1273/V-T	KIA780L6PI	NONE	NONE	NI	NI
E	33 1/4W	SHORT	SHORT	2.2 1/4W	150	150	GGA7901C1-03	GNB0295-001	NI	QUY150-050	KTA1273/V-T	KIA7806AP1	NI	NI	NI	NI
U	B2 1/4W	SHORT	SHORT	2.2 1/4W	130	130	GGA7901C1-02	GNB0295-001	82 1/4W	ISS244-T2	KTA1046/V	KIA7806AP1	10K	NI	NI	NI



⚠ Parts are safety assurance parts. When replacing those parts make sure to use the specified one.

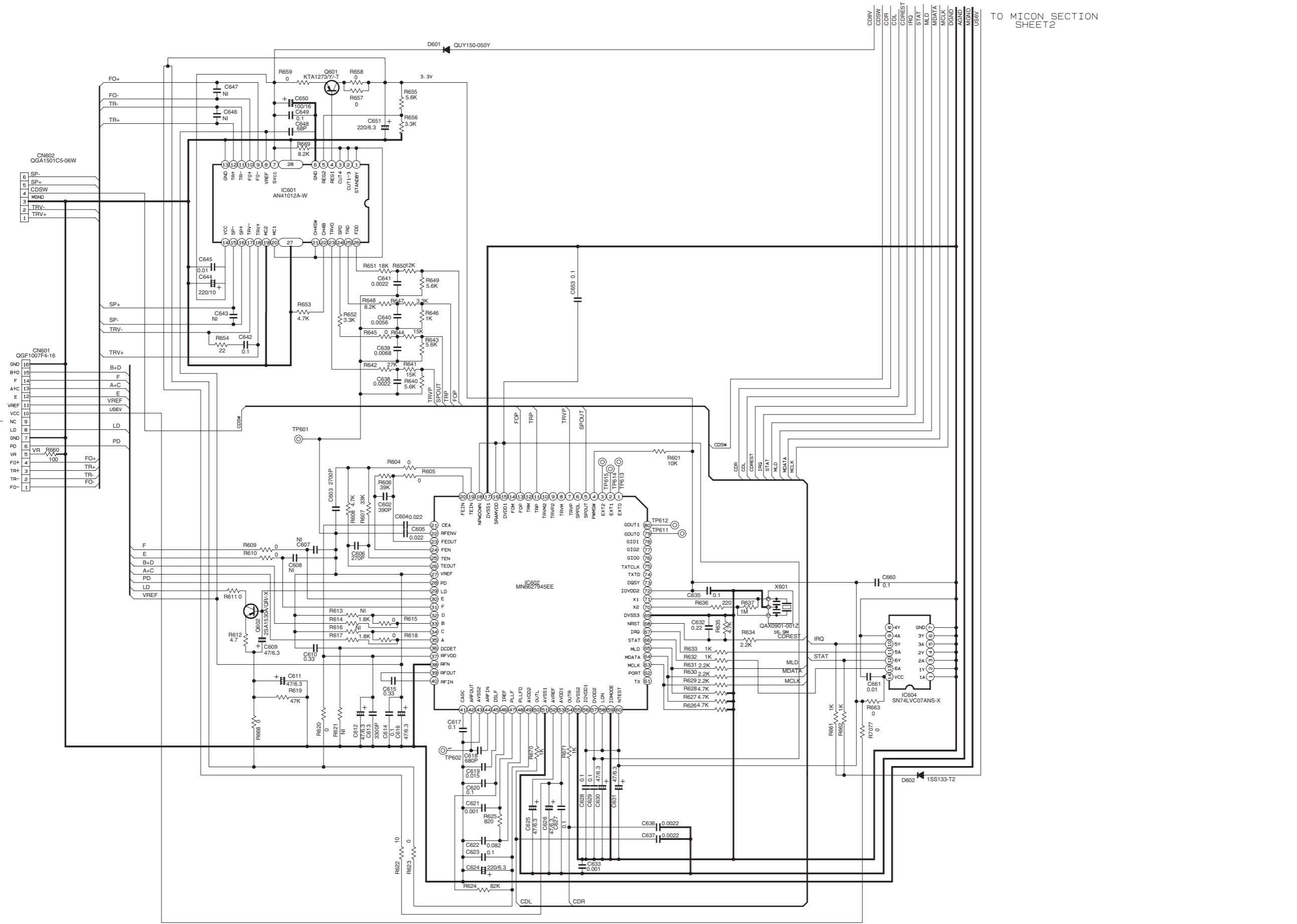
■ Micon section



GNA10036-A1

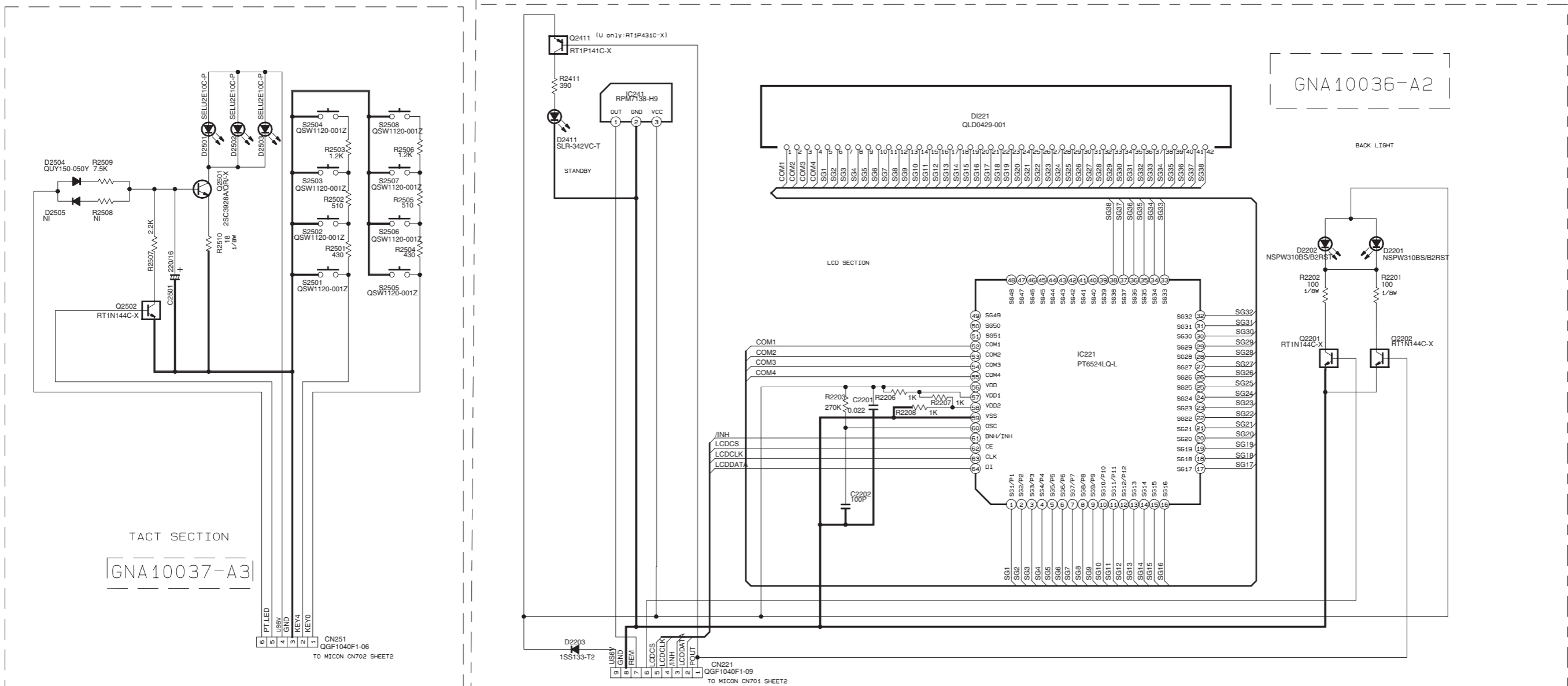
CD section

KSM-900AAA



TO MICON SECTION SHEET2

■ FL and Key switch section

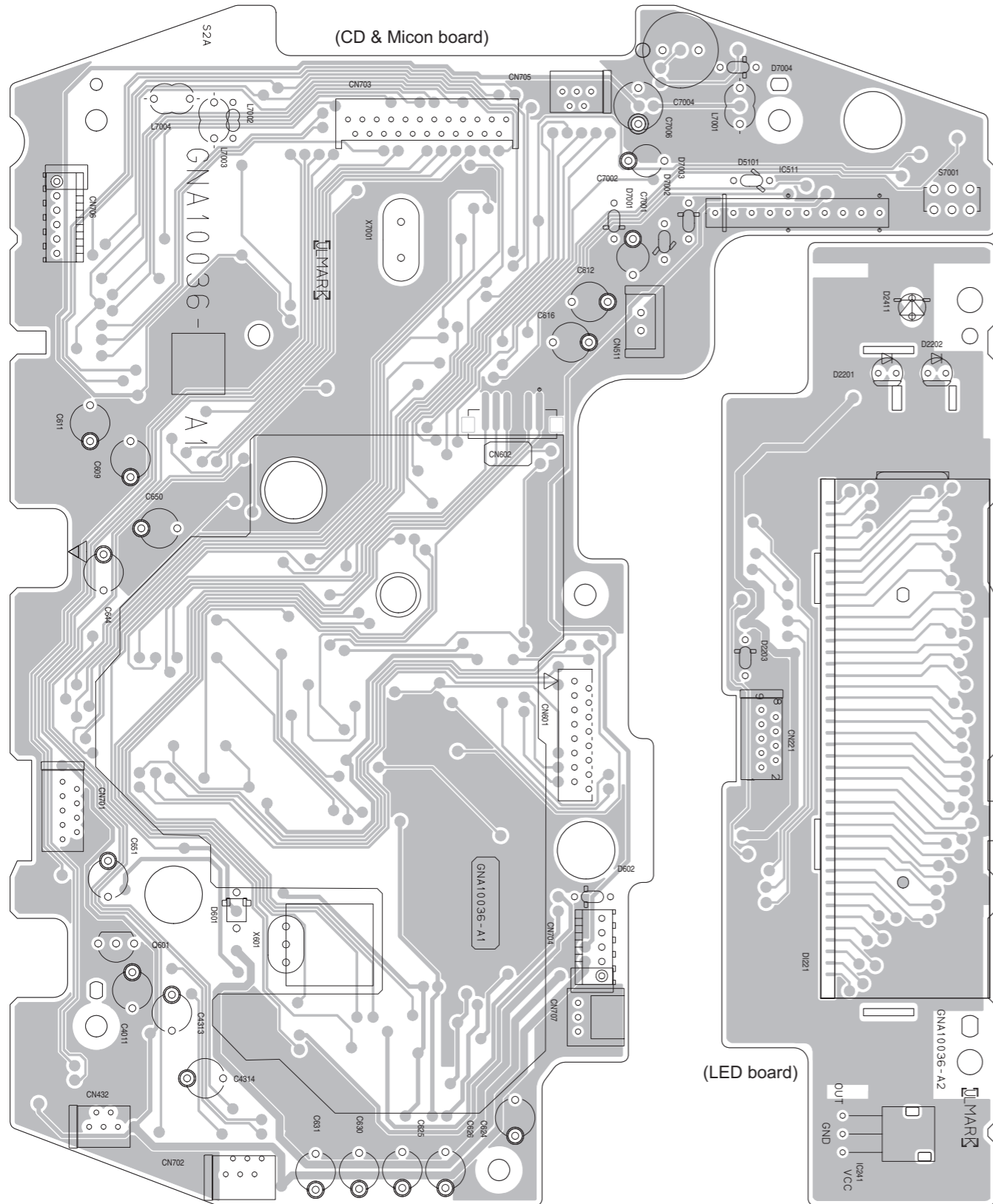


Printed circuit boards

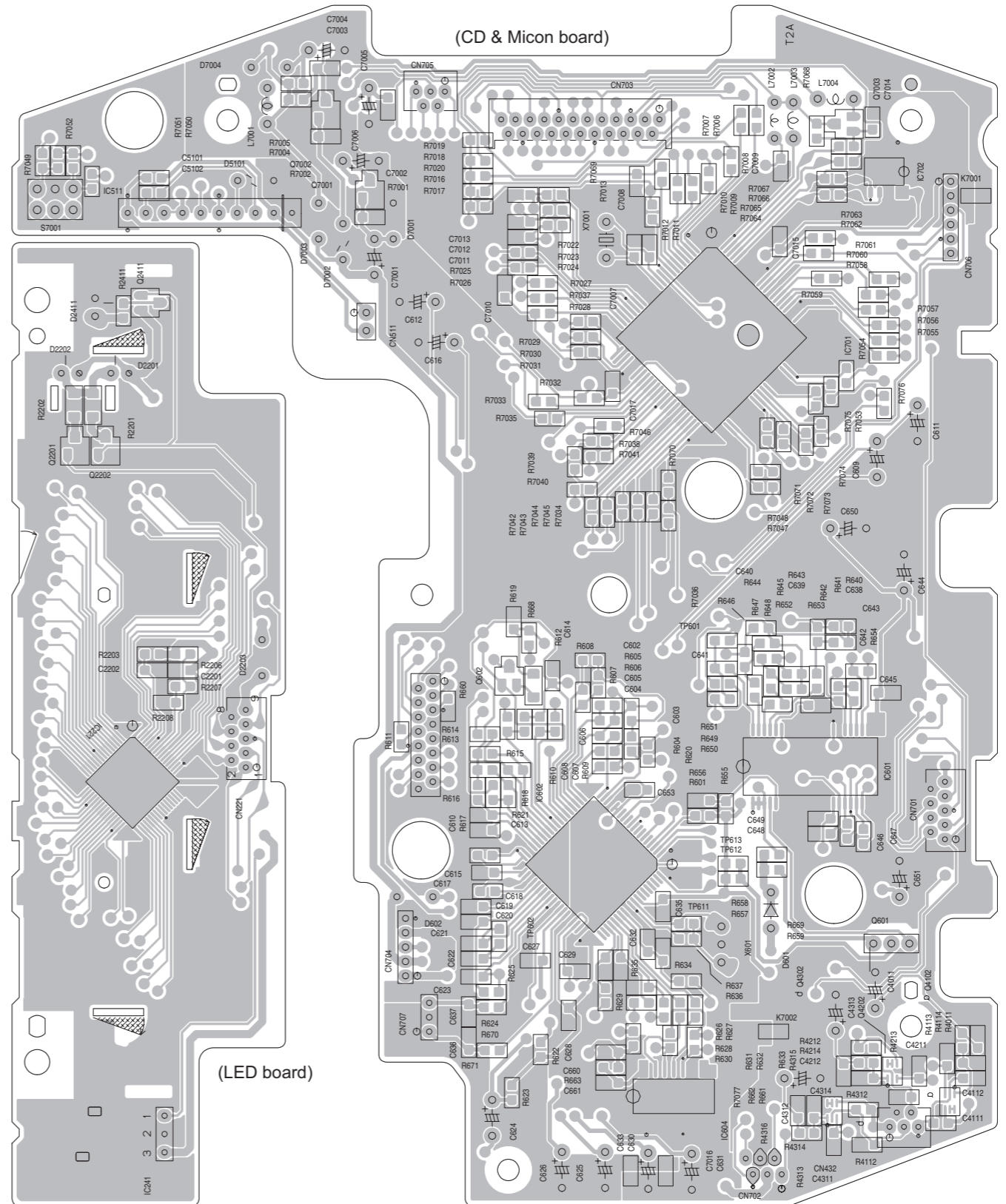
■ Main board

Lead free solder used in the board (material : Sn-Ag-Cu, melting point : 219 Centigrade)

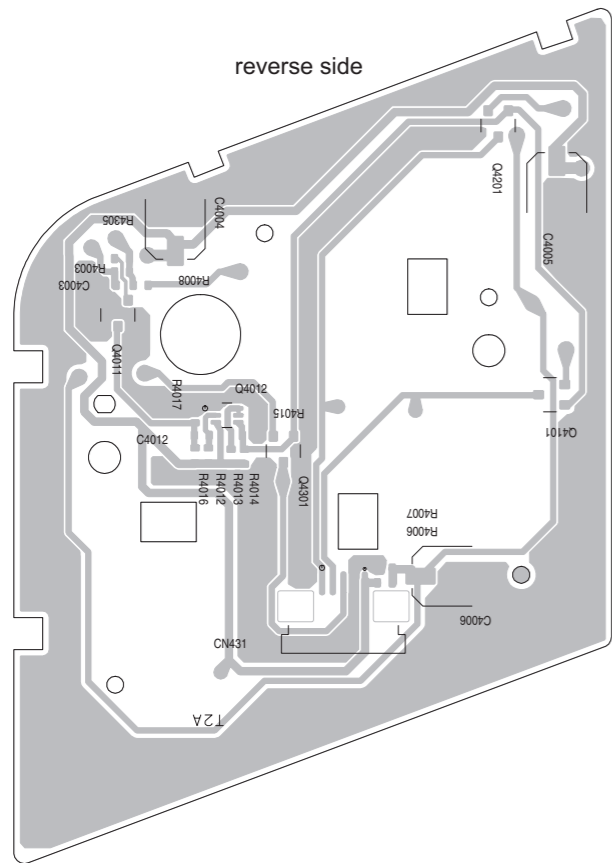
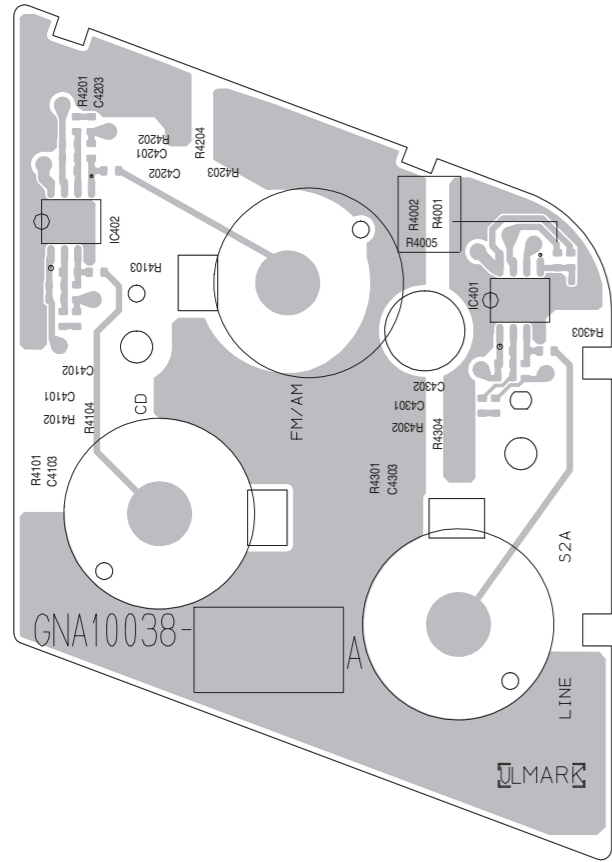
forward side



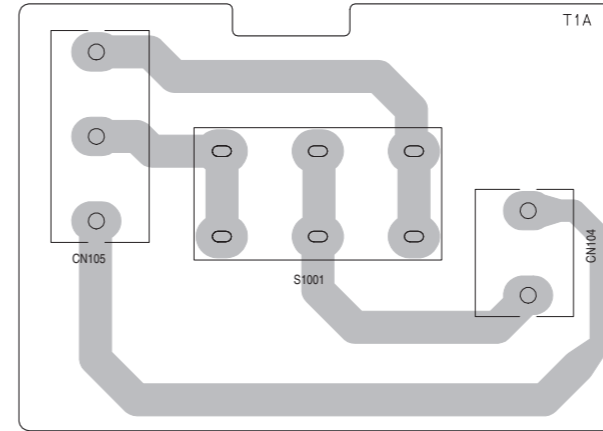
reverse side



■ **Touch board** Lead free solder used in the board (material : Sn-Ag-Cu, melting point : 219 Centigrade)



■ **Voltage board** Lead free solder used in the board (material : Sn-Ag-Cu, melting point : 219 Centigrade)



< MEMO >

JVC

Victor Company of Japan, Limited

Audio/Video Systems Category 10-1, 1chome, Ohwatari-machi, Maebashi-city, 371-8543, Japan

(No.MB539SCH)



Printed in Japan
VPT

PARTS LIST

UX-N1SA,UX-N1SUS,UX-N1SUB,UX-N1SUF
UX-N1SUP,UX-N1SUT,UX-N1SUW,UX-N1SUY,UX-N1SUJ
UX-N1WA,UX-N1WUS,UX-N1WUB,UX-N1WUF
UX-N1WUP,UX-N1WUT,UX-N1WUW,UX-N1WUJ

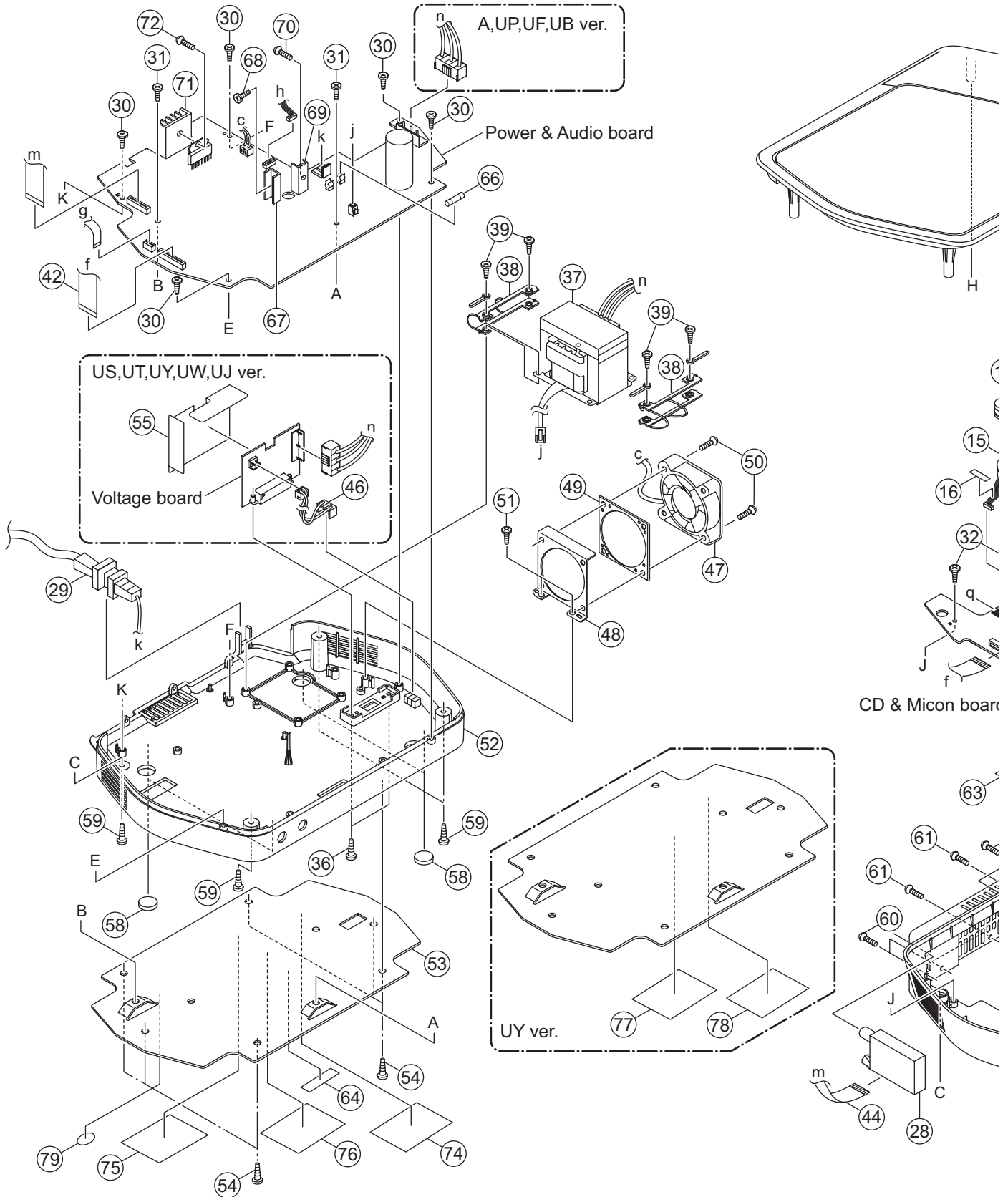
* All printed circuit boards and its assemblies are not available as service parts.

- Contents -

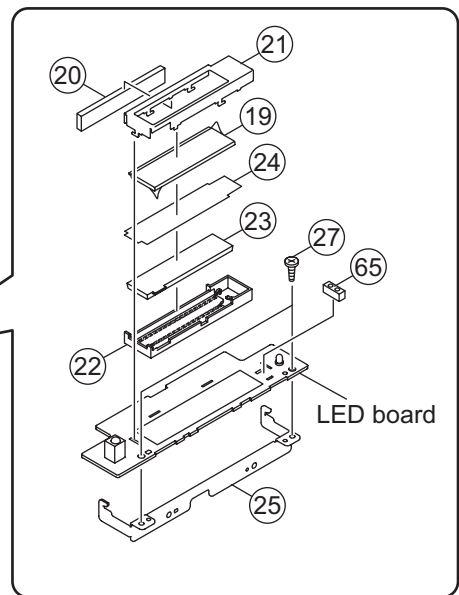
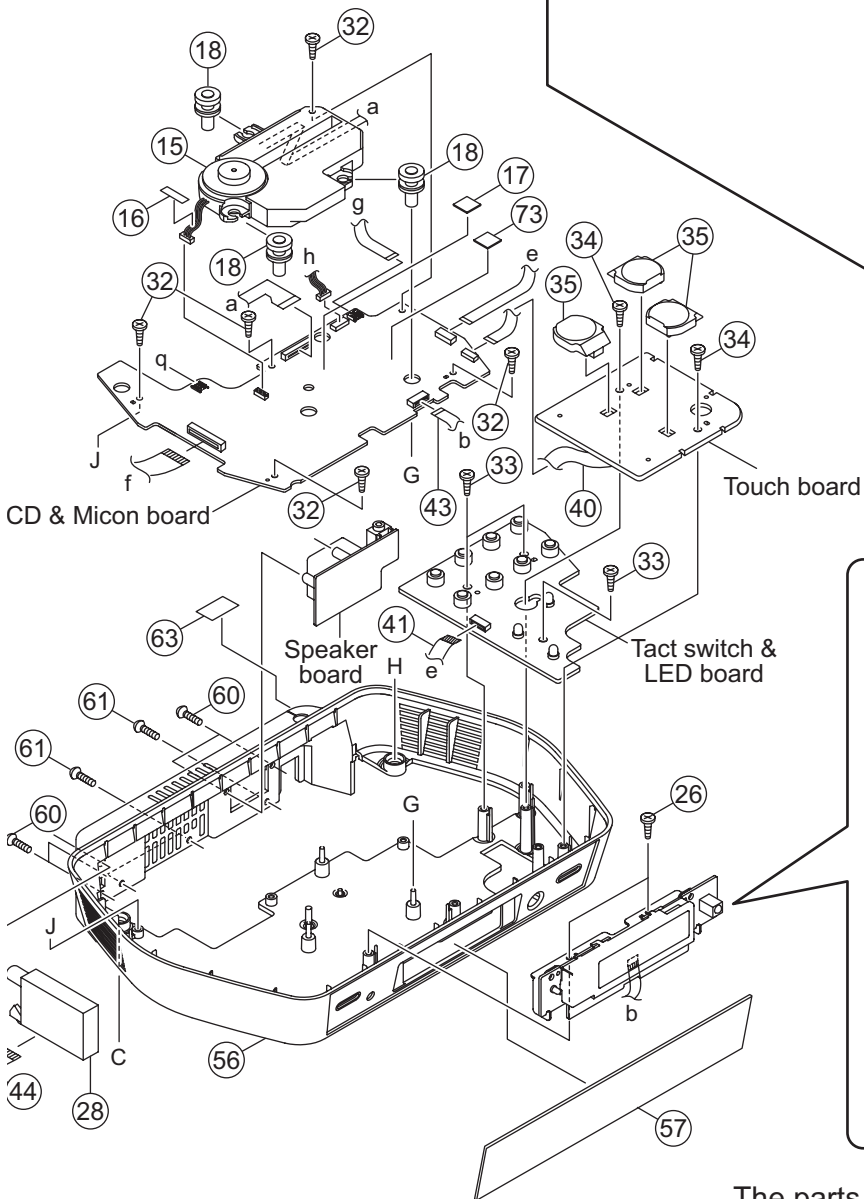
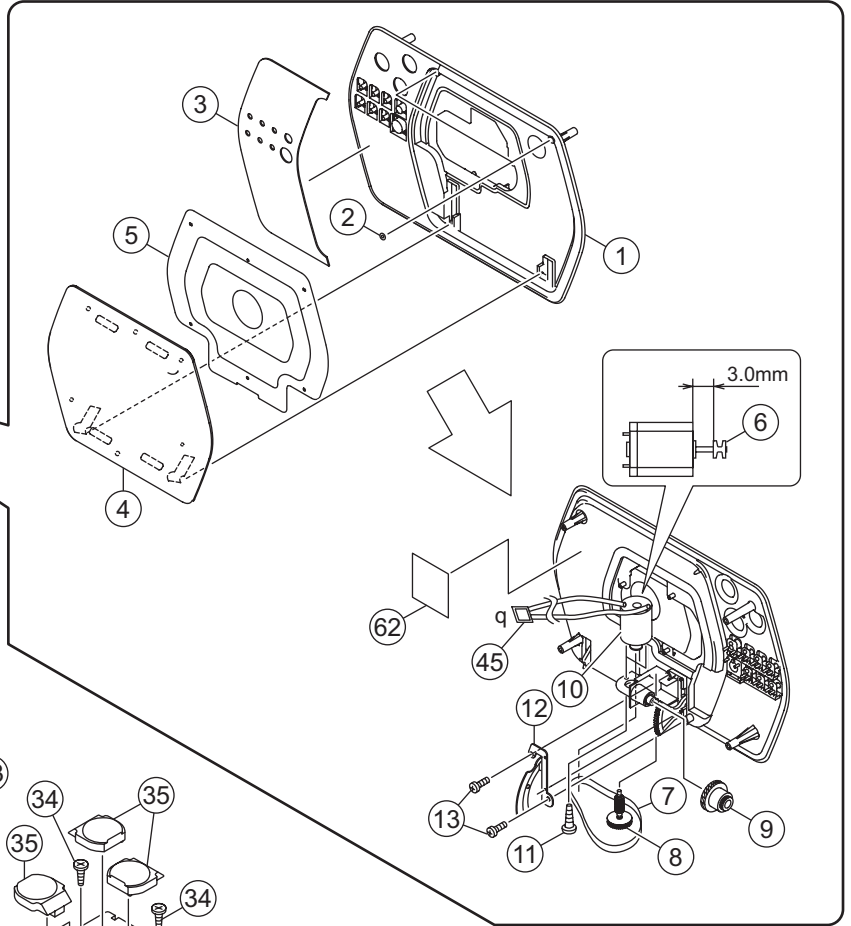
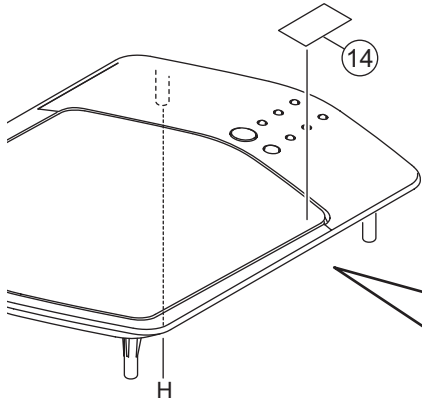
Exploded view of general assembly and parts list (Block No.M1)	3-2
Electrical parts list (Block No.01~04)	3-6
Packing materials and accessories parts list (Block No.M3)	3-12

Exploded view of general assembly and parts list

Block No. **M 1 M M**



M



The parts without symbol number are not service.

General Assembly

Block No. [M][1][M][M]

△	Symbol No.	Part No.	Part Name	Description	Local
	1	GN10097-002A	TOP PANEL		
	2	LV41821-001A	FELT	(x2)	
	3	GN30188-006A	TOP PLATE		
	4	GN10100-005A	CD DOOR		N1SA,N1SUS,N1SUB,N1SUF,N1SUP, N1SUT,N1SUW,N1SUJ,N1SUJ
	4	GN10100-006A	CD DOOR		N1WA,N1WUS,N1WUB,N1WUF,N1WUP, N1WUT,N1WUW,N1WUJ
	5	GN30187-001A	DOOR BASE		N1SA,N1SUS,N1SUB,N1SUF,N1SUP, N1SUT,N1SUW,N1SUJ,N1SUJ
	5	GN30187-002A	DOOR BASE		N1WA,N1WUS,N1WUB,N1WUF,N1WUP, N1WUT,N1WUW,N1WUJ
	6	GN40101-001A	PULLY		
	7	GN30186-001A	BELT		
	8	VYH8090-001SC	GEAR 1		
	9	GN40103-001A	GEAR 2		
	10	QAR0374-001	LOADING MOTOR		
	11	QYSPSP3004ZA	SCREW	M3 x 4mm(x2)	
	12	GN40110-001A	DOOR BRACKET		
	13	QYSBSF3008ZA	TAP SCREW	M3 x 8mm(x2)	
	14	GN40114-001A	CD CAUTION		N1SA,N1SUS,N1SUB,N1SUP,N1SUT, N1SUW,N1SUJ,N1SUJ,N1WA,N1WUS, N1WUB,N1WUP,N1WUT,N1WUW,N1WUJ N1SUF,N1WUF
	14	GN40114-002A	CD CAUTION		
	15	QAL0857-001	MECHA		
	16	GN30006-002A	SPACER		
	17	GN30006-001A	SPACER		
	18	LV40770-002A	INSULATOR	(x3)	
	19	QLD0429-002	LCD MODULE		
	20	QNZ0868-003	RUBBER CONNE		
	21	GN20195-002A	LCD BRACKET		
	22	GN20193-001A	LENS BASE		
	23	GN20194-001A	LENS		
	24	GN30184-002A	LIGHT SHEET		
	25	GN30189-001A	BRACKET		
	26	QYSBSF2608ZA	TAP SCREW	M2.6 x 8mm(x2)	
	27	QYSBST3008ZA	TAP SCREW	M3 x 8mm(x2)	
	28	QAU0412-001	TUNER		N1SA,N1SUS,N1SUB,N1SUF,N1SUT, N1SUW,N1SUJ,N1SUJ,N1WA,N1WUS, N1WUB,N1WUF,N1WUT,N1WUW,N1WUJ N1SUP,N1WUP
	28	QAU0413-001	TUNER		
△	29	QMPG230-170-JD	POWER CORD(EU)	1.7m BLACK	N1SA,N1WA
△	29	QMPK460-170-JN	POWER CORD(EU)	1.7m BLACK	N1SUS,N1SUW,N1SUJ,N1WUS,N1WUW, N1WUJ
△	29	QMPN380-170-JC	POWER CORD(EU)	1.7m BLACK	N1SUB
△	29	QMPR940-170-JN	POWER CORD(EU)	1.7m BLACK	N1SUF,N1WUF
△	29	QMPR950-170-JD	POWER CORD(EU)	1.7m BLACK	N1SUP,N1WUP
△	29	QMPR960-170-JD	POWER CORD(EU)	1.7m BLACK	N1SUT,N1WUT
△	29	QMPR970-170-JD	POWER CORD(EU)	1.7m BLACK	N1SUJ
△	29	QMPN380-170-JC	POWER CORD(EU)	1.7m BLACK	N1WUB
	30	QYSBSF3008ZA	TAP SCREW	M3 x 8mm(x5)	
	31	QYSBST3008ZA	TAP SCREW	M3 x 8mm(x2)	
	32	QYSBSF2608ZA	TAP SCREW	M2.6 x 8mm(x5)	
	33	QYSBSF2608ZA	TAP SCREW	M2.6 x 8mm(x3)	
	34	QYSBSF2608ZA	TAP SCREW	M2.6 x 8mm(x2)	
	35	GN20200-003A	LENS	(x3)	
	36	QYSDSF2608ZA	TAP SCREW	M2.6 x 8mm(x2)	N1SUS,N1SUT,N1SUW,N1SUJ,N1SUJ, N1WUS,N1WUT,N1WUW,N1WUJ
△	37	QQT0513-001	POWER TRANSF		
	38	GN20196-001A	TRANS BKT	(x2)	
	39	QYSBSF3014ZA	TAP SCREW	M3 x 14mm(x4)	
	40	QUQ210-0505DJ-E	FFC WIRE	5pin 5cm	
	41	QUQ210-0605CJ-E	FFC WIRE	6pin 5cm	
	42	QUQ210-2306CJ-E	FFC WIRE	23pin 6cm	
	43	QUQ210-0906DJ-E	FFC WIRE	9pin 6cm	
	44	QUQ412-1105DJ-E	FFC WIRE	11pin 5cm	N1SA,N1SUS,N1SUB,N1SUF,N1SUT, N1SUW,N1SUJ,N1SUJ,N1WA,N1WUS, N1WUB,N1WUF,N1WUT,N1WUW,N1WUJ N1SUP,N1WUP
	44	QUQ412-1505DJ-E	FFC WIRE	15pin 5cm	
	45	WJM0017-003A-E	WIRE		
	46	WJJ0722-001A-E	C-C WIRE		N1SUS,N1SUT,N1SUW,N1SUJ,N1SUJ, N1WUS,N1WUT,N1WUW,N1WUJ
	47	QAR0408-001	FAN		
	48	GN30183-001A	FAN BKT		
	49	GN30182-001A	FAN SPACER		
	50	QYSPST3014ZA	TAP SCREW	M3 x 14mm(x2)	
	51	QYSBSF3008ZA	TAP SCREW	M3 x 8mm(x2)	

△	Symbol No.	Part No.	Part Name	Description	Local
	52	GN10098-001A	BOTTOM CASE		N1SA,N1SUS,N1SUB,N1SUF,N1SUP, N1SUT,N1SUW,N1SUY,N1SUJ
	52	GN10098-002A	BOTTOM CASE		N1WA,N1WUS,N1WUB,N1WUF,N1WUP, N1WUT,N1WUW,N1WUJ
	53	GN20199-001A	BOTTOM CHASSIS		N1SA,N1SUB,N1SUF,N1SUP,N1WA, N1WUB,N1WUF,N1WUP
	53	GN20199-002A	BOTTOM CHASSIS		N1SUS,N1SUT,N1SUW,N1SUY,N1SUJ, N1WUS,N1WUT,N1WUW,N1WUJ
	54	QYSDSF3004ZA	TAP SCREW	M3 x 4mm(x6)	
	55	GN40128-001A	PROTECT SHEET		N1SUS,N1SUT,N1SUW,N1SUY,N1SUJ, N1WUS,N1WUT,N1WUW,N1WUJ
	56	GN10099-002A	SIDE PANEL		
	57	GN20192-002A	WINDOW SCREEN		
	58	GN40106-001A	FOOT SPACER	(x4)	
	59	QYSBSF3014ZA	TAP SCREW	M3 x 14mm(x4)	
	60	QYSDSG3008ZA	TAP SCREW	M3 x 8mm(x4)	
	61	QYSBSF3008ZA	TAP SCREW	M3 x 8mm(x3)	
	62	LV44603-004A	LASER CAUTION		
	63	GN40112-001A	CAUTION LABEL		N1SA,N1SUS,N1SUB,N1SUP,N1SUT, N1SUW,N1SUY,N1SUJ,N1WA,N1WUS, N1WUB,N1WUP,N1WUT,N1WUW,N1WUJ
	63	GN40112-002A	CAUTION LABEL		N1SUF,N1WUF
	64	GN40111-001A	CAUTION LABEL		N1SA,N1SUS,N1SUB,N1SUP,N1SUT, N1SUW,N1SUY,N1SUJ,N1WA,N1WUS, N1WUB,N1WUP,N1WUT,N1WUW,N1WUJ
	64	GN40111-002A	CAUTION LABEL		N1SUF,N1WUF
	65	GN30192-001A	LED HOLDER		
△	66	QMF51W2-R25-J8	FUSE	0.25A AC250V	
	67	GN40109-001A	HEAT SINK ASSY		
	68	QYSBST3008ZA	TAP SCREW	M3 x 8mm	
	69	GN40109-002A	HEAT SINK ASSY		
	70	QYSBST3008ZA	TAP SCREW	M3 x 8mm	
	71	GN30181-001A	HEAT SINK		
	72	QYSBST3008ZA	TAP SCREW	M3 x 8mm	
	73	GN30006-001A	SPACER		
	74	E70891-001	CLASS 1 LABEL		N1SUP,N1SUT,N1WUP,N1WUT
	75	GN30202-003A	UP LABEL		N1SUP
	75	GN30202-004A	UP LABEL		N1WUP
	76	GN30115-004A	UT LABEL		N1SUT
	76	GN30115-005A	UT LABEL		N1WUT
	77	LV42255-001A	C. LABEL(UY)		N1SUY
	78	LV42938-001A	LABEL		N1SUY
	79	GN40099-001A	CCC LABEL		N1SUF,N1WUF

Electrical parts list

Main board

Block No. [0][1]				
△ Symbol No.	Part No.	Part Name	Description	Local
IC221	PT6524LQ-L	LCD DRIVE		
IC241	RPM7138-H9	IR DETECT SENSE		
IC511	LB1641	IC		
IC601	AN41012A-W	IC		
IC602	MN6627945EE	IC		
IC604	SN74LVC07ANS-X	LOGIC IC		
IC701	or MN101C49GAE	IC(MCU)		
IC702	BR24L02F-W-X	IC(DIGITAL)		
Q601	KTA1273/Y/-T	TRANSISTOR		
Q602	2SA1530A/QR/-X	TRANSISTOR		
Q2201	RT1N144C-X	DIGI TRANSISTOR		
Q2202	RT1N144C-X	DIGI TRANSISTOR		
Q2411	RT1P431C-X	DIGI TRANSISTOR		
Q4102	RT3WLMM/EF/-X	TRANSISTOR		
Q4202	RT3WLMM/EF/-X	TRANSISTOR		
Q4302	RT3WLMM/EF/-X	TRANSISTOR		
Q7001	RT1N430C-X	TRANSISTOR		
Q7002	RT1N430C-X	TRANSISTOR		
Q7003	2SA1530A/QR/-X	TRANSISTOR		
D602	1SS133-T2	SI DIODE		
D2201	NSPW310BS/B2RST	W.LED		
D2202	NSPW310BS/B2RST	W.LED		
D2203	1SS133-T2	SI DIODE		
D2411	SLR-342VC-T	LED		
D5101	MTZJ6.8B-T2	Z DIODE		
D7001	1SS133-T2	SI DIODE		
D7002	MTZJ5.1B-T2	Z DIODE		
D7003	1SS133-T2	SI DIODE		
D7004	1SS133-T2	SI DIODE		
C602	NDC31HJ-391X	C CAPACITOR	390pF 50V J	
C603	NCB31HK-272X	C CAPACITOR	2700pF 50V K	
C604	NCB31HK-223X	C CAPACITOR	0.022uF 50V K	
C605	NCB31HK-223X	C CAPACITOR	0.022uF 50V K	
C606	NDC31HJ-271X	C CAPACITOR	270pF 50V J	
C609	QETNOJM-476Z	E CAPACITOR	47uF 6.3V M	
C610	NCB31AK-334X	C CAPACITOR	0.33uF 10V K	
C611	QETNOJM-476Z	E CAPACITOR	47uF 6.3V M	
C612	QETNOJM-476Z	E CAPACITOR	47uF 6.3V M	
C613	NCB31HK-332X	C CAPACITOR	3300pF 50V K	
C614	NCF31EZ-104X	C CAPACITOR	0.1uF 25V Z	
C615	NCB31AK-334X	C CAPACITOR	0.33uF 10V K	
C616	QETNOJM-476Z	E CAPACITOR	47uF 6.3V M	
C617	NCF31EZ-104X	C CAPACITOR	0.1uF 25V Z	
C618	NCB31HK-681X	C CAPACITOR	680pF 50V K	
C619	NCB31HK-153X	C CAPACITOR	0.015uF 50V K	
C620	NCF31EZ-104X	C CAPACITOR	0.1uF 25V Z	
C621	NCB31HK-102X	C CAPACITOR	1000pF 50V K	
C622	NCB31CK-823X	C CAPACITOR	0.082uF 16V K	
C623	NCF31EZ-104X	C CAPACITOR	0.1uF 25V Z	
C624	QETNOJM-227Z	E CAPACITOR	220uF 6.3V M	
C625	QETNOJM-476Z	E CAPACITOR	47uF 6.3V M	
C626	QETNOJM-476Z	E CAPACITOR	47uF 6.3V M	
C627	NCF31EZ-104X	C CAPACITOR	0.1uF 25V Z	
C628	NCF31EZ-104X	C CAPACITOR	0.1uF 25V Z	
C629	NCF31EZ-104X	C CAPACITOR	0.1uF 25V Z	
C630	QETNOJM-476Z	E CAPACITOR	47uF 6.3V M	
C631	QETNOJM-476Z	E CAPACITOR	47uF 6.3V M	
C632	NCF31CZ-224X	C CAPACITOR	0.22uF 16V Z	
C633	NCB31HK-102X	C CAPACITOR	1000pF 50V K	
C635	NCF31EZ-104X	C CAPACITOR	0.1uF 25V Z	
C636	NCB31HK-222X	C CAPACITOR	2200pF 50V K	
C637	NCB31HK-222X	C CAPACITOR	2200pF 50V K	
C638	NCB31HK-222X	C CAPACITOR	2200pF 50V K	
C639	NCB31HK-682X	C CAPACITOR	6800pF 50V K	
C640	NCB31HK-562X	C CAPACITOR	5600pF 50V K	
C641	NCB31HK-222X	C CAPACITOR	2200pF 50V K	
C642	NCF31EZ-104X	C CAPACITOR	0.1uF 25V Z	
C644	QETN1AM-227Z	E CAPACITOR	220uF 10V M	
C645	NCB31HK-103X	C CAPACITOR	0.01uF 50V K	

△ Symbol No.	Part No.	Part Name	Description	Local
C648	NDC31HJ-680X	C CAPACITOR	68pF 50V J	
C649	NCF31EZ-104X	C CAPACITOR	0.1uF 25V Z	
C650	QETN1CM-107Z	E CAPACITOR	100uF 16V M	
C651	QETNOJM-227Z	E CAPACITOR	220uF 6.3V M	
C653	NCF31EZ-104X	C CAPACITOR	0.1uF 25V Z	
C660	NCF31EZ-104X	C CAPACITOR	0.1uF 25V Z	
C661	NCB31HK-103X	C CAPACITOR	0.01uF 50V K	
C2201	NCB31HK-223X	C CAPACITOR	0.022uF 50V K	
C2202	NDC31HJ-101X	C CAPACITOR	100pF 50V J	
C4011	QETN1CM-107Z	E CAPACITOR	100uF 16V M	
C4111	NCB30JK-105X	C CAPACITOR	1uF 6.3V K	
C4211	NCB30JK-105X	C CAPACITOR	1uF 6.3V K	
C4311	NCB30JK-105X	C CAPACITOR	1uF 6.3V K	
C4313	QETN1CM-107Z	E CAPACITOR	100uF 16V M	
C4314	QETN1CM-107Z	E CAPACITOR	100uF 16V M	
C5101	NCB31HK-103X	C CAPACITOR	0.01uF 50V K	
C5102	NCF31EZ-104X	C CAPACITOR	0.1uF 25V Z	
C7001	QK31CM-106Z	E CAPACITOR	10uF 16V M	
C7002	QETN1HM-225Z	E CAPACITOR	2.2uF 50V M	
C7003	NDC31HJ-151X	C CAPACITOR	150pF 50V J	
C7004	QETNOJM-228Z	E CAPACITOR	2200uF 6.3V M	
C7005	NCF31EZ-104X	C CAPACITOR	0.1uF 25V Z	
C7006	QK31AM-107Z	E CAPACITOR	100uF 10V M	
C7007	NDC31HJ-220X	C CAPACITOR	22pF 50V J	
C7008	NDC31HJ-220X	C CAPACITOR	22pF 50V J	
C7009	NCF31EZ-104X	C CAPACITOR	0.1uF 25V Z	
C7010	NDC31HJ-220X	C CAPACITOR	22pF 50V J	
C7011	NDC31HJ-220X	C CAPACITOR	22pF 50V J	
C7012	NDC31HJ-220X	C CAPACITOR	22pF 50V J	
C7013	NDC31HJ-220X	C CAPACITOR	22pF 50V J	
C7014	NCB31HK-102X	C CAPACITOR	1000pF 50V K	
C7015	NCB31HK-473X	C CAPACITOR	0.047uF 50V K	
C7016	NCB31HK-102X	C CAPACITOR	1000pF 50V K	
C7017	NCB31HK-102X	C CAPACITOR	1000pF 50V K	
R601	NRSA63J-103X	MG RESISTOR	10kΩ 1/16W J	
R604	NRSA63J-0R0X	MG RESISTOR	0Ω 1/16W J	
R605	NRSA63J-0R0X	MG RESISTOR	0Ω 1/16W J	
R606	NRSA63J-393X	MG RESISTOR	39kΩ 1/16W J	
R607	NRSA63J-333X	MG RESISTOR	33kΩ 1/16W J	
R608	NRSA63J-472X	MG RESISTOR	4.7kΩ 1/16W J	
R609	NRSA63J-0R0X	MG RESISTOR	0Ω 1/16W J	
R610	NRSA63J-0R0X	MG RESISTOR	0Ω 1/16W J	
R611	NRSA63J-0R0X	MG RESISTOR	0Ω 1/16W J	
R612	NRS181J-4R7X	MG RESISTOR	4.7Ω 1/8W J	
R614	NRSA63J-182X	MG RESISTOR	1.8kΩ 1/16W J	
R615	NRSA63J-0R0X	MG RESISTOR	0Ω 1/16W J	
R617	NRSA63J-182X	MG RESISTOR	1.8kΩ 1/16W J	
R618	NRSA63J-0R0X	MG RESISTOR	0Ω 1/16W J	
R619	NRSA63J-473X	MG RESISTOR	47kΩ 1/16W J	
R620	NRSA63J-0R0X	MG RESISTOR	0Ω 1/16W J	
R622	NRSA63J-100X	MG RESISTOR	10Ω 1/16W J	
R623	NRSA63J-0R0X	MG RESISTOR	0Ω 1/16W J	
R624	NRSA63J-823X	MG RESISTOR	82kΩ 1/16W J	
R625	NRSA63J-821X	MG RESISTOR	820Ω 1/16W J	
R626	NRSA63J-472X	MG RESISTOR	4.7kΩ 1/16W J	
R627	NRSA63J-472X	MG RESISTOR	4.7kΩ 1/16W J	
R628	NRSA63J-472X	MG RESISTOR	4.7kΩ 1/16W J	
R629	NRSA63J-222X	MG RESISTOR	2.2kΩ 1/16W J	
R630	NRSA63J-222X	MG RESISTOR	2.2kΩ 1/16W J	
R631	NRSA63J-222X	MG RESISTOR	2.2kΩ 1/16W J	
R632	NRSA63J-102X	MG RESISTOR	1kΩ 1/16W J	
R633	NRSA63J-102X	MG RESISTOR	1kΩ 1/16W J	
R634	NRSA63J-222X	MG RESISTOR	2.2kΩ 1/16W J	
R635	NRSA63J-472X	MG RESISTOR	4.7kΩ 1/16W J	
R636	NRSA63J-221X	MG RESISTOR	220Ω 1/16W J	
R637	NRSA63J-105X	MG RESISTOR	1MΩ 1/16W J	
R640	NRSA63J-562X	MG RESISTOR	5.6kΩ 1/16W J	
R641	NRSA63J-153X	MG RESISTOR	15kΩ 1/16W J	
R642	NRSA63J-273X	MG RESISTOR	27kΩ 1/16W J	
R643	NRSA63J-562X	MG RESISTOR	5.6kΩ 1/16W J	
R644	NRSA63J-153X	MG RESISTOR	15kΩ 1/16W J	
R645	NRSA63J-0R0X	MG RESISTOR	0Ω 1/16W J	
R646	NRSA63J-102X	MG RESISTOR	1kΩ 1/16W J	
R647	NRSA63J-332X	MG RESISTOR	3.3kΩ 1/16W J	
R648	NRSA63J-822X	MG RESISTOR	8.2kΩ 1/16W J	

△ Symbol No.	Part No.	Part Name	Description	Local	△ Symbol No.	Part No.	Part Name	Description	Local
R649	NRSA63J-562X	MG RESISTOR	5.6kΩ 1/16W J		R7045	NRSA63J-0R0X	MG RESISTOR	0Ω 1/16W J	
R650	NRSA63J-123X	MG RESISTOR	12kΩ 1/16W J		R7046	NRSA63J-102X	MG RESISTOR	1kΩ 1/16W J	
R651	NRSA63J-183X	MG RESISTOR	18kΩ 1/16W J		R7047	NRSA63J-102X	MG RESISTOR	1kΩ 1/16W J	
R652	NRSA63J-332X	MG RESISTOR	3.3kΩ 1/16W J		R7048	NRSA63J-222X	MG RESISTOR	2.2kΩ 1/16W J	
R653	NRSA63J-472X	MG RESISTOR	4.7kΩ 1/16W J		R7049	NRSA63J-103X	MG RESISTOR	10kΩ 1/16W J	
R654	NRSA63J-220X	MG RESISTOR	22Ω 1/16W J		R7050	NRSA63J-103X	MG RESISTOR	10kΩ 1/16W J	
R655	NRSA63J-562X	MG RESISTOR	5.6kΩ 1/16W J		R7051	NRSA63J-103X	MG RESISTOR	10kΩ 1/16W J	
R656	NRSA63J-332X	MG RESISTOR	3.3kΩ 1/16W J		R7052	NRSA63J-103X	MG RESISTOR	10kΩ 1/16W J	
R657	NRSA63J-0R0X	MG RESISTOR	0Ω 1/16W J		R7053	NRSA63J-102X	MG RESISTOR	1kΩ 1/16W J	
R658	NRSA63J-0R0X	MG RESISTOR	0Ω 1/16W J		R7054	NRSA63J-102X	MG RESISTOR	1kΩ 1/16W J	
R659	NRSA63J-0R0X	MG RESISTOR	0Ω 1/16W J		R7055	NRSA63J-102X	MG RESISTOR	1kΩ 1/16W J	
R660	NRSA63J-101X	MG RESISTOR	100Ω 1/16W J		R7056	NRSA63J-102X	MG RESISTOR	1kΩ 1/16W J	
R661	NRSA63J-102X	MG RESISTOR	1kΩ 1/16W J		R7057	NRSA63J-223X	MG RESISTOR	22kΩ 1/16W J	
R662	NRSA63J-102X	MG RESISTOR	1kΩ 1/16W J		R7058	NRSA63J-472X	MG RESISTOR	4.7kΩ 1/16W J	
R663	NRSA63J-0R0X	MG RESISTOR	0Ω 1/16W J		R7059	NRSA63J-222X	MG RESISTOR	2.2kΩ 1/16W J	
R668	NRSA63J-0R0X	MG RESISTOR	0Ω 1/16W J		R7060	NRSA63J-432X	MG RESISTOR	4.3kΩ 1/16W J	
R669	NRSA63J-822X	MG RESISTOR	8.2kΩ 1/16W J		R7061	NRSA63J-223X	MG RESISTOR	22kΩ 1/16W J	
R670	NRSA63J-102X	MG RESISTOR	1kΩ 1/16W J		R7062	NRSA63J-0R0X	MG RESISTOR	0Ω 1/16W J	
R671	NRSA63J-102X	MG RESISTOR	1kΩ 1/16W J		R7063	NRSA63J-102X	MG RESISTOR	1kΩ 1/16W J	
R2201	NRS181J-101X	MG RESISTOR	100Ω 1/8W J		R7064	NRSA63J-222X	MG RESISTOR	2.2kΩ 1/16W J	
R2202	NRS181J-101X	MG RESISTOR	100Ω 1/8W J		R7065	NRSA63J-222X	MG RESISTOR	2.2kΩ 1/16W J	
R2203	NRSA63J-274X	MG RESISTOR	270kΩ 1/16W J		R7066	NRSA63J-103X	MG RESISTOR	10kΩ 1/16W J	
R2206	NRSA63J-102X	MG RESISTOR	1kΩ 1/16W J		R7067	NRSA63J-103X	MG RESISTOR	10kΩ 1/16W J	
R2207	NRSA63J-102X	MG RESISTOR	1kΩ 1/16W J		R7068	NRSA63J-104X	MG RESISTOR	100kΩ 1/16W J	
R2208	NRSA63J-102X	MG RESISTOR	1kΩ 1/16W J						
R2411	NRSA63J-391X	MG RESISTOR	390Ω 1/16W J						NISA, NISUS, NISUB, NISUF, NISUP, NISUT, N1WA, N1WUS, N1WUB, N1WUF, N1WUP, N1WUT
R4011	NRSA63J-105X	MG RESISTOR	1MΩ 1/16W J		R7069	NRSA63J-622X	MG RESISTOR	6.2kΩ 1/16W J	
R4112	NRSA63J-104X	MG RESISTOR	100kΩ 1/16W J						
R4113	NRSA63J-104X	MG RESISTOR	100kΩ 1/16W J						
R4114	NRSA63J-103X	MG RESISTOR	10kΩ 1/16W J						
R4212	NRSA63J-104X	MG RESISTOR	100kΩ 1/16W J						
R4213	NRSA63J-104X	MG RESISTOR	100kΩ 1/16W J						
R4214	NRSA63J-103X	MG RESISTOR	10kΩ 1/16W J						
R4312	NRSA63J-104X	MG RESISTOR	100kΩ 1/16W J		R7069	NRSA63J-133X	MG RESISTOR	13kΩ 1/16W J	
R4313	NRSA63J-104X	MG RESISTOR	100kΩ 1/16W J						
R4314	NRSA63J-103X	MG RESISTOR	10kΩ 1/16W J						
R4315	NRSA63J-105X	MG RESISTOR	1MΩ 1/16W J		R7070	NRSA63J-222X	MG RESISTOR	2.2kΩ 1/16W J	
R4316	NRSA63J-105X	MG RESISTOR	1MΩ 1/16W J		R7071	NRSA63J-222X	MG RESISTOR	2.2kΩ 1/16W J	
R7001	NRSA63J-103X	MG RESISTOR	10kΩ 1/16W J		R7072	NRSA63J-222X	MG RESISTOR	2.2kΩ 1/16W J	
R7002	NRSA63J-103X	MG RESISTOR	10kΩ 1/16W J		R7073	NRSA63J-222X	MG RESISTOR	2.2kΩ 1/16W J	
R7004	NRSA63J-104X	MG RESISTOR	100kΩ 1/16W J		R7074	NRSA63J-222X	MG RESISTOR	2.2kΩ 1/16W J	
R7005	NRSA63J-331X	MG RESISTOR	330Ω 1/16W J		R7075	NRSA63J-222X	MG RESISTOR	2.2kΩ 1/16W J	
R7006	NRSA63J-222X	MG RESISTOR	2.2kΩ 1/16W J		R7076	NRSA63J-0R0X	MG RESISTOR	0Ω 1/16W J	
R7007	NRSA63J-222X	MG RESISTOR	2.2kΩ 1/16W J		R7077	NRSA63J-0R0X	MG RESISTOR	0Ω 1/16W J	
R7008	NRSA63J-222X	MG RESISTOR	2.2kΩ 1/16W J						
R7009	NRSA63J-222X	MG RESISTOR	2.2kΩ 1/16W J		L7001	QQL231K-100Y	COIL	10uH K	
R7010	NRSA63J-222X	MG RESISTOR	2.2kΩ 1/16W J		L7002	QQL231K-4R7Y	INDUCTOR	4.7uH K	
R7011	NRSA63J-222X	MG RESISTOR	2.2kΩ 1/16W J		L7003	QQL231K-100Y	COIL	10uH K	
R7012	NRSA63J-222X	MG RESISTOR	2.2kΩ 1/16W J		L7004	QQL231K-100Y	COIL	10uH K	
R7013	NRSA63J-222X	MG RESISTOR	2.2kΩ 1/16W J						
R7016	NRSA63J-103X	MG RESISTOR	10kΩ 1/16W J		CN221	QGF1040F1-09	CONNECTOR	FFC/FPC (1-9)	
R7017	NRSA63J-102X	MG RESISTOR	1kΩ 1/16W J		CN432	QGF1040F1-05	CONNECTOR	FFC/FPC (1-5)	
R7018	NRSA63J-104X	MG RESISTOR	100kΩ 1/16W J		CN511	QGA2501C1-02	CONNECTOR	W-B (1-2)	
R7019	NRSA63J-104X	MG RESISTOR	100kΩ 1/16W J		CN601	QGF1007F4-16	CONNECTOR	FFC/FPC (1-16)	
R7020	NRSA63J-102X	MG RESISTOR	1kΩ 1/16W J		CN602	QGA1501C5-06W	CONNECTOR	W-B (1-6)	
R7022	NRSA63J-102X	MG RESISTOR	1kΩ 1/16W J		CN701	QGF1040F1-09	CONNECTOR	FFC/FPC (1-9)	
R7023	NRSA63J-102X	MG RESISTOR	1kΩ 1/16W J		CN702	QGF1040F1-06	CONNECTOR	FFC/FPC (1-6)	
R7024	NRSA63J-102X	MG RESISTOR	1kΩ 1/16W J		CN703	QGF1040F1-23	CONNECTOR	FFC/FPC (1-23)	
R7025	NRSA63J-101X	MG RESISTOR	100Ω 1/16W J		CN704	QJK043-050400-E	CONNECTOR		
R7026	NRSA63J-101X	MG RESISTOR	100Ω 1/16W J		CN707	QGA2001F1-03	CONNECTOR	W-B (1-3)	
R7027	NRSA63J-101X	MG RESISTOR	100Ω 1/16W J		K7001	NQR0389-003X	FERRITE BEADS		
R7028	NRSA63J-102X	MG RESISTOR	1kΩ 1/16W J		K7002	NQR0389-003X	FERRITE BEADS		
R7029	NRSA63J-222X	MG RESISTOR	2.2kΩ 1/16W J		S7001	QSW0933-001	DETECT SWITCH		
R7030	NRSA63J-222X	MG RESISTOR	2.2kΩ 1/16W J		X601	QAX0901-001Z	CERA LOCK		
R7031	NRSA63J-102X	MG RESISTOR	1kΩ 1/16W J		X7001	QAX0902-001	CRYSTAL		
R7032	NRSA63J-102X	MG RESISTOR	1kΩ 1/16W J		X7001	or QAX0902-002	CRYSTAL		
R7033	NRSA63J-222X	MG RESISTOR	2.2kΩ 1/16W J		X7001	or QAX0902-003	CRYSTAL		
R7034	NRSA63J-222X	MG RESISTOR	2.2kΩ 1/16W J		X7001	or QAX0902-004	CRYSTAL		
R7035	NRSA63J-222X	MG RESISTOR	2.2kΩ 1/16W J						
R7036	NRSA63J-103X	MG RESISTOR	10kΩ 1/16W J						
R7037	NRSA63J-102X	MG RESISTOR	1kΩ 1/16W J						
R7038	NRSA63J-222X	MG RESISTOR	2.2kΩ 1/16W J						
R7039	NRSA63J-102X	MG RESISTOR	1kΩ 1/16W J						
R7040	NRSA63J-102X	MG RESISTOR	1kΩ 1/16W J						
R7041	NRSA63J-102X	MG RESISTOR	1kΩ 1/16W J						
R7042	NRSA63J-0R0X	MG RESISTOR	0Ω 1/16W J						
R7043	NRSA63J-222X	MG RESISTOR	2.2kΩ 1/16W J						
R7044	NRSA63J-0R0X	MG RESISTOR	0Ω 1/16W J						

SUB board

Block No. [0][2]

△ Symbol No.	Part No.	Part Name	Description	Local
IC301	BA5417	IC		

△ Symbol No.	Part No.	Part Name	Description	Local	△ Symbol No.	Part No.	Part Name	Description	Local
IC303	LC75345M-X	IC			D1001	FL402	FR DIODE		
IC451	NJM4565M-WE	IC			D2501	SELU2E10C-P	LED		
IC452	NJM4565M-WE	IC			D2502	SELU2E10C-P	LED		
IC711	KIA7806API	IC			D2503	SELU2E10C-P	LED		
IC911	KIA7806API	IC			D3302	1SS133-T2	SI DIODE		
Q2501	2SC3928A/QR/-X	TRANSISTOR			D3305	1SS133-T2	SI DIODE		
Q2502	RT1N144C-X	DIGI TRANSISTOR			D3306	1SS133-T2	SI DIODE		
Q3101	2SC3661-X	TRANSISTOR			D3401	1SS133-T2	SI DIODE		
Q3101	or 2SD2114K/VW/-X	TRANSISTOR			D3402	MTZJ6.2B-T2	Z DIODE		
Q3101	or 2SC5938A/B/-X	TRANSISTOR			D3403	1SS133-T2	SI DIODE		
Q3201	2SC3661-X	TRANSISTOR			D3501	MTZJ5.6A-T2	Z DIODE		
Q3201	or 2SD2114K/VW/-X	TRANSISTOR			D3502	1SS133-T2	SI DIODE		
Q3201	or 2SC5938A/B/-X	TRANSISTOR			D3503	1SS133-T2	SI DIODE		
Q3303	2SA1530A/QR/-X	TRANSISTOR			D3801	MTZJ5.6B-T2	Z DIODE		
Q3311	2SA933AS/RS/-T	TRANSISTOR			D4352	1SS133-T2	SI DIODE		
Q3311	or KTA1267/YG/-T	TRANSISTOR			D4353	1SS133-T2	SI DIODE		
Q3312	RT1N141C-X	DIGI TRANSISTOR			D4501	1SS133-T2	SI DIODE		
Q3401	KTA1046/Y/	TRANSISTOR			D7101	MTZJ8.2B-T2	Z DIODE		
Q3402	2SC3928A/QR/-X	TRANSISTOR			D7102	1SS133-T2	SI DIODE		
Q3501	KTB772/Y/	TRANSISTOR			C1001	QFLC1HJ-103Z	M CAPACITOR	0.01uF 50V J	
Q3502	2SC3928A/QR/-X	TRANSISTOR			C1004	QFLC1HJ-103Z	M CAPACITOR	0.01uF 50V J	
Q3601	2SC3661-X	TRANSISTOR			C1005	QFLC1HJ-103Z	M CAPACITOR	0.01uF 50V J	
Q3601	or 2SD2114K/VW/-X	TRANSISTOR		N1SA,N 1SUS,N 1SUB,N 1SUF,N 1SUT,N 1WA,N1 WUB,N1 WUF,N1 WUP,N1 WUT	C1008	QFLC1HJ-103Z	M CAPACITOR	0.01uF 50V J	
Q3601	or 2SC5938A/B/-X	TRANSISTOR		N1SA,N 1SUS,N 1SUB,N 1SUF,N 1SUT,N 1WA,N1 WUB,N1 WUF,N1 WUP,N1 WUT	C2501	QETN1CM-227Z	E CAPACITOR	220uF 16V M	
Q3602	2SC3661-X	TRANSISTOR		N1SA, N1SUB, N1SUF, N1SUT, N1WA, N1WUS, N1WUB, N1WUF, N1WUP, N1WUT	C3101	QTE1H46-226Z	E CAPACITOR	22uF 50V	
Q3602	or 2SD2114K/VW/-X	TRANSISTOR		N1SA, N1SUB, N1SUF, N1SUT, N1WA, N1WUS, N1WUB, N1WUF, N1WUP, N1WUT	C3102	QEZ0839-228	E CAPACITOR	2200uF	
Q3602	or 2SC5938A/B/-X	TRANSISTOR		N1SA, N1SUB, N1SUF, N1SUT, N1WA, N1WUS, N1WUB, N1WUF, N1WUP, N1WUT	C3104	QETN1CM-107Z	E CAPACITOR	100uF 16V M	
Q3801	KTB772/Y/	TRANSISTOR		N1SA, N1SUB, N1SUF, N1SUT, N1WA, N1WUS, N1WUB, N1WUF, N1WUP, N1WUT	C3105	QFVF1HJ-223Z	MF CAPACITOR	0.022uF 50V J	
Q3802	2SC3928A/QR/-X	TRANSISTOR		N1SA, N1SUB, N1SUF, N1SUT, N1WA, N1WUS, N1WUB, N1WUF, N1WUP, N1WUT	C3106	QETN1CM-107Z	E CAPACITOR	100uF 16V M	
Q3803	RT1P430C-X	TRANSISTOR		N1SA, N1SUB, N1SUF, N1SUT, N1WA, N1WUS, N1WUB, N1WUF, N1WUP, N1WUT	C3107	NDC31HJ-331X	C CAPACITOR	330pF 50V J	
Q3804	RT1N141C-X	DIGI TRANSISTOR		N1SA, N1SUB, N1SUF, N1SUT, N1WA, N1WUS, N1WUB, N1WUF, N1WUP, N1WUT	C3108	QTE1H46-106Z	E CAPACITOR	10uF 50V	
Q4501	RT1N44HC-X	DIGI TRANSISTOR		N1SA, N1SUB, N1SUF, N1SUT, N1WA, N1WUS, N1WUB, N1WUF, N1WUP, N1WUT	C3111	NDC31HJ-471X	C CAPACITOR	470pF 50V J	
Q4601	2SC3661-X	TRANSISTOR		N1SA, N1SUB, N1SUF, N1SUT, N1WA, N1WUS, N1WUB, N1WUF, N1WUP, N1WUT	C3113	NDC31HJ-221X	C CAPACITOR	220pF 50V J	
Q4601	or 2SD2114K/VW/-X	TRANSISTOR		N1SA, N1SUB, N1SUF, N1SUT, N1WA, N1WUS, N1WUB, N1WUF, N1WUP, N1WUT	C3114	NCB31HK-332X	C CAPACITOR	3300pF 50V K	
Q4601	or 2SC5938A/B/-X	TRANSISTOR		N1SA, N1SUB, N1SUF, N1SUT, N1WA, N1WUS, N1WUB, N1WUF, N1WUP, N1WUT	C3142	QFVF1HJ-104Z	MF CAPACITOR	0.1uF 50V J	
Q4602	2SC3661-X	TRANSISTOR		N1SA, N1SUB, N1SUF, N1SUT, N1WA, N1WUS, N1WUB, N1WUF, N1WUP, N1WUT	C3143	QFVF1HJ-104Z	MF CAPACITOR	0.1uF 50V J	
Q4602	or 2SD2114K/VW/-X	TRANSISTOR		N1SA, N1SUB, N1SUF, N1SUT, N1WA, N1WUS, N1WUB, N1WUF, N1WUP, N1WUT	C3144	QFLC1HJ-272Z	M CAPACITOR	2700pF 50V J	
Q4602	or 2SC5938A/B/-X	TRANSISTOR		N1SA, N1SUB, N1SUF, N1SUT, N1WA, N1WUS, N1WUB, N1WUF, N1WUP, N1WUT	C3145	QETN1HM-475Z	E CAPACITOR	4.7uF 50V M	
Q4603	RT1P441C-X	DIGI TRANSISTOR		N1SA, N1SUB, N1SUF, N1SUT, N1WA, N1WUS, N1WUB, N1WUF, N1WUP, N1WUT	C3148	QETN1HM-104Z	E CAPACITOR	0.1uF 50V M	
Q4604	2SC3661-X	TRANSISTOR		N1SA, N1SUB, N1SUF, N1SUT, N1WA, N1WUS, N1WUB, N1WUF, N1WUP, N1WUT	C3149	QETN1EM-106Z	E CAPACITOR	10uF 25V M	
Q4604	or 2SD2114K/VW/-X	TRANSISTOR		N1SA, N1SUB, N1SUF, N1SUT, N1WA, N1WUS, N1WUB, N1WUF, N1WUP, N1WUT	C3150	QETN1CM-226Z	E CAPACITOR	22uF 16V M	
Q4604	or 2SC5938A/B/-X	TRANSISTOR		N1SA, N1SUB, N1SUF, N1SUT, N1WA, N1WUS, N1WUB, N1WUF, N1WUP, N1WUT	C3151	NCB31HK-223X	C CAPACITOR	0.022uF 50V K	
Q4605	2SC3661-X	TRANSISTOR		N1SA, N1SUB, N1SUF, N1SUT, N1WA, N1WUS, N1WUB, N1WUF, N1WUP, N1WUT	C3152	NCB31EK-683X	C CAPACITOR	0.068uF 25V K	
Q4605	or 2SD2114K/VW/-X	TRANSISTOR		N1SA, N1SUB, N1SUF, N1SUT, N1WA, N1WUS, N1WUB, N1WUF, N1WUP, N1WUT	C3153	NCB31EK-683X	C CAPACITOR	0.068uF 25V K	
Q4605	or 2SC5938A/B/-X	TRANSISTOR		N1SA, N1SUB, N1SUF, N1SUT, N1WA, N1WUS, N1WUB, N1WUF, N1WUP, N1WUT	C3154	QFVF1HJ-474Z	MF CAPACITOR	0.47uF 50V J	
Q4606	RT1P141C-X	DIGI TRANSISTOR		N1SA, N1SUB, N1SUF, N1SUT, N1WA, N1WUS, N1WUB, N1WUF, N1WUP, N1WUT	C3155	QETN1HM-475Z	E CAPACITOR	4.7uF 50V M	
Q8101	2SA1530A/QR/-X	TRANSISTOR		N1SA, N1SUB, N1SUF, N1SUT, N1WA, N1WUS, N1WUB, N1WUF, N1WUP, N1WUT	C3156	QETN1HM-475Z	E CAPACITOR	4.7uF 50V M	
Q8102	2SA1530A/QR/-X	TRANSISTOR		N1SA, N1SUB, N1SUF, N1SUT, N1WA, N1WUS, N1WUB, N1WUF, N1WUP, N1WUT	C3201	QTE1H46-226Z	E CAPACITOR	22uF 50V	
Q8103	RT1N431C-X	TRANSISTOR		N1SA, N1SUB, N1SUF, N1SUT, N1WA, N1WUS, N1WUB, N1WUF, N1WUP, N1WUT	C3202	QEZ0838-228	E CAPACITOR	2200uF	
Q8104	RT1N431C-X	TRANSISTOR		N1SA, N1SUB, N1SUF, N1SUT, N1WA, N1WUS, N1WUB, N1WUF, N1WUP, N1WUT	C3204	QETN1CM-107Z	E CAPACITOR	100uF 16V M	
					C3205	QFVF1HJ-223Z	MF CAPACITOR	0.022uF 50V J	
					C3206	QETN1CM-107Z	E CAPACITOR	100uF 16V M	
					C3207	NDC31HJ-331X	C CAPACITOR	330pF 50V J	
					C3208	QTE1H46-106Z	E CAPACITOR	10uF 50V	
					C3211	NDC31HJ-471X	C CAPACITOR	470pF 50V J	
					C3213	NDC31HJ-221X	C CAPACITOR	220pF 50V J	
					C3214	NCB31HK-332X	C CAPACITOR	3300pF 50V K	
					C3242	QFVF1HJ-104Z	MF CAPACITOR	0.1uF 50V J	
					C3243	QFVF1HJ-104Z	MF CAPACITOR	0.1uF 50V J	
					C3244	QFLC1HJ-272Z	M CAPACITOR	2700pF 50V J	
					C3245	QETN1HM-475Z	E CAPACITOR	4.7uF 50V M	
					C3248	QETN1HM-104Z	E CAPACITOR	0.1uF 50V M	
					C3249	QETN1EM-106Z	E CAPACITOR	10uF 25V M	
					C3250	QETN1CM-226Z	E CAPACITOR	22uF 16V M	
					C3251	NCB31HK-223X	C CAPACITOR	0.022uF 50V K	
					C3252	NCB31EK-683X	C CAPACITOR	0.068uF 25V K	
					C3253	NCB31EK-683X	C CAPACITOR	0.068uF 25V K	
					C3254	QFVF1HJ-474Z	MF CAPACITOR	0.47uF 50V J	
					C3255	QETN1HM-475Z	E CAPACITOR	4.7uF 50V M	
					C3256	QETN1HM-475Z	E CAPACITOR	4.7uF 50V M	
					C3301	QETM1EM-688	E CAPACITOR	6800uF 25V M	
					C3302	QFVF1HJ-104Z	MF CAPACITOR	0.1uF 50V J	
					C3303	QETN1CM-476Z	E CAPACITOR	47uF 16V M	
					C3304	QETN1CM-227Z	E CAPACITOR	220uF 16V M	
					C3305	QETN1HM-105Z	E CAPACITOR	1uF 50V M	
					C3309	QETN1HM-104Z	E CAPACITOR	0.1uF 50V M	
					C3310	QETN1CM-226Z	E CAPACITOR	22uF 16V M	

△ Symbol No.	Part No.	Part Name	Description	Local	△ Symbol No.	Part No.	Part Name	Description	Local
C3311	QETN1HM-105Z	E CAPACITOR	1uF 50V M		R3241	NRSA63J-752X	MG RESISTOR	7.5kΩ 1/16W J	
C3312	QETN1EM-106Z	E CAPACITOR	10uF 25V M		R3242	NRSA63J-473X	MG RESISTOR	47kΩ 1/16W J	
C3313	QETN1EM-226Z	E CAPACITOR	22uF 25V M		R3243	NRSA63J-223X	MG RESISTOR	22kΩ 1/16W J	
C3341	QETN1AM-227Z	E CAPACITOR	220uF 10V M		R3244	NRSA63J-222X	MG RESISTOR	2.2kΩ 1/16W J	
C3342	QETN1AM-227Z	E CAPACITOR	220uF 10V M		R3245	NRSA63J-152X	MG RESISTOR	1.5kΩ 1/16W J	
C3401	QETN1EM-106Z	E CAPACITOR	10uF 25V M		R3246	NRSA63J-182X	MG RESISTOR	1.8kΩ 1/16W J	
C3402	NCB31HK-103X	C CAPACITOR	0.01uF 50V K		R3247	NRSA63J-622X	MG RESISTOR	6.2kΩ 1/16W J	
C3404	QETN1CM-107Z	E CAPACITOR	100uF 16V M		R3248	NRSA63J-224X	MG RESISTOR	220kΩ 1/16W J	
C3501	QETN1EM-106Z	E CAPACITOR	10uF 25V M		R3249	NRSA63J-332X	MG RESISTOR	3.3kΩ 1/16W J	
C3502	NCB31HK-103X	C CAPACITOR	0.01uF 50V K		R3250	NRSA63J-153X	MG RESISTOR	15kΩ 1/16W J	
C3503	QETN1CM-107Z	E CAPACITOR	100uF 16V M		R3251	NRSA63J-102X	MG RESISTOR	1kΩ 1/16W J	
C3802	QETN1CM-107Z	E CAPACITOR	100uF 16V M		R3252	NRSA63J-102X	MG RESISTOR	1kΩ 1/16W J	
C3803	NCB31HK-103X	C CAPACITOR	0.01uF 50V K		R3254	NRSA63J-102X	MG RESISTOR	1kΩ 1/16W J	
C4152	NDC31HJ-221X	C CAPACITOR	220pF 50V J		R3255	NRSA63J-562X	MG RESISTOR	5.6kΩ 1/16W J	
C4252	NDC31HJ-221X	C CAPACITOR	220pF 50V J		R3301	NRSA63J-472X	MG RESISTOR	4.7kΩ 1/16W J	
C4501	QETN1EM-106Z	E CAPACITOR	10uF 25V M		R3305	NRSA63J-103X	MG RESISTOR	10kΩ 1/16W J	
C4502	QETN1CM-476Z	E CAPACITOR	47uF 16V M		R3306	NRSA63J-562X	MG RESISTOR	5.6kΩ 1/16W J	
C4503	QETN1CM-476Z	E CAPACITOR	47uF 16V M		R3307	QRE141J-2R2Y	C RESISTOR	2.2Ω 1/4W J	
C4504	QETN1HM-225Z	E CAPACITOR	2.2uF 50V M		R3308	NRSA63J-224X	MG RESISTOR	220kΩ 1/16W J	
C4505	QETN1HM-225Z	E CAPACITOR	2.2uF 50V M		R3309	NRSA63J-124X	MG RESISTOR	120kΩ 1/16W J	
C4506	NDC31HJ-101X	C CAPACITOR	100pF 50V J		R3310	NRSA63J-223X	MG RESISTOR	22kΩ 1/16W J	
C4507	NDC31HJ-101X	C CAPACITOR	100pF 50V J		R3311	QRT01DJ-R22X	MF RESISTOR	0.22Ω 1W J	
C4510	NCF31CZ-224X	C CAPACITOR	0.22uF 16V Z		R3312	NRSA63J-683X	MG RESISTOR	68kΩ 1/16W J	
C4601	NDC31HJ-471X	C CAPACITOR	470pF 50V J		R3341	QRE141J-101Y	C RESISTOR	100Ω 1/4W J	
C4602	NDC31HJ-471X	C CAPACITOR	470pF 50V J		R3342	NRSA63J-472X	MG RESISTOR	4.7kΩ 1/16W J	
C4603	QETN1EM-106Z	E CAPACITOR	10uF 25V M		R3343	NRSA63J-472X	MG RESISTOR	4.7kΩ 1/16W J	
C4607	NDC31HJ-101X	C CAPACITOR	100pF 50V J		R3344	NRSA63J-472X	MG RESISTOR	4.7kΩ 1/16W J	
C4608	NDC31HJ-101X	C CAPACITOR	100pF 50V J		R3401	QRE141J-471Y	C RESISTOR	470Ω 1/4W J	
C7101	NCF31EZ-104X	C CAPACITOR	0.1uF 25V Z		R3402	NRSA63J-682X	MG RESISTOR	6.8kΩ 1/16W J	
C7102	QETN1CM-107Z	E CAPACITOR	100uF 16V M		R3403	QRE141J-820Y	C RESISTOR	82Ω 1/4W J	
C7103	NCF31EZ-104X	C CAPACITOR	0.1uF 25V Z		R3404	1SS244-T2	SI DIODE IM		
C9001	NDC31HJ-102X	C CAPACITOR	1000pF 50V J		R3405	QRE141J-820Y	C RESISTOR	82Ω 1/4W J	
C9002	NDC31HJ-102X	C CAPACITOR	1000pF 50V J		R3411	NRSA63J-912X	MG RESISTOR	9.1kΩ 1/16W J	
C9003	NCB31HK-332X	C CAPACITOR	3300pF 50V K		R3412	NRSA63J-362X	MG RESISTOR	3.6kΩ 1/16W J	
C9004	NDC31HJ-102X	C CAPACITOR	1000pF 50V J		R3501	NRSA63J-682X	MG RESISTOR	6.8kΩ 1/16W J	
C9101	NCF31EZ-104X	C CAPACITOR	0.1uF 25V Z		R3502	QRE141J-271Y	C RESISTOR	270Ω 1/4W J	
C9102	QETN1CM-107Z	E CAPACITOR	100uF 16V M		R3503	NRSA63J-393X	MG RESISTOR	39kΩ 1/16W J	
C9103	NCF31EZ-104X	C CAPACITOR	0.1uF 25V Z		R3504	NRSA63J-183X	MG RESISTOR	18kΩ 1/16W J	
R2501	NRSA63J-431X	MG RESISTOR	430Ω 1/16W J		R3505	QRL01DJ-100X	OMF RESISTOR	10Ω 1W J	
R2502	NRSA63J-511X	MG RESISTOR	510Ω 1/16W J		R3507	QRL01DJ-100X	OMF RESISTOR	10Ω 1W J	
R2503	NRSA63J-122X	MG RESISTOR	1.2kΩ 1/16W J		R3801	NRSA63J-203X	MG RESISTOR	20kΩ 1/16W J	
R2504	NRSA63J-431X	MG RESISTOR	430Ω 1/16W J		R3802	NRSA63J-471X	MG RESISTOR	470Ω 1/16W J	
R2505	NRSA63J-511X	MG RESISTOR	510Ω 1/16W J		R3804	QRE141J-131Y	C RESISTOR	130Ω 1/4W J	
R2506	NRSA63J-122X	MG RESISTOR	1.2kΩ 1/16W J		R3805	QRE141J-131Y	C RESISTOR	130Ω 1/4W J	
R2507	NRSA63J-222X	MG RESISTOR	2.2kΩ 1/16W J		R3806	QRE141J-131Y	C RESISTOR	130Ω 1/4W J	
R2509	NRSA63J-752X	MG RESISTOR	7.5kΩ 1/16W J		R4151	NRSA63J-133X	MG RESISTOR	13kΩ 1/16W J	
R2510	NRS181J-180X	MG RESISTOR	18Ω 1/8W J		R4152	NRSA63J-513X	MG RESISTOR	51kΩ 1/16W J	
R3101	QRE141J-2R2Y	C RESISTOR	2.2Ω 1/4W J		R4251	NRSA63J-133X	MG RESISTOR	13kΩ 1/16W J	
R3102	NRSA63J-821X	MG RESISTOR	820Ω 1/16W J		R4252	NRSA63J-513X	MG RESISTOR	51kΩ 1/16W J	
R3103	NRSA63J-183X	MG RESISTOR	18kΩ 1/16W J		R4501	NRSA63J-472X	MG RESISTOR	4.7kΩ 1/16W J	
R3104	NRSA63J-473X	MG RESISTOR	47kΩ 1/16W J		R4502	NRSA63J-472X	MG RESISTOR	4.7kΩ 1/16W J	
R3105	NRSA63J-222X	MG RESISTOR	2.2kΩ 1/16W J		R4503	NRSA63J-224X	MG RESISTOR	220kΩ 1/16W J	
R3106	NRSA63J-682X	MG RESISTOR	6.8kΩ 1/16W J		R4504	NRSA63J-104X	MG RESISTOR	100kΩ 1/16W J	
R3108	QRE141J-121Y	C RESISTOR	120Ω 1/4W J		R4505	NRSA63J-222X	MG RESISTOR	2.2kΩ 1/16W J	
R3109	NRSA63J-102X	MG RESISTOR	1kΩ 1/16W J		R4506	NRSA63J-473X	MG RESISTOR	47kΩ 1/16W J	
R3141	NRSA63J-752X	MG RESISTOR	7.5kΩ 1/16W J		R4507	NRSA63J-473X	MG RESISTOR	47kΩ 1/16W J	
R3142	NRSA63J-473X	MG RESISTOR	47kΩ 1/16W J		R4508	NRSA63J-104X	MG RESISTOR	100kΩ 1/16W J	
R3143	NRSA63J-223X	MG RESISTOR	22kΩ 1/16W J		R4509	NRSA63J-104X	MG RESISTOR	100kΩ 1/16W J	
R3144	NRSA63J-222X	MG RESISTOR	2.2kΩ 1/16W J		R4510	NRSA63J-102X	MG RESISTOR	1kΩ 1/16W J	
R3145	NRSA63J-152X	MG RESISTOR	1.5kΩ 1/16W J		R4511	NRSA63J-102X	MG RESISTOR	1kΩ 1/16W J	
R3146	NRSA63J-182X	MG RESISTOR	1.8kΩ 1/16W J		R4512	NRSA63J-153X	MG RESISTOR	15kΩ 1/16W J	
R3147	NRSA63J-622X	MG RESISTOR	6.2kΩ 1/16W J		R4601	NRSA63J-102X	MG RESISTOR	1kΩ 1/16W J	
R3148	NRSA63J-224X	MG RESISTOR	220kΩ 1/16W J		R4602	NRSA63J-102X	MG RESISTOR	1kΩ 1/16W J	
R3149	NRSA63J-332X	MG RESISTOR	3.3kΩ 1/16W J		R4603	NRSA63J-301X	MG RESISTOR	300Ω 1/16W J	
R3150	NRSA63J-153X	MG RESISTOR	15kΩ 1/16W J		R4604	NRSA63J-222X	MG RESISTOR	2.2kΩ 1/16W J	
R3151	NRSA63J-102X	MG RESISTOR	1kΩ 1/16W J		R4605	NRSA63J-222X	MG RESISTOR	2.2kΩ 1/16W J	
R3152	NRSA63J-102X	MG RESISTOR	1kΩ 1/16W J		R4606	NRSA63J-301X	MG RESISTOR	300Ω 1/16W J	
R3154	NRSA63J-102X	MG RESISTOR	1kΩ 1/16W J		R4607	NRSA63J-102X	MG RESISTOR	1kΩ 1/16W J	
R3155	NRSA63J-562X	MG RESISTOR	5.6kΩ 1/16W J		R4608	NRSA63J-473X	MG RESISTOR	47kΩ 1/16W J	
R3201	QRE141J-2R2Y	C RESISTOR	2.2Ω 1/4W J		R4609	NRSA63J-473X	MG RESISTOR	47kΩ 1/16W J	
R3202	NRSA63J-821X	MG RESISTOR	820Ω 1/16W J		R4610	NRSA63J-332X	MG RESISTOR	3.3kΩ 1/16W J	
R3203	NRSA63J-183X	MG RESISTOR	18kΩ 1/16W J		R4611	NRSA63J-332X	MG RESISTOR	3.3kΩ 1/16W J	
R3204	NRSA63J-473X	MG RESISTOR	47kΩ 1/16W J		R4612	NRSA63J-362X	MG RESISTOR	3.6kΩ 1/16W J	
R3205	NRSA63J-222X	MG RESISTOR	2.2kΩ 1/16W J		R4613	NRSA63J-362X	MG RESISTOR	3.6kΩ 1/16W J	
R3206	NRSA63J-682X	MG RESISTOR	6.8kΩ 1/16W J		R4614	NRSA63J-472X	MG RESISTOR	4.7kΩ 1/16W J	
R3208	QRE141J-121Y	C RESISTOR	120Ω 1/4W J		R4615	NRSA63J-472X	MG RESISTOR	4.7kΩ 1/16W J	
R3209	NRSA63J-102X	MG RESISTOR	1kΩ 1/16W J		R8101	NRSA63J-103X	MG RESISTOR	10kΩ 1/16W J	
					R8102	NRSA63J-103X	MG RESISTOR	10kΩ 1/16W J	

△ Symbol No.	Part No.	Part Name	Description	Local
R8103	QRE141J-101Y	C RESISTOR	100Ω 1/4W J	
R8104	QRE141J-510Y	C RESISTOR	51Ω 1/4W J	
R8105	NRSA63J-102X	MG RESISTOR	1kΩ 1/16W J	
R8106	NRSA63J-102X	MG RESISTOR	1kΩ 1/16W J	
L3101	QQL231K-4R7Y	INDUCTOR	4.7uH K	
L3102	QQR0797-002	COIL		N1SUP, N1WUP
L3201	QQL231K-4R7Y	INDUCTOR	4.7uH K	
L3202	QQR0797-002	COIL		N1SUP, N1WUP
CN101	QGA7901F1-02	CONNECTOR	W-B (1-2)	
CN102	QGA3901C1-02	CONNECTOR	W-B (1-2)	
CN103	QGA7901C1-03	CONNECTOR	W-B (1-3)	N1SA, N1SUB, N1SUF, N1SUP, N1WA, N1WUB, N1WUF, N1WUP, N1SUS, N1SUT, N1SUJ, N1SUJ, N1WUS, N1WUT, N1WUW, N1WUJ
CN103	QGA7901C1-02	CONNECTOR	W-B (1-2)	
CN251	QGF1040F1-06	CONNECTOR	FFC/FPC (1-6)	
CN311	QGB2510J1-04	CONNECTOR	B-B (1-4)	
CN312	QGB2510K2-04	CONNECTOR	B-B (1-4)	
CN313	QGF1040C1-23	CONNECTOR	FFC/FPC (1-23)	
CN314	QGA2001C1-05	CONNECTOR	W-B (1-5)	
CN316	QJP007-031700-E	SIN CR C-B WIRE		
CN811	QGA2001C1-02	CONNECTOR	W-B (1-2)	
CN911	QGF1208C1-11	CONNECTOR	FFC/FPC (1-11)	N1SA, N1SUS, N1SUB, N1SUF, N1SUT, N1SUW, N1SUJ, N1SUJ, N1WA, N1WUS, N1WUB, N1WUF, N1WUT, N1WUW, N1WUJ
CN911	QGF1208C1-15	CONNECTOR	FFC/FPC (1-15)	N1SUP, N1WUP
J3001	QNB0295-002	SPEAK TERMINAL		
J3301	QNS0272-001	JACK		
J4351	QNS0271-001	JACK		
J4352	QNS0271-001	JACK		
K901	NRSA63J-0R0X	MG RESISTOR	0Ω 1/16W J	
K3301	NQR0502-002X	FERRITE BEADS		
K4351	NRSA63J-0R0X	MG RESISTOR	0Ω 1/16W J	
K4602	NRSA63J-0R0X	MG RESISTOR	0Ω 1/16W J	
LF101	QQR1645-001	LINE FILTER		
S2501	QSW1120-001Z	PUSH SW I.M		
S2502	QSW1120-001Z	PUSH SW I.M		
S2503	QSW1120-001Z	PUSH SW I.M		
S2504	QSW1120-001Z	PUSH SW I.M		
S2505	QSW1120-001Z	PUSH SW I.M		
S2506	QSW1120-001Z	PUSH SW I.M		
S2507	QSW1120-001Z	PUSH SW I.M		
S2508	QSW1120-001Z	PUSH SW I.M		
TH101	QAD0159-001	P THERMISTOR	Ω	
W302	QZW0007-001	POST PIN		
Z1001	QNG0019-001Z	FUSE CLIP		
Z1011	QNG0019-001Z	FUSE CLIP		

Touch board

Block No. [0][3]

△ Symbol No.	Part No.	Part Name	Description	Local
IC401	NJM4565M-WE	IC		
IC402	NJM4565M-WE	IC		
Q4011	RT1N431C-X	TRANSISTOR		

△ Symbol No.	Part No.	Part Name	Description	Local
Q4012	RT3CLLM/EF/-X	TRANSISTOR		
Q4101	RT1N140C-X	DIGI TRANSISTOR		
Q4201	RT1N140C-X	DIGI TRANSISTOR		
Q4301	RT1N140C-X	DIGI TRANSISTOR		
C4003	NCB31HK-681X	C CAPACITOR	680pF 50V K	
C4004	NEAF1CM-106X	E CAPACITOR	10uF 16V M	
C4005	NEAF1CM-106X	E CAPACITOR	10uF 16V M	
C4006	NEAF1HM-105X	E CAPACITOR	1uF 50V M	
C4012	NDC31HJ-680X	C CAPACITOR	68pF 50V J	
C4101	NDC31HJ-5R0X	C CAPACITOR	5pF 50V J	
C4102	NDC31HJ-2R0X	C CAPACITOR	2pF 50V J	
C4103	NDC31HJ-101X	C CAPACITOR	100pF 50V J	
C4201	NDC31HJ-5R0X	C CAPACITOR	5pF 50V J	
C4202	NDC31HJ-2R0X	C CAPACITOR	2pF 50V J	
C4203	NDC31HJ-101X	C CAPACITOR	100pF 50V J	
C4301	NDC31HJ-5R0X	C CAPACITOR	5pF 50V J	
C4302	NDC31HJ-2R0X	C CAPACITOR	2pF 50V J	
C4303	NDC31HJ-101X	C CAPACITOR	100pF 50V J	
R4001	NRSA63J-104X	MG RESISTOR	100kΩ 1/16W J	
R4002	NRSA63J-105X	MG RESISTOR	1MΩ 1/16W J	
R4003	NRSA63J-224X	MG RESISTOR	220kΩ 1/16W J	
R4005	NRSA63J-104X	MG RESISTOR	100kΩ 1/16W J	
R4006	NRSA63J-303X	MG RESISTOR	30kΩ 1/16W J	
R4007	NRSA63J-303X	MG RESISTOR	30kΩ 1/16W J	
R4008	NRSA63J-223X	MG RESISTOR	22kΩ 1/16W J	
R4012	NRSA63J-224X	MG RESISTOR	220kΩ 1/16W J	
R4013	NRSA63J-473X	MG RESISTOR	47kΩ 1/16W J	
R4014	NRSA63J-223X	MG RESISTOR	22kΩ 1/16W J	
R4015	NRSA63J-103X	MG RESISTOR	10kΩ 1/16W J	
R4016	NRSA63J-104X	MG RESISTOR	100kΩ 1/16W J	
R4017	NRSA63J-104X	MG RESISTOR	100kΩ 1/16W J	
R4101	NRSA63J-683X	MG RESISTOR	68kΩ 1/16W J	
R4102	NRSA63J-105X	MG RESISTOR	1MΩ 1/16W J	
R4103	NRSA63J-223X	MG RESISTOR	22kΩ 1/16W J	
R4104	NRSA63J-105X	MG RESISTOR	1MΩ 1/16W J	
R4201	NRSA63J-683X	MG RESISTOR	68kΩ 1/16W J	
R4202	NRSA63J-105X	MG RESISTOR	1MΩ 1/16W J	
R4203	NRSA63J-223X	MG RESISTOR	22kΩ 1/16W J	
R4204	NRSA63J-105X	MG RESISTOR	1MΩ 1/16W J	
R4301	NRSA63J-683X	MG RESISTOR	68kΩ 1/16W J	
R4302	NRSA63J-105X	MG RESISTOR	1MΩ 1/16W J	
R4303	NRSA63J-223X	MG RESISTOR	22kΩ 1/16W J	
R4304	NRSA63J-105X	MG RESISTOR	1MΩ 1/16W J	
R4305	NRSA63J-103X	MG RESISTOR	10kΩ 1/16W J	
CN431	QGF1038F2-05X	CONNECTOR	FFC/FPC (1-5)	

Voltageboard (US,UT,UW,UY,UJ)

Block No. [0][4]

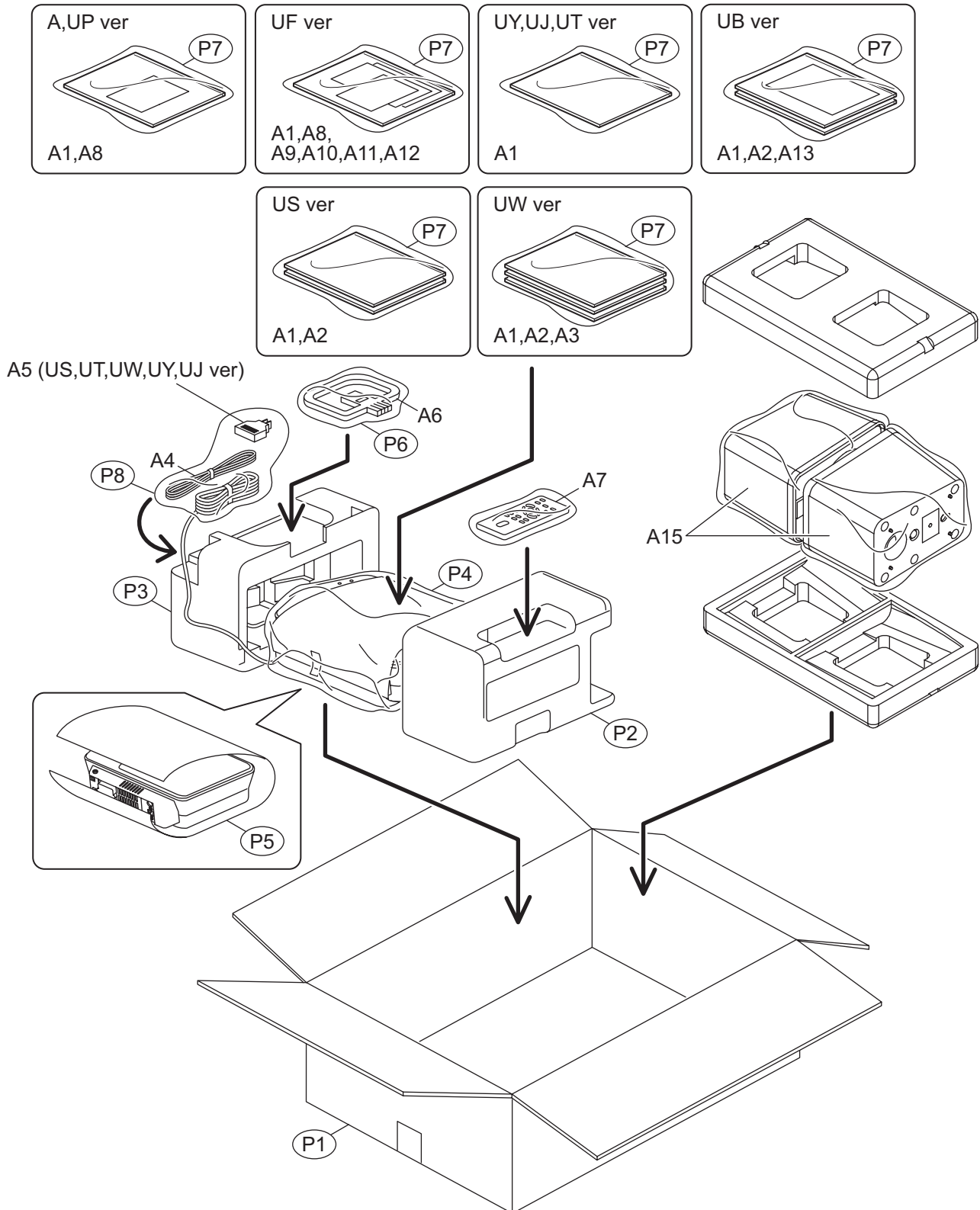
△ Symbol No.	Part No.	Part Name	Description	Local
CN104	QGA7901C1-02	CONNECTOR	W-B (1-2)	
CN105	QGA7901C1-03	CONNECTOR	W-B (1-3)	
S1001	QSW1190-001	VOLTAGE SWITCH		

<MEMO>

Packing materials and accessories parts list

Block No. M 3 M M

No additional / supplemental order of WARRANTY CARDS are available.



The parts without symbol number are not service.

Packing and Accessories

Block No. [M][3][M][M]

△ Symbol No.	Part No.	Part Name	Description	Local
A 1	GNT0065-018A	INSK BOOK	ENG	N1SA,N1SUS,N1SUB,N1SUW,N1SUJ, N1WA,N1WUS,N1WUB,N1WUW,N1WUJ
A 1	GNT0065-023A	INST BOOK	CHI(PEKIN)	N1SUF,N1WUF
A 1	GNT0065-024A	INST BOOK	KOR	N1SUP,N1WUP
A 1	GNT0065-022A	INST BOOK	CHI(TAIWAN)	N1SUT,N1WUT
A 1	GNT0065-020A	INST BOOK	SPA	N1SUY
A 2	GNT0065-019A	INSK BOOK	CHI(PEKIN)	N1SUS,N1SUB,N1WUS,N1WUB
A 2	GNT0065-020A	INST BOOK	SPA	N1SUW,N1WUW
A 3	GNT0065-021A	INST BOOK	POR	N1SUW,N1WUW
A 4	QAL0457-001	ANT.WIRE		
△ A 5	QAM0112-002	PLUG ADAPTOR		N1SUS,N1SUW,N1SUY,N1SUJ,N1WUS, N1WUW,N1WUJ
A 6	QAL0014-003	AM LOOP ANT		
A 7	RM-SUXN1U	REMCON UNIT		
A 8	-----	WARRANTY CARD	BT-56017-1	N1SA,N1WA
A 8	-----	WARRANTY CARD	BT-59019-1	N1SUF,N1WUF
A 8	-----	WARRANTY CARD	BT-56013-1	N1SUP,N1WUP
A 9	BT-59020-1	HOLOGRAM SEAL		N1SUF,N1WUF
A 10	BT-59021-6C	SVC CENTER LIST		N1SUF,N1WUF
A 11	GN30020-004A	SURVEY CARD		N1SUF,N1WUF
A 12	E310162-001	CERTIFICATE TAG		N1SUF,N1WUF
A 13	GN30014-019A	UB SHEET		N1SUB
A 13	GN30014-020A	UB SHEET		N1WUB
A 15	SPUXN1SE-SPBOX	SPEAKER WITH BOX		N1SA,N1SUS,N1SUB,N1SUF,N1SUP, N1SUT,N1SUW,N1SUY,N1SUJ,N1WUW, N1WUJ
A 15	SPUXN1WJ-SPBOX	SPEAKER WITH BOX		N1WA,N1WUF,N1WUT
A 15	SPUXN1WE-SPBOX	SPEAKER WITH BOX		N1WUS,N1WUB,N1WUP
P 1	GN10103-003A	PACKING CASE		N1SA,N1SUS,N1SUB,N1SUP,N1SUT, N1SUW,N1SUY,N1SUJ
P 1	GN10103-004A	PACKING CASE		N1SUF
P 1	GN10104-003A	PACKING CASE		N1WA,N1WUS,N1WUB,N1WUP,N1WUT, N1WUW,N1WUJ
P 1	GN10104-004A	PACKING CASE		N1WUF
P 2	GN20206-001A	CUSHION(L)		
P 3	GN20207-001A	CUSHION(R)		
P 4	QPC04504515P	POLY BAG	45cm x 45cm	
P 5	GN30199-001A	SHEET		
P 6	QPA01702503P	POLY BAG	17cm x 25cm	
P 7	QPC02504015P	POLY BAG	25cm x 40cm	
P 8	QPA01503503	POLY BAG	15cm x 35cm	