

JVC

SCHEMATIC DIAGRAMS

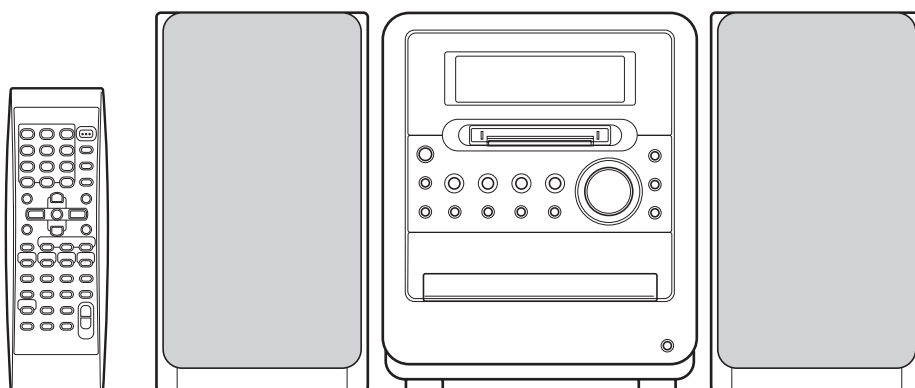
MICRO COMPONENT MD SYSTEM

UX-Q1S, UX-Q1W

CD-ROM No.SML200410

Area suffix

UB ----- Hong kong



(SP-UXQ1S)
(SP-UXQ1W)

(CA-UXQ1S)
(CA-UXQ1W)

(SP-UXQ1S)
(SP-UXQ1W)

MDLP

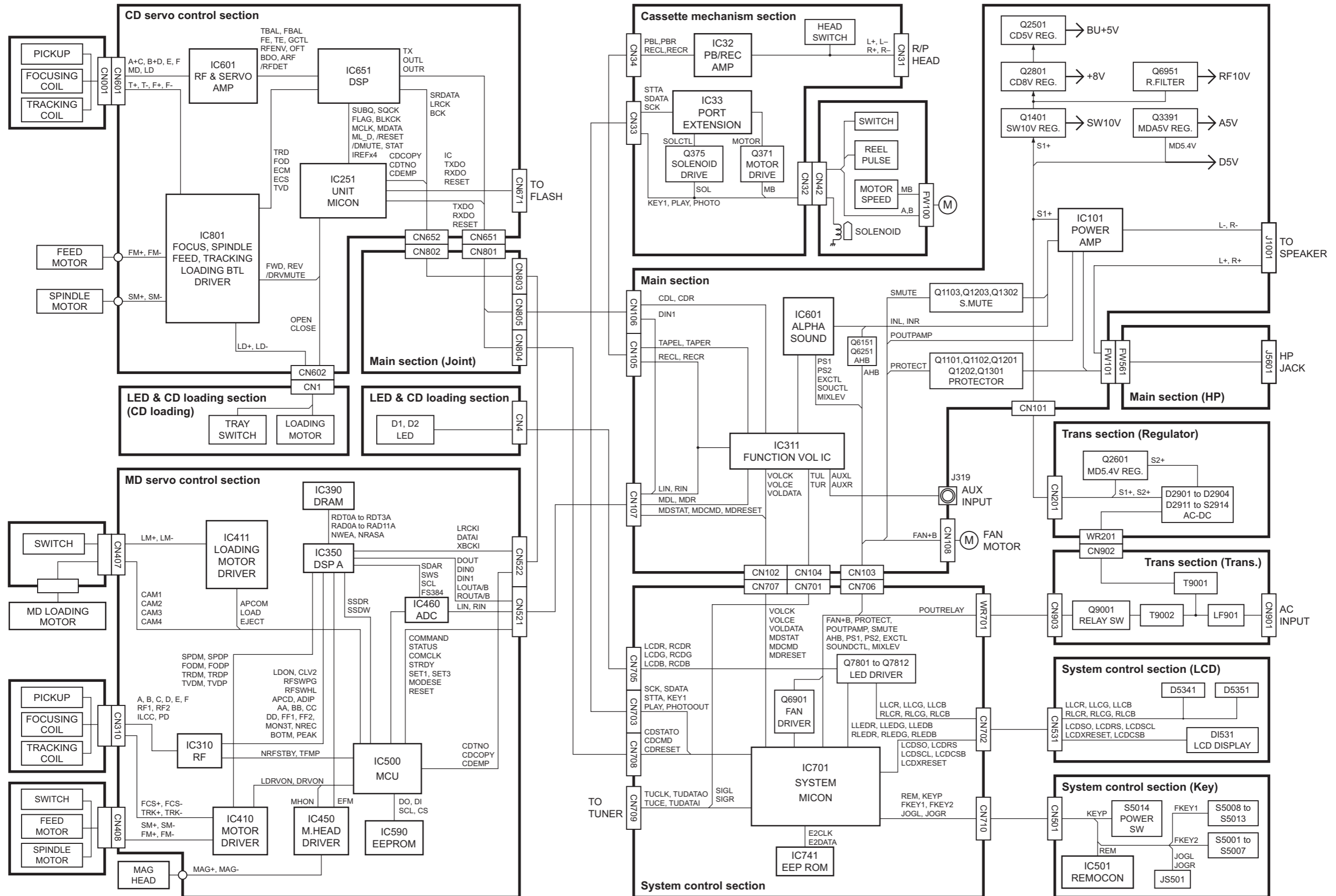


Contents

Block diagram	2-1
Standard schematic diagrams	2-2
Printed circuit boards	2-9 to 13

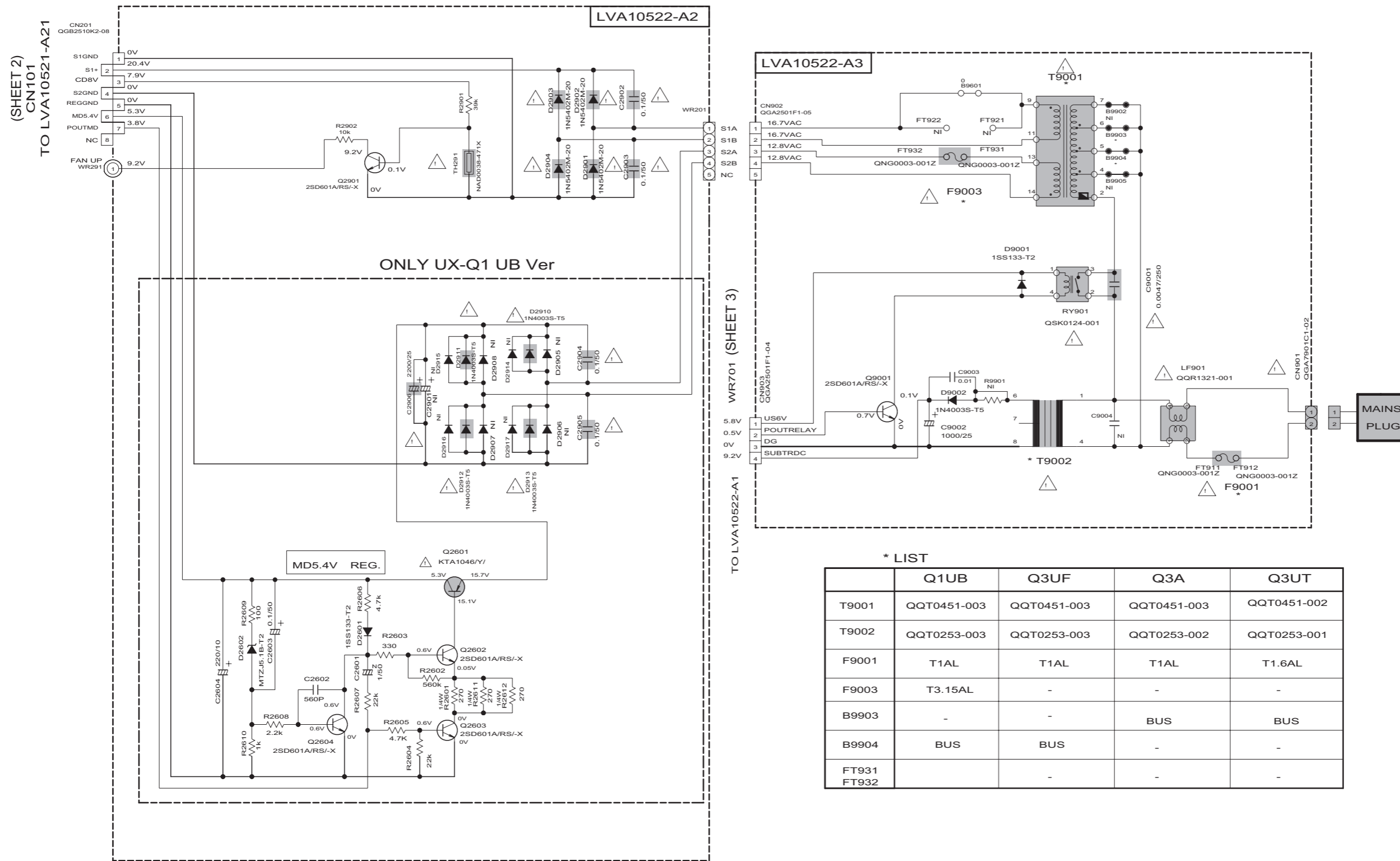
In regard with component parts appearing on the silk-screen printed side (parts side) of the PWB diagrams, the parts that are printed over with black such as the resistor (■), diode (▣) and ICP (●) or identified by the "⚠" mark nearby are critical for safety.

Block diagrams



Standard schematic diagrams

Transformer section



* LIST

	Q1UB	Q3UF	Q3A	Q3UT
T9001	QQT0451-003	QQT0451-003	QQT0451-003	QQT0451-002
T9002	QQT0253-003	QQT0253-003	QQT0253-002	QQT0253-001
F9001	T1AL	T1AL	T1AL	T1.6AL
F9003	T3.15AL	-	-	-
B9903	-	-	BUS	BUS
B9904	BUS	BUS	-	-
FT931	-	-	-	-
FT932	-	-	-	-

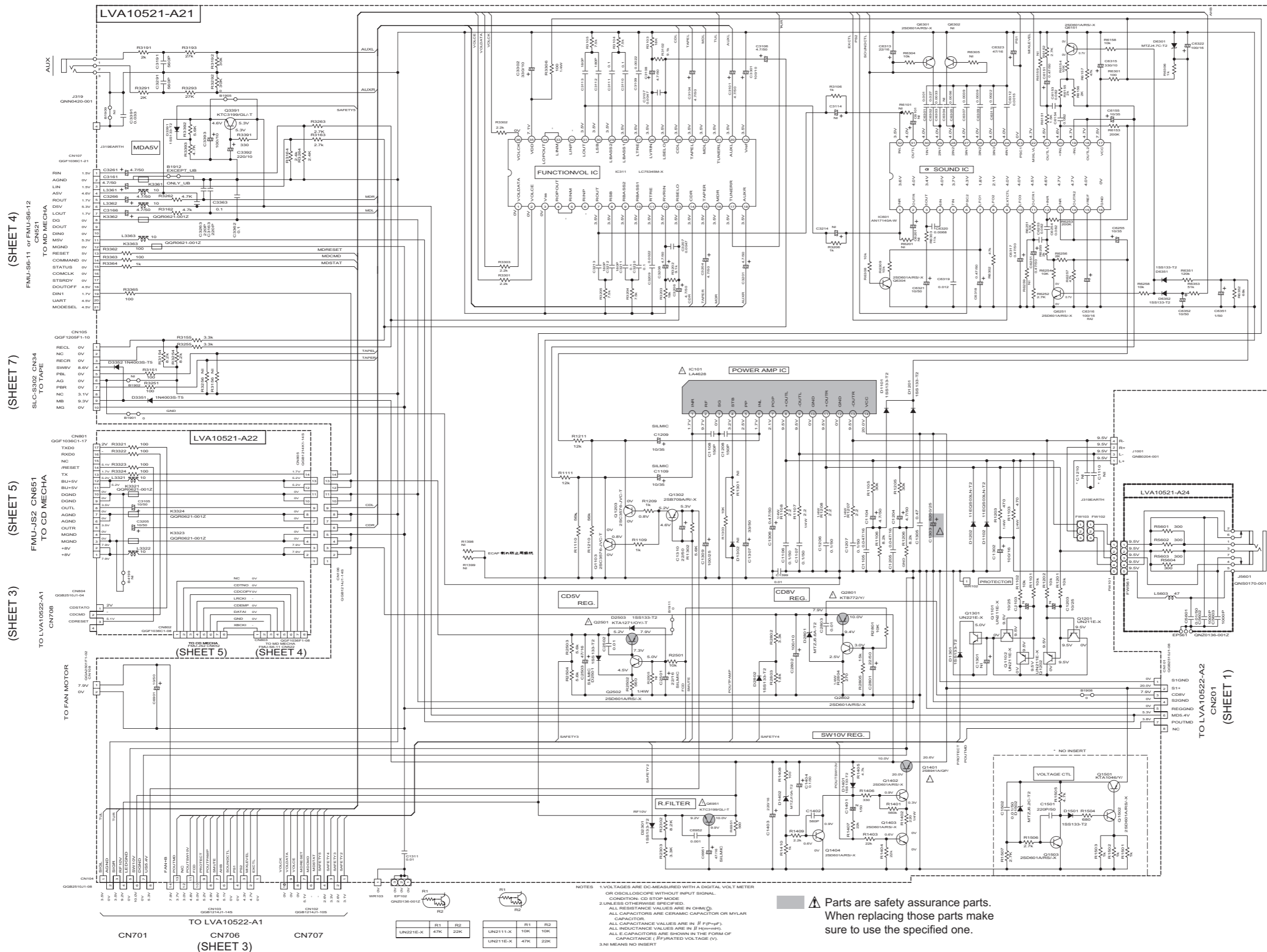
NOTES

- VOLTAGES ARE DC-MEASURED WITH A DIGITAL VOLT METER OR OSCILLOSCOPE WITHOUT INPUT SIGNAL. CONDITION- CD STOP MODE
- UNLESS OTHERWISE SPECIFIED.

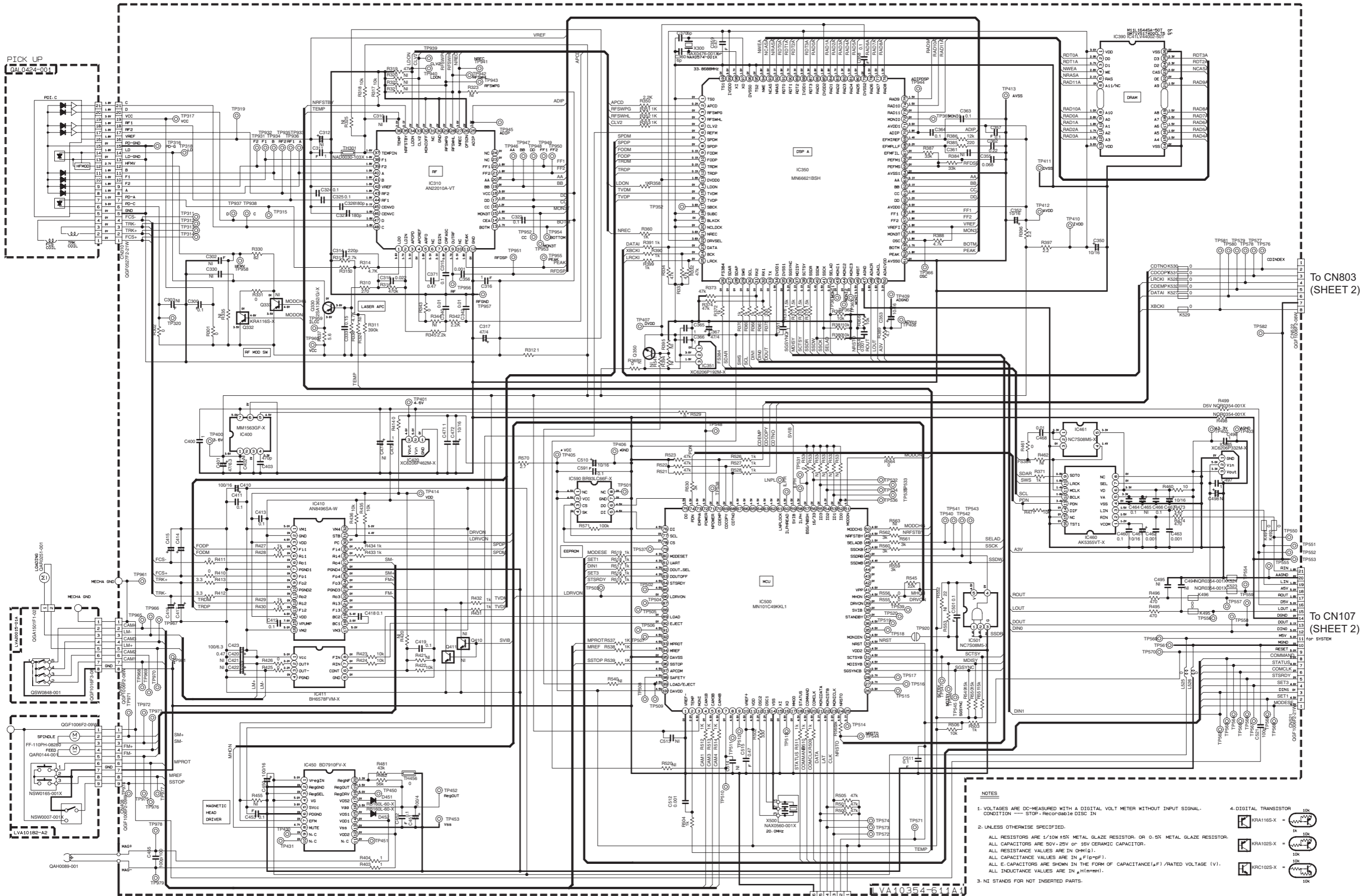
ALL RESISTANCE VALUES ARE IN OHM(Ω), ALL CAPACITORS ARE CERAMIC CAPACITOR OR MYLAR CAPACITOR. ALL CAPACITANCE VALUES ARE IN # F(P=pF). ALL INDUCTANCE VALUES ARE IN # H(m=mH). ALL E.CAPACITORS ARE SHOWN IN THE FORM OF CAPACITANCE (# F)/RATED VOLTAGE (V). 3.NI MEANS NO INSERT

⚠ Parts are safety assurance parts. When replacing those parts make sure to use the specified one.

■ Main section



MD servo control section

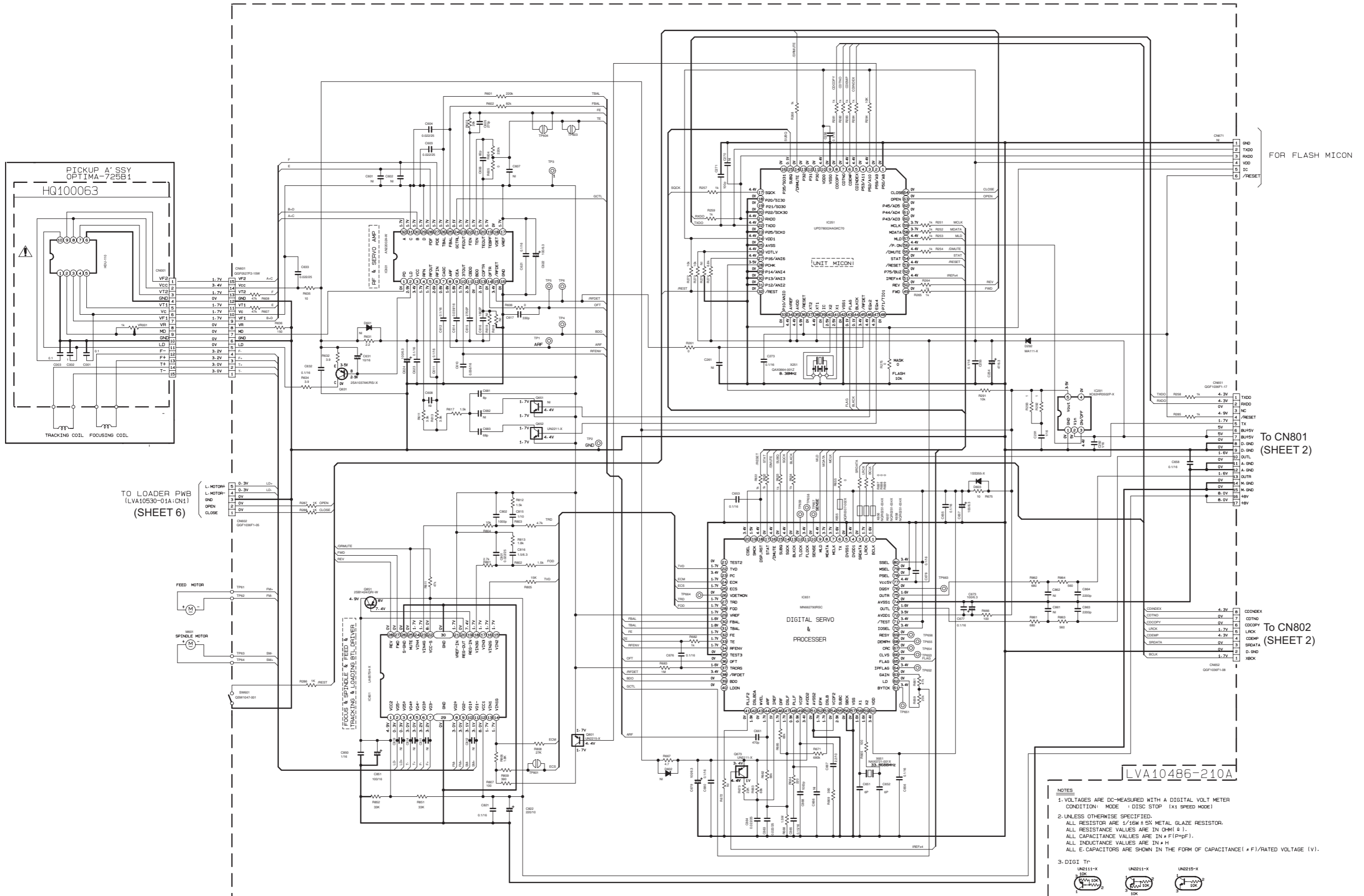


- NOTES**
- VOLTAGES ARE DC-MEASURED WITH A DIGITAL VOLT METER WITHOUT INPUT SIGNAL. CONDITION --- STOP. Recordable DISC IN
 - UNLESS OTHERWISE SPECIFIED.
 - ALL RESISTORS ARE 1/10W 45X METAL GLAZE RESISTOR OR 0.5X METAL GLAZE RESISTOR.
 - ALL CAPACITORS ARE 50V, 25V OR 16V CERAMIC CAPACITOR.
 - ALL RESISTANCE VALUES ARE IN OHM(Ω).
 - ALL CAPACITANCE VALUES ARE IN pF(pF).
 - ALL E. CAPACITORS ARE SHOWN IN THE FORM OF CAPACITANCE(μF)/RATED VOLTAGE (V).
 - ALL INDUCTANCE VALUES ARE IN μH(μH).
 - NI STANDS FOR NOT INSERTED PARTS.
 - DIGITAL TRANSISTOR
 - KRA116S-X =
 - KRA102S-X =
 - KRC102S-X =

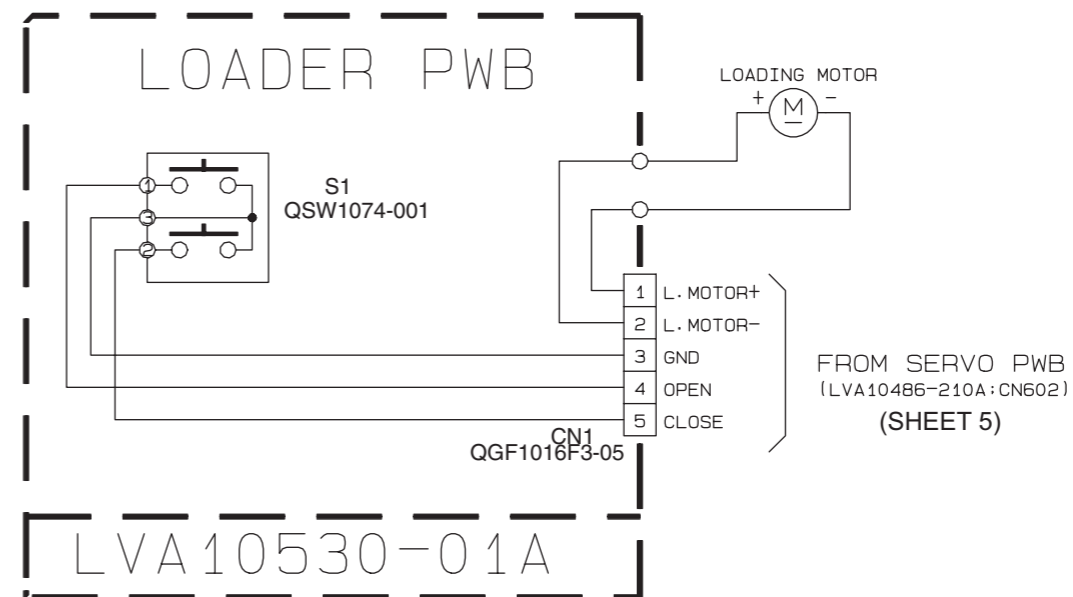
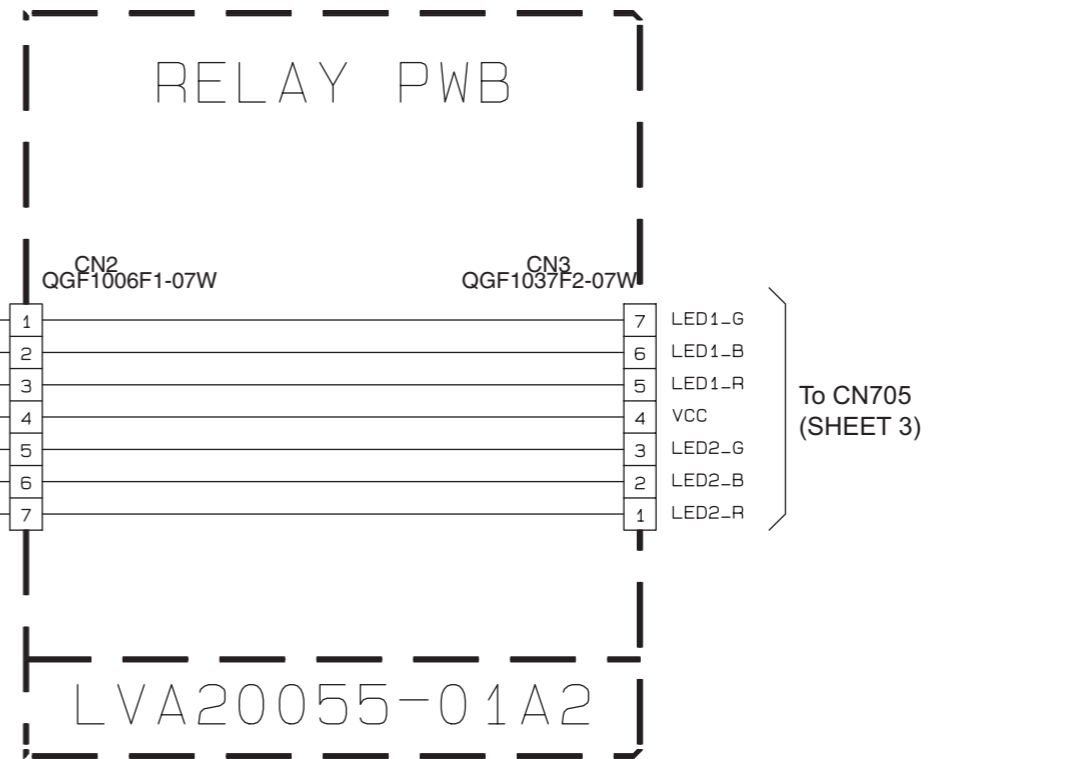
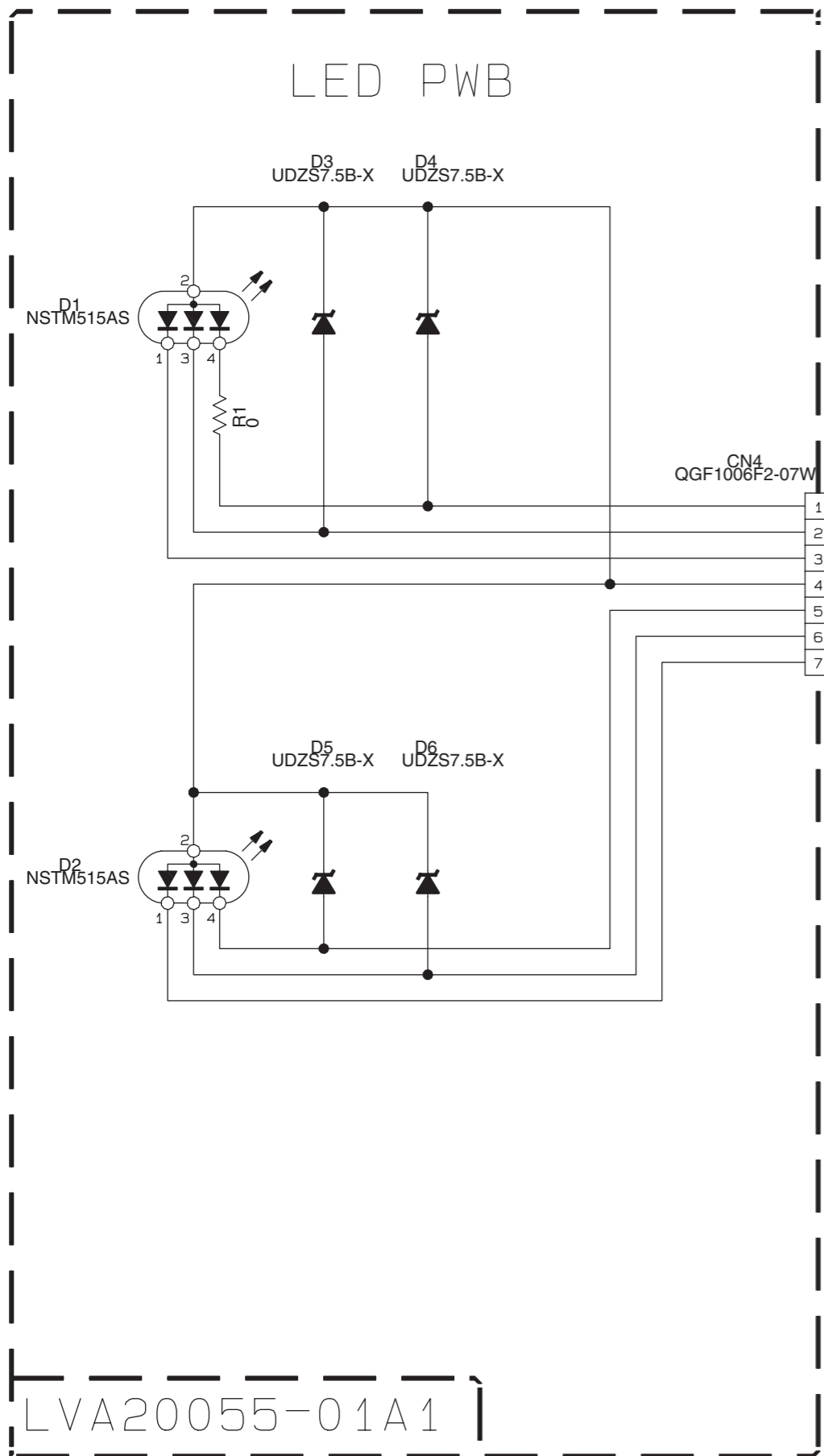
To CN803 (SHEET 2)

To CN107 (SHEET 2)

CD servo control section



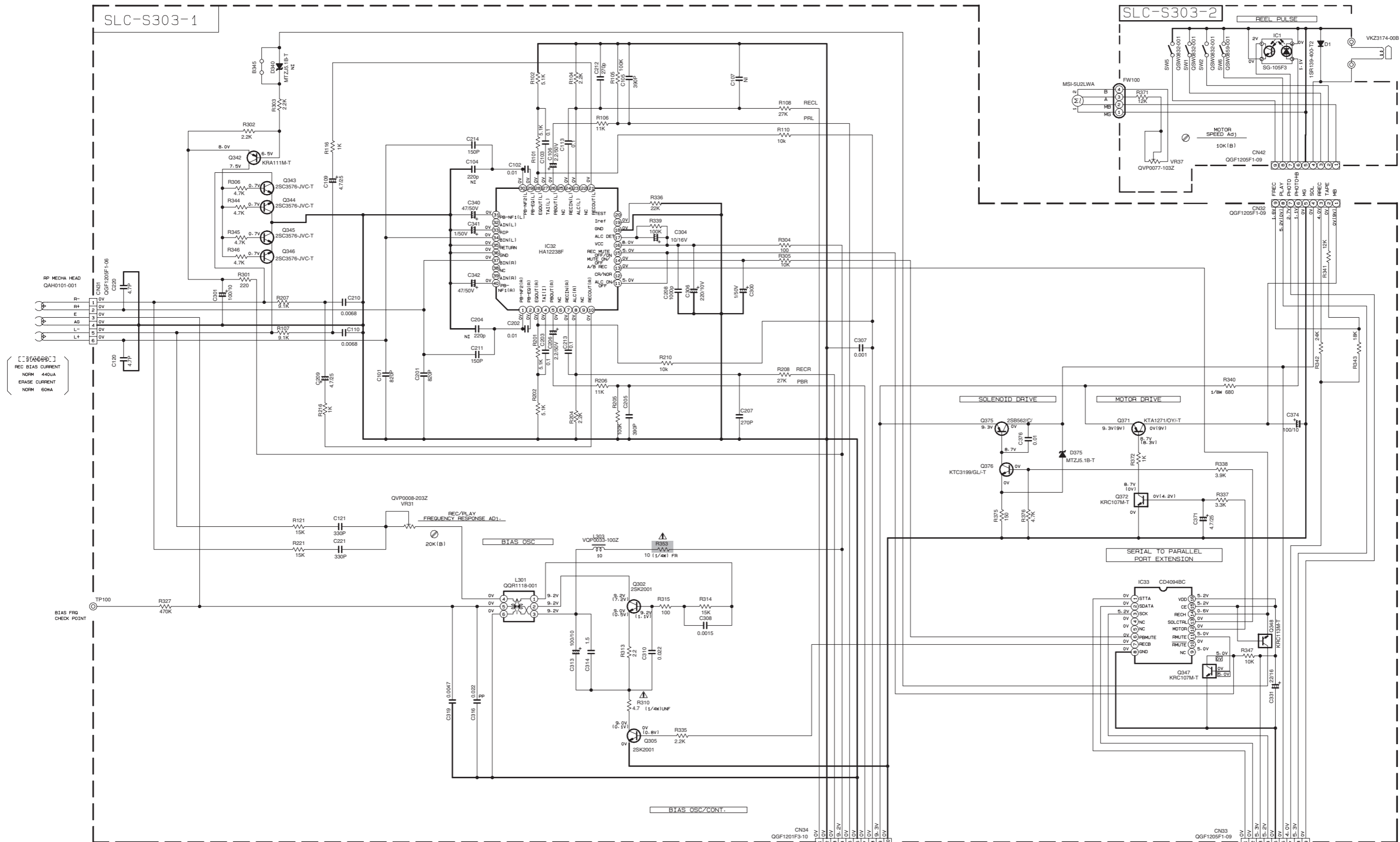
■ LED & CD loading section



To CN705
(SHEET 3)

FROM SERVO PWB
(LVA10486-210A:CN602)
(SHEET 5)

■ Cassette mechanism section



[[STANDARD]]
REC BIAS CURRENT
NORM 440uA
ERASE CURRENT
NORM 60mA

NOTES

1. VOLTAGES ARE DC-MEASURED WITH A DIGITAL VOLT METER OR OSCILLOSCOPE WITHOUT INPUT SIGNAL. CONDITION : MECHA STOP MODE

2. UNLESS OTHERWISE SPECIFIED, RESISTORS ARE 1/10W ±5% METAL GLAZE RESISTOR. ALL RESISTANCE VALUES ARE IN Ω(Ω), K(1K), M(1M). ALL CAPACITORS ARE CERAMIC CAPACITOR OR MYLAR CAPACITOR. ALL CAPACITANCE VALUES ARE IN #F(pF), #M(nF), #U(μF). ALL INDUCTANCE VALUES ARE IN #H(mH). ALL E-CAPACITORS ARE SHOWN IN THE FORM OF CAPACITANCE (#F)/RATED VOLTAGE (V). POLYPROPYLENE CAPACITOR

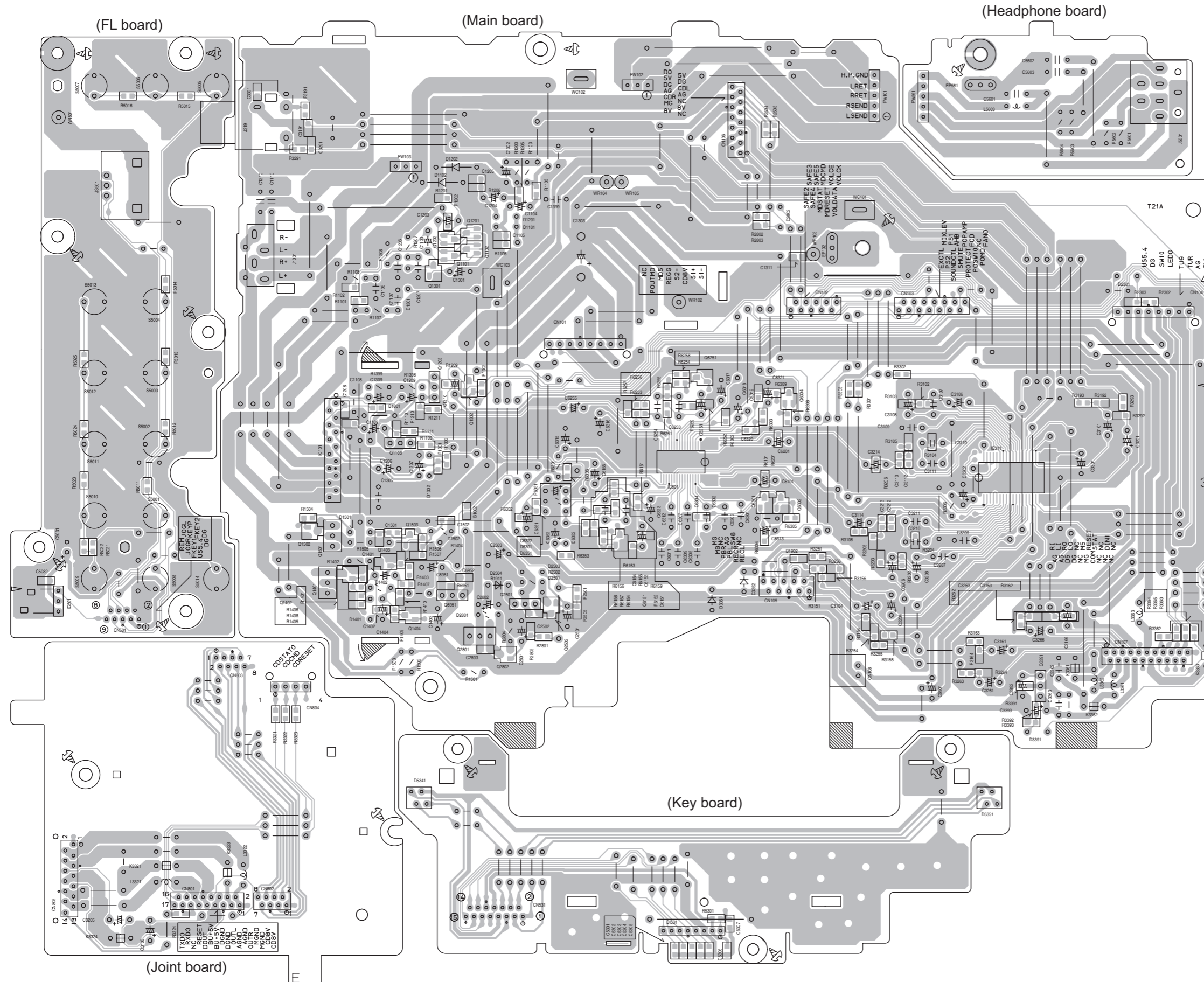
▲ Parts are safety assurance parts. When replacing those parts make sure to use the specified one.

To CN703 (SHEET 3)

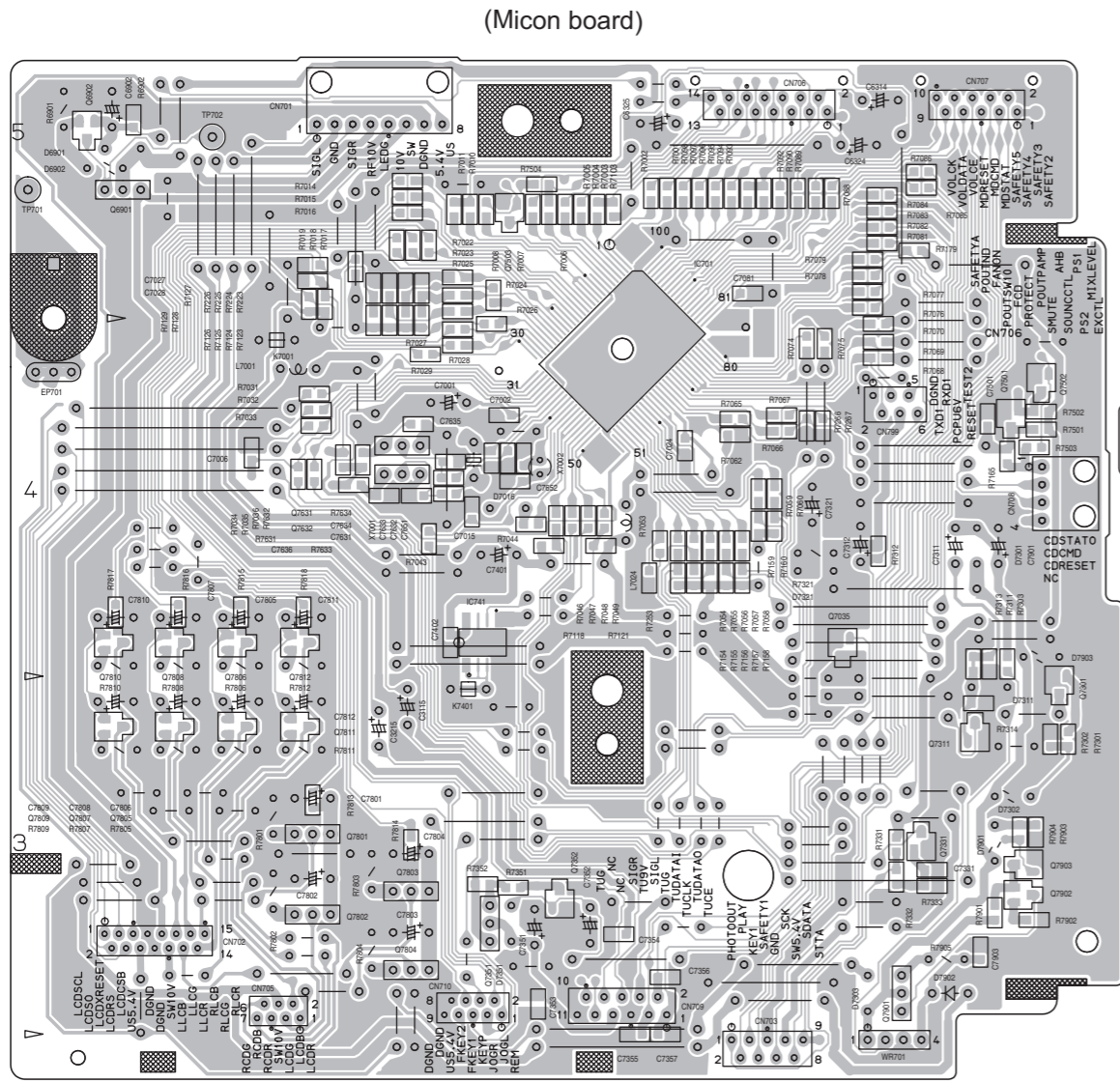
To CN105 (SHEET 2)

Printed circuit boards

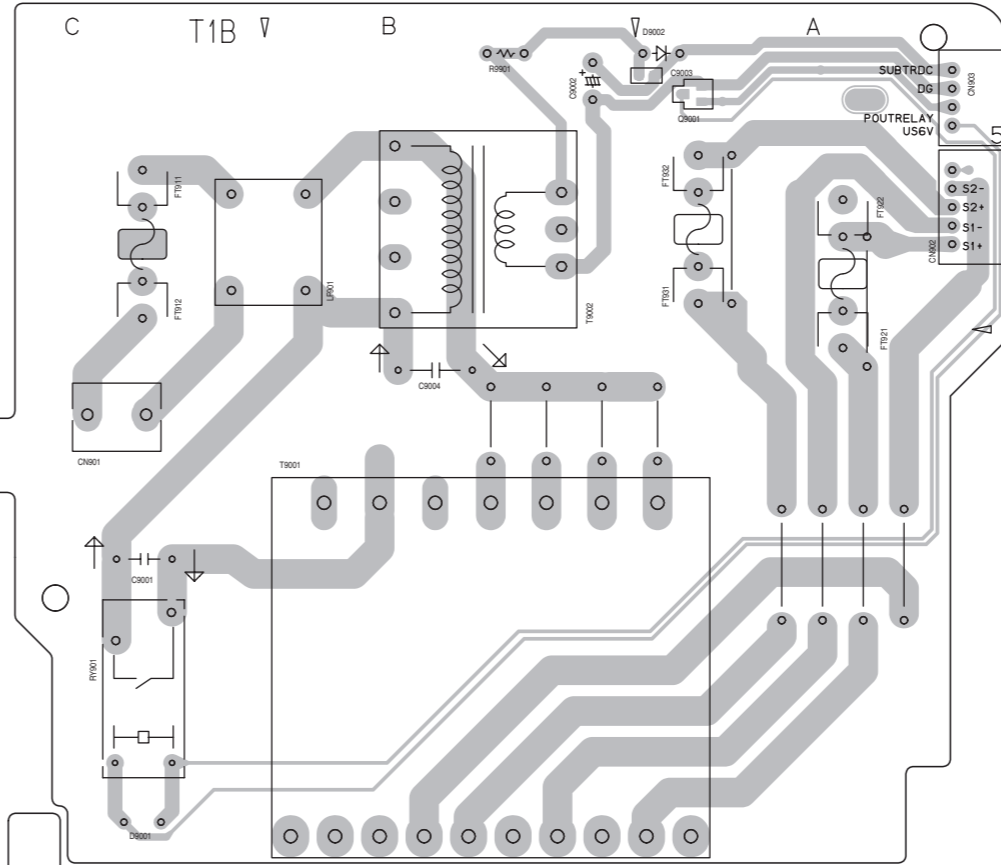
■ Main board



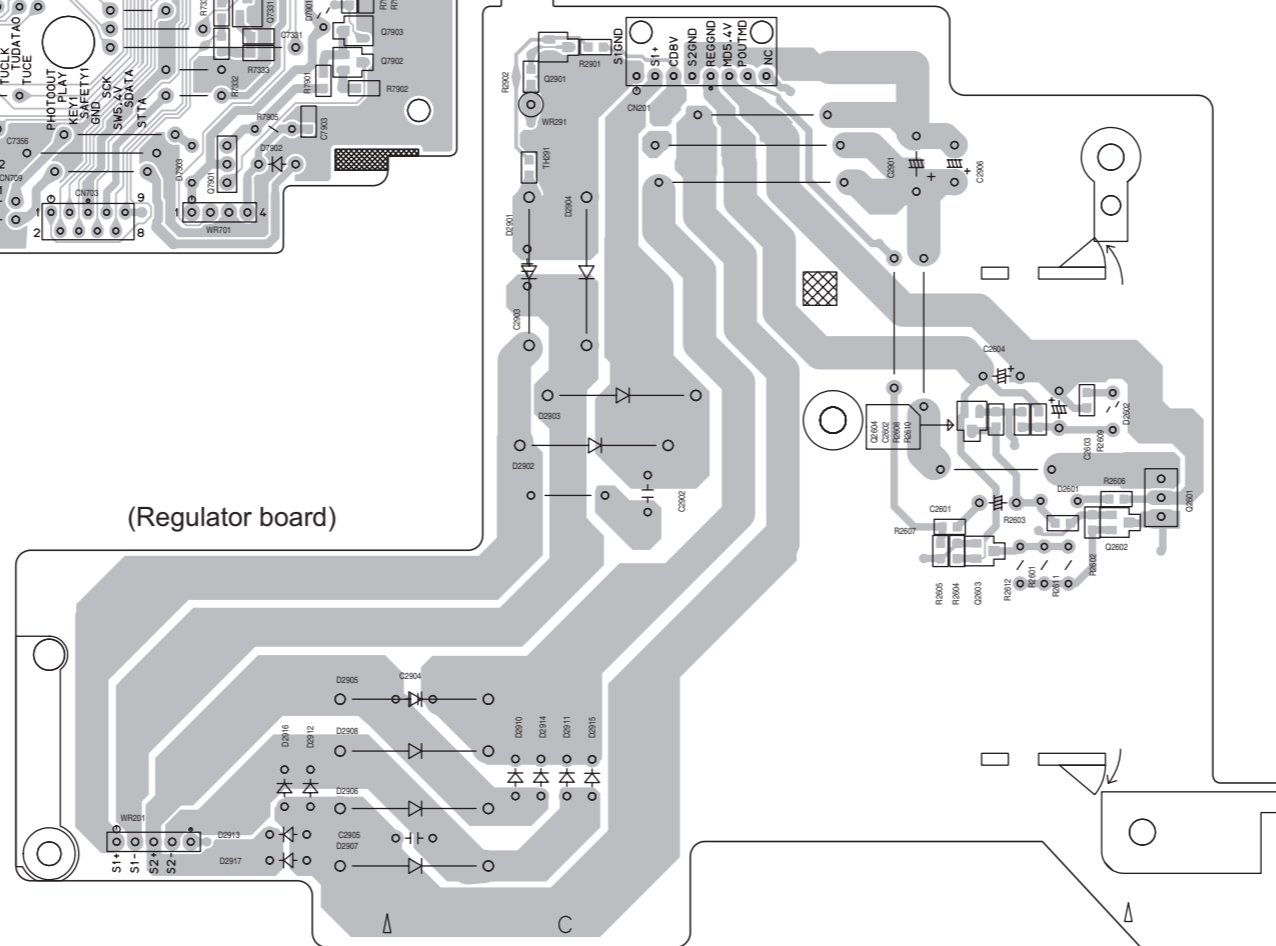
■ Micon board



(Trans board)



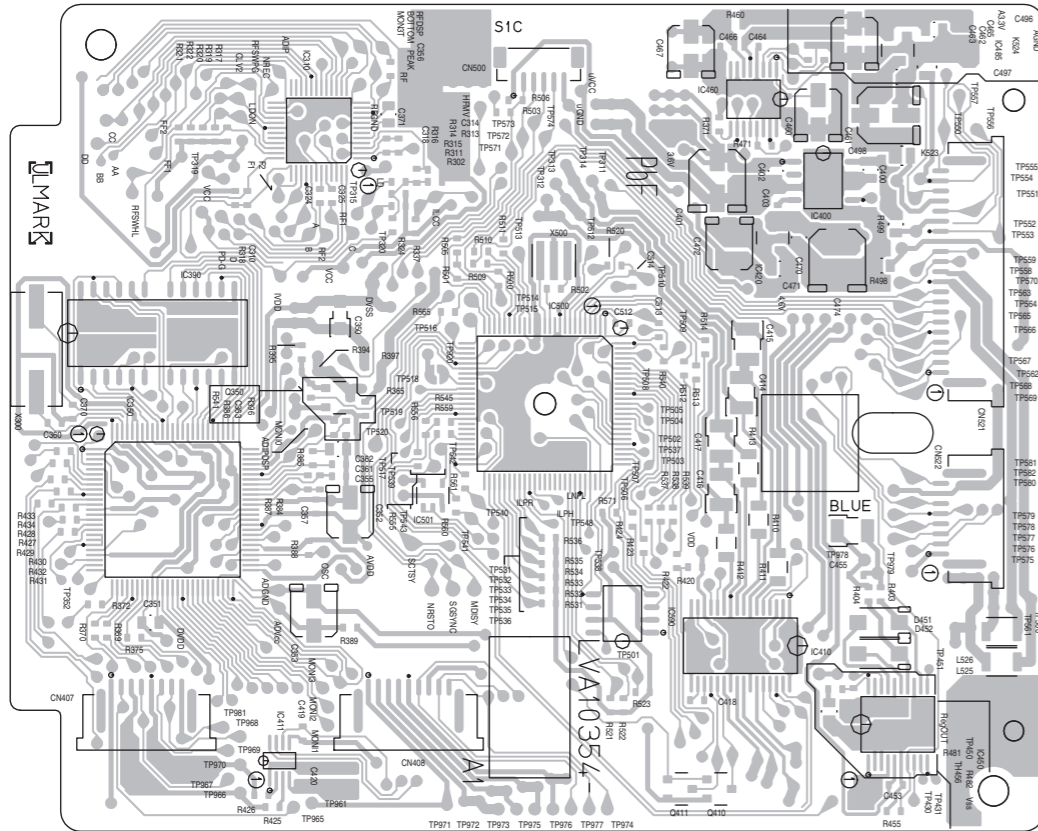
(Regulator board)



■ MD servo board

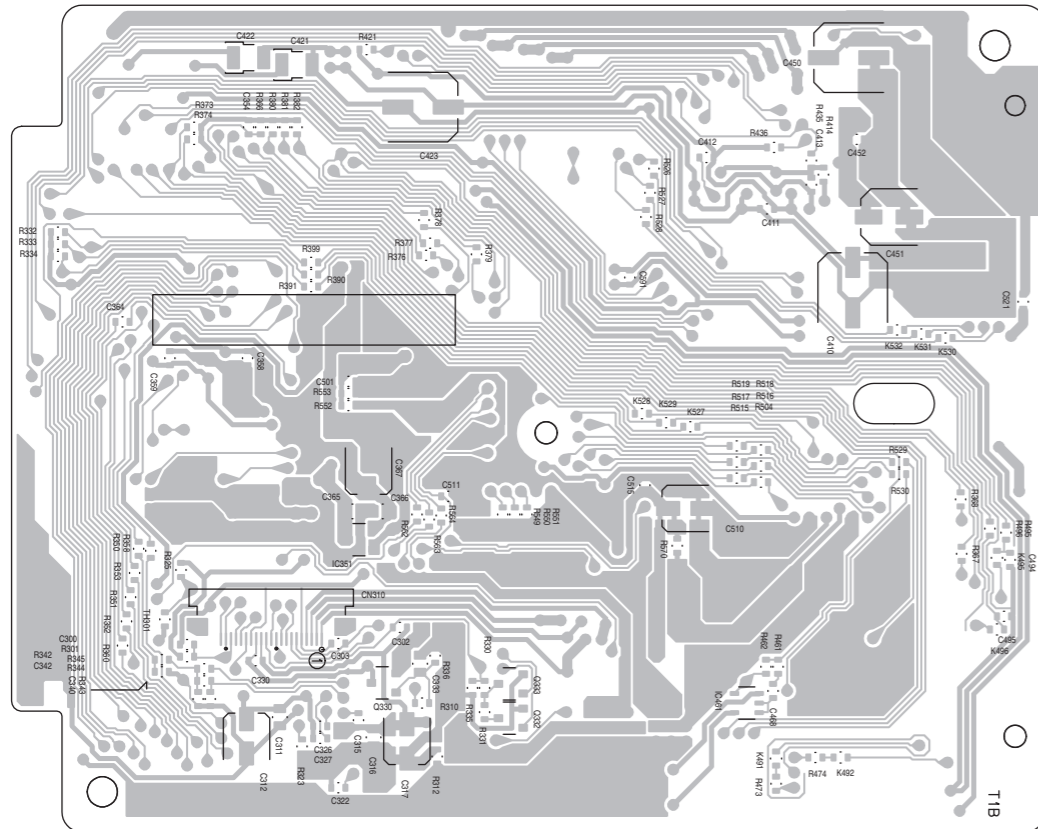
Forward side

(MD servo control board)



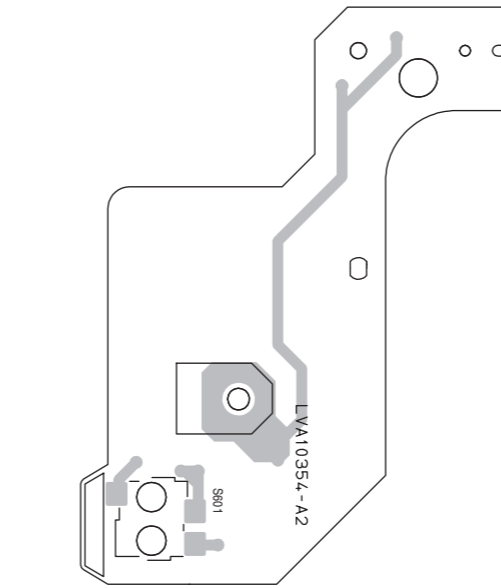
Reverse side

(MD servo control board)



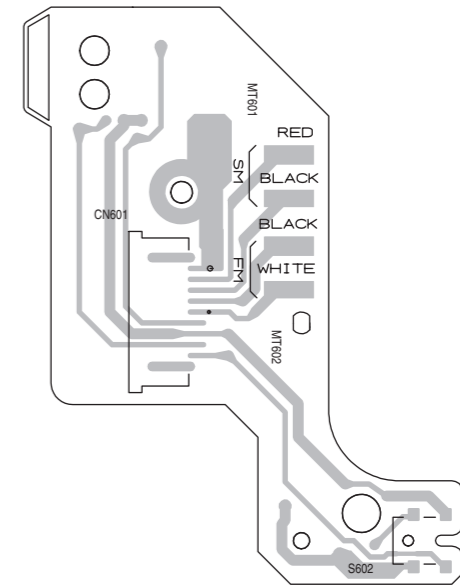
■ Traverse mechanism board

Forward side



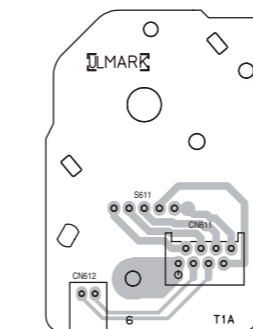
(Traverse mechanism board)

Reverse side



(Traverse mechanism board)

■ MD cam switch board

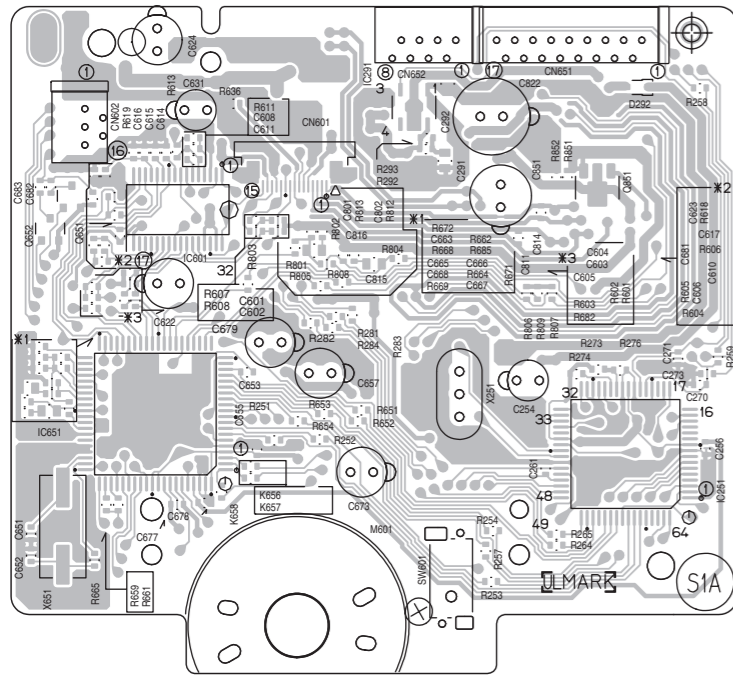


(MD cam switch board)

■ CD servo board

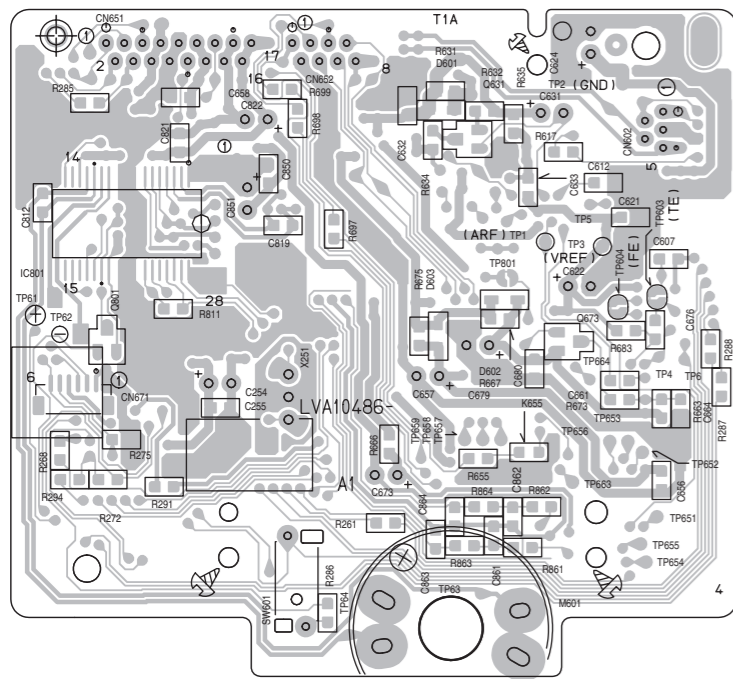
Forward side

(CD servo board)



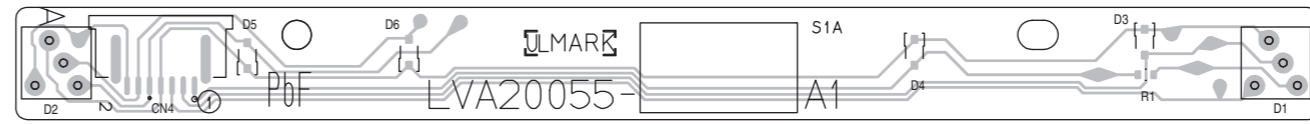
Reverse side

(CD servo board)

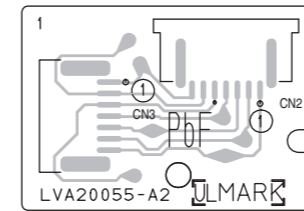


■ LED board

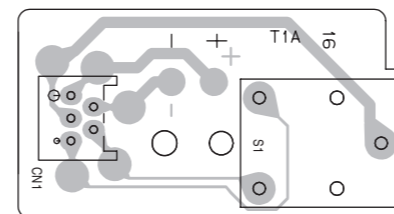
(LED board)



(Joint board)



■ CD switch board



JVC

Victor Company of Japan, Limited

AV & MULTIMEDIA COMPANY AUDIO/VIDEO SYSTEMS CATEGORY 10-1, 1chome, Ohwatari-machi, Maebashi-city, 371-8543, Japan

(No.MB331SCH)



Printed in Japan
VPT

PARTS LIST

[UX-Q1S]
[UX-Q1W]

* All printed circuit boards and its assemblies are not available as service parts.

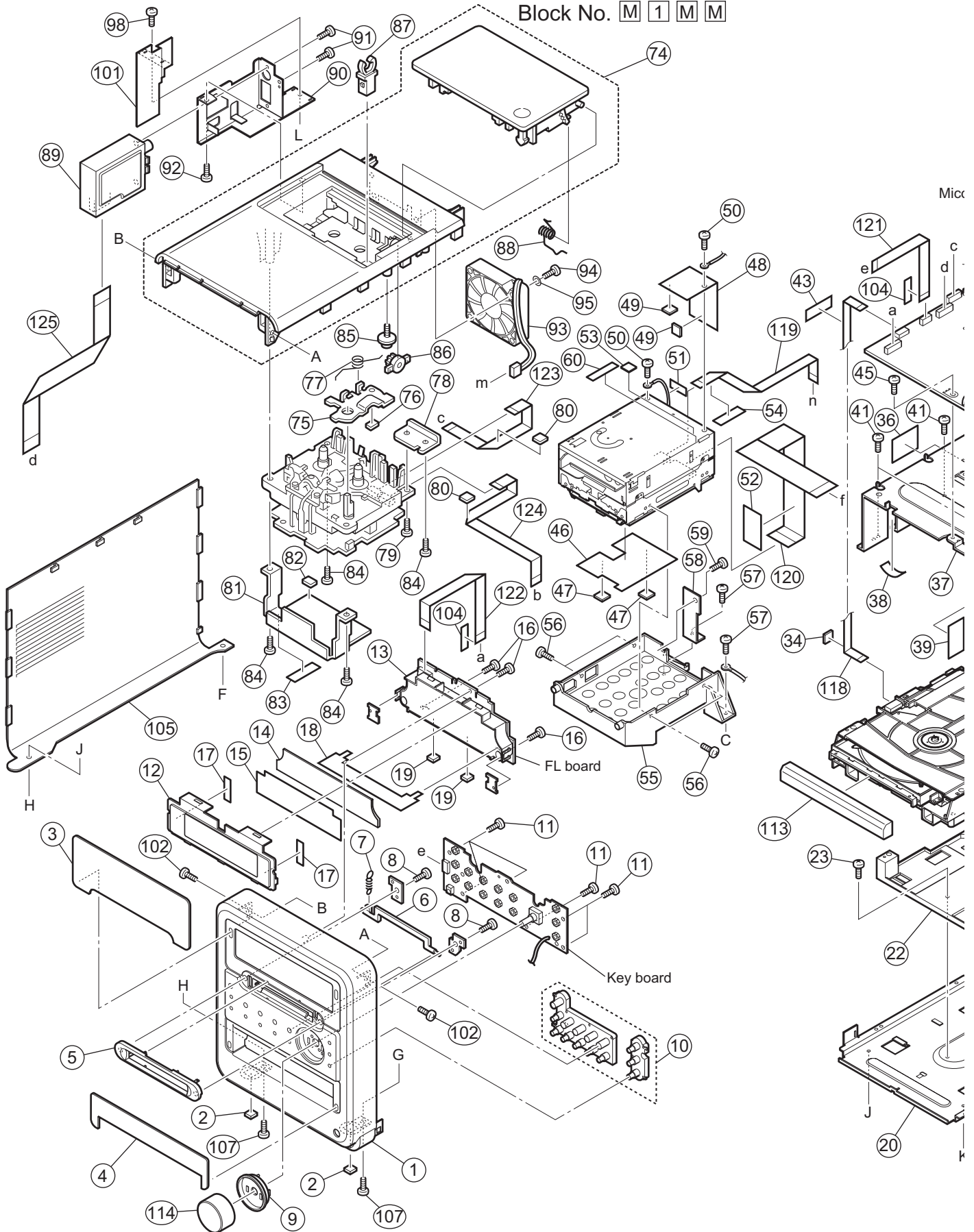
Area suffix

UB ----- Hong Kong

- Contents -

Exploded view of general assembly and parts list (Block No.M1)	3- 2
Speaker assembly and parts list (Block No.M2)	3- 6
CD mechanism assembly and parts list (Block No.MB)	3- 7
CD loading base assembly and parts list (Block No.MD)	3- 9
MD mechanism assembly and parts list (Block No.ME)	3-11
Cassette mechanism assembly and parts list (Block No.MP)	3-13
Electrical parts list (Block No.01~09)	3-15
Packing materials and accessories parts list (Block No.M3).....	3-24

Exploded view of general assembly and parts list



General Assembly

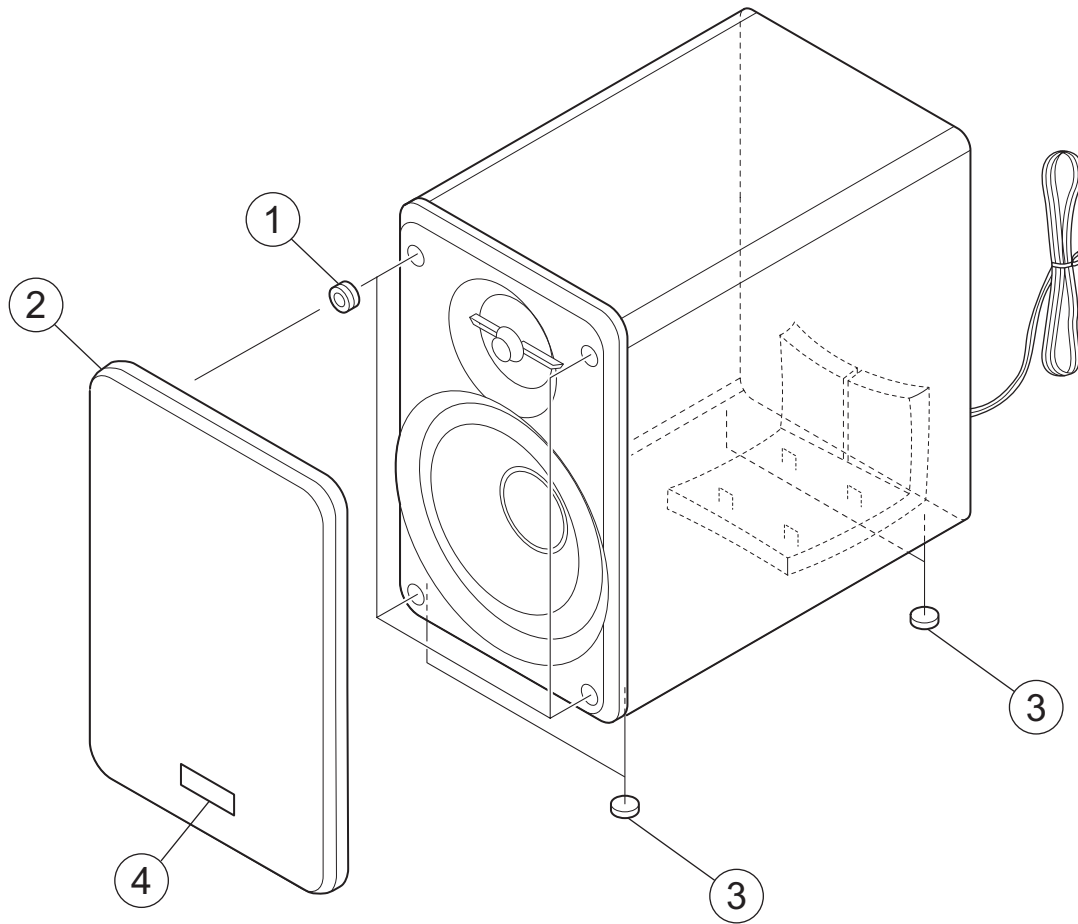
Block No. [M][1][M][M]

△	Symbol No.	Part No.	Part Name	Description	Local
	1	LV10934-001A	FRONT PANEL		Q1S
	1	LV10934-002A	FRONT PANEL		Q1W
	2	LV40301-002A	FELT SPACER	(x2)	
	3	LV21750-009A	FRONT LENS		
	4	LV21751-007A	CD LENS		
	5	LV35062-001A	MD ORNAMENT		
	6	GV30489-003A	MD LID		Q1S
	6	GV30489-004A	MD LID		Q1W
	7	LV43199-001A	SPRING		
	8	QYSDSF2608ZA	TAP SCREW	M2.6 x 8mm(x2)	
	9	GV30527-001A	VOLUME ORNAMENT		
	10	LV21752-001A	MAIN BUTTON		
	11	QYSDSF2608ZA	TAP SCREW	M2.6 x 8mm(x6)	
	12	LV35059-001A	LENS COVER		
	13	LV35060-001A	LCD HOLDER		
	14	LV35061-001A	LIGHT GUIDE		
	15	LV43905-001A	LCD SHEET		
	16	QYSDSF2608ZA	TAP SCREW	M2.6 x 8mm(x3)	
	17	LV30225-0W8A	SPACER	(x2)	
	18	LV44015-001A	SHIELD(B)		
	19	VYSH101-034	SPACER	(x2)	
	20	LV10936-001A	BOTTOM CHASSIS		
	21	LV40301-002A	FELT SPACER	(x2)	
	22	LV21582-003A	MECHA HOLDER		
	23	QYSSST3006ZA	TAP SCREW	M3 x 6mm	
△	24	QQT0451-003	POWER TRANSF	T 9001	
△	25	QMF51W2-1R0-J8	FUSE	F 9001 1A AC250V	
△	26	QMF51W2-3R15-J8	FUSE	F 9003 3.15A AC250V	
	27	LV34403-001A	TRANS SHIELD		
	28	LV30225-0P5A	SPACER	(x2)	
	29	QYSBST4006ZA	TAP SCREW	M4 x 6mm(x3)	
△	30	QZW0033-001	STRAIN RELIEF		
△	31	QMPN160-200-JD	POWER CORD(EK)	2m BLACK	
	32	LV35064-001A	HEAT SINK BKT		
	33	QYSDST3006E	TAP SCREW	M3 x 6mm(x2)	
	34	VYSH101-009	SPACER		
	35	QYSBSF3010ZA	TAP SCREW	M3 x 10mm	
	36	LV42035-002A	LASER CAUTION		
	37	LV21754-001A	CD MECHA BKT		
	38	LV30225-0Q7A	SPACER		
	39	LV30225-0Q2A	SPACER		
	40	LV30225-0U5A	SPACER		
	41	QYSDST3006E	TAP SCREW	M3 x 6mm(x3)	
	42	QYSBSG3008ZA	TAP SCREW	M3 x 8mm(x2)	
	43	LV30225-011A	SPACER		
	44	QYSBSGY3008EA	TAP SCREW	M3 x 8mm	
	45	QYSBSG3008ZA	TAP SCREW	M3 x 8mm	
	46	LV44014-001A	SHIELD(A)		
	47	VYSH101-009	SPACER	(x2)	
	48	LV44024-001A	SHIELD(C)		
	49	VYSH101-009	SPACER	(x2)	
	50	QYSDST3006ZA	TAP SCREW	M3 x 6mm(x2)	
	51	LV30225-011A	SPACER		
	52	LV30225-0M5A	SPACER		
	53	VYSH101-009	SPACER		
	54	LV30225-011A	SPACER		
	55	LV21755-003A	MD HOLDER		
	56	QYSDST3006ZA	TAP SCREW	M3 x 6mm(x4)	
	57	QYSBSG3008ZA	TAP SCREW	M3 x 8mm(x2)	
	58	LV44075-001A	SHIELD(D)		
	59	QYSDST3006ZA	TAP SCREW	M3 x 6mm	
	60	LV30225-011A	SPACER		
	61	LV35065-001A	PWB HOLDER		
	62	QYSBSG3008ZA	TAP SCREW	M3 x 8mm	
	63	LV34406-001A	IC BRACKET(PWR)		
	64	QYSBSG3008ZA	TAP SCREW	M3 x 8mm	
	65	QYSBSG3008ZA	TAP SCREW	M3 x 8mm	
	66	LV30225-0M5A	SPACER		
	67	LV34405-001A	IC BRACKET(RG)		
	68	QYSBSG3010ZA	TAP SCREW	M3 x 10mm(x3)	
	69	LV35066-001A	HEAT SINK		
	70	QYSBSG3014E	TAP SCREW	M3 x 14mm(x2)	
	71	QYSBSG3014E	TAP SCREW	M3 x 14mm	
	72	QYSBSG3014E	TAP SCREW	M3 x 14mm(x2)	

△ Symbol No.	Part No.	Part Name	Description	Local
73	LV30225-0V8A	SPACER	(x2)	
74	LV21844-001A	TOP COVER ASSY		Q1S
74	LV21844-002A	TOP COVER ASSY		Q1W
75	VKL7850-003	EJECT SAFETY		
76	LV30225-0G9A	SPACER		
77	VKW5258-003	TORSION SPRING		
78	LV43116-001A	MECHA BRACKET		
79	QYSBSG3008ZA	TAP SCREW	M3 x 8mm	
80	VYSH101-009	SPACER	(x2)	
81	LV34035-001A	SHIELD		
82	LV30225-0J1A	SPACER		
83	LV30225-0M5A	SPACER		
84	QYSBSF3010ZA	TAP SCREW	M3 x 10mm(x4)	
85	E65923-003	TAPPING SCREW		
86	GV40034-001A	DAMPER ASSY.		
87	GV40220-001A	LACH		
88	LV43579-001A	DOOR SPRING		
89	QAU0346-001	TUNER	TU 1	
90	LV35102-001A	TUNER BKT		
91	QYSBSG3008ZA	TAP SCREW	M3 x 8mm(x2)	
92	QYSBSF3010ZA	TAP SCREW	M3 x 10mm	
93	QAR0312-001	FAN MOTOR		
94	QYSBSF3025ZA	TAP SCREW	M3 x 25mm	
95	LV30226-039A	SPACER		
96	LV44068-001A	BARRIER(A)		
97	VYSH101-009	SPACER		
98	QYSBSG3008ZA	TAP SCREW	M3 x 8mm	
99	LV44069-001A	BARRIER(B)		
100	VYSH101-009	SPACER		
101	LV44070-001A	BARRIER(C)		
102	QYSBSG3010ZA	TAP SCREW	M3 x 10mm(x2)	
103	QYSBSG3008ZA	TAP SCREW	M3 x 8mm	
104	LV30225-011A	SPACER	(x2)	
105	LV10938-001A	SIDE PANEL(L)		Q1S
105	LV10938-002A	SIDE PANEL(L)		Q1W
106	LV10939-001A	SIDE PANEL(R)		Q1S
106	LV10939-002A	SIDE PANEL(R)		Q1W
107	QYSSST3008ZA	TAP SCREW	M3 x 8mm(x2)	
108	LV10937-001A	REAR COVER		
109	LV43861-002A	EARTH PLATE(CD)		
110	QYSBSG3010E	TAP SCREW	M3 x 10mm(x6)	
111	QYSSST3008ZA	TAP SCREW	M3 x 8mm(x3)	
112	GV40526-001A	CAUTION LABEL		
113	LV35063-004A	TRAY FITTING		
114	GV30443-001A	VOLUME KNOB		
115	LV35371-001A	RATING LABEL		Q1S
115	LV35371-002A	RATING LABEL		Q1W
116	QUQ110-1709AJ	FFC WIRE	17pin 9cm	
117	QUQ110-0809AJ	FFC WIRE	8pin 9cm	
118	QUQ410-0710DJ	FFC WIRE	7pin 10cm	
119	QUQH10-0814AJ	FFC WIRE	8pin 14cm	
120	QUQH10-2117AJ	FFC WIRE	21pin 17cm	
121	QUQH10-0914AC	FFC WIRE	9pin 14cm	
122	QUQ410-1518CJ	FFC WIRE	15pin 18cm	
123	QUQ412-0920CJ	FFC WIRE	9pin 20cm	
124	QUQ412-1020DJ	FFC WIRE	10pin 20cm	
125	QUQ412-1124CJ	FFC WIRE	11pin 24cm	

Speaker assembly and parts list

Block No. [M][2][M][M]



Speaker

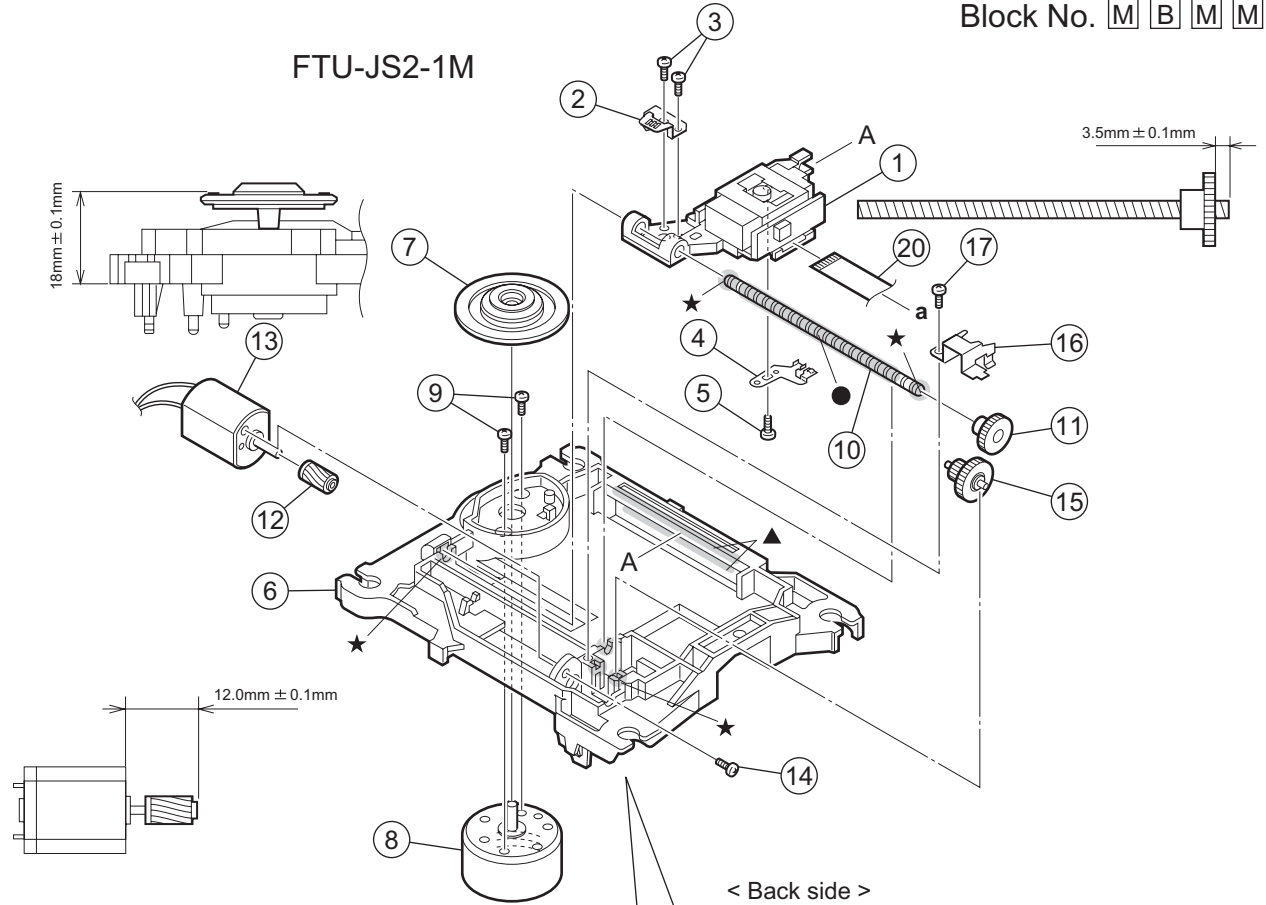
Block No. [M][2][M][M]

△ Symbol No.	Part No.	Part Name	Description	Local
1	5600008011	HOLDER	(x8)	
2	9910008141	NET ASSY	(x2)	Q1S
2	9910008101	NET ASSY	(x2)	Q1W
3	9000007941	FOOT	(x8)	
4	LV43473-002A	JVC MARK	(x2)	

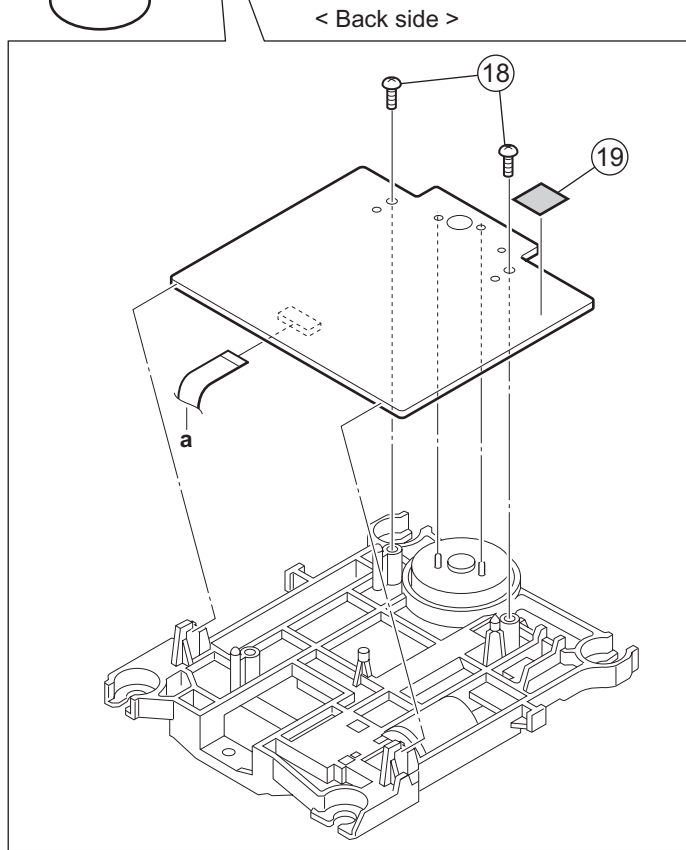
CD mechanism assembly and parts list

Block No. M B M M

FTU-JS2-1M



Grease	
★	JVG-31N
●	JVS-1003
▲	FL-7750E



The parts without symbol number are not service.

CD mechanism

Block No. [M][B][M][M]

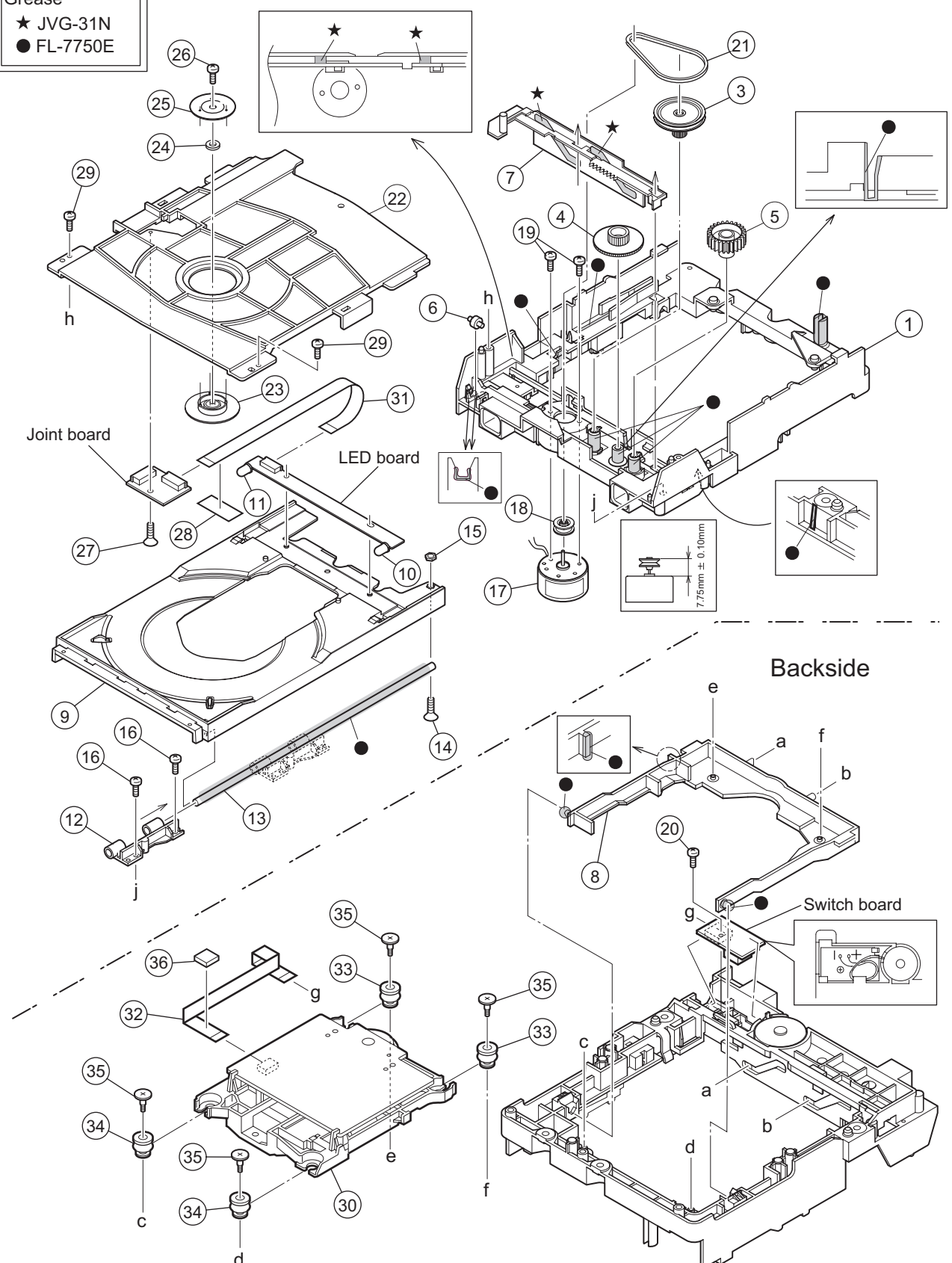
△	Symbol No.	Part No.	Part Name	Description	Local
	1	OPTIMA-725B2	CD PICK UP		
	2	LV34564-001A	RACK ARM		
	3	QYSPSPT1720M	SCREW	M1.7 x 2mm(x2)	
	4	LV31744-001A	P.S.SPRING		
	5	QYSPSGT1425M	TAP SCREW	M1.4 x 2.5mm	
	6	LV10855-001A	TM CHASSIS		
	7	LV43468-001A	T.T ASSY		
	8	QAR0302-001	SPINDLE MOTOR		
	9	VKZ4743-001	SPECIAL SCREW	(x2)	
	10	LV40157-001A	SCREW SHAFT		
	11	LV43651-001A	SS GEAR		
	12	LV43650-001A	F MOTOR GEAR		
	13	QAR0303-001	FEED MOTOR		
	14	QYSPSPT2030M	SCREW	M2 x 3mm	
	15	LV34565-002A	F MIDDLE GEAR		
	16	LV34563-001A	SHAFT HOLDER		
	17	QYSPSFT1740Z	TAP SCREW	M1.7 x 4mm	
	18	QYSBSF2006Z	TAP SCREW	M2 x 6mm(x2)	
	19	LV30225-073A	SPACER		
	20	QUQ105-1506BB	FFC WIRE	15pin 6cm	

CD loading base assembly and parts list

FMU-JS2-1M

Block No. M D M M

Grease
 ★ JVG-31N
 ● FL-7750E



The parts without symbol number are not service.

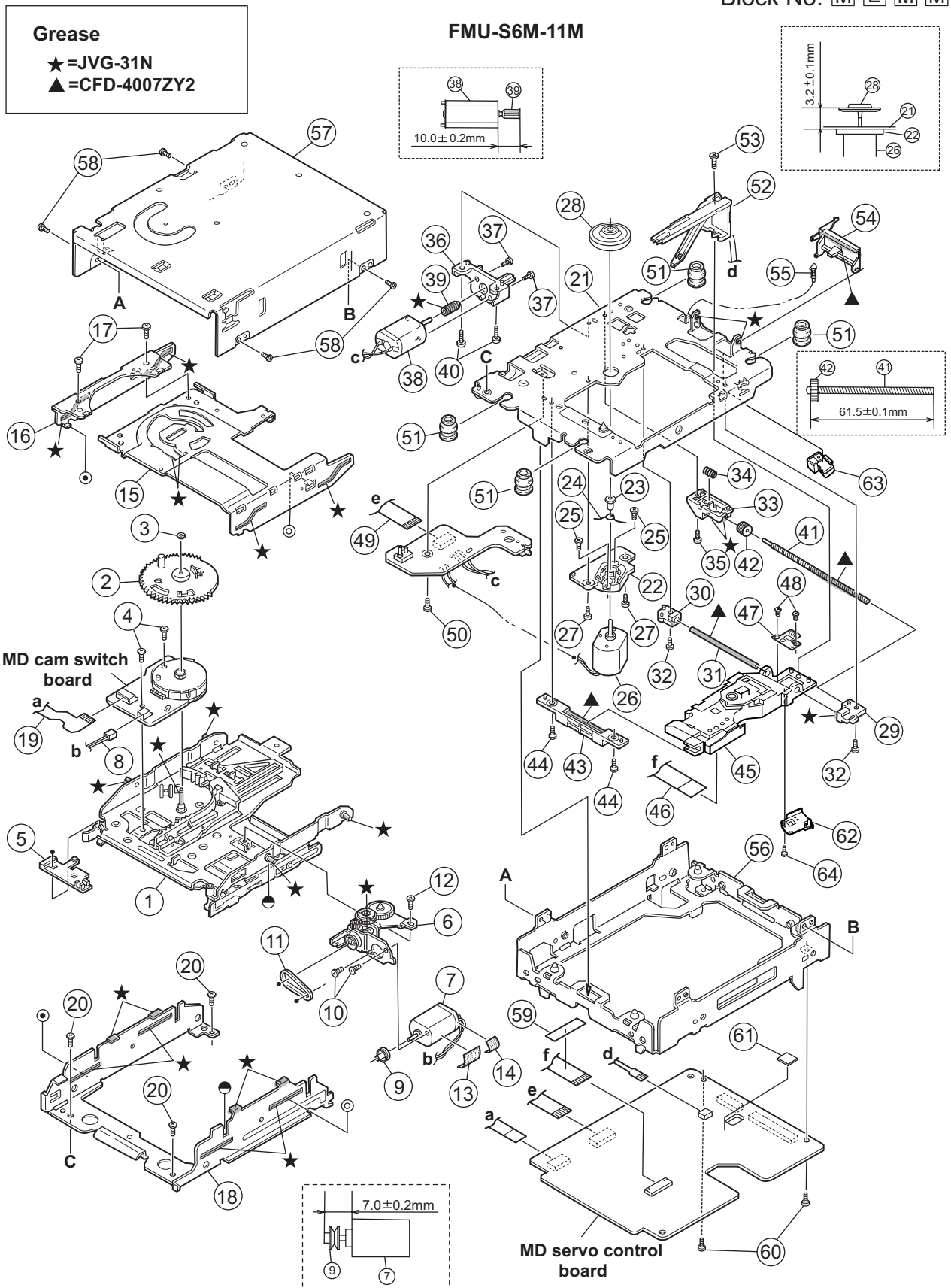
CD loading base

Block No. [M][D][M][M]

△	Symbol No.	Part No.	Part Name	Description	Local
	1	LV10932-002A	LOADING BASE		
	3	LV35052-001A	PULLEY GEAR		
	4	LV35053-001A	MIDDLE GEAR		
	5	LV35054-001A	IDLE GEAR		
	6	LV43859-001A	ROLLER		
	7	LV35055-003A	SLIDE CAM ASSY		
	8	LV21749-001A	ELEVATOR		
	9	LV10933-002A	TRAY		
	10	NSTM515AS	LED		
	11	NSTM515AS	LED		
	12	LV35050-001A	SHAFT GUIDE		
	13	LV43847-001A	SHAFT		
	14	QYSSSP2010ZA	SCREW	M2 x 10mm	
	15	QYNS2000ZA	NUT	M2	
	16	QYSDSF2008Z	TAP SCREW	M2 x 8mm(x2)	
	17	QAR0197-001	MOTOR		
	18	LV43844-001A	MOTOR PULLEY		
	19	QYSPSPU1730Z	SCREW	M1.7 x 3mm(x2)	
	20	QYSDSF2008Z	TAP SCREW	M2 x 8mm	
	21	LV43974-001A	BELT		
	22	LV21747-001A	CLAMPER BASE		
	23	LV34586-001A	CD CLAMPER		
	24	LV42930-003A	P.C.MAGNET		
	25	LV43848-001A	YOKE		
	26	LV43958-001A	SPECIAL SCREW		
	27	LV43958-001A	SPECIAL SCREW		
	28	LV30225-011A	SPACER		
	29	QYSDSF2008Z	TAP SCREW	M2 x 8mm(x2)	
	30	-----	CD TRAMECHA UNI		
	31	QUQ710-0712AE	FFC WIRE	7pin 12cm	
	32	LV43805-001A	FFC		
	33	LE40900-003A	INSULATOR	(x2)	
	34	LE40900-004A	INSULATOR	(x2)	
	35	LE40901-001A	SPECIAL SCREW	(x4)	
	36	VYSH101-034	SPACER		

MD mechanism assembly and parts list

Block No. M E M M



The parts without symbol number are not service.

MD mechanism

Block No. [M][E][M][M]

△	Symbol No.	Part No.	Part Name	Description	Local
	1	LV20548-029A	LOADING ASSY		
	2	LV31472-004A	CAM GEAR		
	3	QYWDL1230252	SLIT WASHER	3mm/1.2mm x 0.25mm	
	4	LV41477-002A	MINI TAP SCREW	(x2)	
	5	LV32168-002A	WIRE HOLDER		
	6	LV31710-002A	L.MOTOR ASSY		
	7	QAR0251-002	MOTOR		
	8	WJMO117-003A	E-SI C WIRE C-F		
	9	LV41341-001A	MOTOR PULLEY		
	10	QYSPSPT2020M	MINI SCREW	M2 x 2mm(x2)	
	11	LV41342-001A	BELT		
	12	LV41477-002A	MINI TAP SCREW		
	13	LV30225-068A	SPACER		
	14	LV30225-085A	SPACER		
	15	LV20543-003A	SLIDE BASE R		
	16	LV31483-001A	SLIDE BASE L		
	17	LV41477-002A	MINI TAP SCREW	(x2)	
	18	LV10286-004A	LOAD.MECHA BASE		
	19	LVB40003-001A	FPC		
	20	LV41477-002A	MINI TAP SCREW	(x3)	
	21	LV31709-004A	TM.CHASSIS ASSY		
	22	LV20545-003A	SP.MOTOR BASE		
	23	LE40515-001A	COLLAR		
	24	LV42825-001A	S.R.SPRING		
	25	QYSPSPU1720N	SCREW	M1.7 x 2mm(x2)	
	26	QAR0179-001	SP.MOTOR		
	27	LV41477-002A	MINI TAP SCREW	(x2)	
	28	LE30470-202A	T.TABLE ASSY		
	29	LV41343-001A	SHAFT HOLDER R		
	30	LV41344-003A	SHAFT HOLDER F		
	31	VKH5803-001	GUIDE SHAFT		
	32	LV41477-002A	MINI TAP SCREW	(x2)	
	33	LV31484-001A	T.SPRING HOLDER		
	34	LV41350-001A	COMP.SPRING		
	35	LV41477-002A	MINI TAP SCREW		
	36	LV31485-001A	FEED MOTOR BKT		
	37	QYSPSPT2025N	MINI SCREW	M2 x 2.5mm(x2)	
	38	QAR0144-003	MOTOR		
	39	LV41345-001A	FEED WORM		
	40	LV41477-002A	MINI TAP SCREW	(x2)	
	41	LV42702-001A	SCREW SHAFT		
	42	LV41347-001A	S.SHAFT GEAR		
	43	LV33594-001A	PICK UP GUIDE		
	44	LV41477-002A	MINI TAP SCREW	(x2)	
△	45	QAL0424-003	MD PICK UP		
	46	QAL0430-001	FPC CABLE		
	47	LV41348-001A	RACK SPRING		
	48	QYSPSGT1425N	TAP SCREW	M1.4 x 2.5mm(x2)	
	49	WJT0042-001A	E-CARD WIRE		
	50	LV41477-002A	MINI TAP SCREW		
	51	LV40761-003A	INSULATOR	(x4)	
	52	QAH0089-003	MD HEAD		
	53	QYSPSGU1735M	TAP SCREW	M1.7 x 3.5mm	
	54	LV31487-004A	HEAD LIFTER		
	55	LV41349-001A	H.LIFTER SPRING		
	56	LV10284-002A	SINGLE FRAME		
	57	LV10285-005A	MECHA COVER		
	58	LV41477-002A	MINI TAP SCREW	(x4)	
	59	LV30225-096A	SPACER		
	60	VKZ4539-024	MINI SCREW	(x2)	
	61	LV30225-073A	SPACER		
	62	LV33488-001A	H.WIRE HOLDER 1		
	63	LV33606-001A	H.WIRE HOLDER 2		
	64	QYSPSGU1735M	TAP SCREW	M1.7 x 3.5mm	

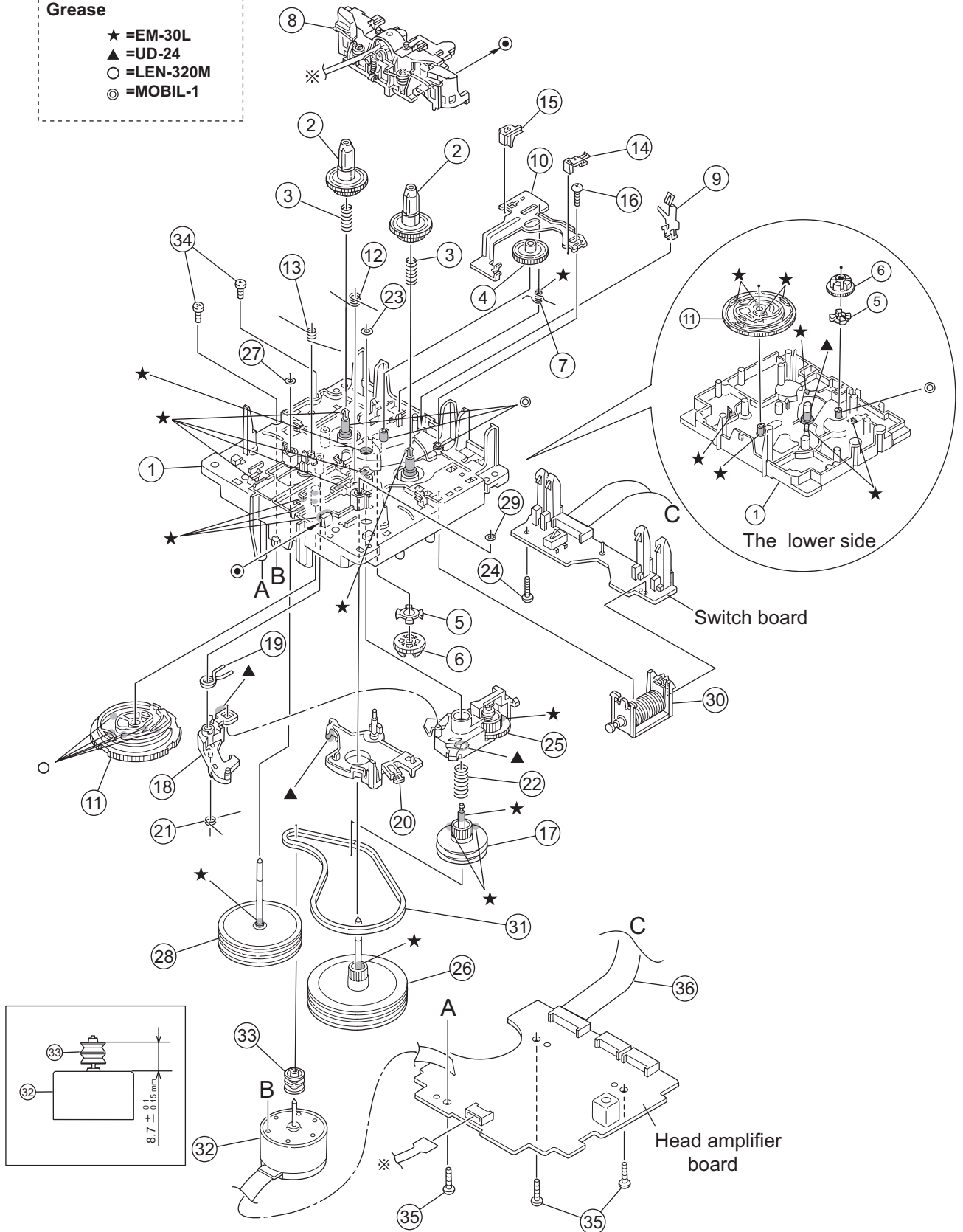
Cassette mechanism assembly and parts list

Block No. M P M M

SLC-S302M

Grease

- ★ =EM-30L
- ▲ =UD-24
- =LEN-320M
- ◎ =MOBIL-1



The parts without symbol number are not service.

Cassette mechanism

Block No. [M][P][M][M]

△	Symbol No.	Part No.	Part Name	Description	Local
	1	VKS1165-00N	CHASSIS B. ASSY		
	2	VKS2274-002	REEL GEAR	(x2)	
	3	VKW5286-002	B.T. SPRING	(x2)	
	4	VKS5559-001	PLAY IDLE GEAR		
	5	VKS5595-002	BLIND		
	6	VKS5560-003	FR IDLE GEAR		
	7	LV42013-001A	EARTH SPRING		
	8	SLC-RP4SVM	HEAD MOUNT ASSY		
	9	VKY3149-002	CASSETTE SP.		
	10	LV31786-002A	PLAY LEVER		
	11	VKS1166-003	CONTROL CAM		
	12	VKW5279-002	HEAD BASE SP(R)		
	13	VKW5280-001	HEAD BASE SP(L)		
	14	LV41584-001A	BRAKE(R)		
	15	LV41585-003A	BRAKE(L)		
	16	QYSBSF2005Z	SCREW	2mm x 5mm	
	17	VKS5603-00G	MAIN PULLEY ASS		
	18	VKS3785-001MM	FR ARM		
	19	VKW5284-002	SWING SPRING		
	20	VKS2278-003	TRIGGER ARM		
	21	VKW5301-001	FR SPRING		
	22	VKW5266-001	ELEVATOR SPRING		
	23	WDL214025	WASHER		
	24	QYSBSF2005Z	SCREW	2mm x 5mm	
	25	VKS3786-00G	CLUTCH ASSY		
	26	VKF3205-00B	F.WHEEL ASSY(R)		
	27	WDL183425	SLIT WASHER		
	28	VKF3207-00C	F.WHEEL ASSY(L)		
	29	WDL173525-6	SLIT WASHER		
	30	VKZ3174-00B	DC SOLENOID		
	31	LV42836-001A	CAPSTAN BELT		
	32	MSI-5U2LWA	D.C.MOTOR		
	33	VKR4761-003	MOTOR PULLEY		
	34	QYSPSP2604Z	SCREW	2.6mm x 4mm(x2)	
	35	QYSBSF2608Z	TAPPING SCREW	2.6mm x 8mm(x3)	
	36	QUQH12-0906BF	WIRE		

Electrical parts list

Main board

Block No. [0][1]					Symbol No.	Part No.	Part Name	Description	Local
△	IC101	LA4628	IC		C1401	QENC1HM-105Z	BP E CAPACITOR	1uF 50V M	
	IC311	LC75345M-X	IC		C1402	NCB31HK-561X	C CAPACITOR	560pF 50V K	
	IC501	GP1UM261XKVF	IR DETECT UNIT		C1403	QETN1CM-227Z	E CAPACITOR	220uF 16V M	
	IC601	AN17140A-W	ALPHA S IC		C1404	QETN1HM-104Z	E CAPACITOR	0.1uF 50V M	
	Q1101	UN211E-X	DIGI TRANSISTOR		C2501	QTE1C06-226Z	E CAPACITOR	22uF 16V	
	Q1102	UN211E-X	DIGI TRANSISTOR		C2502	NCB31HK-103X	C CAPACITOR	0.01uF 50V K	
	Q1103	2SC3576-JVC-T	TRANSISTOR		C2503	QTE1C06-476Z	E CAPACITOR	47uF 16V	
	Q1201	UN211E-X	DIGI TRANSISTOR		C2801	QETN1HM-226Z	E CAPACITOR	22uF 50V M	
	Q1202	UN211E-X	DIGI TRANSISTOR		C2802	QETN1AM-107Z	E CAPACITOR	100uF 10V M	
	Q1203	2SC3576-JVC-T	TRANSISTOR		C2803	NCB31HK-103X	C CAPACITOR	0.01uF 50V K	
	Q1301	UN221E-X	TRANSISTOR		C3101	QETN1HM-475Z	E CAPACITOR	4.7uF 50V M	
	Q1302	2SB709A/R/-X	TRANSISTOR		C3104	QETN1HM-475Z	E CAPACITOR	4.7uF 50V M	
△	Q1401	2SB941A/QP/	TRANSISTOR		C3105	QTE1H15-106Z	E CAPACITOR	10uF 50V	
	Q1402	2SD601A/RS/-X	TRANSISTOR		C3106	QETN1HM-475Z	E CAPACITOR	4.7uF 50V M	
	Q1403	2SD601A/RS/-X	TRANSISTOR		C3107	QFG32AJ-472Z	PP CAPACITOR	4700pF 100V J	
	Q1404	2SD601A/RS/-X	TRANSISTOR		C3108	QETN1HM-475Z	E CAPACITOR	4.7uF 50V M	
△	Q2501	KTA1271/OY/-T	TRANSISTOR		C3109	QFN31HJ-222Z	M CAPACITOR	2200pF 50V J	
	Q2502	2SD601A/RS/-X	TRANSISTOR		C3110	QFVF1HJ-104Z	MF CAPACITOR	0.1uF 50V J	
△	Q2801	KTB772/Y/	TRANSISTOR		C3111	QFVF1HJ-104Z	MF CAPACITOR	0.1uF 50V J	
	Q2802	2SD601A/RS/-X	TRANSISTOR		C3112	NDC31HJ-181X	C CAPACITOR	180pF 50V J	
	Q3391	KTC3199/GL/-T	TRANSISTOR		C3113	NDC31HJ-181X	C CAPACITOR	180pF 50V J	
	Q6151	2SD601A/RS/-X	TRANSISTOR		C3161	QETN1HM-475Z	E CAPACITOR	4.7uF 50V M	
	Q6251	2SD601A/RS/-X	TRANSISTOR		C3163	NCB31HK-221X	C CAPACITOR	220pF 50V K	
	Q6301	2SD601A/RS/-X	TRANSISTOR		C3166	QETN1HM-475Z	E CAPACITOR	4.7uF 50V M	
	Q6304	2SD601A/RS/-X	TRANSISTOR		C3191	NCB31HK-561X	C CAPACITOR	560pF 50V K	
△	Q6951	KTC3199/GL/-T	TRANSISTOR		C3201	QETN1HM-475Z	E CAPACITOR	4.7uF 50V M	
	D1101	1SS133-T2	DIODE		C3202	QETN1HM-475Z	E CAPACITOR	4.7uF 50V M	
	D1102	11EQS03LN-T2	FR DIODE		C3205	QTE1H15-106Z	E CAPACITOR	10uF 50V	
	D1201	1SS133-T2	DIODE		C3206	QETN1HM-475Z	E CAPACITOR	4.7uF 50V M	
	D1202	11EQS03LN-T2	FR DIODE		C3207	QFG32AJ-472Z	PP CAPACITOR	4700pF 100V J	
	D1301	1SS133-T2	DIODE		C3208	QETN1HM-475Z	E CAPACITOR	4.7uF 50V M	
	D1401	1SS133-T2	DIODE		C3209	QFN31HJ-222Z	M CAPACITOR	2200pF 50V J	
	D1402	MTZJ10A-T2	Z DIODE		C3210	QFVF1HJ-104Z	MF CAPACITOR	0.1uF 50V J	
	D2301	1SS133-T2	DIODE		C3211	QFVF1HJ-104Z	MF CAPACITOR	0.1uF 50V J	
	D2501	1SS133-T2	DIODE		C3212	NDC31HJ-181X	C CAPACITOR	180pF 50V J	
	D2503	1SS133-T2	DIODE		C3213	NDC31HJ-181X	C CAPACITOR	180pF 50V J	
	D2801	MTZJ5.6A-T2	Z DIODE		C3261	QETN1HM-475Z	E CAPACITOR	4.7uF 50V M	
	D2802	1SS133-T2	DIODE		C3263	NCB31HK-221X	C CAPACITOR	220pF 50V K	
	D3351	1N4003S-T5	SI DIODE		C3266	QETN1HM-475Z	E CAPACITOR	4.7uF 50V M	
	D3352	1N4003S-T5	SI DIODE		C3291	NCB31HK-561X	C CAPACITOR	560pF 50V K	
	D3391	1SS133-T2	DIODE		C3301	QTE1A28-107Z	E CAPACITOR	100uF 10V	
	D5341	NSTM515AS	LED		C3302	QETN1AM-337Z	E CAPACITOR	330uF 10V M	
	D5351	NSTM515AS	LED		C3362	QFVF1HJ-104Z	MF CAPACITOR	0.1uF 50V J	
	D6301	MTZJ4.7C-T2	Z DIODE		C3363	QFVF1HJ-104Z	MF CAPACITOR	0.1uF 50V J	
	D6351	1SS133-T2	DIODE		C3391	NCB31HK-333X	C CAPACITOR	0.033uF 50V K	
	D6352	1SS133-T2	DIODE		C3392	QETN1AM-227Z	E CAPACITOR	220uF 10V M	
	C1103	QENC1EM-106Z	BP E CAPACITOR	10uF 25V M	C3393	QETN1AM-107Z	E CAPACITOR	100uF 10V M	
	C1104	QETN1HM-475Z	E CAPACITOR	4.7uF 50V M	C5031	QEKJ1CM-476Z	E CAPACITOR	47uF 16V M	
	C1105	NCB31CK-473X	C CAPACITOR	0.047uF 16V K	C5032	NCB31HK-102X	C CAPACITOR	1000pF 50V K	
	C1106	QFVF1HJ-104Z	MF CAPACITOR	0.1uF 50V J	C5301	NDC31HJ-101X	C CAPACITOR	100pF 50V J	
	C1107	QFVF1HJ-104Z	MF CAPACITOR	0.1uF 50V J	C5302	NDC31HJ-101X	C CAPACITOR	100pF 50V J	
	C1108	NDC31HJ-151X	C CAPACITOR	150pF 50V J	C5303	NDC31HJ-101X	C CAPACITOR	100pF 50V J	
	C1109	QTE1V06-106Z	E CAPACITOR	10uF 35V	C5304	NCS31HJ-470X	C CAPACITOR	47pF 50V J	
	C1203	QENC1EM-106Z	BP E CAPACITOR	10uF 25V M	C5305	NCS31HJ-470X	C CAPACITOR	47pF 50V J	
	C1204	QETN1HM-475Z	E CAPACITOR	4.7uF 50V M	C5306	NCF31AZ-105X	C CAPACITOR	1uF 10V Z	
	C1205	NCB31CK-473X	C CAPACITOR	0.047uF 16V K	C5307	NCF31AZ-105X	C CAPACITOR	1uF 10V Z	
	C1206	QFVF1HJ-104Z	MF CAPACITOR	0.1uF 50V J	C5601	QCB1HK-103Y	C CAPACITOR	0.01uF 50V K	
	C1207	QFVF1HJ-104Z	MF CAPACITOR	0.1uF 50V J	C5602	QDGB1HK-102Y	C CAPACITOR	1000pF 50V K	
	C1208	NDC31HJ-151X	C CAPACITOR	150pF 50V J	C5603	QDGB1HK-102Y	C CAPACITOR	1000pF 50V K	
	C1209	QTE1V06-106Z	E CAPACITOR	10uF 35V	C6151	QETN1HM-474Z	E CAPACITOR	0.47uF 50V M	
	C1302	QETN1CM-107Z	E CAPACITOR	100uF 16V M	C6153	QFLC1HJ-823Z	M CAPACITOR	0.082uF 50V J	
△	C1303	QEZ0578-828	E CAPACITOR	8200uF	C6154	QFLC1HJ-823Z	M CAPACITOR	0.082uF 50V J	
	C1305	QFVC1HJ-474Z	MF CAPACITOR	0.47uF 50V J	C6155	QTE1V39-106Z	E CAPACITOR	10uF 35V	
	C1306	QETN1HM-474Z	E CAPACITOR	0.47uF 50V M	C6251	QETN1HM-474Z	E CAPACITOR	0.47uF 50V M	
	C1307	QETN1HM-336Z	E CAPACITOR	33uF 50V M	C6253	QFLC1HJ-823Z	M CAPACITOR	0.082uF 50V J	
	C1309	QTE1E28-107Z	E CAPACITOR	100uF 25V	C6254	QFLC1HJ-823Z	M CAPACITOR	0.082uF 50V J	
	C1310	QETN1HM-226Z	E CAPACITOR	22uF 50V M	C6255	QTE1V39-106Z	E CAPACITOR	10uF 35V	
	C1311	NCB31HK-103X	C CAPACITOR	0.01uF 50V K	C6301	QFLC1HJ-102Z	M CAPACITOR	1000pF 50V J	
	C1399	QFLC1HJ-103Z	M CAPACITOR	0.01uF 50V J	C6302	QFLC1HJ-273Z	M CAPACITOR	0.027uF 50V J	
					C6303	QFLC1HJ-332Z	M CAPACITOR	3300pF 50V J	
					C6305	QFLC1HJ-562Z	M CAPACITOR	5600pF 50V J	
					C6307	QFLC1HJ-392Z	M CAPACITOR	3900pF 50V J	
					C6309	QFLC1HJ-392Z	M CAPACITOR	3900pF 50V J	
					C6311	QFLC1HJ-222Z	M CAPACITOR	2200pF 50V J	
					C6312	QFLC1HJ-152Z	M CAPACITOR	1500pF 50V J	
					C6313	QETN1CM-226Z	E CAPACITOR	22uF 16V M	

△ Symbol No.	Part No.	Part Name	Description	Local	△ Symbol No.	Part No.	Part Name	Description	Local
C6315	QETN1AM-337Z	E CAPACITOR	330uF 10V M		R3254	NRSA63J-822X	MG RESISTOR	8.2kΩ 1/16W J	
C6316	QTE1C28-107Z	E CAPACITOR	100uF 16V		R3255	NRSA63J-332X	MG RESISTOR	3.3kΩ 1/16W J	
C6317	QETN1HM-474Z	E CAPACITOR	0.47uF 50V M		R3262	NRSA63J-472X	MG RESISTOR	4.7kΩ 1/16W J	
C6318	QETN1HM-474Z	E CAPACITOR	0.47uF 50V M		R3263	NRSA63J-272X	MG RESISTOR	2.7kΩ 1/16W J	
C6319	NCB31HK-123X	C CAPACITOR	0.012uF 50V K		R3264	NRSA63J-242X	MG RESISTOR	2.4kΩ 1/16W J	
C6320	NCB31HK-682X	C CAPACITOR	6800pF 50V K		R3291	NRSA63J-202X	MG RESISTOR	2kΩ 1/16W J	
C6321	QETN1HM-106Z	E CAPACITOR	10uF 50V M		R3292	NRSA63J-303X	MG RESISTOR	30kΩ 1/16W J	
C6322	QETN1CM-107Z	E CAPACITOR	100uF 16V M		R3293	NRSA63J-273X	MG RESISTOR	27kΩ 1/16W J	
C6323	QETN1CM-476Z	E CAPACITOR	47uF 16V M		R3301	NRSA63J-222X	MG RESISTOR	2.2kΩ 1/16W J	
C6351	QETN1HM-105Z	E CAPACITOR	1uF 50V M		R3302	NRSA63J-222X	MG RESISTOR	2.2kΩ 1/16W J	
C6352	QETN1HM-106Z	E CAPACITOR	10uF 50V M		R3303	NRSA63J-222X	MG RESISTOR	2.2kΩ 1/16W J	
C6901	QETN1HM-106Z	E CAPACITOR	10uF 50V M		R3306	QRE141J-101Y	C RESISTOR	100Ω 1/4W J	
C6951	QTE1C06-476Z	E CAPACITOR	47uF 16V		R3321	NRSA63J-101X	MG RESISTOR	100Ω 1/16W J	
C6952	NCB31HK-102X	C CAPACITOR	1000pF 50V K		R3322	NRSA63J-101X	MG RESISTOR	100Ω 1/16W J	
					R3323	NRSA63J-101X	MG RESISTOR	100Ω 1/16W J	
R1101	NRSA63J-103X	MG RESISTOR	10kΩ 1/16W J		R3324	NRSA63J-101X	MG RESISTOR	100Ω 1/16W J	
R1102	NRSA63J-103X	MG RESISTOR	10kΩ 1/16W J		R3362	NRSA63J-101X	MG RESISTOR	100Ω 1/16W J	
R1103	QRE141J-471Y	C RESISTOR	470Ω 1/4W J		R3363	NRSA63J-101X	MG RESISTOR	100Ω 1/16W J	
R1105	NRSA63J-303X	MG RESISTOR	30kΩ 1/16W J		R3364	NRSA63J-102X	MG RESISTOR	1kΩ 1/16W J	
R1106	NRSA63J-822X	MG RESISTOR	8.2kΩ 1/16W J		R3365	NRSA63J-101X	MG RESISTOR	100Ω 1/16W J	
R1107	QRE141J-2R2Y	C RESISTOR	2.2Ω 1/4W J		R3391	NRSA63J-331X	MG RESISTOR	330Ω 1/16W J	
R1108	QRE141J-2R2Y	C RESISTOR	2.2Ω 1/4W J		R3392	NRSA63J-562X	MG RESISTOR	5.6kΩ 1/16W J	
R1109	NRSA63J-102X	MG RESISTOR	1kΩ 1/16W J		R3393	NRSA63J-472X	MG RESISTOR	4.7kΩ 1/16W J	
R1110	NRSA63J-563X	MG RESISTOR	56kΩ 1/16W J		R5011	NRSA63J-332X	MG RESISTOR	3.3kΩ 1/16W J	
R1111	NRSA63J-123X	MG RESISTOR	12kΩ 1/16W J		R5012	NRSA63J-272X	MG RESISTOR	2.7kΩ 1/16W J	
R1201	NRSA63J-103X	MG RESISTOR	10kΩ 1/16W J		R5013	NRSA63J-392X	MG RESISTOR	3.9kΩ 1/16W J	
R1202	NRSA63J-103X	MG RESISTOR	10kΩ 1/16W J		R5014	NRSA63J-682X	MG RESISTOR	6.8kΩ 1/16W J	
R1203	QRE141J-471Y	C RESISTOR	470Ω 1/4W J		R5015	NRSA63J-123X	MG RESISTOR	12kΩ 1/16W J	
R1205	NRSA63J-303X	MG RESISTOR	30kΩ 1/16W J		R5016	NRSA63J-393X	MG RESISTOR	39kΩ 1/16W J	
R1206	NRSA63J-822X	MG RESISTOR	8.2kΩ 1/16W J		R5021	NRSA63J-332X	MG RESISTOR	3.3kΩ 1/16W J	
R1207	QRE141J-2R2Y	C RESISTOR	2.2Ω 1/4W J		R5022	NRSA63J-272X	MG RESISTOR	2.7kΩ 1/16W J	
R1208	QRE141J-2R2Y	C RESISTOR	2.2Ω 1/4W J		R5023	NRSA63J-392X	MG RESISTOR	3.9kΩ 1/16W J	
R1209	NRSA63J-102X	MG RESISTOR	1kΩ 1/16W J		R5024	NRSA63J-682X	MG RESISTOR	6.8kΩ 1/16W J	
R1210	NRSA63J-563X	MG RESISTOR	56kΩ 1/16W J		R5025	NRSA63J-123X	MG RESISTOR	12kΩ 1/16W J	
R1211	NRSA63J-123X	MG RESISTOR	12kΩ 1/16W J		R5301	NRSA63J-272X	MG RESISTOR	2.7kΩ 1/16W J	
R1302	NRSA63J-562X	MG RESISTOR	5.6kΩ 1/16W J		R5601	QRE141J-301Y	C RESISTOR	300Ω 1/4W J	
R1303	NRSA63J-103X	MG RESISTOR	10kΩ 1/16W J		R5602	QRE141J-301Y	C RESISTOR	300Ω 1/4W J	
R1401	NRSA63J-564X	MG RESISTOR	560kΩ 1/16W J		R5603	QRE141J-301Y	C RESISTOR	300Ω 1/4W J	
R1402	QRE141J-221Y	C RESISTOR	220Ω 1/4W J		R5604	QRE141J-301Y	C RESISTOR	300Ω 1/4W J	
R1403	NRSA63J-223X	MG RESISTOR	22kΩ 1/16W J		R6151	NRSA63J-152X	MG RESISTOR	1.5kΩ 1/16W J	
R1404	NRSA63J-223X	MG RESISTOR	22kΩ 1/16W J		R6152	NRSA63J-272X	MG RESISTOR	2.7kΩ 1/16W J	
R1405	NRSA63J-472X	MG RESISTOR	4.7kΩ 1/16W J		R6153	NRSA63J-204X	MG RESISTOR	200kΩ 1/16W J	
R1406	NRSA63J-331X	MG RESISTOR	330Ω 1/16W J		R6154	NRSA63J-103X	MG RESISTOR	10kΩ 1/16W J	
R1407	NRSA63J-223X	MG RESISTOR	22kΩ 1/16W J		R6155	NRSA63J-202X	MG RESISTOR	2kΩ 1/16W J	
R1408	NRSA63J-101X	MG RESISTOR	100Ω 1/16W J		R6156	NRSA63J-202X	MG RESISTOR	2kΩ 1/16W J	
R1409	NRSA63J-222X	MG RESISTOR	2.2kΩ 1/16W J		R6157	NRSA63J-473X	MG RESISTOR	47kΩ 1/16W J	
R1410	NRSA63J-102X	MG RESISTOR	1kΩ 1/16W J		R6158	NRSA63J-103X	MG RESISTOR	10kΩ 1/16W J	
R2302	NRSA63J-822X	MG RESISTOR	8.2kΩ 1/16W J		R6251	NRSA63J-152X	MG RESISTOR	1.5kΩ 1/16W J	
R2303	NRSA63J-332X	MG RESISTOR	3.3kΩ 1/16W J		R6252	NRSA63J-272X	MG RESISTOR	2.7kΩ 1/16W J	
R2501	NRSA63J-103X	MG RESISTOR	10kΩ 1/16W J		R6253	NRSA63J-204X	MG RESISTOR	200kΩ 1/16W J	
R2502	QRE141J-561Y	C RESISTOR	560Ω 1/4W J		R6254	NRSA63J-103X	MG RESISTOR	10kΩ 1/16W J	
R2503	NRSA63J-562X	MG RESISTOR	5.6kΩ 1/16W J		R6255	NRSA63J-202X	MG RESISTOR	2kΩ 1/16W J	
R2504	NRSA63J-562X	MG RESISTOR	5.6kΩ 1/16W J		R6256	NRSA63J-202X	MG RESISTOR	2kΩ 1/16W J	
R2801	NRSA63J-103X	MG RESISTOR	10kΩ 1/16W J		R6257	NRSA63J-473X	MG RESISTOR	47kΩ 1/16W J	
R2802	NRSA63J-332X	MG RESISTOR	3.3kΩ 1/16W J		R6258	NRSA63J-103X	MG RESISTOR	10kΩ 1/16W J	
R2803	NRSA63J-182X	MG RESISTOR	1.8kΩ 1/16W J		R6301	QRE141J-101Y	C RESISTOR	100Ω 1/4W J	
R2804	QRE141J-271Y	C RESISTOR	270Ω 1/4W J		R6302	NRSA63J-473X	MG RESISTOR	47kΩ 1/16W J	
R2805	NRSA63J-153X	MG RESISTOR	15kΩ 1/16W J		R6303	NRSA63J-113X	MG RESISTOR	11kΩ 1/16W J	
R3102	NRSA63J-912X	MG RESISTOR	9.1kΩ 1/16W J		R6304	NRSA63J-103X	MG RESISTOR	10kΩ 1/16W J	
R3103	NRSA63J-183X	MG RESISTOR	18kΩ 1/16W J		R6306	NRSA63J-102X	MG RESISTOR	1kΩ 1/16W J	
R3104	NRSA63J-752X	MG RESISTOR	7.5kΩ 1/16W J		R6308	NRSA63J-103X	MG RESISTOR	10kΩ 1/16W J	
R3105	NRSA63J-752X	MG RESISTOR	7.5kΩ 1/16W J		R6309	NRSA63J-103X	MG RESISTOR	10kΩ 1/16W J	
R3106	NRSA63J-102X	MG RESISTOR	1kΩ 1/16W J		R6351	NRSA63J-124X	MG RESISTOR	120kΩ 1/16W J	
R3151	NRSA63J-101X	MG RESISTOR	100Ω 1/16W J		R6352	NRSA63J-683X	MG RESISTOR	68kΩ 1/16W J	
R3154	NRSA63J-822X	MG RESISTOR	8.2kΩ 1/16W J		R6353	NRSA63J-513X	MG RESISTOR	51kΩ 1/16W J	
R3155	NRSA63J-332X	MG RESISTOR	3.3kΩ 1/16W J		R6951	NRSA63J-561X	MG RESISTOR	560Ω 1/16W J	
R3162	NRSA63J-472X	MG RESISTOR	4.7kΩ 1/16W J						
R3163	NRSA63J-272X	MG RESISTOR	2.7kΩ 1/16W J		L3321	QQL244K-100Z	COIL	10uH K	
R3164	NRSA63J-242X	MG RESISTOR	2.4kΩ 1/16W J		L3322	QQL244K-100Z	COIL	10uH K	
R3191	NRSA63J-202X	MG RESISTOR	2kΩ 1/16W J		L3361	QQL244K-100Z	COIL	10uH K	
R3192	NRSA63J-303X	MG RESISTOR	30kΩ 1/16W J		L3362	QQL244K-100Z	COIL	10uH K	
R3193	NRSA63J-273X	MG RESISTOR	27kΩ 1/16W J		L3363	QQL244K-100Z	COIL	10uH K	
R3202	NRSA63J-912X	MG RESISTOR	9.1kΩ 1/16W J		L5603	QQL231K-470Y	COIL	47uH K	
R3203	NRSA63J-183X	MG RESISTOR	18kΩ 1/16W J						
R3204	NRSA63J-752X	MG RESISTOR	7.5kΩ 1/16W J		CN101	QGB2510J1-08	CONNECTOR	B-B (1-8)	
R3205	NRSA63J-752X	MG RESISTOR	7.5kΩ 1/16W J		CN102	QGB1214J1-10S	CONNECTOR	B-B (1-10)	
R3206	NRSA63J-102X	MG RESISTOR	1kΩ 1/16W J		CN103	QGB1214J1-14S	CONNECTOR	B-B (1-14)	
R3251	NRSA63J-101X	MG RESISTOR	100Ω 1/16W J		CN104	QGB2510J1-08	CONNECTOR	B-B (1-8)	

△ Symbol No.	Part No.	Part Name	Description	Local	△ Symbol No.	Part No.	Part Name	Description	Local
CN105	QGF1205F1-10	CONNECTOR	FFC/FPC (1-10)		Q7809	2SD601A/RS/-X	TRANSISTOR		
CN106	QGB1214J1-14S	CONNECTOR	B-B (1-14)		Q7810	2SD601A/RS/-X	TRANSISTOR		
CN107	QGF1036C1-21	CONNECTOR	FFC/FPC (1-21)		Q7811	2SD601A/RS/-X	TRANSISTOR		
CN108	QGA2501F1-02	CONNECTOR	W-B (1-2)		Q7812	2SD601A/RS/-X	TRANSISTOR		
CN501	QGF1036F1-09	CONNECTOR	FFC/FPC (1-9)		Q7901	KTA1273/Y/-T	TRANSISTOR		
CN531	QGF1036F1-15	CONNECTOR	FFC/FPC (1-15)		Q7902	2SD601A/RS/-X	TRANSISTOR		
CN801	QGF1036C1-17	CONNECTOR	FFC/FPC (1-17)		Q7903	2SD601A/RS/-X	TRANSISTOR		
CN802	QGF1036C1-08	CONNECTOR	FFC/FPC (1-8)		Q9001	2SD601A/RS/-X	TRANSISTOR		
CN803	QGF1036F1-08	CONNECTOR	FFC/FPC (1-8)						
CN804	QGB2510J1-04	CONNECTOR	B-B (1-4)		D2601	1SS133-T2	DIODE		
CN805	QGB1214K1-14S	CONNECTOR	B-B (1-14)		D2602	MTZJ5.1B-T2	Z DIODE		
DI531	QLD0334-001	LCD MODULE			△ D2901	1N5402M-20	DIODE		
EP102	QNZ0136-001Z	EARTH PLATE			△ D2902	1N5402M-20	DIODE		
EP561	QNZ0136-001Z	EARTH PLATE			△ D2903	1N5402M-20	DIODE		
FW101	QUM025-11Z3Z3	PARA RIBBON WIR			△ D2904	1N5402M-20	DIODE		
FW102	QUM023-12Z3Z3	PARA RIBBON WIR			△ D2910	1N4003S-T5	SI DIODE		
J319	QNN0420-001	SURROUND JACK			△ D2911	1N4003S-T5	SI DIODE		
J1001	QNB0204-001	SPK TERMINAL			△ D2912	1N4003S-T5	SI DIODE		
J5601	QNS0170-001	HEADPHONE JACK			△ D2913	1N4003S-T5	SI DIODE		
JS501	QSW0993-001	ROTARY ENCODER			D6901	1SS133-T2	DIODE		
K3321	QQR0621-001Z	COIL			D6902	MTZJ5.6A-T2	Z DIODE		
K3323	QQR0621-001Z	COIL			D7016	1SS133-T2	DIODE		
K3324	QQR0621-001Z	COIL			D7301	1SS133-T2	DIODE		
K3361	QQR0621-001Z	COIL			D7302	MTZJ5.1C-T2	Z DIODE		
K3362	QQR0621-001Z	COIL			D7303	1SS133-T2	DIODE		
K3363	QQR0621-001Z	COIL			D7311	1SS133-T2	DIODE		
S5001	QSW0683-001Z	PUSH SW			D7321	1SS133-T2	DIODE		
S5002	QSW0683-001Z	PUSH SW			D7901	MTZJ5.6B-T2	Z DIODE		
S5003	QSW0683-001Z	PUSH SW			D7902	1N4003S-T5	SI DIODE		
S5004	QSW0683-001Z	PUSH SW			D7903	MTZJ8.2B-T2	Z DIODE		
S5005	QSW0683-001Z	PUSH SW			D9001	1SS133-T2	DIODE		
S5006	QSW0683-001Z	PUSH SW			D9002	1N4003S-T5	SI DIODE		
S5007	QSW0683-001Z	PUSH SW							
S5008	QSW0683-001Z	PUSH SW			C2601	QENC1HM-105Z	BP E CAPACITOR	1uF 50V M	
S5009	QSW0683-001Z	PUSH SW			△ C2602	NCB31HK-561X	C CAPACITOR	560pF 50V K	
S5010	QSW0683-001Z	PUSH SW			△ C2603	QETN1HM-104Z	E CAPACITOR	0.1uF 50V M	
S5011	QSW0683-001Z	PUSH SW			C2604	QETN1AM-227Z	E CAPACITOR	220uF 10V M	
S5012	QSW0683-001Z	PUSH SW			△ C2902	QFVF1HJ-104Z	MF CAPACITOR	0.1uF 50V J	
S5013	QSW0683-001Z	PUSH SW			△ C2903	QFVF1HJ-104Z	MF CAPACITOR	0.1uF 50V J	
S5014	QSW0683-001Z	PUSH SW			△ C2904	QFVF1HJ-104Z	MF CAPACITOR	0.1uF 50V J	
WR105	QUB220-11HPHP	SIN TWIST WIRE			△ C2905	QFVF1HJ-104Z	MF CAPACITOR	0.1uF 50V J	
WR501	QUB220-08BXHP	SIN TWIST WIRE			△ C2906	QETM1EM-228	E CAPACITOR	2200uF 25V M	

Micon board

Block No. [0][2]

△ Symbol No.	Part No.	Part Name	Description	Local
IC701	UPD784215AGF541	IC		
IC741	BR24L02F-W-X	IC		
△ Q2601	KTA1046/Y/	TRANSISTOR		
Q2602	2SD601A/RS/-X	TRANSISTOR		
Q2603	2SD601A/RS/-X	TRANSISTOR		
Q2604	2SD601A/RS/-X	TRANSISTOR		
Q2901	2SD601A/RS/-X	TRANSISTOR		
Q6901	KTA1267/YG/-T	TRANSISTOR		
Q6902	2SD601A/RS/-X	TRANSISTOR		
Q7035	UN2111-X	TRANSISTOR		
Q7301	2SD601A/RS/-X	TRANSISTOR		
Q7311	UN2211-X	TRANSISTOR		
Q7331	2SD601A/RS/-X	TRANSISTOR		
Q7351	KTA1267/YG/-T	TRANSISTOR		
Q7352	UN2211-X	TRANSISTOR		
Q7631	KTC3195/O/-T	TRANSISTOR		
Q7632	KTC3195/O/-T	TRANSISTOR		
Q7801	KTC3199/GL/-T	TRANSISTOR		
Q7802	KTC3199/GL/-T	TRANSISTOR		
Q7803	KTC3199/GL/-T	TRANSISTOR		
Q7804	KTC3199/GL/-T	TRANSISTOR		
Q7805	2SD601A/RS/-X	TRANSISTOR		
Q7806	2SD601A/RS/-X	TRANSISTOR		
Q7807	2SD601A/RS/-X	TRANSISTOR		
Q7808	2SD601A/RS/-X	TRANSISTOR		
Q7809	2SD601A/RS/-X	TRANSISTOR		
Q7810	2SD601A/RS/-X	TRANSISTOR		
Q7811	2SD601A/RS/-X	TRANSISTOR		
Q7812	2SD601A/RS/-X	TRANSISTOR		
Q7901	KTA1273/Y/-T	TRANSISTOR		
Q7902	2SD601A/RS/-X	TRANSISTOR		
Q7903	2SD601A/RS/-X	TRANSISTOR		
Q9001	2SD601A/RS/-X	TRANSISTOR		
D2601	1SS133-T2	DIODE		
D2602	MTZJ5.1B-T2	Z DIODE		
△ D2901	1N5402M-20	DIODE		
△ D2902	1N5402M-20	DIODE		
△ D2903	1N5402M-20	DIODE		
△ D2904	1N5402M-20	DIODE		
△ D2910	1N4003S-T5	SI DIODE		
△ D2911	1N4003S-T5	SI DIODE		
△ D2912	1N4003S-T5	SI DIODE		
△ D2913	1N4003S-T5	SI DIODE		
D6901	1SS133-T2	DIODE		
D6902	MTZJ5.6A-T2	Z DIODE		
D7016	1SS133-T2	DIODE		
D7301	1SS133-T2	DIODE		
D7302	MTZJ5.1C-T2	Z DIODE		
D7303	1SS133-T2	DIODE		
D7311	1SS133-T2	DIODE		
D7321	1SS133-T2	DIODE		
D7901	MTZJ5.6B-T2	Z DIODE		
D7902	1N4003S-T5	SI DIODE		
D7903	MTZJ8.2B-T2	Z DIODE		
D9001	1SS133-T2	DIODE		
D9002	1N4003S-T5	SI DIODE		
C2601	QENC1HM-105Z	BP E CAPACITOR	1uF 50V M	
△ C2602	NCB31HK-561X	C CAPACITOR	560pF 50V K	
△ C2603	QETN1HM-104Z	E CAPACITOR	0.1uF 50V M	
C2604	QETN1AM-227Z	E CAPACITOR	220uF 10V M	
△ C2902	QFVF1HJ-104Z	MF CAPACITOR	0.1uF 50V J	
△ C2903	QFVF1HJ-104Z	MF CAPACITOR	0.1uF 50V J	
△ C2904	QFVF1HJ-104Z	MF CAPACITOR	0.1uF 50V J	
△ C2905	QFVF1HJ-104Z	MF CAPACITOR	0.1uF 50V J	
△ C2906	QETM1EM-228	E CAPACITOR	2200uF 25V M	
C3115	QEKC1EM-475Z	E CAPACITOR	4.7uF 25V M	
C3215	QEKC1EM-475Z	E CAPACITOR	4.7uF 25V M	
C6314	QETN1HM-106Z	E CAPACITOR	10uF 50V M	
C6324	QETN1HM-106Z	E CAPACITOR	10uF 50V M	
C6325	QETN1CM-476Z	E CAPACITOR	47uF 16V M	
C6902	QETN1HM-106Z	E CAPACITOR	10uF 50V M	
C7001	QEKC1CM-107Z	E CAPACITOR	100uF 16V M	
C7002	NCF31EZ-104X	C CAPACITOR	0.1uF 25V Z	
C7015	NCB31HK-103X	C CAPACITOR	0.01uF 50V K	
C7024	NCB31HK-103X	C CAPACITOR	0.01uF 50V K	
C7311	QETN1HM-475Z	E CAPACITOR	4.7uF 50V M	
C7312	QETN1HM-225Z	E CAPACITOR	2.2uF 50V M	
C7321	QETN0JM-228Z	E CAPACITOR	2200uF 6.3V M	
C7331	NCB31HK-103X	C CAPACITOR	0.01uF 50V K	
C7351	QETN1EM-106Z	E CAPACITOR	10uF 25V M	
C7352	QETN1EM-106Z	E CAPACITOR	10uF 25V M	
C7353	NCB31HK-103X	C CAPACITOR	0.01uF 50V K	
C7354	NCB31HK-103X	C CAPACITOR	0.01uF 50V K	
C7401	QEKC1EM-476Z	E CAPACITOR	47uF 25V M	
C7402	NCB31HK-103X	C CAPACITOR	0.01uF 50V K	
C7631	NDC31HJ-470X	C CAPACITOR	47pF 50V J	
C7632	NDC31HJ-330X	C CAPACITOR	33pF 50V J	
C7633	NDC31HJ-330X	C CAPACITOR	33pF 50V J	
C7634	NDC31HJ-470X	C CAPACITOR	47pF 50V J	
C7635	NCB31HK-102X	C CAPACITOR	1000pF 50V K	
C7636	NCB31HK-102X	C CAPACITOR	1000pF 50V K	
C7651	NDC31HJ-220X	C CAPACITOR	22pF 50V J	
C7652	NDC31HJ-220X	C CAPACITOR	22pF 50V J	
C7801	QEKC1CM-107Z	E CAPACITOR	100uF 16V M	
C7803	QEKC1CM-107Z	E CAPACITOR	100uF 16V M	
C7805	QEKC1CM-107Z	E CAPACITOR	100uF 16V M	
C7807	QEKC1CM-107Z	E CAPACITOR	100uF 16V M	
C7809	QEKC1CM-107Z	E CAPACITOR	100uF 16V M	
C7811	QEKC1CM-107Z	E CAPACITOR	100uF 16V M	
C7901	QETN1CM-107Z	E CAPACITOR	100uF 16V M	
C7903	NCF31EZ-104X	C CAPACITOR	0.1uF 25V Z	

△ Symbol No.	Part No.	Part Name	Description	Local	△ Symbol No.	Part No.	Part Name	Description	Local
△ C9001	QCZ9104-472	C CAPACITOR	4700pF		R7085	NRSA63J-393X	MG RESISTOR	39kΩ 1/16W J	
C9002	QETM1EM-108	E CAPACITOR	1000uF 25V M		R7086	NRSA63J-682X	MG RESISTOR	6.8kΩ 1/16W J	
C9003	NCB31HK-103X	C CAPACITOR	0.01uF 50V K		R7088	NRSA63J-222X	MG RESISTOR	2.2kΩ 1/16W J	
R2601	QRE141J-271Y	C RESISTOR	270Ω 1/4W J		R7089	NRSA63J-222X	MG RESISTOR	2.2kΩ 1/16W J	
R2602	NRSA63J-564X	MG RESISTOR	560kΩ 1/16W J		R7090	NRSA63J-222X	MG RESISTOR	2.2kΩ 1/16W J	
R2603	NRSA63J-331X	MG RESISTOR	330Ω 1/16W J		R7092	NRSA63J-153X	MG RESISTOR	15kΩ 1/16W J	
R2604	NRSA63J-223X	MG RESISTOR	22kΩ 1/16W J		R7093	NRSA63J-103X	MG RESISTOR	10kΩ 1/16W J	
R2605	NRSA63J-472X	MG RESISTOR	4.7kΩ 1/16W J		R7094	NRSA63J-103X	MG RESISTOR	10kΩ 1/16W J	
R2606	NRSA63J-472X	MG RESISTOR	4.7kΩ 1/16W J		R7095	NRSA63J-103X	MG RESISTOR	10kΩ 1/16W J	
R2607	NRSA63J-223X	MG RESISTOR	22kΩ 1/16W J		R7096	NRSA63J-223X	MG RESISTOR	22kΩ 1/16W J	
R2608	NRSA63J-222X	MG RESISTOR	2.2kΩ 1/16W J		R7097	NRSA63J-472X	MG RESISTOR	4.7kΩ 1/16W J	
R2609	NRSA63J-101X	MG RESISTOR	100Ω 1/16W J		R7098	NRSA63J-222X	MG RESISTOR	2.2kΩ 1/16W J	
R2610	NRSA63J-102X	MG RESISTOR	1kΩ 1/16W J		R7103	NRSA63J-103X	MG RESISTOR	10kΩ 1/16W J	
R2611	QRE141J-271Y	C RESISTOR	270Ω 1/4W J		R7118	NRSA63J-823X	MG RESISTOR	82kΩ 1/16W J	
R2612	QRE141J-271Y	C RESISTOR	270Ω 1/4W J		R7121	NRSA63J-104X	MG RESISTOR	100kΩ 1/16W J	
R2901	NRSA63J-393X	MG RESISTOR	39kΩ 1/16W J		R7126	NRSA63J-103X	MG RESISTOR	10kΩ 1/16W J	
R2902	NRSA63J-103X	MG RESISTOR	10kΩ 1/16W J		R7127	NRSA63J-103X	MG RESISTOR	10kΩ 1/16W J	
R6901	QRE141J-561Y	C RESISTOR	560Ω 1/4W J		R7128	NRSA63J-103X	MG RESISTOR	10kΩ 1/16W J	
R6902	NRSA63J-183X	MG RESISTOR	18kΩ 1/16W J		R7129	NRSA63J-103X	MG RESISTOR	10kΩ 1/16W J	
R7001	NRSA63J-223X	MG RESISTOR	22kΩ 1/16W J		R7154	NRSA63J-103X	MG RESISTOR	10kΩ 1/16W J	
R7002	NRSA63J-222X	MG RESISTOR	2.2kΩ 1/16W J		R7155	NRSA63J-103X	MG RESISTOR	10kΩ 1/16W J	
R7003	NRSA63J-222X	MG RESISTOR	2.2kΩ 1/16W J		R7156	NRSA63J-103X	MG RESISTOR	10kΩ 1/16W J	
R7004	NRSA63J-102X	MG RESISTOR	1kΩ 1/16W J		R7157	NRSA63J-104X	MG RESISTOR	100kΩ 1/16W J	
R7005	NRSA63J-222X	MG RESISTOR	2.2kΩ 1/16W J		R7159	NRSA63J-104X	MG RESISTOR	100kΩ 1/16W J	
R7006	NRSA63J-133X	MG RESISTOR	13kΩ 1/16W J		R7160	NRSA63J-104X	MG RESISTOR	100kΩ 1/16W J	
R7007	NRSA63J-222X	MG RESISTOR	2.2kΩ 1/16W J		R7165	NRSA63J-101X	MG RESISTOR	100Ω 1/16W J	
R7014	NRSA63J-392X	MG RESISTOR	3.9kΩ 1/16W J		R7179	NRSA63J-103X	MG RESISTOR	10kΩ 1/16W J	
R7015	NRSA63J-392X	MG RESISTOR	3.9kΩ 1/16W J		R7223	NRSA63J-103X	MG RESISTOR	10kΩ 1/16W J	
R7016	NRSA63J-392X	MG RESISTOR	3.9kΩ 1/16W J		R7224	NRSA63J-103X	MG RESISTOR	10kΩ 1/16W J	
R7017	NRSA63J-392X	MG RESISTOR	3.9kΩ 1/16W J		R7225	NRSA63J-103X	MG RESISTOR	10kΩ 1/16W J	
R7018	NRSA63J-392X	MG RESISTOR	3.9kΩ 1/16W J		R7253	NRSA63J-332X	MG RESISTOR	3.3kΩ 1/16W J	
R7019	NRSA63J-392X	MG RESISTOR	3.9kΩ 1/16W J		R7301	NRSA63J-473X	MG RESISTOR	47kΩ 1/16W J	
R7022	NRSA63J-103X	MG RESISTOR	10kΩ 1/16W J		R7302	NRSA63J-333X	MG RESISTOR	33kΩ 1/16W J	
R7023	NRSA63J-222X	MG RESISTOR	2.2kΩ 1/16W J		R7303	NRSA63J-104X	MG RESISTOR	100kΩ 1/16W J	
R7024	NRSA63J-222X	MG RESISTOR	2.2kΩ 1/16W J		R7311	NRSA63J-103X	MG RESISTOR	10kΩ 1/16W J	
R7025	NRSA63J-222X	MG RESISTOR	2.2kΩ 1/16W J		R7312	NRSA63J-103X	MG RESISTOR	10kΩ 1/16W J	
R7026	NRSA63J-222X	MG RESISTOR	2.2kΩ 1/16W J		R7321	QRE141J-331Y	C RESISTOR	330Ω 1/4W J	
R7027	NRSA63J-222X	MG RESISTOR	2.2kΩ 1/16W J		R7331	NRSA63J-823X	MG RESISTOR	82kΩ 1/16W J	
R7028	NRSA63J-222X	MG RESISTOR	2.2kΩ 1/16W J		R7332	NRSA63J-394X	MG RESISTOR	390kΩ 1/16W J	
R7029	NRSA63J-682X	MG RESISTOR	6.8kΩ 1/16W J		R7333	NRSA63J-104X	MG RESISTOR	100kΩ 1/16W J	
R7031	NRSA63J-222X	MG RESISTOR	2.2kΩ 1/16W J		R7351	NRSA63J-392X	MG RESISTOR	3.9kΩ 1/16W J	
R7032	NRSA63J-222X	MG RESISTOR	2.2kΩ 1/16W J		R7352	NRSA63J-473X	MG RESISTOR	47kΩ 1/16W J	
R7033	NRSA63J-222X	MG RESISTOR	2.2kΩ 1/16W J		R7631	NRSA63J-222X	MG RESISTOR	2.2kΩ 1/16W J	
R7034	NRSA63J-102X	MG RESISTOR	1kΩ 1/16W J		R7632	NRSA63J-222X	MG RESISTOR	2.2kΩ 1/16W J	
R7035	NRSA63J-222X	MG RESISTOR	2.2kΩ 1/16W J		R7633	NRSA63J-822X	MG RESISTOR	8.2kΩ 1/16W J	
R7036	NRSA63J-222X	MG RESISTOR	2.2kΩ 1/16W J		R7634	NRSA63J-822X	MG RESISTOR	8.2kΩ 1/16W J	
R7043	NRSA63J-102X	MG RESISTOR	1kΩ 1/16W J		R7801	QRE141J-101Y	C RESISTOR	100Ω 1/4W J	
R7044	NRSA63J-102X	MG RESISTOR	1kΩ 1/16W J		R7802	QRE141J-101Y	C RESISTOR	100Ω 1/4W J	
R7046	NRSA63J-222X	MG RESISTOR	2.2kΩ 1/16W J		R7803	QRE141J-101Y	C RESISTOR	100Ω 1/4W J	
R7047	NRSA63J-222X	MG RESISTOR	2.2kΩ 1/16W J		R7804	QRE141J-101Y	C RESISTOR	100Ω 1/4W J	
R7048	NRSA63J-222X	MG RESISTOR	2.2kΩ 1/16W J		R7805	QRE141J-181Y	C RESISTOR	180Ω 1/4W J	
R7049	NRSA63J-222X	MG RESISTOR	2.2kΩ 1/16W J		R7806	QRE141J-181Y	C RESISTOR	180Ω 1/4W J	
R7053	NRSA63J-392X	MG RESISTOR	3.9kΩ 1/16W J		R7807	QRE141J-181Y	C RESISTOR	180Ω 1/4W J	
R7054	NRSA63J-222X	MG RESISTOR	2.2kΩ 1/16W J		R7808	QRE141J-181Y	C RESISTOR	180Ω 1/4W J	
R7055	NRSA63J-222X	MG RESISTOR	2.2kΩ 1/16W J		R7809	QRE141J-181Y	C RESISTOR	180Ω 1/4W J	
R7056	NRSA63J-222X	MG RESISTOR	2.2kΩ 1/16W J		R7810	QRE141J-181Y	C RESISTOR	180Ω 1/4W J	
R7057	NRSA63J-222X	MG RESISTOR	2.2kΩ 1/16W J		R7811	QRE141J-181Y	C RESISTOR	180Ω 1/4W J	
R7058	NRSA63J-222X	MG RESISTOR	2.2kΩ 1/16W J		R7812	QRE141J-181Y	C RESISTOR	180Ω 1/4W J	
R7059	NRSA63J-222X	MG RESISTOR	2.2kΩ 1/16W J		R7813	NRSA63J-101X	MG RESISTOR	100Ω 1/16W J	
R7060	NRSA63J-222X	MG RESISTOR	2.2kΩ 1/16W J		R7814	NRSA63J-101X	MG RESISTOR	100Ω 1/16W J	
R7062	NRSA63J-103X	MG RESISTOR	10kΩ 1/16W J		R7815	NRSA63J-101X	MG RESISTOR	100Ω 1/16W J	
R7065	NRSA63J-102X	MG RESISTOR	1kΩ 1/16W J		R7816	NRSA63J-101X	MG RESISTOR	100Ω 1/16W J	
R7066	NRSA63J-332X	MG RESISTOR	3.3kΩ 1/16W J		R7817	NRSA63J-101X	MG RESISTOR	100Ω 1/16W J	
R7067	NRSA63J-332X	MG RESISTOR	3.3kΩ 1/16W J		R7818	NRSA63J-101X	MG RESISTOR	100Ω 1/16W J	
R7068	NRSA63J-222X	MG RESISTOR	2.2kΩ 1/16W J		R7901	NRSA63J-103X	MG RESISTOR	10kΩ 1/16W J	
R7069	NRSA63J-332X	MG RESISTOR	3.3kΩ 1/16W J		R7902	NRSA63J-102X	MG RESISTOR	1kΩ 1/16W J	
R7070	NRSA63J-222X	MG RESISTOR	2.2kΩ 1/16W J		R7903	NRSA63J-102X	MG RESISTOR	1kΩ 1/16W J	
R7074	NRSA63J-222X	MG RESISTOR	2.2kΩ 1/16W J		R7904	NRSA63J-102X	MG RESISTOR	1kΩ 1/16W J	
R7075	NRSA63J-222X	MG RESISTOR	2.2kΩ 1/16W J		R7905	QRE141J-2R2Y	C RESISTOR	2.2Ω 1/4W J	
R7076	NRSA63J-222X	MG RESISTOR	2.2kΩ 1/16W J		L7001	QQL244K-100Z	COIL	10uH K	
R7077	NRSA63J-222X	MG RESISTOR	2.2kΩ 1/16W J		L7024	QQL244K-100Z	COIL	10uH K	
R7078	NRSA63J-222X	MG RESISTOR	2.2kΩ 1/16W J		△ T9002	QQT0253-003	POWER TRANSF		
R7079	NRSA63J-222X	MG RESISTOR	2.2kΩ 1/16W J		CN201	QGB2510K2-08	CONNECTOR	B-B (1-8)	
R7081	NRSA63J-222X	MG RESISTOR	2.2kΩ 1/16W J		CN701	QGB2510K2-08	CONNECTOR	B-B (1-8)	
R7082	NRSA63J-222X	MG RESISTOR	2.2kΩ 1/16W J		CN702	QGF1036C1-15	CONNECTOR	FFC/FPC (1-15)	
R7083	NRSA63J-222X	MG RESISTOR	2.2kΩ 1/16W J		CN703	QGF1205C1-09	CONNECTOR	FFC/FPC (1-9)	
R7084	NRSA63J-222X	MG RESISTOR	2.2kΩ 1/16W J						

△ Symbol No.	Part No.	Part Name	Description	Local	△ Symbol No.	Part No.	Part Name	Description	Local
CN705	QGF1036F1-07	CONNECTOR	FFC/FPC (1-7)		C655	NCB31CK-104X	C CAPACITOR	0.1uF 16V K	
CN706	QGB1214K1-14S	CONNECTOR	B-B (1-14)		C656	NCB31CK-104X	C CAPACITOR	0.1uF 16V K	
CN707	QGB1214K1-10S	CONNECTOR	B-B (1-10)		C657	QEKJ0JM-107Z	E CAPACITOR	100uF 6.3V M	
CN708	QGB2510K2-04	CONNECTOR	B-B (1-4)		C658	NCB31CK-104X	C CAPACITOR	0.1uF 16V K	
CN709	QGF1205C1-11	CONNECTOR	FFC/FPC (1-11)		C661	NDC31HJ-471X	C CAPACITOR	470pF 50V J	
CN710	QGF1036C1-09	CONNECTOR	FFC/FPC (1-9)		C663	NCB31EK-223X	C CAPACITOR	0.022uF 25V K	
△ CN901	QGA7901C1-02	CONNECTOR	W-B (1-2)		C664	NCB31EK-223X	C CAPACITOR	0.022uF 25V K	
CN902	QGA2501F1-05	CONNECTOR	W-B (1-5)		C665	NCB21CK-154X	C CAPACITOR	0.15uF 16V K	
CN903	QGA2501F1-04	CONNECTOR	W-B (1-4)		C667	NCB21AK-225X	C CAPACITOR	2.2uF 10V K	
EP701	QNZ0136-001Z	EARTH PLATE			C668	NCB31CK-102X	C CAPACITOR	1000pF 16V K	
△ FT911	QNG0003-001Z	FUSE CLIP			C673	QEKJ0JM-107Z	E CAPACITOR	100uF 6.3V M	
△ FT912	QNG0003-001Z	FUSE CLIP			C676	NCB31CK-104X	C CAPACITOR	0.1uF 16V K	
△ FT931	QNG0003-001Z	FUSE CLIP			C677	NCB31CK-104X	C CAPACITOR	0.1uF 16V K	
△ FT932	QNG0003-001Z	FUSE CLIP			C678	NCB31CK-104X	C CAPACITOR	0.1uF 16V K	
K7001	QQR0621-001Z	COIL			C679	QEKJ0JM-107Z	E CAPACITOR	100uF 6.3V M	
△ LF901	QQR1321-001	LINE FILTER			C680	NCB31CK-104X	C CAPACITOR	0.1uF 16V K	
△ RY901	QSK0124-001	RELAY			C681	NDC31HJ-8R0X	C CAPACITOR	8pF 50V J	
△ TH291	NAD0038-471X	P THERMISTOR	470Ω		C683	NDC31HJ-680X	C CAPACITOR	68pF 50V J	
TP701	QNZ0104-001	POST PIN			C801	NCB31EK-223X	C CAPACITOR	0.022uF 25V K	
TP702	QNZ0104-001	POST PIN			C802	NDC31HJ-102X	C CAPACITOR	1000pF 50V J	
WR201	QJK008-050700	SIN CR C-B WIRE			C815	NCB21AK-105X	C CAPACITOR	1uF 10V K	
WR291	QUB221-17BXHP	SIN TWIST WIRE			C816	NCB20JK-155X	C CAPACITOR	1.5uF 6.3V K	
WR701	QJK008-040704	SIN CR C-B WIRE			C821	NCB31CK-104X	C CAPACITOR	0.1uF 16V K	
X7001	QAX0416-001Z	C RESONATOR	8.000MHz		C822	QERF1AM-227Z	E CAPACITOR	220uF 10V M	
X7002	QAX0401-001	CRYSTAL	32.768KHz		C850	NCB21CK-105X	C CAPACITOR	1uF 16V K	
					C851	QEKJ1CM-107Z	E CAPACITOR	100uF 16V M	
					C863	NCB31HK-222X	C CAPACITOR	2200pF 50V K	
					C864	NCB31HK-222X	C CAPACITOR	2200pF 50V K	

CD servo board

Block No. [0][3]

△ Symbol No.	Part No.	Part Name	Description	Local	R251	Part No.	Part Name	Description	Local
IC251	UPD780024AGKC70	IC			R252	NRSA63J-102X	MG RESISTOR	1kΩ 1/16W J	
IC291	XC62HR3502P-X	IC			R253	NRSA63J-102X	MG RESISTOR	1kΩ 1/16W J	
IC601	AN22002A-W	IC			R254	NRSA63J-102X	MG RESISTOR	1kΩ 1/16W J	
IC651	MN662790RSC	IC			R257	NRSA63J-102X	MG RESISTOR	1kΩ 1/16W J	
IC801	LA6575H-X	IC			R258	NRSA63J-102X	MG RESISTOR	1kΩ 1/16W J	
Q631	2SA1037AK/RS/-X	TRANSISTOR			R259	NRSA63J-102X	MG RESISTOR	1kΩ 1/16W J	
Q652	UN2211-X	TRANSISTOR			R261	NRSA63J-0R0X	MG RESISTOR	0Ω 1/16W J	
Q673	UN2111-X	TRANSISTOR			R264	NRSA63J-102X	MG RESISTOR	1kΩ 1/16W J	
Q801	UN2215-X	TRANSISTOR			R265	NRSA63J-102X	MG RESISTOR	1kΩ 1/16W J	
Q851	2SB1424/QR/-W	TRANSISTOR			R268	NRSA63J-102X	MG RESISTOR	1kΩ 1/16W J	
D292	MA111-X	SI DIODE			R272	NRSA63J-103X	MG RESISTOR	10kΩ 1/16W J	
D603	1SS355-X	SI DIODE			R273	NRSA63J-103X	MG RESISTOR	10kΩ 1/16W J	
C254	QEKJ0JM-476Z	E CAPACITOR	47uF 6.3V M		R274	NRSA63J-682X	MG RESISTOR	6.8kΩ 1/16W J	
C255	NCB31CK-104X	C CAPACITOR	0.1uF 16V K		R275	NRSA63J-0R0X	MG RESISTOR	0Ω 1/16W J	
C256	NCB31CK-104X	C CAPACITOR	0.1uF 16V K		R281	NRSA63J-102X	MG RESISTOR	1kΩ 1/16W J	
C271	NDC31HJ-101X	C CAPACITOR	100pF 50V J		R282	NRSA63J-102X	MG RESISTOR	1kΩ 1/16W J	
C273	NCB31CK-104X	C CAPACITOR	0.1uF 16V K		R283	NRSA63J-102X	MG RESISTOR	1kΩ 1/16W J	
C291	NCB21CK-105X	C CAPACITOR	1uF 16V K		R284	NRSA63J-102X	MG RESISTOR	1kΩ 1/16W J	
C292	NCB21CK-105X	C CAPACITOR	1uF 16V K		R285	NRSA63J-102X	MG RESISTOR	1kΩ 1/16W J	
C603	NCB31EK-223X	C CAPACITOR	0.022uF 25V K		R286	NRSA63J-102X	MG RESISTOR	1kΩ 1/16W J	
C604	NCB31EK-223X	C CAPACITOR	0.022uF 25V K		R287	NRSA63J-102X	MG RESISTOR	1kΩ 1/16W J	
C605	NDC31HJ-271X	C CAPACITOR	270pF 50V J		R288	NRSA63J-102X	MG RESISTOR	1kΩ 1/16W J	
C606	NDC31HJ-820X	C CAPACITOR	82pF 50V J		R291	NRSA63J-103X	MG RESISTOR	10kΩ 1/16W J	
C610	NCB31CK-563X	C CAPACITOR	0.056uF 16V K		R292	NRSA63J-1R0X	MG RESISTOR	1Ω 1/16W J	
C611	NCB31CK-104X	C CAPACITOR	0.1uF 16V K		R293	NRSA63J-1R0X	MG RESISTOR	1Ω 1/16W J	
C612	NCB31CK-104X	C CAPACITOR	0.1uF 16V K		R294	NRSA63J-103X	MG RESISTOR	10kΩ 1/16W J	
C614	NCB31CK-393X	C CAPACITOR	0.039uF 16V K		R601	NRSA63J-224X	MG RESISTOR	220kΩ 1/16W J	
C615	NCB31HK-272X	C CAPACITOR	2700pF 50V K		R602	NRSA63J-823X	MG RESISTOR	82kΩ 1/16W J	
C616	NCB31HK-182X	C CAPACITOR	1800pF 50V K		R603	NRSA63J-393X	MG RESISTOR	39kΩ 1/16W J	
C617	NCB31HK-331X	C CAPACITOR	330pF 50V K		R604	NRSA63J-224X	MG RESISTOR	220kΩ 1/16W J	
C621	NCB31CK-104X	C CAPACITOR	0.1uF 16V K		R605	NRSA63J-0R0X	MG RESISTOR	0Ω 1/16W J	
C622	QEKJ0JM-107Z	E CAPACITOR	100uF 6.3V M		R606	NRSA63J-0R0X	MG RESISTOR	0Ω 1/16W J	
C623	NCB31CK-104X	C CAPACITOR	0.1uF 16V K		R607	NRSA63J-473X	MG RESISTOR	47kΩ 1/16W J	
C624	QEKJ0JM-107Z	E CAPACITOR	100uF 6.3V M		R608	NRSA63J-473X	MG RESISTOR	47kΩ 1/16W J	
C631	QEKJ1CM-106Z	E CAPACITOR	10uF 16V M		R611	NRSA63J-392X	MG RESISTOR	3.9kΩ 1/16W J	
C632	NCB31CK-104X	C CAPACITOR	0.1uF 16V K		R613	NRSA63J-392X	MG RESISTOR	3.9kΩ 1/16W J	
C633	NCB31EK-223X	C CAPACITOR	0.022uF 25V K		R617	NRSA63J-152X	MG RESISTOR	1.5kΩ 1/16W J	
C651	NDC31HJ-1R0X	C CAPACITOR	1pF 50V J		R631	NRSA63J-2R2X	MG RESISTOR	2.2Ω 1/16W J	
C652	NDC31HJ-1R0X	C CAPACITOR	1pF 50V J		R632	NRSA63J-3R9X	MG RESISTOR	3.9Ω 1/16W J	
C653	NCB31CK-104X	C CAPACITOR	0.1uF 16V K		R634	NRSA63J-3R9X	MG RESISTOR	3.9Ω 1/16W J	
					R635	NRSA63J-100X	MG RESISTOR	10Ω 1/16W J	
					R636	NRSA63J-151X	MG RESISTOR	150Ω 1/16W J	
					R651	NRSA63J-102X	MG RESISTOR	1kΩ 1/16W J	
					R652	NRSA63J-102X	MG RESISTOR	1kΩ 1/16W J	
					R653	NRSA63J-102X	MG RESISTOR	1kΩ 1/16W J	
					R654	NRSA63J-102X	MG RESISTOR	1kΩ 1/16W J	
					R655	NRSA63J-0R0X	MG RESISTOR	0Ω 1/16W J	
					R659	NRSA63J-203X	MG RESISTOR	20kΩ 1/16W J	

Symbol No.	Part No.	Part Name	Description	Local
R661	NRSA63J-473X	MG RESISTOR	47kΩ 1/16W J	
R662	NRSA63J-683X	MG RESISTOR	68kΩ 1/16W J	
R663	NRSA63J-683X	MG RESISTOR	68kΩ 1/16W J	
R664	NRSA63J-221X	MG RESISTOR	220Ω 1/16W J	
R665	NRSA63J-101X	MG RESISTOR	100Ω 1/16W J	
R666	NRSA02J-101X	MG RESISTOR	100Ω 1/10W J	
R667	NRSA63J-4R7X	MG RESISTOR	4.7Ω 1/16W J	
R668	NRSA63J-155X	MG RESISTOR	1.5MΩ 1/16W J	
R669	NRSA63J-391X	MG RESISTOR	390Ω 1/16W J	
R671	NRSA63J-684X	MG RESISTOR	680kΩ 1/16W J	
R673	NRSA63J-223X	MG RESISTOR	22kΩ 1/16W J	
R675	NRSA63J-100X	MG RESISTOR	10Ω 1/16W J	
R682	NRSA63J-102X	MG RESISTOR	1kΩ 1/16W J	
R683	NRSA63J-105X	MG RESISTOR	1MΩ 1/16W J	
R685	NRSA63J-683X	MG RESISTOR	68kΩ 1/16W J	
R697	NRSA63J-0R0X	MG RESISTOR	0Ω 1/16W J	
R698	NRSA63J-0R0X	MG RESISTOR	0Ω 1/16W J	
R699	NRSA63J-0R0X	MG RESISTOR	0Ω 1/16W J	
R801	NRSA63J-272X	MG RESISTOR	2.7kΩ 1/16W J	
R802	NRSA63J-152X	MG RESISTOR	1.5kΩ 1/16W J	
R803	NRSA63J-472X	MG RESISTOR	4.7kΩ 1/16W J	
R804	NRSA63J-103X	MG RESISTOR	10kΩ 1/16W J	
R805	NRSA63J-153X	MG RESISTOR	15kΩ 1/16W J	
R806	NRSA63J-182X	MG RESISTOR	1.8kΩ 1/16W J	
R807	NRSA63J-101X	MG RESISTOR	100Ω 1/16W J	
R808	NRSA63J-273X	MG RESISTOR	27kΩ 1/16W J	
R809	NRSA63J-391X	MG RESISTOR	390Ω 1/16W J	
R811	NRSA63J-473X	MG RESISTOR	47kΩ 1/16W J	
R812	NRSA63J-152X	MG RESISTOR	1.5kΩ 1/16W J	
R813	NRSA63J-182X	MG RESISTOR	1.8kΩ 1/16W J	
R851	NRSA63J-333X	MG RESISTOR	33kΩ 1/16W J	
R852	NRSA63J-333X	MG RESISTOR	33kΩ 1/16W J	
R861	NRSA63J-681X	MG RESISTOR	680Ω 1/16W J	
R862	NRSA63J-681X	MG RESISTOR	680Ω 1/16W J	
R863	NRSA63J-561X	MG RESISTOR	560Ω 1/16W J	
R864	NRSA63J-561X	MG RESISTOR	560Ω 1/16W J	
CN601	QGF0527F2-15W	CONNECTOR	FFC/FPC (1-15)	
CN602	QGF1036F1-05	CONNECTOR	FFC/FPC (1-5)	
CN651	QGF1036F1-17	CONNECTOR	FFC/FPC (1-17)	
CN652	QGF1036F1-08	CONNECTOR	FFC/FPC (1-8)	
K655	NQR0007-002X	FERRITE BEADS		
K656	NQR0251-004X	FERRITE BEADS		
K657	NQR0251-004X	FERRITE BEADS		
K658	NQR0251-004X	FERRITE BEADS		
SW601	QSW1047-001	PUSH SWITCH		
X251	QAX0664-001Z	C OSCILLATOR		
X651	NAX0476-001X	CRYSTAL	33.8688MHZ	

CD loading switch board

Block No. [0][4]

Symbol No.	Part No.	Part Name	Description	Local
CN1	QGF1016F3-05	CONNECTOR	FFC/FPC (1-5)	
S1	QSW1074-001	DETECT SWITCH		

LED board

Block No. [0][5]

Symbol No.	Part No.	Part Name	Description	Local
D3	UDZS7.5B-X	Z DIODE		
D4	UDZS7.5B-X	Z DIODE		
D5	UDZS7.5B-X	Z DIODE		
D6	UDZS7.5B-X	Z DIODE		
R1	NRSA63J-0R0X	MG RESISTOR	0Ω 1/16W J	
CN2	QGF1006F1-07W	CONNECTOR	FFC/FPC (1-7)	

Symbol No.	Part No.	Part Name	Description	Local
CN3	QGF1037F2-07W	CONNECTOR	FFC/FPC (1-7)	
CN4	QGF1006F2-07W	CONNECTOR	FFC/FPC (1-7)	

MD servo control board

Block No. [0][6]

Symbol No.	Part No.	Part Name	Description	Local
IC310	AN22010A-VT	IC		
IC350	MN66621BTH	IC		
IC351	XC6206P192M-X	IC		
IC390	GM71VS17400CLT5	IC		
IC400	MM1563GF-X	IC	3.6V Regulator	
IC410	AN8496SA-W	IC		
IC411	BH6578FVM-X	IC		
IC420	XC6206P462M-X	IC		
IC450	BD7910FV-X	IC M.HEAD DRIVE		
IC460	AK5355VT-X	IC		
IC461	SN74AHC1G08V-X	IC C.M		
IC485	XC6206P332M-X	IC		
IC500	MN101C49KKL3	IC(MCU)		
IC501	SN74AHC1G08V-X	IC C.M		
IC590	BR93LC66F-X	IC		
Q330	2SA1362/G-X	TRANSISTOR		
Q332	KRA116S-X	TRANSISTOR		
D451	RB160L-60-X	SB DIODE		
D452	RB160L-60-X	SB DIODE		
C300	NCF31CZ-104X	C CAPACITOR	0.1uF 16V Z	
C311	NCF21CZ-105X	C CAPACITOR	1uF 16V Z	
C314	NCB31HK-221X	C CAPACITOR	220pF 50V K	
C315	NCB31CK-104X	C CAPACITOR	0.1uF 16V K	
C316	NCF21CZ-105X	C CAPACITOR	1uF 16V Z	
C317	NEA70GM-476X	E CAPACITOR	47uF 4V M	
C318	NCB31CK-223X	C CAPACITOR	0.022uF 16V K	
C322	NCB31CK-104X	C CAPACITOR	0.1uF 16V K	
C324	NCB31CK-104X	C CAPACITOR	0.1uF 16V K	
C325	NCB31CK-104X	C CAPACITOR	0.1uF 16V K	
C326	NCS31HJ-181X	C CAPACITOR	180pF 50V J	
C327	NCS31HJ-181X	C CAPACITOR	180pF 50V J	
C333	NCB21CK-154X	C CAPACITOR	0.15uF 16V K	
C340	NCB31CK-103X	C CAPACITOR	0.01uF 16V K	
C342	NCB31CK-103X	C CAPACITOR	0.01uF 16V K	
C350	NBE20JM-106X	TA E CAPACITOR	10uF 6.3V M	
C351	NCF21CZ-105X	C CAPACITOR	1uF 16V Z	
C352	NEAD1CM-106X	E CAPACITOR	10uF 16V M	
C353	NEAD1CM-106X	E CAPACITOR	10uF 16V M	
C354	NCB31HK-102X	C CAPACITOR	1000pF 50V K	
C355	NCB31CK-683X	C CAPACITOR	0.068uF 16V K	
C356	NCB31HK-102X	C CAPACITOR	1000pF 50V K	
C357	NCF31CZ-104X	C CAPACITOR	0.1uF 16V Z	
C358	NCF31CZ-104X	C CAPACITOR	0.1uF 16V Z	
C359	NCF31CZ-474X	C CAPACITOR	0.47uF 16V Z	
C360	NDC31HJ-6R0X	C CAPACITOR	6pF 50V J	
C362	NCB21CK-224X	C CAPACITOR	0.22uF 16V K	
C363	NCB31CK-104X	C CAPACITOR	0.1uF 16V K	
C364	NCF31CZ-104X	C CAPACITOR	0.1uF 16V Z	
C365	NCB21AK-105X	C CAPACITOR	1uF 10V K	
C366	NCB21AK-105X	C CAPACITOR	1uF 10V K	
C367	NEA70GM-476X	E CAPACITOR	47uF 4V M	
C370	NDC31HJ-6R0X	C CAPACITOR	6pF 50V J	
C371	NCB21CK-474X	C CAPACITOR	0.47uF 16V K	
C400	NCB21AK-105X	C CAPACITOR	1uF 10V K	
C401	NEAD0JM-476X	E CAPACITOR	47uF 6.3V M	
C403	NCB31HK-471X	C CAPACITOR	470pF 50V K	
C410	NEA71CM-107X	E CAPACITOR	100uF 16V M	
C411	NCF31CZ-104X	C CAPACITOR	0.1uF 16V Z	
C412	NCF31CZ-104X	C CAPACITOR	0.1uF 16V Z	
C413	NCF31CZ-104X	C CAPACITOR	0.1uF 16V Z	
C418	NCF31CZ-104X	C CAPACITOR	0.1uF 16V Z	
C419	NCF31CZ-104X	C CAPACITOR	0.1uF 16V Z	
C420	NCF31CZ-474X	C CAPACITOR	0.47uF 16V Z	

△ Symbol No.	Part No.	Part Name	Description	Local	△ Symbol No.	Part No.	Part Name	Description	Local
C423	NEAD0JM-107X	E CAPACITOR	100uF 6.3V M		R389	NRSA63J-4R7X	MG RESISTOR	4.7Ω 1/16W J	
C450	NEA71CM-107X	E CAPACITOR	100uF 16V M		R390	NRSA63J-102X	MG RESISTOR	1kΩ 1/16W J	
C451	NEA70GM-107X	E CAPACITOR	100uF 4V M		R391	NRSA63J-102X	MG RESISTOR	1kΩ 1/16W J	
C452	NCF31CZ-104X	C CAPACITOR	0.1uF 16V Z		R396	NRSA63J-2R2X	MG RESISTOR	2.2Ω 1/16W J	
C453	NCF31CZ-104X	C CAPACITOR	0.1uF 16V Z		R397	NRSA63J-2R2X	MG RESISTOR	2.2Ω 1/16W J	
C455	NDC32AJ-101X	C CAPACITOR	100pF 100V J		R399	NRSA63J-102X	MG RESISTOR	1kΩ 1/16W J	
C460	NCF31CZ-104X	C CAPACITOR	0.1uF 16V Z		R403	NRSA63J-1R0X	MG RESISTOR	1Ω 1/16W J	
C461	NEAD1CM-106X	E CAPACITOR	10uF 16V M		R404	NRSA63J-1R0X	MG RESISTOR	1Ω 1/16W J	
C462	NCB31HK-102X	C CAPACITOR	1000pF 50V K		R410	NRS181J-0R0X	MG RESISTOR	0Ω 1/8W J	
C463	NCB31HK-102X	C CAPACITOR	1000pF 50V K		R411	NRS181J-0R0X	MG RESISTOR	0Ω 1/8W J	
C464	NCF31CZ-104X	C CAPACITOR	0.1uF 16V Z		R412	NRS181J-3R3X	MG RESISTOR	3.3Ω 1/8W J	
C466	NCF31CZ-104X	C CAPACITOR	0.1uF 16V Z		R413	NRS181J-3R3X	MG RESISTOR	3.3Ω 1/8W J	
C467	NEAD1CM-106X	E CAPACITOR	10uF 16V M		R414	NRSA63J-0R0X	MG RESISTOR	0Ω 1/16W J	
C468	NCB31CK-103X	C CAPACITOR	0.01uF 16V K		R422	NRSA63D-103X	MG RESISTOR	10kΩ 1/16W D	
C470	NCB21AK-105X	C CAPACITOR	1uF 10V K		R423	NRSA63D-103X	MG RESISTOR	10kΩ 1/16W D	
C471	NCB21AK-105X	C CAPACITOR	1uF 10V K		R424	NRSA63D-103X	MG RESISTOR	10kΩ 1/16W D	
C472	NEAD1CM-106X	E CAPACITOR	10uF 16V M		R425	NRSA63J-0R0X	MG RESISTOR	0Ω 1/16W J	
C496	NCB21AK-105X	C CAPACITOR	1uF 10V K		R426	NRSA63J-0R0X	MG RESISTOR	0Ω 1/16W J	
C497	NCB21AK-105X	C CAPACITOR	1uF 10V K		R427	NRSA63J-102X	MG RESISTOR	1kΩ 1/16W J	
C501	NCF31CZ-104X	C CAPACITOR	0.1uF 16V Z		R428	NRSA63J-102X	MG RESISTOR	1kΩ 1/16W J	
C510	NEA71CM-106X	E CAPACITOR	10uF 16V M		R429	NRSA63J-102X	MG RESISTOR	1kΩ 1/16W J	
C511	NCF31CZ-104X	C CAPACITOR	0.1uF 16V Z		R430	NRSA63J-102X	MG RESISTOR	1kΩ 1/16W J	
C512	NCB31HK-102X	C CAPACITOR	1000pF 50V K		R431	NRSA63J-102X	MG RESISTOR	1kΩ 1/16W J	
C515	NCF31CZ-474X	C CAPACITOR	0.47uF 16V Z		R432	NRSA63J-102X	MG RESISTOR	1kΩ 1/16W J	
C521	NDC31HJ-101X	C CAPACITOR	100pF 50V J		R433	NRSA63J-102X	MG RESISTOR	1kΩ 1/16W J	
C591	NCF31CZ-104X	C CAPACITOR	0.1uF 16V Z		R434	NRSA63J-102X	MG RESISTOR	1kΩ 1/16W J	
R301	NRSA63J-0R0X	MG RESISTOR	0Ω 1/16W J		R435	NRSA63J-103X	MG RESISTOR	10kΩ 1/16W J	
R302	NRSA63J-0R0X	MG RESISTOR	0Ω 1/16W J		R436	NRSA63J-103X	MG RESISTOR	10kΩ 1/16W J	
R310	NRSA63J-271X	MG RESISTOR	270Ω 1/16W J		R460	NRSA63J-100X	MG RESISTOR	10Ω 1/16W J	
R311	NRSA63J-394X	MG RESISTOR	390kΩ 1/16W J		R461	NRSA63J-0R0X	MG RESISTOR	0Ω 1/16W J	
R312	NRSA63J-1R0X	MG RESISTOR	1Ω 1/16W J		R471	NRSA63J-103X	MG RESISTOR	10kΩ 1/16W J	
R313	NRSA63J-272X	MG RESISTOR	2.7kΩ 1/16W J		R473	NRSA63J-471X	MG RESISTOR	470Ω 1/16W J	
R314	NRSA63J-472X	MG RESISTOR	4.7kΩ 1/16W J		R474	NRSA63J-471X	MG RESISTOR	470Ω 1/16W J	
R315	NRSA63J-0R0X	MG RESISTOR	0Ω 1/16W J		R481	NRSA63J-433X	MG RESISTOR	43kΩ 1/16W J	
R316	NRSA63J-474X	MG RESISTOR	470kΩ 1/16W J		R482	NRSA63J-563X	MG RESISTOR	56kΩ 1/16W J	
R317	NRSA63J-103X	MG RESISTOR	10kΩ 1/16W J		R495	NRSA63J-471X	MG RESISTOR	470Ω 1/16W J	
R318	NRSA63J-103X	MG RESISTOR	10kΩ 1/16W J		R496	NRSA63J-471X	MG RESISTOR	470Ω 1/16W J	
R319	NRSA63J-473X	MG RESISTOR	47kΩ 1/16W J		R498	NQR0354-001X	FERRITE BEADS		
R330	NRSA63J-820X	MG RESISTOR	82Ω 1/16W J		R499	NQR0354-001X	FERRITE BEADS		
R331	NRSA63J-0R0X	MG RESISTOR	0Ω 1/16W J		R500	NRSA63J-473X	MG RESISTOR	47kΩ 1/16W J	
R332	NRSA63J-473X	MG RESISTOR	47kΩ 1/16W J		R501	NRSA63J-473X	MG RESISTOR	47kΩ 1/16W J	
R333	NRSA63J-473X	MG RESISTOR	47kΩ 1/16W J		R502	NRSA63J-331X	MG RESISTOR	330Ω 1/16W J	
R334	NRSA63J-473X	MG RESISTOR	47kΩ 1/16W J		R503	NRSA63J-102X	MG RESISTOR	1kΩ 1/16W J	
R336	NRSA63J-472X	MG RESISTOR	4.7kΩ 1/16W J		R504	NRSA63J-102X	MG RESISTOR	1kΩ 1/16W J	
R337	NRSA63J-5R6X	MG RESISTOR	5.6Ω 1/16W J		R505	NRSA63J-473X	MG RESISTOR	47kΩ 1/16W J	
R342	NRSA63J-222X	MG RESISTOR	2.2kΩ 1/16W J		R509	NRSA63J-102X	MG RESISTOR	1kΩ 1/16W J	
R343	NRSA63J-0R0X	MG RESISTOR	0Ω 1/16W J		R510	NRSA63J-102X	MG RESISTOR	1kΩ 1/16W J	
R345	NRSA63J-222X	MG RESISTOR	2.2kΩ 1/16W J		R511	NRSA63J-102X	MG RESISTOR	1kΩ 1/16W J	
R350	NRSA63J-222X	MG RESISTOR	2.2kΩ 1/16W J		R512	NRSA63J-102X	MG RESISTOR	1kΩ 1/16W J	
R351	NRSA63J-102X	MG RESISTOR	1kΩ 1/16W J		R513	NRSA63J-102X	MG RESISTOR	1kΩ 1/16W J	
R352	NRSA63J-102X	MG RESISTOR	1kΩ 1/16W J		R514	NRSA63J-102X	MG RESISTOR	1kΩ 1/16W J	
R353	NRSA63J-102X	MG RESISTOR	1kΩ 1/16W J		R515	NRSA63J-102X	MG RESISTOR	1kΩ 1/16W J	
R358	NRSA63J-102X	MG RESISTOR	1kΩ 1/16W J		R516	NRSA63J-102X	MG RESISTOR	1kΩ 1/16W J	
R360	NRSA63J-102X	MG RESISTOR	1kΩ 1/16W J		R517	NRSA63J-102X	MG RESISTOR	1kΩ 1/16W J	
R365	NRSA63J-0R0X	MG RESISTOR	0Ω 1/16W J		R518	NRSA63J-102X	MG RESISTOR	1kΩ 1/16W J	
R366	NRSA63J-103X	MG RESISTOR	10kΩ 1/16W J		R519	NRSA63J-102X	MG RESISTOR	1kΩ 1/16W J	
R367	NRSA63J-102X	MG RESISTOR	1kΩ 1/16W J		R521	NRSA63J-473X	MG RESISTOR	47kΩ 1/16W J	
R368	NRSA63J-102X	MG RESISTOR	1kΩ 1/16W J		R522	NRSA63J-473X	MG RESISTOR	47kΩ 1/16W J	
R369	NRSA63J-102X	MG RESISTOR	1kΩ 1/16W J		R523	NRSA63J-473X	MG RESISTOR	47kΩ 1/16W J	
R370	NRSA63J-102X	MG RESISTOR	1kΩ 1/16W J		R526	NRSA63J-102X	MG RESISTOR	1kΩ 1/16W J	
R371	NRSA63J-102X	MG RESISTOR	1kΩ 1/16W J		R527	NRSA63J-102X	MG RESISTOR	1kΩ 1/16W J	
R372	NRSA63J-102X	MG RESISTOR	1kΩ 1/16W J		R528	NRSA63J-102X	MG RESISTOR	1kΩ 1/16W J	
R373	NRSA63J-473X	MG RESISTOR	47kΩ 1/16W J		R529	NRSA63J-0R0X	MG RESISTOR	0Ω 1/16W J	
R374	NRSA63J-473X	MG RESISTOR	47kΩ 1/16W J		R530	NRSA63J-302X	MG RESISTOR	3kΩ 1/16W J	
R375	NRSA63J-331X	MG RESISTOR	330Ω 1/16W J		R535	NRSA63J-0R0X	MG RESISTOR	0Ω 1/16W J	
R376	NRSA63J-152X	MG RESISTOR	1.5kΩ 1/16W J		R536	NRSA63J-0R0X	MG RESISTOR	0Ω 1/16W J	
R377	NRSA63J-152X	MG RESISTOR	1.5kΩ 1/16W J		R537	NRSA63J-102X	MG RESISTOR	1kΩ 1/16W J	
R378	NRSA63J-152X	MG RESISTOR	1.5kΩ 1/16W J		R538	NRSA63J-102X	MG RESISTOR	1kΩ 1/16W J	
R379	NRSA63J-152X	MG RESISTOR	1.5kΩ 1/16W J		R539	NRSA63J-102X	MG RESISTOR	1kΩ 1/16W J	
R380	NRSA63J-103X	MG RESISTOR	10kΩ 1/16W J		R545	NRSA63J-223X	MG RESISTOR	22kΩ 1/16W J	
R381	NRSA63J-103X	MG RESISTOR	10kΩ 1/16W J		R549	NRSA63J-153X	MG RESISTOR	15kΩ 1/16W J	
R382	NRSA63J-103X	MG RESISTOR	10kΩ 1/16W J		R550	NRSA63J-153X	MG RESISTOR	15kΩ 1/16W J	
R384	NRSA63J-333X	MG RESISTOR	33kΩ 1/16W J		R551	NRSA63J-153X	MG RESISTOR	15kΩ 1/16W J	
R385	NRSA63J-221X	MG RESISTOR	220Ω 1/16W J		R552	NRSA63J-220X	MG RESISTOR	22Ω 1/16W J	
R386	NRSA63J-123X	MG RESISTOR	12kΩ 1/16W J		R555	NRSA63J-0R0X	MG RESISTOR	0Ω 1/16W J	
R387	NRSA63J-333X	MG RESISTOR	33kΩ 1/16W J		R556	NRSA63J-0R0X	MG RESISTOR	0Ω 1/16W J	
R388	NRSA63J-472X	MG RESISTOR	4.7kΩ 1/16W J		R559	NRSA63J-302X	MG RESISTOR	3kΩ 1/16W J	
					R560	NRSA63J-302X	MG RESISTOR	3kΩ 1/16W J	

Symbol No.	Part No.	Part Name	Description	Local
R561	NRSA63J-302X	MG RESISTOR	3kΩ 1/16W J	
R562	NRSA63J-302X	MG RESISTOR	3kΩ 1/16W J	
R564	NRSA63J-0R0X	MG RESISTOR	0Ω 1/16W J	
R565	NRSA63J-302X	MG RESISTOR	3kΩ 1/16W J	
R570	NRSA63J-2R7X	MG RESISTOR	2.7Ω 1/16W J	
R571	NRSA63J-104X	MG RESISTOR	100kΩ 1/16W J	
L525	NRS181J-0R0X	MG RESISTOR	0Ω 1/8W J	
L526	NRS181J-0R0X	MG RESISTOR	0Ω 1/8W J	
CN310	QGF0527F2-21W	CONNECTOR	FFC/FPC (1-21)	
CN407	QGF1006F2-08W	CONNECTOR	FFC/FPC (1-8)	
CN408	QGF1006F2-09W	CONNECTOR	FFC/FPC (1-9)	
CN521	QGF1006F2-21W	CONNECTOR	FFC/FPC (1-21)	
CN522	QGF1006F2-08W	CONNECTOR	FFC/FPC (1-8)	
CN601	QGF1006F2-09W	CONNECTOR	FFC/FPC (1-9)	
K491	NRSA63J-0R0X	MG RESISTOR	0Ω 1/16W J	
K492	NRSA63J-0R0X	MG RESISTOR	0Ω 1/16W J	
K495	NRSA63J-0R0X	MG RESISTOR	0Ω 1/16W J	
K496	NRSA63J-0R0X	MG RESISTOR	0Ω 1/16W J	
K523	NQR0354-001X	FERRITE BEADS		
K524	NQR0354-001X	FERRITE BEADS		
K527	NRSA63J-0R0X	MG RESISTOR	0Ω 1/16W J	
K528	NRSA63J-0R0X	MG RESISTOR	0Ω 1/16W J	
K529	NRSA63J-0R0X	MG RESISTOR	0Ω 1/16W J	
K530	NRSA63J-0R0X	MG RESISTOR	0Ω 1/16W J	
K531	NRSA63J-0R0X	MG RESISTOR	0Ω 1/16W J	
K532	NRSA63J-0R0X	MG RESISTOR	0Ω 1/16W J	
S601	NSW0165-001X	DETECT SWICH		
S602	NSW0213-001X	PUSH SWITCH		
TH301	NAD0030-103X	THERMISTOR	10kΩ	
TH456	NRSA02J-0R0X	MG RESISTOR	0Ω 1/10W J	
X300	NAX0476-001X	CRYSTAL	33.8688MHz	
X500	NAX0560-001X	C RESONATOR	20.0MHz	

MD switch board

Block No. [0][7]

Symbol No.	Part No.	Part Name	Description	Local
CN611	QGF1016F3-08	CONNECTOR	FFC/FPC (1-8)	
CN612	QGA1501F1-02	CONNECTOR	W-B (1-2)	
S611	QSW0848-001	CAM SW		

Cassette switch board

Block No. [0][8]

Symbol No.	Part No.	Part Name	Description	Local
IC1	SG-105F3-BB,C	PHOTO SENSER		
D1	1SR139-400-T2	SI DIODE		
R371	QRE141J-123Y	C RESISTOR	12kΩ 1/4W J	
VR37	QVP0077-103Z	TRIM RESISTOR	10kΩ	
CN1	QGF1205F1-09	CONNECTOR	FFC/FPC (1-9)	
FW100	QUM024-07A2Z3	PARA RIBON WIRE		
P1	QNZ0104-001	POST PIN		
SW1	QSW0832-001	CASS.SWITCH		
SW2	QSW0832-001	CASS.SWITCH		
SW5	QSW0832-001	CASS.SWITCH		
SW6	QSW0859-001	DETECT SWITCH		

Head amplifier board

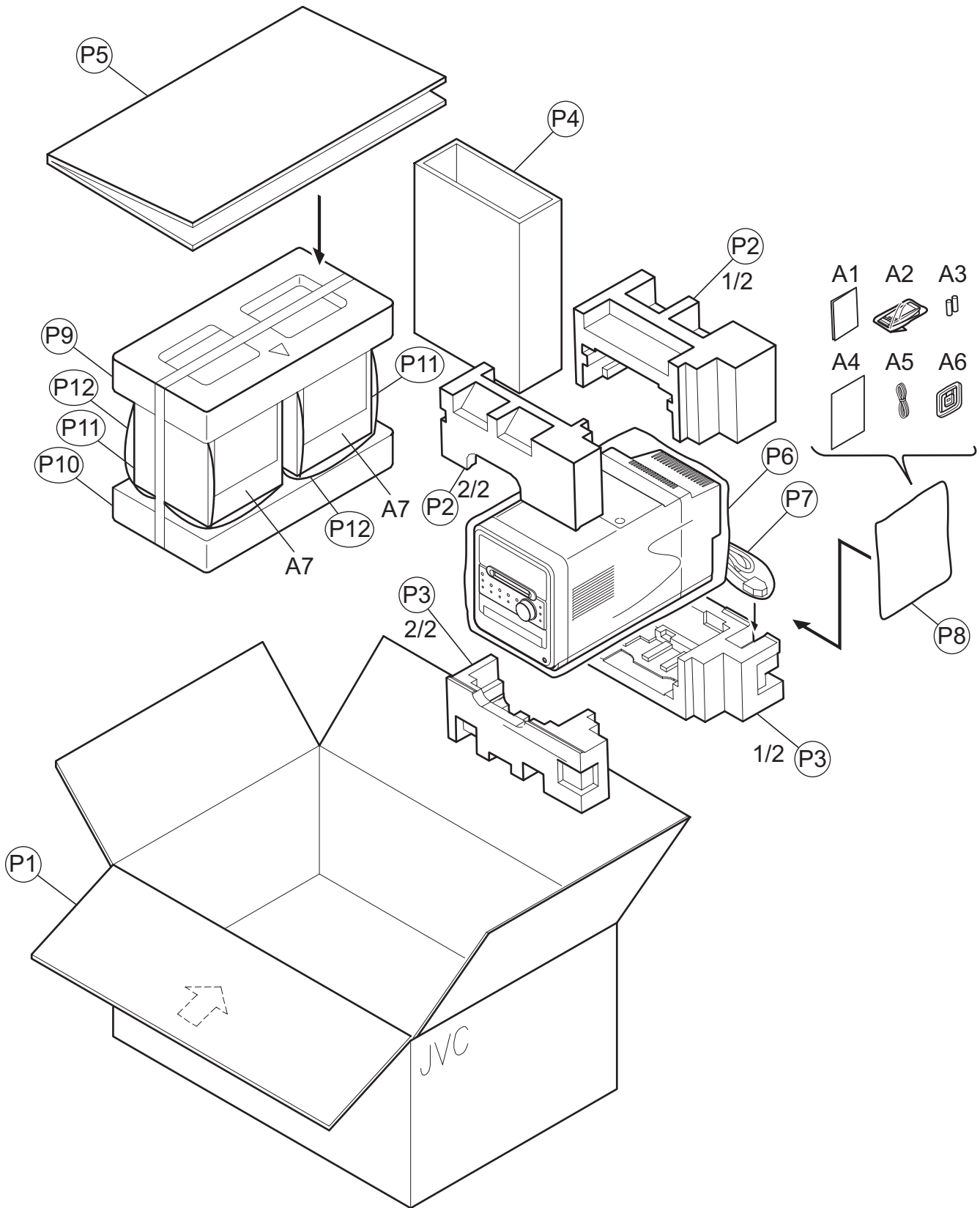
Block No. [0][9]

Symbol No.	Part No.	Part Name	Description	Local
IC32	HA12238F	IC	R/P Equalizer	
IC33	CD4094BC	IC	Serial to parallel port extension	
Q302	2SC2001/K-T	TRANSISTOR		
Q305	2SC2001/K-T	TRANSISTOR		
Q342	KRA111M-T	DIGI TRANSISTOR		
Q343	2SC3576-JVC-T	TRANSISTOR		
Q344	2SC3576-JVC-T	TRANSISTOR		
Q345	2SC3576-JVC-T	TRANSISTOR		
Q346	2SC3576-JVC-T	TRANSISTOR		
Q347	KRC107M-T	DIGI TRANSISTOR		
Q371	KTA1271/OY-T	TRANSISTOR		
Q372	KRC107M-T	DIGI TRANSISTOR		
Q375	2SB562/C-T	TRANSISTOR		
Q376	KTC3199/GL-T	TRANSISTOR		
D340	MTZJ5.1B-T2	Z DIODE		
D375	MTZJ5.1B-T2	Z DIODE		
C101	QDGB1HK-821Y	C CAPACITOR	820pF 50V K	
C102	QDYB1CM-103Y	C CAPACITOR	0.01uF 16V M	
C103	QFLA1HJ-104Z	M CAPACITOR	0.1uF 50V J	
C104	QCBB1HK-221Y	C CAPACITOR	220pF 50V K	
C105	QCBB1HK-391Y	C CAPACITOR	390pF 50V K	
C106	QERF1HM-225Z	E CAPACITOR	2.2uF 50V M	
C107	QCBB1HK-271Y	C CAPACITOR	270pF 50V K	
C109	QEKJ1EM-475Z	E CAPACITOR	4.7uF 25V M	
C110	QDYB1CM-682Y	C CAPACITOR	6800pF 16V M	
C113	QFLA1HJ-104Z	M CAPACITOR	0.1uF 50V J	
C120	QCSB1HK-4R7Y	C CAPACITOR	4.7pF 50V K	
C121	QCBB1HK-331Y	C CAPACITOR	330pF 50V K	
C201	QDGB1HK-821Y	C CAPACITOR	820pF 50V K	
C202	QDYB1CM-103Y	C CAPACITOR	0.01uF 16V M	
C203	QFLA1HJ-104Z	M CAPACITOR	0.1uF 50V J	
C204	QCBB1HK-221Y	C CAPACITOR	220pF 50V K	
C205	QCBB1HK-391Y	C CAPACITOR	390pF 50V K	
C206	QERF1HM-225Z	E CAPACITOR	2.2uF 50V M	
C207	QCBB1HK-271Y	C CAPACITOR	270pF 50V K	
C209	QEKJ1EM-475Z	E CAPACITOR	4.7uF 25V M	
C210	QDYB1CM-682Y	C CAPACITOR	6800pF 16V M	
C213	QFLA1HJ-104Z	M CAPACITOR	0.1uF 50V J	
C220	QCSB1HK-4R7Y	C CAPACITOR	4.7pF 50V K	
C221	QCBB1HK-331Y	C CAPACITOR	330pF 50V K	
C300	QEKJ1HM-105Z	E CAPACITOR	1uF 50V M	
C301	QEKJ1AM-107Z	E CAPACITOR	100uF 10V M	
C304	QEKJ1CM-106Z	E CAPACITOR	10uF 16V M	
C306	FQETJ1AM-227Z	E CAPACITOR		
C307	QDGB1HK-102Y	C CAPACITOR	1000pF 50V K	
C308	QDXB1CM-152Y	C CAPACITOR	1500pF 16V M	
C310	QCBB1HK-223Y	C CAPACITOR	0.022uF 50V K	
C313	QEKJ1AM-107Z	E CAPACITOR	100uF 10V M	
C314	QCFB1HZ-105Y	C CAPACITOR	1uF 50V Z	
C316	QFG32AJ-223Z	PP CAPACITOR	0.022uF 100V J	
C319	QFLC1HJ-472Z	M CAPACITOR	4700pF 50V J	
C331	QEKJ1CM-476Z	E CAPACITOR	47uF 16V M	
C340	QEKJ1CM-476Z	E CAPACITOR	47uF 16V M	
C341	QEKJ1HM-105Z	E CAPACITOR	1uF 50V M	
C342	QEKJ1CM-476Z	E CAPACITOR	47uF 16V M	
C371	QEKJ1EM-475Z	E CAPACITOR	4.7uF 25V M	
C374	QEKJ1AM-107Z	E CAPACITOR	100uF 10V M	
C376	QDYB1CM-103Y	C CAPACITOR	0.01uF 16V M	
R101	QRE141J-512Y	C RESISTOR	5.1kΩ 1/4W J	
R102	QRE141J-512Y	C RESISTOR	5.1kΩ 1/4W J	
R104	QRE141J-222Y	C RESISTOR	2.2kΩ 1/4W J	
R105	QRE141J-104Y	C RESISTOR	100kΩ 1/4W J	
R106	QRE141J-113Y	C RESISTOR	11kΩ 1/4W J	
R107	QRE141J-912Y	C RESISTOR	9.1kΩ 1/4W J	
R108	QRE141J-273Y	C RESISTOR	27kΩ 1/4W J	
R110	QRE141J-103Y	C RESISTOR	10kΩ 1/4W J	
R116	QRE141J-102Y	C RESISTOR	1kΩ 1/4W J	
R121	QRE141J-153Y	C RESISTOR	15kΩ 1/4W J	
R201	QRE141J-512Y	C RESISTOR	5.1kΩ 1/4W J	

△ Symbol No.	Part No.	Part Name	Description	Local
R202	QRE141J-512Y	C RESISTOR	5.1kΩ 1/4W J	
R204	QRE141J-222Y	C RESISTOR	2.2kΩ 1/4W J	
R205	QRE141J-104Y	C RESISTOR	100kΩ 1/4W J	
R206	QRE141J-113Y	C RESISTOR	11kΩ 1/4W J	
R207	QRE141J-912Y	C RESISTOR	9.1kΩ 1/4W J	
R208	QRE141J-273Y	C RESISTOR	27kΩ 1/4W J	
R210	QRE141J-103Y	C RESISTOR	10kΩ 1/4W J	
R216	QRE141J-102Y	C RESISTOR	1kΩ 1/4W J	
R221	QRE141J-153Y	C RESISTOR	15kΩ 1/4W J	
R301	QRE141J-221Y	C RESISTOR	220Ω 1/4W J	
R302	QRE141J-222Y	C RESISTOR	2.2kΩ 1/4W J	
R303	QRE141J-222Y	C RESISTOR	2.2kΩ 1/4W J	
△ R304	QRJ146J-101X	UNF C RESISTOR	100Ω 1/4W J	
R305	QRE141J-103Y	C RESISTOR	10kΩ 1/4W J	
R306	QRE141J-472Y	C RESISTOR	4.7kΩ 1/4W J	
△ R310	QRJ146J-4R7X	UNF C RESISTOR	4.7Ω 1/4W J	
R313	QRE141J-2R2Y	C RESISTOR	2.2Ω 1/4W J	
R314	QRE141J-153Y	C RESISTOR	15kΩ 1/4W J	
R315	QRE141J-101Y	C RESISTOR	100Ω 1/4W J	
R327	QRE141J-474Y	C RESISTOR	470kΩ 1/4W J	
R335	QRE141J-222Y	C RESISTOR	2.2kΩ 1/4W J	
R336	QRE141J-223Y	C RESISTOR	22kΩ 1/4W J	
R337	QRE141J-332Y	C RESISTOR	3.3kΩ 1/4W J	
R338	QRE141J-392Y	C RESISTOR	3.9kΩ 1/4W J	
R339	QRE141J-104Y	C RESISTOR	100kΩ 1/4W J	
R340	QRE141J-681Y	C RESISTOR	680Ω 1/4W J	
R341	QRE141J-123Y	C RESISTOR	12kΩ 1/4W J	
R342	QRE141J-243Y	C RESISTOR	24kΩ 1/4W J	
R343	QRE141J-183Y	C RESISTOR	18kΩ 1/4W J	
R344	QRE141J-472Y	C RESISTOR	4.7kΩ 1/4W J	
R345	QRE141J-472Y	C RESISTOR	4.7kΩ 1/4W J	
R346	QRE141J-472Y	C RESISTOR	4.7kΩ 1/4W J	
R347	QRE141J-103Y	C RESISTOR	10kΩ 1/4W J	
△ R353	QRZ9005-100X	FUSI RESISTOR	10Ω	
R372	QRE141J-102Y	C RESISTOR	1kΩ 1/4W J	
R375	QRE141J-151Y	C RESISTOR	150Ω 1/4W J	
R376	QRE141J-472Y	C RESISTOR	4.7kΩ 1/4W J	
VR31	QVP0008-203Z	TRIM RESISTOR	20kΩ	
L301	QQR1118-002	OSC COIL(BIAS)		
L303	QQL244K-100Z	COIL	10uH K	
CN31	QGF1205F1-06	CONNECTOR	FFC/FPC (1-6)	
CN32	QGF1205F1-09	CONNECTOR	FFC/FPC (1-9)	
CN33	QGF1205F1-09	CONNECTOR	FFC/FPC (1-9)	
CN34	QGF1201F3-10	CONNECTOR	FFC/FPC (1-10)	
H32	GV40397-002A	IC HOLDER		

Packing materials and accessories parts list

Block No. **M** **3** **M** **M**



Packing and Accessories

Block No. [M][3][M][M]

△ Symbol No.	Part No.	Part Name	Description	Local
A 1	LVT1218-002A	INST BOOK	ENG,CHI(PEKIN)	
A 2	RM-SUXQ1U	REMOCON		
A 3	-----	BATTERY	(x2)	
A 4	LV30258-0B1A	UB SHEET		Q1S
A 4	LV30258-0B4A	UB SHEET		Q1W
A 5	QAL0457-001	ANT.WIRE		
A 6	QAL0014-001	AM LOOP ANT		
A 7	SPUXQ1SU-SPBOX	SPK WITH BOX	(x2)	Q1S
A 7	SPUXQ1WU-SPBOX	SPK WITH BOX	(x2)	Q1W
P 1	LV35372-001A	CARTON		Q1S
P 1	LV35372-002A	CARTON		Q1W
P 2	LV21853-001A	CUSHION(TOP)		
P 3	LV21854-001A	CUSHION(BOTTOM)		
P 4	LV35373-001A	CARTON SPACER		
P 5	LV35388-001A	CARTON SHEET		
P 6	QPC05006515P	POLY BAG	50cm x 65cm	
P 7	QPA01503503	POLY BAG	15cm x 35cm	
P 8	QPC02503510P	POLY BAG	25cm x 35cm	
P 9	LV35299-001A	TOP CUSHION		
P 10	LV35299-002A	BOTTOM CUSHION		
P 11	8500048081	MIRROR SHEET	(x2)	
P 12	8500041601	POLY BAG	(x2)	