

JVC

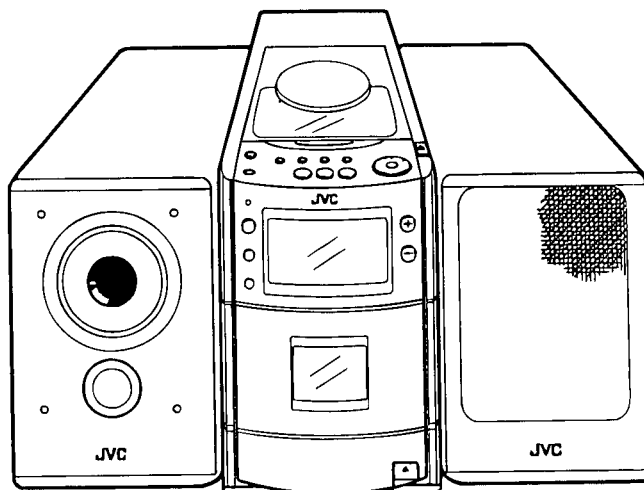
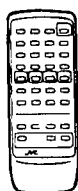
SERVICE MANUAL

MICRO COMPONENT SYSTEM

UX-T150 UX-T151

COMPACT
disc
DIGITAL AUDIO

Cassette Mechanism SLC-S1M
System CPU UPD78064GF
Optical Pickup OPTIMA-150S
CD Signal Processor MN35510



Area Suffix (UX-T150)

B ----- U.K.
E ----- Continental Europe
EE ----- Eastern Europe
EN ----- Northern Europe
UB ----- Hong Kong
UF ----- China
US ----- Singapore
UX ----- Saudi Arabia
U ----- Other Areas

Area Suffix (UX-T151)

B ----- U.K.
E ----- Continental Europe
EN ----- Northern Europe

Contents

1. Safety Precautions	1-2	8. Block Diagram	2-23
2. Important for Laser Products	1-3	9. Standard Schematic Diagrams	3-1
3. Instructions	1-4~15	10. Location of P.C. Board Parts	3-11
4. Removal of Main Parts	2-1	11. Parts List	4-1
5. Main Adjustment	2-10	12. Electrical Parts List	4-5
6. Description of Main ICs	2-14	13. Packing	4-26
7. Wiring Connection	2-22		

Safety Precautions

1. This design of this product contains special hardware and many circuits and components specially for safety purposes. For continued protection, no changes should be made to the original design unless authorized in writing by the manufacturer. Replacement parts must be identical to those used in the original circuits. Services should be performed by qualified personnel only.
2. Alterations of the design or circuitry of the product should not be made. Any design alterations of the product should not be made. Any design alterations or additions will void the manufacturer's warranty and will further relieve the manufacture of responsibility for personal injury or property damage resulting therefrom.
3. Many electrical and mechanical parts in the products have special safety-related characteristics. These characteristics are often not evident from visual inspection nor can the protection afforded by them necessarily be obtained by using replacement components rated for higher voltage, wattage, etc. Replacement parts which have these special safety characteristics are identified in the Parts List of Service Manual. Electrical components having such features are identified by shading on the schematics and by (\triangle) on the Parts List in the Service Manual. The use of a substitute replacement which does not have the same safety characteristics as the recommended replacement parts shown in the Parts List of Service Manual may create shock, fire, or other hazards.
4. The leads in the products are routed and dressed with ties, clamps, tubings, barriers and the like to be separated from live parts, high temperature parts, moving parts and/or sharp edges for the prevention of electric shock and fire hazard. When service is required, the original lead routing and dress should be observed, and it should be confirmed that they have been returned to normal, after re-assembling.
5. Leakage current check (Electrical shock hazard testing)
After re-assembling the product, always perform an isolation check on the exposed metal parts of the product (antenna terminals, knobs, metal cabinet, screw heads, headphone jack, control shafts, etc.) to be sure the product is safe to operate without danger of electrical shock. Do not use a line isolation transformer during this check.

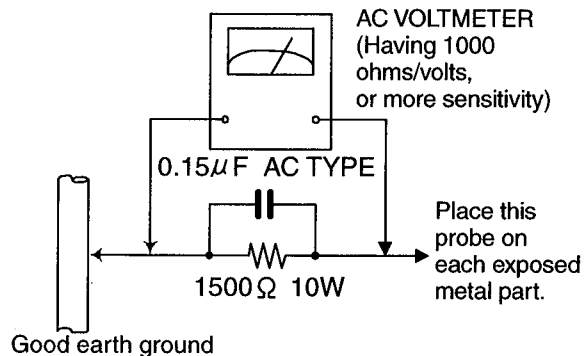
- Plug the AC line cord directly into the AC outlet. Using a "Leakage Current Tester", measure the leakage current from each exposed metal parts of the cabinet, particularly any exposed metal part having a return path to the chassis, to a known good earth ground. Any leakage current must not exceed 0.5mA AC (r.m.s.)

- Alternate check method

Plug the AC line cord directly into the AC outlet. Use an AC voltmeter having, 1,000 ohms per volt or more sensitivity in the following manner. Connect a 1,500 Ω 10W resistor paralleled by a 0.15 μ F AC-type capacitor between an exposed metal part and a known good earth ground.

Measure the AC voltage across the resistor with the AC voltmeter.

Move the resistor connection to each exposed metal part, particularly any exposed metal part having a return path to the chassis, and measure the AC voltage across the resistor. Now, reverse the plug in the AC outlet and repeat each measurement. voltage measured Any must not exceed 0.75 V AC (r.m.s.). This corresponds to 0.5 mA AC (r.m.s.).



Warning

1. This equipment has been designed and manufactured to meet international safety standards.
2. It is the legal responsibility of the repairer to ensure that these safety standards are maintained.
3. Repairs must be made in accordance with the relevant safety standards.
4. It is essential that safety critical components are replaced by approved parts.
5. If mains voltage selector is provided, check setting for local voltage.

⚠ CAUTION Burrs formed during molding may be left over on some parts of the chassis. Therefore, pay attention to such burrs in the case of performing repair of this system.

Important for Laser Products

1.CLASS 1 LASER PRODUCT

2.DANGER : Invisible laser radiation when open and interlock failed or defeated. Avoid direct exposure to beam.

3.CAUTION : There are no serviceable parts inside the Laser Unit. Do not disassemble the Laser Unit. Replace the complete Laser Unit if it malfunctions.

4.CAUTION : The compact disc player uses invisible laserradiation and is equipped with safety switches which prevent emission of radiation when the drawer is open and the safety interlocks have failed or are defeated. It is dangerous to defeat the safety switches.

5.CAUTION : If safety switches malfunction, the laser is able to function.

6.CAUTION : Use of controls, adjustments or performance of procedures other than those specified herein may result in hazardous radiation exposure.

CAUTION Please use enough caution not to see the beam directly or touch it in case of an adjustment or operation check.

WARNING : Osynlig laserstrålning är denna del är öppnad och spårren är urkopplad. Betrakta ej strålen.

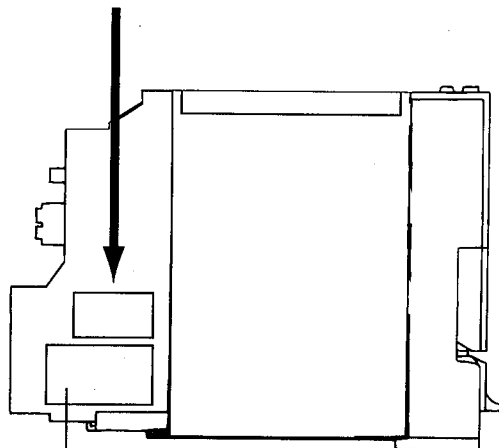
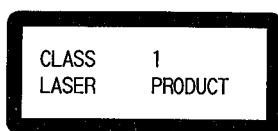
VARO : Avattaessa ja suojalukitus ohitettaessa olet alltiina näkymättömälle lasersäteilylle. Älä katso säteeseen.

ADVARSEL : Usynlig laserstrålning ved åbning , når sikkerhedsafbrydere er ude af funktion. Undgå udsættelse for stråling.

ADVARSEL : Usynlig laserstrålning ved åpning,når sikkerhetsbryteren er avslott. unngå utsettelse for stråling.

REPRODUCTION AND POSITION OF LABELS

WARNING LABEL

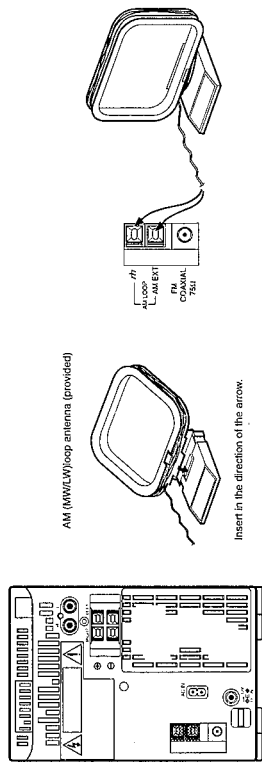


Name/Rating plate

<p>DANGER : Invisible laser radiation when open and interlock or defeated. AVOID DIRECT EXPOSURE TO BEAM (e)</p>	<p>VARO : Avattaessa ja suojalukitus ohitettaessa olet alltiina näkymättömälle lasersäteilylle. Älä katso säteeseen. (d)</p>	<p>WARNING : Osynlig laserstrålning är denna del är öppnad och spårren är urkopplad. Betrakta ej strålen. (e)</p>	<p>ADVARSEL : Usynlig laserstrålning ved åbning , når sikkerhedsafbrydere er ude af funktion. Undgå udsættelse for stråling. (f)</p>
---	---	--	---

CONNECTIONS

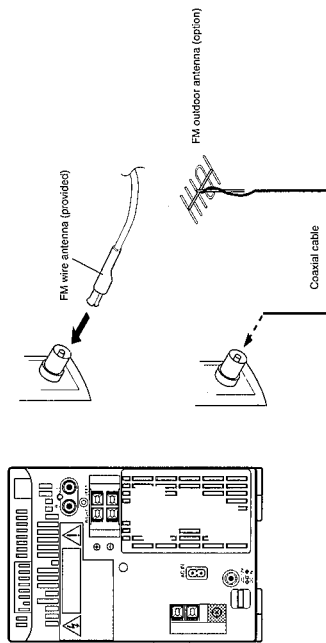
- Do not switch the power on until all connections are completed.
- Antenna connection and adjustment**
- AM (MW/LW) loop antenna adjustment



Insert in the direction of the arrow.

- Keep the loop antenna away from the unit and install it so that the best reception is obtained. (Do not leave the antenna wire in a bundle.)

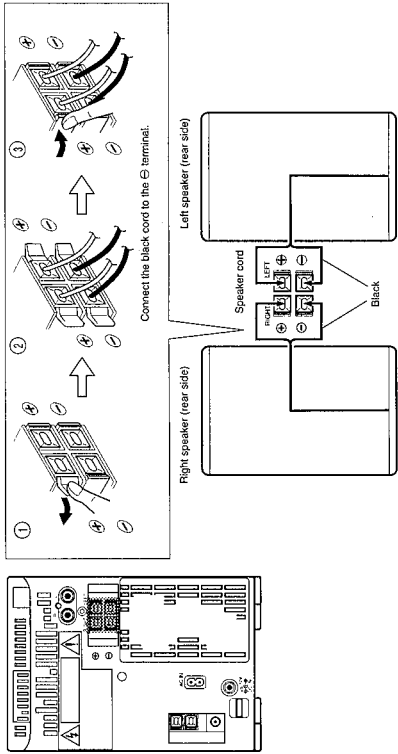
- FM, antenna connections and adjustments



- Use an outdoor antenna when stable reception cannot be obtained with the provided antenna.

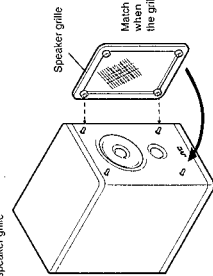
- Notes:**
- Do not place the loop antenna on a metal desk or near a TV or personal computer.
 - Installing an outdoor antenna requires expertise; we recommend that you consult an audio dealer.
 - Install the antenna cord away from the power and speaker cords as much as possible. Do not install the loop antenna so that it touches the rear of the unit.

Speaker cord connection



- Connect the cord from the speaker on the left to the (LEFT) terminals and the cord from the speaker on the right to the (RIGHT) terminals.

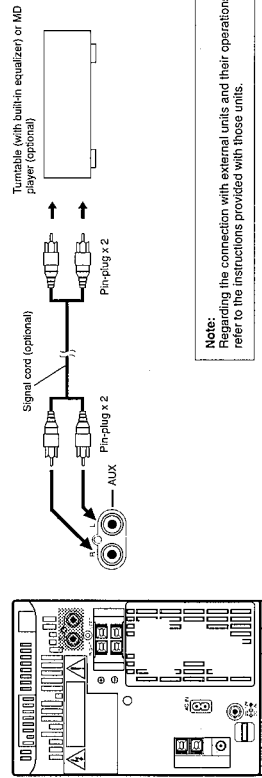
- The speaker grilles can be removed.
- 1. Insert your fingers at the top and pull towards you.
- 2. Also pull the bottom towards you.
- Attaching the speaker grille



- Notes:**
- The polarity of the two connected speakers will be the same if the black speaker cords are connected to the ⊖ terminals. If the speakers are connected with polarities reversed, stereo effect and tone will be degraded.
 - The speakers of this unit are not magnetically shielded. When they are placed near a television set, the television picture may be distorted. Install the speakers more than 20 cm away from your TV.
 - When connecting the speaker cord make sure that the wire core, not the insulating cover, is connected to the speaker terminal. Otherwise, sound cannot be heard.

Connection of external audio units

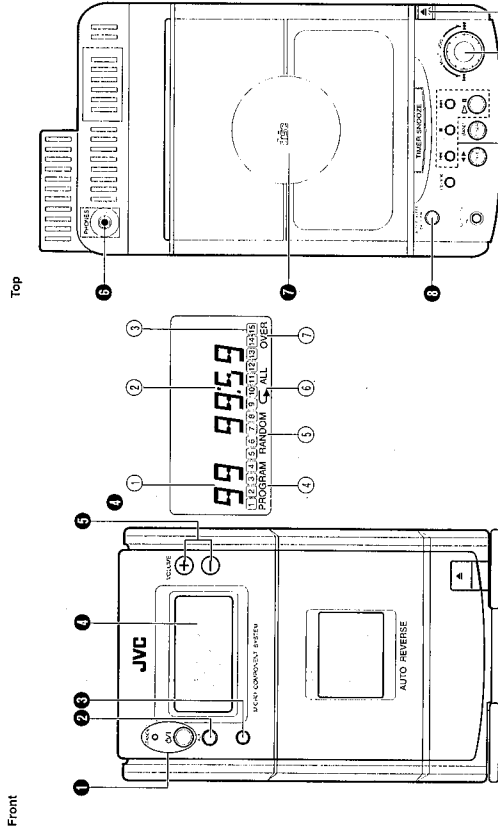
- Connection with a turntable (or MD player)



- Note:**
- Regarding the connection with external units and their operations, refer to the instructions provided with those units.

NAMES OF PARTS AND THEIR FUNCTIONS

CD player/General section



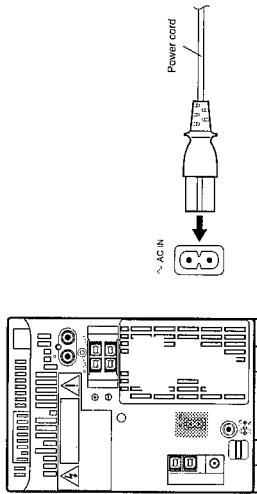
- 1 CD holder
- 2 CD
- 3 REVERSE BASS PRO button
- 4 CD operations button
- 5 CD search buttons (◀▶): Press to locate the beginning of a track and to start forward/reverse search operations.
- 6 Stop button (■): Press to stop playing a CD.
- 7 Play button (▶): Press to play a CD or to stop temporarily.
- 8 MULTI JOG dial: When the function is CD and the dial is turned, the beginning of a track can be searched. (1 track is selected by 2 clicks.)
- 9 CD holder OPEN (▲) button

- 1 4x/1 button and power/STANDBY indicator
- 2 AUX button
- 3 Remote sensor section
- 4 Display window
- 5 Function/track number display
- 6 Play time display
- 7 Music calendar display
- 8 Repeat play indicator (PROGRAM)
- 9 REPEAT indicator (PROGRAM)
- 10 REPEAT play indicator (◀-ALL)
- 11 OVER indicator
- 12 VOLUME buttons
 - +: Use to increase the volume.
 - : Use to decrease the volume.
- 13 Headphone jack (PHONE) (3.5 mm dia. stereo mini)

POWER SUPPLY

A. Connection of AC power cord

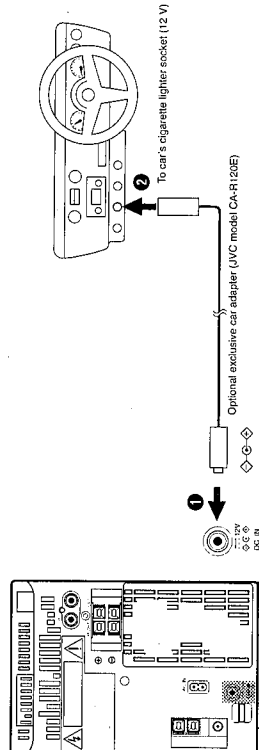
- Connect the AC power cord after all other connections have been made.



CAUTIONS:

1. ONLY USE WITH JVC POWER CORD PROVIDED WITH THIS UNIT TO AVOID MALFUNCTION OR DAMAGE TO THE UNIT.
2. BE SURE TO UNPLUG THE POWER CORD FROM THE OUTLET WHEN GOING OUT OR WHEN THE UNIT IS NOT IN USE FOR AN EXTENDED PERIOD OF TIME.

B. Operation on car battery (DC 12 V)

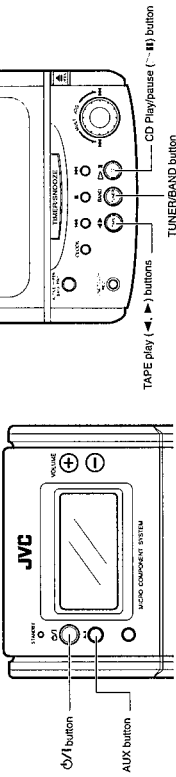


- First connect the car adapter to the DC IN 12 V jack, not the cigarette lighter socket, because shorting of a plug on the car may cause the unit. In addition, be careful not to make a short-circuit between the plug and the car battery.
- When using a car battery, be sure to use the specified car adapter (JVC model CA-R120E) to prevent mishaps or damage resulting from different polarity design.

Note:

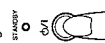
- When there is a power failure or the AC power cord is disconnected, the timer/clock setting is erased from memory. Reset the clock when the power supply is restored.

SWITCHING THE POWER ON/OFF

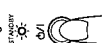


Switching the power on/off

- Switching on:



- Switching off:



The STANDBY indicator goes out. • The indicator in the display window lights.

The STANDBY indicator lights. • The indicator in the display window goes out and only the clock is indicated.

One touch operation (COMPU PLAY)

Even when the power is set to STANDBY, pressing the button shown below switches on the power and selects the source.

Function mode	Operations
CD	When this button is pressed with a CD loaded, CD playback begins.
TAPE	When this button is pressed with a tape loaded, tape playback begins.
TUNER	When this button is pressed, the tuner is engaged.
AUX	A sound source connected to the AUX terminal can be engaged.

Notes:

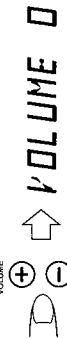
- When switching off the power, be sure to press the button.
- The COMPU PLAY function the remote control has the same function as that on the main unit.

VOLUME, TONE AND OTHER CONTROLS

VOLUME buttons

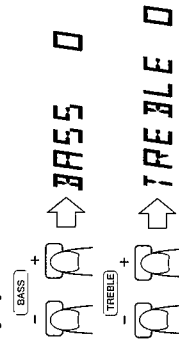
- + : Use to increase the volume.
- : Use to decrease the volume.

(Control range from VOLUME 0 to VOLUME 50.)



BASS/TREBLE buttons (using the remote control unit)

To set the bass or treble level, press the corresponding button. The level setting ranges from -6 to 6.



ACTIVE HYPER-BASS PRO button

ON: The BASS indicator lights up. Set to this position to activate ACTIVE HYPER-BASS PRO sound.
OFF: The BASS indicator goes out. Set to this position when ACTIVE HYPER-BASS PRO sound is not required.

HANDLING CDS

Since dirty, damaged and warped CDs may damage the unit, take care regarding the following:

Usable CDs

1. Use CDs with the mark shown.

Notes on handling CDs

- Do not touch the reflective recorded surface.
- Do not stick or write anything on the label side.
- Do not bend CDs

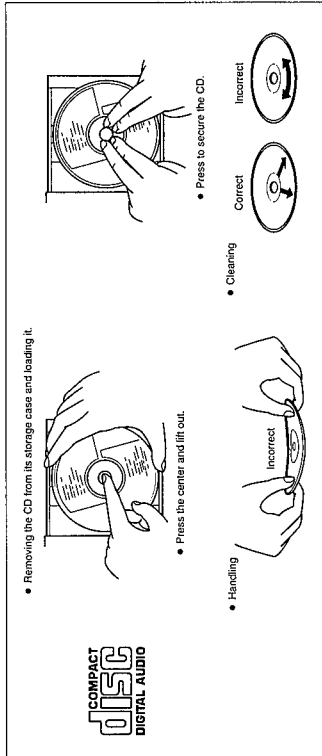
3. Storage

- After removing a CD from the unit, be sure to put it back in its case.
- Do not expose CDs to direct sunlight, high temperatures from a heater, etc., high humidity, or dust.

4. Cleaning CDs

- Before loading a CD, wipe off any dust, dirt or fingerprints with a soft cloth. CDs should be cleaned by wiping radially from the center to the edge.

- Never use thinner, benzene, record cleaner or antistatic spray.

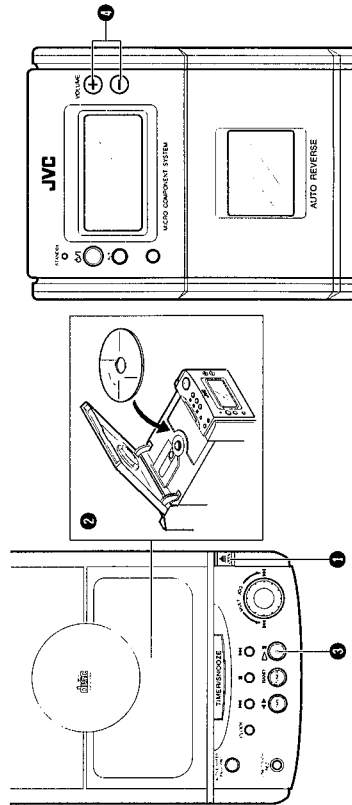


PLAYING CDS

Playing an entire CD

The following example of playing an entire CD assumes a CD with 12 tracks and a total playing time of 48 minutes 57 seconds.

Operate in the order shown



- 1 Press to open the CD holder.
- 2 Load a CD with the label side facing up and close the CD holder.
- 3 Press to start play. (The power is switched on.)
- 4 Adjust.

- As tracks are played, their track numbers go out one by one.

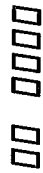
• 5-cm (3") CDs can be used in this unit without an adapter.

- **To stop in the middle of a CD**
During play, press the stop/clear (■) button to stop play.

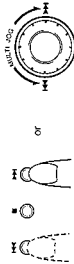


- The total number of tracks and total playback time are displayed.
- **To stop a CD temporarily**
Press the L (II) button to stop play temporarily and the playing time display blinks.
When pressed again, play resumes from the point where it was paused.
- **Caution:**
To change CDs, press the stop/clear (■) button, check that the CD has stopped rotating completely before unloading it.

- Notes:**
- When no CD is loaded, "NO DISC" is indicated in the display window. This indication may also appear when a CD is loaded upside down.
 - The "NO DISC" indication may appear when a CD is dirty or scratched, or when the CD is loaded upside down.
 - In such a case, check the CD and insert again after cleaning the CD or turning it over.
 - **Do not use the unit at excessively high or low temperatures.**
The recommended temperature range is from 5°C (41°F) to 35°C (95°F).
 - After play, unload the CD.
 - If mistracking occurs during play, lower the volume.



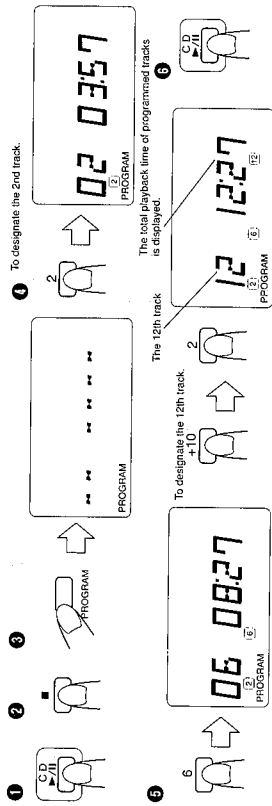
- Skip play**
- During play, it is possible to skip forward to the beginning of the next track or track to the beginning of the track being played or the previous track; when the beginning of the required track has been located, play starts automatically.
 - **To listen to the next track..**
Press the ► (II) button once to skip to the beginning of the next track.
 - **To listen to the previous track..**
Press the ◀ (II) button to skip to the beginning of the track being played. Press twice quickly to skip to the beginning of the previous track.
 - By using the MULTI JOG dial, the beginning of tracks can be searched and played.



- Search play (to locate the required position on the CD)**
- The required position can be located using fast-forward or reverse search while playing a CD.
 - Keep pressing for fast-forward search.
 - Hold down the button; search play starts slowly and then gradually increases in speed.
 - Similarly, keep pressing for fast-reverse search (at about one quarter of the normal level) can be heard in the search mode; monitor the sound and release the button when the required position is located.

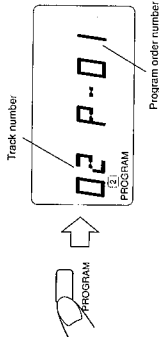
Programmed play (using the remote control unit)

- Up to 20 tracks can be programmed to be played in any required order. The total number of programmed tracks is displayed (up to 99 minutes, 59 seconds).
- (Example: When programming the 2nd track to be played first, and the 6th track next, then the 12th track, etc.)



- 1 Press the CD ► (II) button to set to the CD mode.
- 2 Press the PROGRAM button to set to the programming mode.
- 3 Press the PROGRAM button to set to the programming mode.
- 4 Press to designate the required track number.
- 5 Designate the remaining tracks by pressing the track number buttons.
- 6 Press the ► (II) button when programming is completed. Programmed play starts.

To confirm the details of a program..
Press the PROGRAM button on the tracks masking up the program will be displayed in programmed order.



- To clear the programmed tracks..**
Press the ■ button before playing a CD. During programmed play, press this button twice. When the CD holder is opened, programmed tracks are cleared automatically.
- Notes:**
- The total playing time of the programmed tracks exceeds 99 minutes and 59 seconds, the program will be cleared out.
 - When programming a track number higher than 21, tracks containing more than 21 tracks, the total playback time of all the programmed tracks will not be displayed.
 - When a disc with 16 or more tracks is loaded, the "OVER" indicator will appear.

Repeat play (using the remote control unit)

Press the REPEAT button before or during play. A single track or all the tracks can be repeated.

Whether a single track or all tracks are to be repeated can be specified. Each time the REPEAT button is pressed, the mode will change from a single track (⇐), to all the tracks (⇐ ALL), to the clear mode, in this order.



- **Single track repeat (⇐)**
The current or specified track will be played repeatedly.
- **All tracks repeat (⇐ ALL)**
All tracks of the programmed tracks of a CD will be played repeatedly.

Random play (using the remote control unit)

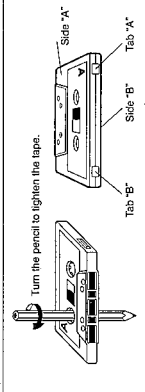
Press the RANDOM button, and all tracks on a CD play once in random order.



HANDLING CASSETTE TAPES

Cassette tapes

1. Loose tape may cause trouble. Using a pencil or like object, gently tighten the tape as shown.
2. To prevent recordings from being erased accidentally, remove the label(s) with a screwdriver, etc. Reseal the slots with adhesive tape to prevent erasure.
3. C-120 cassettes are not recommended because they are prone to malfunction.

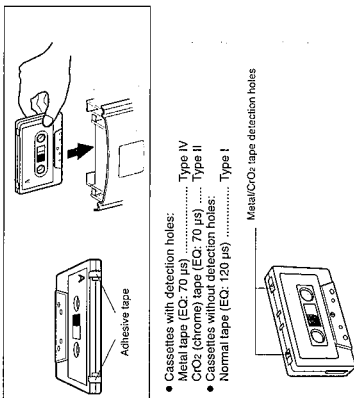


Note:

If the power is switched off while tape is running, it may be impossible to remove the cassette. If this happens, switch the power on again before attempting to remove the cassette.

Auto tape select mechanism

This unit has an Auto Tape Select mechanism which distinguishes between different types of tape using detection holes in the cassette. After the type of tape has been detected, bias and equalization suitable for the tape are set.



Cassettes with detection holes:

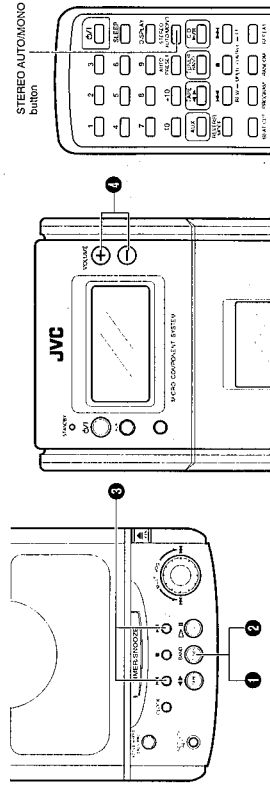
- Metal (EO: 70 µs) Type IV
- CrO₂ (chrome) tape (EO: 70 µs) Type II
- Cassettes without detection holes:
 - Normal tape (EO: 120 µs) Type I

Metal/CrO₂ tape detection holes

- Cassette loading**
1. Press the eject (A) button to open the cassette holder.
 2. Load a cassette as shown.
 3. Close the cassette holder by pressing it gently. Listen for the click indicating that the holder is securely shut.

RADIO RECEPTION

Operate in the order shown



- 1 Press the TUNERBAND button.
- 2 The power is switched on and a band and radio frequency will be shown in the display.
- 3 Tune to the required station.
- 4 Adjust.

STEREO AUTO/MONO button (using the remote control unit)

Set to this position when listening to or recording an FM stereo broadcast. The STEREO indicator lights when the FM stereo broadcast is received. MONO.

When another station is tuned to in the MONO mode, the unit automatically enters Auto mode.

Seek tuning

Press the ◀ or ▶ button for one second or more. The unit enters the seek tuning mode to tune in the nearest station automatically, so the broadcast can be heard. In AM operation, the frequency moves continuously from the MW to the LW band and vice versa.

Manual tuning

Each time the ◀ or ▶ button is pressed, the unit steps through the current frequency band. Tuning is done in steps of 50 kHz for FM and 9 kHz for AM. In AM operation, the tuned frequency moves continuously from the MW (522-1,629 kHz) to the LW (144-288 kHz) band and vice versa.

Press to move to higher frequency.

Press to move to lower frequencies.

Notes:

- When seek tuning to the required station is not possible because the STEREO indicator does not light, press the ◀ or ▶ button momentarily to perform manual tuning.
- When the power is set to STANDBY or another mode (TAPE, CD or AUX) is selected, the last tuned frequency is stored in memory. When the power is switched on again and TUNERBAND button is pressed, the same station will be tuned to.

Auto preset tuning (using the remote control unit)

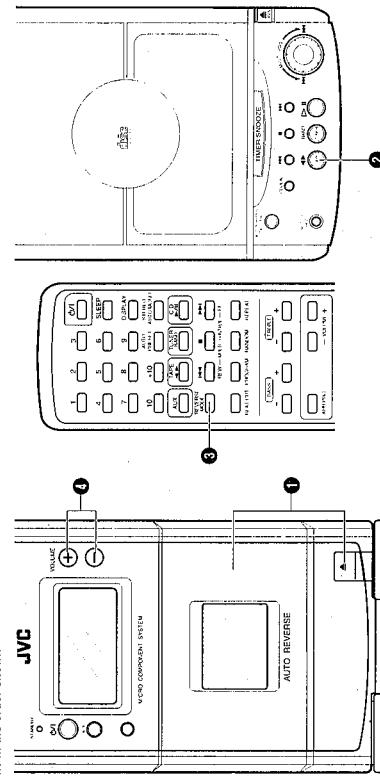
This function scans the current band, detecting frequencies used to broadcast stereo signals. The detected frequencies and 15 AM (MW/LW) frequencies in memory are automatically stored in memory. Press the AUTO PRESET button for more than 2 seconds. The frequencies of stations broadcasting signals can be stored in memory automatically in the order of increasing frequency. (30 stations in FM band and 15 stations in AM (MW/LW) band.)

AUTO PRESET

Press for more than 2 seconds.

CASSETTE PLAYBACK

Operate in the order shown



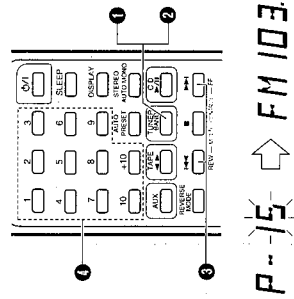
- 1 Load a cassette tape.
- 2 Press the power button. (The power is switched on and the TAPE mode is engaged to start tape playback.)
- 3 Select the reverse mode (REVERSE/PLAY button).
- 4 Adjust.

After loading a cassette tape, simply press the TAPE REVERSE button. The power is switched on and the tape starts playback. (To select the playback direction, press the TAPE REVERSE button. The change in direction can be checked in the tape direction indicator (◀ or ▶).)

Presetting stations (using the remote control unit)

30 stations in FM band and 15 stations in AM (MW/LW) band can be preset for the remote control unit.

- Example: (Presetting an FM station broadcasting on 103.5 MHz to preset button "15")



- 1 Press the TUNERBAND button.
 - 2 Select the FM band using the TUNERBAND button.
 - 3 Tune to the required station.
 - 4 Press preset button "+10", then "5", for more than 2 sec. (When "15" blinks in the preset station display, the station has been stored.)
- Repeat the above procedure for each of the other stations, using a different preset button each time.
 - Repeat the above procedure for the other band.
 - To change preset stations
- Perform step 1 above after tuning to the required station.

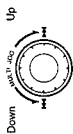
- Notes:**
- The previous stored station is erased when a new station is stored, but the new station's frequency replaces the previous frequency in memory.
 - When listening to an AM (MW/LW) broadcast, noise may be heard if the remote control unit is used.

Using the antennas (see page 5)
FM: Connect the provided FM wire antenna.
AM (MW/LW): Adjust the position of AM (MW/LW) loop antenna.

- All preset stations will be erased when the power cord is disconnected or when the battery is used for more than 24 hours. In such cases, store the stations again.

Preset Tuning

- The stations must be preset before this operation can be performed.
- (Using the main unit)
 ① Press the TUNER/BAND button.
 ② Select the band using the TUNER/BAND button.
 ③ To select the required preset station, turn the MULTI JOG dial.



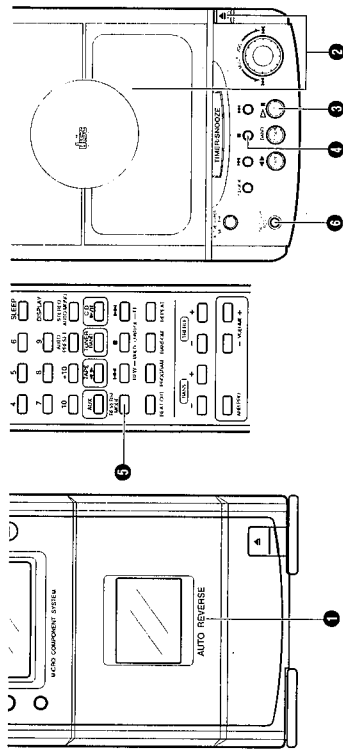
RECORDING

- During recording, the ALC (Automatic Level Control) circuit automatically optimizes the recording level, so manual recording level adjustment is unnecessary.
- Check that the safety tab on the cassette tape is not broken off.

Synchronized recording with the CD player

- In this system, the CD player starts play when the cassette deck enters the recording mode.

Operate in the order shown



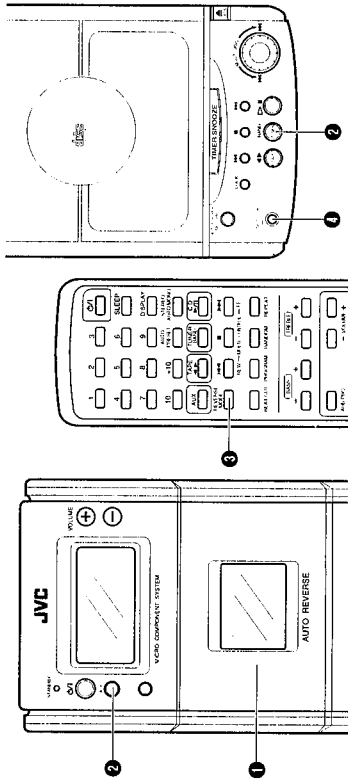
- Load a cassette with side A facing out. (Wind past the tape leader before starting recording.)
- Set a CD and close the CD holder.
- Set the CD player to record mode.
- Press the **RECORD** button to set stop mode.
- Select the required reverse mode (**←** or **→**).
- When programmed play is required, program the required tracks using the remote control. (See page 14.)
- Select tracks with a total playing time which does not exceed the tape length.
- Press the **ONE TOUCH REC** button; synchronized recording will start. (The recording indicator lights up.)
- Recording starts in the forward direction and CD play starts automatically.
- After the CD player has played the entire CD or programmed tracks, the deck stops automatically.

- **CD complete recording function (Synchro recording mode only)**
 If the CD player is in play, recording will be done on the reverse side of the tape as follows:
 - When less than 12 seconds of the last tune on the forward side of the tape have been recorded, recording on the other side of the tape will start from the beginning of the previous track.
 - When more than 12 seconds of the last tune on the forward side of the tape have been recorded, recording on the other side of the tape will start from the beginning of the current track.

- **To record one track**
 Play the track to be recorded. Then press the **ONE TOUCH REC** button. The recording will start. When the recording is finished, the CD player and cassette deck both stop.

Recording from the radio or an external source connected to the AUX terminals

Operate in the order shown



- Load a cassette with side A facing out. (Wind past the tape leader before starting recording.)
- Select the source to be recorded.
- Press the TUNER/BAND button. Tune to the required station.
- Select the required reverse mode (**←** or **→**).
- Press the **ONE TOUCH REC** button.

BEAT CUT button (using the remote control unit)

When recording an AM broadcast, beats may be produced which are not heard when listening to the broadcast. In such case, set this button after setting the deck to the record mode so that the beats are eliminated. Normally set this button to **CUT-1**.



Erasing

A recorded tape can be erased by recording new material over the previous material.

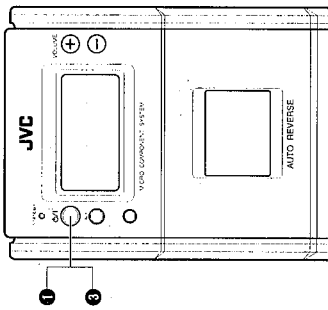
- To erase a tape without making a new recording...
 - Press the **STOP** button.
 - Press the **REVERSE** button.
 - Insert the cassette with the side to be erased facing out.
 - Press the **ONE TOUCH REC** button.

It should be noted that it may be unlawful to re-record pre-recorded tapes, records, or discs without the consent of the owner of copyright in the sound or video recording, broadcast or cable programme and in any literary, dramatic, musical, or artistic work embodied therein.

Timer playback

- Timer playback of tapes, broadcasts and CDs is possible.

Operations



- 1 Set the **⏻** button to ON.
- 2 Set the timer. (Refer to "Setting the timer" on page 20.)

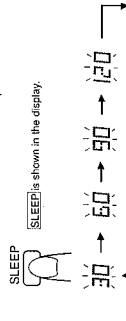
Source sound	Timer mode	Operations
CD play	CD	Load a disc.
Tape playback	TAPE	Load a cassette tape.
Broadcast	TUNER	Tune to the required station.

- 3 Set the **⏻** button to STANDBY.
 - Timer playback will start at the timer start time and the power will be switched off at the timer stop time.
 - The unit remains in the same timer mode even after the power is switched off. The same timer function will repeat at the same time on the following day.
 - When the power is switched on, it is possible to fade in the sound from volume level 0 (zero) to the preset volume.

Sleep timer operations (using the remote control unit)

- A. Use this when you want to fall asleep while listening to a tape, broadcast or CD.

- 1 Set to the required source and tune (broadcast) or play back (CD or tape).
- 2 Press the SLEEP button to set the sleep time.



- SLEEP is shown in the display.
- Source mode display (Releasing the sleep mode)
 - Sleep time settings of 30, 60, 90 or 120 minutes can be set. When you release the SLEEP button, the source is displayed after 5 sec.

- The sleep timer operation will start and the power will be switched off after the specified time.
- Checking the sleep time: When the SLEEP button is pressed, the remaining sleep time is displayed. If it is pressed again, a new sleep time can be set.
- To cancel the sleep timer operation: Press the **⏻** button to switch the power off or press the SLEEP button until the sleep time indicator disappears.

- To confirm the timer setting: Press the **⏻** button for more than 2 seconds. (⏻) disappears.
- Press the **⏻** button for more than 2 seconds once again.
- Then each time the **⏻** button is pressed the timer setting can be confirmed. When the previous function mode is restored, showing that the timer setting has been completed.

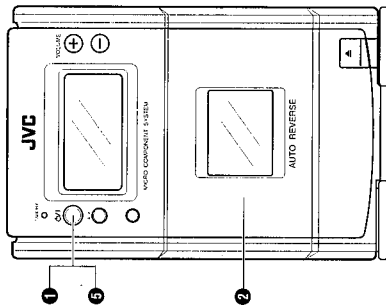
Notes:

- When the timer is set incorrectly or the correct mode is not selected, perform "Setting the timer" from the beginning.

Timer recording of broadcast

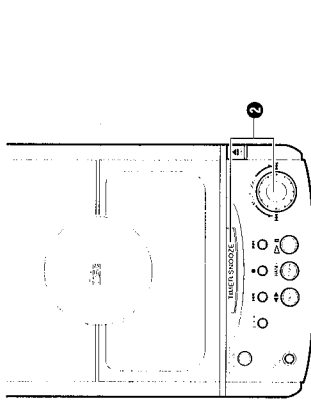
- The current time must be set before the timer can be used.
- Make sure that the safety tabs of the cassette have not been broken off.

Operations



- 1 Set the **⏻** button to ON.
- 2 Load a cassette.
 - Set the cassette with the side to be recorded facing out.
 - Set the timer. (Refer to "Setting the timer" on page 20.)
 - Set the timer about a minute before the broadcast to be recorded is scheduled to start.
 - Tune to the station to be recorded. (Refer to page 16.)
- 3 Set the **⏻** button to STANDBY.
 - Timer recording will start at timer start time and the power will be switched off at timer stop time. (The timer mode is then released.)
- To cancel timer operation: Press the **⏻** button for more than 2 seconds so that the timer mode indicator (⏻) goes out.

If you do this, timer recording will not start at the timer start time.

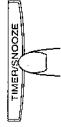


- To cancel timer operation: Press the **⏻** button for more than 2 seconds so that the timer mode indicator (⏻) goes out.

Notes:

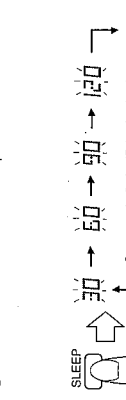
- When the volume setting is set to "VOLUME 2" (volume level) is not displayed, the timer playback volume is set to the level used before setting the timer.
- To stop during timer playback, press the **⏻** button to switch the unit off.

- To get an extra 5 minutes of sleep...: When timer playback starts, press the **⏻** button. The power off and timer playback restarts after 5 minutes (snore function).



B. To fall asleep while listening to a tape, broadcast or CD and to perform timer playback the following morning

- 1 Set the timer. (Refer to "Setting the timer" on page 20.)
- 2 CD play for sleep timer operation and timer playback.
- 3 Press the SLEEP button to set the sleep time.



- Any source can be selected for sleep timer operation and timer playback. For example:
 - CD play for sleep timer operation and broadcast reception for timer playback.
 - Tape playback for sleep timer operation and CD play for timer playback.

However, when broadcast reception is selected for both sleep timer operation and timer playback, the station you heard at night will be tuned to the following morning.

UX-T151/T150 MICRO COMPONENT SYSTEM

MAINTENANCE

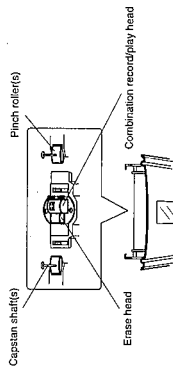


Cleaning is important!

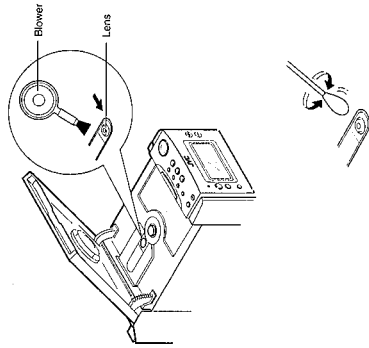
When the tape is unting, magnetic powder and dust naturally accumulate on the heads, capstan and pinch roller. When they become too dirty...
 • Sound quality deteriorates.
 • The output sound level drops.
 • Previously recorded tape is not completely erased.
 • Recording is not performed satisfactorily.
 • The tape is damaged on the heads, etc. after every 10 hours of use for optimal recording conditions.

Cleaning the heads, capstan and pinch roller

Clean the cassette holder.
 Clean the heads, pinch roller and capstan.
 For effective cleaning, use a cleaning fluid available from an audio store. Do not use benzine, etc. Be sure that the cleaning fluid has dried completely before loading a cassette.



Cleaning the lens
 If the lens in the CD pickup is dirty, dropout, etc. could degrade sound. Open the CD holder and clean the lens as shown.
 • Use a blower (available from a camera store) to blow dust off the lens.
 • If there are fingerprints, etc. on the lens, gently wipe clean with a cotton swab.



Cautions:

1. Keep magnets and metallic objects away from the head. If the head becomes magnetized, noise will increase and the sound will deteriorate. Demagnetize the head every 20-30 hours of use with a head eraser (available from an audio store). (When demagnetizing with a head eraser, do not touch the tape to the eraser.)
 Do not use anything other than alcohol to clean the head.
 Thinner and benzine will damage the rubber pinch roller.

TROUBLESHOOTING



What appears to be trouble is not always serious. First make sure...

- Power cannot be turned on.
 • Is the power cord unplugged?
 • Are the power switches turned on?
 • Are headphones connected?
- CD Player Section
 - The CD player does not play.
 • Is the CD upside down?
 • Is the CD dirty?
 • Is the remote sensor section of the CD does not play correctly.
 • Is the CD scratched?
- Cassette Deck Section
 - Playback sound is at a very low level.
 • Is the head dirty?
 • The ONE TOUCH REC button does not function.
 • Have the safety tabs of the cassette been broken off?

SPECIFICATIONS

CD player section

Type : Compact disc player
 Signal detection : Non-contact optical pickup
 Number of channels : 2 channels
 Frequency response : 20 Hz - 20,000 Hz
 Signal-to-noise ratio : 90 dB
 Wow & flutter : Less than measurable limit

Radio section

Frequency range : FM 87.5-108 MHz
 AM 530-1,600 kHz
 Antennas : Loop antenna for AM (MW/LW)
 External antenna terminal for FM (75 Ω)

Tape deck section

Motor : Electronic governor DC motor for capstan
 Track system : 2-track
 Heads : Head for normality recording/playback, 2 gap limits
 Head for C-60 (Cassette)
 Frequency response : 60-15,000 Hz (with C-60 tape)
 Wow & flutter : 0.15% (WRMS)
 Fast wind time : Approx. 130 sec (C-60 cassette)

Speaker Section (each unit)

Speakers (Impedance) : 8 cm (4 Ω)
 Dimensions : 100 (W) x 203 (H) x 104 (D) mm
 Weight : Approx. 1.6 kg

General
 Power output : 28 W (14 W + 14 W) at 4 Ω (Max.)
 20 W (10 W + 10 W) at 4 Ω (10% THD)
 AUX IN (500 mV/7 kΩ)
 Output terminals : 0-15 mV/16 Ω, 32 Ω, Matching
 Impedance: 16 Ω - 1 kΩ
 SFEAKER (Matching impedance 4 Ω - 16 Ω)
 Power requirements : AC 230 V, 50 Hz
 Standby power : 0.2 W (for battery via optional CA-R120E car adapter)
 Power consumption : 35 W (with ϕ /1button ON)
 2.8 W (with ϕ /1button STANDBY)
 Dimensions : 100 (W) x 270 (D) mm, including knobs
 Weight : Approx. 6.5 kg
 Accessories provided : Power cord x 1
 Remote control unit (RM-RXUT100) x 1
 FM sect. (157) batteries x 2 (for the remote control)
 Loop antenna stand x 1

Design and specifications are subject to change without notice.



VICTOR COMPANY OF JAPAN, LIMITED

EN

Printed in China
 0392/MNMOZKJSC

Removal of Main Parts

■ Removing the panel

(See Figs.1 and 2)

1. From behind the body, remove the seven screws ① retaining the rear panel (See Fig.1).
2. After turning the body upside down, remove the two screws ② retaining the rear panel (See Fig.2).
3. Take out the rear panel from behind the body.

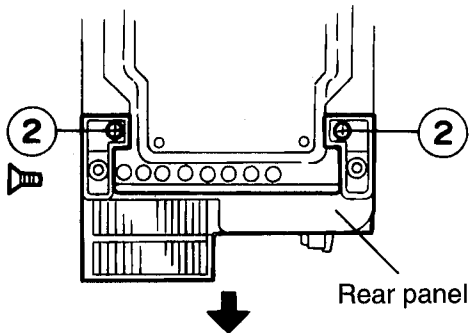


Fig. 2

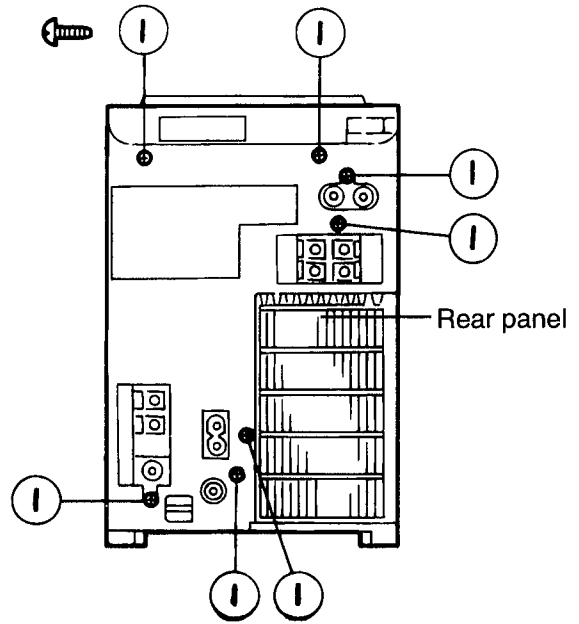


Fig. 1

■ Removing the side panels (L and R)

(See Figs. 3~6)

1. After turning the body upside down, remove the two screws ③ retaining the front cabinet assembly (See Fig. 3).
2. After turning the body back to its initial position, open the CD door while pressing the upper [OPEN/CLOSE] button (See Fig. 4).
3. While moving the side panel (L) in the arrow direction, remove the panel from the left side of the body (See Fig. 5).
4. While moving the side panel (R) in the arrow direction, remove this panel from the right side of the body (See Fig. 6).

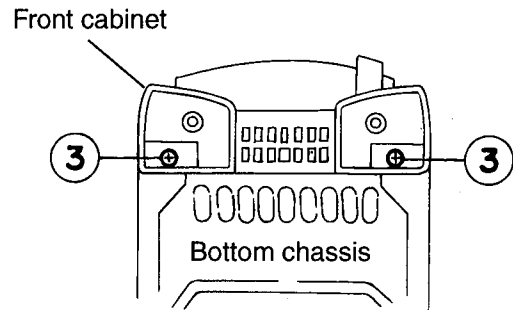


Fig.3

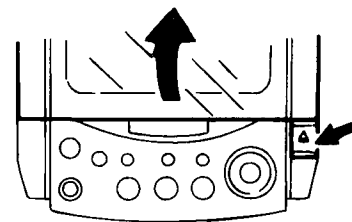


Fig. 4

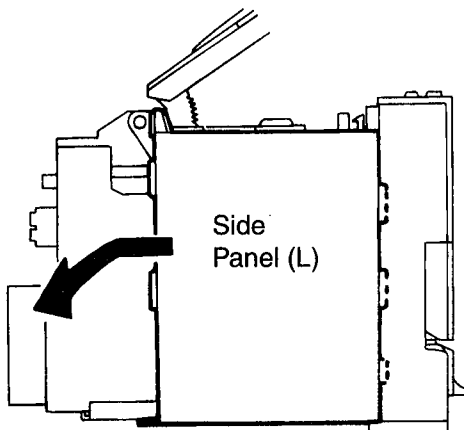


Fig. 5

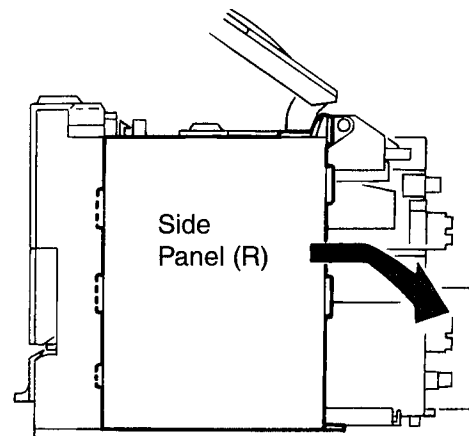


Fig. 6

■ **Removing the CD player unit**

(See Figs. 7 and 8)

1. Remove the rear panel.
2. Remove the left and right side panels.
3. From the connector CN603 on the CD servo control P.C. board, disconnect the card wire outgoing from the power amplifier P.C. board (See Fig. 11)
4. From the connector CN604 on the CD servo control P.C. board, disconnect the card wire outgoing from the connector CN766 on the LCD system CPU P.C. board. (See Fig. 11)
5. Disengage the left and right engagements **a** and **b** fixing the CD player unit by using a minus screw driver, etc. (See Figs. 11 and 12)

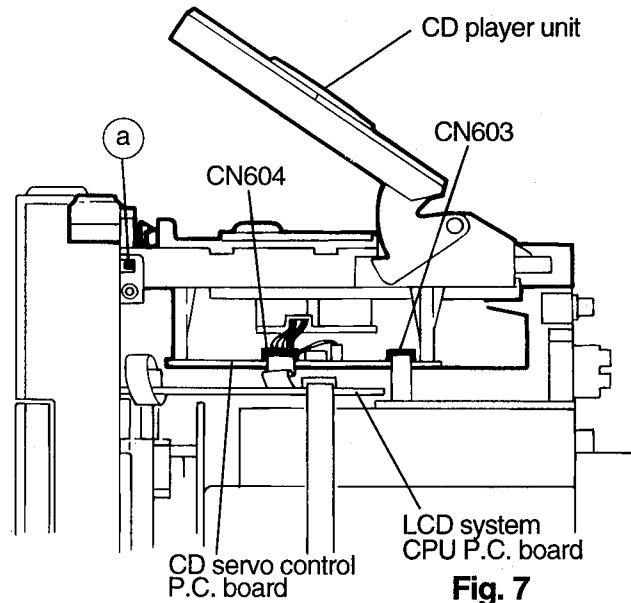


Fig. 7

■ **Removing the Power amplifier P.C. board and Heat sink**

(See Figs. 9 and 10)

1. Remove the rear panel.
2. Remove the left and right side panels.
3. Remove the CD player unit.
4. Remove the five screws **④** and **⑤** retaining the heat sink. (See Fig. 9)
5. From the connector CN303 on the power amplifier P.C. board, disconnect the card wire outgoing from the connector CN34 on the head amplifier & mechanism control P.C. board. (See Fig. 9)
6. From the connector CN901 on the power supply board, disconnect the connector wire out going from the connector W306 on the power amplifier P.C. board. (See Fig. 9)
7. Remove the one screw **⑥** retaining the power amplifier P.C. board. (See Fig. 10)
8. Remove the power amplifier P.C. board from the two connectors CN711 and CN712 on the LCD system CPU P.C. board. (See Fig. 9)
9. After removing the power amplifier P.C. board from the key way on the bottom chassis, take this P.C. board out while raising it in the arrow direction. (See Fig. 10)

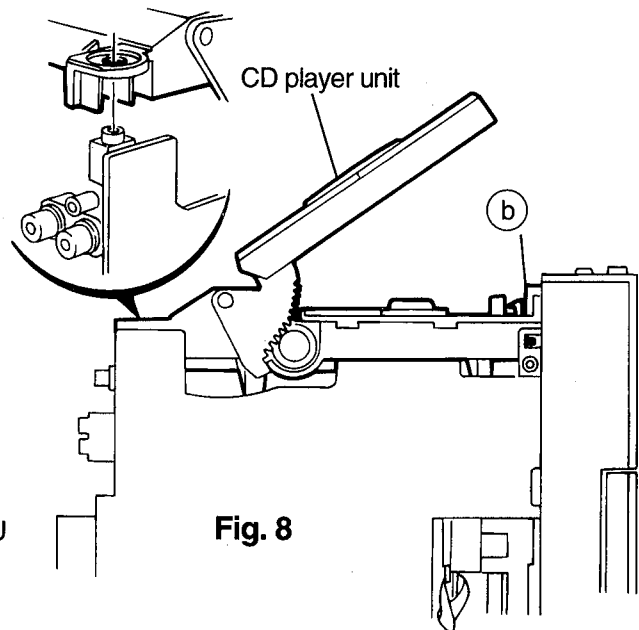


Fig. 8

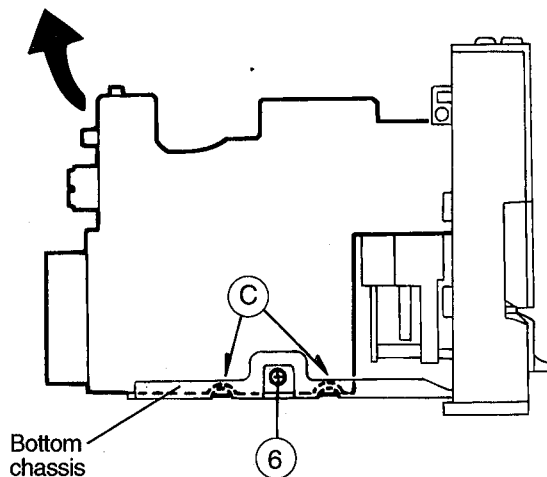


Fig. 10

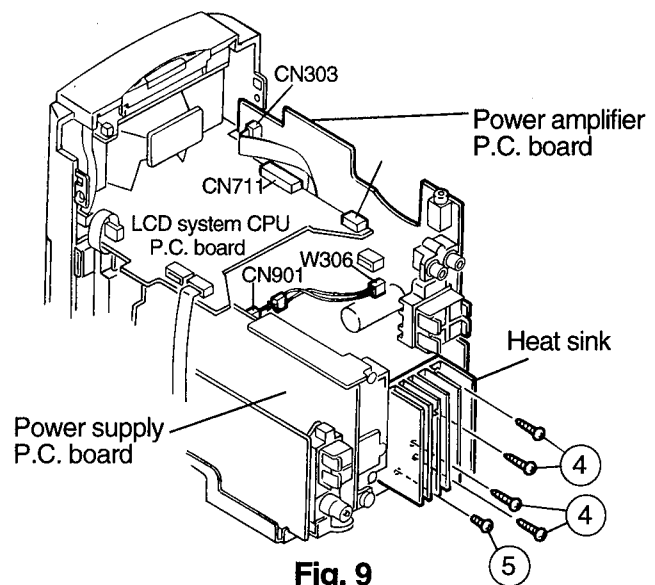


Fig. 9

■ **Removing the tuner P.C. board**

(See Fig. 11)

1. Remove the rear panel.
2. Remove the left and right side panels.
3. Remove the CD player unit.
4. From the right side of the body, remove the one screw ⑦ retaining the tuner P.C. board.
5. From connector CN1 on the P.C. board, disconnect the card wire outgoing from connector CN701 on the LCD system CPU P.C. board.

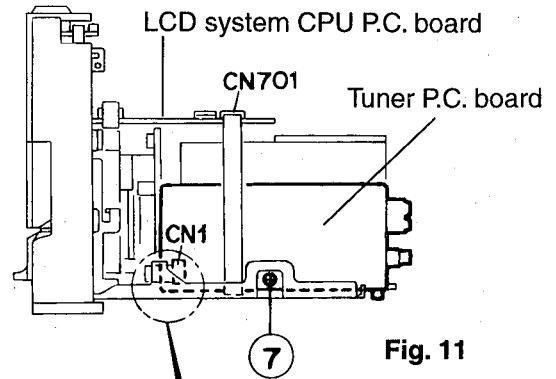


Fig. 11

■ **Removing the front panel assembly**

(See Fig. 12)

1. Remove the rear panel.
2. Remove the left and right side panels.
3. Remove the CD player unit.
4. Remove the power amplifier P.C. board and heat sink.
5. Remove the tuner P.C. board.
6. From the bottom of the body, disengage the engagement ④ fixing the front panel assembly in Fig. 12 while pressing it with a minus screw driver, etc.

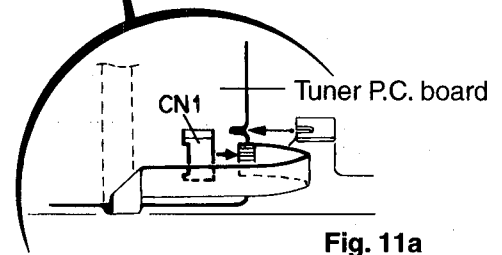


Fig. 11a

■ **Removing the power transformer and power supply P.C. board**

(See Fig. 13)

1. Remove the rear panel.
2. Remove the left and right side panels.
3. Remove the CD player unit.
4. Remove the power amplifier P.C. board and heat sink.
5. Remove the tuner P.C. board.
6. Remove the four screws ⑧ retaining the power transformer and power supply P.C. board and the one screw ⑨ retaining the jack holder.

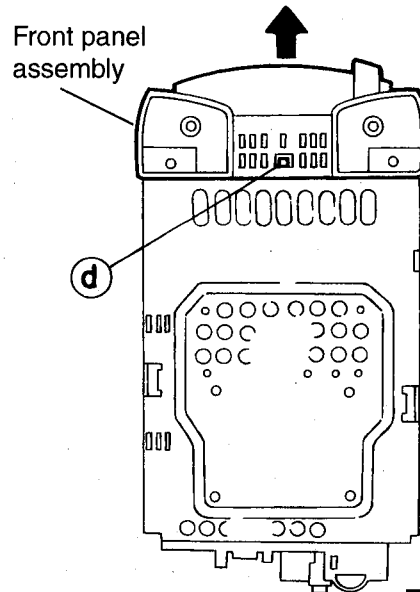


Fig. 12

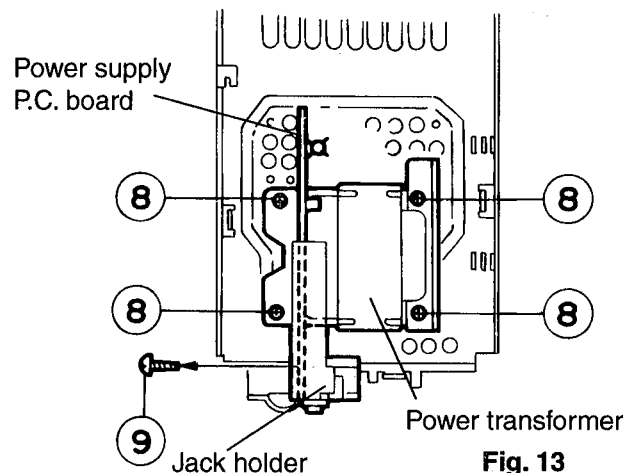


Fig. 13

■ Removing the cassette mechanism unit

(See Fig. 14)

1. Remove the rear panel.
2. Remove the left and right side panels.
3. Remove the CD player unit.
4. Remove the power amplifier P.C. board.
5. Remove the front panel assembly.
6. From inside the front panel assembly, remove the four screws ⑨ and ⑩ retaining the cassette mechanism unit.
7. From the connector CN33 on the head amplifier & mechanism control P.C. board, disconnect the card wire outgoing from the connector CN731 on the LCD system CPU P.C. board.

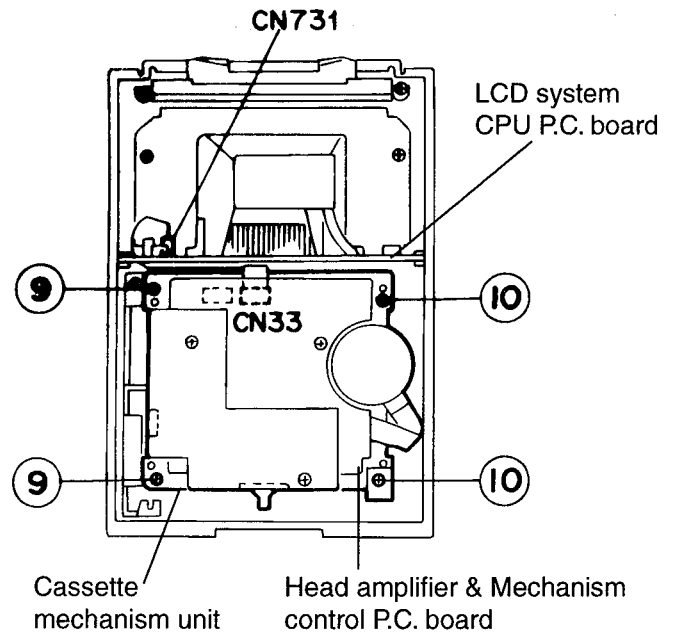


Fig. 14

■ Removing the function switch P.C. board and LCD system CPU P.C. board

(See Figs. 15 and 16)

1. Remove the rear panel.
2. Remove the left and right side panels.
3. Remove the CD player unit.
4. Remove the front panel assembly.
5. Remove the cassette mechanism unit.
6. From inside the front panel assembly remove the two screws ⑪ retaining the operation switch P.C. board.
7. From the connector CN782 on the LCD system CPU P.C. board, disconnect the connector wire outgoing from the connector CN802 on the operation switch P.C. board.
8. While sliding the two engagements ⑥ fixing the LCD system CPU P.C. board, pull out this P.C. board.
9. After disconnect the connector CN801 on the function switch P.C. board from the connector CN781 on the LCD system CPU P.C. board, remove the respective P.C. boards while pulling them upward.

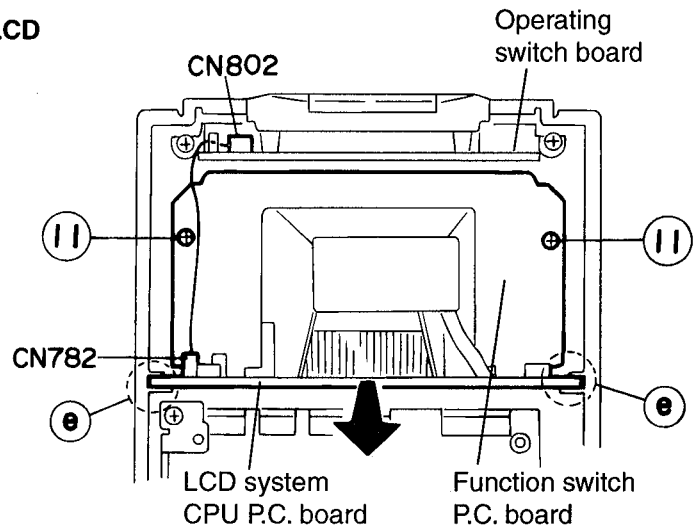


Fig. 15

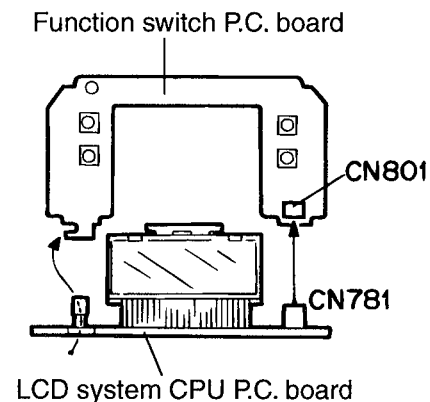


Fig. 16

<<CD Player Unit Section>>

■ Removing the CD mechanism and CD servo control P.C. board

(See Figs. 19 and 20)

1. Remove the rear panel.
2. Remove the left and right side panels.
3. Remove the CD player unit.
4. After turning back the CD player unit, remove the four screws ⑭ retaining the CD servo control P.C. board and shield.
5. From the connector CN601 on the CD servo control P.C. board, disconnect the card wire outgoing from the CD mechanism.
6. From the connector P011 on the CD mechanism P.C. board, disconnect the connector wire outgoing from the connector CN602 on the CD servo control P.C. board.
7. Remove the four screws ⑮ retaining the CD mechanism.
8. While sliding the CD mechanism in the arrow direction, take turn table out so carefully that it does not come into contact with the chassis.

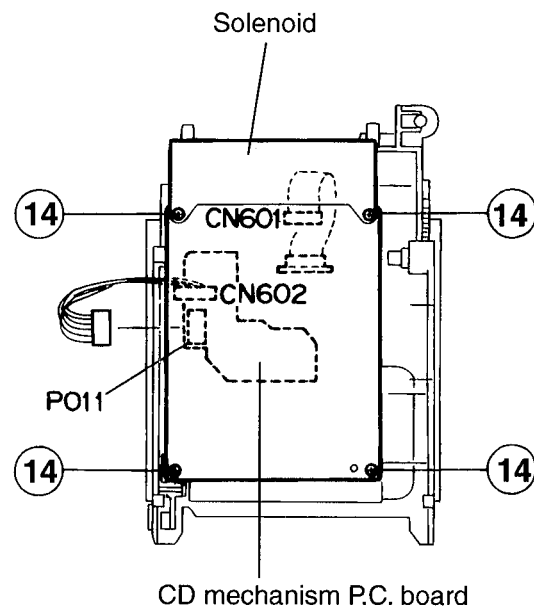


Fig.19

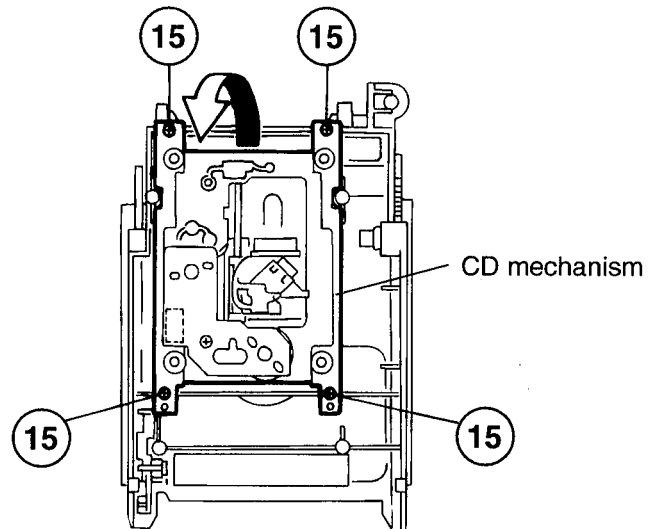


Fig.20

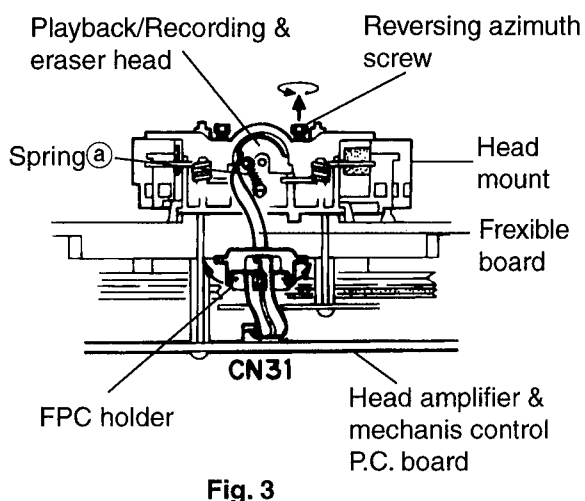
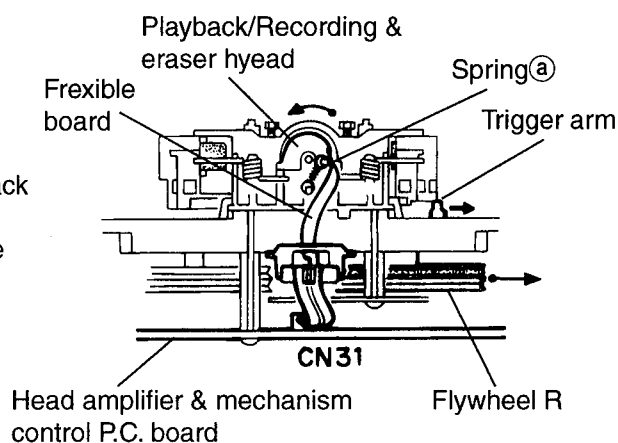
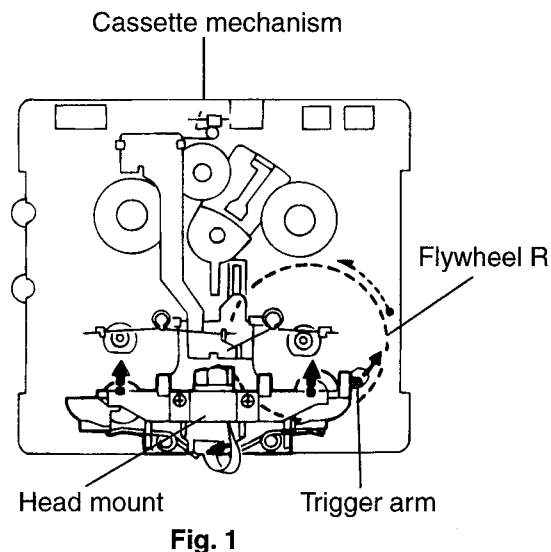
<<Cassette Mechanism Section>>

■ Removing the Playback/Recording & Eraser Head (See Figs. 1 and 2)

1. While shifting the trigger arms seen on the right side of the head mount in the arrow direction, turn the flywheel R in counterclockwise direction until the head mount has gone out with a click (See Fig. 1).
2. When the flywheel R is rotated in counterclockwise direction, the Playback/Recording & Eraser head will be turned in counterclockwise direction from the position in Fig. 2 to that in Fig. 3.
3. At this position, disconnect the flexible P.C. board (outgoing from the Playback/Recording & Eraser head) from the connector CN31 on the head amplifier & mechanism control P.C. board.
4. After dismantling the FPC holder, remove the flexible P.C. board.
5. Remove the flexible P.C. board from the chassis base.
6. Remove the spring Afro behind the Playback/Recording & Eraser head.
7. Loosen the reversing azimuth screw retaining the Playback /Recording & Eraser head.
8. Take out the Playback/Recording & Eraser head from the front of the head mount.
9. The Playback/Recording & Eraser head should also be removed similarly according to Steps 1 ~ 8 above.

■ Reassembling the Playback/Recording & Eraser Head

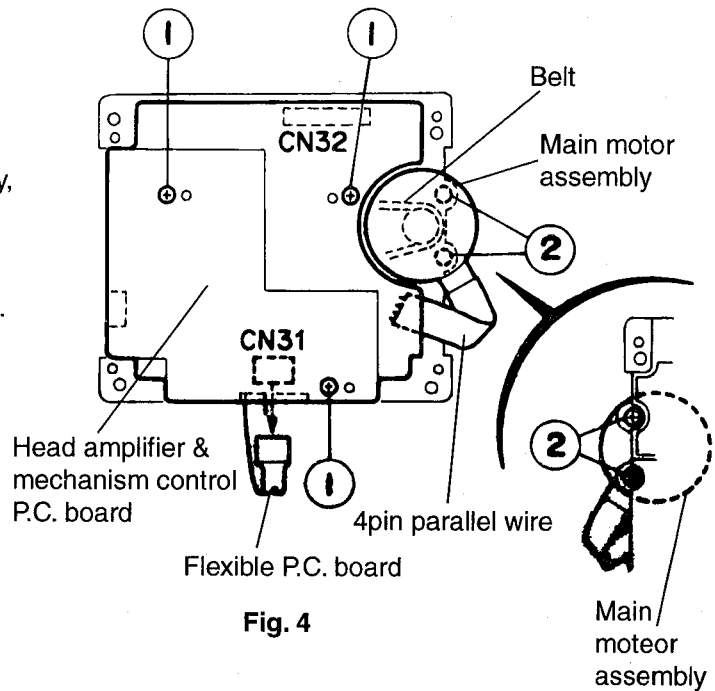
1. Reassemble the playback head from the front of the head mount to the position as shown in Fig. 3.
2. Fix the reversing azimuth screw.
3. Set the spring ① from behind the Playback/Recording & Eraser head.
4. Attach the flexible P.C. board to the chassis base, and fix it with the FPC holder as shown in Fig. 3.
5. The Playback/Recording & Eraser head should also be reassembled similarly to Step 1 ~ 4 above.



■ **Removing the Head amplifier & Mechanism control P.C. board**

(See Fig. 4)

1. Remove the cassette mechanism assembly.
2. After turning over the cassette mechanism assembly, remove the three screws ① retaining the head amplifier & mechanism control P.C. board.
3. Disconnect the connector CN32 on the P.C. board including the connector CN 1 on the reel pulse P.C. board.
4. When necessary, remove the 4 pin parallel wire soldered to the main motor.

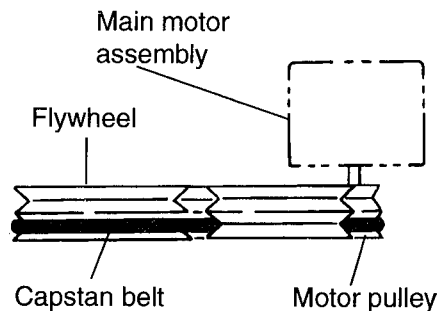
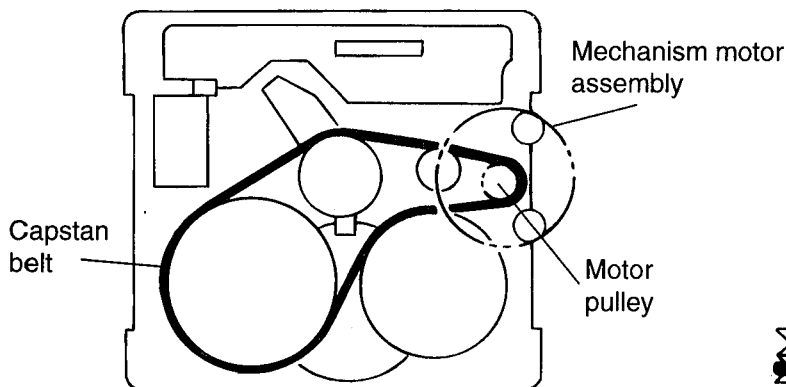
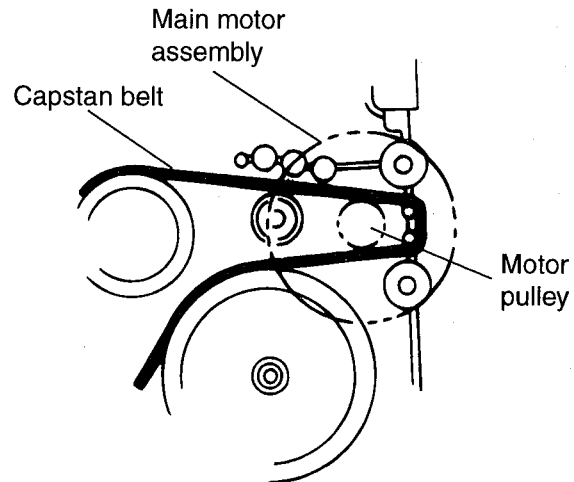


■ **Removing the Main Motor Assembly**

(See Fig. 4~6)

1. Remove the two screws ② retaining the main motor assembly (See Fig. 4, 4a).
2. While raising the main motor, remove the capstan belt from the motor pulley (See Fig. 4a).

Caution 1: Be sure to handle the capstan belt so carefully that this belt will not be stained by grease and other foreign matter. Moreover, this belt should be hanged while referring to the capstan belt hanging method in Fig. 5, 6.



■ **Removing the Flywheel**

(See Figs. 7 and 8)

1. Remove the head amplifier & mechanism control P.C. board.
2. Remove the main motor assembly.
3. After turning over the cassette mechanism, remove the slit washers (b) and (c) fixing the capstan shafts R and L, and pull out the flywheel R and L respectively from behind the cassette mechanism.

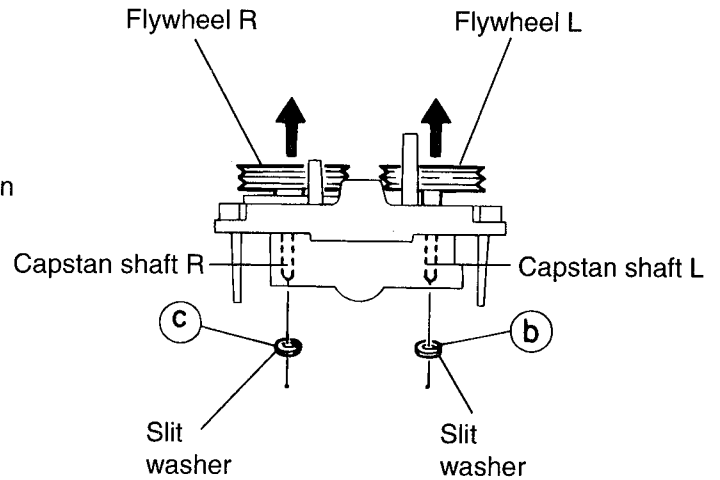


Fig.7

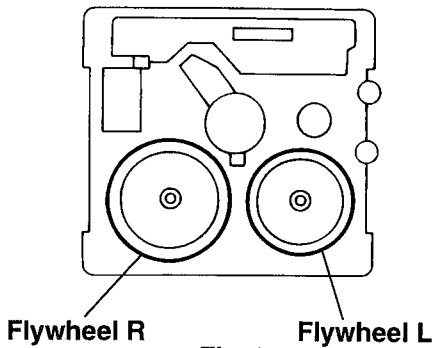


Fig. 8

■ **Removing the Reel Pulse P.C. board and Solenoid**

(See Fig. 9)

1. Remove the five pails (d) ~ (h) retaining the reel pulse P.C. board.
2. From the surface of the reel pulse P.C. board parts, remove the two pawls (i) and (j) retaining the solenoid.

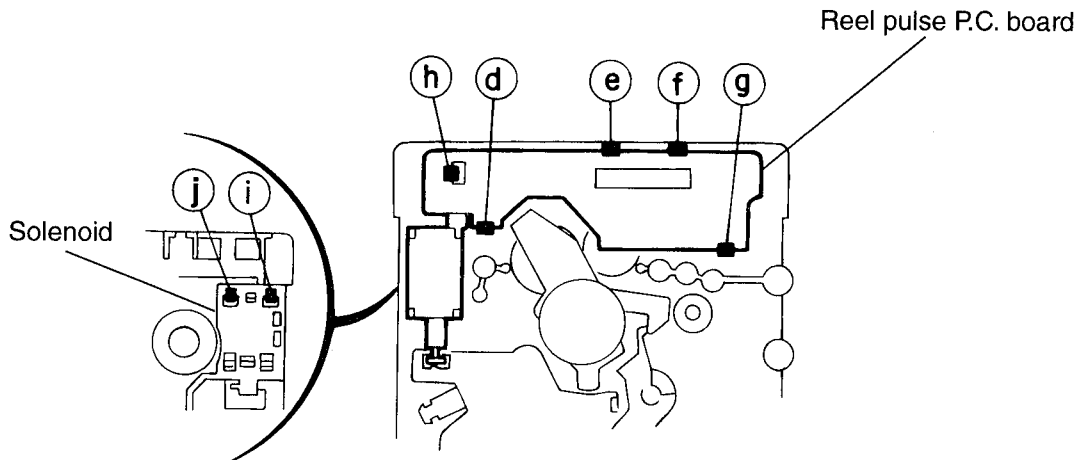


Fig. 9

Main Adjustment

■ Measurement Instruments Required for Adjustment

1. Low frequency oscillator
This oscillator should have a capacity to output 0dBs to 600 Ω at an oscillation frequency of 50Hz-20kHz.
2. Attenuator impedance : 600 Ω
3. Electronic voltmeter
4. Distortion meter
5. Frequency counter
6. Wow & flutter meter
7. Test tape
VTT703L : Head azimuth
VT712 : Tape speed and running unevenness (3kHz)
VT724 : Reference level (1kHz)
8. Blank tape
TYPE I : AC-225
TYPE II : AC-514
9. Torque gauge : For play and back tension
FWD(TW2111A), REV(TW2121a) and
FF/REW(TW2231A)
10. Test disc: CTS-1000

■ Measurement conditions

- Power supply voltage
: AC230V (50Hz)---B/E/EE/EN
: AC110/127V/230V(50/60Hz)
: UB/UF/US/UX/U
- Reference output : Speaker : 0.775V/4 Ω
: Headphone : 0.077V/32 Ω
- Reference frequency and
input level ----- 1kHz, AUX : -8dBs
MIX MIC: -54dBs (UB/UF/US/UX/U)
Input for confirming recording and playback
characteristics ----- AUX : -28dBs
Measurement output terminal ----- at Speaker J3002
※ Load resistance ----- 4 Ω

● Radio Input signal

- AM frequency ----- 400Hz
AM modulation ----- 30%
FM frequency ----- 400Hz
FM frequency deviation ----- 22.5kHz

● Tuner section

B/E/EN version

- FM Band cover: 87.5~108MHz
MW Band cover: 522~1,629kHz
LW Band cover: 144~288kHz

EE version

- FM Band cover: 65~74MHz, 87.5~108MHz
MW Band cover: 522~1,629kHz
LW Band cover: 144~288kHz

UB/UF/US/UX/U version

- FM Band cover: 87.5~108MHz
MW Band cover: 531~1,602kHz, 530~1,710kHz
SW Band cover: SW1 2.3~6.995MHz
: SW2 7~21.85MHz

Voltage applied to tuner ----- +B : DC5.7V
VT : DC 12V

Reference measurement

- output ----- 26.1mV(0.28V)/3 Ω
Input positions ----- AM : Standard loop antenna
FM : TP1 (hot) and TP2 (GND)

● Standard measurement position of volume

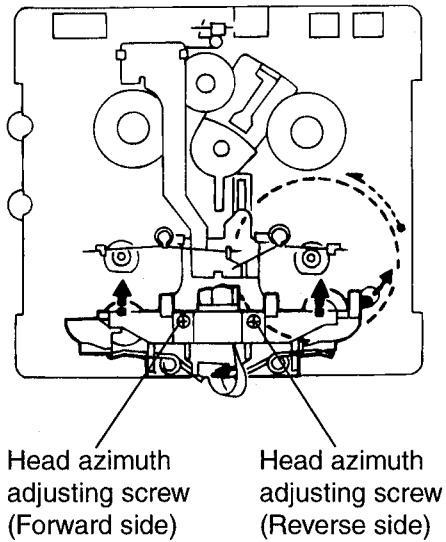
- Function switch ----- to Tape
Beat cut switch ----- to Cut
Super Bass/Active hyper Bass ----- to OFF
Bass Treble ----- to Center
Adjustment of main volume to reference output
VOL : 28

Precautions for measurement

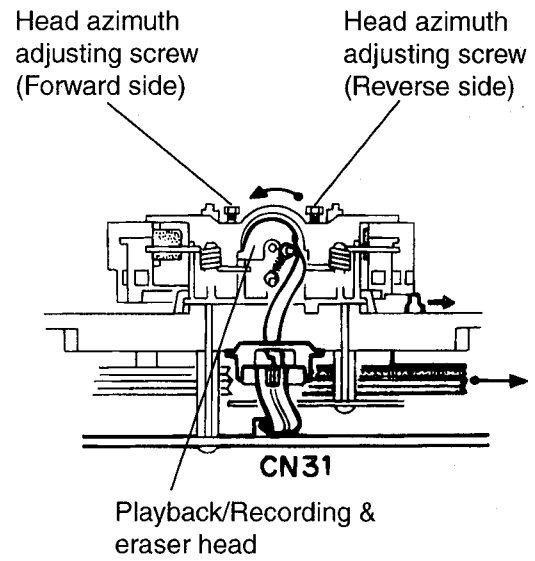
1. Apply 30pF and 33k Ω to the IF sweeper output side and 0.082 μ F and 100k Ω in series to the sweeper input side.
2. The IF sweeper output level should be made as low as possible within the adjustable range.
3. Since the IF sweeper is a fixed device, there is no need to adjust this sweeper.
4. Since a ceramic oscillator is used, there is no need to perform any MIX adjustment.
5. Since a fixed coil is used, there is no need to adjust the FM tracking.
6. The input and output earth systems are separated. In case of simultaneously measuring the voltage in both of the input and output systems with an electronic voltmeter for two channels, therefore, the earth should be connected particularly carefully.
7. In the case of BTL connection amp., the minus terminal of speaker is not for earthing. Therefore, be sure not to connect any other earth terminal to this terminal. This system is of an BTL system.
8. For connecting a dummy resistor when measuring the output, use the wire with a greater code size.
9. Whenever any mixed tape is used, use the band pass filter (DV-12).

<<Arrangement of Adjusting Position>>

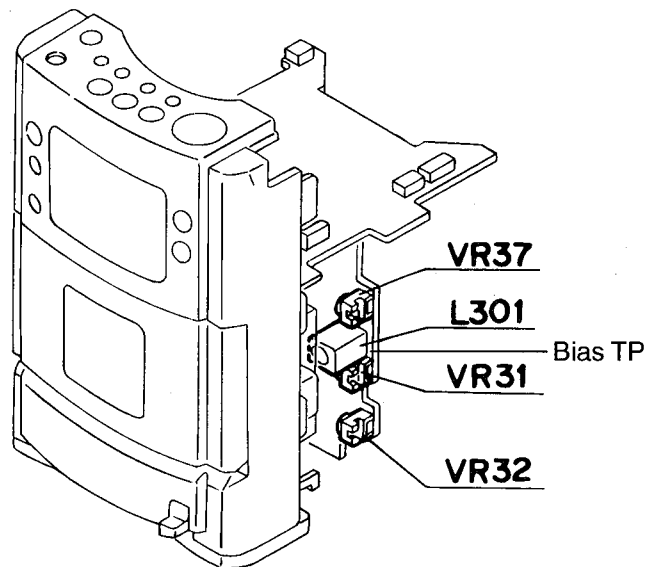
● Cassette mechanism section



● Cassette mechanism section (Back side)



● Front panel assembly section



■ Tape Recorder Section

Items	Measurement conditions	Measurement method	Standard Values	Adjusting positions
Confirmation of head angle	Test tape : VTT703L (8kHz) Measurement output terminal : Speaker terminal Speaker R (Load resistance: 4 Ω) : Headphone terminal	① Playback the test tape VTT703L (8kHz) ② With the recording & playback mechanism, adjust the head azimuth screw so that the forward and reverse output levels become maximum. After adjustment, lock the head azimuth at least by half turn. ③ In either case, this adjustment should be performed in both the forward and reverse directions with the head azimuth screw.	Maximum output	Adjust the head azimuth screw only when the head has been changed.
Confirmation of tape speed	Test tape : VT712 (3kHz) Measurement output terminal : Headphone terminal	Adjust VR37 so that the frequency counter reading becomes 2,940~3,090Hz± when playing back the test tape VT712 (3kHz) with playback and recording mechanism after ending forward winding of the tape.	Tape speed of deck : 2,940~3,090Hz	VR37

■ Reference Values for Confirmation Items

Items	Measurement conditions	Measurement method	Standard Values	Adjusting positions
Difference between the forward and reverse speed	Test tape : VT712 (3kHz) Measurement output terminal : Speaker terminal Speaker R (Load resistance: 4 Ω) Measurement output terminal : Headphone	When the test tape VT712 (3kHz) has been played back with the recording and playback mechanism at the beginning of forward winding, the frequency counter reading of the difference between both of the mechanism should be 6.0Hz or less.	6.0Hz or less	Head azimuth screw
Wow & flutter	Test tape : VT712 (3kHz) Measurement output terminal : Headphone terminal	When the test tape VT712 (3kHz) has been played back with the recording and playback mechanism at the beginning of forward winding, the frequency counter reading of wow & flutter should be 0.25% or less (WRMS).	0.25% or less (WRMS)	

■ Electrical Performance

Items	Measurement conditions	Measurement method	Standard Values	Adjusting positions
Adjustment of recording bias current (Reference Value)	<ul style="list-style-type: none"> • Mode: Forward or reverse mode • Recording mode • Test tape : AC-514 to TYPE II and AC-225 to TYPE I Measurement output terminal : Both recording and headphone terminals	<ol style="list-style-type: none"> ① With the recording and playback mechanism, load the test tapes (AC-514 to TYPE II and AC-225 to TYPE I), and set the mechanism to the recording and pausing condition in advance. ② After connecting 100 Ω in series to the recorder head, measure the bias current with a valve voltmeter at both of the terminals. ③ After resetting the [PAUSE] mode, start recording. At this time, adjust VR31 for Lch and VR32 for Rch so that the recording bias current values become 4.0 μ A (TYPE I) and 4.20 μ A (TYPE II). 	AC-225 : 4.20 μ A AC-514 : 4.0 μ A	L ch : VR31 R ch : VR32
Adjustment of recording and playback frequency characteristics	Reference frequency : 1kHz and 10kHz (REF.: -20dB) Test tape : AC-514 to TYPE II Measurement input terminal : OSC IN	<ol style="list-style-type: none"> ① With the recording and playback mechanism, load the test tapes (AC-514 to TYPE II), and set the mechanism to the recording and pausing condition in advance. ② While repetitively inputting the reference frequency signal of 1kHz and 10kHz from OSC IN, record and playback the tape. ③ While recording and playback the test tape in TYPE II, adjust VR31 for Lch and VR32 for Rch so that the output deviation between 1kHz and 10kHz becomes -1dB \pm 2dB. 	Output deviation between 1kHz and 10kHz : -1dB \pm 2dB	L ch : VR31 R ch : VR32

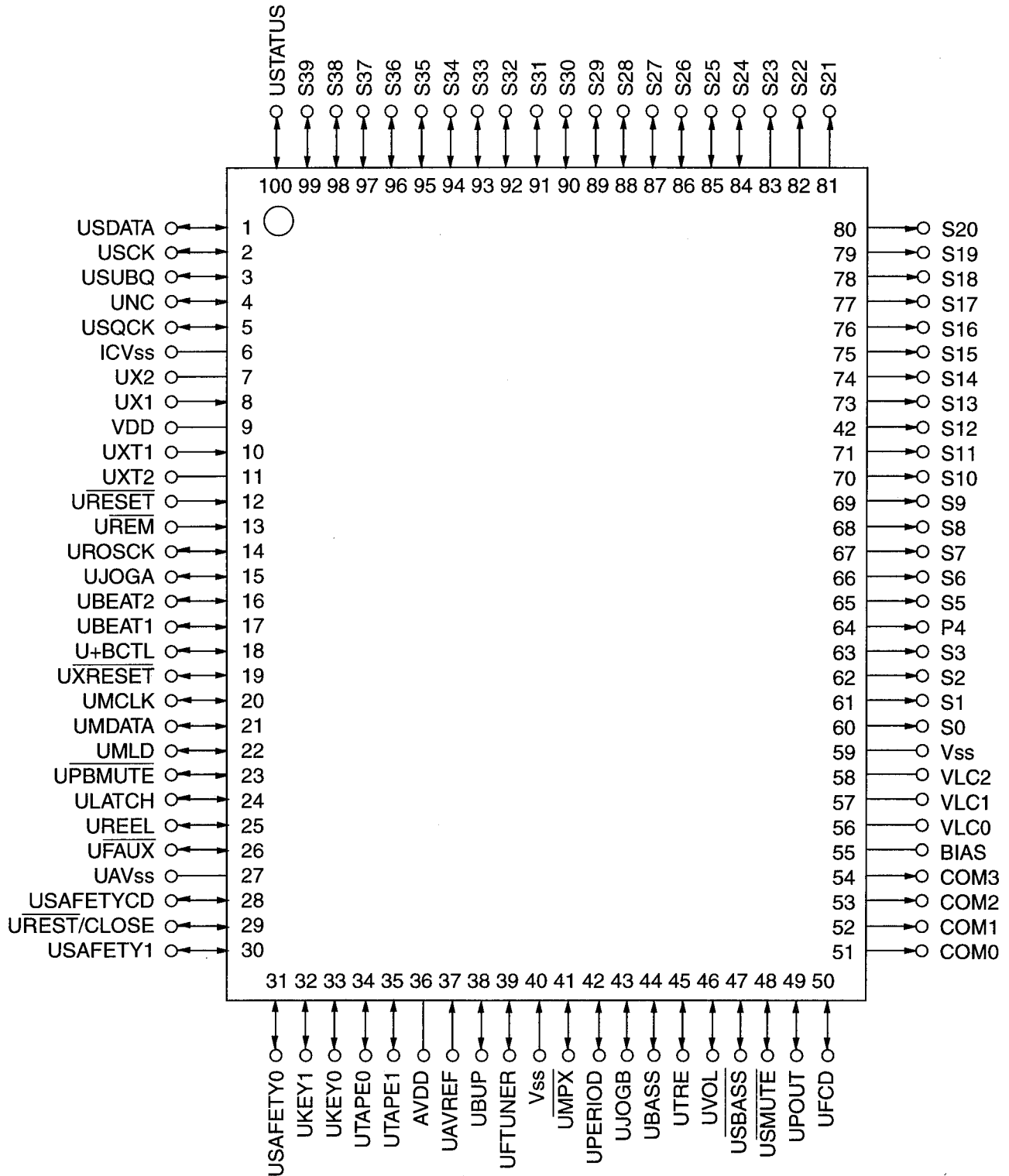
■ Reference Values for Electrical Function Confirmation Items

Items	Measurement conditions	Measurement method	Standard Values	Adjusting positions
Recording bias frequency	Forward or reverse <ul style="list-style-type: none"> • Test tape : TYPE II (AC-514) • Measurement terminal : BIAS TP on P.C. board 	<ol style="list-style-type: none"> ① While changing over to and from BIAS 1 and 2, confirm that the frequency is changed. ② With the recording and playback mechanism, load the test tape. (AC-514 to TYPE II), and set the mechanism to the recording and pausing condition in advance. ③ Confirm that the BIAS TP frequency on the P.C. board is 100kHz \pm 6kHz. 	100 kHz \pm 6 kHz	
Eraser current (Reference value)	Forward or reverse <ul style="list-style-type: none"> • Recording mode • Test tape : AC-514 to TYPE II and AC-225 to TYPE I Measurement terminal : Both of the eraser head terminals	<ol style="list-style-type: none"> ① While recording and playback mechanism, load the test tapes (AC-514 to TYPE II and AC-225 to TYPE I), and set the mechanism to the recording and pausing conditions in advance. ② After setting to the recording conditions, connect 1W in series to the eraser head on the recording and playback mechanism side, and measure the eraser current from both of the eraser terminals. 	TYPE II : 120 mA TYPE I : 75 mA	

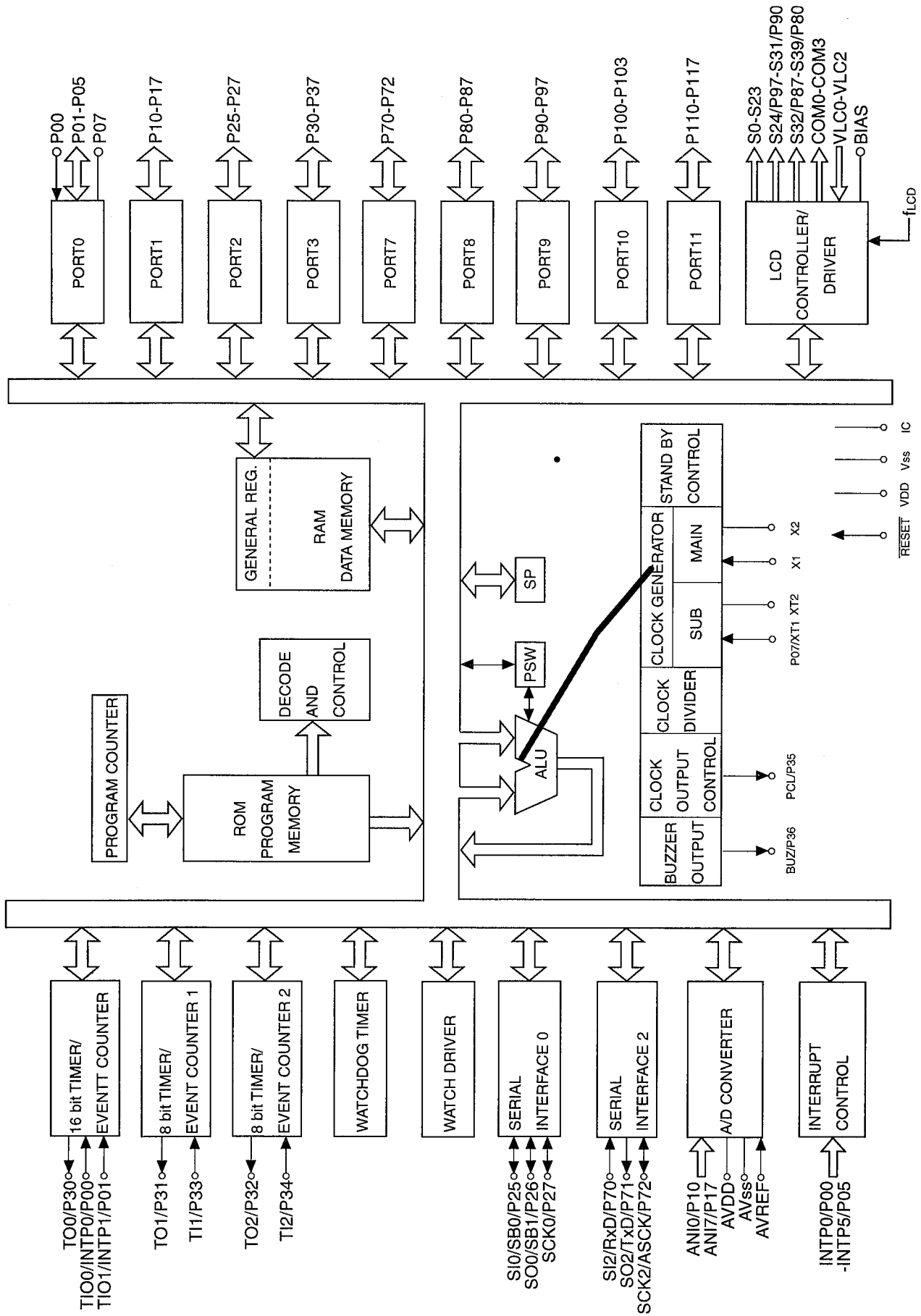
Description of Main ICs

■ UPD78064GF-108 (IC701) : SYSTEM CONTROL CPU

1. Pin Layout



2. Block diagram



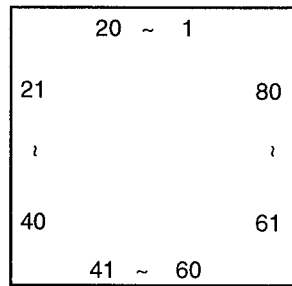
3. Description

pin no	Symbol	I/O	Function
1	USDATA	I/O	Serial data of Tuner PLL / Tape IC
2	USCK	O	Serial clock of Tuner PLL / Tape IC
3	USUBQ	I	CD Q code data
4	UNC	--	No use
5	USQCK	O	CD Q code clock data
6	ICVss	--	GND
7	UX2	--	Main system clock
8	UX1	I	Main system clock
9	VDD	--	Power supply
10	UXT1	I	Sub system clock
11	UXT2	--	Sub system clock
12	URESET	I	Reset
13	UREM	I	Remote control
14	URDSCK	O	Serial clock of RDS
15	UJOGA	I	JOG encoder A
16	UBEAT2	O	Main clock select 2
17	UBEAT1	O	Main clock select 1
18	U+BCTL	O	SV control by switch
19	UXRESET	O	CD LSI reset
20	UMCLK	O	CD LSI command clock
21	UMDATA	O	CD LSI command data
22	UMLD	O	CD LSI command dummy
23	UPBMUTE	O	Mute of Tape playback
24	ULATCH	O	Tape IC strobo
25	UREEL	I	Tape end detect.
26	UFAUX	O	Fuction AUX
27	UAVss	--	AD converter GND
28	USAFETYCD	I	CD trable voltage detect.
29	URESET/CLOSE	I	[RESET/CLOSE] Switch
30	USAFETY1	I	Trable voltage detect.
31	USAFETY0	I	Trable voltage detect.
32	UKEY1	I	Main key input 1
33	UKEY0	I	Main key input 0
34	UTAPE0	I	Tape switch 2
35	UTAPE1	I	Tape switch 1
36	AVDD	--	AD converter power supply of same voltage as VDD
37	UAVREF	--	AD converter standard voltage
38	UBUP	I	Judgement of back-up power supply
39	UFTUNER	O	Function Tuner
40	Vss	--	GND
41	UMPX	I	FM MPX detect.
42	UPERIOD	O	Tuner PLL strobo
43	UJOGB	I	JOG B encoder
44	UBASS	O	BASS control
45	UTRE	O	Tre. control
46	UVOL	O	Vol. control
47	USBASS	O	BASS control
48	USMUTE	O	System mute
49	UPOUT	O	Power ON / OFF
50	UFCD	O	Function CD

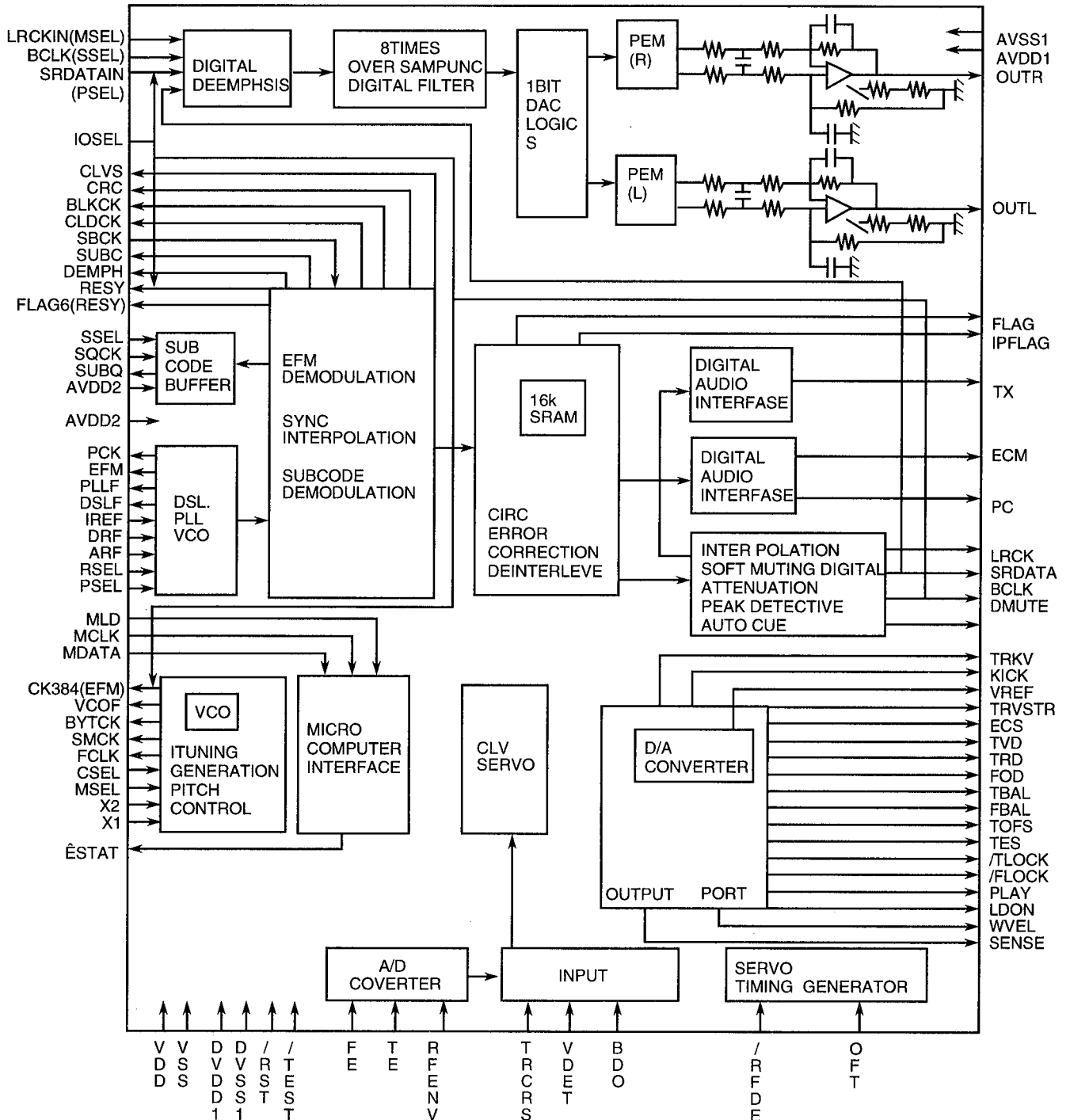
pin no	Symbol	I/O	Function
51	COM0	O	LCD common 0
52	COM1	O	LCD common 1
53	COM2	O	LCD common 2
54	COM3	O	LCD common 3
55	BIAS	--	LCD Bias
56	VLC0	--	LCD Bias Bias > VLC0 > VLC1 > VLC2
57	VLC1	--	LCD Bias
58	VLC2	--	LCD Bias
59	Vss	--	GND
60	S0	O	To LCD segment 0
61	S1	O	To LCD segment 1
62	S2	O	To LCD segment 2
63	S3	O	To LCD segment 3
64	S4	O	To LCD segment 4
65	S5	O	To LCD segment 5
66	S6	O	To LCD segment 6
67	S7	O	To LCD segment 7
68	S8	O	To LCD segment 8
69	S9	O	To LCD segment 9
70	S10	O	To LCD segment 10
71	S11	O	To LCD segment 11
72	S12	O	To LCD segment 12
73	S13	O	To LCD segment 13
74	S14	O	To LCD segment 14
75	S15	O	To LCD segment 15
76	S16	O	To LCD segment 16
77	S17	O	To LCD segment 17
78	S18	O	To LCD segment 18
79	S19	O	To LCD segment 19
80	S20	O	To LCD segment 20
81	S21	O	To LCD segment 21
82	S22	O	To LCD segment 22
83	S23	O	To LCD segment 23
84	S24	O	To LCD segment 24
85	S25	O	To LCD segment 25
86	S26	O	To LCD segment 26
87	S27	O	To LCD segment 27
88	S28	O	To LCD segment 28
89	S29	O	To LCD segment 29
90	S30	O	To LCD segment 30
91	S31	O	To LCD segment 31
92	S32	O	To LCD segment 32
93	S33	O	To LCD segment 33
94	S34	O	To LCD segment 34
95	S35	O	To LCD segment 35
96	S36	O	To LCD segment 36
97	S37	O	To LCD segment 37
98	S38	O	To LCD segment 38
99	S39	O	To LCD segment 39
100	USTATUS	I	CD LSI status

■ MN35510(IC603):DIGITAL SERVO&DIGITAL SIGNAL PROCESSER

1. Terminal Layout



2. Block Diagram

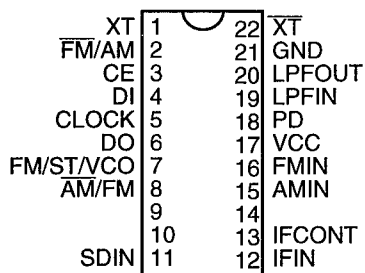


3. Description

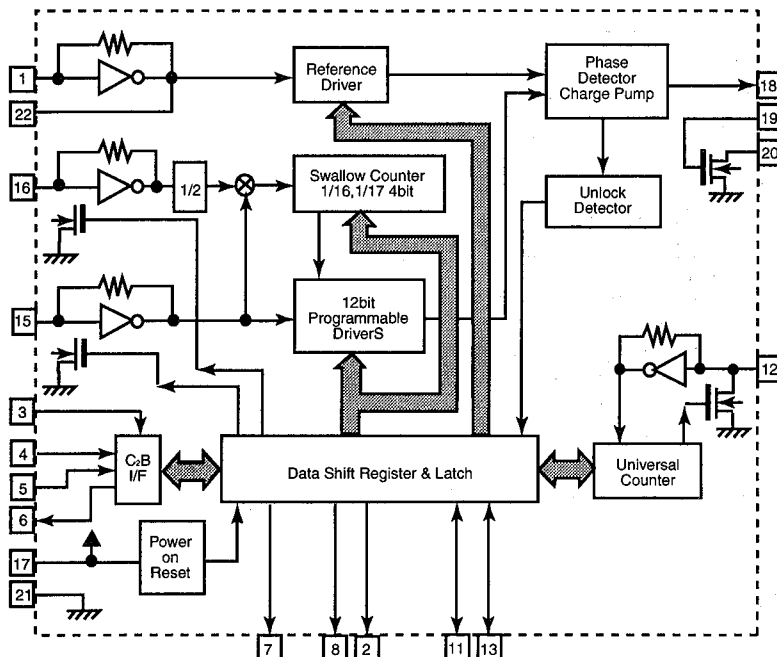
Pin No.	symbol	I/O	Description	Pin No.	symbol	I/O	Description
1	BCLK	O	Not used	41	TES	O	Tracking error shunt signal output(H:shunt)
2	LRCK	O	Not used	42	PLAY	—	Not used
3	SRDATA	O	Not used	43	WVEL	—	Not used
4	DVDD1	—	Power supply (Digital)	44	ARF	I	RF signal input
5	DVSS1	—	Connected to GND	45	IREF	I	Reference current input pin
6	TX	O	Digital audio interface output	46	DRF	I	Bias pin for DSL
7	MCLK	I	μ com command clock signal input (Data is latched at signal's rising point)	47	DSLIF	I/O	Loop filter pin for DSL
8	MDATA	I	μ com command data input	48	PLLIF	I/O	Loop filter pin for PLL
9	MLD	I	μ com command load signal input	49	VCOF	—	Not used
10	SENSE	O	Sence signal output	50	AVDD2	—	Power supply(Analog)
11	FLOCK	O	Focus lock signal output Active :Low	51	AVSS2	—	Connected to GND(Analog)
12	TLOCK	O	Tracking lock signal output Active :Low	52	EFM	—	Not used
13	BLKCK	O	sub-code·block·clock signal output	53	PCK	—	Not used
14	SQCK	I	Outside clock for sub-code Q resister input	54	PDO	—	Not used
15	SUBQ	O	Sub-code Q -code output	55	SUBC	—	Not used
16	DMUTE	—	Connected to GND	56	SBCK	—	Not used
17	STATUS	O	Status signal (CRC,CUE,CLVS,TTSTOP,ECLV,SQOK)	57	VSS	—	Connected to GND(for X'tal cscillation circuit)
18	RST	I	Reset signal input (L:Reset)	58	X1	I	Input of 16.9344MHz X'tal oscillation circuit
19	SMCK	—	Not used	59	X2	O	Output of X'tal oscillation circuit
20	PMCK	—	Not used	60	VDD	—	Power supply(for X'tal cscillationcircuit)
21	TRV	O	Traverse enforced output	61	BYTCK	—	Not used
22	TVD	O	Traverse drive output	62	CLDCK	—	Not used
23	PC	—	Not used	63	FLAG	—	Not used
24	ECM	O	Spindle motor drive signal (Enforced mode output) 3-State	64	IPPLAG	—	Not used
25	ECS	O	Spindle motor drive signal (Servo error signal output)	65	FLAG	—	Not used
26	KICK	O	Kick pulse output	66	CLVS	—	Not used
27	TRD	O	Tracking drive output	67	CRC	—	Not used
28	FOD	O	Focus drive output	68	DEMPH	—	Not used
29	VREF	I	Reference voltage input pin for D/A output block (TVD,FOD,FBA,TBAL)	69	RESY	—	Not used
30	FBAL	O	Focus Balance adjust signal output	70	IOSEL	—	pull up
31	TBAL	O	Tracking Balance adjust signal output	71	TEST	—	pull up
32	FE	I	Focus error signal input(Analog input)	72	AVDD1	—	Power supply(Digital)
33	TE	I	Tracking error signal input(Analog input)	73	OUT L	O	Lch audio output
34	RF ENV	I	RF envelope signal input(Analog input)	74	AVSS1	—	Connected to GND
35	VDET	I	Vibration detect signal input(H:detect)	75	OUT R	O	Rch audio output
36	OFT	I	Off track signal input(H:off track)	76	RSEL	—	pull up
37	TRCRS	I	Track cross signal input	77	CSEL	—	Connected to GND
38	RFDET	I	RF detect signal input(L:detect)	78	PSEL	—	Connected to GND
39	BDO	I	BDO input pin(L:detect)	79	MSEL	—	Connected to GND
40	LDON	O	Laser ON signal output(H:on)	80	SSEL	—	Pull up

■ LC72136N(IC2):PLL Frequency sinesizer L S I

1. Layout



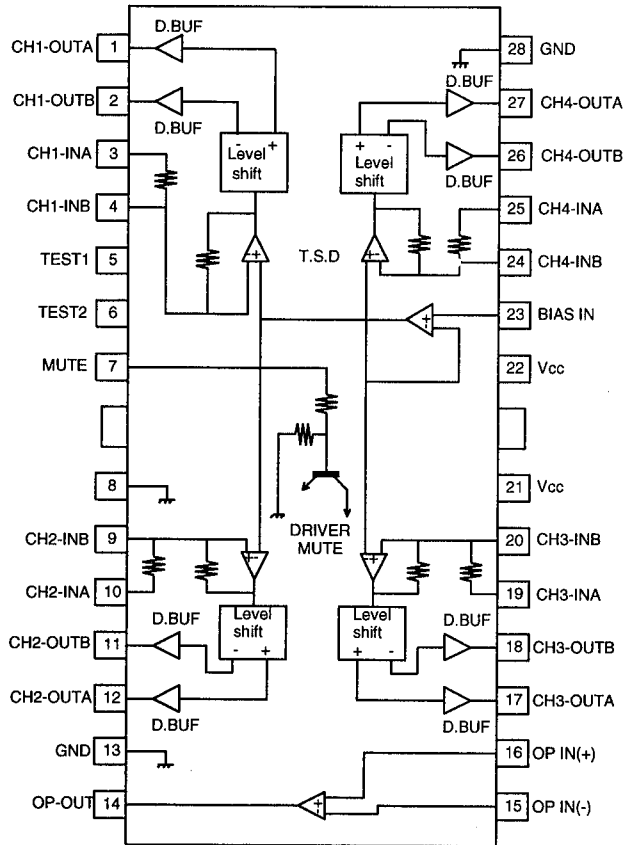
2. Block



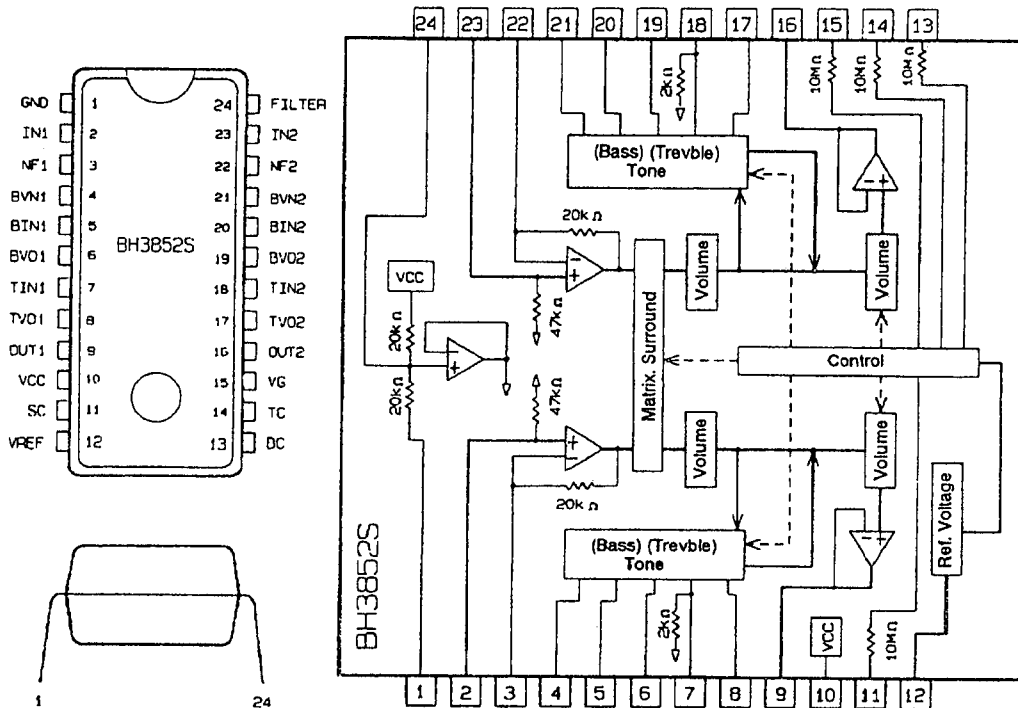
3. Function

Pin No.	Symbol	I/O	Function	Pin No.	Symbol	I/O	Function
1	XT	I	X'tal oscillator connect (75KHz)	12	IFIN	I	IF counter signal input
2	FM/AM	O	LOW:FM mode	13	IFCONT	O	IF signal output
3	CE	I	When data output/input for 4pin(input) and 6pin(output): H	14		-	Not use
4	DI	I	Input for receive the sirisl data from controller	15	AMIN	I	AM Local OSC signal output
5	CLOCK	I	Sync signal input use	16	FMIN	I	FM Local OSC signal input
6	DO	O	Data output for Controller Output port	17	VCC	-	Power suply(VDD=4.5~5.5V) When power ON:Reset circuit move
7	FM/ST/VCO	O	"Low": MW mode	18	PD	O	PLL charge pump output(H: Local OSC frequency Height than Reference frequency. L: Low Agreement: Height impedance)
8	AM/FM	O	Not use	19	LPFIN	I	Input for active lowpassfilter of PLL
9		-	Not use	20	LPFOUT	O	Output for active lowpassfilter of PLL
10		-	Input/output port	21	GND	-	Connected to GND
11	SDIN	I/O	Data input/output	22	XT	I	X'tal oscillator(75KHz)

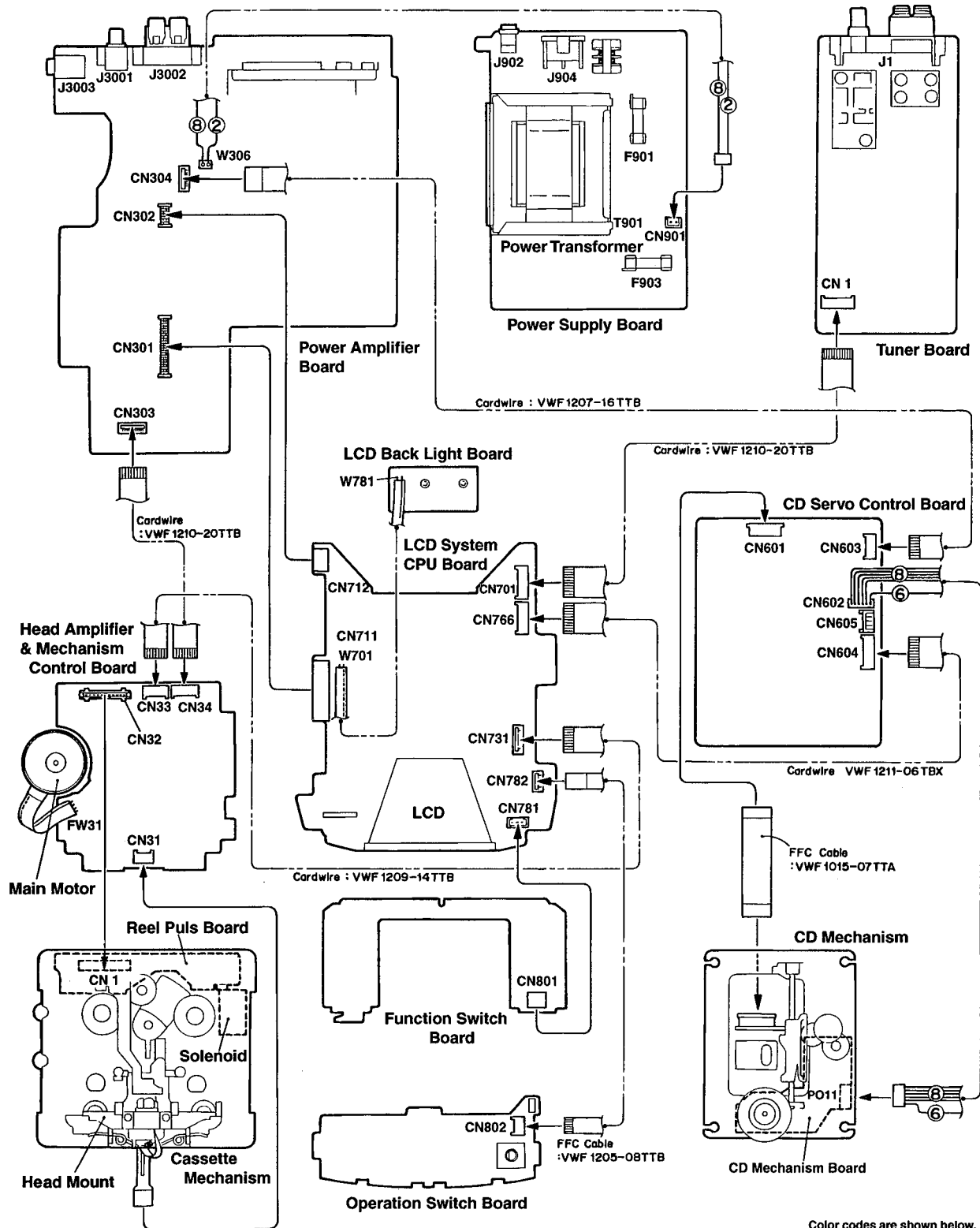
■ BA6897FP(IC0602) 4channel driver



■ IC38: BH3852S (Electrical Volume)



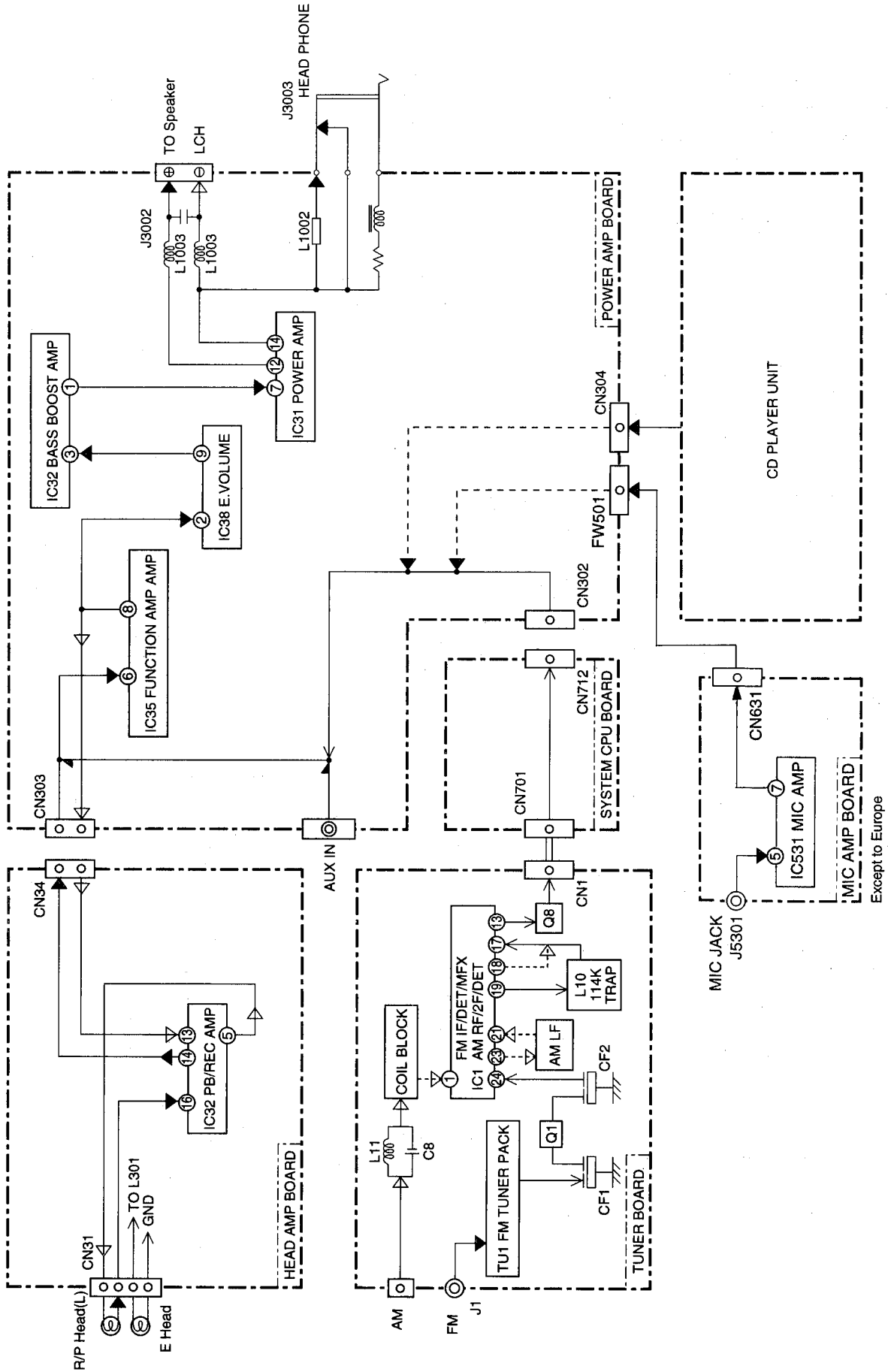
Wiring Connections



Color codes are shown below.

- 1 ----- Brown
- 2 ----- Red
- 3 ----- Orange
- 4 ----- Yellow
- 5 ----- Green
- 6 ----- Blue
- 7 ----- Violet
- 8 ----- Gray
- 9 ----- White
- 0 ----- Black
- D ----- Pink
- C ----- Light Blue

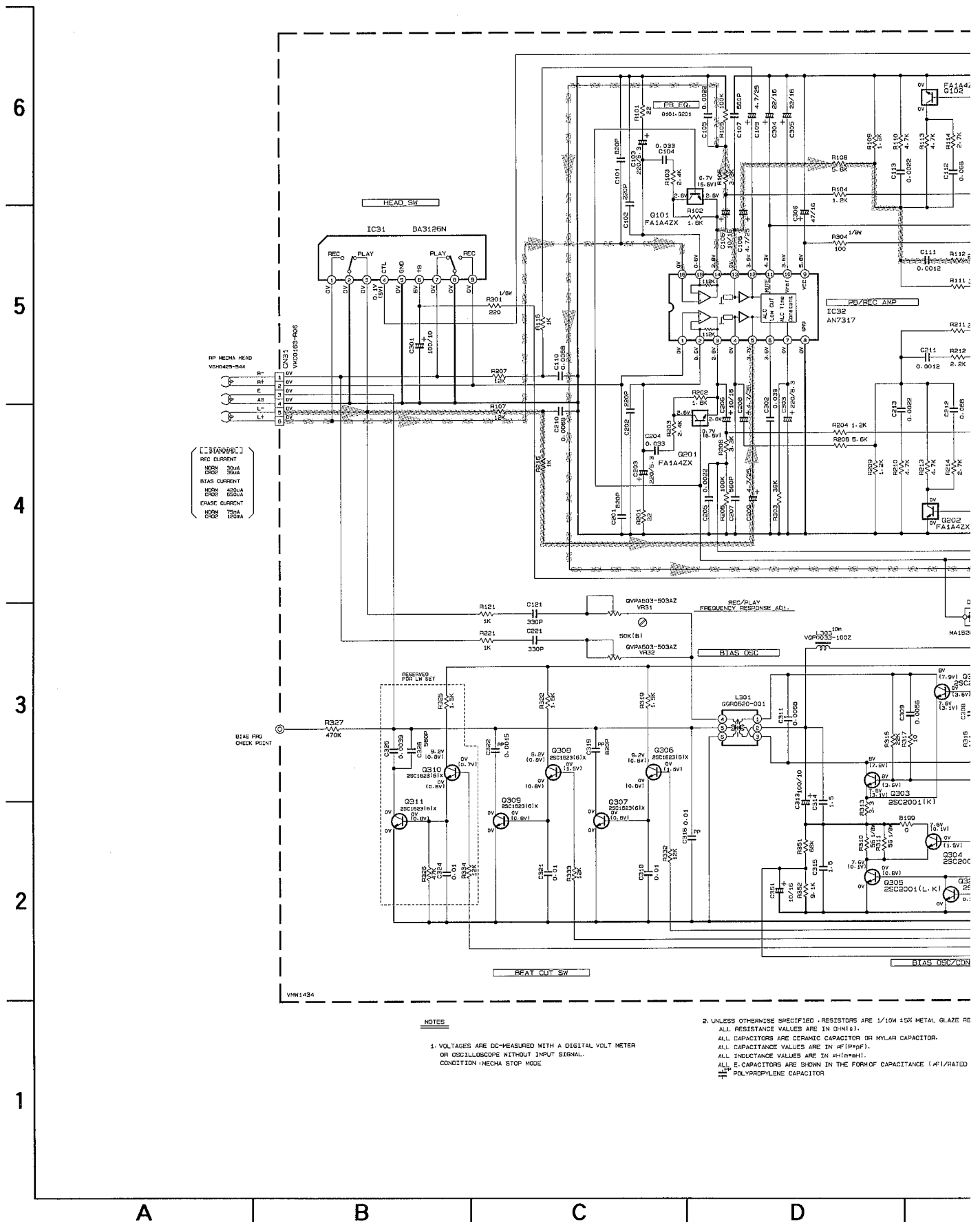
Block Diagram

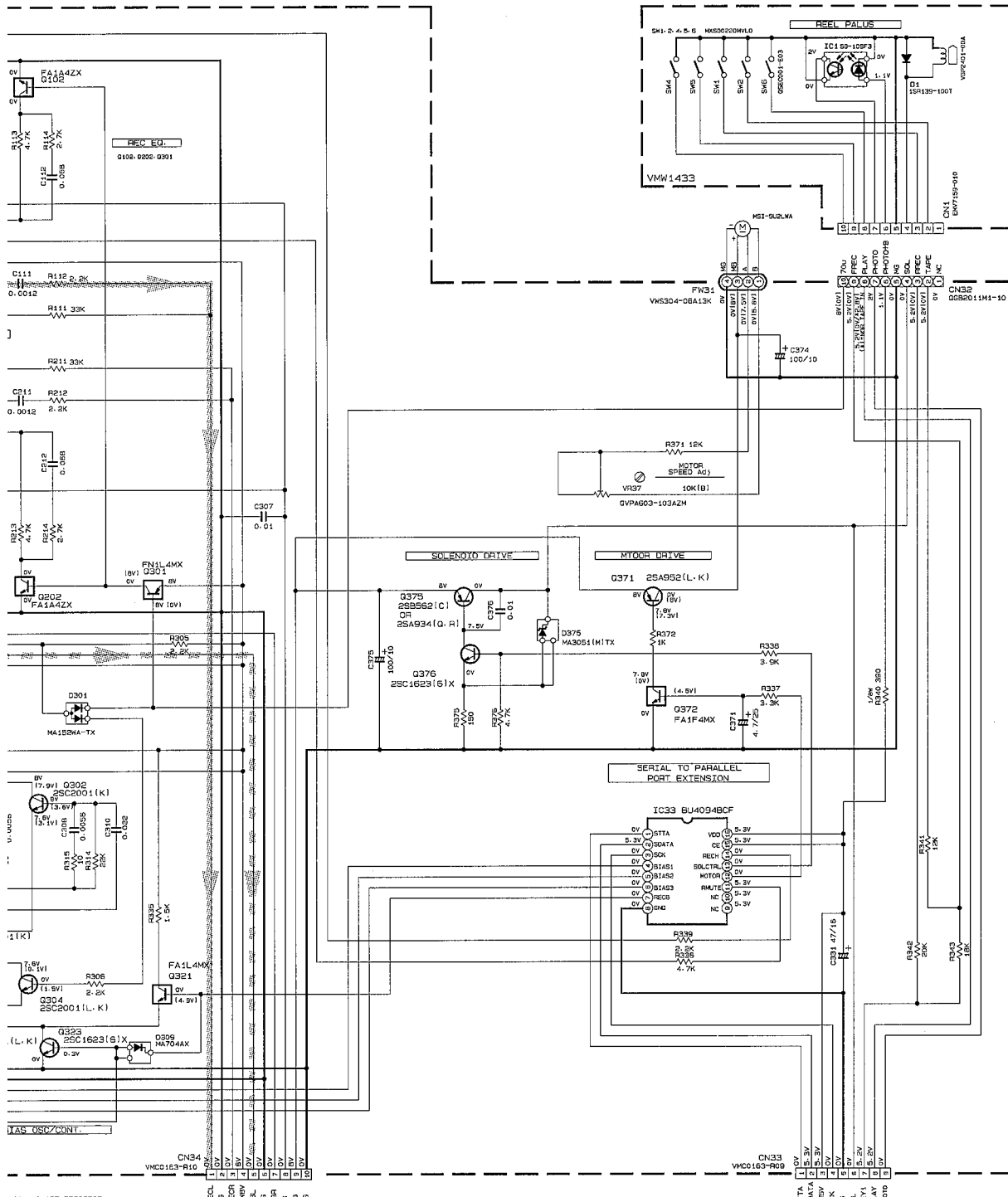


Except to Europe

Standard Schematic Diagrams

Head Amplifier & Mechanism Control Circuit



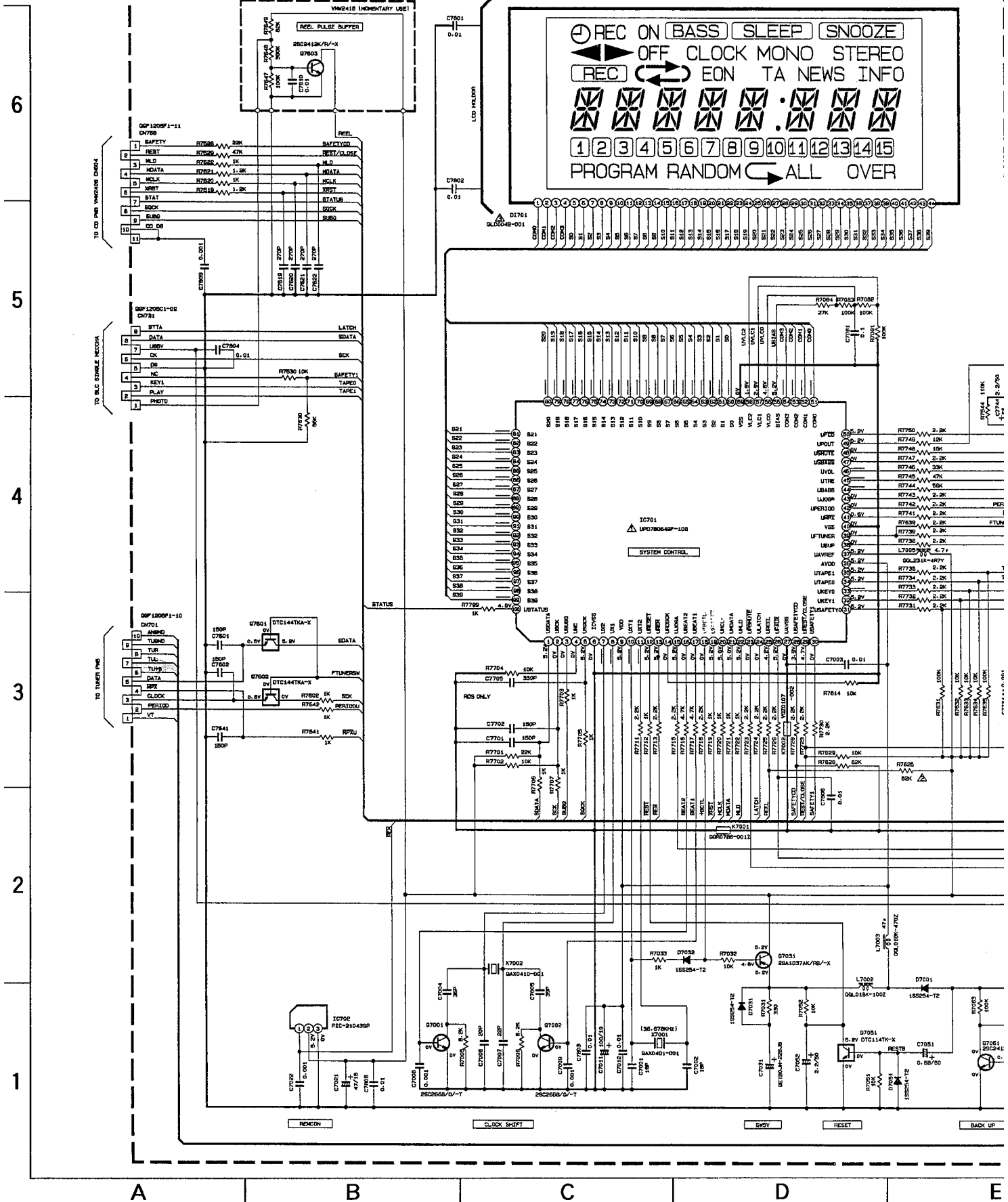


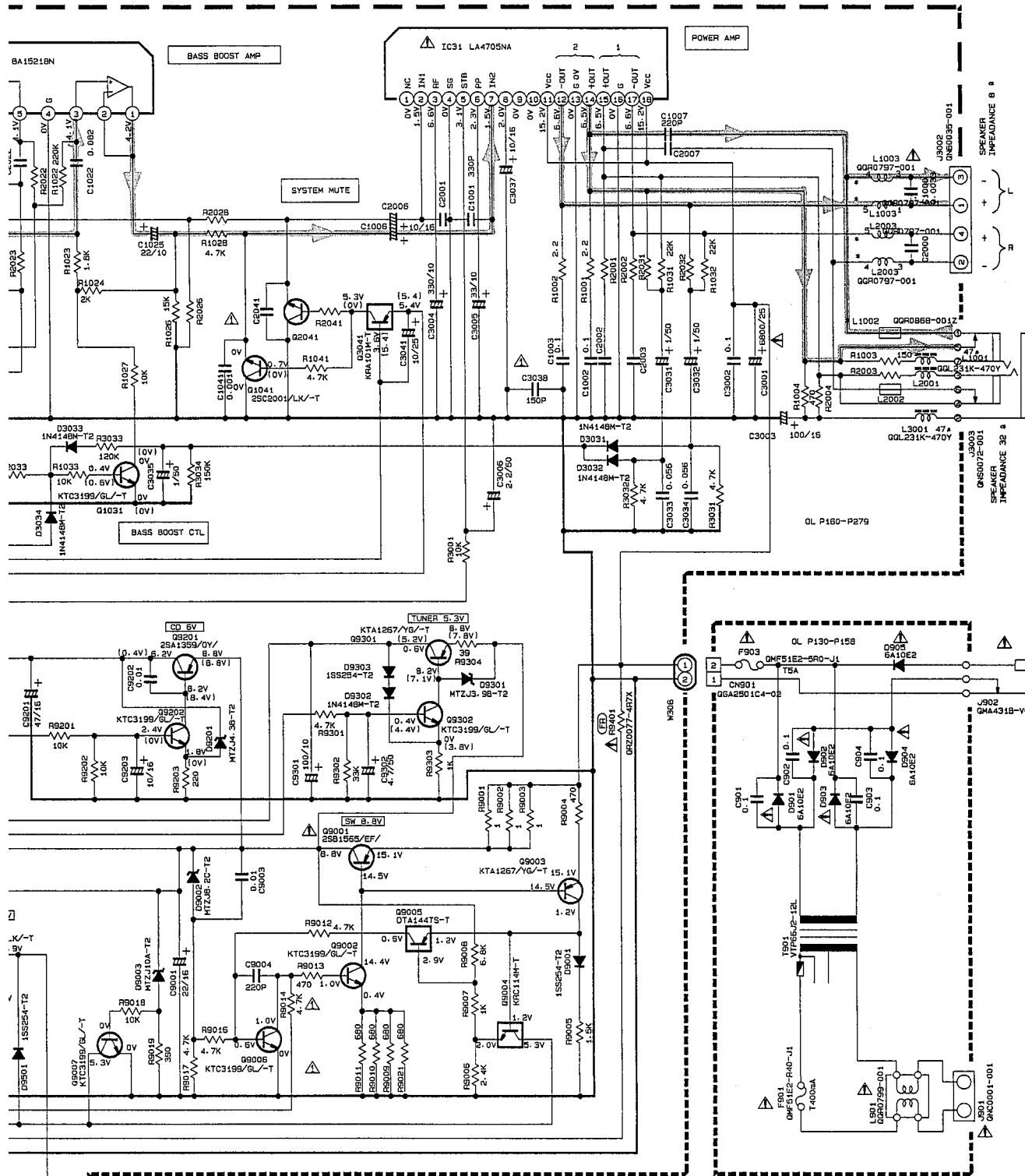
METAL GLAZE RESISTOR.
 DITOR.
 CE 1/4W/RATED VOLTAGE (V).

PARTS	NAME	REF. NO
	FA14ZX	0101-0201 0102-0202
	FN1L4MX	0301
	FA1L4HX	0301
	FA1F4HX	0371

Rec / Main signal
 P.B. / Main signal

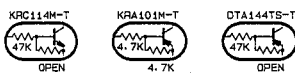
■ LCD & System CPU Circuit (UX-T150 UB/UF/US/UX/U)





NOTES

- VOLTAGES ARE DC-MEASURED WITH A DIGITAL VOLT METER OR OSCILLOSCOPE WITHOUT INPUT SIGNAL.
CONDITION --- CD STOP MODE
INSIDE BRACKET VALUES ARE OTHER FUNCTIONS
- UNLESS OTHERWISE SPECIFIED, RESISTORS ARE 1/8W ±5% CARBON RESISTOR.
ALL RESISTANCE VALUES ARE IN OHM(S).
ALL CAPACITORS ARE CERAMIC CAPACITOR OR MYLAR CAPACITOR.
ALL CAPACITANCE VALUES ARE IN P(F)P(PF).
ALL INDUCTANCE VALUES ARE IN M(H)M(MH).
ALL E. CAPACITORS ARE SHOWN IN THE FORM OF CAPACITANCE [F]/RATED VOLTAGE [V].
ALL DIODES [Dev. Name]: 1SS254-T2 ARE IN4148M-T2 OR 1SS254-T2



E

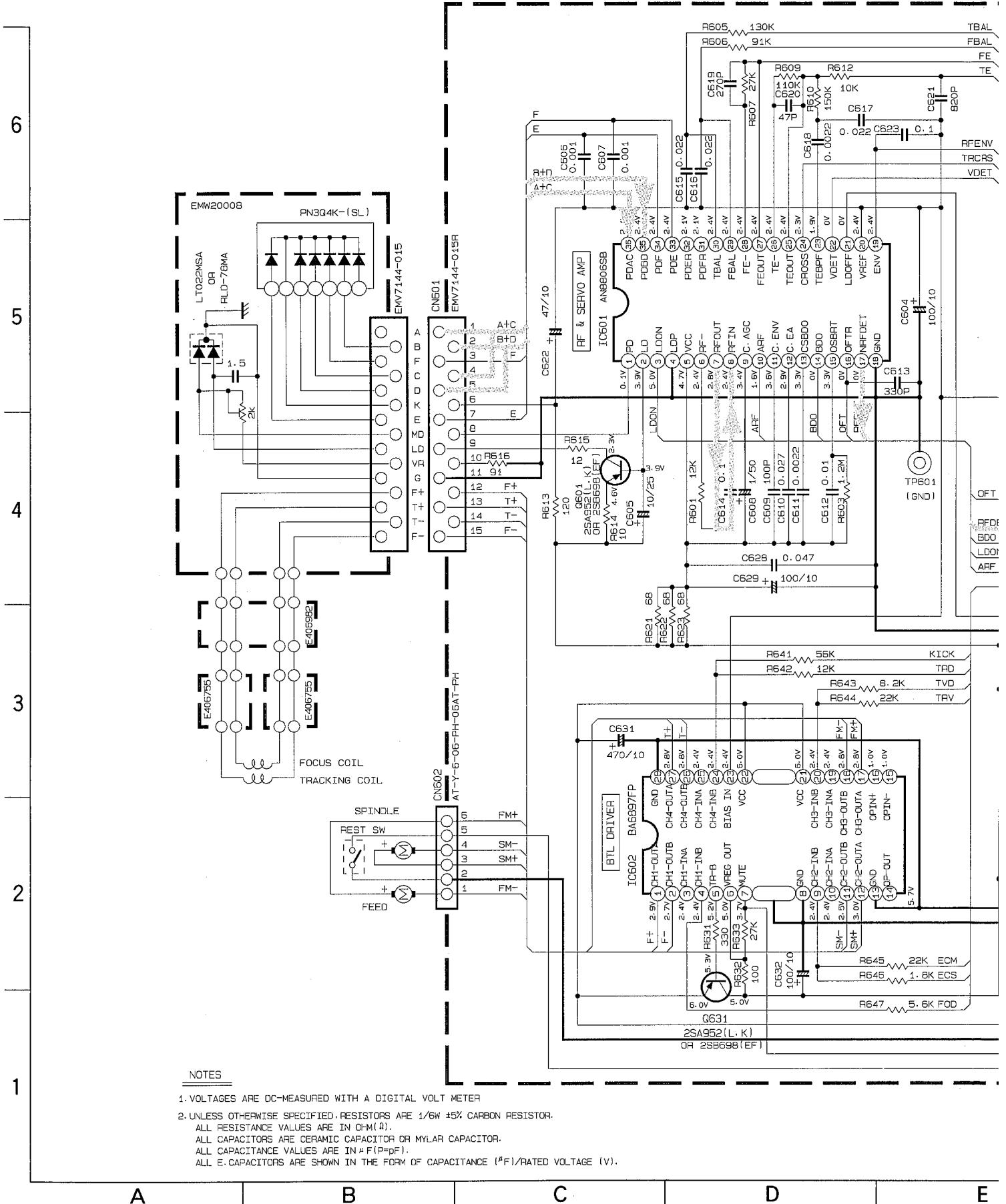
F

G

H

I

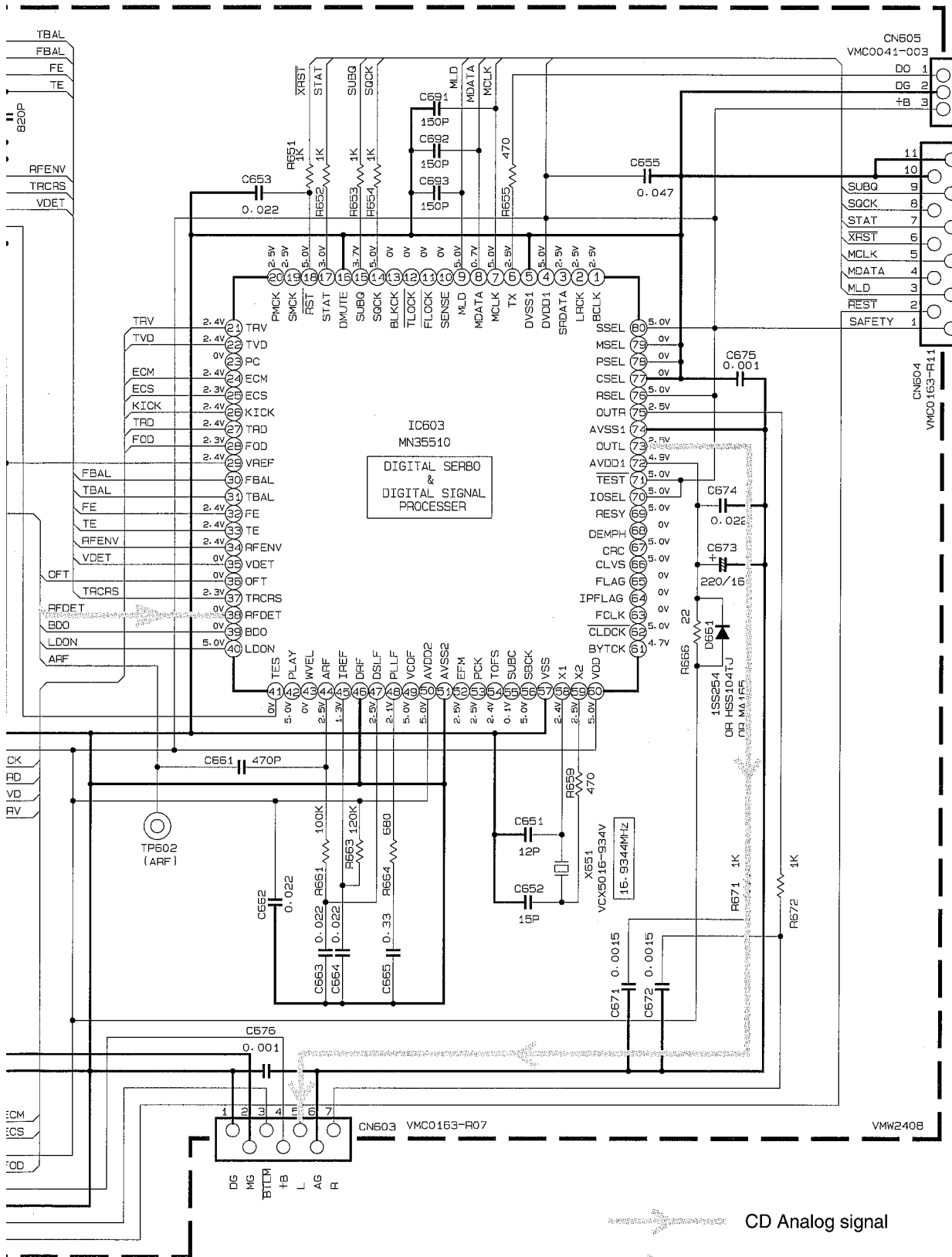
CD Servo Control Circuit



NOTES

1. VOLTAGES ARE DC-MEASURED WITH A DIGITAL VOLT METER
2. UNLESS OTHERWISE SPECIFIED, RESISTORS ARE 1/6W ±5% CARBON RESISTOR.
 ALL RESISTANCE VALUES ARE IN OHM (Ω).
 ALL CAPACITORS ARE CERAMIC CAPACITOR OR MYLAR CAPACITOR.
 ALL CAPACITANCE VALUES ARE IN PICO (pF).
 ALL E. CAPACITORS ARE SHOWN IN THE FORM OF CAPACITANCE (pF)/RATED VOLTAGE (V).

UX-T150/UX-T151



E

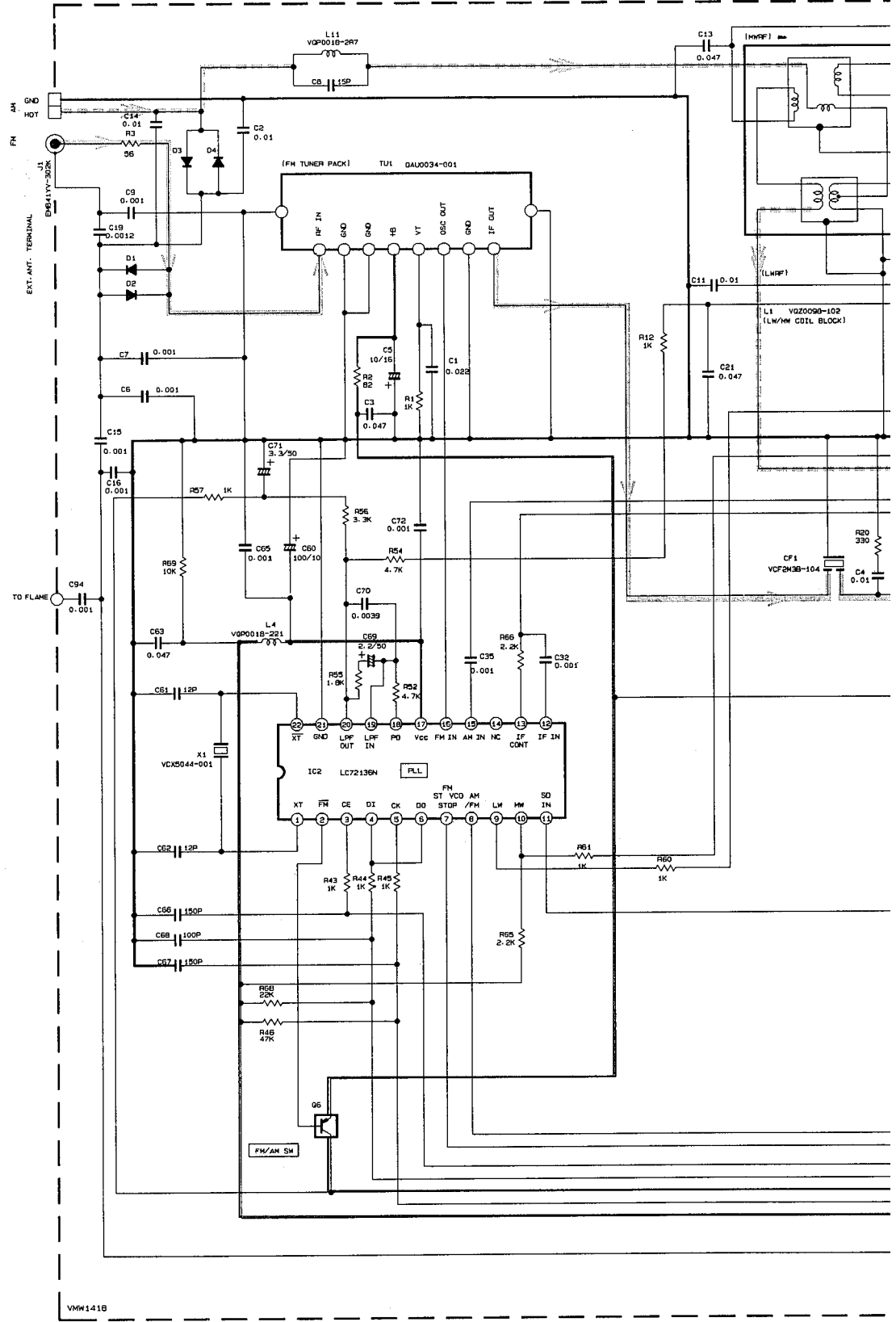
F

G

H

I

Tuner Circuit
(UX-T150/UX-T151 B/E/EN)



	CONDITION	PIN NO.	1	2	3	4	5	6	7	8	9	10	11	12	13	14	15	16	17	18	19	20	21	22	23	24
IC1	FM NO SIGNAL		2.0	0.5	0	2.0	5.1	5.1	0	0	0.3	5.1	5.1	1.1	1.1	4.4	3.7	3.7	1.4	0	1.3	1.1	2.0	2.0	5.1	2.0
	FM 60dB STEREO		2.0	0.5	0	2.0	5.1	5.1	1.1	0	0.3	0	0	1.1	1.1	4.3	4.1	3.7	1.4	0	1.4	1.1	2.0	2.0	5.1	2.0
	AM NO SIGNAL		2.0	0.5	0	2.0	5.0	5.1	0	0	0.3	5.1	5.1	1.1	1.1	4.5	0.1	0	1.4	1.4	1.5	1.5	2.0	2.0	5.1	2.0
IC2	FM NO SIGNAL		2.4	0	0	5.1	4.9	5.1	3.7	3.7	2.0	3.8	5.1	0	0	0	0	2.6	5.1	1.0	1.0	3.7	0	2.7		
	FM NO SIGNAL		2.4	0	0	5.1	4.9	5.1	3.7	3.7	2.0	3.8	5.1	0	0	0	0	2.6	5.1	1.0	1.0	3.7	0	2.7		

Note : VDH1038001TW(/s/G)

6

5

4

3

2

1

A

B

C

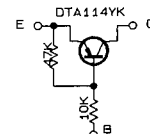
D

E

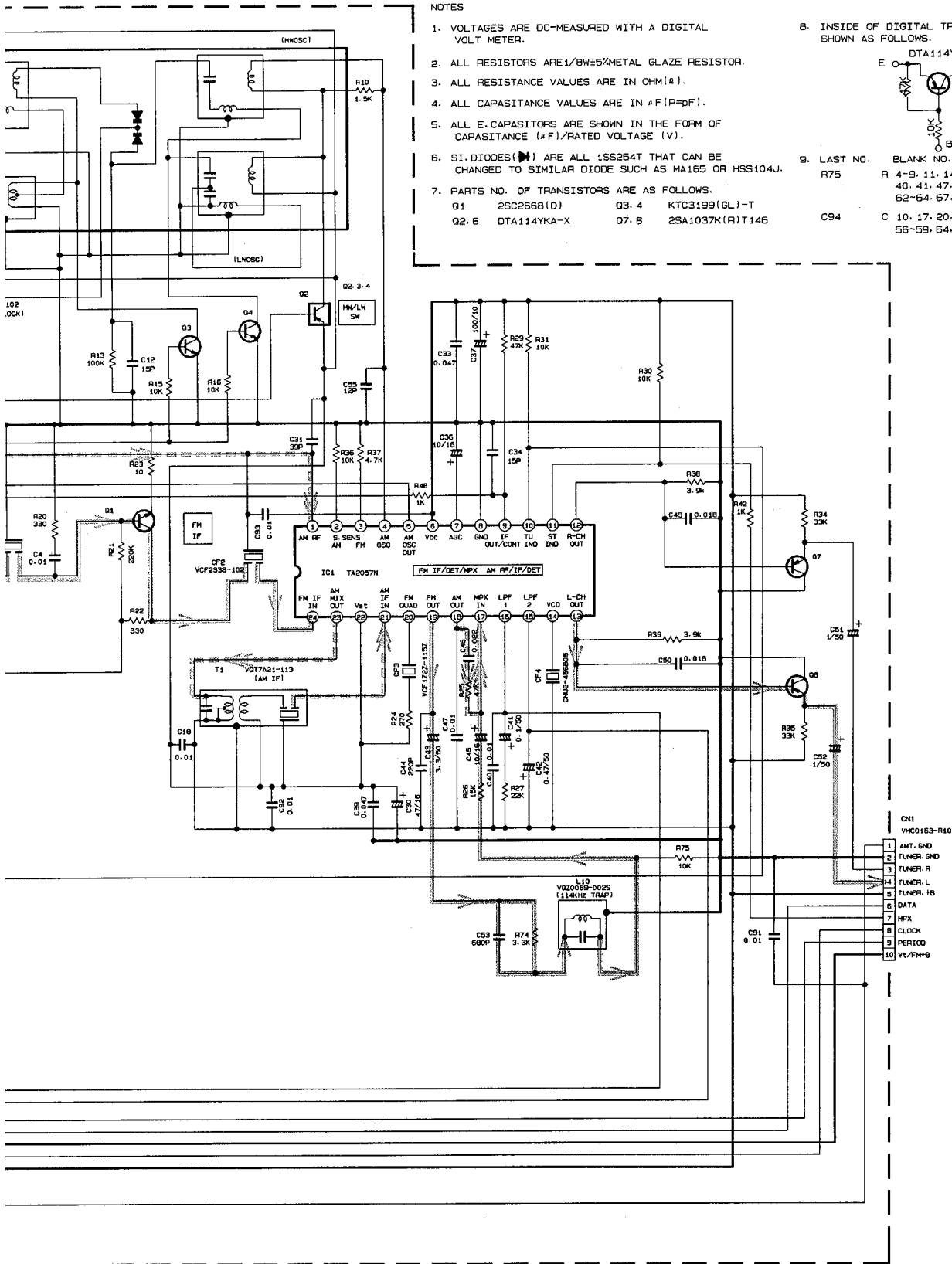
NOTES

1. VOLTAGES ARE DC-MEASURED WITH A DIGITAL VOLT METER.
2. ALL RESISTORS ARE 1/8W±5%METAL GLAZE RESISTOR.
3. ALL RESISTANCE VALUES ARE IN OHM(Ω).
4. ALL CAPASITANCE VALUES ARE IN #F(P=pF).
5. ALL E. CAPASITORS ARE SHOWN IN THE FORM OF CAPASITANCE (#F)/RATED VOLTAGE (V).
6. SI. DIODES (D) ARE ALL 1SS254T THAT CAN BE CHANGED TO SIMILAR DIODE SUCH AS MA165 OR HSS104J.
7. PARTS NO. OF TRANSISTORS ARE AS FOLLOWS.
 Q1 2SC2668(D) Q3.4 KTC3199(6L)-T
 Q2.6 DTA114YKA-X Q7.8 2SA1037K(R)T146

8. INSIDE OF DIGITAL TRANSISTORS ARE SHOWN AS FOLLOWS:



9. LAST NO. BLANK NO.
 R75 R 4-9, 11, 14, 17-19, 28, 32, 33
 40, 41, 47, 49-51, 53, 58, 59
 62-64, 67, 68, 70-73
 C94 C 10, 17, 20, 22-29, 38, 48, 54
 56-59, 64, 73-90



- CON1
 VHC0163-R10
- | | |
|----|------------|
| 1 | ANT. GND |
| 2 | TUNER. GND |
| 3 | TUNER. R |
| 4 | TUNER. L |
| 5 | TUNER. +B |
| 6 | DATA |
| 7 | MPX |
| 8 | CLOCK |
| 9 | PERIOD |
| 10 | Vt/FM+B |

3	24												
1	2.0												
1	2.0												
1	2.0												

Tr. NO.	Q1			Q6			Q7			Q8		
PIN NO.	E	C	B	E	C	B	E	C	B	E	C	B
FM 87.5MHZ NO SIGNAL	0	7.5	0.7	B.8	B.7	0	1.6	0	1.1	1.6	0	1.1
AM 522KHZ NO SIGNAL	0	0	0	B.8	0	B.7	1.6	0	1.1	1.6	0	1.1

Tr. NO.	Q2			Q3			Q4		
PIN NO.	E	C	B	E	C	B	E	C	B
AM 522KHZ NO SIGNAL	2.0	2.0	0.1	0	0	0.7	0	0	0.7
AM 144KHZ NO SIGNAL	2.0	2.0	2.0	0	0	0.1	0	0	0.1

FM Radio signal
 AM Radio signal
 +B Line

E

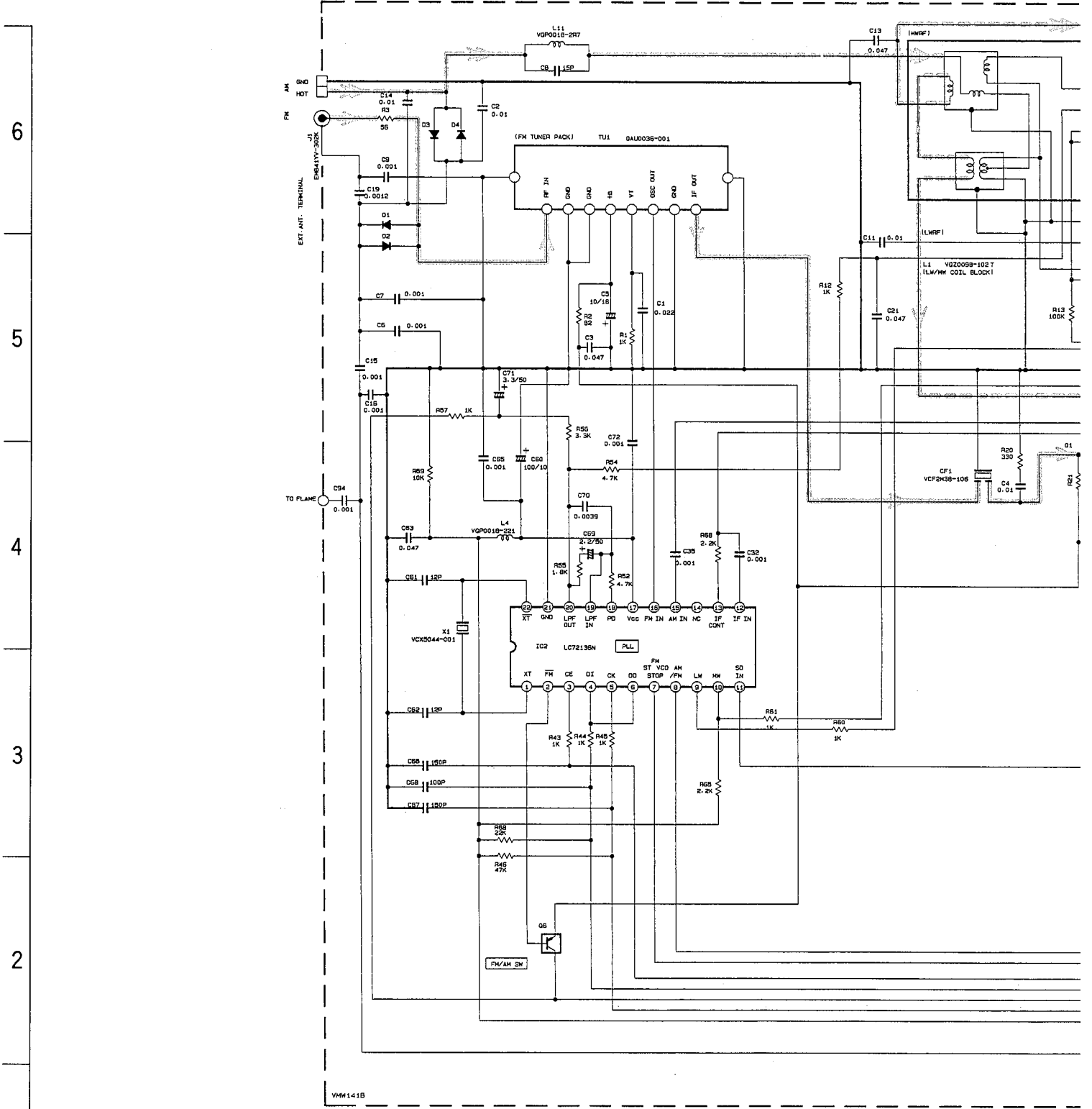
F

G

H

I

■ Tuner Circuit (UX-T150 EE)

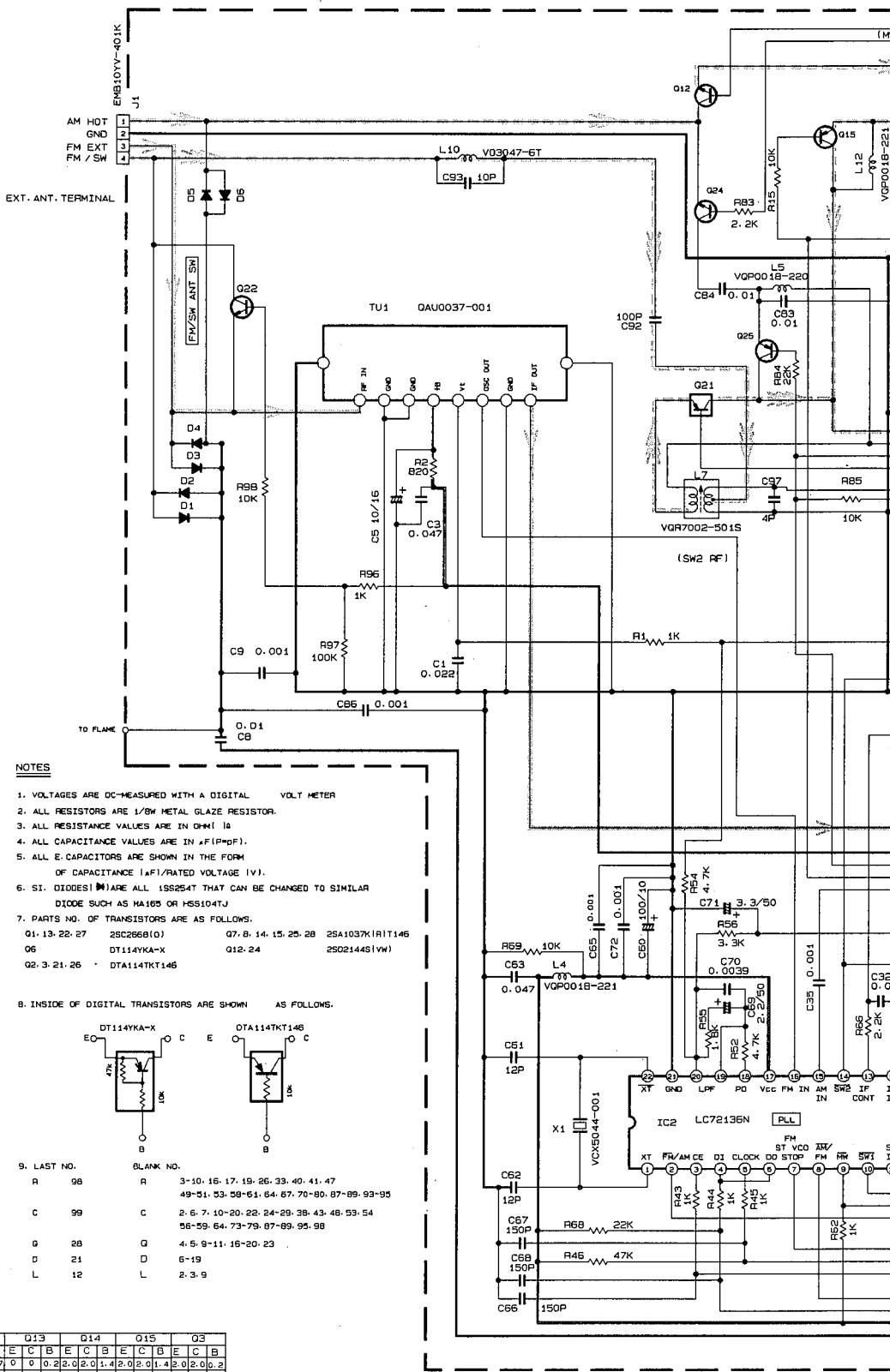


CONDITION	PIN NO.	1	2	3	4	5	6	7	8	9	10	11	12	13	14	15	16	17	18	19	20	21	22	23	24
IC1	FM NO SIGNAL	2.0	0.5	0	2.0	5.1	5.1	0	0	0.3	5.1	5.1	1.1	1.1	4.4	3.7	3.7	1.4	0	1.3	1.1	2.0	2.0	5.1	2.0
	FM 50GB STEREO	2.0	0.5	0	2.0	5.1	5.1	1.1	0	0.3	0	0	1.1	1.1	4.3	4.1	3.7	1.4	0	1.4	1.1	2.0	2.0	5.1	2.0
	AM NO SIGNAL	2.0	0.5	0	2.0	5.0	5.1	0	0	0.3	5.1	5.1	1.1	1.1	4.5	0.1	0	1.4	1.4	1.5	1.6	2.0	2.0	5.1	2.0
IC2	FM NO SIGNAL	2.4	0	0	5.1	4.9	5.1	3.7	3.7	2.0	3.8	5.1	0	0	0	0	2.6	5.1	1.0	1.0	3.7	0	2.7		
	FM/AM SW																								

1
P1
FM 87.5
AM 522K
1
P1
AM 522K
AM 144K

A B C D E

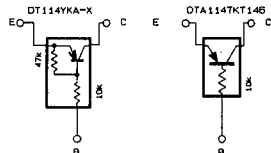
Tuner Circuit (UX-T150 UB/UF/US/UX/U)



NOTES

- VOLTAGES ARE DC-MEASURED WITH A DIGITAL VOLT METER
- ALL RESISTORS ARE 1/8W METAL GLAZE RESISTOR.
- ALL RESISTANCE VALUES ARE IN OHMS UNLESS OTHERWISE SPECIFIED.
- ALL CAPACITANCE VALUES ARE IN PICO (P) OR MICRO (M) FARADS UNLESS OTHERWISE SPECIFIED.
- ALL ELECTROLYTIC CAPACITORS ARE SHOWN IN THE FORM OF CAPACITANCE (μF)/RATED VOLTAGE (V).
- SI-DIP (SMALL INLINE) PACKAGES ARE ALL 15SS2547 THAT CAN BE CHANGED TO SIMILAR DIODES SUCH AS MA165 OR HSS104TJ.
- PARTS NO. OF TRANSISTORS ARE AS FOLLOWS:
 Q1-13-22-27 2SC2668(O) Q7-B, 14, 15, 25, 28 2SA1037K(1R1T146)
 Q6 DT114YKA-X Q12-24 2SD2144S(1VW)
 Q2-3-21-26 DTA114TKT146

8. INSIDE OF DIGITAL TRANSISTORS ARE SHOWN AS FOLLOWS.



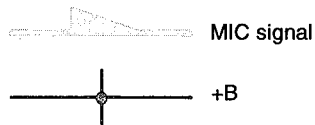
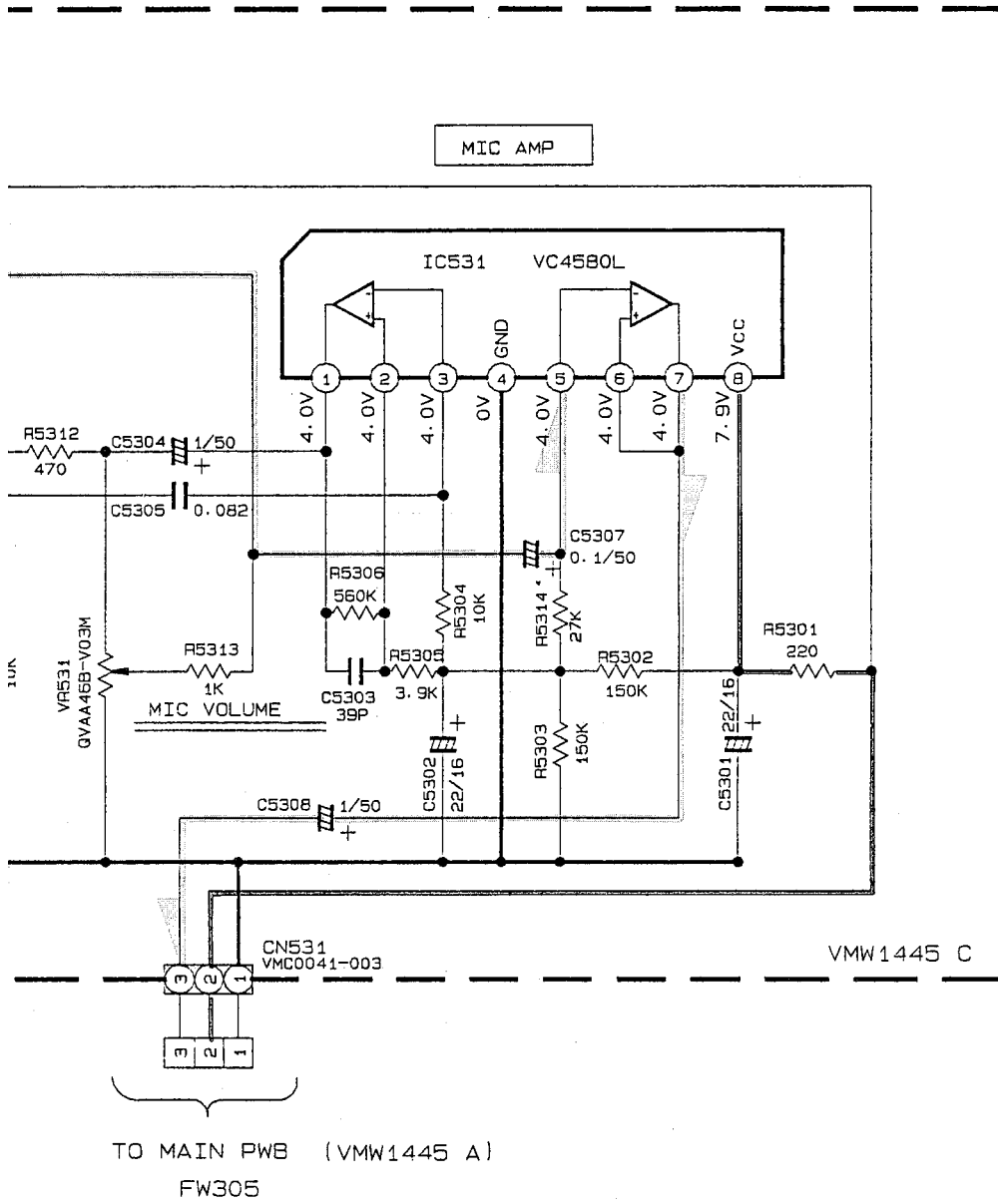
TR. NO.	BLANK NO.	TR. NO.	BLANK NO.
R 98	R 3-10, 16, 17, 19, 26, 33, 40, 41, 47	C 99	C 49-51, 53, 58-61, 64, 67, 70-80, 87-89, 93-95
C 99	C 2, 6, 7, 10-20, 22, 24-29, 38, 43, 48-53, 54	Q 28	Q 2, 6, 7, 10-20, 22, 24-29, 38, 43, 48-53, 54
Q 28	Q 4, 5, 9-11, 16-20, 23	D 21	D 6-19
D 21	D 2, 3, 9	L 12	L 2, 3, 9

TR. NO.	Q12	Q13	Q14	Q15	Q3
PIN NAME	E C B	E C B	E C B	E C B	E C B
AM 531KHZ	0 0 0.7	0 0 0.2	2.0 2.0 1.4	2.0 2.0 1.4	2.0 2.0 2.2
SW 2.3MHZ	0 0 0	0 0 0.7	2.0 2.0 4.7	2.0 2.0 4.7	2.0 0.1 4.7

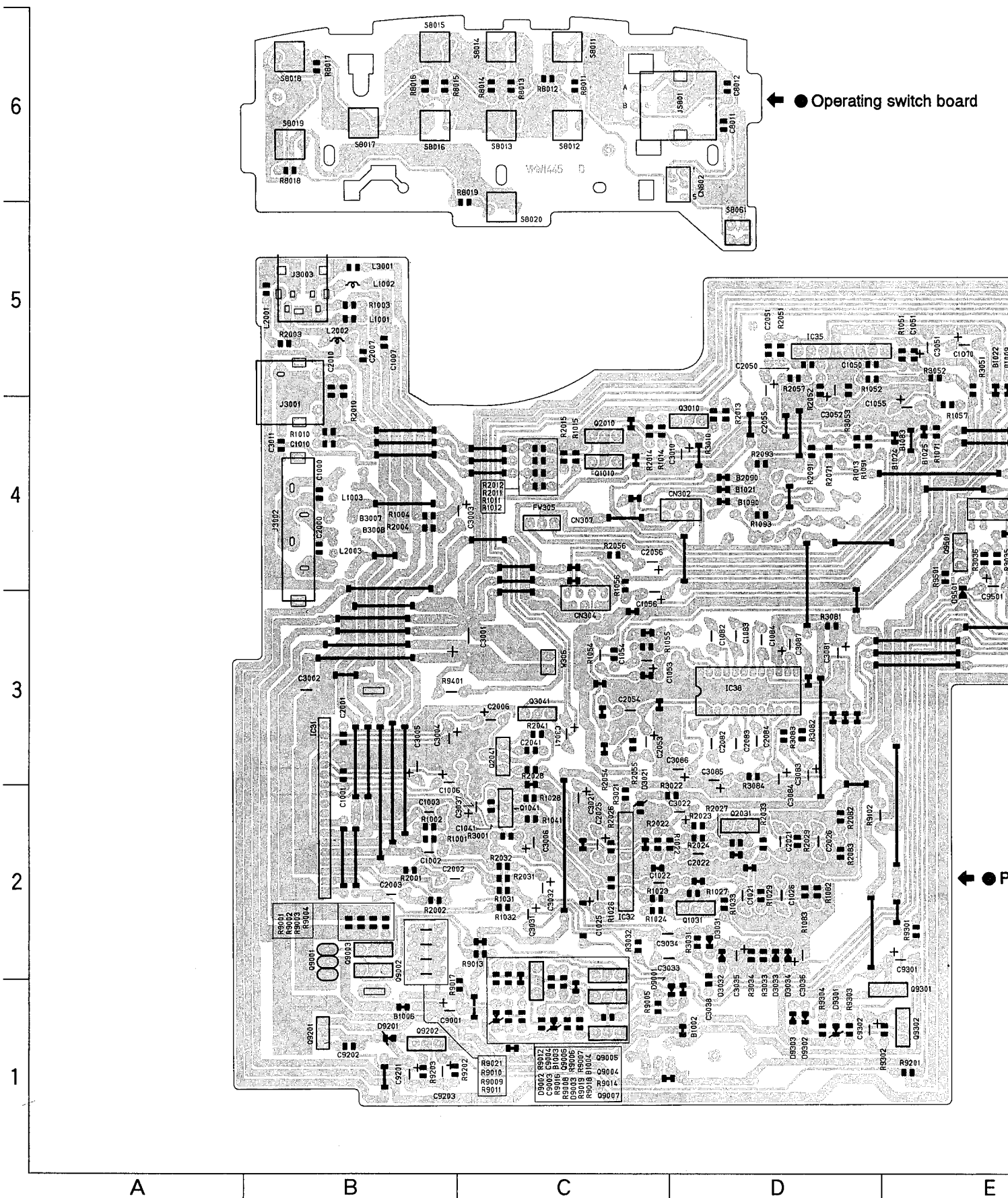
TR. NO.	Q1	Q6	Q22	Q7	Q8		
PIN NAME	E C B	E C B	E C B	E C B	E C B		
FM 87.5MHZ	0 7.5 0.7	0 0 0	0 0 0.7	1.5 0 1.1	1.5 0 1.1		
AM 531KHZ	0 0 0	0 0 0	0 0 0	1.6 0 1.1	1.6 0 1.1		
TR. NO.	Q21	Q24	Q25	Q26	Q27	Q28	Q2
PIN NAME	E C B	E C B	E C B	E C B	E C B	E C B	E C B
SW 2.3MHZ	2.0 2.0 5.1	0 0 0	0.7 2.0 2.0	1.4 2.0 2.0	1.0 0 0	1.2 2.0 5.1	2.0 2.0 2.0
SW 7KHZ	2.0 2.0 0	0 0 0	2.0 2.0 4.3	2.0 2.0 4.3	0 0 0	0.7 2.0 2.0	1.3 2.0 6.3

CONDITION	PIN NO.	1	2	3	4	5	6	7	8	9	10	11	12	1
IC1 FM NO SIGNAL		2.0	0.5	0	2.0	5.1	5.1	0	0	0.3	5.1	5.1	1.1	1
IC1 FM 50dB STEREO		2.0	0.5	0	2.0	5.1	5.1	1.1	0	0.3	0	0	1.1	1
IC1 AM NO SIGNAL		2.0	0.5	0	2.0	5.1	5.1	0	0	0.3	5.1	5.1	1.1	1
IC2 FM NO SIGNAL		2.4	0	0	1.1	5.0	1.1	3.7	3.7	4.5	4.3	5.1	0	1

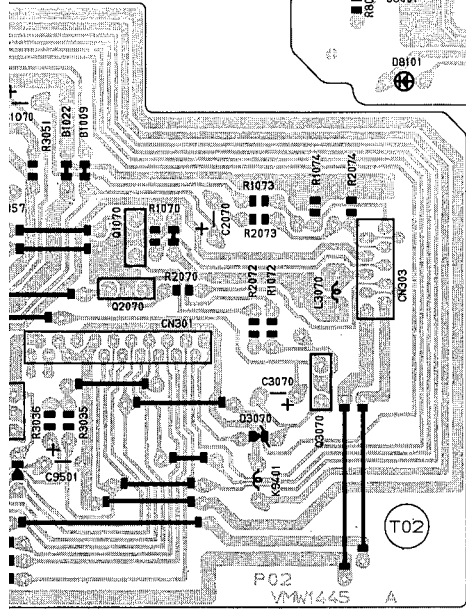
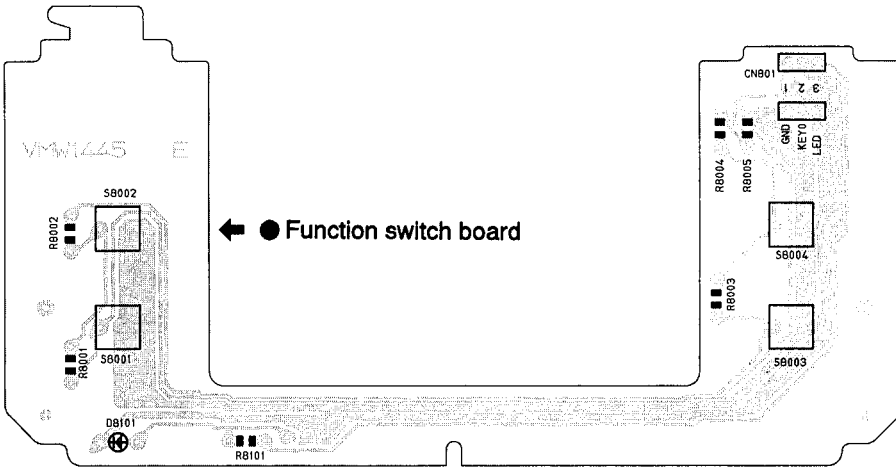
Note: VDH1038401TW(s/G)



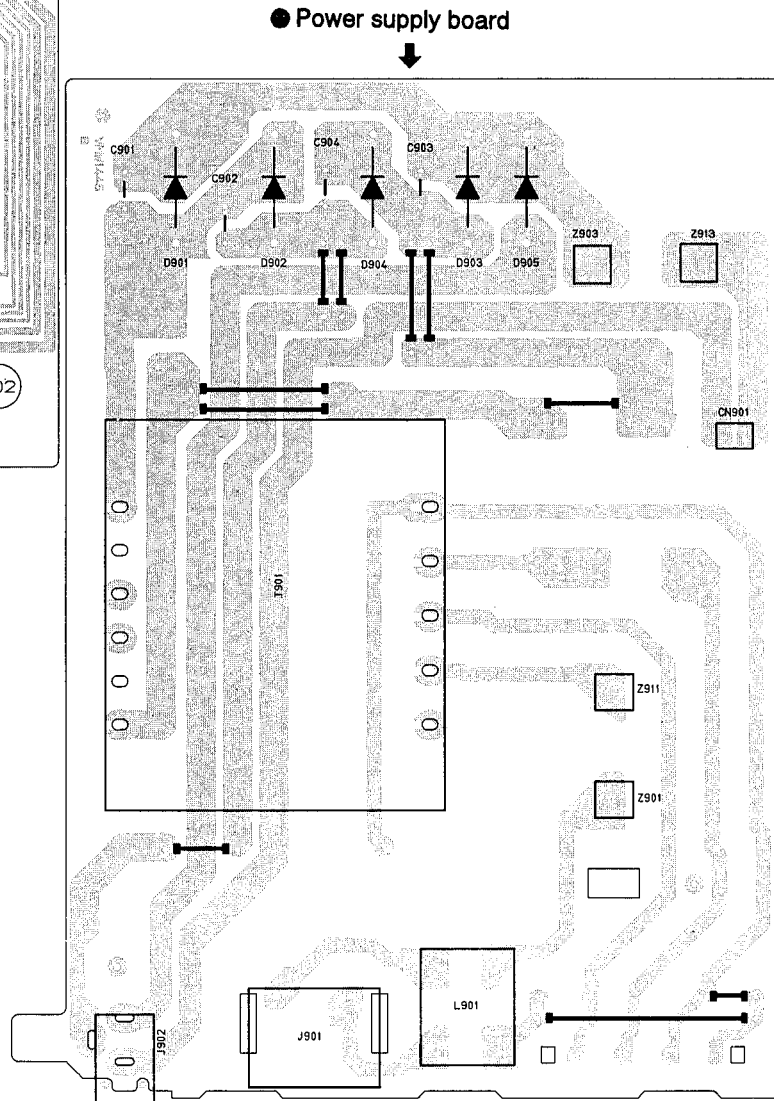
■ Main Board (UX-T150 EE): Block No. 01



ard



Power amplifier board



E

F

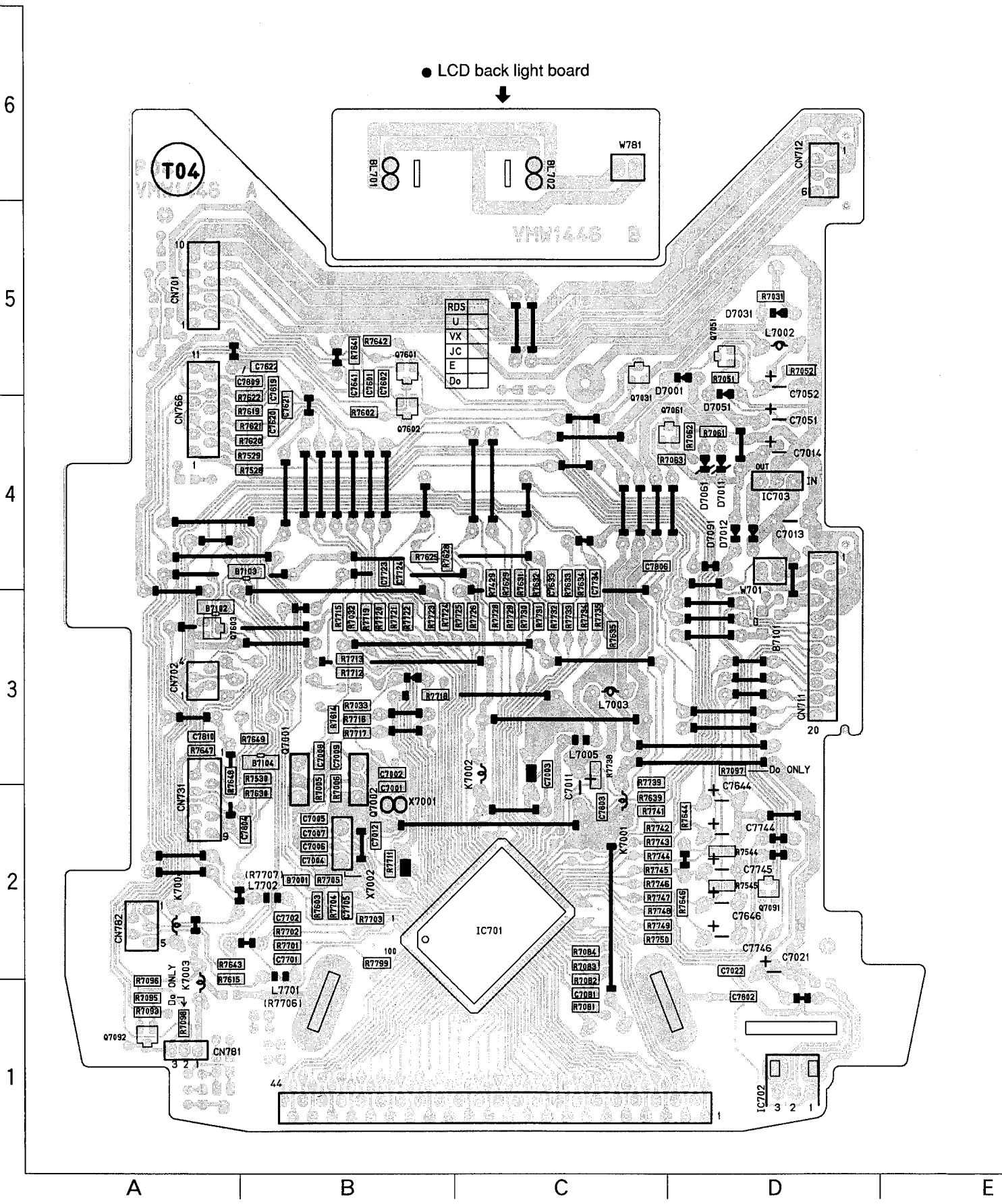
G

H

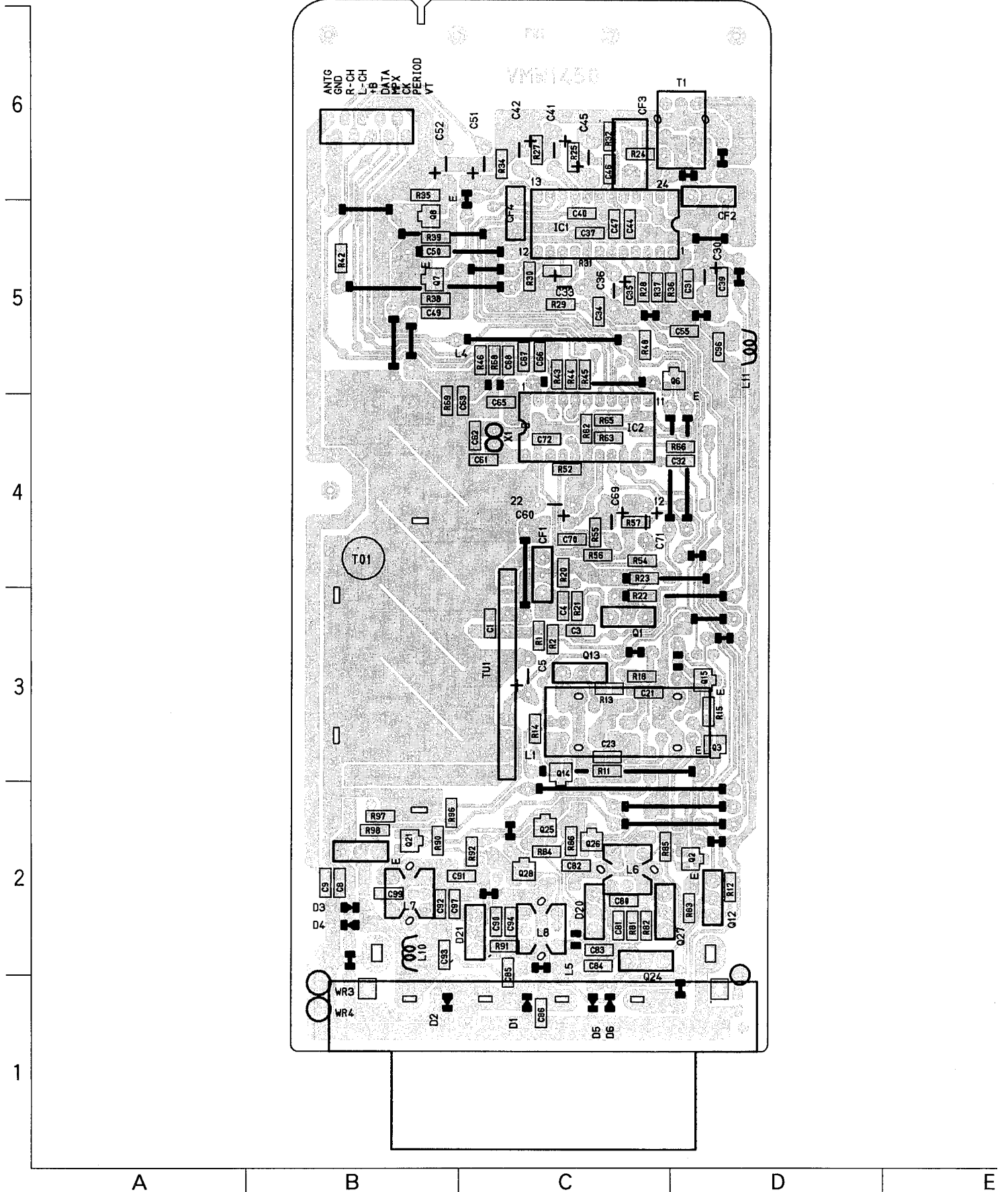
I

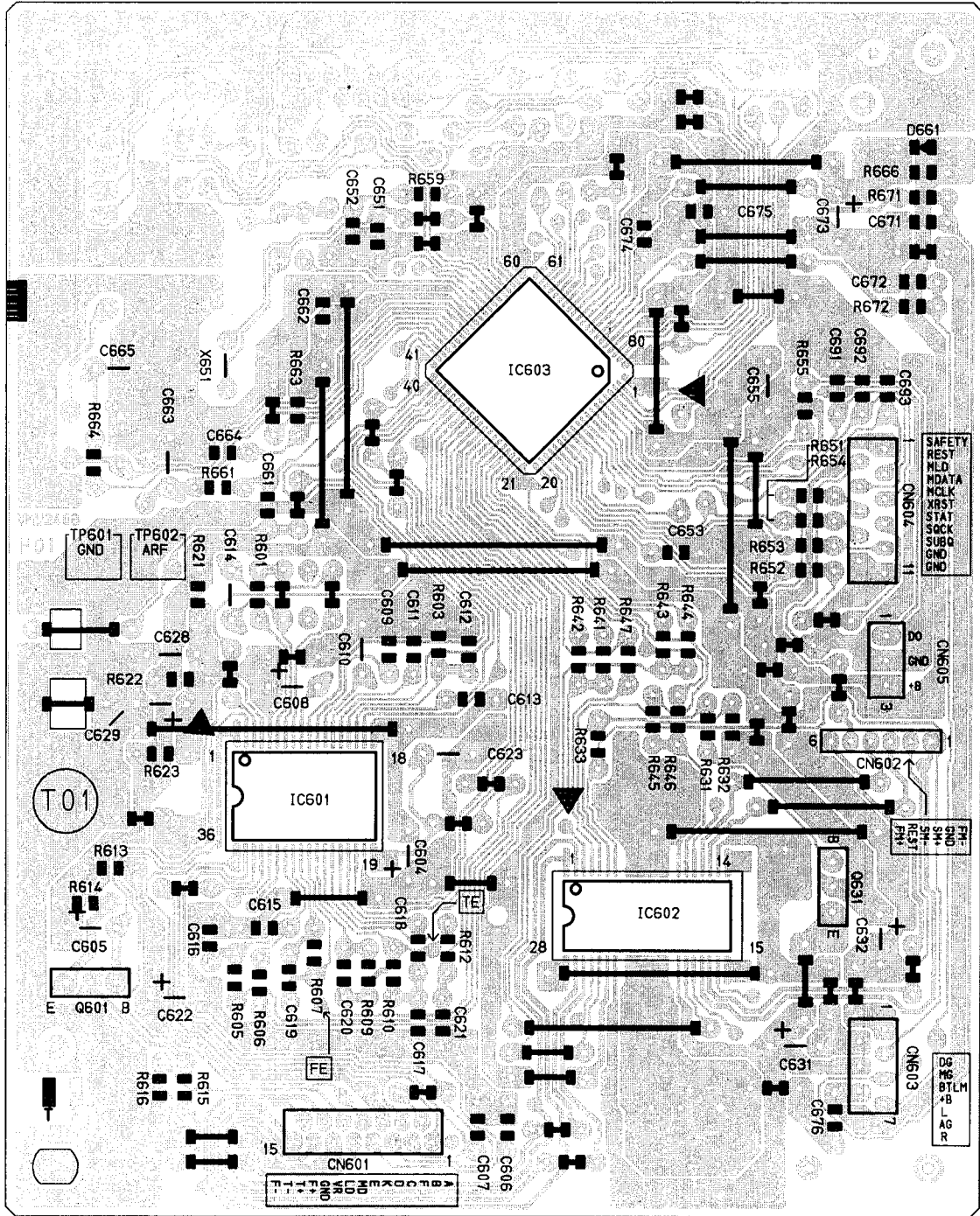
■ LCD & System CPU Board (UX-T150/UX-T151 B/E/EE/EN): Block No. 03

● LCD back light board



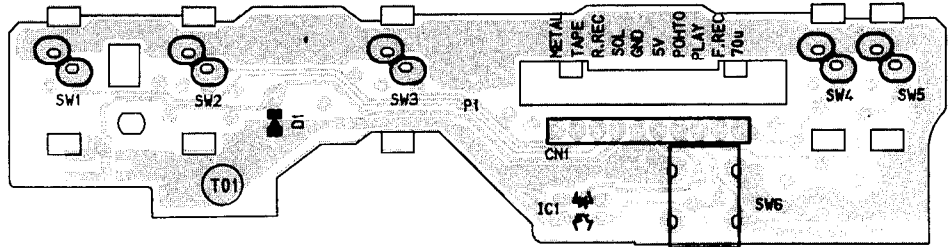
■ Tuner Board (UX-T150 UB/UF/US/UX/U): Block No. 07



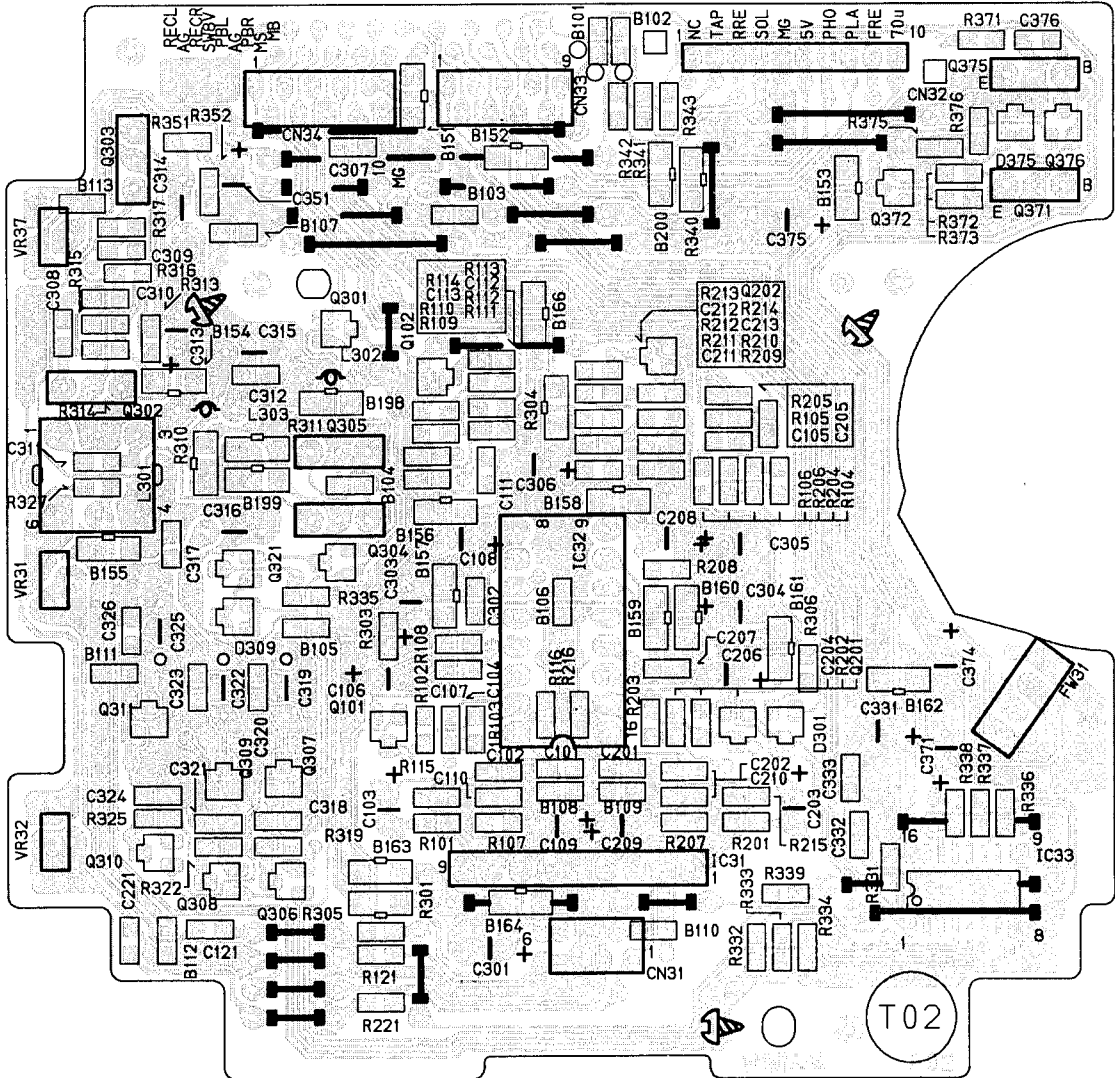


<<Cassette Mechanism>>

■ Reel Pulse Board: Block No. 09



■ Head Amplifier & Mechanism Control Board: Block No. 10



PARTS LIST

[UX-T150/-T151]

* All printed circuit boards and its assemblies are not available as service parts.

Area Suffix (UX-T150)	
B -----	U.K.
E -----	Continental Europe
EE -----	Eastern Europe
EN -----	Northern Europe
UB -----	Hong Kong
UF -----	China
US -----	Singapore
UX -----	Saudi Arabia
U -----	Other Areas

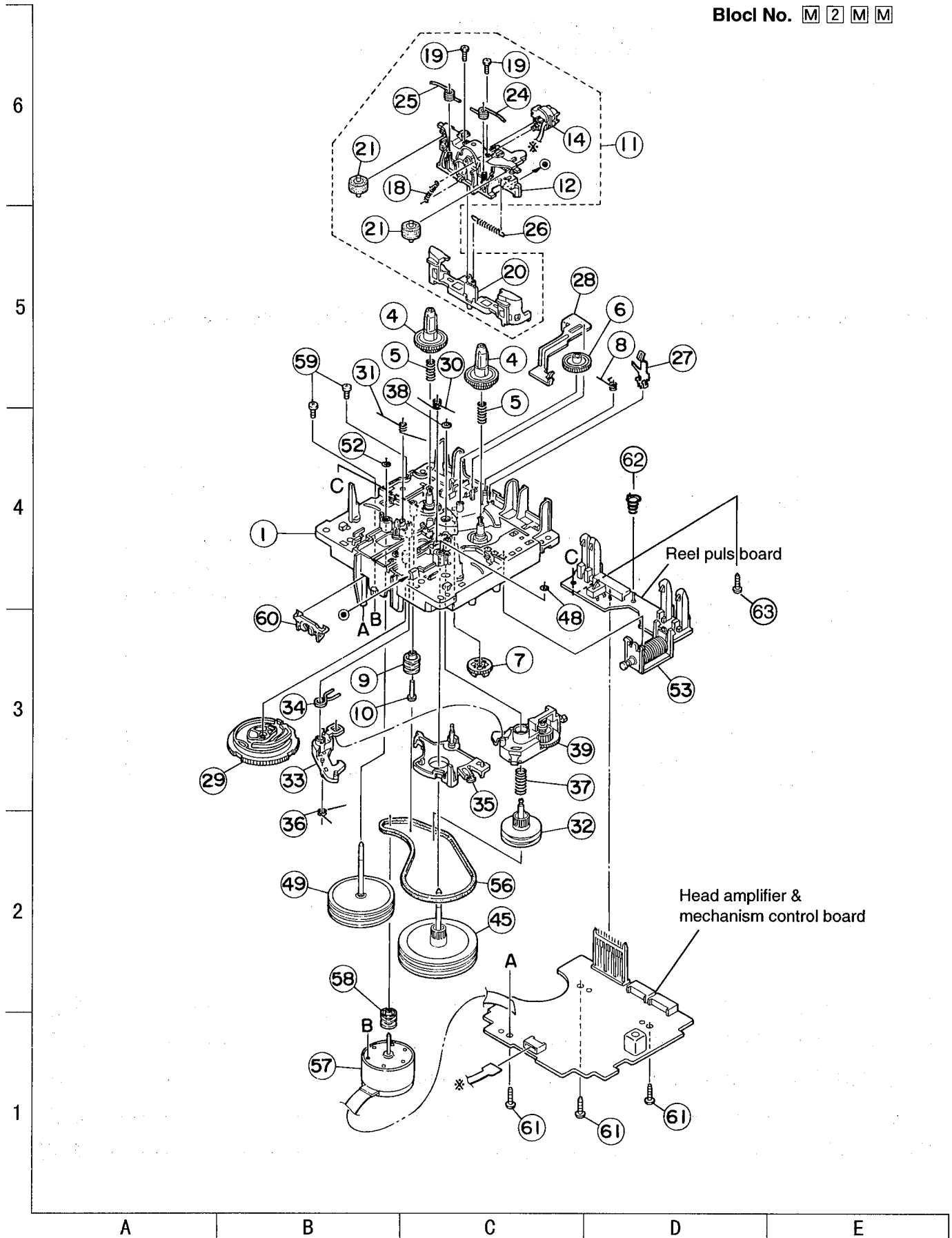
Area Suffix (UX-T151)	
B -----	U.K.
E -----	Continental Europe
EN -----	Northern Europe

- Contents -

Exploded View of Cassette Mechanism and Parts List -----	4-2
Exploded View of CD Mechanism Assembly and Parts List -----	4-3
Exploded View of General Assembly and Parts List -----	4-4
Electrical Parts List -----	4-8
Packing Materials and Accessories List -----	4-26

Exploded View of Cassette Mechanism and Parts List

Block No. **M 2 M M**

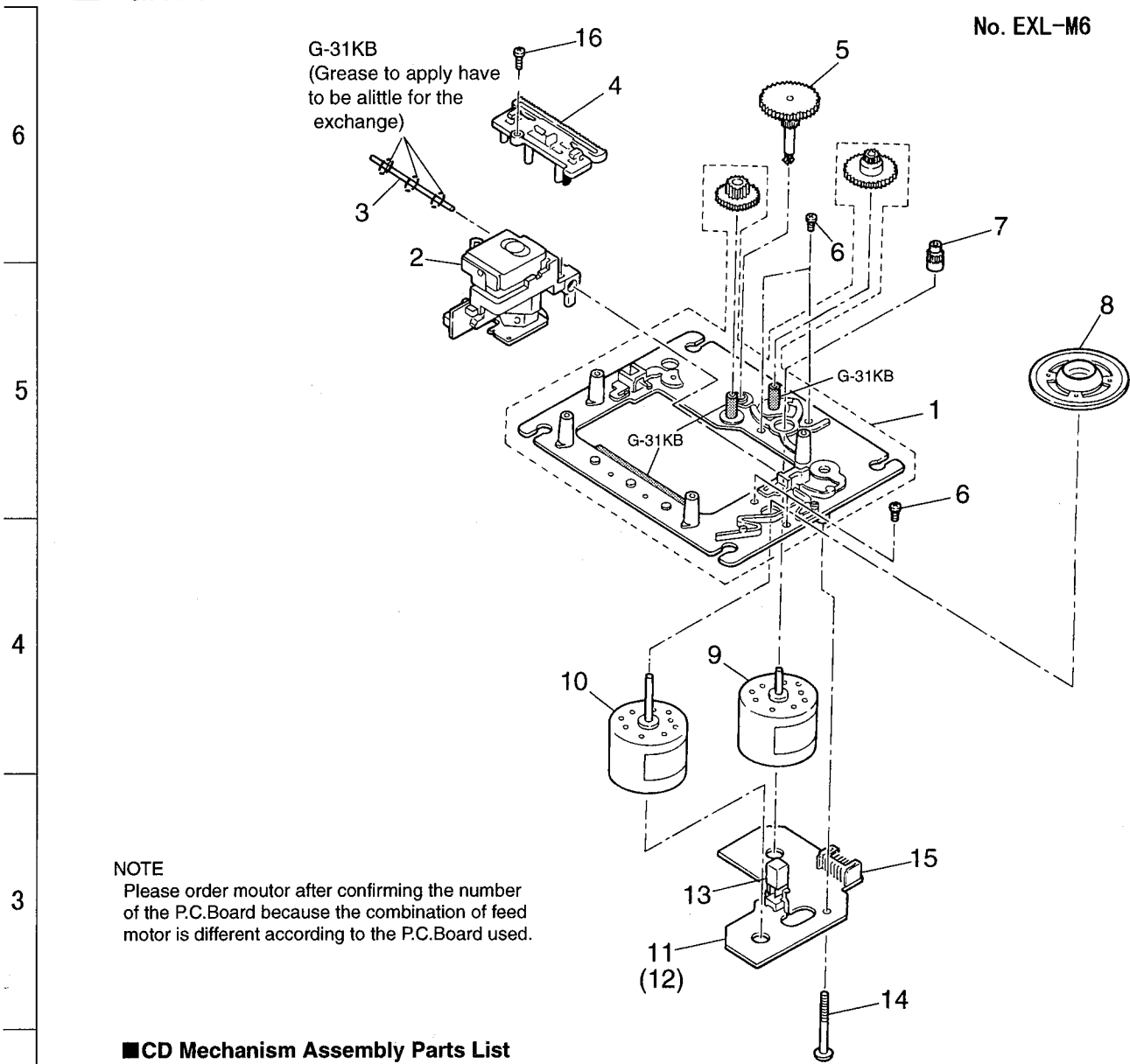


Exploded View of CD Mechanism Ass'y and Parts List

Grease Point

Block No. M 3 M M

No. EXL-M6

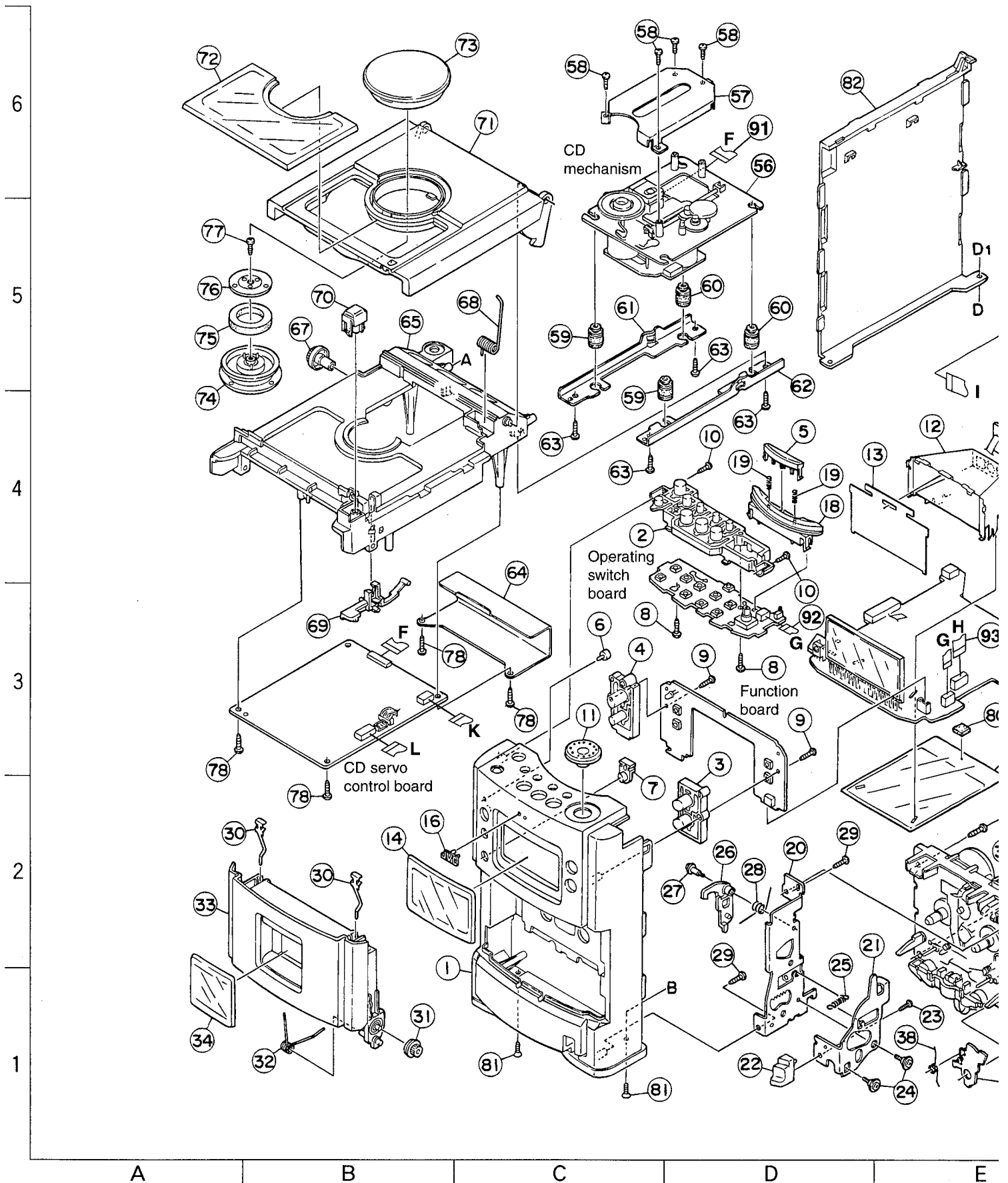


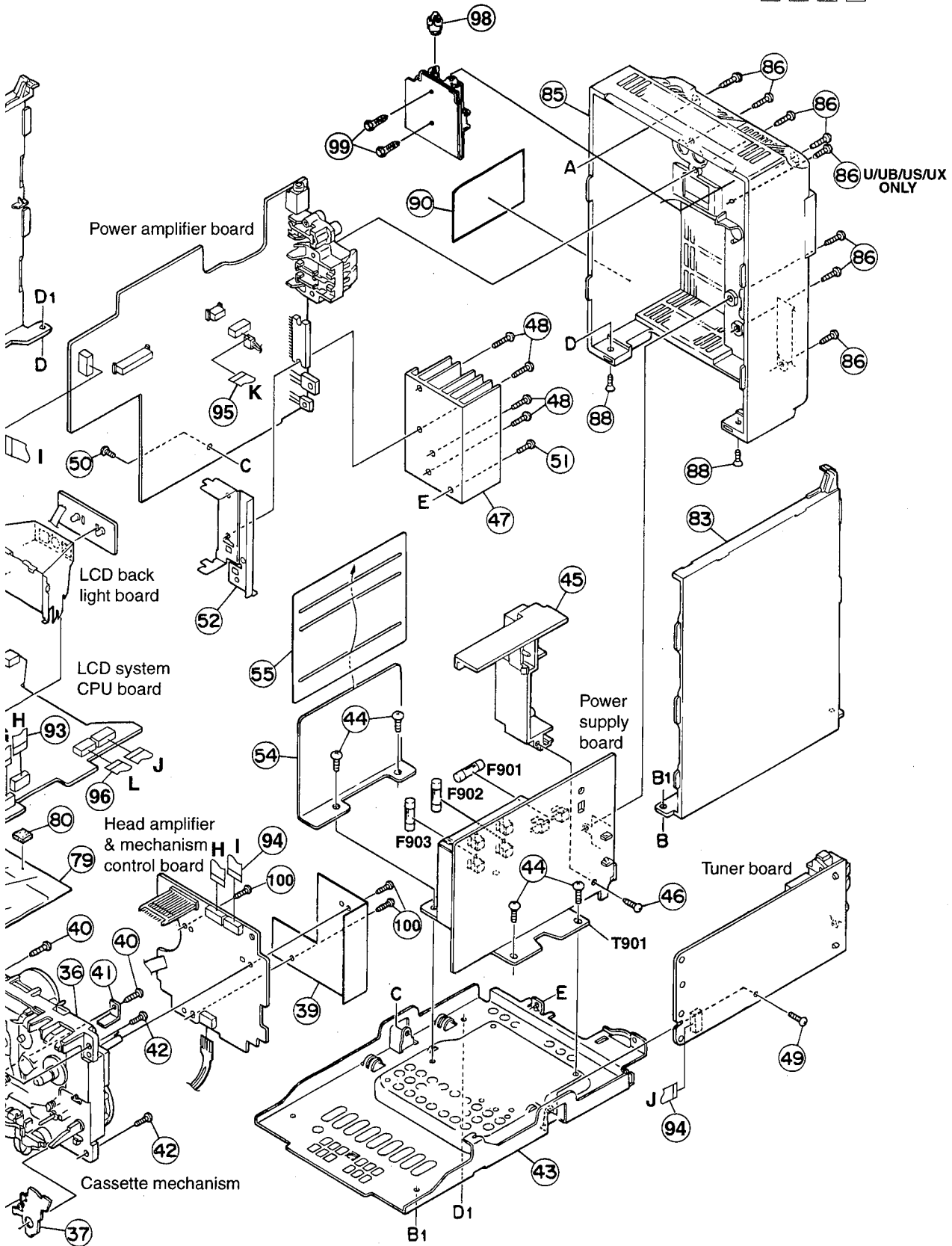
CD Mechanism Assembly Parts List

Item	Parts Number	Parts Name	Q'ty	Description	Area
1	EPB-002PK	MECHA. BASE ASSY	1		
2	OPT1MA-150S	OPTICAL PICK UP	1		
3	E407782-001	CD SHAFT	1		
4	E307746-001	CD RACK	1		
5	EPB-003A	MECHA GEAR	1		
6	SDSP2003N	SCREW	4		
7	E406750-001	PINION GEAR	1		
8	EPB309173A	TURN TABLE	1		
9	E406784-001	FEED MOTOR	1	Use the No.11 P.C.Board	
	MDN-4RA3ETA-1	FEED MOTOR	1	Use the No.12 P.C.Board	
10	E406783-001	SPINDLE MOTOR	1		
11	EMW10190-001 (S)	P. C. BOARD	1		
	EMW10190-221 (S)	P. C. BOARD	1		
13	ESB1100-005	LEAF SWITCH	1		
14	E75832-001	SCREW	1		
15	EMV5109-006B	CONN. TERMINAL	1		
16	SDSF2006Z	SCREW	1		

A B C D E

Exploded View of General Assembly and Parts List





■ General Assembly Parts List

BLOCK NO. M1MM

△	REF.	PARTS NO.	PARTS NAME	REMARKS	QTY	SUFFIX	CLR
	1	VJG1473-011	FRONT PANEL	UX-T151	1		
		VJG1473-017	FRONT PANEL	UX-T150	1		
	2	VXP3867-004	PUSH BUTTON(A)	UX-T151	1		
		VXP3867-003	PUSH BUTTON(A)	UX-T150	1		
	3	VXP5352-003	PUSH BUTTON(B)	UX-T150	1		
		VXP5352-004	PUSH BUTTON(B)	UX-T151	1		
	4	VXP5353-004	PUSH BUTTON(C)	UX-T151	1		
		VXP5353-003	PUSH BUTTON(C)	UX-T150	1		
	5	VXP5358-003	SNOOZE BUTTON	UX-T150	1		
		VXP5358-005	SNOOZE BUTTON	UX-T151	1		
	6	VJK4493-001SC	LENS(STANDBY)		1		
	7	VJK4504-001	REMOCON LENS		1		
	8	SBSF3008Z	SCREW	BUTTON+PWB	2		
	9	SBSF2608Z	T.SCREW	FOR F.P+PWB	2		
	10	SBSF2608Z	T.SCREW	FOR F.P+BUTTON	2		
	11	VXL4453-004	MULTI JOG DIAL	UX-T151	1		
		VXL4453-003	MULTI JOG DIAL	UX-T150	1		
	12	VYH3982-001	LAMP CASE		1		
	13	VYTT704-001	LCD FILTER	FOR LCD	1		
	14	VJT4241-004	LCD LENS	UX-T151	1		
		VJT4241-003	LCD LENS	UX-T150	1		
	16	E406971-221	JVC MARK		1		
	18	VYH8160-004	BUTTON COVER	UX-T151	1		
		VYH8160-003	BUTTON COVER	UX-T150	1		
	19	VKW5306-001	COMP.SPRING		2		
	20	VYH3983-001	DOOR HOLDER		1		
	21	VYH8149-001	EJECT LEVER		1		
	22	VXQ4125-003	EJECT KNOB	UX-T150	1		
		VXQ4125-004	EJECT KNOB	UX-T151	1		
	23	SBSF2608Z	T.SCREW	FOR E.LVR+E.KNO	1		
	24	VKZ4323-002	SCREW	D.HOLDER+E.LEVE	2		
	25	VKW3002-274	TENSION SPRING	FOF E.LEVER	1		
	26	VYH7347-001	EJECT ARM		1		
	27	VKZ4341-001	SPECIAL SCREW	FOR EJECT ARM	1		
	28	VKW4938-001	TORTION SPRING	FOR EJECT ARM	1		
	29	SBSF3008Z	SCREW	F.P+D.HOLDER	2		
	30	VKY4180-001	CASSETTE SPRING		2		
	31	VYH5601-001	GEAR		1		
	32	VKW5295-001	DOOR SPRING		1		
	33	VJT2384-006	CASSETTE DOOR	UX-T150	1		
		VJT2384-007	CASSETTE DOOR	UX-T151	1		
	34	VJT4242-004	DOOR LENS	UX-T151	1		
		VJT4242-003	DOOR LENS	UX-T150	1		
	36	-----	CASSETTE MECHA		1		
	37	VKL7850-203	EJECT SAFTY(R)		1		
	38	VKW5258-002	TORSION SPRING		1		
	39	VMA4723-001	SHIELD		1		
	40	SBSF3010Z	SCREW	F.PANEL+MECHA	2		
	41	VYH8183-001	BRACKET	FOR CASSETTE DO	1		
	42	SBST3008Z	TH TAP SCREW	DOOR HOL+MECHA	2		
	43	VYH1263-001	BOTTOM CHASSIS		1		
	44	SBST4006Z	SCREW	CHASSIS+TRANS	4		
	45	VYH3984-001	JACK HOLDER		1		
	46	SBSF3010Z	SCREW	PWB+JACK HOL	1		
	47	VYH8153-001	RADIATION		1		

BLOCK NO. M1111111

REF.	PARTS NO.	PARTS NAME	REMARKS	QTY	SUFFIX	CLR
48	SBST3012Z	SCREW	RADI+IC	4		
49	SBST3006Z	TH TAP SCREW	TUNER PWB+CHASS	1		
50	SBST3006Z	TH TAP SCREW	MAIN PWB+CHASSI	1		
51	SBST3006Z	TH TAP SCREW	RADI+CHASSIS	1		
52	VYH3987-001SC	IC HOLDER		1		
54	VMA3239-001	SHIELD		1		
55	VMA4720-001	BARRIER		1		
56	-----	CD MECHA		1		
57	VJD5410-005	PICK COVER		1		
58	SDSF2006M	SCREW	CD MECHA+P.COVE	4		
59	E75609-001	INSULATOR	BLACK	2		
60	E75609-002	INSULATOR	GRAY	2		
61	VYH8089-001SC	CD MECHA HOLDER		1		
62	VYH8089-002SC	CD MECHA HOLDER		1		
63	SBSF3010Z	SCREW	CD CASE+M.HOLDE	4		
64	VMA4692-002SC	SHIELD	FOR CD MECHA WI	1		
65	VJD1216-001	CD CASE	UX-T150	1		
	VJD1216-006	CD CASE	UX-T151	1		
67	VYH4769-002	GEAR		1		
68	VKW5276-001	CD DOOR SPRING		1		
69	VYH8152-001	LOCK LEVER		1		
70	VXP5354-004	CD EJECT KNOB	UX-T150	1		
	VXP5354-005	CD EJECT KNOB	UX-T151	1		
71	VJT2385-005	CD DOOR	UX-T151	1		
	VJT2385-004	CD DOOR	UX-T150	1		
72	VJT3392-003	CD LENS	UX-T150	1		
	VJT3392-004	CD LENS	UX-T151	1		
73	VJT4245-004	CD ORNAMENT	UX-T151	1		
	VJT4245-003	CD ORNAMENT	UX-T150	1		
74	VYH3726-002SS	CLAMPER		1		
75	VYH7313-003	MAGNET		1		
76	VYH7677-201	YOKE		1		
77	SDSF2606Z	SCREW	FOR CLAMPER	1		
78	SBSF3010Z	SCREW	CD PWB+CD CASE	4		
79	VMA4721-002	SHIELD		1		
80	PU59915-105	SPACER	FOR SHIELD	1		
81	SSST3008Z	SCREW	CHASSIS+F.PANEL	2		
82	VJD2488-007	SIDE PANEL(L)	UX-T151	1		
	VJD2488-006	SIDE PANEL(L)	UX-T150	1		
83	VJD2489-006	SIDE PANEL(R)	UX-T150	1		
	VJD2489-007	SIDE PANEL(R)	UX-T151	1		
85	VJG1477-021	REAR PANEL	UX-T150	1	B,E,EE,EN	
	VJG1477-023	REAR PANEL	UX-T151	1		
	VJG1477-024	REAR PANEL	UX-T150	1	UF	
	VJG1477-022	REAR PANEL	UX-T150	1	U,UB,US,UX	
86	SBSF3010Z	SCREW		7	B,E,EE,EN	
	SBSF3010Z	SCREW		8	U,UB,US,UX	
	SBSF3010Z	SCREW		7	UF	
88	SSST3008Z	SCREW	FOR R.P+CHASSIS	2		
90	LV30395-002A	NAME PLATE	UX-T150	1	U,UB,US	
	LV30395-005A	NAME PLATE	UX-T150	1	U,UX	
	LV30395-001A	NAME PLATE	UX-T150	1	B,E,EN	
	LV30395-003A	NAME PLATE	UX-T150	1	EE	
	LV30395-006A	NAME PLATE	UX-T150	1	UF	

Electrical Parts List

Main Board (B/E/EE/EN)

BLOCK NO. 01		BLOCK NO. 01		
REF.	PARTS NO.	PARTS NAME	REMARKS	SUFFIX
A C 901	QFLC1HJ-104ZM	M CAPACITOR	-10MF 5% 50V	
A C 902	QFLC1HJ-104ZM	M CAPACITOR	-10MF 5% 50V	
A C 903	QFLC1HJ-104ZM	M CAPACITOR	-10MF 5% 50V	
A C 904	QFLC1HJ-104ZM	M CAPACITOR	-10MF 5% 50V	
CN301	VMC0314-S20	CONNECTOR		
CN302	QGB1241J-06S	CONNECTOR		
CN303	VMC0163-010	CONNECTOR		
CN304	GGF1205C1-07	CONNECTOR		
CN801	VMC0289-S03	CONNECTOR		
CN802	VMC0163-R05	CONNECTOR		
CN901	VMC0040-002	CONNECTOR		
C1000	QXCB1CM-332Y	C CAPACITOR	3300PF 20% 16V	
C1001	QXCB1HK-331Y	C CAPACITOR	330PF 10% 50V	
C1002	QCC31EM-104ZV	C CAPACITOR	-10MF 20% 25V	
C1003	QCC31EM-104ZV	C CAPACITOR	-10MF 20% 25V	
C1006	QTE1C03-106Z	E CAPACITOR		
C1007	QCBBA1HK-221Y	C CAPACITOR	220PF 10% 50V	
C1010	QCBBA1HK-221Y	C CAPACITOR	220PF 10% 50V	
C1021	QFN41HJ-823	M CAPACITOR	-082MF 5% 50V	
C1022	QFN41HJ-823	M CAPACITOR	-082MF 5% 50V	
C1025	QTE1A03-106Z	E CAPACITOR		
C1026	QFV71HJ-334ZM	M CAPACITOR	-33MF 5% 50V	
C1041	QCBBA1HK-102	C CAPACITOR	1000PF 10% 50V	
C1050	QCS11HJ-300	C CAPACITOR	30PF 5% 50V	
C1051	QCS11HJ-100	C CAPACITOR	10PF 5% 50V	
C1053	QTE1C03-106Z	E CAPACITOR		
C1054	QFN31HJ-392Z	M CAPACITOR	3900PF 5% 50V	
C1055	QTE1EM-475ZM	E CAPACITOR	4.7MF 20% 25V	
C1056	QTE1C03-106Z	E CAPACITOR		
C1070	QTE1EM-475ZM	E CAPACITOR	4.7MF 20% 25V	
C1082	QFLB1HJ-563	TF CAPACITOR	-056MF 5% 50V	
C1083	QFLB1HJ-563	TF CAPACITOR	-056MF 5% 50V	
C1084	QFN41HJ-472	M CAPACITOR	4700PF 5% 50V	
C2000	QXCB1CM-332Y	C CAPACITOR	3300PF 20% 16V	
C2001	QCBBA1HK-331Y	C CAPACITOR	330PF 10% 50V	
C2002	QCC31EM-104ZV	C CAPACITOR	-10MF 20% 25V	
C2003	QCC31EM-104ZV	C CAPACITOR	-10MF 20% 25V	
C2006	QTE1C03-106Z	E CAPACITOR		
C2007	QCBBA1HK-221Y	C CAPACITOR	220PF 10% 50V	
C2010	QCBBA1HK-221Y	C CAPACITOR	220PF 10% 50V	
C2021	QFN41HJ-823	M CAPACITOR	-082MF 5% 50V	
C2022	QFN41HJ-823	M CAPACITOR	-082MF 5% 50V	
C2025	QTE1A03-226Z	E CAPACITOR		
C2026	QFV71HJ-334ZM	M CAPACITOR	-33MF 5% 50V	
C2041	QCBBA1HK-102	C CAPACITOR	1000PF 10% 50V	
C2050	QCS11HJ-300	C CAPACITOR	30PF 5% 50V	
C2051	QCS11HJ-100	C CAPACITOR	10PF 5% 50V	
C2053	QTE1C03-106Z	E CAPACITOR		
C2054	QFN31HJ-392Z	M CAPACITOR	3900PF 5% 50V	
C2055	QTE1EM-475ZM	E CAPACITOR	4.7MF 20% 25V	
C2056	QTE1C03-106Z	E CAPACITOR		
C2070	QTE1EM-475ZM	E CAPACITOR	4.7MF 20% 25V	
C2082	QFLB1HJ-563	TF CAPACITOR	-056MF 5% 50V	
C2083	QFLB1HJ-563	TF CAPACITOR	-056MF 5% 50V	
C2084	QFN41HJ-472	M CAPACITOR	4700PF 5% 50V	

BLOCK NO. 01		BLOCK NO. 01		
REF.	PARTS NO.	PARTS NAME	REMARKS	SUFFIX
A C3001	QET1EM-688	E CAPACITOR	6800MF 20% 25V	
A C3002	QFLC1HJ-104ZM	M CAPACITOR	-10MF 5% 50V	
A C3003	QETC1CM-107ZN	E CAPACITOR	100MF 20% 16V	
A C3004	QETC1AM-337ZN	E CAPACITOR	330MF 20% 10V	
A C3005	QETC1AM-336ZN	E CAPACITOR	33MF 20% 10V	
A C3010	QETC1HM-225ZM	E CAPACITOR	2.2MF 20% 50V	
A C3011	QETC1HM-684ZN	E CAPACITOR	.68MF 20% 50V	
A C3021	QCVB1CN-103Y	C CAPACITOR	.010MF 30% 16V	
A C3022	QETC1CM-476ZM	E CAPACITOR	47MF 20% 16V	
A C3031	QETC1HM-105Z	E CAPACITOR	1.0MF 20% 50V	
A C3032	QETC1HM-105Z	E CAPACITOR	1.0MF 20% 50V	
A C3033	QFLB1HJ-563	TF CAPACITOR	-056MF 5% 50V	
A C3034	QFLB1HJ-563	TF CAPACITOR	-056MF 5% 50V	
A C3035	QETC1HM-105Z	E CAPACITOR	1.0MF 20% 50V	
A C3036	QETC1CM-106ZM	E CAPACITOR	10MF 20% 16V	
A C3037	QETC1CM-106ZM	E CAPACITOR	10MF 20% 16V	
A C3038	QCBBA1HK-151Y	C CAPACITOR	150PF 10% 50V	
A C3041	QETC1EM-106ZN	E CAPACITOR	10MF 20% 25V	
A C3051	QETC1CM-476ZM	E CAPACITOR	47MF 20% 16V	
A C3052	QETC1CM-476ZM	E CAPACITOR	47MF 20% 16V	
A C3070	QER41HM-105	E CAPACITOR	1.0MF 20% 50V	
A C3081	QETC1CM-227Z	E CAPACITOR	220MF 20% 16V	
A C3083	QETC1HM-474ZN	E CAPACITOR	-47MF 20% 50V	
A C3084	QETC1HM-474ZN	E CAPACITOR	-47MF 20% 50V	
A C3085	QETC1HM-474ZN	E CAPACITOR	-47MF 20% 50V	
A C3086	QETC1EM-106ZN	E CAPACITOR	10MF 20% 25V	
A C3087	QETC1EM-224ZM	E CAPACITOR	.22MF 20% 50V	
A C8011	QCVB1CN-103Y	C CAPACITOR	-010MF 30% 16V	
A C8012	QCVB1CN-103Y	C CAPACITOR	-010MF 30% 16V	
A C9001	QETC1CM-226ZM	E CAPACITOR	22MF 20% 16V	
A C9003	QCVB1CN-103Y	C CAPACITOR	-010MF 30% 16V	
A C9004	QCBBA1HK-221Y	C CAPACITOR	220PF 10% 50V	
A C9201	QETC1CM-476ZM	E CAPACITOR	47MF 20% 16V	
A C9202	QCVB1CN-103Y	C CAPACITOR	.010MF 30% 16V	
A C9203	QETC1CM-106ZM	E CAPACITOR	10MF 20% 16V	
A C9301	QETC1AM-107ZN	E CAPACITOR	100MF 20% 10V	
A C9302	QETC1HM-475ZN	E CAPACITOR	4.7MF 20% 50V	
A C9501	QETC1AM-477ZM	E CAPACITOR	470MF 20% 10V	
A D 901	6A10E2	SI DIODE		
A D 902	6A10E2	SI DIODE		
A D 903	6A10E2	SI DIODE		
A D 904	6A10E2	SI DIODE		
A D 905	6A10E2	SI DIODE		
A D3021	MTZ4.3JB	ZENER DIODE		
A D3031	1N4148M-T2	SI DIODE		
A D3032	1N4148M-T2	SI DIODE		
A D3033	1N4148M-T2	SI DIODE		
A D3034	1N4148M-T2	SI DIODE		
A D3070	MTZ6.8JB	DIODE		
A D8101	L-341D-T12	LED	STANDBY LED RED	
A D9001	1SS133	SI DIODE		
A D9002	MTZ8.2JC	ZENER DIODE		
A D9003	MTZ10JAT-77	ZENER DIODE		
A D9201	MTZ4.3JB	ZENER DIODE		

BLOCK NO. 01111111

REF.	PARTS NO.	PARTS NAME	REMARKS	SUFFIX
R1014	GRD161J-272	C RESISTOR	2.7K 5% 1/4W	
R1015	GRD161J-153	C RESISTOR	15K 5% 1/4W	
R1022	GRD161J-224	C RESISTOR	220K 5% 1/4W	
R1023	GRD161J-182	C RESISTOR	1.8K 5% 1/4W	
R1024	GRD161J-202	C RESISTOR	2.0K 5% 1/4W	
R1026	GRD161J-153	C RESISTOR	15K 5% 1/4W	
R1027	GRD161J-103	C RESISTOR	10K 5% 1/4W	
R1028	GRD161J-472	C RESISTOR	4.7K 5% 1/4W	
R1029	GRD161J-472	C RESISTOR	4.7K 5% 1/4W	
R1031	GRD161J-223	C RESISTOR	22K 5% 1/4W	
R1032	GRD161J-103	C RESISTOR	10K 5% 1/4W	
R1041	GRD161J-472	C RESISTOR	4.7K 5% 1/4W	
R1051	GRD161J-154	C RESISTOR	150K 5% 1/4W	
R1052	GRD161J-102	C RESISTOR	1.0K 5% 1/4W	
R1054	GRD161J-472	C RESISTOR	4.7K 5% 1/4W	
R1055	GRD167J-332	C RESISTOR	3.3K 5% 1/4W	
R1056	GRD161J-103	C RESISTOR	10K 5% 1/4W	
R1057	GRD161J-124	C RESISTOR	120K 5% 1/4W	
R1070	GRD161J-182	C RESISTOR	18K 5% 1/4W	
R1071	GRD161J-153	C RESISTOR	15K 5% 1/4W	
R1072	GRD161J-272	C RESISTOR	2.7K 5% 1/4W	
R1073	GRD161J-102	C RESISTOR	1.0K 5% 1/4W	
R1074	GRD161J-152	C RESISTOR	1.5K 5% 1/4W	
R1082	GRD161J-302	C RESISTOR	3.0K 5% 1/4W	
R1083	GRD161J-182	C RESISTOR	1.8K 5% 1/4W	
R1091	GRD161J-333	C RESISTOR	33K 5% 1/4W	
R1093	GRD161J-103	C RESISTOR	10K 5% 1/4W	
R2001	GRD161J-2R2	C RESISTOR	2.2 5% 1/4W	
R2002	GRD161J-2R2	C RESISTOR	2.2 5% 1/4W	
R2003	GRD161J-151	C RESISTOR	150 5% 1/4W	
R2004	GRD161J-471	C RESISTOR	470 5% 1/4W	
R2010	GRD161J-102	C RESISTOR	1.0K 5% 1/4W	
R2011	GRD161J-224	C RESISTOR	220K 5% 1/4W	
R2012	GRD161J-623	C RESISTOR	62K 5% 1/4W	
R2013	GRD161J-153	C RESISTOR	15K 5% 1/4W	
R2014	GRD161J-272	C RESISTOR	2.7K 5% 1/4W	
R2015	GRD161J-153	C RESISTOR	15K 5% 1/4W	
R2022	GRD161J-224	C RESISTOR	220K 5% 1/4W	
R2023	GRD161J-182	C RESISTOR	1.8K 5% 1/4W	
R2024	GRD161J-202	C RESISTOR	2.0K 5% 1/4W	
R2026	GRD161J-153	C RESISTOR	15K 5% 1/4W	
R2027	GRD161J-103	C RESISTOR	10K 5% 1/4W	
R2028	GRD161J-472	C RESISTOR	4.7K 5% 1/4W	
R2029	GRD161J-472	C RESISTOR	4.7K 5% 1/4W	
R2031	GRD161J-223	C RESISTOR	22K 5% 1/4W	
R2032	GRD161J-223	C RESISTOR	22K 5% 1/4W	
R2033	GRD161J-103	C RESISTOR	10K 5% 1/4W	
R2041	GRD161J-472	C RESISTOR	4.7K 5% 1/4W	
R2051	GRD161J-154	C RESISTOR	150K 5% 1/4W	
R2052	GRD161J-102	C RESISTOR	1.0K 5% 1/4W	
R2054	GRD161J-472	C RESISTOR	4.7K 5% 1/4W	
R2055	GRD167J-332	C RESISTOR	3.3K 5% 1/4W	
R2056	GRD161J-103	C RESISTOR	10K 5% 1/4W	
R2057	GRD161J-124	C RESISTOR	120K 5% 1/4W	

BLOCK NO. 01111111

REF.	PARTS NO.	PARTS NAME	REMARKS	SUFFIX
D9301	MI23.9JB	Z DIODE		
D9302	1SS133	SI DIODE		
D9303	1N4148M-T2	SI DIODE		
D9501	1SS133	SI DIODE		
IC 31	LA4705NA	IC		
IC 32	BA15218N	IC		
IC 35	BA15218N	IC		
IC 38	BH3852S	IC		
J 901	QNC0001-001	AC SOCKET 8TYPE		
J 902	QMA431B-V01	FILM CAPACITOR		
J9801	QSW0547-001	ROTARY ENCODER		
J3001	QNN0090-001	PIN JACK	KUNMING HSP-242	
J3002	QNB0035-001	SPK TERMINAL	KUNMING HSP-324V	
J3003	QNS0072-001	HEADPHONE JACK		
K9401	VQZ0107-002	INDUCTOR		
L 901	VQZ0113-001	INDUCTOR		
L1001	VQP0018-470	INDUCTOR		
L1002	VQZ0048-007	INDUCTOR		
L1003	VQZ0104-003	INDUCTOR		
L2001	VQP0018-470	INDUCTOR		
L2002	VQZ0048-007	INDUCTOR		
L2003	VQZ0104-003	INDUCTOR		
L3001	VQP0018-470	INDUCTOR		
L3070	VQZ0048-007	INDUCTOR		
Q1010	2SD2144S(VW)	TRANSISTOR		
Q1031	KTC3199(GL)-T	TRANSISTOR		
Q1041	2SC2001(L-K)	TRANSISTOR		
Q1070	KTC3199(GL)-T	TRANSISTOR		
Q2010	2SD2144S(VW)	TRANSISTOR		
Q2031	KTC3199(GL)-T	TRANSISTOR		
Q2041	2SC2001(L-K)	TRANSISTOR		
Q2070	KTC3199(GL)-T	TRANSISTOR		
Q3010	KTC3199(GL)-T	TRANSISTOR		
Q3041	KRA101M-T	TRANSISTOR		
Q3070	KRA101M-T	TRANSISTOR		
Q9001	2SB1565(E-F)	TRANSISTOR		
Q9002	KTC3199(GL)-T	TRANSISTOR		
Q9003	KTA1267(VG)-T	TRANSISTOR		
Q9004	KRC114M-T	TRANSISTOR		
Q9005	UN4110	TRANSISTOR		
Q9006	KTC3199(GL)-T	TRANSISTOR		
Q9007	KTC3199(GL)-T	TRANSISTOR		
Q9201	2SA1359(OY)	TRANSISTOR		
Q9202	KTC3199(GL)-T	TRANSISTOR		
Q9301	KTA1267(VG)-T	TRANSISTOR		
Q9302	KTC3199(GL)-T	TRANSISTOR		
Q9501	2S62001(L-K)	TRANSISTOR		
R1001	GRD161J-2R2	C RESISTOR	2.2 5% 1/4W	
R1002	GRD161J-2R2	C RESISTOR	2.2 5% 1/4W	
R1003	GRD161J-151	C RESISTOR	150 5% 1/4W	
R1004	GRD161J-471	C RESISTOR	470 5% 1/4W	
R1010	GRD161J-102	C RESISTOR	1.0K 5% 1/4W	
R1011	GRD161J-224	C RESISTOR	220K 5% 1/4W	
R1012	GRD161J-623	C RESISTOR	62K 5% 1/4W	
R1013	GRD161J-153	C RESISTOR	15K 5% 1/4W	

BLOCK NO. 09111111

REF.	PARTS NO.	PARTS NAME	REMARKS	SUFFIX
R9017	QRD161J-472	C RESISTOR	4.7K 5% 1/4W	
R9018	QRD161J-103	C RESISTOR	10K 5% 1/4W	
R9019	QRD161J-391	C RESISTOR	390 5% 1/4W	
R9021	QRD161J-331	C RESISTOR	330 5% 1/4W	
R9102	QRZ0077-5R6X	F. RESISTOR	5.6 1/0W	
R9201	QRD161J-103	C RESISTOR	10K 5% 1/4W	
R9202	QRD161J-103	C RESISTOR	10K 5% 1/4W	
R9203	QRD161J-221	C RESISTOR	220 5% 1/4W	
R9301	QRD161J-472	C RESISTOR	4.7K 5% 1/4W	
R9302	QRD161J-333	C RESISTOR	33K 5% 1/4W	
R9303	QRD161J-102	C RESISTOR	1.0K 5% 1/4W	
R9304	QRD161J-390	C RESISTOR	39 5% 1/4W	
R9401	QRZ0077-4R7X	F RESISTOR	4.7 1/0W	
R9501	QRD161J-221	C RESISTOR	220 5% 1/4W	
S8001	QSQ4H11-V12Z	TACT SWITCH	POWER	
S8002	QSQ4H11-V12Z	TACT SWITCH	AUX	
S8003	QSQ4H11-V12Z	TACT SWITCH	VOLUME+	
S8004	QSQ4H11-V12Z	TACT SWITCH	VOLUME-	
S8011	QSQ4H11-V12Z	TACT SWITCH	TUNER	
S8012	QSQ4H11-V12Z	TACT SWITCH	UP	
S8013	QSQ4H11-V12Z	TACT SWITCH	STOP	
S8014	QSQ4H11-V12Z	TACT SWITCH	TAPE	
S8015	QSQ4H11-V12Z	TACT SWITCH	CD	
S8016	QSQ4H11-V12Z	TACT SWITCH	DOWN	
S8017	QSQ4H11-V12Z	TACT SWITCH	CLOCK	
S8018	QSQ4H11-V12Z	TACT SWITCH	REC	
S8019	QSQ4H11-V12Z	TACT SWITCH	SBASS	
S8020	QSQ4H11-V12Z	TACT SWITCH	SNOOSE	
S8061	QSW0122-001	PUSH SWITCH	CD DOOR	
Z 901	EMG7331-003Z	FUSE CLIP		
Z 903	EMG7331-003Z	FUSE CLIP		
Z 911	EMG7331-003Z	FUSE CLIP		
Z 913	EMG7331-003Z	FUSE CLIP		

BLOCK NO. 09111111

REF.	PARTS NO.	PARTS NAME	REMARKS	SUFFIX
R2070	QRD161J-183V	C RESISTOR	18K 5% 1/4W	
R2071	QRD161J-153	C RESISTOR	15K 5% 1/4W	
R2072	QRD161J-272	C RESISTOR	2.7K 5% 1/4W	
R2073	QRD161J-102	C RESISTOR	1.0K 5% 1/4W	
R2074	QRD161J-152	C RESISTOR	1.5K 5% 1/4W	
R2082	QRD161J-302	C RESISTOR	3.0K 5% 1/4W	
R2083	QRD161J-182	C RESISTOR	1.8K 5% 1/4W	
R2091	QRD161J-333	C RESISTOR	33K 5% 1/4W	
R2093	QRD161J-103	C RESISTOR	10K 5% 1/4W	
R3001	QRD161J-103	C RESISTOR	10K 5% 1/4W	
R3010	QRD161J-103	C RESISTOR	10K 5% 1/4W	
R3021	QRD161J-101	C RESISTOR	100 5% 1/4W	
R3022	QRD161J-152	C RESISTOR	1.5K 5% 1/4W	
R3031	QRD161J-472	C RESISTOR	4.7K 5% 1/4W	
R3032	QRD161J-472	C RESISTOR	4.7K 5% 1/4W	
R3033	QRD161J-124	C RESISTOR	120K 5% 1/4W	
R3034	QRD161J-154	C RESISTOR	150K 5% 1/4W	
R3035	QRD161J-223	C RESISTOR	22K 5% 1/4W	
R3036	QRD161J-513	C RESISTOR	51K 5% 1/4W	
R3051	QRD161J-101	C RESISTOR	100 5% 1/4W	
R3052	QRD161J-473	C RESISTOR	47K 5% 1/4W	
R3053	QRD161J-473	C RESISTOR	47K 5% 1/4W	
R3081	QRD161J-101	C RESISTOR	100 5% 1/4W	
R3082	QRD161J-124	C RESISTOR	120K 5% 1/4W	
R3083	QRD161J-154	C RESISTOR	150K 5% 1/4W	
R3084	QRD161J-124	C RESISTOR	120K 5% 1/4W	
R8001	QRD161J-102	C RESISTOR	1.0K 5% 1/4W	
R8002	QRD161J-102	C RESISTOR	1.0K 5% 1/4W	
R8003	QRD161J-122	C RESISTOR	1.2K 5% 1/4W	
R8015	QRD161J-152	C RESISTOR	1.5K 5% 1/4W	
R8016	QRD161J-222	C RESISTOR	2.2K 5% 1/4W	
R8017	QRD161J-392	C RESISTOR	3.9K 5% 1/4W	
R8018	QRD161J-562	C RESISTOR	5.6K 5% 1/4W	
R8019	QRD161J-103	C RESISTOR	10K 5% 1/4W	
R8101	QRD161J-271	C RESISTOR	270 5% 1/4W	
R9001	QRD161J-180	C RESISTOR	1.0 5% 1/4W	
R9002	QRD161J-180	C RESISTOR	1.0 5% 1/4W	
R9003	QRD161J-180	C RESISTOR	1.0 5% 1/4W	
R9004	QRD161J-471	C RESISTOR	470 5% 1/4W	
R9005	QRD161J-152	C RESISTOR	1.5K 5% 1/4W	
R9006	QRD161J-242	C RESISTOR	2.4K 5% 1/4W	
R9007	QRD161J-102	C RESISTOR	1.0K 5% 1/4W	
R9008	QRD161J-682	C RESISTOR	6.8K 5% 1/4W	
R9009	QRD161J-331	C RESISTOR	330 5% 1/4W	
R9010	QRD161J-331	C RESISTOR	330 5% 1/4W	
R9011	QRD161J-331	C RESISTOR	330 5% 1/4W	
R9012	QRD161J-472	C RESISTOR	4.7K 5% 1/4W	
R9013	QRD161J-471	C RESISTOR	470 5% 1/4W	
R9014	QRD161J-472	C RESISTOR	4.7K 5% 1/4W	
R9016	QRD161J-472	C RESISTOR	4.7K 5% 1/4W	

■ Main Board (UB/UF/US/UX/U)

BLOCK NO. 02

REF.	PARTS NO.	PARTS NAME	REMARKS	SUFFIX
C 901	QFLC1HJ-104ZM	M CAPACITOR	.10MF 5% 50V	
C 902	QFLC1HJ-104ZM	M CAPACITOR	.10MF 5% 50V	
C 903	QFLC1HJ-104ZM	M CAPACITOR	.10MF 5% 50V	
C 904	QFLC1HJ-104ZM	M CAPACITOR	.10MF 5% 50V	
CN301	VMC0314-S20	CONNECTOR		
CN302	QGB1214J1-06S	CONNECTOR		
CN303	VMC0163-010	CONNECTOR		
CN304	QGF1205C1-07	CONNECTOR		
CN531	VMC0041-003	CONNECTOR		U,UB,US,UX
CN801	VMC0289-S03	CONNECTOR		
CN802	VMC0163-S05	CONNECTOR		
CN901	VMC0040-002	CONNECTOR		
C1001	QCB1HK-101Y	C CAPACITOR	100PF 10% 50V	
C1002	QC31EM-104ZV	C CAPACITOR	.10MF 20% 25V	
C1003	QC31EM-104ZV	C CAPACITOR	.10MF 20% 25V	
C1004	QTE1C03-106Z	E CAPACITOR		
C1021	QFN41HJ-823	M CAPACITOR	.082MF 5% 50V	
C1022	QFN41HJ-823	M CAPACITOR	.082MF 5% 50V	
C1023	QTE1A03-226Z	E CAPACITOR		
C1026	QFV71HJ-334ZM	M CAPACITOR	.33MF 5% 50V	
C1051	QCS11HJ-100	C CAPACITOR	10PF 5% 50V	
C1053	QTE1C03-106Z	E CAPACITOR		
C1054	QFN31HJ-392Z	M CAPACITOR	3900PF 5% 50V	
C1055	QET41EM-475	E CAPACITOR	4.7MF 20% 25V	
C1056	QTE1C03-106Z	E CAPACITOR		
C1070	QET41EM-475	E CAPACITOR	4.7MF 20% 25V	
C1082	QFLB1HJ-563	TF CAPACITOR	.056MF 5% 50V	
C1083	QFLB1HJ-563	TF CAPACITOR	.056MF 5% 50V	
C1084	QFN41HJ-472	M CAPACITOR	4700PF 5% 50V	
C2001	QCB1HK-101Y	C CAPACITOR	100PF 10% 50V	
C2002	QC31EM-104ZV	C CAPACITOR	.10MF 20% 25V	
C2003	QC31EM-104ZV	C CAPACITOR	.10MF 20% 25V	
C2006	QTE1C03-106Z	E CAPACITOR		
C2021	QFN41HJ-823	M CAPACITOR	.082MF 5% 50V	
C2022	QFN41HJ-823	M CAPACITOR	.082MF 5% 50V	
C2025	QTE1A03-226Z	E CAPACITOR		
C2026	QFV71HJ-334ZM	M CAPACITOR	.33MF 5% 50V	
C2051	QCS11HJ-100	C CAPACITOR	10PF 5% 50V	
C2053	QTE1C03-106Z	E CAPACITOR		
C2054	QFN31HJ-392Z	M CAPACITOR	3900PF 5% 50V	
C2055	QET41EM-475	E CAPACITOR	4.7MF 20% 25V	
C2056	QTE1C03-106Z	E CAPACITOR		
C2070	QET41EM-475	E CAPACITOR	4.7MF 20% 25V	
C2082	QFLB1HJ-563	TF CAPACITOR	.056MF 5% 50V	
C2083	QFLB1HJ-563	TF CAPACITOR	.056MF 5% 50V	
C2084	QFN41HJ-563	M CAPACITOR	4700PF 5% 50V	
C3001	QETM1EM-688	E CAPACITOR	6800MF 20% 25V	
C3002	QFLC1HJ-104ZM	M CAPACITOR	.10MF 5% 50V	
C3003	QTE1C1M-107	E CAPACITOR	100MF 20% 16V	
C3004	QETC1AM-337ZM	E CAPACITOR	330MF 20% 10V	
C3005	QETC1AM-337ZM	E CAPACITOR	330MF 20% 10V	
C3006	QETC1HM-225Z	E CAPACITOR	2.2MF 20% 50V	
C3010	QCB1HK-684ZM	E CAPACITOR	.68MF 20% 50V	
C3011	QCVB1CN-103Y	C CAPACITOR	.010MF 30% 16V	
C3021	QET41CM-476	E CAPACITOR	4.7MF 20% 16V	

BLOCK NO. 02

REF.	PARTS NO.	PARTS NAME	REMARKS	SUFFIX
C3022	QET41AM-476	E CAPACITOR	4.7MF 20% 10V	
C3031	QET41HM-105	E CAPACITOR	1.0MF 20% 50V	
C3032	QET41HM-105	E CAPACITOR	1.0MF 20% 50V	
C3033	QFLB1HJ-563	TF CAPACITOR	.056MF 5% 50V	
C3034	QFLB1HJ-563	TF CAPACITOR	.056MF 5% 50V	
C3035	QET41HM-105	E CAPACITOR	1.0MF 20% 50V	
C3036	QET41CM-106	E CAPACITOR	10MF 20% 16V	
C3037	QET41CM-106	E CAPACITOR	10MF 20% 16V	
C3041	QET41EM-106	E CAPACITOR	10MF 20% 25V	
C3051	QET41CM-476	E CAPACITOR	4.7MF 20% 16V	
C3052	QET41CM-476	E CAPACITOR	4.7MF 20% 16V	
C3070	QER41HM-105	E CAPACITOR	1.0MF 20% 50V	
C3081	QET41CM-227	E CAPACITOR	22MF 20% 16V	
C3083	QET41HM-474	E CAPACITOR	.47MF 20% 50V	
C3084	QET41HM-474	E CAPACITOR	.47MF 20% 50V	
C3085	QET41HM-474	E CAPACITOR	.47MF 20% 50V	
C3086	QET41EM-106	E CAPACITOR	10MF 20% 25V	
C3087	QETC1HM-224Z	E CAPACITOR	.22MF 20% 50V	
C5301	QEK41CM-226	E CAPACITOR	22MF 20% 16V	U,UB,US,UX
C5302	QEK41CM-226	E CAPACITOR	22MF 20% 16V	U,UB,US,UX
C5303	QCS31HJ-390Z	C CAPACITOR	39PF 5% 50V	U,UB,US,UX
C5304	QEK41HM-105	E CAPACITOR	1.0MF 20% 50V	U,UB,US,UX
C5305	QFV41HJ-823	TF CAPACITOR	.082MF 5% 50V	U,UB,US,UX
C5306	QEK41CM-106	E CAPACITOR	10MF 20% 16V	U,UB,US,UX
C5307	QEK41HM-106	E CAPACITOR	.10MF 20% 50V	U,UB,US,UX
C8011	QCVB1CN-103Y	C CAPACITOR	.010MF 30% 16V	U,UB,US,UX
C8012	QCVB1CN-103Y	C CAPACITOR	.010MF 30% 16V	U,UB,US,UX
C9001	QET41CM-226	E CAPACITOR	22MF 20% 16V	U,UB,US,UX
C9003	QCVB1CN-103Y	C CAPACITOR	.010MF 30% 16V	U,UB,US,UX
C9004	QCB1HK-221Y	C CAPACITOR	220PF 10% 50V	U,UB,US,UX
C9201	QET41CM-476	E CAPACITOR	4.7MF 20% 16V	U,UB,US,UX
C9202	QCVB1CN-103Y	C CAPACITOR	.010MF 30% 16V	U,UB,US,UX
C9203	QET41CM-106	E CAPACITOR	10MF 20% 16V	U,UB,US,UX
C9301	QET41AM-107	E CAPACITOR	100MF 20% 10V	U,UB,US,UX
C9302	QET41HM-475	E CAPACITOR	4.7MF 20% 50V	U,UB,US,UX
C9501	QET41AM-477	E CAPACITOR	4.70MF 20% 10V	U,UB,US,UX
A D 901	6A10E2	SI DIODE		
A D 902	6A10E2	SI DIODE		
A D 903	6A10E2	SI DIODE		
A D 904	6A10E2	SI DIODE		
A D 905	6A10E2	SI DIODE		
D3021	MT74_3JB	ZENER DIODE		
D3031	1SS133	SI DIODE		
D3032	1SS133	SI DIODE		
D3033	1SS133	SI DIODE		
D3034	1SS133	SI DIODE		
D3070	MTZ6.8JB	DIODE		
D5301	1SS133	SI DIODE		
D5302	1SS133	SI DIODE		
D8101	L-341D-T12	LED	STANDBY LED RED	
D9001	1SS133	SI DIODE		
D9002	MTZ8.2JC	ZENER DIODE		
D9003	MTZ10JAT-77	ZENER DIODE		
D9102	1SR35-100	SI DIODE		

BLOCK NO. 02

REF.	PARTS NO.	PARTS NAME	REMARKS	SUFFIX
D9201	MT74-3JB	ZENER DIODE		
D9301	MT73-9JB	Z DIODE		
D9302	1SS133	SI DIODE		
D9303	1SS133	SI DIODE		
D9501	1SS133	SI DIODE		
IC 31	LA4705NA	IC		
IC 32	BA15218M	IC		
IC 35	BA15218M	IC		
IC 38	BH3852S	IC		
IC531	VC4580L	IC	U,UB,US,UX	
J 901	QNC0001-001	AC SOCKET 8TYPE		
J 902	QNA431B-V01	FILM CAPACITOR		
JS801	QSW0547-001	ROTARY ENCODER		
J3001	QNN0090-001	PIN JACK	KUNMING HSP-242	
J3002	QNB0035-001	SPK TERMINAL	KUNMIG HSP-324V	
J3003	QNS0072-001	HEADPHONE JACK		
J5301	VNJ4040-001	JACK		
K9401	VGZ0107-002	INDUCTOR		
L3070	VGZ0048-007	INDUCTOR		
G1010	2SD2144S(VW)	TRANSISTOR		
G1031	KTC3199(GL)-T	TRANSISTOR		
G1041	2SC2001(L,K)	TRANSISTOR		
G1070	KTC3199(GL)-T	TRANSISTOR		
G2010	2SD2144S(VW)	TRANSISTOR		
G2031	KTC3199(GL)-T	TRANSISTOR		
G2041	2SC2001(L,K)	TRANSISTOR		
G2070	KTC3199(GL)-T	TRANSISTOR		
G3010	KTC3199(GL)-T	TRANSISTOR		
G3041	KPA101M-T	TRANSISTOR		
G3070	KPA101M-T	TRANSISTOR		
G5301	KTC3199(GL)-T	TRANSISTOR		
G5302	KTC3199(GL)-T	TRANSISTOR		
G9001	2SB1565(E,F)	TRANSISTOR		
G9002	KTC3199(GL)-T	TRANSISTOR		
G9003	KTA1267(YG)-T	TRANSISTOR		
G9004	DTC144TS	TRANSISTOR		
G9005	UN4110	TRANSISTOR		
G9006	KTC3199(GL)-T	TRANSISTOR		
G9007	KTC3199(GL)-T	TRANSISTOR		
G9201	2SA1359(OV)	TRANSISTOR		
G9202	KTC3199(GL)-T	TRANSISTOR		
G9301	KTA1267(YG)-T	TRANSISTOR		
G9302	KTC3199(GL)-T	TRANSISTOR		
G9501	2SC2001(L,K)	TRANSISTOR		
R1001	QRD161J-2R2	C RESISTOR	2.2 5% 1/4W	
R1002	QRD161J-2R2	C RESISTOR	2.2 5% 1/4W	
R1003	QRD161J-151	C RESISTOR	150 5% 1/4W	
R1004	QRD161J-471	C RESISTOR	470 5% 1/4W	
R1011	QRD161J-224	C RESISTOR	220K 5% 1/4W	
R1012	QRD161J-623	C RESISTOR	62K 5% 1/4W	
R1013	QRD161J-153	C RESISTOR	15K 5% 1/4W	
R1014	QRD161J-272	C RESISTOR	2.7K 5% 1/4W	
R1015	QRD161J-153	C RESISTOR	15K 5% 1/4W	
R1022	QRD161J-224	C RESISTOR	220K 5% 1/4W	
R1023	QRD161J-182	C RESISTOR	1.8K 5% 1/4W	

BLOCK NO. 02

REF.	PARTS NO.	PARTS NAME	REMARKS	SUFFIX
R1024	QRD161J-202	C RESISTOR	2.0K 5% 1/4W	
R1026	QRD161J-153	C RESISTOR	15K 5% 1/4W	
R1027	QRD161J-103	C RESISTOR	10K 5% 1/4W	
R1028	QRD161J-472	C RESISTOR	4.7K 5% 1/4W	
R1029	QRD161J-472	C RESISTOR	4.7K 5% 1/4W	
R1031	QRD161J-823	C RESISTOR	22K 5% 1/4W	
R1032	QRD161J-223	C RESISTOR	22K 5% 1/4W	
R1033	QRD161J-103	C RESISTOR	10K 5% 1/4W	
R1041	QRD161J-472	C RESISTOR	4.7K 5% 1/4W	
R1051	QRD161J-154	C RESISTOR	150K 5% 1/4W	
R1052	QRD161J-102	C RESISTOR	1.0K 5% 1/4W	
R1054	QRD161J-472	C RESISTOR	4.7K 5% 1/4W	
R1055	QRD161J-332	C RESISTOR	3.3K 5% 1/4W	
R1056	QRD161J-103	C RESISTOR	10K 5% 1/4W	
R1057	QRD161J-124	C RESISTOR	120K 5% 1/4W	
R1058	QRD161J-823	C RESISTOR	82K 5% 1/4W	
R1070	QRE141J-183Y	C RESISTOR	18K 5% 1/4W	
R1071	QRD161J-153	C RESISTOR	15K 5% 1/4W	
R1072	QRD161J-272	C RESISTOR	2.7K 5% 1/4W	
R1073	QRD161J-102	C RESISTOR	1.0K 5% 1/4W	
R1074	QRD161J-152	C RESISTOR	1.5K 5% 1/4W	
R1083	QRD161J-302	C RESISTOR	3.0K 5% 1/4W	
R1083	QRD161J-182	C RESISTOR	1.8K 5% 1/4W	
R1091	QRD161J-333	C RESISTOR	33K 5% 1/4W	
R1093	QRD161J-103	C RESISTOR	10K 5% 1/4W	
R2001	QRD161J-2R2	C RESISTOR	2.2 5% 1/4W	
R2002	QRD161J-2R2	C RESISTOR	2.2 5% 1/4W	
R2003	QRD161J-151	C RESISTOR	150 5% 1/4W	
R2004	QRD161J-471	C RESISTOR	470 5% 1/4W	
R2011	QRD161J-224	C RESISTOR	220K 5% 1/4W	
R2012	QRD161J-623	C RESISTOR	62K 5% 1/4W	
R2013	QRD161J-153	C RESISTOR	15K 5% 1/4W	
R2014	QRD161J-272	C RESISTOR	2.7K 5% 1/4W	
R2015	QRD161J-153	C RESISTOR	15K 5% 1/4W	
R2022	QRD161J-224	C RESISTOR	220K 5% 1/4W	
R2023	QRD161J-182	C RESISTOR	1.8K 5% 1/4W	
R2024	QRD161J-202	C RESISTOR	2.0K 5% 1/4W	
R2026	QRD161J-153	C RESISTOR	15K 5% 1/4W	
R2027	QRD161J-103	C RESISTOR	10K 5% 1/4W	
R2028	QRD161J-472	C RESISTOR	4.7K 5% 1/4W	
R2029	QRD161J-472	C RESISTOR	4.7K 5% 1/4W	
R2031	QRD161J-223	C RESISTOR	22K 5% 1/4W	
R2032	QRD161J-223	C RESISTOR	22K 5% 1/4W	
R2033	QRD161J-103	C RESISTOR	10K 5% 1/4W	
R2041	QRD161J-472	C RESISTOR	4.7K 5% 1/4W	
R2051	QRD161J-154	C RESISTOR	150K 5% 1/4W	
R2052	QRD161J-102	C RESISTOR	1.0K 5% 1/4W	
R2054	QRD161J-472	C RESISTOR	4.7K 5% 1/4W	
R2055	QRD161J-332	C RESISTOR	3.3K 5% 1/4W	
R2056	QRD161J-103	C RESISTOR	10K 5% 1/4W	
R2057	QRD161J-124	C RESISTOR	120K 5% 1/4W	
R2058	QRD161J-823	C RESISTOR	82K 5% 1/4W	
R2070	QRE141J-183Y	C RESISTOR	18K 5% 1/4W	
R2071	QRD161J-153	C RESISTOR	15K 5% 1/4W	
R2072	QRD161J-272	C RESISTOR	2.7K 5% 1/4W	

BLOCK NO. 02

REF.	PARTS NO.	PARTS NAME	REMARKS	SUFFIX
R2004	GRD161J-471	C RESISTOR	470 5% 1/4W	
R2005	GRD161J-152	C RESISTOR	1.5K 5% 1/4W	
R2006	GRD161J-242	C RESISTOR	2.4K 5% 1/4W	
R2007	GRD161J-102	C RESISTOR	1.0K 5% 1/4W	
R2008	GRD167J-682	C RESISTOR	6.8K 5% 1/4W	
R2012	GRD161J-472	C RESISTOR	4.7K 5% 1/4W	
R2013	GRD161J-471	C RESISTOR	470 5% 1/4W	
R2014	GRD161J-472	C RESISTOR	4.7K 5% 1/4W	
R2016	GRD161J-472	C RESISTOR	4.7K 5% 1/4W	
R2017	GRD161J-472	C RESISTOR	4.7K 5% 1/4W	
R2018	GRD161J-103	C RESISTOR	10K 5% 1/4W	
R2019	GRD161J-391	C RESISTOR	390 5% 1/4W	
R2021	GRZ0077-680	F RESISTOR	68 1/0W	
R2021	GRD161J-103	C RESISTOR	10K 5% 1/4W	
R2022	GRD161J-103	C RESISTOR	10K 5% 1/4W	
R2023	GRD161J-221	C RESISTOR	220 5% 1/4W	
R2023	GRD161J-472	C RESISTOR	4.7K 5% 1/4W	
R2023	GRD161J-333	C RESISTOR	33K 5% 1/4W	
R2023	GRD161J-102	C RESISTOR	1.0K 5% 1/4W	
R2024	GRD161J-390	C RESISTOR	39 5% 1/4W	
R2401	QRZ0077-4R7X	F RESISTOR	4.7 1/0W	
R9501	GRD161J-221	C RESISTOR	220 5% 1/4W	
S 901	VMZ0126-002	VOLTAGE SELECTOR		
S8001	GSQ4H11-V12Z	TACT SWITCH	POWER	U,UB,US,UX
S8002	GSQ4H11-V12Z	TACT SWITCH	AUX	U,UB,US,UX
S8003	GSQ4H11-V12Z	TACT SWITCH	VOLUME+	U,UB,US,UX
S8004	GSQ4H11-V12Z	TACT SWITCH	VOLUME-	U,UB,US,UX
S8011	GSQ4H11-V12Z	TACT SWITCH	TUNER	U,UB,US,UX
S8012	GSQ4H11-V12Z	TACT SWITCH	UP	U,UB,US,UX
S8013	GSQ4H11-V12Z	TACT SWITCH	STOP	U,UB,US,UX
S8014	GSQ4H11-V12Z	TACT SWITCH	TAPE	U,UB,US,UX
S8015	GSQ4H11-V12Z	TACT SWITCH	CD	U,UB,US,UX
S8016	GSQ4H11-V12Z	TACT SWITCH	DOWN	U,UB,US,UX
S8017	GSQ4H11-V12Z	TACT SWITCH	CLOCK	U,UB,US,UX
S8018	GSQ4H11-V12Z	TACT SWITCH	REC	U,UB,US,UX
S8019	GSQ4H11-V12Z	TACT SWITCH	SBASS	U,UB,US,UX
S8020	GSQ4H11-V12Z	TACT SWITCH	SNOOZE	U,UB,US,UX
S8061	GSW0122-001	PUSH SWITCH	CD DOOR	U,UB,US,UX
VR531	GVA46B-V03M	V RESISTOR		
Z 901	EMG7331-003Z	FUSE CLIP		
Z 902	EMG7331-003Z	FUSE CLIP		
Z 903	EMG7331-003Z	FUSE CLIP		
Z 911	EMG7331-003Z	FUSE CLIP		
Z 912	EMG7331-003Z	FUSE CLIP		
Z 913	EMG7331-003Z	FUSE CLIP		

BLOCK NO. 02

REF.	PARTS NO.	PARTS NAME	REMARKS	SUFFIX
R2073	GRD161J-102	C RESISTOR	1.0K 5% 1/4W	
R2074	GRD161J-152	C RESISTOR	1.5K 5% 1/4W	
R2082	GRD161J-302	C RESISTOR	3.0K 5% 1/4W	
R2083	GRD161J-182	C RESISTOR	1.8K 5% 1/4W	
R2091	GRD161J-333	C RESISTOR	33K 5% 1/4W	
R2091	GRD161J-103	C RESISTOR	10K 5% 1/4W	
R3001	GRD161J-103	C RESISTOR	10K 5% 1/4W	
R3002	GRD161J-103	C RESISTOR	10K 5% 1/4W	
R3021	GRD161J-101	C RESISTOR	100 5% 1/4W	
R3022	GRD161J-152	C RESISTOR	1.5K 5% 1/4W	
R3031	GRD161J-472	C RESISTOR	4.7K 5% 1/4W	
R3032	GRD161J-472	C RESISTOR	4.7K 5% 1/4W	
R3033	GRD161J-124	C RESISTOR	120K 5% 1/4W	
R3034	GRD161J-154	C RESISTOR	150K 5% 1/4W	
R3035	GRD161J-223	C RESISTOR	22K 5% 1/4W	
R3036	GRD161J-513	C RESISTOR	51K 5% 1/4W	
R3051	GRD161J-101	C RESISTOR	100 5% 1/4W	
R3052	GRD161J-473	C RESISTOR	47K 5% 1/4W	
R3053	GRD161J-473	C RESISTOR	47K 5% 1/4W	
R3081	GRD161J-101	C RESISTOR	100 5% 1/4W	
R3082	GRD161J-124	C RESISTOR	120K 5% 1/4W	
R3083	GRD161J-154	C RESISTOR	150K 5% 1/4W	
R3084	GRD161J-124	C RESISTOR	120K 5% 1/4W	
R5301	GRD161J-221	C RESISTOR	220 5% 1/4W	
R5302	GRD161J-154	C RESISTOR	150K 5% 1/4W	
R5303	GRD161J-154	C RESISTOR	150K 5% 1/4W	
R5304	GRD161J-103	C RESISTOR	10K 5% 1/4W	
R5305	GRD161J-392	C RESISTOR	3.9K 5% 1/4W	
R5306	GRD161J-564	C RESISTOR	560K 5% 1/4W	
R5307	GRD161J-104	C RESISTOR	100K 5% 1/4W	
R5308	GRD161J-102	C RESISTOR	1.0K 5% 1/4W	
R5309	GRD161J-103	C RESISTOR	10K 5% 1/4W	
R5310	GRD161J-103	C RESISTOR	10K 5% 1/4W	
R5311	GRD161J-474	C RESISTOR	470K 5% 1/4W	
R5312	GRD161J-471	C RESISTOR	470 5% 1/4W	
R5313	GRD161J-102	C RESISTOR	1.0K 5% 1/4W	
R5314	GRD161J-273	C RESISTOR	27K 5% 1/4W	
R5315	GRD161J-103	C RESISTOR	10K 5% 1/4W	
R8001	GRD161J-102	C RESISTOR	1.0K 5% 1/4W	
R8002	GRD161J-102	C RESISTOR	1.0K 5% 1/4W	
R8003	GRD161J-122	C RESISTOR	1.2K 5% 1/4W	
R8005	GRD161J-473	C RESISTOR	47K 5% 1/4W	
R8011	GRD161J-102	C RESISTOR	1.0K 5% 1/4W	
R8012	GRD161J-102	C RESISTOR	1.0K 5% 1/4W	
R8013	GRD161J-122	C RESISTOR	1.2K 5% 1/4W	
R8014	GRD161J-152	C RESISTOR	1.5K 5% 1/4W	
R8015	GRD161J-222	C RESISTOR	2.2K 5% 1/4W	
R8016	GRD161J-272	C RESISTOR	2.7K 5% 1/4W	
R8017	GRD161J-392	C RESISTOR	3.9K 5% 1/4W	
R8018	GRD167J-562	C RESISTOR	5.6K 5% 1/4W	
R8019	GRD161J-103	C RESISTOR	10K 5% 1/4W	
R8101	GRD161J-271	C RESISTOR	270 5% 1/4W	
R9001	GRD161J-1R0	C RESISTOR	1.0 5% 1/4W	
R9002	GRD161J-1R0	C RESISTOR	1.0 5% 1/4W	
R9003	GRD161J-1R0	C RESISTOR	1.0 5% 1/4W	

■ LCD System CPU Board (B/E/EE/EN)

BLOCK NO. 03		BLOCK NO. 03		
REF.	PARTS NO.	PARTS NAME	REMARKS	SUFFIX
A701	QL0044-001	P-LAMP		
B702	GL0044-001	P-LAMP		
CN701	VMC0163-R10	CONNECTOR	TO TUNER PWB	
CN711	QGB1214K1-20S	CONNECTOR	TO AMP PWB CONT	
CN712	QGB1214K1-06S	CONNECTOR	TO AMP PWB SIG.	
CN731	VMC0163-009	CONNECTOR	TO MECHA PWB	
CN766	VMC0163-R11	CONNECTOR	TO CD PWB	
CN781	VMC0289-003	CONNECTOR	TO FRONT SW PWB	
CN782	VMC0163-005	CONNECTOR	TO TOP SW PWB	
C7001	NCS21HJ-180AY	C CAPACITOR	18PF 5% 50V	
C7002	NCS21HJ-180AY	C CAPACITOR	18PF 5% 50V	
C7003	NCB21HK-102AY	C CAPACITOR	1000PF 10% 50V	
C7004	NCS21HJ-360AY	C CAPACITOR	36PF 5% 50V	
C7005	NCS21HJ-390AY	C CAPACITOR	39PF 5% 50V	
C7006	NCS21HJ-200AY	C CAPACITOR	20PF 5% 50V	
C7007	NCS21HJ-220AY	C CAPACITOR	22PF 5% 50V	
C7008	NCB21HK-102AY	C CAPACITOR	1000PF 10% 50V	
C7009	NCB21HK-102AY	C CAPACITOR	1000PF 10% 50V	
C7011	QER41AM-107	E CAPACITOR	100MF 20% 10V	
C7012	NCB21HK-103AY	C CAPACITOR	100MF 10% 50V	
C7013	QFLC1HJ-104ZM	M CAPACITOR	10MF 5% 50V	
C7014	QER41CM-106	E CAPACITOR	10MF 20% 16V	
C7021	QER41CM-476	E CAPACITOR	47MF 20% 16V	
C7022	NCB21HK-102AY	C CAPACITOR	1000PF 10% 50V	
C7031	QETB0JM-228N	E CAPACITOR	2200MF 20% 6.3V	
C7051	QER61HM-684ZM	E CAPACITOR	.68MF 20% 50V	
C7052	QER41HM-225	E CAPACITOR	2.2MF 20% 50V	
C7081	NCB21CK-104X	C CAPACITOR	10MF 10% 16V	
C7601	NCS21HJ-151X	C CAPACITOR	150PF 5% 50V	
C7602	NCS21HJ-151X	C CAPACITOR	150PF 5% 50V	
C7619	NCS21HJ-271AY	C CAPACITOR	270PF 5% 50V	
C7621	NCS21HJ-271AY	C CAPACITOR	270PF 5% 50V	
C7622	NCS21HJ-271AY	C CAPACITOR	270PF 5% 50V	
C7633	NCB21HK-102AY	C CAPACITOR	1000PF 10% 50V	
C7641	NCS21HJ-151X	C CAPACITOR	150PF 5% 50V	
C7644	QER41HM-105	E CAPACITOR	1.0MF 20% 50V	
C7646	QER41HM-105	E CAPACITOR	1.0MF 20% 50V	
C7701	NCS21HJ-151X	C CAPACITOR	150PF 5% 50V	
C7702	NCS21HJ-151X	C CAPACITOR	150PF 5% 50V	
C7723	NCS21HJ-331AY	C CAPACITOR	330PF 5% 50V	
C7724	NCB21HK-102AY	C CAPACITOR	1000PF 10% 50V	
C7734	NCB21HK-102AY	C CAPACITOR	1000PF 10% 50V	
C7744	QER41HM-225	E CAPACITOR	2.2MF 20% 50V	
C7745	QER61HM-335ZM	E CAPACITOR	3.3MF 20% 50V	
C7746	QER41HM-225	E CAPACITOR	2.2MF 20% 50V	
C7802	NCB21HK-103AY	C CAPACITOR	MICOM NOISE	
C7803	NCB21HK-102AY	C CAPACITOR	1000PF 10% 50V	
C7810	NCB21HK-103AY	C CAPACITOR	.010MF 10% 50V	
D1701	QLD0042-001	LCD	44PIN	
A7001	1N4148M-T2	SI DIODE	US5V	
A7011	MTZ5.2JB	DIODE	SHORT HOGO	
A7012	1N4148M-T2	SI DIODE	SHORT HOGO	
D7031	1N4148M-T2	SI DIODE	BUCKUP	

BLOCK NO. 03		BLOCK NO. 03		
REF.	PARTS NO.	PARTS NAME	REMARKS	SUFFIX
A7032	1N4148M-T2	SI DIODE	CLOCK	
D7051	1N4148M-T2	SI DIODE	RESET	
D7061	MTZ5.1JC	ZENER DIODE	BUCKUP CONT.	
D7091	1N4148M-T2	SI DIODE	US5V	
IC701	UPD78064GF-108	IC	SYSTEM MICON	
IC702	PIC-21043SP	REMOKON SENSOR		
A7003	KIA78S06P-T	IC	US6V REG	
K7001	VQZ0107-002	INDUCTOR	ICVSS	
K7002	VQZ0107-002	INDUCTOR	AVSS	
K7003	VQZ0107-002	INDUCTOR		
K7004	VQZ0107-002	INDUCTOR		
L7002	VQP0033-100Z	INDUCTOR	US5V	
L7003	VQP0033-100Z	INDUCTOR	AVDD	
L7005	VQP0018-4R7	INDUCTOR	AVREF	
L7701	VQP0018-4R7	INDUCTOR		
L7702	VQP0018-4R7	INDUCTOR		
Q7001	2SC2668(O)	TRANSISTOR	CLOCK SHIFT	
Q7002	2SC2668(O)	TRANSISTOR	CLOCK SHIFT	
Q7031	2SA1037AKT146	CHIP TRANSISTOR	SWSV	
Q7051	DTC114TKT146	TRANSISTOR	RESET SW	
Q7061	2SC242K/R7-X	TRANSISTOR	BACKUP CONT	
Q7091	2SC242K/R7-X	TRANSISTOR	POUT DRIVER	
Q7092	2SA1037AKT146	CHIP TRANSISTOR	STANDBY LED CON	
Q7601	DTC144TKA-X	TRANSISTOR		
Q7602	DTC144TKA-X	TRANSISTOR		
Q7603	2SC242K/R7-X	TRANSISTOR		
R7005	NRSA02J-822NY	MG RESISTOR	8.2K 5% 1/10W	
R7006	NRSA02J-822NY	MG RESISTOR	8.2K 5% 1/10W	
R7031	NRSA02J-331NY	MG RESISTOR	330 5% 1/10W	
R7032	NRSA02J-103NY	MG RESISTOR	10K 5% 1/10W	
R7033	NRSA02J-102NY	MG RESISTOR	10K 5% 1/10W	
R7051	NRSA02J-103NY	MG RESISTOR	10K 5% 1/10W	
R7052	NRSA02J-103NY	MG RESISTOR	10K 5% 1/10W	
R7061	NRSA02J-333NY	MG RESISTOR	33K 5% 1/10W	
R7062	NRSA02J-473NY	MG RESISTOR	47K 5% 1/10W	
R7063	NRSA02J-104NY	MG RESISTOR	100K 5% 1/10W	
R7081	NRSA02J-104NY	MG RESISTOR	100K 5% 1/10W	
R7082	NRSA02J-104NY	MG RESISTOR	100K 5% 1/10W	
R7083	NRSA02J-104NY	MG RESISTOR	100K 5% 1/10W	
R7084	NRSA02J-273NY	MG RESISTOR	27K 5% 1/10W	
R7084	NRSA02J-273NY	MG RESISTOR	27K 5% 1/10W	
R7093	NRSA02J-153NY	MG RESISTOR	15K 5% 1/10W	
R7095	NRSA02J-333NY	MG RESISTOR	33K 5% 1/10W	
R7096	NRSA02J-102NY	MG RESISTOR	10K 5% 1/10W	
R7429	NRSA02J-913NY	MG RESISTOR	91K 5% 1/10W	
R7528	NRSA02J-223NY	MG RESISTOR	22K 5% 1/10W	
R7529	NRSA02J-473NY	MG RESISTOR	47K 5% 1/10W	
R7530	NRSA02J-103NY	MG RESISTOR	10K 5% 1/10W	
R7544	NRSA02J-114NYM	MG RESISTOR	110K 5% 1/10W	
R7545	NRSA02J-114NYM	MG RESISTOR	110K 5% 1/10W	
R7602	NRSA02J-102NY	MG RESISTOR	10K 5% 1/10W	
R7614	NRSA02J-103NY	MG RESISTOR	10K 5% 1/10W	
R7615	NRSA02J-103NY	MG RESISTOR	10K 5% 1/10W	
R7619	NRSA02J-122NY	MG RESISTOR	1.2K 5% 1/10W	
R7620	NRSA02J-102NY	MG RESISTOR	1.0K 5% 1/10W	

BLOCK NO. 03

A REF.	PARTS NO.	PARTS NAME	REMARKS	SUFFIX
R7746	NRSA02J-333NY	MG RESISTOR	33K 5% 1/10W	
R7747	NRSA02J-222NY	MG RESISTOR	2.2K 5% 1/10W	
R7748	NRSA02J-153NY	MG RESISTOR	15K 5% 1/10W	
R7749	NRSA02J-123NY	MG RESISTOR	12K 5% 1/10W	
R7750	NRSA02J-222NY	MG RESISTOR	2.2K 5% 1/10W	
R7799	NRSA02J-102NY	MG RESISTOR	1.0K 5% 1/10W	
WR 1	WMS302-103K3K	FLAT WIRE	CLOCK	
X7001	GAX0401-001	CRYSTAL	MAIN CLOCK	
X7002	GAX0410-001Z	CERA LOCK		

BLOCK NO. 03

A REF.	PARTS NO.	PARTS NAME	REMARKS	SUFFIX
R7621	NRSA02J-123NY	MG RESISTOR	1.2K 5% 1/10W	
R7622	NRSA02J-102NY	MG RESISTOR	1.0K 5% 1/10W	
R7625	NRSA02J-823NY	MG RESISTOR	82K 5% 1/10W	
R7628	NRSA02J-823NY	MG RESISTOR	82K 5% 1/10W	
R7629	NRSA02J-103NY	MG RESISTOR	10K 5% 1/10W	
R7630	NRSA02J-563NY	MG RESISTOR	56K 5% 1/10W	
R7631	NRSA02J-104NY	MG RESISTOR	100K 5% 1/10W	
R7632	NRSA02J-103NY	MG RESISTOR	10K 5% 1/10W	
R7633	NRSA02J-103NY	MG RESISTOR	10K 5% 1/10W	
R7634	NRSA02J-103NY	MG RESISTOR	10K 5% 1/10W	
R7635	NRSA02J-104NY	MG RESISTOR	100K 5% 1/10W	
R7639	NRSA02J-222NY	MG RESISTOR	2.2K 5% 1/10W	
R7641	NRSA02J-102NY	MG RESISTOR	1.0K 5% 1/10W	
R7642	NRSA02J-102NY	MG RESISTOR	1.0K 5% 1/10W	
R7643	NRSA02J-103NY	MG RESISTOR	10K 5% 1/10W	
R7644	NRSA02J-683NY	MG RESISTOR	68K 5% 1/10W	
R7645	NRSA02J-683NY	MG RESISTOR	68K 5% 1/10W	
R7647	NRSA02J-104NY	MG RESISTOR	100K 5% 1/10W	
R7648	NRSA02J-394NY	MG RESISTOR	390K 5% 1/10W	
R7649	NRSA02J-823NY	MG RESISTOR	82K 5% 1/10W	
R7701	NRSA02J-103NY	MG RESISTOR	10K 5% 1/10W	
R7702	NRSA02J-103NY	MG RESISTOR	10K 5% 1/10W	
R7703	NRSA02J-102NY	MG RESISTOR	1.0K 5% 1/10W	
R7704	NRSA02J-103NY	MG RESISTOR	10K 5% 1/10W	
R7705	NRSA02J-102NY	MG RESISTOR	1.0K 5% 1/10W	
R7711	NRSA02J-222NY	MG RESISTOR	2.2K 5% 1/10W	
R7712	NRSA02J-102NY	MG RESISTOR	1.0K 5% 1/10W	
R7713	NRSA02J-222NY	MG RESISTOR	2.2K 5% 1/10W	
R7715	NRSA02J-222NY	MG RESISTOR	2.2K 5% 1/10W	
R7716	NRSA02J-472NY	MG RESISTOR	4.7K 5% 1/10W	
R7717	NRSA02J-472NY	MG RESISTOR	4.7K 5% 1/10W	
R7718	NRSA02J-222NY	MG RESISTOR	2.2K 5% 1/10W	
R7719	NRSA02J-102NY	MG RESISTOR	1.0K 5% 1/10W	
R7720	NRSA02J-102NY	MG RESISTOR	1.0K 5% 1/10W	
R7721	NRSA02J-102NY	MG RESISTOR	1.0K 5% 1/10W	
R7722	NRSA02J-102NY	MG RESISTOR	1.0K 5% 1/10W	
R7723	NRSA02J-222NY	MG RESISTOR	2.2K 5% 1/10W	
R7724	NRSA02J-222NY	MG RESISTOR	2.2K 5% 1/10W	
R7725	NRSA02J-222NY	MG RESISTOR	2.2K 5% 1/10W	
R7726	NRSA02J-222NY	MG RESISTOR	2.2K 5% 1/10W	
R7728	NRSA02J-222NY	MG RESISTOR	2.2K 5% 1/10W	
R7729	NRSA02J-222NY	MG RESISTOR	2.2K 5% 1/10W	
R7730	NRSA02J-222NY	MG RESISTOR	2.2K 5% 1/10W	
R7731	NRSA02J-222NY	MG RESISTOR	2.2K 5% 1/10W	
R7732	NRSA02J-222NY	MG RESISTOR	2.2K 5% 1/10W	
R7733	NRSA02J-222NY	MG RESISTOR	2.2K 5% 1/10W	
R7734	NRSA02J-222NY	MG RESISTOR	2.2K 5% 1/10W	
R7735	NRSA02J-222NY	MG RESISTOR	2.2K 5% 1/10W	
R7738	NRSA02J-222NY	MG RESISTOR	2.2K 5% 1/10W	
R7739	NRSA02J-222NY	MG RESISTOR	2.2K 5% 1/10W	
R7741	NRSA02J-222NY	MG RESISTOR	2.2K 5% 1/10W	
R7742	NRSA02J-222NY	MG RESISTOR	2.2K 5% 1/10W	
R7743	NRSA02J-222NY	MG RESISTOR	2.2K 5% 1/10W	
R7744	NRSA02J-563NY	MG RESISTOR	56K 5% 1/10W	
R7745	NRSA02J-473NY	MG RESISTOR	4.7K 5% 1/10W	

LCD System CPU Board (UB/UF/US/UX/U)

REF.	PARTS NO.	PARTS NAME	REMARKS	SUFFIX
BL701	QLL0044-001	P.LAMP		
BL702	QLL0044-001	CONNECTOR	TO TUNER PWB	
CN701	VMC0163-R10	CONNECTOR	TO AMP PWB CONT	
CN711	QGB1214K1-20S	CONNECTOR	TO AMP PWB SIG.	
CN712	QGB1214K1-06S	CONNECTOR	TO NECHA PWB	
CN731	VMC0163-00P	CONNECTOR	TO CD PWB	
CN766	VMC0163-R11	CONNECTOR	TO FRONT SW PWB	
CN781	VMC0289-P03	CONNECTOR	TO TOP SW PWB	
CN782	VMC0163-00S	CONNECTOR	18PF 5% 50V	
C7001	NCS21HJ-180AY	C CAPACITOR	18PF 5% 50V	
C7002	NCS21HJ-180AY	C CAPACITOR	18PF 5% 50V	
C7003	NCB21HK-103AY	C CAPACITOR	-010MF 10% 50V	
C7004	NCS21HJ-360AY	C CAPACITOR	36PF 5% 50V	
C7005	NCS21HJ-390AY	C CAPACITOR	39PF 5% 50V	
C7006	NCS21HJ-200AY	C CAPACITOR	20PF 5% 50V	
C7007	NCS21HJ-220AY	C CAPACITOR	22PF 5% 50V	
C7008	NCB21HK-102AY	C CAPACITOR	1000PF 10% 50V	
C7009	NCB21HK-102AY	C CAPACITOR	1000PF 10% 50V	
C7011	QER41HM-107	E CAPACITOR	100MF 20% 10V	
C7012	NCB21HK-103AY	C CAPACITOR	-010MF 10% 50V	
C7013	QFLC1HJ-1047M	M CAPACITOR	-10MF 5% 50V	
C7014	QER41CM-106	E CAPACITOR	10MF 20% 16V	
C7021	QER41CM-476	E CAPACITOR	47MF 20% 16V	
C7022	NCB21HK-102AY	C CAPACITOR	1000PF 10% 50V	
C7031	QETB0JM-228	E CAPACITOR	2200MF 20% 6.3V	
C7031	QER61HM-684ZM	E CAPACITOR	-68MF 20% 50V	
C7032	QER41HM-225	E CAPACITOR	2.2MF 20% 50V	
C7081	NCB21HK-104X	C CAPACITOR	-10MF 10% 16V	
C7601	NCS21HJ-151X	C CAPACITOR	150PF 5% 50V	
C7602	NCS21HJ-151X	C CAPACITOR	150PF 5% 50V	
C7619	NCS21HJ-271AY	C CAPACITOR	270PF 5% 50V	
C7620	NCS21HJ-271AY	C CAPACITOR	270PF 5% 50V	
C7621	NCS21HJ-271AY	C CAPACITOR	270PF 5% 50V	
C7622	NCS21HJ-271AY	C CAPACITOR	270PF 5% 50V	
C7633	NCB21HK-102AY	C CAPACITOR	1000PF 10% 50V	
C7641	NCS21HJ-151X	C CAPACITOR	150PF 5% 50V	
C7644	QER41HM-105	E CAPACITOR	1.0MF 20% 50V	
C7646	QER41HM-105	E CAPACITOR	1.0MF 20% 50V	
C7701	NCS21HJ-151X	C CAPACITOR	150PF 5% 50V	
C7702	NCS21HJ-151X	C CAPACITOR	150PF 5% 50V	
C7705	NCS21HJ-331AY	C CAPACITOR	330PF 5% 50V	
C7734	NCB21HK-102AY	C CAPACITOR	1000PF 10% 50V	
C7744	QER41HM-225	E CAPACITOR	2.2MF 20% 50V	
C7745	QER61HM-335ZM	E CAPACITOR	3.3MF 20% 50V	
C7746	QER41HM-225	E CAPACITOR	2.2MF 20% 50V	
C7801	NCB21HK-103AY	C CAPACITOR	-010MF 10% 50V	
C7802	NCB21HK-103AY	C CAPACITOR	-010MF 10% 50V	
C7803	NCB21HK-103AY	C CAPACITOR	-010MF 10% 50V	
C7804	NCB21HK-103AY	C CAPACITOR	-010MF 10% 50V	
C7805	NCB21HK-103AY	C CAPACITOR	-010MF 10% 50V	
C7806	NCB21HK-103AY	C CAPACITOR	-010MF 10% 50V	
C7807	NCB21HK-103AY	C CAPACITOR	-010MF 10% 50V	
C7808	NCB21HK-103AY	C CAPACITOR	-010MF 10% 50V	
C7809	NCB21HK-102AY	C CAPACITOR	1000PF 10% 50V	
C7810	NCB21HK-103AY	C CAPACITOR	-010MF 10% 50V	

REF.	PARTS NO.	PARTS NAME	REMARKS	SUFFIX
DI701	QLD0042-001	LCD	44PIN	
D7001	1SS133	SI DIODE	USSV	
A D7011	MT78-2JB	DIODE	SHORT HOGO	
A D7012	1SS133	SI DIODE	SHORT HOGO	
D7031	1SS133	SI DIODE	BUCKUP	
D7032	1SS133	SI DIODE	CLOCK	
D7051	1SS133	SI DIODE	RESET	
D7061	MTZ5-1JC	ZENER DIODE	BUCKUP CONT.	
D7091	1SS133	SI DIODE	USSV	
IC701	UPD78064GF-10B	IC	SYSTEM MICON	
IC702	PIC-21043SP	REMOKON SENSOR		
A IC703	KIA78S06P-T	IC	US&V REG	
K7001	VQZ0107-002	INDUCTOR	ICVSS	
K7002	VQZ0107-002	INDUCTOR	AVSS	
K7003	VQZ0107-002	INDUCTOR		
K7004	VQZ0107-002	INDUCTOR		
L7002	VQP0033-100Z	INDUCTOR	USSV	
L7003	VQP0033-470Z	INDUCTOR	AVDD	
L7005	VQP0018-4R7	INDUCTOR	AVREF	
Q7001	2SC2668(C)	TRANSISTOR	CLOCK SHIFT	
Q7002	2SC2668(C)	TRANSISTOR	CLOCK SHIFT	
Q7031	2SA1037AKT146	CHIP TRANSISTOR	SW5V	
Q7051	DTC114TKA-X	TRANSISTOR	RESET SW	
Q7061	2SC2412K/R/-X	TRANSISTOR	BACKUP CONT	
Q7091	2SC2412K/R/-X	TRANSISTOR	POUT DRIVER	
Q7092	2SA1037AKT146	CHIP TRANSISTOR	STANDBY LED CON	
Q7602	DTC144TKA-X	TRANSISTOR		
Q7603	2SC2412K/R/-X	TRANSISTOR		
R7005	NRSA02J-822NY	MG RESISTOR	8.2K 5% 1/10W	
R7006	NRSA02J-822NY	MG RESISTOR	8.2K 5% 1/10W	
R7031	NRSA02J-331NY	MG RESISTOR	330 5% 1/10W	
R7032	NRSA02J-103NY	MG RESISTOR	10K 5% 1/10W	
R7033	NRSA02J-102NY	MG RESISTOR	1.0K 5% 1/10W	
R7051	NRSA02J-103NY	MG RESISTOR	10K 5% 1/10W	
R7052	NRSA02J-103NY	MG RESISTOR	10K 5% 1/10W	
R7061	NRSA02J-333NY	MG RESISTOR	33K 5% 1/10W	
R7062	NRSA02J-473NY	MG RESISTOR	47K 5% 1/10W	
R7063	NRSA02J-104NY	MG RESISTOR	100K 5% 1/10W	
R7081	NRSA02J-104NY	MG RESISTOR	100K 5% 1/10W	
R7082	NRSA02J-104NY	MG RESISTOR	100K 5% 1/10W	
R7083	NRSA02J-104NY	MG RESISTOR	100K 5% 1/10W	
R7084	NRSA02J-273NY	MG RESISTOR	27K 5% 1/10W	
R7093	NRSA02J-153NY	MG RESISTOR	15K 5% 1/10W	
R7095	NRSA02J-333NY	MG RESISTOR	33K 5% 1/10W	
R7096	NRSA02J-102NY	MG RESISTOR	1.0K 5% 1/10W	
R7429	NRSA02J-913NY	MG RESISTOR	91K 5% 1/10W	
R7528	NRSA02J-223NY	MG RESISTOR	22K 5% 1/10W	
R7529	NRSA02J-473NY	MG RESISTOR	47K 5% 1/10W	
R7530	NRSA02J-103NY	MG RESISTOR	10K 5% 1/10W	
R7544	NRSA02J-114NYM	MG RESISTOR	110K 5% 1/10W	
R7602	NRSA02J-102NY	MG RESISTOR	1.0K 5% 1/10W	
R7614	NRSA02J-103NY	MG RESISTOR	10K 5% 1/10W	
R7615	NRSA02J-103NY	MG RESISTOR	10K 5% 1/10W	

BLOCK NO. 04

BLOCK NO. 04

BLOCK NO. 04

REF.	PARTS NO.	PARTS NAME	REMARKS	SUFFIX
R7742	NRSA02J-222NY	MG RESISTOR	2.2K 5% 1/10W	
R7743	NRSA02J-222NY	MG RESISTOR	2.2K 5% 1/10W	
R7744	NRSA02J-563NY	MG RESISTOR	56K 5% 1/10W	
R7745	NRSA02J-473NY	MG RESISTOR	47K 5% 1/10W	
R7746	NRSA02J-333NY	MG RESISTOR	33K 5% 1/10W	
R7747	NRSA02J-222NY	MG RESISTOR	2.2K 5% 1/10W	
R7748	NRSA02J-153NY	MG RESISTOR	15K 5% 1/10W	
R7749	NRSA02J-123NY	MG RESISTOR	12K 5% 1/10W	
R7750	NRSA02J-222NY	MG RESISTOR	2.2K 5% 1/10W	
R7759	NRSA02J-102NY	MG RESISTOR	1.0K 5% 1/10W	
WR 1	WVS302-103K3K	FLAT WIRE	LAMP WIRE	
X7001	GAX0401-001	CRYSTAL	CLOCK	
X7002	GAX0410-001Z	CERA LOCK	MAIN CLOCK	

BLOCK NO. 04

REF.	PARTS NO.	PARTS NAME	REMARKS	SUFFIX
R7619	NRSA02J-122NY	MG RESISTOR	1.2K 5% 1/10W	
R7620	NRSA02J-102NY	MG RESISTOR	1.0K 5% 1/10W	
R7621	NRSA02J-122NY	MG RESISTOR	1.2K 5% 1/10W	
R7622	NRSA02J-102NY	MG RESISTOR	1.0K 5% 1/10W	
R7625	NRSA02J-823NY	MG RESISTOR	82K 5% 1/10W	
R7628	NRSA02J-823NY	MG RESISTOR	82K 5% 1/10W	
R7629	NRSA02J-103NY	MG RESISTOR	10K 5% 1/10W	
R7630	NRSA02J-563NY	MG RESISTOR	56K 5% 1/10W	
R7631	NRSA02J-104NY	MG RESISTOR	100K 5% 1/10W	
R7632	NRSA02J-103NY	MG RESISTOR	10K 5% 1/10W	
R7633	NRSA02J-103NY	MG RESISTOR	10K 5% 1/10W	
R7634	NRSA02J-103NY	MG RESISTOR	10K 5% 1/10W	
R7635	NRSA02J-104NY	MG RESISTOR	100K 5% 1/10W	
R7639	NRSA02J-222NY	MG RESISTOR	2.2K 5% 1/10W	
R7641	NRSA02J-102NY	MG RESISTOR	1.0K 5% 1/10W	
R7642	NRSA02J-102NY	MG RESISTOR	1.0K 5% 1/10W	
R7643	NRSA02J-103NY	MG RESISTOR	10K 5% 1/10W	
R7644	NRSA02J-683NY	MG RESISTOR	68K 5% 1/10W	
R7646	NRSA02J-683NY	MG RESISTOR	68K 5% 1/10W	
R7647	NRSA02J-104NY	MG RESISTOR	100K 5% 1/10W	
R7648	NRSA02J-394NY	MG RESISTOR	390K 5% 1/10W	
R7649	NRSA02J-823NY	MG RESISTOR	82K 5% 1/10W	
R7701	NRSA02J-223NY	MG RESISTOR	22K 5% 1/10W	
R7702	NRSA02J-103NY	MG RESISTOR	10K 5% 1/10W	
R7703	NRSA02J-102NY	MG RESISTOR	1.0K 5% 1/10W	
R7704	NRSA02J-103NY	MG RESISTOR	10K 5% 1/10W	
R7705	NRSA02J-102NY	MG RESISTOR	1.0K 5% 1/10W	
R7706	GRD161J-102	C RESISTOR	1.0K 5% 1/4W	
R7707	GRD161J-102	C RESISTOR	1.0K 5% 1/4W	
R7711	NRSA02J-222NY	MG RESISTOR	2.2K 5% 1/10W	
R7712	NRSA02J-102NY	MG RESISTOR	1.0K 5% 1/10W	
R7713	NRSA02J-222NY	MG RESISTOR	2.2K 5% 1/10W	
R7715	NRSA02J-222NY	MG RESISTOR	2.2K 5% 1/10W	
R7716	NRSA02J-472NY	MG RESISTOR	4.7K 5% 1/10W	
R7717	NRSA02J-472NY	MG RESISTOR	4.7K 5% 1/10W	
R7718	NRSA02J-222NY	MG RESISTOR	2.2K 5% 1/10W	
R7719	NRSA02J-102NY	MG RESISTOR	1.0K 5% 1/10W	
R7720	NRSA02J-102NY	MG RESISTOR	1.0K 5% 1/10W	
R7721	NRSA02J-102NY	MG RESISTOR	1.0K 5% 1/10W	
R7722	NRSA02J-102NY	MG RESISTOR	1.0K 5% 1/10W	
R7723	NRSA02J-222NY	MG RESISTOR	2.2K 5% 1/10W	
R7724	NRSA02J-222NY	MG RESISTOR	2.2K 5% 1/10W	
R7725	NRSA02J-222NY	MG RESISTOR	2.2K 5% 1/10W	
R7726	NRSA02J-222NY	MG RESISTOR	2.2K 5% 1/10W	
R7728	NRSA02J-222NY	MG RESISTOR	2.2K 5% 1/10W	
R7729	NRSA02J-222NY	MG RESISTOR	2.2K 5% 1/10W	
R7730	NRSA02J-222NY	MG RESISTOR	2.2K 5% 1/10W	
R7731	NRSA02J-222NY	MG RESISTOR	2.2K 5% 1/10W	
R7732	NRSA02J-222NY	MG RESISTOR	2.2K 5% 1/10W	
R7733	NRSA02J-222NY	MG RESISTOR	2.2K 5% 1/10W	
R7734	NRSA02J-222NY	MG RESISTOR	2.2K 5% 1/10W	
R7735	NRSA02J-2.2NY	MG RESISTOR	2.2K 5% 1/10W	
R7738	NRSA02J-222NY	MG RESISTOR	2.2K 5% 1/10W	
R7739	NRSA02J-222NY	MG RESISTOR	2.2K 5% 1/10W	
R7741	NRSA02J-222NY	MG RESISTOR	2.2K 5% 1/10W	

Tuner Board (B/E/EN)

BLOCK NO. 05		BLOCK NO. 05		
A REF.	PARTS NO.	PARTS NAME	REMARKS	SUFFIX
C 1	NCB21HK-223AY	C CAPACITOR	.022MF 10% 50V	
C 2	NCB21HK-103AY	C CAPACITOR	.010MF 10% 50V	
C 3	NCB21HK-473AY	C CAPACITOR	.047MF 10% 25V	
C 4	NCB21HK-103AY	C CAPACITOR	.010MF 10% 50V	
C 5	QEK41CM-106	E CAPACITOR	10MF 20% 16V	
C 6	NCB21HK-102AY	C CAPACITOR	1000PF 10% 50V	
C 7	NCB21HK-102AY	C CAPACITOR	1000PF 5% 50V	
C 8	NCB21HK-150AY	C CAPACITOR	15PF 5% 50V	
C 9	NCB21HK-102AY	C CAPACITOR	1000PF 10% 50V	
C 10	NCB21HK-103AY	C CAPACITOR	.010MF 10% 50V	
C 11	NCB21HK-103AY	C CAPACITOR	.010MF 10% 50V	
C 12	NCB21HK-150X	C CAPACITOR	.047MF 10% 25V	
C 13	NCB21HK-473AY	C CAPACITOR	.010MF 10% 50V	
C 14	NCB21HK-103AY	C CAPACITOR	1000PF 10% 50V	
C 15	NCB21HK-102AY	C CAPACITOR	1000PF 10% 50V	
C 16	NCB21HK-102AY	C CAPACITOR	1000PF 10% 50V	
C 17	NCB21HK-103AY	C CAPACITOR	.010MF 10% 50V	
C 18	NCB21HK-103AY	C CAPACITOR	.010MF 10% 50V	
C 19	NCB21HK-122AY	C CAPACITOR	1200PF 10% 50V	
C 20	NCB21HK-473AY	C CAPACITOR	.047MF 10% 25V	
C 21	QEK41CM-476	E CAPACITOR	47MF 20% 16V	
C 22	NCB21HK-390AY	C CAPACITOR	39PF 5% 50V	
C 23	NCB21HK-102AY	C CAPACITOR	1000PF 10% 50V	
C 24	QEK61AM-107ZM	E CAPACITOR	100MF 20% 10V	
C 25	NCB21HK-150AY	C CAPACITOR	15PF 5% 50V	
C 26	NCB21HK-102AY	C CAPACITOR	1000PF 10% 50V	
C 27	QEK41CM-106	E CAPACITOR	10MF 20% 16V	
C 28	NCB21HK-473AY	C CAPACITOR	.047MF 10% 25V	
C 29	NCB21HK-473AY	C CAPACITOR	.047MF 10% 25V	
C 30	NCB21HK-103AY	C CAPACITOR	.010MF 10% 50V	
C 31	QEK41HM-104	E CAPACITOR	.10MF 20% 50V	
C 32	QEK41HM-474	E CAPACITOR	.47MF 20% 50V	
C 33	QEK61HM-335ZN	E CAPACITOR	3.3MF 20% 50V	
C 34	NCB21HK-221AY	C CAPACITOR	220PF 5% 50V	
C 35	QEK41CM-106	E CAPACITOR	10MF 20% 16V	
C 36	NCB21HK-223AY	C CAPACITOR	.022MF 10% 50V	
C 37	NCB21HK-103AY	C CAPACITOR	.010MF 10% 50V	
C 38	NCB21HK-183AY	C CAPACITOR	.018MF 10% 50V	
C 39	NCB21HK-103AY	C CAPACITOR	.018MF 10% 50V	
C 40	QEK41HM-105	E CAPACITOR	1.0MF 20% 50V	
C 41	NCB21HK-681AY	C CAPACITOR	680PF 10% 50V	
C 42	NCB21HK-120AY	C CAPACITOR	12PF 5% 50V	
C 43	QEK61AM-107ZM	E CAPACITOR	100MF 20% 10V	
C 44	NCB21HK-120AY	C CAPACITOR	12PF 5% 50V	
C 45	NCB21HK-120AY	C CAPACITOR	12PF 5% 50V	
C 46	NCB21HK-473AY	C CAPACITOR	.047MF 10% 25V	
C 47	NCB21HK-102AY	C CAPACITOR	1000PF 10% 50V	
C 48	NCB21HK-102AY	C CAPACITOR	1000PF 5% 50V	
C 49	NCB21HK-151X	C CAPACITOR	150PF 5% 50V	
C 50	NCB21HK-101AY	C CAPACITOR	100PF 5% 50V	
C 51	QEK41HM-225	E CAPACITOR	2.2MF 20% 50V	
C 52	NCB21HK-392AY	C CAPACITOR	3900PF 10% 50V	
C 53	QEK61HM-335ZN	E CAPACITOR	3.3MF 20% 50V	
C 54	NCB21HK-102AY	C CAPACITOR	1000PF 10% 50V	
C 55	NCB21HK-103AY	C CAPACITOR	.010MF 10% 50V	

BLOCK NO. 05		BLOCK NO. 05		
A REF.	PARTS NO.	PARTS NAME	REMARKS	SUFFIX
C 93	NCB21HK-103AY	C CAPACITOR	.010MF 10% 50V	
C 94	NCB21HK-102AY	C CAPACITOR	1000PF 10% 50V	
CF 1	VCF2M3B-104	C FILTER	FM IF	
CF 2	VCF2S3B-102	C FILTER	FM IF	
CF 3	VCF122Z-115Z	C FILTER	FM IF	
CF 4	GAX0409-001	CERA LOCK		
CN 1	VMCO163-R10	CONNECTOR		
D 1	1SS133	SI DIODE		
D 2	1SS133	SI DIODE		
D 3	1SS133	SI DIODE		
D 4	1SS133	SI DIODE		
IC 1	TA2057N	IC		
IC 2	LC72136N	IC		
J 1	EMB41YV-302K	ANT TERMINAL	AM/FM ANT	
L 1	VQZ0098-102	COIL BLOCK	MW/LW RF/OSC	
L 4	VQP0018-221	INDUCTOR	114KHZ TRAP	
L 10	VQZ0069-002	TRAP COIL		
L 11	VQP0018-2R7	INDUCTOR		
Q 1	2SC2668(O)	TRANSISTOR		
Q 2	DTA114YKA-X	TRANSISTOR		
Q 3	KTC3199(GL)-T	TRANSISTOR		
Q 4	KTC3199(GL)-T	TRANSISTOR		
Q 6	DTA114YKA-X	TRANSISTOR		
Q 7	2SA1037K(R)-X	TRANSISTOR		
Q 8	2SA1037K(R)-X	TRANSISTOR		
R 1	NRSA02J-102NY	MG RESISTOR	1.0K 5% 1/10W	
R 2	NRSA02J-820NY	MG RESISTOR	82 5% 1/10W	
R 3	NRSA02J-560NY	MG RESISTOR	56 5% 1/10W	
R 10	NRSA02J-152NY	MG RESISTOR	1.5K 5% 1/10W	
R 12	NRSA02J-102NY	MG RESISTOR	1.0K 5% 1/10W	
R 13	NRSA02J-104NY	MG RESISTOR	100K 5% 1/10W	
R 15	NRSA02J-103NY	MG RESISTOR	10K 5% 1/10W	
R 16	NRSA02J-103NY	MG RESISTOR	10K 5% 1/10W	
R 20	NRSA02J-331NY	MG RESISTOR	330 5% 1/10W	
R 21	NRSA02J-224NY	MG RESISTOR	220K 5% 1/10W	
R 22	NRSA02J-331NY	MG RESISTOR	330 5% 1/10W	
R 23	NRSA02J-100NY	MG RESISTOR	10 5% 1/10W	
R 24	NRSA02J-271NY	MG RESISTOR	270 5% 1/10W	
R 25	NRSA02J-473NY	MG RESISTOR	47K 5% 1/10W	
R 26	NRSA02J-153NY	MG RESISTOR	15K 5% 1/10W	
R 27	NRSA02J-223NY	MG RESISTOR	22K 5% 1/10W	
R 29	NRSA02J-473NY	MG RESISTOR	47K 5% 1/10W	
R 30	NRSA02J-103NY	MG RESISTOR	10K 5% 1/10W	
R 31	NRSA02J-103NY	MG RESISTOR	10K 5% 1/10W	
R 35	NRSA02J-333NY	MG RESISTOR	33K 5% 1/10W	
R 36	NRSA02J-103NY	MG RESISTOR	10K 5% 1/10W	
R 37	NRSA02J-472NY	MG RESISTOR	47K 5% 1/10W	
R 38	NRSA02J-392NY	MG RESISTOR	3.9K 5% 1/10W	
R 39	NRSA02J-392NY	MG RESISTOR	3.9K 5% 1/10W	
R 42	NRSA02J-102NY	MG RESISTOR	1.0K 5% 1/10W	
R 43	NRSA02J-102NY	MG RESISTOR	1.0K 5% 1/10W	
R 44	NRSA02J-102NY	MG RESISTOR	1.0K 5% 1/10W	
R 45	NRSA02J-102NY	MG RESISTOR	1.0K 5% 1/10W	
R 46	NRSA02J-473NY	MG RESISTOR	47K 5% 1/10W	

Tuner Board (EE)

BLOCK NO. 05		BLOCK NO. 06		
A REF.	PARTS NO.	PARTS NAME	REMARKS	SUFFIX
R 48	NRSA02J-102NY	MG RESISTOR	1.0K 5% 1/10W	
R 52	NRSA02J-472NY	MG RESISTOR	4.7K 5% 1/10W	
R 54	NRSA02J-472NY	MG RESISTOR	4.7K 5% 1/10W	
R 55	NRSA02J-182NY	MG RESISTOR	1.8K 5% 1/10W	
R 56	NRSA02J-332NY	MG RESISTOR	3.3K 5% 1/10W	
R 57	NRSA02J-102NY	MG RESISTOR	1.0K 5% 1/10W	
R 60	NRSA02J-102NY	MG RESISTOR	1.0K 5% 1/10W	
R 61	NRSA02J-102NY	MG RESISTOR	1.0K 5% 1/10W	
R 65	NRSA02J-222NY	MG RESISTOR	2.2K 5% 1/10W	
R 66	NRSA02J-222NY	MG RESISTOR	2.2K 5% 1/10W	
R 68	NRSA02J-223NY	MG RESISTOR	22K 5% 1/10W	
R 69	NRSA02J-103NY	MG RESISTOR	10K 5% 1/10W	
R 74	NRSA02J-332NY	MG RESISTOR	3.3K 5% 1/10W	
R 75	NRSA02J-103NY	MG RESISTOR	10K 5% 1/10W	
T 1	V8T7A21-113	IFT		
TU 1	QAU0034-001	FRONT END	FM TU	
X 1	QAX0402-001	CRYSTAL		

BLOCK NO. 06		BLOCK NO. 07		
A REF.	PARTS NO.	PARTS NAME	REMARKS	SUFFIX
C 1	NCB21HK-223AY	C CAPACITOR	.022MF 10% 50V	
C 2	NCB21HK-103AY	C CAPACITOR	.010MF 10% 50V	
C 3	NCB21HK-473AY	C CAPACITOR	.047MF 10% 25V	
C 4	NCB21HK-103AY	C CAPACITOR	.010MF 10% 50V	
C 5	QEK41CM-106	E CAPACITOR	10MF 20% 16V	
C 6	NCB21HK-102AY	C CAPACITOR	1000PF 10% 50V	
C 7	NCS21HJ-102AY	C CAPACITOR	1000PF 5% 50V	
C 8	NCS21HJ-150AY	C CAPACITOR	15PF 5% 50V	
C 9	NCB21HK-102AY	C CAPACITOR	1000PF 10% 50V	
C 11	NCB21HK-103AY	C CAPACITOR	.010MF 10% 50V	
C 12	NDC21HJ-150X	C CAPACITOR		
C 13	NCB21HK-473AY	C CAPACITOR	.047MF 10% 25V	
C 14	NCB21HK-103AY	C CAPACITOR	.010MF 10% 50V	
C 15	NCB21HK-102AY	C CAPACITOR	1000PF 10% 50V	
C 16	NCB21HK-102AY	C CAPACITOR	1000PF 10% 50V	
C 18	NCB21HK-103AY	C CAPACITOR	.010MF 10% 50V	
C 19	NCB21HK-122AY	C CAPACITOR	1200PF 10% 50V	
C 21	NCB21HK-473AY	C CAPACITOR	.047MF 10% 25V	
C 30	QEK41CM-476	E CAPACITOR	47MF 20% 16V	
C 31	NCS21HJ-390AY	C CAPACITOR	39PF 5% 50V	
C 32	NCB21HK-102AY	C CAPACITOR	1000PF 10% 50V	
C 33	QEK61AM-1072M	E CAPACITOR	100MF 20% 10V	
C 34	NCS21HJ-150AY	C CAPACITOR	15PF 5% 50V	
C 35	NCB21HK-102AY	C CAPACITOR	1000PF 10% 50V	
C 36	QEK41CM-106	E CAPACITOR	10MF 20% 16V	
C 37	NCB21HK-473AY	C CAPACITOR	.047MF 10% 25V	
C 39	NCB21HK-473AY	C CAPACITOR	.047MF 10% 25V	
C 40	NCB21HK-103AY	C CAPACITOR	.010MF 10% 50V	
C 41	QEK41HM-104	E CAPACITOR	.10MF 20% 50V	
C 42	QEK41HM-474	E CAPACITOR	.47MF 20% 50V	
C 43	QEK61HM-355ZN	E CAPACITOR	3.5MF 20% 50V	
C 44	NCS21HJ-221AY	C CAPACITOR	220PF 5% 50V	
C 45	QEK41CM-106	E CAPACITOR	10MF 20% 16V	
C 46	NCB21HK-223AY	C CAPACITOR	.022MF 10% 50V	
C 47	NCB21HK-103AY	C CAPACITOR	.010MF 10% 50V	
C 49	NCB21HK-183AY	C CAPACITOR	.018MF 10% 50V	
C 50	NCB21HK-183AY	C CAPACITOR	.018MF 10% 50V	
C 51	QEK41HM-105	E CAPACITOR	1.0MF 20% 50V	
C 52	QEK41HM-105	E CAPACITOR	1.0MF 20% 50V	
C 53	NCB21HK-681AY	C CAPACITOR	680PF 10% 50V	
C 55	NCS21HJ-120AY	C CAPACITOR	12PF 5% 50V	
C 60	QEK61AM-1072M	E CAPACITOR	100MF 20% 10V	
C 61	NCS21HJ-120AY	C CAPACITOR	12PF 5% 50V	
C 62	NCS21HJ-120AY	C CAPACITOR	12PF 5% 50V	
C 63	NCB21HK-473AY	C CAPACITOR	.047MF 10% 25V	
C 65	NCB21HK-102AY	C CAPACITOR	1000PF 10% 50V	
C 66	NCS21HJ-151X	C CAPACITOR	150PF 5% 50V	
C 67	NCS21HJ-151X	C CAPACITOR	150PF 5% 50V	
C 68	NCS21HJ-101AY	C CAPACITOR	100PF 5% 50V	
C 69	QEK41HM-225	E CAPACITOR	2.2MF 20% 50V	
C 70	NCB21HK-392AY	C CAPACITOR	3900PF 10% 50V	
C 71	QEK61AM-355ZN	E CAPACITOR	3.5MF 20% 50V	
C 72	NCB21HK-102AY	C CAPACITOR	1000PF 10% 50V	
C 91	NCB21HK-103AY	C CAPACITOR	.010MF 10% 50V	
C 92	NCB21HK-103AY	C CAPACITOR	.010MF 10% 50V	

BLOCK NO. 06

A	REF.	PARTS NO.	PARTS NAME	REMARKS	SUFFIX
	R 52	NRSA02J-472NY	MG RESISTOR	4.7K 5% 1/10W	
	R 54	NRSA02J-472NY	MG RESISTOR	4.7K 5% 1/10W	
	R 55	NRSA02J-182NY	MG RESISTOR	1.8K 5% 1/10W	
	R 56	NRSA02J-332NY	MG RESISTOR	3.3K 5% 1/10W	
	R 57	NRSA02J-102NY	MG RESISTOR	1.0K 5% 1/10W	
	R 60	NRSA02J-102NY	MG RESISTOR	1.0K 5% 1/10W	
	R 61	NRSA02J-102NY	MG RESISTOR	1.0K 5% 1/10W	
	R 65	NRSA02J-222NY	MG RESISTOR	2.2K 5% 1/10W	
	R 66	NRSA02J-222NY	MG RESISTOR	2.2K 5% 1/10W	
	R 68	NRSA02J-223NY	MG RESISTOR	2.2K 5% 1/10W	
	R 69	NRSA02J-103NY	MG RESISTOR	10K 5% 1/10W	
	R 74	NRSA02J-332NY	MG RESISTOR	3.3K 5% 1/10W	
	T 1	VQ17A21-113	IFT	10K 5% 1/10W	
	TU 1	GAU0036-001	FRONT END	FM TU	
	X 1	QAX0402-001	CRYSTAL		

BLOCK NO. 06

A	REF.	PARTS NO.	PARTS NAME	REMARKS	SUFFIX
	C 93	NCB21HK-103AY	C CAPACITOR	.010MF 10% 50V	
	C 94	NCB21HK-102AY	C CAPACITOR	1000PF 10% 50V	
	CF 1	GAX0403-001	C FILTER	FM IF	
	CF 2	GAX0403-001	C FILTER	FM IF	
	CF 3	VCF122-115Z	C FILTER		
	CF 4	GAX0409-001	CERA LOCK		
	CN 1	VMC0163-R10	CONNECTOR		
	D 1	1SS135	SI DIODE		
	D 2	1SS133	SI DIODE		
	D 3	1SS133	SI DIODE		
	D 4	1SS133	SI DIODE		
	IC 1	TA2057N	IC		
	IC 2	LC72136N	IC		
	J 1	EMB41VV-302K	ANT TERMINAL	AM/FM ANT	
	L 1	VQZ0098-102	COIL BLOCK	MM/LW RF/DSC	
	L 4	VGP0018-221	INDUCTOR		
	L 11	VGP0018-2R7	INDUCTOR		
	Q 1	2SC2668(O)	TRANSISTOR		
	Q 2	DTA114YKA-X	TRANSISTOR		
	Q 3	KTC3199(GL)-T	TRANSISTOR		
	Q 4	KTC3199(GL)-T	TRANSISTOR		
	Q 6	DTA114YKA-X	TRANSISTOR		
	Q 7	2SA1037K(R)-X	TRANSISTOR		
	Q 8	2SA1037K(R)-X	TRANSISTOR		
	R 1	NRSA02J-102NY	MG RESISTOR	1.0K 5% 1/10W	
	R 2	NRSA02J-820NY	MG RESISTOR	82 5% 1/10W	
	R 3	NRSA02J-560NY	MG RESISTOR	56 5% 1/10W	
	R 10	NRSA02J-152NY	MG RESISTOR	1.5K 5% 1/10W	
	R 12	NRSA02J-102NY	MG RESISTOR	1.0K 5% 1/10W	
	R 13	NRSA02J-104NY	MG RESISTOR	100K 5% 1/10W	
	R 15	NRSA02J-103NY	MG RESISTOR	10K 5% 1/10W	
	R 16	NRSA02J-103NY	MG RESISTOR	10K 5% 1/10W	
	R 20	NRSA02J-331NY	MG RESISTOR	330 5% 1/10W	
	R 21	NRSA02J-224NY	MG RESISTOR	220K 5% 1/10W	
	R 22	NRSA02J-331NY	MG RESISTOR	330 5% 1/10W	
	R 23	NRSA02J-100NY	MG RESISTOR	10 5% 1/10W	
	R 24	NRSA02J-271NY	MG RESISTOR	270 5% 1/10W	
	R 25	NRSA02J-473NY	MG RESISTOR	47K 5% 1/10W	
	R 26	NRSA02J-153NY	MG RESISTOR	15K 5% 1/10W	
	R 27	NRSA02J-223NY	MG RESISTOR	22K 5% 1/10W	
	R 29	NRSA02J-473NY	MG RESISTOR	47K 5% 1/10W	
	R 30	NRSA02J-103NY	MG RESISTOR	10K 5% 1/10W	
	R 31	NRSA02J-103NY	MG RESISTOR	10K 5% 1/10W	
	R 34	NRSA02J-333NY	MG RESISTOR	33K 5% 1/10W	
	R 35	NRSA02J-333NY	MG RESISTOR	33K 5% 1/10W	
	R 36	NRSA02J-103NY	MG RESISTOR	10K 5% 1/10W	
	R 37	NRSA02J-472NY	MG RESISTOR	4.7K 5% 1/10W	
	R 38	NRSA02J-392NY	MG RESISTOR	3.9K 5% 1/10W	
	R 39	NRSA02J-392NY	MG RESISTOR	3.9K 5% 1/10W	
	R 42	NRSA02J-102NY	MG RESISTOR	1.0K 5% 1/10W	
	R 43	NRSA02J-102NY	MG RESISTOR	1.0K 5% 1/10W	
	R 44	NRSA02J-102NY	MG RESISTOR	1.0K 5% 1/10W	
	R 45	NRSA02J-102NY	MG RESISTOR	1.0K 5% 1/10W	
	R 46	NRSA02J-473NY	MG RESISTOR	47K 5% 1/10W	
	R 48	NRSA02J-102NY	MG RESISTOR	1.0K 5% 1/10W	

■ Tuner Board (UB/UF/US/UX/U)

BLOCK NO. 07

REF.	PARTS NO.	PARTS NAME	REMARKS	SUFFIX
C 1	NCB21HK-223AY	C CAPACITOR	.022MF 10% 50V	
C 3	NCB21HK-473AY	C CAPACITOR	.047MF 10% 25V	
C 4	NCB21HK-103AY	C CAPACITOR	.010MF 10% 50V	
C 5	QEK41CM-106	E CAPACITOR	10MF 20% 16V	
C 9	NCB21HK-103AY	C CAPACITOR	.010MF 10% 50V	
C 8	NCB21HK-102AY	C CAPACITOR	1000PF 10% 50V	
C 21	NCB21HK-473AY	C CAPACITOR	.047MF 10% 25V	
C 23	NCB21HK-3R0AY	C CAPACITOR	3.0PF 5% 50V	
C 30	QEK41CM-476	E CAPACITOR	47MF 20% 16V	
C 31	NCB21HK-2R0AY	C CAPACITOR	2.0PF 5% 50V	
C 32	NCB21HK-102AY	C CAPACITOR	1000PF 10% 50V	
C 33	QEK61AM-107ZM	E CAPACITOR	100MF 20% 10V	
C 34	NCB21HK-150AY	C CAPACITOR	15PF 5% 50V	
C 35	NCB21HK-102AY	C CAPACITOR	1000PF 10% 50V	
C 36	QEK41CM-106	E CAPACITOR	10MF 20% 16V	
C 37	NCB21HK-473AY	C CAPACITOR	.047MF 10% 25V	
C 39	NCB21HK-473AY	C CAPACITOR	.047MF 10% 25V	
C 40	NCB21HK-103AY	C CAPACITOR	.010MF 10% 50V	
C 41	QEK41HM-104	E CAPACITOR	.10MF 20% 50V	
C 42	QEK41HM-474	E CAPACITOR	.47MF 20% 50V	
C 44	NCB21HK-221AY	C CAPACITOR	220PF 5% 50V	
C 45	QEK61HM-355ZN	E CAPACITOR	3.5MF 20% 50V	
C 46	NCB21HK-223AY	C CAPACITOR	.022MF 10% 50V	
C 47	NCB21HK-103AY	C CAPACITOR	.010MF 10% 50V	
C 49	NCB21HK-153AY	C CAPACITOR	.015MF 10% 50V	
C 50	NCB21HK-153AY	C CAPACITOR	.015MF 10% 50V	
C 51	QEK41HM-105	E CAPACITOR	1.0MF 20% 50V	
C 52	QEK41HM-105	E CAPACITOR	1.0MF 20% 50V	
C 55	NCB21HK-120AY	C CAPACITOR	12PF 5% 50V	
C 60	QEK61AM-107ZM	E CAPACITOR	100MF 20% 10V	
C 61	NCB21HK-120AY	C CAPACITOR	12PF 5% 50V	
C 62	NCB21HK-120AY	C CAPACITOR	12PF 5% 50V	
C 63	NCB21HK-473AY	C CAPACITOR	.047MF 10% 25V	
C 65	NCB21HK-102AY	C CAPACITOR	1000PF 10% 50V	
C 66	NCB21HK-151X	C CAPACITOR	150PF 5% 50V	
C 67	NCB21HK-451X	C CAPACITOR	150PF 5% 50V	
C 68	NCB21HK-151X	C CAPACITOR	150PF 5% 50V	
C 69	QEK41HM-225	E CAPACITOR	2.2MF 20% 50V	
C 70	NCB21HK-592AY	C CAPACITOR	3900PF 10% 50V	
C 71	QEK61HM-355ZN	E CAPACITOR	3.5MF 20% 50V	
C 72	NCB21HK-102AY	C CAPACITOR	1000PF 10% 50V	
C 80	NCB21HK-8R0AY	C CAPACITOR	8.0PF 5% 50V	
C 81	NCB21HK-182AY	C CAPACITOR	1200PF 10% 50V	
C 82	NCB21HK-473AY	C CAPACITOR	.047MF 10% 25V	
C 83	NCB21HK-103AY	C CAPACITOR	.010MF 10% 50V	
C 84	NCB21HK-103AY	C CAPACITOR	.010MF 10% 50V	
C 85	NCB21HK-102AY	C CAPACITOR	1000PF 10% 50V	
C 86	NCB21HK-102AY	C CAPACITOR	1000PF 10% 50V	
C 90	NCB21HK-682AY	C CAPACITOR	6800PF 10% 50V	
C 91	NCB21HK-473AY	C CAPACITOR	.047MF 10% 25V	
C 92	NCB21HK-101AY	C CAPACITOR	100PF 5% 50V	
C 93	NCB21HK-100AY	C CAPACITOR	10PF 5% 50V	
C 94	NCB21HK-120AY	C CAPACITOR	12PF 5% 50V	
C 95	NCB21HK-102AY	C CAPACITOR	1000PF 5% 50V	
C 96	NCB21HK-8R0AY	C CAPACITOR	8.0PF 5% 50V	

BLOCK NO. 07

REF.	PARTS NO.	PARTS NAME	REMARKS	SUFFIX
C 97	NCB21HK-4R0AY	C CAPACITOR	4.0PF 5% 50V	
C 99	NCB21CK-104X	C CAPACITOR	.10MF 10% 16V	
CF 1	VCF2L3B-108Z	C FILTER	FM IF	
CF 2	VCF2L3B-108Z	C FILTER	FM IF	
CF 3	VCF1Z2Z-115Z	C FILTER		
CF 4	QAX0409-001	CERA LOCK CONNECTOR		
CN 1	VMC0163-R10	SI DIODE		
D 1	1SS133	SI DIODE		
D 2	1SS133	SI DIODE		
D 3	1SS133	SI DIODE		
D 4	1SS133	SI DIODE		
D 5	1SS133	SI DIODE		
D 6	1SS133	SI DIODE		
D 20	SVC344-AA	VARI CAP		
D 21	SVC344-AA	VARI CAP		
IC 1	TA2057N	IC		
IC 2	LC72136N	IC		
J 1	FMMB10YV-401K	ANT TERMINAL	AM/FM ANT	
L 1	VQZ0098-202	COIL BLOCK	MW RF/OSC	
L 4	VQP0018-221	INDUCTOR		
L 5	VQP0018-220	INDUCTOR		
L 6	VQS7U01-801	OSC COIL	SW1 OSC	
L 7	VQR7002-501	RF COIL	SW2 RF	
L 8	VQR7002-501	RF COIL	SW2 OSC	
L 10	VQ3047-6L	COIL		
L 11	VQ3047-6L	COIL		
L 12	VQP0018-221	INDUCTOR		
Q 1	2SC2668(O)	TRANSISTOR	SW1 SWITCH	
Q 2	DTA114TKAT146	TRANSISTOR	MW SWITCH	
Q 3	DTA114TKAT146	TRANSISTOR		
Q 6	DTA114YKA-X	TRANSISTOR		
Q 7	2SA1037K(R)-X	TRANSISTOR		
Q 8	2SA1037K(R)-X	TRANSISTOR		
Q 12	2SD2144S(VW)	TRANSISTOR	MW SWITCH	
Q 13	2SC2668(O)	TRANSISTOR	MW SWITCH	
Q 14	2SA1037K(R)-X	TRANSISTOR	MW SWITCH	
Q 15	2SA1037K(R)-X	TRANSISTOR	MW SWITCH	
Q 21	DTA114TKAT146	TRANSISTOR	SW2 SWITCH	
Q 22	2SC2668(O)	TRANSISTOR	SW1 SWITCH	
Q 24	2SD2144S(VW)	TRANSISTOR	SW1 SWITCH	
Q 25	2SA1037K(R)-X	TRANSISTOR	SW1 SWITCH	
Q 27	2SC2668(O)	TRANSISTOR	SW1 SWITCH	
Q 28	2SA1037K(R)-X	TRANSISTOR	SW2 SWITCH	
R 1	NRSA02J-102NY	MG RESISTOR	1.0K 5% 1/10W	
R 2	NRSA02J-102NY	MG RESISTOR	820 5% 1/10W	
R 11	NRSA02J-104NY	MG RESISTOR	100K 5% 1/10W	
R 12	NRSA02J-222NY	MG RESISTOR	2.2K 5% 1/10W	
R 13	NRSA02J-103NY	MG RESISTOR	10K 5% 1/10W	
R 14	NRSA02J-103NY	MG RESISTOR	10K 5% 1/10W	
R 15	NRSA02J-103NY	MG RESISTOR	10K 5% 1/10W	
R 18	NRSA02J-102NY	MG RESISTOR	1.0K 5% 1/10W	
R 20	NRSA02J-331NY	MG RESISTOR	330 5% 1/10W	
R 21	NRSA02J-224NY	MG RESISTOR	220K 5% 1/10W	
R 22	NRSA02J-331NY	MG RESISTOR	330 5% 1/10W	

CD Servo Control Board

BLOCK NO. 07

REF.	PARTS NO.	PARTS NAME	REMARKS	SUFFIX
R 23	NRSA02J-270NY	MG RESISTOR	27 5% 1/10W	
R 24	NRSA02J-271NY	MG RESISTOR	270 5% 1/10W	
R 25	NRSA02J-473NY	MG RESISTOR	47K 5% 1/10W	
R 27	NRSA02J-223NY	MG RESISTOR	22K 5% 1/10W	
R 28	NRSA02J-560NY	MG RESISTOR	56 5% 1/10W	
R 29	NRSA02J-473NY	MG RESISTOR	47K 5% 1/10W	
R 30	NRSA02J-103NY	MG RESISTOR	10K 5% 1/10W	
R 31	NRSA02J-103NY	MG RESISTOR	10K 5% 1/10W	
R 32	NRSA02J-473NY	MG RESISTOR	47K 5% 1/10W	
R 34	NRSA02J-333NY	MG RESISTOR	33K 5% 1/10W	
R 35	NRSA02J-333NY	MG RESISTOR	33K 5% 1/10W	
R 36	NRSA02J-103NY	MG RESISTOR	10K 5% 1/10W	
R 37	NRSA02J-472NY	MG RESISTOR	4.7K 5% 1/10W	
R 38	NRSA02J-392NY	MG RESISTOR	3.9K 5% 1/10W	
R 39	NRSA02J-392NY	MG RESISTOR	3.9K 5% 1/10W	
R 42	NRSA02J-102NY	MG RESISTOR	1.0K 5% 1/10W	
R 43	NRSA02J-102NY	MG RESISTOR	1.0K 5% 1/10W	
R 44	NRSA02J-102NY	MG RESISTOR	1.0K 5% 1/10W	
R 45	NRSA02J-102NY	MG RESISTOR	1.0K 5% 1/10W	
R 46	NRSA02J-473NY	MG RESISTOR	47K 5% 1/10W	
R 48	NRSA02J-102NY	MG RESISTOR	1.0K 5% 1/10W	
R 52	NRSA02J-472NY	MG RESISTOR	4.7K 5% 1/10W	
R 54	NRSA02J-472NY	MG RESISTOR	4.7K 5% 1/10W	
R 55	NRSA02J-182NY	MG RESISTOR	1.8K 5% 1/10W	
R 56	NRSA02J-332NY	MG RESISTOR	3.3K 5% 1/10W	
R 57	NRSA02J-102NY	MG RESISTOR	1.0K 5% 1/10W	
R 62	NRSA02J-102NY	MG RESISTOR	1.0K 5% 1/10W	
R 63	NRSA02J-103NY	MG RESISTOR	10K 5% 1/10W	
R 65	NRSA02J-222NY	MG RESISTOR	2.2K 5% 1/10W	
R 66	NRSA02J-222NY	MG RESISTOR	2.2K 5% 1/10W	
R 68	NRSA02J-223NY	MG RESISTOR	22K 5% 1/10W	
R 69	NRSA02J-103NY	MG RESISTOR	10K 5% 1/10W	
R 81	NRSA02J-104NY	MG RESISTOR	100K 5% 1/10W	
R 82	NRSA02J-104NY	MG RESISTOR	100K 5% 1/10W	
R 83	NRSA02J-222NY	MG RESISTOR	2.2K 5% 1/10W	
R 84	NRSA02J-223NY	MG RESISTOR	22K 5% 1/10W	
R 85	NRSA02J-103NY	MG RESISTOR	10K 5% 1/10W	
R 86	NRSA02J-102NY	MG RESISTOR	1.0K 5% 1/10W	
R 90	NRSA02J-332NY	MG RESISTOR	3.3K 5% 1/10W	
R 91	NRSA02J-104NY	MG RESISTOR	100K 5% 1/10W	
R 92	NRSA02J-102NY	MG RESISTOR	1.0K 5% 1/10W	
R 96	NRSA02J-102NY	MG RESISTOR	1.0K 5% 1/10W	
R 97	NRSA02J-104NY	MG RESISTOR	100K 5% 1/10W	
R 98	NRSA02J-103NY	MG RESISTOR	10K 5% 1/10W	
T 1	V0T7A21-113	I.F.T.		
TU 1	QAU0037-001	FRONT END	FM TU	
X 1	QAX0402-001	CRYSTAL		

BLOCK NO. 08

REF.	PARTS NO.	PARTS NAME	REMARKS	SUFFIX
C 604	QEK61AM-1072M	E CAPACITOR	100MF 20% 10V	
C 605	QET41EM-106	E CAPACITOR	10MF 20% 25V	
C 606	QCGB1HK-102	C CAPACITOR	1000PF 10% 50V	
C 607	QCGB1HK-102	C CAPACITOR	1000PF 10% 50V	
C 608	QET41HM-105	E CAPACITOR	1.0MF 20% 50V	
C 609	QCGB1HK-101Y	C CAPACITOR	100PF 10% 50V	
C 610	QFLC1HJ-2732M	M CAPACITOR	.027MF 5% 50V	
C 611	QCXB1CM-222Y	C CAPACITOR	2200PF 20% 16V	
C 612	QCVB1CN-103Y	C CAPACITOR	.010MF 30% 16V	
C 613	QCGB1HK-331Y	C CAPACITOR	330PF 10% 50V	
C 614	QFLC1HJ-1042M	M CAPACITOR	.10MF 5% 50V	
C 615	QCFB1HZ-223	C CAPACITOR	.022MF +80:-20% 50V	
C 616	QCFB1HZ-223	C CAPACITOR	.022MF +80:-20% 50V	
C 617	QCFB1HZ-223	C CAPACITOR	.022MF +80:-20% 50V	
C 618	QCVB1CM-222Y	C CAPACITOR	2200PF 20% 16V	
C 619	QCGB1HK-271Y	C CAPACITOR	270PF 10% 50V	
C 620	QCS11HJ-470	C CAPACITOR	47PF 5% 50V	
C 621	QCGB1HK-821Y	C CAPACITOR	820PF 10% 50V	
C 622	QET41AM-476	E CAPACITOR	47MF 20% 10V	
C 623	QFLC1HJ-1042M	M CAPACITOR	.10MF 5% 50V	
C 628	QCC11EM-473V	C CAPACITOR	.047MF 20% 25V	
C 629	QET41AM-107	E CAPACITOR	100MF 20% 10V	
C 631	QET41AM-477	E CAPACITOR	470MF 20% 10V	
C 632	QEK61AM-1072M	E CAPACITOR	100MF 20% 10V	
C 651	QCS11HJ-120	C CAPACITOR	12PF 5% 50V	
C 652	QCS11HJ-150	C CAPACITOR	15PF 5% 50V	
C 653	QCFB1HZ-223	C CAPACITOR	.022MF +80:-20% 50V	
C 655	QCC11EM-473V	C CAPACITOR	.047MF 20% 25V	
C 661	QCGB1HK-471Y	C CAPACITOR	470PF 10% 50V	
C 662	QCFB1HZ-223	C CAPACITOR	.022MF +80:-20% 50V	
C 663	QFLC1HJ-2232M	M CAPACITOR	.022MF 5% 50V	
C 664	QCFB1HZ-223	C CAPACITOR	.022MF +80:-20% 50V	
C 665	QFV41HJ-1042M	TF CAPACITOR	.10MF 5% 50V	
C 671	QCVB1CM-152Y	C CAPACITOR	1500PF 20% 16V	
C 672	QCXB1CM-152Y	C CAPACITOR	1500PF 20% 16V	
C 673	QTE1C05-227	E CAPACITOR	.022MF +80:-20% 50V	
C 674	QCFB1HZ-223	C CAPACITOR	AG-DG	
C 675	QCGB1HK-102	C CAPACITOR	AG-DG	
C 676	QCGB1HK-102	C CAPACITOR	DENGEN NOISE	
C 691	QCGB1HK-151Y	C CAPACITOR	DENGEN NOISE	
C 692	QCGB1HK-151Y	C CAPACITOR	DENGEN NOISE	
C 693	QCGB1HK-151Y	C CAPACITOR	DENGEN NOISE	
C 698	QCGB1HK-102	C CAPACITOR	1000PF 10% 50V	
CN	AT-Y-6-06-PH-06	AT-PH CONN	TO MOTOR	
CN601	QGF1008F1-15	21-41 CONNECTOR	TO RF	
CN603	QGF1205F1-07	CONNECTOR	TO AUDIO	
CN604	VMC0163-R11	CONNECTOR	TO MICRON	
CN605	VMC0041-003	CONNECTOR	TO DIGITAL OUT	
D 661	1SS133	SI DIODE		
IC601	AN8806SB	IC	RF AMP	
IC602	BA6897FF	IC	DRIVER	
IC603	MN35510	IC	1CHIP PROCESSER	
Q 601	2SA952(L,K)	TRANSISTOR		
Q 631	2SA952(L,K)	TRANSISTOR		
R 601	QRD161J-123	C RESISTOR	12K 5% 1/4W	

■ Reel Pulse Board

BLOCK NO. 02

A REF.	PARTS NO.	PARTS NAME	REMARKS	SUFFIX
CN 1	EMV7159-010	10P PLUG ASSY		
D 1	1SR139-100	SI DIODE		
IC 1	1SG-105F3-BB+C	PHOTO SENSER		
P 1	1VMZ0015-002	POST PIN		
SW 1	MXS00220MVLO	CASSETTE SWITCH	R.REC	
SW 2	MXS00220MVLO	CASSETTE SWITCH	TAPE	
SW 4	MXS00220MVLO	CASSETTE SWITCH	700	
SW 5	MXS00220MVLO	CASSETTE SWITCH	F.REC	
SW 6	QSW0507-001	SWITCH		

BLOCK NO. 03

A REF.	PARTS NO.	PARTS NAME	REMARKS	SUFFIX
R 603	QRD161J-125	C RESISTOR	1.2M 5% 1/4W	
R 605	QRD161J-134	C RESISTOR	130K 5% 1/4W	
R 606	QRD161J-913	C RESISTOR	91K 5% 1/4W	
R 607	QRD161J-273	C RESISTOR	27K 5% 1/4W	
R 609	QRD161J-114	C RESISTOR	110K 5% 1/4W	
R 610	QRD161J-154	C RESISTOR	150K 5% 1/4W	
R 612	QRD161J-103	C RESISTOR	10K 5% 1/4W	
R 613	QRD161J-121	C RESISTOR	120 5% 1/4W	
R 614	QRD161J-100	C RESISTOR	10 5% 1/4W	
R 615	QRD161J-120	C RESISTOR	12 5% 1/4W	
R 616	QRD161J-910Y	C RESISTOR	91 5% 1/4W	
R 621	QRD161J-330	C RESISTOR	33 5% 1/4W	
R 622	QRD161J-330	C RESISTOR	33 5% 1/4W	
R 623	QRD161J-330	C RESISTOR	33 5% 1/4W	
R 631	QRD161J-331	C RESISTOR	330 5% 1/4W	
R 632	QRD161J-101	C RESISTOR	100 5% 1/4W	
R 633	QRD161J-273	C RESISTOR	27K 5% 1/4W	
R 641	QRD161J-563	C RESISTOR	56K 5% 1/4W	
R 642	QRD161J-123	C RESISTOR	12K 5% 1/4W	
R 643	QRD161J-822	C RESISTOR	8-2K 5% 1/4W	
R 644	QRD161J-223	C RESISTOR	22K 5% 1/4W	
R 645	QRD161J-223	C RESISTOR	22K 5% 1/4W	
R 646	QRD161J-182	C RESISTOR	1.8K 5% 1/4W	
R 647	QRD161J-562	C RESISTOR	5.6K 5% 1/4W	
R 651	QRD161J-102	C RESISTOR	1.0K 5% 1/4W	
R 652	QRD161J-102	C RESISTOR	1.0K 5% 1/4W	
R 653	QRD161J-102	C RESISTOR	1.0K 5% 1/4W	
R 654	QRD161J-102	C RESISTOR	1.0K 5% 1/4W	
R 655	QRD161J-471	C RESISTOR	470 5% 1/4W	
R 659	QRD161J-471	C RESISTOR	470 5% 1/4W	
R 661	QRD161J-104	C RESISTOR	100K 5% 1/4W	
R 662	QRD161J-155	C RESISTOR	1.5M 5% 1/4W	
R 663	QRD161J-124	C RESISTOR	120K 5% 1/4W	
R 664	QRD161J-471	C RESISTOR	470 5% 1/4W	
R 666	QRD161J-220	C RESISTOR	22 5% 1/4W	
R 671	QRD161J-102	C RESISTOR	1.0K 5% 1/4W	
R 672	QRD161J-102	C RESISTOR	1.0K 5% 1/4W	
X 651	VCK5016-934V	CRYSTAL	16.9344MHZ	

Head Amplifier & Mechanism Control Board

REF.	PARTS NO.	PARTS NAME	REMARKS	SUFFIX
C 101	NC821HJ-821AY	C CAPACITOR	820PF 5% 50V	
C 102	NC821HJ-221AY	C CAPACITOR	220PF 5% 50V	
C 103	GEK40JM-227	E CAPACITOR	220MF 20% 6.3V	
C 104	NCB21HK-333AY	C CAPACITOR	-033MF 10% 50V	
C 105	NCB21HK-222AY	C CAPACITOR	2200PF 10% 50V	
C 106	GEK41CM-106	E CAPACITOR	10MF 20% 16V	
C 107	NC821HU-561AY	C CAPACITOR	5600PF 5% 50V	
C 108	GEK41EM-475	E CAPACITOR	4.7MF 20% 25V	
C 109	GEK41EM-475	E CAPACITOR	4.7MF 20% 25V	
C 110	NCB21HK-682AY	C CAPACITOR	6800PF 10% 50V	
C 111	NCB21HK-122AY	C CAPACITOR	1200PF 10% 50V	
C 112	NCB21EK-683AY	C CAPACITOR	-068MF 10% 25V	
C 113	NCB21HK-222AY	C CAPACITOR	2200PF 10% 50V	
C 121	NC821HJ-331AY	C CAPACITOR	330PF 5% 50V	
C 201	NC821HJ-821AY	C CAPACITOR	820PF 5% 50V	
C 202	NC821HJ-221AY	C CAPACITOR	220PF 5% 50V	
C 203	GEK40JM-227	E CAPACITOR	220MF 20% 6.3V	
C 204	NCB21HK-333AY	C CAPACITOR	-033MF 10% 50V	
C 205	NCB21HK-222AY	C CAPACITOR	2200PF 10% 50V	
C 206	GEK41CM-106	E CAPACITOR	10MF 20% 16V	
C 207	NC821HU-561AY	C CAPACITOR	5600PF 5% 50V	
C 208	GEK41EM-475	E CAPACITOR	4.7MF 20% 25V	
C 209	GEK41EM-475	E CAPACITOR	4.7MF 20% 25V	
C 210	NCB21HK-682AY	C CAPACITOR	6800PF 10% 50V	
C 211	NCB21HK-122AY	C CAPACITOR	1200PF 10% 50V	
C 212	NCB21EK-683AY	C CAPACITOR	-068MF 10% 25V	
C 213	NCB21HK-222AY	C CAPACITOR	2200PF 10% 50V	
C 221	NC821HJ-331AY	C CAPACITOR	330PF 5% 50V	
C 301	GEKF1AM-107ZN	E CAPACITOR	100NF 20% 10V	
C 302	NCB21HK-393AY	C CAPACITOR	-039MF 10% 50V	
C 303	GEK40JM-227	E CAPACITOR	220MF 20% 6.3V	
C 304	GEK41CM-226	E CAPACITOR	22MF 20% 16V	
C 305	GEK41CM-226	E CAPACITOR	22MF 20% 16V	
C 306	GEK41CM-476	E CAPACITOR	47MF 20% 16V	
C 307	NCB21HK-103AY	C CAPACITOR	-010MF 10% 50V	
C 308	NCB21HK-562AY	C CAPACITOR	5600PF 10% 50V	
C 309	NCB21HK-562AY	C CAPACITOR	5600PF 10% 50V	
C 310	NCB21HK-223AY	C CAPACITOR	-022MF 10% 50V	
C 311	NCB21HK-682AY	C CAPACITOR	6800PF 10% 50V	
C 313	GEKF1AM-107ZN	E CAPACITOR	100NF 20% 10V	
C 314	QZ0205-155	ML CAPACITOR	1.5MF	
C 315	QZ0205-155	ML CAPACITOR	1.5MF	
C 316	QFG32AJ-103ZN	PP CAPACITOR	-010MF 5% 100V	
C 318	NCB21HK-103AY	C CAPACITOR	-010MF 10% 50V	
C 319	QFG32AJ-821ZN	TF CAPACITOR	820PF 5% 100V	
C 321	NCB21HK-103AY	C CAPACITOR	-010MF 10% 50V	
C 322	QFG32AJ-152ZN	M CAPACITOR	1500PF 5% 100V	
C 331	GEK41CM-476	E CAPACITOR	47MF 20% 16V	
C 351	GEK41CM-106	E CAPACITOR	10MF 20% 16V	
C 371	GEK41EM-475	E CAPACITOR	4.7MF 20% 25V	
C 374	GEKF1AM-107ZN	E CAPACITOR	MOTOR +B	
C 375	GEKF1AM-107ZN	E CAPACITOR	100MF 20% 10V	
C 376	NCB21HK-103AY	C CAPACITOR	-010MF 10% 50V	
CN 31	VMCO163-R06	CONNECTOR	PRI/MECHA	
CN 32	QGB2011M1-10	CONNECTOR	PRI/MECHA	

REF.	PARTS NO.	PARTS NAME	REMARKS	SUFFIX
CN 33	VMCO163-R09	CONNECTOR	PR1/MICON	
CN 34	VMCO163-R10	CONNECTOR	PR1/AMP	
D 301	MA152MA-TX	DIODE		
D 309	MA704A	S-K DIODE		
D 375	MA3051(CM)	ZENER DIODE		
FW 31	VWSC04-06A13K	EF FLAT	HEAD SW	
IC 31	BA3126N	IC	PB8REC	
IC 32	AM7317	IC		
IC 33	BU40948CF-X	IC		
L 301	QGR0620-001	OSC COIL(BIAS)		
L 303	VGP0033-100Z	INDUCTOR		
Q 101	DTC114TKT146	TRANSISTOR		
Q 102	DTC114TKT146	TRANSISTOR	REC EQ CONT.	
Q 201	DTC114TKT146	TRANSISTOR		
Q 202	DTC114TKT146	TRANSISTOR	REC EQ CONT.	
Q 301	DTA144EKA-X	TRANSISTOR		
Q 302	2SC2001(L,K)	TRANSISTOR		
Q 303	2SC2001(L,K)	TRANSISTOR		
Q 304	2SC2001(L,K)	TRANSISTOR		
Q 305	2SC2001(L,K)	TRANSISTOR		
Q 306	2SC1623(6)	TRANSISTOR		
Q 307	2SC1623(6)	TRANSISTOR		
Q 308	2SC1623(6)	TRANSISTOR		
Q 309	2SC1623(6)	TRANSISTOR		
Q 321	DTC144EKA-X	TRANSISTOR		
Q 323	2SC1623(6)	TRANSISTOR		
Q 371	2SA952(L,K)	TRANSISTOR	MOTER+B	
Q 372	DTC124EK	TRANSISTOR		
Q 375	2SB562(C)	TRANSISTOR	SOLENOID DRIVE	
Q 376	2SC1623(6)	TRANSISTOR		
R 101	NRSA02J-220NY	MG RESISTOR	22 5% 1/10W	
R 102	NRSA02J-182NY	MG RESISTOR	1.8K 5% 1/10W	
R 103	NRSA02J-242	MG RESISTOR	2.4K 5% 1/10W	
R 104	NRSA02J-122NY	MG RESISTOR	1.2K 5% 1/10W	
R 105	NRSA02J-104NY	MG RESISTOR	100K 5% 1/10W	
R 106	NRSA02J-332NY	MG RESISTOR	3.3K 5% 1/10W	
R 107	NRSA02J-123NY	MG RESISTOR	12K 5% 1/10W	
R 108	NRSA02J-562NY	MG RESISTOR	5.6K 5% 1/10W	
R 109	NRSA02J-122NY	MG RESISTOR	1.2K 5% 1/10W	
R 110	NRSA02J-472NY	MG RESISTOR	4.7K 5% 1/10W	
R 111	NRSA02J-333NY	MG RESISTOR	33K 5% 1/10W	
R 112	NRSA02J-222NY	MG RESISTOR	2.2K 5% 1/10W	
R 113	NRSA02J-472NY	MG RESISTOR	4.7K 5% 1/10W	
R 114	NRSA02J-272NY	MG RESISTOR	2.7K 5% 1/10W	
R 116	NRSA02J-102NY	MG RESISTOR	1.0K 5% 1/10W	
R 121	NRSA02J-102NY	MG RESISTOR	1.0K 5% 1/10W	
R 201	NRSA02J-220NY	MG RESISTOR	22 5% 1/10W	
R 202	NRSA02J-182NY	MG RESISTOR	1.8K 5% 1/10W	
R 203	NRSA02J-242	MG RESISTOR	2.4K 5% 1/10W	
R 204	NRSA02J-122NY	MG RESISTOR	1.2K 5% 1/10W	
R 205	NRSA02J-104NY	MG RESISTOR	100K 5% 1/10W	
R 206	NRSA02J-332NY	MG RESISTOR	3.3K 5% 1/10W	
R 207	NRSA02J-123NY	MG RESISTOR	12K 5% 1/10W	
R 208	NRSA02J-562NY	MG RESISTOR	5.6K 5% 1/10W	
R 209	NRSA02J-122NY	MG RESISTOR	1.2K 5% 1/10W	

BLOCK NO. 00111111

BLOCK NO. 00111111

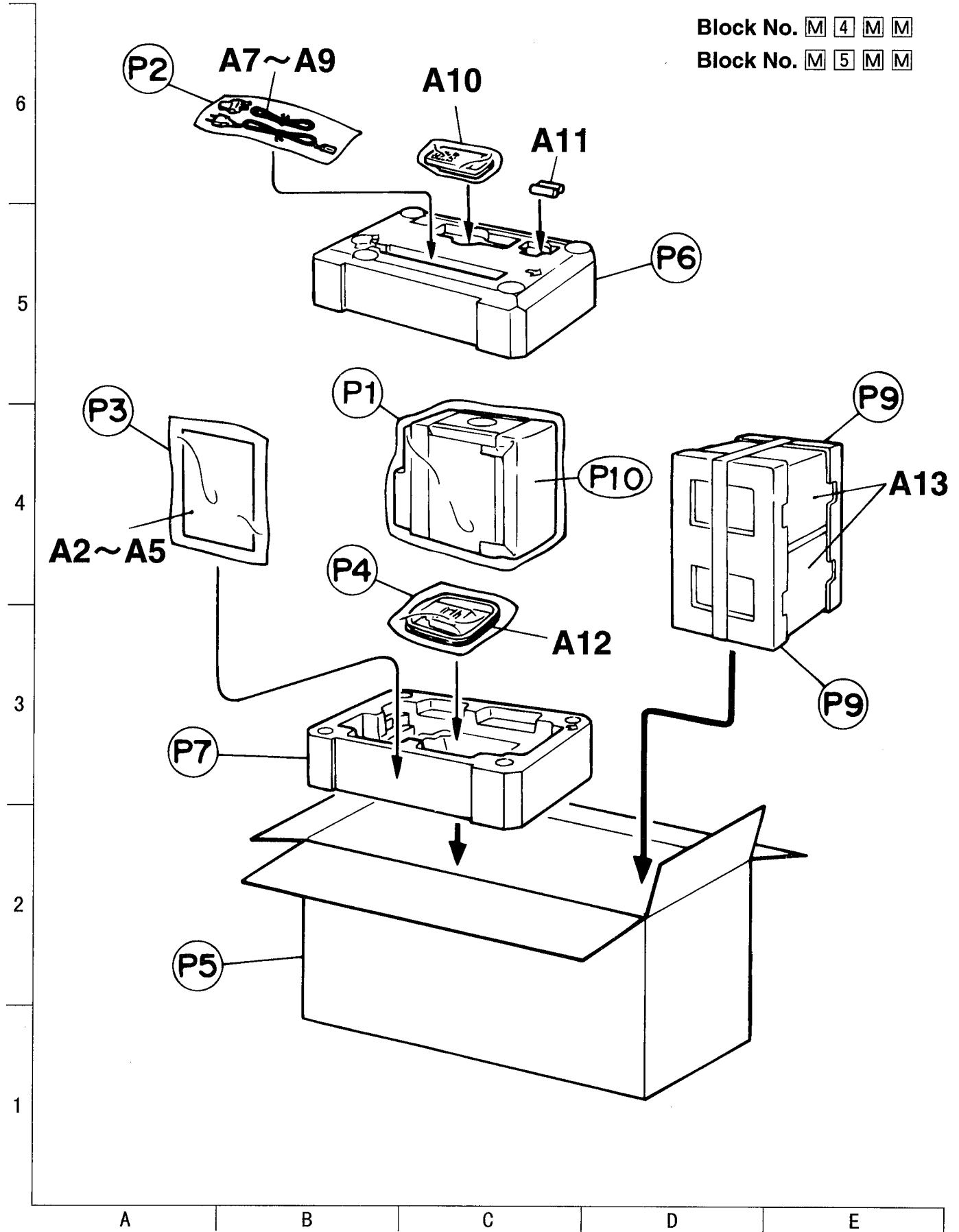
BLOCK NO. 10

REF.	PARTS NO.	PARTS NAME	REMARKS	SUFFIX
R 210	NRSA02J-472NY	MG RESISTOR	4.7K 5% 1/10W	
R 211	NRSA02J-333NY	MG RESISTOR	33K 5% 1/10W	
R 212	NRSA02J-222NY	MG RESISTOR	2.2K 5% 1/10W	
R 213	NRSA02J-472NY	MG RESISTOR	4.7K 5% 1/10W	
R 214	NRSA02J-272NY	MG RESISTOR	2.7K 5% 1/10W	
R 216	NRSA02J-102NY	MG RESISTOR	1.0K 5% 1/10W	
R 221	NRSA02J-102NY	MG RESISTOR	1.0K 5% 1/10W	
R 301	NRS181J-221NY	MG RESISTOR	220 5% 1/8W	
R 303	NRSA02J-393NY	MG RESISTOR	39K 5% 1/10W	
R 304	NRS181J-101NY	MG RESISTOR	100 5% 1/8W	
R 305	NRSA02J-222NY	MG RESISTOR	2.2K 5% 1/10W	
R 306	NRSA02J-222NY	MG RESISTOR	2.2K 5% 1/10W	
R 310	NRS181J-560NY	MG RESISTOR	56 5% 1/8W	
R 311	NRS181J-560NY	MG RESISTOR	56 5% 1/8W	
R 313	NRSA02J-3R3NYM	MG RESISTOR	3.3 5% 1/10W	
R 314	NRSA02J-223NY	MG RESISTOR	22K 5% 1/10W	
R 315	NRSA02J-100NY	MG RESISTOR	10 5% 1/10W	
R 316	NRSA02J-223NY	MG RESISTOR	22K 5% 1/10W	
R 317	NRSA02J-100NY	MG RESISTOR	10 5% 1/10W	
R 319	NRSA02J-152NY	MG RESISTOR	1.5K 5% 1/10W	
R 322	NRSA02J-152NY	MG RESISTOR	1.5K 5% 1/10W	
R 327	NRSA02J-474NY	MG RESISTOR	470K 5% 1/10W	
R 332	NRSA02J-123NY	MG RESISTOR	12K 5% 1/10W	
R 333	NRSA02J-123NY	MG RESISTOR	12K 5% 1/10W	
R 335	NRSA02J-152NY	MG RESISTOR	1.5K 5% 1/10W	
R 336	NRSA02J-472NY	MG RESISTOR	4.7K 5% 1/10W	
R 337	NRSA02J-332NY	MG RESISTOR	3.3K 5% 1/10W	
R 338	NRSA02J-392NY	MG RESISTOR	3.9K 5% 1/10W	
R 339	NRSA02J-222NY	MG RESISTOR	2.2K 5% 1/10W	
R 340	NRS181J-391NY	MG RESISTOR	390 5% 1/8W	
R 341	NRSA02J-123NY	MG RESISTOR	12K 5% 1/10W	
R 342	NRSA02J-203NY	MG RESISTOR	20K 5% 1/10W	
R 343	NRSA02J-183NY	MG RESISTOR	18K 5% 1/10W	
R 351	NRSA02J-683NY	MG RESISTOR	68K 5% 1/10W	
R 352	NRSA02J-942NY	MG RESISTOR	9.4K 5% 1/10W	
R 371	NRSA02J-123NY	MG RESISTOR	12K 5% 1/10W	
R 372	NRSA02J-102NY	MG RESISTOR	1.0K 5% 1/10W	
R 375	NRSA02J-151NY	MG RESISTOR	150 5% 1/10W	
R 376	NRSA02J-472NY	MG RESISTOR	4.7K 5% 1/10W	
VR 31	QVPA603-503A	SEMI V RESISTOR	BIAS ADJ	
VR 32	QVPA603-503A	SEMI V RESISTOR	BIAS ADJ	
VR 37	QVPA603-103M	SEMI V RESISTOR	TAPE SPEED ADJ	

Packing Materials and Accessories Parts List

Block No. M 4 M M

Block No. M 5 M M



■ Packing Parts List

BLOCK NO.

△	REF.	PARTS NO.	PARTS NAME	REMARKS	QTY	SUFFIX	CLR
	P 1	VPE3026-006	POLY BAG	FOR SET	1		
	P 2	QPA01202505	POLY BAG	FOR P.CORD	1	E,EE,EN	
		QPA01202505	POLY BAG	FOR P.CORD	1	U,US,UX,UF	
		QPGA015-03503	POLY BAG	FOR P.CORD	1	B,UB	
	P 3	VPE3026-004	POLY BAG	INSTRUCTIONS	1		
	P 4	QPA01702503P	POLY BAG	FOR AM ANT	1		
	P 5	LV10070-001A	CARTON	UX-T150	1	B,E,EE,EN	
		LV10070-001A	CARTON	UX-T150	1	U,UB,US,UX	
		LV10070-002A	CARTON	UX-T150	1	UF	
		LV10071-001A	CARTON	UX-T151	1		
	P 6	VPH1709-001	CUSHION(UPPER)		1		
	P 7	VPH1709-002	CUSHION(BOTTOM)		1		
	P 9	VGSP024-004	SP CUSHION		2		
	P 10	VPK3001-012	SHEET		1		

■ Accessories

BLOCK NO.

△	REF.	PARTS NO.	PARTS NAME	REMARKS	QTY	SUFFIX	CLR
	A 2	LVT0056-006A	INSTRUCTIONS		1	U,UX	
		LVT0056-007A	INSTRUCTIONS		1	U,UB,US,UX	
		LVT0056-001A	INSTRUCTIONS		1	B	
		LVT0056-002A	INSTRUCTIONS		1	E	
		LVT0056-003A	INSTRUCTIONS		1	E,EN	
		LVT0056-004A	INSTRUCTIONS		1	EN	
		LVT0056-005A	INSTRUCTIONS		1	EE	
		LVT0056-008A	INSTRUCTIONS		1	UF	
	A 3	BT-54008-1	WARRANTY CARD		1	B,E,EE,EN	
		BT-59007-1	WARRANTY CARD		1	UF	
	A 4	BT-59009-1	S.CENTER LIST		1	UF	
	A 5	E43486-340B	SAFETY INST		1	B	
	A 7	ENZ2202-001	AC PLUG ADAPTER		1	U,US	
		ENZ2203-001	SIEMENS PLUG		1	UX	
	A 8	QMPP060-183-JD	POWER CORD	UX-T150	1	UB	
		QMPS020-183-JC	POWER CORD	UX-T150	1	UF	
		QMP39F0-183	POWER CORD	UX-T150	1	U,US	
		QMP39F0-183	POWER CORD	UX-T151	1	E,EN	
		QMP5520-183BS	POWER CORD	UX-T150/T151	1	B	
		QMP7350-150	POWER CORD	UX-T150	1	UX	
		QMP39F0-183E	POWER CORD	UX-T150	1	E,EE,EN	
	A 9	EWP201-011	B. IN ANT	FM ANT	1	U,UB,US,UX	
		EWP201-011	B. IN ANT	FM ANT	1	UF	
		EWP503-001	B. IN ANT	FM ANT	1	B,E,EE,EN	
	A 10	VGRO063-201	REMOCON UNIT		1		
	A 11	R6SPTT/2STS	BATTERY	FOR REMOCON	1		
	A 12	QAL0014-001	AM LOOP ANT	AM ANT	1		
	A 13	UXT150U-SPBOX	SPEAKER BOX	UX-T150	2	U,UB,US,UX	
		UXT100HK-SPBOX	SPEAKER BOX	UX-T151	2		
		UXT150H-SPBOX	SPEAKER BOX	UX-T150	2	B,E,EE,EN	
		UXT150U-SPBOX	SPEAKER BOX	UX-T150	2	UF	

JVC

VICTOR COMPANY OF JAPAN, LIMITED

AUDIO DIVISION, 10-1, 1Chome, Ohwatari-machi, Maebashi-city, 371-8543, Japan