

PICK-UP ADJUSTMENT

■ Overhang Adjustment

When you replace the cartridge, be sure to align the overhang that is the distance between the stylus tip and the center spindle. This can be aligned by loosening the screws which connect the cartridge to the head shell, sliding the cartridge and retaining the screws.

“The standard overhang should be 7/16-inch.”

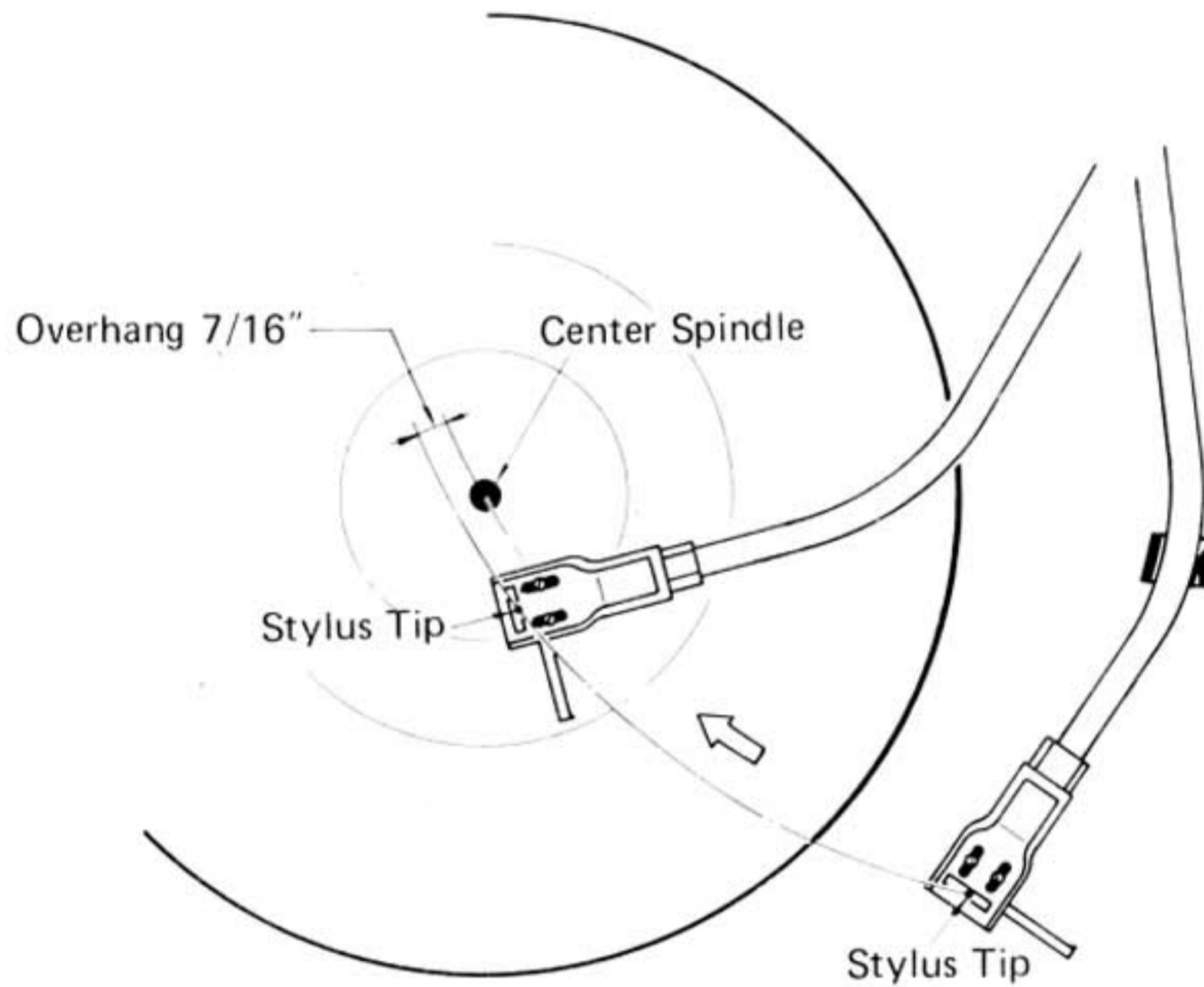


Fig. 1

■ Head Shell Positioning

If the stylus tip is not perpendicular to the record surface as shown below, the tone quality will be unsatisfactory. In this case, loosen the cartridge retaining screws (Fig. 2-A) and holding the cartridge so that the stylus tip is perpendicular to the record surface, tighten the screws. Moreover if it is need, loosen the screws (Fig. 2-B) and reposition the stylus estimating its position visually.

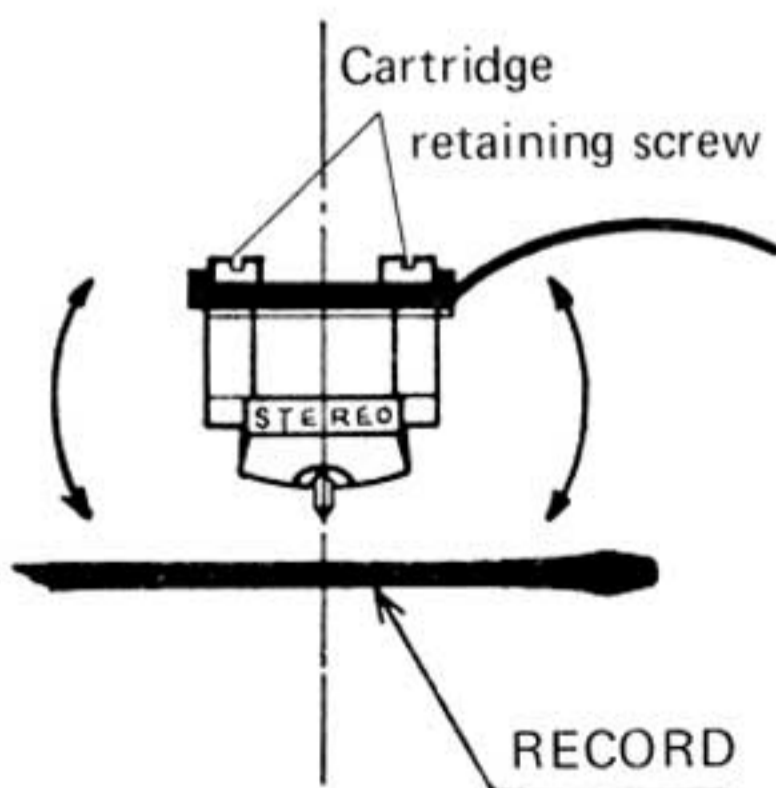


Fig. 2-A

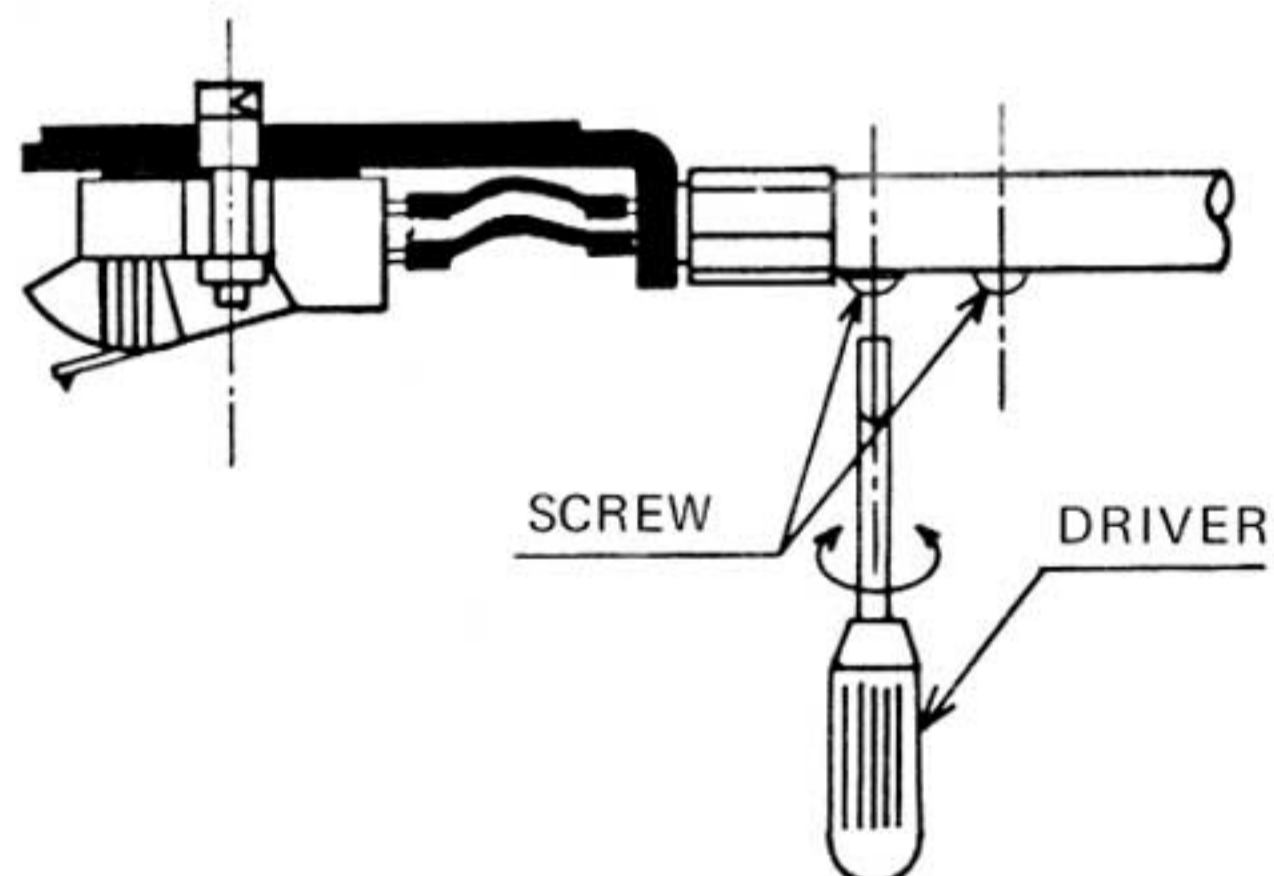


Fig. 2-B

■ Stylus Pressure Adjustment

1. Make the tone arm free of its rest and put down the cueing lever.
2. Turn the weight and the scale together so that the tone arm is perfectly balanced with the stylus at the level of the record surface.

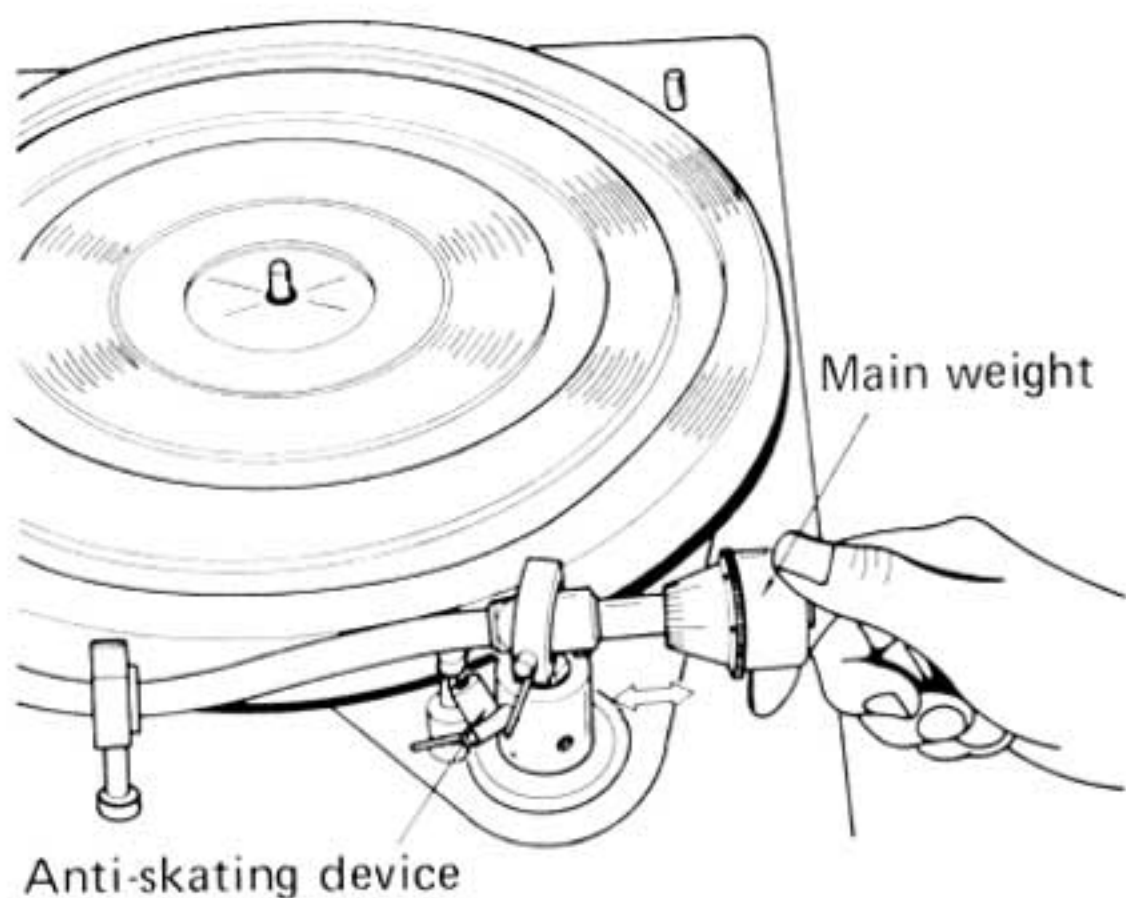


Fig. 3

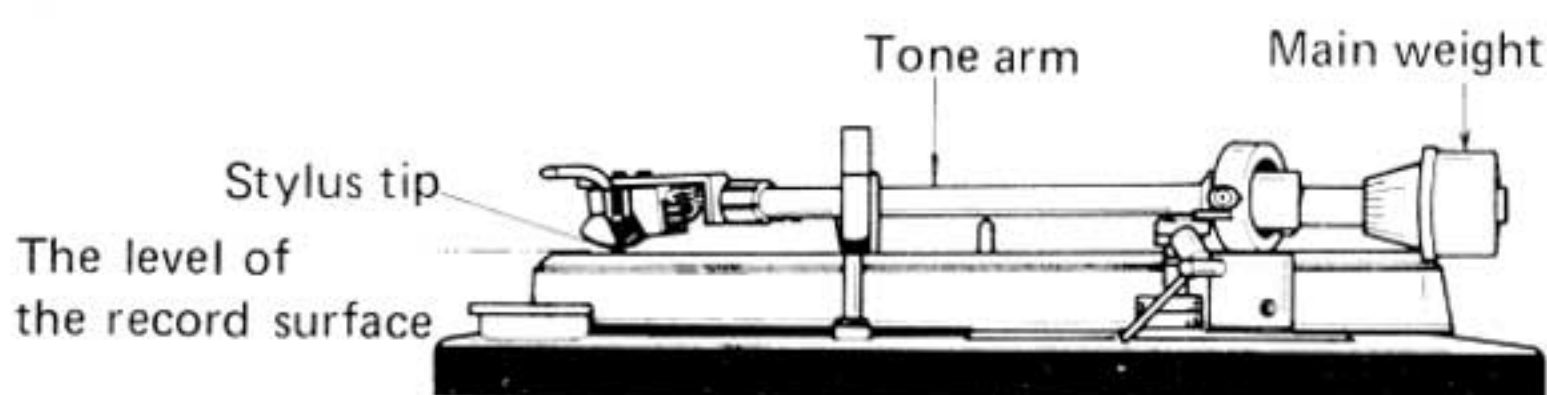


Fig. 4

3. Holding the weight so that it does not move, turn the stylus pressure gauge till it registers "0". Check to see that it is still balanced. (Fig. 5).
4. Each graduation on the weight corresponds to a stylus pressure of 0.1g. Turn the weight and the scale together till the scale shows the stylus pressure recommended by the cartridge manufacture. (Fig. 6).

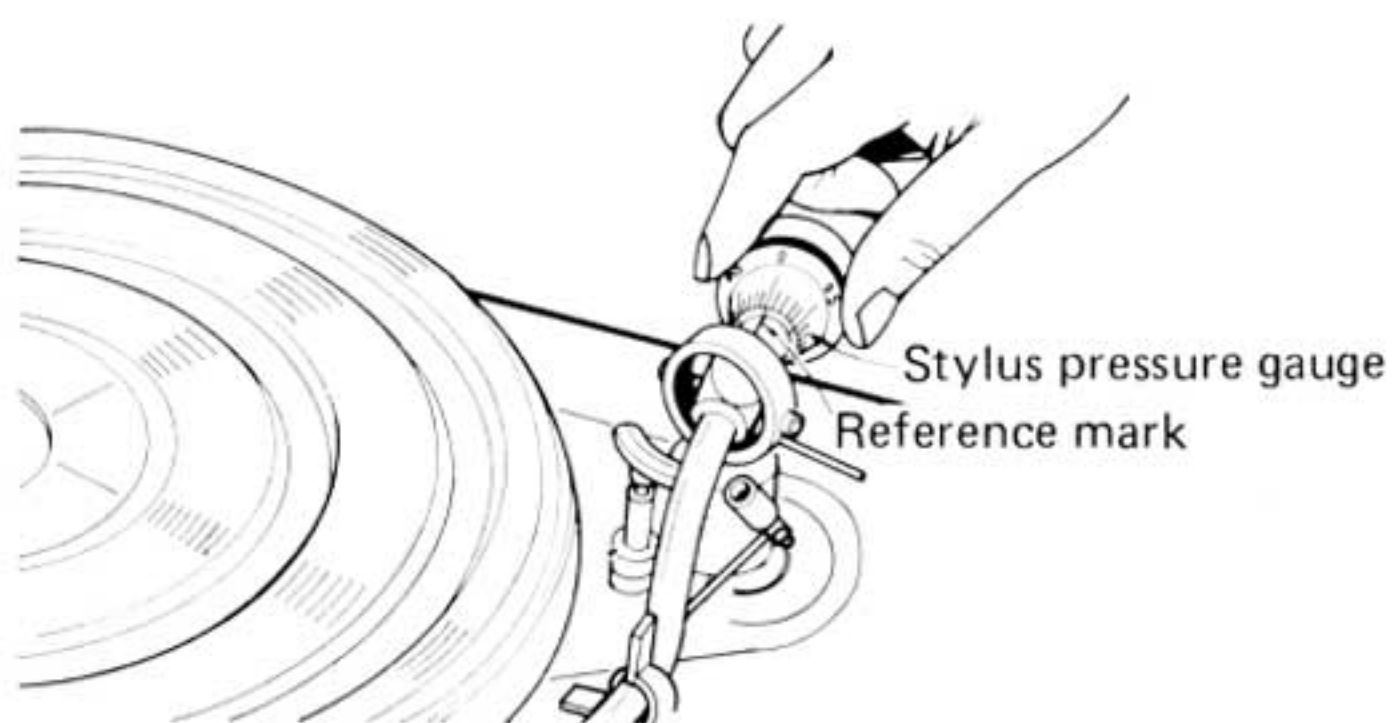


Fig. 5

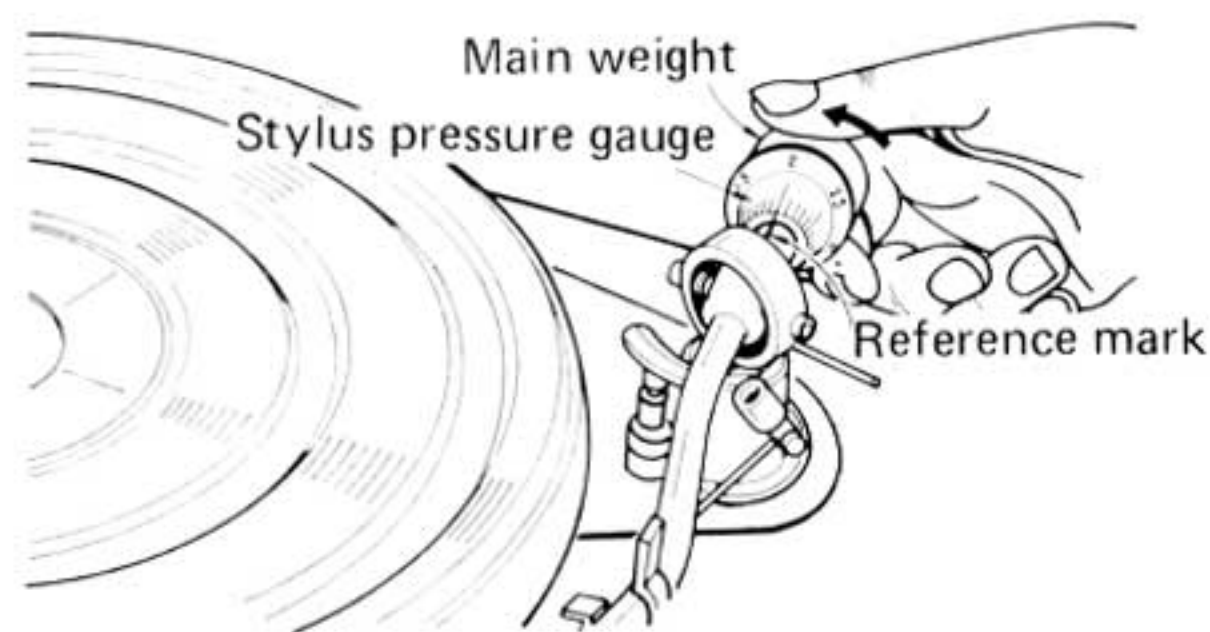


Fig. 6

5. If the weight of the cartridge being used is lighter it may be necessary to use the Head Weight to the head shell to balance the tone arm. (Fig. 7).

■ Caution about Anti-skating Device

In case the stylus pressure is less than 1.5g, release the anti-skating device from the bar of tone arm as shown in Fig. 8.

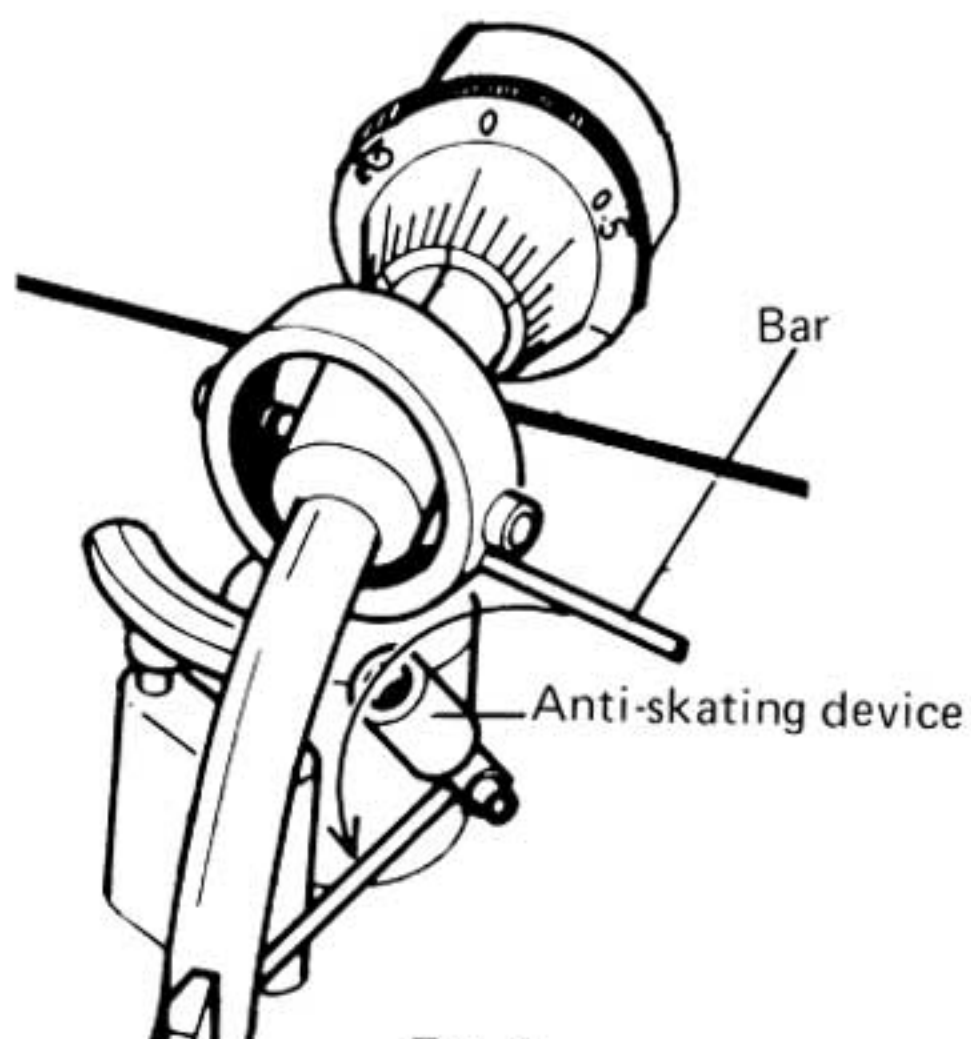


Fig. 8

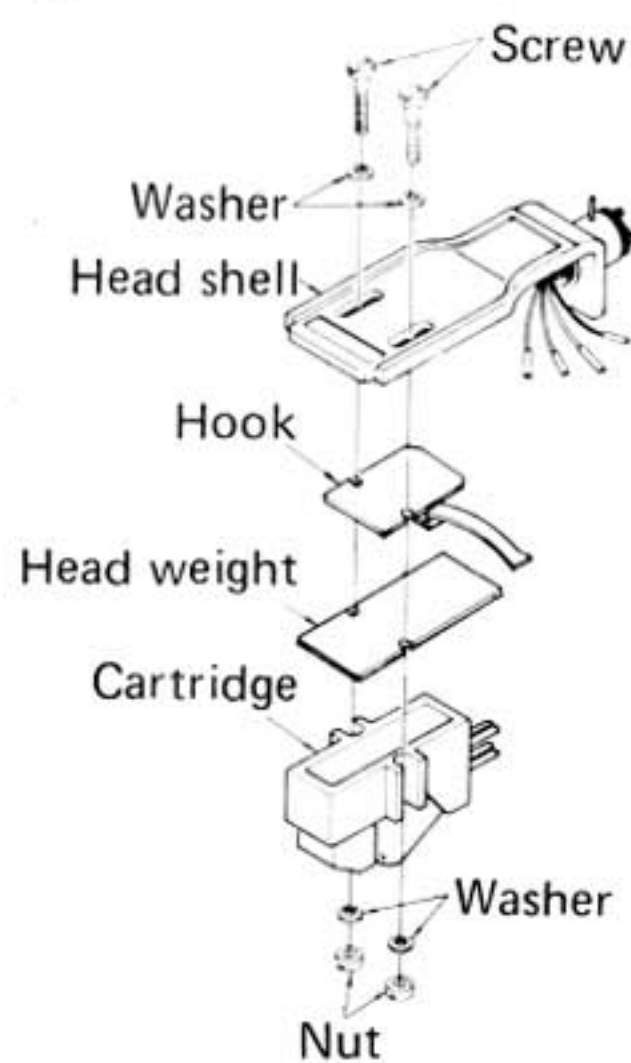


Fig. 7

AFTER REPLACING THE MOTOR OR PULLEY

1. Push the 33 rpm. speed change button.
2. Check that the end of 33 rpm. face of pulley positions at the same level as the upper belt guide as shown below.
3. If it does not, adjust the pulley fixing.

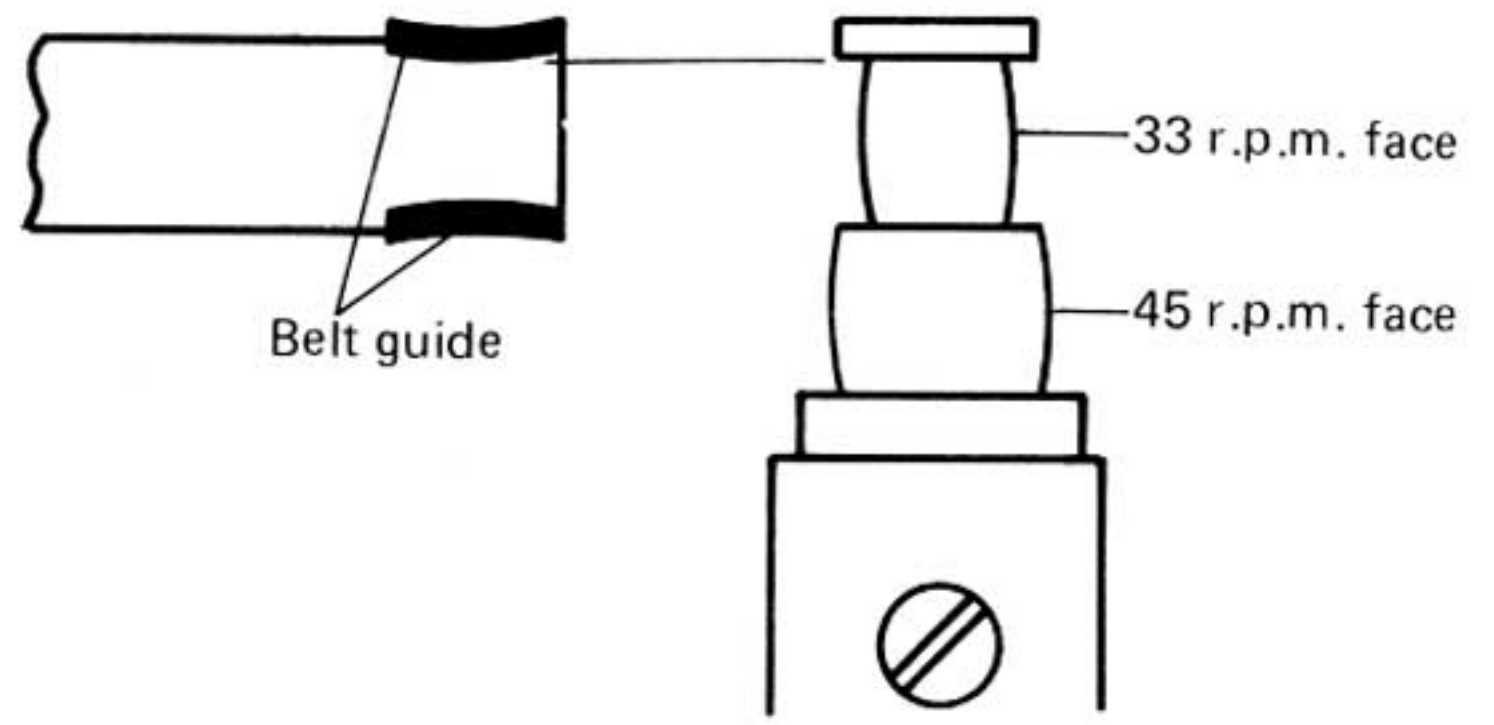


Fig. 9

ZONE ARM EXPLODED VIEW

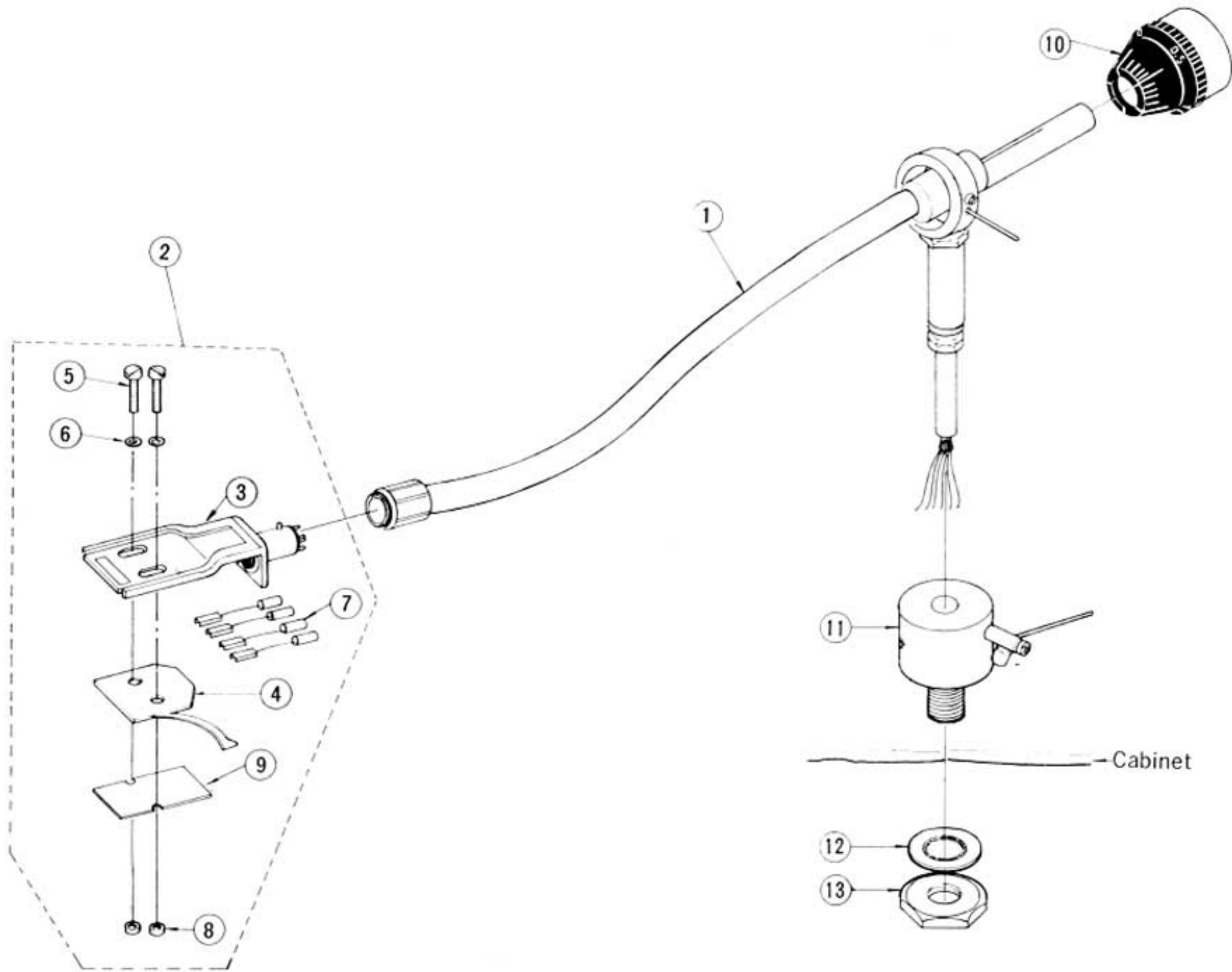


Fig. 10

Dwg. No.	Part No.	Part Name	Dwg. No.	Part No.	Part Name
1	EG81609	Tone Arm Body	8	EG81617	Nut
2	EG81610	Head Shell Ass'y	9	EG81613	Weight
3	EG81611	Head Shell Body	10	EG81619	Weight Ass'y
4	EG81612	Hook	11	EG81620	Base Ass'y
5	EG81615	Screw	12	EG81625	Washer
6	EG81616	Washer	13	EG81626	Nut
7	EG81614	Lead Wire			

CABINET EXPLODED VIEW

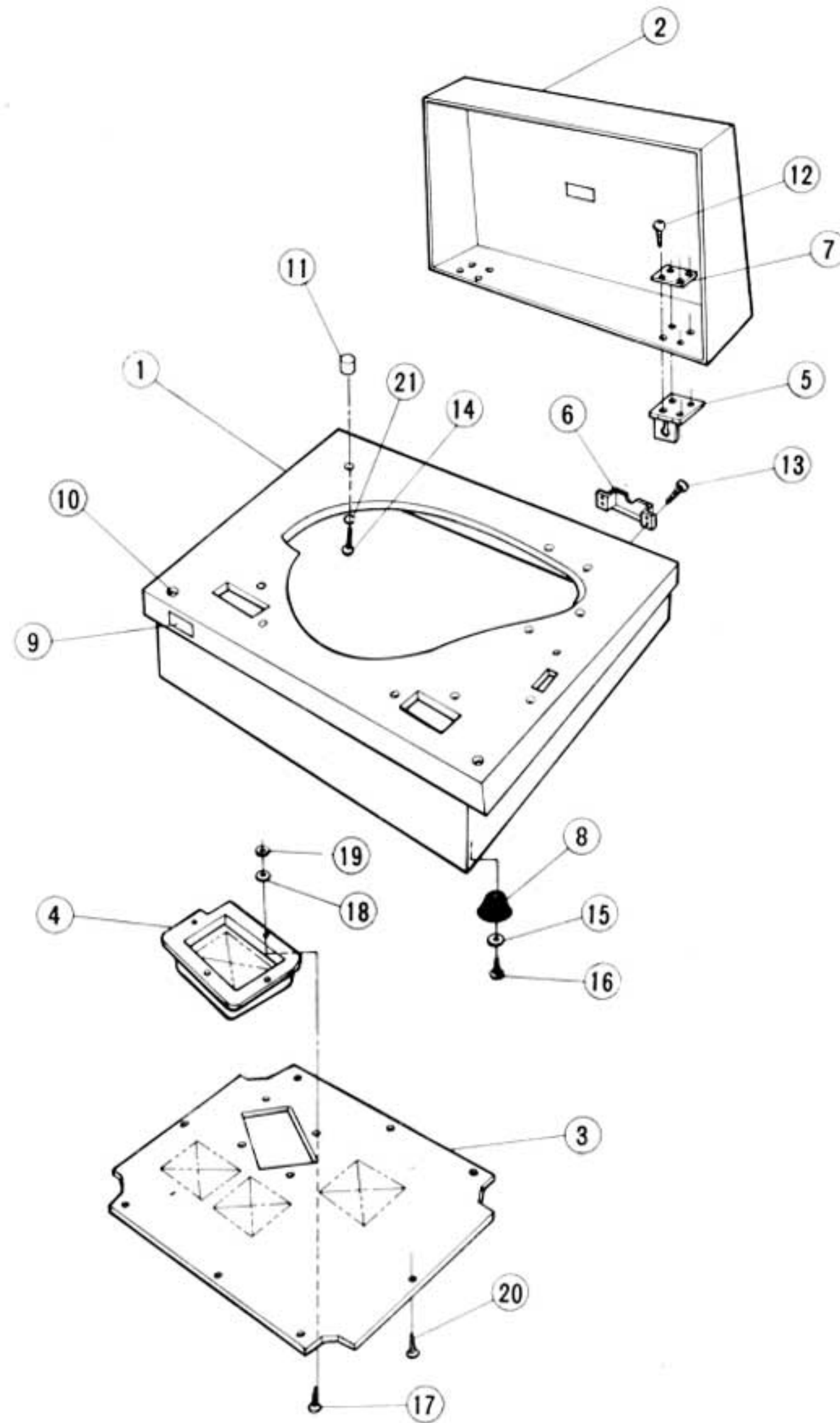


Fig. 11

Dwg. No.	Part No.	Part Name	Qty	Dwg. No.	Part No.	Part Name	Qty
1	ED92408	Cabinet	1	12	SHBP3010N	Screw	8
2	E1603-004	Cover Ass'y	1	13	MRSP3116N	Wood Screw	8
3	E21402-002	Bottom Board	1	14	SPSP3014ZS	Screw	1
4	E48875-001	Motor Cover	1	15	WNS3000Z	Washer	4
5	ED35375-001S	Free Hinge Ass'y	2	16	MRSP3116N	Wood Screw	4
6	ED42991-001	Lock Plate	2	17	SPSP3010ZS	Screw	4
7	ED42992-001	Plate	2	18	WNS3000Z	Washer	4
8	E46927-003	Foot	4	19	NNZ3000ZS	Nut	4
9	D42736-003	Mark	1	20	MRSP3116N	Wood Screw	8
10	D42133-B	Lid Cushion	2	21	WLS3000	Lock Washer	1
11	EG100721	45 rpm Adaptor Holder	1				

PLAYER MECHANISM PARTS LIST (See Fig. 12)

Dwg. No.	Part No.	Part Name	Description	
1	ARM-502	Pick-up Arm Ass'y	with Head Shell, without Cartridge	
2	EG100728	Restore Lever Ass'y		
3	EG100664	Reject Link		
4	EG100730	Reject Spring		
5	EG100014	Kick Lever		
6	EG100015	Return Spring		
7	EG100723	Return Gear Ass'y		
8	EG100554	Switch Lever		
9	EG100509	Shaft Ass'y		
10	EG100508	Plate Washer		
11	EG100510	Gear Stopper Arm		
12	EG100567	Gear Stopper Spring		
13	EG100073	"E" Ring		
14	EG100056	Shaft Ass'y		
15	EG100057	Bush Ass'y		
16	EG100071	Stopper Pin		
17	EG100584	Switch Arm Ass'y		
18	EG100638	Arm Spring		(UL Approved)
19	EG100731	Micro Switch		
20	E21403-003	Control Cover Ass'y		
21	EG100724	Speed Change Ass'y		
22	G41028-001	Button	33-1/3 and 45 rpm.	
23	EG100688	Speed Joint		
24	EG100687	Belt Guide Ass'y		
25	E33492	Pick-up Base		
26	E33493	Pick-up Base		
27	E33573-002	Cueing Lever Ass'y		
28	EG100542	Rest		
29	EG100726	Oil Lifter Ass'y		
30	EG100074	"E" Ring		
31	EG100729	Trip Slide		
32	EG100544	Trip Slide Base		
33	EG100545	Seesaw Arm Ass'y		
34	EG100582	Platter Mat		
35	EG100722	Platter		
36	EG100058	Belt		
37	EG100725	Plate Ass'y		
38	EG100700	Mounting Plate		
39	EG100699	Rubber Bush		AC 120V, 60Hz for 60Hz AC 120V, 60Hz
40	EG100727	Motor Unit		
41	EG100548-002	Pulley		
42	EG100732-60	Motor Complete Ass'y		

PLAYER MECHANISM EXPLODED VIEW

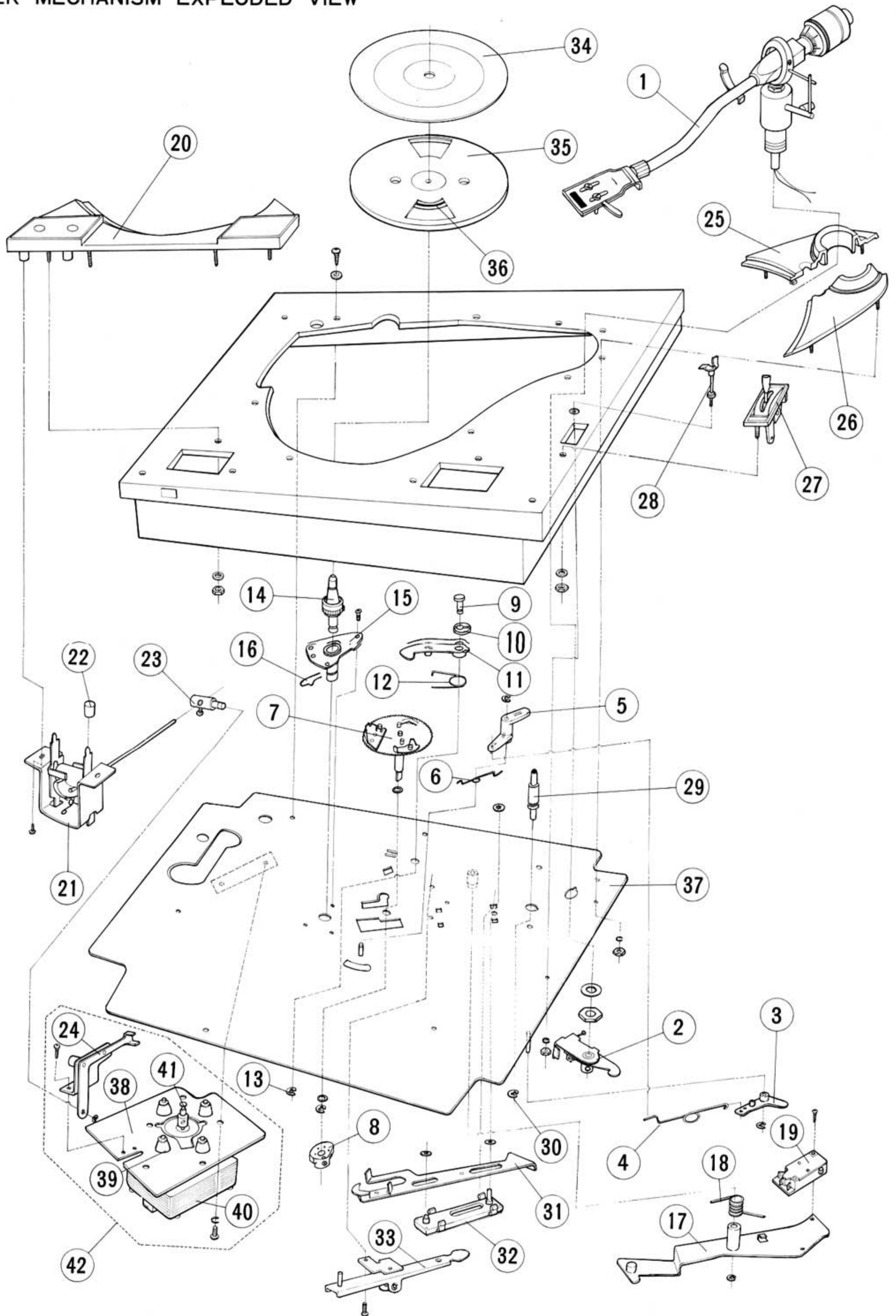


Fig. 12

ACCESSORIES

Part No.	Part Name	Description
E30580-404A BT-20002 BT10001 E32907-070	Instruction Book Warranty Card Service Station List Feature Tag	} Packed in Envelope E64207-003

MISCELLANEOUS

Part No.	Part Name	Description
Q03056-14 E31704-001 QFM72EM-473 E32739-001 G3613-009 G3613-010 G8395-001	Power Cord with Plug Cord Stopper Metalized Mylar Capacitor Terminal Strip Signal Cord Ass'y Signal Cord Ass'y 45 rpm. Adaptor	UL Approved UL Approved, for Power Cord UL Approved UL Approved WHT (L) RED (R)

PACKING INSTRUCTION

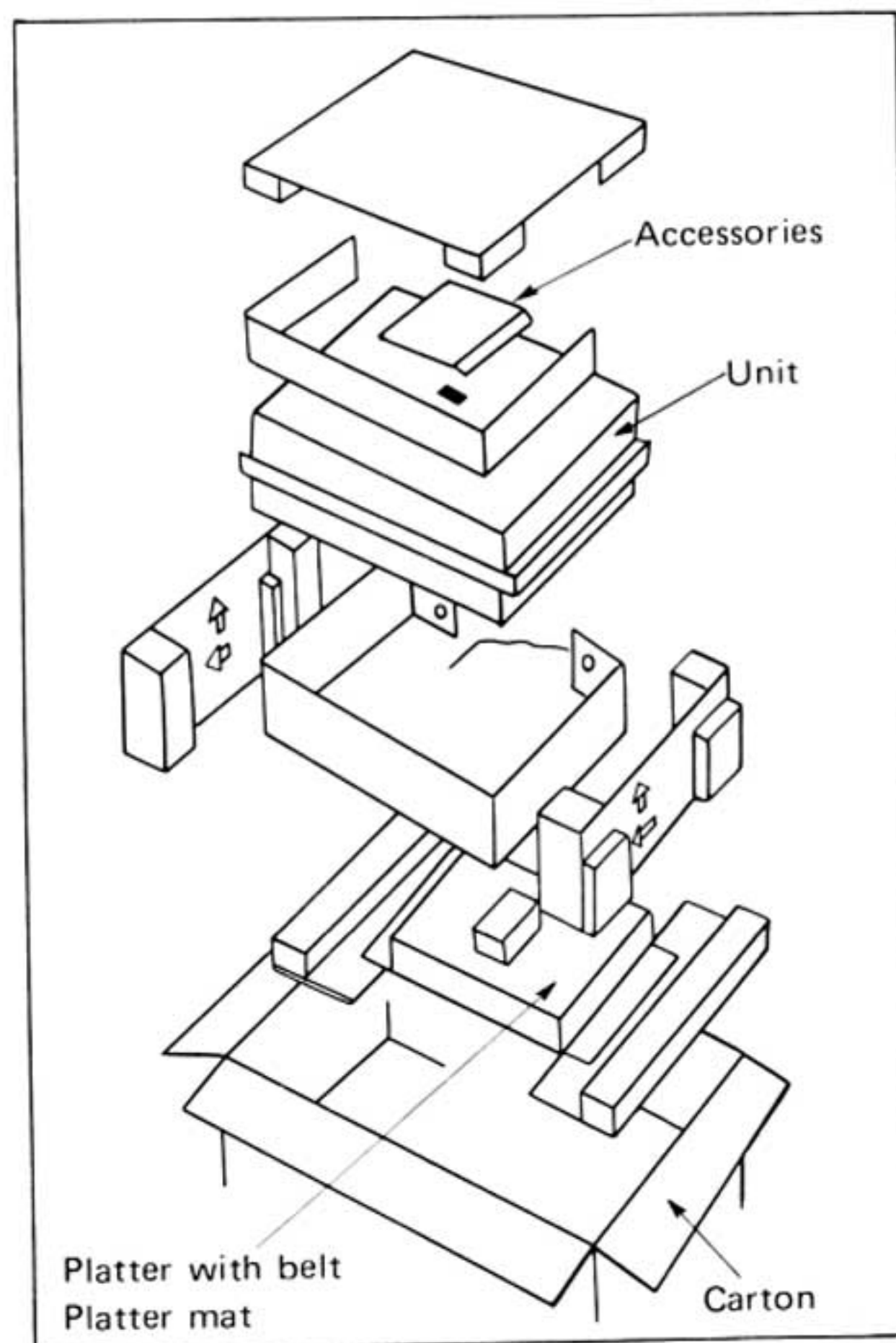


Fig. 13

SCHEMATIC DIAGRAM

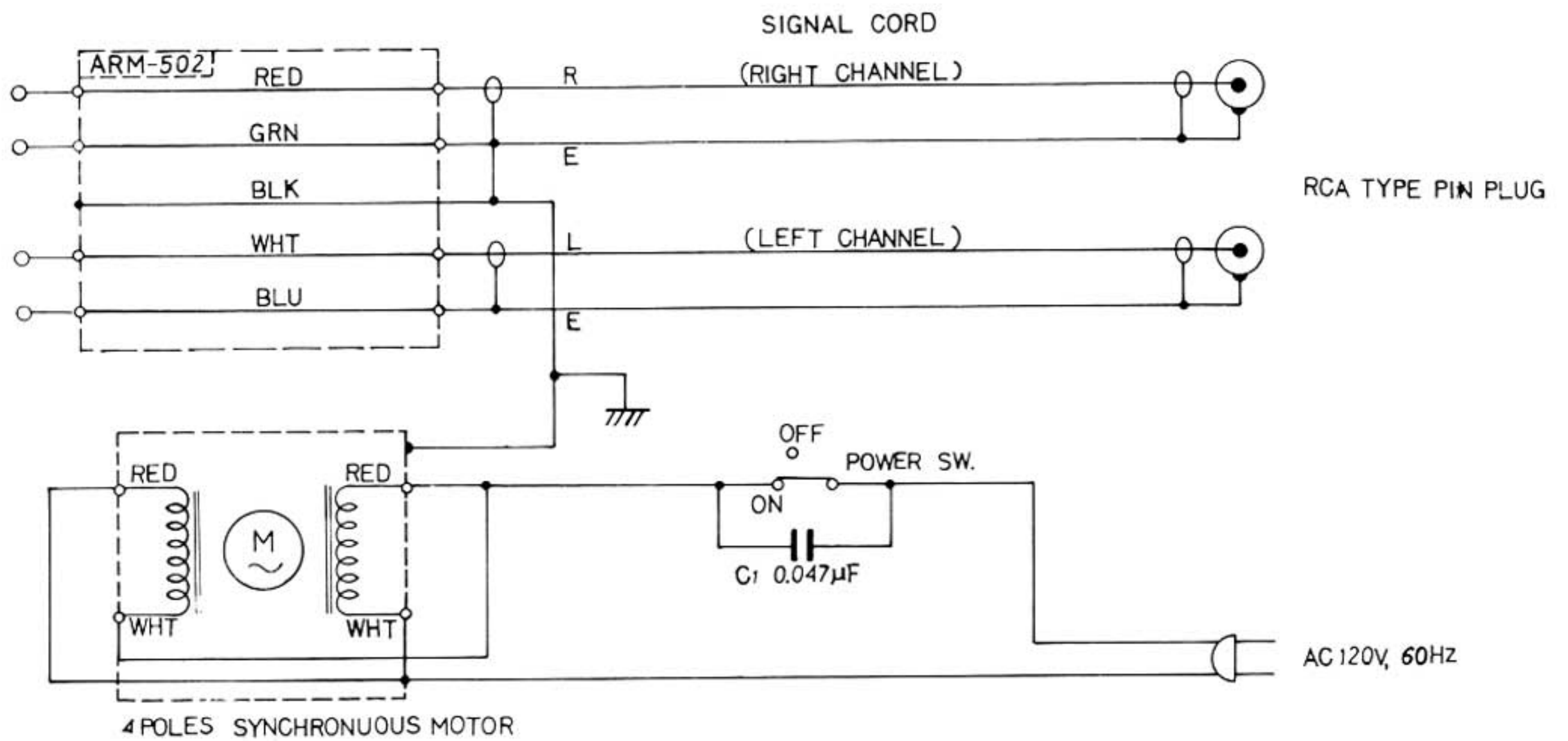


Fig. 14

Requirement to Customers

To ensure prompt supply of service parts, list part number, name and model number when ordering.

JVC America Inc.
58-75 Queens Midtown Expressway
Maspeth, N. Y. 11378

Manufactured by
Victor Company of Japan, Limited
Tokyo, Japan