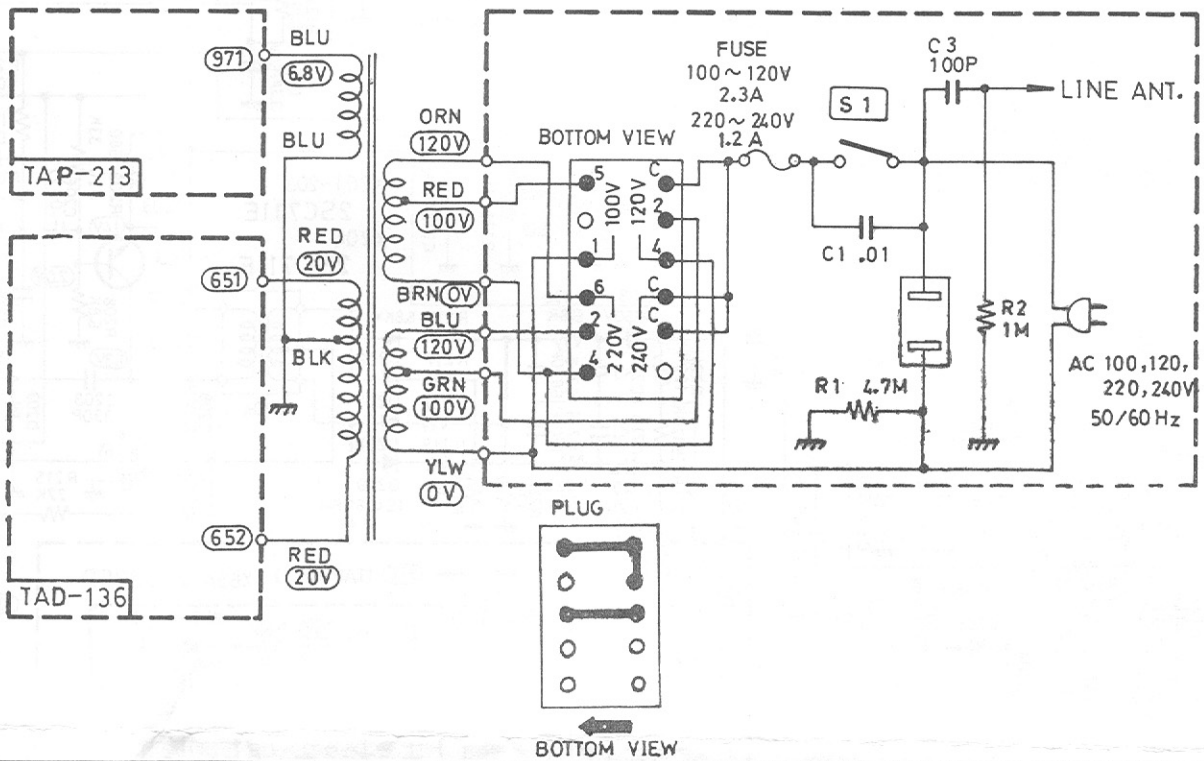


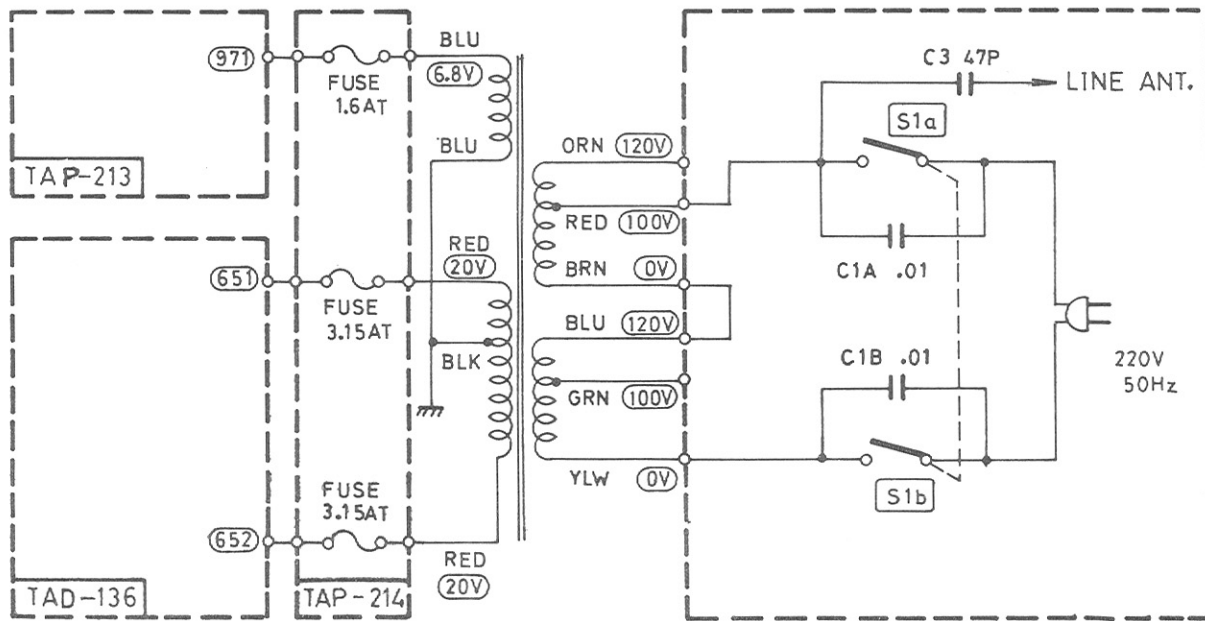
[F] FOR EUROPE (except SEMKO SEV)

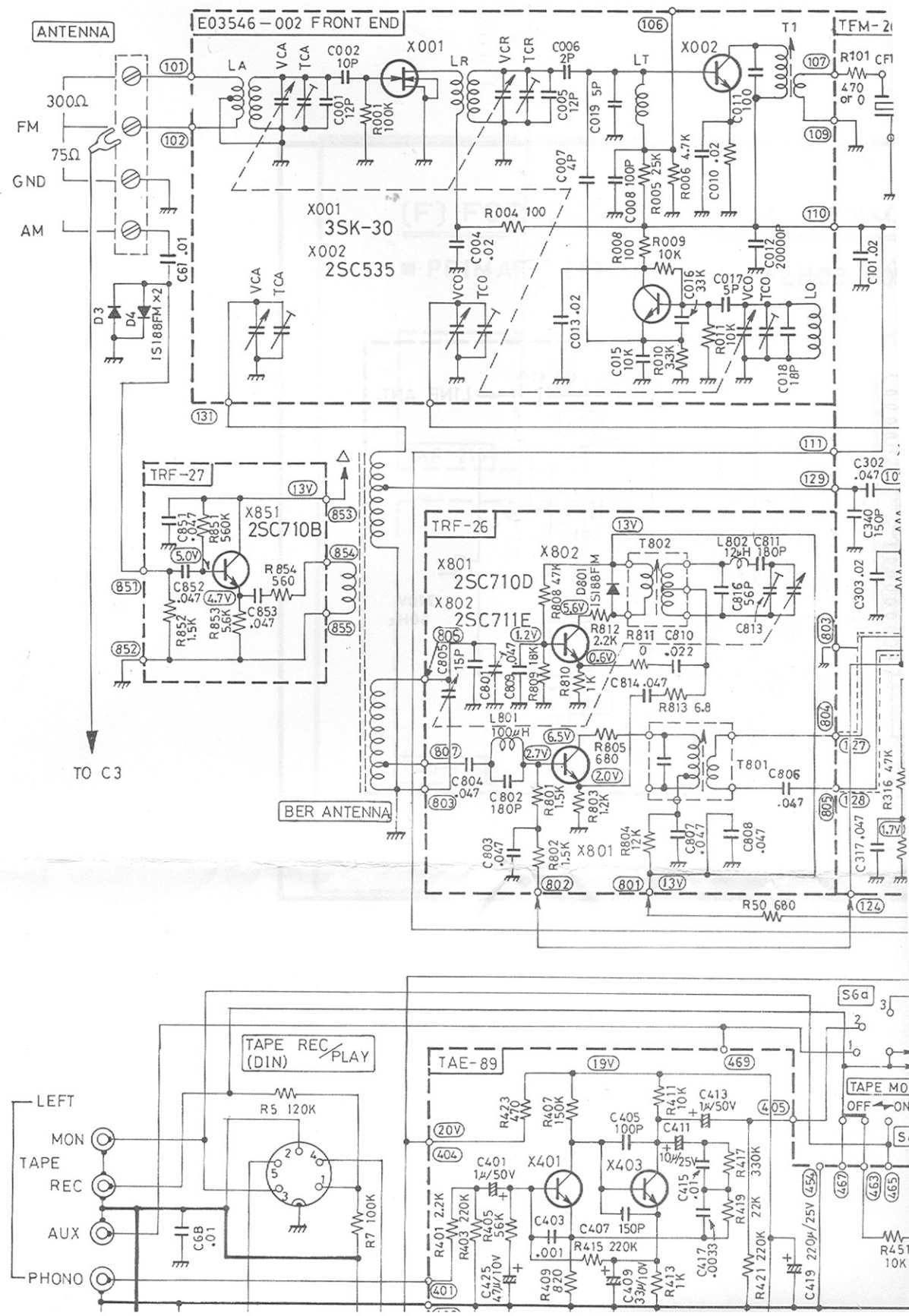
■ PRIMARY CIRCUIT (AC 100,120,220,240V 50/60Hz)



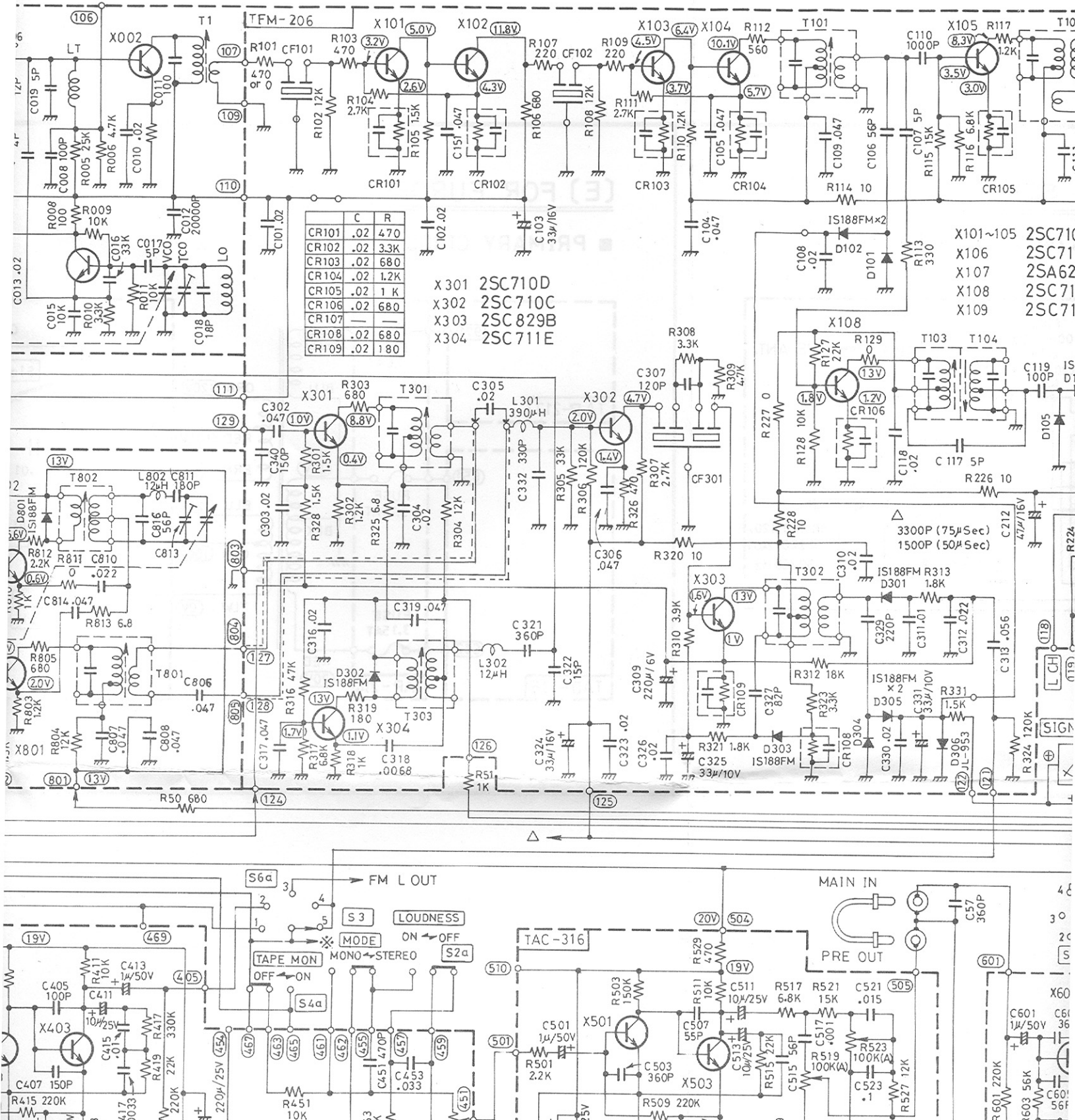
(E) FOR EUROPE (SEMKO SEV)

■ PRIMARY CIRCUIT (220V 50Hz~)



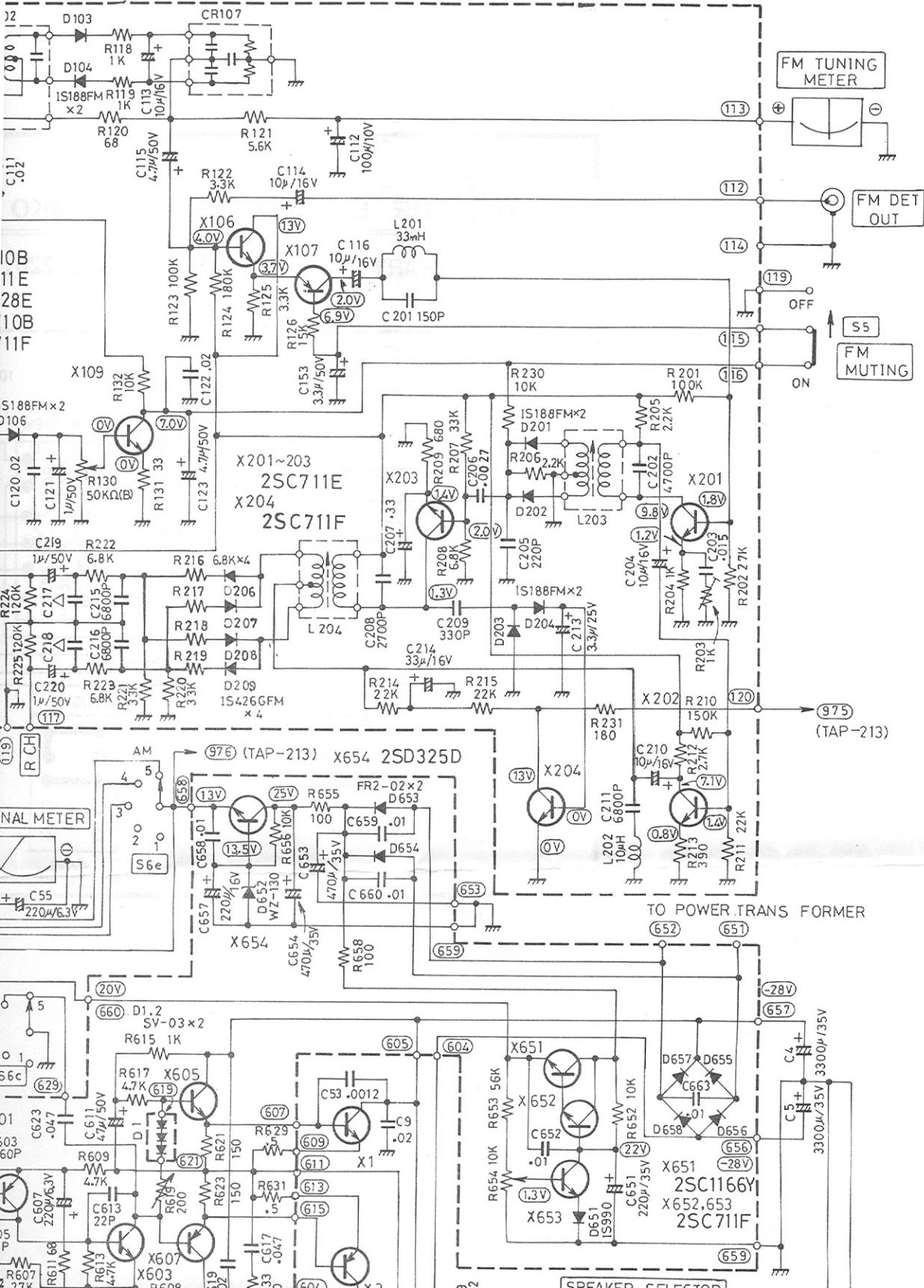


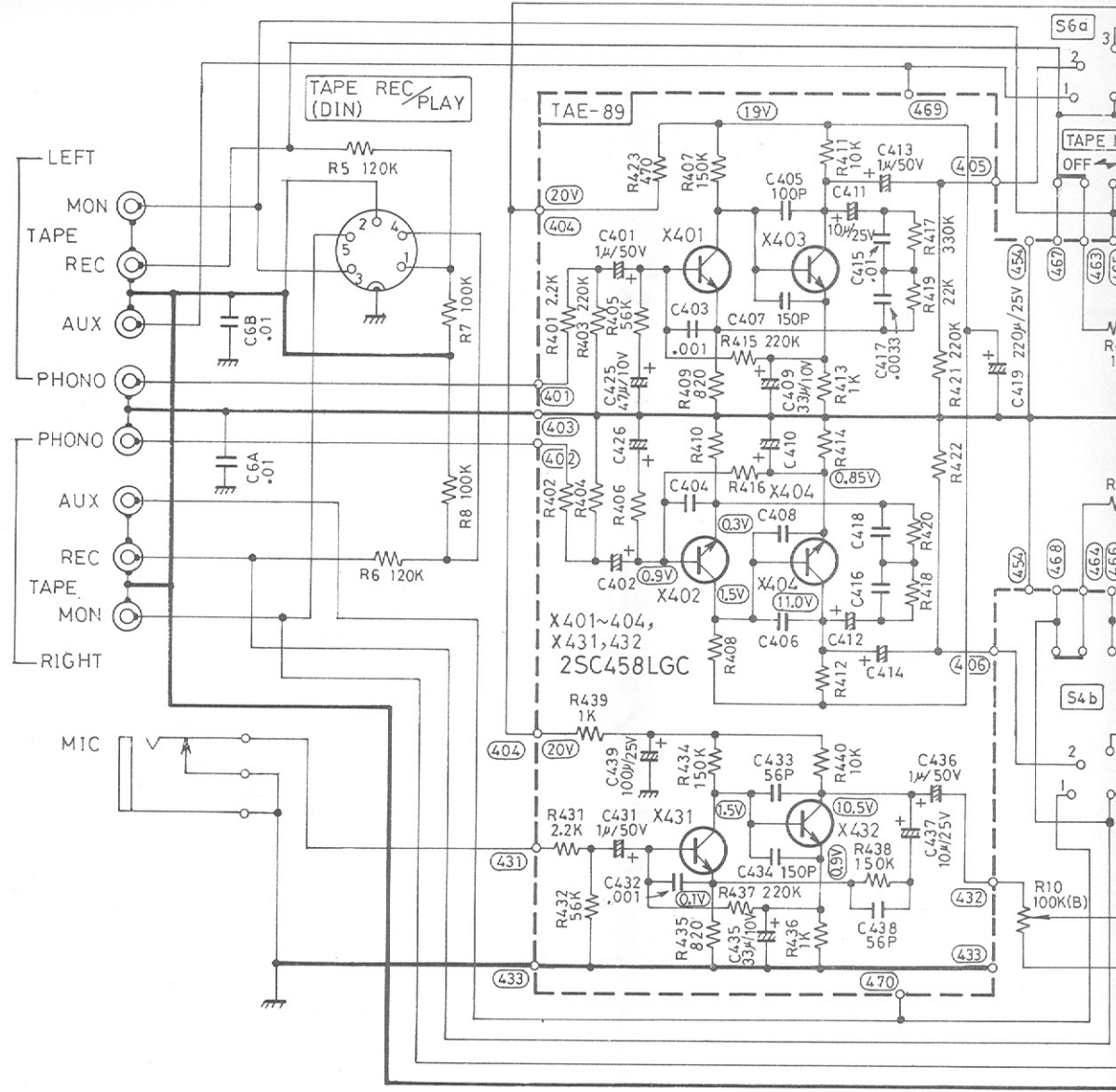
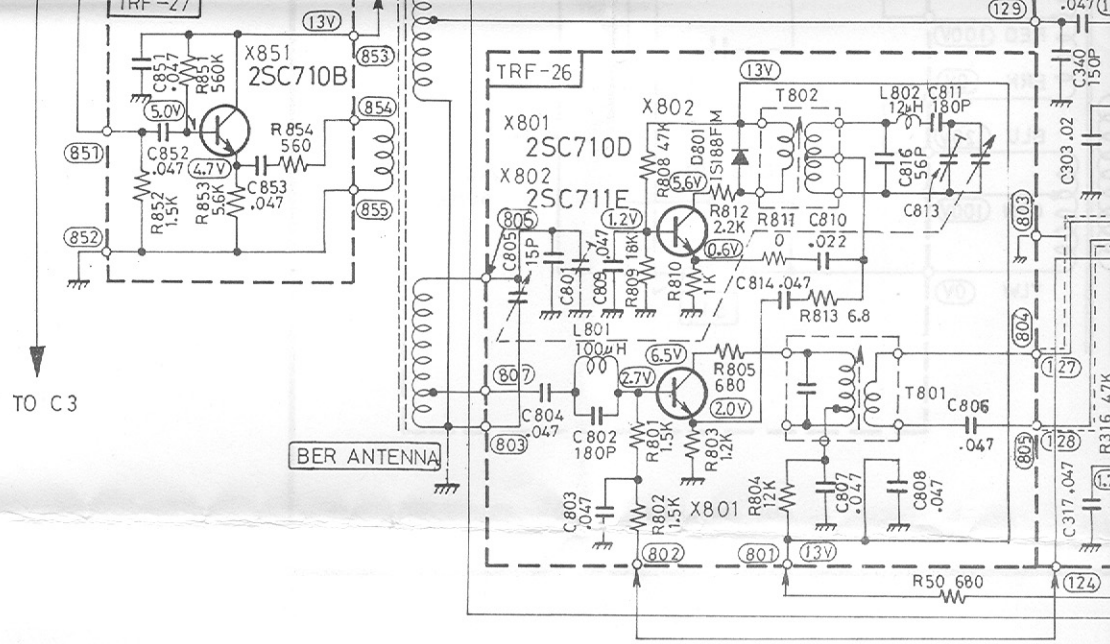
MODEL VR-5515L SCHEMATIC DIAGRAM

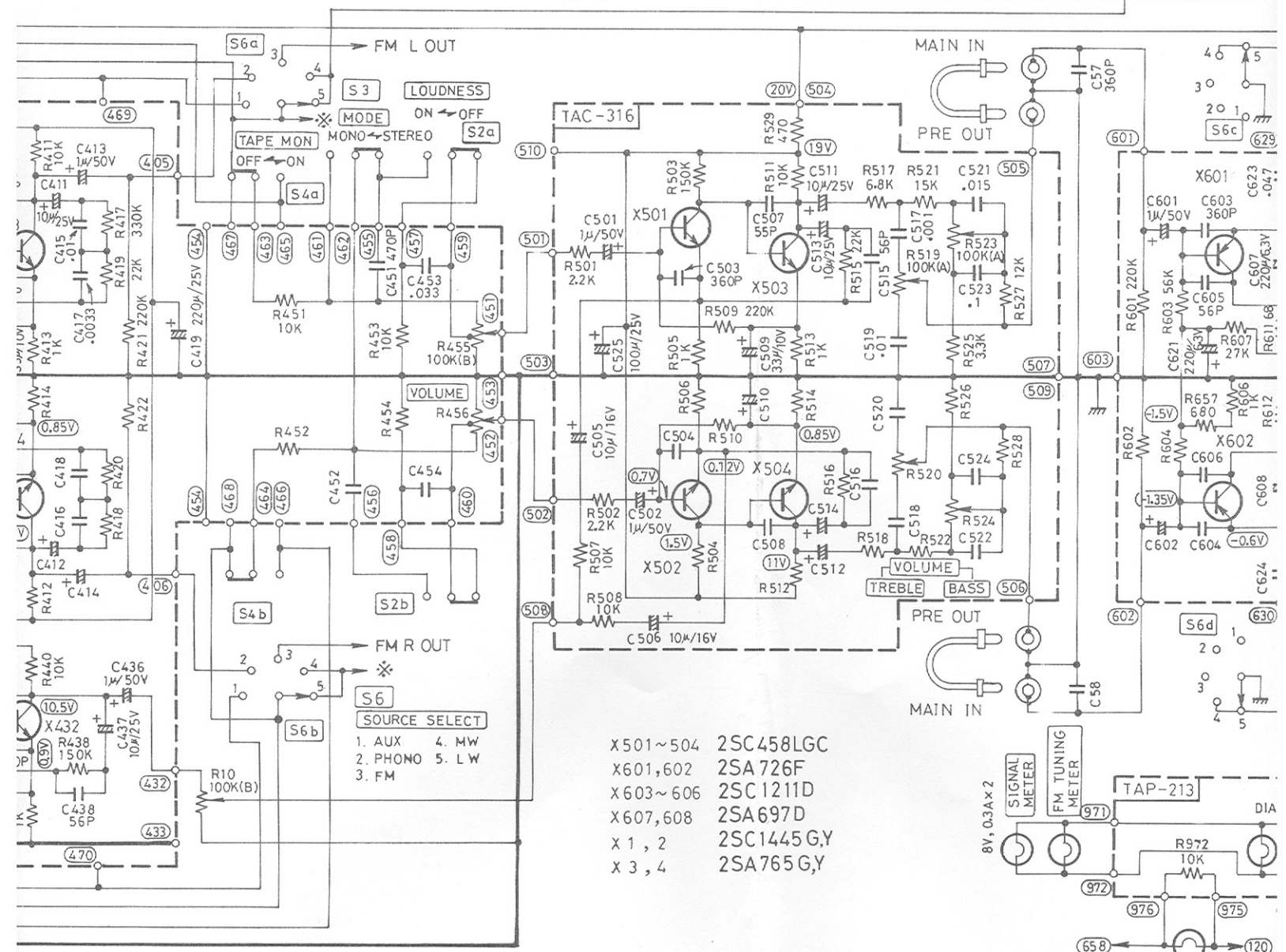
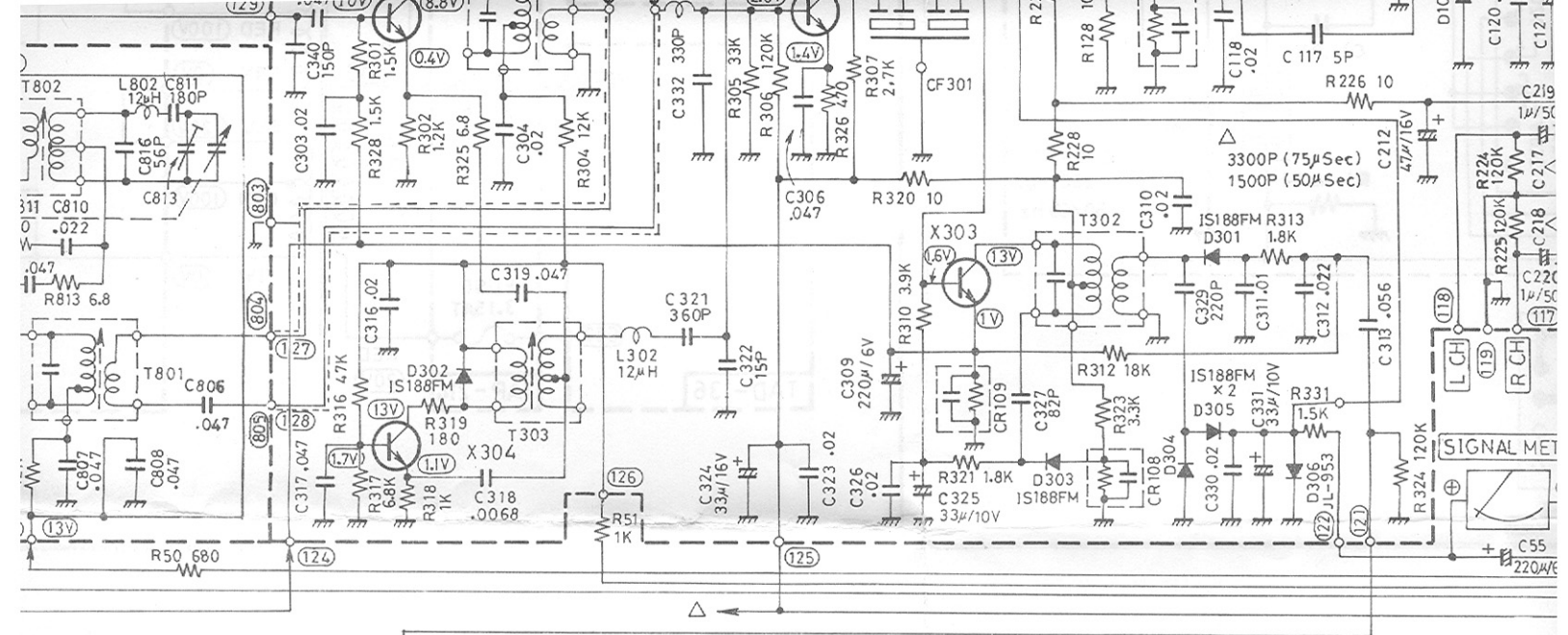


RAM

Note: The primary circuit is slightly different, therefore please see the schematic diagrams shown on the back page.

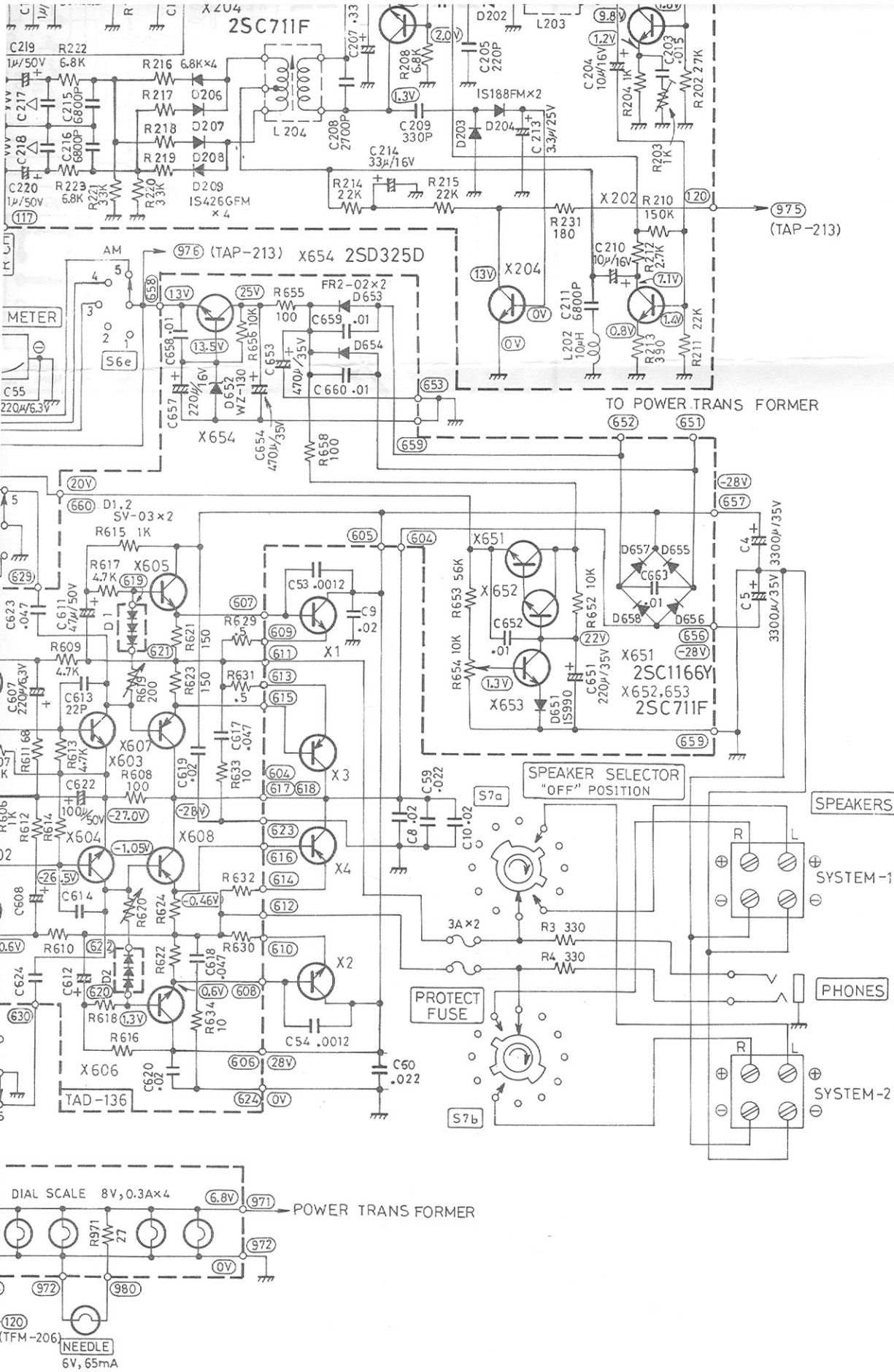






- X501~504 2SC458LGC
- X601,602 2SA726F
- X603~606 2SC1211D
- X607,608 2SA697D
- X1, 2 2SC1445G,Y
- X3, 4 2SA765G,Y

(TAD-136) S.T. RADAR (TFM-6V, 35mA)



Subject to change without notice.
 Printed in Japan E30539-405A(O)