

# PARTS LIST

[ VS-DT2000 ]

\* All printed circuit boards and its assemblies are not available as service parts.

## Area suffix

J ----- U.S.A.  
C ----- Canada

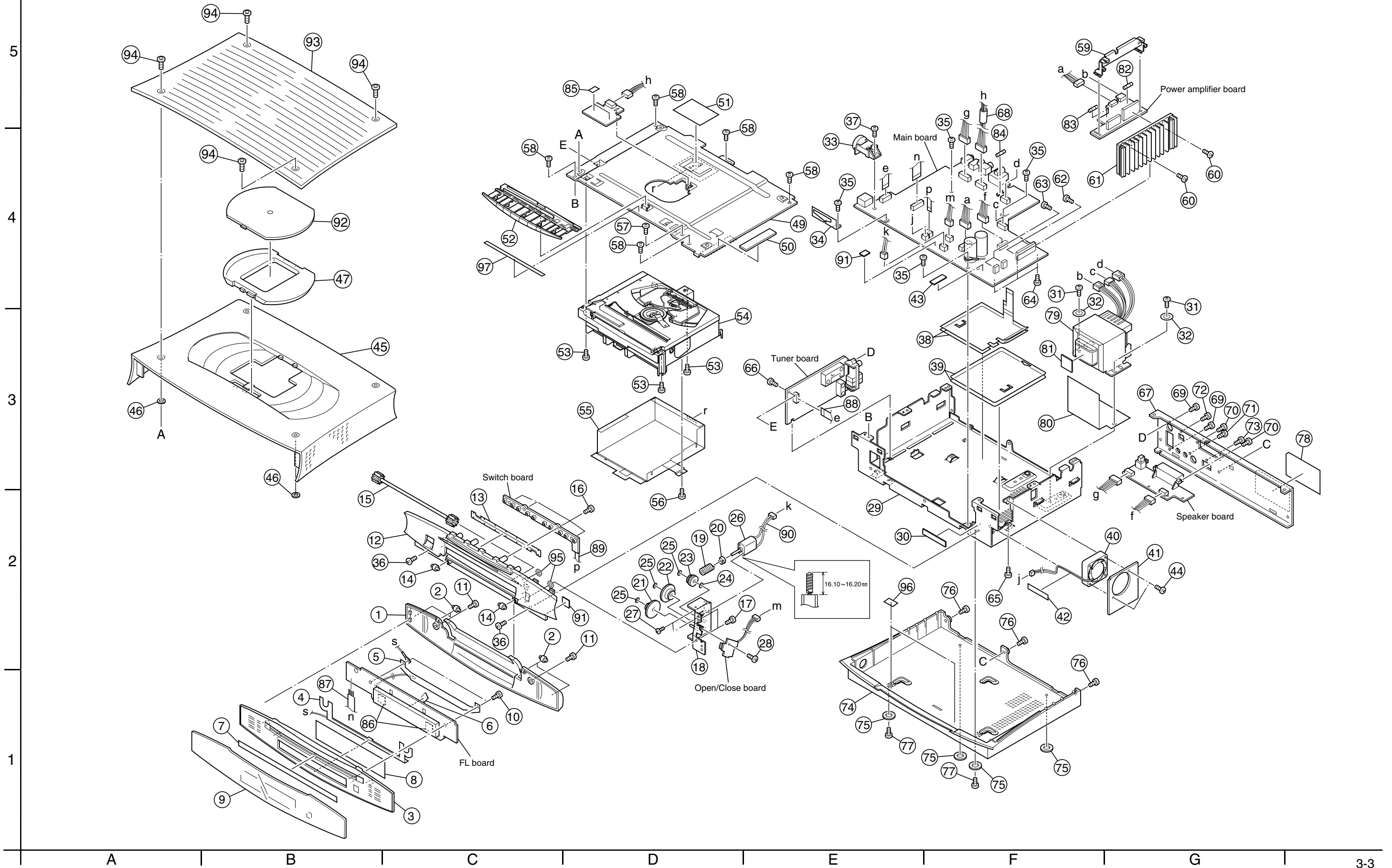
## - Contents -

Exploded view of general assembly and parts list (Block No.M1) .....	3- 3
Speaker assembly and parts list (Block No.M2) .....	3- 5
CD mechanism assembly and parts list (Block No.MB) .....	3- 7
Electrical parts list (Block No.01~06) .....	3-10
Packing materials and accessories parts list (Block No.M3,M5) .....	3-21

**< MEMO >**

# Exploded view of general assembly and parts list

Block No. **M 1 M M**



■ Parts list (General assembly)

Block No. M1MM

Item	Parts number	Parts name	Q'ty	Description	Area
1	GV10091-001A	MOVING BASE	1		
2	GV40269-001A	ROLLER	4		
3	GV10092-001A	MOVING PANEL	1		
4	GV30361-001A	SHIELD(A)	1	FOR MOVING PANE	
5	GV30362-001A	SHIELD(B)	1	FOR FL PWB	
6	E3400-431	SPACER	1		
7	GV40334-001A	SHEET	1		
8	GV40356-001A	WINE RED SHEET	1		
9	GV30238-009A	FRONT LENS	1		
10	QYSBSF2608Z	T.SCREW	2	FL PWB	
11	QYSBSF2608Z	T.SCREW	2	M.PANEL+M.BASE	
12	GV10090-005A	FRONT BASE	1		
13	GV30235-002A	FELT	1	CD SLOT	
14	GV40269-001A	ROLLER	2	FRONT BASE	
15	GV30308-001A	ROD GEAR ASS'Y	1		
16	QYSBSF2608Z	T.SCREW	4	SW PWB	
17	QYSBSF2608Z	T.SCREW	2	M BKT ASY+F.BAS	
18	GV30237-002A	MOTOR BKT ASSY	1	FOR FL	
19	LV42436-001A	WORM GEAR	1		
20	GV40266-001A	ROTOR	1		
21	GV40267-002A	GEAR 1	1		
22	GV40338-001A	GEAR 2	1		
23	LV30981-005A	CLUTCH ASS'Y	1		
24	QYWFL266010-9	WASHER	1	CLUTCH	
25	WDM214540	WASHER	3	GEAR/CLUTCH	
26	QAR0220-001	DC MOTOR	1		
27	QYSPST2020Z	MINI SCREW	2	DC MOTOR+M.BKT	
28	QYSBST2604Z	T.SCREW	1	OPEN/CLOSE PWB	
29	GV10093-001A	BOTTOM CHASSIS	1		
30	VYSA1R4-050	SPACER	1	FOR BOTTOM CHAS	
31	QYSBST4006Z	T.SCREW	2	BOTTOM+TRANS	
32	QYWSS431010Z	WASHER	2	FOR POWER TRANS	
33	GV30239-002A	H.PHONE COVER	1		
34	GV40347-001A	WIRE HOLDER	1		
35	QYSBSG3006E	T.SCREW	4	BOTTOM+MAIN PWB	
36	QYSBSG3008Z	T.SCREW	2	BOTTOM+F.BASE	
37	QYSBSG3008M	T.SCREW	1	MAIN PWB+H.H CO	
38	GV30336-001A	BARRIER(A)	2	FOR PRIMARY CIR	
39	GV30337-001A	BARRIER(B)	2	FOR 15 WATT LLI	
40	QAR0148-001	FAN MOTOR	1		
41	GV40354-001A	FAN COVER	1		
42	VYSA1R4-050	SPACER	1	FOR FAN MOTOR W	
43	LV30225-011A	SPACER	1	FOR FAN MOTOR W	
44	QYSBSGG3014Z	SCREW	2	FAN+B.CHASSIS	
45	GV10096-007A	TOP PANEL	1		
46	GV40122-005A	FOOT SPACER	2		
47	GV30245-001A	LIGHT LENS	1		
49	GV10095-001A	TOP CHASSIS	1		

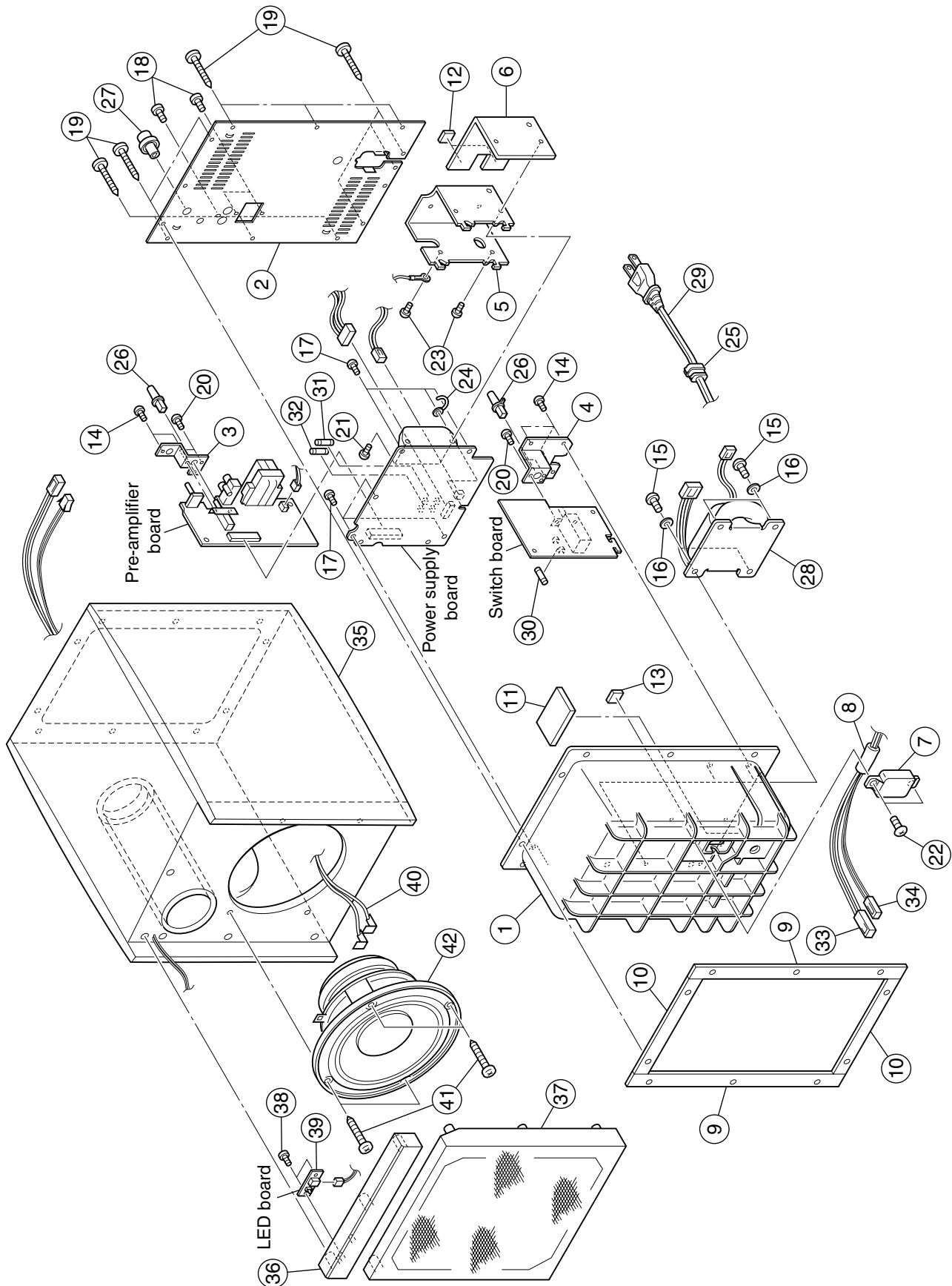
■ Parts list (General assembly)

Block No. M1MM

Item	Parts number	Parts name	Q'ty	Description	Area
50	GV40333-001A	SPACER	1		
51	GV40330-001A	SPACER	1	STICK ON TOP CH	
52	GV20159-001A	PUSH BUTTON	1		
53	QYSBSG3008Z	T.SCREW	3	TOP C+MECHA	
54	-----	CD MECHA	1	FMU-F1-1M	
55	GV20186-001A	PROTECTOR	1	FOR SLOT IN CD	
56	QYSBSF2006Z	SCREW	1	PROTECTOR + CD	
57	QYSBST3006Z	T.SCREW	1		
58	QYSSST3006E	SCREW	5	TOP.C+B.CHASSIS	
59	GV30244-001A	IC HOLDER	1	T0.6	
60	QYSBSG3014Z	T.SCREW	2	IC+IC HOLDER	
61	GV30243-001A	HEAT SINK	1	AL T2	
62	QYSBSG3008Z	T.SCREW	2	DIODE+H.SINK	
63	QYSBSG3008Z	T.SCREW	2	TR+H.SINK	
64	QYSBSG3008M	T.SCREW	3	LATER REJECT CENTER SCREW	
65	QYSBSGY3008E	SPECIAL SCREW	1	BOTTOM+H.SINK	
66	QYSBSG3006Z	T.SCREW	1	TUNER PWB+TOP C	
67	GV20165-007A	REAR PANEL	1		
68	GV40329-001A	SPACER	1	FOR MAIN-TOP WI	
69	QYSBSG3008M	T.SCREW	2	TUNER	
70	QYSBSG3008M	T.SCREW	2	SPK	
71	QYSBSG3008M	T.SCREW	1		
72	QYSBSG3008M	T.SCREW	1	OPT OUT	
73	QYSBSG3008M	T.SCREW	1	AC IN	
74	GV10094-012A	BOTTOM PANEL	1		
75	GV40270-001A	FOOT	4	B.PANEL(FOOT)	
76	QYSBSG3008M	T.SCREW	3	R.PANEL+B.PANEL	
77	QYSBSG3008M	T.SCREW	2	B.CHA+B.PANEL	
78	GV30251-001A	RATING LABEL	1		
79	QQT0366-002	POWER TRANSF	1	T1901	
80	GV30357-001A	SHIELD	1	FOR POWER TRANS	
81	GV40344-001A	SPACER	1	STICK ON SHIELD	
82	QMF51U1-8R0-J8	FUSE	1	F1902	
83	QMF51U1-3R15-J8	FUSE	1	F1903	
84	QMF51U1-1R0-J8	FUSE	1	F1901	
85	GV40328-001A	SPACER	2		
86	GV40268-002A	SPACER	2	FOR DI811	
87	QUQ610-1717BJ	FFC WIRE	1	PANEL - MAIN	
88	QUQ412-0908DJ	FFC WIRE	1	TUNER -MAIN	
89	WJT0081-001A	FFC WIRE	1	SW - MAIN	
90	WJM0133-003A	SIN CR C-B WIRE	1	DC MOTOR - MAIN	
91	E3400-431	SPACER	2		
92	GV40340-002A	PLATE ASS'Y	1	WITH D.FACE TAP	
93	GV20157-004A	TOP LENS	1		
94	LV42860-001A	SPECIAL SCREW1	4	TOP LENS+TOP P	
95	GV40122-005A	FOOT SPACER	2		
96	GV40170-001A	SPACER	2		
97	GV30349-002A	SPACER	1		

# Speaker assembly and parts list

Block No. M 2 M M



## ■ Parts list (Speaker assembly)

Block No. M2MM

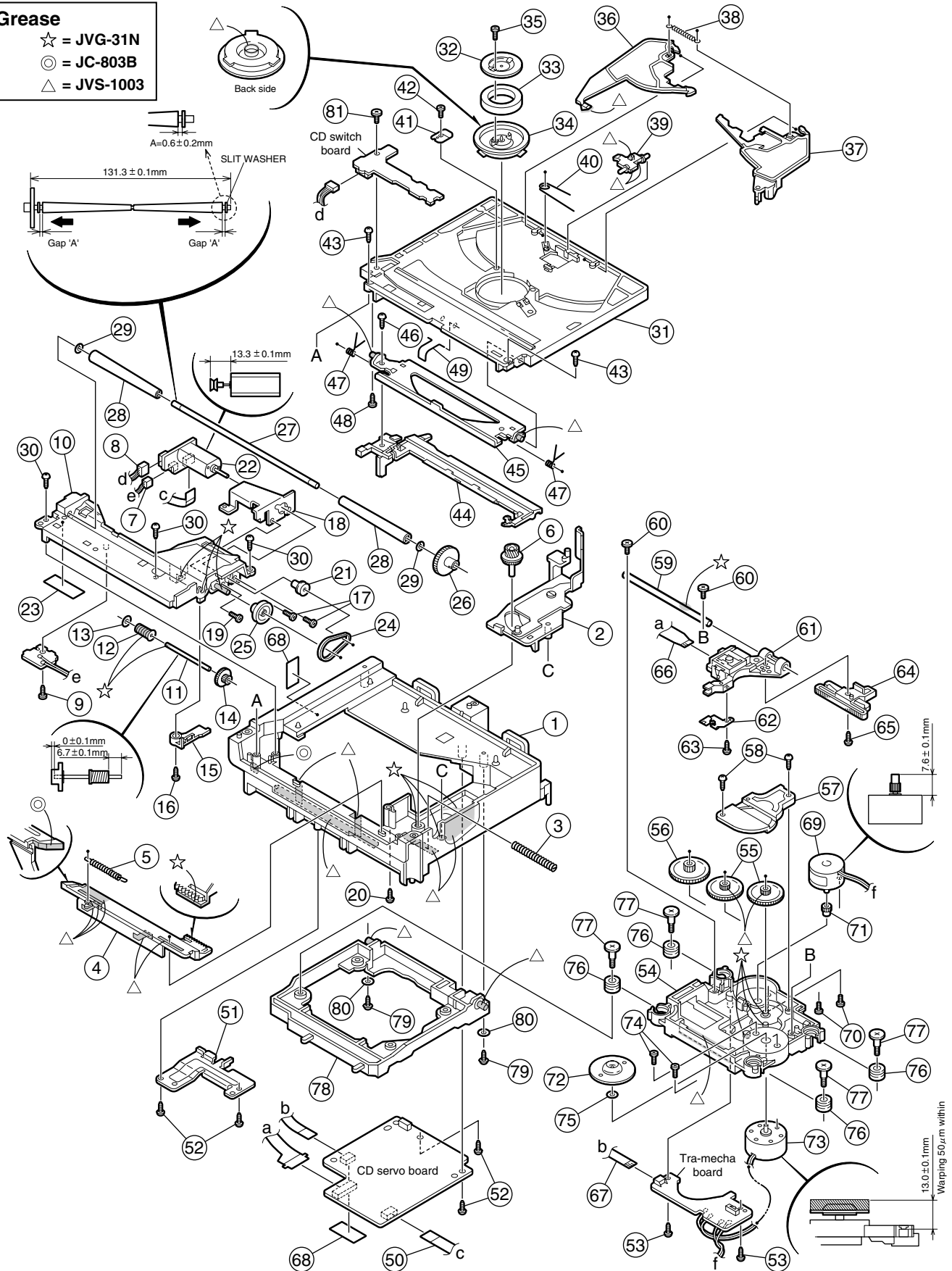
△	Item	Parts number	Parts name	Q'ty	Description	Area
	1	LV10253-002A	COVER	1		
	2	LV20470-016A	BACK PANEL	1		
	3	LV41146-001A	VOLUME BRACKET	1		
	4	LV41147-001A	AC BRACKET	1		
△	5	LV31303-002A	HEAT SINK	1		
△	6	LV41211-001A	HEAT SINK	1		
	7	LV41148-002A	CORD COVER	1		
	8	LV30225-025A	SPACER	1		
	9	LV30225-026A	SPACER	2		
	10	LV30225-027A	SPACER	2		
	11	LV30225-028A	SPACER	1		
	12	LV30225-029A	SPACER	2		
	13	LV30225-030A	SPACER	1		
	14	QYSBSF3008Z	SCREW	5	FOR AC BRACKET	
	15	QYSBSF4016Z	SCREW	4	FOR TRANS	
	16	QYWLS417610Z	WASHER	4		
	17	QYSBSF3008Z	SCREW	6	FOR PCB	
	18	QYSBSGY3008E	SPECIAL SCREW	3	FOR SPK TERMINA	
	19	QYSDSA4020M	TAP SCREW	11		
	20	QYSBST3006Z	T.SCREW	4	FOR POWER SW	
	21	QYSBSG3016Z	T.SCREW	2	FOR POWER IC	
	22	QYSBSF4012Z	SCREW	2		
	23	QYSBSG3010Z	T.SCREW	2		
	24	VKZ4001-110S	WIRE HOLDER	1		
△	25	QHS3771-108	CORD STOPPER	1		
	26	E407321-002SM	PUSH BUTTON	2		
	27	LV30734-002A	KNOB	1		
△	28	QQT0265-002	POWER TRANSF	1	T2901	
△	29	QMPD220-200-JD	POWER CORD	1		
△	30	QMF51N2-2R0-J1	FUSE	1	F2901	
△	31	QMF51N2-1R6-J1	FUSE	1	F2911	
△	32	QMF51N2-1R6-J1	FUSE	1	F2921	
	33	WJJ0097-001A	E-SI C WIRE C-C	1		
	34	WJJ0098-001A	E-SI C WIRE C-C	1		
	35	AA000022-02	SPEAKER CABINET	1		
	36	AA000024-04	ORNAMENT WINDOW	1		
	37	99-160-105-01	ORNAMENT WINDOW	1		
	38	70-046-908-01	SCREW	2		
	39	66-000-074-11	CIR BOARD ASSY	1		
	40	61-000-632-01	CORD ASSY	1		
	41	70-059-416-02	SCREW	4		
	42	KK160004-01	SPEAKER	1	LV10016-028A	

# CD mechanism assembly and parts list

FMU-F1-1M

Block No. M B M M

**Grease**  
 ☆ = JVG-31N  
 ○ = JC-803B  
 △ = JVS-1003



## ■ Parts list (CD mechanism)

Block No. MBMM

△	Item	Parts number	Parts name	Q'ty	Description	Area
	1	LV10647-005A	LOADING BASE	1		
	2	LV33481-004A	KICK LEVER UNIT	1		
	3	LV42819-002A	COMP.SPRING	1		
	4	LV21204-003A	SLIDE CAM	1		
	5	LV42977-001A	CAM SPRING	1		
	6	LV33336-001A	UD GEAR	1		
	7	WJM0294-002A	E-SI C WIRE C-F	1		
	8	QJJ024-041504	SIN CR C-C WIRE	1		
	9	LV41741-002A	SPECIAL SCREW	1	FOR PWB	
	10	LV33482-004A	R.HOLD ASS'Y	1		
	11	LV42813-001A	WORM SHAFT	1		
	12	LV42812-002A	WORM GEAR	1		
	13	WFM214050	WASHER	1		
	14	LV33335-002A	CONNECT GEAR	1		
	15	LV33635-001A	SHAFT SUPPORTER	1		
	16	QYSBSF2006Z	SCREW	1		
	17	QYSPSPU2045M	SCREW	2		
	18	LV33676-002A	ASSIST BRACKET	1		
	19	QYSDST2005Z	SCREW	1		
	20	QYSBSF2006Z	SCREW	1		
	21	LV42811-001A	MOTOR PULLEY	1		
	22	QAR0219-001	LOADING MOTOR	1		
	23	VYSA1R4-056	SPACER	1		
	24	LV42833-001A	BELT	1		
	25	LV33334-001A	PULLEY GEAR	1		
	26	LV42814-001A	ROLLER GEAR	1		
	27	LV42815-002A	ROLLER SHAFT	1		
	28	LV42816-001A	ROLLER	2		
	29	QYWDL265019	SLIT WASHER	2		
	30	QYSBSF2006Z	SCREW	3	FOR R.HOLDER	
	31	LV10649-006A	CLAMPER BASE	1		
	32	LV33344-001A	YOKE	1		
	33	LV42929-001A	MAGNET	1		
	34	LV33343-002A	CD CLAMPER	1		
	35	QYSPSGT1730M	MINI SCREW	1		
	36	LV33339-002A	SELECT LEVER L	1		
	37	LV33340-002A	SELECT LEVER R	1		
	38	LV42820-003A	TENSION SPRING	1		
	39	LV42821-004A	SD STOPPER	1		
	40	LV42822-002A	TOPSION SPRING	1		
	41	LV42991-001A	STOPPER	1		
	42	LV41741-002A	SPECIAL SCREW	1		
	43	QYSBSF2006Z	SCREW	2	FOR C.BASE	
	44	LV21205-005A	PRESSURE PLATE	1		
	45	LV42872-003A	PLATE ASS'Y	1		
	46	QYSBSF2006Z	SCREW	1		
	47	LV42971-001A	TORSION SPRING	2		
	48	LV41741-002A	SPECIAL SCREW	1		



## ■ Parts list (CD mechanism)

Block No. MBMM

△	Item	Parts number	Parts name	Q'ty	Description	Area
	49	LV42965-001A	ROD SPRING	1		
	50	QUQ210-0705DF	FFC WIRE	1		
	51	LV33345-001A	CD PWB BKT	1		
	52	QYSBSF2006Z	SCREW	4	FOR PWB/BKT	
	53	QYSBSF2006Z	SCREW	2	FOR PWB	
	54	LV10650-003A	T.CHASSIS	1		
	55	LV33349-002A	MIDDLE GEAR	2		
	56	LV33350-001A	RACK PINION	1		
	57	LV33352-001A	GEAR COVER	1		
	58	QYSBSF2006Z	SCREW	2		
	59	E406777-002SM	C.D SHAFT	1		
	60	LV41741-002A	SPECIAL SCREW	2		
	61	OPTIMA-725B1	CD PICK UP	1		
	62	LV31744-001A	P.S.SPRING	1		
	63	QYSPSGT1425M	TAP SCREW	1		
	64	LV33351-002A	RACK	1		
	65	QYSPSGT1735M	MINI SCREW	1		
	66	LVB30010-001A	FPC	1		
	67	QUQ110-0610AJ	FFC WIRE	1		
	68	VYSA1R4-056	SPACER	2		
	69	QAR0217-001	FEED MOTOR	1		
	70	VKZ4743-001	SPECIAL SCREW	2		
	71	LV42229-001A	MOTOR GEAR	1		
	72	LV42834-001A	T.T ASS'Y	1		
	73	QAR0218-001	SPINDLE MOTOR	1		
	74	VKZ4743-001	SPECIAL SCREW	2		
	75	WFM214025	WASHER	1		
	76	LE40859-003A	INSULATOR	4		
	77	LE40860-001A	S. SCREW	4		
	78	LV10651-005A	CD ELEVATOR	1		
	79	GV40133-001A	SPECIAL SCREW	2		
	80	VKZ4563-006	O-RING	2		
	81	LV41741-002A	SPECIAL SCREW	1	FOR PWB	

## ■ Electrical parts list (Main board)

Block No. 01

△	Item	Parts number	Parts name	Remarks	Area	△	Item	Parts number	Parts name	Remarks	Area
	C 2	NCB31CK-103X	C CAPACITOR				CN193	QGA2501F1-06	CONNECTOR	TO.MAIN PWB	
	C 4	NCB31CK-103X	C CAPACITOR				CN194	QGA2501C1-05	5P CONNECTOR	TO.TRANS(FL)	
	C 5	NCB31CK-103X	C CAPACITOR				CN203	QJK019-061001	SIN CR C-B WIRE	REGULATOR - MAI	
	C 6	NCB31HK-102X	C CAPACITOR				CN301	QJK019-042604	SIN CR C-B WIRE	SPK - MAIN	
	C 7	NCB31HK-102X	C CAPACITOR				CN302	QJK002-051000	SIN CR C-B WIRE	OPT - MAIN	
	C 8	NCB31HK-102X	C CAPACITOR				CN661	QGB2027M7-18S	CONNECTOR	TO.CD MOD. CN65	
	C 9	NCB31HK-102X	C CAPACITOR				CN801	QGA2001F1-06	CONNECTOR		
	C 11	NCB31CK-104X	C CAPACITOR				C1103	QFZ0160-123Z	PP CAPACITOR	.012MF	
	C 12	NCB31CK-473X	C CAPACITOR				C1104	QFZ0160-123Z	PP CAPACITOR	.012MF	
	C 13	NCS31HJ-100X	C CAPACITOR				C1106	QTE1C06-226Z	E CAPACITOR		
	C 14	QEKC1CM-106Z	E CAPACITOR	10MF 20% 16V			C1107	QETN1HM-475Z	E CAPACITOR	4.7MF 20% 50V	
	C 15	NCS31HJ-120X	C CAPACITOR				C1109	NCB31HK-222X	C CAPACITOR		
	C 16	NCS31HJ-120X	C CAPACITOR				C1111	QFLC1HJ-272Z	M CAPACITOR	2700PF 5% 50V	
	C 17	NCB31HK-392X	C CAPACITOR				C1115	QER61AM-227Z	E CAPACITOR	220MF 20% 10V	
	C 18	QEKC1HM-474Z	E CAPACITOR	.47MF 20% 50V			C1116	NCB31HK-103X	C CAPACITOR		
	C 19	NCB31CK-473X	C CAPACITOR				C1117	NCB31HK-103X	C CAPACITOR		
	C 20	NCB31HK-102X	C CAPACITOR				C1203	QFZ0160-123Z	PP CAPACITOR	.012MF	
	C 21	NCB31CK-223X	C CAPACITOR				C1204	QFZ0160-123Z	PP CAPACITOR	.012MF	
	C 22	NCS31HJ-151X	C CAPACITOR				C1206	QTE1C06-226Z	E CAPACITOR		
	C 23	NCS31HJ-151X	C CAPACITOR				C1207	QETN1HM-475Z	E CAPACITOR	4.7MF 20% 50V	
	C 24	NCS31HJ-151X	C CAPACITOR				C1209	NCB31HK-222X	C CAPACITOR		
	C 25	QEKC1CM-107Z	E CAPACITOR	100MF 20% 16V			C1211	QFLC1HJ-272Z	M CAPACITOR	2700PF 5% 50V	
	C 30	QEKC1CM-107Z	E CAPACITOR	100MF 20% 16V			C1215	QER61AM-227Z	E CAPACITOR	220MF 20% 10V	
	C 31	QEKC1CM-226Z	E CAPACITOR	22MF 20% 16V			C1216	NCB31HK-103X	C CAPACITOR		
	C 32	NCB31CK-473X	C CAPACITOR				C1217	NCB31HK-103X	C CAPACITOR		
	C 33	NCB31CK-473X	C CAPACITOR				C1302	QTE1C28-476Z	E CAPACITOR		
	C 34	NCB31CK-223X	C CAPACITOR				C1303	QTE1C06-226Z	E CAPACITOR		
	C 35	NCB31CK-473X	C CAPACITOR				C1305	QETN1EM-107Z	E CAPACITOR	100MF 20% 25V	
	C 36	QEKC1HM-105Z	E CAPACITOR	1.0MF 20% 50V			C1306	QTE1C28-476Z	E CAPACITOR		
	C 37	QEKC1HM-105Z	E CAPACITOR	1.0MF 20% 50V			C1307	QETN1HM-106Z	E CAPACITOR	10MF 20% 50V	
	C 38	QEKC1HM-224Z	E CAPACITOR	.22MF 20% 50V			C1308	QETN1HM-106Z	E CAPACITOR	10MF 20% 50V	
	C 39	QEKC1HM-105Z	E CAPACITOR	1.0MF 20% 50V			C1315	NCB31HK-223X	C CAPACITOR		
	C 40	QEKC1CM-106Z	E CAPACITOR	10MF 20% 16V			C1801	QETN1HM-106Z	E CAPACITOR	10MF 20% 50V	
	C 41	QEKC1CM-106Z	E CAPACITOR	10MF 20% 16V			C1802	QETN1EM-107Z	E CAPACITOR	100MF 20% 25V	
	C 42	NCB31CK-223X	C CAPACITOR				C1803	QFVJ1HJ-103Z	MF CAPACITOR	.010MF 5% 50V	
	C 43	NCB31CK-223X	C CAPACITOR				C1804	QFVJ1HJ-103Z	MF CAPACITOR	.010MF 5% 50V	
	C 44	QEKC1CM-106Z	E CAPACITOR	10MF 20% 16V		△	C1901	QFG32AJ-223Z	PP CAPACITOR	.022MF 5% 100V	
	C 45	QEKC1CM-106Z	E CAPACITOR	10MF 20% 16V		△	C1902	QFG32AJ-223Z	PP CAPACITOR	.022MF 5% 100V	
	C 46	NCB31CK-273X	C CAPACITOR			△	C1903	QFG32AJ-223Z	PP CAPACITOR	.022MF 5% 100V	
	C 47	QEKC1HM-105Z	E CAPACITOR	1.0MF 20% 50V		△	C1904	QFG32AJ-223Z	PP CAPACITOR	.022MF 5% 100V	
	C 48	NCB31HK-222X	C CAPACITOR			△	C1905	QFG32AJ-223Z	PP CAPACITOR	.022MF 5% 100V	
	C 49	NCB31HK-471X	C CAPACITOR			△	C1906	QFG32AJ-223Z	PP CAPACITOR	.022MF 5% 100V	
	C 50	QEKC1CM-226Z	E CAPACITOR	22MF 20% 16V		△	C1907	QFG32AJ-223Z	PP CAPACITOR	.022MF 5% 100V	
	C 51	QEKC1HM-105Z	E CAPACITOR	1.0MF 20% 50V		△	C1908	QFG32AJ-223Z	PP CAPACITOR	.022MF 5% 100V	
	C 53	QEKC1CM-226Z	E CAPACITOR	22MF 20% 16V		△	C1910	QEZO536-828	E CAPACITOR	8200MF	
	C 54	NCB31CK-473X	C CAPACITOR			△	C1911	QTE1E23-688	E CAPACITOR		
	C 57	NCB31HK-102X	C CAPACITOR				C1912	NCS31HJ-221X	C CAPACITORM		
	C 58	NCB31CK-473X	C CAPACITOR				C1913	NCB31HK-103X	C CAPACITOR		
	C 77	NCB31HK-681X	C CAPACITOR				C1914	QETN1EM-476Z	E CAPACITOR	47MF 20% 25V	
	CF 1	QAX0677-001Z	C FILTER				C1915	QTE1E06-476Z	E CAPACITOR		
	CF 2	QAX0677-001Z	C FILTER				C1916	NCS31HJ-221X	C CAPACITOR		
	CF 3	QAX0610-001Z	C DISCRIMINATOR				C1917	NCB31HK-103X	C CAPACITOR		
	CN 1	QGF1205C1-09	CONNECTOR				C1918	QTE1E06-476Z	E CAPACITOR		
	CN101	QGA2501C1-04	4P CONNECTOR	FROM SPK.JACK			C1919	QETN1HM-475Z	E CAPACITOR	4.7MF 20% 50V	
	CN102	QGA2501C1-05	5P CONNECTOR	TO.OPTICAL OUT			C1920	QETN1EM-476Z	E CAPACITOR	47MF 20% 25V	
	CN106	QGA2501C1-02	2P CONNECTOR	TO.FR/DOOR MOTO			C1921	QFVJ1HJ-104Z	MF CAPACITOR	.10MF 5% 50V	
	CN111	QGF1205C1-09	CONNECTOR	TO.TUNER			C1922	QETN1EM-476Z	E CAPACITOR	47MF 20% 25V	
	CN171	QGF1016C1-17	CONNECTOR	TO.FL DISPLAY			C1923	QETN1HM-475Z	E CAPACITOR	4.7MF 20% 50V	
	CN181	QGA2001C1-02	2P PLUG ASSY	TO.FAN MOTOR			C1924	QETN1CM-107Z	E CAPACITOR	100MF 20% 16V	
	CN182	QGA2001C1-03	3P PLUG ASSY	TO MOVING CD DO			C1928	QCB31HK-103Y	C CAPACITOR	.010MF 10% 50V	
	CN183	QGF1205C1-04	CONNECTOR	TO KEY SW			C1929	NCB31HK-103X	C CAPACITOR		
	CN191	QGA7901C1-02	CONNECTOR	PRI.			C1932	QETN1CM-106Z	E CAPACITOR	10MF 20% 16V	
	CN192	QGA3901F1-04	CONNECTOR	SEC.			C1941	QTE1E06-476Z	E CAPACITOR		

## ■ Electrical parts list (Main board)

Block No. 01

△	Item	Parts number	Parts name	Remarks	Area	△	Item	Parts number	Parts name	Remarks	Area
	C1942	QTE1E06-476Z	E CAPACITOR				C7001	NDC31HJ-180X	C CAPACITOR		
	C3101	QTE1V06-106Z	E CAPACITOR				C7002	NDC31HJ-270X	C CAPACITOR		
	C3102	QDGB1HK-681Y	C CAPACITOR				C7003	NDC31HJ-330X	C CAPACITOR		
	C3103	QFVJ1HJ-104Z	MF CAPACITOR	.10MF 5% 50V			C7004	NDC31HJ-330X	C CAPACITOR		
	C3104	QFVJ1HJ-104Z	MF CAPACITOR	.10MF 5% 50V			C7005	NCB31HK-103X	C CAPACITOR		
	C3108	QENC1EM-106Z	NP E CAPACITOR	10MF 20% 25V			C7006	NCB31CK-104X	C CAPACITOR		
	C3201	QTE1V06-106Z	E CAPACITOR				C7007	NCB31HK-103X	C CAPACITOR		
	C3202	QDGB1HK-681Y	C CAPACITOR				C7008	QEK1AM-107Z	E CAPACITOR	100MF 20% 10V	
	C3203	QFVJ1HJ-104Z	MF CAPACITOR	.10MF 5% 50V			C7009	QEZ0229-479Z	E CAPACITOR	47000MF	
	C3204	QFVJ1HJ-104Z	MF CAPACITOR	.10MF 5% 50V			C7010	QETN1HM-225Z	E CAPACITOR	2.2MF 20% 50V	
	C3208	QENC1EM-106Z	NP E CAPACITOR	10MF 20% 25V			C7011	QETN1HM-475Z	E CAPACITOR	4.7MF 20% 50V	
	C3301	NCB31HK-223X	C CAPACITOR				C7012	NCB31HK-103X	C CAPACITOR		
	C3302	NCS21HJ-152X	C CAPACITOR				C7013	QETN1CM-107Z	E CAPACITOR	100MF 20% 16V	
△	C3304	QTE1H06-475Z	E CAPACITOR				C7014	QFN31HJ-104Z	M CAPACITOR	.10MF 5% 50V	
	C3306	QTE1H06-476Z	E CAPACITOR				C7118	NRSA63J-103X	MG RESISTOR		
	C3308	QETN1CM-336Z	E CAPACITOR	33MF 20% 16V			C7119	NRSA63J-103X	MG RESISTOR		
△	C3313	QTE1E06-476Z	E CAPACITOR				C7128	NCB31HK-103X	C CAPACITOR		
	C3314	QFVJ1HJ-104Z	MF CAPACITOR	.10MF 5% 50V			C7201	NCB31HK-103X	C CAPACITOR		
	C3321	QCBB1HK-103Y	C CAPACITOR	.010MF 10% 50V			C7202	QETN1CM-476Z	E CAPACITOR	47MF 20% 16V	
	C3601	NCB31HK-102X	C CAPACITOR				C7203	QEK1CM-476Z	E CAPACITOR	47MF 20% 16V	
	C3602	QETN1EM-476Z	E CAPACITOR	47MF 20% 25V			C7210	QCZ0202-155Z	ML C CAPACITOR	1.5MF	
	C3801	QETN1JM-107Z	E CAPACITOR	100MF 20% 63V			C8001	QCZ0202-155Z	ML C CAPACITOR	1.5MF	
	C3802	QETN1JM-107Z	E CAPACITOR	100MF 20% 63V			D 1	1SS133-T2	SI DIODE		
	C3803	NCB31HK-103X	C CAPACITOR				D 2	1SS133-T2	SI DIODE		
	C3804	QETN1HM-226Z	E CAPACITOR	22MF 20% 50V			D 3	1SS133-T2	SI DIODE		
	C3805	QETN1HM-475Z	E CAPACITOR	4.7MF 20% 50V			D 4	1SS133-T2	SI DIODE		
	C3901	NCB31HK-103X	C CAPACITOR				D1303	MTZJ5.1A-T2	ZENER DIODE		
	C5101	QEK1HM-475Z	E CAPACITOR	4.7MF 20% 50V			D1304	1SS133-T2	SI DIODE	HP.MUTE	
	C5102	QEK1HM-475Z	E CAPACITOR	4.7MF 20% 50V			D1305	1SS133-T2	SI DIODE	S.MUTE	
	C5103	QTE1H06-475Z	E CAPACITOR				D1315	1SS133-T2	SI DIODE	HP	
	C5104	QTE1V06-106Z	E CAPACITOR				D1316	1SS133-T2	SI DIODE	HP	
	C5105	QEK1CM-106Z	E CAPACITOR	10MF 20% 16V			D1801	DSK10C-T1	DIODE	M.DRIV	
	C5106	QFN31HJ-562Z	M CAPACITOR	5600PF 5% 50V			D1802	MTZJ5.1C-T2	ZENER DIODE	M.DRIV	
	C5107	QTE1C06-226Z	E CAPACITOR				D1803	MTZJ3.6B-T2	S.B.DIODE	M.DRIV	
	C5108	QFG32AJ-332Z	PP CAPACITOR	3300PF 5% 100V			△ D1901	D5SBA20-S1	SI DIODE	VH	
	C5109	QFVJ1HJ-104Z	MF CAPACITOR	.10MF 5% 50V			△ D1902	D3SBA20-S1	DIODE	VL	
	C5110	QFVJ1HJ-104Z	MF CAPACITOR	.10MF 5% 50V			D1903	1SS133-T2	SI DIODE	SW10	
	C5111	NCS31HJ-151X	C CAPACITOR				D1904	MTZJ5.6C-T2	ZENER DIODE	SW10	
	C5112	NCB31HK-102X	C CAPACITOR				D1905	MTZJ10A-T2	ZENER DIODE	SW10	
	C5113	NCB31HK-102X	C CAPACITOR				D1906	MTZJ11A-T2	ZENER DIODE	R.FIL	
	C5201	QEK1HM-475Z	E CAPACITOR	4.7MF 20% 50V			D1907	1SS133-T2	SI DIODE	R.FIL	
	C5202	QEK1HM-475Z	E CAPACITOR	4.7MF 20% 50V			D1908	1SS133-T2	SI DIODE	CD8	
	C5203	QTE1H06-475Z	E CAPACITOR				D1909	MTZJ7.5C-T2	ZENER DIODE	CD8	
	C5204	QTE1V06-106Z	E CAPACITOR				△ D1910	6A10E2	SI DIODE	LV	
	C5205	QEK1CM-106Z	E CAPACITOR	10MF 20% 16V			D1911	MTZJ10C-T2	Z.DIODE	BL10	
	C5206	QFN31HJ-562Z	M CAPACITOR	5600PF 5% 50V			D1912	MTZJ13C-T2	ZENER DIODE	BL10	
	C5207	QTE1C06-226Z	E CAPACITOR				△ D1913	MTZJ6.8B-T2	ZENER DIODE	US5 PROTECT	
	C5208	QFG32AJ-332Z	PP CAPACITOR	3300PF 5% 100V			D1915	1SS133-T2	SI DIODE	TU5	
	C5209	QFVJ1HJ-104Z	MF CAPACITOR	.10MF 5% 50V			D1916	1SS133-T2	SI DIODE	TU5	
	C5210	QFVJ1HJ-104Z	MF CAPACITOR	.10MF 5% 50V			D1917	1SS133-T2	SI DIODE	RY	
	C5211	NCS31HJ-151X	C CAPACITOR				D1918	1SS133-T2	SI DIODE	CD5	
	C5212	NCB31HK-102X	C CAPACITOR				D1919	MTZJ5.6B-T2	ZENER DIODE	CD5	
	C5213	NCB31HK-102X	C CAPACITOR				D3801	1N4003S-T5	SI DIODE		
	C5301	QTE1E06-476Z	E CAPACITOR				D3802	1N4003S-T5	SI DIODE		
	C5302	QTE1E06-476Z	E CAPACITOR				D3803	1N4003S-T5	SI DIODE		
	C5303	QETN1HM-105Z	E CAPACITOR	1.0MF 20% 50V			D3804	MTZJ36C-T2	Z DIODE		
	C5304	NCB31HK-102X	C CAPACITOR				D3805	MTZJ6.8C-T2	Z DIODE		
	C5307	NCB31HK-103X	C CAPACITOR				D7001	1SS355-X	DIODE		
	C5308	NCB31HK-103X	C CAPACITOR				D7002	1SS133-T2	SI DIODE		
	C5309	NCB31HK-103X	C CAPACITOR				D7003	1SS355-X	DIODE		
	C5311	NCS31HJ-151X	C CAPACITOR				D7004	MTZJ5.1C-T2	ZENER DIODE		
	C5312	NCS31HJ-151X	C CAPACITOR				D7005	1SS133-T2	SI DIODE		
	C5313	NCS31HJ-151X	C CAPACITOR				D7006	1SS133-T2	SI DIODE		

## ■ Electrical parts list (Main board)

Block No. 01

△	Item	Parts number	Parts name	Remarks	Area	△	Item	Parts number	Parts name	Remarks	Area
	D7007	MTZJ8.2B-T2	DIODE				Q1902	2SC2412K/R/-X	TRANSISTOR	SW10	
	D7008	1SS133-T2	SI DIODE				Q1903	2SC2412K/R/-X	TRANSISTOR	SW10	
	D7009	1SS133-T2	SI DIODE				Q1904	2SA1037AK/R/-X	TRANSISTOR	SW10	
	D7010	1SS355-X	DIODE				Q1905	DTA144TKA-X	TRANSISTOR	SW10	
	D7011	RD2.4ES/B1/-T2	ZENER DIODE				Q1906	DTC144TKA-X	TRANSISTOR	SW10	
	D7012	RD2.4ES/B1/-T2	ZENER DIODE				Q1907	2SC3576-JVC-T	TRANSISTOR	R.FIL	
	D8002	LO568NRB2-80Q	LED			△	Q1908	KTB772/Y/	TRANSISTOR	CD8	
	D8005	LO568NRB2-80Q	LED				Q1909	2SC2412K/R/-X	TRANSISTOR	CD8	
	EP131	QNZ0136-001Z	EARTH PLATE				Q1910	2SC2412K/R/-X	TRANSISTOR	CD8	
	EP191	QNZ0136-001Z	EARTH PLATE				Q1911	DTC144EKA-X	TRANSISTOR	CD 8V CONT	
	IC 1	LA1838	IC			△	Q1912	KTA1046/Y/	TRANSISTOR	BL7	
	IC 2	LC72136N	IC				Q1913	2SC2412K/R/-X	TRANSISTOR	BL7	
	IC101	NJM4580D-D	IC	AHB		△	Q1914	2SA1037AK/R/-X	TRANSISTOR	TU5	
	IC102	BA15218F-XE	IC	HP			Q1915	2SC2412K/R/-X	TRANSISTOR	TU5	
	IC108	LB1641	IC	M.DRIVE			Q1920	2SA1037AK/R/-X	TRANSISTOR	FAN	
△	IC191	UPC78L05J-T	IC	USSV			Q1921	DTC143EKA-X	D.TRANSISTOR	FAN	
△	IC301	LA4905	IC				Q1931	2SD468/BC/-T	TRANSISTOR	CD5	
	IC501	LC75342M-X	IC	FUNC/VOL			Q3101	2SD2114K/VW/-X	CHIP TRANSISTOR	S.MUTE	
	IC701	MN101C30AKJ1	IC(MASK)	SYS.MICOM			Q3102	DTA144WKA-X	TRANSISTOR	S.MUTE.D	
	IC702	KIA78S06P-T	IC				Q3103	DTA144WKA-X	TRANSISTOR	S.MUTE.D	
	IC801	RPM6938-SV4	IC	REMOCON			Q3201	2SD2114K/VW/-X	CHIP TRANSISTOR	S.MUTE	
	J 1	QNB0153-001	ANT TERMINAL				Q3202	DTA144WKA-X	TRANSISTOR	S.MUTE.D	
△	J1901	QNC0092-001	AC INLET				Q3203	DTA144WKA-X	TRANSISTOR	S.MUTE.D	
	J3001	QNB0090-002	SPK TERMINAL	SPK			Q3302	DTC144EKA-X	TRANSISTOR	S.MUTE.D	
	J3601	GP1FA550TZ	OPT TRANSMITTER	OPT OUT			Q3801	KTA1023/OY/-T	TRANSISTOR		
	J5101	QNS0188-001	JACK	HP.JACK			Q3802	KRC114M-T	TRANSISTOR		
	J5301	QNS0186-001	JACK	LINE IN			Q3806	KTC3203/OY/-T	TRANSISTOR		
	J5302	QNS0186-001	JACK	LINE OUT			Q3807	KTC3203/OY/-T	TRANSISTOR		
	J5303	QNN0284-001	PIN JACK	S.W. OUT			Q3808	DTA114TKA-X	D.TRANSISTOR		
	K1315	QQR1183-001Z	FERRITE BEADS	HP			Q3809	DTC144EKA-X	TRANSISTOR		
	K1801	QQR1183-001Z	FERRITE BEADS				Q3810	DTA144TKA-X	TRANSISTOR		
	K5301	QQR1183-001Z	FERRITE BEADS	CDAG			Q5101	2SD2114K/VW/-X	CHIP TRANSISTOR	L/O MUTE	
	K5302	QQR1183-001Z	FERRITE BEADS	DG			Q5201	2SD2114K/VW/-X	CHIP TRANSISTOR	L/O MUTE	
	K5303	QQR1183-001Z	FERRITE BEADS	AUX IN			Q5301	KRA102S-X	D.TRANSISTOR	L/O MUTE.D	
	K5304	QQR1183-001Z	FERRITE BEADS	AUX OUT			Q5302	2SD2114K/VW/-X	CHIP TRANSISTOR	S.W.MUTE	
	K7001	QQR1183-001Z	FERRITE BEADS				Q5304	DTA143TKA-X	TRANSISTOR	SUB W. OUT	
	K7002	NQR0007-002X	FERRITE BEADS				Q7001	DTA114TKA-X	D.TRANSISTOR		
	K7003	QQR1183-001Z	FERRITE BEADS				Q7002	2SC2412K/R/-X	TRANSISTOR		
	K7004	QQR1183-001Z	FERRITE BEADS				Q7004	2SC2412K/R/-X	TRANSISTOR		
	K7005	QQR1183-001Z	FERRITE BEADS				Q7005	KRC102S-X	D.TRANSISTOR		
	L 1	QQR0796-002	COIL BLOCK				Q7006	KRA102S-X	D.TRANSISTOR		
	LF511	QQR0590-001	FILTER	MPX. FILTER			Q7007	KRC102S-X	D.TRANSISTOR		
	LF521	QQR0590-001	FILTER	MPX. FILTER			Q7008	DTA114TKA-X	D.TRANSISTOR		
	L1115	QQL231K-470Y	INDUCTOR	HP			Q7009	KTC3199/GL/-T	TRANSISTOR		
	L1215	QQL231K-470Y	INDUCTOR	HP			Q7010	KTA1271/OY/-T	TRANSISTOR		
	L1801	QQL25CK-221Z	INDUCTOR	M.DRIVER			Q7011	KTC3199/GL/-T	TRANSISTOR		
	L7001	QQL244K-100Z	INDUCTOR				Q7012	KTA1271/OY/-T	TRANSISTOR		
	L7002	QQL244K-100Z	INDUCTOR				Q7013	DTA114TKA-X	D.TRANSISTOR		
	L7003	QQL244K-100Z	INDUCTOR				R 1	NRSA63J-560X	MG RESISTOR		
	PP101	QZW0038-001	WIRE CLAMP				R 2	NRSA63J-331X	MG RESISTOR		
	PP102	QZW0038-001	WIRE CLAMP				R 3	NRSA63J-474X	MG RESISTOR		
	PP103	QZW0038-001	WIRE CLAMP				R 4	NRSA63J-331X	MG RESISTOR		
	Q 1	2SC1623/5-6/-X	TRANSISTOR				R 5	NRSA63J-470X	MG RESISTOR		
	Q 5	DTA114YKA-X	TRANSISTOR				R 6	NRSA63J-152X	MG RESISTOR		
	Q1102	2SC2412K/R/-X	TRANSISTOR	HP.MUTE			R 7	NRSA63J-120X	MG RESISTOR		
	Q1115	2SD2114K/VW/-X	CHIP TRANSISTOR	HP			R 9	NRSA63J-101X	MG RESISTOR		
	Q1202	2SC2412K/R/-X	TRANSISTOR	HP.MUTE			R 10	NRSA63J-222X	MG RESISTOR		
	Q1215	2SD2114K/VW/-X	CHIP TRANSISTOR	HP			R 13	NRSA63J-103X	MG RESISTOR		
	Q1301	DTA123EKA-X	D.TRANSISTOR	S.MUTE.D			R 14	NRSA63J-104X	MG RESISTOR		
	Q1302	DTA123EKA-X	D.TRANSISTOR	HP.MUTE.D			R 15	NRSA63J-332X	MG RESISTOR		
	Q1303	DTC114EKA-X	TRANSISTOR	HP.MUTE.D			R 16	NRSA63J-472X	MG RESISTOR		
	Q1801	DTC143EKA-X	D.TRANSISTOR	M.DRIV			R 17	NRSA63J-102X	MG RESISTOR		
△	Q1901	KTB772/Y/	TRANSISTOR	SW10			R 18	NRSA63J-102X	MG RESISTOR		

## ■ Electrical parts list (Main board)

Block No. 01

△	Item	Parts number	Parts name	Remarks	Area	△	Item	Parts number	Parts name	Remarks	Area
	R 19	NRSA63J-102X	MG RESISTOR				R1316	NRSA63J-222X	MG RESISTOR		
	R 20	NRSA63J-102X	MG RESISTOR				R1317	NRSA63J-473X	MG RESISTOR		
	R 21	NRSA63J-562X	MG RESISTOR				R1804	NRSA02J-100X	MG RESISTOR		
	R 22	NRSA63J-472X	MG RESISTOR				R1805	NRSA02J-100X	MG RESISTOR		
	R 23	NRSA63J-182X	MG RESISTOR			△	R1901	QRZ9037-335	F RESISTOR	3.3M 1/2W	
	R 24	NRSA63J-103X	MG RESISTOR			△	R1902	QRE141J-1R0Y	C RESISTOR	1.0 5% 1/4W	
	R 25	NRSA63J-331X	MG RESISTOR			△	R1903	QRE141J-1R0Y	C RESISTOR	1.0 5% 1/4W	
	R 26	NRSA63J-222X	MG RESISTOR			△	R1904	QRE141J-1R0Y	C RESISTOR	1.0 5% 1/4W	
	R 27	NRSA63J-103X	MG RESISTOR				R1905	NRSA63J-151X	MG RESISTOR		
	R 28	NRSA63J-103X	MG RESISTOR				R1906	NRSA63J-102X	MG RESISTOR		
	R 29	NRSA63J-103X	MG RESISTOR			△	R1907	QRE141J-102Y	C RESISTOR	1.0K 5% 1/4W	
	R 31	NRSA63J-102X	MG RESISTOR			△	R1908	QRE141J-102Y	C RESISTOR	1.0K 5% 1/4W	
	R 32	NRSA63J-102X	MG RESISTOR			△	R1909	QRE141J-102Y	C RESISTOR	1.0K 5% 1/4W	
	R 33	NRSA63J-271X	MG RESISTOR				R1910	NRSA63J-472X	MG RESISTOR		
	R 34	NRSA63J-470X	MG RESISTOR				R1911	NRSA63J-471X	MG RESISTOR		
	R 35	NRSA63J-562X	MG RESISTOR				R1912	NRSA63J-561X	MG RESISTOR		
	R 36	NRSA63J-332X	MG RESISTOR				R1913	NRSA63J-272X	MG RESISTOR		
	R 37	NRSA63J-103X	MG RESISTOR				R1914	NRSA63J-471X	MG RESISTOR		
	R 38	NRSA63J-563X	MG RESISTOR				R1915	NRSA63J-822X	MG RESISTOR		
	R 39	NRSA63J-563X	MG RESISTOR				R1916	NRSA63J-102X	MG RESISTOR		
	R 40	NRSA63J-243X	MG RESISTOR				R1917	NRSA63J-122X	MG RESISTOR		
	R 41	NRSA63J-332X	MG RESISTOR				R1918	NRSA63J-153X	MG RESISTOR		
	R 43	NRSA63J-392X	MG RESISTOR				R1919	NRSA63J-682X	MG RESISTOR		
	R 60	NRSA63J-0R0X	MG RESISTOR				R1920	NRSA63J-102X	MG RESISTOR		
△	RY191	QSK0143-001	RELAY	VH		△	R1921	QRZ9006-4R7X	F RESISTOR	4.7 1/4W	
	R1103	NRSA63J-682X	MG RESISTOR			△	R1922	QRZ9006-4R7X	F RESISTOR	4.7 1/4W	
	R1104	NRSA63J-272X	MG RESISTOR			△	R1923	QRZ9006-4R7X	F RESISTOR	4.7 1/4W	
	R1106	NRSA63J-1R0X	MG RESISTOR				R1925	NRSA63J-561X	MG RESISTOR		
	R1108	NRSA63J-273X	MG RESISTOR				R1926	NRSA63J-223X	MG RESISTOR		
	R1110	NRSA63J-823X	MG RESISTOR				R1927	NRSA63J-183X	MG RESISTOR		
	R1112	NRSA63J-332X	MG RESISTOR				R1928	NRSA63J-392X	MG RESISTOR		
	R1113	NRSA63J-563X	MG RESISTOR				R1929	NRSA63J-273X	MG RESISTOR		
	R1114	NRSA63J-102X	MG RESISTOR				R1930	NRSA63J-102X	MG RESISTOR		
	R1115	NRSA63J-561X	MG RESISTOR			△	R1931	NRSA63J-151X	MG RESISTOR		
	R1116	NRSA63J-222X	MG RESISTOR			△	R1932	NRSA63J-331X	MG RESISTOR		
	R1118	NRSA63J-220X	MG RESISTOR				R1933	NRSA63J-681X	MG RESISTOR		
	R1119	NRSA63J-222X	MG RESISTOR				R1934	NRSA63J-152X	MG RESISTOR		
	R1120	NRSA63J-272X	MG RESISTOR				R1935	NRSA63J-272X	MG RESISTOR		
	R1121	NRSA63J-222X	MG RESISTOR				R1936	NRSA63J-151X	MG RESISTOR		
	R1203	NRSA63J-682X	MG RESISTOR				R1937	NRSA63J-562X	MG RESISTOR		
	R1204	NRSA63J-272X	MG RESISTOR			△	R1938	QRE141J-102Y	C RESISTOR	1.0K 5% 1/4W	
	R1206	NRSA63J-1R0X	MG RESISTOR				R1939	NRSA63J-103X	MG RESISTOR		
	R1208	NRSA63J-273X	MG RESISTOR				R1940	NRSA63J-561X	MG RESISTOR		
	R1210	NRSA63J-823X	MG RESISTOR				R1941	NRSA63J-823X	MG RESISTOR		
	R1212	NRSA63J-332X	MG RESISTOR				R1942	NRSA63J-473X	MG RESISTOR		
	R1213	NRSA63J-563X	MG RESISTOR				R1944	NRSA63J-562X	MG RESISTOR		
	R1214	NRSA63J-102X	MG RESISTOR				R3101	QRE141J-682Y	C RESISTOR	6.8K 5% 1/4W	
	R1215	NRSA63J-561X	MG RESISTOR				R3102	NRSA63J-332X	MG RESISTOR		
	R1216	NRSA63J-222X	MG RESISTOR				R3103	QRE141J-2R2Y	C RESISTOR	2.2 5% 1/4W	
	R1218	NRSA63J-220X	MG RESISTOR				R3104	QRE141J-2R2Y	C RESISTOR	2.2 5% 1/4W	
	R1219	NRSA63J-222X	MG RESISTOR				R3107	NRSA63J-222X	MG RESISTOR		
	R1220	NRSA63J-272X	MG RESISTOR				R3108	NRSA63J-562X	MG RESISTOR		
	R1221	NRSA63J-222X	MG RESISTOR				R3109	NRSA63J-562X	MG RESISTOR		
	R1303	NRSA63J-102X	MG RESISTOR				R3201	QRE141J-682Y	C RESISTOR	6.8K 5% 1/4W	
	R1307	NRSA63J-912X	MG RESISTOR				R3202	NRSA63J-332X	MG RESISTOR		
	R1308	NRSA63J-103X	MG RESISTOR				R3203	QRE141J-2R2Y	C RESISTOR	2.2 5% 1/4W	
△	R1309	QRZ9005-100X	F RESISTOR	10 1/4W			R3204	QRE141J-2R2Y	C RESISTOR	2.2 5% 1/4W	
	R1310	NRSA63J-102X	MG RESISTOR				R3207	NRSA63J-222X	MG RESISTOR		
	R1311	NRSA63J-102X	MG RESISTOR				R3208	NRSA63J-562X	MG RESISTOR		
△	R1312	NRSA63J-471X	MG RESISTOR				R3209	NRSA63J-562X	MG RESISTOR		
△	R1313	NRSA63J-471X	MG RESISTOR				R3303	NRSA63J-103X	MG RESISTOR		
△	R1314	NRSA63J-471X	MG RESISTOR			△	R3801	QRZ9005-100X	F RESISTOR	10 1/4W	
	R1315	NRSA63J-222X	MG RESISTOR				R3802	NRSA63J-332X	MG RESISTOR		

## ■ Electrical parts list (Main board)

Block No. 01

△	Item	Parts number	Parts name	Remarks	Area	△	Item	Parts number	Parts name	Remarks	Area
	R3803	QRE141J-2R2Y	C RESISTOR	2.2 5% 1/4W			R7120	NRSA63J-222X	MG RESISTOR		
	R3806	NRSA63J-223X	MG RESISTOR				R7121	NRSA63J-222X	MG RESISTOR		
	R3807	NRSA63J-223X	MG RESISTOR				R7123	NRSA63J-222X	MG RESISTOR		
	R3811	QRJ146J-2R2X	UNF C RESISTOR	2.2 5% 1/4W			R7124	NRSA63J-222X	MG RESISTOR		
	R3812	QRJ146J-2R2X	UNF C RESISTOR	2.2 5% 1/4W			R7125	NRSA63J-222X	MG RESISTOR		
	R3813	QRJ146J-2R2X	UNF C RESISTOR	2.2 5% 1/4W			R7126	NRSA63J-222X	MG RESISTOR		
	R3814	QRJ146J-2R2X	UNF C RESISTOR	2.2 5% 1/4W			R7127	NRSA63J-222X	MG RESISTOR		
	R3815	QRJ146J-100X	UNF C RESISTOR	10 5% 1/4W			R7128	NRSA63J-222X	MG RESISTOR		
	R5101	NRSA63J-223X	MG RESISTOR				R7129	NRSA63J-104X	MG RESISTOR		
	R5102	NRSA63J-683X	MG RESISTOR				R7130	NRSA63J-222X	MG RESISTOR		
	R5105	NRSA63J-473X	MG RESISTOR				R7131	NRSA63J-222X	MG RESISTOR		
	R5106	NRSA63J-392X	MG RESISTOR				R7132	NRSA63J-222X	MG RESISTOR		
	R5107	NRSA63J-102X	MG RESISTOR				R7133	NRSA63J-102X	MG RESISTOR		
	R5108	NRSA63J-222X	MG RESISTOR				R7134	NRSA63J-222X	MG RESISTOR		
	R5109	NRSA63J-103X	MG RESISTOR				R7135	NRSA63J-222X	MG RESISTOR		
	R5110	NRSA63J-752X	MG RESISTOR				R7136	NRSA63J-222X	MG RESISTOR		
	R5111	NRSA63J-122X	MG RESISTOR				R7137	NRSA63J-222X	MG RESISTOR		
	R5112	NRSA63J-562X	MG RESISTOR				R7138	NRSA63J-104X	MG RESISTOR		
	R5201	NRSA63J-223X	MG RESISTOR				R7139	NRSA63J-222X	MG RESISTOR		
	R5202	NRSA63J-683X	MG RESISTOR				R7140	NRSA63J-104X	MG RESISTOR		
	R5205	NRSA63J-473X	MG RESISTOR				R7141	NRSA63J-222X	MG RESISTOR		
	R5206	NRSA63J-392X	MG RESISTOR				R7142	NRSA63J-222X	MG RESISTOR		
	R5207	NRSA63J-102X	MG RESISTOR				R7143	NRSA63J-222X	MG RESISTOR		
	R5208	NRSA63J-222X	MG RESISTOR				R7144	NRSA63J-222X	MG RESISTOR		
	R5209	NRSA63J-103X	MG RESISTOR				R7145	NRSA63J-222X	MG RESISTOR		
	R5210	NRSA63J-752X	MG RESISTOR				R7146	NRSA63J-222X	MG RESISTOR		
	R5211	NRSA63J-122X	MG RESISTOR				R7147	NRSA63J-222X	MG RESISTOR		
	R5212	NRSA63J-562X	MG RESISTOR				R7148	NRSA63J-222X	MG RESISTOR		
	R5301	NRSA63J-223X	MG RESISTOR				R7150	NRSA63J-153X	MG RESISTOR		
	R5302	NRSA63J-222X	MG RESISTOR				R7151	NRSA63J-123X	MG RESISTOR		
	R5303	NRSA63J-473X	MG RESISTOR				R7153	NRSA63J-224X	MG RESISTOR		
	R5304	NRSA63J-102X	MG RESISTOR				R7201	NRSA63J-272X	MG RESISTOR		
△	R5305	QRZ9006-4R7X	F RESISTOR	4.7 1/4W			R7202	NRSA63J-272X	MG RESISTOR		
	R7001	NRSA63J-473X	MG RESISTOR				R7203	NRSA63J-472X	MG RESISTOR		
	R7002	NRSA63J-393X	MG RESISTOR				R7204	NRSA63J-471X	MG RESISTOR		
	R7003	NRSA63J-102X	MG RESISTOR				R7205	NRSA63J-472X	MG RESISTOR		
	R7004	NRSA63J-331X	MG RESISTOR				R7206	NRSA63J-471X	MG RESISTOR		
	R7005	NRSA63J-103X	MG RESISTOR				R8005	NRSA63J-221X	MG RESISTOR		
	R7006	NRSA63J-103X	MG RESISTOR				R8006	NRSA63J-221X	MG RESISTOR		
	R7007	NRSA63J-103X	MG RESISTOR				R8007	NRSA63J-331X	MG RESISTOR		
	R7008	NRSA63J-103X	MG RESISTOR				R8008	NRSA63J-331X	MG RESISTOR		
	R7009	NRSA63J-104X	MG RESISTOR				R8017	NRSA63J-221X	MG RESISTOR		
	R7010	NRSA63J-102X	MG RESISTOR				R8018	NRSA63J-221X	MG RESISTOR		
	R7011	NRSA63J-473X	MG RESISTOR				R8019	NRSA63J-331X	MG RESISTOR		
	R7012	NRSA63J-333X	MG RESISTOR				R8020	NRSA63J-331X	MG RESISTOR		
	R7100	NRSA63J-222X	MG RESISTOR				R8052	NRSA63J-222X	MG RESISTOR		
	R7101	NRSA63J-222X	MG RESISTOR				R8053	NRSA63J-222X	MG RESISTOR		
	R7102	NRSA63J-103X	MG RESISTOR				R8054	NRSA63J-332X	MG RESISTOR		
	R7103	NRSA63J-222X	MG RESISTOR				R8055	NRSA63J-472X	MG RESISTOR		
	R7104	NRSA63J-103X	MG RESISTOR				R8056	NRSA63J-103X	MG RESISTOR		
	R7105	NRSA63J-222X	MG RESISTOR				R8058	NRSA63J-0R0X	MG RESISTOR		
	R7106	NRSA63J-222X	MG RESISTOR				R8059	NRSA63J-222X	MG RESISTOR		
	R7107	NRSA63J-222X	MG RESISTOR				R8060	NRSA63J-222X	MG RESISTOR		
	R7108	NRSA63J-222X	MG RESISTOR				R8061	NRSA63J-332X	MG RESISTOR		
	R7109	NRSA63J-222X	MG RESISTOR				R8062	NRSA63J-472X	MG RESISTOR		
	R7110	NRSA63J-222X	MG RESISTOR				R8063	NRSA63J-103X	MG RESISTOR		
	R7111	NRSA63J-102X	MG RESISTOR				S3601	QSW0454-001	SWITCH		
	R7112	NRSA63J-102X	MG RESISTOR				S8001	QSW0683-001Z	PUSH SWITCH		
	R7113	NRSA63J-222X	MG RESISTOR				S8002	QSW0683-001Z	PUSH SWITCH		
	R7114	NRSA63J-222X	MG RESISTOR				S8003	QSW0683-001Z	PUSH SWITCH		
	R7115	NRSA63J-222X	MG RESISTOR				S8004	QSW0683-001Z	PUSH SWITCH		
	R7116	NRSA63J-222X	MG RESISTOR				S8005	QSW0683-001Z	PUSH SWITCH		
	R7117	NRSA63J-222X	MG RESISTOR				S8006	QSW0683-001Z	PUSH SWITCH		

## ■ Electrical parts list (Main board)

Block No. 01

△	Item	Parts number	Parts name	Remarks	Area
	S8007	QSW0683-001Z	PUSH SWITCH		
	S8008	QSW0683-001Z	PUSH SWITCH		
	S8009	QSW0683-001Z	PUSH SWITCH		
	S8010	QSW0683-001Z	PUSH SWITCH		
	S8101	QSW0851-001	DETECT SWITCH		
	T 1	QQR0793-001	IFT		
	TH701	QAD0015-103Z	THERMISTOR		
	TU 1	QAU0161-001	FRONT END		
	W3001	QUB131-05PPDM	S.WIRE		
	W3002	QUB231-22HPPH	S.WIRE		
	W8002	QJK018-031303	SIN CR C-B WIRE	DOOR SW - MAIN	
	W8003	QJK021-062001	SIN CR C-B WIRE	TOP - MAIN	
	X 1	QAX0402-001	CRYSTAL		
	X7001	QAX0401-001	CRYSTAL		
	X7002	QAX0283-001Z	C RESONATOR		
△	Z1901	QNG0003-001Z	FUSE CLIP	FOR F1901	
△	Z1902	QNG0003-001Z	FUSE CLIP	FOR F1901	
△	Z1903	QNG0003-001Z	FUSE CLIP	FOR F1902	
△	Z1904	QNG0003-001Z	FUSE CLIP	FOR F1902	
△	Z1905	QNG0003-001Z	FUSE CLIP	FOR F1903	
△	Z1906	QNG0003-001Z	FUSE CLIP	FOR F1903	

■ Electrical parts list (Front board)

Block No. 02

△	Item	Parts number	Parts name	Remarks	Area
	C 801	NEA70JM-107X	E CAPACITOR		
	C 802	NCB31HK-103X	C CAPACITOR		
	C 803	NEA71HM-475X	E CAPACITOR		
	C 804	NEA71HM-475X	E CAPACITOR		
	C 805	NCB31HK-103X	C CAPACITOR		
	C 806	NCB31HK-103X	C CAPACITOR		
	C 807	NEA70JM-107X	E CAPACITOR		
	C 808	NCB31HK-103X	C CAPACITOR		
	C 809	NDC31HJ-470X	C CAPACITOR		
	C 810	NDC31HJ-101X	C CAPACITOR		
	C 811	NDC31HJ-101X	C CAPACITOR		
	C 812	NCB31HK-103X	C CAPACITOR		
	C 813	NDC31HJ-101X	C CAPACITOR		
	C 814	NDC31HJ-101X	C CAPACITOR		
	CN811	QGF1016F2-17W	CONNECTOR	FRONT TO MAIN	
	D 801	EL-19-21SDRC/-X	LED		
	D 802	EL-19-21SDRC/-X	LED		
	D 803	EL-19-21SDRC/-X	LED		
	D 804	EL-19-21SDRC/-X	LED		
	D 805	EL-19-21SDRC/-X	LED		
	D 806	EL-19-21SDRC/-X	LED		
	D 807	EL-19-21SDRC/-X	LED		
	D 808	EL-19-21SDRC/-X	LED		
	D 809	EL-19-21SDRC/-X	LED		
	D 810	EL-19-21SDRC/-X	LED		
	D 811	EL-19-21SDRC/-X	LED		
	D 812	EL-19-21SDRC/-X	LED		
	D 813	EL-19-21SDRC/-X	LED		
	D 814	EL-19-21SDRC/-X	LED		
	D 815	EL-19-21SDRC/-X	LED		
	D 816	EL-19-21SDRC/-X	LED		
	D 817	EL-19-21SDRC/-X	LED		
	D 818	EL-19-21SDRC/-X	LED		
	D 819	EL-19-21SDRC/-X	LED		
	D 820	EL-19-21SDRC/-X	LED		
	DI811	QLF0100-001	FL TUBE		
	IC811	MN101C35DKB	IC(MPU)	DISPLAY MICON	
	IC812	RPM6938-SV4	IC		
	Q 801	KRC102S-X	D.TRANSISTOR		
	Q 802	KRC102S-X	D.TRANSISTOR		
	Q 803	KRA102S-X	D.TRANSISTOR		
	Q 804	DTC114TKA-X	TRANSISTOR		
	Q 805	KRA102S-X	D.TRANSISTOR		
	Q 806	DTC114TKA-X	TRANSISTOR		
	Q 815	DTA114TKA-X	D.TRANSISTOR		
	Q 816	2SA1037AK/R/-X	TRANSISTOR		
	Q 817	KRC102S-X	D.TRANSISTOR		
	Q 821	DTC114TKA-X	TRANSISTOR		
	R 835	NRSA63J-104X	MG RESISTOR		
	R 861	NRSA63J-561X	MG RESISTOR		
	R 862	NRSA63J-561X	MG RESISTOR		
	R 863	NRSA63J-561X	MG RESISTOR		
	R 864	NRSA63J-561X	MG RESISTOR		
	R 865	NRSA63J-681X	MG RESISTOR		
	R 866	NRSA63J-681X	MG RESISTOR		
	R 867	NRSA63J-0R0X	MG RESISTOR		
	R 868	NRSA63J-0R0X	MG RESISTOR		
	R 869	NRSA63J-681X	MG RESISTOR		
	R 870	NRSA63J-681X	MG RESISTOR		
	R 872	NRSA02J-122X	MG RESISTOR		
	R 873	NRSA63J-681X	MG RESISTOR		
	R 874	NRSA63J-681X	MG RESISTOR		
	R 875	NRSA63J-122X	MG RESISTOR		

△	Item	Parts number	Parts name	Remarks	Area
	R 876	NRSA63J-122X	MG RESISTOR		
	R 877	NRSA63J-681X	MG RESISTOR		
	R 878	NRSA63J-681X	MG RESISTOR		
	R 879	NRSA63J-122X	MG RESISTOR		
	R 881	NRSA63J-681X	MG RESISTOR		
	R 882	NRSA63J-681X	MG RESISTOR		
	R 885	NRSA63J-681X	MG RESISTOR		
	R 886	NRSA63J-681X	MG RESISTOR		
	R 890	NRSA63J-682X	MG RESISTOR		
	R 891	NRSA63J-102X	MG RESISTOR		
	R 892	NRSA63J-102X	MG RESISTOR		
	R 893	NRSA63J-102X	MG RESISTOR		
	R 894	NRSA63J-102X	MG RESISTOR		
	R 895	NRSA63J-102X	MG RESISTOR		
	R 896	NRSA63J-102X	MG RESISTOR		
	R 897	NRSA63J-102X	MG RESISTOR		
	X 811	NAX0248-001X	C OSCILLATOR	8MHZ	



## ■ Electrical parts list (Sub woofer board)

Block No. 03

△	Item	Parts number	Parts name	Remarks	Area	△	Item	Parts number	Parts name	Remarks	Area
	CN211	QGB2016J1-15	CONNECTOR	TO WOOF.PWB			C2912	QE20223-478	E CAPACITOR	4700MF	
	CN221	QGB2016K1-15	CONNECTOR	TO CONT.PWB			C2914	QFG32AJ-223Z	PP CAPACITOR	.022MF 5% 100V	
	CN251	QGA2501C1-02	2P CONNECTOR				C2915	QFG32AJ-223Z	PP CAPACITOR	.022MF 5% 100V	
	CN281	QGA3901C1-02	CONNECTOR	FOR SPK			C2917	QFG32AJ-223Z	PP CAPACITOR	.022MF 5% 100V	
	CN291	QGA3901C1-05	CONNECTOR	FOR SEC.POWER		△	C2921	QETM1EM-688	E CAPACITOR	6800MF 20% 25V	
△	CN299	QGA7901C1-02	CONNECTOR	PRI MORE		△	C2922	QETM1EM-688	E CAPACITOR	6800MF 20% 25V	
	C2101	QTE1H28-106Z	E CAPACITOR				C2924	QFG32AJ-223Z	PP CAPACITOR	.022MF 5% 100V	
	C2102	QTE1H28-106Z	E CAPACITOR				C2925	QFG32AJ-223Z	PP CAPACITOR	.022MF 5% 100V	
	C2103	QDXB1CM-562Y	C CAPACITOR				C2927	QFG32AJ-223Z	PP CAPACITOR	.022MF 5% 100V	
	C2104	QFN31HJ-823Z	M CAPACITOR	.082MF 5% 50V			C2928	QETN1HM-225Z	E CAPACITOR	2.2MF 20% 50V	
	C2105	QFN31HJ-823Z	M CAPACITOR	.082MF 5% 50V			C8117	QCBB1HK-151Y	C CAPACITOR	150PF 10% 50V	
	C2106	QFVJ1HJ-274Z	MF CAPACITOR	.27MF 5% 50V			C8118	QCBB1HK-151Y	C CAPACITOR	150PF 10% 50V	
	C2107	QFN31HJ-473Z	M CAPACITOR	.047MF 5% 50V			D2201	MTZJ8.2C-T2	ZENER DIODE		
	C2108	QFN31HJ-333Z	M CAPACITOR	.033MF 5% 50V			D2202	MTZJ8.2C-T2	ZENER DIODE		
	C2109	QFN31HJ-473Z	M CAPACITOR	.047MF 5% 50V			D2205	MTZJ33C-T2	Z DIODE		
	C2110	QFN31HJ-332Z	M CAPACITOR	3300PF 5% 50V			D2206	MTZJ33C-T2	Z DIODE		
	C2111	QTE1H28-226Z	E CAPACITOR				D2207	1SS133-T2	SI DIODE		
	C2112	QCBB1HK-103Y	C CAPACITOR	.010MF 10% 50V			D2208	1SS133-T2	SI DIODE		
	C2113	QCBB1HK-103Y	C CAPACITOR	.010MF 10% 50V			D2209	1SS133-T2	SI DIODE		
	C2114	QDGB1HK-102Y	C CAPACITOR			△	D2211	1N5402M-20	DIODE		
	C2115	QDGB1HK-102Y	C CAPACITOR			△	D2212	1N5402M-20	DIODE		
	C2116	QETN1HM-105Z	E CAPACITOR	1.0MF 20% 50V			D2501	1SS133-T2	SI DIODE		
	C2121	QTE1H28-226Z	E CAPACITOR				D2502	1SS133-T2	SI DIODE		
	C2122	QCBB1HK-151Y	C CAPACITOR	150PF 10% 50V			D2503	1SS133-T2	SI DIODE		
	C2201	QCBB1HK-101Y	C CAPACITOR	100PF 10% 50V			D2504	1SS133-T2	SI DIODE		
	C2202	QTE1H28-107Z	E CAPACITOR				D2505	1SS133-T2	SI DIODE		
	C2203	QTE1H28-107Z	E CAPACITOR				D2506	1SS133-T2	SI DIODE		
	C2204	QTE1V06-106Z	E CAPACITOR				D2507	1SS133-T2	SI DIODE		
	C2205	QCBB1HK-471Y	C CAPACITOR	470PF 10% 50V			D2508	1SS133-T2	SI DIODE		
	C2206	QENC1HM-225Z	NP E CAPACITOR	2.2MF 20% 50V			D2509	1SS133-T2	SI DIODE		
	C2207	QCBB1HK-221Y	C CAPACITOR	220PF 10% 50V			D2510	1SS133-T2	SI DIODE		
	C2208	QFVJ1HJ-224Z	MF CAPACITOR	.22MF 5% 50V			D2511	MTZJ6.8B-T2	ZENER DIODE		
	C2209	QFVJ1HJ-224Z	MF CAPACITOR	.22MF 5% 50V			D2701	MTZJ10B-T2	ZENER DIODE		
	C2210	QETN1EM-106Z	E CAPACITOR	10MF 20% 25V			D2702	MTZJ10B-T2	ZENER DIODE		
	C2211	QETN1EM-476Z	E CAPACITOR	47MF 20% 25V			D2801	1SS133-T2	SI DIODE		
	C2212	QETN1CM-107Z	E CAPACITOR	100MF 20% 16V		△	D2911	D5SBA20-S1	SI DIODE	+/-35V	
	C2213	QDCB1HK-8R2Y	C CAPACITOR			△	D2921	D5SBA20-S1	SI DIODE	+/-15V	
	C2214	QFVJ1HJ-104Z	MF CAPACITOR	.10MF 5% 50V		△	D2924	DSK10C-T1	DIODE		
	C2215	QTE1E28-107Z	E CAPACITOR				IC211	NJM4580D-D	IC		
	C2217	QTE1V06-106Z	E CAPACITOR				IC212	NJM4580D-D	IC		
	C2218	QTE1V06-106Z	E CAPACITOR				IC213	NJM4580D-D	IC		
	C2219	QETN1HM-105Z	E CAPACITOR	1.0MF 20% 50V		△	IC221	STK411-290E	IC	WOOFER AMP	
	C2231	QCBB1HK-151Y	C CAPACITOR	150PF 10% 50V			IC251	TC74HCU04AP	IC		
	C2232	QCBB1HK-101Y	C CAPACITOR	100PF 10% 50V			IC261	UPC78L05J-T	IC		
	C2233	QCBB1HK-151Y	C CAPACITOR	150PF 10% 50V			J2101	QNN0090-001	PIN JACK		
	C2234	QCBB1HK-151Y	C CAPACITOR	150PF 10% 50V			J2102	QNB0095-002	SPK TERMINAL		
	C2252	QFVJ1HJ-104Z	MF CAPACITOR	.10MF 5% 50V			L2201	QQLZ005-R45	INDUCTOR		
	C2253	QDYB1CM-103Y	C CAPACITOR				PP291	QNZ0079-001Z	TAB		
	C2501	QETN1EM-226Z	E CAPACITOR	22MF 20% 25V			PP292	QNZ0079-001Z	TAB		
	C2502	QETN1AM-107Z	E CAPACITOR	100MF 20% 10V			Q2101	KTC3199/GL-T	TRANSISTOR		
	C2503	QETN1EM-107Z	E CAPACITOR	100MF 20% 25V			Q2102	KTC3199/GL-T	TRANSISTOR		
	C2504	QETN1HM-106Z	E CAPACITOR	10MF 20% 50V		△	Q2201	KTC3199/GL-T	TRANSISTOR		
	C2505	QCBB1HK-101Y	C CAPACITOR	100PF 10% 50V			Q2202	KTA1267/YG-T	TRANSISTOR		
	C2506	QETN1HM-106Z	E CAPACITOR	10MF 20% 50V			Q2203	KTC3199/GL-T	TRANSISTOR		
	C2507	QDYB1CM-103Y	C CAPACITOR				Q2204	KTA1267/YG-T	TRANSISTOR		
	C2508	QETN0JM-477Z	E CAPACITOR	470MF 20% 6.3V			Q2501	KTC3199/GL-T	TRANSISTOR		
	C2701	QTE1C06-476Z	E CAPACITOR				Q2502	KTC3199/GL-T	TRANSISTOR		
	C2702	QTE1C06-476Z	E CAPACITOR				Q2701	2SD400MP/EF-T	TRANSISTOR		
	C2703	QTE1E28-107Z	E CAPACITOR			△	Q2702	2SB544MP/EF-T	TRANSISTOR		
	C2704	QTE1E28-107Z	E CAPACITOR				Q2801	2SC945/PK-T	TRANSISTOR		
	C2801	QETN1HM-105Z	E CAPACITOR	1.0MF 20% 50V		△	RY281	OSK0109-001	RELAY		
△	C2901	QCZ9104-472	C CAPACITOR	4700PF			R2101	QRE141J-474Y	C RESISTOR	470K 5% 1/4W	
△	C2911	QE20223-478	E CAPACITOR	4700MF			R2102	QRE141J-474Y	C RESISTOR	470K 5% 1/4W	

## ■ Electrical parts list (Sub woofer board)

Block No. 03

△	Item	Parts number	Parts name	Remarks	Area	△	Item	Parts number	Parts name	Remarks	Area
	R2103	QRE141J-563Y	C RESISTOR	56K 5% 1/4W			R2507	QRE141J-222Y	C RESISTOR	2.2K 5% 1/4W	
	R2104	QRE141J-563Y	C RESISTOR	56K 5% 1/4W			R2512	QRE141J-472Y	C RESISTOR	4.7K 5% 1/4W	
	R2105	QRE141J-683Y	C RESISTOR	68K 5% 1/4W			R2514	QRE141J-105Y	C RESISTOR	1.0M 5% 1/4W	
	R2106	QRE141J-102Y	C RESISTOR	1.0K 5% 1/4W			R2515	QRE141J-472Y	C RESISTOR	4.7K 5% 1/4W	
	R2107	QRE141J-222Y	C RESISTOR	2.2K 5% 1/4W			R2516	QRE141J-473Y	C RESISTOR	47K 5% 1/4W	
	R2108	QRE141J-273Y	C RESISTOR	27K 5% 1/4W			R2517	QRE141J-564Y	C RESISTOR	560K 5% 1/4W	
	R2109	QRE141J-332Y	C RESISTOR	3.3K 5% 1/4W			R2518	QRE141J-220Y	C RESISTOR	22 5% 1/4W	
	R2110	QRE141J-334Y	C RESISTOR	330K 5% 1/4W			R2519	QRE141J-514Y	C RESISTOR	510K 5% 1/4W	
	R2111	QRE141J-562Y	C RESISTOR	5.6K 5% 1/4W			R2520	QRE141J-472Y	C RESISTOR	4.7K 5% 1/4W	
	R2112	QRE141J-562Y	C RESISTOR	5.6K 5% 1/4W			R2521	QRE141J-102Y	C RESISTOR	1.0K 5% 1/4W	
	R2113	QRE141J-153Y	C RESISTOR	15K 5% 1/4W			R2522	QRE141J-181Y	C RESISTOR	180 5% 1/4W	
	R2114	QRE141J-123Y	C RESISTOR	12K 5% 1/4W			R2523	QRE141J-220Y	C RESISTOR	22 5% 1/4W	
	R2115	QRE141J-103Y	C RESISTOR	10K 5% 1/4W		△	R2701	QRZ9005-100X	F RESISTOR	10 1/4W	
	R2116	QRE141J-393Y	C RESISTOR	39K 5% 1/4W		△	R2702	QRZ9005-100X	F RESISTOR	10 1/4W	
	R2117	QRE141J-332Y	C RESISTOR	3.3K 5% 1/4W			R2703	QRE141J-152Y	C RESISTOR	1.5K 5% 1/4W	
	R2118	QRE141J-154Y	C RESISTOR	150K 5% 1/4W			R2704	QRE141J-152Y	C RESISTOR	1.5K 5% 1/4W	
	R2119	QRE141J-154Y	C RESISTOR	150K 5% 1/4W		△	R2705	QRZ9005-100X	F RESISTOR	10 1/4W	
	R2120	QRE141J-154Y	C RESISTOR	150K 5% 1/4W		△	R2801	QRJ146J-182X	UNF C RESISTOR	1.8K 5% 1/4W	
	R2121	QRE141J-154Y	C RESISTOR	150K 5% 1/4W		△	R2802	QRJ146J-182X	UNF C RESISTOR	1.8K 5% 1/4W	
	R2122	QRE141J-562Y	C RESISTOR	5.6K 5% 1/4W		△	R2803	QRJ146J-182X	UNF C RESISTOR	1.8K 5% 1/4W	
	R2123	QRE141J-562Y	C RESISTOR	5.6K 5% 1/4W			R2811	QRE141J-622Y	C RESISTOR	6.2K 5% 1/4W	
	R2124	QRE141J-822Y	C RESISTOR	8.2K 5% 1/4W			R2812	QRE141J-472Y	C RESISTOR	4.7K 5% 1/4W	
	R2125	QRE141J-154Y	C RESISTOR	150K 5% 1/4W			R2921	QRE141J-333Y	C RESISTOR	33K 5% 1/4W	
	R2126	QRE141J-224Y	C RESISTOR	220K 5% 1/4W		△	R2922	QRZ9006-4R7X	F RESISTOR	4.7 1/4W	
	R2127	QRE141J-102Y	C RESISTOR	1.0K 5% 1/4W			S2101	QSW0834-001	PUSH SWITCH	PHASE CHANGE	
	R2128	QRE141J-102Y	C RESISTOR	1.0K 5% 1/4W		△	S2901	QSW0632-001	PUSH SWITCH		
△	R2201	QRZ9005-100X	F RESISTOR	10 1/4W			VR211	QVQ0021-B14	V RESISTOR		
△	R2202	QRZ9015-101X	F RESISTOR	100 1/4W			WC281	QZW0038-001	WIRE CLAMP		
△	R2203	QRZ9015-101X	F RESISTOR	100 1/4W		△	Z 292	QNG0003-001Z	FUSE CLIP		
	R2204	QRE141J-272Y	C RESISTOR	2.7K 5% 1/4W		△	Z 293	QNG0003-001Z	FUSE CLIP		
	R2205	QRE141J-272Y	C RESISTOR	2.7K 5% 1/4W		△	Z 294	QNG0003-001Z	FUSE CLIP		
	R2206	QRE141J-563Y	C RESISTOR	56K 5% 1/4W		△	Z 295	QNG0003-001Z	FUSE CLIP		
	R2207	QRE141J-102Y	C RESISTOR	1.0K 5% 1/4W		△	Z 297	QNG0003-001Z	FUSE CLIP		
	R2208	QRE141J-822Y	C RESISTOR	8.2K 5% 1/4W		△	Z 298	QNG0003-001Z	FUSE CLIP		
	R2209	QRE141J-104Y	C RESISTOR	100K 5% 1/4W							
△	R2210	QRT01DJ-R33X	MF RESISTOR	5% 1W							
△	R2211	QRT01DJ-R33X	MF RESISTOR	5% 1W							
	R2212	QRE141J-122Y	C RESISTOR	1.2K 5% 1/4W							
△	R2213	QRJ146J-100X	UNF C RESISTOR	10 5% 1/4W							
	R2214	QRE141J-103Y	C RESISTOR	10K 5% 1/4W							
	R2215	QRE141J-223Y	C RESISTOR	22K 5% 1/4W							
△	R2216	QRZ9005-100X	F RESISTOR	10 1/4W							
	R2217	QRE141J-104Y	C RESISTOR	100K 5% 1/4W							
	R2218	QRE141J-103Y	C RESISTOR	10K 5% 1/4W							
	R2219	QRE141J-104Y	C RESISTOR	100K 5% 1/4W							
	R2220	QRE141J-103Y	C RESISTOR	10K 5% 1/4W							
	R2221	QRE141J-104Y	C RESISTOR	100K 5% 1/4W							
	R2222	QRE141J-823Y	C RESISTOR	82K 5% 1/4W							
	R2223	QRE141J-563Y	C RESISTOR	56K 5% 1/4W							
	R2224	QRE141J-563Y	C RESISTOR	56K 5% 1/4W							
	R2225	QRE141J-333Y	C RESISTOR	33K 5% 1/4W							
	R2226	QRE141J-561Y	C RESISTOR	560 5% 1/4W							
	R2227	QRE141J-563Y	C RESISTOR	56K 5% 1/4W							
	R2228	QRE141J-102Y	C RESISTOR	1.0K 5% 1/4W							
△	R2229	QRT01DJ-R33X	MF RESISTOR	5% 1W							
	R2233	QRE141J-472Y	C RESISTOR	4.7K 5% 1/4W							
	R2252	QRE141J-100Y	C RESISTOR	10 5% 1/4W							
	R2501	QRE141J-102Y	C RESISTOR	1.0K 5% 1/4W							
	R2502	QRE141J-123Y	C RESISTOR	12K 5% 1/4W							
	R2503	QRE141J-104Y	C RESISTOR	100K 5% 1/4W							
	R2504	QRE141J-102Y	C RESISTOR	1.0K 5% 1/4W							
	R2505	QRE141J-104Y	C RESISTOR	100K 5% 1/4W							
	R2506	QRE141J-105Y	C RESISTOR	1.0M 5% 1/4W							

## ■ Electrical parts list (CD servo board)

Block No. 04

▲	Item	Parts number	Parts name	Remarks	Area	▲	Item	Parts number	Parts name	Remarks	Area
	C 254	QERF1AM-476Z	E CAPACITOR	47MF 20% 10V			IC601	AN22000A-W	IC	RF AMP	
	C 255	NCB31CK-104X	C CAPACITOR				IC651	MN662790RSC	IC		
	C 271	NCS31HJ-101X	C CAPACITOR				IC801	LA6575H-X	IC		
	C 272	NCS31HJ-101X	C CAPACITOR				K 655	NQR0007-002X	FERRITE BEADS		
	C 273	NCB31CK-104X	C CAPACITOR				Q 631	2SA1037AK/RS/-X	TRANSISTOR	APC	
	C 291	NCB21CK-105X	C CAPACITOR				R 251	NRSA63J-102X	MG RESISTOR		
	C 292	NCB21CK-105X	C CAPACITOR				R 252	NRSA63J-102X	MG RESISTOR		
	C 603	NCB31EK-223X	C CAPACITOR				R 253	NRSA63J-102X	MG RESISTOR		
	C 604	NCB31EK-223X	C CAPACITOR				R 254	NRSA63J-102X	MG RESISTOR		
	C 605	NCS31HJ-271X	C CAPACITOR				R 255	NRSA63J-102X	MG RESISTOR		
	C 606	NCS31HJ-820X	C CAPACITOR				R 256	NRSA63J-102X	MG RESISTOR		
	C 610	NCB31CK-563X	C CAPACITOR				R 257	NRSA63J-102X	MG RESISTOR		
	C 611	NCB31CK-104X	C CAPACITOR				R 258	NRSA63J-102X	MG RESISTOR		
	C 612	NCB31CK-104X	C CAPACITOR				R 259	NRSA63J-102X	MG RESISTOR		
	C 614	NCB31CK-393X	C CAPACITOR				R 260	NRSA63J-102X	MG RESISTOR		
	C 615	NCB31HK-272X	C CAPACITOR				R 261	NRSA63J-0R0X	MG RESISTOR		
	C 616	NCB31HK-182X	C CAPACITOR				R 262	NRSA63J-102X	MG RESISTOR		
	C 617	NCB31HK-331X	C CAPACITOR				R 263	NRSA63J-102X	MG RESISTOR		
	C 621	NCB31CK-104X	C CAPACITOR				R 264	NRSA63J-102X	MG RESISTOR		
	C 622	QERF0JM-107Z	E CAPACITOR	100MF 20% 6.3V			R 265	NRSA63J-102X	MG RESISTOR		
	C 623	NCB31CK-104X	C CAPACITOR				R 268	NRSA63J-102X	MG RESISTOR		
	C 624	QERF0JM-107Z	E CAPACITOR	100MF 20% 6.3V			R 269	NRSA63J-102X	MG RESISTOR		
	C 631	QERF1CM-106Z	E CAPACITOR	10MF 20% 16V			R 270	NRSA63J-222X	MG RESISTOR		
	C 632	NCB31CK-104X	C CAPACITOR				R 272	NRSA63J-103X	MG RESISTOR		
	C 633	NCB31EK-223X	C CAPACITOR				R 273	NRSA63J-103X	MG RESISTOR		
	C 651	NCS31HJ-1R0X	C CAPACITOR				R 274	NRSA63J-682X	MG RESISTOR		
	C 652	NCS31HJ-1R0X	C CAPACITOR				R 275	NRSA63J-103X	MG RESISTOR		
	C 653	NCB31CK-104X	C CAPACITOR				R 285	NRSA63J-102X	MG RESISTOR		
	C 655	NCB31CK-104X	C CAPACITOR				R 286	NRSA63J-102X	MG RESISTOR		
	C 656	NCB31CK-104X	C CAPACITOR				R 287	NRSA63J-102X	MG RESISTOR		
	C 657	QERF0JM-107Z	E CAPACITOR	100MF 20% 6.3V			R 288	NRSA63J-102X	MG RESISTOR		
	C 658	NCB31CK-104X	C CAPACITOR				R 291	NRSA63J-103X	MG RESISTOR		
	C 661	NCS31HJ-471X	C CAPACITOR				R 292	NRSA63J-1R0X	MG RESISTOR		
	C 663	NCB31EK-223X	C CAPACITOR				R 293	NRSA63J-1R0X	MG RESISTOR		
	C 664	NCB31EK-223X	C CAPACITOR				R 601	NRSA63J-224X	MG RESISTOR		
	C 665	NCB21CK-154X	C CAPACITOR				R 602	NRSA63J-823X	MG RESISTOR		
	C 667	NCB21CK-474X	C CAPACITOR				R 603	NRSA63J-393X	MG RESISTOR		
	C 668	NCB31CK-473X	C CAPACITOR				R 604	NRSA63J-224X	MG RESISTOR		
	C 673	QERF0JM-107Z	E CAPACITOR	100MF 20% 6.3V			R 605	NRSA63J-0R0X	MG RESISTOR		
	C 676	NCB31CK-104X	C CAPACITOR				R 607	NRSA63J-473X	MG RESISTOR		
	C 677	NCB31CK-104X	C CAPACITOR				R 608	NRSA63J-473X	MG RESISTOR		
	C 678	NCB31CK-104X	C CAPACITOR				R 611	NRSA63J-562X	MG RESISTOR		
	C 679	QERF0JM-107Z	E CAPACITOR	100MF 20% 6.3V			R 613	NRSA63J-562X	MG RESISTOR		
	C 680	NCB31CK-104X	C CAPACITOR				R 617	NRSA63J-152X	MG RESISTOR		
	C 681	NCS31HJ-680X	C CAPACITOR				R 631	NRSA63J-2R2X	MG RESISTOR		
	C 801	NCB31EK-223X	C CAPACITOR				R 632	NRSA63J-3R9X	MG RESISTOR		
	C 802	NCS31HJ-102X	C CAPACITOR				R 634	NRSA63J-3R9X	MG RESISTOR		
	C 815	NCB21AK-105X	C CAPACITOR				R 635	NRSA63J-100X	MG RESISTOR		
	C 816	NCB20JK-155X	C CAPACITOR				R 636	NRSA63J-151X	MG RESISTOR		
	C 821	NCB31CK-104X	C CAPACITOR				R 651	NRSA63J-102X	MG RESISTOR		
	C 822	QERF1AM-227Z	E CAPACITOR	220MF 20% 10V			R 652	NRSA63J-102X	MG RESISTOR		
	C 861	NCB31HK-102X	C CAPACITOR				R 653	NRSA63J-102X	MG RESISTOR		
	C 862	NCB31HK-102X	C CAPACITOR				R 654	NRSA63J-102X	MG RESISTOR		
	C 863	NCB31HK-272X	C CAPACITOR				R 655	NRSA63J-0R0X	MG RESISTOR		
	C 864	NCB31HK-272X	C CAPACITOR				R 659	NRSA63J-203X	MG RESISTOR		
	CN601	QGF1036F1-15	CONNECTOR	PICK UP/TR.MECH			R 661	NRSA63J-473X	MG RESISTOR		
	CN611	QGF1036F1-06	CONNECTOR	MOTOR & REST SW			R 662	NRSA63J-683X	MG RESISTOR		
	CN612	QGF1036F1-07	FFC/FPC CONNE	LOADING MOTOR			R 663	NRSA63J-683X	MG RESISTOR		
	CN651	QGB2027L4-18X	CONNECTOR	MAIN			R 664	NRSA63J-331X	MG RESISTOR		
	D 292	MA112-X	DIODE				R 665	NRSA63J-101X	MG RESISTOR		
	D 603	1S355-X	DIODE				R 666	NRSA02J-101X	MG RESISTOR		
	IC251	UPD780024AGKB62	IC				R 667	NRSA63J-4R7X	MG RESISTOR		
	IC291	XC62HR3502P-X	IC	3.5VREG			R 668	NRSA63J-155X	MG RESISTOR		

## ■ Electrical parts list (CD servo board)

Block No. 04

△	Item	Parts number	Parts name	Remarks	Area
	R 669	NRSA63J-562X	MG RESISTOR		
	R 671	NRSA63J-684X	MG RESISTOR		
	R 675	NRSA63J-100X	MG RESISTOR		
	R 681	NRSA63J-0R0X	MG RESISTOR		
	R 682	NRSA63J-102X	MG RESISTOR		
	R 683	NRSA63J-105X	MG RESISTOR		
	R 685	NRSA63J-683X	MG RESISTOR		
	R 801	NRSA63J-272X	MG RESISTOR		
	R 802	NRSA63J-152X	MG RESISTOR		
	R 803	NRSA63J-472X	MG RESISTOR		
	R 804	NRSA63J-103X	MG RESISTOR		
	R 805	NRSA63J-153X	MG RESISTOR		
	R 808	NRSA63J-273X	MG RESISTOR		
	R 809	NRSA63J-222X	MG RESISTOR		
	R 811	NRSA63J-473X	MG RESISTOR		
	R 812	NRSA63J-152X	MG RESISTOR		
	R 813	NRSA63J-182X	MG RESISTOR		
	R 861	NRSA63J-681X	MG RESISTOR		
	R 862	NRSA63J-681X	MG RESISTOR		
	R 863	NRSA63J-561X	MG RESISTOR		
	R 864	NRSA63J-561X	MG RESISTOR		
	X 251	QAX0664-001Z	C OSCILLATOR		
	X 651	QAX0599-001Z	CRYSTAL		

## ■ Electrical parts list (CD switch board)

Block No. 05

△	Item	Parts number	Parts name	Remarks	Area
	CN101	QGA1501F2-04W	CONNECTER		
	CN102	QGF1016F2-07W	CONNECTOR		
	CN103	QGA1501F2-02W	CONNECTOR		
	CN104	QGA1501F2-04W	CONNECTER		
	D 101	GL100MN0MP1/M/X	PHOTO DIODE		
	Q 101	PT100MF0MP1-X	PHOTO TR		
	R 101	NRSA63J-181X	MG RESISTOR		
	S 101	NSW0174-001X	PUSH SWITCH		
	S 102	NSW0174-001X	PUSH SWITCH		

## ■ Electrical parts list (Tra-mecha board)

Block No. 06

△	Item	Parts number	Parts name	Remarks	Area
	CN105	QGF1016F3-06	CONNECTOR		
	S 103	QSW0859-001	LEVER SWITCH		

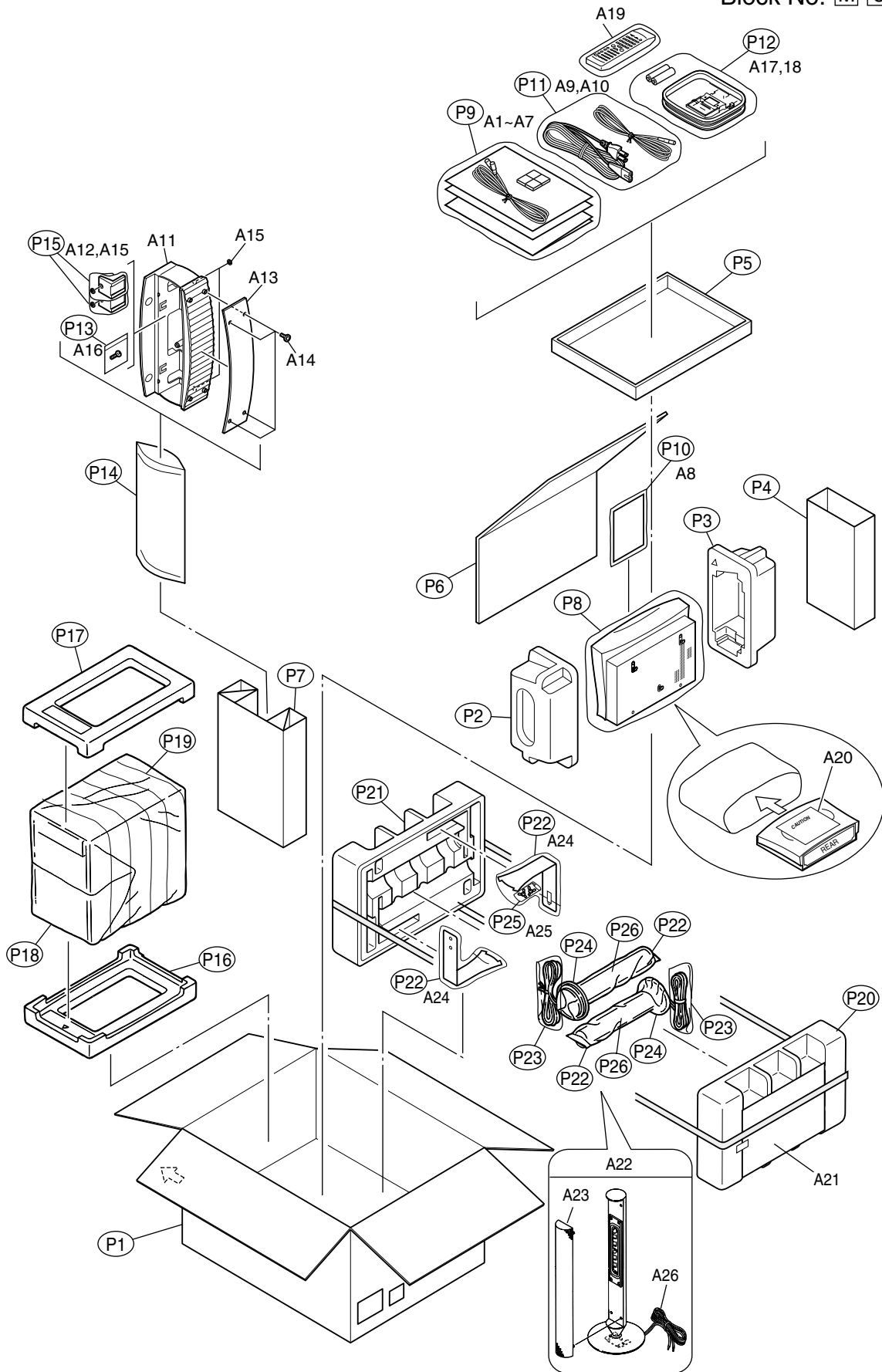
# Packing materials and accessories parts list

Block No. 

M	3	M	M
---	---	---	---

Block No. 

M	5	M	M
---	---	---	---



## ■ Parts list (Packing)

Block No. M3MM

△	Item	Parts number	Parts name	Q'ty	Description	Area
	P 1	GV30352-001A	CARTON BOX	1		
	P 2	GV10099-001A	CUSHION(L)	1	(L)	
	P 3	GV10099-002A	CUSHION(R)	1	(R)	
	P 4	GV30255-002A	CARTON SPACER	1	ADJUST SPK+SET	
	P 5	GV30358-001A	CARTON SPACER(E)	1	ADJUST SPK+SET	
	P 6	GV40349-001A	CARTON SHEET	1		
	P 7	LV33489-005A	CARTON SHEET	1	ADD CUT BENDING	
	P 8	QPC04504515P	POLY BAG	1	FOR SET	
	P 9	QPA02503503P	POLY BAG	1	FOR INST	
	P 10	QPA01702503P	POLY BAG	1		C
	P 11	QPA01202505	POLY BAG	1		
	P 12	QPA01702503P	POLY BAG	1		
	P 13	QPA00801505	POLY BAG	1	FOR QYSPSP3008Z	
	P 14	GV30364-001A	POLY BAG	1	AIR CAP POLY BA	
	P 15	QPA01001505	ENVELOPE	2	FOR STAND LEG	
	P 16	80-000-450-11	BOTTOM CUSHION	1	SP-PW2000	
	P 17	80-000-450-01	TOP CUSHION	1	SP-PW2000	
	P 18	85-000-377-41	POLY BAG	1	SP-PW2000	
	P 19	85-000-353-41	MIRROR MAT	1	SP-PW2000	
	P 20	80-000-483-01	TOP CUSHION	1	SP-VSDT2000	
	P 21	80-000-483-11	BOTTOM CUSHION	1	SP-VSDT2000	
	P 22	85-000-357-31	POLY BAG	4	SP-VSDT2000	
	P 23	85-000-357-51	POLY BAG	2	SP-VSDT2000	
	P 24	85-000-416-11	POLY BAG	2	SP-VSDT2000	
	P 25	85-000-364-01	POLY BAG	1	SP-VSDT2000	
	P 26	85-000-356-41	MIRROR MAT	2	SP-VSDT2000	

**Parts list (Accessories)**

Block No. M5MM

△	Item	Parts number	Parts name	Q'ty	Description	Area
	A 1	LVT0854-002A	INST.BOOK	1	ENG,FRE	C
		LVT0854-001A	INST.BOOK	1	ENG	J
	A 2	GV40352-001A	PAPER PATTERN	1	FOLD HALF INTO	
	A 3	YU20333	SAFETY INST.	1		
	A 4	BT-51028-1	REGIST CARD	1		J
	A 5	BT-20071B	SERVICE NETWORK	1		C
	A 6	QAM0199-001	PIN CABLE	1	SPEAKER CORD OF	
	A 7	LV42733-002A	FOOT	1		
	A 8	BT-52004-2	WARRANTY CARD	1		C
△	A 9	QMPE090-183-JD	POWER CORD	1		
	A 10	EWP503-001C	ANT.WIRE	1	FM ANT	
	A 11	GV10097-001A	STAND BASE	1		
	A 12	GV30248-001A	STAND LEG	2		
	A 13	GV20158-001A	STAND LENS	1		
	A 14	LV41587-001A	SPECIAL SCREW	4	S.LENS+S.BASE	
	A 15	GV40270-001A	FOOT	4	S.BASE(FOOT)	
	A 16	QYSBST3010Z	T.SCREW	1	BRAZIER HEAD S-	
	A 17	QAL0014-001	AM LOOP ANT	1	AM ANT	
	A 18	-----	BATTERY	2	FOR REMOCON	
	A 19	RM-SVSDT2000J	REMOCON UNIT	1		
	A 20	GV40351-001A	CAUTION SHEET	1		
	A 21	LV42732-004A	CAUTION SHEET	1		
	A 22	VSDT2000R-SPBOX	SPEAKER BOX	2	SP-VSDT2000	
	A 23	55-100-047-01	SPEAKER NET	2	SP-VSDT2000	
	A 24	64-000-218-01	BRACKET	2	SP-VSDT2000	
	A 25	72-000-359-21	BOLT	2	SP-VSDT2000	
	A 26	62-000-409-11	SPEAKER CORD	2	SP-VSDT2000	