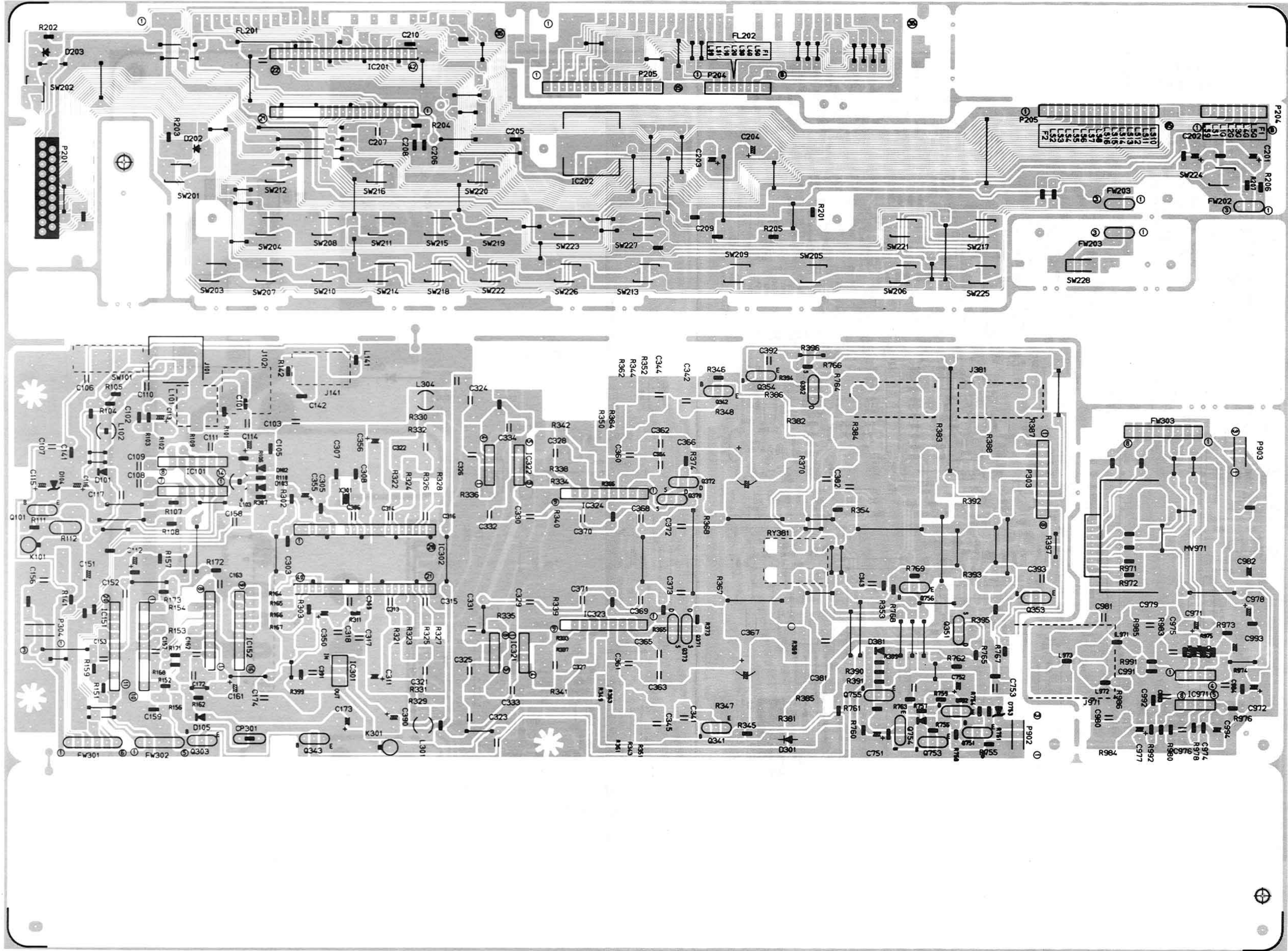
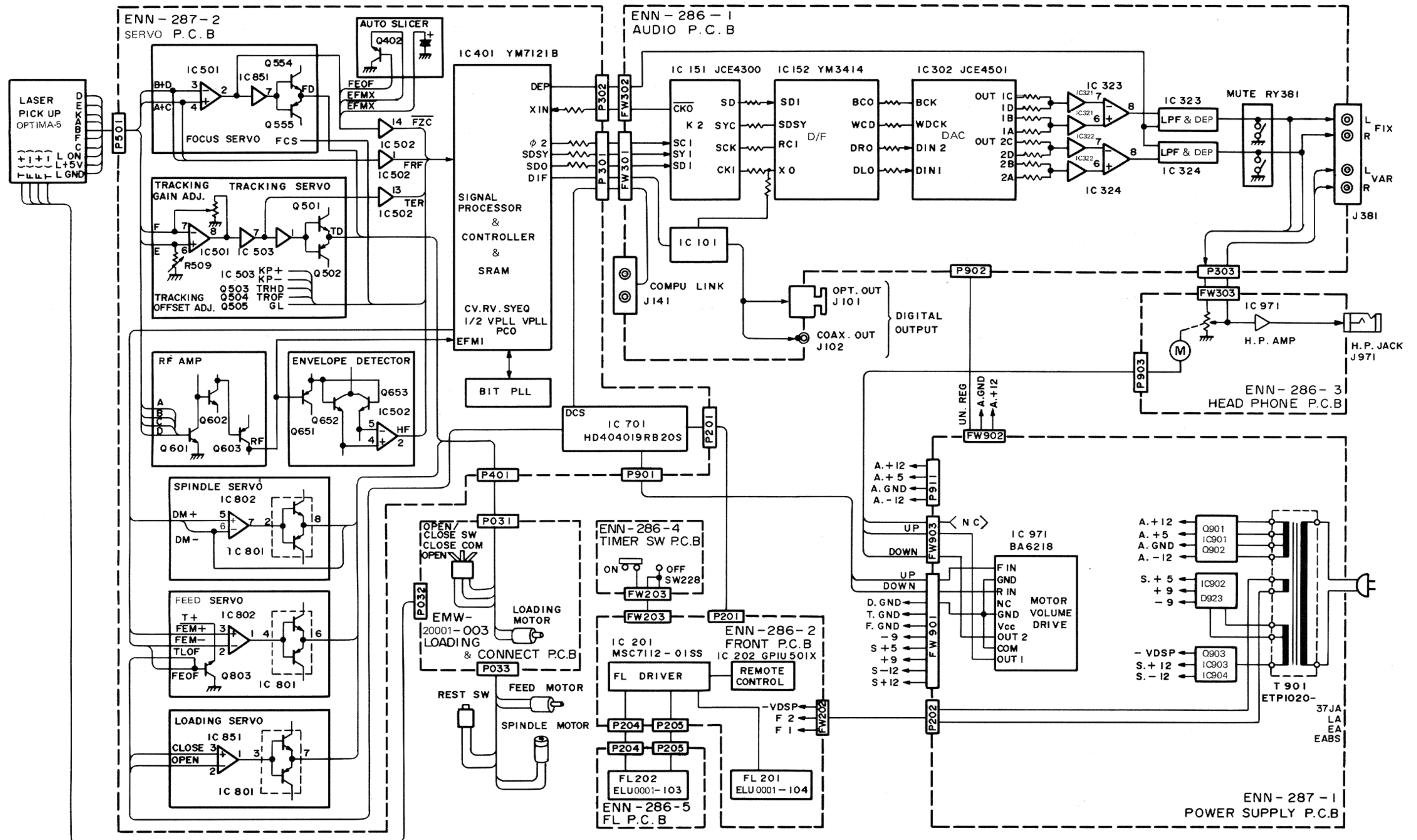


Printed Circuit Boards

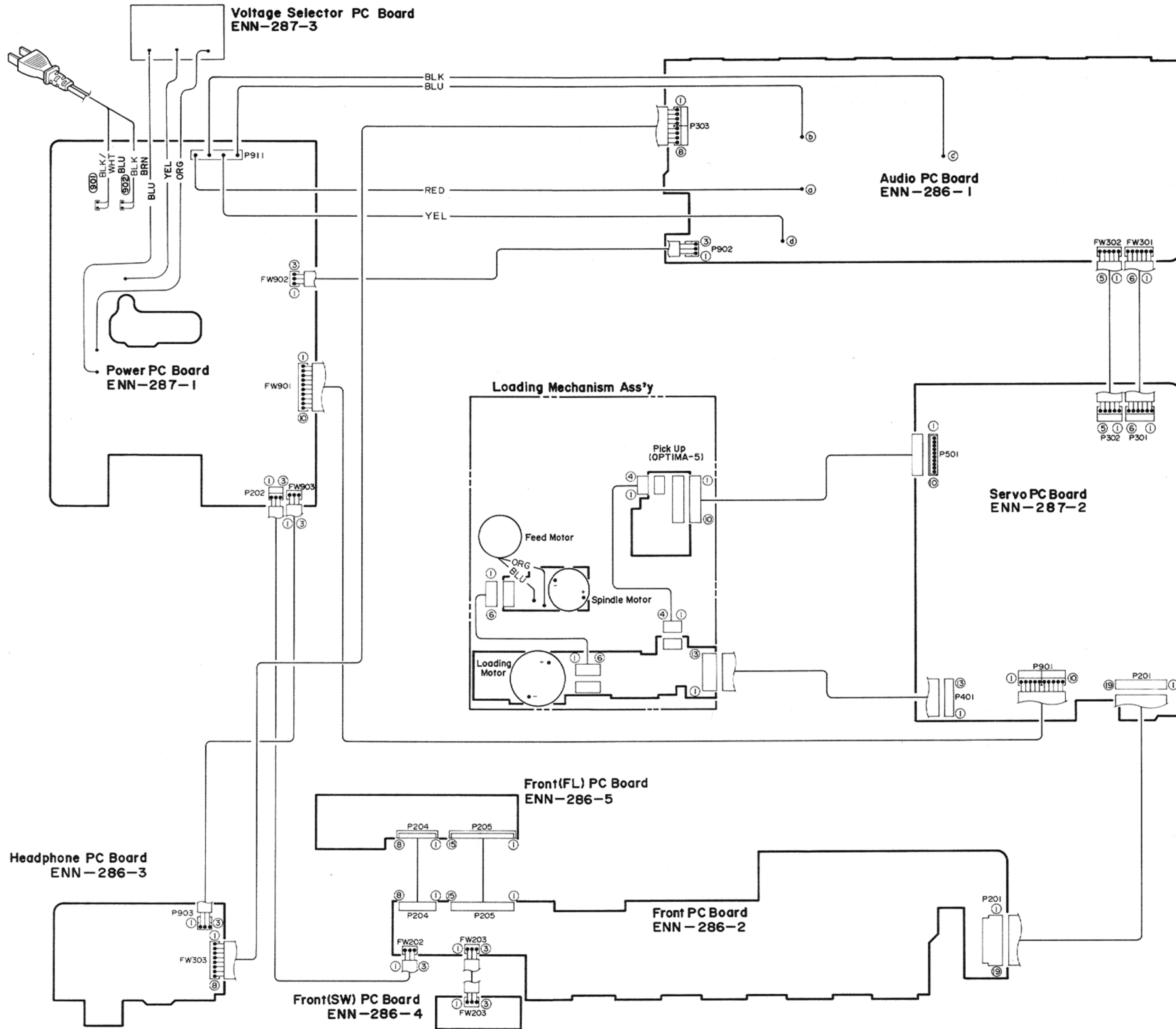
(1) AUDIO & FRONT P.C.B (ENN-286)



Block Diagram



Connection Diagram



(2) Front & Power Supply Section

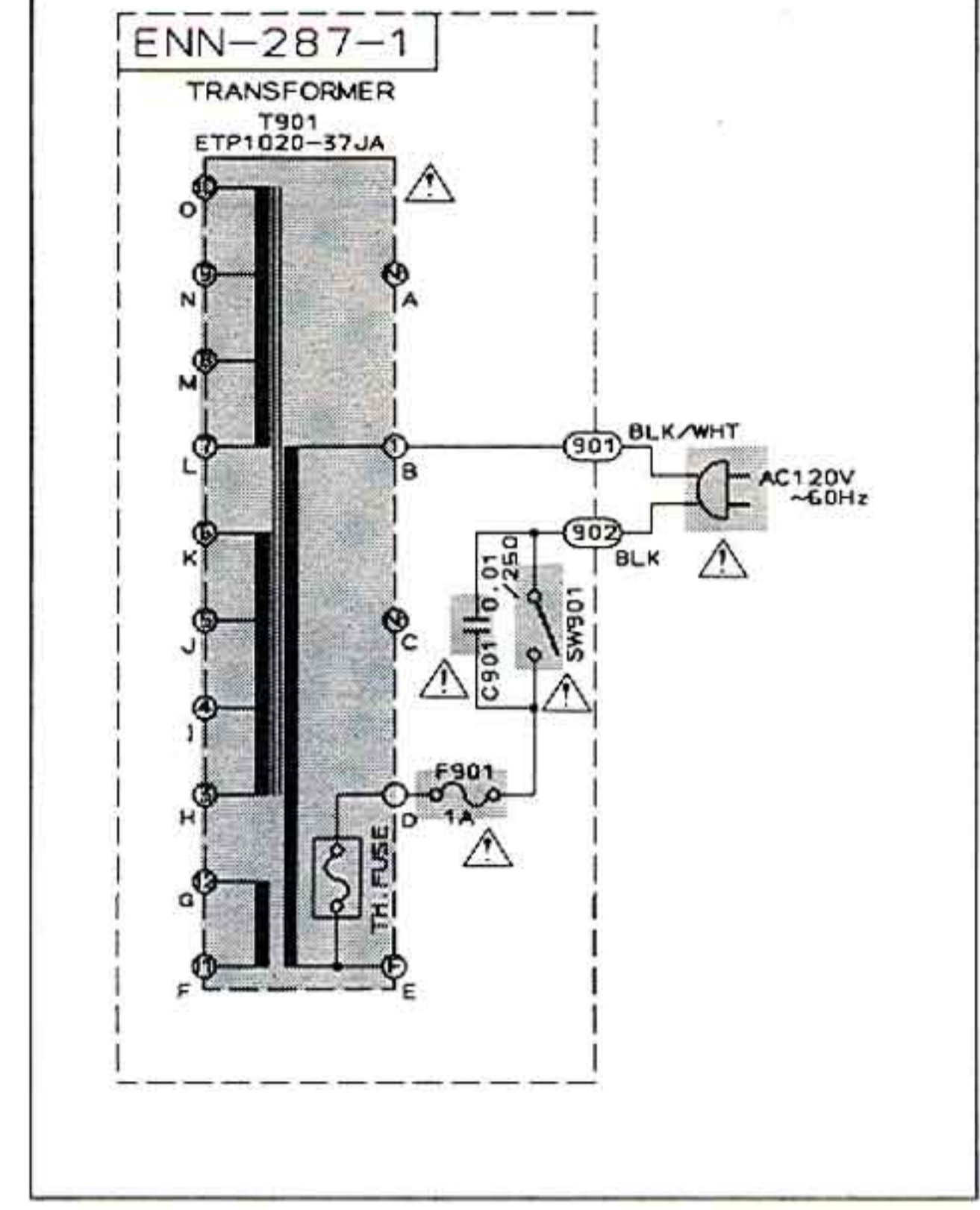
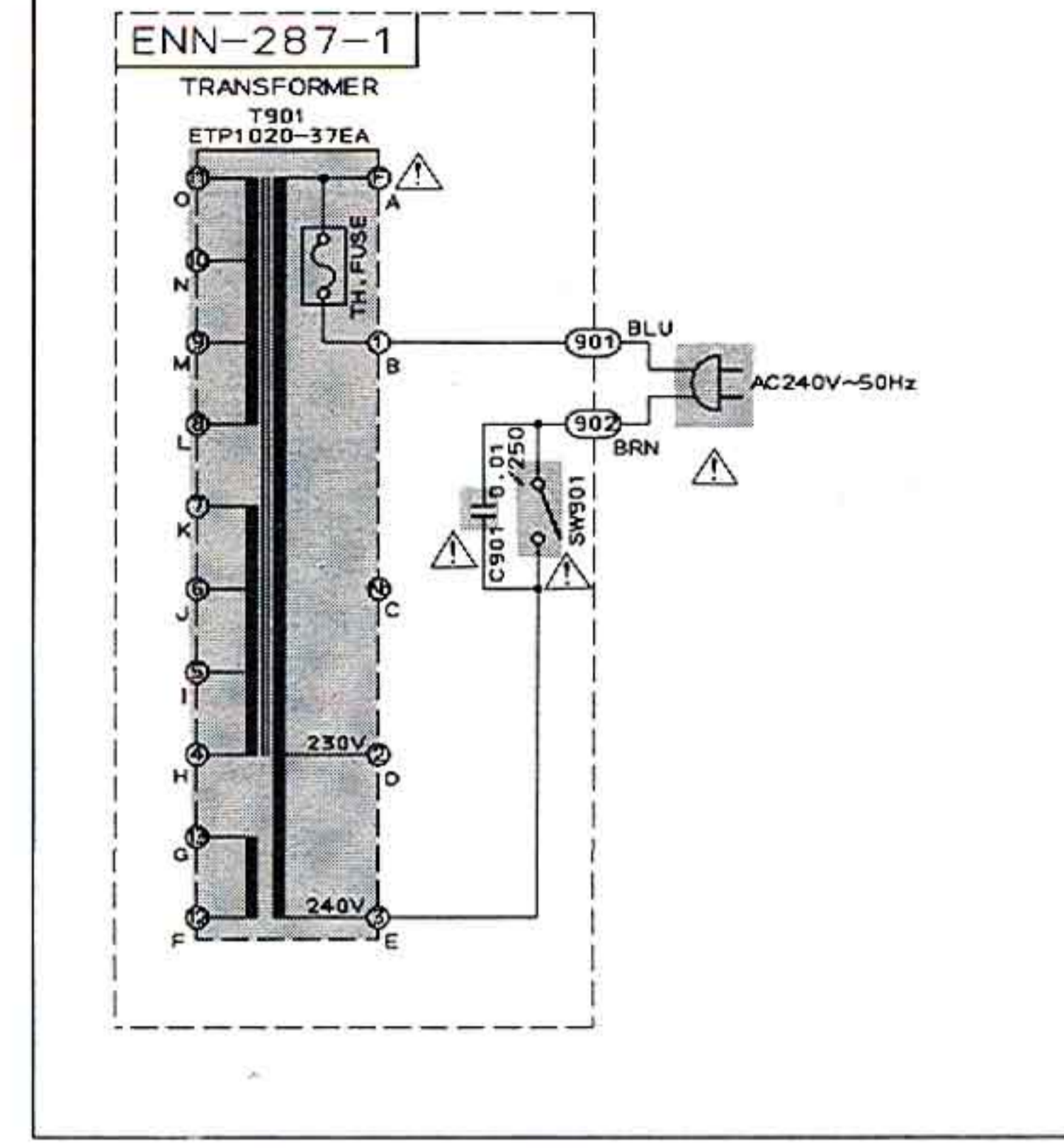
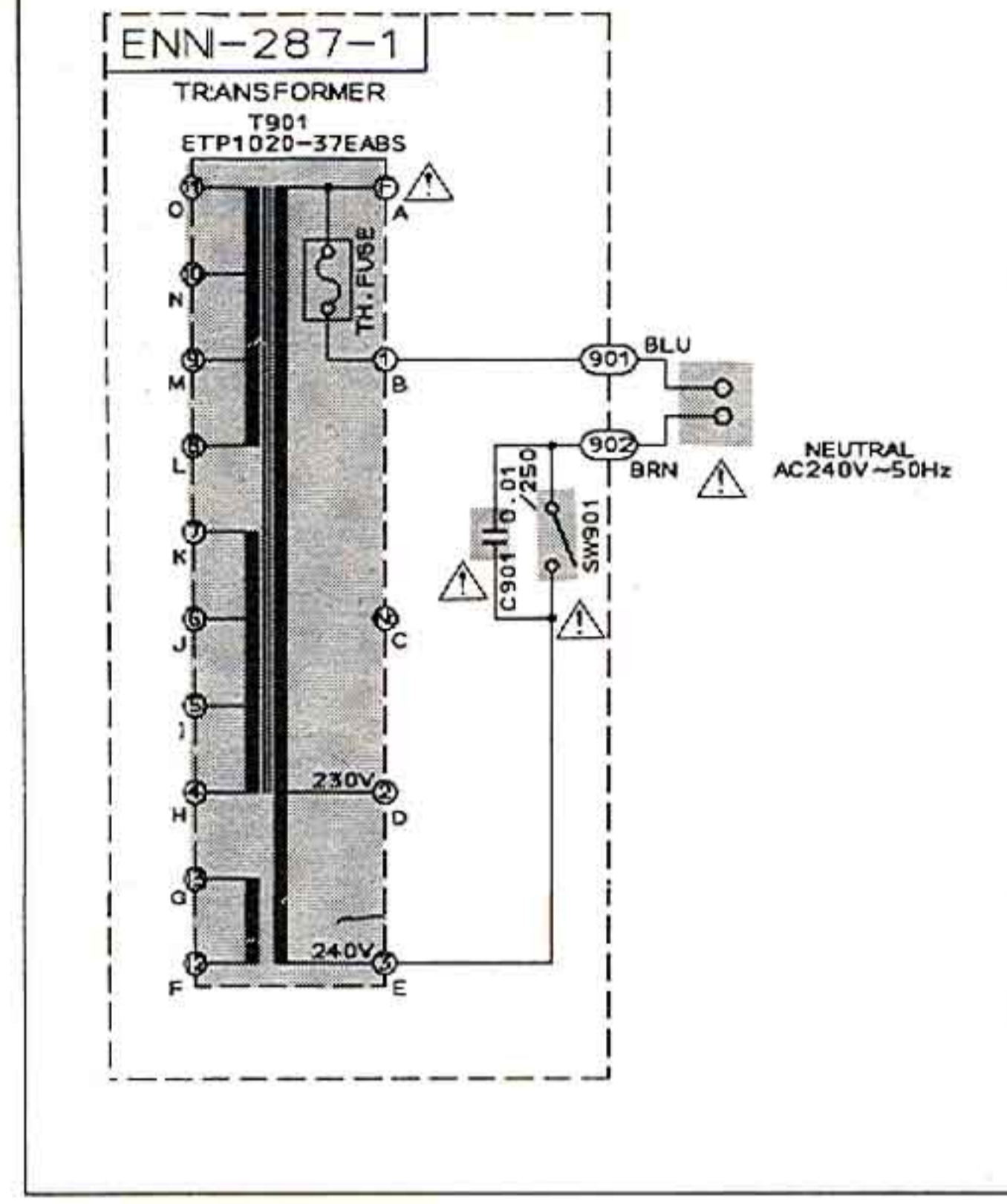
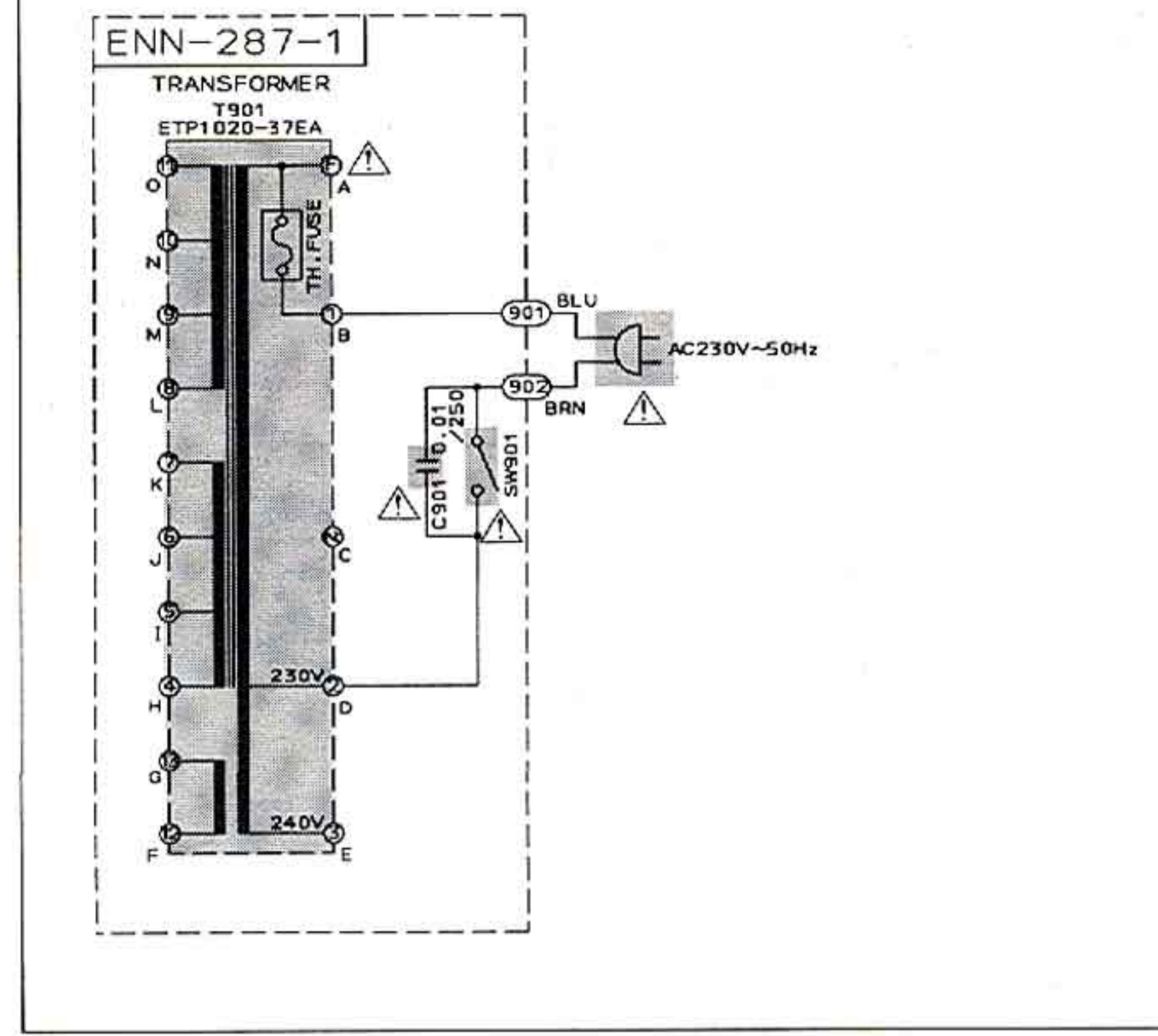
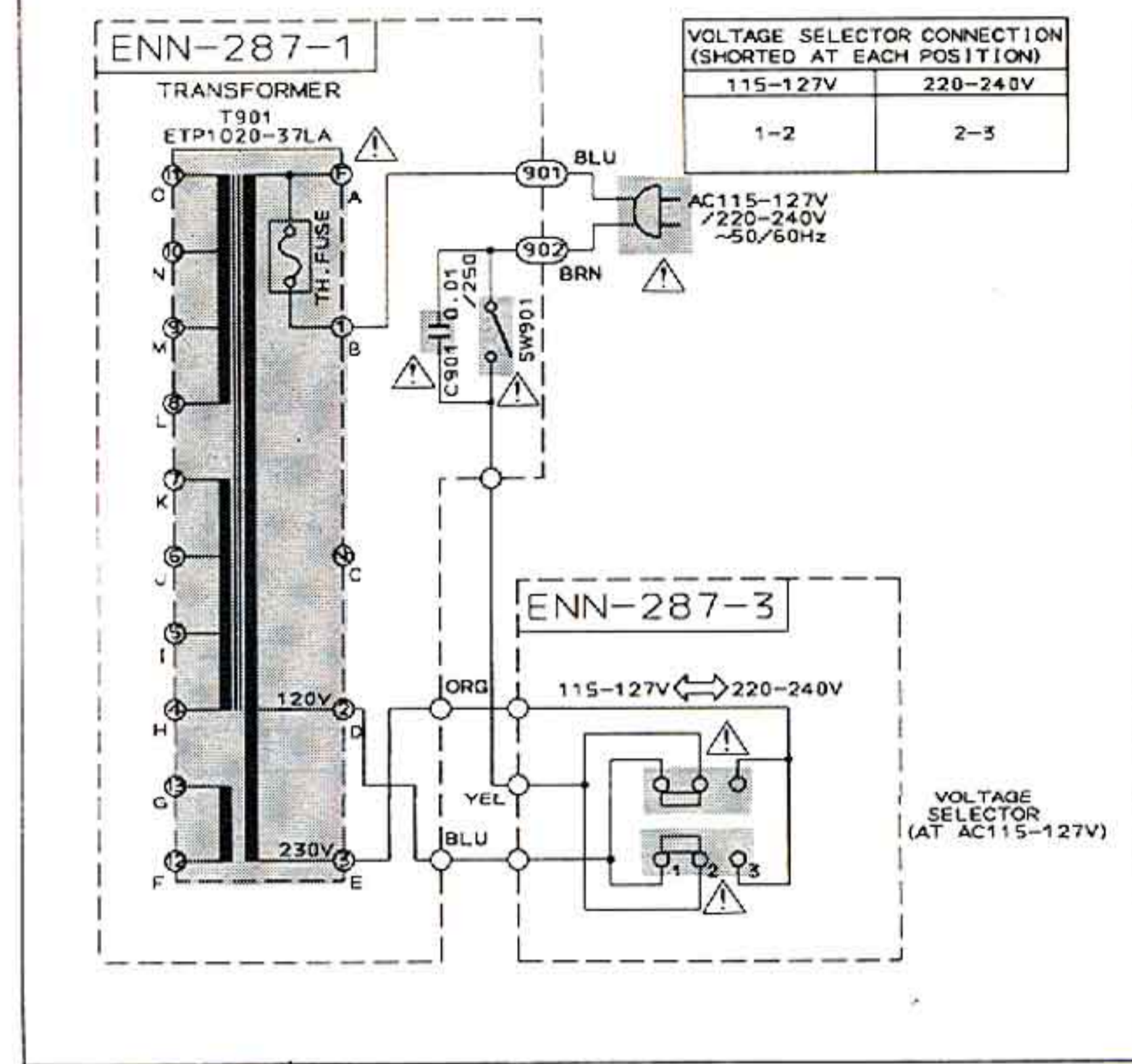
U (FOR UNIVERSAL)

E (FOR CONTINENTAL EUROPE)
G (FOR GERMANY)

BS (FOR U.K.)

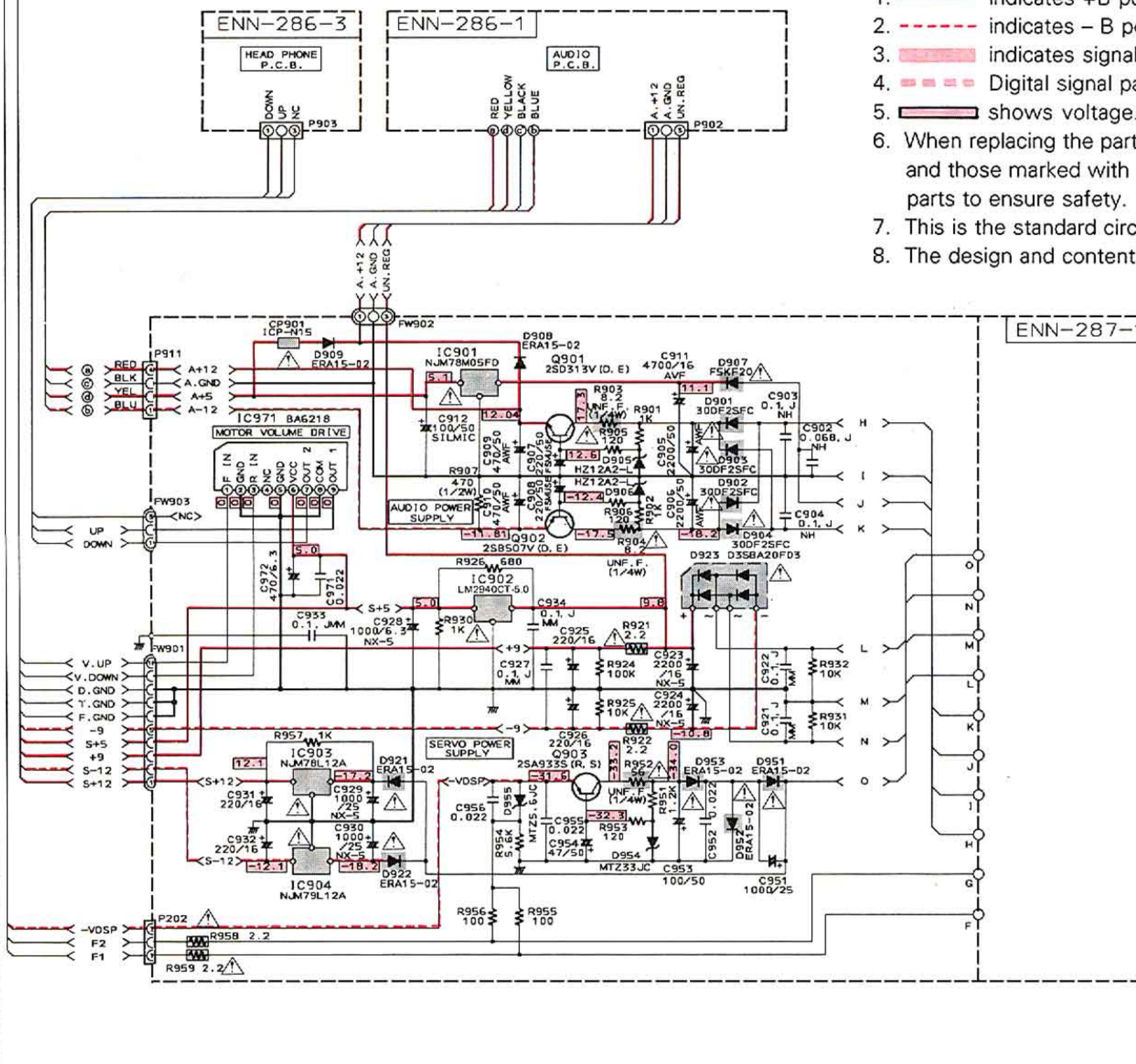
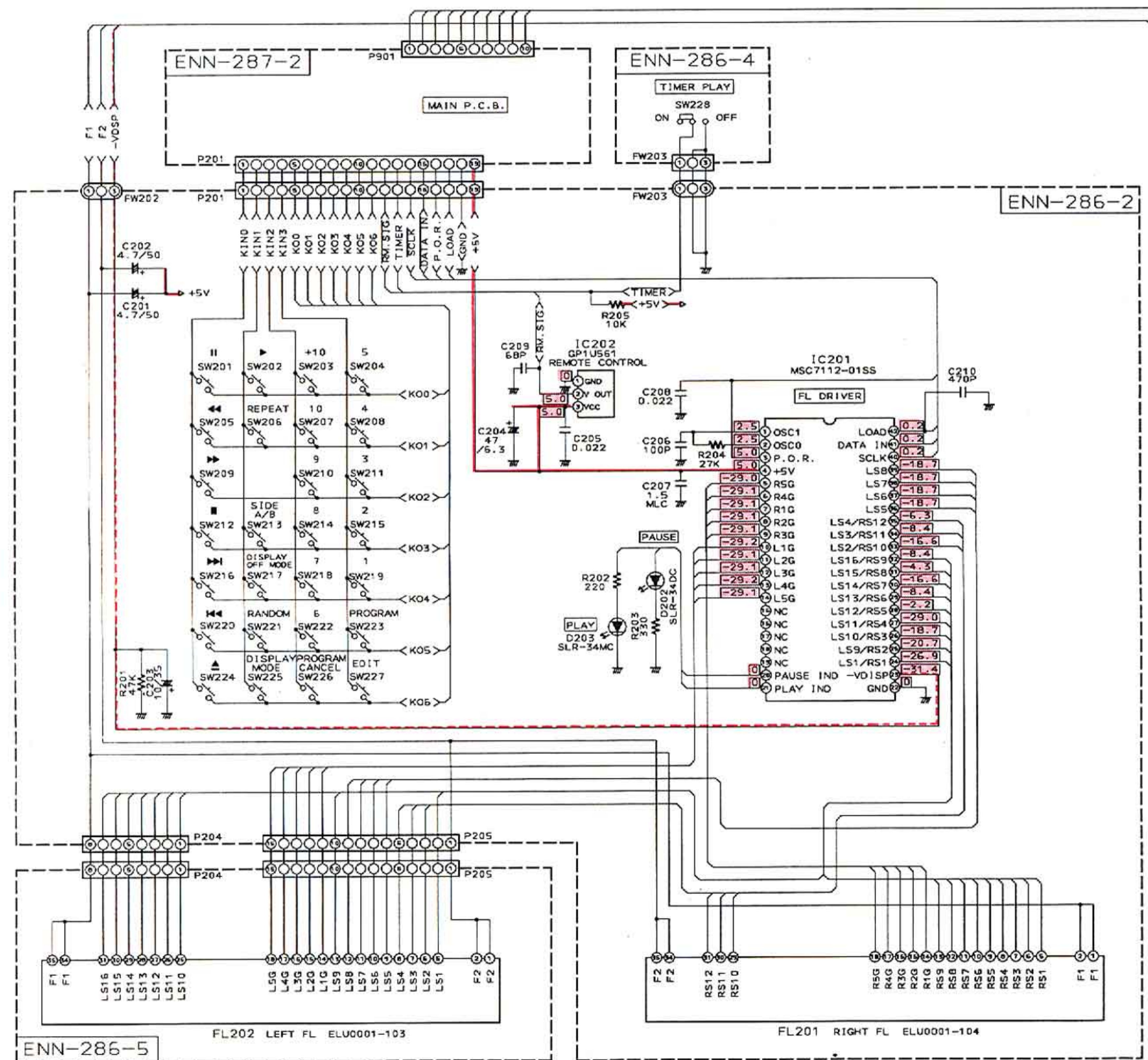
A (FOR AUSTRALIA)

J (FOR U.S.A.)
C (FOR CANADA)



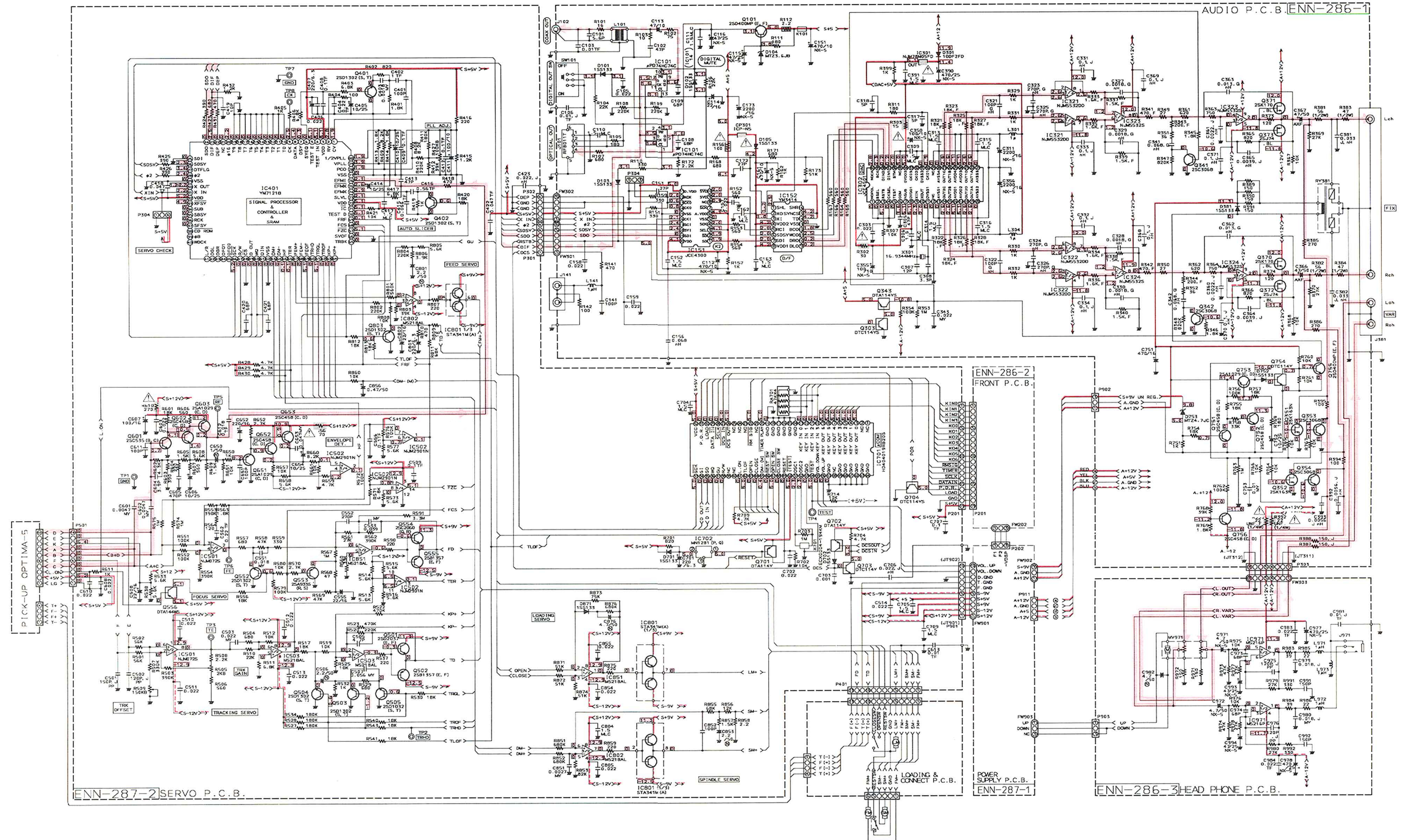
Notes:

1. — indicates +B power supply.
2. - - - indicates - B power supply.
3. ■ indicates signal path.
4. ■ ■ ■ Digital signal path.
5. ■ shows voltage.
6. When replacing the parts in the darkened area (■) and those marked with △, be sure to use the designated parts to ensure safety.
7. This is the standard circuit diagram.
8. The design and contents are subject to change without notice.



Schematic Diagram

(1) Servo & Audio Section



(2) SERVO & POWER SUPPLY P.C.B (ENN-287)

