

REF. DES.	
LAST USED	NOT USED
R59	
C26	
CR3	
Q1	
LED1	
OA4	
P9	
SI	

REV	ECO	DESCRIPTION	DATE

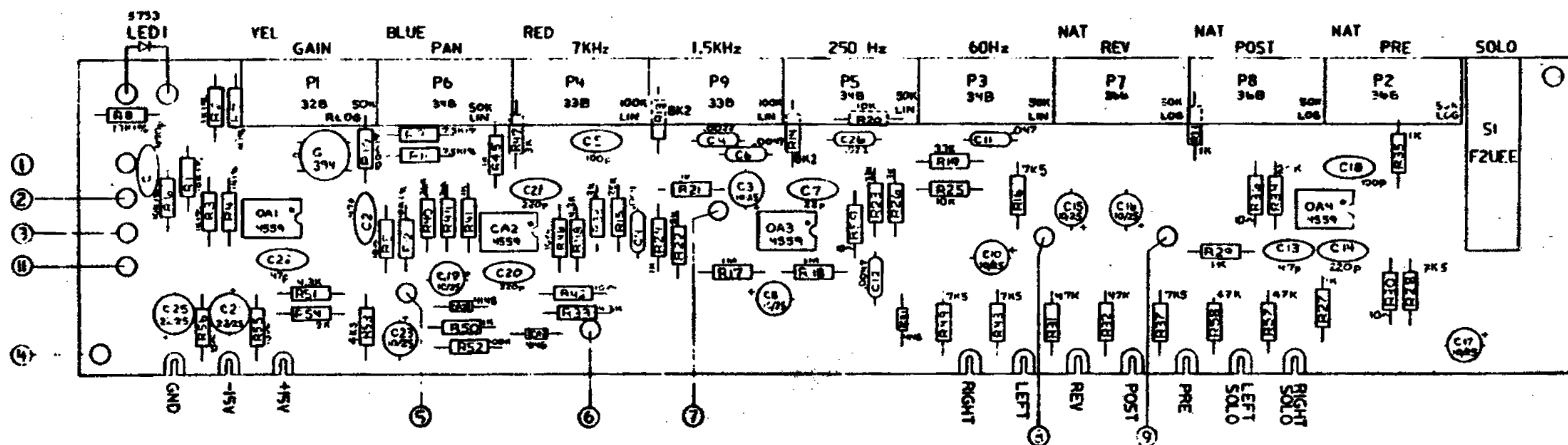
**NOTE:**  
 OP-AMPS: TYPE 4559  
 CRI-3: IN4148  
 FADER NOT ON P.C.B.

**DALLAS MUSIC INDUSTRIES**  
 HAWTHORNE, N.J. 07506

DWG. JJD	DATE 7-23-81	KELSEY: PRO 2/3 SERIES INPUT P.C.B. SCHEMATIC DIAGRAM
APP. JJR	DATE 7/27/81	
VOL. 10 2 02 4 51 100 2 01 FRACT 2 1/64		DWG No. 2103385 REV 00
FINISH		
SCALE --		DO NOT SCALE DRAWING

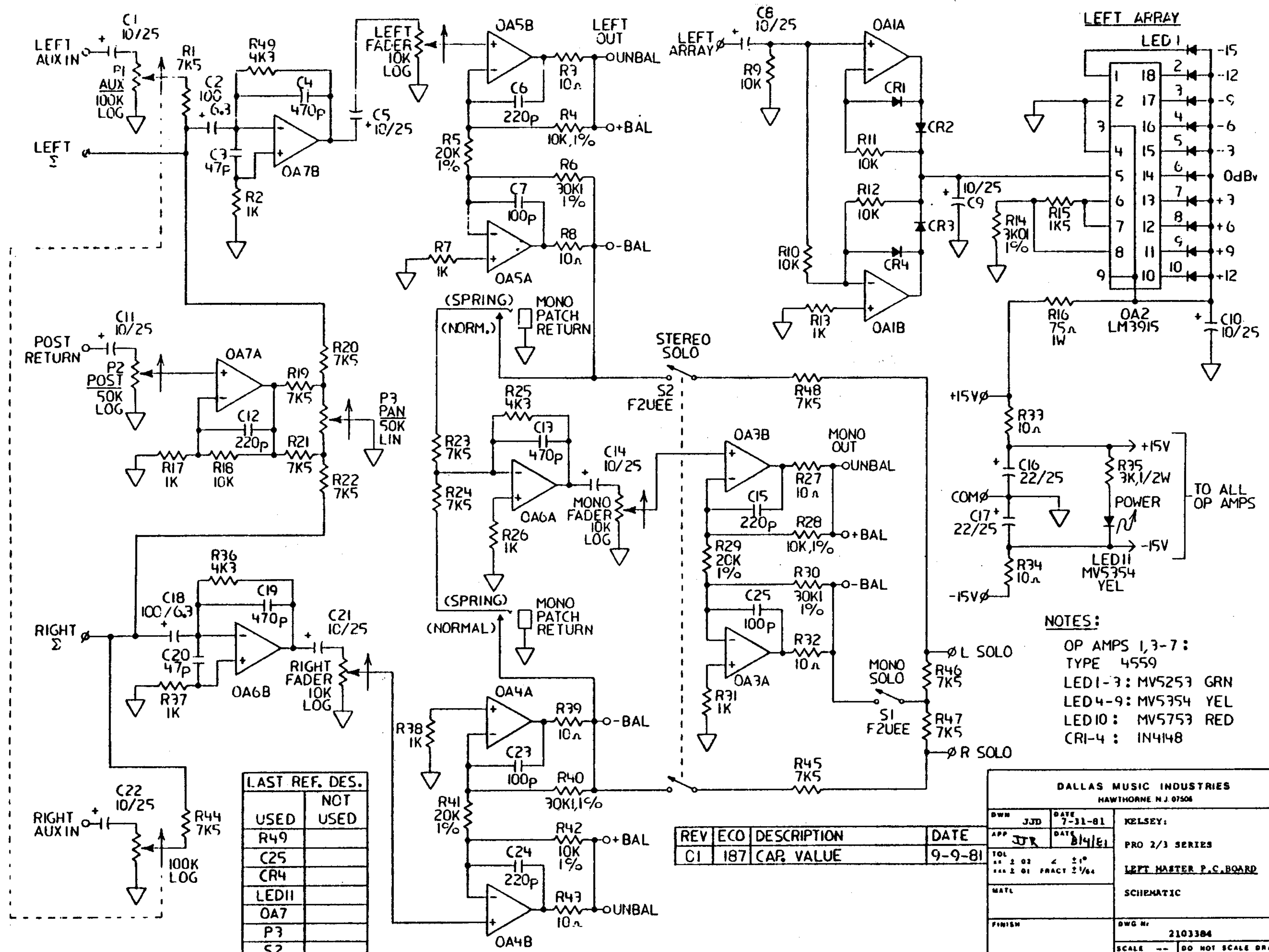
REV	ECO	DESCRIPTION	DATE
01	181	SERIES NAME CHG	5-21-81

LAST REF DES.	
USED	NOT USED
P59	
C26	
CR3	
OA4	
P9	
LED1	
Q1	
S1	



#	FUNCTION	CONN	LEN	TYPE	SHRINK NUB.
1	MIC PLUS PIN3	J1	5"	GREEN VC	
2	MIC NEGATIVE PIN2	J1	5"	RED VC	
3	+LINE IN	J2TP	3"	VIOLET VC	
4	GROUND	DMS	4 1/2"	BLACK VC	
5	SEND	J4	7"	WHITE VC	
6	LINE OUT	J3	9"	ORANGE VC	
7	RETURN	J5	8"	BROWN VC	
8	FADER TOP	PN3	2"	BLUE VC	
9	FADER ARM	PN2	6"	YELLOW VC	
10	FADER GROUND	PN1	6"	BLACK VC	
11	-LINE IN	J2BOM	3"	BLUE VC	

DALLAS MUSIC INDUSTRIES NORTHWIND, TEXAS			
DATE	REV	DATE	BY
05/21/81	01	5/21/81	JTR
PROJECT		REV	
FRONT P.C.B. ASSY.		ASSEMBLY DRAWING	
PART NO.		REV	
2204305		01	
SCALE 2:1 DO NOT SCALE DRAWING			

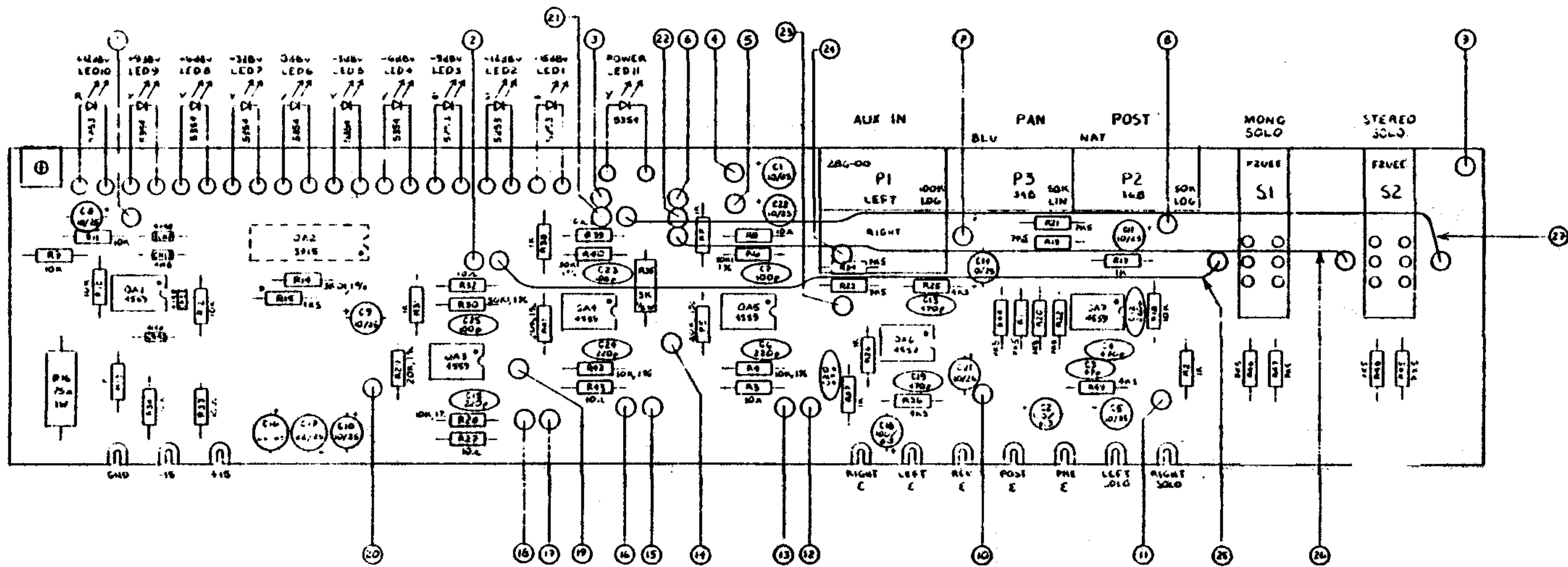


**NOTES:**  
 OP AMPS 1,3-7 :  
 TYPE 4559  
 LED1-3: MV5253 GRN  
 LED4-9: MV5354 YEL  
 LED10: MV5753 RED  
 CRI-4 : IN4148

LAST REF. DES.	
USED	NOT USED
R49	
C25	
CR4	
LED11	
OA7	
P3	
S2	

REV	ECO	DESCRIPTION	DATE
C1	187	CAP. VALUE	9-9-81

DALLAS MUSIC INDUSTRIES HAWTHORNE N.J. 07508			
DWN	JJD	DATE	7-31-81
APP	JJR	DATE	8/4/81
TOL	± 0.2	± 1°	
	± 0.1	FRAC. ± 1/64	
MATEL		KELSEY:	
FINISH		PRO 2/3 SERIES	
		LEFT MASTER P.C. BOARD	
		SCHEMATIC	
		DWG. NO.	2103384
		REV	01
		SCALE	-- DO NOT SCALE DRAWING



NOTES				REV	ECO	DESCRIPTION	DATE
1	SEE REFERENCE PWD 2201287-0-PCB ASSY NOTES	01	181	SERIES NAME (1KG)	5-21-81		
2	JAZ IS MOUNTED ON SOLDER SIDE VIA WIDER SOCKET PINS	02	187	CAR VALUE	9-9-81		
3	MASH 10 SLOTS						

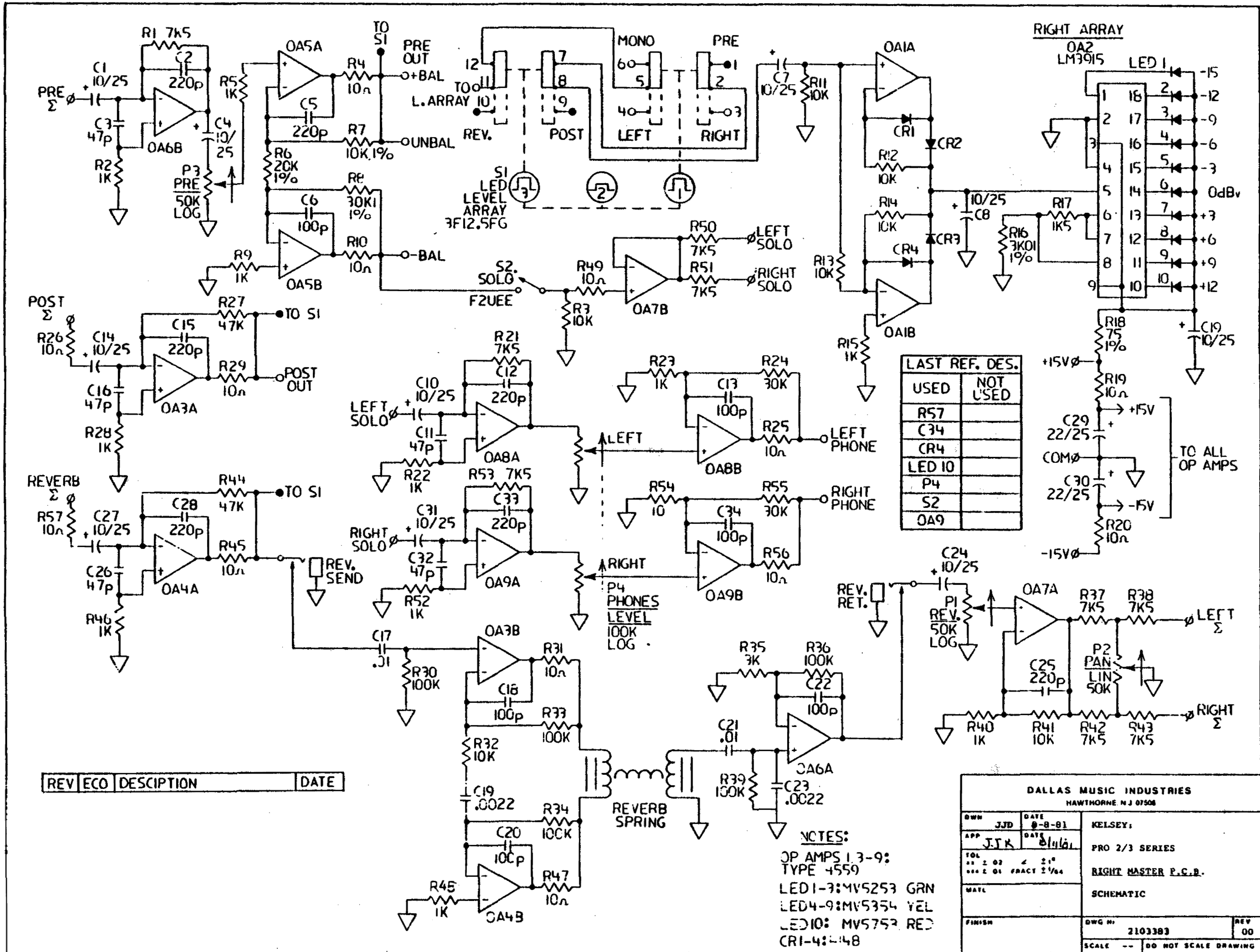
  

WIRE LEGEND							
FUNCTION	CONN	FAB	LENGTH	TYPE	SHRINK	NO. 1	
1 TO RIGHT MASTER PCB LEFT ARRAY SW	PN11		10"	ORANGE 1/C			
2 - MONO OUT	2 PIN 2		12"	GREEN 1/C			
3 - RIGHT OUT	3 PIN 2		12"	ORANGE 1/C			
4 LEFT AUX IN	4		7"	PURPLE 1/C			
5 R GHT AUX IN	5		7"	WHITE 1/C			
6 - LEFT OUT	6 PIN 2		2"	YELLOW 1/C			
7 TO MONO FADER	PN3		9"	BROWN 1/C			
8 POST RETURN	13		19"	RED 1/C			
9 FADER GND			7"	BLACK 1/C			
10 TO RIGHT FADER	PN3		8"	GREEN 1/C			
11 TO LEFT FADER	PN3		5"	BLUE 1/C			
12 TO RIGHT MASTER PCB LEFT ARRAY SW	PN1		8"	WHITE 1/C			
13 TO LEFT OUT	8		12"	RED 1/C			
14 FROM LEFT FADER	PN2		19"	YELLOW 1/C			
15 TO RIGHT MASTER PCB RIGHT ARRAY SW	PN3		5"	PURPLE 1/C			
16 TO RIGHT OUT	7		11"	GREY 1/C			
17 TO RIGHT MASTER PCB MONO ARRAY SW	PN4		6"	BROWN 1/C			
18 TO MONO OUT	6		12"	WH/GR 1/C			
19 FROM RIGHT FADER	PN2		12"	ORANGE 1/C			
20 FROM MONO FADER	PN2		10"	WHITE 1/C			
21 RIGHT MONO PATCH RETURN JACK	3 NORM		12"	GREY 1/C			
22 LEFT MONO PATCH RETURN JACK	10 NORM		13"	BLUE 1/C			
23 LEFT MONO PATCH RETURN JACK	10 SPANG		15"	RED 1/C			
24 RIGHT MONO PATCH RETURN JACK	3 SPANG		15"	BROWN 1/C			
25 ON BOARD JUMPER			0.5"	YELLOW 1/C			
26 ON BOARD JUMPER			0"	PURPLE 1/C			
27 ON BOARD JUMPER			9"	GREEN 1/C			

LAST REF DES	
USED	NOT USED
R43	
C25	
CA4	
JA7	
PS	
LED11	
S2	

DALLAS MUSIC INDUSTRIES  
DARTMOUTH, N.J. 07018

DESIGN: 230	DATE: 6-10-81	RELAY:
APP: JJK	DATE: 7/1/81	PWD 2/3 SERIES
CON: 11 2 00 4 10	DESIGN: 230	DALLAS MUSIC INDUSTRIES
DATE:		ASSEMBLY INC.
FINISH:	QUC: 2204384	
	SCALE: 2:1	DO NOT SCALE DRAWING

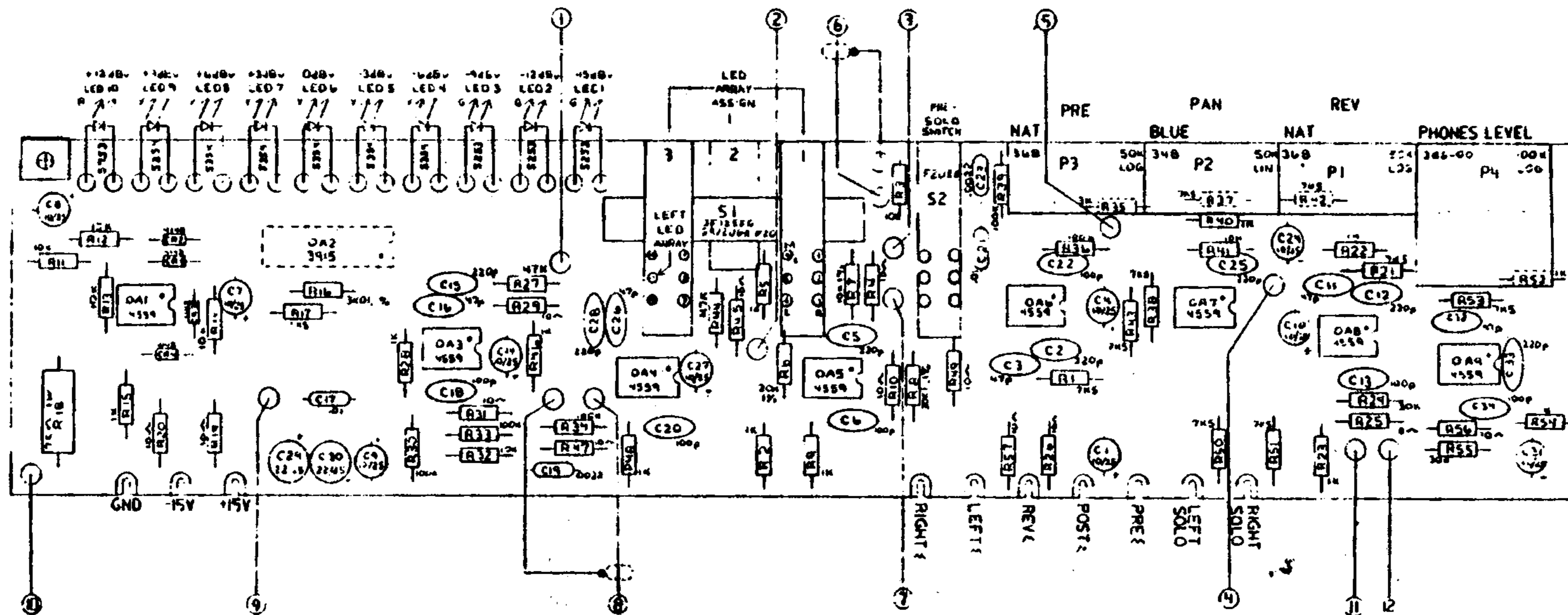


LAST REF. DES.	
USED	NOT USED
R57	
C34	
CR4	
LED 10	
P4	
S2	
OA9	

REV	ECO	DESCRIPTION	DATE

**NOTES:**  
 OP AMPS 1,3-9:  
 TYPE 4550  
 LED1-3: MV5253 GRN  
 LED4-9: MV5354 YEL  
 LED10: MV5752 RED  
 CR1-4: 14B

DALLAS MUSIC INDUSTRIES HAWTHORNE NJ 07508			
OWN	JJD	DATE	8-8-81
APP	JJK	DATE	8/16/81
TOL	2 02	FRACT	2 1/64
MATL			
FINISH			
KELSEY:		PRO 2/3 SERIES	
		RIGHT MASTER P.C.B.	
		SCHEMATIC	
DWG NO:		2103383	REV 00
SCALE -- DO NOT SCALE DRAWING			



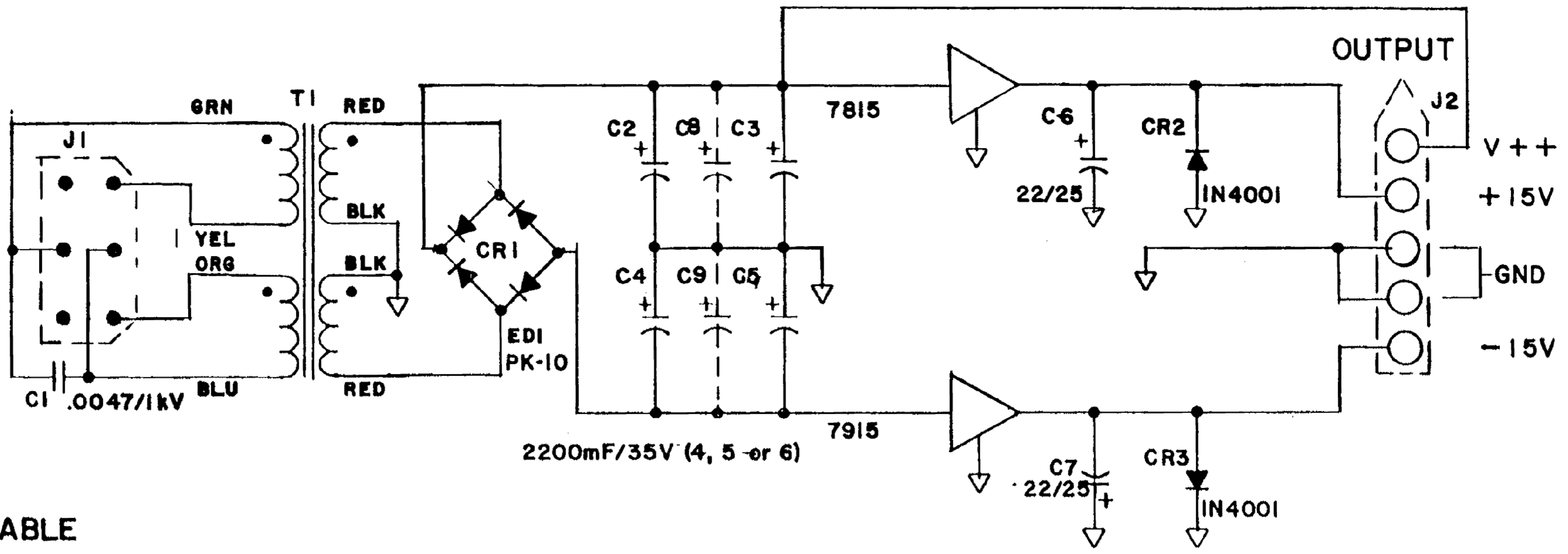
REV	ECO	DESCRIPTION	DATE
01	151	SERIES NAME CHG	5-21-51

REV	ECO	DESCRIPTION	DATE
01	151	SERIES NAME CHG	5-21-51

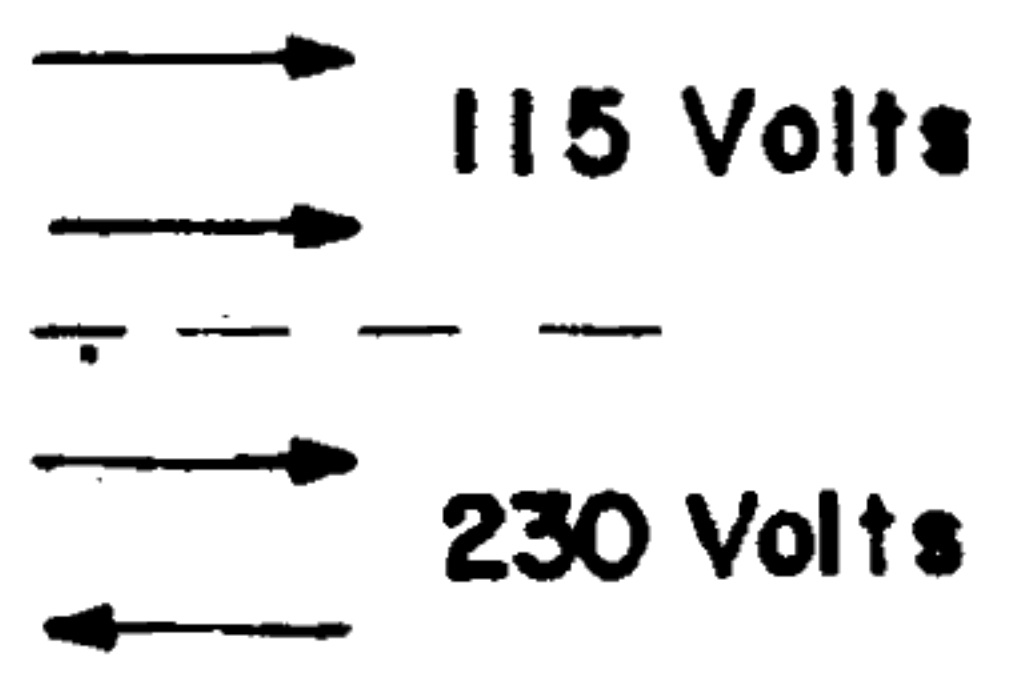
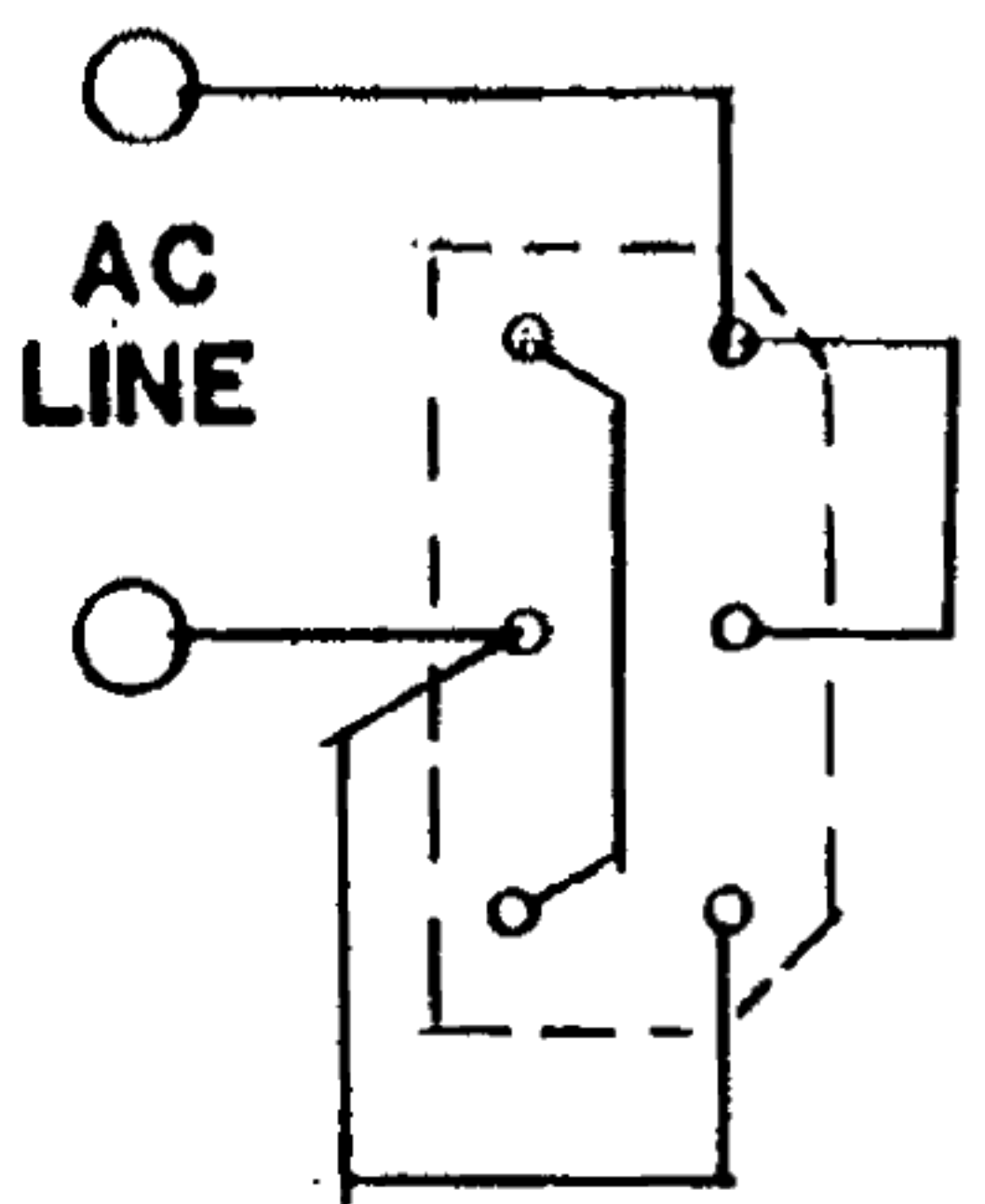
WIRE LEGEND						
#	FUNCTION	CONN.	FAB.	LENGTH	TYPE	Color
1	POST SEND	11		12"	RED W/ E	
2	TO REVERB SEND JACK	12 SPRING		13"	YELLOW 1/C	
3	-PRE OUT	5		13"	BLUE 1/C	
4	FROM REVERB RETURN JACK	14 SPRING		15"	GREY 1/C	
5	TO REVERB RETURN	14 NORMAL		15"	BROWN 1/C	
6	FROM REVERB PAN				P136	
7	+PRE OUT	1 PIN 2		12"	ORANGE 1/C	
8	TO REVERB PAN				P136	
9	TO REVERB SEND JACK	12 NORMAL		10"	RED 1/C	
10	GROUND (JACK FIELD)	2ND BUSS		8"	BLACK 1/C	
11	LEFT PHONE	13 TIP		6"	VIOLET 1/C	
12	RIGHT PHONE	13 RING		6"	PURPL/WHITE 1/C	

LAST REF DES	
USED	NOT USED
R57	
C34	
R44	
C19	
P4	
LEDK	
S2	

DALLAS MUSIC INDUSTRIES			
DATE	CHK	DATE	DES
	JTP	5/22/51	KELSEY
			PRO 2/3 SERIES
			RIGHT MASTER P.C.B. ASSY
			ASSEMBLY DRAWING
			ONE OF 2204303
			SCALE: DO NOT SCALE DRAWING



**CABLE**



DALLAS MUSIC INDUSTRIES HAWTHORNE, N.J. 07506			
DWN: JS	DATE: 8/21/80	<b>KELSEY</b> Model 264 <b>POWER SUPPLY</b>	
APP: JJR	DATE: 8/25/80		
TOL: xx: ±.02    < ±1° xxx: ±.01    FRACT: ±1/64			
MATL.:		FINISH:	
DWG. No. 2102264		REV: 00	
SCALE:		DO NOT SCALE DRAWING	