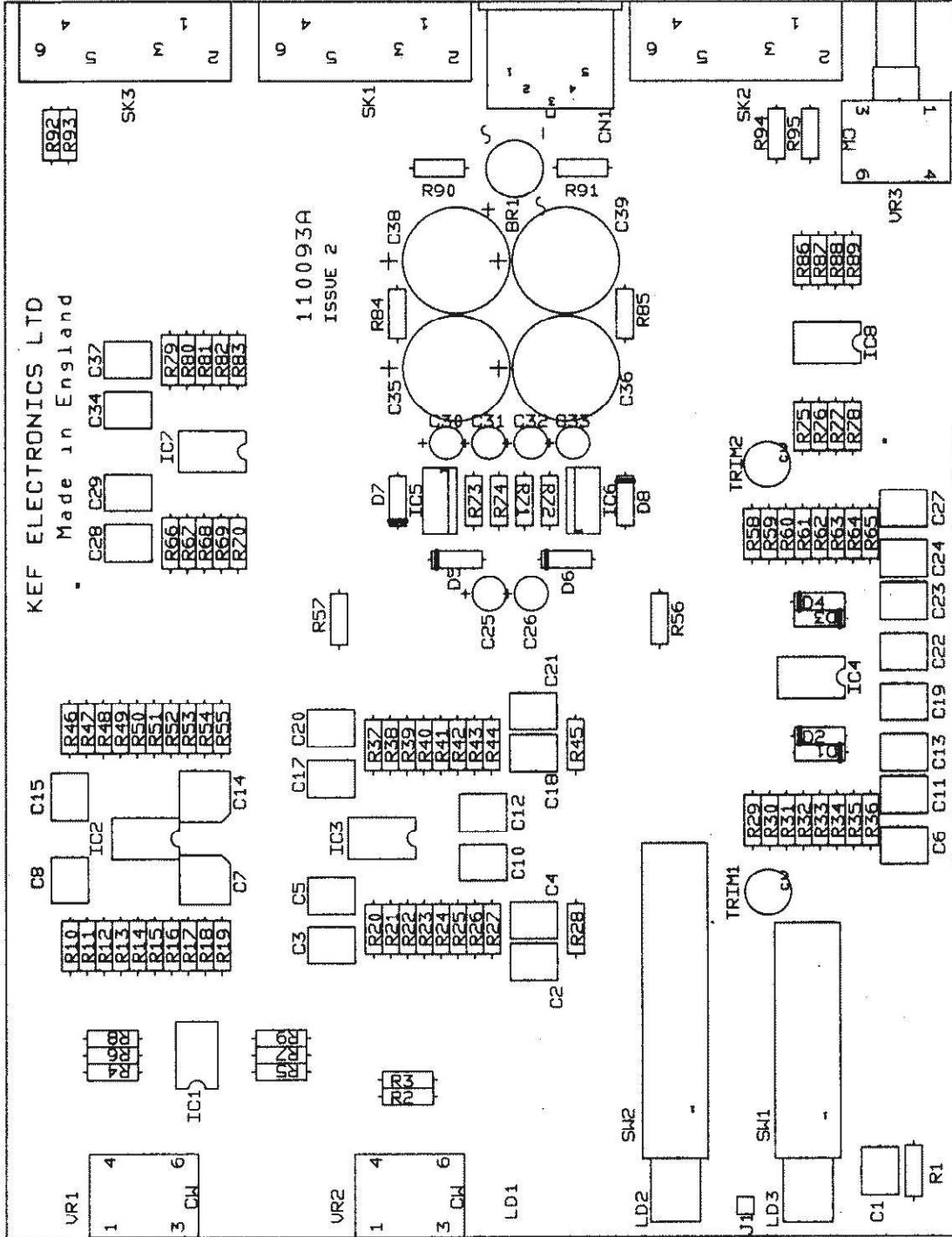
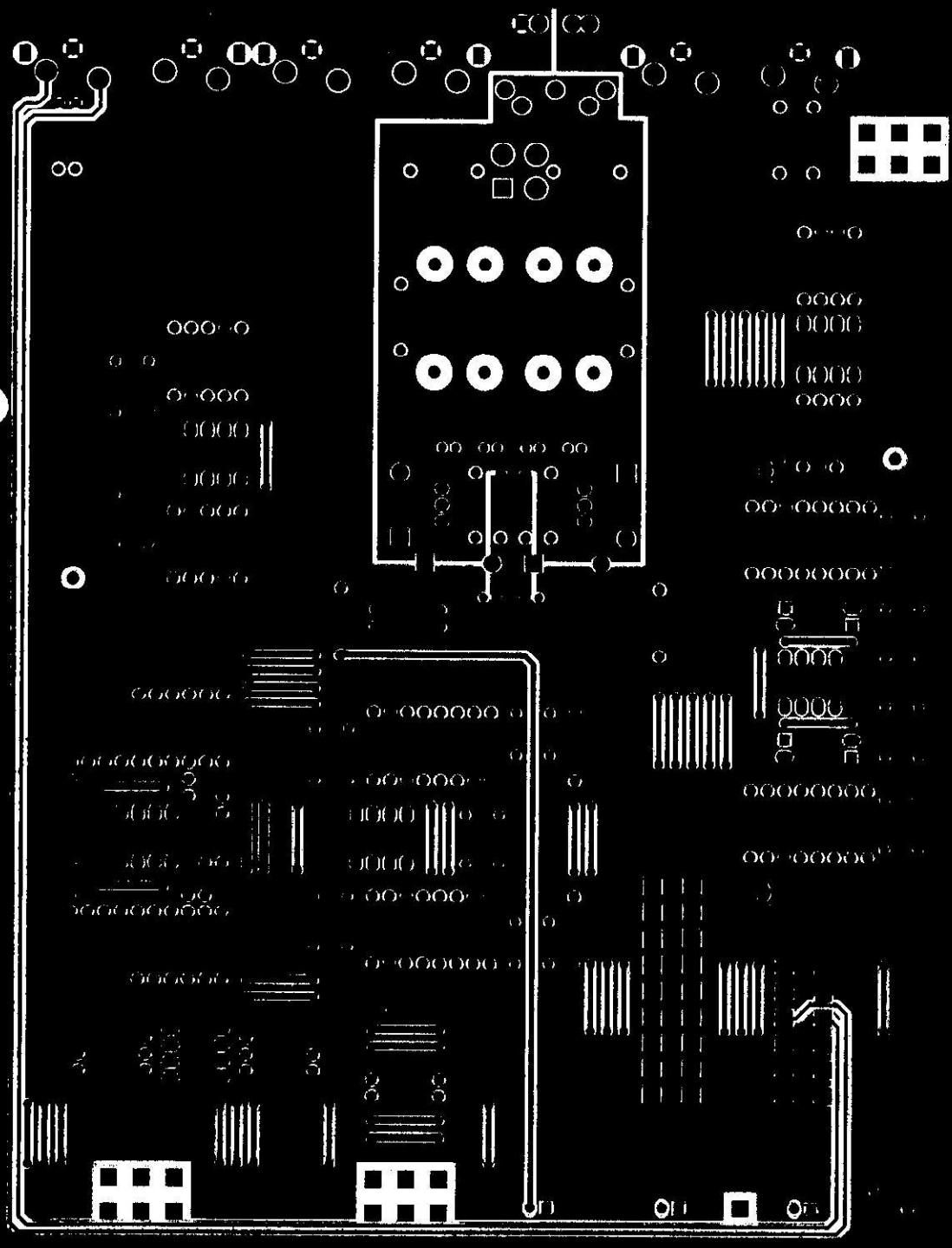


KEF ELECTRONICS LTD
Made in England

110093A
ISSUE 2

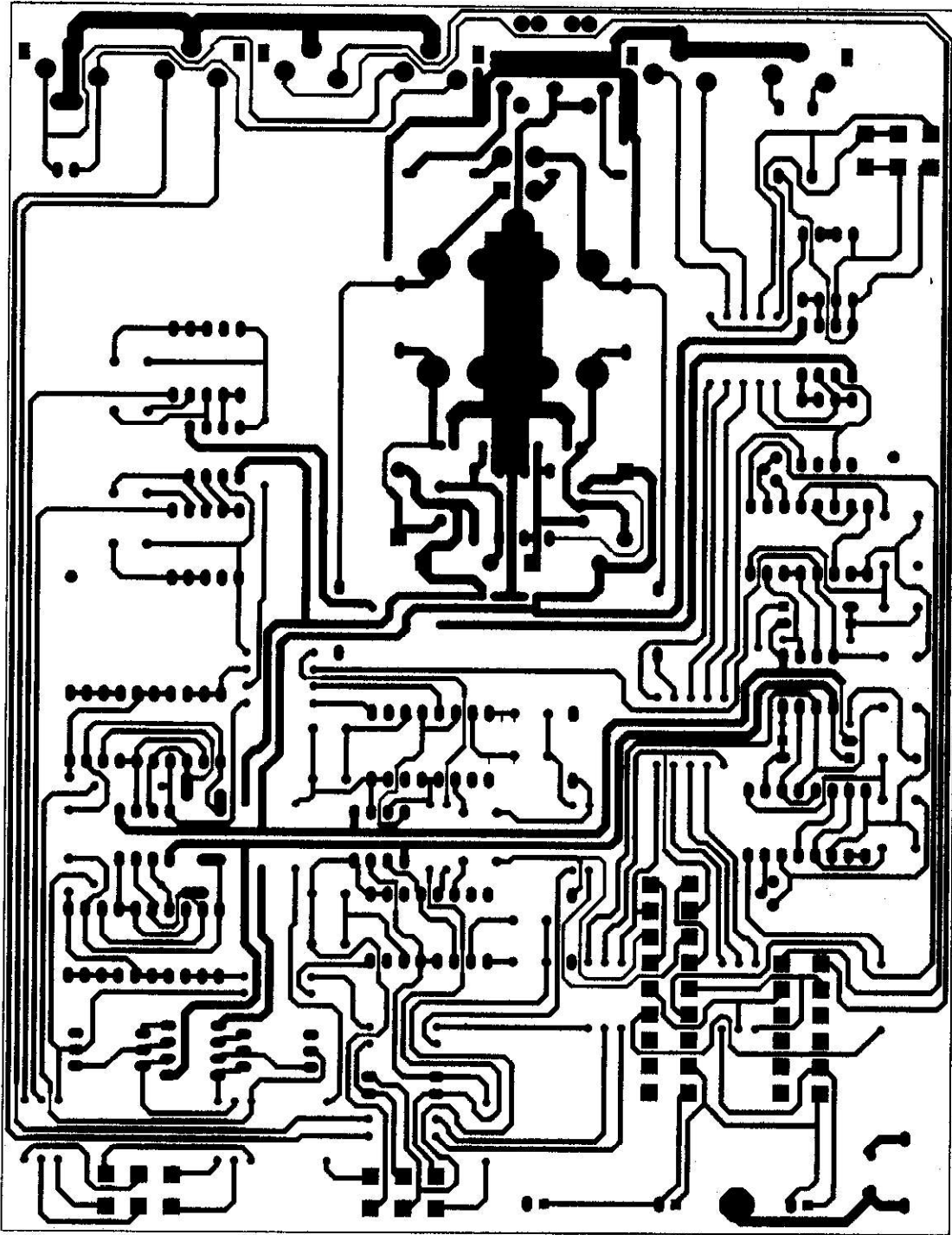
110093A ISSUE 2
26-03-90 EC





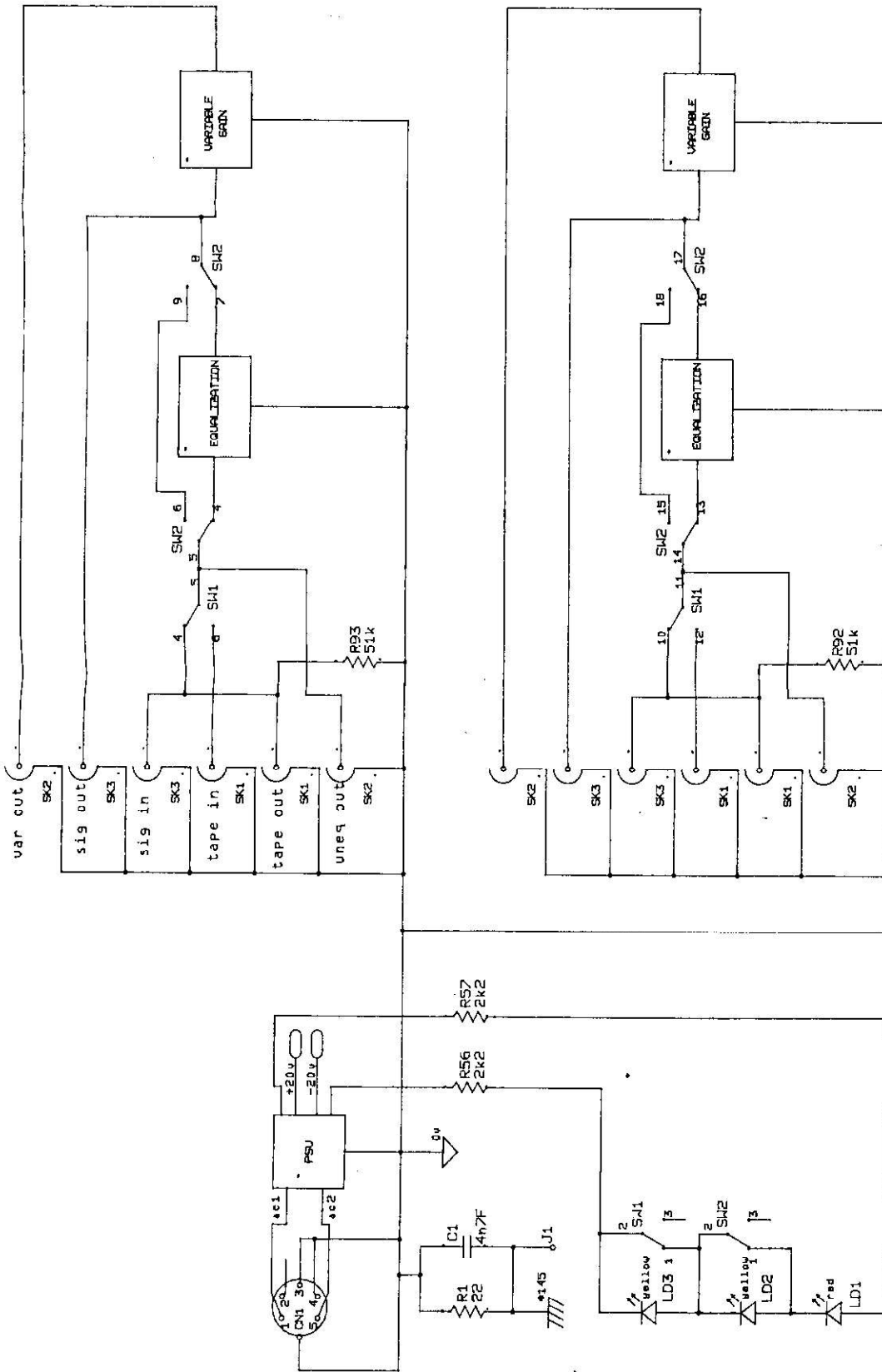
Vertical text on the right side of the page, likely a reference or identification number.



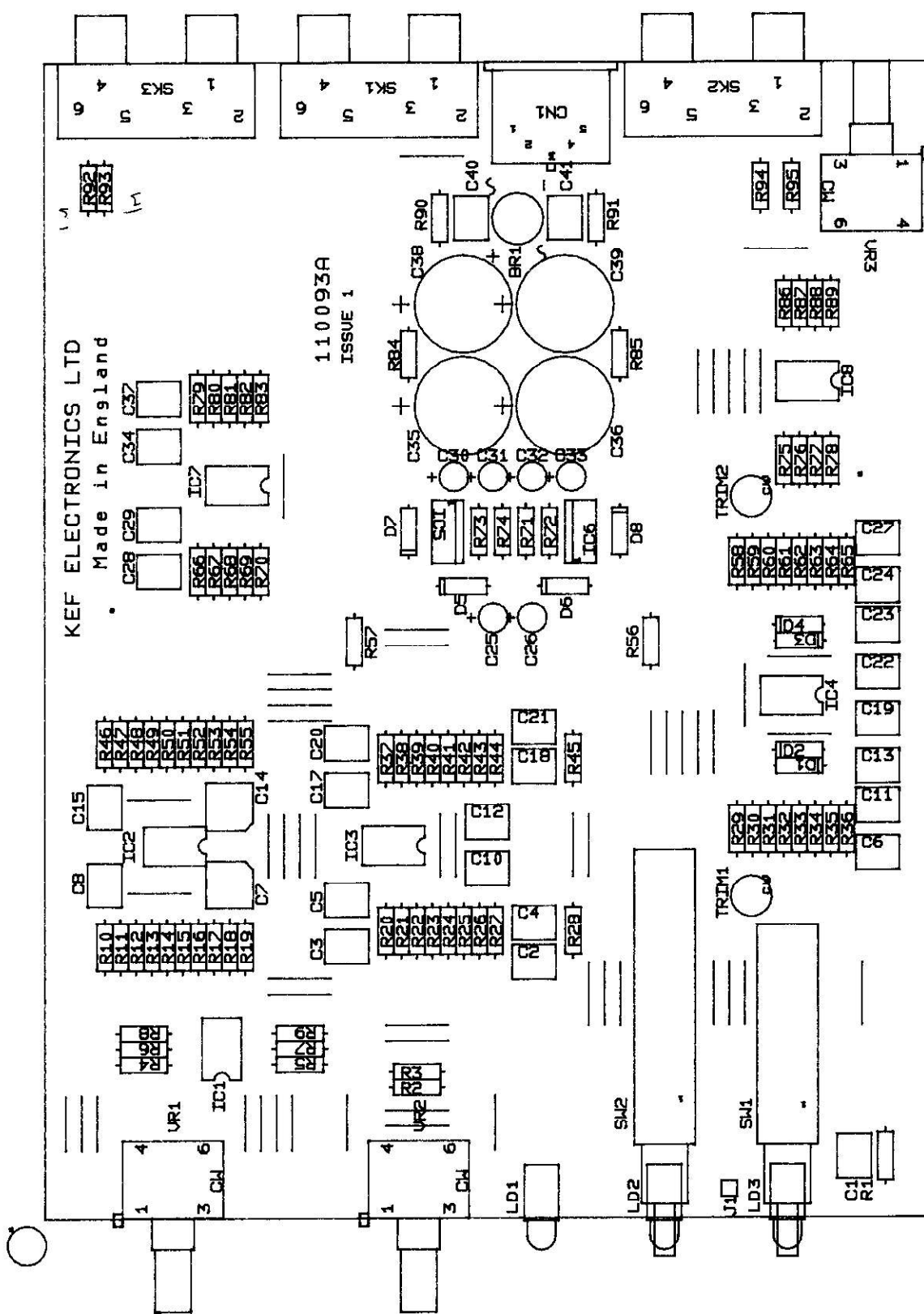


110093A ISSUE 2
26-03-90 EC

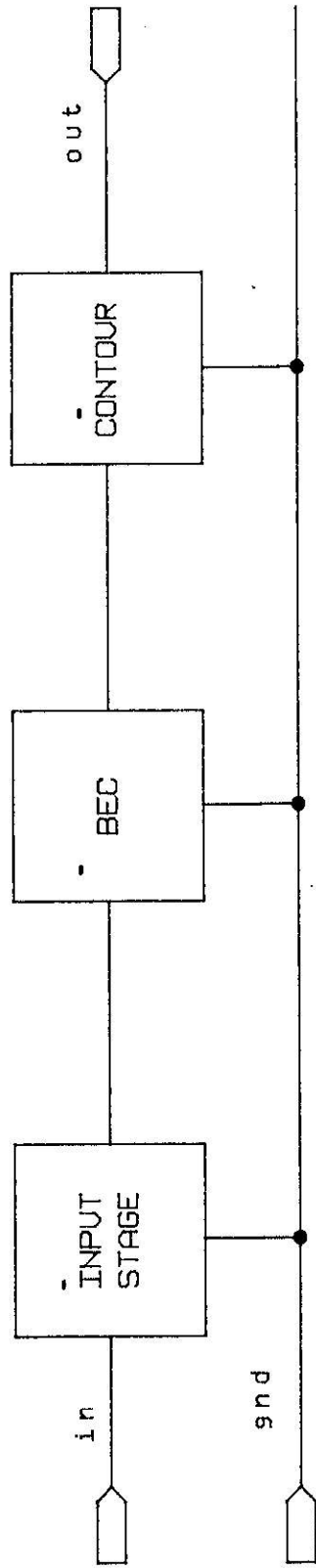
TRACK LAYER
VIEWED FROM COMPONENT SIDE



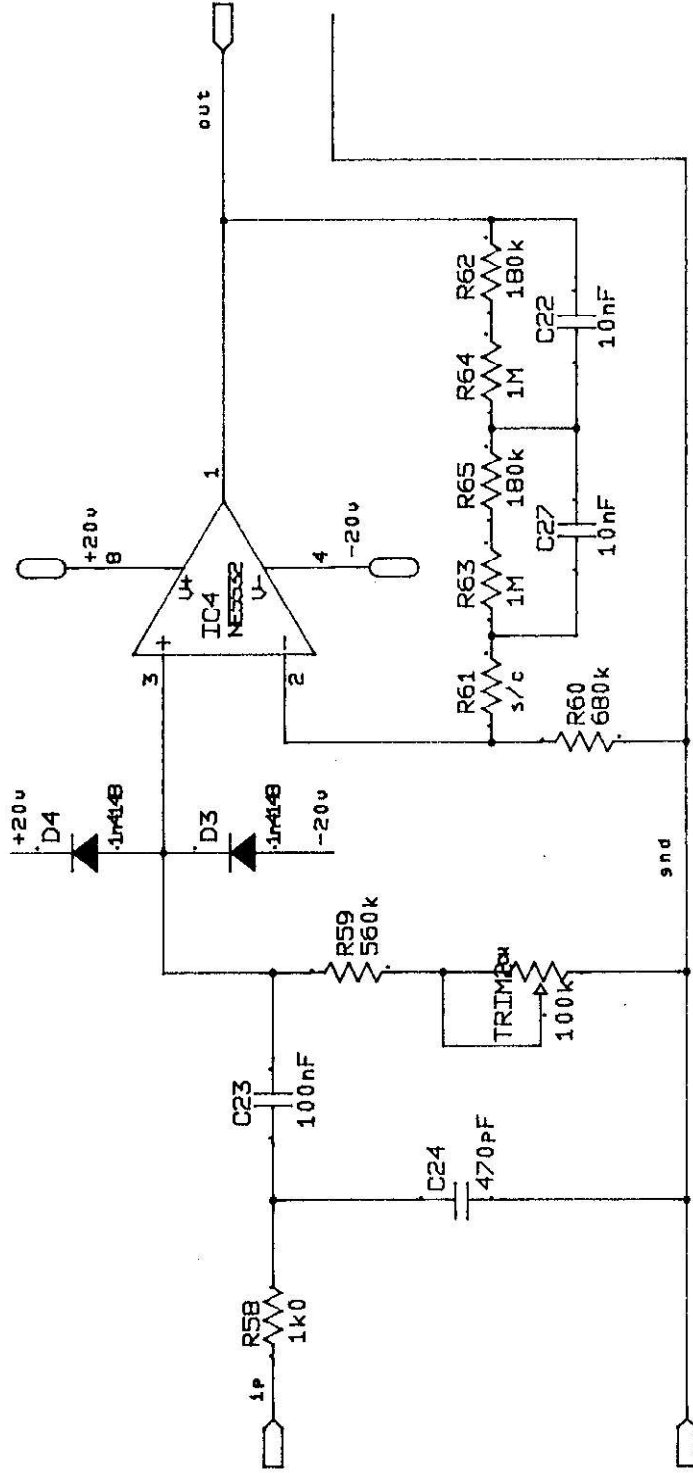
KUBE 200 SP2147
26-03-90 EC



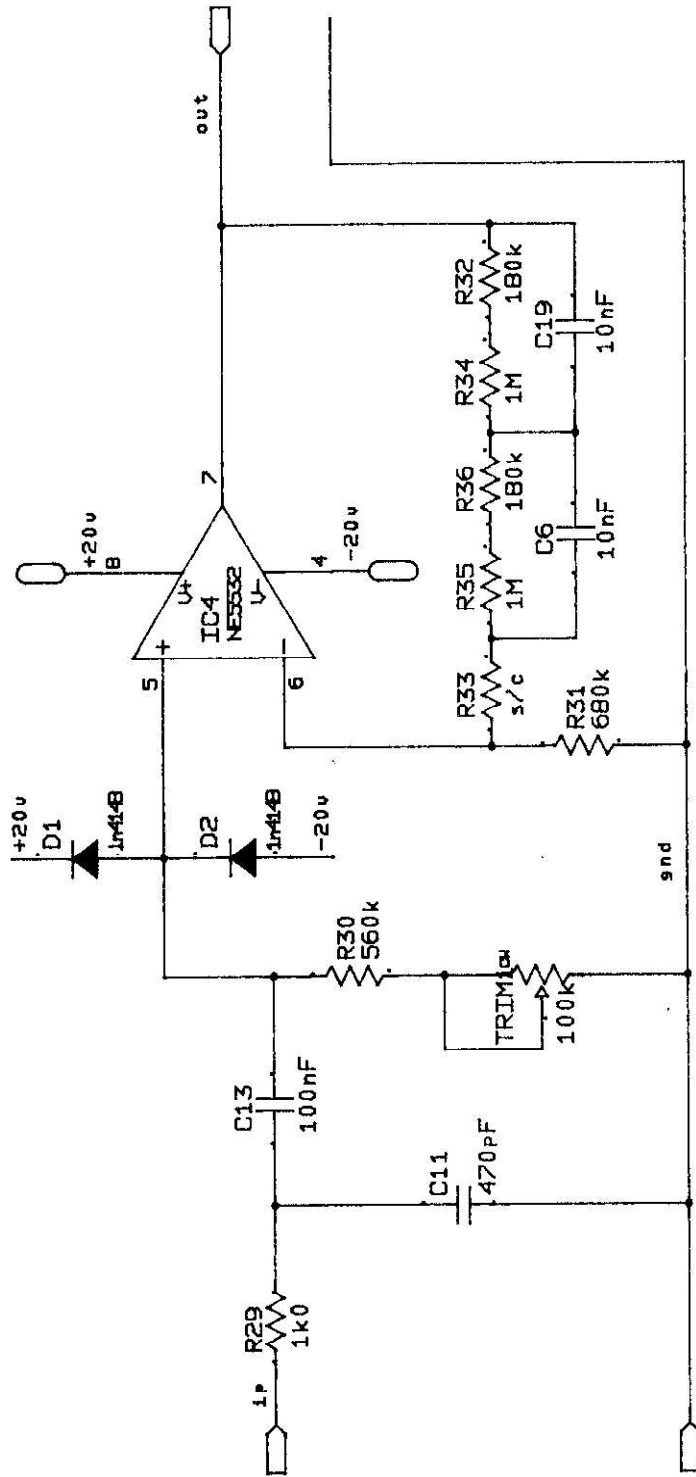
110093A ISSUE 1
07-02-90 EC



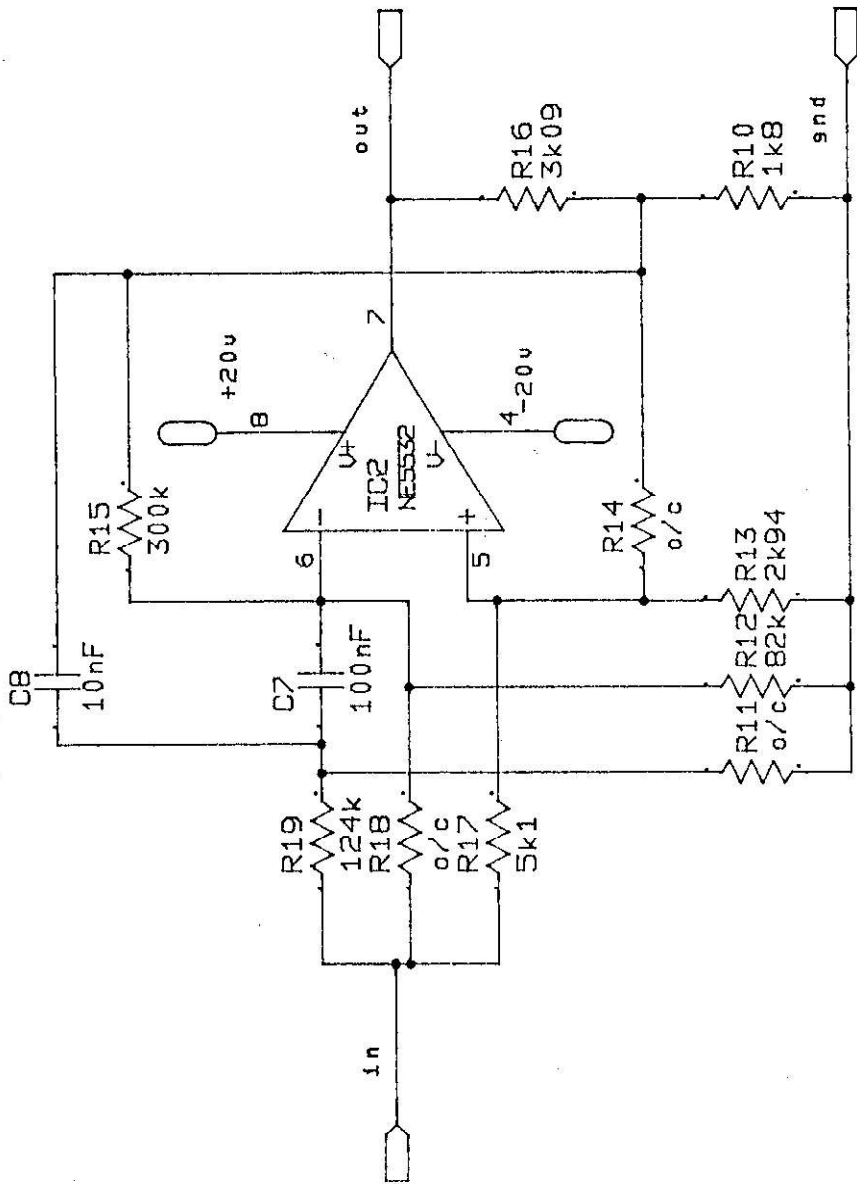
EQUALIZATION
3-1-90
EC



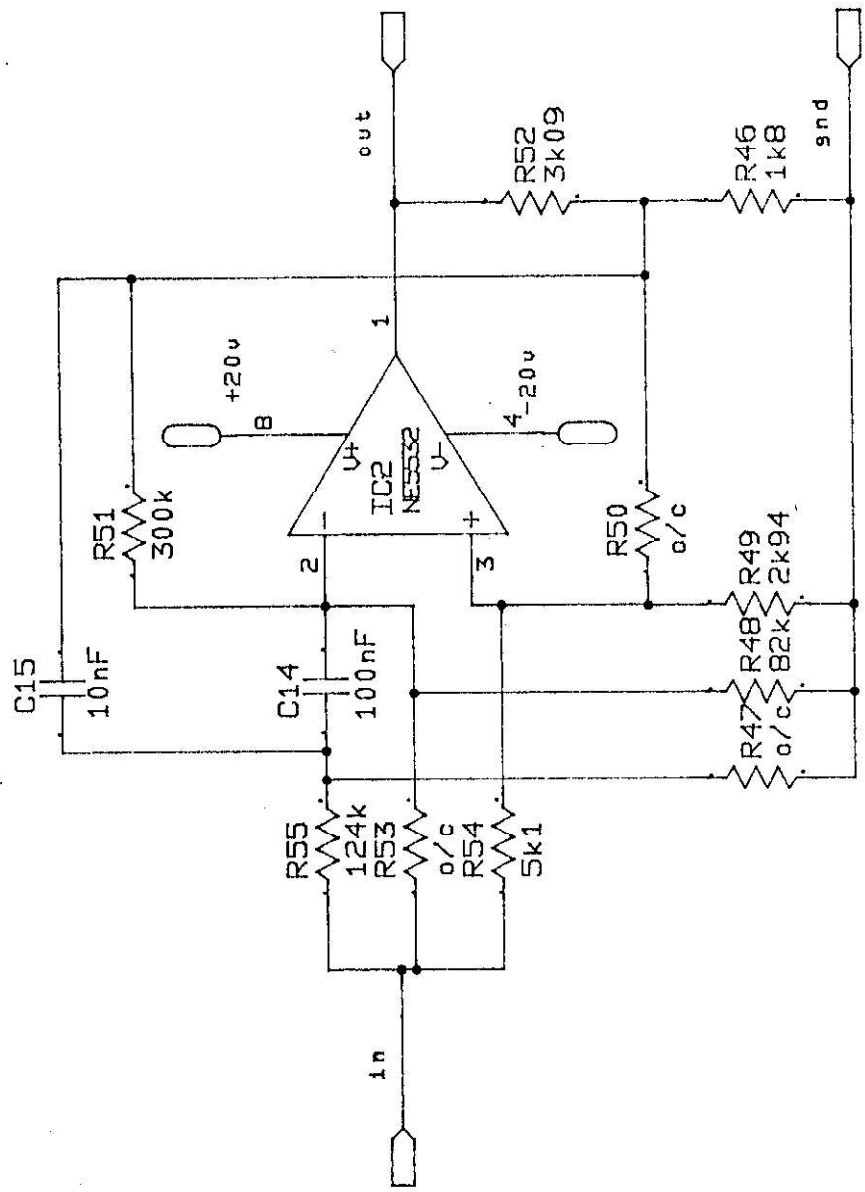
INPUT STAGE
 5-2-90
 EC



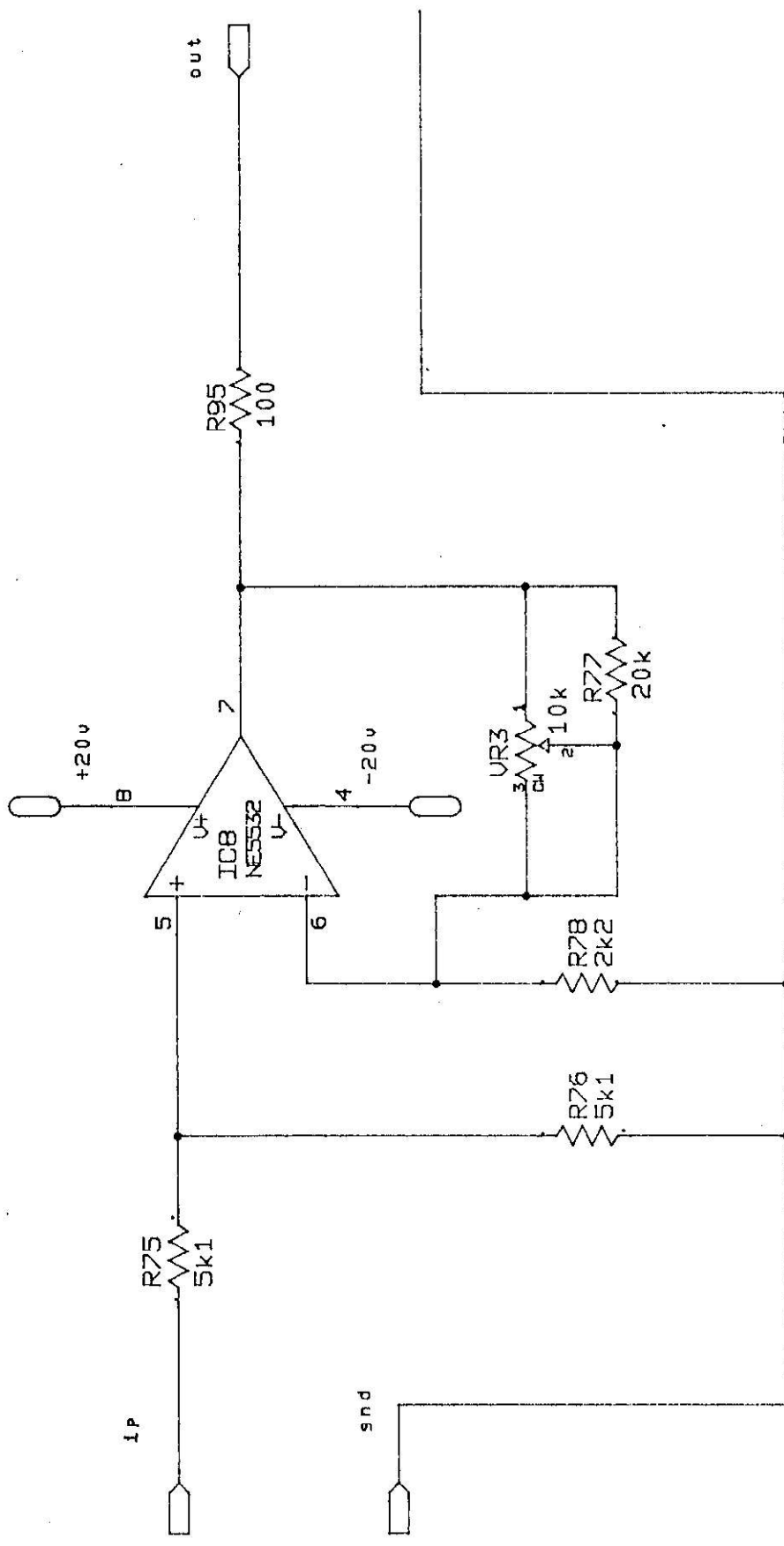
INPUT STAGE
 5-2-90
 EC



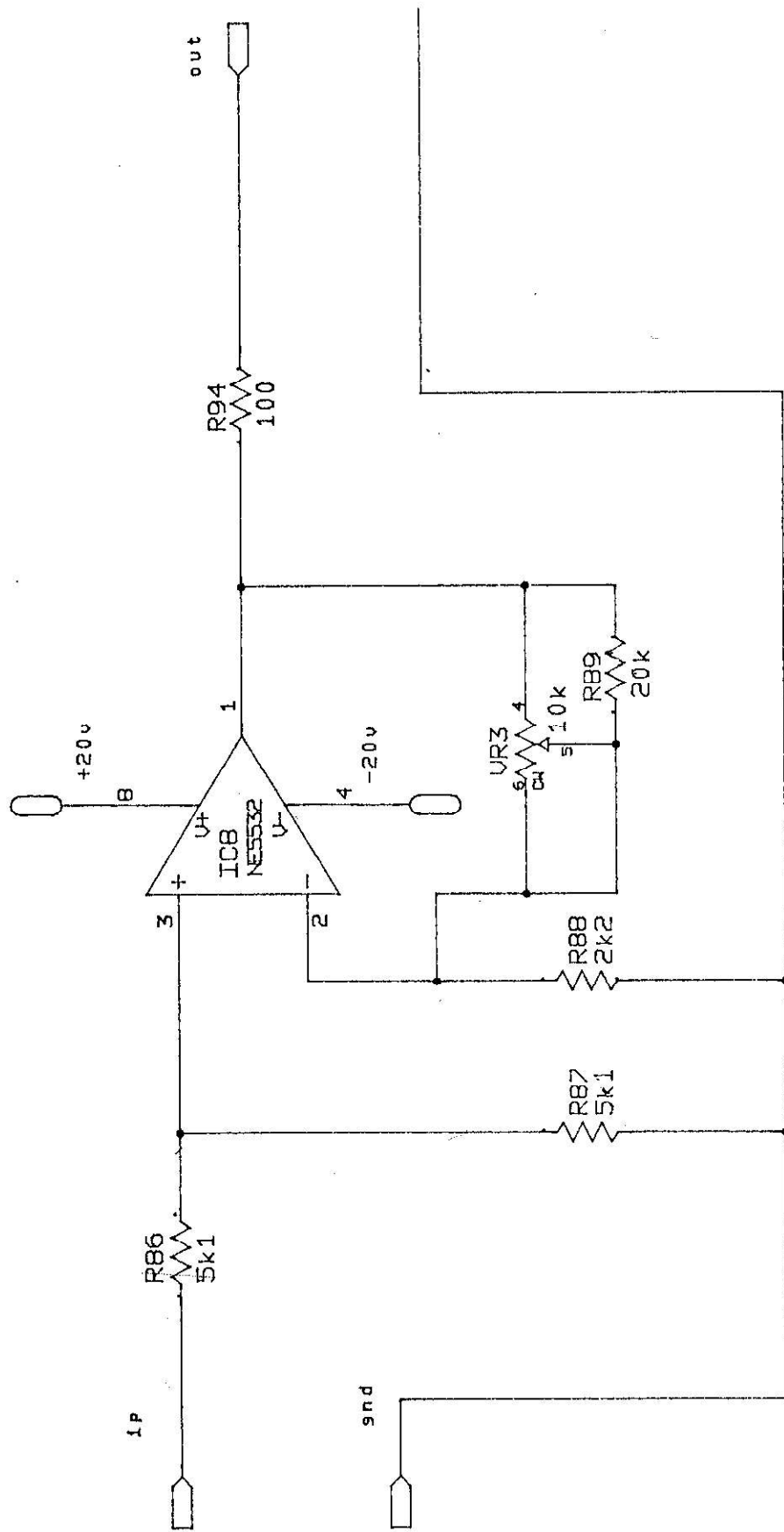
BEC



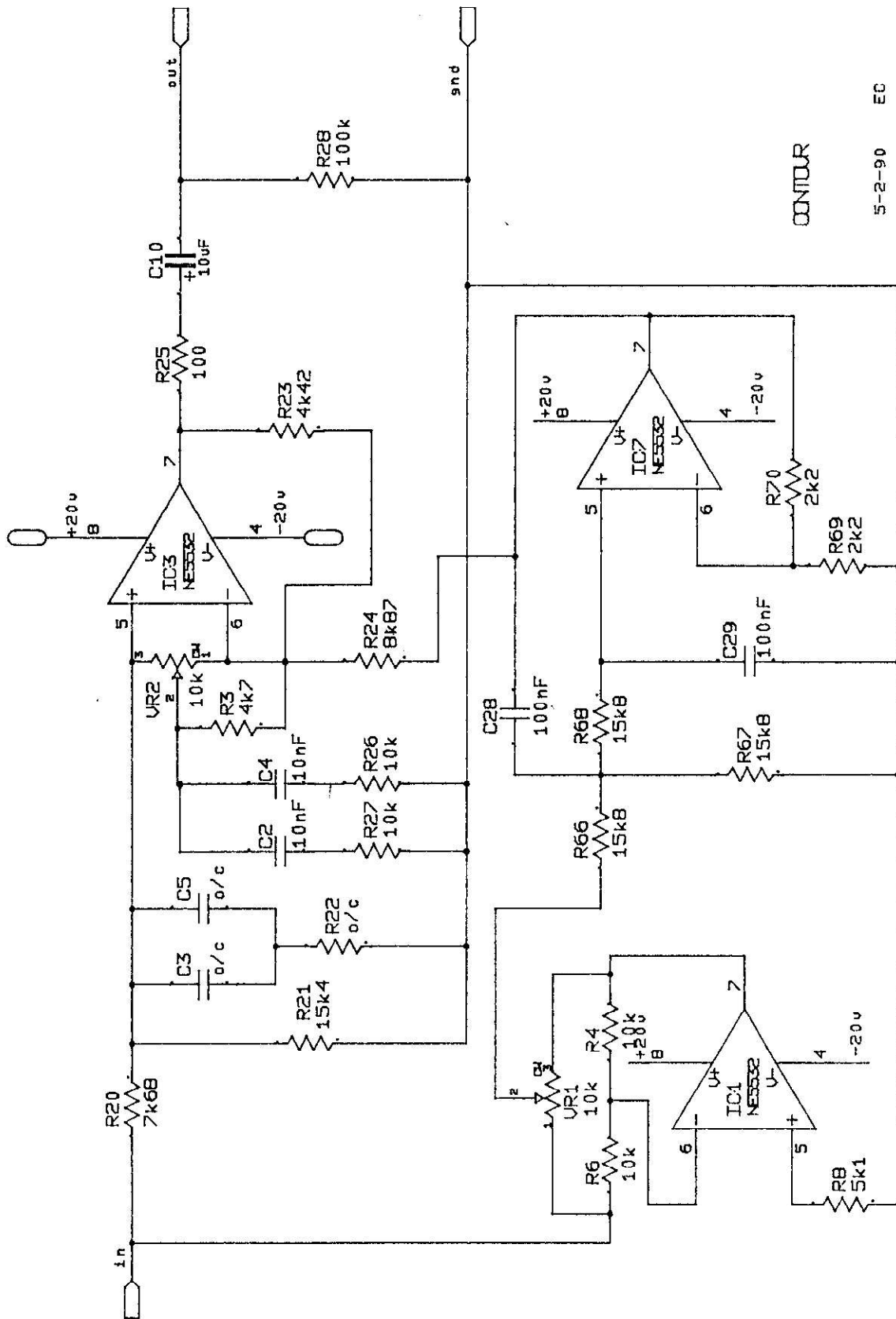
BEC



VARIABLE GAIN
 3-1-90
 EC

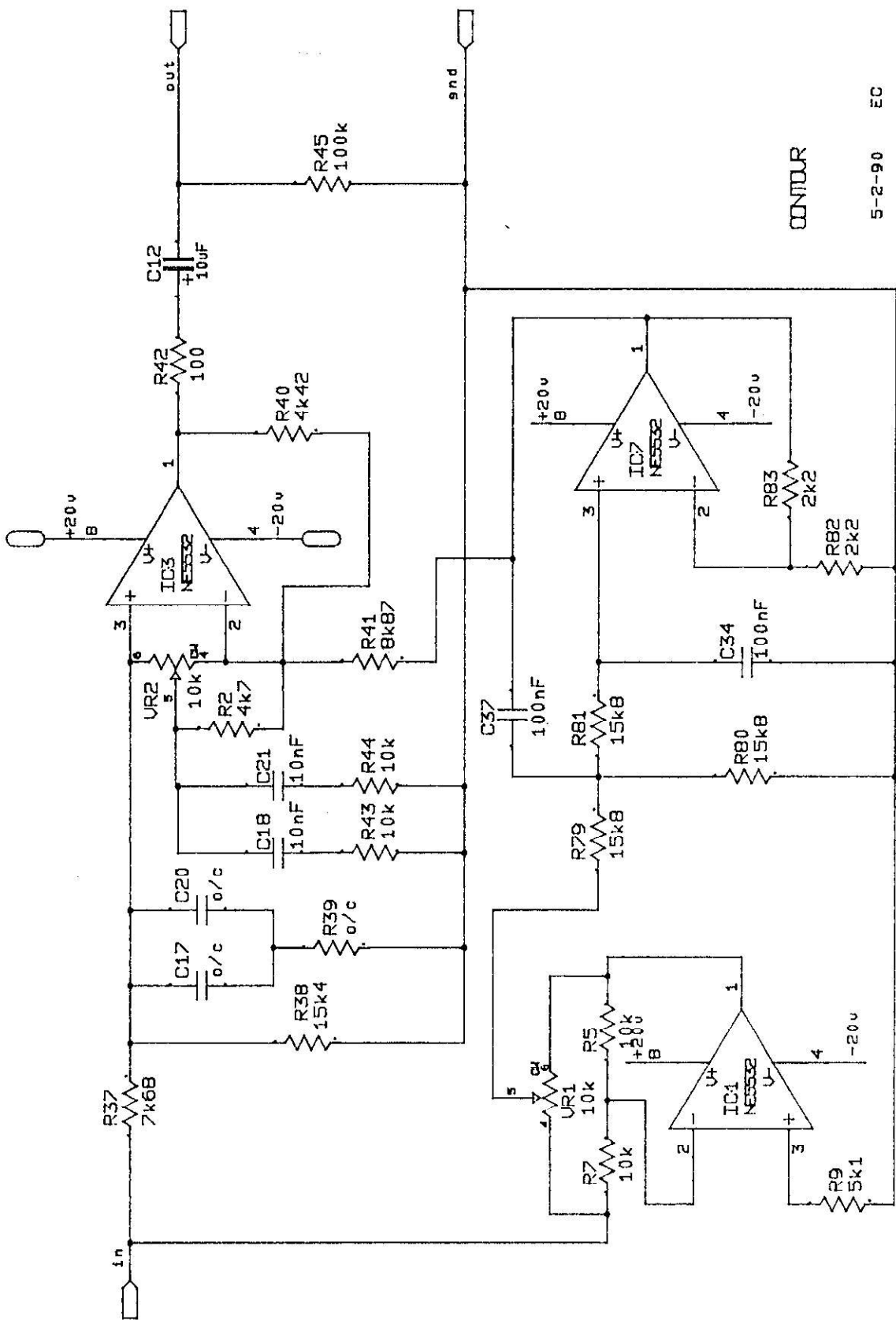


VARIABLE GAIN
 3-1-90
 EC



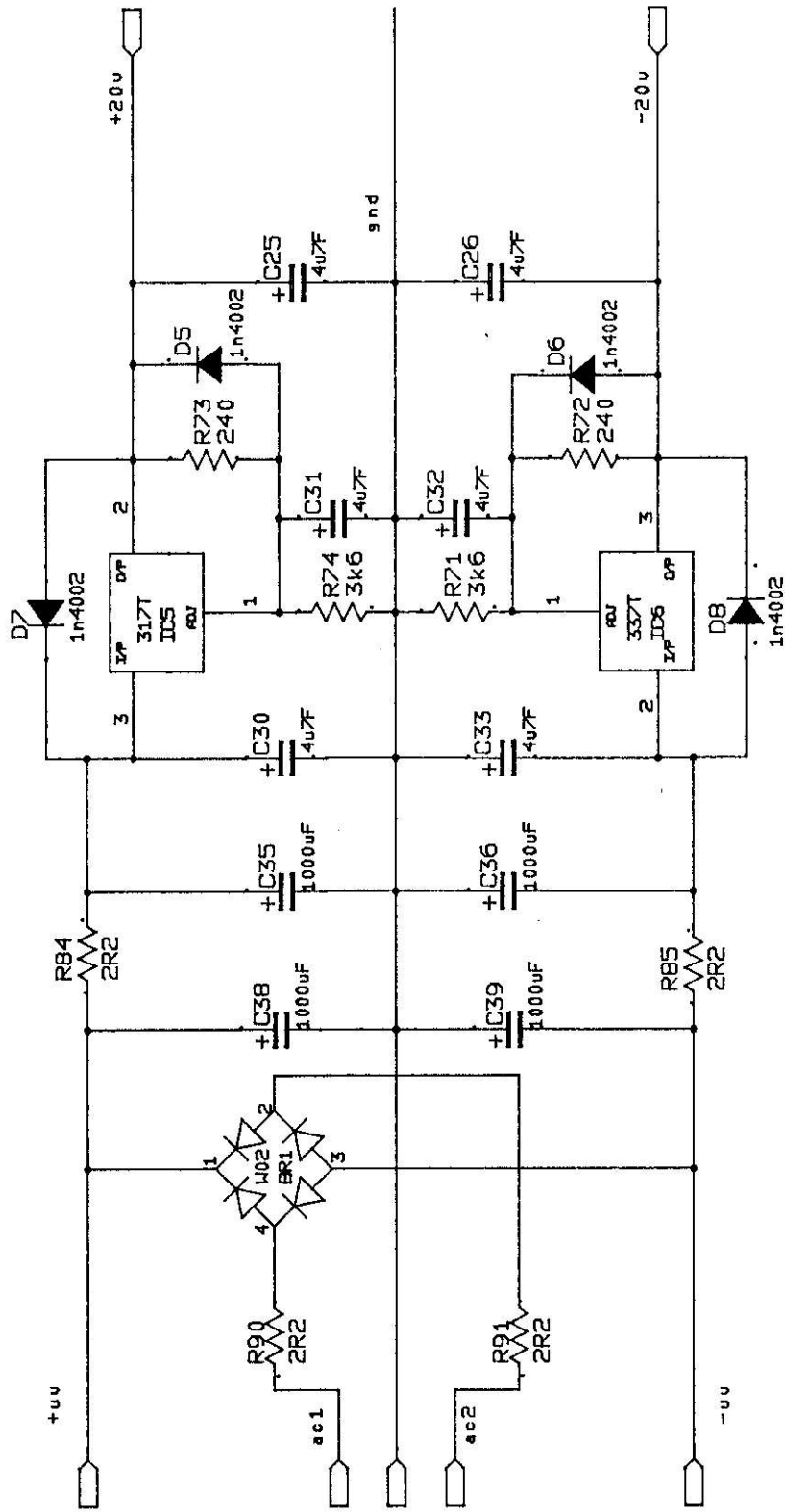
CONTOUR

5-2-90 EC



CONTOUR

5-2-90 EC



KUBE 200 SP2147
 POWER SUPPLY UNIT
 3-1-90 EC