

SERVICE MANUAL



POWERED SUBWOOFER

CONTENTS

PARTS LIST:

LED ASSEMBLY	2
PRE AMPLIFIER ASSEMBLY	2-4
POWER AMPLIFIER ASSEMBLY	5-7
SMPS ASSEMBLY	7-8
PACKING ASSEMBLY	9
POWER CORD ASSEMBLY	9
CASING ASSEMBLY	9
CASING LED ASSEMBLY	9-10
CASING PRE AMP ASSEMBLY	10
CASING POWER AMP ASSEMBLY	10
CASING SMPS ASSEMBLY	11-12
SPEAKER ASSEMBLY	12-13
BLOCK DIAGRAM	14
SCHEMATIC DIAGRAMS	15-18
PCB LAYOUT	19-21
EXPLODED VIEW DIAGRAMS	22-24

PARTS LIST

LED ASSEMBLY

QTY	PART NO	DESCRIPTION	LOCATION
1	1681-1000-A	UL1007 AWG#20 BLACK L=310MM	RF101
1	3700-4536-RG	L-115W EGW/209EGW RED/GR	LED301
1	3700-9528-0	LED DISP LR2x5-10B-YYB	LED302
2	4860-8710-5	TR 9012H	Q307,310
8	4860-8720-5	TR 9013H SAMSUNG	Q301, 302, 303, 304, 305, 306, 308, 309
1	157C-107M-5-IU	CE 10V 100 μ F 20% RL 5x11	C301
5	4701-101J-2	RCF 1/8W 100R 5% AT	R301,302,303,304,305
1	4701-102J-2	RCF 1/8W 1K 5% AT	R320
7	4701-103J-2	RCF 1/8W 10K 5% AT	R311, 312, 313, 314, 315, 321, 322
2	4701-203J-2	RCF 1/8W 20K 5% AT	R317,318
5	4701-331J-2	RCF 1/8W 330R 5% AT	R306,307,308,309,310
1	4701-331J-C	RCF 1/8W 330R 5% ATS	R121
2	4701-472J-2	RCF 1/8W 4.7K 5% AT	R316,319
10	4840-8060-2	DIODE 1N4148 NS	D301, 302, 303, 304, 305, 306, 307, 308, 309, 310
1	1725-546A-0001	LED PCB FC3T0C 94HB	

PRE AMP ASSEMBLY

QTY	PART NO	DESCRIPTION	LOCATION
10	150D-104M-P-AC	CC 16V 0.1 μ F 20%	C120, 121, 122, 123, 124, 125, 126, 127, 128, 129
1	150F-101K-5-IEA	CC 50V 100pF 10% RL 5X3	C14
4	150F-104M-N-FD	CC 50V 0.1 μ F 20% RLF	C19,30,109,110
5	150F-224M-N-II	CC 50V 0.22 μ F 20% RLF MO	C20,21,22,23,29,
8	150F-334M-N-JJA	CC 50V 0.33 μ F 20% RLF MO	C5, 10, 101, 102, 103, 104, 105, 106
1	153H-123K-5-KUA	CM 100V 0.012 μ F 10% RL	C28
1	153H-273J-5-MQA	CM 100V 0.027 μ F 5% RL 7X	C25
1	153H-393K-5-MRA	CM 100V 0.039 μ F 10% RL	C24
1	153H-683K-5-PSA	CM 100V 0.068 μ F 10% RL	C26
1	153H-822J-5-WQ	CM 100V 0.0082 μ F 5% RL	C27
4	153H-823K-5-QSA	CM 100V 0.082 μ F 10% RL	C2,4,8,9
1	157C-108M-5-O5	10V 8*15.5 1000 μ F+-20% A	C157
1	157D-107M-5-KW	CE 16V 100 μ F 20% RL 6x12	C17
1	157D-227M-5-KW	CE 16V 220 μ F 20% RL 6x12	C111
1	157D-476M-5-IU	CE 16V 47 μ F 20% RL 5x11	C18

POWERED SUBWOOFER
PARTS LIST
**PRE AMP ASSEMBLY
CONTINUED**

QTY	PART NO	DESCRIPTION	LOCATION
1	157D-477M-5-OVK	CE 16V 470 μ F 20% RL	C16
1	157E-106M-5-IU	CE 25V 10 μ F 20% RL 5x11	C15
13	157F-225M-5-IU	CE 50V 2.2 μ F 20% RL 5x11	C1, 3, 7, 11, 13, 35, 150, 151,152,153,154,155,156
2	15CG-470J-7-IJ	CTC 0/30 47pF 5% RM	C107,108
2	1801-220K-M	COIL 22 μ H 10% AL BL7	L101,102
2	1808-0670-0	FERRITE BEAD 26430000101	FB102,103
1	1808-9080-0	FERR BEAD 43120203106 1-	FB101
1	2101-1357-0	WAFER JM2411-8 8PIN	CN7
1	2101-1781-0	20 WAY IC SOCKET-DUAL IN	U104
1	2101-9320-0	WAFER JM24182-11P	CN102
1	2101-9790-0	4RCA JACK HSP-204V-03 GP	RCA1
1	2703-0190-0	CR RESONATOR	XTAL101
10	3131-6140-0	IC BA4560 ROHM	U1,2,3,4,5,6,7,8,101,102
1	3131-7730-0	MCU AT89C4051-24PI ATMEL	U104
1	3131-7740-0	EEPROM AT24C02-10PI	U103
1	4132-1551-0	TERMINAL OUT PUT	GND
2	4152-6890-0	RUBBER PAD 2617-19-0 W/B	RF101
1	4701-100J-2	RCF 1/8W 10R 5% AT	R129
2	4755-4746-2	SVR B470K 6MM TYPE VERTICAL TY	TP104,105
3	4756-2026-3-05	SVR B2K H3 NVZ6TL1 HDK	TP101,102,103
1	4859-014C-5	TR 9014C HFE 200-600	Q101
3	4860-8710-5	TR 9012H	Q3,4,7
5	4860-8720-5	TR 9013H SAMSUNG	Q1,2,5,6,16
7	4860-8770-0	TR FET J112	Q8,9,10,11,12,13,14
1	5200-3281-0-06	SW COMAX	SW102
1	5200-4801-0	SW TACT X2 KPT-2105B	SW101
1	7010-2221-0	3 PIN SHIELD WIRE ASSY	CN1
1	7010-2222-0	3 PIN FLAT CABLE ASSY	CN2
2	7011-3240-0	2254 1533 #26 2X2PIN BRN	CN5,101
2	7011-4570-0	AMP108U AWG26 180MM BRWN	CN4,6
2	8910-0042-0	CE 50V 300 μ F	C6,12
1	8912-0003-0	RF RECEIVER MODULE DUAL	RF101
1	4701-101J-2	RCF 1/8W 100R 5% AT	R136
4	4701-102J-2	RCF 1/8W 1K 5% AT	R10,22,37,40
2	4701-472J-2	RCF 1/8W 4.7K 5% AT	R35,38
10	4701-103J-2	RCF 1/8W 10K 5% AT	R5, 8, 18, 24, 25, 28, 36, 130, 132

PARTS LIST

PRE AMP ASSEMBLY CONTINUED

QTY	PART NO	DESCRIPTION	LOCATION
12	4701-104J-2	RCF 1/8W 100K 5% AT	R4, 16, 50, 52, 54, 55, 68, 91, 93, 126, 154, 157
13	4701-105J-2	RCF 1/8W 1M 5% AT	R135, 140, 141, 143, 144, 146, 147, 149, 150, 153, 156, 158, 159
1	4701-123J-2	RCF 1/8W 12K 5% AT	R44
4	4701-125J-C	RCF 1/8W 1.2M 5% ATS	R30,103,106,109
3	4701-184J-2	RCF 1/8W 180K 5% AT	R101,105,108
3	4701-203J-2	RCF 1/8W 20K 5% AT	R102,104,107
4	4701-222J-2	RCF 1/8W 2.2K 5% AT	R9,23,33,34
6	4701-223J-2	RCF 1/8W 22K 5% AT	R1,13,90,92,161,162
1	4701-224J-2	RCF 1/8W 220K 5% AT	R27
1	4701-225J-2	RCF 1/8W 2.2M 5% AT	R31
1	4701-273J-2	RCF 1/8W 27K 5% AT	R42
1	4701-333J-2	RCF 1/8W 33K 5% AT	R43
1	4701-362J-2	RCF 1/8W 3.6K 5% AT	R59
4	4701-363J-2	RCF 1/8W 36K 5% AT	R46,47,48,49
1	4701-433J-2	RCF 1/8W 43K 5% AT	R45
2	4701-471J-2	RCF 1/8W 470R 5% AT	R29,39
2	4701-472J-2	RCF 1/8W 4.7K 5% AT	R35,38
6	4701-473J-2	RCF 1/8W 47K 5% AT	R120, 121, 122, 123, 124, 125
2	4701-512J-2	RCF 1/8W 5.1K 5% AT	R133,134
5	4701-513J-2	RCF 1/8W 51K 5% AT	R142,145,148,151,160
2	4701-514J-2	RCF 1/8W 510K 5% AT	R152,155
1	4701-562J-2	RCF 1/8W 5.6K 5% AT	R131
1	4701-563J-2	RCF 1/8W 56K 5% AT	R26
2	4701-682J-2	RCF 1/8W 6.8K 5% AT	R56,57
2	4701-683J-2	RCF 1/8W 68K 5% AT	R32,60
1	4701-752J-2	RCF 1/8W 7.5K 5% AT	R53
1	4701-822J-2	RCF 1/8W 8.2K 5% AT	R51
2	4701-912J-2	RCF 1/8W 9.1K 5% AT	R2,14
4	4718-391J-2-X	RMF 1W 390R 5% AT	R11,12,20,21
1	4837-3V36-2	DZ 1/2W +-5% 3.3V "TEMIC" AT	Z1
2	4837-5V16-2	DZ 1/2W 5.1V "TEMIC" AT	Z2,3
2	4840-8060-2	DIODE 1N4148 NS	D1,2
1	1725-541A-0001	PCB POWER AMP FC3T03C	

POWERED SUBWOOFER
PARTS LIST
POWER AMP ASSEMBLY

QTY	PART NO	DESCRIPTION	LOCATION
4	150F-101K-5-IEA	CC 50V 100pF 10% RL 5X3	C204,222,224,226
6	150F-104M-N-FD	CC 50V 0.1μF 20% RLF	C205, 207, 227, 252, 503, 504
1	150F-470K-5-IEA	CC 50V 47pF 10% RL 5X3	C225
2	150F-471K-5-IEA	CC 50V 470pF 10% RL 5x3	C202,217
2	150F-681J-5-OI	CC 50V 680pF 5% RL 8X5	C235,236
1	153H-102K-5-INA	CM 100V 0.001μF 10% RL	C223
2	153H-104K-5-QUA	CM 100V 0.1μF 10% RL	C209,211
2	153H-224K-5-VYA	CM 100V 0.22μF 10% RL	C219,229
1	153I-154J-9-NL	CM 63V 0.15μF 5% RB 7.5x	C201
2	157D-107M-5-KW	CE 16V 100μF 20% RL 6x12	C216,250
2	157D-227M-5-KW	CE 16V 220μF 20% RL 6x12	C206,208
4	157D-476M-5-IU	CE 16V 47μF 20% RL 5x11	C251,253,505,506
2	157F-476M-5-OWK	CE 50V 47μF 20% RL 8x12	C501,502
2	157E-106M-5-IU	CE 25V 10μF 20% RL 5x11	C220,232
2	157F-105M-5-IU	CE 50V 1μF 20% RL 5x11	C218,230
2	157F-225M-5-IU	CE 50V 2.2μF 20% RL 5x11	C228,248
1	157F-474M-5-IU	CE 50V 0.47μF 20% RL	C233
2	157I-107M-5-SX	CE 63V 100μF 20% RL	C221,234
1	157Q-476M-5-LUA	CE 35V 47μF 20% RL 6.5X11	C231
1	1806-2374-0	TT-9974 TOROIDAL CHOKE T	L201
1	1806-2393-0	TT-9904 LE 1012A 1X12TX6	L202
1	2101-1380-0	HEADER 4P P=5MM VERTICAL	CN201
1	2101-9120-0	JM24182-2P WAFER	CN206
1	2101-9130-0	JM24182-4P WAFER	CN501
1	3130-2020-2	IC 7805 REG 5V	U205
1	3130-3550-0	IC TA7317P	U206
1	3130-4080-0	IC TL072CP DUAL FET OP	U204
1	3130-9150-0	IC LM3080N OTA NATIONAL	U203
2	3131-7220-0	IC TL062 LOW POWER JFET	U201,202
1	4132-1551-0	TERMINAL OUT PUT	GND
2	4132-1551-0	TERMINAL OUT PUT	SPK+,SPK-
1	4500-0890-0	RELAY 12VDC,250VAC,10A	RLY202
1	4500-8090-0	RELAY RUDH-SH-124D "GOOD	RLY201
1	4718-100J-C-X	RMF 1W 10R 5% ATS METAL	R249
4	474B-0R1J-1	RWR 5W 0.1 5% AL	R236,238,241,245
1	4756-2036-3-15	SVR B20K H3 VZ067TL7B	TP201
1	4860-1260-5	TR 2N3906 SAMSUNG RL	Q201
1	4860-2280-5	TR TIP42C SGS	Q208

PARTS LIST

POWER AMP ASSEMBLY CONTINUED

QTY	PART NO	DESCRIPTION	LOCATION
2	4860-8470-0	TR TIP41C SGS	Q203,207
1	4860-8720-5	TR 9013H SAMSUNG	Q202
2	4860-8890-0	TR MPS A06 VCE 80V NS	Q205,206
2	4860-8910-0	TR MPS A56 VCE 80V NS	Q204,213
2	8910-0115-0	CE 4700UF 63V 20% RL	C210,212
1	8910-0196-0	THERMISTOR NTH4G 10K 1%	TH201
10	4701-101J-2	RCF 1/8W 100R 5% AT	R206, 207, 230, 234, 235, 237, 239, 240, 242, 244
2	4701-102J-2	RCF 1/8W 1K 5% AT	R214,226
8	4701-103J-2	RCF 1/8W 10K 5% AT	R204, 208, 209, 211, 213, 223, 224, 258
4	4701-104J-2	RCF 1/8W 100K 5% AT	R203,215,253,254
3	4701-123J-2	RCF 1/8W 12K 5% AT	R216,232,267
1	4701-125J-C	RCF 1/8W 1.2M 5% ATS	R219
3	4701-153J-2	RCF 1/8W 15K 5% AT	R202,227,228
1	4701-154J-2	RCF 1/8W 150K 5% AT	R210
2	4701-183J-2	RCF 1/8W 18K 5% AT	R256,261
2	4701-202J-2	RCF 1/8W 2K 5% AT	R221,225
2	4701-203J-2	RCF 1/8W 20K 5% AT	R205,218
1	4701-272J-2	RCF 1/8W 2.7K 5% AT	R231
2	4701-333J-2	RCF 1/8W 33K 5% AT	R257,260
1	4701-334J-2	RCF 1/8W 330K 5% AT	R222
2	4701-391J-2	RCF 1/8W 390R 5% AT	R229,233
1	4701-392J-2	RCF 1/8W 3.9K 5% AT	R271
1	4701-393J-2	RCF 1/8W 39K 5% AT	R212
1	4701-473J-2	RCF 1/8W 47K 5% AT	R201
1	4701-513J-2	RCF 1/8W 51K 5% AT	R270
1	4701-514J-2	RCF 1/8W 510K 5% AT	R220
4	4701-562J-2	RCF 1/8W 5.6K 5% AT	R246,247,248,263
4	4701-563J-2	RCF 1/8W 56K 5% AT	R251,252,255,259
1	4701-913J-2	RCF 1/8W 91K 5% AT	R217
1	4705-181J-2	RCF 1/4W 180R 5% AT	R137
1	4707-152J-2	RCF 1/2W 1.5K 5% AT	R262
3	4718-100J-C-X	RMF 1W 10R 5% ATS METAL	R250,265,266
2	471B-512J-1-X	RMF 5W 5.1K 5% AL METAL	R501,502
3	4804-0010-2	DIODE 1N4001 AT	D210,211,212
10	4840-8060-2	DIODE 1N4148 NS	D201, 202, 203, 204, 205, 206, 207, 208, 209, 213

POWERED SUBWOOFER
PARTS LIST
**POWER AMP ASSEMBLY
CONTINUED**

QTY	PART NO	DESCRIPTION	LOCATION
2	2954-2606-0000	SCREW BT 2.6X6	U501,502
2	2954-3008-3000	T3X8MM SELF TAPPING	U501,502
1	3130-2520-2	IC 7812H 12V REG, T0220F	U502
1	3130-3800-0	IC UPC79M12HF REGULATOR	U501,502
2	5400-9130-0	HEAT SINK FOR 7805 2438-	U501,502

SMPS ASSEMBLY

QTY	PART NO	DESCRIPTION	LOCATION
8	150F-104M-N-FD	CC 50V 0.1 μ F 20% RLF	C16, 17, 18, 19, 20, 22, 28, 32, 33, 34
1	150N-101K-5-MHA	CC 1KV 100pF 10% RL	C7
2	150N-471K-5-MHA	CC 1KV 470pF 10% RL	C9,10
2	150R-332M-5-1OA	CC 250V 3300pF 20% RL DE1	C3,4
1	153H-102K-5-INA	CM 100V 0.001 μ F 10% RL	C23
2	153H-103K-5-KNA	CM 100V 0.01 μ F 10% RL	C25,27
1	153H-222K-5-INA	CM 100V 0.0022 μ F 10%	C26
1	153H-472K-5-JNA	CM 100V 0.0047 μ F 10% RL	C24
2	153Z-334M-5-YUM	CM 275V 0.33 μ F 20% RL	C1,2
1	157F-107M-5-OW	CE 50V 100 μ F 20% RL 8x12	C30
1	157F-107M-5-OWK	CE 50V 100 μ F 20% RL 8x12	C31
1	157F-225M-5-IUK	CE 50V 2.2 μ F 20% RL 5x11	C29
2	157Q-477M-5-S9T	CE 35V 470 μ F 20% 10X20	C8,13
2	157I-108M-5-5\$K	CE 63V 1000 μ F 20% RL 16X	C11,12
2	157R-567M-5-#\$T	CE 250V 560 μ F 20% RL 105	C5,6
1	1681-1000-A	UL1007 AGW#20 BLACK	GND
1	1806-2372-0	TT-9972 GATE DRIVER TRAN	T1
2	1806-2373-0	TT-9973 DIFFERENTIAL MOD	L1,2
1	1806-2380-0	CURRENT TRANSFORMER	T4
1	1806-2437-0	TT-01001 EE-42 POWER	T3
1	1806-2442-0	CHOKO O/P T131-26	L5
1	1806-2443-0	COMMON MODE EE-35	L3
1	1806-2444-0	X-TRANSFORMER EI-28	T2
8	1808-0670-0	FERRITE BEAD 26430000101	FB5,6,7,8,9,10,11,12
1	1808-9030-0	ARRESTER 230V DC 5KA M2P	G1
6	1808-9080-0	FERR BEAD 43120203106 1-	FB1 TO FB4,FB13,14
1	2101-1343-0	WAFER 2219S-03-E2 P=7.92	CN1
1	3131-5550-0	IC KA3842B SAMSUNG	U3

PARTS LIST

SMPS ASSEMBLY
CONTINUED

QTY	PART NO	DESCRIPTION	LOCATION
4	4154-0841-0	INSULATION BUSHING	D8-D11
4	4154-0841-0	INSULATION BUSHING	Q1-Q4
2	4705-103J-2	RCF 1/4W 10K 5% AT	R24,26
1	4705-472J-2	RCF 1/4W 4.7K 5% AT	R20
1	4719-101J-C-X	RMF 2W 100R 5% ATS METAL	R10
2	4719-470J-C-X	RMF 2W 47R 5% ATS METAL	R13,14
1	4756-1026-3-07	SVR B1K H3 VZ067TL7B	TP1
4	4840-8210-0	DIODE MUR 1540	D8,9,10,11
1	4840-8240-0	DIODE BR108 BRIDGE RECTI	D1
2	4853-9040-5	TR 2N3904 SAMSUNG	Q6,7
1	4860-2390-5	TR 2N3906 NS	Q5
4	4860-8950-0	TR FET IRF840 (IR)	Q1,2,3,4
1	5202-0001-0	NTC THERMISTER SCK057	NTC1
4	5400-9320-0	2617-4-B HEAT SINK	Q1-Q4 D8-D11
1	7010-0150-0	CN ASSY UL1007 #20 L=120 BROWN	JPW1
1	7010-0160-0	CN ASSY UL1007 #20 L=120 RED	JPW2
1	7010-2352-0	WIRE CON ASSY 4P+2P+2P	CN2
1	7010-2355-0	WIRE CON ASSY 4P L=500MM	CN3
5	4705-102J-2	RCF 1/4W 1K 5% AT	R6,9,29,36,37
2	4705-152J-2	RCF 1/4W 1.5K 5% AT	R31,32
1	4705-203J-2	RCF 1/4W 20K 5% AT	R28
1	4705-204J-2	RCF 1/4W 200K 5% AT	R23
1	4705-220J-2	RCF 1/4W 22R 5% AT	R18
1	4705-241J-2	RCF 1/4W 240R 5% AT	R19
1	4705-243J-2	RCF 1/4W 24K 5% AT	R30
1	4705-471J-2	RCF 1/4W 470R 5% AT	R21
2	4705-472J-2	RCF 1/4W 4.7K 5% AT	R11,33
4	4705-510J-2	RCF 1/4W 51R 5% AT	R4,5,7,8
1	4705-821J-2	RCF 1/4W 820R 5% AT	R22
2	4707-104J-2	RCF 1/2W 100K 5% AT	R2,3
1	4707-474J-2	RCF 1/2W 470K 5% AT	R1
5	4804-0010-2	DIODE 1N4001 AT	D13,14,15,16,17
4	4837-18V6-2	DZ 1/2W 18V 5% TEMIC AT	Z1,2,3,4
1	4837-30V6-2	DZ 1/2W 30V 5% TEMIC AT	Z5
5	4840-8060-2	DIODE 1N4148 NS	D19,20,21,22,23
4	4840-8520-2	RECTIFIER UF4003 GI AT	D4,5,12,18
2	4840-8530-2	RECTIFIER UF4006 GI AT	D2,3
1	1725-542A-0001	SMPS PCB FC3T0C S/S FR4	

POWERED SUBWOOFER
PARTS LIST
PACKING ASSEMBLY

QTY	PART NO	DESCRIPTION	LOCATION
1	1497-1932-0	POLYBAG 04x5x9" w/PE-LD	REMOTE
1	2150-7001-0	NAME PLATE RF REMOTE	REMOTE
2	4060-0530-0	GREENCELL 3A SIZE GP24G2	PACKING
4	4153-7941-0	K100081B BLANKING PIN BK	SPK-
4	4153-7951-0	K100081J BLANKINGPIN RED	SPK+
1	8912-0002-1	RF REMOTE DUAL CHANNAL	PACKING

POWER CORD ASSEMBLY

QTY	PART NO	DESCRIPTION	LOCATION
1	7011-6220-0	H05VV-F 0.75MM/3C 2M BLK	*EU
1	7011-5030-0	TC1490GP 3 CORE CORD 1/P	*UK
1	7011-6210-0	SJT #18 /3C 2M BLK POWER CORD	*US
1	2101-9140-0	WAFER JM24182-3P	RF101

CASING ASSEMBLY

QTY	PART NO	DESCRIPTION	LOCATION
1	1403-6680-0	SWITCH POWER TOP COVER	TOP COVER
1	1403-6690-0	SWITCH POWER BOTTOM	BOTTOM
1	1403-6700-0	REAR PANEL FC3T0C	HEATSINK
4	2103-7001-0	BINDING POST RED	SPK IN+
4	2103-7101-0	BINDING POST BLK	SPK IN-
8	2600-5008-1000	METAL WASHER M5X0.8X10MM	SPK IN+
2	2606-3005-0643	INT TEETH WASHER M3X0.5X6.4MM	REAR PANEL
8	2904-3006-3000	SCREW M3X6 BINDING (BLK)	REAR PANEL
6	2944-3008-3000	S-TITE 3X8 (BLK)	REAR PANEL
1	2954-3008-3000	T3X8MM SELF TAPPING	RCA1
1	3100-5951-0	NET DUST FILTER FC3T0C	REAR PANEL
1	4153-1250-0	2209 SW COVER 1-41-112	SW1
1	7010-2237-0	HOUSING ASSY JP2411-8P	FOR SPK/IN

CASING LED ASSEMBLY

QTY	PART NO	DESCRIPTION	LOCATION
1	153H-104K-5-QUA	CM 100V 0.1μF 10% RL	C158
1	1808-0170-0	CLAMP CORE FOR EMI/RFI	FB104
1	3100-6051-0	LED HOLD	
1	6360-1322-0	PLASTIC CABLE TIE 200MM	FB104

PARTS LIST

CASING LED ASSEMBLY CONTINUED

QTY	PART NO	DESCRIPTION	LOCATION
1	7011-9360-0	UL1007 AWG#26 RAINBOW	CN301
1	8912-0003-0	RF RECEIVER MODULE DUAL	RF101
6	4152-6890-0	RUBBER PAD 2617-19-0 W/DOUBLE	RF101
1	7010-0060-0	CN ASSY UL2547 #26 L=210 3P M/F	RF101
1	1681-1000-A	UL1007 AWG#20 BLACK L=620MM	RF101

CASING PRE AMP ASSEMBLY

QTY	PART NO	DESCRIPTION	LOCATION
4	2607-3009-0550	SPRING WASHER M3X0.9X5.5	PRE PCB
4	2904-3006-3000	SCREW M3X6 BINDING (BLK)	PRE PCB
2	4135-0901-0	PCB BRACKET FC3T0C	PRE PCB

CASING POWER AMP ASSEMBLY

QTY	PART NO	DESCRIPTION	LOCATION
4	2600-3005-0800	METAL WASHER M3X0.5X8MM	PCB
4	2600-3005-0800	METAL WASHER M3X0.5X8MM	Q209 TO Q212
4	2607-3009-0550	SPRING WASHER M3X0.9X5.5	H.S BRACKET
4	2607-3009-0550	SPRING WASHER M3X0.9X5.5	HEATSINK
4	2607-3009-0550	SPRING WASHER M3X0.9X5.5	PWRM PCB
4	2607-3009-0550	SPRING WASHER M3X0.9X5.5	Q209 TO Q212
4	2900-3010-3000	SCREW PH M3X 10 MM BZ CR	HEATSINK
4	2904-3006-3000	SCREW M3X6 BINDING (BLK)	PRE PCB
4	2954-3010-3000	B-TITE 3X10MM (BLK.ZN)	H.S BRACKET
4	2954-3014-3000	B-TITE 3X14MM(BLK.ZN)	Q209 TO Q212
4	3100-3171-0	MICA SHEET A (24X20)	Q209 TO Q212
4	4133-9580-0	BRASS TUBE 2751-10-0	HEATSINK
2	4135-0911-0	HEATSINK BRACKET FC3T0C	HEATSINK
2	4860-5050-5	TR 2SC5200 T0-3P (L) TOSHIBA	Q210 Q211
2	4860-5060-5	TR 2SA1943 T0-3P (L) TOSHIBA	Q209 Q212
1	5200-3570-0	SW CB-SL1412 AM1BCEI AC	SW2
1	5400-3401-0	HEATSINK FC3T0C	Q209 TO Q212

PARTS LIST

CASING SMPS ASSEMBLY

QTY	PART NO	DESCRIPTION	LOCATION
1	1403-6680-0	SWITCH POWER TOP COVER	TOP COVER
1	1403-6690-0	SWITCH POWER BOTTOM	BOTTOM COVER
1	1806-2375-0	TT-9975 EARTH TOROIDAL C	L7
1	1806-3556-0	CHOKE TRANSFORMER EI-41	L8
1	2113-9535-0	HALO BUSHING 0813C	BOTTOM COVER
4	2600-3005-0803	METAL WASHER M3X0.5X8MM	FAN1
4	2600-3005-0803	METAL WASHER M3X0.5X8MM	PCB
2	2600-3005-0803	METAL WASHER M3X0.5X8MM	TOP COVER
1	2606-4008-0853	INT TOOTH WASHER M4X0.8X	L7
1	2606-4008-0853	INT TOOTH WASHER M4X0.8X	RING T'NAL
4	2607-3009-0553	SPRING WASHER M3X0.9X5.5	FAN1
2	2607-3009-0553	SPRING WASHER M3X0.9X5.5	IEC1
6	2607-3009-0553	SPRING WASHER M3X0.9X5.5	PCB,L8
2	2607-3009-0553	SPRING WASHER M3X0.9X5.5	TOP COVER
1	2607-4010-0704	SPRING WASHER M4X1X7MM N	L7
1	2607-4010-0704	SPRING WASHER M4X1X7MM N	RING T'NAL
2	2640-3022-0544	M3 NUT NI	IEC1
2	2640-3022-0544	M3 NUT NI	L8
1	2640-4030-0704	NUT HEX M4	CN3
1	2640-4030-0704	NUT HEX M4	L7
4	2900-3008-3000	SCREW M3x8 PM BZ	PCB
2	2900-3008-3000	SCREW M3x8 PM BZ	SW2
2	2900-3008-3000	SCREW M3x8 PM BZ	TOP COVER
4	2950-3008-0020	SCREW B-TITE PH M3X 8 MM	D8-D11
4	2950-3008-0020	SCREW B-TITE PH M3X 8 MM	Q1-Q4
6	2900-3010-3000	SCREW PH M3X 10 MM BZ CR	FAN,L8
2	2900-3010-3000	SCREW PH M3X 10 MM BZ CR	IEC1
4	2944-3008-3000	S-TITE 3X8 (BLK)	TOP COVER
4	3100-8040-0	MICA T-400 8302 18X12.7M	D8-D11
4	3100-8050-0	MICA T-400 T03P 25X20M T	Q1-Q4
1	4135-1701-0	TERMINAL RING COPPER TIN	CN2 CN3
1	4153-3331-0	EVA GASKET 5*500	TOP COVER
1	4153-3800-1	POWER INLET SOCKET	IEC1
2	5120-9001-0	CERAMIC 5X20MM FUSE 250V	F1
1	5200-3570-0-00	SW SY-113C12N AC SELECTO	SW2
1	5200-9123-0	ROCKER SW 1P1T M372-499-	SW1
1	6360-0011-0	PLASTIC CABLE TIE 97MM	CN1
8	6360-0011-0	PLASTIC CABLE TIE 97MM	CN2 CN3
1	6360-0011-0	PLASTIC CABLE TIE 97MM	SW2

PARTS LIST

CASING SMPS ASSEMBLY CONTINUED

QTY	PART NO	DESCRIPTION	LOCATION
1	6360-0011-0	PLASTIC CABLE TIE 97MM	T4
1	6360-1322-0	PLASTIC CABLE TIE 200MM	L3
1	7010-2353-0	WIRE CON ASSY 3P L=120MM	CN1
2	7011-6720-0	UL1007 #18 500MM W/FUSE	RING T'NAL
1	8900-9520-0	DC FAN CHA8012BS	FAN1

SPEAKER ASSEMBLY

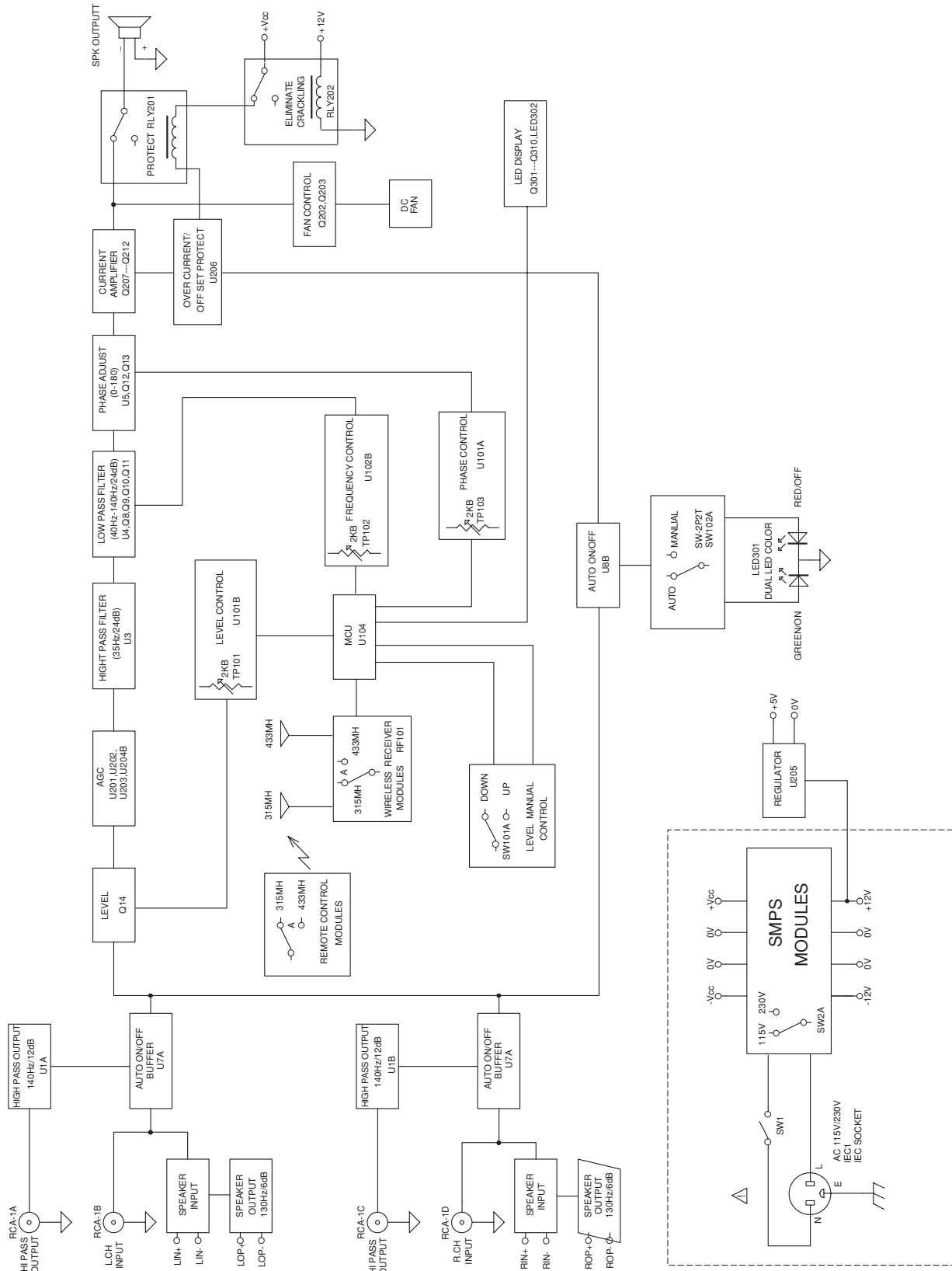
QTY	PART NO	DESCRIPTION	LOCATION
1	1403-4440-1	CABINET FOR PSW3000	
1	1681-0000-C	UL1015 AWG#18 BLACK	
1	1681-0020-C	UL1015 AWG#18 RED	
8	2640-4070-1500	T-NUT M4	
8	2911-3516-4400	M3.5*16 NICKEL SCREW	
1	3000-6820-0	UPC LABEL FOR PSW3000-EU	
1	4154-2351-0	LENS DISPLAY FOR PSW3000	
1	8900-5780-0	10"SUBWOOFER FOR PSW3000	
1	2901-4040-2000	MA SCREW 4*43 7.5MM WH/F	
6	2901-5009-0000	SCREW M5*9	
1	3000-6813-0	LABEL FOR 8900-5780-0	
1	3300-0460-0	BACK CAN 166*160*65*2	
1	3300-3500-0	CP 135*49.7*44*11	
1	3300-6060-0	WH145*55.8*8 6M5 100C	
1	3300-9270-0	FR-8900-5780-0	
1	3800-4870-0	VC50.5KSV3.3*0.5*62	
3	4104-4871-1	MAGNET 145*75*17 (C)	
1	4134-5501-0	CHT BLACK BINDING PAST	
1	4134-5501-1	CHT BLACK BINDING POST	
1	4134-5511-0	CHT RED BINDING PAST	
1	4134-5511-1	CHT RED BINDING POST	
1	4153-0511-0	FOAM STRIP 5*5*1200MM	
1	4159-0000-0	SHORTING RING 73.5*58	
1	4159-0010-0	POLE TIP 48.7*36	
1	4200-5160-0	DCAP D117*21.5 PP COATED	
1	4200-8240-0	URBK-25P-51BK PPCTD	
1	4301-5202-0	PSW3000 ADDENDUM SHEET	
0	7010-4520-0	F.WIRE 24WW	
1	8700-1390-0	DAMPER 160*51.2*2.8 0.4	

PARTS LIST

SPEAKER ASSEMBLY CONTINUED

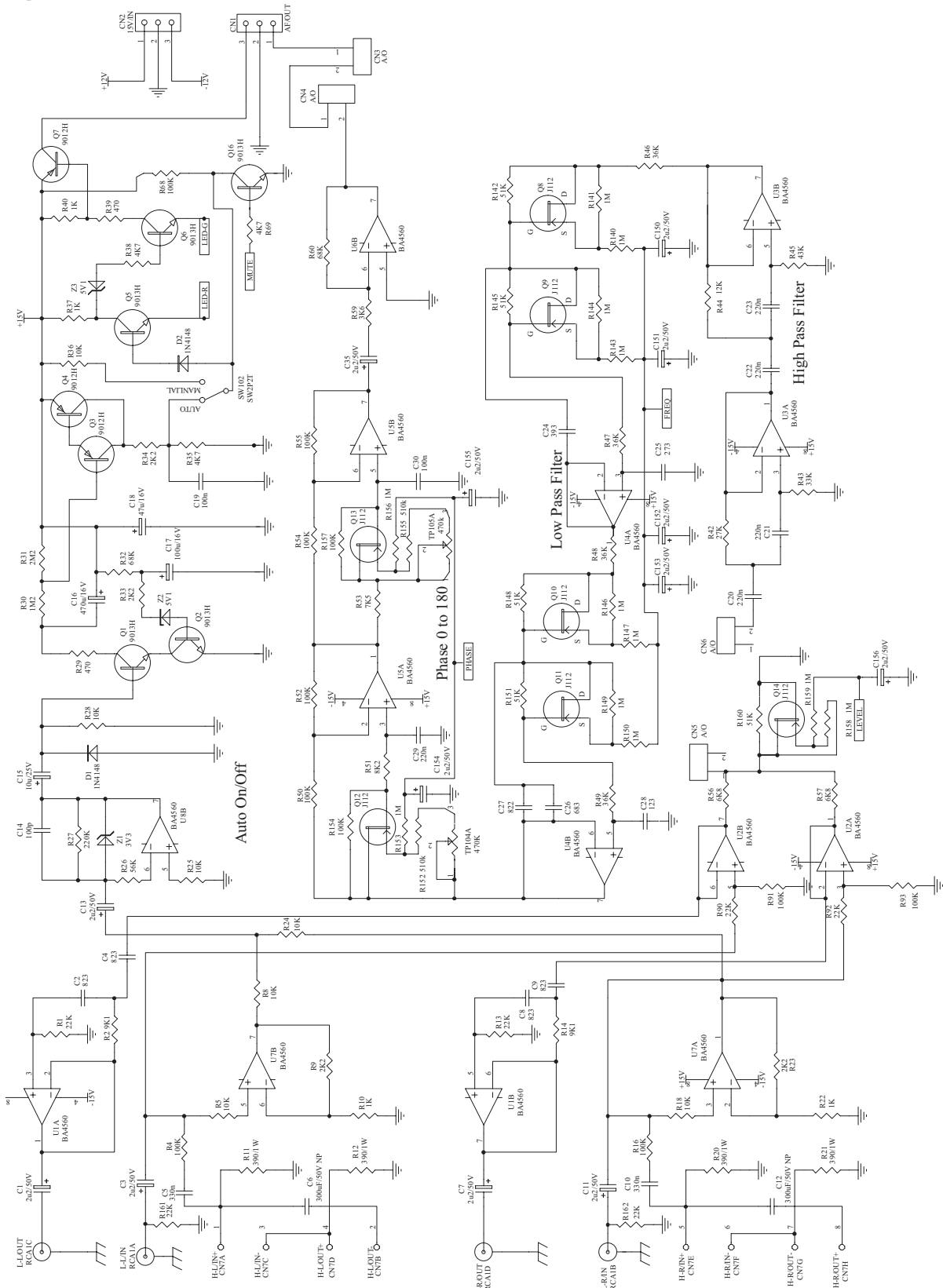
QTY	PART NO	DESCRIPTION	LOCATION
1	DUM-1403-4440-0	DUMMY 1403-4440-0	
1	1497-7202-0	PE BAG 840X700X0.05	
1	OTHER-SPK-FC3T0C	OTHER PARTS FOR PSW3000	
1	145A-7200-0	M.BOX FOR PSW3000	
4	1490-7343-0	P.FOAM FOR PSW1000/S8	
1	1490-7343-1	P.FOAM FOR PSW1000/S8	
1	1497-4102-0	P.BAG 10*12' W/ES GREEN	
1	1497-4122-0	P.BAG 10*14' W/ES GREEN	
4	2640-4030-0704	NUT HEX M4	
4	2901-6014-4000	FLAT COUNTER SINK HEAD	
8	2908-4028-3400	SCREW M4*28 BLACK	
4	2910-3012-3000	K320291B M3*12MM PAN HEA	
8	2913-4016-3000	SCREW BINDING HEAD M4*16	
2	3000-4447-0	LABEL, BARCODE BLANK	
1	3000-6333-0	BARCODE S/N LABEL	
1	3000-8902-0	MADE IN CHINA LABEL	
0	3005-0360-1	RIBBON 60MMX300M	
2	4134-5421-0	FEMALE TML #205	
1	4153-0351-0	ACOUSTIC WOOL 860*320*30	
1	4153-0461-0	ACOUSTIC WOOL 200*600*30	
2	4153-3331-0	EVA GASKET 5*500	
4	4153-9411-0	SUBWOOFER FOOT PSW2000	
1	4154-2251-0	TEMPERED GLASS TINTED	
4	4154-2461-0	SUBWOOFER FOOT PART B	
1	4301-5190-0	MANUAL FOR PSW3000	
1	4301-6016-0	W.CARD KAL926EFG REG	
1	4301-6033-0	WARRANTY CARD FOR Q95C.2	

BLOCK DIAGRAM



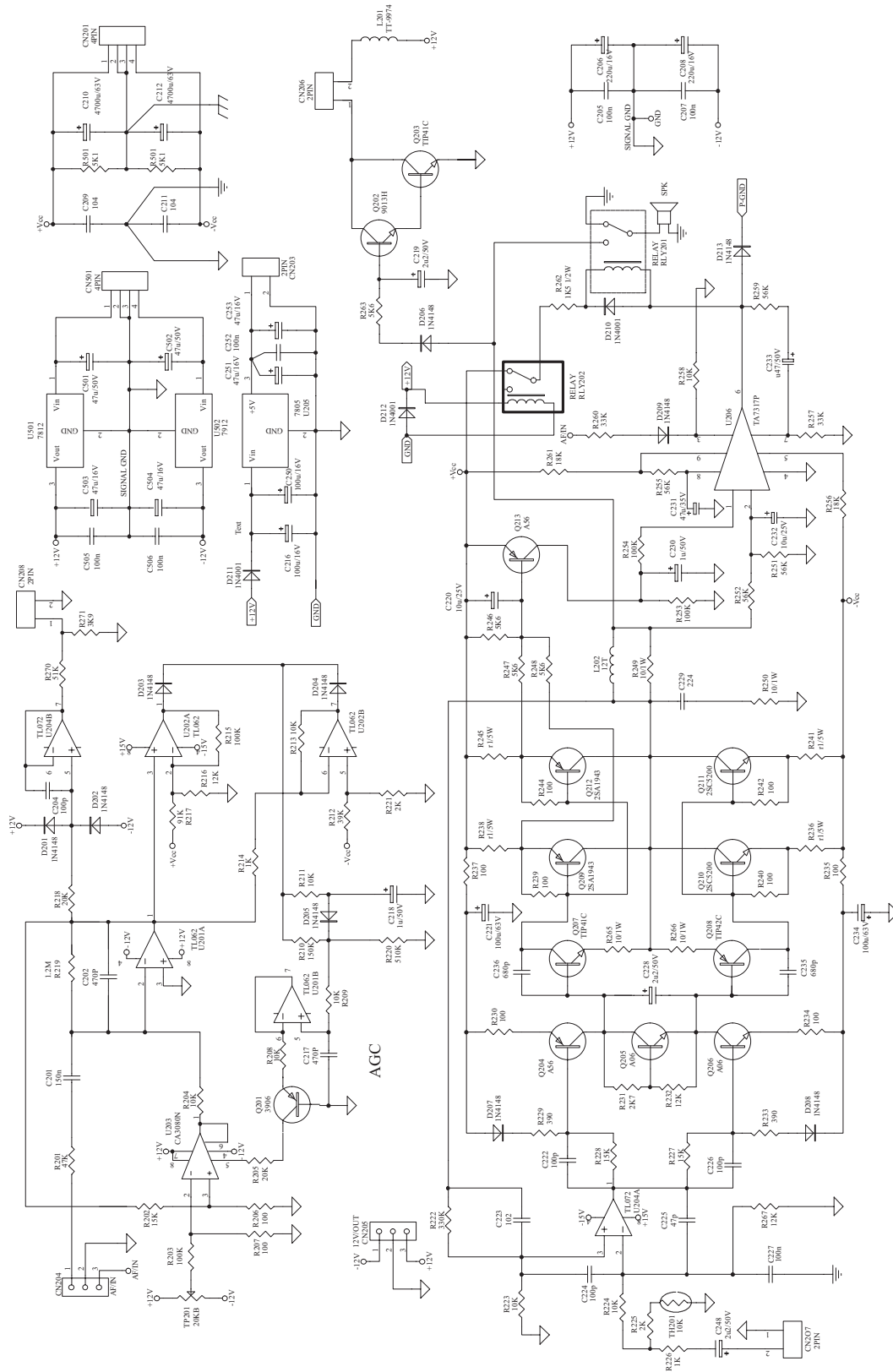
SCHEMATICS DIAGRAMS

Pre Amp Schematic

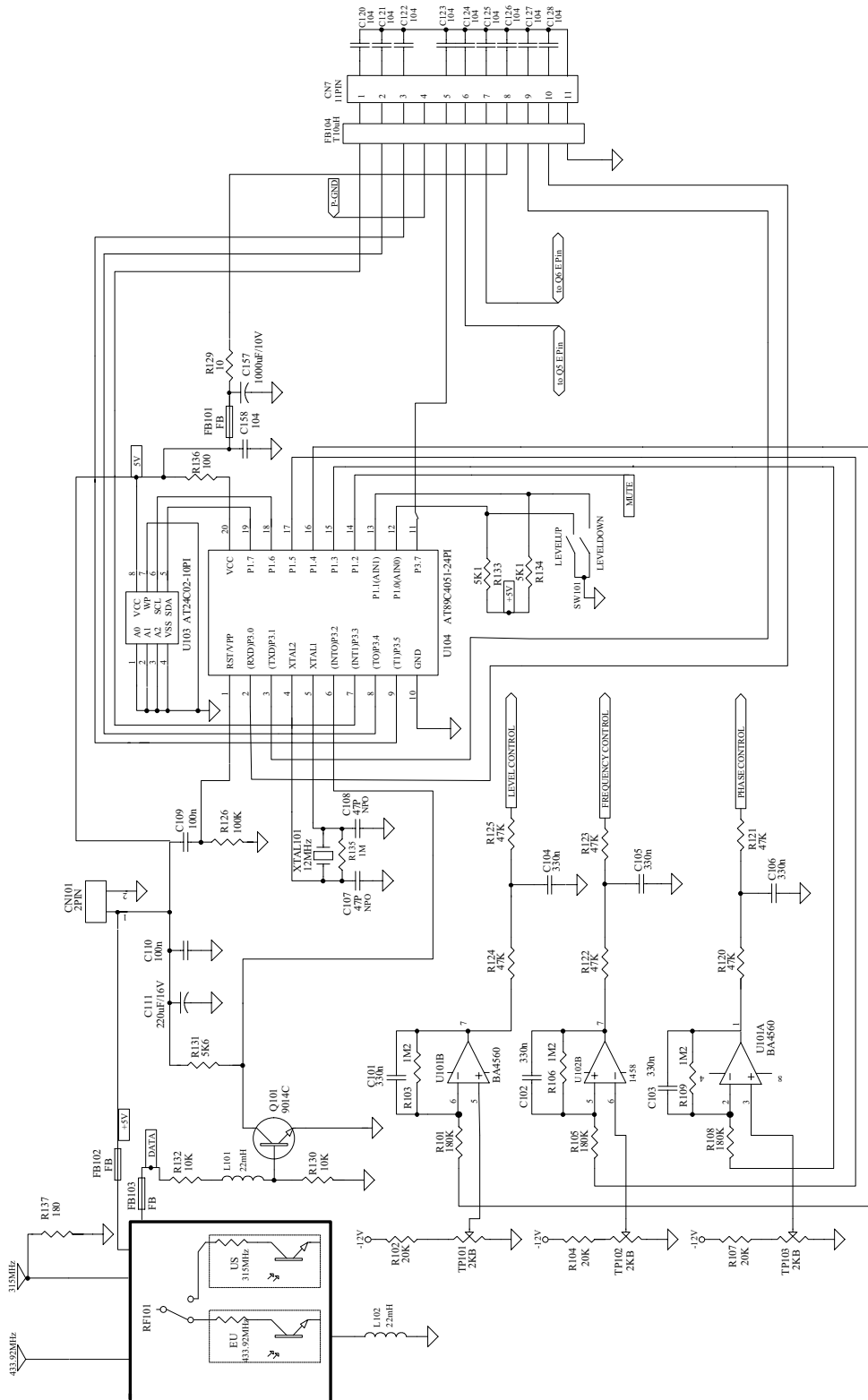


SCHEMATICS DIAGRAMS

Power Amp Schematic

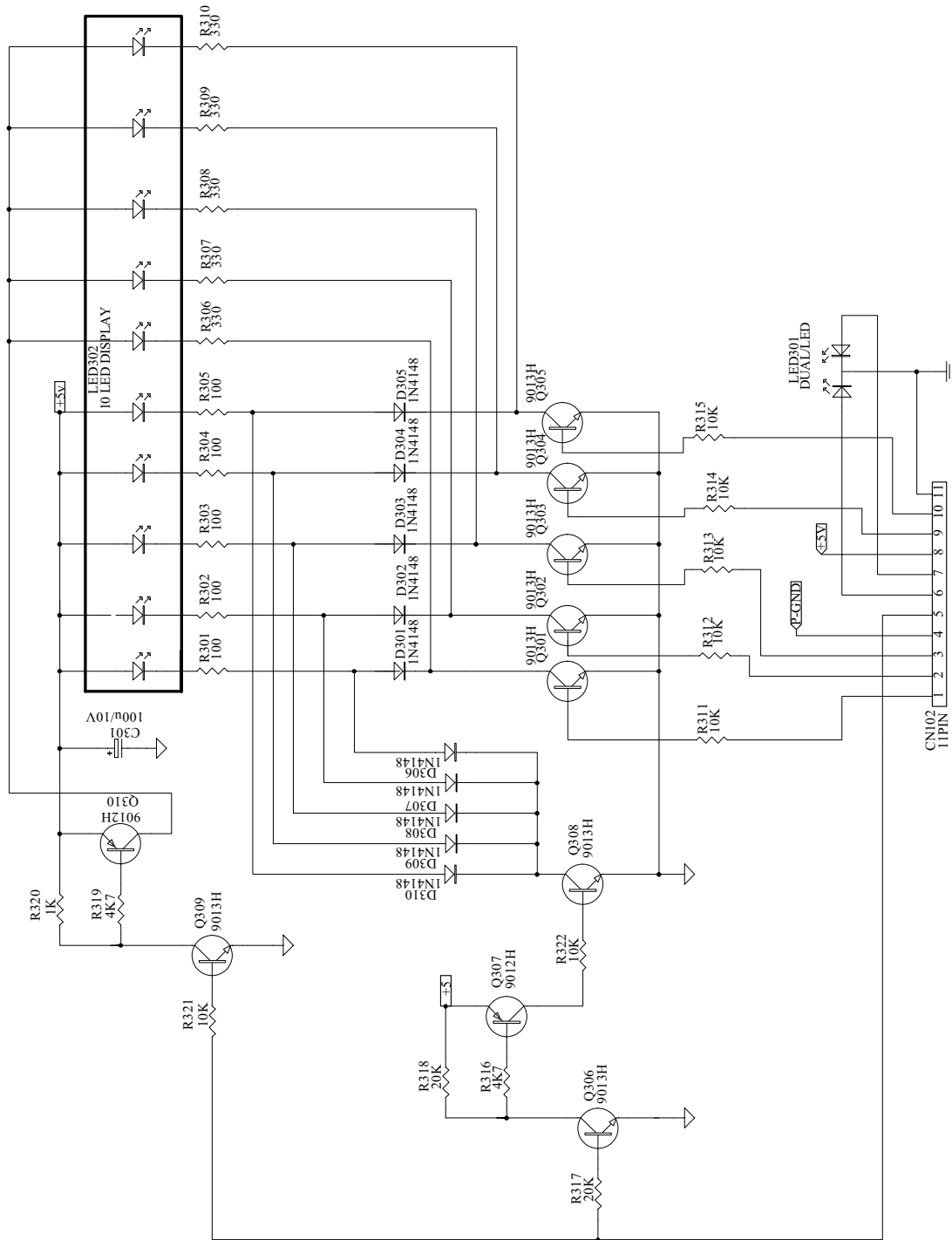


SCHEMATICS DIAGRAMS
CPU

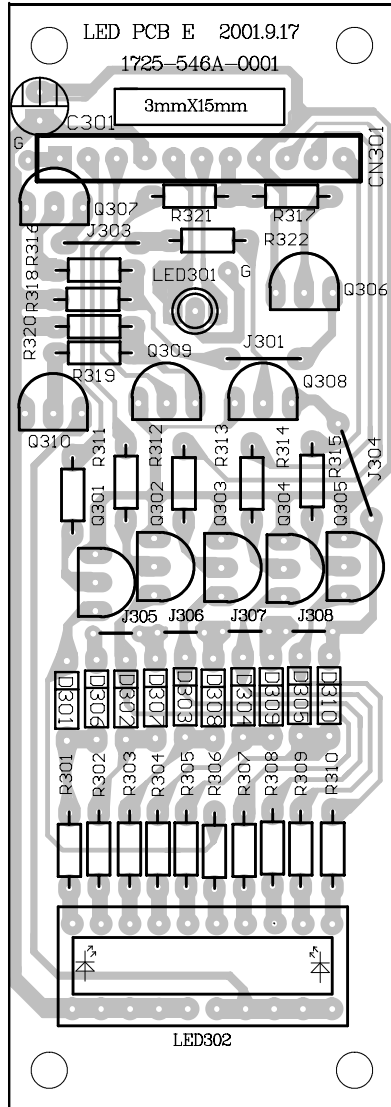


SCHEMATICS DIAGRAMS

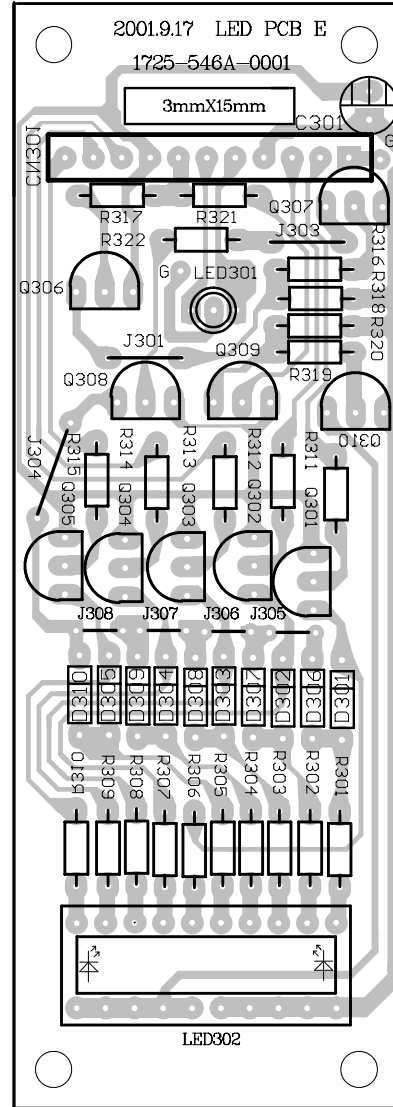
LED



PCB LAYOUT

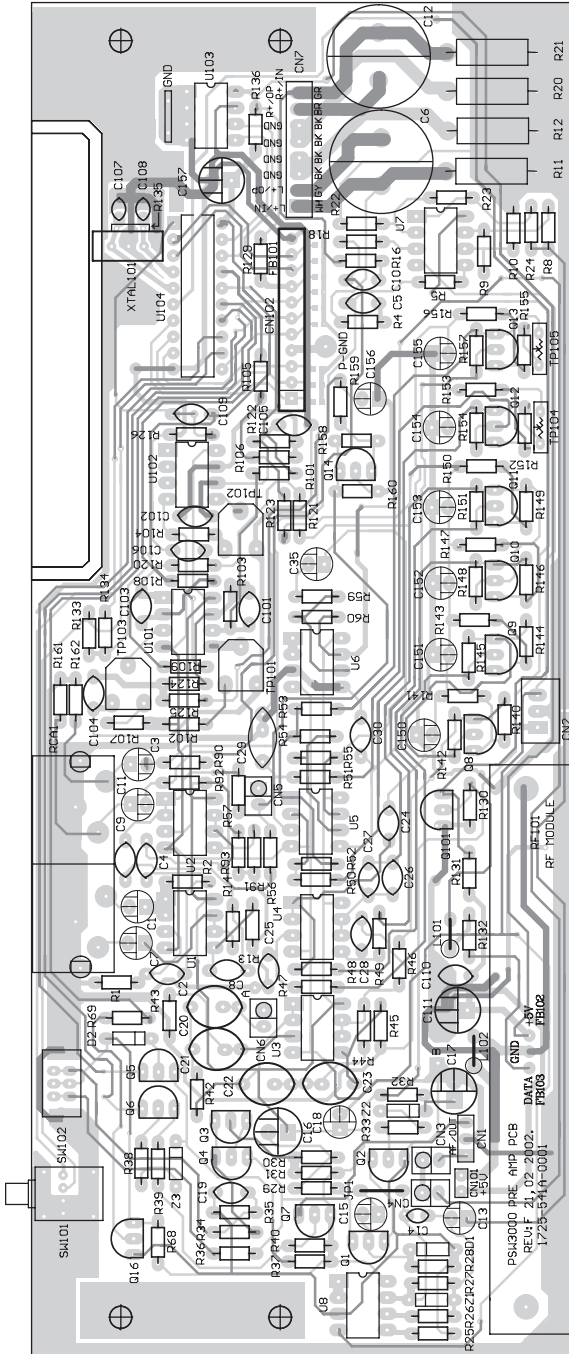


LED PCB Component Side

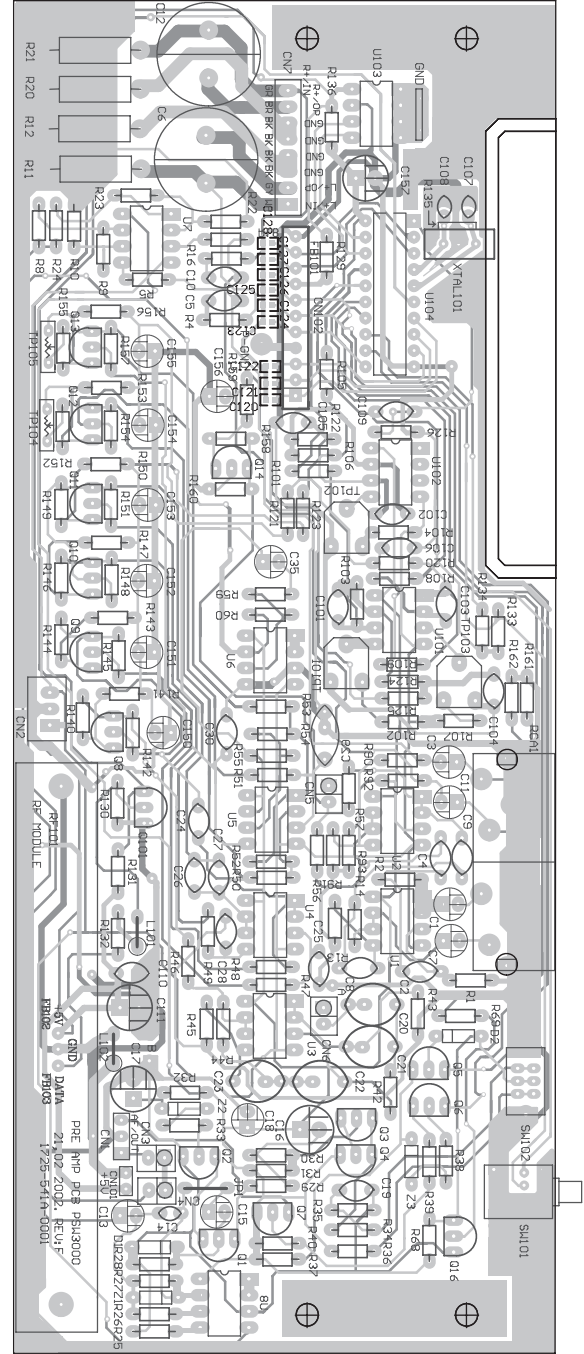


LED PCB Copper Side

PCB LAYOUT

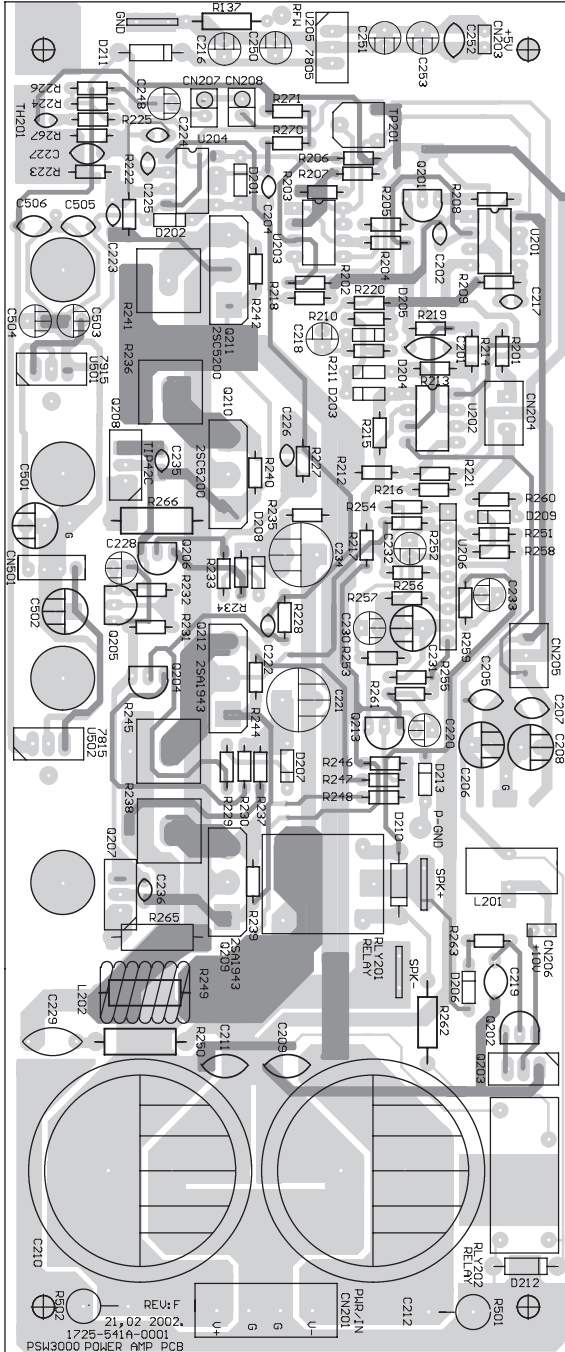


Pre AMP PCB Component Side

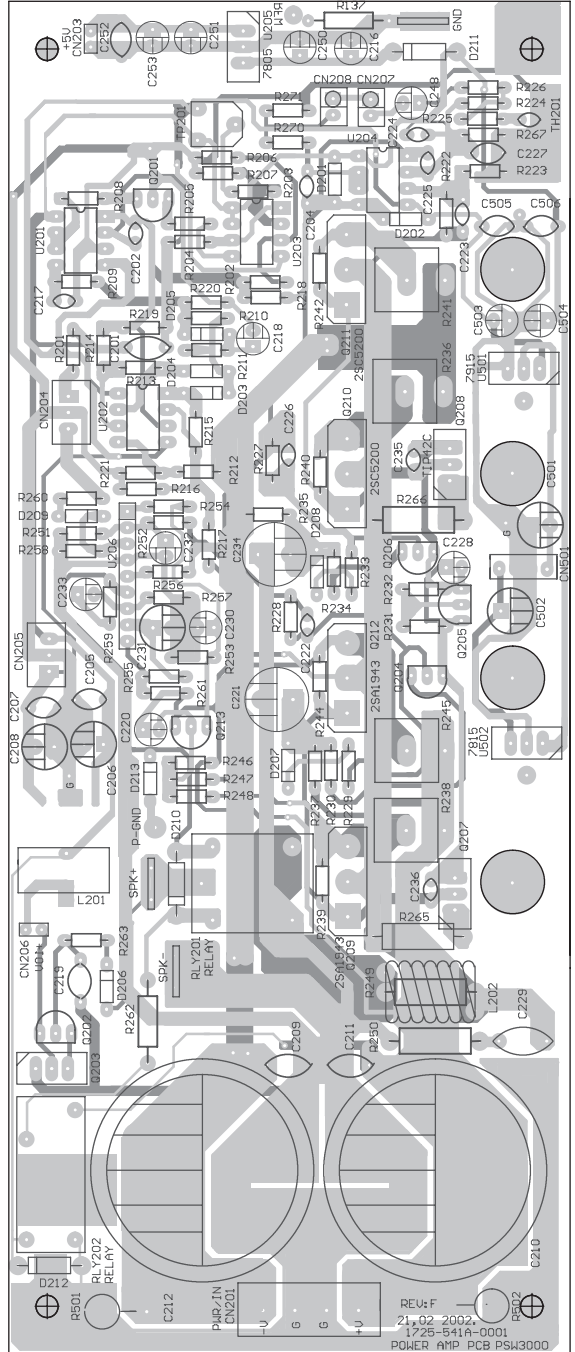


Pre AMP PCB Copper Side

PCB LAYOUT



Power AMP PCB Component Side

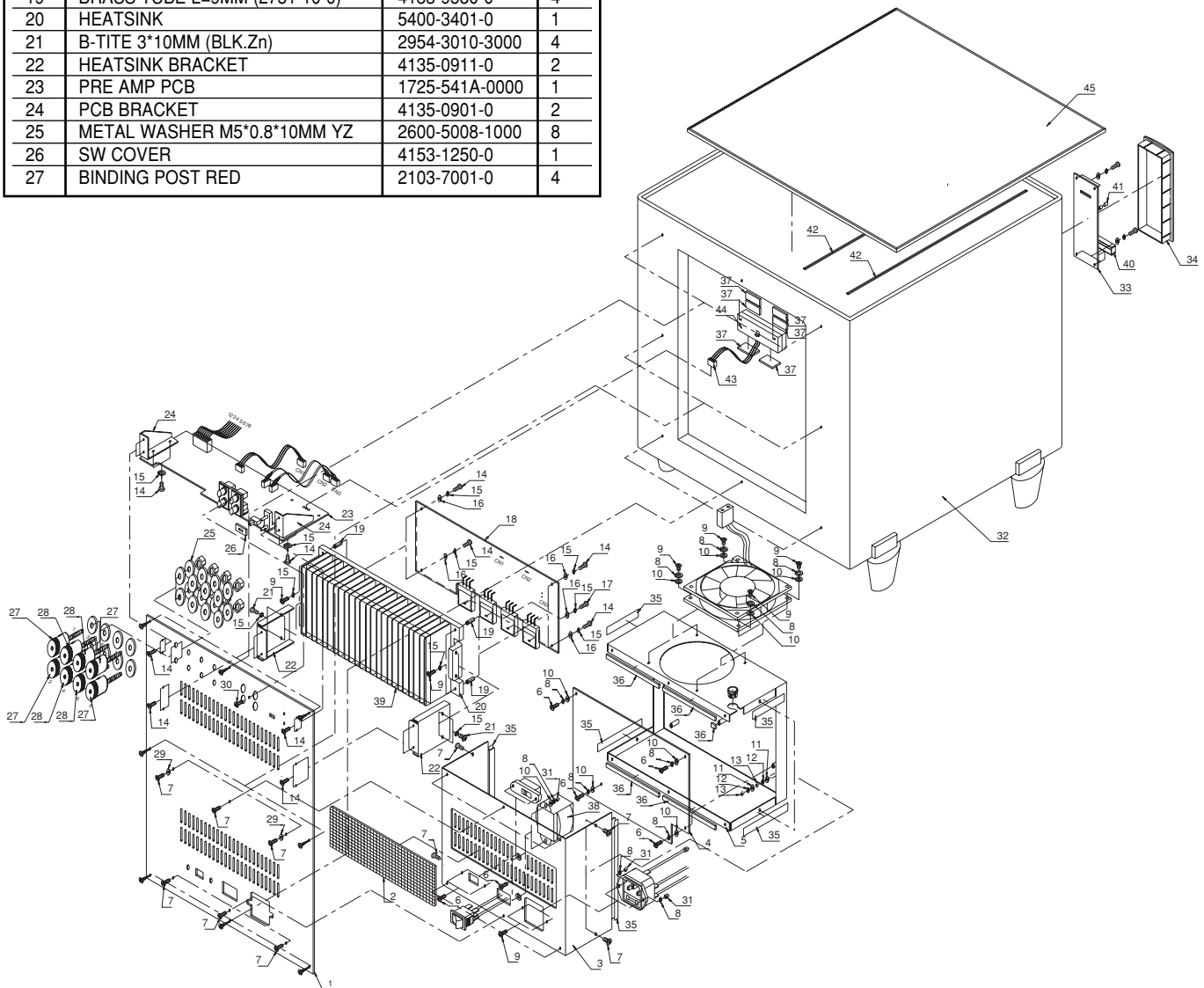


Power AMP PCB Copper Side

EXPLODED VIEW DIAGRAMS

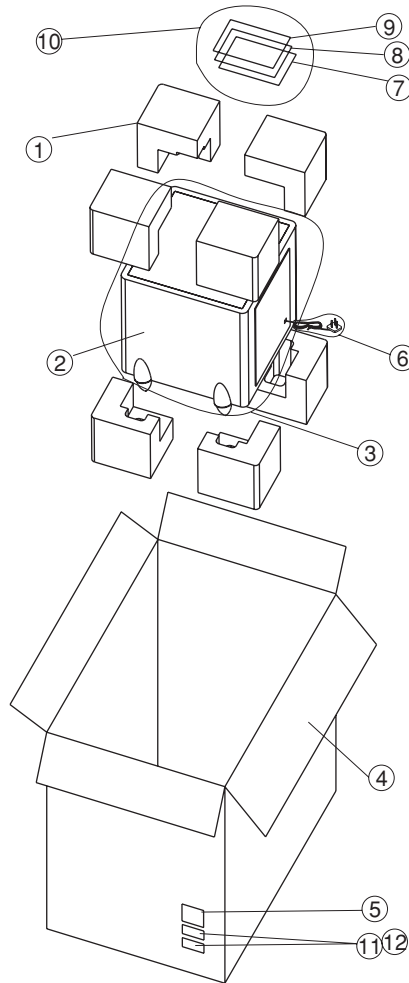
REF	DESCRIPTION	PARTS NO.	QTY
1	REAR PANEL	1403-6700-0	1
2	DUST FILTER NET	3100-5951-0	1
3	SWITCH TOP COVER	1403-6680-0	1
4	SMPS PCB	1725-542A-0000	1
5	SWITCH BOT COVER	1403-6690-0	1
6	SCREW PH M3*8 MM BZ CROSS	2900-3008-3000	8
7	S-TITE 3*8 (BLK)	2944-3008-3000	10
8	SPRING WASHER M3*0.9*5.5MM	2607-3009-0553	12
9	SCREW PH M3*10 MM BZ CROSS	2900-3010-3000	10
10	METAL WASHER M3*0.5*8MM BZ	2600-3005-0803	10
11	INT TOOTH WASHER M4*0.8*8.5	2606-4008-0853	2
12	SPRING WASHER M4*1*7MM NI	2607-4010-0704	2
13	NUT HEX M4	2640-4030-0704	2
14	SCREW M3*6 BINDING BLK	2904-3006-3000	16
15	SPRING WASHER M3*0.9*5.5MM	2607-3009-0550	20
16	METAL WASHER M3*0.5*8MM ZNC	2600-3005-0800	12
17	B-TITE 3*14MM(BLK.Zn)	2954-3014-3000	4
18	POWER AMP PCB	1725-541A-0000	1
19	BRASS TUBE L=9MM (2751-10-0)	4133-9580-0	4
20	HEATSINK	5400-3401-0	1
21	B-TITE 3*10MM (BLK.Zn)	2954-3010-3000	4
22	HEATSINK BRACKET	4135-0911-0	2
23	PRE AMP PCB	1725-541A-0000	1
24	PCB BRACKET	4135-0901-0	2
25	METAL WASHER M5*0.8*10MM YZ	2600-5008-1000	8
26	SW COVER	4153-1250-0	1
27	BINDING POST RED	2103-7001-0	4

REF	DESCRIPTION	PARTS NO.	QTY
28	BINDING POST BLK	2103-7101-0	4
29	INT TEETH WASHER M3*0.5*6.4	2606-3005-0643	2
30	T3*8MM SELF TAPPING	2954-3008-3000	1
31	M3 NUT NI	2640-3022-0544	4
32	WOOD BOX	1403-4440-1	1
33	LED PCB	1725-546A-0000	1
34	LENS	4154-2351-0	1
35	MASKING TAPE	9500-0460-0	6
36	EVA GASKET	4153-3331-0	5
37	RUBBER PAD	4152-6890-0	6
38	CHOKETRANSFORMER	1806-3556-0	1
39	HIGH TEMPERATURE TYPE	1635-0420-0	1
40	LED HOLD	3100-6051-0	1
41	SHRINKAGE TUBE ID=3.5MM	1660-0450-0	1
42	UL1007 AWG#20 BLACK	1681-1000-A	2
43	CN ASSY UL2547 #26 L=210 3P	7010-0060-0	2
44	RF RECEIVER MODULE DUAL	8912-0003-0	1
45	TEMPERED GLASS TINTED	4154-2251-0	1



EXPLODED VIEW DIAGRAMS

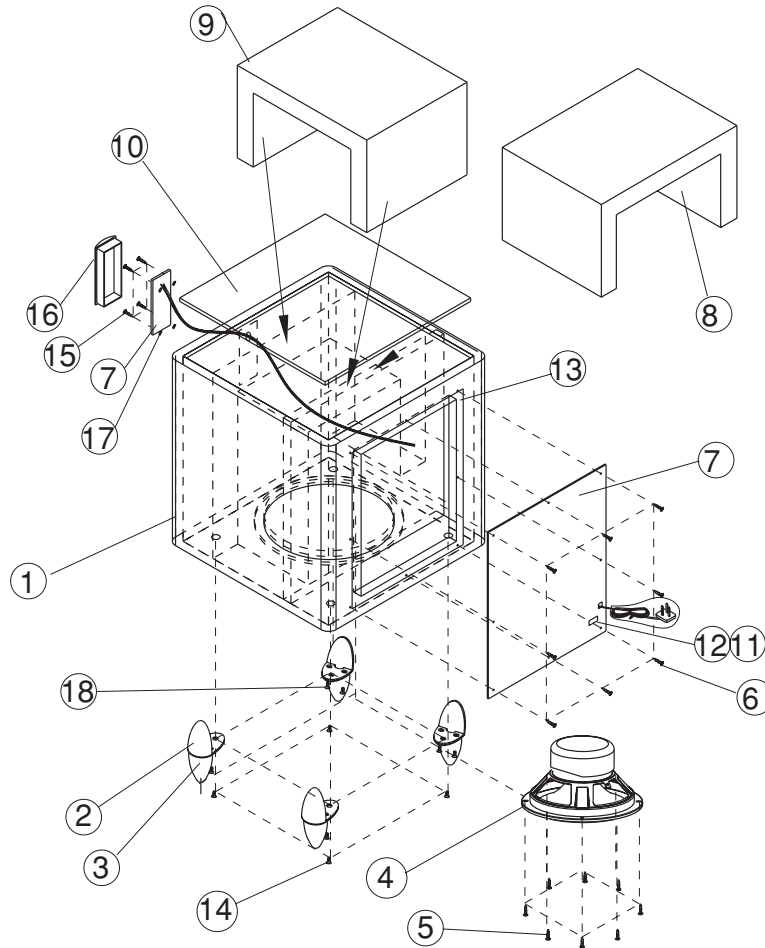
Packing Exploded View



FC3T0C-EU/UK/US			
REF	DESCRIPTION	PARTS NO.	QTY
1	P.FOAM FOR PSW1000/S8	1490-7343-0	4
2	CABINET FOR PSW3000	1403-4440-1	1
3	PE BAG 840X700X0.05	1497-7202-0	1
4	M.BOX FOR PSW3000	145A-7200-0	1
5	UPC LABEL FOR PSW3000 - EU	3000-6820-0	1
	UPC LABEL FOR PSW3000 - UK	3000-6822-0	1
	UPC LABEL FOR PSW3000 - US	3000-6821-0	1
6	P.BAG 10*12' W/ES GREEN	1497-4102-0	1
7	MANUAL FOR PSW3000	4301-5190-0	1
8	W.CARD KAL926EFG REG	4301-6016-0	1
9	PSW3000 ADDENDUM SHEET	4301-5202-0	1
10	P.BAG 10*14' W/ES GREEN	1497-4122-0	1
11	BARCODE S/N LABEL	3000-6333-0	1
12	LABEL, BARCODE BLANK	3000-4447-0	1

EXPLODED VIEW DIAGRAMS

Sub-pack Exploded View



REF	DESCRIPTION	PARTS NO.	QTY
1	CABINET FOR PSW3000	1403-4440-1	1
2	SUBWOOFER FOOT PSW1000 PART A	4153-9411-0	4
3	SUBWOOFER FOOT PSW3000 PART B	4154-2461-0	4
4	10"WF FOR PSW3000	8900-5780-0	1
5	ME SCREW ALLEN HEAD M4*25	2918-4025-3400	8
6	SCREW BINDING HEAD M4*16	2913-4016-3000	8
7		ELE-AMP-FC3T0C	1
8	ACOUSTIC WOOL 860*320*30	4153-0351-0	1
9	ACOUSTIC WOOL 200*600*30	4153-0461-0	1
10	TEMPERED GLASS TINTED	4154-2251-0	1
11	LABEL, BARCODE BLANK	3000-4447-0	1
12	BARCODE S/N LABEL SP8387	3000-6333-0	1
13	EVA GASKET 5*500	4153-3331-0	2
14	FLAT COUNTER SINK HEAD	2901-6014-4000	4
15	K320291B M3*12MM PAN HEA	2910-3012-3000	4
16	LENS DISPLAY FOR PSW3000	4154-2351-0	1
17	NUT HEX M4	2640-4030-0704	4
18	M3.5X16 NICKEL SCREW	2911-3516-4400	8