

SERVICE MANUAL



POWERED SUBWOOFER

CONTENTS

SPECIFICATION	2-3
PARTS LIST:	
LED INDICATORS PCB ASSEMBLY	4
SWITCHED MODE PSU CIRCUIT PCB ASSEMBLY	4-7
PRE AMP & POWER AMP PCB ASSEMBLY	7-12
CASING SMPS ASSEMBLY	12-13
SPEAKER ASSEMBLY	14-16
PACKING ASSEMBLY	17
BLOCK DIAGRAM	18
SCHEMATIC DIAGRAMS	19-22
PCB LAYOUT	23-25
EXPLODED VIEW DIAGRAMS	26-28

SPECIFICATION

PSW3500 SPEAKER SPECIFICATIONS

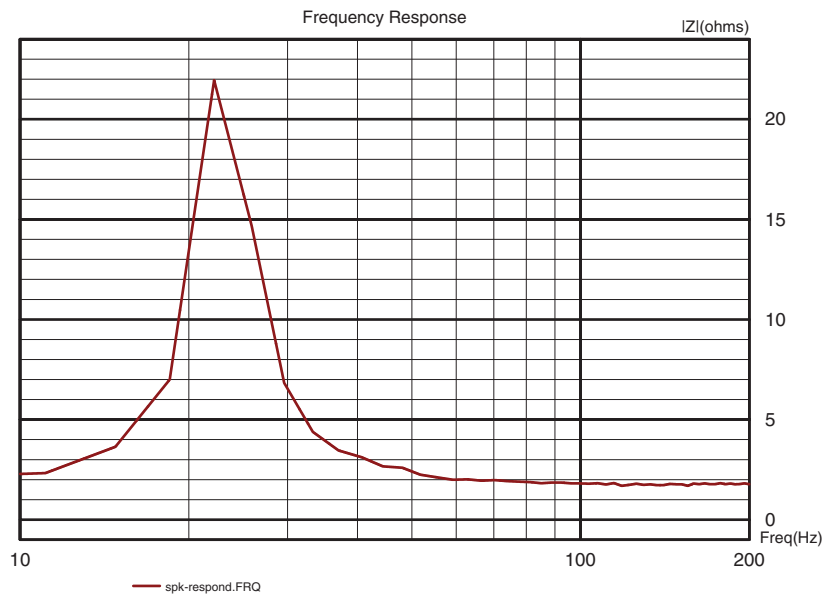
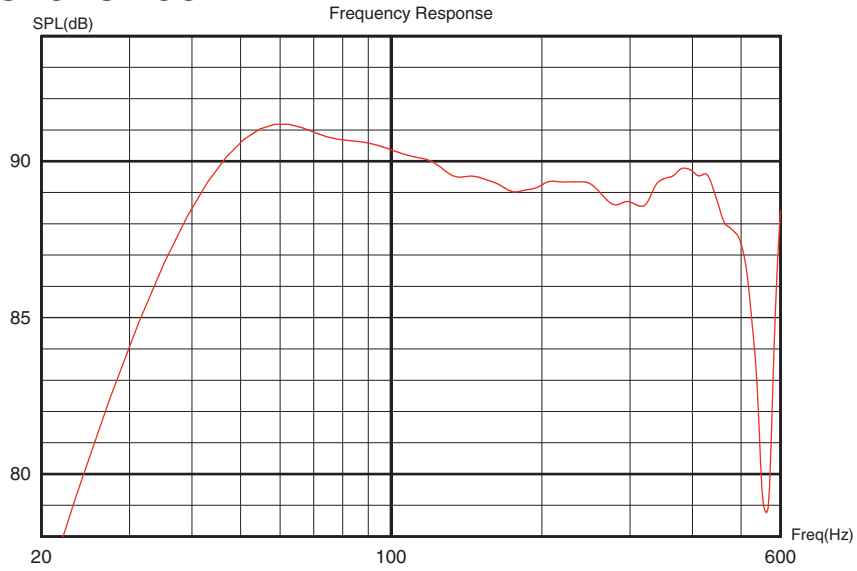
Frequency Response	20 Hz - 500 Hz
Sensitivity	89±2 dB
Power Handling	200~400 W
Weight	8.5Kg
Fo	22±4 Hz
Impedance	4±20% Ohm
Voice Coil DCR	3.9±5% Ohm
Main Magnet	ø145*ø75*17mm
Magnet Material	Y30
Magnetic Shielding	Yes

PSW3500 SYSTEM SPECIFICATIONS

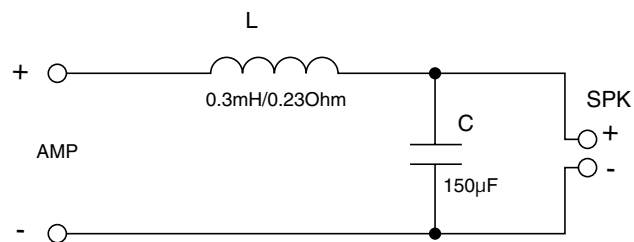
Type	Close box downward firing
LF Drive Unit	300mm(12) long-throw
Crossover Frequency L+R variable	40 - 140 Hz
LFE fixed	250Hz
Frequency Range(+/-3)	30Hz - 250Hz
Amplifier	300 Watts
Sensitivity	Active system
Maximum Output(PSL)	110dB
Impedance	N/A Active System
Magnetic Shielding	Yes
Weight	22.5Kg(49.6 lbs)
Dimensions(H*W*D) mm	450*600*395
Cabinet Finish	Black Ash,Maple,Dark,Apple or Silver

SPECIFICATION

FREQUENCY RESPONSE CURVE



FILER FOR SPEAKER



PARTS LIST

LED PCB ASSY

QTY	PART NO	DESCRIPTION	LOCATION
1	3700-4536-RG	L-115W EGW/209EGW RED/GR	LED301
1	3700-9528-0	LED DISP LR2x5-10B-YYB	LED302
1	4701-100J-2	RCF 1/8W 10R 5% AT	R330
1	4701-102J-2	RCF 1/8W 1K 5% AT	R320
7	4701-103J-2	RCF 1/8W 10K 5% AT	R311,312,313,314,315,321, 322
2	4701-203J-2	RCF 1/8W 20K 5% AT	R317,318
5	4701-271J-2	RCF 1/8W 270R 5% AT	R301,302,302,304,305
5	4701-331J-2	RCF 1/8W 330R 5% AT	R306,307,308,309,310
2	4701-472J-2	RCF 1/8W 4.7K 5% AT	R316,319
1	4816-043T-3	IR SENSOR PIC-26043TM2	IR301
10	4840-8060-2	DIODE 1N4148 NS	D301,302,303,304,305,306, 307,308,309,310
2	4860-2250-5	TR 9012H MICRO	Q307,310
8	4860-8720-5	TR 9013H	Q301,302,303,304,305,306, 308,309
1	1725-731A-0000	PCB LED FR4 D/S 1OZ	

SMPS PCB ASSY

QTY	PART NO	DESCRIPTION	LOCATION
8	150F-104M-N-FD	CC 50V 0.1U 20% RLF	C18,19,20,22,28,32,33,34
1	150N-101K-5-MHA	CC 1KV 100PF 10% RL	C7
2	150N-471K-5-MHA	CC 1KV 470PF 10% RL	C9,10
2	150T-152M-5-XO	CC 400V 1500P 20% RL	C3,4
2	150T-471M-5-RO	CC 400V 470P +-20% RL	C35,36
1	153H-102K-5-INA	CM 100V 0.001UF 10% RL	C23
2	153H-103J-5-KNA	CM 100V 0.01UF 5% RL	C25,27
1	153H-222K-5-INA	CM 100V 0.0022U 10%	C26

PARTS LIST

SMPS PCB ASSY CONTINUED

QTY	PART NO	DESCRIPTION	LOCATION
1	153H-472K-5-JNA	CM 100V 0.0047UF 10% RL	C24
2	153Z-334M-5-YUM	CM 275V 0.33UF 20% RL	C1,2
1	157F-107M-5-OW	CE 50V 100uF 20% RL 8x12	C30
1	157F-107M-5-OWK	CE 50V 100uF 20% RL 8x12	C31
1	157F-225M-5-IU	CE 50V 2.2uF 20% RL 5x11	C29
2	157I-108M-5-5\$K	CE 63V 1000uF 20% RL 16X	C11,12
2	157Q-477M-5-S9T	CE 35V 470U 20% 10X20	C8,13
2	157R-567M-5-#\$T	CE 250V 560UF 20% RL 105	C5,6
1	1681-1000-A	UL1007 AWG#20 BLACK	GND
1	1806-2372-0	TT-9972 GATE DRIVER TRAN	T1
1	1806-2380-0	CURRENT TRANSFORMER	T4
1	1806-2437-0	TT-01001 EE-42 POWER	T3
1	1806-2442-0	CHOKE O/P T131-26	L5
1	1806-2444-0	X-TRANSFORMER EI-28	T2
1	1806-3609-0	COMMON MODE EE-35B	L1
1	1806-3707-0	CHOKE COMMON MODE PSW5K	L3
8	1808-0670-0	FERRITE BEAD 26430000101	FB5,6,7,8,9,10,11,12
1	1808-9030-0	ARRESTER 230V DC 5KA M2P	G1
6	1808-9080-0	FERR BEAD 43120203106 1-	FB1 TO FB4, FB13,14
1	2101-1343-0	WAFER 2219S-03-E2 P=7.92	CN1
8	2950-3008-0020	SCREW B-TITE PH M3X 8 MM	D8-D11, Q1-Q4
4	3100-8040-0	MICA T-400 8302 18X12.7M	D8-D11
4	3100-8050-0	MICA T-400 T03P 25X20M T	Q1-Q4
1	3131-5550-0	IC KA3842B SAMSUNG	U3
8	4154-0841-0	INSULATION BUSHING	D8-D11, Q1-Q4
5	4705-102J-2	RCF 1/4W 1K 5% AT	R6,9,29,36,37
2	4705-103J-2	RCF 1/4W 10K 5% AT	R24,26
2	4705-152J-2	RCF 1/4W 1.5K 5% AT	R31,32
1	4705-204J-2	RCF 1/4W 200K 5% AT	R23

PARTS LIST

SMPS PCB ASSY CONTINUED

QTY	PART NO	DESCRIPTION	LOCATION
1	4705-220J-2	RCF 1/4W 22R 5% AT	R18
1	4705-241J-2	RCF 1/4W 240R 5% AT	R19
1	4705-471J-2	RCF 1/4W 470R 5% AT	R21
1	4705-821J-2	RCF 1/4W 820R 5% AT	R22
2	4707-104J-2	RCF 1/2W 100K 5% AT	R2,3
1	4707-474J-2	RCF 1/2W 470K 5% AT	R1
1	4715-203A-1	RMF 1/4W 20K 1% AL	R28
1	4715-243A-2	RMF 1/4W 24K 1% AT	R30
3	4715-472A-1	RMF 1/4W 4.7K 1% AL	R11,20,33
4	4715-51R1-2	RMF 1/4W 51.1R 1% AT	R4,5,7,8
1	4719-101J-C-X	RMF 2W 100R 5% ATS METAL	R10
2	4719-470J-C-X	RMF 2W 47R 5% ATS METAL	R13,14
1	4756-1026-3-07	SVR B1K H3 VZ067TL7B	TP1
4	4837-18V6-2	DZ 1/2W 18V TEMIC AT	Z1,2,3,4
1	4837-30V6-2	DZ 1/2W 30V 5% TEMIC AT	Z5
5	4840-0010-2	DIODE 1N4001	D13,14,15,16,17
5	4840-8060-2	DIODE 1N4148 NS	D19,20,21,22,23
1	4840-8240-0	DIODE BR108 BRIDGE RECTI	D1
4	4840-8520-2	RECTIFIER UF4003 GI AT	D4,5,12,18
2	4840-8530-2	RECTIFIER UF4006 GI AT	D2,3
4	4840-8860-1	DIODE 600V 15A T0220	D8,9,10,11
2	4853-9040-5	TR 2N3904	Q6,7
1	4860-2400-5	TR 2N3906 MICRO	Q5
4	4860-8950-0	TR FET IRF840 (IR)	Q1,2,3,4
1	5202-0001-0	NTC THERMISTER SCK057	NTC1
8	5400-9320-0	2617-4-B HEAT SINK	Q1-Q4, D8-D11
1	7010-0150-0	CN ASSY UL1007 #20 L=120	JPW1
1	7010-0160-0	CN ASSY UL1007 #20 L=120	JPW2
1	7010-2352-0	WIRE CON ASSY 4P+2P+2P	CN2

PARTS LIST

SMPS PCB ASSY CONTINUED

QTY	PART NO	DESCRIPTION	LOCATION
1	7010-2355-0	WIRE CON ASSY 4P L=500MM	CN3
1	1725-542A-0003	SMPS PCB 94V0 REV: G	

PRE AMP & POWER AMP PCB ASSY

QTY	PART NO	DESCRIPTION	LOCATION
1	150D-224K-J-BD	CC 16V 0.22UF 10% 0805	C18
7	150D-334K-J-BD	CC 16V 0.33UF 10% 0805	C39,40,41,42,191,192,193
4	150E-823K-J-BD	CC 25V 0.082UF 10% 0805	C3,4,5,6
19	150F-101J-J-BD	CC 50V 100pF 5% 0805 1.2	C7,8,9,10,13,14,15,20,31, 46,100,101,128,218,221, 222,630,631,633,
1	150F-102K-J-BD	CC 50V 1000pF 10% 0805 1	C217
15	150F-104K-J-BD	CC 50V 0.1uF 10% 0805	C11,12,51,110,112,503,603, 604,605,606,608,609,610, 901,902
1	150F-154K-J-BD	CC 50V 0.15UF 10% 0805	C34
1	150F-223K-J-BD	CC 50V 0.022U 10% 0805	C36
2	150F-333K-J-BD	CC 50V 0.033U 10% 0805	C129,194
1	150F-334K-J-BD	CC 50V 0.33UF 10% 0805	C190
3	150F-470J-J-BD	CC 50V 47pF 5% 0805 1.2x	C281,330,331
1	150F-471J-J-BD	CC 50V 470pF 5% 0805 1.2	C502
2	150F-681K-J-BD	CC 50V 680pF 10% 0805 1.	C235,236
7	150F-683K-J-BDS	CC 50V 0.068UF 10% X7R	C19,32,33,37,38,44,45
2	150F-822K-P-AC	CC 50V 8200P 10% 0603	C21,22
7	153H-104K-5-PS	CM 100V 0.1UF 10% RL	C203,204,207,208,262, 263,267
1	153I-224K-9-NOA	CM 63V 0.22UF 10% RB	C239
4	157D-476M-H-IU	CE 16V 47U 20% RLR 5x11	C113,266,613,614
2	157E-477M-5-SXE	CE 25V 470UF 20% RL	C260,261

PARTS LIST

PRE AMP & POWER AMP PCB ASSY CONTINUED

QTY	PART NO	DESCRIPTION	LOCATION
1	157F-105M-5-IU	CE 50V 1uF 20% RL 5x11	C632
2	157F-106M-K-IUI	CE 50V 10UF 20% RLT 5X11	C16,106
7	157F-107M-K-OW	CE 50V 100U 20% RLT 8X12	C111,240,264,265,269, 501,504
7	157F-225M-K-IUI	CE 50V 2.2U 20% RLT	C1,2,25,109,234,280,601
1	157F-226M-5-IU	CE 50V 22UF 20% RL 5X11	C634
1	157F-474M-5-IU	CE 50V 0.47uF 20% RL	C242
2	157F-476M-5-OWK	CE 50V 47uF 20% RL 8x12	C205,206
2	157F-476M-K-LUI	CE 50V 47UF 20% RLT	C219,241
2	157I-107M-K-SX	CE 63V 100U 20% RLT 10x1	C237,238
1	157Q-476M-5-LUA	CE 35V 47U 20% RL 6.5X11	C49
7	1681-0000-A	UL1007 AWG#18 BLACK	C1-C2,C903,D1-D2,E1-E2
2	1681-3020-A	UL1007 AWG#24 RED	F1-F2
4	1681-4000-A	UL1007 AWG#26 BLACK	A1-A2,B1-B2
1	1806-2374-0	TT-9974 TOROIDAL CHOKE T	L301
1	1806-2393-0	TT-9904 LE 1012A 1X12TX6	L201
1	2101-1380-0	HEADER 4P P=5MM VERTICAL	CN201
1	2101-9120-0	JM24182-2P WAFER	CN206
1	2101-9130-0	JM24182-4P WAFER	CN202
1	2101-9320-0	WAFER JM24182-11P	CN301
1	2101-9790-0	4RCA JACK HSP-204V-03 GP	RCA1
1	2113-1997-0	JACK 3.5MM	RI
4	2601-2608-0601	FIBRE WASHER M2.6 0.8T	Q202,204,U205,U206
1	2703-0150-1	CR4.00MHE,CSTLS4M00G55-B	XTAL201
4	2954-2606-0000	SCREWS BT 2.6X6	Q202,204,U205,U206
4	2954-3008-3000	T3X8MM SELF TAPPING	Q202,204,U205,U206
2	3130-2020-2	IC 7805 REG 5V	U207,505
1	3130-2520-2	IC 7812H 12V REG, T0220F	U205
1	3130-3550-0	IC TA7317P	U208

PARTS LIST
**PRE AMP & POWER AMP PCB ASSY
 CONTINUED**

QTY	PART NO	DESCRIPTION	LOCATION
1	3130-3800-0	IC UPC79M12HF REGULATOR	U206
17	3130-8020-0	IC TL072 DUAL J-FET	U1,2,3,5,6,7,8,9,10,11,12, 16,204,303,304,501,502
1	3131-6160-0	IC 7809 1A 3PIN POSITIVE	U208
1	3131-6940-0	IC LM393M (SMD)	U506
1	3131-7640-1	IC KS86P4208 SM SAMSUNG	U301
1	3131-7740-0	EEPROM AT24C02-10PI	U302
2	3132-1421-0	IC DS1844-100 SMD	U13,14
1	3132-2671-0	IC PT2259S SMD SO-8	U503
1	3700-1530-R	LED SC 3.1X3.8 L0.4RD	LED501
4	4132-1551-0	TERMINAL OUT PUT	GND1,2,3,SPK
1	4500-0500-0	RELAY DPDT 5V 40mA	RL301
1	4500-8090-1	RELAY RUUH-SH-124D 15A	PLY1
2	4701-101J-2	RCF 1/8W 100R 5% AT	R110,111
1	4705-122J-2	RCF 1/4W 1.2K 5% AT	R660
1	4711-122A-2	RMF 1/8W 1.2K 1% AT	TP402
1	4711-183A-2	RMF 1/8W 18K 1% AT	TP402
4	4718-100J-C-X	RMF 1W 10R 5% ATS METAL	R234,235,241,242
1	4718-392C-L	RMF 1W 3.9K 2% AF	R904
1	4719-222J-1-X	RMF 2W 2.2K 5% AL METAL	R255
6	4720-101J-J	RMG 1/10W 100R 5% 0805	R236,237,238,251,256,260
7	4720-102J-J	RMG 1/10W 1K 5% 0805	R104,105,226,511,603, 622,625
32	4720-103J-J	RMG 1/10W 10K 5% 0805	R2,4,5,6,7,8,9,10,11,12,24, 57,61,223,224,245,253, 501, 502,503,504,505,507,508, 509,530,531,601,604,607, 626,629
14	4720-104J-J	RMG 1/10W 100K 5% 0805	R60,63,65,69,71,74,83,86, 88,243,246,605,628,902
1	4720-105J-J	RMG 1/10W 1M 5% 0805	R606

PARTS LIST

PRE AMP & POWER AMP PCB ASSY CONTINUED

QTY	PART NO	DESCRIPTION	LOCATION
2	4720-122J-J	RMG 1/10W 1.2K 5% 0805	R612,901
5	4720-123J-J	RMG 1/10W 12K 5% 0805	R67,77,79,109,233
1	4720-124J-J	RMG 1/10W 120K 5% 0805	R107
2	4720-125J-J	RMG 1/10W 1.2M 5% 0805	R621,624
5	4720-153J-J	RMG 1/10W 15K 5% 0805	R56,64,78,229,230
1	4720-154J-J	RMG 1/10W 150K 5% 0805	R101
2	4720-155J-J	RMG 1/10W 1.5M 5% 0805	R330,510
4	4720-163J-J	RMG 1/10W 16K 5% 0805	R73,82,87,130
2	4720-182J-J	RMG 1/10W 1.8K 5% 0805	R402,406
3	4720-183J-J	RMG 1/10W 18K 5% 0805	R248,250
1	4720-202J-J	RMG 1/10W 2K 5% 0805	R225
5	4720-203J-J	RMG 1/10W 20K 5% 0805	R1,3,403,405,506
3	4720-222J-J	RMG 1/10W 2.2K 5% 0805	R19,20,514
7	4720-223J-J	RMG 1/10W 22K 5% 0805	R13,14,15,16,55,81,108
2	4720-243J-J	RMG 1/10W 24K 5% 0805	R76,80
1	4720-272J-J	RMG 1/10W 2.7K 5% 0805	R232
2	4720-303J-J	RMG 1/10W 30K 5% 0805	R17,18
1	4720-331J-J	RMG 1/10W 330R 5% 0805	R512
1	4720-332J-J	RMG 1/10W 3.3K 5% 0805	R21
5	4720-333J-J	RMG 1/10W 33K 5% 0805	R249,252,280,620,623
2	4720-334J-J	RMG 1/10W 330K 5% 0805	R22,222
1	4720-364J-J	RMG 1/10W 360K 5% 0805	R102
2	4720-391J-J	RMG 1/10W 390R 5% 0805	R228,231
5	4720-392J-J	RMG 1/10W 3.9K 5% 0805	R23,400,401,404,407
2	4720-472J-J	RMG 1/10W 4.7K 5% 0805	R288,602
2	4720-473J-J	RMG 1/10W 47K 5% 0805	R90,91
1	4720-474J-J	RMG 1/10W 470K 5% 0805	R513
1	4720-513J-J	RMG 1/10W 51K 5% 0805	R106
6	4720-562J-J	RMG 1/10W 5.6K 5% 0805	R126,239,240,263,627,903

PARTS LIST

PRE AMP & POWER AMP PCB ASSY CONTINUED

QTY	PART NO	DESCRIPTION	LOCATION
3	4720-563J-J	RMG 1/10W 56K 5% 0805	R244,247,254
2	4720-682J-J	RMG 1/10W 6.8K 5% 0805	R85,227
3	4720-752J-J	RMG 1/10W 7.5K 5% 0805	R58,70,84
1	4720-753J-J	RMG 1/10W 75K 5% 0805	R103
1	4720-822J-J	RMG 1/10W 8.2K 5% 0805	R75
1	4720-913J-J	RMG 1/10W 91K 5% 0805	R100
4	474B-0R1J-1	RWR 5W 0.1 5% AL	R118,119,122,123
1	4756-1036-3-15	SVR B1OK H3 VZ067TL7B	TP501
2	4804-0010-2	DIODE 1N4001 AT	D211,222
23	4804-1480-3	DIODE LL4148 SM	D1,2,3,4,5,6,7,8,201,202, 206,220,221,302,501,502, 503,504,601,602,603, 604,605
1	4813-2SR3-1	OPTOCOUPLER	U504
1	4837-2V76-2	DZ 1/2W 2.7V TEMIC AT	Z501
1	485D-1390-5	TR BD139-10 HFE63-160	Q204
1	4860-1430-5	TR BD140-10 HFE 63-160	Q202
1	4860-2250-5	TR 9012H MICRO	Q602
1	4860-2280-5	TR TIP42C SGS	Q206
2	4860-8470-0	TR TIP 41C SGS	Q205,221
4	4860-8720-5	TR 9013H	Q220,230,601,604
1	4860-8890-0	TR MPS A06 VCE 80V NS	Q203
1	4860-8910-0	TR MPS A56 VCE 80V NS	Q212
1	490S-N100-K	FET N-CHANNEL C-MOS	Q1
5	5200-3281-0-06	SW COMAX	SW1,2,3,4,202
1	5200-4801-0	SW TACT X2 KPT-2105B	SW201
4	5400-9130-0	HEAT SINK FOR 7805 2438-	Q202,204,U205,U206
1	7010-2221-0	3 PIN SHIELD WIRE ASSY	CN1
1	7010-2222-0	3 PIN FLAT CABLE ASSY	CN2
2	8910-0115-0	CE 4700UF 63V 20% RL	C201,202

PARTS LIST

PRE AMP & POWER AMP PCB ASSY CONTINUED

QTY	PART NO	DESCRIPTION	LOCATION
1	8910-0196-0	THERMISTOR NTH4G 10K 1%	TH1
	1725-730A-0001	PCB POWER-AMP FR4 D/S1OZ	

CASING SMPS ASSY

QTY	PART NO	DESCRIPTION	LOCATION
	1403-6680-0	SWITCH POWER TOP COVER	TOP COVER
	1403-6690-0	SWITCH POWER BOTTOM	BOTTOM COVER
	1660-0870-0	SHRINKAGE TUBE ID=4MM UL	IEC1
	1660-0870-0	SHRINKAGE TUBE ID=4MM UL	SW1
	1660-0890-0	SHRINKAGE TUBE ID=1MM UL	L8
	1681-0020-A	UL1007 AWG#18 RED	U14
	1806-2375-0	TT-9975 EARTH TOROIDAL C	L7
	2113-9535-0	HALO BUSHING 0813C	BOTTOM COVER
	2600-3005-0803	METAL WASHER M3X0.5X8MM	FAN1
	2600-3005-0803	METAL WASHER M3X0.5X8MM	PCB
	2600-3005-0803	METAL WASHER M3X0.5X8MM	TOP COVER
	2606-4008-0853	INT TOOTH WASHER M4X0.8X	L7
	2606-4008-0853	INT TOOTH WASHER M4X0.8X	RING T'NAL
	2607-3009-0553	SPRING WASHER M3X0.9X5.5	FAN1
	2607-3009-0553	SPRING WASHER M3X0.9X5.5	IEC1
	2607-3009-0553	SPRING WASHER M3X0.9X5.5	L8
	2607-3009-0553	SPRING WASHER M3X0.9X5.5	PCB
	2607-3009-0553	SPRING WASHER M3X0.9X5.5	TOP COVER
	2607-4010-0704	SPRING WASHER M4X1X7MM N	L7
	2607-4010-0704	SPRING WASHER M4X1X7MM N	RING T'NAL
	2640-3022-0544	M3 NUT NI	IEC1
	2640-3022-0544	M3 NUT NI	L8

PARTS LIST

CASING SMPS ASSY CONTINUED

QTY	PART NO	DESCRIPTION	LOCATION
	2640-4030-0704	NUT HEX M4	CN3
	2640-4030-0704	NUT HEX M4	L7
	2900-3008-3000	SCREW M3x8 PM BZ	PCB
	2900-3008-3000	SCREW M3x8 PM BZ	SW2
	2900-3008-3000	SCREW M3x8 PM BZ	TOP COVER
	2900-3010-3000	SCREW PH M3X 10 MM BZ CR	FAN
	2900-3010-3000	SCREW PH M3X 10 MM BZ CR	IEC1
	2900-3010-3000	SCREW PH M3X 10 MM BZ CR	L8
	2944-3008-3000	S-TITE 3X8 (BLK)	TOP COVER
	4135-1701-0	TERMINAL RING COPPER TIN	CN2 CN3
	4153-3331-0	EVA GASKET 5*500	HEATSINK
	4153-3331-0	EVA GASKET 5*500	TOP COVER
	4153-3800-1	POWER INLET SOCKET	IEC1
	4154-3661-0	PROOF GASKET	SW1
	5120-9001-0	CERAMIC 5X20MM FUSE 250V	F1
	5200-3570-0	SW CB-SL1412 AM1BCEI AC	SW2
	5200-9123-1	SW ROCKER 1P1T	SW1
	6360-0011-0	PLASTIC CABLE TIE 97MM	CN1
	6360-0011-0	PLASTIC CABLE TIE 97MM	CN2 CN3
	6360-0011-0	PLASTIC CABLE TIE 97MM	SW2
	6360-0011-0	PLASTIC CABLE TIE 97MM	T4
	6360-1322-0	PLASTIC CABLE TIE 200MM	L3
	7010-2353-0	WIRE CON ASSY 3P L=120MM	CN1
	7011-6720-0	UL1007 #18 500MM W/FUSE	RING T'NAL
	8900-9520-0	DC FAN CHA8012BS	FAN1
	9500-0460-0	MASKING TAPE HI-TEMP 1/2	TOP COVER

PARTS LIST

SPEAKER ASSY

QTY	PART NO	DESCRIPTION	LOCATION
	8900-6400-0	DRIVER FOR PSW3500	
	1660-0740-0	SHRINKAGE TUBE ID=2	
	2901-5009-0000	SCREW M5*9	
	2940-3006-0000	S/T SCREW 03X6(YEL)	
	3000-6992-0	LABEL FOR POSITIVE MARK	
	3000-7692-0	PSW3500 SPEAKER LABEL	
	3300-0461-0	BACK CAN 166*160*65*2	
	3300-3501-0	CP 135*49.7*44*11	
	3300-6770-0	WH 145*54.4*8.6M5 105.3	
	3300-9690-0	CHASSIS FOR PSW3500 SUB	
	3800-5530-0	VC 50.95EISV	
	4104-4871-1	MAGNET 145*75*17 (C)	
	4124-0070-0	TERMINAL 0.5*205	
	4159-0780-0	POLE TIP FOR PSW3500 12"	
	4159-0810-0	SHORT RING 55*74*33.5	
	4200-5160-0	DCAP D117*21.5 PP COATED	
	4200-9021-0	SURROUND/CONE FOR	
	7010-4520-0	F.WIRE 24WW	
	8700-1960-0	DPR 175*50.8*4.0 D0.7	
	9500-4300-0	SOLDER WIRE FOR ALUMINUM	
	9500-5010-0	GLUE TOLUOL HS-10+PP	
	9500-5160-0	GLUE 501AB Y480AB	
	9500-5200-0	GLUE 765H(CS-700)	
	9500-5300-0	GLUE AD95 LOCTITE 403	
	9501-2970-0	HD525-1	
	9501-2971-0	HD325HTB	
	9501-2973-0	HD-812-1AB	
	DUM-1419-0260-0	DUMMY 1419-0260-0	
	4154-3171-0	ABS MOULDING FOR PSW3500	

PARTS LIST

SPAEKER ASSY CONTINUED

QTY	PART NO	DESCRIPTION	LOCATION
	OTHER-FCCH0C-EU	OTHER PARTS FOR PSW3500	
	1419-0260-0	CABINET FOR PSW3500 BK	
	1419-0260-1	CABINET FOR PSW3500 BK	
	1725-331A-0000	PCB FOR Q1/CODA CENTRE	
	1806-2710-0	IRON CORE 3.0MH 0.23OHM	
	2640-4030-0704	NUT HEX M4	
	2908-4020-4400	M4*20 NICKEL SCREW	
	2910-3012-3000	K320291B M3*12MM PAN HEA	
	2913-4016-3000	SCREW TRUSS HEAD M4*16	
	3000-6333-0	BARCODE S/N LABEL	
	3000-6628-0	VOLTAGE LABEL FOR	
	3000-6628-1	VOLTAGE LABEL FOR	
	3000-7783-0	UPC LABEL FOR PSW3500	
	3000-8902-0	MADE IN CHINA LABEL	
	3005-0360-1	RIBBON 60MMX300M	
	3005-0360-2	RIBBON 60MMX600M TEC	
	4149-9411-0	RUBBER SPACER ID5*OD20*4	
	4153-3331-0	EVA GASKET 5*500	
	4154-2351-1	LENS DISPLAY FOR PSW3000	
	4154-3221-0	RUBBER FOOT FOR PSW3500	
	4301-5242-0	MANUAL FOR CI SERIES	
	4301-5280-0	INSTALLATION MANUAL FOR	
	4301-6037-0	W.CARD FOR KEF (1 YEAR)	
	4301-6037-1	W.CARD FOR KEF (1 YEAR)	
	6360-1451-0	CABLE TIE 200MM*4.5MM	
	7012-1450-0	#18AWG TWIN BLUE&BLUE/	
	7012-1700-0	SPK WIRE 700#205*4	
	8910-0329-0	CE 50V 150UF 5% D16*34	
	9500-0270-0	HOT MELT GLUE	

PARTS LIST

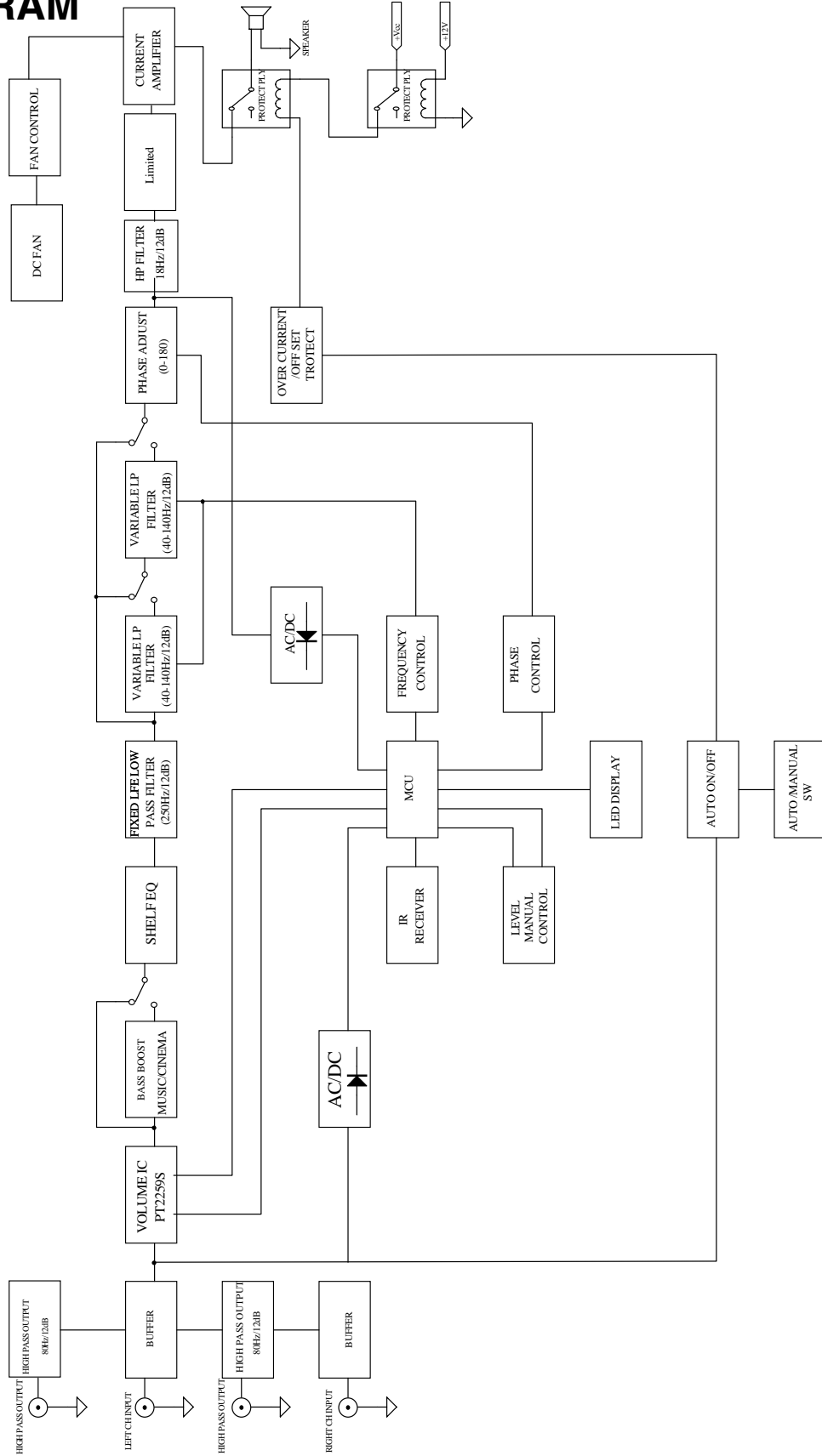
SPAEKER ASSY CONTINUED

QTY	PART NO	DESCRIPTION	LOCATION
	DUM-1806-2710-0	DUMMY 1806-2710-0	
	1403-5700-0	P-CORE	
	1403-5710-0	END CHEEK FOR CORE	
	FCEJ0C	ATTENUATOR FOR PSW	
	1660-0740-0	SHRINKAGE TUBE ID=2	
	1660-0870-0	SHRINKAGE TUBE ID=4MM UL	
	4124-0100-0	TERMINAL BLOCK FOR CI50	
	4124-0290-0	RCA PLUG FOR PSW SERIES	
	4124-0340-0	RCA PLUG FOR PSW (RED)	
	4301-5299-0	PSW ATTENUATOR MANUAL	
	4705-102J-2	RCF 1/4W 1K 5% AT	
	4705-243J-2	RCF 1/4W 24K 5% AT	
	7012-1640-0	#20 AWG RED 35MM	
	1681-1020-A	UL1007 AWG#20 RED	
	7012-1650-0	#20 AWG BLACK 35MM	
	1681-1000-A	UL1007 AWG#20 BLACK	
	9500-0540-0	SOLDER WIRE D=1.02MM	
	9500-1020-0	S.W 0.8mm 63/37 50/245	
	4060-0530-0	GREENCELL 3A SIZE GP24G2	
	7011-6220-0	H05VV-F 0.75MM/3C 2M BLK	

PARTS LIST**PACKING ASSY**

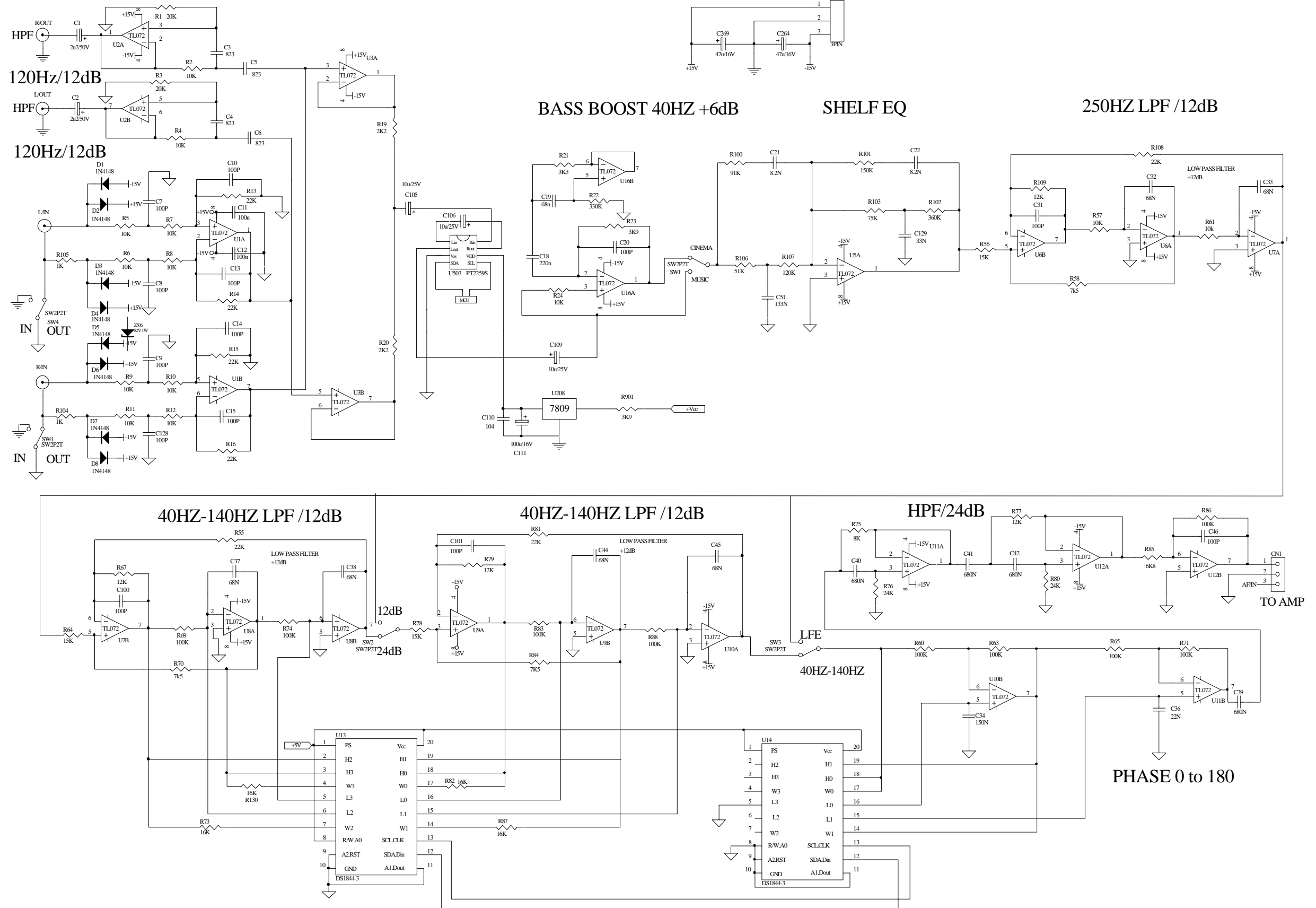
QTY	PART NO	DESCRIPTION	LOCATION
	8912-0047-0	IR REMOTE CONTROL	
	8912-0048-1	IR EXTENSION MODULE	
	145B-1650-0	CARTON BOX FOR PSW3500	
	145B-1660-0	C.PAD A FOR PSW3500	
	145B-1670-0	C.PAD B FOR PSW3500	
	1490-8513-0	PE FOAM FOR PSW3500	
	1497-1932-0	POLYBAG 04x5x9" w/PE-LD	
	1497-4012-0	P.BAG 2.5'*3'*0.03	
	1497-4102-0	P.BAG 10'*12' W/ES GREEN	
	1497-4122-0	P.BAG 10'*14' W/ES GREEN	
	1497-7202-0	PE BAG 840X700X0.05	
	3000-6617-0	LABEL FOR S8/PSW1000MKII	
	4149-0221-0	ACOUSTIC FOAM A FOR	
	4149-0231-0	ACOUSTIC FOAM B FOR	

BLOCK DIAGRAM



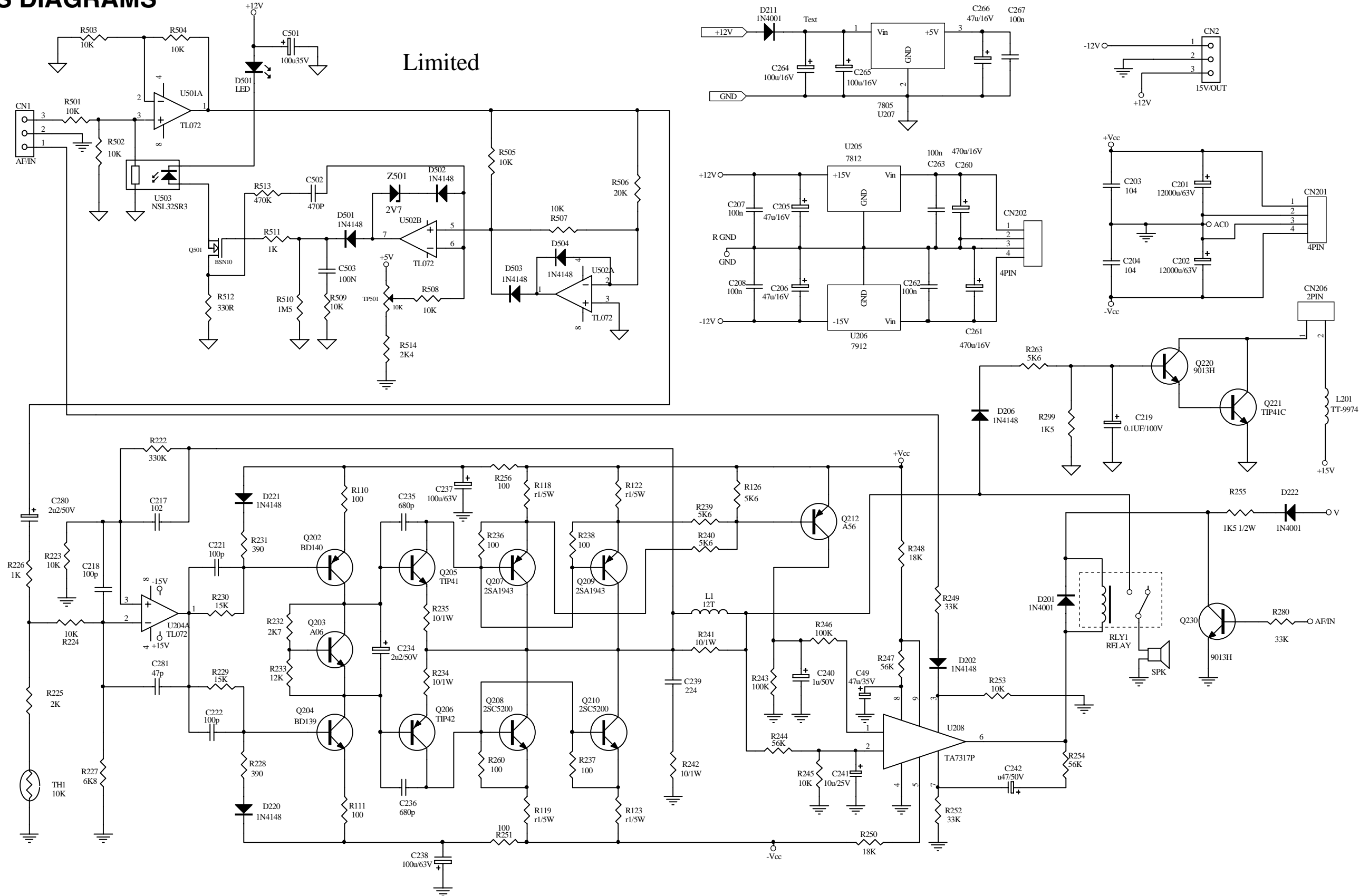
SCHEMATICS DIAGRAMS

Pre Amp



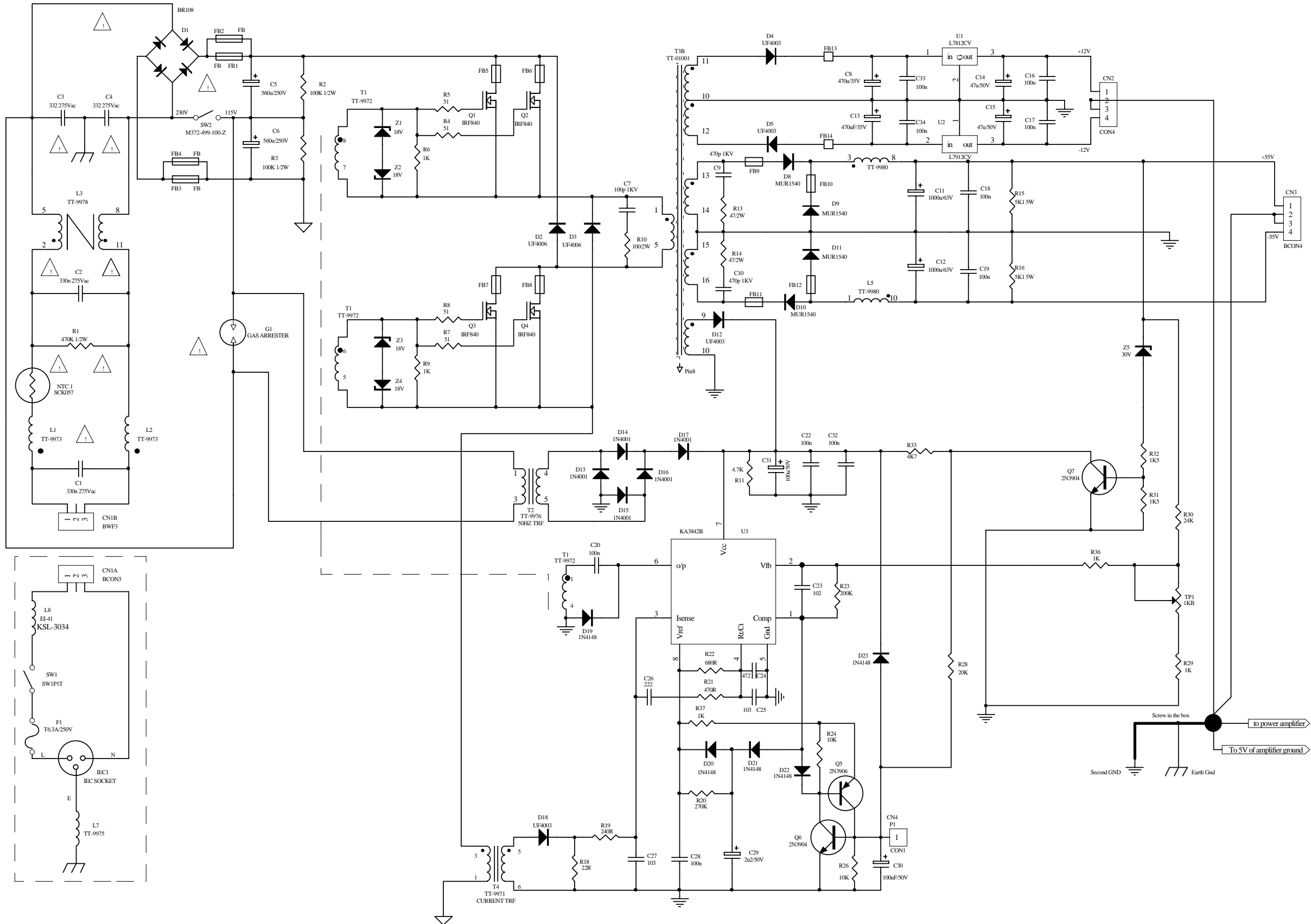
SCHEMATICS DIAGRAMS

Power Amp

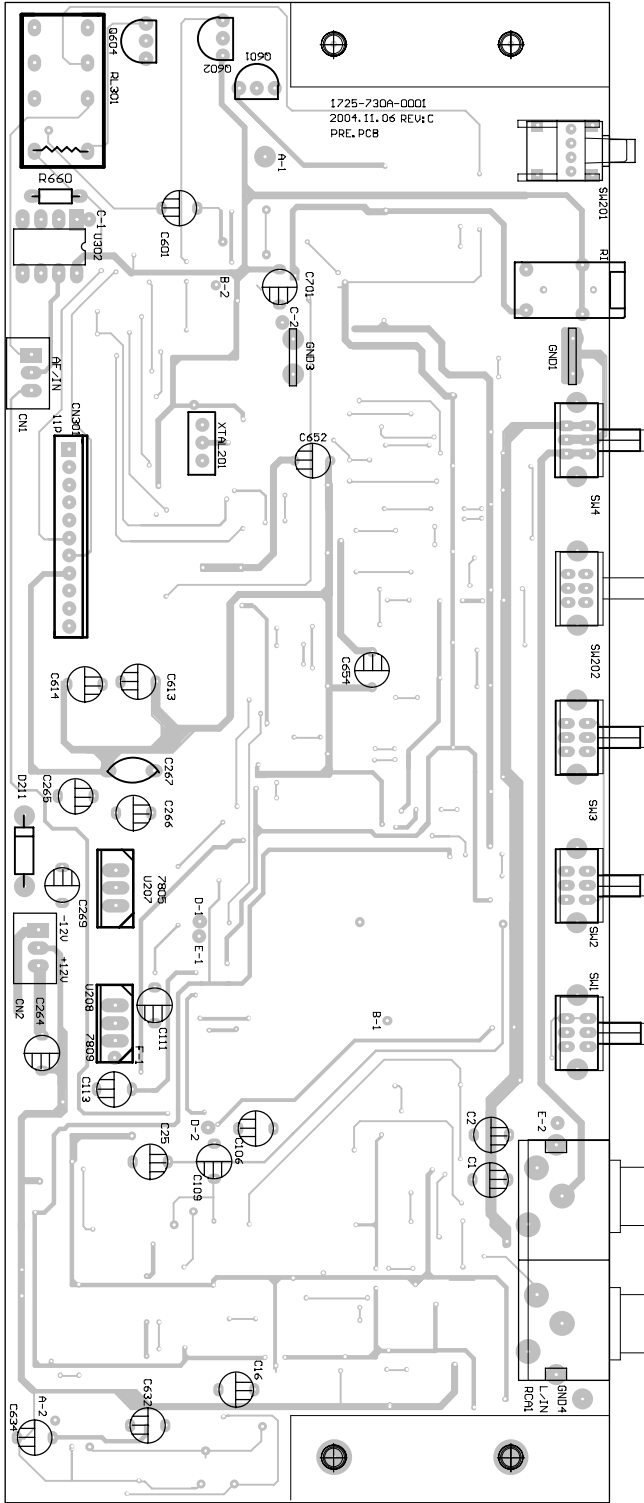


SCHMATICS DIAGRAMS

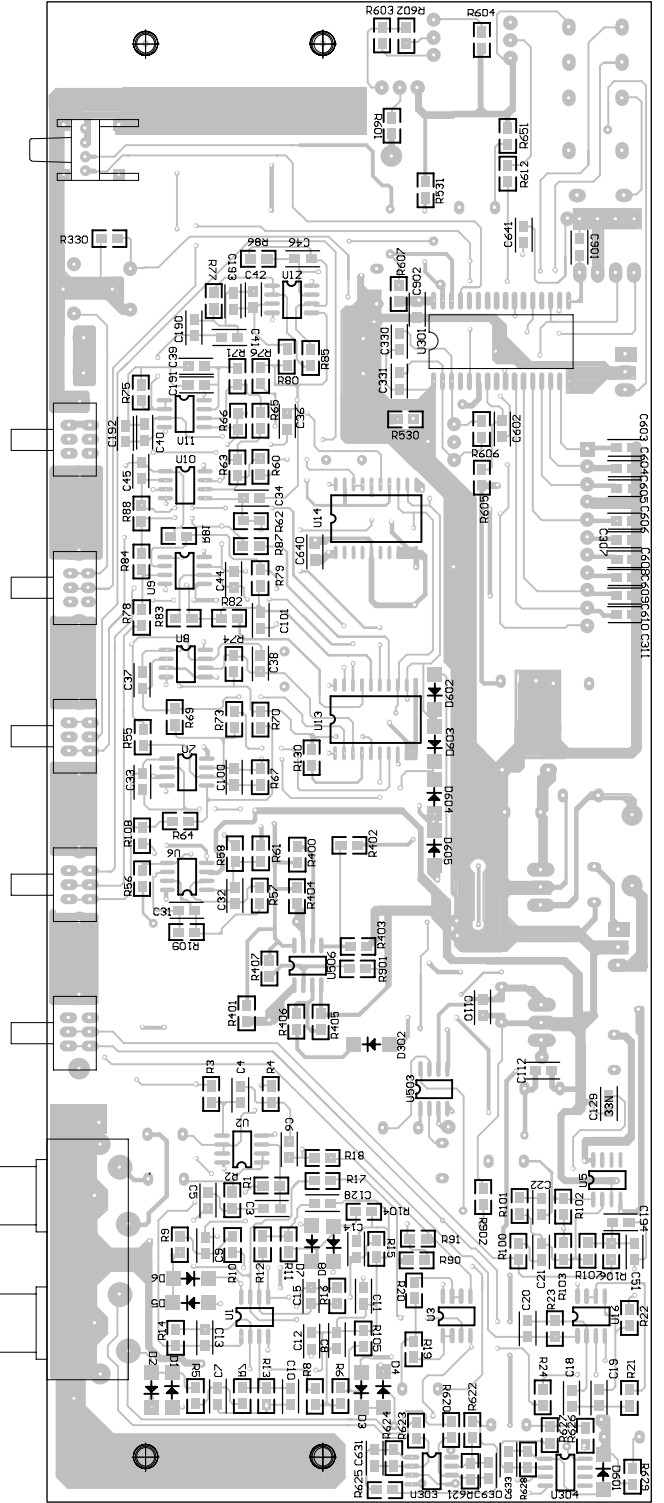
SMPS



PCB LAYOUT

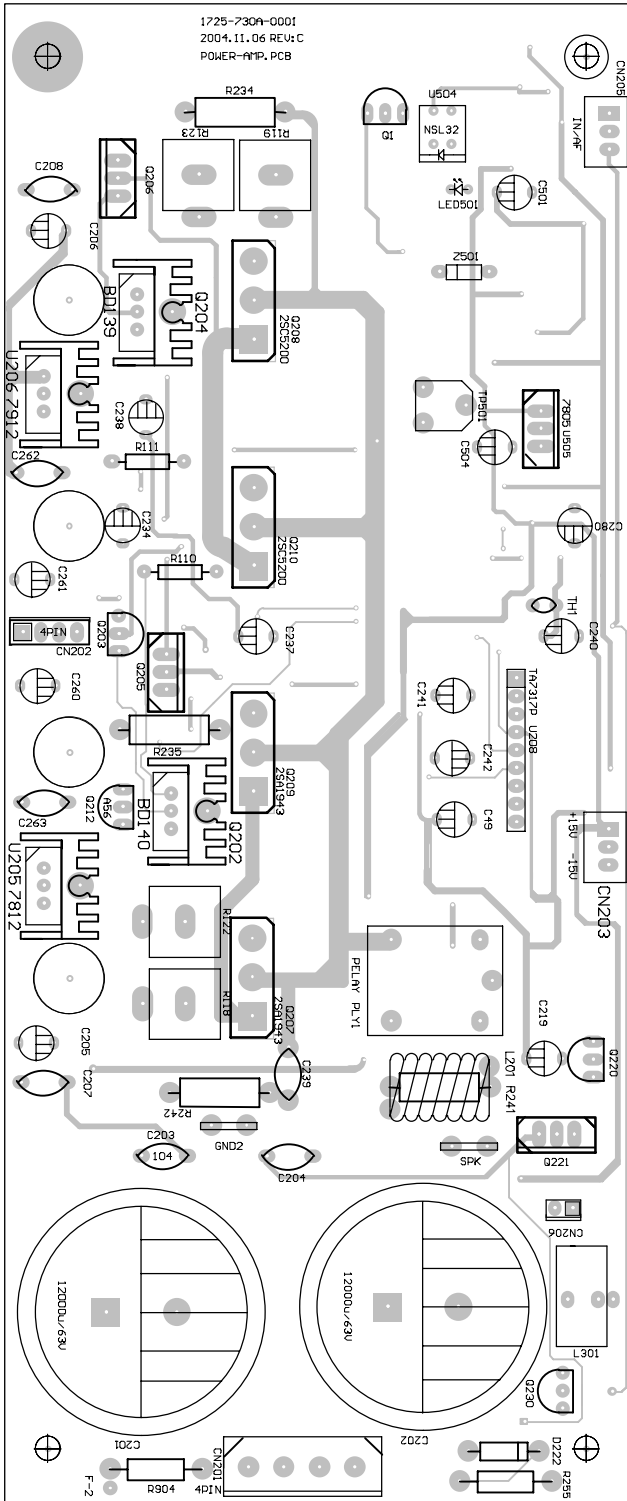


PreAMP PCB
top side

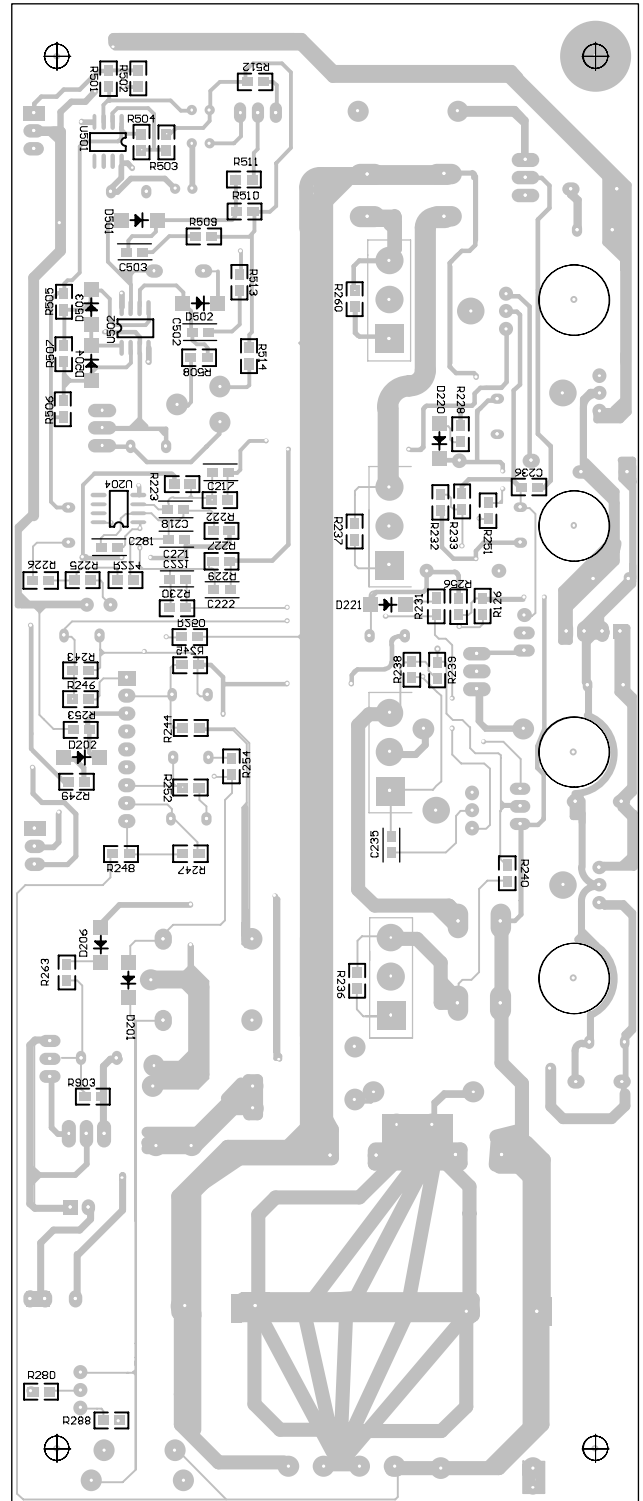


PreAMP PCB
bottom side

PCB LAYOUT

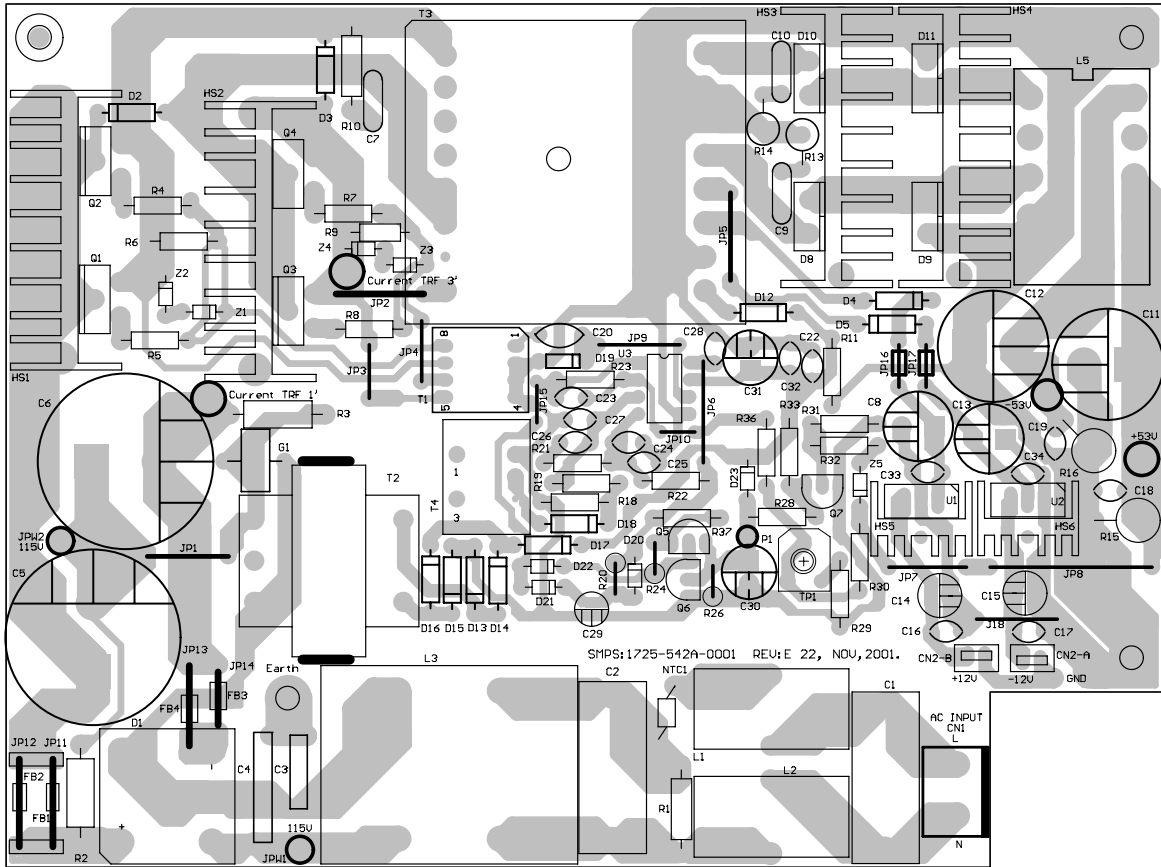


PowerAMP PCB
top side

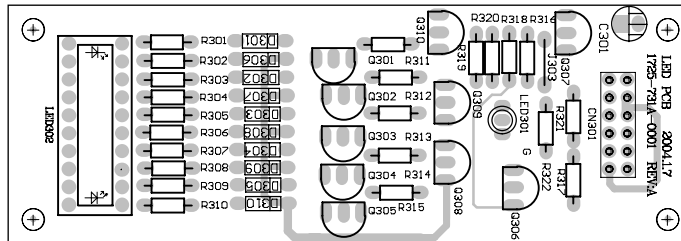


PowerAMP PCB
bottom side

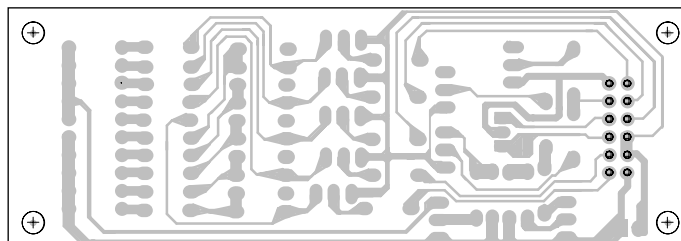
PCB LAYOUT



SMPS PCB



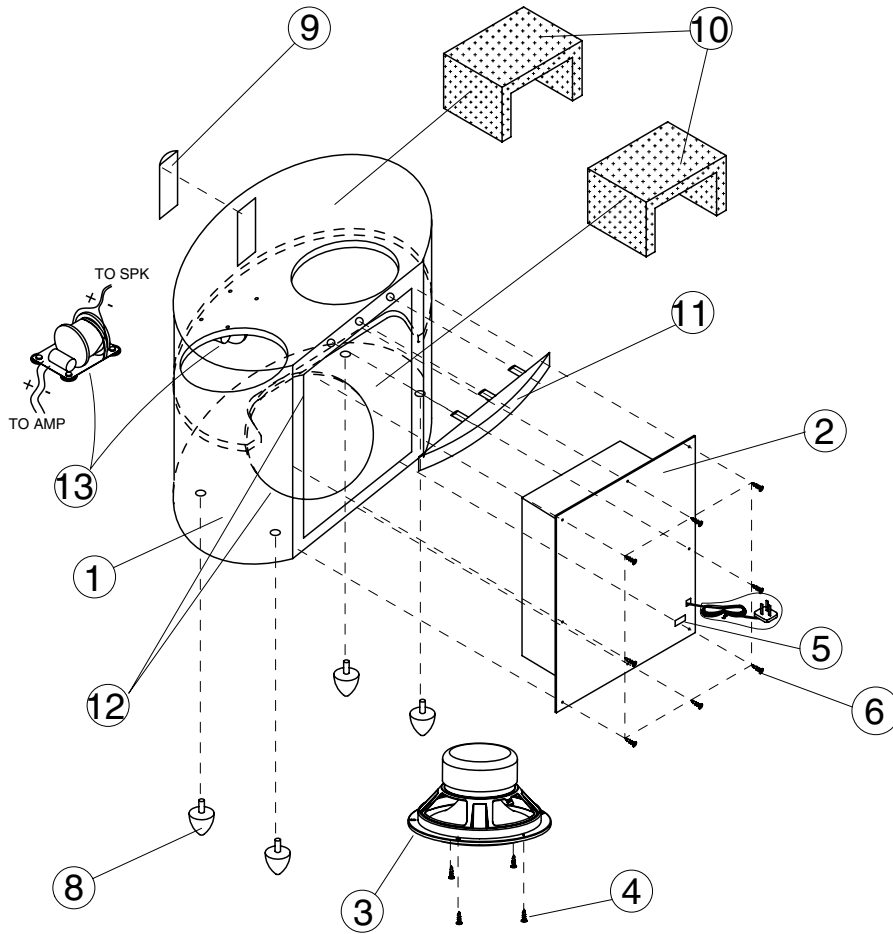
LED PCB top side



LED PCB top side

EXPLODED VIEW DIAGRAMS

Cabinet Exploded View



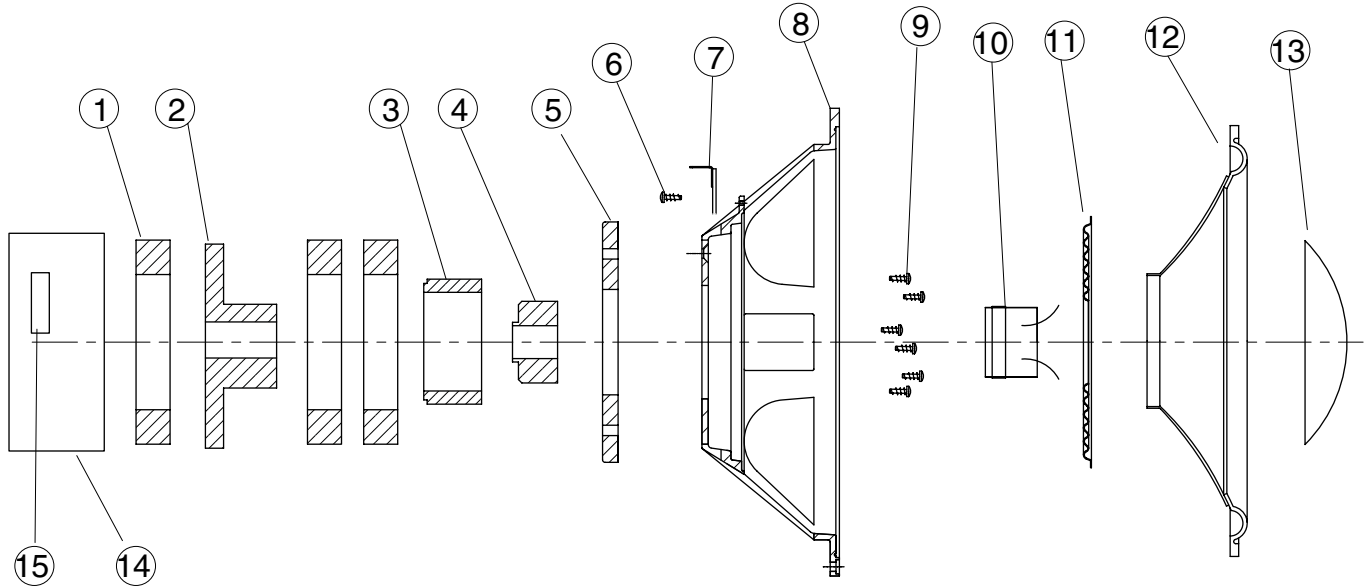
FCCH0C/1C/2C/3C-EU/US/UK

REF	DESCRIPTION	PARTS NO.	QTY
1	CAB FOR PSW3500 BK	1419-0260-0	1.0
	CAB FOR PSW3500 DARK APPLE	1419-0261-0	
	CAB FOR PSW3500 MAPLE	1419-0262-0	
	CAB FOR PSW3500 SILVER	1419-0263-0	
2	ELE-AMP	AMP FCCH0C-EU	1.0
3	DRIVER FOR PSW3500	8900-6400-0	1.0
4	M4*20 NICKEL SCREW	2908-4020-4400	8.0
5	BARCODE S/N LABEL SP8387	3000-6333-0	1.0
6	SCREW BINDING HEAD M4*16	2913-4016-3000	8.0
8	RUBBER FOOT FOR PSW3500	4154-3221-0	4.0
9	LENS DISPLAY FOR PSW2500 BLACK	4154-2351-0	1.0
	K320291B M3*12MM PAN HEA	2910-3012-3000	4.0
	NUT HEX M4	2640-4030-0704	4.0
	PCB ASSY LED FCCH0C	PCB-FCCH0C-LED	1.0

REF	DESCRIPTION	PARTS NO.	QTY
10	ACOUSTIC FOAM A FOR PSW4000	4149-0221-0	3.0
	ACOUSTIC FOAM B FOR PSW4000	4149-0231-0	1.0
11	ABS MOULDING FOR PSW3500 BLACK	4154-3171-0	1.0
	ABS MOULDING FOR PSW3500 SILVER	4154-3172-0	
12	EVA GASKET 5*500	4153-3331-0	8.0
13	PCB FOR Q1/CODA CENTRE	1725-331A-0000	1.0
	IRON CORE 3.0MH 0.23OHM	1806-2710-0	1.0
	SCREW TRUSS HEAD M4*16	2913-4016-3000	4.0
	RUBBER SPACER ID5*OD20*4	4149-9411-0	4.0
	CABLE TIE 200mmX4.5mm	6360-1451-0	1.0
	#18AWG TWIN RED/BK #205 250MM	7012-1520-0	2.0
	CE 50V 150UF 5 % D16*34	8910-0329-0	1.0
METAL WASHER M5X0.8X10MM YZ	2600-5008-1000	4.0	

EXPLODED VIEW DIAGRAMS

Woofer Exploded View



REF	DESCRIPTION	PARTS NO.	QTY
1	MAGNET 145*75*17 (C)	4104-4871-1	3.0
2	CP 135*49.7*44*11	3300-3501-0	1.0
3	SHORTING RING	4159-0810-0	1.0
4	POLE TIP 48.7*36	4159-0780-0	1.0
5	WH 145*54.4*8.6M5 105.3	3300-6770-0	1.0
6	S/T SCREW 03X6(YEL)	2940-3006-0000	2.0
7	TERMINAL 0.5*205	4124-0070-0	2.0
8	CHASSIS FOR PSW3500 SUB	3300-9690-0	1.0
9	SCREW M5*9	2901-5009-0000	6.0
10	VC50 9ASV3.5*0.2*0.92*64	3800-5530-0	1.0
11	DPR 175*50.8*4.0 D0.7	8700-1960-0	1.0
12	SURROUND/CONE FOR PSW3500 SUB	4200-9020-0	1.0
13	DCAP D117*21.5 PP COATED	4200-5160-0	1.0
14	BACK CAN 166*160*65*2	3300-0461-0	1.0
15	LABEL FOR 8900-6400-0	3000-7692-0	1.0

EXPLODED VIEW DIAGRAMS

Packing Exploded View

FCCH0C-EU/US/UK

REF	DESCRIPTION	PARTS NO.	QTY	
1	INSTALLATION MANUAL FOR	4301-5280-0	1.0	
	W.CARD FOR KEF (1 YEAR)	4301-6037-1	1.0	
	P.BAG 10*14' W/ES GREEN	1497-4122-0	1.0	
	MANUAL FOR CI SERIES	4301-5242-0	1.0	
	IR REMOTE CONTROL	8912-0047-0	1.0	
	IR EXTENSION MODULE	8912-0048-0	1.0	
	POLYFOAM BAG 80X220	1497-0782-0	1.0	
2	P.BAG 10*12' W/ES GREEN	1497-4102-0	1.0	
3	CARTON BOX FOR PSW3500	145B-1650-0	1.0	
4	BARCODE S/N LABEL	3000-6333-0	1.0	
5	1	UPC LABEL FOR PSW3500	3000-7780-0	1.0
		UPC LABEL FOR PSW3500	3000-7781-0	1.0
		UPC LABEL FOR PSW3500	3000-7782-0	1.0
	2	UPC LABEL FOR PSW3500	3000-7789-0	1.0
		UPC LABEL FOR PSW3500	3000-7790-0	1.0
		UPC LABEL FOR PSW3500	3000-7791-0	1.0
	3	UPC LABEL FOR PSW3500	3000-7786-0	1.0
		UPC LABEL FOR PSW3500	3000-7787-0	1.0
		UPC LABEL FOR PSW3500	3000-7788-0	1.0
	4	UPC LABEL FOR PSW3500	3000-7783-0	1.0
		UPC LABEL FOR PSW3500	3000-7784-0	1.0
		UPC LABEL FOR PSW3500	3000-7785-0	1.0
6	CABINET FOR PSW3500 BK	1419-0260-0	1.0	
	CABINET FOR PSW3500 DARK	1419-0261-0	1.0	
	CABINET FOR PSW3500	1419-0262-0	1.0	
	CABINET FOR PSW3500	1419-0263-0	1.0	
7	PE BAG 840X700X0.05	1497-7202-0	1.0	
8	PE FOAM FOR PSW3500	1490-8513-0	4.0	
9	SHEET RGK-3274-2P-7	1450-6910-0	1.0	

