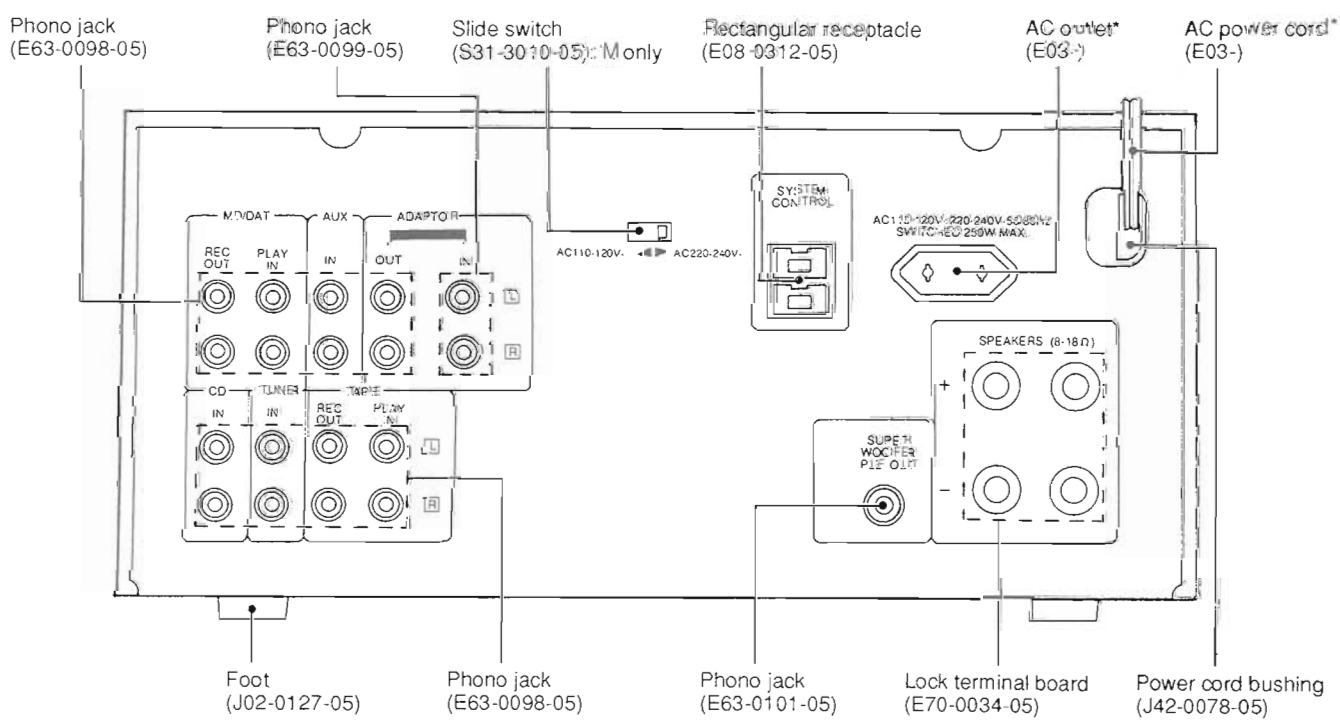


A-1001

SERVICE MANUAL



* Refer to parts list on page 23.

A-1001

CONTENTS/ACCESSORIES

REMOTE CONTROL OPERATION.....	3	WIRING DIAGRAM.....	11
BLOCK DIAGRAM.....	4	PC BOARD	13
CIRCUIT DESCRIPTION.....	5	SCHEMATIC DIAGRAM	17
ADJUSTMENT.....	10	EXPLODED VIEW	22
REGLAGE.....	10	PARTS LIST	23
ABGLEICH.....	10	SPECIFICATIONS.....	BACK COVER

Accessories

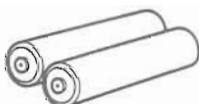
Check that the following accessories are present.

Remote control unit 1
(A70-0939-05)



Battery cover (A09-0149-08)

Batteries (R6/AA) 2

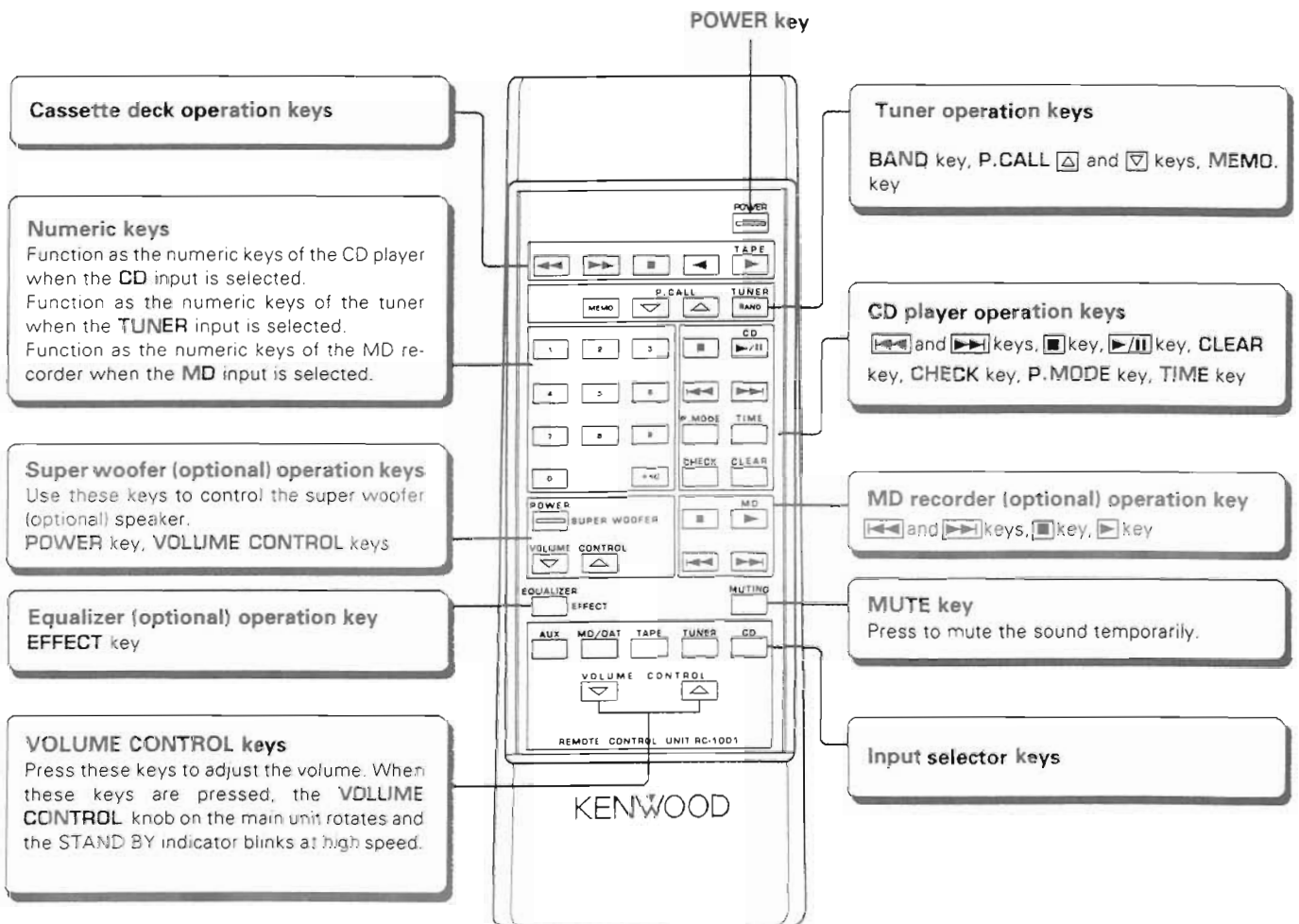


AC plug adaptor 1
(Except for some areas)
(E03-0115-05): M ONLY



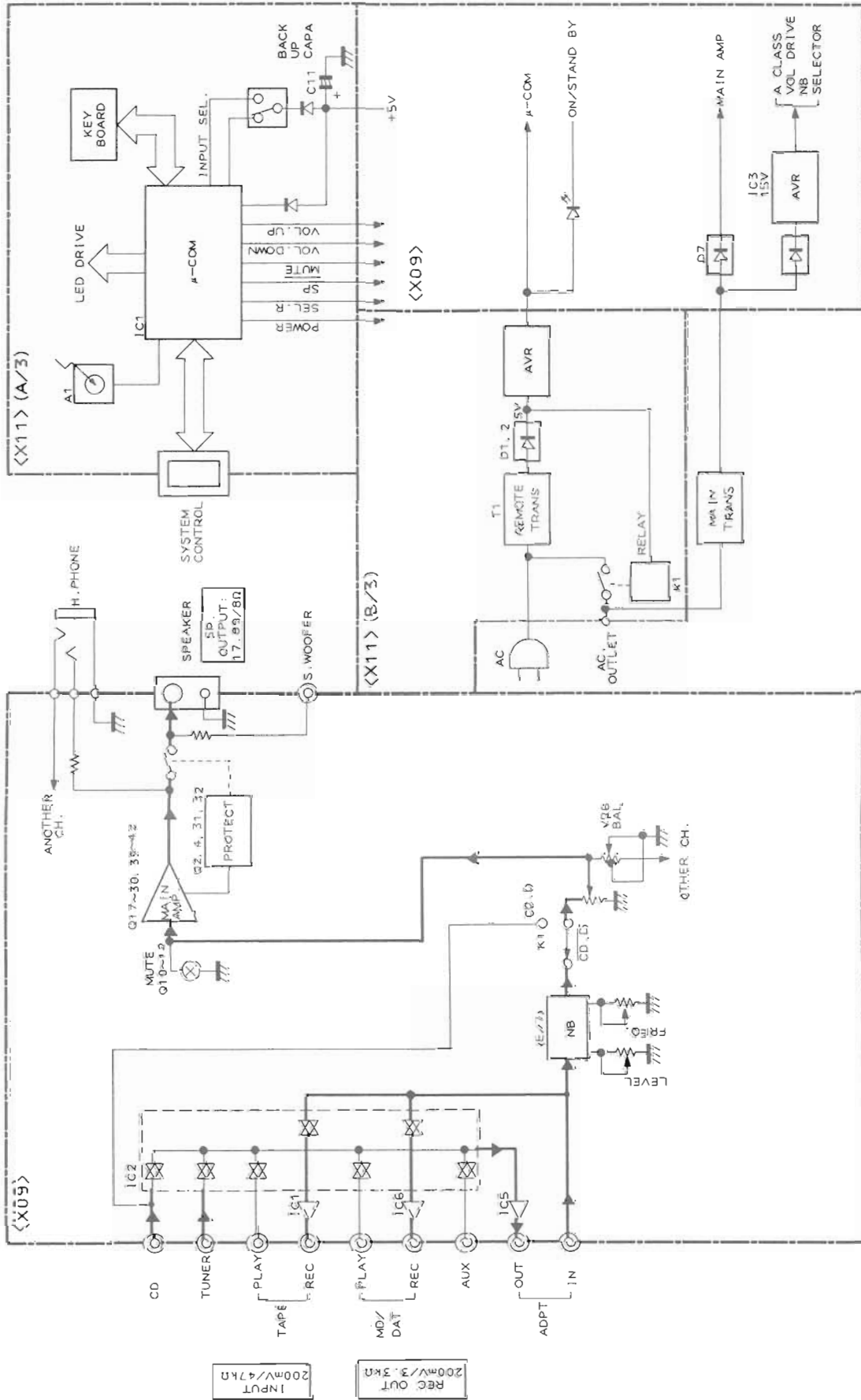
For the unit with a European AC
plug in areas other than Europe

REMOTE CONTROL OPERATION



Model: RC-1001
Infrared ray system

BLOCK DIAGRAM



CIRCUIT DESCRIPTION

AMP μ -COM: μ PD75004CU-199 (X11:IC1)

1. Initial Status

After the power is turned ON, the initial status will be as follows:

POSITION = TUNER
CD DIRECT = OFF
MUTE = OFF

MUTE = ON (Sound is muted)
MUTE = OFF (Sound is not muted)

The VOLUME LED will blink for four seconds after the power is turned ON, then it will stay lit.

2. Test Mode

2-1 Test Mode with the Main Unit Keys

(1) Setting Procedure

- While pressing the CD DIR key, connect the AC outlet.

(2) Cancellation

- Disconnect the AC outlet. The initial setting will take effect and the test mode will be canceled.

(3) Description

1. Auto POWER ON

- When the AC outlet is connected while the CD DIR key is held down, the POWER will turn ON and all function will be at the initial setting.

2. ALL LED ON Mode

- When the AC outlet is connected while the CD DIR key is held down, all the LEDs will light. Any key operation on the main unit thereafter will return the LEDs to normal.

3. Auto Motor VR UP/DOWN

- When the CD DIR key is pressed during the test mode set with the main unit keys, the motor VR will operate as follows:

16 sec. UP - 16 sec. DOWN - STOP

- During this motor operation, the CD DIR key will be ineffective.

4. MUTE Signal Output

- The MUTE signal will function normally.

2-2 Test Mode With Serial Communications

(1) Setting Procedure

- Connect the AC outlet and enter the TEST ON code.

TEST ON (C27F)

(2) Cancellation

- Enter the TEST OFF code or disconnect the AC outlet.

TEST OFF (C27E)

(3) Description

- Other operations during the test mode (serial communications)

- During the test mode (serial communications), the main unit's keys, remote controller keys, and normal serial code will be ineffective.

- Required operations for the test mode (serial communications)

- The serial code for the test mode (serial communications) can be used to check the operation of all circuits. Refer to the test mode serial code table.

- During the test mode (serial communications), the MUTE signal is not output. This is for reducing the input-output switching time during the measurement.

- When a valid serial code for the test mode is received, the code identical to the code entered will be output.

- The code entered during the test mode (serial communications) will become valid regardless of the display mode.

- For checking the MUTE operation, MUTE has specific codes.

MUTE ON (C20D)
MUTE ALL OFF (C20F)

To switch cyclically, enter the individual serial code.

Ex.: Enter the following two codes for SPEAKER ON/OFF.

SPEAKER ON (C21F)
SPEAKER OFF (C21E)

- Set the motor VR UP/DOWN.

- All LEDs will light. To cancel, enter the ALL LED ON cancellation code. The LEDs will then return to normal.

ALL LED ON OFF (C27B)

- All functions (including the test mode) will be initialized.

AMP INITIAL (C27D)

CIRCUIT DESCRIPTION

2-3 Initial Settings

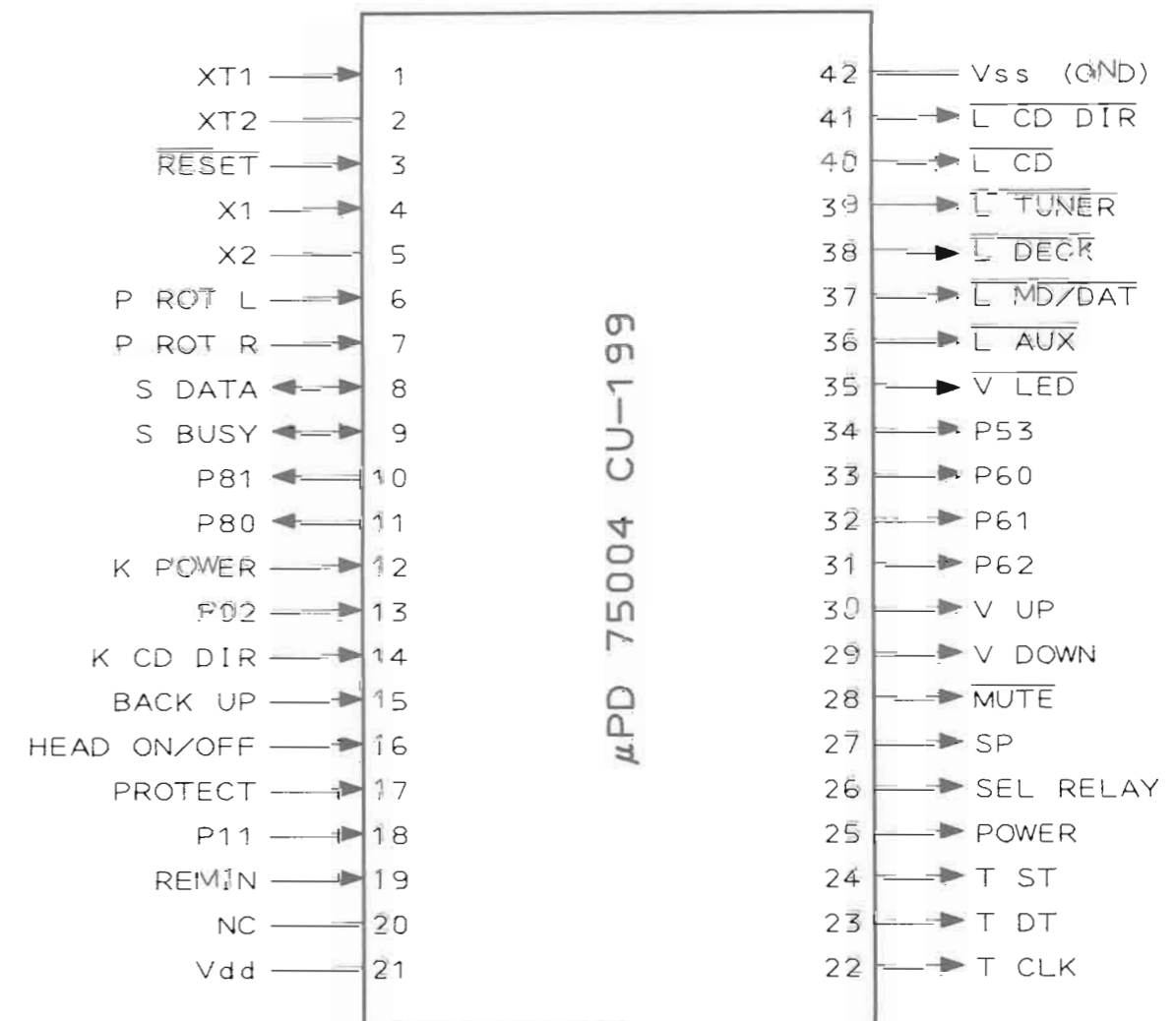
(1) Setting Procedure

- To set the initial settings, hold down the POWER key and connect the AC outlet.
- To initialize, disconnect the AC outlet during the test mode (set with the main unit keys or serial communications).

(2) Description

- All function (including test mode) will be initialized.

Pin Connection



Unused pin settings:

Open: XT2, P53 to P62, P80, P81
Vss Connected: XT1, P02, P11
Vdd Connected: NC

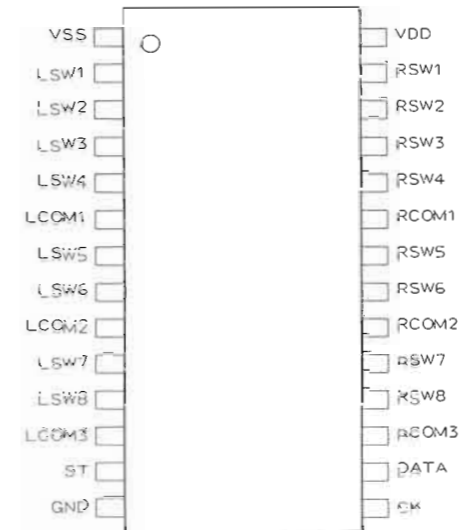
CIRCUIT DESCRIPTION

CIRCUIT DESCRIPTION

Pin Description

No.	Pin Name	Name	I/O	Description
1	XT1		I	GND
2	XT2			Open
3	RESET		I	Reset signal input port
4	X1		I	Oscillator
5	X2			Oscillator
6	P33	P ROT L	I	Rotary encoder L
7	P32	P ROT R	I	Rotary encoder R
8	P31	S DATA	I/O	Serial data
9	P30	S BUSY	I/O	Serial busy
10	P81	Not used	O	Open
11	P80	Not used	O	Open
12	P03	K POWER	I	Key power
13	P02	Not used	I	GND
14	P01	K CD DIR	I	Key CD direct
15	P00	BACK UP	I	Back up
16	P13	HEAD ON/OFF	I	Switch headphones on/off
17	P12	PROTECT	I	Protection detection
18	P11	Not used	I	GND
19	INTO	REMIN	I	Remote control input terminal
20	NC			+5V
21	VDD			+5V
22	P23	T CLK	O	Selector IC clock
23	P22	T DT	O	Data
24	P21	T ST	O	Strobe
25	P20	POWER	O	Power
26	P73	SEL RELAY	O	CD DIR control port
27	P72	SP	O	Speaker
28	P71	MUTE	O	Mute
29	P70	V DOWN	O	Volume down
30	P63	V UP	O	Volume up
31	P62	Not used	O	Open
32	P61	Not used	O	Open
33	P60	Not used	O	Open
34	P53	Not used	O	Open
35	P52	V LED	O	Volume LED
36	P51	AUX	O	AUX LED
37	P50	MD/DAT	O	MD/DAT LED
38	P43	DECK	O	Deck LED
39	P42	TUNER	O	Tuner LED
40	P41	CD	O	CD LED
41	P40	CD DIR	O	CD DIR LED
42	VSS	VSS		GND

SELECTOR IC: TC9164N(X09, IC2)



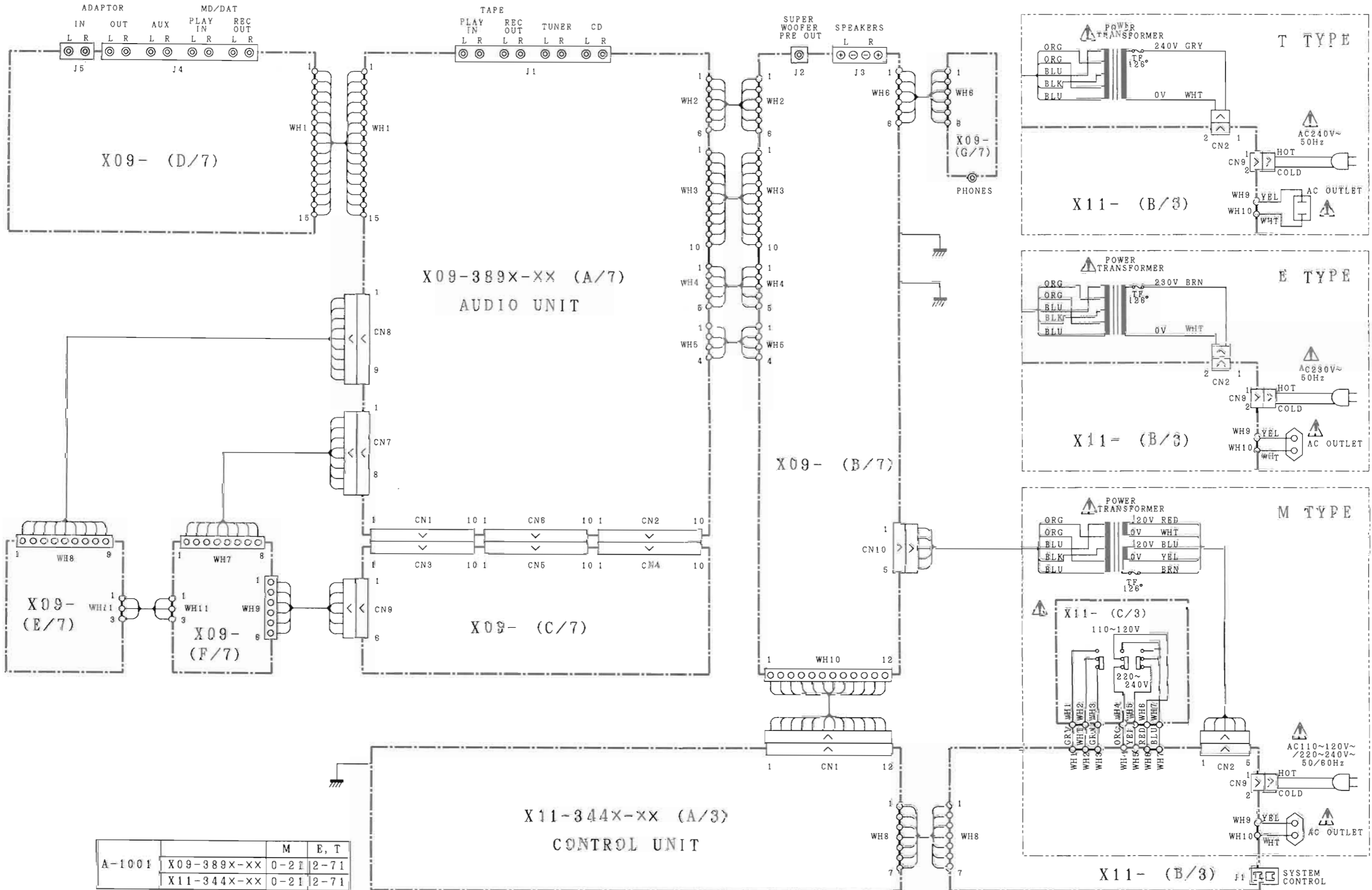
Status	SW	TP MD							
		1	2	3	4	5	6	7	8
TAPE		1	0	0	0	0	0	0	1
TUNER		0	1	0	0	0	0	1	1
CD		0	0	1	0	0	0	1	1
AUX		0	0	0	1	0	0	1	1
MD/DAT		0	0	0	0	1	0	1	0

(0: SW OFF 1: SW ON)

	SEL RELAY Status
CD DIR ON	H
CD DIR OFF	L

A-1001 A-1001

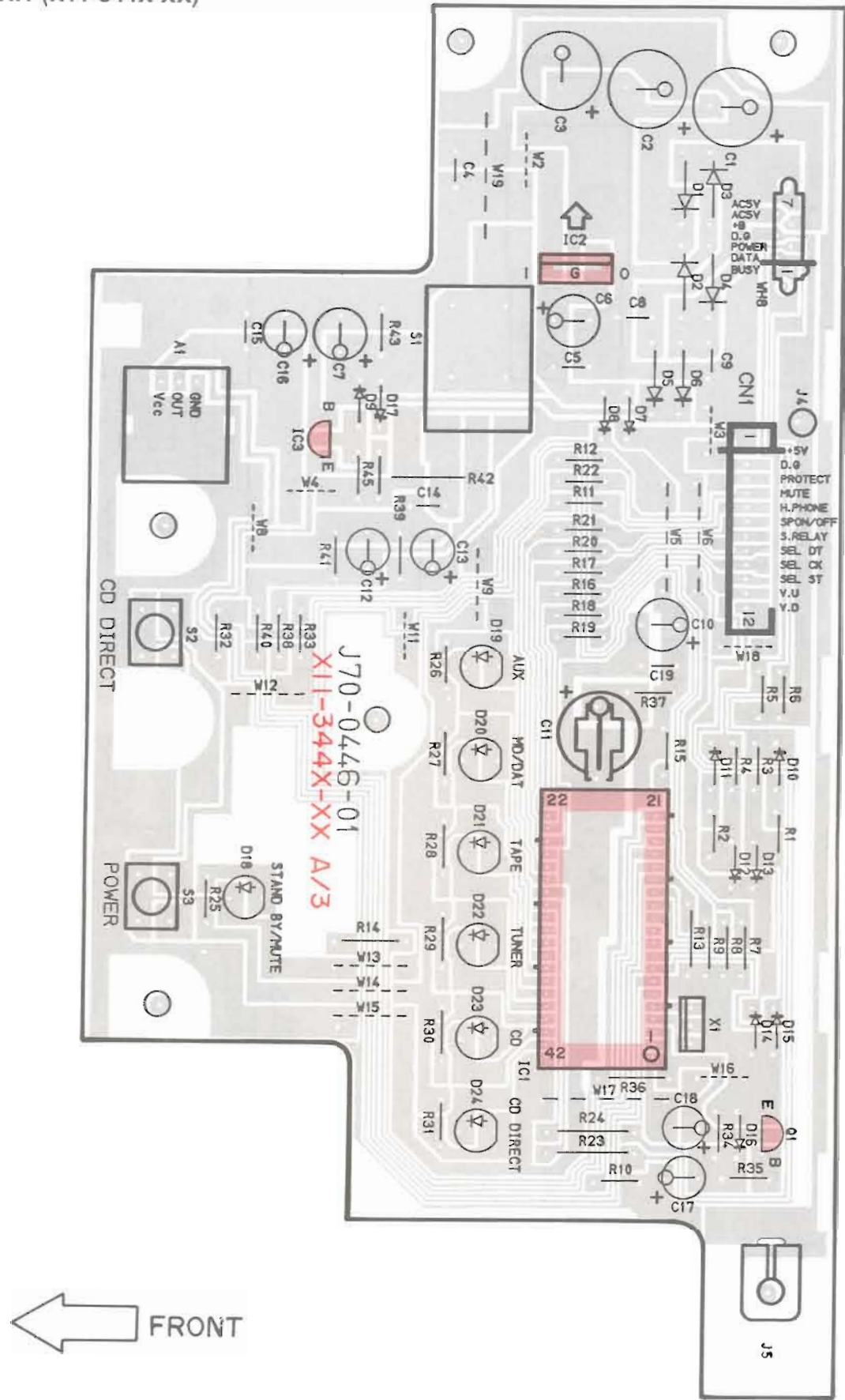
WIRING DIAGRAM



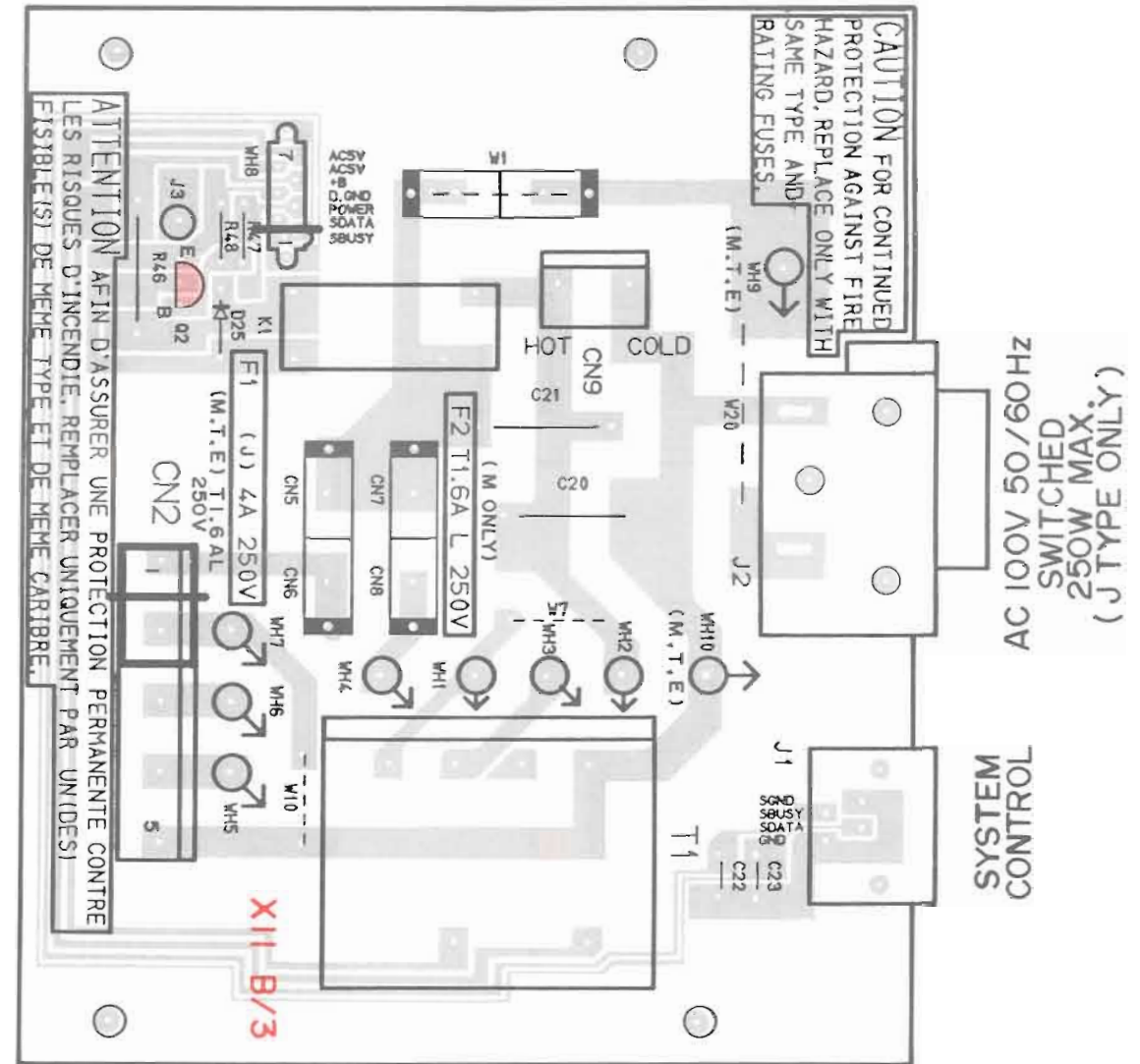
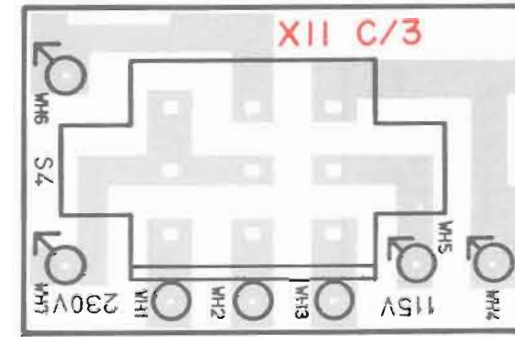
A-1001	X09-389X-XX	M	E, T
	X11-344X-XX	0-21	2-71

PC BOARD (Component side view)

CONTROL UNIT (X11-344X-XX)



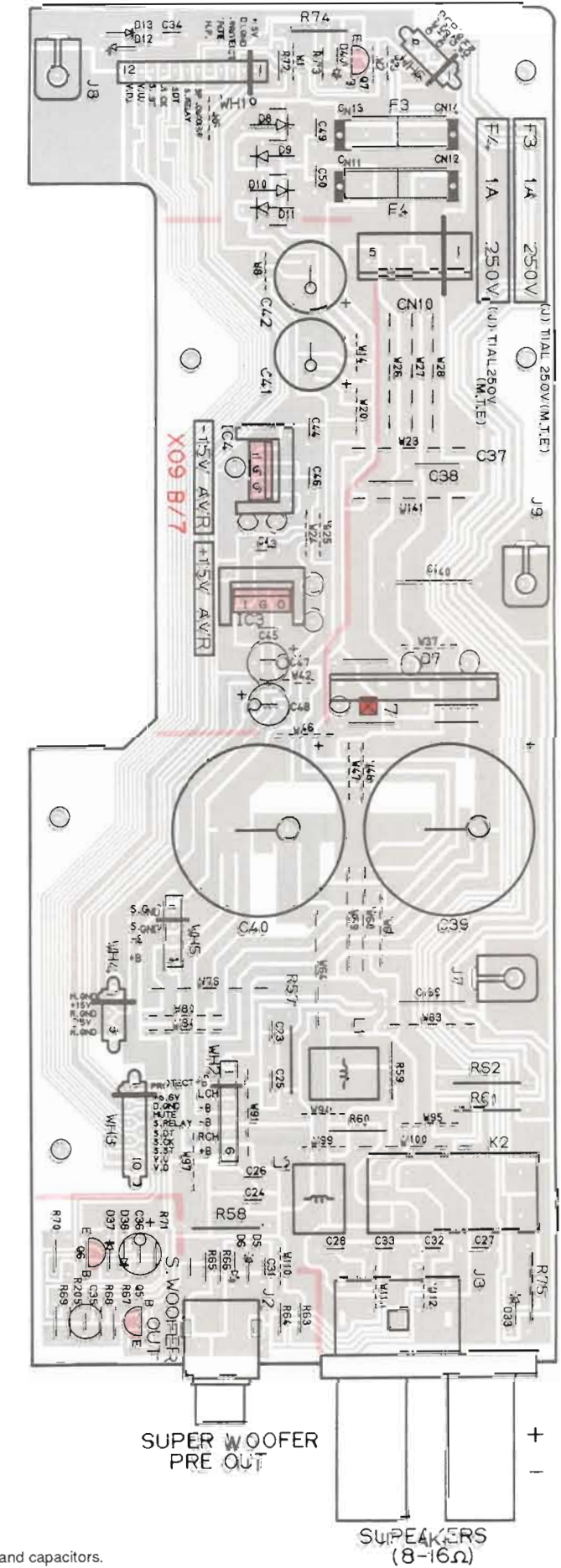
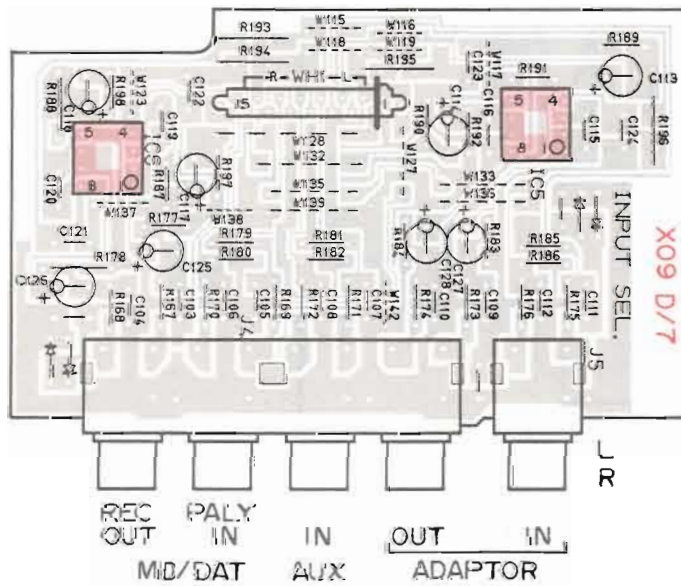
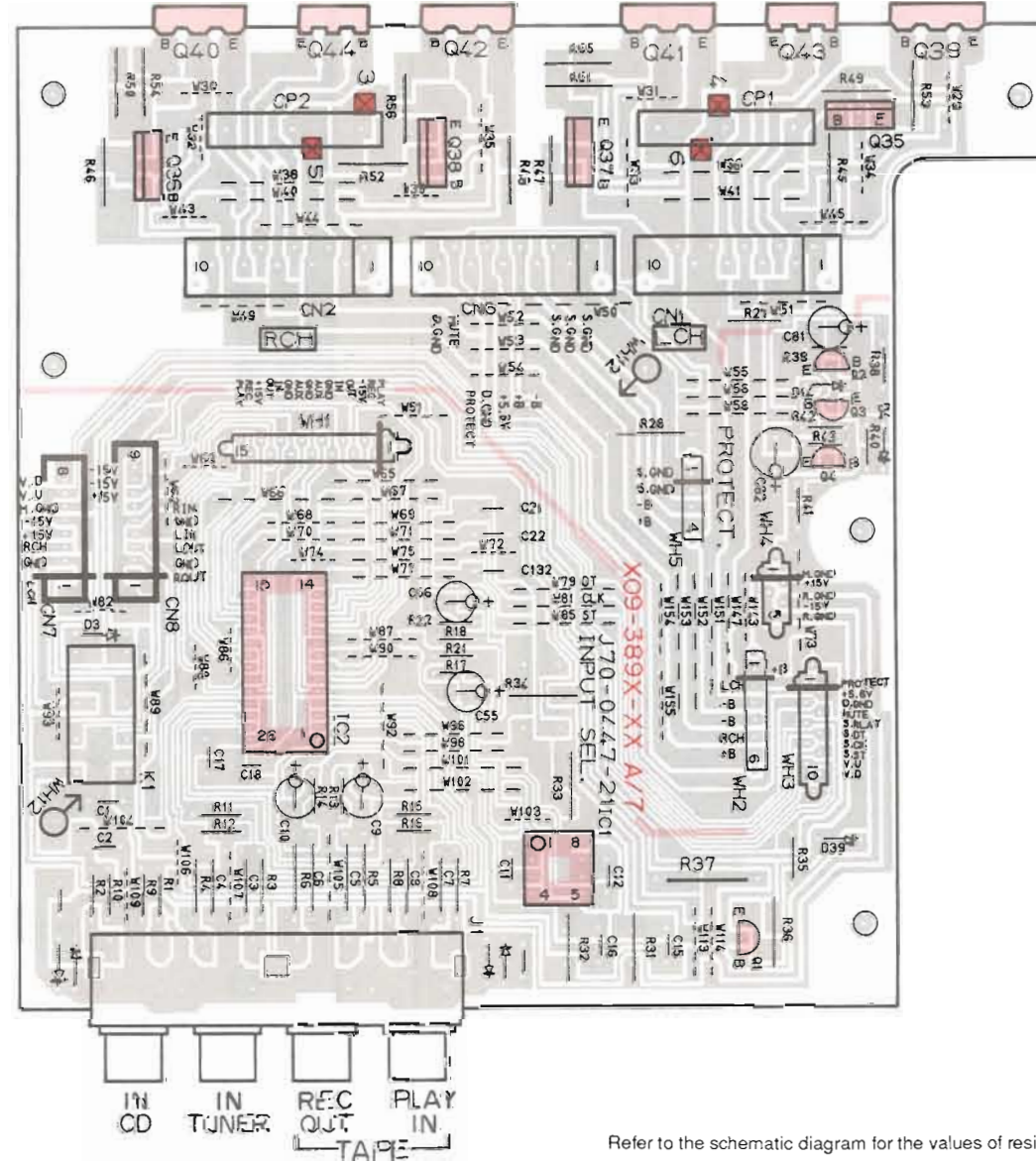
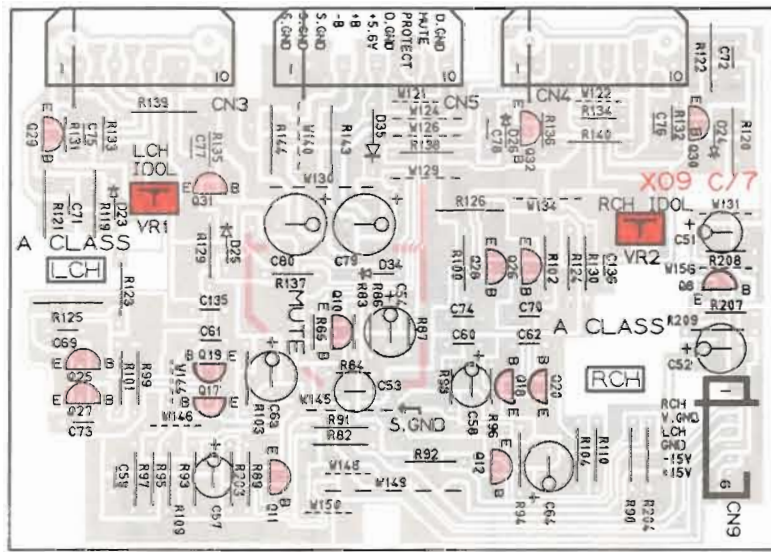
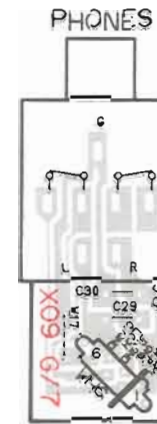
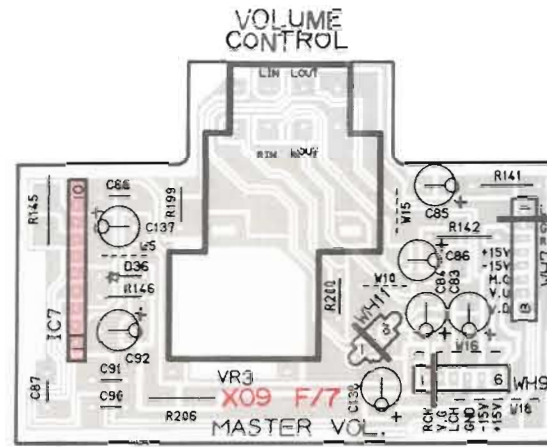
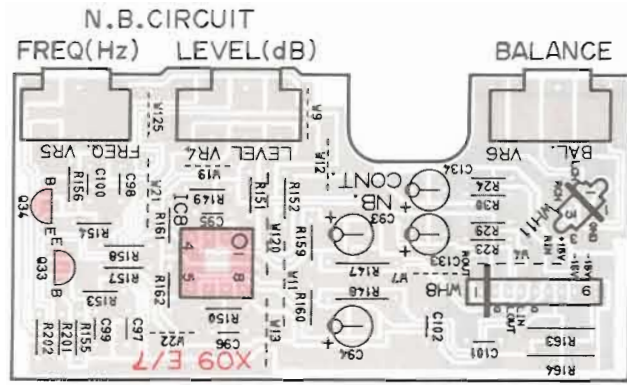
M TYPE ONLY



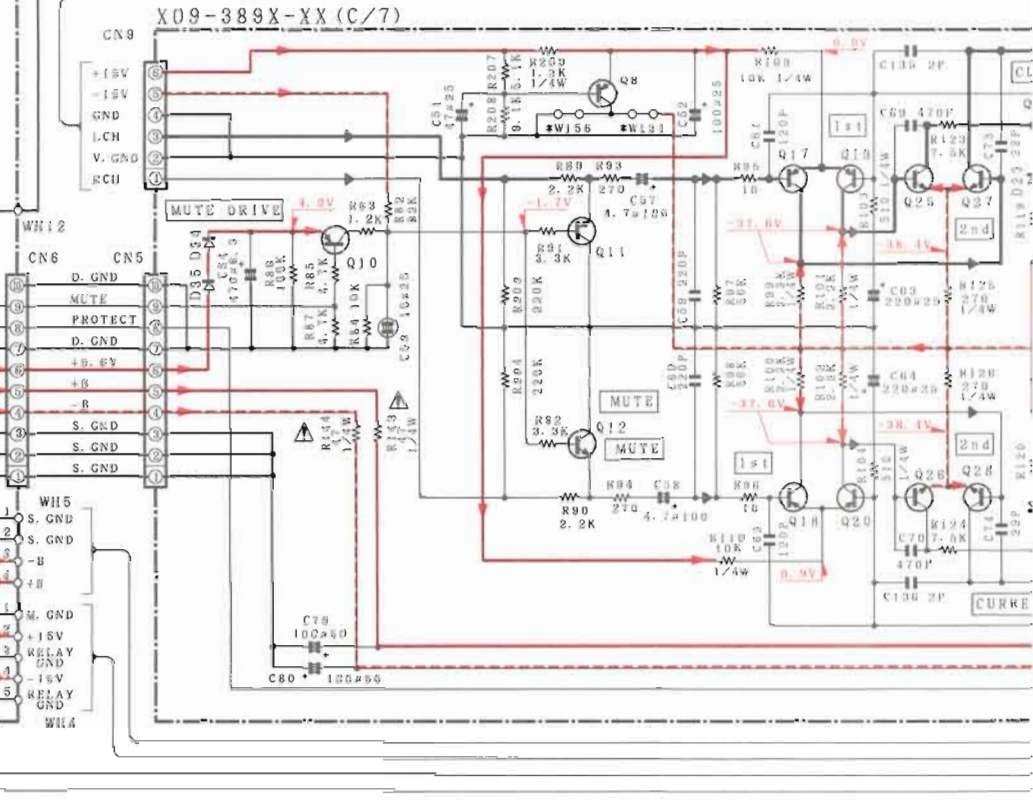
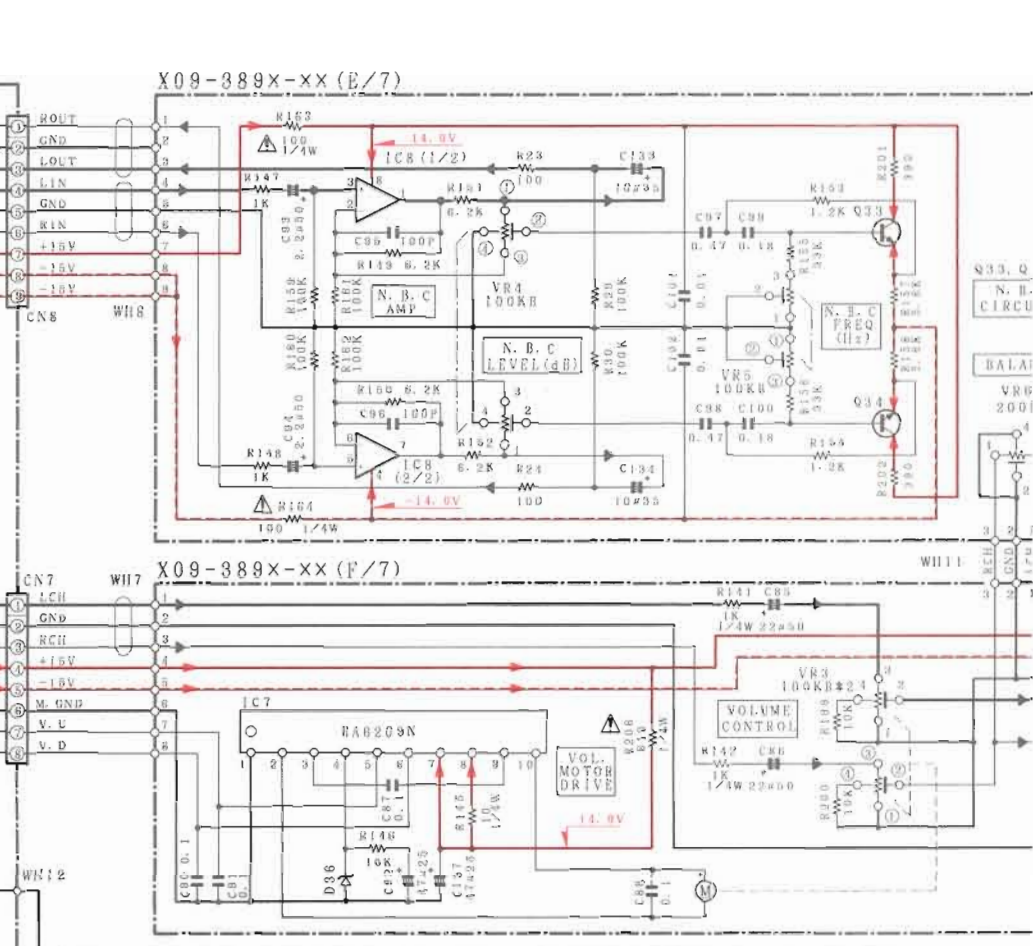
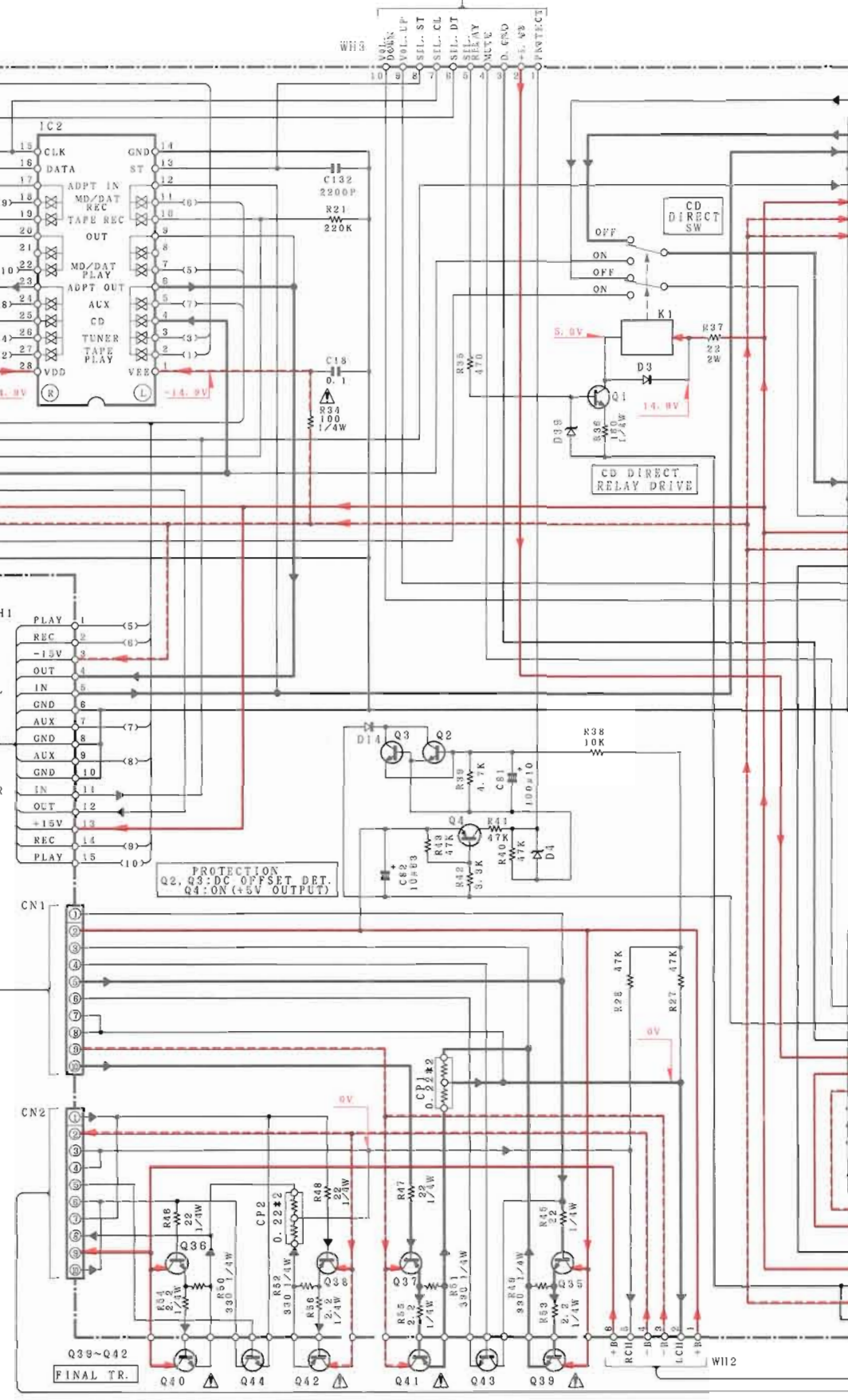
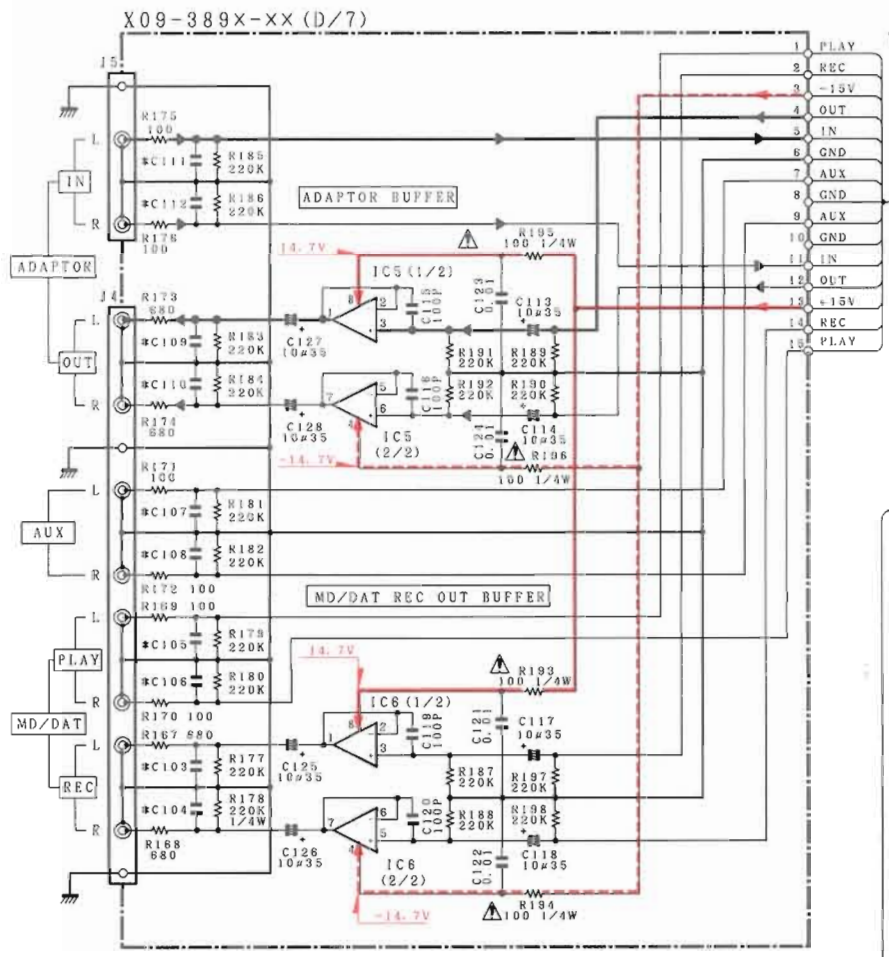
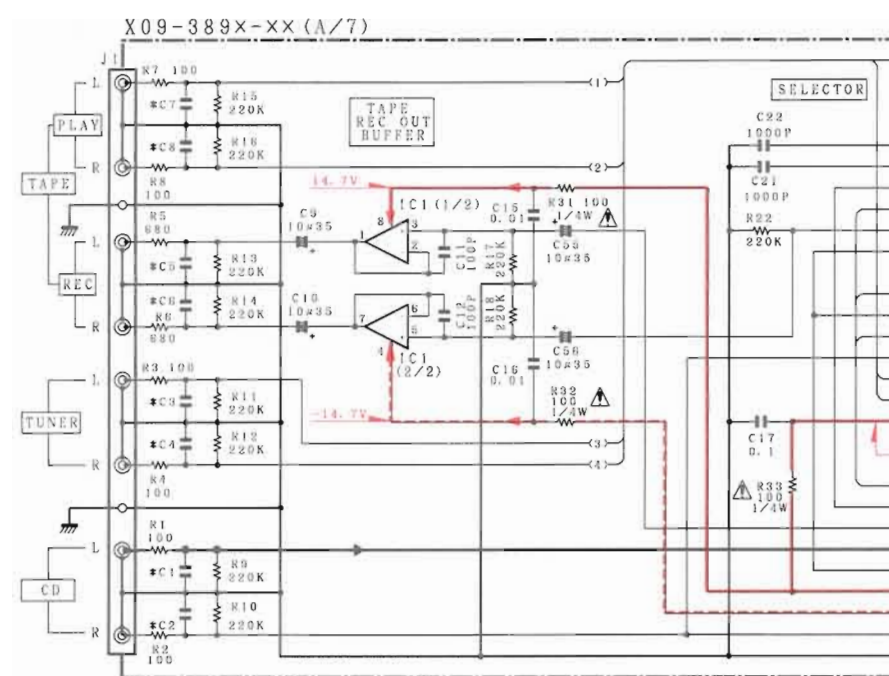
Refer to the schematic diagram for the values of resistors and capacitors.

PC BOARD (Component side view)

AUDIO UNIT (X09-389X-XX)



Refer to the schematic diagram for the values of resistors and capacitors.



2

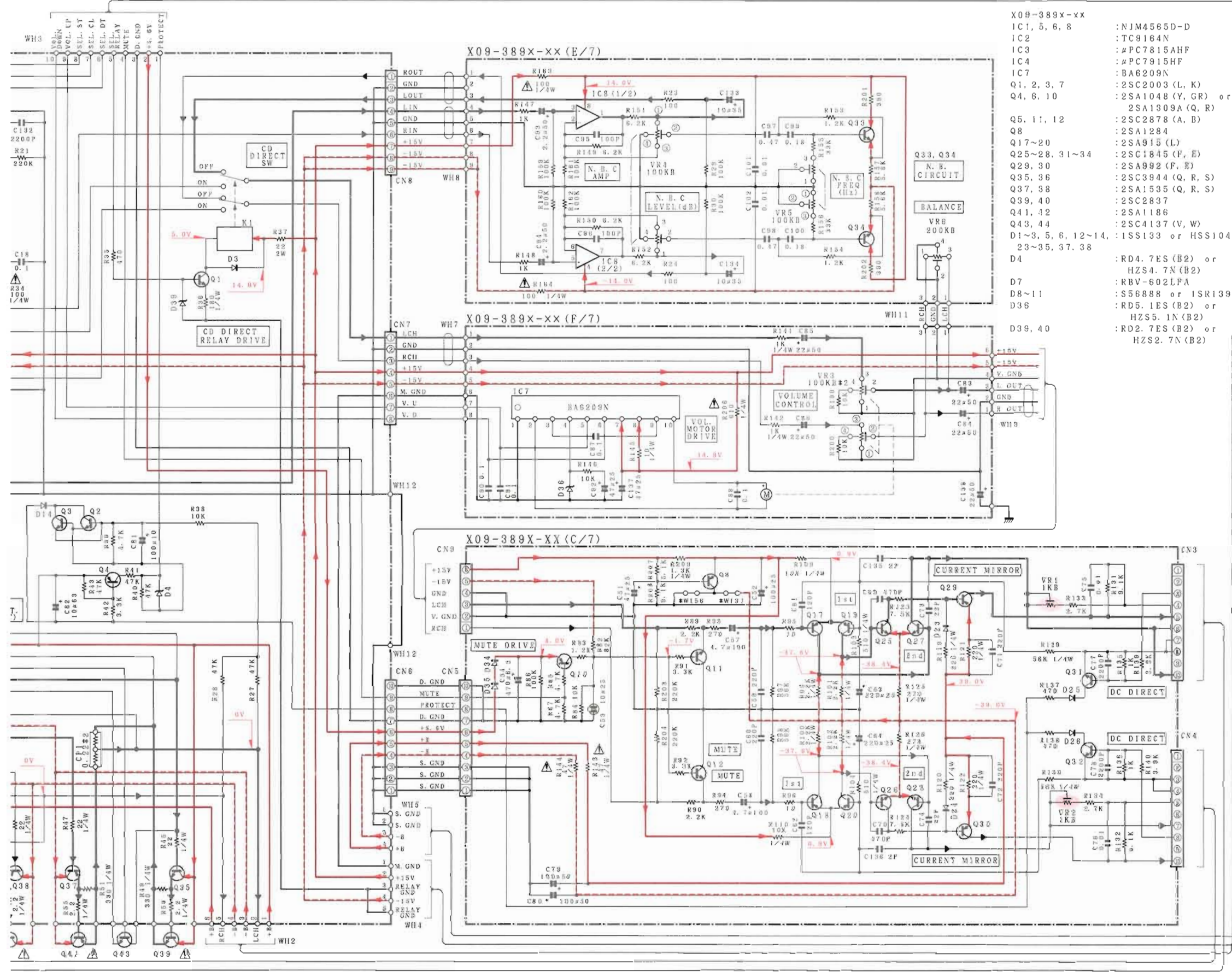
3

4

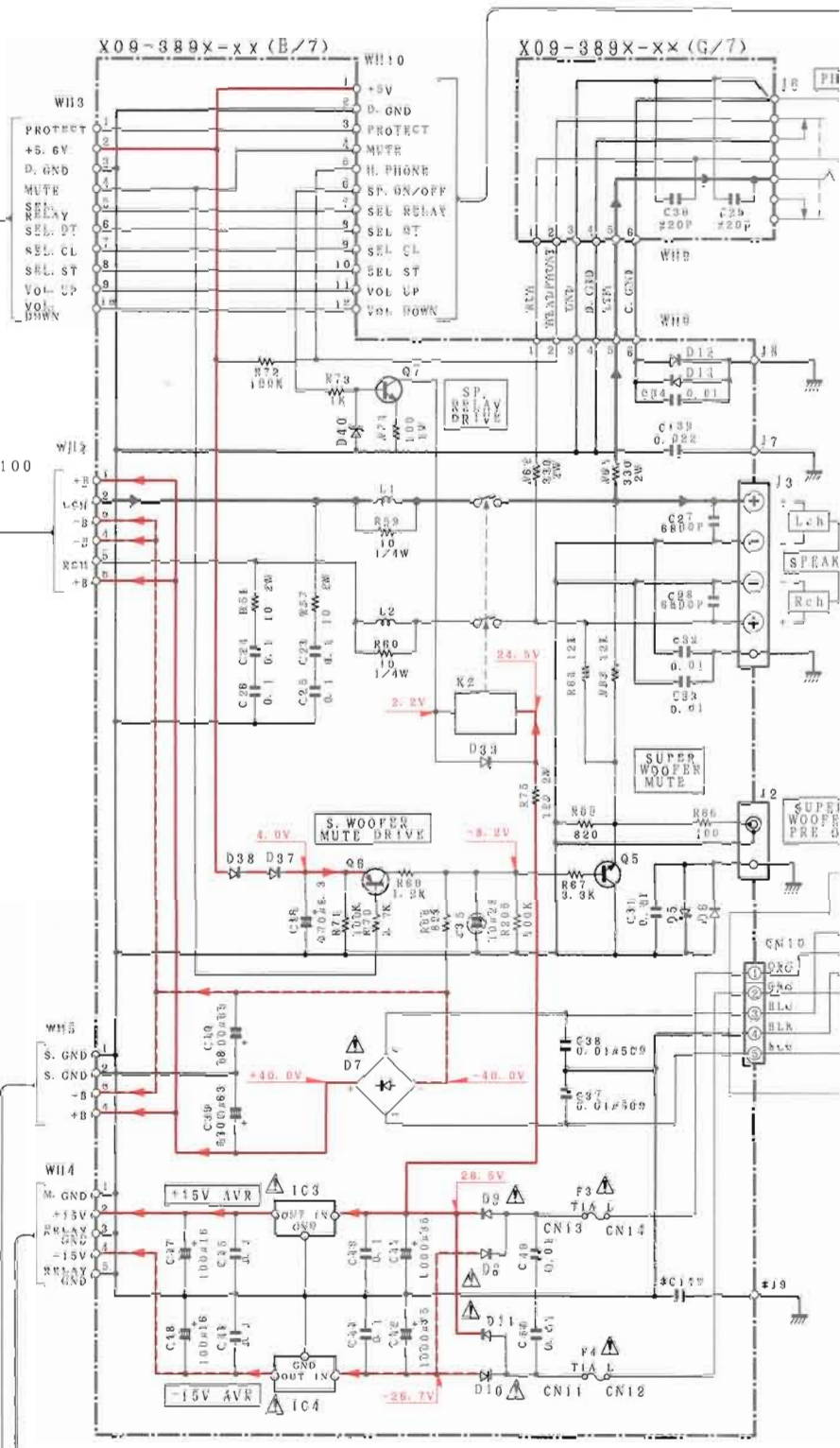
5

6

7



- X09-389X-xx
 IC1, 5, 6, 8 : NJM4565D-D
 IC2 : TC9164N
 IC3 : μ PC7815AHP
 IC4 : μ PC7915HF
 IC7 : BA6209N
 Q1, 2, 3, 7 : 2SC2003 (L, K)
 Q4, 6, 10 : 2SA1048 (Y, GR) or 2SA1309A (Q, R)
 Q5, 11, 12 : 2SC2878 (A, B)
 Q8 : 2SA1284
 Q17~20 : 2SA915 (L)
 Q25~28, 31~34 : 2SC1845 (F, E)
 Q29, 30 : 2SA992 (F, E)
 Q35, 36 : 2SC3944 (Q, R, S)
 Q37, 38 : 2SA1535 (Q, R, S)
 Q39, 40 : 2SC2837
 Q41, 42 : 2SA1186
 Q43, 44 : 2SC4137 (V, W)
 D1~3, 5, 6, 12~14, 23~35, 37, 38 : 1SS133 or HSS104
 D4 : RD4.7ES (B2) or HZS4.7N (B2)
 D7 : S56888 or ISR139-100
 D8~11 : RD5.1ES (B2) or HZS5.1N (B2)
 D36 : RD2.7ES (B2) or HZS2.7N (B2)
 D39, 40

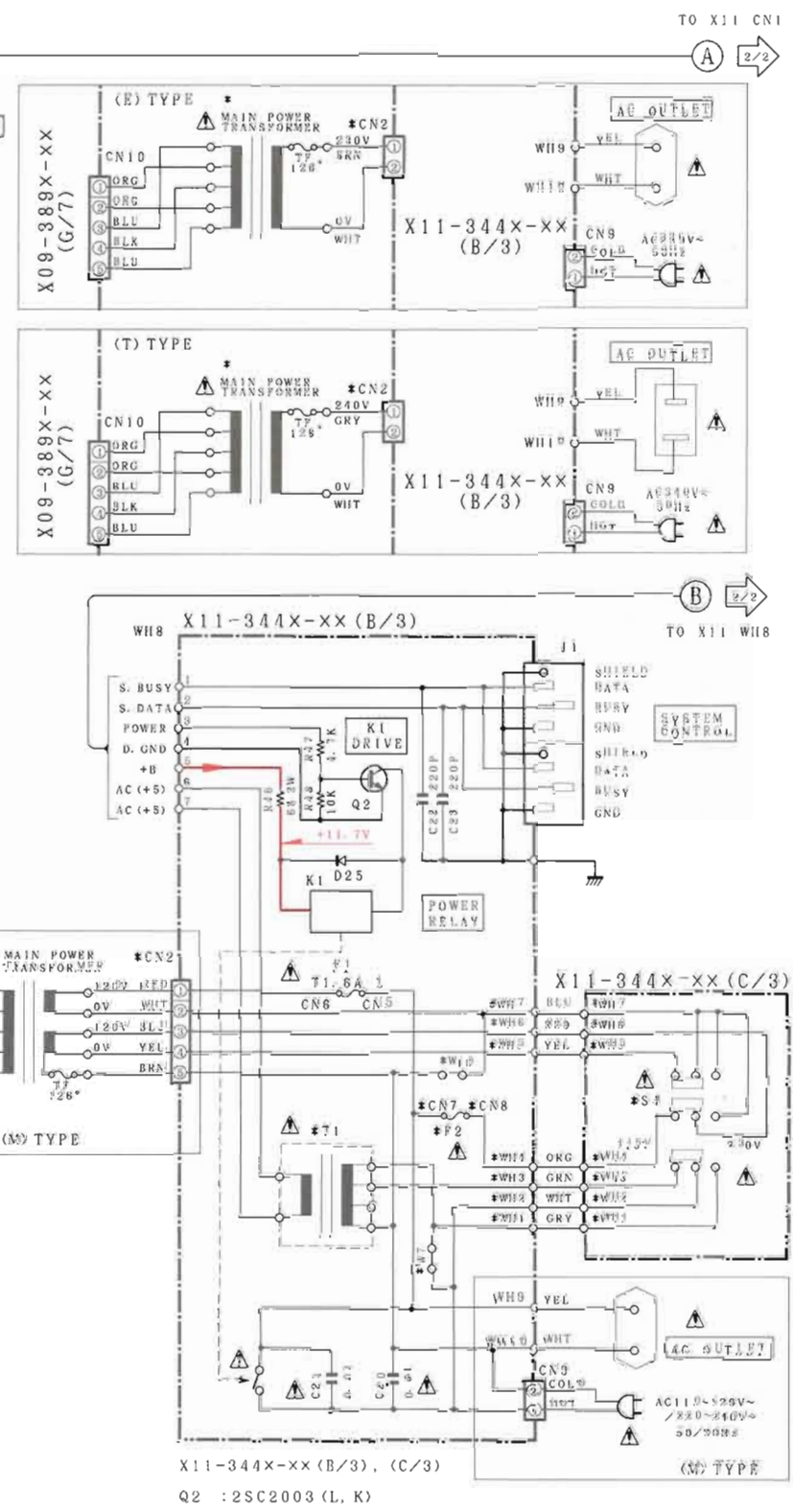
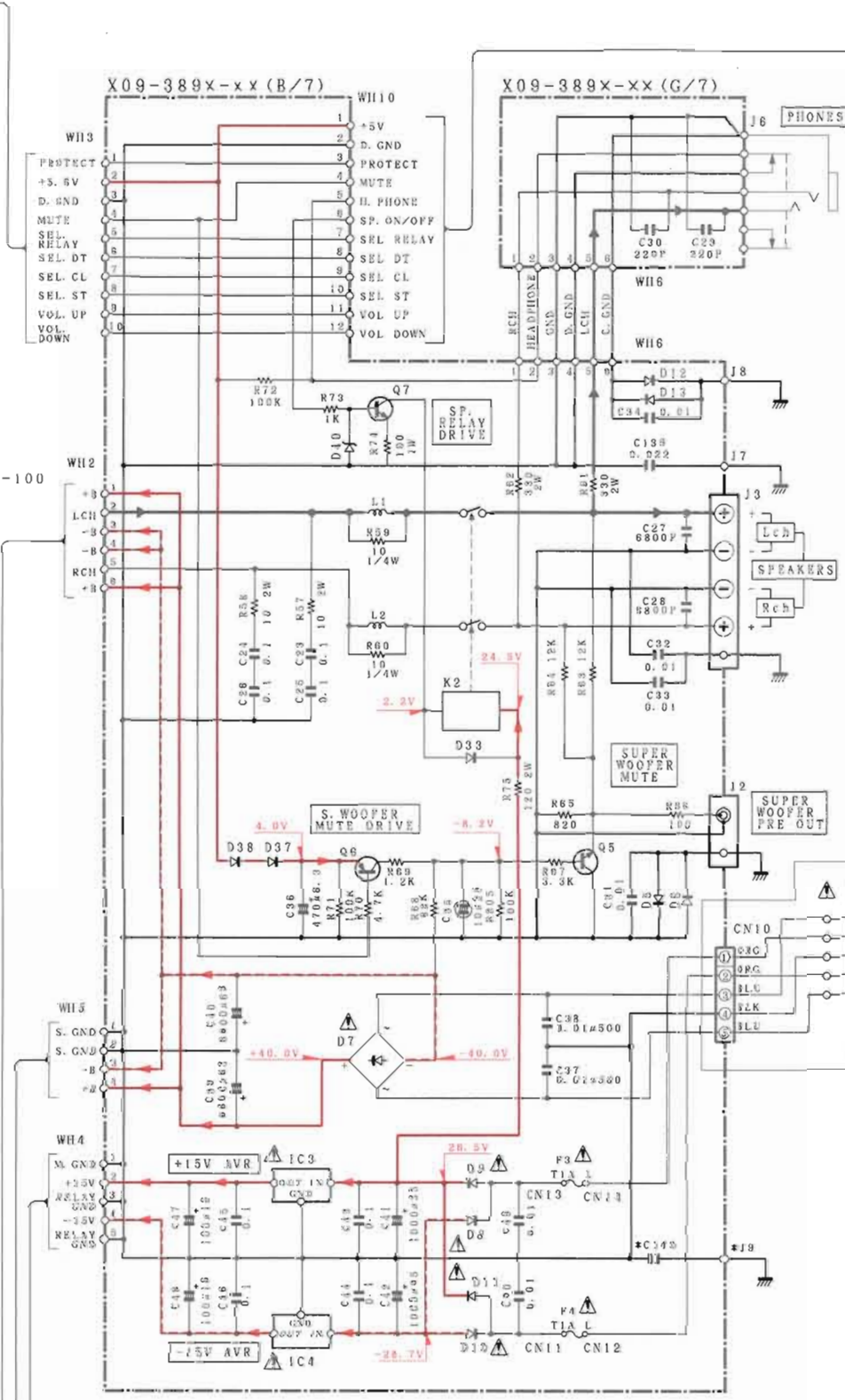
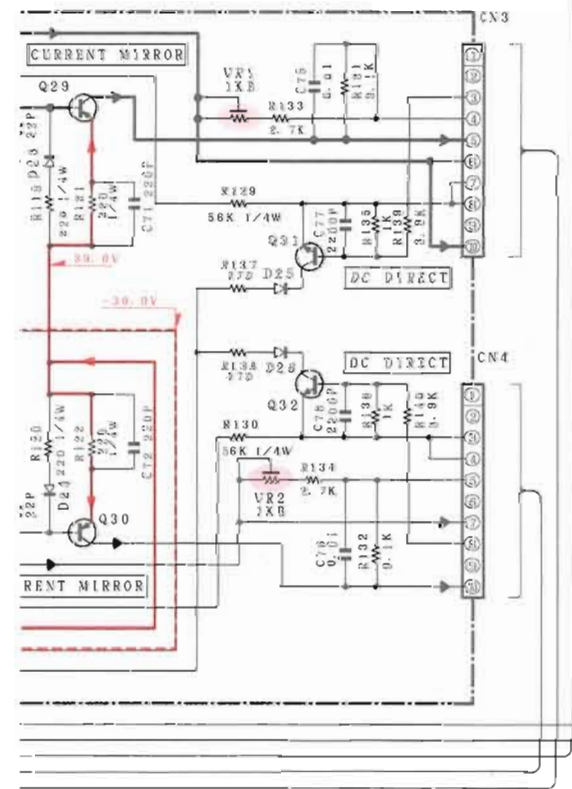
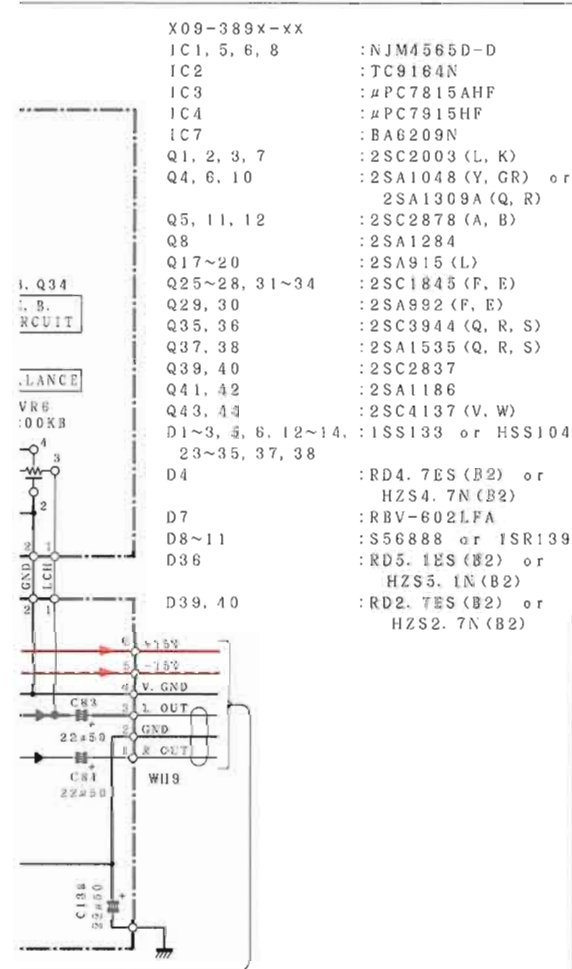


X09-389X-xx		REF. NO		C1~8, C140		J9		W131		W159		X11-311	
COUNTRY	ABB.	UNIT NAME	308-112	3303	0-922	YES	NO	YES	NO	YES	NO	COUN	COUN
EUROPE	F	2-71	3303	0-922	YES	NO	YES	NO	YES	NO	YES	EUR	EUR
ENGLAND	T	2-71	3303	0-922	YES	NO	YES	NO	YES	NO	YES	ENGL	ENGL
GENERAL MARKET	M	0-21	NO	NO	NO	YES	NO	YES	NO	NO	NO	GENM	GENM

DC voltages are as measured with a high impedance voltmeter with no signal input. Values may vary slightly due to variations between individual instruments or/and units.

Les tensions c.c. doivent être mesurées avec un voltmètre à haute impédance sans signal d'entrée. Les valeurs peuvent différer légèrement du fait des variations inhérentes aux appareils et aux instruments de mesure individuels.

Die angeg. chohmige Dabeil sch chen einz



X09-389X-XX		REF. NO	C1~8	C10	J9	W133	W158
COUNTRY	ADR.	UNIT NAME	103-112	332P	3.022	YES	NO
EUROPE	E	2-71	332P	3.022	YES	NO	YES
ENGLAND	T	2-71	332P	3.022	YES	NO	YES
GENERAL MARKET	M	2-71	NO	NO	NO	YES	NO

X11-344X-XX		REF. NO	F2	T1	CN2	WH1~WH7, S4	W7, W10	MAIN POWER TRANSFORMER
COUNTRY	ADR.	UNIT NAME						
EUROPE	E	2-71	NO	L07-0772-05	E40-4245-05	NO	YES	L07-0736-05
ENGLAND	T	2-71	NO	L07-0772-05	E40-4245-05	NO	YES	L07-0734-05
GENERAL MARKET	M	0-21	YES	L07-0773-05	E40-4281-05	YES	NO	L07-0733-05

DC voltages are as measured with a high impedance voltmeter with no signal input. Values may vary slightly due to variations between individual instruments or/and units.

Les tensions c.c. doivent être mesurées avec un voltmètre à haute impédance sans signal d'entrée. Les valeurs peuvent différer légèrement du fait des variations inhérentes aux appareils et aux instruments de mesure individuels.

Die angegebenen Gleichspannungswerte wurden mit einem hochohmigen Spannungsmesser ohne Eingangssignal gemessen. Dabei schwanken die Meßwerte aufgrund von Unterschieden zwischen einzelnen Instrumenten oder Geräten u. U. geringfügig.

CAUTION: For continued safety, replace safety critical components only with manufacturer's recommended parts (refer to parts list). Δ indicates safety critical components. To reduce the risk of electric shock, leakage-current or resistance measurements shall be carried out (exposed parts are acceptably insulated from the supply circuit) before the appliance is returned to the customer.

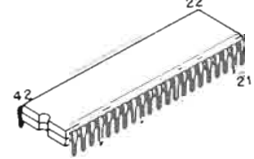
2SA992
2SC1845
2SC2003
2SC2878



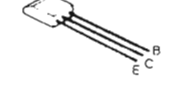
NJM4565D-D



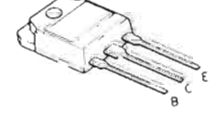
UPD75004CU-199



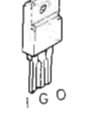
2SA915



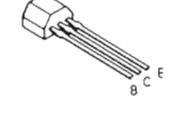
2SA1186
2SC2837



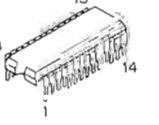
UPC7815AHF



2SA1048
2SC2458



TC9164N



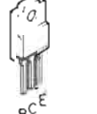
2SC4137



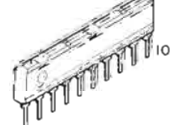
UPC7915HF



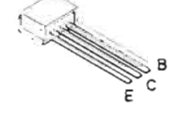
2SA1535
2SC3944



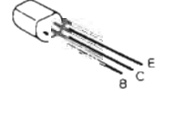
BA6209N



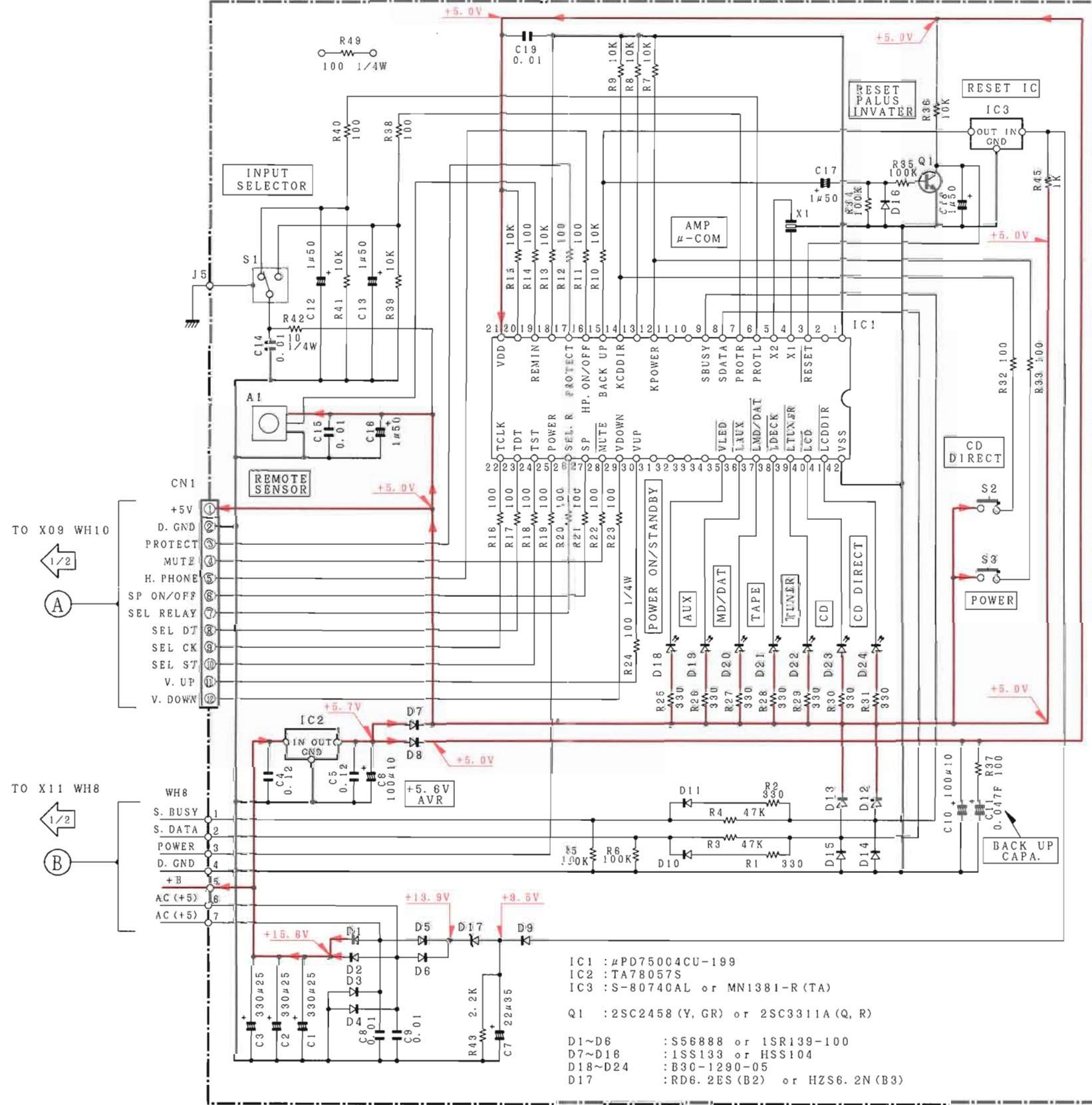
2SA1309A
2SC3311A



S-80740AL



X11-344X-XX (A/3)



- IC1 : μPD75004CU-199
- IC2 : TA78057S
- IC3 : S-80740AL or MN1381-R (TA)
- Q1 : 2SC2458 (Y, GR) or 2SC3311A (Q, R)
- D1~D6 : S56888 or 1SR139-100
- D7~D16 : 1SS133 or HSS104
- D18~D24 : B3C-1290-05
- D17 : RD6.2ES (B2) or HZS6.2N (B3)

CAUTION: For continued safety, replace safety critical components only with manufacturer's recommended parts (refer to parts list). ⚠ indicates safety critical components. To reduce the risk of electric shock, leakage-current or resistance measurements shall be carried out (exposed parts are acceptably insulated from the supply circuit) before the appliance is returned to the customer.

DC voltages are as measured with a high impedance voltmeter with no signal input. Values may vary slightly due to variations between individual instruments or/and units.

Les tensions c.c. doivent être mesurées avec un voltmètre à haute impédance sans signal d'entrée. Les valeurs peuvent différer légèrement du fait des variations inhérentes aux appareils et aux instruments de mesure individuels.

Die angegebenen Gleichspannungswerte wurden mit einem hochohmigen Spannungsmesser ohne Eingangssignal gemessen. Dabei schwanken die Meßwerte aufgrund von Unterschieden zwischen einzelnen Instrumenten oder Geräten u. U. geringfügig.

2/2

Y08-4900-21

— GND LINE
— +B LINE



PARTS LIST

AUDIO UNIT

Unit No.	Destination
X09-3890-21	M
X09-3892-71	T, E

CONTROL UNIT

Unit No.	Destination
X11-3440-21	M
X11-3442-71	T, E

No.1

Ref. No. 参照番号	Address 位 置	Parts No. 部 品 番 号	Description 部 品 名 / 規 格	Desti- nation 任 向	Re- marks 備 考
A-1001 (UNIT)					
601	1A	A01-3044-01	METALLIC CABINET		
602	2A	A60-0424-11	PANEL ASSY		
604	2A	A21-1847-04	DRESSING PANEL		
605	1B	A70-0939-05	REMOTE CONTROLLER ASSY		
606	1A	A09-0149-08	BATTERY COVER		
615	2A	B01-0510-01	PANEL ESCUTCHEON		
616	2A	B10-1992-04	FRONT GLASS		
617	2A	B11-0267-04	COLOR FILTER		
618	2A	B12-0149-04	INDICATOR		
619	2B	B12-0226-04	INDICATOR		
-	-	B46-0310-03	WARRANTY CARD	TE	
-	-	B52-0539-00	CONNECTING DIAGRAM		
-	-	B60-1220-00	INSTRUCTION MANUAL (ENGLISH)		
-	-	B60-1221-00	INSTRUCTION MANUAL (F.C.D.)	E	
-	-	B60-1225-00	INSTRUCTION MANUAL (CHINESE)	M	
-	-	B60-1226-20	INSTRUCTION MANUAL (SPANISH)	ME	
624	1B	E03-0115-05	AC PLUG ADAPTER	M	
625	1C	E30-2592-15	AC POWER CORD	T	
625	1C	E30-2721-05	AC POWER CORD	T	
J2		E03-0055-05	AC OUTLET	ME	
J2		E03-0085-05	AC OUTLET	T	
631	1C	F20-1297-05	INSULATING SHEET		
-	-	H50-0693-04	ITEM CARTON CASE	ME	
-	-	H50-0843-04	ITEM CARTON CASE	T	
-	-	H10-5528-02	POLYSTYRENE FOAMED FIXTURE		
-	-	H10-5529-02	POLYSTYRENE FOAMED FIXTURE		
-	-	H12-2170-04	PACKING FIXTURE	T	
-	-	H13-0039-04	CARTON BOARD		
-	-	H25-0330-04	PROTECTION BAG	ME	
-	-	H25-0632-24	PROTECTION BAG	ME	
-	-	H25-0644-04	PROTECTION BAG (0632 PRINTED)	T	
-	-	H25-0658-04	PROTECTION BAG (0330 PRINTED)	T	
635	2C	J02-0127-05	FOOT		
636	1C	J12-0091-05	PIN		
642	1C	J42-0078-05	POWER CORD BUSHING		
-	-	J61-0307-05	WIRE BAND		
645	2A	K29-5753-04	KNOB VOLUME		
646	2A	K29-5754-04	KNOB INPUT SELECTOR		
647	2A	K29-5818-14	KNOB N. B. CIRCUIT, BALANCE		
650	1B	L07-0733-05	POWER TRANSFORMER	M	
650	1B	L07-0734-05	POWER TRANSFORMER	T	
650	1B	L07-0736-05	POWER TRANSFORMER	E	
A	1C	N09-0333-05	TAPPING SCREW (3X12)		
B	2B, 1C	N09-1445-05	SET SCREW (M3X8)		
C	1A	N09-3023-05	MACHINE SCREW (3 X 8)		
D	2B, 2C	N35-3006-46	BINDING HEAD MACHINE SCREW		
E	1A, 1B	N88-4006-45	BINDING HEAD TAPTITE SCREW		
F	1A, 2A	N89-3008-45	BINDING HEAD TAPTITE SCREW		
C	1B, 2B	N89-3008-46	BINDING HEAD TAPTITE SCREW		
H	2C	N89-3010-45	BINDING HEAD TAPTITE SCREW		

L:Scandinavia K:USA P:Canada
 Y:PA(Far East, Hawaii) T:England E:Europe
 Y:A:SES(Europe) X:Australia M:Other Areas

⚠ indicates safety critical components.

* New Parts
 Parts without Parts No. are not supplied.
 Les articles non numérotés dans le Parts No. ne sont pas fournis.
 Teile ohne Parts No. werden nicht geliefert.

x New Parts
Parts without Parts No. are not supplied.
Les articles non mentionnés dans le Parts No. ne sont pas fournis.
Teile ohne Parts No. werden nicht geliefert.

No.3

Ref. No. 参照番号	Address 位 置	New Parts 新 部 品	Parts No. 部 品 番 号	Description 部 品 名 / 規 格	Desti- nation 任 務
C129-131			CK45FF1H103Z	CERAMIC	
C132			CK45FB1H222K	CERAMIC	
C133,134			CE04KW1V100M	ELECTRØ	
C135,136			CC45FSL1H020C	CERAMIC	
C137			CE04KW1E470M	ELECTRØ	
J1		*	E63-0098-05	PHØNØ JACK	
J2		*	E63-0101-05	PHØNØ JACK	
J3		*	E70-0034-05	LOCK TERMINAL BOARD SPEAKERS	
J4		*	E63-0098-05	PHØNØ JACK	
J5		*	E63-0099-05	PHØNØ JACK	
J6			E11-0210-05	PHØNE JACK	
F3, 4			F06-1022-05	FUSE (SEHKØ) (250V TIAL)	
CN11-14			J13-0075-05	FUSE CLIP	
L1, 2			L39-0085-05	PHASE COMPENSATION COIL	
G	1C		N89-3008-46	BINDING HEAD TAPITE SCREW	
CP1, 2			R90-0187-05	MULTI-COMP	
R31 -34			R014NB2E101J	RD	
R36			R014NB2E181J	RD	
R37			RS14KB3D220J	FL-PRØØF RS	
R45 -48			R014NB2E220J	RD	
R49 -52			R014NB2E331J	RD	
R53 -56			R014NB2E282J	RD	
R57, 58			RS14KB3D100J	FL-PRØØF RS	
R59, 60			R014NB2E100J	RD	
R61, 62			RS14KB3D331J	FL-PRØØF RS	
R74			RS14KB3A101J	FL-PRØØF RS	
R75			RS14KB3D121J	FL-PRØØF RS	
R77, 78			R014NB2E470J	RD	
R119-122			R014NB2E221J	RD	
R125,126			R014NB2E271J	RD	
R143,144			R014NB2E470J	RD	
R145			R014NB2E100J	RD	
R163,164			R014NB2E101J	RD	
R193-196			R014NB2E101J	RD	
R206			R014NB2E100J	RD	
VR1, 2		*	R12-1084-05	TRIMMING PØT.(1K) IDLE ADJ	
VR3		*	R29-5081-05	PØTENTIØMETER(100K) VØLUME	
VR4		*	R06-5203-05	PØTENTIØMETER(100K) N-B C FREQ	
VR5		*	R06-5204-05	PØTENTIØMETER(100K) N-B C LEVE	
VR6		*	R01-5087-05	PØTENTIØMETER(100K) BALANCE	
K1			S51-2089-05	MAGNETIC RELAY	
K2			S51-2078-05	MAGNETIC RELAY	
D1 -3			HSS104	DIØDE	
D1 -3			ISS133	DIØDE	
D4			HZ54.7N(B2)	ZENER DIØDE	
D4			R04.7ES(B2)	ZENER DIØDE	
D5, 6			HSS104	DIØDE	
D5, 6			ISS133	DIØDE	
D7			RBV-602LFA	DIØDE	
D8 -11			S5686B	DIØDE	
D8 -11			LSR139-100	DIØDE	

No.2

Ref. No. 参照番号	Address 位 置	New Parts 新 部 品	Parts No. 部 品 番 号	Description 部 品 名 / 規 格	Desti- nation 任 務
AUDIO UNIT (X09-389X-XX)					
C1, 2			CF92FV1H331K	MF	TE
C3 -6			C91-0751-05	330PF K	TE
C9, 10			CE04KW1V100M	100UF J	
C11, 12			CC45FSL1H101J	100PF J	
C13, 14			CK45FF1H103Z	0.010UF Z	
C15, 16			CE04KW1E470M	47UF 25WV	
C17, 18			CE92FV1H104J	0.10UF J	
C19, 20			CE04KW1E470M	47UF 25WV	
C21, 22			CK45FB1H102K	1000PF K	
C23, 26			CF92FV1H104J	0.10UF J	
C27, 28			CF92FV1H682J	6800PF J	
C29, 30			CC45FSL1H221J	220PF J	
C31 -34			CK45FF1H103Z	0.010UF Z	
C35			CE04HW1E100M	10UF 25WV	
C36			CE04KWØJ471M	470UF 6.3WV	
C37, 38			CK45FE2H103P	0.010UF P	
C39, 40		*	C90-3523-05	ALUMINIUM ELECTROLYTIC C.	
C41, 42			CE04KW1V102M	1000UF 35WV	
C43 -46			CF92FV1H104J	0.10UF J	
C47, 48			CE04KW1Ø101M	100UF 16WV	
C49, 50			CK45FE1H103Z	0.010UF Z	
C51, 52			CE04KW1Ø101M	100UF 16WV	
C53			CE04HW1E100M	10UF 25WV	
C54			CE04KWØJ471M	470UF 6.3WV	
C55, 56			CE04KW1V100M	100UF 35WV	
C57, 58			CE04KW1V4R7M	4.7UF 35WV	
C59, 60			CC45FSL1H221J	220PF J	
C61, 62			CC45FSL1H121J	120PF J	
C63, 64			CE04KW1E221M	220UF 25WV	
C69, 70			CK45FB1H471K	470PF K	
C71, 72			CC45FSL1H221J	220PF J	
C73, 74			CC45FSL1H030C	3.0PF J	
C75, 76			CK45FE1H103Z	0.010UF Z	
C77, 78			CK45FB1H222K	2200PF K	
C79, 80			CE04KW1H101M	100UF 50WV	
C81			CE04KW1A101M	100UF 10WV	
C82			CE04KW1J100M	10UF 63WV	
C83 -86			CE04KW1V100M	10UF 35WV	
C87, 88			CF92FV1H104J	0.10UF J	
C90, 91			CK45FF1H103Z	0.010UF Z	
C92			CE04KW1E470M	47UF 25WV	
C93, 94			CE04KW1H2R2K	2.2UF 50WV	
C95, 96			CC45FSL1H101J	100PF J	
C97, 98			CF92FV1H474J	0.47UF J	
C99, 100			CF92FV1H184J	0.18UF J	
C101, 102			CE04KW1E101M	100UF 25WV	
C103-112			CF92FV1H331K	330PF K	
C113, 114			CE04KW1V100M	100UF 35WV	
C115, 116			CC45FSL1H101J	100PF J	
C117, 118			CE04KW1V100M	100UF 35WV	
C119, 120			CC45FSL1H101J	100PF J	
C121-124			CE04KW1E470M	47UF 25WV	
C125-128			CE04KW1V100M	100UF 35WV	

No.2

L:Scandinavia K:USA P:Canada
Y:PX(Far East, Hawaii) T:England E:Europe
Y:AFES(Europe) X:Australia M:Other Areas

△ indicates safety critical components.

PARTS LIST

No.5

* New Parts
Parts without Parts No. are not supplied.
Les articles non mentionnés dans le Parts No. ne sont pas fournis.
Teile ohne Parts No. werden nicht geliefert.

Ref. No. 参照番号	Address 位置	Parts No. 部品番号	Description 部品名 / 規格	Desti- nation 仕	Re- marks 備考
△ F1		F05-1623-05	FUSE (SEMKO) (250V T1.6A)	TE	
△ F1	, 2	F05-1623-05	FUSE (SEMKO) (250V T1.6A)	M	
CNS	- 8	J13-0075-05	FUSE CLIP	M	
CNS	, 6	J13-0075-05	FUSE CLIP	TE	
T1		L07-0772-05	POWER TRANSFORMER	TE	
X1		L07-0773-05	POWER TRANSFORMER	M	
		L78-0267-05	RESONATOR (4.194MHZ)		
RA2		RD14NB2E100J	RD		
RA6		RS14KB3D680J	PL-PROOF RS 68 J 1/4W		
		S76-0002-05	MAGNETIC RELAY		
K1	, 3	S40-1064-05	PUSH SWITCH CD DIRECT POWER		
S2		S31-3010-05	SLIDE SWITCH VOLTAGE SELECTOR		
S4		T99-0540-05	ROTARY ENCODER INPUT SELECTOR	M	
S1		SS688B	DIODE		
D1	- 6	1SR139-100	DIODE		
D1	- 6	HSS104	DIODE		
D7	- 16	1SS133	DIODE		
D7	- 16	HZ56-2N(B2)	ZENER DIODE		
D17		RD4-2ES(B2)	ZENER DIODE		
D17		HSS104	DIODE		
D25		1SS133	DIODE		
D25		UP0750Q4CU-199	IC(MICROPROCESSOR)		
IC1		TA78057S	IC(VOLTAGE REGULATOR/+5.75V)		
IC2					
IC3		MN1361-R(TA)	IC(VOLTAGE DETECT)		
IC3		S-8074DAL	IC(VOLTAGE DETECTOR)		
Q1		2SC2458(Y,GR)	TRANSISTOR		
Q1		2SC331A(G,R)	TRANSISTOR		
Q2		2SC2003(L,K)	TRANSISTOR		
A1		W02-1174-05	ELECTRIC CIRCUIT MODULE		

No.4

* New Parts
Parts without Parts No. are not supplied.
Les articles non mentionnés dans le Parts No. ne sont pas fournis.
Teile ohne Parts No. werden nicht geliefert.

Ref. No. 参照番号	Address 位置	Parts No. 部品番号	Description 部品名 / 規格	Desti- nation 仕	Re- marks 備考
D12 -14		HSS104	DIODE		
D12 -14		1SS133	DIODE		
D23 -35		HSS104	DIODE		
D23 -35		1SS133	DIODE		
D36		HZ55-1N(B2)	ZENER DIODE		
D36		RD5-1ES(B2)	ZENER DIODE		
D37 , 38		HSS104	DIODE		
D37 , 38		1SS133	DIODE		
D39 , 40		HZ52-7N(B2)	ZENER DIODE		
D39 , 40		RD2-7ES(B2)	ZENER DIODE		
IC1		NJM4565D-D	IC(OP AMP X2)		
IC2		TC9164N	IC(16CH BILATERAL SELECTOR SW)		
IC3		UPC7815AHF	IC(VOLTAGE REGULATOR/+15V)		
IC4		UPC7915HF	IC(VOLTAGE REGULATOR/-15V)		
ICS , 6		NJM4565D-D	IC(OP AMP X2)		
IC7		B46209N	IC(MOTOR DRIVER)		
IC8		NJM4565D-D	IC(OP AMP X2)		
Q1 - 3		2SC2003(L,K)	TRANSISTOR		
Q4		2SA1048(Y,GR)	TRANSISTOR		
Q4		2SA1309A(Q,R)	TRANSISTOR		
Q5		2SC2878(B)	TRANSISTOR		
Q6		2SA1048(Y,GR)	TRANSISTOR		
Q6		2SA1309A(Q,R)	TRANSISTOR		
Q7		2SC2003(L,K)	TRANSISTOR		
Q10		2SA1048(Y,GR)	TRANSISTOR		
Q10		2SA1309A(Q,R)	TRANSISTOR		
Q11 , 12		2SC2878(B)	TRANSISTOR		
Q17 - 20		2SA915(L)	TRANSISTOR		
Q25 - 28		2SC1845(F,E)	TRANSISTOR		
Q29 , 30		2SA992(F,E)	TRANSISTOR		
Q31 - 34		2SC1845(F,E)	TRANSISTOR		
Q35 , 36		2SC3944(Q,R,S)	TRANSISTOR		
Q37 , 38		2SA1535(Q,R,S)	TRANSISTOR		
Q39 , 40		2SC2837	TRANSISTOR		
Q41 , 42		2SA1186	TRANSISTOR		
Q43 , 44		2SC4137	TRANSISTOR		
CONTROL UNIT (X11-344X-XX)					
D18 -24		B30-1290-05	LED(LN2IRCALSX(U)-(TA4))		
C1 - 3		CE04KW1B331M	ELECTRO		
C4 , 5		CF2FV1H124J	ME 330UF 25WV J		
C6		C90-3222-05	ELECTRO 100UF 10WV		
C7		C90-3245-05	ELECTRO 22UF 35WV		
C8 , 9		CF2FV1H103J	ME 0.010UF J		
C10		C90-3222-05	ELECTRO 100UF 10WV		
C11		C90-1627-05	BACKUP 0.047F 5.5WV		
C12 , 13		C90-3253-05	ELECTRO 1UF 50WV		
C14 , 15		CK45FF1H103Z	CERAMIC 0.010UF Z		
C16		C90-3253-05	ELECTRO 1UF 50WV		
C17 , 18		CE04KW1H010M	ELECTRO 1.0UF 50WV		
C19		CK45FF1H103Z	CERAMIC 0.010UF Z		
C20 , 21		C91-1439-05	FILM 0.01UF 250VAC		
C22 , 23		CC45FSL1H221J	CERAMIC 220PF J		
J1		E08-0312-05	RECTANGULAR RECEPTACLE SYNCHRO		

L:Scandinavia K:USA P:Canada
Y:Far East, Hawaii T:England E:Europe
X:Australia M:Other Areas

L:Scandinavia K:USA P:Canada
Y:Far East, Hawaii T:England E:Europe
X:Australia M:Other Areas

△ indicates safety critical components

△ indicates safety critical components

A-1001

SPECIFICATIONS

(For UK and Europe)

Rated power output

From 20 Hz to 20 kHz, 0.09 % T.H.D.
at 8 Ω 40 W + 40 W

(DIN) 1 kHz at 8 Ω 45 W + 45 W

(IEC / NF) From 63 Hz to 12,500 Hz, 0.7 % T.H.D.
at 8 Ω 45 W + 45 W

Total harmonic distortion

..... 0.09 % (20 Hz ~ 20 kHz, 20 W, 8 Ω)

..... 0.009 % (1 kHz, 20 W, 8 Ω)

Frequency response

LINE (CD) 10 Hz ~ 80 kHz, +0 dB, -3 dB

Signal to noise ratio

(IHF'66)

LINE (CD) 100 dB

CD DIRECT 103 dB

(DIN)

LINE (CD) 65 dB (50 mW output)

CD DIRECT 65 dB (50 mW output)

Input sensitivity / impedance

LINE (CD) 250 mV / 47 k Ω

ADAPTOR IN 250 mV / 47 k Ω

N.B. CIRCUIT

Variable Frequency 40 Hz ~ 90 Hz

Control range \pm 10 dB

Output level / impedance

TAPE REC 200 mV / 270 Ω

ADAPTOR OUT 200 mV / 270 Ω

SUPER WOOFER preout 1.8 V / 600 Ω

GENERAL

Power consumption 90 W

AC outlet

SWITCHED 1 (250 W max.)

Dimensions W : 270 mm (10 - 5/8")

H : 136 mm (5 - 3/8")

D : 346 mm (13 - 5/8")

Weight (Net) 7.6 kg (16.7lb)

(For Other countries)

Rated power output

From 20 Hz to 20 kHz, 0.09 % T.H.D.
at 8 Ω 40 W + 40W

(IEC / NF) From 63 Hz to 12,500 Hz, 0.7 % T.H.D.

at 8 Ω 45 W + 45 W

Total harmonic distortion

..... 0.09 % (20 Hz ~ 20 kHz, 20 W, 8 Ω)

..... 0.009 % (1 kHz, 20 W, 8 Ω)

Frequency response

LINE (CD) 10 Hz ~ 80 kHz, +0 dB, -3 dB

Signal to noise ratio

(IHF'66)

LINE (CD) 100 dB

CD DIRECT 103 dB

Input sensitivity / impedance

LINE (CD) 250 mV / 47 k Ω

ADAPTOR IN 250 mV / 47 k Ω

N.B. CIRCUIT

Variable Frequency 40 Hz ~ 90 Hz

Control range \pm 10 dB

Output level / impedance

TAPE REC 200 mV / 270 Ω

ADAPTOR OUT 200 mV / 270 Ω

SUPER WOOFER preout 1.8 V / 600 Ω

GENERAL

Power consumption 90 W

AC outlet

SWITCHED 1 (250 W max.)

Dimensions

W : 270 mm (10 - 5/8")

H : 136 mm (5 - 3/8")

D : 346 mm (13 - 5/8")

Weight (Net) 7.6 kg (16.7lb)

PPHU FOXEL *Jolanta Palupska*

ul. Dębowa 3, 55-090 Długoteka

tel. 71/315 2119 kom. 509 47 93 77

NIP 694-151-45-27 Regon 390640540

mBank 61 1140 2004 0000 3902 5893 0333

<http://e-schematy.pl> foxel@foxel.com.pl

KENWOOD CORPORATION

Alive Mitake, 2-5, 1-chome Shibuya, Shibuya-ku, Tokyo 150, Japan

KENWOOD SERVICE CORPORATION

P.O. BOX 22745, 2201 East Dominguez St., Long Beach, CA 90801-5745, U.S.A.

KENWOOD ELECTRONICS CANADA INC.

6070 Kestrel Road, Mississauga, Ontario, Canada L5T 1S8

KENWOOD ELECTRONICS LATIN AMERICA S.A.

P.O. BOX 55-2791, Piso 6 Plaza Chase, Cl. 47 y Aquilino de la Guardia, Panama,

Republic de Panama

TRIO-KENWOOD U.K. LIMITED

Kenwood House, Dwight Road, Watford, Herts, WD1 8EB, United Kingdom

KENWOOD ELECTRONICS BENELUX N.V.

Mechelsesteenweg 418 B-1930 Zaventem, Belgium

KENWOOD ELECTRONICS DEUTSCHLAND GMBH

Rembrücker Str. 15, 63150 Heusenstamm, Germany

TRIO-KENWOOD FRANCE S.A.

13 Boulevard Ney, 75018 Paris, France

KENWOOD ELECTRONICS ITALIA S.p.A.

Via G. Sirtori, 7/9 20129 Milano, Italy

KENWOOD ESPANA S.A.

Bolivia, 239 08020 Barcelona, Spain

KENWOOD ELECTRONICS AUSTRALIA PTY. LTD. (A.C.N. 001 499 074)

P.O. BOX 504, 8 Figtree Drive, Australia Centre, Homebush, N.S.W. 2140, Australia

KENWOOD & LEE ELECTRONICS, LTD.

Unit 3712-3724, Level 37 Tower 1, Metroplaza, 223 Hing Fong Road,

Kwai Fong N.T. Hong Kong

KENWOOD ELECTRONICS SINGAPORE PTE LTD

No. 1 Genting Lane #07-00, KENWOOD Building, Singapore, 1334

KENWOOD follows a policy of continuous advancements in development.
For this reason specifications may be changed without notice.

KENWOOD poursuit une politique de progrès constants en ce qui concerne le développement.
Pour cette raison, les spécifications sont sujettes à modifications sans préavis.

KENWOOD strebt ständige Verbesserungen in der Entwicklung an.
Daher bleiben Änderungen der technischen Daten jederzeit vorbehalten.

Note:

Component and circuitry are subject to modification to insure best operation under differing local conditions. This manual is based on the U.S.A. (K) standard, and provides information on regional circuit modification through use of alternate schematic diagrams, and information on regional component variations through use of parts list.