

- X08-247X-XX A/3
- X08-247X-XX
- IC1 : TC9153N  
 IC2 : TC9154N  
 IC3 : TC9215P  
 IC4-6 : APC4574C  
 or NJM2056D
- IC7, 8, 12 : NJM4555D-D  
 IC9 : NJM4555L  
 IC10 : TC4052BP  
 IC11 : MC14577A  
 Q1-6, 11 : 2SC3311A (Q, R)  
 or 2SC1740S (Q, R)
- Q12, 13 : 2SA1309A (Q, R) D1, 2  
 or 2SA933S (Q, R)  
 Q14, 15 : UN4212 or D3, 13, 14  
 DTC124ES  
 D5-12 : X08-247X-XX

COUNTRY	ABB	UNIT	MARK	REF. NO	W
GENERAL MARKET	M			0-21	
ENGLAND	X				
AUSTRALIA	X				
EUROPE	E				

- 2SA1123 2SC1923  
 2SA733 (A) 2SC2003  
 2SA992 2SC2878  
 2SC1845 2SC945 (A)

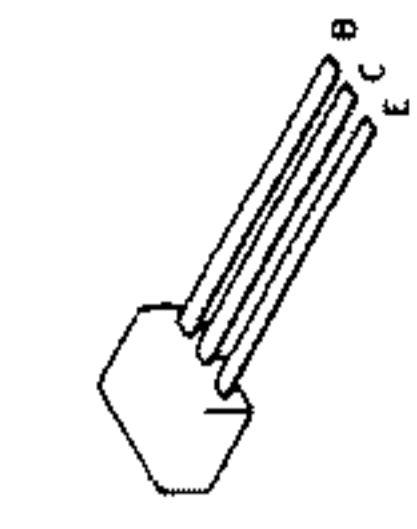
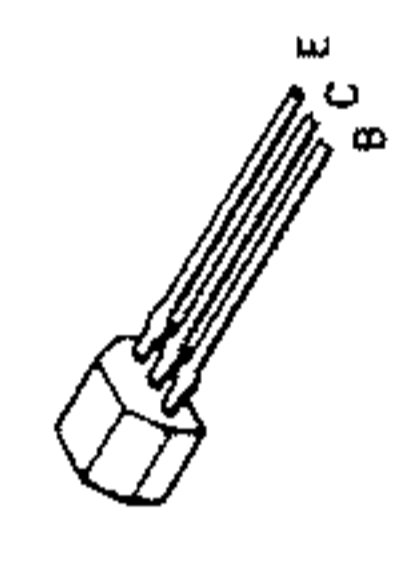
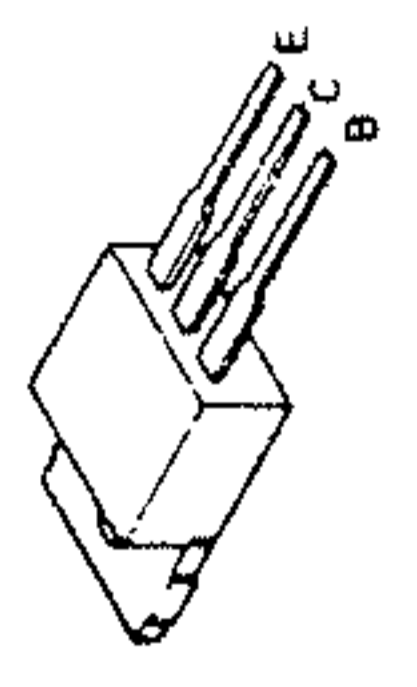
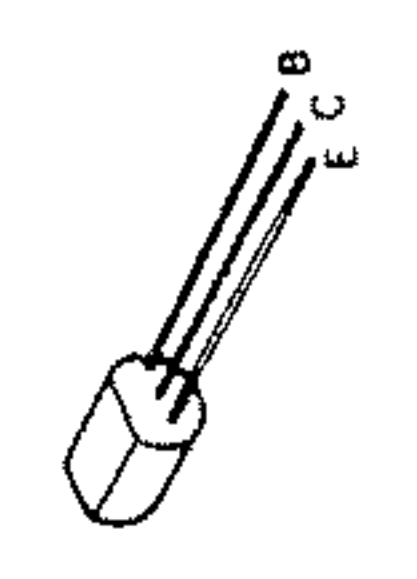
2SD1266

- DTC124ES  
 2SA933S  
 2SC1740S

2SC4137

2SB941

- UN4212  
 2SA1309A  
 2SC3311A



DC voltages are as measured with a high impedance voltmeter with no signal input. Values may vary slightly due to variations between individual instruments or/and units.

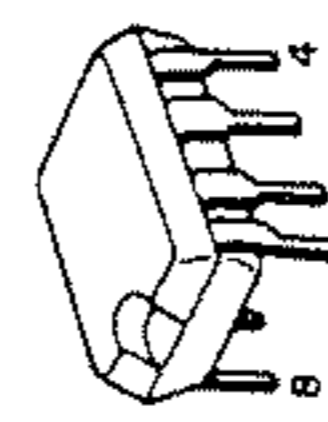
Les tensions c.c. doivent être mesurées avec un voltmètre à haute impédance sans signal d'entrée. Les valeurs peuvent différer légèrement du fait des variations inhérentes aux appareils et aux instruments de mesure individuels.

Die angegebenen Gleichspannungswerte wurden mit einem hochohmigen Spannungsmesser ohne Eingangssignal gemessen. Dabei schwanken die Meßwerte aufgrund von Unterschieden zwischen einzelnen Instrumenten oder Geräten u. U. geringfügig.

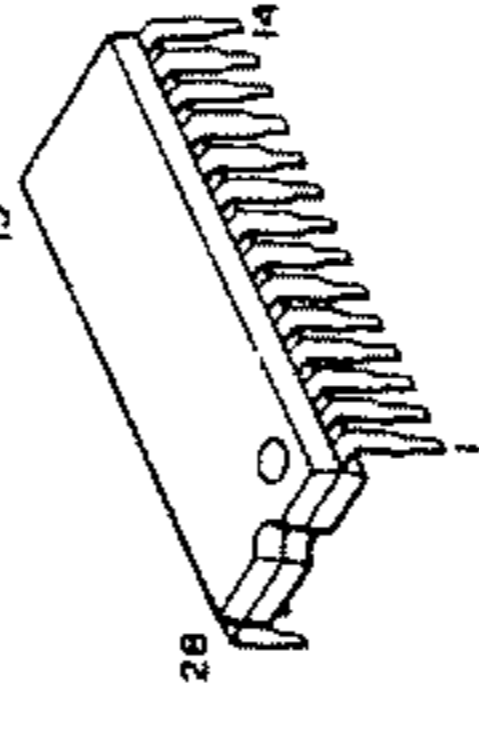
**CAUTION:** For continued safety, replace safety critical components only with manufacturer's recommended parts (refer to parts list). **⚠** Indicates safety critical components. To reduce the risk of electric shock, leakage-current or resistance measurements shall be carried out (exposed parts are acceptably insulated from the supply circuit) before the appliance is returned to the customer.



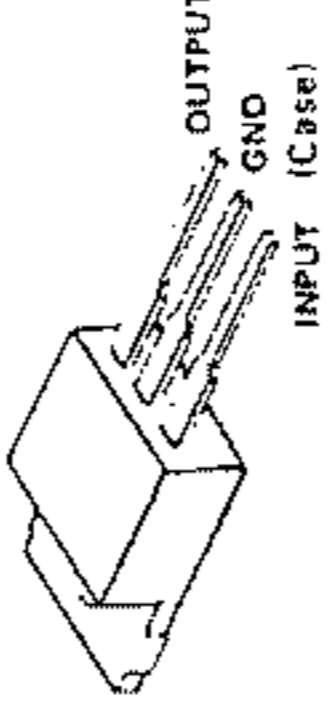
TA8409S



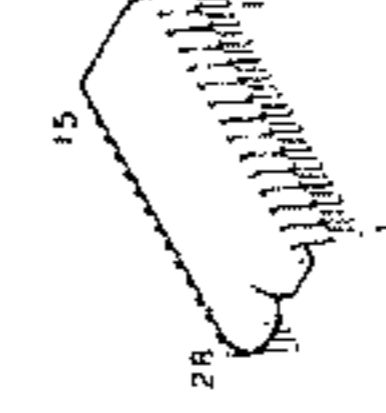
BA10393  
UPC4072C



LC7883K



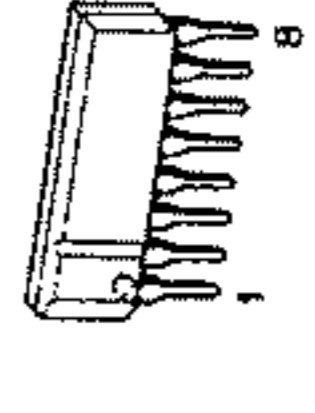
UPC7805HF  
UPC7815HF



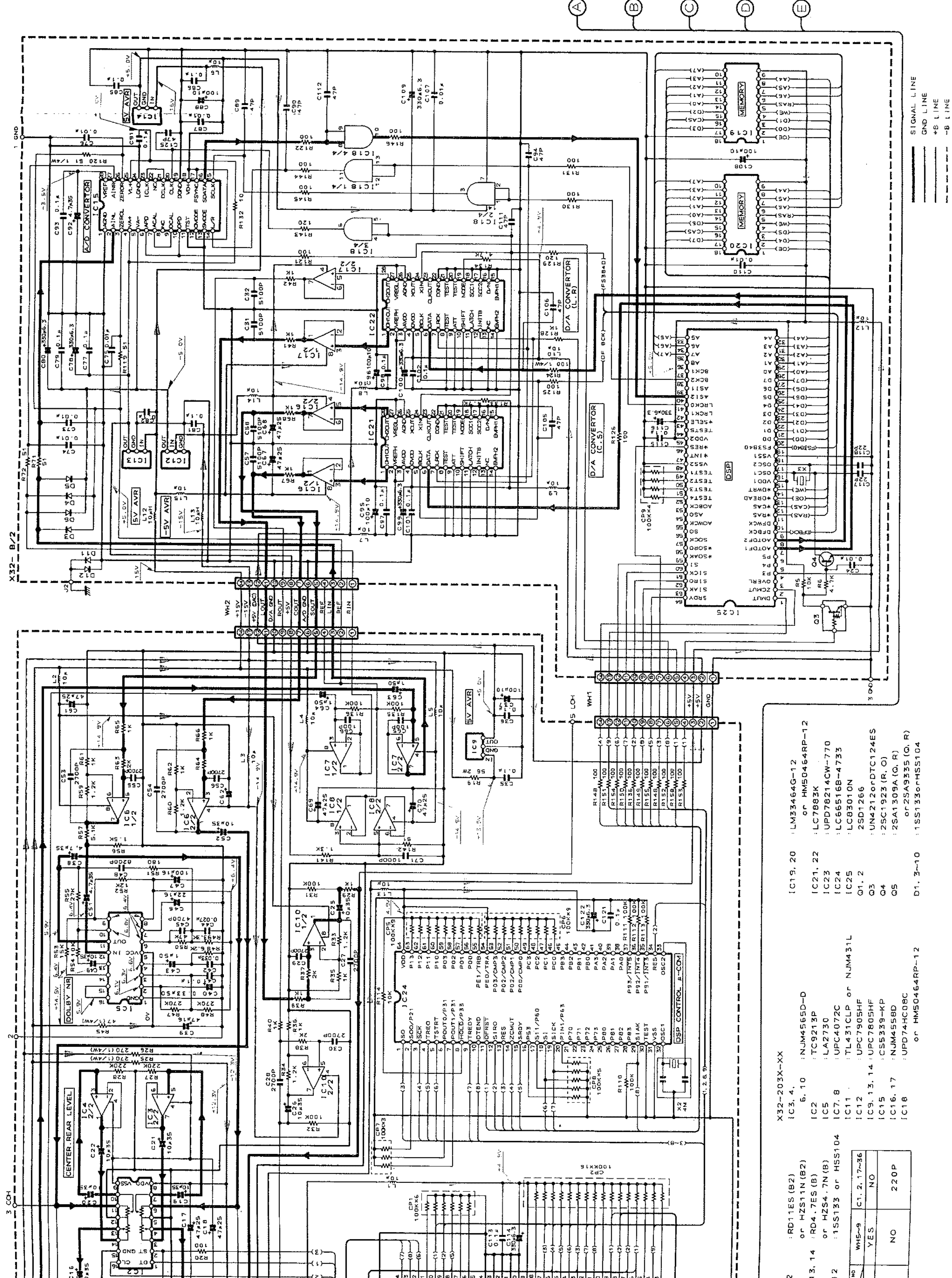
TC9163N  
TC9164N



UPC7905HF



NJM4551L

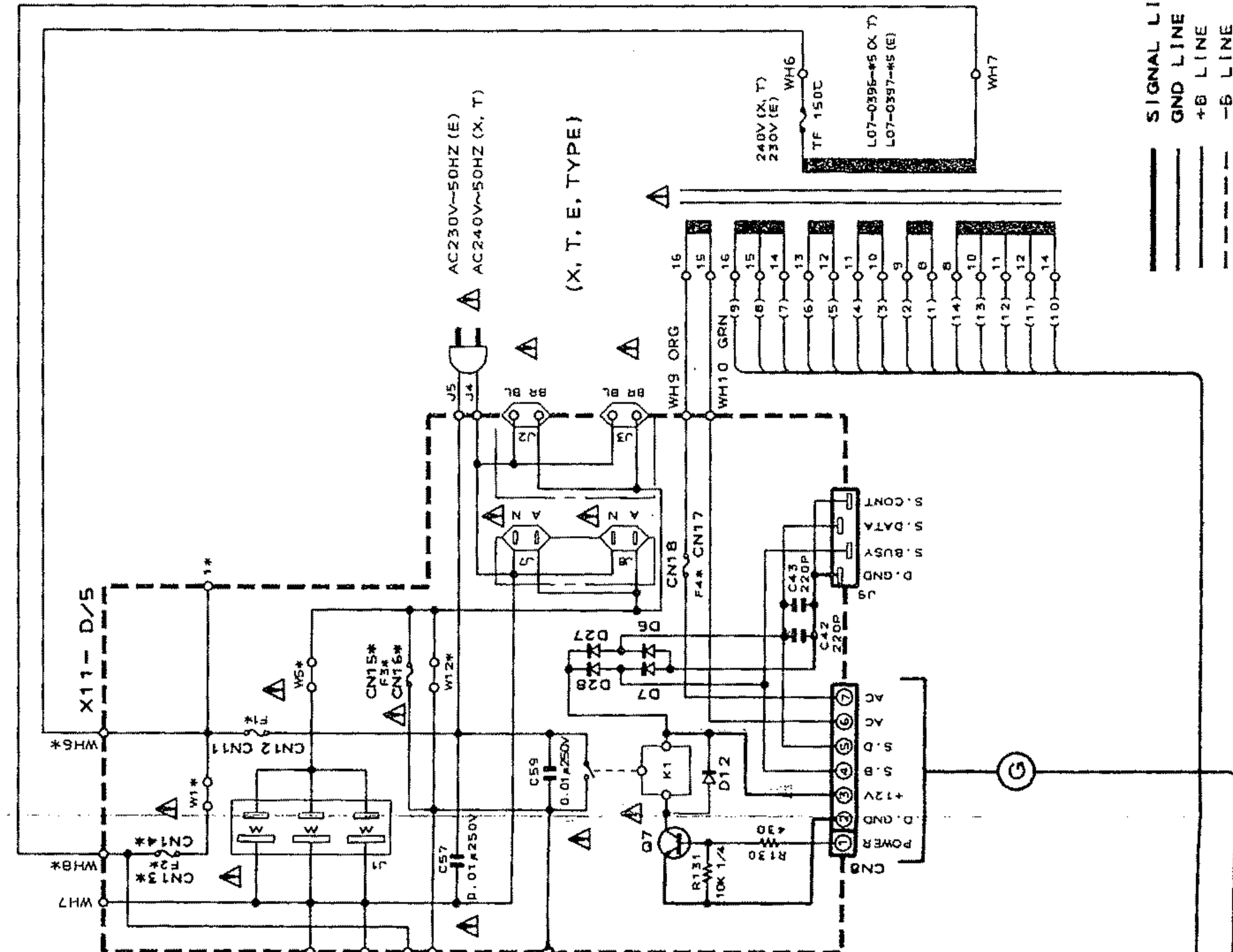
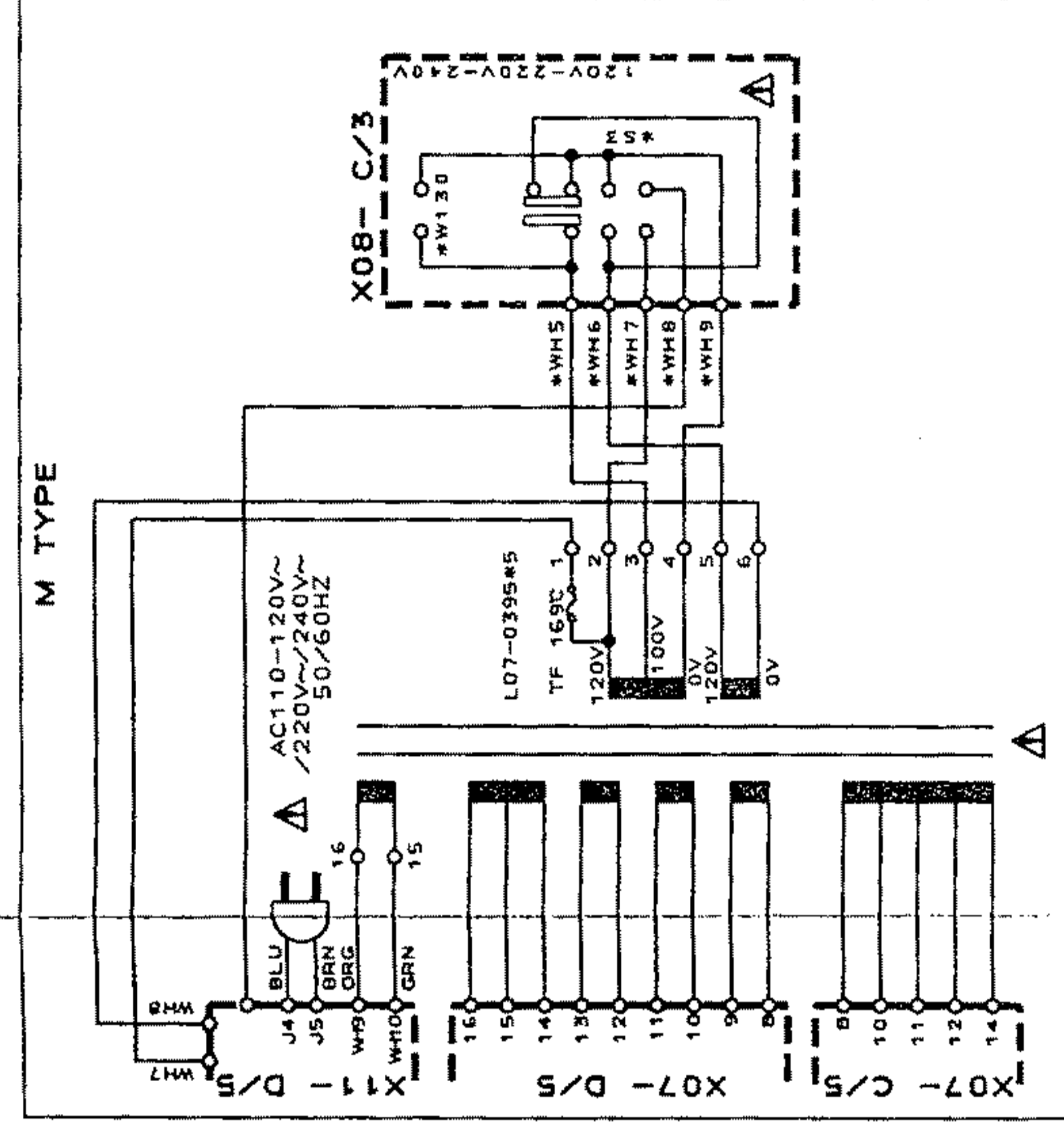
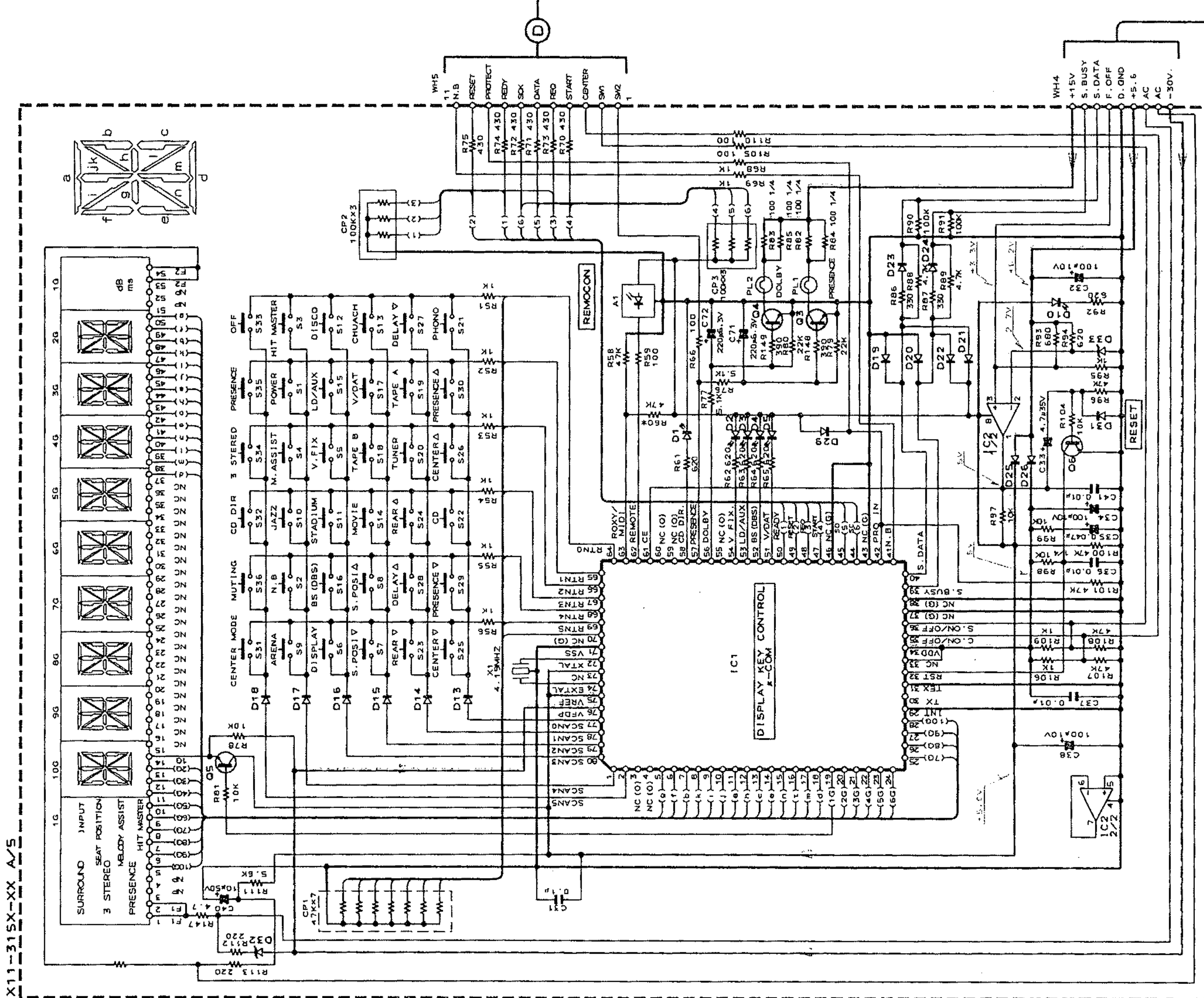


- |        |                               |          |  |
|--------|-------------------------------|----------|--|
| 2      | RD11ES (B2)<br>or HZS11N(B2)  | IC3, 4   | LM33464G-12<br>or HNS0454RP-12   |
| 13, 14 | RD4.7ES (B)<br>or HZS4.7N (B) | IC2      | NJM4555D   |
| 12     | 15S133 or HSS104              | IC21, 22 | LA2730   |
|        |                               | IC23     | UPC4574C<br>UPD74HC08C   |
|        |                               | IC24     | TC4052BP<br>TC9213P<br>TC9215P   |
|        |                               | IC25     | NJM2058D   |
|        |                               | Q1, 2    | LA2730   |
|        |                               | Q3       | UPC4574C<br>UPD74HC08C   |
|        |                               | Q4       | LA2730   |
|        |                               | Q5       | UPC4574C<br>UPD74HC08C   |
|        |                               | D1, 3-10 | NJM4558D<br>NJM4565D-D   |
|        |                               |          | or HNS0454RP-12<br>or 2SA9335 (Q, R)<br>or 2SA9335 (Q, R)<br>or 15S133 or HSS104 |



4	W185, 186	1CA
NO	STK4145MK2	
YES	STK4145MK5	
YES	STK4145MK2	

X11-315X-XX		X11-315X-XX A/S	
COUNTRY	ABB	W185, 186	1CA
GENERAL MARKET	M	0-21	
ENGLAND	T	0-51	
AUSTRALIA	X	0-71	
EUROPE	E	2-71	



DC voltages are as measured with a high impedance voltmeter with no signal input. Values may vary slightly due to variations between individual instruments or/and units.

Les tensions c.c. doivent être mesurées avec un voltmètre à haute impédance sans signal d'entrée. Les valeurs peuvent différer légèrement du fait des variations inhérentes aux appareils et aux instruments de mesure individuels.

Die angegebenen Gleichspannungswerte wurden mit einem hochohmigen Spannungsmesser ohne Eingangssignal gemessen. Dabei schwanken die Meßwerte aufgrund von Unterschieden zwischen einzelnen Instrumenten oder Geräten u. U. geringfügig.

**CAUTION:** For continued safety, replace safety critical components only with manufacturer's recommended parts (refer to parts list).  $\Delta$  indicates safety critical components. To reduce the risk of electric shock, leakage-current or resistance measurements shall be carried out (exposed parts are acceptably insulated from the supply circuit) before the appliance is returned to the customer.

SIGNAL LINE  
GND LINE  
+B LINE  
-B LINE

- 68X-XX : UPC7805HF
- : NJM4580L-D
- : UPC7815HF
- : \*
- 13, 14 : 2SA992 (F, E)
- 15, 16 : 2SC1845 (F, E)
- : 2SD2276
- 2      : 2S91503
- : 2SC4137 (V, W)
- 33, 34 : 2SC2078 (B)
- 7, 28 : 2SA733 (A) (O, P)
- : or 2SA933S (O, R)
- : 2S9941
- 7, 38 : 2SC945 (A) (O, P)
- : or 2SC1704S (O, R)
- : DTC124ES
- 3-44   : 2SA1123 (R, S)
- : 2SC2003 (L, K)
- : DSBA20F03
- : DSBA20F03
- 34      : S55668
- 22-28 : 1S5131
- : or HSS104A
- : RD4, 7ES (B)
- : or HZ54, 7N (B)
- : RD6, 8ES (B2)
- : or HZ56, 8N (B2)

- X11-315X-XX
- IC1 : CXF5012-3420
- IC2 : B01012-035
- IC3 : NJM4580L-D
- IC4 : TAB4055
- Q10 : 2SA933S (O, R)
- : or 2SA1309A (O, R)
- : 2SC1740S (O, R)
- Q1, 2, 3, 4 : 2SC1740S (O, R)
- 5, 6, 8, 9 : or 2SC8311A (O, R)
- D32 : RD6, 8ES (B2)
- D33, 36 : or HZ55, 8N (B2)
- D34 : or HZ52, 7N (B2)
- D35, 10 : or HZ53, 7N (B2)
- D30 : RD4, 7ES (B2)
- D30 : or HZ54, 7N (B2)
- D30 : or W02-1046-05
- D30 : or W02-0776-05