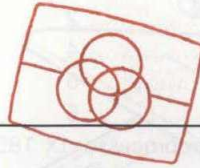


# CP-E7

## SERVICE MANUAL

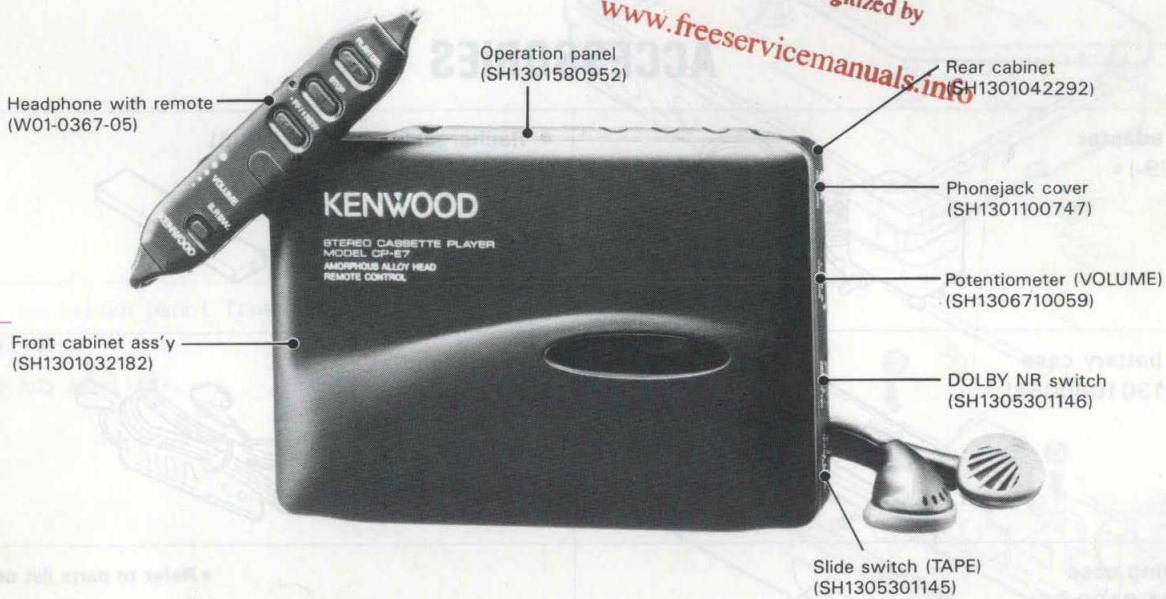
©1991-1 PRINTED IN JAPAN  
B51-4202-00(T)2614



Free service manuals  
Gratis schema's

Digitized by

www.freeservicemanuals.info



### SPECIFICATIONS

<b>Track arrangement:</b>	4-track, 2-channel, stereo
<b>Frequency range:</b>	20 to 18,000 Hz (NORMAL tape) 20 to 18,000 Hz (METAL tape)
<b>Maximum output:</b>	5 mW+5 mW (DC, 16 ohms)
<b>Output terminal:</b>	Phones jack, 3.5 φ stereo mini x 1
<b>Power source:</b>	Battery DC 1.5 V (UM-3, AA) x 1
<b>Battery life:</b>	Using rechargeable battery Approx. 3 hours (1 mW output) Approx. 12 hours using both rechargeable battery and alkalinemanganese batteries.
<b>Maximum dimensions:</b>	109.8 (W) x 76.6 (H) x 24.4 (D) mm 4-1/4" (W) x 3" (H) x 1" (D)
<b>Weight:</b>	143 g (0.3 lbs) (including rechargeable battery)
<b>Accessories:</b>	Stereo headphones x 1 AC adaptor x 1 Rechargeable nickel-cadmium battery x 1 Battery case (for drycell) x 1 Soft carrying porch x 1
<b>&lt;AC adaptor&gt;</b>	AC 120 V (U.S.A. and Canada Type) AC 220 V (Europe) AC 240 V (U.K.) AC 115 V/230 V switchable (All other countries)

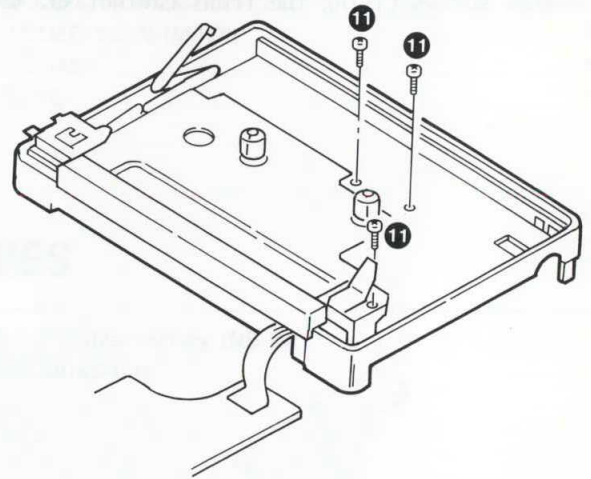
**Note:**

We follow a policy of continuous advancements in development. For this reason specifications may be changed without notice.

Digitized by www.freeservicemanuals.info 2020

## DISASSEMBLY FOR REPAIR

10. Remove screws fixing mechanism ass'y (11).



## ADJUSTMENT

■ TO WORK THE MECHANISM WHEN REMOVING PCB  
PREPARATION (Fig.6-1 and 2)

1. Connect 4 motor leads (A-D) with solenoid's leads (E, F).

Note: Pay attention to polarity

2. Connect the dummy switch and turn it off.
3. Connect the tape transport dummy signal lead (G).
4. Supply power (1.5V).

### OPERATION

#### 1. PLAYBACK

- 1) Press the PLAY/DIR knob.
- 2) When the motor starts running and release solenoid, turn on the dummy switch.

#### 2. DIRECTION

- 1) After the Play operation has been completed, press the PLAY/DIR knob again.
- 2) When the motor starts running and the solenoid is released, turn off the dummy switch.
- 3) When the solenoid is released again, turn on the dummy switch.
- 4) Set the FWD/REV switch to released position.

#### 3. STOP/FF/REW

- 1) Press the STOP, FF/REW knob.
- 2) When the solenoid is released, turn off the dummy switch.

#### 4. FF/REW from STOP mode

- 1) Turn off the dummy switch, and press the FF/REW knob.

#### 5. TAPE END

- 1) Set to one of the above-mentioned modes.
- 2) Cut the tape transport dummy lead (G).

### Cautions

1. If the remote control not acceptable, turn off the dummy switch, and connect the reset pin (pin34 of IC5) to earth.
2. Take care not to bend the flexible pcb. Carefully handle the main pcb.
3. When restoring the initial state, remove the solder at the place where the connected lead has been removed.



## ADJUSTMENT

## ADJUSTMENT

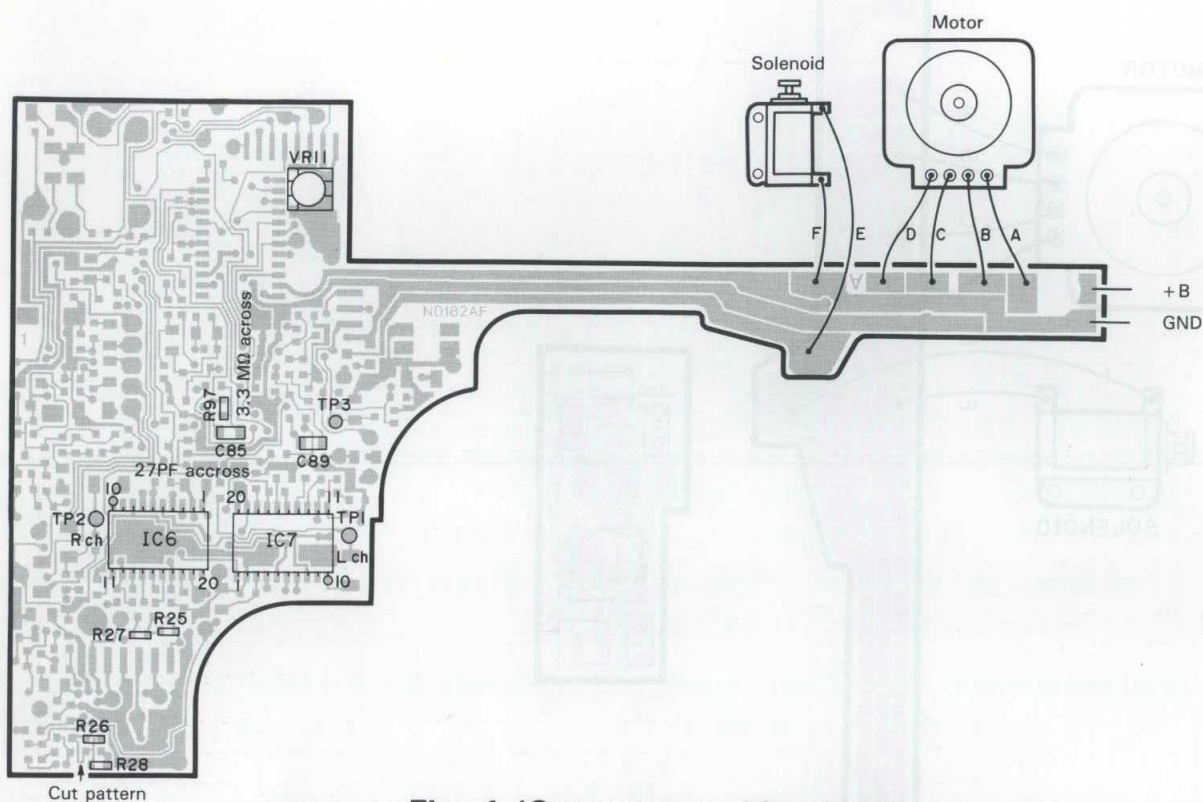


Fig. 1 (Component side view)

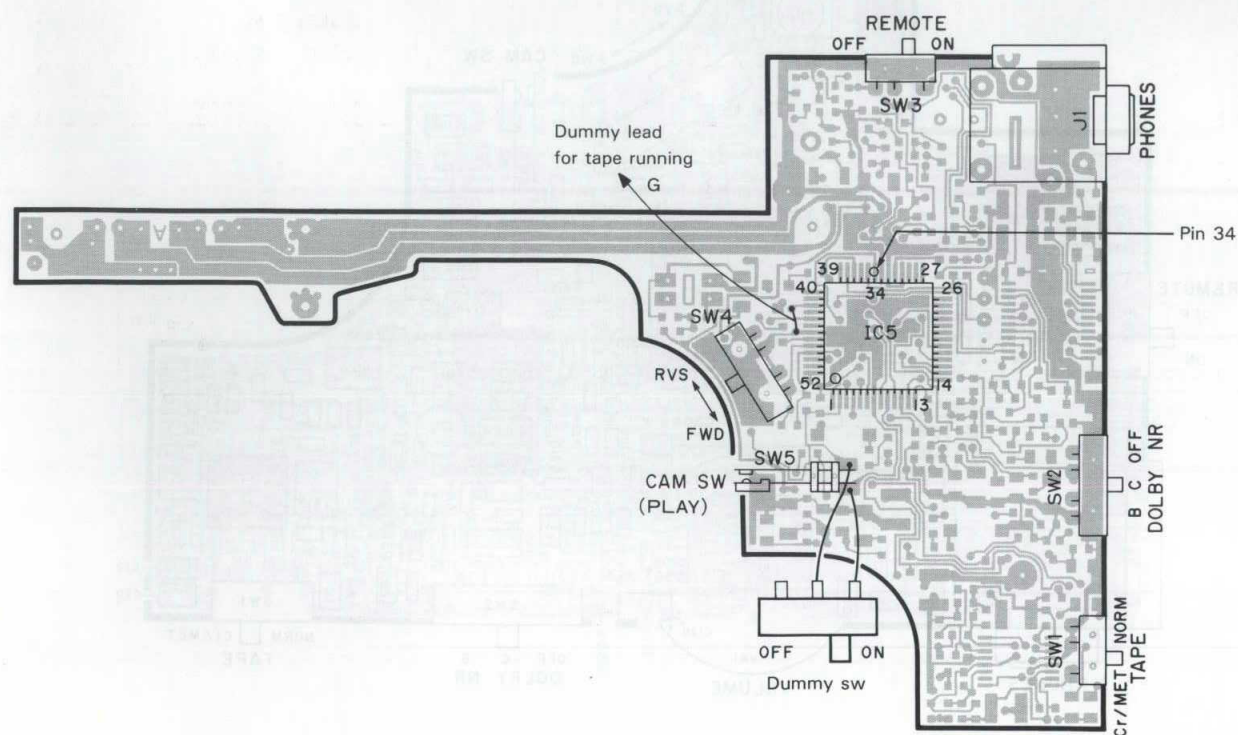


Fig. 2 (Foil side view)

No.	ITEM	INPUT SETTINGS	OUTPUT SETTINGS	CASSETTE SETTINGS	ALIGNMENT POINTS	ALIGN FOR	FIG.
CLEANING AND CONFIRMATION ITEM(*)							
1	DEMAGNETIZATION	-	-	POWER :OFF	PLAYBACK head, capstan, pinch roller	Demagnetize the REC/PLAY head with a head-demagnetizer. Clean the REC/PLAY head capstan, and pinch roller using a cotton swab slightly damped with alcohol.	
*	DRIVING POWER (FWD PLAYBACK)	Casste torque gage TW-2412	-	FWD PLAY	-	More than 50g	
*	DRIVING POWER (RVS PLAYBACK)	Casste torque gage TW-2422	-	RVS PLAY	-	More than 50g	
*	TORQUE (FWD PLAYBACK)	Casste torque gage TW-2111	-	FWD PLAY	-	22~ 30g-cm	
*	TORQUE (RVS PLAYBACK)	Casste torque gage TW-2121	-	RVS PLAY	-	22~ 30g-cm	
*	TORQUE (FF/REW)	Casste torque gage TW-2231	-	FF or REW	-	More than 50g-cm	
Note: Free-adjust of AZIMUTH							
CASSETTE SECTION							
<1>	TAPE SPEED	MTT-111, TC-110 3kHz, -4dB	Connect frquency counter to PHONE jacks	PLAY	VR11	3000Hz±60Hz	
<2>	PLAYBACK LEVEL	MTT-150 400Hz, 200nWb/m	Connect AC voltmeter to TP1(L-ch) or TP2(R-ch)	PLAY	R27, R28 R25, R26 Pattern cut	24.5mV±1dB (refer to table1)	
<3>	CLOCK FREQ.	-	Connect frequency counter to TP3	PLAY	C85, R97	2.0kHz~2.5kHz (refer to table2)	
*	WOW/FLUTTER	MTT-111, TC-110 3kHz, -4dB	Connect wow/flutter meter to PHONE jacks.	PLAY	-	0.47%(JIS, UNWTD)	

**PLAYBACK AMP SENSITIVITY CHECK**

If not get the specified value (24.5mV ± 1dB) at pin 10 of IC7 (L-ch) or of IC6 (R-ch) (TP1 and TP2)

	R27, R28	R25, R26	Pattern cut
Less than 24.5mV	add 3.9kΩ	-	x
24.5mV	-	-	x
More than 24.5mV	-	add 47Ω	o

<table1>

**CLOCK FREQUENCY ADJUSTMENT**

Connect the frequency counter to TP3 in suppling 1.2Vdc.

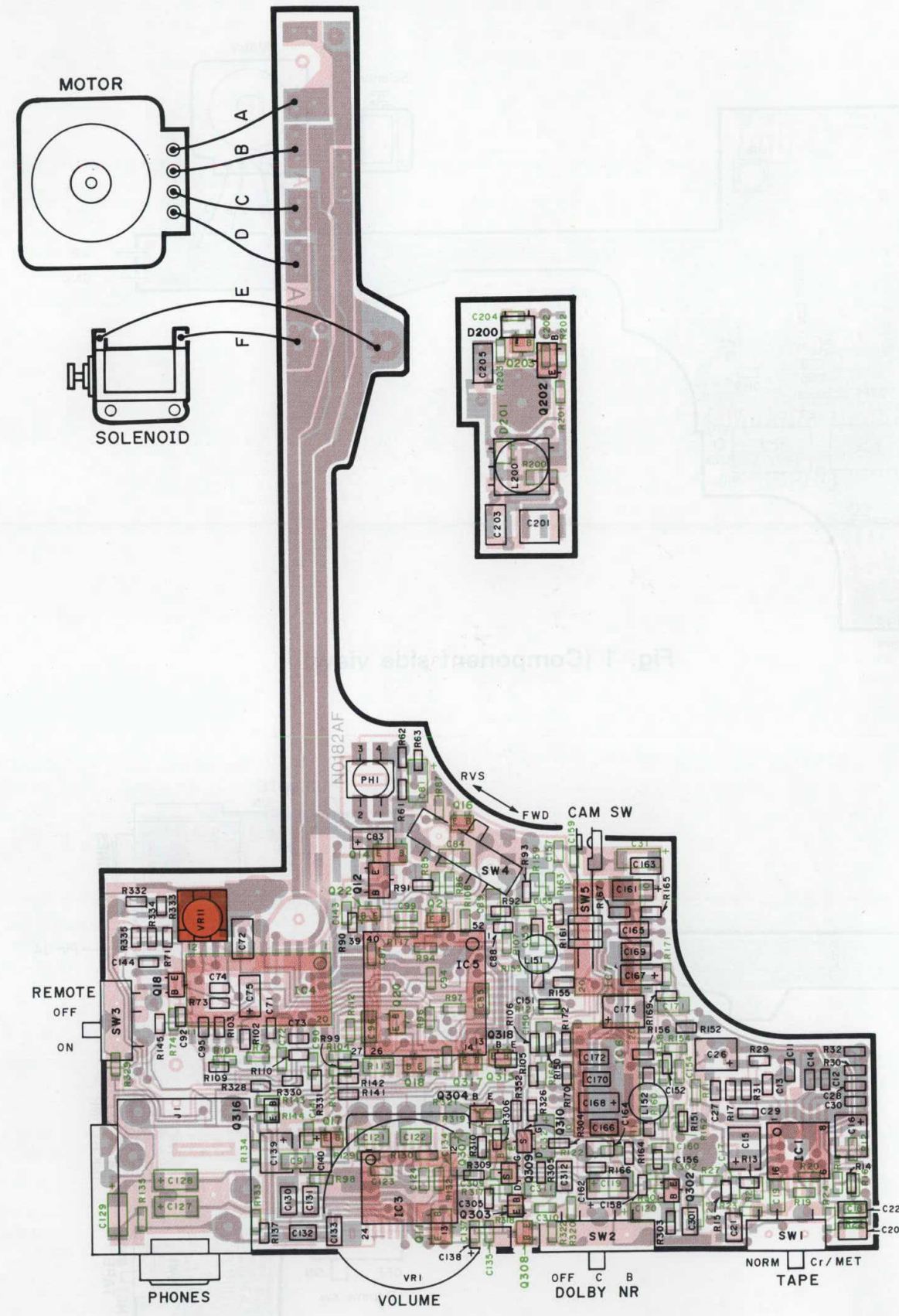
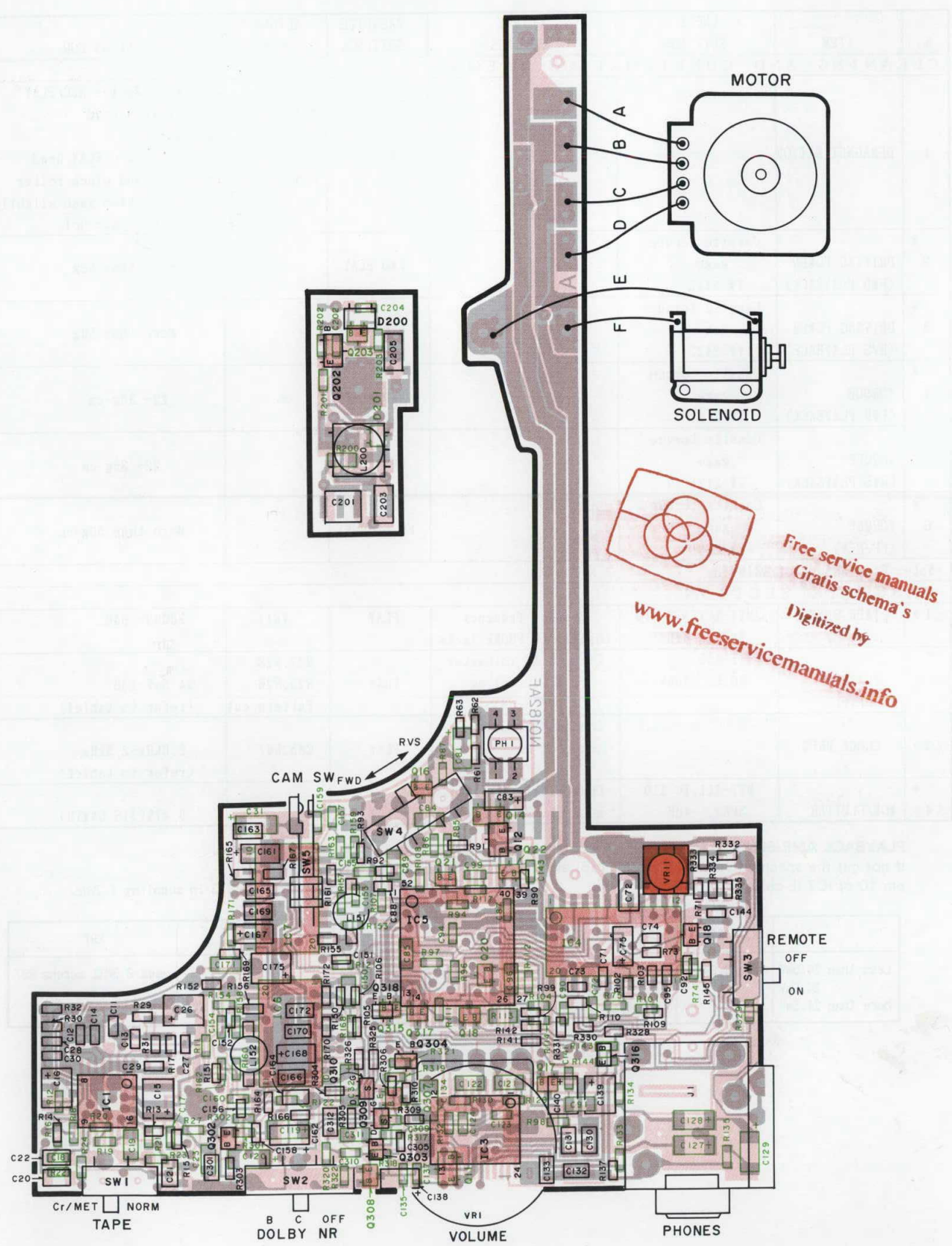
	C85	R97
Less than 2.0kHz	-	add 3.3MΩ across R97
2.0kHz-2.5kHz	-	-
More than 2.5kHz	add 27pF across C85	-

<table2>



# PC BOARD (Component side view)

# PC BOARD (Foil side view)



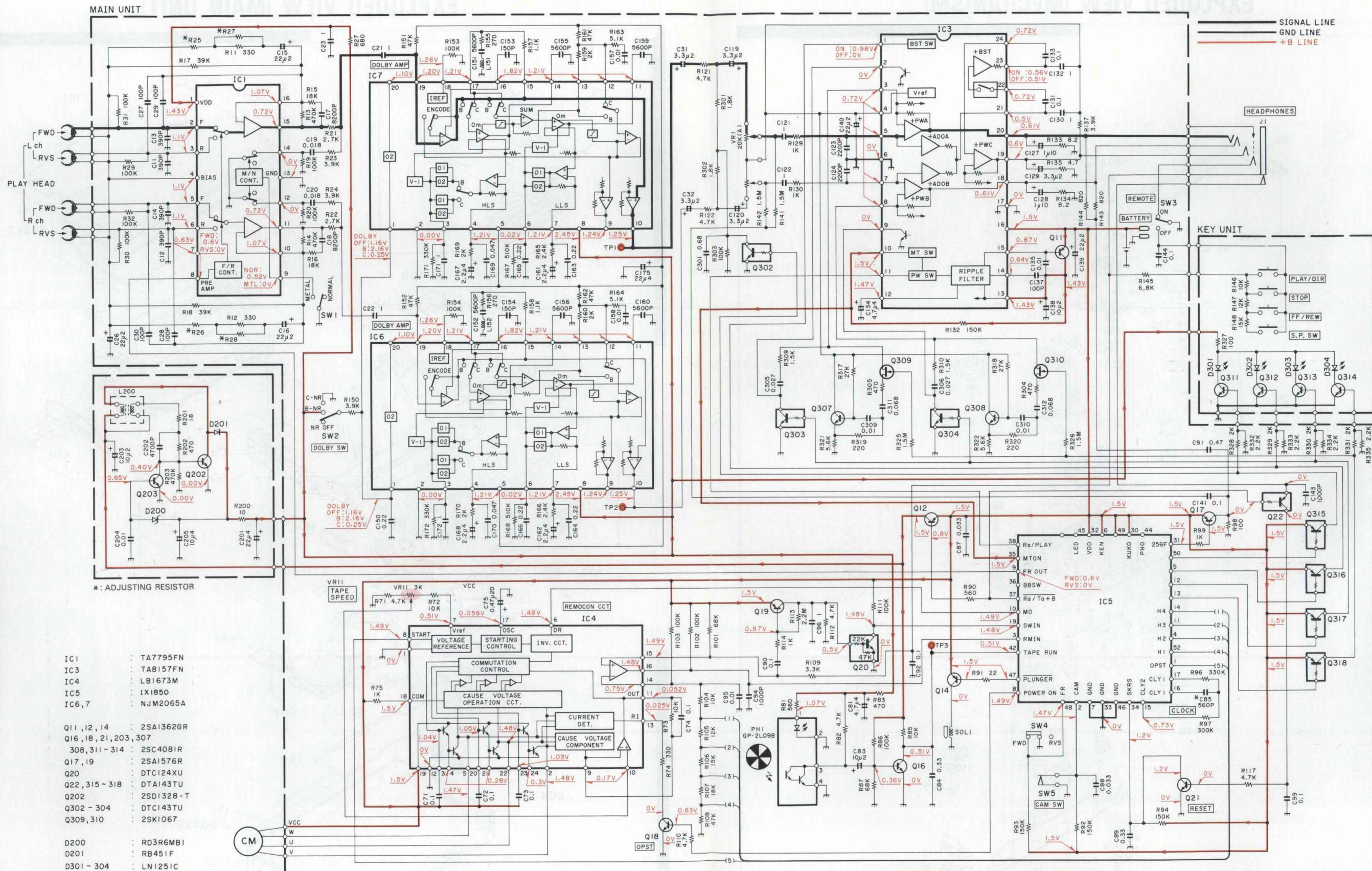
Free service manuals  
 Gratis schema's  
 Digitized by  
[www.freeservicemanuals.info](http://www.freeservicemanuals.info)

Refer to the schematic diagram for the values of resistors and capacitors.

freeservicemanuals.info

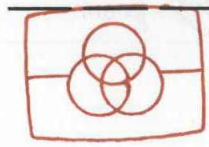
1  
2  
3  
4  
5  
6  
7





\*: ADJUSTING RESISTOR

- IC1 : TA7795FN
- IC3 : TA8157FN
- IC4 : LB1673M
- IC5 : 1X1850
- IC6,7 : NJM2065A
- Q11,12,14 : 2SA1362GR
- Q16,18,21,203,307 : 2SC4081R
- Q22,315-318 : DTA143TU
- Q20 : DTC124XU
- Q22,315-318 : DTA143TU
- Q202 : 2SD1328-T
- Q302-304 : DTC143TU
- Q309,310 : 2SK1067
- D200 : RD3R6MBI
- D201 : RB451F
- D301-304 : LN1251C



Free service manuals  
Gratis schema's

Digitized by

www.freeservicemanuals.info

DC voltages are as measured with a high impedance voltmeter. Values may vary slightly due to variations between individual instruments or/and units.

Kenwood follows a policy of continuous advancements in development. For this reason specifications may be changed without notice. DOLBY and the double-D symbol are trademarks of Dolby Laboratories Licensing Corporation. Noise reduction circuit made under license from Dolby Laboratories Licensing Corporation.

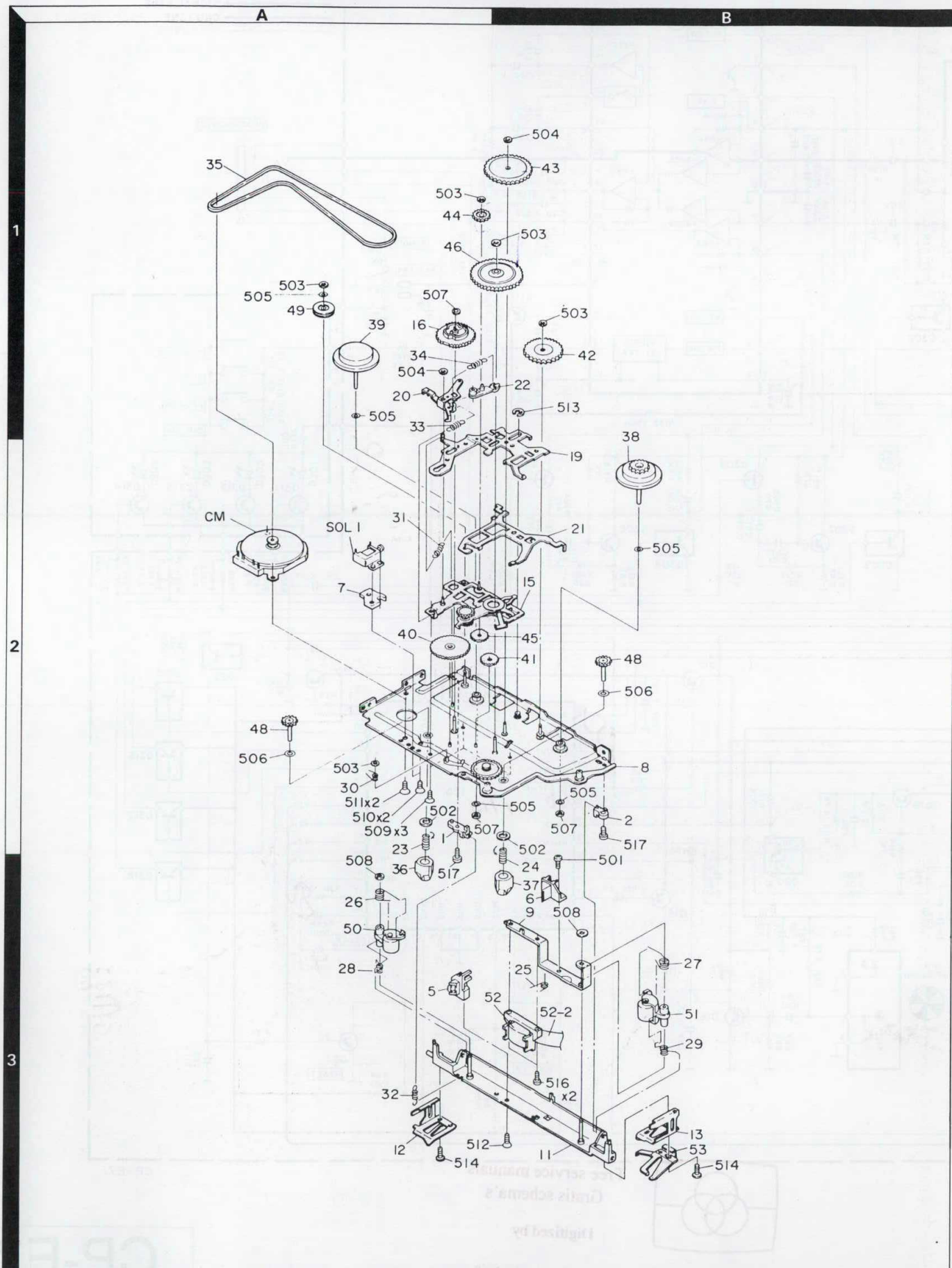
CP-E7

**CP-E7**  
**KENWOOD**  
Not for sale



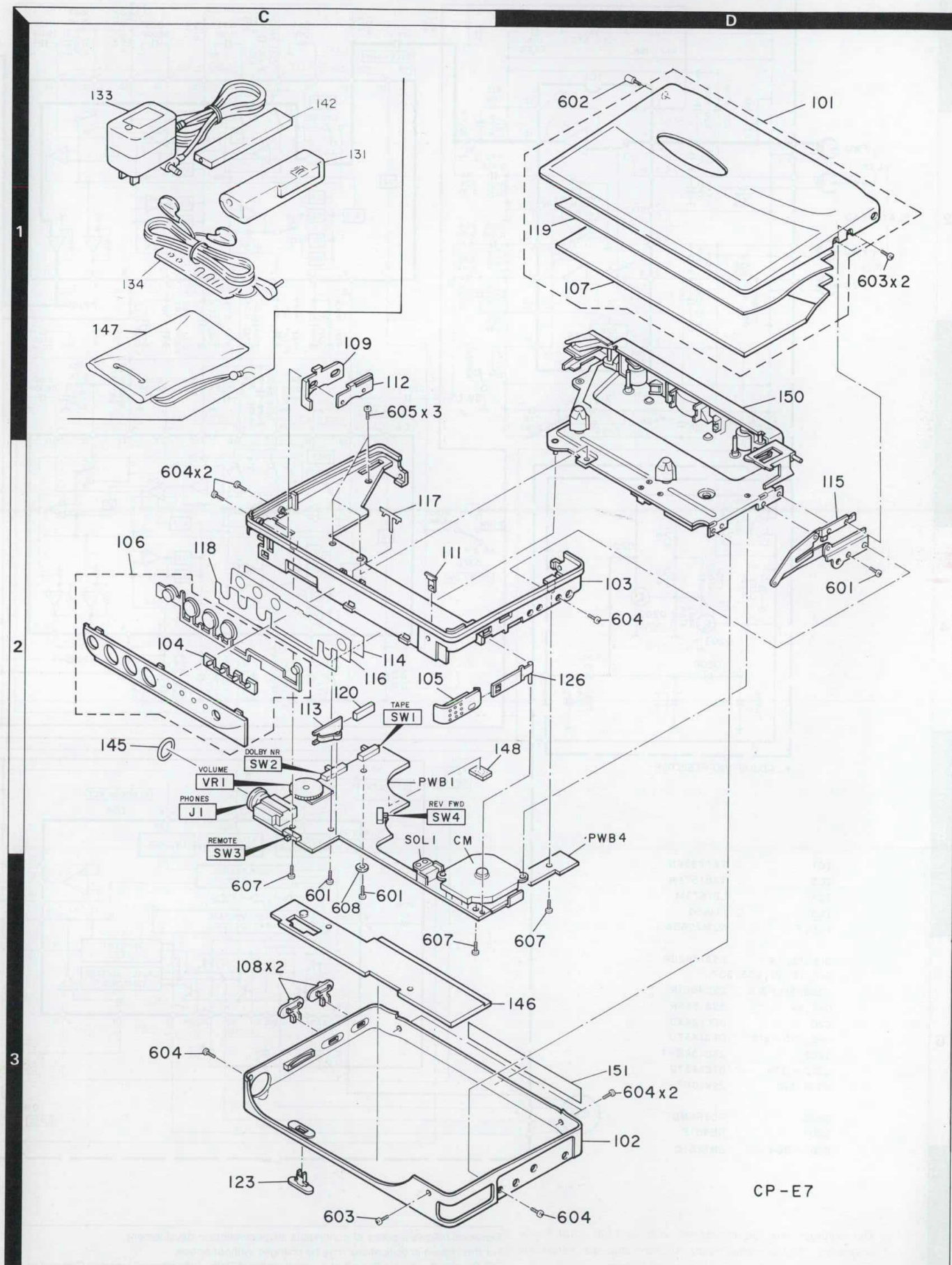
# CP-E7 CP-E7

## EXPLODED VIEW (MECHANISM)



Parts with the exploded numbers larger than 700 are not supplied.

## EXPLODED VIEW (MAIN UNIT)



Parts with the exploded numbers larger than 700 are not supplied.

Digitized by www.freesevicemanuals.info 2020



# PARTS LIST

Digitized by www.freesevicemanuals.info 2020

\* New Parts  
Parts without Parts No. are not supplied.  
Les articles non mentionnés dans le Parts No. ne sont pas fournis.  
Teile ohne Parts No. werden nicht geliefert.

\* New Parts  
Parts without Parts No. are not supplied.  
Les articles non mentionnés dans le Parts No. ne sont pas fournis.  
Teile ohne Parts No. werden nicht geliefert.

Ref. No. 参照番号	Address 位置	New Parts 新部品	Parts No. 部品番号	Description 部品名 / 規格	Re- marks 備考
<b>ELECTRIC PARTS</b>					
C11-14		*	CK73FB1H91K	CHIP C	
C15			SH130592005	CHIP-TAN	K
C17, 18			CK73FB1E92K	CHIP C	2WV
C19, 20			CK73FB1E93K	CHIP C	8200PF K
C21-23			CK73FB1C105Z	CHIP C	0.018UF K
				CHIP C	1.00F Z
C26			SH130592005	CHIP-TAN	2WV
C27-30			CK73FB1H101J	CHIP C	100PF J
C31, 32			SH130592005	CHIP-TAN	2WV
C71-74			CK73GB1C104Z	CHIP C	0.10UF Z
C75			SH130592005	CHIP-TAN	20WV
				CHIP-TAN	4WV
C81			SH1425920010	CHIP-TAN	10UF
C83			SH130592005	CHIP C	0.33UF
C84			CK73FB1C334Z	CHIP C	560PF J
C85			CK73FB1H561J	CHIP C	0.033UF Z
C87, 88			CK73GB1E333Z	CHIP C	0.33UF Z
C89			CK73FB1C334Z	CHIP C	0.10UF Z
C90			CK73GB1C104Z	CHIP C	0.47UF Z
C91			CK73FB1C474Z	CHIP C	0.10UF Z
C92			CK73GB1C104Z	CHIP C	1000PF K
C94			CK73GB1H102K	CHIP C	0.010UF K
C95			CK73GB1C103K	CHIP C	1.00F Z
C96			CK73FB1C105Z	CHIP C	0.10UF Z
C99			CK73GB1C104Z	CHIP C	0.10UF Z
C119, 120			SH130592005	CHIP-TAN	3.3UF 2WV
C121, 122			CK73FB1C105Z	CHIP C	1.00F Z
C123, 124			CK73GB1H222K	CHIP C	2200PF K
C127, 128			SH130592005	CHIP-TAN	1UF 10WV
C129			SH130592005	CHIP-TAN	3.3UF 2WV
C130			CK73FB1C105Z	CHIP C	1.00F Z
C131			CK73FB1E104Z	CHIP C	0.10UF Z
C132			CK73FB1C105Z	CHIP C	1.00F Z
C133			CK73FB1E104Z	CHIP C	0.10UF Z
C134			SH1425920010	CHIP-TAN	4.7UF 4WV
C135			CK73GB1C103K	CHIP C	0.010UF K
C137			CK73GB1H101J	CHIP C	100PF J
C138			SH130592005	CHIP-TAN	10UF 2WV
C139, 140			SH130592005	CHIP-TAN	22UF 2WV
C141			CK73GB1C104Z	CHIP C	0.10UF Z
C143			CK73GB1H102K	CHIP C	1000PF K
C144			CK73GB1C104Z	CHIP C	0.10UF Z
C150			CK73FB1C224Z	CHIP C	0.22UF Z
C151, 152			CK73GB1H562K	CHIP C	5600PF K
C153, 154			CK73GB1H151J	CHIP C	1500PF J
C155, 156			CK73GB1H562K	CHIP C	5600PF K
C157, 158			CK73GB1C103K	CHIP C	0.010UF K
C159, 160			CK73GB1H562K	CHIP C	5600PF K
C161, 162			SH1305920041	CHIP-TAN	2.2UF 4WV
C163-166			CK73FB1C224Z	CHIP C	0.22UF Z
C167, 168			SH1305920041	CHIP-TAN	2.2UF 4WV
C169, 170			CK73FB1E473K	CHIP C	0.047UF K
C171, 172			CK73FB1C105Z	CHIP C	1.00F Z
C175			SH130592005	CHIP-TAN	22UF 4WV
C201			SH130592005	CHIP-TAN	22UF 4WV

E: Scandinavia & Europe K: USA P: Canada W: Europe  
Y: PX(Far East, Hawaii) T: England M: Other Areas  
Y: AAFES(Europe) X: Australia  
△ indicates safety critical components.

Ref. No. 参照番号	Address 位置	New Parts 新部品	Parts No. 部品番号	Description 部品名 / 規格	Re- marks 備考
<b>CP-E7</b>					
101	1D	*	SH1301032162	FRONT CABINET ASSY	
102	3D	*	SH1301042292	REAR CABINET	
103	2D	*	SH1301050285	CENTER CABINET ASSY	
104	2C	*	SH1301100748	PCB COVER(LED)	
105	2C	*	SH1301172252	BATTERY COVER	
106	2C	*	SH1301580952	OPERATION PANEL	
107	1D	*	SH1301580953	TRANSPARENCY BOARD	
108	1C	*	SH1301742437	DOLBY KNOB	
109	3C	*	SH1302481986	EJECT LEVER	
111	2C	*	SH1305001199	REAR CABINET MOUNTING HARDWARE	
112	1C	*	SH1305001202	CASSETTE EJECT HARDWARE	
113	2C	*	SH1305920912	BATTERY SPRING	
114	2C	*	SH1304030209	KEY SHEET	
115	2D	*	SH1302510017	STOPPER LINK	
116	2C	*	SH130665919	KEY UNIT	
117	2C	*	SH130589295	CASSETTE STOPPER SPRING	
118	1D	*	SH1304080284	SHIELD PLATE	
119	1C	*	SH1304030203	TRANSPARENCY TAPE	
120	2C	*	SH130520192	BATTERY TERMINAL RUBBER B	
123	3C	*	SH1301742436	HOLD KNOB	
126	2D	*	SH1305320275	BATTERY PLATE(+)	
131	1C	*	SH1301080052	AA BATTERY CASE	K
133	1C	*	W09-0605-15	AC ADAPTER	M
134	1C	*	W09-0606-15	AC ADAPTER	T
133	1C	*	W09-0607-15	AC ADAPTER	E
147	1C	*	W09-0608-15	AC ADAPTER	
148	2C	*	W01-0367-05	HEADPHONE WITH REMOTE	
150	1D	*	W09-0605-08	RECHARGEABLE BATTERY(NB-6)	
145	2C	*	SH1301100747	PHONE JACK COVER	
146	3D	*	SH1302140830	BATTERY HOLDER	
147	1C	*	W01-0199-05	CARRYING CASE	
151	2D, 3C	*	SH1303260457	IC CUSHION	
151	2D, 3C	*	SH1301650062	MECHANISM ASSY	
601	3D	*	SH1309170839	CAUTION LABEL	
602	1D	*	SH1309701777	SCREW 1.4X1.5	
603	3C, 3D	*	SH1309701309	SCREW 1.4X3	
605	1C	*	SH1309701157	SCREW 1.7X3.5	
607	3C, 3D	*	SH1309701363	SCREW 1.7X3.5	
608	3C	*	SH1309900937	WASHER 1.4X0.5mm	
-	-	*	B46-0143-13	WARRANTY CARD	T
-	-	*	B46-0177-14	WARRANTY CARD	KE
-	-	*	B60-0406-08	INSTRUCTION MANUAL	K
-	-	*	B60-0407-08	INSTRUCTION MANUAL	M
-	-	*	B60-0408-08	INSTRUCTION MANUAL	TE
-	-	*	SH1209060016	POLY BAG(INSTRUCTION)	
-	-	*	SH130912286	CASION CASE	
-	-	*	SH1309028612	FLUORESCENT TUBE	
-	-	*	SH1309050114	POLY BAG(UNIT)	
J1	2C	*	SH1305170535	PHONE JACK	
PWB1	2C	*	SH1305211110	CONTROL PCB	
PWB4	2D	*	SH1305211108	DC/DC PCB	

E: Scandinavia & Europe K: USA P: Canada W: Europe  
Y: PX(Far East, Hawaii) T: England M: Other Areas  
Y: AAFES(Europe) X: Australia  
△ indicates safety critical components.



# PARTS LIST

\* New Parts  
 Parts without Parts No. are not supplied.  
 Les articles non mentionnés dans le Parts No. ne sont pas fournis.  
 Teile ohne Parts No. werden nicht geliefert.

Ref. No. 参照番号	Address 位置	New Parts 新部品	Parts No. 部品番号	Description 部品名 / 規格	Desti- nation 向	Re- marks 備考
11	3B		SH1302070459	BACK CHASSIS		
12	3A		SH1302140812	CASSETTE HOLDER (L)		
13	3B		SH1302140813	CASSETTE HOLDER (R)		
15	2B		SH1302210211	GEAR HOLDER ASSY		
16	1A		SH1302410036	PIB CAM		
19	2B		SH1302481958	SUB OPERATION LEVER ASSY		
20	1A		SH1302481960	SOLENOID LEVER ASSY		
21	2B		SH1302481961	PINCH ROLLER OPERATION LEVER		
22	1B		SH1302481963	FF/REV CHANGE LEVER		
23	2A		SH1302502871	BACK TENSION SPRING (L)		
24	3B		SH1302502872	BACK TENSION SPRING (R)		
25	3B		SH1302502904	SUB CHASSIS SPRING		
26	3A		SH1302592868	PINCH ROLLER SPRING (L)		
27	3B		SH1302592869	PINCH ROLLER SPRING (R)		
28	3A		SH1302592870	PINCH ROLLER RETURN SPRING (L)		
29	3B		SH1302592871	PINCH ROLLER RETURN SPRING (R)		
30	2A		SH1302592872	FF STOP SPRING		
31	2A		SH1302592873	SUB OPERATION LEVER SPRING		
32	3A		SH1302592874	BACK CHASSIS SPRING		
33	1A		SH1302592875	SOLENOID LEVER SPRING		
34	1A		SH1302592876	FWD/REV CHANGE LEVER SPRING		
35	1A		SH1302710354	DRIVE BELT		
36	3A		SH1302750168	SUPPLY REEL CAP		
37	3B		SH1302750195	TAKEUP REEL CAP		
38	1B		SH1302780160	FWD FLYWHEEL		
39	1A		SH1302780161	REV FLYWHEEL		
40	2A		SH1302810244	REVERSE IDLER GEAR		
41	2B		SH1302810245	REVERSE IDLER CONNECTING GEAR		
42	1B		SH1302810246	DRIVE POWER GEAR		
43	1B		SH1302810247	DRIVE CONVERT GEAR		
44	1A		SH1302810248	CAM DRIVE GEAR		
45	2B		SH1302810249	PLAY GEAR		
46	1A		SH1302810234	SLIP GEAR ASSY		
48	2A, 2B		SH1302810235	REEL GEAR		
49	1A		SH1302840269	INTERMEDIATE PULLEY		
50	3A		SH1302860104	PINCH ROLLER (L)		
51	3B		SH1302860105	PINCH ROLLER (R)		
52	3B	*	SH13062220380	PLAYBACK HEAD		
52-2	3B		SH1305211071	HEAD FLEXIBLE PCB		
53	3B		SH1302582956	FRONT CABINET UP SPRING		
501	3B		SH1309700949	SCREW 1.4X2.2mm		
502	2A, 2B		SH1309900979	WASHER 3.6X6X0.25mm		
503	1A, 1B		SH1309900980	WASHER 1X2.4X0.25mm		
504	1A, 1B		SH1309900989	WASHER 1.2X4X0.25mm		
505	1A, 2B		SH1309900991	WASHER 1.2X2.2X0.1mm		
506	2A, 2B		SH1309901070	WASHER 2.1X3.2X0.1mm		
507	1A, 2A		SH1309901136	WASHER 1X2.4X0.25mm		
508	3A, 3B		SH1309901148	WASHER 1X3.2X0.25mm		
509	2A		SH1309701542	SCREW 1.4X1.4mm		
510	2A		SH1309700702	SCREW 1.4X3mm		
511	2A		SH1309701161	SCREW 1.7X2mm		
512	3A		SH1309701179	SCREW 1.7X5mm		
513	1B		SH1309900278	WASHER 1.5X0.4mm		
514	3A, 3B		SH1309701368	SCREW 1.4X1.4mm		
515	3B		SH1309701369	SCREW 1.4X4mm		
517	3A, 2B		SH1309701771	SCREW 1.4X1.4mm		

E: Scandinavia & Europe K: USA P: Canada W: Europe  
 Y: PX(Far East, Hawaii) T: England M: Other Areas  
 Y: AMES(Europe) X: Australia  
 ▲ indicates safety critical components.

\* New Parts  
 Parts without Parts No. are not supplied.  
 Les articles non mentionnés dans le Parts No. ne sont pas fournis.  
 Teile ohne Parts No. werden nicht geliefert.

Ref. No. 参照番号	Address 位置	New Parts 新部品	Parts No. 部品番号	Description 部品名 / 規格	Desti- nation 向	Re- marks 備考
C202			CK73GB1H472K	CHIP C 4700PF K		
C203			SH1305920050	CHIP-TAN 10UF 2HV		
C204			CK73GB1C103K	CHIP C 0.010UF K		
C205			SH1429200009	CHIP-TAN 10UF 44V		
C301		*	CK73FB1C684Z	CHIP C 0.68UF Z		
C305, 306		*	CK73GB1C273K	CHIP C 0.027UF K		
C309, 310			CK73GB1C103K	CHIP C 0.010UF K		
C311, 312			CK73FB1E683K	CHIP C 0.068UF K		
L151, 152		*	SH1306140325	FERRI-INDUCTOR		
L200			SH1306070361	OSCILLATION COIL		
R			RK73CB1J000J	CHIP R 0.00	J 1/16W	
R72			VR5-1428800J	0-OHMS R 1.5SX3.1mm GRN		
VR1			PHS-1061AFZZ	POTENTIOMETER 10K		
VR11	2C	*	SH1306710059	POTENTIOMETER 20K(VOLUME)		
SW1			SH1306700646	TRIMMING POT. 2K(TAPE SPEED)		
SW2	2C		SH1305301145	SLIDE SWITCH (TAPE)		
SW3	2C		SH1305301146	SLIDE SWITCH (DOLBY NR)		
SW4	2C		SH1305301145	SLIDE SWITCH (REMÖTE)		
SW5	2C		SH1305301258	SLIDE SWITCH (FWD/REV)		
SW5			SH1305301257	LEAF SWITCH (PLAYBACK)		
D200			RD3R6MB1	ZENER DIODE		
D301			RB451F	DIODE		
D301-304			LN1251C1	LED		
IC1			TA7795FN	IC		
IC3			TA8157FN	IC		
IC4			LB1673W	IC		
IC5		*	IX1850AF	IC		
IC6		*	NJM2065A	IC		
PH1			GP-2L09B	PHOTO-INTERRUPTER		
Q11, 12			2SA1362GR	TRANSISTOR		
Q14			2SA1362GR	TRANSISTOR		
Q16			2SC4081R	TRANSISTOR		
Q17			2SA1576R	TRANSISTOR		
Q18			2SC4081R	TRANSISTOR		
Q19			2SA1576R	TRANSISTOR		
Q20			DTC124XU	TRANSISTOR		
Q21			2SC4081R	TRANSISTOR		
Q22			DTA143TU	TRANSISTOR		
Q202		*	2SD1328-T	TRANSISTOR		
Q203			2SC4081R	TRANSISTOR		
Q302-304			DTC143TU	TRANSISTOR		
Q307, 308			DTA143TU	TRANSISTOR		
Q309, 310			2SK1067	TRANSISTOR		
Q311-314			2SC4081R	TRANSISTOR		
Q315-318			DTA143TU	TRANSISTOR		

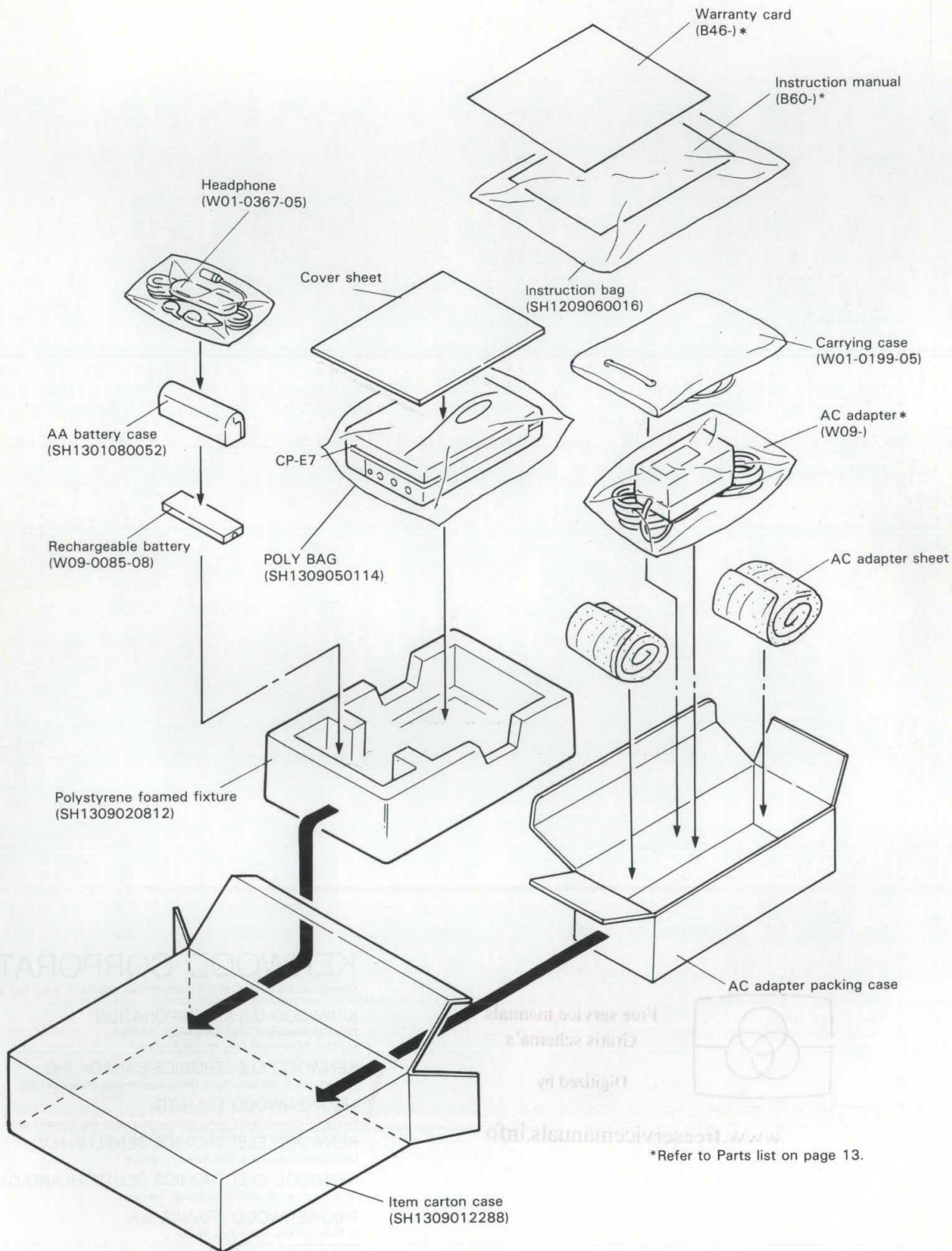
E: Scandinavia & Europe K: USA P: Canada W: Europe  
 Y: PX(Far East, Hawaii) T: England M: Other Areas  
 Y: AMES(Europe) X: Australia  
 ▲ indicates safety critical components.

## MECHANISM PARTS

CM			SH1306300402	MOTOR ASSY		
S0L1	2A		SH1306470070	SOLENOID		
1	2A		SH1302001196	BACK CHASSIS HARDWARE (L)		
2	2B		SH1302001197	BACK CHASSIS HARDWARE (R)		
3	3A		SH1302001166	TAPE GUIDE (L)		
4	3B		SH1302001198	TAPE GUIDE (R)		
5	2A		SH1302001168	SOLENOID HOLDER		
6	2A		SH1302070442	MAIN CHASSIS ASSY		
7	2B		SH1302070442	SUB CHASSIS ASSY		
8	3B		SH1302070458	SUB CHASSIS ASSY		



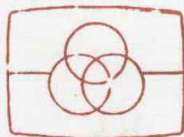
# PACKING



\*Refer to Parts list on page 13.

Digitized by www.freesevicemanuals.info 2020





Free service manuals  
Gratis schema's

Digitized by

[www.freesevicemanuals.info](http://www.freesevicemanuals.info)

**Note:**

Component and circuitry are subject to modification to insure best operation under differing local conditions. This manual is based on, the Europe (E) standard, and provides information on regional circuit modification through use of alternate schematic diagrams, and information on regional component variations through use of parts list.

## KENWOOD CORPORATION

Shionogi Shibuya Building, 17-5, 2-chome Shibuya, Shibuya-ku, Tokyo 150, Japan

### KENWOOD U.S.A. CORPORATION

2201 East Dominguez Street, Long Beach, CA 90810;  
550 Clark Drive, Mount Olive, NJ 07828, U.S.A.

### KENWOOD ELECTRONICS CANADA INC.

P.O. BOX 1075, 959 Gana Court, Mississauga, Ontario, Canada L4T 4C2

### TRIO-KENWOOD U.K. LTD.

KENWOOD House, Dwight Road, Watford, Herts., Wd1 8eb United Kingdom

### KENWOOD ELECTRONICS BENELUX N.V.

Mechelsesteenweg 418 B-1930 Zaventem, Belgium

### KENWOOD ELECTRONICS DEUTSCHLAND GMBH

Rembrücker-Str. 15, 6056 Heusenstamm, Germany

### TRIO-KENWOOD FRANCE S.A.

13 Boulevard Ney, 75018 Paris, France

### KENWOOD LINEAR S.p.A.

20125, MILANO-VIA ARBE, 50, ITALY

### KENWOOD ELECTRONICS AUSTRALIA PTY, LTD.

P.O. BOX 504, 8 Figtree Drive, Australia Centre, Homebush N.S.W. 2140, Australia

### KENWOOD & LEE ELECTRONICS, LTD.

Wang Kee Building, 4th Floor, 34-37, Connaught Road, Central, Hong Kong