

# STEREO INTEGRATED AMPLIFIER/TUNER C-V500/V550/V700/V750/V770 SERVICE MANUAL

# KENWOOD

© 1997-7 / B51-5330-00 (K/K) 3676

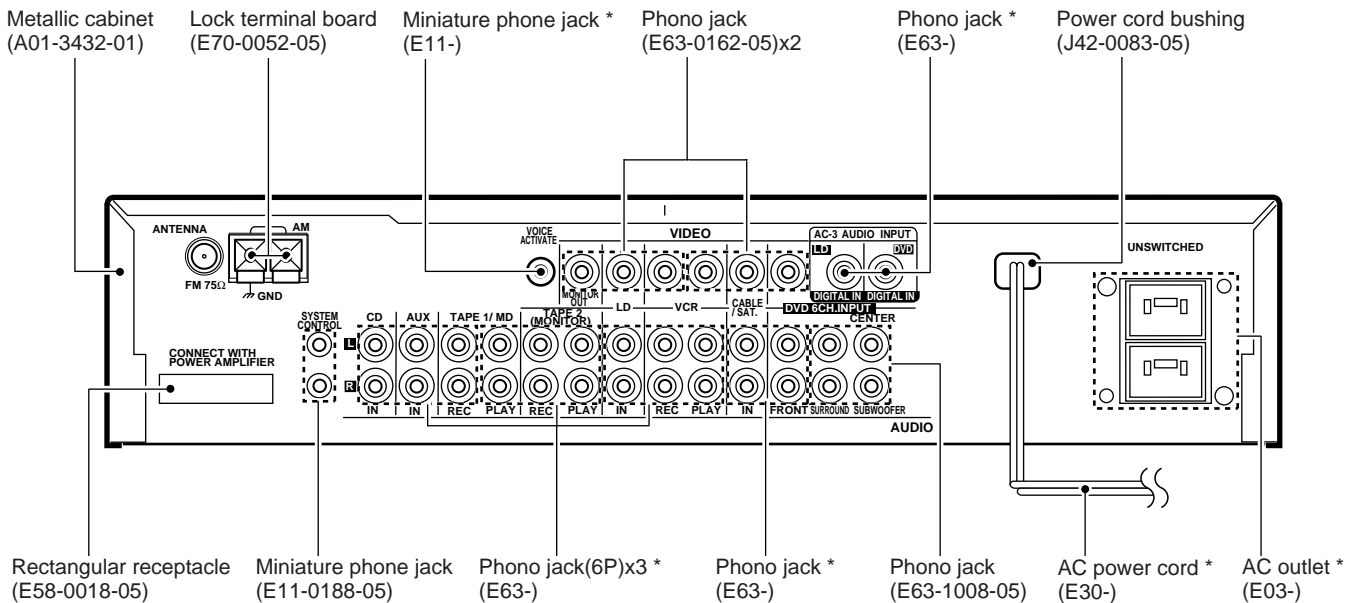
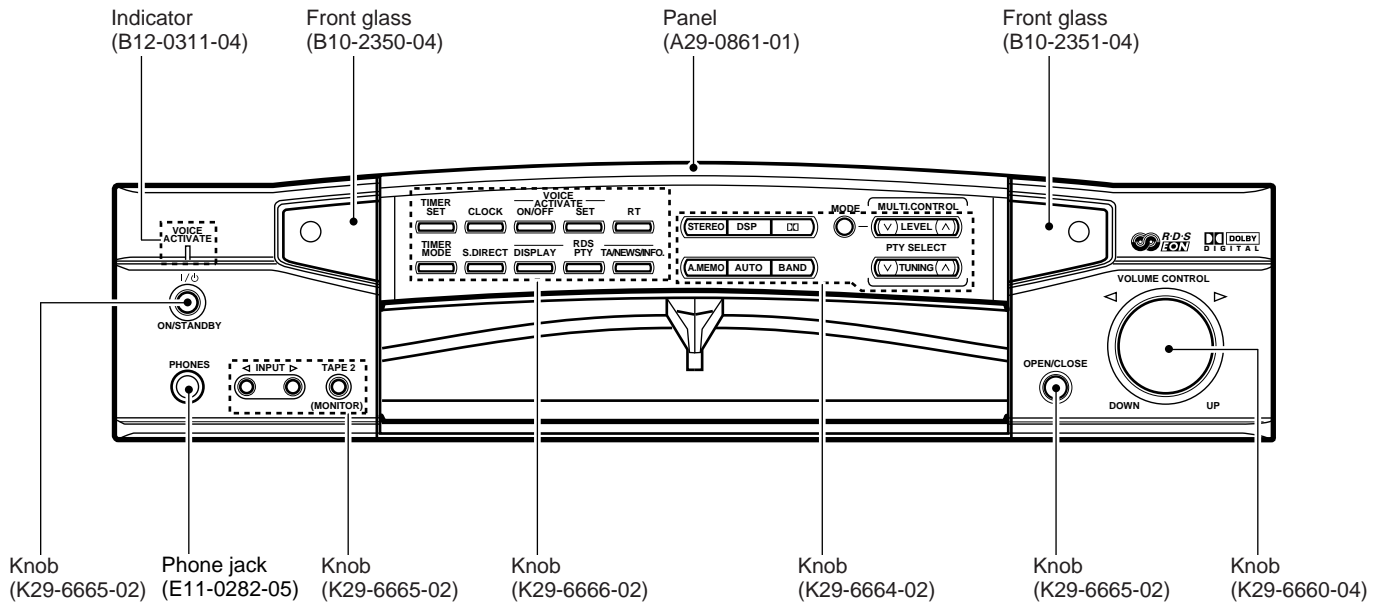


Illustration is C-V750.

\* Refer to parts list on page 40.

**Caution :** No connection of ground line if disassemble the unit.  
Please connect the ground line on rear panel, PCBs, Chassis and some others.

# C-V500/V550/V700/V750/V770

## CONTENTS / ACCESSORIES

### Contents

CONTENTS / ACCESSORIES .....	2	SCHEMATIC DIAGRAM .....	13
DISASSEMBLY FOR REPAIR .....	3	EXPLODED VIEW .....	39
ADJUSTMENT .....	4	PARTS LIST .....	40
PARTS DESCRIPTIONS .....	5	SPECIFICATIONS .....	Back cover
PC BOARD .....	6		

### How to reset the microcomputer

The microcomputer may malfunction (impossibility operation, erroneous display, etc.) when the power cord is unplugged and plugged in again while the unit is in ON mode with the Key pressed or due to other external causes. In this case, execute the procedure on the right to reset the microcomputer and return the unit to the normal condition

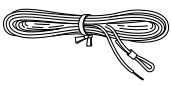
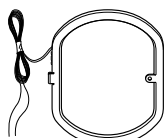
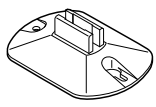
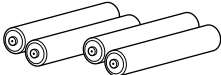
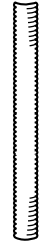
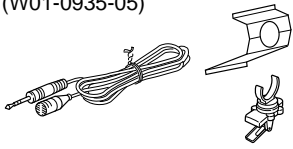
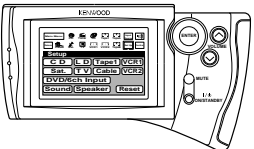
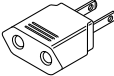
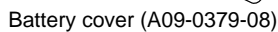
- ① Unplug the power cord from the wall outlet.
- ② While pressing and holding the POWER or (ON/STANDBY) key, plug the AC cord into the wall outlet again

•Resetting the microcomputer clears the memory you entered and returns it to the initial condition when the unit left the factory.

### Model vs destination

MODEL	DES	TUNER	PREAMP	CONTROL	DISPLAY	REMOTE CONTROL
C-V500	K	X05-4680-10	X08-2770-10	X11-3720-10	X14-4570-10	GRC-100(A70-1159-05)
	P	X05-4680-10	X08-2770-10	X11-3720-10	X14-4570-10	
	Y	X05-4670-20	X08-2772-91	X11-3722-91	X14-4570-10	
C-V550	I	X05-4670-21	X08-2820-20	X11-3780-20	X14-4580-20	
	M	X05-4670-21	X08-2820-20	X11-3780-20	X14-4580-20	
	X	X05-4670-72	X08-2820-71	X11-3780-71	X14-4580-20	
C-V700	I	X05-4670-21	X08-2820-21	X11-3780-21	X14-4600-20	
	M	X05-4670-21	X08-2820-21	X11-3780-21	X14-4600-20	
	X	X05-4670-72	X08-2820-72	X11-3780-72	X14-4600-20	
C-V750	E	X05-4682-71	X08-2772-71	X11-3722-71	X14-4592-70	
	T	X05-4680-51	X08-2770-51	X11-3720-51	X14-4592-70	GRC-150(A70-1137-05)
C-V770	C	X05-4670-21	X08-2823-01	X11-3783-01	X14-4603-01	GRC-100(A70-1159-05)

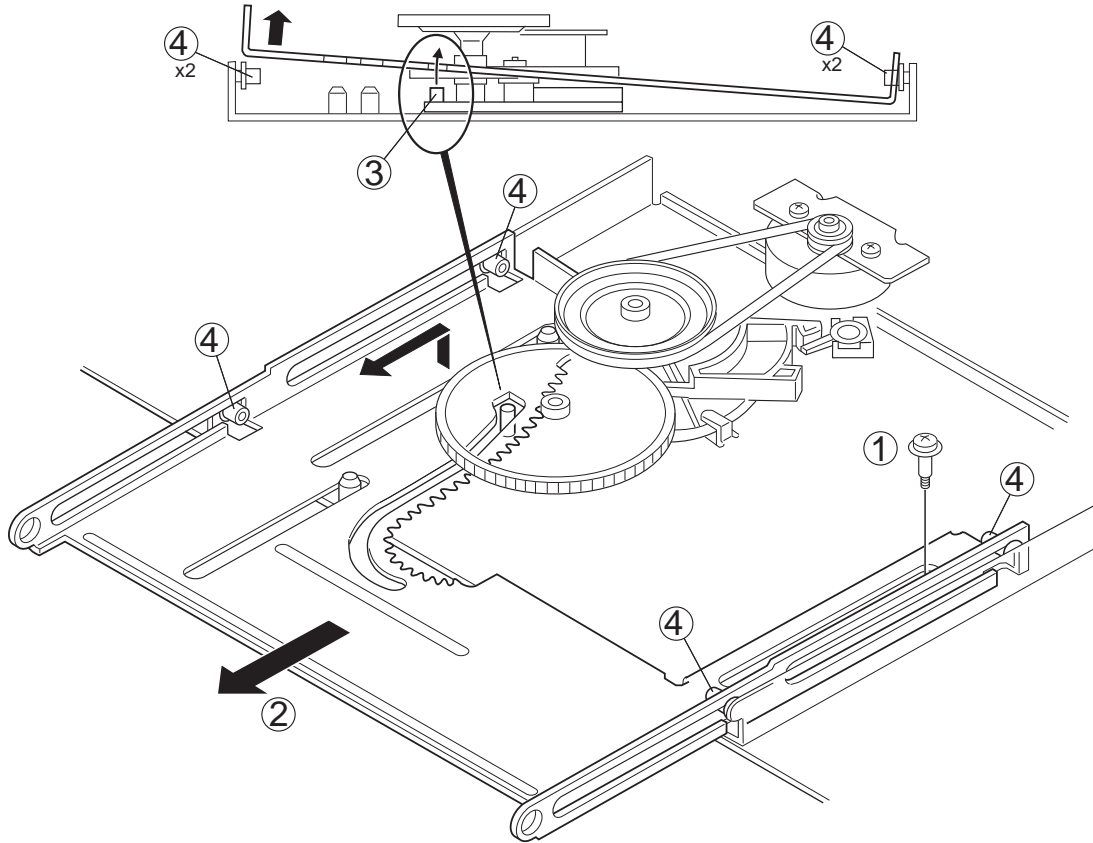
### Accessories

<p>FM indoor antenna(1) (T90-0810-05)</p> 	<p>AM loop antenna(1) (T90-0820-05)</p> 	<p>Loop antenna stand (1)</p> 	<p>Batteries(R03/AAA)(4)</p> 	<p>Cable tidy(2) (F07-1602-04)</p> 
<p>Microphone(1) (W01-0935-05)</p> 	<p>* Graphical Remote Control unit(1) GRC-100 (A70-1159-05) GRC-150 (A70-1137-05)</p> 	<p>*AC plug adapter(1) (E03-0115-05)</p> 	<p>*Use to adapt the plug on the power cord to the shape of the wall outlet. (Accessory only for regions where use is necessary)</p>	
	<p>Battery cover (A09-0379-08)</p> 			

\*Refer to parts list on page 40.

## DISASSEMBLY FOR REPAIR

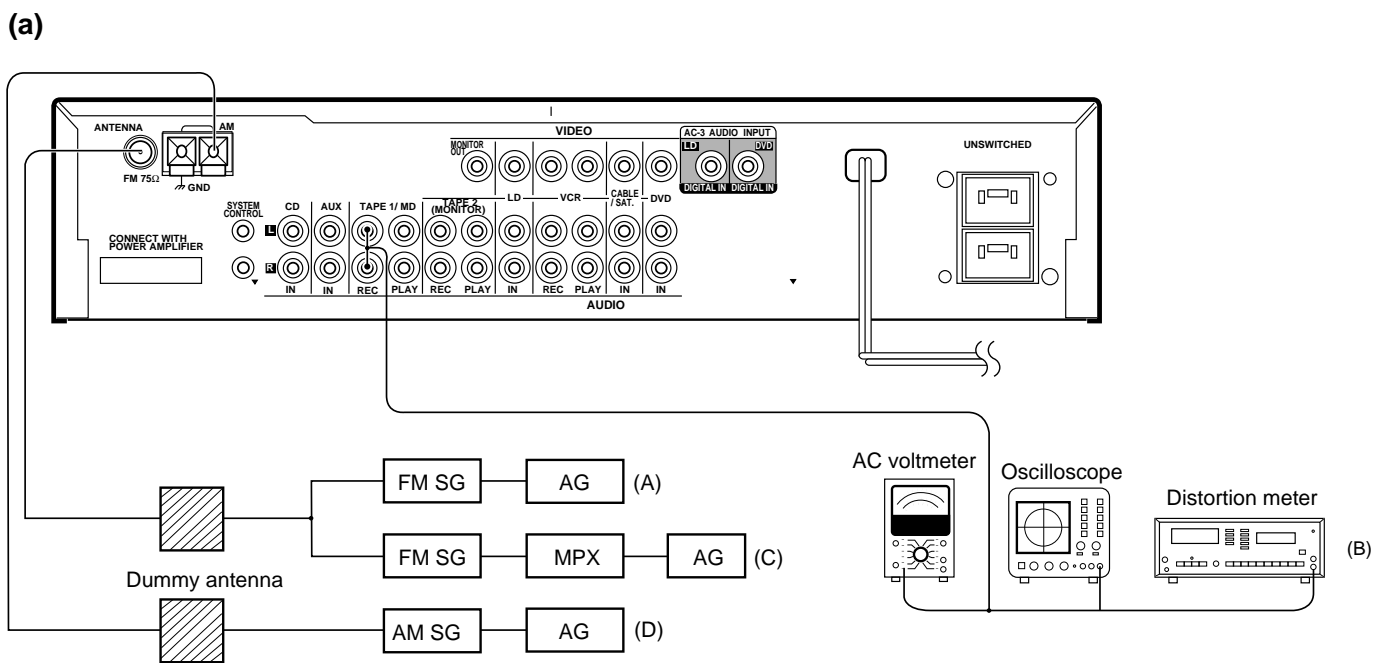
1. Remove the 1 screw (①), Then pull the slider (②) till last
2. While raise the slider of left side, remove the slider from the bosses (③,④)



# C-V500/V550/V700/V750/V770

## ADJUSTMENT

No.	ITEM	INPUT SETTING	OUTPUT SELECTOR	TUNER/AMP SETTING	ALIGNMENT POINTS	ALIGN FOR	FIG.
<b>SELECTOR : FM</b>							
1	DISCRIMINATOR L31↔L32 (E, T only)	(A) 98.0MHz 1kHz, ±40kHz dev (E, T type) 60dBu (ANT INPUT)	Connect a DC voltmeter between port of CN2	AUTO 98.0MHz	L31 (X05-)	0V	(a)
			(B)		L32 (X05-)	Minimum distrotron	
2	DISTORTION (STEREO)	(C) 98.0MHz 1kHz, ±40kHz dev pilot: ±6kHz dev 60dBu (ANT INPUT)	(B)	AUTO (98.0MHz)	IFT (W02-)	Mininum distrotron	(a)



### ERROR MESSAGE

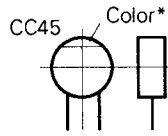
DISPLAY	DESCRIPTION
ERR 1	Main u-com sub clock no output
ERR 2	Main u-com sub clock frequency NG

## PARTS DESCRIPTIONS

### CAPACITORS

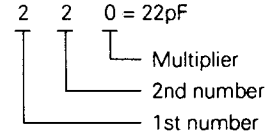
CC 45 TH 1H 220 J  
 1 2 3 4 5 6

- 1 = Type ... ceramic, electrolytic, etc.
- 2 = Shape ... round, square, ect.
- 3 = Temp. coefficient
- 4 = Voltage rating
- 5 = Value
- 6 = Tolerance



### Capacitor value

- 010 = 1pF
- 100 = 10pF
- 101 = 100pF
- 102 = 1000pF = 0.001μF
- 103 = 0.01μF



### Temperature coefficient

1st Word	C	L	P	R	S	T	U
Color*	Black	Red	Orange	Yellow	Green	Blue	Violet
ppm/°C	0	-80	-150	-220	-330	-470	-750

2nd Word	G	H	J	K	L
ppm/°C	±30	±60	±120	±250	±500

Example : CC45TH = -470 ± 60ppm/°C

### Tolerance (More than 10pF)

Code	C	D	G	J	K	M	X	Z	P	No code
(%)	±0.25	±0.5	±2	±5	±10	±20	+40	+80	+100	More than 10μF -10 ~ +50
							-20	-20	-0	Less than 4.7μF -10 ~ +75

### (Less than 10pF)

Code	B	C	D	F	G
(pF)	±0.1	±0.25	±0.5	±1	±2

### Voltage rating

2nd word	A	B	C	D	E	F	G	H	J	K	V
1st word											
0	1.0	1.25	1.6	2.0	2.5	3.15	4.0	5.0	6.3	8.0	-
1	10	12.5	16	20	25	31.5	40	50	63	80	35
2	100	125	160	200	250	315	400	500	630	800	-
3	1000	1250	1600	2000	2500	3150	4000	5000	6300	8000	-

### Chip capacitors

(EX) C C 7 3 F S L 1 H 0 0 0 J  
 1 2 3 4 5 6 7

(Chip) (CH, RH, UJ, SL)

(EX) C K 7 3 F F 1 H 0 0 0 Z  
 1 2 3 4 5 6 7

(Chip) (B, F)

Refer to the table above.

- 1 = Type
- 2 = Shape
- 3 = Dimension
- 4 = Temp. coefficient
- 5 = Voltage rating
- 6 = Value
- 7 = Tolerance

### Dimension (Chip capacitors)

Dimension code	L	W	T
Empty	5.6 ± 0.5	5.0 ± 0.5	Less than 2.0
A	4.5 ± 0.5	3.2 ± 0.4	Less than 2.0
B	4.5 ± 0.5	2.0 ± 0.3	Less than 2.0
C	4.5 ± 0.5	1.25 ± 0.2	Less than 1.25
D	3.2 ± 0.4	2.5 ± 0.3	Less than 1.5
E	3.2 ± 0.2	1.6 ± 0.2	Less than 1.25
F	2.0 ± 0.3	1.25 ± 0.2	Less than 1.25
G	1.6 ± 0.2	0.8 ± 0.2	Less than 1.0

### RESISTORS

#### Chip resistor (Carbon)

(EX) R K 7 3 E B 2 B 0 0 0 J  
 1 2 3 4 5 6 7

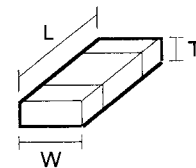
(Chip) (B, F)

#### Carbon resistor (Normal type)

(EX) R D 1 4 B B 2 C 0 0 0 J  
 1 2 3 4 5 6 7

- 1 = Type
- 2 = Shape
- 3 = Dimension
- 4 = Temp. coefficient
- 5 = Rating wattage
- 6 = Value
- 7 = Tolerance

### Dimension



### Dimension (Chip resistor)

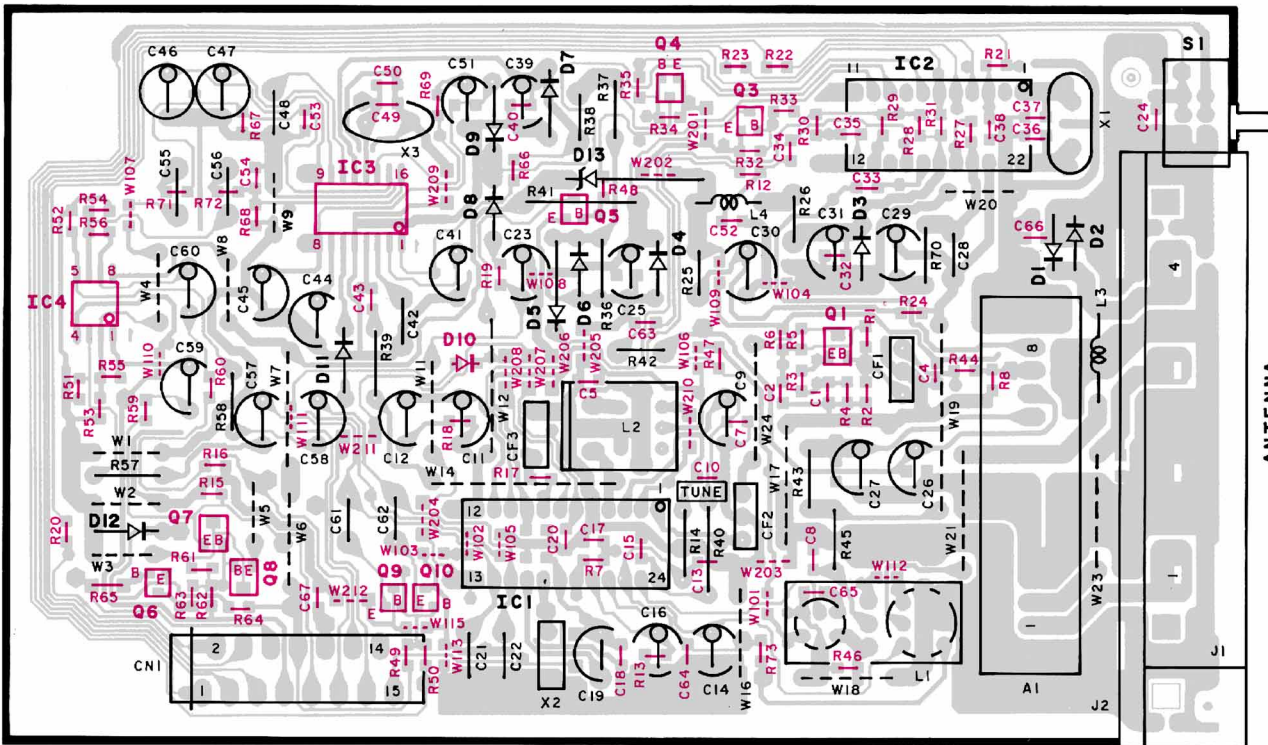
Dimension code	L	W	T
E	3.2 ± 0.2	1.6 ± 0.2	1.0
F	2.0 ± 0.3	1.25 ± 0.2	1.0
G	1.6 ± 0.2	0.8 ± 0.2	0.5 ± 0.1

### Rating wattage

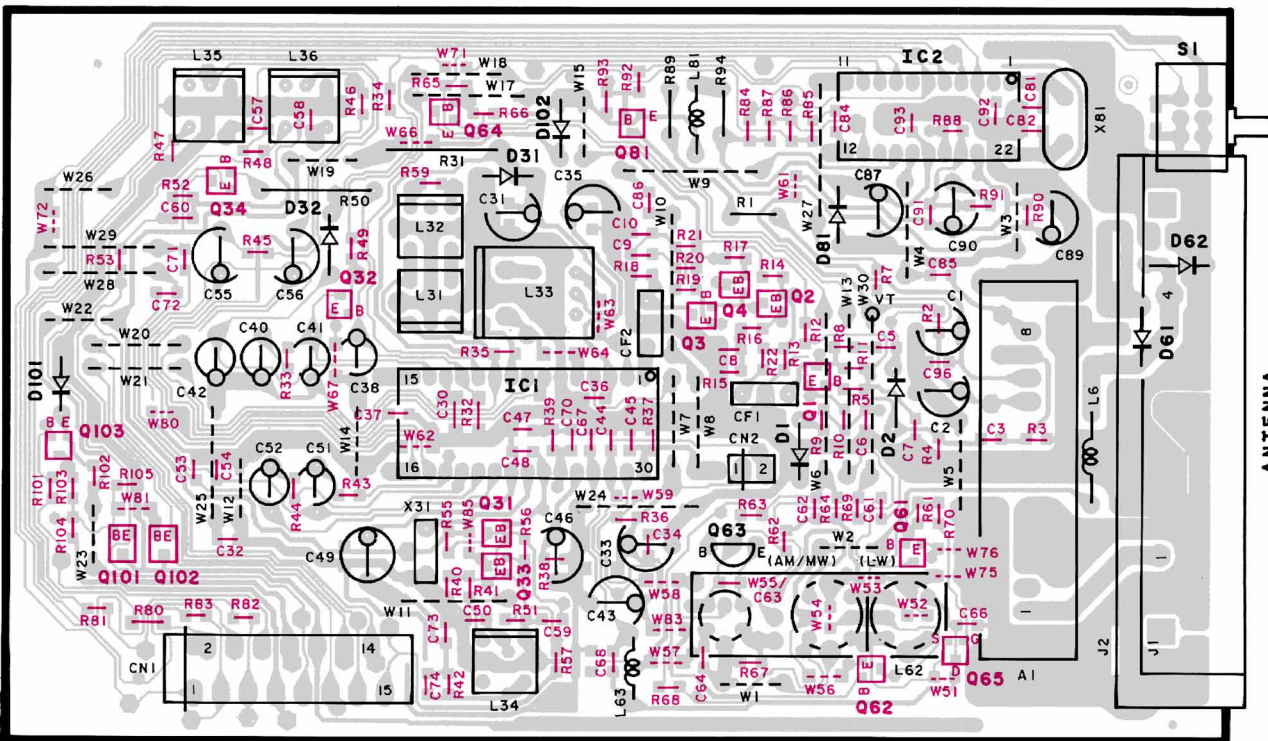
Code	Wattage	Code	Wattage	Code	Wattage
1J	1/16W	2C	1/6W	3A	1W
2A	1/10W	2E	1/4W	3D	2W
2B	1/8W	2H	1/2W		

# PC BOARD(Component side view)

(X05-4670-20) J70-0959-11



(X05-468X-XX) J70-0960-21

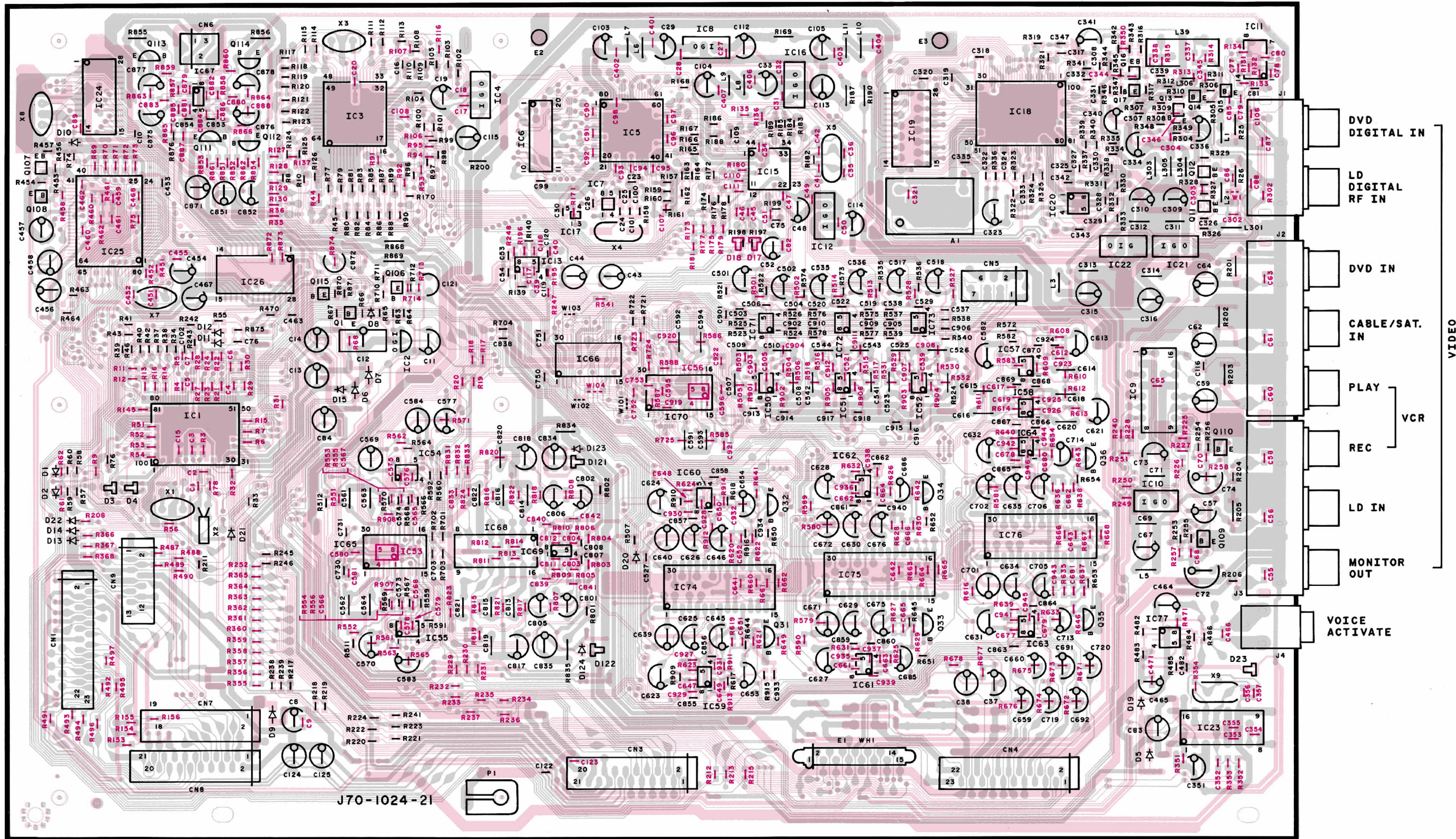


Refer to the schematic diagram for the value of resistors and capacitors.



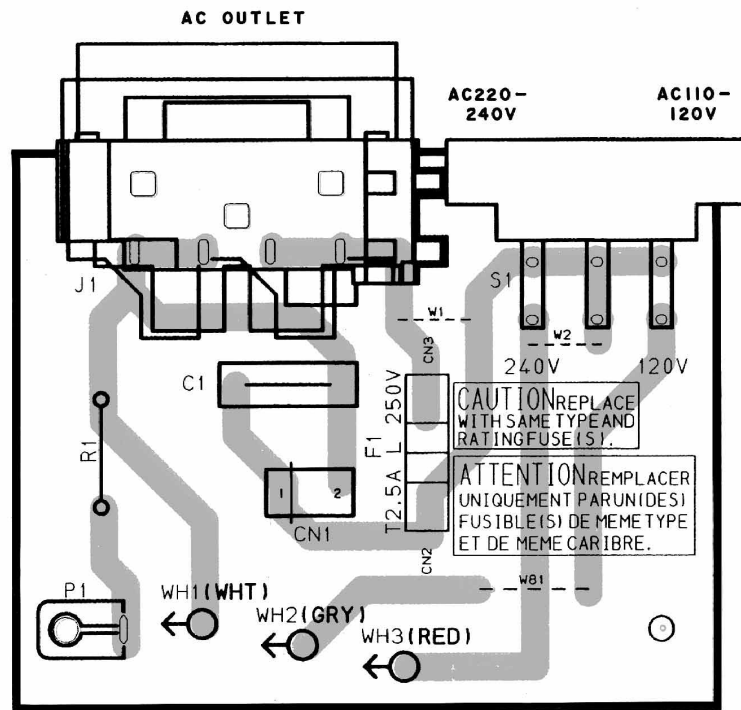
# PC BOARD(Component side view)

(X08-277X-XX)  
(X08-282X-XX)



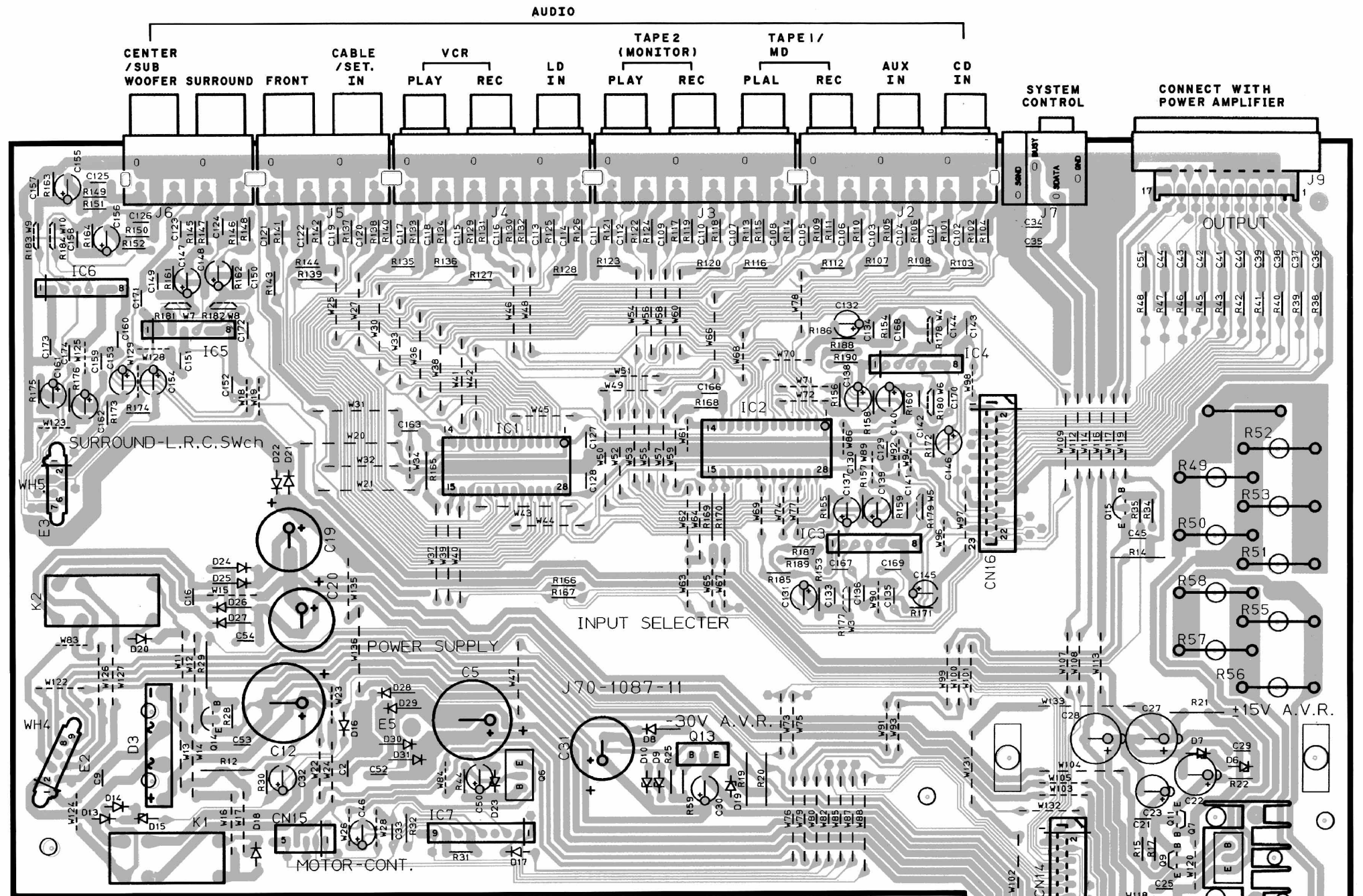
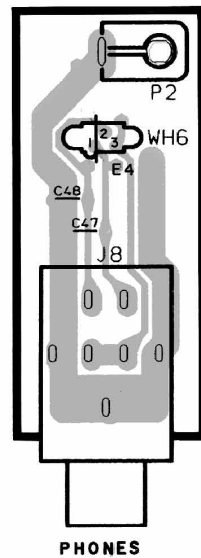


# PC BOARD(Component side view)

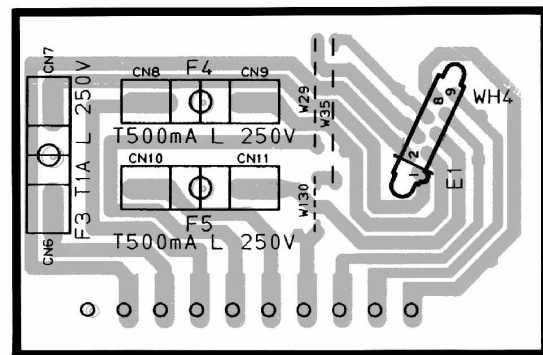


(X11-)(B/5)

(X11-)(E/5)

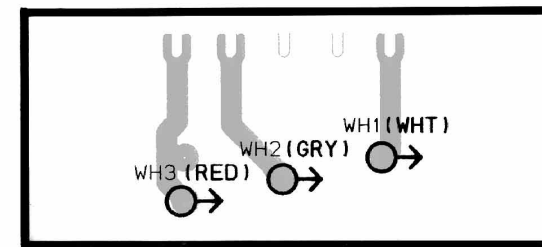


(X11-372X-XX)(A/5)  
(X11-378X-XX)(A/5)



(X11-)(D/5)

(X11-)(C/5)

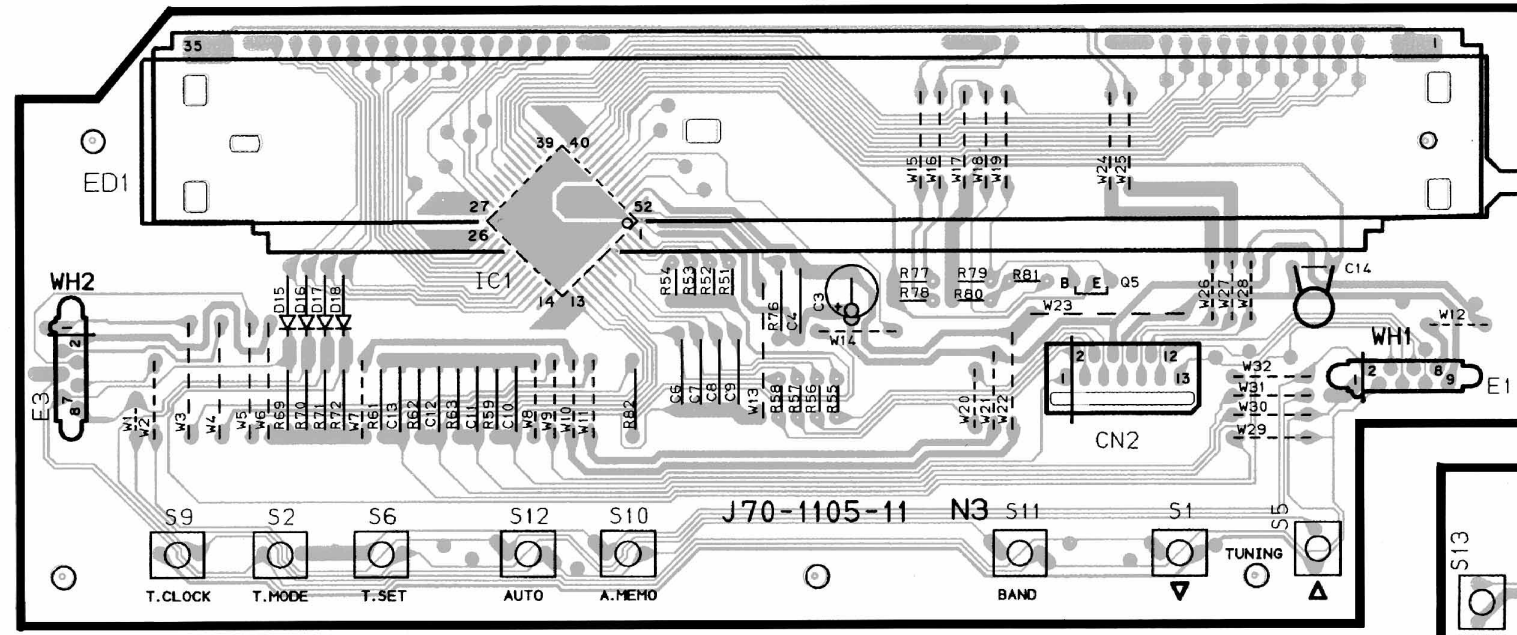
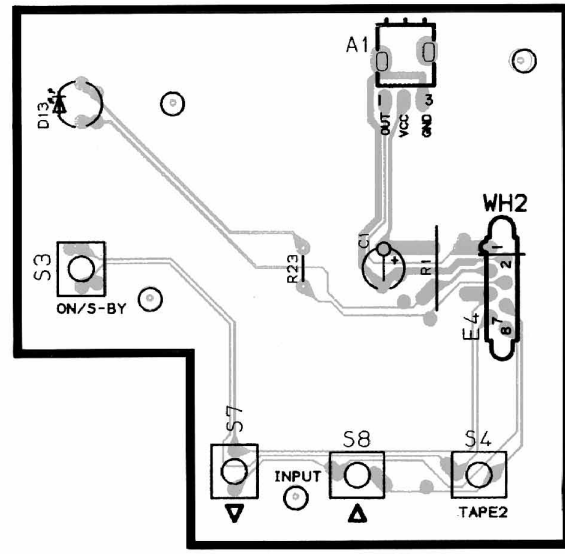




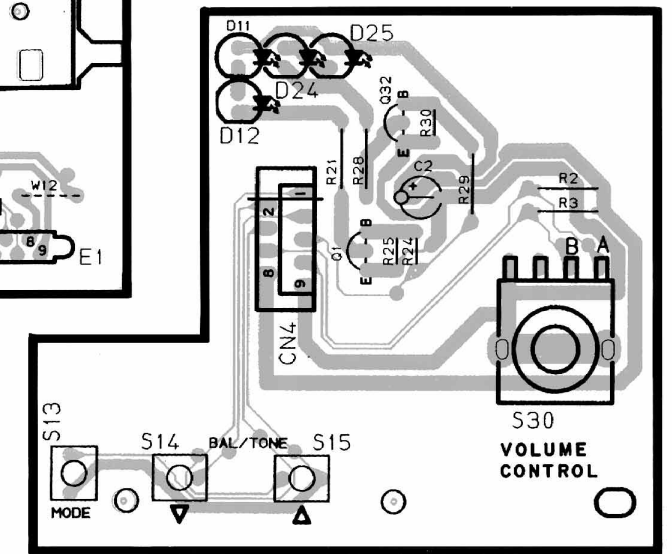
# PC BOARD(Component side view)

(X14-458X-XX) (A/3)

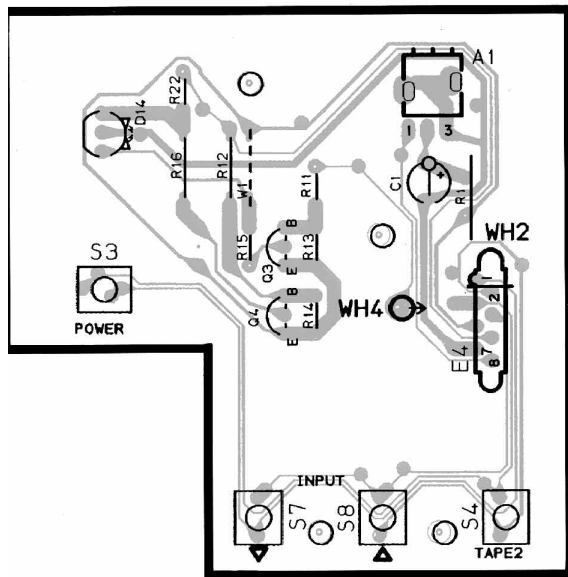
(X14- ) (B/3)



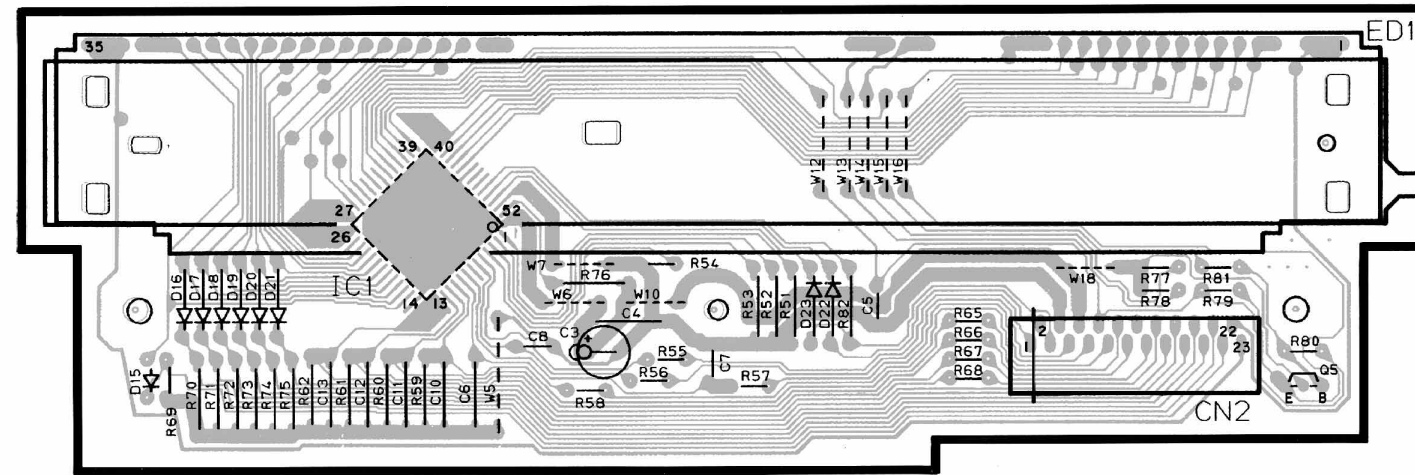
(X14- ) (C/3)



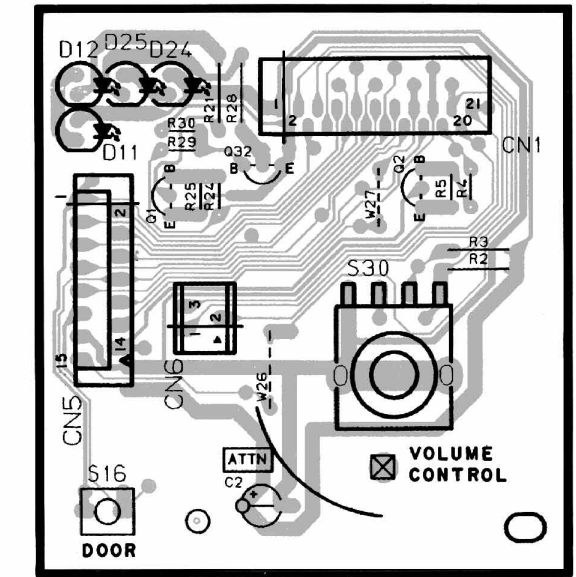
X14- ) (C/4)



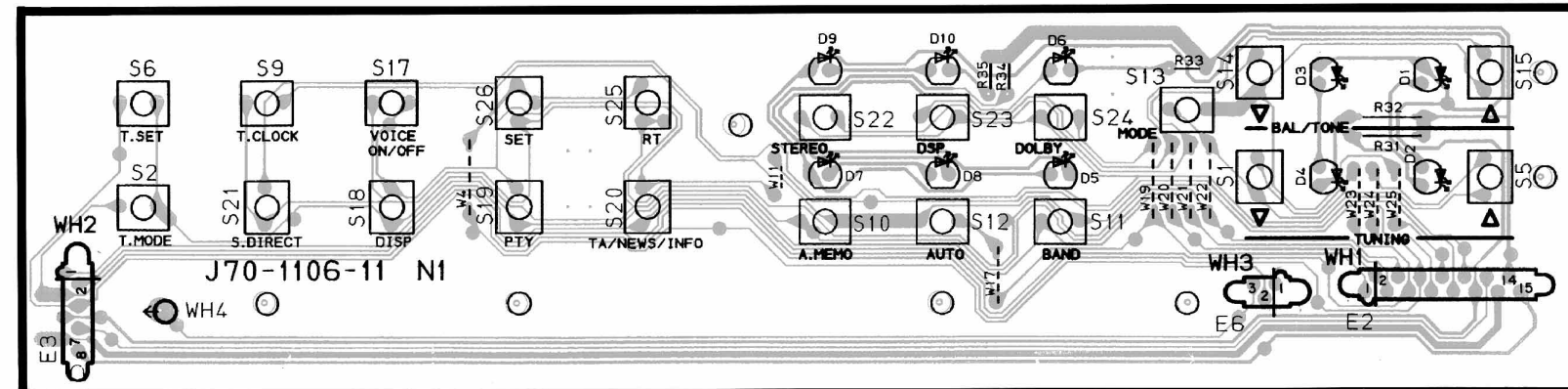
(X14- ) (D/4)



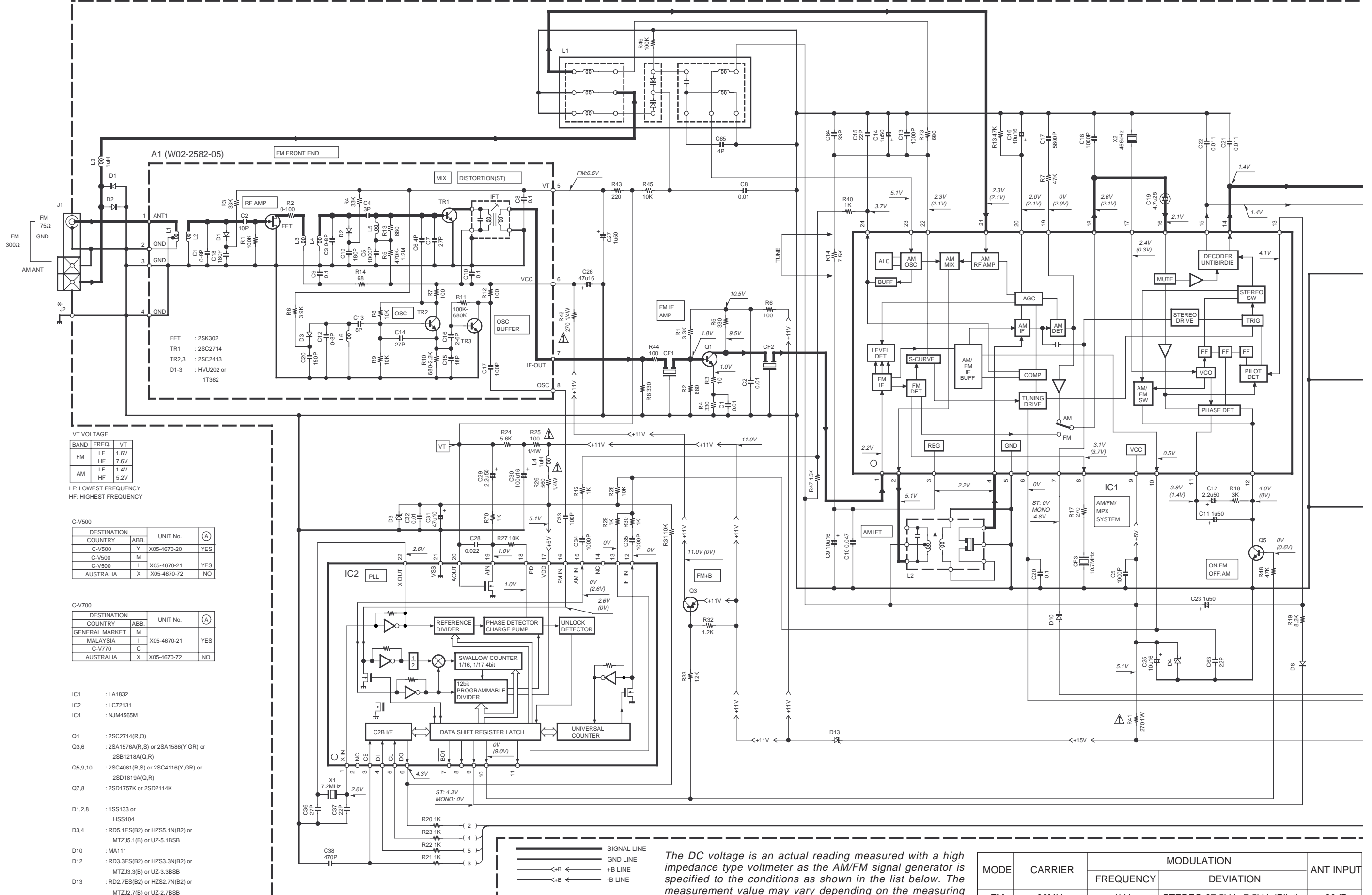
(X14- ) (C/3)



(X14-459X-XX) (A/4)



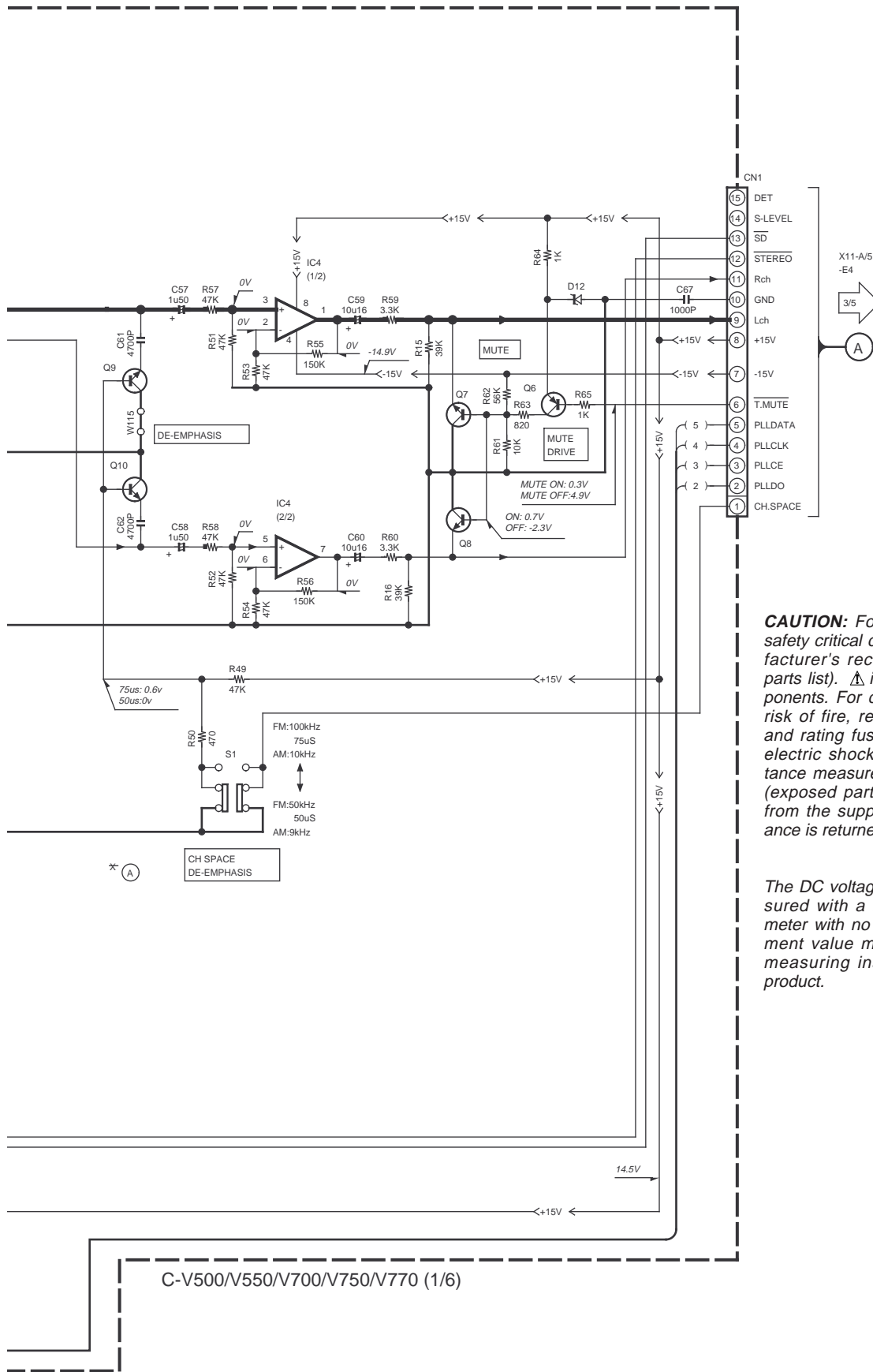
(X05-4670-XX) : C-V500/V550/V700/V770 TYPE



The DC voltage is an actual reading measured with a high impedance type voltmeter as the AM/FM signal generator is specified to the conditions as shown in the list below. The measurement value may vary depending on the measuring instruments used or on the product. The value shown in ( ) is actual reading measured in the AM made.

MODE	CARRIER	MODULATION		ANT INPUT
		FREQUENCY	DEVIATION	
FM	98MHz	1kHz	STEREO 67.5kHz 7.5kHz(Pilot)	60dB
AM	1000(999)kHz	400Hz	MONO 30% MOD	60dB





**CAUTION:** For continued safety, replace safety critical components only with manufacturer's recommended parts (refer to parts list). ⚠ indicates safety critical components. For continued protection against risk of fire, replace only with same type and rating fuse(s). To reduce the risk of electric shock, leakage-current or resistance measurements shall be carried out (exposed parts are acceptably insulated from the supply circuit) before the appliance is returned to the customer.

The DC voltage is an actual reading measured with a high impedance type voltmeter with no signal input. The measurement value may vary depending on the measuring instruments used or on the product.

# C-V500/V550/V700/V750/V770

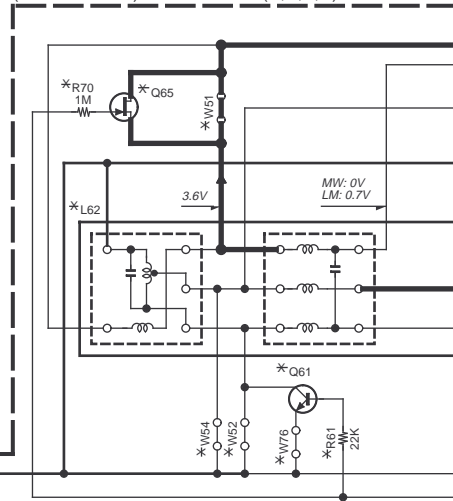
C-V750 (X05-468X-XX)

DESTINATION COUNTRY ABB.	UNIT No.	(A) - (C)	R3	R16, 20	R61-66, 68,70	C53, 54	C62, 63	C73	Q61-65	CF1,2	L62	W11	W6,13, 53,76	W51,52, 54,55
EUROPE	E	2-71	YES	1.8K	10	NO	NO	NO	NO	L72-0536 (MS3)	L39-1351	NO	NO	YES
U.K.	T	0-51	YES	1.8K	10	YES	YES	NO	YES	L72-0536 (MS3)	L39-1352	NO	YES	NO

C-V500 (X05-4680-10)

DESTINATION COUNTRY ABB.	UNIT No.	(A) - (C)	R3	R16, 20	R61-66, 68,70	C53, 54	C62, 63	C73	Q61-65	CF1,2	L62	W11	W6,13, 53,76	W51,52, 54,55
U.S.A.	K	0-12	NO	560	15	NO	NO	YES	NO	L72-0596 (MS2)	L39-1351	YES	NO	YES
CANADA	P	0-12	NO	560	15	NO	NO	YES	NO	L72-0596 (MS2)	L39-1351	YES	NO	YES

(X05-468X-XX) C-V500/V750 (K,P,T,E) TYPE

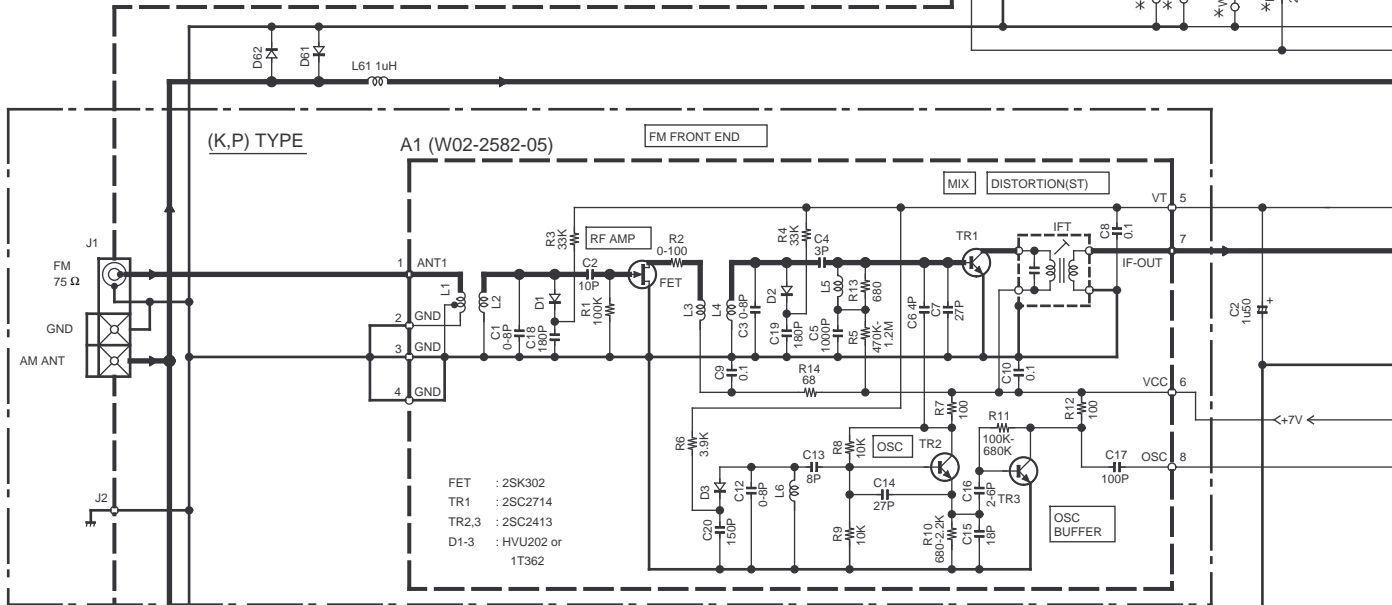


(K,P) TYPE

A1 (W02-2582-05)

FM FRONT END

MIX DISTORTION(ST)



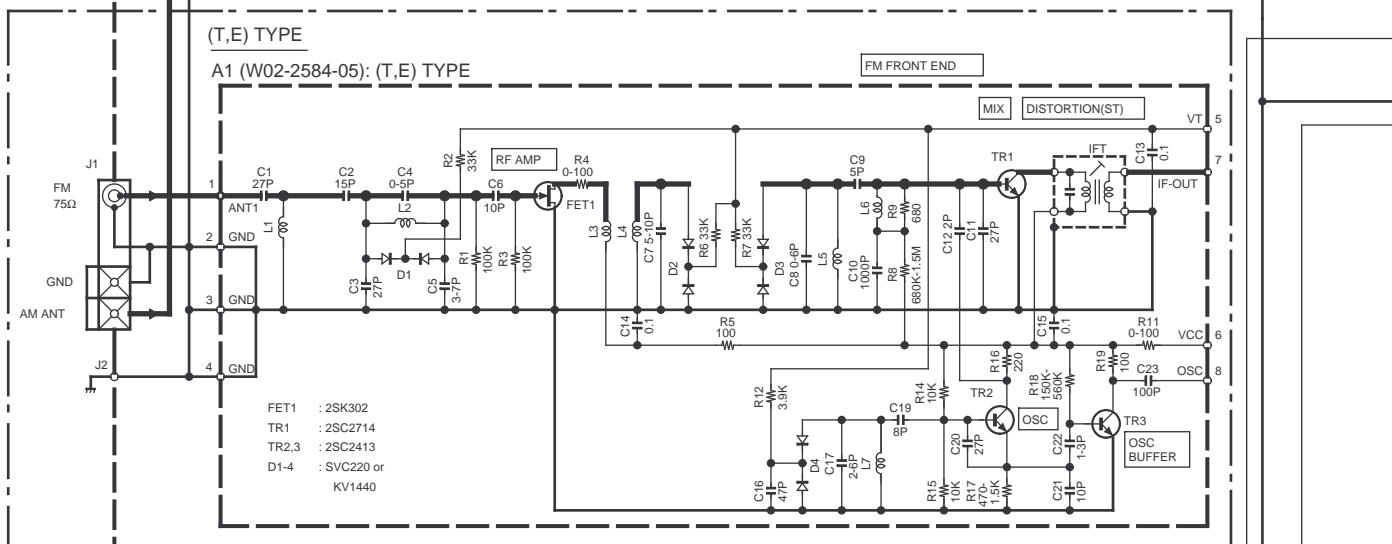
- FET : 2SK302
- TR1 : 2SC2714
- TR2,3 : 2SC2413
- D1-3 : HVU202 or 1T362

(T,E) TYPE

A1 (W02-2584-05): (T,E) TYPE

FM FRONT END

MIX DISTORTION(ST)



- FET1 : 2SK302
- TR1 : 2SC2714
- TR2,3 : 2SC2413
- D1-4 : SVC220 or KV1440

- IC1 : LA1836
- IC2 : LC72131
- Q1,2,4,31-34,61,62 : 2SC4081(R,S) or 2SC4116(Y,GR)
- Q3,64,81,103 : 2SA1576A(R,S) or 2SA1586(Y,GR)
- Q63 : 2SC2878(B)
- Q65 : 2SK302(Y,GR)
- Q101,102 : 2SD1757K
- D1,2,32,61,62 : 1SS133 or HSS104
- D31 : RD8.2ES(B2) or HZS8.2N(B2)
- D81 : RD5.1ES(B2) or HZS5.1N(B2)
- D101 : RD3.3ES(B2) or HZS3.3N(B2)
- D102 : RD2.7ES(B2) or HZS2.7N(B2)

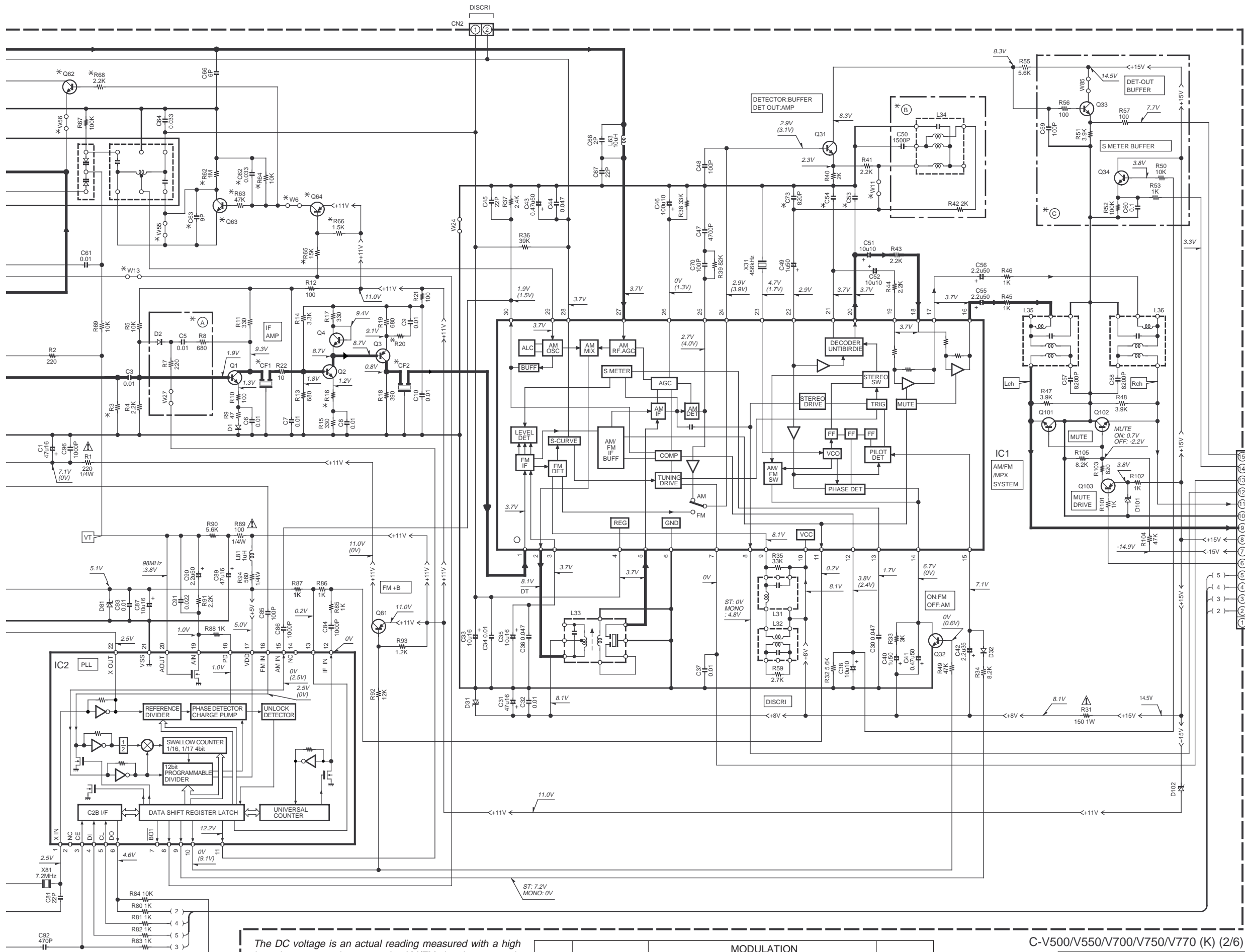
VT VOLTAGE

BAND	FREQ.	VT
FM	LF	1.6V
	HF	7.8V
AM	LF	1.3V
	HF	5.0V

LF: LOWEST FREQUENCY  
HF: HIGHEST FREQUENCY







**CAUTION:** For continued safety, replace safety critical components only with manufacturer's recommended parts (refer to parts list). Indicates safety critical components. For continued protection against risk of fire, replace only with same type and rating fuse(s). To reduce the risk of electric shock, leakage-current or resistance measurements shall be carried out (exposed parts are acceptably insulated from the supply circuit) before the appliance is returned to the customer.

The DC voltage is an actual reading measured with a high impedance type voltmeter with no signal input. The measurement value may vary depending on the measuring

The DC voltage is an actual reading measured with a high impedance type voltmeter as the AM/FM signal generator is specified to the conditions as shown in the list below. The measurement value may vary depending on the measuring instruments used or on the product. The value shown in ( ) is actual reading measured in the AM made.

MODE	CARRIER	MODULATION		ANT INPUT
		FREQUENCY	DEVIATION	
FM	98MHz	1kHz	STEREO 67.5kHz 7.5kHz(Pilot)	60dB
AM	1000(999)kHz	400Hz	MONO 30% MOD	60dB

C-V500/V550/V700/V750/V770 (K) (2/6)

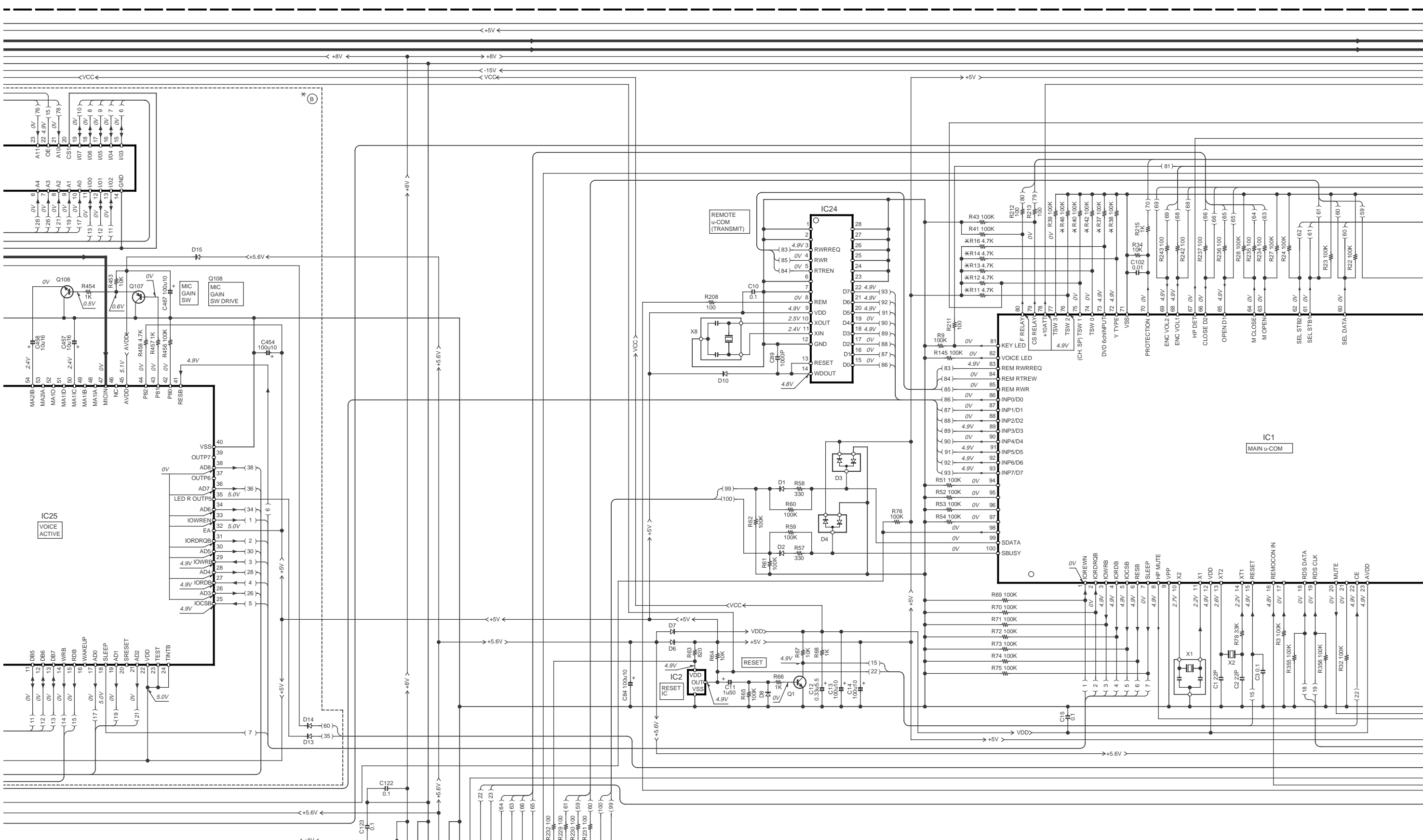
# C-V500/V550/V700/V750/V770

Y05-3380-10

**KENWOOD**



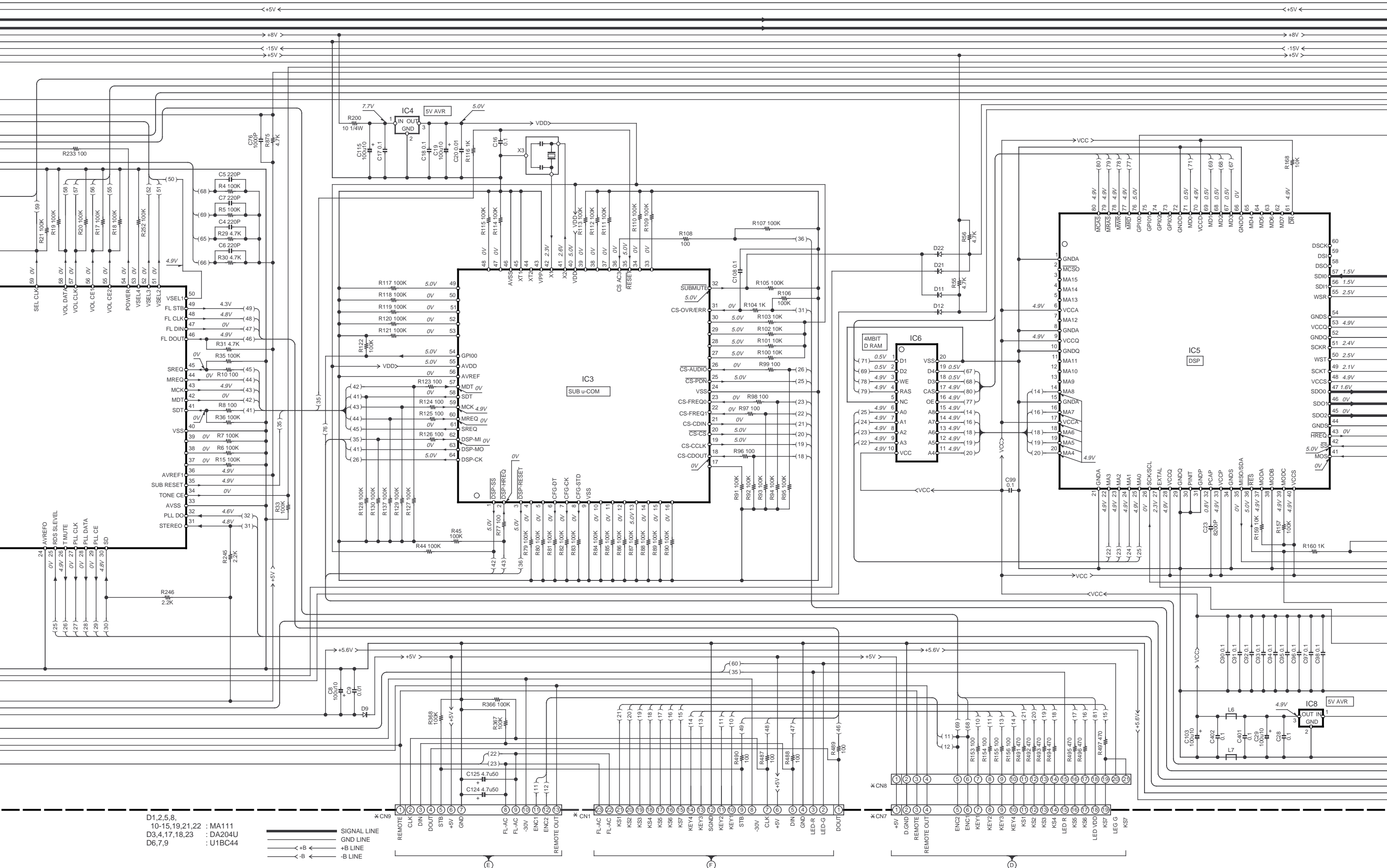




C-V770

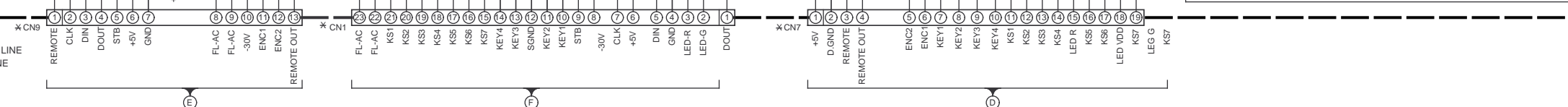
DESTINATION COUNTRY ABB	UNIT No.	(A)	(B)	(C)	(D)	R11,12,16,42	R13,14,37,38,40,46	R26	CN1,8	CN7,9
CHINA	C X08-2823-01	YES	NO	YES	NO	NO	NO	82 1/2W	YES	NO

- IC1 : UPD78078GF-070
- IC2 : S-806D-Z
- IC3 : UPD78016FGC530
- IC4,8,10,12,16,21 : TA7805S
- IC5 : DSPF56009FJ81
- IC6 : LH64256CK-70
- IC7 : TC7WU04FU
- IC9 : SN761200N
- IC11 : TC74HCU04AF
- IC13 : NJM4580ED
- IC15 : CS4226-KQ
- IC17 : TC7SU04FU
- IC18 : PM4007A
- IC19 : HM62256BLFP-8T
- IC20 : NJM4565M
- IC22 : TA79005S
- IC23 : SAA6579
- IC24 : UPD17215GT-737
- IC25 : RF5S830-0021
- IC26 : HM9264BLFP10L
- IC77 : NJM2100M
- Q1,11,12,108 : 2SC4081(R,S) or 2SC4116(Y,GR) or 2SD1819A(Q,R)
- Q13,15,16 : 2SC4215(Y)
- Q14,17 : 2SA1577(Q,R)
- Q107 : 2SA1576A(R,S) or 2SA1586(Y,GR) or 2SB1218A(Q,R)
- Q109,110 : 2SC3115(D27,28)

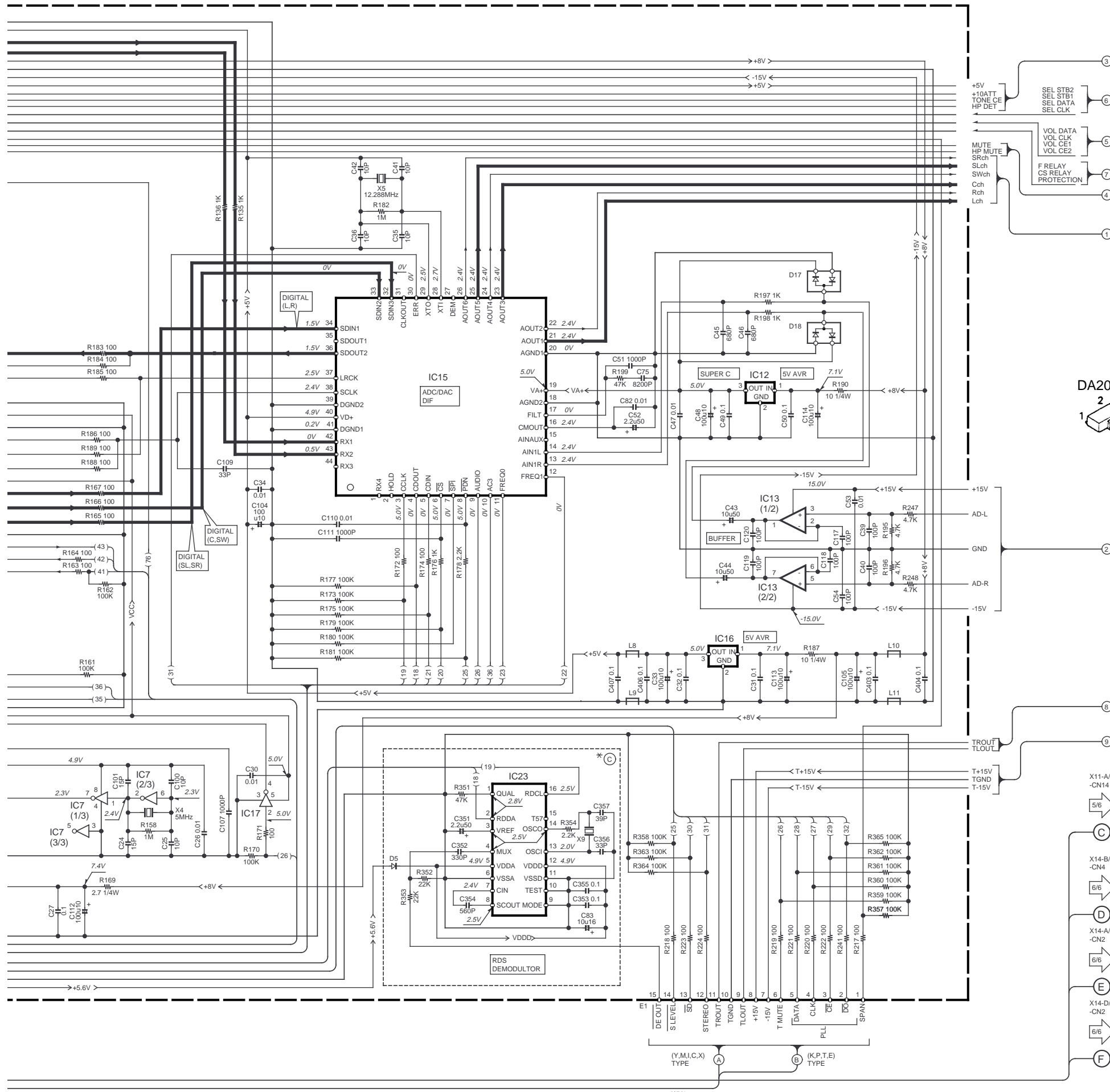


D1,2,5,8,  
10,15,19,21,22 : MA111  
D3,4,17,18,23 : DA204U  
D6,7,9 : U1BC44

— SIGNAL LINE  
— GND LINE  
— +B LINE  
— -B LINE







- |                     |                      |                                |   |                                 |
|---------------------|----------------------|--------------------------------|---|---------------------------------|
| 2SC3940A            | 2SA1175              | 2SA1048<br>2SC1740S<br>2SC2458 | 2SA1586<br>2SB1218A<br>2SC2714<br>2SC3115<br>2SC4081<br>2SC4116 | 2SC4215<br>2SD1819A<br>2SD2114K |
| 2SA1535A<br>2SD2061 | 2SA1309A             | 2SD2012                        | 2SD1757K  | TC9184P                         |
| TA8409S             | SAA6579<br>SN761200N | NJM4580L-D                     | NJM4565M<br>NJM4580ED   | UPD16311                        |
| DA204U              | 2SK302               | TC74HCU04AF                    | LA1836  | LC72131                         |
|                     |                      | TA7805S                        | TA79005S  | LA1832                          |
|                     |                      | HM9264BLFP10L                  | NJU7312AL<br>NJU7313AL  | LC7536R                         |
|                     |                      |                                |   | TC7SU04FU                       |
|                     |                      |                                |   | TC7WU04FU                       |

**CAUTION:** For continued safety, replace safety critical components only with manufacturer's recommended parts (refer to parts list).  $\Delta$  indicates safety critical components. For continued protection against risk of fire, replace only with same type and rating fuse(s). To reduce the risk of electric shock, leakage-current or resistance measurements shall be carried out (exposed parts are acceptably insulated from the supply circuit) before the appliance is returned to the customer.

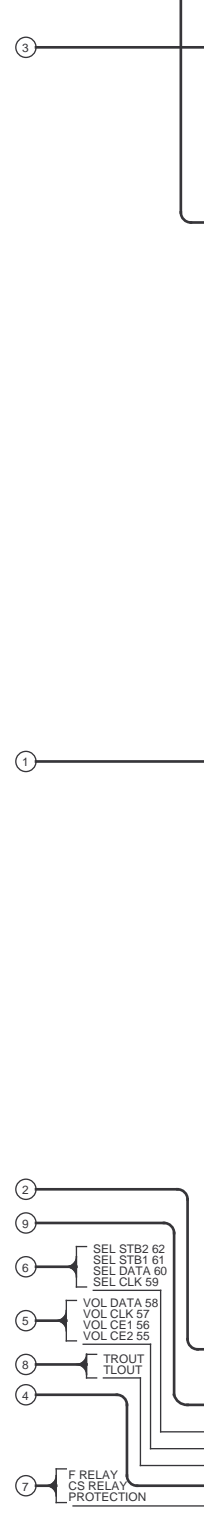
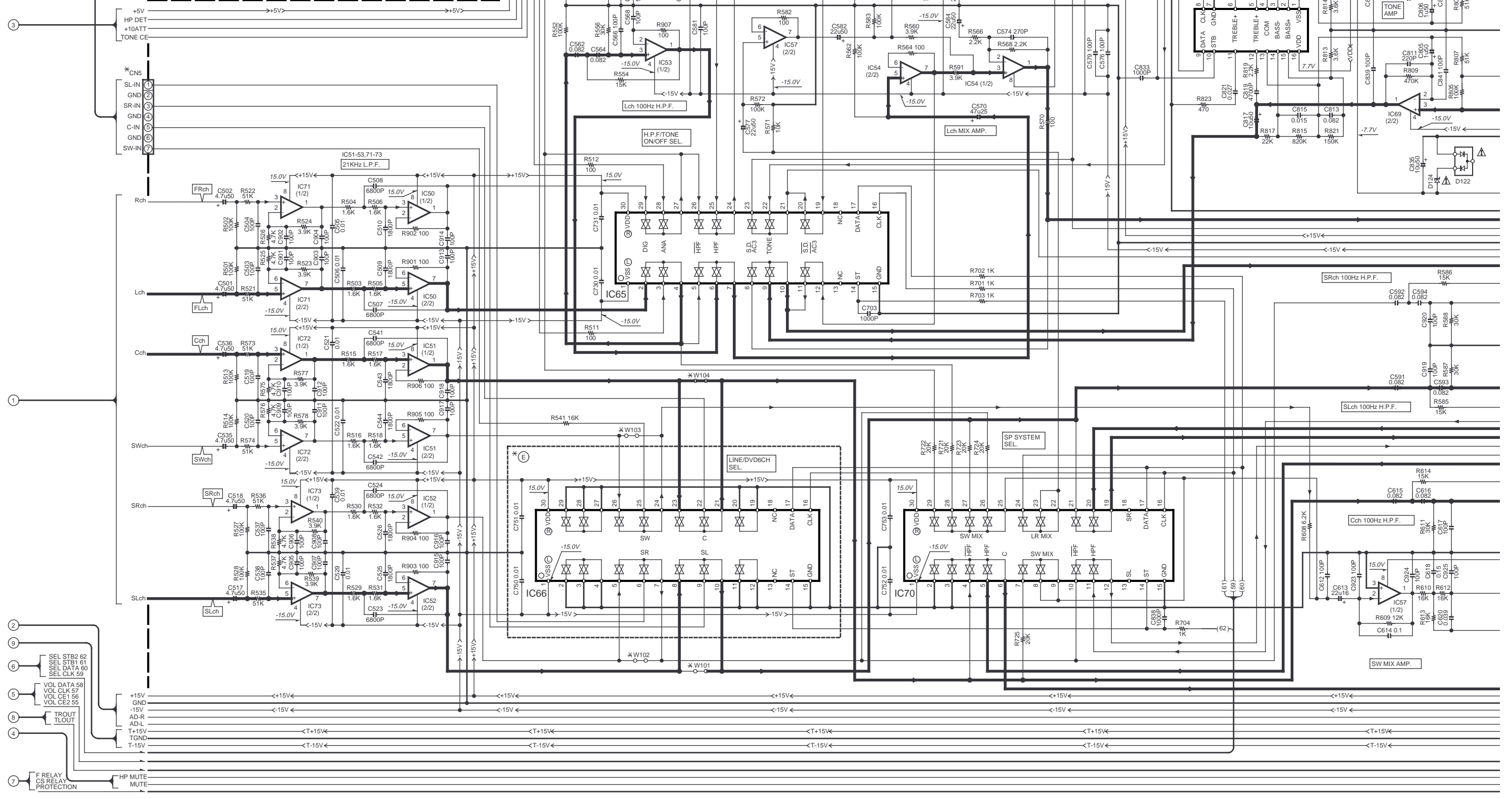
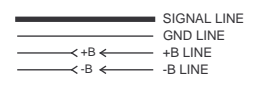
The DC voltage is an actual reading measured with a high impedance type voltmeter with no signal input. The measurement value may vary depending on the measuring instruments used or on the product.

WH1 C-V500/V550/V700/V750/V770(K) (3/6)

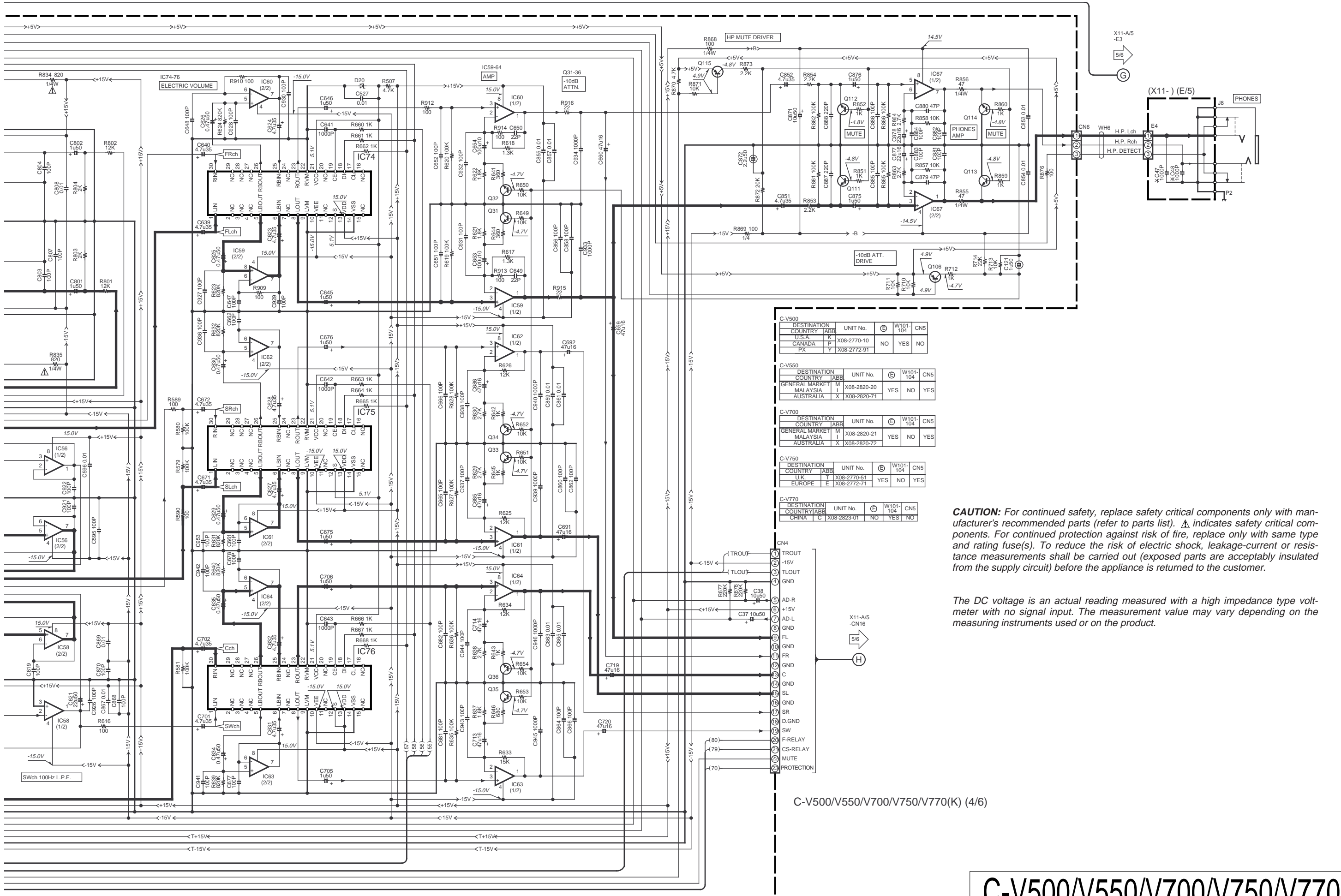
# C-V500/V550/V700/V750/V770

(X08-2XXX-XX) (2/2)

IC50-64,67,69,71-73	: NJM4580ED
IC65,66	: NJU7311AM
IC68	: TC9184P
IC70	: NJU7313AM
IC74-76	: LC7536R
Q31-36,111-114	: 2SC2878(B)
Q106,115	: 2SA1577(Q,R)
D20	: UDZ5.1B
D121,122	: DA204U
D123,124	: UDZ6.2B



1  
2  
3  
4  
5  
6  
7



C-V500		DESTINATION	COUNTRY	ABB	UNIT No.	Ⓢ	W101-104	CN5
		U.S.A.	K		X08-2770-10	NO	YES	NO
		CANADA	P		X08-2772-91	NO	YES	NO
		PX	Y		X08-2772-91	NO	YES	NO

C-V550		DESTINATION	COUNTRY	ABB	UNIT No.	Ⓢ	W101-104	CN5
		GENERAL MARKET	M		X08-2820-20	YES	NO	YES
		MALAYSIA	I		X08-2820-71	YES	NO	YES
		AUSTRALIA	X		X08-2820-71	YES	NO	YES

C-V700		DESTINATION	COUNTRY	ABB	UNIT No.	Ⓢ	W101-104	CN5
		GENERAL MARKET	M		X08-2820-21	YES	NO	YES
		MALAYSIA	I		X08-2820-71	YES	NO	YES
		AUSTRALIA	X		X08-2820-72	YES	NO	YES

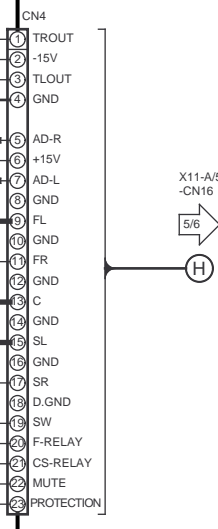
C-V750		DESTINATION	COUNTRY	ABB	UNIT No.	Ⓢ	W101-104	CN5
		U.K.	T		X08-2770-51	YES	NO	YES
		EUROPE	E		X08-2772-71	YES	NO	YES

C-V770		DESTINATION	COUNTRY	ABB	UNIT No.	Ⓢ	W101-104	CN5
		CHINA	C		X08-2823-01	NO	YES	NO

**CAUTION:** For continued safety, replace safety critical components only with manufacturer's recommended parts (refer to parts list). ⚠ indicates safety critical components. For continued protection against risk of fire, replace only with same type and rating fuse(s). To reduce the risk of electric shock, leakage-current or resistance measurements shall be carried out (exposed parts are acceptably insulated from the supply circuit) before the appliance is returned to the customer.

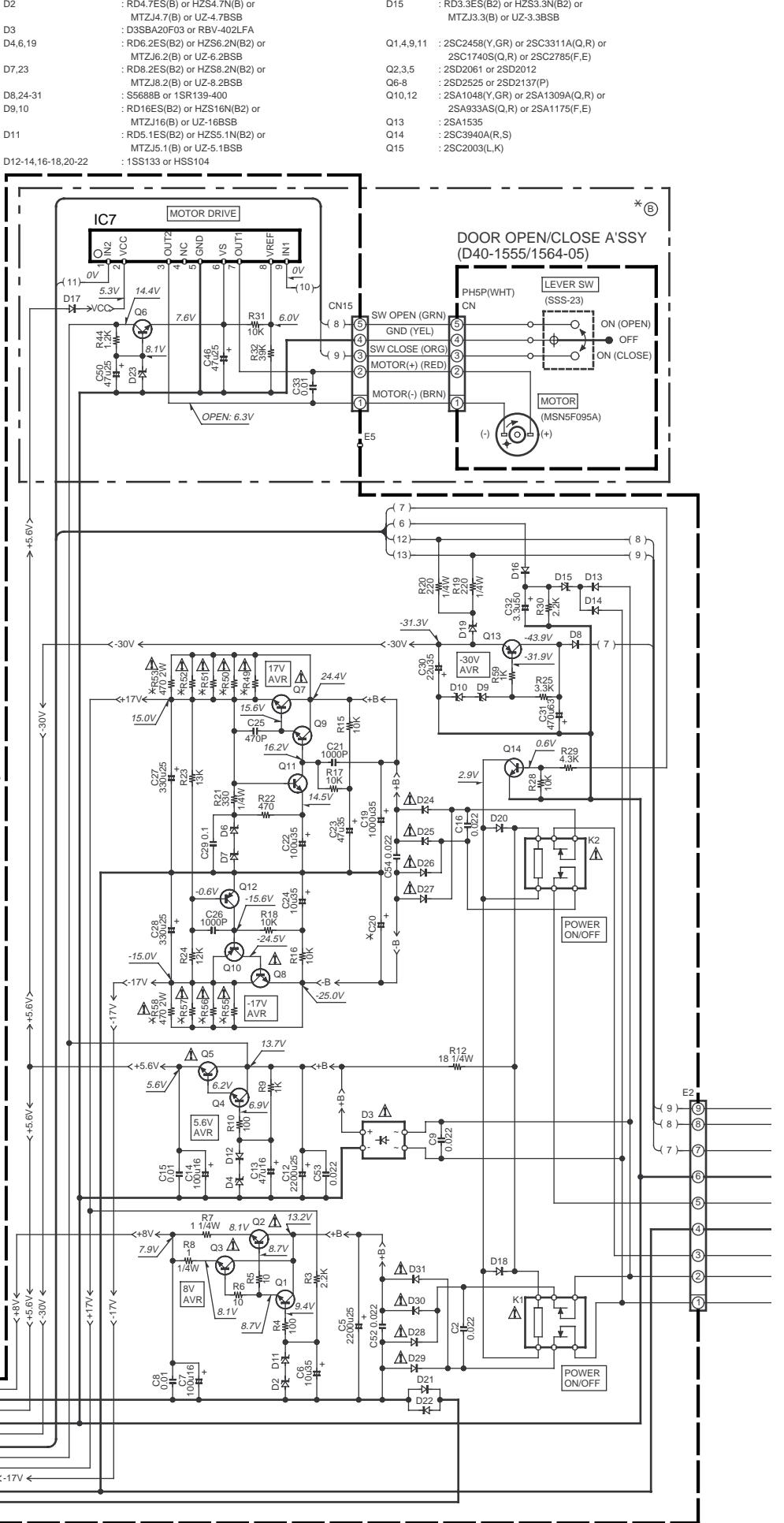
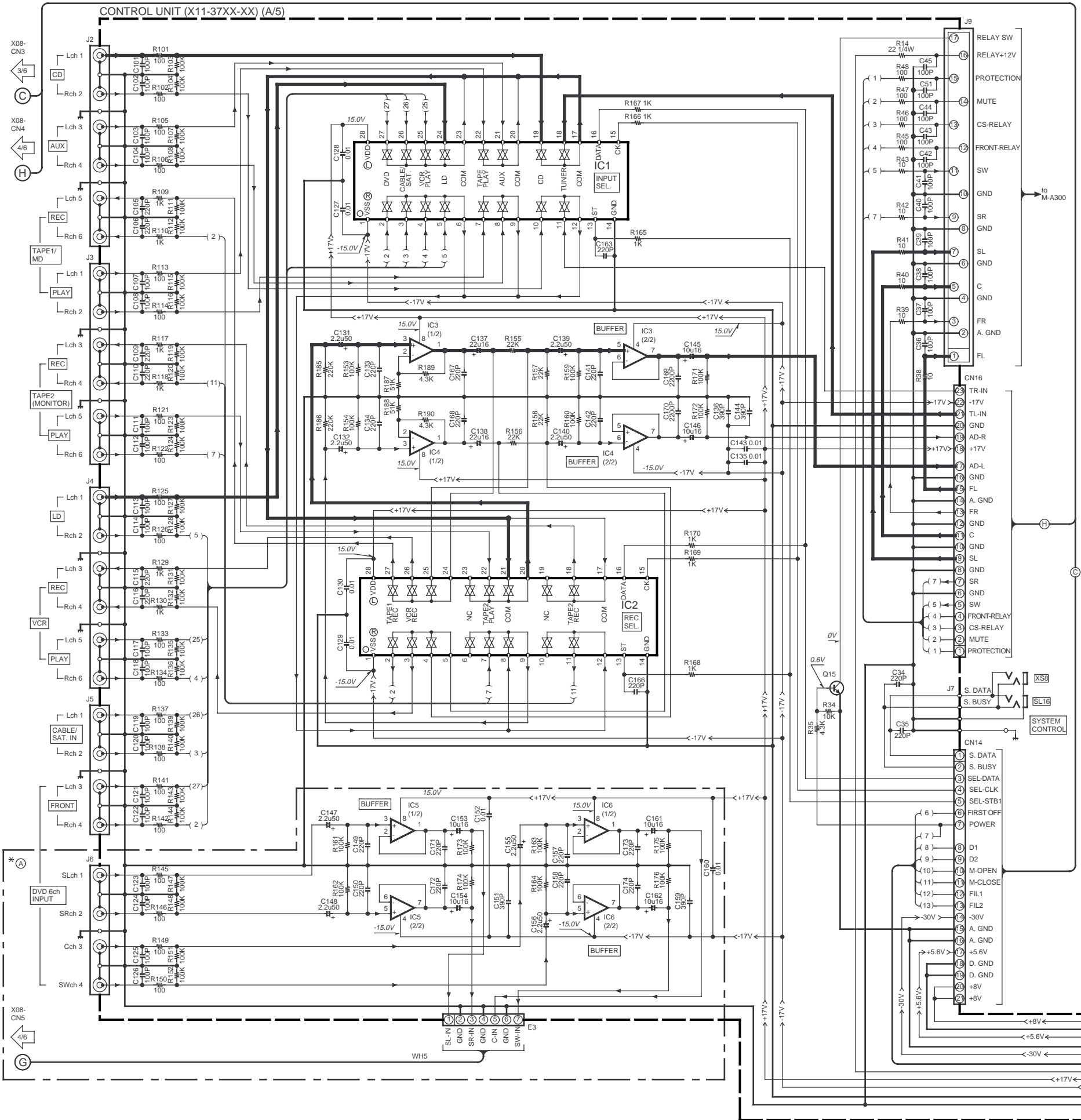
The DC voltage is an actual reading measured with a high impedance type volt-meter with no signal input. The measurement value may vary depending on the measuring instruments used or on the product.



C-V500/V550/V700/V750/V770(K) (4/6)

# C-V500/V550/V700/V750/V770





- D2 : RD4.7ES(B) or HZS4.7N(B) or MTZJ4.7(B) or UZ-4.7BSB  
D3 : D3SBA20F03 or RBV-402LFA  
D4,6,19 : RD6.2ES(B2) or HZS6.2N(B2) or MTZJ6.2(B) or UZ-6.2BSB  
D7,23 : RD8.2ES(B2) or HZS8.2N(B2) or MTZJ8.2(B) or UZ-8.2BSB  
D8,24-31 : S5688B or 1SR139-400  
D9,10 : RD16ES(B2) or HZS16N(B2) or MTZJ16(B) or UZ-16BSB  
D11 : RD5.1ES(B2) or HZS5.1N(B2) or MTZJ5.1(B) or UZ-5.1BSB  
D12-14,16-18,20-22 : 1SS133 or HSS104
- D15 : RD3.3ES(B2) or HZS3.3N(B2) or MTZJ3.3(B) or UZ-3.3BSB
- Q1,4,9,11 : 2SC2458(Y,GR) or 2SC3311A(Q,R) or 2SC1740S(Q,R) or 2SC2785(F,E)  
Q2,3,5 : 2SD2061 or 2SD2012  
Q6-8 : 2SD2525 or 2SD2137(P)  
Q10,12 : 2SA1048(Y,GR) or 2SA1309A(Q,R) or 2SA933AS(Q,R) or 2SA1175(F,E)  
Q13 : 2SA1535  
Q14 : 2SC3940A(R,S)  
Q15 : 2SC2003(L,K)

IC1 : NJU7313AL  
 IC2 : NJU7312AL  
 IC3-6 : NJM4580L-D  
 IC7 : TA8409S

C-V500

DESTINATION COUNTRY	ABB	UNIT No.	(A) (E)	C20	F3	F4,5	R49-52, 55,56	R53, 58	R57	R177-184	W3-6	W7-10	WH2
U.S.A.	K	X11-3720-10					2.5A L250V	800mA L250V	390 2W				
CANADA	F		NO	470u35			T1A L250V	T500mA L250V	470 2W	NO	NO	YES	NO
PX	Y	X11-3722-91							470 2W				YES

C-V550

DESTINATION COUNTRY	ABB	UNIT No.	(A) (E)	C20	F3	F4,5	R49-52, 55-57	R53, 58	R177-184	W3-10	WH2
GENERAL MARKET	M	X11-3780-20	YES	NO	1000u35		T1A L250V	T500mA L250V	470 2W	YES	YES
MALAYSIA	I										YES
AUSTRALIA	X	X11-3780-71							390 2W	NO	NO

C-V700

DESTINATION COUNTRY	ABB	UNIT No.	(A) (E)	C20	F3	F4,5	R49-52, 55-57	R53, 58	R177-184	W3-10	WH2
GENERAL MARKET	M	X11-3780-21	YES	NO	1000u35		T1A L250V	T500mA L250V	470 2W	YES	YES
MALAYSIA	I										YES
AUSTRALIA	X	X11-3780-72							390 2W	NO	NO

C-V750

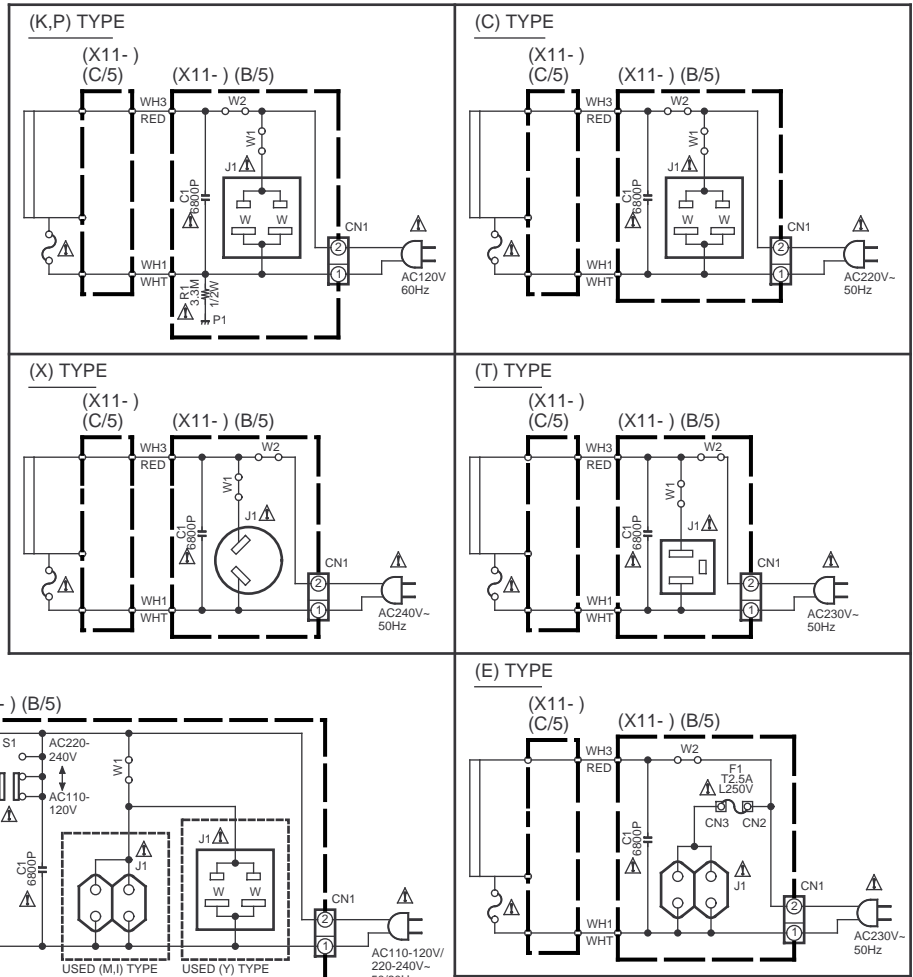
DESTINATION COUNTRY	ABB	UNIT No.	(A) (E)	C20	F3	F4,5	R49-52, 55,56	R53, 58	R177-184	W3-10	WH2
U.K.	I	X11-3720-51									
EUROPE	E	X11-3722-71	YES	470u35			T1A L250V	T500mA L250V	390 2W	NO	YES

C-V770

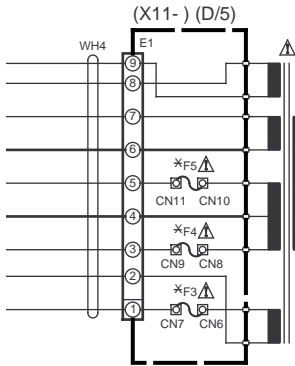
DESTINATION COUNTRY	ABB	UNIT No.	(A) (E)	C20	F3	F4,5	R49-52, 55-57	R53, 58, 177-184	W3-6	W7-10	WH2
CHINA	C	X11-3783-01	NO	YES	1000u35		T1A L250V	T500mA L250V	390 2W	NO	YES

**CAUTION:** For continued safety, replace safety critical components only with manufacturer's recommended parts (refer to parts list). ⚠ indicates safety critical components. For continued protection against risk of fire, replace only with same type and rating fuse(s). To reduce the risk of electric shock, leakage-current or resistance measurements shall be carried out (exposed parts are acceptably insulated from the supply circuit) before the appliance is returned to the customer.

The DC voltage is an actual reading measured with a high impedance type voltmeter with no signal input. The measurement value may vary depending on the measuring instruments used or on the product.



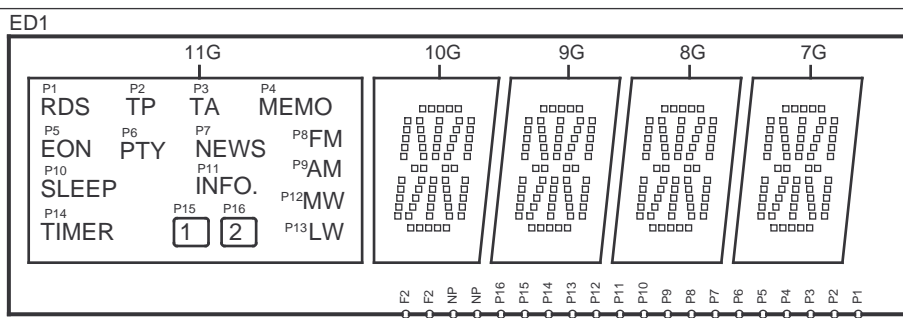
C-V500/V550/V700/V750/V770(K) (5/6)



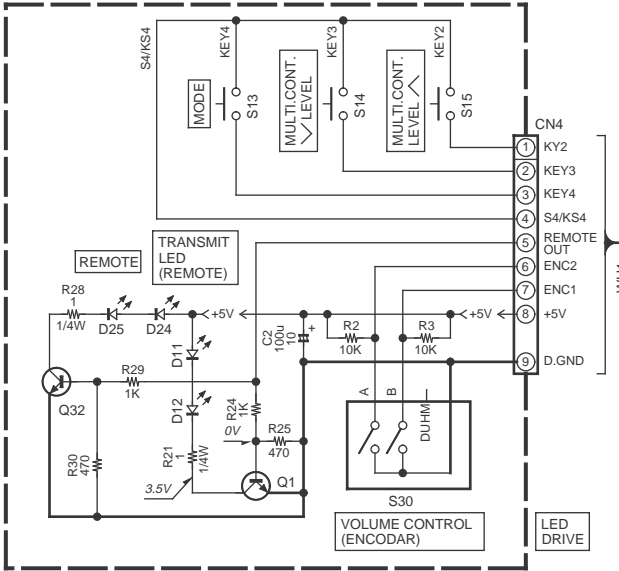
— SIGNAL LINE  
 — GND LINE  
 —<B ← +B LINE  
 —<B ← -B LINE

(X14-45XX-XX) (A/3) : C-V500/V550

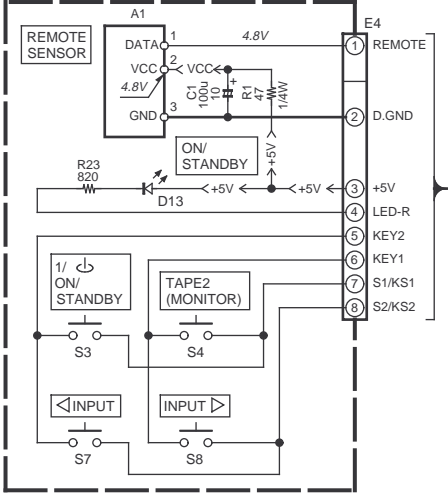
- IC1 : uPD16311
- Q1,32 : 2SC3246
- Q5 : \*
- D11,12, 24,25 : B30-2519-05
- D13 : B30-2493-05
- D15-18 : 1SS131 or HSS104A
- ED1 : 11-MT-114GK
- A1 : W02-2598-05



(X14-) (C/3)



(X14-) (B/3)

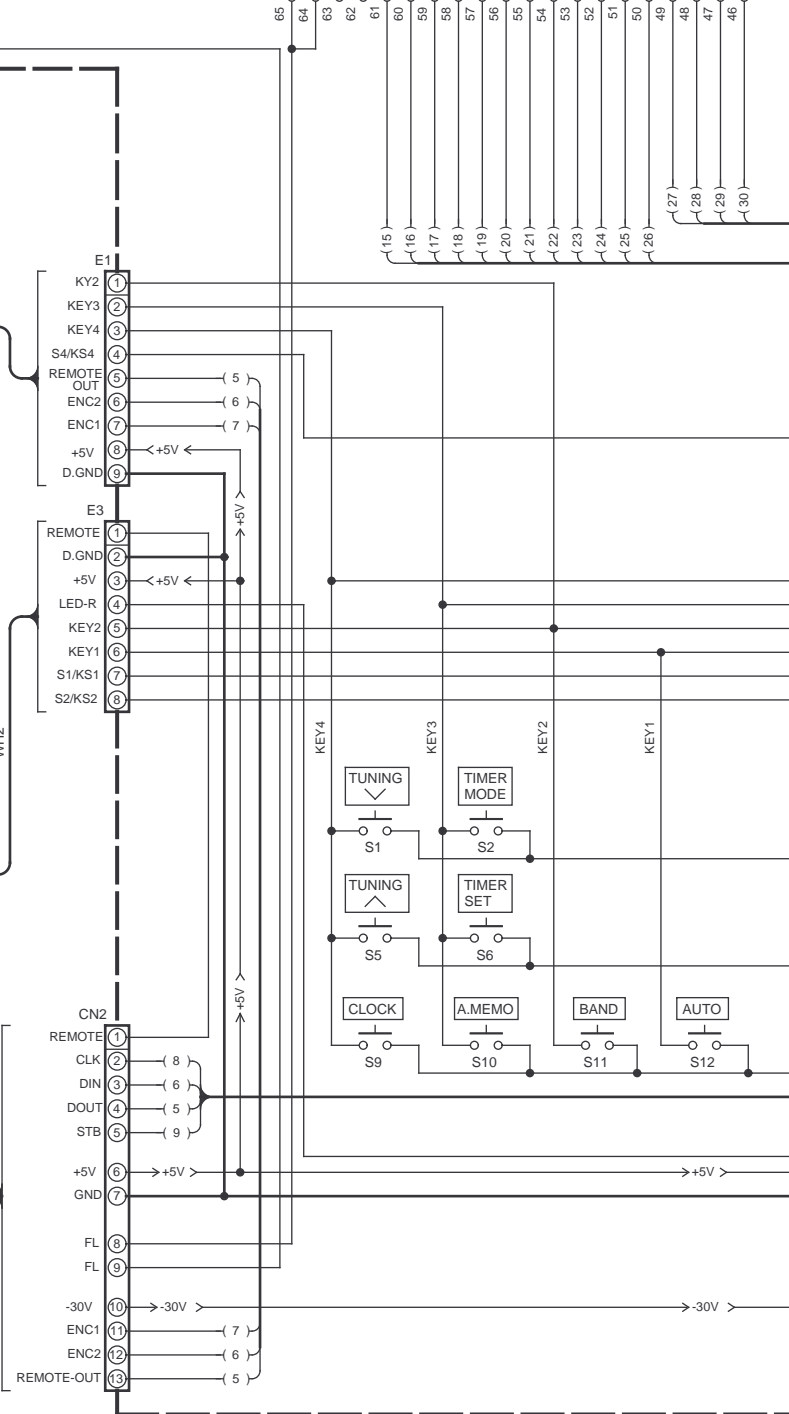


C-V500 (A/3)

DESTINATION COUNTRY	ABB	UNIT No.	Q5
U.S.A.	K	X14-4570-10	2SC3311A(Q,R) or 2SC2458(Y,GR)
CANADA	P		
PX	Y		

C-V550 (A/3)

DESTINATION COUNTRY	ABB	UNIT No.	Q5
GENERAL MARKET	M	X14-4580-20	2SC1740S(Q,R) or 2SC2785(F,E)
MALAYSIA	I		
AUSTRALIA	X		

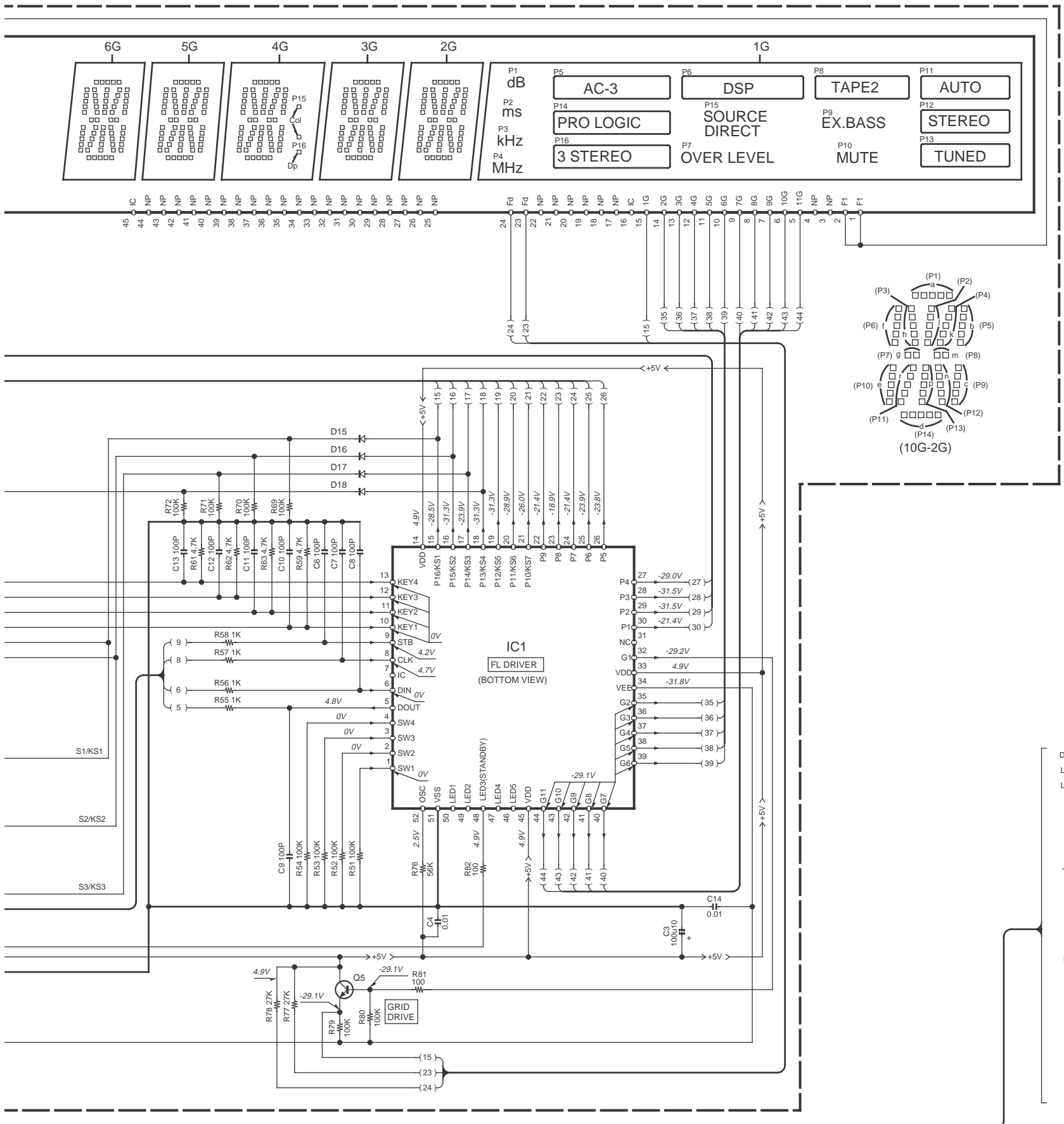


X08-CN7,8  
3/6  
D

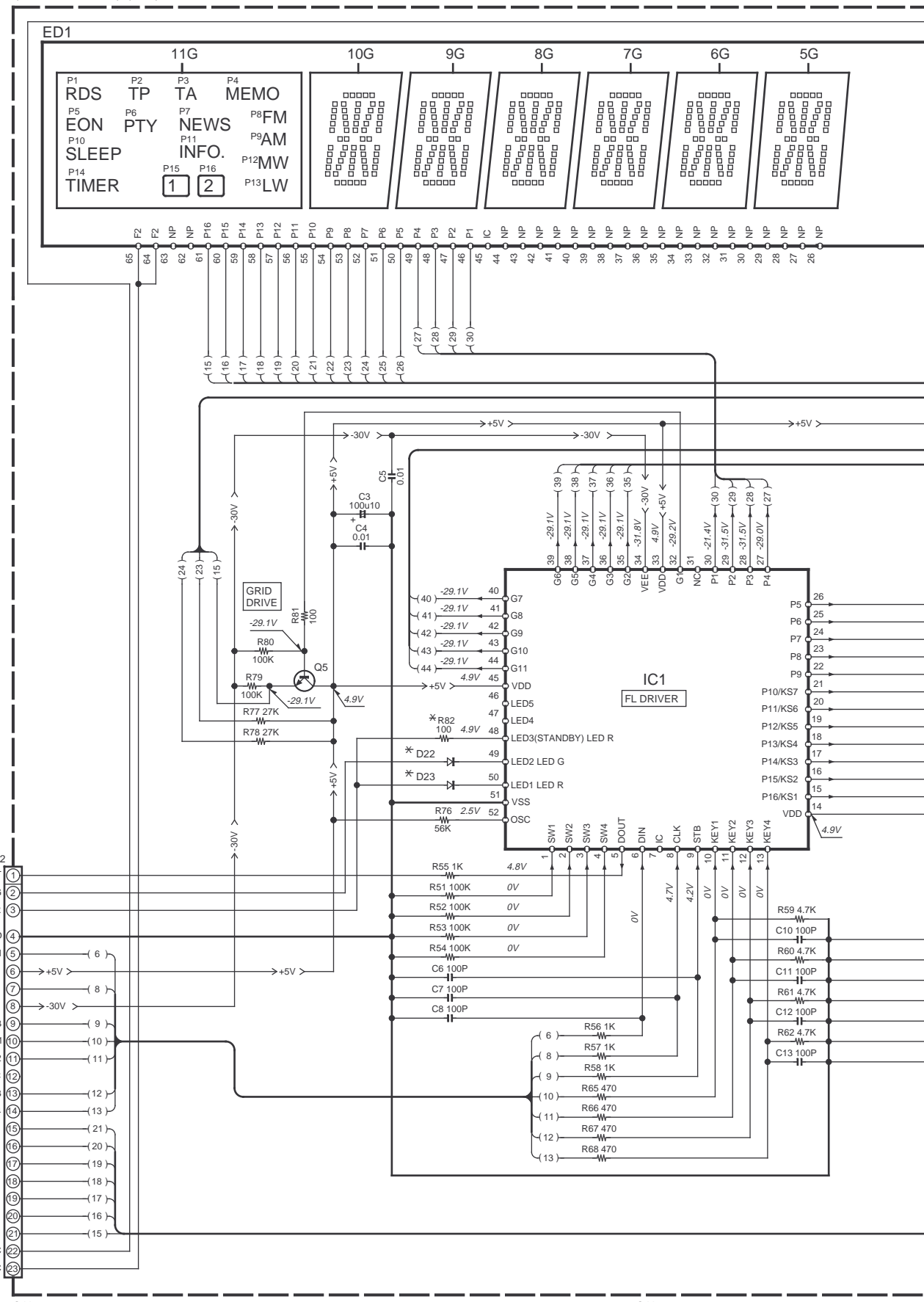
X08-CN9  
3/6  
E

X08-CN1  
3/6  
F





(X14-4XXX-XX) (D/4) : C-V700/V750/V770

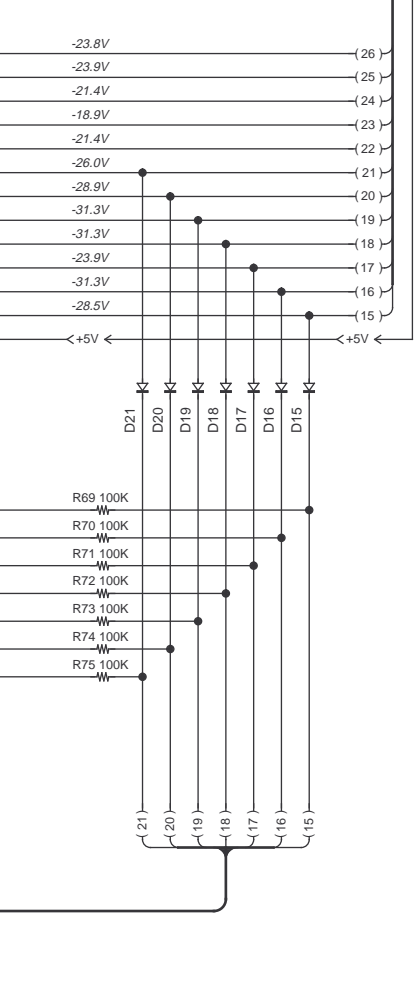
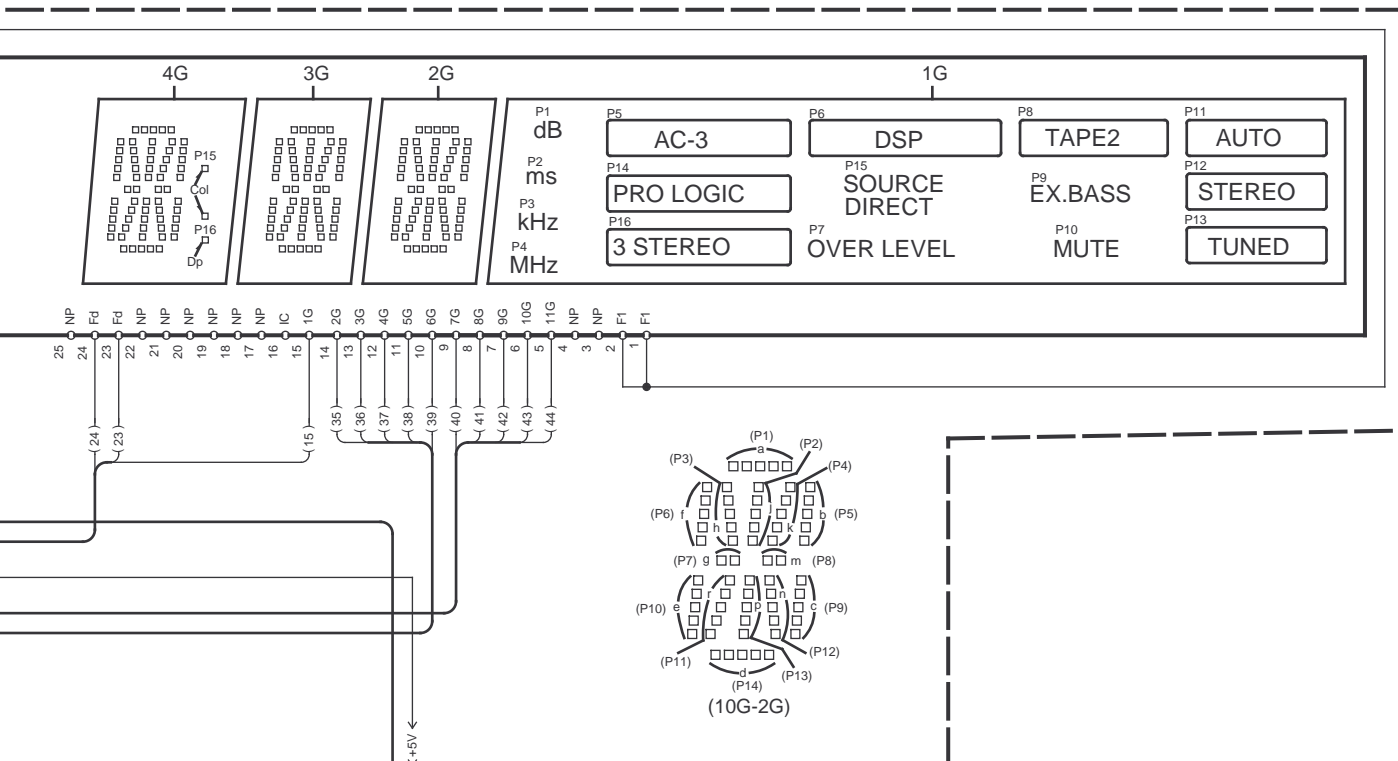


C-V700

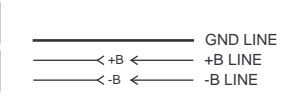
DESTINATION COUNTRY	ABB	UNIT No.	R11-16	R22	R82	W1	W4,8,9,11	S17-20,25,26	CN1,6	CN4	D13	D14,22,23	E5,6	Q3,4	WH3,4
GENERAL MARKET	M	X14-4600-20	NO	820	100	YES	NO	NO	NO	YES	YES	NO	NO	NO	NO
MALAYSIA	I														
AUSTRALIA	X														

C-V750

DESTINATION COUNTRY	ABB	UNIT No.
U.K	T	X14-4592-70
EUROPE	E	



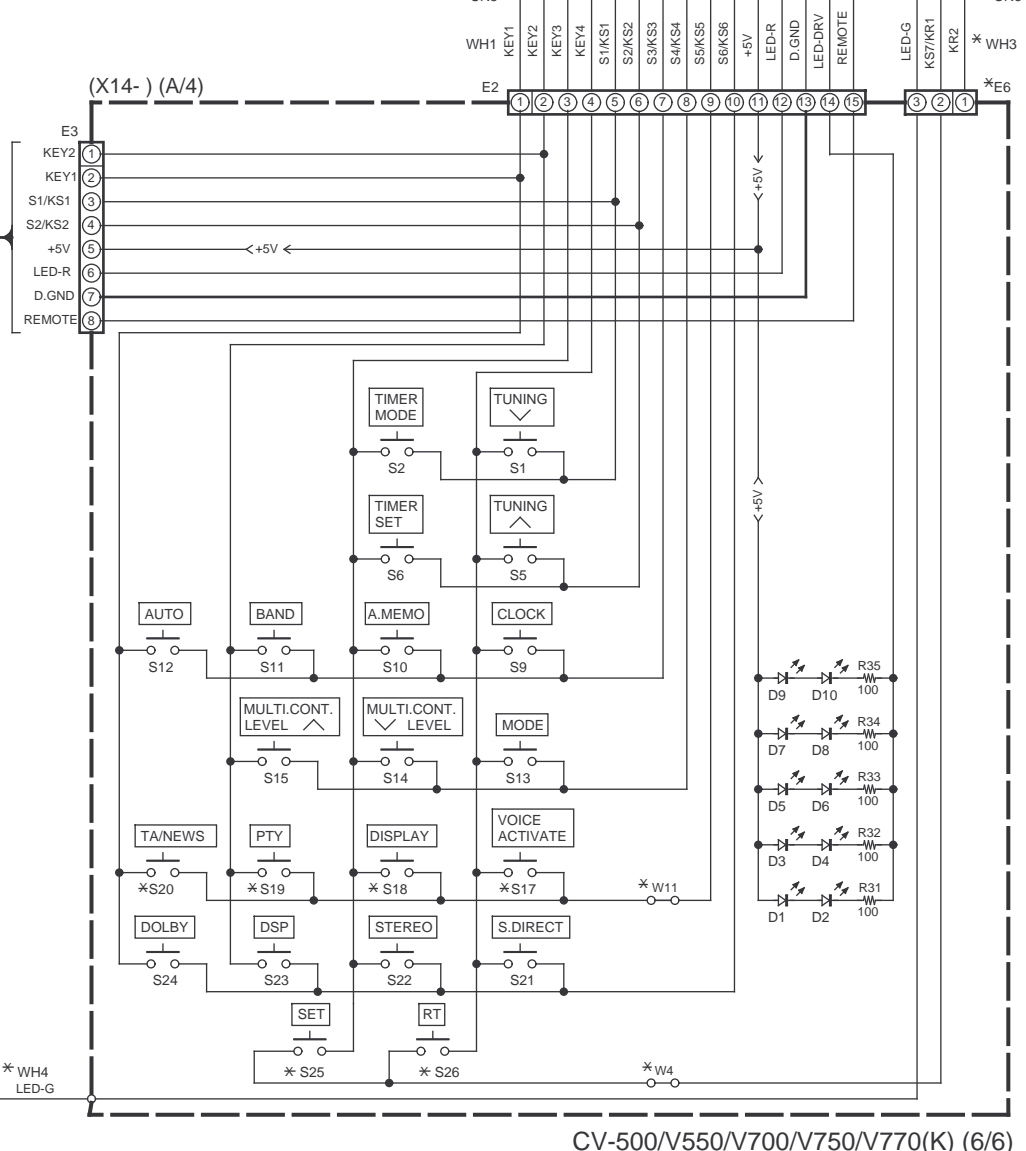
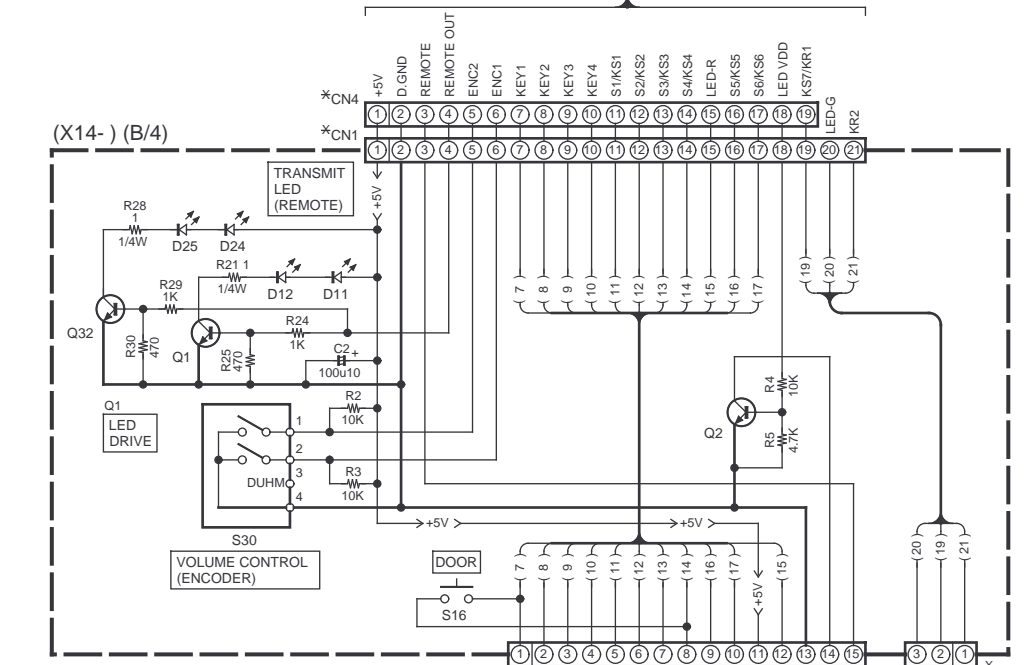
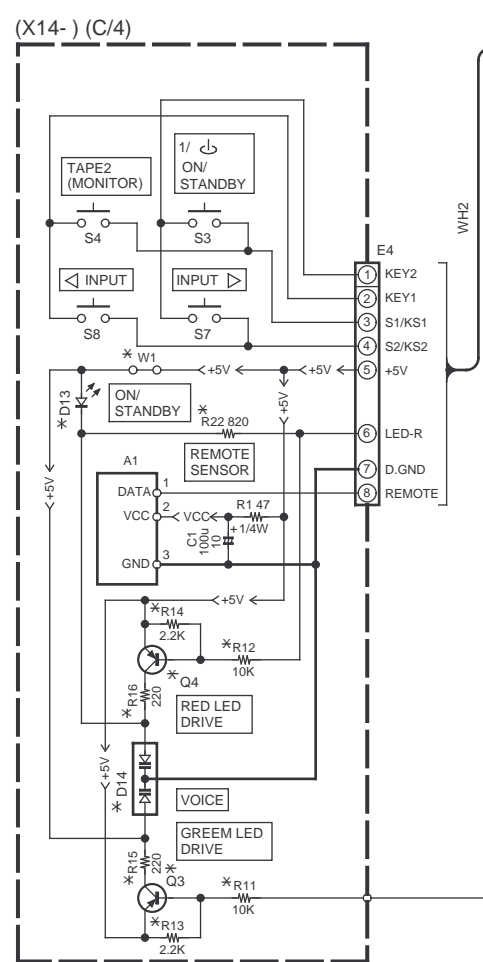
- IC1 : uPD16311
- Q1 : 2SC3246
- Q2 : 2SC2003(L,K)
- Q3,4 : \*
- Q5 : \*
- D1-10 : B30-2515-05
- D11,12,24,25 : B30-2519-05
- D13 : B30-2493-05
- D14 : B30-2507-05
- D15-21 : 1SS131 or HSS104A
- ED1 : 11-MT-114GK
- A1 : W02-2598-05



C-V700 (D/4)				
DESTINATION COUNTRY	ABB	UNIT No.	Q3,4	Q5
GENERAL MARKET	M	X14-4600-20	2SC1740S(Q,R) or 2SC2785(F,E)	
MALAYSIA	I			
AUSTRALIA	X			

C-V750 (C/4),(D/4)				
DESTINATION COUNTRY	ABB	UNIT No.	Q3,4	Q5
U.K.	T	X14-4592-70	2SA1048(Y,GR) or 2SA1309A(Q,R)	2SC2458(Y,GR) or 2SC3311A(Q,R)
EUROPE	E			

C-V770 (C/4),(D/4)				
DESTINATION COUNTRY	ABB	UNIT No.	Q3,4	Q5
CHINA	C	X14-4603-01	2SA933AS(Q,R) or 2SA1175(F,E)	2SC1740S(Q,R) or 2SC2785(F,E)



CV-500/V550/V700/V750/V770(K) (6/6)

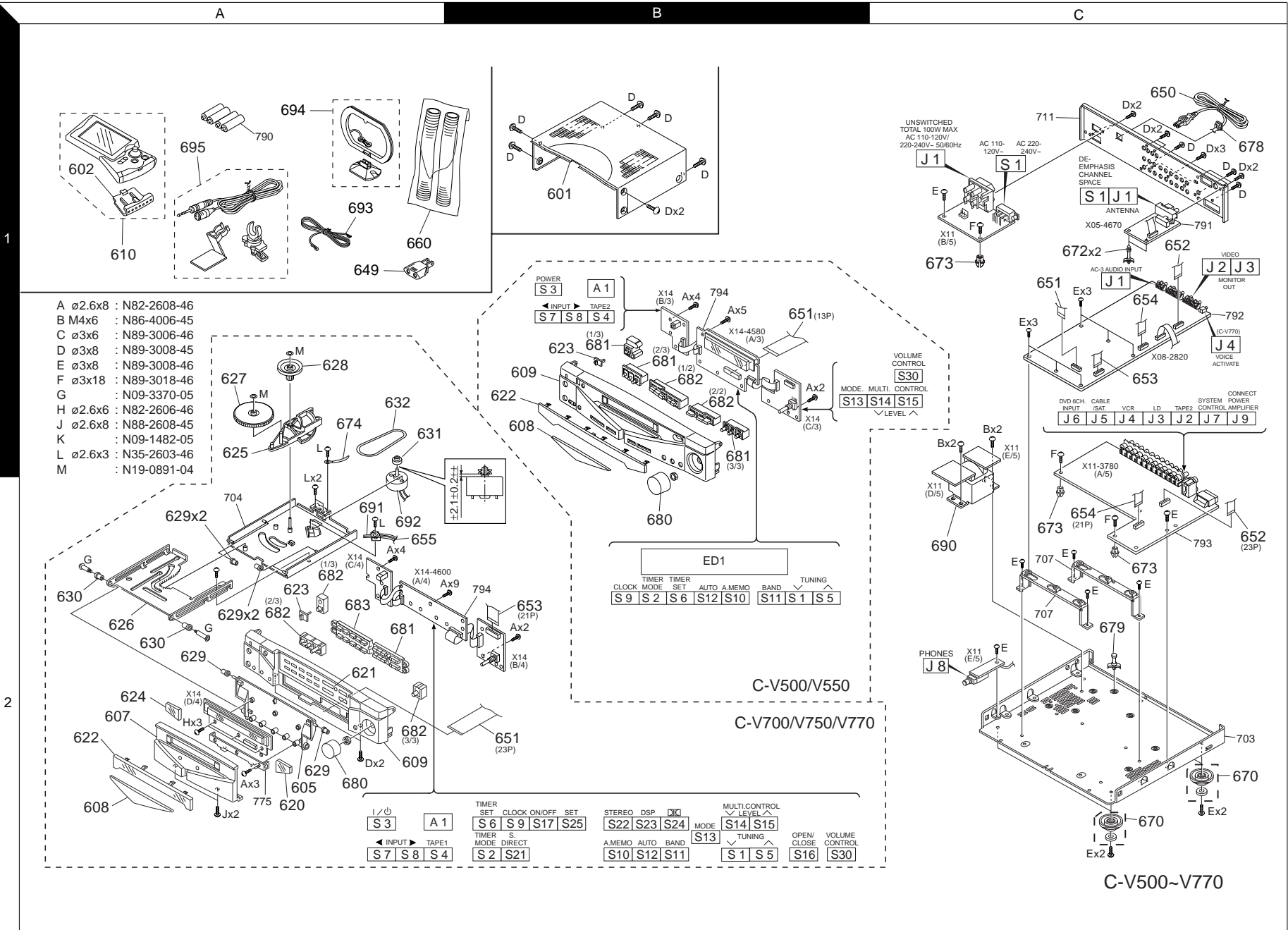
**CAUTION:** For continued safety, replace safety critical components only with manufacturer's recommended parts (refer to parts list).  $\Delta$  indicates safety critical components. For continued protection against risk of fire, replace only with same type and rating fuse(s). To reduce the risk of electric shock, leakage-current or resistance measurements shall be carried out (exposed parts are acceptably insulated from the supply circuit) before the appliance is returned to the customer.

The DC voltage is an actual reading measured with a high impedance type voltmeter with no signal input. The measurement value may vary depending on the measuring instruments used or on the product.

R11, 12	R13, 14	R15, 16	R22, 82	W1	W4, 11	S17-20, 25,26	CN1,6	CN4	D13	D14, 22,23	E5,6	Q3,4	WH3,4
10K	2.2K	220	NO	NO	YES	YES	YES	NO	NO	YES	YES	YES	YES

C-V770																		
DESTINATION COUNTRY	ABB	UNIT No.	R11, 12	R13, 14	R15, 16	R22, 82	EH1, 8,9	W1, 11	W4, 26	S17, 25	S18-20, 25	CN1,6	CN4	D13	D14, 22,23	E5,6	Q3,4	WH3,4
CHINA	C	X14-4603-01	10K	2.2K	220	NO	NO	NO	YES	YES	NO	YES	NO	NO	YES	YES	YES	YES

EXPLODED VIEW  
C-V500/V550/V700/V750/V770





New Parts  
Parts without **Parts No.** are not supplied.  
Les articles non mentionnés dans le **Parts No.** ne sont pas fournis.  
Teile ohne **Parts No.** werden nicht geliefert.

1

Ref. No	Add-ress	New Parts	Parts No.	Description	Desti-nation	Re-marks
<b>C-V500</b>						
601	1B		A01-3432-01	METALLIC CABINET		
602	1A	*	A09-0379-08	BATTERY COVER		
608	1B	*	A21-1978-03	DRESSING PANEL		
609	1B	*	A60-1143-11	PANEL		
610	1A	*	A70-1159-05	REMOTE CONTROL ASSY(GRC-100)		
622	1B		B10-2347-02	FRONT GLASS		
623	1B		B12-0311-04	INDICATOR		
-			B46-0328-03	WARRANTY CARD	KY	
-			B46-0336-03	WARRANTY CARD	P	
-			B58-0513-04	CAUTION CARD (PRESET220-240)	Y	
-			B58-0964-13	CAUTION CARD (UL)	KY	
-			B58-0967-03	CAUTION CARD (PL)	P	
-			B59-1104-00	SERVICE DIRECTORY	Y	
-			B59-1121-03	SUB-INSTRUCTION MANUAL		
-			B59-1122-03	SUB-INSTRUCTION MANUAL		
-			B59-1123-03	SUB-INSTRUCTION MANUAL	P	
-		*	B60-3209-00	INSTRUCTION MANUAL(ENG)		
-		*	B60-3210-00	INSTRUCTION MANUAL(FRN)	P	
Δ 650	1C		E30-2787-05	AC POWER CORD	KP	
Δ 650	1C		E30-2789-05	AC POWER CORD	Y	
651	1B,1C	*	E35-1898-05	FLAT CABLE (13P)		
652	1C,2C	*	E35-1779-05	FLAT CABLE (23P)		
654	1C,2C	*	E35-1778-05	FLAT CABLE (21P)		
660			F07-1602-04	COVER		
-		*	H10-7286-12	POLYSTYRENE FOAMED FIXTURE		
-		*	H10-7287-22	POLYSTYRENE FOAMED FIXTURE		
-		*	H25-0232-04	PROTECTION BAG (235X350X0.03)		
-		*	H25-1516-04	PROTECTION BAG		
-		*	H30-0100-04	ADHESIVE DOUBLE-COATED TAPE		
-		*	H50-2380-04	ITEM CARTON CASE		
670	2C		J02-1188-03	FOOT		
672	1C		J19-3642-05	UNIT HOLDER		
673	1C		J19-3732-04	UNIT HOLDER		
Δ 678	2C		J42-0083-05	POWER CORD BUSHING		
-			J61-0098-05	WIRE BAND		
680	2B		K29-6660-04	KNOB		
681	1B		K29-6661-02	KNOB		
682	1B		K29-6662-02	KNOB		
Δ 690	2C	*	L07-2334-05	POWER TRANSFORMER	KP	
Δ 690	2C	*	L07-2335-05	POWER TRANSFORMER	Y	
693	1A		T90-0810-05	LEAD WIRE ANTENNA		
694	1A		T90-0820-05	LOOP ANTENNA		
<b>C-V550</b>						
601	1B		A01-3432-01	METALLIC CABINET		
602	1A		A09-0379-08	BATTERY COVER		
608	1B		A21-1979-03	DRESSING PANEL		
609	1B	*	A60-1169-11	PANEL		
610	1A	*	A70-1159-05	REMOTE CONTROL ASSY(GRC-100)		
622	1B		B10-2385-02	FRONT GLASS		
623	1B		B12-0311-04	INDICATOR		

L : Scandinavia    K : USA    P : Canada    R : Mexico  
Y : PX(Far East, Hawaii)    T : Europe    E : Europe    G : Germany  
Y : AAFES(Europe)    X : Australia    M : Other Areas

Δ indicates safety critical components.

New Parts  
Parts without **Parts No.** are not supplied.  
Les articles non mentionnés dans le **Parts No.** ne sont pas fournis.  
Teile ohne **Parts No.** werden nicht geliefert.

2

Ref. No	Add-ress	New Parts	Parts No.	Description	Desti-nation	Re-marks
-			B46-0096-53	WARRANTY CARD		X
-			B58-0965-13	CAUTION CARD (PL)		X
-			B58-0966-13	CAUTION CARD (PL)		MI
-			B59-1121-03	SUB-INSTRUCTION MANUAL		
-			B59-1122-03	SUB-INSTRUCTION MANUAL		
-			B59-1128-03	SUB-INSTRUCTION MANUAL		M
-			B59-1130-03	SUB-INSTRUCTION MANUAL		MI
-			B60-3209-00	INSTRUCTION MANUAL(ENG)		
-		*	B60-3211-00	INSTRUCTION MANUAL(SPN)		M
-		*	B60-3212-00	INSTRUCTION MANUAL(TWN)		MI
Δ 649	1A		E03-0115-05	AC PLUG ADAPTER		MI
Δ 650	1C		E30-2592-15	AC POWER CORD		MI
Δ 650	1C		E30-2717-05	AC POWER CORD		X
651	1B,1C		E35-1898-05	FLAT CABLE (13P)		
652	1C,2C		E35-1779-05	FLAT CABLE (23P)		
654	1C,2C		E35-1778-05	FLAT CABLE (21P)		
660	1A		F07-1602-04	COVER		
-			H10-7371-12	POLYSTYRENE FOAMED FIXTURE		
-			H10-7372-22	POLYSTYRENE FOAMED FIXTURE		
-			H13-0281-04	CARTON BOARD		X
-			H25-0232-04	PROTECTION BAG (235X350X0.03)		
-			H25-1516-04	PROTECTION BAG		
-			H30-0602-04	ADHESIVE DOUBLE-COATED TAPE		
-		*	H50-2489-04	ITEM CARTON CASE		MI
-		*	H50-2521-04	ITEM CARTON CASE		X
670	2C		J02-1189-03	FOOT		
672	1C		J19-3642-05	UNIT HOLDER		
673	1C,2C		J19-3751-04	UNIT HOLDER		
Δ 678	1C		J42-0083-05	POWER CORD BUSHING		
-			J61-0307-05	WIRE BAND		
680	2B		K29-6660-04	KNOB		
681	1B		K29-6779-02	KNOB		
682	1B		K29-6780-02	KNOB		
Δ 690	2C	*	L07-2337-05	POWER TRANSFORMER		X
Δ 690	2C	*	L07-2419-05	POWER TRANSFORMER		MI
693	1A		T90-0809-05	LEAD WIRE ANTENNA		
694	1A		T90-0820-05	LOOP ANTENNA		
<b>C-V700/V770</b>						
601	1B		A01-3432-01	METALLIC CABINET		
602	1A		A09-0379-08	BATTERY COVER		
605	2A		A46-0303-01	REAR COVER		
607	2A		A29-0881-01	PANEL		
608	2A	*	A21-1980-03	DRESSING PANEL		MIX
608	2A	*	A21-1982-03	DRESSING PANEL		C
609	2A	*	A60-1163-11	PANEL		MIX
609	2A	*	A60-1164-11	PANEL		C
610	1A	*	A70-1159-05	REMOTE CONTROL ASSY(GRC-100)		
620	2A		B10-2384-04	FRONT GLASS		
621	2A	*	B03-3801-13	DRESSING PLATE		C
621	2A	*	B03-3802-13	DRESSING PLATE		MIX
622	2A		B10-2382-02	FRONT GLASS		
623	2A		B12-0311-04	INDICATOR		

L : Scandinavia    K : USA    P : Canada    R : Mexico  
Y : PX(Far East, Hawaii)    T : Europe    E : Europe    G : Germany  
Y : AAFES(Europe)    X : Australia    M : Other Areas

Δ indicates safety critical components.

C-V500/V550/V700/V750/V770

PARTS LIST

\* New Parts  
Parts without **Parts No.** are not supplied.  
Les articles non mentionnés dans le **Parts No.** ne sont pas fournis.  
Teile ohne **Parts No.** werden nicht geliefert.

3

Ref. No	Add-ress	New Parts	Parts No.	Description	Desti-nation	Re-marks
624	2A		B10-2383-04	FRONT GLASS		
-			B46-0096-53	WARRANTY CARD	X	
-			B46-0326-03	WARRANTY CARD	C	
-			B58-0965-13	CAUTION CARD (PL)	X	
-			B58-0966-13	CAUTION CARD (PL)	MI	
-			B58-1546-03	CAUTION CARD	C	
-			B59-1121-03	SUB-INSTRUCTION MANUAL		
-			B59-1122-03	SUB-INSTRUCTION MANUAL		
-			B59-1128-03	SUB-INSTRUCTION MANUAL	M	
-			B59-1129-03	SUB-INSTRUCTION MANUAL	C	
-			B59-1130-03	SUB-INSTRUCTION MANUAL	MI	
-			B59-1154-00	SUB-INSTRUCTION MANUAL	C	
-			B59-1160-00	SUB-INSTRUCTION MANUAL	C	
-			B60-3209-00	INSTRUCTION MANUAL(ENG)		
-		*	B60-3211-00	INSTRUCTION MANUAL(SPN)	M	
-		*	B60-3212-00	INSTRUCTION MANUAL(TWN)	MI	
-		*	B60-3213-00	INSTRUCTION MANUAL(CHN)	C	
625	1A		D10-3715-04	ARM ASSY		
626	2A		D10-3716-01	SLIDER		
627	1A		D13-1807-04	GEAR		
628	1A		D13-1808-03	GEAR		
629	2A		D14-0385-04	ROLLER		
630	2A		D14-0386-04	ROLLER		
631	1A		D15-0407-04	MOTOR PULLEY		
632	1A		D16-0715-03	BELT		
Δ 649	1A		E03-0115-05	AC PLUG ADAPTER	MI	
Δ 650	1C		E30-2592-15	AC POWER CORD	MI	
Δ 650	1C		E30-2717-05	AC POWER CORD	X	
Δ 650	1C		E30-2830-05	AC POWER CORD	C	
651	2B,1C		E35-1899-05	FLAT CABLE (23P)		
652	1C,2C		E35-1779-05	FLAT CABLE (23P)		
653	2B,1C		E35-1901-05	FLAT CABLE (21P)		
654	1C,2C		E35-1778-05	FLAT CABLE (21P)		
655	2A		E35-1810-05	WIRING HARNESS		
660	1A		F07-1602-04	COVER		
-			G11-0153-04	SOFT TAPE (80X12X3)		
-			H10-7371-12	POLYSTYRENE FOAMED FIXTURE		
-			H10-7372-22	POLYSTYRENE FOAMED FIXTURE		
-			H11-0085-04	POLYSTYRENE FOAMED BOARD		
-			H13-0281-04	CARTON BOARD	X	
-			H20-0568-04	PROTECTION COVER	MI	
-			H25-0232-04	PROTECTION BAG (235X350X0.03)		
-			H25-1516-04	PROTECTION BAG	X	
-			H30-0602-04	ADHESIVE DOUBLE-COATED TAPE		
-		*	H50-2490-14	ITEM CARTON CASE	MI	
-		*	H50-2491-14	ITEM CARTON CASE	C	
-		*	H50-2522-14	ITEM CARTON CASE	X	
670	2C		J02-1189-03	FOOT		
672	1C		J19-3642-05	UNIT HOLDER		
673	1C,2C		J19-3751-04	UNIT HOLDER		
674	1A		J19-5833-05	LEAD HOLDER		
Δ 678	1C		J42-0083-05	POWER CORD BUSHING		

L : Scandinavia    K : USA    P : Canada    R : Mexico  
Y : PX(Far East, Hawaii)    T : Europe    E : Europe    G : Germany  
Y : AAFES(Europe)    X : Australia    M : Other Areas

Δ indicates safety critical components.

\* New Parts  
Parts without **Parts No.** are not supplied.  
Les articles non mentionnés dans le **Parts No.** ne sont pas fournis.  
Teile ohne **Parts No.** werden nicht geliefert.

4

Ref. No	Add-ress	New Parts	Parts No.	Description	Desti-nation	Re-marks
-			J61-0307-05	WIRE BAND		
680	2A		K29-6660-04	KNOB		
681	2A		K29-6775-02	KNOB		
682	2A		K29-6776-02	KNOB		
683	2A	*	K29-6667-02	KNOB		C
683	2A		K29-6668-02	KNOB		MIX
Δ 690	2C	*	L07-2336-05	POWER TRANSFORMER		C
Δ 690	2C	*	L07-2337-05	POWER TRANSFORMER		X
Δ 690	2C	*	L07-2419-05	POWER TRANSFORMER		MI
691	2A		S64-0026-05	LEVER SWITCH		
692	2A		T42-0882-05	DC MOTOR		
693	1A		T90-0809-05	LEAD WIRE ANTENNA		
694	1A		T90-0820-05	LOOP ANTENNA		
695	1A		W01-0935-05	MICROPHONE		C
<b>C-V750</b>						
601	1B		A01-3432-01	METALLIC CABINET		
602	1A		A09-0379-08	BATTERY COVER		
605	2A	*	A46-0303-01	REAR COVER		
607	2A	*	A29-0861-01	PANEL		
608	2A		A21-1981-03	DRESSING PANEL		
609	2A	*	A60-1146-11	PANEL		
610	1A	*	A70-1137-05	REMOTE CONTROL ASSY(GRC-150)		
620	2A	*	B10-2351-04	FRONT GLASS		
621	2A	*	B03-3000-03	DRESSING PLATE		
622	2A	*	B10-2349-02	FRONT GLASS		
623	2A		B12-0311-04	INDICATOR		
624	2A	*	B10-2350-04	FRONT GLASS		
-			B46-0310-03	WARRANTY CARD		
-			B58-0945-03	CAUTION CARD		T
-			B58-0965-13	CAUTION CARD (PL)		E
-			B58-0966-13	CAUTION CARD (PL)		E
-			B59-1121-03	SUB-INSTRUCTION MANUAL		E
-			B59-1122-03	SUB-INSTRUCTION MANUAL		T
-			B59-1123-03	SUB-INSTRUCTION MANUAL		E
-			B59-1125-03	SUB-INSTRUCTION MANUAL		E
-			B59-1126-03	SUB-INSTRUCTION MANUAL		E
-			B59-1127-03	SUB-INSTRUCTION MANUAL		E
-			B59-1154-00	SUB-INSTRUCTION MANUAL		T
-			B59-1155-00	SUB-INSTRUCTION MANUAL		E
-			B59-1156-00	SUB-INSTRUCTION MANUAL		E
-			B59-1157-00	SUB-INSTRUCTION MANUAL		E
-			B59-1158-00	SUB-INSTRUCTION MANUAL		E
-		*	B60-3214-00	INSTRUCTION MANUAL(ENG)		T
-		*	B60-3215-00	INSTRUCTION MANUAL(FRN)		E
-		*	B60-3216-00	INSTRUCTION MANUAL(NETH)		E
-		*	B60-3217-00	INSTRUCTION MANUAL(ITL)		E
-		*	B60-3218-00	INSTRUCTION MANUAL(GEN)		E
625	1A	*	D10-3715-04	ARM ASSY		
626	2A	*	D10-3716-01	SLIDER		
627	1A	*	D13-1807-04	GEAR		
628	1A	*	D13-1808-03	GEAR		
629	2A	*	D14-0385-04	ROLLER		

L : Scandinavia    K : USA    P : Canada    R : Mexico  
Y : PX(Far East, Hawaii)    T : Europe    E : Europe    G : Germany  
Y : AAFES(Europe)    X : Australia    M : Other Areas

Δ indicates safety critical components.

PARTS LIST

C-V500/V550/V700/V750/V770

\* New Parts  
Parts without **Parts No.** are not supplied.  
Les articles non mentionnés dans le **Parts No.** ne sont pas fournis.  
Teile ohne **Parts No.** werden nicht geliefert.

5

Ref. No	Add-ress	New Parts	Parts No.	Description	Desti-nation	Re-marks
630	2A	*	D14-0386-04	ROLLER		
631	1A	*	D15-0407-04	MOTOR PULLEY		
632	2A	*	D16-0715-03	BELT		
Δ 650	1C		E30-2788-05	AC POWER CORD	E	
Δ 650	1C		E30-2791-05	AC POWER CORD	T	
651	2B,1C	*	E35-1899-05	FLAT CABLE (23P)		
652	1C,2C	*	E35-1779-05	FLAT CABLE (23P)		
653	2B,1C	*	E35-1902-05	FLAT CABLE (21P)		
654	1C,2C		E35-1778-05	FLAT CABLE (21P)		
655	2A		E35-1810-05	WIRING HARNESS		
660	1A		F07-1602-04	COVER		
-			G11-0153-04	SOFT TAPE (80X12X3)		
-			H10-7286-12	POLYSTYRENE FOAMED FIXTURE	E	
-			H10-7287-22	POLYSTYRENE FOAMED FIXTURE	E	
-		*	H10-7288-12	POLYSTYRENE FOAMED FIXTURE	E	
-		*	H10-7289-22	POLYSTYRENE FOAMED FIXTURE	T	
-			H11-0085-04	POLYSTYRENE FOAMED BOARD	E	
-		*	H11-0086-04	POLYSTYRENE FOAMED BOARD	T	
-			H25-0232-04	PROTECTION BAG (235X350X0.03)	T	
-			H25-0651-04	PROTECTION BAG	T	
-			H25-1516-04	PROTECTION BAG	T	
-			H30-0100-04	ADHESIVE DOUBLE-COATED TAPE	T	
-		*	H50-2382-14	ITEM CARTON CASE	E	
-		*	H50-2383-14	ITEM CARTON CASE	T	
670	2C		J02-1188-03	FOOT		
672	1C		J19-3642-05	UNIT HOLDER		
673	1C,2C		J19-3732-04	UNIT HOLDER		
674	1A	*	J19-5833-05	LEAD HOLDER		
Δ 678	1C		J42-0083-05	POWER CORD BUSHING		
-			J61-0098-05	WIRE BAND		
680	2A		K29-6660-04	KNOB		
681	2A	*	K29-6664-02	KNOB		
682	2A	*	K29-6665-02	KNOB		
683	2A	*	K29-6666-02	KNOB		
Δ 690	2C	*	L07-2338-05	POWER TRANSFORMER		
691	2A		S64-0026-05	LEVER SWITCH		
692	2A	*	T42-0882-05	DC MOTOR		
693	1A		T90-0810-05	LEAD WIRE ANTENNA		
694	1A		T90-0820-05	LOOP ANTENNA		
695	1A		W01-0935-05	MICROPHONE		
<b>TUNER (X05-4670-21)</b>						
C1 ,2			CK73FB1H103K	CHIP C	0.010UF	K
C5			CK73FB1H102K	CHIP C	1000PF	K
C8			CK73FB1H103K	CHIP C	0.010UF	K
C9			CE04LW1C100M	ELECTRO	10UF	16WV
C10			CK73FB1H473K	CHIP C	0.047UF	K
C11			CE04LW1H010M	ELECTRO	1.0UF	50WV
C12			CE04LW1H2R2M	ELECTRO	2.2UF	50WV
C13			CK73FB1H102K	CHIP C	1000PF	K

L : Scandinavia    K : USA    P : Canada    R : Mexico  
Y : PX(Far East, Hawaii)    T : Europe    E : Europe    G : Germany  
Y : AAFES(Europe)    X : Australia    M : Other Areas

Δ indicates safety critical components.

\* New Parts  
Parts without **Parts No.** are not supplied.  
Les articles non mentionnés dans le **Parts No.** ne sont pas fournis.  
Teile ohne **Parts No.** werden nicht geliefert.

6

Ref. No	Add-ress	New Parts	Parts No.	Description	Desti-nation	Re-marks
C14			CE04LW1H010M	ELECTRO	1.0UF	50WV
C15			CC73FCH1H220J	CHIP C	22PF	J
C16			CE04LW1C100M	ELECTRO	10UF	16WV
C17			CK73FB1H562K	CHIP C	5600PF	K
C18			CK73FB1H102K	CHIP C	1000PF	K
C19			CE04HW1E4R7M	NP-ELEC	4.7UF	25WV
C20			CK73FB1E104K	CHIP C	0.10UF	K
C21 ,22			CQ93FMG1H113J	MYLAR	0.011UF	J
C23			CE04LW1H010M	ELECTRO	1.0UF	50WV
C25			CE04LW1C100M	ELECTRO	10UF	16WV
C26			CE04LW1C470M	ELECTRO	47UF	16WV
C27			CE04LW1H010M	ELECTRO	1.0UF	50WV
C28			CQ93FMG1H223J	MYLAR	0.022UF	J
C29			CE04LW1H2R2M	ELECTRO	2.2UF	50WV
C30			CE04LW1C101M	ELECTRO	100UF	16WV
C31			CE04LW1A470M	ELECTRO	47UF	10WV
C32			CK73FB1H103K	CHIP C	0.010UF	K
C33			CC73FSL1H101J	CHIP C	100PF	J
C34 ,35			CK73FB1H102K	CHIP C	1000PF	K
C36			CC73FCH1H270J	CHIP C	27PF	J
C37			CC73FCH1H220J	CHIP C	22PF	J
C38			CK73FB1H471K	CHIP C	470PF	K
C57 ,58			CE04LW1H010M	ELECTRO	1.0UF	50WV
C59 ,60			CE04LW1C100M	ELECTRO	10UF	16WV
C61 ,62			CQ93FMG1H472J	MYLAR	4700PF	J
C63			CC73FCH1H220J	CHIP C	22PF	J
C64			CC73FCH1H330J	CHIP C	33PF	J
C65			CC73FCH1H040C	CHIP C	4.0PF	C
C67			CK73FB1H102K	CHIP C	1000PF	K
CN1			E40-4609-05	PIN ASSY		
J1			E70-0052-05	LOCK TERMINAL BOARD		
CF1 ,2			L72-0531-05	CERAMIC FILTER		
CF3			L72-0593-05	CERAMIC FILTER		
L1			L39-1348-05	COMBINATION COIL		
L2			L30-0911-05	AM IFT		
L3 ,4			L40-1091-17	SMALL FIXED INDUCTOR(1UH)		
X1			L77-1122-05	CRYSTAL RESONATOR(7.2MHZ)		
X1			L77-2159-05	CRYSTAL RESONATOR(7.2MHZ)	Y	
X2			L78-0637-05	RESONATOR (456KHZ)		
R1			RK73FB2A332J	CHIP R	3.3K	J 1/10W
R2			RK73FB2A681J	CHIP R	680	J 1/10W
R3			RK73FB2A100J	CHIP R	10	J 1/10W
R4 ,5			RK73FB2A331J	CHIP R	330	J 1/10W
R6			RK73FB2A101J	CHIP R	100	J 1/10W
R7			RK73FB2A473J	CHIP R	47K	J 1/10W
R8			RK73FB2A331J	CHIP R	330	J 1/10W
R12			RK73FB2A102J	CHIP R	1.0K	J 1/10W
R13			RK73FB2A473J	CHIP R	47K	J 1/10W
R15 ,16			RK73FB2A393J	CHIP R	39K	J 1/10W
R17			RK73FB2A271J	CHIP R	270	J 1/10W
R18			RK73FB2A302J	CHIP R	3.0K	J 1/10W
R19			RK73FB2A822J	CHIP R	8.2K	J 1/10W
R20 -23			RK73FB2A102J	CHIP R	1.0K	J 1/10W
R24			RK73FB2A562J	CHIP R	5.6K	J 1/10W

L : Scandinavia    K : USA    P : Canada    R : Mexico  
Y : PX(Far East, Hawaii)    T : Europe    E : Europe    G : Germany  
Y : AAFES(Europe)    X : Australia    M : Other Areas

Δ indicates safety critical components.



\* New Parts  
Parts without **Parts No.** are not supplied.  
Les articles non mentionnés dans le **Parts No.** ne sont pas fournis.  
Teile ohne **Parts No.** werden nicht geliefert.



Ref. No	Add-ress	New Parts	Parts No.	Description	Desti-nation	Re-marks
Δ R25			RD14NB2E101J	RD 100 J 1/4W		
Δ R26			RD14NB2E561J	RD 560 J 1/4W		
R27 ,28			RK73FB2A103J	CHIP R 10K J 1/10W		
R29 ,30			RK73FB2A102J	CHIP R 1.0K J 1/10W		
R31			RK73FB2A103J	CHIP R 10K J 1/10W		
R32			RK73FB2A122J	CHIP R 1.2K J 1/10W		
R33			RK73FB2A123J	CHIP R 12K J 1/10W		
Δ R41			RS14KB3A271J	FL-PROOF RS 270 J 1W		
Δ R42			RD14NB2E271J	RD 270 J 1/4W		
R44			RK73FB2A101J	CHIP R 100 J 1/10W		
R46			RK73FB2A104J	CHIP R 100K J 1/10W		
R47			RK73FB2A153J	CHIP R 15K J 1/10W		
R48			RK73FB2A473J	CHIP R 47K J 1/10W		
R49			RK73FB2A473J	CHIP R 47K J 1/10W	YMIC	
R50			RK73FB2A471J	CHIP R 470 J 1/10W	MIC	
R51 -54			RK73FB2A473J	CHIP R 47K J 1/10W		
R55 ,56			RK73FB2A154J	CHIP R 150K J 1/10W		
R59 ,60			RK73FB2A332J	CHIP R 3.3K J 1/10W		
R61			RK73FB2A103J	CHIP R 10K J 1/10W		
R62			RK73FB2A563J	CHIP R 56K J 1/10W		
R63			RK73FB2A821J	CHIP R 820 J 1/10W		
R64			RK73FB2A102J	CHIP R 1.0K J 1/10W		
R65			RK73EB2B102J	CHIP R 1.0K J 1/8W		
R73			RK73FB2A681J	CHIP R 680 J 1/10W		
W101-106			R92-0670-05	CHIP R 0 OHM		
W108-113			R92-0670-05	CHIP R 0 OHM		
W115			R92-0670-05	CHIP R 0 OHM		
W201-212			R92-0679-05	CHIP R 0 OHM		
S1			S62-0034-05	SLIDE SWITCH	YMIC	
D1 ,2			HSS104	DIODE		
D1 ,2			1SS133	DIODE		
D3 ,4			HZS5.1N(B2)	ZENER DIODE	Y	
D3 ,4			MTZJ5.1(B)	ZENER DIODE	MIXC	
D3 ,4			RD5.1ES(B2)	ZENER DIODE	Y	
D3 ,4			UZ-5.1BSB	ZENER DIODE	MIXC	
D8			HSS104	DIODE		
D8			1SS133	DIODE		
D10			MA111	DIODE		
D12			HZS3.3N(B2)	ZENER DIODE	Y	
D12			MTZJ3.3(B)	ZENER DIODE	MIXC	
D12			RD3.3ES(B2)	ZENER DIODE	Y	
D12			UZ-3.3BSB	ZENER DIODE	MIXC	
D13			HZS2.7N(B2)	ZENER DIODE	Y	
D13			MTZJ2.7(B)	ZENER DIODE	MIXC	
D13			RD2.7ES(B2)	ZENER DIODE	Y	
D13			UZ-2.7BSB	ZENER DIODE	MIXC	
IC1			LA1832	ANALOGUE IC		
IC2			LC72131	MOS-IC		
IC4			NUM4565M	IC(OP AMP X2)		
Q1			2SC2714(R,O)	TRANSISTOR		
Q3			2SA1576A(R,S)	TRANSISTOR		
Q3			2SA1586(Y,GR)	TRANSISTOR	Y	
Q3			2SB1218A(Q,R)	TRANSISTOR	MIXC	
Q5			2SC4081(R,S)	TRANSISTOR		

L : Scandinavia K : USA P : Canada R : Mexico  
Y : PX(Far East, Hawaii) T : Europe E : Europe G : Germany  
Y : AAFES(Europe) X : Australia M : Other Areas

Δ indicates safety critical components.

\* New Parts  
Parts without **Parts No.** are not supplied.  
Les articles non mentionnés dans le **Parts No.** ne sont pas fournis.  
Teile ohne **Parts No.** werden nicht geliefert.



Ref. No	Add-ress	New Parts	Parts No.	Description	Desti-nation	Re-marks
Q5			2SC4116(Y,GR)	TRANSISTOR	Y	
Q5			2SD1819A(Q,R)	TRANSISTOR	MIXC	
Q6			2SA1576A(R,S)	TRANSISTOR		
Q6			2SA1586(Y,GR)	TRANSISTOR	Y	
Q6			2SB1218A(Q,R)	TRANSISTOR	MIXC	
Q7 ,8			2SD1757K	TRANSISTOR	Y	
Q7 ,8			2SD2114K	TRANSISTOR	MIXC	
Q9 ,10			2SC4081(R,S)	TRANSISTOR	MIC	
Q9 ,10			2SC4116(Y,GR)	TRANSISTOR	Y	
Q9 ,10			2SD1819A(Q,R)	TRANSISTOR	MIC	
A1			W02-2582-05	FM FRONT-END ASSY		
<b>TUNER (X05-4680-10)</b>						
C1			CE04LW1C470M	ELECTRO 47UF 16WV		
C2			CE04LW1H010M	ELECTRO 1.0UF 50WV		
C3			CK73FB1H103K	CHIP C 0.010UF K		
C5			CK73FB1H103K	CHIP C 0.010UF K	ET	
C6 -10			CK73FB1H103K	CHIP C 0.010UF K		
C30			CK73EB1E473K	CHIP C 0.047UF K		
C31			CE04LW1C470M	ELECTRO 47UF 16WV		
C32			CK73FB1H103K	CHIP C 0.010UF K		
C33			CE04LW1C100M	ELECTRO 10UF 16WV		
C34			CK73FB1H103K	CHIP C 0.010UF K		
C35			CE04LW1C100M	ELECTRO 10UF 16WV		
C36			CK73FB1E473K	CHIP C 0.047UF K		
C37			CK73FB1H103K	CHIP C 0.010UF K		
C38			C90-3217-05	ELECTRO 10UF 10WV		
C40			C90-3253-05	ELECTRO 1.0UF 50WV		
C41			C90-3251-05	ELECTRO 0.47UF 50WV		
C42			C90-3240-05	ELECTRO 2.2UF 35WV		
C43			CE04LW1HR47M	ELECTRO 0.47UF 50WV		
C44			CK73FB1E473K	CHIP C 0.047UF K		
C45			CC73FCH1H220J	CHIP C 22PF J		
C46			CE04LW1A101M	ELECTRO 100UF 10WV		
C47			CK73FB1H472K	CHIP C 4700PF K		
C48			CC73FSL1H101J	CHIP C 100PF J		
C49			CE04LW1H010M	ELECTRO 1.0UF 50WV		
C50			CK73FB1H152K	CHIP C 1500PF K	ET	
C51 ,52			C90-3217-05	ELECTRO 10UF 10WV		
C53 ,54			CK73FB1H273K	CHIP C 0.027UF K	ET	
C53 ,54			CK73FB1H333K	CHIP C 0.033UF K	KP	
C55 ,56			CE04LW1H2R2M	ELECTRO 2.2UF 50WV		
C57 ,58			CK73FB1H822K	CHIP C 8200PF K		
C59			CC73FSL1H101J	CHIP C 100PF J	ET	
C60			CK73FB1E104K	CHIP C 0.10UF K	ET	
C61			CK73FB1H103K	CHIP C 0.010UF K		
C62			CK73FB1H333K	CHIP C 0.033UF K	T	
C63			CC73FCH1H090D	CHIP C 9.0PF D	T	
C64			CK73FB1H333K	CHIP C 0.033UF K		
C66			CC73FCH1H060D	CHIP C 6.0PF D		
C67			CC73FCH1H220J	CHIP C 22PF J		
C68			CC73FSL1H020C	CHIP C 2.0PF C		
C70			CC73FSL1H101J	CHIP C 100PF J		
C73			CK73FB1H821K	CHIP C 820PF K	KP	
C81			CC73FCH1H220J	CHIP C 22PF J		

L : Scandinavia K : USA P : Canada R : Mexico  
Y : PX(Far East, Hawaii) T : Europe E : Europe G : Germany  
Y : AAFES(Europe) X : Australia M : Other Areas

Δ indicates safety critical components.

PARTS LIST

C-V500/V550/V700/V750/V770

\* New Parts  
Parts without **Parts No.** are not supplied.  
Les articles non mentionnés dans le **Parts No.** ne sont pas fournis.  
Teile ohne **Parts No.** werden nicht geliefert.

9

Ref. No	Add-ress	New Parts	Parts No.	Description	Desti-nation	Re-marks
C82			CC73FCH1H270J	CHIP C 27PF J		
C84			CK73FB1H102K	CHIP C 1000PF K		
C85			CC73FSL1H101J	CHIP C 100PF J		
C86			CK73FB1H102K	CHIP C 1000PF K		
C87			CE04LW1C100M	ELECTRO 10UF 16WV		
C89			CE04LW1C470M	ELECTRO 47UF 16WV		
C90			CE04LW1H2R2M	ELECTRO 2.2UF 50WV		
C91			CK73FB1H223K	CHIP C 0.022UF K		
C92			CC73FSL1H471J	CHIP C 470PF J		
C93			CK73FB1H103K	CHIP C 0.010UF K		
C96			CK73FB1H102K	CHIP C 1000PF K		
CN1			E40-4609-05	PIN ASSY		
CN2			E40-4871-05	PIN ASSY		
J1			E70-0052-05	LOCK TERMINAL BOARD		
CF1 ,2			L72-0536-05	CERAMIC FILTER	ET	
CF1 ,2			L72-0596-05	CERAMIC FILTER	KP	
L31		*	L30-0943-05	FM IFT		
L32		*	L30-0944-05	FM IFT		
L33			L30-0911-05	AM IFT		
L34			L79-1240-05	LC FILTER	ET	
L35 ,36			L79-1239-05	LC FILTER		
L61			L40-1091-17	SMALL FIXED INDUCTOR(1UH)		
L62			L39-1351-05	COMBINATION COIL	KPE	
L62			L39-1352-05	COMBINATION COIL	T	
L63			L40-1001-17	SMALL FIXED INDUCTOR(10UH,K)		
L81			L40-1091-17	SMALL FIXED INDUCTOR(1UH)		
X31			L78-0637-05	RESONATOR (456KHZ)		
X81			L77-2159-05	CRYSTAL RESONATOR(7.2MHZ)		
△ R1			RD14NB2E221J	RD 220 J 1/4W		
R2			RK73FB2A221J	CHIP R 220 J 1/10W	ET	
R3			RK73FB2A182J	CHIP R 1.8K J 1/10W	KP	
R3			RK73FB2A561J	CHIP R 560 J 1/10W		
R4			RK73FB2A222J	CHIP R 2.2K J 1/10W		
R5			RK73FB2A103J	CHIP R 10K J 1/10W	ET	
R7			RK73FB2A221J	CHIP R 220 J 1/10W	ET	
R8			RK73FB2A681J	CHIP R 680 J 1/10W		
R9			RK73FB2A470J	CHIP R 47 J 1/10W		
R10			RK73FB2A101J	CHIP R 100 J 1/10W		
R11			RK73FB2A331J	CHIP R 330 J 1/10W		
R12			RK73FB2A101J	CHIP R 100 J 1/10W		
R13			RK73FB2A681J	CHIP R 680 J 1/10W		
R14			RK73FB2A332J	CHIP R 3.3K J 1/10W		
R15			RK73FB2A331J	CHIP R 330 J 1/10W		
R16			RK73FB2A100J	CHIP R 10 J 1/10W	ET	
R16			RK73FB2A150J	CHIP R 15 J 1/10W	KP	
R17			RK73FB2A331J	CHIP R 330 J 1/10W		
R18			RK73FB2A391J	CHIP R 390 J 1/10W		
R19			RK73FB2A681J	CHIP R 680 J 1/10W		
R20			RK73FB2A100J	CHIP R 10 J 1/10W	ET	
R20			RK73FB2A150J	CHIP R 15 J 1/10W	KP	
R21			RK73FB2A101J	CHIP R 100 J 1/10W		
R22			RK73FB2A100J	CHIP R 10 J 1/10W		
△ R31			RS14KB3A151JFR	FL-PROOF RS 150 J 1W		
R32			RK73EB2B562J	CHIP R 5.6K J 1/8W		

L : Scandinavia    K : USA    P : Canada    R : Mexico  
Y : PX(Far East, Hawaii)    T : Europe    E : Europe    G : Germany  
Y : AAFES(Europe)    X : Australia    M : Other Areas

△ indicates safety critical components.

\* New Parts  
Parts without **Parts No.** are not supplied.  
Les articles non mentionnés dans le **Parts No.** ne sont pas fournis.  
Teile ohne **Parts No.** werden nicht geliefert.

10

Ref. No	Add-ress	New Parts	Parts No.	Description	Desti-nation	Re-marks
R33			RK73FB2A302J	CHIP R 3.0K J 1/10W		
R34			RK73FB2A822J	CHIP R 8.2K J 1/10W		
R35			RK73FB2A333J	CHIP R 33K J 1/10W		
R36			RK73FB2A393J	CHIP R 39K J 1/10W		
R37			RK73FB2A242J	CHIP R 2.4K J 1/10W		
R38			RK73FB2A333J	CHIP R 33K J 1/10W		
R39			RK73FB2A823J	CHIP R 82K J 1/10W		
R40			RK73FB2A202J	CHIP R 2.0K J 1/10W		
R41			RK73FB2A222J	CHIP R 2.2K J 1/10W		
R42			RK73FB2A202J	CHIP R 2.0K J 1/10W	ET	
R43 ,44			RK73FB2A222J	CHIP R 2.2K J 1/10W		
R45 ,46			RK73FB2A102J	CHIP R 1.0K J 1/10W		
R47 ,48			RK73FB2A392J	CHIP R 3.9K J 1/10W		
R49			RK73FB2A473J	CHIP R 47K J 1/10W		
R51			RK73FB2A392J	CHIP R 3.9K J 1/10W	ET	
R52			RK73FB2A104J	CHIP R 100K J 1/10W	ET	
R53			RK73FB2A102J	CHIP R 1.0K J 1/10W	ET	
R55			RK73FB2A562J	CHIP R 5.6K J 1/10W		
R56 ,57			RK73FB2A101J	CHIP R 100 J 1/10W	ET	
R59			RK73FB2A272J	CHIP R 2.7K J 1/10W		
R61			RK73FB2A223J	CHIP R 22K J 1/10W	T	
R62			RK73FB2A105J	CHIP R 1.0M J 1/10W	T	
R63			RK73FB2A473J	CHIP R 47K J 1/10W	T	
R64			RK73FB2A103J	CHIP R 10K J 1/10W	T	
R65			RK73FB2A153J	CHIP R 15K J 1/10W	T	
R66			RK73FB2A152J	CHIP R 1.5K J 1/10W	T	
R67			RK73FB2A104J	CHIP R 100K J 1/10W		
R68			RK73FB2A222J	CHIP R 2.2K J 1/10W	T	
R69			RK73FB2A103J	CHIP R 10K J 1/10W		
R70			RK73FB2A105J	CHIP R 1.0M J 1/10W	T	
R80			RK73EB2B102J	CHIP R 1.0K J 1/8W		
R81 -83			RK73FB2A102J	CHIP R 1.0K J 1/10W		
R84			RK73FB2A103J	CHIP R 10K J 1/10W		
R85 -88			RK73FB2A102J	CHIP R 1.0K J 1/10W		
△ R89			RD14NB2E101J	RD 100 J 1/4W		
R90			RK73FB2A562J	CHIP R 5.6K J 1/10W		
R91			RK73FB2A222J	CHIP R 2.2K J 1/10W		
R92			RK73FB2A123J	CHIP R 12K J 1/10W		
R93			RK73FB2A122J	CHIP R 1.2K J 1/10W		
R94			RD14NB2E561J	RD 560 J 1/4W		
R101,102			RK73FB2A102J	CHIP R 1.0K J 1/10W		
R103			RK73FB2A821J	CHIP R 820 J 1/10W		
R104			RK73FB2A473J	CHIP R 47K J 1/10W		
R105			RK73FB2A822J	CHIP R 8.2K J 1/10W		
W51 ,52			R92-0670-05	CHIP R 0 OHM	KPE	
W53			R92-0670-05	CHIP R 0 OHM	T	
W54 ,55			R92-0670-05	CHIP R 0 OHM	KPE	
W56			R92-0679-05	CHIP R 0 OHM	T	
W57 ,58			R92-0679-05	CHIP R 0 OHM		
W59			R92-0670-05	CHIP R 0 OHM		
W61			R92-0670-05	CHIP R 0 OHM		
W62 -64			R92-0679-05	CHIP R 0 OHM		
W66 ,67			R92-0679-05	CHIP R 0 OHM		
W71			R92-0670-05	CHIP R 0 OHM		
W75			R92-0670-05	CHIP R 0 OHM		

L : Scandinavia    K : USA    P : Canada    R : Mexico  
Y : PX(Far East, Hawaii)    T : Europe    E : Europe    G : Germany  
Y : AAFES(Europe)    X : Australia    M : Other Areas

△ indicates safety critical components.

\* New Parts  
 Parts without **Parts No.** are not supplied.  
 Les articles non mentionnés dans le **Parts No.** ne sont pas fournis.  
 Teile ohne **Parts No.** werden nicht geliefert.

11

Ref. No	Add-ress	New Parts	Parts No.	Description	Desti-nation	Re-marks
W76			R92-0670-05	CHIP R 0 OHM	T	
W81			R92-0679-05	CHIP R 0 OHM		
W83			R92-0679-05	CHIP R 0 OHM		
W85			R92-0670-05	CHIP R 0 OHM	ET	
D1 ,2			HSS104	DIODE		
D1 ,2			1SS133	DIODE		
D31			HZS8.2N(B2)	ZENER DIODE		
D31			RD8.2ES(B2)	ZENER DIODE		
D32			HSS104	DIODE		
D32			1SS133	DIODE		
D61 ,62			HSS104	DIODE		
D61 ,62			1SS133	DIODE		
D81			HZS5.1N(B2)	ZENER DIODE		
D81			RD5.1ES(B2)	ZENER DIODE		
D101			HZS3.3N(B2)	ZENER DIODE		
D101			RD3.3ES(B2)	ZENER DIODE		
D102			HZS2.7N(B2)	ZENER DIODE		
D102			RD2.7ES(B2)	ZENER DIODE		
IC1			LA1836	ANALOGUE IC		
IC2			LC72131	MOS-IC		
Q1 ,2			2SC4081(R,S)	TRANSISTOR		
Q1 ,2			2SC4116(Y,GR)	TRANSISTOR		
Q3			2SA1576A(R,S)	TRANSISTOR		
Q3			2SA1586(Y,GR)	TRANSISTOR		
Q4			2SC4081(R,S)	TRANSISTOR		
Q4			2SC4116(Y,GR)	TRANSISTOR		
Q31 ,32			2SC4081(R,S)	TRANSISTOR		
Q31 ,32			2SC4116(Y,GR)	TRANSISTOR		
Q33 ,34			2SC4081(R,S)	TRANSISTOR	T	
Q33 ,34			2SC4116(Y,GR)	TRANSISTOR	T	
Q61 ,62			2SC4081(R,S)	TRANSISTOR	T	
Q61 ,62			2SC4116(Y,GR)	TRANSISTOR	T	
Q63			2SC2878(B)	TRANSISTOR	T	
Q64			2SA1576A(R,S)	TRANSISTOR	T	
Q64			2SA1586(Y,GR)	TRANSISTOR	T	
Q65			2SK302(Y,GR)	FET	T	
Q81			2SA1576A(R,S)	TRANSISTOR		
Q81			2SA1586(Y,GR)	TRANSISTOR		
Q101,102			2SD1757K	TRANSISTOR		
Q103			2SA1576A(R,S)	TRANSISTOR		
Q103			2SA1586(Y,GR)	TRANSISTOR		
A1			W02-2582-05	FM FRONT-END ASSY	KP	
A1		*	W02-2584-05	FM FRONT-END ASSY	ET	
<b>PREAMP (X08-2770-10/X08-2820-20)</b>						
C1 ,2			CC73FSL1H220J	CHIP C 22PF J		
C3			CK73FF1E104Z	CHIP C 0.10UF Z		
C4 -7			CC73FSL1H221J	CHIP C 220PF J		
C8			CE04KW1A101M	ELECTRO 100UF 10WV		
C9			CK73FB1H103K	CHIP C 0.010UF K		
C10			CK73FF1E104Z	CHIP C 0.10UF Z		
C11			CE04KW1H010M	ELECTRO 1.0UF 50WV		
C12			C90-3623-05	BACK UP 0.33F 5.5V		
C13 ,14			CE04KW1A101M	ELECTRO 100UF 10WV		
C15 -18			CK73FF1E104Z	CHIP C 0.10UF Z		

L : Scandinavia    K : USA    P : Canada    R : Mexico    5 : C-V500/V550  
 Y : PX(Far East, Hawaii)    T : Europe    E : Europe    G : Germany    7 : C-V700/V750/V770  
 Y : AAFES(Europe)    X : Australia    M : Other Areas

⚠ indicates safety critical components.

\* New Parts  
 Parts without **Parts No.** are not supplied.  
 Les articles non mentionnés dans le **Parts No.** ne sont pas fournis.  
 Teile ohne **Parts No.** werden nicht geliefert.

12

Ref. No	Add-ress	New Parts	Parts No.	Description	Desti-nation	Re-marks
C19			CE04KW1A101M	ELECTRO 100UF 10WV		
C20			CK73FB1H103K	CHIP C 0.010UF K		
C23			CK73FB1H822K	CHIP C 8200PF K		
C24			CC73FSL1H150J	CHIP C 15PF J		
C25			CC73FSL1H100D	CHIP C 10PF D		
C26			CK73FB1H103K	CHIP C 0.010UF K		
C27 ,28			CK73FF1E104Z	CHIP C 0.10UF Z		
C29			CE04KW1A101M	ELECTRO 100UF 10WV		
C30			CK73FB1H103K	CHIP C 0.010UF K		
C31 ,32			CK73FF1E104Z	CHIP C 0.10UF Z		
C33			CE04KW1A101M	ELECTRO 100UF 10WV		
C34			CK73FB1H103K	CHIP C 0.010UF K		
C35 ,36			CC73FSL1H100D	CHIP C 10PF D		
C37 ,38			CE04KW1H100M	ELECTRO 10UF 50WV		
C39 ,40			CC73FSL1H101J	CHIP C 100PF J		
C41 ,42			CC73FSL1H100D	CHIP C 10PF D		
C43 ,44			CE04KW1H100M	ELECTRO 10UF 50WV		
C45 ,46			CK73FB1H681K	CHIP C 680PF K		
C47			CK73FB1H103K	CHIP C 0.010UF K		
C48			CE04KW1A101M	ELECTRO 100UF 10WV		
C49 ,50			CK73FF1E104Z	CHIP C 0.10UF Z		
C51			CC73FSL1H102J	CHIP C 1000PF J		
C52			CE04KW1H2R2M	ELECTRO 2.2UF 50WV		
C53			CK73FB1H103K	CHIP C 0.010UF K		
C54 -56			CC73FSL1H101J	CHIP C 100PF J		
C57			CE04KW0J331M	ELECTRO 330UF 6.3WV		
C58			CC73FSL1H101J	CHIP C 100PF J		
C59			CE04KW0J331M	ELECTRO 330UF 6.3WV		
C60 ,61			CC73FSL1H101J	CHIP C 100PF J		
C62			CE04KW0J331M	ELECTRO 330UF 6.3WV		
C63			CC73FSL1H101J	CHIP C 100PF J		
C64			CE04KW0J331M	ELECTRO 330UF 6.3WV		
C65			CK73FB1H103K	CHIP C 0.010UF K		
C67			CE04KW1C100M	ELECTRO 10UF 16WV		
C68			CC73FSL1H050C	CHIP C 5.0PF C		
C69			CF92FV1H104J	MF-C 0.10UF J		
C70			CC73FSL1H050C	CHIP C 5.0PF C		
C71			CF92FV1H104J	MF-C 0.10UF J		
C72			CE04KW1A471M	ELECTRO 470UF 10WV		
C73			CE04KW1A101M	ELECTRO 100UF 10WV		
C74			CE04KW1A471M	ELECTRO 470UF 10WV		
C75			CK73FB1H822K	CHIP C 8200PF K		
C76			CK73FB1H102K	CHIP C 1000PF K		
C77			CC73FSL1H220J	CHIP C 22PF J		KPYET
C78			CC73FSL1H220J	CHIP C 22PF J		
C79			CK73FF1E104Z	CHIP C 0.10UF Z		KPYET
C80 ,81			CK73FF1E104Z	CHIP C 0.10UF Z		
C82			CK73FB1H103K	CHIP C 0.010UF K		
C83			CE04KW1C100M	ELECTRO 10UF 16WV		ET
C84			CE04KW1A101M	ELECTRO 100UF 10WV		
C85			CK73FF1E104Z	CHIP C 0.10UF Z		
C86			CK73FF1E104Z	CHIP C 0.10UF Z		KPYET
C87 ,88			CC73FSL1H470J	CHIP C 47PF J		
C89			CK73FB1H102K	CHIP C 1000PF K		
C90 -99			CK73FF1E104Z	CHIP C 0.10UF Z		

L : Scandinavia    K : USA    P : Canada    R : Mexico    5 : C-V500/V550  
 Y : PX(Far East, Hawaii)    T : Europe    E : Europe    G : Germany    7 : C-V700/V750/V770  
 Y : AAFES(Europe)    X : Australia    M : Other Areas

⚠ indicates safety critical components.

PARTS LIST

C-V500/V550/V700/V750/V770

\* New Parts

Parts without **Parts No.** are not supplied.  
Les articles non mentionnés dans le **Parts No.** ne sont pas fournis.  
Teile ohne **Parts No.** werden nicht geliefert.

13

Ref. No	Add-ress	New Parts	Parts No.	Description	Desti-nation	Re-marks
C100			CC73FSL1H100D	CHIP C 10PF D		
C101			CC73FSL1H150J	CHIP C 15PF J		
C102			CK73FB1H103K	CHIP C 0.010UF K		
C103-105			CE04KW1A101M	ELECTRO 100UF 10WV		
C106			CK73FF1E104Z	CHIP C 0.10UF Z		
C107			CK73FB1H102K	CHIP C 1000PF K		
C108			CK73FF1E104Z	CHIP C 0.10UF Z		
C109			CC73FSL1H330J	CHIP C 33PF J		
C110			CK73FB1H103K	CHIP C 0.010UF K		
C111			CK73FB1H102K	CHIP C 1000PF K		
C112-115			CE04KW1A101M	ELECTRO 100UF 10WV		
C116			CK73FF1E104Z	CHIP C 0.10UF Z		
C117-120			CC73FSL1H101J	CHIP C 100PF J		
C121			CE04HW1H010M	NP-ELEC 1.0UF 50WV		
C122,123			CK73FF1E104Z	CHIP C 0.10UF Z		
C124,125			CE04KW1H4R7M	ELECTRO 4.7UF 50WV		
C302-304			CK73FF1E104Z	CHIP C 0.10UF Z	MIXC	
C307,308			CK73FF1E104Z	CHIP C 0.10UF Z	MIXC	
C309			CE04KW1A101M	ELECTRO 100UF 10WV	MIXC	
C310			CE04KW1A101M	ELECTRO 100UF 10WV		
C311			CF92FV1H104J	MF-C 0.10UF J	MIXC	
C312,313			CF92FV1H104J	MF-C 0.10UF J	MIXC	
C314			CF92FV1H104J	MF-C 0.10UF J	MIXC	
C315			CE04KW1C100M	ELECTRO 10UF 16WV		
C316			CE04KW1C100M	ELECTRO 10UF 16WV	MIXC	
C317-321			CK73FF1E104Z	CHIP C 0.10UF Z	MIXC	
C322			CK73FB1H102K	CHIP C 1000PF K	MIXC	
C323			CE04KW1C470M	ELECTRO 47UF 16WV	MIXC	
C324			CC73FSL1H470J	CHIP C 47PF J	MIXC	
C325			CK73FF1E104Z	CHIP C 0.10UF Z	MIXC	
C326			CK73FB1H102K	CHIP C 1000PF K	MIXC	
C327			CK73FF1E104Z	CHIP C 0.10UF Z	MIXC	
C328,329			CK73FF1C474Z	CHIP C 0.47UF Z	MIXC	
C330-333			CK73FF1E104Z	CHIP C 0.10UF Z	MIXC	
C334			CE04KW1A101M	ELECTRO 100UF 10WV	MIXC	
C335			CK73FF1E104Z	CHIP C 0.10UF Z	MIXC	
C336			CE04KW1C470M	ELECTRO 47UF 16WV	MIXC	
C337,338			CK73FF1E104Z	CHIP C 0.10UF Z	MIXC	
C340,341			CE04KW1C470M	ELECTRO 47UF 16WV	MIXC	
C342,343			CK73FB1H103K	CHIP C 0.010UF K	MIXC	
C344-346			CK73FF1E104Z	CHIP C 0.10UF Z	MIXC	
C347			CK73FB1H102K	CHIP C 1000PF K	MIXC	
C351			CE04KW1H2R2M	ELECTRO 2.2UF 50WV	ET	
C352			CC73FSL1H331J	CHIP C 330PF J	ET	
C353			CK73FF1E104Z	CHIP C 0.10UF Z	ET	
C354			CK73FB1H561K	CHIP C 560PF K	ET	
C355			CK73FF1E104Z	CHIP C 0.10UF Z	ET	
C356			CC73FSL1H330J	CHIP C 33PF J	ET	
C357			CC73FSL1H390J	CHIP C 39PF J	ET	
C401-404			CK73FF1E104Z	CHIP C 0.10UF Z		
C406,407			CK73FF1E104Z	CHIP C 0.10UF Z		
C451,452			CC73FSL1H270J	CHIP C 27PF J	CET	
C453			CK73FF1E104Z	CHIP C 0.10UF Z	CET	
C454			CE04KW1A101M	ELECTRO 100UF 10WV	CET	
C455			CK73FF1E104Z	CHIP C 0.10UF Z	CET	

L : Scandinavia    K : USA    P : Canada    R : Mexico    5 : C-V500/V550  
Y : PX(Far East, Hawaii)    T : Europe    E : Europe    G : Germany    7 : C-V700/V750/V770  
Y : AAFES(Europe)    X : Australia    M : Other Areas

△ indicates safety critical components.

\* New Parts

Parts without **Parts No.** are not supplied.  
Les articles non mentionnés dans le **Parts No.** ne sont pas fournis.  
Teile ohne **Parts No.** werden nicht geliefert.

14

Ref. No	Add-ress	New Parts	Parts No.	Description	Desti-nation	Re-marks
C456-458			CE04KW1C100M	ELECTRO 10UF 16WV	CET	
C459			CK73FB1H103K	CHIP C 0.010UF K	CET	
C460			CK73FB1H333K	CHIP C 0.033UF K	CET	
C461			CK73FB1H182K	CHIP C 1800PF K	CET	
C462,463			CK73FF1E104Z	CHIP C 0.10UF Z	CET	
C464,465			CE04KW1C100M	ELECTRO 10UF 16WV	CET	
C466			CK73FB1H103K	CHIP C 0.010UF K	CET	
C467			CE04KW1A101M	ELECTRO 100UF 10WV	CET	
C471			CK73FB1H333K	CHIP C 0.033UF K	CET	
C482			CK73FB1H103K	CHIP C 0.010UF K	CET	
C501,502			CE04KW1H4R7M	ELECTRO 4.7UF 50WV		
C503,504			CC73FSL1H101J	CHIP C 100PF J		
C505,506			CK73FB1H103K	CHIP C 0.010UF K		
C507,508			CQ93FMG1H682J	MYLAR 6800PF J		
C509,510			CQ93FMG1H182J	MYLAR 1800PF J		
C517,518			CE04KW1H4R7M	ELECTRO 4.7UF 50WV		
C519,520			CC73FSL1H101J	CHIP C 100PF J		
C521,522			CK73FB1H103K	CHIP C 0.010UF K		
C523,524			CQ93FMG1H682J	MYLAR 6800PF J		
C525,526			CQ93FMG1H182J	MYLAR 1800PF J		
C527			CK73FB1H103K	CHIP C 0.010UF K		
C529			CK73FB1H103K	CHIP C 0.010UF K		
C535,536			CE04KW1H4R7M	ELECTRO 4.7UF 50WV		
C537,538			CC73FSL1H101J	CHIP C 100PF J		
C539			CK73FB1H103K	CHIP C 0.010UF K		
C541,542			CQ93FMG1H682J	MYLAR 6800PF J		
C543,544			CQ93FMG1H182J	MYLAR 1800PF J		
C561-564			CQ93FMG1H823J	MYLAR 0.082UF J		
C565-568			CC73FSL1H101J	CHIP C 100PF J		
C569,570			CE04KW1E470M	ELECTRO 47UF 25WV		
C573,574			CC73FSL1H271J	CHIP C 270PF J		
C575			CK73FB1H103K	CHIP C 0.010UF K		
C576			CC73FSL1H101J	CHIP C 100PF J		
C577			CE04KW1H220M	ELECTRO 22UF 50WV		
C578			CK73FB1H103K	CHIP C 0.010UF K		
C579			CC73FSL1H101J	CHIP C 100PF J		
C580			CK73FB1H103K	CHIP C 0.010UF K		
C581			CC73FSL1H101J	CHIP C 100PF J		
C582-584			CE04KW1H220M	ELECTRO 22UF 50WV		
C591-594			CQ93FMG1H823J	MYLAR 0.082UF J		
C595			CC73FSL1H101J	CHIP C 100PF J		
C596			CK73FB1H103K	CHIP C 0.010UF K		
C612			CC73FSL1H101J	CHIP C 100PF J		
C613			CE04KW1C220M	ELECTRO 22UF 16WV		
C614			CF92FV1H104J	MF-C 0.10UF J		
C615,616			CQ93FMG1H823J	MYLAR 0.082UF J		
C617			CC73FSL1H101J	CHIP C 100PF J		
C618			CF92FV1H154J	MF-C 0.15UF J		
C619			CC73FSL1H101J	CHIP C 100PF J		
C620			CQ93FMG1H393J	MYLAR 0.039UF J		
C621			CE04KW1H220M	ELECTRO 22UF 50WV		
C623,624			CE04KW1V4R7M	ELECTRO 4.7UF 35WV		
C625,626			CE04KW1HR47M	ELECTRO 0.47UF 50WV		
C627,628			CE04KW1V4R7M	ELECTRO 4.7UF 35WV		
C629,630			CE04KW1HR47M	ELECTRO 0.47UF 50WV		

L : Scandinavia    K : USA    P : Canada    R : Mexico    5 : C-V500/V550  
Y : PX(Far East, Hawaii)    T : Europe    E : Europe    G : Germany    7 : C-V700/V750/V770  
Y : AAFES(Europe)    X : Australia    M : Other Areas

△ indicates safety critical components.



\* New Parts  
 Parts without **Parts No.** are not supplied.  
 Les articles non mentionnes dans le **Parts No.** ne sont pas fournis.  
 Teile ohne **Parts No.** werden nicht geliefert.

15

Ref. No	Add-ress	New Parts	Parts No.	Description	Desti-nation	Re-marks
C631,632			CE04KW1V4R7M	ELECTRO 4.7UF 35WV		
C634,635			CE04KW1HR47M	ELECTRO 0.47UF 50WV		
C639,640			CE04KW1V4R7M	ELECTRO 4.7UF 35WV		
C641-643			CK73FB1H102K	CHIP C 1000PF K		
C645,646			CE04KW1H010M	ELECTRO 1.0UF 50WV		
C647,648			CC73FSL1H101J	CHIP C 100PF J		
C649,650			CC73FSL1H220J	CHIP C 22PF J		
C651,652			CC73FSL1H101J	CHIP C 100PF J		
C653,654			CE04KW1A101M	ELECTRO 100UF 10WV		
C659,660			CE04KW1C470M	ELECTRO 47UF 16WV		
C661,662			CC73FSL1H101J	CHIP C 100PF J		
C665,666			CC73FSL1H101J	CHIP C 100PF J		
C671,672			CE04KW1V4R7M	ELECTRO 4.7UF 35WV		
C675,676			CE04KW1H010M	ELECTRO 1.0UF 50WV		
C677,678			CC73FSL1H101J	CHIP C 100PF J		
C681,682			CC73FSL1H101J	CHIP C 100PF J		
C685,686			CE04KW1C470M	ELECTRO 47UF 16WV		
C691,692			CE04KW1C470M	ELECTRO 47UF 16WV		
C701,702			CE04KW1V4R7M	ELECTRO 4.7UF 35WV		
C703			CK73FB1H102K	CHIP C 1000PF K		
C705,706			CE04KW1H010M	ELECTRO 1.0UF 50WV		
C713,714			CE04KW1C470M	ELECTRO 47UF 16WV		
C719,720			CE04KW1C470M	ELECTRO 47UF 16WV		
C730,731			CK73FB1H103K	CHIP C 0.010UF K	MIXET	
C750,751			CK73FB1H103K	CHIP C 0.010UF K		
C752,753			CK73FB1H103K	CHIP C 0.010UF K		
C801,802			CE04KW1H010M	ELECTRO 1.0UF 50WV		
C803,804			CC73FSL1H101J	CHIP C 100PF J		
C805,806			CE04KW1H010M	ELECTRO 1.0UF 50WV		
C807			CC73FSL1H101J	CHIP C 100PF J		
C808			CK73FB1H103K	CHIP C 0.010UF K		
C811,812			CC73FSL1H221J	CHIP C 220PF J		
C813,814			CQ93FMG1H823J	MYLAR 0.082UF J		
C815,816			CQ93FMG1H153J	MYLAR 0.015UF J		
C817,818			CE04KW1H100M	ELECTRO 10UF 50WV		
C819,820			CQ93FMG1H472J	MYLAR 4700PF J		
C821,822			CQ93FMG1H273J	MYLAR 0.027UF J		
C833			CK73FB1H102K	CHIP C 1000PF K		
C834,835			CE04KW1H100M	ELECTRO 10UF 50WV		
C838			CK73FB1H102K	CHIP C 1000PF K		
C839-842			CC73FSL1H101J	CHIP C 100PF J		
C851,852			CE04KW1V4R7M	ELECTRO 4.7UF 35WV		
C853-855			CK73FB1H103K	CHIP C 0.010UF K		
C856			CC73FSL1H101J	CHIP C 100PF J		
C857			CK73FB1H103K	CHIP C 0.010UF K		
C858			CC73FSL1H101J	CHIP C 100PF J		
C859			CK73FB1H103K	CHIP C 0.010UF K		
C860			CC73FSL1H101J	CHIP C 100PF J		
C861			CK73FB1H103K	CHIP C 0.010UF K		
C862			CC73FSL1H101J	CHIP C 100PF J		
C863			CK73FB1H103K	CHIP C 0.010UF K		
C864			CC73FSL1H101J	CHIP C 100PF J		
C865			CK73FB1H103K	CHIP C 0.010UF K		
C866			CC73FSL1H101J	CHIP C 100PF J		
C867			CK73FB1H103K	CHIP C 0.010UF K		

L : Scandinavia K : USA P : Canada R : Mexico 5 : C-V500/V550  
 Y : PX(Far East, Hawaii) T : Europe E : Europe G : Germany 7 : C-V700/V750/V770  
 Y : AAFES(Europe) X : Australia M : Other Areas

⚠ indicates safety critical components.

\* New Parts  
 Parts without **Parts No.** are not supplied.  
 Les articles non mentionnes dans le **Parts No.** ne sont pas fournis.  
 Teile ohne **Parts No.** werden nicht geliefert.

15

Ref. No	Add-ress	New Parts	Parts No.	Description	Desti-nation	Re-marks
C868			CC73FSL1H101J	CHIP C 100PF J		
C869			CK73FB1H103K	CHIP C 0.010UF K		
C870			CC73FSL1H101J	CHIP C 100PF J		
C871			CE04KW1H100M	ELECTRO 10UF 50WV		
C872			CE04HW1E100M	NP-ELEC 10UF 25WV		
C875,876			CE04KW1H010M	ELECTRO 1.0UF 50WV		
C877,878			CE04KW1C220M	ELECTRO 22UF 16WV		
C879,880			CC73FSL1H470J	CHIP C 47PF J		
C881-888			CC73FSL1H101J	CHIP C 100PF J		
C887,888			CC73FSL1H221J	CHIP C 220PF J		
C901-932			CC73FSL1H101J	CHIP C 100PF J		
C933,934			CC73FCH1H102J	CHIP C 1000PF J		
C935-938			CC73FSL1H101J	CHIP C 100PF J		
C939,940			CC73FCH1H102J	CHIP C 1000PF J		
C941-944			CC73FSL1H101J	CHIP C 100PF J		
C945,946			CC73FCH1H102J	CHIP C 1000PF J		
CN1	7		E40-4910-05	FLAT CABLE CONNECTOR		
CN3			E40-4908-05	FLAT CABLE CONNECTOR		
CN4			E40-4910-05	FLAT CABLE CONNECTOR		
CN5			E40-4297-05	FLAT CABLE CONNECTOR		MIXET
CN6			E40-4293-05	FLAT CABLE CONNECTOR		
CN7	7		E40-4906-05	FLAT CABLE CONNECTOR		MIX
CN8	7		E40-4908-05	FLAT CABLE CONNECTOR		CET
CN9	5		E40-4900-05	FLAT CABLE CONNECTOR		
J1			E63-0160-05	PHONO JACK		KPY
J1			E63-1012-05	PHONO JACK		MIXC
J2 ,3			E63-0162-05	PHONO JACK		
J4			E11-0220-05	MINIATURE PHONE JACK		C
J4			E11-0283-05	MINIATURE PHONE JACK(3P)		ET
E2			J11-0808-05	WIRE CLAMPER		
E3	5		J11-0808-05	WIRE CLAMPER		
E3	7		J11-0808-05	WIRE CLAMPER		MIXET
L1			L92-0044-05	FERRITE CORE		
L2			L92-0044-05	FERRITE CORE		KPYET
L3			L92-0044-05	FERRITE CORE		MIXC
L5 -11			L92-0044-05	FERRITE CORE		
L39			L79-1245-05	LC FILTER		MIXC
L301			L92-0044-05	FERRITE CORE		MIXC
L303-305			L92-0044-05	FERRITE CORE		MIXC
X1			L78-0284-05	RESONATOR (5MHZ)		
X2			L77-2173-05	CRYSTAL RESONATOR(32.768KHZ)		
X3			L78-0294-05	RESONATOR (10.000M)		
X4			L77-2194-05	CRYSTAL RESONATOR(5.0M)		
X5			L77-2192-05	CRYSTAL RESONATOR(12.288M)		
X7			L78-0626-05	RESONATOR (16M)		CET
X8			L78-0674-05	RESONATOR		
X9			L77-2200-05	CRYSTAL RESONATOR(4.332MHZ)		ET
R3 -7			RK73FB2A104J	CHIP R 100K J 1/10W		
R8			RK73FB2A101J	CHIP R 100 J 1/10W		
R9			RK73FB2A104J	CHIP R 100K J 1/10W		
R10			RK73FB2A101J	CHIP R 100 J 1/10W		
R11	5		RK73FB2A472J	CHIP R 4.7K J 1/10W		
R11	7		RK73FB2A472J	CHIP R 4.7K J 1/10W		MIXC
R12	5		RK73FB2A472J	CHIP R 4.7K J 1/10W		KPMIX

L : Scandinavia K : USA P : Canada R : Mexico 5 : C-V500/V550  
 Y : PX(Far East, Hawaii) T : Europe E : Europe G : Germany 7 : C-V700/V750/V770  
 Y : AAFES(Europe) X : Australia M : Other Areas

⚠ indicates safety critical components.

PARTS LIST

C-V500/V550/V700/V750/V770

\* New Parts

Parts without **Parts No.** are not supplied.Les articles non mentionnés dans le **Parts No.** ne sont pas fournis.Teile ohne **Parts No.** werden nicht geliefert.

17

Ref. No	Add-ress	New Parts	Parts No.	Description	Desti-nation	Re-marks
R12	7		RK73FB2A472J	CHIP R 4.7K	J 1/10W	MIXCE
R13			RK73FB2A472J	CHIP R 4.7K	J 1/10W	KPT
R14			RK73FB2A472J	CHIP R 4.7K	J 1/10W	Y
R15			RK73FB2A104J	CHIP R 100K	J 1/10W	
R16			RK73FB2A472J	CHIP R 4.7K	J 1/10W	YC
R17 -24			RK73FB2A104J	CHIP R 100K	J 1/10W	
R25			R92-1857-05	METAL GLAZE RESISTOR		
R26			R92-1857-05	METAL GLAZE RESISTOR		KPYET
R26			R92-1863-05	METAL GLAZE RESISTOR		MIXC
R27 ,28			RK73FB2A104J	CHIP R 100K	J 1/10W	
R29 -31			RK73FB2A472J	CHIP R 4.7K	J 1/10W	
R32 ,33			RK73FB2A104J	CHIP R 100K	J 1/10W	
R34			RK73FB2A103J	CHIP R 10K	J 1/10W	
R35 ,36			RK73FB2A104J	CHIP R 100K	J 1/10W	
R37	5		RK73FB2A104J	CHIP R 100K	J 1/10W	KPMIX
R37	7		RK73FB2A104J	CHIP R 100K	J 1/10W	MIXET
R38	5		RK73FB2A104J	CHIP R 100K	J 1/10W	
R39			RK73FB2A104J	CHIP R 100K	J 1/10W	
R40			RK73FB2A104J	CHIP R 100K	J 1/10W	YT
R41			RK73FB2A104J	CHIP R 100K	J 1/10W	
R42	7		RK73FB2A104J	CHIP R 100K	J 1/10W	MIXCE
R42	5		RK73FB2A104J	CHIP R 100K	J 1/10W	YMIX
R43			RK73FB2A104J	CHIP R 100K	J 1/10W	
R44 ,45			RK73FB2A104J	CHIP R 100K	J 1/10W	
R46			RK73FB2A104J	CHIP R 100K	J 1/10W	ET
R51 -54			RK73FB2A104J	CHIP R 100K	J 1/10W	
R55 ,56			RK73FB2A472J	CHIP R 4.7K	J 1/10W	
R57 ,58			RK73FB2A331J	CHIP R 330	J 1/10W	
R59 -62			RK73FB2A104J	CHIP R 100K	J 1/10W	
R63			RK73FB2A821J	CHIP R 820	J 1/10W	
R64			RK73FB2A103J	CHIP R 10K	J 1/10W	
R65			RK73FB2A104J	CHIP R 100K	J 1/10W	
R66			RK73FB2A102J	CHIP R 1.0K	J 1/10W	
R67			RK73FB2A103J	CHIP R 10K	J 1/10W	
R68			RK73FB2A102J	CHIP R 1.0K	J 1/10W	
R69 -76			RK73FB2A104J	CHIP R 100K	J 1/10W	
R77			RK73FB2A101J	CHIP R 100	J 1/10W	
R78			RK73FB2A333J	CHIP R 33K	J 1/10W	
R79 -95			RK73FB2A104J	CHIP R 100K	J 1/10W	
R96 -99			RK73FB2A101J	CHIP R 100	J 1/10W	
R100-103			RK73FB2A103J	CHIP R 10K	J 1/10W	
R104			RK73FB2A102J	CHIP R 1.0K	J 1/10W	
R105-107			RK73FB2A104J	CHIP R 100K	J 1/10W	
R108			RK73FB2A101J	CHIP R 100	J 1/10W	
R109-115			RK73FB2A104J	CHIP R 100K	J 1/10W	
R116			RK73FB2A102J	CHIP R 1.0K	J 1/10W	
R117-122			RK73FB2A104J	CHIP R 100K	J 1/10W	
R123-126			RK73FB2A101J	CHIP R 100	J 1/10W	
R127-130			RK73FB2A104J	CHIP R 100K	J 1/10W	
R131			RK73FB2A472J	CHIP R 4.7K	J 1/10W	KPYTE
R132			RK73FB2A472J	CHIP R 4.7K	J 1/10W	
R133			RK73FB2A473J	CHIP R 47K	J 1/10W	KPYTE
R133			RK73FB2A472J	CHIP R 4.7K	J 1/10W	MIXC
R134			RK73FB2A473J	CHIP R 47K	J 1/10W	
R135,136			RK73FB2A102J	CHIP R 1.0K	J 1/10W	
R137			RK73FB2A104J	CHIP R 100K	J 1/10W	

L : Scandinavia

Y : PX(Far East, Hawaii)

Y : AAFES(Europe)

K : USA

T : Europe

X : Australia

P : Canada

E : Europe

M : Other Areas

R : Mexico

G : Germany

5 : C-V500/V550

7 : C-V700/V750/V770

⚠ indicates safety critical components.

\* New Parts

Parts without **Parts No.** are not supplied.Les articles non mentionnés dans le **Parts No.** ne sont pas fournis.Teile ohne **Parts No.** werden nicht geliefert.

18

Ref. No	Add-ress	New Parts	Parts No.	Description	Desti-nation	Re-marks
R139,140			RK73FB2A101J	CHIP R 100	J 1/10W	
R145			RK73FB2A104J	CHIP R 100K	J 1/10W	
R153-156			RK73FB2A101J	CHIP R 100	J 1/10W	
R157			RK73FB2A104J	CHIP R 100K	J 1/10W	
R158			RK73FB2A105J	CHIP R 1.0M	J 1/10W	
R159			RK73FB2A103J	CHIP R 10K	J 1/10W	
R160			RK73FB2A102J	CHIP R 1.0K	J 1/10W	
R161,162			RK73FB2A104J	CHIP R 100K	J 1/10W	
R163-167			RK73FB2A101J	CHIP R 100	J 1/10W	
R168			RK73FB2A103J	CHIP R 10K	J 1/10W	
R169			RD14NB2E2R7J	RD 2.7	J 1/4W	
R170			RK73FB2A104J	CHIP R 100K	J 1/10W	
R171,172			RK73FB2A101J	CHIP R 100	J 1/10W	
R173			RK73FB2A104J	CHIP R 100K	J 1/10W	
R174			RK73FB2A101J	CHIP R 100	J 1/10W	
R175			RK73FB2A104J	CHIP R 100K	J 1/10W	
R176			RK73FB2A102J	CHIP R 1.0K	J 1/10W	
R177			RK73FB2A104J	CHIP R 100K	J 1/10W	
R178			RK73FB2A222J	CHIP R 2.2K	J 1/10W	
R179-181			RK73FB2A104J	CHIP R 100K	J 1/10W	
R182			RK73FB2A105J	CHIP R 1.0M	J 1/10W	
R183-186			RK73FB2A101J	CHIP R 100	J 1/10W	
R187			RD14NB2E100J	RD 10	J 1/4W	
R188,189			RK73FB2A101J	CHIP R 100	J 1/10W	
R190			RD14NB2E100J	RD 10	J 1/4W	
R195,196			RK73FB2A472J	CHIP R 4.7K	J 1/10W	
R197,198			RK73FB2A102J	CHIP R 1.0K	J 1/10W	
R199			RK73FB2A473J	CHIP R 47K	J 1/10W	
R200			RD14NB2E100J	RD 10	J 1/4W	
R201-203			R92-1857-05	METAL GLAZE RESISTOR		
R204			RK73FB2A750J	CHIP R 75	J 1/10W	
R205			R92-1857-05	METAL GLAZE RESISTOR		
R206			RK73FB2A750J	CHIP R 75	J 1/10W	
R208			RK73FB2A101J	CHIP R 100	J 1/10W	
R211-213			RK73FB2A101J	CHIP R 100	J 1/10W	
R215			RK73FB2A102J	CHIP R 1.0K	J 1/10W	
R217-243			RK73FB2A101J	CHIP R 100	J 1/10W	
R245,246			RK73FB2A222J	CHIP R 2.2K	J 1/10W	
R247,248			RK73FB2A472J	CHIP R 4.7K	J 1/10W	
R249-252			RK73FB2A104J	CHIP R 100K	J 1/10W	
R253,254			RK73FB2A101J	CHIP R 100	J 1/10W	
R255,256			RK73FB2A104J	CHIP R 100K	J 1/10W	
R257,258			RK73FB2A471J	CHIP R 470	J 1/10W	
R302			RK73FB2A105J	CHIP R 1.0M	J 1/10W	MIXC
R304,305			RK73FB2A102J	CHIP R 1.0K	J 1/10W	MIXC
R306			RK73FB2A101J	CHIP R 100	J 1/10W	MIXC
R307			RK73FB2A131J	CHIP R 130	J 1/10W	MIXC
R308			RK73FB2A121J	CHIP R 120	J 1/10W	MIXC
R309			RK73FB2A511J	CHIP R 510	J 1/10W	MIXC
R310			RK73FB2A222J	CHIP R 2.2K	J 1/10W	MIXC
R311			RK73FB2A151J	CHIP R 150	J 1/10W	MIXC
R312			RK73FB2A222J	CHIP R 2.2K	J 1/10W	MIXC
R313,314			RK73FB2A102J	CHIP R 1.0K	J 1/10W	MIXC
R315			RK73FB2A152J	CHIP R 1.5K	J 1/10W	MIXC
R316			RK73FB2A102J	CHIP R 1.0K	J 1/10W	MIXC

L : Scandinavia

Y : PX(Far East, Hawaii)

Y : AAFES(Europe)

K : USA

T : Europe

X : Australia

P : Canada

E : Europe

M : Other Areas

R : Mexico

G : Germany

5 : C-V500/V550

7 : C-V700/V750/V770

⚠ indicates safety critical components.

\* New Parts  
 Parts without **Parts No.** are not supplied.  
 Les articles non mentionnés dans le **Parts No.** ne sont pas fournis.  
 Teile ohne **Parts No.** werden nicht geliefert.

19

Ref. No	Add-ress	New Parts	Parts No.	Description	Desti-nation	Re-marks
R317			RK73FB2A101J	CHIP R	100	J 1/10W MIXC
R319			RK73FB2A102J	CHIP R	1.0K	J 1/10W MIXC
R321			RK73FB2A103J	CHIP R	10K	J 1/10W MIXC
R322			RK73FB2A223J	CHIP R	22K	J 1/10W MIXC
R323-325			RK73FB2A101J	CHIP R	100	J 1/10W MIXC
R326			RK73FB2A182J	CHIP R	1.8K	J 1/10W MIXC
R327,328			RK73FB2A103J	CHIP R	10K	J 1/10W MIXC
R329			RK73FB2A472J	CHIP R	4.7K	J 1/10W MIXC
R330			RK73FB2A102J	CHIP R	1.0K	J 1/10W MIXC
R331			RK73FB2A104J	CHIP R	100K	J 1/10W MIXC
R332,333			RK73FB2A224J	CHIP R	220K	J 1/10W MIXC
R334,335			RK73FB2A103J	CHIP R	10K	J 1/10W MIXC
R336			RK73FB2A121J	CHIP R	120	J 1/10W MIXC
R337,338			RK73FB2A472J	CHIP R	4.7K	J 1/10W MIXC
R339-341			RK73FB2A104J	CHIP R	100K	J 1/10W MIXC
R342			RK73FB2A472J	CHIP R	4.7K	J 1/10W MIXC
R343			RK73FB2A123J	CHIP R	12K	J 1/10W MIXC
R344			RK73FB2A391J	CHIP R	390	J 1/10W MIXC
R345			RK73FB2A101J	CHIP R	100	J 1/10W MIXC
R346,347			RK73FB2A102J	CHIP R	1.0K	J 1/10W MIXC
R348			RK73FB2A132J	CHIP R	1.3K	J 1/10W MIXC
R349,350			RK73FB2A332J	CHIP R	3.3K	J 1/10W MIXC
R351			RK73FB2A473J	CHIP R	47K	J 1/10W ET
R352,353			RK73FB2A223J	CHIP R	22K	J 1/10W ET
R354			RK73FB2A222J	CHIP R	2.2K	J 1/10W ET
R355-368			RK73FB2A104J	CHIP R	100K	J 1/10W CET
R451			RK73FB2A472J	CHIP R	4.7K	J 1/10W CET
R452			RK73FB2A104J	CHIP R	100K	J 1/10W CET
R453			RK73FB2A103J	CHIP R	10K	J 1/10W CET
R454			RK73FB2A102J	CHIP R	1.0K	J 1/10W CET
R456			RK73FB2A104J	CHIP R	100K	J 1/10W CET
R457			RK73FB2A102J	CHIP R	1.0K	J 1/10W CET
R458			RK73FB2A472J	CHIP R	4.7K	J 1/10W CET
R460-462			RK73FB2A103J	CHIP R	10K	J 1/10W CET
R463,464			RK73FB2A472J	CHIP R	4.7K	J 1/10W CET
R470			RK73FB2A101J	CHIP R	100	J 1/10W CET
R471			RK73FB2A102J	CHIP R	1.0K	J 1/10W CET
R482,483			RK73FB2A222J	CHIP R	2.2K	J 1/10W CET
R484,485			RK73FB2A103J	CHIP R	10K	J 1/10W CET
R486			RK73FB2A104J	CHIP R	100K	J 1/10W CET
R487-490			RK73FB2A101J	CHIP R	100	J 1/10W
R491-497			RK73FB2A471J	CHIP R	470	J 1/10W
R501,502			RK73FB2A104J	CHIP R	100K	J 1/10W
R503-506			RK73FB2A162J	CHIP R	1.6K	J 1/10W
R507			RK73FB2A472J	CHIP R	4.7K	J 1/10W
R511,512			RK73FB2A101J	CHIP R	100	J 1/10W
R513,514			RK73FB2A104J	CHIP R	100K	J 1/10W
R515-518			RK73FB2A162J	CHIP R	1.6K	J 1/10W
R521,522			RK73FB2A513J	CHIP R	51K	J 1/10W
R523,524			RK73FB2A392J	CHIP R	3.9K	J 1/10W
R525,526			RK73FB2A472J	CHIP R	4.7K	J 1/10W
R527,528			RK73FB2A104J	CHIP R	100K	J 1/10W
R529-532			RK73FB2A162J	CHIP R	1.6K	J 1/10W
R535,536			RK73FB2A513J	CHIP R	51K	J 1/10W
R537,538			RK73FB2A472J	CHIP R	4.7K	J 1/10W

L : Scandinavia    K : USA    P : Canada    R : Mexico    5 : C-V500/V550  
 Y : PX(Far East, Hawaii)    T : Europe    E : Europe    G : Germany    7 : C-V700/V750/V770  
 Y : AAFES(Europe)    X : Australia    M : Other Areas

⚠ indicates safety critical components.

\* New Parts  
 Parts without **Parts No.** are not supplied.  
 Les articles non mentionnés dans le **Parts No.** ne sont pas fournis.  
 Teile ohne **Parts No.** werden nicht geliefert.

20

Ref. No	Add-ress	New Parts	Parts No.	Description	Desti-nation	Re-marks
R539,540			RK73FB2A392J	CHIP R	3.9K	J 1/10W
R541			RK73FB2A163J	CHIP R	16K	J 1/10W
R551,552			RK73FB2A104J	CHIP R	100K	J 1/10W
R553,554			RK73FB2A153J	CHIP R	15K	J 1/10W
R555,556			RK73FB2A303J	CHIP R	30K	J 1/10W
R559,560			RK73FB2A392J	CHIP R	3.9K	J 1/10W
R561,562			RK73FB2A104J	CHIP R	100K	J 1/10W
R563,564			RK73FB2A101J	CHIP R	100	J 1/10W
R565-568			RK73FB2A222J	CHIP R	2.2K	J 1/10W
R569,570			RK73FB2A101J	CHIP R	100	J 1/10W
R571			RK73FB2A103J	CHIP R	10K	J 1/10W
R572			RK73FB2A104J	CHIP R	100K	J 1/10W
R573,574			RK73FB2A513J	CHIP R	51K	J 1/10W
R575,576			RK73FB2A472J	CHIP R	4.7K	J 1/10W
R577,578			RK73FB2A392J	CHIP R	3.9K	J 1/10W
R579-581			RK73FB2A104J	CHIP R	100K	J 1/10W
R582			RK73FB2A101J	CHIP R	100	J 1/10W
R583			RK73FB2A104J	CHIP R	100K	J 1/10W
R585,586			RK73FB2A153J	CHIP R	15K	J 1/10W
R587,588			RK73FB2A303J	CHIP R	30K	J 1/10W
R589,590			RK73FB2A101J	CHIP R	100	J 1/10W
R591,592			RK73FB2A392J	CHIP R	3.9K	J 1/10W
R608			RK73FB2A622J	CHIP R	6.2K	J 1/10W
R609			RK73FB2A123J	CHIP R	12K	J 1/10W
R610			RK73FB2A163J	CHIP R	16K	J 1/10W
R611			RK73FB2A303J	CHIP R	30K	J 1/10W
R612,613			RK73FB2A163J	CHIP R	16K	J 1/10W
R614			RK73FB2A153J	CHIP R	15K	J 1/10W
R616			RK73FB2A101J	CHIP R	100	J 1/10W
R617,618			RK73FB2A132J	CHIP R	1.3K	J 1/10W
R619,620			RK73FB2A104J	CHIP R	100K	J 1/10W
R621,622			RK73FB2A182J	CHIP R	1.8K	J 1/10W
R623,624			RK73FB2A824J	CHIP R	820K	J 1/10W
R625,626			RK73FB2A123J	CHIP R	12K	J 1/10W
R627,628			RK73FB2A104J	CHIP R	100K	J 1/10W
R629,630			RK73FB2A272J	CHIP R	2.7K	J 1/10W
R631,632			RK73FB2A824J	CHIP R	820K	J 1/10W
R633			RK73FB2A153J	CHIP R	15K	J 1/10W
R634			RK73FB2A123J	CHIP R	12K	J 1/10W
R635,636			RK73FB2A104J	CHIP R	100K	J 1/10W
R637			RK73FB2A162J	CHIP R	1.6K	J 1/10W
R638			RK73FB2A272J	CHIP R	2.7K	J 1/10W
R639,640			RK73FB2A824J	CHIP R	820K	J 1/10W
R641			RK73FB2A361J	CHIP R	360	J 1/10W
R642,643			RK73FB2A102J	CHIP R	1.0K	J 1/10W
R644			RK73FB2A361J	CHIP R	360	J 1/10W
R645			RK73FB2A102J	CHIP R	1.0K	J 1/10W
R646			RK73FB2A681J	CHIP R	680	J 1/10W
R649-654			RK73FB2A103J	CHIP R	10K	J 1/10W
R660-668			RK73FB2A102J	CHIP R	1.0K	J 1/10W
R677,678			RK73FB2A224J	CHIP R	220K	J 1/10W
R701-704			RK73FB2A102J	CHIP R	1.0K	J 1/10W
R710,711			RK73FB2A103J	CHIP R	10K	J 1/10W
R712			RK73FB2A102J	CHIP R	1.0K	J 1/10W
R713			RK73FB2A103J	CHIP R	10K	J 1/10W

L : Scandinavia    K : USA    P : Canada    R : Mexico    5 : C-V500/V550  
 Y : PX(Far East, Hawaii)    T : Europe    E : Europe    G : Germany    7 : C-V700/V750/V770  
 Y : AAFES(Europe)    X : Australia    M : Other Areas

⚠ indicates safety critical components.

PARTS LIST

C-V500/V550/V700/V750/V770

\* New Parts  
Parts without **Parts No.** are not supplied.  
Les articles non mentionnés dans le **Parts No.** ne sont pas fournis.  
Teile ohne **Parts No.** werden nicht geliefert.

21

Ref. No	Add-ress	New Parts	Parts No.	Description	Desti-nation	Re-marks
R714			RK73FB2A223J	CHIP R 22K J 1/10W		
R721-725			RK73FB2A203J	CHIP R 20K J 1/10W		
R801,802			RK73FB2A123J	CHIP R 12K J 1/10W		
R803,804			RK73FB2A202J	CHIP R 2.0K J 1/10W		
R805,806			RK73FB2A104J	CHIP R 100K J 1/10W		
R807,808			RK73FB2A513J	CHIP R 51K J 1/10W		
R809,810			RK73FB2A474J	CHIP R 470K J 1/10W		
R813,814			RK73FB2A362J	CHIP R 3.6K J 1/10W		
R815,816			RK73FB2A824J	CHIP R 820K J 1/10W		
R817,818			RK73FB2A223J	CHIP R 22K J 1/10W		
R819,820			RK73FB2A222J	CHIP R 2.2K J 1/10W		
R821,822			RK73FB2A154J	CHIP R 150K J 1/10W		
R823,824			RK73FB2A471J	CHIP R 470 J 1/10W		
R831-833			RK73FB2A102J	CHIP R 1.0K J 1/10W		
R834,835			RD14NB2E821J	RD 820 J 1/4W		
R851,852			RK73FB2A102J	CHIP R 1.0K J 1/10W		
R853,854			RK73FB2A222J	CHIP R 2.2K J 1/10W		
R855,856			RD14NB2E470J	RD 47 J 1/4W		
R857,858			RK73FB2A103J	CHIP R 10K J 1/10W		
R859,860			RK73FB2A102J	CHIP R 1.0K J 1/10W		
R861,862			RK73FB2A104J	CHIP R 100K J 1/10W		
R863,864			RK73FB2A272J	CHIP R 2.7K J 1/10W		
R865,866			RK73FB2A104J	CHIP R 100K J 1/10W		
R868,869			RD14NB2E101J	RD 100 J 1/4W		
R870			RK73FB2A472J	CHIP R 4.7K J 1/10W		
R871			RK73FB2A103J	CHIP R 10K J 1/10W		
R872			RK73FB2A203J	CHIP R 20K J 1/10W		
R873			RK73FB2A222J	CHIP R 2.2K J 1/10W		
R875			RK73FB2A472J	CHIP R 4.7K J 1/10W		
R876			RK73FB2A101J	CHIP R 100 J 1/10W		
R901-914			RK73FB2A101J	CHIP R 100 J 1/10W		
R915,916			RK73FB2A220J	CHIP R 22 J 1/10W		
W1			R92-2052-05	CHIP R 0 J 1/10W	KPYET	
W101-103			R92-2052-05	CHIP R 0 J 1/10W	KPYC	
W104			R92-0679-05	CHIP R 0 OHM	KPYC	
D1 ,2			MA111	DIODE		
D3 ,4			DA204U	DIODE		
D5			MA111	DIODE	ET	
D6 ,7			U1BC44	DIODE		
D8			MA111	DIODE		
D9	7		U1BC44	DIODE		
D10			MA111	DIODE		
D12			MA111	DIODE		
D13 -15			MA111	DIODE	CET	
D17 ,18			DA204U	DIODE		
D19			MA111	DIODE	CET	
D20			UDZ5.1B	ZENER DIODE		
D21 ,22			MA111	DIODE		
D23			DA204U	DIODE	CET	
D121,122			DA204U	DIODE		
D123,124			UDZ6.2B	ZENER DIODE		
IC1		*	UPD78078GF-070	MI-COM IC		
IC2			S-806D-Z	ANALOGUE IC		
IC3			UPD78016FGC530	MI-COM IC		

L : Scandinavia K : USA P : Canada R : Mexico 5 : C-V500/V550  
Y : PX(Far East, Hawaii) T : Europe E : Europe G : Germany 7 : C-V700/V750/V770  
V : AAFES(Europe) X : Australia M : Other Areas

△ indicates safety critical components.

\* New Parts  
Parts without **Parts No.** are not supplied.  
Les articles non mentionnés dans le **Parts No.** ne sont pas fournis.  
Teile ohne **Parts No.** werden nicht geliefert.

22

Ref. No	Add-ress	New Parts	Parts No.	Description	Desti-nation	Re-marks
IC4			TA7805S	IC(VOLTAGE REGULATOR/ +5V)		
IC5			DSPF56009FJ81	MOS-IC		
IC6			LH64256CK-70	MEMORY IC		
IC7			TC7WU04FU	MOS-IC		
IC8			TA7805S	IC(VOLTAGE REGULATOR/ +5V)		
IC9			SN761200N	ANALOGUE IC		
IC10			TA7805S	IC(VOLTAGE REGULATOR/ +5V)		
IC11			TC74HCU04AF	IC(HEX INVERTER SMD)		
IC12			TA7805S	IC(VOLTAGE REGULATOR/ +5V)		
IC13			NJM4580ED	ANALOGUE IC		
IC15			CS4226-KQ	MOS-IC		
IC16			TA7805S	IC(VOLTAGE REGULATOR/ +5V)		
IC17			TC7SU04FU	IC(COMS CONVERTOR)		
IC18			PM4007A	MOS-IC		
IC19			HM62256BLFP-8T	MEMORY IC	MIXC	
IC20			NJM4565M	IC(OP AMP X2)	MIXC	
IC21			TA7805S	IC(VOLTAGE REGULATOR/ +5V)	MIXC	
IC22			TA79005S	IC(VOLTAGE REGULATOR/ -5V)		
IC23			SAA6579	ANALOGUE IC	ET	
IC24			UPD17215GT-737	MI-COM IC		
IC25			RF5S830-0021	MOS-IC	CET	
IC26			HM9264BLFP10L	MEMORY IC	CET	
IC50-64			NJM4580ED	ANALOGUE IC		
IC65			NJU7311AM	MOS-IC		
IC66	5		NJU7311AM	MOS-IC	MIX	
IC66	7		NJU7311AM	MOS-IC	MIXET	
IC67			NJM4580ED	ANALOGUE IC		
IC68			TC9184P	IC(ELECTRO TONE CONTROL)		
IC69			NJM4580ED	ANALOGUE IC		
IC70			NJU7313AM	ANALOGUE IC		
IC71-73			NJM4580ED	ANALOGUE IC		
IC74-76			LC7536R	ANALOGUE IC		
IC77			NJM2100M	IC(OP AMPLIFIER)	CET	
Q1			2SC4081(R,S)	TRANSISTOR		
Q1			2SC4116(Y,GR)	TRANSISTOR	KPYET	
Q1			2SD1819A(Q,R)	TRANSISTOR	MIXC	
Q11 ,12			2SC4081(R,S)	TRANSISTOR	MIXC	
Q11 ,12			2SD1819A(Q,R)	TRANSISTOR	MIXC	
Q13			2SC4215(Y)	TRANSISTOR	MIXC	
Q14			2SA1577(Q,R)	TRANSISTOR	MIXC	
Q15 ,16			2SC4215(Y)	TRANSISTOR	MIXC	
Q17			2SA1577(Q,R)	TRANSISTOR	MIXC	
Q31 -36			2SC2878(B)	TRANSISTOR		
Q106			2SA1577(Q,R)	TRANSISTOR		
Q107			2SA1576A(R,S)	TRANSISTOR	CET	
Q107			2SA1586(Y,GR)	TRANSISTOR	ET	
Q107			2SB1218A(Q,R)	TRANSISTOR	C	
Q108			2SC4081(R,S)	TRANSISTOR	CET	
Q108			2SC4116(Y,GR)	TRANSISTOR	ET	
Q108			2SD1819A(Q,R)	TRANSISTOR	C	
Q109,110			2SC3115(D27,28)	TRANSISTOR		
Q111-114			2SC2878(B)	TRANSISTOR		
Q115			2SA1577(Q,R)	TRANSISTOR		
A1			W02-2609-05	OSCILLATING MODULE	MIXC	

L : Scandinavia K : USA P : Canada R : Mexico 5 : C-V500/V550  
Y : PX(Far East, Hawaii) T : Europe E : Europe G : Germany 7 : C-V700/V750/V770  
V : AAFES(Europe) X : Australia M : Other Areas

△ indicates safety critical components.



\* New Parts  
Parts without **Parts No.** are not supplied.  
Les articles non mentionnés dans le **Parts No.** ne sont pas fournis.  
Teile ohne **Parts No.** werden nicht geliefert.

23

Ref. No	Add-ress	New Parts	Parts No.	Description	Desti-nation	Re-marks
<b>CONTROL (X11-3720-10/X11-3780-20)</b>						
Δ C1			C91-1488-05	MF 6800PF 250VAC		
C2			CK45FF1H223Z	CERAMIC 0.022UF Z		
C5			CE04KW1E222M	ELECTRO 2200UF 25WV		
C6			CE04KW1V100M	ELECTRO 10UF 35WV		
C7			CE04KW1C101M	ELECTRO 100UF 16WV		
C8			CK45FF1H103Z	CERAMIC 0.010UF Z		
C9			CK45FF1H223Z	CERAMIC 0.022UF Z		
C12			CE04KW1E222M	ELECTRO 2200UF 25WV		
C13			CE04KW1C470M	ELECTRO 47UF 16WV		
C14			CE04KW1C101M	ELECTRO 100UF 16WV		
C15			CK45FF1H103Z	CERAMIC 0.010UF Z		
C16			CK45FF1H223Z	CERAMIC 0.022UF Z		
C19			CE04KW1V102M	ELECTRO 1000UF 35WV	MIXC	
C20			CE04KW1V102M	ELECTRO 1000UF 35WV	KPYET	
C20			CE04KW1V471M	ELECTRO 470UF 35WV		
C21			CK45FB1H102K	CERAMIC 1000PF K		
C22			CE04KW1V101M	ELECTRO 100UF 35WV		
C23			CE04KW1V470M	ELECTRO 47UF 35WV		
C24			CE04KW1V100M	ELECTRO 10UF 35WV		
C25			CK45FB1H471K	CERAMIC 470PF K		
C26			CK45FB1H102K	CERAMIC 1000PF K		
C27, 28			CE04DW1E331M	ELECTRO 330UF 25WV		
C29			CF92FV1H104J	MF-C 0.10UF J		
C30			CE04KW1V220M	ELECTRO 22UF 35WV		
C31			CE04KW1J471M	ELECTRO 470UF 63WV		
C32			CE04KW1H3R3M	ELECTRO 3.3UF 50WV		
C33	7		CK45FF1H103Z	CERAMIC 0.010UF Z		
C34, 35			CC45FSL1H221J	CERAMIC 220PF J		
C36 -45			CC45FSL1H101J	CERAMIC 100PF J		
C46	7		CE04KW1E470M	ELECTRO 47UF 25WV		
C47, 48	5		CK45FB1H102KMU	CERAMIC 1000PF K	MIXC	
C47, 48	7		CK45FB1H102KMU	CERAMIC 1000PF K	ET	
C47, 48	7		CK45FF1H103Z	CERAMIC 0.010UF Z		
C50	7		CE04KW1E470M	ELECTRO 47UF 25WV		
C51			CC45FSL1H101J	CERAMIC 100PF J		
C52 -54			CK45FF1H223Z	CERAMIC 0.022UF Z		
C101-104			CC45FSL1H101J	CERAMIC 100PF J		
C105,106			CC45FSL1H221J	CERAMIC 220PF J		
C107,108			CC45FSL1H101J	CERAMIC 100PF J		
C109,110			CC45FSL1H221J	CERAMIC 220PF J		
C111-114			CC45FSL1H101J	CERAMIC 100PF J		
C115,116			CC45FSL1H221J	CERAMIC 220PF J		
C117-122			CC45FSL1H101J	CERAMIC 100PF J		
C123-126			CC45FSL1H101JM	CERAMIC 100PF J	MIXET	
C127-130			CK45FF1H103Z	CERAMIC 0.010UF Z		
C131,132			CE04KW1H2R2M	ELECTRO 2.2UF 50WV		
C133,134			CC45FSL1H221J	CERAMIC 220PF J		
C135			CK45FF1H103Z	CERAMIC 0.010UF Z		
C136			CK45FB1H391K	CERAMIC 390PF K		
C137,138			CE04KW1C220M	ELECTRO 22UF 16WV		
C139,140			CE04KW1H2R2M	ELECTRO 2.2UF 50WV		
C141,142			CC45FSL1H221J	CERAMIC 220PF J		
C143			CK45FF1H103Z	CERAMIC 0.010UF Z		
C144			CK45FB1H391K	CERAMIC 390PF K		

L : Scandinavia K : USA P : Canada R : Mexico 5 : C-V500/V550  
Y : PX(Far East, Hawaii) T : Europe E : Europe G : Germany 7 : C-V700/V750/V770  
Y : AAFES(Europe) X : Australia M : Other Areas

Δ indicates safety critical components.

\* New Parts  
Parts without **Parts No.** are not supplied.  
Les articles non mentionnés dans le **Parts No.** ne sont pas fournis.  
Teile ohne **Parts No.** werden nicht geliefert.

24

Ref. No	Add-ress	New Parts	Parts No.	Description	Desti-nation	Re-marks
C145,146			CE04KW1C100M	ELECTRO 10UF 16WV		MIXET
C147,148			CE04KW1H2R2M	ELECTRO 2.2UF 50WV		MIXET
C149,150			CC45FSL1H221J	CERAMIC 220PF J		MIXET
C151			CK45FB1H391K	CERAMIC 390PF K		MIXET
C152			CK45FF1H103Z	CERAMIC 0.010UF Z		MIXET
C153,154			CE04KW1C100M	ELECTRO 10UF 16WV		MIXET
C155,156			CE04KW1H2R2M	ELECTRO 2.2UF 50WV		MIXET
C157,158			CC45FSL1H221J	CERAMIC 220PF J		MIXET
C159			CK45FB1H391K	CERAMIC 390PF K		MIXET
C160			CK45FF1H103Z	CERAMIC 0.010UF Z		MIXET
C161,162			CE04KW1C100M	ELECTRO 10UF 16WV		MIXET
C163			CC45FSL1H221J	CERAMIC 220PF J		
C166-170			CC45FSL1H221J	CERAMIC 220PF J		MIXET
C171-174			CC45FSL1H221JM	CERAMIC 220PF J		
CN1			E40-4245-05	PIN ASSY		
CN14			E40-4908-05	FLAT CABLE CONNECTOR		
CN15	7		E40-3249-05	PIN ASSY		
CN16			E40-4910-05	FLAT CABLE CONNECTOR		
Δ J1			E03-0148-05	AC OUTLET	KPY	
Δ J1			E03-0149-05	AC OUTLET	MIE	
Δ J1			E03-0310-05	AC OUTLET	T	
Δ J1			E03-0325-05	AC OUTLET	X	
Δ J1			E03-0330-05	AC OUTLET	C	
J2 -4			E63-0047-15	PHONO JACK	MIXC	
J2 -4			E63-0139-15	PHONO JACK	KPYET	
J5			E63-0046-15	PHONO JACK	MIXC	
J5			E63-0136-15	PHONO JACK	KPYET	
J6			E63-1008-05	PHONO JACK		
J7			E11-0188-05	MINIATURE PHONE JACK(2P)		
J8			E11-0282-05	PHONE JACK		
J9			E58-0018-05	RECTANGULAR RECEPTACLE		
W1	5		E31-0001-00	JUMPER WIRE	MIXCT	
W1	7		E31-0001-00	JUMPER WIRE		
W26	7		E31-0001-00	JUMPER WIRE		
W28	7		E31-0001-00	JUMPER WIRE		
W82	7		E31-0001-00	JUMPER WIRE		
W84 ,85	7		E31-0001-00	JUMPER WIRE		
W87 ,88	7		E31-0001-00	JUMPER WIRE		
Δ F1			F05-2525-05	FUSE (SEMKO) (250V T2.5AL)	E	
Δ F3	7		F06-1022-05	FUSE (SEMKO) (250V T1AL)		
Δ F3	5		F06-1022-05	FUSE (SEMKO) (250V T1AL)	YMIX	
Δ F3	5		F50-0070-05	FUSE(5X20)	KP	
Δ F4 ,5	7		F05-5016-05	FUSE (SEMKO) (250V T500MA)		
Δ F4 ,5	5		F05-5016-05	FUSE (SEMKO) (250V T500MA)	YMIX	
Δ F4 ,5	5		F50-0062-05	FUSE(5X20)	KP	
CN2 ,3			J13-0075-05	FUSE CLIP	E	
CN6 -11			J13-0075-05	FUSE CLIP		
E3	7		J19-3215-05	LEAD HOLDER	MIXTE	
E5	7		J11-0808-05	WIRE CLAMPER		
Δ R1			R92-1769-05	CARBON 3.3M J 1/2W	KP	
R7 ,8			RD14NB2E1R0J	RD 1 J 1/4W		
R12			RD14NB2E180J	RD 18 J 1/4W		
R14			RD14NB2E220J	RD 22 J 1/4W		
R19 ,20			RD14NB2E221J	RD 220 J 1/4W		

L : Scandinavia K : USA P : Canada R : Mexico 5 : C-V500/V550  
Y : PX(Far East, Hawaii) T : Europe E : Europe G : Germany 7 : C-V700/V750/V770  
Y : AAFES(Europe) X : Australia M : Other Areas

Δ indicates safety critical components.

PARTS LIST

C-V500/V550/V700/V750/V770

\* New Parts  
Parts without **Parts No.** are not supplied.  
Les articles non mentionnés dans le **Parts No.** ne sont pas fournis.  
Teile ohne **Parts No.** werden nicht geliefert.

25

Ref. No	Add-ress	New Parts	Parts No.	Description	Desti-nation	Re-marks
R21			RD14NB2E331J	RD 330 J 1/4W		
R31	7		RD14BB2C103J	RD 10K J 1/6W		
R32	7		RD14BB2C393J	RD 39K J 1/6W		
R44	7		RD14BB2C122J	RD 1.2K J 1/6W		
Δ R49 -52			RS14KB3D391J	FL-PROOF RS 390 J 2W	KPXTEC	
Δ R49 -53			RS14KB3D471J	FL-PROOF RS 470 J 2W	YMI	
Δ R55 -57			RS14KB3D471J	FL-PROOF RS 470 J 2W	YMI	
Δ R55 ,56			RS14KB3D391J	FL-PROOF RS 390 J 2W	KPXTEC	
Δ R57			RS14KB3D391J	FL-PROOF RS 390 J 2W	MIXC	
Δ R58			RS14KB3D471J	FL-PROOF RS 470 J 2W	MI	
Δ K1 ,2			S76-0060-05	MAGNETIC RELAY		
Δ S1			S62-0001-05	SLIDE SWITCH	YMI	
D2			HZS4.7N(B)	ZENER DIODE	KPYET	
D2			MTZJ4.7(B)	ZENER DIODE	MIXC	
D2			RD4.7ES(B)	ZENER DIODE	KPYET	
D2			UZ-4.7BSB	ZENER DIODE	MIXC	
Δ D3			D3SBA20F03	DIODE		
Δ D3			RBV-402LFA	DIODE		
D4			HZS6.2N(B2)	ZENER DIODE	KPYET	
D4			MTZJ6.2(B)	ZENER DIODE	MIXC	
D4			RD6.2ES(B2)	ZENER DIODE	KPYET	
D4			UZ-6.2BSB	ZENER DIODE	MIXC	
D6			HZS6.2N(B2)	ZENER DIODE	KPYET	
D6			MTZJ6.2(B)	ZENER DIODE	MIXC	
D6			RD6.2ES(B2)	ZENER DIODE	KPYET	
D6			UZ-6.2BSB	ZENER DIODE	MIXC	
D7			HZS8.2N(B2)	ZENER DIODE	KPYET	
D7			MTZJ8.2(B)	ZENER DIODE	MIXC	
D7			RD8.2ES(B2)	ZENER DIODE	KPYET	
D7			UZ-8.2BSB	ZENER DIODE	MIXC	
D8			S5688B	DIODE		
D8			1SR139-400	DIODE		
D9 ,10			HZS16N(B2)	ZENER DIODE	KPYET	
D9 ,10			MTZJ16(B)	ZENER DIODE	MIXC	
D9 ,10			RD16ES(B2)	ZENER DIODE	KPYET	
D9 ,10			UZ-16BSB	ZENER DIODE	MIXC	
D11			HZS5.1N(B2)	ZENER DIODE	KPYET	
D11			MTZJ5.1(B)	ZENER DIODE	MIXC	
D11			RD5.1ES(B2)	ZENER DIODE	KPYET	
D11			UZ-5.1BSB	ZENER DIODE	MIXC	
D12 -14			HSS104	DIODE		
D12 -14			1SS133	DIODE		
D15			HZS3.3N(B2)	ZENER DIODE	KPYET	
D15			MTZJ3.3(B)	ZENER DIODE	MIXC	
D15			RD3.3ES(B2)	ZENER DIODE	KPYET	
D15			UZ-3.3BSB	ZENER DIODE	MIXC	
D16			HSS104	DIODE		
D16			1SS133	DIODE		
D17	7		HSS104	DIODE		
D17	7		1SS133	DIODE		
D18			HSS104	DIODE		
D18			1SS133	DIODE		
D19			HZS6.8N(B2)	ZENER DIODE	KPYET	

L : Scandinavia K : USA P : Canada R : Mexico 5 : C-V500/V550  
Y : PX(Far East, Hawaii) T : Europe E : Europe G : Germany 7 : C-V700/V750/V770  
Y : AAFES(Europe) X : Australia M : Other Areas

Δ indicates safety critical components.

\* New Parts  
Parts without **Parts No.** are not supplied.  
Les articles non mentionnés dans le **Parts No.** ne sont pas fournis.  
Teile ohne **Parts No.** werden nicht geliefert.

26

Ref. No	Add-ress	New Parts	Parts No.	Description	Desti-nation	Re-marks
D19			MTZJ6.8(B)	ZENER DIODE		
D19			RD6.8ES(B2)	ZENER DIODE		
D19			UZ-6.8BSB	ZENER DIODE		
D20 -22			HSS104	DIODE		
D20 -22			1SS133	DIODE		
D23	7		HZS8.2N(B2)	ZENER DIODE		
D23	7		MTZJ8.2(B)	ZENER DIODE		
D23	7		RD8.2ES(B2)	ZENER DIODE		
D23	7		UZ-8.2BSB	ZENER DIODE		
Δ D24 -31			S5688B	DIODE		
Δ D24 -31			1SR139-400	DIODE		
Δ IC1			NJU7313AL	ANALOGUE IC		
IC2			NJU7312AL	ANALOGUE IC		
IC3 ,4			NJM4580L-D	ANALOGUE IC		
IC5 ,6			NJM4580L-D	ANALOGUE IC		MIXET
IC7	7		TA8409S	MOS-IC		
Q1			2SC1740S(Q,R)	TRANSISTOR		MIXC
Q1			2SC2458(Y,GR)	TRANSISTOR		KPYET
Q1			2SC2785(F,E)	TRANSISTOR		MIXC
Q1			2SC3311A(Q,R)	TRANSISTOR		KPYET
Δ Q2 ,3			2SD2012	TRANSISTOR		
Δ Q2 ,3			2SD2061	TRANSISTOR		
Q4			2SC1740S(Q,R)	TRANSISTOR		MIXC
Q4			2SC2458(Y,GR)	TRANSISTOR		KPYET
Q4			2SC2785(F,E)	TRANSISTOR		MIXC
Q4			2SC3311A(Q,R)	TRANSISTOR		KPYET
Δ Q5			2SD2012	TRANSISTOR		
Δ Q5			2SD2061	TRANSISTOR		
Q6	7		2SD2137(P)	TRANSISTOR		
Q6	7		2SD2525	TRANSISTOR		
Δ Q7 ,8			2SD2137(P)	TRANSISTOR		
Δ Q7 ,8			2SD2525	TRANSISTOR		
Q9			2SC1740S(Q,R)	TRANSISTOR		MIXC
Q9			2SC2458(Y,GR)	TRANSISTOR		KPYET
Q9			2SC2785(F,E)	TRANSISTOR		MIXC
Q9			2SC3311A(Q,R)	TRANSISTOR		KPYET
Q10			2SA1048(Y,GR)	TRANSISTOR		KPYET
Q10			2SA1175(F,E)	TRANSISTOR		MIXC
Q10			2SA1309A(Q,R)	TRANSISTOR		KPYET
Q10			2SA933AS(Q,R)	TRANSISTOR		MIXC
Q11			2SC1740S(Q,R)	TRANSISTOR		MIXC
Q11			2SC2458(Y,GR)	TRANSISTOR		KPYET
Q11			2SC2785(F,E)	TRANSISTOR		MIXC
Q11			2SC3311A(Q,R)	TRANSISTOR		KPYET
Q12			2SA1048(Y,GR)	TRANSISTOR		KPYET
Q12			2SA1175(F,E)	TRANSISTOR		MIXC
Q12			2SA1309A(Q,R)	TRANSISTOR		KPYET
Q12			2SA933AS(Q,R)	TRANSISTOR		MIXC
Q13			2SA1535A	TRANSISTOR		
Q14			2SC3940A(R,S)	TRANSISTOR		
Q15			2SC2003(L,K)	TRANSISTOR		
<b>DISPLAY (X14-4570-10/X14-4580-20)</b>						
D11 ,12			B30-2519-05	LED(INFRARED,D=5,)		
D13			B30-2493-05	LED(RED)		

L : Scandinavia K : USA P : Canada R : Mexico 5 : C-V500/V550  
Y : PX(Far East, Hawaii) T : Europe E : Europe G : Germany 7 : C-V700/V750/V770  
Y : AAFES(Europe) X : Australia M : Other Areas

Δ indicates safety critical components.

\* New Parts  
 Parts without **Parts No.** are not supplied.  
 Les articles non mentionnés dans le **Parts No.** ne sont pas fournis.  
 Teile ohne **Parts No.** werden nicht geliefert.

27

Ref. No	Add-ress	New Parts	Parts No.	Description	Desti-nation	Re-marks
D24 ,25			B30-2519-05	LED(INFRARED,D=5,)		
C1 ,2			CE04KW1A101M	ELECTRO 100UF 10WV		
C3			C90-3222-05	ELECTRO 100UF 10WV		
C4			C91-0769-05	CERAMIC 0.010UF K		
C6 -13			C91-0745-05	CERAMIC 100PF K		
C14			CK45FF1H103ZMU	CERAMIC 0.010UF Z		
CN2			E40-4724-05	FLAT CABLE CONNECTOR		
CN4			E40-4807-05	PIN ASSY		
-			J19-5793-03	HOLDER		
R1			RD14NB2E470J	RD 47 J 1/4W		
S1 -15			S70-0031-05	TACT SWITCH		
S30			T99-0559-05	ROTARY ENCODER		
D15 -18			HSS104A	DIODE		
D15 -18			1SS131	DIODE		
ED1			11-MT-114GK	INDICATOR TUBE		
IC1			UPD16311	MOS-IC		
Q1			2SC3246	TRANSISTOR		
Q5			2SC1740S(Q,R)	TRANSISTOR	MIX	
Q5			2SC2458(Y,GR)	TRANSISTOR	KPY	
Q5			2SC2785(F,E)	TRANSISTOR	MIX	
Q5			2SC3311A(Q,R)	TRANSISTOR	KPY	
Q32			2SC3246	TRANSISTOR		
A1			W02-2598-05	OPTIC RECEIVING MODULE		
<b>DISPLAY (X14-4592-70/X14-4600-20)</b>						
D1 -10			B30-2515-05	LED(ORG-600NM,3)		
D11 ,12			B30-2519-05	LED(INFRARED,D=5,)		
D13			B30-2493-05	LED(RED)	MIX	
D14			B30-2507-05	LED(RED/GRN,D=5)	CET	
D24 ,25			B30-2519-05	LED(INFRARED,D=5,)		
C1 ,2			CE04KW1A101M	ELECTRO 100UF 10WV		
C3			C90-3222-05	ELECTRO 100UF 10WV		
C4			C91-0769-05	CERAMIC 0.010UF K		
C5			CK45FF1H103Z	CERAMIC 0.010UF Z		
C6 -8			C91-0745-05	CERAMIC 100PF K		
C10 -13			C91-0745-05	CERAMIC 100PF K		
CN1			E40-4946-05	FLAT CABLE CONNECTOR	CET	
CN2			E40-4948-05	FLAT CABLE CONNECTOR		
CN4			E40-4944-05	FLAT CABLE CONNECTOR	MIX	
CN5			E40-4609-05	PIN ASSY		
CN6			E40-4293-05	FLAT CABLE CONNECTOR	CET	
-			J19-5793-03	HOLDER		
R1			RD14NB2E470J	RD 47 J 1/4W		
S1 -16			S70-0031-05	TACT SWITCH		
S17			S70-0031-05	TACT SWITCH	CET	
S18 -20			S70-0031-05	TACT SWITCH	ET	
S21 -24			S70-0031-05	TACT SWITCH		
S25			S70-0031-05	TACT SWITCH	ET	
S26			S70-0031-05	TACT SWITCH	CET	

L : Scandinavia K : USA P : Canada R : Mexico 5 : C-V500/V550  
 Y : PX(Far East, Hawaii) T : Europe E : Europe G : Germany 7 : C-V700/V750/V770  
 Y : AAFES(Europe) X : Australia M : Other Areas

⚠ indicates safety critical components.

\* New Parts  
 Parts without **Parts No.** are not supplied.  
 Les articles non mentionnés dans le **Parts No.** ne sont pas fournis.  
 Teile ohne **Parts No.** werden nicht geliefert.

28

Ref. No	Add-ress	New Parts	Parts No.	Description	Desti-nation	Re-marks
S30			T99-0559-05	ROTARY ENCODER		
D15 -23			HSS104A	DIODE		
D15 -23			1SS131	DIODE		
ED1			11-MT-114GK	INDICATOR TUBE		
IC1			UPD16311	MOS-IC		
Q1			2SC3246	TRANSISTOR		
Q2			2SC2003(L,K)	TRANSISTOR		
Q3 ,4			2SA1048(Y,GR)	TRANSISTOR	ET	
Q3 ,4			2SA1175(F,E)	TRANSISTOR	C	
Q3 ,4			2SA1309A(Q,R)	TRANSISTOR	ET	
Q3 ,4			2SA933AS(Q,R)	TRANSISTOR	C	
Q5			2SC1740S(Q,R)	TRANSISTOR	MIX	
Q5			2SC2458(Y,GR)	TRANSISTOR	ET	
Q5			2SC2785(F,E)	TRANSISTOR	MIX	
Q5			2SC3311A(Q,R)	TRANSISTOR	ET	
Q32			2SC3246	TRANSISTOR		
A1			W02-2598-05	OPTIC RECEIVING MODUL		

L : Scandinavia K : USA P : Canada R : Mexico 5 : C-V500/V550  
 Y : PX(Far East, Hawaii) T : Europe E : Europe G : Germany 7 : C-V700/V750/V770  
 Y : AAFES(Europe) X : Australia M : Other Areas

⚠ indicates safety critical components.

PARTS LIST

C-V500/V550/V700/V750/V770

# C-V500/V550/V700/V750/V770

## SPECIFICATIONS

### For C-V770

#### Audio section

Total harmonic distortion (1 kHz, 1V) ..... 0.01 %  
Signal to noise ratio (IHF'66)  
CD ..... 98 dB  
Input sensitivity / impedance  
CD ..... 200 mV / 47k $\Omega$   
Tone controls  
BASS .....  $\pm 8$  dB (at 100 Hz)  
TREBLE .....  $\pm 8$  dB (at 10 kHz)  
Output level / impedance  
TAPE REC ..... 200 mV / 1 k $\Omega$

#### Video section

VIDEO inputs / outputs  
(composite) ..... 1 Vp-p/75  $\Omega$

#### Digital section

Sampling frequency ..... 32 kHz, 44.1 kHz, 48 kHz  
Digital input  
(coaxial) ..... 0.5 Vp-p/75  $\Omega$   
Digital RF input  
(coaxial) ..... 50 mVp-p~200 mVp-p

#### FM Tuner section

Tuning frequency range ..... 87.5 MHz~108 MHz  
Usable sensitivity  
MONO ..... 1.6  $\mu$ V (at 75  $\Omega$ ) / 15.2 dBf  
(75 kHz dev., SINAD. 30 dB)  
50dB quieting sensitivity  
STEREO ..... 31.6  $\mu$ V (at 75  $\Omega$ ) / 41.2 dBf  
(75 kHz dev.)  
Signal to noise ratio (1 kHz, 75 kHz dev.)  
MONO ..... 75 dB (65.2 dBf input)  
STEREO ..... 68 dB (65.2 dBf input)  
Selectivity (IHF  $\pm$  400 kHz) ..... 50 dB  
Stereo separation (1 kHz) ..... 40 dB  
Frequency response ..... 30 Hz~15 kHz, + 0.5 dB, - 3.0 dB

#### AM Tuner section

Tuning frequency range ..... (9 kHz) 531 kHz ~ 1,602 kHz  
(10 kHz) 530 kHz ~ 1,610 kHz  
Usable sensitivity  
(30% mod., S/N 20 dB) ..... 16  $\mu$ V / (600  $\mu$ V / m)  
Signal to noise ratio  
(at 30% mod. 1mV input) ..... 48 dB

#### General

Power consumption ..... 35 W  
AC outlet  
UN SWITCHED ..... 2: (Total 100 W max)  
Dimensions ..... W : 400 mm  
H : 105 mm  
D : 382 mm  
Weight (net) ..... 5.2 kg

### For C-V700

#### Audio section

Total harmonic distortion (1 kHz, 1V) ..... 0.01 %  
Signal to noise ratio (IHF'66)  
CD ..... 98 dB  
Input sensitivity / impedance  
CD ..... 200 mV / 47k $\Omega$   
Tone controls  
BASS .....  $\pm 8$  dB (at 100 Hz)  
TREBLE .....  $\pm 8$  dB (at 10 kHz)  
Output level / impedance  
TAPE REC ..... 200 mV / 1 k $\Omega$

#### Video section

VIDEO inputs / outputs  
(composite) ..... 1 Vp-p/75  $\Omega$

#### Digital section

Sampling frequency ..... 32kHz, 44.1 kHz, 48 kHz  
Digital input  
(coaxial) ..... 0.5 Vp-p/75  $\Omega$   
Digital RF input  
(coaxial) ..... 50mVp-p~200 mVp-p

#### FM Tuner section

Tuning frequency range ..... 87.5 MHz~108 MHz  
Usable sensitivity  
MONO ..... 1.6  $\mu$ V (at 75  $\Omega$ ) / 15.2 dBf  
(75 kHz dev., SINAD. 30 dB)  
50dB quieting sensitivity  
STEREO ..... 31.6  $\mu$ V (at 75  $\Omega$ ) / 41.2 dBf  
(75 kHz dev.)  
Signal to noise ratio (1 kHz, 75 kHz dev.)  
MONO ..... 75 dB (65.2 dBf input)  
STEREO ..... 68 dB (65.2 dBf input)  
Selectivity (IHF  $\pm$  400 kHz) ..... 50 dB  
Stereo separation (1 kHz) ..... 40 dB  
Frequency response ..... 30 Hz~15 kHz, + 0.5 dB, - 3.0 dB

#### AM Tuner section

Tuning frequency range ..... (9 kHz) 531 kHz ~ 1,602 kHz  
(10 kHz) 530 kHz ~ 1,610 kHz  
Usable sensitivity  
(30% mod., S/N 20 dB) ..... 16  $\mu$ V / (600  $\mu$ V / m)  
Signal to noise ratio  
(at 30% mod. 1mV input) ..... 48 dB

#### General

Power consumption ..... 35 W  
AC outlet  
UN SWITCHED ..... 2: (Total 100 W max)  
(Australia 1:(100 W max))  
Dimensions ..... W : 400 mm  
H : 105 mm  
D : 382 mm  
Weight (net) ..... 5.2 kg



1. KENWOOD follows a policy of continuous advancements in development. For this reason specifications may be changed without notice.
2. Full performance may not be exhibited in extremely cold locations (below 0 deg.C).



## SPECIFICATIONS

### For C-V550

#### Audio section

Total harmonic distortion (1 kHz, 1V) .....	0.01 %
Signal to noise ratio (IHF '66)	
CD .....	98 dB
Input sensitivity / impedance	
CD .....	200 mV / 47k $\Omega$
Tone controls	
BASS .....	$\pm 8$ dB (at 100 Hz)
TREBLE .....	$\pm 8$ dB (at 10 kHz)
Output level / impedance	
TAPE REC .....	200 mV / 1 k $\Omega$

#### Video section

VIDEO inputs / outputs (composite) .....	1 Vp-p/75 $\Omega$
---	--------------------

#### Digital section

Sampling frequency .....	32 kHz, 44.1 kHz, 48 kHz
Digital input (coaxial) .....	0.5 Vp-p/75 $\Omega$
Digital RF input (coaxial) .....	50 mVp-p~200 mVp-p

#### FM Tuner section

Tuning frequency range .....	87.5 MHz~108 MHz
Usable sensitivity	
MONO .....	1.6 $\mu$ V (at 75 $\Omega$ ) / 15.2 dBf (75 kHz dev., SINAD. 30 dB)
50dB quieting sensitivity	
STEREO .....	31.6 $\mu$ V (at 75 $\Omega$ ) / 41.2 dBf (75 kHz dev.)
Signal to noise ratio (1 kHz, 75 kHz dev.)	
MONO .....	75 dB (65.2 dBf input)
STEREO .....	68 dB (65.2 dBf input)
Selectivity (IHF $\pm$ 400 kHz) .....	50 dB
Stereo separation (1 kHz) .....	40 dB
Frequency response .....	30 Hz~15 kHz, + 0.5 dB, - 3.0 dB

#### AM Tuner section

Tuning frequency range .....	(9 kHz) 531 kHz ~ 1,602 kHz (10 kHz) 530 kHz ~ 1,610 kHz
Usable sensitivity (30% mod., S/N 20 dB) .....	16 $\mu$ V / (600 $\mu$ V / m)
Signal to noise ratio (at 30% mod. 1mV input) .....	48 dB

#### General

Power consumption .....	35 W
AC outlet	
UN SWITCHED .....	2: (Total 100 W max) (Australia 1:(100 W max))
Dimensions .....	W : 400 mm H : 105 mm D : 382 mm
Weight (net) .....	4.4 kg



1. KENWOOD follows a policy of continuous advancements in development. For this reason specifications may be changed without notice.
2. Full performance may not be exhibited in extremely cold locations (below 0 deg.C).

# C-V500/V550/V700/V750/V770

## SPECIFICATIONS

### For C-V500 (U.S.A and Canada)

#### Audio section

Total harmonic distortion (1 kHz, 1V)	0.01 %
Signal to noise ratio (IHF'66)	
CD	98 dB
Input sensitivity / impedance	
CD	200 mV / 47k $\Omega$
Tone controls	
BASS	$\pm 8$ dB (at 100 Hz)
TREBLE	$\pm 8$ dB (at 10 kHz)
Output level / impedance	
TAPE REC	200 mV / 1 kW

#### Video section

VIDEO inputs / outputs (composite)	1 Vp-p/75 $\Omega$
---------------------------------------	--------------------

#### Digital section

Sampling frequency	32 kHz, 44.1 kHz, 48 kHz
Digital input (coaxial)	0.5 Vp-p/75 $\Omega$

#### FM Tuner section

Tuning frequency range	87.5 MHz~108 MHz
Usable sensitivity	
MONO	1.6 $\mu$ V (at 75 $\Omega$ ) / 15.2 dBf (75 kHz dev., SINAD. 30 dB)
50dB quieting sensitivity	
STEREO	31.6 $\mu$ V (at 75 $\Omega$ ) / 41.2 dBf (75 kHz dev.)
Signal to noise ratio (1 kHz, 75 kHz dev.)	
MONO	75 dB (65.2 dBf input)
STEREO	68 dB (65.2 dBf input)
Selectivity (IHF $\pm$ 400 kHz)	70 dB
Stereo separation (1 kHz)	40 dB
Frequency response	30 Hz~15 kHz, + 0.5 dB, - 3.0 dB

#### AM Tuner section

Tuning frequency range	530 kHz ~ 1,700 kHz
Usable sensitivity (30% mod., S/N 20 dB)	16 $\mu$ V / (600 $\mu$ V / m)
Signal to noise ratio (at 30% mod. 1mV input)	48 dB

#### General

Power consumption	35 W
AC outlet	
UN SWITCHED	2: (Total 100 W max)
Dimensions	W : 400 mm (15-3/4") H : 105 mm (4-1/8") D : 382 mm (15-1/16")
Weight (net)	4.4 kg (9.7 lb)

### For C-V500 (Other countries)

#### Audio section

Total harmonic distortion (1 kHz, 1V)	0.01 %
Signal to noise ratio (IHF'66)	
CD	98 dB
Input sensitivity / impedance	
CD	200 mV / 47k $\Omega$
Tone controls	
BASS	$\pm 8$ dB (at 100 Hz)
TREBLE	$\pm 8$ dB (at 10 kHz)
Output level / impedance	
TAPE REC	200 mV / 1 k $\Omega$

#### Video section

VIDEO inputs / outputs (composite)	1 Vp-p/75 $\Omega$
---------------------------------------	--------------------

#### Digital section

Sampling frequency	32 kHz, 44.1 kHz, 48 kHz
Digital input (coaxial)	0.5 Vp-p/75 $\Omega$

#### FM Tuner section

Tuning frequency range	87.5 MHz~108 MHz
Usable sensitivity	
MONO	1.6 $\mu$ V (at 75 $\Omega$ ) / 15.2 dBf (75 kHz dev., SINAD. 30 dB)
50dB quieting sensitivity	
STEREO	31.6 $\mu$ V (at 75 $\Omega$ ) / 41.2 dBf (75 kHz dev.)
Signal to noise ratio (1 kHz, 75 kHz dev.)	
MONO	75 dB (65.2 dBf input)
STEREO	68 dB (65.2 dBf input)
Selectivity (IHF $\pm$ 400 kHz)	50 dB
Stereo separation (1 kHz)	40 dB
Frequency response	30 Hz~15 kHz, + 0.5 dB, - 3.0 dB

#### AM Tuner section

Tuning frequency range	(9 kHz) 531 kHz ~ 1,602 kHz (10 kHz) 530 kHz ~ 1,610 kHz
Usable sensitivity (30% mod., S/N 20 dB)	16 $\mu$ V / (600 $\mu$ V / m)
Signal to noise ratio (at 30% mod. 1mV input)	48 dB

#### General

Power consumption	35 W
AC outlet	
UN SWITCHED	2: (Total 100 W max)
Dimensions	W : 400 mm H : 105 mm D : 382 mm
Weight (net)	4.4 kg



1. KENWOOD follows a policy of continuous advancements in development. For this reason specifications may be changed without notice.
2. Full performance may not be exhibited in extremely cold locations (below 0 deg.C).

#### Note:

Component and circuit are subject to modification to insure best operation under differing local conditions. This manual is based on Europe (E) standard, and provides information on regional circuit modification through use of alternate schematic diagrams, and information on regional component variations through use of parts list.

## KENWOOD CORPORATION

14-6, Dogenzaka 1-chome, Shibuya-ku, Tokyo, 150 Japan

### KENWOOD SERVICE CORPORATION

P.O. BOX 22745, 2201 East Dominguez St., Long Beach, CA 90801-5745, U.S.A.