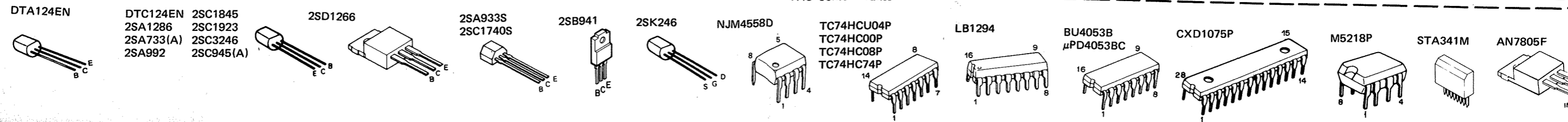


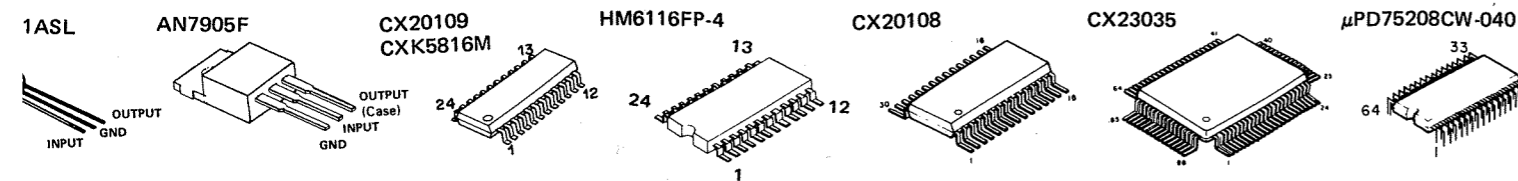
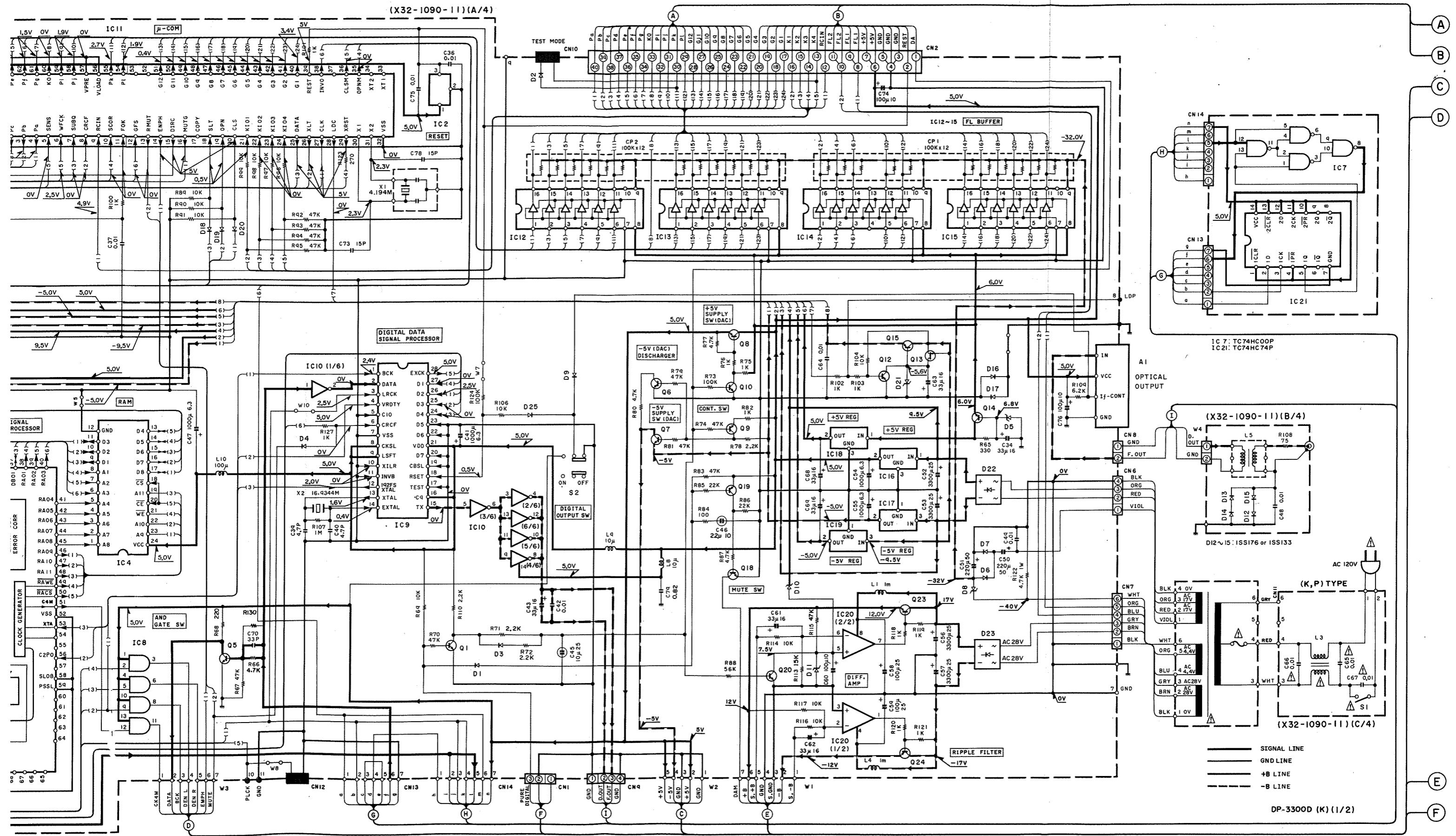
(X29-1780-00)
 Note *
 After serial No. 6ZL80001
 R8 33kΩ → 22kΩ
 R10 150kΩ → Delete
 C14 0.033μF → 1000pF

- | | |
|----------------------------|------------------------------|
| (X29-1780-00) | (X32-1090-11) |
| IC1 : CX20190 | IC1 : CX20108 |
| IC2 : M5218P | IC2 : M51951ASL |
| IC3 : μPD4053BC or BU4053B | IC3 : CX23035 |
| | IC4 : CXK5816M or HM6116FP-4 |
| Q1~3 : 2SC945(A)(Q,P) | IC5,6 : NJM4558D |
| D1~5 : ISS176 or ISS131 | |
| | IC8 : TC74HC08P |
| | IC9 : CXD1075P |
| | IC10 : TC74HC004P |
| | IC11 : μPD75208CW-040 |
| | IC12~15 : LB1294 |
| | IC16, 18 : AN7805F |
| | IC17, 19 : AN7905F |
| | IC20 : M5218P |

- | | |
|-------------------------------------------------|-----------------------------------------------|
| Q1,7,14,19,20 : 2SC945(A)(Q,P) or 2SC1740S(Q,R) | D1~4,9,12~20,25 : ISS176 or ISS133 |
| Q2 : STA341M | D5 : HZS6.8N(B2) or RD6.8ES(B2) |
| Q3 : DTC124EN | D6,7 : DSM1A1 |
| Q4 : DTA124EN | D8 : HZS8.2N(B) or RD8.2ES(B) |
| Q5 : 2SC1923(R,O) or 2SA733(A)(Q,P) | D9 : HZS2.7N(B) or RD2.7ES(B) |
| Q6,12,18 : 2SA933S(Q,R) or 2SC3246 | D10 : HZS6.2S(B2) or RD6.2JS(B2) |
| Q8,16 : 2SA992(F,E) or 2SC1845(F,E) | D11 : HZS5.6N(B2) or RD5.6ES(B2)(X32-1090-00) |
| Q9 : 2SC1845(F,E) | D21 : HZS5.6N(B2) or RD5.6ES(B2)(X32-1090-00) |
| Q10 : 2SK246(Y,GR) or 2SA1286 | D22,23 : 1B4B41 |
| Q11,13 : 2SA1286 | D24 : 1SV147 |
| Q15,17,21 : 2SA1286 | |
| Q22,23 : 2SD1266(P) | |
| Q24 : 2SB941(P) | |

Note *
 After serial No. 6ZL80001
 R43 33kΩ → 12kΩ





CAUTION: For continued safety, replace safety critical components only with manufacturer's recommended parts (refer to parts list). Δ Indicates safety critical components. To reduce the risk of electric shock, leakage-current or resistance measurements shall be carried out (exposed parts are acceptably insulated from the supply circuit) before the appliance is returned to the customer.

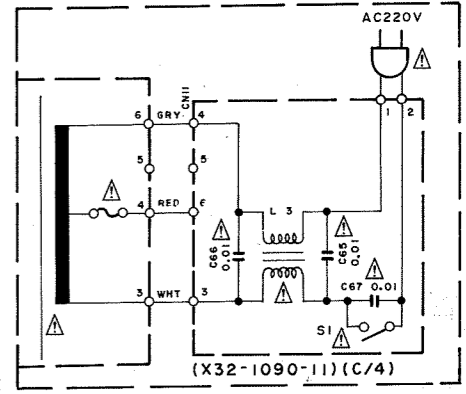
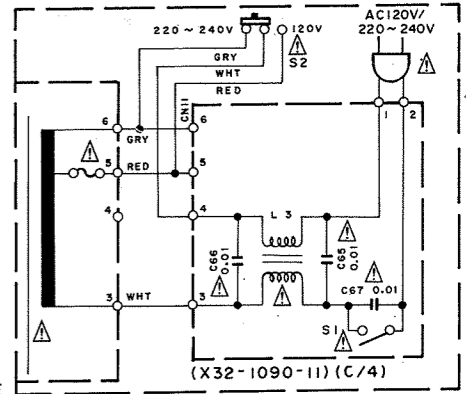
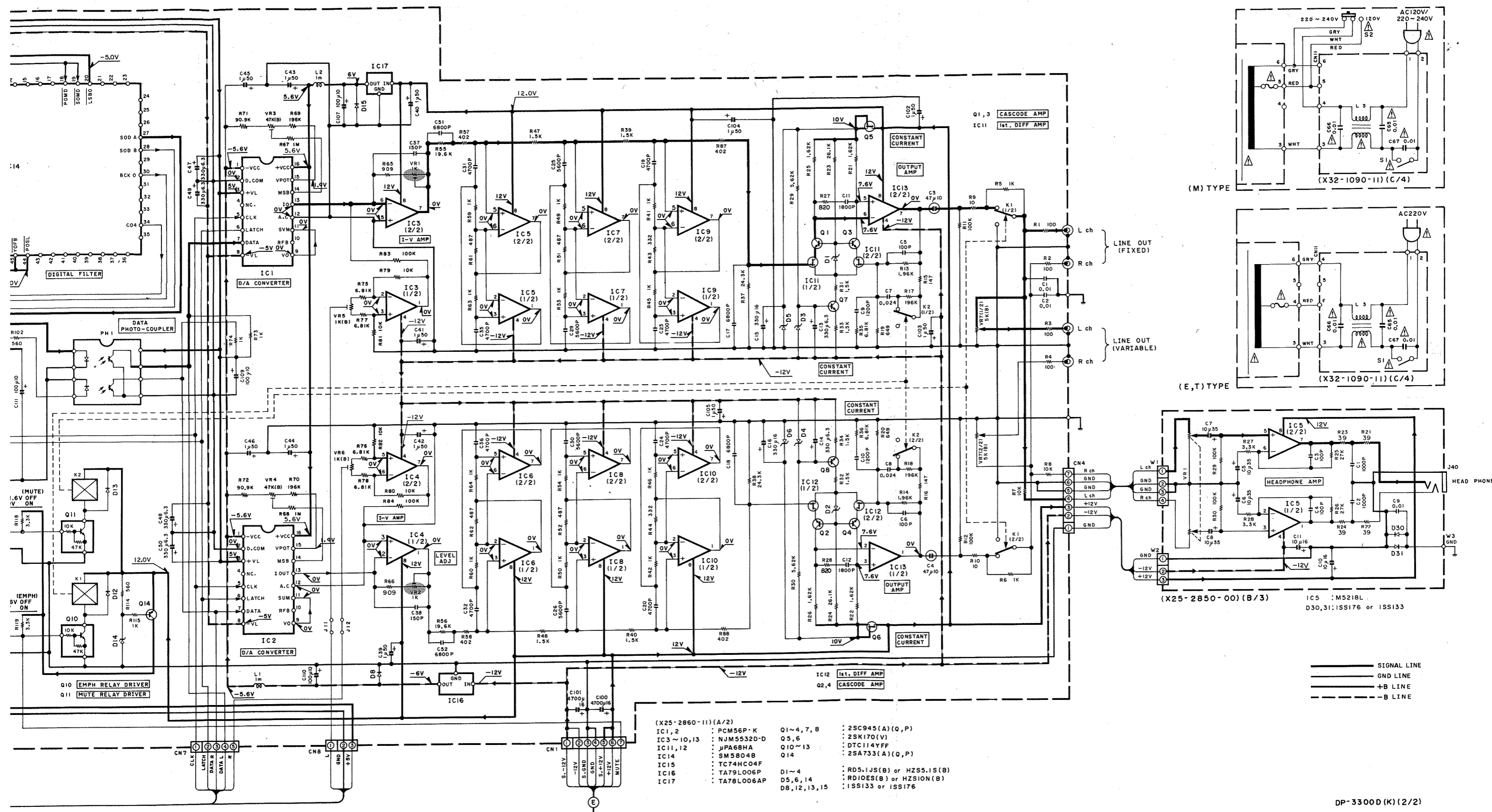
• DC voltages are as measured with a high impedance voltmeter. Values may vary slightly due to variations between individual instruments or/and units.

• Les tensions c.c. doivent être mesurées avec un voltmètre à haute impédance. Les valeurs peuvent différer légèrement du fait des variations inhérentes aux appareils et aux instruments de mesure individuels.

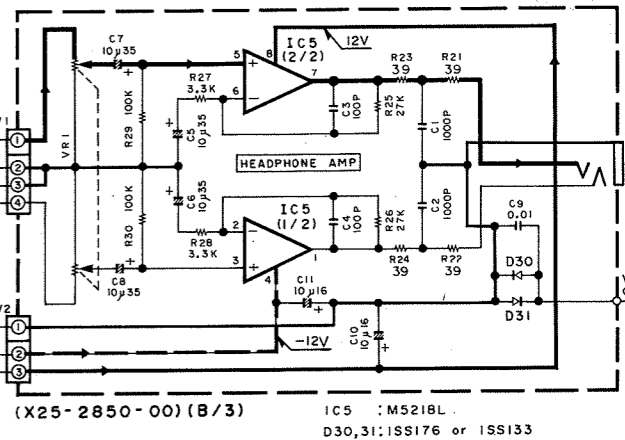
• Die angegebenen Gleichspannungswerte wurden mit einem hochohmigen Voltmeter gemessen. Dabei schwanken die Meßwerte aufgrund von Unterschieden zwischen einzelnen instrumenten oder Geräten u.U. geringfügig.

Remarks : These voltages are the values in STOP mode.

DP-3300D
KENWOOD



(M) TYPE
(E,T) TYPE



(X25-2850-00) (B/3)
IC5 : M521BL
D30,31: ISS176 or ISS133

— SIGNAL LINE
— GND LINE
— +B LINE
- - - -B LINE

(X25-2860-11) (A/2)

IC1, 2	: PCM56P-K	Q1~4, 7, 8	: 2SC945(A)(Q,P)
IC3 ~ 10, 13	: NJM5532D-D	Q5, 6	: 2SK170(V)
IC11, 12	: μPA68HA	Q10 ~ 13	: DTC114YFF
IC14	: SM5804B	Q14	: 2SA733(A)(Q,P)
IC15	: TC74HC04F		
IC16	: TA79L006P	D1~4	: RD5.1J5(B) or HZ55.1S(B)
IC17	: TA78L006AP	D5, 6, 14	: RD10ES(B) or HZ10N(B)
		D8, 12, 13, 15	: ISS133 or ISS176

CAUTION: For continued safety, replace safety critical components only with manufacturer's recommended parts (refer to parts list). ▲Indicates safety critical components. To reduce the risk of electric shock, leakage-current or resistance measurements shall be carried out (exposed parts are acceptably insulated from the supply circuit) before the appliance is returned to the customer.

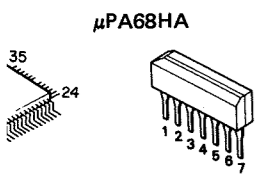
• DC voltages are as measured with a high impedance voltmeter. Values may vary slightly due to variations between individual instruments or/and units.

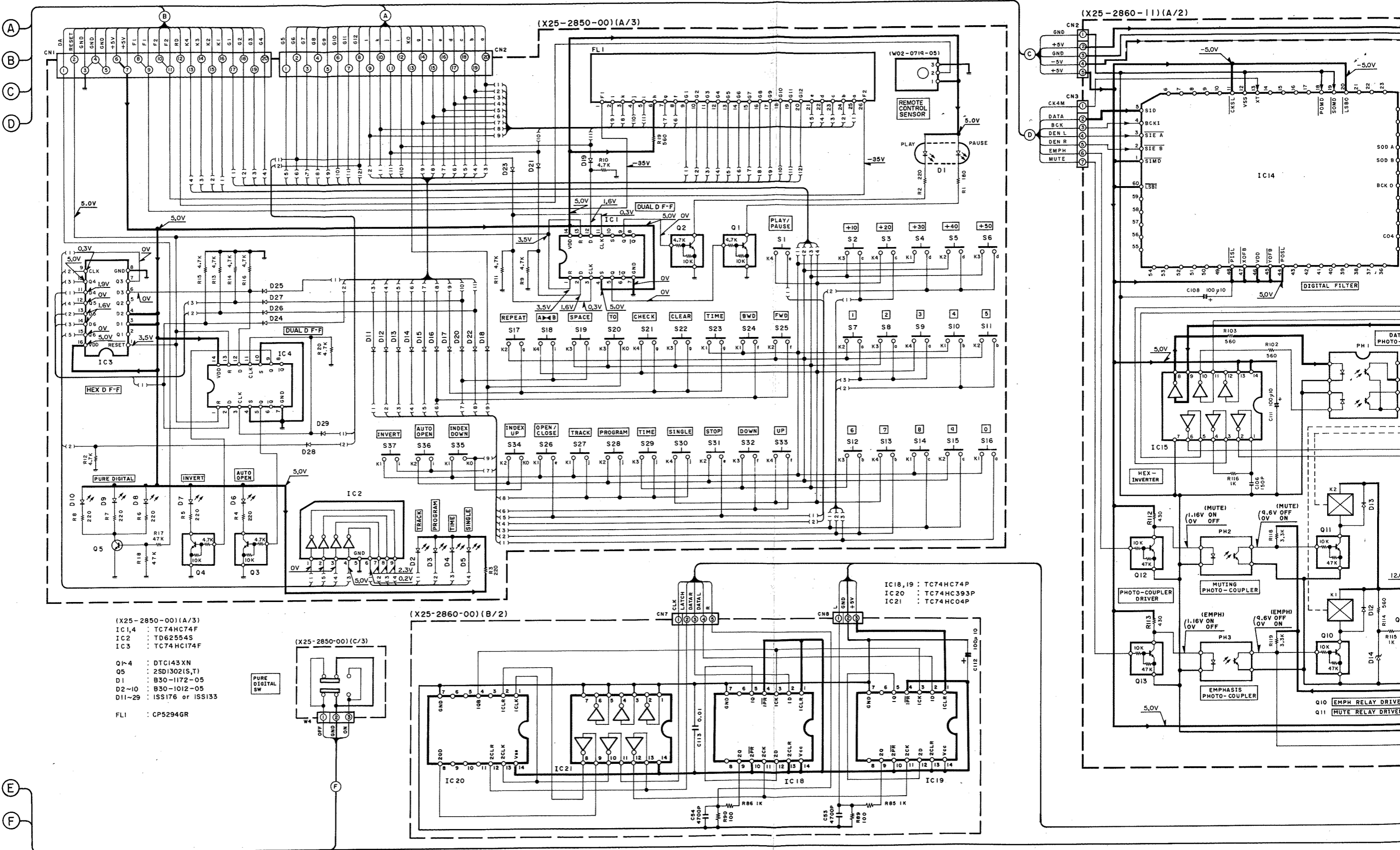
• Les tensions c.c. doivent être mesurées avec un volt-mètre à haute impédance. Les valeurs peuvent différer légèrement du fait des variations inhérentes aux appareils et aux instruments de mesure individuels.

• Die angegebenen Gleichspannungswerte wurden mit einem hochohmigen Voltmeter gemessen. Dabei schwanken die Meßwerte aufgrund von Unterschieden zwischen einzelnen Instrumenten oder Geräten u.U. geringfügig.

Remarks : These voltages are the values in STOP mode.

DP-3300D (K) (2/2)





- | | | | | | | | | | | | | | |
|------------------------------------------|-----------|--------|------------|----------|---------|--------|------------|-----------|------------|--------------------------------------|----------|---------|---------|
| DTC143XN 2SC945(A)
2SA733(A), 2SD1302 | DTC114YFF | 2SK170 | NJM5532D-D | TD62554S | CX20197 | M5218L | TA78L006AP | TA79L006P | TC74HC174F | TC74HC04P
TC74HC393P
TC74HC74P | PCM56P-K | SM5804B | μPA68HA |
|------------------------------------------|-----------|--------|------------|----------|---------|--------|------------|-----------|------------|--------------------------------------|----------|---------|---------|