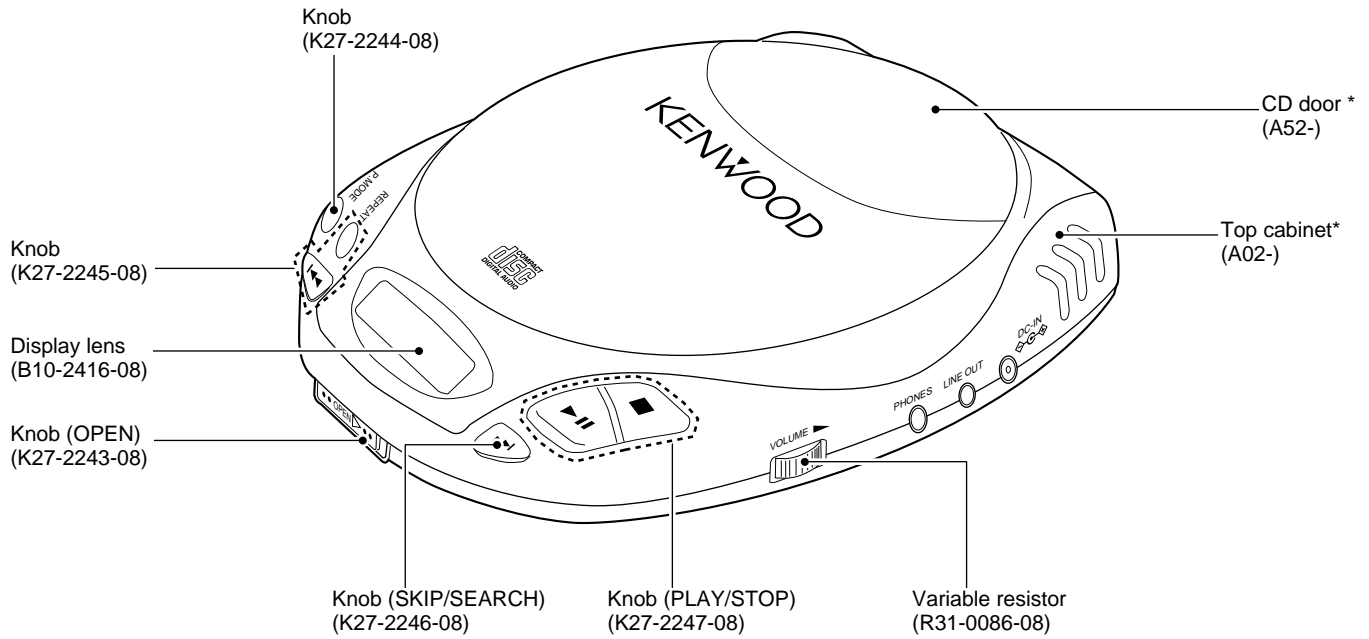
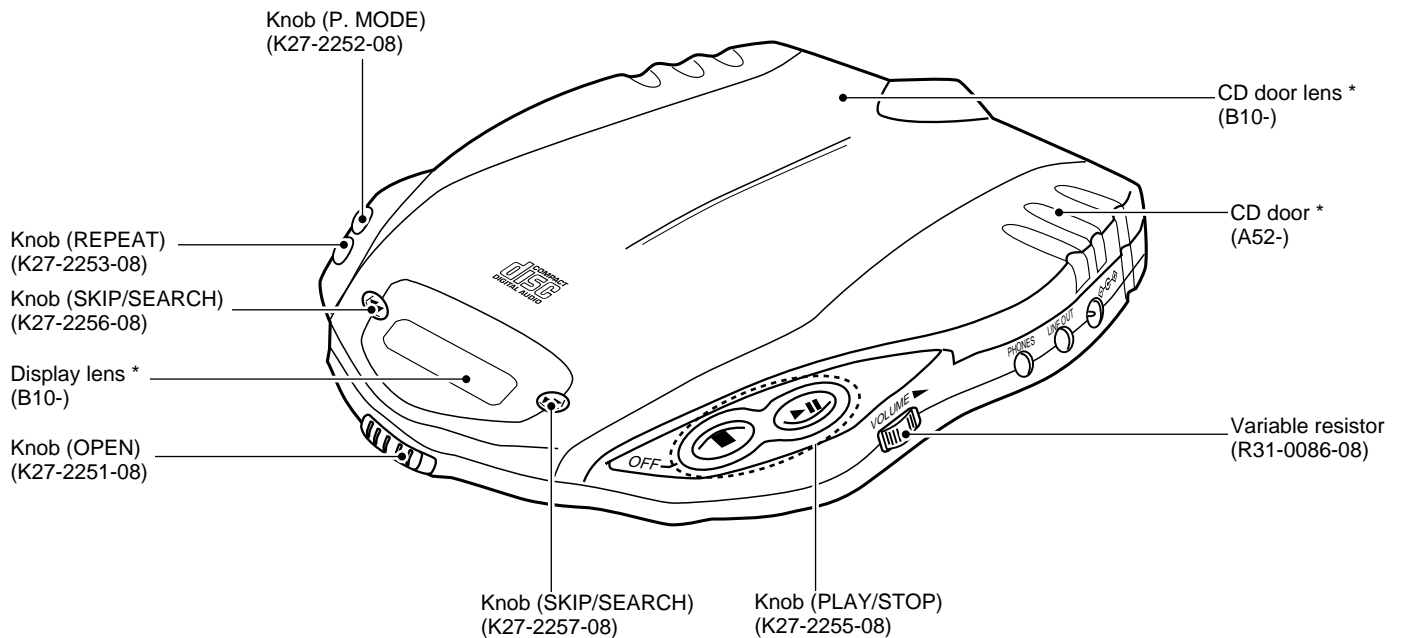


# DPC-181/183/381/382/383

## SERVICE MANUAL



**Illust is DPC-181/381/382.**



**Illust is DPC-183/383.**

**\* Refer to parts list on page 13.**

In compliance with Federal Regulations, following are reproductions of labels on, or inside the product relating to laser product safety.

KENWOOD-Corp. certifies this equipment conforms to DHHS Regulations No. 21 CFR 1040. 10, Chapter 1, Subchapter J.

**DANGER : Laser radiation when open and interlock defeated. AVOID DIRECT EXPOSURE TO BEAM.**

# DPC-181/183/381/382/383

## CONTENTS / ACCESSORIES

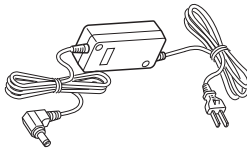
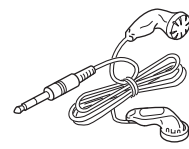
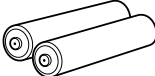
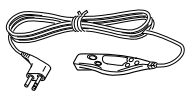
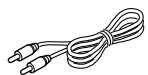
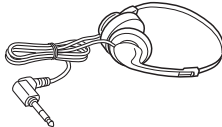
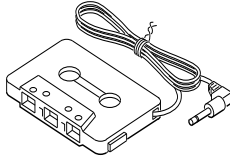
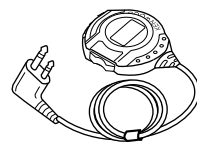
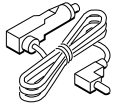
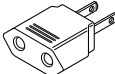
### Contents

CONTENTS / ACCESSORIES .....	2	EXPLODED VIEW .....	13
CIRCUIT DESCRIPTION .....	3	PARTS LIST .....	15
PC BOARD .....	5	SPECIFICATIONS .....	19
SCHEMATIC DIAGRAM .....	9		

### Model feature list

MODEL FEATURE	DPC-181							DPC-183					DPC-381						DPC-382						DPC-383												
	K	P	E	T	M	M2	X	K	P	E	T	M	X	K	P	E	T	M	M2	K	P	E	T	M	X	K	P	E	T	M	M2						
OPTICAL OUT																			○																		○
LINE OUT		○	○	○	○	○	○	○	○	○	○	○	○	○	○	○	○	○		○	○	○	○	○	○	○	○	○	○	○	○	○	○	○	○	○	
REMOTE TERMINAL						○						○						○	○																	○	○
DASC KNOB														○	○	○	○	○	○	○	○	○	○	○	○	○	○	○	○	○	○	○	○	○	○	○	○
B.B KNOB	○	○	○	○	○	○	○	○	○	○	○	○	○																								
B.BOOST P.MODE														○	○	○	○	○	○	○	○	○	○	○	○	○	○	○	○	○	○	○	○	○	○	○	○
P.MODE	○	○	○	○	○	○	○	○	○	○	○	○	○																								

### Accessories

<p>AC adapter(110~120V /220-240V 50/60Hz) .....(1)                  (W08-0657-08) : KP                  (W08-0658-08) : E                  (W08-0659-08) : T                  (W08-0660-08) : X                  (W08-0667-05) : M,M2</p> 	<p>Innerphone.....(1)                  (W01-0925-05) : DPC-181(MXTE)                  DPC-183(X)                  DPC-381(TE)                  (W01-0923-05) : DPC-181(M2)                  DPC-183(M)                  DPC-381(M,M2)                  DPC-383(M2)</p> 	
<p>Rechargeable battery .....(1)                  (W09-1239-05) : KP                  (W09-1240-05) : ETMXM2</p> 	<p>Remote control.....(1)                  (A70-1111-08) : DPC-181 (M2)                  DPC-183 (M)</p> 	<p>Audio cable .....(1)                  (E30-2782-05) : DPC-381(E.T)</p> 
<p>Headphone .....(1)                  (W01-0924-05) : DPC-181(KP)                  (W01-0943-05) : DPC-381(KP)                  (T17-0015-08) : DPC-383(M)                  (T17-0016-08) : DPC-383(KPETX)</p> 	<p>Car cassette adapter.....(1)                  (W01-0922-05) : DPC-382</p> 	<p>Remote control.....(1)                  (A70-1190-05) : DPC-381/383 (M,M2)</p> 
<p>Car battery adapter .....(1)                  (W01-0921-05) : DPC-382</p> 	<p>AC plug .....(1)                  (E03-0115-05) : M,M2</p> 	

## CIRCUIT DESCRIPTION

## 1. Microprocessor : (MN171603 H3)

## 1-1 Pin description

Pin No.	Pin name	I/O	Function description	Active
1, 2	–	I	NOT USED	
3	AVSS	–	GND	
4	BBS	O	BBS CONTROL SIGNAL OUTPUT	ON = "H"
5	DATA	O	REMOTE CONTROL SIGNAL OUTPUT	
6, 7	–		NOT USED	
8	KEY	I	KEY INPUT	
9	HOLD	I	HOLD ON/OFF CONTROL	ON = "H"
10	ESP	I	ESP ON/OFF CONTROL	ON = "L"
11	LOW BATTERY	I	BATTERY VOLTAGE DETECTION	LOW BATT. = "H"
12	AVDD	–	SUPPLY VOLTAGE	
13-15	VLC1~VLC3	–	LCD DRIVER BIAS CONTROL	
16-19	COM1~COM4	O	LCD COMMON SIGNAL OUTPUT (COMMON1~4)	
20-33	SEG0~SEG13	O	LCD SEGMENT SIGNAL OUTPUT (SEG0~SEG13)	
34, 35	SEG14, 15	O	NOT USED	
36	MODE-M	I	MEMORY SELECT	4M = "H" OTHER = "L"
37	D-CNT	I	DIGITAL OUT CONTROL	OUT = "H" (ESP OFF)
38	MODE-A	I	USE CUE/REV MODE	
39	MODE-B	I	NOT USED	
40	STDBY	O	NOT USED	
41-44	–	–	NOT USED	
45	DOOR OPEN	I	DOOR SWITCH DETECTION	OPEN = "H"
46	PSET	I	PICKUP INITIAL POSITION	
47	BTCHK	I	BATT. VOLTAGE DIRECTION.	
48-51	–	I	NOT USED	
52	POWER	O	POWER SUPPLY CONTROL.	
53	BAT	O	BATTERY CONTROL OUTPUT	CHARGING = "H"
54	D MUTE	O	MUTE CONTROL	ON = "H"
55	SBCK	O	SUB CODE READ TIMING CLOCK FOR MN662740RE	
56	FCLK	I	FRAME CLOCK SIGNAL from MN662740RE	
57	FLAG	I	FLAG SIGNAL INPUT from MN662740RE	
58	IPFLAG	I	CORRECTION = "H"	
59	–	I	GND	
60	STAT	I	STATUS SIGNAL from DSP	
61	SENSE	I	SENSITIVE SIGNAL from DSP	
62	TLOCK	I	TRACKING SERVO	IN = "L"
63	FLOCK	I	FOCUSING SERVO	IN = "L"
64	MCLK	O	COMMAND CLOCK for MN662740RE	
65	MDATA	O	COMMAND DATA for MN662740RE	
66	MLD	O	COMMAND DATA LATCH (LOAD) for MN662740RE	
67	–	O	NOT USED	
68	RST	I	SYSTEM RESET INPUT	
69	X1	I	GND	
70	X2	O	NOT USED	
71	Vss	–	GND	
72	–	O	NOT USED	
73	SMCK	I	EXTERNAL SYSTEM CLOCK = 4.2336MHz	

# DPC-181/183/381/382/383

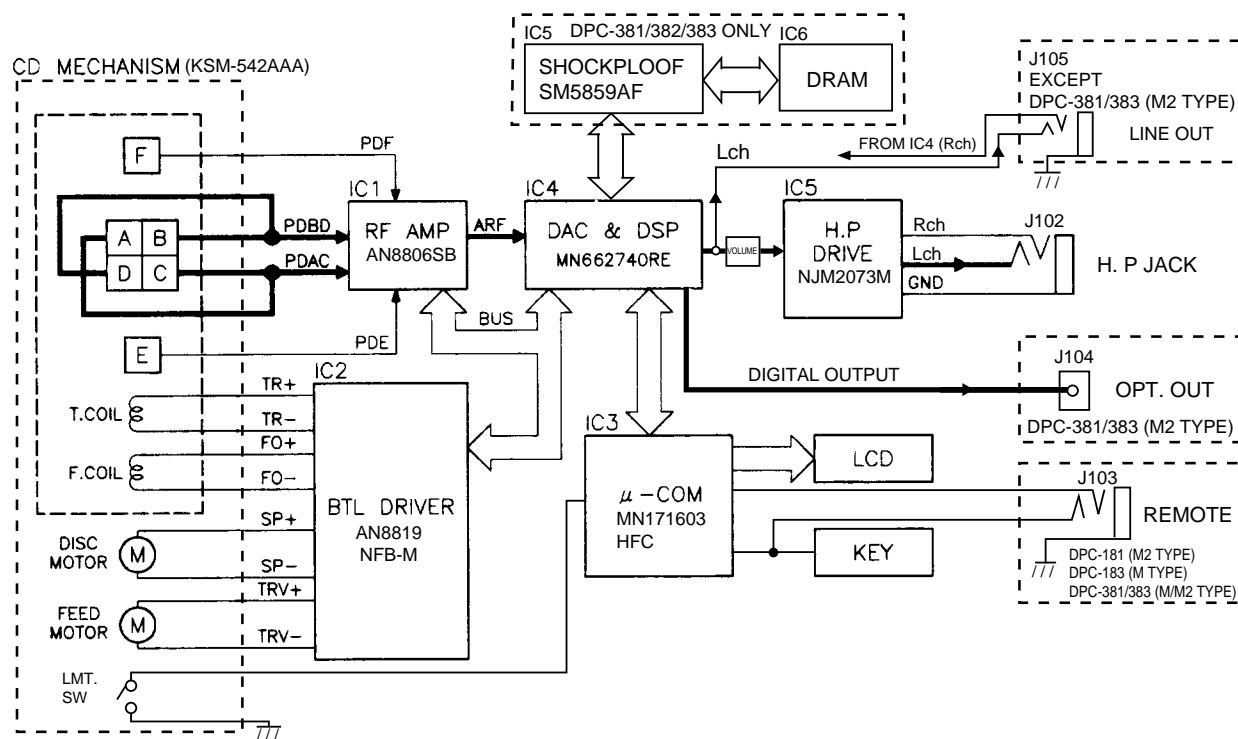
## CIRCUIT DESCRIPTION

Pin No.	Pin name	I/O	Function description	Active
74	VDD	-	SUPPLY VOLTAGE (ESP ON = 4.2V / OFF = 3.2V)	
75	LRST	O	RESET SIGNAL for MN662740RE, SM5859AF	
76	SQCK	O	SUBQ READ TIMING CLOCK to MN662740RE	
77	SUBQ	I	SUBQ DATA from MN 662740RE	
78	-	O	NOT USED	
79	YMLD	O	COMMAND DATA LATCH (LOAD) for SM5859AF	
80	YMCLK	O	COMMAND CLOCK for SM5859AF	
81	ZSENSE	I	SENSITIVE SIGNAL from SM5859AF	
82	YMDATA	O	COMMAND DATA for SM5859AF	
83	BLKCK	I	SUBQ READ REQUEST SIGNAL IN.	
84	-	I	GND	

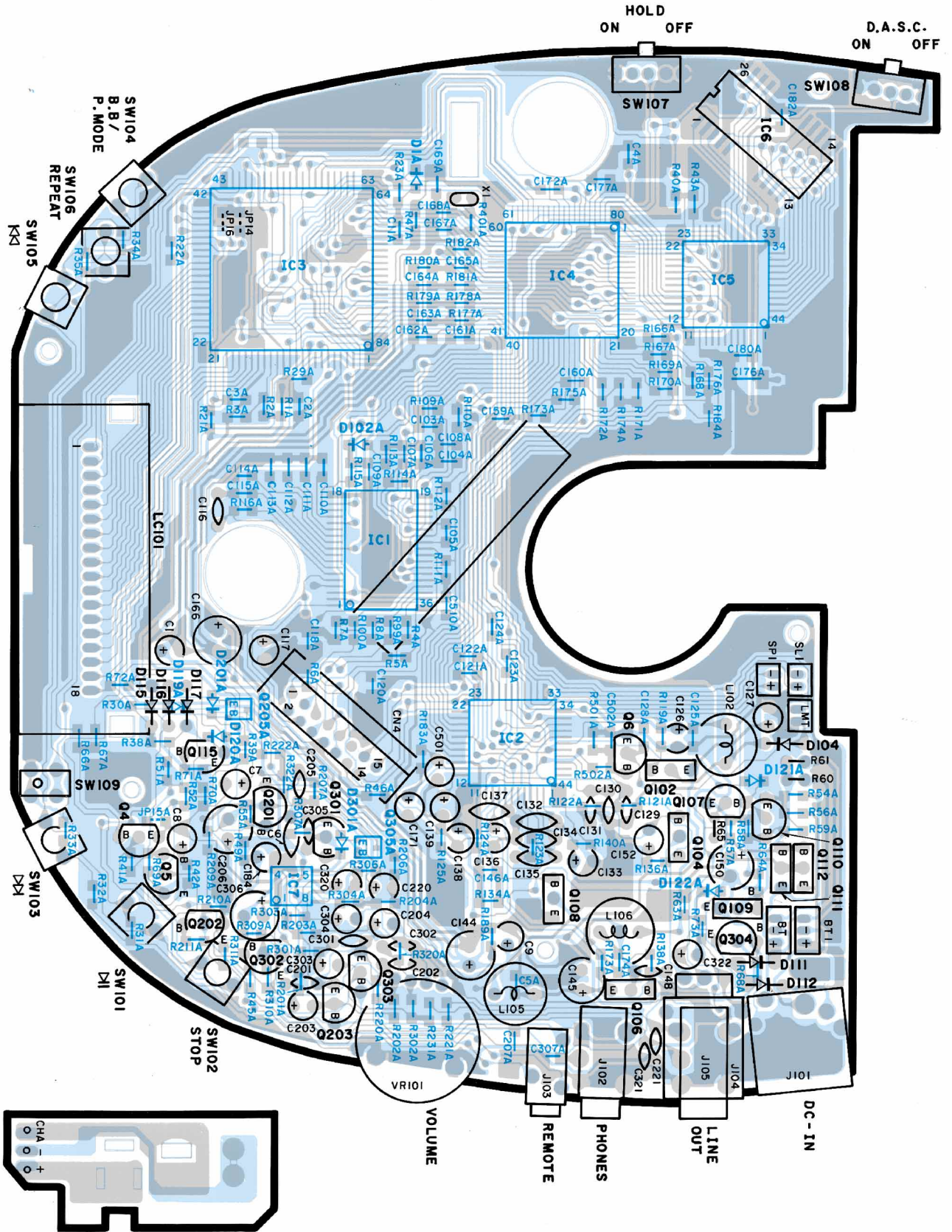
### 1-2 Voltage of pin No. 8 (IC3) / Key function.

KEY	V	Key of unit (Remocon)
	0.00	PLAY/PAUSE (▶/⏸)
	0.75	STOP (■)
	1.00	UP (▶▶)
	1.23	B. BOOST / P. MODE
	1.43	DOWN (◀◀)
	1.69	REPEAT
	2.13	MUTE (Only Remocon)
	2.55	KEY OFF
	3.0	

### 1-3 Microprocessor peripheral block diagram

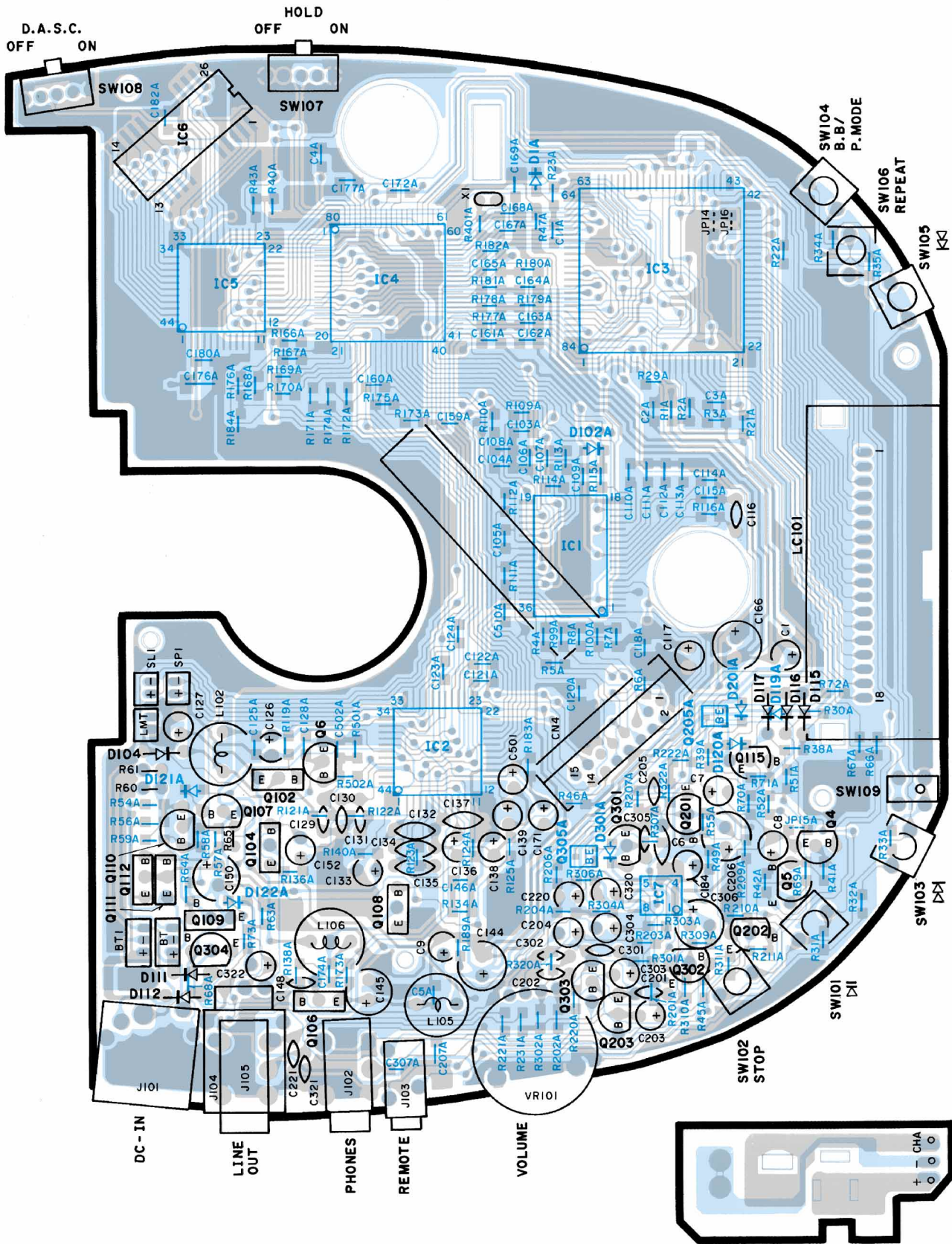


# PC BOARD(Component side view) : DPC-181/381/382



Refer to the schematic diagram for the value of resistors and capacitors.

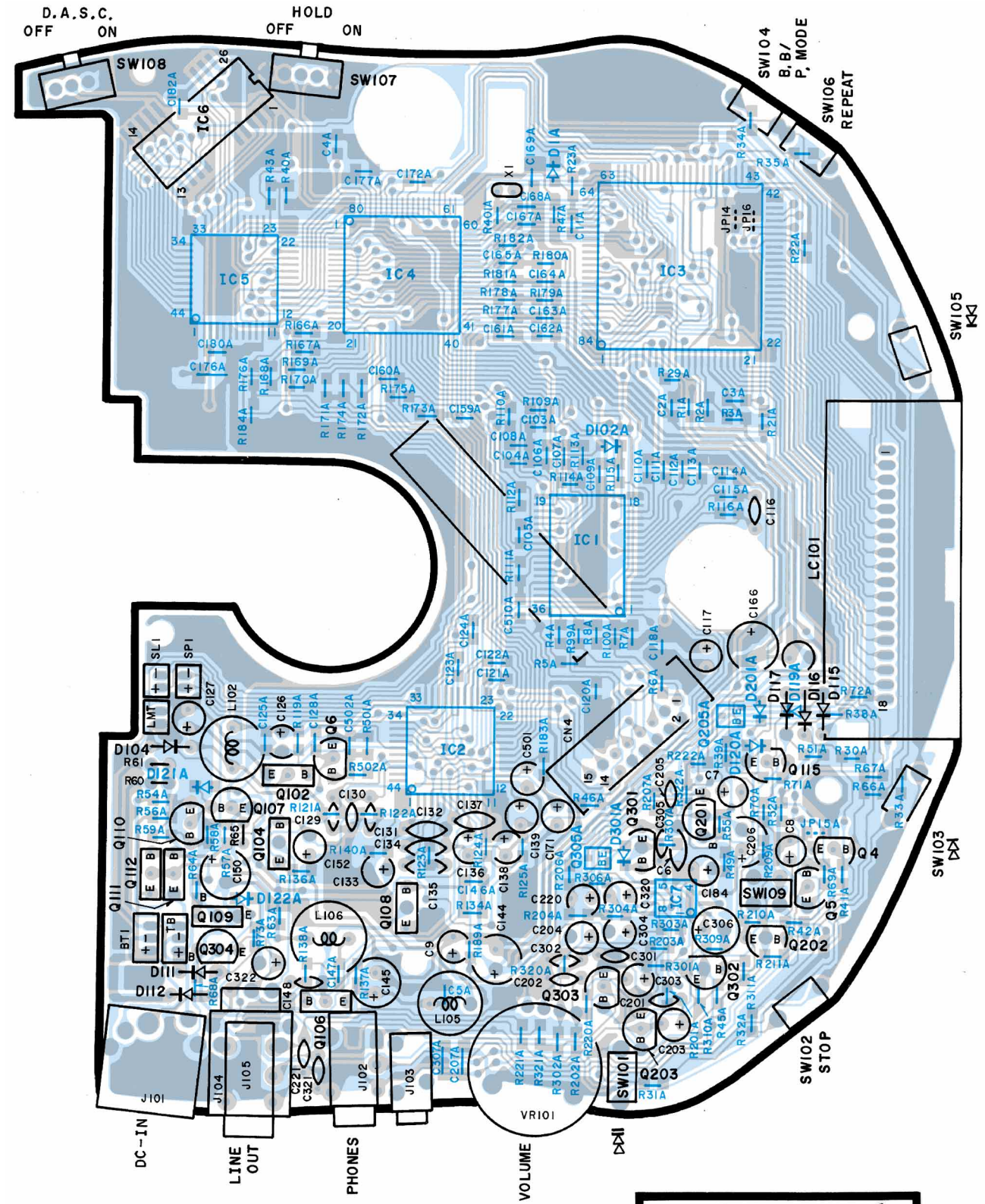
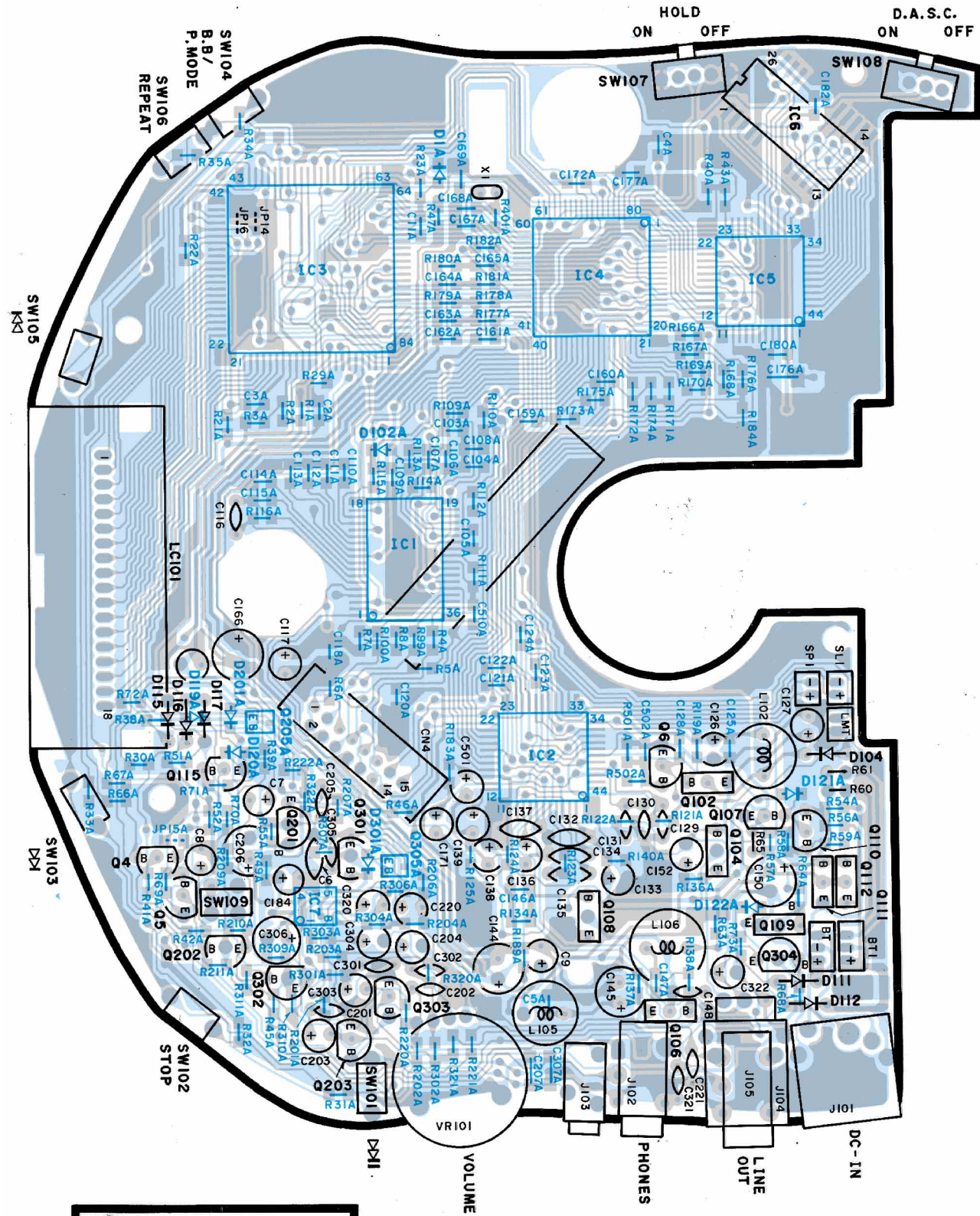
# PC BOARD(Foil side view) : DPC-181/381/382



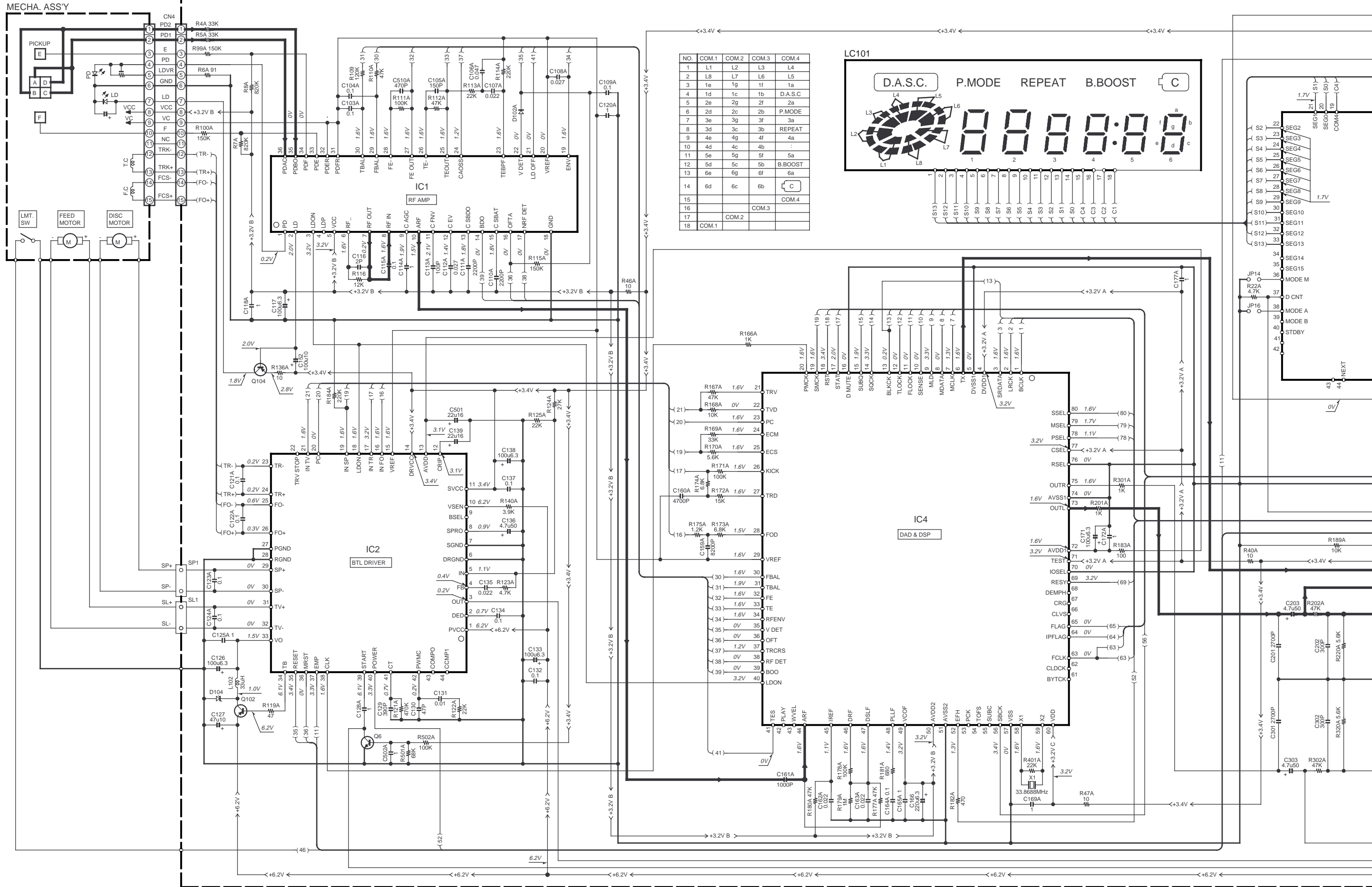
Refer to the schematic diagram for the value of resistors and capacitors.

# PC BOARD(Component side view) : DPC-183/383

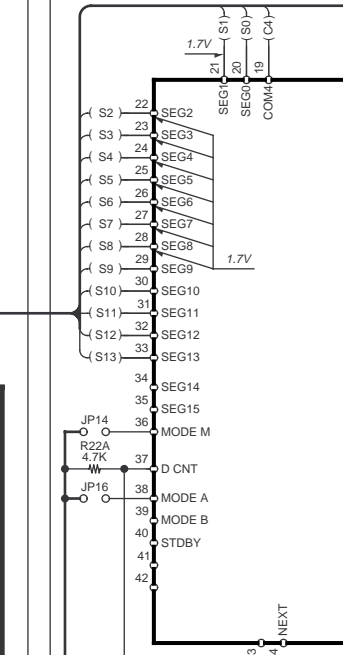
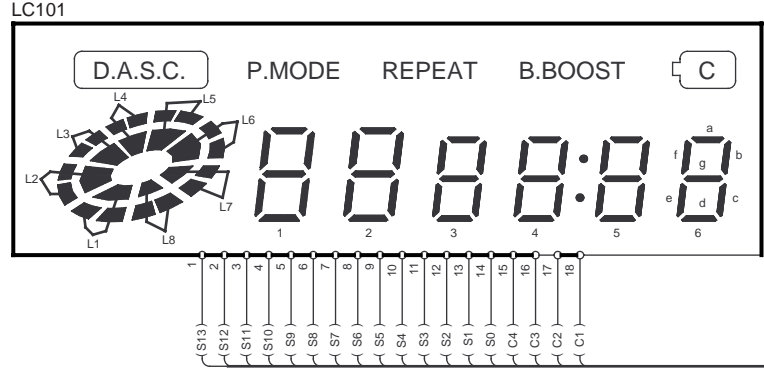
# PC BOARD(Foil side view) : DPC-183/383



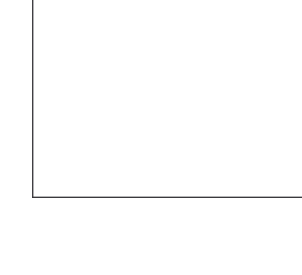
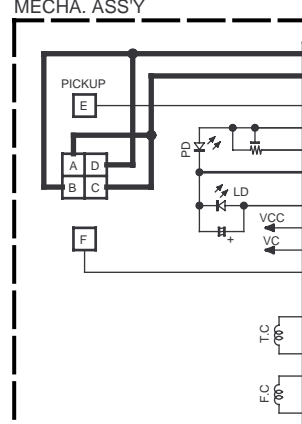
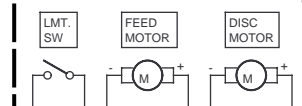
Refer to the schematic diagram for the value of resistors and capacitors.



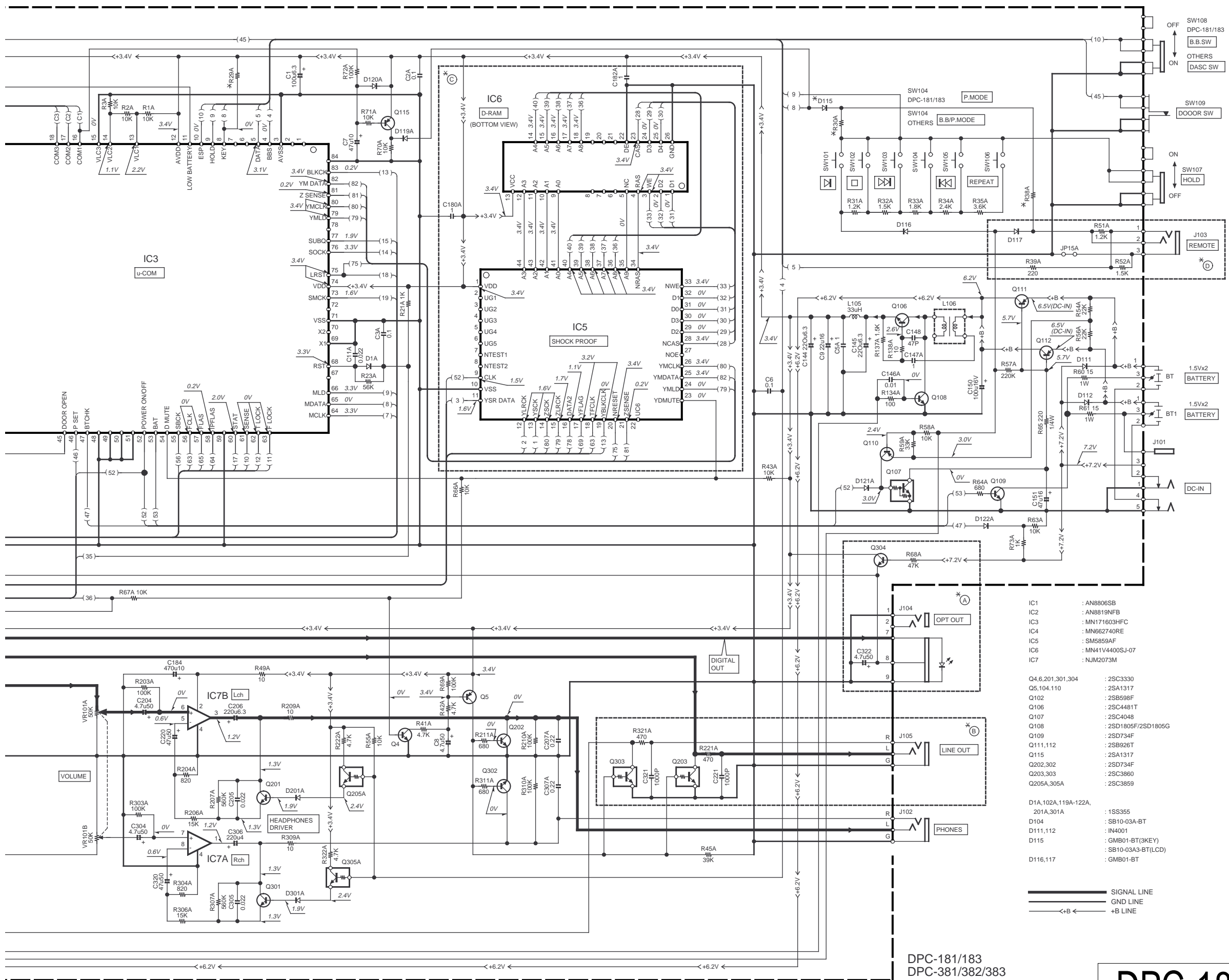
NO.	COM.1	COM.2	COM.3	COM.4
1	L1	L2	L3	L4
2	L8	L7	L6	L5
3	1e	1g	1f	1a
4	1d	1c	1b	D.A.S.C
5	2e	2g	2f	L4
6	2d	2c	2b	P.MODE
7	3e	3g	3f	3a
8	3d	3c	3b	REPEAT
9	4e	4g	4f	4a
10	4d	4c	4b	:
11	5e	5g	5f	5a
12	5d	5c	5b	B.BOOST
13	6e	6g	6f	6a
14	6d	6c	6b	C
15				
16			COM.3	COM.4
17			COM.2	
18	COM.1			



MECHA. ASS'Y

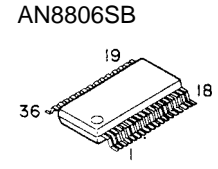




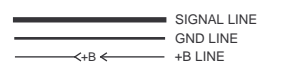


**CAUTION:** For continued safety, replace safety critical components only with manufacturer's recommended parts (refer to parts list).  $\Delta$  indicates safety critical components. For continued protection against risk of fire, replace only with same type and rating fuse(s). To reduce the risk of electric shock, leakage-current or resistance measurements shall be carried out (exposed parts are acceptably insulated from the supply circuit) before the appliance is returned to the customer.

The DC voltage is an actual reading measured with a high impedance type voltmeter. The measurement value may vary depending on the measuring instruments used or on the product. Refer to the voltage during PLAY with DASC OFF (at the normal speed) unless otherwise specified; The value shown in ( ) is the voltage measured at the moment of STOP.



- IC1 : AN8806SB
  - IC2 : AN8819NFB
  - IC3 : MN171603HFC
  - IC4 : MN662740RE
  - IC5 : SM5859AF
  - IC6 : MN41V4400SJ-07
  - IC7 : NJM2073M
- 
- Q4,6,201,301,304 : 2SC3330
  - Q5,104,110 : 2SA1317
  - Q102 : 2SB598F
  - Q106 : 2SC4481T
  - Q107 : 2SC4048
  - Q108 : 2SD1805F/2SD1805G
  - Q109 : 2SD734F
  - Q111,112 : 2SB926T
  - Q115 : 2SA1317
  - Q202,302 : 2SD734F
  - Q203,303 : 2SC3860
  - Q205A,305A : 2SC3859
- 
- D1A,102A,119A-122A, 201A,301A : 1SS355
  - D104 : SB10-03A-BT
  - D111,112 : 1N4001
  - D115 : GMB01-BT(3KEY)
  - D116,117 : SB10-03A3-BT(LCD)
  - : GMB01-BT



DPC-181		(A)	(B)	(C)	(D)	D115	R29A	R30A, R38A
DESTINATION	ABB							
COUNTRY	ABB							
U.S.A.	K							
CANADA	P							
EUROPE	E	NO	YES	NO	NO	NO	NO	NO
U.K.	T							
AUSTRALIA	X							
GENERAL MARKET	M				YES	GMB01-BT	10K	0
GENERAL MARKET	M2							

DPC-183		(A)	(B)	(C)	(D)	D115	R29A	R30A, R38A
DESTINATION	ABB							
COUNTRY	ABB							
U.S.A.	K							
CANADA	P							
EUROPE	E	NO	YES	NO	NO	NO	NO	NO
U.K.	T							
AUSTRALIA	X							
GENERAL MARKET	M				YES	GMB01-BT	10K	0
GENERAL MARKET	M2							

DPC-381		(A)	(B)	(C)	(D)	D115	R29A	R30A, R38A
DESTINATION	ABB							
COUNTRY	ABB							
U.S.A.	K							
CANADA	P							
EUROPE	E	NO	YES	YES	NO	NO	NO	NO
U.K.	T							
AUSTRALIA	X							
GENERAL MARKET	M				YES	SB10-03A	8.2K	1K 820
GENERAL MARKET	M2	YES	NO					

DPC-382		(A)	(B)	(C)	(D)	D115	R29A,30A, 38A
DESTINATION	ABB						
COUNTRY	ABB						
U.S.A.	K						
CANADA	P						
EUROPE	E	NO	YES	NO	NO	NO	NO
U.K.	T						
AUSTRALIA	X						
GENERAL MARKET	M				YES	SB10-03A	8.2K 1K 820
GENERAL MARKET	M2	YES	NO				

DPC-383		(A)	(B)	(C)	(D)	D115	R29A,30A, R38A
DESTINATION	ABB						
COUNTRY	ABB						
U.S.A.	K						
CANADA	P						
EUROPE	E	NO	YES	YES	NO	NO	NO
U.K.	T						
AUSTRALIA	X						
GENERAL MARKET	M				YES	SB10-03A	8.2K 1K 820
GENERAL MARKET	M2	YES	NO				

DPC-181/183  
DPC-381/382/383

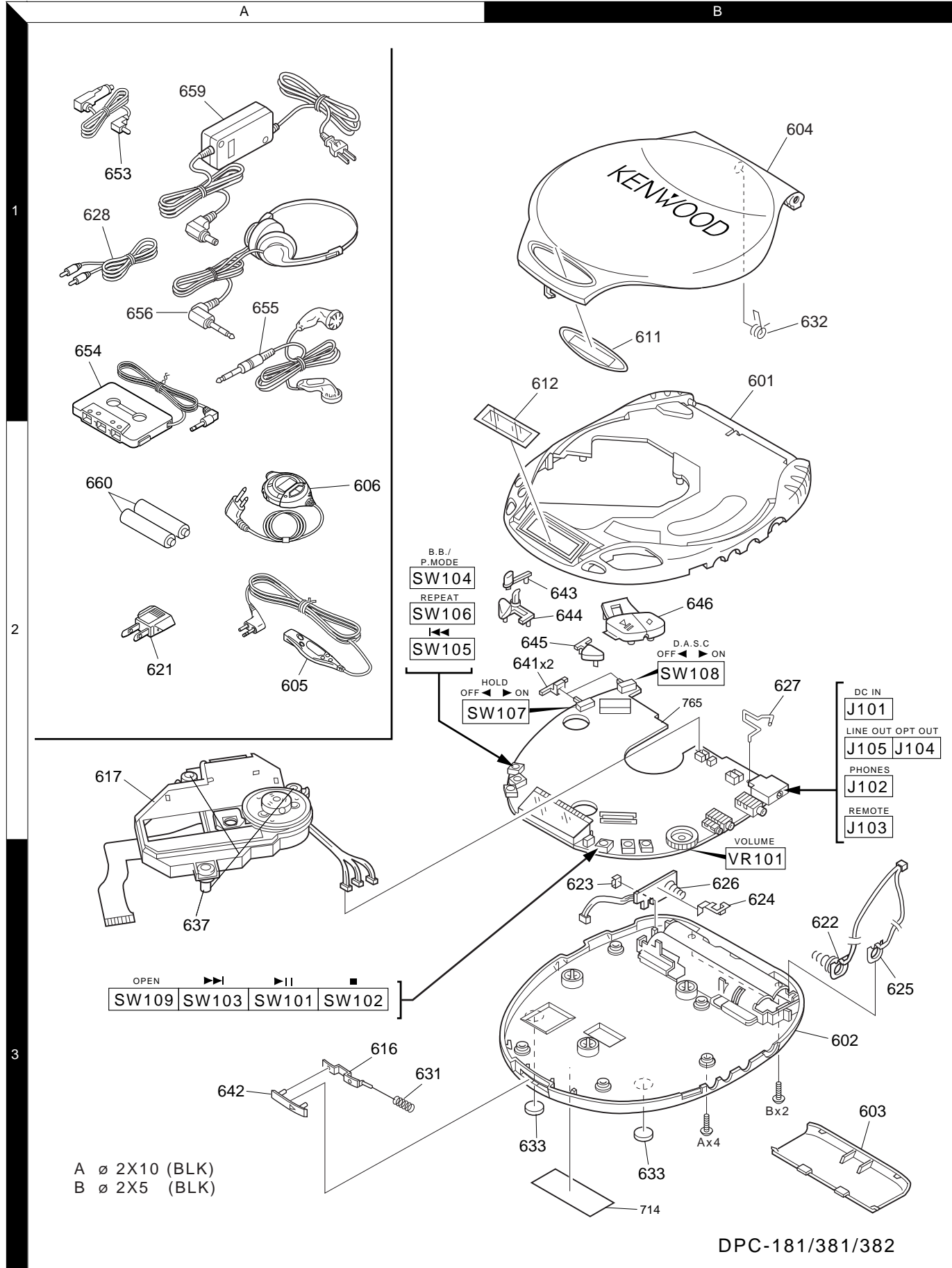
**DPC-181/183/381/382/383**

Y22-7250-11

**KENWOOD**

# DPC-181/183/381/382/383

## EXPLODED VIEW(UNIT)

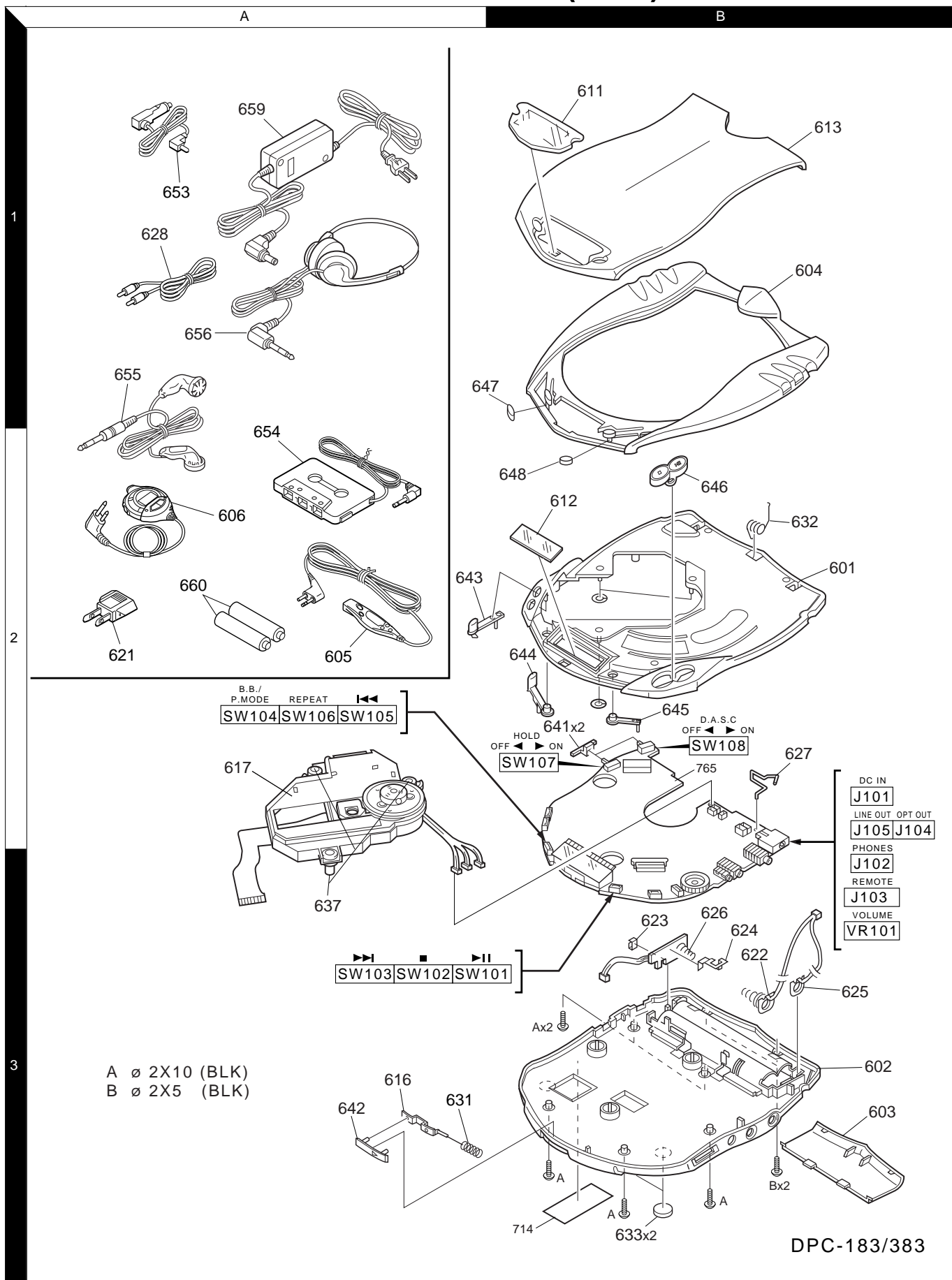


DPC-181/381/382

Parts with exploded view numbers larger than 700 are not supplied.

# DPC-181/183/381/382/383

## EXPLODED VIEW(UNIT)



DPC-183/383

Parts with exploded view numbers larger than 700 are not supplied.





\* New Parts  
Parts without **Parts No.** are not supplied.  
Les articles non mentionnés dans le **Parts No.** ne sont pas fournis.  
Teile ohne **Parts No.** werden nicht geliefert.

5

Ref. No	Add-ress	New Parts	Parts No.	Description	Desti-nation	Re-marks
C221			CK45FB1H102K	CERAMIC 1000PF K		
C301			CK45FB1H272K	CERAMIC 2700PF K		
C302			CK45FB1H301J	CERAMIC 300PF J		
C303,304			CE04CW1H4R7M	ELECTRO 4.7UF 50WV		
C305			CK45FB1H223Z	CERAMIC 0.022UF Z		
C306			CE04CW0G221M	ELECTRO 220UF 4.0WV		
C307A			CK73FB1H224Z	CHIP C 0.22UF Z		
C320			CE04CW1A470M	ELECTRO 47UF 10WV		
C321			CK45FB1H102K	CERAMIC 1000PF K		
C322			CE04CW1H4R7M	ELECTRO 4.7UF 50WV	M2	5
C501			CE04CW1C220M	ELECTRO 22UF 16WV		
C502A			CK73FB1H105Z	CHIP C 1.0UF Z		
C510A			CK73FB1H471J	CHIP C 470PF J		
BT		*	E35-1995-08	3P J.WIRE(RED/BLACK/WHITE)		
BT1		*	E35-1994-08	2P J.WIRE(ORANGE/BLUE)		
CN4			E60-0005-08	15P		
J105			E11-0354-08	LINE OUT(PHONE JACK)		
J101		*	E03-0356-08	DC JACK		
J102		*	E11-0372-08	PHONE JACK 3.6MM GREEN		
J103		*	E11-0355-08	REMOTE JACK 2.6MM(3 PINS)	M	2,3,5
J103		*	E11-0355-08	REMOTE JACK 2.6MM(3 PINS)	M2	1,3,5
L102		*	L33-0564-08	CHOKE COIL 33UH		
L105		*	L33-0564-08	CHOKE COIL 33UH		
L106		*	L33-0565-08	CHOKE COIL 95UH		
LC101		*	B38-0164-08	LCD DISPLAY		
X1		*	L77-2204-08	CRYSTAL RESONATOR 33.8688MHZ		
R1A -3A			RK73FB2A103J	CHIP R 10K J 1/10W		
R4A ,5A			RK73FB2A333J	CHIP R 33K J 1/10W		
R6A			RK73FB2A910J	CHIP R 91 J 1/10W		
R7A ,8A			RK73FB2A824J	CHIP R 820K J 1/10W		
R21A			RK73FB2A102J	CHIP R 1.0K J 1/10W		
R22A			RK73FB2A472J	CHIP R 4.7K J 1/10W		
R23A			RK73FB2A563J	CHIP R 56K J 1/10W		
R29A			RK73FB2A103J	CHIP R 10K J 1/10W	M	2
R29A			RK73FB2A103J	CHIP R 10K J 1/10W	M2	1
R29A			RK73FB2A822J	CHIP R 8.2K J 1/10W	M	3
R29A			RK73FB2A822J	CHIP R 8.2K J 1/10W	MM2	5
R30A			RK73FB2A000J	CHIP R 0 J 1/10W	M	2
R30A			RK73FB2A000J	CHIP R 0 J 1/10W	M2	1
R30A			RK73FB2A102J	CHIP R 1.0K J 1/10W	M	3
R30A			RK73FB2A102J	CHIP R 1.0K J 1/10W	MM2	5
R31A			RK73FB2A122J	CHIP R 1.2K J 1/10W		
R32A			RK73FB2A152J	CHIP R 1.5K J 1/10W		
R33A			RK73FB2A182J	CHIP R 1.8K J 1/10W		
R34A			RK73FB2A242J	CHIP R 2.4K J 1/10W		
R35A			RK73FB2A362J	CHIP R 3.6K J 1/10W		
R38A			RK73FB2A000J	CHIP R 0 J 1/10W	M	2
R38A			RK73FB2A000J	CHIP R 0 J 1/10W	M2	1
R38A			RK73FB2A821J	CHIP R 820 J 1/10W	M	3
R38A			RK73FB2A821J	CHIP R 820 J 1/10W	MM2	5
R39A			RK73FB2A221J	CHIP R 220 J 1/10W	M	3
R39A			RK73FB2A221J	CHIP R 220 J 1/10W	M	2
R39A			RK73FB2A221J	CHIP R 220 J 1/10W	MM2	5
R40A			RK73FB2A100J	CHIP R 10 J 1/10W	M2	1
R41A			RK73FB2A472J	CHIP R 4.7K J 1/10W		

L : Scandinavia K : USA P : Canada R : Mexico 1 : DPC-181 2 : DPC-183  
Y : PX(Far East, Hawaii) T : Europe E : Europe G : Germany 3 : DPC-381 4 : DPC-382  
Y : AAFES(Europe) X : Australia M : Other Areas 5 : DPC-383

⚠ indicates safety critical components.

\* New Parts  
Parts without **Parts No.** are not supplied.  
Les articles non mentionnés dans le **Parts No.** ne sont pas fournis.  
Teile ohne **Parts No.** werden nicht geliefert.

6

Ref. No	Add-ress	New Parts	Parts No.	Description	Desti-nation	Re-marks
R42A			RK73FB2A472J	CHIP R 4.7K J 1/10W		
R43A			RK73FB2A103J	CHIP R 10K J 1/10W		
R45A			RK73FB2A393J	CHIP R 39K J 1/10W		
R46A			RK73FB2A100J	CHIP R 10 J 1/10W		
R47A			RK73FB2A100J	CHIP R 10 J 1/10W		
R49A			RK73FB2A100J	CHIP R 10 J 1/10W		
R51A			RK73FB2A122J	CHIP R 1.2K J 1/10W	M	3
R51A			RK73FB2A122J	CHIP R 1.2K J 1/10W	M	2
R51A			RK73FB2A122J	CHIP R 1.2K J 1/10W	MM2	5
R51A			RK73FB2A122J	CHIP R 1.2K J 1/10W	M2	1
R52A			RK73FB2A152J	CHIP R 1.5K J 1/10W	M	3
R52A			RK73FB2A152J	CHIP R 1.5K J 1/10W	M	2
R52A			RK73FB2A152J	CHIP R 1.5K J 1/10W	MM2	5
R52A			RK73FB2A152J	CHIP R 1.5K J 1/10W	M2	1
R54A			RK73FB2A223J	CHIP R 22K J 1/10W		
R55A			RK73FB2A103J	CHIP R 10K J 1/10W		
R56A			RK73FB2A223J	CHIP R 22K J 1/10W		
R57A			RK73FB2A224J	CHIP R 220K J 1/10W		
R58A			RK73FB2A103J	CHIP R 10K J 1/10W		
R59A			RK73FB2A333J	CHIP R 33K J 1/10W		
R60 ,61			RS14KB3A150J	FL-PROOF 15 J 1W		
R63A			RK73FB2A103J	CHIP R 10K J 1/10W		
R64A			RK73FB2A681J	CHIP R 680 J 1/10W		
R66A,67A			RK73FB2A103J	CHIP R 10K J 1/10W		
R68A			RK73FB2A473J	CHIP R 47K J 1/10W	M2	5
R69A			RK73FB2A104J	CHIP R 100K J 1/10W		
R70A,71A			RK73FB2A103J	CHIP R 10K J 1/10W		
R72A			RK73FB2A104J	CHIP R 100K J 1/10W		
R73A			RK73FB2A102J	CHIP R 1.0K J 1/10W		
R99A			RK73FB2A154J	CHIP R 150K J 1/10W		
R100A			RK73FB2A154J	CHIP R 150K J 1/10W		
R109A			RK73FB2A124J	CHIP R 120K J 1/10W		
R110A			RK73FB2A473J	CHIP R 47K J 1/10W		
R111A			RK73FB2A104J	CHIP R 100K J 1/10W		
R112A			RK73FB2A473J	CHIP R 47K J 1/10W		
R113A			RK73FB2A223J	CHIP R 22K J 1/10W		
R114A			RK73FB2A224J	CHIP R 220K J 1/10W		
R115A			RK73FB2A154J	CHIP R 150K J 1/10W		
R116A			RK73FB2A123J	CHIP R 12K J 1/10W		
R119A			RK73FB2A470J	CHIP R 47 J 1/10W		
R121A			RK73FB2A474J	CHIP R 470K J 1/10W		
R122A			RK73FB2A223J	CHIP R 22K J 1/10W		
R123A			RK73FB2A472J	CHIP R 4.7K J 1/10W		
R124A			RK73FB2A273J	CHIP R 27K J 1/10W		
R125A			RK73FB2A223J	CHIP R 22K J 1/10W		
R130A			RK73FB2A102J	CHIP R 1.0K J 1/10W		
R134A			RK73FB2A101J	CHIP R 100 J 1/10W		
R136A			RK73FB2A100J	CHIP R 10 J 1/10W		
R137A			RK73FB2A152J	CHIP R 1.5K J 1/10W		
R138A			RK73FB2A100J	CHIP R 10 J 1/10W		
R140A			RK73FB2A392J	CHIP R 3.9K J 1/10W		
R166A			RK73FB2A102J	CHIP R 1.0K J 1/10W		
R167A			RK73FB2A473J	CHIP R 47K J 1/10W		
R168A			RK73FB2A103J	CHIP R 10K J 1/10W		
R169A			RK73FB2A333J	CHIP R 33K J 1/10W		

L : Scandinavia K : USA P : Canada R : Mexico 1 : DPC-181 2 : DPC-183  
Y : PX(Far East, Hawaii) T : Europe E : Europe G : Germany 3 : DPC-381 4 : DPC-382  
Y : AAFES(Europe) X : Australia M : Other Areas 5 : DPC-383

⚠ indicates safety critical components.

PARTS LIST

DPC-181/183/381/382/383

\* New Parts  
Parts without **Parts No.** are not supplied.  
Les articles non mentionnés dans le **Parts No.** ne sont pas fournis.  
Teile ohne **Parts No.** werden nicht geliefert.

7

Ref. No	Add-ress	New Parts	Parts No.	Description	Desti-nation	Re-marks
R170A			RK73FB2A562J	CHIP R	5.6K	J 1/10W
R171A			RK73FB2A104J	CHIP R	100K	J 1/10W
R172A			RK73FB2A153J	CHIP R	15K	J 1/10W
R173A			RK73FB2A682J	CHIP R	6.8K	J 1/10W
R174A			RK73FB2A682J	CHIP R	6.8K	J 1/10W
R175A			RK73FB2A122J	CHIP R	1.2K	J 1/10W
R177A			RK73FB2A473J	CHIP R	47K	J 1/10W
R178A			RK73FB2A104J	CHIP R	100K	J 1/10W
R179A			RK73FB2A105J	CHIP R	1.0M	J 1/10W
R180A			RK73FB2A473J	CHIP R	47K	J 1/10W
R181A			RK73FB2A681J	CHIP R	680	J 1/10W
R182A			RK73FB2A471J	CHIP R	470	J 1/10W
R183A			RK73FB2A101J	CHIP R	100	J 1/10W
R184A			RK73FB2A224J	CHIP R	220K	J 1/10W
R189A			RK73FB2A103J	CHIP R	10K	J 1/10W
R201A			RK73FB2A102J	CHIP R	1.0K	J 1/10W
R202A			RK73FB2A473J	CHIP R	47K	J 1/10W
R203A			RK73FB2A104J	CHIP R	100K	J 1/10W
R204A			RK73FB2A821J	CHIP R	820	J 1/10W
R206A			RK73FB2A153J	CHIP R	15K	J 1/10W
R207A			RK73FB2A564J	CHIP R	560K	J 1/10W
R209A			RK73FB2A100J	CHIP R	10	J 1/10W
R210A			RK73FB2A104J	CHIP R	100K	J 1/10W
R211A			RK73FB2A681J	CHIP R	680	J 1/10W
R220A			RK73FB2A562J	CHIP R	5.6K	J 1/10W
R221A			RK73FB2A471J	CHIP R	470	J 1/10W
R222A			RK73FB2A472J	CHIP R	4.7K	J 1/10W
R301A			RK73FB2A102J	CHIP R	1.0K	J 1/10W
R302A			RK73FB2A473J	CHIP R	47K	J 1/10W
R303A			RK73FB2A104J	CHIP R	100K	J 1/10W
R304A			RK73FB2A821J	CHIP R	820	J 1/10W
R306A			RK73FB2A153J	CHIP R	15K	J 1/10W
R307A			RK73FB2A564J	CHIP R	560K	J 1/10W
R309A			RK73FB2A100J	CHIP R	10	J 1/10W
R310A			RK73FB2A104J	CHIP R	100K	J 1/10W
R311A			RK73FB2A681J	CHIP R	680	J 1/10W
R320A			RK73FB2A562J	CHIP R	5.6K	J 1/10W
R321A			RK73FB2A471J	CHIP R	470	J 1/10W
R322A			RK73FB2A472J	CHIP R	4.7K	J 1/10W
R401A			RK73FB2A223J	CHIP R	22K	J 1/10W
R501A			RK73FB2A683J	CHIP R	68K	J 1/10W
R502A			RK73FB2A104J	CHIP R	100K	J 1/10W
VR101			R31-0086-08	VARIABLE RESISTOR		
SW101-106		*	S70-0053-08	TACT SWITCH		
SW107,108		*	S62-0064-08	SLIDE SWITCH		
SW109		*	S74-0082-08	MICRO SWITCH		
D1A			1SS355	DIODE		
D102A			1SS355	DIODE		
D104		*	SB10-03A3-BT	DIODE		
D111,112			IN-4001	DIODE		
D115			GMB01-BT	DIODE		
D115		*	SB10-03A3-BT	DIODE	DPC-381/383	M2 3,5
D116			GMB01-BT	DIODE		
D117			GMB01-BT	DIODE		M2

L : Scandinavia    K : USA    P : Canada    R : Mexico    1 : DPC-181    2 : DPC-183  
Y : PX(Far East, Hawaii)    T : Europe    E : Europe    G : Germany    3 : DPC-381    4 : DPC-382  
V : AAFES(Europe)    X : Australia    M : Other Areas    5 : DPC-383

⚠ indicates safety critical components.

\* New Parts  
Parts without **Parts No.** are not supplied.  
Les articles non mentionnés dans le **Parts No.** ne sont pas fournis.  
Teile ohne **Parts No.** werden nicht geliefert.

8

Ref. No	Add-ress	New Parts	Parts No.	Description	Desti-nation	Re-marks
D117			GMB01-BT	DIODE	M	3
D117			GMB01-BT	DIODE	MM2	5
D117			GMB01-BT	DIODE	M2	1
D119A-122A			1SS355	DIODE		
D201A			1SS355	DIODE		
D301A			1SS355	DIODE		
IC1			AN8806SB	IC(GD DIGITAL SERVO)		
IC2			AN8819NFB	IC		
IC3		*	MN171603HFC	IC		
IC4			MN662740RE	IC		
IC5		*	SM5859AF	IC		3,4,5
IC6		*	MN41V4400SJ-07	IC		3,4,5
IC6		*	MN41V4400SJ-08	IC		3,4,5
IC7			NJM2073M	IC(AF POWER AMP)		
Q4			2SC3330	TRANSISTOR		
Q5			2SA1317	TRANSISTOR		
Q6			2SC3330	TRANSISTOR		
Q102			2SB598F	TRANSISTOR		
Q104			2SA1317	TRANSISTOR		
Q106		*	2SC4481T	TRANSISTOR		
Q107		*	2SC4048-AC	TRANSISTOR		
Q108		*	2SD1805F	TRANSISTOR		
Q108		*	2SD1805G	TRANSISTOR		
Q109			2SC4204	TRANSISTOR		
Q110			2SA1317	TRANSISTOR		
Q111,112			2SB926T	TRANSISTOR		
Q113			2SA1317	TRANSISTOR		
Q201			2SC3330	TRANSISTOR		
Q202			2SD734F	TRANSISTOR		
Q203		*	2SC3860	TRANSISTOR		
Q205A			2SC3859	TRANSISTOR		
Q301			2SC3330	TRANSISTOR		
Q302			2SD734F	TRANSISTOR		
Q303		*	2SC3860	TRANSISTOR		
Q304			2SC3330	TRANSISTOR	M2	5
Q305A			2SC3859	TRANSISTOR		
J104		*	W02-2630-08	OPTICAL OUT 3.6MM(7 PINS)	M2	3,5

L : Scandinavia    K : USA    P : Canada    R : Mexico    1 : DPC-181    2 : DPC-183  
Y : PX(Far East, Hawaii)    T : Europe    E : Europe    G : Germany    3 : DPC-381    4 : DPC-382  
V : AAFES(Europe)    X : Australia    M : Other Areas    5 : DPC-383

⚠ indicates safety critical components.

## PARTS LIST

DPC-181/183/381/382/383

# DPC-181/183/381/382/383

## SPECIFICATIONS

### [ Format ]

System .....Compact disc digital audio system  
 Laser .....Semiconductor laser

### [ Audio ]

Frequency response .....20 Hz to 20 kHz,  $\pm 3$  dB  
 PHONES output level (16  $\Omega$ , 1 kHz ) .....10 mW + 10 mW  
 Line output/impedance .....0.6 Vrms/1 k $\Omega$   
 Digital output (Optical) \* .....-15dBm to ~ 21dBm (wave length 660 nm)

\* M2 type only except DPC-181.

### [ Power supply ]

External DC supply .....4.5V to 6 V DC  
 Rechargeable batteries (NB-88) x 2 or 4 .....DC 2.4 V  
 Commercially-available alkaline batteries (LR6/AA) x 2 or 4 .....DC 3 V

Battery life (continuous repeat playback)

(Figures inside parentheses show the performance when the D.A.S.C. is ON.)

Commercially-available alkaline batteries (LR6/AA) x 2 .....Approx. 10 (8) Hours (DPC-382/381/383)  
 Commercially-available alkaline batteries (LR6/AA) x 2 .....Approx. 10 Hours (DPC-181/183)  
 Commercially-available alkaline batteries (LR6/AA) x 4 .....Approx. 20 (17.5) Hours (DPC-382/381/383)  
 Commercially-available alkaline batteries (LR6/AA) x 4 .....Approx. 20 Hours (DPC-181/183)  
 Rechargeable batteries (NB-88) x 2 .....Approx. 4 (3) Hours (DPC-382/381/383)  
 Rechargeable batteries (NB-88) x 2 .....Approx. 4 Hours (DPC-181/183)  
 Rechargeable batteries (NB-88) x 4 .....Approx. 9 (6) Hours (DPC-382/381/383)  
 Rechargeable batteries (NB-88) x 4 .....Approx. 9 Hours (DPC-181/183)

Dimensions (W x H x D) .....138 mm x 30 mm x 157 mm  
 (5-7/16" x 1-3/16" x 6-3/16")

Dimensions (W x H x D) .....140 mm x 31 mm x 159 mm  
 (5-1/2" x 1-1/4" x 6-1/8")

Weight (net) .....270 g (9.5 oz): DPC-181/381/382

Weight (net) .....280 g (9.9 oz): DPC-183/383

### Note:

KENWOOD follows a policy of continuous advancements in development. For this reason specifications may be changed without notice.



# DPC-181/183/381/382/383

**Note:**

Component and circuit are subject to modification to insure best operation under differing local conditions. This manual is based on Europe (E) standard, and provides information on regional circuit modification through use of alternate schematic diagrams, and information on regional component variations through use of parts list.

## **KENWOOD CORPORATION**

14-6, Dogenzaka 1-chome, Shibuya-ku, Tokyo, 150 Japan

### **KENWOOD SERVICE CORPORATION**

P.O. BOX 22745, 2201 East Dominguez St., Long Beach, CA 90801-5745, U.S.A.

### **KENWOOD ELECTRONICS CANADA INC.**

6070 Kestrel Road, Mississauga, Ontario, Canada L5T 1S8

### **KENWOOD ELECTRONICS LATIN AMERICA S.A.**

P.O. BOX 55-2791, Piso 6 plaza Chase, Cl. 47 y Aquilino de la Guardia Panama, Republic de Panama

### **KENWOOD ELECTRONICS U.K. LIMITED**

KENWOOD House, Dwight Road, Watford, Herts., WD1 8EB., United Kingdom

### **KENWOOD ELECTRONICS BENELUX N.V.**

Meachelsesteenweg 418, B-1930 Zaventem, Belgium

### **KENWOOD ELECTRONICS DEUTSCHLAND GMBH**

Rembrücker Str. 15, 63150 Heusenstamm, Germany

### **KENWOOD ELECTRONICS FRANCE S.A.**

13 Boulevard Ney, 75018 Paris, France

### **KENWOOD ELECTRONICS ITALIA S.p.A.**

Via G. Sirtori, 7/9 20129, Milano, Italy

### **KENWOOD IBÉRICA S.A.**

Bolivia, 239-08020 Barcelona, Spain

### **KENWOOD ELECTRONICS AUSTRALIA PTY. LTD.**

(A.C.N. 001499 074)

P.O. Box 504, 8 Figtree Drive, Australia Centre, Homebush, N.S.W. 2140, Australia

### **KENWOOD & LEE ELECTRONICS, LTD.**

Unit 3712-3724, Level 37, Tower 1, Metroplaza, 223 Hing Fong Road, Kwai Fong N.T., Hong Kong

### **KENWOOD ELECTRONICS GULF FZE**

P.O. Box 61318, Jebel Ali, Dubai, U.A.E.

### **KENWOOD ELECTRONICS SINGAPORE PTE LTD.**

No. 1 Genting Lane #02-02, KENWOOD Building, Singapore, 349544

### **KENWOOD ELECTRONICS (MALAYSIA) SDN BHD.**

#4.01 Level 4, Wisma Academy Lot 4A, Jalan 19/1 46300 Petaling Jaya Selangor Darul Ehsan Malaysia