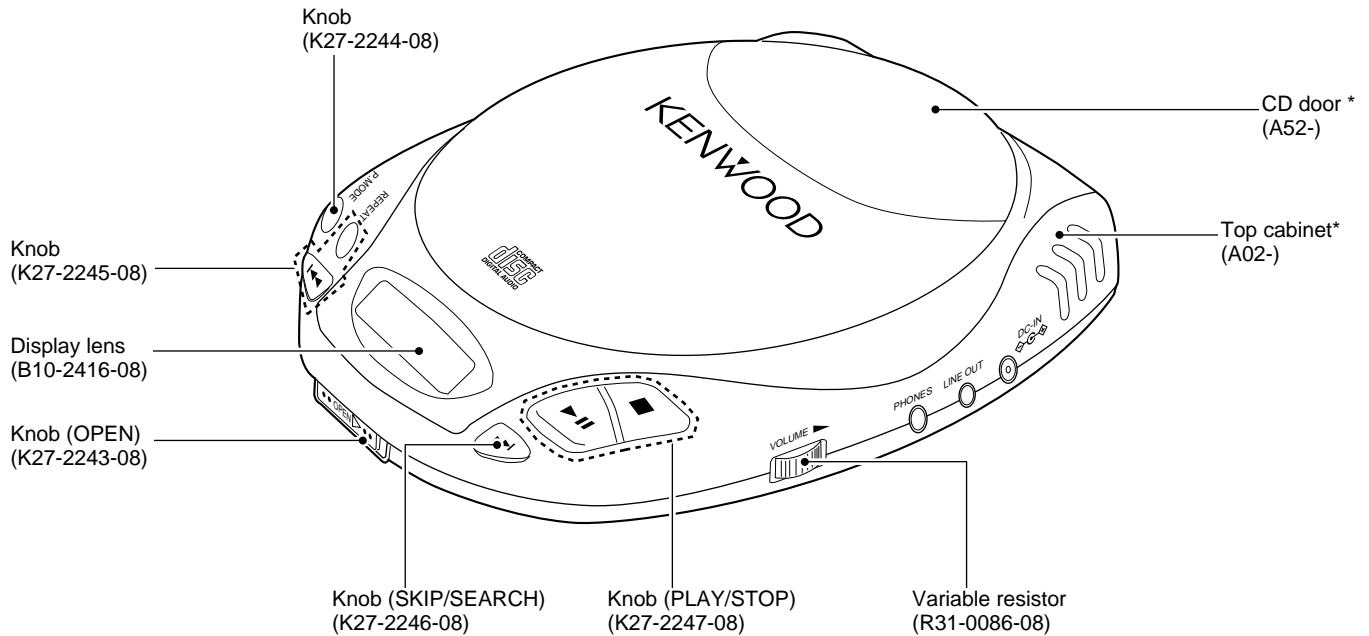
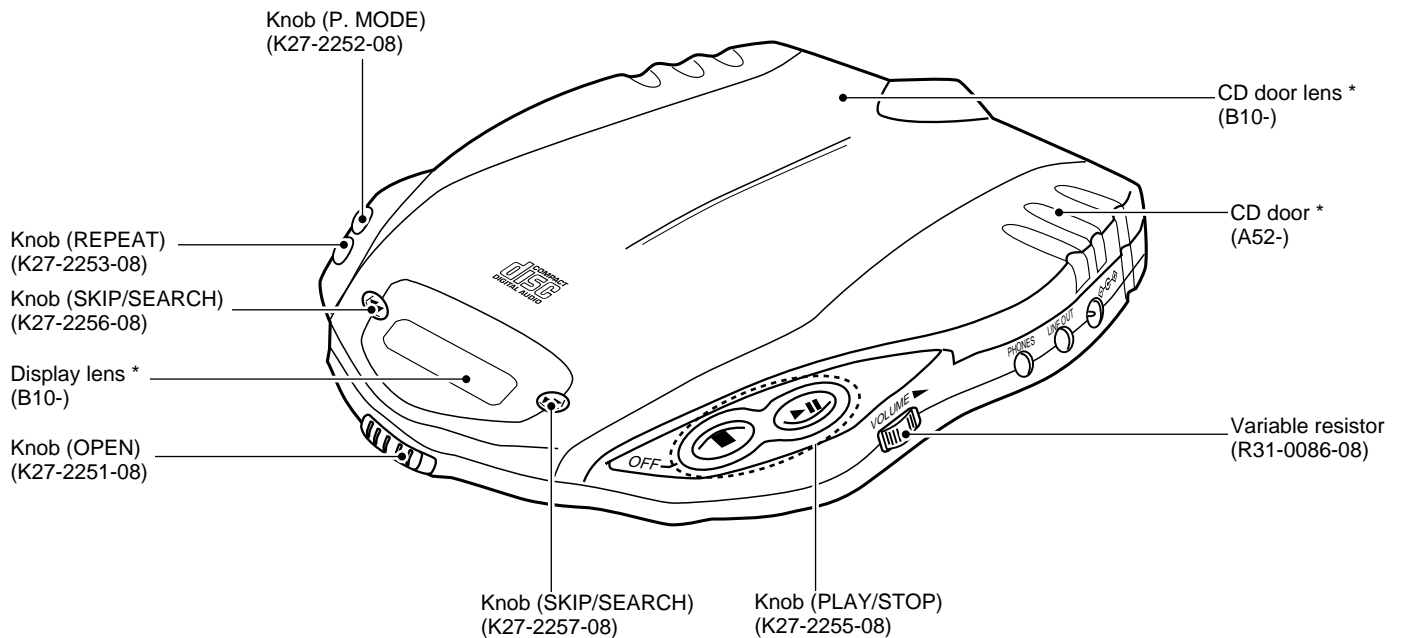


DPC-181/183/381/382/383

SERVICE MANUAL



Illust is DPC-181/381/382.



Illust is DPC-183/383.

*** Refer to parts list on page 13.**

In compliance with Federal Regulations, following are reproductions of labels on, or inside the product relating to laser product safety.

KENWOOD-Corp. certifies this equipment conforms to DHHS Regulations No. 21 CFR 1040. 10, Chapter 1, Subchapter J.

DANGER : Laser radiation when open and interlock defeated. AVOID DIRECT EXPOSURE TO BEAM.

DPC-181/183/381/382/383

CONTENTS / ACCESSORIES

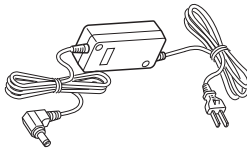
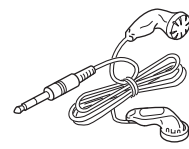
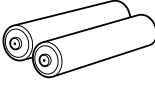
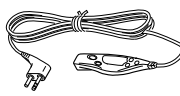
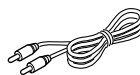
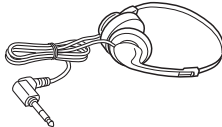
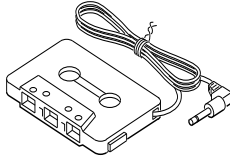
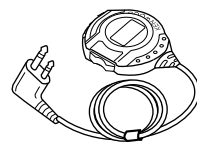
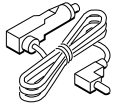
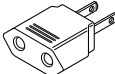
Contents

| | | | |
|------------------------------|---|----------------------|----|
| CONTENTS / ACCESSORIES | 2 | EXPLODED VIEW | 13 |
| CIRCUIT DESCRIPTION | 3 | PARTS LIST | 15 |
| PC BOARD | 5 | SPECIFICATIONS | 19 |
| SCHEMATIC DIAGRAM | 9 | | |

Model feature list

| MODEL FEATURE | DPC-181 | | | | | | | DPC-183 | | | | | DPC-381 | | | | | DPC-382 | | | | | DPC-383 | | | | | | | | | | | | | | |
|------------------|---------|---|---|---|---|----|---|---------|---|---|---|---|---------|---|---|---|---|---------|----|---|---|---|---------|---|---|---|---|---|---|---|----|---|---|---|---|---|---|
| | K | P | E | T | M | M2 | X | K | P | E | T | M | X | K | P | E | T | M | M2 | K | P | E | T | M | X | K | P | E | T | M | M2 | | | | | | |
| OPTICAL OUT | | | | | | | | | | | | | | | | | | | ○ | | | | | | | | | | | | | | | | | | ○ |
| LINE OUT | | ○ | ○ | ○ | ○ | ○ | ○ | ○ | ○ | ○ | ○ | ○ | ○ | ○ | ○ | ○ | ○ | ○ | | ○ | ○ | ○ | ○ | ○ | ○ | ○ | ○ | ○ | ○ | ○ | ○ | ○ | ○ | ○ | ○ | ○ | |
| REMOTE TERMINAL | | | | | | ○ | | | | | | ○ | | | | | | ○ | ○ | | | | | | | | | | | | ○ | ○ | | | | | |
| DASC KNOB | | | | | | | | | | | | | | ○ | ○ | ○ | ○ | ○ | ○ | ○ | ○ | ○ | ○ | ○ | ○ | ○ | ○ | ○ | ○ | ○ | ○ | ○ | ○ | ○ | ○ | ○ | ○ |
| B.B KNOB | ○ | ○ | ○ | ○ | ○ | ○ | ○ | ○ | ○ | ○ | ○ | ○ | ○ | | | | | | | | | | | | | | | | | | | | | | | | |
| B.BOOST P.MODE | | | | | | | | | | | | | | ○ | ○ | ○ | ○ | ○ | ○ | ○ | ○ | ○ | ○ | ○ | ○ | ○ | ○ | ○ | ○ | ○ | ○ | ○ | ○ | ○ | ○ | ○ | ○ |
| P.MODE | ○ | ○ | ○ | ○ | ○ | ○ | ○ | ○ | ○ | ○ | ○ | ○ | ○ | | | | | | | | | | | | | | | | | | | | | | | | |

Accessories

| | | |
|---|--|---|
| <p>AC adapter(110~120V /220-240V 50/60Hz)(1) (W08-0657-08) : KP (W08-0658-08) : E (W08-0659-08) : T (W08-0660-08) : X (W08-0667-05) : M,M2</p>  | <p>Innerphone.....(1) (W01-0925-05) : DPC-181(MXTE) DPC-183(X) DPC-381(TE) (W01-0923-05) : DPC-181(M2) DPC-183(M) DPC-381(M,M2) DPC-383(M2)</p>  | |
| <p>Rechargeable battery(1) (W09-1239-05) : KP (W09-1240-05) : ETMXM2</p>  | <p>Remote control.....(1) (A70-1111-08) : DPC-181 (M2) DPC-183 (M)</p>  | <p>Audio cable(1) (E30-2782-05) : DPC-381(E.T)</p>  |
| <p>Headphone(1) (W01-0924-05) : DPC-181(KP) (W01-0943-05) : DPC-381(KP) (T17-0015-08) : DPC-383(M) (T17-0016-08) : DPC-383(KPETX)</p>  | <p>Car cassette adapter.....(1) (W01-0922-05) : DPC-382</p>  | <p>Remote control.....(1) (A70-1190-05) : DPC-381/383 (M,M2)</p>  |
| <p>Car battery adapter(1) (W01-0921-05) : DPC-382</p>  | <p>AC plug(1) (E03-0115-05) : M,M2</p>  | |

CIRCUIT DESCRIPTION

1. Microprocessor : (MN171603 H3)

1-1 Pin description

| Pin No. | Pin name | I/O | Function description | Active |
|---------|-------------|-----|---|----------------------|
| 1, 2 | – | I | NOT USED | |
| 3 | AVSS | – | GND | |
| 4 | BBS | O | BBS CONTROL SIGNAL OUTPUT | ON = "H" |
| 5 | DATA | O | REMOTE CONTROL SIGNAL OUTPUT | |
| 6, 7 | – | | NOT USED | |
| 8 | KEY | I | KEY INPUT | |
| 9 | HOLD | I | HOLD ON/OFF CONTROL | ON = "H" |
| 10 | ESP | I | ESP ON/OFF CONTROL | ON = "L" |
| 11 | LOW BATTERY | I | BATTERY VOLTAGE DETECTION | LOW BATT. = "H" |
| 12 | AVDD | – | SUPPLY VOLTAGE | |
| 13-15 | VLC1~VLC3 | – | LCD DRIVER BIAS CONTROL | |
| 16-19 | COM1~COM4 | O | LCD COMMON SIGNAL OUTPUT (COMMON1~4) | |
| 20-33 | SEG0~SEG13 | O | LCD SEGMENT SIGNAL OUTPUT (SEG0~SEG13) | |
| 34, 35 | SEG14, 15 | O | NOT USED | |
| 36 | MODE-M | I | MEMORY SELECT | 4M = "H" OTHER = "L" |
| 37 | D-CNT | I | DIGITAL OUT CONTROL | OUT = "H" (ESP OFF) |
| 38 | MODE-A | I | USE CUE/REV MODE | |
| 39 | MODE-B | I | NOT USED | |
| 40 | STDBY | O | NOT USED | |
| 41-44 | – | – | NOT USED | |
| 45 | DOOR OPEN | I | DOOR SWITCH DETECTION | OPEN = "H" |
| 46 | PSET | I | PICKUP INITIAL POSITION | |
| 47 | BTCHK | I | BATT. VOLTAGE DIRECTION. | |
| 48-51 | – | I | NOT USED | |
| 52 | POWER | O | POWER SUPPLY CONTROL. | |
| 53 | BAT | O | BATTERY CONTROL OUTPUT | CHARGING = "H" |
| 54 | D MUTE | O | MUTE CONTROL | ON = "H" |
| 55 | SBCK | O | SUB CODE READ TIMING CLOCK FOR MN662740RE | |
| 56 | FCLK | I | FRAME CLOCK SIGNAL from MN662740RE | |
| 57 | FLAG | I | FLAG SIGNAL INPUT from MN662740RE | |
| 58 | IPFLAG | I | CORRECTION = "H" | |
| 59 | – | I | GND | |
| 60 | STAT | I | STATUS SIGNAL from DSP | |
| 61 | SENSE | I | SENSITIVE SIGNAL from DSP | |
| 62 | TLOCK | I | TRACKING SERVO | IN = "L" |
| 63 | FLOCK | I | FOCUSING SERVO | IN = "L" |
| 64 | MCLK | O | COMMAND CLOCK for MN662740RE | |
| 65 | MDATA | O | COMMAND DATA for MN662740RE | |
| 66 | MLD | O | COMMAND DATA LATCH (LOAD) for MN662740RE | |
| 67 | – | O | NOT USED | |
| 68 | RST | I | SYSTEM RESET INPUT | |
| 69 | X1 | I | GND | |
| 70 | X2 | O | NOT USED | |
| 71 | Vss | – | GND | |
| 72 | – | O | NOT USED | |
| 73 | SMCK | I | EXTERNAL SYSTEM CLOCK = 4.2336MHz | |

DPC-181/183/381/382/383

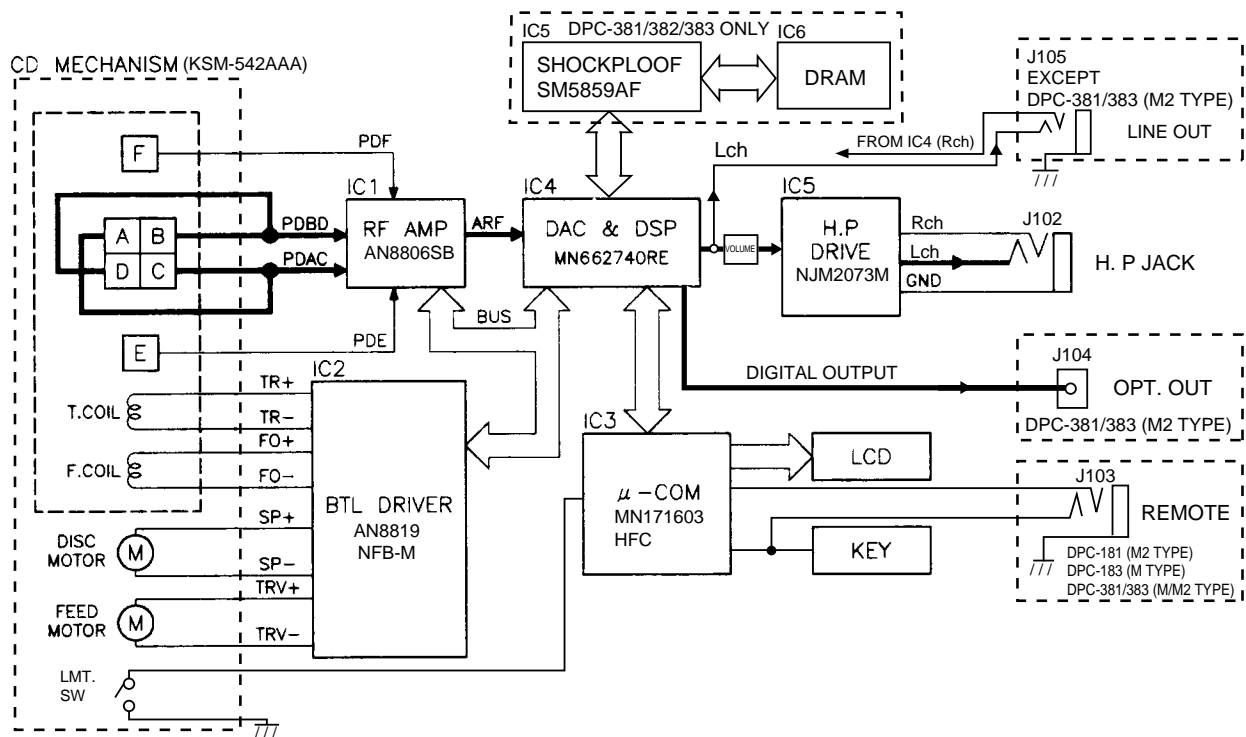
CIRCUIT DESCRIPTION

| Pin No. | Pin name | I/O | Function description | Active |
|---------|----------|-----|---|--------|
| 74 | VDD | - | SUPPLY VOLTAGE (ESP ON = 4.2V / OFF = 3.2V) | |
| 75 | LRST | O | RESET SIGNAL for MN662740RE, SM5859AF | |
| 76 | SQCK | O | SUBQ READ TIMING CLOCK to MN662740RE | |
| 77 | SUBQ | I | SUBQ DATA from MN 662740RE | |
| 78 | - | O | NOT USED | |
| 79 | YMLD | O | COMMAND DATA LATCH (LOAD) for SM5859AF | |
| 80 | YMCLK | O | COMMAND CLOCK for SM5859AF | |
| 81 | ZSENSE | I | SENSITIVE SIGNAL from SM5859AF | |
| 82 | YMDATA | O | COMMAND DATA for SM5859AF | |
| 83 | BLKCK | I | SUBQ READ REQUEST SIGNAL IN. | |
| 84 | - | I | GND | |

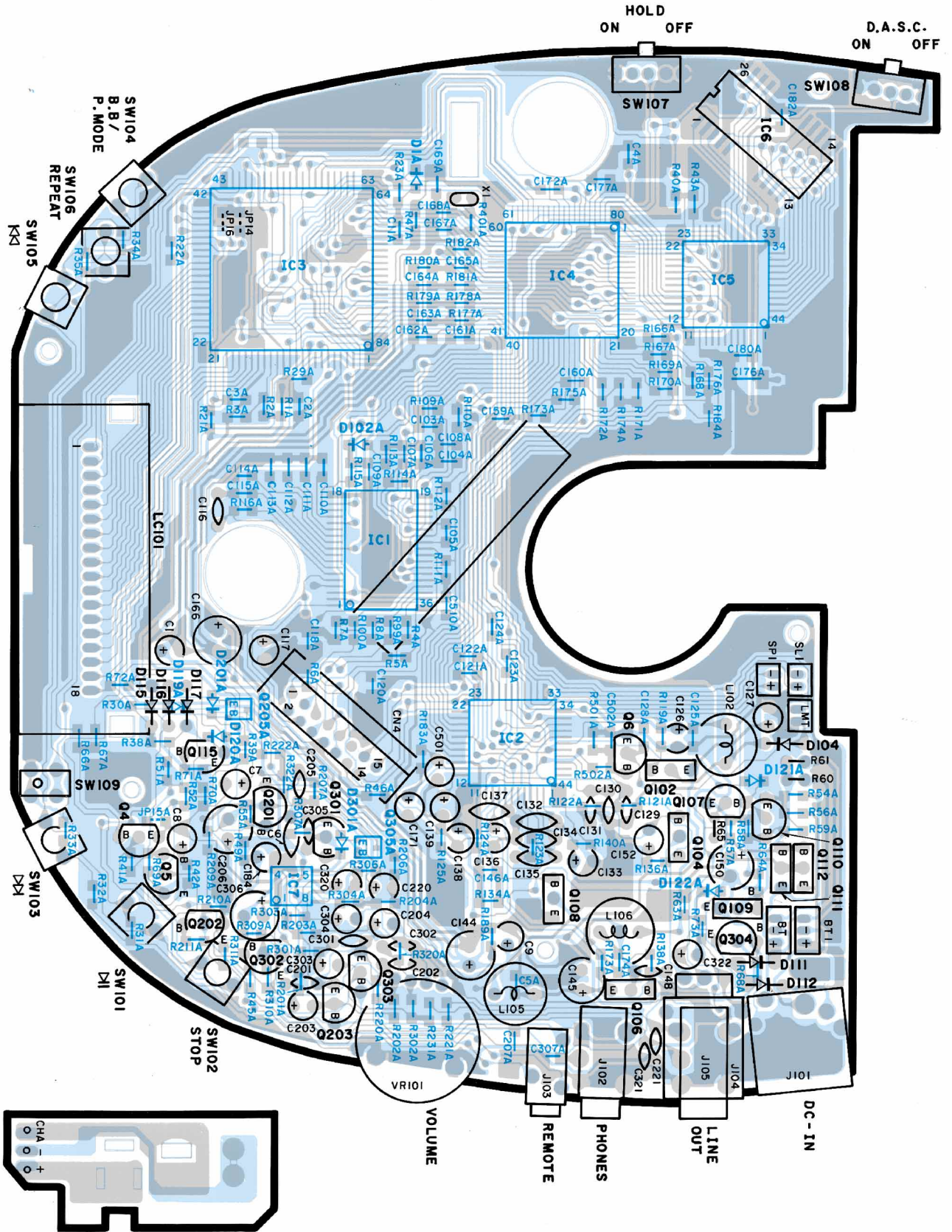
1-2 Voltage of pin No. 8 (IC3) / Key function.

| KEY | V | Key of unit (Remocon) |
|-----|------|-----------------------|
| | 0.00 | PLAY/PAUSE (▶/⏸) |
| | 0.75 | STOP (■) |
| | 1.00 | UP (▶▶) |
| | 1.23 | B. BOOST / P. MODE |
| | 1.43 | DOWN (◀◀) |
| | 1.69 | REPEAT |
| | 2.13 | MUTE (Only Remocon) |
| | 2.55 | KEY OFF |
| | 3.0 | |

1-3 Microprocessor periphery block diagram

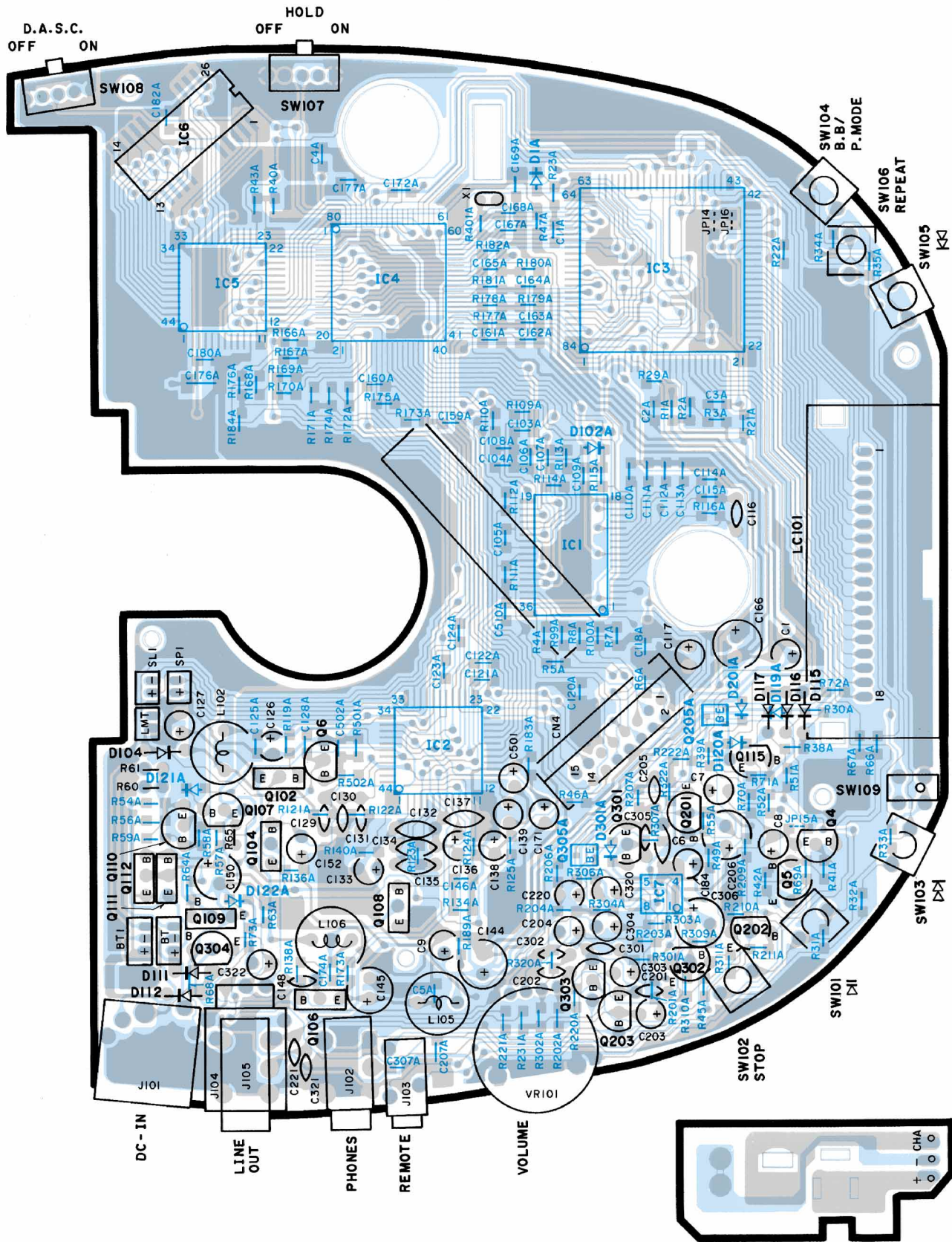


PC BOARD(Component side view) : DPC-181/381/382



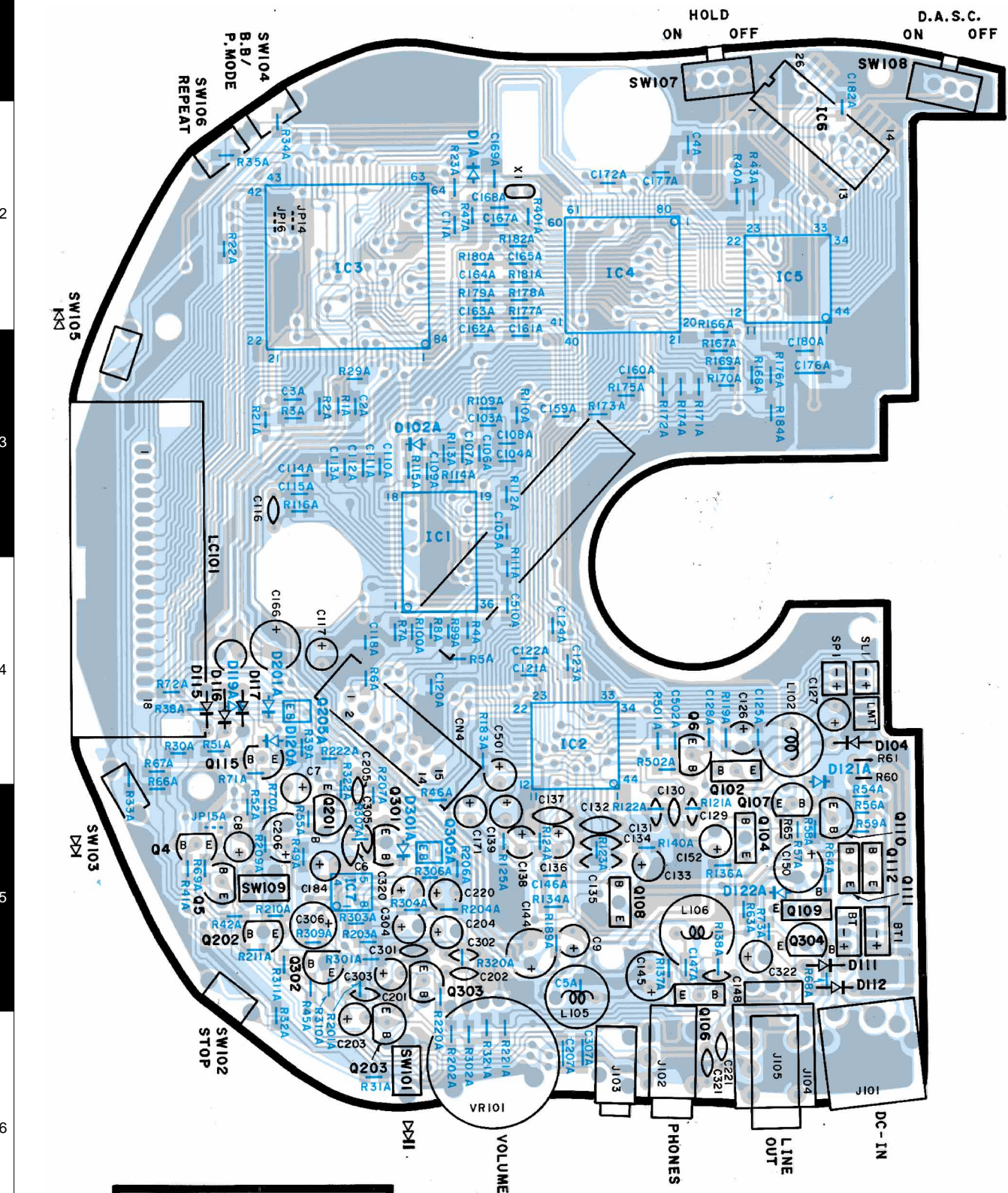
Refer to the schematic diagram for the value of resistors and capacitors.

PC BOARD(Foil side view) : DPC-181/381/382

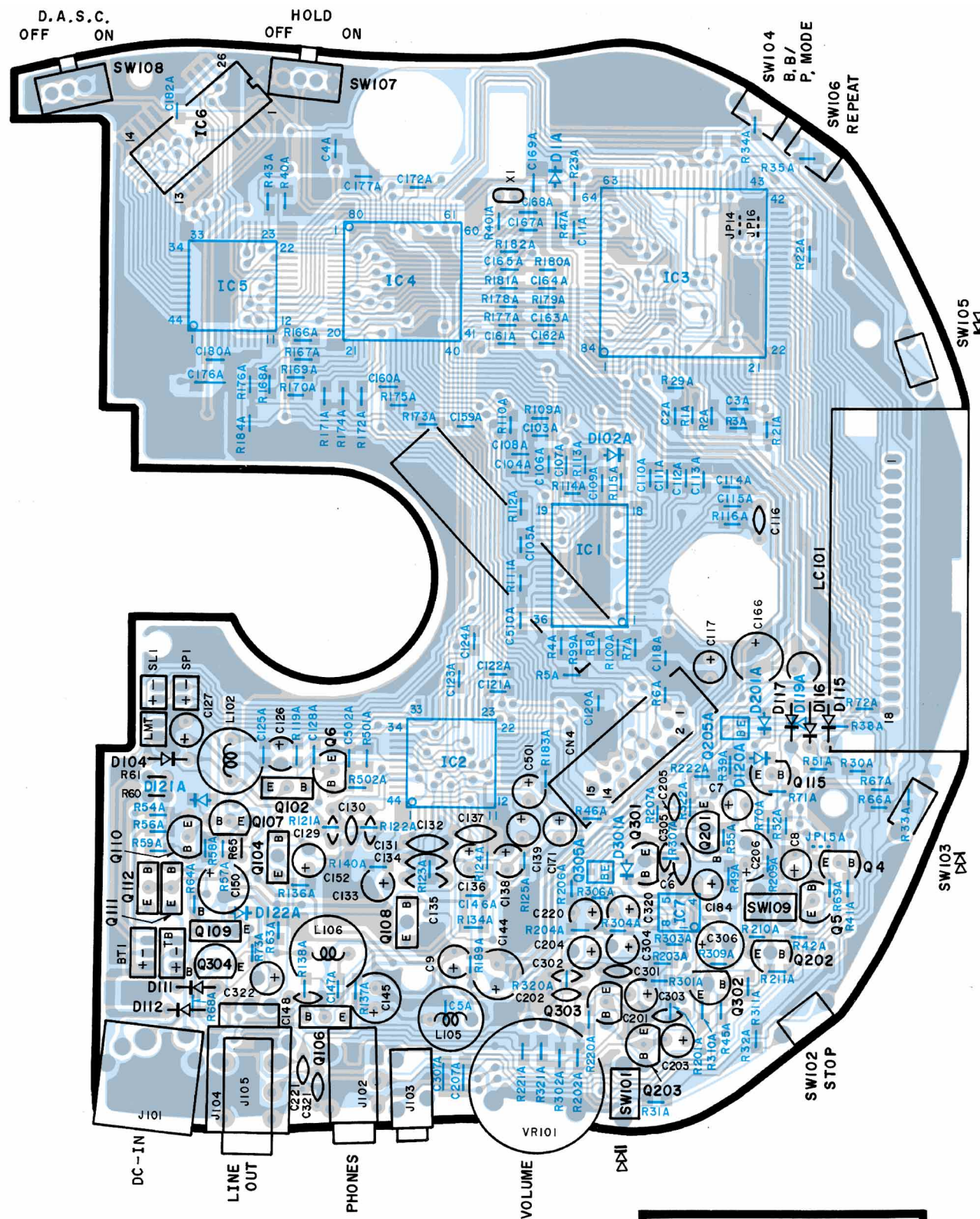


Refer to the schematic diagram for the value of resistors and capacitors.

PC BOARD(Component side view) : DPC-183/383

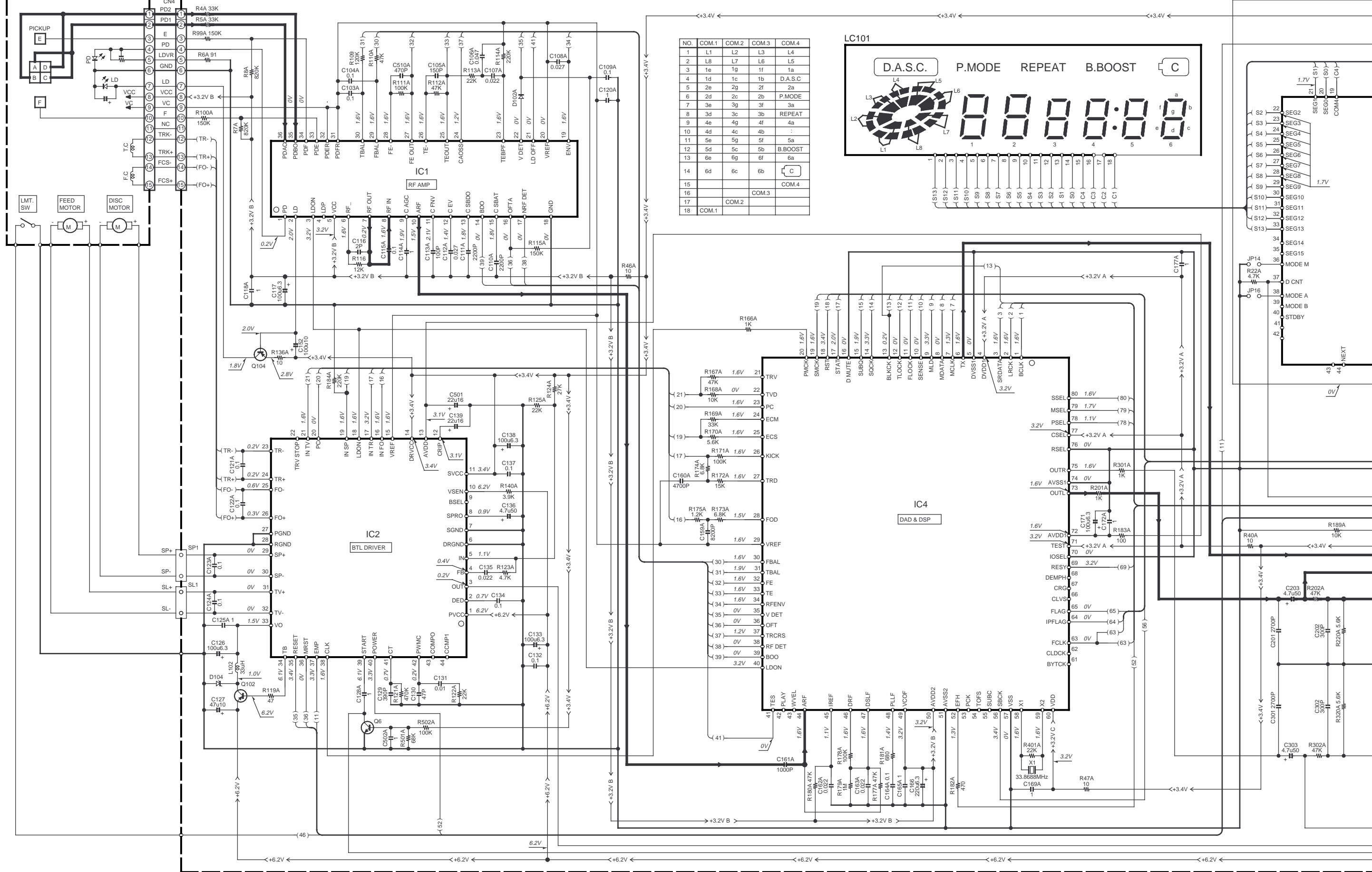


PC BOARD(Foil side view) : DPC-183/383

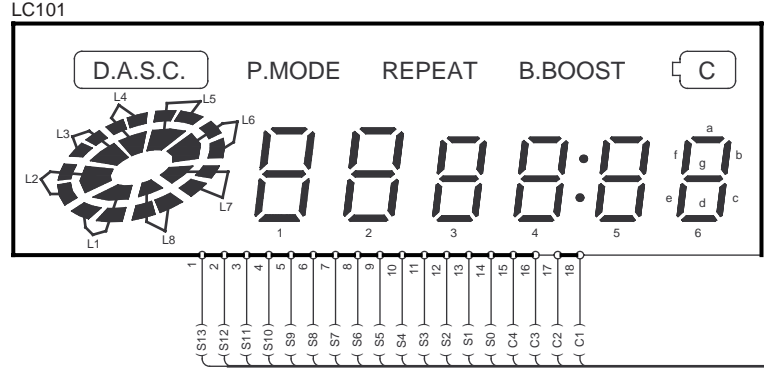


Refer to the schematic diagram for the value of resistors and capacitors.

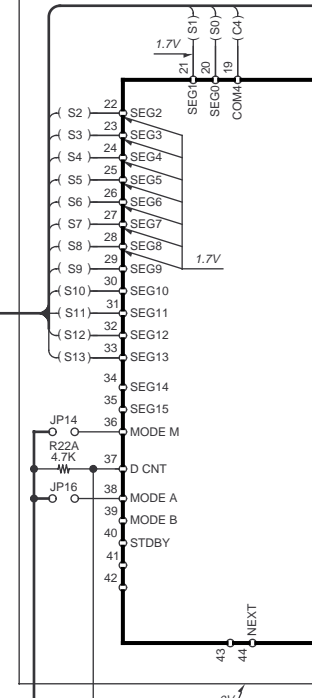
MECHA. ASS'Y

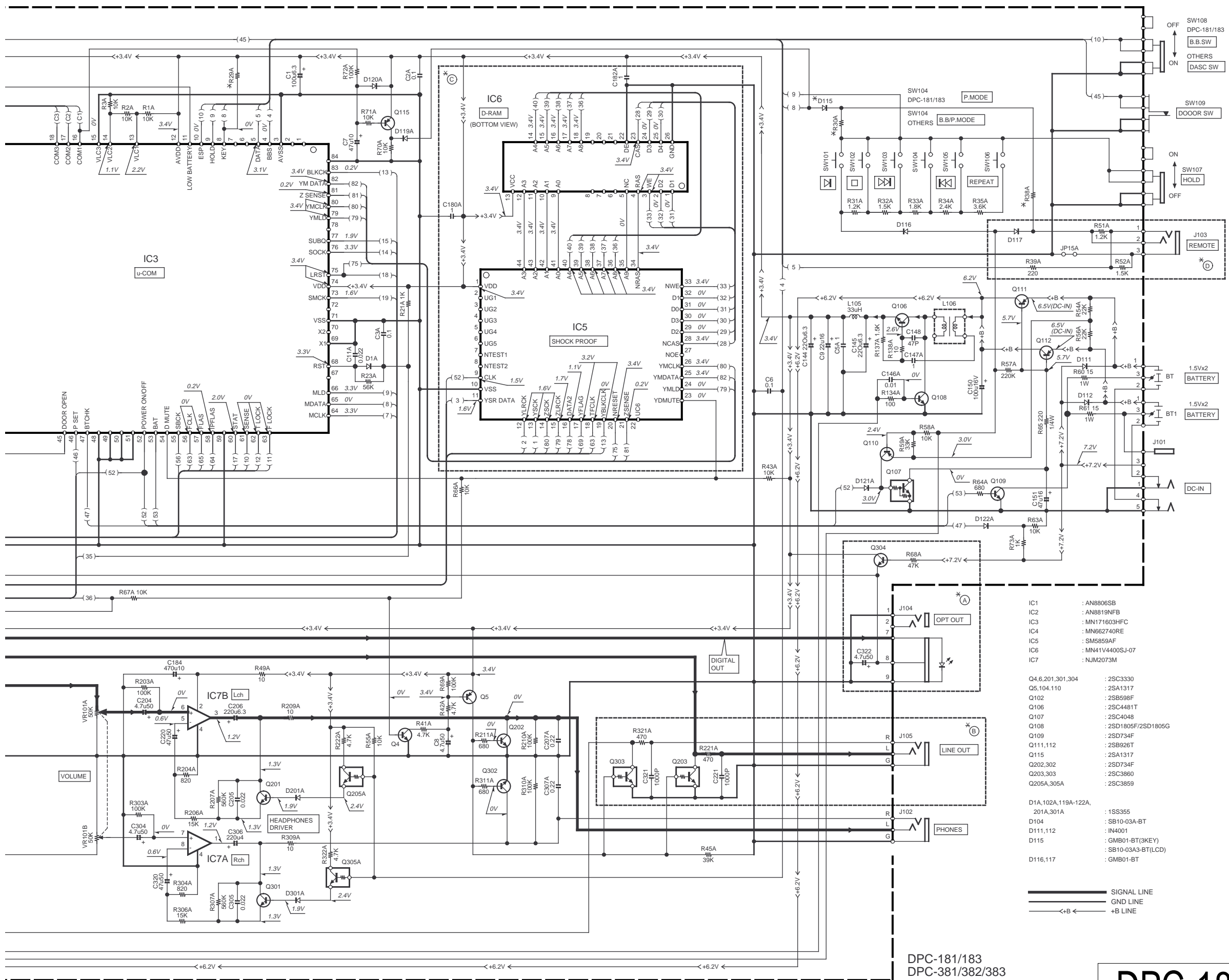


| NO. | COM.1 | COM.2 | COM.3 | COM.4 |
|-----|-------|-------|-------|---------|
| 1 | L1 | L2 | L3 | L4 |
| 2 | L8 | L7 | L6 | L5 |
| 3 | 1e | 1g | 1f | 1a |
| 4 | 1d | 1c | 1b | D.A.S.C |
| 5 | 2e | 2g | 2f | L4 |
| 6 | 2d | 2c | 2b | P.MODE |
| 7 | 3e | 3g | 3f | 3a |
| 8 | 3d | 3c | 3b | REPEAT |
| 9 | 4e | 4g | 4f | 4a |
| 10 | 4d | 4c | 4b | 5a |
| 11 | 5e | 5g | 5f | 5a |
| 12 | 5d | 5c | 5b | B.BOOST |
| 13 | 6e | 6g | 6f | 6a |
| 14 | 6d | 6c | 6b | COM.4 |
| 15 | | | | |
| 16 | | | COM.3 | |
| 17 | | COM.2 | | |
| 18 | COM.1 | | | |



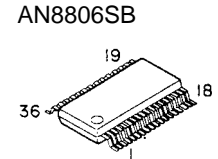
IC4
DAD & DSP



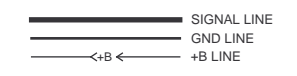


CAUTION: For continued safety, replace safety critical components only with manufacturer's recommended parts (refer to parts list). Δ indicates safety critical components. For continued protection against risk of fire, replace only with same type and rating fuse(s). To reduce the risk of electric shock, leakage-current or resistance measurements shall be carried out (exposed parts are acceptably insulated from the supply circuit) before the appliance is returned to the customer.

The DC voltage is an actual reading measured with a high impedance type voltmeter. The measurement value may vary depending on the measuring instruments used or on the product. Refer to the voltage during PLAY with DASC OFF (at the normal speed) unless otherwise specified; The value shown in () is the voltage measured at the moment of STOP.



- IC1 : AN8806SB
- IC2 : AN8819NFB
- IC3 : MN171603HFC
- IC4 : MN662740RE
- IC5 : SM5859AF
- IC6 : MN41V4400SJ-07
- IC7 : NJM2073M
- Q4,6,201,301,304 : 2SC3330
- Q5,104,110 : 2SA1317
- Q102 : 2SB598F
- Q106 : 2SC4481T
- Q107 : 2SC4048
- Q108 : 2SD1805F/2SD1805G
- Q109 : 2SD734F
- Q111,112 : 2SB926T
- Q115 : 2SA1317
- Q202,302 : 2SD734F
- Q203,303 : 2SC3860
- Q205A,305A : 2SC3859
- D1A,102A,119A-122A, 201A,301A : 1SS355
- D104 : SB10-03A-BT
- D111,112 : 1N4001
- D115 : GMB01-BT(3KEY)
- D116,117 : SB10-03A3-BT(LCD)
- : GMB01-BT



DPC-181

| DESTINATION | COUNTRY | ABB | (A) | (B) | (C) | (D) | D115 | R29A | R30A | R38A |
|----------------|---------|-----|-----|-----|-----|----------|------|------|------|------|
| U.S.A. | K | | | | | | | | | |
| CANADA | P | | | | | | | | | |
| EUROPE | E | | NO | YES | | NO | NO | NO | NO | |
| U.K. | T | | | | | | | | | |
| AUSTRALIA | X | | | | | | | | | |
| GENERAL MARKET | M | | | | YES | GMB01-BT | 10K | 0 | | |

DPC-183

| DESTINATION | COUNTRY | ABB | (A) | (B) | (C) | (D) | D115 | R29A | R30A | R38A |
|----------------|---------|-----|-----|-----|-----|----------|------|------|------|------|
| U.S.A. | K | | | | | | | | | |
| CANADA | P | | | | | | | | | |
| EUROPE | E | | NO | YES | | NO | NO | NO | NO | |
| U.K. | T | | | | | | | | | |
| AUSTRALIA | X | | | | | | | | | |
| GENERAL MARKET | M | | | | YES | GMB01-BT | 10K | 0 | | |

DPC-381

| DESTINATION | COUNTRY | ABB | (A) | (B) | (C) | (D) | D115 | R29A | R30A | R38A |
|----------------|---------|-----|-----|-----|-----|-----|----------|------|------|------|
| U.S.A. | K | | | | | | | | | |
| CANADA | P | | | | | | | | | |
| EUROPE | E | | NO | YES | YES | NO | NO | NO | NO | NO |
| U.K. | T | | | | | | | | | |
| AUSTRALIA | X | | | | | | | | | |
| GENERAL MARKET | M | | YES | NO | | YES | SB10-03A | 8.2K | 1K | 820 |

DPC-382

| DESTINATION | COUNTRY | ABB | (A) | (B) | (C) | (D) | D115 | R29A,30A,38A |
|----------------|---------|-----|-----|-----|-----|-----|----------|--------------|
| U.S.A. | K | | | | | | | |
| CANADA | P | | | | | | | |
| EUROPE | E | | NO | YES | | NO | NO | NO |
| U.K. | T | | | | | | | |
| AUSTRALIA | X | | | | | | | |
| GENERAL MARKET | M | | | | | YES | SB10-03A | 8.2K 1K 820 |

DPC-383

| DESTINATION | COUNTRY | ABB | (A) | (B) | (C) | (D) | D115 | R29A | R30A | R38A |
|----------------|---------|-----|-----|-----|-----|-----|----------|------|------|------|
| U.S.A. | K | | | | | | | | | |
| CANADA | P | | | | | | | | | |
| EUROPE | E | | NO | YES | YES | NO | NO | NO | NO | NO |
| U.K. | T | | | | | | | | | |
| AUSTRALIA | X | | | | | | | | | |
| GENERAL MARKET | M | | YES | NO | | YES | SB10-03A | 8.2K | 1K | 820 |

DPC-181/183
DPC-381/382/383

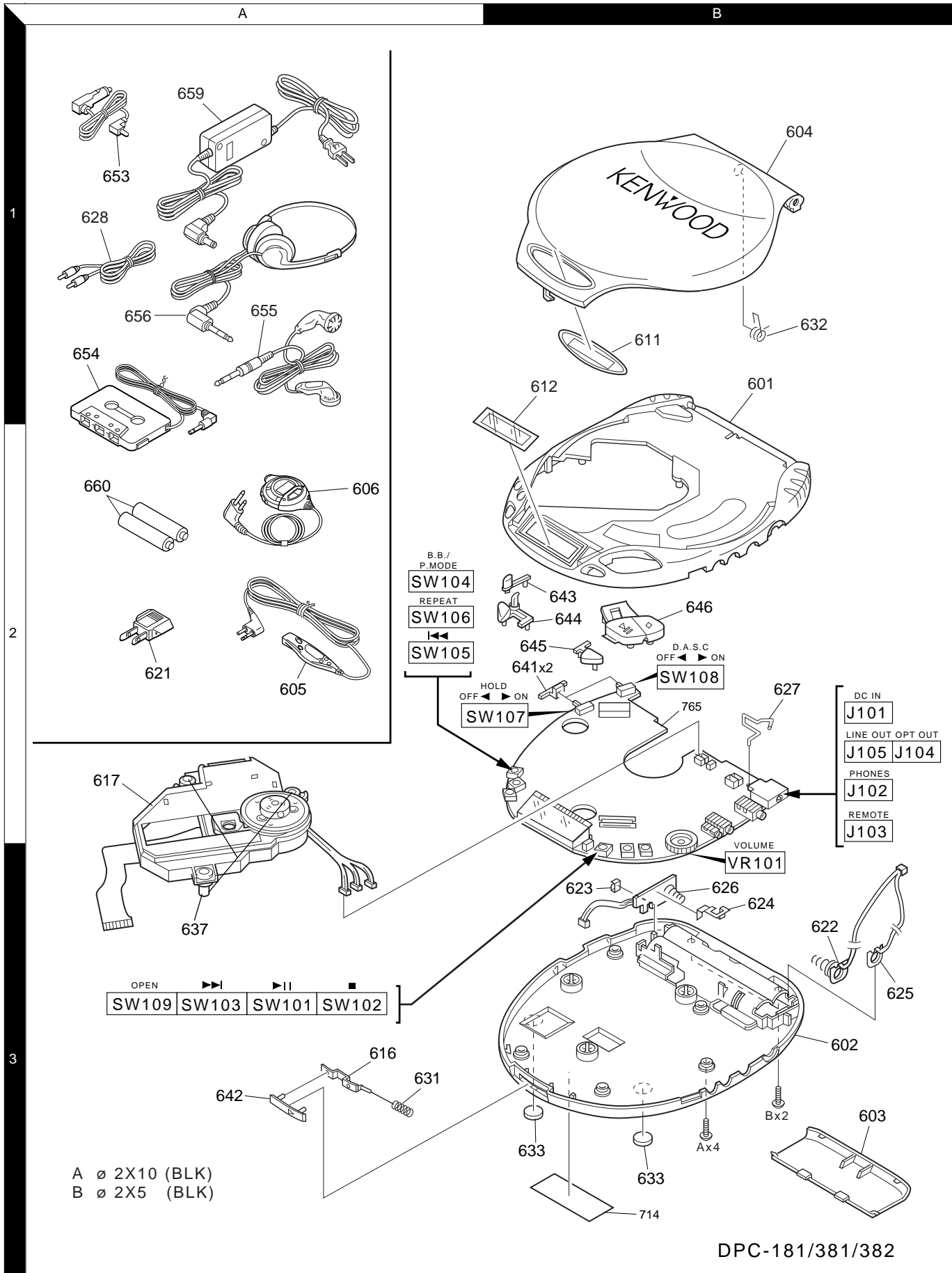
DPC-181/183/381/382/383

Y22-7250-11

KENWOOD

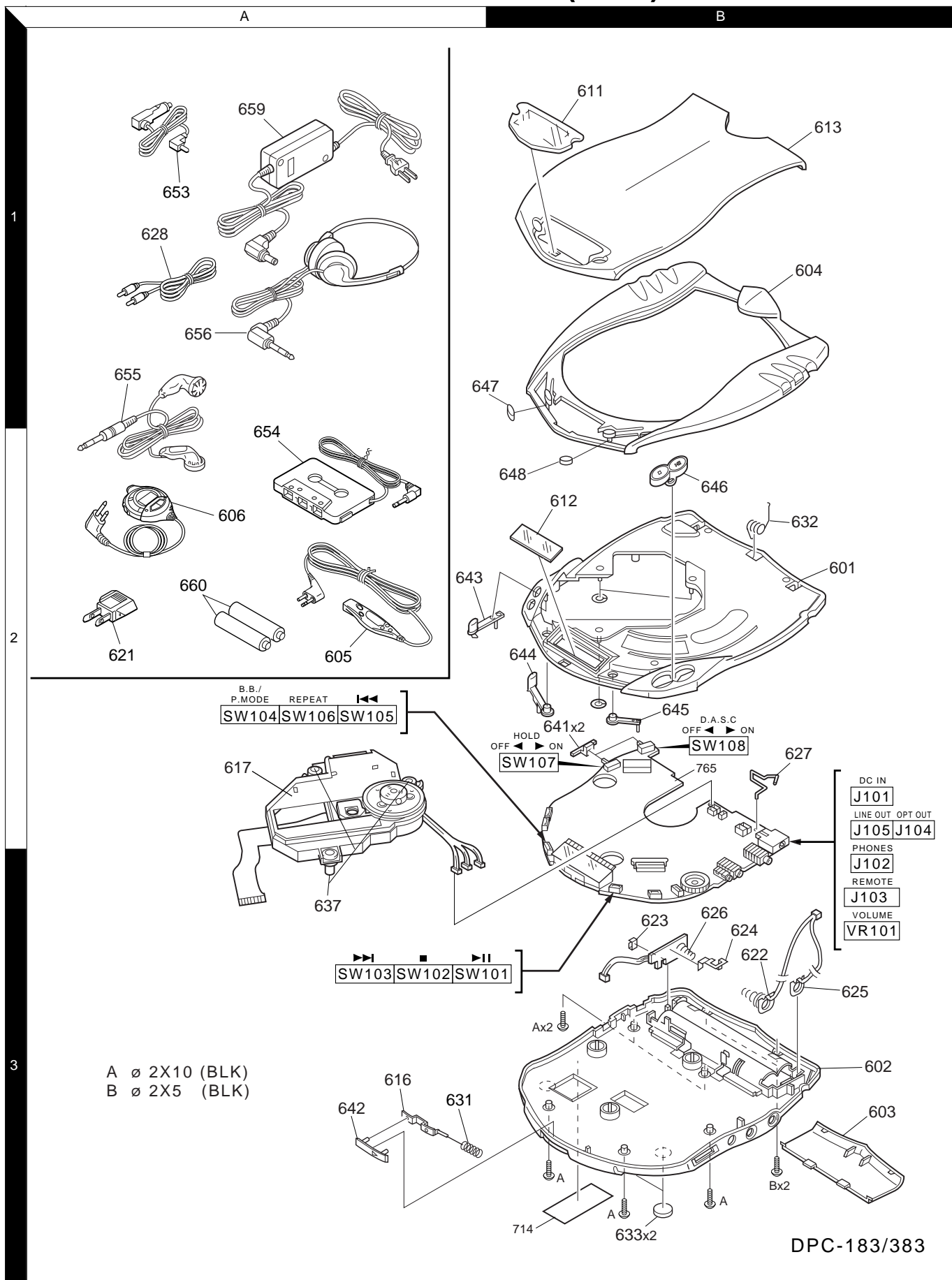
DPC-181/183/381/382/383

EXPLODED VIEW(UNIT)



DPC-181/183/381/382/383

EXPLODED VIEW(UNIT)



DPC-183/383

Parts with exploded view numbers larger than 700 are not supplied.

* New Parts
 Parts without **Parts No.** are not supplied.
 Les articles non mentionnés dans le **Parts No.** ne sont pas fournis.
 Teile ohne **Parts No.** werden nicht geliefert.

①

| Ref. No | Add-ress | New Parts | Parts No. | Description | Desti-nation | Re-marks |
|--------------------------------|----------|-----------|-------------|---------------------------------|--------------|----------|
| DPC-181/183/381/382/383 | | | | | | |
| 601 | 1B | * | A02-XXXX-08 | TOP CABINET DPC-181 | M2 | 1 |
| 601 | 2B | * | A02-2805-08 | TOP CABINET DPC-383 | M | 5 |
| 601 | 1B | * | A02-1375-08 | TOP CABINET DPC-381 | KPET | 3 |
| 601 | 1B | * | A02-1383-08 | TOP CABINET DPC-381 | M | 3 |
| 601 | 1B | * | A02-1384-08 | TOP CABINET DPC-381 | M2 | 3 |
| 601 | 1B | * | A02-1386-08 | TOP CABINET DPC-382 | | 4 |
| 601 | 1B | * | A02-1387-08 | TOP CABINET DPC-181 | KP | 1 |
| 601 | 1B | * | A02-1388-08 | TOP CABINET DPC-181 | ETX | 1 |
| 601 | 1B | * | A02-1389-08 | TOP CABINET DPC-181 | M | 1 |
| 601 | 2B | * | A02-1393-08 | TOP CABINET DPC-183 | KP | 2 |
| 601 | 2B | * | A02-1397-08 | TOP CABINET DPC-383 | ETX | 5 |
| 601 | 2B | * | A02-1394-08 | TOP CABINET DPC-183 | ETX | 2 |
| 601 | 2B | * | A02-1397-08 | TOP CABINET DPC-383 | KP | 5 |
| 601 | 2B | * | A02-2804-08 | TOP CABINET DPC-383 | M2 | 5 |
| 601 | 2B | * | A02-2806-08 | TOP CABINET DPC-183 | M | 2 |
| 602 | 3B | * | A02-1400-08 | BOTTOM CABINET DPC-381 | M2 | 3 |
| 602 | 3B | * | A02-1385-08 | BOTTOM CABINET DPC-181 | M | 1 |
| 602 | 3B | * | A02-1390-08 | BOTTOM CABINET DPC-181 | KP | 1 |
| 602 | 3B | * | A02-1392-08 | BOTTOM CABINET DPC-181 | ETX | 1 |
| 602 | 3B | * | A02-1395-08 | BOTTOM CABINET DPC-383 | KP | 5 |
| 602 | 3B | * | A02-1395-08 | BOTTOM CABINET DPC-183/383 | ETX | 2,5 |
| 602 | 3B | * | A02-1396-08 | BOTTOM CABINET DPC-183 | M | 2 |
| 602 | 3B | * | A02-1399-08 | BOTTOM CABINET DPC-383 | M2 | 5 |
| 602 | 3B | * | A02-1396-08 | BOTTOM CABINET DPC-383 | M | 5 |
| 602 | 3B | * | A02-2803-08 | BOTTOM CABINET DPC-381 | KPETX | 3 |
| 602 | 3B | * | A02-2803-08 | BOTTOM CABINET DPC-382 | | 4 |
| 602 | 3B | * | A02-XXXX-08 | BOTTOM CABINET DPC-181 | M2 | 1 |
| 602 | 3B | * | A02-2801-08 | BOTTOM CABINET DPC-381 | M | 3 |
| 602 | 3B | * | A02-2802-08 | BOTTOM CABINET DPC-183 | KP | 2 |
| 603 | 3B | * | A09-0389-08 | BATTERY DOOR DPC-181 | | 1 |
| 603 | 3B | * | A09-0392-08 | BATTERY DOOR DPC-381/382 | | 2,3 |
| 603 | 3B | * | A09-0394-08 | BATTERY DOOR DPC-183/383 | | 2,5 |
| 604 | 1B | * | A52-0328-08 | CD DOOR DPC-181 | | 1 |
| 604 | 1B | * | A52-0329-08 | CD DOOR DPC-183/383 | ETXMM2 | 2,5 |
| 604 | 1B | * | A52-0330-08 | CD DOOR DPC-183 | KP | 2 |
| 604 | 1B | * | A52-0330-08 | CD DOOR DPC-383 | KP | 5 |
| 604 | 1B | * | A52-0332-08 | CD DOOR DPC-381 | | 3 |
| 604 | 1B | * | A52-0333-08 | CD DOOR DPC-382 | | 4 |
| 605 | 2A | * | A70-1111-08 | 3KEY REMOCON DPC-181 | M2 | 1 |
| 605 | 2A | * | A70-1111-08 | 3KEY REMOCON DPC-183 | M | 2 |
| 606 | 2A | * | A70-1190-05 | LCD REMOCON DPC-381/383 | M,M2 | 3,5 |
| 611 | 1B | * | B10-2416-08 | DISPLAY LENS DPC-181/381/382 | | 1,2,3 |
| 611 | 1B | * | B10-2430-08 | DISPLAY LENS DPC-183 | | 2 |
| 611 | 1B | * | B10-2433-08 | DISPLAY LENS DPC-383 | | 5 |
| 612 | 1B | * | B10-2417-08 | INNER DISP LENS DPC-181/381/382 | | 1,2,3 |
| 612 | 2B | * | B10-2431-08 | INNER DISP LENS DPC-183/383 | | 2,5 |
| 613 | 1B | * | B10-2438-08 | CD DOOR LENS DPC-183 | ETXM | 2 |
| 613 | 1B | * | B10-2432-08 | CD DOOR LENS DPC-183 | KP | 2 |
| 613 | 1B | * | B10-2434-08 | CD DOOR LENS DPC-383 | KP | 5 |
| 613 | 1B | * | B10-2437-08 | CD DOOR LENS DPC-383 | ETXMM2 | 5 |
| - | | * | B46-0100-50 | WARRANTY CARD | XTE | |
| - | | * | B46-0332-03 | WARRANTY CARD | K | |
| - | | * | B46-0336-03 | WARRANTY CARD | P | |
| - | | * | B58-1519-08 | CAUTION SHEET(HOLD) | | |

L : Scandinavia K : USA P : Canada R : Mexico 1 : DPC-181 2 : DPC-183
 Y : PX(Far East, Hawaii) T : Europe E : Europe G : Germany 3 : DPC-381 4 : DPC-382
 Y : AAFES(Europe) X : Australia M : Other Areas
 XXXX : No available the parts number.

⚠ indicates safety critical components.

* New Parts
 Parts without **Parts No.** are not supplied.
 Les articles non mentionnés dans le **Parts No.** ne sont pas fournis.
 Teile ohne **Parts No.** werden nicht geliefert.

②

| Ref. No | Add-ress | New Parts | Parts No. | Description | Desti-nation | Re-marks |
|---------|----------|-----------|-------------|--------------------------------|--------------|----------|
| - | | * | B60-3358-08 | INST MANUAL(EN)DPC-181/381/382 | KP | |
| - | | * | B60-3359-08 | INST MANUAL(EN)DPC-181/381/382 | TMX | |
| - | | * | B60-3360-08 | INST MANUAL(SP)DPC-181/381/382 | EM | |
| - | | * | B60-3361-08 | INST MANUAL(F) DPC-181/381/382 | PE | |
| - | | * | B60-3362-08 | INST MANUAL(G) DPC-181/381/382 | E | |
| - | | * | B60-3363-08 | INST MANUAL(D) DPC-181/381/382 | E | |
| - | | * | B60-3364-08 | INST MANUAL(I) DPC-181/381/382 | E | |
| - | | * | B60-3365-08 | INST MANUAL(C) DPC-181/381/382 | M | |
| - | | * | B60-3366-08 | INST MANUAL(TA)DPC-181/381/382 | M | |
| - | | * | B60-3368-08 | INST MANUAL(EN)DPC-383 | KP | |
| - | | * | B60-3369-08 | INST MANUAL(EN)DPC-383 | TMX | |
| - | | * | B60-3370-08 | INST MANUAL(SP)DPC-383 | EM | |
| - | | * | B60-3371-08 | INST MANUAL(F) DPC-383 | PE | |
| - | | * | B60-3372-08 | INST MANUAL(G) DPC-383 | E | |
| - | | * | B60-3373-08 | INST MANUAL(D) DPC-383 | E | |
| - | | * | B60-3374-08 | INST MANUAL(I) DPC-383 | E | |
| - | | * | B60-3375-08 | INST MANUAL(C) DPC-383 | M | |
| - | | * | B60-3376-08 | INST MANUAL(TA)DPC-383 | M | |
| 617 | 2A | | D40-1547-08 | CD MECHANISM KSM-542AAA | | |
| 621 | 2A | | E03-0115-05 | AC PLAG ADAPTER | MM2 | |
| 622 | 3B | * | E23-1737-08 | BATTERY CONTACT PLATE(-) | | |
| 623 | 3B | * | E23-1755-08 | BATTERY CONTACT SPRING PLATE+ | | |
| 624 | 3B | * | E23-1756-08 | RECHARGE CONTACT PLATE | | |
| 625 | 3B | * | E23-1758-08 | BATTERY CONTACT PLATE(+) | | |
| 626 | 3B | * | E23-1759-08 | BATTERY CONTACT SPRING(-) | | |
| 627 | 2B | * | E23-1757-08 | RECHARGE CONTACT SPRING | | |
| 628 | 1A | * | E30-2782-05 | AUDIO CABLE DPC-381 ET only | ET | |
| 631 | 3A | * | G01-4037-08 | OPEN KNOB SPRING(FOR HOOK) | | |
| 632 | 1B | * | G01-4038-08 | CD DOOR SPRING DPC-181/381/382 | | 1,2,3 |
| 632 | 2B | * | G01-4040-08 | CD DOOR SPRING DPC-183/383 | | 2,5 |
| 633 | 3B | * | G13-0542-08 | RUBBER FOOT DPC-181/381/382 | | 1,2,3 |
| 633 | 3B | * | G13-0562-08 | RUBBER FOOT DPC-183/383 | | 2,5 |
| - | | * | H25-1603-08 | POLYBAG 178X178+60MM | | |
| - | | * | H50-2528-08 | ITEM CARTON DPC-381 | KP | 3 |
| - | | * | H50-2529-08 | ITEM CARTON DPC-381 | E | 3 |
| - | | * | H50-2530-08 | ITEM CARTON DPC-381 | T | 3 |
| - | | * | H50-2531-08 | ITEM CARTON DPC-381 | M | 3 |
| - | | * | H50-2532-08 | ITEM CARTON DPC-381 | M2 | 3 |
| - | | * | H50-2534-08 | ITEM CARTON DPC-181 | M2 | 1 |
| - | | * | H50-2535-08 | ITEM CARTON DPC-181 | TX | 1 |
| - | | * | H50-2536-08 | ITEM CARTON DPC-181 | KP | 1 |
| - | | * | H50-2537-08 | ITEM CARTON DPC-181 | E | 1 |
| - | | * | H50-2538-08 | ITEM CARTON DPC-181 | M | 1 |
| - | | * | H50-2539-08 | ITEM CARTON DPC-382 | KPE | 4 |
| - | | * | H50-2540-08 | ITEM CARTON DPC-382 | TX | 4 |
| - | | * | H50-2541-08 | ITEM CARTON DPC-382 | M | 4 |
| - | | * | H50-2542-08 | ITEM CARTON DPC-183 | KP | 2 |
| - | | * | H50-2543-08 | ITEM CARTON DPC-183 | E | 2 |
| - | | * | H50-2544-08 | ITEM CARTON DPC-183 | M | 2 |
| - | | * | H50-2546-08 | ITEM CARTON DPC-383 | KPTX | 5 |
| - | | * | H50-2547-08 | ITEM CARTON DPC-383 | E | 5 |
| - | | * | H50-2548-08 | ITEM CARTON DPC-383 | M | 5 |
| - | | * | H50-2640-08 | ITEM CARTON DPC-181 | T | 1 |

L : Scandinavia K : USA P : Canada R : Mexico 1 : DPC-181 2 : DPC-183
 Y : PX(Far East, Hawaii) T : Europe E : Europe G : Germany 3 : DPC-381 4 : DPC-382
 Y : AAFES(Europe) X : Australia M : Other Areas
 XXXX : No available the parts number.

⚠ indicates safety critical components.

PARTS LIST

DPC-181/183/381/382/383

* New Parts
 Parts without **Parts No.** are not supplied.
 Les articles non mentionnés dans le **Parts No.** ne sont pas fournis.
 Teile ohne **Parts No.** werden nicht geliefert.

③

| Ref. No | Add-ress | New Parts | Parts No. | Description | Desti-nation | Re-marks |
|-----------------------|----------|-----------|---------------|---------------------------------|--------------|----------|
| - | | * | H50-2641-08 | ITEM CARTON DPC-181 | X | 1 |
| - | | * | H50-2642-08 | ITEM CARTON DPC-383 | M2 | 5 |
| 616 | 3A | * | D10-3770-08 | HOOK DPC-181/381/382 | | 1,2,3 |
| 616 | 3A | * | D10-3775-08 | HOOK DPC-183/383 | | 2,5 |
| 637 | 3A | * | J02-1185-08 | CUSHION(MECHA) | | |
| 641 | 2B | * | K27-2242-08 | KNOB SIDE DPC-181/381/382 | | 1,2,3 |
| 641 | 2B | * | K27-2250-08 | KNOB SIDE DPC-183/383 | | 2,5 |
| 642 | 2B | * | K27-2243-08 | KNOB DOOR OPEN DPC-181/381/382 | | 1,2,3 |
| 642 | 2B | * | K27-2251-08 | KNOB DOOR OPEN DPC-183/383 | | 2,5 |
| 643 | 2A,2B | * | K27-2244-08 | KNOB CD BUTTO ADPC-181/381/382 | | 1,2,3 |
| 643 | 2A,2B | * | K27-2252-08 | KNOB CD BUTTO ADPC-183/383 | | 2,5 |
| 644 | 2B | * | K27-2245-08 | KNOB CD BUTTO BDPC-181/381/382 | | 1,2,3 |
| 644 | 2B | * | K27-2253-08 | KNOB CD BUTTO BDPC-183/383 | | 2,5 |
| 645 | 2B | * | K27-2246-08 | KNOB CD BUTTO CDPC-181/381/382 | | 1,2,3 |
| 645 | 2B | * | K27-2254-08 | KNOB CD BUTTO CDPC-183/383 | | 2,5 |
| 646 | 2B | * | K27-2247-08 | KNOB CD BUTTO DDCPC-181/381/382 | | 1,2,3 |
| 646 | 2B | * | K27-2255-08 | KNOB CD BUTTO DDCPC-183/383 | | 2,5 |
| 647 | 1B | * | K27-2256-08 | KNOB SKIP/SEARCH A DPC-183/383 | | 2,5 |
| 648 | 1B | * | K27-2257-08 | KNOB SKIO/SEARCH B DPC-183/383 | | 2,5 |
| A | | | N09-3363-08 | SCREW 2X10 BLACK | | |
| B | | | N09-3362-08 | SCREW 2X5 BLACK | | |
| 653 | 1A | | W01-0921-05 | CAR BATTERY ADAPTER DPC-382 | | 4 |
| 654 | 1A | | W01-0922-05 | CAR CASSETTE ADAPTER DPC-382 | | 4 |
| 655 | 1A | | W01-0923-05 | INNER H/P(SHORT) DPC-183/381 | M | 2,3 |
| 655 | 1A | | W01-0923-05 | INNER H/P(SHORT) 181/381/383 | M2 | 1,3,5 |
| 655 | 1A | | W01-0925-05 | INNER H/P(LONG) DPC-181 | MXTE | 1 |
| 655 | 1A | | W01-0925-05 | INNER H/P(LONG) DPC-183 | X | 2 |
| 655 | 1A | | W01-0925-05 | INNER H/P(LONG) DPC-381 | TE | 3 |
| 656 | 1A | * | T17-0015-08 | SPORTS H/P(SHORT) DPC-383 | M | 5 |
| 656 | 1A | * | T17-0016-08 | SPORT H/P(LONG) DPC-383 | X | 5 |
| 656 | 1A | * | T17-0016-08 | SPORT H/P(LONG) DPC-183/383 | KPET | 2,5 |
| 656 | 1A | | W01-0924-05 | OPEN H/P(LOW) DPC-181 | KP | 1 |
| 656 | 1A | | W01-0924-05 | OPEN H/P(LOW) DPC-382 | KPMTE | 4 |
| 656 | 1A | * | W01-0943-05 | OPEN H/P(HIGH BLACK) DPC-381 | KP | 3 |
| 659 | 1A | | W08-0657-08 | AC-DC ADAPTER | KP | |
| 659 | 1A | | W08-0658-08 | AC-DC ADAPTER | E | |
| 659 | 1A | | W08-0659-08 | AC-DC ADAPTER | T | |
| 659 | 1A | | W08-0660-08 | AC-DC ADAPTER | X | |
| 659 | 1A | | W08-0667-05 | AC-DC ADAPTER | M | |
| 660 | 2A | | W09-1239-05 | RECHARGEABLE BATTERY | KP | |
| 1,2,3,5 | | | | | | |
| 660 | 2A | | W09-1240-05 | RECHARGEABLE BATTERY | TXMM2 | |
| ELECTRIC PARTS | | | | | | |
| C1 | | | CE04CW0J101M | ELECTRO 100UF 6.3WV | | |
| C2A ,3A | | | CK73FB1E104K | CHIP C 0.10UF K | | |
| C5A | | | CK73FB1H105Z | CHIP C 1.0UF Z | | |
| C6 | | | CK45FB1C104K | CERAMIC 0.10UF K | | |
| C7 | | | CE04CW1A470M | ELECTRO 47UF 10WV | | |
| C8 | | | CE04CW1H4R7M | ELECTRO 4.7UF 50WV | | |
| C9 | | | CE04CW1C220M | ELECTRO 22UF 16WV | | |
| C11A | | | CK73FB1E223K | CHIP C 0.022UF K | | |
| C103A,104A | | | CK73FB1E104K | CHIP C 0.10UF K | | |
| C105A | | | CC73FSL1H151J | CHIP C 150PF J | | |
| C106A | | | CK73FB1H473K | CHIP C 0.047UF K | | |

L : Scandinavia K : USA P : Canada R : Mexico 1 : DPC-181 2 : DPC-183
 Y : PX(Far East, Hawaii) T : Europe E : Europe G : Germany 3 : DPC-381 4 : DPC-382
 Y : AAFES(Europe) X : Australia M : Other Areas 5 : DPC-383

⚠ indicates safety critical components.

* New Parts
 Parts without **Parts No.** are not supplied.
 Les articles non mentionnés dans le **Parts No.** ne sont pas fournis.
 Teile ohne **Parts No.** werden nicht geliefert.

④

| Ref. No | Add-ress | New Parts | Parts No. | Description | Desti-nation | Re-marks |
|------------|----------|-----------|---------------|---------------------|--------------|----------|
| C107A | | | CK73FB1E223K | CHIP C 0.022UF K | | |
| C108A | | | CK73FB1E273K | CHIP C 0.027UF K | | |
| C109A | | | CK73FB1E104K | CHIP C 0.10UF K | | |
| C110A,111A | | | CK73FB1H222J | CHIP C 2200PF J | | |
| C112A | | | CK73FB1E273K | CHIP C 0.027UF K | | |
| C113A | | | CK73FB1H101J | CHIP C 100PF J | | |
| C114A | | | CK73FB1H105Z | CHIP C 1.0UF Z | | |
| C115A | | | CK73FB1E104K | CHIP C 0.10UF K | | |
| C116 | | | CC45FSL1H020J | CERAMIC 2.0PF J | | |
| C117 | | | CE04CW0J101M | ELECTRO 100UF 6.3WV | | |
| C118A | | | CK73FB1H105Z | CHIP C 1.0UF Z | | |
| C120A | | | CK73FB1H105Z | CHIP C 1.0UF Z | | |
| C121A-124A | | | CK73FB1E104K | CHIP C 0.10UF K | | |
| C125A | | | CK73FB1H105Z | CHIP C 1.0UF Z | | |
| C126 | | | CE04CW0J101M | ELECTRO 100UF 6.3WV | | |
| C127 | | | CE04CW1A470M | ELECTRO 47UF 10WV | | |
| C128A | | | CK73FB1H105Z | CHIP C 1.0UF Z | | |
| C129 | | | CC45FSL1H391J | CERAMIC 390PF J | | |
| C130 | | | CC45FSL1H470J | CERAMIC 47PF J | | |
| C131 | | | CK45FB1H103Z | CERAMIC 0.010UF Z | | |
| C132 | | | CK45FB1C104K | CERAMIC 0.10UF K | | |
| C133 | | | CE04CW0J101M | ELECTRO 100UF 6.3WV | | |
| C134 | | | CK45FB1C104K | CERAMIC 0.10UF K | | |
| C135 | | | CK45FB1H223Z | CERAMIC 0.022UF Z | | |
| C136 | | | CE04CW1H4R7M | ELECTRO 4.7UF 50WV | | |
| C137 | | | CK45FB1C104K | CERAMIC 0.10UF K | | |
| C138 | | | CE04CW0J101M | ELECTRO 100UF 6.3WV | | |
| C139 | | | CE04CW1C220M | ELECTRO 22UF 16WV | | |
| C144,145 | | | CE04CW0J221M | ELECTRO 220UF 6.3WV | | |
| C146A | | | CK73FB1E103K | CHIP C 0.010UF K | | |
| C147A | | | CK73FB1H105Z | CHIP C 1.0UF Z | | |
| C148 | | | CC45FSL1H470J | CERAMIC 47PF J | | |
| C150 | | | CE04CW1C101M | ELECTRO 100UF 16WV | | |
| C151 | | | CE04CW1C470M | ELECTRO 47UF 16WV | | |
| C152 | | | CE04CW1C101M | ELECTRO 100UF 16WV | | |
| C159A | | | CK73FB1H822K | CHIP C 8200PF K | | |
| C160A | | | CK73FB1H472K | CHIP C 4700PF K | | |
| C161A | | | CK73FB1H102K | CHIP C 1000PF K | | |
| C162A,163A | | | CK73FB1E223K | CHIP C 0.022UF K | | |
| C164A | | | CK73FB1E104K | CHIP C 0.10UF K | | |
| C165A | | | CK73FB1H105Z | CHIP C 1.0UF Z | | |
| C166 | | | CE04CW0J221M | ELECTRO 220UF 6.3WV | | |
| C169A | | | CK73FB1H105Z | CHIP C 1.0UF Z | | |
| C171 | | | CE04CW0J101M | ELECTRO 100UF 6.3WV | | |
| C172A | | | CK73FB1H105Z | CHIP C 1.0UF Z | | |
| C177A | | | CK73FB1H105Z | CHIP C 1.0UF Z | | |
| C180A | | | CK73FB1H105Z | CHIP C 1.0UF Z | | |
| C182A | | | CK73FB1H105Z | CHIP C 1.0UF Z | | |
| C184 | | | CE04CW1A471M | ELECTRO 470UF 10WV | | |
| C201 | | | CK45FB1H272K | CERAMIC 2700PF K | | |
| C202 | | | CK45FB1H301J | CERAMIC 300PF J | | |
| C203,204 | | | CE04CW1H4R7M | ELECTRO 4.7UF 50WV | | |
| C205 | | | CK45FB1H223Z | CERAMIC 0.022UF Z | | |
| C206 | | | CE04CW0J221M | ELECTRO 220UF 6.3WV | | |
| C207A | | | CK73FB1H224Z | CHIP C 0.22UF Z | | |
| C220 | | | CE04CW1A470M | ELECTRO 47UF 10WV | | |

L : Scandinavia K : USA P : Canada R : Mexico 1 : DPC-181 2 : DPC-183
 Y : PX(Far East, Hawaii) T : Europe E : Europe G : Germany 3 : DPC-381 4 : DPC-382
 Y : AAFES(Europe) X : Australia M : Other Areas 5 : DPC-383

⚠ indicates safety critical components.

* New Parts
 Parts without **Parts No.** are not supplied.
 Les articles non mentionnés dans le **Parts No.** ne sont pas fournis.
 Teile ohne **Parts No.** werden nicht geliefert.

5

| Ref. No | Add-ress | New Parts | Parts No. | Description | Desti-nation | Re-marks |
|----------|----------|-----------|--------------|------------------------------|--------------|----------|
| C221 | | | CK45FB1H102K | CERAMIC 1000PF K | | |
| C301 | | | CK45FB1H272K | CERAMIC 2700PF K | | |
| C302 | | | CK45FB1H301J | CERAMIC 300PF J | | |
| C303,304 | | | CE04CW1H4R7M | ELECTRO 4.7UF 50WV | | |
| C305 | | | CK45FB1H223Z | CERAMIC 0.022UF Z | | |
| C306 | | | CE04CW0G221M | ELECTRO 220UF 4.0WV | | |
| C307A | | | CK73FB1H224Z | CHIP C 0.22UF Z | | |
| C320 | | | CE04CW1A470M | ELECTRO 47UF 10WV | | |
| C321 | | | CK45FB1H102K | CERAMIC 1000PF K | | |
| C322 | | | CE04CW1H4R7M | ELECTRO 4.7UF 50WV | M2 | 5 |
| C501 | | | CE04CW1C220M | ELECTRO 22UF 16WV | | |
| C502A | | | CK73FB1H105Z | CHIP C 1.0UF Z | | |
| C510A | | | CK73FB1H471J | CHIP C 470PF J | | |
| BT | | * | E35-1995-08 | 3P J.WIRE(RED/BLACK/WHITE) | | |
| BT1 | | * | E35-1994-08 | 2P J.WIRE(ORANGE/BLUE) | | |
| CN4 | | | E60-0005-08 | 15P | | |
| J105 | | | E11-0354-08 | LINE OUT(PHONE JACK) | | |
| J101 | | * | E03-0356-08 | DC JACK | | |
| J102 | | * | E11-0372-08 | PHONE JACK 3.6MM GREEN | | |
| J103 | | * | E11-0355-08 | REMOTE JACK 2.6MM(3 PINS) | M | 2,3,5 |
| J103 | | * | E11-0355-08 | REMOTE JACK 2.6MM(3 PINS) | M2 | 1,3,5 |
| L102 | | * | L33-0564-08 | CHOKE COIL 33UH | | |
| L105 | | * | L33-0564-08 | CHOKE COIL 33UH | | |
| L106 | | * | L33-0565-08 | CHOKE COIL 95UH | | |
| LC101 | | * | B38-0164-08 | LCD DISPLAY | | |
| X1 | | * | L77-2204-08 | CRYSTAL RESONATOR 33.8688MHZ | | |
| R1A -3A | | | RK73FB2A103J | CHIP R 10K J 1/10W | | |
| R4A ,5A | | | RK73FB2A333J | CHIP R 33K J 1/10W | | |
| R6A | | | RK73FB2A910J | CHIP R 91 J 1/10W | | |
| R7A ,8A | | | RK73FB2A824J | CHIP R 820K J 1/10W | | |
| R21A | | | RK73FB2A102J | CHIP R 1.0K J 1/10W | | |
| R22A | | | RK73FB2A472J | CHIP R 4.7K J 1/10W | | |
| R23A | | | RK73FB2A563J | CHIP R 56K J 1/10W | | |
| R29A | | | RK73FB2A103J | CHIP R 10K J 1/10W | M | 2 |
| R29A | | | RK73FB2A103J | CHIP R 10K J 1/10W | M2 | 1 |
| R29A | | | RK73FB2A822J | CHIP R 8.2K J 1/10W | M | 3 |
| R29A | | | RK73FB2A822J | CHIP R 8.2K J 1/10W | MM2 | 5 |
| R30A | | | RK73FB2A000J | CHIP R 0 J 1/10W | M | 2 |
| R30A | | | RK73FB2A000J | CHIP R 0 J 1/10W | M2 | 1 |
| R30A | | | RK73FB2A102J | CHIP R 1.0K J 1/10W | M | 3 |
| R30A | | | RK73FB2A102J | CHIP R 1.0K J 1/10W | MM2 | 5 |
| R31A | | | RK73FB2A122J | CHIP R 1.2K J 1/10W | | |
| R32A | | | RK73FB2A152J | CHIP R 1.5K J 1/10W | | |
| R33A | | | RK73FB2A182J | CHIP R 1.8K J 1/10W | | |
| R34A | | | RK73FB2A242J | CHIP R 2.4K J 1/10W | | |
| R35A | | | RK73FB2A362J | CHIP R 3.6K J 1/10W | | |
| R38A | | | RK73FB2A000J | CHIP R 0 J 1/10W | M | 2 |
| R38A | | | RK73FB2A000J | CHIP R 0 J 1/10W | M2 | 1 |
| R38A | | | RK73FB2A821J | CHIP R 820 J 1/10W | M | 3 |
| R38A | | | RK73FB2A821J | CHIP R 820 J 1/10W | MM2 | 5 |
| R39A | | | RK73FB2A221J | CHIP R 220 J 1/10W | M | 3 |
| R39A | | | RK73FB2A221J | CHIP R 220 J 1/10W | M | 2 |
| R39A | | | RK73FB2A221J | CHIP R 220 J 1/10W | MM2 | 5 |
| R40A | | | RK73FB2A100J | CHIP R 10 J 1/10W | M2 | 1 |
| R41A | | | RK73FB2A472J | CHIP R 4.7K J 1/10W | | |

L : Scandinavia K : USA P : Canada R : Mexico 1 : DPC-181 2 : DPC-183
 Y : PX(Far East, Hawaii) T : Europe E : Europe G : Germany 3 : DPC-381 4 : DPC-382
 Y : AAFES(Europe) X : Australia M : Other Areas 5 : DPC-383

△ indicates safety critical components.

* New Parts
 Parts without **Parts No.** are not supplied.
 Les articles non mentionnés dans le **Parts No.** ne sont pas fournis.
 Teile ohne **Parts No.** werden nicht geliefert.

6

| Ref. No | Add-ress | New Parts | Parts No. | Description | Desti-nation | Re-marks |
|----------|----------|-----------|--------------|---------------------|--------------|----------|
| R42A | | | RK73FB2A472J | CHIP R 4.7K J 1/10W | | |
| R43A | | | RK73FB2A103J | CHIP R 10K J 1/10W | | |
| R45A | | | RK73FB2A393J | CHIP R 39K J 1/10W | | |
| R46A | | | RK73FB2A100J | CHIP R 10 J 1/10W | | |
| R47A | | | RK73FB2A100J | CHIP R 10 J 1/10W | | |
| R49A | | | RK73FB2A100J | CHIP R 10 J 1/10W | | |
| R51A | | | RK73FB2A122J | CHIP R 1.2K J 1/10W | M | 3 |
| R51A | | | RK73FB2A122J | CHIP R 1.2K J 1/10W | M | 2 |
| R51A | | | RK73FB2A122J | CHIP R 1.2K J 1/10W | MM2 | 5 |
| R51A | | | RK73FB2A122J | CHIP R 1.2K J 1/10W | M2 | 1 |
| R52A | | | RK73FB2A152J | CHIP R 1.5K J 1/10W | M | 3 |
| R52A | | | RK73FB2A152J | CHIP R 1.5K J 1/10W | M | 2 |
| R52A | | | RK73FB2A152J | CHIP R 1.5K J 1/10W | MM2 | 5 |
| R52A | | | RK73FB2A152J | CHIP R 1.5K J 1/10W | M2 | 1 |
| R54A | | | RK73FB2A223J | CHIP R 22K J 1/10W | | |
| R55A | | | RK73FB2A103J | CHIP R 10K J 1/10W | | |
| R56A | | | RK73FB2A223J | CHIP R 22K J 1/10W | | |
| R57A | | | RK73FB2A224J | CHIP R 220K J 1/10W | | |
| R58A | | | RK73FB2A103J | CHIP R 10K J 1/10W | | |
| R59A | | | RK73FB2A333J | CHIP R 33K J 1/10W | | |
| R60 ,61 | | | RS14KB3A150J | FL-PROOF 15 J 1W | | |
| R63A | | | RK73FB2A103J | CHIP R 10K J 1/10W | | |
| R64A | | | RK73FB2A681J | CHIP R 680 J 1/10W | | |
| R66A,67A | | | RK73FB2A103J | CHIP R 10K J 1/10W | | |
| R68A | | | RK73FB2A473J | CHIP R 47K J 1/10W | M2 | 5 |
| R69A | | | RK73FB2A104J | CHIP R 100K J 1/10W | | |
| R70A,71A | | | RK73FB2A103J | CHIP R 10K J 1/10W | | |
| R72A | | | RK73FB2A104J | CHIP R 100K J 1/10W | | |
| R73A | | | RK73FB2A102J | CHIP R 1.0K J 1/10W | | |
| R99A | | | RK73FB2A154J | CHIP R 150K J 1/10W | | |
| R100A | | | RK73FB2A154J | CHIP R 150K J 1/10W | | |
| R109A | | | RK73FB2A124J | CHIP R 120K J 1/10W | | |
| R110A | | | RK73FB2A473J | CHIP R 47K J 1/10W | | |
| R111A | | | RK73FB2A104J | CHIP R 100K J 1/10W | | |
| R112A | | | RK73FB2A473J | CHIP R 47K J 1/10W | | |
| R113A | | | RK73FB2A223J | CHIP R 22K J 1/10W | | |
| R114A | | | RK73FB2A224J | CHIP R 220K J 1/10W | | |
| R115A | | | RK73FB2A154J | CHIP R 150K J 1/10W | | |
| R116A | | | RK73FB2A123J | CHIP R 12K J 1/10W | | |
| R119A | | | RK73FB2A470J | CHIP R 47 J 1/10W | | |
| R121A | | | RK73FB2A474J | CHIP R 470K J 1/10W | | |
| R122A | | | RK73FB2A223J | CHIP R 22K J 1/10W | | |
| R123A | | | RK73FB2A472J | CHIP R 4.7K J 1/10W | | |
| R124A | | | RK73FB2A273J | CHIP R 27K J 1/10W | | |
| R125A | | | RK73FB2A223J | CHIP R 22K J 1/10W | | |
| R130A | | | RK73FB2A102J | CHIP R 1.0K J 1/10W | | |
| R134A | | | RK73FB2A101J | CHIP R 100 J 1/10W | | |
| R136A | | | RK73FB2A100J | CHIP R 10 J 1/10W | | |
| R137A | | | RK73FB2A152J | CHIP R 1.5K J 1/10W | | |
| R138A | | | RK73FB2A100J | CHIP R 10 J 1/10W | | |
| R140A | | | RK73FB2A392J | CHIP R 3.9K J 1/10W | | |
| R166A | | | RK73FB2A102J | CHIP R 1.0K J 1/10W | | |
| R167A | | | RK73FB2A473J | CHIP R 47K J 1/10W | | |
| R168A | | | RK73FB2A103J | CHIP R 10K J 1/10W | | |
| R169A | | | RK73FB2A333J | CHIP R 33K J 1/10W | | |

L : Scandinavia K : USA P : Canada R : Mexico 1 : DPC-181 2 : DPC-183
 Y : PX(Far East, Hawaii) T : Europe E : Europe G : Germany 3 : DPC-381 4 : DPC-382
 Y : AAFES(Europe) X : Australia M : Other Areas 5 : DPC-383

△ indicates safety critical components.

PARTS LIST

DPC-181/183/381/382/383

* New Parts
Parts without **Parts No.** are not supplied.
Les articles non mentionnés dans le **Parts No.** ne sont pas fournis.
Teile ohne **Parts No.** werden nicht geliefert.

7

| Ref. No | Add-ress | New Parts | Parts No. | Description | Desti-nation | Re-marks |
|-----------|----------|-----------|--------------|---------------------|--------------|----------|
| R170A | | | RK73FB2A562J | CHIP R 5.6K J 1/10W | | |
| R171A | | | RK73FB2A104J | CHIP R 100K J 1/10W | | |
| R172A | | | RK73FB2A153J | CHIP R 15K J 1/10W | | |
| R173A | | | RK73FB2A682J | CHIP R 6.8K J 1/10W | | |
| R174A | | | RK73FB2A682J | CHIP R 6.8K J 1/10W | | |
| R175A | | | RK73FB2A122J | CHIP R 1.2K J 1/10W | | |
| R177A | | | RK73FB2A473J | CHIP R 47K J 1/10W | | |
| R178A | | | RK73FB2A104J | CHIP R 100K J 1/10W | | |
| R179A | | | RK73FB2A105J | CHIP R 1.0M J 1/10W | | |
| R180A | | | RK73FB2A473J | CHIP R 47K J 1/10W | | |
| R181A | | | RK73FB2A681J | CHIP R 680 J 1/10W | | |
| R182A | | | RK73FB2A471J | CHIP R 470 J 1/10W | | |
| R183A | | | RK73FB2A101J | CHIP R 100 J 1/10W | | |
| R184A | | | RK73FB2A224J | CHIP R 220K J 1/10W | | |
| R189A | | | RK73FB2A103J | CHIP R 10K J 1/10W | | |
| R201A | | | RK73FB2A102J | CHIP R 1.0K J 1/10W | | |
| R202A | | | RK73FB2A473J | CHIP R 47K J 1/10W | | |
| R203A | | | RK73FB2A104J | CHIP R 100K J 1/10W | | |
| R204A | | | RK73FB2A821J | CHIP R 820 J 1/10W | | |
| R206A | | | RK73FB2A153J | CHIP R 15K J 1/10W | | |
| R207A | | | RK73FB2A564J | CHIP R 560K J 1/10W | | |
| R209A | | | RK73FB2A100J | CHIP R 10 J 1/10W | | |
| R210A | | | RK73FB2A104J | CHIP R 100K J 1/10W | | |
| R211A | | | RK73FB2A681J | CHIP R 680 J 1/10W | | |
| R220A | | | RK73FB2A562J | CHIP R 5.6K J 1/10W | | |
| R221A | | | RK73FB2A471J | CHIP R 470 J 1/10W | | |
| R222A | | | RK73FB2A472J | CHIP R 4.7K J 1/10W | | |
| R301A | | | RK73FB2A102J | CHIP R 1.0K J 1/10W | | |
| R302A | | | RK73FB2A473J | CHIP R 47K J 1/10W | | |
| R303A | | | RK73FB2A104J | CHIP R 100K J 1/10W | | |
| R304A | | | RK73FB2A821J | CHIP R 820 J 1/10W | | |
| R306A | | | RK73FB2A153J | CHIP R 15K J 1/10W | | |
| R307A | | | RK73FB2A564J | CHIP R 560K J 1/10W | | |
| R309A | | | RK73FB2A100J | CHIP R 10 J 1/10W | | |
| R310A | | | RK73FB2A104J | CHIP R 100K J 1/10W | | |
| R311A | | | RK73FB2A681J | CHIP R 680 J 1/10W | | |
| R320A | | | RK73FB2A562J | CHIP R 5.6K J 1/10W | | |
| R321A | | | RK73FB2A471J | CHIP R 470 J 1/10W | | |
| R322A | | | RK73FB2A472J | CHIP R 4.7K J 1/10W | | |
| R401A | | | RK73FB2A223J | CHIP R 22K J 1/10W | | |
| R501A | | | RK73FB2A683J | CHIP R 68K J 1/10W | | |
| R502A | | | RK73FB2A104J | CHIP R 100K J 1/10W | | |
| VR101 | | | R31-0086-08 | VARIABLE RESISTOR | | |
| SW101-106 | | * | S70-0053-08 | TACT SWITCH | | |
| SW107,108 | | * | S62-0064-08 | SLIDE SWITCH | | |
| SW109 | | * | S74-0082-08 | MICRO SWITCH | | |
| D1A | | | 1SS355 | DIODE | | |
| D102A | | | 1SS355 | DIODE | | |
| D104 | | * | SB10-03A3-BT | DIODE | | |
| D111,112 | | | IN-4001 | DIODE | | |
| D115 | | | GMB01-BT | DIODE | | |
| D115 | | * | SB10-03A3-BT | DIODE | M2 | 3,5 |
| D116 | | | GMB01-BT | DIODE | | |
| D117 | | | GMB01-BT | DIODE | M2 | |

L : Scandinavia K : USA P : Canada R : Mexico 1 : DPC-181 2 : DPC-183
Y : PX(Far East, Hawaii) T : Europe E : Europe G : Germany 3 : DPC-381 4 : DPC-382
V : AAFES(Europe) X : Australia M : Other Areas 5 : DPC-383

⚠ indicates safety critical components.

* New Parts
Parts without **Parts No.** are not supplied.
Les articles non mentionnés dans le **Parts No.** ne sont pas fournis.
Teile ohne **Parts No.** werden nicht geliefert.

8

| Ref. No | Add-ress | New Parts | Parts No. | Description | Desti-nation | Re-marks |
|------------|----------|-----------|----------------|---------------------------|--------------|----------|
| D117 | | | GMB01-BT | DIODE | M | 3 |
| D117 | | | GMB01-BT | DIODE | MM2 | 5 |
| D117 | | | GMB01-BT | DIODE | M2 | 1 |
| D119A-122A | | | 1SS355 | DIODE | | |
| D201A | | | 1SS355 | DIODE | | |
| D301A | | | 1SS355 | DIODE | | |
| IC1 | | | AN8806SB | IC(GD DIGITAL SERVO) | | |
| IC2 | | | AN8819NFB | IC | | |
| IC3 | | * | MN171603HFC | IC | | |
| IC4 | | | MN662740RE | IC | | |
| IC5 | | * | SM5859AF | IC | | 3,4,5 |
| IC6 | | * | MN41V4400SJ-07 | IC | | 3,4,5 |
| IC6 | | * | MN41V4400SJ-08 | IC | | 3,4,5 |
| IC7 | | | NJM2073M | IC(AF POWER AMP) | | |
| Q4 | | | 2SC3330 | TRANSISTOR | | |
| Q5 | | | 2SA1317 | TRANSISTOR | | |
| Q6 | | | 2SC3330 | TRANSISTOR | | |
| Q102 | | | 2SB598F | TRANSISTOR | | |
| Q104 | | | 2SA1317 | TRANSISTOR | | |
| Q106 | | * | 2SC4481T | TRANSISTOR | | |
| Q107 | | * | 2SC4048-AC | TRANSISTOR | | |
| Q108 | | * | 2SD1805F | TRANSISTOR | | |
| Q108 | | * | 2SD1805G | TRANSISTOR | | |
| Q109 | | | 2SC4204 | TRANSISTOR | | |
| Q110 | | | 2SA1317 | TRANSISTOR | | |
| Q111,112 | | | 2SB926T | TRANSISTOR | | |
| Q113 | | | 2SA1317 | TRANSISTOR | | |
| Q201 | | | 2SC3330 | TRANSISTOR | | |
| Q202 | | | 2SD734F | TRANSISTOR | | |
| Q203 | | * | 2SC3860 | TRANSISTOR | | |
| Q205A | | | 2SC3859 | TRANSISTOR | | |
| Q301 | | | 2SC3330 | TRANSISTOR | | |
| Q302 | | | 2SD734F | TRANSISTOR | | |
| Q303 | | * | 2SC3860 | TRANSISTOR | | |
| Q304 | | | 2SC3330 | TRANSISTOR | M2 | 5 |
| Q305A | | | 2SC3859 | TRANSISTOR | | |
| J104 | | * | W02-2630-08 | OPTICAL OUT 3.6MM(7 PINS) | M2 | 3,5 |

L : Scandinavia K : USA P : Canada R : Mexico 1 : DPC-181 2 : DPC-183
Y : PX(Far East, Hawaii) T : Europe E : Europe G : Germany 3 : DPC-381 4 : DPC-382
V : AAFES(Europe) X : Australia M : Other Areas 5 : DPC-383

⚠ indicates safety critical components.

PARTS LIST

DPC-181/183/381/382/383

DPC-181/183/381/382/383

SPECIFICATIONS

[Format]

SystemCompact disc digital audio system
 LaserSemiconductor laser

[Audio]

Frequency response20 Hz to 20 kHz, ± 3 dB
 PHONES output level (16 Ω , 1 kHz)10 mW + 10 mW
 Line output/impedance0.6 Vrms/1 k Ω
 Digital output (Optical) *-15dBm to ~ 21dBm (wave length 660 nm)

* M2 type only except DPC-181.

[Power supply]

External DC supply4.5V to 6 V DC
 Rechargeable batteries (NB-88) x 2 or 4DC 2.4 V
 Commercially-available alkaline batteries (LR6/AA) x 2 or 4DC 3 V

Battery life (continuous repeat playback)

(Figures inside parentheses show the performance when the D.A.S.C. is ON.)

Commercially-available alkaline batteries (LR6/AA) x 2Approx. 10 (8) Hours (DPC-382/381/383)
 Commercially-available alkaline batteries (LR6/AA) x 2Approx. 10 Hours (DPC-181/183)
 Commercially-available alkaline batteries (LR6/AA) x 4Approx. 20 (17.5) Hours (DPC-382/381/383)
 Commercially-available alkaline batteries (LR6/AA) x 4Approx. 20 Hours (DPC-181/183)
 Rechargeable batteries (NB-88) x 2Approx. 4 (3) Hours (DPC-382/381/383)
 Rechargeable batteries (NB-88) x 2Approx. 4 Hours (DPC-181/183)
 Rechargeable batteries (NB-88) x 4Approx. 9 (6) Hours (DPC-382/381/383)
 Rechargeable batteries (NB-88) x 4Approx. 9 Hours (DPC-181/183)

Dimensions (W x H x D)138 mm x 30 mm x 157 mm
 (5-7/16" x 1-3/16" x 6-3/16")

Dimensions (W x H x D)140 mm x 31 mm x 159 mm
 (5-1/2" x 1-1/4" x 6-1/8")

Weight (net)270 g (9.5 oz): DPC-181/381/382

Weight (net)280 g (9.9 oz): DPC-183/383

Note:

KENWOOD follows a policy of continuous advancements in development. For this reason specifications may be changed without notice.

DPC-181/183/381/382/383

Note:

Component and circuit are subject to modification to insure best operation under differing local conditions. This manual is based on Europe (E) standard, and provides information on regional circuit modification through use of alternate schematic diagrams, and information on regional component variations through use of parts list.

KENWOOD CORPORATION

14-6, Dogenzaka 1-chome, Shibuya-ku, Tokyo, 150 Japan

KENWOOD SERVICE CORPORATION

P.O. BOX 22745, 2201 East Dominguez St., Long Beach, CA 90801-5745, U.S.A.

KENWOOD ELECTRONICS CANADA INC.

6070 Kestrel Road, Mississauga, Ontario, Canada L5T 1S8

KENWOOD ELECTRONICS LATIN AMERICA S.A.

P.O. BOX 55-2791, Piso 6 plaza Chase, Cl. 47 y Aquilino de la Guardia Panama, Republic de Panama

KENWOOD ELECTRONICS U.K. LIMITED

KENWOOD House, Dwight Road, Watford, Herts., WD1 8EB., United Kingdom

KENWOOD ELECTRONICS BENELUX N.V.

Meachelsesteenweg 418, B-1930 Zaventem, Belgium

KENWOOD ELECTRONICS DEUTSCHLAND GMBH

Rembrücker Str. 15, 63150 Heusenstamm, Germany

KENWOOD ELECTRONICS FRANCE S.A.

13 Boulevard Ney, 75018 Paris, France

KENWOOD ELECTRONICS ITALIA S.p.A.

Via G. Sirtori, 7/9 20129, Milano, Italy

KENWOOD IBÉRICA S.A.

Bolivia, 239-08020 Barcelona, Spain

KENWOOD ELECTRONICS AUSTRALIA PTY. LTD.

(A.C.N. 001499 074)

P.O. Box 504, 8 Figtree Drive, Australia Centre, Homebush, N.S.W. 2140, Australia

KENWOOD & LEE ELECTRONICS, LTD.

Unit 3712-3724, Level 37, Tower 1, Metroplaza, 223 Hing Fong Road, Kwai Fong N.T., Hong Kong

KENWOOD ELECTRONICS GULF FZE

P.O. Box 61318, Jebel Ali, Dubai, U.A.E.

KENWOOD ELECTRONICS SINGAPORE PTE LTD.

No. 1 Genting Lane #02-02, KENWOOD Building, Singapore, 349544

KENWOOD ELECTRONICS (MALAYSIA) SDN BHD.

#4.01 Level 4, Wisma Academy Lot 4A, Jalan 19/1 46300 Petaling Jaya Selangor Darul Ehsan Malaysia