

## SPECIFICATIONS

<b>Format</b>	System ..... Compact disc digital audio system	Laser ..... Semiconductor laser
<b>Audio</b>	Frequency response ..... 20 Hz to 20 kHz, - 3 dB	PHONES output level (32 Ω, 1 kHz) ..... 9 mW + 9 mW
	Line output/impedance (BASS BOOST on) ..... 0.48 Vrms/47 kΩ	
<b>Power supply</b>	External DC supply ..... DC 4.5 V	Rechargeable batteries (NB-3A70) x 2 ..... DC 2.4 V
	Commercially-available alkaline batteries (LR03) x 2 ..... DC 3.0 V	

### Battery life (Fully charge)

	D.A.S.C. On	D.A.S.C. Off
Rechargeable batteries (NB-3A70)	Approx. 6.5 Hours	Approx. 5 Hours
Commercially-available alkaline batteries (LR03)	Approx. 10 Hours	Approx. 6.5 Hours

- At 0.1mW+0.1mW output (32Ω load).
- Standard value during continuous use/charging in an temperature of 20°C.
- Time of use may vary depending on battery maker, battery type, use environment, and temperature.

Dimensions (W x H x D) ..... 137 mm x 20.5 mm x 137 mm (5- 3/8" x 13/16" x 5-3/8")  
 Weight (net) ..... 171 g (6.0 oz)

### Note:

KENWOOD follows a policy of continuous advancements in development. For this reason specifications may be changed without notice.

In compliance with Federal Regulations, following are reproductions of labels on, or inside the product relating to laser product safety.

KENWOOD-Corp. certifies this equipment conforms to DHHS Regulations No. 21 CFR 1040. 10, Chapter 1, Subchapter J.

**DANGER : Laser radiation when open and interlock defeated. AVOID DIRECT EXPOSURE TO BEAM.**

# DPC-X337

## CONTENTS/ACCESSORIES / CAUTIONS

### CONTENTS

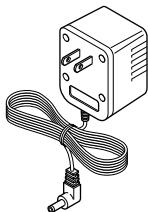
SPECIFICATIONS .....	COVER	EXPLODED VIEW .....	5
CONTENTS / ACCESSORIES / CAUTIONS .....	2	PARTS LIST .....	6
SCHEMATIC DIAGRAM .....	3		

### ACCESSORIES

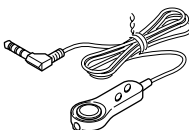
Headphone(1)  
(W01-0975-08)



AC adapter(1)  
(W08-0658-08)



Remot control ass'y(1)  
(A70-1646-08)



Rechargeable  
(W09-1310-08)



### CAUTIONS

**The marking of products using lasers (For countries other than U.S.A., U.S.-Military and Canada)**

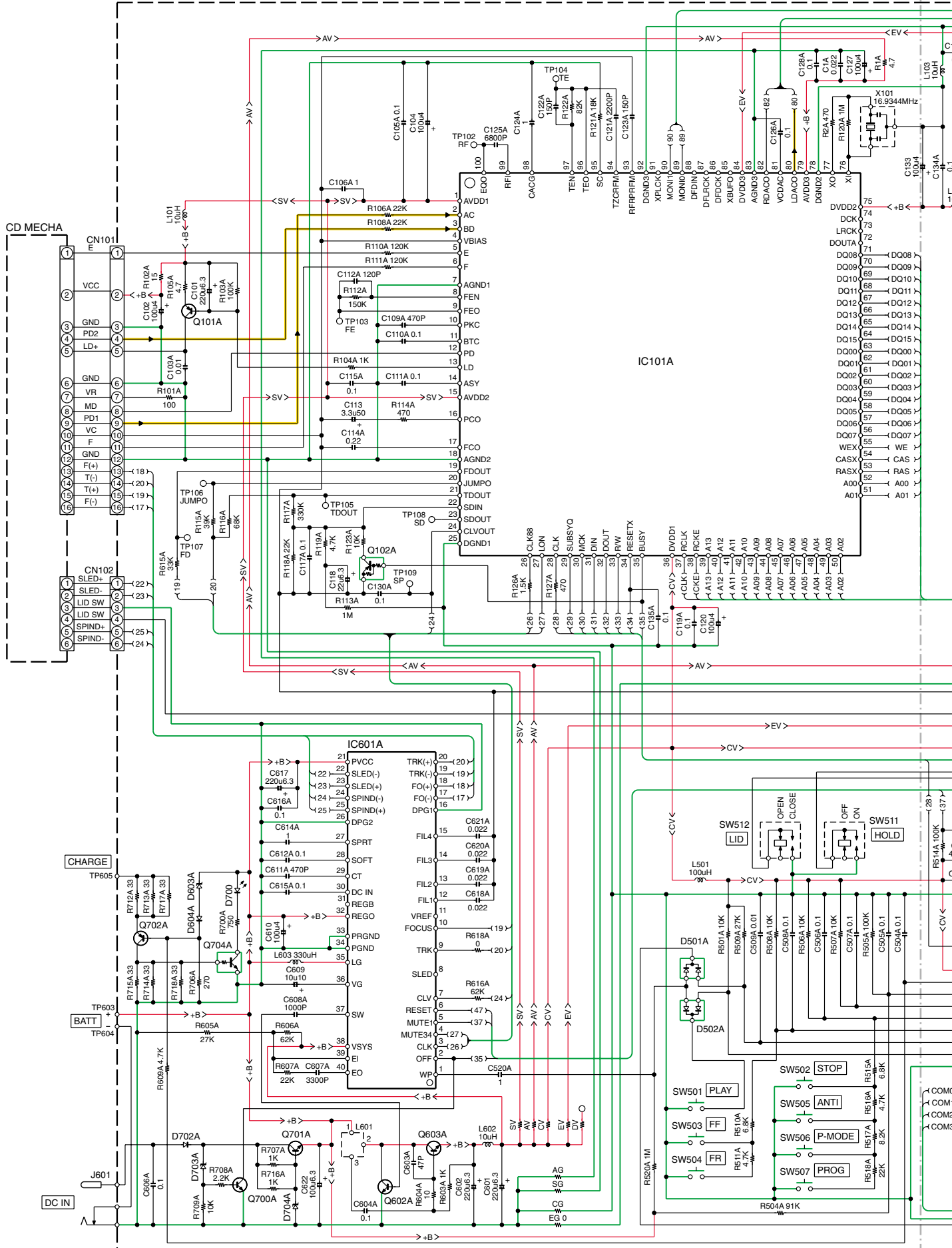
**CLASS 1  
LASER PRODUCT**

The marking this product has been classified as Class 1. It means that there is no danger of hazardous radiation outside the product.

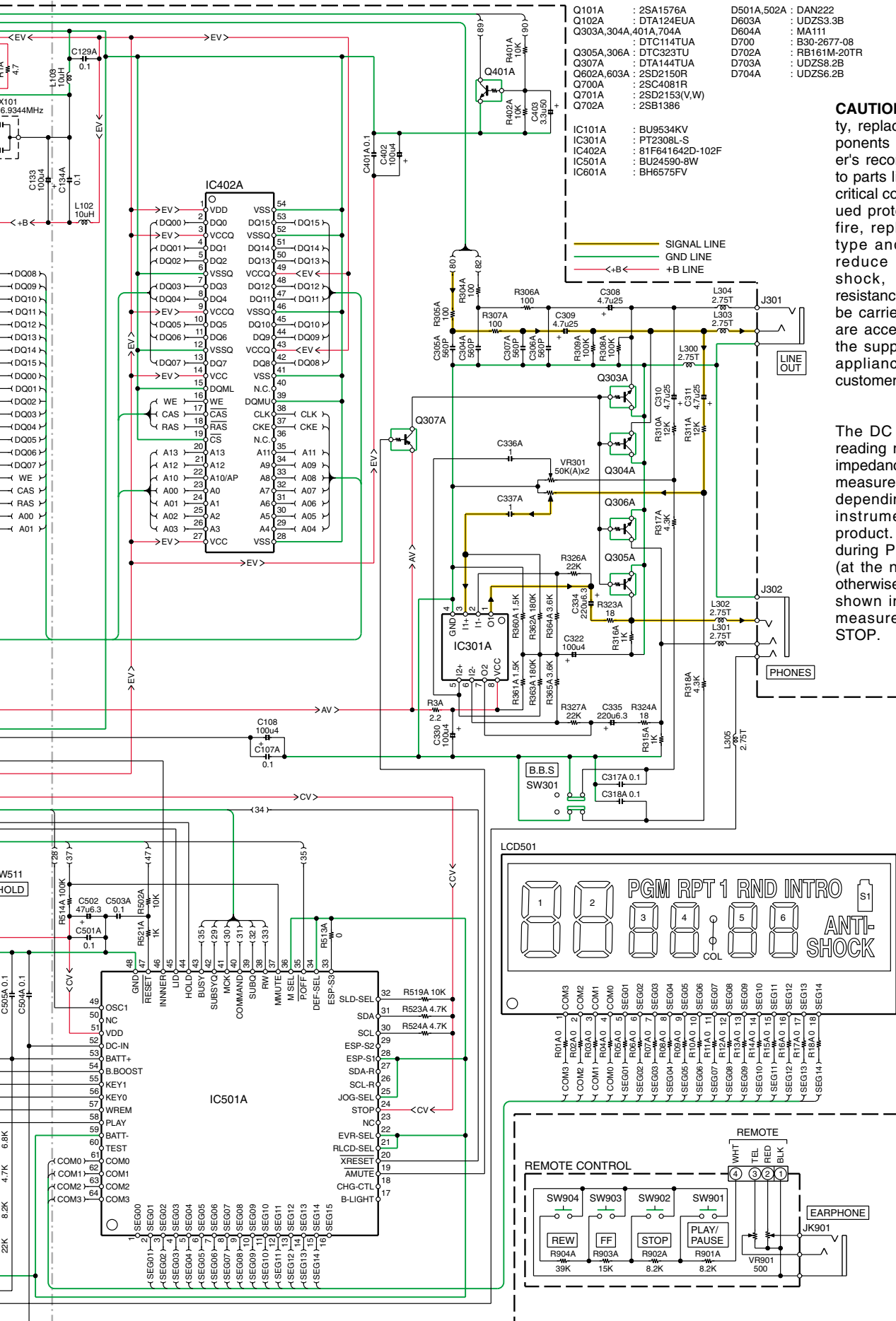
Location: Back panel

# DPC-X337

1  
2  
3  
4  
5  
6  
7

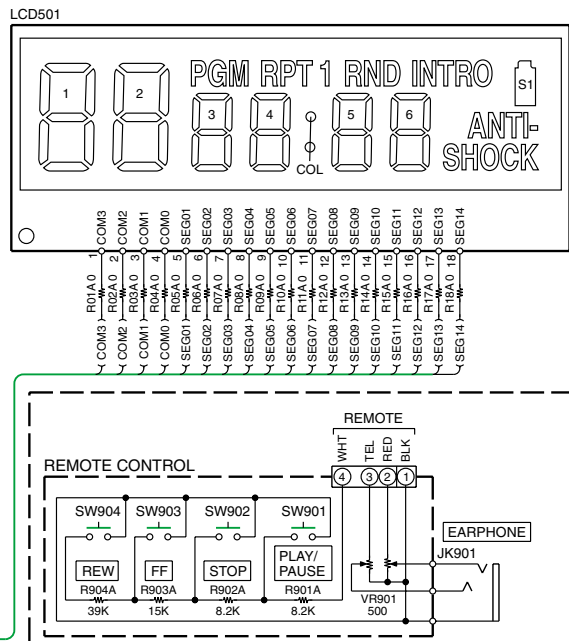


# DPC-X337

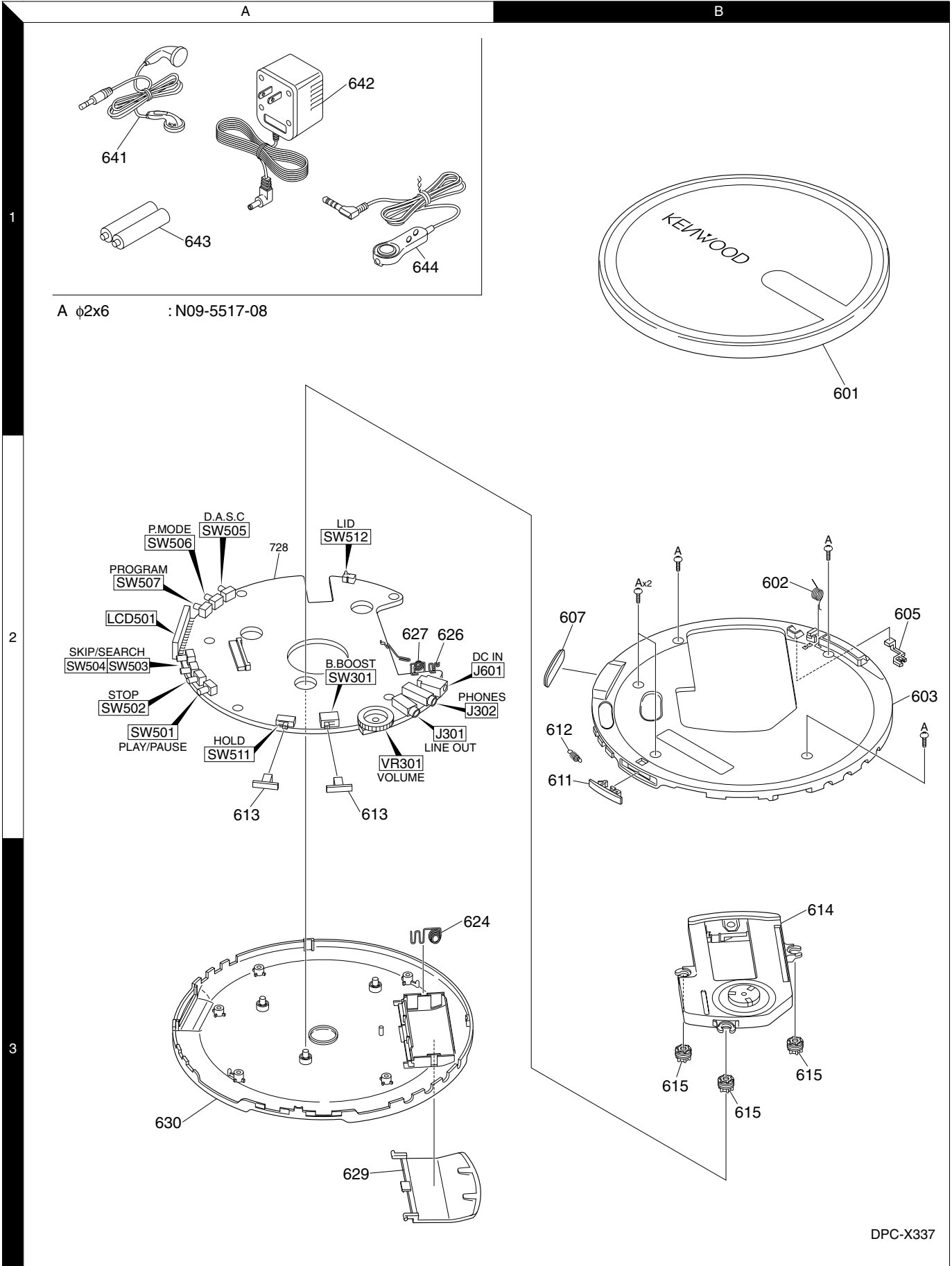


**CAUTION:** For continued safety, replace safety critical components only with manufacturer's recommended parts (refer to parts list).  $\Delta$  indicates safety critical components. For continued protection against risk of fire, replace only with same type and rating fuse(s). To reduce the risk of electric shock, leakage-current or resistance measurements shall be carried out (exposed parts are acceptably insulated from the supply circuit) before the appliance is returned to the customer.

The DC voltage is an actual reading measured with a high impedance type voltmeter. The measurement value may vary depending on the measuring instruments used or on the product. Refer to the voltage during PLAY with DASC OFF (at the normal speed) unless otherwise specified; The value shown in ( ) is the voltage measured at the moment of STOP.



## EXPLODED VIEW



DPC-X337

Parts with exploded numbers larger than 700 are not supplied.

\* New Parts  
Parts without **Parts No.** are not supplied.  
Les articles non mentionnés dans le **Parts No.** ne sont pas fournis.  
Teile ohne **Parts No.** werden nicht geliefert.

①

Ref. No	Add-ress	New Parts	Parts No.	Description	Desti-nation	Re-marks
<b>DPC-X337</b>						
-		*	B60-5389-08	INST. BOOK(EN)	152-53373-0266	
-		*	B60-5390-08	INST. BOOK(IT)	152-53374-0266	
601	1B	*	A53-2438-08	DPC-X337 DOOR	113-03281-0266	
602	2B	*	G01-4365-08	T328 DOOR SPRI	162-03281-306	
603	2B	*	B07-2704-08	DPC-X337 TOP C	103-03280-002	
605	2B	*	D10-5078-08	T328E DOOR ADA	130-03284-000	
607	2B	*	B10-5545-08	T328 DISPLAY L	117-03280-000	
611	2B	*	K29-8403-08	T328E OPEN KNO	127-03286-113	
612	2B	*	G01-4366-08	T328E OPEN SPR	162-03282-306	
613	2A	*	K29-8404-08	T328 HOLD/DBBS	127-03286-0974	
614	3B	*	D40-1821-15	SONY CD MECHAN	160-01000-001	
615	3B	*	J02-1569-08	T328 CD CUSHIO	161-03281-001	
624	3A	*	E23-1902-08	T328 BATTERY S	041-03283-002	
626	2A	*	E23-1903-08	T328 BATTERY S	041-03281-002	
627	2A	*	E23-1904-08	T328 BATTERY S	041-03282-002	
629	3A	*	A09-1306-08	T328 BATTERY D	111-03280-0895	
630	3A	*	A02-3104-08	T328 BOTTOM CA	104-03280-0895	
641	1A	*	W01-0975-08	ST.EAR PHONE K	053-21532-303	
642	1A	*	W08-0658-08	AC-DC ADAPTOR	059-96184-202	
643	1A	*	W09-1310-08	RECHARGEABLE BAT	998-00000-041	
644	1A	*	A70-1646-08	REMOTE CONTROL	144-52006-112	
A		*	N09-5517-08	SCREW 2 X 6 ST		
<b>ELECTRONICS PARTS</b>						
D700		*	B30-2677-08	L.E.D. 3MM(RED)	019-12000-304	
LCD501		*	B38-0273-08	LCD DISPLAY ISO	049-63661-001	
C1A			CK73GB1E223K	CHIP C	0.022UF K	
C101			CE04KW0J221M	ELECTRO	220UF 6.3WV	
C102			CE04KW0G101M	ELECTRO	100UF 4.0WV	
C103A			CK73GB1E103K	CHIP C	0.010UF K	
C104			CE04KW0G101M	ELECTRO	100UF 4.0WV	
C105A			CK73GB1H104K	CHIP C	0.10UF K	
C106A			CK73GB1C105K	CHIP C	1.0UF K	
C107A			CK73GB1H104K	CHIP C	0.10UF K	
C108			CE04KW0G101M	ELECTRO	100UF 4.0WV	
C109A			CK73GB1H471K	CHIP C	470PF K	
C110A,1A			CK73GB1H104K	CHIP C	0.10UF K	
C112A			CC73GCH1H121J	CHIP C	120PF J	
C113			CE04KW1H3R3M	ELECTRO	3.3UF 50WV	
C114A			CK73GB1E224K	CHIP C	0.22UF K	
C115A			CK73GB1H104K	CHIP C	0.10UF K	
C117A			CK73GB1H104K	CHIP C	0.10UF K	
C118			CE04KW0J220M	ELECTRO	22UF 6.3WV	
C119A			CK73GB1H104K	CHIP C	0.10UF K	
C120			CE04KW0G101M	ELECTRO	100UF 4.0WV	
C121A			CK73GB1H222K	CHIP C	2200PF K	
C122A,3A			CK73GB1H151J	CHIP C	150PF J	
C124A			CK73GB1C105K	CHIP C	1.0UF K	
C125A			CK73GB1E682K	CHIP C	6800PF K	
C126A			CK73GB1H104K	CHIP C	0.10UF K	
C127			CE04KW0G101M	ELECTRO	100UF 4.0WV	
C128A-30A			CK73GB1H104K	CHIP C	0.10UF K	
C133			CE04KW0G101M	ELECTRO	100UF 4.0WV	

L : Scandinavia K : USA P : Canada R : Mexico C : China I : Malaysia  
Y : PX(Far East,Hawaii) T : England E : Europe G : Germany V : China(Shanghai)  
Y : AAFES(Europe) X : Australia Q : Russia H : Korea M : Other Areas  $\Delta$  indicates safety critical components .

\* New Parts  
Parts without **Parts No.** are not supplied.  
Les articles non mentionnés dans le **Parts No.** ne sont pas fournis.  
Teile ohne **Parts No.** werden nicht geliefert.

②

Ref. No	Add-ress	New Parts	Parts No.	Description	Desti-nation	Re-marks
C134A,5A			CK73GB1H104K	CHIP C	0.10UF K	
C304A-7A			CK73GB1H561K	CHIP C	560PF K	
C308-311			CE04KW1E4R7M	ELECTRO	4.7UF 25WV	
C317A,8A			CK73GB1H104K	CHIP C	0.10UF K	
C322			CE04KW0G101M	ELECTRO	100UF 4.0WV	
C330			CE04KW0G101M	ELECTRO	100UF 4.0WV	
C334,5			CE04KW0J221M	ELECTRO	220UF 6.3WV	
C336A,7A			CK73GB1C105K	CHIP C	1.0UF K	
C401A			CK73GB1H104K	CHIP C	0.10UF K	
C402			CE04KW0G101M	ELECTRO	100UF 4.0WV	
C403			CE04KW1H3R3M	ELECTRO	3.3UF 50WV	
C501A			CK73GB1H104K	CHIP C	0.10UF K	
C502			CE04KW0J470M	ELECTRO	47UF 6.3WV	
C503A-8A			CK73GB1H104K	CHIP C	0.10UF K	
C509A			CK73GB1E103K	CHIP C	0.010UF K	
C520A			CK73GB1C105K	CHIP C	1.0UF K	
C601,2			CE04KW0J221M	ELECTRO	220UF 6.3WV	
C603A			CC73GCH1H470J	CHIP C	47PF J	
C604A			CK73GB1H104K	CHIP C	0.10UF K	
C606A			CK73GB1H104K	CHIP C	0.10UF K	
C607A			CK73GB1E332K	CHIP C	3300PF K	
C608A			CK73GB1E102K	CHIP C	1000PF K	
C609			CE04KW1A100M	ELECTRO	10UF 10WV	
C610			CE04KW0G101M	ELECTRO	100UF 4.0WV	
C611A			CK73GB1H471K	CHIP C	470PF K	
C612A			CK73GB1H104K	CHIP C	0.10UF K	
C614A			CK73GB1C105K	CHIP C	1.0UF K	
C615A,6A			CK73GB1H104K	CHIP C	0.10UF K	
C617			CE04KW0J221M	ELECTRO	220UF 6.3WV	
C618A-21A			CK73GB1E223K	CHIP C	0.022UF K	
C622			CE04KW0J101M	ELECTRO	100UF 6.3WV	
CN101		*	E41-1352-08	16P ZIF R/A CON	025-20016-303	
CN102		*	E41-0897-08	6P WAFER H-TYPE	025-20006-105	
J301		*	E11-0965-08	STEREO JACK EJS	021-23505-101	
J302		*	E11-0988-08	STEREO JACK EJS	021-23505-102	
J601		*	E63-1006-08	DC JACK 3PINS (	021-34503-101	
L101,2		*	L33-1705-08	AXIAL INDUCTOR	015-00100-107	
L103		*	L33-1709-08	CHOCOIL COIL 10 U	015-00100-006	
L300-304		*	L33-1707-08	CHOCOIL COIL 2 3	015-00003-101	
L501		*	L33-0547-08	CHOCOIL COILS 100	015-00101-000	
L601		*	L33-1708-08	CHOCOIL COIL 130	015-00131-006	
L602		*	L33-1709-08	CHOCOIL COIL 10 U	015-00100-006	
L603		*	L33-1710-08	CHOCOIL COIL 330	015-00331-106	
X101		*	L77-2407-08	CERAMIC RESONAT	052-16930-104	
R01-18A			RK73GB2A000J	CHIP R	0 J 1/10W	
R1A			RK73GB2A4R7J	CHIP R	4.7 J 1/10W	
R2A			RK73GB2A471J	CHIP R	470 J 1/10W	
R3A			RK73GB2A2R2J	CHIP R	2.2 J 1/10W	
R101A			RK73GB2A101J	CHIP R	100 J 1/10W	
R102A			RK73GB2A150J	CHIP R	15 J 1/10W	
R103A			RK73GB2A104J	CHIP R	100K J 1/10W	
R104A			RK73GB2A102J	CHIP R	1.0K J 1/10W	
R105A			RK73GB2A4R7J	CHIP R	4.7 J 1/10W	
R106A			RK73GB2A223J	CHIP R	22K J 1/10W	

L : Scandinavia K : USA P : Canada R : Mexico C : China I : Malaysia  
Y : PX(Far East,Hawaii) T : England E : Europe G : Germany V : China(Shanghai)  
Y : AAFES(Europe) X : Australia Q : Russia H : Korea M : Other Areas  $\Delta$  indicates safety critical components .

\* New Parts

Parts without **Parts No.** are not supplied.  
Les articles non mentionnés dans le **Parts No.** ne sont pas fournis.  
Teile ohne **Parts No.** werden nicht geliefert.

③

Ref. No	Add-ress	New Parts	Parts No.	Description	Desti-nation	Re-marks
R108A			RK73GB2A223J	CHIP R 22K J 1/10W		
R110A,1A			RK73GB2A124J	CHIP R 120K J 1/10W		
R112A			RK73GB2A154J	CHIP R 150K J 1/10W		
R113A			RK73GB2A105J	CHIP R 1.0M J 1/10W		
R114A			RK73GB2A471J	CHIP R 470 J 1/10W		
R115A			RK73GB2A393J	CHIP R 39K J 1/10W		
R116A			RK73GB2A683J	CHIP R 68K J 1/10W		
R117A			RK73GB2A334J	CHIP R 330K J 1/10W		
R118A			RK73GB2A223J	CHIP R 22K J 1/10W		
R119A			RK73GB2A472J	CHIP R 4.7K J 1/10W		
R120A			RK73GB2A105J	CHIP R 1.0M J 1/10W		
R121A			RK73GB2A183J	CHIP R 18K J 1/10W		
R122A			RK73GB2A823J	CHIP R 82K J 1/10W		
R123A			RK73GB2A103J	CHIP R 10K J 1/10W		
R126A			RK73GB2A152J	CHIP R 1.5K J 1/10W		
R127A			RK73GB2A471J	CHIP R 470 J 1/10W		
R304A,7A			RK73GB2A101J	CHIP R 100 J 1/10W		
R308A,9A			RK73GB2A104J	CHIP R 100K J 1/10W		
R310A,1A			RK73GB2A123J	CHIP R 12K J 1/10W		
R315A,6A			RK73GB2A102J	CHIP R 1.0K J 1/10W		
R317A,8A			RK73GB2A432J	CHIP R 4.3K J 1/10W		
R323A,4A			RK73GB2A180J	CHIP R 18 J 1/10W		
R326A,7A			RK73GB2A223J	CHIP R 22K J 1/10W		
R360A,1A			RK73GB2A152J	CHIP R 1.5K J 1/10W		
R362A,3A			RK73GB2A184J	CHIP R 180K J 1/10W		
R364A,5A			RK73GB2A362J	CHIP R 3.6K J 1/10W		
R401A,2A			RK73GB2A103J	CHIP R 10K J 1/10W		
R501A,2A			RK73GB2A103J	CHIP R 10K J 1/10W		
R504A			RK73GB2A913J	CHIP R 91K J 1/10W		
R505A			RK73GB2A104J	CHIP R 100K J 1/10W		
R509A			RK73GB2A273J	CHIP R 27K J 1/10W		
R510A			RK73GB2A682J	CHIP R 6.8K J 1/10W		
R511A			RK73GB2A472J	CHIP R 4.7K J 1/10W		
R513A			RK73GB2A000J	CHIP R 0 J 1/10W		
R514A			RK73GB2A104J	CHIP R 100K J 1/10W		
R515A			RK73GB2A682J	CHIP R 6.8K J 1/10W		
R516A			RK73GB2A472J	CHIP R 4.7K J 1/10W		
R517A			RK73GB2A822J	CHIP R 8.2K J 1/10W		
R518A			RK73GB2A223J	CHIP R 22K J 1/10W		
R519A			RK73GB2A103J	CHIP R 10K J 1/10W		
R520A			RK73GB2A105J	CHIP R 1.0M J 1/10W		
R521A			RK73GB2A102J	CHIP R 1.0K J 1/10W		
R523A,4A			RK73GB2A472J	CHIP R 4.7K J 1/10W		
R603A			RK73GB2A102J	CHIP R 1.0K J 1/10W		
R604A			RK73GB2A100J	CHIP R 10 J 1/10W		
R605A			RK73GB2A273J	CHIP R 27K J 1/10W		
R606A			RK73GB2A623J	CHIP R 62K J 1/10W		
R607A			RK73GB2A223J	CHIP R 22K J 1/10W		
R609A			RK73GB2A472J	CHIP R 4.7K J 1/10W		
R615A			RK73GB2A333J	CHIP R 33K J 1/10W		
R616A			RK73GB2A623J	CHIP R 62K J 1/10W		
R618A			RK73GB2A000J	CHIP R 0 J 1/10W		
R700A			RK73FB2B751J	CHIP R 750 J 1/8W		
R706A			RK73FB2B271J	CHIP R 270 J 1/8W		
R707A			RK73GB2A102J	CHIP R 1.0K J 1/10W		

L : Scandinavia K : USA P : Canada R : Mexico C : China I : Malaysia  
Y : PX(Far East,Hawaii) T : England E : Europe G : Germany V : China(Shanghai)  
Y : AAFES(Europe) X : Australia Q : Russia H : Korea M : Other Areas  $\Delta$  indicates safety critical components.

\* New Parts

Parts without **Parts No.** are not supplied.  
Les articles non mentionnés dans le **Parts No.** ne sont pas fournis.  
Teile ohne **Parts No.** werden nicht geliefert.

④

Ref. No	Add-ress	New Parts	Parts No.	Description	Desti-nation	Re-marks
R708A			RK73GB2A222J	CHIP R 2.2K J 1/10W		
R709A			RK73GB2A103J	CHIP R 10K J 1/10W		
R712A-5A			RK73GB2A330J	CHIP R 33 J 1/10W		
R716A			RK73GB2A102J	CHIP R 1.0K J 1/10W		
R717A,8A			RK73GB2A330J	CHIP R 33 J 1/10W		
RA506A-8A			RK73GB2A103J	CHIP R 10K J 1/10W		
REG			RK73GB2A000J	CHIP R 0 J 1/10W		
VR301			R31-0113-08	ROTARY VOL. R10010-21503-161		
SW301		*	S62-0123-08	SWITCH SK-22D03020-12203-105		
SW501-507			S70-0103-08	TACT SWITCH TC-020-31100-171		
SW511			S62-0064-08	SWITCH SK12D02G020-11203-103		
SW512			S74-0093-18	TACT SWITCH MPU020-31100-056		
D501A,2A			DAN222	CHIP DIODE DAN 2004-80222-400		
D603A			UDZS3.3B	CHIP ZENER DIOD 004-80033-215		
D604A			MA111	SW. DIODE MA 111004-80111-400		
D702A		*	RB161M-20TR	CHIP MSCHOTTKY 004-80161-400		
D703A			UDZS8.2B	UDZS8.2B (SMT) 004-80082-215		
D704A			UDZS6.2B	UDZS6.2B (SMT) 004-80062-215		
IC101A		*	BU9534KV	IC BU9534KV (RH002-09534-140		
IC301A		*	PT2308L-S	IC PT2308L-S (P002-02308-151		
IC402A		*	81F641642D-102F	IC 81F641642D-1002-41642-230		
IC501A		*	BU24590-8W	IC BU24590-8W (002-24590-141		
IC601A		*	BH6575FV	IC BH6575FV (RH002-06575-140		
Q101A			2SA1576A	CHIP TRANSISTOR 003-21576-148		
Q102A			DTA124EUA	CHIP TRANSISTOR 003-20124-140		
Q303A,4A			DTC114TUA	CHIP TRANSISTOR 003-20114-141-01		
Q305A,6A			DTC323TU	CHIP TRANSISTOR 003-20323-140		
Q307A			DTA144TUA	CHIP TRANSISTOR 003-20144-141-02		
Q401A			DTC114TUA	CHIP TRANSISTOR 003-20114-141-01		
Q602A,3A		*	2SD2150R	CHIP TRANSISTOR 003-22150-148		
Q700A			2SC4081R	CHIP TRANSISTOR 003-24081-148		
Q701A			2SD2153(V,W)	CHIP TRANSISTOR 003-22153-142		
Q702A			2SB1386	CHIP TRANSISTOR 003-21386-147		
Q704A			DTC114TUA	CHIP TRANSISTOR 003-20114-141-01		

L : Scandinavia K : USA P : Canada R : Mexico C : China I : Malaysia  
Y : PX(Far East,Hawaii) T : England E : Europe G : Germany V : China(Shanghai)  
Y : AAFES(Europe) X : Australia Q : Russia H : Korea M : Other Areas  $\Delta$  indicates safety critical components.

PARTS LIST

DPC-X337